



Salamander Designs Surface Hub 2S Mounting Solutions

Fully authorized and certified by Microsoft, Salamander Designs delivers exclusive FPS Stands for Surface Hub 2S. Offering fixed and adjustable heights, storage for all AV components/wiring, these are the only Electric Stands built to integrate seamlessly with Surface Hub 2S, while offering a mobile solution. Available in both fixed and adjustable heights, our precision ergonomics allow for optimal productivity, flexibility and collaboration.

Salamander Electric Stands

- Provide accessible, comfortable and ergonomically correct touchscreen positioning that enhances the user experience and improves productivity.
- Fully concealed cable management allows clean and uncluttered installation
- Storage for electronic components, peripherals and accessories.
- Telescopic design allows compact position for transport and storage
- Durable construction. Made in USA of powder coated steel, Linak Motor components, Powder coated and/or veneered MDF panels
- Options available for peripheral equipment mounting, retractable cable reel, secure equipment storage cover, keyboard tray and more.
- Limited Lifetime Warranty

Designed for




Electric Lift & Tilt Mobile Stand

Gray - FPS2/ELT/MS/GG/EX

White - FPS2/ELT/VW/EX

- Motorized electric lift and tilt with wired remote with independent lift/tilt control
- Range of travel, Center of screen: Min – 847mm and Max 1497mm
- Superior mobility. High quality, commercial grade locking casters and integrated handles provide easy maneuverability and transport



Electric Lift Mobile Stand

Gray - FPS2/EL/MS/GG/EX

White - FPS2/EL/VW/EX

- Motorized electric lift with wired remote
- Range of travel, Center of screen: Min – 935mm and Max 1585mm
- Superior mobility. High quality, commercial grade locking casters and integrated handles provide easy maneuverability and transport



Electric Lift Wall Stand

Gray - FPS2W/EL/MS/GG/EX

White - FPS2W/EL/VW/EX

- Motorized electric lift with wired remote
- Range of travel, Center of screen: Min – 863mm and Max 1513mm
- Interior equipment mounting area for electronic components, peripherals and accessories

Salamander Fixed Height Stands

- Ergonomic design. Adjustable height positioning (during set-up) provides best possible ergonomics and viewing
- Superior mobility. High quality commercial grade locking casters and integrated handles provide easy maneuverability and transport
- Fully concealed cable management allows clean, secure and uncluttered installation
- Internal storage for rack mounted (2RU) electronic components, peripherals and accessories
- Durable construction. Made in USA of powder coated steel
- Options available for peripheral equipment mounting, retractable cable reel, keyboard tray and more
- Limited Lifetime Warranty



Fixed Height Stand

Gray - FPS1/FH/MS/GG

- Center of screen:
Min – 1226mm and Max 1480mm

Designed for


Salamander XL Electric Lift Stands for 85" Surface Hub 2S

- Provide accessible, comfortable and ergonomically correct touchscreen positioning that enhances the user experience and improves productivity.
- ADA complaint design
- Fully concealed cable management allows clean and uncluttered installation
- Storage for electronic components, peripherals and accessories.
- Telescopic design allows compact position for transport and storage
- Durable construction. Made in USA of powder coated steel, Linak Motor components, Powder coated and/or veneered MDF panels
- Options available for peripheral equipment mounting, retractable cable reel, secure equipment storage cover, keyboard tray and more.
- Limited Lifetime Warranty
- Motorized electric lift with wired remote
- Range of travel, Center of screen:
Min – 935mm and Max 1585mm
- Superior mobility. High quality, commercial grade locking casters and integrated handles provide maneuverability and transport

Gray - FPS1XL/EL/MS/GG/EX

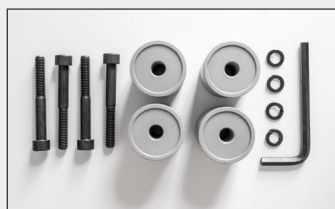
White - FPS1XL/EL/VW/EX



Salamander XL Fixed Height Stands for 85" Surface Hub 2S

- Ergonomic design. Adjustable height positioning (during set-up) provides best possible ergonomics and viewing
- Superior mobility. High quality commercial grade locking casters and integrated handles provide easy maneuverability and transport
- Fully concealed cable management allows clean, secure and uncluttered installation
- Internal storage for rack mounted (2RU) electronic components, peripherals and accessories
- Durable construction. Made in USA of powder coated steel
- Options available for peripheral equipment mounting, retractable cable reel, keyboard tray and more
- Limited Lifetime Warranty
- Center of screen: Min – 1226mm and Max 1480mm

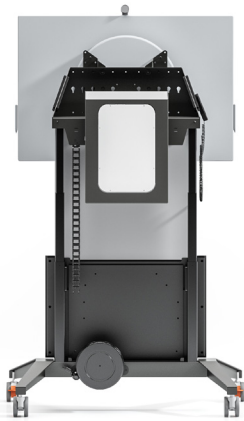
Gray - FPS1XL/FH/MS/GG



Surface Hub 2S 85" Mounting Adapter Kit CA/MAC5

- Mount the SH2 85" to any VESA compliant wall mount or stand using the universal spacer kit. Call for details.
- Receive a **FREE** Mounting Adapter Kit with every Salamander FPS X-Large Stand.





Electric Lift Mobile Stand



Fixed Height Mobile Stand

Salamander and Schneider Electric for a Complete Mobile Solution Hub 2S Solution.

Now you can deploy a truly wireless, mobile meeting experience with this fully integrated Surface Hub 2S with APC™ Smart-UPS™ battery system by Schneider Electric™ and Salamander Designs, FPS Electric Lift and Fixed Height Stands.

This all-in-one solution ensures the APC Smart-UPS Charge, a lithium-ion battery system, stays secure as you move the Surface Hub 2S around and make any space a teamwork space. The battery (sold separately) allows mobility for over 100 minutes, so that you stay connected and never lose the creative momentum. The Salamander cover is constructed with the finest quality, laser cut steel and includes a durable steel locking mechanism to ensure long-lasting, secure battery storage.



*Battery not included

Surface Hub 2S Battery Storage Case

- Secures APC™ Mobile Battery to Salamander Designs FPS Electric Lift and Fixed Height Stands
- Enables additional component storage below battery thanks to a slim design
- Ensures long-lasting durability with premium, laser cut steel construction
- Charge battery and operate stand with minimal effort by adding our standard cable reel accessory
- Product Dimensions 16.2" W (411 mm) x 24.16" H (614mm) x 3.76" D (95mm)
- Enjoy total peace of mind with our Lifetime Limited Warranty
- Not compatible with the following accessories; Keyboard Shelf, 3U or 5U Racks or Storage Covers

Part# – FPSA/MSB



Life Is On | **Schneider**
Electric

APC Smart-UPS Charge Mobile Battery for Microsoft Surface Hub 2

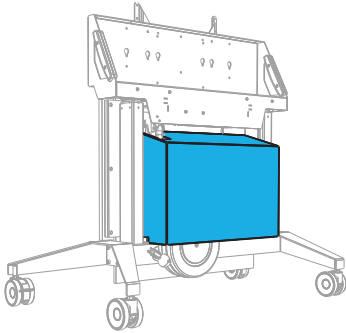
Lithium-ion battery system designed to power Microsoft Surface Hub 2 on-the-go for over 100 minutes, so you stay connected regardless of the location.

Part# CSH2

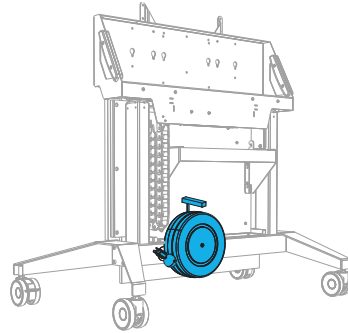
*Only Compatible with Surface Hub 2S 50"

Stand Accessories

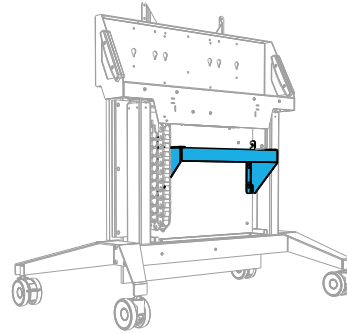
*Compatible with Electric Lift Stands only.



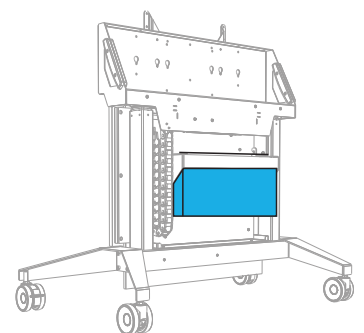
***Equipment Storage Cover – Graphite**
FPSA/SC/GT



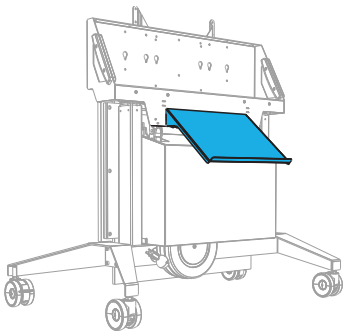
Retractable CAT6 Cable Reel
FPSA/CR/CAT6



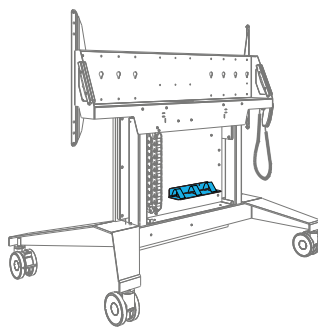
***19" Rack Mounting 3 RU**
RM/VR/3U



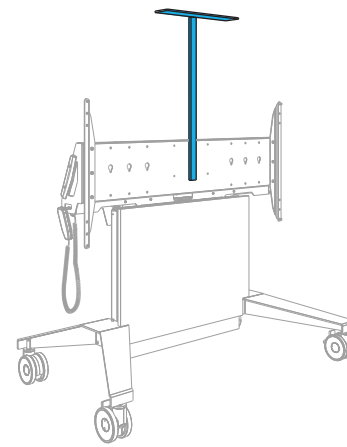
Power Distribution Unit
SA/RM/PDU



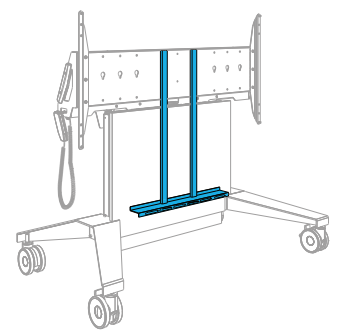
Keyboard Storage Shelf – Graphite
FPSA/KS/GT



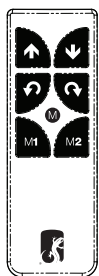
***Accessory Shelf with Straps**
FPSA/AS1



Camera Mount Shelf
FPSA/CS



Speaker Bracket Kit
FPSA/SBK



***Wireless RF Remote Control with Memory**
FPSA/RF1

ROAD CASE

FOR EASY DEPLOYMENT

Combine a mobile stand with a road case to provide secure and convenient transport of your display.

Accommodates Stand & Display

FPSA/RC/EL

