

UNDERCOUNTER EVAPORATOR

Job Name: _____

Item Number: _____

Model Number: _____



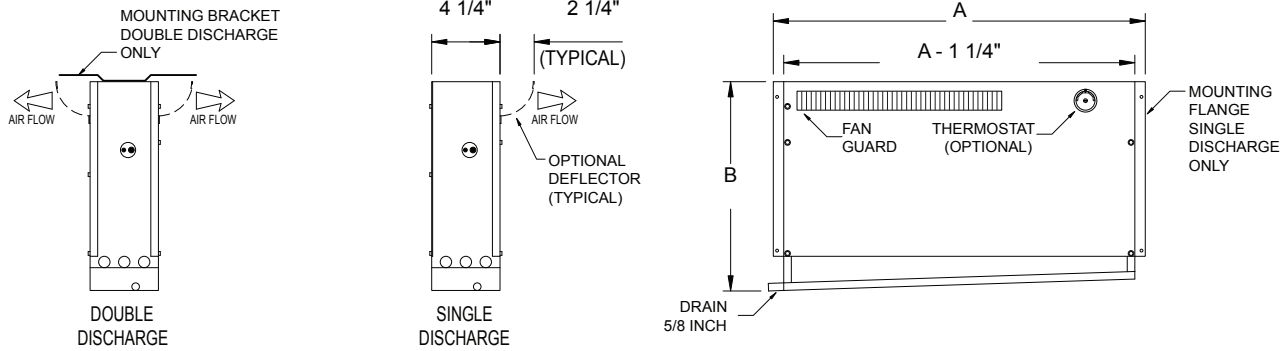
STANDARD FEATURES:

- Standard 115 volt operation (optional 208 v.)
- Internal terminal block for electrical connection
- Low profile vertical mount design can be mounted behind pans to maximize storage capacity
- Single or double side horizontal discharge
- Durable 18 gauge aluminum body equipped with safety screen to prevent outside material from entering
- Unique patented coil design produces maximum delivery of cold air, even under static pressure that render conventional propeller fans ineffective
- Transflow blower delivers up to 30% more refrigerated air than the competition
- Exclusive Omni-200 Gold - corrosion resistant coated fin stock is standard
- Medium and low temperature applications (electric defrost)
- Mounted drain pan furnishes proper drain slope

OPTIONS:

- 208 volt /1 phase operation for either domestic or export projects
- Vertical air discharge - optional 45 degree deflector
- Stainless steel housing for highly corrosive environments
- Versatile drain line configuration left side or down - right side or down
- Full Prep - basic unit plus factory mounted expansion valve, solenoid valve, thermostat and liquid line strainer
- Slave Coil - basic unit plus factory mounted expansion valve only
- Liquid and suction lines are piped out, sealed, tested and shipped under dry nitrogen pressure

UNIT COOLER SPECIFICATION DATA



	OT COIL MODEL	DIMENSIONAL DATA			H.P.	Total C.F.M.	Total 115 V AMPS	DEF. AMPS	SHIP WT. (LBS.)		
		BTU'S @ -10° Suction	BTU'S @ +25° Suction	A						B	
SINGLE DISCHARGE	MEDIUM TEMP.	OTM-08		800	12"	12-1/2"	1/100	80	0.6	----	15
		OTM-10		1000	18"	13-3/4"	1/70	120	1.0	E *	15
		OTM-12		1200	18"	13-3/4"	1/70	120	1.0	E *	20
		OTM-13		1300	20-1/2"	12-1/2"	1/40	220	1.3	E *	22
		OTM-15		1500	24-1/2"	13-3/4"	1/40	220	1.3	E *	22
		OTM-17		1700	24-1/2"	14-1/2"	1/40	220	1.3	E *	30
		OTM-20		2000	34"	13-3/4"	(2) 1/70	240	2.0	E *	30
		OTM-30		3000	47-1/2"	13-3/4"	(2) 1/40	440	2.6	E *	35
	OTM-40		4000	51-1/2"	14-1/2"	(2) 1/30	660	2.8	E *	45	
	LOW TEMP.	OTF-09	900		18"	13-3/4"	1/70	120	1.0	5.0	17
		OTF-11	1100		18"	13-3/4"	1/70	120	1.0	5.0	22
		OTF-12	1200		20-1/2"	12-1/2"	1/40	220	1.3	5.0	22
		OTF-13	1300		24-1/2"	13-3/4"	1/40	220	1.3	6.25	24
		OTF-15	1500		24-1/2"	14-1/2"	1/40	220	1.3	6.25	25
		OTF-18	1800		34"	13-3/4"	(2) 1/70	240	2.0	10.0	35
		OTF-26	2600		47-1/2"	13-3/4"	(2) 1/40	440	2.6	10.0	40
OTF-35		3500		51-1/2"	14-1/2"	(2) 1/30	660	2.8	12.5	50	
DOUBLE DISCHARGE	MEDIUM TEMP.	OTMD-10		1000	16-3/4"	13-3/4"	(2) 1/100	160	1.2	E *	20
		OTMD-12		1200	16-3/4"	13-3/4"	(2) 1/100	160	1.2	E *	25
		OTMD-13		1300	19-1/4"	12-1/2"	(2) 1/100	160	1.2	E *	30
		OTMD-15		1500	23-1/4"	13-3/4"	(2) 1/70	240	2.0	E *	30
		OTMD-17		1700	23-1/4"	14-1/2"	(2) 1/70	240	2.0	E *	35
		OTMD-20		2000	31-3/4"	13-3/4"	(2) 1/70	240	2.0	E *	37
		OTMD-30		3000	46-1/4"	13-3/4"	(2) 1/40	440	2.6	E *	43
		OTMD-40		4000	50-1/4"	14-1/2"	(2) 1/30	660	2.8	E *	52
	LOW TEMP.	OTFD-09	900		16-3/4"	13-3/4"	(2) 1/100	160	1.2	5.0	22
		OTFD-11	1100		16-3/4"	13-3/4"	(2) 1/100	160	1.2	5.0	27
		OTFD-12	1200		19-1/4"	12-1/2"	(2) 1/100	160	1.2	5.0	27
		OTFD-13	1300		23-1/4"	13-3/4"	(2) 1/70	240	2.0	6.25	35
		OTFD-15	1500		23-1/4"	14-1/2"	(2) 1/70	240	2.0	6.25	38
		OTFD-18	1800		31-3/4"	13-3/4"	(2) 1/70	240	2.0	10.0	40
		OTFD-26	2600		46-1/4"	13-3/4"	(2) 1/40	440	2.6	10.0	45
		OTFD-35	3500		50-1/4"	14-1/2"	(2) 1/30	660	2.8	12.5	55

208 V COILS AVAILABLE. CONSULT THE FACTORY.

E * = OT MEDIUM TEMPERATURE COILS ARE AVAILABLE WITH ELECTRIC DEFROST

CONSULT FACTORY FOR PRICING AND LEAD TIME