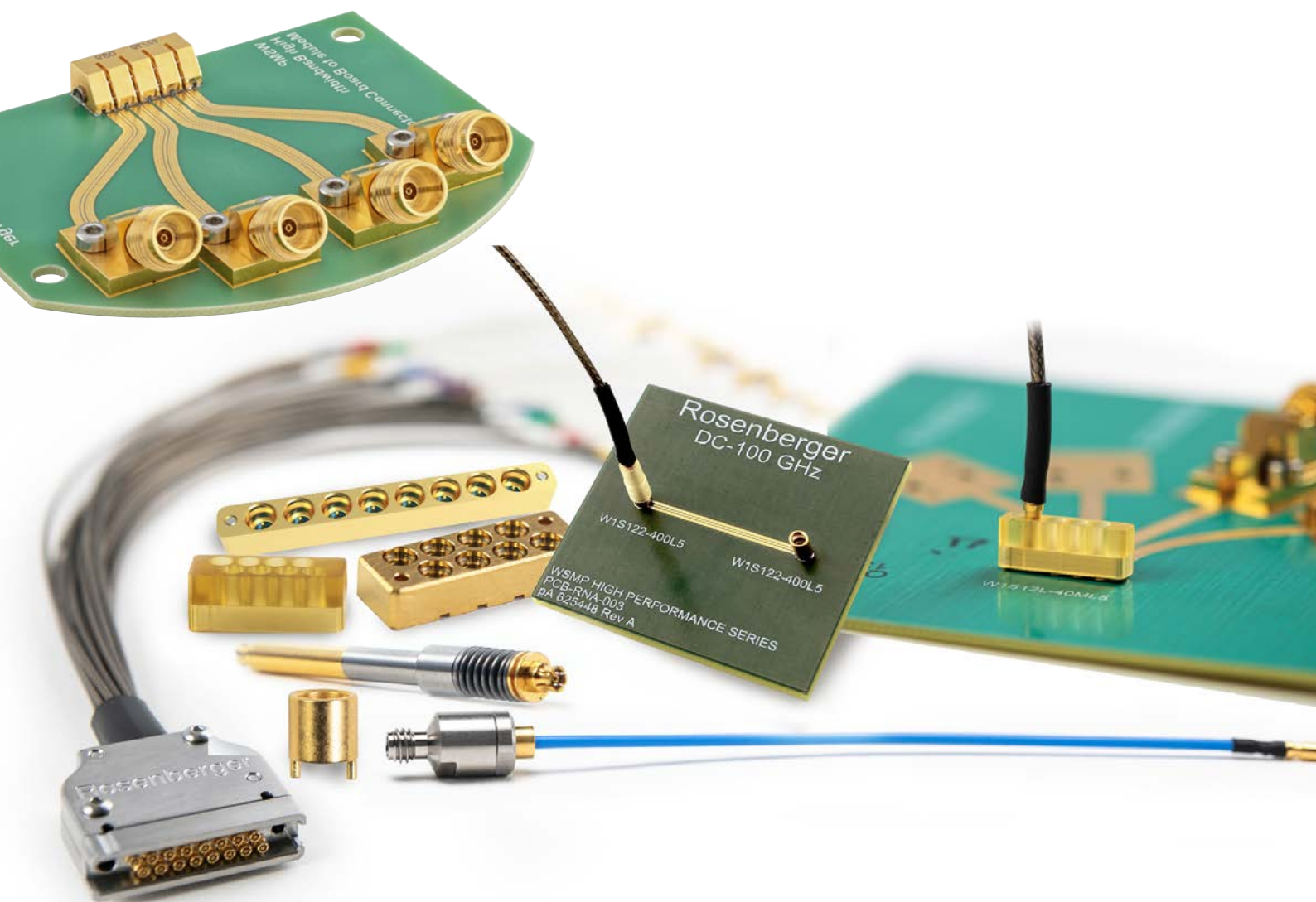


For High Density Applications up to 100 GHz

WSMP[®] Coaxial Connectors and Cable Assemblies

AEROSPACE, SECURITY & DEFENCE





Company Profile

About Rosenberger

Rosenberger, a family owned company, is one of the world's leading manufacturers of impedance-controlled connectivity solutions in high-frequency, high-voltage and fiberoptic technology. Renowned companies in high-tech industries trust the precision and quality of Rosenberger products, e.g. mobile communication networks, data centers, test & measurement industries, automotive electronics, industrial and medical electronics, or spaceflight engineering.

Worldwide, the Rosenberger group operates a global network of R&D, manufacturing and assembly locations as well as Rosenberger sales offices in Europe, Asia and North and South America where more than 11,800 employees develop, produce and sell our products.

Sales

Europe

Germany

Rosenberger Hochfrequenztechnik GmbH & Co. KG
Hauptstraße 1/ 83413 Fridolfing
Germany Headquarters
Phone +49 8684 18 - 0

France

Phone +33 3 67343471
Mobile +33 6 80721843

Italy

Phone +39 039 9630306
Mobile +39 392 8171710

Sweden

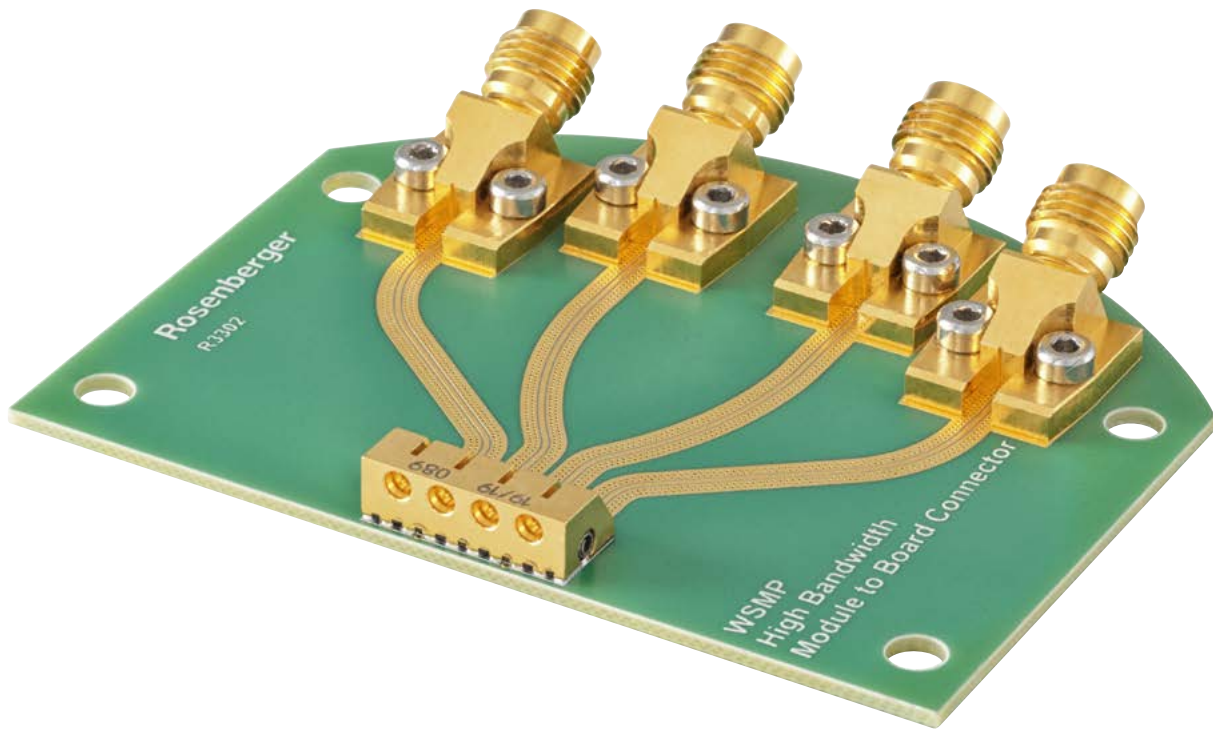
Mobile +46 8 6362600

Turkey

Phone +90 312 5575424
Mobile +90 530 0798448

United Kingdom

Mobile +44 7948 352715



WSMP® Coaxial Connectors and Cable Assemblies

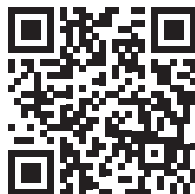
The portfolio of WSMP® RF coaxial connectors covers PCB connectors, bullets and cable assemblies — extremely small connectors with minimum board-to-board distances of 3.05 mm.

Features

- Signal integrity to 100 GHz
- Center-to-center spacing 2.15 mm
- Board-to-board height of 5.03 mm, 3.05 mm possible
- 45% smaller than SMP; 35% smaller than Mini-SMP
- Custom footprints for optimized RF performance on your PC board
- Custom RF cable assemblies for your application

The Rosenberger online catalog contains the current product range with specific details, including data sheets, assembly instructions and panel piercings.

www.rosenberger.com/ok/wsmp



Standard WSMP[®] Connectors

Technical Data

Applicable Standards

| | |
|------------------------|-------------------------------|
| Interface according to | Rosenberger WSMP [®] |
|------------------------|-------------------------------|

Materials and Plating

| Connector parts | Material | Plating |
|-----------------|--|------------|
| Center contact | Kovar [®] or CuBe | Au plating |
| Outer contact | Kovar [®] or CuBe | Au plating |
| Dielectric | PTFE, polyamide or CORNING 7070 [™] glass | |

Electrical Data

| | |
|----------------------------------|--|
| Impedance | 50 Ω |
| Frequency range | DC to 100 GHz |
| Return loss (typical) | ≥ 26 dB, DC to 26.5 GHz ≥ 19 dB, 26.5 to 65 GHz |
| Insertion loss | ≤ 0.12 x √f(GHz) dB |
| Insulation resistance | ≥ 3.5 x 10 ³ MΩ |
| Outer contact resistance | ≤ 2.0 mΩ |
| Center contact resistance | ≤ 6.0 mΩ |
| Test voltage (at sea level) | 250 V rms |
| RF high potential (at sea level) | 150 V rms @ 5 MHz |
| RF-leakage (optional) | ≥ -80 dB (typical mated pair) @ 30 GHz |

Mechanical Data

| | |
|--------------------------------------|-------------------|
| Mating Cycles | |
| Full detent | ≥ 100 |
| Smooth bore | ≥ 500 |
| Engagement force (typical) | |
| Full detent | 11.0 N, 2.47 Lbs. |
| Smooth bore | 5.3 N, 1.19 Lbs. |
| Disengagement force (typical) | |
| Full detent | 20.0 N, 4.5 Lbs. |
| Smooth bore | 4.45 N, 1.0 Lbs. |
| Misalignment | |
| Axial misalignment | 0.00 - 0.13 mm |
| Radial misalignment | ±0.25mm |

Environmental Data

| | |
|--|--|
| Temperature range | -55 °C to +165 °C |
| Thermal shock | MIL-STD-202, Meth. 107, Cond. B |
| Corrosion | MIL-STD-202, Meth. 101 |
| Vibration | MIL-STD-202, Meth. 204, Cond. D |
| Shock | MIL-STD-202, Meth. 213, Cond. I |
| Moisture resistance | MIL-STD-202, Meth. 106, except Step 7B |
| Max. soldering temperature (optional) | IEC 61760-1, +260 °C for 10 sec. |
| RoHS | compliant |
| Hermetically sealed to 1 x 10 ⁻⁸ cc/sec | on request |


Cable Connectors

| Rosenberger No. | Remarks | Description | Product |
|-----------------|-------------|---------------------------------------|--|
| W1K101A-270D3 | | Female straight for .047 cable |  |
| W1S101A-270D3 | Full detent | Male straight for .047 cable |  |
| W1S141A-270D3 | Smooth bore | | |
| W1K203A-270D3 | | Female right angle for .047 cable |  |
| W1S501A-270D3 | Full detent | Male straight bulkhead for .047 cable |  |
| W1S541A-270D3 | Smooth bore | | |


PCB Connectors

| Rosenberger No. | Remarks | Description | Product |
|-----------------|---------------------|---|---|
| W1S103A-40ML5 | Full detent | Male PCB, straight, SMT, J-Lead |  |
| W1S143A-40ML5 | Smooth bore | | |
| W1S204A-40ML5 | Full detent | Male PCB edge mount |  |
| W1S244A-40ML5 | Smooth bore | | |
| W1S12AA-40ML5 | Full detent, 2-port | Male PCB, straight, SMT, J-Lead, multiport arrays |  |
| W1S15AA-40ML5 | Smooth bore, 2-port | | |
| W1S12BA-40ML5 | Full detent, 4-port | Male PCB, straight, SMT, J-Lead, multiport arrays |  |
| W1S15BA-40ML5 | Smooth bore, 4-port | | |

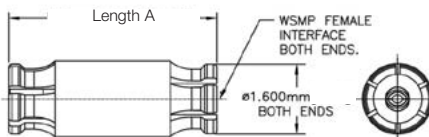

Hermetic Sealed Connectors

| Rosenberger No. | Remarks | Description | Product |
|-----------------|-------------|--|---|
| W1S101A-5H0L5 | Full detent | Straight, PCB plug, solder-in hermetic |  |
| W1S141A-40ML5 | Smooth bore | | |

Shroud/Pin


| Rosenberger No. | Remarks | Description | Product |
|-----------------|-------------|------------------------------------|---|
| W1S104A-40ML5 | Full detent | Straight, PCB plug, pin/shroud kit |  |
| W1S144A-40ML5 | Smooth bore | | |

Adaptors – Female Blindmate Interconnect (Bullet)

| Rosenberger No. | Length A* | Description | Product |
|-----------------|-----------|--|---|
| W1K10AA-K00D3 | 2.49 mm |  |  |
| W1K10CA-K00D3 | 3.18 mm | | |
| W1K10FA-K00D3 | 3.81 mm | | |
| W1K10GA-K00D3 | 5.08 mm | | |
| W1K10HA-K00D3 | 6.35 mm | | |
| W1K10JA-K00D3 | 7.62 mm | | |
| W1K10MA-K00D3 | 10.16 mm | | |
| W1K10NA-K00D3 | 12.70 mm | | |
| W1K10PA-K00D3 | 15.24 mm | | |

* Additional lengths available on request

Compressible Adaptors


| Rosenberger No. | Description | Product |
|-----------------|-------------------------------|---|
| W1KF1W1A-K03D3 | Compressible bullet, 12.70 mm |  |

High-Speed WSMP[®] Connectors


Applications

- Optical transceivers
- 100G – 400G optical network applications
- Laser modulators
- Typical application: Integrated polarization multiplexed quadrature modulators according to OIF_HBPMQ-TX-010


Multiport Connectors

| Rosenberger No. | Remarks | Description | Product |
|-----------------|-------------|-------------------------------|---|
| W1S20MA-40ME4 | Full detent | Male, full detent, 4-port SMT |  |

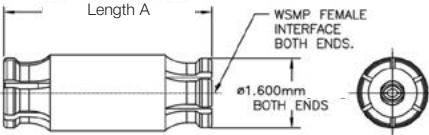

Edge-Mount Connectors

| Rosenberger No. | Remarks | Description | Product |
|-----------------|-------------|--------------------------|---|
| W1S20JA-40ML5 | Full detent | Male, 4-port, edge-mount |  |
| W1S24JA-40ML5 | Smooth bore | | |
| W1S20HA-40ML5 | Full detent | Male, 8-port, edge-mount | |
| W1S24HA-40ML5 | Smooth bore | | |

Hermetic Sealed Connectors

| Rosenberger No. | Remarks | Description | Product |
|-----------------|-------------|------------------------------|---|
| W1S10ZA-40ML5 | Full detent | Male, 4-port, vertical-mount |  |
| W1S14ZA-40ML5 | Smooth bore | | |
| W1S10SA-40ML5 | Full detent | Male, 8-port, vertical-mount | |
| W1S14SA-40ML5 | Smooth bore | | |

Adaptors – Female Blindmate Interconnect (Bullet)

| Rosenberger No. | Length A* | Description | Product |
|-----------------|-----------|--|---|
| W1K10AA-K00D3 | 2.49 mm |  |  |
| W1K10CA-K00D3 | 3.18 mm | | |
| W1K10FA-K00D3 | 3.81 mm | | |
| W1K10GA-K00D3 | 5.08 mm | | |
| W1K10HA-K00D3 | 6.35 mm | | |
| W1K10JA-K00D3 | 7.62 mm | | |
| W1K10MA-K00D3 | 10.16 mm | | |
| W1K10NA-K00D3 | 12.70 mm | | |
| W1K10PA-K00D3 | 15.24 mm | | |

* Additional lengths available on request

New Generation WSMP[®] Connectors

Technical Data

True high frequency performance thru 100 GHz. Footprint optimization available.

Electrical Data

| | |
|----------------------------------|--|
| Impedance | 50 Ω |
| Frequency range | Next Gen 100 GHz |
| Return loss (typical) | ≥ 18 dB, DC to 40 GHz ≥ 15 dB, 40 to 70 GHz ≥ 12 dB, 70 to 100 GHz |
| Insertion loss | ≤ 0.12 × √f(GHz) dB |
| Insulation resistance | ≥ 3.5 × 10 ³ MΩ |
| Outer contact resistance | ≤ 2.0 mΩ |
| Center contact resistance | ≤ 6.0 mΩ |
| Test voltage (at sea level) | 250 V rms |
| RF High potential (at sea level) | 150 V rms @ 5 MHz |
| RF-leakage (optional) | ≥ -80 dB (typical mated pair) @ 30 GHz |

Multiport Connectors

| Rosenberger No. | Remarks | Description | Product |
|-----------------|-------------|-------------------------------|---|
| W1S122A-400L5 | Full detent | Male, single-port, SMT shroud |  |
| W1S152A-400L5 | Smooth bore | | |
| W1S12KA-40ML5 | Full detent | Male, 1 x 2-port, SMT shroud |  |
| W1S15KA-40ML5 | Smooth bore | | |
| W1S12LA-40ML5 | Full detent | Male, 1 x 4-port, SMT shroud |  |
| W1S15LA-40ML5 | Smooth bore | | |
| W1S12NA-40ML5 | Full detent | Male, 2 x 4-port, SMT shroud |  |
| W1S15NA-40ML5 | Smooth bore | | |
| W1S12MA-40ML5 | Full detent | Male, 1 x 8-port, SMT shroud |  |
| W1S15MA-40ML5 | Smooth bore | | |

New Generation WSMP[®] Alignment Covers

Strain reliefs are available that securely hold a cable assembly in place during Test & Measurement or other applications. Alignment covers slide over the WSMP connector.

| Rosenberger No. | Description | Product |
|-----------------|-----------------------------|---|
| W1S152A-400/50 | Single port alignment cover |  |
| W1S15KA-40M/50 | 1 x 2-port alignment cover |  |
| W1S15LA-40M/50 | 1 x 4-port alignment cover |  |
| W1S15MA-40M/50 | 1 x 8-port alignment cover |  |
| W1S15NA-40M/50 | 2 x 4-port alignment cover |  |

Cable Assemblies

Rosenberger's high frequency, flexible cable assemblies incorporating high performance RPC-1.85, RPC-2.92 and WSMP® connectors.




Cable Assemblies


| Rosenberger No. | Connector 1 | Connector 2 | Cable | Electrical Specifications (typical) |
|--------------------------|---------------|----------------|---------------|---|
| RPC-1.85 to WSMP® | | | | |
| L70-460-xxx | RPC-1.85 (m) | WSMP® (f) | RTK Flex .047 | DC-70 GHz, R.L.> 12 dB @26 GHz, typical |
| L70-461-xxx | RPC-1.85 (f) | WSMP® (f) | RTK Flex .047 | DC-70 GHz, R.L.> 12 dB @26 GHz, typical |
| L70-462-xxx | RPC-1.85 (m) | WSMP® (f) r/a | RTK Flex .047 | DC-70 GHz, R.L.> 12 dB @26 GHz, typical |
| RPC-2.92 to WSMP® | | | | |
| L70-463-xxx | RPC-2.92 (m) | WSMP® (f) | RTK Flex .047 | DC-40 GHz, R.L.> 12 dB @26 GHz, typical |
| L70-464-xxx | RPC-2.92 (f) | WSMP® (f) | RTK Flex .047 | DC-40 GHz, R.L.> 12 dB @26 GHz, typical |
| L70-465-xxx | RPC-2.92 (m) | WSMP® (f), r/a | RTK Flex .047 | DC-40 GHz, R.L.> 12 dB @26 GHz, typical |
| WSMP® to WSMP® | | | | |
| L70-466-xxx | WSMP® (f) | WSMP® (f) | RTK Flex .047 | DC-70 GHz, R.L.> 12 dB @26 GHz, typical |
| L70-467-xxx | WSMP® (f) r/a | WSMP® (f) r/a | RTK Flex .047 | DC-70 GHz, R.L.> 12 dB @26 GHz, typical |
| L70-468-xxx | WSMP® (f) | WSMP® (f) r/a | RTK Flex .047 | DC-70 GHz, R.L.> 12 dB @26 GHz, typical |
| RPC-1.00 to WSMP® | | | | |
| L70-323-102 | WSMP® (f) | RPC-1.00 (m) | RTK Flex .047 | DC-100 GHz, RL ≥ 10 dB @50 GHz, typical |
| L70-336-102 | WSMP® (f) | RPC-1.00 (f) | RTK Flex .047 | DC-100 GHz, RL ≥ 10 dB @50 GHz, typical |

xxx: Please fill in requested length (standard length = 50/100/500/1000 mm)

PCB Plug, Straight, 2 x 8

| Rosenberger No. | Description | Product |
|-----------------|-------------------|---|
| W1S14PA-40ML5 | Straight PCB plug |  |

Cable Assemblies

| Rosenberger No. | Description | Product |
|---|--|---|
| L70-469-xxx L70-470-xxx L70-471-xxx | 2 x 8 to RPC-2.92 male, 30.48 cm 2 x 8 to RPC-1.85 male, 30.48 cm 2 x 8 to 2x8, 30.48 cm |  |

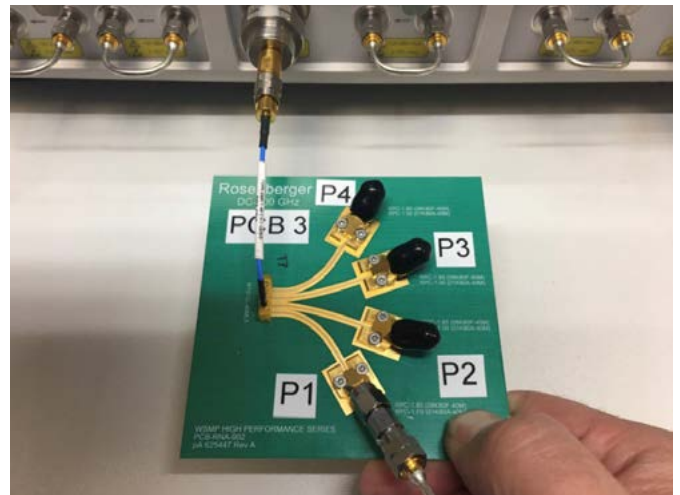
xxx: Please fill in requested length (standard length = 50/100/500/1000 mm)

New Generation High-Performance WSMP® Test Results

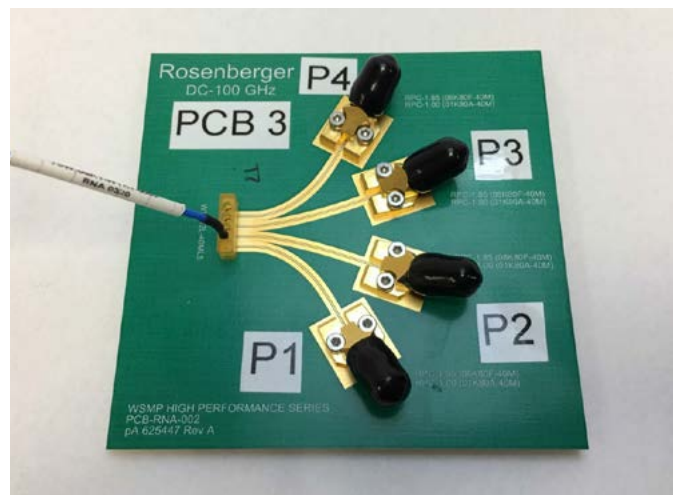
Rosenberger's new generation high-performance WSMP® connectors offer true 100 GHz performance in a small, high-density package. The test structure below is used to validate RF measurements to 100 GHz.

Test Setup

Pictured to the right is a detail of the high-performance WSMP® test setup. This is used to take a "full path" measurement from VNA port 1 that includes a full WSMP® cable assembly, WSMP® mated interfaces, PCB connector and transitions, PCB trace, solderless precision connector, and mated port 2 cable assembly.



Pictured to the right is the basic test setup for gating the WSMP® connector performance as it transitions to the PCB. Gate 1 is set in Time Domain at a point along the cable assembly while Gate 2 is set along the PCB trace. The "gated path" reveals the true RF measurements of the new generation WSMP® connector system that includes the mated interface, PCB connector, and PCB transition.

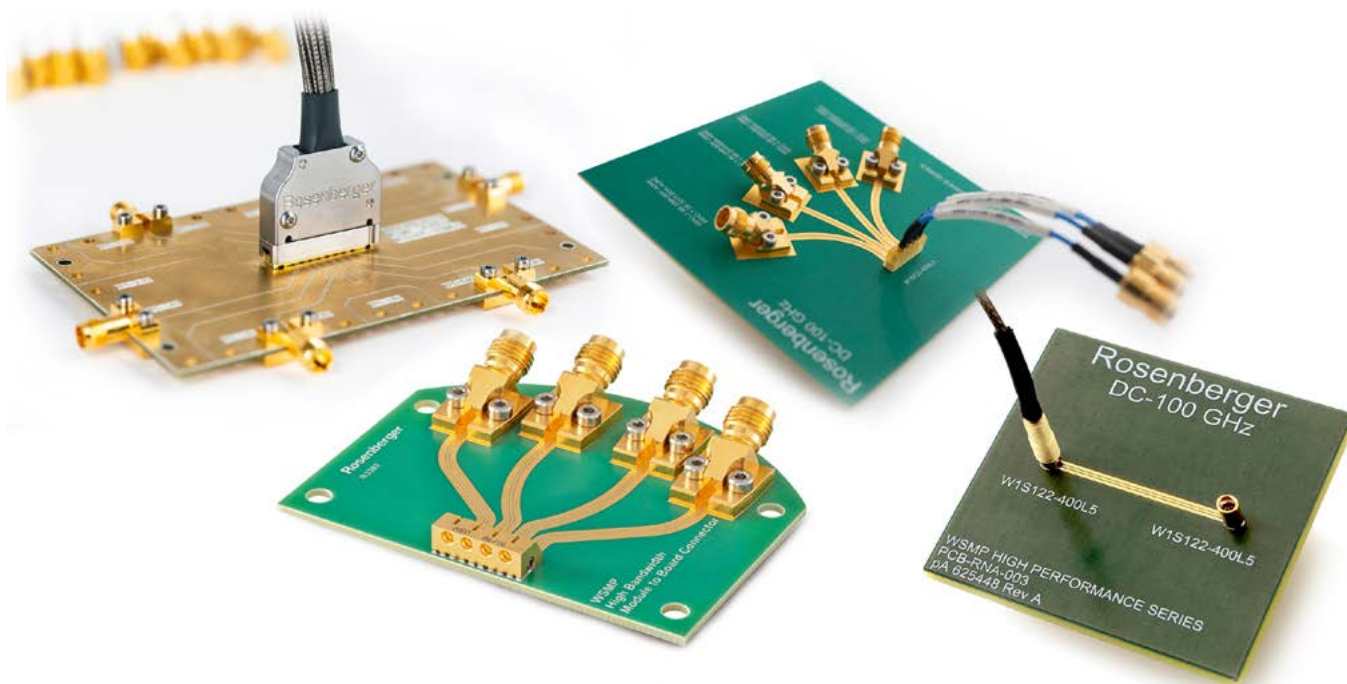


**Also shown is the optional alignment cover to provide mechanical stability during measurements.

WSMP® and New Generation WSMP® Product Evaluation Boards



Rosenberger offers several product evaluation boards that are available to our customers so that they may evaluate and test the product as they choose. The evaluation boards come in four configurations: single port new generation WSMP®, 1x4-port new generation WSMP®, 2x8-channel WSMP® (standard WSMP®) and finally, high speed OIF style connectors. The following evaluation boards are available on request:

| EV Board Style | Frequency | Connectors EV Board |
|----------------|-----------|--|
| 1 x 1 | 70 GHz | 2 WSMP (m) NexGen (W1S122-400L5), connected with through-line 2 cable assemblies (WSMP (f) to RPC-1.85 (m)) |
| 1 x 1 | 100 GHz | 2 WSMP (m) NexGen (W1S122-400L5), connected with through-line 2 cable assemblies (WSMP (f) to RPC-1.00 (m)) |
| 1 x 4 | 70 GHz | 1 x 4-WSMP block NexGen, 4 RPC-1.85 (f), connected with through-line 2 cable assemblies (WSMP (f) to RPC-1.85 (m)) |
| 1 x 4 | 100 GHz | 1 x 4-WSMP block NexGen, 2 RPC-1.85 (f), 2 RPC-1.00 (f), connected with through-line 2 cable assemblies |
| 2 x 8 | 40 GHz | 1 x 2x8 (16-channel) WSMP block, 3 RPC-1.85 (f), 3 RPC-2.92 (f), connected with through-line 1 mating cable assembly (RPC-2.92) |
| 2 x 8 | 70 GHz | 1 x 2x8 (16-channel) WSMP block, 3 RPC-1.85 (f), 3 RPC-2.92 (f), connected with through-line 1 mating cable assembly (RPC-1.85) |
| 1 x 4 | 110 GHz | 1 OIF connector (4-channel), solderless RPC-1.00, RPC-1.85, connected with through-line |




Accessories

In-Between Series Test Adaptors

| Rosenberger No. | Frequency | Description | Product |
|--|---|--|---|
| W1S102-K00S3 W1S108-K00S3 W1S109-S00S3 W1S109-K00S3 W1S101-S00D3 | 40 GHz 65 GHz 50 GHz 50 GHz 100 GHz | WSMP® (m) full detent to RPC-2.92 (f) adaptor RPC-1.85 (f) adaptor RPC-2.40 (m) adaptor RPC-2.40 (f) adaptor RPC-1.00 (m) adaptor |  |
| W1K102-K00D3 W1K108-K00D3 W1K109-K00D3 W1K101-K00D3 | 40 GHz 67 GHz 50 GHz 50 GHz | WSMP® (f) to RPC-2.92 (f) adaptor RPC-1.85 (f) adaptor RPC-2.40 (f) adaptor RPC-1.00 (f) adaptor |  |

Tools

| Rosenberger No. | Description | Product |
|-----------------|---|---|
| W1W002-000 | Bullet insertion/extraction tool |  |
| W1W005-000 | Right angle prybar extraction tool | |
| W1W001-000 | Cable connectors prybar extraction tool | |



Website

For more information refer to our website:
www.rosenberger.com/wsmp

Rosenberger

Rosenberger Hochfrequenztechnik GmbH & Co. KG

Hauptstraße 1 | 83413 Fridolfing

P.O. Box 1260 | 84526 Tittmoning

Germany

Phone +49 8684 18-0

info@rosenberger.com

www.rosenberger.com

Certified by IATF 16949 · DIN EN 9100 · ISO 9001 · ISO 14001 · ESA (ESCC Specification)

Order No.

pA 477054 · Info190WSMPFlyEU

2000/2021

Rosenberger® is a registered trademark of Rosenberger Hochfrequenztechnik GmbH & Co. KG.
All rights reserved.

© Rosenberger 2021