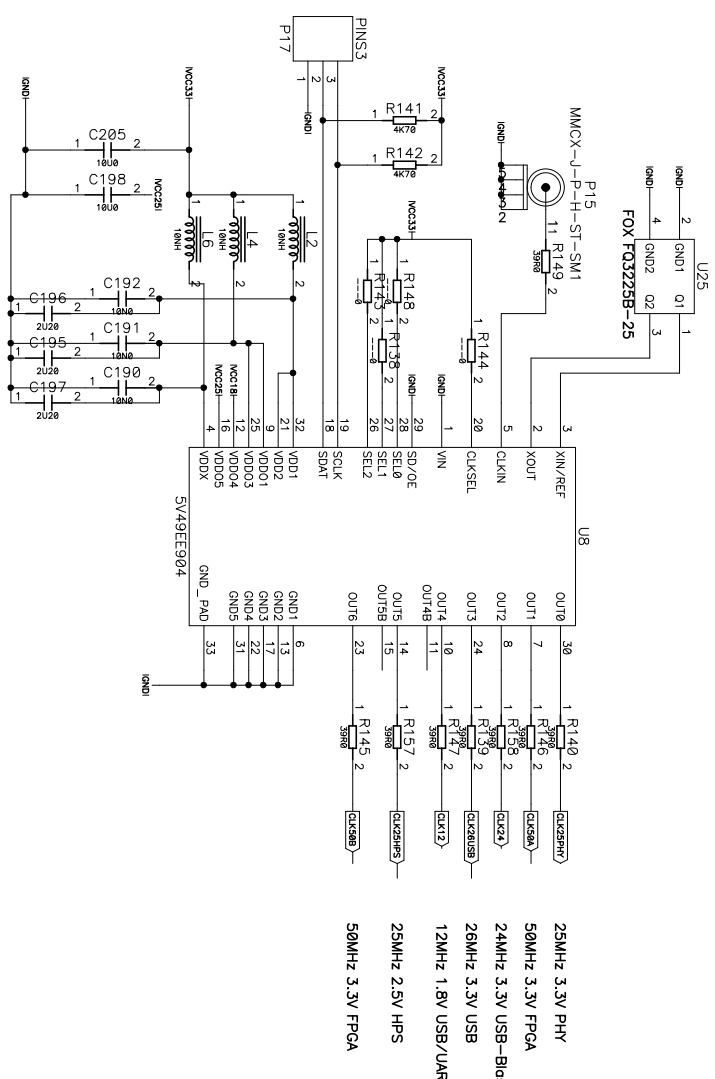


Title	SoCrotas Cyclone V-Soc Evaluation Board	
Size	Number	Rev
A3	SoCrotas	1.3
Date	18.07.2013	Drawn by
Filename	SoCrotas.sch	Sheet 1
		of 10

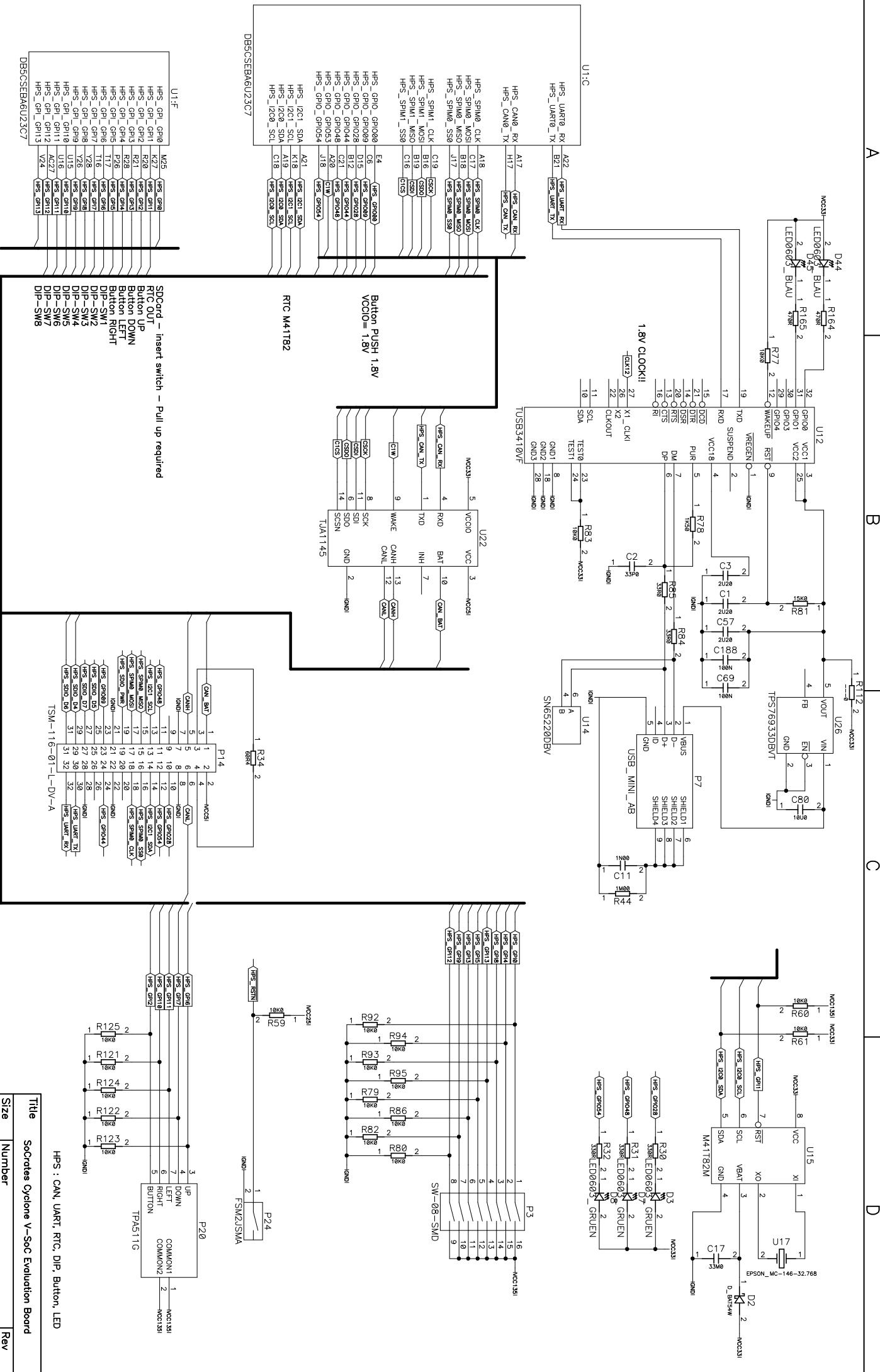
HPC : JTAG, Config, SD-Card



Clock Generation

Title		SoCrtas Cyclone V-Soc Evaluation Board	
Size	Number	Rev	
A3	SoCrtas	1.3	
Date	18.07.2013	Drawn by	
Filename	SoCrtas.sch	Sheet 2 of 10	





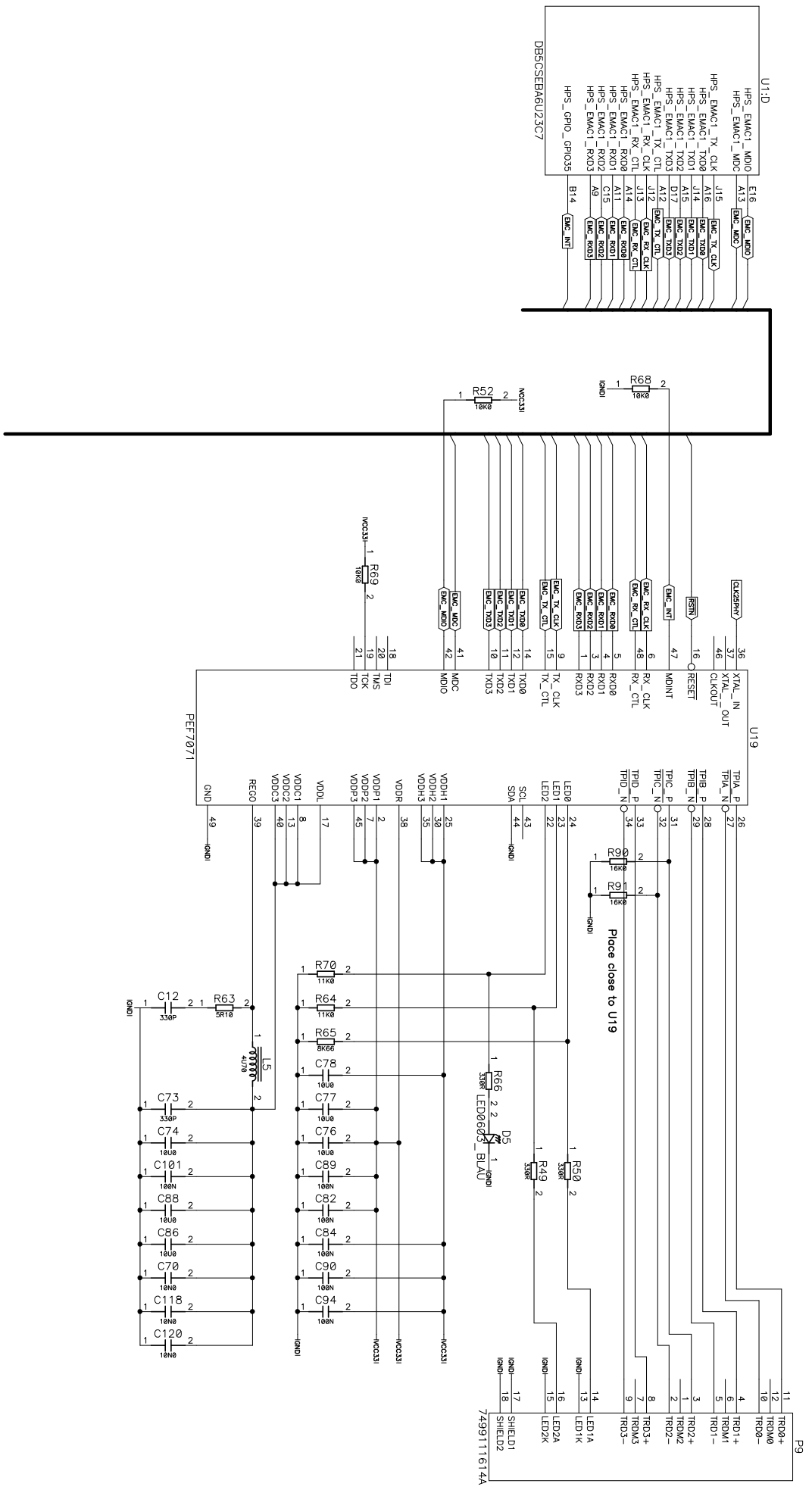
TP5A11G

Pin	Function
1	UP
2	DOWN
3	LEFT
4	RIGHT
5	COMMON1
6	COMMON2

HPS : CAN, UART, RTC, DIP, Button, LED

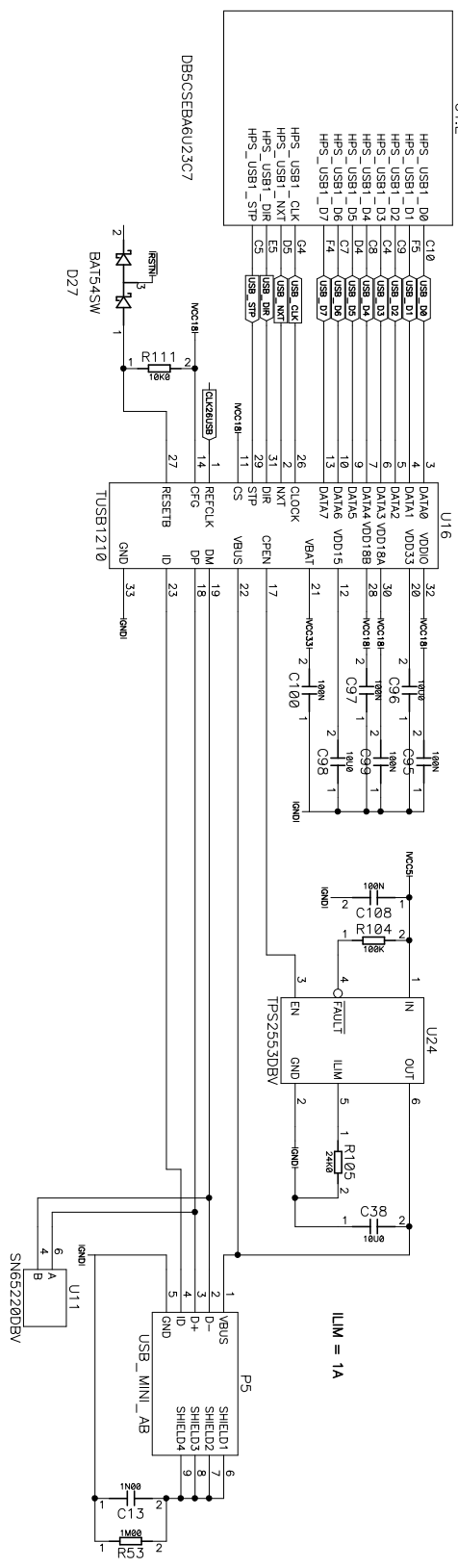
Pin	Function
HPS_GPI0	GPIO0
HPS_GPI1	GPIO1
HPS_GPI2	GPIO2
HPS_GPI3	GPIO3
HPS_GPI4	GPIO4
HPS_GPI5	GPIO5
HPS_GPI6	GPIO6
HPS_GPI7	GPIO7
HPS_GPI8	GPIO8
HPS_GPI9	GPIO9
HPS_GPI10	GPIO10
HPS_GPI11	GPIO11
HPS_GPI12	GPIO12
HPS_GPI13	GPIO13
HPS_GPI14	GPIO14
HPS_GPI15	GPIO15
HPS_GPI16	GPIO16
HPS_GPI17	GPIO17
HPS_GPI18	GPIO18
HPS_GPI19	GPIO19
HPS_GPI20	GPIO20
HPS_GPI21	GPIO21
HPS_GPI22	GPIO22
HPS_GPI23	GPIO23
HPS_GPI24	GPIO24
HPS_GPI25	GPIO25
HPS_GPI26	GPIO26
HPS_GPI27	GPIO27
HPS_GPI28	GPIO28
HPS_GPI29	GPIO29
HPS_GPI30	GPIO30
HPS_GPI31	GPIO31
HPS_GPI32	GPIO32
HPS_GPI33	GPIO33
HPS_GPI34	GPIO34
HPS_GPI35	GPIO35
HPS_GPI36	GPIO36
HPS_GPI37	GPIO37
HPS_GPI38	GPIO38
HPS_GPI39	GPIO39
HPS_GPI40	GPIO40
HPS_GPI41	GPIO41
HPS_GPI42	GPIO42
HPS_GPI43	GPIO43
HPS_GPI44	GPIO44
HPS_GPI45	GPIO45
HPS_GPI46	GPIO46
HPS_GPI47	GPIO47
HPS_GPI48	GPIO48
HPS_GPI49	GPIO49
HPS_GPI50	GPIO50
HPS_GPI51	GPIO51
HPS_GPI52	GPIO52
HPS_GPI53	GPIO53
HPS_GPI54	GPIO54
HPS_GPI55	GPIO55
HPS_GPI56	GPIO56
HPS_GPI57	GPIO57
HPS_GPI58	GPIO58
HPS_GPI59	GPIO59
HPS_GPI60	GPIO60
HPS_GPI61	GPIO61
HPS_GPI62	GPIO62
HPS_GPI63	GPIO63
HPS_GPI64	GPIO64
HPS_GPI65	GPIO65
HPS_GPI66	GPIO66
HPS_GPI67	GPIO67
HPS_GPI68	GPIO68
HPS_GPI69	GPIO69
HPS_GPI70	GPIO70
HPS_GPI71	GPIO71
HPS_GPI72	GPIO72
HPS_GPI73	GPIO73
HPS_GPI74	GPIO74
HPS_GPI75	GPIO75
HPS_GPI76	GPIO76
HPS_GPI77	GPIO77
HPS_GPI78	GPIO78
HPS_GPI79	GPIO79
HPS_GPI80	GPIO80
HPS_GPI81	GPIO81
HPS_GPI82	GPIO82
HPS_GPI83	GPIO83
HPS_GPI84	GPIO84
HPS_GPI85	GPIO85
HPS_GPI86	GPIO86
HPS_GPI87	GPIO87
HPS_GPI88	GPIO88
HPS_GPI89	GPIO89
HPS_GPI90	GPIO90
HPS_GPI91	GPIO91
HPS_GPI92	GPIO92
HPS_GPI93	GPIO93
HPS_GPI94	GPIO94
HPS_GPI95	GPIO95
HPS_GPI96	GPIO96
HPS_GPI97	GPIO97
HPS_GPI98	GPIO98
HPS_GPI99	GPIO99
HPS_GPI100	GPIO100
HPS_GPI101	GPIO101
HPS_GPI102	GPIO102
HPS_GPI103	GPIO103
HPS_GPI104	GPIO104
HPS_GPI105	GPIO105
HPS_GPI106	GPIO106
HPS_GPI107	GPIO107
HPS_GPI108	GPIO108
HPS_GPI109	GPIO109
HPS_GPI110	GPIO110
HPS_GPI111	GPIO111
HPS_GPI112	GPIO112
HPS_GPI113	GPIO113
HPS_GPI114	GPIO114
HPS_GPI115	GPIO115
HPS_GPI116	GPIO116
HPS_GPI117	GPIO117
HPS_GPI118	GPIO118
HPS_GPI119	GPIO119
HPS_GPI120	GPIO120
HPS_GPI121	GPIO121
HPS_GPI122	GPIO122
HPS_GPI123	GPIO123
HPS_GPI124	GPIO124
HPS_GPI125	GPIO125
HPS_GPI126	GPIO126
HPS_GPI127	GPIO127
HPS_GPI128	GPIO128
HPS_GPI129	GPIO129
HPS_GPI130	GPIO130
HPS_GPI131	GPIO131
HPS_GPI132	GPIO132
HPS_GPI133	GPIO133
HPS_GPI134	GPIO134
HPS_GPI135	GPIO135
HPS_GPI136	GPIO136
HPS_GPI137	GPIO137
HPS_GPI138	GPIO138
HPS_GPI139	GPIO139
HPS_GPI140	GPIO140
HPS_GPI141	GPIO141
HPS_GPI142	GPIO142
HPS_GPI143	GPIO143
HPS_GPI144	GPIO144
HPS_GPI145	GPIO145
HPS_GPI146	GPIO146
HPS_GPI147	GPIO147
HPS_GPI148	GPIO148
HPS_GPI149	GPIO149
HPS_GPI150	GPIO150
HPS_GPI151	GPIO151
HPS_GPI152	GPIO152
HPS_GPI153	GPIO153
HPS_GPI154	GPIO154
HPS_GPI155	GPIO155
HPS_GPI156	GPIO156
HPS_GPI157	GPIO157
HPS_GPI158	GPIO158
HPS_GPI159	GPIO159
HPS_GPI160	GPIO160
HPS_GPI161	GPIO161
HPS_GPI162	GPIO162
HPS_GPI163	GPIO163
HPS_GPI164	GPIO164
HPS_GPI165	GPIO165
HPS_GPI166	GPIO166
HPS_GPI167	GPIO167
HPS_GPI168	GPIO168
HPS_GPI169	GPIO169
HPS_GPI170	GPIO170
HPS_GPI171	GPIO171
HPS_GPI172	GPIO172
HPS_GPI173	GPIO173
HPS_GPI174	GPIO174
HPS_GPI175	GPIO175
HPS_GPI176	GPIO176
HPS_GPI177	GPIO177
HPS_GPI178	GPIO178
HPS_GPI179	GPIO179
HPS_GPI180	GPIO180
HPS_GPI181	GPIO181
HPS_GPI182	GPIO182
HPS_GPI183	GPIO183
HPS_GPI184	GPIO184
HPS_GPI185	GPIO185
HPS_GPI186	GPIO186
HPS_GPI187	GPIO187
HPS_GPI188	GPIO188
HPS_GPI189	GPIO189
HPS_GPI190	GPIO190
HPS_GPI191	GPIO191
HPS_GPI192	GPIO192
HPS_GPI193	GPIO193
HPS_GPI194	GPIO194
HPS_GPI195	GPIO195
HPS_GPI196	GPIO196
HPS_GPI197	GPIO197
HPS_GPI198	GPIO198
HPS_GPI199	GPIO199
HPS_GPI200	GPIO200

Title	SoCrestes Cyclone V-Soc Evaluation Board		
Size	Number	Rev	
A3	SoCrestes	1.3	
Date	18.07.2013		Drawn by
Filename	SoCrestes.sch		Sheet 4 of 10



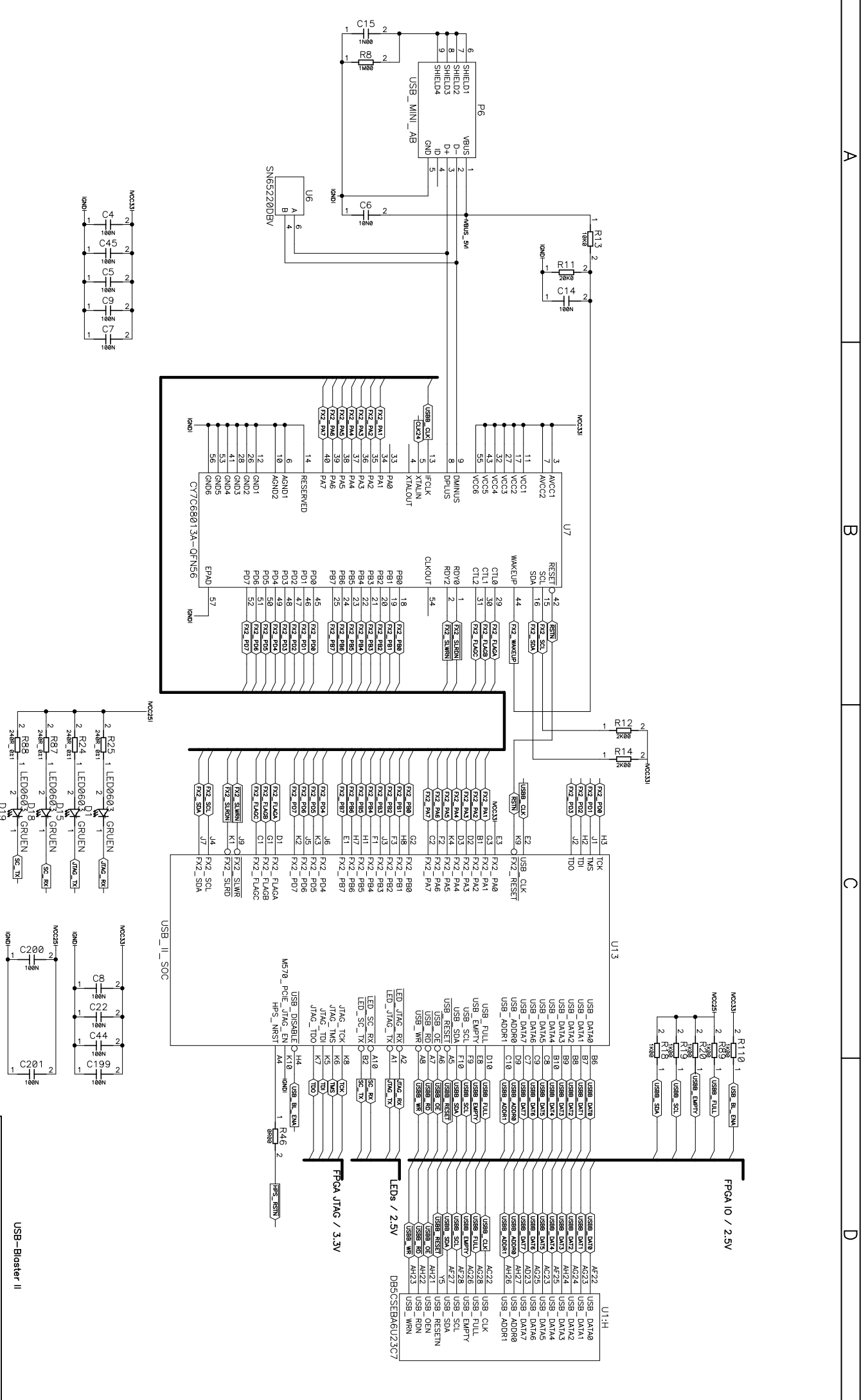
HPS Gigabit Ethernet Phy

Title		SoCrtcs Cyclone V-Soc Evaluation Board	
Size	Number	Rev	
A3	SoCrtcs	1.3	
Date	Drawn by		
18.07.2013	Sheet 5		of 10
Filename SoCrtcs.sch			

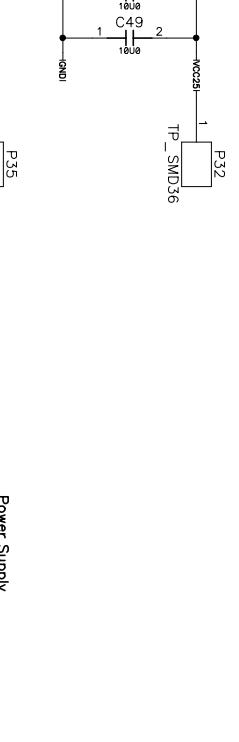
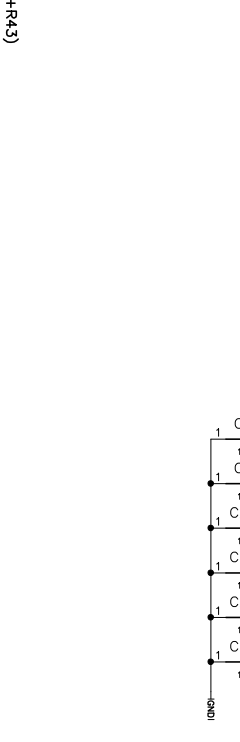
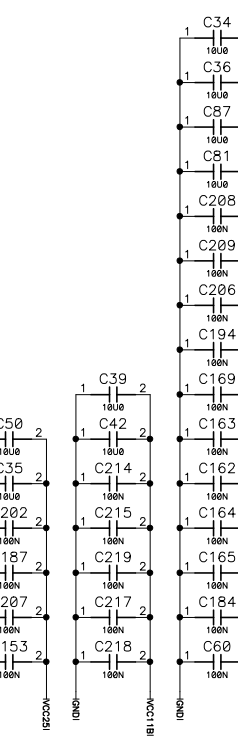
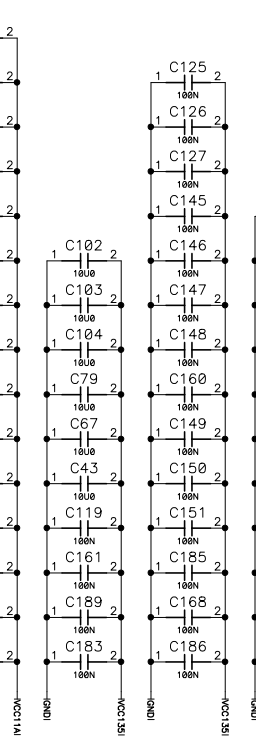
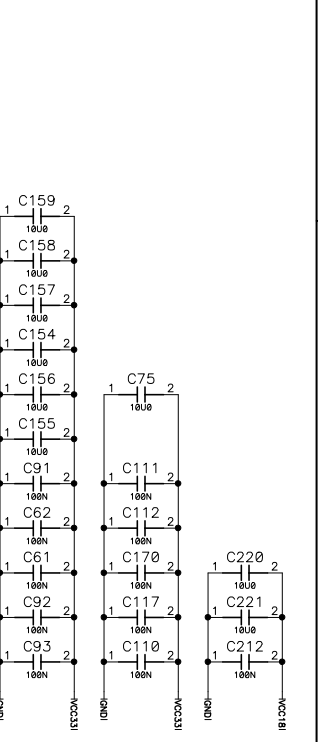
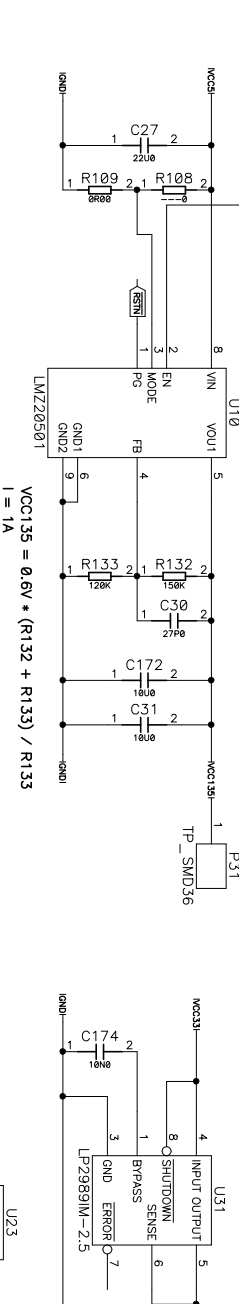
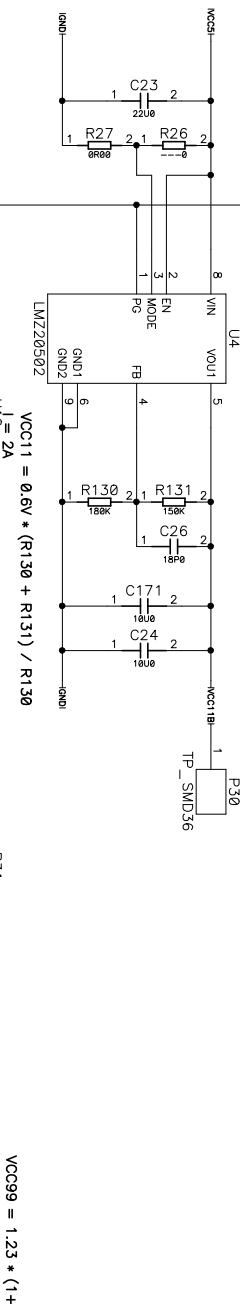
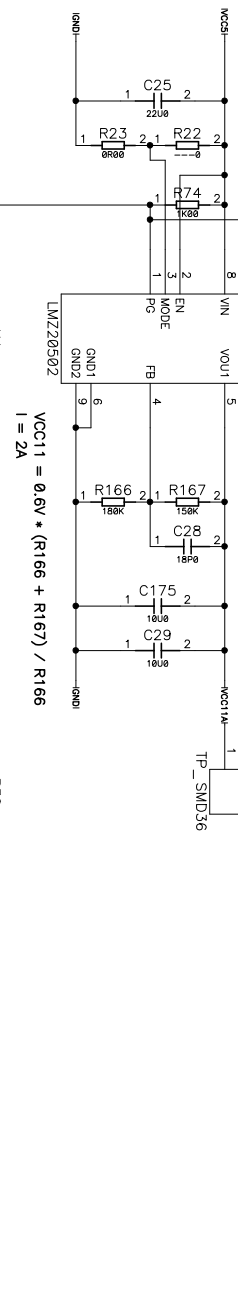
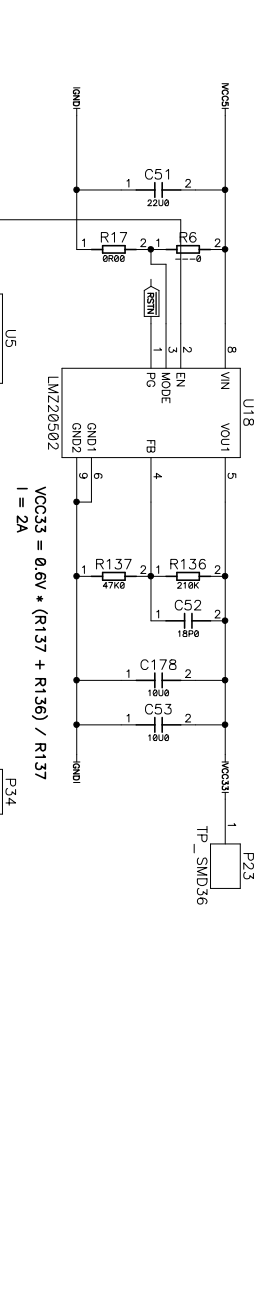
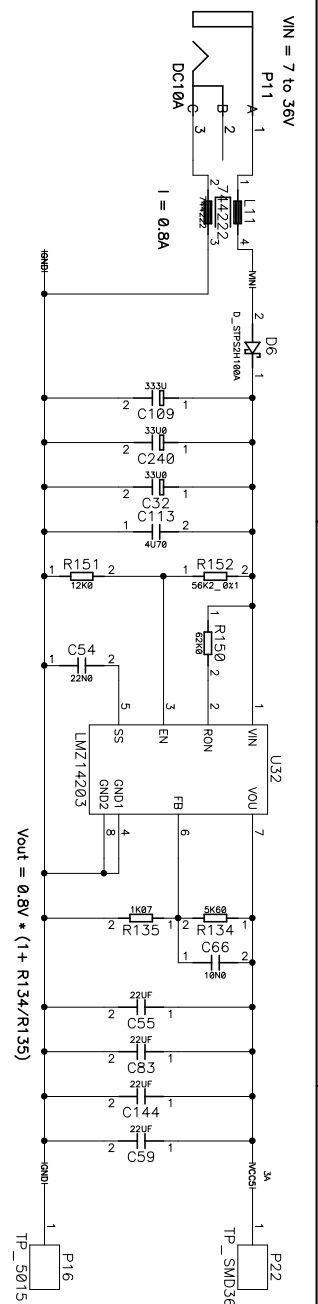


HPS - USB Interface

Title		SoCrtcs Cyclone V-Soc Evaluation Board	
Size	Number	Rev	
A3	SoCrtcs	1.3	
Date	Drawn by		
18.07.2013	SoCrtcs		
Filename	SoCrtcs.sch	Sheet	6 of 10



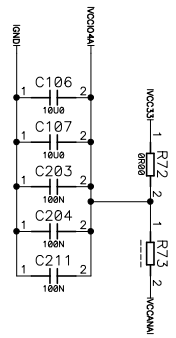
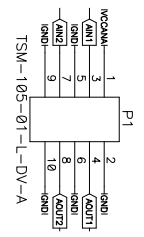
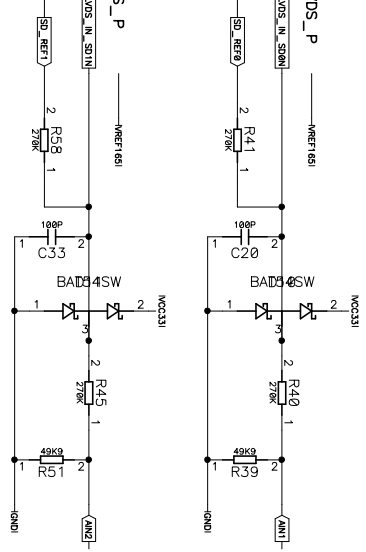
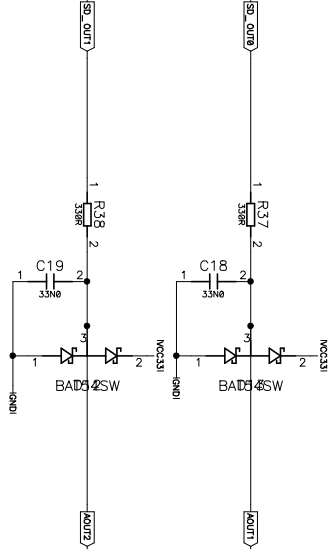
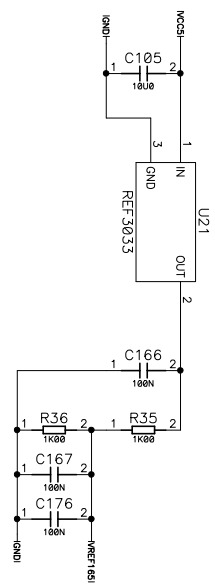
Title		SoCrotas Cyclone V-Soc Evaluation Board	
Size	Number	Rev	Rev
A3	SoCrotas	1.3	
Date	18.07.2013		Drawn by
Filename	SoCrotas.sch		Sheet 7 of 10



Title				SoCrtcs Cyclone V-Soc Evaluation Board			
Size		Number		Rev		Rev	
A3		SoCrtcs		1.3		1.3	
Date				18.07.2013			
File name				SoCrtcs.sch			
Sheet				8 of 10			







SD-ADC / DAC

Title		SoCrtas Cyclone V-Soc Evaluation Board	
Size	Number	Rev	Rev
A3	SoCrtas	1.3	
Date	18.07.2013	Drawn by	
Filename	SoCrtas.sch	Sheet	10 of 10