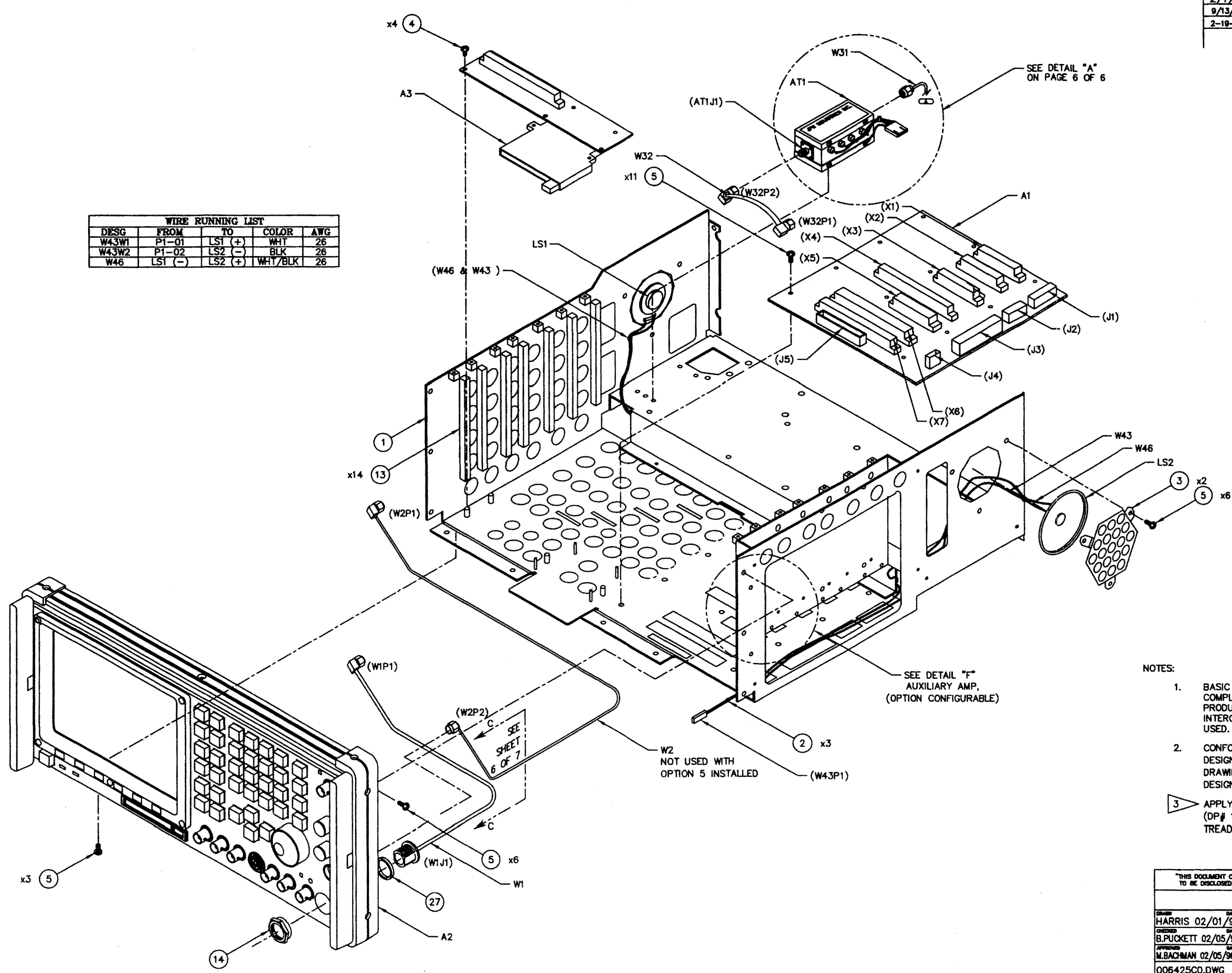


DATE	REV	CHANGE	APP
2/1/96	A	RELEASE PER ECN 16881 RH	DKB
9/13/98	B	RNC PER ECN 17050	BP MB
2-19-97	C	RNC PER ECN 17302	MKM MB

WIRE RUNNING LIST				
DESG	FROM	TO	COLOR	AWG
W43W1	P1-01	LS1 (+)	WHT	26
W43W2	P1-02	LS2 (-)	BLK	26
W46	LS1 (-)	LS2 (+)	WHT/BLK	26



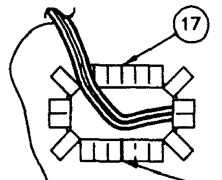
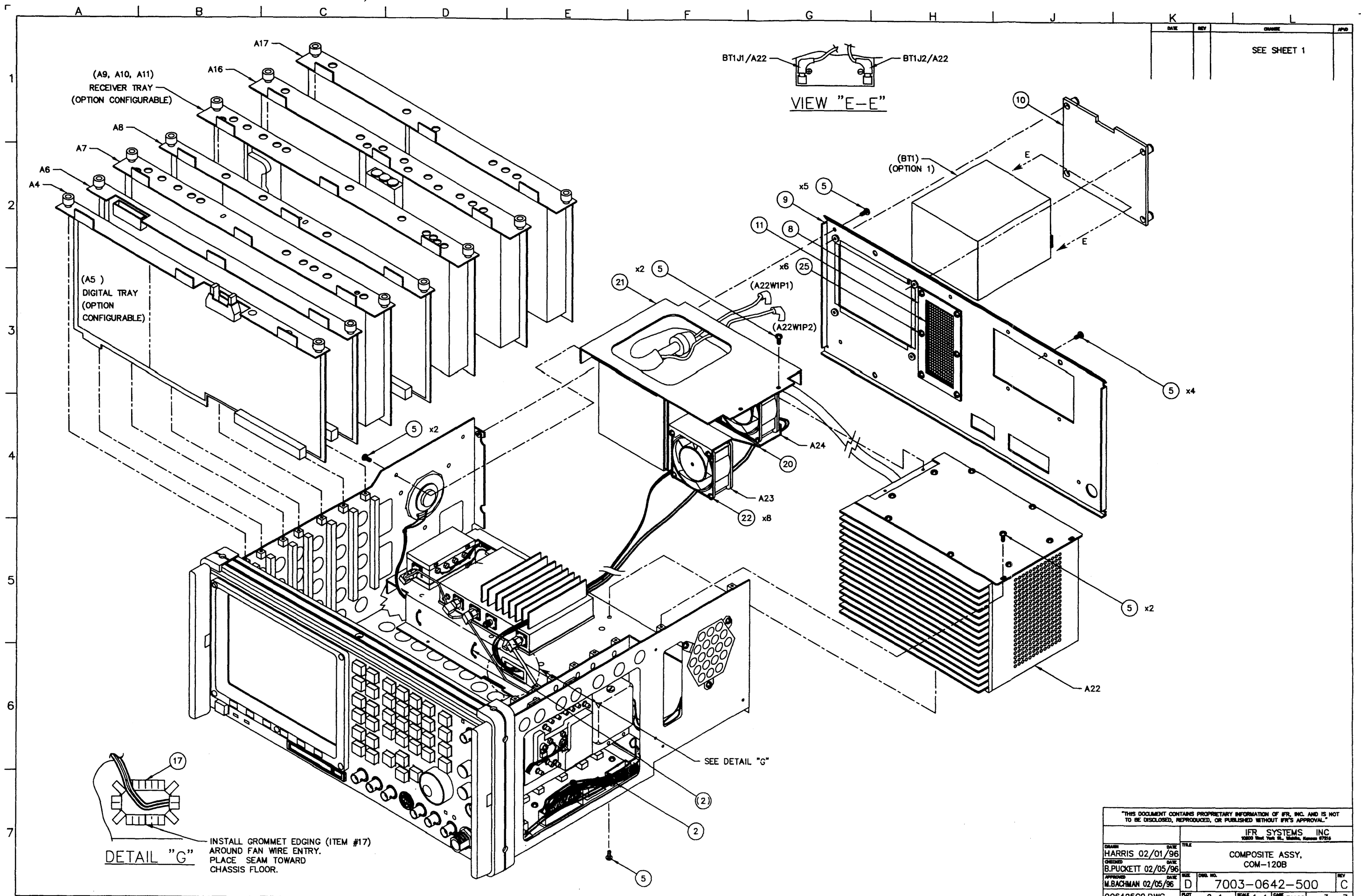
- NOTES:
1. BASIC REFERENCE DESIGNATORS SHOWN, FOR COMPLETE DESIGNATOR PREFIXES REFER TO PRODUCT STRUCTURE, AND SYSTEM INTERCONNECT FOR APPLICATIONS WHERE USED.
 2. CONFORMABLE COAX W AND P DESIGNATOR NOT SHOWN FOR DRAWING CLARITY (TAG# = W DESIGNATOR)
 3. APPLY ANTI-SIEZE COMPOUND (DP# 1050-0000-233) TO SCREW TREADS PRIOR TO ASSEMBLY.

THIS DOCUMENT CONTAINS PROPRIETARY INFORMATION OF IFR, INC. AND IS NOT TO BE DISCLOSED, REPRODUCED, OR PUBLISHED WITHOUT IFR'S APPROVAL.

IFR SYSTEMS INC		1800 West York St., St. Louis, Kansas 67216	
DATE	FILE	DATE	FILE
HARRIS 02/01/96			
CREATED	DATE	DATE	DATE
B.PUCKETT 02/05/96			
APPROVED	DATE	DATE	DATE
M.BACHMAN 02/05/96			
PLT	SCALE	SCALE	SCALE
006425CO.DWG	1=1	1=1	51190

DATE	REV	CHANGE	APPD

SEE SHEET 1

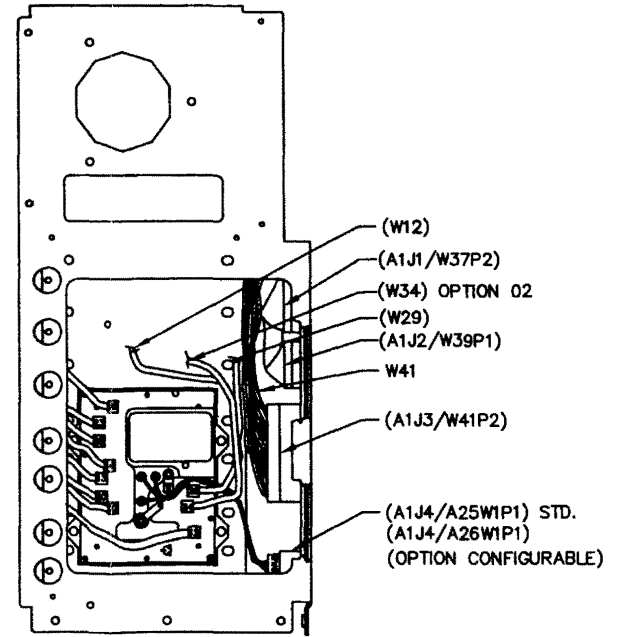
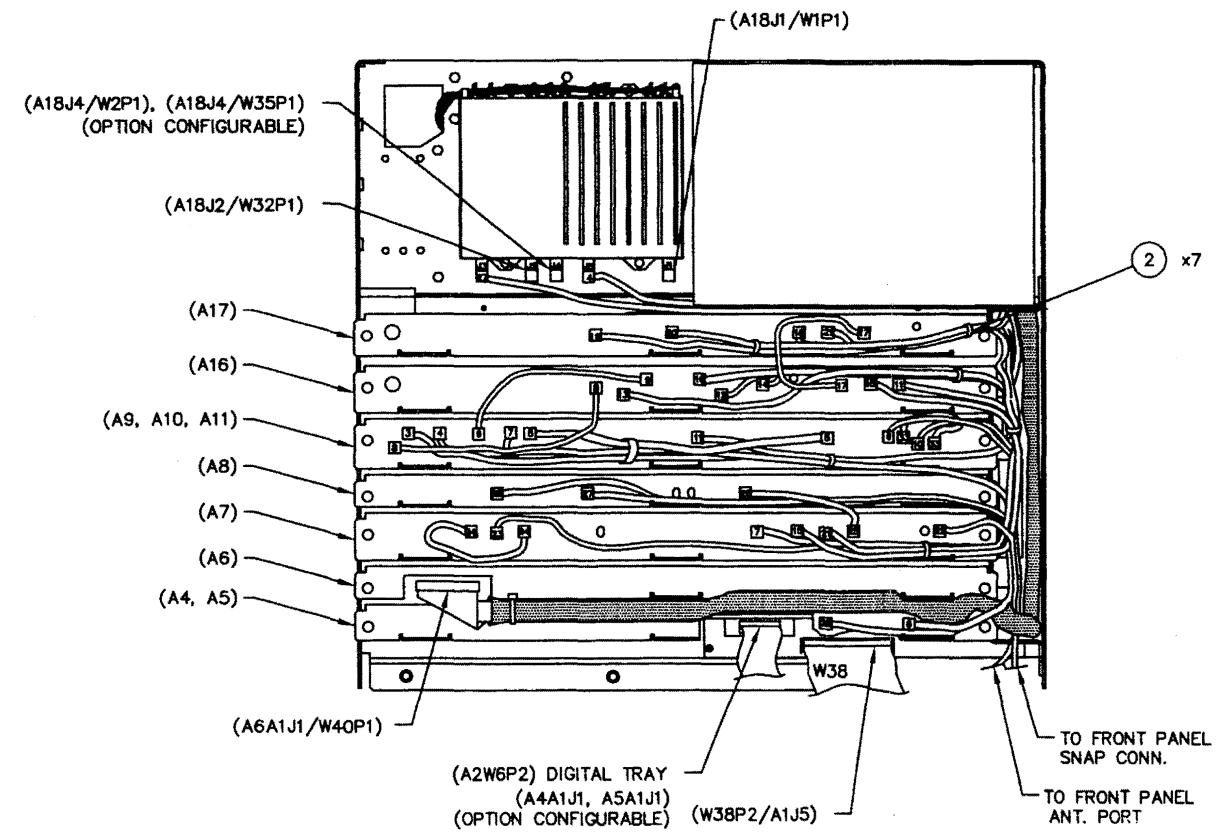
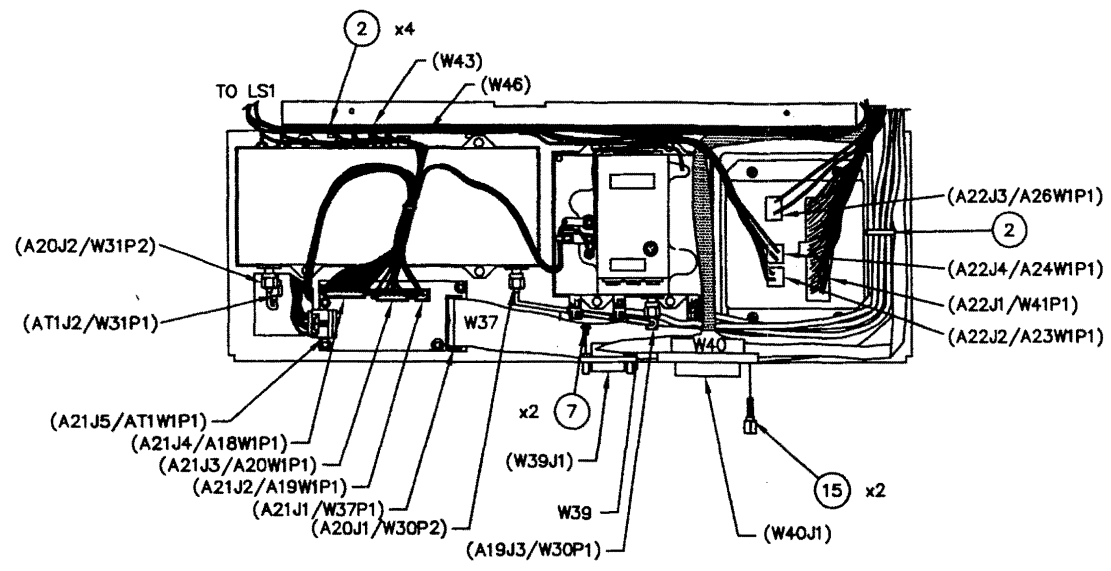


INSTALL GROMMET EDGING (ITEM #17) AROUND FAN WIRE ENTRY. PLACE SEAM TOWARD CHASSIS FLOOR.

"THIS DOCUMENT CONTAINS PROPRIETARY INFORMATION OF IFR, INC. AND IS NOT TO BE DISCLOSED, REPRODUCED, OR PUBLISHED WITHOUT IFR'S APPROVAL."

IFR SYSTEMS INC 1200 West York St., Yonkers, New York 10710			
DATE	TITLE	REV	
HARRIS 02/01/96	COMPOSITE ASSY, COM-120B		
CHECKED	DATE	REV	
B.PUCKETT 02/05/96			
APPROVED	DATE	REV	
M.BACHMAN 02/05/96	D	7003-0642-500	C
006425C0.DWG	PLT SCALE: 2=1	SCALE: 1=1	CASE: 51190 SHEET: 3 of 7

DATE	REV	CHANGE	APPD
SEE SHEET 1			

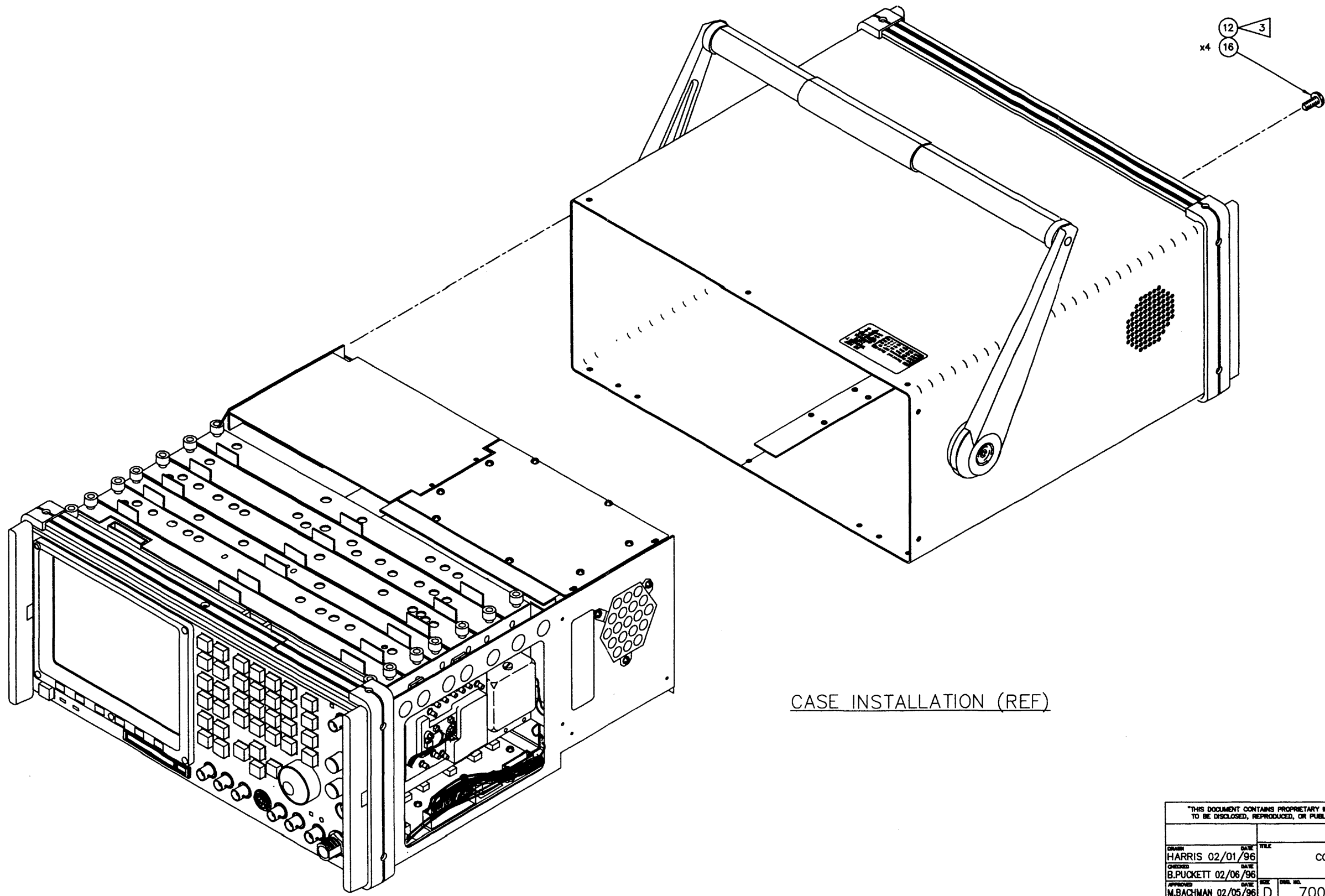


"THIS DOCUMENT CONTAINS PROPRIETARY INFORMATION OF IFR, INC. AND IS NOT TO BE DISCLOSED, REPRODUCED, OR PUBLISHED WITHOUT IFR'S APPROVAL."

IFR SYSTEMS INC 10800 West York St., Overland, Kansas 67215			
DATE	FILE	COMPOSITE ASSY, COM-120B	
HARRIS 02/01/96			
DATE	FILE	7003-0642-500	
B.PUCKETT 02/05/96			
DATE	REV	DATE	REV
M.BACHMAN 02/05/96	D		C
006425C0.DWG	PLT SCALE: 2=1	SCALE: 1=1	DATE: 51190

DATE	REV	CHANGE	APP
		SEE SHEET 1	

1
2
3
4
5
6
7



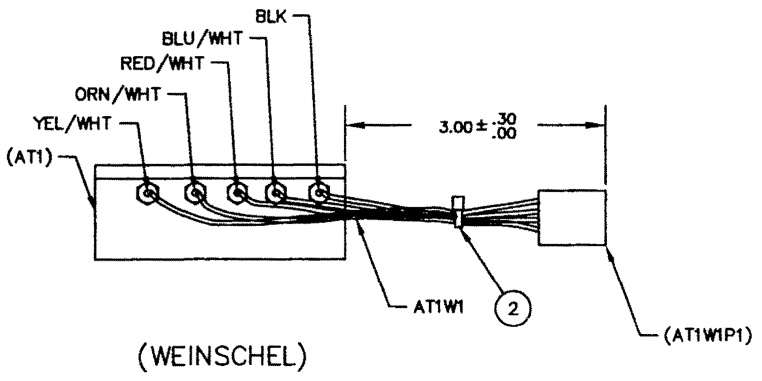
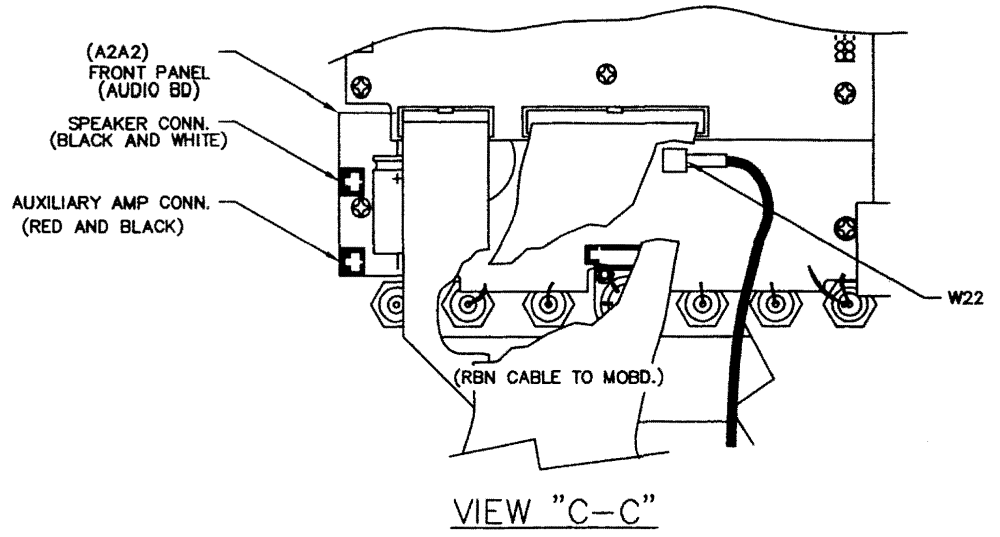
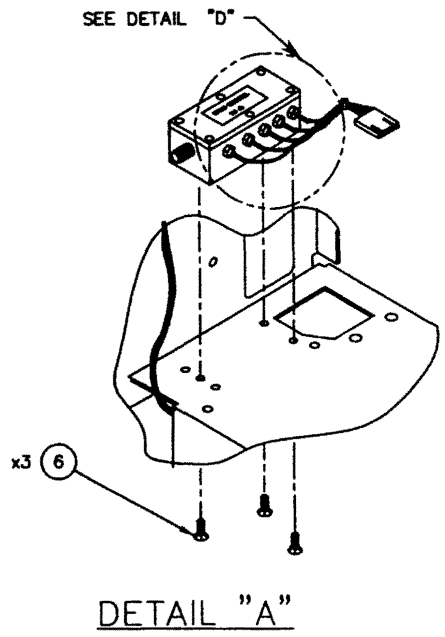
CASE INSTALLATION (REF)

THIS DOCUMENT CONTAINS PROPRIETARY INFORMATION OF IFR, INC. AND IS NOT TO BE DISCLOSED, REPRODUCED, OR PUBLISHED WITHOUT IFR'S APPROVAL.

IFR SYSTEMS INC 1000 West 9th St., Topeka, Kansas 67210	
DESIGN HARRIS 02/01/96	FILE COMPOSITE ASSY, COM-120B
CHECKED B.PUCKETT 02/06/96	
APPROVED M.BACHMAN 02/05/96	SIZE D 7003-0642-500
006425C0.DWG	SCALE 2=1 SCALE 1=1 CASE 51190 SHEET 5 of 7

DATE	REV	CHANGE	APP

SEE SHEET 1



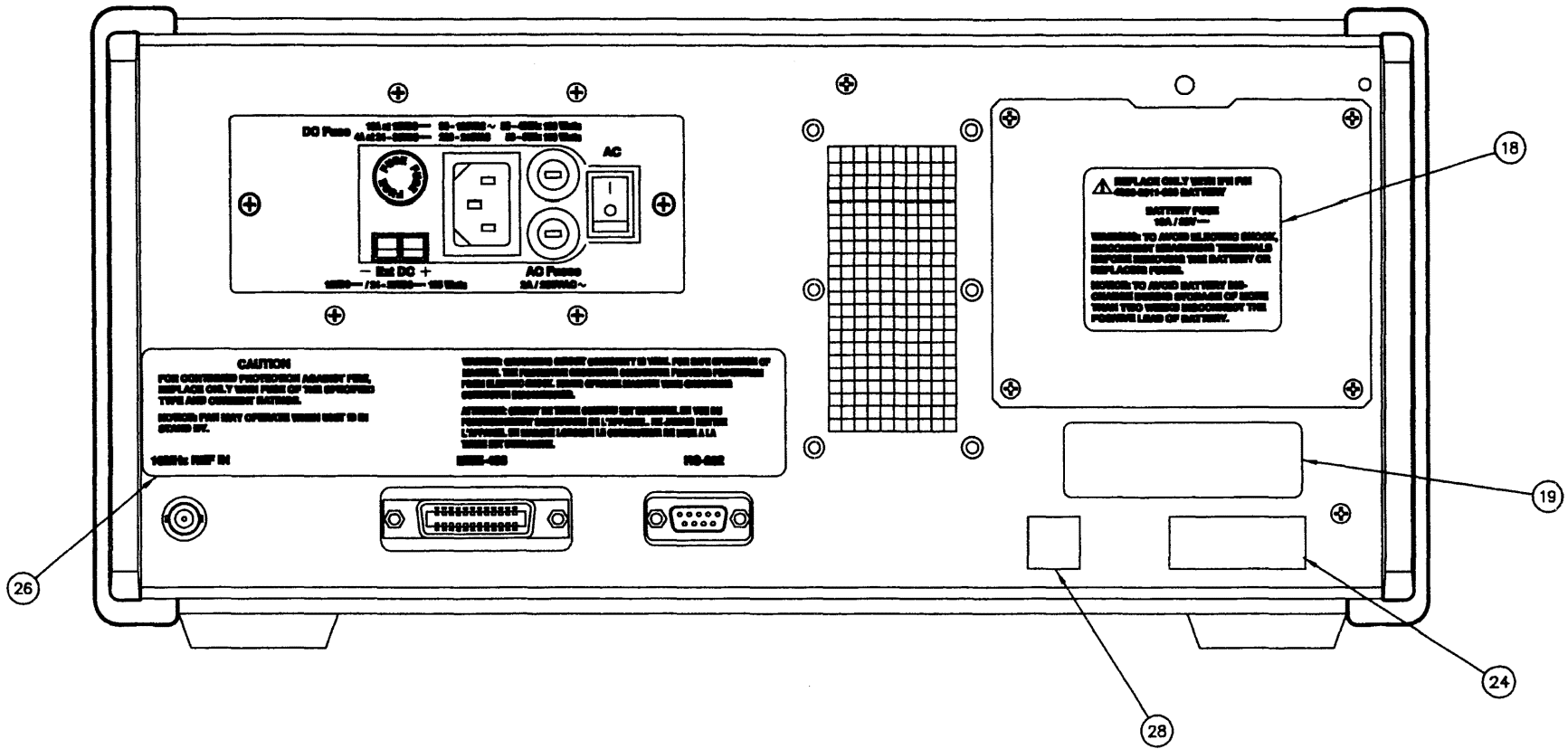
WIRE RUNNING LIST				
DESG	FROM	TO	COLOR	AWG
AT1W1W1	P1-01	10	RED/WHT	26
AT1W1W2	P1-02	20	ORN/WHT	26
AT1W1W3	P1-03	40	YEL/WHT	26
AT1W1W4	P1-04	40	BLU/WHT	26
AT1W1W5	P1-05	GND	BLK	26

DETAIL "D"

THIS DOCUMENT CONTAINS PROPRIETARY INFORMATION OF IFR, INC. AND IS NOT TO BE DISCLOSED, REPRODUCED, OR PUBLISHED WITHOUT IFR'S APPROVAL.

DRAWN		DATE		TITLE	
HARRIS		02/01/96		COMPOSITE ASSY, COM-120B	
CHECKED		DATE		REV	
B.PUCKETT		02/05/96		D	
APPROVED		DATE		Dwg. No.	
M.BACHMAN		02/05/96		7003-0642-500	
PLOT SCALE		2=1		SCALE 1=1	
006425CO.DWG		51190		SHEET 6 OF 7	

DATE	REV	CHANGE	APP
		SEE SHEET 1	



CAUTION
 FOR CONTINUED PROTECTION AGAINST FIRE, REPLACE ONLY WITH FUSE OF THE SPECIFIED TYPE AND CURRENT RATING.
 CHECK FOR ANY DAMAGE WHEN UNIT IS IN OPEN DC.

WARNING: CHARGING ENERGY CAPACITY IS HIGH FOR THIS EQUIPMENT OF BATTERY. THE FOLLOWING OPERATING CAUTIONS MUST BE OBSERVED FOR PROPER FUSE REPLACEMENT. NEVER OPERATE EQUIPMENT WITH OPENED EQUIPMENT ENCLOSURE.
 ALWAYS CHECK BY TOUCH BEFORE SET TERMINAL BY THE DC POWER SUPPLY COMPONENTS OR LIFELINE. DO NOT TOUCH LIFELINE OR OTHER LIFELINE IN CONTACT OF THE A.I.A. WHEN SET TERMINAL.

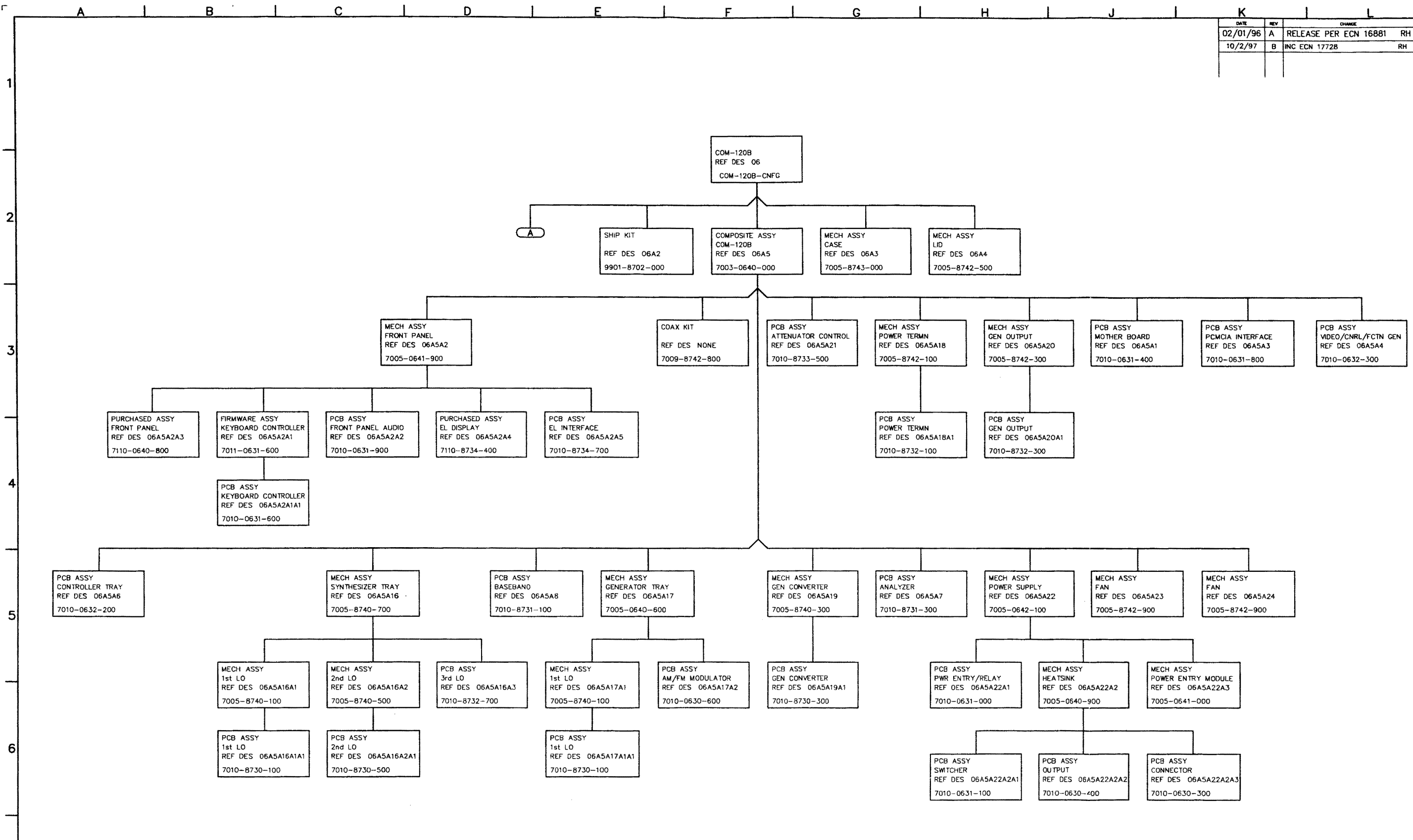
1000% TEST IN 1000-000 100-000

REPLACE ONLY WITH IFR FOR 2000-0011-000 BATTERY
BATTERY FUSE
 10A / 50V
 WARNING: TO AVOID BLASTING GROUND, DISCONNECT BATTERY TERMINALS BEFORE REMOVING THE BATTERY OR REPLACING FUSE.
 BEWARE TO AVOID BATTERY EXPLOSION DURING STORAGE OF UNIT WHEN YOU WOULD DISCONNECT THE POSITIVE LEAD OF BATTERY.

THIS DOCUMENT CONTAINS PROPRIETARY INFORMATION OF IFR, INC. AND IS NOT TO BE DISCLOSED, REPRODUCED, OR PUBLISHED WITHOUT IFR'S APPROVAL.

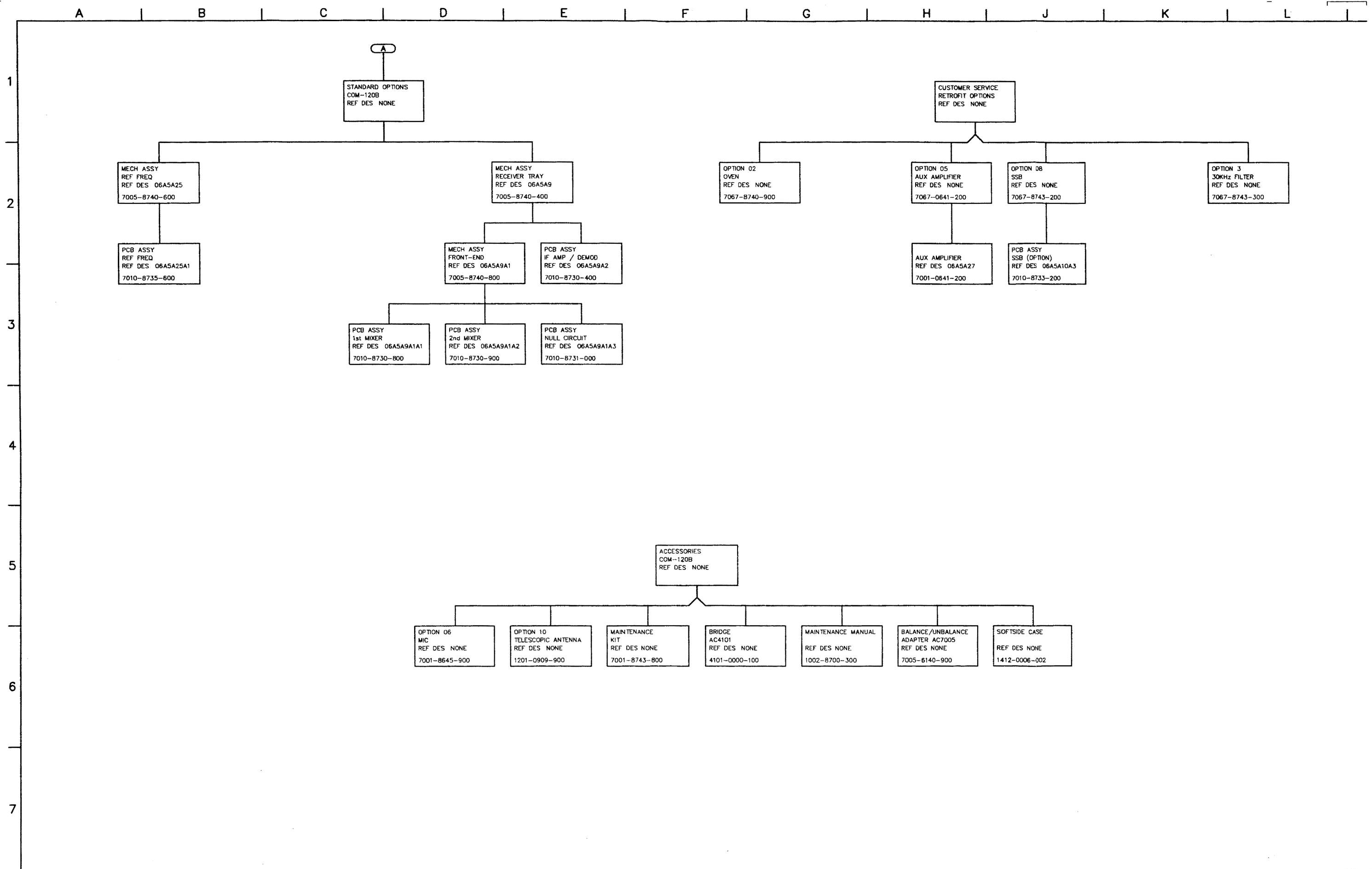
DRAWN		DATE		FILE	
HARRIS		02/01/96		COMPOSITE ASSY, COM-120B	
CHECKED		DATE		REV	
B.PUCKETT		02/05/96		C	
APPROVED		DATE		Dwg. NO.	
M.BACHMAN		02/05/96		7003-0642-500	
006425C0.DWG		PLOT SCALE: 1=1		SCALE 1=1	
		CAGE 51190		SHEET 7 of 7	

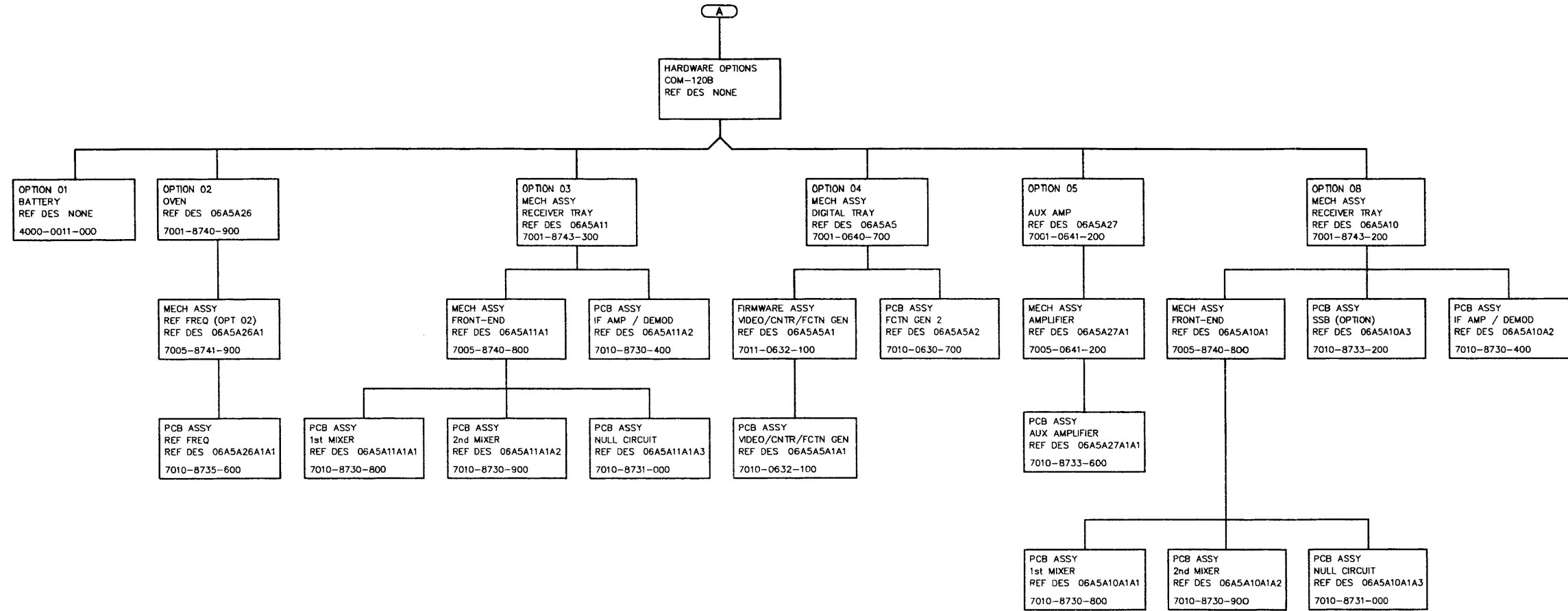
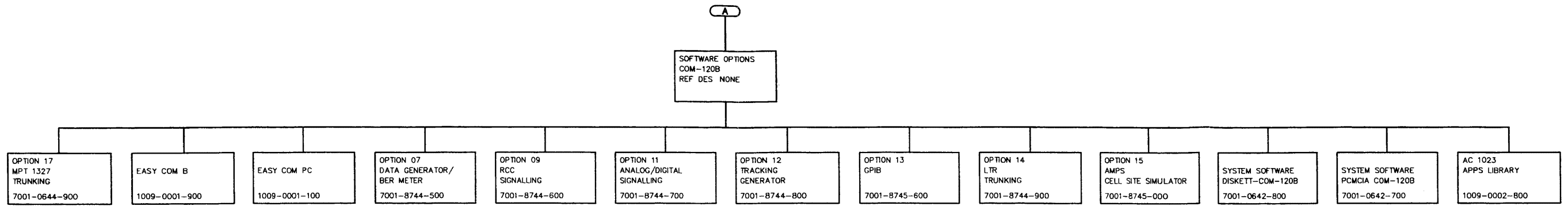
DATE	REV	CHANGE	APD
02/01/96	A	RELEASE PER ECN 16881	RH DKE
10/2/97	B	INC ECN 17728	RH DSG

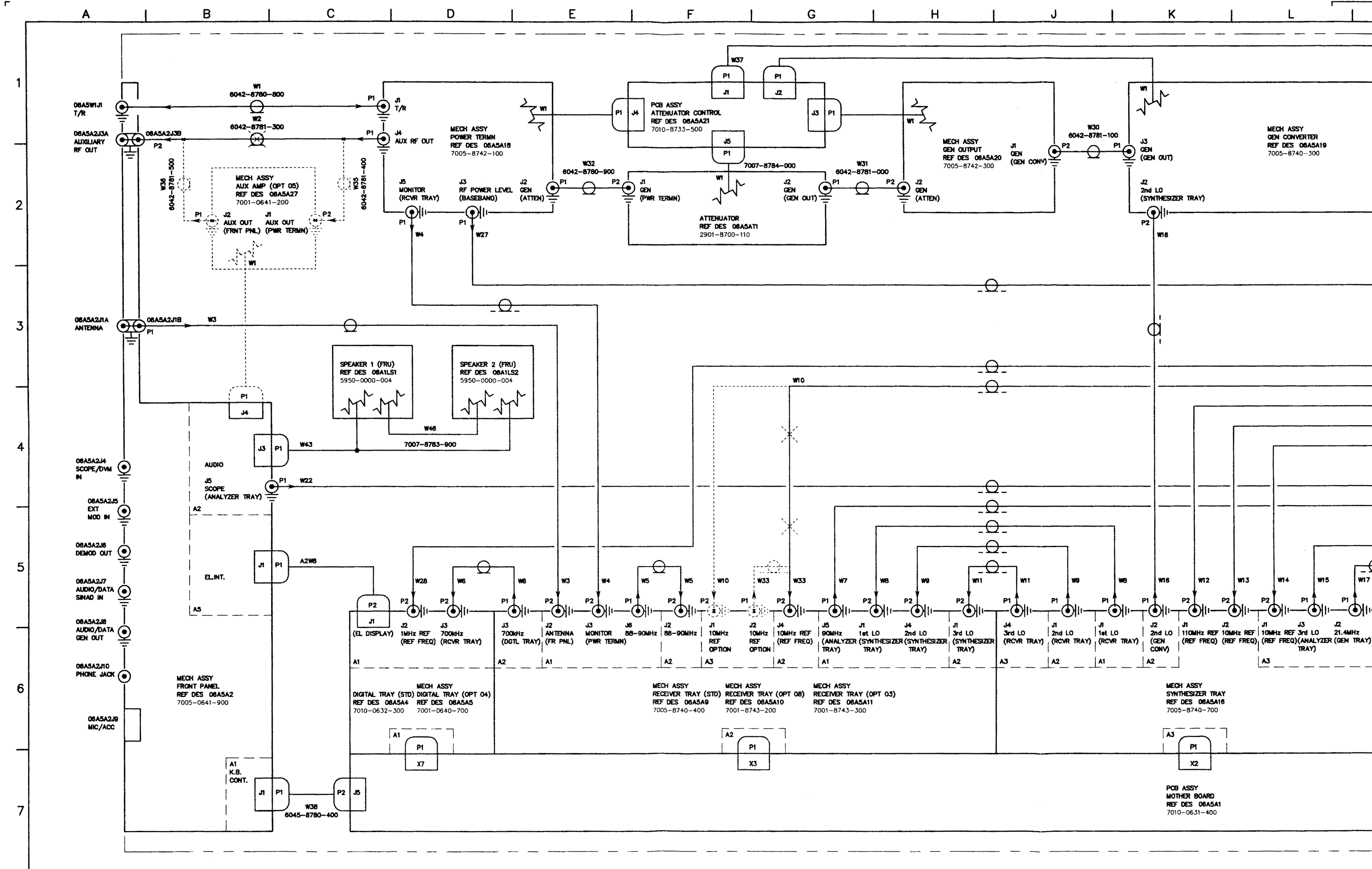


"THIS DOCUMENT CONTAINS PROPRIETARY INFORMATION OF IFR, INC. AND IS NOT TO BE DISCLOSED, REPRODUCED, OR PUBLISHED WITHOUT IFR'S APPROVAL."

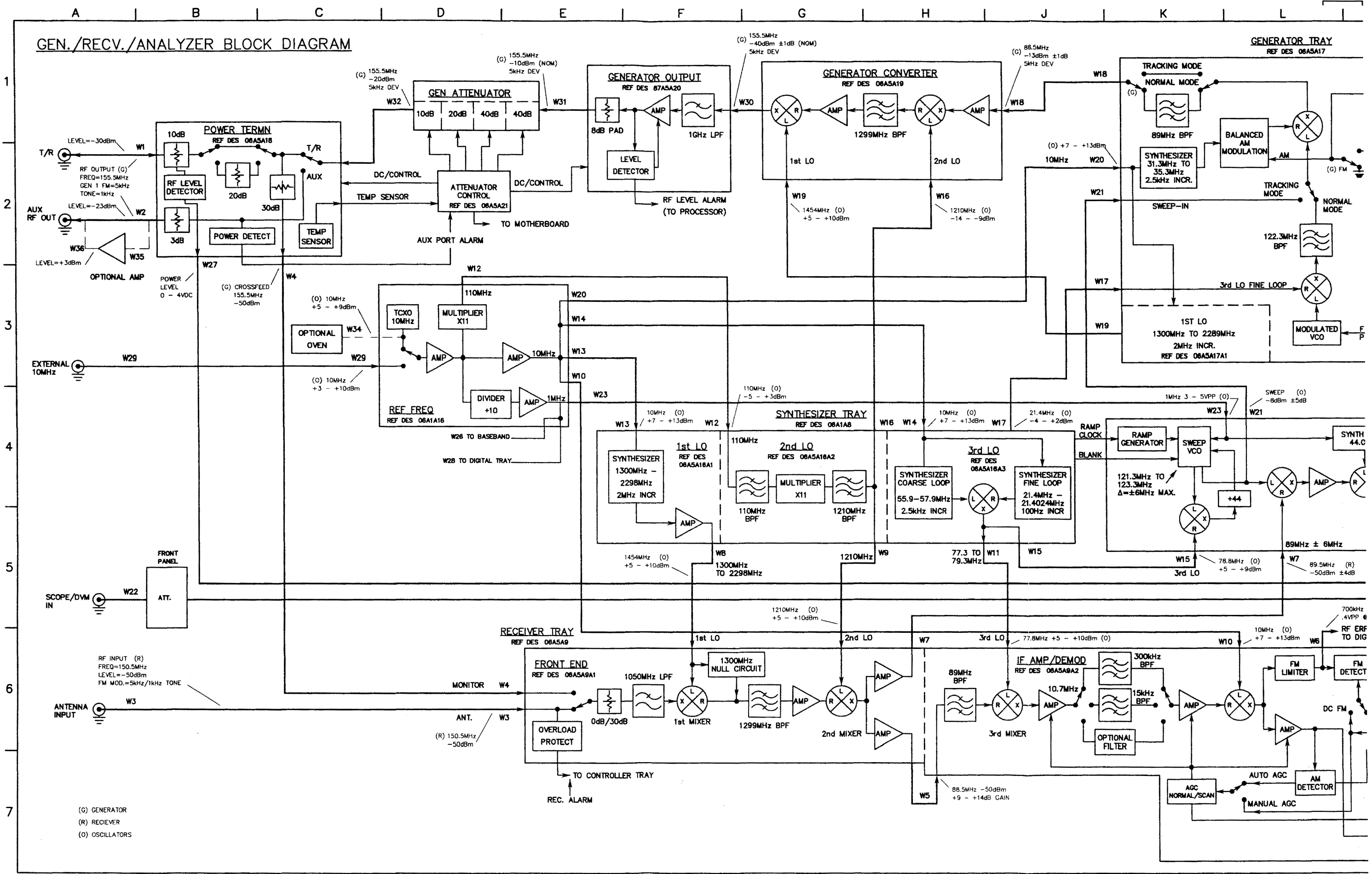
DRAWN		DATE		TITLE	
HARRIS		02/01/96		PRODUCT STRUCTURE	
CHECKED		DATE		COM-120B	
M.BACHMAN		02/06/96			
APPROVED		DATE		DWG. NO.	
S.PEIRSON		02/07/96		0000-0612-500	
DRAWN		DATE		REV	
006125B0.DWG		10/2/97		B	
PLOT SCALE		SCALE		SHEET	
1=1		1=1		51190 1 of 3	

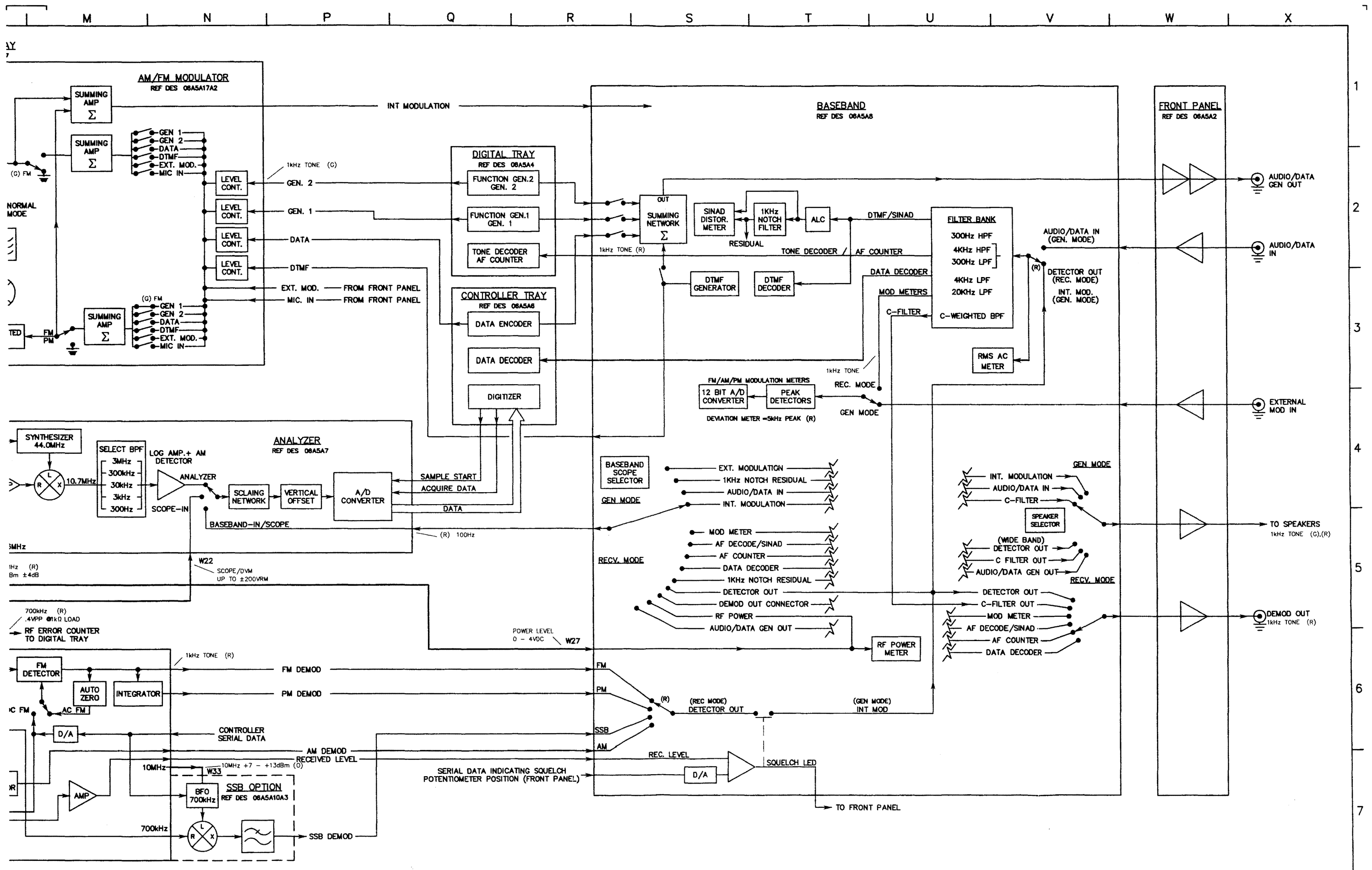




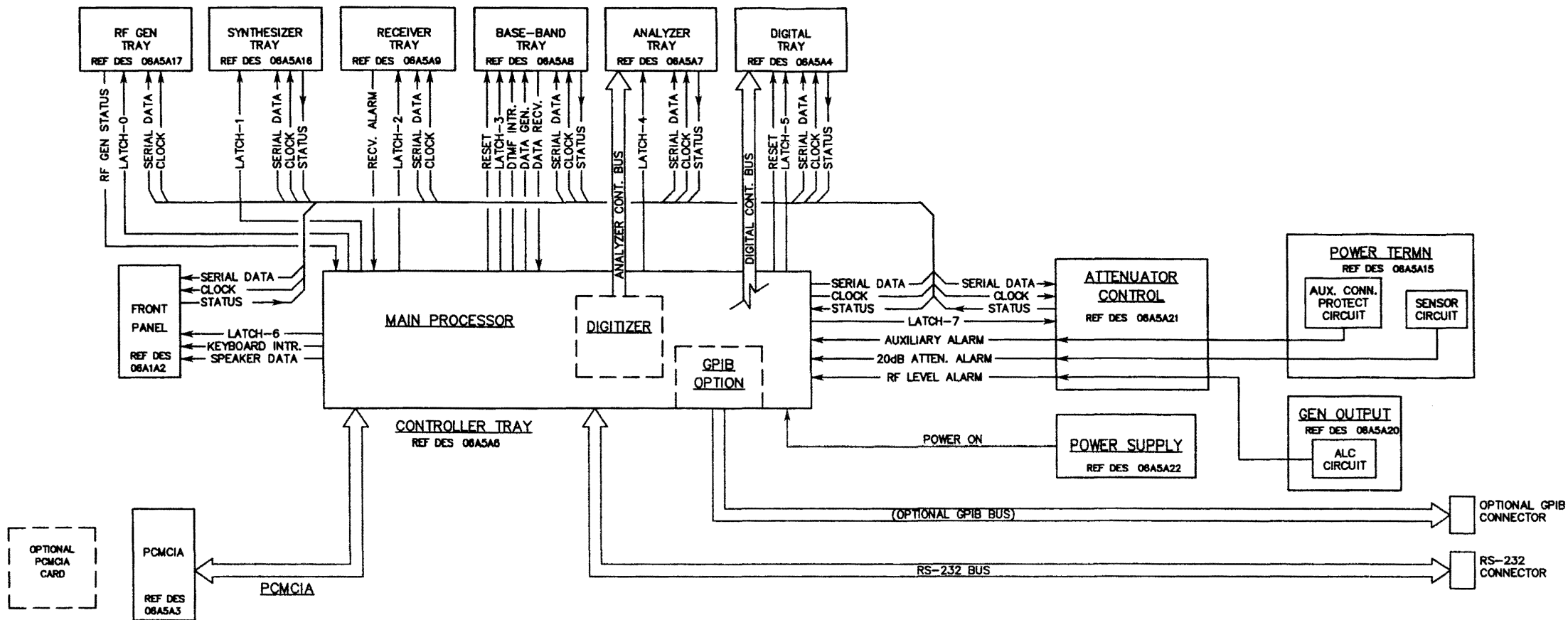


GEN./REC.V./ANALYZER BLOCK DIAGRAM

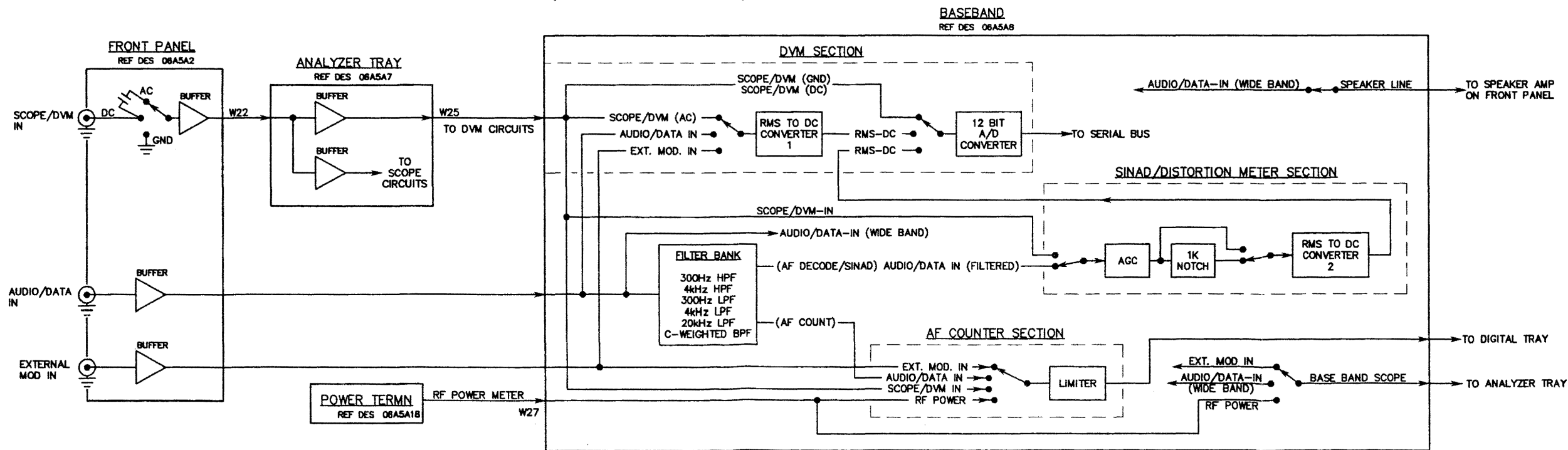




CONTROL BLOCK DIAGRAM



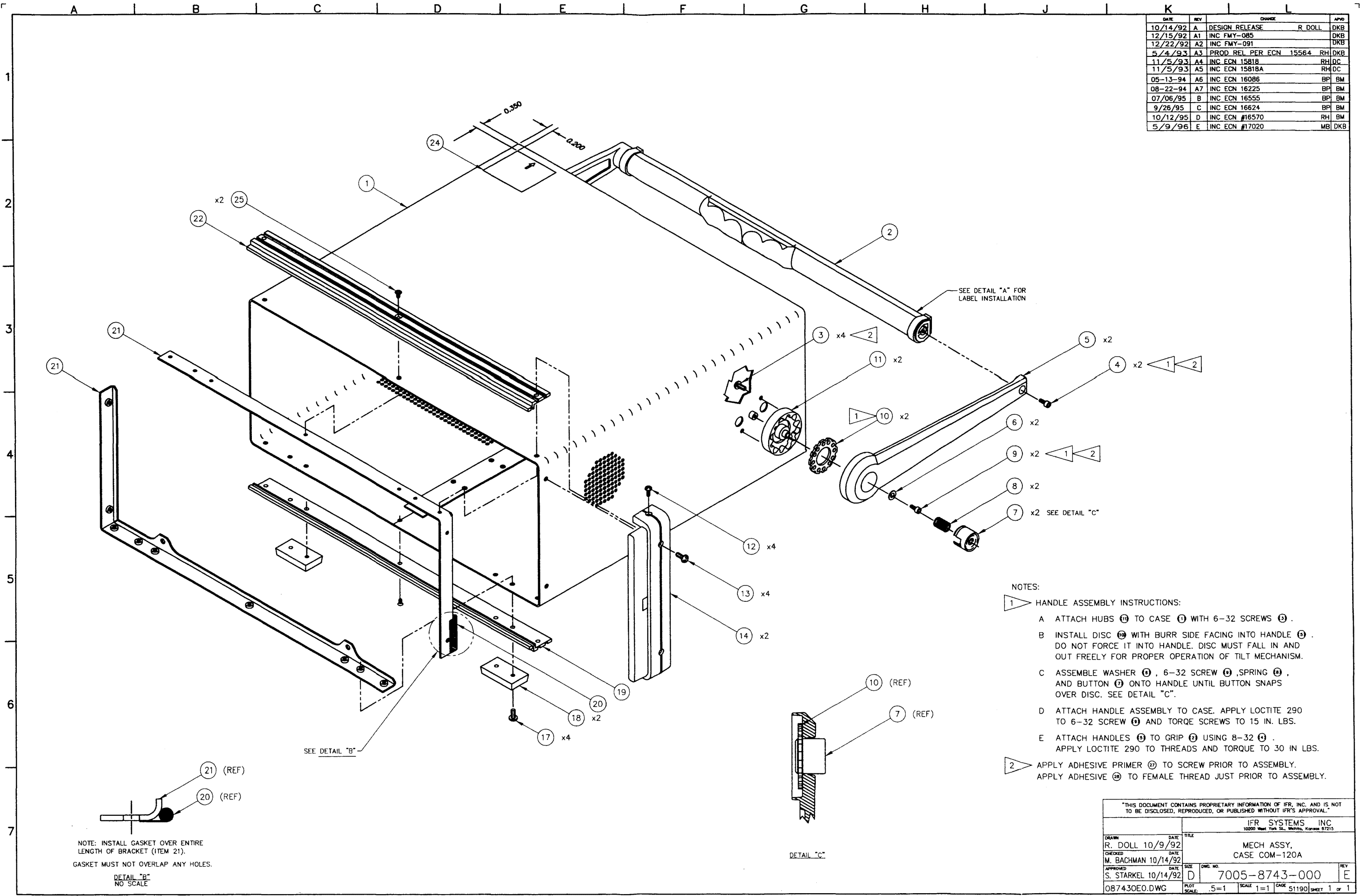
METERS (INDEPENDENT METERS) BLOCK DIAGRAM



COAX DEFINITION TABLE

COAX #	FUNCTION	SIGNAL FREQUENCY	SIGNAL LEVEL	COAX #	FUNCTION	SIGNAL FREQUENCY	SIGNAL LEVEL
W1	T/R TO POWER TERMN I/O CONNECTION	0.25MHz TO 1000MHz	-137dBm TO -20dBm (SIGNAL OUT) -30dBm TO +53dBm (SIGNAL IN)	W19	FIRST LO FROM GENERATOR TRAY TO GEN CONVERTER	1300MHz TO 2298MHz	+5dBm TO +10dBm
W2	POWER TERMN TO AUX OUTPUT SIGNAL	0.25MHz TO 1000MHz	-137dBm TO +13dBm (SIGNAL OUT)	W20	10MHz REF FROM REF FREQ TO GENERATOR TRAY	10MHz	+7dBm TO +13dBm
W3	FRONT PANEL ANT CONNECTOR TO RECEIVER	0.25MHz TO 1000MHz	-137dBm TO 0dBm (NOMINAL INPUT SIGNAL) +40dBm (MAX LEVEL)	W21	SWEEP OSC FROM ANALYZER TO GENERATOR TRAY	121.3MHz TO 123.3MHz CENTER FREQ. UP TO ±6MHz SWEEP	-8dBm ±5dB
W4	MONITOR CABLE-CROSS FEED FROM POWER TERMN TO RECEIVER	0.25MHz TO 1000MHz	-137dBm TO -7dBm	W22	SCOPE/DVM CONNECTION FROM FRONT PANEL	DC TO 20kHz	UP TO ±4V
W5	RECEIVER JUMPER	88MHz TO 90MHz	+9dB TO +14dB GAIN (FROM ANT INPUT W3)	W23	1MHz REF FROM REF FREQ TO ANALYZER	1MHz	3.0Vpp TO 5Vpp
W6	700kHz FROM RECEIVER TO RF ERROR METER ON DIGITAL TRAY	700kHz	0.4Vpp INTO 1kΩ LOAD	W24	ANALYZER JUMPER CABLE	10.7MHz	APP. 20dB GAIN (FROM 88-90MHz INPUT W7)
W7	RECEIVER TO ANALYZER	88MHz TO 90MHz	0dB ±4dB GAIN (FROM ANT INPUT W3)	W25	DVM LEVEL FROM ANALYZER TO BASEBAND TRAY	DC TO 20kHz	UP TO ±4V
W8	FIRST LO FROM SYNTHESIZER TRAY TO RECEIVER TRAY	1300MHz TO 2298MHz	+5dBm TO +10dBm	W26	1MHz REF FROM REF FREQ TO BASEBAND TRAY	1MHz	3.0Vpp TO 5Vpp
W9	SECOND LO FROM SYNTHESIZER TRAY TO RECEIVER TRAY	1210MHz	+5dBm TO +10dBm	W27	POWER LEVEL FROM POWER TERMN TO BASEBAND TRAY	DC	0 TO +4.0VDC NOMINAL
W10	10MHz REF FROM REF FREQ TO RECEIVER	10MHz	+7dBm TO +13dBm	W28	1MHz REFERENCE TO DIGITAL TRAY	1MHz	3.0Vpp TO 5.0Vpp
W11	THIRD LO FROM SYNTHESIZER TRAY TO RECEIVER TRAY	77.3MHz TO 79.3MHz	+5dBm TO +10dBm	W29	EXTERNAL 10MHz FROM REAR PANEL TO REF FREQ	10MHz	+3dBm TO +10dBm
W12	110MHz REF FROM REF FREQ TO SYNTHESIZER TRAY	110 MHz	-5dBm TO +3dBm	W30	COAX CABLE FROM GEN CONVERTER TO GEN OUTPUT	0.25MHz TO 1000MHz	-40dB ±1dB
W13	10MHz REF FROM REF FREQ TO SYNTHESIZER TRAY	10MHz	+7dBm TO +13dBm	W31	RF OUTPUT FROM GEN OUTPUT TO ATTENUATOR	0.25MHz TO 1000MHz	-10dBm NOMINAL
W14	10MHz REF FROM REF FRQ TO SYNTHESIZER TRAY	10MHz	+7dBm TO +13dBm	W32	RF OUTPUT FROM ATTENUATOR TO POWER TERM	0.25MHz TO 1000MHz	-10dBm TO -127dBm
W15	THIRD LO FROM SYNTHESIZER TRAY TO ANALYZER	77.3MHz TO 79.3MHz	+5dBm TO +9dBm	W33	OPTIONAL JUMPER TO RECEIVER TRAY (SSB OPTION) 10MHz REF	10MHz	+7dBm TO +13dBm
W16	SECOND LO FROM SYNTHESIZER TRAY TO GEN CONVERTER	1210MHz	-14dBm TO -9dBm	W34	OPTIONAL 10MHz REF FROM 10MHz OVEN TO REF FREQ	10MHz	+7dBm ±2dB
W17	21.4MHz FROM SYNTHESIZER TRAY TO GEN TRAY	21.4MHz TO 21.4024MHz INC.=100Hz	-4dBm TO +2dBm	W35	OPTIONAL INPUT FROM POWER TERMN TO AUX AMP	0.25MHz TO 1000MHz	-137dBm TO -13dBm
W18	88MHz FROM GENERATOR TRAY TO GEN CONVERTER	88MHz TO 90MHz	-13dBm ±1dB	W36	OPTIONAL OUTPUT FROM AUX AMP TO FRONT PANEL	0.25MHz TO 1000MHz	-137dBm TO +13dBm

DATE	REV	CHANGE	APPROVED
10/14/92	A	DESIGN RELEASE	R DOLL
12/15/92	A1	INC FMY-085	DKB
12/22/92	A2	INC FMY-091	DKB
5/4/93	A3	PROD REL PER ECN 15564	RH DKB
11/5/93	A4	INC EGN 15818	RH DC
11/5/93	A5	INC EGN 15818A	RH DC
05-13-94	A6	INC EGN 16086	BP BM
08-22-94	A7	INC EGN 16225	BP BM
07/06/95	B	INC EGN 16555	BP BM
9/26/95	C	INC EGN 16624	BP BM
10/12/95	D	INC EGN #16570	RH BM
5/9/96	E	INC EGN #17020	MB DKB



- NOTES:
- 1 HANDLE ASSEMBLY INSTRUCTIONS:
 - A ATTACH HUBS (11) TO CASE (1) WITH 6-32 SCREWS (3).
 - B INSTALL DISC (10) WITH BURR SIDE FACING INTO HANDLE (2). DO NOT FORCE IT INTO HANDLE. DISC MUST FALL IN AND OUT FREELY FOR PROPER OPERATION OF TILT MECHANISM.
 - C ASSEMBLE WASHER (9), 6-32 SCREW (8), SPRING (6), AND BUTTON (7) ONTO HANDLE UNTIL BUTTON SNAPS OVER DISC. SEE DETAIL "C".
 - D ATTACH HANDLE ASSEMBLY TO CASE. APPLY LOCTITE 290 TO 6-32 SCREW (4) AND TORQUE SCREWS TO 15 IN. LBS.
 - E ATTACH HANDLES (5) TO GRIP (2) USING 8-32 (4). APPLY LOCTITE 290 TO THREADS AND TORQUE TO 30 IN. LBS.
 - 2 APPLY ADHESIVE PRIMER (23) TO SCREW PRIOR TO ASSEMBLY. APPLY ADHESIVE (24) TO FEMALE THREAD JUST PRIOR TO ASSEMBLY.

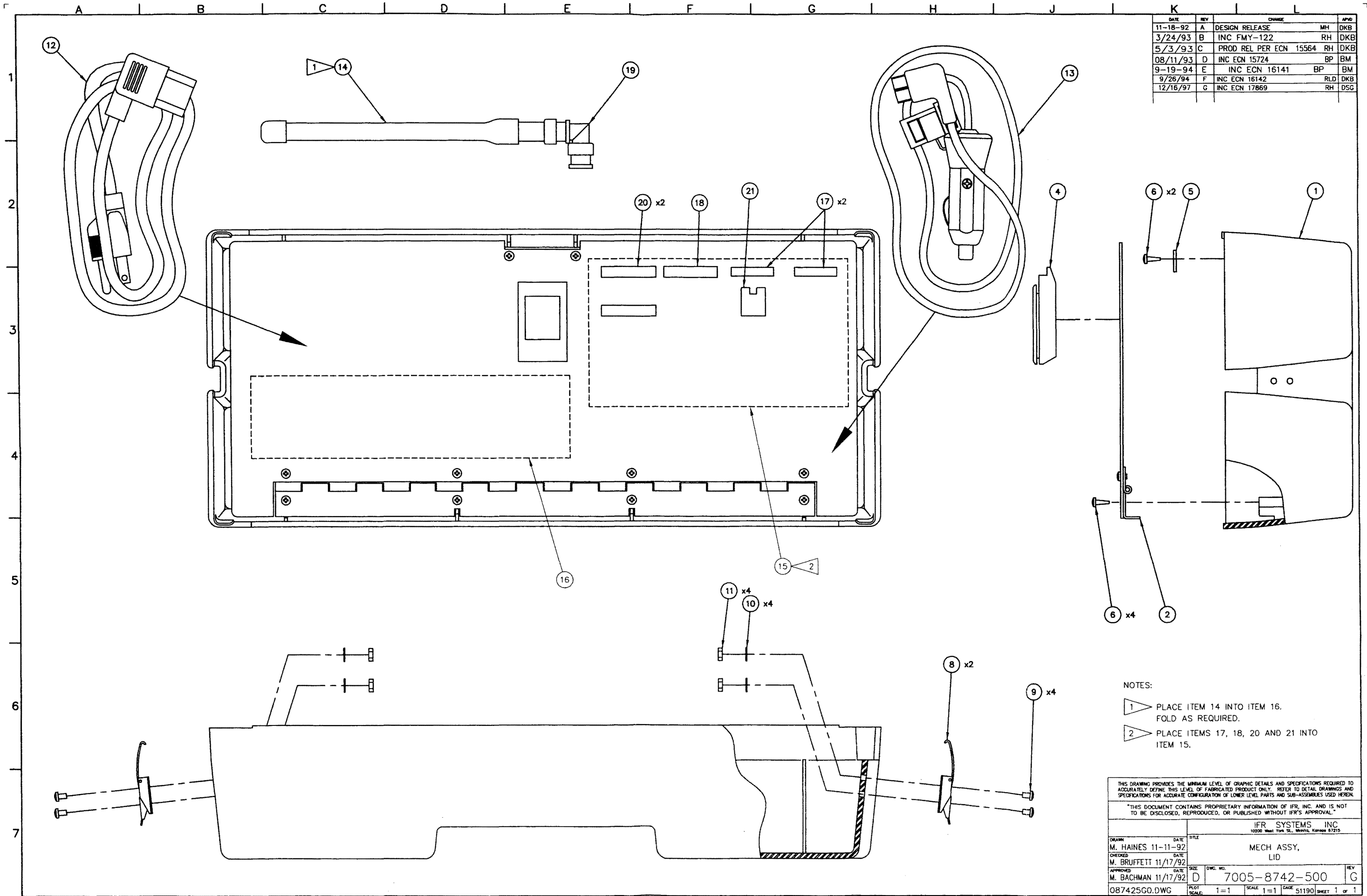
NOTE: INSTALL GASKET OVER ENTIRE LENGTH OF BRACKET (ITEM 21). GASKET MUST NOT OVERLAP ANY HOLES.

DETAIL "B"
NO SCALE

DETAIL "C"

"THIS DOCUMENT CONTAINS PROPRIETARY INFORMATION OF IFR, INC. AND IS NOT TO BE DISCLOSED, REPRODUCED, OR PUBLISHED WITHOUT IFR'S APPROVAL."

IFR SYSTEMS INC 10200 West York St., Wichita, Kansas 67215	
DRAWN R. DOLL 10/9/92	TITLE MECH ASSY, CASE COM-120A
CHECKED M. BACHMAN 10/14/92	DATE
APPROVED S. STARKEL 10/14/92	DATE
SIZE D	DWG. NO. 7005-8743-000
SCALE .5=1	SCALE 1=1
CAGE 51190	SHEET 1 OF 1



DATE	REV	CHANGE	APPROV
11-18-92	A	DESIGN RELEASE	MH DKB
3/24/93	B	INC FMY-122	RH DKB
5/3/93	C	PROD REL PER ECN 15564	RH DKB
08/11/93	D	INC ECN 15724	BP BM
9-19-94	E	INC ECN 16141	BP BM
9/26/94	F	INC ECN 16142	RLD DKB
12/16/97	G	INC ECN 17869	RH DSG

- NOTES:
- 1 PLACE ITEM 14 INTO ITEM 16. FOLD AS REQUIRED.
 - 2 PLACE ITEMS 17, 18, 20 AND 21 INTO ITEM 15.

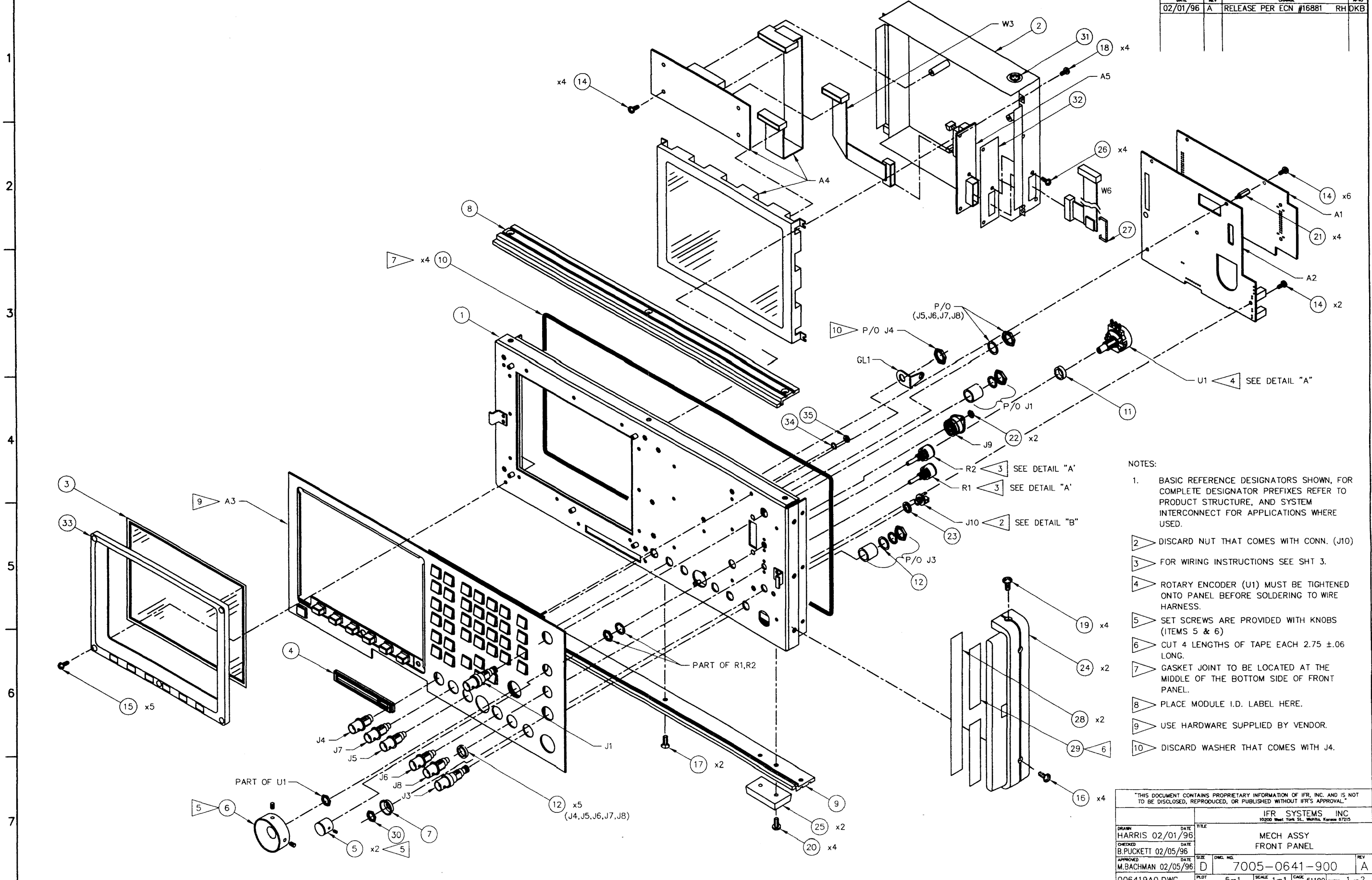
THIS DRAWING PROVIDES THE MINIMUM LEVEL OF GRAPHIC DETAILS AND SPECIFICATIONS REQUIRED TO ACCURATELY DEFINE THIS LEVEL OF FABRICATED PRODUCT ONLY. REFER TO DETAIL DRAWINGS AND SPECIFICATIONS FOR ACCURATE CONFIGURATION OF LOWER LEVEL PARTS AND SUB-ASSEMBLIES USED HEREIN.

"THIS DOCUMENT CONTAINS PROPRIETARY INFORMATION OF IFR, INC. AND IS NOT TO BE DISCLOSED, REPRODUCED, OR PUBLISHED WITHOUT IFR'S APPROVAL."

IFR SYSTEMS INC		10200 West York St., Overland Park, Kansas 66215	
DRW	M. HAINES	DATE	11-11-92
CHEK	M. BRUFFETT	DATE	11/17/92
APPR	M. BACHMAN	DATE	11/17/92
087425G0.DWG	DWG. NO.	7005-8742-500	REV G
PLOT SCALE: 1=1	SCALE: 1=1	CAGE: 51190	SHEET 1 OF 1

A B C D E F G H J K L

DATE	REV	CHANGE	APPRO
02/01/96	A	RELEASE PER ECN #16881	RH DKB



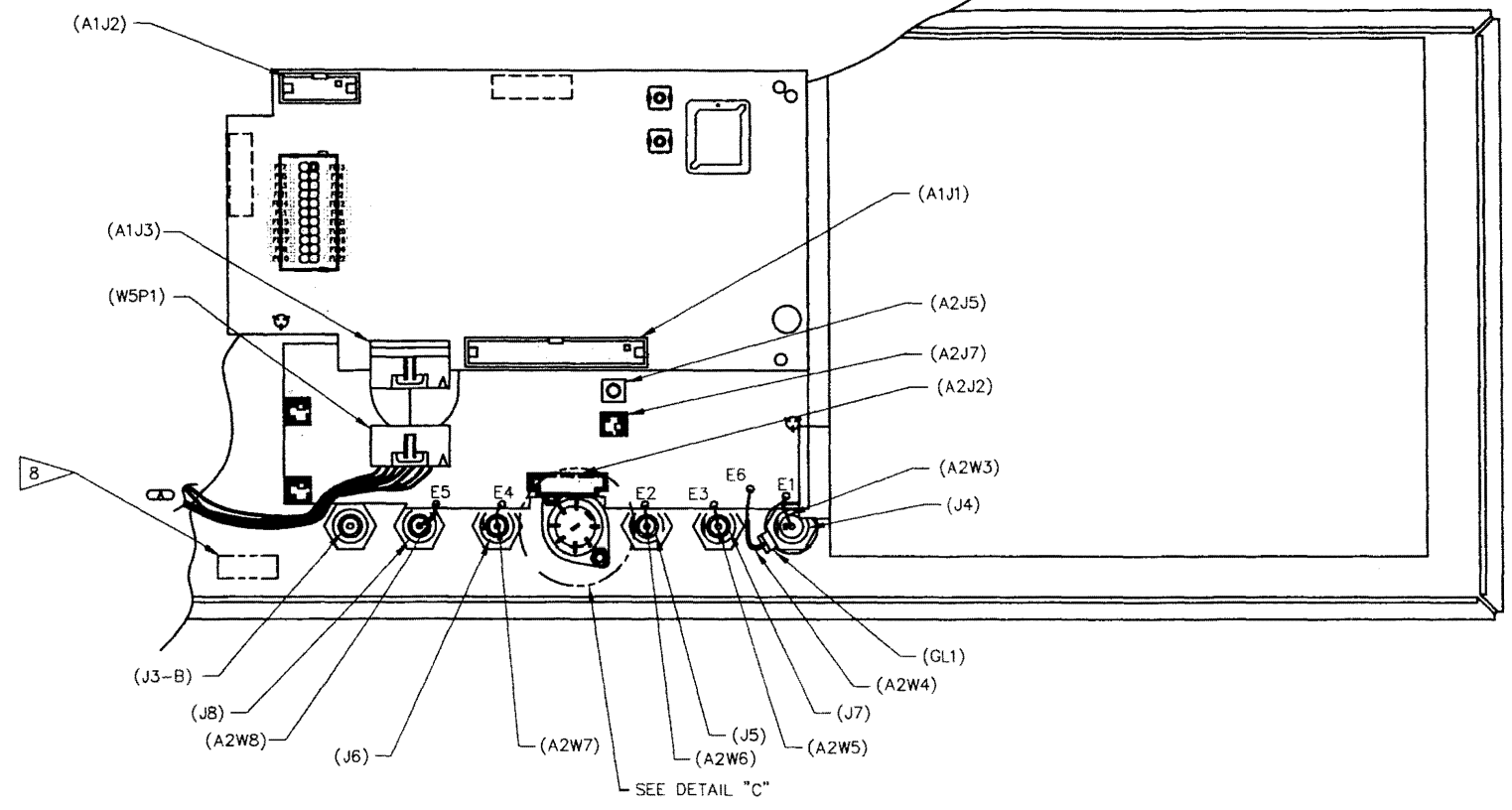
- NOTES:
1. BASIC REFERENCE DESIGNATORS SHOWN, FOR COMPLETE DESIGNATOR PREFIXES REFER TO PRODUCT STRUCTURE, AND SYSTEM INTERCONNECT FOR APPLICATIONS WHERE USED.
 2. DISCARD NUT THAT COMES WITH CONN. (J10)
 3. FOR WIRING INSTRUCTIONS SEE SHT 3.
 4. ROTARY ENCODER (U1) MUST BE TIGHTENED ONTO PANEL BEFORE SOLDERING TO WIRE HARNESS.
 5. SET SCREWS ARE PROVIDED WITH KNOBS (ITEMS 5 & 6)
 6. CUT 4 LENGTHS OF TAPE EACH 2.75 ±.06 LONG.
 7. GASKET JOINT TO BE LOCATED AT THE MIDDLE OF THE BOTTOM SIDE OF FRONT PANEL.
 8. PLACE MODULE I.D. LABEL HERE.
 9. USE HARDWARE SUPPLIED BY VENDOR.
 10. DISCARD WASHER THAT COMES WITH J4.

"THIS DOCUMENT CONTAINS PROPRIETARY INFORMATION OF IFR, INC. AND IS NOT TO BE DISCLOSED, REPRODUCED, OR PUBLISHED WITHOUT IFR'S APPROVAL."

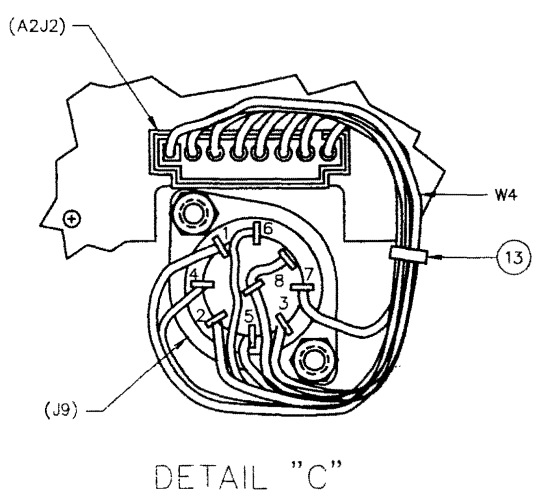
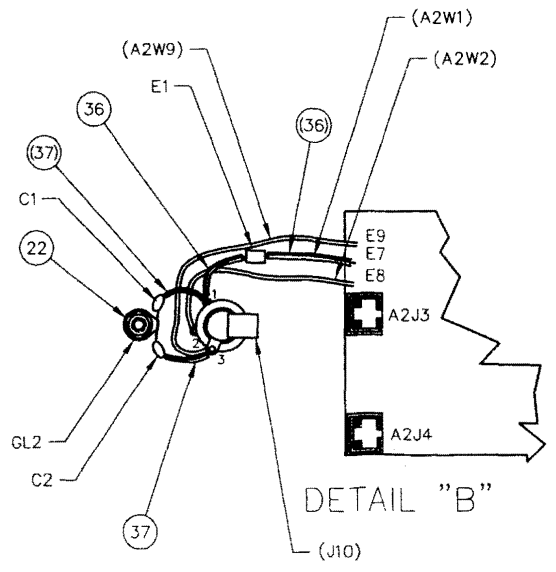
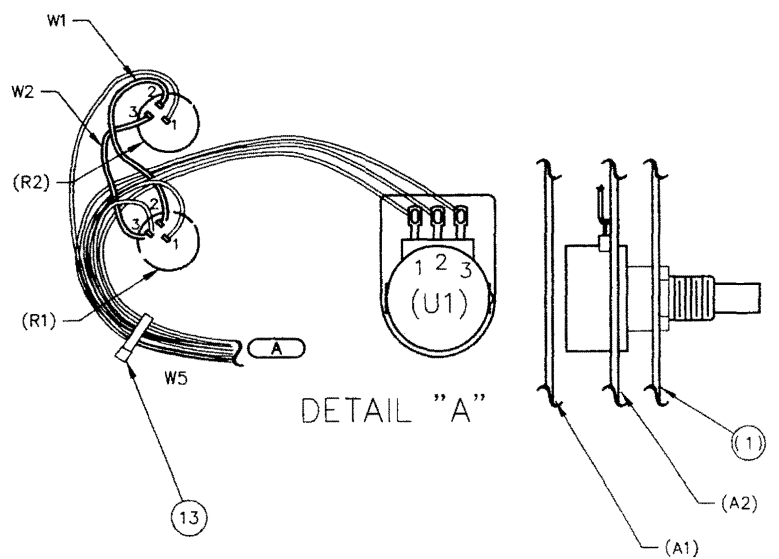
DRAWN		DATE		TITLE	
HARRIS		02/01/96		MECH ASSY	
CHECKED		DATE		FRONT PANEL	
B.PUCKETT		02/05/96			
APPROVED		DATE		SIZE	
M.BACHMAN		02/05/96		D	
006419A0.DWG		PLOT SCALE		.5=1	
		SCALE		1=1	
		CAGE		51190	
		SHEET		1 OF 2	

DATE	REV	CHANGE	APPD
SEE SHEET ONE			

FRONT PANEL REAR



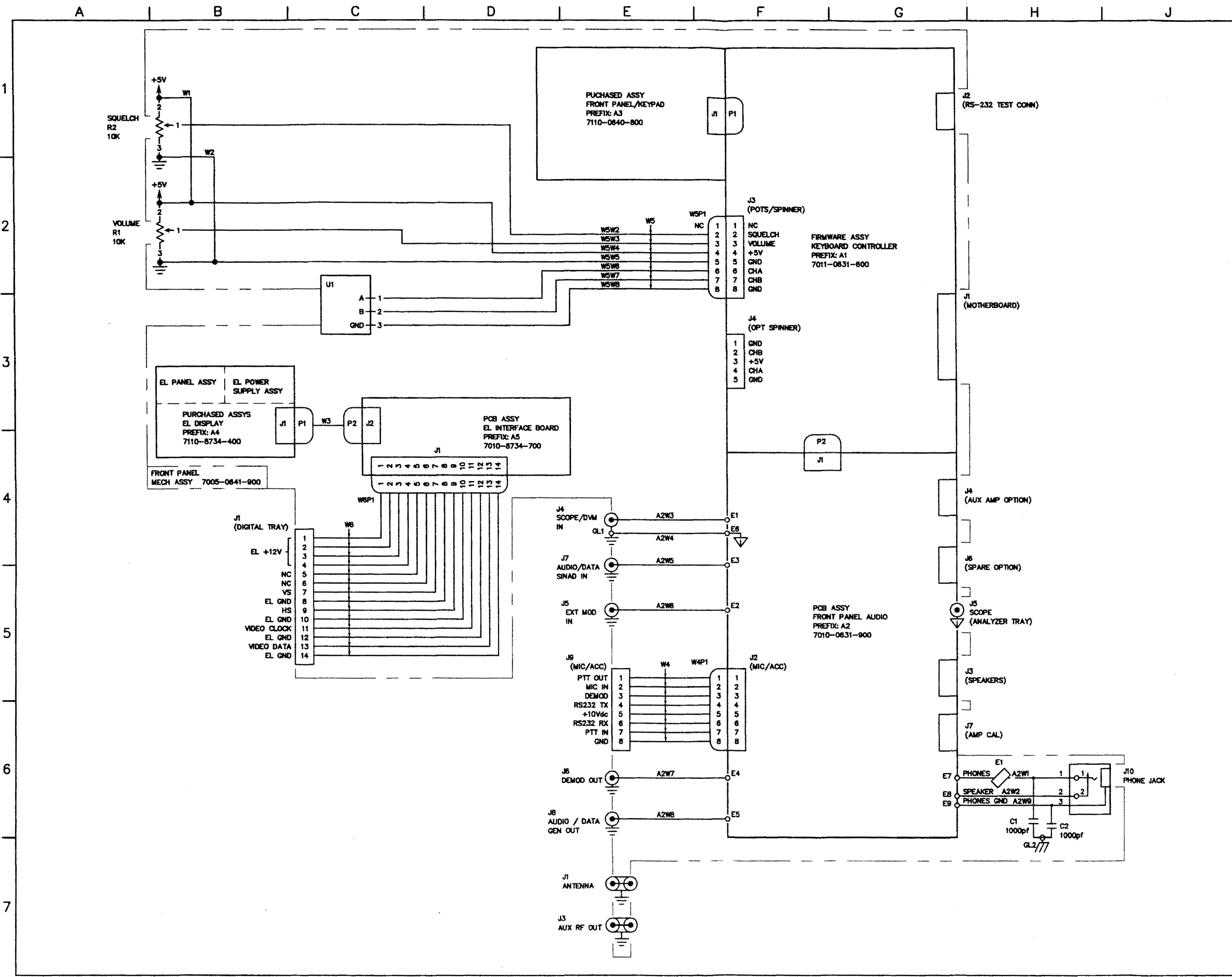
WIRE RUNNING LIST				
DESC	FROM	TO	COLOR	AWG
A2W1	A2E7	J10-1	BLUE	26
A2W2	A2E8	J10-2	WHT/BLUE	26
A2W3	A2E1	J4	BUSS	22
A2W4	A2E6	GL1	BUSS	22
A2W5	A2E3	J7	BUSS	22
A2W6	A2E2	J5	BUSS	22
A2W7	A2E4	J6	BUSS	22
A2W8	A2E5	J8	BUSS	22
A2W9	A2E9	J10-3	BLK	26
W1	R2-2	R1-2	ORN	26
W2	R2-3	R1-3	BLACK	26
W4W1	W4P1-1	J9-1	BRN	26
W4W2	W4P1-2	J9-2	RED	26
W4W3	W4P1-3	J9-3	ORN	26
W4W4	W4P1-4	J9-4	WHT	26
W4W5	W4P1-5	J9-5	BRN/BLK	26
W4W6	W4P1-6	J9-6	GRAY	26
W4W7	W4P1-7	J4-7	VIO	26
W4W8	W4P1-8	J4-8	BLACK	26
W5W1	W5P1-1	N/C		
W5W2	W5P1-2	R2-1	WHT/VIO	26
W5W3	W5P1-3	R1-1	WHT/YEL	26
W5W4	W5P1-4	R1-2	ORN	26
W5W5	W5P1-5	R1-3	BLACK	26
W5W6	W5P1-6	U1-1	WHT/BRN	26
W5W7	W5P1-7	U1-2	WHT/GRN	26
W5W8	W5P1-8	U1-3	BLACK	26
C1	J10-1	GL2		
C2	J10-3	GL2		



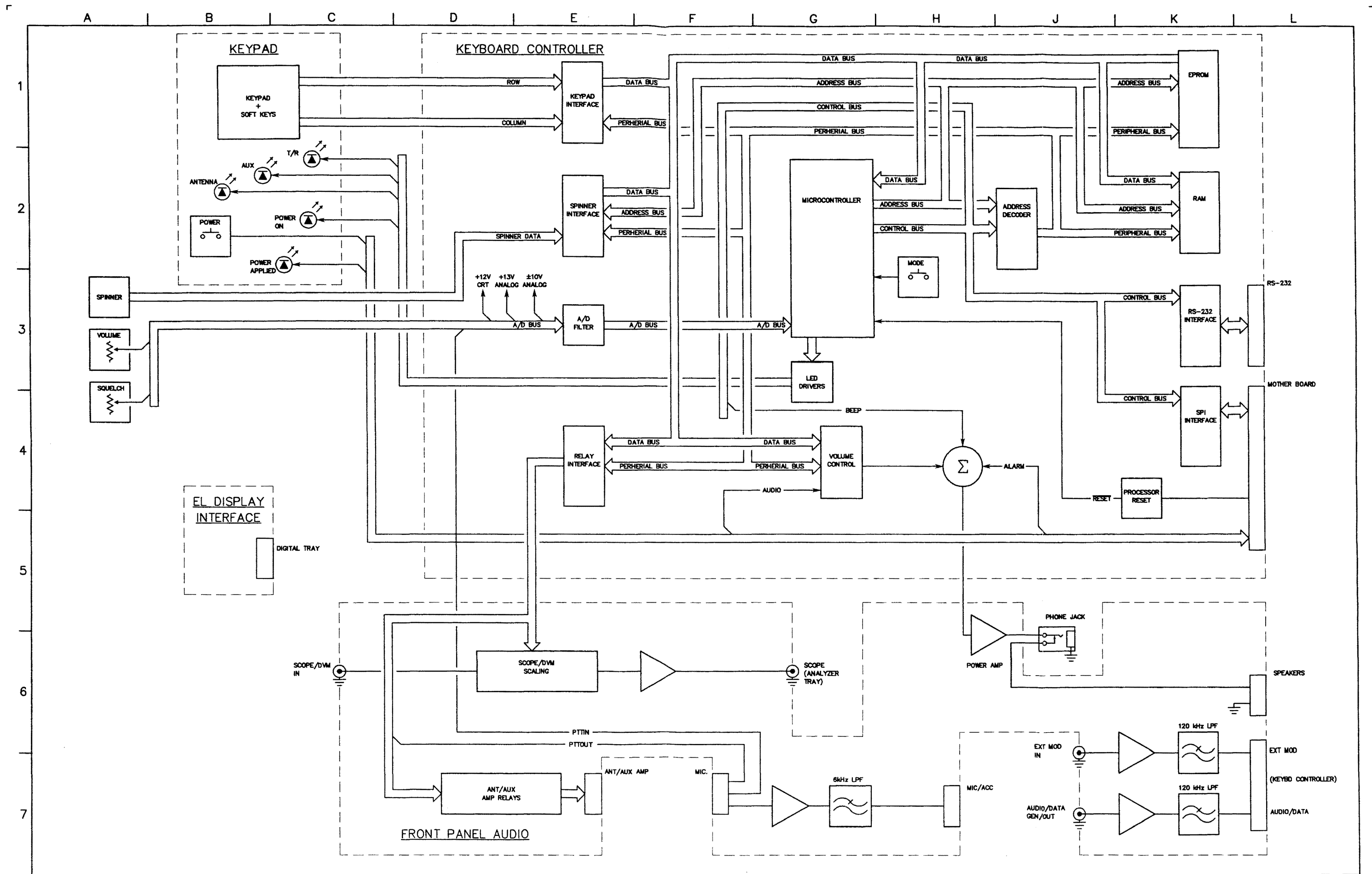
"THIS DOCUMENT CONTAINS PROPRIETARY INFORMATION OF IFR, INC. AND IS NOT TO BE DISCLOSED, REPRODUCED, OR PUBLISHED WITHOUT IFR'S APPROVAL."

DRAWN		DATE		TITLE	
HARRIS		02/01/96		IFR SYSTEMS INC 10200 West York St., Wichita, Kansas 67215	
CHECKED		DATE		MECH ASSY	
B.PUCKETT		02/05/96		FRONT PANEL	
APPROVED		DATE		SIZE	
M.BACHMAN		02/05/96		D	
006419A0.DWG		PLOT SCALE		SCALE	
		1=1		1=1	
		CASE		SHEET	
		51190		2 of 2	

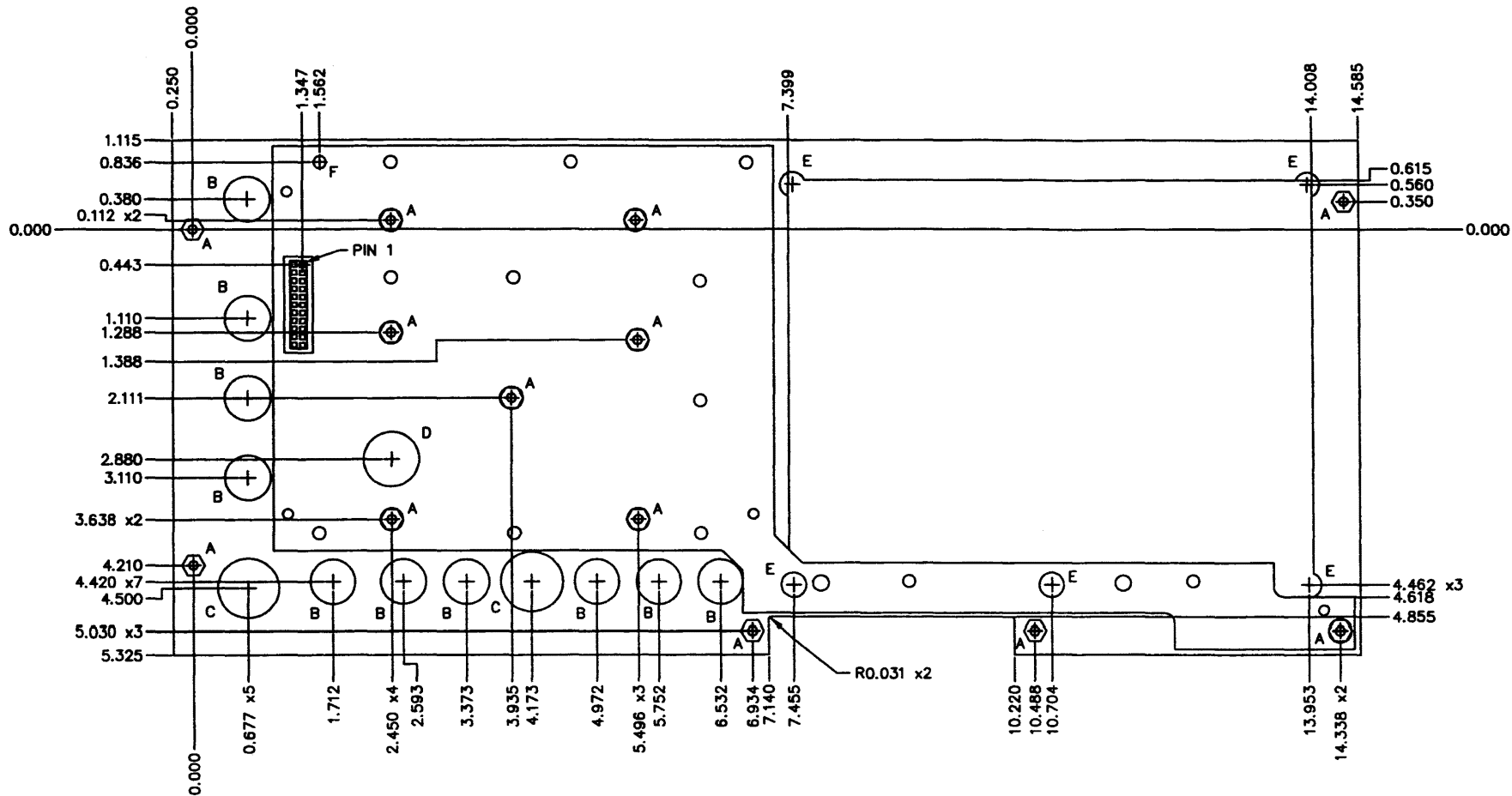
DATE	REV	CHANGE	APPROVED
02/02/96	A	RELEASE PER ECN #16881	RH DKB



IFR SYSTEMS, INC. 10200 West York St., Wauwatosa, WI 53225			
DRAWN HARRIS	DATE 02/02/96	TITLE INTERCONNECT FRONT PANEL	REV A
CHECKED DKB	DATE 02/05/96	SIZE D	QWC. NO. 0000-0641-900
APPROVED S. PIERSON	DATE 02/07/96	SCALE	DO NOT SCALE FROM 51190 SHEET 1 OF 2

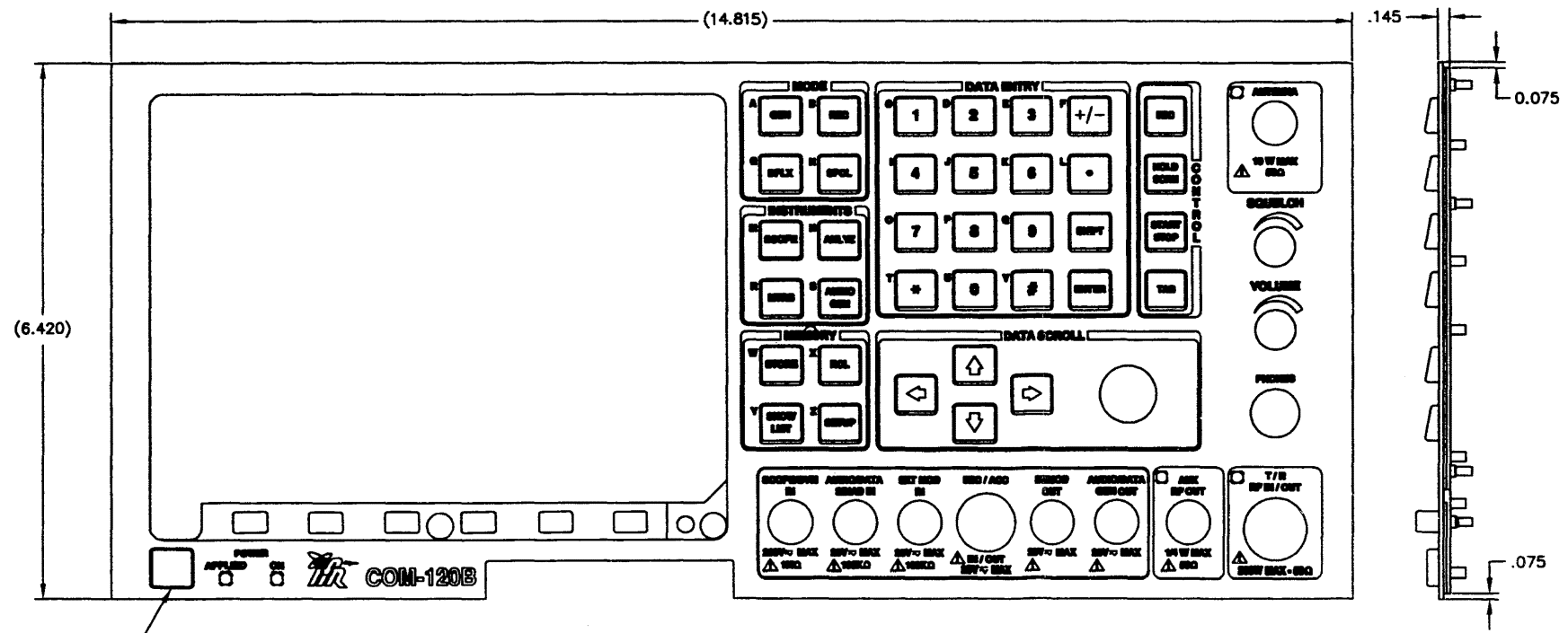


DATE	REV	CHANGE	APPR
8/4/95	A	RELEASE PER ECN 16590 MB	BM



HOLE SCHEDULE		
SYM	DESCRIPTION	QTY
A	4-40 STUD .185 LG FROM MTG SURFACE & 4-40 LG PATTERN HEX NUT	13
B	#0.562	10
C	#0.750	2
D	#0.687	1
E	#0.312	5
F	4-40 GND STUD .450 LG FROM MTG SURFACE	1

- NOTES:
- FIRST ARTICLE APPROVAL IS REQUIRED BY IFR SYSTEMS ENG DEPT. ON ALL INITIAL ASSEMBLIES. ALL SUBSEQUENT CHANGES OR REPAIRS TO DIES, MOLDS OR APPEARANCE MUST ALSO BE APPROVED.
 - ACTUATION FORCE FOR POWER SWITCH IS 170 gms MIN. ALL OTHER SWITCHES ARE 125 gms ±25 gms
 - TOLERANCES: XXX ±.010



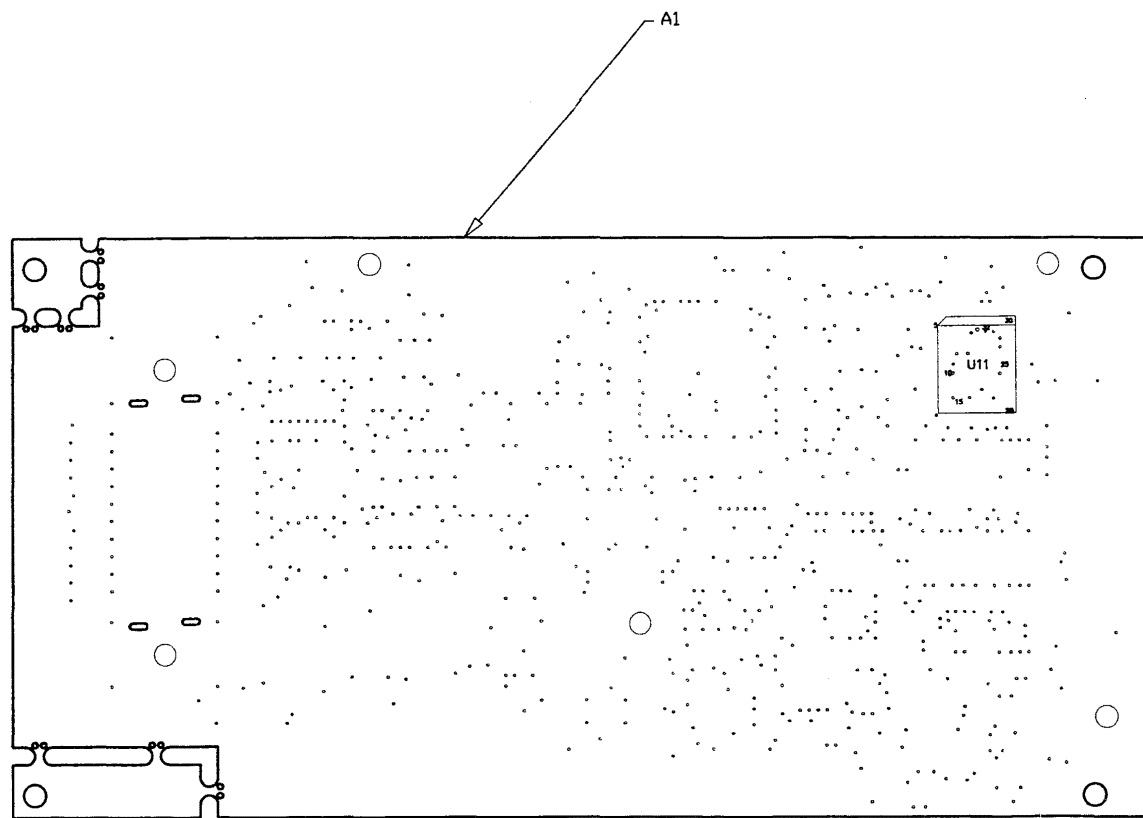
THIS DOCUMENT CONTAINS PROPRIETARY INFORMATION OF IFR, INC. AND IS NOT TO BE DISCLOSED, REPRODUCED, OR PUBLISHED WITHOUT IFR'S APPROVAL.

DRAWN		DATE		TITLE	
M. BRUFFETT	5/17/95	ASSY, FRONT PANEL, COM-120B			
CHECKED		DATE			
S. PERKINS	5/18/95				
APPROVED		DATE		DRAW. NO.	
M. BACHMAN	5/18/95	D		7110-0640-800	
00640BA0.DWG		PLT SCALE	1=1	SCALE	1=1
		CAGE	51190	SHEET	1 of 1

A B C D E F G H J K L

DATE	REV	CHANGE	APPROV
5-3-95	A	RELEASE	MKM
8-22-95	B	INC ECN 16657	RLA

1
2
3
4
5
6
7



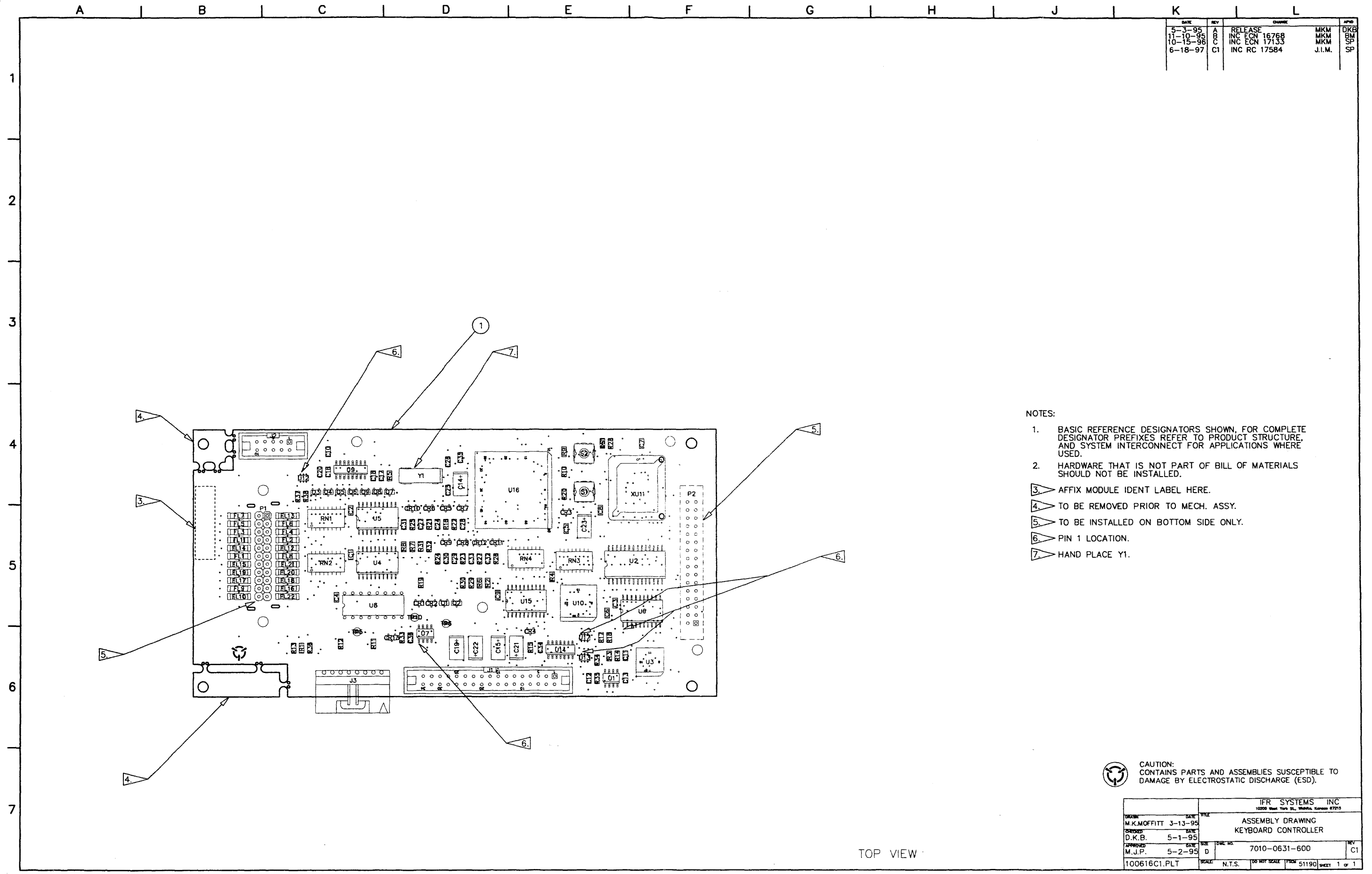
NOTES:

1. BASIC REFERENCE DESIGNATORS SHOWN, FOR COMPLETE DESIGNATOR PREFIXES REFER TO PRODUCT STRUCTURE, AND SYSTEM INTERCONNECT FOR APPLICATIONS WHERE USED.
2. HARDWARE THAT IS NOT PART OF BILL OF MATERIALS SHOULD NOT BE INSTALLED.

CAUTION:
CONTAINS PARTS AND ASSEMBLIES SUSCEPTIBLE TO
DAMAGE BY ELECTROSTATIC DISCHARGE (ESD).

IFR SYSTEMS INC			
1800 West York St., Wichita, Kansas 67215			
DRAWN	DATE	TITLE	
M.K.MOFFITT	3-13-95	ASSEMBLY DRAWING	
DESIGNED	DATE	KEYBOARD CONTROLLER	
D.K.B.	5-1-95		
APPROVED	DATE	7011-0631-600	REV
M.J.P.	5-2-95		B
110616B0.PLT	SCALE:	NO NOT SCALE	SHEET 51190 OF

DATE	REV	CHANGE	APPROVED
5-3-95	A	RELEASE	MKM
11-10-95	B	INC ECN 16768	MKM
10-15-96	C	INC ECN 17133	MKM
6-18-97	C1	INC RC 17584	J.L.M.



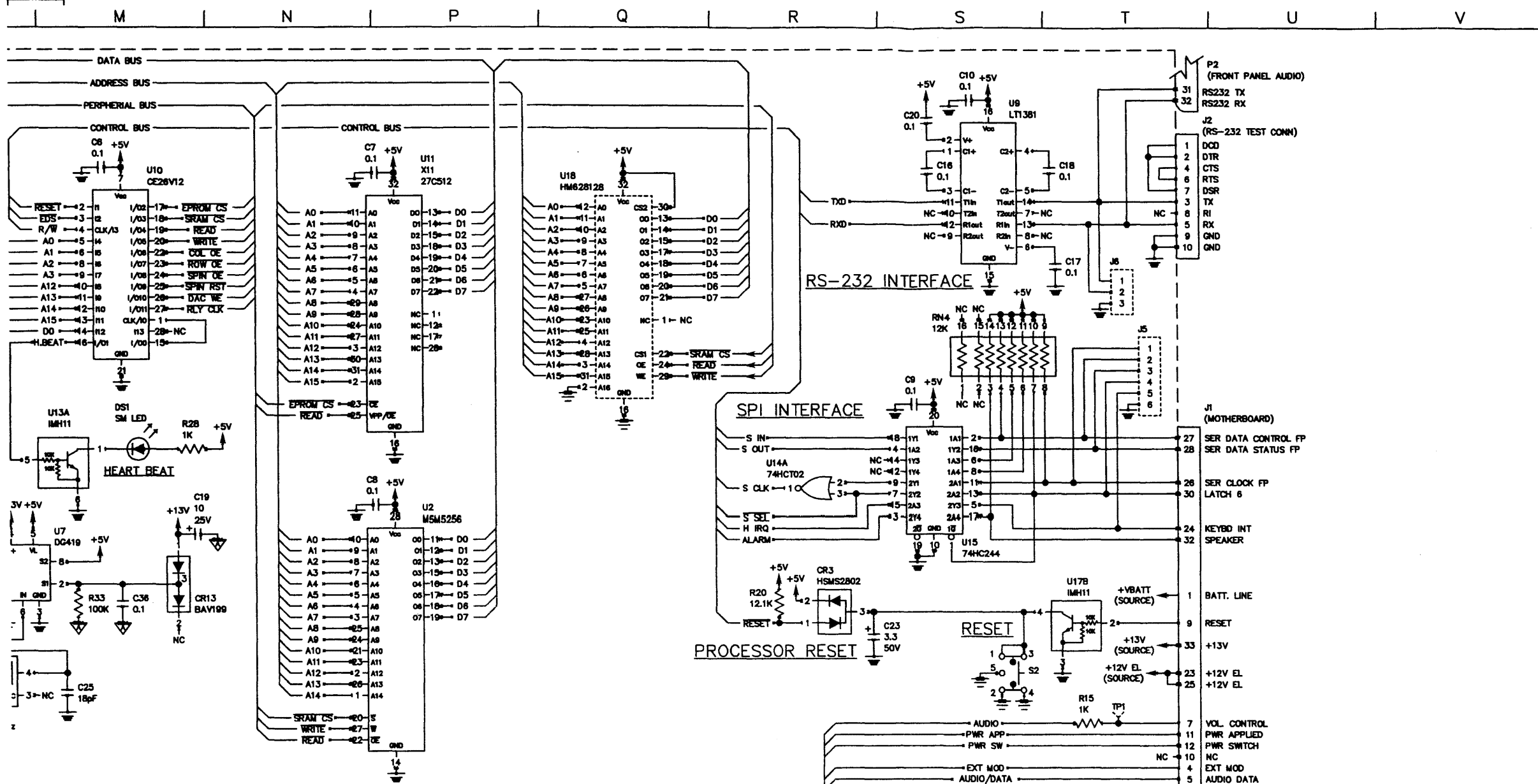
NOTES:

1. BASIC REFERENCE DESIGNATORS SHOWN. FOR COMPLETE DESIGNATOR PREFIXES REFER TO PRODUCT STRUCTURE, AND SYSTEM INTERCONNECT FOR APPLICATIONS WHERE USED.
2. HARDWARE THAT IS NOT PART OF BILL OF MATERIALS SHOULD NOT BE INSTALLED.
3. AFFIX MODULE IDENT LABEL HERE.
4. TO BE REMOVED PRIOR TO MECH. ASSY.
5. TO BE INSTALLED ON BOTTOM SIDE ONLY.
6. PIN 1 LOCATION.
7. HAND PLACE Y1.

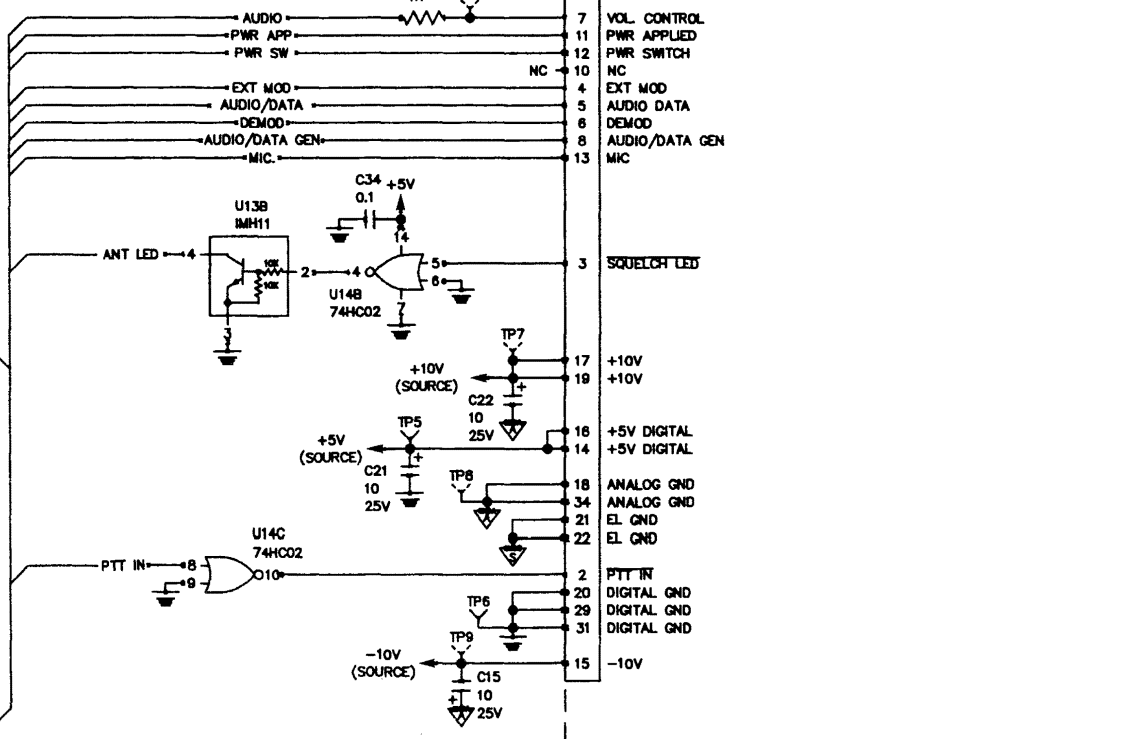
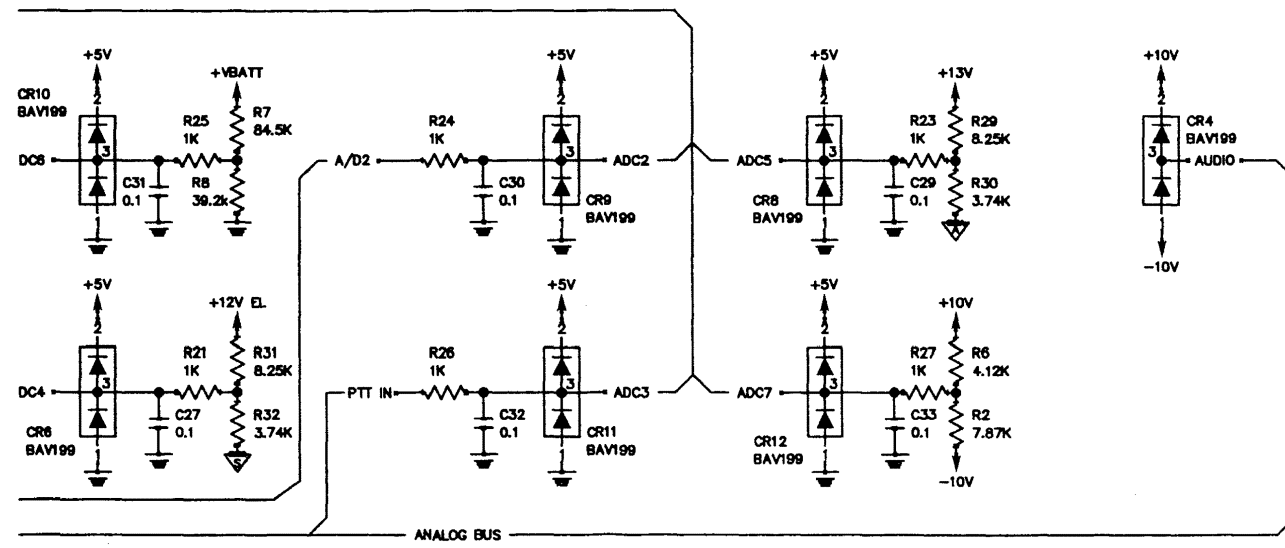
CAUTION:
CONTAINS PARTS AND ASSEMBLIES SUSCEPTIBLE TO
DAMAGE BY ELECTROSTATIC DISCHARGE (ESD).

TOP VIEW

DRAWN		DATE		TITLE	
M.K.MOFFITT	3-13-95	IFR SYSTEMS INC 10200 West York St., Wichita, Kansas 67215			
DESIGNED		DATE		ASSEMBLY DRAWING	
D.K.B.	5-1-95	KEYBOARD CONTROLLER			
APPROVED		DATE	REV	DWR. NO.	
M.J.P.	5-2-95	D		7010-0631-600	
100616C1.PLT		SCALE	N.T.S.	DO NOT SCALE	FROM 51190
				SHEET 1 of 1	

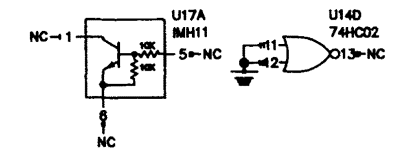


A/D INPUT FILTERING



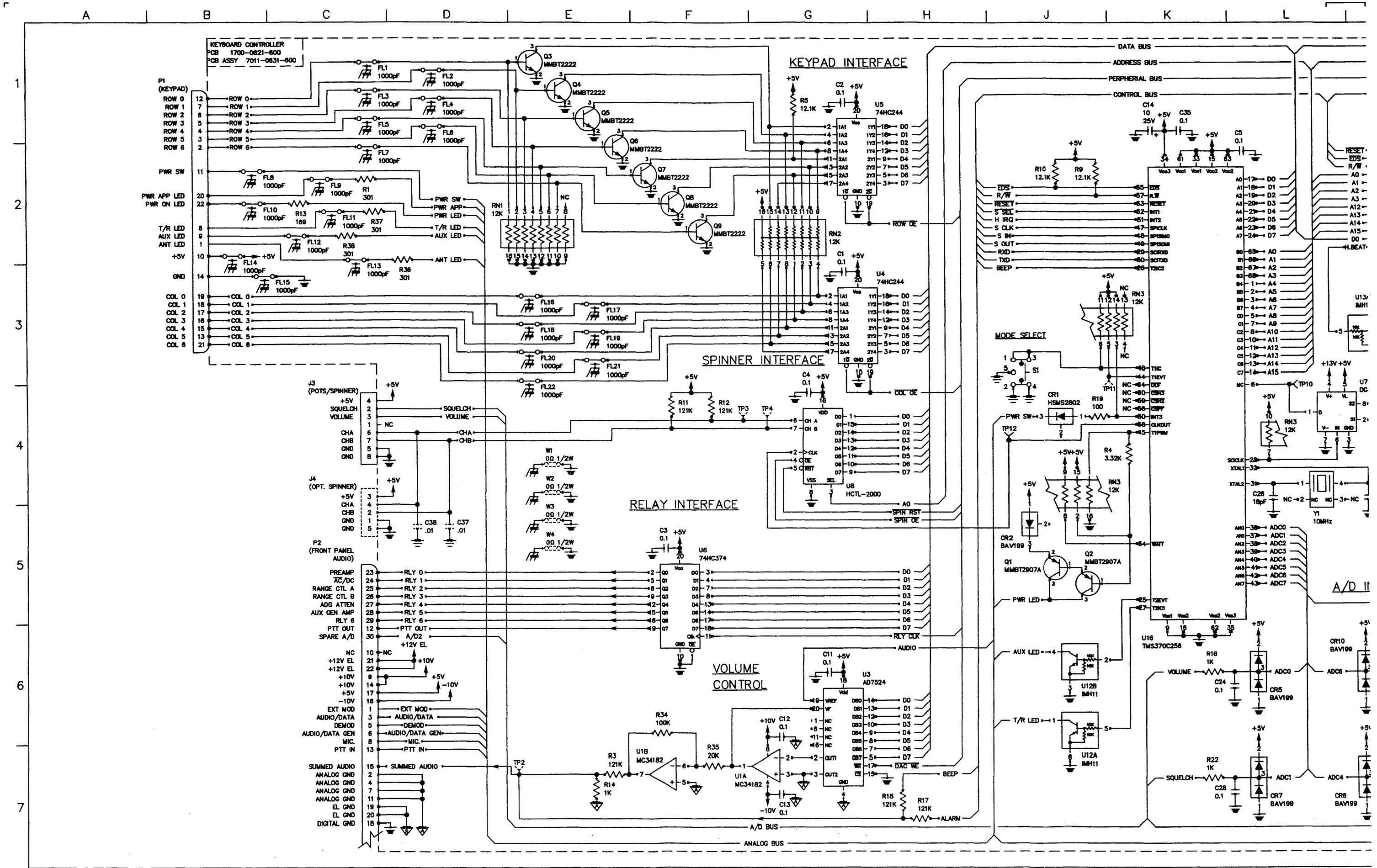
DATE	REV	ISSUE	APPROVED
5-3-95	A	RELEASE	J.L.M.
10-25-98	B	INC EON 17133	MGM
			DKB
			SP

- NOTES:**
(UNLESS OTHERWISE SPECIFIED)
- BASIC REFERENCE DESIGNATORS SHOWN, FOR COMPLETE DESIGNATOR PREFIXES REFER TO PRODUCT STRUCTURE, AND SYSTEM INTERCONNECT FOR APPLICATIONS WHERE USED.
 - ALL RESISTORS ARE 1%, 1/8W.
 - ALL RESISTANCE IS EXPRESSED IN OHMS. ALL CAPACITANCE IS EXPRESSED IN MICROFARADS. ALL INDUCTANCE IS EXPRESSED IN MICROHENRYS.
 - HIGHEST REFERENCE DESIGNATIONS. C38 R38 R44 CR13 Q8 U18 S2 FL22 Y1 DS1 J8 P2 TP12 W4
 - REFERENCE DESIGNATIONS NOT USED. NONE
 - FOR INTERCONNECT/BLOCK DIAGRAM SEE APPLICATIONS WHERE USED.
 - IC FUNCTIONS NOT USED:



CAUTION:
CONTAINS PARTS AND ASSEMBLIES SUSCEPTIBLE TO DAMAGE BY ELECTROSTATIC DISCHARGE (ESD).

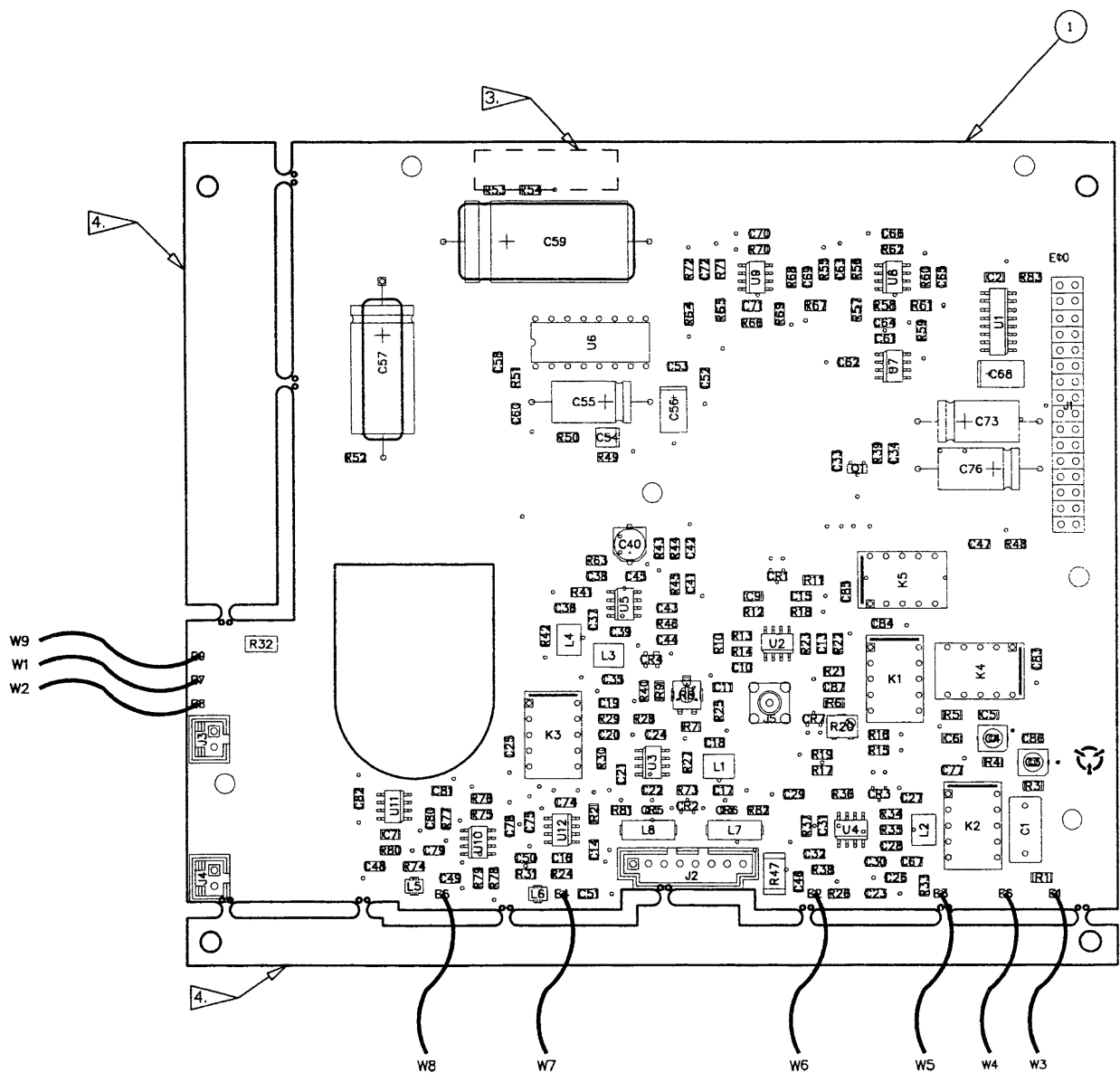
IFR SYSTEMS INC	
DATE	FILE
2-3-95	CIRCUIT SCHEMATIC
DATE	KEYBOARD CONTROLLER
5-1-95	
DATE	REV
5-2-95	D
DATE	ISSUE NO.
5-2-95	0000-0631-800
DATE	REV
5-2-95	B
SCALE	NO. OF SHEETS
31190	1 OF 2



A B C D E F G H J K L

DATE	REV	CHANGE	APPROVED
9-29-95	A	RELEASE PER ECN 16654	MKM
6-18-97	A1	INC RC 17584	J.L.M.

1
2
3
4
5
6
7



NOTES:

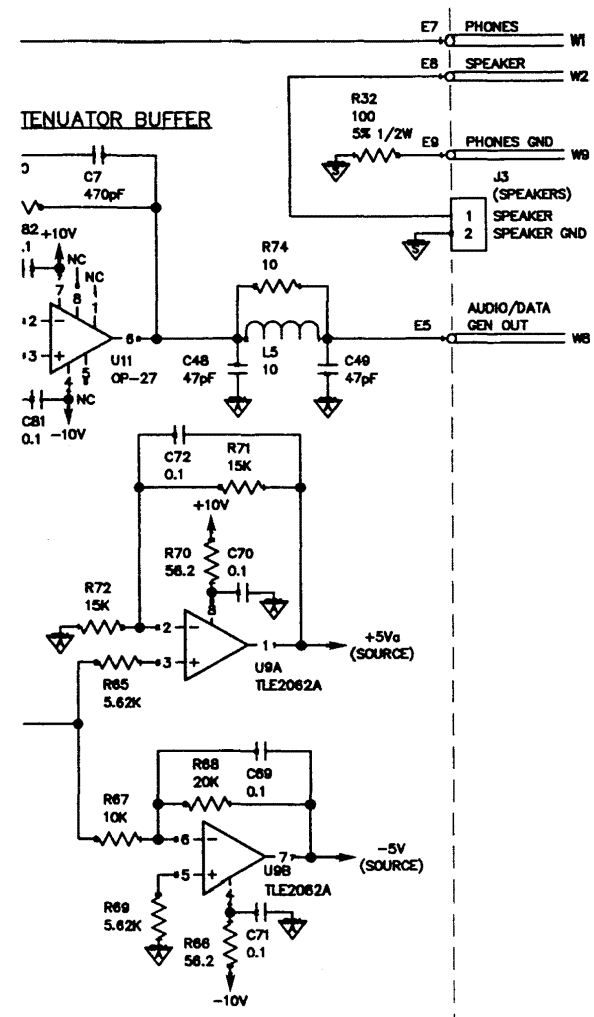
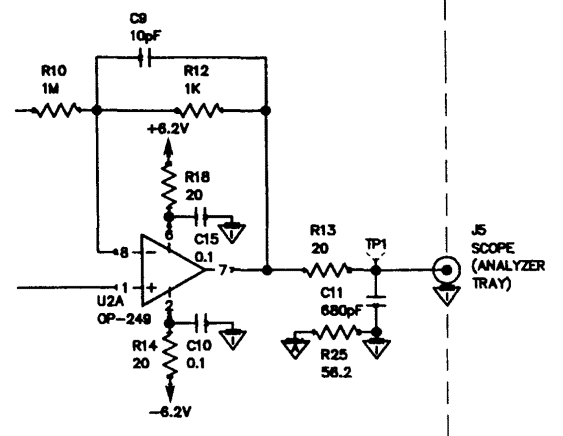
1. BASIC REFERENCE DESIGNATORS SHOWN, FOR COMPLETE DESIGNATOR PREFIXES REFER TO PRODUCT STRUCTURE, AND SYSTEM INTERCONNECT FOR APPLICATIONS WHERE USED.
2. HARDWARE THAT IS NOT PART OF BILL OF MATERIALS SHOULD NOT BE INSTALLED.
3. AFFIX MODULE IDENT LABEL HERE.
4. TO BE REMOVED PRIOR TO MECH. ASSY.

CAUTION: CONTAINS PARTS AND ASSEMBLIES SUSCEPTIBLE TO DAMAGE BY ELECTROSTATIC DISCHARGE (ESD).

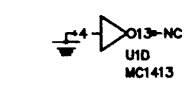
TOP VIEW

IFR SYSTEMS INC.			
1000 West York St., Wichita, Kansas 67215			
DRAWN	DATE	TITLE	REV
M.MOFFITT	6-27-95	ASSEMBLY DRAWING	
CHECKED	DATE		
D.K.B.	9-29-95	AUDIO BOARD	
APPROVED	DATE	SIZE	TRNG. NO.
S.PIERSON	9-29-95	D	7010-0631-900
100619A1.PLT	SCALE	NO. TRNG. SCALE	TRNG. NO.
	N.T.S.	1/100	51190

DATE	REV	CHANGE	APPROVED
6-26-95	A	COPY OVER FROM 0000-0631-500 RELEASE PER ECM 16854 RH	J.L.M.
9/29/95	A		DKB



- NOTES:
(UNLESS OTHERWISE SPECIFIED)
1. BASIC REFERENCE DESIGNATORS SHOWN, FOR COMPLETE DESIGNATOR PREFIXES REFER TO PRODUCT STRUCTURE, AND SYSTEM INTERCONNECT FOR APPLICATIONS WHERE USED.
 2. ALL RESISTORS ARE 1%, 1/8W.
 3. ALL RESISTANCE IS EXPRESSED IN OHMS. ALL CAPACITANCE IS EXPRESSED IN MICROFARADS. ALL INDUCTANCE IS EXPRESSED IN MICROHENRIES.
 4. HIGHEST REFERENCE DESIGNATIONS: C87, R84, L8, CR7, Q1, U12, K6, J8, TP5, E10, W8.
 5. REFERENCE DESIGNATIONS NOT USED: C8, C12.
 6. FOR INTERCONNECT/BLOCK DIAGRAM SEE APPLICATIONS WHERE USED.
 7. IC FUNCTIONS NOT USED:



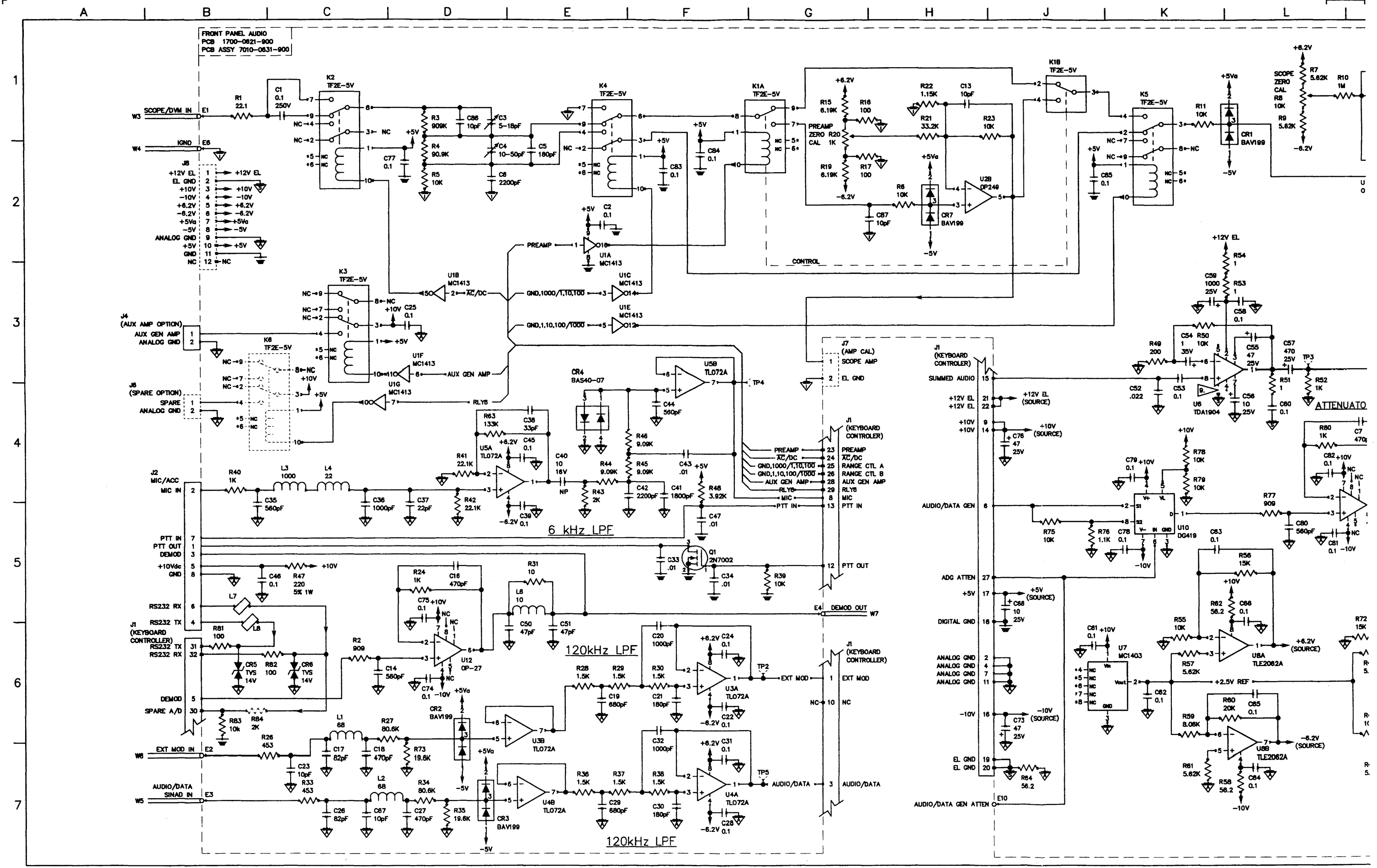
8. DASHED PARTS ARE NOT INSTALLED.

9. PINS 9 THROUGH 16 GROUNDED

* - INDICATES PRINTED TRANSMISSION LINES OF OTHER THAN 50 OHMS IMPEDANCE WHICH CONSTITUTE CIRCUIT ELEMENTS. 50 OHM TRANSMISSION LINES ARE NOT SHOWN.

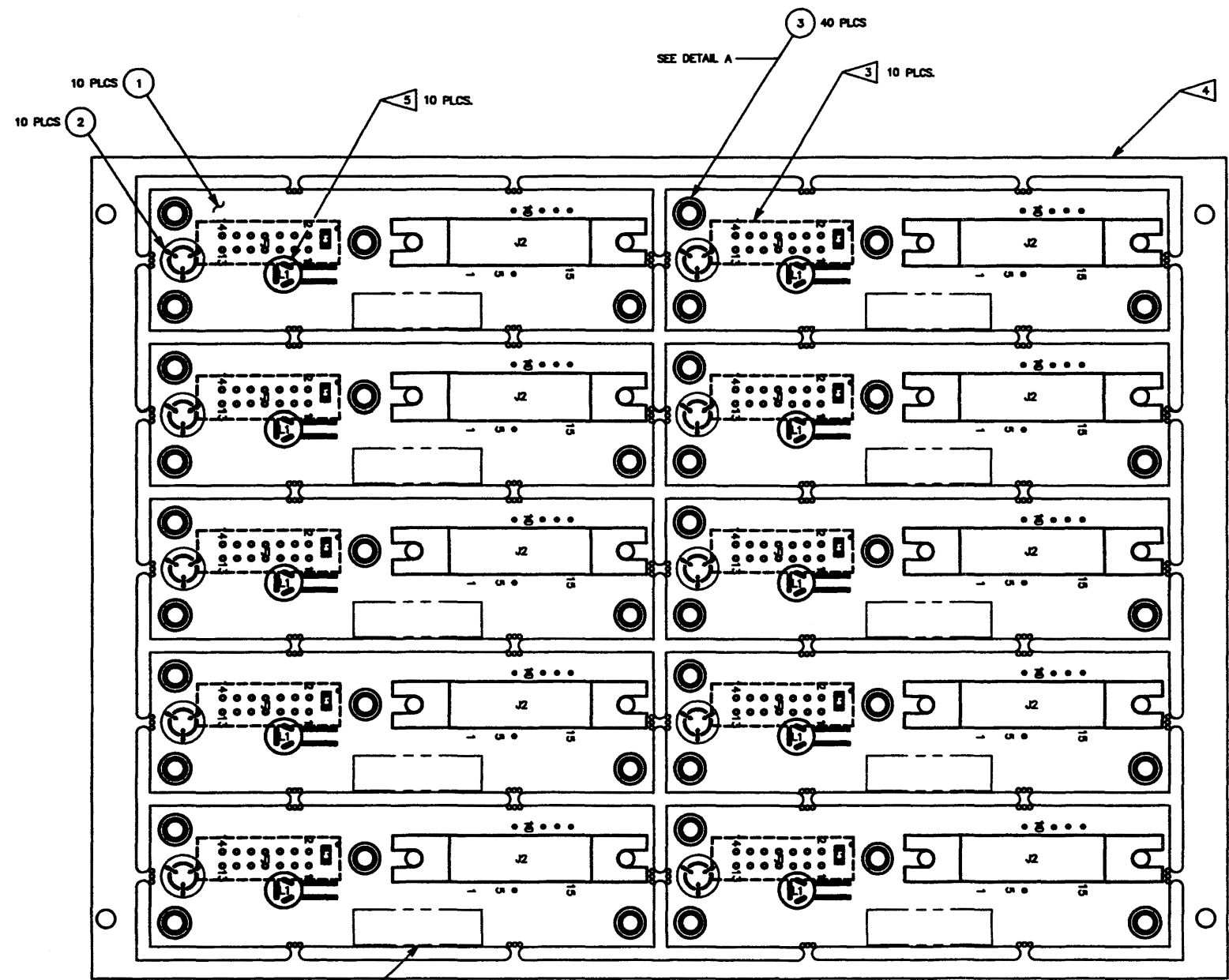


IFR SYSTEMS, INC. 10300 West York St., Wichita, Kansas 67215			
DRNWR J. MILLER	DATE 6-26-95	TITLE SCHEMATIC FRONT PANEL AUDIO	REV A
CHECKED D. BROKSCHMIDT	DATE 9/29/95	SIZE G	DWG. NO. 0000-0631-900
APPROVED S. PIERSON	DATE 9/29/95	SCALE DO NOT SCALE	FROM 51190 SHEET 1 OF 2
006B319A.DWG			

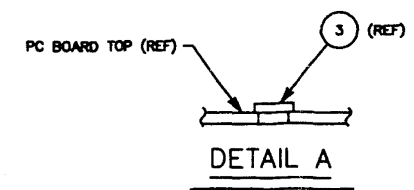


FRONT PANEL AUDIO
 PCB 1700-0821-900
 PCB ASSY 7010-0831-900

REV	DATE	BY	CHKD	APPD
8-14-92	A	DKB	DKB	DKB
4-29-93	A1	MGM	DKB	DKB



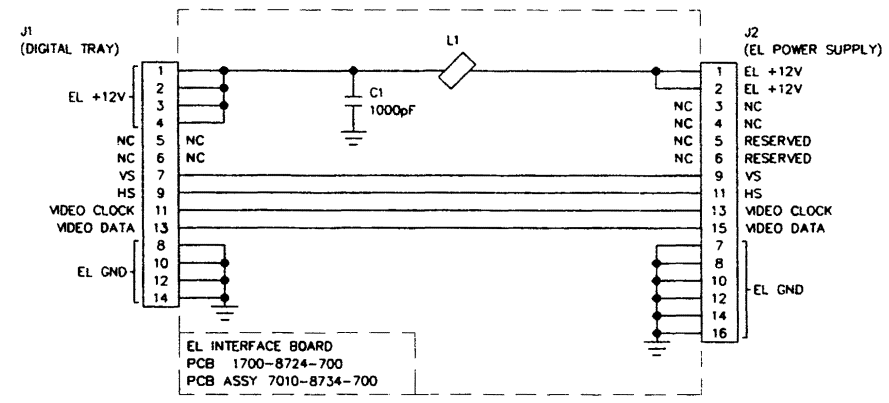
- NOTES:
1. BASIC REFERENCE DESIGNATORS SHOWN, FOR COMPLETE DESIGNATOR PREFIXES REFER TO PRODUCT STRUCTURE, AND SYSTEM INTERCONNECT FOR APPLICATIONS WHERE USED.
 2. REF SCHEMATIC # 0000-8734-700.
 3. TO BE INSTALLED ON BOTTOM SIDE ONLY.
 4. TO BE REMOVED PRIOR TO MECH. ASSY.
 5. SECURE TO PC BD WITH PERMABOND (1050-0000-275)
 6. AFFIX MODULE IDENT LABEL HERE.



CAUTION: CONTAINS PARTS AND ASSEMBLIES SUSCEPTIBLE TO DAMAGE BY ELECTROSTATIC DISCHARGE (ESD).

IFR SYSTEMS INC			
REV	DATE	BY	CHKD
R. AST	4-30-92	DKB	DKB
D.K.B.	8-14-92	DKB	DKB
S. PIERSON	8-14-92	DKB	DKB
REV	DATE	BY	CHKD
C			
REV	DATE	BY	CHKD
N.T.S.			

DATE	REV	CHANGE	APPROVED
8-25-92	A	DESIGN RELEASE	J.I.M. DKB
4-28-93	A1	PROD. REL. PER ECN #15564	J.I.M. DKB



- NOTES:
(UNLESS OTHERWISE SPECIFIED)
- BASIC REFERENCE DESIGNATORS SHOWN, FOR COMPLETE DESIGNATOR PREFIXES REFER TO PRODUCT STRUCTURE, AND SYSTEM INTERCONNECT FOR APPLICATIONS WHERE USED.
 - ALL RESISTORS NONE
 - ALL RESISTANCE IS EXPRESSED IN OHMS. ALL CAPACITANCE IS EXPRESSED IN MICROFARADS. ALL INDUCTANCE IS EXPRESSED IN MICROHENRIES.
 - HIGHEST REFERENCE DESIGNATIONS. C1, L1, J2.
 - REFERENCE DESIGNATIONS NOT USED. NONE
 - FOR INTERCONNECT/BLOCK DIAGRAM SEE APPLICATIONS WHERE USED.
 - IC FUNCTIONS NOT USED: NONE
- * - INDICATES PRINTED TRANSMISSION LINES OF OTHER THAN 50 OHMS IMPEDANCE WHICH CONSTITUTE CIRCUIT ELEMENTS. 50 OHM TRANSMISSION LINES ARE NOT SHOWN.

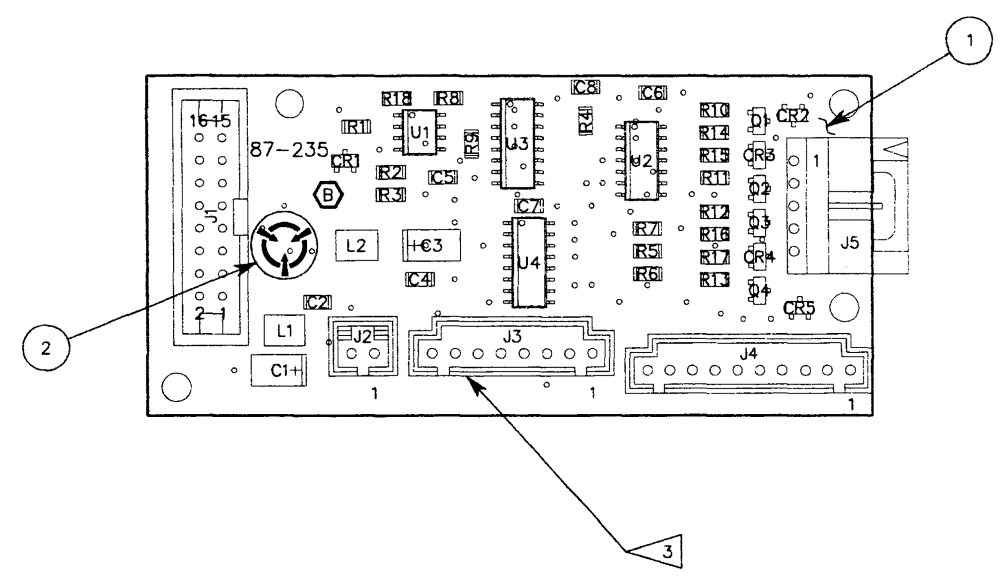
 **CAUTION:**
CONTAINS PARTS AND ASSEMBLIES
SUSCEPTIBLE TO DAMAGE BY
ELECTROSTATIC DISCHARGE (ESD).

IFR SYSTEMS INC			
10200 West York St., Wichita, Kansas 67215			
DRAWN	DATE	TITLE	
J. MILLER	8-25-92	CIRCUIT SCHEMATIC	
CHECKED	DATE	EL INTERFACE BOARD	
DEB B.	8-14-92		
APPROVED	DATE	REV	
S. PIERSON	8-14-92	A1	
SCALE	DO NOT SCALE	FSOM	51190 sheet 1 of 1

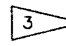
A B C D E F G

DATE	REV	CHANGE	APD
8-17-92	B	DESIGN RELEASE	DKB
4-28-93	B1	PROD REL PER ECN 15564	MKM
6-9-97	B2	INC ECN 17503	MKM SP

1
2
3
4
5



NOTES:

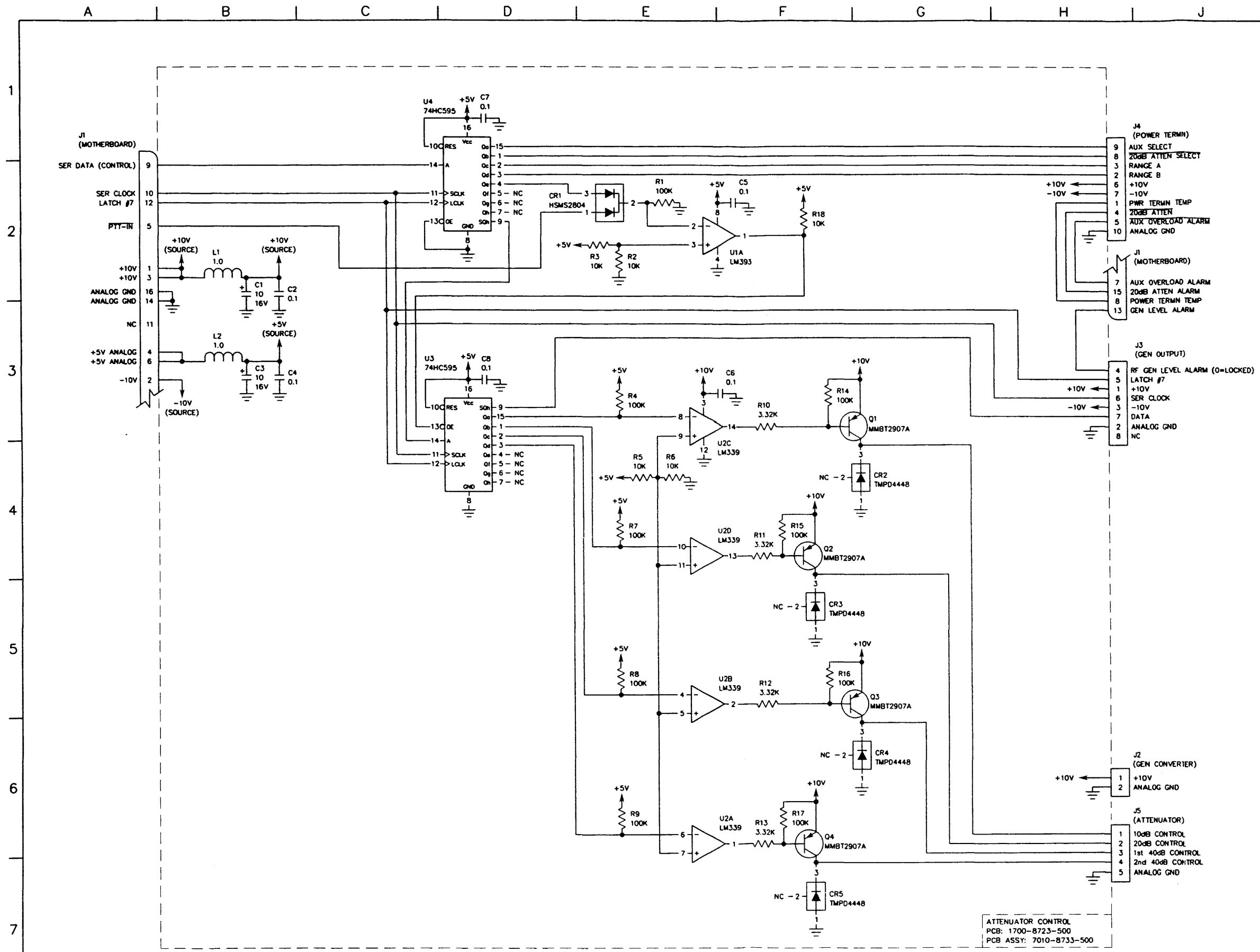
1. BASIC REFERENCE DESIGNATORS SHOWN, FOR COMPLETE DESIGNATOR PREFIXES REFER TO PRODUCT STRUCTURE, AND SYSTEM INTERCONNECT FOR APPLICATIONS WHERE USED.
2. REF SCHEMATIC # 0000-8733-500.
3.  AFFIX MODULE IDENT LABEL HERE BOTTOM SIDE.

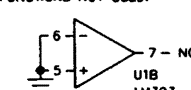


CAUTION:
CONTAINS PARTS AND ASSEMBLIES SUSCEPTIBLE TO
DAMAGE BY ELECTROSTATIC DISCHARGE (ESD).

DRAWN		DATE		TITLE	
R. AST		7-25-1992		IFR SYSTEMS, INC. 10200 West York St., Wichita, Kansas 67215	
CHECKED		DATE		ASSEMBLY DWG	
D.K.B.		8-14-92		ATTENUATOR CONTROL	
APPROVED		DATE		SIZE	DWG. NO.
M.BACHMAN		8-24-92		C	7010-8733-500
108735B2.PLT		SCALE:	N.T.S.	DO NOT SCALE	FSCM 51190
					REV
					B2
					SHEET 1 of 1

DATE	REV	CHANGE	KLUS
8-17-92	B	DESIGN RELEASE	DKB
DATE	REV	CHANGE	KLUS
4-21-93	B1	PROD. REL. PER ECN #15564	J.I.M. DKB

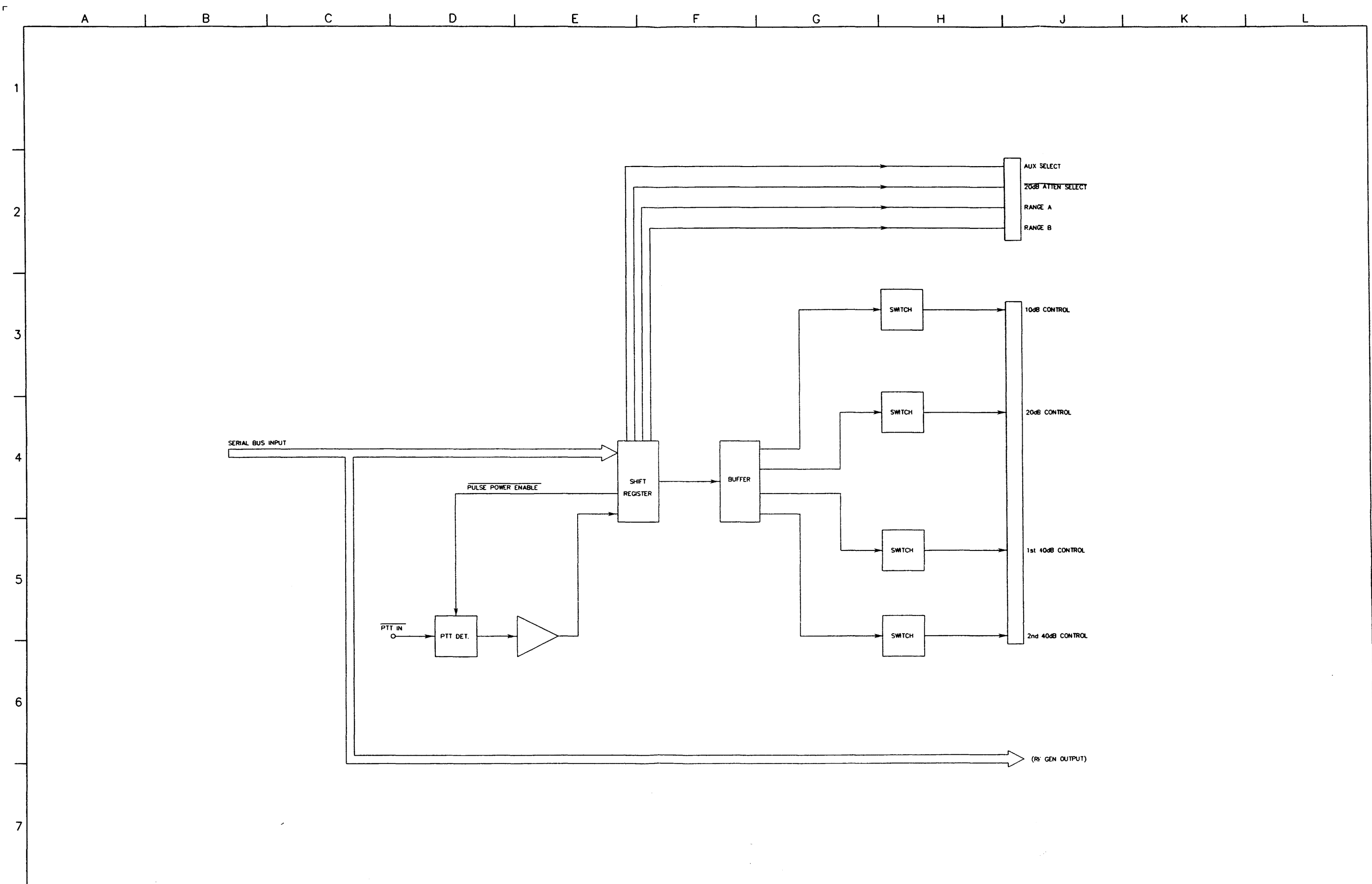


- NOTES:
(UNLESS OTHERWISE SPECIFIED)
- BASIC REFERENCE DESIGNATORS SHOWN, FOR COMPLETE DESIGNATOR PREFIXES REFER TO PRODUCT STRUCTURE, AND SYSTEM INTERCONNECT FOR APPLICATIONS WHERE USED.
 - ALL RESISTORS ARE 1%, 1/8W.
 - ALL RESISTANCE IS EXPRESSED IN OHMS. ALL CAPACITANCE IS EXPRESSED IN MICROFARADS. ALL INDUCTANCE IS EXPRESSED IN MICROHENRIES.
 - HIGHEST REFERENCE DESIGNATIONS. CB, CR5, L2, Q4, R18, U4, J5
 - REFERENCE DESIGNATIONS NOT USED: NONE
 - FOR INTERCONNECT/BLOCK DIAGRAM SEE APPLICATIONS WHERE USED.
 - IC FUNCTIONS NOT USED:

- * - INDICATES PRINTED TRANSMISSION LINES OF OTHER THAN 50 OHMS IMPEDANCE WHICH CONSTITUTE CIRCUIT ELEMENTS. 50 OHM TRANSMISSION LINES ARE NOT SHOWN.

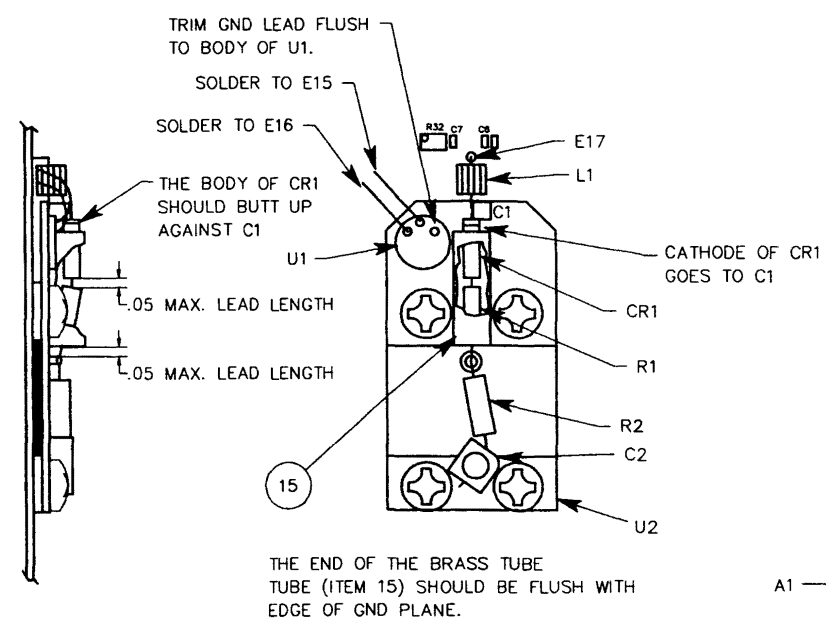
CAUTION:
CONTAINS PARTS AND ASSEMBLIES SUSCEPTIBLE TO DAMAGE BY ELECTROSTATIC DISCHARGE (ESD).

ATTENUATOR CONTROL
PCB: 1700-8723-500
PCB ASSY: 7010-8733-500

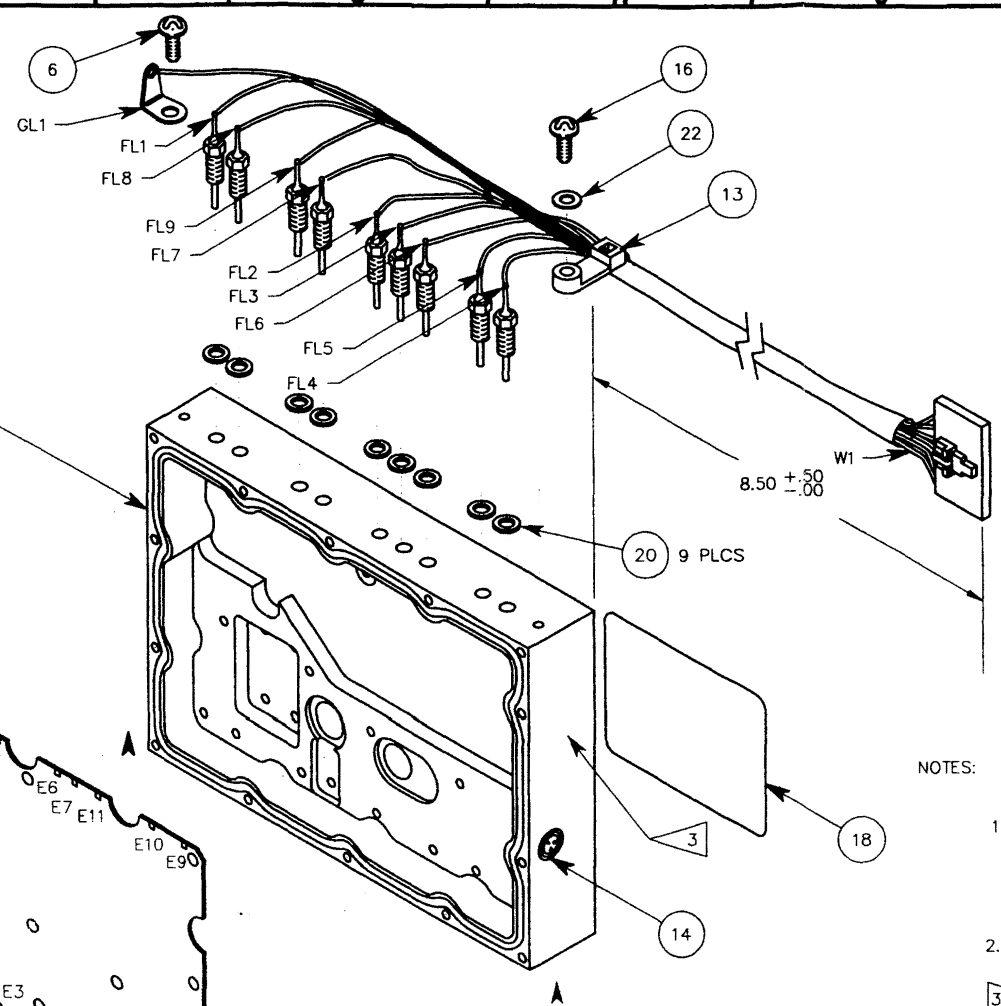
IFR SYSTEMS INC 10200 West York St., Wichita, Kansas 67215			
DRAWN T.Q. TRAN	DATE 12/6/91	TITLE SCHEMATIC ATTENUATOR CONTROL	REV B1
CHECKED D. BROCKSCHMIDT	DATE 8/17/92	SIZE D	QWC NO 0000-8733-500
APPROVED S. PIERSON	DATE 8/17/92	SCALE	DO NOT SCALE IFCW 51190 SHEET 1 of 2



DATE	REV	CHANGE	RH	APVD
9/23/92	E1	DESIGN RELEASE	RH	DKB
1/4/93	E2	INC FMY-095	RH	DKB
04/13/93	E3	PROD REL ECN 15564	BP	DKB
08/23/93	E4	INC ECN 15769	BP	BM
1/6/95	F	INC ECN 16392	RH	BM



DETAIL "A"



VIEW "B-B"

NOTES:

1. BASIC REFERENCE DESIGNATORS SHOWN, FOR COMPLETE DESIGNATOR PREFIXES REFER TO PRODUCT STRUCTURE, AND SYSTEM INTERCONNECT FOR APPLICATIONS WHERE USED.
2. MECH. ASS'Y DRAWING SHOWS ONLY PORTIONS OF PC BD ASSY'S REQUIRED FOR REF. ONLY.
3. AFFIX MODULE IDENTIFICATION LABEL HERE.
4. CUT ENDS OF GASKET MUST MEET UNDER COMPRESSION WHEN INSTALLED.
5. APPLY THERMAL COMPOUND TO AT1 AND AT2
6. TORQUE TO 10 IN.-LBS.

WIRE RUNNING LIST				
DESG	FROM	TO	COLOR	AWG
W1W1	P1-01	FL1	BLUE	26
W1W2	P1-02	FL2	BRN/WHT	26
W1W3	P1-03	FL3	BLK/WHT	26
W1W4	P1-04	FL4	GRAY	26
W1W5	P1-05	FL5	VIOLET	26
W1W6	P1-06	FL6	RED	26
W1W7	P1-07	FL7	YELLOW	26
W1W8	P1-08	FL8	BRN	26
W1W9	P1-09	FL9	GRN	26
W1W10	P1-10	GL1	BLK	26



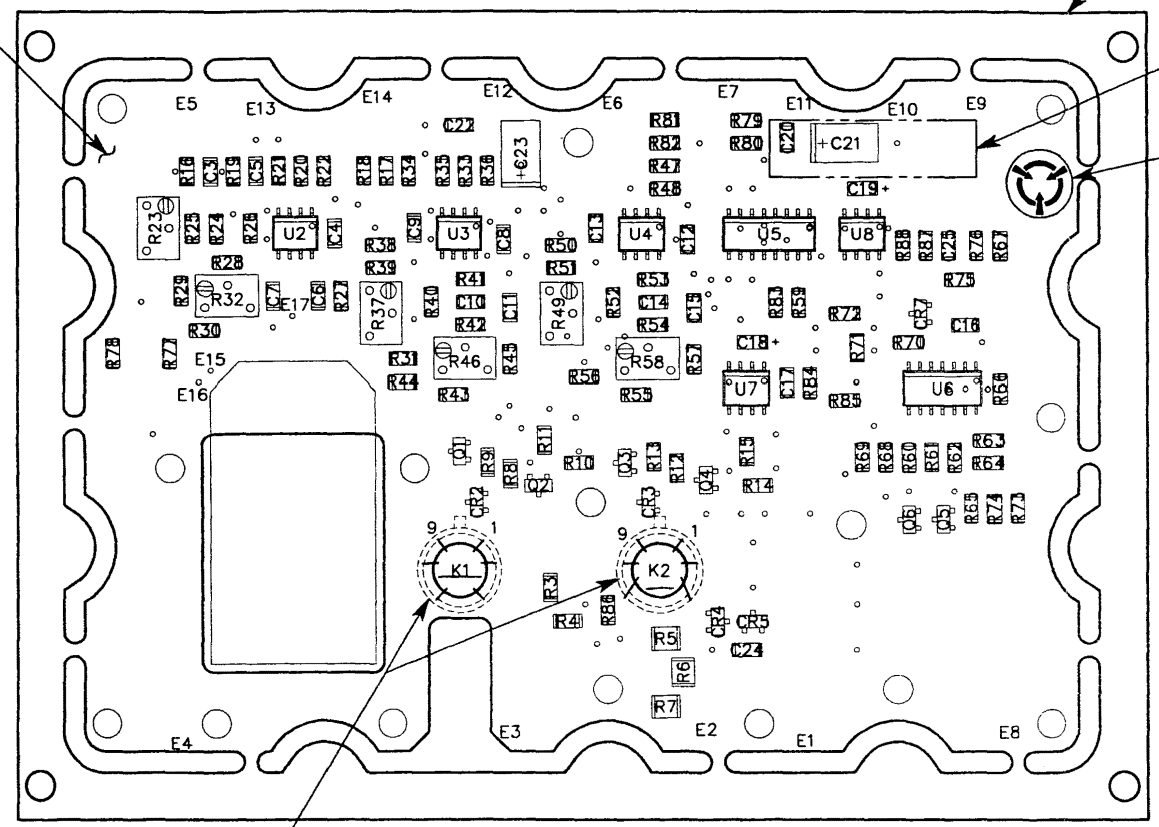
CONTAINS PARTS AND ASSEMBLIES SUSCEPTIBLE TO DAMAGE BY ELECTROSTATIC DISCHARGE (ESD).

THIS DOCUMENT CONTAINS PROPRIETARY INFORMATION OF IFR, INC. AND IS NOT TO BE DISCLOSED, REPRODUCED, OR PUBLISHED WITHOUT IFR'S APPROVAL.				
IFR SYSTEMS INC 10200 West York St., Wichita, Kansas 67215				
DRAWN HARRIS 5/26/92	DATE	TITLE MECH ASSY, POWER TERMN	REV F	
CHECKED S.PERKINS 8/16/92	DATE			
APPROVED S.STARKEL 9/23/92	DATE	SIZE D	DWG. NO. 7005-8742-100	
087421F0.DWG	PLOT SCALE 1=1	SCALE 1=1	CAGE 51190	SHEET 1 of 1

A B C D E F G

DATE	REV	CHANGE	APVD
9-22-92	E-1	DESIGN RELEASE	RLA DKB
4-26-93	E2	PROD REL PER ECN 15564	MKM DKB
8-9-93	E3	INC ECN 15738	MKM BM
4-29-97	E4	INC ECN 17502	MKM AK

PWR. TERM TEMP
20dB ATT. SELECT
AUX. RF SELECT
-10V
RANGE SEL. B
RANGE SEL. A
+10V
AUX. RF ALARM
20dB ATT. STATUS

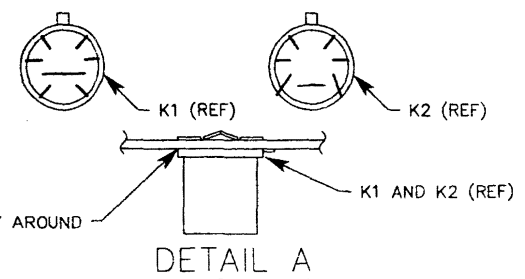


NOTES:

1. BASIC REFERENCE DESIGNATORS SHOWN, FOR COMPLETE DESIGNATOR PREFIXES REFER TO PRODUCT STRUCTURE, AND SYSTEM INTERCONNECT FOR APPLICATIONS WHERE USED.
2. REF SCHEMATIC # 0000-8742-100.
3. TO BE REMOVED PRIOR TO MECH. ASSY.
4. TO BE INSTALLED ON BOTTOM SIDE ONLY.
5. AFFIX MODULE IDENT LABEL HERE BOTTOM SIDE.
6. SOLDER K1 AND K2 RELAY CANS TO BOTTOM SIDE OF BOARD.
7. SOLDER K1 PINS 3 & 7 TO EACH OTHER AT CENTER OF RELAY.
8. SOLDER K2 PINS 4 & 6 TO EACH OTHER AT CENTER OF RELAY.
9. NON-TERMINATED E POINTS SHOWN FOR REFERENCE ONLY.

6 4 SEE DETAIL A

T/R
MONITOR
AUX. RF OUT
ATTEN.
RF POWER LEVEL



CAUTION: CONTAINS PARTS AND ASSEMBLIES SUSCEPTIBLE TO DAMAGE BY ELECTROSTATIC DISCHARGE (ESD).

DRAWN		DATE		TITLE	
R. AST 4-1-1991				IFR SYSTEMS INC 10200 West York St., Wichita, Kansas 67215	
CHECKED		DATE		ASSEMBLY DWG	
M. BACHMAN 9-22-92				POWER TERMN	
APPROVED		DATE		SIZE	DWG. NO.
S. PIERSON 9-22-92				C	7010-8732-100
108721E4.PLT		SCALE: 1:1		DO NOT SCALE	FSCM 51190 SHEET 1 of 1

1
2
3
4
5

DATE	REV	CHANGE	APPROVED
9-23-92	E	DESIGN RELEASE	J.I.M. OKB
DATE	REV	CHANGE	APPROVED
4-22-93	E1	PROD. REL. PER ECN #15564	J.I.M. OKB
8-10-93	E2	INC. ECN #15738	J.I.M. BM

NOTES:
(UNLESS OTHERWISE SPECIFIED)

- BASIC REFERENCE DESIGNATORS SHOWN, FOR COMPLETE DESIGNATOR PREFIXES REFER TO PRODUCT STRUCTURE, AND SYSTEM INTERCONNECT FOR APPLICATIONS WHERE USED.
- ALL RESISTORS ARE 1%, 1/8W.
- ALL RESISTANCE IS EXPRESSED IN OHMS. ALL CAPACITANCE IS EXPRESSED IN MICROFARADS. ALL INDUCTANCE IS EXPRESSED IN MICROHENRIES.
- HIGHEST REFERENCE DESIGNATIONS.
7005-8742-100 FL9, JS, P4, AT2, C2, CR6, GL1, L1, P1, R2, U1.
7010-8732-100 C25, CR7, E14, K2, L1, Q6, R8B, UB.
- REFERENCE DESIGNATIONS NOT USED.
7005-8742-100 CR2-CR5.
7010-8732-100 R1, R2, C1, C2, CR1, U1.
- FOR INTERCONNECT/BLOCK DIAGRAM SEE APPLICATIONS WHERE USED.

7. R2 IS A S.A.T.
NOMINAL VALUE IS 75
SELECT VALUES 68, 82.

8. CR1 AND CR6 ARE PAIRED
HAVE TO BE REPLACED AS A PAIRED SET

9. INSTALLED AT MECH LEVEL.

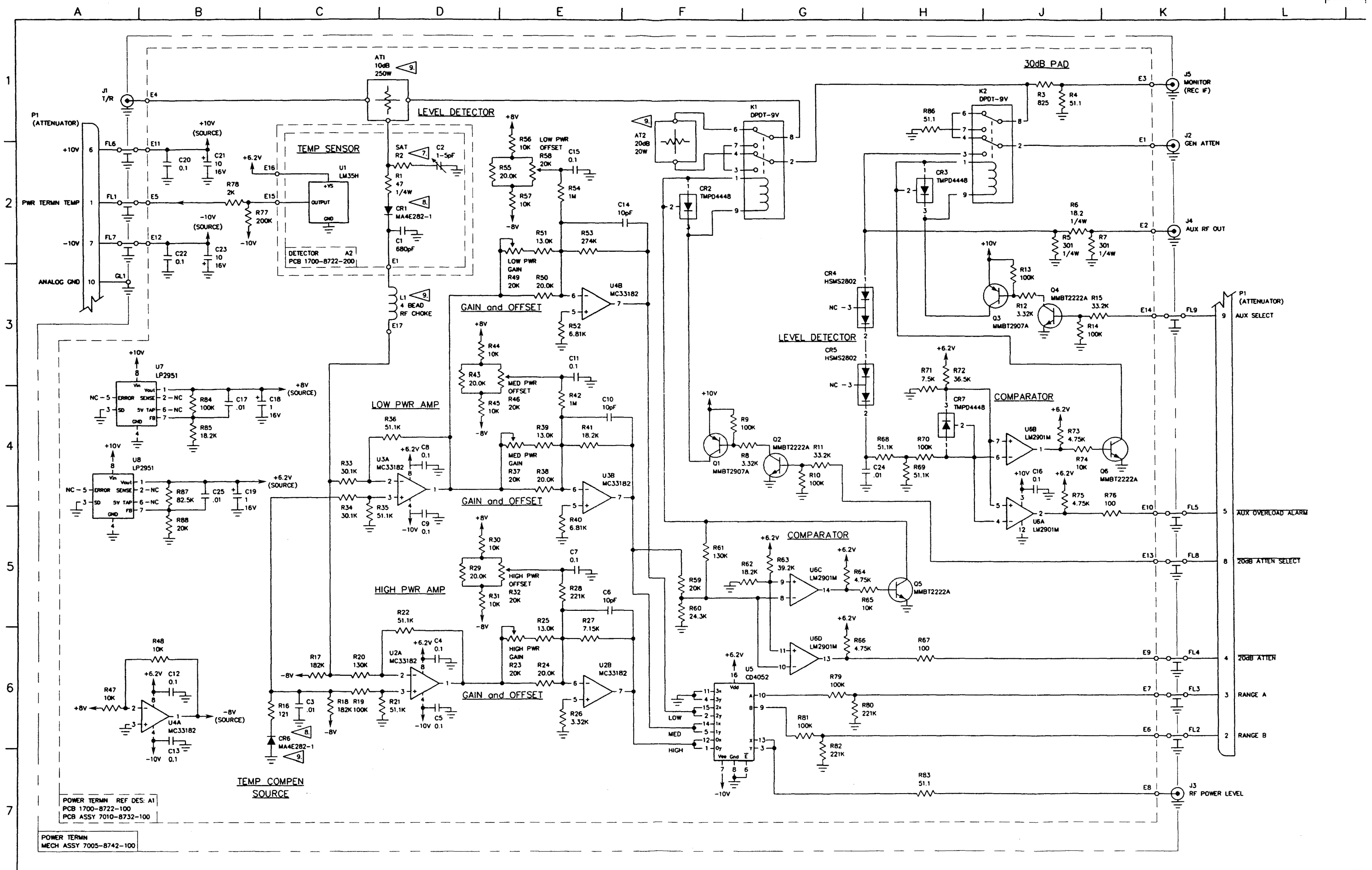
10. IC FUNCTIONS NOT USED: NONE

* - INDICATES PRINTED TRANSMISSION LINES OF OTHER THAN 50 OHMS IMPEDANCE WHICH CONSTITUTE CIRCUIT ELEMENTS. 50 OHM TRANSMISSION LINES ARE NOT SHOWN.



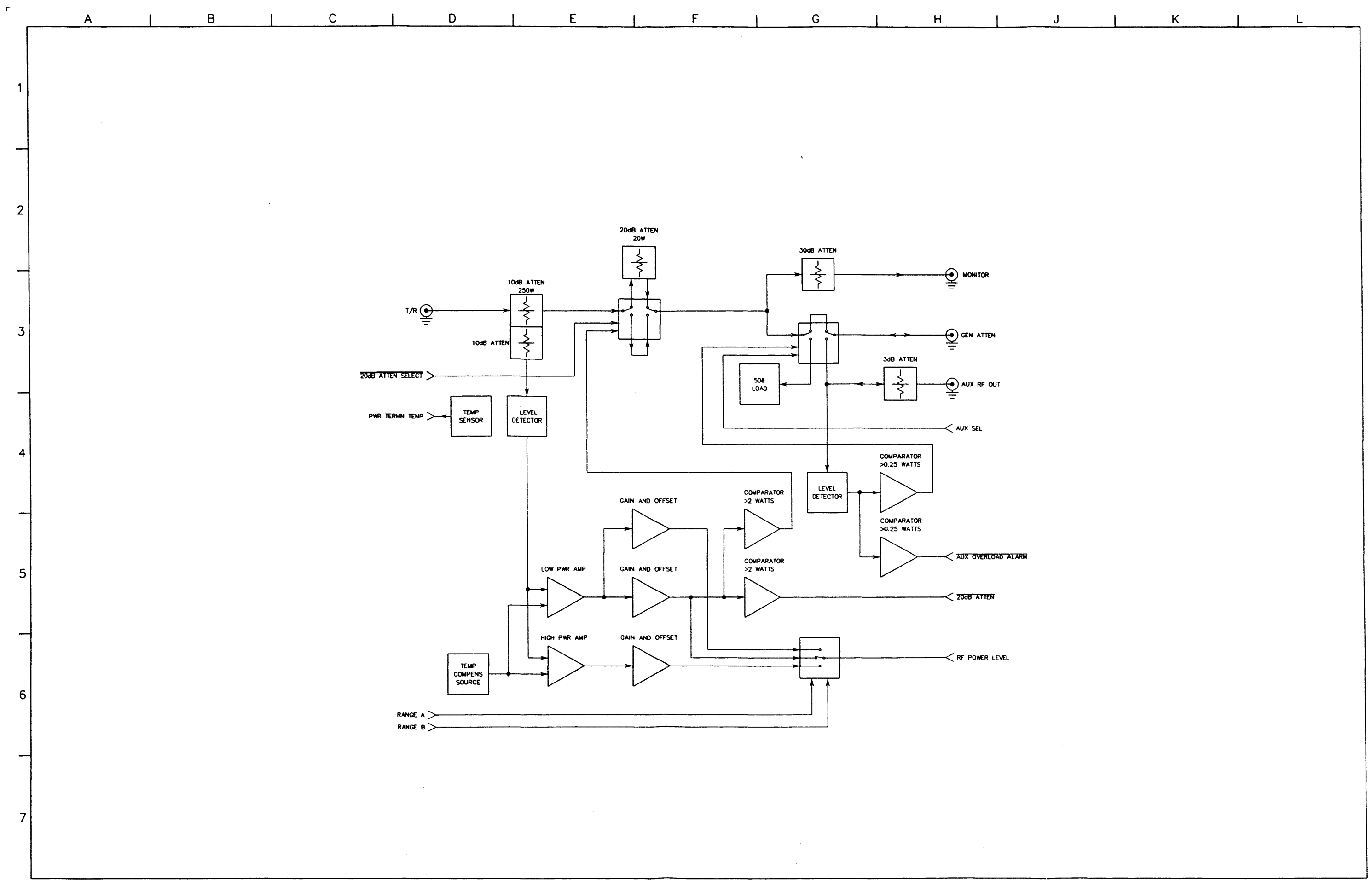
CAUTION:
CONTAINS PARTS AND ASSEMBLIES
SUSCEPTIBLE TO DAMAGE BY
ELECTROSTATIC DISCHARGE (ESD).

IFR SYSTEMS INC			
10200 West York St., Wichita, Kansas 67215			
DRAWN J. MILLER	DATE 7-15-92	FILE CIRCUIT SCHEMATIC POWER TERMN	
CHECKED DEB B.	DATE 9-22-92	SIZE G	REV E2
APPROVED S. PIERSON	DATE 9-22-92	DWG. NO. 0000-8742-100	
SCALE:		DO NOT SCALE	FSCM 51190 SHEET 1 of 3

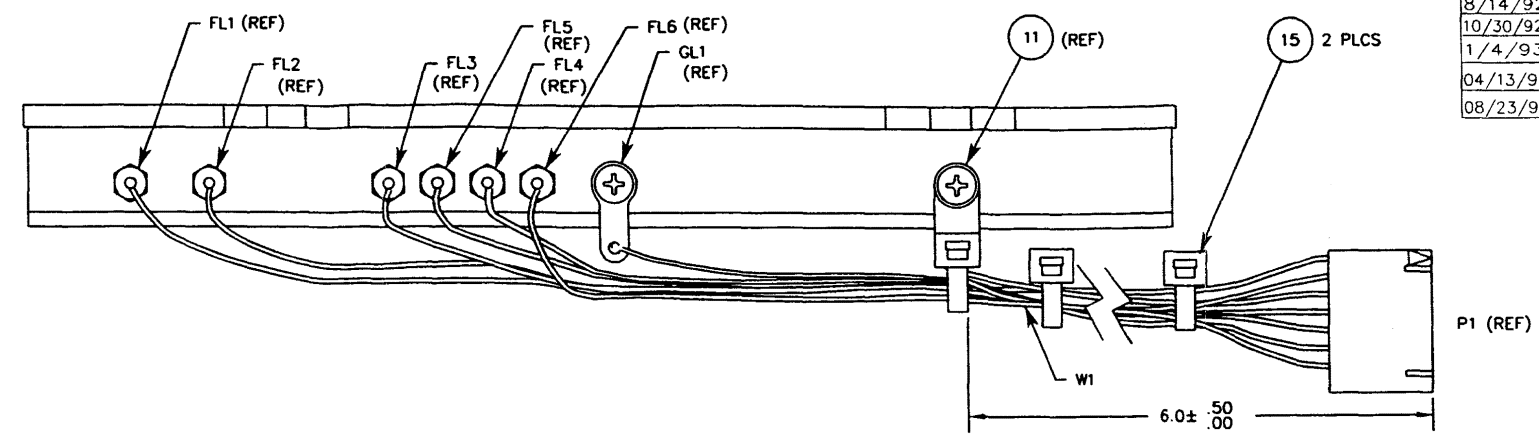


POWER TERM REF DES: A1
 PCB 1700-8722-100
 PCB ASSY 7010-8732-100

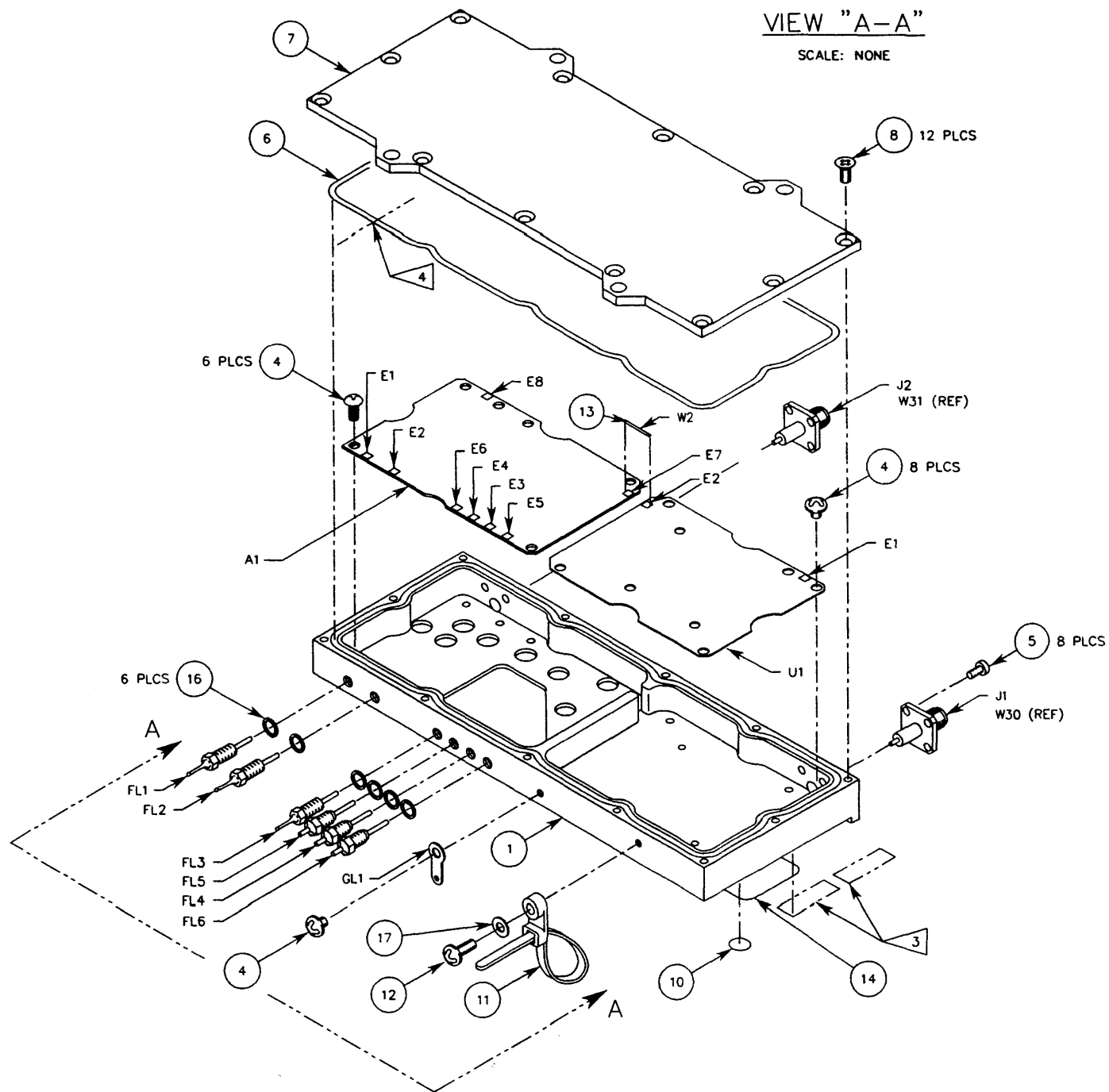
POWER TERM
 MECH ASSY 7005-8742-100



DATE	REV	CHANGE	APPROVED
8/14/92	D	DESIGN RELEASE	RH DKB
10/30/92	D1	INC FMY-053	RH DKB
1/4/93	D2	INC FMY-095	RH DKB
04/13/93	D3	PROD. REL. PER ECN 15564	BP DKB
08/23/93	D4	INC ECN 15769	BP BM



VIEW "A-A"
SCALE: NONE



- NOTES:
- BASIC REFERENCE DESIGNATORS SHOWN, FOR COMPLETE DESIGNATOR PREFIXES REFER TO PRODUCT STRUCTURE, AND SYSTEM INTERCONNECT FOR APPLICATIONS WHERE USED.
 - MECH. ASSY DRAWING SHOWS ONLY PORTIONS OF PC BD ASSYS REQUIRED FOR REF. ONLY.
- 3 AFFIX MODULE IDENTIFICATION LABELS HERE.
- 4 CUT ENDS OF GASKET MUST MEET UNDER COMPRESSION WHEN INSTALLED.

WIRE RUNNING LIST				
DESIGN	FROM	TO	COLOR	AWG
W1W1	P1-1	FL1	RED	26
W1W2	P1-2	GND1	BLACK	26
W1W3	P1-3	FL2	YELLOW	26
W1W4	P1-4	FL3	WHT/RED	26
W1W5	P1-5	FL4	WHT/GRN	26
W1W6	P1-6	FL5	WHT/BLUE	26
W1W7	P1-7	FL6	GRAY	26
W2	A1E7	A5E2	BUS	26



CAUTION:
CONTAINS PARTS AND ASSEMBLIES
SUSCEPTIBLE TO DAMAGE BY
ELECTROSTATIC DISCHARGE (ESD).

DRAWN		DATE		TITLE	
S. PERKINS		4/8/92		MECH ASSY, GENERATOR OUTPUT	
CHECKED		DATE		REV	
D. BROKSCHMIDT		8/14/92		D4	
APPROVED		DATE		DWG NO.	
S. STARKEL		8/14/92		7005-8742-300	
PLOT SCALE		SCALE		CAGE	
087423D4.DWG		1=1		51190	
				SHEET 1 of 1	

A

B

C

D

E

F

G

DATE	REV	CHANGE	APVD
8-14-92	D	DESIGN RELEASE	RLA DKB
4-27-93	D1	PROD REL PER ECN 15564	MKM DKB
4-14-94	D2	INC ECN 15988	RLA BM
4-29-97	D3	INC ECN 17502	MKM AK

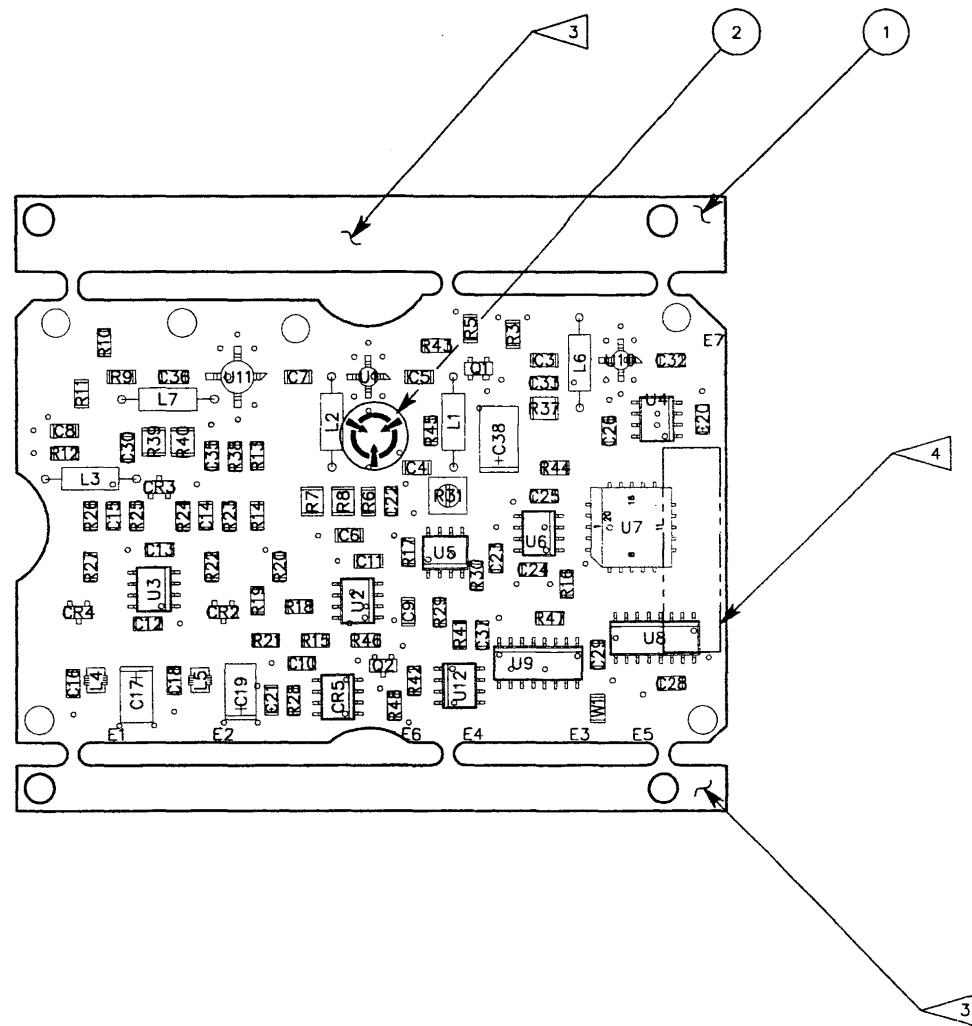
1

2

3

4

5



NOTES:

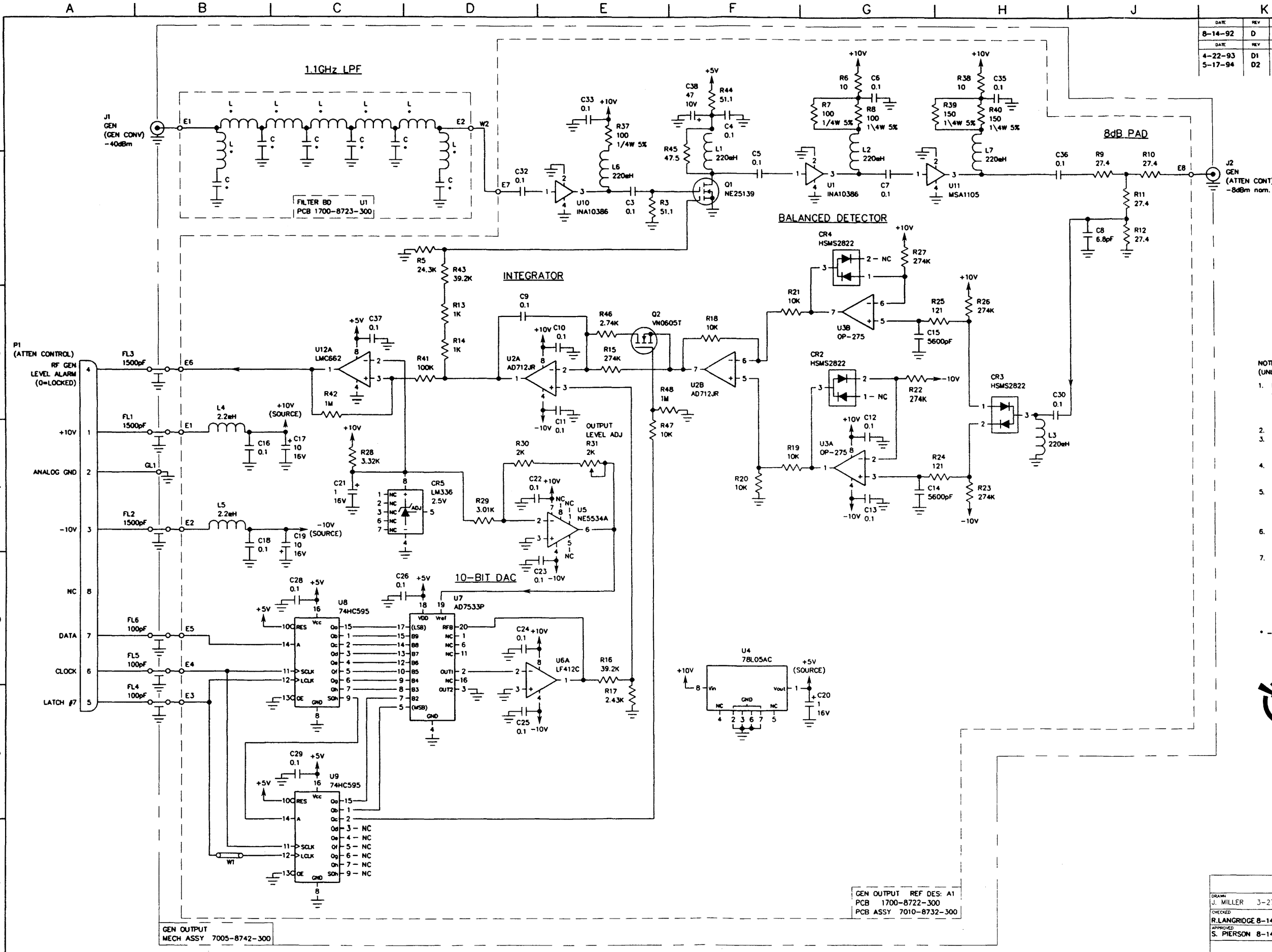
- 1. BASIC REFERENCE DESIGNATORS SHOWN, FOR COMPLETE DESIGNATOR PREFIXES REFER TO PRODUCT STRUCTURE, AND SYSTEM INTERCONNECT FOR APPLICATIONS WHERE USED.
- 2. REF SCHEMATIC # 0000-8742-300.
- 3. TO BE REMOVED PRIOR TO MECH. ASSY.
- 4. AFFIX MODULE IDENT LABEL HERE. TO BE INSTALLED ON BOTTOM SIDE ONLY.



CAUTION:
CONTAINS PARTS AND ASSEMBLIES SUSCEPTIBLE TO
DAMAGE BY ELECTROSTATIC DISCHARGE (ESD).

DRAWN C.J. WEBB 5/23/91		DATE 5/23/91		TITLE IFR SYSTEMS INC 10200 West York St., Wichita, Kansas 67215	
CHECKED S. STARKEL 6/4/91		DATE 6/4/91		ASSY DRAWING GENERATOR OUTPUT BOARD	
APPROVED B.LANGRIDGE 6/4/91		DATE 6/4/91		SIZE C	DWG. NO. 7010-8732-300
108723D3.PLT		SCALE: 1:1	DO NOT SCALE	FSM 51190	SHEET 1 OF 1

DATE	REV	CHANGE	ILLUS
8-14-92	D	DESIGN RELEASE	J.I.M. DKB
4-22-93	D1	PROD. REL. PER ECN #15564	J.I.M. DKB
5-17-94	D2	INC ECN #15988	J.I.M. BM

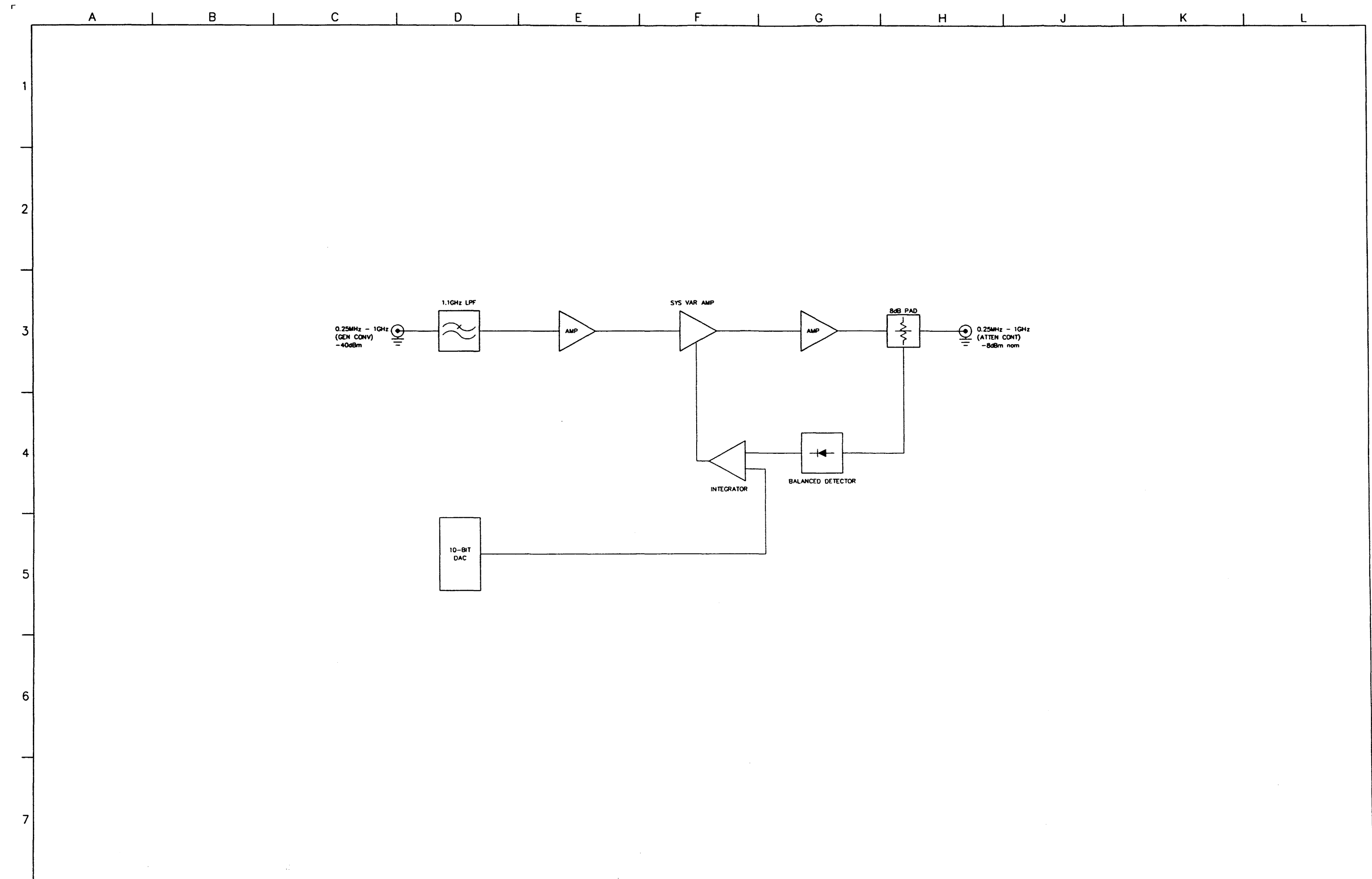


- NOTES:
(UNLESS OTHERWISE SPECIFIED)
- BASIC REFERENCE DESIGNATORS SHOWN, FOR COMPLETE DESIGNATOR PREFIXES REFER TO PRODUCT STRUCTURE, AND SYSTEM INTERCONNECT FOR APPLICATIONS WHERE USED.
 - ALL RESISTORS ARE 1%, 1/8W.
 - ALL RESISTANCE IS EXPRESSED IN OHMS.
 - ALL CAPACITANCE IS EXPRESSED IN MICROFARADS. ALL INDUCTANCE IS EXPRESSED IN MICROHENRIES.
 - HIGHEST REFERENCE DESIGNATIONS:
7005-8742-300 FL6, J2, P1, GL1, U1, W2,
7010-8732-300 C38, R48, L7, CR5, Q2, U12, W1.
REFERENCE DESIGNATIONS NOT USED:
7005-8742-300 NONE
7010-8732-300 C1, C2, C27, C31, C34, CR1,
R1, R2, R4, R32-R36.
 - FOR INTERCONNECT/BLOCK DIAGRAM SEE APPLICATIONS WHERE USED.
 - IC FUNCTIONS NOT USED:
U12B LMC662
U6B LF412C

CAUTION:
CONTAINS PARTS AND ASSEMBLIES
SUSCEPTIBLE TO DAMAGE BY
ELECTROSTATIC DISCHARGE (ESD).

GEN OUTPUT REF DES: A1
PCB 1700-8722-300
PCB ASSY 7010-8732-300

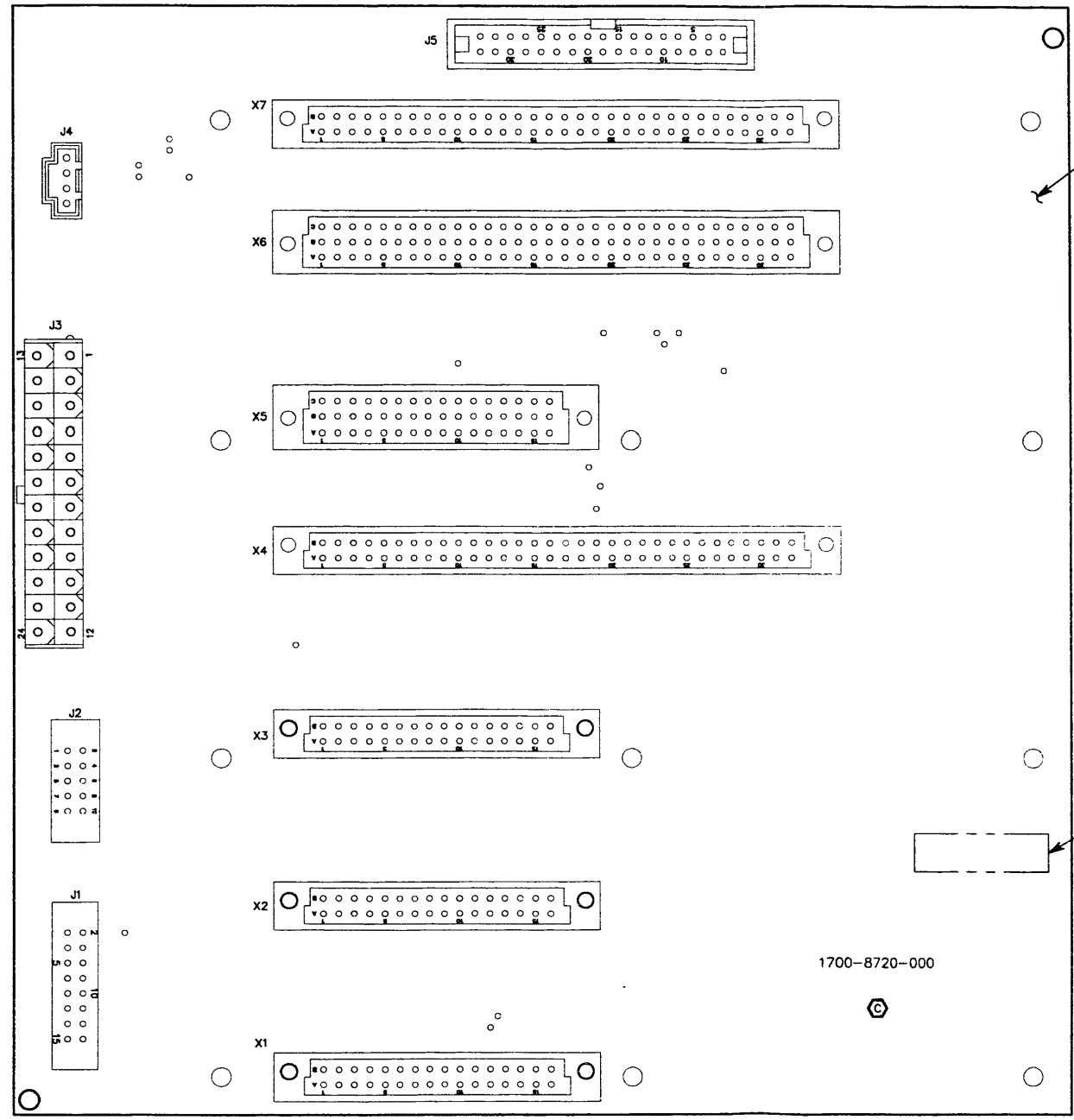
IFR SYSTEMS INC			
10200 West York St., Wichita, Kansas 67215			
DRAWN	J. MILLER	DATE	3-27-92
CHECKED	R. LANGRIDGE	DATE	8-14-92
APPROVED	S. PIERSON	DATE	8-14-92
TITLE	CIRCUIT SCHEMATIC GEN OUTPUT		
REV	D2	DWG. NO	0000-8742-300
SCALE	DO NOT SCALE	FSON	51190
SHEET		1 OF 2	



A B C D E F G H J K L

DATE	REV	CHANGE	APPRO
8-22-94	A	PROD REL PER ECN 16141	J.I.M. BM

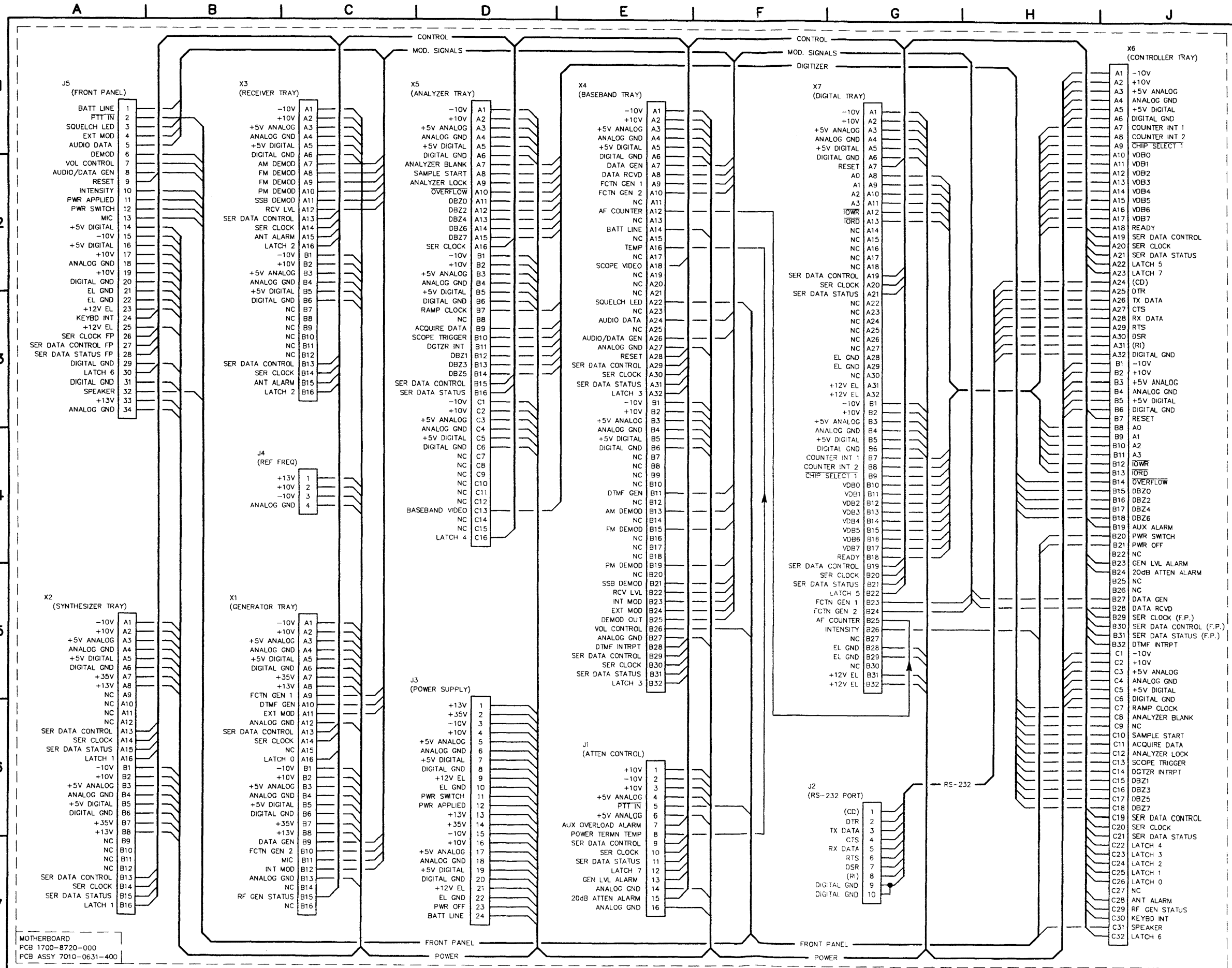
1
2
3
4
5
6
7



- NOTES:
1. BASIC REFERENCE DESIGNATORS SHOWN, FOR COMPLETE DESIGNATOR PREFIXES REFER TO PRODUCT STRUCTURE, AND SYSTEM INTERCONNECT FOR APPLICATIONS WHERE USED.
 2. REF SCHEMATIC # 0000-8730-000.
 3. AFFIX MODULE IDENT LABEL HERE.

CAUTION: CONTAINS PARTS AND ASSEMBLIES SUSCEPTIBLE TO DAMAGE BY ELECTROSTATIC DISCHARGE (ESD).

DRAWN		DATE		TITLE	
R. WEEKS	2-13-92	IFR SYSTEMS INC 10200 West York St., Wichita, Kansas 67215			
D.K.B.	8-26-92	ASSEMBLY DWG			
S. PIERSON	8-26-92	MOTHERBOARD			
DATE	8-26-92	SIZE	DWG. NO.	REV	A
D		D	7010-0631-400		
SCALE	N.T.S.	DO NOT SCALE	FIG#	51190	SHEET 1 of 1



DATE	REV	CHANGE	APPROVED
8-26-92	C	DESIGN RELEASE	J.I.M. DKB
10-2-92	C1	INC REF #FMY-016	J.I.M. DKB
5-11-93	C2	PROD. REL. PER ECN #15564	J.I.M. DKB
12-4-94	D	INC ECN 16141A	BP BM

- NOTES:
(UNLESS OTHERWISE SPECIFIED)
- BASIC REFERENCE DESIGNATORS SHOWN, FOR COMPLETE DESIGNATOR PREFIXES REFER TO PRODUCT STRUCTURE, AND SYSTEM INTERCONNECT FOR APPLICATIONS WHERE USED.
 - ALL RESISTORS ARE X Ω, X W.
 - ALL RESISTANCE IS EXPRESSED IN OHMS. ALL CAPACITANCE IS EXPRESSED IN MICROFARADS. ALL INDUCTANCE IS EXPRESSED IN MICROHENRIES.
 - HIGHEST REFERENCE DESIGNATIONS. J12
 - REFERENCE DESIGNATIONS NOT USED. NONE
 - FOR INTERCONNECT/BLOCK DIAGRAM SEE APPLICATIONS WHERE USED.
 - IC FUNCTIONS NOT USED: NONE
- * - INDICATES PRINTED TRANSMISSION LINES OF OTHER THAN 50 OHMS IMPEDANCE WHICH CONSTITUTE CIRCUIT ELEMENTS. 50 OHM TRANSMISSION LINES ARE NOT SHOWN.



CAUTION:
CONTAINS PARTS AND ASSEMBLIES SUSCEPTIBLE TO DAMAGE BY ELECTROSTATIC DISCHARGE (ESD).

MOTHERBOARD
PCB 1700-8720-000
PCB ASSY 7010-0631-400

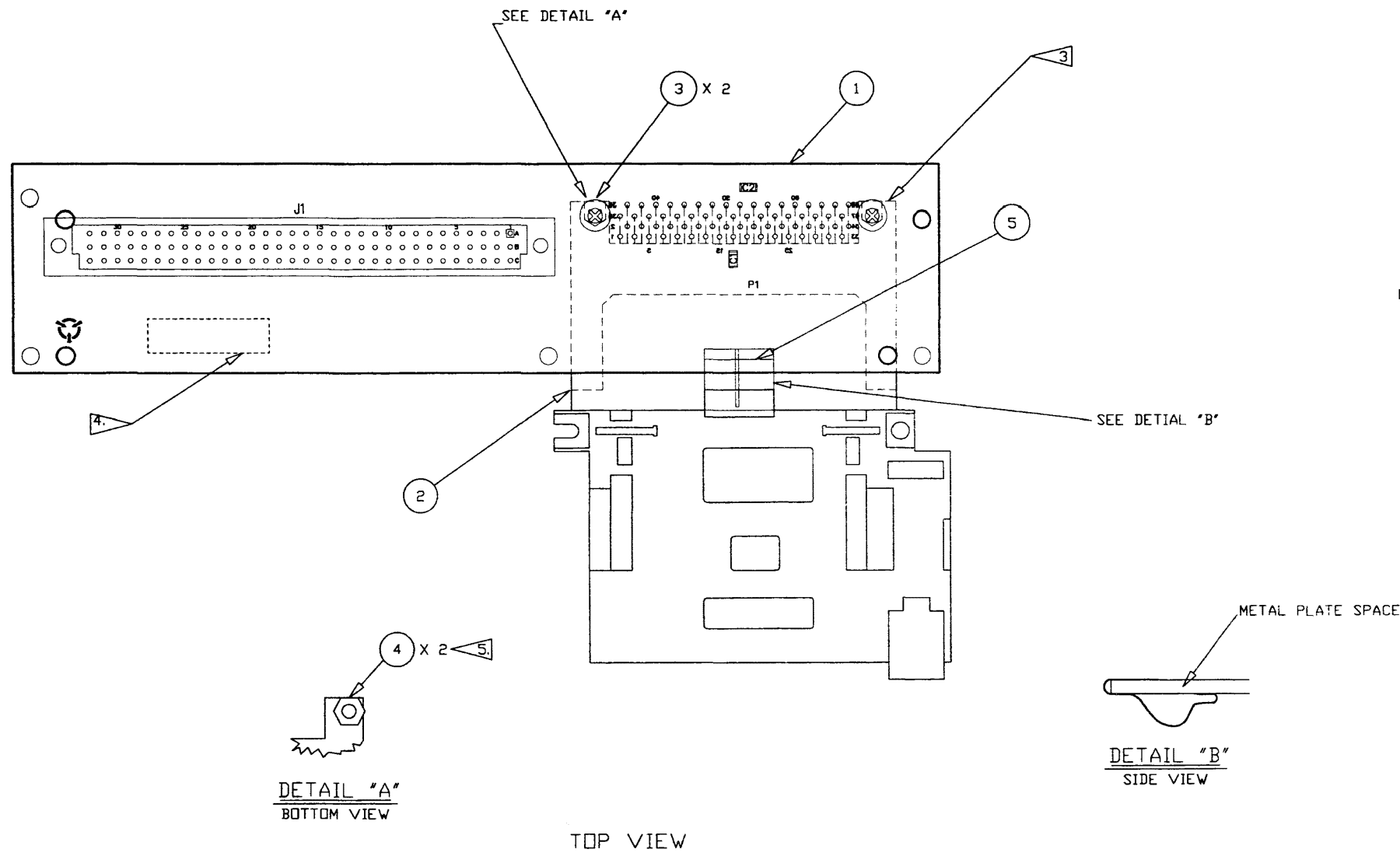
IFR SYSTEMS, INC. 10200 West York St., Wichita, Kansas 67225			
DATE	REV	CHANGE	APPROVED
3-20-91			
8-26-92			
8-26-92			
8-26-92			

0876300C.DWG SCALE: DO NOT SCALE FROM 51190 SHEET 1 OF 1

A B C D E F G H J K L

DATE	REV	CHG	APP
9-5-95	A	RELEASE PER ECN #16626 J.I.M.	DKB

1
2
3
4
5
6
7



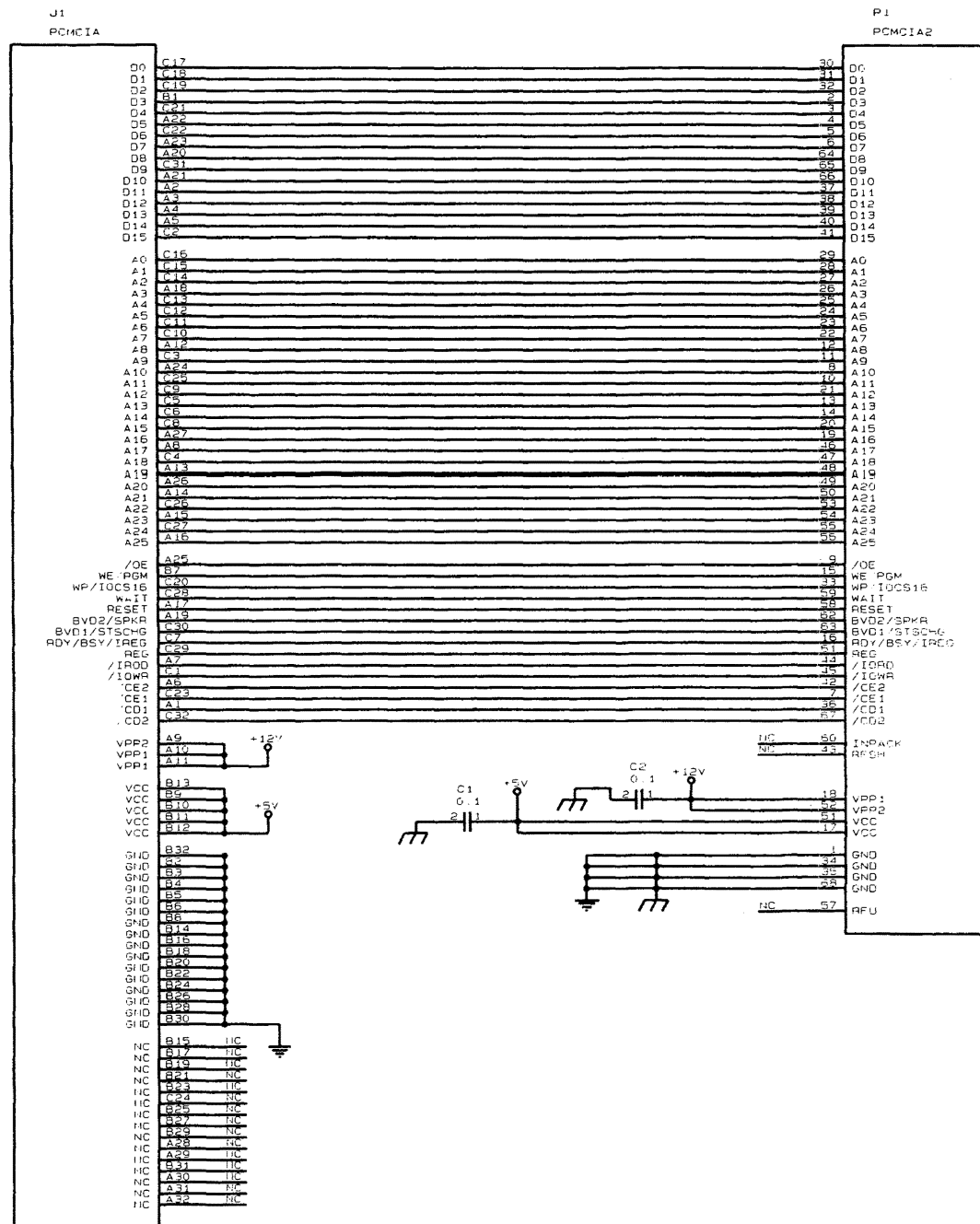
- NOTES:
1. BASIC REFERENCE DESIGNATORS SHOWN, FOR COMPLETE DESIGNATOR PREFIXES REFER TO PRODUCT STRUCTURE, AND SYSTEM INTERCONNECT FOR APPLICATIONS WHERE USED.
 2. HARDWARE THAT IS NOT PART OF BILL OF MATERIALS SHOULD NOT BE INSTALLED.
 3. INSTALL ON BOTTOM SIDE.
 4. AFFIX MODULE IDENT LABEL HERE.
 5. BEFORE INSTALLING NUTS (ITEM 4), REMOVE AND DISCARD METRIC NUTS WHICH ARE SUPPLIED WITH CONN (P1).



CAUTION
CONTAINS PARTS AND ASSEMBLIES SUSCEPTIBLE TO
DAMAGE BY ELECTROSTATIC DISCHARGE (ESD).

DRAWN		DATE		TITLE	
J. MILLER	6-27-95	IFR SYSTEMS INC 2880 West York St., Wichita, Kansas 67235			
CHECKED		DATE		ASSEMBLY DRAWING	
DKB	9-5-95	PCMCIA INTERFACE			
APPROVED		DATE		REV	
STAN P.	9-5-95	D	7010-0631-800	A	
100618A0.PLT	SCALE	N.T.S.	DRY TON SCALE	51190	SHEET 1 of 1

DATE	REV	CHANGE	APPROVED
9-5-95	A	RELEASE PER ECN #16626 J.I.M.	DBK



- NOTES:
(UNLESS OTHERWISE SPECIFIED)
1. BASIC REFERENCE DESIGNATORS SHOWN. FOR COMPLETE DESIGNATOR PREFIXES REFER TO PRODUCT STRUCTURE AND SYSTEM INTERCONNECT FOR APPLICATIONS WHERE USED.
 2. ALL RESISTORS ARE 5%, 1/4W.
 3. ALL RESISTANCE IS EXPRESSED IN OHMS. ALL CAPACITANCE IS EXPRESSED IN MICROFARADS. ALL INDUCTANCE IS EXPRESSED IN MICROHENRIES.
 4. HIGHEST REFERENCE DESIGNATIONS: J1, P1, C2.
 5. REFERENCE DESIGNATIONS NOT USED: NONE
 6. FOR INTERCONNECT/BLOCK DIAGRAM SEE APPLICATIONS WHERE USED.
 7. IC FUNCTIONS NOT USED: NONE
- INDICATES PRINTED TRANSMISSION LINES OF OTHER THAN 50 OHMS IMPEDANCE WHICH CONSTITUTE CIRCUIT ELEMENTS. 50 OHM TRANSMISSION LINES ARE NOT SHOWN.

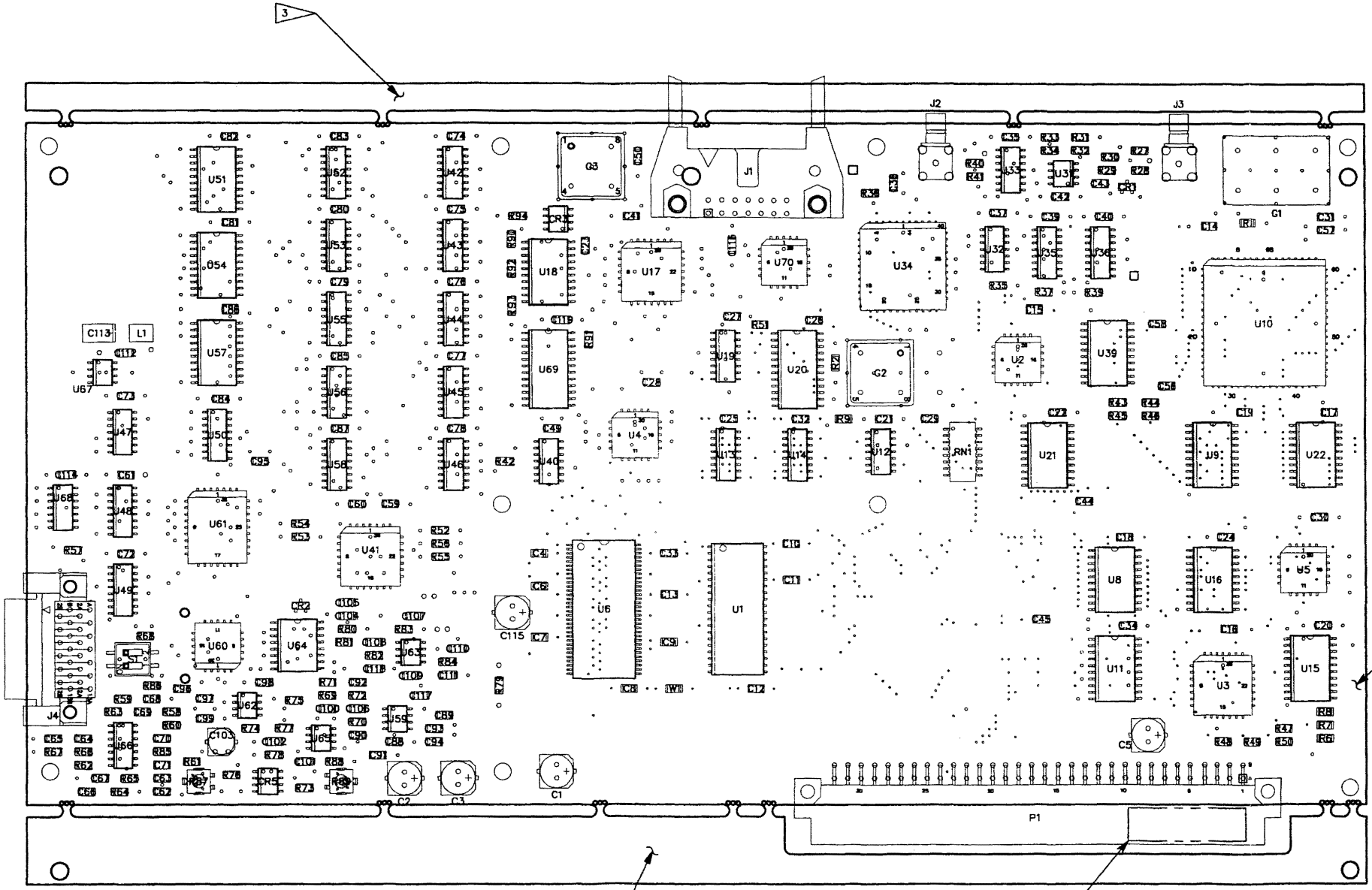
CAUTION:
CONTAINING PARTS AND ASSEMBLIES SUSCEPTIBLE TO DAMAGE BY ELECTROSTATIC DISCHARGE (ESD)

DRAWN J. MILLER		4-3-95	IFR SYSTEMS INC. 10200 W YORK ST.	
CHECKED DKB		9-5-95	Title SCHEMATIC, PCMCIA INTERFACE	
APPROVED S. PIERSON		9-5-95	Size Document Number C 0000-0631-800	REV 1
			Date: September 7, 1995 Sheet	1 of 1

A B C D E F G H J K L

DATE	REV	CHANGE	APPRO
4-18-96	A	RELEASE PER ECN 16881	RLA
6-9-97	A1	INC PER ECN 17503	MKM

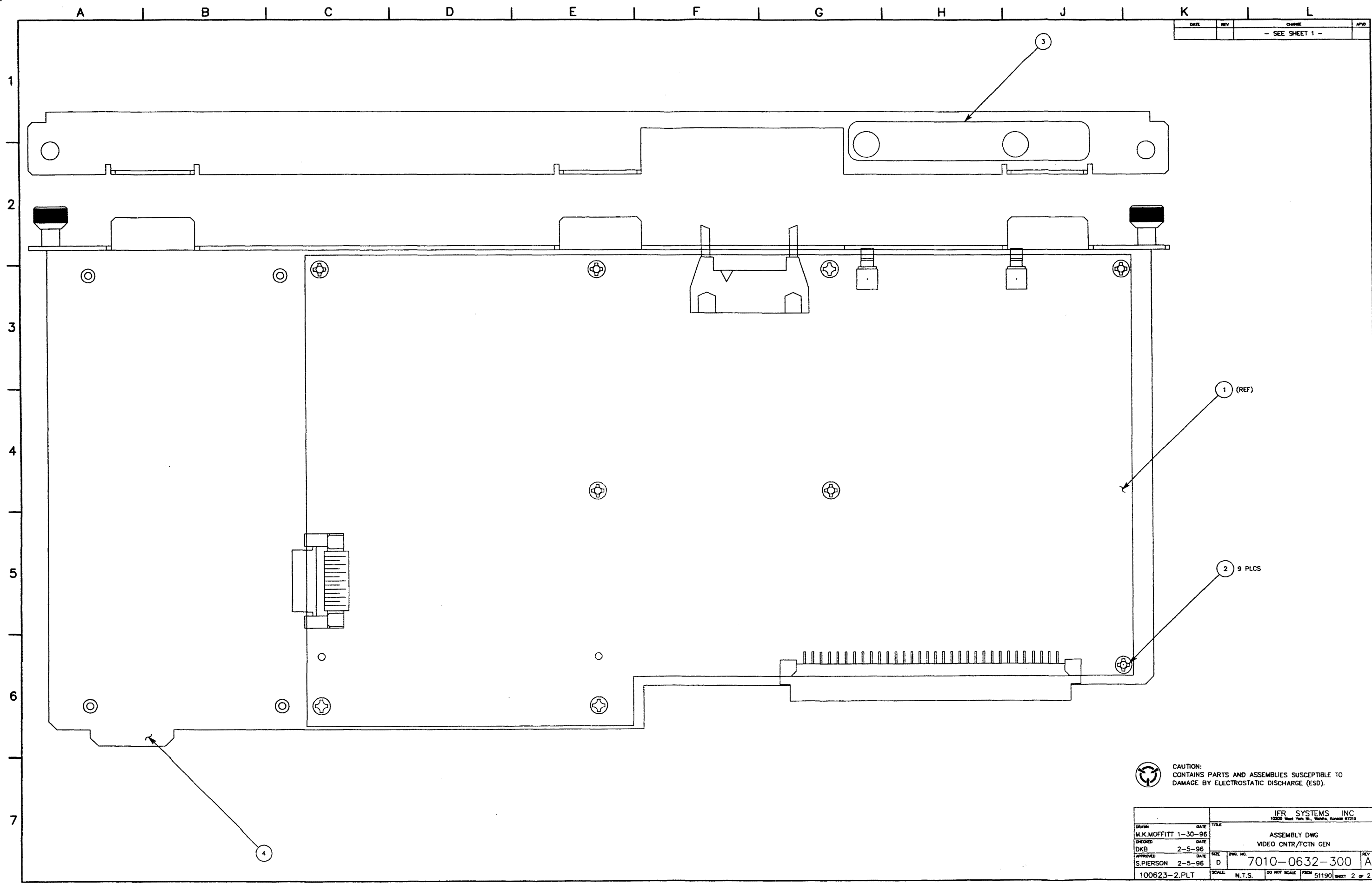
TOP VIEW



- NOTES:
1. BASIC REFERENCE DESIGNATORS SHOWN, FOR COMPLETE DESIGNATOR PREFIXES REFER TO PRODUCT STRUCTURE, AND SYSTEM INTERCONNECT FOR APPLICATIONS WHERE USED.
 2. NOTE NOT USED.
 3. TO BE REMOVED PRIOR TO MECH. ASSY.
 4. AFFIX MODULE IDENT LABEL HERE.

CAUTION:
CONTAINS PARTS AND ASSEMBLIES SUSCEPTIBLE TO
DAMAGE BY ELECTROSTATIC DISCHARGE (ESD).

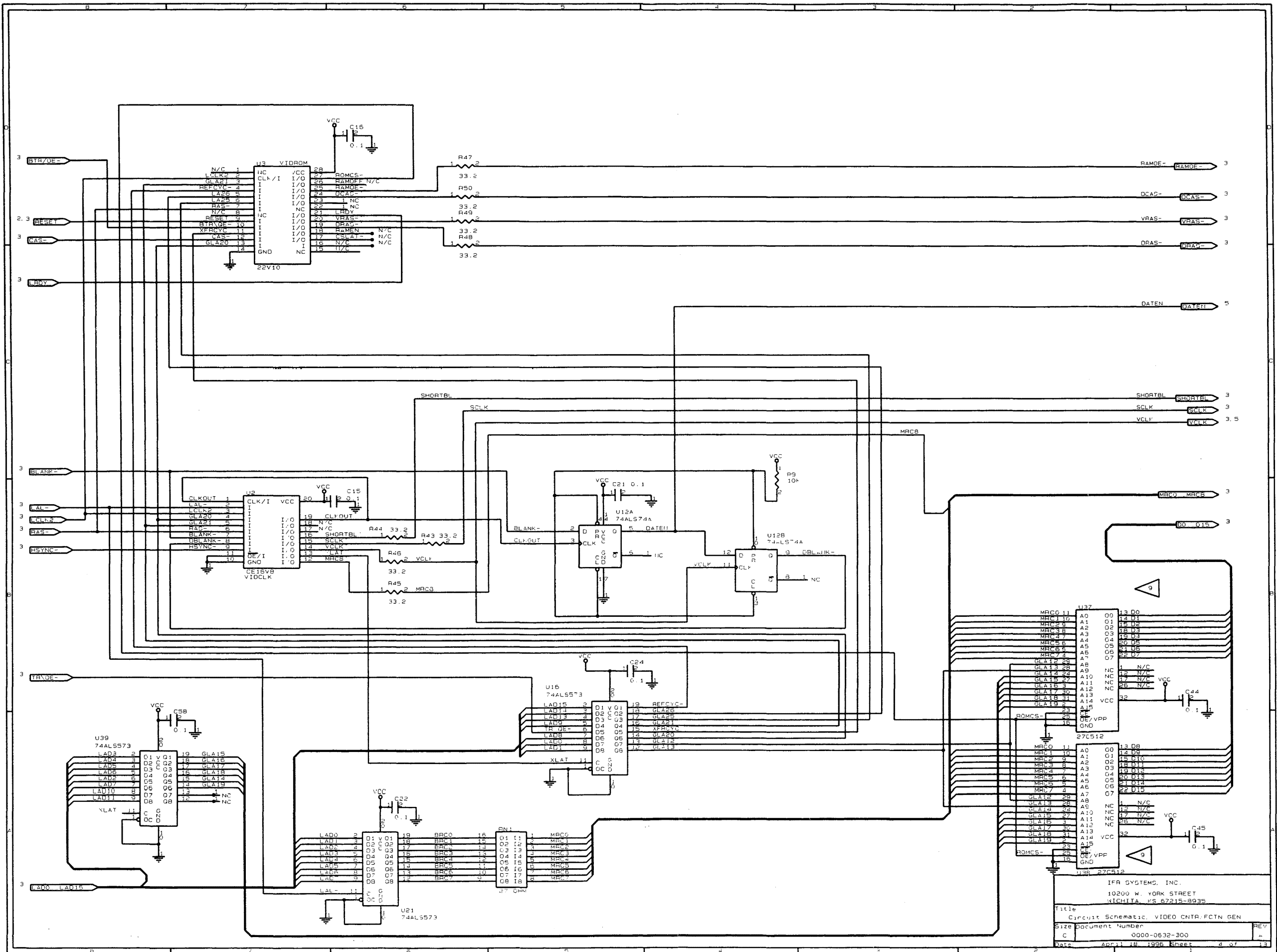
DRAWN		DATE		TITLE	
M.K.MOFFITT	1-30-96	IFR SYSTEMS INC 10000 West York St., Wichita, Kansas 67215			
CHECKED	DATE	ASSEMBLY DWG			
DKB	2-5-96	VIDEO CNTR/FCIN GEN			
APPROVED	DATE	REV	DWG. NO.	REV	
S.PIERSON	2-5-96	D	7010-0632-300	A1	
100623A1.PLT	SCALE	N.T.S.	DO NOT SCALE	FROM 51190	SHEET 1 OF 2



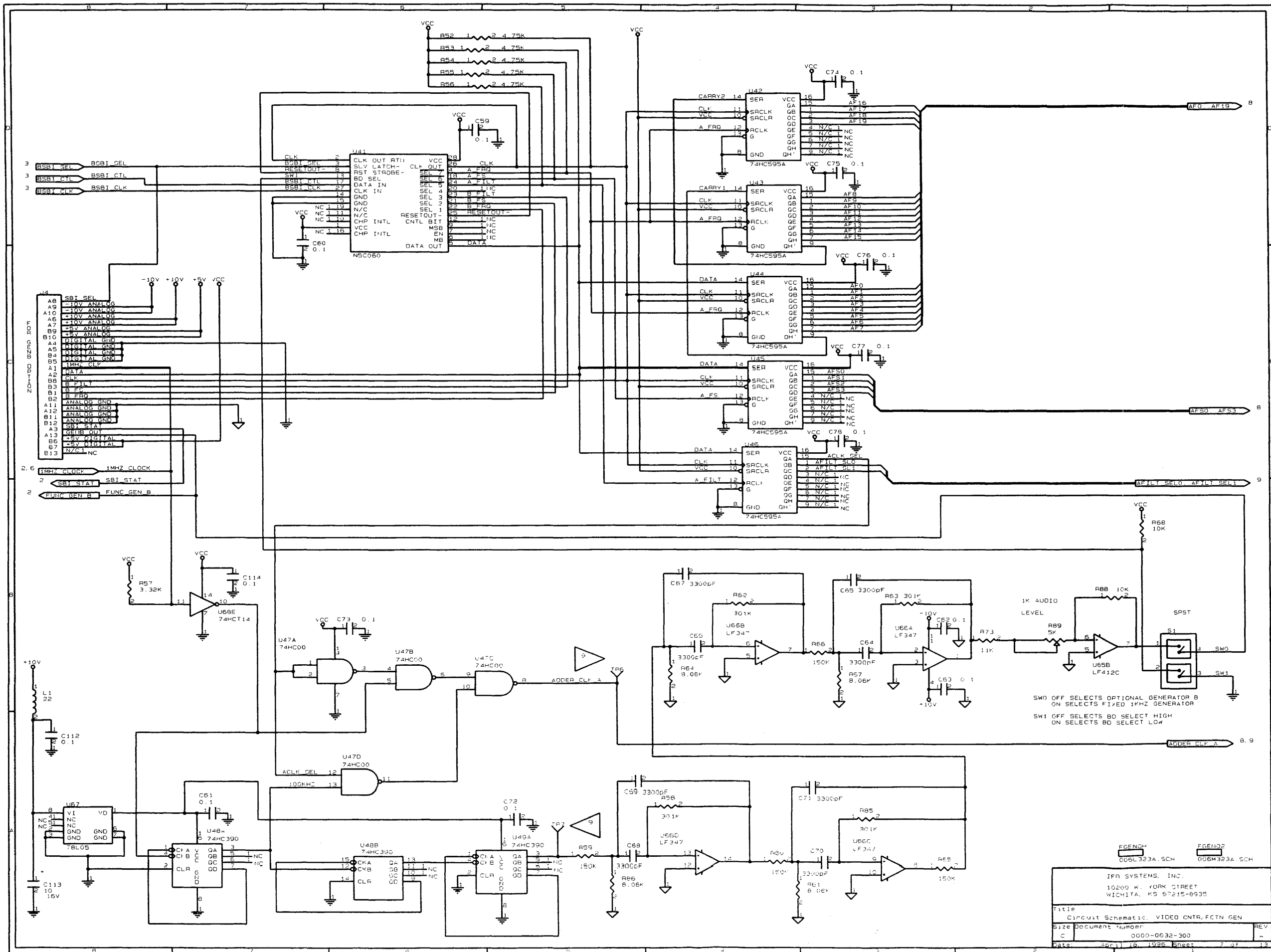
DATE	REV	CHANGE	APPROV
- SEE SHEET 1 -			

CAUTION:
 CONTAINS PARTS AND ASSEMBLIES SUSCEPTIBLE TO
 DAMAGE BY ELECTROSTATIC DISCHARGE (ESD).

DRAWN		DATE		TITLE	
M.K. MOFFITT		1-30-96		IFR SYSTEMS INC 10200 West York St., Westlake, Kansas 67215	
CHECKED		DATE		ASSEMBLY DWG	
DKB		2-5-96		VIDEO CNTR/FCN GEN	
APPROVED		DATE		SIZE	QTY. NO.
S. PIERSON		2-5-96		D	7010-0632-300
100623-2.PLT		SCALE	N.T.S.	DO NOT SCALE	FROM 51190
				SHEET 2 OF 2	

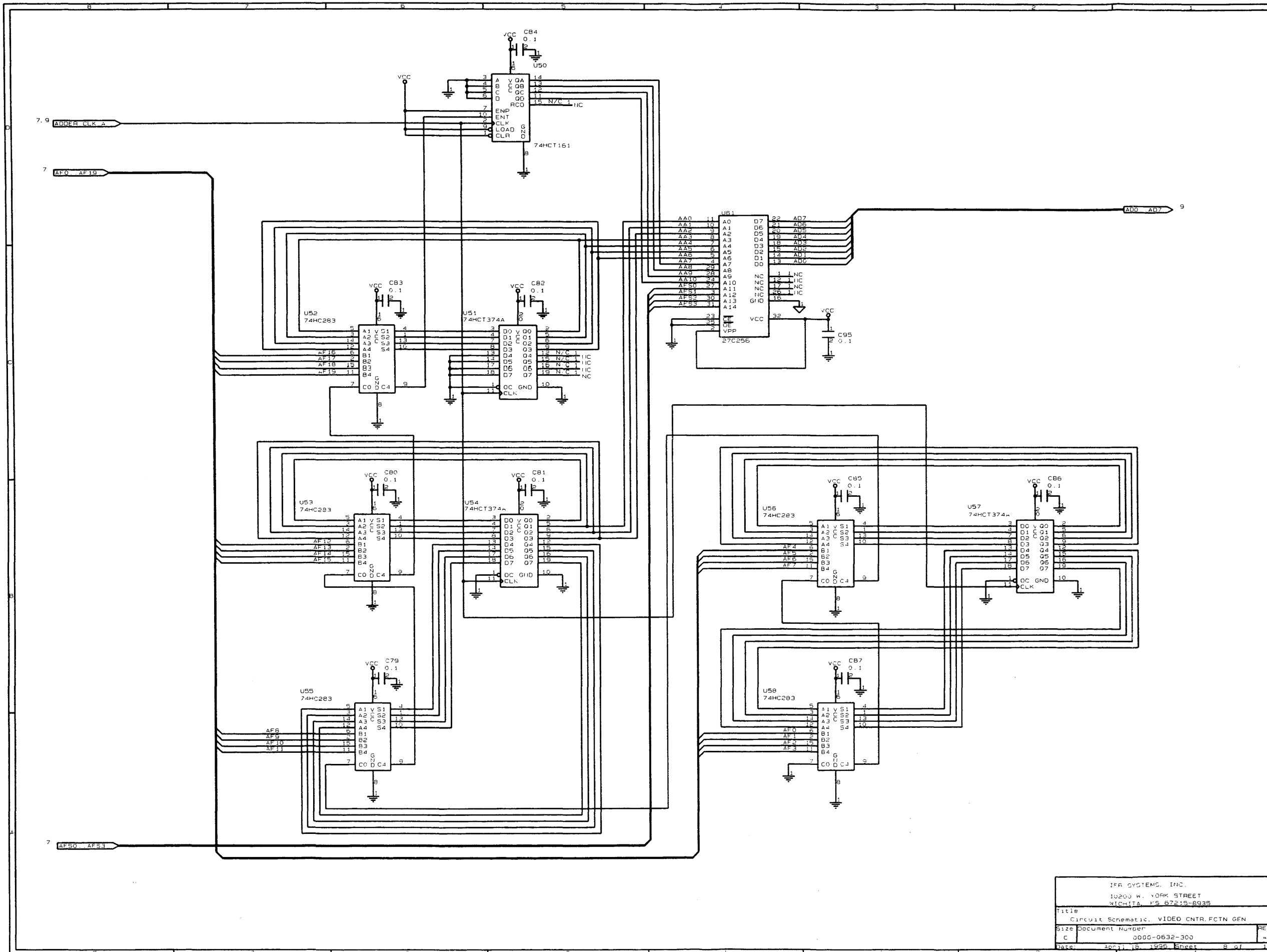


IFR SYSTEMS, INC.
 10200 W. YORK STREET
 WICHITA, KS 67215-8935
 Title: Circuit Schematic, VIDEO CNTR. FCTN GEN
 Size: document Number
 C 0000-0632-300
 Date: April 18, 1986 Sheet 4 of 13

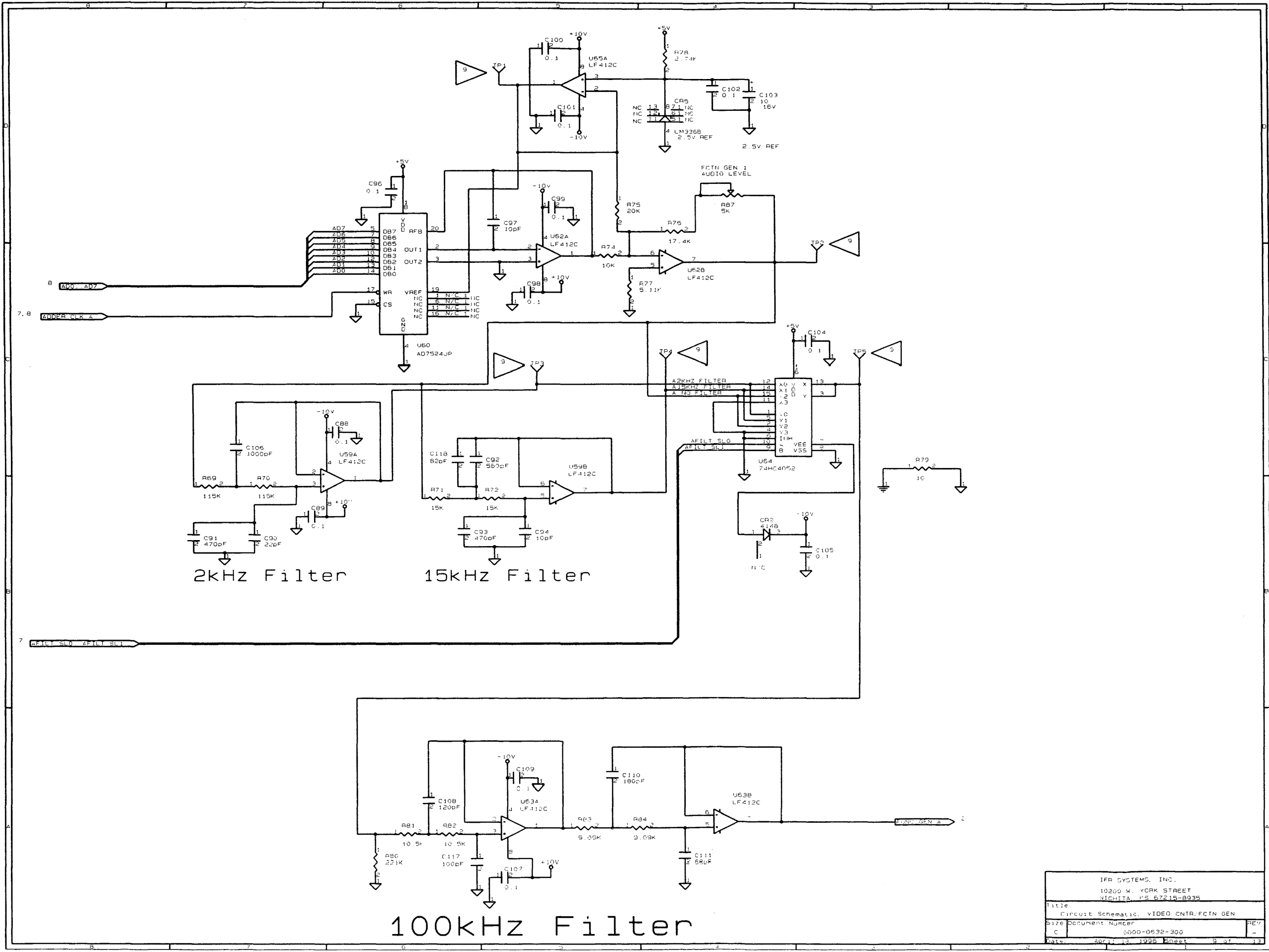


IFR SYSTEMS, INC.
 10200 W. YORK STREET
 WICHITA, KS 67215-6935

Title: Circuit Schematic, VIDEO CNTR. FCTN GEN
 Size: Document Number: 0000-0632-300
 Date: 08/18/1995 Rev: 7 of 13

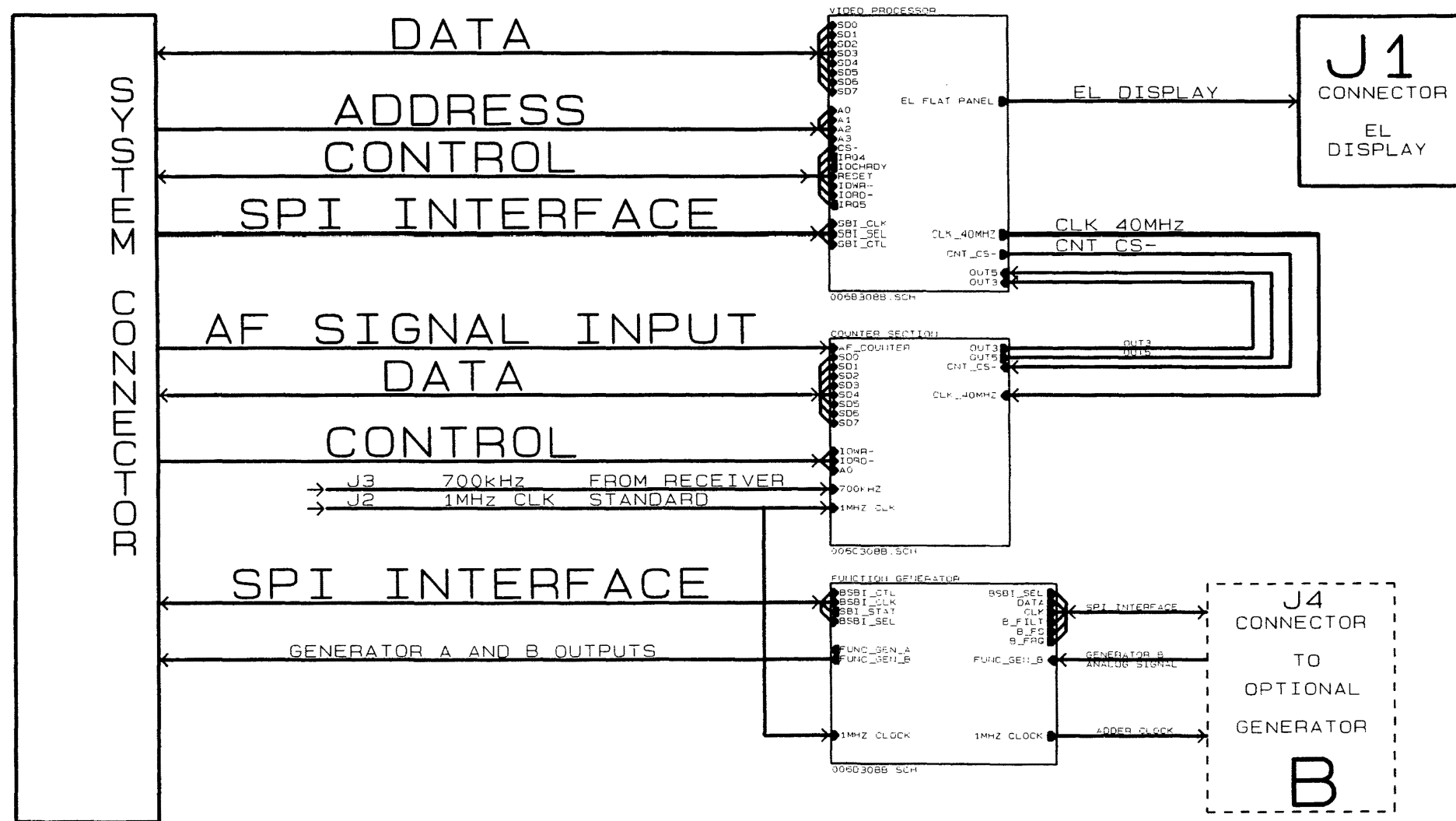


IFR SYSTEMS, INC.
 10200 W. YORK STREET
 WICHITA, KS 67219-8935
 Title: Circuit Schematic, VIDEO CNTR. FCTN GEN
 Size Document Number: 0000-0632-300
 Date: APR 18, 1985 Sheet 8 of 13



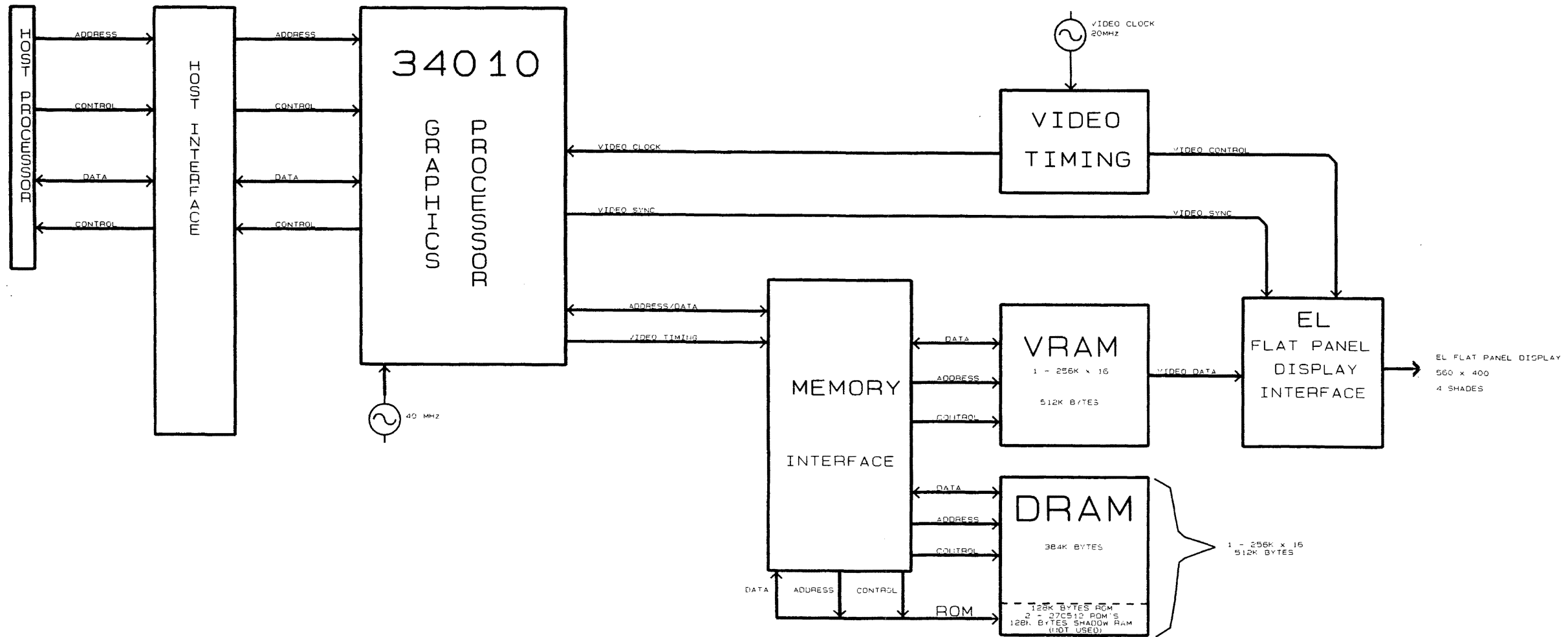
IFR SYSTEMS, INC.	
10200 W. YORK STREET	
MILWAUKEE, WIS. 53219-8935	
Title	
Circuit Schematic, VIDEO CNTR. FCIN GEN	
Size	Document Number
C	0000-0632-300
Date	REV
09/11/83	1

DIGITAL TRAY BLOCK DIAGRAM



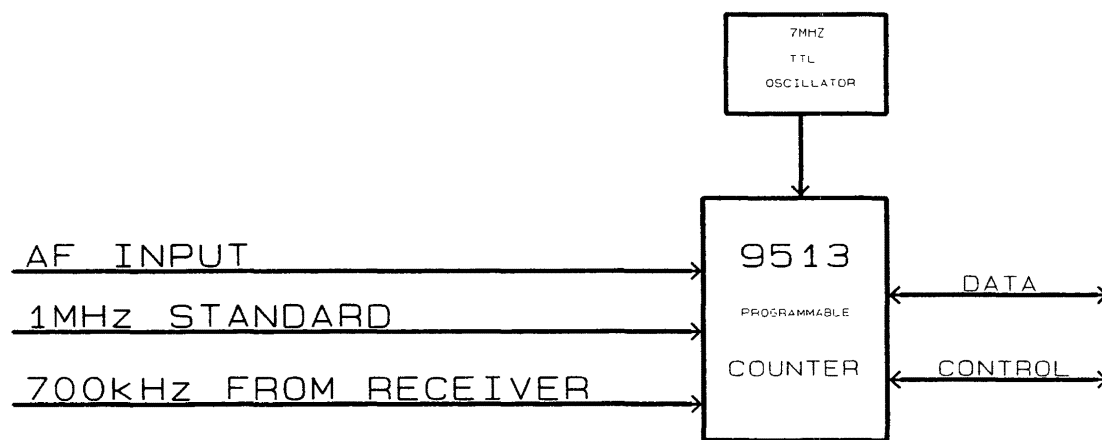
IPR SYSTEMS, INC.	
10200 W. YORK STREET	
WICHITA, KS 67215-0935	
Title	
Circuit Schematic, VIDEO CONTR:FCN GEN	
Size	Document Number
C	0000-0632-300
REV	A
Date	5/11/18, 1995 Sheet 10 of 13

VIDEO SECTION BLOCK DIAGRAM



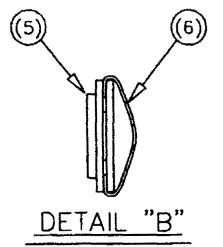
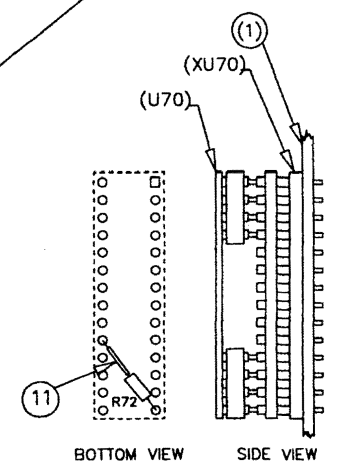
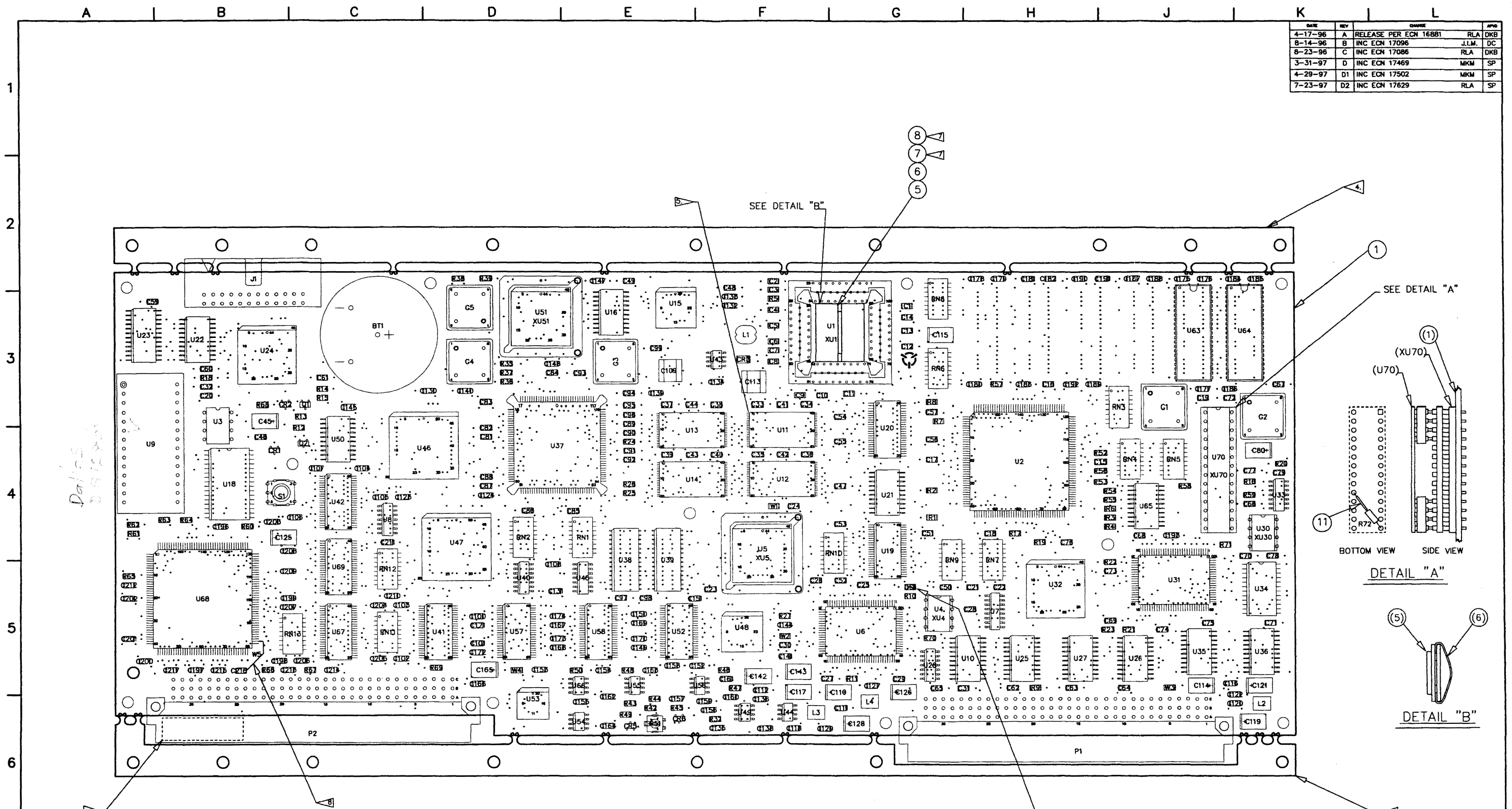
IFR SYSTEMS, INC. 10200 W. YORK STREET WICHITA, KS 67215-8935	
Title Circuit Schematic, VIDEO CNTR. FCN GEN	
Size Document Number	REV
C 0000-0632-300	a
Date 06/11/88 1998 Sheet 11 of 13	

COUNTER SECTION BLOCK DIAGRAM



IFR SYSTEMS, INC. 10200 W. YORK STREET WICHITA, KS 67215-8935		
Title Circuit Schematic, VIDEO CNTR-FCTN GEN		
Size	Document Number	REV
C	0000-0532-300	A
Date	April 18, 1996	Sheet 12 of 13

DATE	REV	CHANGE	APPROVED
4-17-96	A	RELEASE PER ECN 16881	RLA DKB
8-14-96	B	INC ECN 17096	J.L.M. DC
8-23-96	C	INC ECN 17086	RLA DKB
3-31-97	D	INC ECN 17469	MKM SP
4-29-97	D1	INC ECN 17502	MKM SP
7-23-97	D2	INC ECN 17629	RLA SP



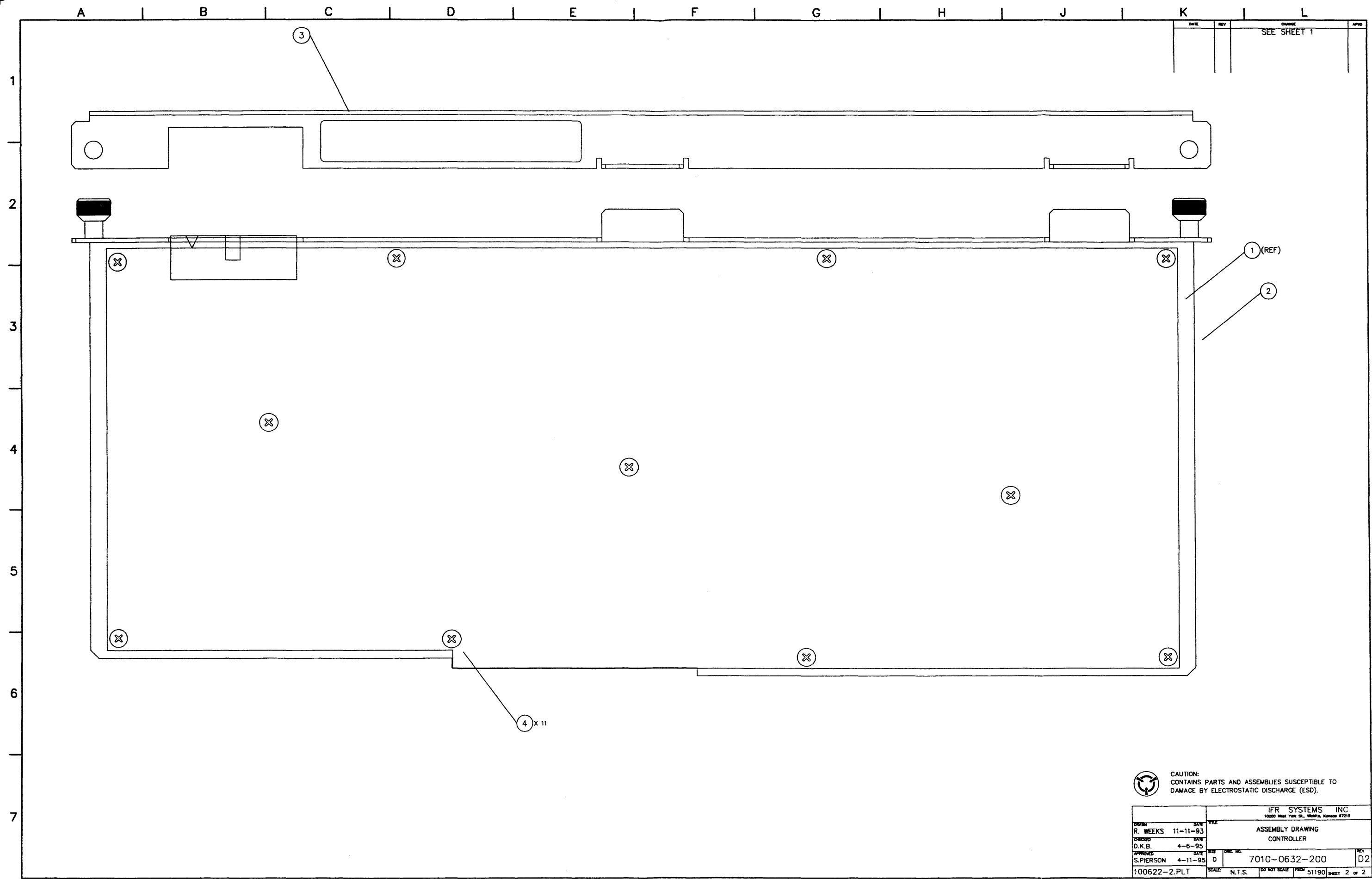
- NOTES:
- BASIC REFERENCE DESIGNATORS SHOWN, FOR COMPLETE DESIGNATOR PREFIXES REFER TO PRODUCT STRUCTURE, AND SYSTEM INTERCONNECT FOR APPLICATIONS WHERE USED.
 - HARDWARE THAT IS NOT PART OF BILL OF MATERIALS SHOULD NOT BE INSTALLED.
 - AFFIX MODULE IDENT LABEL HERE.
 - TO BE REMOVED PRIOR TO MECH ASSEMBLY.
 - PROGRAMMED PART.
 - DS1 DIRECTION IS MARKED WRONG ON PC BOARD.
 - APPLY ADHESIVE ((7)) TO HEATSINK ((5)) AND ACCELERATOR ((8)) TO PROCESSOR (U1). ORIENT FINGERSTOCK ((6)) ON HEATSINK AS SHOWN.
 - CONNECT W5 FROM U68 PIN 82 TO C216 GND. APPLY CA ADHESIVE ((9)) AND ACCELERATOR ((10)) TO W5 AT MID-POINT.

CAUTION: CONTAINS PARTS AND ASSEMBLIES SUSCEPTIBLE TO DAMAGE BY ELECTROSTATIC DISCHARGE (ESD).

IFR SYSTEMS INC			
1080 West York St., Santa Ana, CA 92705			
DESIGN	DATE	TITLE	REV
R. WEEKS	11-11-93	ASSEMBLY DRAWING	
D.K.B.	4-6-95	CONTROLLER	
S. PIERSON	4-11-95	7010-0632-200	D2
100622D2.PLT	SCALE: N.T.S.	DO NOT SCALE FROM 51190	SHEET 1 OF 2

TOP VIEW

DATE	REV	CHANGE	APPRO
		SEE SHEET 1	



CAUTION:
CONTAINS PARTS AND ASSEMBLIES SUSCEPTIBLE TO
DAMAGE BY ELECTROSTATIC DISCHARGE (ESD).

IFR SYSTEMS INC			
1020 West York St., Wichita, Kansas 67215			
DESIGNED	DATE	TITLE	
R. WEEKS	11-11-93	ASSEMBLY DRAWING	
CHECKED	DATE	CONTROLLER	
D.K.B.	4-6-95		
APPROVED	DATE	SIZE	REV
S. PIERSON	4-11-95	D	D2
100622-2.PLT	SCALE: N.T.S.	DO NOT SCALE FROM	51190 sheet 2 of 2

DATE	REV	CHANGE	APPROVED
4-18-95	A	Release Per ECN #5881 J.I.M.	DKB
8-22-96	B	INC ECN #17086 J.I.M.	DKB
4-14-97	C	INC ECN #17459 J.I.M.	SP

NOTES:
(UNLESS OTHERWISE SPECIFIED)

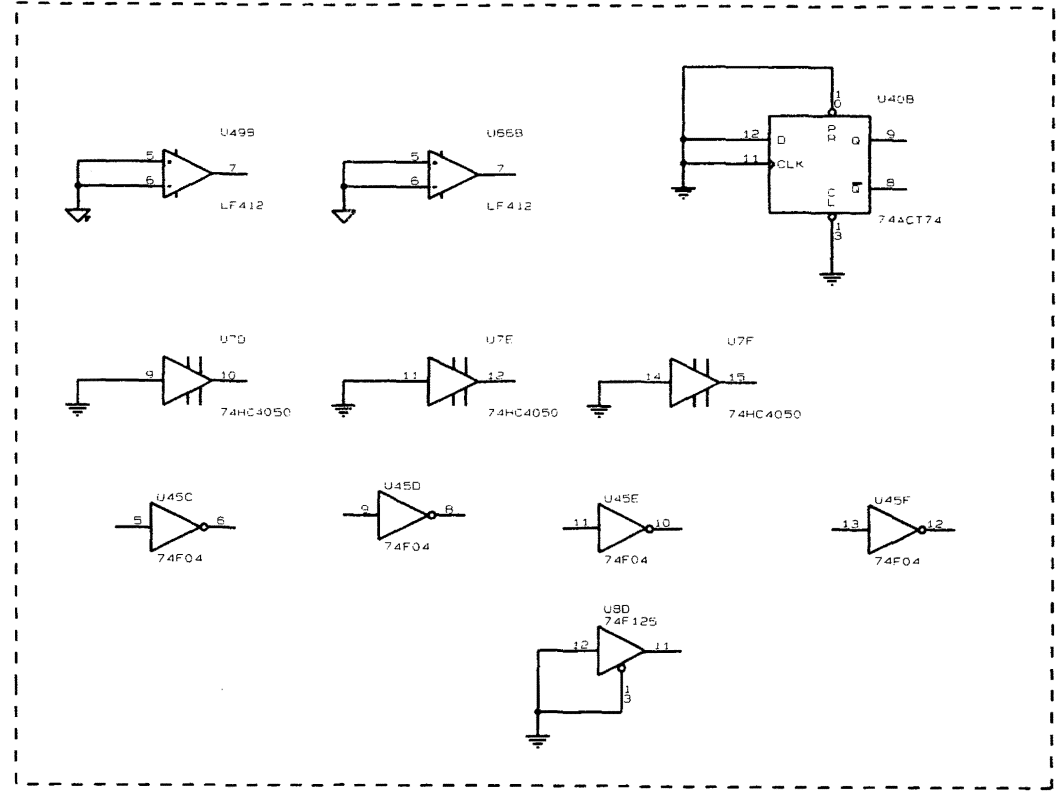
- BASIC REFERENCE DESIGNATORS SHOWN FOR COMPLETE DESIGNATOR PREFIXES REFER TO PRODUCT STRUCTURE AND SYSTEM INTERCONNECT FOR APPLICATIONS WHERE USED.
- ALL RESISTORS ARE 1%, 1/8W.
- ALL RESISTANCE IS EXPRESSED IN OHMS. ALL CAPACITANCE IS EXPRESSED IN MICROFARADS. ALL INDUCTANCE IS EXPRESSED IN MICROHENRIES.
- HIGHEST REFERENCE DESIGNATIONS:
U70 C217 CR6 R72 P2 J2 G5 DS1 RN13 S1 BT1 G2 L4 W4 TP52
- REFERENCE DESIGNATIONS NOT USED: U17 U29 C58 C146 C194 C195 C137 R28 R29 R30 R31 R33 R34 R40 R41 CR4
- FOR INTERCONNECT BLOCK DIAGRAM SEE APPLICATIONS WHERE USED.

▷ COMPONENT NOT INSTALLED
J2 U59 U60 U61 U62 TP1-TP52

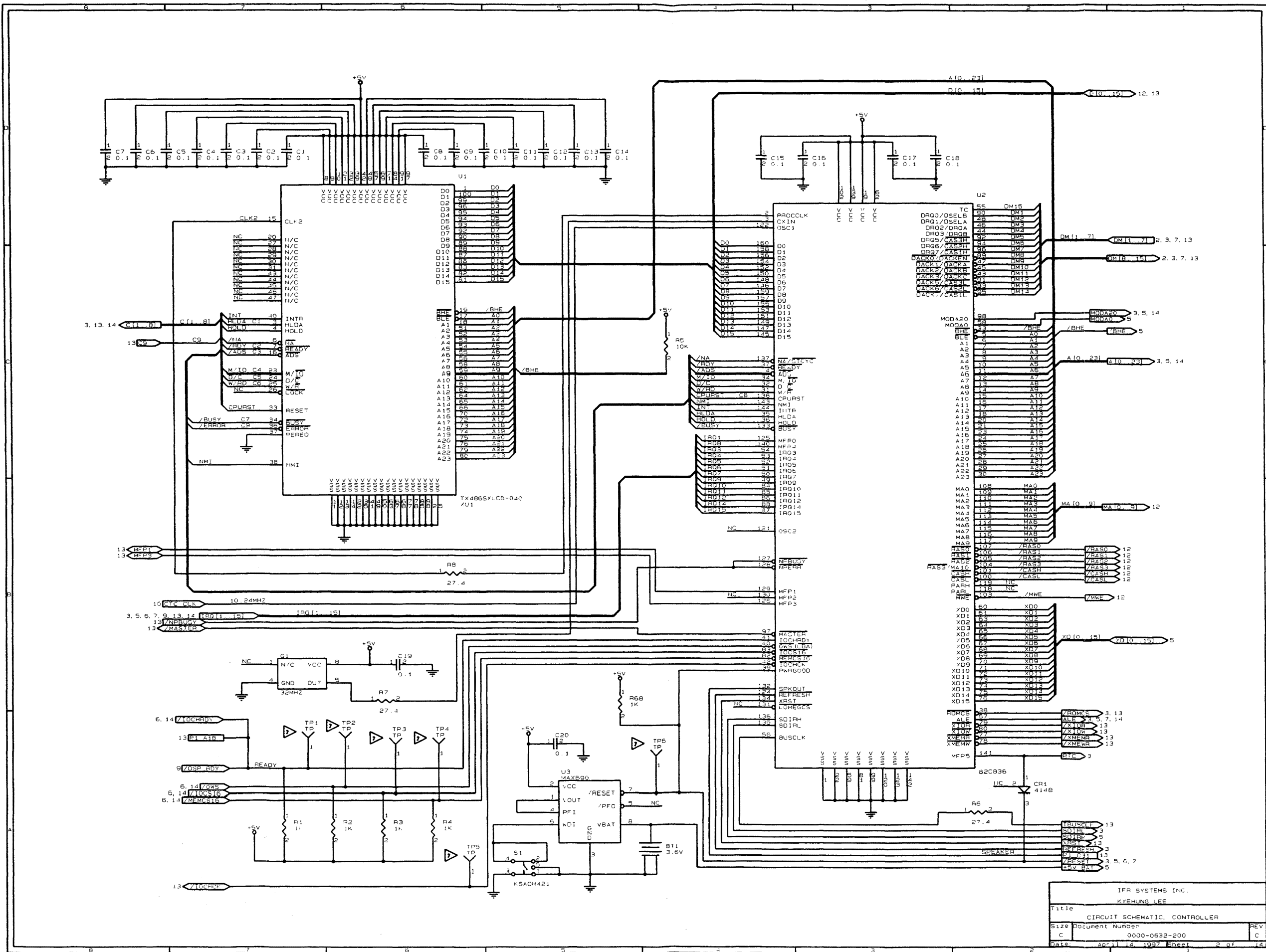


CAUTION:
CONTAINS PARTS AND ASSEMBLIES
SUSCEPTIBLE TO DAMAGE BY
ELECTROSTATIC DISCHARGE (ESD)

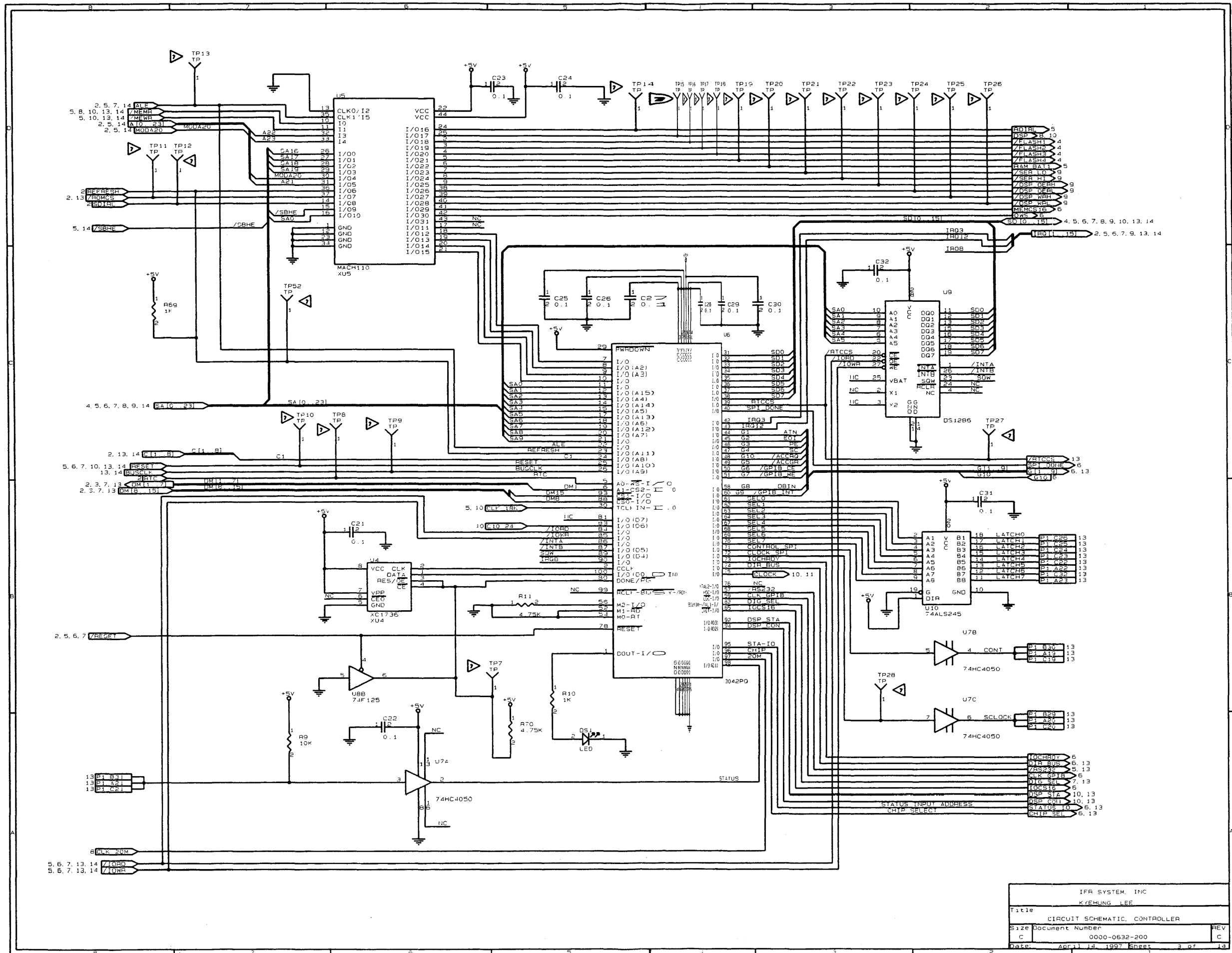
8 IC FUNCTIONS NOT USED:



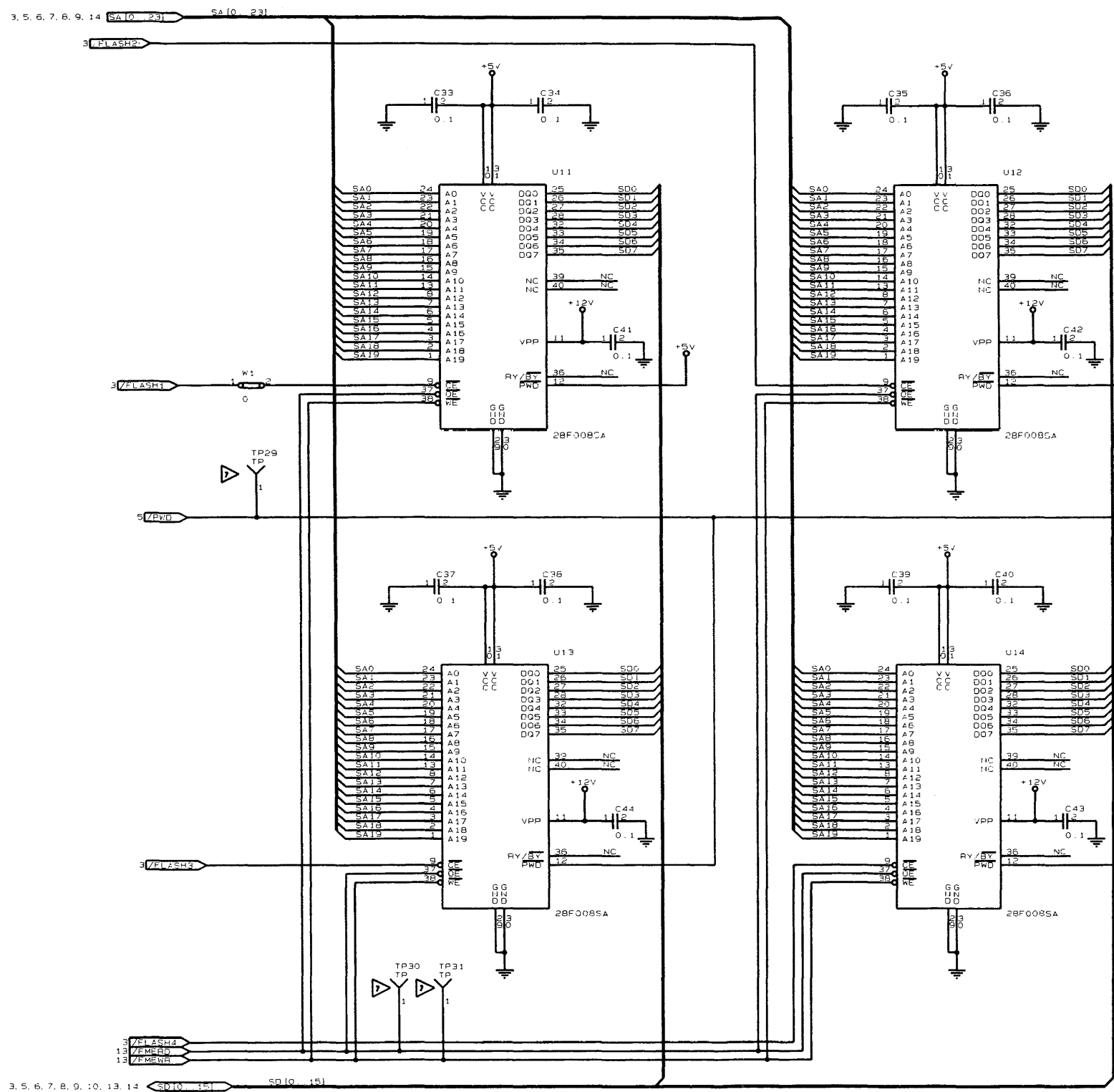
Drawn	Date	IFR SYSTEMS, INC.	
Checked	4/12/95	DESIGNED BY KYSHUNG LEE	
Approved	4/7/95	Title	
Stan Pierson	4/7/95	CIRCUIT SCHEMATIC, CONTROLLER	
		Size	Document Number
		C	0000-0632-200
		Date	REV
		APR 13 1997	C
		Sheet	14



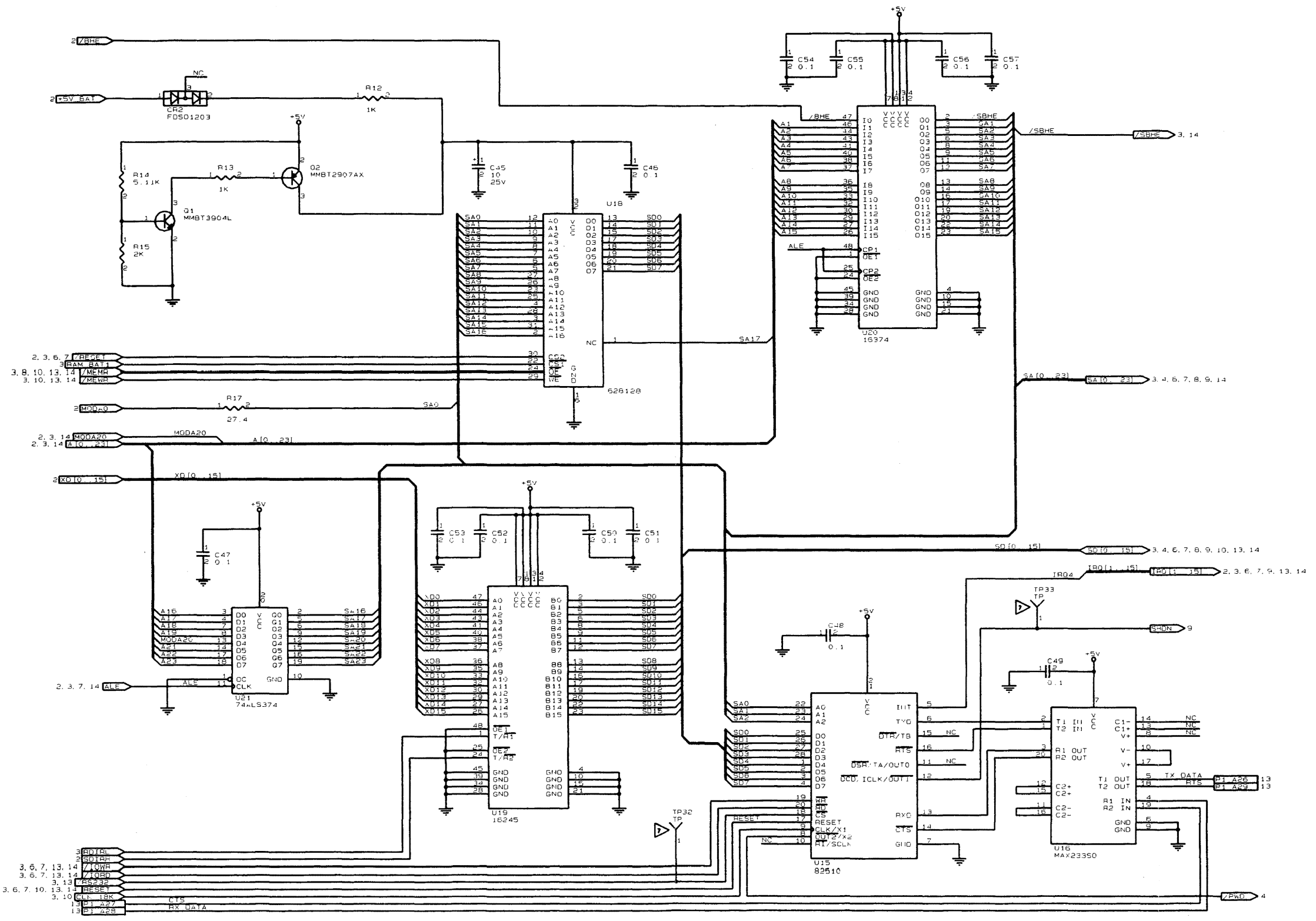
IFR SYSTEMS INC.
 KYEHUNG LEE
 Title
 CIRCUIT SCHEMATIC, CONTROLLER
 Size Document Number
 C 0000-0632-200
 Date April 14, 1997 Sheet 2 of 14



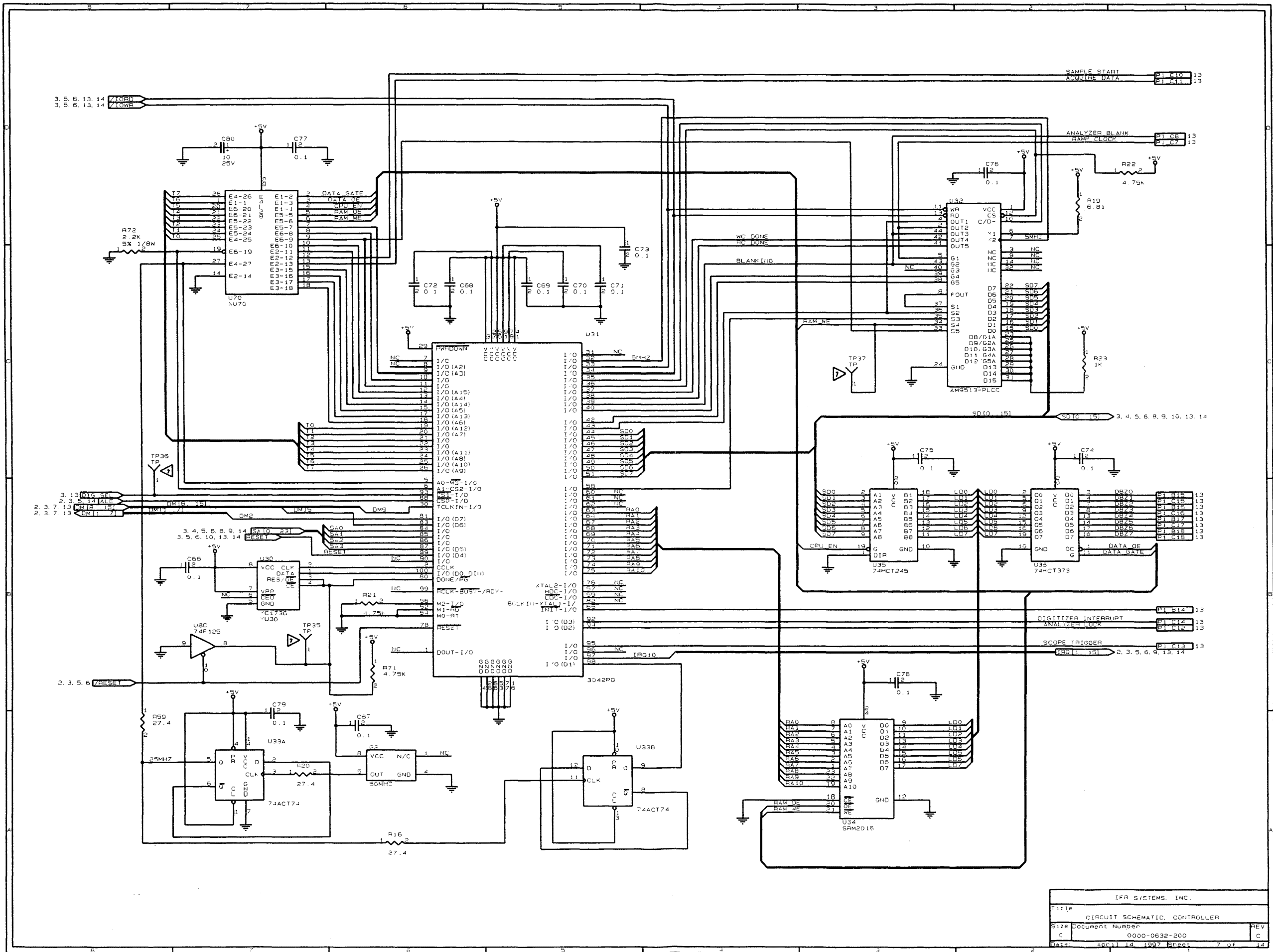
IFR SYSTEM, IFC	
KREHUNG LEE	
Title	
CIRCUIT SCHEMATIC, CONTROLLER	
Size	Document Number
C	0000-0632-200
Date	Apr 11 1997 Sheet 3 of 13



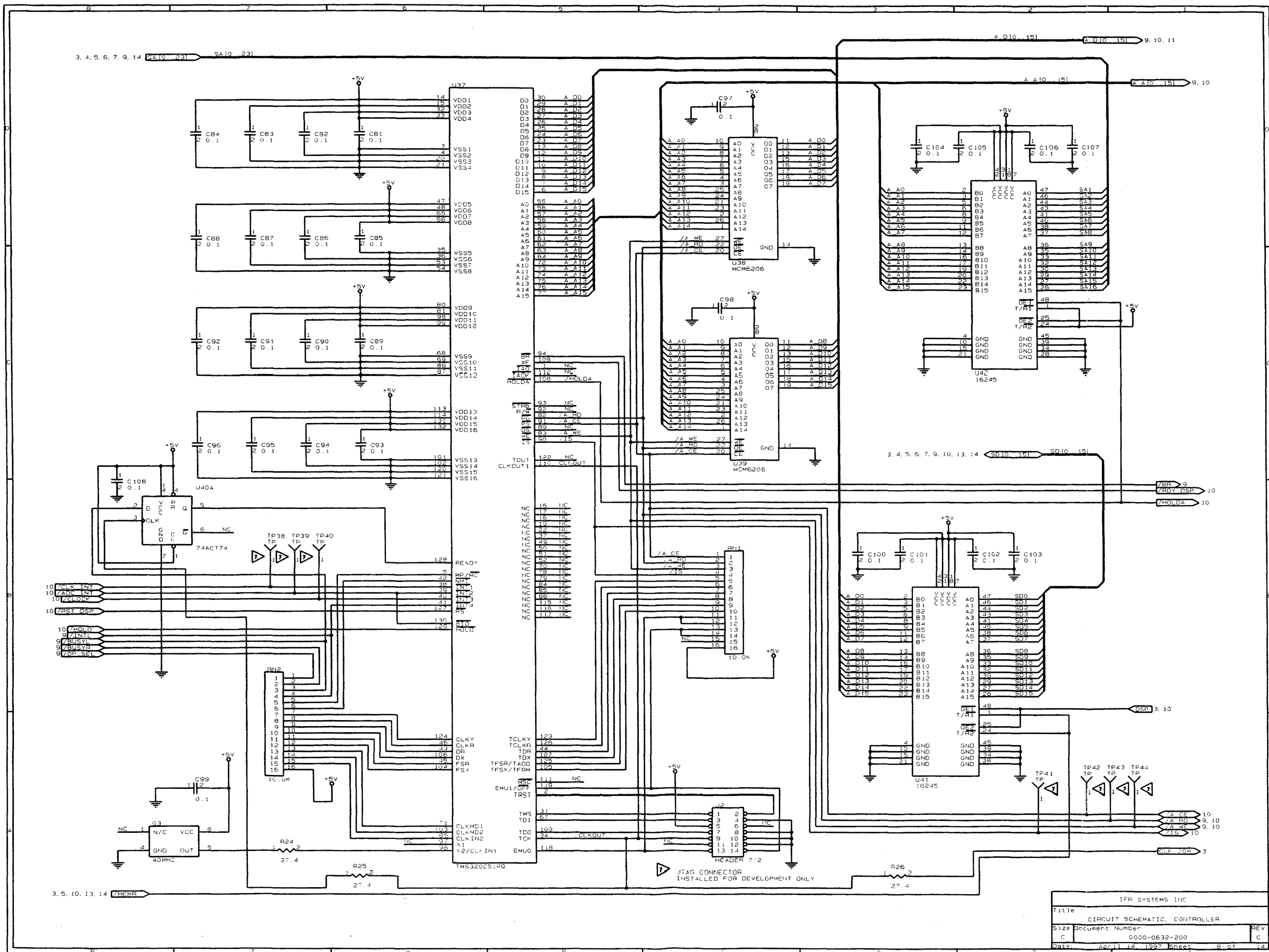
IFR SYSTEMS INC.	
KYEUNG LEE	
Title	
CIRCUIT SCHEMATIC, CONTROLLER	
Size	Document Number
C	0000-0632-200
Date	REV
APR 11 1997	C
Sheet	4 of 13



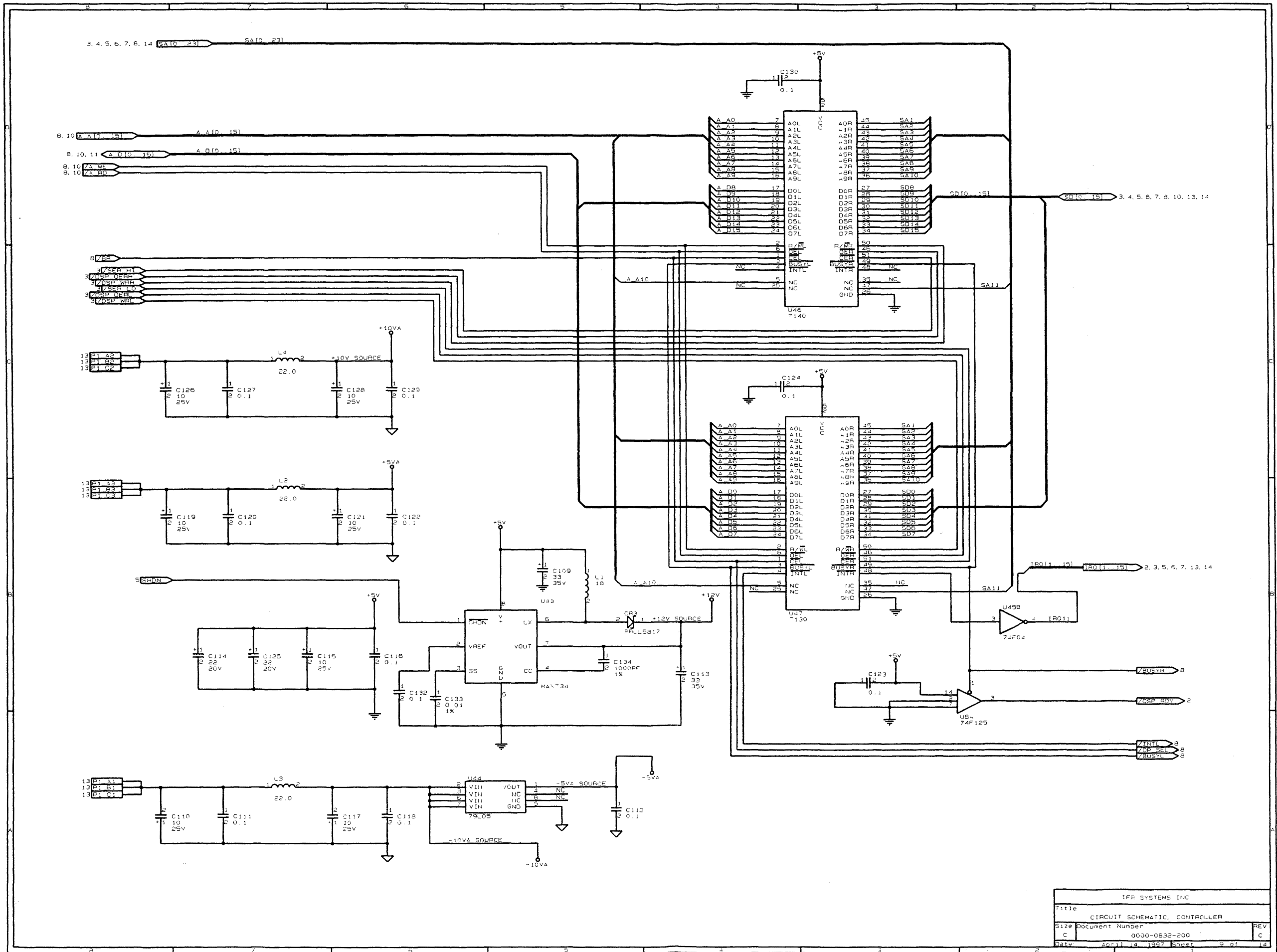
IFR SYSTEMS, INC.	
I-YEHUNG LEE	
Title: CIRCUIT SCHEMATIC, CONTROLLER	
Size: Document Number	REV
C: 0000-0632-200	C
Date: APR 14, 1997	Sheet: 1 of 1



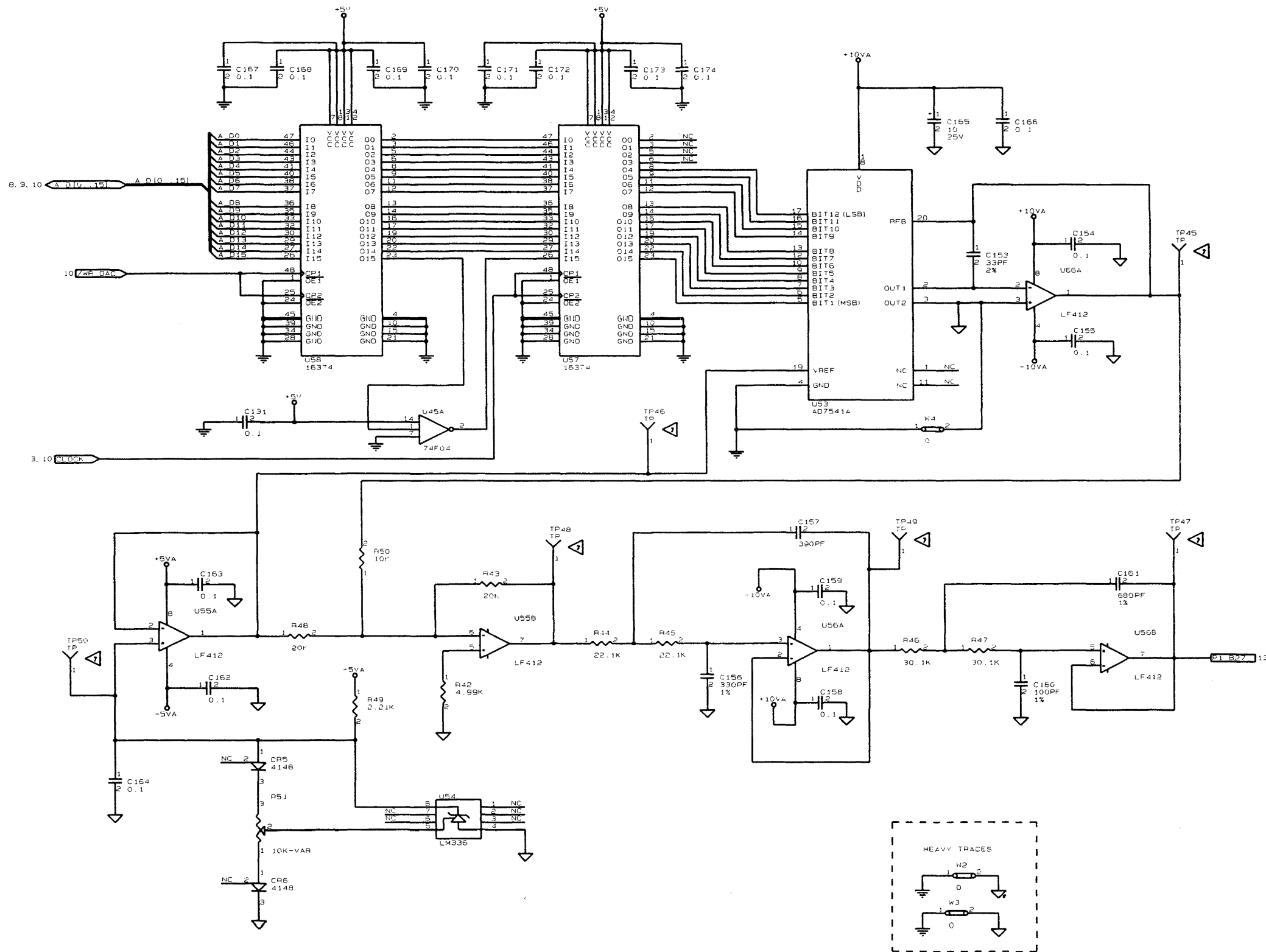
IFR SYSTEMS, INC.	
Title	CIRCUIT SCHEMATIC, CONTROLLER
Size	Document Number
C	0030-0632-200
DATE	APR 14 1997 Sheet 7 of 14



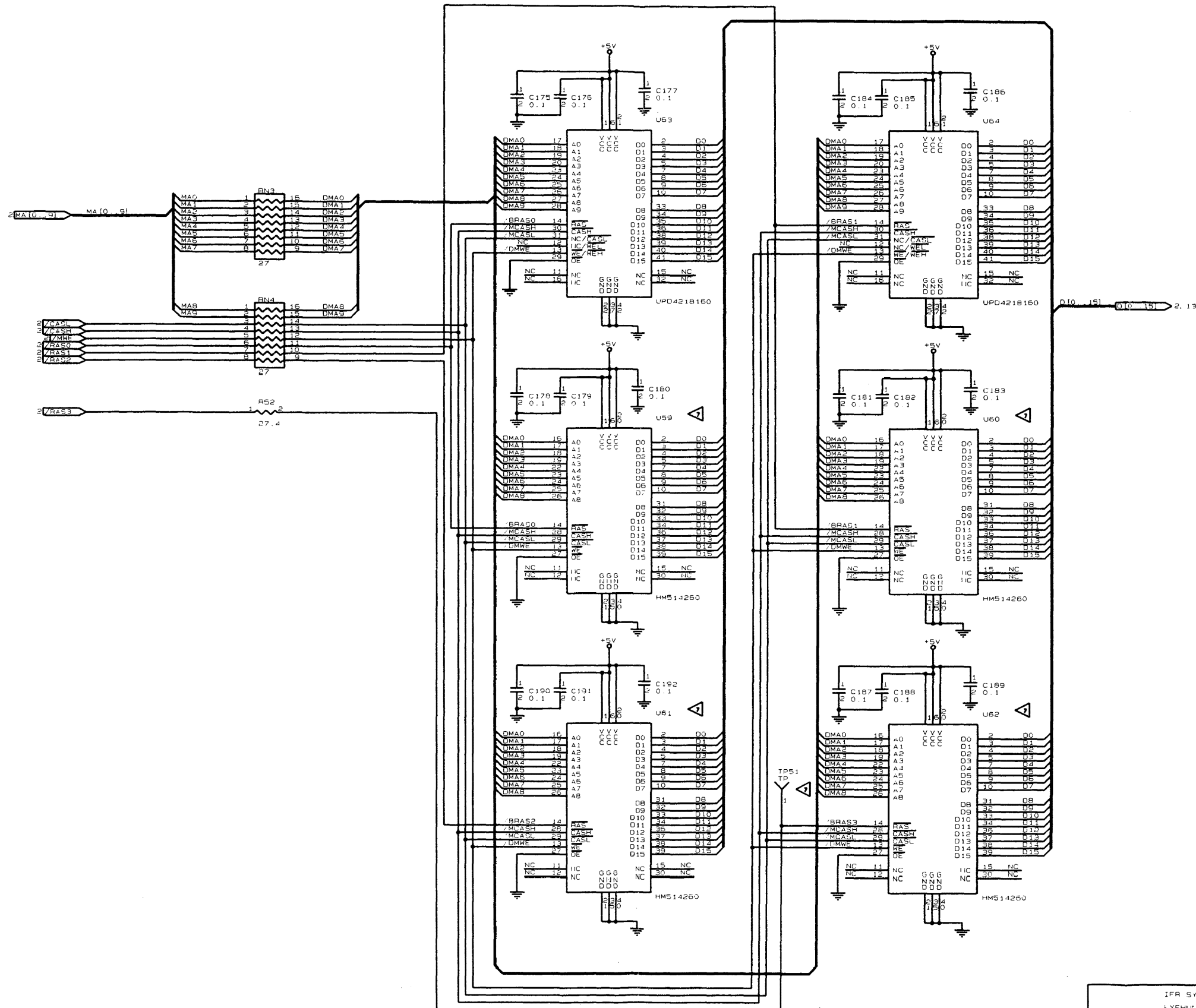
IFR SYSTEMS INC	
Title	CIRCUIT SCHEMATIC, CONTROLLER
Size Document Number	0000-0632-200
C	REV
DATE	APR 14 1997 Sheet 8 of 14



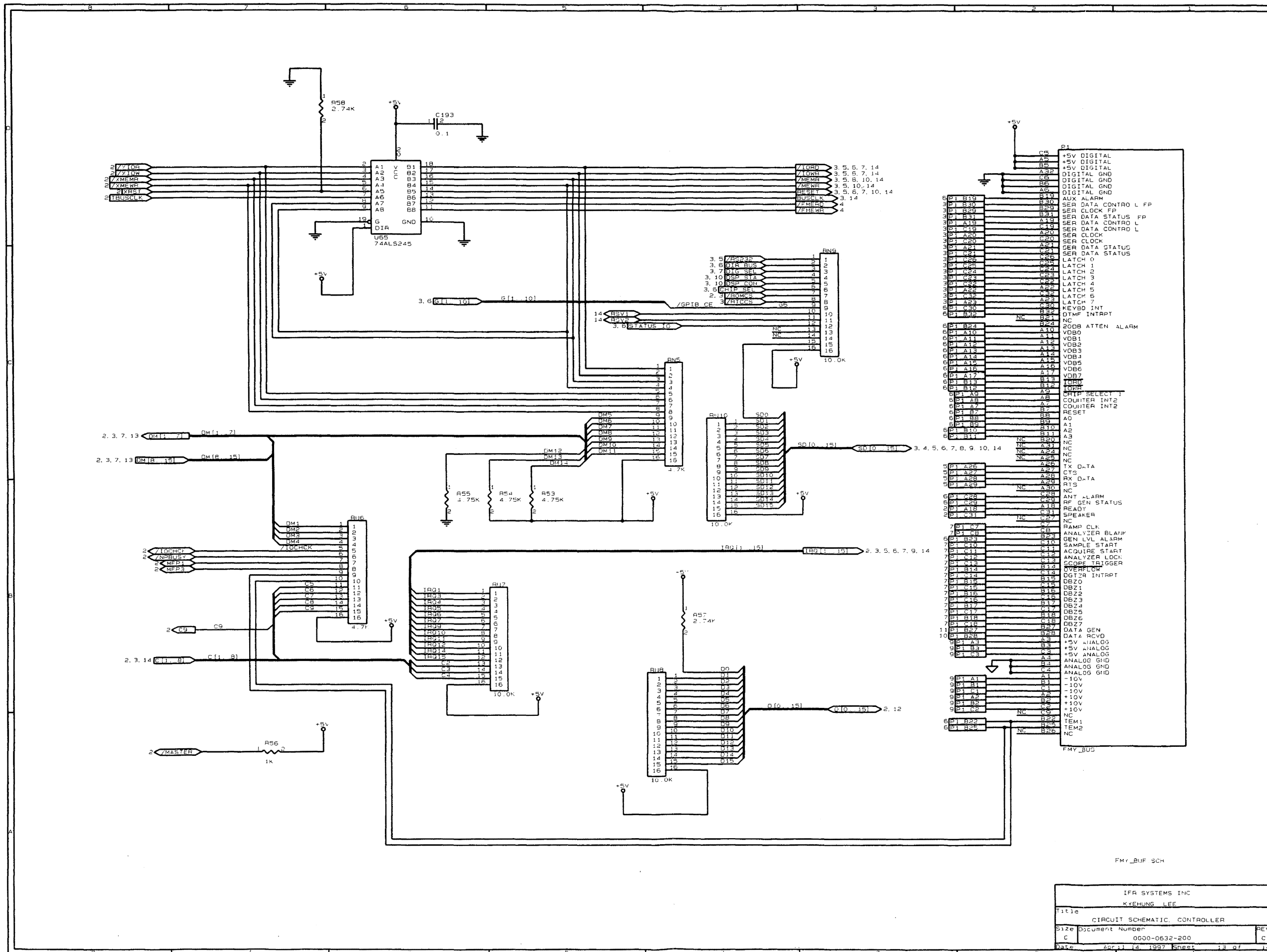
IFR SYSTEMS INC	
Title	CIRCUIT SCHEMATIC, CONTROLLER
Size	Document Number
C	0000-0532-200
Date	April 14, 1987 Sheet 9 of 14



IFR SYSTEMS, INC.	
Title	CIRCUIT SCHEMATIC, CONTROLLER
Size Document Number	REV
C	0000-0632-200
Date	Apr 14 1997 Sheet 1 of 1



IFR SYSTEMS, INC	
I-YEHJUNG LEE	
Title CIRCUIT SCHEMATIC, CONTROLLER	
Size: Document Number	REV
C 0000-0632-200	C
Date: April 14, 1997 Sheet 12 of 14	

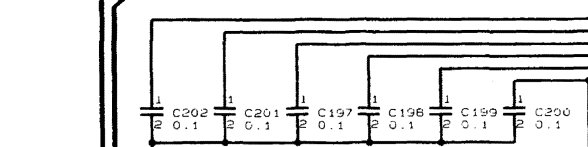


FMY_BUF SCH

IFR SYSTEMS INC	
KYEUNG LEE	
Title	
CIRCUIT SCHEMATIC, CONTROLLER	
Size	Document Number
C	0000-0632-200
Date	REV
06/11/97	C
Sheet	13 of 14

3, 4, 5, 6, 7, 8, 9, 10, 13

3, 4, 5, 6, 7, 8, 9



2, 3, 5 A(0, 23)

2, 3, 5 M(0, 20)

2, 3, 5 /SBHE

3, 5, 8, 10, 13 RESET

3, 13 RD/CLK

13 RSV1

13 RSV2

R64 10K, R63 10K, R62 10K, R61 10K

13 RSV1, 13 RSV2

MEMCS15, MEMCS16, MEMCS17, MEMCS18, MEMCS19, MEMCS20, MEMCS21, MEMCS22, MEMCS23, MEMCS24, MEMCS25

MEMCS15, MEMCS16, MEMCS17, MEMCS18, MEMCS19, MEMCS20, MEMCS21, MEMCS22, MEMCS23, MEMCS24, MEMCS25

MEMCS15, MEMCS16, MEMCS17, MEMCS18, MEMCS19, MEMCS20, MEMCS21, MEMCS22, MEMCS23, MEMCS24, MEMCS25

MEMCS15, MEMCS16, MEMCS17, MEMCS18, MEMCS19, MEMCS20, MEMCS21, MEMCS22, MEMCS23, MEMCS24, MEMCS25

MEMCS15, MEMCS16, MEMCS17, MEMCS18, MEMCS19, MEMCS20, MEMCS21, MEMCS22, MEMCS23, MEMCS24, MEMCS25

MEMCS15, MEMCS16, MEMCS17, MEMCS18, MEMCS19, MEMCS20, MEMCS21, MEMCS22, MEMCS23, MEMCS24, MEMCS25

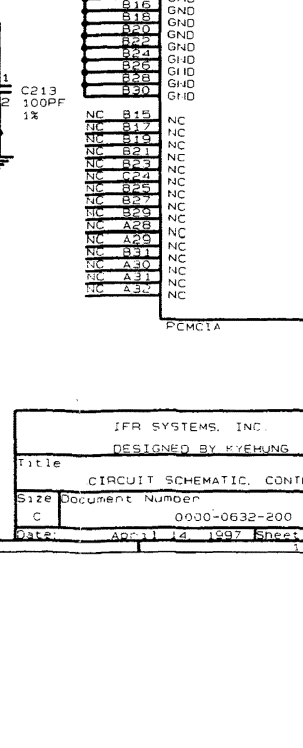
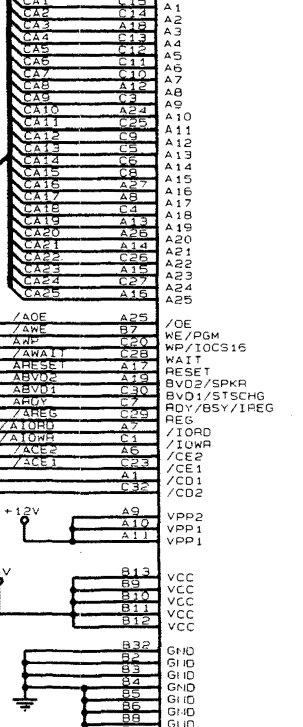
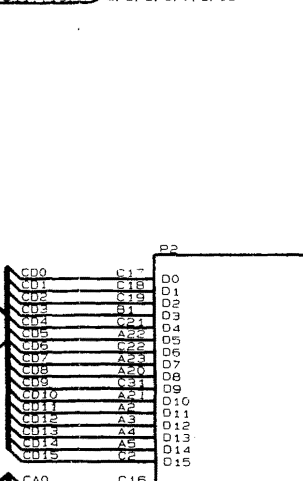
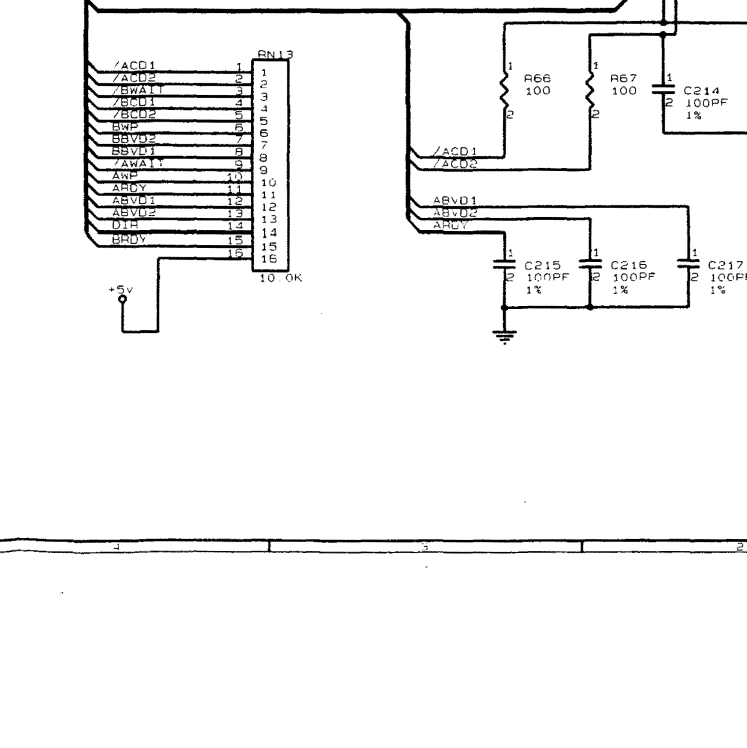
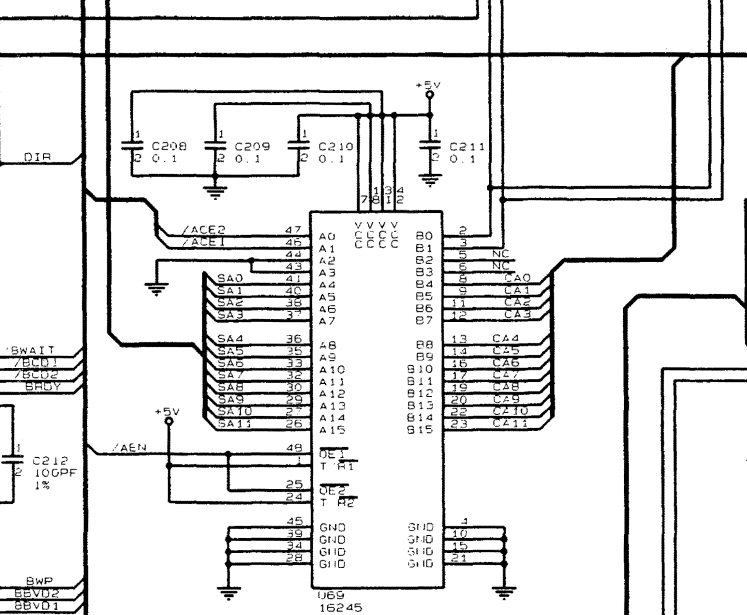
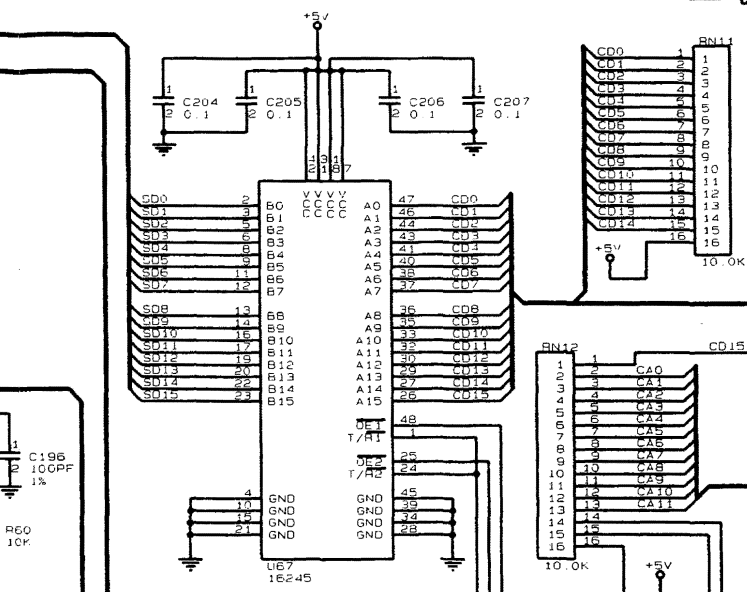
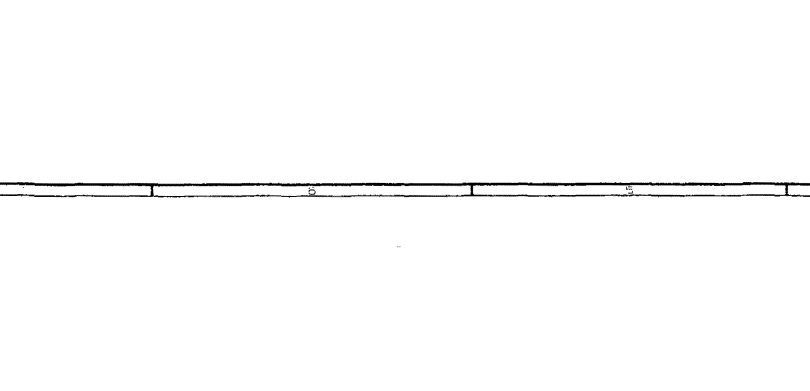
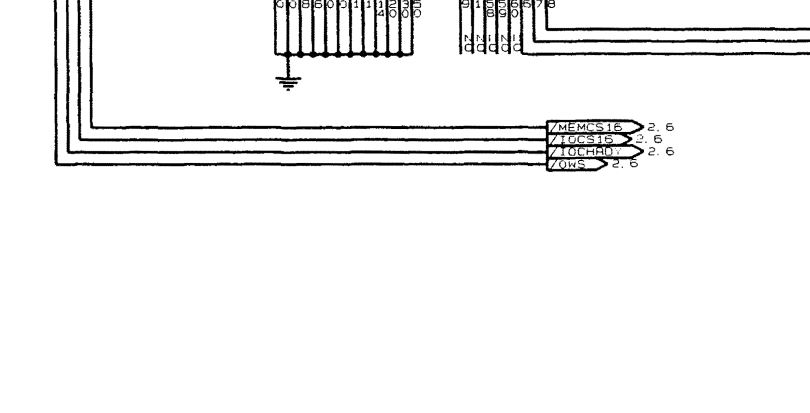
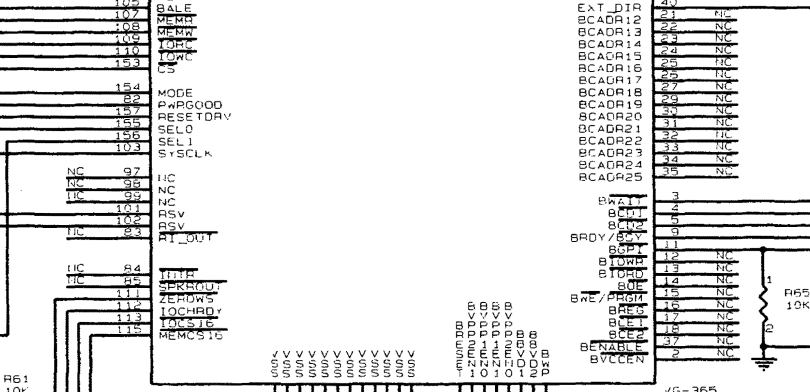
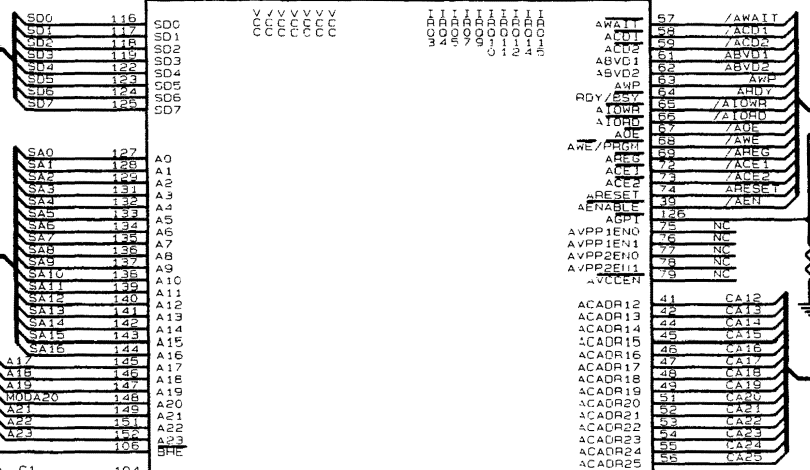
MEMCS15, MEMCS16, MEMCS17, MEMCS18, MEMCS19, MEMCS20, MEMCS21, MEMCS22, MEMCS23, MEMCS24, MEMCS25

MEMCS15, MEMCS16, MEMCS17, MEMCS18, MEMCS19, MEMCS20, MEMCS21, MEMCS22, MEMCS23, MEMCS24, MEMCS25

MEMCS15, MEMCS16, MEMCS17, MEMCS18, MEMCS19, MEMCS20, MEMCS21, MEMCS22, MEMCS23, MEMCS24, MEMCS25

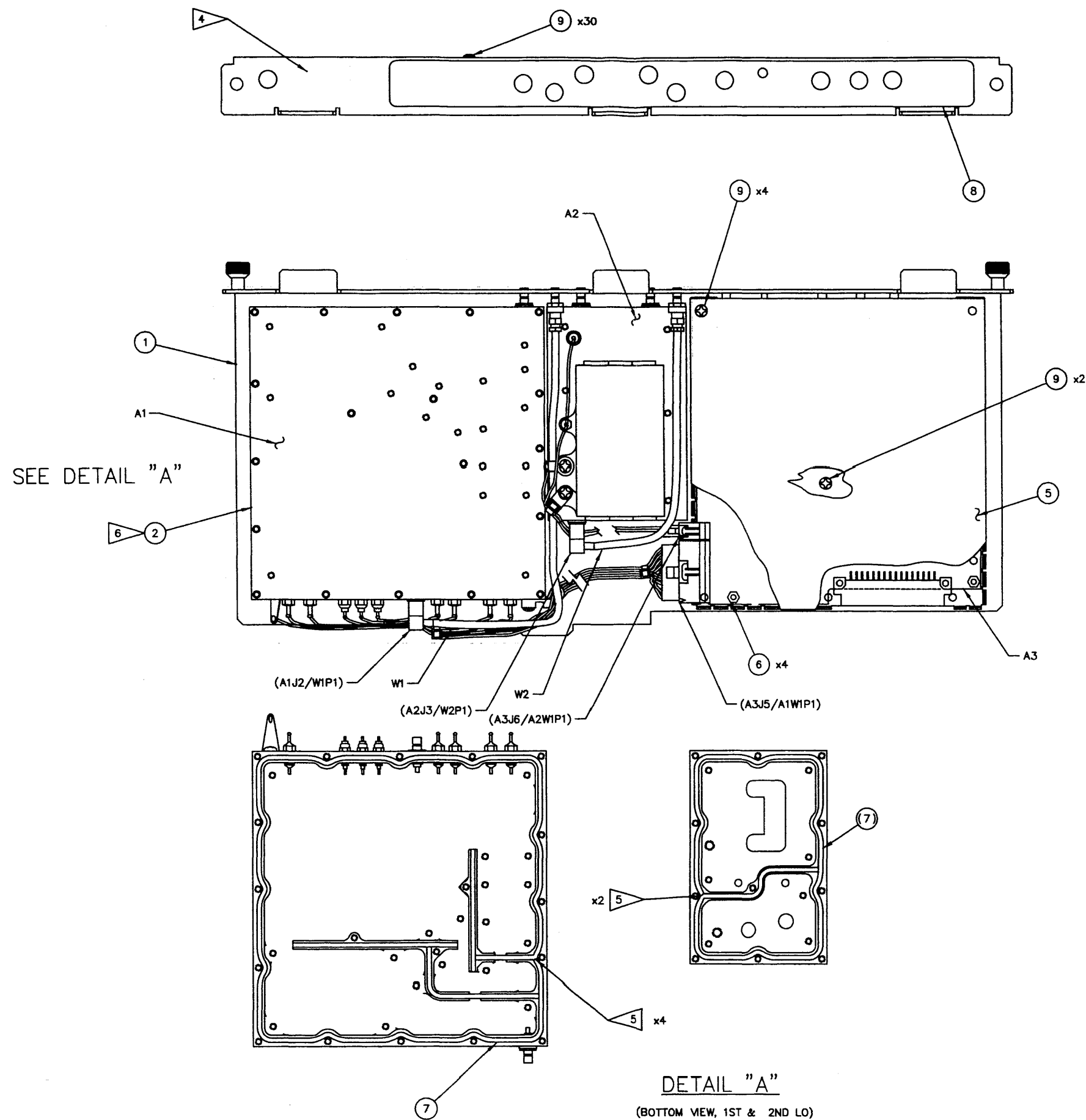
MEMCS15, MEMCS16, MEMCS17, MEMCS18, MEMCS19, MEMCS20, MEMCS21, MEMCS22, MEMCS23, MEMCS24, MEMCS25

MEMCS15, MEMCS16, MEMCS17, MEMCS18, MEMCS19, MEMCS20, MEMCS21, MEMCS22, MEMCS23, MEMCS24, MEMCS25



IFR SYSTEMS, INC.
DESIGNED BY KWEHUNG LEE
Title CIRCUIT SCHEMATIC, CONTROLLER
Size Document Number REV
C 0030-0632-200 C
Date APR 14 1997 Sheet 14 of 14

DATE	REV	CHANGE	APPD
8/17/92	E	DESIGN RELEASE RH	DKB
4/6/93	E1	PROD REL ECN 15564 RH	DKB
8/8/95	F	INC ECN 15676 BP	BM
02/01/96	G	INC ECN #16881 RH	DKB
1/20/98	H	INC ECN 17868 RH	DSG



SEE DETAIL "A"

DETAIL "A"
(BOTTOM VIEW, 1ST & 2ND LO)

NOTES:

1. BASIC REFERENCE DESIGNATORS SHOWN, FOR COMPLETE DESIGNATOR PREFIXES REFER TO PRODUCT STRUCTURE, AND SYSTEM INTERCONNECT FOR APPLICATIONS WHERE USED.
2. REF. INTERCONNECT #0000-8740-700.
3. MECH. ASSY DRAWING SHOWS ONLY PORTIONS OF PC BD ASSY'S REQUIRED FOR REF ONLY.
4. AFFIX MODULE IDENTIFICATION LABEL HERE.
5. CUT ENDS OF GASKET MUST MEET UNDER COMPRESSION WHEN INSTALLED.
6. INSTALL ITEM 2 BETWEEN ITEM 1 AND A1.

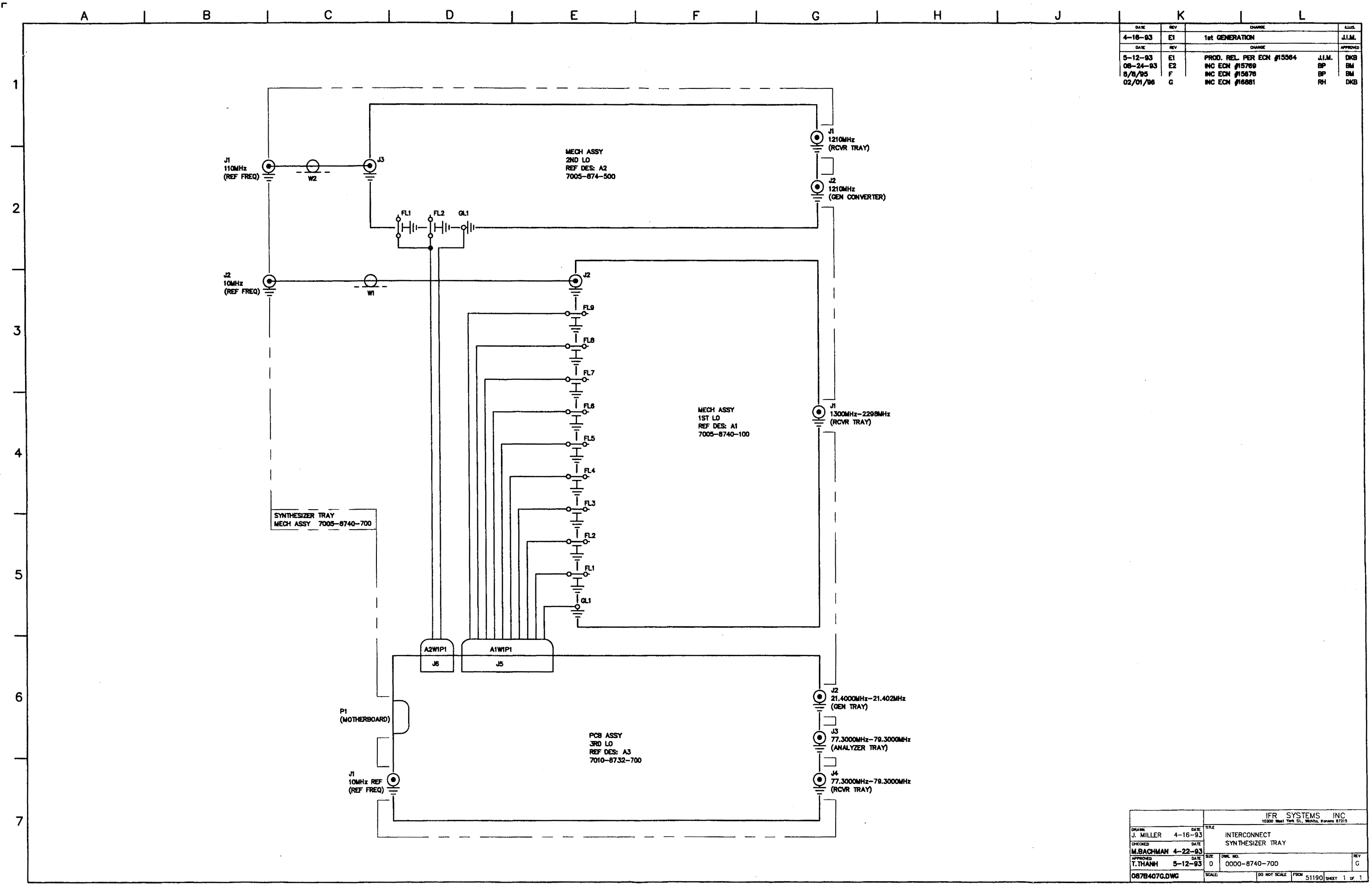


CAUTION:
CONTAINS PARTS AND ASSEMBLIES
SUSCEPTIBLE TO DAMAGE BY
ELECTROSTATIC DISCHARGE (ESD).

THIS DRAWING PROVIDES THE MINIMUM LEVEL OF GRAPHIC DETAILS AND SPECIFICATIONS REQUIRED TO ACCURATELY DEFINE THIS LEVEL OF FABRICATED PRODUCT ONLY. REFER TO DETAIL DRAWINGS AND SPECIFICATIONS FOR ACCURATE CONFIGURATION OF LOWER LEVEL PARTS AND SUB-ASSEMBLIES USED HEREIN.

"THIS DOCUMENT CONTAINS PROPRIETARY INFORMATION OF IFR, INC. AND IS NOT TO BE DISCLOSED, REPRODUCED, OR PUBLISHED WITHOUT IFR'S APPROVAL."

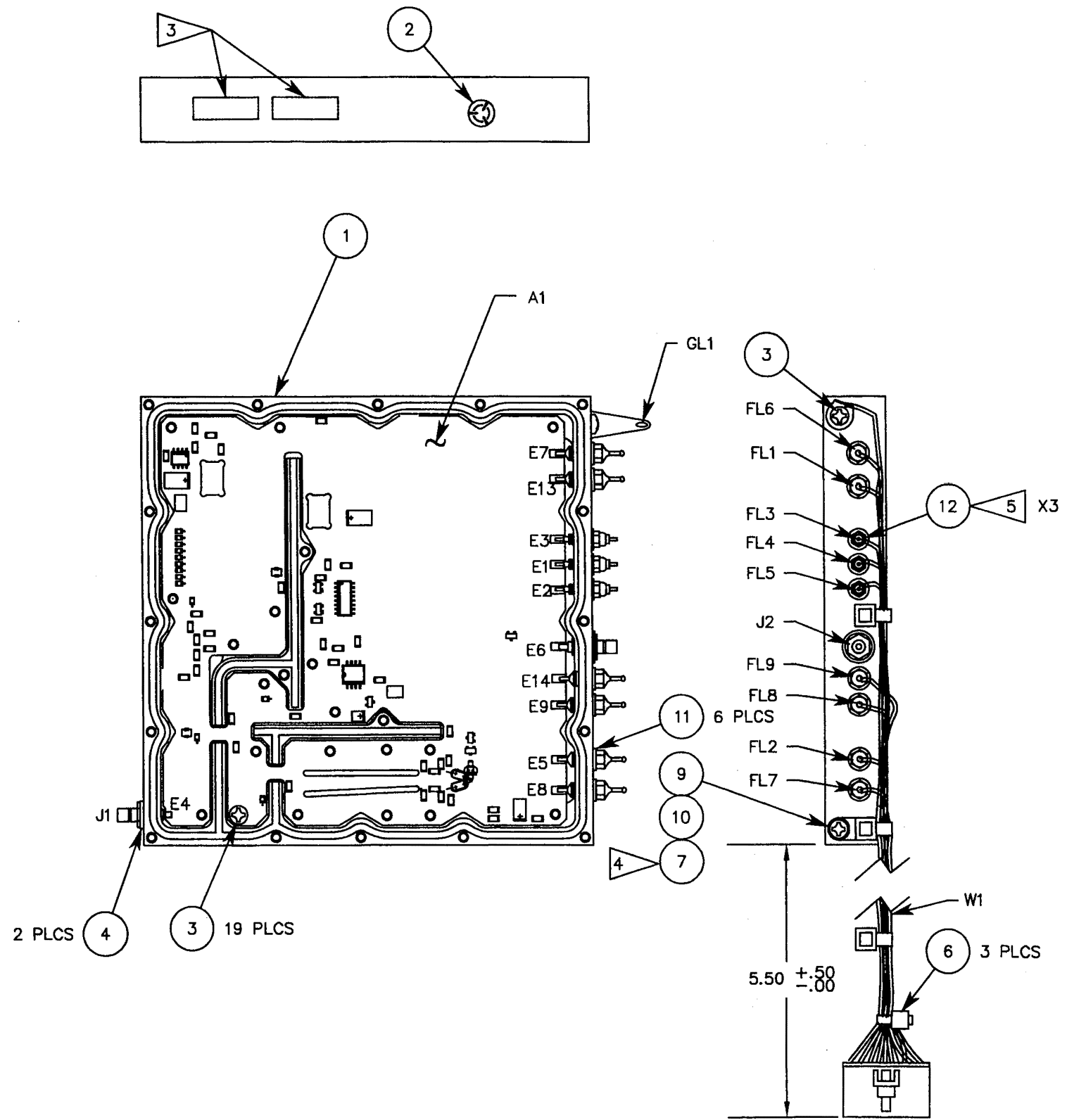
DRAWN		DATE		TITLE	
HARRIS		7/17/92		MECH ASSY, SYNTHESIZER TRAY	
CHECKED		DATE		REV	
D. BROCKSCHMIDT		8/14/92		H	
APPROVED		DATE		DWG. NO.	
M. BACHMAN		8/14/92		7005-8740-700	
087407HO.DWG		PLOT SCALE		SCALE 1=1	
		1=1		PAGE 51190 SHEET 1 OF 1	



DATE	REV	CHANGE	APPROVED
4-16-93	E1	1st GENERATION	J.I.M.
5-12-93	E1	PROD. REL. PER ECR #15564	J.I.M. DKB
08-24-93	E2	INC ECR #15789	BP BM
8/8/95	F	INC ECR #15876	BP BM
02/01/98	G	INC ECR #16881	RH DKB

IFR SYSTEMS INC 10300 West York St., Wichita, Kansas 67215			
DRAWN J. MILLER	DATE 4-16-93	TITLE INTERCONNECT SYNTHESIZER TRAY	REV
CHECKED M.BACHMAN	DATE 4-22-93	SIZE D	DWG. NO. 0000-8740-700
APPROVED T.THANH	DATE 5-12-93	SCALE	DO NOT SCALE FROM 51190 SHEET 1 OF 1
0878407.DWG			

DATE	REV	CHANGE		APVD
9/22/92	F	DESIGN RELEASE	RH	DKB
10/26/92	F1	INC FMY-047	RH	DKB
12/14/92	F2	INC FMY-084	RH	DKB
1/28/93	G	INC FMY-073	RH	DKB
04/13/93	G1	PROD. REL. PER ECN 15564	BP	DKB
08/23/93	G2	INC ECN 15769	BP	BM
04/04/95	H	INC ECN 16477	RH	BM



NOTES:

- BASIC REFERENCE DESIGNATORS SHOWN, FOR COMPLETE DESIGNATOR PREFIXES REFER TO PRODUCT STRUCTURE, AND SYSTEM INTERCONNECT FOR APPLICATIONS WHERE USED.
 - MECH. ASS'Y DRAWING SHOWS ONLY PORTIONS OF PC BD ASSY'S REQUIRED FOR REF. ONLY.
- 3 AFFIX MODULE IDENTIFICATION LABELS HERE.
 - 4 ADD WASHER ITEM #7 BETWEEN TYRAP AND BLOCK ITEM #10.
 - 5 ADD WASHER (12) BETWEEN FL3, FL4, FL5 AND BLOCK (1). TORQUE @ 32 IN/OZ.

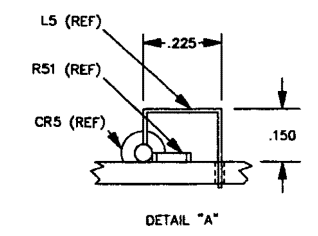
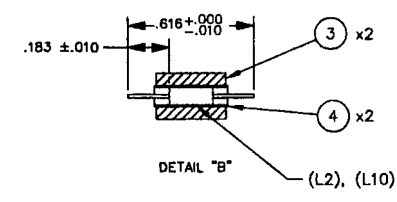
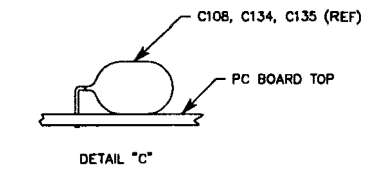
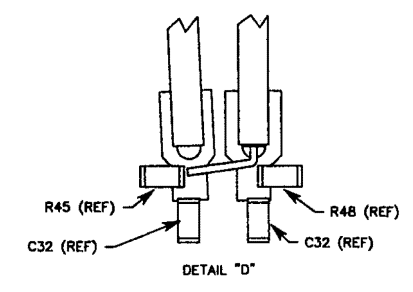
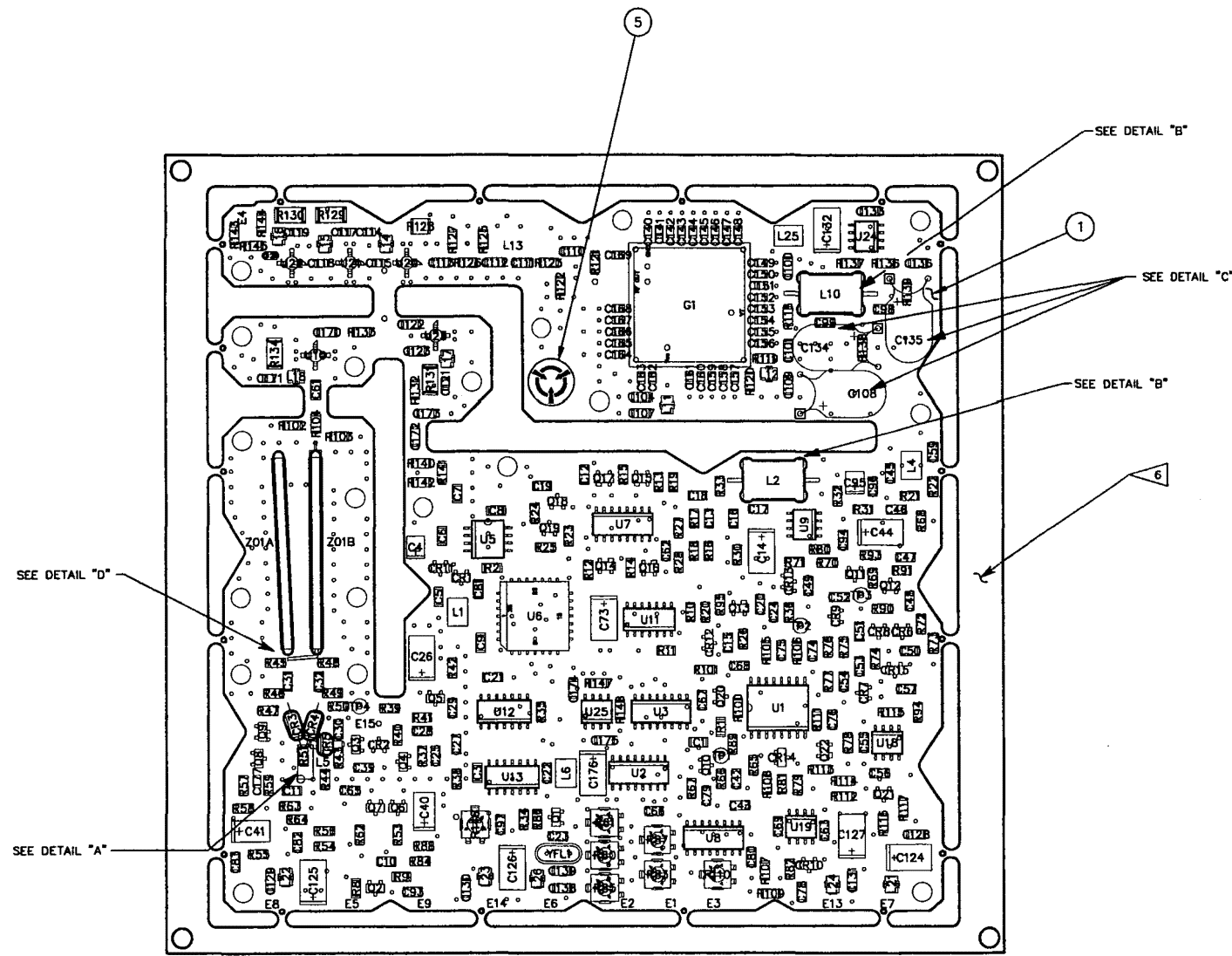
WIRE RUNNING LIST

DESG	FROM	TO	COLOR	AWG
W1W1	P1-01	FL6	RED	26
W1W2	P1-02	FL7	YELLOW	26
W1W3	P1-03	FL8	VIOLET	26
W1W4	P1-04	FL1	BLUE	26
W1W5	P1-05	FL4	VIO/WHT	26
W1W6	P1-06	FL5	BRN/WHT	26
W1W7	P1-07	FL3	RED/WHT	26
W1W8	P1-08	FL2	GRN/WHT	26
W1W9	P1-09	FL9	ORN	26
W1W10	P1-10	GL1	BLK	26

"THIS DOCUMENT CONTAINS PROPRIETARY INFORMATION OF IFR, INC. AND IS NOT TO BE DISCLOSED, REPRODUCED, OR PUBLISHED WITHOUT IFR'S APPROVAL."

DRAWN		DATE		TITLE	
HARRIS		5/18/92		MECH ASSY, 1ST LO	
CHECKED		DATE		SIZE	
S.PERKINS		8/18/92		C	
APPROVED		DATE		DWG. NO.	
M.BACHMAN		9/22/92		7005-8740-100	
PLOT SCALE:		SCALE		CAGE	
1=1		1=1		51190	
				SHEET 1 OF 1	

DATE	REV	CHANGE	APPROVED
9-22-92	F	DESIGN RELEASE	RLA DKB
11-2-92	F-1	INC FMY-060	DKB
11-24-92	F-2	INC FMY-072	DKB
12-2-92	F-3	INC FMY-078	DKB
11-25-92	G	INC FMY-073	RLA DKB
4-27-93	G1	PROD REL PER ECN 15564	MKM DKB
8-19-94	G2	INC ECN 16056	RLA BM
2-9-95	H	INC ECN 16390	BP BM
6-15-95	J	INC ECN 16592	BP BM
5-1-96	K	INC ECN 16998	RH DKB
8/19/96	L	INC ECN 17090	BP BM
1/31/97	M	INC ECN 17185	MKM AK
4/29/97	M1	INC ECN 17502	MKM AK



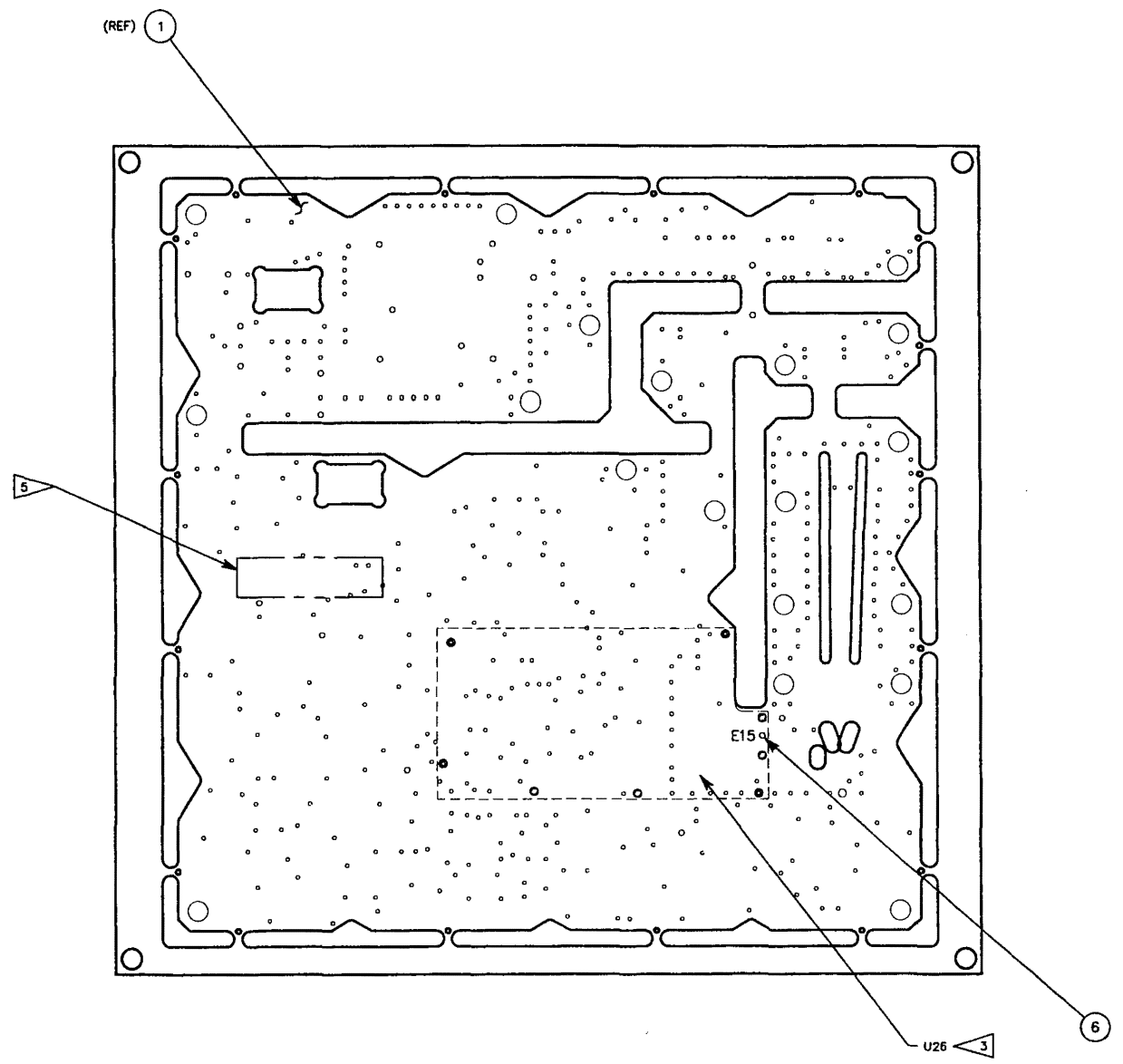
- NOTES:
1. BASIC REFERENCE DESIGNATORS SHOWN. FOR COMPLETE DESIGNATOR PREFIXES REFER TO PRODUCT STRUCTURE, AND SYSTEM INTERCONNECT FOR APPLICATIONS WHERE USED.
 2. NOTE NOT USED.
 3. U26 TO BE INSTALLED ON BOTTOM SIDE OF BOARD.
 4. ALL TEST POINTS TO BE TRIMMED EVEN WITH THE BOTTOM SIDE OF THE PC BOARD. ALL TEST POINTS TO BE TRIMMED TO NO MORE THAN .300 OF TOP OF PC BOARD.
 5. AFFIX MODULE IDENT LABEL HERE BOTTOM SIDE.
 6. TO BE REMOVED PRIOR TO MECH ASSY.
 7. NON-TERMINATED E POINTS SHOWN FOR REFERENCE ONLY.

CAUTION:
CONTAINS PARTS AND ASSEMBLIES SUSCEPTIBLE TO DAMAGE BY ELECTROSTATIC DISCHARGE (ESD).

DRAWN		DATE		TITLE		IFR SYSTEMS INC	
C.J. WEBB	2/22/91			ASSEMBLY DWG		10000 West York St., Irvine, CA 92715	
M. BACHMAN	9-22-92			1ST LO			
T. TRAN	9-22-92	SIZE	DWG. NO.	REV			
		D	7010-8730-100	M1			
108701M1.PLT	SCALE	N.T.S.	DO NOT SCALE	FROM	51190	SHEET 1 OF 2	

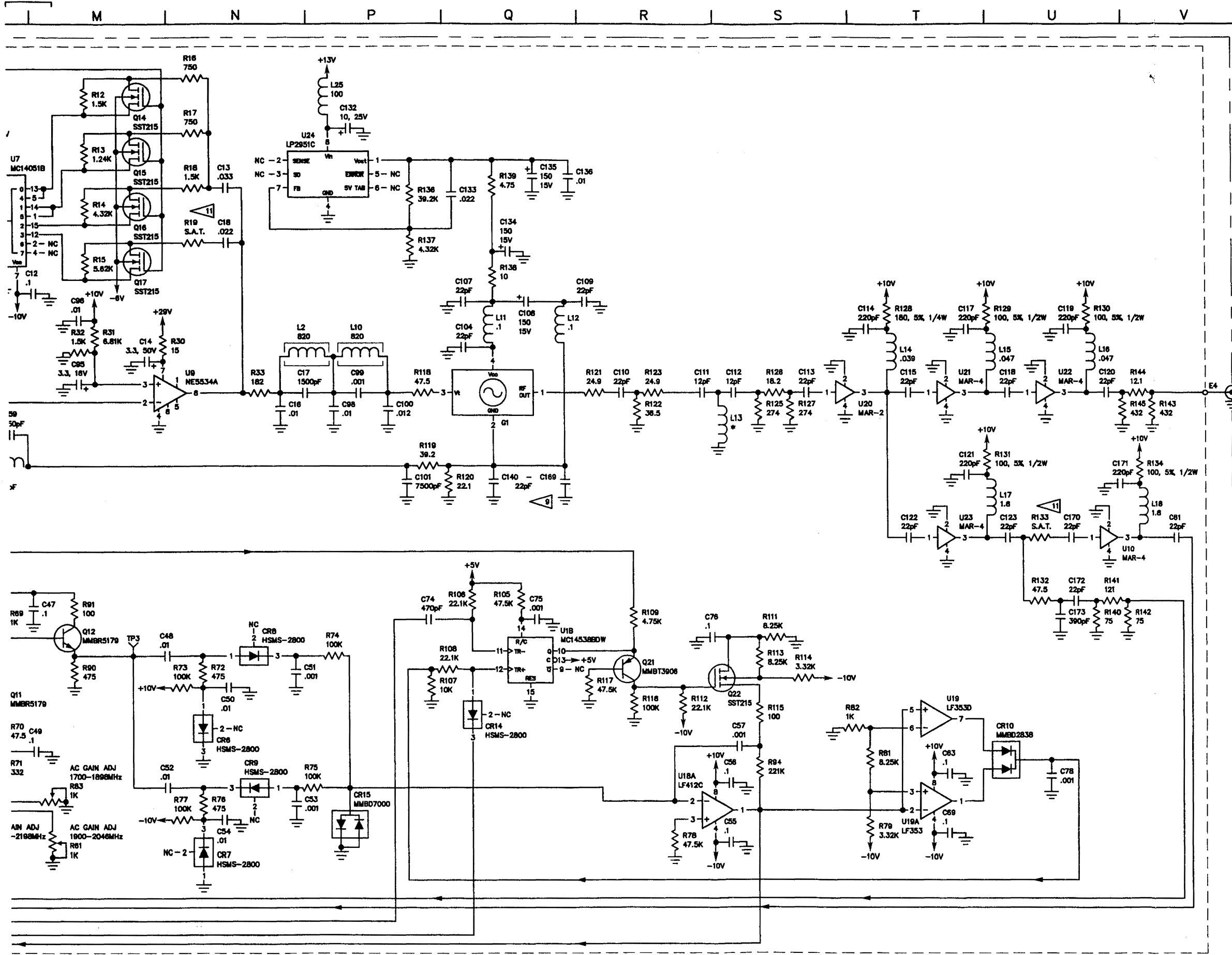
A B C D E F G H J K L

DATE	REV	CHANGE	APPD
		SEE SHEET 1	



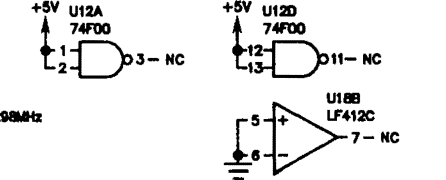
BOTTOM VIEW

DRAWN		DATE		TITLE		IFR SYSTEMS INC	
C.J. WEBB		2/22/91		ASSEMBLY DWG		10200 West York St., Shawnee, Kansas 67215	
CHECKED		DATE		1ST LO			
M.BACHMAN		9-22-92					
APPROVED		DATE		REV			
T.TRAN		9-22-92		M1			
108701-2.PLT		SCALE: N.T.S.		DO NOT SCALE FROM 51190		SHEET 2 of 2	



DATE	REV	CHANGE	APPROVED
8-15-98	L	FOR PREVIOUS REV LEVELS SEE HISTORY	BP
1-31-97	M	INC ECD #17090	MKM
3/20/97	M1	INC ECD #17185 INC RC #17451	BP

- NOTES:
- BASIC REFERENCE DESIGNATORS SHOWN, FOR COMPLETE DESIGNATOR PREFIXES REFER TO PRODUCT STRUCTURE, AND SYSTEM INTERCONNECT FOR APPLICATIONS WHERE USED.
 - ALL RESISTORS ARE 1%, 1/BW.
 - ALL RESISTANCE IS EXPRESSED IN OHMS. ALL CAPACITANCE IS EXPRESSED IN MICROFARADS. ALL INDUCTANCE IS EXPRESSED IN MICRONENRIES. HIGHEST REFERENCE DESIGNATIONS: 7005-8740-100 FL9, GL1, J2, P1, 7010-8730-100 C177, CR15, L28, Q22, R148, TP4, U25, YFL1, G1, E15
 - REFERENCE DESIGNATIONS NOT USED: 7005-8740-100 NONE, 7010-8730-100 C2, C33-C38, C58, C60, C64, C70, C71, C72, C77, C84-C92, C102, C103, C108, C108, C118, C137, L3, L7-L9, L19, L20, R3-R7, R29, R52, R92, R98-R99, R124, R133, U4, U14-U17, E10, E11, E12
 - IC FUNCTIONS NOT USED:



- Z1A AND Z1B FORM A BALLIN
- L5 IS .1h x .5h x .01 SOLDER PLATED BRASS.
- 30 CAPACITORS, C140 THRU C169, AROUND THE VCO GROUND PLANE WITH CAPACITANCE OF 22pF.
- R102, 103, AND 104, MAKE UP AN ATTENUATOR. THEY ARE S.A.T.

	R102	R103	R104
3dB	274	274	18.2
5dB	182	182	30.1
8dB	121	121	51.1
NOMINAL 10dB	100	100	75

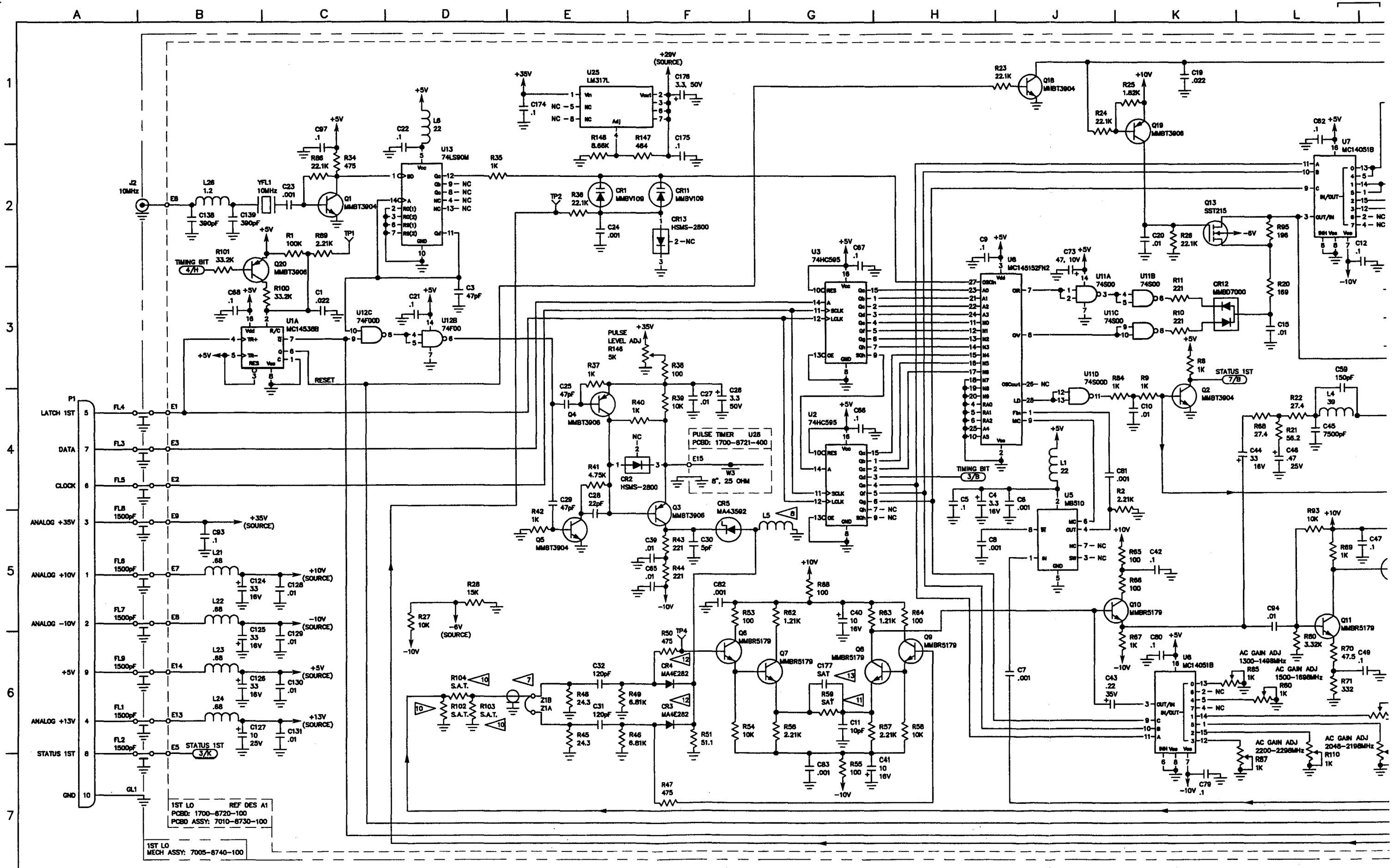
- R19, R133 ARE SELECT AT TEST
NOMINAL VALUES ARE: OTHER VALUES ARE:
R19 - 1.82K 1.69K
R133 - 221 75 100 47.5 22.1 182.
R59 - 75 47.5 100 121.
- CR3 AND CR4 ARE MATCHED PAIRS.
- C177 SELECT AT TEST
NOMINAL VALUE: 470pF
OTHER VALUES: 1pF, 680pF.
- FOR INTERCONNECT/BLOCK DIAGRAM SEE APPLICATIONS WHERE USED.

* - INDICATES PRINTED TRANSMISSION LINES OF OTHER THAN 50 OHMS IMPEDANCE WHICH CONSTITUTE CIRCUIT ELEMENTS. 50 OHM TRANSMISSION LINES ARE NOT SHOWN.



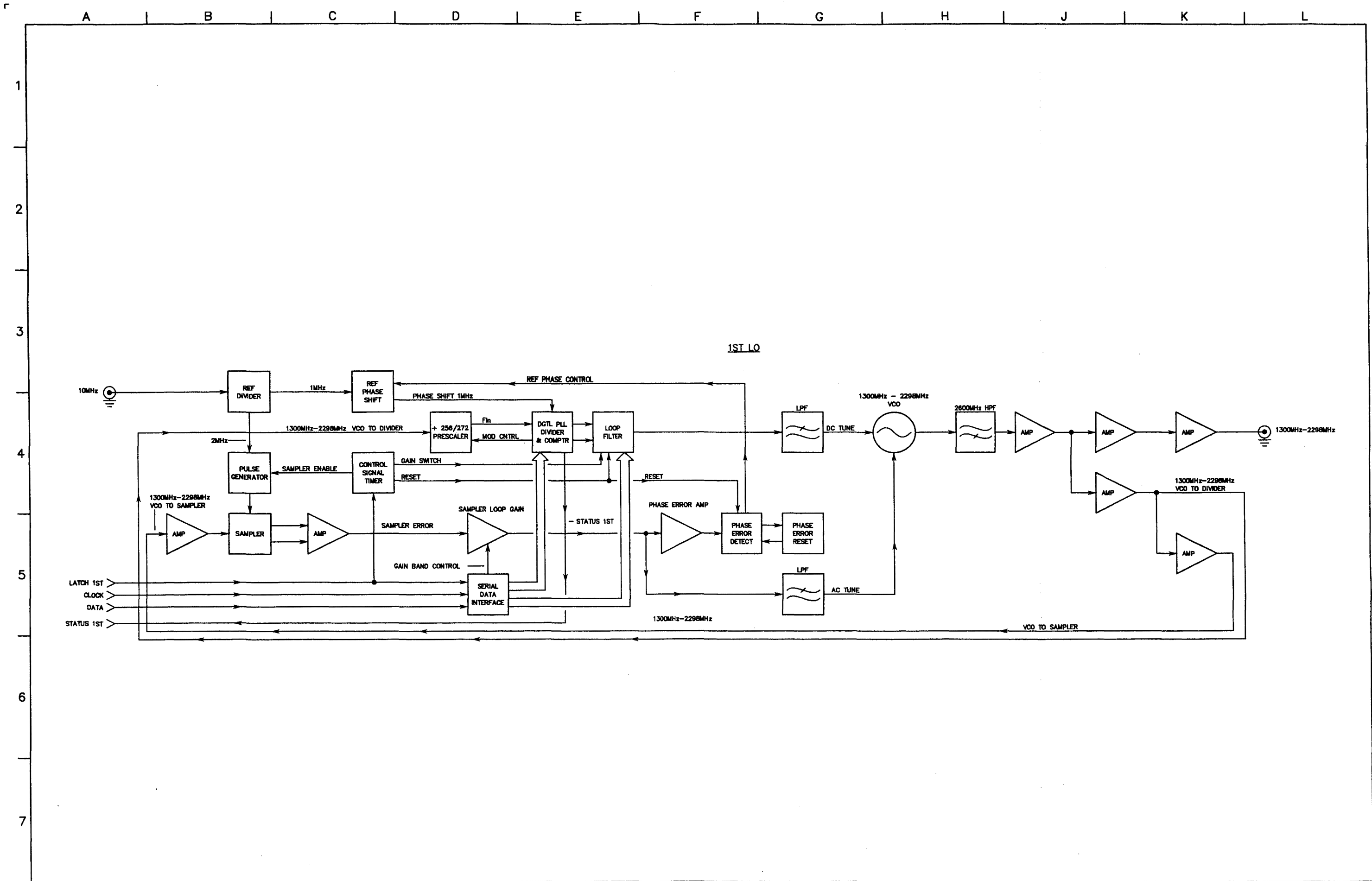
CAUTION:
CONTAINS PARTS AND ASSEMBLIES SUSCEPTIBLE TO DAMAGE BY ELECTROSTATIC DISCHARGE (ESD).

DRAWN		DATE		TITLE	
T.O. TRAN	5-1-92	CIRCUIT SCHEMATIC			
CHECKED		DATE		REV	
D. BROCKMIDT	8-22-92			M1	
APPROVED		DATE		DWC. NO.	
S. PIERSON	8-22-92			0000-8740-100	
0678401M.DWG		SCALE:	DO NOT SCALE	PSM	51190
				SHEET 1 of 3	



1ST LO REF DES A1
PCBD: 1700-8720-100
PCBD ASSY: 7010-8730-100

1ST LO MECH ASSY: 7005-8740-100



A B C D E F G

1

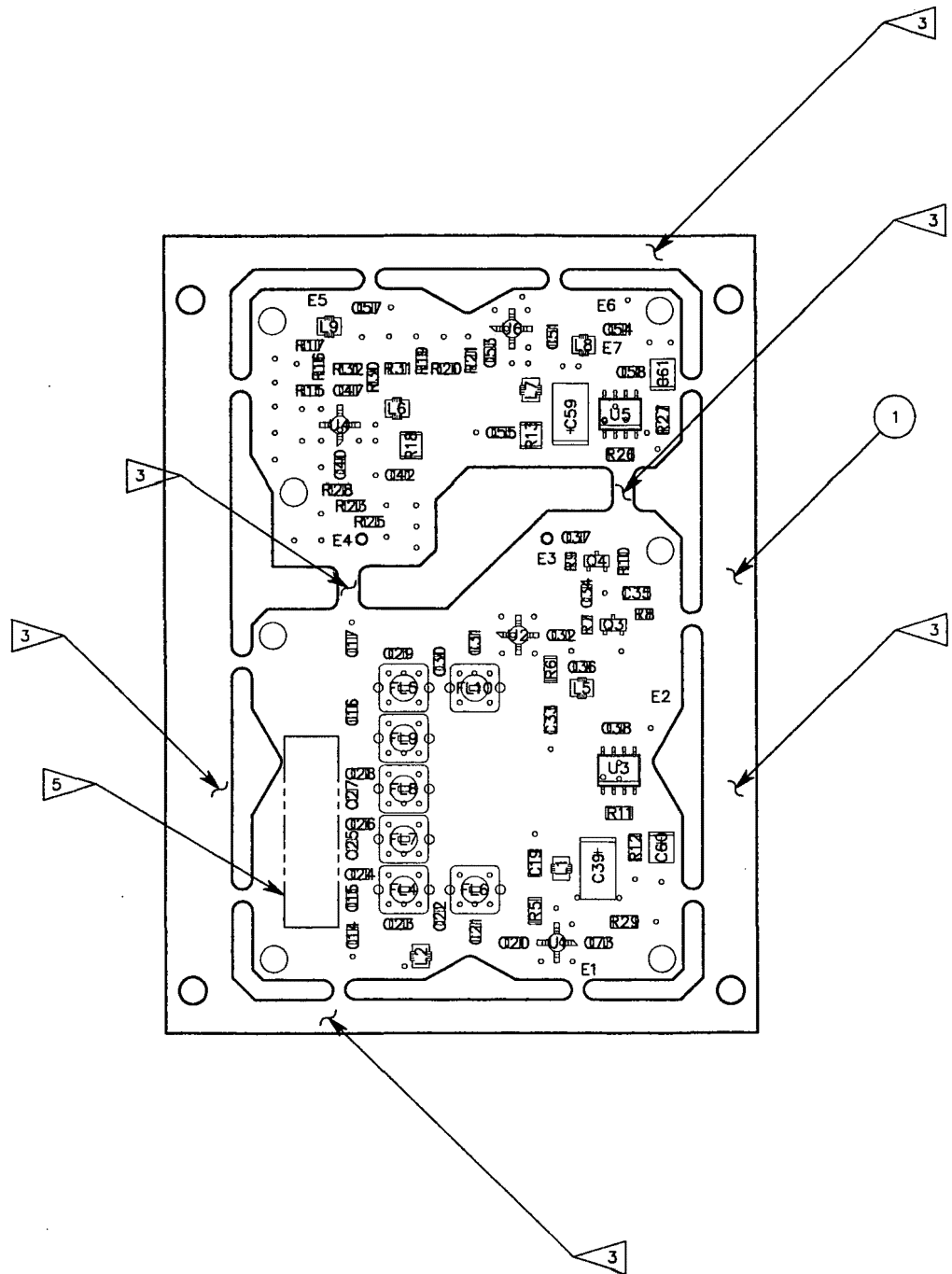
2

3

4

5

DATE	REV	CHANGE	APVD
8-17-92	F	DESIGN RELEASE	RLA DKB
4-7-93	F1	PROD. REL. PER ECN 15564	J.I.M. DKB
5-22-95	G	INC ECN 16536	BP BM
7-17-95	H	INC ECN 16616	BP BM
9-3-96	J	INC ECN 17070	RLA DKB
6-18-97	J1	INC RC 17584	J.I.M. SP



NOTES:

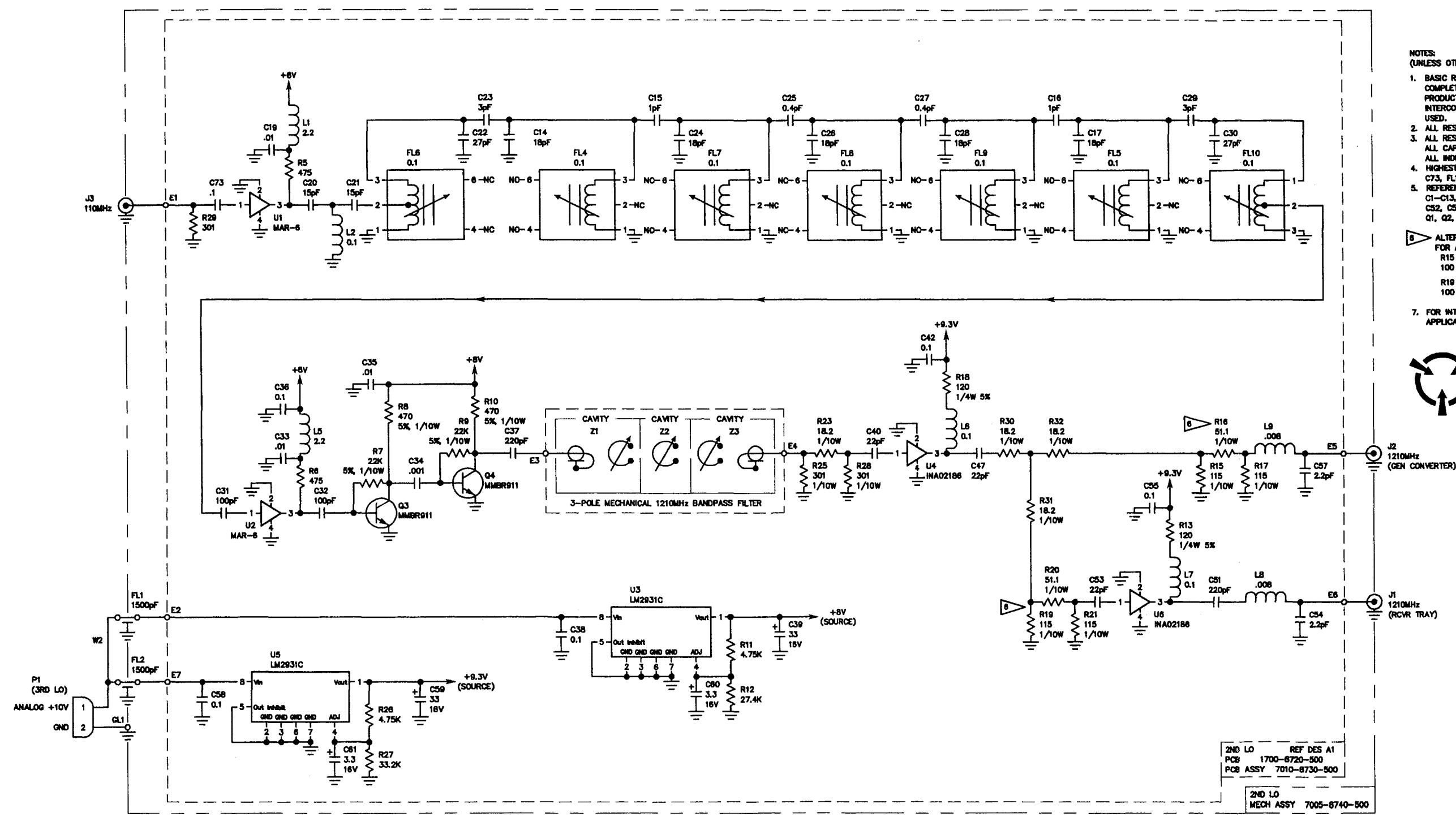
- 1 BASIC REFERENCE DESIGNATORS SHOWN, FOR COMPLETE DESIGNATOR PREFIXES REFER TO PRODUCT STRUCTURE, AND SYSTEM INTERCONNECT FOR APPLICATIONS WHERE USED.
- 2 NOTE NOT USED.
- 3 TO BE REMOVED PRIOR TO MECH. ASSY.
- 4 NON-TERMINATED E POINTS SHOWN FOR REFERENCE ONLY.
- 5 AFFIX MODULE IDENT LABEL HERE.



CAUTION:
CONTAINS PARTS AND ASSEMBLIES SUSCEPTIBLE TO
DAMAGE BY ELECTROSTATIC DISCHARGE (ESD).

DRAWN		DATE		TITLE	
C.J. WEBB		2/22/91		IFR SYSTEMS INC 10200 West York St., Wichita, Kansas 67215	
CHECKED		DATE		ASSEMBLY DWG	
D.K.B.		8/17/92		2ND LO	
APPROVED		DATE		SIZE	DWG. NO.
S. PIERSON		8/17/92		C	7010-8730-500
087305J1.PLT		SCALE:	N.T.S.	DO NOT SCALE	FSCN 51190
				SHEET	1 OF 1
				REV	J1

DATE	REV	CHANGE	APPROVED
4-6-93	F1	PROD. REL. PER ECH #15564	DKB
5-22-95	G	INC ECH #16536	BP
7-17-95	H	INC ECH #16618	BP
9-18-98	J	INC ECH #17070	J.I.M.



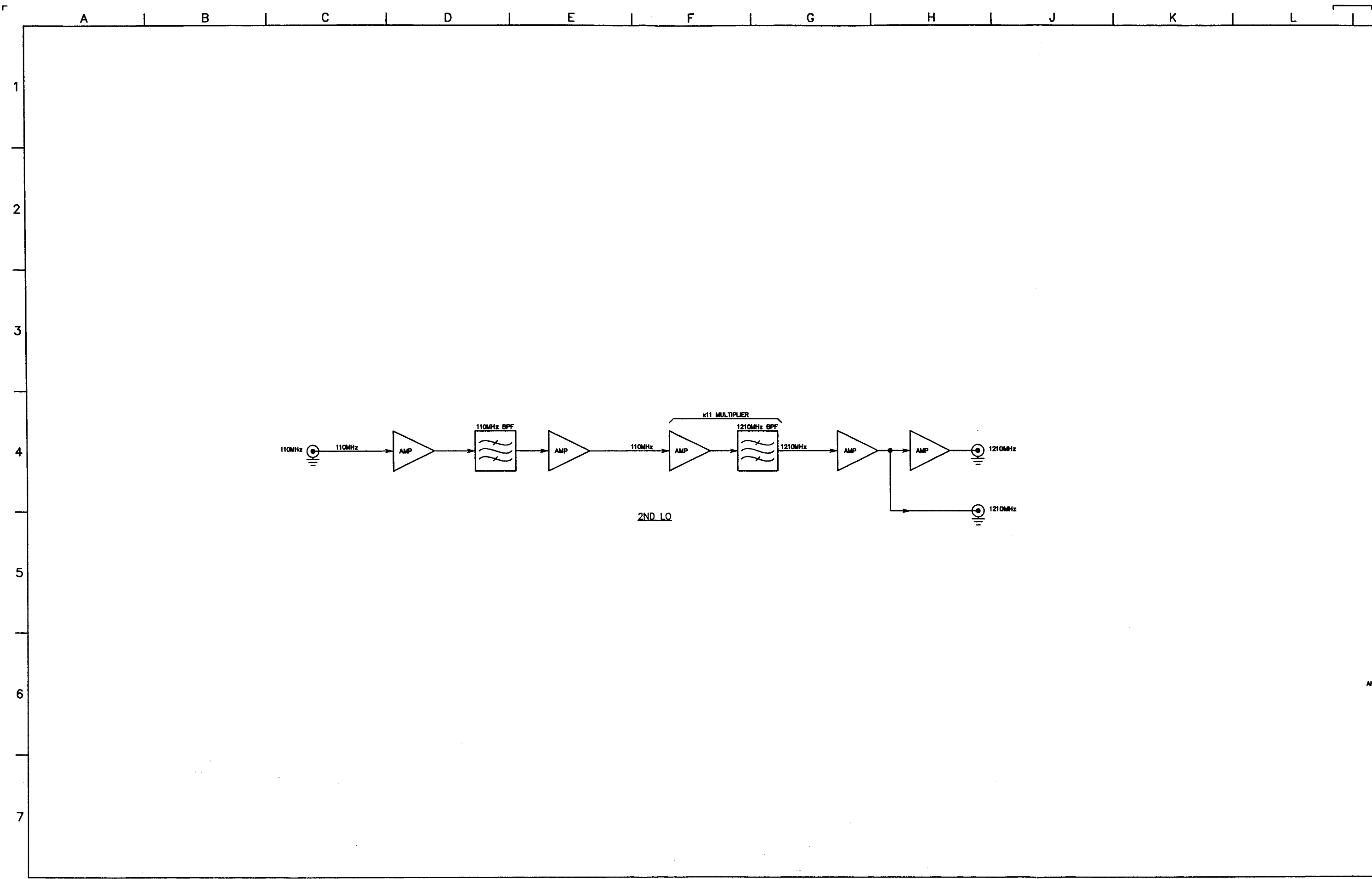
- NOTES:
(UNLESS OTHERWISE SPECIFIED)
- BASIC REFERENCE DESIGNATORS SHOWN, FOR COMPLETE DESIGNATOR PREFIXES REFER TO PRODUCT STRUCTURE, AND SYSTEM INTERCONNECT FOR APPLICATIONS WHERE USED.
 - ALL RESISTORS ARE 1%, 1/8W.
 - ALL RESISTANCE IS EXPRESSED IN OHMS. ALL CAPACITANCE IS EXPRESSED IN MICROFARADS. ALL INDUCTANCE IS EXPRESSED IN MICROHENRIES.
 - HIGHEST REFERENCE DESIGNATIONS: C73, FL10, L9, Q4, R32, U6, Z3.
 - REFERENCE DESIGNATIONS NOT USED: C1-C13, C16, C41, C43-C46, C48-C50, C52, C56, C62-C72, FL1-FL3, L3, L4, Q1, Q2, R1-R4, R14, R22, R24, Z3.
- 6 ALTERNATE VALUES OF RESISTORS FOR ATTENUATOR PADS:
- | R15 | R16 | R17 | ATTEN dB |
|-----|-----|-----|----------|
| 100 | 75 | 100 | 10 |
| R19 | R20 | R21 | ATTEN dB |
| 100 | 75 | 100 | 10 |
7. FOR INTERCONNECT/BLOCK DIAGRAM SEE APPLICATIONS WHERE USED.

CAUTION:
CONTAINS PARTS AND ASSEMBLIES SUSCEPTIBLE TO DAMAGE BY ELECTROSTATIC DISCHARGE (ESD).

2ND LO REF DES A1
PCB 1700-6720-500
PCB ASSY 7010-8730-500

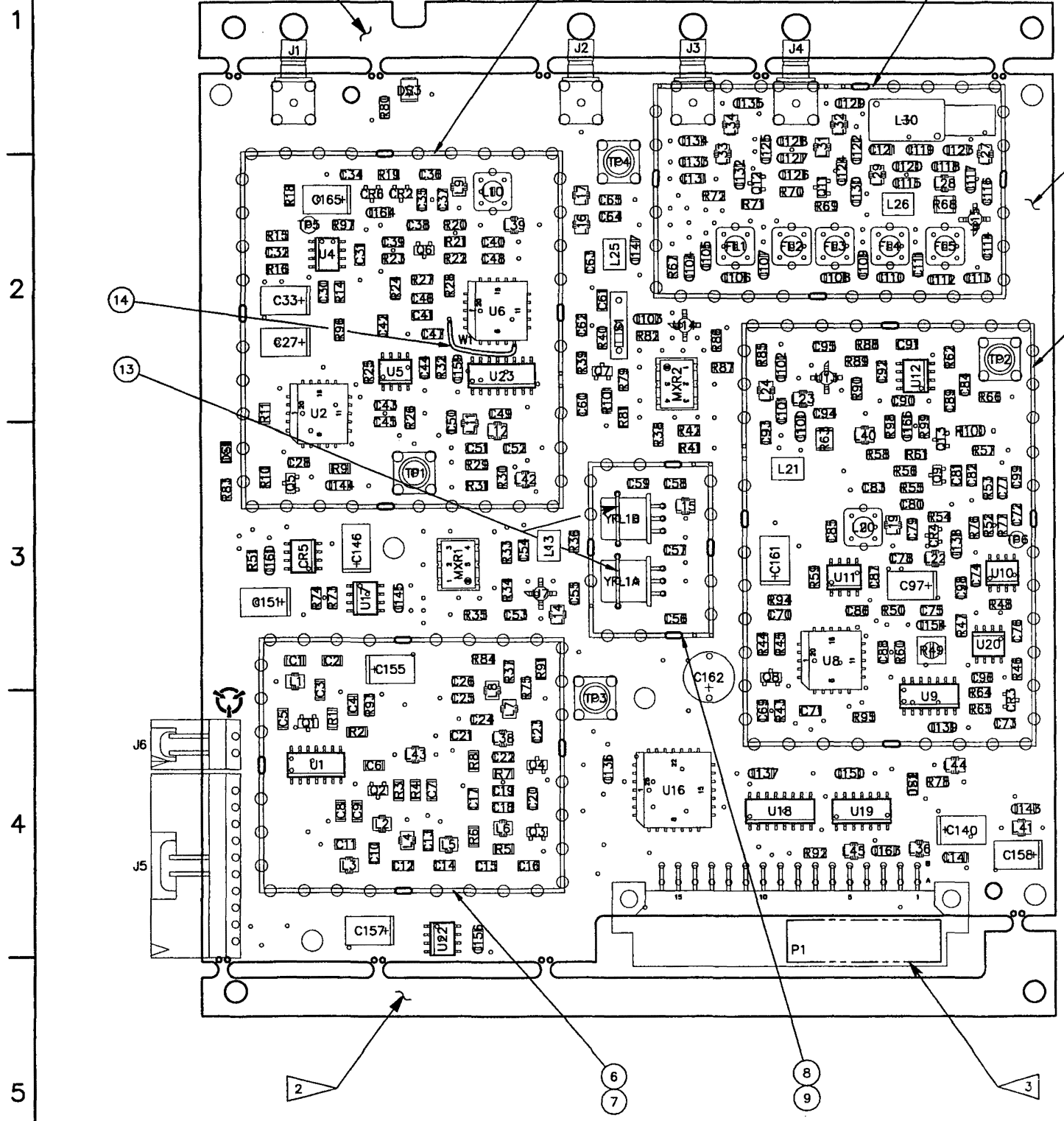
2ND LO MECH ASSY 7005-8740-500

DRAWN		DATE		TITLE	
T.Q. TRAN	7/10/92	CIRCUIT SCHEMATIC			
CHECKED		DATE		2ND LO	
D. BROKSCHMIDT		8/14/92			
APPROVED		DATE		REV	
S. PIERSON		8/17/92		J	
087405J.DWG		SCALE:		DO NOT SCALE FROM 51190 SHEET 1 OF 2	



DATE	REV	CHANGE	APPROVED
10-28-94	B	PROD REL PER ECN #15676	J.I.M. BM
10-2-95	C	INC ECN #16607	BP BM
6/13/97	C1	INC RC 17569	BP JSP

TOP VIEW



NOTES:

1. BASIC REFERENCE DESIGNATORS SHOWN, FOR COMPLETE DESIGNATOR PREFIXES REFER TO PRODUCT STRUCTURE, AND SYSTEM INTERCONNECT FOR APPLICATIONS WHERE USED.

2 TO BE REMOVED PRIOR TO MECH. ASSY.

3 AFFIX MODULE ID LABEL HERE.



CAUTION:
CONTAINS PARTS AND ASSEMBLIES SUSCEPTIBLE TO
DAMAGE BY ELECTROSTATIC DISCHARGE (ESD).

DRAWN		DATE		TITLE	
R. AST	10-14-94	IFR SYSTEMS INC 10200 West York St., Wichita, Kansas 67215			
S. CHISHAM	10-14-94	ASSEMBLY DWG 3RD LO			
T. MCENULTY	10-14-94	SIZE	DWG. NO.	REV	
		C	7010-8732-700	C1	
108727C1.PLT		SCALE:	N.T.S.	DO NOT SCALE	F50M 51190 SHEET 1 OF 1

DATE	REV	CHANGE	APPROVED
10-28-94	B	PROD. RELEASE PER ECM #15678	J.L.M. EM
10-03-95	C	INC PER ECM #16607	BP EM

NOTES:

(UNLESS OTHERWISE SPECIFIED)

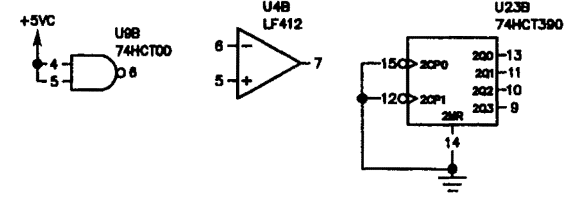
1. BASIC REFERENCE DESIGNATORS SHOWN, FOR COMPLETE DESIGNATOR PREFIXES REFER TO PRODUCT STRUCTURE, AND SYSTEM INTERCONNECT FOR APPLICATIONS WHERE USED.
2. ALL RESISTORS ARE 1% 1/8W.
3. ALL RESISTANCE IS EXPRESSED IN OHMS. ALL CAPACITANCE IS EXPRESSED IN MICROFARADS. ALL INDUCTANCE IS EXPRESSED IN MICROHENRIES.
4. HIGHEST REFERENCE DESIGNATIONS. ATP24, C166, CR6, DG3, FL5, L45, MXR2, J6, P1, Q13, R101, S1, U23, YFL1, TP6, W1.
5. REFERENCE DESIGNATIONS NOT USED. C148, C149, C142, C29, C86-C88, C152, C153, CR1, L18, L35, L37, R17, R12, R13, U21, U3, Q10.
6. FOR INTERCONNECT/BLOCK DIAGRAM SEE APPLICATIONS WHERE USED.

7 C38 IS A S.A.T. NOMINAL VALUE 18pF OTHER VALUES 15pF, 22pF

R101 IS A S.A.T. NOMINAL VALUE 15.0 OTHER VALUES 10.0, 12.1, 18.2, 20.0

8 YFL1A, YFL1B ARE A MATCHED PAIR.

9. IC FUNCTIONS NOT USED:

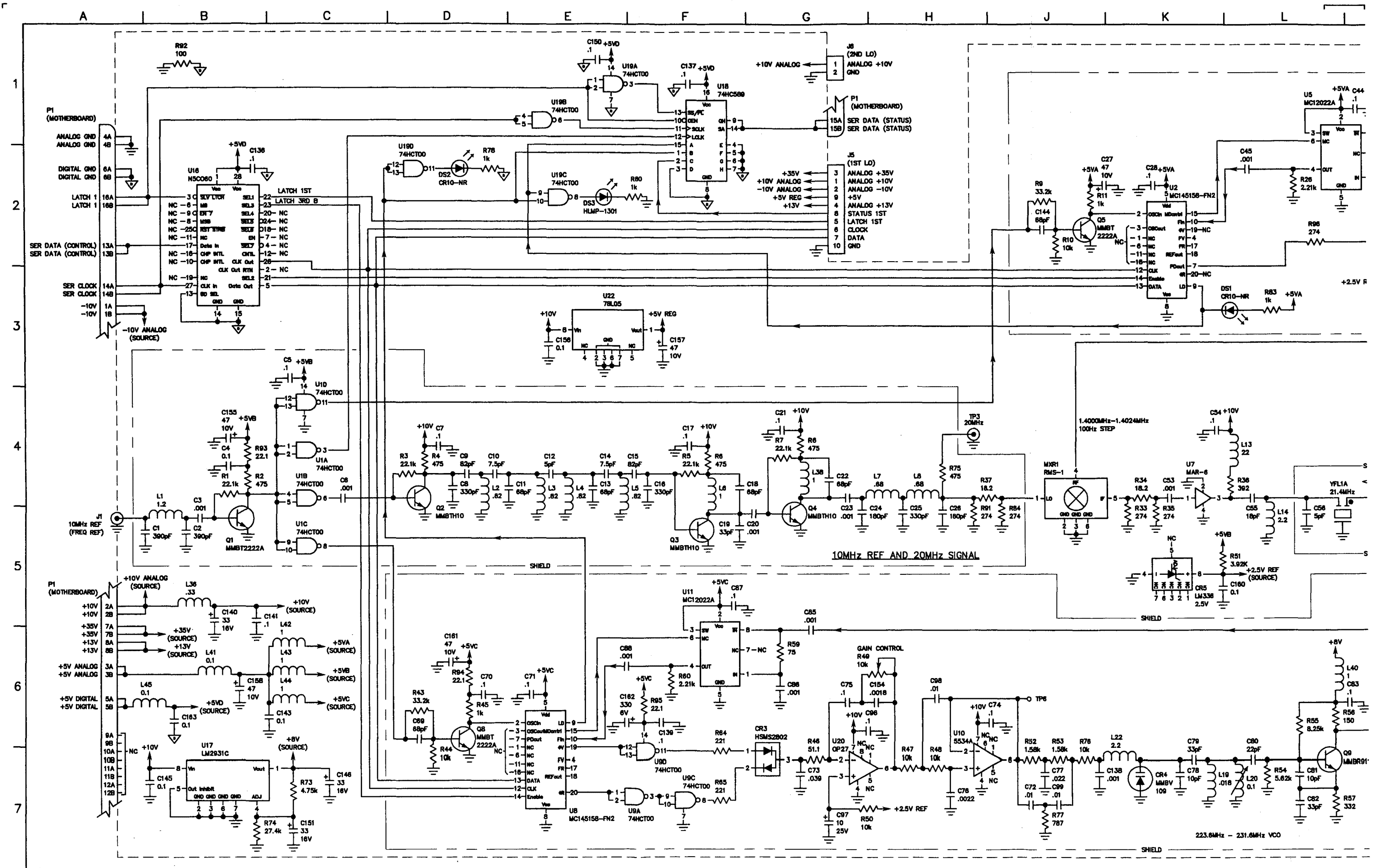


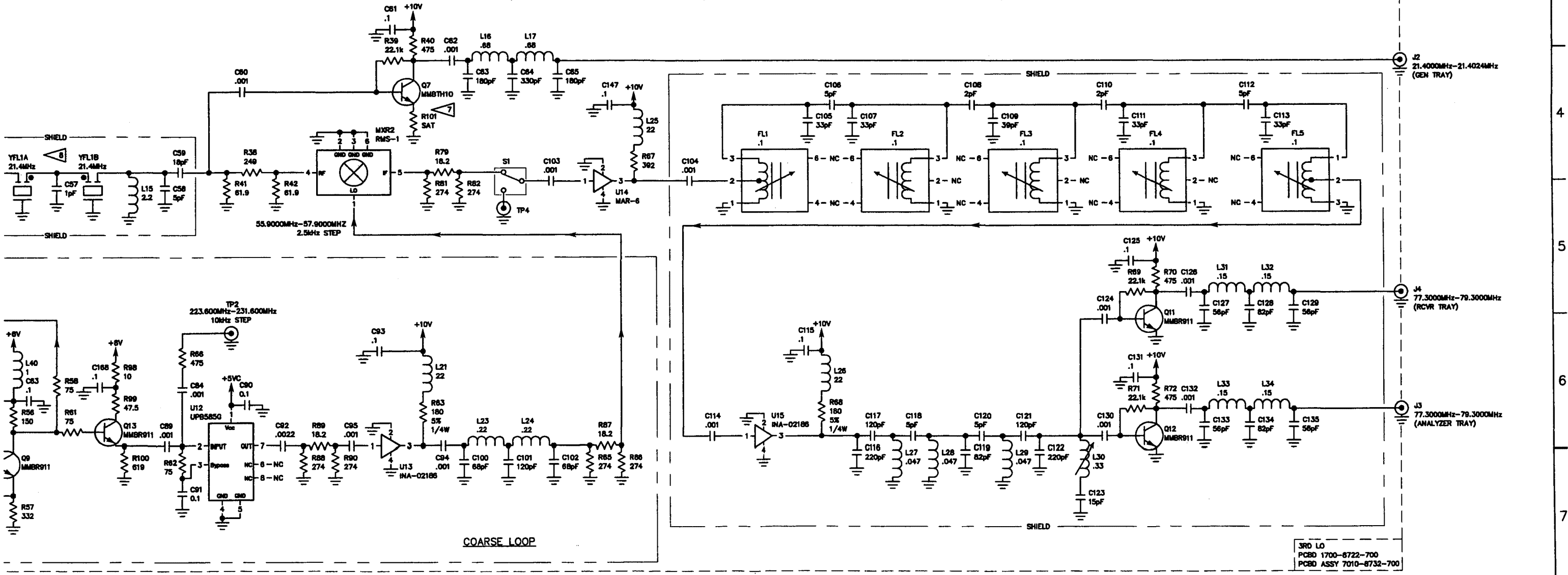
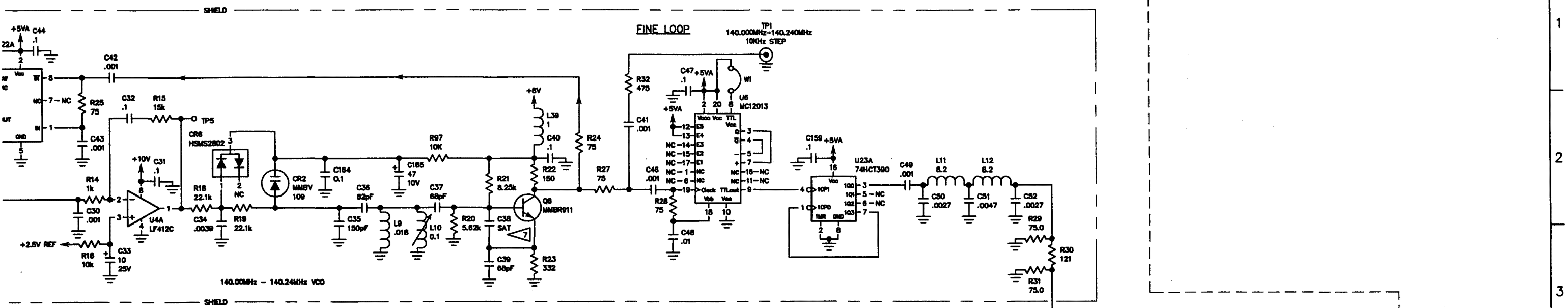
* - INDICATES PRINTED TRANSMISSION LINES OF OTHER THAN 50 OHMS IMPEDANCE WHICH CONSTITUTE CIRCUIT ELEMENTS. 50 OHM TRANSMISSION LINES ARE NOT SHOWN.



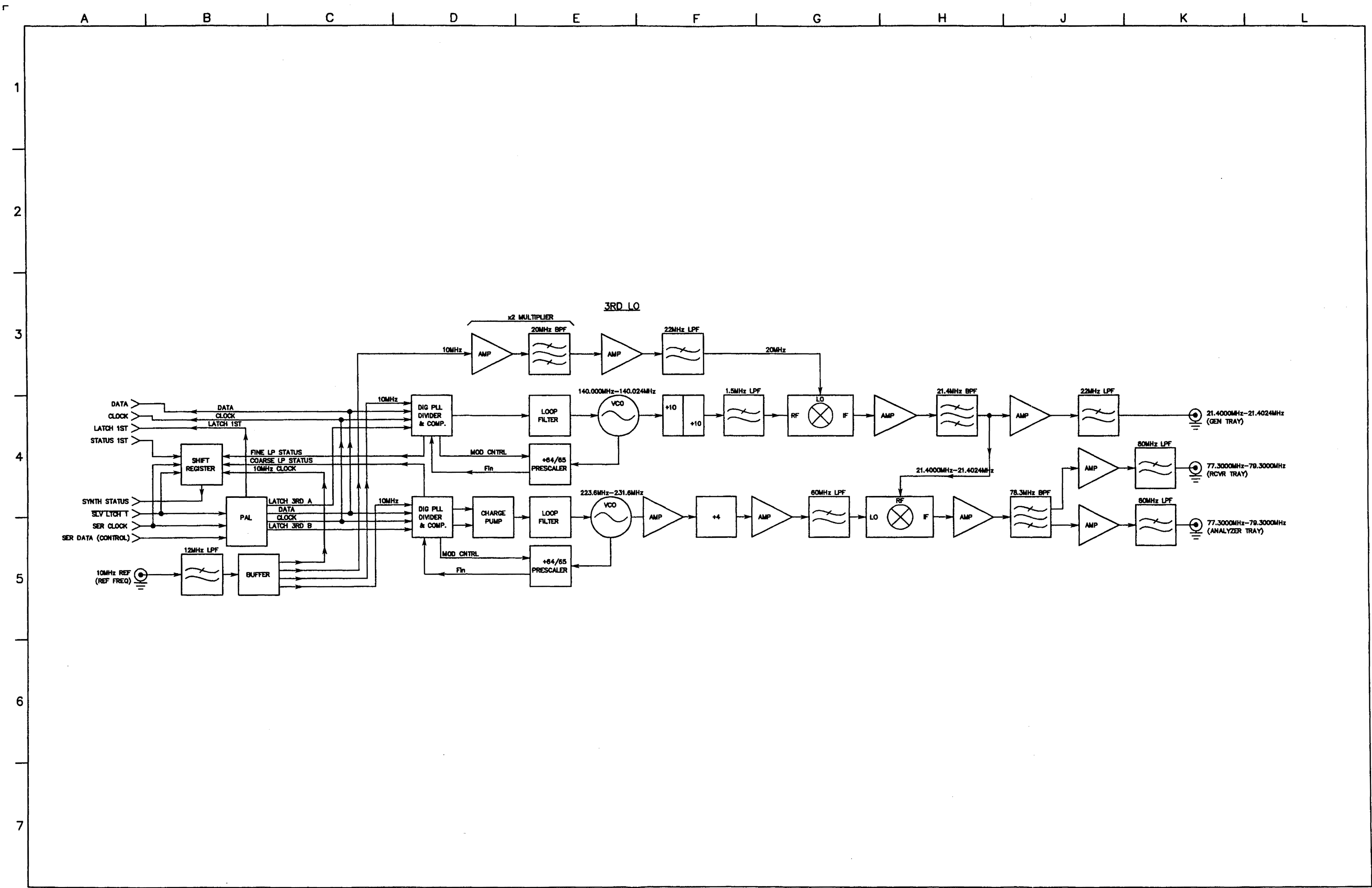
CAUTION:
CONTAINS PARTS AND ASSEMBLIES
SUSCEPTIBLE TO DAMAGE BY
ELECTROSTATIC DISCHARGE (ESD).

DRAWN		DATE	TITLE
T.Q. TRAN		7-13-92	CIRCUIT SCHEMATIC
CHECKED			JRD LO
S. CHISHAM		10-28-94	
APPROVED	DATE	SIZE	DWG. NO.
T.MCENULTY	10-28-94	D	0000-8732-700
087B327C.DWG		SCALE	DO NOT SCALE FROM 51190 SHEET 1 of 4

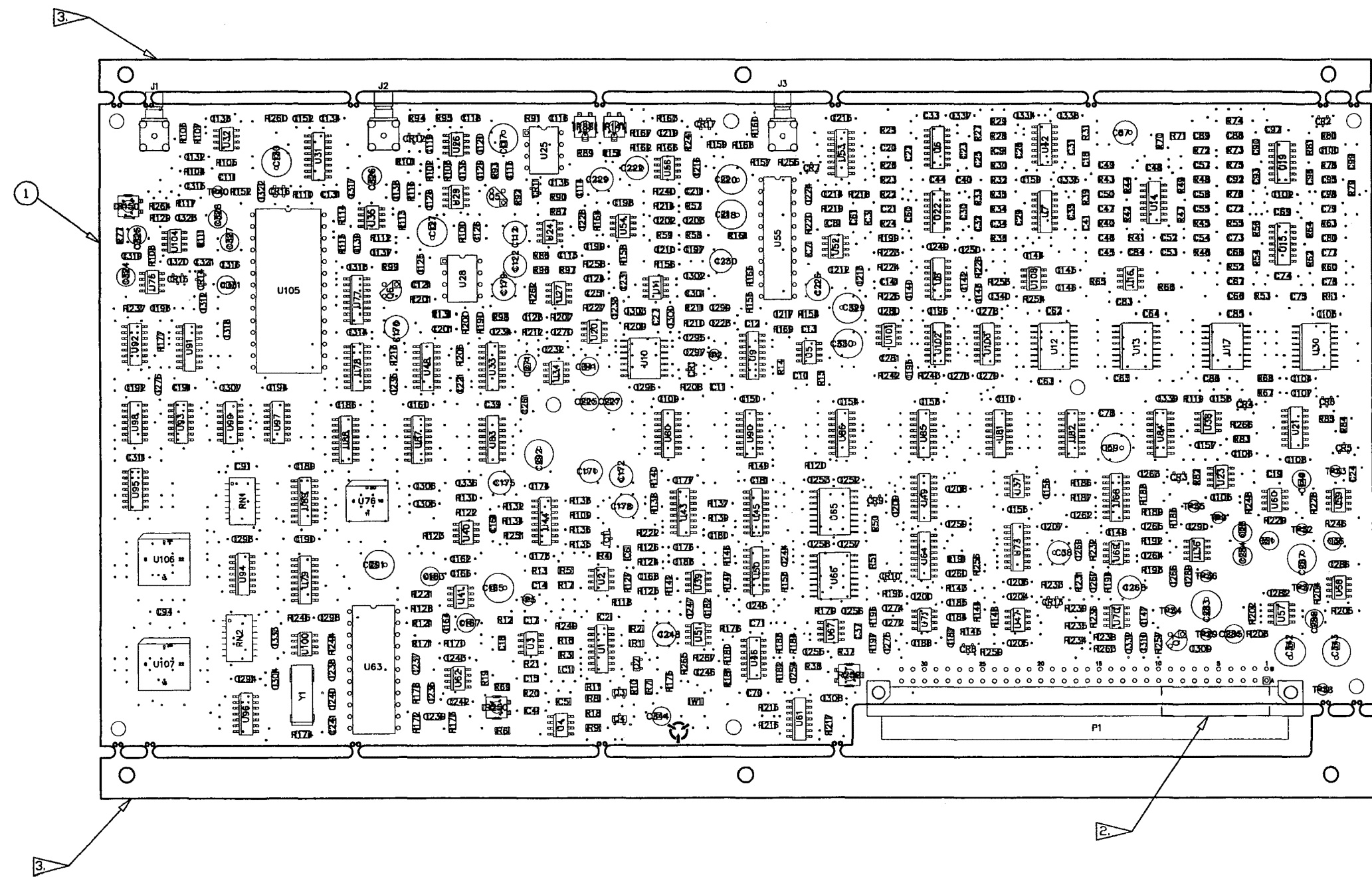




3RD LO
PCBD 1700-6722-700
PCBD ASSY 7010-6732-700



DATE	REV	CHANGE	BY	APPV
8-20-92	D	DESIGN RELEASE	RLA	DKB
10-7-92	D-1	INC FMY-020	RLA	DKB
10-12-92	D-2	INC FMY-024	RLA	DKB
11-16-92	D-3	INC FMY-062		
11-18-92	D-4	INC FMY-063	CJW	DKB
12-03-92	D-5	INC FMY-079	MKM	DKB
2-9-93	D6	INC FMY-109	MKM	DKB
3-1-93	E	INC FMY-119	RLA	DKB
4-29-93	E1	PROD REL PER ECN 15564	MKM	DKB
08-02-93	E2	INC ECN 15718	BP	BM
10/30/93	E3	INC ECN 15780	RH	BM
3-14-96	F	INC ECN 16920	RLA	DKB
4-29-97	F1	INC ECN 17502	MKM	SP
6-17-97	F2	INC RC 17585	J.I.M.	SP



NOTES: BASIC REFERENCE DESIGNATORS SHOWN, FOR COMPLETE DESIGNATOR PREFIXES REFER TO PRODUCT STRUCTURE, AND SYSTEM INTERCONNECT FOR APPLICATIONS WHERE USED.

1. HARDWARE THAT IS NOT PART OF BILL OF MATERIALS SHOULD NOT BE INSTALLED.

① AFFIX MODULE IDENT LABEL HERE.

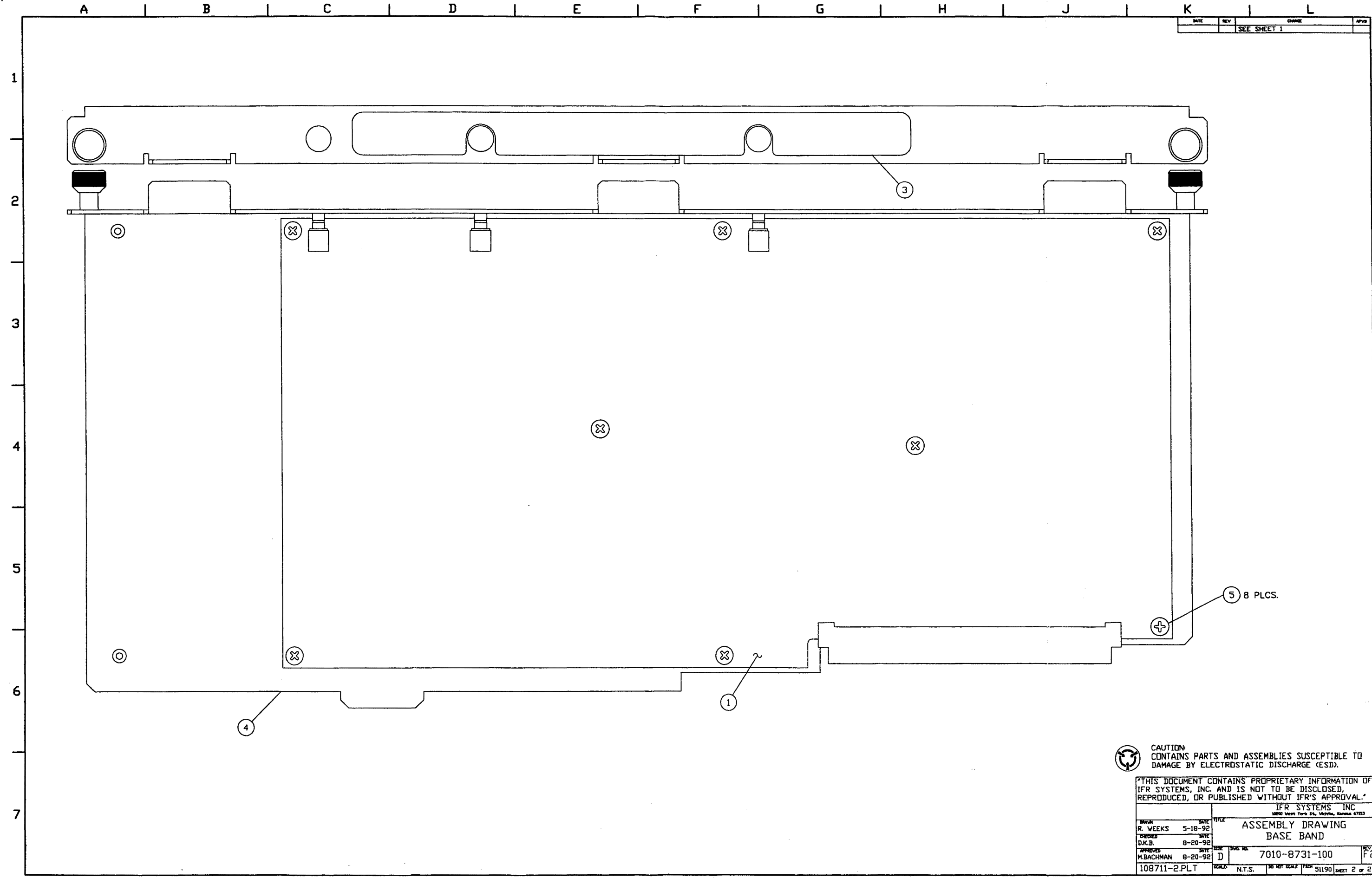
③ TO BE REMOVED PRIOR TO MECH. ASSY.

CAUTION: CONTAINS PARTS AND ASSEMBLIES SUSCEPTIBLE TO DAMAGE BY ELECTROSTATIC DISCHARGE (ESD).

THIS DOCUMENT CONTAINS PROPRIETARY INFORMATION OF IFR SYSTEMS, INC. AND IS NOT TO BE DISCLOSED, REPRODUCED, OR PUBLISHED WITHOUT IFR'S APPROVAL.

DRAWN		DATE		TITLE	
R. WEEKS	5-18-92	ASSEMBLY DRAWING BASE BAND			
T. BAKER	8-20-92				
DKB	8-20-92				
APPROVED	DATE	REV	BY	NO.	REV.
M. BACHMAN	8-20-92	D	M.B.	7010-8731-100	F2
108711F1.PLT	SCALE	N.T.S.	DO NOT SCALE	PEN 51190	SHEET 1 OF 2

TOP VIEW

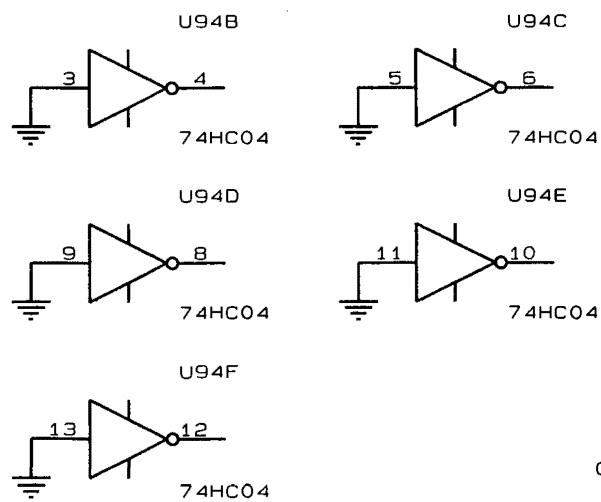
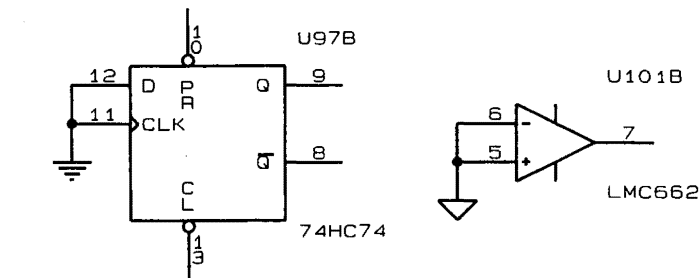
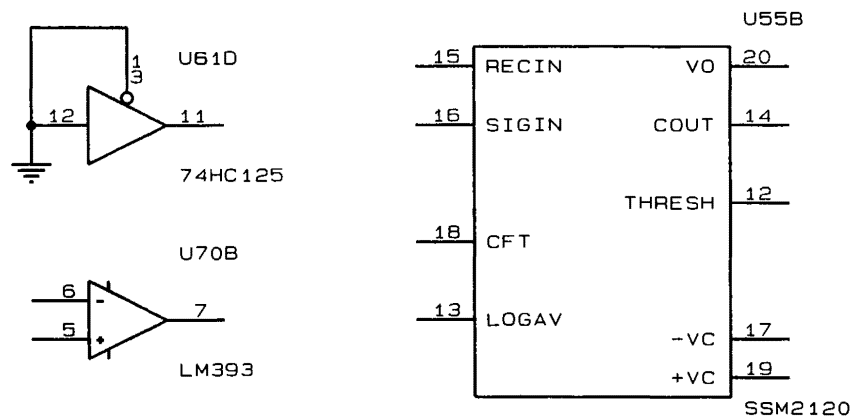


CAUTION:
CONTAINS PARTS AND ASSEMBLIES SUSCEPTIBLE TO
DAMAGE BY ELECTROSTATIC DISCHARGE (ESD).

"THIS DOCUMENT CONTAINS PROPRIETARY INFORMATION OF
IFR SYSTEMS, INC. AND IS NOT TO BE DISCLOSED,
REPRODUCED, OR PUBLISHED WITHOUT IFR'S APPROVAL."

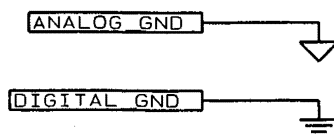
DRAWN		DATE		TITLE	
R. WEEKS	5-18-92	ASSEMBLY DRAWING			
CHECKED		DATE		BASE BAND	
D.K.B.	8-20-92				
APPROVED		DATE		TRNG. NO.	
M. BACHMAN	8-20-92	D		7010-8731-100	
108711-2.PLT		SCALE		SHEET 2 of 2	
		N.T.S.		51190	

B. IC FUNCTIONS NOT USED:



OrCAD Note: Only link first 6 files when generating a net list.

- LINK
- PAL.SCH
- AGC.SCH
- PK-DET.SCH
- BB2.SCH
- BB10.SCH
- FILTERS.SCH
- BLOCK1.SCH
- BLOCK2.SCH
- BLOCK3.SCH
- BITS.SCH
- COVER.SCH



DATE	REV	CHANGE	APPROVED
10-7-92	D-1	INC FMY-020	D.K.BROKSCHMIDT
10-12-92	D-2	INC FMY-024	D.K.BROKSCHMIDT
11-16-92	D-3	INC FMY-062	D.K.BROKSCHMIDT
12-3-92	D-4	INC FMY-079	D.K.BROKSCHMIDT
3-24-93	E	INC FMY-119	D.K.BROKSCHMIDT
5-7-93	E-1	PROD REL per ECN15564	D.K.BROKSCHMIDT
8-9-93	E-2	INC ECN 15718	B. McVICAR
11-15-93	E-3	INC ECN 15780	B. McVICAR
1-31-97	F	INC ECN 16920	S. PIERSON



CAUTION:

CONTAINS PARTS AND ASSEMBLIES
SUSCEPTIBLE TO DAMAGE BY
ELECTROSTATIC DISCHARGE (ESD).

NOTES:

(UNLESS OTHERWISE SPECIFIED)

1. BASIC REFERENCE DESIGNATORS SHOWN. FOR COMPLETE DESIGNATOR PREFIXES REFER TO PRODUCT STRUCTURE AND SYSTEM INTERCONNECT FOR APPLICATIONS WHERE USED.
2. ALL RESISTORS ARE 1%, 1/8W.
3. ALL RESISTANCE IS EXPRESSED IN OHMS. ALL CAPACITANCE IS EXPRESSED IN MICROFARADS. ALL INDUCTANCE IS EXPRESSED IN MICROHENRIES.
4. HIGHEST REFERENCE DESIGNATIONS: C344, CR17, J3, P1, Q7, R267, RN2, TP40, U10B, W1, Y1
5. REFERENCE DESIGNATIONS NOT USED: C42, C43, C56, C81, C82, C101, C151, C169, C277, R19B, R230, R247, R261, TP4, U1B, U72, U74
6. FOR INTERCONNECT/BLOCK DIAGRAM SEE APPLICATIONS WHERE USED.

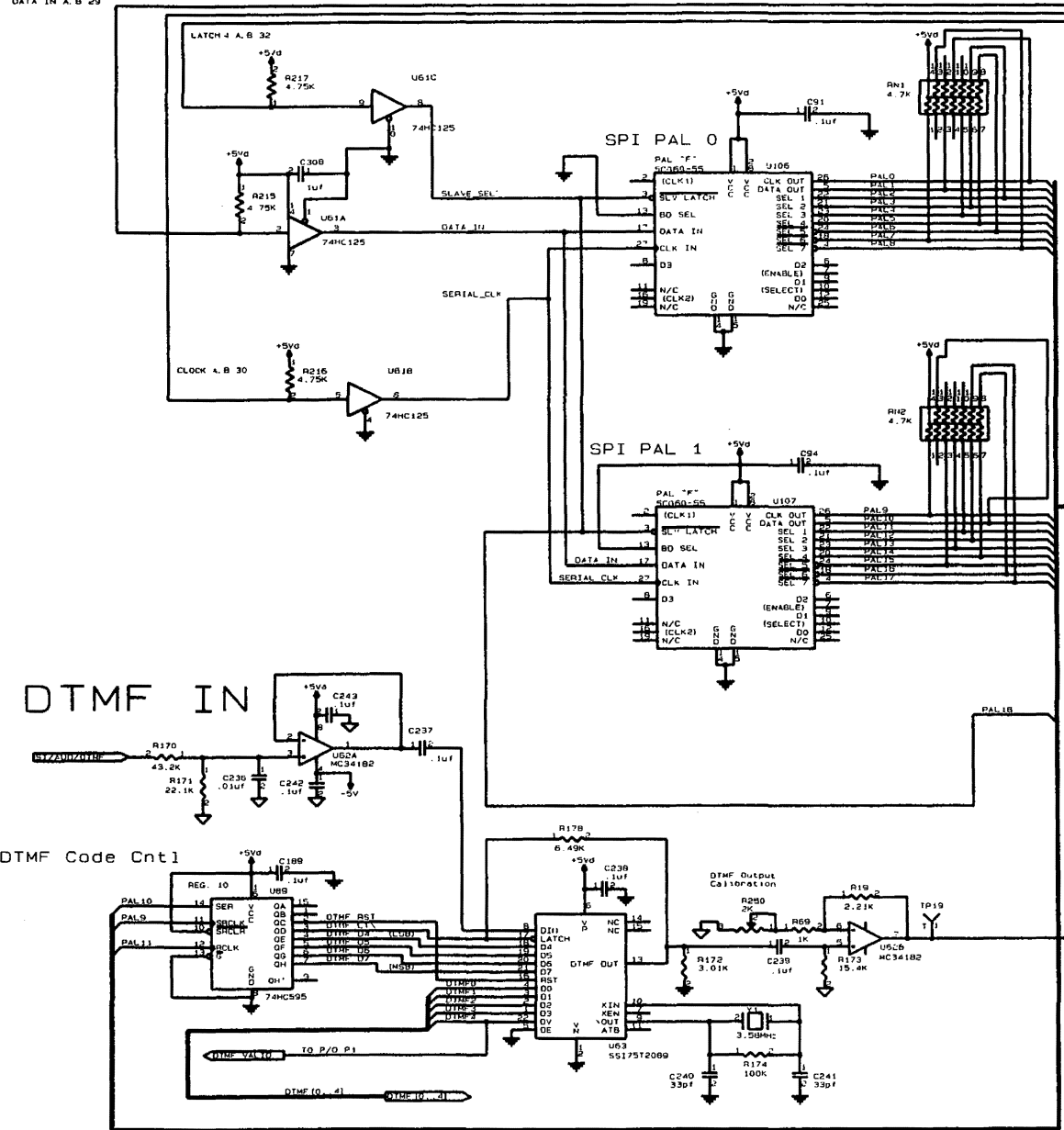


U6, U7, U14, U15, U19, U21, U22, U42, & U46
CAN BE MC33184 OR TLO64.
U8 CAN BE MC33184 OR TLO84.

DRAWN BY: DON J. BELISLE	DATE: 8-20-92	IFR SYSTEMS, INC. 10200 W. York St. Wichita, KS 67215	
CHECKED BY: DEB BROKSCHMIDT	DATE: 8-20-92	Title Schematic, BASEBAND	
APPROVED BY: STAN PIERSON	DATE: 8-20-92	Size B	Document Number 0000-8731-100
		Date: February 3, 1997	Sheet 1 of 11

BASEBAND LOGIC #1

DATA IN A, B 29



Signal	Pin	Signal	Pin
CS1V	10V	A1	B1
CS2V	10V	A2	B2
CS3V	10V	A3	B3
CS4V	10V	A4	B4
CS5V	10V	A5	B5
CS6V	10V	A6	B6
CS7V	10V	A7	B7
CS8V	10V	A8	B8
CS9V	10V	A9	B9
CS10V	10V	A10	B10
CS11V	10V	A11	B11
CS12V	10V	A12	B12
CS13V	10V	A13	B13
CS14V	10V	A14	B14
CS15V	10V	A15	B15
CS16V	10V	A16	B16
CS17V	10V	A17	B17
CS18V	10V	A18	B18
CS19V	10V	A19	B19
CS20V	10V	A20	B20
CS21V	10V	A21	B21
CS22V	10V	A22	B22
CS23V	10V	A23	B23
CS24V	10V	A24	B24
CS25V	10V	A25	B25
CS26V	10V	A26	B26
CS27V	10V	A27	B27
CS28V	10V	A28	B28
CS29V	10V	A29	B29
CS30V	10V	A30	B30
CS31V	10V	A31	B31
CS32V	10V	A32	B32

PAL BUS

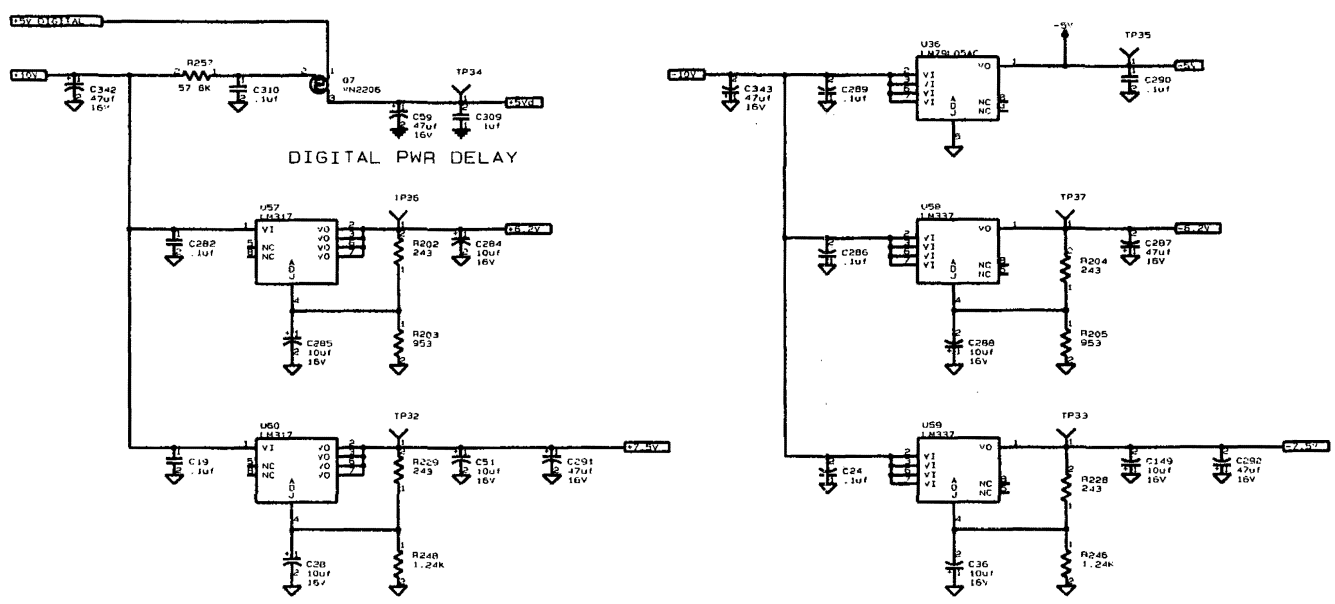
DTMF GEN

INT MOD

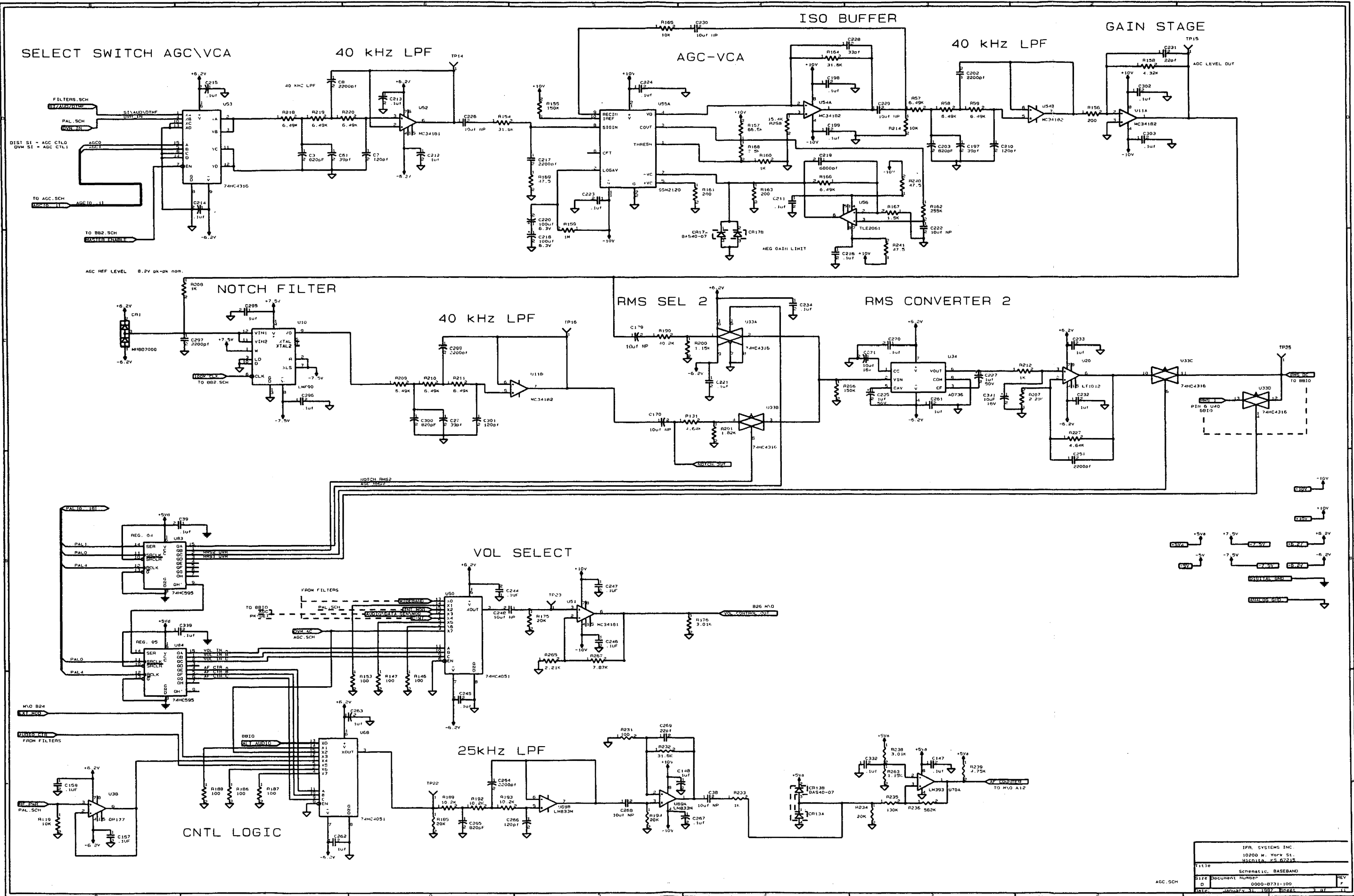
DVM IN FRONT PANEL

RF PWR IN

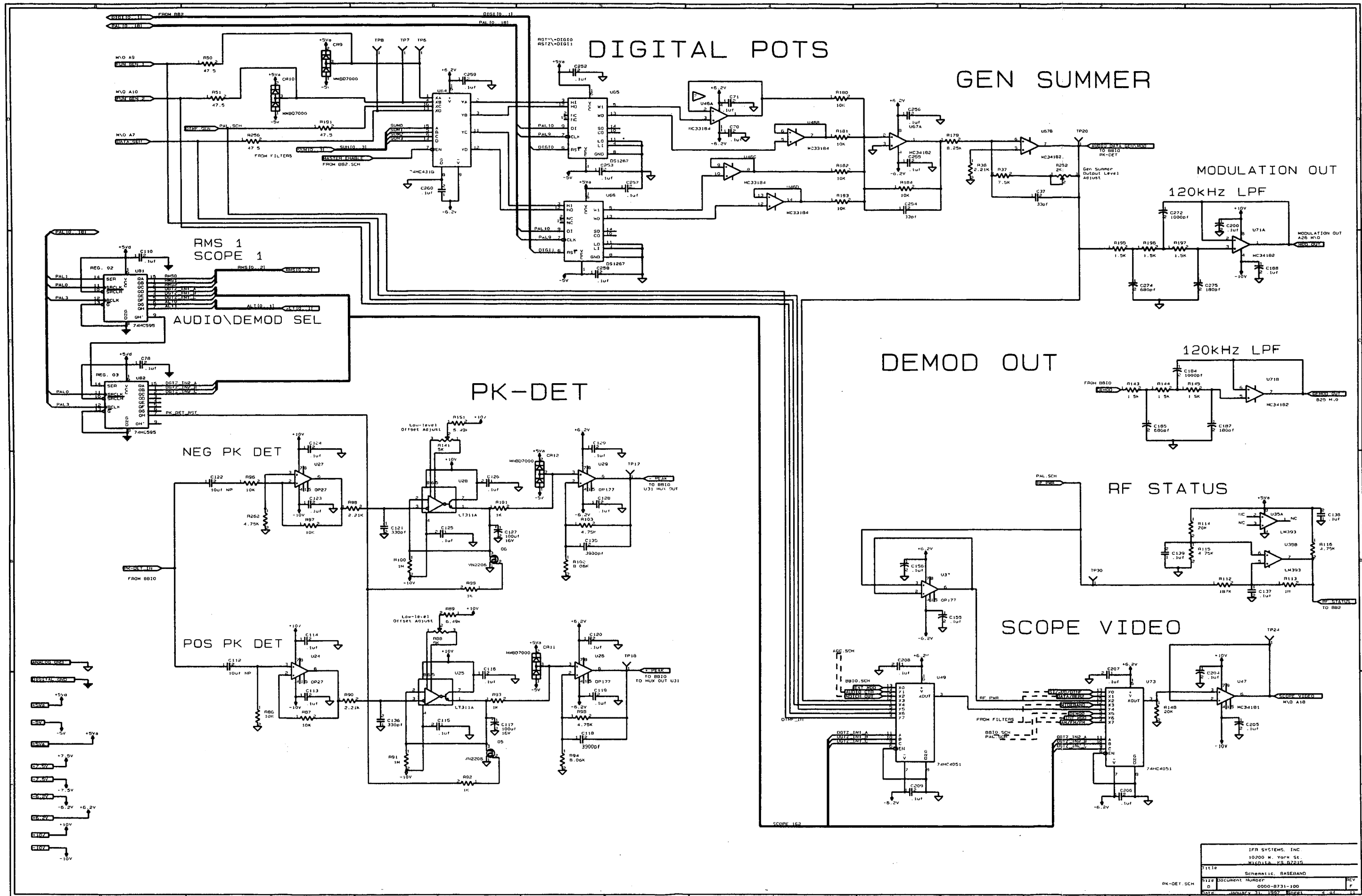
SUB REGULATORS



IFR SYSTEMS, INC	
10200 W. YORK ST	
MCDONIA, KS 67215	
Title	Schematic, BASEBAND
Size	Document Number
D	0000-0731-100
DATE	JANUARY 11, 1997
REV	P



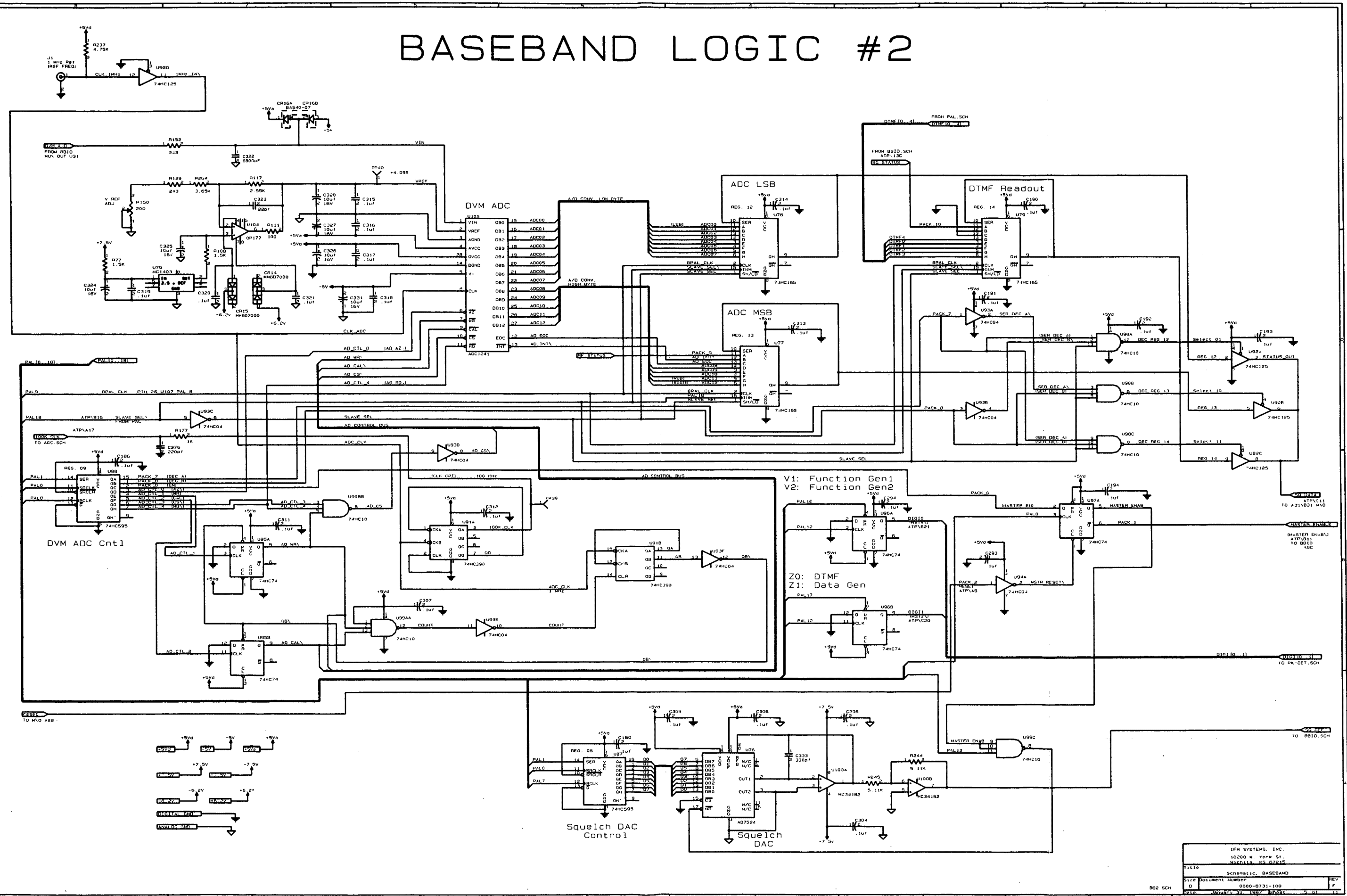
IPR SYSTEMS INC.		
10200 W. YORK ST.		
MILLIKILL, NY 12545		
FIG 130	SCHEMATIC, BASEBAND	
SIZE	DOCUMENT NUMBER	REV
D	0000-0731-100	1
DATE	JANUARY 31, 1982	SHEET 1 OF 11



IFR SYSTEMS, INC.
 10200 W. YORK ST.
 WACHTIA, VA 52215

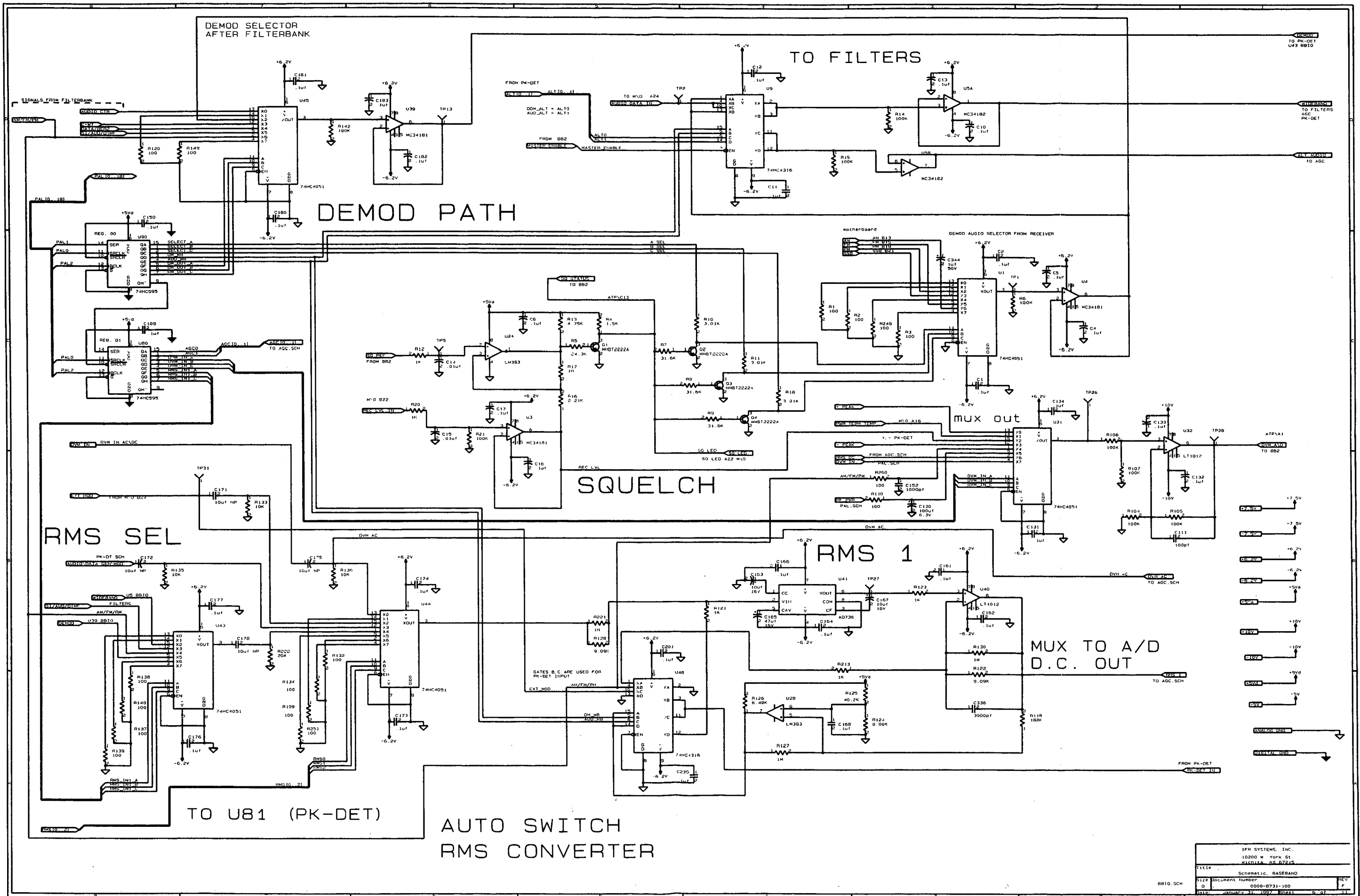
File# Schematic, BASEBAND
 File# Document Number# 0000-8731-100
 Date JANUARY 31, 1997 Sheet 1 of 1

BASEBAND LOGIC #2



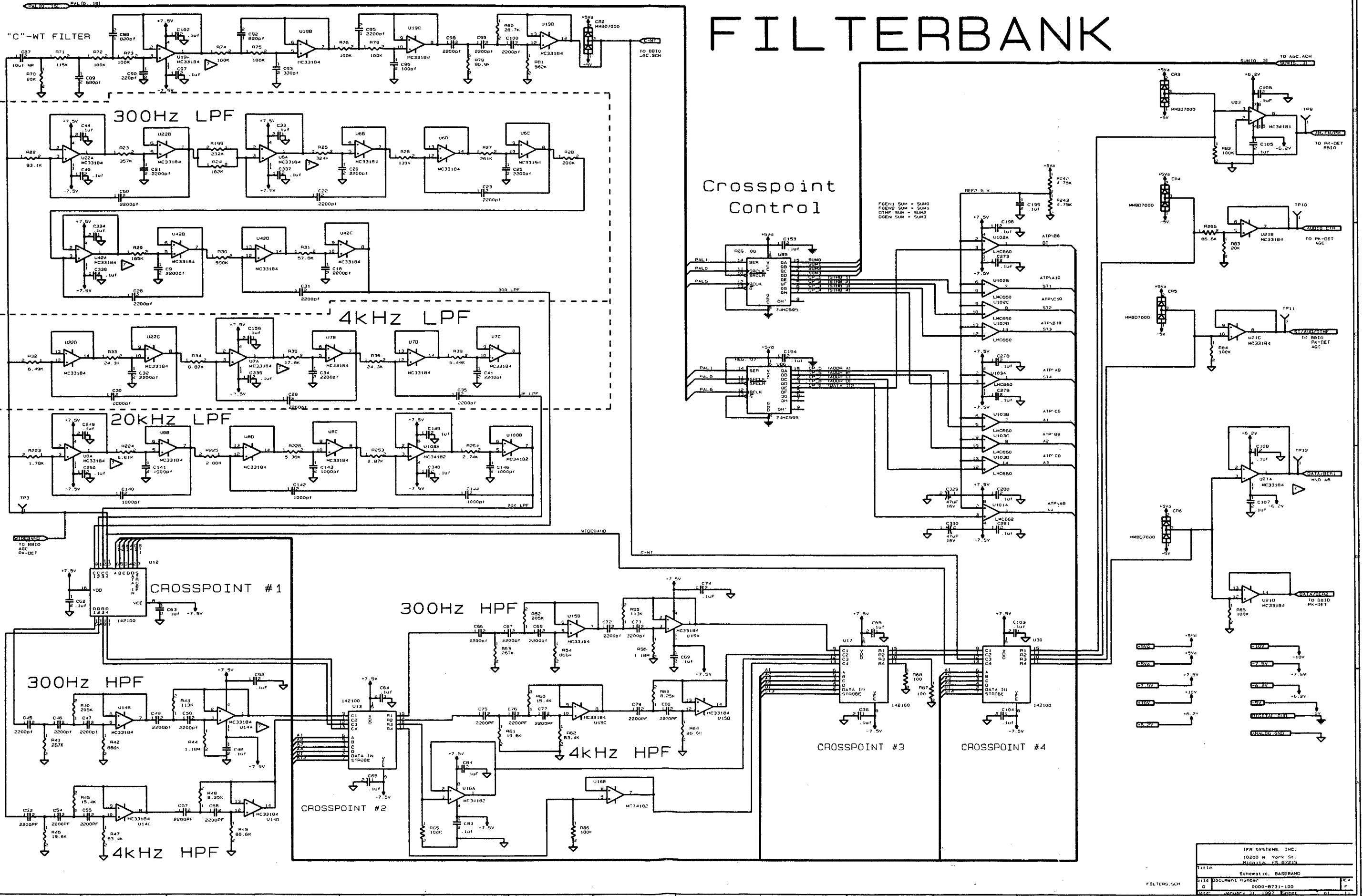
IFR SYSTEMS, INC.
 10200 W. York St.
 MCDONALD, KS 67215

Title: Schematic, BASEBAND
 Size: Document Number: 0000-8731-100
 Date: JANUARY 31, 1987



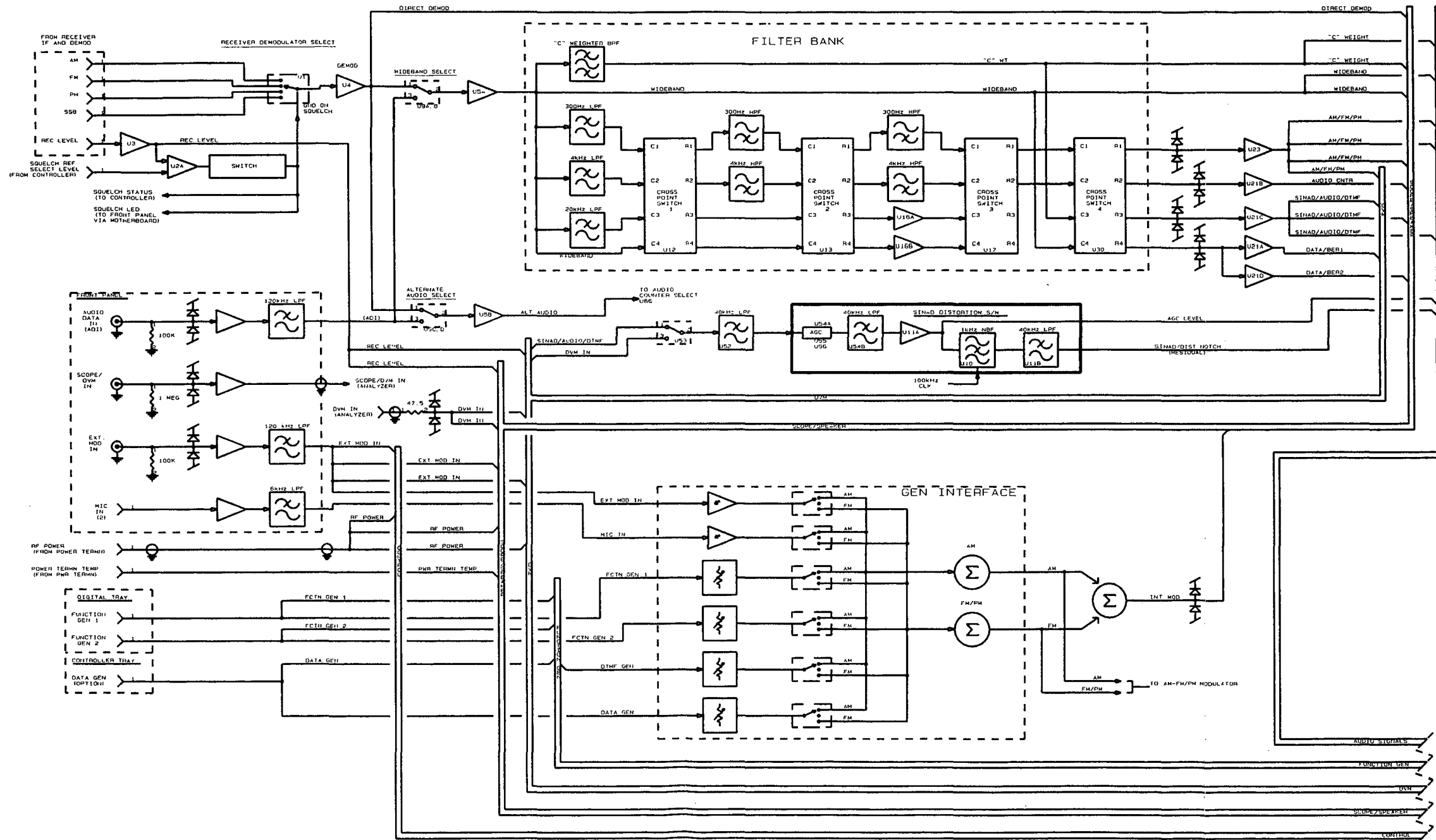
IFR SYSTEMS, INC.	
10200 W York St	
MIDOLLA, KS 67215	
FILE	Schematic, BASEBAND
SIZE	Document Number
0	0000-0731-100
DATE	JANUARY 31, 1997
REV	1

FILTERBANK



IFR SYSTEMS, INC.
 10200 W YORK ST.
 RICHMOND, VA 23215
 800-873-1100
 JANUARY 11, 1992

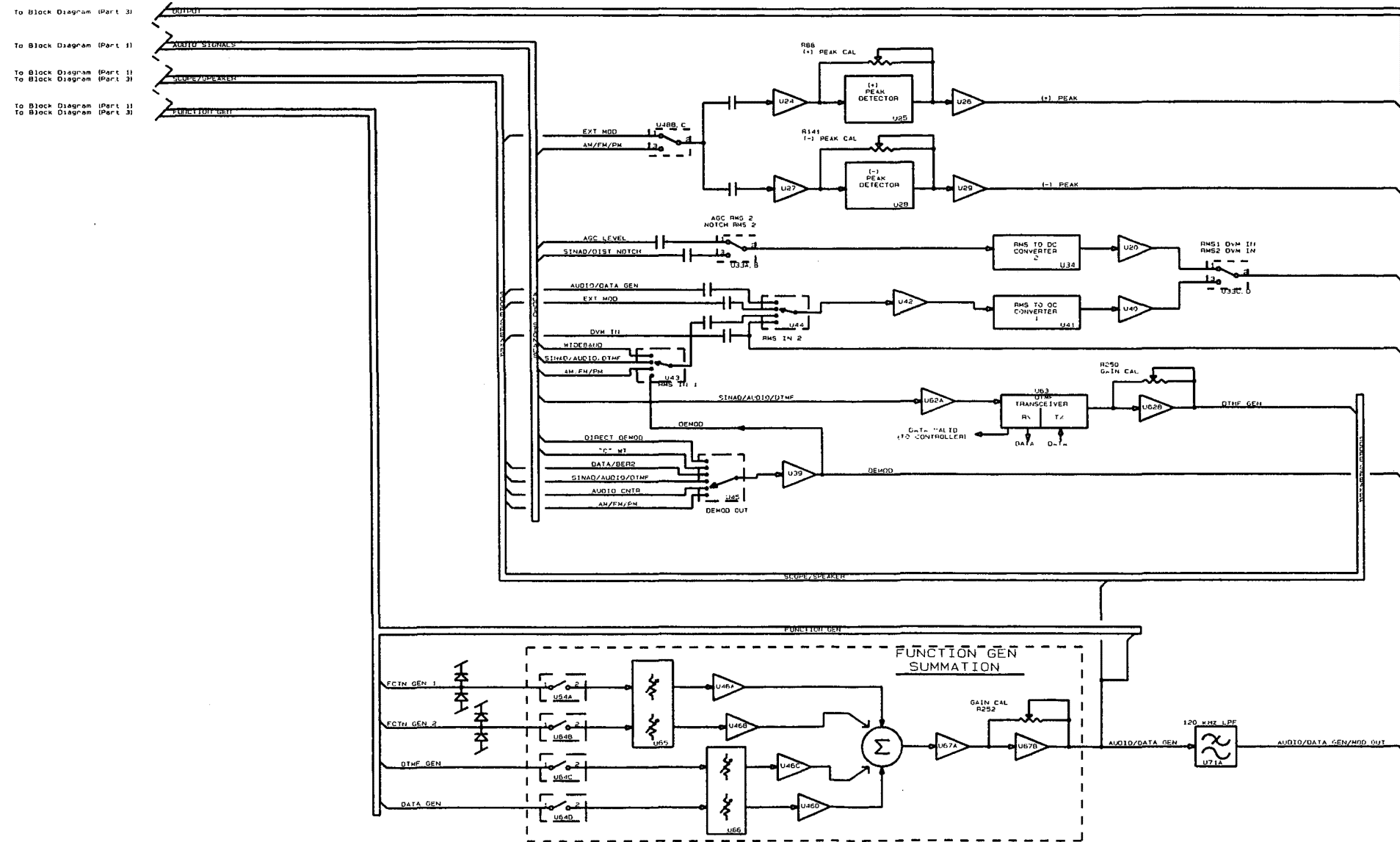
Block Diagram (Part 1)



IFR Systems, Inc
 10200 W York St.
 Macleata, KS 67215
 Size document number: 0000-8731-100
 DATE: JANUARY 31, 1997

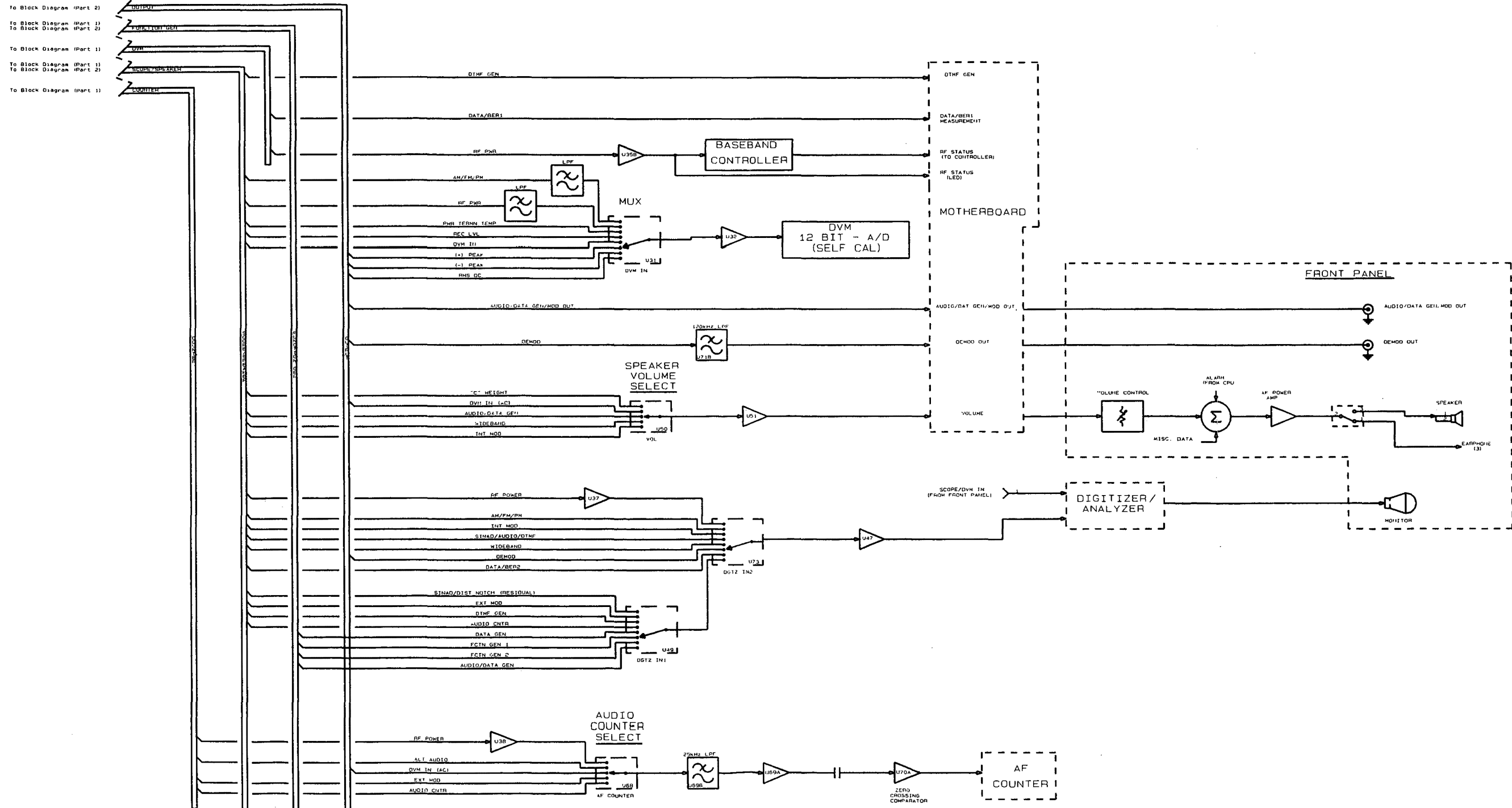
BLOCK1 SCH

Block Diagram (Part 2)

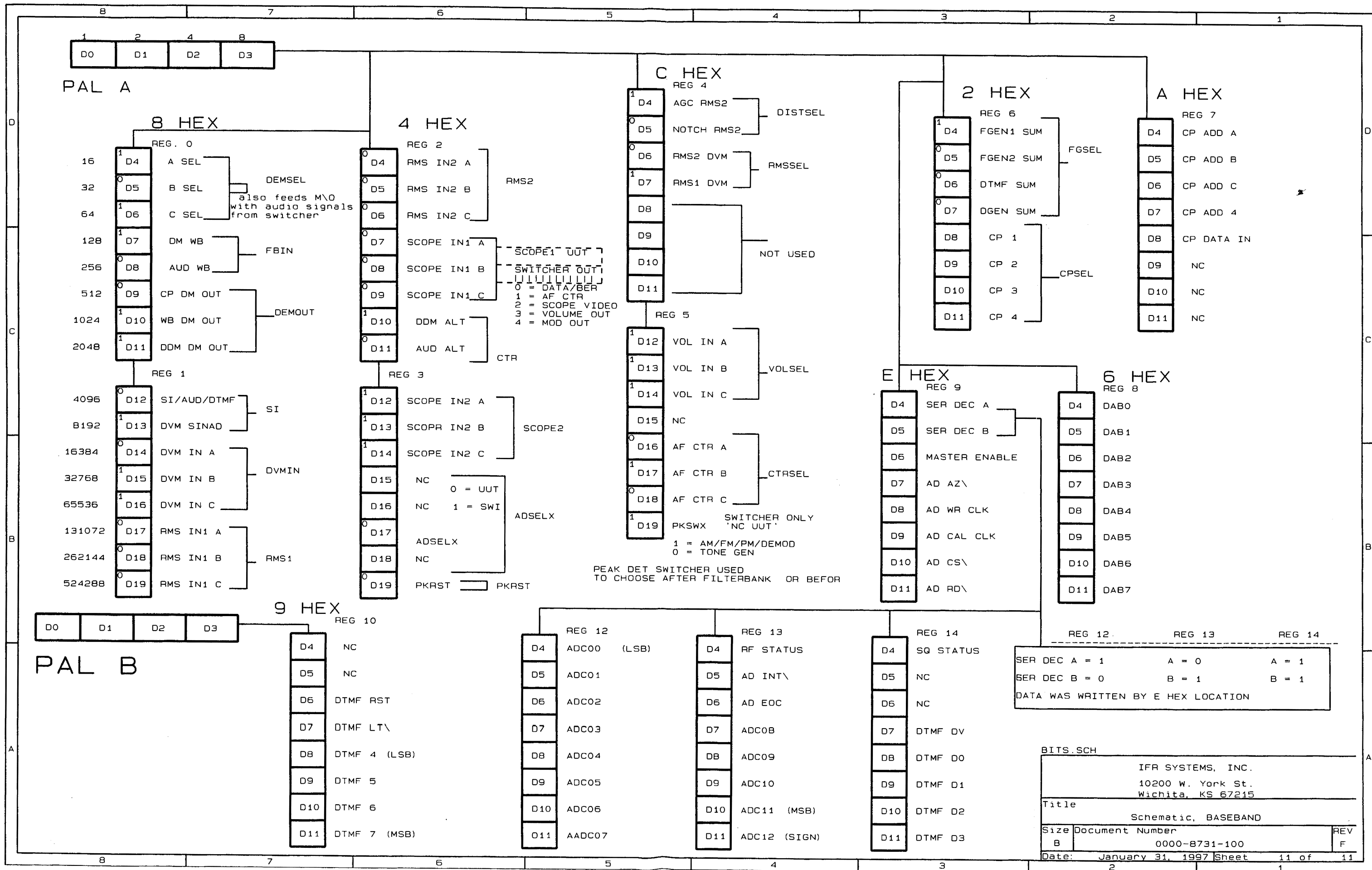


IFA Systems, Inc.
 10200 W York St.
 WOODBRIDGE, NY 07221
 SIZE Document Number
 D: 0000-0731-100
 DATE: JANUARY 31, 1997 EGR21 3 of 11

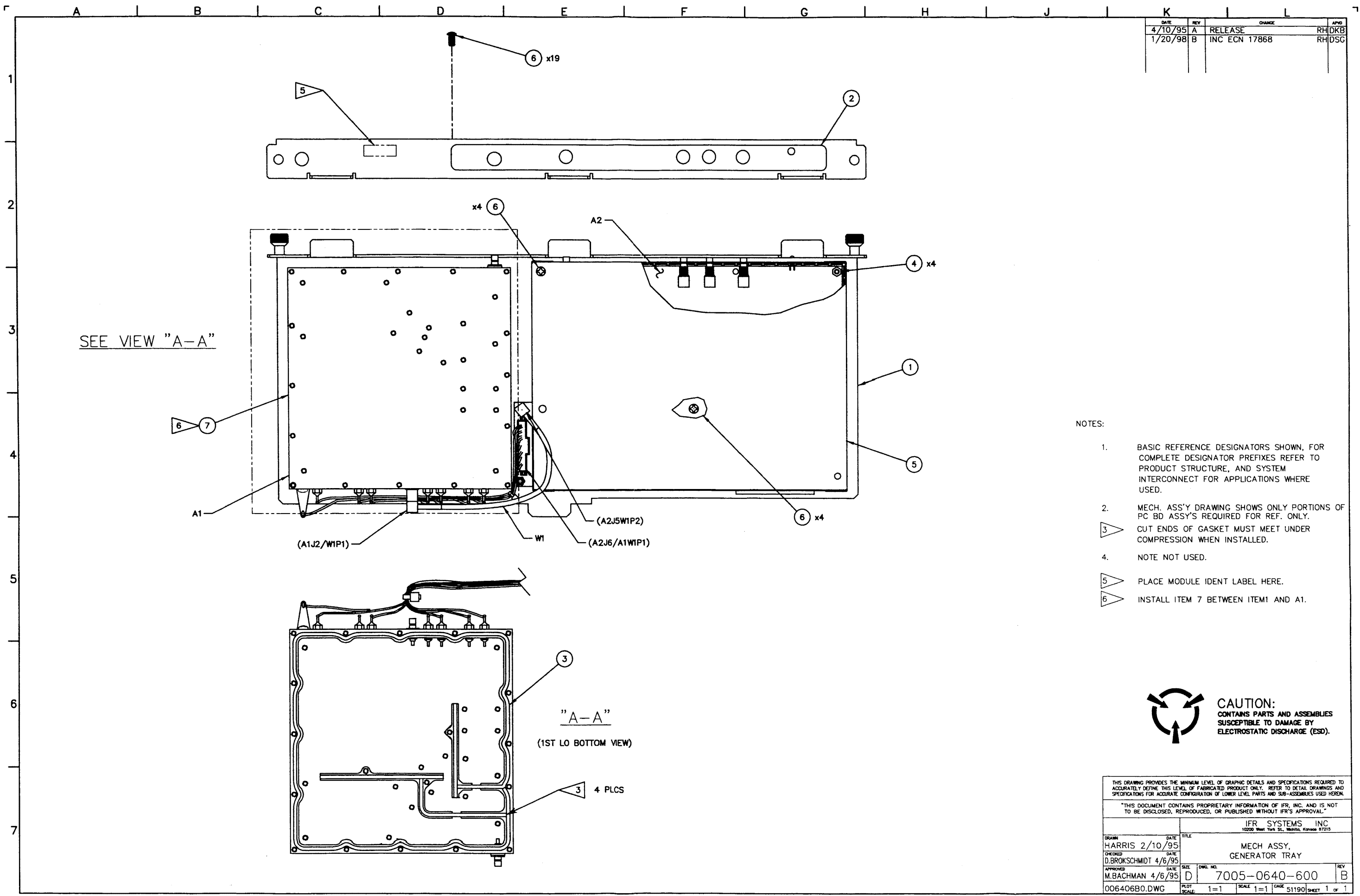
Block Diagram (Part 3)



IFR Systems, Inc.
10200 W York St.
Middletown, NY 07210
REV F
0000-8731-100
DATE: January 31, 1977 SHEET 10 of 11



DATE	REV	CHANGE	APPRO
4/10/95	A	RELEASE	RH/DKB
1/20/98	B	INC ECN 17868	RH/DSG



SEE VIEW "A-A"

NOTES:

1. BASIC REFERENCE DESIGNATORS SHOWN, FOR COMPLETE DESIGNATOR PREFIXES REFER TO PRODUCT STRUCTURE, AND SYSTEM INTERCONNECT FOR APPLICATIONS WHERE USED.
2. MECH. ASS'Y DRAWING SHOWS ONLY PORTIONS OF PC BD ASSY'S REQUIRED FOR REF. ONLY.
3. CUT ENDS OF GASKET MUST MEET UNDER COMPRESSION WHEN INSTALLED.
4. NOTE NOT USED.
5. PLACE MODULE IDENT LABEL HERE.
6. INSTALL ITEM 7 BETWEEN ITEM1 AND A1.



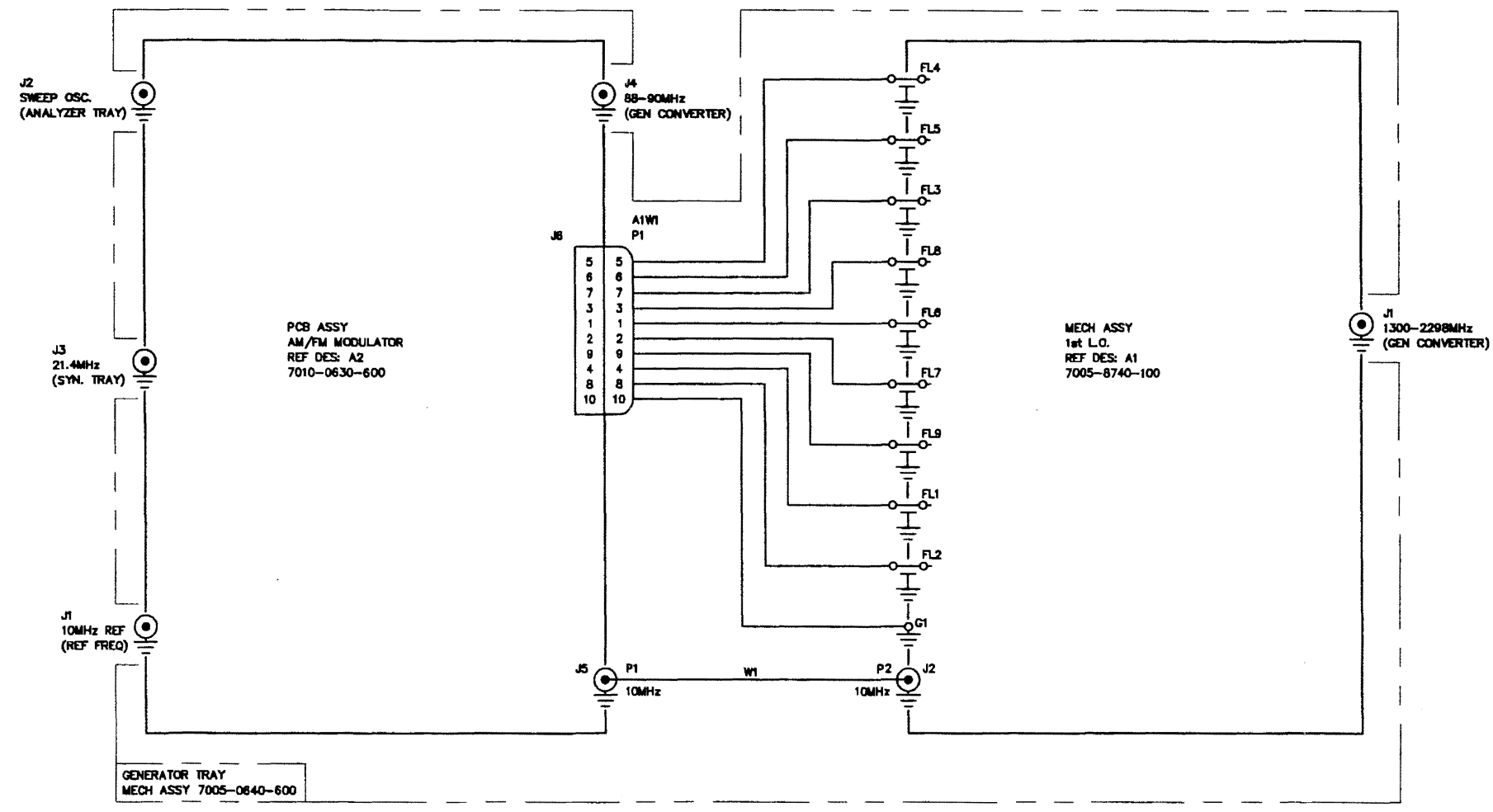
CAUTION:
CONTAINS PARTS AND ASSEMBLIES
SUSCEPTIBLE TO DAMAGE BY
ELECTROSTATIC DISCHARGE (ESD).

THIS DRAWING PROVIDES THE MINIMUM LEVEL OF GRAPHIC DETAILS AND SPECIFICATIONS REQUIRED TO ACCURATELY DEFINE THIS LEVEL OF FABRICATED PRODUCT ONLY. REFER TO DETAIL DRAWINGS AND SPECIFICATIONS FOR ACCURATE CONFIGURATION OF LOWER LEVEL PARTS AND SUB-ASSEMBLIES USED HEREIN.

"THIS DOCUMENT CONTAINS PROPRIETARY INFORMATION OF IFR, INC. AND IS NOT TO BE DISCLOSED, REPRODUCED, OR PUBLISHED WITHOUT IFR'S APPROVAL."

IFR SYSTEMS INC 10200 West York St., Wichita, Kansas 67215	
DATE: 2/10/95	TITLE: MECH ASSY, GENERATOR TRAY
CHECKED: D.BROKSCHMIDT 4/6/95	REV: B
APPROVED: M.BACHMAN 4/6/95	SIZE: D
006406B0.DWG	7005-0640-600
PLOT SCALE: 1=1	SCALE: 1=1
CAGE: 51190	SHEET: 1 of 1

DATE	REV	CHANGE	APPD
4/10/95	A	RELEASE	RH DKE

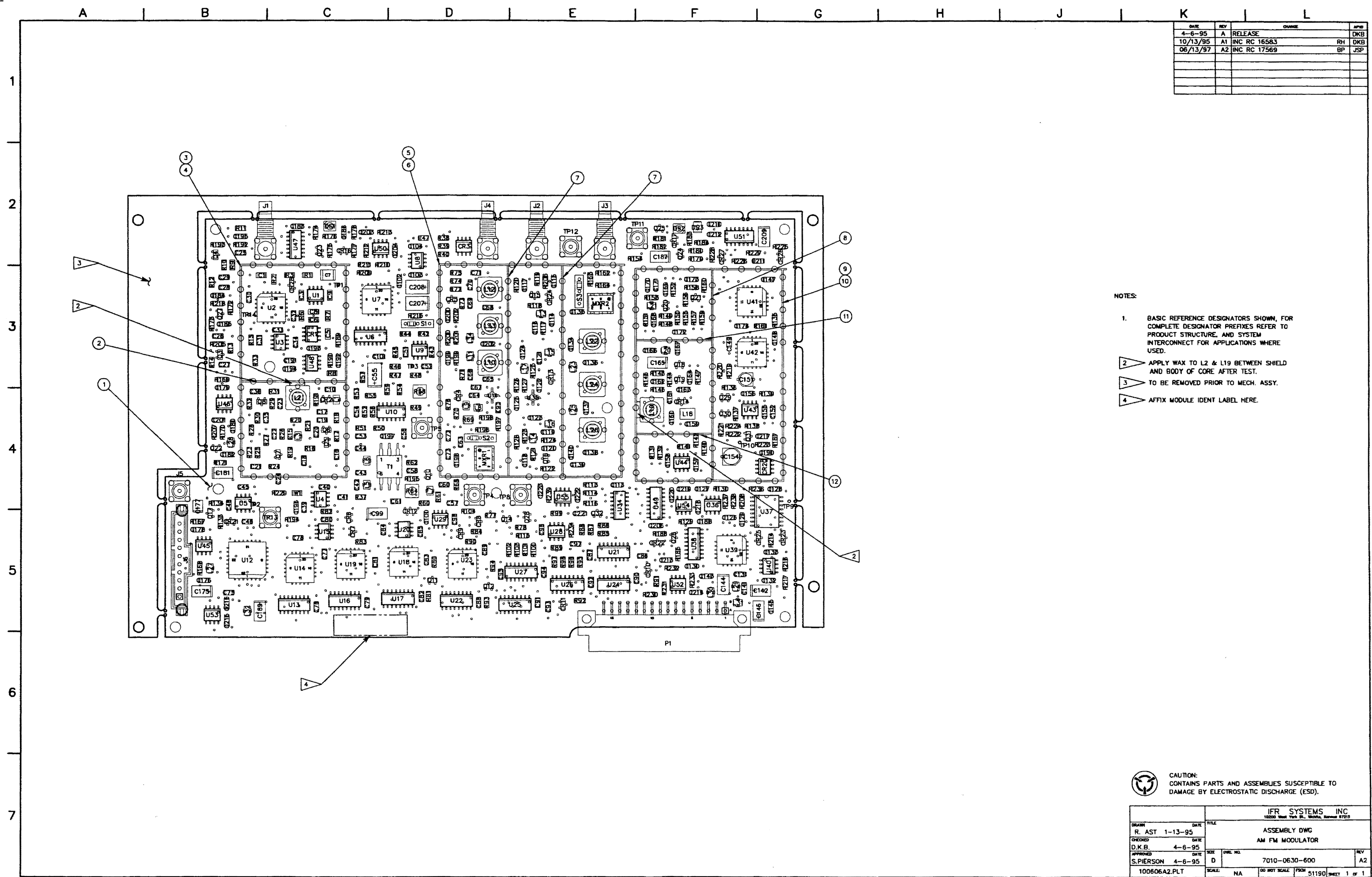


- NOTES:
- BASIC REFERENCE DESIGNATORS SHOWN, FOR COMPLETE DESIGNATOR PREFIXES REFER TO PRODUCT STRUCTURE, AND SYSTEM INTERCONNECT FOR APPLICATIONS WHERE USED.

THIS DOCUMENT CONTAINS PROPRIETARY INFORMATION OF IFR, INC. AND IS NOT TO BE DISCLOSED, REPRODUCED, OR PUBLISHED WITHOUT IFR'S APPROVAL

DRAWN		DATE		TITLE	
HARRIS		2/10/95		INTERCONNECT GENERATOR TRAY	
CHECKED		DATE		REV	
D.BROKSCHMIDT		4/6/95		A	
APPROVED		DATE		DWC NO.	
M.BACHMAN		4/6/95		0000-0640-600	
006406A0.DWG		PLOT SCALE		SCALE 1=1	
		CAGE		51190 SHEET 1 of 1	

DATE	REV	CHANGE	APP
4-6-95	A	RELEASE	DKB
10/13/95	A1	INC RC 16583	RH DKB
06/13/97	A2	INC RC 17569	BP JSP



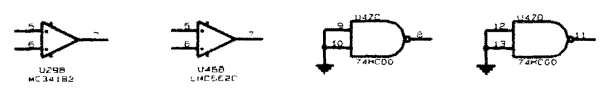
- NOTES:
1. BASIC REFERENCE DESIGNATORS SHOWN, FOR COMPLETE DESIGNATOR PREFIXES REFER TO PRODUCT STRUCTURE, AND SYSTEM INTERCONNECT FOR APPLICATIONS WHERE USED.
 2. APPLY WAX TO L2 & L19 BETWEEN SHIELD AND BODY OF CORE AFTER TEST.
 3. TO BE REMOVED PRIOR TO MECH. ASSY.
 4. AFFIX MODULE IDENT LABEL HERE.

CAUTION: CONTAINS PARTS AND ASSEMBLIES SUSCEPTIBLE TO DAMAGE BY ELECTROSTATIC DISCHARGE (ESD).

DRAWN		DATE		TITLE	
R. AST	1-13-95	ASSEMBLY DWG			
CHECKED		DATE		AM FM MODULATOR	
D.K.B.	4-6-95				
APPROVED		SIZE	DWG. NO.	REV	
S. PIERSON	4-6-95	D	7010-0630-600	A2	
SCALE: NA		DO NOT SCALE	FROM 51190	SHEET 1 of 1	

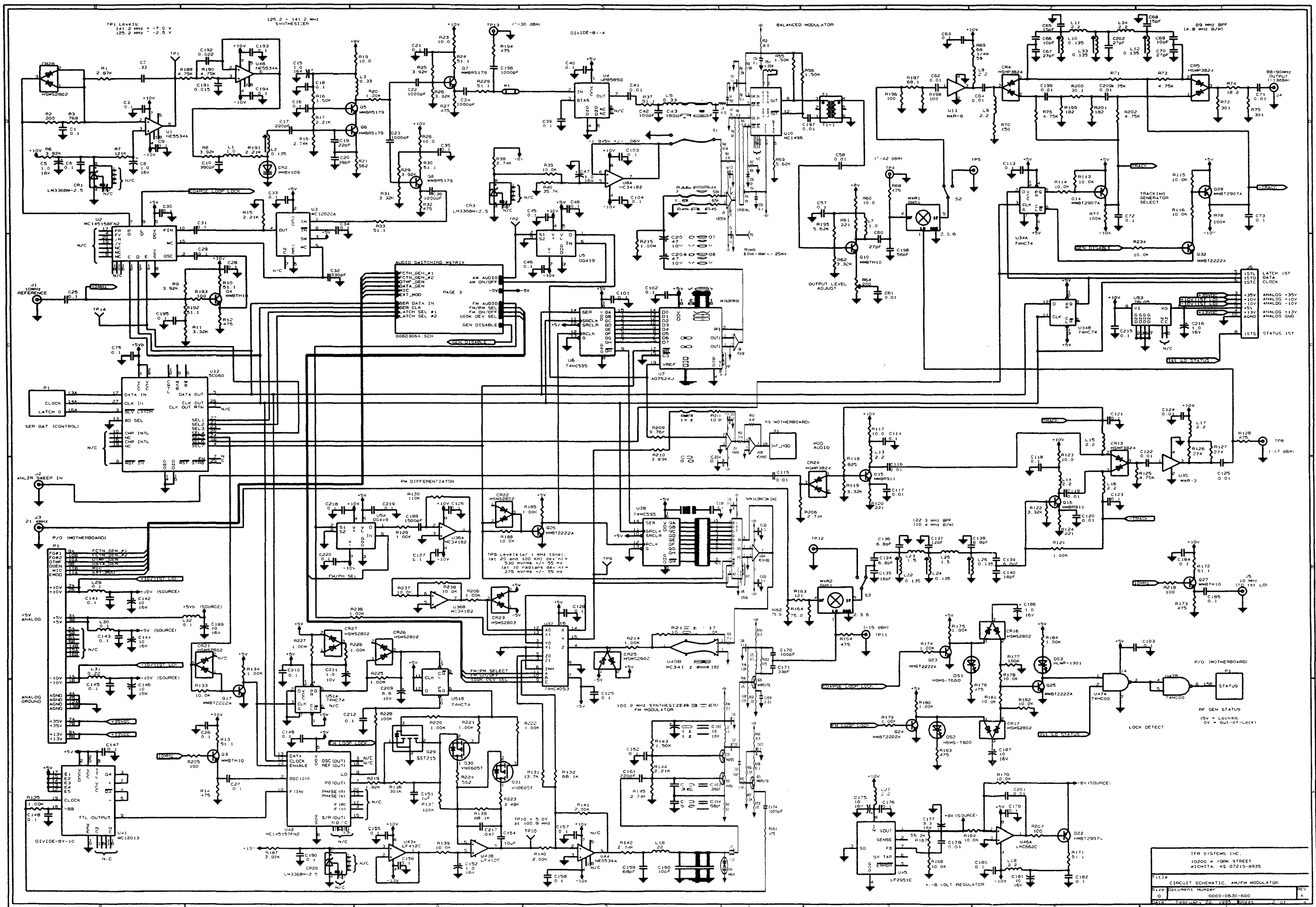
DATE	REV	CHANGE	APPROVED
4-11-95	A	RELEASE	J.I.H. DKB

- NOTES:
(UNLESS OTHERWISE SPECIFIED)
1. BASIC REFERENCE DESIGNATORS SHOWN FOR COMPLETE DESIGNATOR SHEET PAGES REFER TO PRODUCT STRUCTURE AND SYSTEM INTERCONNECT FOR APPLICATIONS WHERE USED.
 2. ALL RESISTORS ARE 1% 1/8W.
 3. ALL RESISTANCE IS EXPRESSED IN OHMS. ALL CAPACITANCE IS EXPRESSED IN MICROFARADS. ALL INDUCTANCE IS EXPRESSED IN MICROHENRIES.
 4. HIGHEST REFERENCE DESIGNATIONS
 U50 C223 C428 L34 M/R2 TP14 D53
 D32 T1 R238 P1 J6 S3 W1
 5. REFERENCE DESIGNATIONS NOT USED:
 C2, C4, C11, C12, C13, C14, C17, C30, C49, C50, C59, C74,
 C105-C112, C150, C193, C205,
 D15, C316, C418, L4, D1, D2, D9, D13, D4, R5, R22, R34, R35, R36, R41,
 R61, R65, R68, R69, R79, R105-112, R165, R166, R186, R203, R204, R235,
 TP8, TP7, L33-33
 6. FOR INTERCONNECT/BLOCK DIAGRAM SEE APPLICATIONS WHERE USED.
 7. IC FUNCTIONS NOT USED



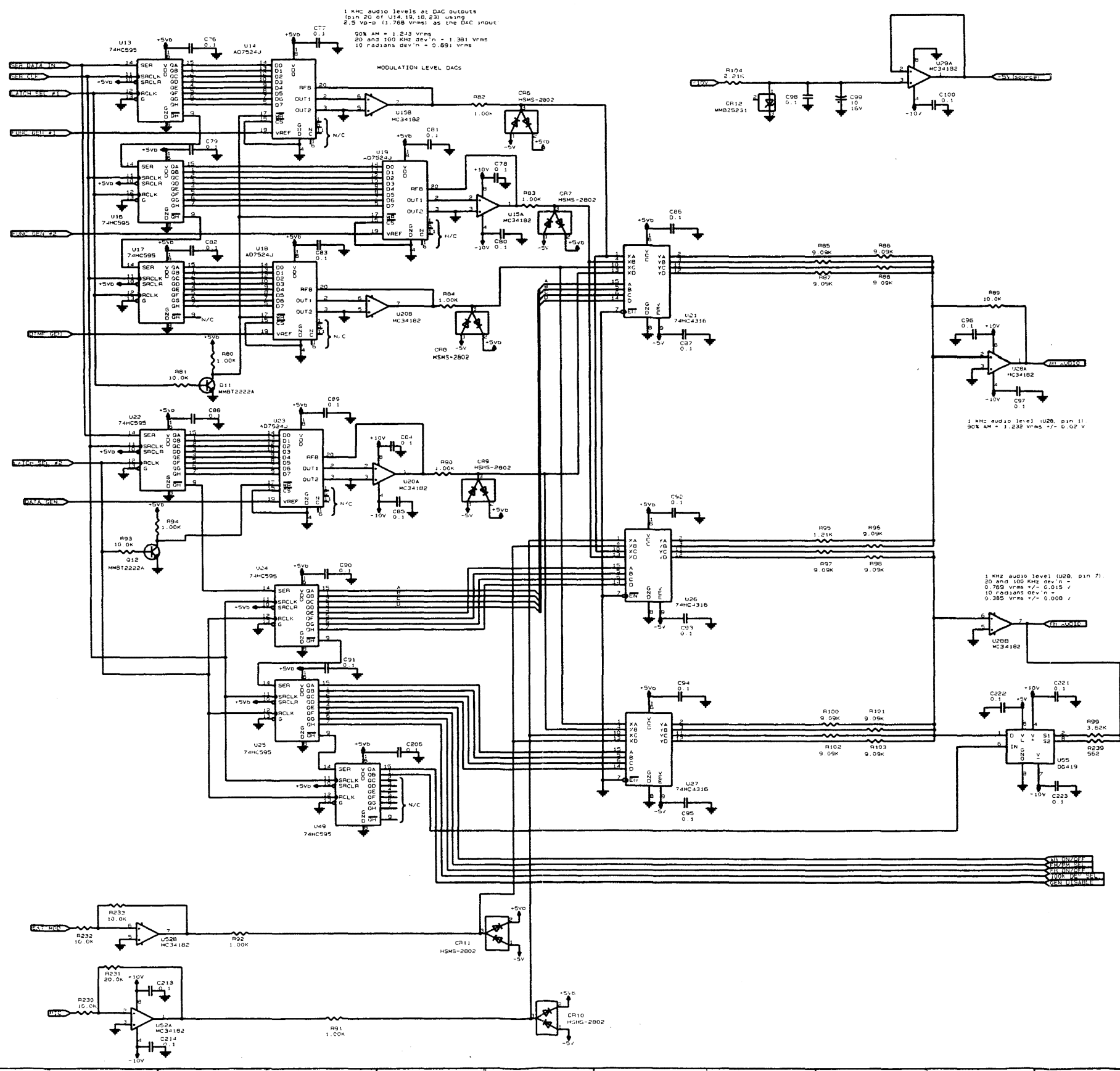
CAUTION:
 CONTAINS PARTS AND ASSEMBLIES
 SUSCEPTIBLE TO DAMAGE BY
 ELECTROSTATIC DISCHARGE (ESD)

DESIGNER	J. MILLER	DATE	2-20-95	IFR SYSTEMS, INC.	
DRAWN	DKB	DATE	4-8-95	10200 WEST YORK WICHITA, KS 67215	
CHECKED	DKB	DATE	4-8-95	TITLE	CIRCUIT SCHEMATIC, AM/FM MODULATOR
APPROVED	S. PIERSON	DATE	4-8-95	REV	0
				DOCUMENT NUMBER	0000-0630-600
				REV	A
				DATE	06/11/95 SHEET 1 OF 1



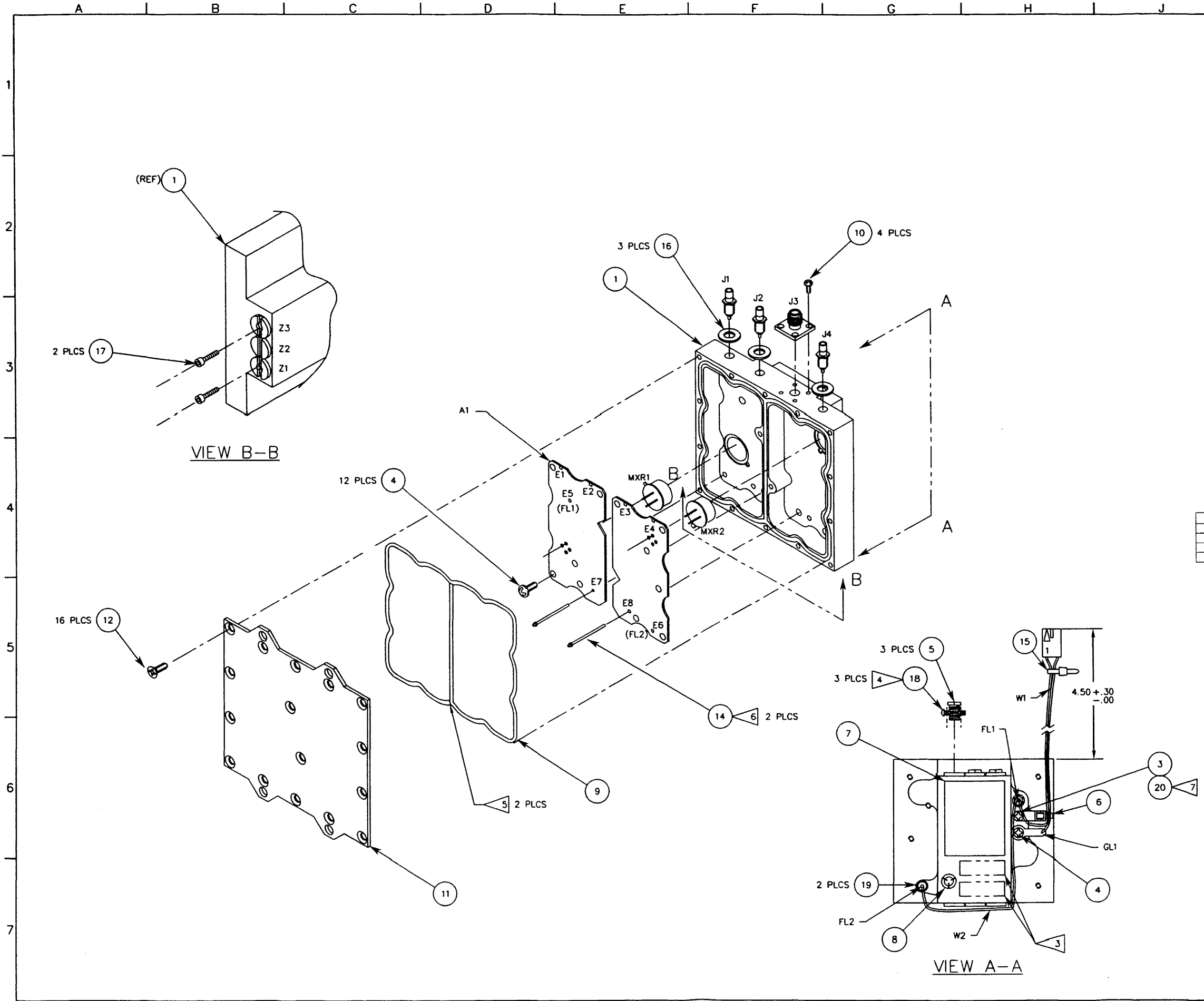
IFR SYSTEMS INC.
 10200 W YORK STREET
 WICHITA, KS 67215-8935

Title: CIRCUIT SCHEMATIC, AM/FM MODULATOR
 File: DOCUMENT NUMBER
 0000-0630-600
 DATE: FEBRUARY 22, 1995



1313	CIRCUIT SCHEMATIC, AM/FM MODULATOR	REV
312	DOCUMENT NUMBER	3.62K
10	0000-0630-600	A
DATE	1995	1 of 1


DATE	REV	CHANGE	RH	APVD
8/19/92	D	DESIGN RELEASE	RH	DKE
10/30/92	D1	INC FMY-052	RH	DKE
1/4/93	D2	INC FMY-095	RH	DKE
04/06/93	D3	PROD REL ECN 15564 BP	RH	DKE
08/23/93	D4	PRODUCT EQUAL TO D5	RH	DKE
11/17/93	D5	INC ECN 15769 & 15769A BP	RH	BM



- NOTES:
1. BASIC REFERENCE DESIGNATORS SHOWN, FOR COMPLETE DESIGNATOR PREFIXES REFER TO PRODUCT STRUCTURE, AND SYSTEM INTERCONNECT FOR APPLICATIONS WHERE USED.
 2. MECH. ASSY DRAWING SHOWS ONLY PORTIONS OF PC BD ASSY'S REQUIRED FOR REF. ONLY.
 3. AFFIX MODULE IDENTIFICATION LABELS HERE.
 4. THREAD NYLON SCREW INTO SLUG UNTIL THREADS ARE EXTENDING PAST SLUG ABOUT EQUAL DISTANCE. CUT OFF BOTH ENDS OF SCREW FLUSH TO SLUG THREADS.
 5. CUT ENDS OF GASKET MUST MEET UNDER COMPRESSION WHEN INSTALLED.
 6. PINS ARE TO BE FULLY INSERTED INTO TUNING POLE. CUT OFF EXCESS PIN AFTER SOLDERING.
 7. ADD WASHER ITEM #20 BETWEEN ITEM #3 AND ITEM #6.

WIRE RUNNING LIST

DESG	FROM	TO	COLOR	AWG
W1W1	P1-01	FL1	RED	22
W1W2	P1-02	GL1	BLACK	22
W2	FL2	FL1	RED	22

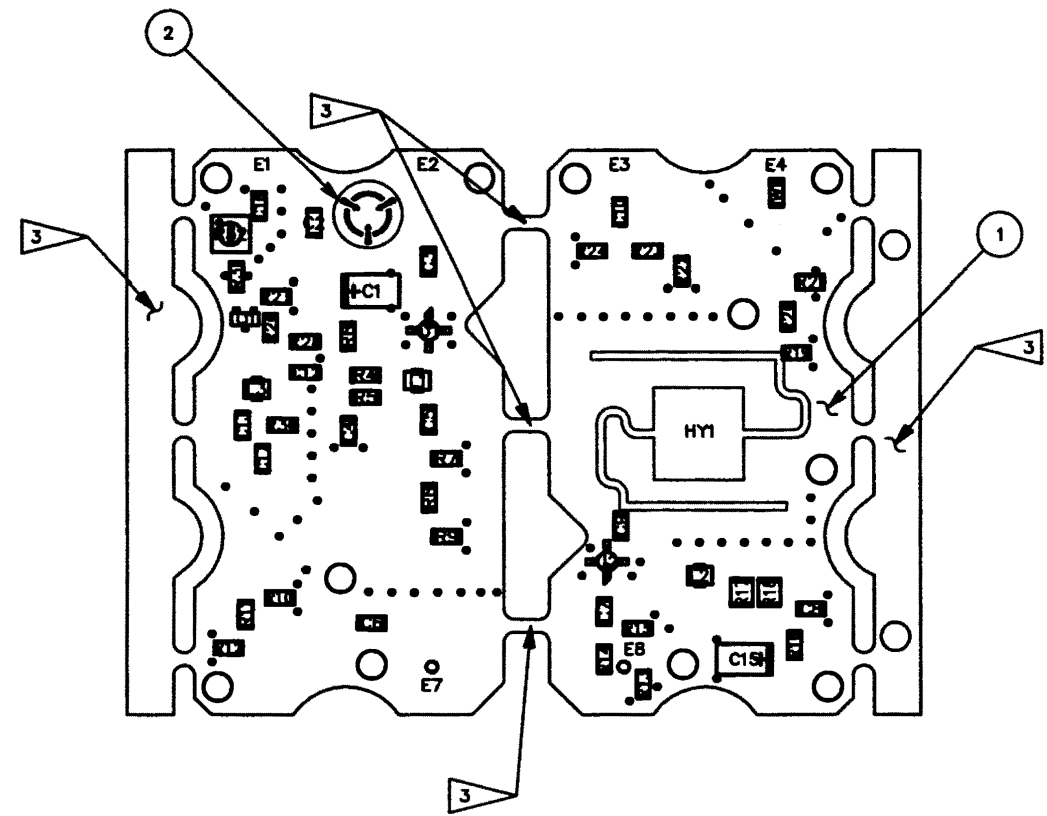
 **CAUTION:**
CONTAINS PARTS AND ASSEMBLIES
SUSCEPTIBLE TO DAMAGE BY
ELECTROSTATIC DISCHARGE (ESD).

DRAWN HARRIS 4/16/92		DATE 4/16/92		TITLE MECH ASSY GEN CONVERTER	
CHECKED S.PERKINS 8/17/92		DATE 8/17/92		REV D5	
APPROVED M.BACHMAN 8/20/92		DATE 8/20/92		DWC NO. 7005-8740-300	
087403D5.DWG		PLOT SCALE 1=1		SCALE 1=1	
		CAGE 51190		SHEET 1 OF 1	

A B C D E F G

DATE	REV	CHANGE	APD
8-14-92	D1	DESIGN RELEASE	RLA
4-28-93	D2	PROD REL PER ECN 15564	MKM

1
2
3
4
5



- NOTES:
1. BASIC REFERENCE DESIGNATORS SHOWN, FOR COMPLETE DESIGNATOR PREFIXES REFER TO PRODUCT STRUCTURE, AND SYSTEM INTERCONNECT FOR APPLICATIONS WHERE USED.
 2. REF SCHEMATIC # 0000-8740-300.
 3. TO BE REMOVED PRIOR TO MECH. ASSY.
 4. NON-TERMINATED E POINTS SHOWN FOR REFERENCE ONLY.

 CAUTION: CONTAINS PARTS AND ASSEMBLIES SUSCEPTIBLE TO DAMAGE BY ELECTROSTATIC DISCHARGE (ESD).

DRAWN		DATE		TITLE	
C.J. WEBB		3/9/91		ASSEMBLY DWG	
CHECKED		DATE		GEN CONVERTER	
RICK DOLL		4/10/91			
APPROVED		DATE		SIZE	DRG. NO.
B.LANGRIDGE		4/10/91		C	7010-8730-300
		SCALE:	1:1	DO NOT SCALE	FROM 51190 SHEET 1 of 1

DATE	REV	CHANGE	APPROVED
8-14-92	0	DESIGN RELEASE	DKB
04-05-93	01	PROD REL per ECN15564	DKB

NOTES:
(UNLESS OTHERWISE SPECIFIED)

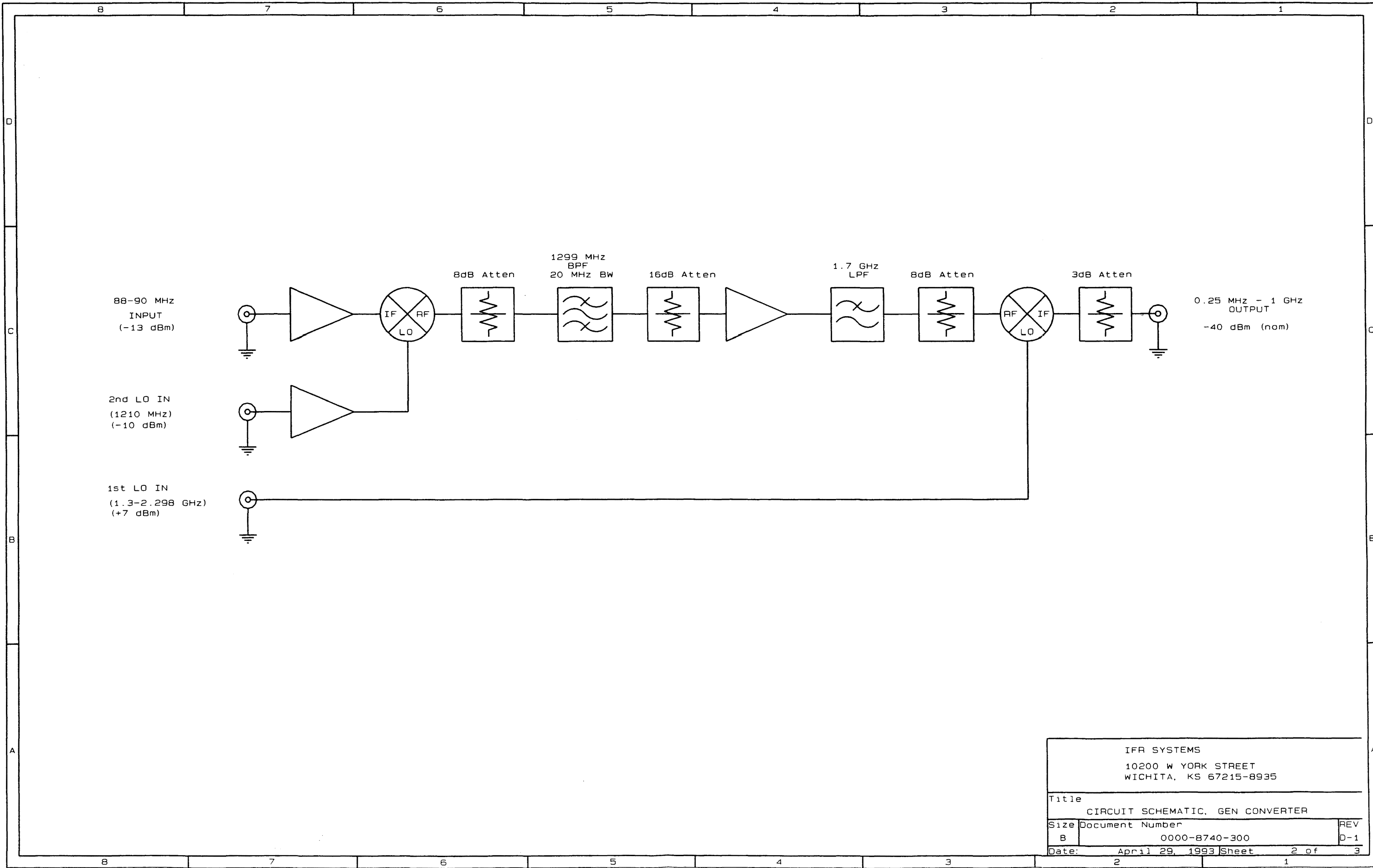
1. BASIC REFERENCE DESIGNATORS SHOWN. FOR COMPLETE DESIGNATOR PREFIXES REFER TO PRODUCT STRUCTURE AND SYSTEM INTERCONNECT FOR APPLICATIONS WHERE USED.
 2. ALL RESISTORS ARE 1%, 1/BW.
 3. ALL RESISTANCE IS EXPRESSED IN OHMS. ALL CAPACITANCE IS EXPRESSED IN MICROFARADS. ALL INDUCTANCE IS EXPRESSED IN MICROHENRIES.
 4. HIGHEST REFERENCE DESIGNATIONS:
7010-8730-300
C17 L3 Q1 R32 U2
7005-8740-300
FL2 GL1 J4 MXR2 P1 Z3
 5. REFERENCE DESIGNATIONS NOT USED:
7010-8730-300
C11, C14, R1-3, R25, R29
7005-8740-300
NONE
 6. FOR INTERCONNECT/BLOCK DIAGRAM SEE APPLICATIONS WHERE USED.
 7. IC FUNCTIONS NOT USED:
NONE
- *- INDICATES PRINTED TRANSMISSION LINES OF OTHER THAN 50 OHMS IMPEDANCE WHICH CONSTITUTE CIRCUIT ELEMENTS. 50 OHM TRANSMISSION LINES ARE NOT SHOWN.



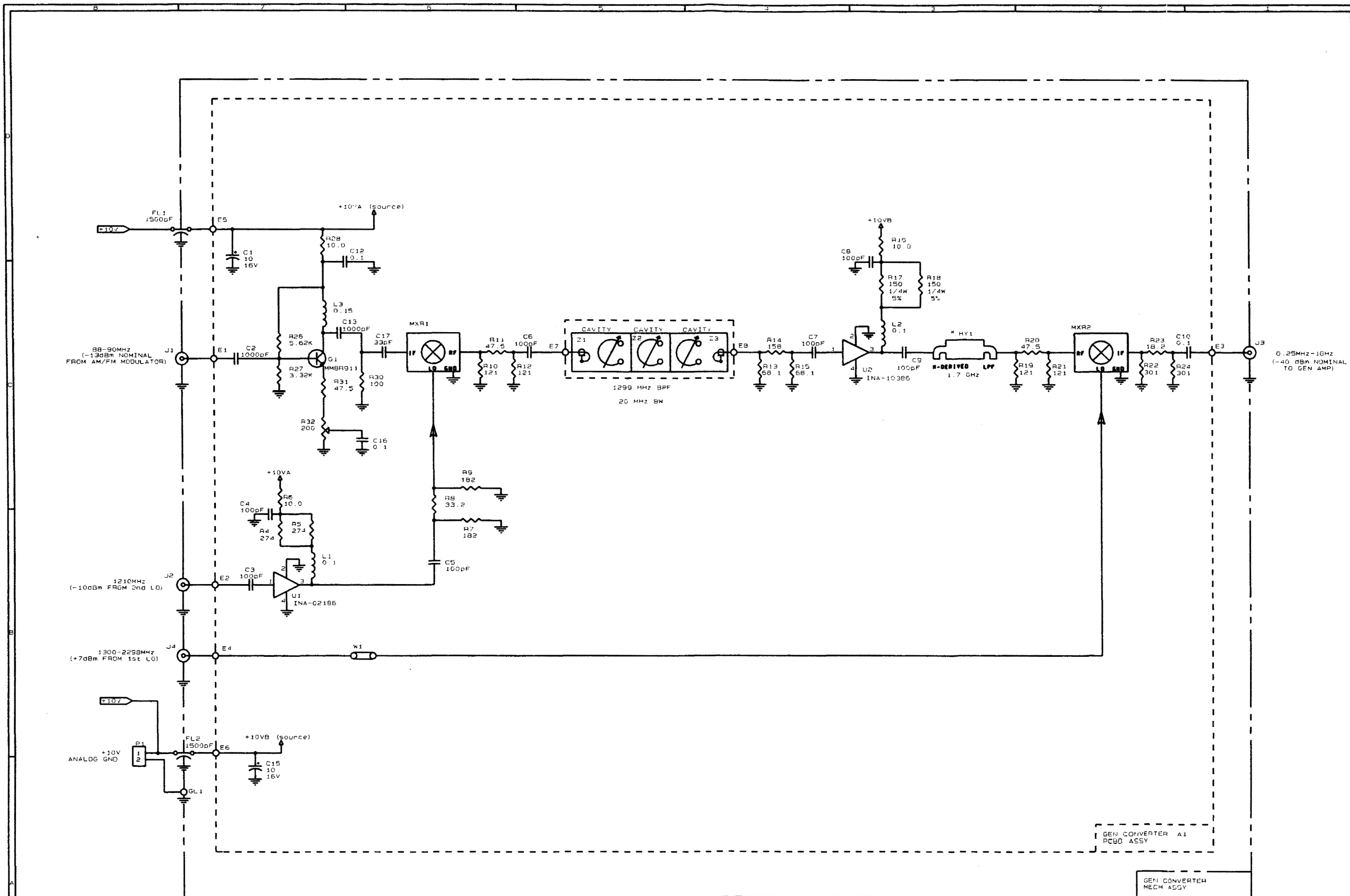
CAUTION:

CONTAINS PARTS AND ASSEMBLIES
SUSCEPTIBLE TO DAMAGE BY
ELECTROSTATIC DISCHARGE (ESD).

DRAWN R. LANGRIDGE 5-27-92		IFR SYSTEMS, INC. 10200 W YORK STREET WICHITA, KS 67215-8935	
CHECKED DEB BROKSCHMIDT 8-14-92		Title CIRCUIT SCHEMATIC, GEN CONVERTER	
APPROVED STAN PIERSON 8-14-92		Size B	Document Number 0000-8740-300
		Date: February 9, 1998	REV D-1
		Sheet 1 of	3

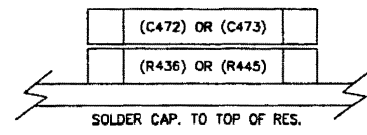
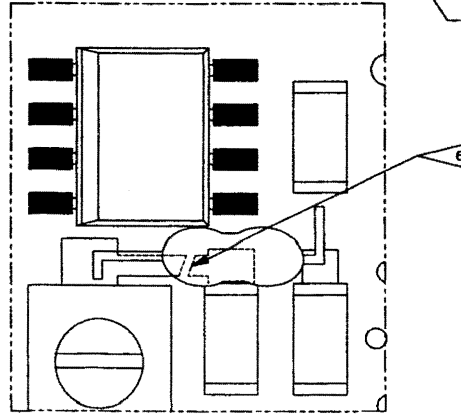
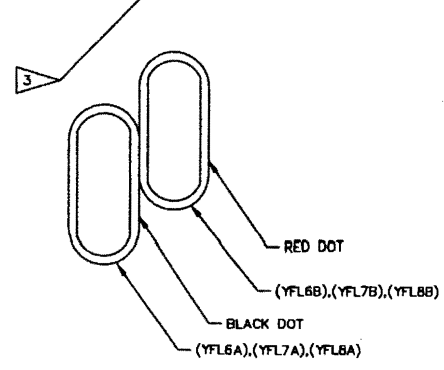
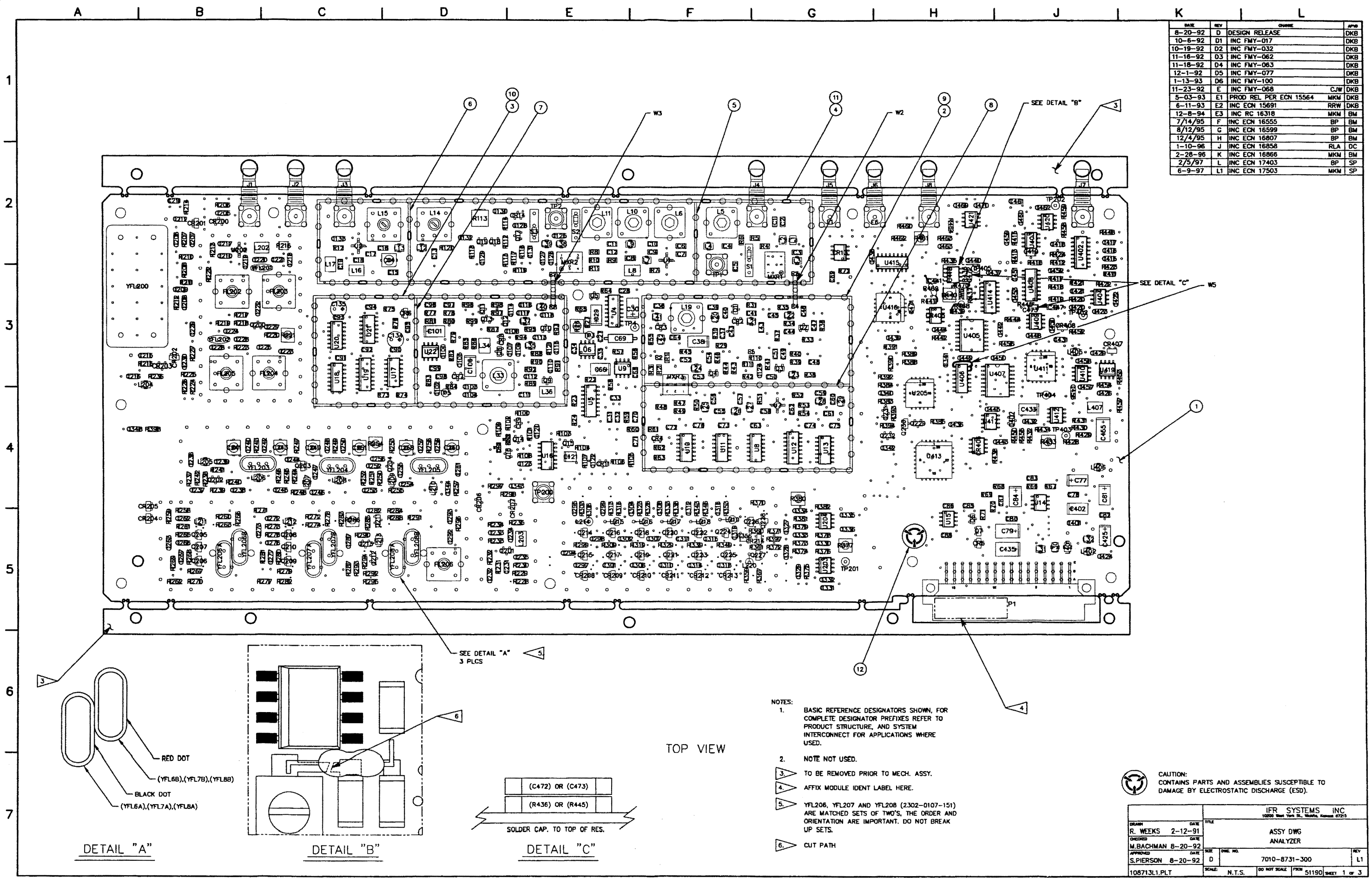


IFR SYSTEMS		
10200 W YORK STREET		
WICHITA, KS 67215-8935		
Title		
CIRCUIT SCHEMATIC, GEN CONVERTER		
Size	Document Number	REV
B	0000-8740-300	D-1
Date:	April 29, 1993	Sheet 2 of 3



IFR SYSTEMS INC.	
10200 W YORK STREET	
WICHITA, KS 67215-8535	
Title	
CIRCUIT SCHEMATIC, GEN CONVERTER	
Size	Document Number
C	0000-8746-300
Date	Apr 11, 1993 Sheet 3 of 3
REV	0-1

DATE	REV	CHANGE	APP'D
8-20-92	D	DESIGN RELEASE	DKB
10-6-92	D1	INC FMY-017	DKB
10-19-92	D2	INC FMY-032	DKB
11-16-92	D3	INC FMY-062	DKB
11-18-92	D4	INC FMY-063	DKB
12-1-92	D5	INC FMY-077	DKB
1-13-93	D6	INC FMY-100	DKB
11-23-92	E	INC FMY-068	CJW DKB
5-03-93	E1	PROD REL PER ECN 15564	MKM DKB
6-11-93	E2	INC ECN 15691	RRW DKB
12-8-94	E3	INC RC 16318	MKM BM
7/14/95	F	INC ECN 16555	BP BM
8/12/95	G	INC ECN 16599	BP BM
12/4/95	H	INC ECN 16807	BP BM
1-10-96	J	INC ECN 16858	RLA DC
2-28-96	K	INC ECN 16866	MKM BM
2/5/97	L	INC ECN 17403	BP SP
6-9-97	L1	INC ECN 17503	MKM SP



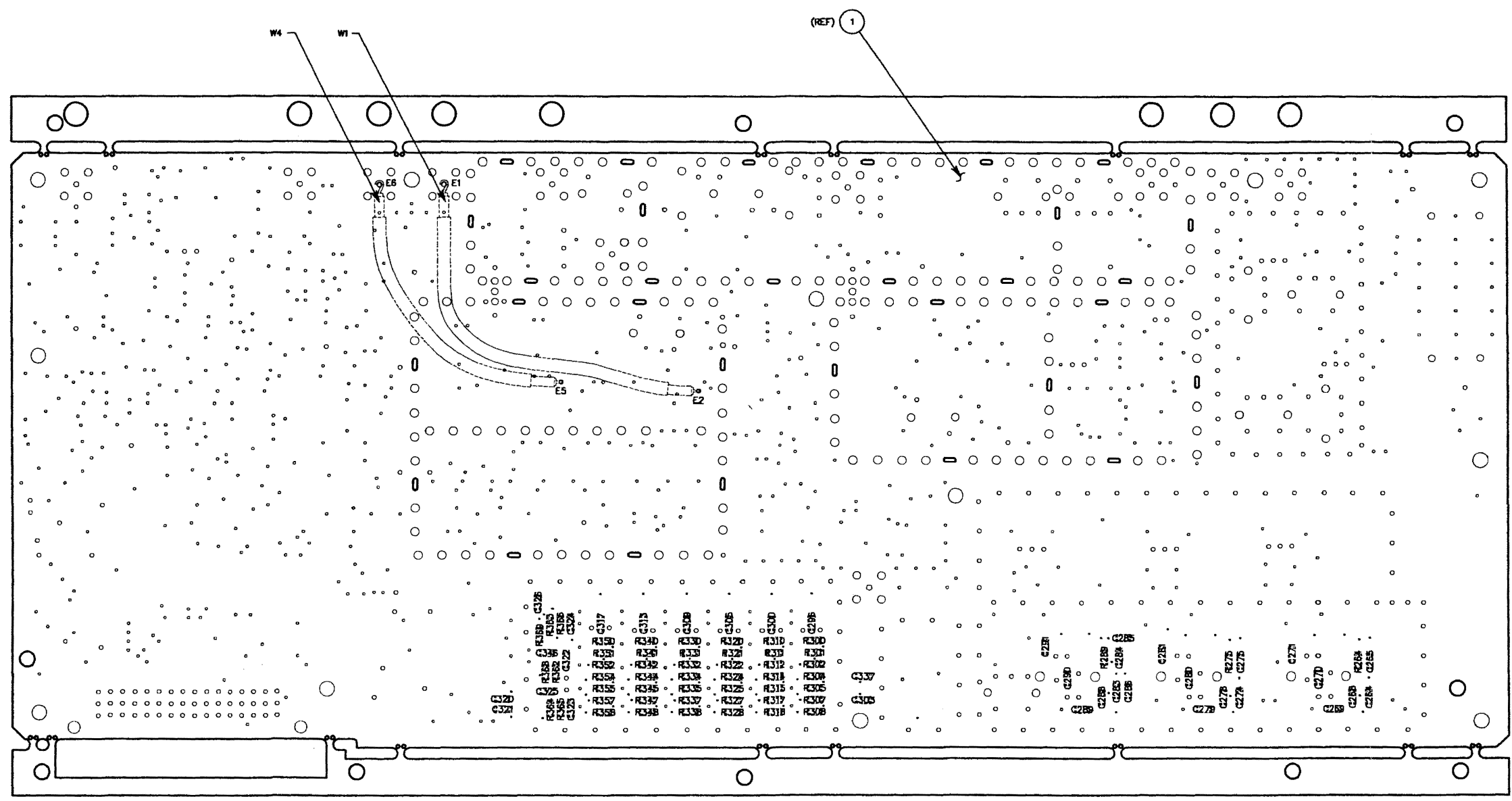
- NOTES:
1. BASIC REFERENCE DESIGNATORS SHOWN, FOR COMPLETE DESIGNATOR PREFIXES REFER TO PRODUCT STRUCTURE, AND SYSTEM INTERCONNECT FOR APPLICATIONS WHERE USED.
 2. NOTE NOT USED.
 3. TO BE REMOVED PRIOR TO MECH. ASSY.
 4. AFFIX MODULE IDENT LABEL HERE.
 5. YFL206, YFL207 AND YFL208 (2302-0107-151) ARE MATCHED SETS OF TWO'S, THE ORDER AND ORIENTATION ARE IMPORTANT. DO NOT BREAK UP SETS.
 6. CUT PATH



CAUTION: CONTAINS PARTS AND ASSEMBLIES SUSCEPTIBLE TO DAMAGE BY ELECTROSTATIC DISCHARGE (ESD).

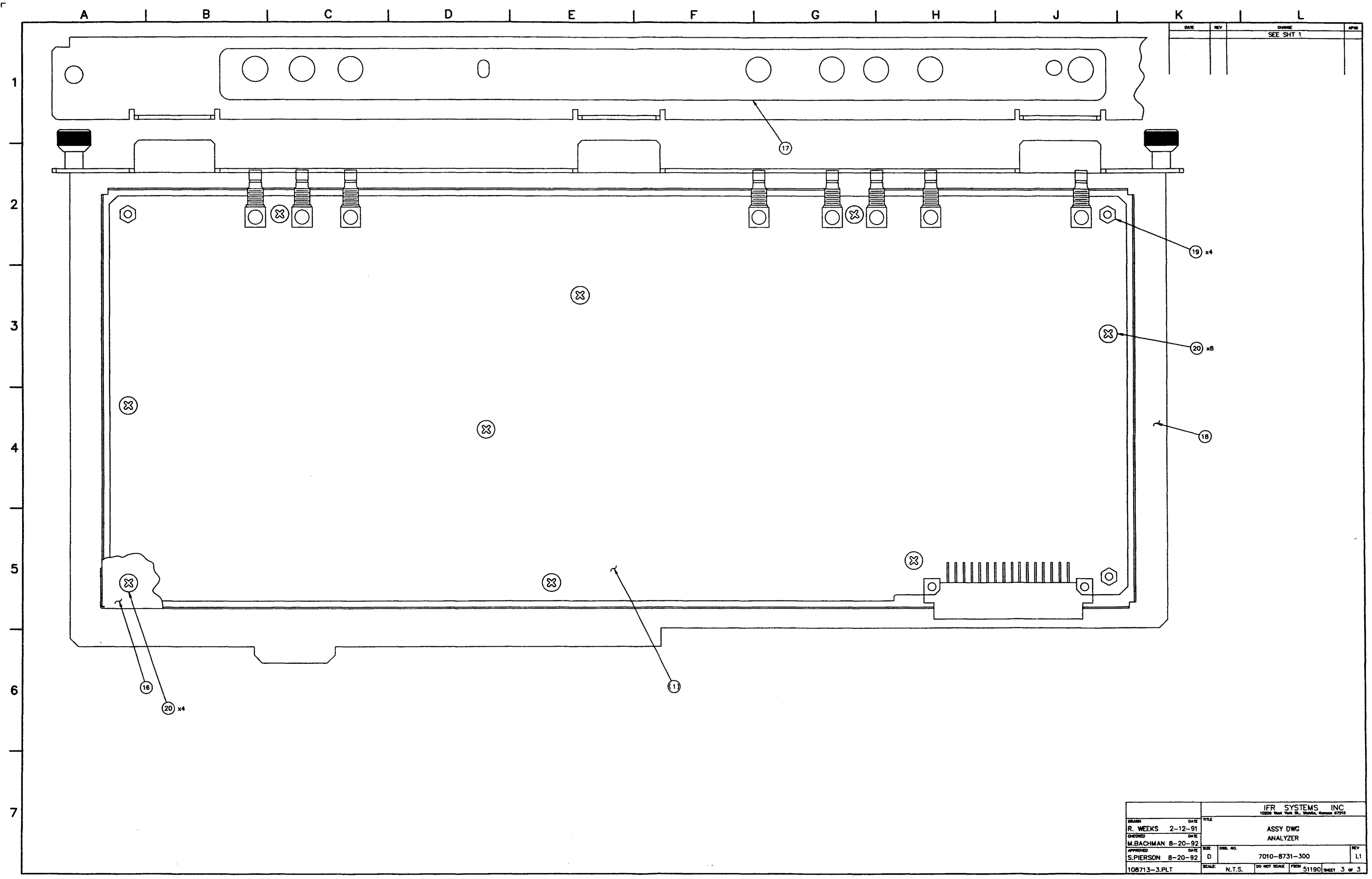
IFR SYSTEMS, INC. 10000 West York St., Torrance, California 90503			
DATE	2-12-91	TITLE	ASSY DWG ANALYZER
DRAWN BY	R. WEEKS	DATE	8-20-92
DESIGNED BY	M. BACHMAN	DATE	8-20-92
APPROVED BY	S. PIERSON	DATE	8-20-92
SCALE	N.T.S.	DO NOT SCALE FROM	51190
SIZE	D	QWC NO.	7010-8731-300
REV	L1	REV	L1
108713L1.PLT		SHEET	1 OF 3

DATE	REV	CHANGE	APP
		SEE SHT 1	



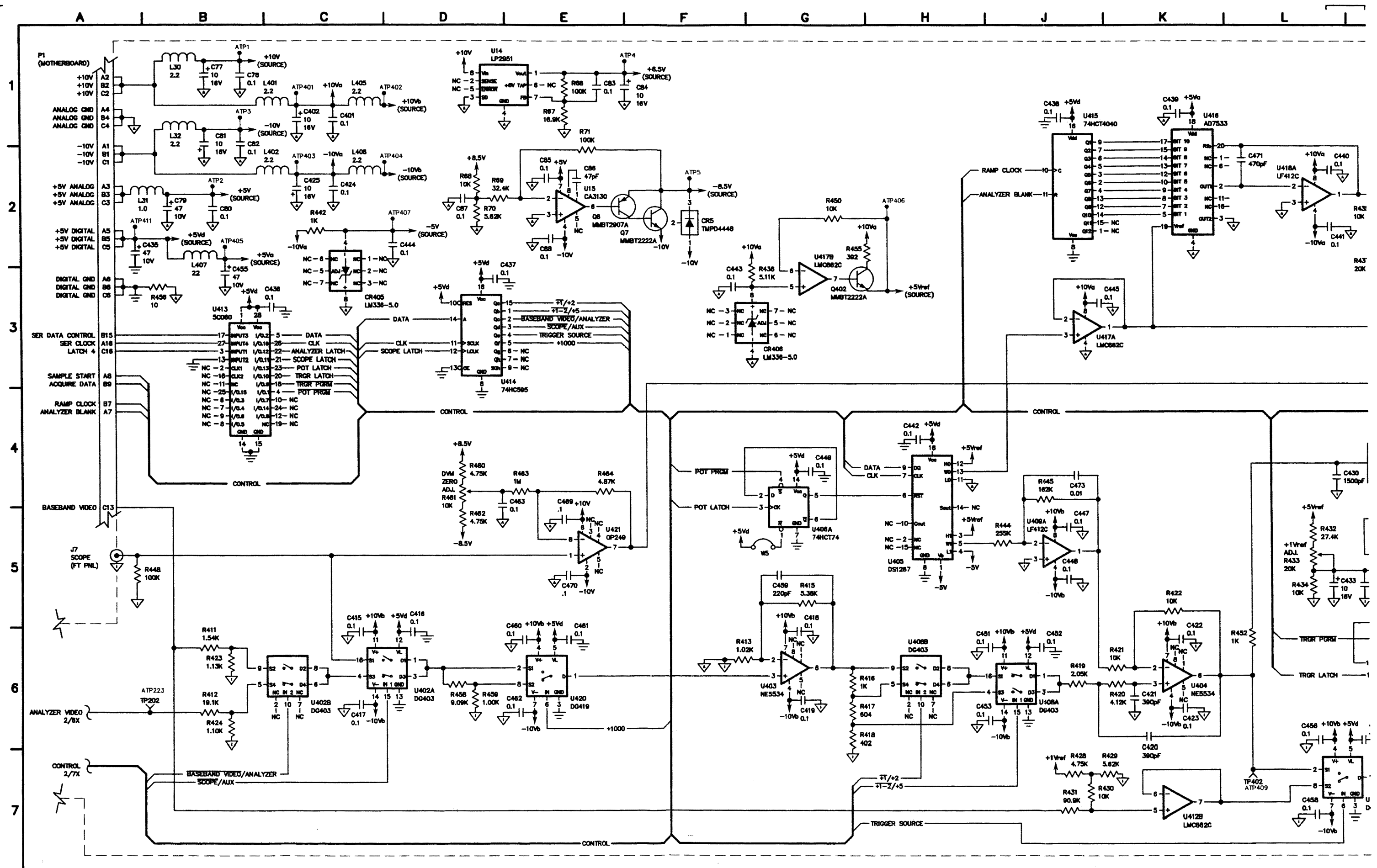
BOTTOM VIEW

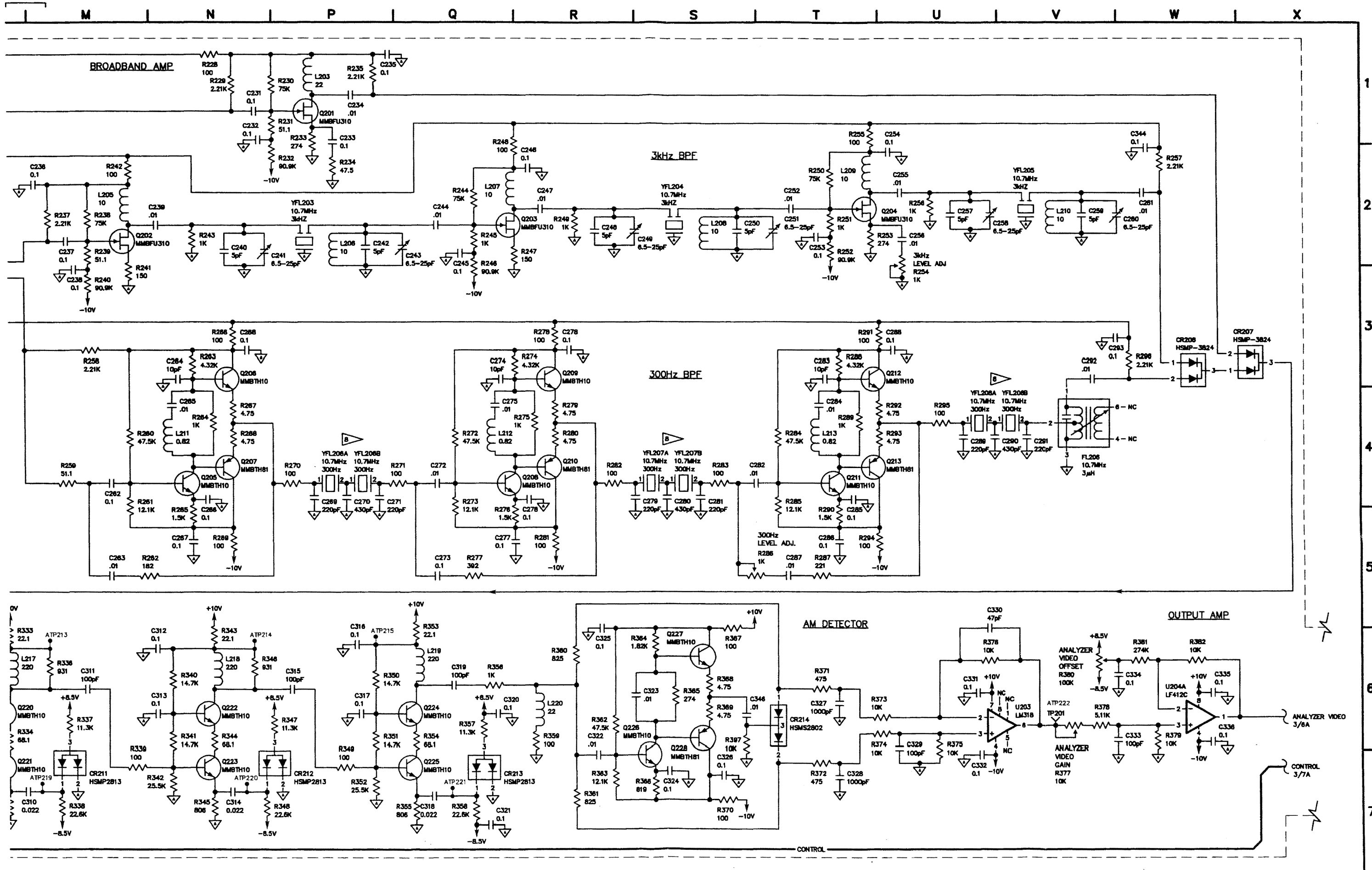
DESIGNER		DATE	TITLE	
R. WEEKS		2-12-91	IFR SYSTEMS, INC. 1000 West York St., Sparks, Nevada 89710	
DRAWN		DATE	ASSY DWG	
M. BACHMAN		8-20-92	ANALYZER	
APPROVED		DATE	SIZE	DWG. NO.
S. PIERSON		8-20-92	D	7010-8731-300
SCALE:		N.T.S.	DO NOT SCALE FROM	51190
108713-2-PLT				SHEET 2 of 3

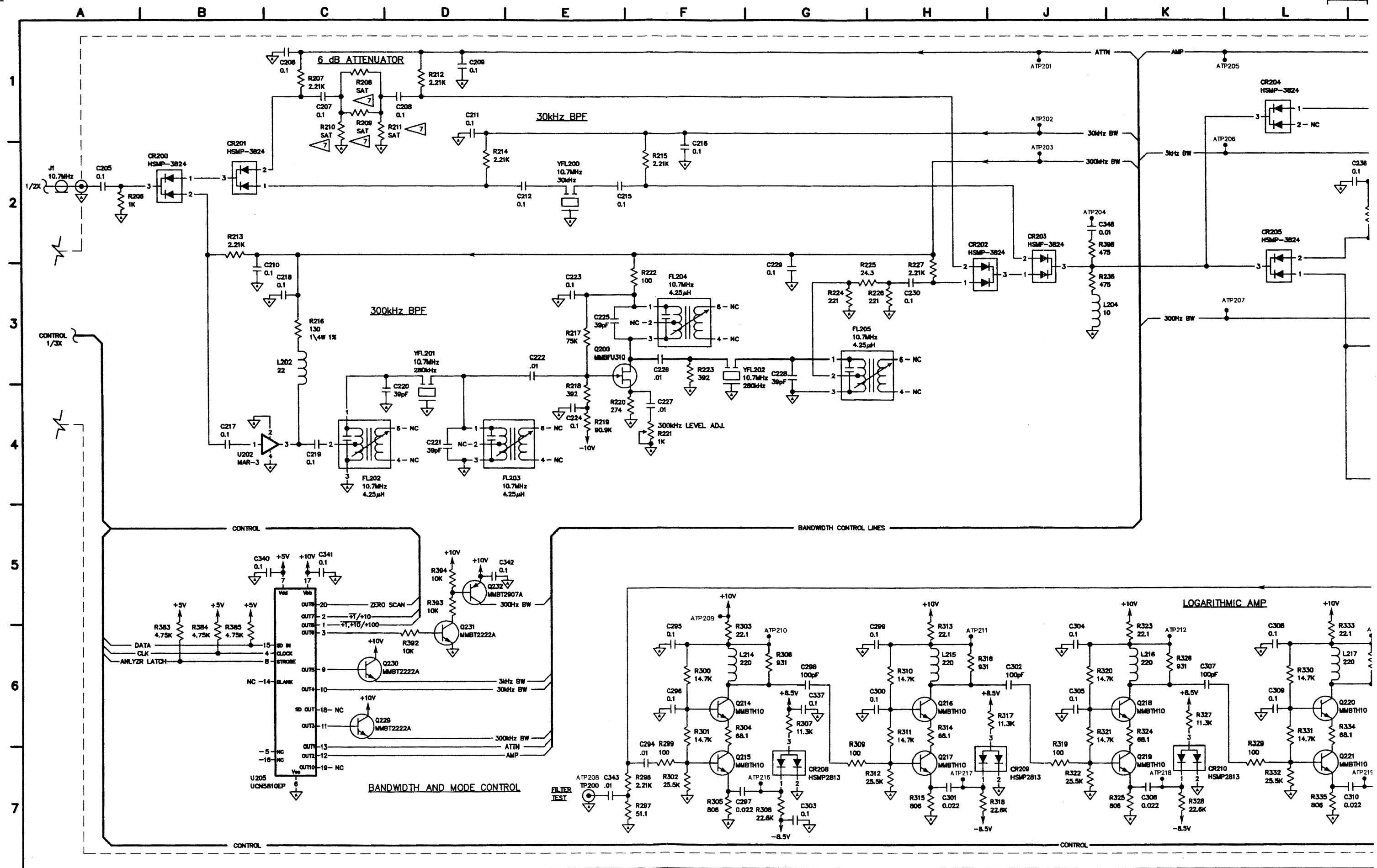


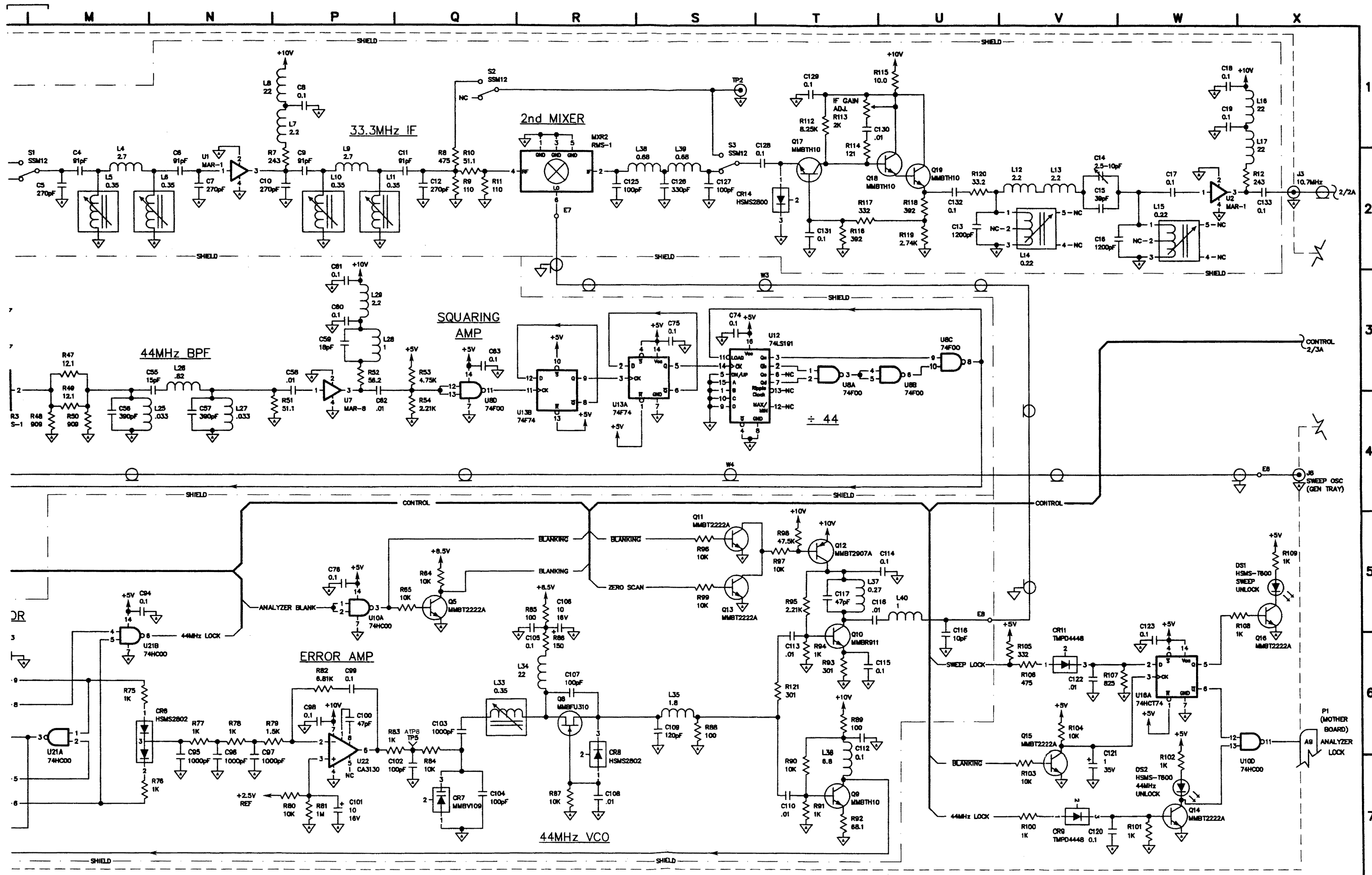
DATE	REV	CHANGE	APPROV
		SEE SHT 1	

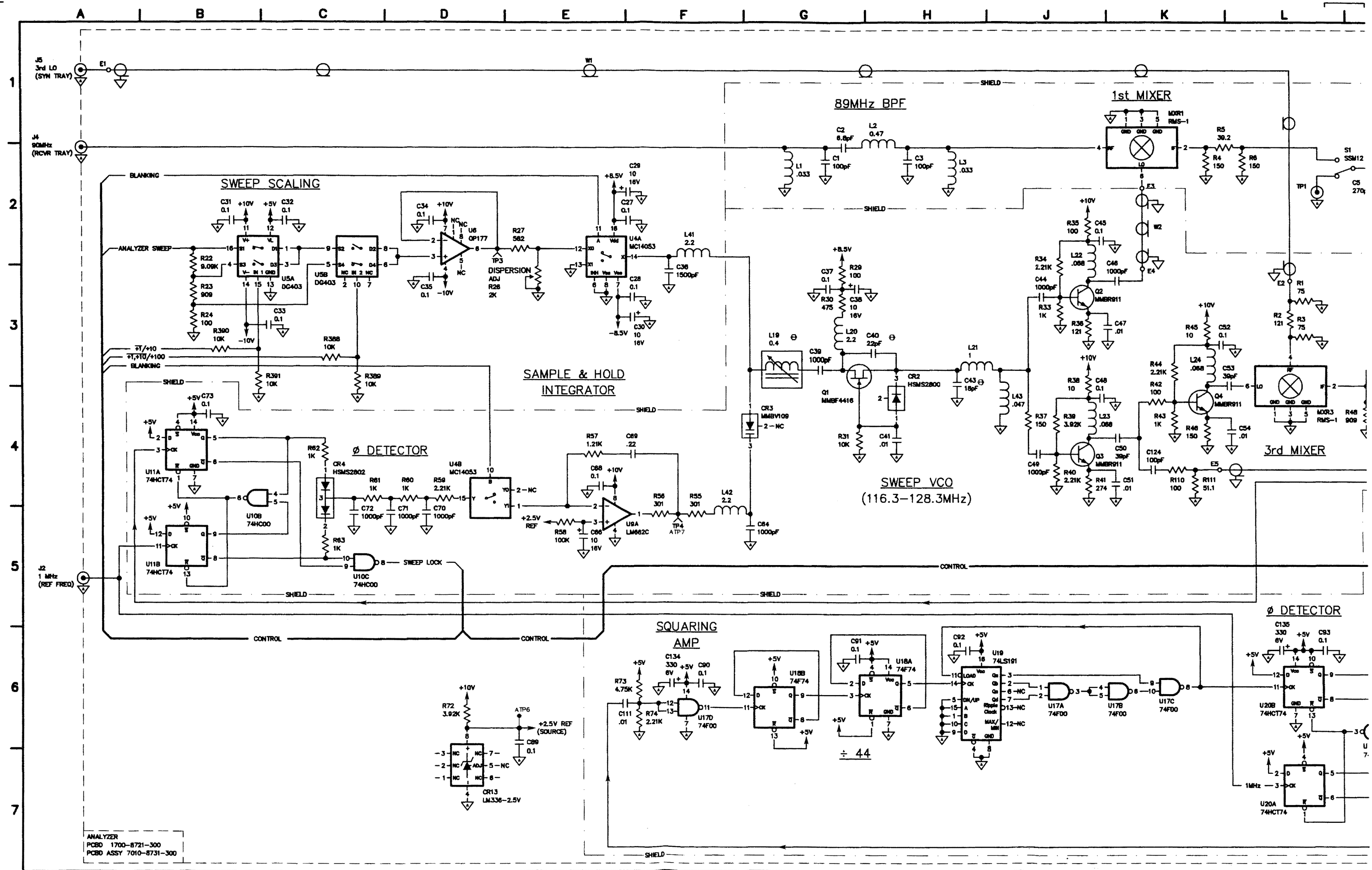
IFR SYSTEMS INC			
10200 West York St., Wichita, Kansas 67216			
DESIGNER	DATE	TITLE	
R. WEEKS	2-12-91	ASSY DWG	
DRAWN	DATE		
M. BACHMAN	8-20-92	ANALYZER	
APPROVED	DATE	SIZE	DWG. NO.
S. PIERSON	8-20-92	D	7010-8731-300
108713-3-PLT		SCALE	N.T.S.
		DO NOT SCALE FROM	51190 SHEET 3 OF 3



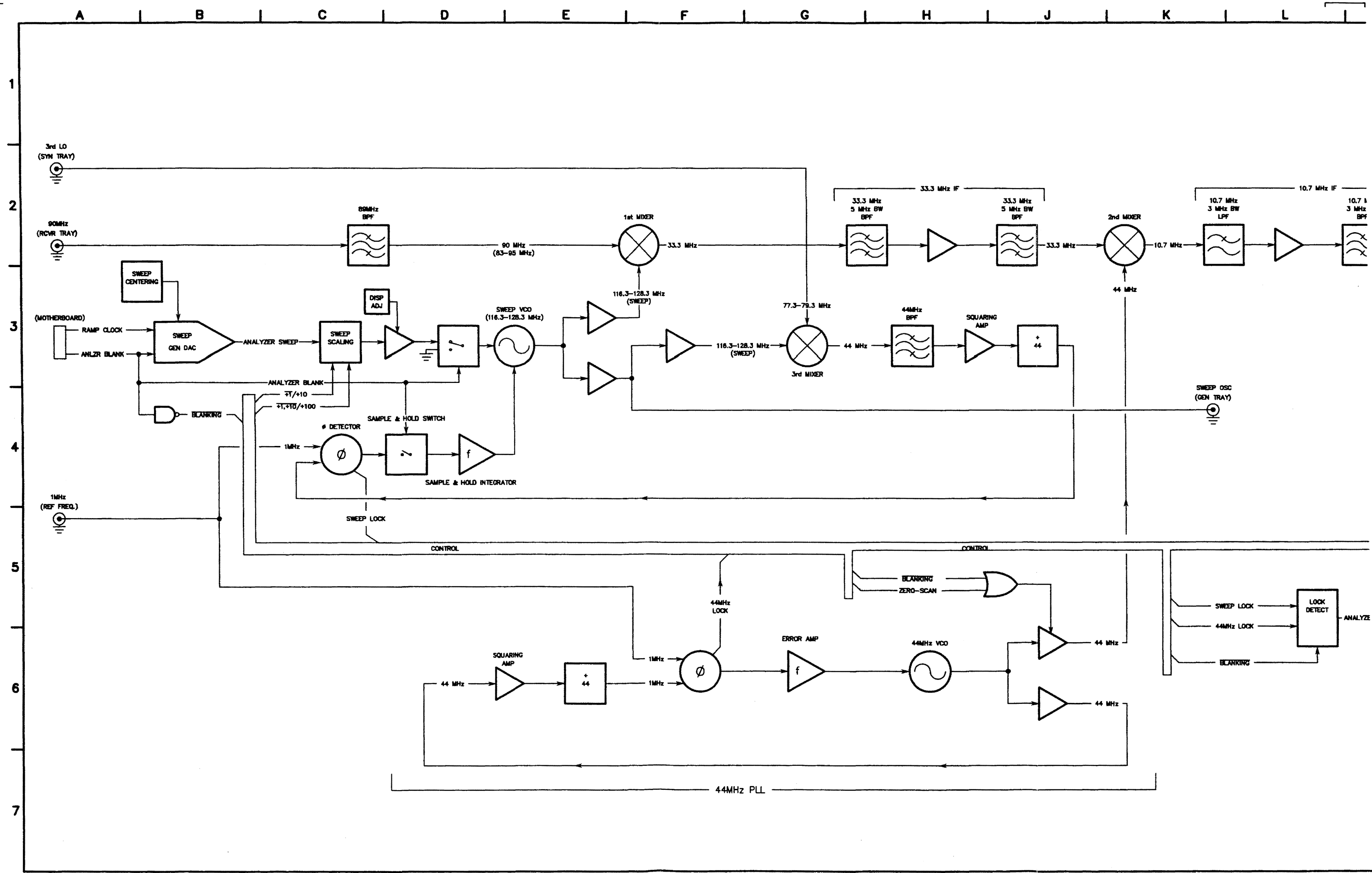


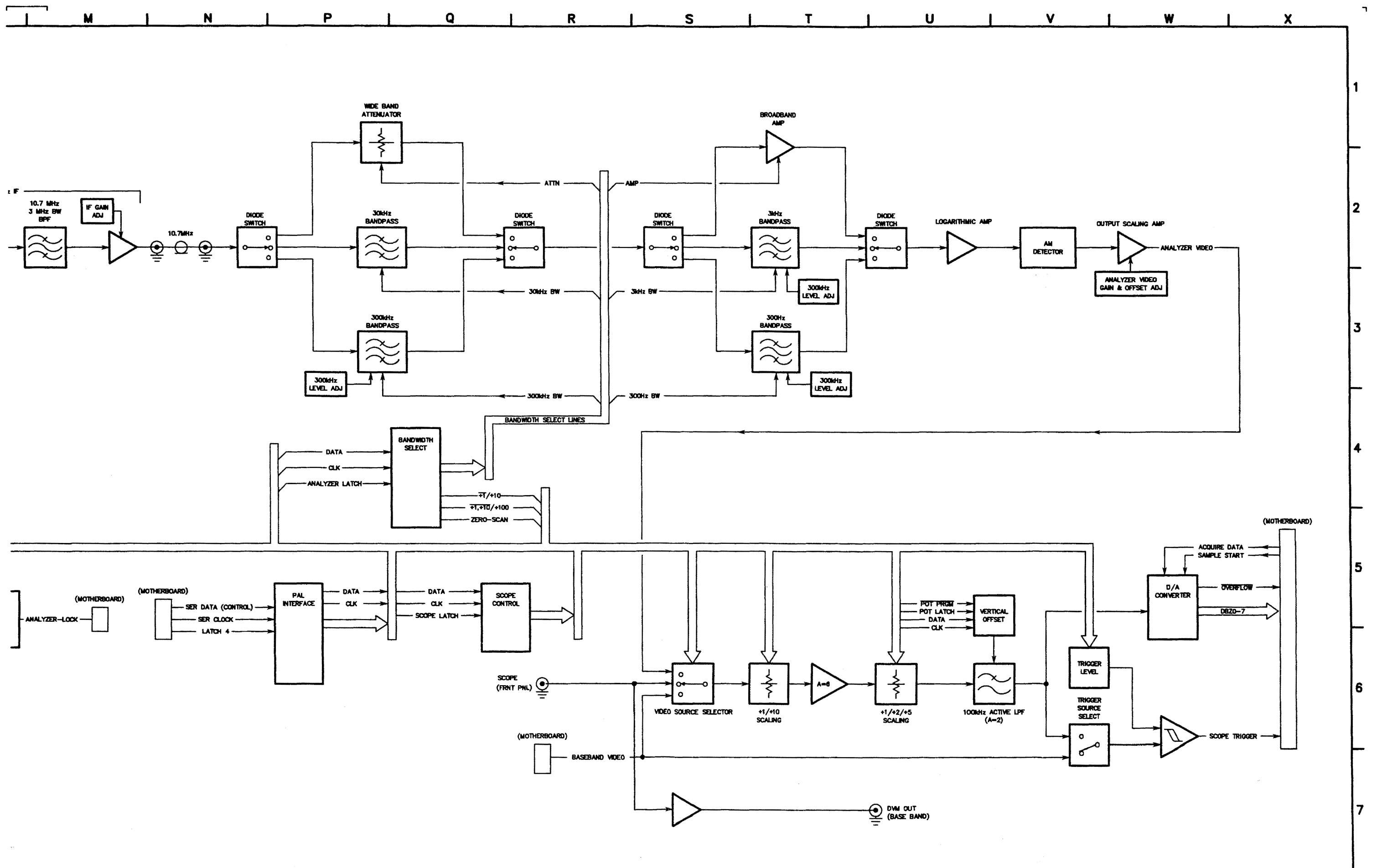




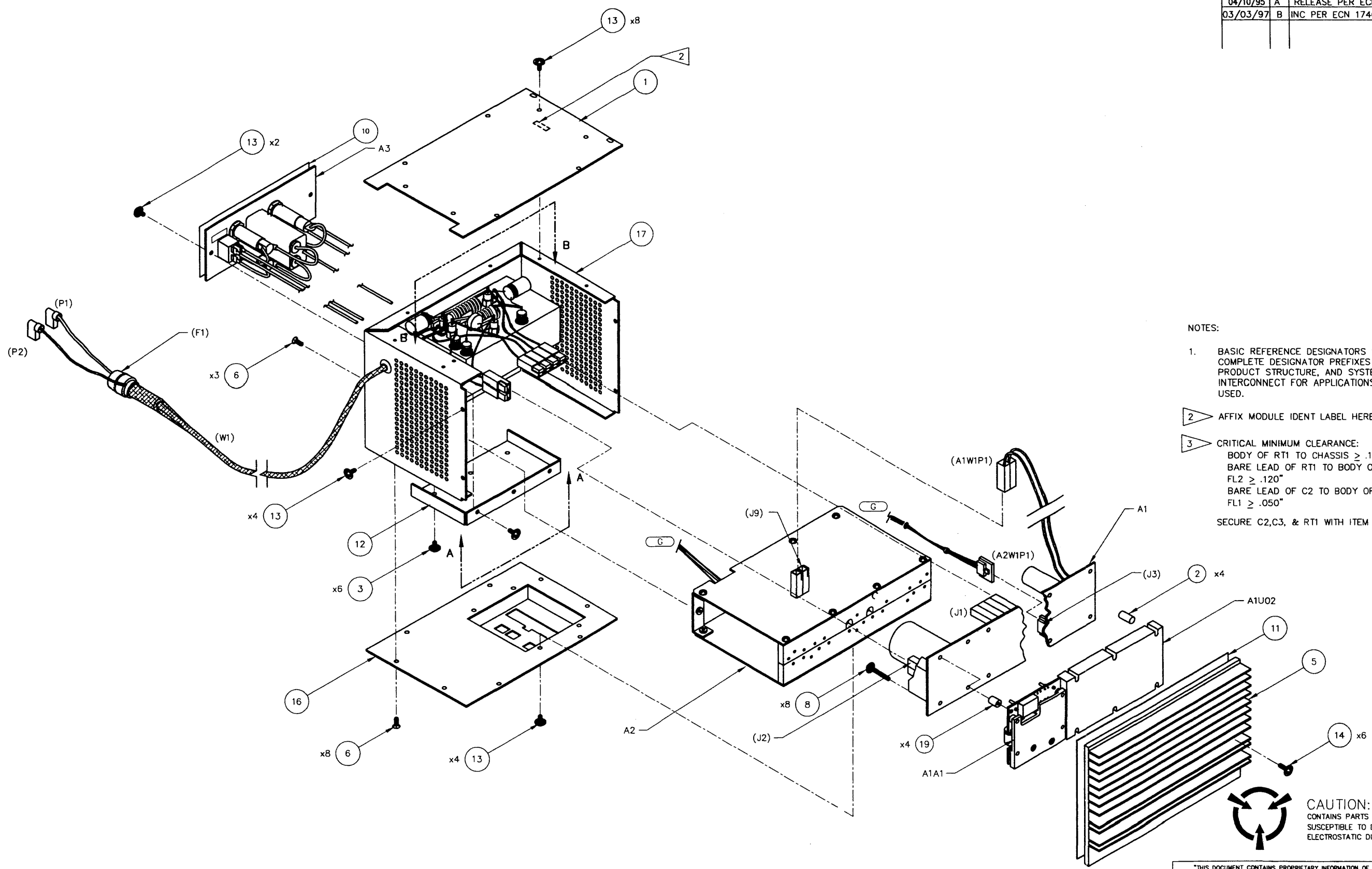


ANALYZER
PCBD 1700-8721-300
PCBD ASSY 7010-8731-300





DATE	REV	CHANGE	APPROV
04/10/95	A	RELEASE PER ECN 16824RH	DC
03/03/97	B	INC PER ECN 17467 BP	SCP



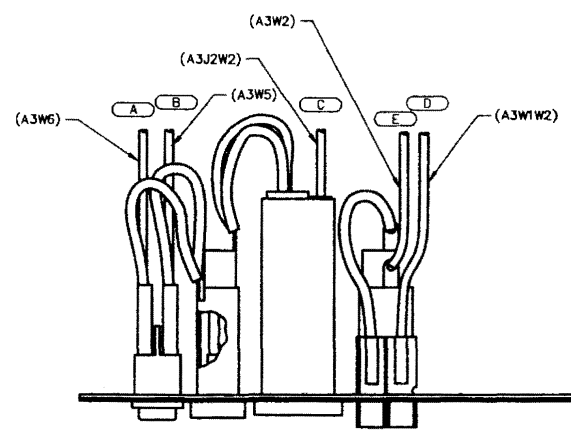
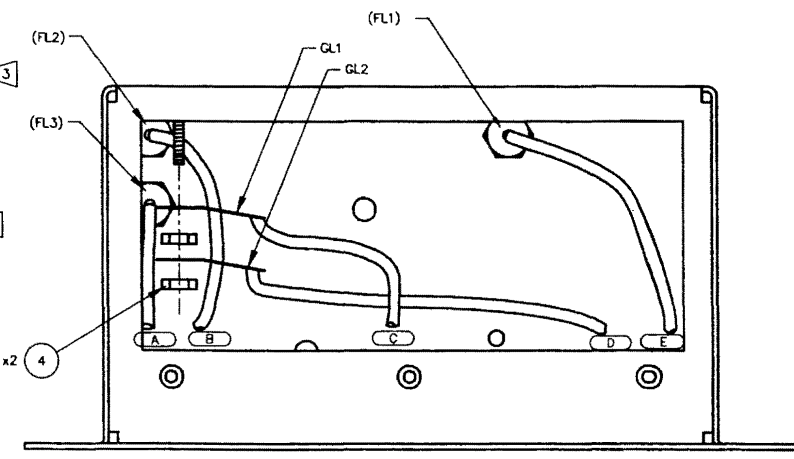
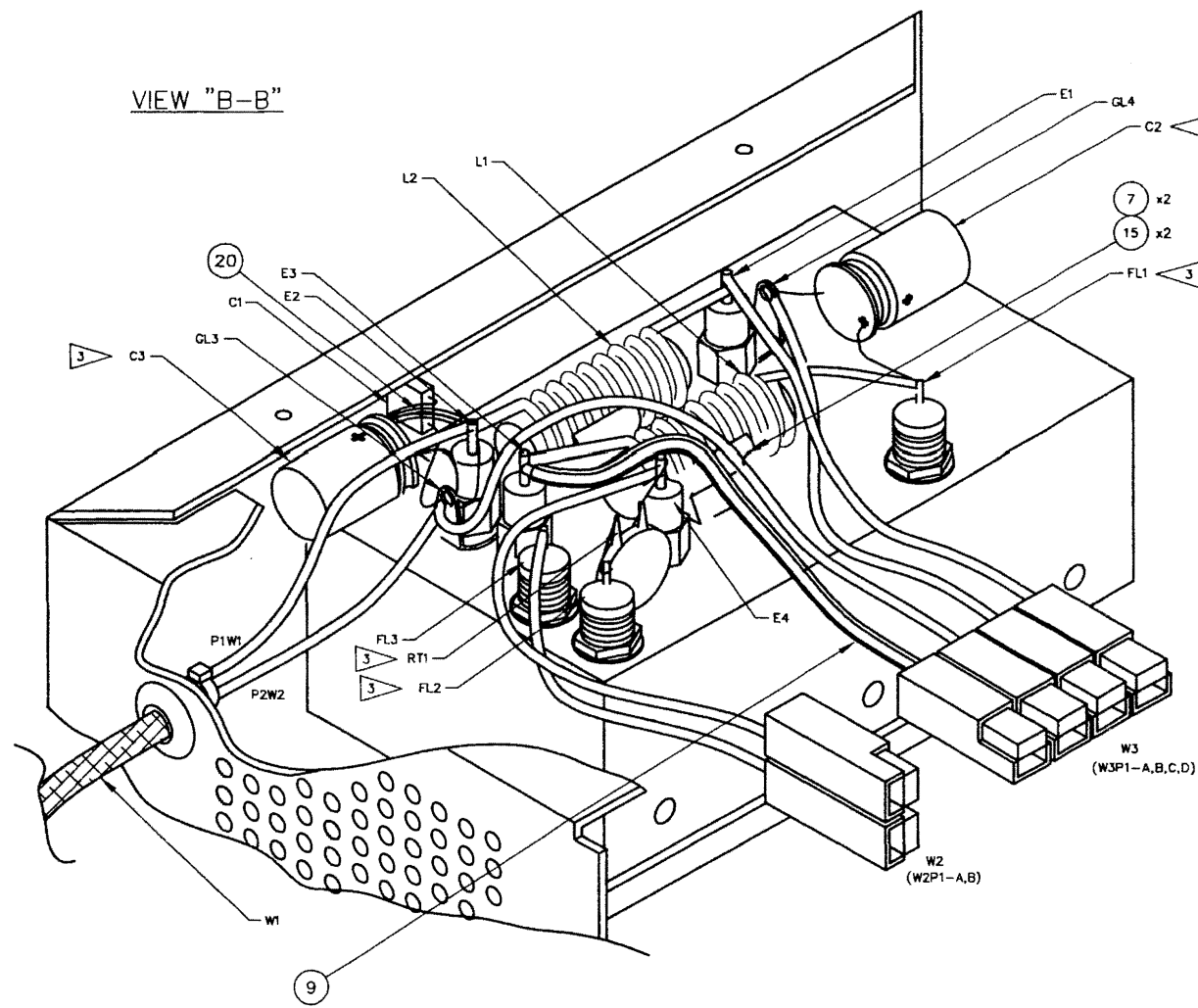
- NOTES:
- BASIC REFERENCE DESIGNATORS SHOWN, FOR COMPLETE DESIGNATOR PREFIXES REFER TO PRODUCT STRUCTURE, AND SYSTEM INTERCONNECT FOR APPLICATIONS WHERE USED.
 - AFFIX MODULE IDENT LABEL HERE.
 - CRITICAL MINIMUM CLEARANCE:
 BODY OF RT1 TO CHASSIS $\geq .120"$
 BARE LEAD OF RT1 TO BODY OF FL2 $\geq .120"$
 BARE LEAD OF C2 TO BODY OF FL1 $\geq .050"$
 SECURE C2,C3, & RT1 WITH ITEM (18) RTV.

CAUTION:
 CONTAINS PARTS AND ASSEMBLIES
 SUSCEPTIBLE TO DAMAGE BY
 ELECTROSTATIC DISCHARGE (ESD).

"THIS DOCUMENT CONTAINS PROPRIETARY INFORMATION OF IFR, INC. AND IS NOT TO BE DISCLOSED, REPRODUCED, OR PUBLISHED WITHOUT IFR'S APPROVAL."

DRAWN		DATE		TITLE	
HARRIS		12/1/95		MECH ASS'Y, PWR SUPPLY COM 120B	
CHECKED		DATE		DWG. NO.	
M.BRUFFETT		1/16/96		7005-0642-200	
APPROVED		DATE		REV	
M.BACHMAN		1/23/96		B	
006422B0.DWG		PLOT SCALE: .5=1		SCALE 1=1 CASE 51190 SHEET 1 of 2	

DATE	REV	CHANGE	APPD
		SEE SHEET 1	



WIRE RUNNING LIST				
DESC	FROM	TO	COLOR	AWG
W1	P2W2	GL3	BLK	18
W1	P1W1	E2	RED	18
W2	P1BW2	E4	BLK	16
W2	P1AW1	FL3	ORN	16
W3	P1BW2	GL4	BLK	16
W3	P1CW3	GL3	BLK	16
W3	P1DW4	E3	RED	16
W3	P1AW1	E1	ORN	16
A3W6	A3	FL3	BLUE	---
A3W5	A3	FL2	BRN	---
A3J2W2	A3	GL1	TEL/GRN	---
A3W1W2	A3	GL2	BLK	---
A3W2	A3	FL1	RED	---

VIEW "A-A"

THIS DOCUMENT CONTAINS PROPRIETARY INFORMATION OF IFR, INC. AND IS NOT TO BE DISCLOSED, REPRODUCED, OR PUBLISHED WITHOUT IFR'S APPROVAL.

DRAWN		DATE		TITLE	
HARRIS		1/25/95		MECH ASS'Y, PWR SUPPLY COM 120B	
CHECKED		DATE		IFR SYSTEMS INC. 1055P West York St., Wichita, Kansas 67215	
M.BRUFFETT		1/16/96		PWR SUPPLY COM 120B	
APPROVED		DATE		SIZE	
M.BACHMAN		1/23/96		D	
006422B0.DWG		PLOT SCALE: 2=1		DWG NO. 7005-0642-200	
		SCALE 1=1		CASE 51190	
				SHEET 2 of 2	

DATE	REV	CHANGE	APPROVED
4-11-95	A	RELEASE	J. I. M.
3-19-96	A	INC ECN #16824	J. I. M.

NOTES:
(UNLESS OTHERWISE SPECIFIED)

1. BASIC REFERENCE DESIGNATORS SHOWN FOR COMPLETE DESIGNATOR PREFIXES REFER TO PRODUCT STRUCTURE AND SYSTEM INTERCONNECT FOR APPLICATIONS WHERE USED

2. ALL RESISTORS ARE 5%, 1/4W.

3. ALL RESISTANCE IS EXPRESSED IN OHMS.
ALL CAPACITANCE IS EXPRESSED IN MICROFARADS.
ALL INDUCTANCE IS EXPRESSED IN MICROHENRIES.

4. HIGHEST REFERENCE DESIGNATIONS:

| C3 | E4 | F1 | FL3 | GL4 | L2 | W3 | RT1 | A3 |

5. REFERENCE DESIGNATIONS NOT USED: NONE

6. FOR INTERCONNECT/BLOCK DIAGRAM SEE APPLICATIONS WHERE USED.

7. IC FUNCTIONS NOT USED: NONE

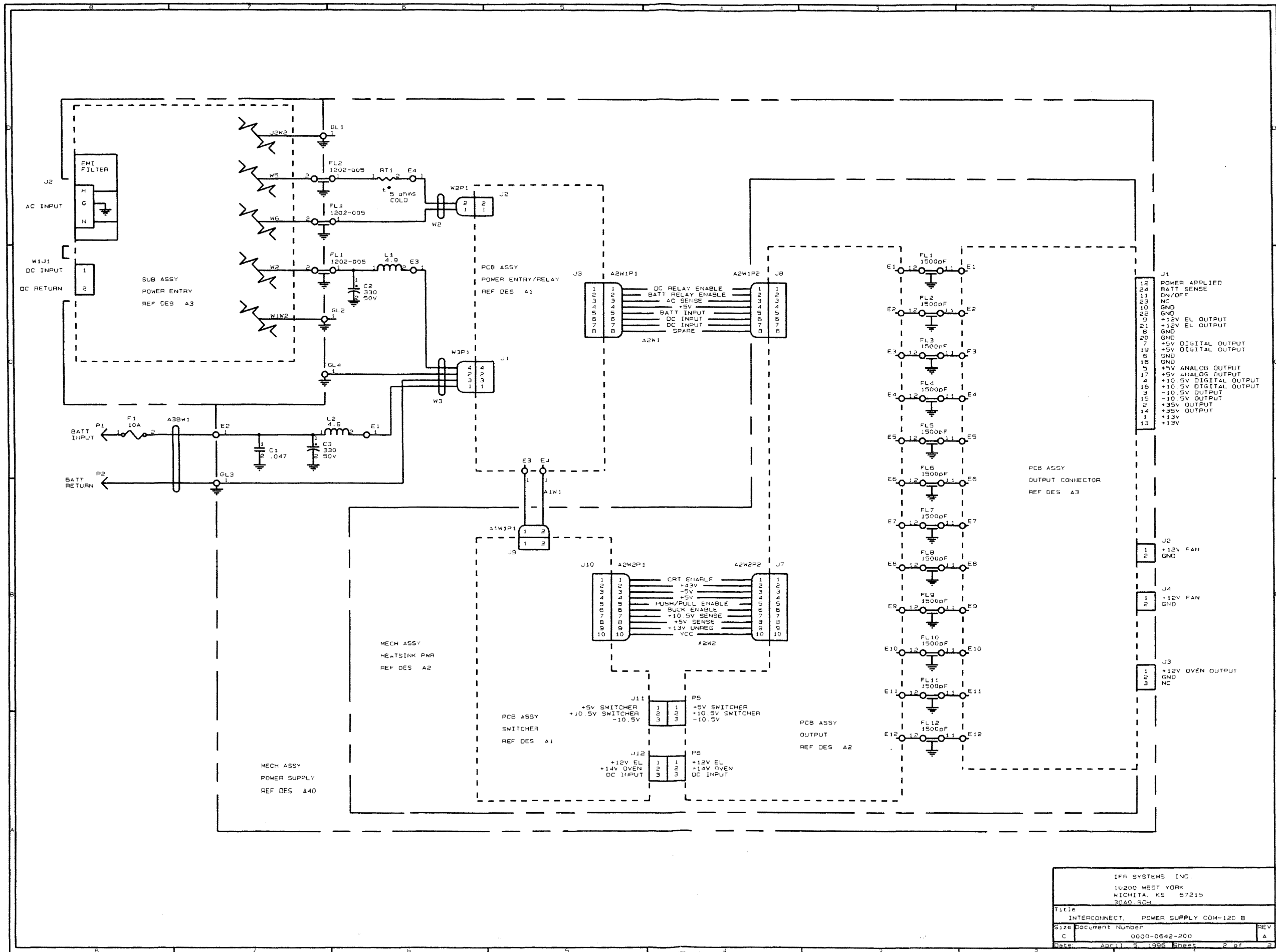
*- INDICATES PRINTED TRANSMISSION LINES OF OTHER THAN 50 OHMS IMPEDANCE WHICH CONSTITUTE CIRCUIT ELEMENTS. 50 OHM TRANSMISSION LINES ARE NOT SHOWN.



CAUTION:

CONTAINS PARTS AND ASSEMBLIES
SUSCEPTIBLE TO DAMAGE BY
ELECTROSTATIC DISCHARGE (ESD).

DRAWN J. MILLER 3-7-94		IFR SYSTEMS, INC. 10200 W YORK STREET WICHITA, KS 67215-0935	
CHECKED		Title INTERCONNECT POWER SUPPLY COM-120 B	
APPROVED S. PIERSON 3-6-95		Size C	Document Number 0000-0542-200
Date: March 19, 1995		Sheet	REV A

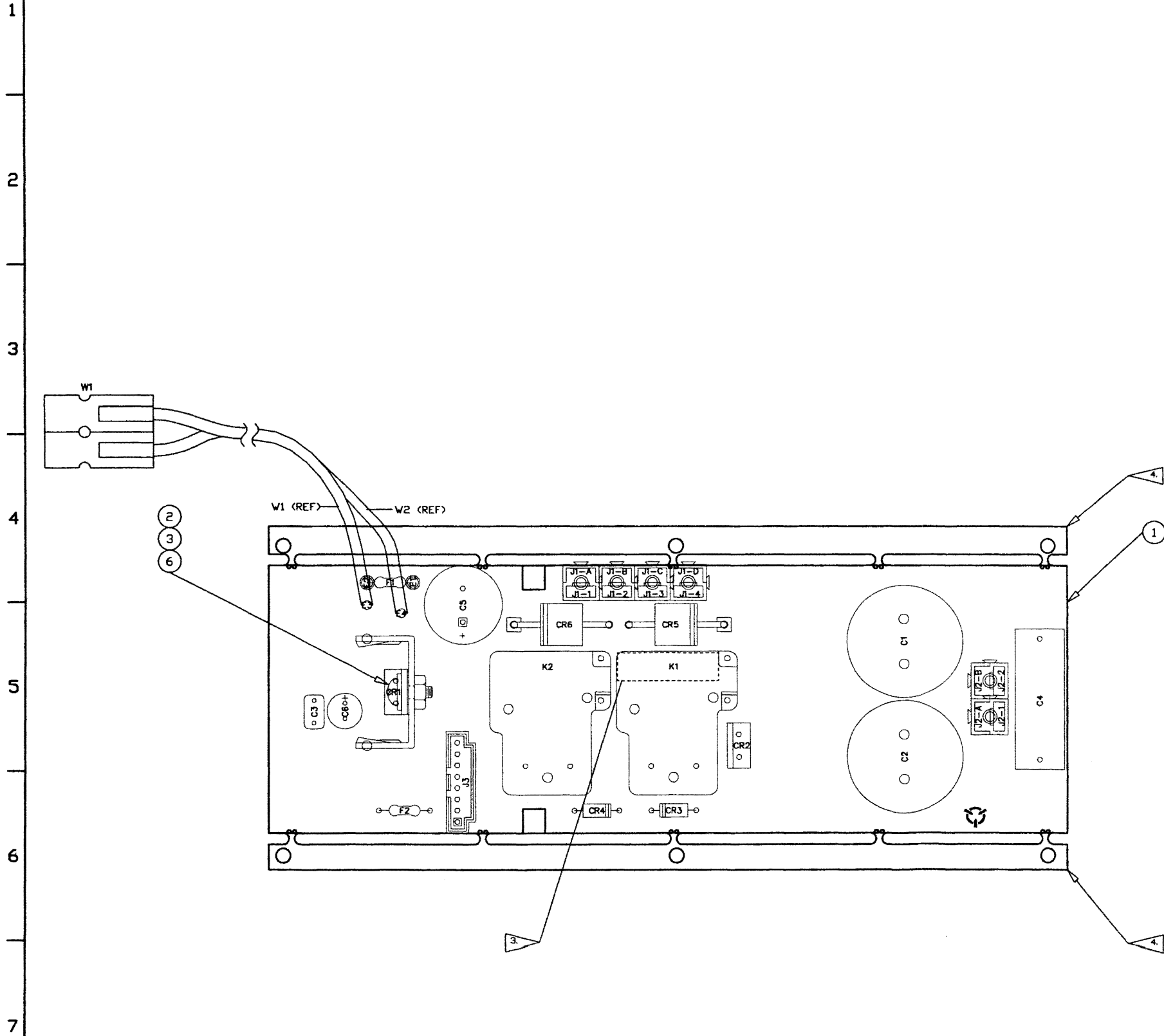


IFR SYSTEMS, INC.
 10200 WEST YORK
 WICHITA, KS 67215
 30A0 SCH

Title	INTERCONNECT, POWER SUPPLY COM-120 B	
Size	Document Number	REV
C	0000-0642-200	A
Date:	April 5, 1998	Sheet 2 of 2

A B C D E F G H J K L

DATE	REV	CHANGE	APPROV
5-16-94	A	PROD. REL. PER ECN #16141	T.N.
7-19-95	A1	INC ECN #16555	J.I.M. DKB



- NOTES:
1. BASIC REFERENCE DESIGNATORS SHOWN, FOR COMPLETE DESIGNATOR PREFIXES REFER TO PRODUCT STRUCTURE, AND SYSTEM INTERCONNECT FOR APPLICATIONS WHERE USED.
 2. HARDWARE THAT IS NOT PART OF BILL OF MATERIALS SHOULD NOT BE INSTALLED.
 3. AFFIX MODULE IDENT LABEL HERE.
 4. TO BE REMOVED PRIOR TO MECH. ASSY.

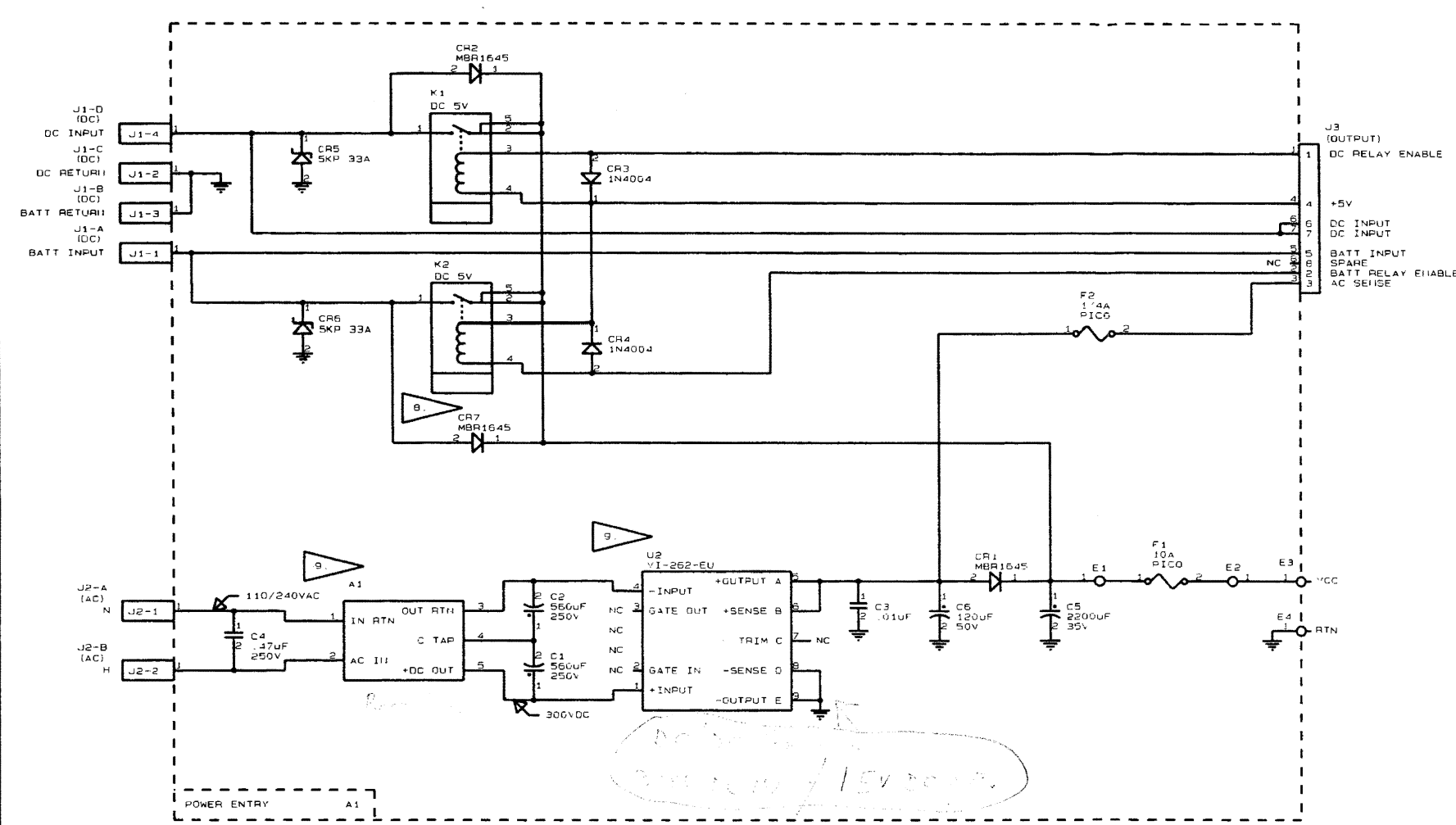
WIRE RUNNING LIST				
DESIG	FROM	TO	COLOR	AWG
W1	P1-AW1	E3	RED	16
W1	P1-BW2	E4	BLACK	16

CAUTION: CONTAINS PARTS AND ASSEMBLIES SUSCEPTIBLE TO DAMAGE BY ELECTROSTATIC DISCHARGE (ESD).

IFR SYSTEMS INC				
1000 West York St., Verona, NJ 07093				
DESIGN	DATE	TITLE		
R. WEEKS	04-01-94	ASSEMBLY DRAWING		
CHECKED	DATE	POWER ENTRY / RELAY		
T. NEWPORT	24-94			
APPROVED	DATE	SIZE	PAGE NO.	REV
C. ENGDAL	08-94	D	7010-0631-000	A1
100610A0.PLT		SCALE	N.T.S.	SHEET 1 OF 1

TOP VIEW

DATE	REV	CHANGE	APPROVED
1-25-95	A	PROD REL PER ECN#16421 J.I.M.	BM
3-119-96	B	INC ECN #16824 J.I.M.	DKB

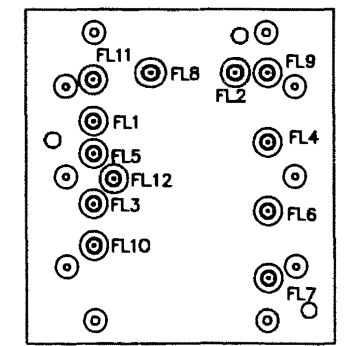
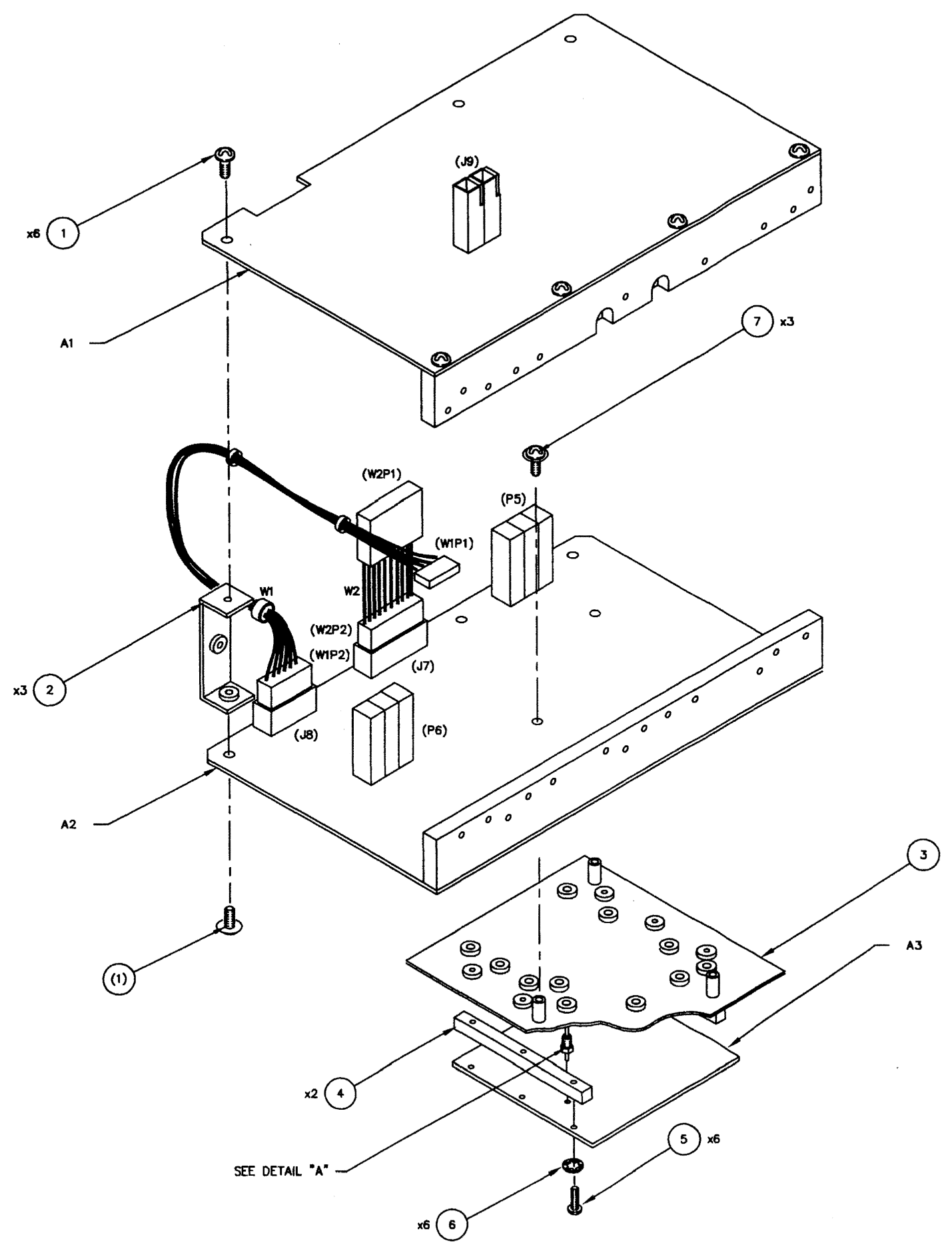


- NOTES:
(UNLESS OTHERWISE SPECIFIED)
- BASIC REFERENCE DESIGNATORS SHOWN. FOR COMPLETE DESIGNATOR PREFIXES REFER TO PRODUCT STRUCTURE AND SYSTEM INTERCONNECT FOR APPLICATIONS WHERE USED.
 - ALL RESISTORS ARE 5% 1/4W.
 - ALL RESISTANCE IS EXPRESSED IN OHMS. ALL CAPACITANCE IS EXPRESSED IN MICROFARADS. ALL INDUCTANCE IS EXPRESSED IN MICROHENRIES.
 - HIGHEST REFERENCE DESIGNATIONS:
C6 | CR7 | E4 | F2 | J3 | K2 | U2 | K1
 - REFERENCE DESIGNATIONS NOT USED: U1
 - FOR INTERCONNECT/BLOCK DIAGRAM SEE APPLICATIONS WHERE USED.
 - IC FUNCTIONS NOT USED: NONE
- B. COMPONENTS NOT INSTALLED.
 9. INSTALLED AT MECH ASSY.
- INDICATES PRINTED TRANSMISSION LINES OF OTHER THAN 50 OHMS IMPEDANCE WHICH CONSTITUTE CIRCUIT ELEMENTS. 50 OHM TRANSMISSION LINES ARE NOT SHOWN.

CAUTION:
CONTAINS PARTS AND ASSEMBLIES SUSCEPTIBLE TO DAMAGE BY ELECTROSTATIC DISCHARGE (ESD).

DRAWN J. MILLER 3-7-94 CHECKED T. NEWPORT 6/16/94 APPROVED C. ENGOAHL 6/16/94	IFR SYSTEMS, INC. 10200 WEST YORK WICHITA, KS 67215 Title SCHEMATIC, POWER ENTRY/RELAY Size Document Number C 0000-0631-000 Date MAY 19 1995 Sheet 1 of 1
--	---

DATE	REV	CHANGE	APP'D
04/10/95	A	RELEASE	RH/DKB



DETAIL "A"

NOTES:

1. BASIC REFERENCE DESIGNATORS SHOWN, FOR COMPLETE DESIGNATOR PREFIXES REFER TO PRODUCT STRUCTURE, AND SYSTEM INTERCONNECT FOR APPLICATIONS WHERE USED.
2. MECH. ASSY DRAWING SHOWS ONLY PORTIONS OF PC BD ASSY'S REQUIRED FOR REF ONLY.



CAUTION:
CONTAINS PARTS AND ASSEMBLIES
SUSCEPTIBLE TO DAMAGE BY
ELECTROSTATIC DISCHARGE (ESD).

THIS DOCUMENT CONTAINS PROPRIETARY INFORMATION OF IFR, INC. AND IS NOT TO BE DISCLOSED, REPRODUCED, OR PUBLISHED WITHOUT IFR'S APPROVAL.			
IFR SYSTEMS INC 10200 West York St., Wichita, Kansas 67225			
DRWN HARRIS 1/26/95	DATE	TITLE MECH ASSY, HEATSINK POWER SUPPLY	REV A
CHECKED D.BROKSCHMIDT 4/4/95	DATE	SIZE D	DWG. NO. 7005-0640-900
APPROVED M.BACHMAN 4/8/95	DATE	SCALE 1=1	CAGE 51190
006409A0.DWG	PLT SCALE	1=1	SHEET 1 of 1

DATE	REV	CHANGE	APPROVED
4-11-95	A	RELEASE	J. I. M. DKB

NOTES:

(UNLESS OTHERWISE SPECIFIED)

1. BASIC REFERENCE DESIGNATORS SHOWN FOR COMPLETE DESIGNATOR PREFIXES REFER TO PRODUCT STRUCTURE AND SYSTEM INTERCONNECT FOR APPLICATIONS WHERE USED.
2. ALL RESISTORS ARE 5%, 1/4W.
3. ALL RESISTANCE IS EXPRESSED IN OHMS. ALL CAPACITANCE IS EXPRESSED IN MICROFARADS. ALL INDUCTANCE IS EXPRESSED IN MICROHENRIES.
4. HIGHEST REFERENCE DESIGNATIONS:
7005-0640-300
| C3 | E4 | F1 | FL3 | GL4 | L2 | W3 | RT1 | A3 |
7005-0640-900
| FL12 | W2 | A3 |
5. REFERENCE DESIGNATIONS NOT USED: NONE
6. FOR INTERCONNECT/BLOCK DIAGRAM SEE APPLICATIONS WHERE USED.
7. IC FUNCTIONS NOT USED: NONE

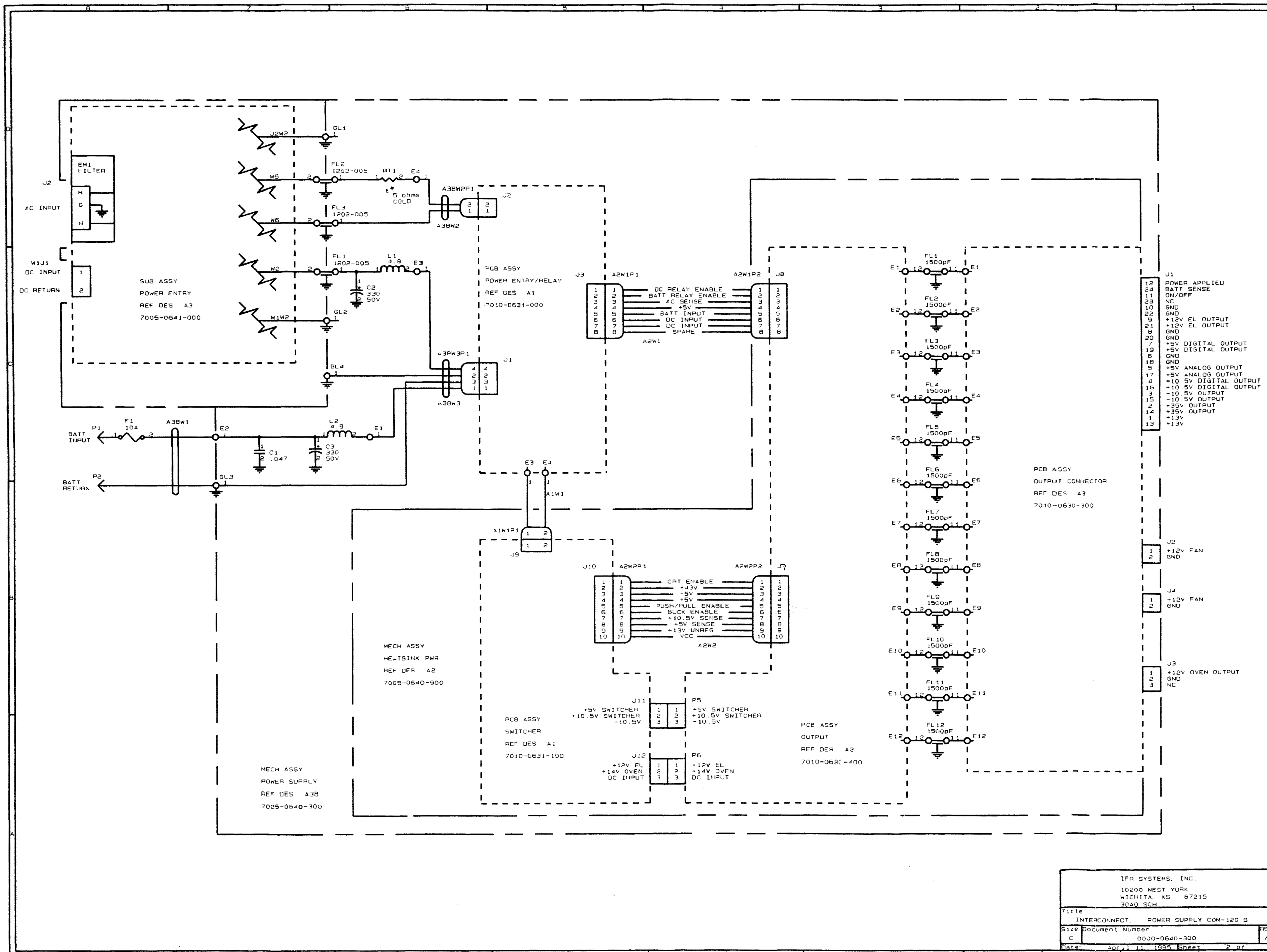
*- INDICATES PRINTED TRANSMISSION LINES OF OTHER THAN 50 OHM IMPEDANCE WHICH CONSTITUTE CIRCUIT ELEMENTS. 50 OHM TRANSMISSION LINES ARE NOT SHOWN.



CAUTION:

CONTAINS PARTS AND ASSEMBLIES SUSCEPTIBLE TO DAMAGE BY ELECTROSTATIC DISCHARGE (ESD).

DRANN J. MILLER 3-7-94		IFR SYSTEMS, INC. 10200 W YORK STREET WICHITA, KS 67215-8935	
CHECKED DKB 4-4-95		Title INTERCONNECT POWER SUPPLY COM-120 B	
APPROVED S. PIERSON 4-6-95		Size Document Number C 0000-0640-300	
		Date: APR 11, 1995 Sheet 1 of 2	

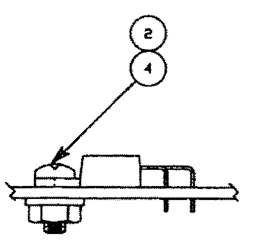


IFR SYSTEMS, INC.
 10200 WEST YORK
 WICHITA, KS 67215
 3040 SCH

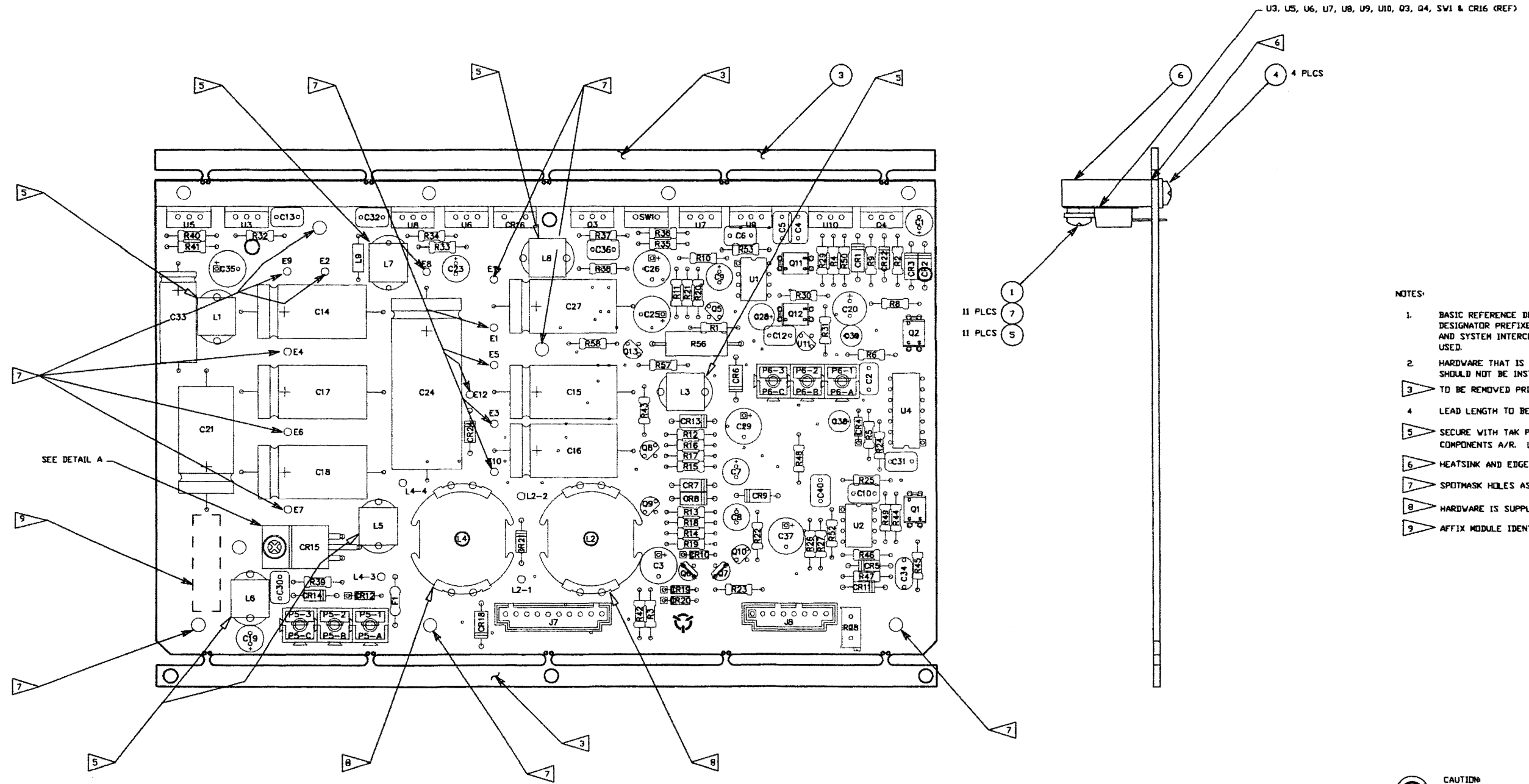
Title	INTERCONNECT, POWER SUPPLY COM-120 B	REV
Size	Document Number	
C	0000-0640-300	A
Date	Apr 11, 1995	Sheet 2 of 2

A B C D E F G H J K L

DATE	REV	CHANGE	APP'D
4-4-95	A	RELEASE	DKB
8-23-95	B	INC ECN #16591	MKM
10-24-95	C	INC ECN #16473	MKM
12-01-95	D	INC ECN #16764	MKM



DETAIL A



NOTES:

- BASIC REFERENCE DESIGNATORS SHOWN, FOR COMPLETE DESIGNATOR PREFIXES REFER TO PRODUCT STRUCTURE, AND SYSTEM INTERCONNECT FOR APPLICATIONS WHERE USED.
- HARDWARE THAT IS NOT PART OF BILL OF MATERIALS SHOULD NOT BE INSTALLED.
- TO BE REMOVED PRIOR TO MECH. ASSY.
- LEAD LENGTH TO BE .075 MAX FROM BOTTOM OF BOARD.
- SECURE WITH TAK PAK 444 (1051-0100-100) TO ADJACENT COMPONENTS A/R. L1,L7,L8,L3,L6 AND L5.
- HEATSINK AND EDGE OF PC BOARD MUST BE FLUSH.
- SPOTMASK HOLES AS INDICATED FAR SIDE ONLY.
- HARDWARE IS SUPPLIED WITH L2 AND L4.
- AFFIX MODULE IDENT LABEL HERE.

CAUTION
CONTAINS PARTS AND ASSEMBLIES SUSCEPTIBLE TO
DAMAGE BY ELECTROSTATIC DISCHARGE (ESD).

IFR SYSTEMS INC			
2020 West York St., Wichita, Kansas 67202			
DESIGN	DATE	TITLE	REV
M.K. MOFFITT	1-6-95	ASSEMBLY DRAWING	
DESIGNED	DATE	OUTPUT	
D.K.B.	4-4-95		
APPROVED	DATE	FIG. NO.	REV
S. PIERSON	4-4-95	7010-0630-400	D
100604 DO.PLT		N.T.S.	51190

TOP VIEW

DATE	REV	CHANGE	APPROVED
4-11-95	A	RELEASE	J. I. M. DKB
9-13-95	B	INC ECN #16591	J. I. M. DKB
12-11-95	C	INC ECN #16764	J. I. M. DC

NOTES:
(UNLESS OTHERWISE SPECIFIED)

1. BASIC REFERENCE DESIGNATORS SHOWN, FOR COMPLETE DESIGNATOR PREFIXES REFER TO PRODUCT STRUCTURE AND SYSTEM INTERCONNECT FOR APPLICATIONS WHERE USED.
2. ALL RESISTORS ARE 5%, 1/4W.
3. ALL RESISTANCE IS EXPRESSED IN OHMS. ALL CAPACITANCE IS EXPRESSED IN MICROFARADS. ALL INDUCTANCE IS EXPRESSED IN MICROHENRIES.
4. HIGHEST REFERENCE DESIGNATIONS:
| C40 | CR24 | E12 | F1 | JB | L9 | P6 | O13 | R59 | U11 | SW1 |
5. REFERENCE DESIGNATIONS NOT USED:
| CR17 | C11 | J1-J6 | P1-P4 | R7, R51, R54, R55 |
6. FOR INTERCONNECT/BLOCK DIAGRAM SEE APPLICATIONS WHERE USED.
7. IC FUNCTIONS NOT USED: NONE

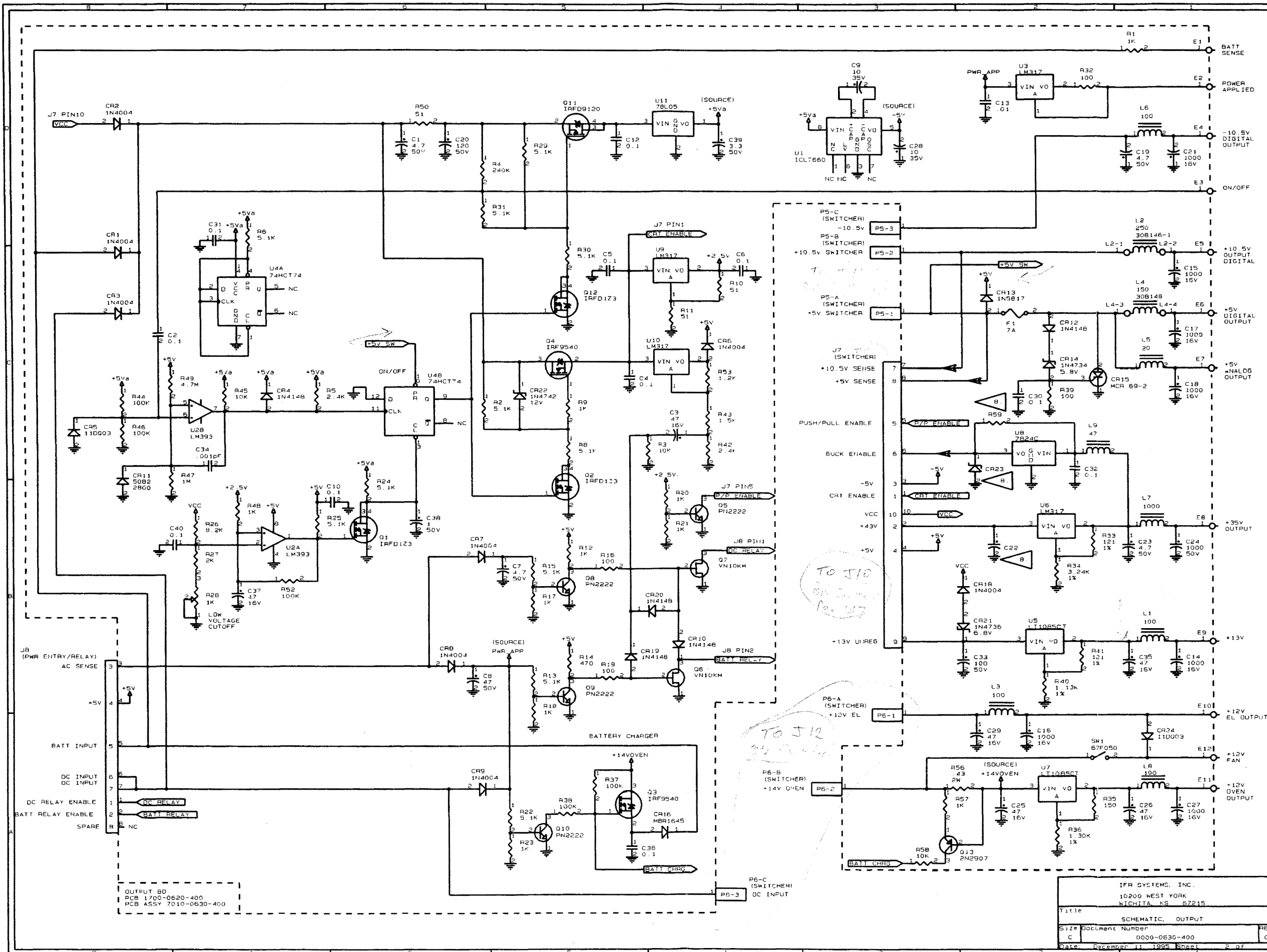
 COMPONENTS NOT INSTALLED.

-- INDICATES PRINTED TRANSMISSION LINES OF OTHER THAN 50 OHMS IMPEDANCE WHICH CONSTITUTE CIRCUIT ELEMENTS. 50 OHM TRANSMISSION LINES ARE NOT SHOWN.



CAUTION:
CONTAINS PARTS AND ASSEMBLIES
SUSCEPTIBLE TO DAMAGE BY
ELECTROSTATIC DISCHARGE (ESD).

DRAWN J. MILLER 3-7-94		IFR SYSTEMS, INC. 10200 WEST YORK WICHITA, KS 67215	
CHECKED DKB 4-5-95	Title SCHEMATIC, OUTPUT	Size C	Document Number 0000-0630-400
APPROVED S. PIERSON 4-6-95	Date December 11, 1995	Sheet 1 of 2	REV C



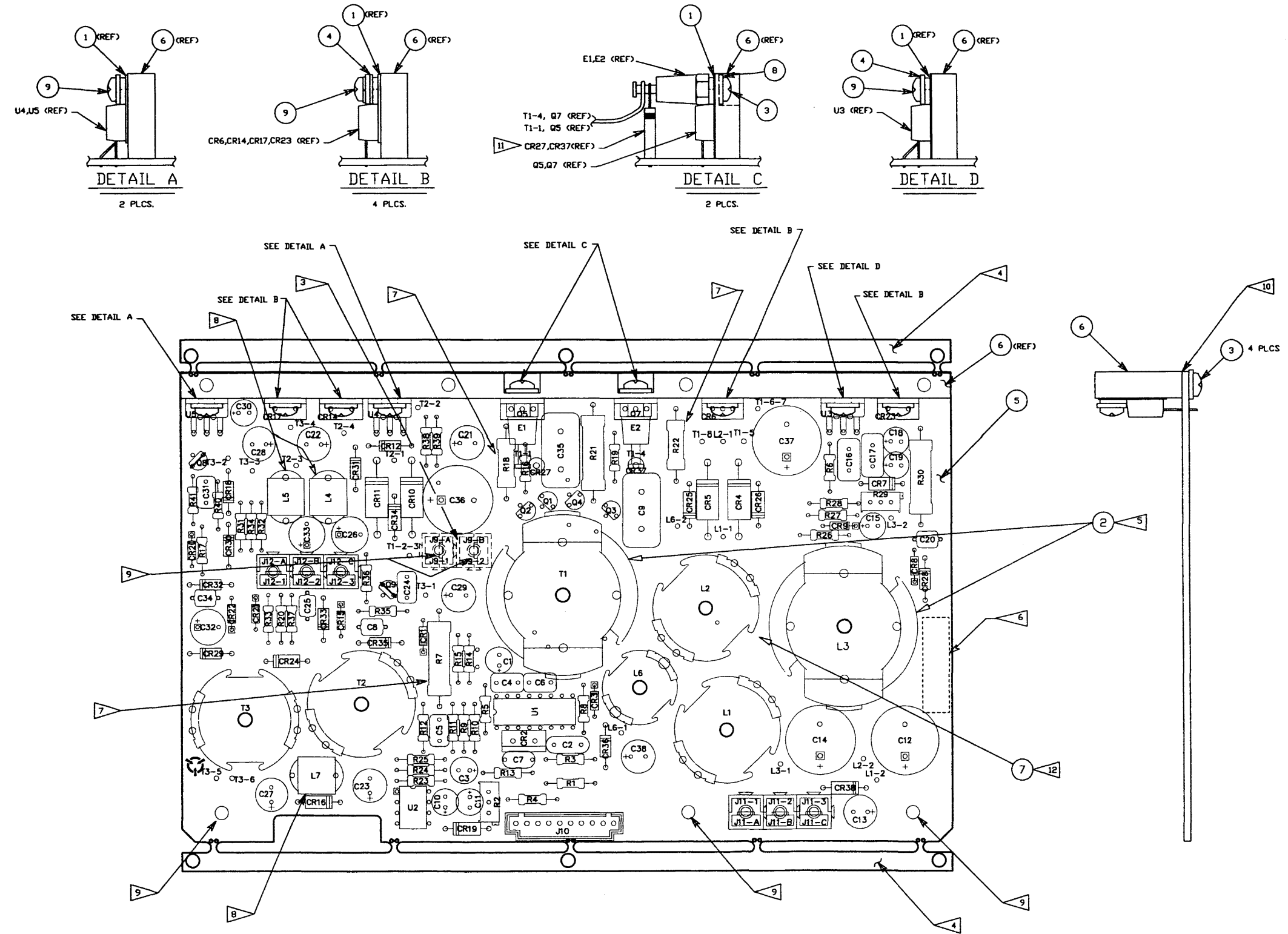
OUTPUT BD
 PCB 1700-0630-400
 PCB ASSY 7010-0630-400

IFR SYSTEMS, INC. 10200 WEST YORK WICHITA, KS 67215		
Title	SCHEMATIC, OUTPUT	
Size	Document Number	REV
C	0000-0630-400	C
Date:	December 11, 1995	Sheet 2 of 2

DATE	REV	CHANGE	APP'D
3-16-94	A	NEVER RELEASED	
5-18-94	B	PRDD. REL. PER ECN #16141	T.N.
4-19-95	C	INC ECN #16376	MKM BM
10-24-95	D	INC ECN #16473	MKM BM

A B C D E F G H J K L

1
2
3
4
5
6
7



- NOTES:
1. BASIC REFERENCE DESIGNATORS SHOWN, FOR COMPLETE DESIGNATOR PREFIXES REFER TO PRODUCT STRUCTURE, AND SYSTEM INTERCONNECT FOR APPLICATIONS WHERE USED.
 2. HARDWARE THAT IS NOT PART OF BILL OF MATERIALS SHOULD NOT BE INSTALLED.
 - 3 TO BE INSTALLED ON BOTTOM SIDE ONLY.
 - 4 TO BE REMOVED PRIOR TO MECH. ASSY.
 - 5 TO BE INSTALLED UNDER COMPONENT.
 - 6 AFFIX MODULE IDENT LABEL HERE.
 - 7 R7, R18, R22 TO BE SPACED 0.30 OFF OF BOARD.
 - 8 SECURE L4, L5, L7 WITH TAK-PAK 444(1051-0100-100) TO ADJACENT COMPONENTS A/R.
 - 9 SPOTMASK HOLES AS INDICATED FAR SIDE ONLY.
 - 10 HEATSINK AND EDGE OF PC BOARD MUST BE FLUSH
 - 11 KEEP CATHODE AS CLOSE AS POSSIBLE TO HEATSINK.
 - 12 ADD SLEEVING TO PIN 1 OF L1 TO AVOID SHORTING.

TOP VIEW

CAUTION: CONTAINS PARTS AND ASSEMBLIES SUSCEPTIBLE TO DAMAGE BY ELECTROSTATIC DISCHARGE (ESD).

IFR SYSTEMS INC			
1800 West York St., Victoria, British Columbia V8Y 1A1			
DESIGN	DATE	TITLE	REV
R. AST	3-16-94	ASSEMBLY DRAWING	
DESIGNED BY	DATE		
T. NEWPORT	5-24-94	SWITCHER	
APPROVED	DATE	SIZE	REV
C. ENDAHL	6-08-94	D	D
10061100.PLT	SCALE	NO. IN SET	NO. OF SHEETS
	N.T.S.	51190	1 OF 1

DATE	REV	CHANGE	APPROVED
1-26-95	B	PROD REL PER ECN#16421 J.I.M.	BM

NOTES:
(UNLESS OTHERWISE SPECIFIED)

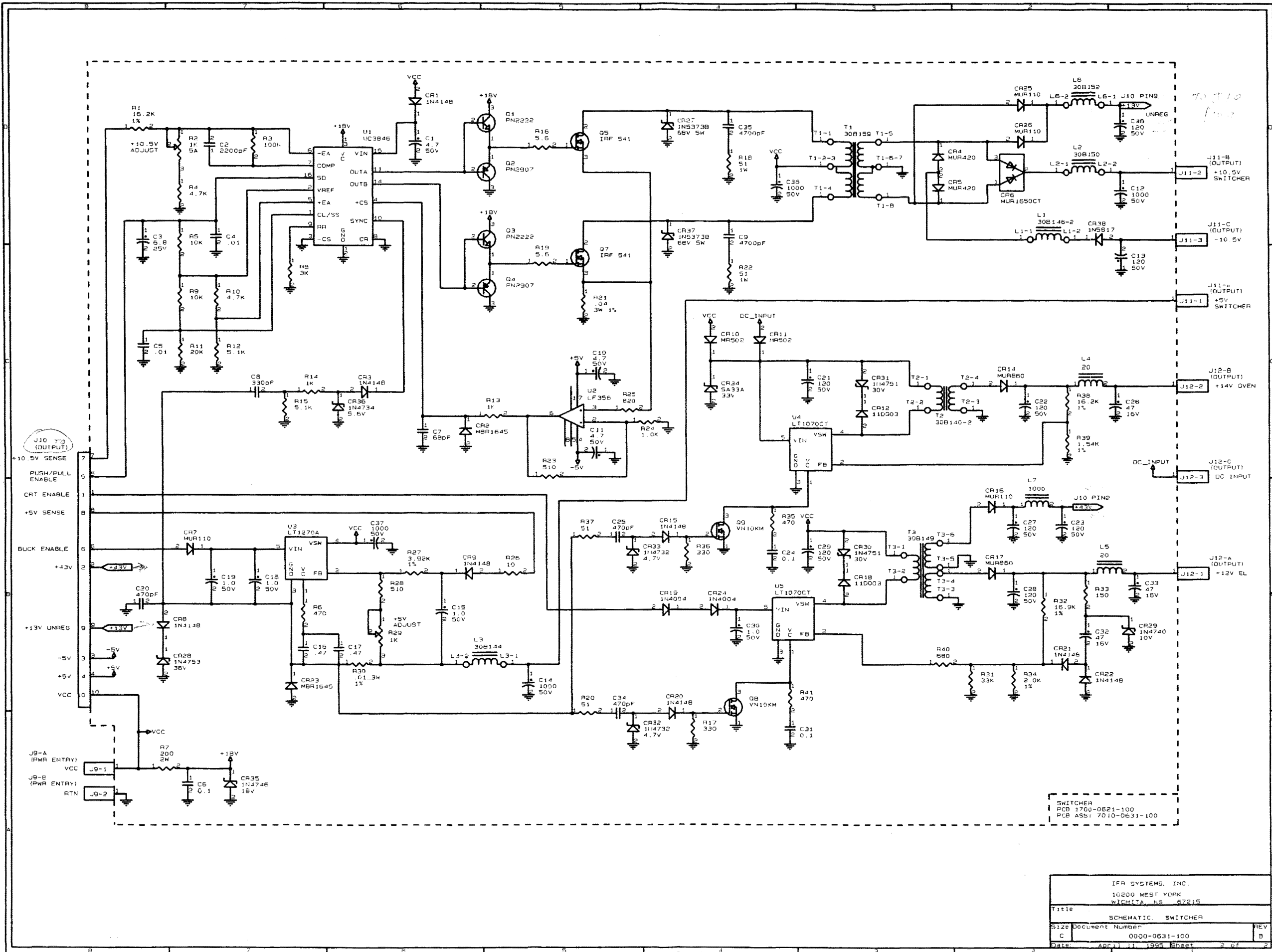
1. BASIC REFERENCE DESIGNATORS SHOWN FOR COMPLETE DESIGNATOR PREFIXES REFER TO PRODUCT STRUCTURE AND SYSTEM INTERCONNECT FOR APPLICATIONS WHERE USED.
2. ALL RESISTORS ARE 5%, 1/4W.
3. ALL RESISTANCE IS EXPRESSED IN OHMS
ALL CAPACITANCE IS EXPRESSED IN MICROFARADS.
ALL INDUCTANCE IS EXPRESSED IN MICROHENRIES.
4. HIGHEST REFERENCE DESIGNATIONS:
| C36 | CR38 | J12 | L7 | O9 | R41 | T3 | U5 | E2 |
5. REFERENCE DESIGNATIONS NOT USED:
| CR13 | O6 | J1-J8
6. FOR INTERCONNECT BLOCK DIAGRAM SEE APPLICATIONS WHERE USED.
7. IC FUNCTIONS NOT USED: NONE
- ** INDICATES PRINTED TRANSMISSION LINES OF OTHER THAN 50 OHMS IMPEDANCE WHICH CONSTITUTE CIRCUIT ELEMENTS. 50 OHM TRANSMISSION LINES ARE NOT SHOWN.



CAUTION:

CONTAINS PARTS AND ASSEMBLIES
SUSCEPTIBLE TO DAMAGE BY
ELECTROSTATIC DISCHARGE (ESD).

DRAWN J. MILLER 3-7-94		IFR SYSTEMS, INC. 10200 WEST YORK WICHITA, KS 67215	
CHECKED T. NEWPORT 5/16/94		Title SCHEMATIC, SWITCHER	
APPROVED C. ENGOHL 5/16/94		Size C	Document Number 0000-0531-100
		Date January 26, 1995	Sheet 1 of 2



To 710
To 95

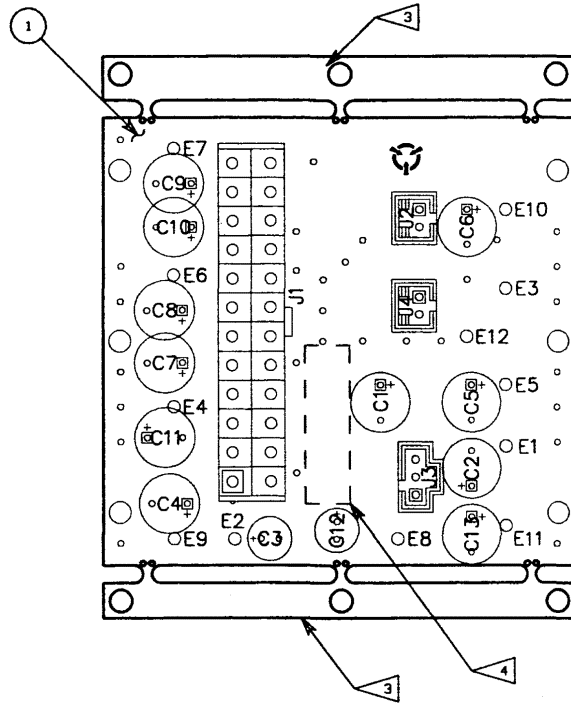
SWITCHER
PCB 1700-0621-100
PCB ASSY 7010-0631-100

IFR SYSTEMS, INC.	
10200 WEST YORK WICHITA, KS 67215	
Title	SCHEMATIC SWITCHER
Size	Document Number
C	0000-0631-100
Date	APR 11 1995 Sheet 2 of 3

A B C D E F G H J K L

DATE	REV	CHANGE	APP'D
4-4-95	A	RELEASE	DKB

1
2
3
4
5
6
7



NOTES

1. BASIC REFERENCE DESIGNATORS SHOWN, FOR COMPLETE DESIGNATOR PREFIXES REFER TO PRODUCT STRUCTURE, AND SYSTEM INTERCONNECT FOR APPLICATIONS WHERE USED.
2. HARDWARE THAT IS NOT PART OF BILL OF MATERIALS SHOULD NOT BE INSTALLED.
3. TO BE REMOVED PRIOR TO MECH. ASSY.
4. AFFIX MODULE IDENT LABEL HERE.

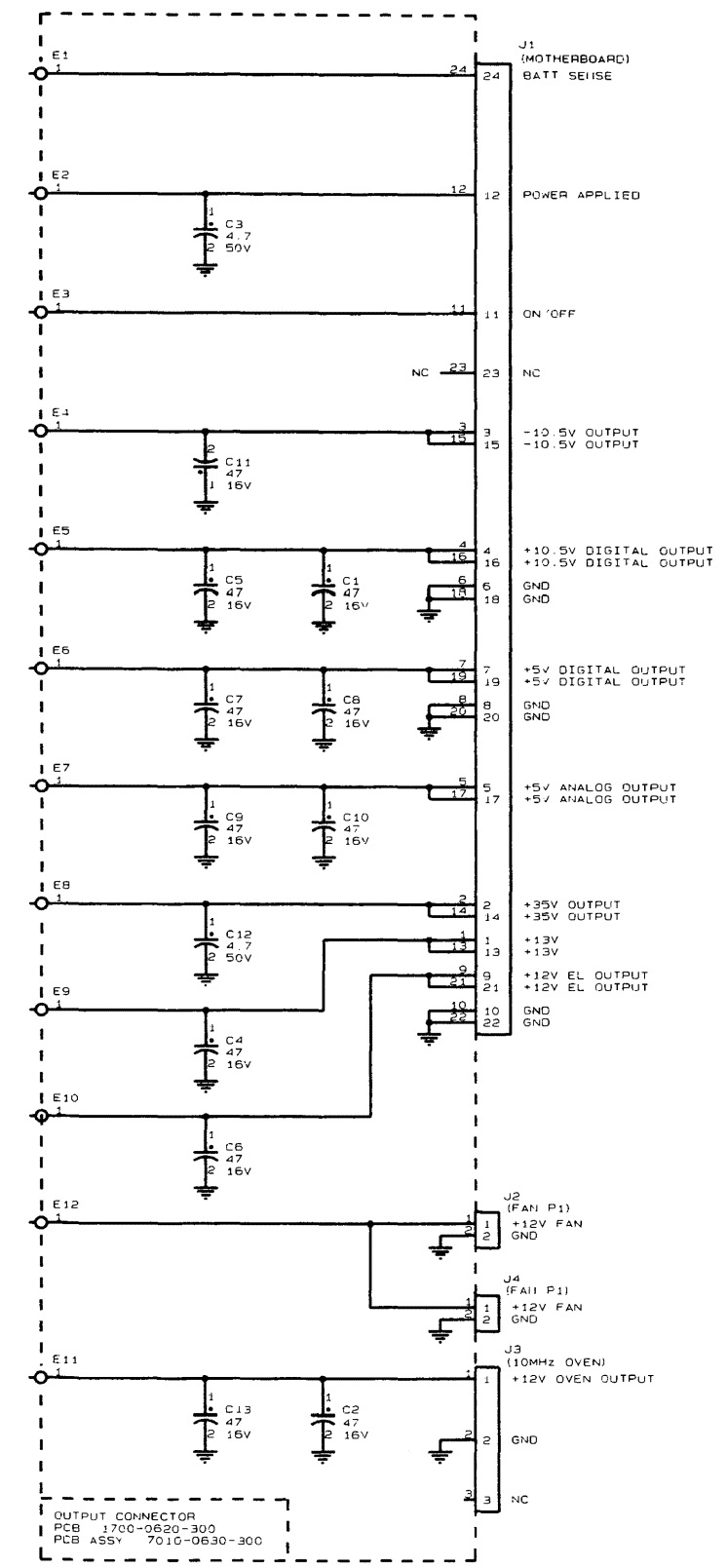
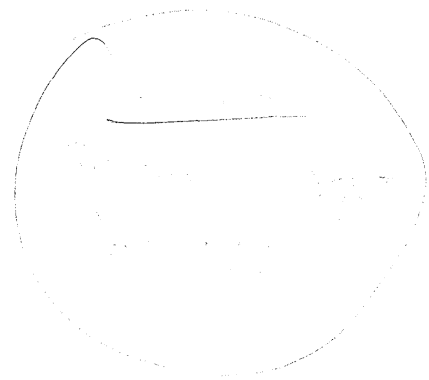


CAUTION: CONTAINS PARTS AND ASSEMBLIES SUSCEPTIBLE TO DAMAGE BY ELECTROSTATIC DISCHARGE (ESD).

TOP VIEW

DRAWN		DATE		TITLE	
M.K. MOFFITT	12-30-94	IFR SYSTEMS INC 1000 West York St., Westborough, MA 01581			
CHECKED		DATE		ASSEMBLY DRAWING	
D.K.B.	4-4-95	OUTPUT CONNECTOR			
APPROVED		DATE	SIZE	DWG. NO.	REV
S. PIERSON	4-4-95	D		7010-0630-300	A
100603A0.PLT		SCALE	N.T.S.	DO NOT SCALE	PROJ 51190 SHEET 1 OF 1

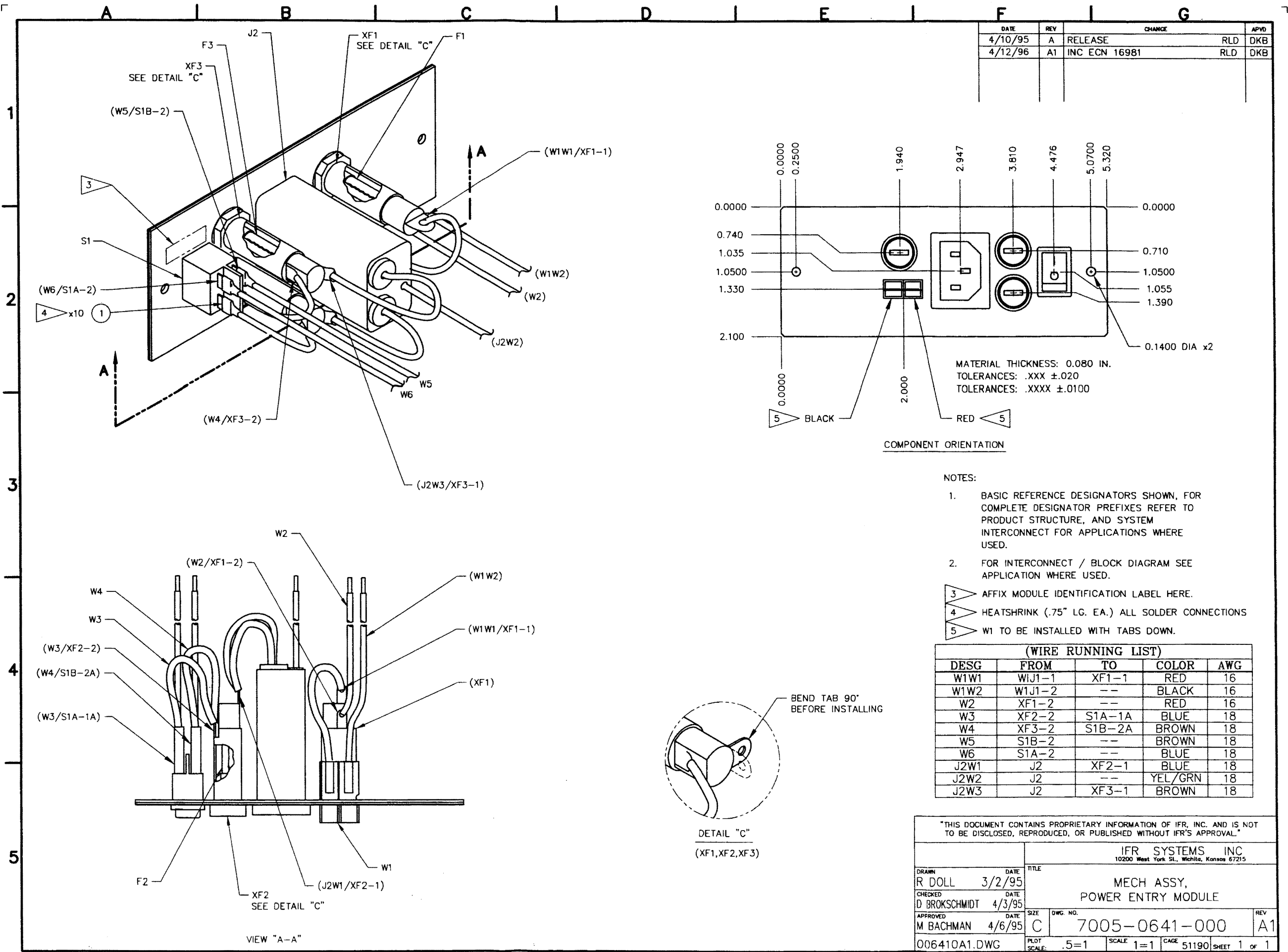
DATE	REV	CHANGE	APPROVED
4-11-95	A	RELEASE	J. I. M. DKB



- NOTES:
(UNLESS OTHERWISE SPECIFIED)
- BASIC REFERENCE DESIGNATORS SHOWN, FOR COMPLETE DESIGNATOR PREFIXES REFER TO PRODUCT STRUCTURE AND SYSTEM INTERCONNECT FOR APPLICATIONS WHERE USED.
 - ALL RESISTORS ARE 5% 1/4W.
 - ALL RESISTANCE IS EXPRESSED IN OHMS. ALL CAPACITANCE IS EXPRESSED IN MICROFARADS. ALL INDUCTANCE IS EXPRESSED IN MICROHENRIES.
 - HIGHEST REFERENCE DESIGNATIONS:
| C13 | E12 | J4 |
 - REFERENCE DESIGNATIONS NOT USED: NONE
 - FOR INTERCONNECT/BLOCK DIAGRAM SEE APPLICATIONS WHERE USED.
 - IC FUNCTIONS NOT USED: NONE
- ← INDICATES PRINTED TRANSMISSION LINES OF OTHER THAN 50 OHMS IMPEDANCE WHICH CONSTITUTE CIRCUIT ELEMENTS. 50 OHM TRANSMISSION LINES ARE NOT SHOWN.

CAUTION:
CONTAINS PARTS AND ASSEMBLIES SUSCEPTIBLE TO DAMAGE BY ELECTROSTATIC DISCHARGE (ESD).

DRAWN J. MILLER 3-7-94 CHECKED DKB 4-4-95 APPROVED S. PIERSON 4-6-95	IFR SYSTEMS, INC. 10200 WEST YORK WICHITA, KS 67215 Title SCHEMATIC, OUTPUT CONNECTOR Size Document Number C 0000-0630-300 Date Apr 11 1995 Sheet 1 of 1
---	--



DATE	REV	CHANGE	APVD
4/10/95	A	RELEASE	RLD
4/12/96	A1	INC ECN 16981	RLD

- NOTES:
- BASIC REFERENCE DESIGNATORS SHOWN, FOR COMPLETE DESIGNATOR PREFIXES REFER TO PRODUCT STRUCTURE, AND SYSTEM INTERCONNECT FOR APPLICATIONS WHERE USED.
 - FOR INTERCONNECT / BLOCK DIAGRAM SEE APPLICATION WHERE USED.
- 3 AFFIX MODULE IDENTIFICATION LABEL HERE.
- 4 HEATSHRINK (.75" LG. EA.) ALL SOLDER CONNECTIONS
- 5 W1 TO BE INSTALLED WITH TABS DOWN.

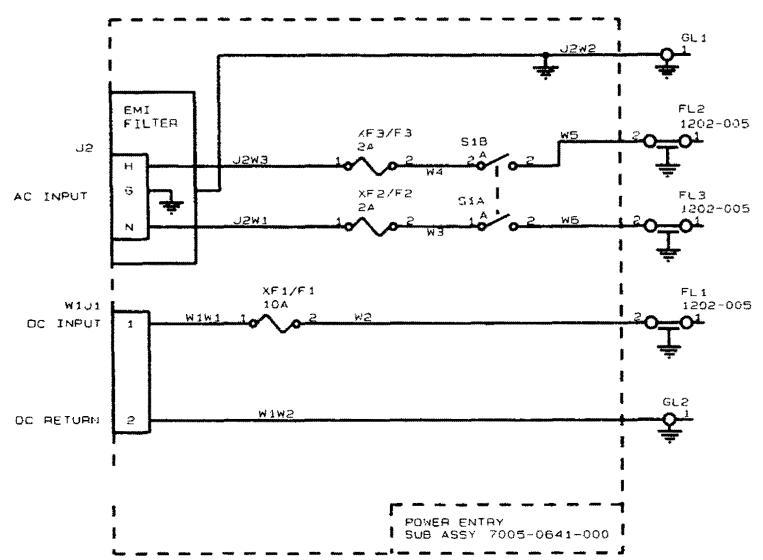
(WIRE RUNNING LIST)				
DESG	FROM	TO	COLOR	AWG
W1W1	W1J1-1	XF1-1	RED	16
W1W2	W1J1-2	--	BLACK	16
W2	XF1-2	--	RED	16
W3	XF2-2	S1A-1A	BLUE	18
W4	XF3-2	S1B-2A	BROWN	18
W5	S1B-2	--	BROWN	18
W6	S1A-2	--	BLUE	18
J2W1	J2	XF2-1	BLUE	18
J2W2	J2	--	YEL/GRN	18
J2W3	J2	XF3-1	BROWN	18

"THIS DOCUMENT CONTAINS PROPRIETARY INFORMATION OF IFR, INC. AND IS NOT TO BE DISCLOSED, REPRODUCED, OR PUBLISHED WITHOUT IFR'S APPROVAL."


IFR SYSTEMS INC
10200 West York St., Wichita, Kansas 67215

DRAWN	DATE	TITLE
R DOLL	3/2/95	MECH ASSY, POWER ENTRY MODULE
CHECKED	DATE	
D BROKSCHMIDT	4/3/95	
APPROVED	DATE	SIZE
M BACHMAN	4/6/95	C
		DWG. NO.
		7005-0641-000
		REV
		A1
006410A1.DWG	PLOT SCALE: .5=1	SCALE 1=1
		CAGE 51190
		SHEET 1 OF 1

DATE	REV	CHANGE	APPROVED
4-11-95	A	RELEASE	J. I. M. DKB



- NOTES:
(UNLESS OTHERWISE SPECIFIED)
1. BASIC REFERENCE DESIGNATORS SHOWN. FOR COMPLETE DESIGNATOR PREFIXES REFER TO PRODUCT STRUCTURE AND SYSTEM INTERCONNECT FOR APPLICATIONS WHERE USED.
 2. ALL RESISTORS ARE 5% 1/4W.
 3. ALL RESISTANCE IS EXPRESSED IN OHMS. ALL CAPACITANCE IS EXPRESSED IN MICROFARADS. ALL INDUCTANCE IS EXPRESSED IN MICROHENRIES.
 4. HIGHEST REFERENCE DESIGNATIONS:
| F3 | XF3 | S1 | W6 |
 5. REFERENCE DESIGNATIONS NOT USED: NONE
 6. FOR INTERCONNECT/BLOCK DIAGRAM SEE APPLICATIONS WHERE USED.
 7. IC FUNCTIONS NOT USED: NONE
- ** INDICATES PRINTED TRANSMISSION LINES OF OTHER THAN 50 OHMS IMPEDANCE WHICH CONSTITUTE CIRCUIT ELEMENTS. 50 OHM TRANSMISSION LINES ARE NOT SHOWN.

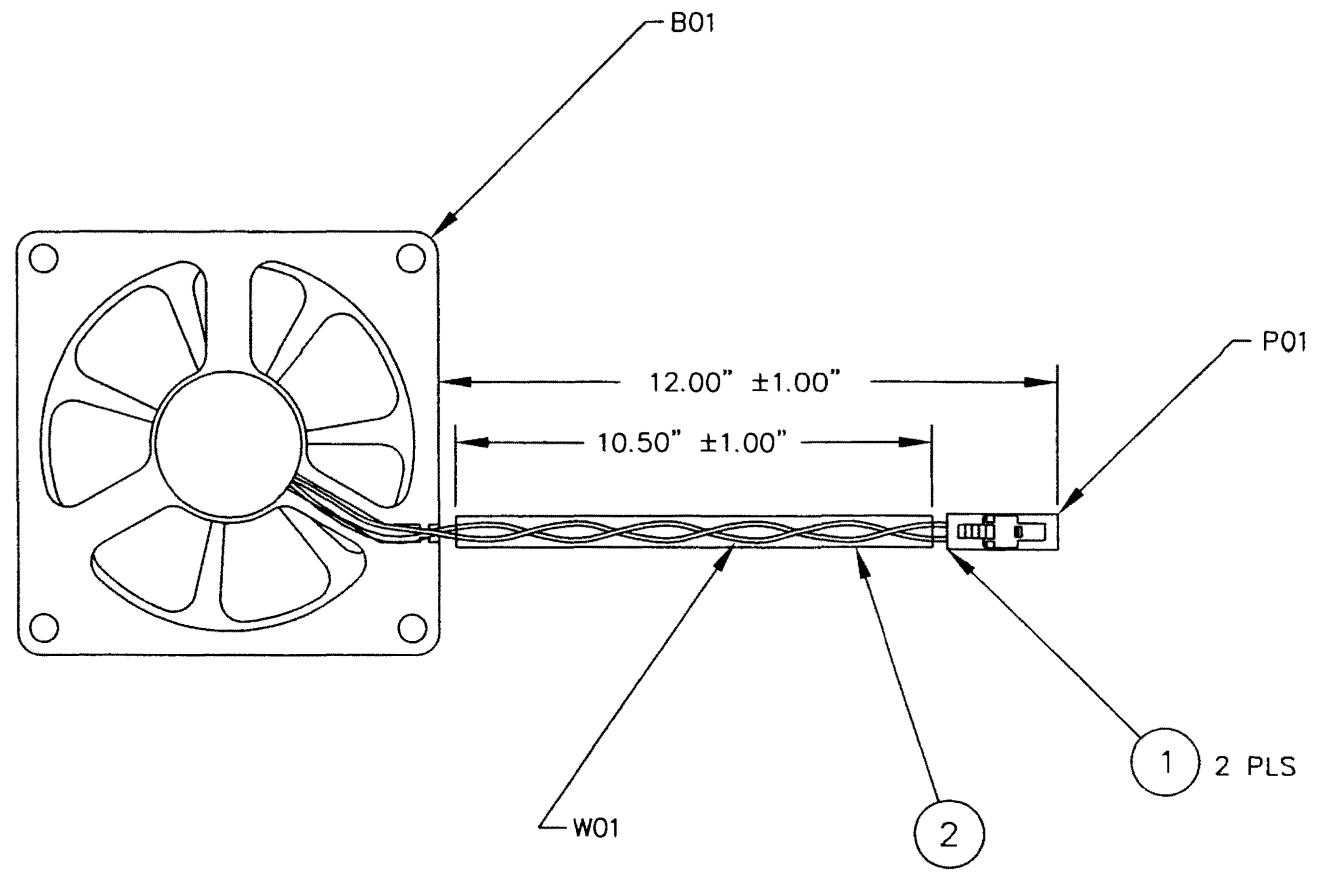
 **CAUTION:**
CONTAINS PARTS AND ASSEMBLIES SUSCEPTIBLE TO DAMAGE BY ELECTROSTATIC DISCHARGE (ESD).

DRAWN J. MILLER 3-7-94		IFR SYSTEMS, INC. 10200 WEST YORK WICHITA, KS 67215	
CHECKED DKB 4-3-95		Title SCHEMATIC, POWER ENTRY	
APPROVED S. PIERSON 4-6-95		Size C	Document Number 0000-0641-000
Date APR 11 1995		Sheet 1	REV A

A | B | C | D | E | F | G | H

DATE	REV	CHANGE	APVD
10/2/92	A	DESIGN RELEASE R DOLL	DKB
2/9/93	A1	INC REF NO. FMY-110 R DOLL	DKB
5/4/93	A2	PROD REL PER ECN 15564 RH	DKB

1
2
3
4
5

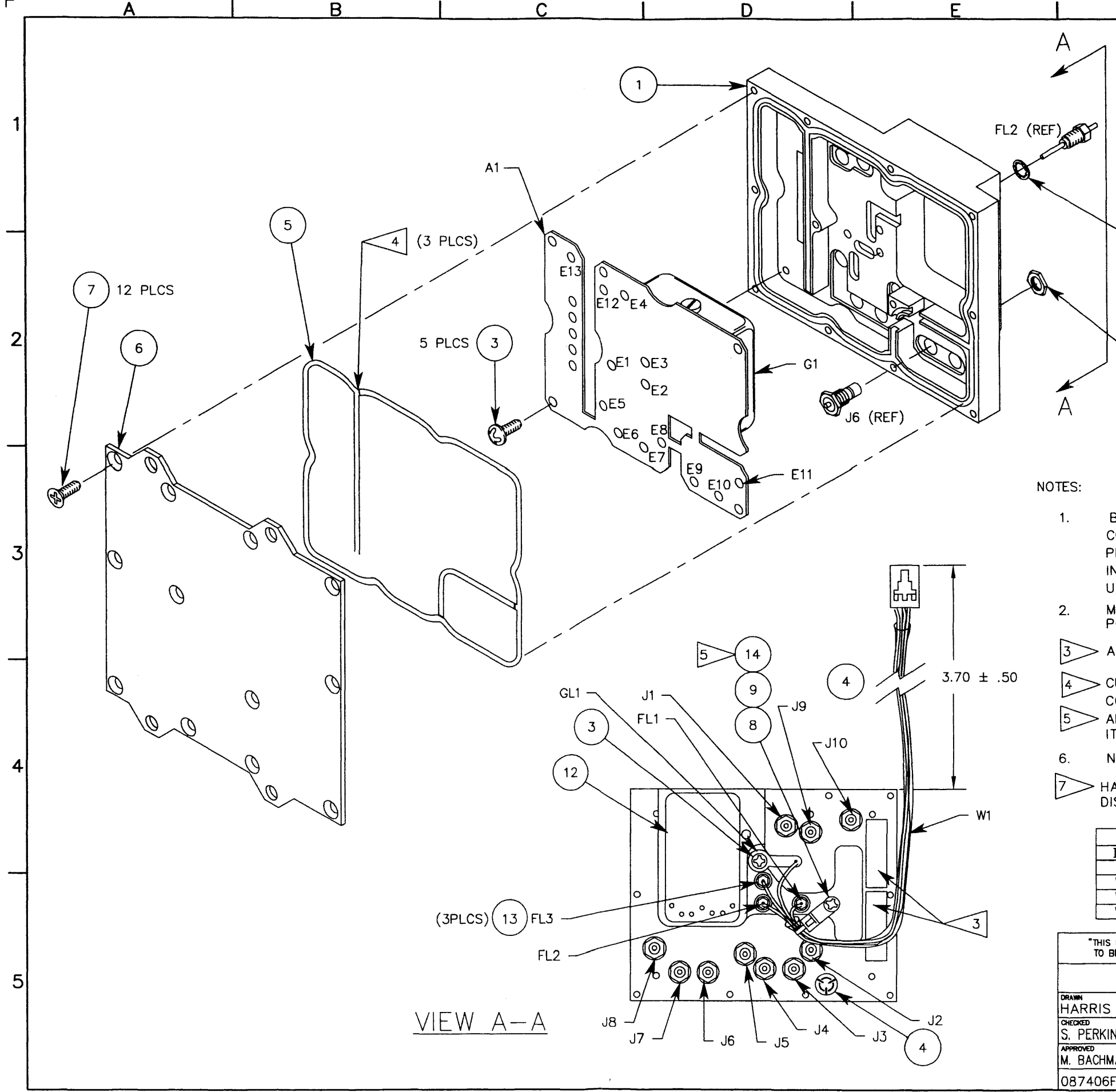


NOTE:

1. BASIC REFERENCE DESIGNATORS SHOWN, FOR COMPLETE DESIGNATOR PREFIXES REFER TO PRODUCT STRUCTURE, AND SYSTEM INTERCONNECT FOR APPLICATIONS WHERE USED.

WIRE RUNNING LIST			
FROM	TO	COLOR	AWG
B01	P01-1	RED	26
B01	P01-2	BLACK	26

DRAWN		DATE	IFR SYSTEMS INC 10200 West York St., Wichita, Kansas 67215			
R DOLL	10/1/92	TITLE	MECH ASSY, FAN			
CHECKED	DATE	SIZE	DWG. NO.	REV		
S STARKEL	10/2/92	B	7005-8742-900	A2		
APPROVED	DATE	PLOT SCALE:	SCALE	CAGE	SHEET	OF
M BACHMAN	10/2/92	1=1	1=1	51190	1	1



DATE	REV	CHANGE	APVD
		FOR PREVIOUS REV LEVELS SEE HISTORY	
7/6/95	F	INC ECN 16555	BP BM

NOTES:

1. BASIC REFERENCE DESIGNATORS SHOWN, FOR COMPLETE DESIGNATOR PREFIXES REFER TO PRODUCT STRUCTURE, AND SYSTEM INTERCONNECT FOR APPLICATIONS WHERE USED.
2. MECH. ASS'Y DRAWING SHOWS ONLY PORTIONS OF PC BD ASSY'S REQUIRED FOR REF. ONLY.
3. AFFIX MODULE IDENTIFICATION LABELS HERE.
4. CUT ENDS OF GASKET MUST MEET UNDER COMPRESSION WHEN INSTALLED.
5. ADD WASHER ITEM #14 BETWEEN ITEM #8 AND ITEM #9.
6. NOTE NOT USED.
7. HARDWARE SUPPLIED WITH CONNECTORS, DISCARD WASHERS

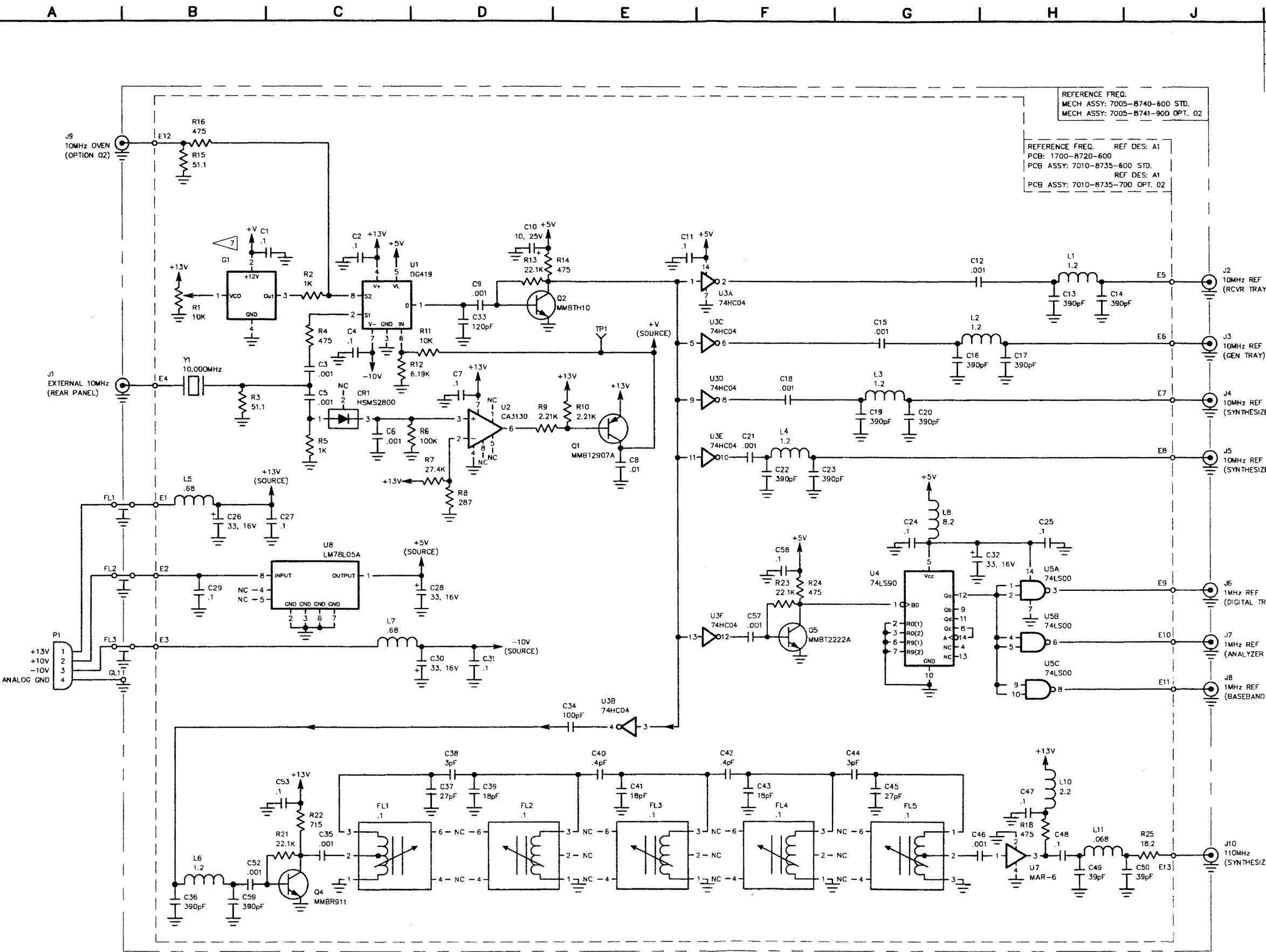
WIRE RUNNING LIST				
DESG	FROM	TO	COLOR	AWG
W1W1	P1-01	FL1	BLUE	26
W1W2	P1-02	FL2	RED	26
W1W3	P1-03	FL3	YELLOW	26
W1W4	P1-04	GL1	BLACK	26

"THIS DOCUMENT CONTAINS PROPRIETARY INFORMATION OF IFR, INC. AND IS NOT TO BE DISCLOSED, REPRODUCED, OR PUBLISHED WITHOUT IFR'S APPROVAL."

IFR SYSTEMS INC 10200 West York St., Wichita, Kansas 67215				
DRAWN HARRIS 8/14/92	DATE	TITLE MECH ASSY, REFERENCE FREQ. STD.		
CHECKED S. PERKINS 8/17/92	DATE	SIZE C	DWG. NO. 7005-8740-600	REV F
APPROVED M. BACHMAN 8/17/92	DATE	SCALE 1=1	CAGE 51190	SHEET 1 of 1

VIEW A-A

DATE	REV	CHANGE	APPROVED
8-17-92	D	DESIGN RELEASE	DKB
10-22-92	D1	INC FMY-042	J.I.M.
4-21-93	D2	PROD. REL. PER ECN #15564	J.I.M.
07/10/93	E	INC ECN 15717	BP
5-22-95	F	INC ECN 16536	BP
8-9-95	G	INC ECN 16593	BP



REFERENCE FREQ.
MECH ASSY: 7005-8740-600 STD.
MECH ASSY: 7005-8741-900 OPT. 02

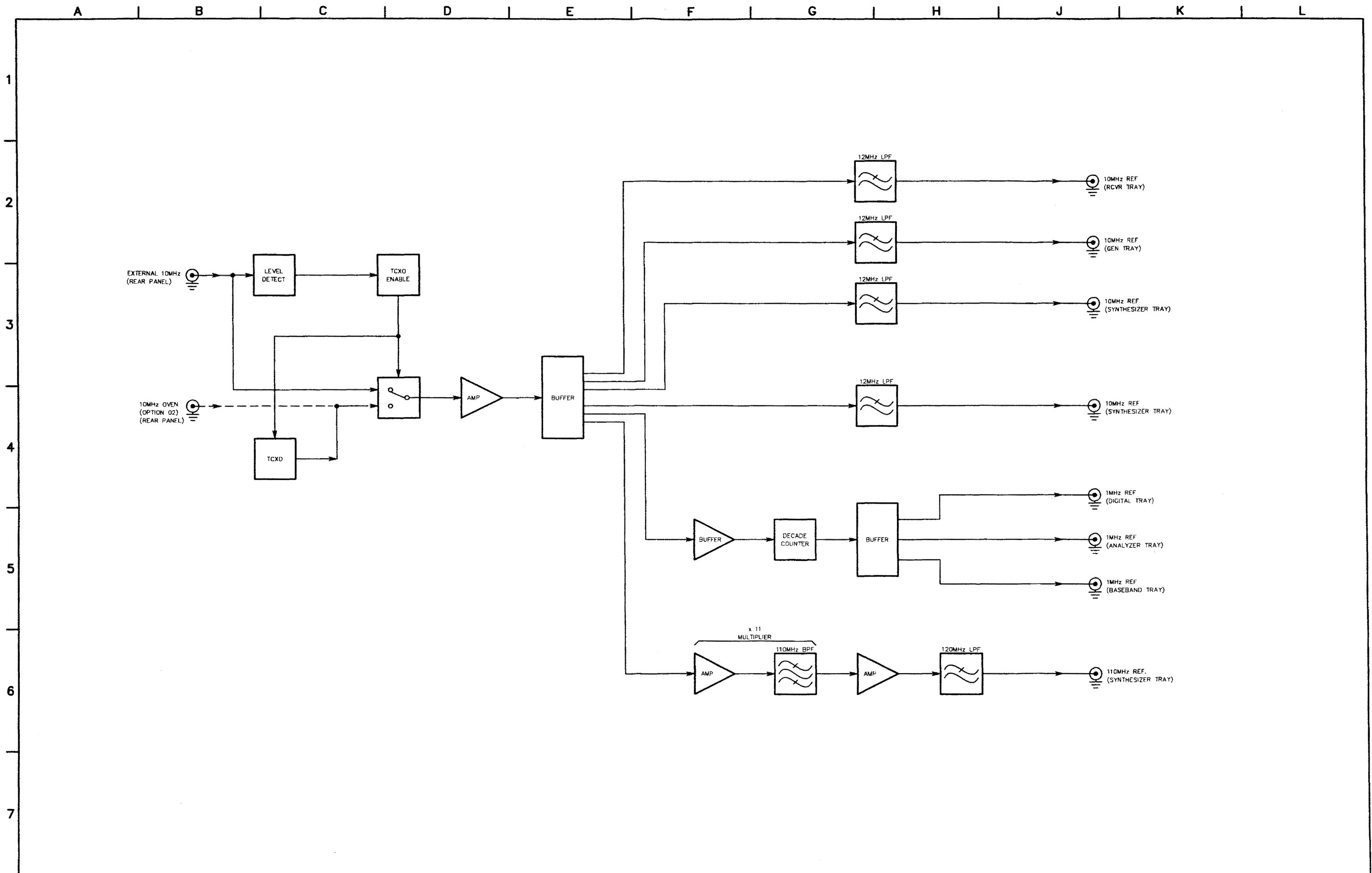
REFERENCE FREQ. REF DES: A1
PCB: 1700-8720-600
PCB ASSY: 7010-8735-600 STD.
PCB ASSY: 7010-8735-700 OPT. 02

- NOTES:
(UNLESS OTHERWISE SPECIFIED)
1. BASIC REFERENCE DESIGNATORS SHOWN, FOR COMPLETE DESIGNATOR PREFIXES REFER TO PRODUCT STRUCTURE, AND SYSTEM INTERCONNECT FOR APPLICATIONS WHERE USED.
 2. ALL RESISTORS ARE 1% 1/8W.
 3. ALL RESISTANCE IS EXPRESSED IN OHMS. ALL CAPACITANCE IS EXPRESSED IN MICROFARADS. ALL INDUCTANCE IS EXPRESSED IN MICROHENRIES.
 4. HIGHEST REFERENCE DESIGNATIONS.
7010-8735-600
C59, CR1, E13, FL5, G1, L11, Q5, R25, TP1, UB, Y1.
7010-8735-700
C59, CR1, E13, FL5, L11, Q5, R25, TP1, UB, Y1.
7005-8740-600 GL1, J10, FL3, P1.
7005-8741-900 GL1, J10, FL3, P1.
 5. REFERENCE DESIGNATIONS NOT USED.
7010-8735-600 L9, Q3, R17, R19, R20, U6, C51.
7010-8735-700 L9, Q3, R17, R19, R20, U6, C51.
7005-8740-600 NONE
7005-8741-900 NONE

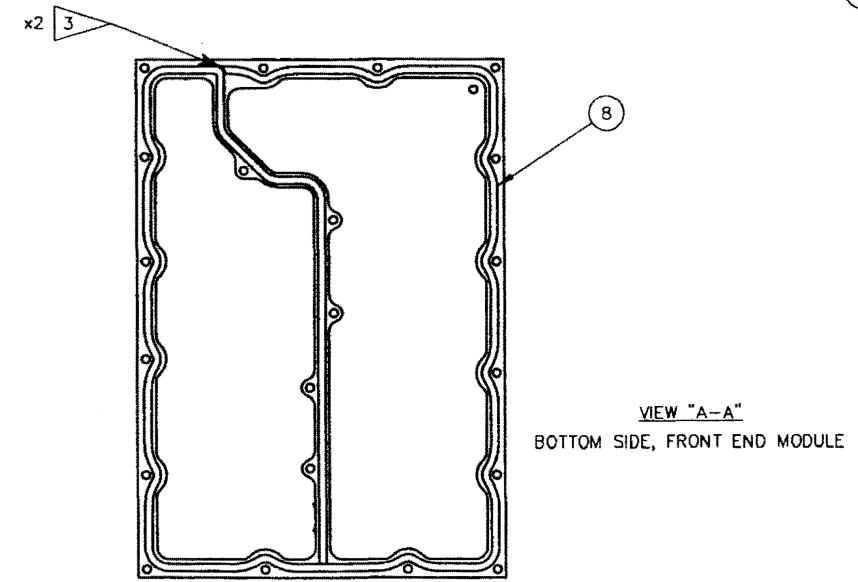
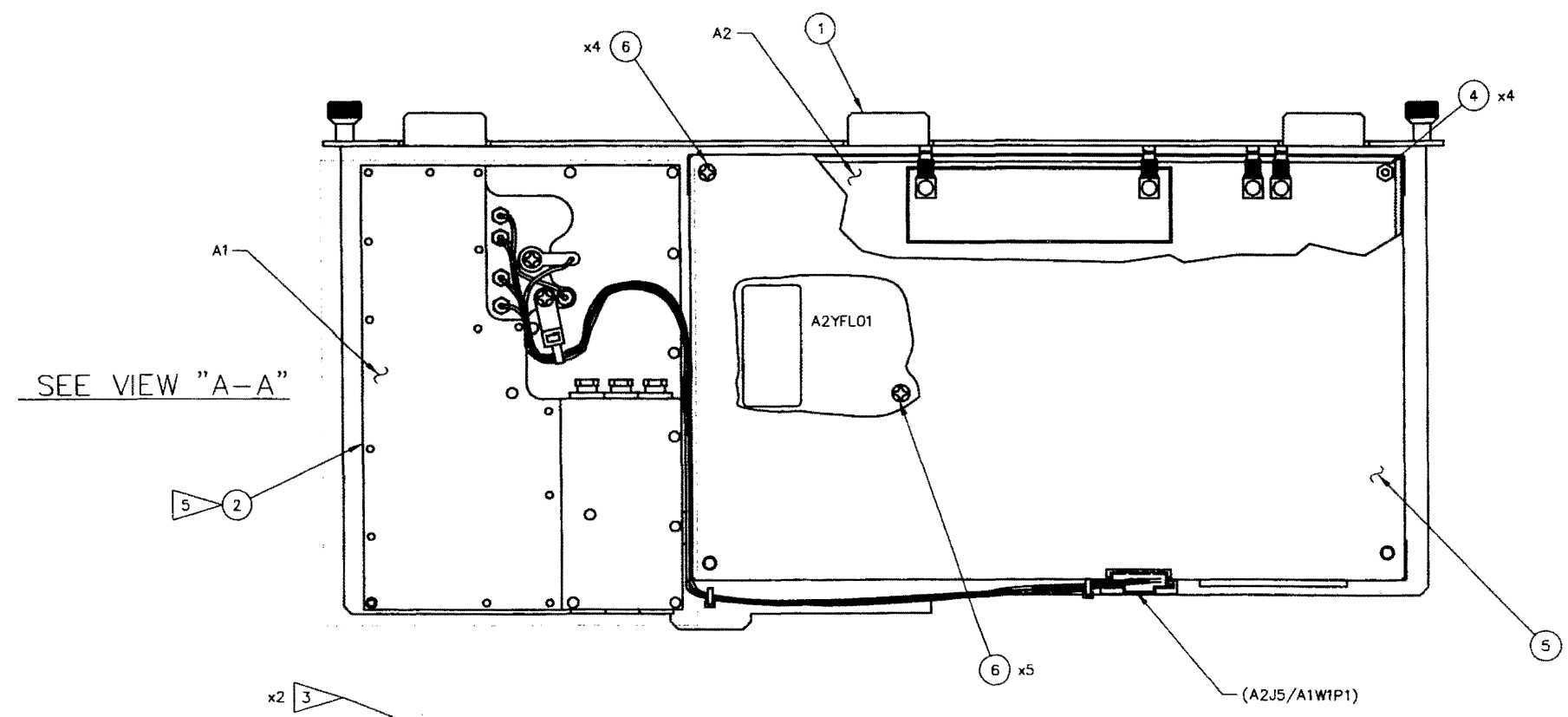
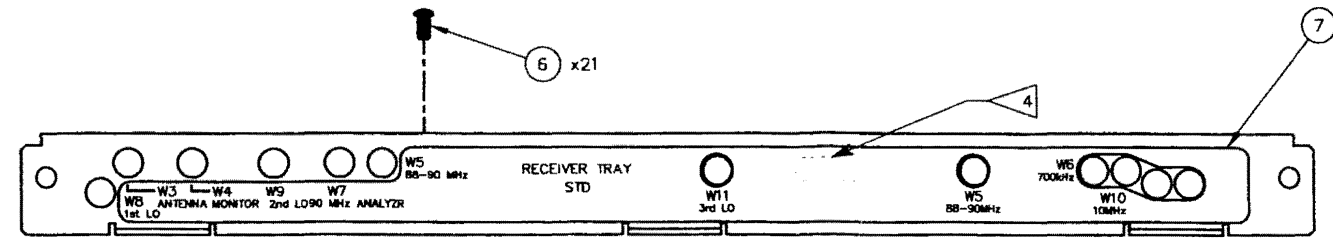
6. FOR INTERCONNECT/BLOCK DIAGRAM SEE APPLICATIONS WHERE USED.
 7. TCXO IS INSTALLED ON THE STD REFERENCE FREQ. BOARD ONLY.
 8. IC FUNCTIONS NOT USED:
- * - INDICATES PRINTED TRANSMISSION LINES OF OTHER THAN 50 OHMS IMPEDANCE WHICH CONSTITUTE CIRCUIT ELEMENTS. 50 OHM TRANSMISSION LINES ARE NOT SHOWN.

CAUTION:
CONTAINS PARTS AND ASSEMBLIES SUSCEPTIBLE TO DAMAGE BY ELECTROSTATIC DISCHARGE (ESD).

DRAWN		DATE		TITLE	
T. Q. TRAN	7/7/72	SCHEMATIC REFERENCE FREQ.			
CHECKED		DATE		REV	
D. BROKSCHMIDT	8/14/92			0000-8740-600	G
APPROVED		DATE		SCALE	
S. PIERSON	8/17/92			DO NOT SCALE FROM 51190	SHEET 1 OF 2



DATE	REV	CHANGE	RH	APB
8/20/92	C	DESIGN RELEASE	RH	DKB
5/4/93	C1	PROD REL PER ECN 15564	RH	DKB
7/6/95	D	INC ECN 16555	BP	BM
1/21/98	E	INC ECN 17868	RH	DSG



- NOTES:
- BASIC REFERENCE DESIGNATORS SHOWN, FOR COMPLETE DESIGNATOR PREFIXES REFER TO PRODUCT STRUCTURE, AND SYSTEM INTERCONNECT FOR APPLICATIONS WHERE USED.
 - REFERENCE INTERCONNECT:
0000-8740-400
 - CUT ENDS OF GASKET MUST MEET UNDER COMPRESSION WHEN INSTALLED.
 - AFFIX MODULE I.D. LABEL HERE.
 - INSTALL ITEM 2 BETWEEN ITEM 1 AND A1.

CAUTION:
CONTAINS PARTS AND ASSEMBLIES SUSCEPTIBLE TO DAMAGE BY ELECTROSTATIC DISCHARGE (ESD).

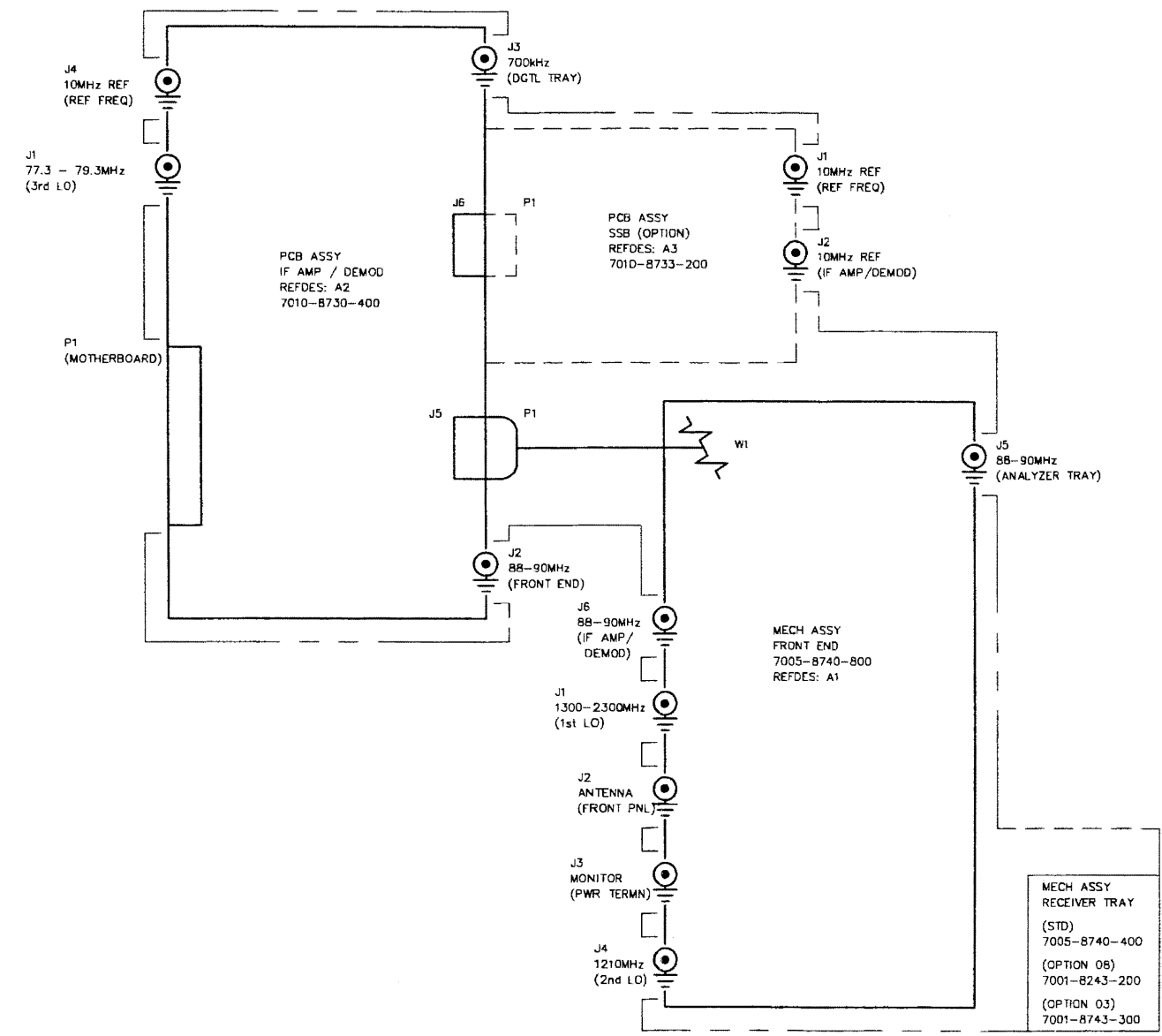
THIS DRAWING PROVIDES THE MINIMUM LEVEL OF GRAPHIC DETAILS AND SPECIFICATIONS REQUIRED TO ACCURATELY DEFINE THIS LEVEL OF FABRICATED PRODUCT ONLY. REFER TO DETAIL DRAWINGS AND SPECIFICATIONS FOR ACCURATE CONFIGURATION OF LOWER LEVEL PARTS AND SUB-ASSEMBLIES USED HEREIN.

"THIS DOCUMENT CONTAINS PROPRIETARY INFORMATION OF IFR, INC. AND IS NOT TO BE DISCLOSED, REPRODUCED, OR PUBLISHED WITHOUT IFR'S APPROVAL."

IFR SYSTEMS INC 10200 West York St., Wichita, Kansas 67219	
DRAWN HARRIS 7/18/92	DATE 7/18/92
CREATED S. PERKINS 8/10/92	DATE 8/10/92
APPROVED M. BACHMAN 8/20/92	DATE 8/20/92
SIZE D	DWG. NO. 7005-8740-400
PLT 087404E0.DWG	SCALE 1=1
CAGE 51190	SHEET 1 of 1

A B C D E F G H J K L

DATE	REV	CHANGE	APPROVED
8-20-92	C	DESIGN RELEASE	J.I.M. DKB
DATE	REV	CHANGE	APPROVED
4-29-93	C1	PROD. REL. PER ECN #15564	J.I.M. DKB
08-24-93	C2	INC ECN #15769	BP BM
07-12-95	D	INC ECN #16555	BP BM

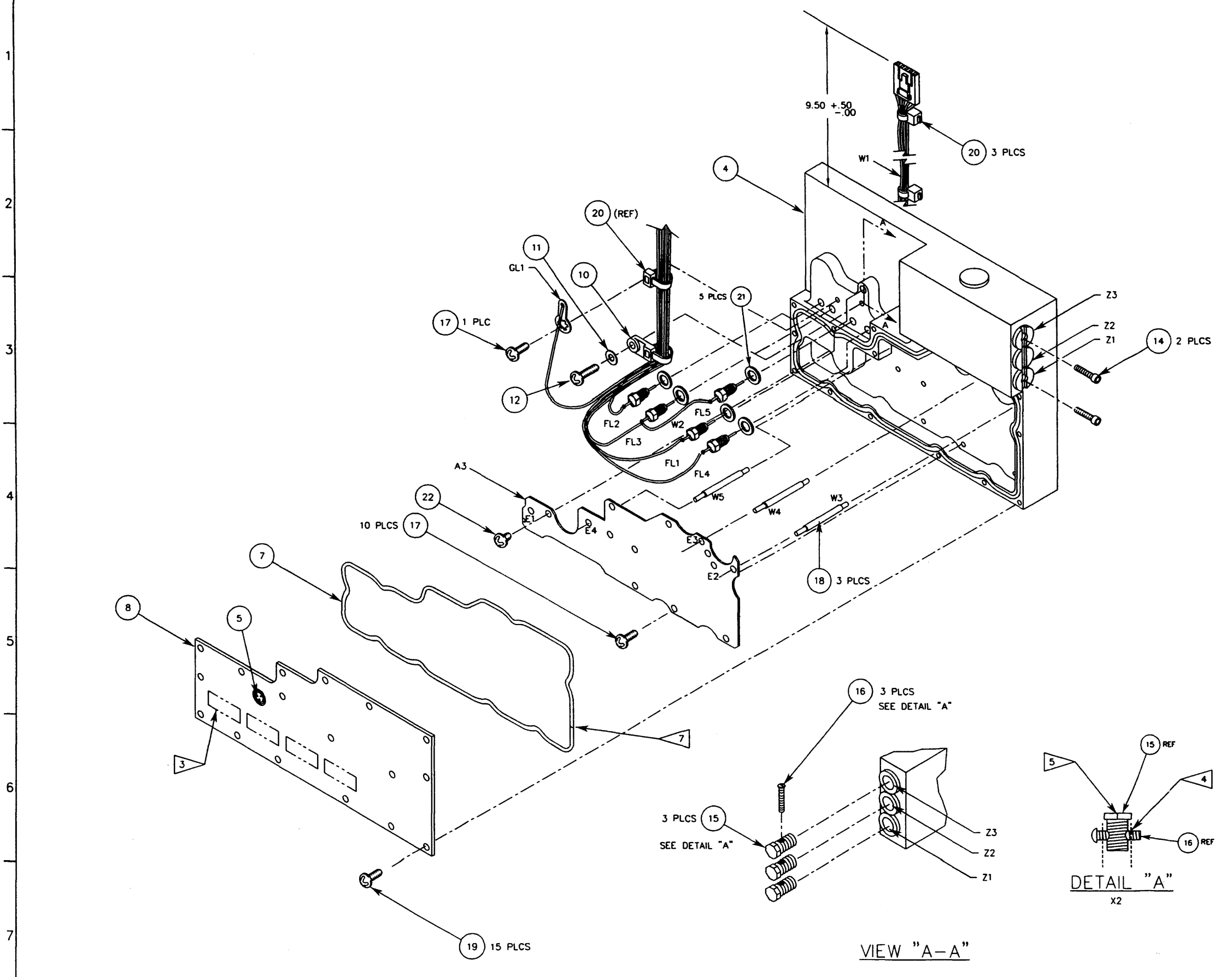


1
2
3
4
5
6
7

IFR SYSTEMS, INC.			
10200 West York St., Wichita, Kansas 67225			
DRAWN	DATE	TITLE	
J. MILLER	6-23-92	INTERCONNECT	
DESIGNED	DATE	RECEIVER TRAY	
E. SHIMONI	8-20-92		
APPROVED	DATE	SIZE	REV
S. PIERSON	8-20-92	D	D
0878404.DWG	SCALE:	DO NOT SCALE	PSOM 51190 SHEET 1 of 1

A B C D E F G H I J K L

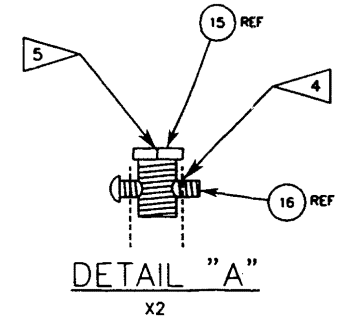
DATE	REV	CHANGE	APPROVED
9/22/92	D1	DESIGN RELEASE	RH DKB
10/30/92	D2	INC FMY-050	DKB
1/4/93	D3	INC FMY-095	RH DKB
5/5/93	D4	PROD REL PER ECN 15564	RH DKB
08/23/93	D5	PRODUCT EQUAL TO D6	
11/17/93	D6	INC ECN 15769 & 15769A	BP/BM



- NOTES:
- BASIC REFERENCE DESIGNATORS SHOWN. FOR COMPLETE DESIGNATOR PREFIXES REFER TO PRODUCT STRUCTURE, AND SYSTEM INTERCONNECT FOR APPLICATIONS WHERE USED.
 - MECH. ASS'Y DRAWING SHOWS ONLY PORTIONS OF PC BD ASS'Y'S REQUIRED FOR REF. ONLY.
 - AFFIX MODULE IDENTIFICATION LABEL HERE.
 - THREAD NYLON SCREW INTO SLUG UNTIL THREADS ARE EXTENDING PAST SLUG ABOUT EQUAL DISTANCE. CUT OFF BOTH ENDS OF SCREW FLUSH TO SLUG THREADS.
 - SCREW ITEM 6 INTO BLOCK HALF THE LENGTH OF THREADED AREA ONLY.
 - PINS ARE TO BE FULLY INSERTED INTO TUNING POLE. CUT OFF EXCESS AFTER SOLDERED.
 - CUT ENDS OF GASKET MUST MEET UNDER COMPRESSION WHEN INSTALLED.

WIRE RUNNING LIST

DESIGN	FROM	TO	COLOR	AWG
W1W1	P1-01	FL4	BLUE	26
W1W2	P1-02	FL2	GRN	26
W1W3	P1-03	FL3	RED	26
W1W4	P1-04	GL1	BLK	26
W1W5	P1-05	FL1	BRN	26
W2	FL3	FL5	RED	26
W3	E2	E7	BUS	26
W4	E3	E8	BUS	26
W5	E4	E10	BUS	26



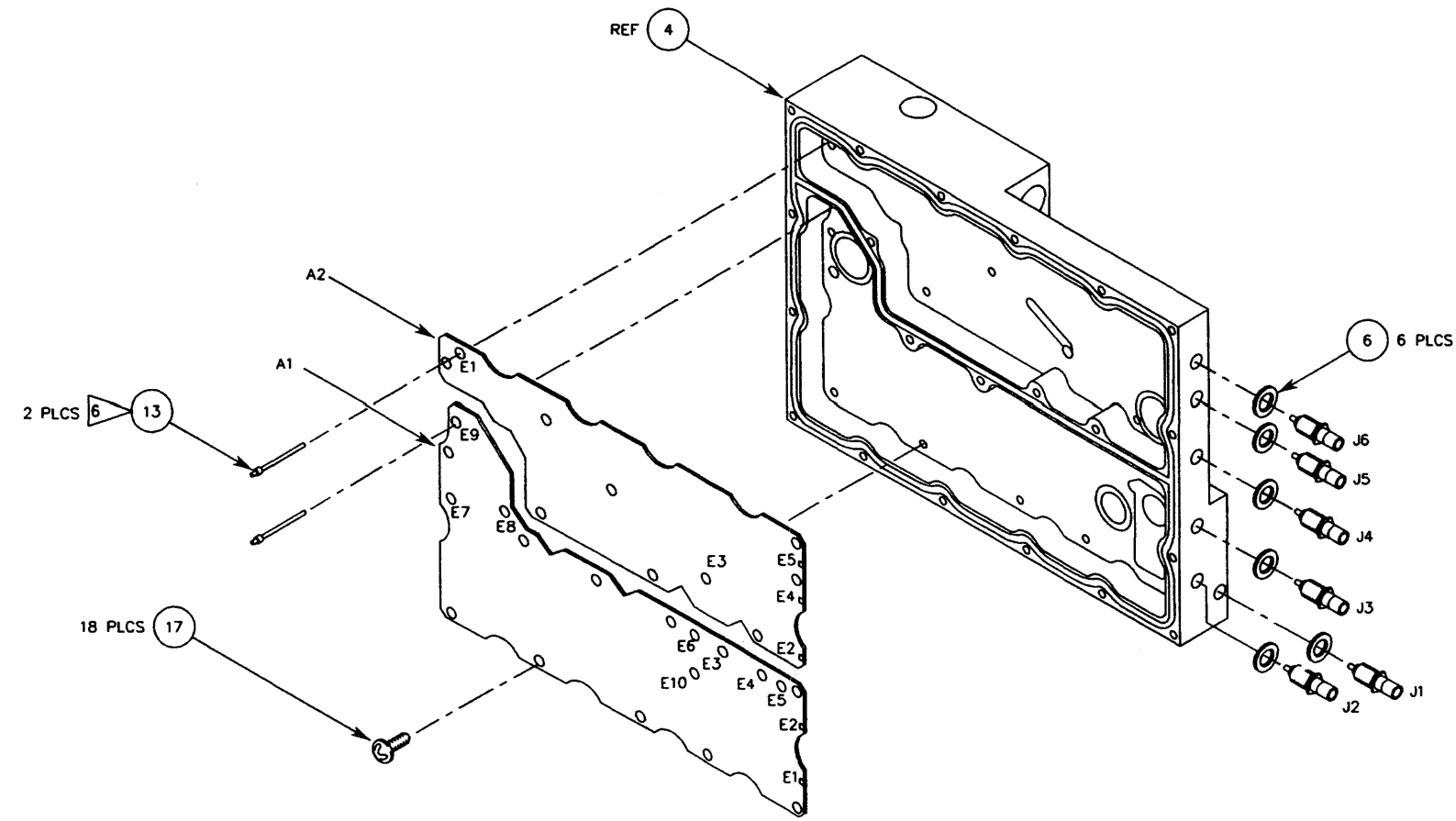
VIEW "A-A"

CAUTION:
CONTAINS PARTS AND ASSEMBLIES SUSCEPTIBLE TO DAMAGE BY ELECTROSTATIC DISCHARGE (ESD).

DRAWN		DATE		TITLE	
HARRIS	5/12/92	MECH ASSY, FRONT END BLOCK			
CHECKED		DATE		REV	
S.PERKINS	8/17/92				
APPROVED		DATE		REV	
M.BACHMAN	9/22/92				
PLOT		SCALE		CAGE	
087408D6.DWG	1=1	1=1	51190	SHEET 1 of 2	

A | B | C | D | E | F | G | H | J | K | L

DATE	REV	CHANGE	APPROV
SEE SHEET 1			



SEE SHEET 1 FOR NOTES.



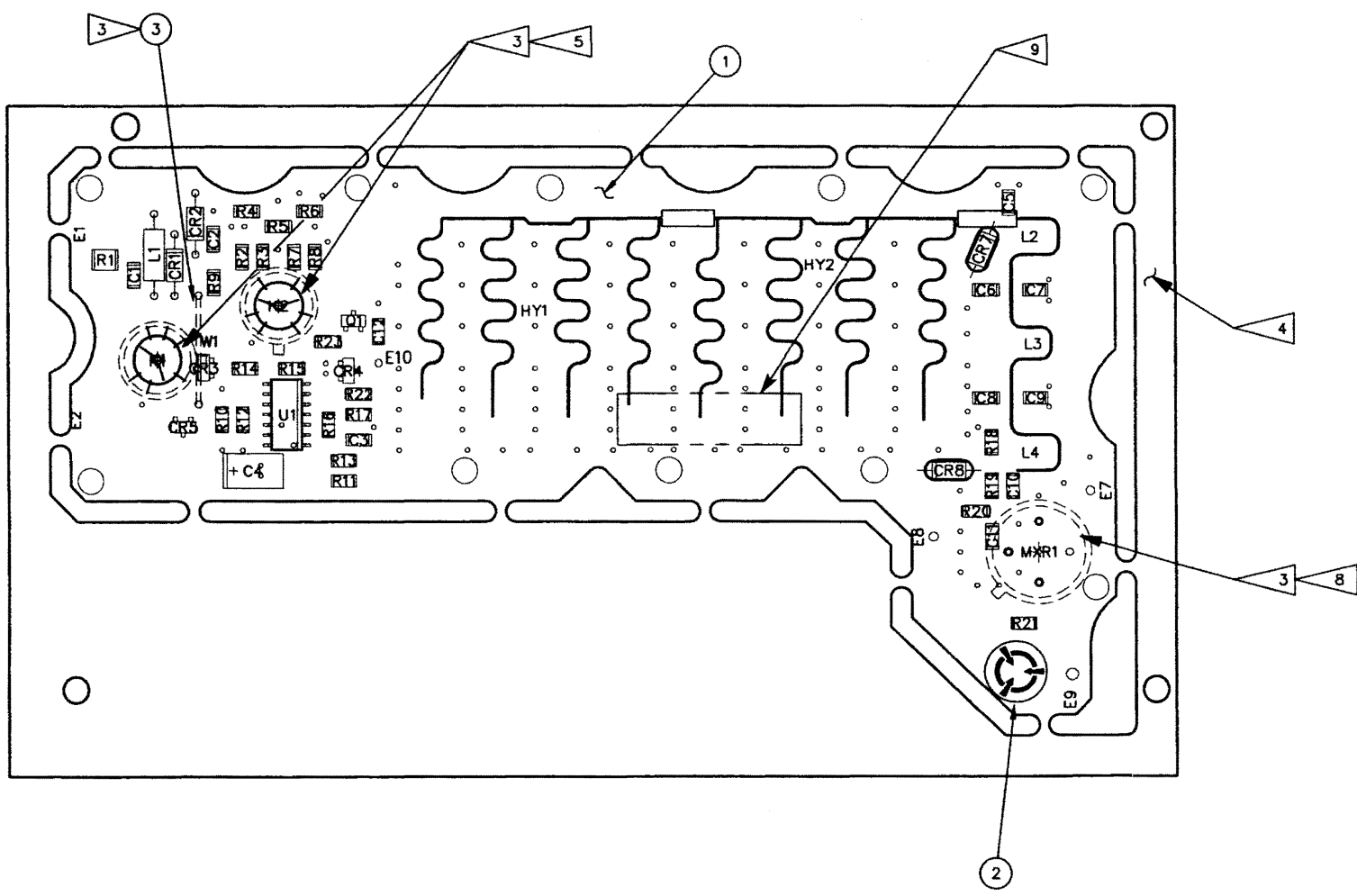
CAUTION:
CONTAINS PARTS AND ASSEMBLIES
SUSCEPTIBLE TO DAMAGE BY
ELECTROSTATIC DISCHARGE (ESD).

DRAWN		DATE		TITLE		IFR SYSTEMS INC	
HARRIS		5/9/92		MECH ASSY		10200 West York St., Wichita, Kansas 67215	
CHECKED		DATE		FRONT END			
S.PERKINS		8/17/92					
APPROVED		DATE		SIZE		DWG. NO.	
M.BACHMAN		9/22/92		D		7005-8740-800	
078408-2.DWG		PLOT SCALE		1=1		SCALE 1=1	
				CAGE		51190	
				SHEET		2 OF 2	

A B C D E F G

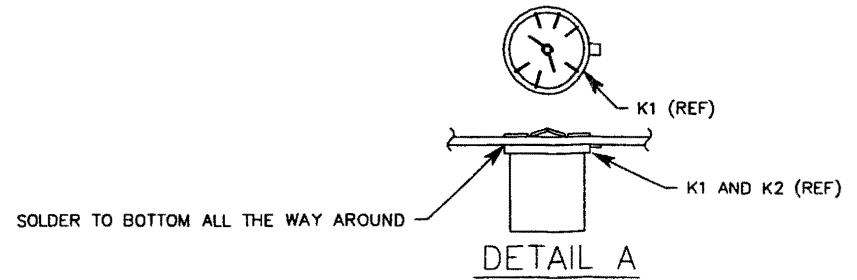
DATE	REV	CHNG:	APVD
9-22-92	D-1	DESIGN RELEASE	RLA DKB
4-29-93	D2	PROD REL PER ECN 15564	MKM DKB
12-16-93	E	INC ECN 15764	RLA BM
06-13-97	E1	INC RC 17569	BP JSP

1
2
3
4
5



NOTES:

- 1 BASIC REFERENCE DESIGNATORS SHOWN, FOR COMPLETE DESIGNATOR PREFIXES REFER TO PRODUCT STRUCTURE, AND SYSTEM INTERCONNECT FOR APPLICATIONS WHERE USED.
- 2 NON-TERMINATED E POINTS SHOWN FOR REFERENCE ONLY.
- 3 TO BE INSTALLED ON BOTTOM SIDE ONLY.
- 4 TO BE REMOVED PRIOR TO MECH. ASSY.
- 5 SOLDER K1 AND K2 RELAY CANS TO BOTTOM SIDE OF BOARD. SEE DETAIL A.
6. SOLDER K1 PINS 2 & 6 TO EACH OTHER AT CENTER OF RELAY.
7. SOLDER K2 PINS 3 & 7 TO EACH OTHER AT CENTER OF RELAY.
- 8 MXR1 MUST BE CENTERED PROPERLY TO PREVENT SHORTING.
- 9 AFFIX MODULE IDENT LABEL BOTTOM SIDE.



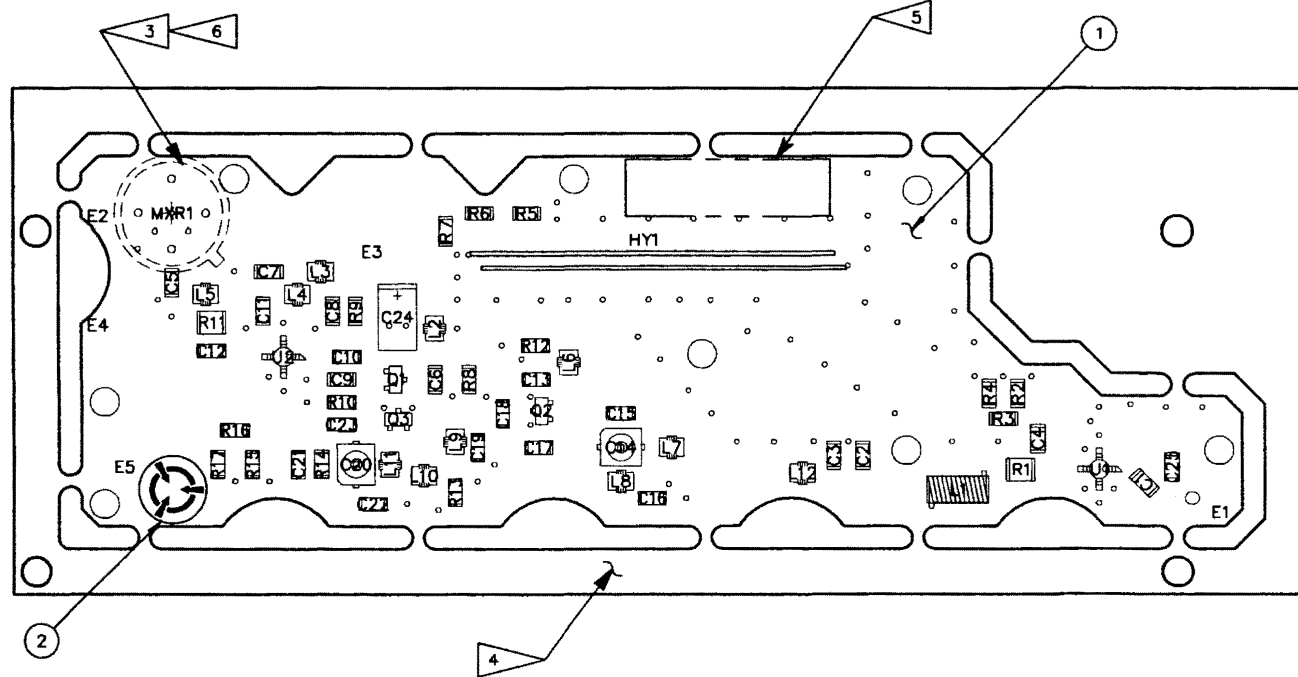
CAUTION:
CONTAINS PARTS AND ASSEMBLIES SUSCEPTIBLE TO
DAMAGE BY ELECTROSTATIC DISCHARGE (ESD).

DRAWN		DATE		TITLE	
M.K.MOFFITT		4-15-91		IFR SYSTEMS INC 10200 West York St., Wichita, Kansas 67215	
CHECKED		DATE		ASSEMBLY DWG	
S.STARKEL		9-22-92		FRONT END 1ST MIXER	
APPROVED		DATE		SIZE	DWG. NO.
S.PHERSON		9-22-92		C	7010-8730-800
108708E1.PLT		SCALE	DO NOT SCALE	FROM	REV
		NA		51190	E1
				SHEET	1 OF 1

A B C D E F G

DATE	REV	CHANGE	APPROVED
9-22-92	D	DESIGN RELEASE	RLA DKB
4-28-93	D1	PROD REL PER ECN 15564	MKM DKB
6/13/97	D2	INC PER RC 17569	BP JSP

1
2
3
4
5



NOTES:

1. BASIC REFERENCE DESIGNATORS SHOWN, FOR COMPLETE DESIGNATOR PREFIXES REFER TO PRODUCT STRUCTURE, AND SYSTEM INTERCONNECT FOR APPLICATIONS WHERE USED.
2. REF SCHEMATIC # 0000-8740-800.
3. TO BE INSTALLED ON BOTTOM SIDE ONLY.
4. TO BE REMOVED PRIOR TO MECH. ASSY.
5. AFFIX MODULE IDENT LABEL HERE.
6. MXR1 MUST BE CENTERED PROPERLY TO PREVENT SHORTING.
7. NON-TERMINATED E POINTS SHOWN FOR REFERENCE ONLY.



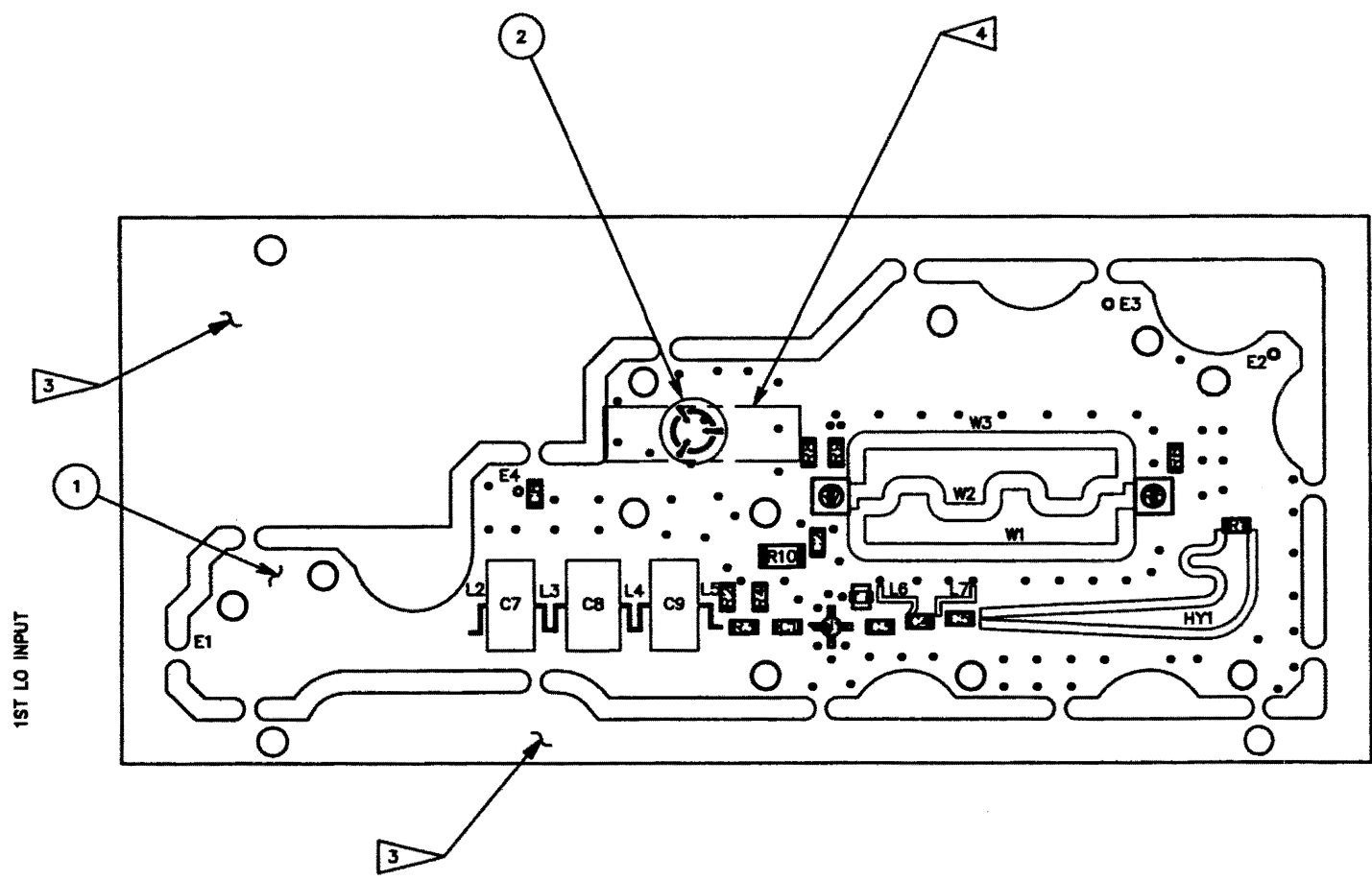
CAUTION:
CONTAINS PARTS AND ASSEMBLIES SUSCEPTIBLE TO
DAMAGE BY ELECTROSTATIC DISCHARGE (ESD).

DRAWN		DATE		TITLE	
M.K.MOFFITT		4-16-91		IFR SYSTEMS INC 10200 West York St., Wichita, Kansas 67215	
CHECKED		DATE		ASSEMBLY DWG	
S.STARKEL		9-22-92		2ND MIXER	
APPROVED		DATE		SIZE	DWG. NO.
S.PIERSON		9-22-92		C	7010-8730-900
108709D2.PLT		SCALE:	NA	DO NOT SCALE	FSON 51190
				REV D2	
				SHEET 1 OF 1	

A B C D E F G

DATE	REV	CHANGE	RLA	APD
9-22-92	D	DESIGN RELEASE	RLA	DKB
4-29-93	D1	PROD REL PER ECN 15564	MKCM	DKB

TOP VIEW



NOTES:

1. BASIC REFERENCE DESIGNATORS SHOWN, FOR COMPLETE DESIGNATOR PREFIXES REFER TO PRODUCT STRUCTURE, AND SYSTEM INTERCONNECT FOR APPLICATIONS WHERE USED.
2. REF SCHEMATIC # 0000-8740-800.
3. TO BE REMOVED PRIOR TO MECH. ASSY.
4. AFFIX MODULE IDENT LABEL ON BOTTOM SIDE.
5. NON-TERMINATED E POINTS SHOWN FOR REFERENCE ONLY.

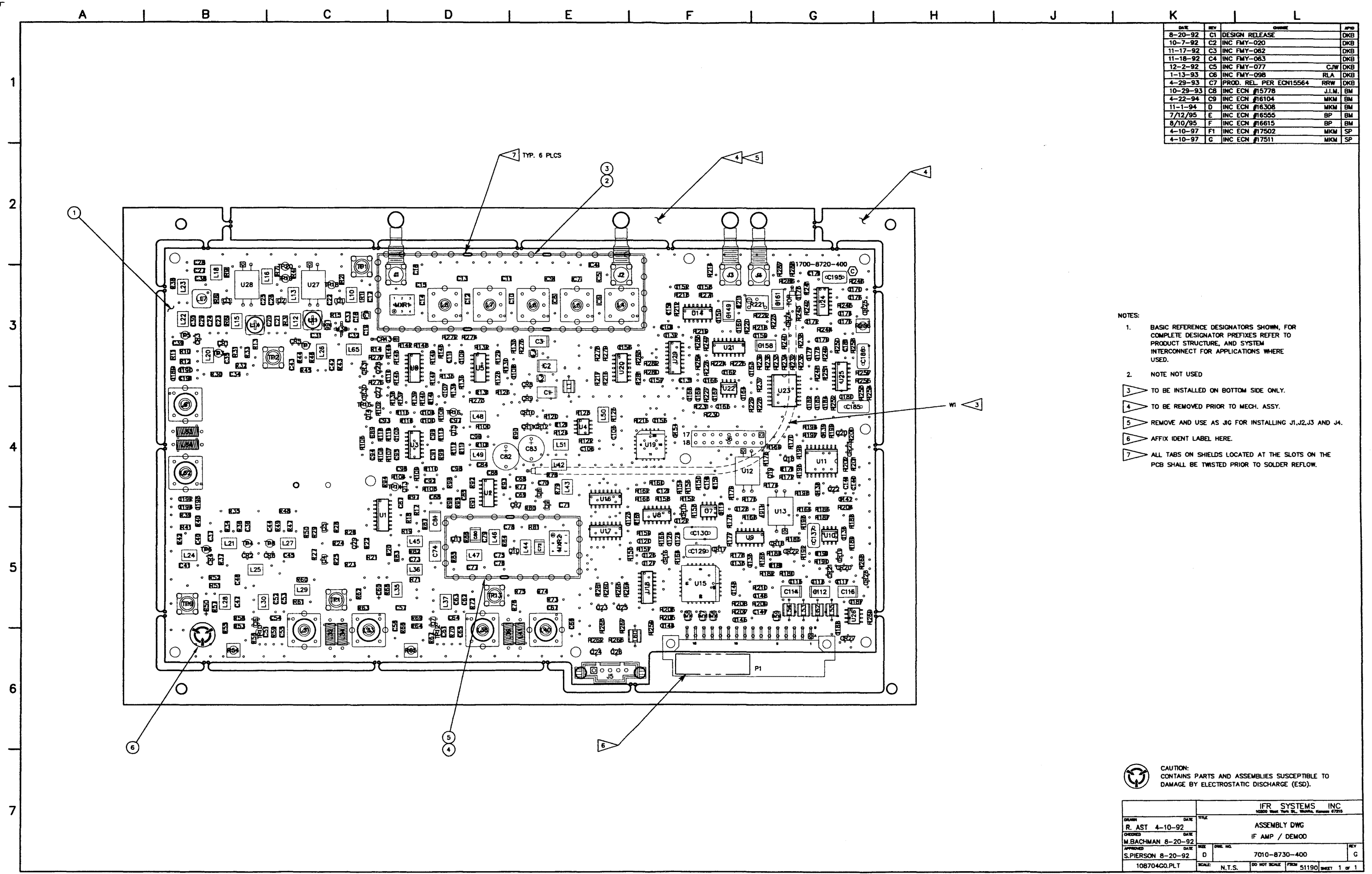


CAUTION: CONTAINS PARTS AND ASSEMBLIES SUSCEPTIBLE TO DAMAGE BY ELECTROSTATIC DISCHARGE (ESD).

DRAWN		DATE		TITLE	
M.K.MOFFITT		4-18-91		ASSEMBLY DWG	
CHECKED		DATE		NULL CIRCUIT	
S.STARKEL		9-22-92			
APPROVED		DATE		SIZE	DWG. NO.
S.PIERSON		9-22-92		C	7010-8731-000
		SCALE:	NA	DO NOT SCALE	FROM 51190
				SHEET 1 OF 1	

IFR SYSTEMS INC
10000 West York St., Olathe, Kansas 67210

DATE	REV	CHANGE	APPROVED
8-20-92	C1	DESIGN RELEASE	DKB
10-7-92	C2	INC FMY-020	DKB
11-17-92	C3	INC FMY-062	DKB
11-18-92	C4	INC FMY-063	DKB
12-2-92	C5	INC FMY-077	CJW DKB
1-13-93	C6	INC FMY-098	RLA DKB
4-29-93	C7	PROD. REL. PER ECN15564	RRW DKB
10-29-93	C8	INC ECN #15778	J.L.M. BM
4-22-94	C9	INC ECN #16104	MKM BM
11-1-94	D	INC ECN #16308	MKM BM
7/12/95	E	INC ECN #16555	BP BM
8/10/95	F	INC ECN #16615	BP BM
4-10-97	F1	INC ECN #17502	MKM SP
4-10-97	G	INC ECN #17511	MKM SP



- NOTES:
- BASIC REFERENCE DESIGNATORS SHOWN, FOR COMPLETE DESIGNATOR PREFIXES REFER TO PRODUCT STRUCTURE, AND SYSTEM INTERCONNECT FOR APPLICATIONS WHERE USED.
 - NOTE NOT USED
 - TO BE INSTALLED ON BOTTOM SIDE ONLY.
 - TO BE REMOVED PRIOR TO MECH. ASSY.
 - REMOVE AND USE AS JIG FOR INSTALLING J1, J2, J3 AND J4.
 - AFFIX IDENT LABEL HERE.
 - ALL TABS ON SHIELDS LOCATED AT THE SLOTS ON THE PCB SHALL BE TWISTED PRIOR TO SOLDER REFLOW.

CAUTION: CONTAINS PARTS AND ASSEMBLIES SUSCEPTIBLE TO DAMAGE BY ELECTROSTATIC DISCHARGE (ESD).

IFR SYSTEMS INC 10200 West York Rd., Denver, Colorado 80231			
DESIGNED BY	DATE	TITLE	REV
R. AST	4-10-92	ASSEMBLY DWG	
CHECKED BY	DATE	IF AMP / DEMOD	
M. BACHMAN	8-20-92		
APPROVED BY	DATE	SIZE	DWG. NO.
S. PIERSON	8-20-92	D	7010-8730-400
108704C0.PLT	SCALE: N.T.S.	DO NOT SCALE	FROM 51190 SHEET 1 OF 1

DATE	REV	CHANGE	APPROVED
8-20-92	C	DESIGN RELEASE	J.L.M. DKB
10-7-92	C1	INC FMY-020	J.L.M. DKB
11-16-92	C2	INC FMY-082	J.L.M. DKB
12-1-92	C3	INC FMY-077	J.L.M. DKB
1-12-93	C4	INC FMY-098	J.L.M. DKB

DATE	REV	CHANGE	APPROVED
5-10-93	C5	PROD. REL. PER ECN #15864	J.L.M. DKB
10-29-93	C6	INC ECN #15778	J.L.M. BM
7-11-95	D	INC ECN #18555	BP BM
8-10-95	E	INC ECN #18815	BP BM
4-10-97	F	INC ECN #17911	J.L.M. SP

NOTES:
(UNLESS OTHERWISE SPECIFIED)

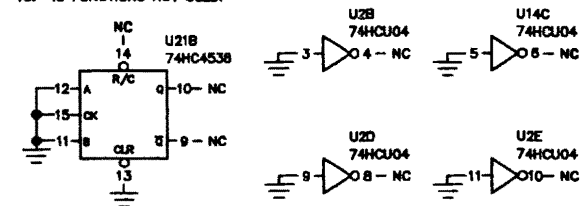
- BASIC REFERENCE DESIGNATORS SHOWN, FOR COMPLETE DESIGNATOR PREFIXES REFER TO PRODUCT STRUCTURE, AND SYSTEM INTERCONNECT FOR APPLICATIONS WHERE USED.
- ALL RESISTORS ARE 1%, 1/8W.
- ALL RESISTANCE IS EXPRESSED IN OHMS. ALL CAPACITANCE IS EXPRESSED IN MICROFARADS. ALL INDUCTANCE IS EXPRESSED IN MICROHENRIES.
- HIGHEST REFERENCE DESIGNATIONS.
C185 CR31 E2 YFL2 J8 L86 MXR2 Q29 R285 U30 W1 P1 TP20
- REFERENCE DESIGNATIONS NOT USED.
C48 C49 C58 C59 C102 C134 C143
CR14 CR18 CR28 L19 Q12 Q16 Q17 Q21 R5 R18
R88 R89 R114 R117 R127 R203 R270 TP17
- FOR INTERCONNECT/BLOCK DIAGRAM SEE APPLICATIONS WHERE USED.

7. YFL2 NOT USED ON STD
3KHz USED ON OPTION 08
30KHz USED ON OPTION 03

8. FOR REPLACEMENT OF U6, U20, U24, U25,
USE 33184's OR TL084's.

9. R128 IS A S.A.T.
NOMINAL VALUE IS: 1.3K
OTHER VALUES ARE: 1.00K 1.10K 1.21K 1.40K
1.54K 1.89K 1.87K 2.00K 2.21K

10. IC FUNCTIONS NOT USED:



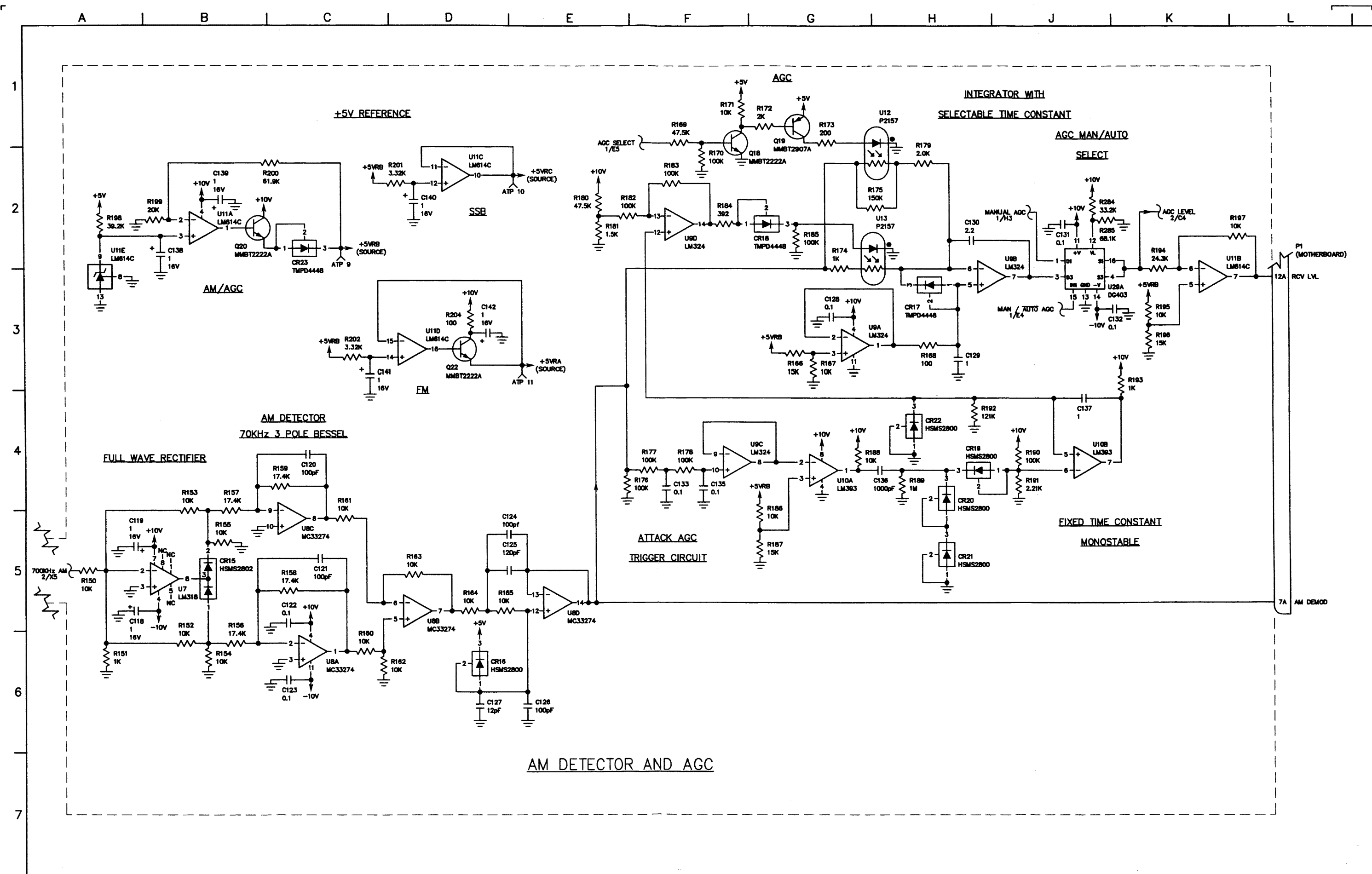
11. YFL1 15KHz STD
15KHz OPT3
15KHz OPT8

* - INDICATES PRINTED TRANSMISSION LINES OF OTHER THAN 50 OHMS IMPEDANCE WHICH CONSTITUTE CIRCUIT ELEMENTS. 50 OHM TRANSMISSION LINES ARE NOT SHOWN.

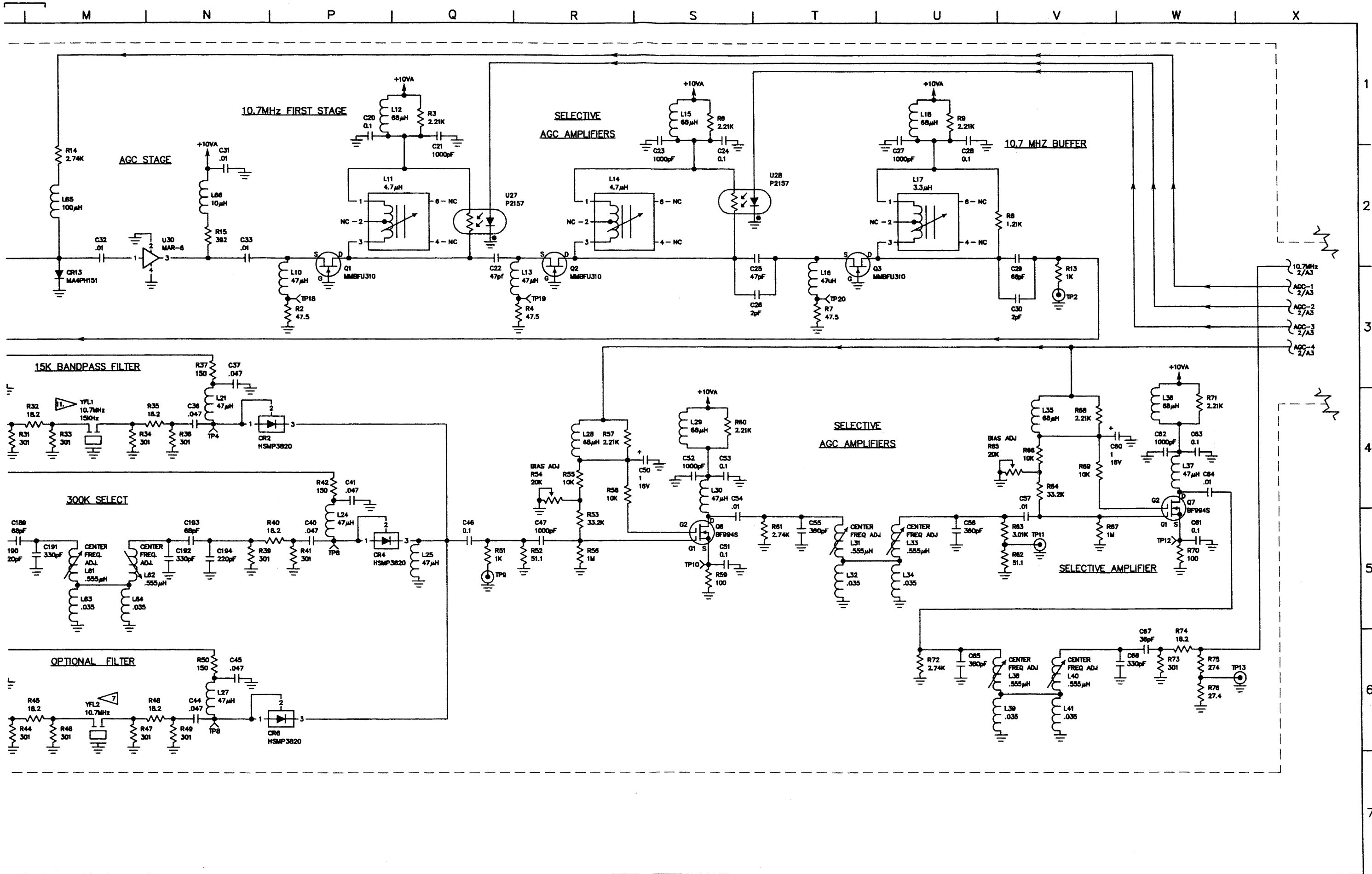


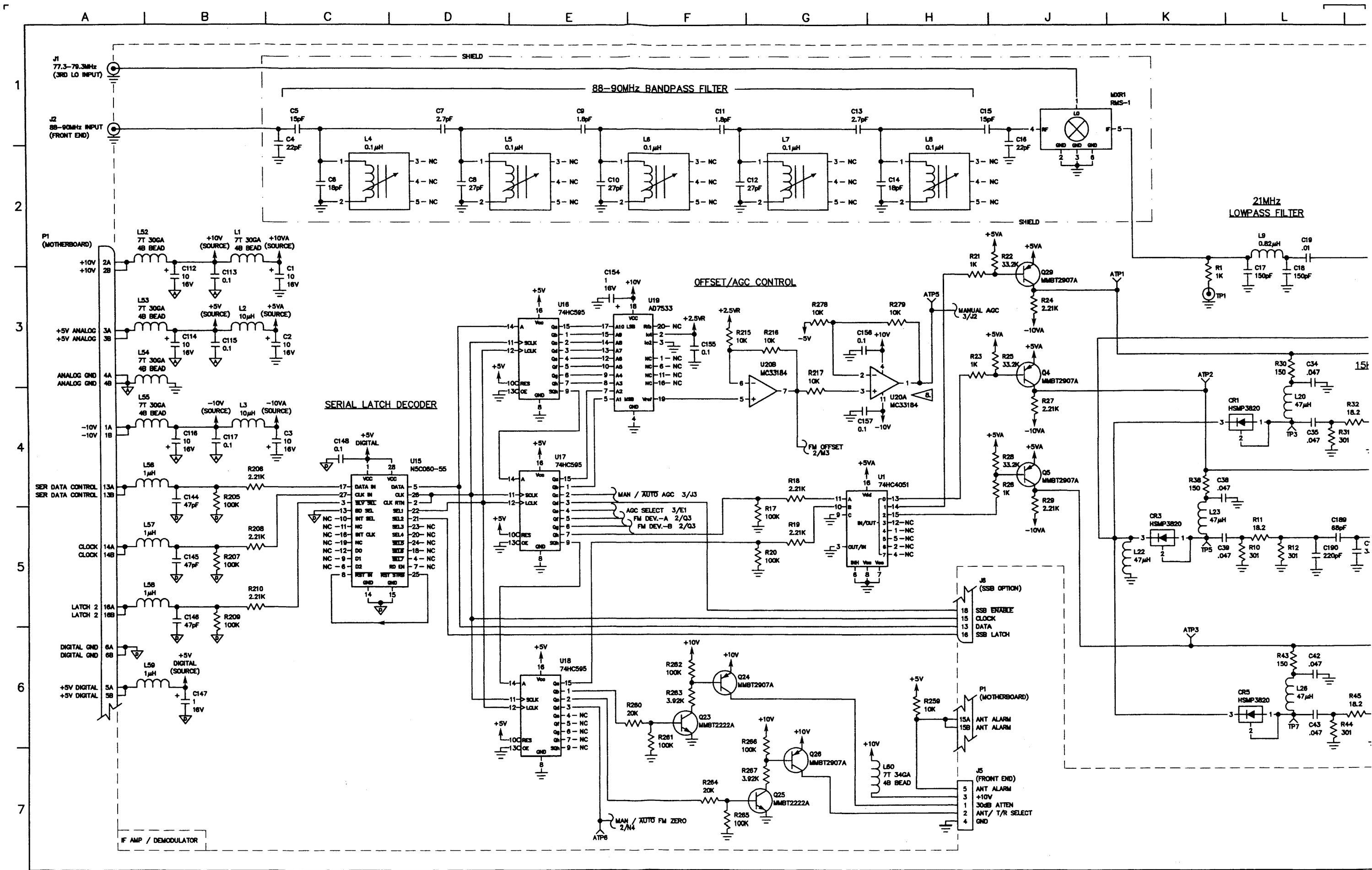
CAUTION:
CONTAINS PARTS AND ASSEMBLIES
SUSCEPTIBLE TO DAMAGE BY
ELECTROSTATIC DISCHARGE (ESD).

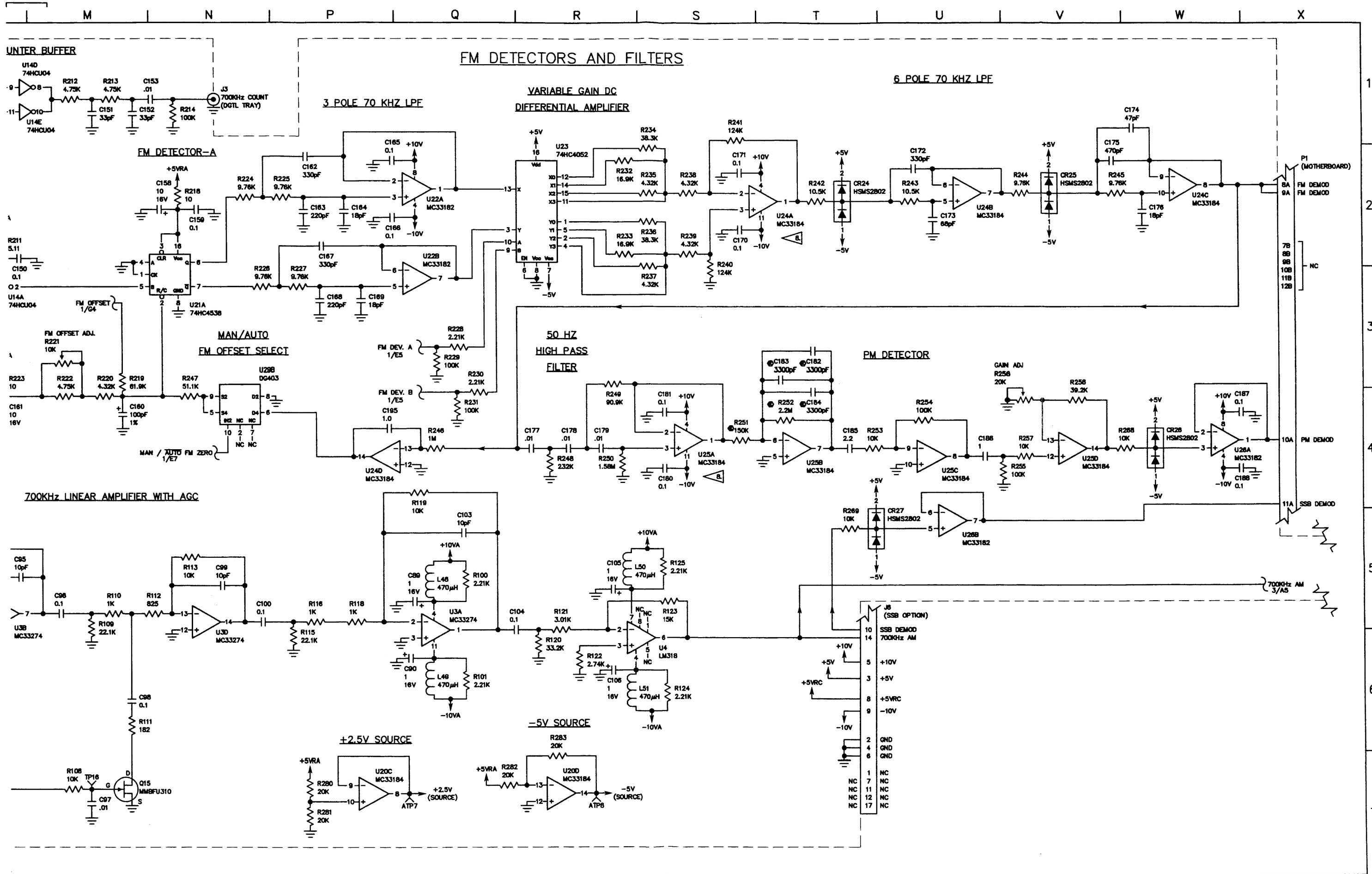
DRAWN		DATE		TITLE	
J. MILLER	10-14-91	CIRCUIT SCHEMATIC IF AMP / DEMOD			
CHECKED		DATE		REV	
DEB B.	8-20-92				
APPROVED		DATE		Dwg. No.	
S. PIERSON	8-20-92	G	0000-8730-400	F	
087B304F.DWG		SCALE	DO NOT SCALE	FROM	51190 SHEET 1 of 8

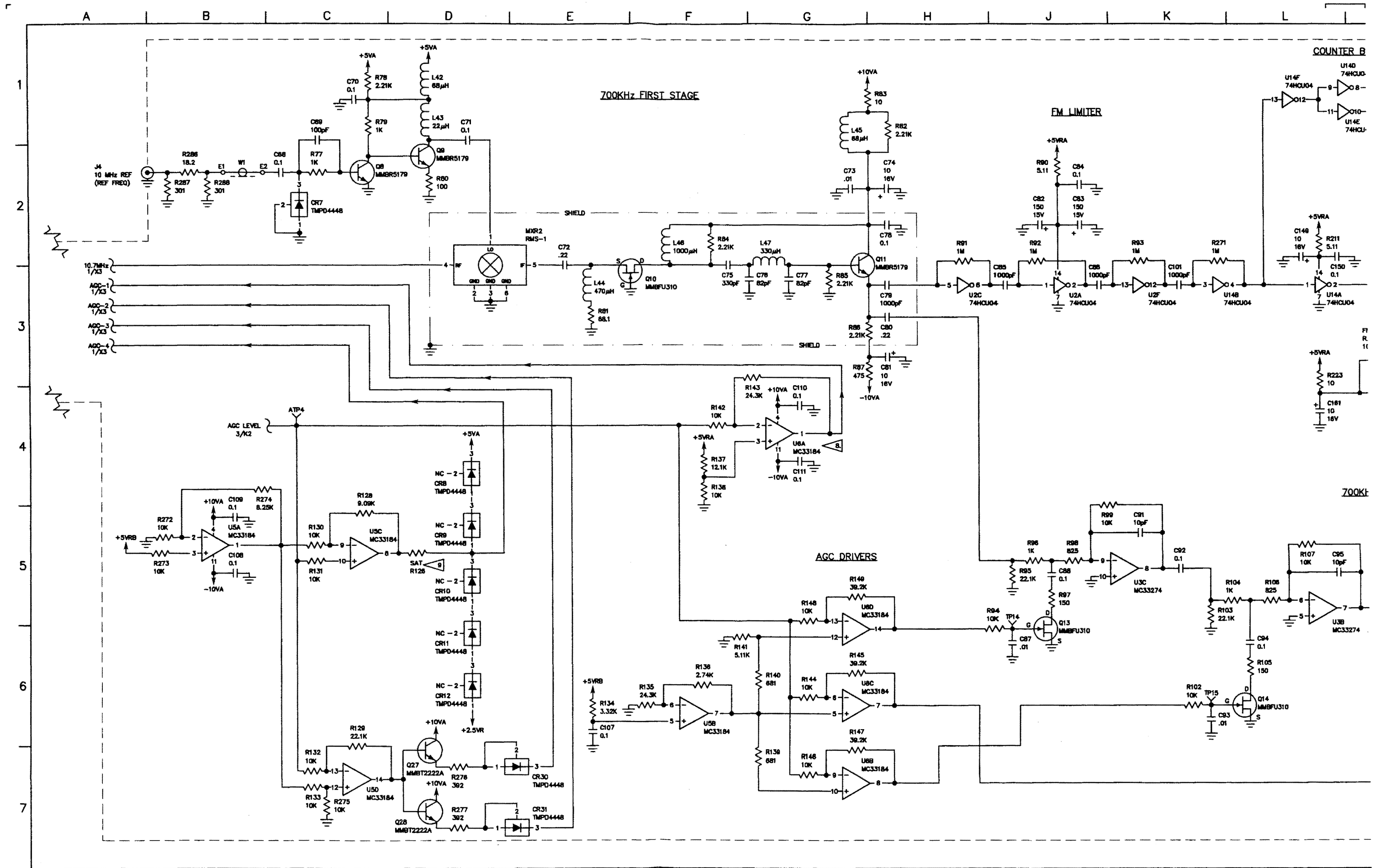


AM DETECTOR AND AGC

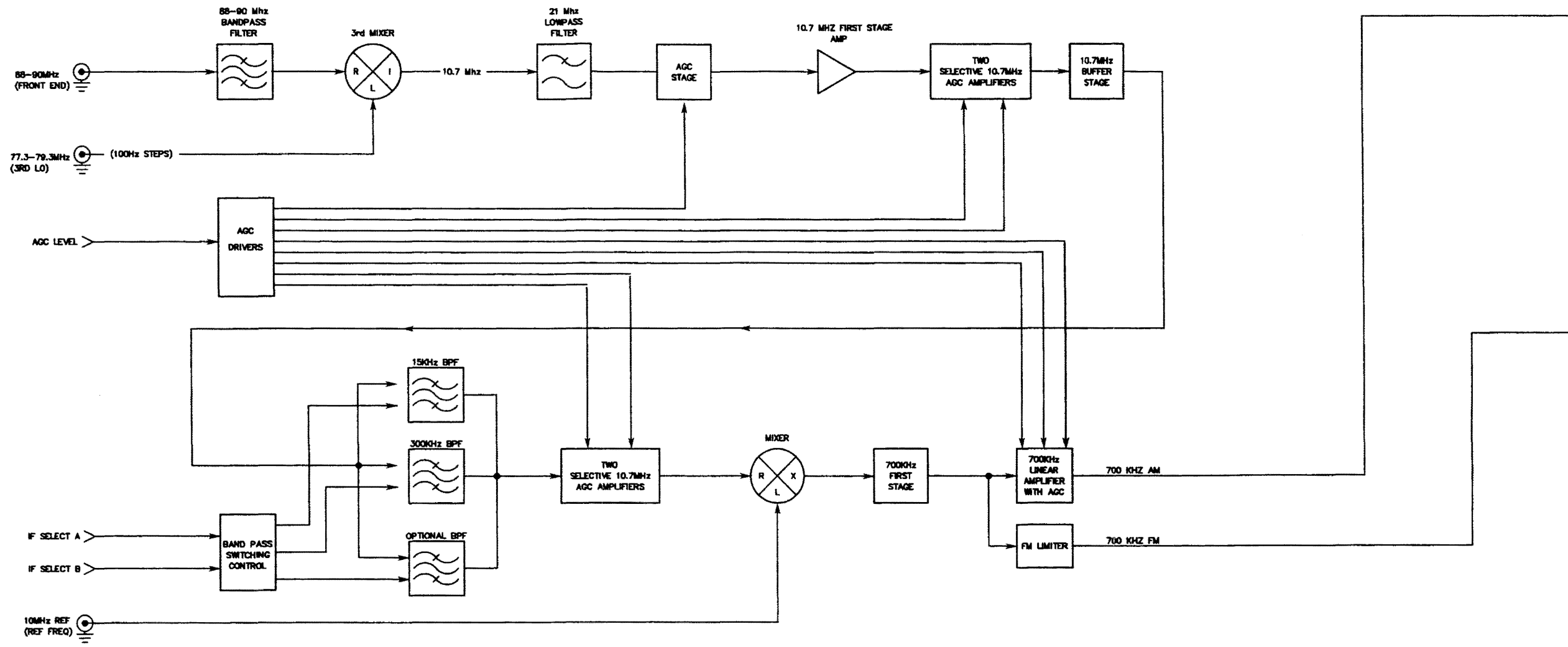


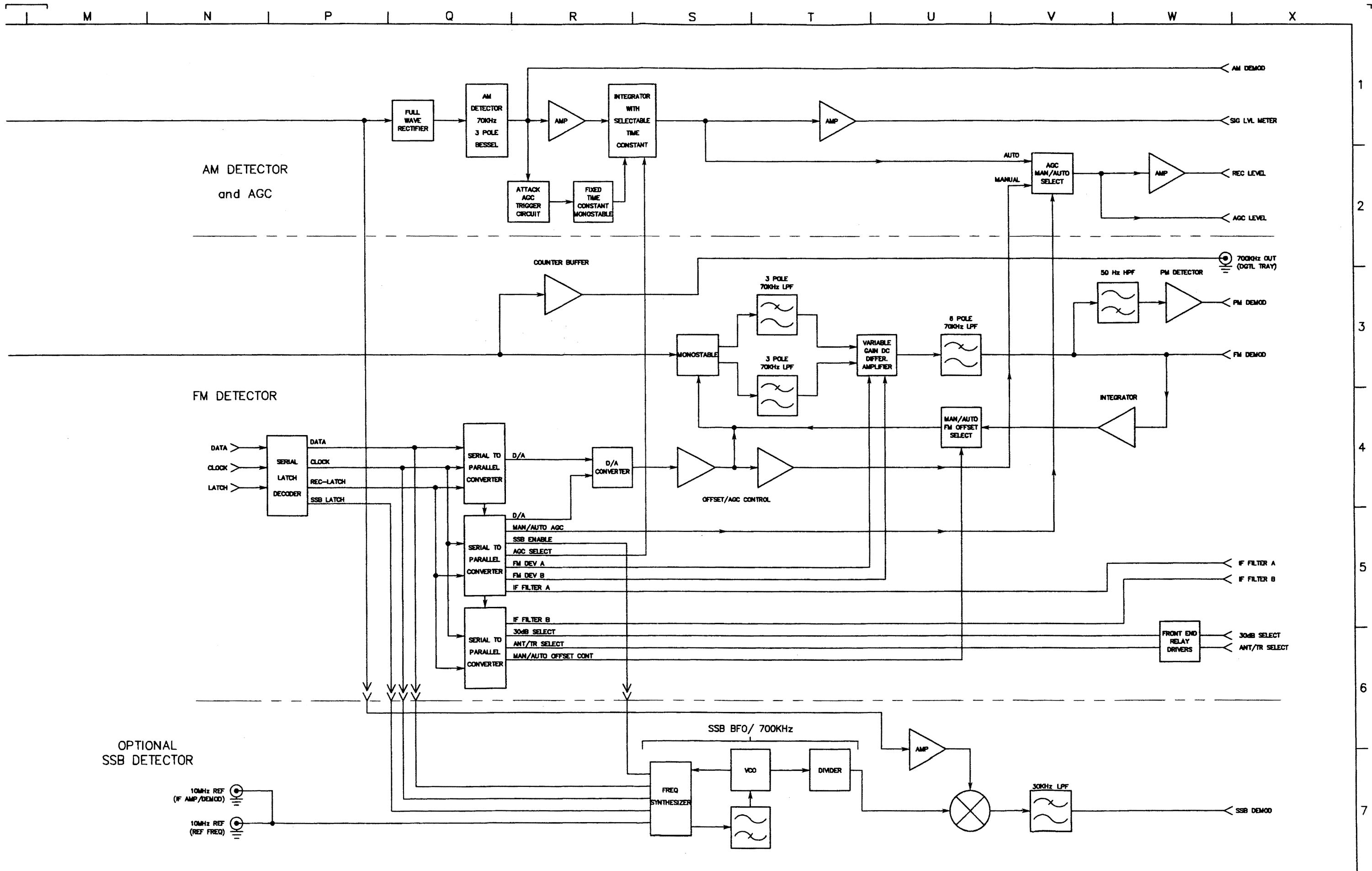


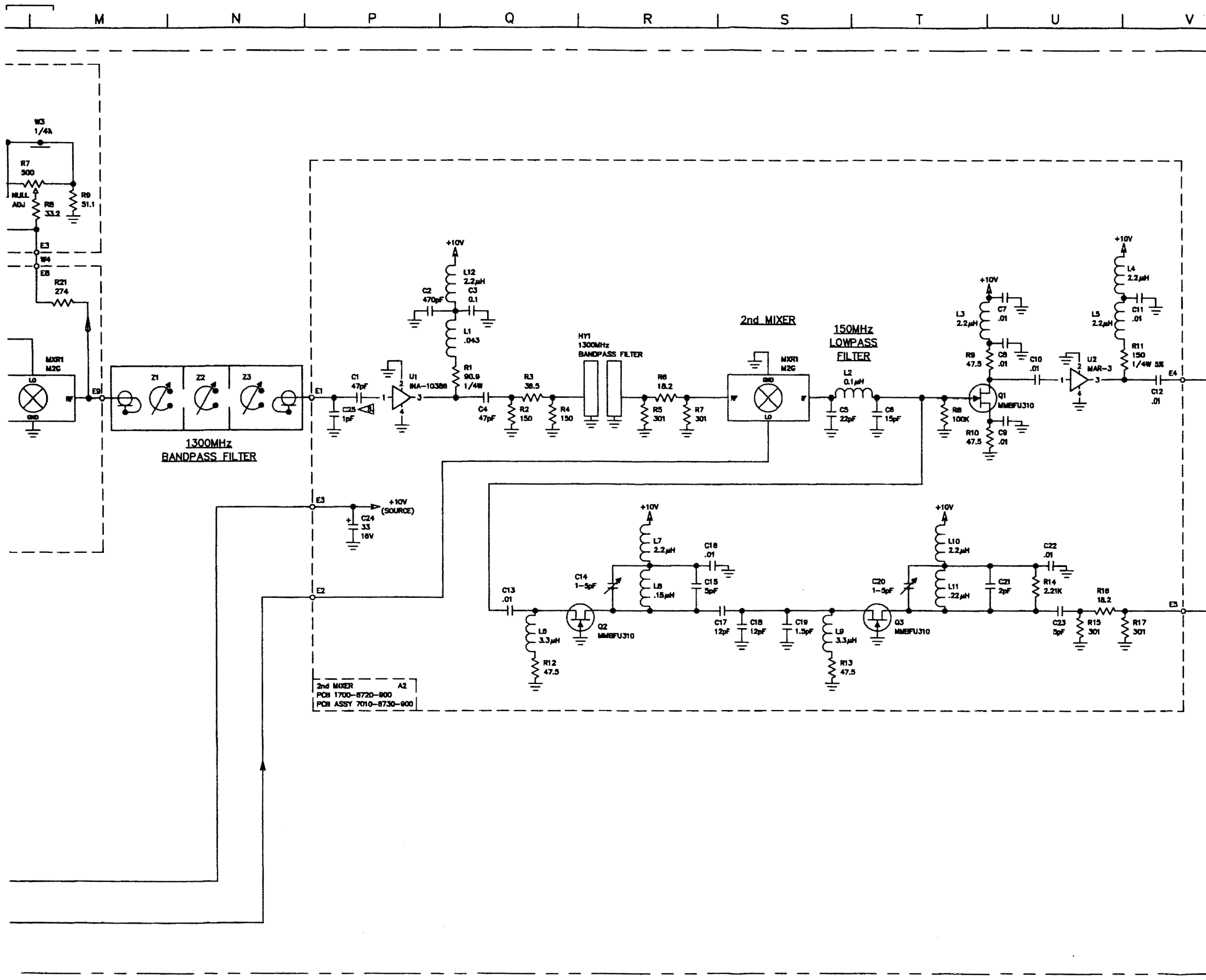




IF AMP / DEMOD - BLOCK DIAGRAM







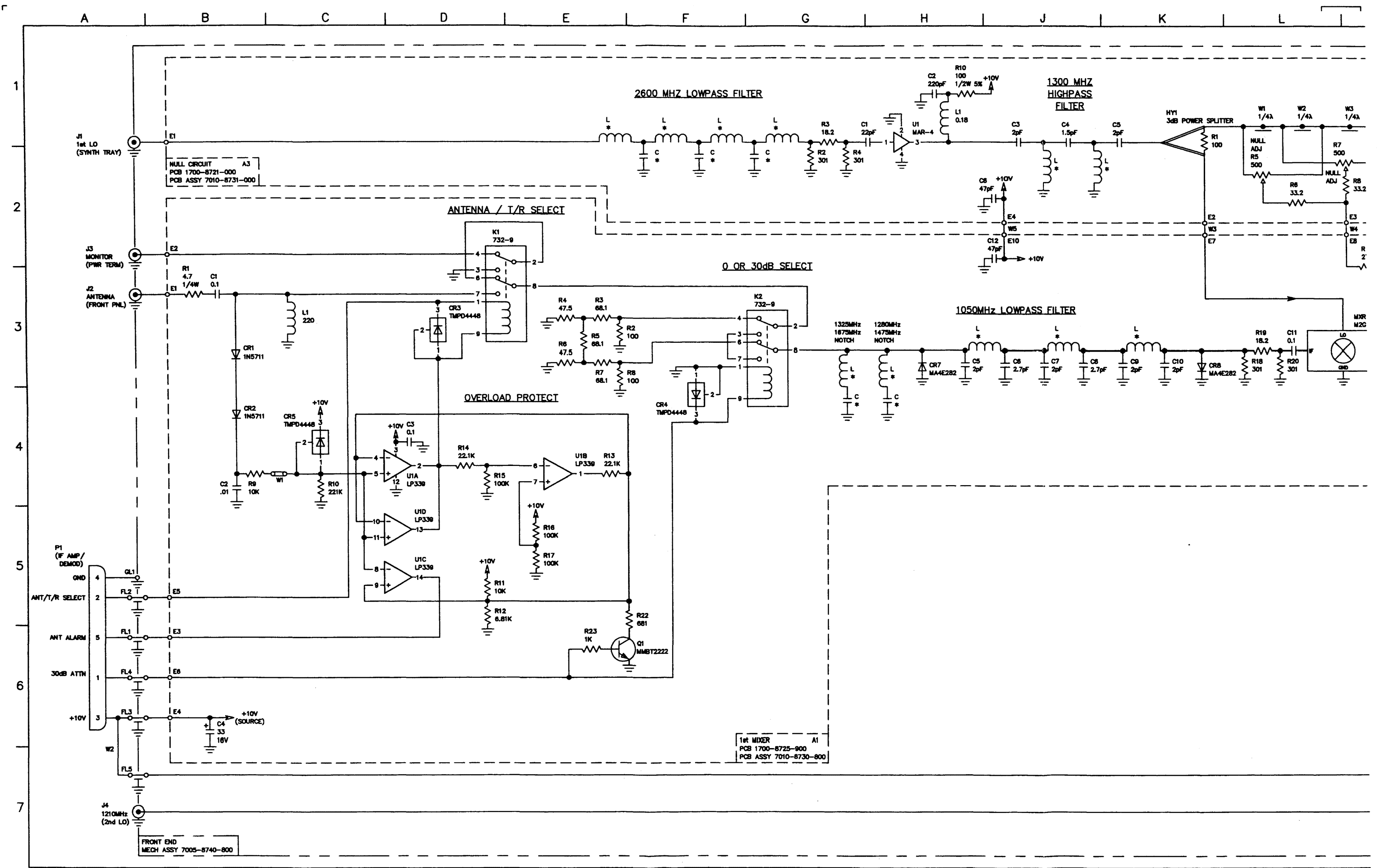
DATE	BY	COMMENT	APPROVED
9-23-82	D	DESIGN RELEASE	J.L.M. DKB
4-30-83	D1	PROD. REL. PER ECH #15564	J.L.M. DKB
5-5-84	E	INC ECH #15764	J.L.M. EM
12-14-84	F	INC ECH #16369	RLA EM

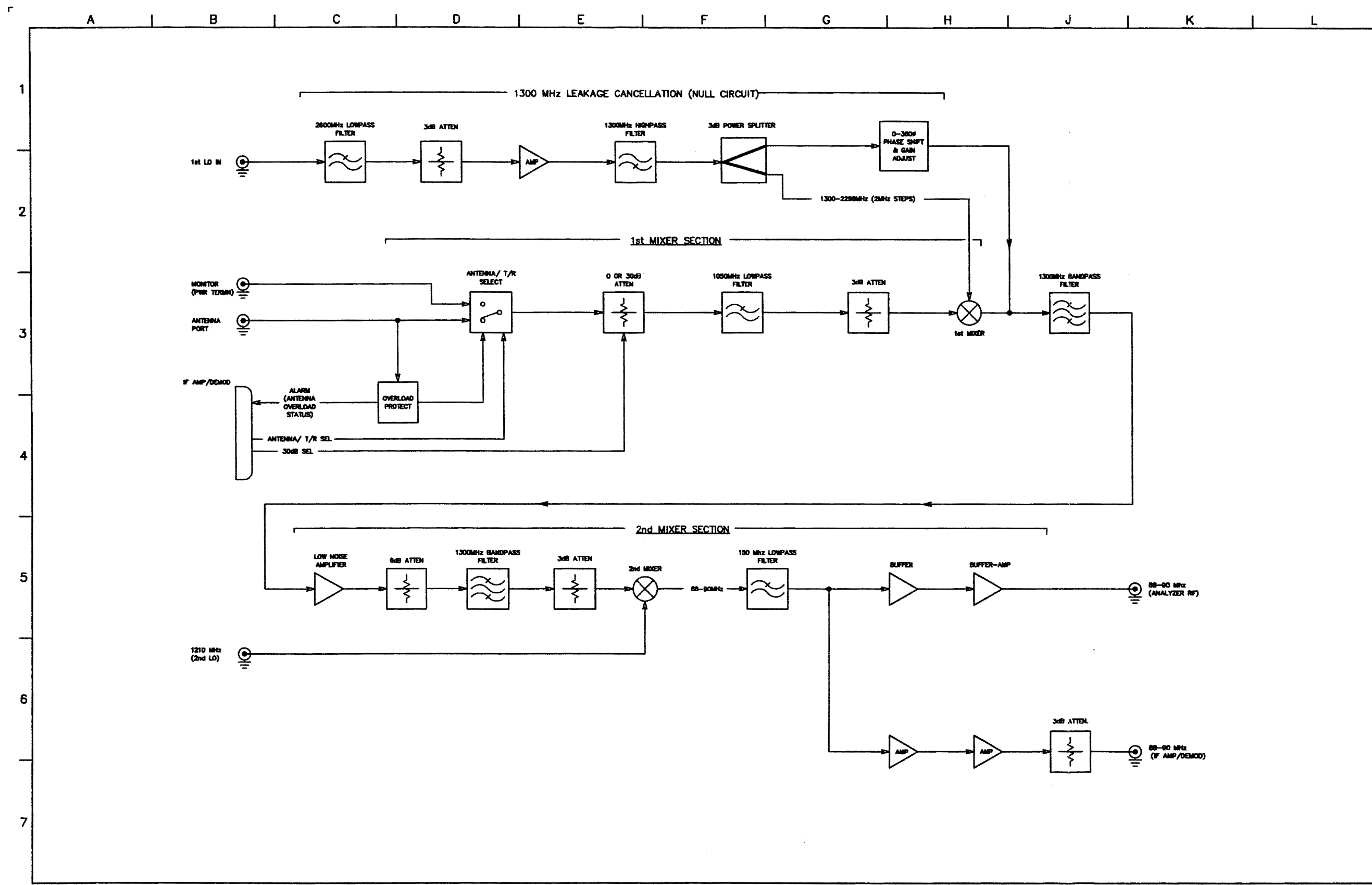
- NOTES:
(UNLESS OTHERWISE SPECIFIED)
- BASIC REFERENCE DESIGNATORS SHOWN, FOR COMPLETE DESIGNATOR PREFIXES REFER TO PRODUCT STRUCTURE, AND SYSTEM INTERCONNECT FOR APPLICATIONS WHERE USED.
 - ALL RESISTORS ARE 1%, 1/8W.
 - ALL RESISTANCE IS EXPRESSED IN OHMS. ALL CAPACITANCE IS EXPRESSED IN MICROFARADS. ALL INDUCTANCE IS EXPRESSED IN MICROHENRIES.
 - HIGHEST REFERENCE DESIGNATIONS:
7010-8730-800 C12, R23, L1, CR8, U1, K2, MIX1, E10, W1, Q1
7010-8731-000 C8, R10, L1, U1, W3, E4
7010-8730-900 C25, R17, L12, Q3, U2, MIX1, E3, HY1
7005-8740-800 FL3, JB, Z3, P1, GL1, W5
 - REFERENCE DESIGNATIONS NOT USED:
7010-8730-800 CR8
7010-8731-000 NONE
7010-8730-900 NONE
7010-8740-800 NONE
 - FOR INTERCONNECT/BLOCK DIAGRAM SEE APPLICATIONS WHERE USED.
 - IC FUNCTIONS NOT USED:
- △ C25 CAN BE REMOVED TO INCREASE THE BANDWIDTH OF THE 1300 MHz FILTER IF NEEDED.
- * - INDICATES PRINTED TRANSMISSION LINES OF OTHER THAN 50 OHMS IMPEDANCE WHICH CONSTITUTE CIRCUIT ELEMENTS. 50 OHM TRANSMISSION LINES ARE NOT SHOWN.

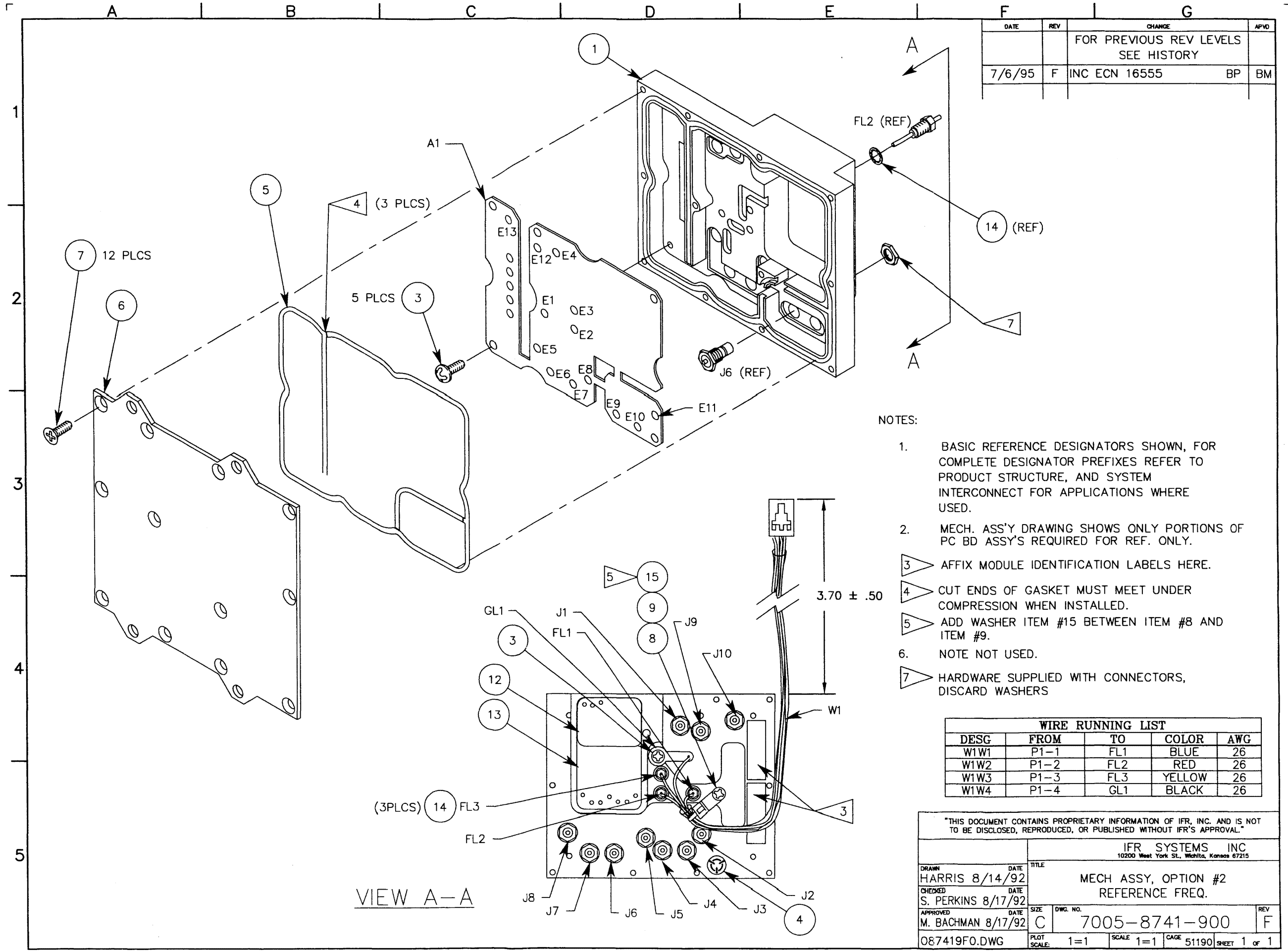
CAUTION:
CONTAINS PARTS AND ASSEMBLIES SUSCEPTIBLE TO DAMAGE BY ELECTROSTATIC DISCHARGE (ESD).

2nd MIXER A2
PCB 1700-8720-800
PCB ASSY 7010-8730-900

IFR SYSTEMS INC			
DATE	FILE	CIRCUIT SCHEMATIC	
J. MILLER 1-27-82		FRONT END	
DATE	EX	REV. NO.	REV
DEB B. 9-22-82		0000-8740-800	F
DATE	EX	REV. NO.	REV
S. PIERSON 9-22-82		0000-8740-800	F
087A408F.PLT	51190	1 of 3	







DATE	REV	CHANGE	APVD
		FOR PREVIOUS REV LEVELS SEE HISTORY	
7/6/95	F	INC ECN 16555	BP BM

NOTES:

1. BASIC REFERENCE DESIGNATORS SHOWN, FOR COMPLETE DESIGNATOR PREFIXES REFER TO PRODUCT STRUCTURE, AND SYSTEM INTERCONNECT FOR APPLICATIONS WHERE USED.
2. MECH. ASS'Y DRAWING SHOWS ONLY PORTIONS OF PC BD ASSY'S REQUIRED FOR REF. ONLY.
3. AFFIX MODULE IDENTIFICATION LABELS HERE.
4. CUT ENDS OF GASKET MUST MEET UNDER COMPRESSION WHEN INSTALLED.
5. ADD WASHER ITEM #15 BETWEEN ITEM #8 AND ITEM #9.
6. NOTE NOT USED.
7. HARDWARE SUPPLIED WITH CONNECTORS, DISCARD WASHERS

WIRE RUNNING LIST				
DESC	FROM	TO	COLOR	AWG
W1W1	P1-1	FL1	BLUE	26
W1W2	P1-2	FL2	RED	26
W1W3	P1-3	FL3	YELLOW	26
W1W4	P1-4	GL1	BLACK	26

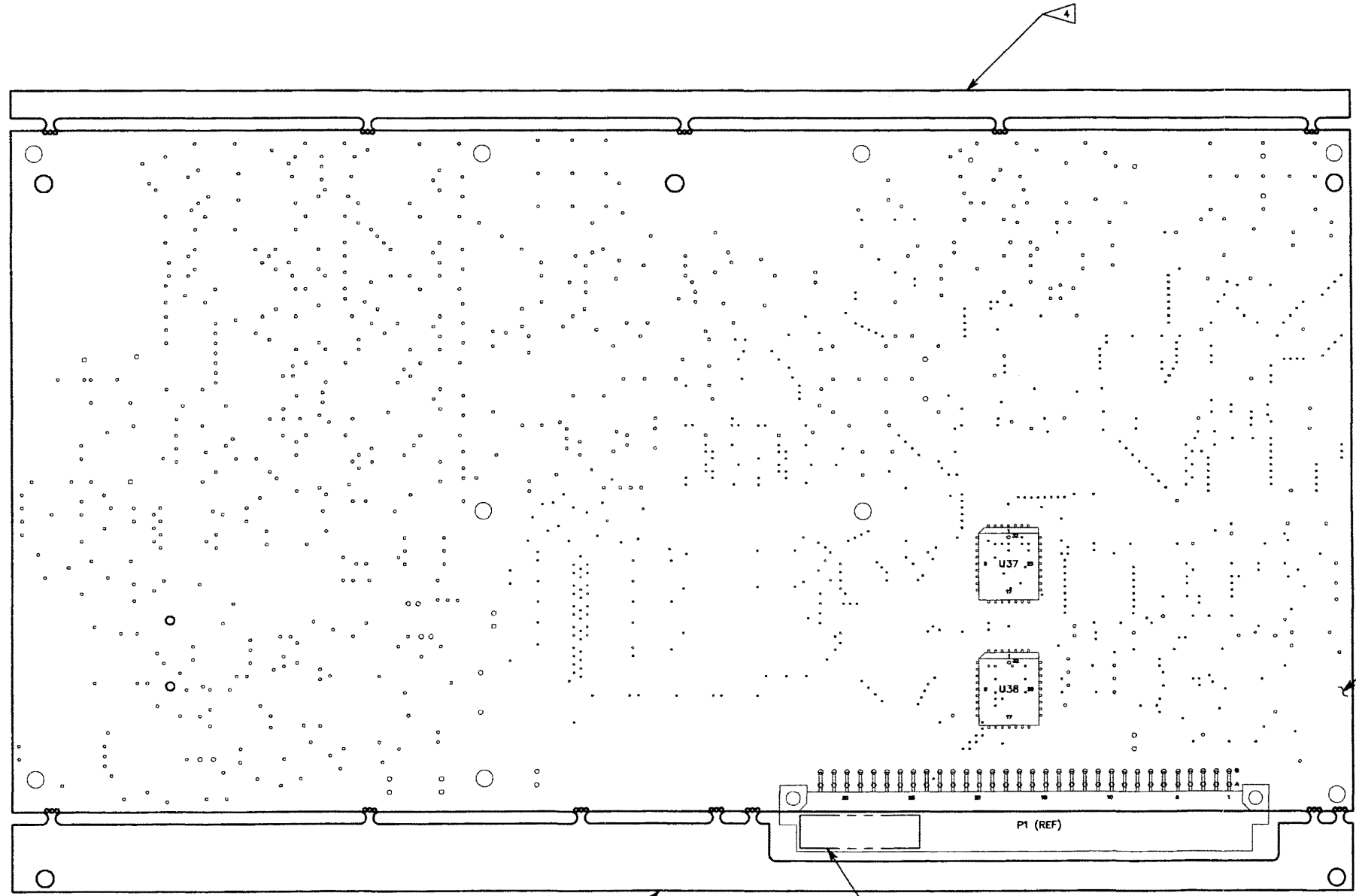
"THIS DOCUMENT CONTAINS PROPRIETARY INFORMATION OF IFR, INC. AND IS NOT TO BE DISCLOSED, REPRODUCED, OR PUBLISHED WITHOUT IFR'S APPROVAL."

DRAWN HARRIS 8/14/92		DATE 8/14/92		TITLE IFR SYSTEMS INC 10200 West York St., Wichita, Kansas 67215	
CHECKED S. PERKINS 8/17/92		DATE 8/17/92		MECH ASSY, OPTION #2 REFERENCE FREQ.	
APPROVED M. BACHMAN 8/17/92		DATE 8/17/92		SIZE C	DWG. NO. 7005-8741-900
087419F0.DWG		PLOT SCALE 1=1	SCALE 1=1	CAGE 51190	REV F SHEET 1 of 1

A B C D E F G H J K L

DATE	REV	CHANGE	APPRO
1-30-96	A	INC ECN 16803	MKM BM

TOP VIEW



- NOTES:
1. BASIC REFERENCE DESIGNATORS SHOWN. FOR COMPLETE DESIGNATOR PREFIXES REFER TO PRODUCT STRUCTURE, AND SYSTEM INTERCONNECT FOR APPLICATIONS WHERE USED.
 2. NOTE NOT USED.
 3. AFFIX MODULE IDENT LABEL HERE.
 4. TO BE REMOVED PRIOR TO MECH. ASSY..

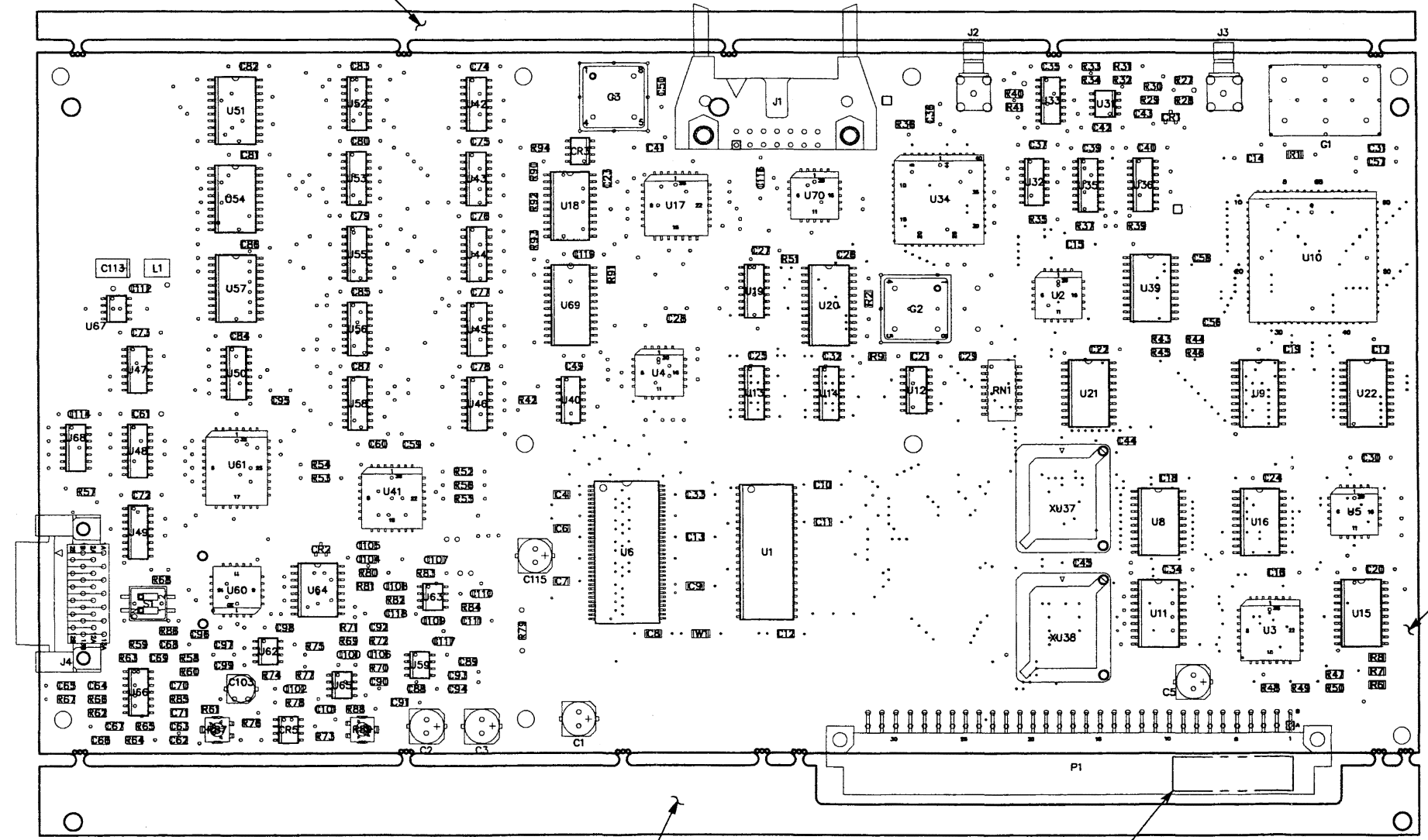
 CAUTION: CONTAINS PARTS AND ASSEMBLIES SUSCEPTIBLE TO DAMAGE BY ELECTROSTATIC DISCHARGE (ESD).

IFR SYSTEMS INC			
10200 West York St., Wichita, Kansas 67225			
DRAWN	DATE	TITLE	REV
M.K. MOFFITT	1-30-96	FIRMWARE ASSY	
CHECKED	DATE	VIDEO CNTR/FCTN GEN	
DKB	2-5-96		
APPROVED	DATE	SIZE	DRG. NO.
S. PIERSON	2-5-96	D	7011-0632-100
110621A0.PLT	SCALE	DO NOT SCALE	FROM 51190 SHEET 1 OF 1

A B C D E F G H J K L

DATE	REV	CHANGE	APPROVED
1-30-96	A	RELEASE PER ECN 16803	MKM BM

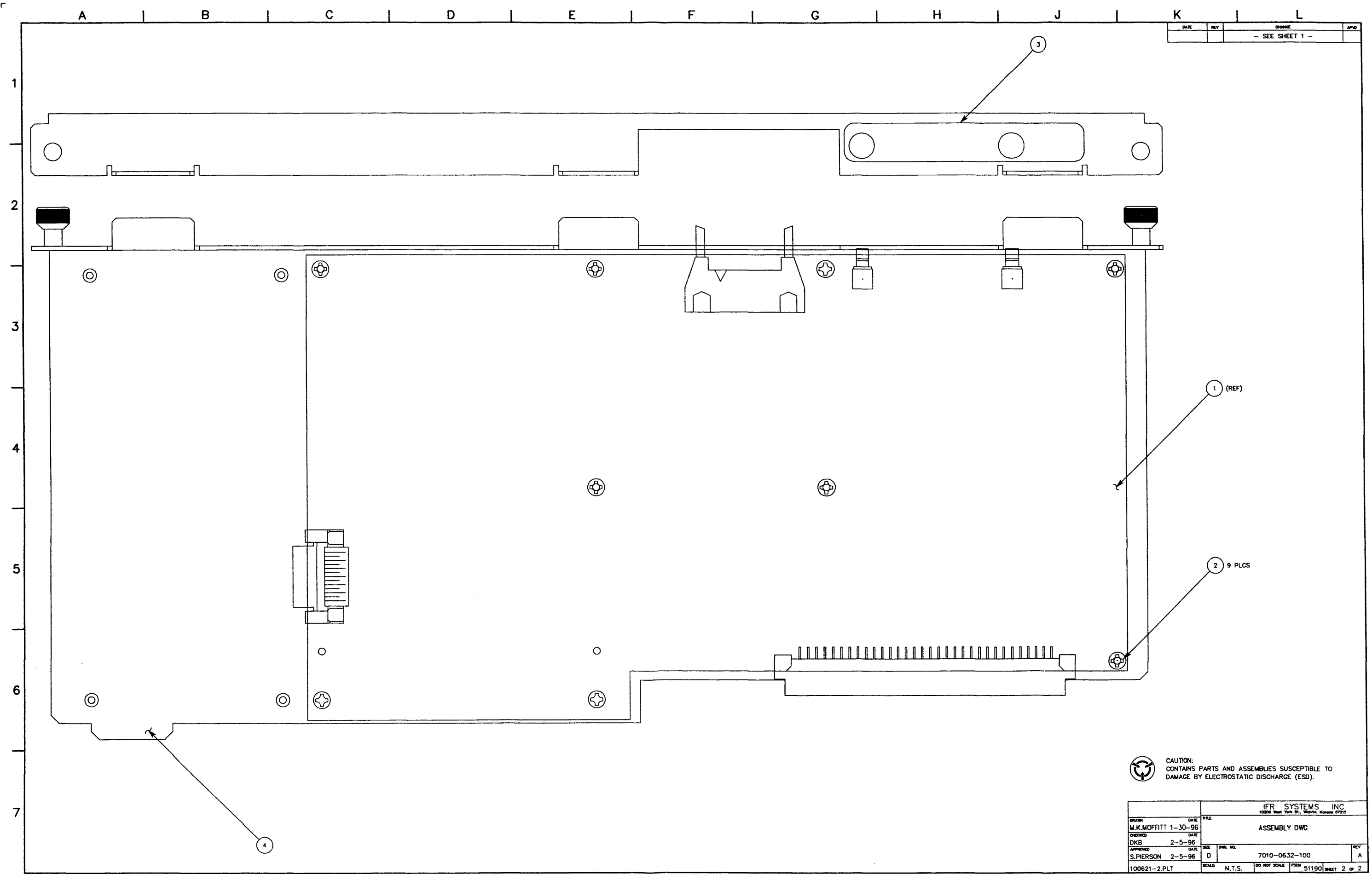
TOP VIEW




- NOTES:
1. BASIC REFERENCE DESIGNATORS SHOWN, FOR COMPLETE DESIGNATOR PREFIXES REFER TO PRODUCT STRUCTURE, AND SYSTEM INTERCONNECT FOR APPLICATIONS WHERE USED.
 2. NOTE NOT USED.
 3. TO BE REMOVED PRIOR TO MECH. ASSY.
 4. AFFIX MODULE IDENT LABEL HERE.

CAUTION: CONTAINS PARTS AND ASSEMBLIES SUSCEPTIBLE TO DAMAGE BY ELECTROSTATIC DISCHARGE (ESD).

DRAWN		DATE		TITLE	
M.K. MOFFITT	1-30-96	IFR SYSTEMS INC 10200 West York St., Shawnee, Kansas 67215			
CHECKED	DATE	ASSEMBLY DWG			
DKB	2-5-96	VIDEO CNTR/FCIN GEN			
APPROVED	DATE	REV	DWG. NO.	DO NOT SCALE	FRCH
S. PIERSON	2-5-96	D	7010-0632-100	51190	A
100621A0.PLT		SCALE:	N.T.S.	DO NOT SCALE	FRCH
				51190	SHEET 1 OF 2



DATE	REV	CHANGE	APPRO
- SEE SHEET 1 -			

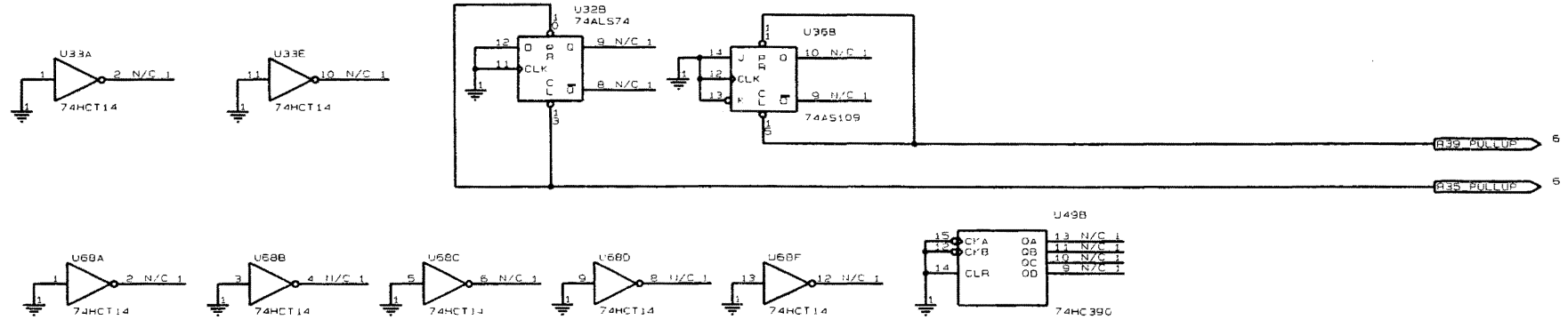

CAUTION:
 CONTAINS PARTS AND ASSEMBLIES SUSCEPTIBLE TO
 DAMAGE BY ELECTROSTATIC DISCHARGE (ESD).

DRAWN		DATE		BY		IFR SYSTEMS INC 1000 West York St. Wichita, Kansas 67210			
M.K. MOFFITT		1-30-96				ASSEMBLY DWG			
CHECKED		DATE							
DKB		2-5-96							
APPROVED		DATE		SIZE		DWG. NO.		REV	
S. PIERSON		2-5-96		D		7010-0632-100		A	
SCALE:		N.T.S.		DO NOT SCALE FROM		51190		SHEET 2 OF 2	
100621-2.PLT									

DATE	REV	CHANGE	APPROVED
	B	RELEASE	D/K/B

NOTES:
(UNLESS OTHERWISE SPECIFIED)

- BASIC REFERENCE DESIGNATORS SHOWN. FOR COMPLETE DESIGNATOR PREFIXES REFER TO PRODUCT STRUCTURE AND SYSTEM INTERCONNECT FOR APPLICATIONS WHERE USED.
- ALL RESISTORS ARE 1% 1/8W.
- ALL RESISTANCE IS EXPRESSED IN OHMS. ALL CAPACITANCE IS EXPRESSED IN MICROFARADS. ALL INDUCTANCE IS EXPRESSED IN MICROHENRIES.
- HIGHEST REFERENCE DESIGNATIONS:
U70 C119 CR5 R98 P1 J4 G3 TB3 E3 L1 RN1 S1 TP7
- REFERENCE DESIGNATIONS NOT USED:
C38, C46, C47, C48, C51, C52, C53, C54, C55, U23, U24, U25, U26, U27, U28, U29, U30, U7, CR4
R3, R4, R5, R10, R11, R12, R13, R14, R15, R16, R17, R18, R19, R20, R21, R22, R23, R24, R25, R26, R38
REFERENCE DESIGNATIONS NOT INSTALLED:
E1-E3, TB1-TB3, TP1-TP7
- FOR INTERCONNECT/BLOCK DIAGRAM SEE APPLICATIONS WHERE USED
- IC FUNCTIONS NOT USED:



-- INDICATES PRINTED TRANSMISSION LINES OF OTHER THAN 50 OHMS IMPEDANCE WHICH CONSTITUTE CIRCUIT ELEMENTS. 50 OHM TRANSMISSION LINES ARE NOT SHOWN.

CAUTION:
CONTAINS PARTS AND ASSEMBLIES SUSCEPTIBLE TO DAMAGE BY ELECTROSTATIC DISCHARGE (ESD).

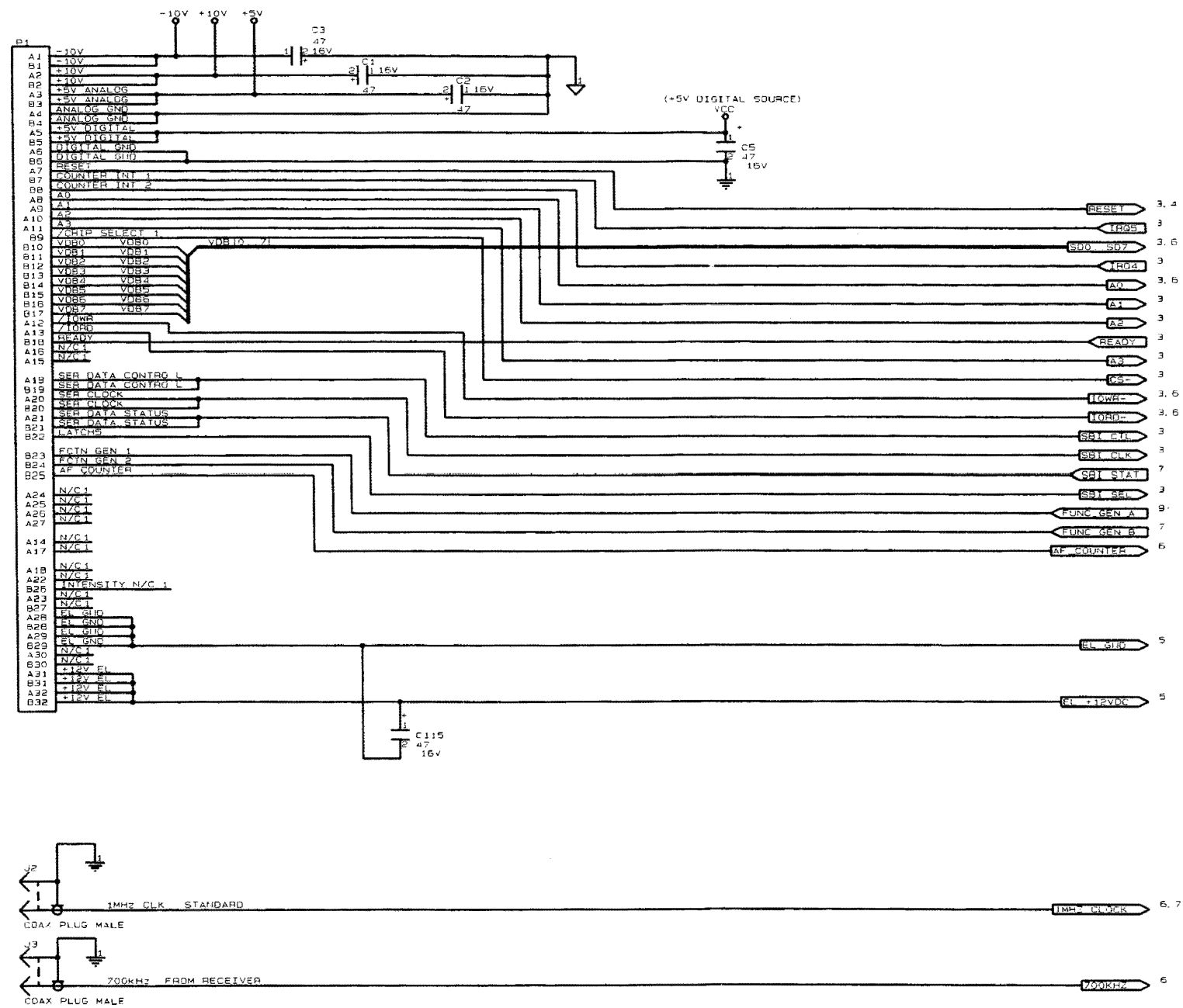
8 INSTALL W1 WHEN USING TM55165 FOR U6 DEVICE AND W2 NOT INSTALLED
INSTALL W2 WHEN USING TM55160 FOR U6 DEVICE AND W1 NOT INSTALLED

9 E1-E3, TB1-TB3, TP1-TP7 FOR FUTURE ENGINEERING TEST ONLY

SCHEMATIC
006F30BB.SCH
BLOCK DIAGRAM
006A30BB.SCH

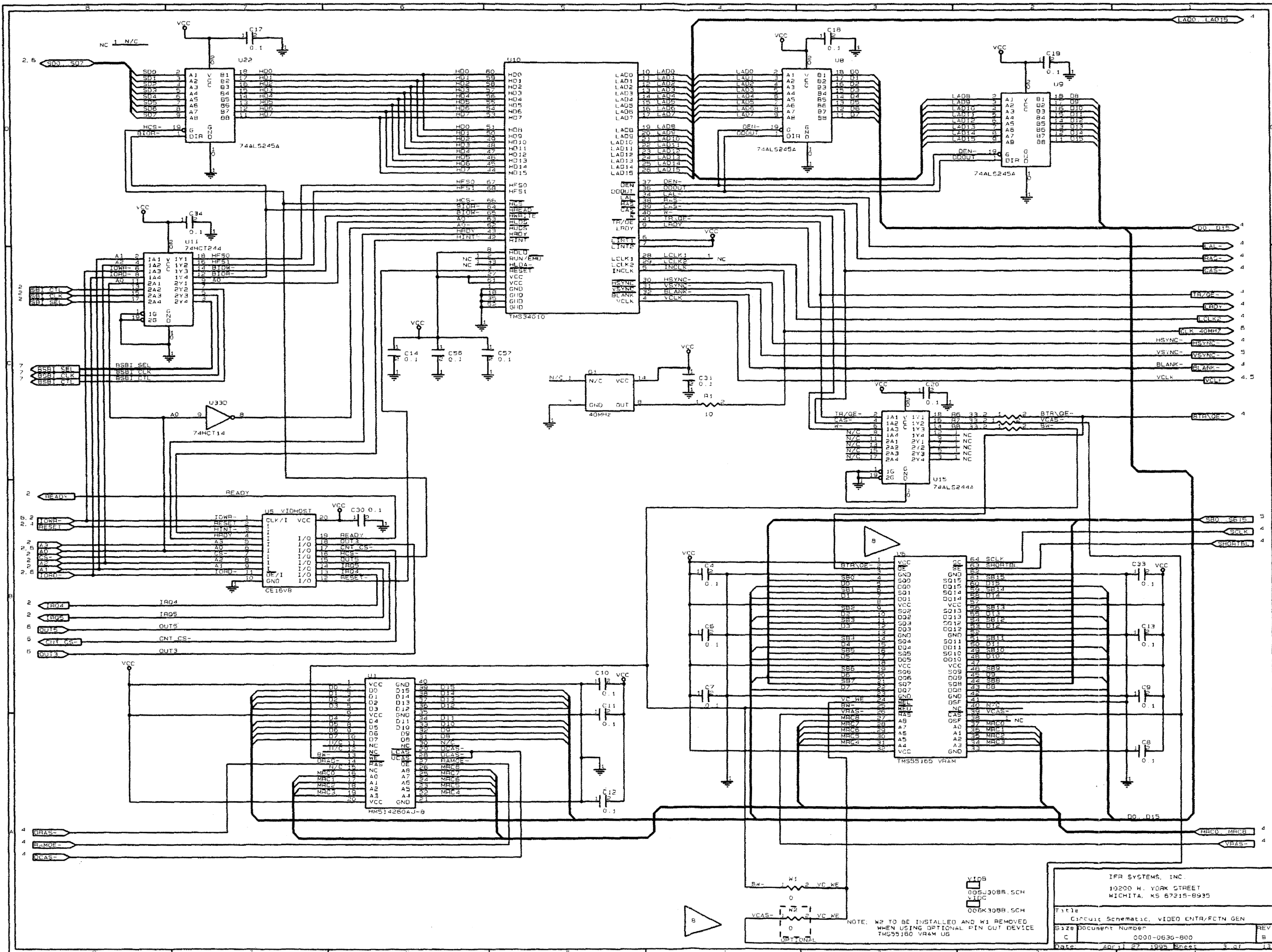
FILE NAME: 006E30BB.SCH

DRAWN D. COX 10-25-94		IFR SYSTEMS, INC 10200 W YORK STREET WICHITA, KS 67215-8935	
CHECKED D/K/B 04-05-95		Title Circuit Schematic, VIDEO CNTR/FCTN GEN	
APPROVED STAN PIERSON 04-27-95		Size 0000-0630-800	
		Date April 27 1995 Sheet 1 of 13	



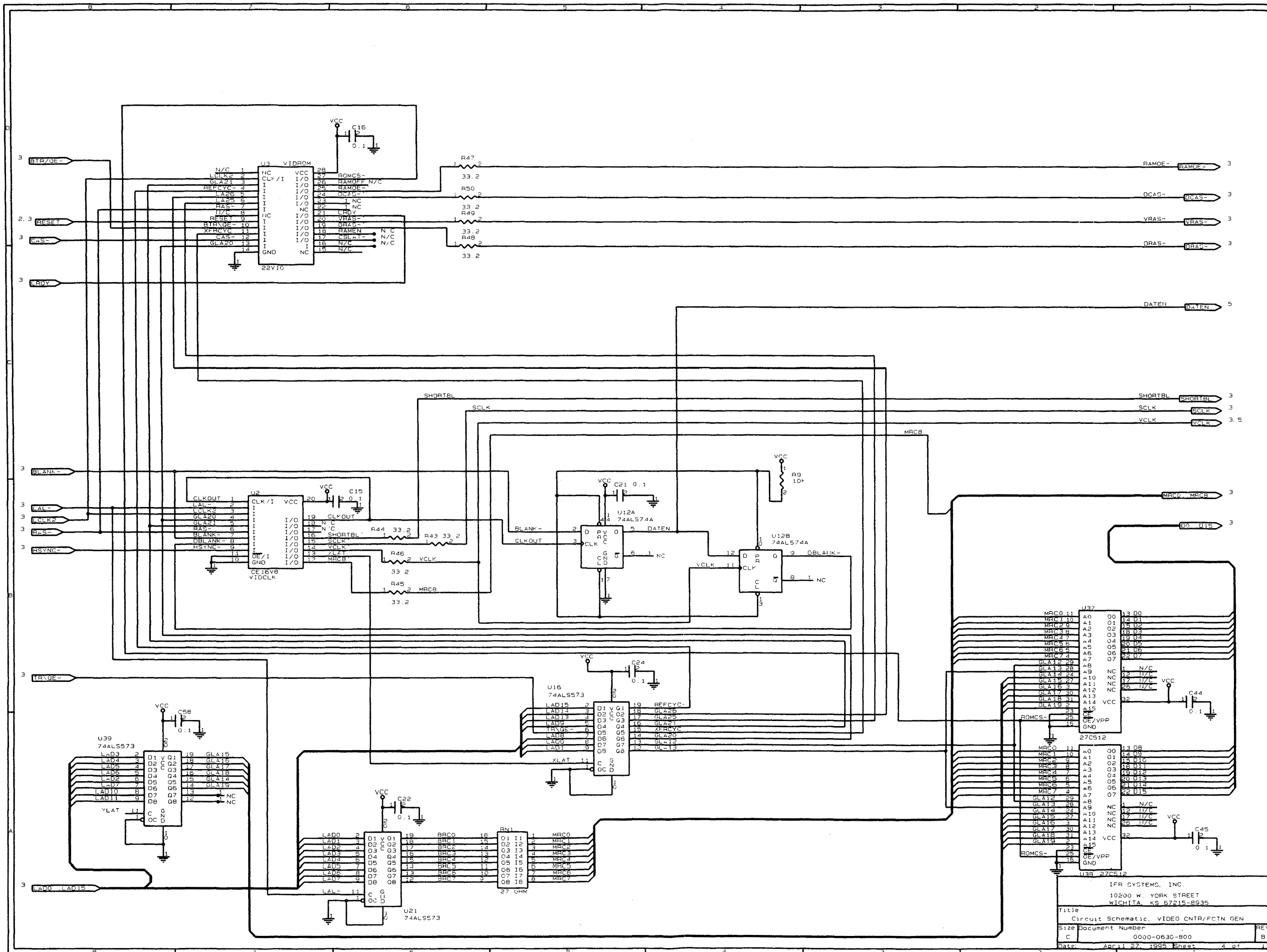
- VIDEO PROCESSOR
- 0060308B.SCH
- COUNTER SECTION
- 006H308B.SCH
- FUNCTION GENERATOR
- 006I308B.SCH

IFR SYSTEMS, INC.	
10200 W. YORK STREET WICHITA, KS 67215-8935	
Title Circuit Schematic, VIDED CNTR/FCYN GEN	
Size C	Document Number 0000-0630-800
Date Apr 11 27 1995	Page 2 of 13

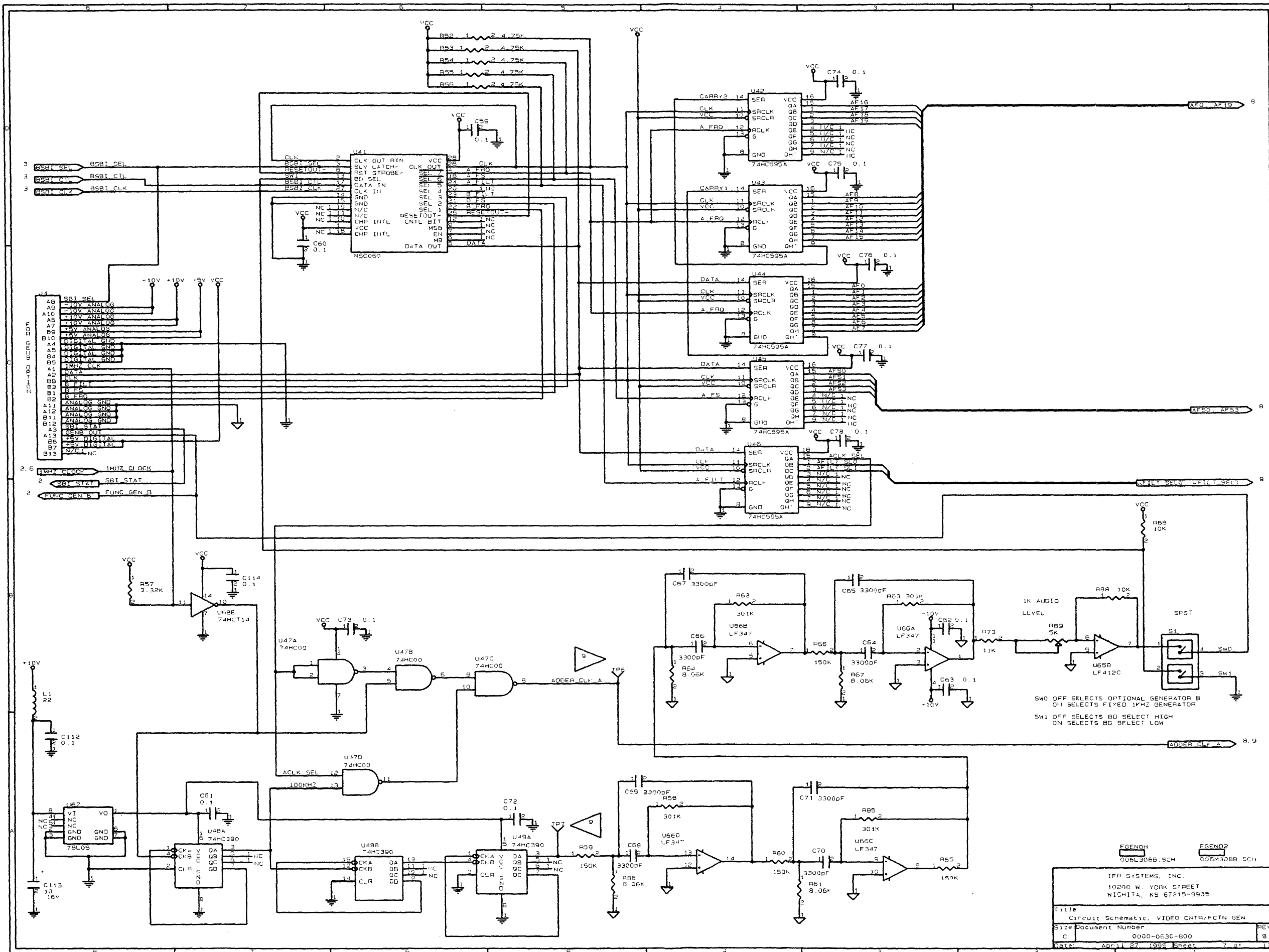


IFR SYSTEMS, INC.
 10200 W. YORK STREET
 WICHITA, KS 67215-8935

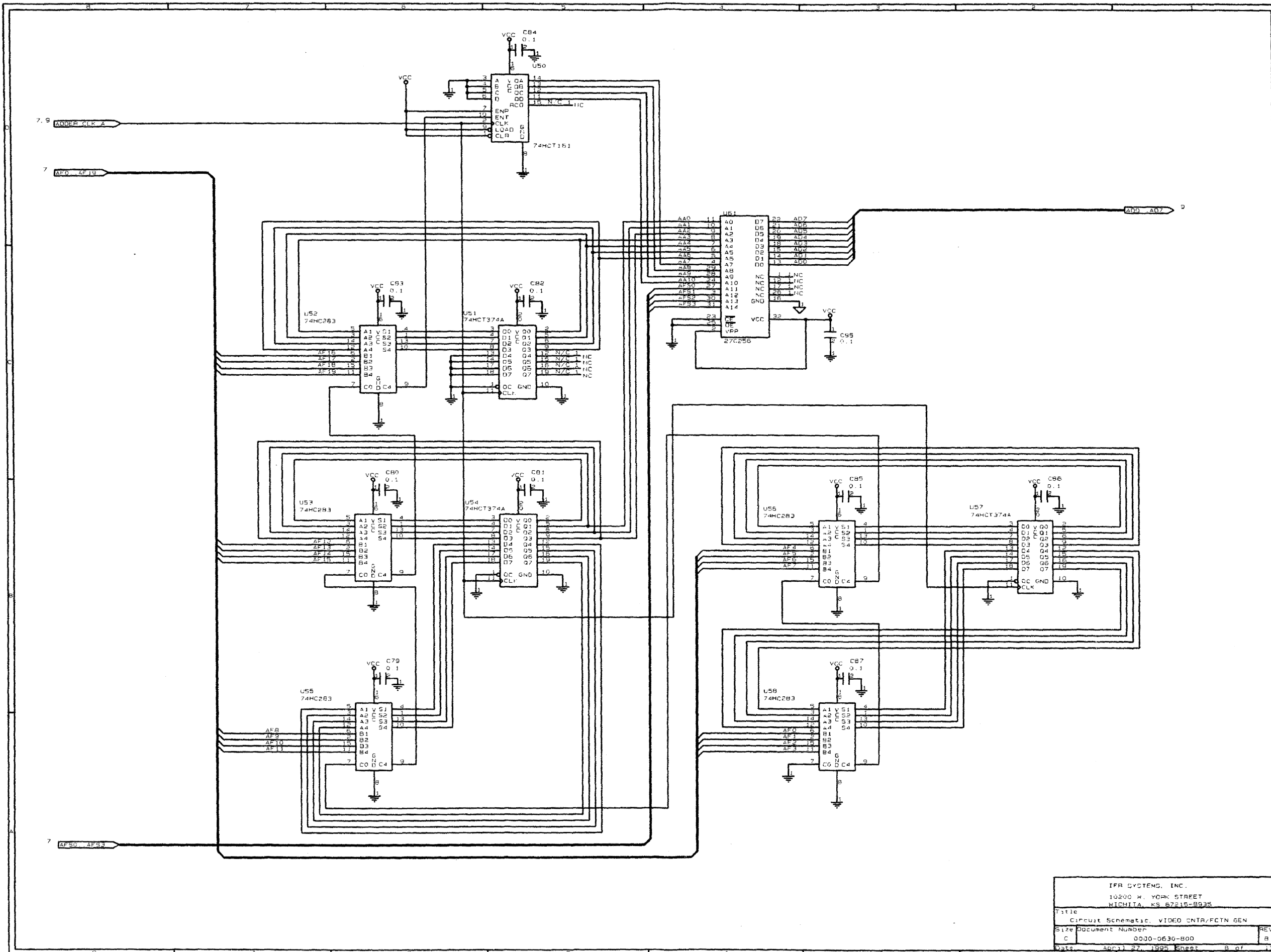
Title: Circuit Schematic, VIDEO ENTR/FCN GEN
 Size: Document Number: 0000-0630-800
 Date: April 27, 1985 Sheet 3 of 13



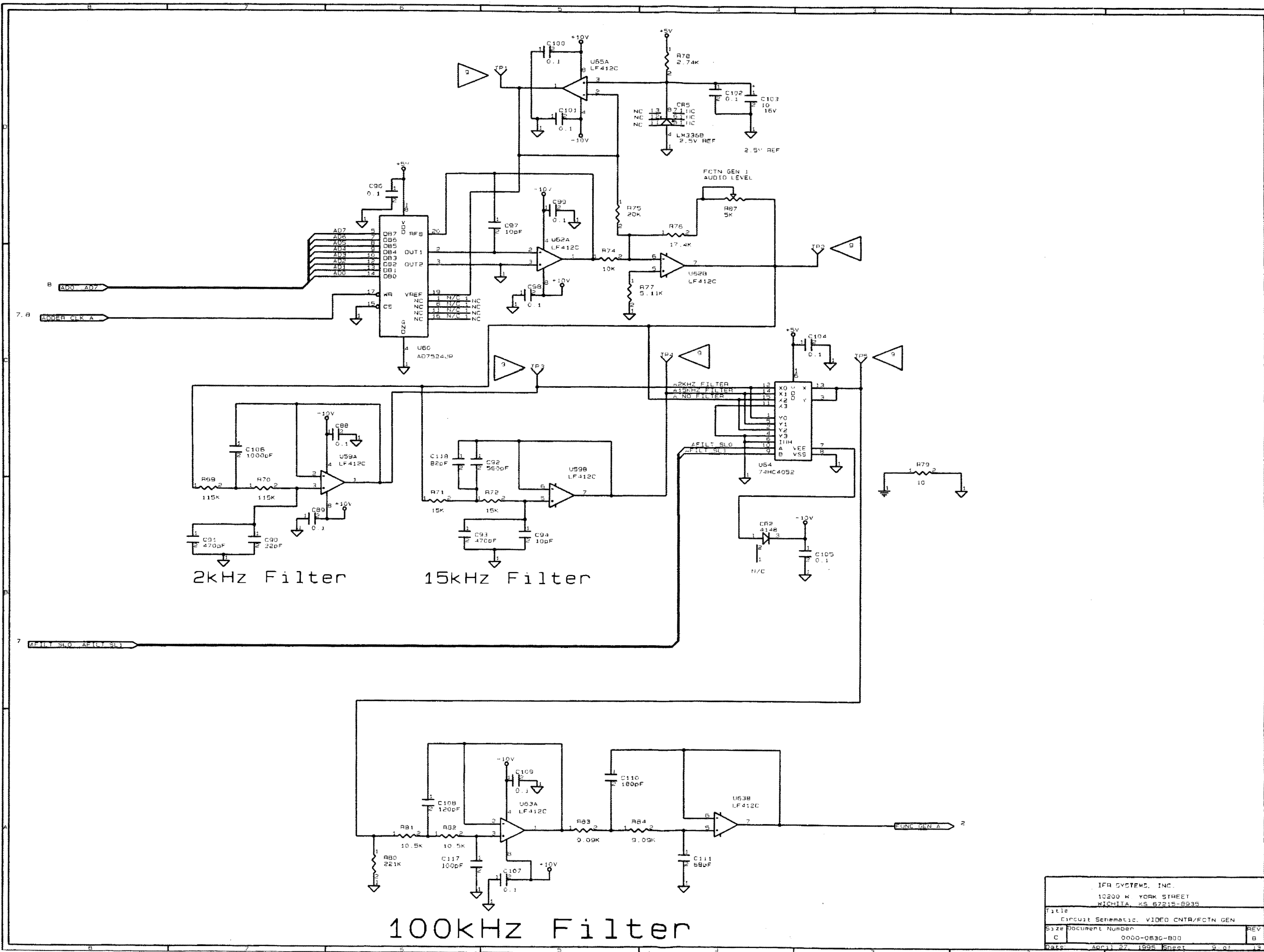
IFR SYSTEMS, INC.
 10200 W. YORK STREET
 WICHITA, KS 67215-8935
 Title: Circuit Schematic, VIDEO CNTR/FCN GEN
 Size: Document Number 0000-0630-800 REV B
 Date: April 27, 1995 Sheet 4 of 13



FGEND1
 006L308B SCH
 FGEND2
 006M308B SCH
 IFR SYSTEMS, INC.
 10200 W. YORK STREET
 WICHITA, KS 67215-8935
 Title
 Circuit Schematic, VIDEO CONTR. FCIN GEN
 Size Document Number
 0000-0630-800
 Date
 April 27, 1995 Sheet 7 of 13



IFR SYSTEMS, INC.	
10200 W. YORK STREET	
WICHITA, KS 67215-8935	
Title	Circuit Schematic, VIDEO CNTN/FCTN GEN
Size	Document Number
C	0000-0630-800
Date	April 27, 1995
Page	8 of 13



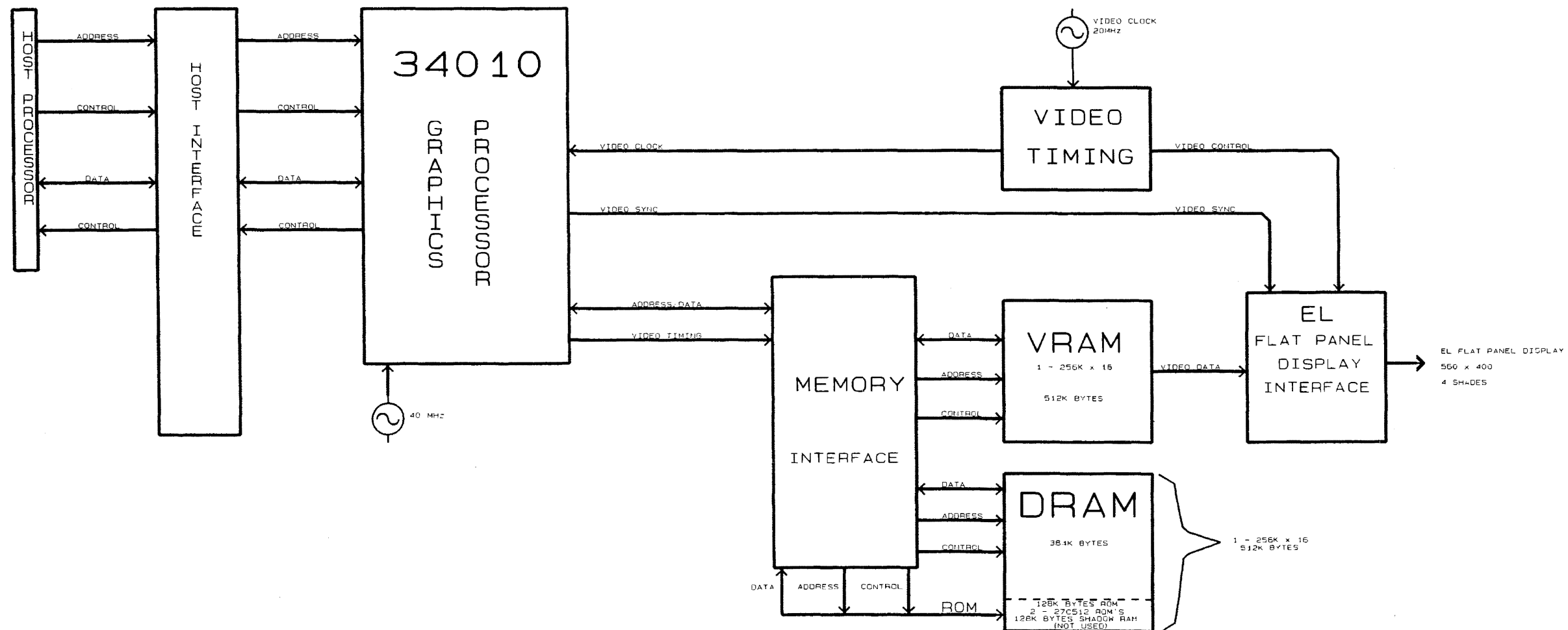
2kHz Filter

15kHz Filter

100kHz Filter

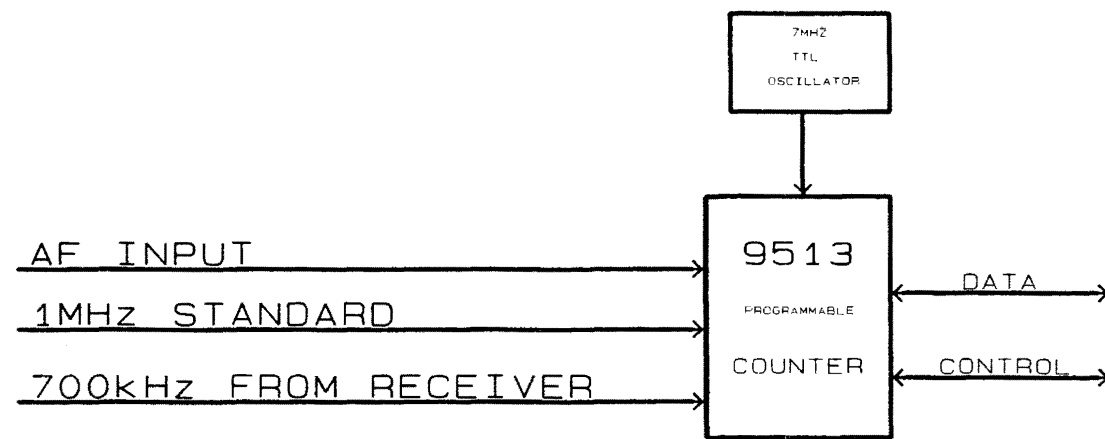
IFR SYSTEMS, INC.	
10200 W YORK STREET	
WICHITA, KS 67215-8935	
Title: Circuit Schematic, VIDEO CNTR/FCN GEN	
Size: Document Number	REV
C: 0000-0830-800	B
Date: April 27, 1995	Sheet: 9 of 13

VIDEO SECTION BLOCK DIAGRAM



IFD SYSTEMS, INC.	
10200 W. YORK STREET	
WICHITA, KS 67215-8935	
Title	Circuit Schematic, VIDEO CNTR/FCTN GEN
Size	Document Number
C	0000-0630-800
Date	Apr 17, 1995
Page	11 of 13

COUNTER SECTION BLOCK DIAGRAM

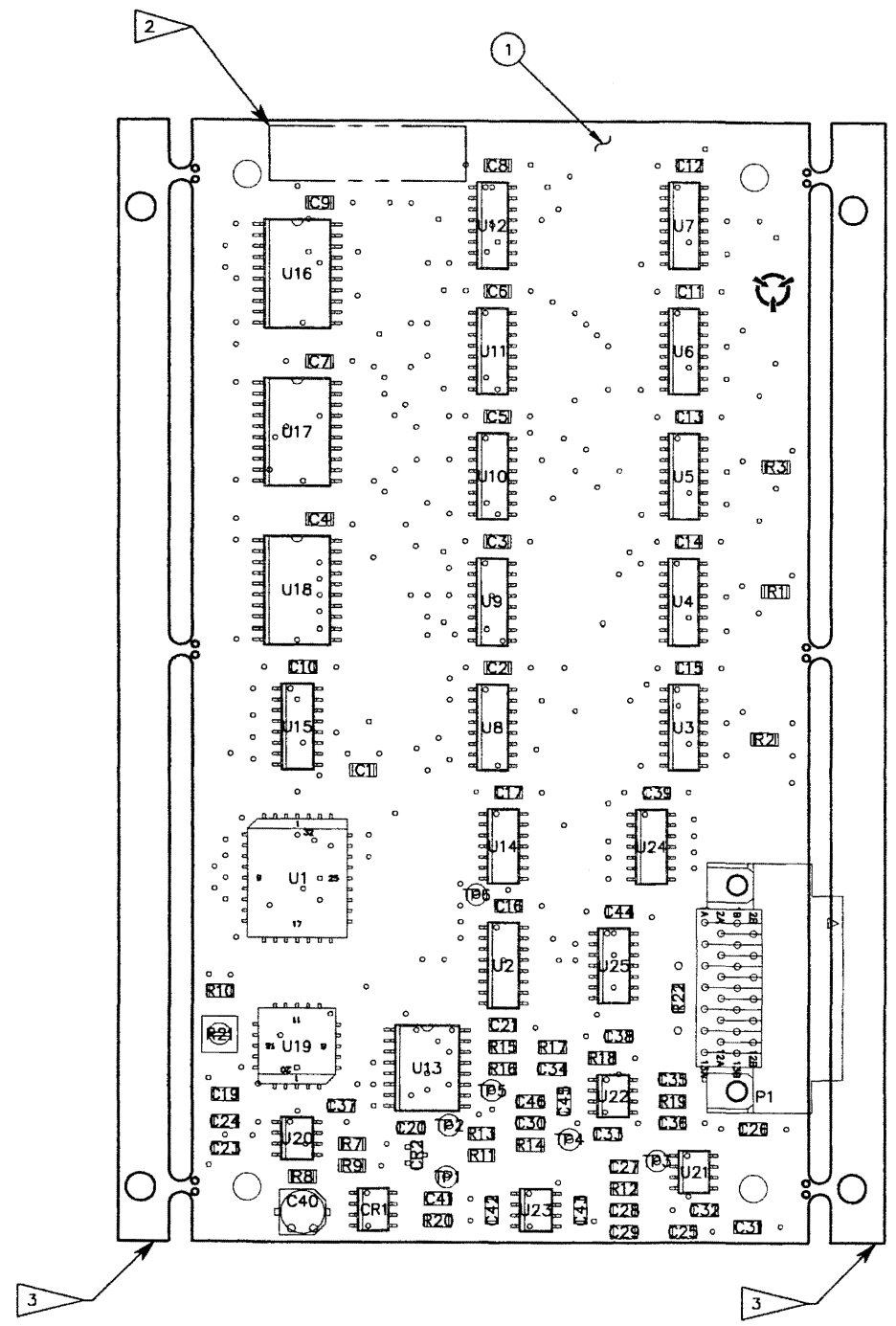


IFR SYSTEMS, INC. 10200 W. YORK STREET WICHITA, KS 67215-8935	
Title Circuit Schematic, VIDEO CNTR/FCTN GEN	
Size	Document Number
C	0000-0630-800
Date	April 27, 1995 Sheet 12 of 13
REV	B

A | B | C | D | E | F | G

DATE	REV	CHANGE	APPROVED
4-6-95	A	RELEASE	DKB
6/13/97	A1	INC RC 17569	BP JSP

1
2
3
4
5



NOTES:

1. BASIC REFERENCE DESIGNATORS SHOWN, FOR COMPLETE DESIGNATOR PREFIXES REFER TO PRODUCT STRUCTURE, AND SYSTEM INTERCONNECT FOR APPLICATIONS WHERE USED.
2. AFFIX MODULE I.D. LABEL HERE.
3. REMOVE PRIOR TO MECHANICAL ASSEMBLY.

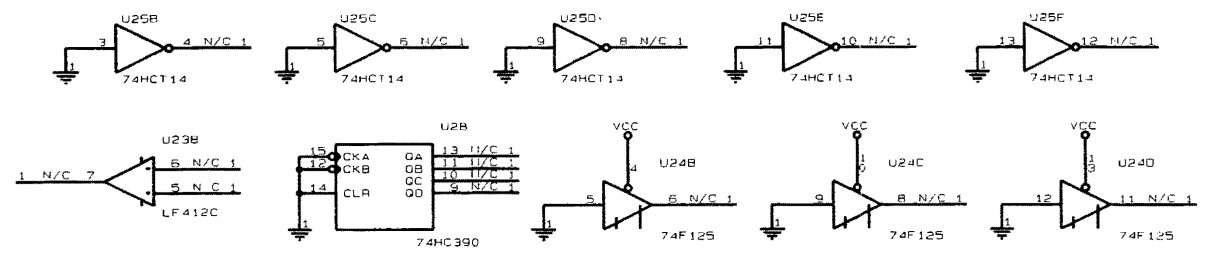


CAUTION:
CONTAINS PARTS AND ASSEMBLIES SUSCEPTIBLE TO
DAMAGE BY ELECTROSTATIC DISCHARGE (ESD).

DRAWN		DATE		IFR SYSTEMS INC			
R.AST		8-30-94		10200 West York St., Wichita, Kansas 67215			
CHECKED		DATE		TITLE			
D.K.B.		4-6-95		ASSEMBLY DWG			
APPROVED		DATE		FUNCTION GEN 2			
S.PIERSON		4-6-95		SIZE	DWG. NO.	REV	
100607A1.PLT				C	7010-0630-700	A1	
		SCALE:	N.T.S.	DO NOT SCALE FROM	51190	SHEET	1 OF 1

DATE	REV	CHANGE	APPROVED
04-06-95	A	RELEASE	DMB

- NOTES:
(UNLESS OTHERWISE SPECIFIED)
- BASIC REFERENCE DESIGNATORS SHOWN. FOR COMPLETE DESIGNATOR PREFIXES REFER TO PRODUCT STRUCTURE AND SYSTEM INTERCONNECT FOR APPLICATIONS WHERE USED.
 - ALL RESISTORS ARE 1%, 1/8W.
 - ALL RESISTANCE IS EXPRESSED IN OHMS. ALL CAPACITANCE IS EXPRESSED IN MICROFARADS. ALL INDUCTANCE IS EXPRESSED IN MICROHENRIES.
 - HIGHEST REFERENCE DESIGNATIONS:
U25 C46 P1 TP6 CR2 R22
 - REFERENCE DESIGNATIONS NOT USED:
C18 C22
R4 R5 R6
 - FOR INTERCONNECT/BLOCK DIAGRAM SEE APPLICATIONS WHERE USED.
 - IC FUNCTIONS NOT USED:

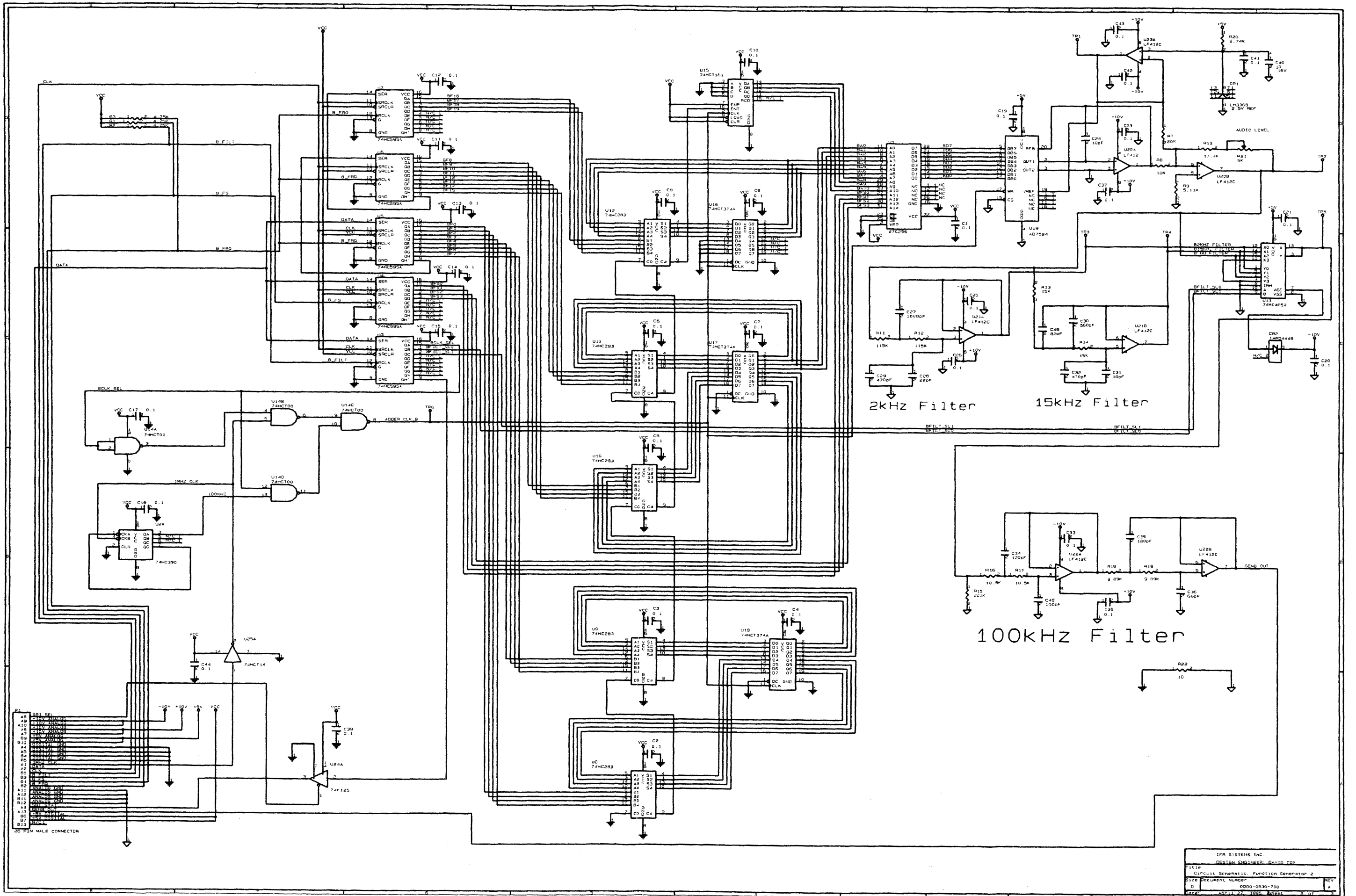


4-- INDICATES PRINTED TRANSMISSION LINES OF OTHER THAN 50 OHMS IMPEDANCE WHICH CONSTITUTE CIRCUIT ELEMENTS. 50 OHM TRANSMISSION LINES ARE NOT SHOWN.

CAUTION:
CONTAINS PARTS AND ASSEMBLIES SUSCEPTIBLE TO DAMAGE BY ELECTROSTATIC DISCHARGE (ESD).

SCHEMATIC
006C307A.SCH
BLOCK DIAGRAM
006A307A.SCH

DRAWN D. COX 04-06-95		IFR SYSTEMS INC. 10200 W. YORK WICHITA, KS 67215 DESIGN ENGINEER: DAVID COX	
CHECKED DKB 04-06-95		Title Circuit Schematic, Function Generator 2	
APPROVED STAN PIERSON 04-27-95		Size Document Number C 0000-0630-700	
		Date: APR 27, 1995 Sheet 1 of 3	

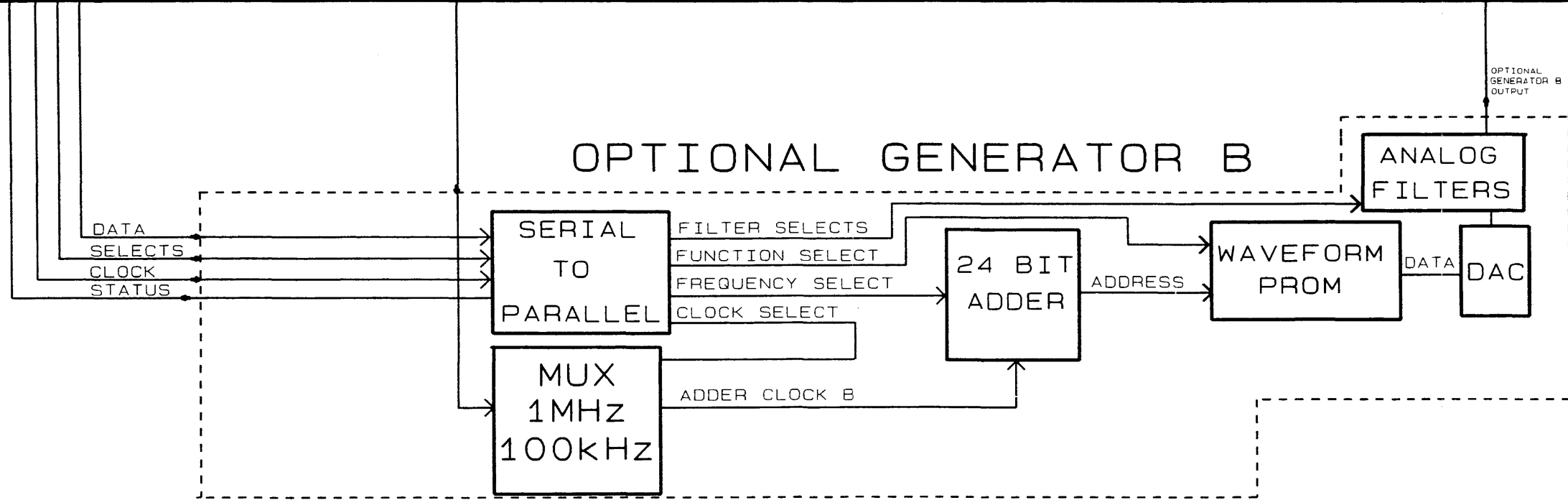


28 PIN MALE CONNECTOR

B1	DATA SEL
B2	DATA SEL
B3	DATA SEL
B4	DATA SEL
B5	DATA SEL
B6	DATA SEL
B7	DATA SEL
B8	DATA SEL
B9	DATA SEL
B10	DATA SEL
B11	DATA SEL
B12	DATA SEL
B13	DATA SEL
B14	DATA SEL
B15	DATA SEL
B16	DATA SEL
B17	DATA SEL
B18	DATA SEL
B19	DATA SEL

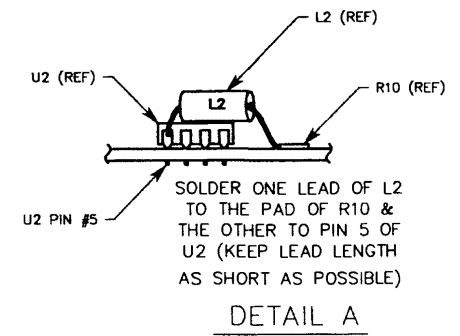
IFR SYSTEMS INC.
 DESIGN ENGINEER: DAVID COY
 Circuit Schematic, Function Generator 2
 SIZ: Document Number
 0 0000-0530-700
 Date: April 27, 1998 Sheet: 2 of 2

DIGITAL TRAY PRIMARY BOARD

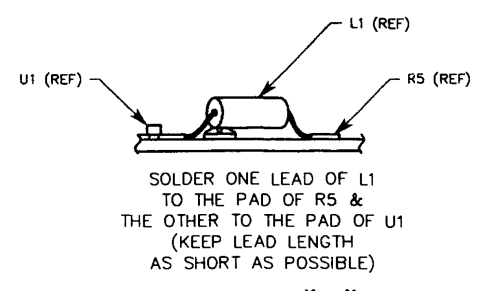
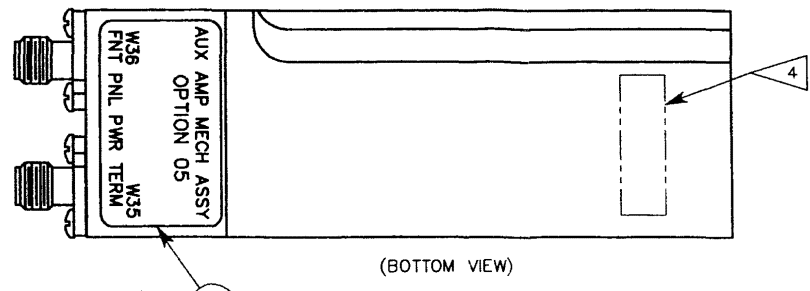
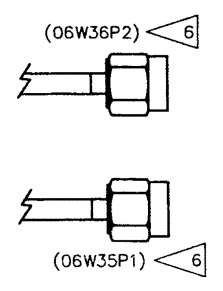


Title		Circuit Schematic, Function Generator 2	
Size		Document Number	
C	0000-0630-700	REV	A
Date:	April 27, 1995	Sheet	3 of 3

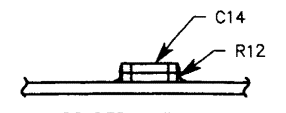
DATE	REV	CHANGE	APPROV
5/9/95	A	RELEASE PER ECN 16576	MB
02/01/96	A1	INC PER ECN 16881	RH
9/16/96	B	INC PER ECN 17135	BP



DETAIL A

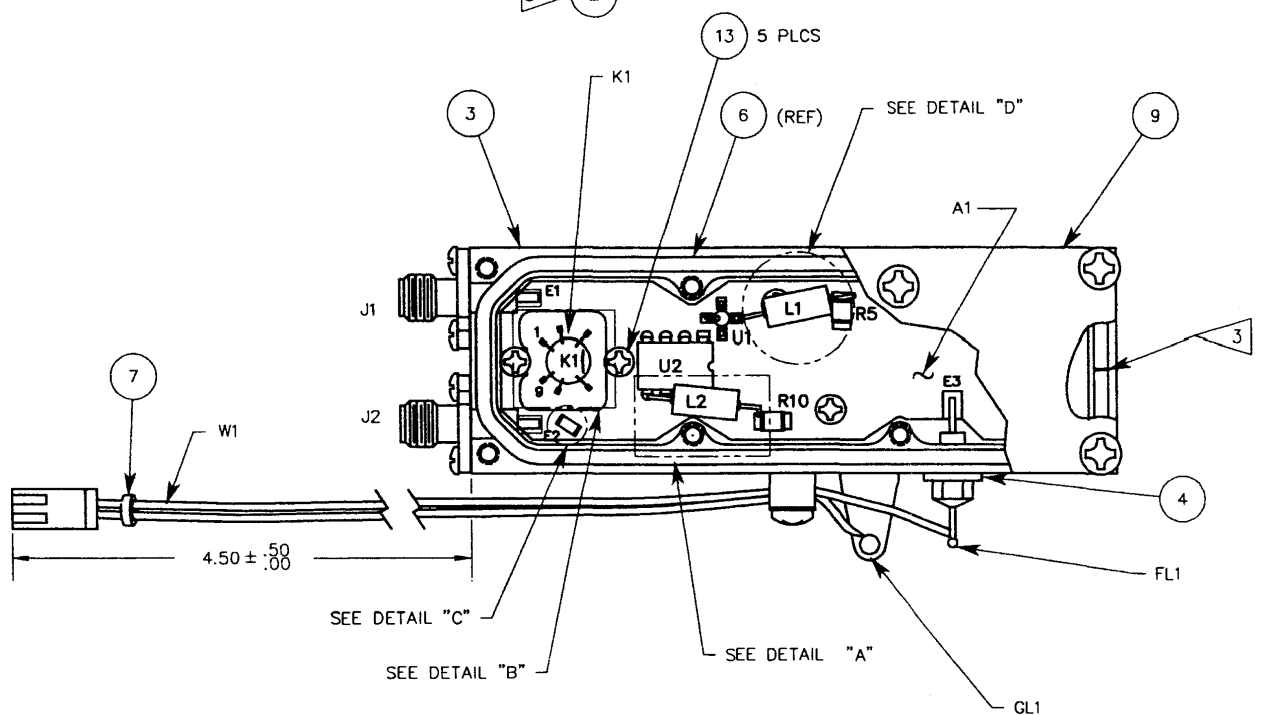
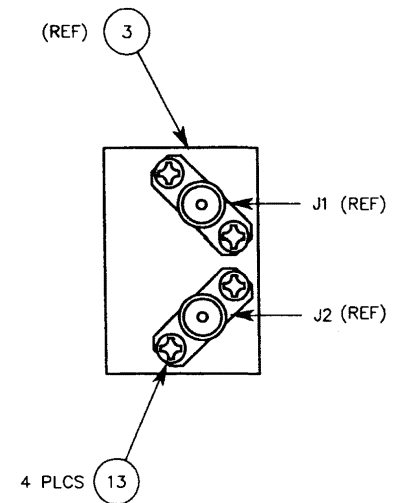


DETAIL "D"

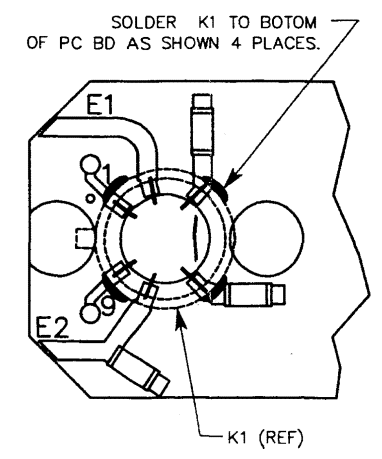
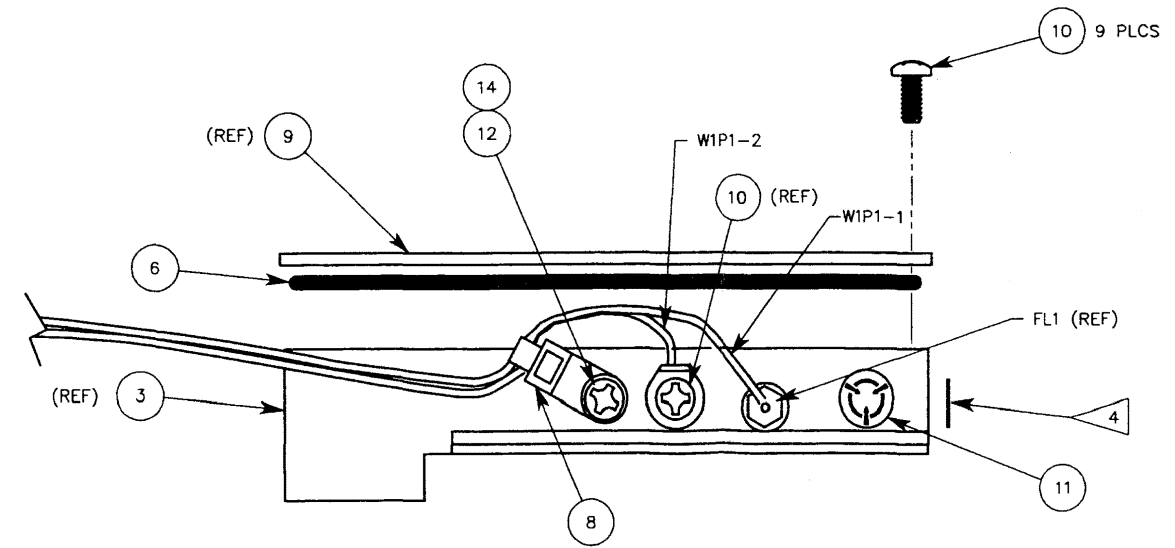


DETAIL "C"

- NOTES:
- BASIC REFERENCE DESIGNATORS SHOWN, FOR COMPLETE DESIGNATOR PREFIXES REFER TO PRODUCT STRUCTURE, AND SYSTEM INTERCONNECT FOR APPLICATIONS WHERE USED.
 - MECH ASSY. DRAWING SHOWS ONLY PORTION OF PC BOARD ASSY REQUIRED FOR REF ONLY.
 - CUT ENDS OF GASKET MUST MEET UNDER COMPRESSION WHEN INSTALLED.
 - AFFIX MODULE IDENTIFICATION LABEL HERE.
 - NOMENCLATURE ON LABEL IS ONLY SHOWN FOR PROPER ORIENTATION AND MAY NOT MATCH YOUR LABEL.
 - INSTALL AT COMPOSITE LEVEL. (REPLACE 87W2)



WIRE RUNNING LIST				
DESG	FROM	TO	COLOR	AWG
W1W1	P1-01	FL1	RED	22
W1W2	P1-02	GL1	BLK	22



DETAIL B

CAUTION:
CONTAINS PARTS AND ASSEMBLIES SUSCEPTIBLE TO DAMAGE BY ELECTROSTATIC DISCHARGE (ESD).

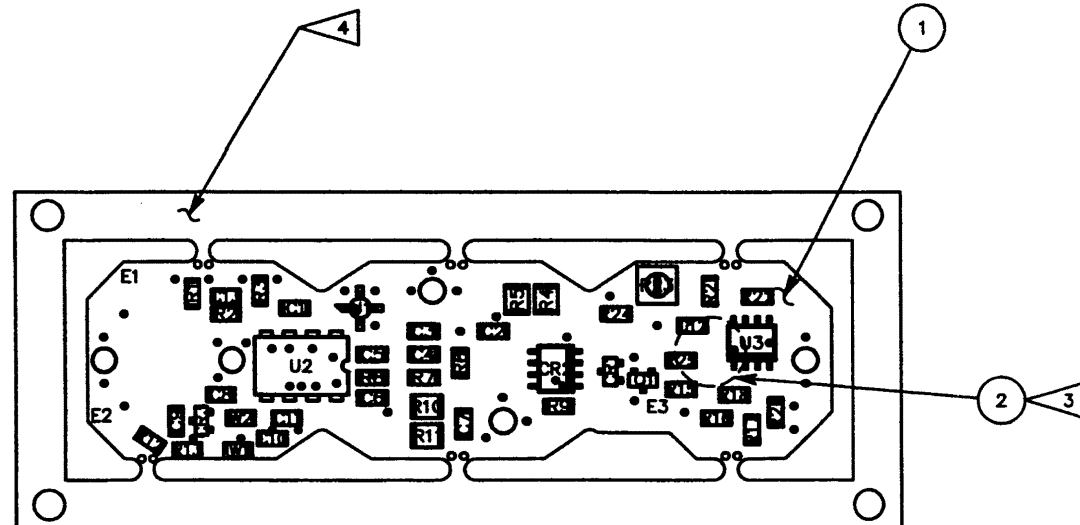
"THIS DOCUMENT CONTAINS PROPRIETARY INFORMATION OF IFR, INC. AND IS NOT TO BE DISCLOSED, REPRODUCED, OR PUBLISHED WITHOUT IFR'S APPROVAL."

IFR SYSTEMS INC		10000 West York St., Wichita, Kansas 67215	
DATE	5/9/95	TITLE	MECH ASSY, AUXILIARY AMP OPT 05
DRAWN	M.BRUFFETT	DATE	5/11/95
CHECKED	R.HARRIS	DATE	5/11/95
APPROVED	M.BACHMAN	DATE	5/15/95
006412B0.DWG	SIZE D	DWG NO.	7005-0641-200
SCALE: 1=1	SCALE: 1=1	CAGE: 51190	SHEET: 1 of 1

A B C D E F G

DATE	REV	CHANGE	APPROVED
9-22-92	B-1	DESIGN RELEASE	RLA DKB
4-29-93	B2	PROD REL PER ECN 15564	MKM DKB

TOP VIEW



NOTES:

1. BASIC REFERENCE DESIGNATORS SHOWN, FOR COMPLETE DESIGNATOR PREFIXES REFER TO PRODUCT STRUCTURE, AND SYSTEM INTERCONNECT FOR APPLICATIONS WHERE USED.
2. REF SCHEMATIC # 0000-8743-600.
3. TO BE INSTALLED ON BOTTOM SIDE ONLY.
4. TO BE REMOVED PRIOR TO MECH. ASSY.
5. MODULE I.D. TO BE WRITTEN ON BOARD WITH NON-CONDUCTIVE, SOLVENT RESISTANT INK.



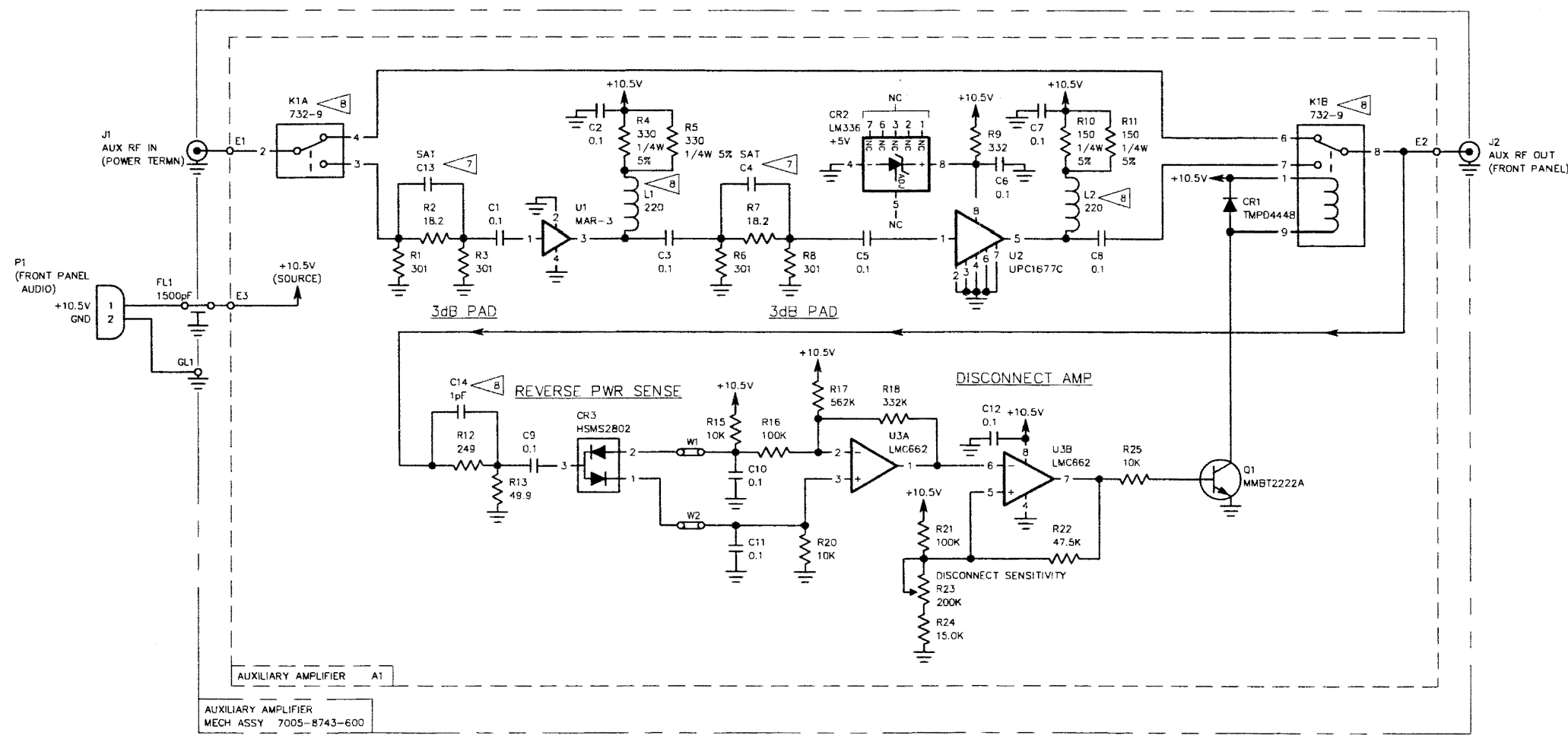
CAUTION:
CONTAINS PARTS AND ASSEMBLIES SUSCEPTIBLE TO
DAMAGE BY ELECTROSTATIC DISCHARGE (ESD).

DRAWN		DATE		TITLE	
R. WEEKS		4-16-92		IFR SYSTEMS INC 10200 West York St., Wichita, Kansas 67218	
CHECKED		DATE		ASSEMBLY DWG	
M. BACHMAN		9-22-92		AUXILIARY AMP	
APPROVED		DATE		SIZE	DWG. NO.
S. PIERSON		9-22-92		C	7010-8733-600
		SCALE:	DO NOT SCALE	FROM	REV
		N.T.S.		51190	B2
SHEET 1 of 1					

DATE	REV	CHANGE	APPROVED
9-23-92	B	DESIGN RELEASE	J.I.M. DKB
5-3-93	B1	PROD. REL. PER EGN #15564	J.I.M. DKB
7-12-95	B2	INC EGN 16555	BP BM

A B C D E F G H J K L

1
2
3
4
5
6
7



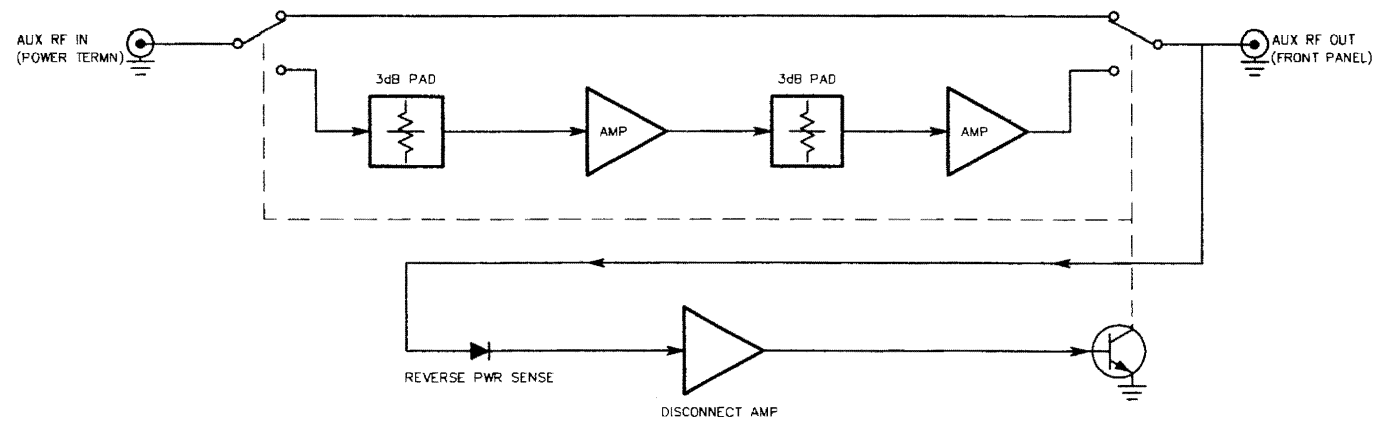
- NOTES:
(UNLESS OTHERWISE SPECIFIED)
- BASIC REFERENCE DESIGNATORS SHOWN, FOR COMPLETE DESIGNATOR PREFIXES REFER TO PRODUCT STRUCTURE, AND SYSTEM INTERCONNECT FOR APPLICATIONS WHERE USED.
 - ALL RESISTORS ARE 1% 1/8W.
 - ALL RESISTANCE IS EXPRESSED IN OHMS. ALL CAPACITANCE IS EXPRESSED IN MICROFARADS. ALL INDUCTANCE IS EXPRESSED IN MICROHENRIES.
 - HIGHEST REFERENCE DESIGNATIONS.
C14, J2, K1, FL1, GL1, L2, P1,
(A1): CR3, E3, Q1, R25, U3, W2.
 - REFERENCE DESIGNATIONS NOT USED.
C1-C13,
(A1): R14, R19.
 - IC FUNCTIONS NOT USED: NONE
- 7 C4 AND C13 ARE S.A.T. NOMINAL VALUE, 10pF OTHER VALUES ARE, 12pF, 15pF, 18pF, 22pF.
- 8 PARTS INSTALLED AT MECH LEVEL.
- 9 FOR INTERCONNECT/BLOCK DIAGRAM SEE APPLICATIONS WHERE USED.
- * - INDICATES PRINTED TRANSMISSION LINES OF OTHER THAN 50 OHMS IMPEDANCE WHICH CONSTITUTE CIRCUIT ELEMENTS. 50 OHM TRANSMISSION LINES ARE NOT SHOWN.

CAUTION:
CONTAINS PARTS AND ASSEMBLIES SUSCEPTIBLE TO DAMAGE BY ELECTROSTATIC DISCHARGE (ESD).

IFR SYSTEMS INC			
DATE	REV	TITLE	REV
9-17-92		CIRCUIT SCHEMATIC	
9-22-92		AUXILIARY AMPLIFIER	
9-22-92		DWG. NO. 0000-8743-600	B2
9-22-92		SCALE: DO NOT SCALE	
087B436B.DWG		51190	SHEET 1 OF 2

A | B | C | D | E | F | G | H | J | K | L

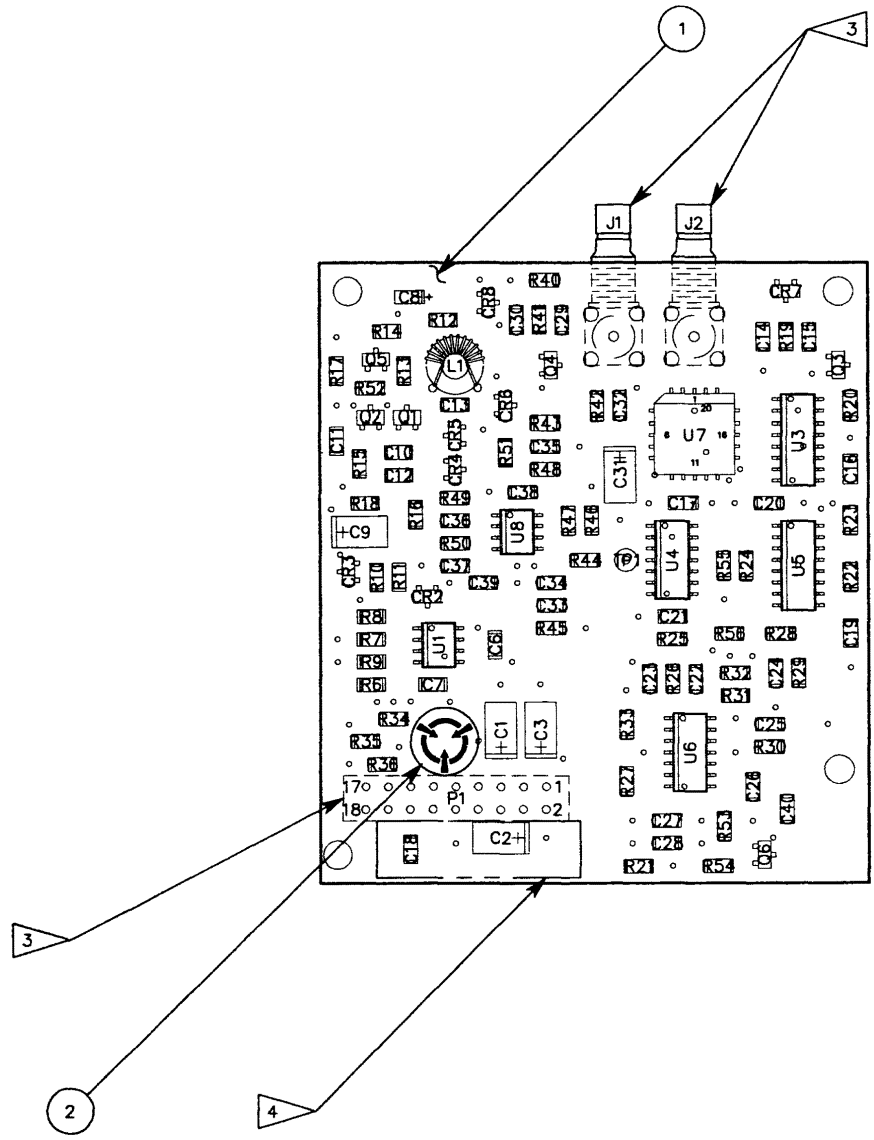
1
2
3
4
5
6
7




A B C D E F G

DATE	REV	CHANGE	APVD
8-20-92	C	DESIGN RELEASE	RLA DKB
1-12-93	C1	INC FMY-099	RLA DKB
4-28-93	C2	PROD REL PER ECN 15564	MKM DKB
6-9-97	C3	INC ECN 17503	MKM SP

1
2
3
4
5

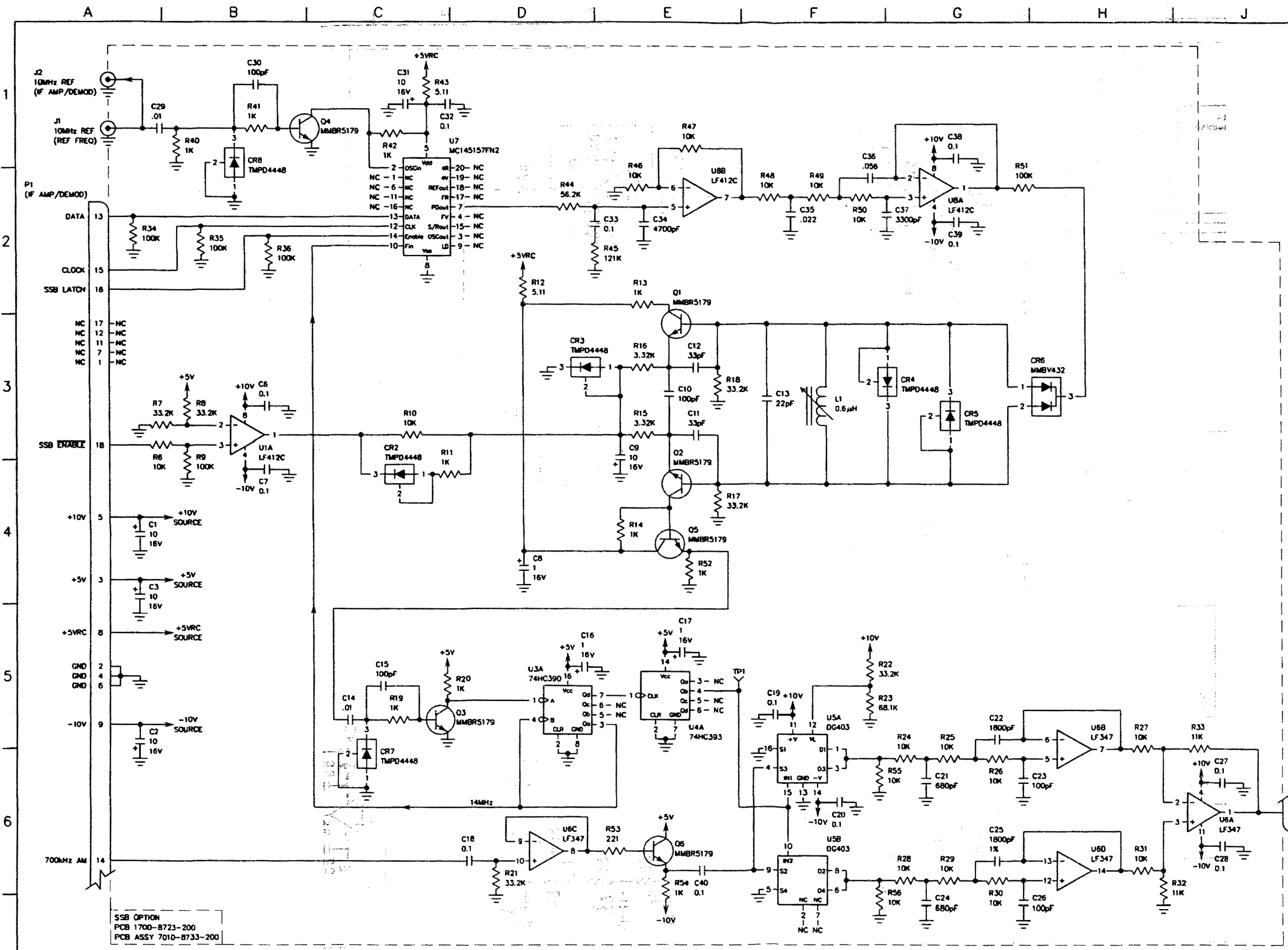


- NOTES:
1. BASIC REFERENCE DESIGNATORS SHOWN, FOR COMPLETE DESIGNATOR PREFIXES REFER TO PRODUCT STRUCTURE, AND SYSTEM INTERCONNECT FOR APPLICATIONS WHERE USED.
 2. REF SCHEMATIC # 0000-8733-200.
 3. TO BE INSTALLED ON BOTTOM SIDE ONLY.
 4. AFFIX MODULE IDENT LABEL HERE. TO BE INSTALLED ON BOTTOM SIDE ONLY.

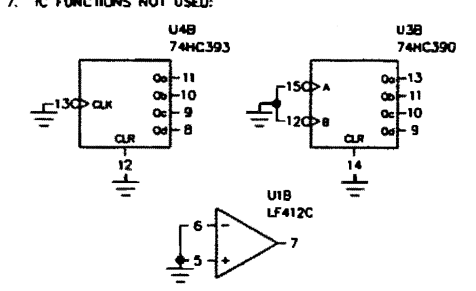
 **CAUTION:**
CONTAINS PARTS AND ASSEMBLIES SUSCEPTIBLE TO
DAMAGE BY ELECTROSTATIC DISCHARGE (ESD).

DRAWN		DATE		TITLE	
M.K.MOFFITT		6-4-91		IFR SYSTEMS INC 10200 West York St., Wichita, Kansas 67215	
CHECKED		DATE		ASSEMBLY DWG	
P.HAMLIN		7-13-92		SSB OPTION 08	
APPROVED		DATE		SIZE	DWG. NO.
M. BACHMAN		8-20-92		C	7010-8733-200
108732C3.PLT		SCALE:	NA	DO NOT SCALE	FSCM 51190
				REV C3	
				SHEET 1 of 1	

DATE	REV	CHANGE	APPROVED
8-20-92	C	DESIGN RELEASE	J.I.M. DKB
1-12-93	C1	INC REF #JMY-099	J.I.M. DKB
DATE	REV	CHANGE	APPROVED
4-29-93	C2	PROD. REL. PER ECM #15564	J.I.M. DKB



- NOTES:
(UNLESS OTHERWISE SPECIFIED)
- BASIC REFERENCE DESIGNATORS SHOWN, FOR COMPLETE DESIGNATOR PREFIXES REFER TO PRODUCT STRUCTURE, AND SYSTEM INTERCONNECT FOR APPLICATIONS WHERE USED.
 - ALL RESISTORS ARE 1% 1/B.W.
 - ALL RESISTANCE IS EXPRESSED IN OHMS. ALL CAPACITANCE IS EXPRESSED IN MICROFARADS. ALL INDUCTANCE IS EXPRESSED IN MICROHENRIES.
 - HIGHEST REFERENCE DESIGNATIONS. C40, R56, L1, CR8, O6, U8, TP1, P1, J2.
 - REFERENCE DESIGNATIONS NOT USED. C4, C5, R1-R5, R37-R39, CR1, U2.
 - FOR INTERCONNECT/BLOCK DIAGRAM SEE APPLICATIONS WHERE USED.
 - IC FUNCTIONS NOT USED:



— INDICATES PRINTED TRANSMISSION LINES OF OTHER THAN 50 OHMS IMPEDANCE WHICH CONSTITUTE CIRCUIT ELEMENTS. 50 OHM TRANSMISSION LINES ARE NOT SHOWN.



CAUTION:
CONTAINS PARTS AND ASSEMBLIES SUSCEPTIBLE TO DAMAGE BY ELECTROSTATIC DISCHARGE (ESD).

SSB OPTION
PCB 1700-8723-200
PCB ASSY 7010-8733-200

IFR SYSTEMS INC 12200 West York St., Wichita, Kansas 67215			
DRAWN J. MILLER	DATE 1-9-92	TITLE CIRCUIT SCHEMATIC SSB OPTION	REV 1
CHECKED DEB B.	DATE 8-20-92	SCALE 0	REV 0
APPROVED S. PIERSON	DATE 8-20-92	SCALE DO NOT SCALE FROM 51190	REV 0