

Lim 337 New Model

3/89



# GE Mobile Communications

U20  
D4

Desk nic 19C851086P8

## RCN1000 REMOTE CONTROL UNIT DC AND TONE

### CAUTION

THESE SERVICING INSTRUCTIONS ARE FOR USE BY QUALIFIED PERSONNEL ONLY. TO AVOID ELECTRIC SHOCK DO NOT PERFORM ANY SERVICING OTHER THAN THAT CONTAINED IN THE OPERATING INSTRUCTIONS UNLESS YOU ARE QUALIFIED TO DO SO. REFER ALL SERVICING TO QUALIFIED SERVICE PERSONNEL.

**WARNING:** TO PREVENT FIRE OR ELECTRIC SHOCK HAZARD.  
DO NOT EXPOSE THIS PRODUCT TO RAIN OR MOISTURE.

**CAUTION:**  
TO PREVENT ELECTRIC SHOCK DO NOT USE THIS (POLARIZED) PLUG WITH AN EXTENSION CORD, RECEPTACLE OR OTHER OUTLET UNLESS THE BLADES CAN BE FULLY INSERTED TO PREVENT BLADE EXPOSURE.

## TABLE OF CONTENTS

SPECIFICATIONS .....	5
SAFETY INSTRUCTIONS .....	4-5
COMBINATION NOMECLATURE .....	6
DESCRIPTION .....	7
DC Control .....	7
Tone Control .....	7
Options .....	7
TELEPHONE LINE CHARACTERISTICS .....	7
DC Control Connections .....	7
Line Connections .....	12
DC CONTROL CIRCUIT ANALYSIS .....	15
Control Functions .....	15
DC Remote Controller Audio System Receive Audio .....	17
Transmit Audio .....	17
DC Remote Controller Power Supply 5 VDC and 13.8 VDC Regulators .....	18
DC Remote Controller Polarity And Logic Decoding Output Polarity .....	18
Logic Decoding Circuits .....	19
TONE CONTROL CIRCUIT ANALYSIS .....	19
Line Connections .....	20
Four Wire Audio .....	21
Voltage Regulators .....	21
AUDIO CIRCUITRY .....	21
Audio General .....	21
Transmit Audio General .....	21
Transmit Audio Automatic Gain Control .....	21
Transmit Audio Notch Filter .....	22
Transmit Audio Digital To Analog Tone Generation .....	22
Transmit Audio Line Driving Amplifier .....	22
Receive Audio General .....	22
Automatic Gain Control .....	22
Receive Audio Speaker Mute .....	23
Receive Audio Volume Control Circuit .....	23
Receive Audio Earpiece Amplifier .....	23
Receive Audio Speaker Amplifier .....	23
CONTROL CIRCUITRY .....	23
Control Circuitry General .....	23
Control Circuit Input Buffer .....	23
Control Circuit Output Buffer .....	23
Control Circuit Watch Dog .....	24
Control Circuit Eprom Control Program .....	24
Microprocessor Control .....	24
Remote Control Mode .....	24
Test Mode .....	24

## TABLE OF CONTENTS CONT.D

ALTERNATE LINE/SUPERVISORY BOARD	
Description .....	59
Maintenance .....	59
Jumper Installation .....	59
Circuit Analysis .....	59
ADJUSTMENT PROCEDURE AND TROUBLESHOOTING CHARTS .....	26
TROUBLESHOOTING INFORMATION .....	28
DC REMOTE CONTROLLER BLOCK DIAGRAM .....	42
DC REMOTE CONTROLLER ADJUSTMENT LOCATIONS .....	43
DC REMOTE CONTROLLER BOARD OUTLINE DIAGRAM .....	44
DC REMOTE CONTROLLER SCHEMATIC DIAGRAM .....	45
DC REMOTE CONTROLLER PARTS LIST .....	46
TONE REMOTE CONTROLLER BLOCK DIAGRAM .....	47
TONE REMOTE CONTROLLER ADJUSTMENT LOCATIONS .....	48
TONE REMOTE CONTROLLER BOARD OUTLINE DIAGRAM .....	49
TONE REMOTE CONTROLLER SCHEMATIC DIAGRAM .....	50
TONE REMOTE CONTROLLER PARTS LIST .....	52
TONE REMOTE PARALLEL OPTION OUTLINE DIAGRAM/PARTS LIST .....	53
REMOTE HANDSET BOARD OUTLINE DIAGRAM .....	54
REMOTE HANDSET SCHEMATIC DIAGRAM .....	55
KEYPAD DISPLAY BOARD OUTLINE DIAGRAM .....	56
KEYPAD DISPLAY BOARD SCHEMATIC DIAGRAM .....	57
KEYPAD DISPLAY BOARD PARTS LIST .....	58
ALTERNATE LINE/SUPERVISORY BOARD SCHEMATIC DIAGRAM .....	60
ALTERNATE LINE/SUPERVISORY BOARD INSTALLATION GUIDE .....	61
ALTERNATE LINE/SUPERVISORY BOARD PARTS LIST .....	62

## IMPORTANT SAFETY INSTRUCTIONS

1. **SAVE THIS MANUAL** - It contains important safety and operating instructions for RCN 1000 Remote Control Units.
2. Do not use auxiliary equipment not recommended or sold by the manufacturer. To do so may result in a risk of fire, electric shock, or injury to persons.
3. To reduce risk of damage to electric plug and cord, pull by plug rather than cord when disconnecting unit.
4. Make sure the cord is located so that it will not be stepped on, tripped over, or otherwise subjected to damage or stress.
5. An extension cord should not be used unless absolutely necessary. Use of improper extension cord could result in a risk of fire, and electric shock. If an extension cord must be used, make sure:
  - a. That pins on plug of extension cord are the same number, size and shape as those of plug on unit.
  - b. That extension cord is properly wired, in good condition; and
  - c. That wire size is large enough for AC ampere rating of unit as specified in Table 1.

**TABLE 1  
RECOMMENDED MINIMUM SIZE FOR  
EXTENSION CORDS**

LENGTH OF EXTENSION CORD (FT.)
AWG SIZE OF EXTENSION CORD

Do not operate unit with damaged cord or plug - replace them immediately.

Do not operate unit if it has received a sharp blow, been dropped, or otherwise damaged in any way; return to a qualified service shop.

Do not disassemble unit; return to a qualified service shop when service or repair is required. Incorrect reassembly may result in a risk of electric shock or fire.

To reduce risk of electric shock, unplug unit from outlet before attempting any maintenance or cleaning.

**GROUNDING AND AC POWER CORD CONNECTION** - To reduce risk of electrical shock use only a properly grounded outlet. The unit is equipped with an electric cord having an equipment-grounding conductor and a grounding plug. Be sure that the outlet is properly installed and grounded in accordance with all local codes and ordinances.

**DANGER** - Never alter AC cord or plug. If it will not fit outlet, have a proper outlet installed by a qualified electrician. Improper connection can result in risk of an electric shock.

This unit is for use on a 110-volt circuit, and has a grounding plug that looks like the plug illustrated in Figure 1. A temporary adapter, which looks like the adapter illustrated in sketches B and C, may be used to connect this plug to a two-pole receptacle as shown in sketch B if a properly grounded outlet is not available. The temporary adapter should be used only until a properly grounded outlet can be installed by a qualified electrician.

## IMPORTANT SAFETY INSTRUCTIONS (CONT.)

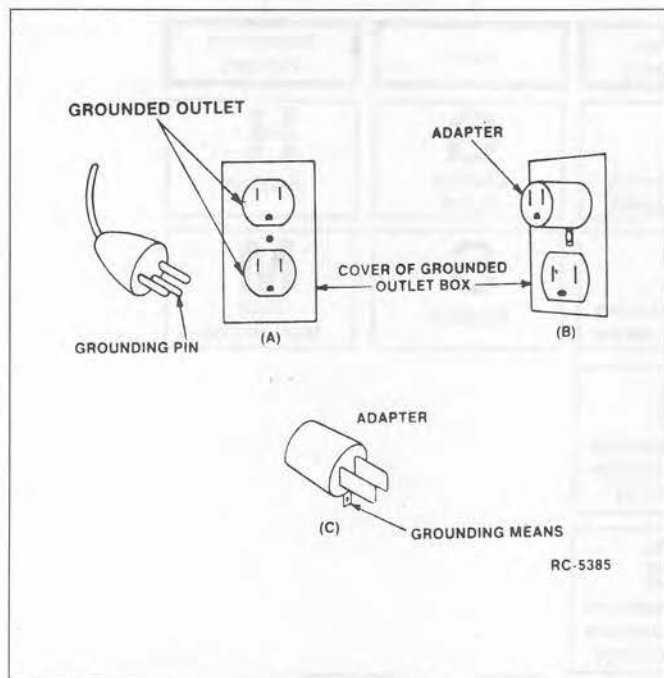


FIGURE 1

13. **DANGER** - Before using adapter as illustrated, be certain that center screw of outlet plate is grounded. The green-color rigid ear or lug extending from adapter must be connected to a properly grounded outlet--make certain it is grounded. If necessary, replace original outlet cover plate screw with a longer screw that will secure adapter ear or lug to outlet cover plate and make ground connection to grounded outlet.

### SPECIFICATIONS \*

**AUDIO OUTPUT  
RECEIVE MODE  
(speaker)**

**3 watts into a 4 ohm load with less than 3 % distortion**

**TRANSMIT MODE  
(line)**

**+11 dBm into a 600 ohm line load**

**LINE LOOP RESISTANCE  
(DC control only)**

**11,000 ohms (8000 line and 3000 termination) maximum**

**COMPRESSION RANGE**

**With an audio increase of 30 dB beyond the start of compression, output level increases less than 3 dB**

**FREQUENCY RESPONSE**

**±1 dB for the frequency range from 300 to 3000 Hz**

**POWER REQUIREMENTS**

**110/220 VAC ± 20%, 50/60 Hz, 12 Watts (TX), 16 Watts (RX) and 10 Watts (STBY)**

**DIMENSIONS (H x W x D)**

**3-1/2" x 10-3/8" x 8-1/8"**

\* These specifications are intended primarily for the use of the serviceman. Refer to the appropriate Specification Sheet for the complete specifications.

## COMBINATION NOMENCLATURE

Digits 1&2	Digit 3	Digit 4	Digit 5	Digit 6
Vendor/Product Code	Control	Number Frequency	Option	Microphone Handset
<b>RC</b> Remote Control	<b>D</b> DC Control	<b>1</b> 1 TX Frequency 1 RX Frequency	<b>G</b> Channel Guard	<b>H</b> Handset
	<b>T</b> Tone Control	<b>2</b> 2 TX Frequencies 2 RX Frequencies	<b>S</b> Standard	<b>M</b> Desk Microphones

**4**  
4 RX Frequencies  
4 RX Frequencies  
(Tone Only)

**G**  
2 TX Frequencies  
2 TX Frequencies  
VG (Tone Only)

**V**  
1 TX Frequency  
1 RX Frequency  
VG (Tone Only)

**NOTES**

1. RCZ006 (AUX 1) - DIGIT 3 MUST BE T, DIGIT 4 MUST BE 1, 2, OR V.
2. RCZ008 (CHANNEL GUARD ON-OFF) - DIGIT 3 MUST BE T. NOT COMPATIBLE WITH DIGIT 4 OF P.
3. RCZ010 (NOTCH FILTER) - DIGIT 3 MUST BE T, NOT COMPATIBLE WITH DIGIT 4 OF P.
4. RCZ013 (PARALLEL OPERATION) - DIGIT 3 MUST BE T, NOT COMPATIBLE WITH DIGIT 4 OF P.
5. RCZ015 (VOTER OPERATION) - DIGIT 4 MUST BE 1. NOT COMPATIBLE WITH DIGIT 4 OF P.
6. RCZ016 (SCAN) - DIGIT 4 MUST BE 2. DIGIT 5 MUST BE S.
7. RCZ019 (PARALLEL OPERATION) - DIGIT 3 MUST BE D.
8. RCZ020 (AUX REC) - DIGIT 4 MUST BE 1, ON 2 DIGIT 5 MUST BE S.
9. RCZ005 (4W AUDIO) - DIGIT 4 MUST BE 1, 2, OR 4. THIS FUNCTION IS STANDARD WITH DIGIT 4 OF V, G, OR P.
10. RCZ007 GE MARC V-APPLIES TO RCD1SM OR RCD1SM ONLY.
11. RCZ021, 022, 023-DIGIT 6 MUST BE M, 5 MUST BE S.
12. RCZ024, 025, 026-DIGIT 6 MUST BE M, 5 MUST BE G.

OPTION	DESCRIPTION
RCZ001	ALERT TONE
RCZ002	CLOCK/VU METER
RCZ003	SUPERVISORY CONTROL
RCZ004	ALTERNATE LINE
RCZ005	4 WIRE AUDIO
RCZ006	AUXILIARY 1
RCZ007	GE MARC V
RCZ008	CHANNEL GUARD ON-OFF
RCZ009	REPEATER ON-OFF
RCZ010	NOTCH FILTER
RCZ011	SPEAKER MUTE
RCZ012	INTERCOM
RCZ013	PARA TX INDICATOR/NOTCH FILTER/FUNCTION TONE MUTE
RCZ014	EXTERNAL TONE CABLE
RCZ015	TAKE OVER SWITCH
RCZ016	SCAN
RCZ017	WALL MOUNT BRACKET
RCZ018	CSIP OPTION (ON PREMISE-MARK C)
RCZ019	PARALLEL TX INDICATOR
RCZ020	AUXILIARY RECEIVER
RCZ021	FOOTSWITCH
RCZ022	FOOTSWITCH W/EARMUFF HEADSET
RCZ023	FOOTSWITCH W/EARPIECE HEADSET
RCZ024	DUAL FOOTSWITCH
RCZ025	DUAL FOOTSWITCH W/EARMUFF HEADSET
RCZ026	DUAL FOOTSWITCH W/EARPIECE HEADSET
RCZ027	CSIP OPTION (SERVICE STATION FACILITY-MARK S)

## DESCRIPTION

The RCN1000 Remote Controller is used to control remote or remote/repeater base station radios. They are available in either DC control or tone control versions. The two versions of the RCN1000 remote controllers are housed in a specifically designed plastic enclosure to provide a modern clean design. These units are available with either a handset or desk microphone.

### DC CONTROL

The DC Control version utilizes DC currents that are applied to a metallic pair which activates specific circuits in the adapter panel controlling the remote base station radio. Five current levels are available: -2.5 milliamps, + or - 6 milliamps and + or - 11 milliamps. In addition, on specific panels zero current is used to control the primary receiver.

### TONE CONTROL

The Tone Control version utilizes audio tones in the range from 1050 Hz to 2175 Hz which are applied to the voice grade audio line that connect the remote controller to the termination panel. These tones activate specific functions on the adapter panel which then allow the remote operator to control the base station radio. Each specific function tone is preceded by a "Secur-It" tone which is a +10 dB burst of 2175 Hz. This tone alerts the panel audio. The "Secur-It" tone at the +10 dB level must be present for 100 milliseconds before the panel will recognize it as valid. The function tone is then transmitted at a 0 dB level for 40 milliseconds and is divided up in 100 Hz steps in the frequency range from 1050 Hz to 2050 Hz.

The "Hold" tone of 2175 Hz is then transmitted at a -20 dB level which enables the transmit function on the appropriate frequency. This holds the transmitter keyed as long as the PTT button on the remote is depressed. When the PTT is released and the 2175 Hz "Hold" tone at -20 dB is removed, the panel will clear its latched functions.

### OPTIONS

In addition to the handset/deskmic option there are single to four frequency controls with standard configurations or Channel Guard. The special Tone Remote Controllers for

the VG (Voice Guard) and PST (Public Service Trunking) provide the necessary control and nomenclature for these particular functions.

The 18 options that can be applied to the basic units include the Clock/VU Meter which is located next to the transmit indicator in the upper crystal area. The clock can be selected by the user to have a 12 or 12/24 hour format. The other control function options are push button switches located in the keypad area.

The Take Over, Supervisory Control and Alternate Line options require an additional enclosure to be mounted exterior to the DC and Tone Remote Controller main cabinet. This assembly contains the relays and terminal connection block for the lines that need to be terminated in order to provide the required control.

The four Wire Audio and Parallel Transmit Indicator options are added to the internal PC boards within the controller cabinet.

## AC POWER CONNECTION

The RCN 1000 may be operated from a 110 or 220 VAC 50/60 Hz power source. The unit is normally shipped for 110 VAC operation. To convert for 220 VAC operation, move the WHITE lead of the power cord to the 220 VAC connection on power transformer T1. The power plug must also be changed (customer supplied).

## TELEPHONE LINE CHARACTERISTICS

### DC CONTROL CONNECTIONS

The DC remote control unit will allow the installer to be able to select one of four types of line connection schemes that are normally used in the DC control functions. The choice of one of these should be based on the cost, availability and performance compared with the conditions that the controller is to operate within. The following Table 1 and accompanying figures contain information to assist you in selecting the best method of control and audio coupling. The modular connector on the rear of the DC remote controller contains six (6) control

METHOD	DESCRIPTION	ADVANTAGES OR DISADVANTAGES
1	One metallic pair for both audio and control voltages with control voltage simplexed on the line pair.	Economical: dependable where earth ground currents may be large or good earth grounds cannot be obtained. The keying clicks will be heard on paralleled remotes.
2	One metallic pair for both audio and control voltages with control voltages simplexed between the line and earth ground.	Economical: minimizes keying clicks in paralleled remotes but large ground currents may result in interference with control function if located near sub-stations.
3	One voice grade circuit for bi-directional audio and the other a metallic pair for control voltages.	Provides excellent performance by eliminating keying clicks and providing no path for ground loop currents, but requires two pair.
4	One metallic pair for both audio and control voltages. The other for receive audio.	Provides full duplex operation in which the remote can operate in receive and transmit simultaneously, but requires two pair.

TABLE 1 - AUDIO AND CONTROL LINE COMPARISON

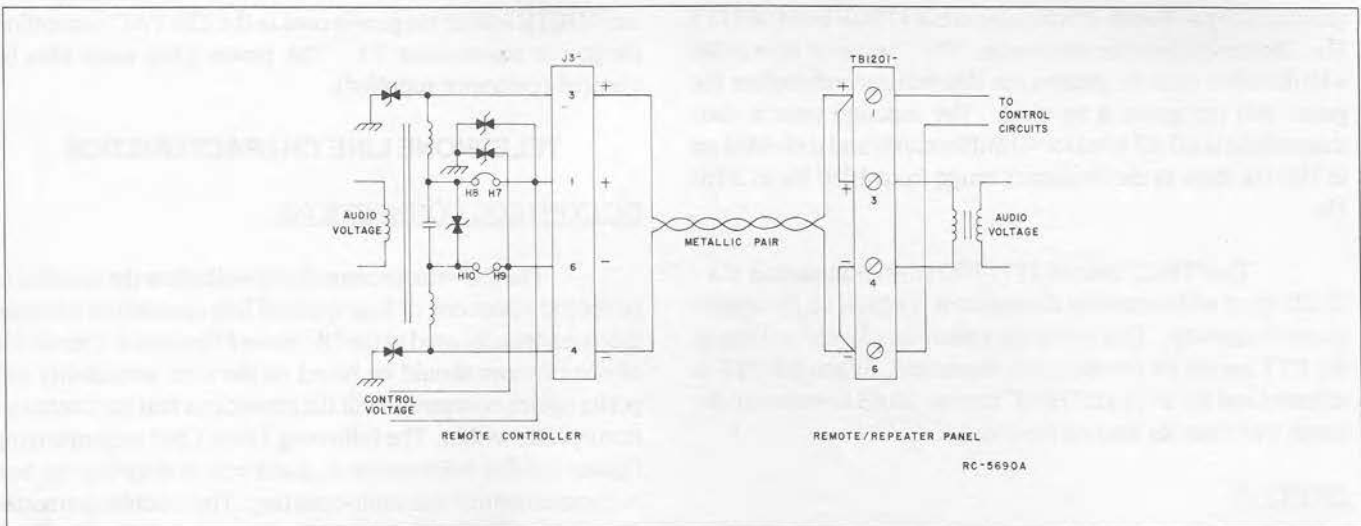


FIGURE 1 - SINGLE METALLIC PAIR WITH LINE TO LINE CONTROL



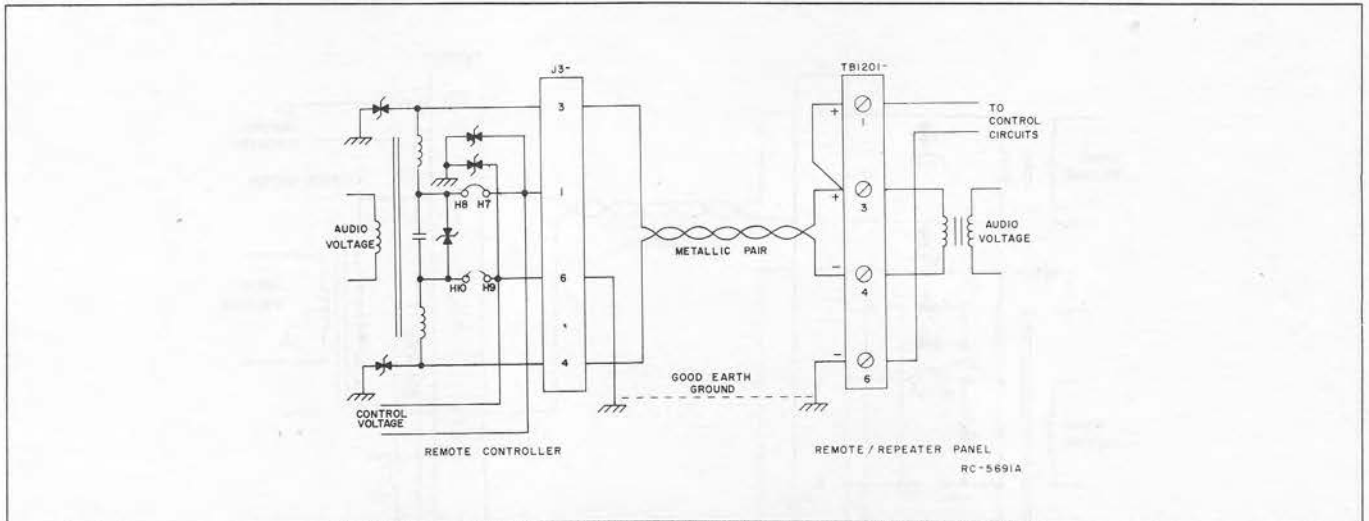


FIGURE 2 - SINGLE METALLIC PAIR WITH LINE TO EARTH GROUND

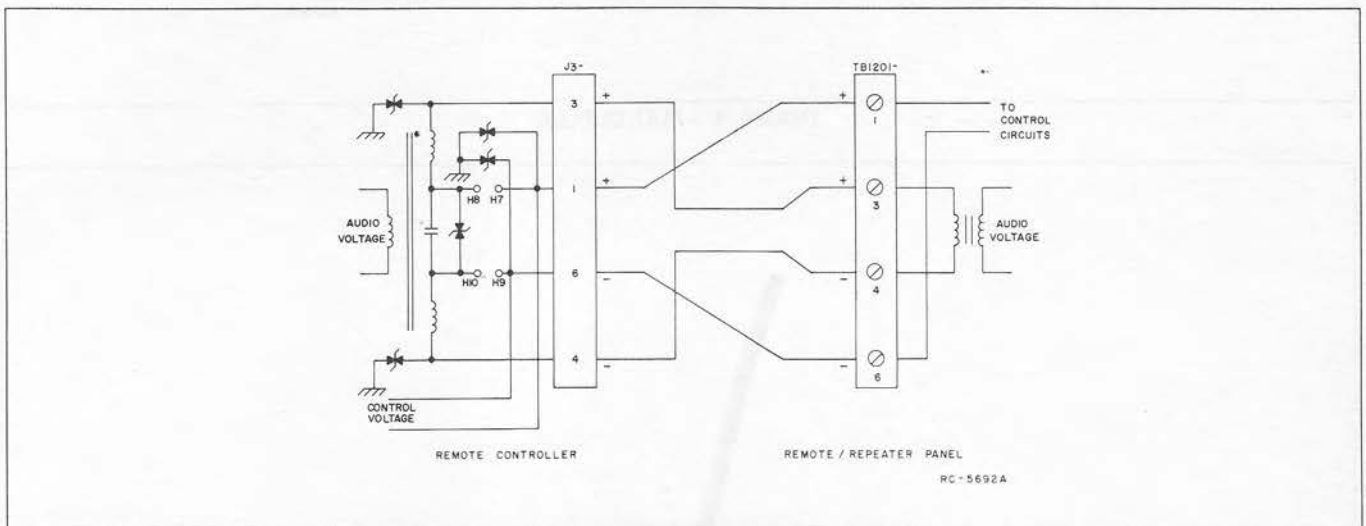


FIGURE 3 - SEPARATE CONTROL AND AUDIO PAIRS

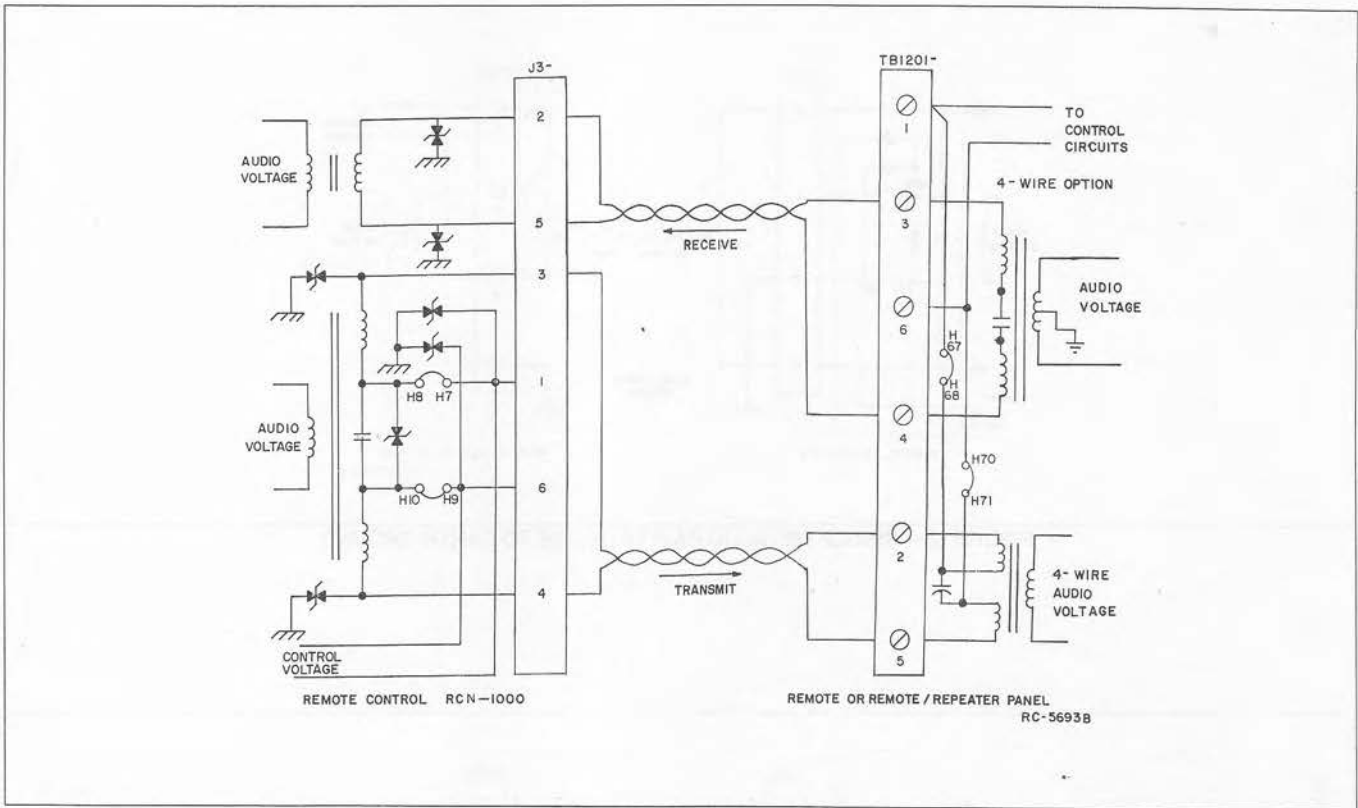


FIGURE 4 - FULL DUPLEX

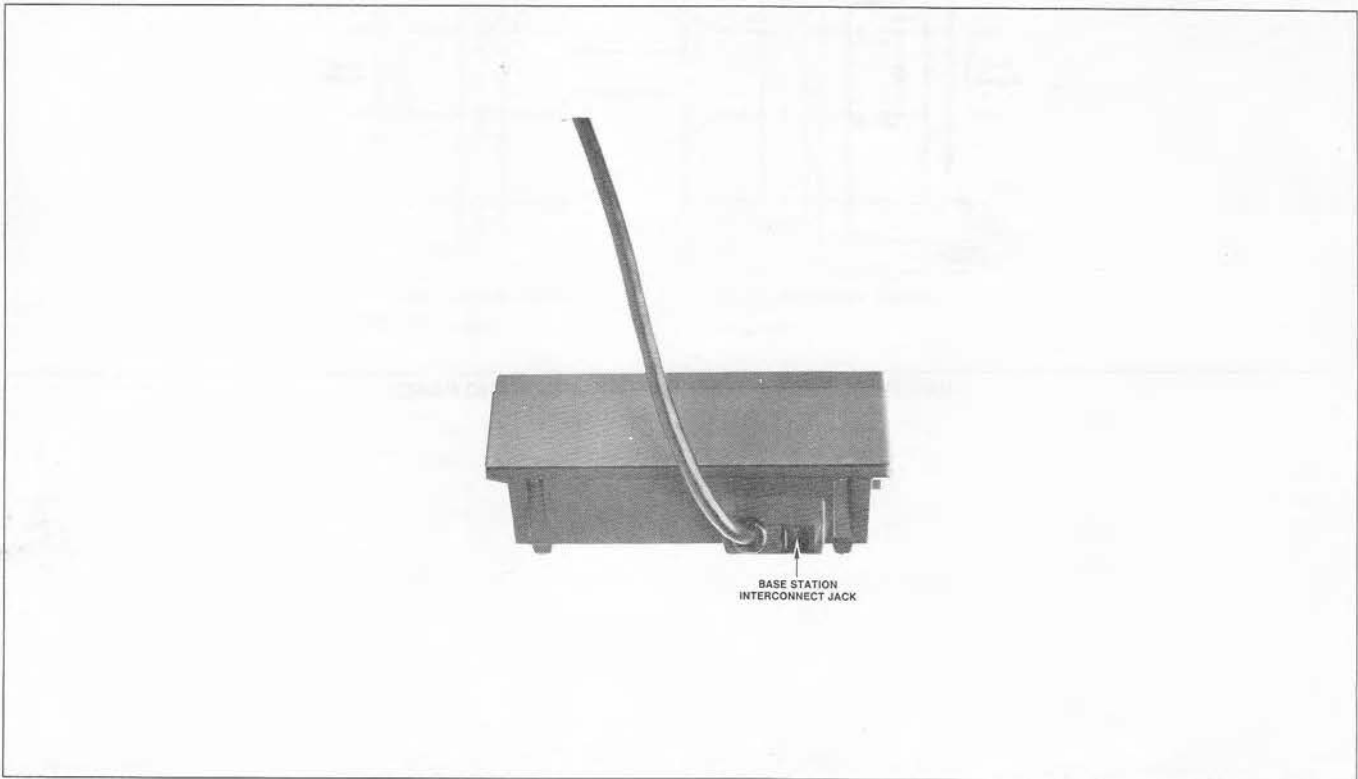
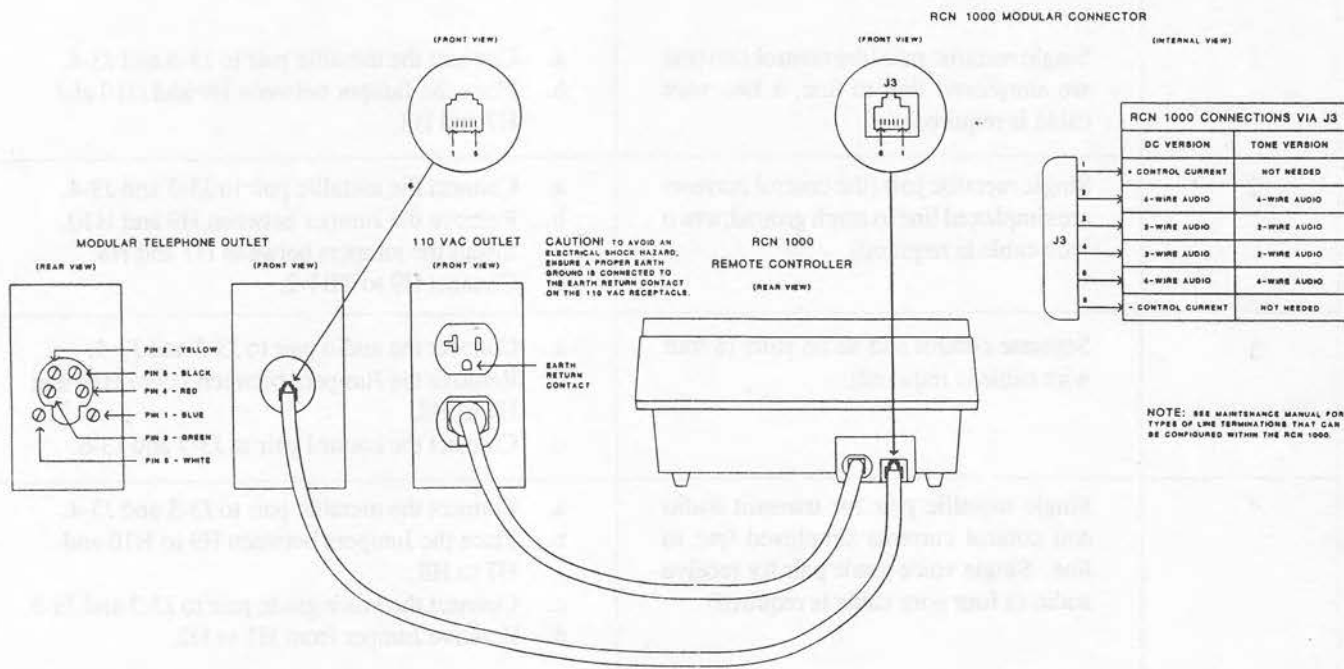


FIGURE 5 - TELEPHONE CONNECTOR VIEW

NOTE  
 When installing the RCN 1000, ensure that the ground connection is properly made to the earth return contact on the 110 VAC receptacle.

RCN 1000 LINE TERMINATION INSTALLATION DIAGRAM



(4164-P-02)

FIGURE 6 - INSTALLATION DIAGRAM

## LINE CONNECTIONS

The output connector J3 on the DC remote controller uses a standard 6 pin modular connector. The exterior cable can be a standard 2, 4 or 6 wire harness that is available at any telephone sales and service center. The center two connectors are used with method 1. The center four connectors are used with method 2 and 3. All connectors are used with method 4.

Connection to the metallic or voice grade lines should be done according to the diagrams in using one of the following methods.

**NOTE**

When making connections, polarity must be observed.

METHOD	DESCRIPTION	PROCEDURE
1	Single metallic pair (the control currents are simplex line to line, a two wire cable is required).	<ol style="list-style-type: none"> <li>Connect the metallic pair to J3-3 and J3-4.</li> <li>Place the Jumper between H9 and H10 and H7 and H8.</li> </ol>
2	Single metallic pair (the control currents are simplex line to each ground, a two wire cable is required).	<ol style="list-style-type: none"> <li>Connect the metallic pair to J3-3 and J3-4.</li> <li>Remove the Jumper between H9 and H10. Install the jumpers between H7 and H8.</li> <li>Connect H9 to TB1-2.</li> </ol>
3	Separate control and audio pairs (a four wire cable is required).	<ol style="list-style-type: none"> <li>Connect the audio pair to J3-3 and J3-4.</li> <li>Remove the Jumpers between H9 to H10 and H7 to H8.</li> <li>Connect the control pair to J3-7 and J3-6.</li> </ol>
4	Single metallic pair for transmit audio and control currents simplex line to line. Single voice grade pair for receive audio (a four wire cable is required).	<ol style="list-style-type: none"> <li>Connect the metallic pair to J3-3 and J3-4.</li> <li>Place the Jumpers between H9 to H10 and H7 to H8.</li> <li>Connect the voice grade pair to J3-2 and J3-5.</li> <li>Remove Jumper from H1 to H2.</li> </ol>

## FOUR WIRE AUDIO

The four wire control method described in Method 4 above is used where the customer owned multiplex microwave systems are utilized, or the leased lines do not utilize hybrids in the transmission paths therefore a 4 wire operation is required. This type of system provides for the separation of the receive audio path and the transmit audio path.

## **PROPER GROUNDING PRACTICES**

When using the DC Remote Controller in the earth return ground mode, the signal and control current ground must be made to a ground electrode such as a metallic cold water pipe.

The ground connection should be made with a single No. 14 AWG or larger copper conductor. The conductor should be short, straight and one continuous piece of wire. Attention should be given to providing the lowest possible resistance at the connection of the ground wire.

With the surge protection varistors on the 110 VAC power line, the control lines, the two wire audio lines and the four wire audio lines, it is imperative that a good earth ground be used on the ground conductor of the power cord or a **SERIOUS SHOCK HAZARD** could develop if lightning struck the control or power line. In order to protect the operator to the highest possible degree, obtain a good earth ground for the ground connector on the 110 VAC power cord.

If a good earth ground as described above cannot be obtained, Method 2 of connection should be used. The surge protection varistors are of little value without this earth ground and **EXTREME CAUTION** must be observed when servicing this assembly in the presence of a local lightning storm. In addition the internal circuits can be damaged when a good earth ground is not used and lightning strikes the control, audio or power lines.

## **KEYPAD PANEL ANALYSIS**

### VOLUME CONTROL

Volume control switches S1 and S2 control the setting of the volume control circuit on the main board. The switches are ORed together by diodes D21 and D23, which in turn is connected to inverter U7B. The output from this inverter is again ORed by diodes D24 and D25 which disables the volume function when the "CLK" function is activated. This feature accomplishes clock setting using the "VOL UP" and "VOL DWN" switches for fast and slow controls of clock module U5.

The input to inverter U7C is normally low (less than 0.8 VDC). This inverter is controlled by the ORed diodes and its output is fed to connector P1-15 which interfaces with the remote controllers main board.

Transistor Q4 is controlled by "VOL UP" switch S1 and interfaces to output connector P1-16. Normally this output is low (less than 0.3 VDC) when S1 is not depressed and goes high (greater than 4.5 VDC) when it is pressed. The function of this output is to inform the volume control circuit, on the remote controllers main board, which direction the operator has commanded the volume to proceed--either increment or decrement.

### INTERCOM CONTROL

The "INTCM" switch (S3) is a push on/push off control which permits the communication between paralleled remote controllers without keying the transmitter. It also permits communications between the controller and the remote control panel when they contain the intercom feature.

The output on P1-14 is normally low (less than 0.8 VDC) when the switch is not pressed, and goes high (greater than 4.5 VDC) when the switch is pressed. In addition, INTCM LED D18 will illuminate when the function is latched by the main remote controller board.

### CHANNEL GUARD CONTROL

The "MON" switch (S4) is used in DC models. The "MON" switch is a control which selects Channel Guard operation at the base station by applying no control current on the metallic pair when the operator requests Receive -F1. In applications with 2-frequency Receive, the selection of RX-F2 causes a control current (in DC models) to be applied to the line. In either case, Channel Guard operation is selected at the base station and only those transmissions coded by the proper Channel Guard tone will be heard by the remote controller.

When the switch is depressed, the output on P1-20 goes high (greater than 4.5 VDC), and the controller connects the appropriate current or tone to the control pair which disables the station Channel Guard enabling all transmissions on the receiver frequency to be heard. In addition C/G LED, D19 will illuminate informing the operator that the function is being used.

The Tone Remote uses function tones to enable or disable Channel Guard. The "CG DIS" button is used for this control. To disable CG, 1460 Hz is used. For CG enable, 1550 Hz is used.

SCAN CONTROL (OF A TWO FREQUENCY RECEIVER)

The "SCAN" switch, (S6) is a push on /push off control which selects the SCAN function of the remote control panel at the base station end. With no receive selector switch enabled, there will be no current (in the DC model) and the SCAN function tone (in the Tone model) is applied to the control pair which allows the receiving of audio on any of the receiver frequencies selected by the SCAN function. When the RX-F1 function is enabled, the proper current or tone is applied to the control pair, disabling the SCAN function and allowing the RX-F1 signal to be monitored. When the RX-2 function is enabled this also disables the SCAN function and allows the RX-F2 signal to be monitored.

When the switch is depressed and the output on P1-12 goes high (greater than 4.5 VDC) the controller outputs the control pair enabling the station SCAN so that all transmissions on either receiver frequency can be heard. In addition, SCAN LED D15 will illuminate informing the operator that the function has been latched in by the main board.

When SCAN is selected both RX1 and RX2 will be monitored simultaneously. Both RX1 and RX2 LEDs will be on when this function is selected.

CLOCK SETTING CONTROL

The "CLOCK" switch, S5 is a momentary contact control which enables the clock setting function within clock module U5.

When the switch is pressed, it grounds the cathode side of diode D24 thus disabling the volume control setting port. Transistor Q1 is also turned on illuminating CLK LED D14 and turns on transistor Q2 driving the SET terminal on pin 11 of U5 low (less than 0.3 VDC). The clock module setting procedure is now enabled and the SLOW on pin 12 and the FAST on pin 3 are also enabled to operate by depressing the "VOL UP" or "VOL DWN" switches to set the proper time. By depressing both switches at the same time the clock module will reset its internal register to 12:00 and display this in the window.

MULTI-FREQUENCY CONTROL

The "F-SEL", "F-TX" and "F-RX" switches (S7 and S8) control the circuits which operate the transmit and receive modes of the remote controller. The RX-F1 and RX-F2 are latched flip-flop functions that can only be operated in either/or states and are controlled by S8. When the RX-F1 function is enabled, the remote controllers main board will send out the proper current (on DC models) or the control frequency (on

Tone models) on the control pair. When the RX-F2 function is enabled, the controllers current or tone generation circuit will send the proper command down the control pair. The corresponding LED (D3 or D4) is illuminated to inform the operator of which function is selected.

When S8 is depressed the output of U7A on P1-5 will go high (greater than 4.5 VDC), the latched flip-flop on the main board will change states and output the function is displayed in the window area at the top of the remote controller. This also is the condition which F-TX switch S7 works but the output of U6D on P1-6 will go high (greater 4.5 VDC) and the remote controller will output the transmit function with the corresponding transmit LED (D1 or D2) illuminated.

ALTERNATE LINE CONTROL

This option allows the selection of an alternate line in the event of a failure of the primary transmission pair.

The output of U6B on P1-19 is normally low (less than 0.8 VDC) when "LINE 2" switch S9 is not pressed. The output on P1-19 interfaces to a push on/push off flip-flop on the remote controllers main board which latches the function. In addition, Alternate line LED, D10 will illuminate when the function is selected.

SUPERVISORY CONTROL (TAKE OVER SWITCH)

When a number of remote controllers are connected in parallel on the same control pair, this function allows all paralleled units to be completely disabled and the main dispatcher to assume full control over the remote system.

When "SUPV" switch S10 is pressed the output of U6E will go high (greater than 4.5 VDC) informing the remote controllers main board that the flip-flop which functions as a push on/push off control circuit to change states. In addition, SUPV LED D11 will illuminate indicating the function has been latched on.

PARTIAL SPEAKER MUTE CONTROL

The speaker muting function permits the dispatcher to temporarily reduce the volume of the incoming calls to a low level for business discussions, telephone calls and etc.

When "SPKR" switch S11 is pressed, the output of U7E will go high (greater than 4.5 VDC) causing the remote controller to set the Speaker Mute flip-flop and thus reducing the audio in the speaker by 20 dB. In addition SPKR LED D12 will illuminate indicating the function has been selected.

### ALERT TONE CONTROL

The Tone Alert Oscillator is used by the dispatcher to transmit an alerting tone to call attention to messages of more than usual importance.

ALERT switch S12 is a momentary action switch that controls inverter U7F which is used to shut off timer U2 by applying a ground (less than 0.3 VDC) to pin 4. The oscillator frequency of 1000 Hz is set by timing resistors R1 and R2 and capacitor C3. Low pass filter U1B is used to remove the higher order harmonics from the square wave output from the timer U2. The filtered audio signal is then applied to the output terminal on P1-25 which feeds the main controller board.

In addition, ALERT LED D13 is illuminated when switch S12 is depressed.

### CLOCK AND V/U METER

V/U meter U4 enables the operator to check the line level of the remote controller in the transmit, receive and intercom modes. This meter is a ten segment bar graph which provides a relative indication of the audio level applied to and received from the audio pair. The unit is calibrated indicating audio peaks in the 7 to 10 bar range (from -1dB to +3 dB) when the operator is talking into the microphone at a normal level.

Amplifier U1A is a preamp which amplifies the level of the applied signal such that the audio rectifier comprised of diodes D5 and D6 can produce a DC voltage level for V/U meter module U4.

Clock Module U5 is a self contained 12 or 12/24 hour digital clock mounted adjacent to the V/U meter in the crystal area of the remote controller. The unit is shipped from the factory with the clock in the 12 hour mode (jumper between H5 and H6 is installed). If the 12/24 hour mode is desired, remove the jumper between H5 and H6 and install the jumper between H6 to H7.

The brightness of the clock can be adjusted in the field by removing resistor R18 on R19 from the circuit.

## **DC CONTROL CIRCUIT ANALYSIS**

### CONTROL FUNCTIONS

As indicated in the Table 2, the DC Remote Controller can perform a maximum of six different DC control functions. This is accomplished by applying three different levels and changing the polarities of the control currents to activate the appropriate function at the remote control panel located at the base station site.

The control currents that are presented to the metallic pair on the output of the remote controller are polarity sensitive and thus require that both ends of the wire carrying the currents be connected the same. To identify the wires at each end, temporarily short one of the wires to a good earth ground at the station remote control panel and measure the resistance between each of the wires and a good earth ground at the DC Controller. The ungrounded wire will appear as an open circuit and the grounded wire will show a resistance which is dependent upon the size and length of the metallic pair used.

Label each end of the wires and remove the ground. Connect the remote controller and remote panels as per method 1-4 making sure that the control currents are connected to the corresponding terminals.

TABLE 2 - DC CONTROL CURRENTS AND FUNCTIONS

FUNCTION	CONTROL CURRENT IN MILLIAMPS					
	-11	-6	-2.5	0	+6	+11
1 FREQ TX 1 FREQ RX				RECEIVE	TRANSMIT	
2 FREQ TX 2 FREQ RX		RX-F2		RX-F1	TX-F1	TX-F2
2 FREQ TX 2 FREQ RX WITH SCAN	RX-F2	RX-F1		SCAN	TX-F1	TX-F2
1 FREQ TX 1 FREQ RX WITH CHANNEL GUARD DISABLE			CG DISABLE	RECEIVE WITH CG	TRANSMIT	
2 FREQ TX 2 FREQ RX WITH CHANNEL GUARD DISABLE	RX-F2 CG DISABLE	RX-F2 WITH CG	RX-F1 CG DISABLE	RX-F1 WITH CG	TX-F1	TX-F2
REPEATER DISABLE		REPEATER DISABLE		RECEIVE	TRANSMIT	
REPEATER DISABLE & DISABLE CHANNEL GUARD	REPEATER REPEATER & CG DISABLE	CG DISABLE	RECEIVE DISABLE	TRANSMIT WITH CG		
1 FREQ TX 2 SEPARATE RECEIVER (AUX RX)	RX-F2	RX-F1		RX-F1 & RX-F2	TRANSMIT	
NOTE: When the remote handset is placed in the cradle, the unit will not output current (-2.5, -6, or -11) unless H18-H19 or H18-H20 is removed.						



### DC REMOTE CONTROLLER AUDIO SYSTEM RECEIVE AUDIO

The receive audio from the audio pair is applied through the LINE AUDIO connections on J3-3 & 4. The secondary side of coupling transformer T2 is terminated with resistor R28 which matches the impedance of the incoming line to 600 ohms. When the bridging impedance of 6000 ohms is desired; simply remove resistor R28 from the circuit by clipping one of its leads. Capacitor C6 blocks the DC current from flowing through the transformer thus forming a balanced output.

When the panel is used in the standard two wire configuration, the Jumper between H1 and H2 is installed and the receive audio is applied to potentiometer R29 which is labeled "LINE IN LEVEL ADJUST" and sets the level of the audio applied to line compression amplifier U9A. When the four wire configuration is used, transformer T3 is installed and the Jumper between H1 to H2 is removed. The incoming audio is then applied to J3-5 and J3-2 and is coupled to potentiometer R29 the same as in the two wire setup which applies the audio to amplifier U9A. This amplifier can be set up to provide compensation for the high frequency roll off on long lines. This modification should be used when the roll off in the 2500 to 3000 Hz range is more than 10 dB below the response in the 400 to 600 Hz level. See the schematic diagram for specific component changes.

The compression circuit, comprised of amplifier U9B and compressor/expander IC U8B, allows the input signal to have 30 dB dynamic range with less than 3 dB of output change. Amplifier U9B's gain is controlled by the impedance of the gain cell within U8B. The compressor/expander has an independent rectification input on pin 13 which produces a DC (direct current) voltage level controlling the internal variable gain cell connected between pins 9 and 11. This voltage level attack time (5 milliseconds) is controlled by Capacitor C46 and the decay time (10 seconds) is controlled by capacitor C48. The voltage on pin 12 of U8B is proportional to the amount of signal that is on the input line and ranges from 0.2 VDC to 1.75 VDC. This voltage is also sensed by comparator U24A which is used to shut off analog gate U13B in the absence of a good receive signal on the incoming line. This prevents the white noise from being amplified and put on the speaker. Potentiometer R116 is used to set the cutoff level of the comparator to each users preference. That is, if the user wants to hear the incoming signal at a lower level, set the potentiometer voltage reading lower on pin 2 of U24A. (Turn potentiometer clockwise).

Analog gate U13D is normally in the on state and the control on pin 12 is high (greater than 13.5 VDC). Thus the audio output from compressor amplifier U9B is passed directly through the gate and applied to volume control circuit U14. When the SPEAKER MUTE function is enabled on the remote controllers keypad, then the voltage on pin 12 will go low (less than 0.3 VDC) and the gate will be turned off. Thus the audio must then pass through parallel resistor R50 which reduces the audio in the speaker by 20 dB permitting the dispatcher to temporarily reduce the volume to a lower level for business discussions, telephone calls or etc.

Volume control circuit U14 sets the level of the audio to low pass filter U10A and output amplifier U15 thus controlling the volume of the remote controller. This is accomplished by varying the internal resistance from pin 3 to pin 5 with respect to lower reference on pin 6. In addition, this circuit has the capability to remember the last volume setting by having this value stored in its long term memory (EEPROM) within the device. Timer, U11 provides the pulse train which steps the volume control through its 100 step range at the rate of 30 steps per second.

The audio from high pass filter U10A is split into two directions; one being applied to earpiece amplifier adjustment potentiometer R75. This potentiometer is labeled "EARPIECE LEVEL" and controls the amount of signal that is applied to amplifier U10B and thus presented to the earpiece speaker located in the handset.

The other path is to analog gate U13C which is controlled by the HUHS (hang up handset switch) located in the handset. The control on pin 6 is high (greater the 13.5 VDC) when the handset is in its cradle. The audio signal is then coupled to speaker potentiometer R92 and applied to speaker amplifier U15. The jumper between H3 and H4 is normally installed with a handset and removed for deskmic and boom mic applications. Potentiometer, R89 which is labeled "SPEAKER LEVEL" sets the maximum output from speaker audio amplifier U15 to 3 watts into a 4 ohm load (this is 3.45 Vrms measure across the 4 ohm speaker).

### TRANSMIT AUDIO

The transmit audio originates from the microphone element in the handset board and is amplified by the FET amplifier located on this board. The resistor/capacitor combination comprised of R55, R56 and C34 provide the microphone element with a 600 ohm isolated power source. The signal is then fed to analog gate U13A which is controlled by

the PTT function. The control on pin 13 is normally low (less 0.3 VDC) and the gate is held in the off state until the PTT button on the handset is depressed. When analog gate U13A is on, the audio signal is applied to the compressor/expander amplifier comprised of U7A and U8A.

The compression circuit allows the input signal to have 30 dB dynamic range with less than 15 dB of output change. Amplifier, U7A's gain is controlled by the impedance of the gain cell within U8A. The compressor/expander has an independent rectification input on pin 3 which produces a DC (direct current) voltage level controlling the internal variable gain cell connected between pins 5 and 7. This voltage level attack time (5 milliseconds) is controlled by capacitor C15 and the decay time (10 seconds) is controlled by capacitor C13. The voltage on pin 2 of U8A is proportional to the amount of signal that is on the input line and ranges from 0.2 VDC to 1.75 VDC. This voltage is also sensed by comparator U24B which is used to turn on transistor Q17 in the absence of a good receive signal on the microphone line. This prevents the white noise originating in the compression circuit from being amplified and put on the line. Potentiometer R117 is used to set the cutoff level of the comparator to each users preference.

The microphone audio is then summed with the "ALERT AUDIO" from the keypad panel board and fed to line adjust potentiometer R46. This potentiometer is labeled "LINE OUT ADJ" and is used to set the audio level to line driver amplifier U6.

#### DC REMOTE CONTROLLER 5VDC AND 13.8 VDC REGULATORS

The remote controller gets its input power from a 110 VAC source which is applied to power transformer T1 via 3/8 amp fuse F1.

#### **CAUTION**

The fuse is connected to the input 110 VAC lead and care must be observed when replacing it to ensure that the power cord is disconnected from the outlet prior to removing the protective cover which covers the fuse. Qualified service personnel should be contacted when the internal fuse needs replacement and all safety precautions must be observed in order to protect against a severe shock hazard.

The low voltage secondary winding provides the remote controller its internal power requirements. The full wave bridge comprised of diodes D10-D13 and capacitor C9 rectifies the input sine wave into a DC voltage level and applies it to "13.8 VDC" regulator U1. This regulator and its associated components provide the internal audio circuits with 13.9 VDC and provides pre-regulation for regulator U5. This regulator provides the digital circuitry with a 5.0 VDC source.

#### 132 VDC CURRENT SOURCE

The high voltage secondary winding provides the remote controller its source for the control currents that are output on terminals J3-3/and J3-6 which interface to the control panels over the metallic pair. The full wave bridge comprised of diodes D6-D9 and capacitor/C5 rectify the input sine wave to produce the 132 VDC requirements of the control current generator which is comprised of the following:

<u>CURRENT</u>	<u>COMPONENTS</u>
2.5 milliamp	U2 and Q8
6 milliamp	U3 and Q9
11 milliamp	U4 and Q10

The opto-isolators U2, U3 and U4 are light coupled from the input LED between pins 1 and 2 to the output transistor between pins 4 and 5 when the particular control current is required. The output current from the NPN transistor stage on pin 4 is used to set up the base curve of pass transistor Q1. This transistors collector current is controlled by one of the PNP pass transistors; Q8, Q9 or Q10 and potentiometers; R9, R13 or R26.

#### **NOTE**

These networks set the collector current to the 2.5, 6 or 11 milliamp range and are highly stable thus will not require adjustment in the field.

#### DC REMOTE CONTROLLER POLARITY AND LOGIC DECODING OUTPUT POLARITY

The output polarity of the control line on J3-6 and J3-1 are controlled by transistors Q2-Q7. When the positive polarity is enabled, transistor Q2 is turned on applying the high voltage ground to J3-6. In addition, transistor Q4 is turned on which in turn causes PNP pass transistor Q6 to turn on applying the output current to terminal J3-1.

When the negative polarity is enabled transistor Q3 is turned on applying the high voltage ground to J3-1. In addition, transistor/Q5 is turned on which causes PNP pass transistor Q7 to apply the output current to terminal J3-6.

The jumper between H5 and H6 and H13 and H14 are present when the remote controller is equipped as a single frequency transmit only control. Otherwise these jumpers are always removed.

### LOGIC DECODING CIRCUITS

The input from the keypad panel are fed directly into the D- type flip-flops; U16, U21, U22 and U23. These flip-flops latch the control function from the panel and control the output decoder, U20 and LED drive circuits; U17 and U18. When the input on any of the "CLK" lines goes high (greater than 4.5 VDC) the corresponding output on the "Q" side will also go high.

Output decoder U20 is a fuse link PROM that contains the proper output coding for the combinations of input commands that correspond to a particular control function to be generated within the remote controller. The code contained within the PROM is factory installed by opening the fuse link internal to the device, thus making the IC useful for the particular application only. If a remote controller is to be upgraded in the field to incorporate additional features PROM U20 will be required for features that correspond to additional currents applied to the metallic control pair and the Alternate Line/Supervisory functions.

### TONE CONTROL CIRCUIT ANALYSIS

The Controller can perform a maximum of 12 different tone control functions. This is accomplished by applying two or three tones in sequence at the prescribed level to the transmission medium for detection at the remote base station. All of the tones are generated at the Controller by one oscillator whose frequency is selected by a combination of switch selection and logic circuitry. The control tone frequencies required to select each function in Remote and Repeater Stations are listed in Table 3.

When a non-transmit function is selected, the Secur-it tone frequency of 2175 Hz is transmitted for a period of 125 milliseconds at a level equal to normal voice peaks (See Figure 7). In the case of a 0 VU level the Secur-it tone is transmitted at a level of +10 dBm. At the end of the 125 millisecond burst, the microprocessor changes the frequency of oscillation to the proper function selected. This tone is then transmitted for a period of 40 milliseconds at a level that is 10 dB below the Secur-it tone burst level. Upon completion of this sequence, the microprocessor returns to the keypad scanning routine and awaits another keypad input command.

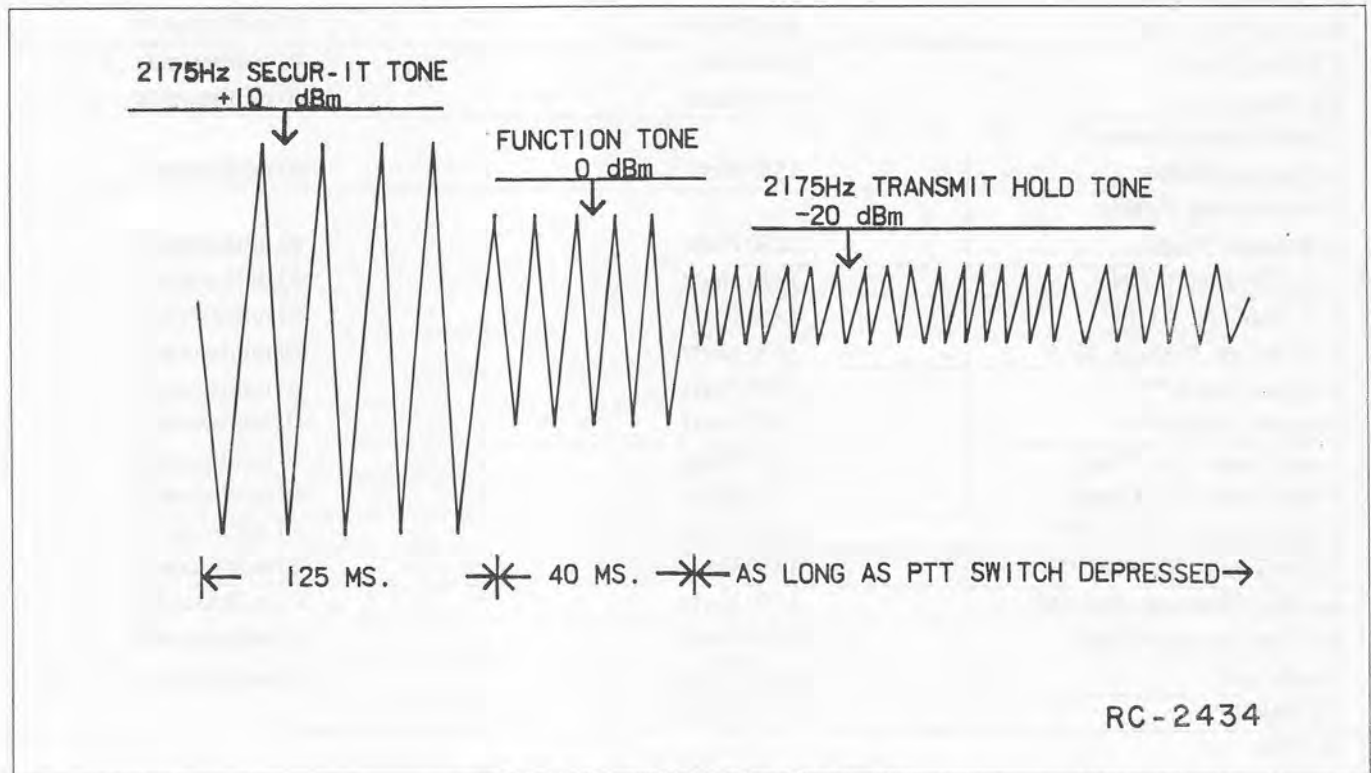


FIGURE 7 - TONE CONTROL SEQUENCE

When the transmit function is selected, the Secur-it tone is transmitted as in the above described sequence followed by a 40 millisecond burst of either the F1, F2, F3 or F4 transmit function tone. At the end of this tone period, the Secur-it tone will again be enabled by the microprocessor but this time at a level 30 dB below its initial burst level. This level remains on in the presence of voice as long as the operator has the PTT switch depressed.

#### LINE CONNECTIONS

The output connector on the Tone remote controller also uses a standard modular connector. The exterior cable can be a standard 2 or 4 wire harness that is available at any telephone sales and service center.

TABLE 3 - TONE CONTROL FREQUENCY AND FUNCTION

FUNCTION	TONE FREQUENCY	TONE DURATION
RX Channel Guard Disable (Reset by PTT)	2050 Hertz	40 milliseconds
TX-Freq. No. 1*, SF1	1950 Hertz	40 milliseconds
TX-Freq. No. 2, SF2	1850 Hertz	40 milliseconds
RX-Freq. No. 1 or Receiver No. 1, SF3	1750 Hertz	40 milliseconds
RX-Freq. No. 2 or Receiver No. 2, SF4	1650 Hertz	40 milliseconds
TX-Freq. No. 3	1350 Hertz	40 milliseconds
TX-Freq. No. 4	1250 Hertz	40 milliseconds
Channel Guard Encode or Repeater Enable	1550 Hertz	40 milliseconds
Channel guard Disable or Repeater Disable	1450 Hertz	40 milliseconds
Aux. Function 1 ON	1350 Hertz	40 milliseconds
Aux. Function 1 OFF	1250 Hertz	40 milliseconds
Scan or Sim. Monitor, SF 5	1050 Hertz	40 milliseconds
Repeater Enable***	1150 Hertz	40 milliseconds
Repeater Disable***	1050 Hertz	40 milliseconds
Voice Guard - F1 (Clear)	1950 Hertz	40 milliseconds
Voice Guard - F2 (Clear)	1350 Hertz	40 milliseconds
Voice Guard - F1 (ENCPT)	1850 Hertz	40 milliseconds
Voice Guard - F2 (ENCPT)	1250 Hertz	40 milliseconds
Auxillary Receiver (Normal)	1750 Hertz	40 milliseconds
Auxillary Receiver (Aux)	1650 Hertz	40 milliseconds
Enable both	1050 Hertz	40 milliseconds
TX Hold **	2175 Hertz	

#### NOTES:

\* All functions but Transmit F1 and Transmit Hold are optional.

\*\* Transmit Hold is transmitted at 30 dB below the Secur-it tone level as long as PTT switch is depressed.

\*\*\* Used only when Repeater Enable/Disable is used.

Connection to the voice grade lines should be done according to either of the following methods:

METHOD	DESCRIPTION	PROCEDURE
1	Single voice grade pair (a two wire cable is required).	<ol style="list-style-type: none"> <li>Connect the pair to J3-1 and J3-6 on a six wire cable, or J3-3 and J3-4 on a two or four wire cable.</li> <li>Place the Jumper between H1 and H2.</li> </ol>
2	Single voice grade pair for transmit audio control Single voice grade pair for receive audio (a four wire cable is required).	<ol style="list-style-type: none"> <li>Connect the transmit pair to J3-3 and J3-4.</li> <li>Connect the receive pair to J3-2 and J3-5.</li> <li>Remove the Jumper between H1 and H2.</li> </ol>

#### FOUR WIRE AUDIO

The four wire control method described in Method 2 is used where the customer owned multiplex microwave systems are utilized or the leased lines do not utilize hybrids in the transmission paths therefore a 4 wire operation is required. This type of system provides for the separation of the receive audio path and the transmit audio path.

#### VOLTAGE REGULATORS

The remote controller gets its input power from a 110 VAC source which is applied to power transformer T1 via the 3/8 amp fuse, F1.

#### **CAUTION**

The fuse is connected to the input 110 VAC lead and care must be observed when placing it to ensure that the power cord is disconnected from the outlet prior to removing protector cover which covers the fuse. Qualified service personnel should be contacted when the internal fuse needs replacement and all safety precautions must be observed in

The low voltage secondary winding provides the remote controller its internal power requirements. The full wave bridge comprised of diodes, D1-D4 and capacitor, C7 rectify the input sine wave into a DC voltage level and applies it to "13.8 VDC" regulator U1. This regulator and its associated components provide the internal audio circuits with 13.8 VDC and provides pre-regulation for regulator U2. This regulator provides the digital circuitry with a 5.0 VDC source.

#### AUDIO CIRCUITRY

##### AUDIO GENERAL

The audio paths in the Tone remote controller are best described by separating the transmit audio (microphone to line) and receive audio (line to speaker).

##### TRANSMIT AUDIO GENERAL

The transmit audio consists of an automatic gain control, notch filter, digital to analog tone generation and line driver amplifier. Each part is described in the following paragraphs.

##### TRANSMIT AUDIO

##### AUTOMATIC GAIN CONTROL

The transmit audio originates from the microphone element in the handset board and is amplified by the FET amplifier located on this board. The resistor/capacitor combination comprised of R12, R16 and C12 provide the microphone element with a 600 ohm isolated power source. The audio signal is then applied to the compressor/expander amplifier comprised of U7A and U8A. The AGC amplifier has a 30dB dynamic range with 15 dB change. Amplifier, U8A's gain controlled by the impedance of the gain cell within U7A. The compressor/expander has an independent rectification input on pin 13 which produces a DC (direct current) voltage level which controls the internal variable gain cell connected between pins 9 and 11. This voltage level attack time (8 milliseconds) is controlled capacitor C16 and the decay time (10 seconds) is controlled by capacitor, C32. The voltage on pin 14 of U7A is proportional to the amount of signal that is on

the input line and ranges from 0.2 VDC to 1.75 Vdc. This voltage is also sensed by comparator U8B which is used to turn off the mic audio in the absence of a good receive signal on the microphone line. This prevents the white noise originating in the compression circuit from being amplified and put on the line. Potentiometer R58 is used to set the cutoff level of the comparator to each users preference.

#### TRANSMIT AUDIO NOTCH FILTER

The Secur-it tone frequency of 2175 Hz is used to alert the panel of a pending function tone generation and to hold the transmitter keyed. Therefore the voice that is being transmitted along with the Secur-it must have the 2175 Hz frequency notched out of it in order to eliminate false keying. The notch filter comprised of U1A and U1D with their associated components (located on the extension board) provides a notch with a depth of 20 dB and 3 dB points at 2000 Hz and 2350 Hz.

#### TRANSMIT AUDIO DIGITAL TO ANALOG TONE GENERATION

The Secur-it and function tones are all generated by the 8031 microprocessor (U22) via digital to analog converter U16. The frequency of each complete wave-form is made up of between 16 and 20 individual steps from the microprocessor. The levels, frequency and lengths are all predetermined within the micro and will not drift with temperature. The microprocessor provides extremely predictable, distortion free waveforms which are applied to lowpass filter U1B (located on the extension board). The low pass filter with its associated components removes all of the high frequencies from the wave form thus producing a clean sine wave.

In addition, the Alert Audio from the keypad panel is summed into the low pass filter circuit via resistor R10 and U1C (located on the extension board).

#### TRANSMIT AUDIO LINE DRIVING AMPLIFIER

All of the audio from the microphone, digital to analog converter and alert tone meet at connector J5-5 on the extension board and are fed to "LINE OUTLEVEL ADJUST" potentiometer R64. This potentiometer sets the level on the input to line driver amplifier U11. When the digital to analog converter is generating the Secur-it at +10 dB or function tones, the voice audio and alert tone are disabled. When the digital to analog converter is generating the Secur-it tone at -20 dB (transmitter hold tone) the paths are enabled. When the PTT button or the Alert Tone button is pressed or a function is selected on keypad panel, the line driver is enabled by turning

on transistor Q3. The audio is then passed to the line, if the control on the "COMB PTT" from U14F is ever low then the line driver on and audio is passed to the line.

#### RECEIVE AUDIO GENERAL

The receive audio consists of an automatic gain control, speaker mute, volume control, earpiece speaker and base speaker. Each part is described in the following paragraphs.

The receive audio from the audio pair is applied through the LINE AUDIO connections on to J3-3 and J3-4. The secondary side of coupling transformer T2 is terminated with resistor R7 which matches the impedance of the incoming line to 600 ohms. When the bridging impedance of 6000 ohms is desired; simply remove resistor R7 from the circuit by clipping one of its leads.

When the panel is used in the standard two wire configuration, the jumper between H1 and H2 is installed and the receive audio is applied to potentiometer, R43 which is labeled "LINE IN LEVEL ADJUST" and sets the level of the audio applied to line compression amplifier U9B. When the four wire configuration is used transformer T3 is installed and the jumper between H1 to H2 is removed. The incoming audio is then applied to J3-2 and J3-5 and is coupled to potentiometer R43 the same as in the two wire setup which couples the audio to amplifier U9B.

#### RECEIVE AUDIO AUTOMATIC GAIN CONTROL

The compression circuit comprised of amplifier U9A and compressor/expander IC U7B, allows the input signal to have a 30 dB dynamic range with less than 3dB of output change. Amplifier U9A's gain is controlled by the impedance of the gain cell within U7B. The compressor/expander has an independent rectification input on pin 3 which produces a DC (direct current) voltage level controlling the internal variable gain cell connected between pins 3 and 5. This voltage level attack time (5 milliseconds) is controlled by capacitor C17 and the decay time (10 seconds) is controlled by capacitor C18. The voltage on pin 2 of U7B is proportional to the amount of signal that is on the input line and ranges from 0.2 VDC to 1.75 VDC. This voltage is also sensed by comparator U9A which is used to shut off analog gate U3B in the absence of a good receive signal on the incoming line. This prevents the white noise from being amplified and put on the speaker. Potentiometer R53 is used to set the cutoff level of the comparator to each users preference. That is if the user wants to hear the incoming signal at a lower level, set the potentiometer voltage reading lower on pin 2 of U9A by turning clockwise.

### RECEIVE AUDIO SPEAKER MUTE

Analog gate (U3D) is normally in the on state and the control on pin 12 is high (greater than 13.5 VDC). Thus the audio output from compressor amplifier U9B is passed directly through the gate and applied to volume control circuit U6. When the SPEAKER MUTE function is enabled on the remote controllers keypad, then the voltage on pin 12 will go low (less than 0.3 VDC) and the gate will be turned off. Thus the audio must then pass through parallel resistor R8 which reduces the audio in the speaker by 20 dB permitting the dispatcher to temporarily reduce the volume to a lower level for business discussions, telephone calls or etc.

### RECEIVE AUDIO VOLUME CONTROL CIRCUIT

Volume control circuit U6 sets the level of the audio to low pass filter U4B and output amplifier U12 thus controlling the volume of the remote controller. This is accomplished by varying the internal resistance from pin 3 to pin 5 with respect to lower reference on pin 6. In addition this circuit has the capability to remember the last volume setting by having this value stored in its long term memory (EEPROM) within the device. Timer U10 provides the pulse train which steps the volume control through its 100 step range at the rate of 30 steps per second.

### RECEIVE AUDIO EARPIECE AMPLIFIER

The audio from high pass filter U4A is split into two directions; one being applied to earpiece amplifier adjustment potentiometer R29. This potentiometer is labeled "EARPIECE LEVEL" and controls the amount of signal that is applied to amplifier U4A and thus presented to the earpiece speaker located in the handset.

### RECEIVE AUDIO SPEAKER AMPLIFIER

The other path is to analog gate U3C which is controlled by the HUHS (hang up handset switch) located in the handset. The control on pin 6 is high (greater than 13.5 VDC) when the handset is in its cradle. The audio signal is then coupled to speaker potentiometer R52 and applied to speaker amplifier U12. The jumper between HA and HB is normally installed with a handset and R52 which is labeled "SPEAKER LEVEL" sets the maximum output from speaker audio amplifier U12 to 3 watts into a 4 ohm load (this is 3.45 Vrms measured across the 4 ohm speaker).

## CONTROL CIRCUITRY

### CONTROL CIRCUITRY GENERAL

The heart of the Tone remote controller is the Intel 8031 microprocessor. The basic building blocks of the control circuitry are the input buffer, output buffer, watchdog and EPROM control program. Each segment is described in the following paragraphs.

### CONTROL CIRCUIT INPUT BUFFER

The input buffer consist of two 74HC373 octal D-type latches U17 and U18. The microprocessor enables one of them at a time and reads the information from them. The PTT, Hook Switch, Ten Key Inputs and 2175 Bandpass Detect are constantly read and acted upon. The exact function of each is described under the PROM section. The Test jumper (H25-H26), Multifreq jumper Opt 1 (H23-H24) and Multifreq jumper Opt 2 (H27-H28) are read only when the unit is first powered up. If the test jumper is in place when the unit is powered up then it will begin the test mode until powered down. In a four frequency controller, the Multifreq jumpers are read to determine if less frequencies are desired and will function as listed in the Table 4 below:

TABLE 4 - MULTIFREQ JUMPERS

JUMPER POSITIONS		NUMBER OF FREQUENCIES USED
H23-H24	H27-H28	
OUT	OUT	FOUR
OUT	IN	THREE
IN	OUT	TWO
IN	IN	ONE

### CONTROL CIRCUIT OUTPUT BUFFER

The output buffer consists of one 74HC374 octal D-type flip-flop (U19) and seven external bits from the 8031 microprocessor (U22). The LED indicators are turned on and off with the open collector outputs from drivers U13 and U14. Since the microprocessor and control circuitry operate at 5 VDC and the audio circuitry operates at 13.8 VDC, open

collector outputs are also used to control the analog gates. The two outputs to do this are the MUTE and COMBPTT. The MUTE is used to mute the speaker output and shut off the AGC and Alert audio while the function tones are being generated. COMBPTT enables audio to be transmitted to the line. The ALT-LN and SUP-LN are open collector outputs (Q5 and Q6) to control external relay capable of sinking 80 milliamps of current each.

#### CONTROL CIRCUIT WATCH DOG

When using a microprocessor, a watch dog U23, is used to make sure the micro is always operating in a predictable manner or the watch dog will reset it. The IC used for this purpose is a 4528 dual monostable multivibrator. The micro must write to pin 6 of U23 every 100 milliseconds or pin 10 of U23 will drive the reset on pin 9 of U22 low and cause the processor to reset. The 8031 microprocessor may be reset by shorting across H29 and H30 which will cause the reset sequence to occur. This method is only used when testing the unit.

#### CONTROL CIRCUIT EPROM CONTROL PROGRAM

The 27C64 EPROM (U21) has the entire control logic programmed into it. The control program has been written in a flexible fashion to allow selection of which key shall perform a specific function. It also contains one location indicating whether Channel Guard is used or not. The logic control is explained in the following paragraphs.

#### MICROPROCESSOR CONTROL

The tone remote controller has two modes of operation: Remote Control Mode and Test Mode. The Remote Control Mode is simply the "standard" mode of operation. The Test Mode is a self diagnostics for testing the different functions of the controller.

#### REMOTE CONTROL MODE

If during power up, the jumper labeled "TEST" is not in place, the Remote Mode begins.

The micro will monitor a keypad of up to 10 keys. These keys will control a tone panel and will require the micro to generate 1050, 1150, 1250, 1350, 1450, 1550, 1650, 1750, 1850, 1950, 2050, and 2175 hertz waveforms. The exact function of the keys will be stored in the EPROM. The micro also controls many LEDs on the controller to indicate the state of the unit. Lastly, the remote utilizes bilateral switches to control audio paths.

#### TEST MODE

If at power up or reset, the "TEST" jumper is in place, the LEDs will flash four times and the test mode begins.

The micro will monitor a keypad of up to 10 keys. These keys will produce tones which represent the function they would normally denote. This allows testing of the accuracy of the function tones. Since all keys require more than one tone, the operator will step through the tones one by one by pressing and releasing the key, testing the tone frequency and amplitude, and then pressing and releasing it again to test the next one.

For instance, to test Channel Guard Disable, press the key that corresponds to it. The LED by the key will turn on. The Secur-It tone will be generated. Other key functions are ignored and the micro will continue to generate the tone and will wait until the key is pressed again. Once the key is pressed again, the next tone (1450 Hz) is generated. One more press of the key and the LED will stay on and all keys are scanned again.

Table 5 provides the selection designator, function, and frequencies as used by the micro during the test mode.

Functions dependent on the PTT will not be tested until PTT is pressed.



TABLE 4 - FREQUENCY GENERATION BY SELECTED FUNCTION

SELECT	FUNCTION	ACTION
0	No Function	Ignore
The following are controlled by 2 keys and use 4 indicator LED's.		
2	TX-Freq NO. 1 TX-Freq NO. 2	2175-1950-2175 (Only when PTT) 2175-1850-2175 (Only when PTT)
3	RX-Freq. NO. 1 RX-Freq. NO. 2	2175-1750-none 2175-1650-none
4 (F-SEL)	TX/RX-Freq NO. 1 TX/RX-Freq NO. 2 TX/RX-Freq NO. 3 TX/RX-Freq NO. 4	2175-1950-2175 (Only when PTT) 2175-1850-2175 (Only when PTT) 2175-1350-2175 (Only when PTT) 2175-1250-2175 (Only when PTT)
The following are controlled by one key.		
6	Channel Guard Enable Channel Guard Disable	2175-1550-none 2175-1450-none
7	Repeater Enable Repeater Disable	2175-1550-none 2175-1450-none
The following is used if SELECT 6 is being used.		
8	Repeater Enable Repeater Disable	2175-1150-none 2175-1050-none
The following is used if SELECT 5 is not being used.		
9	Aux. Fuction ON Aux. Function OFF	2175-1350-none 2175-1250-none
The following is used if SELECT 8 is not being used.		
A	Scan	2175-1050-none
The following will not cause any tones to be sent to the remote.		
C	Alt-Line, SUPR, Takeover	Provides external open collector switch.
D	Spkr Mute	Mutes the remotes speaker audio.
E	Intercom	Disallows TX tones from being sent.
F	Clock	Clock function.
10	Alert	Identical to PTT, use correct TX freq.
19	R1 R2	2175-1750-none 2175-1650-none

TABLE 5 CONTINUED

SELECT	FUNCTION	ACTION
The following are unique to the Voice Guard Remote.		
16	CLEAR	2175-1950 (Only when PTT) - F1 2175-1350 (Only when PTT) - F2
17	ENCRYPT	2175-1850 (Only when PTT) - F1 2175-1250 (Only when PTT) - F2
18	F-TX	2175-1950 (Only when PTT) - F1 CLEAR 2175-1850 (Only when PTT) - F1 ENCRY 2175-1350 (Only when PTT) - F2 CLEAR 2175-1250 (Only when PTT) - F2 ENCRY
The following is unique to the Auxillary Receive Function		
19	AUX-RX	2175-1750 (RX normal) 2175-1650 (RX auxillary) 2175-1050 (Dual State)

TABLE 6 - KEY LOCATIONS

7	8	9	A
3	4	5	6
1	2		

The following instructions refer to how to program locations 50 to 5C of the EPROM:

Starting at 51H put key function 1 to key function A, with a 00H denoting no function. It is important to put a 00 at location 50, for the default in the program when it is waiting for a key to pressed. due to one restrictive pin, pin number 4, the alert will always be sensed at the 'A' location. So if you use alert, denote it at location 'A' regardless of where it is located.

EXAMPLE - FOR A 6 KEY REMOTE (KEYS 7-10 ARE NOT AVAILABLE)

WITH  
 KEY 1 - INTCM  
 KEY 2 - MUTE  
 KEY 3 - CLOCK  
 KEY 4 - SCAN  
 KEY 5 - F-TX  
 KEY 6 - F-RX

TABLE 7 - CODE FOR CHANNEL GUARD REQUEST FROM HANDSET IN CRADLE

50H	\$00	;NO KEY ACTIVE
51H	\$0F	;INTERCOM
52H	\$01	;MUTE
53H	\$10	;CLOCK
54H	\$0A	;SCAN
55H	\$02	;F-TX
56H	\$03	;F-RX
57H	\$00	;EMPTY
58H	\$00	
59H	\$00	
5AH	\$00	
5BH	\$00	;CG ENABLED FOR HUHS RELEASE
5CH	\$FF	;PST OPTION DISABLED

ADJUSTMENT PROCEDURE AND TROUBLE-SHOOTING CHARTS

This portion of the manual contains an adjustment procedure and trouble shooting information for the Tone and DC remote controllers. The information is broken into the following sections:

- 1) Adjustment Procedure
  - a) Tone Remote Controller
  - b) DC Remote Controller
- 2) Troubleshooting Information
  - a) Tone Remote Controller (900-0167)
  - b) DC Remote Controller (900-0165)
  - c) Keypad Display Board (900-0164)

## ADJUSTMENT PROCEDURE

### TONE REMOTE CONTROLLER

This section will contain the adjustment for the following remote controller parts:

Clock  
Alert Level (R13 Keypad Display Board)  
Microphone to Line Audio Level (R64)  
Microphone Audio Comparator Setting (R58)  
Receive Line Compensation (R43)  
Receive Audio Comparator Setting (R53)  
Earpiece Audio Setting (R29)

#### Clock

(All part numbers refer to Display Board (J19/900-0164))

To set the clock to the correct time of day, press the "CLOCK" button and the volume up ▲ button for fast, or volume down ▼ button for slow setting

To put the clock in 24 hour format, remove H5-H6 and insert H6-H7.

If the time is continually fast or slow, replace X1 with another standard colorburst crystal, 3.58 megahertz.

#### Alert Level

(All part numbers refer to Display Board (J19/900-0164))

To increase the Alert level to the line, decrease R14 to 1/2 its value. This may be done most easily by placing R13 with the same value as R14. Since they are in parallel and the same value, the result is a resistor with 1/2 R14's value.

#### Microphone to Line Audio Level

The remote was factory set up for a 0 db line. If the remote controller is to be used on a line with greater loss, use potentiometer R64 to compensate. The control tones are summed with the voice, so they should not require additional adjustment.

#### Microphone Audio Comparator Setting

The audio from the microphone will vary according to the environment and loudness of the users voice. If your particular environment is particularly loud, you may wish to set the comparator so that it must turn on with more audio. Or if you have a soft voice in a quiet environment, you may wish

to do the opposite. Set the unit up in its working environment and adjust R58 until your voice triggers the comparator. You may observe this on the V/U meter.

#### Receive Line Compensation

On a line with more than 0 db loss, you may wish to readjust the line compensation potentiometer (R43). Adjustment will be a clockwise turn to allow more audio into the automatic Gain Control amplifier.

#### Receive Audio Comparator Setting

On an extremely noisy line, the amount of audio required to turn on the receive path speaker may be increased. This may be accomplished by adjusting R53 while the remote controller is connected to the line. At the point when the speaker audio shuts off, turn the potentiometer about 1/16 of a turn more. This ensures that the remote controller will not constantly be on the threshold of turning the speaker on. Make sure that you still receive audio.

#### Earpiece Audio Setting

In a noisy environment, it may be necessary to increase the audio to the earpiece speaker. This is done by adjusting potentiometer R29.

### DC REMOTE CONTROLLER

This section will contain the adjustment for the following remote controller parts:

Clock  
Alert Level (R14 Keypad Display Board)  
Microphone to Line Audio Level (R46)  
Microphone Audio Comparator Setting (R117)  
Receive Line Compensation (R29)  
Receive Audio Comparator Setting (R116)  
Earpiece Audio Setting (R75)

#### Clock

(All part numbers refer to Display Board (J19/900-0164))

To set the clock to the correct time of day, press the "CLOCK" button and the volume up ▲ button for fast or volume down ▼ button for slow setting

To put the clock in 24 hour format, remove H5-H6 and insert H6-H7.

If the time is continually fast or slow, replace X1 with another standard colorburst crystal, 3.58 megahertz.

Alert Level

(All part numbers refer to Display board (J19/900-0164))

To increase the Alert level to the line, decrease R13 to 1/2 its value. This may be done most easily by placing R14 with the same value as R13. Since they are in parallel and the same value, the result is a resistor with 1/2 R14's value.

Microphone to Line Audio Level

The remote was factory set up for a 0 db line. If the remote controller is to be used on a line with greater loss, use potentiometer R46 to compensate. The Alert tone is summed with the voice, so it will not require additional adjustment.

Microphone Audio Comparator Setting

The audio from the microphone will vary according to the environment and loudness of the users voice. If your particular environment is particularly loud, you may wish to set the comparator so that must turn on with more audio. Or if you have a soft voice in quiet environment, you may wish to do the opposite. Set the unit up in its working environment and adjust R117 until your voice triggers the comparator. You may observe this on the V/U meter.

Receive Line Compensation

On a line with more than 0 db loss, you may wish to readjust the line compensation potentiometer (R29). Adjustment will be a clockwise turn to allow more audio into the Automatic Gain Control amplifier.

Receive Audio Comparator Setting

In an extremely noisy line, the amount of audio required to turn on the receive path speaker may be desired to increase. This may be accomplished by adjusting R116 while the remote controller is connected to the line. At the point when the speaker audio shuts off, turn the potentiometer about 1/16 of a turn more. This ensures that the remote controller will not constantly be on the threshold of turning the speaker on. Make sure that you still receive audio.

Earpiece Audio Setting

In a noisy environment, it may be necessary to increase the audio to the earpiece speaker. This is done by adjusting potentiometer R75.

## TROUBLESHOOTING INFORMATION

TONE REMOTE CONTROLLER

The following troubleshooting suggestions will be covered in this section:

Microphone audio (J2-1) doesn't reach the line (J3-3,4).

V/U meter doesn't function.

Alert tone does not reach the line (J3-3,4)

Control tones have no effect on the Tone Panel.

Control tone level needs adjustment.

Line audio (J3-3,4 or J3-2, 5 for four wire) doesn't reach the base speaker (J4-1, 2).

Line audio (J3-3, 4 or J3-2, 5 for four wire) doesn't reach the earpiece speaker (J2-3, 6).

Volume control inoperative.

The volume control tone is intermittent.

Earpiece speaker is not loud enough.

A constant hum is present in the speaker.

The speaker audio turns on and off constantly.

Background tone (2175 Hz) present in receive audio.

Parallel TX indicator intermittent or stuck on.

One key stuck on or off.

Several keys stuck on or off.

Clock doesn't work.

Microprocessor functioning improperly.

<u>Problem:</u>	<u>Procedure:</u>
<p>Microphone audio (J2-1) doesn't reach the line audio (J3-3,4)</p>	<ol style="list-style-type: none"> <li>1.) The Push-to-Talk button should be depressed fully so that the TX indicator is on. If the TX indicator does not turn on, check the cord and connector.</li> <li>2.) The comparator (U8) potentiometer (R58) may be misadjusted. Check that pin 7 of U8 goes to 13.8 VDC when speaking into the microphone. Readjust the potentiometer if this is the problem. The comparator (U8) output is normally low (.7 VDC or lower) and is high (13.8 VDC) when talking at a comfortable level.</li> <li>3.) The output of the automatic gain control (AGC) amplifier (Pin 1 U8) should be biased at 6 VDC with audio visible on it. The audio on connector (J5-1) should be identical.</li> <li>4.) On the extension board (J19/900-0171), the 2175 notch filter output (U1 pin 1) should be biased at 6 VDC with audio riding on it.</li> <li>5.) On the extension board, the transistor switch (Q1) should be allowing audio to pass. both J5-3 and J4-3 must be low (less than 0.7 VDC).</li> <li>6.) On the extension board, the output of the summing amplifier (pin 8 of U1) should be biased at VDC with audio visible on it.</li> <li>7.) The potentiometer (R64) may need readjustment. Adjust this potentiometer and observe the output on the line (J3-3,4). The output should be 0 dBm (.77 Vrms) for 0 dBm (.77 Vrms) of 1000 Hertz at the microphone input (J2-1). If this has no effect, the transistor switch (Q3) or U11 (on the base board) is defective.</li> </ol>
<p>V/U meter doesn't function.</p>	<ol style="list-style-type: none"> <li>1.) If audio isn't getting to the line (J3-3, 4), then follow the procedure for "Microphone audio (J2-1) doesn't reach the line audio (J3-3, 4)".</li> <li>2.) Check the ribbon connector pin 26 for continuity.</li> <li>3.) Refer to Keypad Display Board.</li> </ol>

<u>Problem:</u>	<u>Procedure:</u>
Alert tone does not reach the line (J3-3,4).	<ol style="list-style-type: none"> <li>1.) When the "Alert" button is pressed and there is no 1000 hertz tone at pin 2 of U3, check the continuity of the ribbon cable, P1-25. If there is good continuity, refer to the Keypad Display Board troubleshooting procedure.</li> <li>2.) If the Alert tone is present at pin 2 of the bilateral switch (U3) and not at pin 1 of U3, pin 13 of U3 isn't being pulled high or has failed.</li> <li>3.) On the extension board (J19/900-0171), the Alert tone should be detectable at pin 8 of U1.</li> </ol>
Control tones have no effect on the Tone Panel.	<ol style="list-style-type: none"> <li>1.) Observe the control tones on P5-4. The digitized tones will be present when a button is pushed that produces them (such as PTT button). If there are no tones at this point, check to see if the tones are present on the digital to analog IC (U16) pins 14, 15 and 16. If not present on these pins and the faceplate LEDs toggle on and off, there is a problem with U16. If the LEDs do not toggle, check the "Microprocessor functioning improperly" troubleshooting procedure.</li> <li>2.) On the extension board (J19/900-0171), U1 pin 7 should be biased at 6 VDC and have control tones present.</li> <li>3.) On the extension board (J19/900-0171), U1 pin 8 should be biased at 6 VDC and have control tones present. If they are present, the line loss between the panel and remote controller is greater than 0 dB and line out level adjust (R64), needs adjustment (review "Control tone level needs adjustment") or check the Tone Panel's trouble-shooting procedure.</li> </ol>
Control tone level needs adjustment.	<ol style="list-style-type: none"> <li>1.) Under normal conditions, the voice audio at the microphone input (J2-1) will cause 0 dBm (.77 Vrms) on the line (J3-3, 4) across a 600 ohm load. The control tones are then set up as follows.</li> <li>2.) Place remote controller in test mode by shorting across H25-H26 while plugging in the unit. The faceplate LEDs will flash on and off four times to indicate test mode.</li> <li>3.) Press and release any key and measure the output frequency across J3-3, 4. It should be 2175 hertz. If not, the remote is generating a function tone. If the remote is generating a function tone, continue to press a faceplate key until a 2175 hertz Secure-it tone is produced.</li> </ol>

Problem:	Procedure:
	<ol style="list-style-type: none"> <li>3.) Place a 600 or 620 ohm load across the output of the remote controller (J3-3, 4).</li> <li>4.) On the extension board (J19/900-0171), adjust the function tone level adjust potentiometer R22 for 10 dBm (2.45 Vrms) on the line connector (P3-3, 4).</li> <li>5.) Unplug and plug back in the remote controller to remove unit from test mode.</li> </ol>
<p>Line audio (J3-3,4 or J3-2,5 for four wire) doesn't reach the base speaker (J4-1,2).</p>	<ol style="list-style-type: none"> <li>1.) Incoming audio at P4-1 and not at P4-2 is a good indication that the parallel option is suspect. On the extension board (J19/900-0171) check the biasing on the output pins of U2. They should all be at 6 VDC.</li> <li>2.) Pin 7 of U9 should be at 6 VDC with audio on it.</li> <li>3.) Check U4, pin 5, 6 and 7 for 6 VDC biasing. Audio should be clearly visible at pin 7. If audio is not visible, increase the volume with the buttons on the face plate. If still a problem, refer to "Volume control inoperative" troubleshooting procedure.</li> <li>4.) Make sure audio is on the bilateral switch (U3) on pins 3 and 4. If the switch is open, adjust the comparator (U9) potentiometer (R53). The output of the comparator is normally low. When audio -30 dBm (.024 Vrms) or more enters the remote controller (P3-3, 4), the comparator should switch high. Pin 5 of the switch (U3) will also go high and allow audio to pass from pin 4 to pin 3.</li> <li>5.) The bilateral switch (U3) pin 8 and pin 9 are controlled by the HUHS switch J2-5.</li> <li>6.) The potentiometer R52 that adjusts the speaker setting has been set to accept 0 dBm (.77 Vrms) at the line (J3-3, 4 or J3-2, 5 for four wire) at 1 KHz and output 3.45 Vrms on the speaker. If this potentiometer was disturbed, readjust it according to this procedure.</li> </ol>

<u>Problem:</u>	<u>Procedure:</u>
Line audio (J3-3, 4 or J3-2, 5 for four wire) doesn't reach the earpiece speaker (J2-3, 6).	<ol style="list-style-type: none"> <li>1.) If audio doesn't reach the base speaker (J4-1,2), refer to the section "Line audio (J3-3, 4 or J3-2, 5 for four wire) doesn't reach the base speaker (J4-1, 2)".</li> <li>2.) Pin 1, 2 and 3 of U4 should be biased at 6 VDC and audio should be visible on pin 1. If not try the earpiece adjustment (R29) and find a satisfying listening level.</li> <li>3.) Check the connector J2-6 and J2-3 as well as the cord.</li> </ol>
Volume control inoperative.	<ol style="list-style-type: none"> <li>1.) There are three elements that may effect the volume, the muting switch (U3B), the electronic potentiometer (U6), or the volume stepper (U10).</li> <li>2.) The muting switch during normal operation should have pin 10 and 11 of U3D biased at 6 VDC and pin 12 of U3 should be high at 13.8 VDC, or low if mute is selected.</li> <li>3.) The electronic potentiometer at pin 8 should be at 5 VDC. Pin 2 will be high (5 VDC) when volume up button is pressed and low (0.7 VDC or less) when volume down is pressed. Chip select (Pin 7) will normally be high (5 VDC) but will be low when volume up or volume down is pressed. Pin 1 of U6 will be controlled by U10 and will oscillate when either volume control is used.</li> <li>4.) The volume stepper (U10) is controlled by pin 4. When a volume key is used the base of the transistor (Q4) goes low and pin 4 or U10 is pulled high by R56 (to 5 VDC). At that time, pin 3 of U10 will begin to produce a square wave. This is the volume step required by the electronic potentiometer (U6).</li> </ol>
The volume control tone is intermittent.	<ol style="list-style-type: none"> <li>1.) When a volume control button is used, P1-15 goes low. At that time pin 4 of U10 goes high to allow the volume stepper to run. Volume tone oscillator (U5 pins 1 and 2) begins to oscillate. The oscillation is a result of R25 and C52 on the schmitt trigger. This output then feeds into the Volume Control IC.</li> </ol>



<u>Problem:</u>	<u>Procedure:</u>
Earpiece speaker is not loud enough.	1.) Use earpiece adjustment potentiometer (R29) to adjust the earpiece to a comfortable listening level.
A constant hum is present in the speaker.	1.) The automatic gain controlled amplifier (U9) will be at maximum gain when there is no audio on the line. The voltage at pin 2 of U7 will then cause the comparator (U9) pin 1 to trigger and shut off the receive audio (U3 pin 5). If the potentiometer R53 is not set correctly (or your line is extremely noisy), your speaker audio may be irritating.
The speaker audio turns on and off constantly.	1.) Refer to the explanation of the comparator above under "A constant hum is present in the speaker".
Background tone (2175 Hz) present in receive audio.	<p>All adjustments described are performed on the extension board (J19/900-0171).</p> <p>1.) The problem is that the 2175 Hertz notch filter (U2) on the extension board (J19/900-0171). To reset this filter, you must receive the 2175 Hertz hold tone from a parallel remote and adjust R31 until a minimum of 2175 hertz is heard.</p> <p>2.) Next, adjust R32 until a minimum noise level of 2175 hertz is heard. Adjust R31 again until a minimum is reached.</p> <p>3.) Continue procedure 2 until the tone is no longer audible.</p>
Parallel Tx indicator intermittent or stuck on.	<p>1.) Parallel indication is achieved by the detection of 2175 Hertz Secure-it tone which is 125 milliseconds of a +10 dBm (2.45 Vrms) tone. This is followed by the transmit hold tone, 2175 hertz at -20 dBm (.08 Vrms), detected for the duration of the parallel transmit.</p> <p>All adjustments described are performed on the extension board (J19/900-0171).</p> <p>2.) The input to this detector is P4-1 connector. Potentiometer R30 is used to vary the gain of the detector (U3). While detecting a parallel transmit, adjust this potentiometer until the TX indicator LED shuts off. Then readjust the potentiometer back by about 1/16 of a turn so that detection is guaranteed.</p> <p>3.) If this doesn't cure the problem, check the DC levels of pin 1, 7, 8 and 14 or U3. They should all be at 6 VDC with audio riding on them.</p>

<u>Problem:</u>	<u>Procedure:</u>
	<p>4.) Pins P4-6 and P4-7 should normally be held high (5 VDC) and will be pulled low by transistors Q2 and Q3 when 2175 hertz is detected.</p>
One key stuck on or off.	<p>1.) If one single key is stuck on or off, check the continuity of the ribbon cable.</p> <p>2.) Check both connectors.</p> <p>3.) Monitor the input to IC U17 or U18 for a voltage transition from ground to 5 VDC.</p> <p>4.) Clean under the keypad.</p>
Several key stuck on or off.	<p>1.) If any key, other than Clock or Alert works, then the microprocessor is working, so check U17, U18 or U19 buffers.</p> <p>2.) Check the "Microprocessor functioning improperly" troubleshooting procedure.</p>
Clock doesn't work.	<p>1.) Check the Keypad Display Board troubleshooting procedure.</p>
Microprocessor functioning improperly.	<p>1.) Check for 12 megahertz clock frequency between pin 18 and 19 on microprocessor (U22). Caution: Use a high impedance probe.</p> <p>2.) Make sure pin 9 of microprocessor (U22) is low (0.7 VDC or less) at all times.</p> <p>3.) If pin 9 of the microprocessor (U22) is constantly pulsing, the watchdog (U23) is trying to cause a reset. This means that pin 1 of the microprocessor isn't writing to the watchdog (U23 pin 6) every 100 milliseconds as it should be.</p> <p>4.) Pin 30 of the microprocessor (U22) is used to latch the contents of the ROM (U21) to the latch (U20). This line should be constantly pulsing.</p> <p>5.) The write line (pin 16 of U22) should be pulsing. This indicates the microprocessor is writing.</p> <p>6.) The outputs of U15 (pin 3 and 6) should pulse constantly. This means the microprocessor is reading key inputs.</p> <p>7.) The output of U15 (pin 8) should pulse when a key is pushed. This indicates an LED is being written to.</p>

DC REMOTE CONTROLLER

The following troubleshooting suggestions will be covered in this section:

Microphone audio (J2-1) doesn't reach the line (J3-3, 4).

V/U meter doesn't function.

Alert tone does not reach the line (J3-3, 4)

Control currents have no effect on the DC Panel.

Adjusting control currents.

Line audio (J3-3, 4 or J3-2, 5 for four wire) doesn't reach the base speaker (J4-1,2).

Line audio (J3-3, 4 or J3-2, 5 for four wire) doesn't reach the earpiece speaker (J2-3, 6).

Volume control inoperative.

The volume control tone is intermittent.

Earpiece speaker is not loud enough.

A constant hum is present in the speaker.

The speaker audio turns on and off constantly.

Parallel TX indicator intermittent or stuck on.

Key stuck on or off.

Clock doesn't work.

<u>Problem:</u>	<u>Procedure:</u>
Microphone audio (J2-1) doesn't reach the line audio (J3-3, 4)	<ol style="list-style-type: none"> <li>1.) The Push-to-Talk button should be depressed fully so that the TX indicator is on. If the TX indicator does not turn on, check the cord and connector.</li> <li>2.) The comparator (U24) potentiometer (R117) may be misadjusted. Check that pin 7 of U24 goes to 13.8 VDC when speaking into the microphone. Readjust the potentiometer if this is the problem. The comparator (U24) output is normally low (.7 VDC or lower) and is high (13.8 VDC) when talking at a comfortable level.</li> <li>3.) The output of the automatic gain control (AGC) amplifier (pin 7 or U7) should be biased at 6 VDC with audio visible on it.</li> <li>4.) The open collector output at J5-5 should not be held at ground while talking in the microphone and PTT button depressed.</li> <li>5.) The potentiometer (R46) may need readjustment. Adjust this potentiometer and observe the output on the line (J3-3, 4). The output should be 0 dBm (.77 Vrms) for 0 dBm (.77 Vrms) at the microphone input (J201). If this has no effect then U6 is defective.</li> </ol>
V/U meter doesn't function.	<ol style="list-style-type: none"> <li>1.) If audio isn't getting to the line (J3-3, 4), then follow the procedure for "Microphone audio (J2-1) doesn't reach the line audio (J3-3, 4)".</li> <li>2.) Check the ribbon connector pin 26 for continuity.</li> <li>3.) Refer to Keypad Display Board.</li> </ol>
Alert tone does not reach the line (J3-3, 4).	<ol style="list-style-type: none"> <li>1.) Check the continuity of the ribbon cable, P1-25. If there is good continuity, refer to the Keypad Display Board troubleshooting procedure.</li> <li>2.) The Alert tone should be detectable on R31 and U6 pin.</li> </ol>

Problem:	Procedure:
Control currents have no effect on the DC Panel.	<p>1.) Measure the control currents by placing an ampere meter in series with the line. Try transmitting with intercom off and TXF 1. There should be 6 milliamps on the line. If there is current, check the trouble shooting procedure for the DC panel. If the current needs adjusting, check the procedure on "Adjusting control currents".</p> <p>2.) Check the high voltage output across C5. This voltage will be approximately 150 volts.</p> <p>3.) Check the output of the PROM (U20) on pins 3, 4 and 5. They will normally be at 5 volts. One will go low at a time to select the current to be generated.</p> <p>4.) Check the output of the PROM (U20) on pins 1 and 2. Only one may be low at a time.</p>
Adjusting control currents.	<p>All adjustments described must be done with the handset removed from it's cradle.</p> <p>1.) Place a current meter in series with the line.</p> <p>2.) To adjust the 2.5 milliamp current, disable channel guard with the CG button on the faceplate. Put the remote in RX1 mode and disable intercom. Turn R8 potentiometer so that the current meter is 2.5 milliamps.</p> <p>3.) To adjust the 6.0 milliamp current, disable intercom and select TXF1. PTT and adjust R13 potentiometer so that the current meter reads 6.0 milliamps.</p> <p>4.) To adjust the 11.0 milliamp current, select the appropriate setting for 11.0 milliamp current generation:</p> <p>For a DC remote controller with: 2 frequency transmit place the unit in TX- f2 and PTT.</p> <p>For a DC remote controller with: Repeater Disable Channel guard Disable place the unit in Repeater disable and CG disable.</p> <p>For a DC remote controller with: 1 frequency transmit 2 frequency receive (Aux Rx) place the unit in RX-F2 and remove handset from base.</p> <p>5.) Adjust potentiometer R26 until the amp meter registers 11 milliamps.</p>

<u>Problem:</u>	<u>Procedure:</u>
Line audio (J3-3, 4 or J3-2, 5 for four wire) doesn't reach the base speaker (J4-1,2).	<ol style="list-style-type: none"> <li>1.) Check the biasing on the output pins of U9A. They should all be at 6 VDC.</li> <li>2.) Pin 7 of U9B should be at 6 VDC with audio on it.</li> <li>3.) Check U10, pin 1, 2 and 3 for 6 VDC biasing. Audio should be clearly visible at pin 1. If audio is not visible, increase the volume with the buttons on the face plate. If still a problem, refer to "Volume control inoperative" troubleshooting procedure.</li> <li>4.) Make sure audio is on the bilateral switch (U13) on pins 3 and 4. If the switch is open, adjust the comparator (U24B) potentiometer (R116). The output of the comparator is normally low. When audio -30 dBm (.024 Vrms) or more enters the remote controller (P3-3,4 or P3-2,5 for four wire), the comparator should switch (U13) will also go high and allow audio to pass from pin 4 to pin 13.</li> <li>5.) The bilateral switch (U13) pin 8 and pin 9 are controlled by the HUHS switch J2-5.</li> <li>6.) The potentiometer R92 that adjusts the speaker setting has been set to accept 0 dBm (.77 Vrms) at the line (J3-3,4 or J3-2, 5 for four wire) at 1 KHz and output 3.45 Vrms on the speaker. If this potentiometer was disturbed, readjust it according to this procedure.</li> </ol>
Line audio (J3-3, 4 or J3-2, 5 for four wire) doesn't reach the earpiece speaker (J2-3, 6).	<ol style="list-style-type: none"> <li>1.) If audio doesn't reach the base speaker (J4-1, 2), refer to the section "Line audio (J3-3, 4 or J3-2, 5 for four wire) doesn't reach the base speaker (J4-1, 2) ".</li> <li>2.) Pins 5, 6 and 7 of U10 should be biased at 6 VDC and audio should be visible on pin 7. If not try the earpiece adjustment (R75) and find a satisfying listening level.</li> <li>3.) Check the connector J2-6 and J2-3 as well as the cord.</li> </ol>
Volume control inoperative.	<ol style="list-style-type: none"> <li>1.) There are three elements that may effect the volume, the muting switch (U13D), the electronic potentiometer (U14), or the volume stepper (U11).</li> <li>2.) The muting switch during normal operation should have pin 10 and 11 of U13D biased at 6 VDC and pin 12 of U13 should be high at 13.8 VDC, or low if mute is selected.</li> </ol>

<u>Problem:</u>	<u>Procedure:</u>
	<p>3.) The electronic potentiometer at pin 8 should be at 5 VDC. Pin 2 will be high (5 VDC) when volume up button is pressed. Chip-select (Pin 7) will normally be high (5 VDC) but will be low when volume up or volume down is pressed. Pin 1 of U14 will be controlled by U11 and will oscillate when either volume control is used.</p> <p>4.) The volume stepper (U11) is controlled by pin 4. When a volume key is used the base of the transistor (Q4) goes low and pin 4 of U11 is pulled high by R85 (to 5 VDC). At that time, pin 3 of U11 will begin to produce a square wave. This is the volume step required by the electronic potentiometer (U14).</p>
The volume control tone is intermittent.	1.) When a volume control button is used, P1-15 goes low. At that time pin 4 of U11 goes high to allow the volume stepper to run. Volume tone oscillator (U12D pins 9 and 8) begins to oscillate. The oscillation is a result of R61 and C54 on the schmitt trigger. This output then feeds into the compressor (U9) input. If this tone level isn't high enough, the compressor will not turn on.
Earpiece speaker is not loud enough.	1.) Use earpiece adjustment potentiometer (R75) to adjust the earpiece to a comfortable listening level.
A constant hum is present in the speaker.	1.) The automatic gain controlled amplifier (U9) will be at maximum gain when there is no audio on the line. The voltage at pin 14 of U8 will then cause the comparator (U24) pin 7 to trigger and shut off the receive audio (U31 pin 5). If the potentiometer R116 is not set correctly (or your line is extremely noisy), your speaker audio may be irritating.
The speaker audio turns on and off constantly.	1.) Refer to the explanation of the comparator above under "A constant hum is present in the speaker".
Parallel TX indicator intermittent or stuck on.	1.) The current is sampled on the line at J3-1, 6 from connect P2-1, 2. It is essential that the connection is made with the correct polarity. A "positive current" will cause the detector to indicate a parallel transmit.

<u>Problem:</u>	<u>Procedure:</u>
One key stuck on or off.	<ol style="list-style-type: none"> <li>1.) If one single key is stuck on or off, check the continuity of the ribbon cable.</li> <li>2.) Check both connectors.</li> <li>3.) Monitor the input to IC U16, U21 U22 or U23 for a voltage transition from ground to 5 VDC.</li> <li>4.) Clean under the keypad.</li> </ol>
Clock doesn't work.	<ol style="list-style-type: none"> <li>1.) Check the Keypad Display Board troubleshooting procedure.</li> </ol>

### KEYPAD DISPLAY BOARD

The following troubleshooting suggestions will be covered in this section:

Alert tone does not work.

V/U meter not functioning.

Clock running improperly.

<u>Problem:</u>	<u>Procedure:</u>
Alert tone does not work.	<ol style="list-style-type: none"> <li>1.) When the "Alert" button is pressed, the TX indicator should come on. If not, the button contact may be faulty.</li> <li>2.) When the button is pressed, the 555 timer (U2) should begin to oscillate at approximately 1000 hertz. If this doesn't occur, check the 5 volt supply on pin 8 of the 555. Also make sure that pin 4 goes high when the "Alert" button is pressed.</li> </ol>



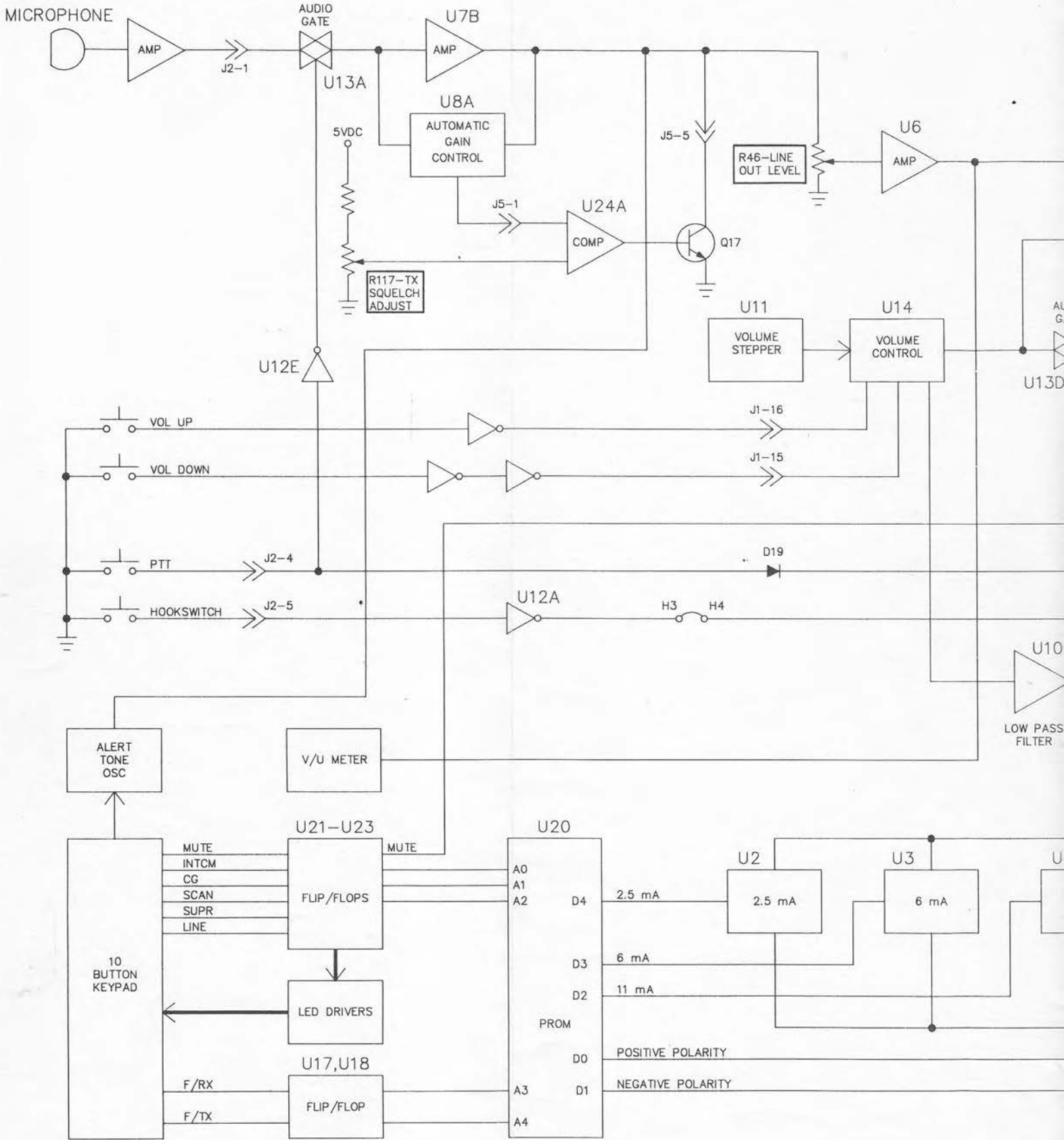
<u>Problem:</u>	<u>Procedure:</u>
V/U meter not functioning.	<ol style="list-style-type: none"> <li>1.) There should be voice audio biased at 5 volts on U1.</li> <li>2.) Pin 6 of the V/U meter (U4) will be a DC voltage derived from a rectified version of the voice audio.</li> <li>3.) Check pins 4 and 10 of U4 for power.</li> </ol>
Clock running improperly.	<ol style="list-style-type: none"> <li>1.) The clock oscillator (X1) should be running at 3.58 megahertz (pin 15 and 16).</li> <li>2.) The pin 7 of U5 will determine the LED brightness and should be at a DC level above 1 volt.</li> <li>3.) The set, slow and fast lines (pin 11, 12 and 3) of the clock chip will normally be held at 5 volts. When a button is pushed, these lines will be pulled low accordingly.</li> <li>4.) Check pin 18 of U5 for 9.1 volts supply.</li> </ol>
LEDs not lit	<ol style="list-style-type: none"> <li>1.) Check power (pin P1-3 and P1-2) lines to the keypad display board.</li> </ol>



**GE Mobile Communications**

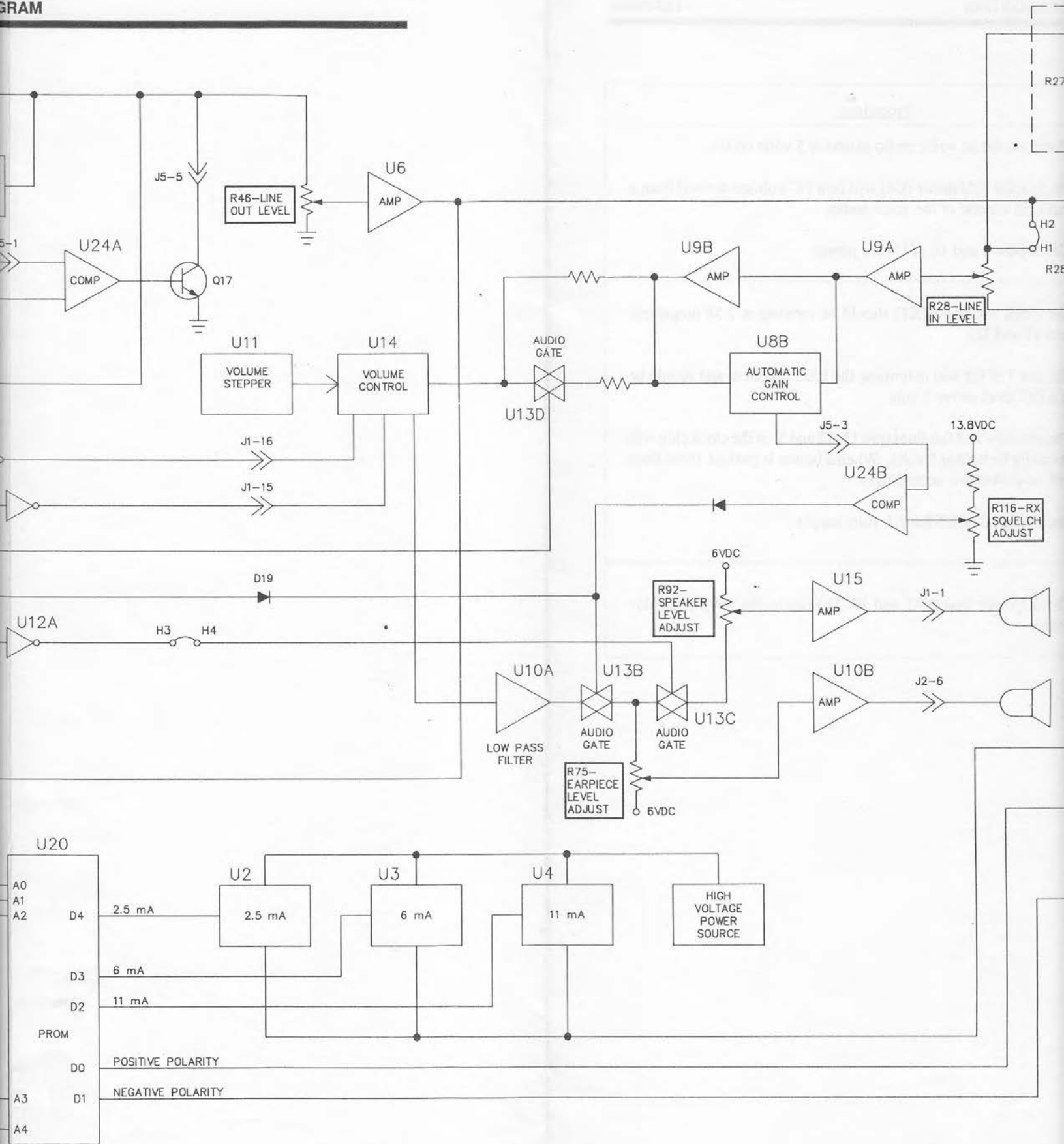
General Electric Company  
Lynchburg, Virginia 24502

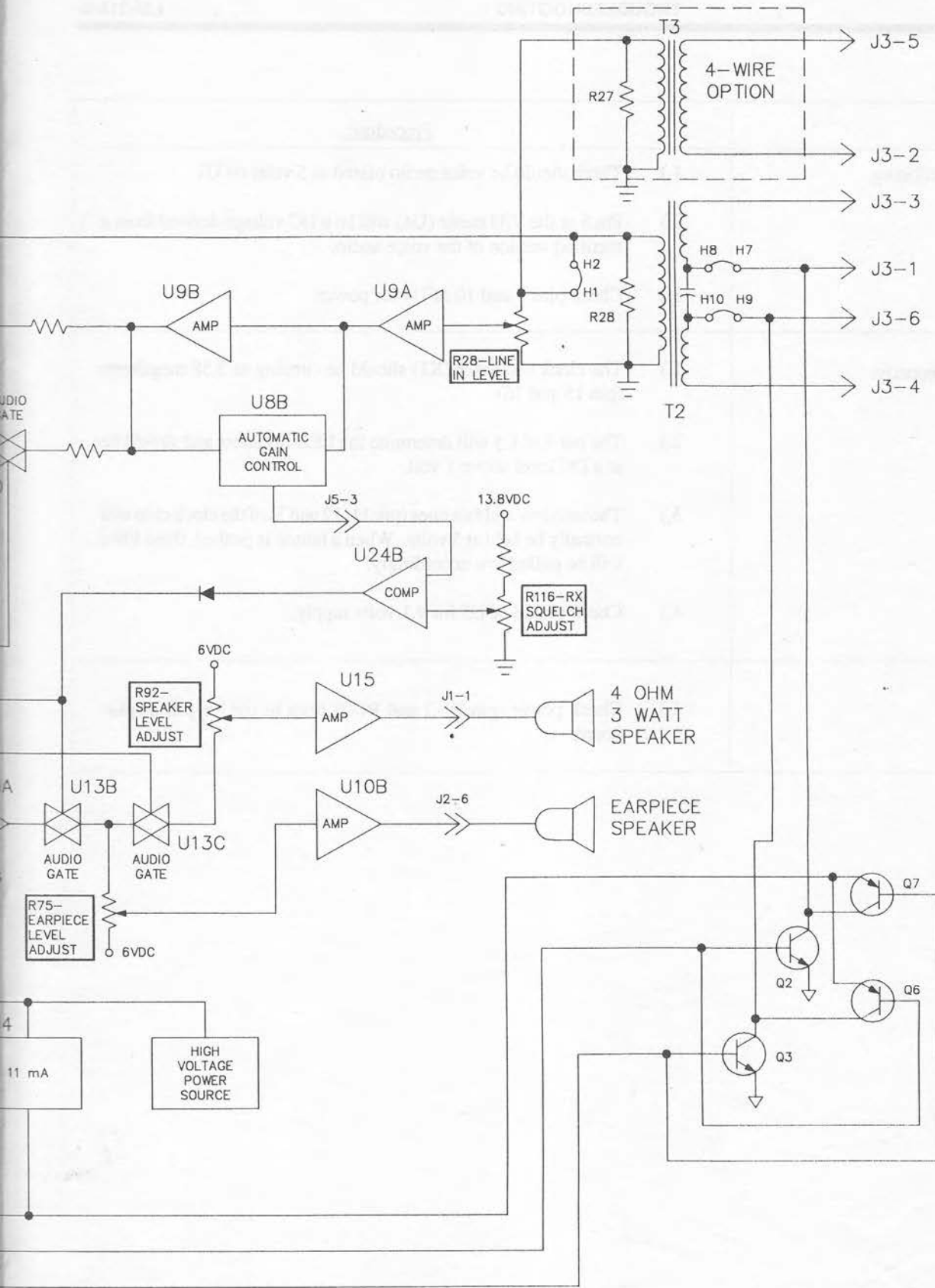
Printed in U.S.A.



DC REMOTE CONTROLLER

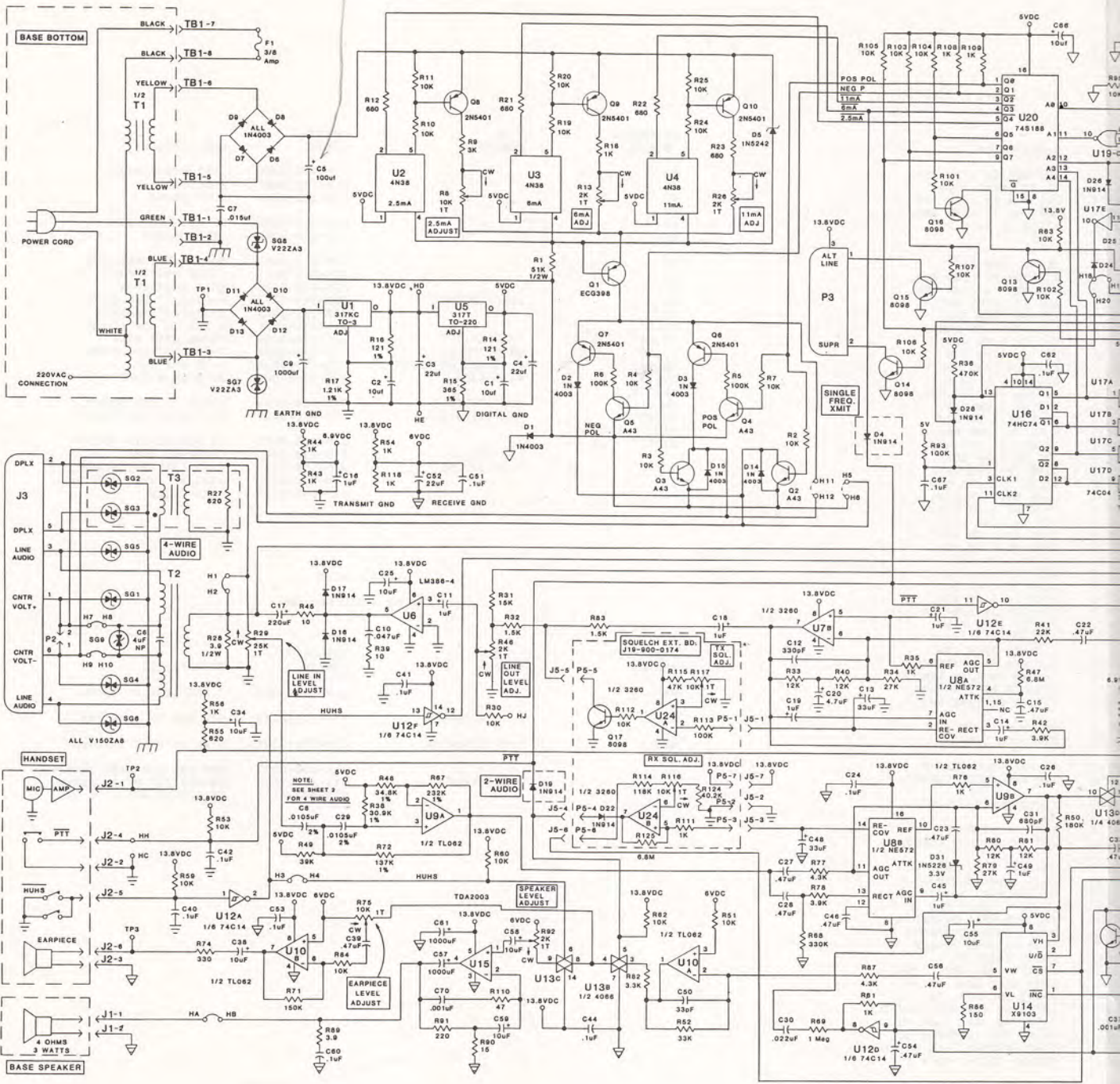
(4161-S-01, Rev.A)





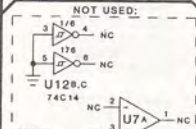
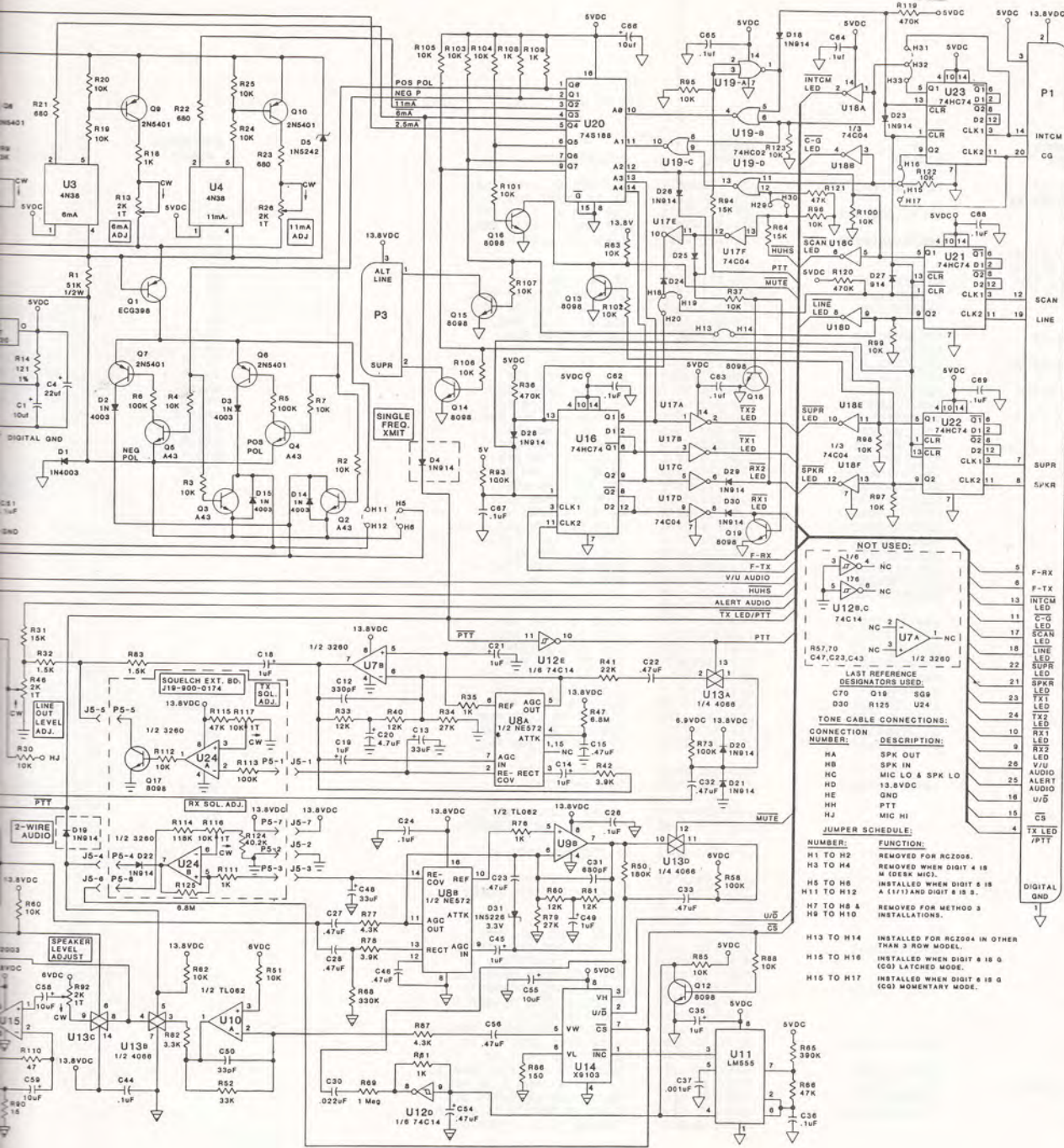
GE BENCH COMPONENTS  
 1968

150W



(4161-S-00)

HAS  
SQ BOARD



NOT USED:

U12B,C 74C14

U7A 1/2 3260

U13A 1/4 4068

U13B 1/4 4068

U13C 1/4 4068

U13D 1/4 4068

U13E 1/4 4068

U13F 1/4 4068

U13G 1/4 4068

U13H 1/4 4068

U13I 1/4 4068

U13J 1/4 4068

U13K 1/4 4068

U13L 1/4 4068

U13M 1/4 4068

U13N 1/4 4068

U13O 1/4 4068

U13P 1/4 4068

U13Q 1/4 4068

U13R 1/4 4068

U13S 1/4 4068

U13T 1/4 4068

U13U 1/4 4068

U13V 1/4 4068

U13W 1/4 4068

U13X 1/4 4068

U13Y 1/4 4068

U13Z 1/4 4068

LAST REFERENCE DESIGNATORS USED:

C70 O18 5G9

D30 R125 U24

U12B,C 74C14

U7A 1/2 3260

U13A 1/4 4068

U13B 1/4 4068

U13C 1/4 4068

U13D 1/4 4068

U13E 1/4 4068

U13F 1/4 4068

U13G 1/4 4068

U13H 1/4 4068

U13I 1/4 4068

U13J 1/4 4068

U13K 1/4 4068

U13L 1/4 4068

U13M 1/4 4068

U13N 1/4 4068

U13O 1/4 4068

U13P 1/4 4068

U13Q 1/4 4068

U13R 1/4 4068

U13S 1/4 4068

U13T 1/4 4068

U13U 1/4 4068

U13V 1/4 4068

U13W 1/4 4068

U13X 1/4 4068

U13Y 1/4 4068

U13Z 1/4 4068

CONNECTION NUMBER: DESCRIPTION:

HA SPK OUT

HB SPK IN

HC SPK LO & SPK LO

HD 13.8VDC

HE GND

HH PTT

HJ MIC HI

NUMBER: FUNCTION:

H1 TO H2 REMOVED FOR RC2004.

H3 TO H4 REMOVED WHEN DIGIT 4 IS IN LOCK MODE.

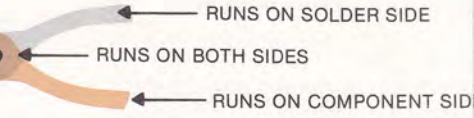
H5 TO H6 INSTALLED WHEN DIGIT 5 IS A 1 (1) AND DIGIT 5 IS 3.

H7 TO H8 REMOVED FOR METHOD 3 INSTALLATIONS.

H13 TO H14 INSTALLED FOR RC2004 IN OTHER THAN 3 ROW MODEL.

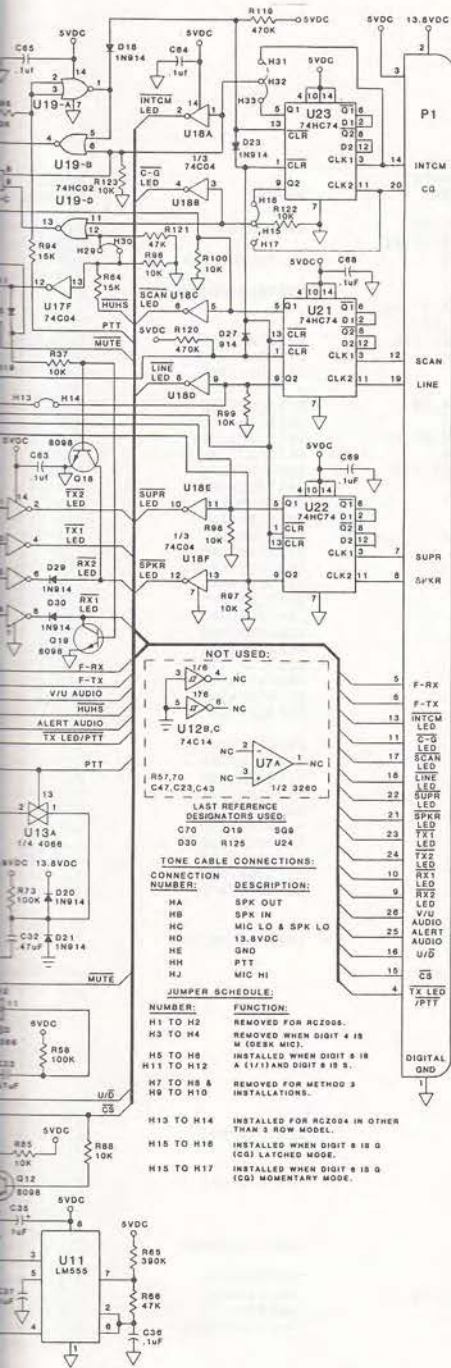
H15 TO H16 INSTALLED WHEN DIGIT 4 IS G (G) LATCHED MODE.

H15 TO H17 INSTALLED WHEN DIGIT 4 IS G (G) MOMENTARY MODE.



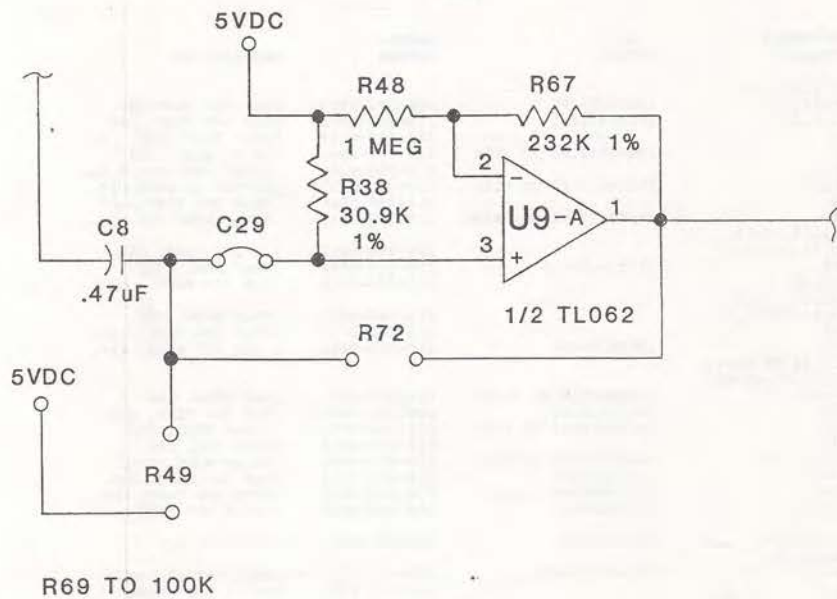
(4161-S-00)

7 AS  
SQ BOARD



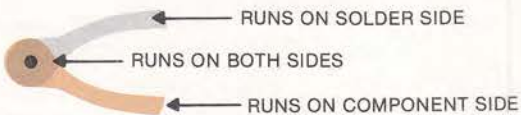
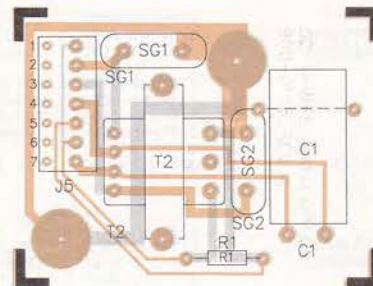
EARLIER MODELS

4-WIRE AUDIO OPTION



(4161-S-02)

LATER MODELS



(4011-A-00)  
(4011-A-01)

DC REMOTE CONTROLLER

PARTS LIST  
DC REMOTE CONTROLLER UNIT  
RCN1000  
ISSUE 1

REFERENCE NUMBER	GE NUMBER	VENDOR NUMBER	DESCRIPTION	REFERENCE NUMBER	GE NUMBER	VENDOR NUMBER
C1,2,34,55,58,59,66	19A701534P7	J19-390-0010	10uF 16V TANT CAP.	R12,21-23	H212CRP168C	J19-312-00
C3,4,52	19A703324P1	J19-360-0002	22uF 16V ELEC. CAP.	R13,26,46,92		J19-351-12
C5		J19-360-0011	100uF 25DV ELEC. CAP.	R14,16	19A701250P109	J19-311-12
C6	19A700121P6 OR P106	J19-361-0001	4uF NP ELEC. CAP.	R15		J19-311-36
C7		J19-380-0001	.015uF 100V MYLAR CAP.	R17	19A701250P209	J19-311-12
C8,29	19A700121P2 OR P102	J19-362-0003A	.0105uF 2% MONO CAP.	R18,35,43,44,54,56,61,76,		
C9		J19-360-0018	100uF 35V ELEC. CAP.	R27,55	H212CRP210C	J19-312-00
C10	19A700121P50 OR P105	J19-362-0009	.047uF MONO CAP.	R28	H212CRP162C	J19-313-13
C11,14,16,18,19,21,35,45,49		J19-390-0012	1uF 25V TANT. CAP.	R29	19A700113P5	J19-351-12
C12	19A116192P18	J19-362-0004	330PF MONO. CAP.	R31,64,94	H212CRP315C	J19-312-00
C13,48		J19-390-2336	33uF 16V TANT. CAP.	R32,83	H212CRP215C	J19-312-00
C15,22,27,28,32,33,39,46,56		J19-362-0002	.47uF MONO. CAP.	R33,40,80,81	H212CRP312C	J19-312-00
C17		J19-360-0007	220uF 16V ELEC. CAP.	R34,79	H212CRP327C	J19-312-00
C20	19A701534P6	J19-390-0004	4.7uF 35V TANT. CAP.	R36,119,120	H212CRP447C	J19-312-00
C24,26,36,40-44,51,53,60,62-65,67-69	19A700121P106 OR P6	J19-362-0001	.1uF MONO. CAP.	R38	19A701250P348	J19-311-30
C25	19A134202P17	J19-390-0007A	10uF 25V TANT. CAP.	R39,45	H212CRP010C	J19-312-00
C30	19A700121P3 OR P103	J19-362-0011	.022uF MONO. CAP.	R41	H212CRP322C	J19-312-00
C31		J19-370-0018	680PF CER. CAP.	R42,78	H212CRP239C	J19-312-00
C37,50,70	19A700121P1 OR P101	J19-362-0006	.001uF MONO. CAP.	R47	H212CRP568C	J19-312-00
C38	19A701534P8	J19-360-0004	10uF 16V ELEC. CAP.	R48	19A701250P353	J19-311-34
C54	19A700003P3	J19-390-0002	.47uF 35V TANT. CAP.	R49	H212CRP339C	J19-312-00
C57,61	19A701225P7	J19-360-0012	1000uF 16V ELEC. CAP.	R50	H212CRP118C	J19-312-00
D1-3,6-15	T324ADP1031	J19110-0002	1N4003 DIODE	R52	19A701250P363	J19-311-00
D4,16-21,23-30	19A700028P001	J19-110-0001	1N914/1N4148 DIODE	R57	H212CRP256C	J19-312-00
D5		J19-111-0003	1N5242 12V ZENER	R65	H212CRP439C	J19-312-00
F1		J19-290-0004	3/8 AMP FUSE	R66	H212CRP347C	J19-312-00
H1-2,2-3,5-6,7-8,9-10,11-12M,13-14	19A700072P1	J19-231-1002	2 POS. JUMPER POST	R67	19A701250P136	J19-311-23
H15-16-17,18-19-20	19A700041P2	J19-231-1003	3 POS. JUMPER POST	R68	H212CRP433C	J19-312-13
HA-B		J19-265-0006	.25" JUMPER WIRE	R69	H212CRP510C	J19-312-00
HH-HC	19A702104P1	J19-265-0016	.1" JUMPER WIRE	R70		J19-311-30
J1	19A116659P100	J19-231-1067	2 POS. .156" POST	R71	19A701250P118	J19-311-15
J2,3	19J706197P1	J19-234-0066	MODULAR JACK	R72	19A701250P114	J19-311-14
J5	19A700072P55	J19-231-3017	7 POS. TOP ENTRY RCPT	R74	H212CRP133C	J19-312-00
P1		J19-231-1071	26 POS. POST	R77	H212CRP322C	J19-312-00
P2	19A700072P33	J19-234-0006	7 POS. POST	R86	H212CRP115C	J19-312-00
P3	19A700072P84	J19-231-3107	3 POS. POST	R87	H212CRP243C	J19-312-00
Q1		J19-180-0020	ECG398 TRANSISTOR	R89	H212CRP939C	J19-312-00
Q2-5		J19-180-0008	MPSA43 TRANSISTOR	R90	H212CRP015C	J19-312-13
Q6-10		J19-180-0006	2N5401 TRANSISTOR	R91	H212CRP122C	J19-312-00
Q12-16,18,19		J19-180-0009	MPS8098 TRANSISTOR	R110	H212CRP047C	J19-312-00
R1	C3R77P513J	J19-313-1513	51K 5% 1/2W RES.	SG1-6,9		J19-300-00
R2-4,7,10,11,19,20,24,25,30,37,51,53,59,60,62,63,84,85,88,95-107		J19-312-0011	10K 5% 1/4W RES.	SG7,8	19A701250P336	J19-300-00
R5,6,58,73,93	H212CRP310C	J19-312-0003	100K 5% 1/4W RES.	T2		J19-410-00
R8,75	H212CRP410C	J19-351-1103	10K 1T. MINI POT.	T3		J19-410-00
R9	H212CRP230C	J19-312-0023	3K 5% 1/4W RES.	TB1		J19-231-00
				TP1		J19-200-00
				TP2,3		J19-265-00
				U1		J19-130-00
				U2-4		J19-130-00
				U5	19A701999P1	J19-130-00
				U6		J19-130-00
				U7		J19-130-00
				U8	19A703165P1	J19-130-00
				U9,10		J19-130-00
				U11		J19-130-00
				U12		J19-130-00
				U13	19A700029P044	J19-130-00
				U14		J19-130-00
				U15	19A701830P1	J19-130-00
				U16,21-23	19A704380P2	J19-130-00
				U17,18	19A703483P4	J19-130-00
				U19	19A703483P001	J19-130-00
				U20		J19-130-00



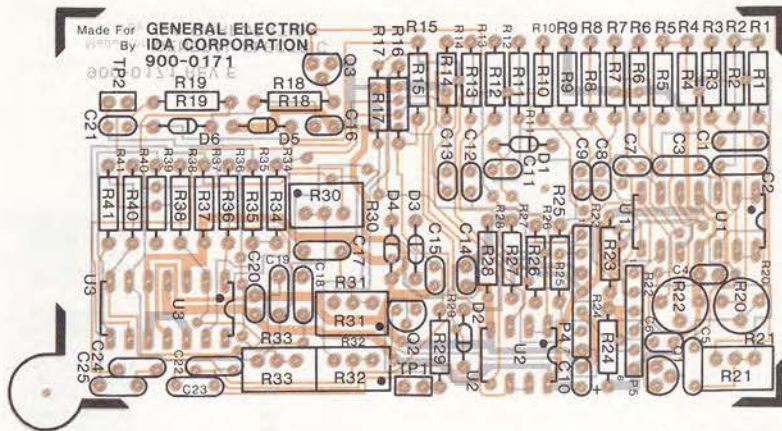
REFERENCE NUMBER	GE NUMBER	VENDOR NUMBER	DESCRIPTION	REFERENCE NUMBER	GE NUMBER
R12,21-23	H212CRP168C	J19-312-0017	680 OHM 5% 1/4W RES.	WR	
R13,26,46,92		J19-351-1202	2K 1T. MINI POT.	F1	
R14,16	19A701250P109	J19-311-1210	121 OHM 1% 1/4W RES.	F1	
R15		J19-311-3650	365 OHM 1% 1/4W RES.	Q1	
R17	19A701250P209	J19-311-1211	1.21K 1% 1/4W RES.	Q1	
R18,35,43,44		J19-312-0019	1K 5% 1/4W RES.	U1	
54,56,61,76,	H212CRP210C	J19-312-0045	620 OHM 5% 1/4W RES.	U1	
108,109,118	H212CRP162C	J19-313-1339	3.9 OHM 5% 1/2W RES.	U1	
R27,55	19A700113P5	J19-351-1253	25K 1T. MINI POT.	U1	N80P13008
R28		J19-312-0009	15K 5% 1/4W RES.	U1	
R29	H212CRP315C	J19-312-0078	1.5K 5% 1/4W RES.	U2-4	
R31,64,94	H212CRP215C	J19-312-0021	12K 5% 1/4W RES.	U5,15	19A702917
R32,83	H212CRP312C	J19-312-0005	27K 5% 1/4W RES.	U5,15	N80P13004
R33,40,80,81	H212CRP327C	J19-312-0046	470K 5% 1/4W RES.	U5,15	714225P3
R34,79	H212CRP447C	J19-311-3092	30.9K 1% 1/4W RES.	U5,15	N404P1388
R36,119,120	19A701250P348	J19-312-0038	10 OHM 5% 1/4W RES.	U6,7,9,	19A700154
R38	H212CRP010C	J19-312-0015	22K 5% 1/4W RES.	10,11,14	19A700156
R39,45	H212CRP322C	J19-312-0070	3.9K 5% 1/4W RES.	U8,20	
R41	H212CRP239C	J19-312-0016	6.8M 5% 1/4W RES.	U12,13,16-19,	
R42,78	H212CRP568C	J19-311-3482	34.8K 1% 1/4W RES.	21-23	
R47	19A701250P353	J19-312-0059	39K 5% 1/4W RES.		19A702104
R48	H212CRP339C	J19-312-0057	180K 5% 1/4W RES.		N80P13004
R49	H212CRP118C	J19-311-0026	44.2K 1% 1/4W RES.		
R50	19A701250P363	J19-312-0002	5.6K 5% 1/4W RES.		
R52	H212CRP256C	J19-312-0001	390K 5% 1/4W RES.		
R57	H212CRP439C	J19-312-0020	47K 5% 1/4W RES.		
R65	H212CRP347C	J19-311-2323	232K 1% 1/4W RES.		
R66	19A701250P136	J19-312-1334	330K 5% 1/4W RES.		
R67	H212CRP433C	J19-312-0047	1M 5% 1/4W RES.		
R68	H212CRP510C	J19-311-3650	365 OHM 1% 1/4W RES.		
R69		J19-311-1503	150K 5% 1/4W RES.		
R70	19A701250P118	J19-311-1373	137K 1% 1/4W RES.		
R71	19A701250P114	J19-312-0079	330 OHM 5% 1/4W RES.		
R72	H212CRP133C	J19-312-0015	22K 5% 1/4W RES.		
R74	H212CRP322C	J19-312-0056	150 OHM 5% 1/4W RES.		
R77	H212CRP115C	J19-312-0071	4.3K 5% 1/4W RES.		
R86	H212CRP243C	J19-312-0060	3.9 OHM 5% 1/4W RES.		
R87	H212CRP939C	J19-312-1150	15 OHM 5% 1/4W RES.		
R89	H212CRP015C	J19-312-0052	220 OHM 5% 1/4W RES.		
R90	H212CRP122C	J19-312-0068	47 OHM 5% 1/4W RES.		
R91	H212CRP047C				
R110					
SG1-6,9		J19-300-0001	VARIATOR 150V	R1	H212CRP18
SG7,8	19A701250P336	J19-300-0004	VARIATOR 24V	SG1,2	19A701250
T2		J19-410-0001A	24-10 AUDIO TRANSF.	T2	
T3		J19-410-0005	600 OHM COUP. TRANSF.		N80P90048
TB1		J19-231-0003	8 PIN ELECTROVERT		
TP1		J19-200-0015	TEST POINT POST		
TP2,3		J19-265-0011	.45" WIRE TEST POINT		
U1		J19-130-0247	LM317KC REG. TO-3 IC		
U2-4		J19-130-0241	4N38 OPTO ISOLATOR IC		
U5	19A701999P1	J19-130-0237	LM317T REG. TO-220 IC		
U6		J19-130-0223	LM386-4 AUDIO AMP IC		
U7		J19-130-0229	CA3260E DUAL OP-AMP IC		
U8	19A703165P1	J19-130-0240	NE572 DUAL COMPANDOR IC		
U9,10		J19-130-0120	TL062CP DUAL OP-AMP IC		
U11		J19-130-0010	LM555 TIMER IC		
U12		J19-130-0238	CD74C14 HEX SHMT. TRG. IC		
U13	19A700029P044	J19-130-0067	4066 QUAD SPST SW IC		
U14		J19-130-0243	X9103 10K POT. IC		
U15	19A701830P1	J19-130-0248	LM2003AT 10W AUD. AMP IC		
U16,21-23	19A704380P2	J19-130-0071	MM74C74N DUAL D FF IC		
U17,18	19A703483P4	J19-130-0257	74C04 HEX INVERTER IC		
U19	19A703483P001	J19-130-0249	74HC02N QUAD 2-IN NOR IC		
U20		J19-130-0213	74S188 32 X 8 PROM IC		

DESCRIPTION	REFERENCE NUMBER	GE NUMBER	VENDOR NUMBER	DESCRIPTION
0017 680 OHM 5% 1/4W RES.	WR		J19-265-0006	.25" WIRE JUMPER
1202 2K 1T. MINI POT.	F1		J19-291-0001	FUSE CLIP
1210 121 OHM 1% 1/4W RES.	F1		J19-291-0005	FUSE COVER
3650 365 OHM 1% 1/4W RES.	Q1		J19-210-0002	TO-220 HEAT SINK
1211 1.21K 1% 1/4W RES.	Q1		J19-200-0087	.187" RIVET
0019 1K 5% 1/4W RES.	U1		J19-210-0001	TO-3 1/2" HEAT SINK
0045 620 OHM 5% 1/4W RES.	U1		J19-210-0012	5423B HEAT SINK
1339 3.9 OHM 5% 1/2W RES.	U1		J19-210-0100	TO-3 INSULATOR
1253 25K 1T. MINI POT.	U1	N80P13008B6	J19-199-3073	6-32x1/2" PH. SCREW
0009 15K 5% 1/4W RES.	U1		J19-200-0068	6-32x1/8" SPACKER
0078 1.5K 5% 1/4W RES.	U2-4		J19-220-0006	6 PIN IC DIP SOCKET
0021 12K 5% 1/4W RES.	U5,15	19A702917P7	J19-210-0009	5630B HEAT SINK
0005 27K 5% 1/4W RES.	U5,15	N80P13004B6	J19-199-3070	6-32x1/4" PH. SCREW
0046 470K 5% 1/4W RES.	U5,15	714225P3 OR N210P13	J19-199-0020	6-32 HEX NUT
3092 30.9K 1% 1/4W RES.	U5,15	N404P13B6	J19-199-2002	#6 STAR WASHER
0038 10 OHM 5% 1/4W RES.	U6,7,9,			
0015 22K 5% 1/4W RES.	10,11,14	19A700156P15	J19-220-0003	8 PIN IC DIP SOCKET
0070 3.9K 5% 1/4W RES.	U8,20	19A700156P9	J19-220-0001	16 PIN IC DIP SOCKET
0016 6.8M 5% 1/4W RES.	U12,13,16-19,			
3482 34.8K 1% 1/4W RES.	21-23		J19-220-0002	14 PIN IC DIP SOCKET
0059 39K 5% 1/4W RES.		19A702104P2	J19-234-0046	SHORTING PLUG
0057 180K 5% 1/4W RES.		N80P13004B6	J19-199-3070	6-32x1/4" PH. SCREW
0026 44.2K 1% 1/4W RES.			J19-200-0305	#4x3/8" THRD. SPACER
0002 5.6K 5% 1/4W RES.			J19-900-0165	P.C. BOARD
0001 390K 5% 1/4W RES.				
0020 47K 5% 1/4W RES.				
2323 232K 1% 1/4W RES.				
1334 330K 5% 1/4W RES.				
0047 1M 5% 1/4W RES.				
3650 365 OHM 1% 1/4W RES.				
1503 150K 5% 1/4W RES.				
1373 137K 1% 1/4W RES.				
0079 330 OHM 5% 1/4W RES.				
0015 22K 5% 1/4W RES.				
0056 150 OHM 5% 1/4W RES.				
0071 4.3K 5% 1/4W RES.				
0060 3.9 OHM 5% 1/4W RES.				
1150 15 OHM 5% 1/4W RES.				
0052 220 OHM 5% 1/4W RES.				
0068 47 OHM 5% 1/4W RES.				
0001 VARISTOR 150V	R1	H212CRP162C	J19-312-0045	620 OHM 5% 1/4W RES.
0004 VARISTOR 24V	SG1,2	19A701250P336	J19-300-0004	514K 25 VOLT VARISTOR
0001A 24-10 AUDIO TRANSF.	T2		J19-410-0003	600 OHM COUPLING TRANSF.
0005 600 OHM COUP. TRANSF.		N80P9004B6	J19-199-3055	#4-40x1/4" PHL. SCREW
0003 8 PIN ELECTROVERT			J19-900-0170	GE 4-WIRE AUDIO PC BD
0015 TEST POINT POST				
0011 .45" WIRE TEST POINT				
0247 LM317KC REG. TO-3 IC				
0241 4N38 OPTO ISOLATOR IC				
0237 LM317T REG. TO-220 IC				
0223 LM386-4 AUDIO AMP IC				
0229 CA3260E DUAL OP-AMP IC				
0240 NE572 DUAL COMPANDOR IC				
0120 TL062CP DUAL OP-AMP IC				
0010 LM555 TIMER IC				
0238 CD74C14 HEX SHMT. TRG. IC				
0067 4066 QUAD SPST SW IC				
0243 X9103 10K POT. IC				
0248 LM2003AT 10W AUD. AMP IC				
0071 MM74C74N DUAL D FF IC				
0257 74C04 HEX INVERTER IC				
0249 74HC02N QUAD 2-IN NOR IC				
0213 74S188 32 X 8 PROM IC				

PARTS LIST

4-WIRE AUDIO OPTION  
ISSUE 1

REFERENCE NUMBER	GE NUMBER	VENDOR NUMBER	DESCRIPTION
J5 *		J19-231-3007	7 POS .1"x.1" RECP.T.
R1	H212CRP162C	J19-312-0045	620 OHM 5% 1/4W RES.
SG1,2	19A701250P336	J19-300-0004	514K 25 VOLT VARISTOR
T2		J19-410-0003	600 OHM COUPLING TRANSF.
	N80P9004B6	J19-199-3055	#4-40x1/4" PHL. SCREW
		J19-900-0170	GE 4-WIRE AUDIO PC BD



(4166-A-01, Rev.E)

(4166-A-02, Rev.E)

(4166-A-03, Rev.E)

Reference Number	GE Number
C1, 2, 3, 5, 18, 19, 22, 23, 24, 25	
C4, 6, 7, 8, 9, 13, 14, 15, 16, 20, 21	19A700
C10	19A701
C11	19A701
C17	
D1, 2, 3, 4, 5, 6	19A700
P4	19A700
P5	19A700
Q1	
Q2, 3	
R1, 16, 36	
R2, 15	19A700
R3, 17	
R4, 14, 37	19A701
R5, 13	19A701
R6, 12	H212CR
R7, 18, 29	H212CR
R8, 25	H212CR
R9, 23, 24, 26, 27, 28, 35	H212CR
R10, 11, 40	H212CR
R19	
R20	
R21, 31, 32, 33	
R22	
R30	
R34	
R38, 39, 41	19A700
TP1, 2	19A702
U1, 3	
U2	
U1, 3	19A700
U2	19A700
	N80P90

R20 SET NODE 2

R21 SET NODE 1

R22 FUNCTION TONE LEVEL ADJUST

R31 SET NODE 1

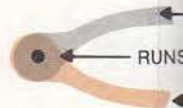
R32 SET NODE 2

R33 SET

R30 DETECTION GAIN

(4164-P-01, Rev.A)

PARALLEL OPTION BD.





PARTS LIST  
Extention/Parallel Option Board  
J19/900-0171

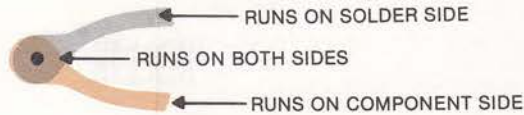
Reference Number	GE Number	VENDOR Number	Description
C1,2,3,5,18,19,22,23,24,25		J19-362-0019	.01uF 100V ULST CAP.
C4,6,7,8,9,13,14,15,16,20,21	19A700121P106 OR P6	J19-362-0001	.1uF 50V MONO CAP.
C10	19A701534P7	J19-390-0010	10uF 16V TANT CAP.
C11		J19-362-0014	82pF 100V MONO CAP.
C17		J19-362-0002	.47uF 50V MONO CAP.
D1,2,3,4,5,6	19A700028P001	J19-110-0001	1N914 DIODE
P4	19A700072P84	J19-231-3107	7 POS .1" POST HEADER
P5	19A700072P84	J19-231-3107	6 POS .1" POST HEADER
Q1		J19-180-0006	2N5401 PNP TRANSISTOR
Q2,3		J19-180-0009	MPS8098 NPN TRANSISTOR
R1,16,36		J19-311-6811	6.81K 1% 1/4W RES.
R2,15	19A701250P384	J19-311-7321	7.32K 1% 1/4W RES.
R3,17		J19-311-0017	2.67K 1% 1/4W RES.
R4,14,37	19A701250P365	J19-311-4642	46.4K 1% 1/4W RES.
R5,13	19A701250P225	J19-311-1781	1.78K 1% 1/4W RES.
R6,12	H212CRP343C	J19-312-0027	43K 5% 1/4W RES.
R7,18,29	H212CRP210C	J19-312-0019	1K 5% 1/4W RES.
R8,25	H212CRP347C	J19-312-0020	47K 5% 1/4W RES.
R9,23,24,26,27,28,35	H212CRP310C	J19-312-0011	10K 5% 1/4W RES.
R10,11,40	H212CRP422C	J19-312-0012	220K 5% 1/4W RES.
R19		J19-312-0073	750K 5% 1/4W RES.
R20		J19-351-1202	2K 1 TURN MINI POT
R21,31,32,33		J19-352-0004	2K 22 TURN POT
R22		J19-352-0005	100K 1 TURN MINI POT
R30		J19-352-0003	1M 22 TURN POT
R34		J19-311-5233	523K 1% 1/4W RES.
R38,39,41	19A701250P383	J19-311-7151	7.15K 1% 1/4W RES.
TP1,2	19A702104P1	J19-265-0016	.1" JUMPER WIRE
U1,3		J19-130-0251	TL064CN QUAD OP-AMP IC
U2		J19-130-0120	TL062CP DUAL OP-AMP IC
U1,3	19A700156P7	J19-220-0002	14 PIN IC DIP SOCKET
U2	19A700156P15	J19-220-0003	8 PIN IC DIP SOCKET
	N80P9004B6	J19-199-3055	#4-40x1/4" PHL.P. SCREW
		J19-900-0171	EXT / PAR. OPT. PC BD.

ON TONE  
ADJUST

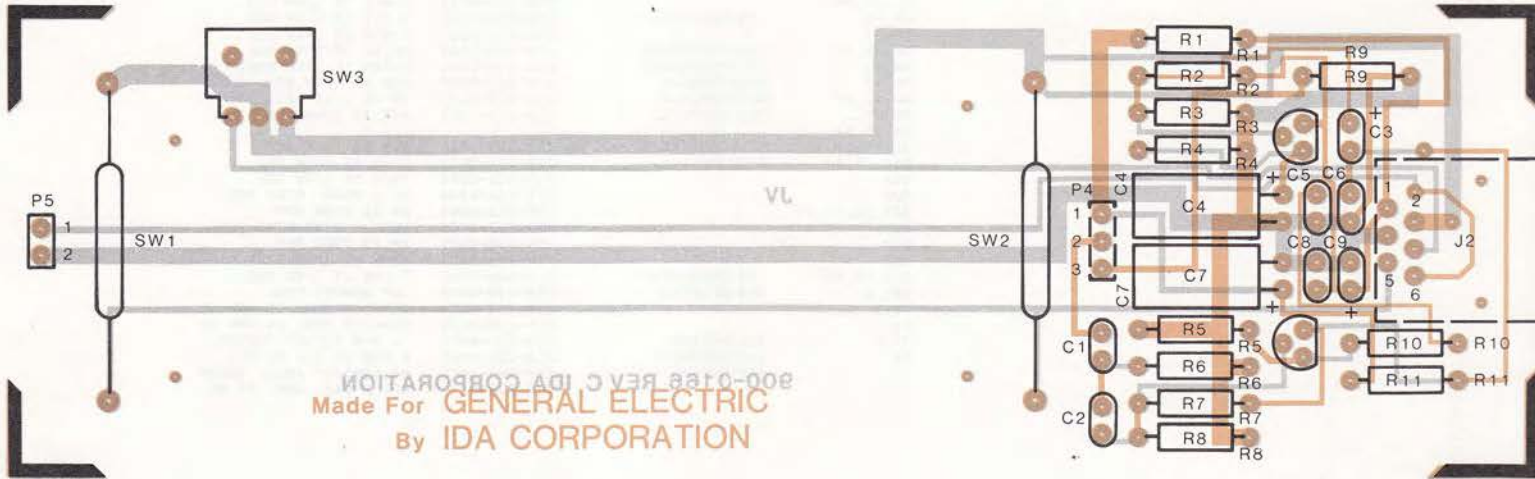
DE 1

DE 2

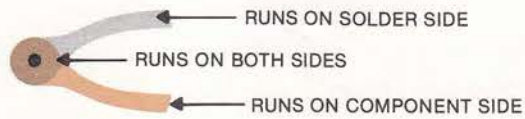
PTION BD.



TONE REMOTE PARALLEL OPTION  
J19/900-0171

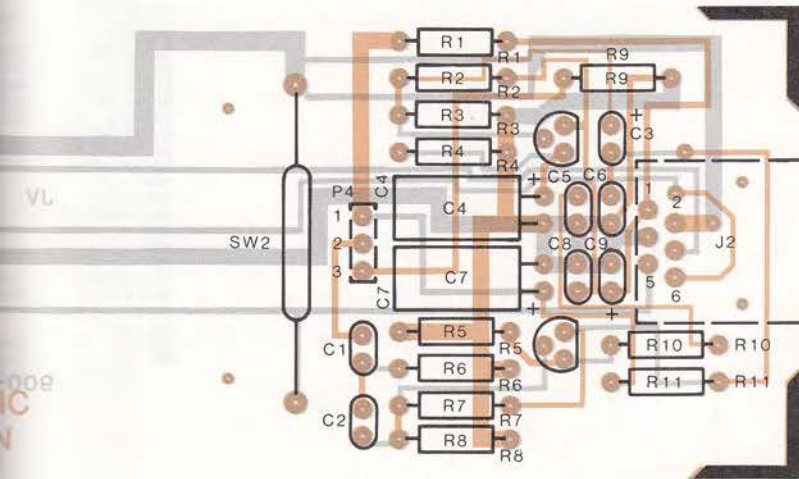


(4162-A-01)  
 (4162-A-02)  
 (4162-A-04)



REMOTE HANDSET BOARD  
 J19/900-0166

& PARTS LIST



-A-01)  
-A-02)  
-A-04)

ON SOLDER SIDE

DES

ON COMPONENT SIDE

PARTS  
DC Handset  
J19/9

Reference Number	GE Number	VEN
C1, 2	19A700121P50 OR 105	J19
C3	19A701225P6	J19
C5	19A701534P6	J19
C6	19A700121P2 OR P102	J19
C7	19A704879P2	J19
C8		J19
C9	19A700003P3	J19
J2	19J706197P1	J19
Q1, 2		J19
R1	19A701250P232	J19
R2, 7	H212CRP118C	J19
R3, 8	H212CRP410C	J19
R4	H212CRP110C	J19
R5	H212CRP215C	J19
R6	H212CRP210C	J19
R9	H212CRP282C	J19
R10	H212CRP115C	J19
R11	H212CRP256C	J19
SW1		J19
SW3		J19
EARPIECE		J19
EARPIECE		J19
J2		J19
J2		J19
MIC		J19
MIC		J19
MIC		J19
P4		J19
P5		J19
CRADLE KIT		J19
CRADLE KIT		J19
CRADLE KIT	N80P13004B4	J19
HANDSET BOTTOM		J19
HANDSET BOTTOM		J19
HANDSET TOP		J19
HANDSET TOP		J19

PARTS  
Tone Hand

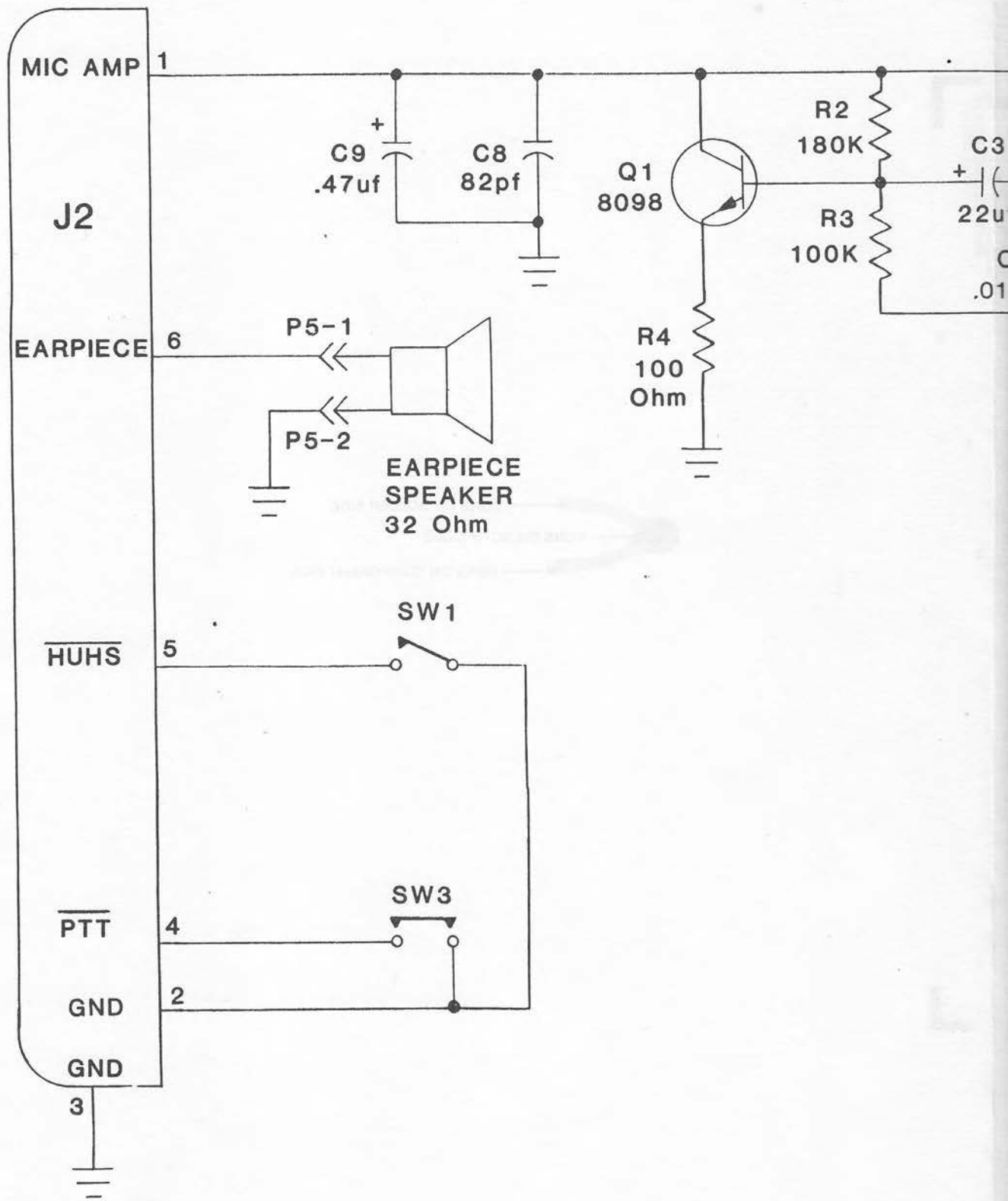
Reference Number	GE Number	VEN
C1, 2	19A700121P50 OR 105	J19
C3	19A701225P6	J19
C5	19A701534P6	J19
C6	19A700121P2 OR P102	J19
C7	19A704879P2	J19
C8		J19
C9	19A700003P3	J19
J2	19J706197P1	J19
Q1, 2		J19
R1	19A701250P232	J19
R2, 7	H212CRP118C	J19
R3, 8	H212CRP410C	J19
R4	H212CRP110C	J19
R5	H212CRP215C	J19
R6	H212CRP210C	J19
R9	H212CRP282C	J19
R10	H212CRP115C	J19
R11	H212CRP256C	J19
SW1		J19
SW3		J19
EARPIECE		J19
EARPIECE		J19
J2		J19
J2		J19
MIC		J19
MIC		J19
MIC		J19
P4		J19
P5		J19
CRADLE KIT		J19
CRADLE KIT		J19
CRADLE KIT	N80P13004B4	J19
HANDSET BOTTOM		J19
HANDSET BOTTOM		J19
HANDSET TOP		J19
HANDSET TOP		J19

PARTS LIST  
DC Handset Board  
J19/900-C166

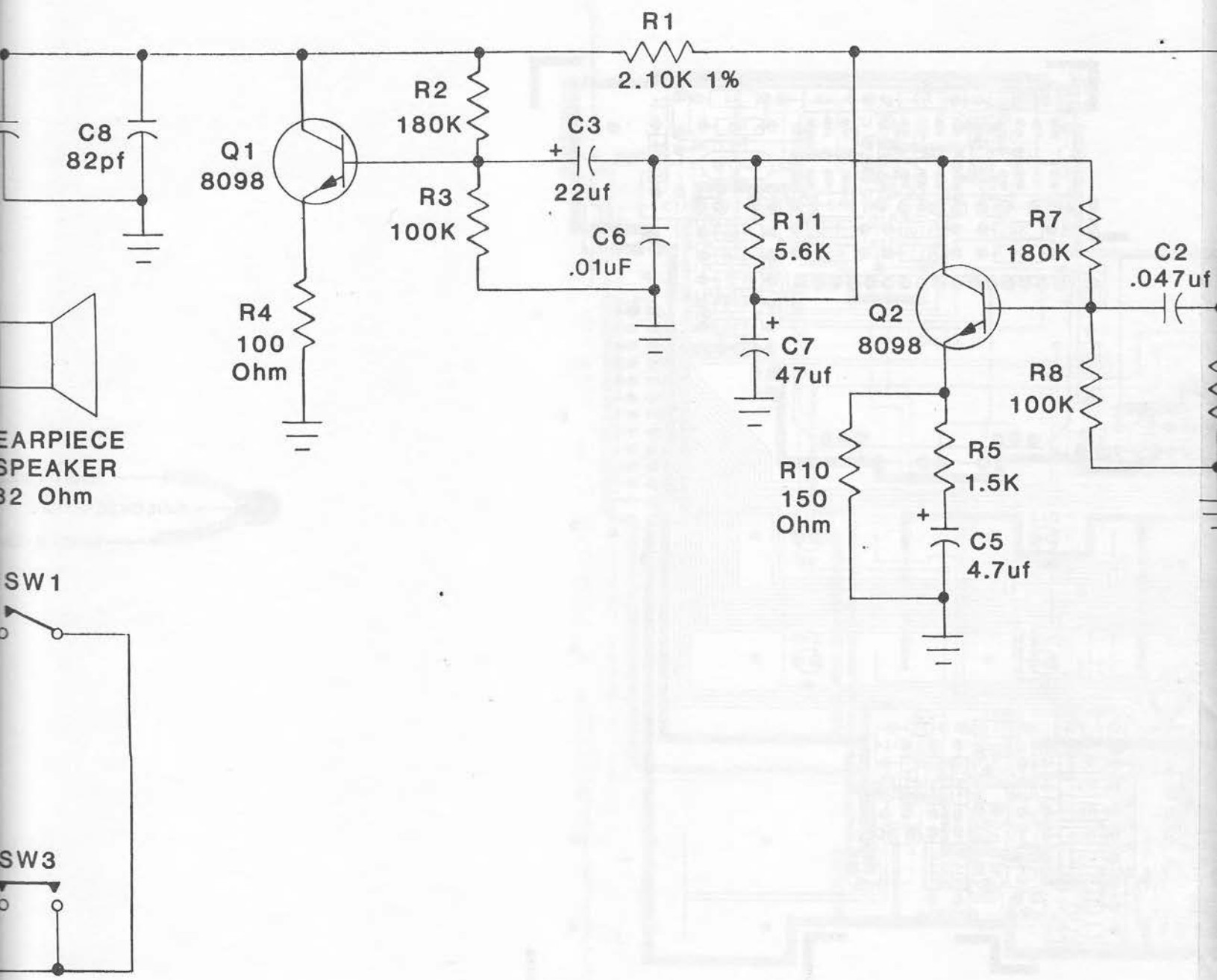
Reference Number	GE Number	VENDOR NUMBER	Description
C1,2	19A700121P50 OR 105	J19-362-0009	.047uF 50V MONO CAP.
C3	19A701225P6	J19-390-2226	22uF 16V TANT CAP.
C5	19A701534P6	J19-390-0011	4.7uF 16V TANT CAP.
C6	19A700121P2 OR P102	J19-362-0003	.01uF 50V MONO CAP.
C7	19A704879P2	J19-360-0025	47uF 16V ELEC CAP.
C8		J19-362-0014	82pF 100V MONO CAP.
C9	19A700003P3	J19-390-0002	.47uF 35V TANT CAP.
J2	19J706197P1	J19-234-0066	6 PIN MOD. PHONE JACK
Q1,2		J19-180-0009	MPS8098 NPN TRANSISTOR
R1	19A701250P232	J19-311-2101	2.10K 5% 1/4W RES.
R2,7	H212CRP118C	J19-312-0057	180K 5% 1/4W RES.
R3,8	H212CRP410C	J19-312-0003	100K 5% 1/4W RES.
R4	H212CRP110C	J19-312-0010	100 OHM 5% 1/4W RES.
R5	H212CRP215C	J19-312-0078	1.5K 5% 1/4W RES.
R6	H212CRP210C	J19-312-0019	1K 5% 1/4W RES.
R9	H212CRP282C	J19-312-0036	8.2K 5% 1/4W RES.
R10	H212CRP115C	J19-312-0056	150 OHM 5% 1/4W RES.
R11	H212CRP256C	J19-312-0002	5.6K 5% 1/4W RES.
SW1		J19-611-0030	MDRR-4 SPST REED SWITCH
SW3		J19-611-0031	SPST MOM NO PTT SWITCH
EARPIECE		J19-901-0009	32 OHM SPEAKER ELEMENT
EARPIECE		J19-901-0016	BLACK CLOTH
J2		J19-260-0023	6 COND MOD BLK COIL
			CORD
J2		J19-199-6099	3/8"x1" BLK HT SHRK TUBE
MIC		J19-901-0014	EM-60 MIC ELEMENT
MIC		J19-901-0011	80A RUBBER MIC MOUNT
MIC		J19-199-1002	1/4" PHL. LATCH SCREW
P4		J19-800-0037	3" 28AWG 3 COND CABLE
P5		J19-800-0037	3" 28AWG 2 COND CABLE
		J19-199-4027	#4x1/2" MACHINE SCREW
		J19-900-0166	HANDSET PC BOARD
CRADLE KIT		J19-900-0525	BLK TXRD HANDSET CRADLE
CRADLE KIT		J19-200-0094	1/4"x1" HUHS MAGNET
CRADLE KIT	N80P13004B4	J19-199-3080	#6-32x1/4" BLK PH SCREW
HANDSET BOTTOM		J19-900-0516	BLACK PTT BUTTON
HANDSET BOTTOM		J19-900-0517	BRN SCREW COVER
			RETAINER
HANDSET TOP		J19-900-5006	HANDSET WEIGHT
HANDSET TOP		J19-201-0063	3/8" HANDSET FOAM
		J19-900-0515	BRN TXRD HANDSET BOTTOM
		J19-900-0514	BRN TXRD HANDSET TOP

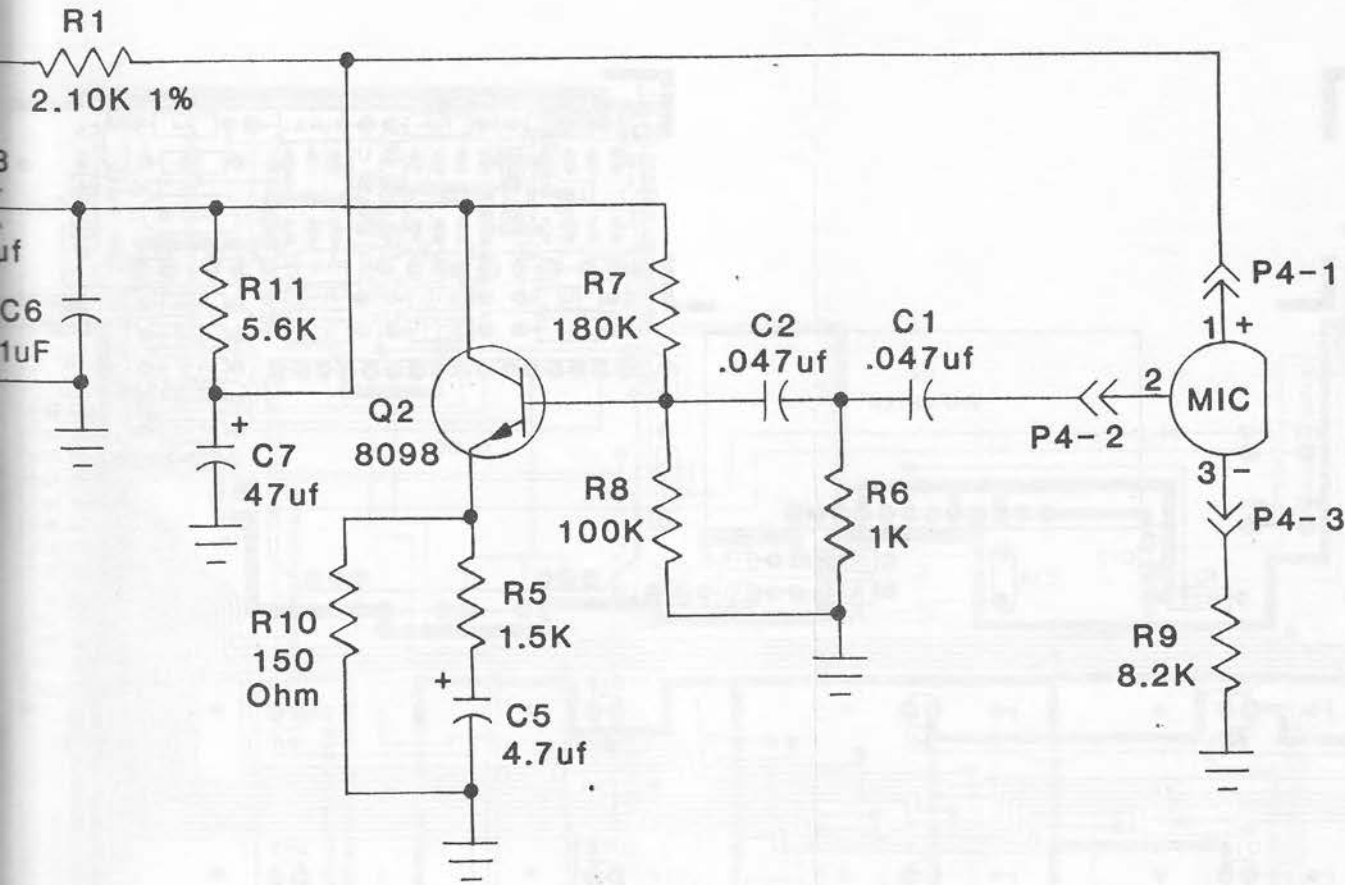
PARTS LIST  
Tone Handset Board

Reference Number	GE Number	VENDOR NUMBER	Description
C1,2	19A700121P50 OR 105	J19-362-0009	.047uF 50V MONO CAP.
C3	19A701225P6	J19-390-2226	22uF 16V TANT CAP.
C5	19A701534P6	J19-390-0011	4.7uF 16V TANT CAP.
C6	19A700121P2 OR P102	J19-362-0003	.01uF 50V MONO CAP.
C7	19A704879P2	J19-360-0025	47uF 16V ELEC CAP.
C8		J19-362-0014	82pF 100V MONO CAP.
C9	19A700003P3	J19-390-0002	.47uF 35V TANT CAP.
J2	19J706197P1	J19-234-0066	6 PIN MOD. PHONE JACK
Q1,2		J19-180-0009	MPS8098 NPN TRANSISTOR
R1	19A701250P232	J19-311-2101	2.10K 5% 1/4W RES.
R2,7	H212CRP118C	J19-312-0057	180K 5% 1/4W RES.
R3,8	H212CRP410C	J19-312-0003	100K 5% 1/4W RES.
R4	H212CRP110C	J19-312-0010	100 OHM 5% 1/4W RES.
R5	H212CRP215C	J19-312-0078	1.5K 5% 1/4W RES.
R6	H212CRP210C	J19-312-0019	1K 5% 1/4W RES.
R9	H212CRP282C	J19-312-0036	8.2K 5% 1/4W RES.
R10	H212CRP115C	J19-312-0056	150 OHM 5% 1/4W RES.
R11	H212CRP256C	J19-312-0002	5.6K 5% 1/4W RES.
SW1		J19-611-0030	MDRR-4 SPST REED SWITCH
SW3		J19-611-0031	SPST MOM NO PTT SWITCH
EARPIECE		J19-901-0009	32 OHM SPEAKER ELEMENT
EARPIECE		J19-901-0016	BLACK CLOTH
J2		J19-260-0023	6 COND MOD BLK COIL
			CORD
J2		J19-199-6099	3/8"x1" BLK HT SHRK TUBE
MIC		J19-901-0014	EM-60 MIC ELEMENT
MIC		J19-901-0011	80A RUBBER MIC MOUNT
MIC		J19-199-1002	1/4" PHL. LATCH SCREW
P4		J19-800-0037	3" 28AWG 3 COND CABLE
P5		J19-800-0037	3" 28AWG 2 COND CABLE
		J19-199-4027	#4x1/2" MACHINE SCREW
		J19-900-0166	HANDSET PC BOARD
CRADLE KIT		J19-900-0525	BLK TXRD HANDSET CRADLE
CRADLE KIT		J19-200-0094	1/4"x1" HUHS MAGNET
CRADLE KIT	N80P13004B4	J19-199-3080	#6-32x1/4" BLK PH SCREW
HANDSET BOTTOM		J19-900-0516	BLACK PTT BUTTON
HANDSET BOTTOM		J19-900-0517	BRN SCREW COVER
			RETAINER
HANDSET TOP		J19-900-5006	HANDSET WEIGHT
HANDSET TOP		J19-201-0063	3/8" HANDSET FOAM
		J19-900-0515	BRN TXRD HANDSET BOTTOM
		J19-900-0514	BRN TXRD HANDSET TOP





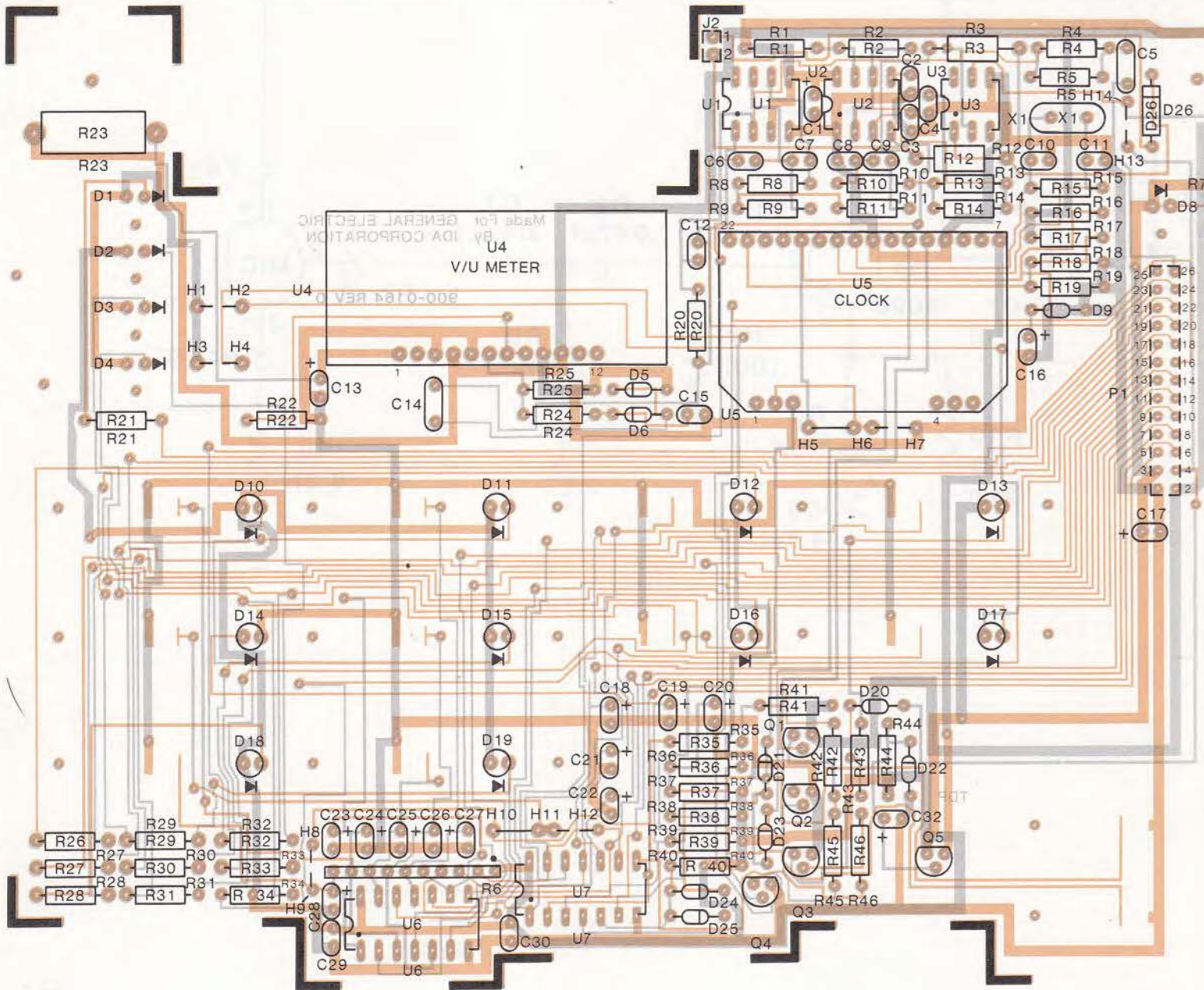




NOT USED:

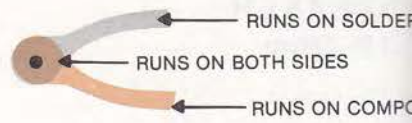
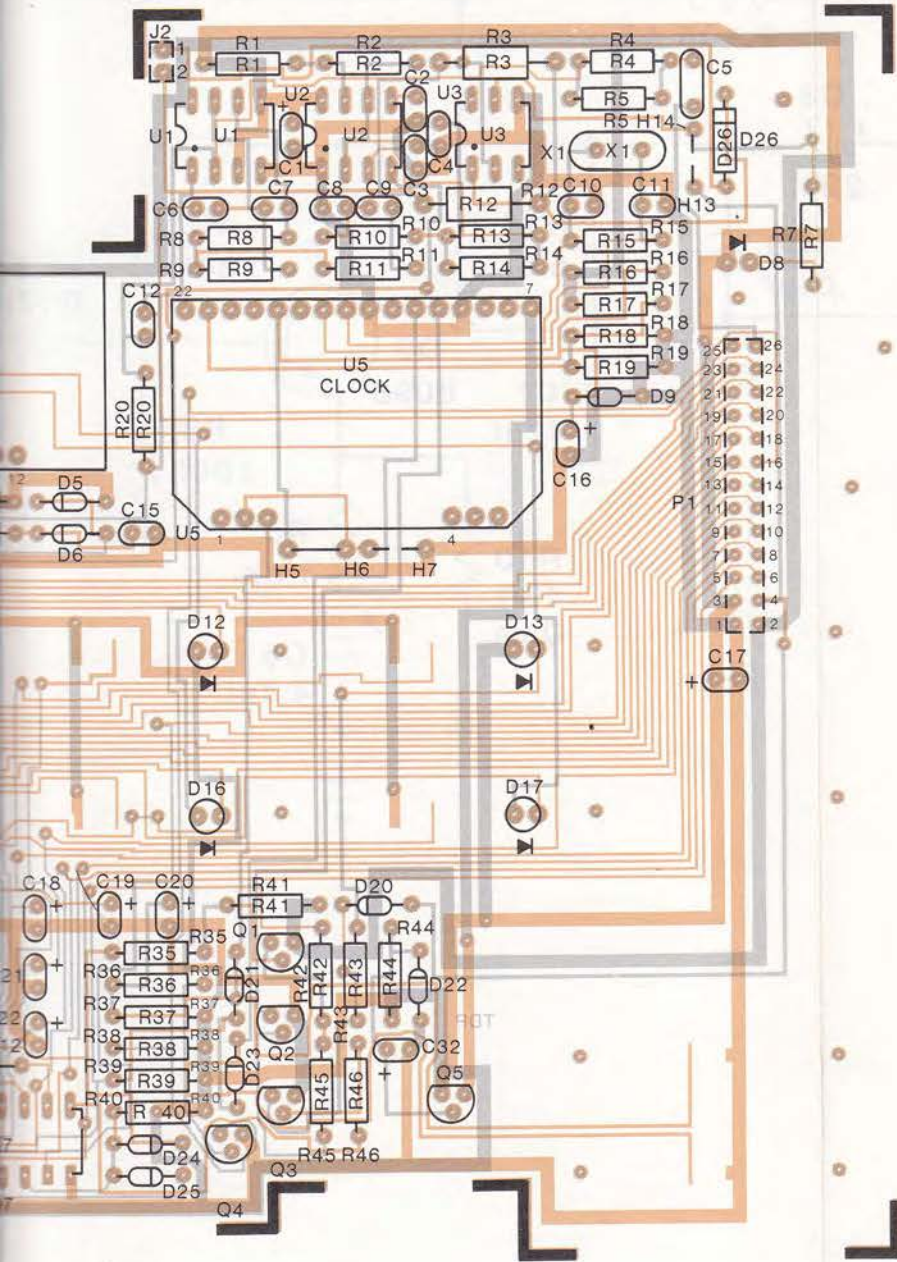
- C4.
- SW2

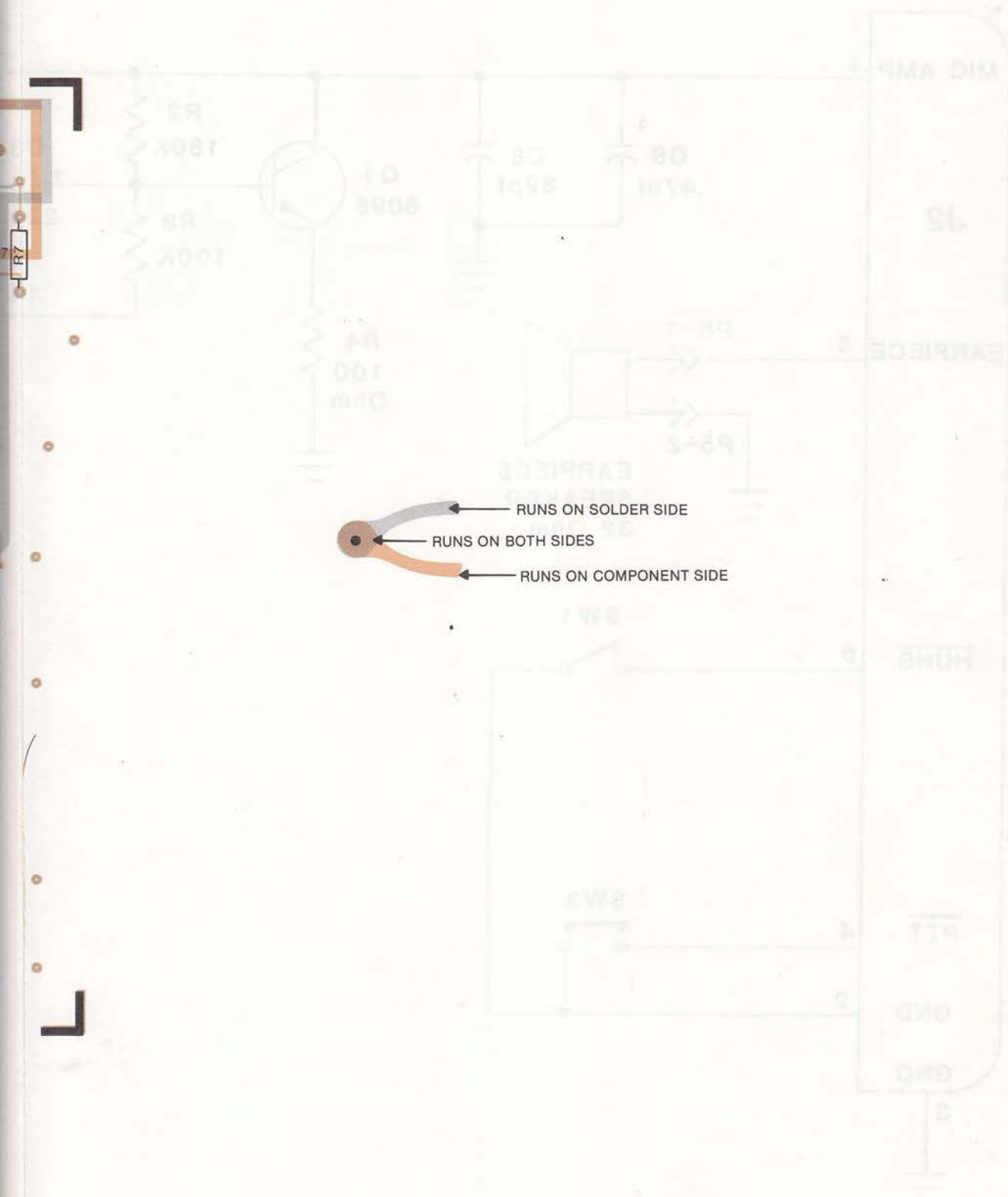
B	SL	12/3/87	SEPARATE GND.
A	JV	9/28/87	INITIAL RELEASE
REV.	BY	DATE	DESCRIPTION



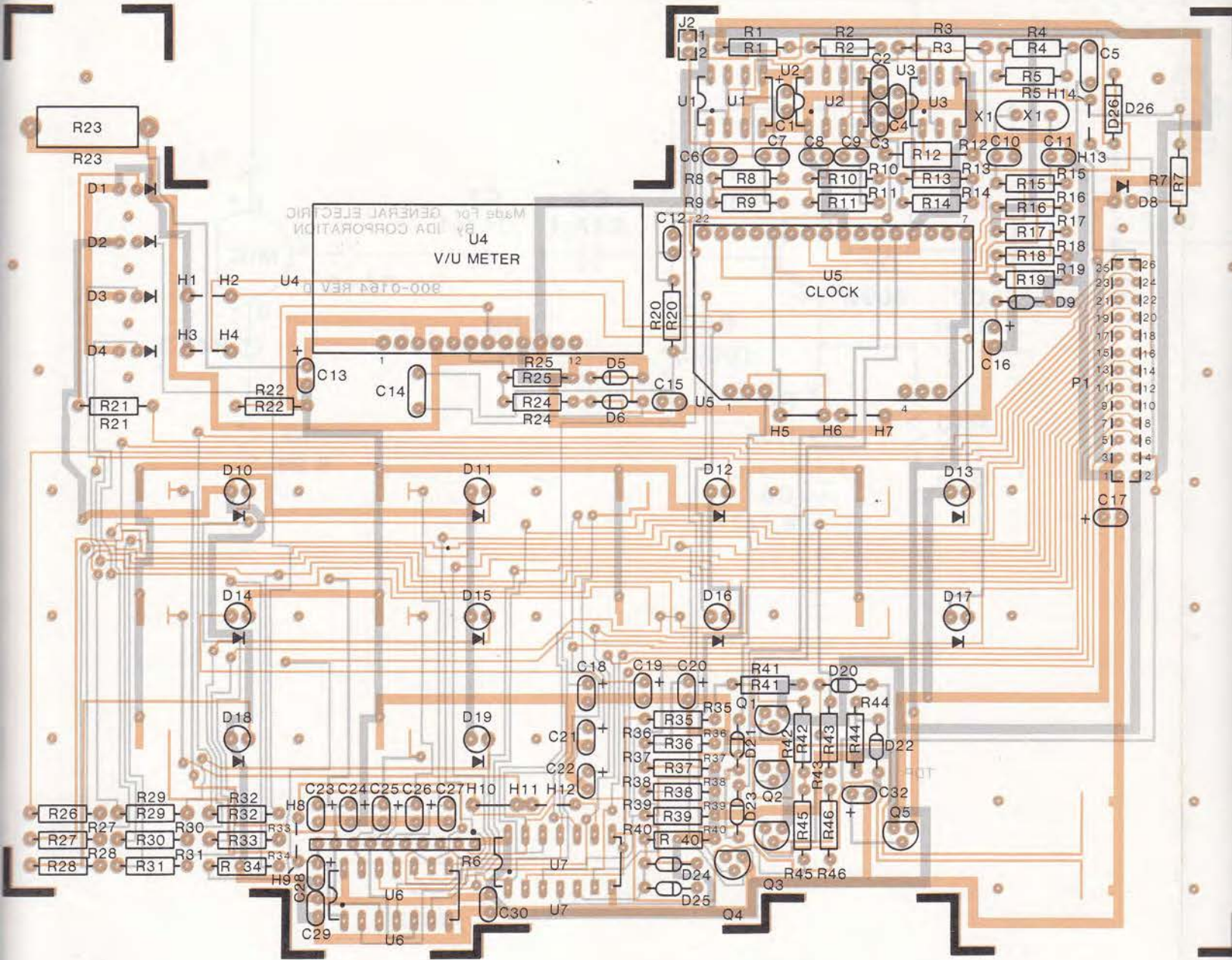
(4160-A-01)  
(4160-A-02)

KEYPAD DISPLAY BOARD  
J19/900-0164



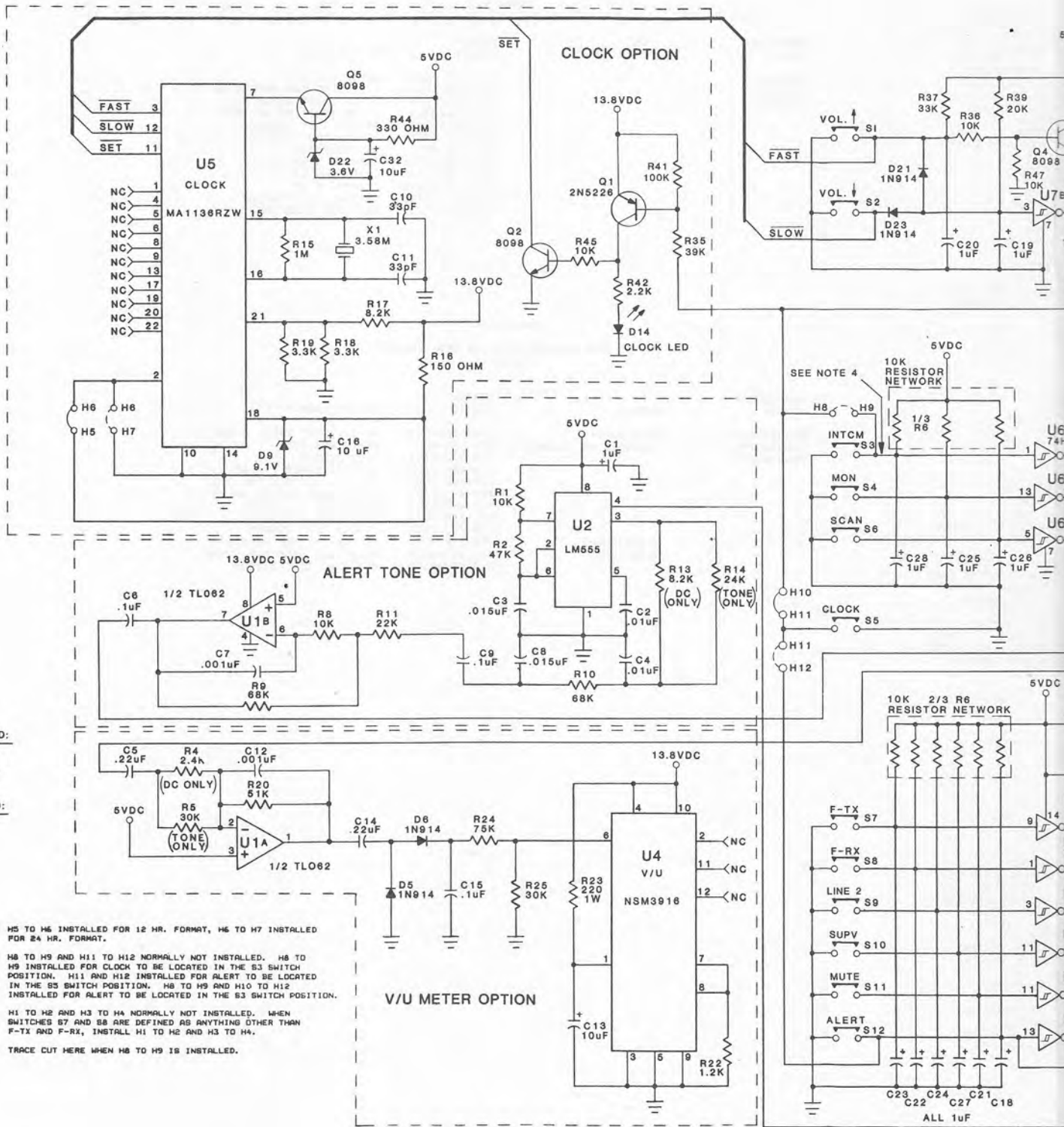


← RUNS ON SOLDER SIDE  
← RUNS ON BOTH SIDES  
← RUNS ON COMPONENT SIDE



(4160-A-01)  
(4160-A-02)

KEYPAD DISPLAY BOARD  
J19/900-0164



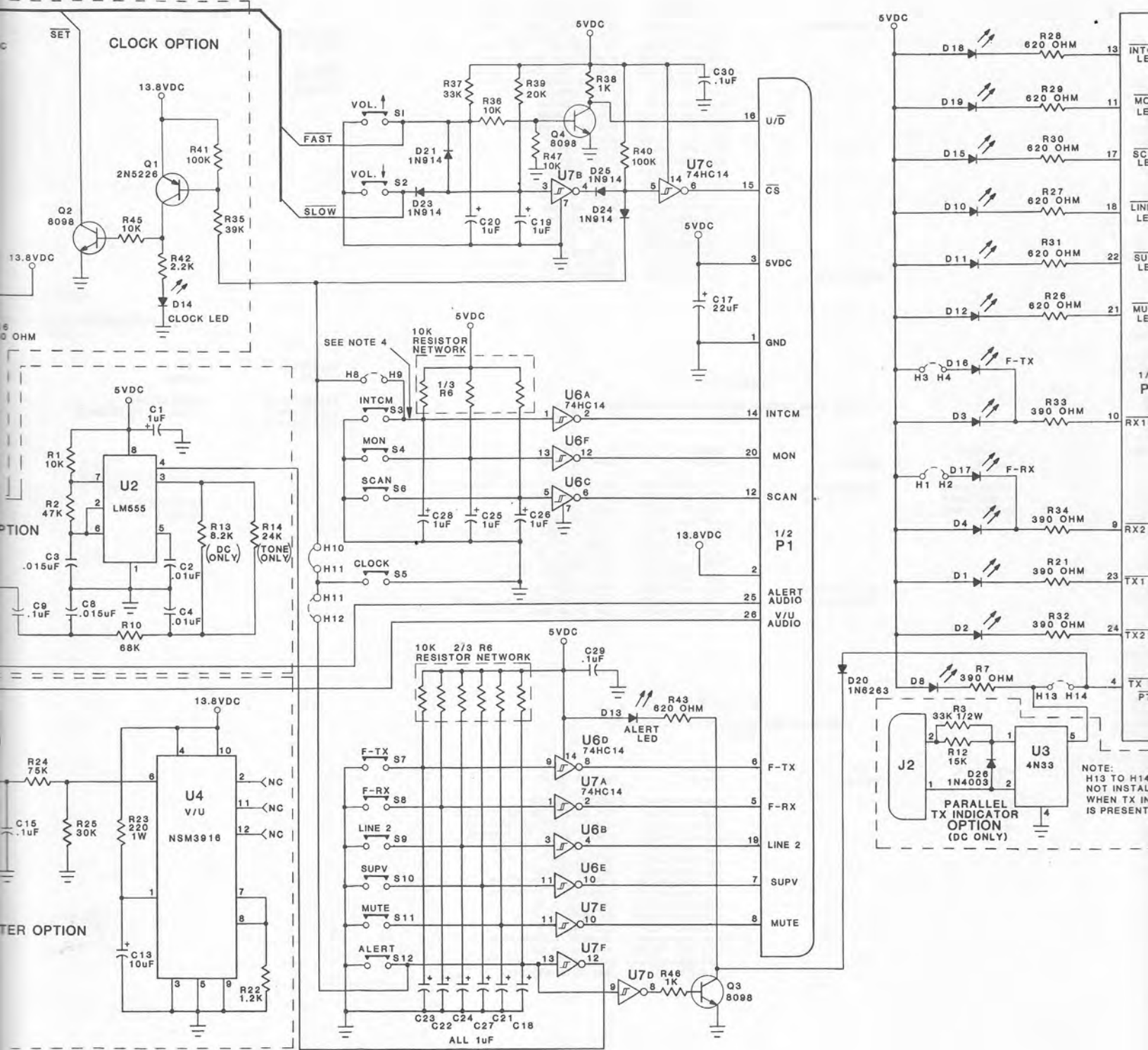
**LAST USED:**

U7 D28  
R47 H14  
C32 Q5

**NOT USED:**

D7 C31

- NOTE:**
1. H5 TO H6 INSTALLED FOR 12 HR. FORMAT, H6 TO H7 INSTALLED FOR 24 HR. FORMAT.
  2. H8 TO H9 AND H11 TO H12 NORMALLY NOT INSTALLED. H8 TO H9 INSTALLED FOR CLOCK TO BE LOCATED IN THE S3 SWITCH POSITION. H11 AND H12 INSTALLED FOR ALERT TO BE LOCATED IN THE S5 SWITCH POSITION. H8 TO H9 AND H10 TO H12 INSTALLED FOR ALERT TO BE LOCATED IN THE S3 SWITCH POSITION.
  3. H1 TO H2 AND H3 TO H4 NORMALLY NOT INSTALLED. WHEN SWITCHES S7 AND S8 ARE DEFINED AS ANYTHING OTHER THAN F-TX AND F-RX, INSTALL H1 TO H2 AND H3 TO H4.
  4. TRACE CUT HERE WHEN H8 TO H9 IS INSTALLED.







PARTS LIST  
DC KEYPAD/DISPLAY BOARD  
ISSUE 1

REFERENCE NUMBER	GE NUMBER	VENDOR NUMBER	DESCRIPTION
C1,18-28	19A701534P4	J19-390-0003	1uF 35V TANT CAP.
C2,4	19A700121P2 OR P102	J19-362-0003	.01uF 50V MONO CAP.
C3,8	19A116244P4	J19-362-0012	.015uF 50V MONO CAP.
C5,14	19A116192P16	J19-362-5224	.22uF 50V MONO CAP.
C6,9,15,29,30	19A700121P106 OR P6	J19-362-0001	.1uF 50V MONO CAP.
C7,12	19A700121P1 OR P101	J19-362-0006	.001uF 50V MONO CAP.
C10,11		J19-362-5330	33pF 200V MONO CAP.
C13,16,32	19A701534P7	J19-390-0010	10uF 16V TANT CAP.
C17	19A701225P6	J19-390-2226	22uF 16V TANT CAP.
D1-4,8		J19-112-0016	3211 RECT. RED LED
D5,6,21,23-25	19A700028P001	J19-110-0001	1N914 DIODE
D9		J19-111-0005	1N5239 9.1V ZENER DIODE
D10-19		J19-112-0012	HP1000 T-1 PKG. RED LED
D20	19A700047P003	J19-110-0008	1N6263 SCHOTKY DIODE
D22		J19-111-0008	1N5227 3.6V ZENER DIODE
D26	T324ADP1031	J19-110-0002	1N4003 DIODE
H1-2,3-4,5-6,6-7,8-9,10-11,11-12,13-14		J19-265-0006	.25" JUMPER WIRE
P1		J19-231-1071	26 POS .1"x.1" POST
Q1		J19-180-0005	2N5226 PNP TRANSISTOR
Q2-5		J19-180-0009	MPS8098 NPN TRANSISTOR
R1,8,36,45,47	H212CRP310C	J19-312-0011	10K 5% 1/4W RES.
R2	H212CRP347C	J19-312-0020	47K 5% 1/4W RES.
R3		J19-313-0014	33K 5% 1/2W RES.
R4	H212CRP224C	J19-311-0013	2.4K 5% 1/4W RES.
R6		J19-316-1103	10K RES. NTRK. OF 9
R7,21,32-34	H212CRP139C	J19-312-0044	390 OHM 5% 1/4W RES.
R9,10	H212CRP368C	J19-312-0058	68K 5% 1/4W RES.
R11	H212CRP322C	J19-312-0015	22K 5% 1/4W RES.
R12	H212CRP315C	J19-312-0009	15K 5% 1/4W RES.
R13,17	H212CRP282C	J19-312-0036	8.2K 5% 1/4W RES.
R15	H212CRP510C	J19-312-0047	1M 5% 1/4W RES.
R16	H212CRP115C	J19-312-0056	150 OHM 5% 1/4W RES.
R18,19	H212CRP233C	J19-312-0035	3.3K 5% 1/4W RES.
R20,39	H212CRP351C	J19-312-0032	51K 5% 1/4W RES.
R22	H212CRP212C	J19-312-0034	1.2K 5% 1/4W RES.
R23		J19-314-1224	220 OHM 5% 1W RES.
R24	H212CRP375C	J19-312-0055	75K 5% 1/4W RES.
R25	H212CRP330C	J19-312-1303	30K 5% 1/4W RES.
R26-31,43	H212CRP162C	J19-312-0045	620 OHM 5% 1/4W RES.
R35	H212CRP339C	J19-312-0059	39K 5% 1/4W RES.
R37	H212CRP333C	J19-312-0014	33K 5% 1/4W RES.
R38,46	H212CRP210C	J19-312-0019	1K 5% 1/4W RES.
R40,41	H212CRP410C	J19-312-0003	100K 5% 1/4W RES.
R42	H212CRP133C	J19-312-0079	330 OHM 5% 1/4 W RES.
U1		J19-130-0120	TL062CP DUAL OP-AMP IC
U2		J19-130-0010	NE555 TIMER IC
U3		J19-130-0256	4N33 OPTO ISOLATOR IC
U4		J19-130-0244	NSM3916 V/U MODULE IC
U5		J19-130-0245	MA1136RZW CLK. MODULE IC
U6,7		J19-130-0246	74HC14 HEX SCHMT. TRG. IC
X1		J19-305-0011	3.5 MHz LO PROF CYRSTAL
J2		J19-233-0039	2 POS .1" RECEPTACLE
J2 PIN 1		J19-222-0020	12" 22AWG BRN STRD WIRE
J2 PIN 2		J19-222-0014	12" 22AWG RED STRD WIRE

REFERENCE NUMBER

GE NUMBER

VENDOR NUMBER

DESCRIPTION

P1  
P1

N80P13004B6

J19-233-0011	20 POS
J19-800-0031	7" 20
J19-199-3070	#6-32x
J19-900-0164	KEYPAD
J19-900-0522A	12 HOLE
J19-900-0522B	8 HOLE
J19-900-0522C	4 HOLE
J19-203-0020	12 POS
J19-203-0018	2 POS
J19-900-0518	BLANK
J19-900-0518A	CLOCK
J19-900-0518B	RED AR
J19-900-0518C	SUPV B
J19-900-0518D	INTCM
J19-900-0518E	F-TX B
J19-900-0518F	F-RX B
J19-900-0518H	LINE 2
J19-900-0518I	ALERT
J19-900-0518J	MUTE B
J19-900-0518K	SCAN B
J19-900-0518L	RF OFF
J19-900-0518M	AUX-1
J19-900-0518Q	CG BUT
J19-199-4029	#4x1/4
J19-199-4031	#4x5/16

N80P900506

PARTS LIST

TONE BASE BOTTOM PLASTICS AND ASSEMBLY  
ISSUE 1

REFERENCE NUMBER

GE NUMBER

VENDOR NUMBER

DESCRIPTION

TRANSFORMER  
TRANSFORMER  
TRANSFORMER

N80P13005B6  
714225P3 OR N210P13

J19-199-4032	#6-32x
J19-199-0020	#6-32
J19-200-0024	BUTT S
J19-420-0005	117/24
J19-260-0009	6 FT 3
J19-203-11087	POWER
J19-199-6010	GE SER
J19-203-1054	1/4" P
J19-200-0069	#6-32x
J19-199-3080	#6-32x
J19-199-4030	#4x1"
J19-900-0524	BLK T

N80P13004B4  
N80P5016B6

PARTS LIST

TONE BASE TOP PLASTICS AND ASSEMBLY  
ISSUE 1

REFERENCE NUMBER

GE NUMBER

VENDOR NUMBER

DESCRIPTION

SPEAKER  
SPEAKER  
SPEAKER

J19-199-0040	#6-32
J19-222-0016	12" 22
J19-233-0024	2 POS
J19-901-0013	4 OHM
J19-200-0069	#6-32x
J19-200-0091	#6-32x
J19-199-6011	GE NAN
J19-900-0519A	CRYSTA
J19-900-0519B	CRYSTA
J19-900-0519C	CRYSTA
J19-900-0519D	CRYSTA
J19-900-0519E	CRYSTA
J19-900-0519F	CRYSTA
J19-900-0519I	CYRSTA
J19-900-0519J	CRYSTA
J19-900-0523	BRN T

ST

REFERENCE NUMBER	GE NUMBER	VENDOR NUMBER	DESCRIPTION
P1	N80P13004B6	J19-233-0011	20 POS .1"x.1" RECPT.
P1		J19-800-0031	7" 20 COND RIBBON CABLE
		J19-199-3070	#6-32x1/4" PHLP. SCREW
		J19-900-0164	KEYPAD/DISPLAY PC BD
		J19-900-0522A	12 HOLE BLK TXRD PANEL
		J19-900-0522B	8 HOLE BLK TXRD PANEL
		J19-900-0522C	4 HOLE BLK TXRD PANEL
		J19-203-0020	12 POS RUBBER KEYPAD
		J19-203-0018	2 POS RUBBER KEYPAD
		J19-900-0518	BLANK BUTTON
		J19-900-0518A	CLOCK BUTTON
		J19-900-0518B	RED ARROW VOLUME BUTTON
		J19-900-0518C	SUPV BUTTON
		J19-900-0518D	INTCM BUTTON
		J19-900-0518E	F-TX BUTTON
		J19-900-0518F	F-RX BUTTON
		J19-900-0518H	LINE 2 BUTTON
		J19-900-0518I	ALERT BUTTON
		J19-900-0518J	MUTE BUTTON
		J19-900-0518K	SCAN BUTTON
	J19-900-0518L	RF OFF BUTTON	
	J19-900-0518M	AUX-1 BUTTON	
	J19-900-0518Q	CG BUTTON	
	N80P900506	J19-199-4029	#4x1/4 PHLP MACH SCREW
		J19-199-4031	#4x5/16" TRUSS SCREW

PARTS LIST  
DC BASE TOP PLASTICS AND  
ISSUE 1

REFERENCE NUMBER	GE NUMBER	VENDOR NUMBER
SPEAKER		J19-199
SPEAKER		J19-222
SPEAKER		J19-233
		J19-901
		J19-201
		J19-201
		J19-201
		J19-191
		J19-901
		J19-901
		J19-901
		J19-901
		J19-901

PARTS LIST  
DC BASE BOTTOM PLASTICS AND  
ISSUE 1

PARTS LIST  
TONE BASE BOTTOM PLASTICS AND ASSEMBLY  
ISSUE 1

REFERENCE NUMBER	GE NUMBER	VENDOR NUMBER	DESCRIPTION
TRANSFORMER	N80P13005B6	J19-199-4032	#6-32x5/16" PHLP. SCREW
TRANSFORMER	714225P3 OR N210P13	J19-199-0020	#6-32 HEX NUT
TRANSFORMER		J19-200-0024	BUTT SPLICE
		J19-420-0005	117/240 POWER TRANSP.
		J19-260-0009	6 FT 3 COND BLK PWR CORD
		J19-203-11087	POWER CORD STRAIN RELIEF
		J19-199-6010	GE SERIAL NO. PLATE
		J19-203-1054	1/4" RUBBER FEET
		J19-200-0069	#6-32x.250" INSERT
	N80P13004B4	J19-199-3080	#6-32x1/4" BLK PH SCREW
	N80P5016B6	J19-199-4030	#4x1" BLK PHLP MCH SCREW
		J19-900-0524	BLK TXRD BASE BOTTOM

REFERENCE NUMBER	GE NUMBER	VENDOR NUMBER
TRANSFORMER	N80P13005B6	J19-199
TRANSFORMER	714225P3 OR N210P13	J19-199
TRANSFORMER		J19-201
		J19-420
		J19-260
		J19-203
		J19-201
		J19-201
		J19-201
		J19-199
		J19-199
	N80P13004B4	J19-199
	N80P5016B6	J19-199

PARTS LIST  
TONE BASE TOP PLASTICS AND ASSEMBLY  
ISSUE 1

REFERENCE NUMBER	GE NUMBER	VENDOR NUMBER	DESCRIPTION
SPEAKER		J19-199-0040	#6-32 PAL NUT
SPEAKER		J19-222-0016	12" 22AWG GRN STRD WIRE
SPEAKER		J19-233-0024	2 POS .156" RECEPTACLE
		J19-901-0013	4 OHM 3W 3" SQ SPEAKER
		J19-200-0069	#6-32x.250" INSERT
		J19-200-0091	#6-32x.180" INSERT
		J19-199-6011	GE NAMEPLATE
		J19-900-0519A	CRYSTAL 1 2F/VU/CLK
		J19-900-0519B	CRYSTAL 2 4F/VU/CLK
		J19-900-0519C	CRYSTAL 3 2F
		J19-900-0519D	CRYSTAL 4 4F
		J19-900-0519E	CRYSTAL 5 1F
		J19-900-0519F	CRYSTAL 6 1F/VU/CLK
		J19-900-0519I	CYRSTAL 9 VG
		J19-900-0519J	CRYSTAL 10 VG/VU/CLK
		J19-900-0523	BRN TXRD BASE TOP

PARTS LIST

DC BASE TOP PLASTICS AND ASSEMBLY  
ISSUE 1

DESCRIPTION  
 .1"x.1" RECPT.  
 COND RIBBON CABLE  
 1/4" PHLP. SCREW  
 AD/DISPLAY PC BD  
 BLK TXRD PANEL  
 BLK TXRD PANEL  
 BLK TXRD PANEL  
 RUBBER KEYPAD  
 RUBBER KEYPAD  
 RUBBER KEYPAD  
 BUTTON  
 BUTTON  
 ARROW VOLUME BUTTON  
 BUTTON  
 BUTTON  
 BUTTON  
 BUTTON  
 2 BUTTON  
 T BUTTON  
 BUTTON  
 BUTTON  
 FF BUTTON  
 1 BUTTON  
 BUTTON  
 1/4 PHLP MACH SCREW  
 1/16" TRUSS SCREW

REFERENCE NUMBER	GE NUMBER	VENDOR NUMBER	DESCRIPTION
SPEAKER		J19-199-0040	#6-32 PAL NUT
SPEAKER		J19-222-0016	12" 22AWG GRN STRD WIRE
SPEAKER		J19-233-0024	2 POS .156" RECEPTACLE
		J19-901-0013	4 OHM 3W 3" SQ SPEAKER
		J19-200-0069	#6-32x.250" INSERT
		J19-200-0091	#6-32x.180" INSERT
		J19-199-6011	GE NAMEPLATE
		J19-900-0519A	CRYSTAL 1 2F/VU/CLK
		J19-900-0519C	CRYSTAL 3 2F
		J19-900-0519E	CRYSTAL 5 1F
		J19-900-0519F	CRYSTAL 6 1F/VU/CLK
		J19-900-0523	BRN TXRD BASE TOP

PARTS LIST

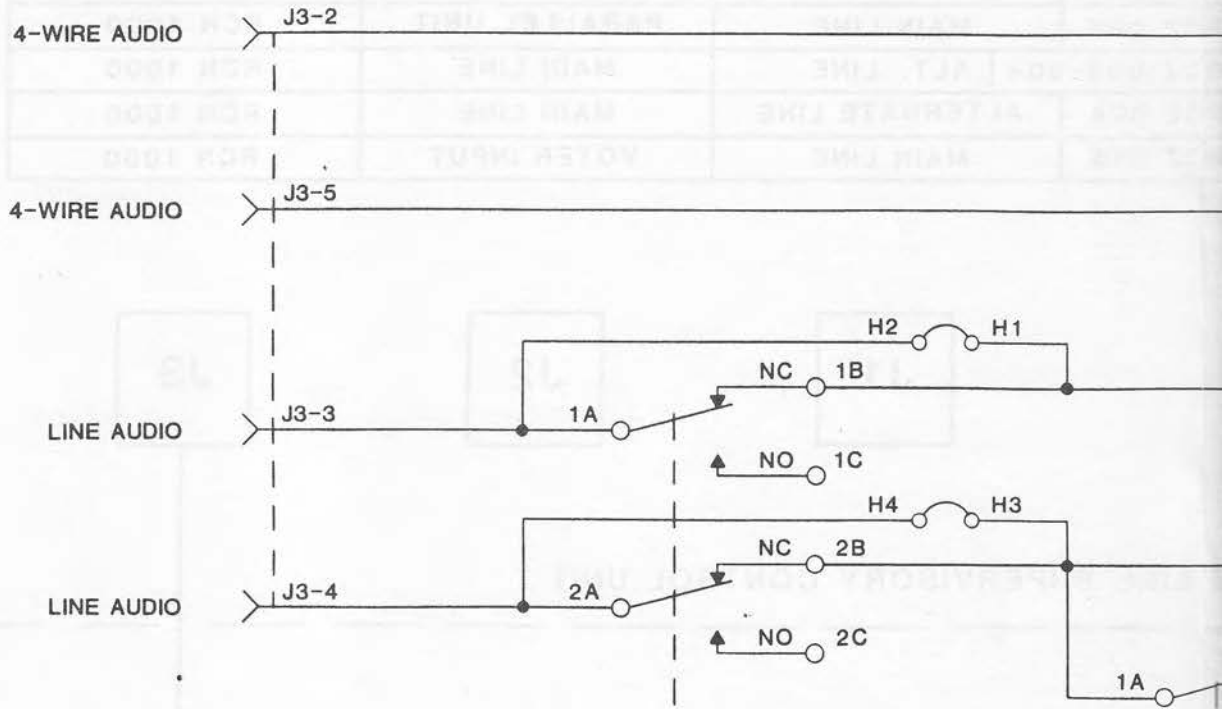
DC BASE BOTTOM PLASTICS AND ASSEMBLY  
ISSUE 1

DESCRIPTION  
 2x5/16" PHLP. SCREW  
 32 HEX NUT  
 T SPLICE  
 240 POWER TRANSF.  
 3 COND BLK PWR CORD  
 ER CORD STRAIN RELIEF  
 SERIAL NO. PLATE  
 RUBBER FEET  
 12x.250" INSERT  
 12x1/4" BLK PH SCREW  
 1" BLK PHLP MCH SCREW  
 TXRD BASE BOTTOM

REFERENCE NUMBER	GE NUMBER	VENDOR NUMBER	DESCRIPTION
TRANSFORMER	N80P13005B6	J19-199-4032	#6-32x5/16" PHLP. SCREW
TRANSFORMER	714225P3 OR N210P13	J19-199-0020	#6-32 HEX NUT
TRANSFORMER		J19-200-0024	BUTT SPLICE
		J19-420-0005	117/240 POWER TRANSF.
		J19-260-0009	6 FT 3 COND BLK PWR CORD
		J19-203-1107	POWER CORD STRAIN RELIEF
		J19-199-6010	GE SERIAL NO. PLATE
		J19-203-1054	1/4" RUBBER FEET
		J19-200-0069	#6-32x.250" INSERT
	N80P13004B4	J19-199-3080	#6-32x1/4" BLK PH SCREW
	N80P5016B6	J19-199-4030	#4x1" BLK PHLP MCH SCREW
		J19-900-0524	BLK TXRD BASE BOTTOM

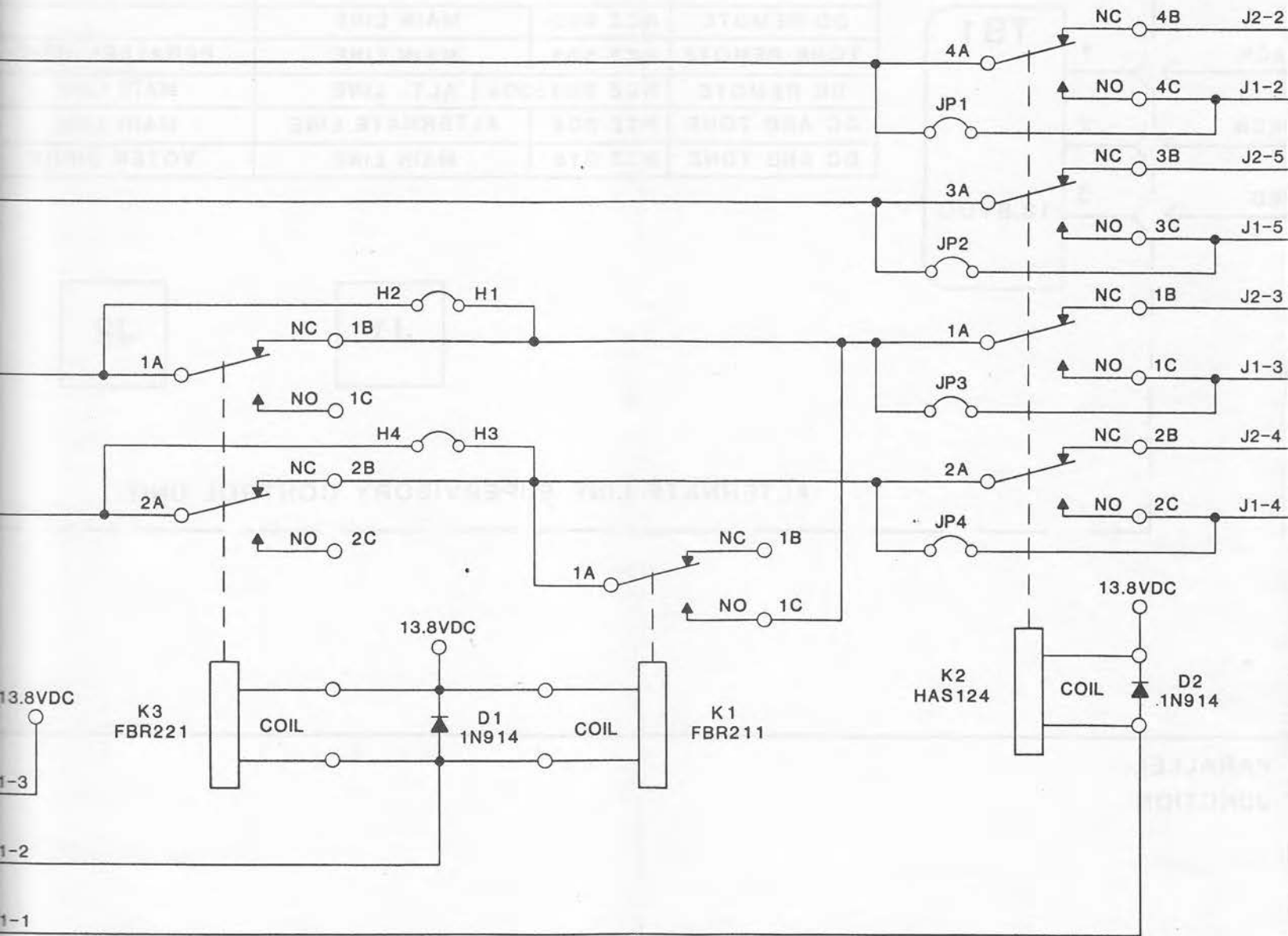
DESCRIPTION  
 32 PAL NUT  
 22AWG GRN STRD WIRE  
 .156" RECEPTACLE  
 3W 3" SQ SPEAKER  
 12x.250" INSERT  
 12x.180" INSERT  
 NAMEPLATE  
 STAL 1 2F/VU/CLK  
 STAL 2 4F/VU/CLK  
 STAL 3 2F  
 STAL 4 4F  
 STAL 5 1F  
 STAL 6 1F/VU/CLK  
 STAL 9 VG  
 STAL 10 VG/VU/CLK  
 TXRD BASE TOP

**RCN 1000 CONNECTIONS**

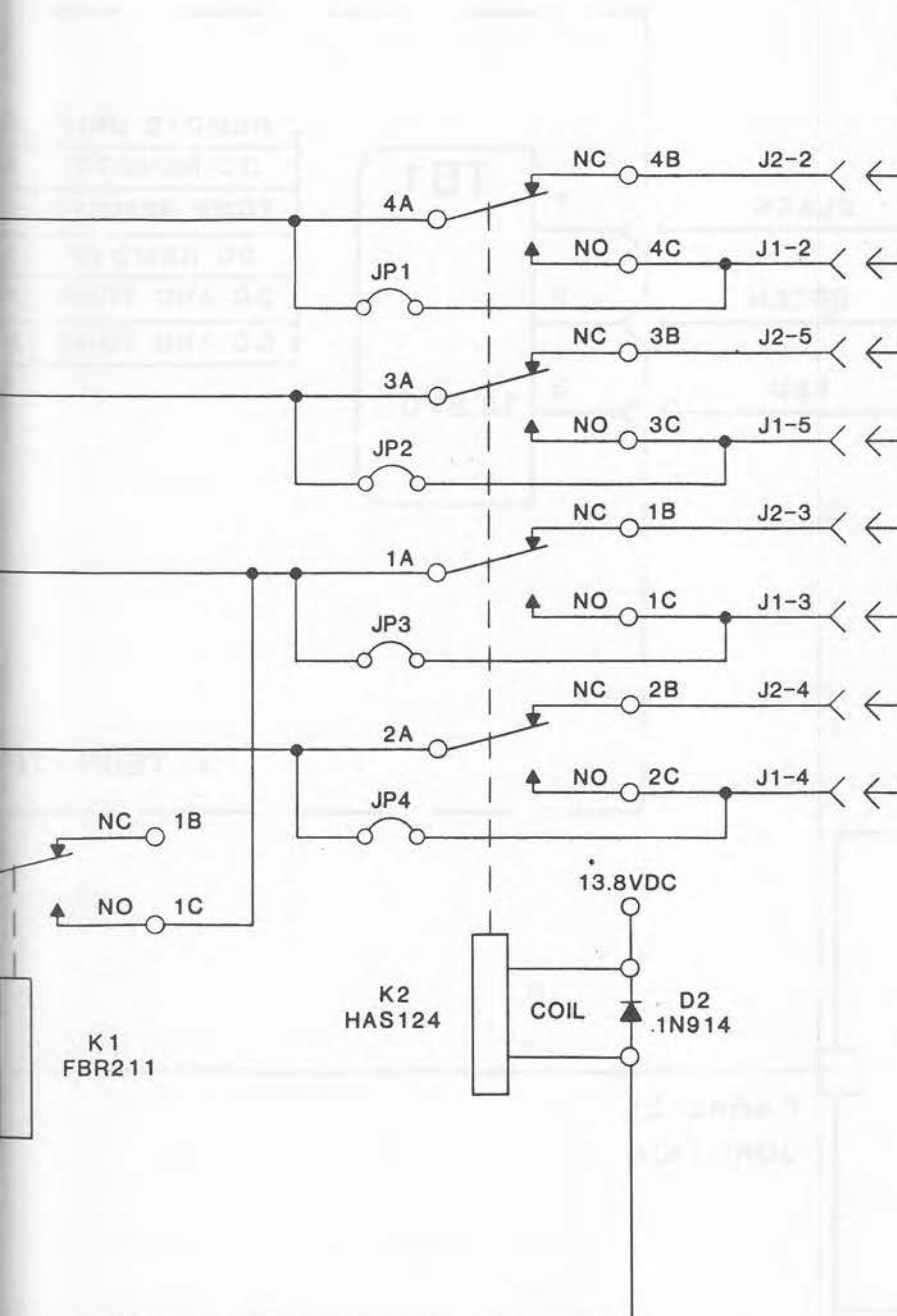


RCN 1000 CONNECTIONS	
DC VERSION	tone VERSION
13.8VDC	13.8VDC
SUPERVISOR	NOT USED
ALT. LINE OR TAKEOVER	SUPERVISOR OR ALT. LINE OR TAKEOVER

OPTION		PARTS M
NUMBER	FUNCTION	DC VERSIO
RCZ 003	SUPERVISOR	D2,K2,K3
RCZ 004	ALTERNATE LINE	D1,K1,K3,JP1 TH
RCZ 015	TAKEOVER	D1,K1,K3
RCZ 003-004	SUPERVISOR AND ALTERNATE LINE	K3,JP1 THRU



OPTION		PARTS NOT USED PER OPTION	
NUMBER	FUNCTION	DC VERSION	tone VERSION
RCZ 003	SUPERVISOR	D2,K2,K3	D1,K1,K3
RCZ 004	ALTERNATE LINE	D1,K1,K3,JP1 THRU JP4	D1,K1,K3,JP1 THRU JP4
RCZ 015	TAKEOVER	D1,K1,K3	D1,K1,K3
RCZ 003-004	SUPERVISOR AND ALTERNATE LINE	K3,JP1 THRU JP4	NOT AVAILABLE



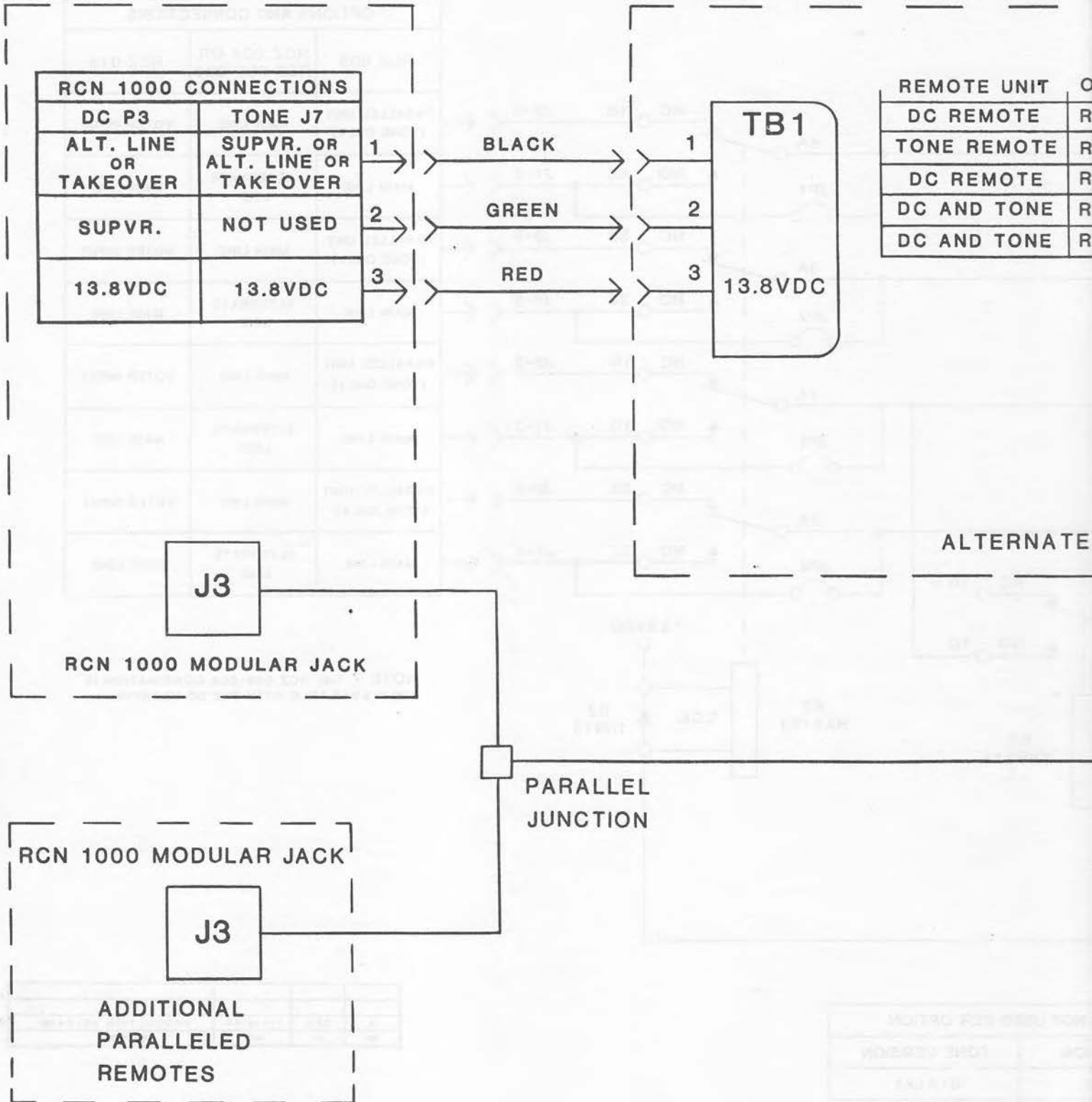
OPTIONS AND CONNECTIONS		
RCZ 003	RCZ 004 OR RCZ 003-004	RCZ 015
PARALLEL UNIT (TONE ONLY)	MAIN LINE	VOTER INPUT
MAIN LINE	ALTERNATE LINE	MAIN LINE
PARALLEL UNIT (TONE ONLY)	MAIN LINE	VOTER INPUT
MAIN LINE	ALTERNATE LINE	MAIN LINE
PARALLEL UNIT (TONE ONLY)	MAIN LINE	VOTER INPUT
MAIN LINE	ALTERNATE LINE	MAIN LINE
PARALLEL UNIT (TONE ONLY)	MAIN LINE	VOTER INPUT
MAIN LINE	ALTERNATE LINE	MAIN LINE

NOTE : THE RCZ 003-004 COMBINATION IS ONLY AVAILABLE WITH THE DC VERSION.

NOT USED PER OPTION	
OPTION	TONE VERSION
RCZ 003	D1,K1,K3
THRU JP4	D1,K1,K3,JP1 THRU JP4
RCZ 004	D1,K1,K3
THRU JP4	NOT AVAILABLE

A	DPR	11/19/87	PRODUCTION RELEASE
REV.	BY	DATE	DESCRIPTION

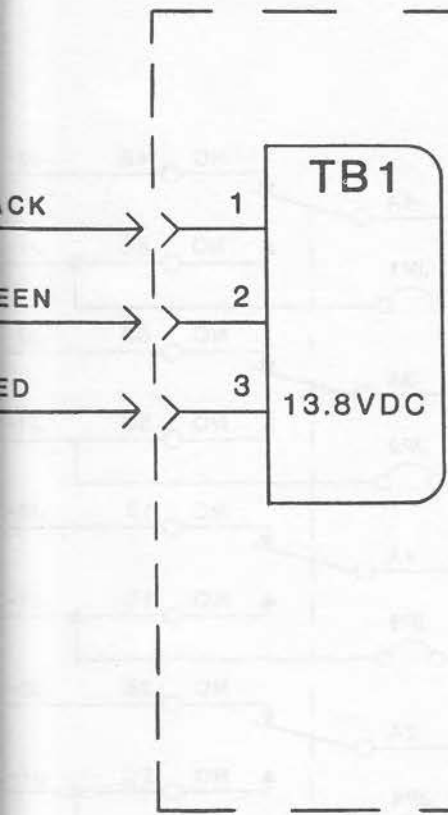
ALTERNATE LINE/SUPERVISORY CONTROL BOARD  
J19/900-0169



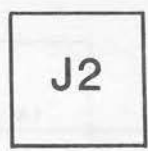
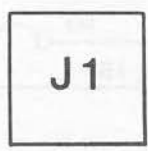
ALTERNATE LINE/SUPERVISORY  
CONTROL BOARD  
J19/900-0169

(4163-P-01)





REMOTE UNIT	OPTIONS	CONNECTIONS	CONNECTIONS
DC REMOTE	RCZ 003	MAIN LINE	
TONE REMOTE	RCZ 003	MAIN LINE	PARALLEL UNIT
DC REMOTE	RCZ 003-004	ALT. LINE	MAIN LINE
DC AND TONE	RCZ 004	ALTERNATE LINE	MAIN LINE
DC AND TONE	RCZ 015	MAIN LINE	VOTER INPUT



ALTERNATE LINE SUPERVISORY CONTROL UNIT

PARALLEL JUNCTION

REVISION	DATE	DESCRIPTION	BY
1			
2			
3			
4			

A
REV

(4163-P-01)

OPTIONS	CONNECTIONS	CONNECTIONS	CONNECTIONS
RCZ 003	MAIN LINE		RCN 1000
RCZ 003	MAIN LINE	PARALLEL UNIT	RCN 1000
RCZ 003-004	ALT. LINE	MAIN LINE	RCN 1000
RCZ 004	ALTERNATE LINE	MAIN LINE	RCN 1000
RCZ 015	MAIN LINE	VOTER INPUT	RCN 1000

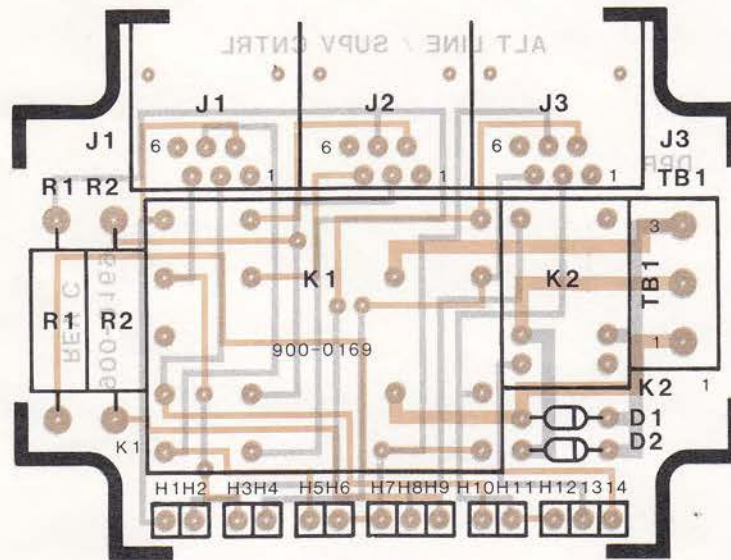
J1

J2

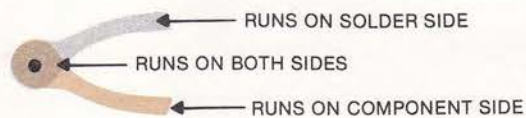
J3

E LINE SUPERVISORY CONTROL UNIT

REV	BY	DATE	DESCRIPTION
A	JV	11/25/87	INITIAL RELEASE



(4163-A-00)  
 (4163-A-02)  
 (4163-A-03)



ALTERNATE LINE/SUPERVISORY  
 CONTROL BOARD  
 J19/900-0169

**COVERAGE**

This addendum replaces completely Addendum No. 1 to LBI-31846A which pertained to DC Models of the RCN1000.

**INTRODUCTION**

This addendum provides information on Revision D to the DC Models of the RCN1000 and on Revision D to the Tone Models of the RCN1000.

**DC MODELS****Information Provided**

Schematic - Main Board (4 sheets)	Revision D
Schematic - Keypad/Display Board	Revision D
Schematic - Microphone/Handset	Revision D
Schematic - Alt Line/Supv	Revision B
Discussion on Alignment	
Production Changes	

**Summary of Production Changes**

Initial Production is Revision A. After that several modifications were made to improve operation on some versions of the DC control RCN1000's.

Revision D removed the squelch circuit and changed the compressor circuit to improve signal-to-noise performance. Also desk microphones were modified to add a 50K pot connected as a rheostat in series with the base of the output amplifier in the microphone. A hole is drilled in the back cover to allow adjustment. This adjustment permits reduction of pickup of room noise.

A modification kit, J19/DC-D, is available from Service Parts to bring earlier revision DC control units up to Revision D.

**TONE MODELS****Information Provided**

Schematic - Main Board (5 sheets)	Revision D
Schematic - Keypad/Display Board	Revision D
Schematic - Microphone/Handset	Revision D
Schematic - Alt Line/Supv	Revision B
Discussion on Alignment	
Production Changes	

**Summary of Production Changes**

Initial Production is Revision A. After that several modifications were made to improve operation on some versions of the tone control RCN1000's.

Revision D removed the squelch circuit and changed the compressor circuit to improve signal-to-noise performance. Also desk microphones were modified to add a 50K pot connected as a rheostat in series with the base of the output amplifier in the microphone. A hole is drilled in the back cover to allow adjustment. This adjustment permits reduction of pickup of room noise.

A modification kit, J19/TONE-D, is available from Service Parts to bring earlier revision tone control units up to Revision D.

**DISCUSSION ON ALIGNMENT OF RCN1000 AND STATION PANELS**

Although audio levels should be considered on a system basis, it is appropriate to set levels on the remote controller by itself, and the station panel by itself, (both with reference to the levels required by the transmission path) and then connect the controller and station to the transmission path.

This is done because the transmission path (if it is composed of more than a simple wireline pair) is usually set up with a "test tone" and it is customary that the "average voice" level is defined as being a certain number of decibels below the test tone level. The test tone is normally the maximum level that can be sent through the path either without clipping or set by regulation. Although there is no definite agreement as to what the difference in level between test tone and average voice is, we will use 10 dB in our discussion here. Should you desire to use another number you can adjust this discussion to that number.

**PROCEDURE**

In order to align your RCN1000 and station panel properly, it will be necessary that you have some information about the transmission path. You should know or measure: Its loss at 1000 Hz; Its test tone or maximum level; Its average voice level if defined; and, in the event of a tone remote system, its loss at 2175 Hz.

This will enable you to determine the levels necessary to enter and leave the path at each end; and, thereby, the levels to adjust your remote controller and station panel.

Set Up RCN (microphone to line)

1. Apply 1000 Hz (600 ohm) signal to J2-1 and -2 (gnd) at 1000 millivolts. This is the test tone level. Key PTT. You will find it very convenient to prepare a short length of cable with a modular plug to insert into J2. Key PTT by connecting the lead from J2-4 to the lead from J2-2 (gnd).
2. Terminate output of RCN (J3-3 & 4) with 600 ohms. Again preparing a short length of cable with a modular plug and resistor is very convenient.
3. Set LINE OUT LEVEL (R46 in DC, R64 in tone) at (or below, if desired) the test tone level permitted on the transmission path as measured across the resistor. Note that in the case of the tone remote that the Secur-it tone will be sent at this level (adjust R22 as set out in the maintenance manual if necessary). The Secur-it tone will be 10 dB higher than the function tones. The function tones will be sent at the average voice level. Remove the test modular plug which unkeys PTT.

Set Up RCN (line to speaker)

4. Feed 1000 Hz at a 600 ohm impedance into J3-3 & 4 (J3-2 & 5 if four wire) at the test tone received level.
5. With the Volume Control and the LINE IN LEVEL (R29 in DC, R43 in tone) set to maximum, measure the level across the speaker. Reduce R29/R43 until the meter falls 1.0 dB.

Set Up RCN (Parallel transmit indication on Tone RCN's)

6. Place the most distant RCN1000 in test mode and send Secur-it tone. Reduce DETECTION GAIN (R30) until transmit light goes out. Then increase R30 until it lights and then a little more to give some margin. Remove RCN from test mode.

Set Up Panel (line to transmitter)

7. Feed 1000 Hz (600 ohms) into panel input (TB1201-3 & 4, or 2 & 5 if four wire) at the test tone received level.
8. Preset TRANSMIT LINE INPUT (R85 in DC, R91 in tone) to maximum.
9. Apply an audio voltmeter to the panel output. High to J1203-7 and low to J1203-11. Panel output connected to transmitter.

10. Place SW4 in REM PTT position.
11. Adjust REMOTE TRANSMIT LEVEL (R45 in DC, R34 in tone) for 100 millivolts.
12. Preset R85/R91 to minimum.
13. Increase R85/R91 until the meter reads 79 millivolts (a reduction of 2 dB.). In case of DC panels before Rev. G or tone panels before Rev. K use 50 millivolts (a reduction of 6 dB).
14. Adjust R45/R34 to set 3.0 kHz deviation. Note meter (J1203-7 to -11) reading.
15. Increase R45/R34 so that meter reading doubles (6 dB).
16. Return SW4 to the NORMAL position.
17. **Tone units only.** To set DECODER LEVEL (R122). Note that the line loss may be up to 8 dB greater at 2175 Hz than it is at 1000 Hz due to the characteristics of the phone circuit. Therefore, R122 should be adjusted to the most distant RCN1000 after connection to the actual circuit to be used. Start with R122 turned up. Then lower R122 by turning CCW until one of the tones (Secur-it, Function, or Hold) does not decode reliably. Then increase R122 slightly to operate properly and then a little more to give some margin. If an oscilloscope is available, check TP5 to assure that the nearest RCN1000 Secur-it tone is not going into squaring. Prior to revision K, R122 was electrically after R91 so that each change in R91 required that R122 be reset. Also R149 was present before Rev. K and might need adjustment on long or noisy lines.

Set Up Panel (receiver to line)

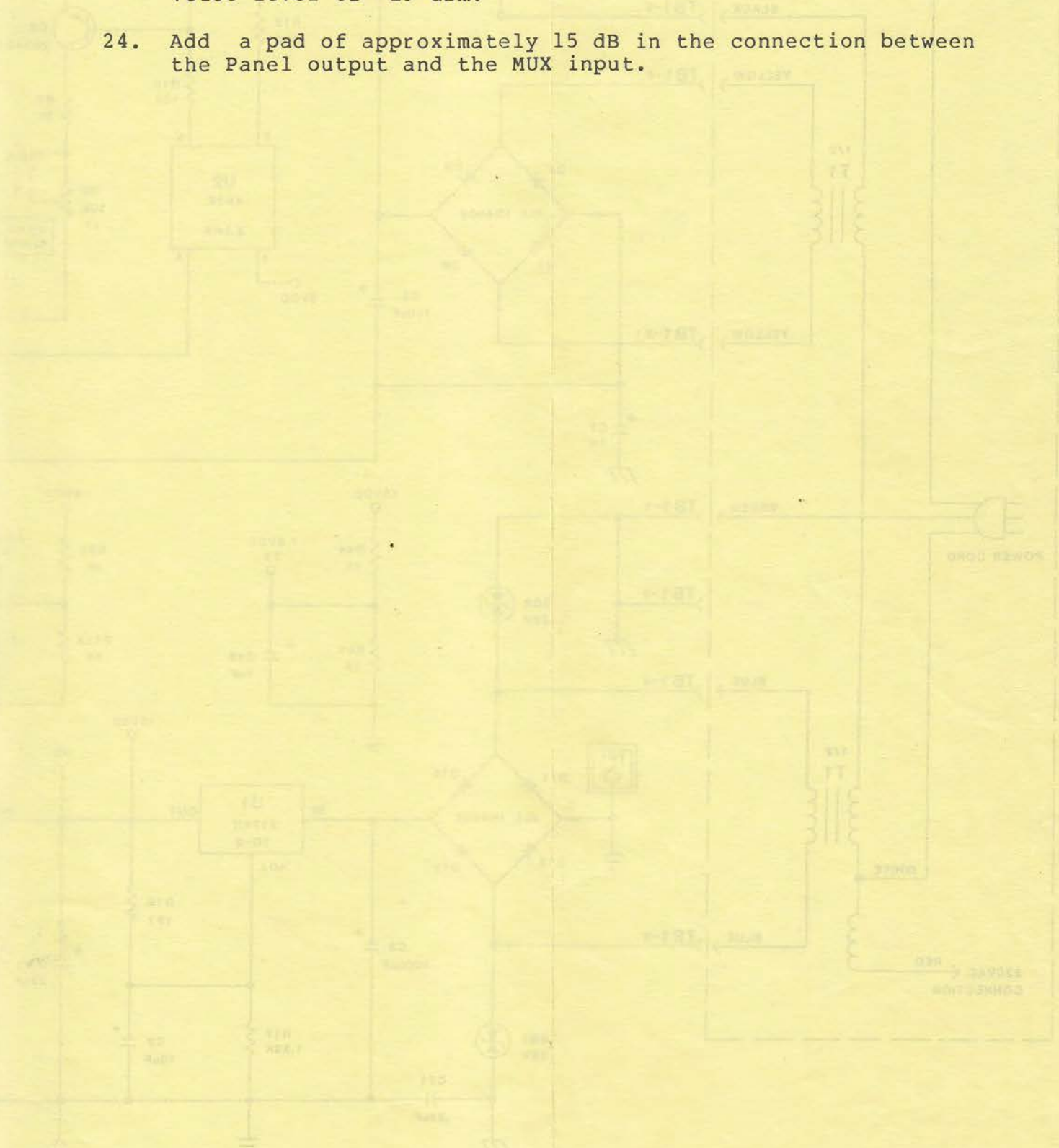
18. Receive a RF signal from a signal generator with 3.0 kHz of 1000 Hz deviation.
19. Terminate panel output (TB1201-3 & 4) with a 600 ohm resistor.
20. Set RECEIVE LINE OUT (R30 in DC, R81 in tone) for the test tone level across the resistor.

Set Up Panel (repeater)

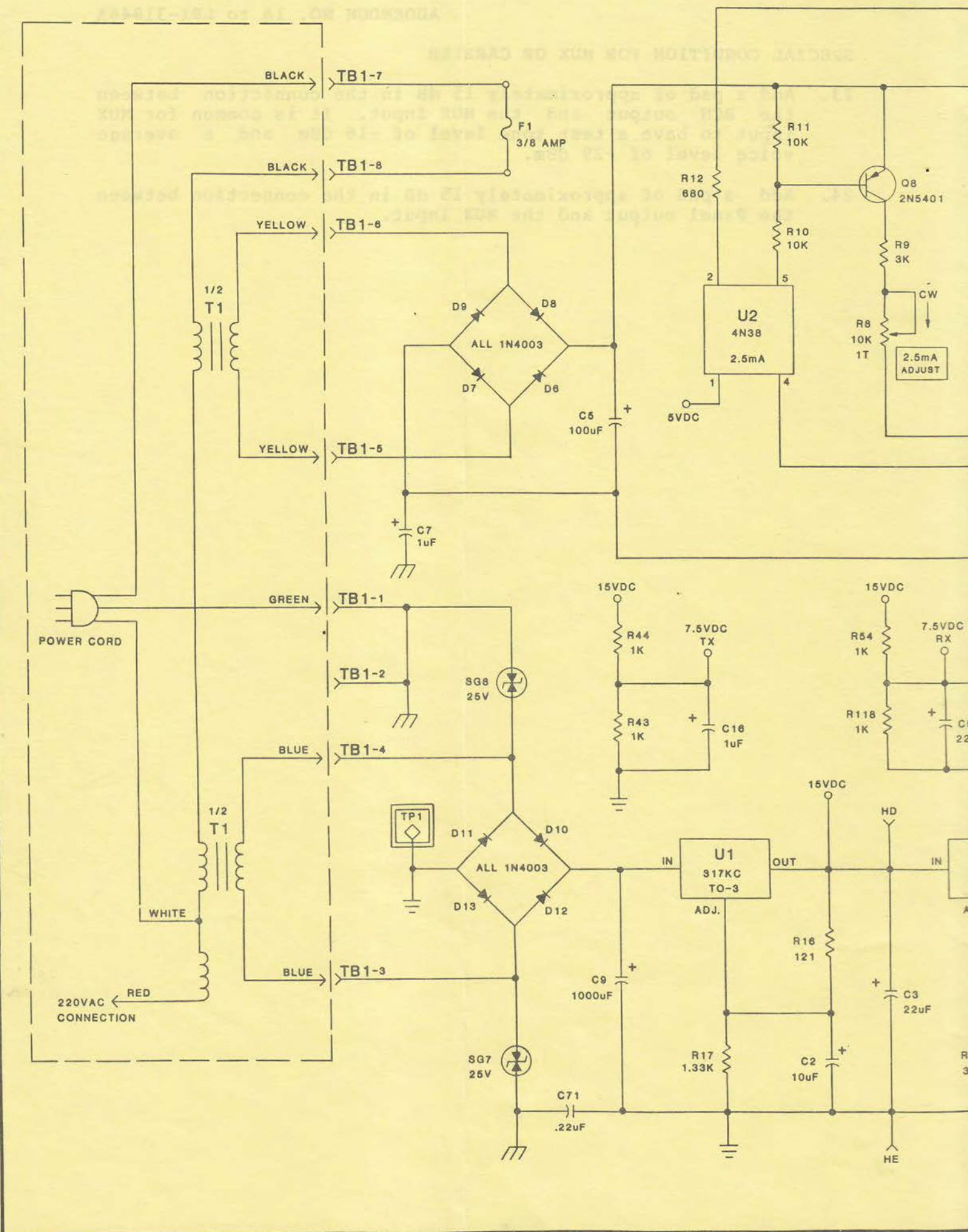
21. Receive a RF signal from a signal generator with 3.0 kHz of 1000 Hz deviation.
22. Adjust REPEATER AUDIO LEVEL (R108 in DC, R83 in tone) for a 3.0 kHz deviation on the transmitter.

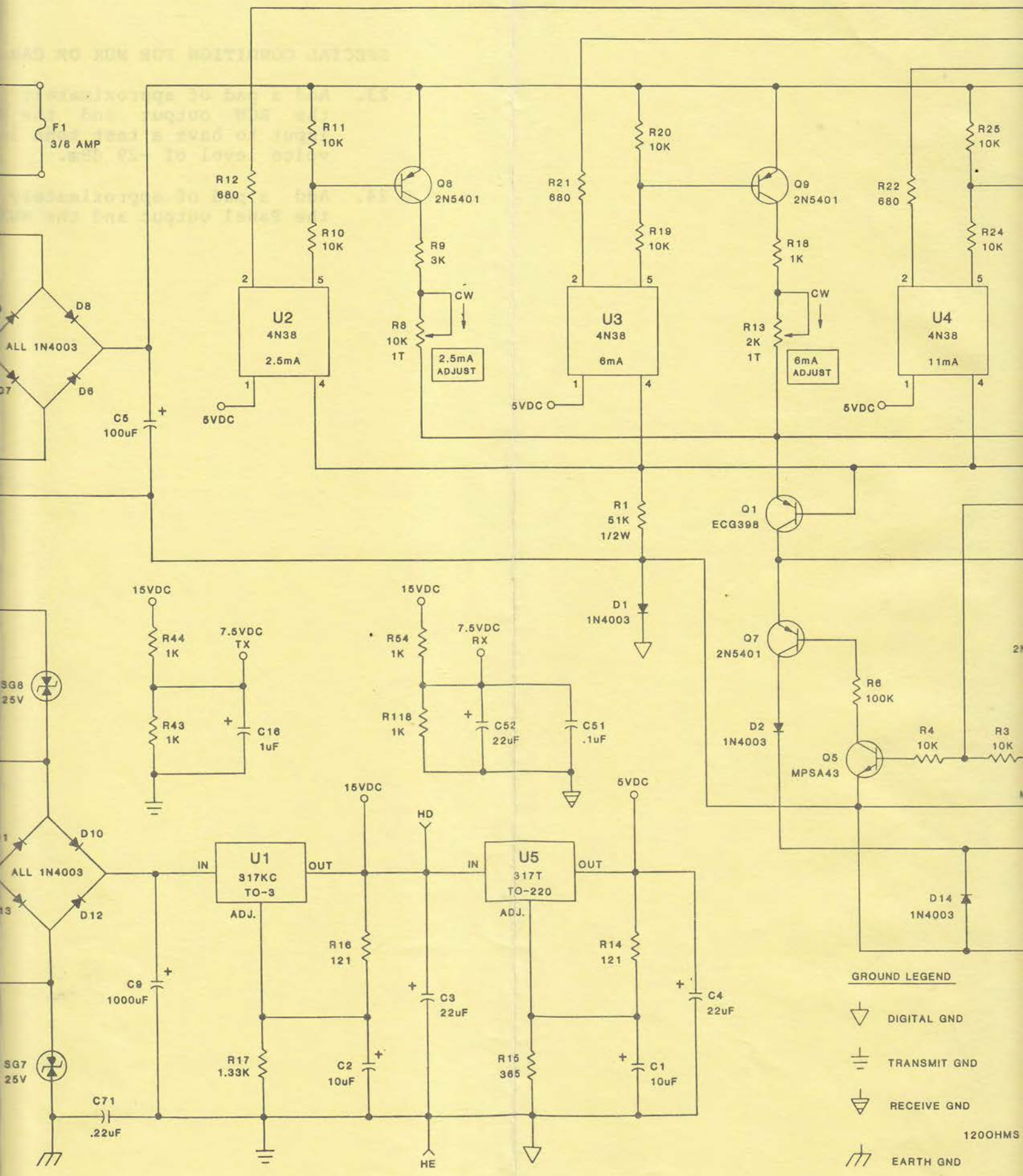
SPECIAL CONDITION FOR MUX OR CARRIER

23. Add a pad of approximately 15 dB in the connection between the RCN output and the MUX input. It is common for MUX input to have a test tone level of -16 dBm and a average voice level of -29 dBm.
24. Add a pad of approximately 15 dB in the connection between the Panel output and the MUX input.

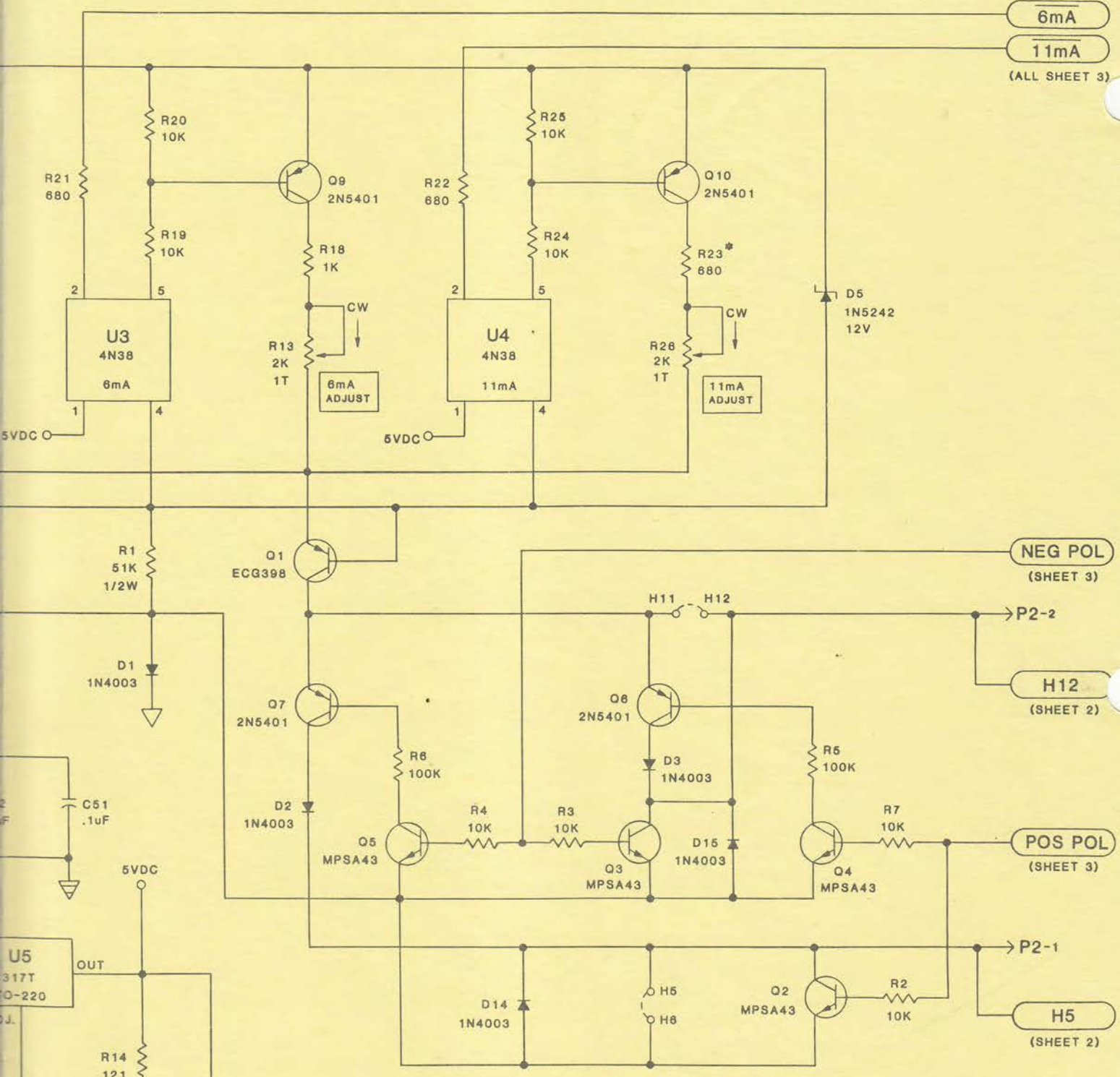












2.5mA  
6mA  
11mA  
(ALL SHEET 3)



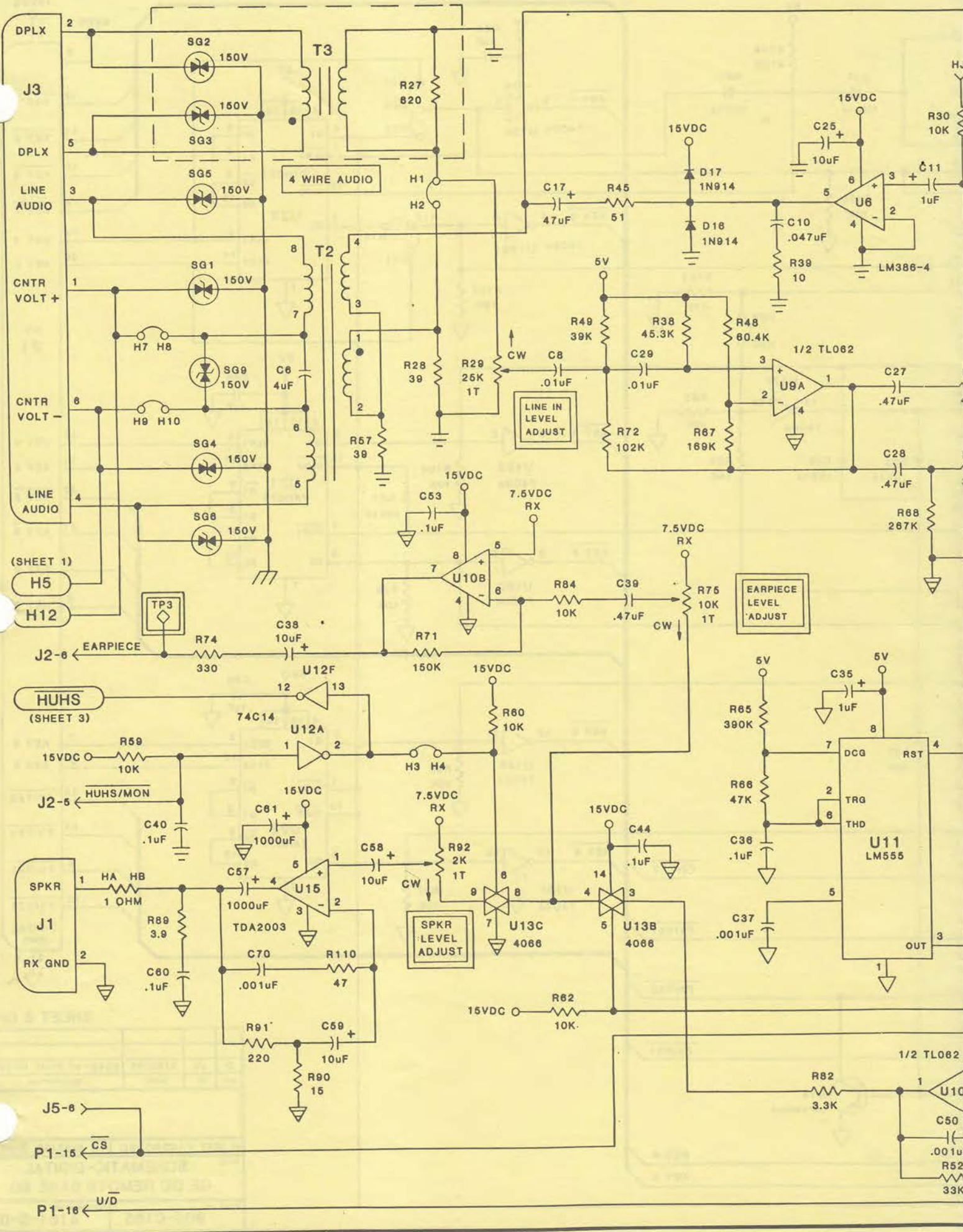
**GROUND LEGEND**

-  DIGITAL GND
-  TRANSMIT GND
-  RECEIVE GND
-  EARTH GND

**\* NOTE:**  
FOR 15mA APPLICATIONS  
(LIMITS TOTAL LOOP  
RESISTANCE TO 8000  
OHMS) CHANGE R23 TO  
120 OHMS .

SHEET 1 OF 4

D	JV	9/23/88	0048-10 PLUS 0038-16
REV	BY	DATE	DESCRIPTION
BY JEFF VANDROVEC		DATE 8/11/88	SCALE
TITLE SCHEMATIC-POWER SUPPLY GE DC REMOTE BASE BD.			
PART NO 900-0165		DOCUMENT NO 4161-S-03	



(SHEET 1)

H5  
H12

HUHS  
(SHEET 3)

SPKR  
J1  
RX GND

J5-6

P1-15 ← CS

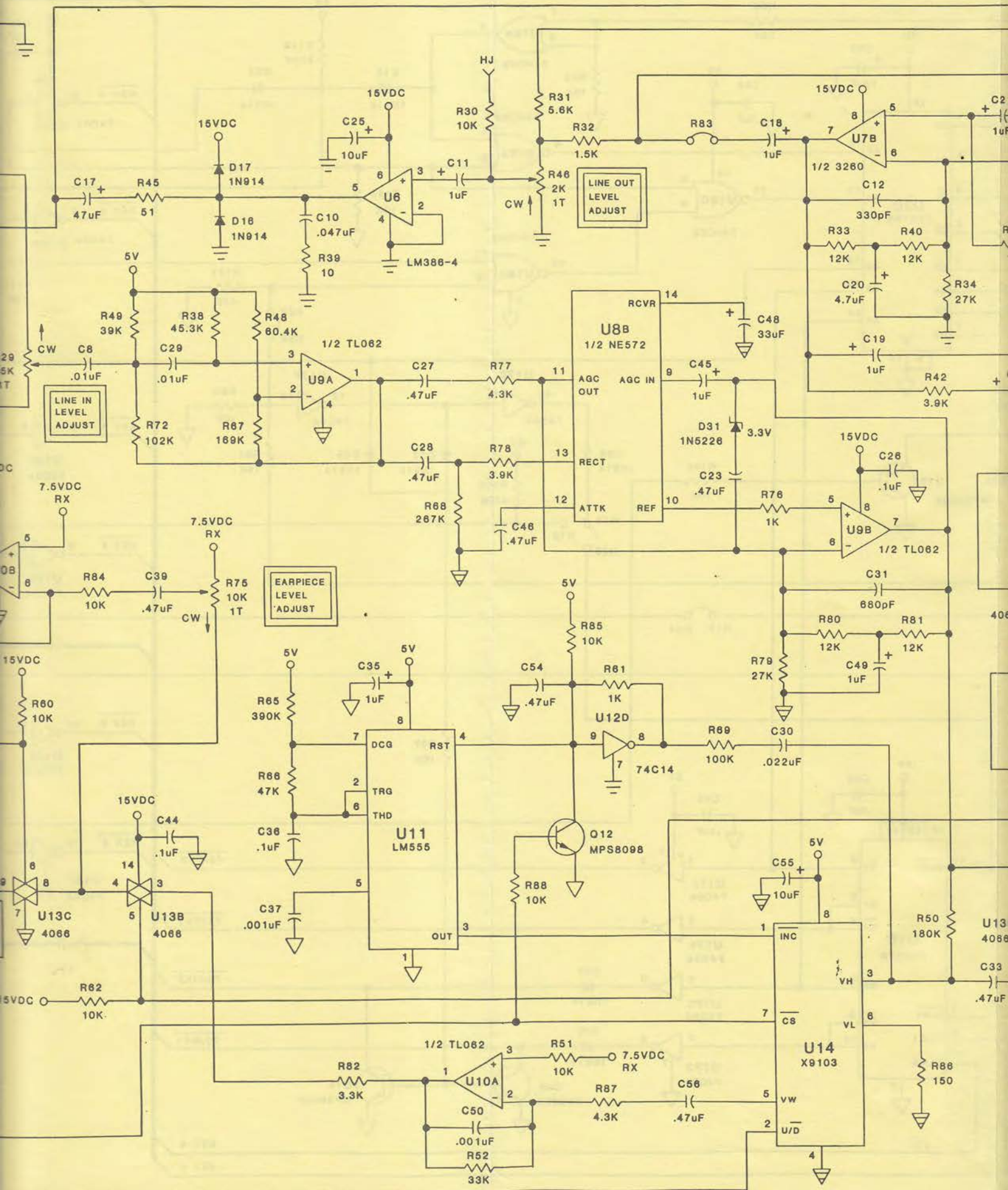
P1-16 ← U/D

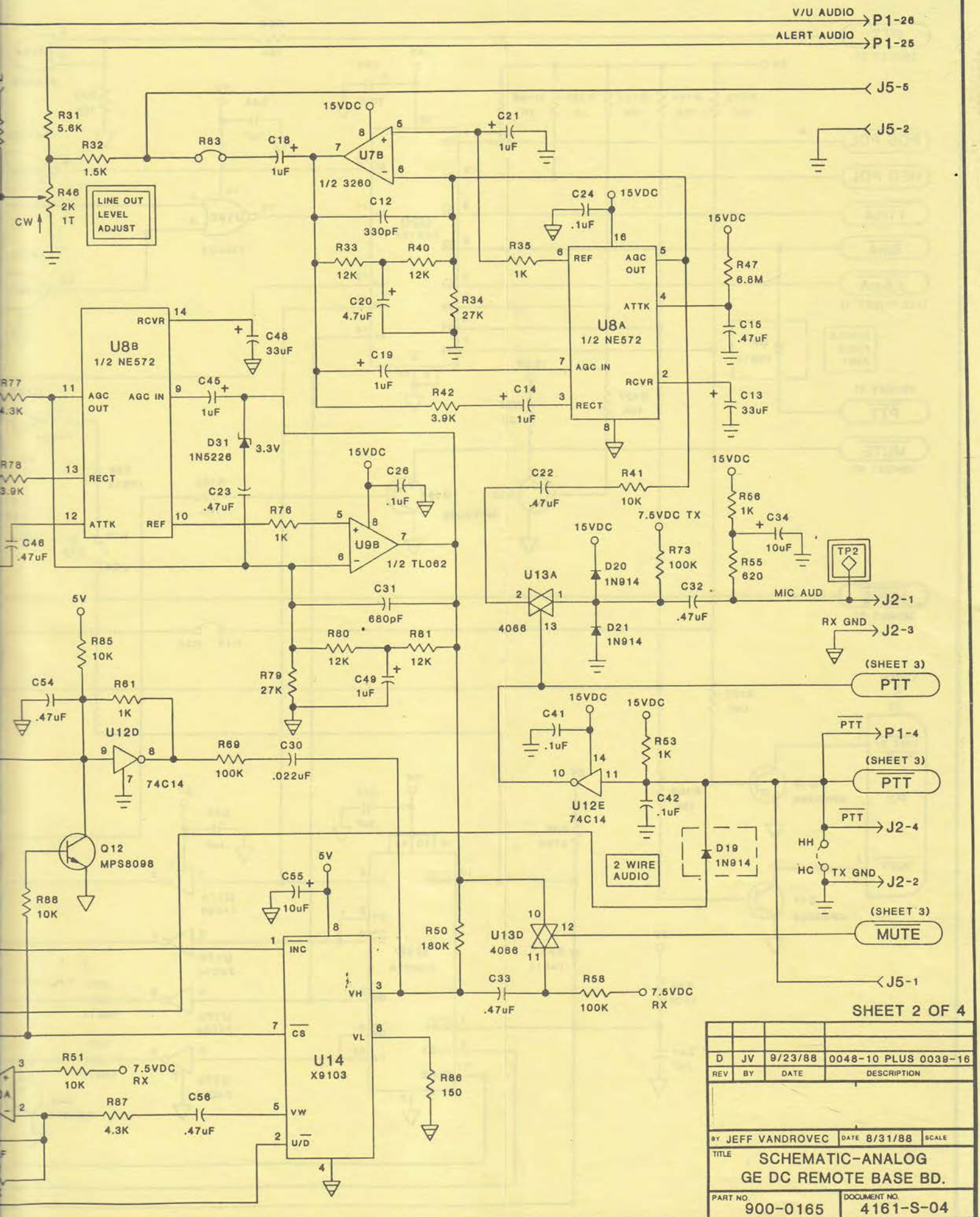
EARPIECE  
LEVEL  
ADJUST

SPKR  
LEVEL  
ADJUST

DCG  
RST  
TRG  
THD  
OUT

1/2 TL082  
C50  
.001uF  
R52  
33K





PTT  
(SHEET 2)

POS POL

NEG POL

11mA

6mA

2.5mA

(ALL SHEET 1)

SINGLE  
FREQ  
XMIT

(SHEET 2)

PTT

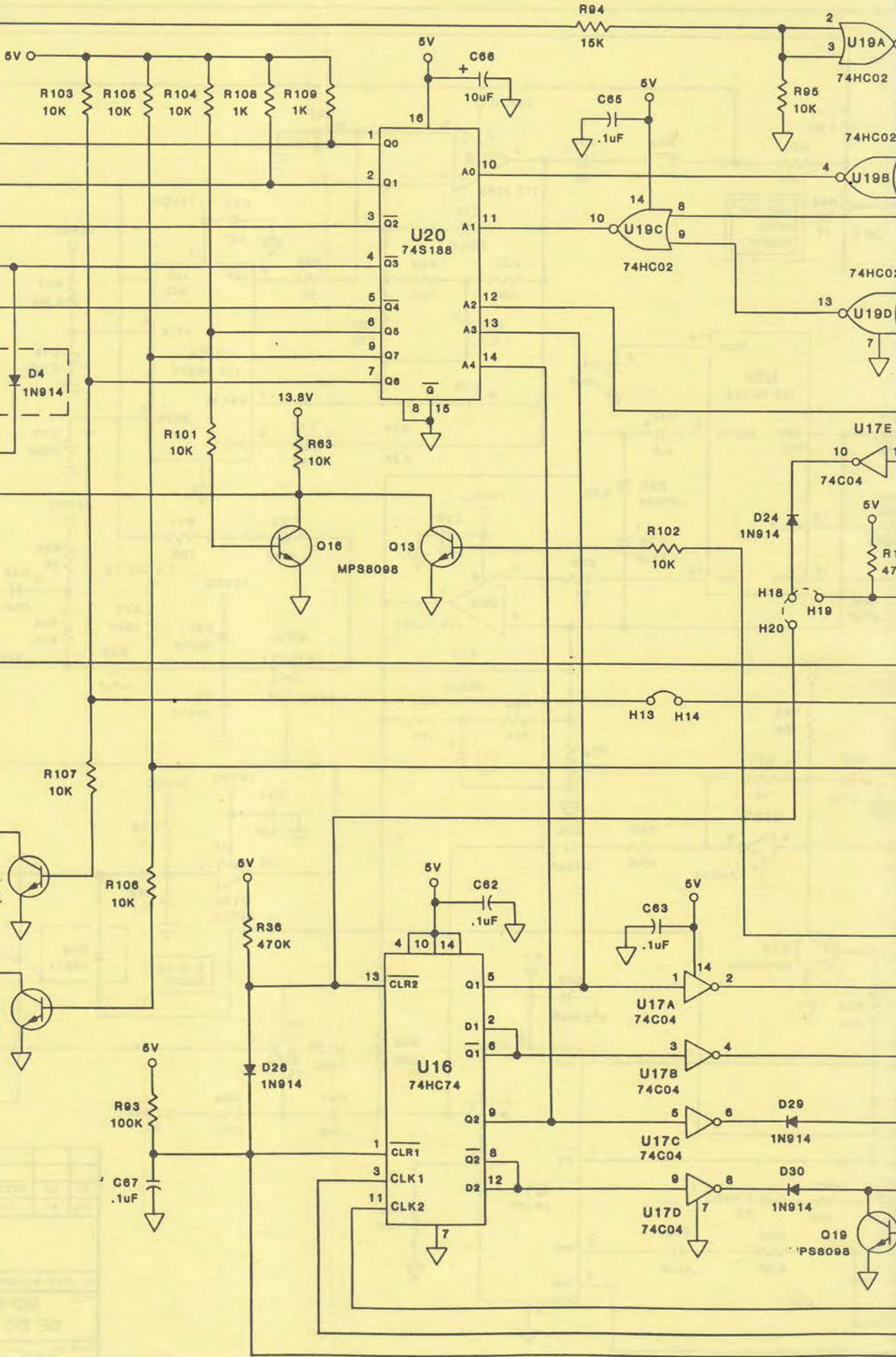
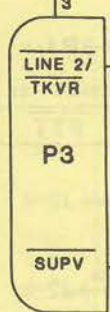
MUTE

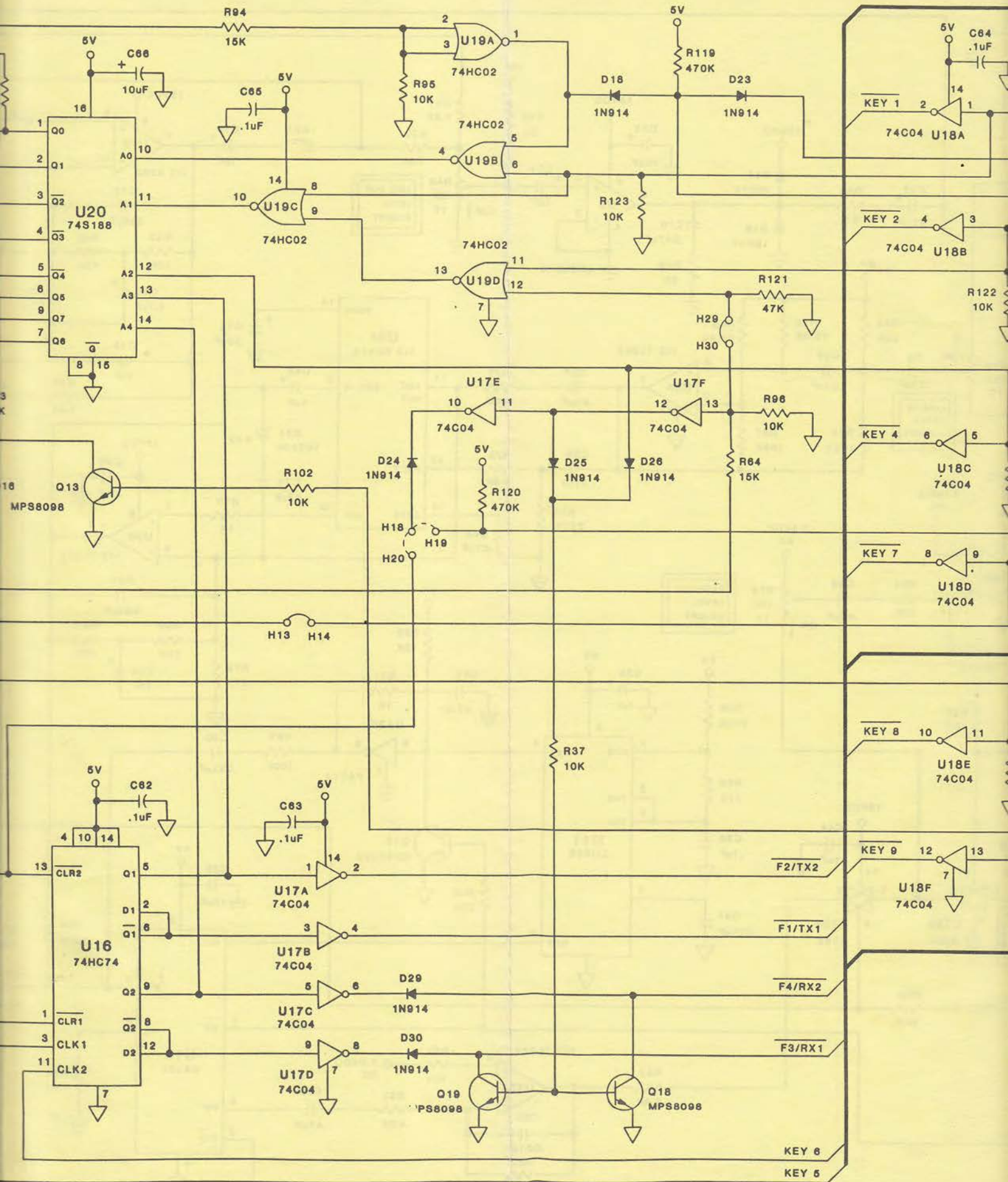
(SHEET 2)

HUHS

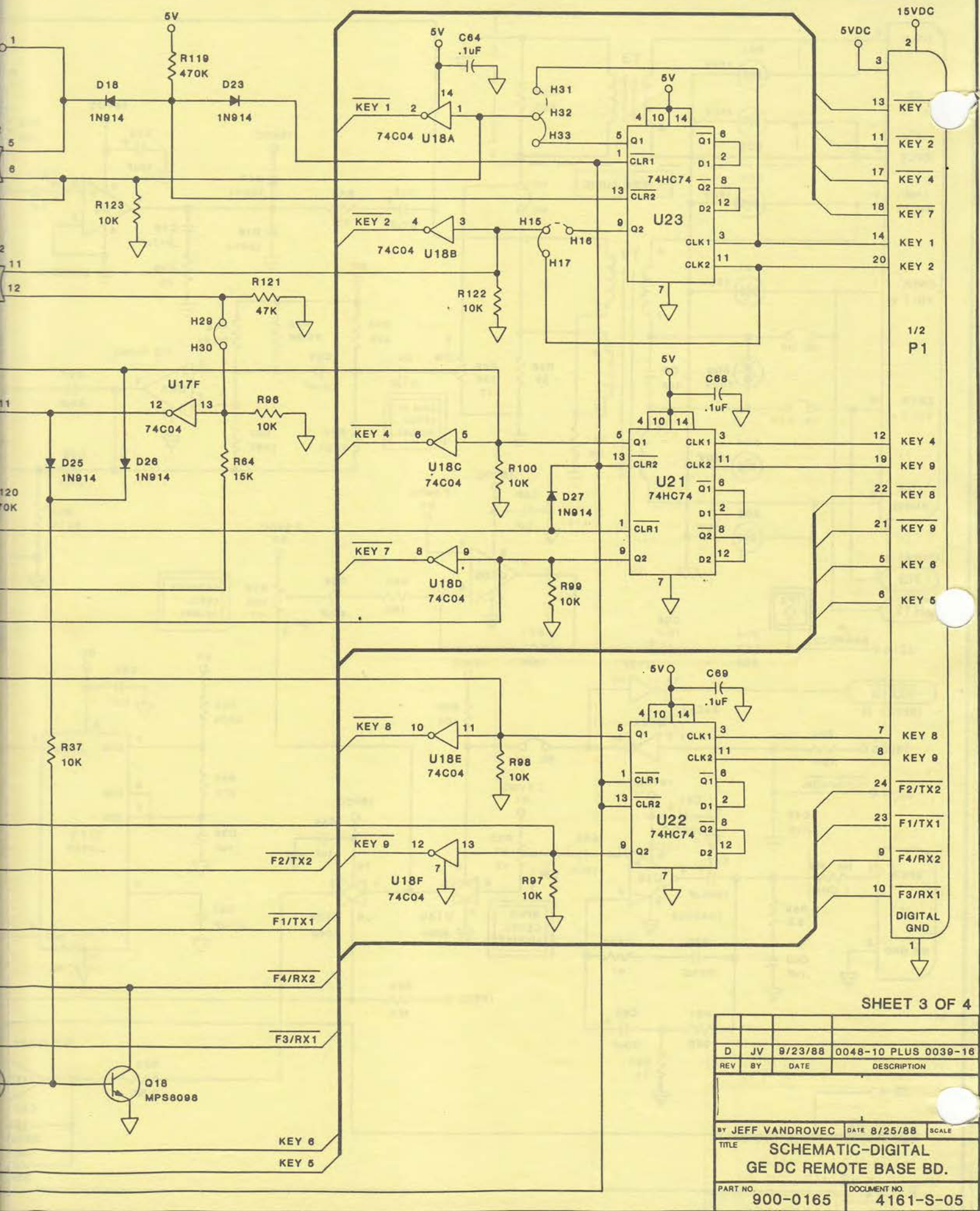
(SHEET 2)

15VDC









SHEET 3 OF 4

D	JV	9/23/88	0048-10 PLUS 0039-16
REV	BY	DATE	DESCRIPTION
BY JEFF VANDROVEC		DATE 8/25/88	SCALE
TITLE SCHEMATIC-DIGITAL GE DC REMOTE BASE BD.			
PART NO 900-0165		DOCUMENT NO 4161-S-05	

JUMPER SCHEDULE

-----

TONE

NUMBER -----	FUNCTION -----	CONNECTION M -----
HA TO HB	REMOVED FOR RCZ014 (TONE CABLE)	HA
HC TO HH	INSTALLED FOR TESTING AND SET-UP	HB
H1 TO H2	REMOVED FOR RCZ005 (4-WIRE)	HC
H3 TO H4	REMOVED WHEN DIGIT 6 IS M (DESK MIC)	HD
H5 TO H6	NOT INSTALLED	HE
H7 TO H8 & H9 TO H10	REMOVED FOR METHOD 3 INSTALLATIONS	HH
H11 TO H12	INSTALLED WHEN DIGIT 4 IS A 1 AND DIGIT 5 IS AN S (NO PROM)	HJ
H13 TO 14	INSTALLED FOR RCZ004 (SUPV) IN OTHER THAN A 3 ROW MODEL	LAST US ----- C71 D31
H15 TO H16	INSTALLED WHEN DIGIT 5 IS G (CG) LATCHED MODE	VALUE -----
H15 TO H17	INSTALLED WHEN DIGIT 5 IS G (CG) MOMENTARY MODE	C8 .47U
H18 TO H19	INSTALLED TO TURN OFF KEY 4 LED WHEN HUHS LINE BECOMES ACTIVE	G
H18 TO H20	INSTALLED TO RESTORE RX1 AND RX2 TO POWER UP CONDITION WHEN HUHS LINE BECOMES ACTIVE	TRANS
H29 TO H30	INSTALLED WHEN DIGIT 6 IS M (DESK MIC)	DIGITAL -----
H31 TO H32	INSTALLED FOR RCZ012 (INTCM) LATCHED MODE	↓
H32 TO H33	INSTALLED FOR RCZ012 (INTCM) MOMENTARY MODE	▽

TONE CABLE CONNECTIONS

CONNECTION NUMBER	DESCRIPTION
HA	SPEAKER OUT
HB	SPEAKER IN
HC	MIC LO & SPEAKER LO
HD	15VDC
HE	GROUND
HH	PTT
HJ	MIC HI

LAST USED REFERENCE NUMBERS

C71	Q19	SG9	H33
D31	R125	U24	TP3

VALUES FOR 4 WIRE AUDIO

C8	C29	R48
.47 $\mu$ F	JUMPER	1M

GROUND SYMBOLS

DIGITAL

TRANSMIT

RECEIVE

EARTH



CABLE CONNECTIONS

NUMBER	DESCRIPTION
	SPEAKER OUT
	SPEAKER IN
	MIC LO & SPEAKER LO
	15VDC
	GROUND
	PTT
	MIC HI

USED REFERENCE NUMBERS

Q19	SG9	H33
R125	U24	TP3

RESISTORS FOR 4 WIRE AUDIO

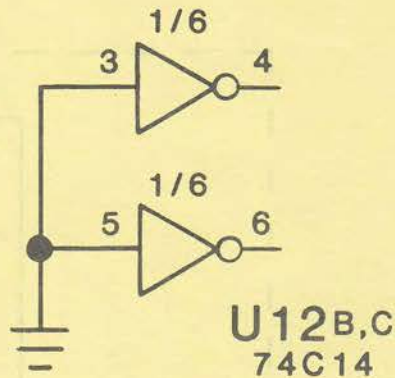
C29	R48
JUMPER	1M

GROUND SYMBOLS

SMIT      RECEIVE      EARTH

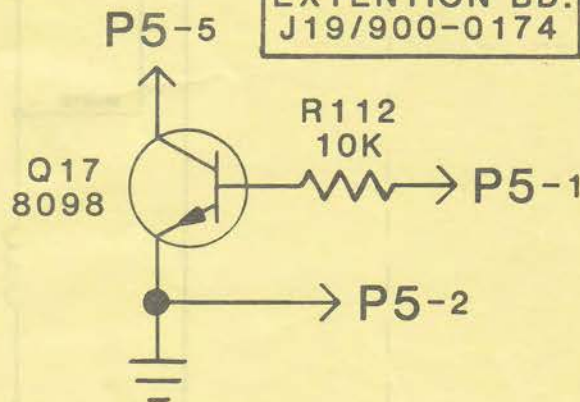


**NOT USED**



C43      H21-28  
C47      R70

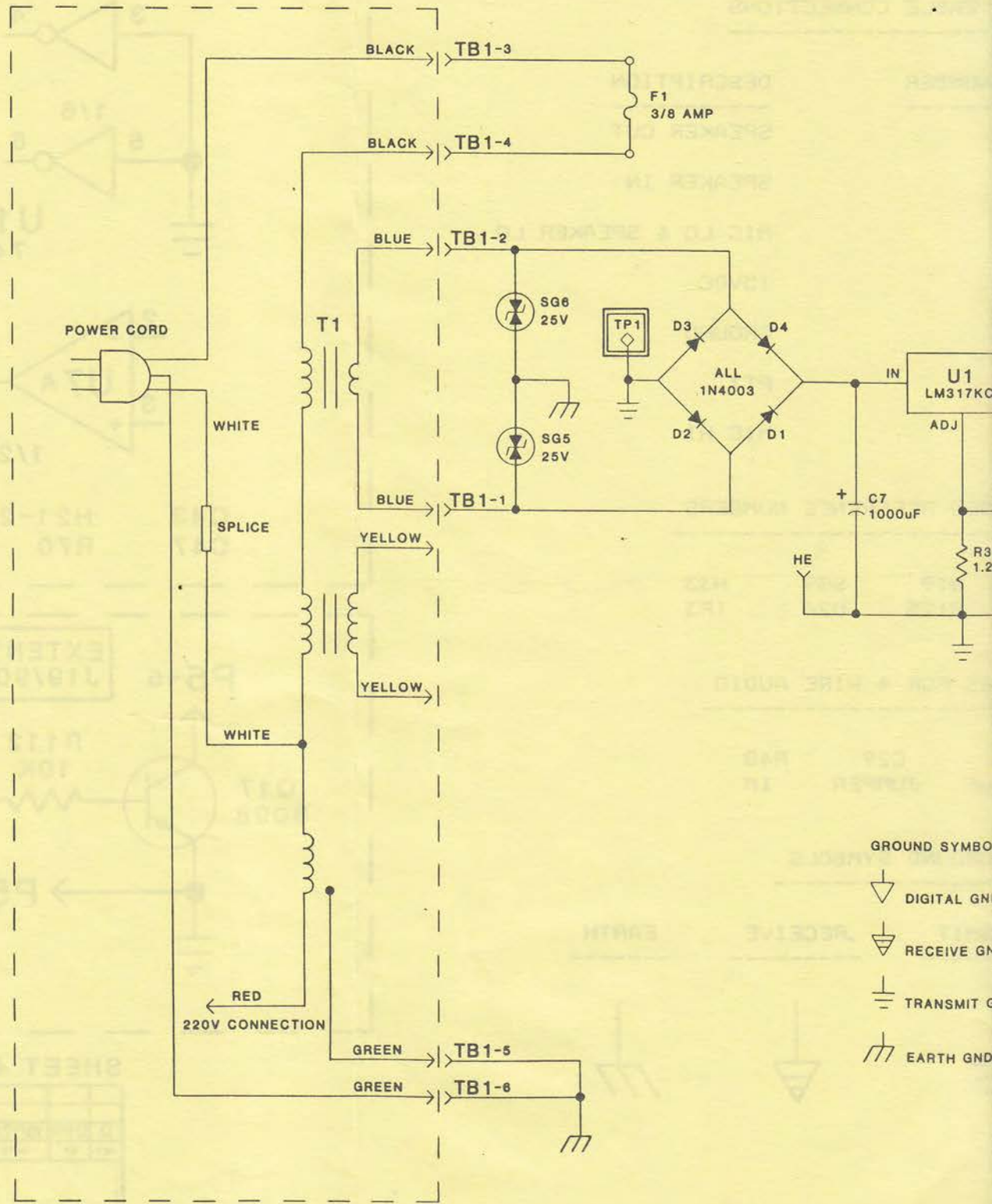
EXTENTION BD.  
J19/900-0174

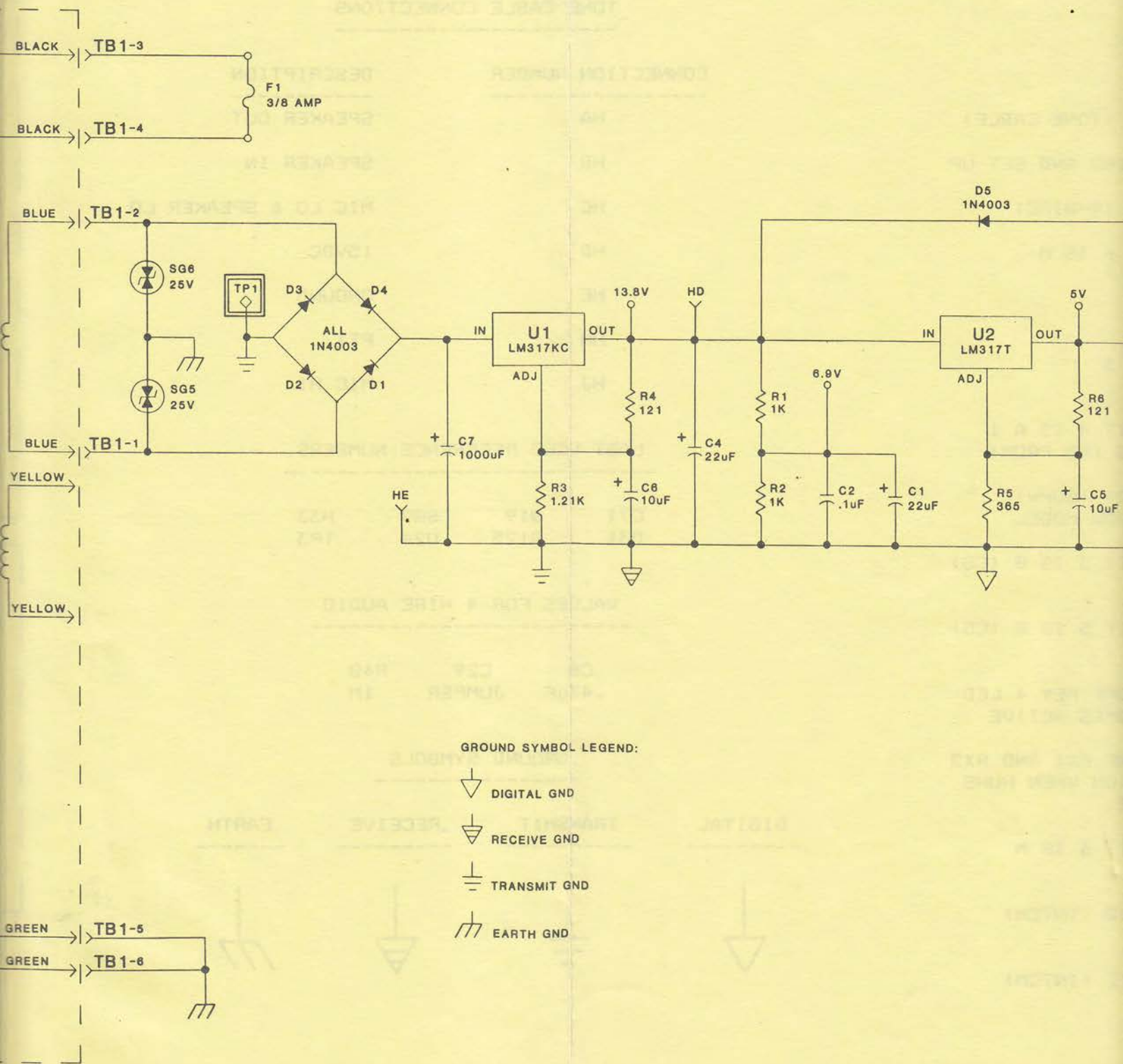


SHEET 4 OF 4





D	DPR	10/17/88	0048-10,0039-16
REV	BY	DATE	DESCRIPTION
BY DARRIN RUDE		DATE 10/17/88	SCALE
TITLE MISCELLANEOUS NOTES GE DC REMOTE			
PART NO. 900-0165		DOCUMENT NO. 4161-S-06	

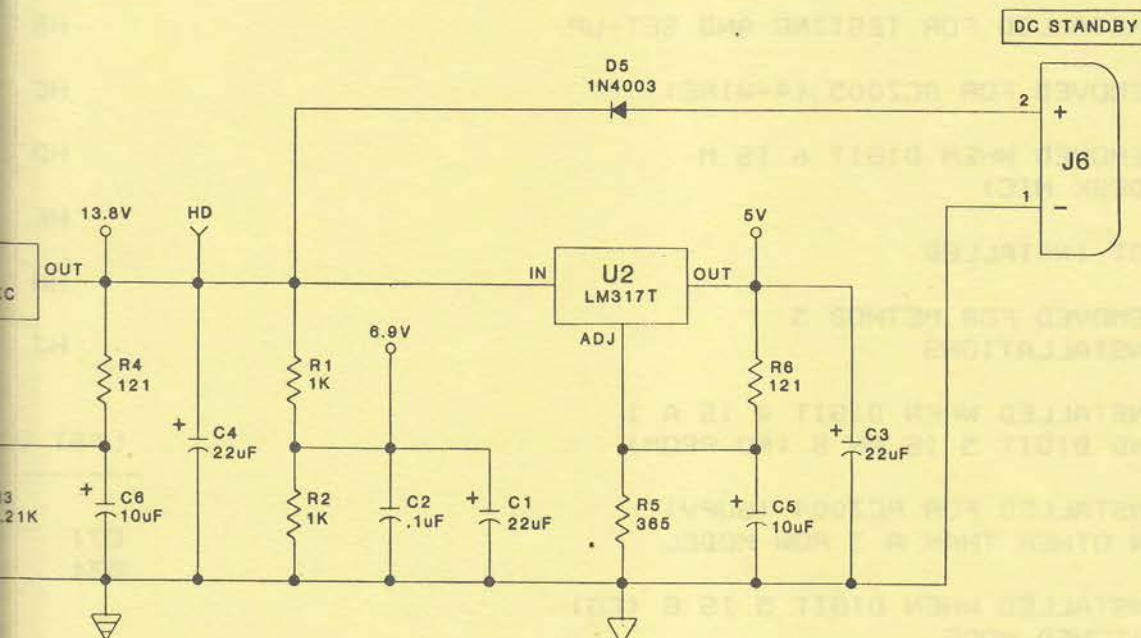
NOT USED





GROUND SYMBOL LEGEND:

-  DIGITAL GND
-  RECEIVE GND
-  TRANSMIT GND
-  EARTH GND

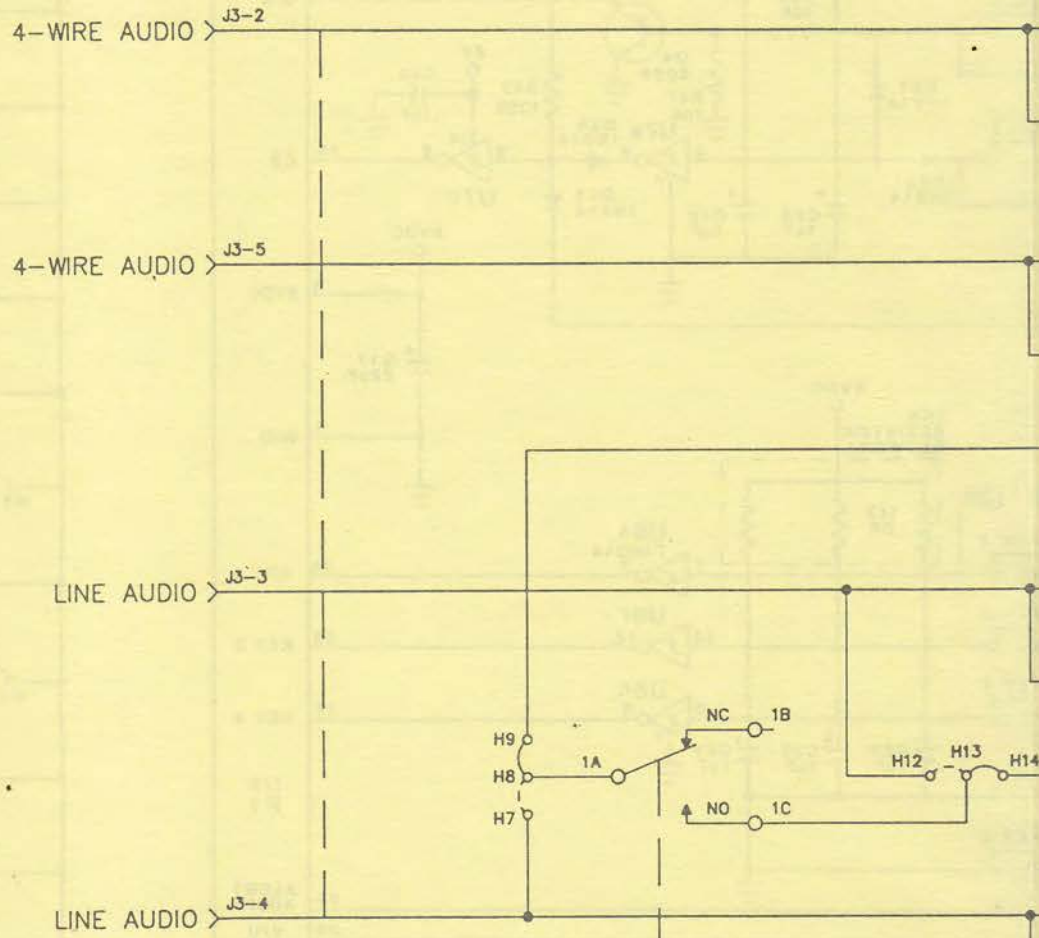


OL LEGEND:  
 ND  
 ND  
 GND  
 D

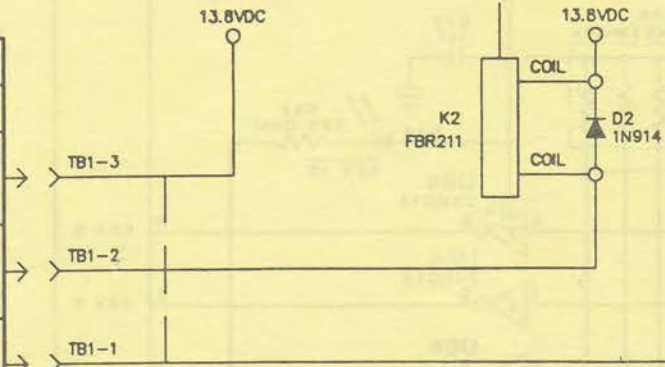
SHEET 1 OF 5

D	SJG	10/10/88	GE-0039-19
C	JV	6/14/88	GE-0039-13
REV	BY	DATE	DESCRIPTION
BY	STEVEN LEE	DATE	8/15/88
TITLE	SCHEMATIC- TONE REMOTE POWER SUPPLY		
PART NO.	900-0167	DOCUMENT NO.	4164-S-03

# RCN 1000 CONNECTIONS



RCN 1000 POWER AND CONTROL LINES	
DG VERSION	TONE VERSION
13.8VDC	13.8VDC
SUPERVISOR	NOT USED
ALTERNATE LINE TAKEOVER	SUPERVISOR ALTERNATE LINE TAKEOVER



OPTION NUMBER	RCZ 003	RCZ 003	
FUNCTION	SUPERVISOR	SUPERVISOR	
VERSION	DC	TONE	D
PARTS NOT INSTALLED	D1,H8-9, 13-14, K1,R1,2	D2,H7-8,8-9, 12-13,13-14, K2,R1,2	D2,H7-8,8-9, 13



CTIONS

-2

-5

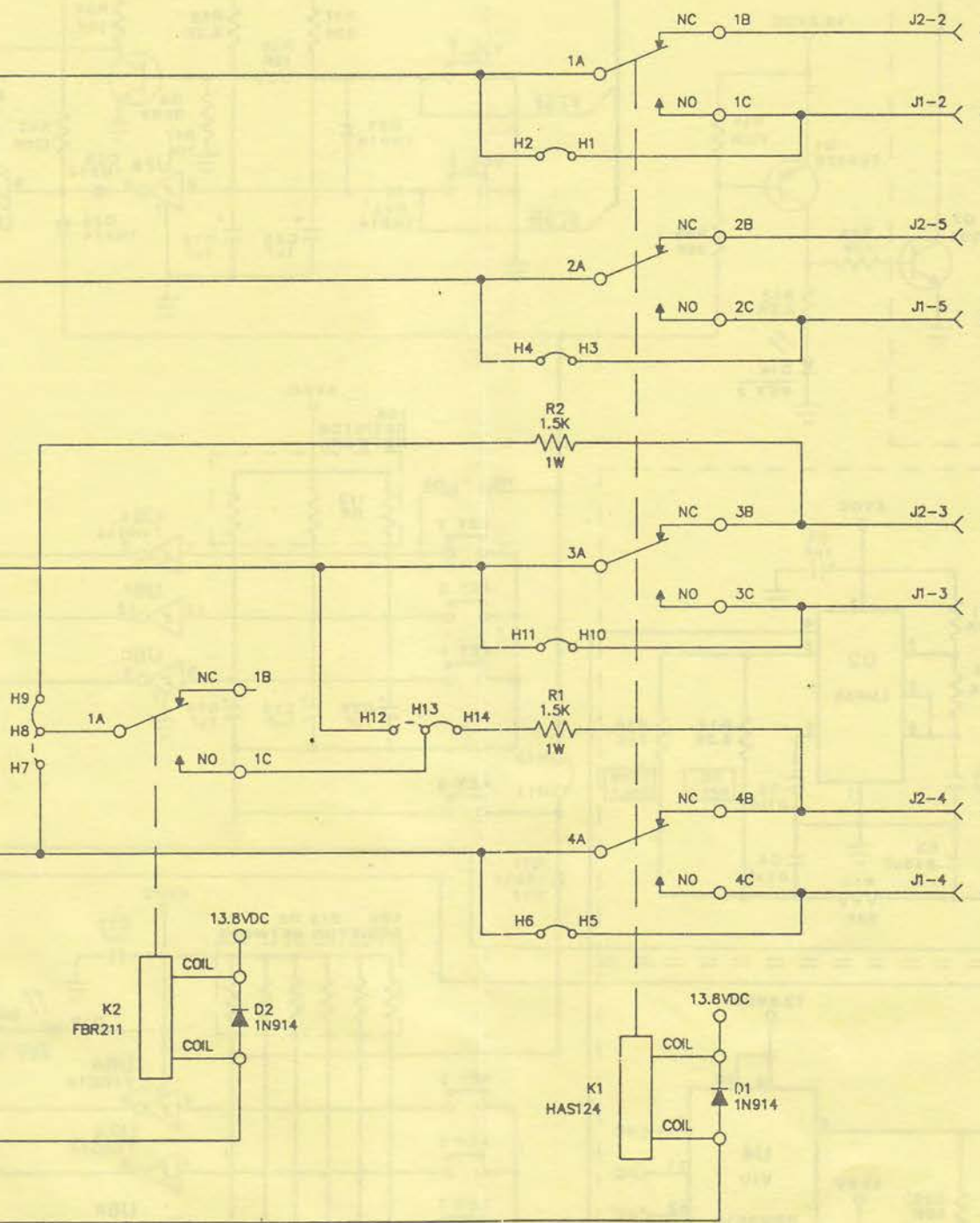
-3

-4

1-3

1-2

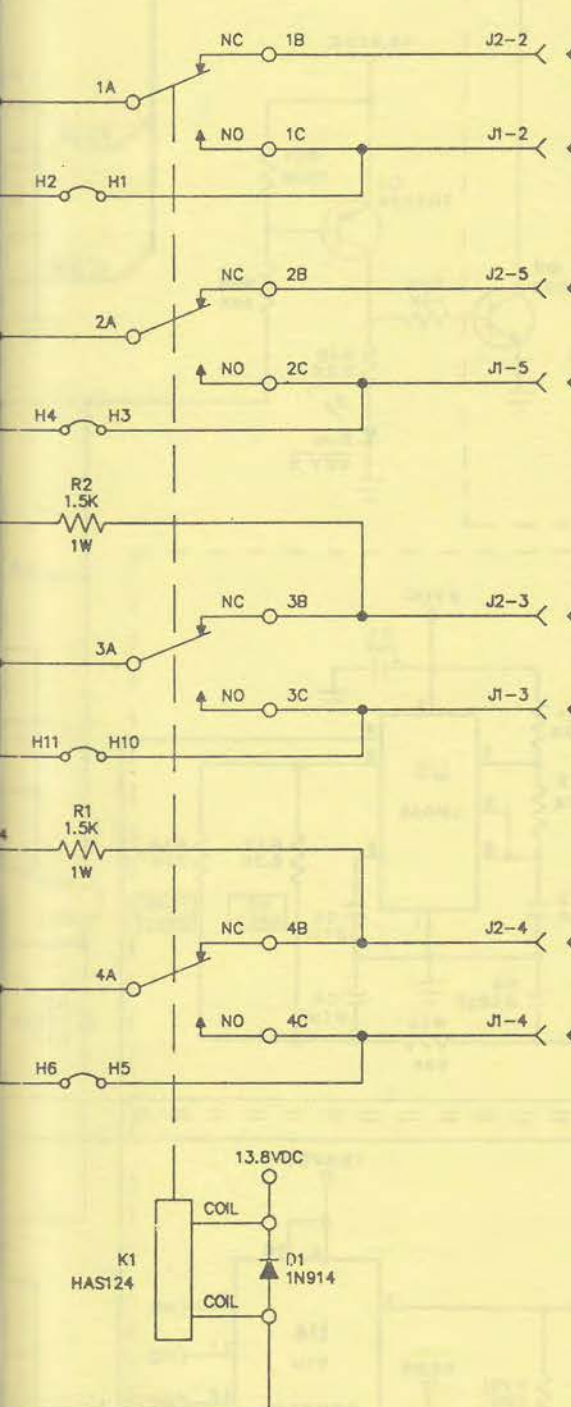
1-1



INPUT AND	
RCZ 003 DC	RCZ 003 TONE
NOT USED	PARALLEL UNIT
MAIN LINE	MAIN LINE
NOT USED	PARALLEL UNIT
MAIN LINE	MAIN LINE
NOT USED	PARALLEL UNIT
MAIN LINE	MAIN LINE
NOT USED	PARALLEL UNIT
MAIN LINE	MAIN LINE

NOTE: THE SCHEMATIC OF THE SUPERVISOR RCZ 003 AND WITH THE DC V

OPTION NUMBER	RCZ 003	RCZ 003	RCZ 004	RCZ 015	RCZ 003 AND RCZ 004	RCZ 003 AND RCZ 015
FUNCTION	SUPERVISOR	SUPERVISOR	ALTERNATE LINE	TAKEOVER	SUPERVISOR AND ALTERNATE LINE	SUPERVISOR AND TAKEOVER
VERSION	DC	TONE	DC OR TONE	DC OR TONE	DC	DC
PARTS NOT INSTALLED	D1,H8-9, 13-14, K1,R1,2	D2,H7-8,8-9, 12-13,13-14, K2,R1,2	D2,H1-2,3-4,5-6, 7-8,8-9,10-11,12-13, 13-14,K2,R1,2	D2,H7-8,8-9, 12-13,13-14, K2,R1,2	H1-2,3-4, 5-6,7-8, 10-11,12-13	H7-8,12-13

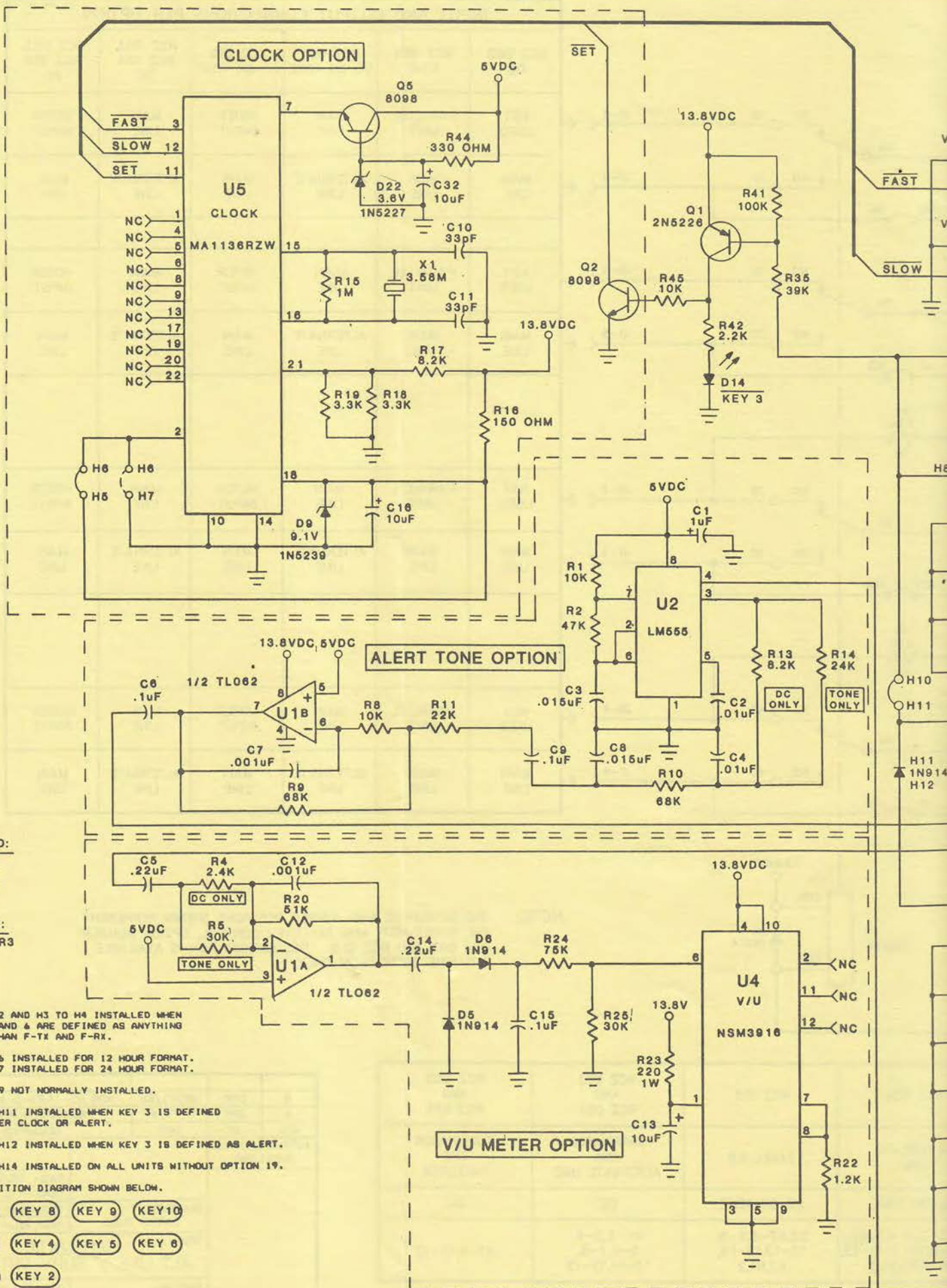


INPUT AND OUTPUT CONNECTIONS PER OPTION					
RCZ 003 DC	RCZ 003 TONE	RCZ 004 DC OR TONE	RCZ 015 DC OR TONE	RCZ 003, RCZ 004 DC	RCZ 003, RCZ 015 DC
NOT USED	PARALLEL UNIT	MAIN LINE	VOTER INPUT	MAIN LINE	VOTER INPUT
MAIN LINE	MAIN LINE	ALTERNATE LINE	MAIN LINE	ALTERNATE LINE	MAIN LINE
NOT USED	PARALLEL UNIT	MAIN LINE	VOTER INPUT	MAIN LINE	VOTER INPUT
MAIN LINE	MAIN LINE	ALTERNATE LINE	MAIN LINE	ALTERNATE LINE	MAIN LINE
NOT USED	PARALLEL UNIT	MAIN LINE	VOTER INPUT	MAIN LINE	VOTER INPUT
MAIN LINE	MAIN LINE	ALTERNATE LINE	MAIN LINE	ALTERNATE LINE	MAIN LINE
NOT USED	PARALLEL UNIT	MAIN LINE	VOTER INPUT	MAIN LINE	VOTER INPUT
MAIN LINE	MAIN LINE	ALTERNATE LINE	MAIN LINE	ALTERNATE LINE	MAIN LINE

NOTE: THE SCHEMATIC AND JUMPER POSITIONS SHOWN REPRESENT THE SUPERVISOR AND TAKEOVER CONTROL, OPTION NUMBER RCZ 003 AND RCZ 015. THIS COMBINATION IS AVAILABLE WITH THE DC VERSION ONLY.

RCZ 004	RCZ 015	RCZ 003 AND RCZ 004	RCZ 003 AND RCZ 015
ALTERNATE LINE	TAKEOVER	SUPERVISOR AND ALTERNATE LINE	SUPERVISOR AND TAKEOVER
DC OR TONE	DC OR TONE	DC	DC
H1-2,3-4,5-6, 8-9,10-11,12-13, 13-14,K2,R1,2	D2,H7-8,8-9, 12-13,13-14, K2,R1,2	H1-2,3-4, 5-6,7-8, 10-11,12-13	H7-8,12-13

B	DPR	01/13/88	ADD H5-14,R1-2, MINUS K3
A	DPR	11/19/87	PRODUCTION RELEASE
REV.	BY	DATE	DESCRIPTION
AUTOCAD FILENAME:		0169S.DWG	
		DATE- 08/28/87	
		SCALE- NTS	
DRAWN BY		DARRIN RUDE	
		CHECKED BY-	
		PROD. REL-	
TITLE			
SCHEMATIC ALT LINE / SUPV CNTRL BD			
PART NO.		DOCUMENT NO.	
900-0169		4163-S-00	
DO NOT SCALE DRAWING			



**LAST USED:**

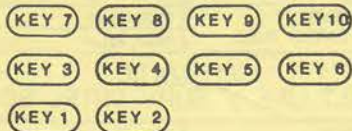
U7 D26  
R47 H14  
C32 O6

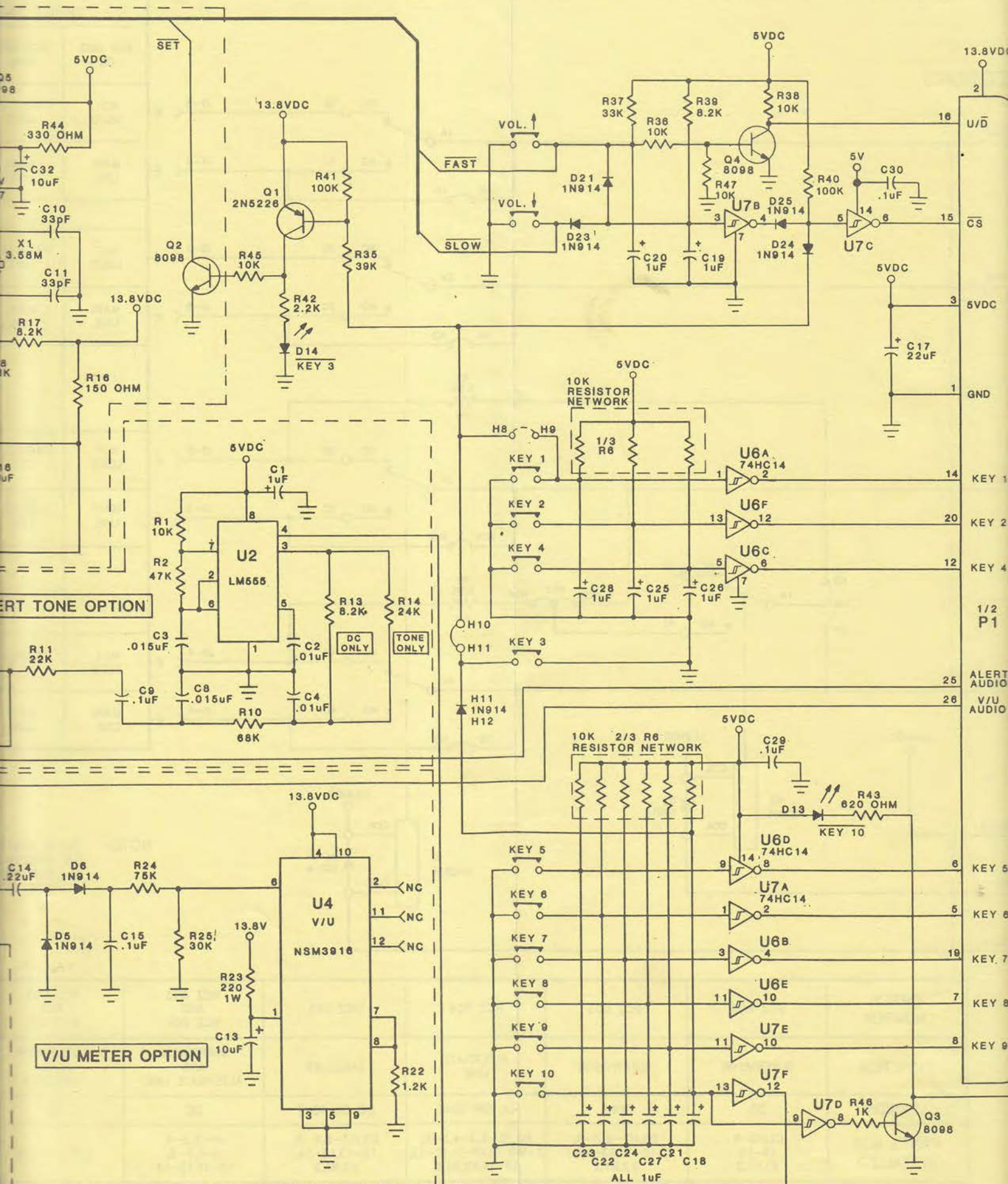
**NOT USED:**

D7 C31 R3

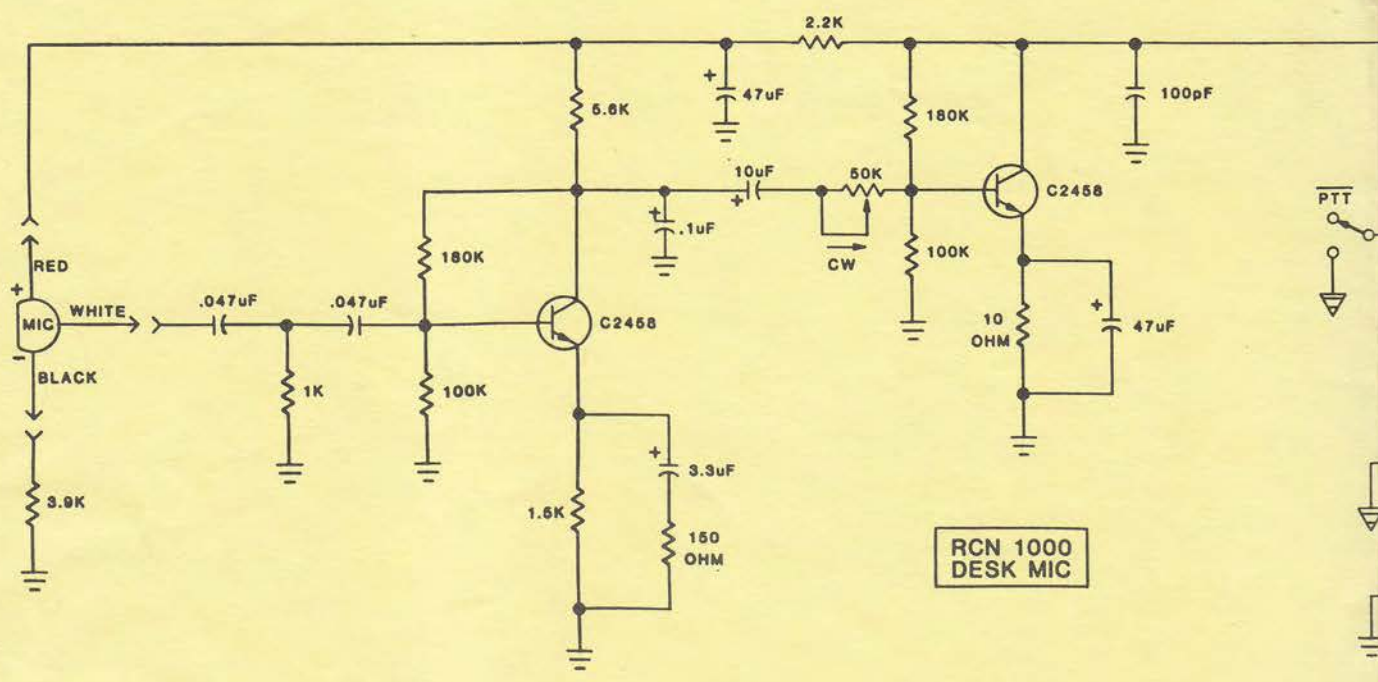
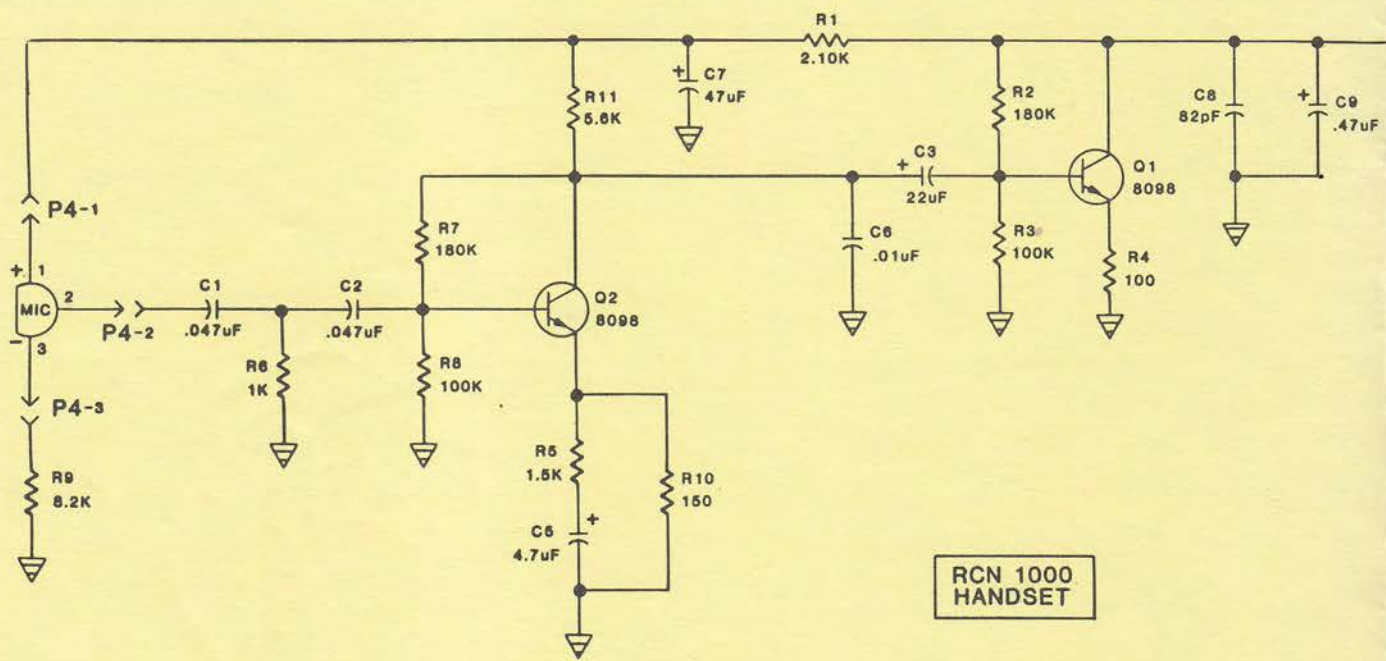
**NOTES:**

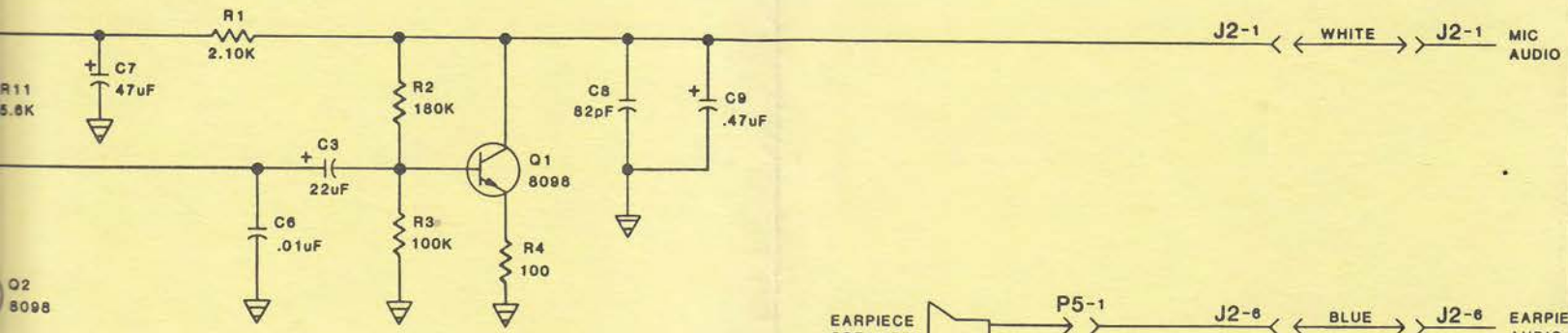
1. H1 TO H2 AND H3 TO H4 INSTALLED WHEN KEYS 5 AND 4 ARE DEFINED AS ANYTHING OTHER THAN F-TX AND F-RX.
2. H5 TO H6 INSTALLED FOR 12 HOUR FORMAT. H6 TO H7 INSTALLED FOR 24 HOUR FORMAT.
3. H8 TO H9 NOT NORMALLY INSTALLED.
4. H10 TO H11 INSTALLED WHEN KEY 3 IS DEFINED AS EITHER CLOCK OR ALERT.
5. H11 TO H12 INSTALLED WHEN KEY 3 IS DEFINED AS ALERT.
6. H13 TO H14 INSTALLED ON ALL UNITS WITHOUT OPTION 19.
7. KEY POSITION DIAGRAM SHOWN BELOW.



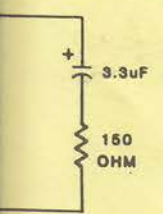
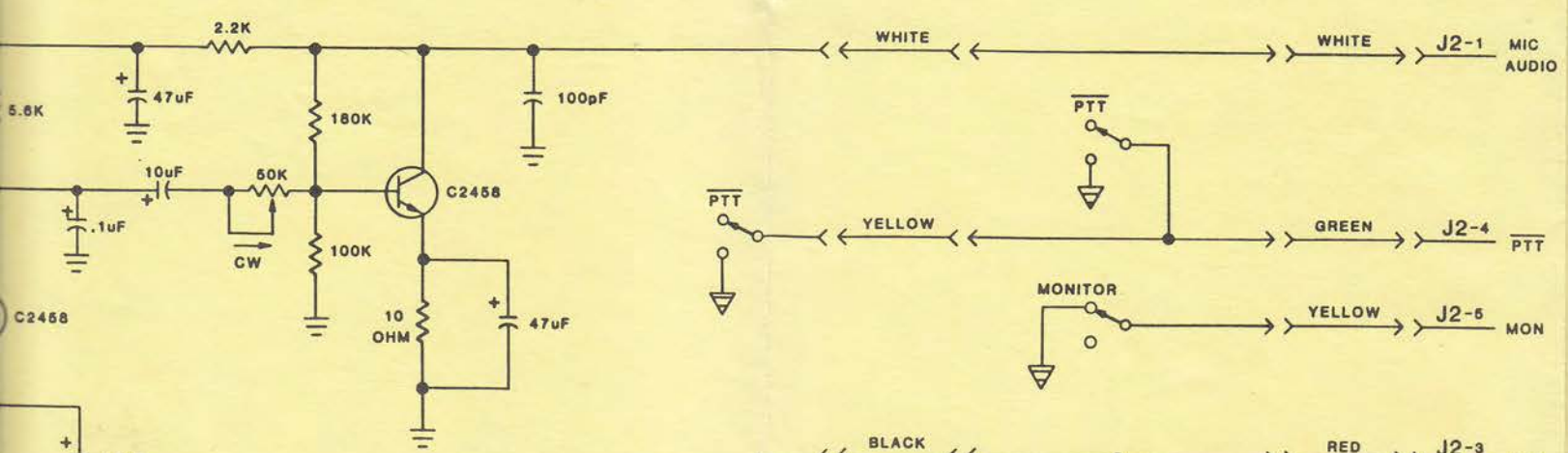
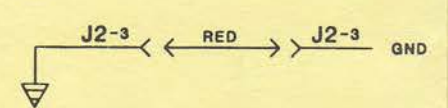
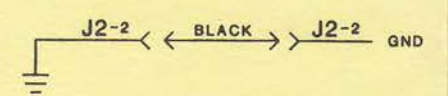
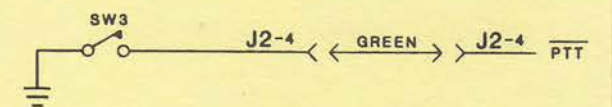
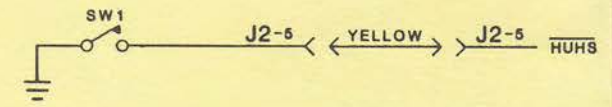
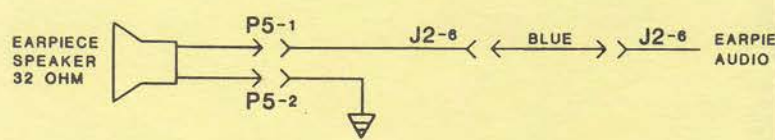




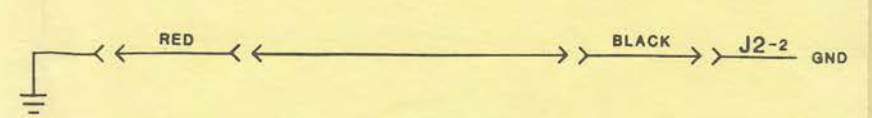
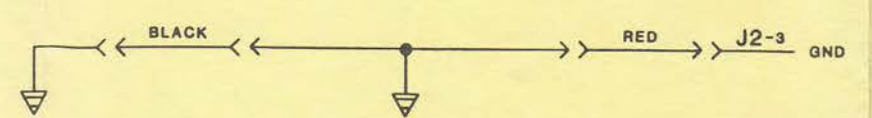
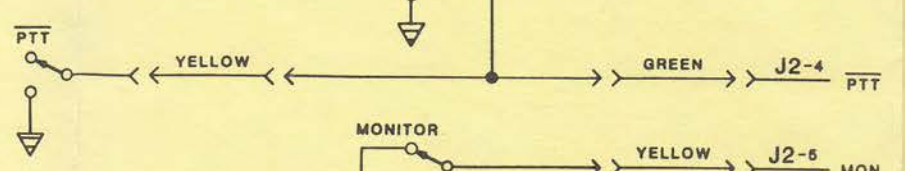




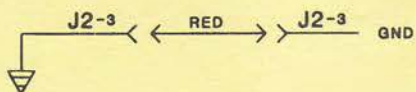
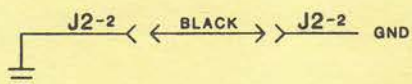
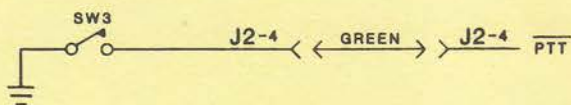
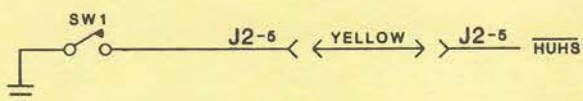
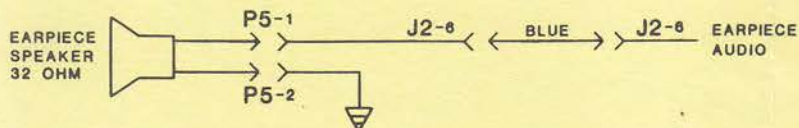
RCN 1000  
HANDSET



RCN 1000  
DESK MIC



J2-1 < WHITE > J2-1 MIC AUDIO



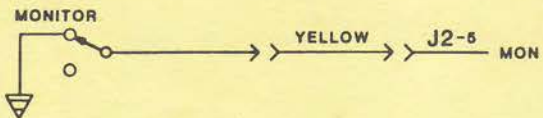
HANDSET  
NOT USED

SW2  
C4

< WHITE > < WHITE > J2-1 MIC AUDIO



< YELLOW > < GREEN > J2-4 PTT



< BLACK > < RED > J2-3 GND

< RED > < BLACK > J2-2 GND

D	DPR	10/17/88	ECO # GE-0039-18	
REV	BY	DATE	DESCRIPTION	
BY	FRED RENNER		DATE	9-6-88
TITLE			SCALE	
SCHEMATICS				
REMOTE HANDSET/DESK MIC				
PART NO.	900-0166		DOCUMENT NO.	4162-S-01