

Anti-Vacuum Valves

Prevents a vacuum forming in hot water applications

Overview

Reliance Valves Automatic Anti-Vacuum Valves are a compact range for hot water heaters. The valve prevent a vacuum forming in installations where there is the potential for the draw off rate to exceed the rate of flow to the inlet, which an occur in properties with multiple outlets below the base of the hot water heater.

The valves contain a check cartridge which, under normal conditions, is held closed by the system pressure, but when a vacuum condition arises the suction will cause the check cartridge to open and air to flow through, equalising the pressure within the hot water heater.

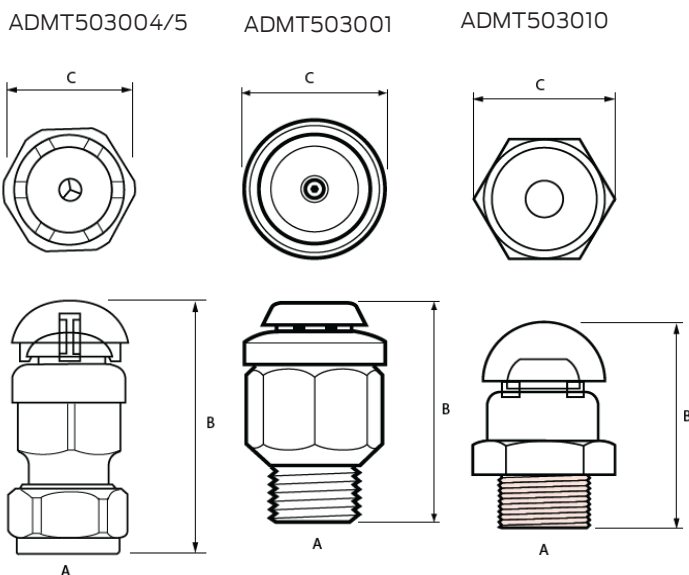
Features & benefits

- Automatic protection against a vacuum forming in hot water installation
- Solid brass body for long life
- Easy access to the internal components from the top of the valve
- Quick and simple to service
- Suitable for hot water use only

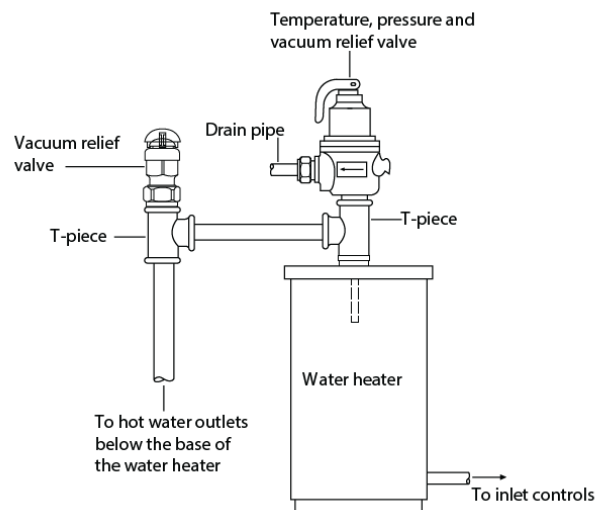
Specifications

Maximum working pressure	16.0 bar
Maximum temperature	
ADMT503001	99°C
ADMT503004, ADMT503005, ADMT503010	60°C
Opening pressure	0.05 bar

Dimensions – All measurements in mm unless otherwise stated



Typical installation



Standards & approvals

WRAS Approved

Product code	Description	A	B	C
ADMT503001	Automatic anti-vacuum valve	1/2" MBSP	49	32
ADMT503010	Automatic anti-vacuum valve	3/4" MBSP	45	34
ADMT503004	Automatic anti-vacuum valve	15mm	46	28
ADMT503005	Automatic anti-vacuum valve	22mm	49	36

