

## TECHNICAL DATA SHEET -

### SmartMount™ Universal Tilt Wall Mount for 10" - 24" LCD Flat Panel Screens

MODELS: ST630, ST630-S, ST630P, ST630P-S



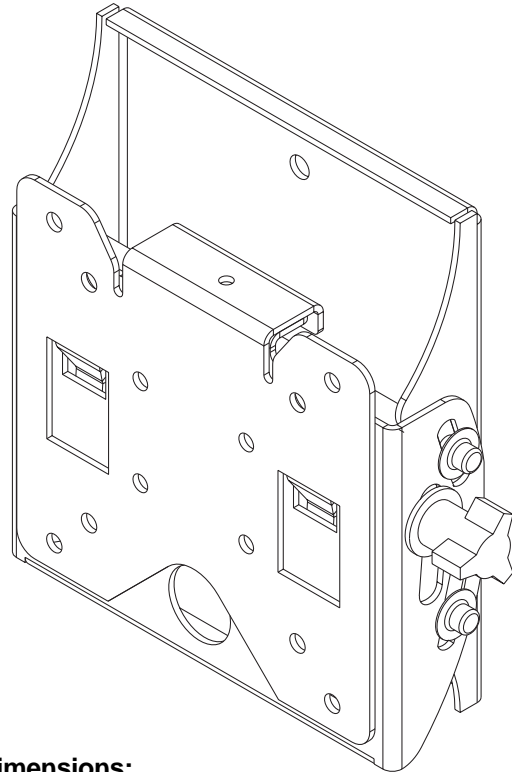
The Smartmount Universal Tilt Wall Mount supports virtually any 10" to 24" LCD flat panel. The ultra-slim wall plate keeps the screen close to the wall for a very discreet installation that is perfect for digital signage, POS stations, or office applications. Featuring one-touch tilt, the Smartmount allows the screen to be tilted +15/-5 degrees without the use of tools. For a quick and easy installation it may be mounted to a single wood stud or concrete. Mounts to metal stud using accessory metal stud fasteners. Compatible with VESA 75 mm, and 100 mm.

#### **Features:**

- Colors: silver or black
- Universal mount fits virtually any 10" to 24" LCD flat panel screen
- Screen adapter plate compatible with VESA 75 mm and 100 mm
- One-touch tilt allows tilt adjustment of +15/-5 degrees without the use of tools
- Desired tilt angle can be locked in place if needed
- Screen adapter plate simply hooks onto the wall plate for quick and easy installation
- Includes hardware for installation to wood studs, concrete, and cinder block

#### **Accessories:**

- Metal Stud Fastener Kit (ACC 215)
- Video Conferencing Shelf (ACC 309)
- Accessory Shelves (PM 600, PM 610)



#### **Dimensions:**

#### **Weight:**

2.1 lb (0.95 kg)

#### **Shipping weight:**

2.9 lb (1.3 kg)

#### **Maximum Load Capacity:**

80 lb (36.3 kg)

#### **Shipping Carton dimensions:**

L = 12.75 in (324 mm)

W = 9.50 in (241 mm)

H = 2.50 in (64 mm)

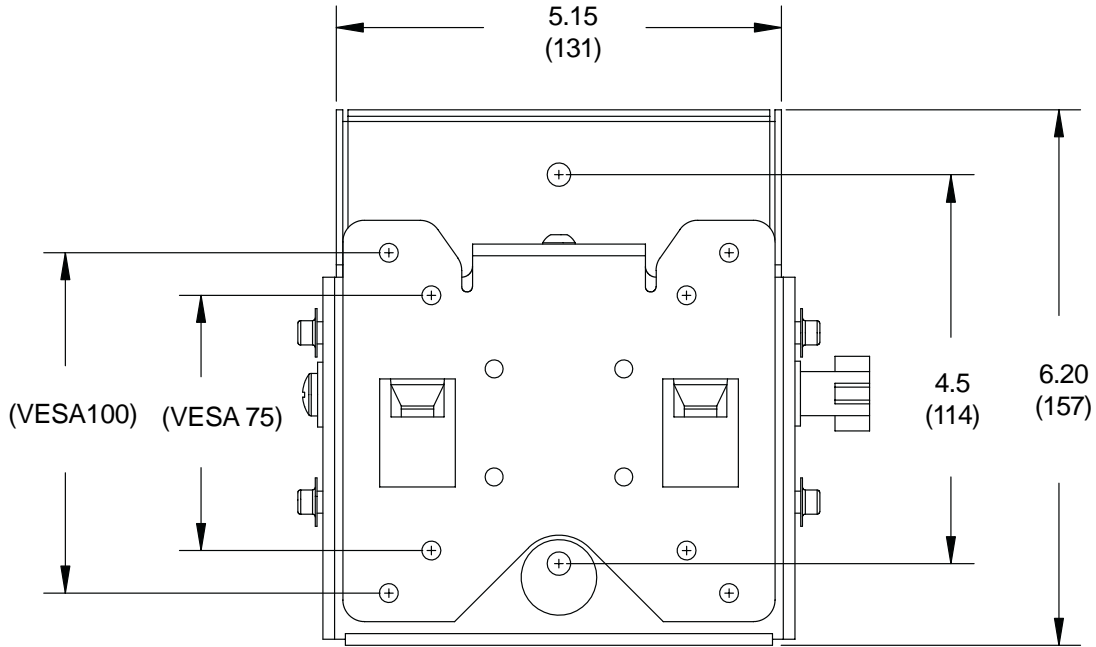
#### ARCHITECTS SPECIFICATIONS

The Smartmount shall be Peerless models **ST630**, **ST630-S**, **ST630P** or **ST630P-S** and shall be located where indicated on the plans. It shall feature adjustable 15° of forward tilt and 5° backward tilt. It shall feature a screen adapter plate compatible with VESA 75 mm and 100 mm. Assembly and installation shall be done according to instructions provided by the manufacturer.

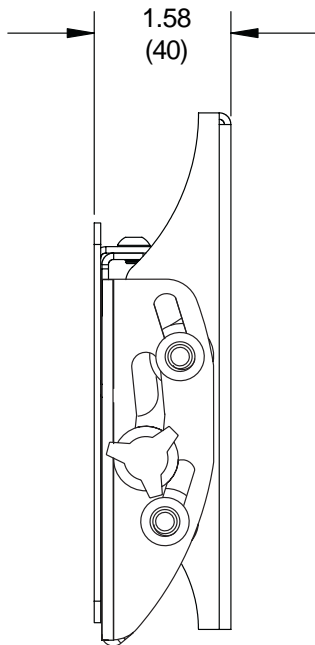
# TECHNICAL DATA SHEET

MODELS: ST630, ST630-S, ST630P, ST630P-S

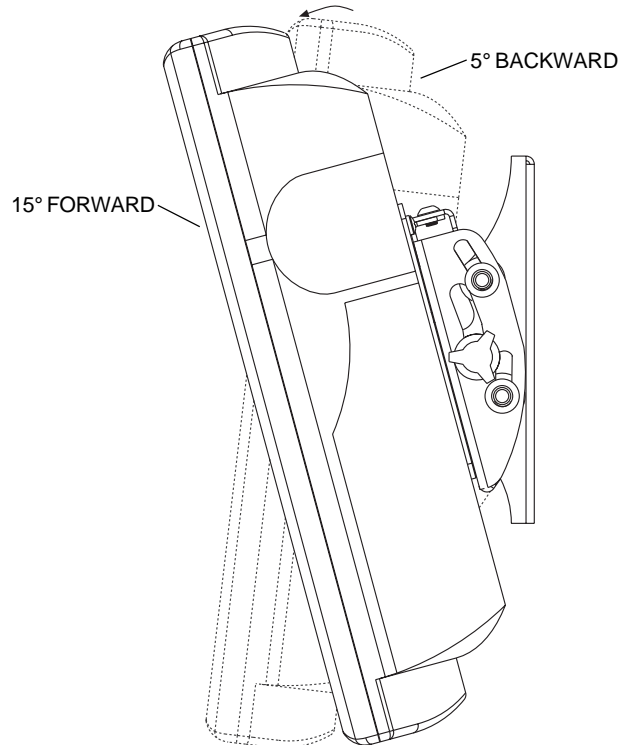
All dimensions = inch (mm)



**Front View**



**Side View**



**Side View**