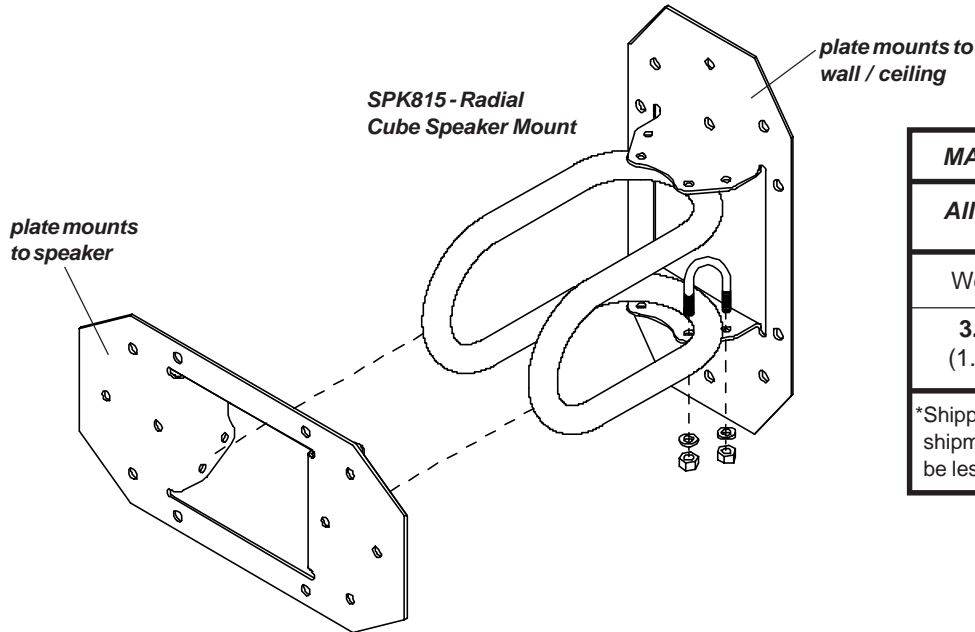


Designed for commercial loudspeakers weighing up to **75 lbs.**, model **SPK815** may be attached to wall or ceiling. Interchangeable plates - one black and one white - allow the installer to choose which plate to place against the mounting surface. The mount holds a speaker 9" from the mounting surface and adjusts both vertically and horizontally. A center opening in plates allows easy access for speaker wires.

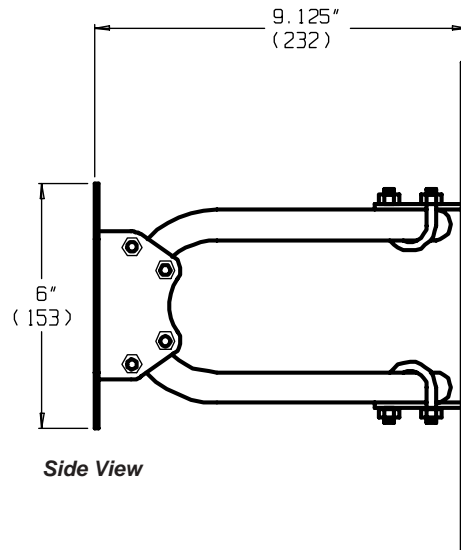
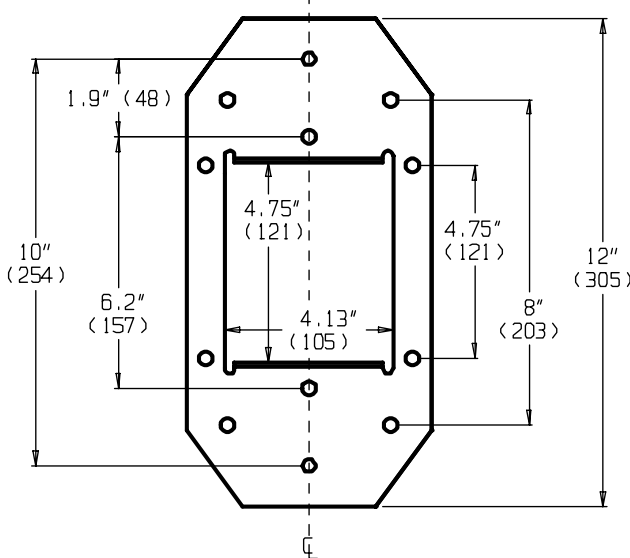
Features:

- Heavy gauge cold rolled steel construction.
- Scratch resistant black and white fused epoxy finish.
- Horizontal and vertical adjustability.



MAX. Load Capacity: 75 lb	
All dimensions: inches (millimeters)	
Weight	*Shipping Weight
3.1 lb (1.4 kg)	4.6 lb (2.1 kg)
*Shipping weight based on single unit shipment. Per unit shipping weight may be less for bulk orders.	

Front View - Plate Only



Side View

ARCHITECTS SPECIFICATIONS

The speaker mount shall be a Peerless model **SPK815** Radial Cube Speaker Mount and shall be mounted where indicated on the plans. The mount shall support a speaker weighing no more than 75 lbs. and feature horizontal and vertical adjustability. It shall be constructed of heavy gauge cold rolled steel. The finish shall be scratch resistant black and white fused epoxy. Assembly and installation shall be done according to instructions provided by the manufacturer.

TECHNICAL DATA SHEET

**Radial Cube
Speaker Mount**

Issued: 07-28-99 Sheet No. 087-9507-1 12-11-03