

# TECHNICAL DATA SHEET

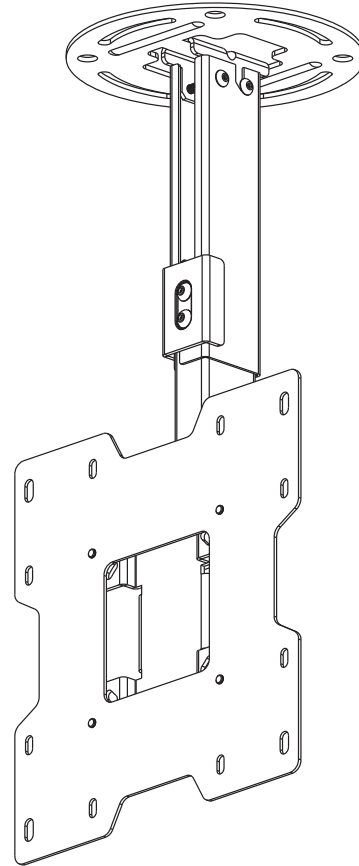
**MODELS: PC932A, PC932A-S, PC932A-W  
PC932B, PC932B-S, PC932B-W  
PC932C, PC932C-S, PC932C-W**

## Paramount™ LCD Ceiling Mount for 15" to 37" LCD Screens

No wall space? No problem. This VESA® compliant LCD ceiling mount gets the TV up easily and offers an incredible range of viewing options. Installation is made simple with its one-, two-, three- design. Simply attach the ceiling plate, attach the mounting plate to the screen and hook-on the TV on to the mount – Done. This LCD TV mount delivers the ultimate in positioning options with its tilt and infinite swivel options for that ultimate flat panel viewing experience.

### Features:

- VESA® 75, 100, 200 x100 and 200 x 200 mm compliant
- Three adjustable extension lengths:
  - PC932A models - 9.8" - 13.9"
  - PC932B models - 13.78" - 21.89"
  - PC932C models - 20.24" - 34.02"
- Adjustable tilt of +20/-5° with optional lock in 5° increments
- 360° of mountable adjustment for limitless screen placement opportunities
- Internal cable management within extension channels for clean, clutter-free appearance
- Safety catch designed into extension channels to ensure user and equipment safety
- Supports up to 80 lb LCD flat panel TVs



Dimensions:	Models		
	PC932A PC932A-S PC932A-W	PC932B PC932B-S PC932B-W	PC932C PC932C-S PC932C-W
Product Weight	4.56 lb (2.07 kg)	5.24 lb (2.38 kg)	6.33 lb (2.87 kg)
Shipping Weight	6.4 lb (2.90 kg)	6.85 lb (3.11 kg)	8.1 lb (3.67 kg)
Maximum Load Capacity	80 lb (36.3 kg)	80 lb (36.3 kg)	80 lb (36.3 kg)
Shipping Carton Dimensions	L= 12.0625" (306 mm)	12.0625" (306 mm)	19.375 (492 mm)
	W= 9.3125" (237 mm)	9.3125" (237 mm)	10 (254 mm)
	H= 4.25" (108 mm)	4.25" (108 mm)	4.375 (111 mm)

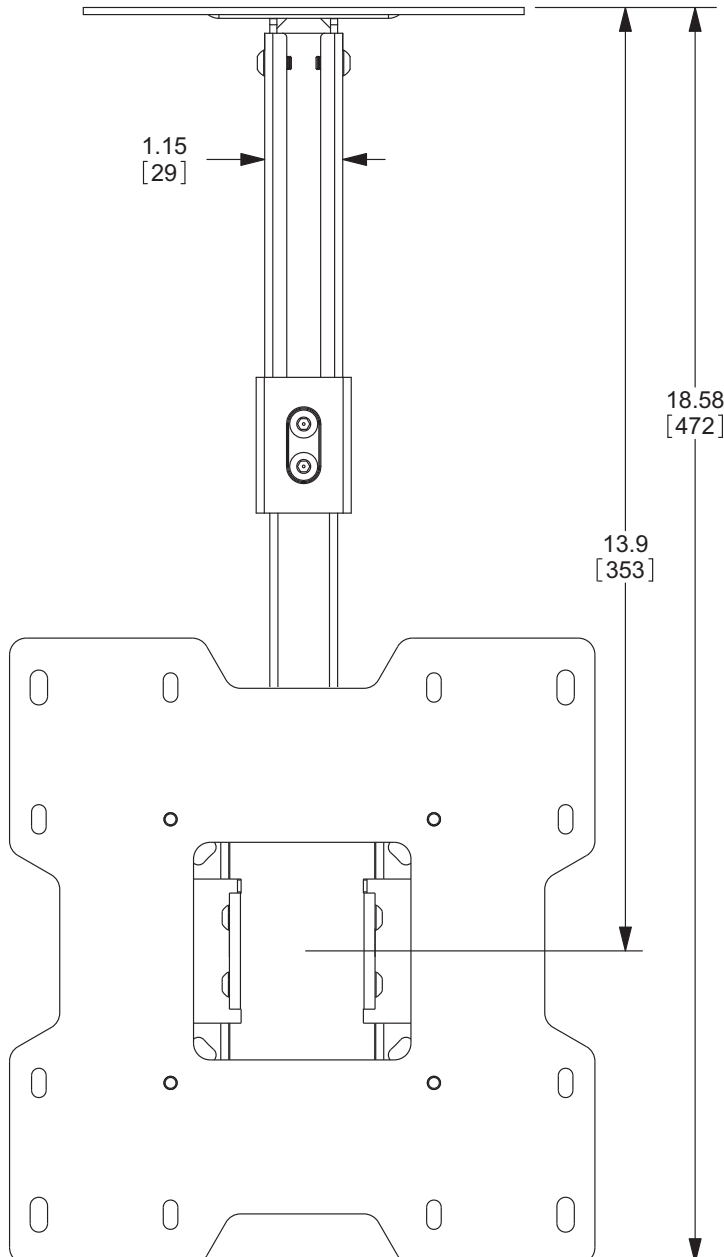
# TECHNICAL DATA SHEET

**MODELS: PC932A, PC932A-S, PC932A-W  
 PC932B, PC932B-S, PC932B-W  
 PC932C, PC932C-S, PC932C-W**

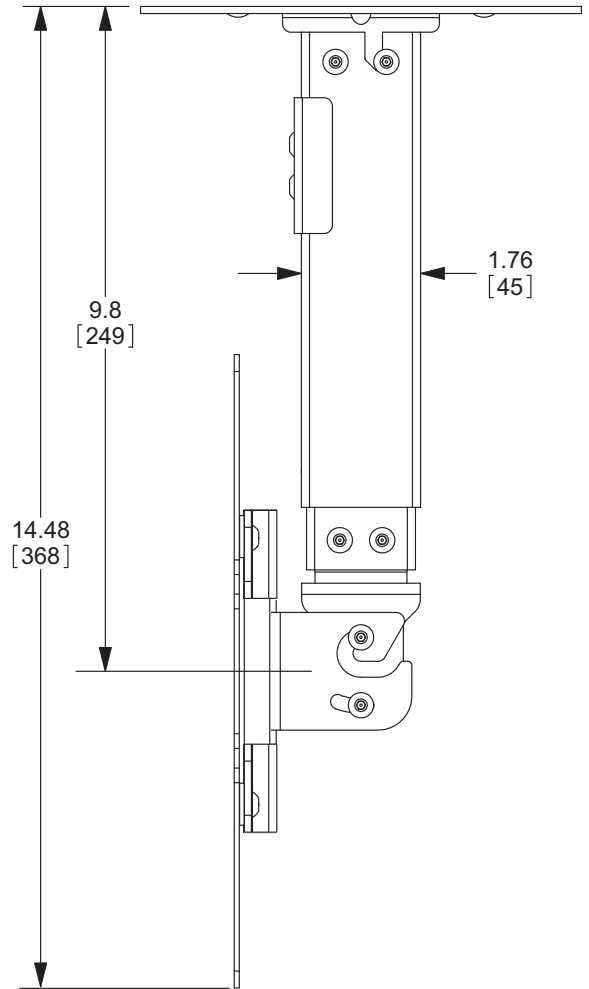
All dimensions = inch [mm]

## PC932A Series

Front View  
Extended



Side View  
Retracted



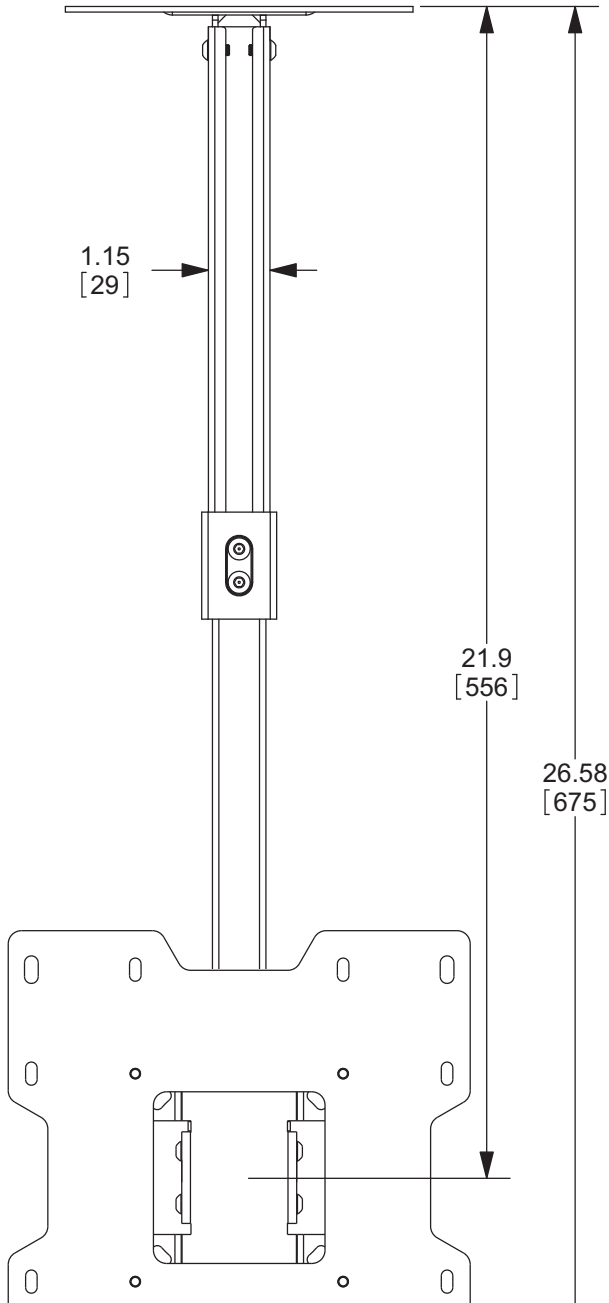
MODELS: PC932A, PC932A-S, PC932A-W  
 PC932B, PC932B-S, PC932B-W  
 PC932C, PC932C-S, PC932C-W

# TECHNICAL DATA SHEET

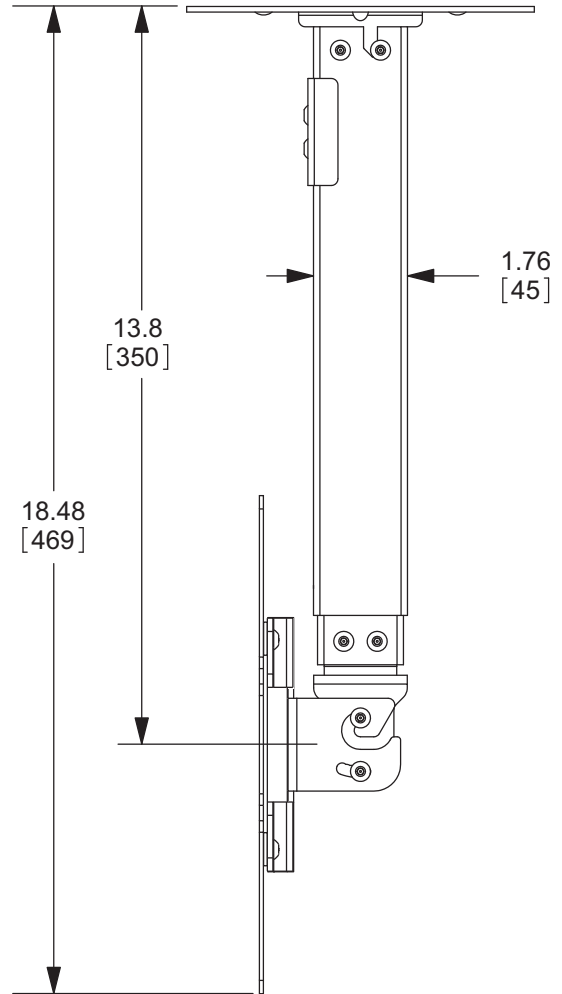
All dimensions = inch [mm]

## PC932B Series

Front View  
Extended



Side View  
Retracted

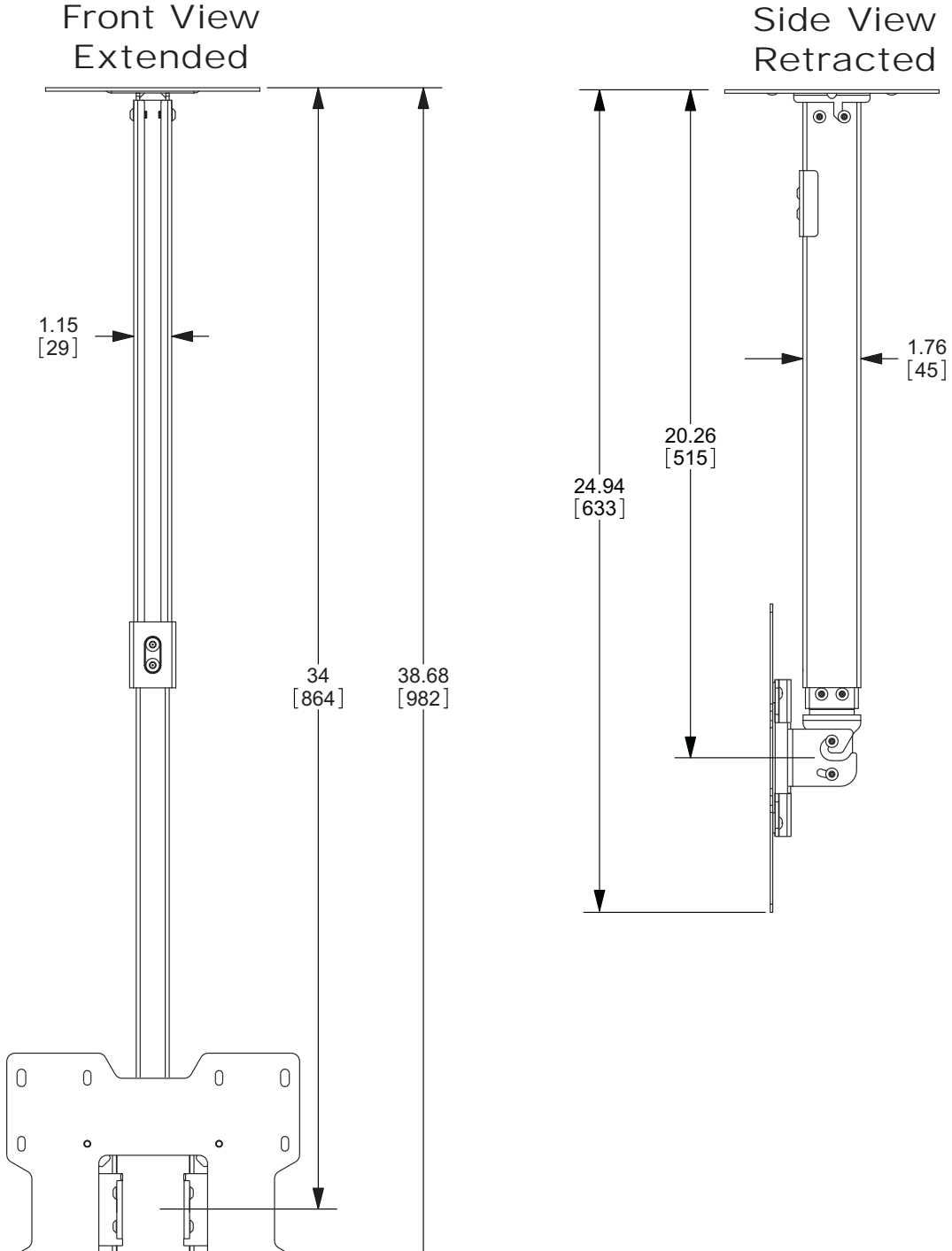


# TECHNICAL DATA SHEET

**MODELS: PC932A, PC932A-S, PC932A-W  
PC932B, PC932B-S, PC932B-W  
PC932C, PC932C-S, PC932C-W**

All dimensions = inch [mm]

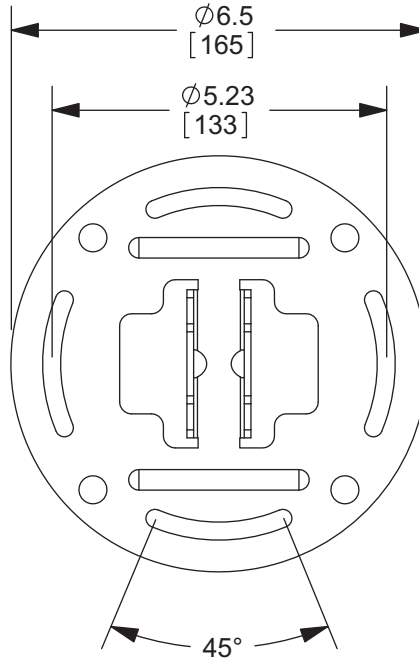
## PC932C Series



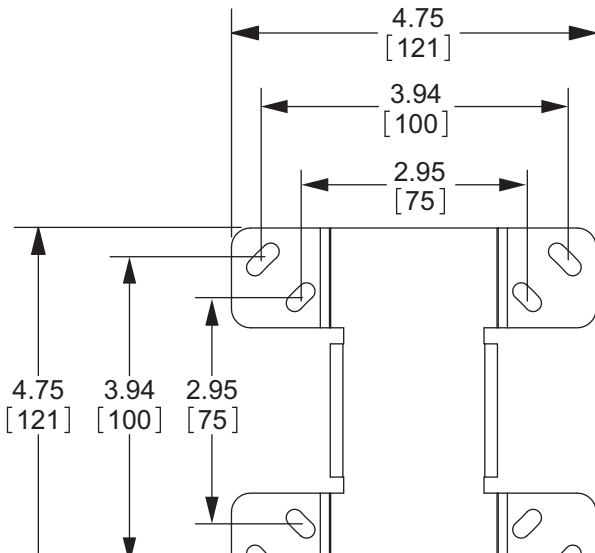
# TECHNICAL DATA SHEET

**MODELS: PC932A, PC932A-S, PC932A-W  
PC932B, PC932B-S, PC932B-W  
PC932C, PC932C-S, PC932C-W**

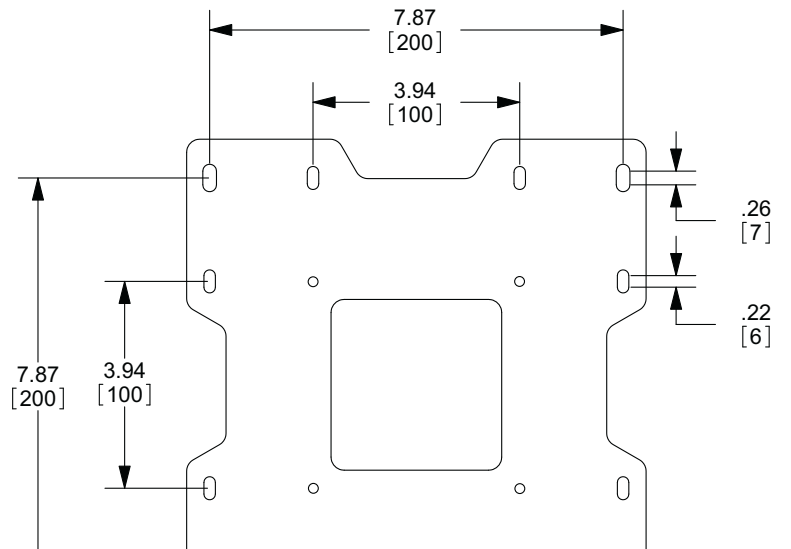
## Ceiling Plate



## VESA 75/100 Adapter Plate



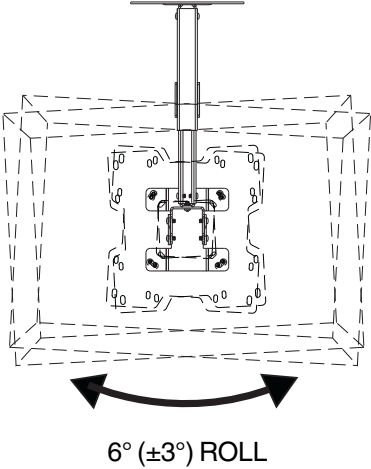
## VESA 200 Adapter Plate



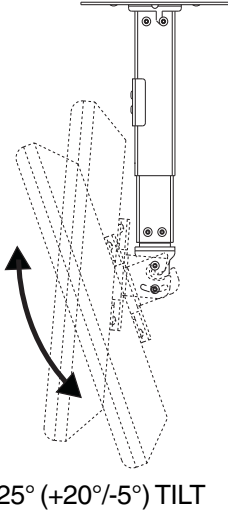
MODELS: PC932A, PC932A-S, PC932A-W  
PC932B, PC932B-S, PC932B-W  
PC932C, PC932C-S, PC932C-W

# TECHNICAL DATA SHEET

**ROLL**  
BACK VIEW



**TILT**  
SIDE VIEW



**SWIVEL**  
BOTTOM VIEW

