

TECHNICAL DATA SHEET

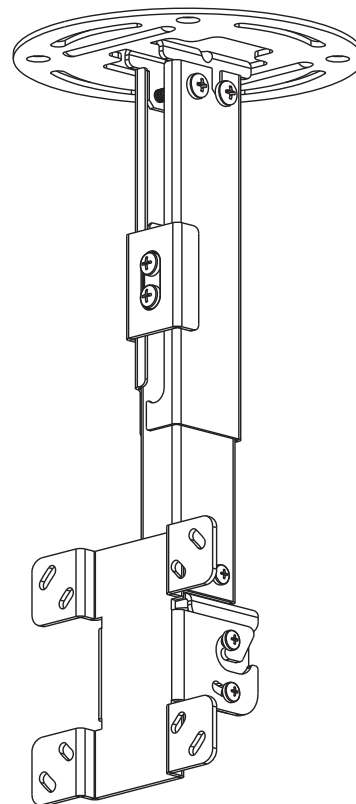
**MODELS: PC930A, PC930A-S, PC930A-W
PC930B, PC930B-S, PC930B-W
PC930C, PC930C-S, PC930C-W**

Paramount™ LCD Ceiling Mount for 15" to 24" LCD Screens

No wall space? No problem. The ceiling is a great place to mount a flat panel when there is no wall available. Ceiling installation is made simple with PC930s one-, two-, three- design. Simply attach the ceiling plate, attach the mounting plate to the screen and hook-on the TV on to the mount – Done. This VESA® compliant LCD mount delivers the ultimate in positioning options with its tilt and infinite swivel options for that ultimate flat panel viewing experience.

Features:

- VESA® 75 and 100 compliant
- Three adjustable extension lengths:
 - PC930A models - 9.8" - 13.9"
 - PC930B models - 13.78" - 21.89"
 - PC930C models - 20.24" - 34.02"
- Adjustable tilt of +20/-5° with optional lock in 5° increments
- 360° of mountable adjustment for limitless screen placement opportunities
- Internal cable management within extension channels for clean, clutter-free appearance
- Safety catch designed into extension channels to ensure user and equipment safety
- Supports up to 50 lb LCD flat panel TVs



Dimensions:	Models		
	PC930A PC930A-S PC930A-W	PC930B PC930B-S PC930B-W	PC930C PC930C-S PC930C-W
Product Weight	3.22 lb (1.46 kg)	3.9 lb (1.77 kg)	4.99 lb (2.26 kg)
Shipping Weight	4.84 lb (2.2 kg)	5.44 lb (2.47 kg)	6.64 lb (3.01 kg)
Maximum Load Capacity	50 lb (22.7 kg)	50 lb (22.7 kg)	50 lb (22.7 kg)
Shipping Carton Dimensions	L= 12.0625" (306 mm)	12.0625" (306 mm)	19.375 (492 mm)
	W= 9.3125" (237 mm)	9.3125" (237 mm)	10 (254 mm)
	H= 4.25" (108 mm)	4.25" (108 mm)	4.375 (111 mm)

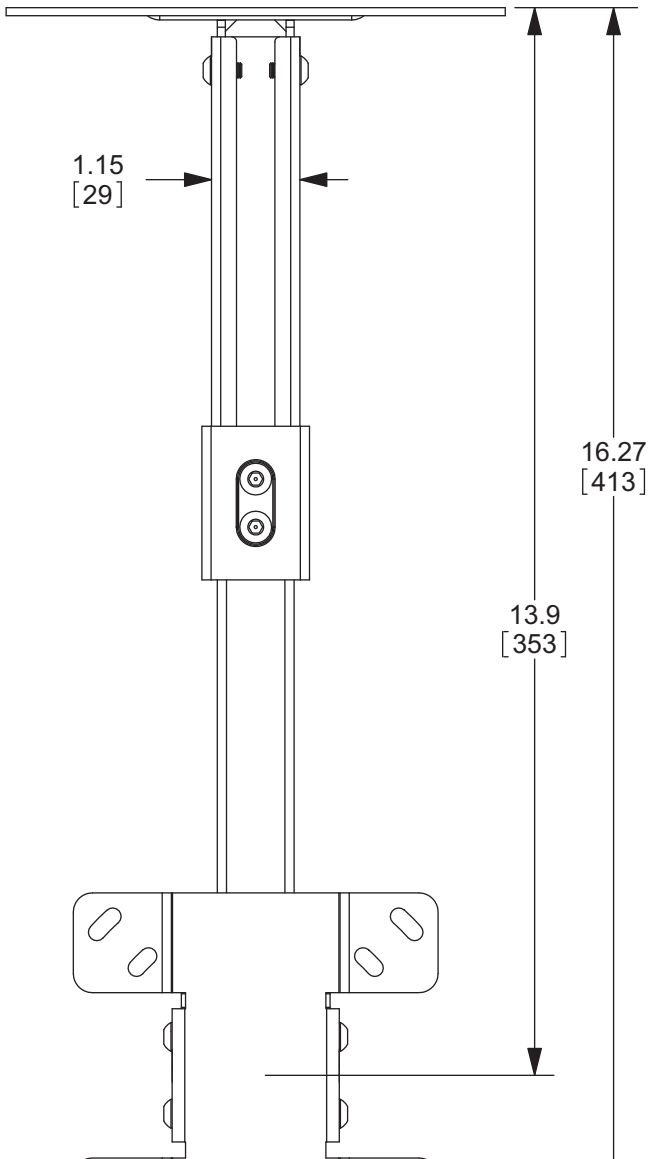
TECHNICAL DATA SHEET

**MODELS: PC930A, PC930A-S, PC930A-W
 PC930B, PC930B-S, PC930B-W
 PC930C, PC930C-S, PC930C-W**

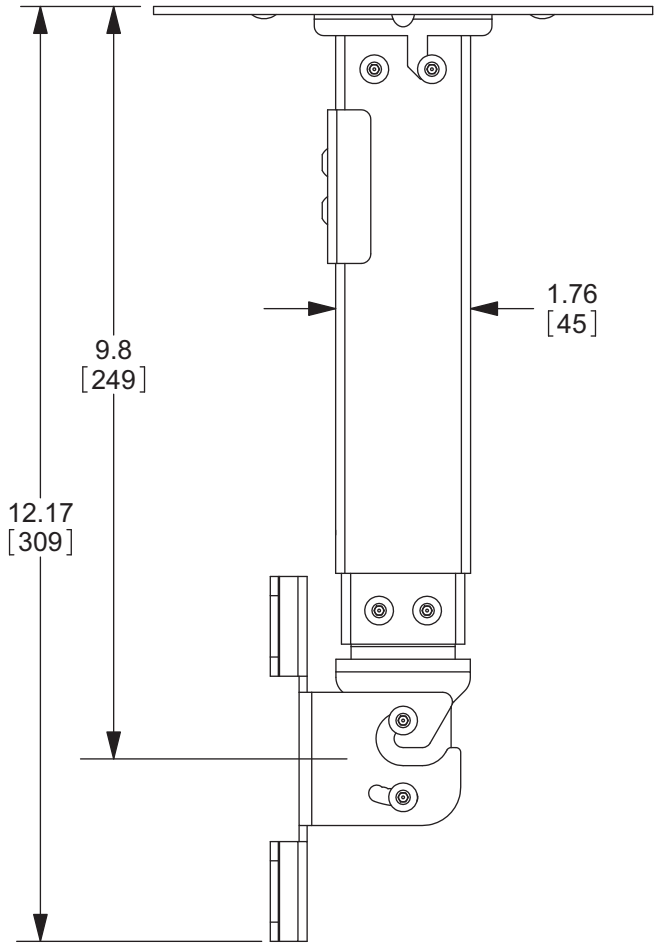
All dimensions = inch [mm]

PC930A Series

Front View
Extended



Side View
Retracted



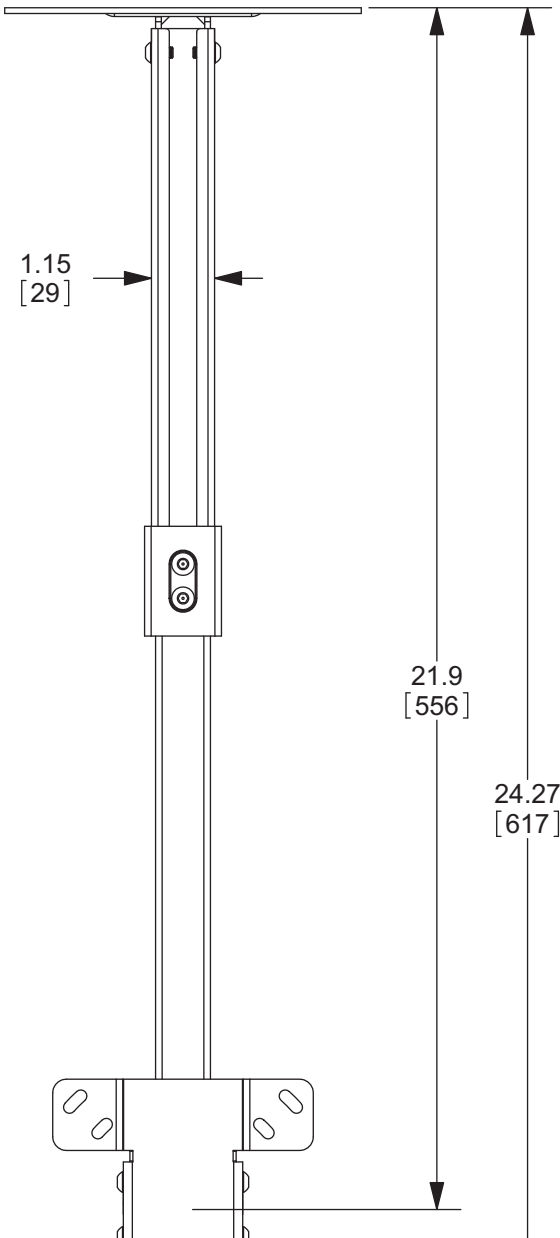
MODELS: PC930A, PC930A-S, PC930A-W
PC930B, PC930B-S, PC930B-W
PC930C, PC930C-S, PC930C-W

TECHNICAL DATA SHEET

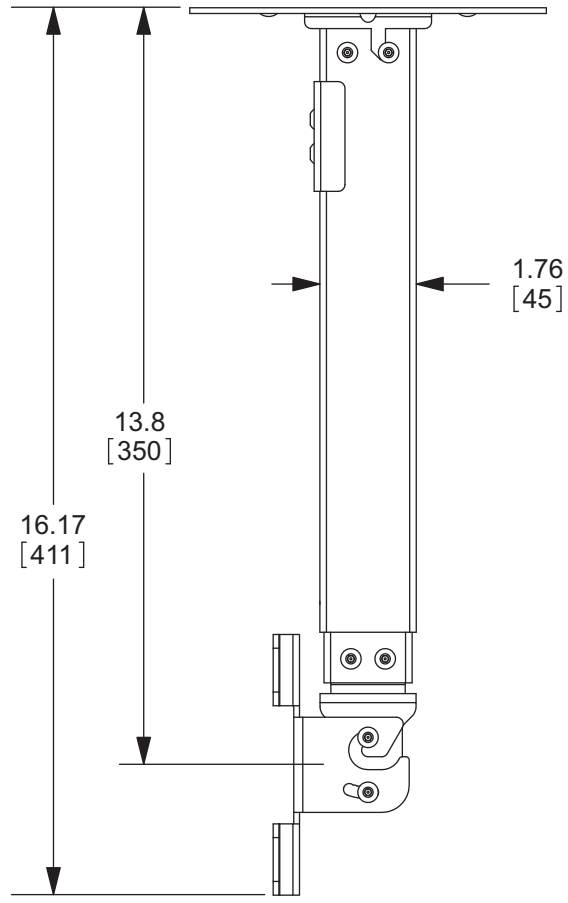
All dimensions = inch [mm]

PC930B Series

Front View
Extended



Side View
Retracted

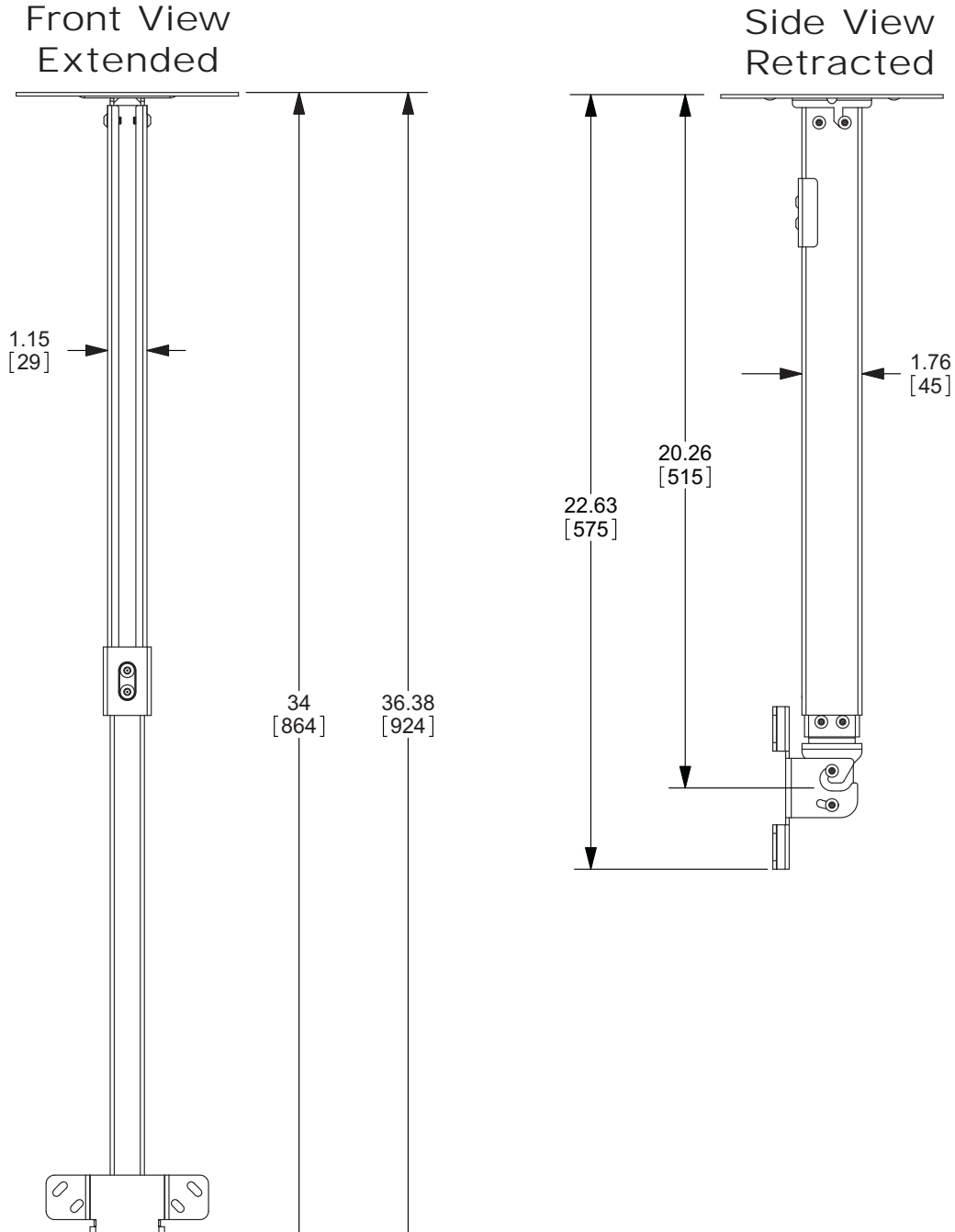


TECHNICAL DATA SHEET

**MODELS: PC930A, PC930A-S, PC930A-W
PC930B, PC930B-S, PC930B-W
PC930C, PC930C-S, PC930C-W**

All dimensions = inch [mm]

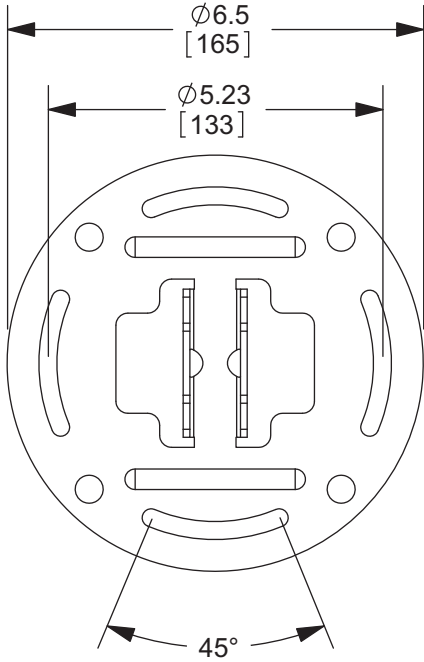
PC930C Series



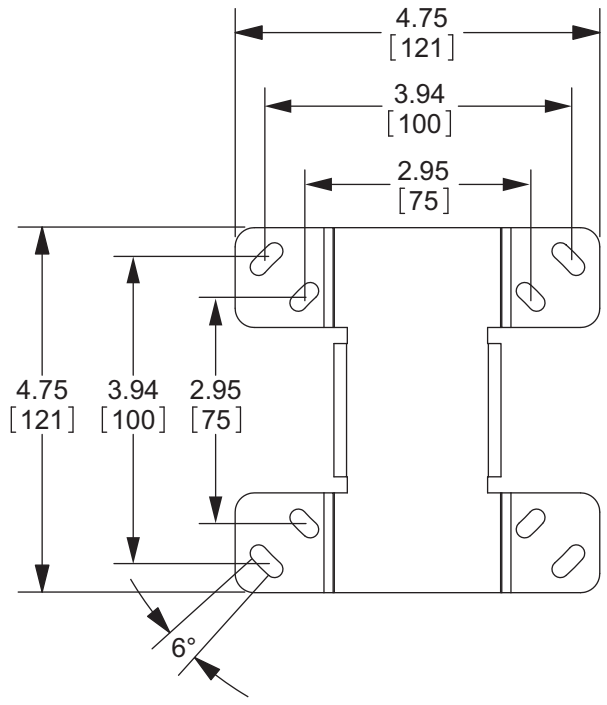
MODELS: PC930A, PC930A-S, PC930A-W
PC930B, PC930B-S, PC930B-W
PC930C, PC930C-S, PC930C-W

TECHNICAL DATA SHEET

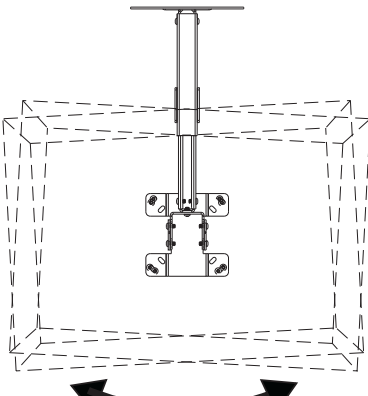
Ceiling Plate



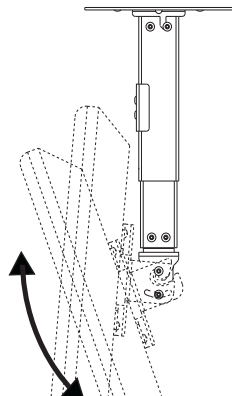
Adapter Plate



ROLL BACK VIEW



TILT SIDE VIEW



SWIVEL BOTTOM VIEW

