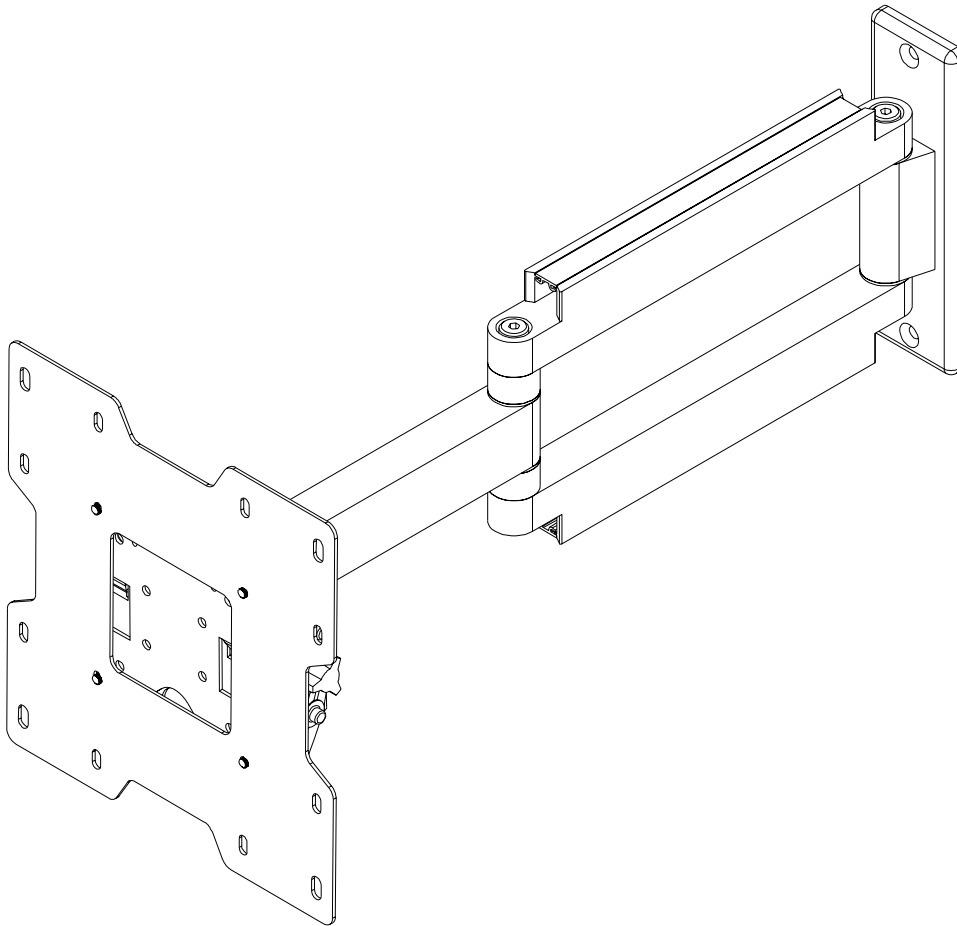


Installation and Assembly: SmartMount™ Articulating LCD Wall Arm

Models: SA740P, SA740P-S, RTFPA-220, RTFPA-220I, RTFPA-220S,
RTFPA-220SI, 902220



Features:

- Fits 22" - 40" LCD screens
- Three tensionable pivot points for extensive adjustment of viewing angle
- VESA® 75/100/200 x 100/200 x 200 compatible
- Frees up space by folding flat against the wall
- Keeps electronic wires routed internal to reduce clutter



This product is intended for use with UL
Listed products and must be installed by a
qualified professional installer.

Max UL Load Capacity: 80 lb (36.3 kg)

Note: Read entire instruction sheet before you start installation and assembly.

⚠ WARNING

- Do not begin to install your Peerless product until you have read and understood the instructions and warnings contained in this Installation Sheet. If you have any questions regarding any of the instructions or warnings, call Peerless customer service at 1-800-729-0307.
- This product should only be installed by someone of good mechanical aptitude, has experience with basic building construction, and fully understands these instructions.
- Make sure that the supporting surface will safely support the combined load of the equipment and all attached hardware and components.
- Never mount this product to a metal stud wall construction unless the stud can be verified to be constructed of 25 gauge steel minimum, the drywall is 1/2" thick minimum and you obtain and use the Peerless accessory kit for metal studs.
- Never exceed the Maximum UL Load Capacity.
- If mounting to wood wall stud wall construction, make sure that mounting screws are anchored into the center of the studs. Use of an "edge to edge" stud finder is highly recommended.
- Always use an assistant or mechanical lifting equipment to safely lift and position equipment.
- Tighten screws firmly, but do not overtighten. Overtightening can damage the items, greatly reducing their holding power. See suggested torque values where applicable within these instructions.

Tools Needed for Assembly

- stud finder ("edge to edge" stud finder is recommended)
- phillips screwdriver
- 3/16" allen wrench
- drill with 1/4" and 5/32" drill bits

Accessories

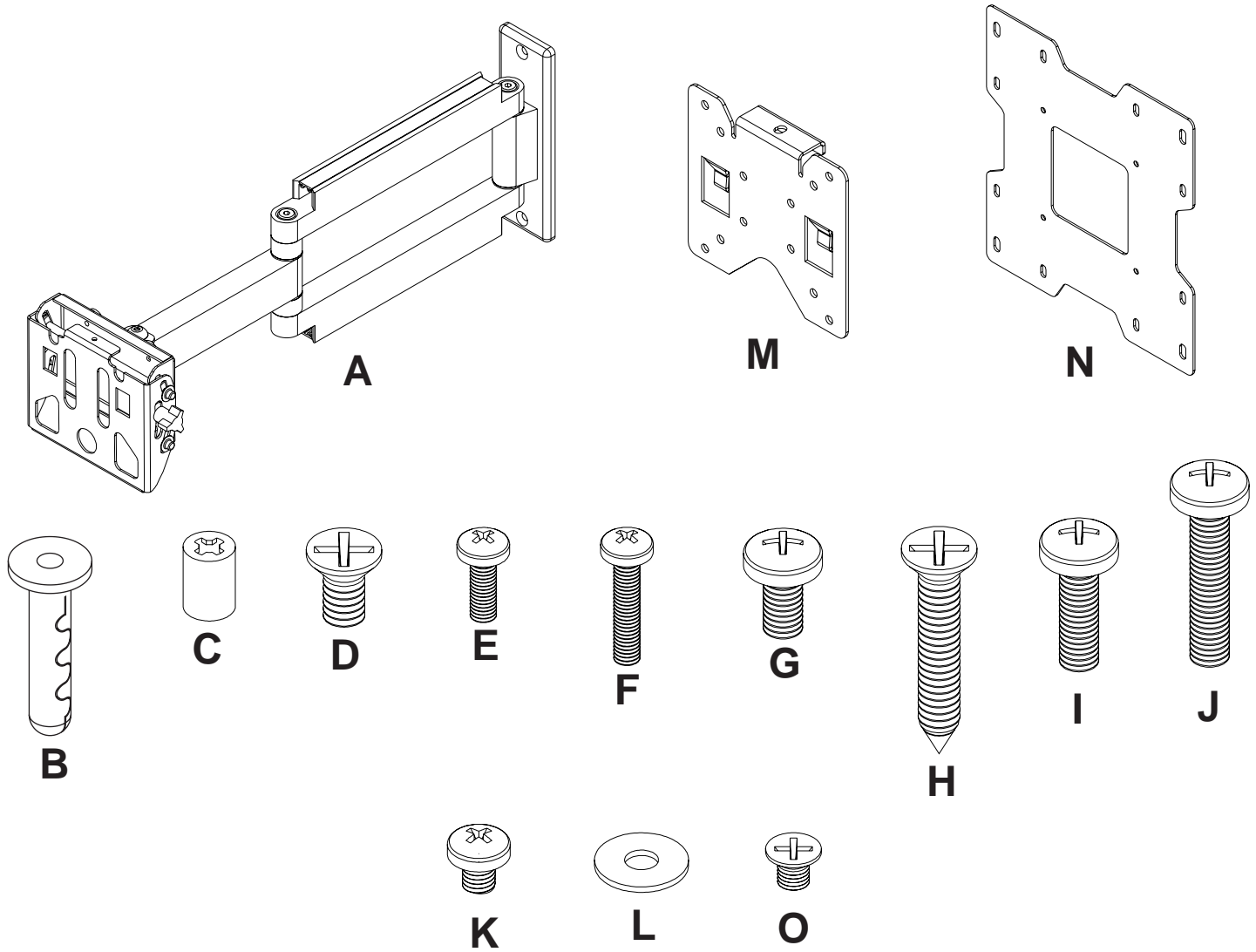
- Metal Stud Wall Plate (WSP models) (Not evaluated by UL)

Table of Contents

Parts List	3
Installation to Wood Stud Wall	4
Installation to Solid Concrete and Cinder Block	5

Parts List

Description	Qty.	RTFPA-220		RTFPA-220S	
		SA740P Part #	RTFPA-220I Part #	SA740P-S 902220 Part #	RTFPA-220SI Part #
A wall mount	1	095-0376	095-0376	095-0378	095-0378
B Alligator® anchor	2	590-0097	590-0097	590-0097	590-0097
C .198" ID x .313" OD x .437" H retaining spacer	4	590-5005	590-5005	590-5003	590-5003
D 1/4-20 x 1/2" flat head phillips screw	2	520-1209	520-1209	520-2178	520-2178
E M4 x .7 x 10 mm phillips screw	4	504-9012	504-9012	520-2027	520-2027
F M4 x .7 x 20 mm phillips screw	4	504-9020	504-9020	504-2014	504-2014
G M6 x 1 x 12 mm phillips screw	4	520-1128	520-1128	520-2039	520-2039
H #14 x 2-1/2" flat head wood screw	2	520-1202	520-1202	520-2165	520-2165
I M6 x 1 x 20 mm phillips screw	4	520-9402	520-9402	520-2040	520-2040
J M6 x 1 x 30 mm phillips screw	4	510-9109	510-9109	520-2042	520-2042
K M5 x 1 x 6 mm phillips screw	5	520-1023	520-1023	520-2214	520-2214
L #10 flat washer	4	540-9400	540-9400	540-9442	540-9442
M hook bracket	1	095-1346	095-1346	095-4346	095-4346
N adapter plate	1	095-1322	095-1322	095-4322	095-4322
O #10-32 x 1/4" flat head phillips screw	1	520-1108	520-1108	520-2108	520-2108
P installation kit (not shown)	1	n/a	200-8570	n/a	200-8570



Installation to Wood Stud Wall

⚠ WARNING

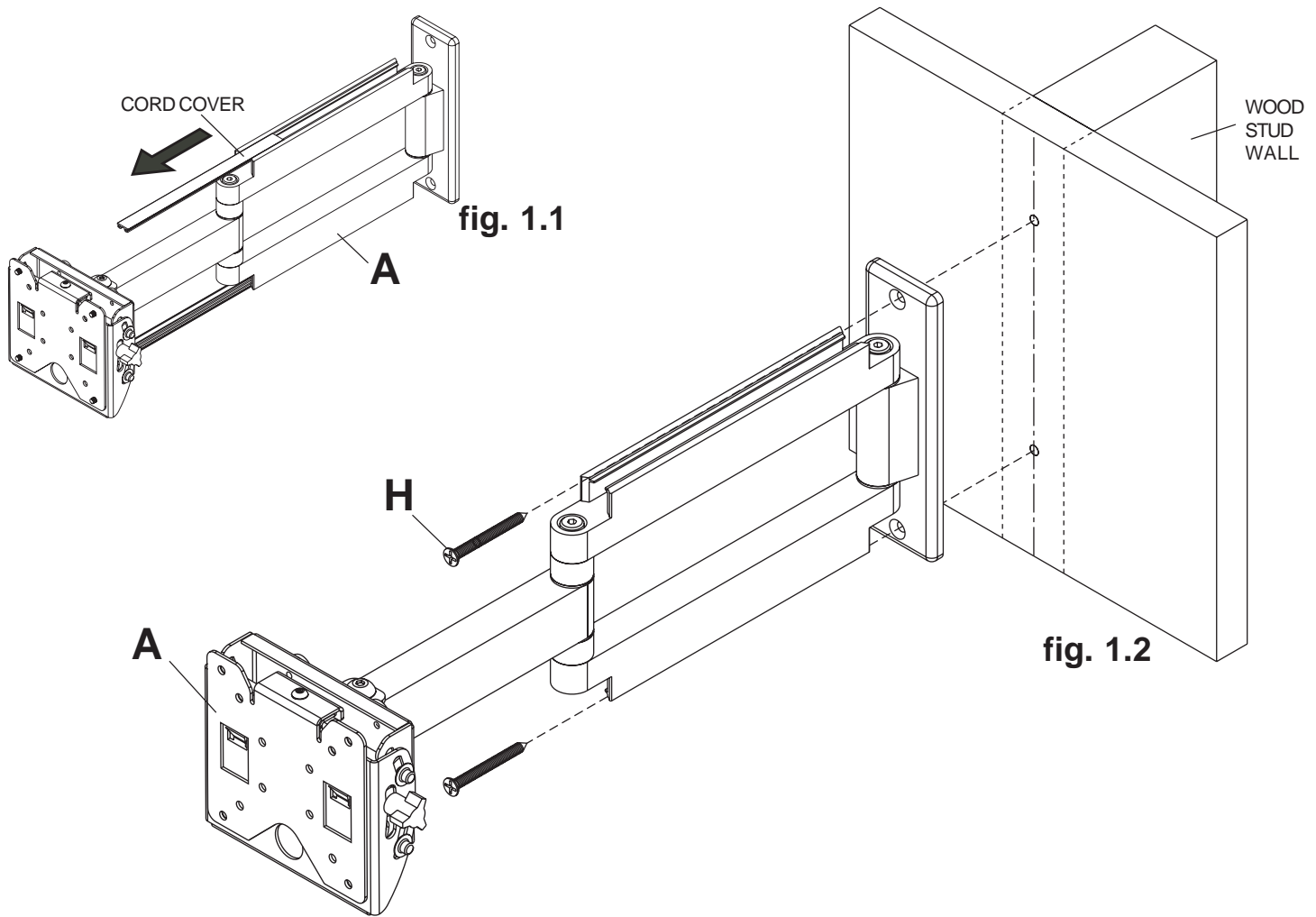
- Make sure that the supporting surface will safely support the combined load of the equipment and all attached hardware and components.

- 1 Remove cord covers from wall arm assembly (**A**) as shown in figure 1.1. Using a stud finder, locate and mark the edges of the wood stud used in mounting this product. Use of an edge to edge stud finder is highly recommended. Use a level to draw a vertical line down the center of the stud. Use wall plate as template to mark center of holes along the vertical line. Drill two 5/32" (4 mm) dia. holes 2.5" (65 mm) deep. Attach wall mount (**A**) to wall using two #14 x 2.5" flat head wood screws (**H**) as shown in figure 1.2.

Skip to step 2 on page 6.

⚠ WARNING

- Tighten screws so that wall plate is firmly attached, but do not overtighten. Overtightening can damage the screws, greatly reducing their holding power.
- Never tighten in excess of 80 in. • lb (9 N.M.).
- Make sure that mounting screws are anchored into the center of the studs. The use of an "edge to edge" stud finder is highly recommended.



Installation to Solid Concrete and Cinder Block

⚠ WARNING

- When installing Peerless wall mounts on cinder block, verify that you have a minimum of 1-3/8" of actual concrete thickness in the hole to be used for the concrete anchors. Do not drill into mortar joints! Be sure to mount in a solid part of the block, generally 1" minimum from the side of the block. Cinder block must meet ASTM C-90 specifications. It is suggested that a standard electric drill on slow setting is used to drill the hole instead of a hammer drill to avoid breaking out the back of the hole when entering a void or cavity.
- Concrete must be 2000 psi density minimum. Lighter density concrete may not hold concrete anchor.
- Make sure that the supporting surface will safely support the combined load of the equipment and all attached hardware and components.

- 1** Remove cord covers from wall arm assembly (A) as shown in figure 1.1. Level and use wall plate as template to mark center of holes. Drill two 1/4" (6 mm) dia. hole to a minimum depth of 2" (51 mm). Insert anchors (B) in holes flush with wall as shown in fig 1.3. Place wall mount (A) over anchor and secure with wood screw (H) as shown in figures 1.4 and 1.6. Make sure wall mount is level, and tighten all fasteners. See figure 1.5.

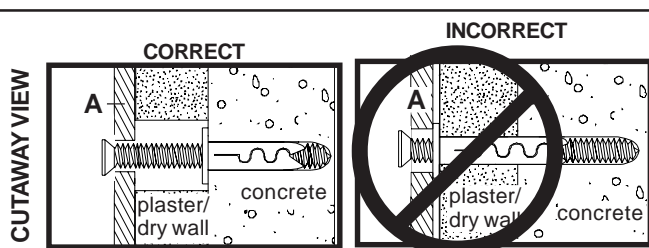
Skip to step 2 on next page.

⚠ WARNING

- Tighten screws so that wall plate is firmly attached, but do not overtighten. Overtightening can damage the screws, greatly reducing their holding power.
- Never tighten in excess of 80 in. • lb (9 N.M.).

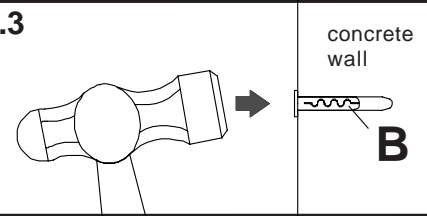
⚠ WARNING

- Concrete anchors are **not** intended for attachment to concrete wall covered with a layer of plaster, drywall, or other finishing material as shown below. If mounting to concrete wall covered with plaster/drywall is unavoidable, plaster/drywall (up to 5/8" thick) must be counterbored as shown below. Be sure concrete anchors do not pull away from concrete when tightening screws. If plaster/drywall is thicker than 5/8", custom fasteners must be supplied by installer (not evaluated by UL).



Drill holes and insert anchors.

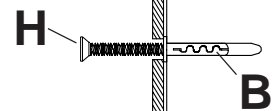
fig. 1.3



Place wall plate over anchor and secure with screw.

fig. 1.4

WALL PLATE



Tighten all fasteners.

fig. 1.5

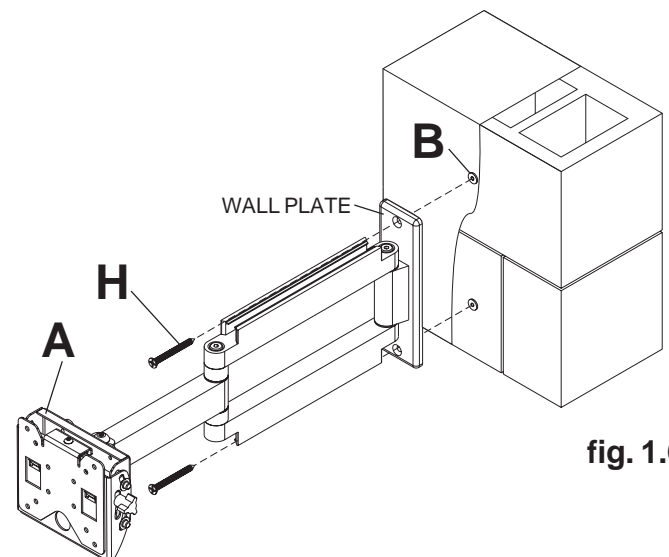
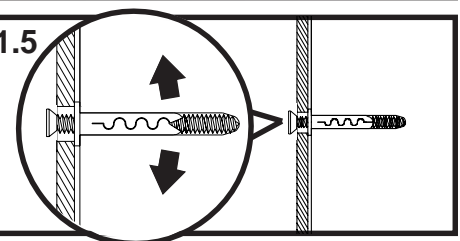
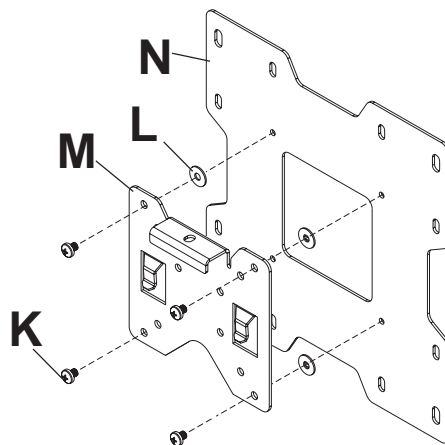


fig. 1.6

Attaching Adapter Plate to Screen with VESA 200 x 100 or 200 x 200 Mounting Pattern

Note: For VESA 75 mm and 100 mm patterns, see following page.

- 2** Attach hook bracket (**M**) to adapter plate (**N**) using four M5 x 6 mm screws (**K**) and #10 washers (**L**) as shown.



⚠ WARNING

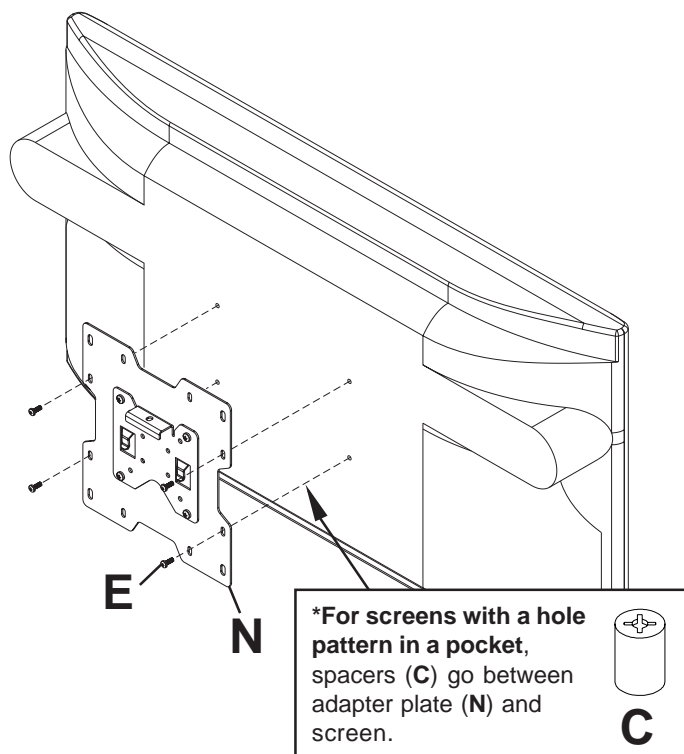
- If screws don't get three complete turns in the screen inserts or if screws bottom out and adapter plate is still not tightly secured, damage may occur to screen or product may fail.

FOR VESA 200 x 100 MOUNTING PATTERN:

- 2-1** Choose hole pattern as shown below. Attach adapter plate (**N**) to back of screen using four M4 x 10 mm screws (**E**) as shown below.

***Note:** If screw (**E**) gets less than three threads of engagement, attach adapter plate (**N**) to back of screen using four M4 x 20 mm screws (**F**) and four spacers (**C**) as indicated below.

Skip to step 3 on page 9.

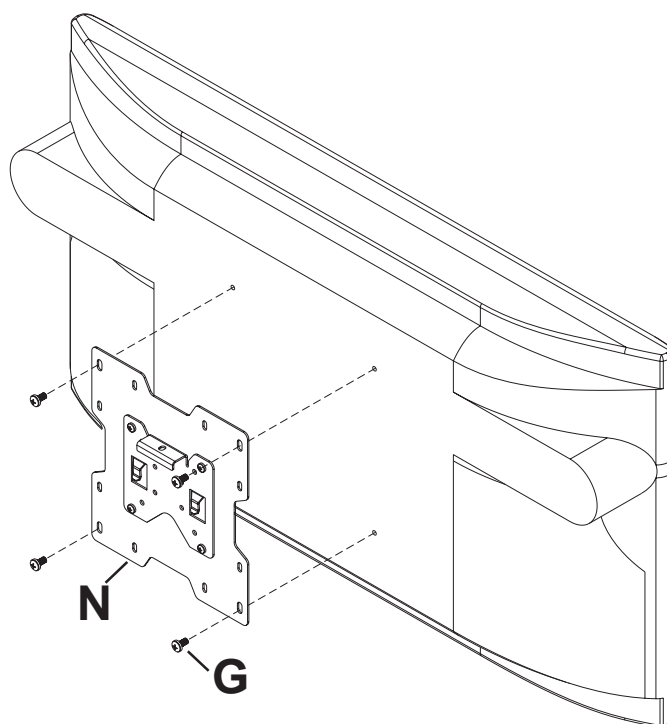


FOR VESA 200 x 200 MOUNTING PATTERN:

Choose hole pattern as shown below. Attach adapter plate (**N**) to back of screen using four M6 x 12 mm screws (**G**) as shown below.

***Note:** If screw (**G**) gets less than three threads of engagement, attach adapter plate (**N**) to back of screen using four M6 x 20 mm screws (**I**). If screw (**I**) still gets less than three threads of engagement, use four M6 x 30 mm screws (**J**).

Skip to step 3 on page 9.



Attaching Hook Bracket to Screen with VESA 75 or 100 Mounting Pattern

⚠ WARNING

- If screws don't get three complete turns in the screen inserts or if screws bottom out and bracket is still not tightly secured, damage may occur to screen or product may fail.

FOR VESA® 75 MOUNTING PATTERN:

- 2** Choose hole pattern as shown below. Attach hook bracket (**M**) to back of screen using four M4 x 10 mm screws (**E**) as shown below.

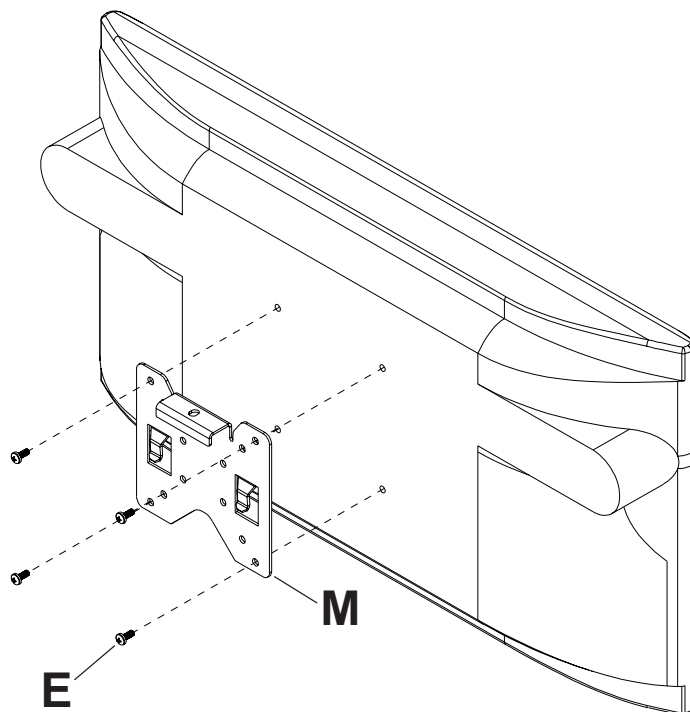
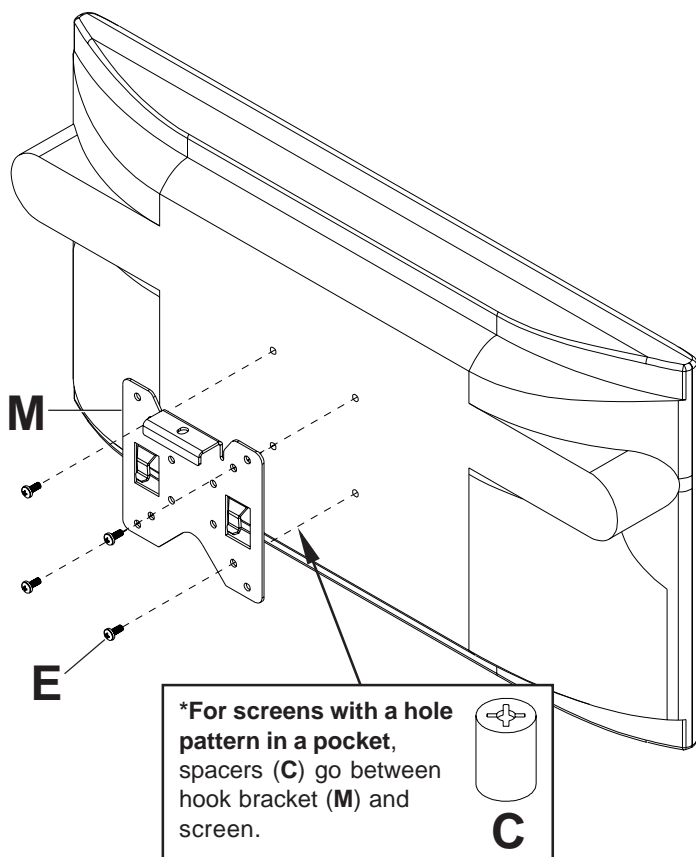
***Note:** If hole pattern is in a pocket, attach hook bracket (**M**) to back of screen using four M4 x 20 mm screws (**F**) and four retaining spacers (**C**) as indicated below.

Skip to step 3 on page 9.

FOR VESA 100 MOUNTING PATTERN:

- Choose hole pattern as shown below. Attach hook bracket (**M**) to back of screen using four M4 x 10 mm screws (**E**) as shown below.

Skip to step 3 on page 9.



For screen compatibility please refer to the LCD or plasma interface list on our website www.peerlessmounts.com or call customer care for a screen specific adapter bracket LC or PLP models (not UL evaluated).

FOR INSTALLING TO PEERLESS LC MODEL ADAPTER BRACKET

Note: Refer to LC model adapter bracket instruction sheet for attachment of adapter bracket to screen.

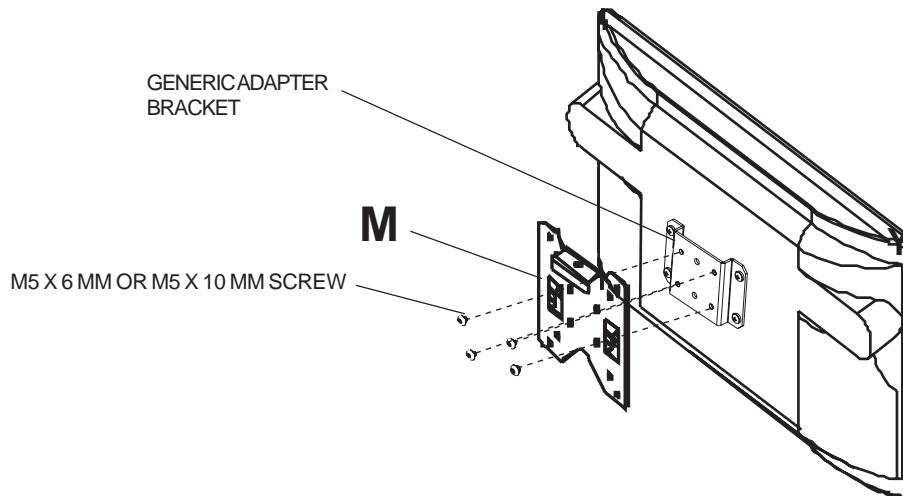
Note: Either M5 x 6 mm or M5 x 10 mm screws are included with the LC model adapter bracket.

2 Attach hook bracket (**M**) to adapter bracket using four M5 x 6 mm or M5 x 10 mm screws.

Skip to step 3 on page 9.

⚠ WARNING

- If screws don't get three complete turns in the screen inserts or if screws bottom out and bracket is still not tightly secured, damage may occur to screen or product may fail.

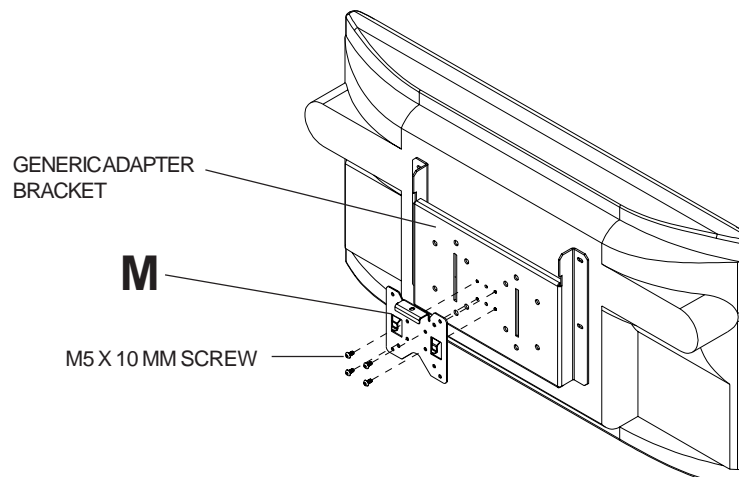


FOR INSTALLING TO PEERLESS PLP MODEL ADAPTER BRACKET

Note: Refer to PLP model adapter bracket instruction sheet for attachment of adapter bracket to screen.

Note: M5 x 10 mm screws are included with the PLP model adapter bracket.

2 Attach hook bracket (**M**) to adapter bracket using four M5 x 10 mm screws.



Installing and Removing Flat Panel Screen

- 3** To attach screen to wall mount (**A**), lower hook bracket (**M**) with screen at an angle into pockets of wall mount as shown in figure 3.1. Once clips are engaged, push down to seat clips in pockets as shown in figure 3.2. Insert and tighten M5 phillips screw (**K**) to lock screen to wall mount as shown in figure 3.3.

To remove screen from mount, loosen screw (**K**) and lift screen off of mount.

⚠ WARNING

- Do not lift more weight than you can handle. Use additional man power or mechanical lifting equipment to safely handle placement of the screen.
- Failure to lock hook bracket (**M**) with screw (**K**) can cause screen to come off mount if hit accidentally.

CAUTION

- Do not tighten screws with excessive force. Overtightening can cause damage to mount. Tighten screws to 20 in. • lb (2.26 N.M.) maximum torque.

- 4** Adjust tension knob on side of mount shown in figure 4.1 to desired tension to balance your screen size and weight.

Push or pull from top or bottom of screen to adjust tilt as shown. The tilt can be adjusted to a maximum of 15° forward or 5° backward.

CAUTION

- Do not tighten screws with excessive force. Overtightening can cause damage to mount. Tighten screws to 40 in. • lb (4.5 N.M.) maximum torque.

⚠ CAUTION

- Be careful not to pinch fingers when opening and closing mount from the wall.

- 4-1** Roll screen to desired position (5° clockwise or counter-clockwise). Insert #10-32 x 1/4" flat head phillips screw (**O**) to lock screen into position as shown in figure 4.2.

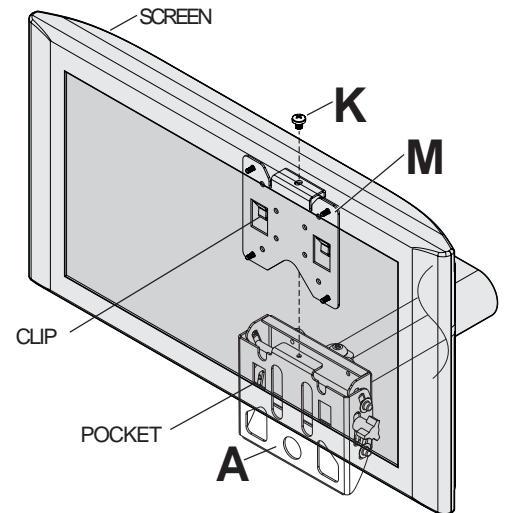


fig. 3.3

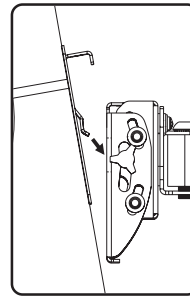


fig. 3.1

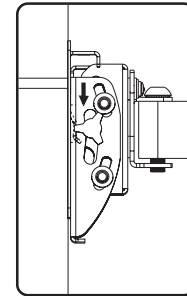


fig. 3.2

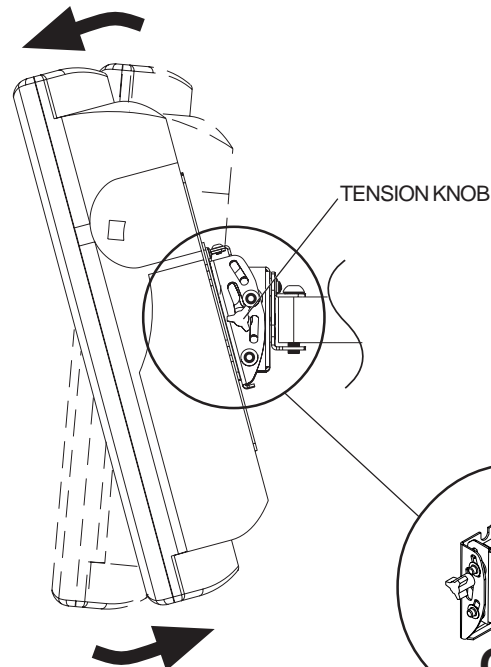


fig. 4.1

fig. 4.2

5

Note: Make sure cords have enough slack to allow full movement of the arm.

Route cords inside arm slots of wall mount (**A**) as shown in figure 5.1. **Optional:** Run power cord through one side of mount and signal cable(s) through other side in order to avoid interference with the signal.

Lock cords into place by sliding cord covers onto mount as shown in figure 5.2. Screen may have to be moved for better access for sliding on the cord covers.

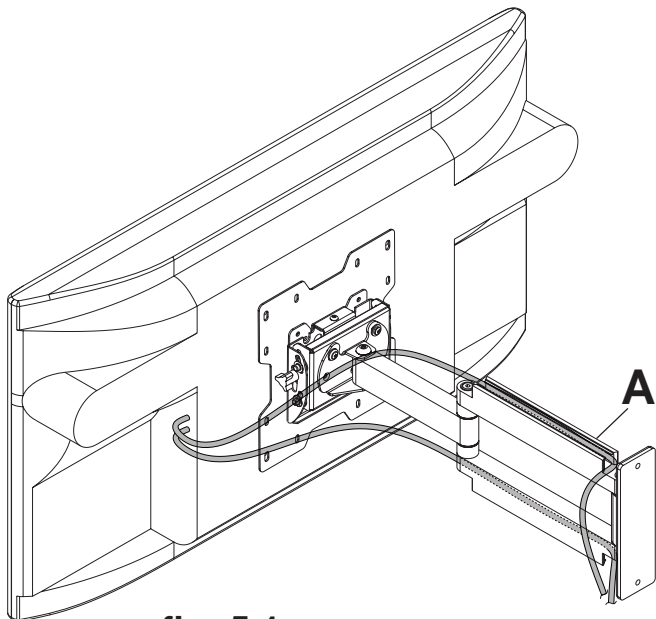


fig. 5.1

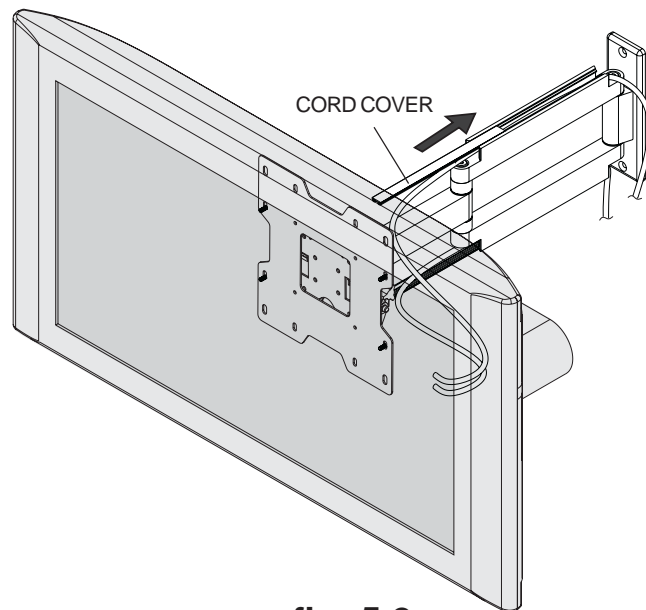


fig. 5.2

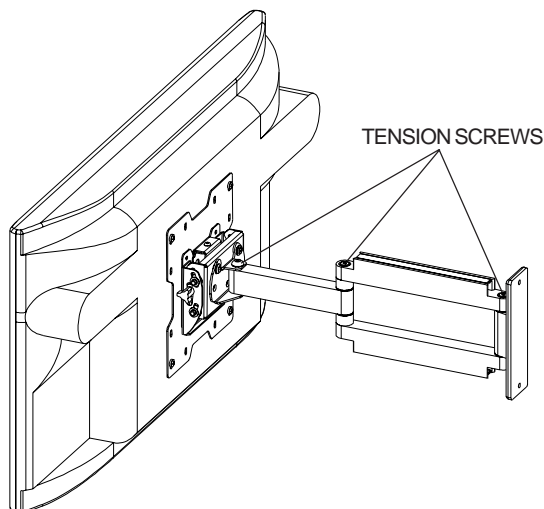
⚠ WARNING

- Do not remove screw or loosen screw until it is no longer engaged with the mount. Doing so may cause the screen to fall.

6

If more or less tension is desired in the arm pivot points, do the following:

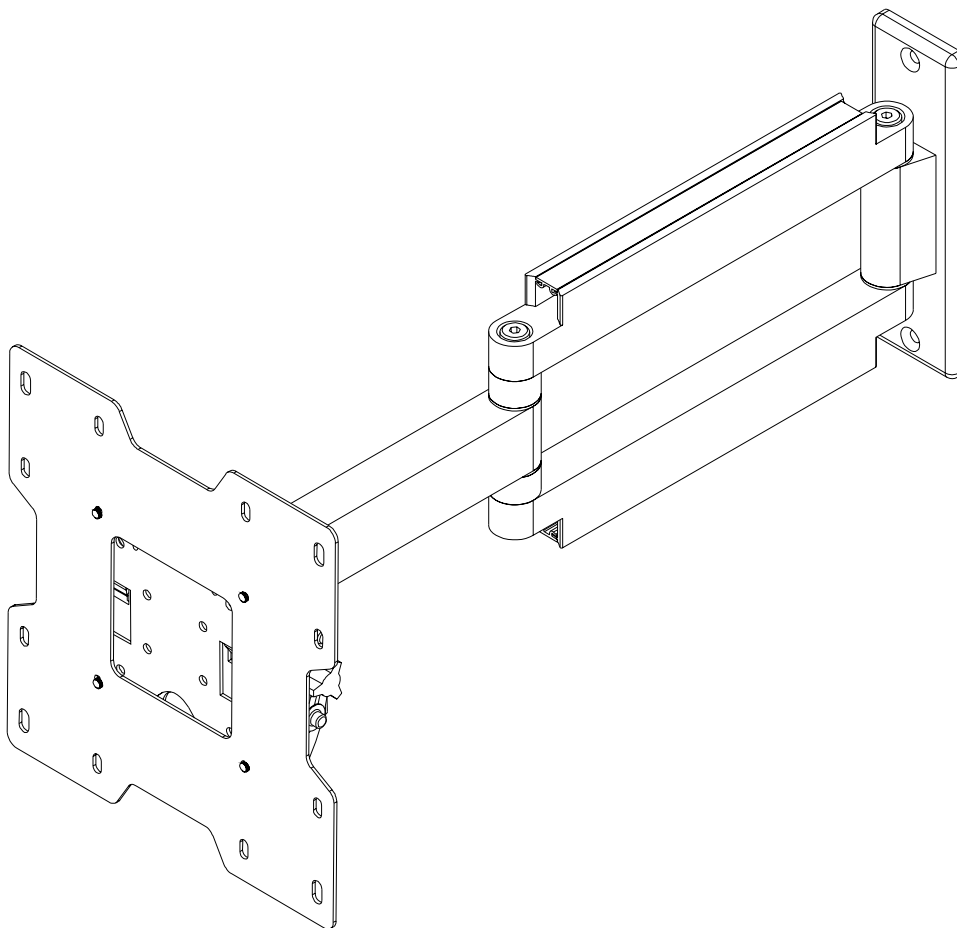
- To increase tension, turn tension screw(s) clockwise with allen wrench.
- To reduce tension, turn tension screw(s) counter-clockwise with allen wrench. **Do not turn more than half a turn.**



Installation et assemblage :

SmartMount™ Bras mural articulé pour écran à cristaux liquides

Modèles : SA740P, SA740P-S, RTFPA-220, RTFPA-220I, RTFPA-220SI
RTFPA-220S, 902220



Caractéristiques :

- Convient aux écrans à cristaux liquides de 55 à 101,6 cm (22 à 40 po)
- Trois points de pivotement pouvant être tensionnés pour permettre un réglage étendu de l'angle visuel
- Compatible avec la configuration VESA® 75/100/200 x 100/200 x 200
- Donne plus d'espace en se repliant à plat contre le mur
- Maintient les fils des fonctions électroniques à l'intérieur afin de réduire l'encombrement



Capacité de charge maximale :
36,3 kg (80 lb)

Remarque : Lisez entièrement la fiche d'instructions avant de commencer l'installation et l'assemblage.

AVERTISSEMENT !

- Ne commencez pas à installer votre produit Peerless avant d'avoir lu et assimilé les instructions et les mises en garde contenues dans cette fiche d'instructions. Pour toute question concernant les instructions ou les mises en garde, appelez le service à la clientèle de Peerless au 011+1+(708) 865-8870.
- Ce produit ne doit être installé que par une personne ayant de bonnes aptitudes en mécanique, expérimentée en travaux de construction de base, et démontrant une parfaite compréhension de ces instructions.
- Assurez-vous que la surface de support pourra soutenir sans difficulté la charge combinée de l'équipement, de toute sa visserie et de tous ses composants.
- Ne montez jamais ce produit sur un mur à montants métalliques sans vous assurer que le montant est en acier de calibre 25 au minimum, que la cloison sèche a au moins 12,5 mm (1/2 po) d'épaisseur et sans utiliser le kit d'accessoires Peerless pour montants métalliques.
- Ne dépassez jamais la capacité de charge maximum.
- Si vous effectuez le montage sur un mur à montants en bois, assurez-vous que les vis de montage sont ancrées au centre des montants. L'usage d'un localisateur « bord à bord » est fortement conseillé.
- Pour lever et positionner l'équipement en toute sécurité, faites-vous toujours aider par une autre personne ou utilisez un matériel de levage mécanique.
- Serrez fermement les vis, mais sans excès. Un serrage excessif peut endommager les éléments et en réduire considérablement le pouvoir de maintien. Référez-vous aux couples de serrage suggérés dans ces instructions, dans les cas applicables.

Outils nécessaires pour l'assemblage

- localisateur de montants (le localisateur de montants « bord à bord » est recommandé)
- tournevis cruciforme
- perceuse à mèches de 6,35 mm (1/4 po) et 3,96 mm (5/32 po)
- Clef Allen 4,6 mm (3/16 po)

Accessoires

- montants métalliques plaque murale (WSP Modèles)

Table des matières

Liste des pièces	13
Installation sur un mur à montants en bois	14
Installation sur du béton plein ou un bloc de béton de mâchefer	15

Liste des pièces

RTFPA-220
SA740P

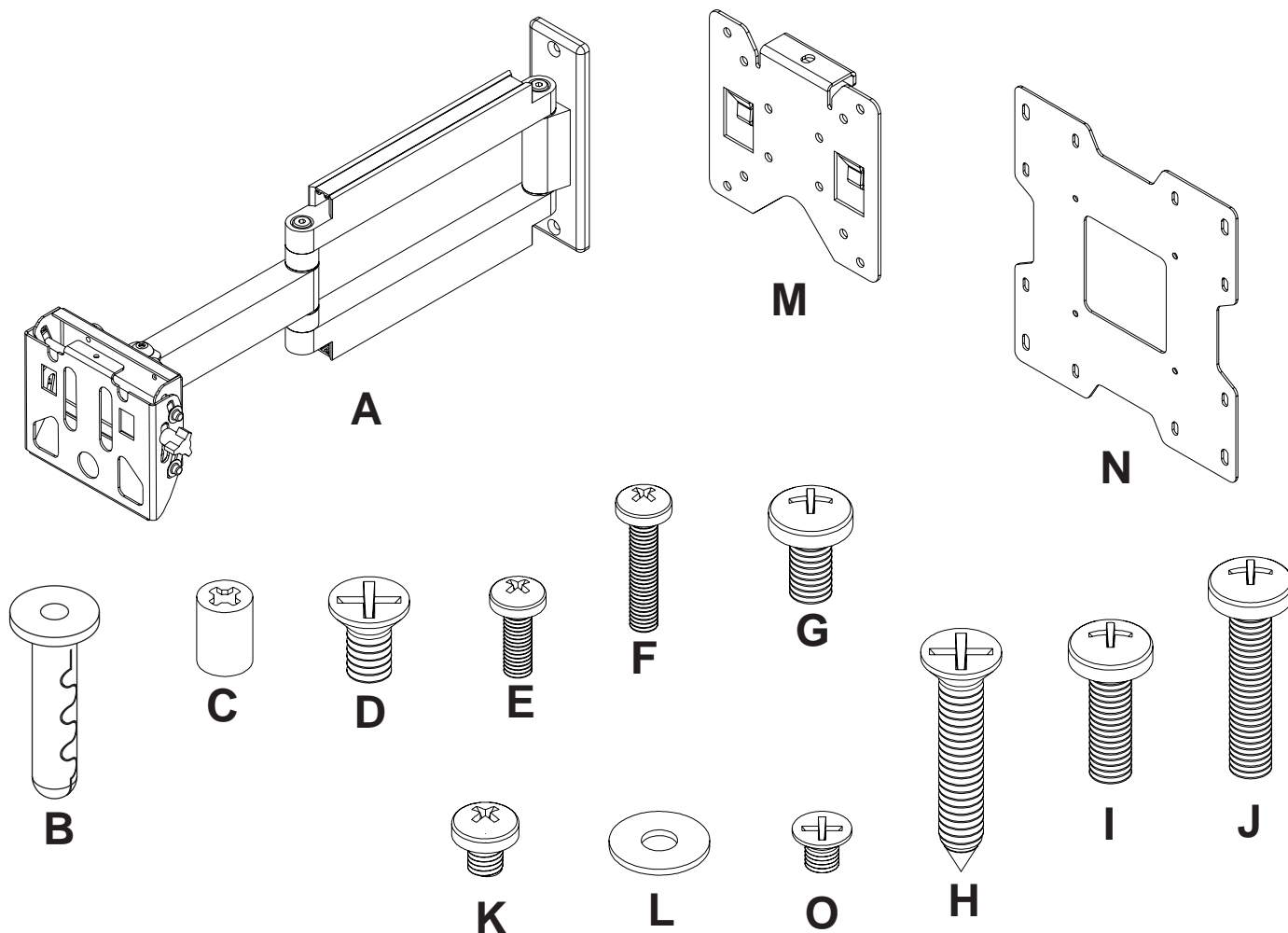
RTFPA-220I

RTFPA-220S
SA740P-S
902220

RTFPA-220SI

QTÉ. N° de PIÈCE N° de PIÈCE N° de PIÈCE N° de PIÈCE

Description	QTÉ.	N° de PIÈCE	N° de PIÈCE	N° de PIÈCE	N° de PIÈCE
A monture murale	1	095-0376	095-0376	095-0378	095-0378
B ancrage Alligator®	2	590-0097	590-0097	590-0097	590-0097
C entretoise de retenue 0,198 po DI x 0,313 po DE x 0,437 po H	4	590-5005	590-5005	590-5003	590-5003
D Vis cruciforme à tête plate 1/4-20 x 0,5 po	2	520-1209	520-1209	520-2178	520-2178
E Vis cruciforme M4 x 0,7 x 10 mm	4	504-9012	504-9012	520-2027	520-2027
F Vis cruciforme M4 x 0,7 x 20 mm	4	504-9020	504-9020	504-2014	504-2014
G Vis cruciforme M6 x 1 x 12 mm	4	520-1128	520-1128	520-2039	520-2039
H Vis à bois à tête plate n°14 x 2 1/2 po	2	520-1202	520-1202	520-2165	520-2165
I Vis cruciforme M6 x 1 x 20 mm	4	520-9402	520-9402	520-2040	520-2040
J Vis cruciforme M6 x 1 x 30 mm	4	510-9109	510-9109	520-2042	520-2042
K Vis cruciforme M5 x 1 x 6 mm	5	520-1023	520-1023	520-2214	520-2214
L Rondelle plate n° 10	4	540-9400	540-9400	540-9442	540-9442
M Support à crochets	1	095-1346	095-1346	095-4346	095-4346
N Plaque d'adaptation	1	095-1322	095-1322	095-4322	095-4322
O Vis cruciforme (Phillips) à tête plate n° 10-32 x 6,4 mm (1/4 po)	1	520-1108	520-1108	520-2108	520-2108
P kit d'installation (non montré)	1	n/a	200-8570	n/a	200-8570



Installation sur un mur à montants en bois

⚠ AVERTISSEMENT !

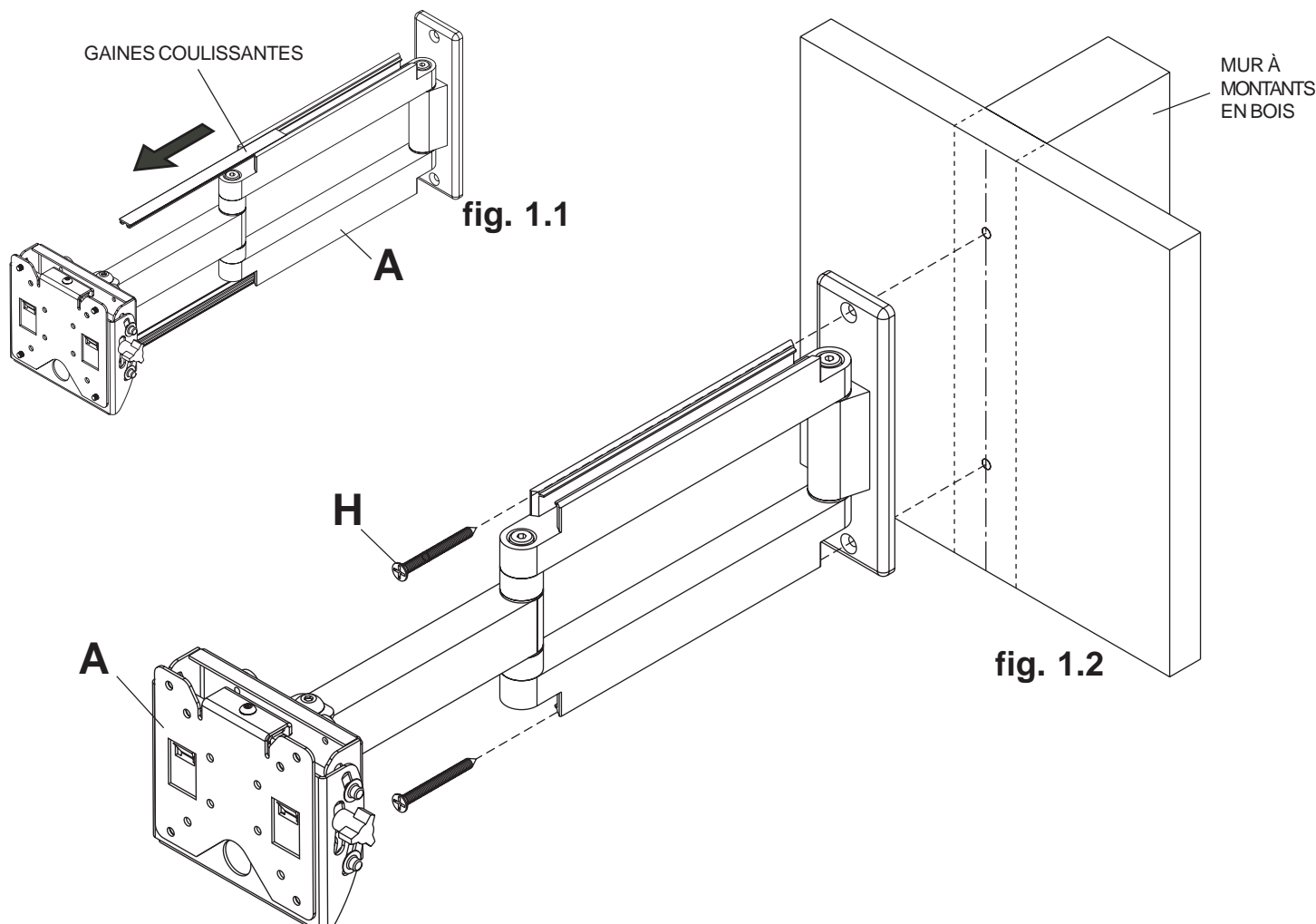
- Assurez-vous que le mur pourra soutenir sans difficulté la charge combinée de l'équipement, de toute sa visserie et de tous ses composants.

1 Enlevez les gaines coulissantes du bras mural (A), comme illustré à la figure 1.1. À l'aide d'un localisateur de montants, repérez et marquez les bords des montants en bois utilisés pour monter ce produit. L'usage d'un localisateur bord à bord est fortement conseillé. Utilisez un niveau pour tracer une ligne verticale le long du centre du montant. Utilisez la plaque murale comme gabarit pour marquer le centre des trous situés le long de la ligne verticale. Percez deux trous de 4 mm (5/32 po) de diamètre et de 65 mm (2,5 po) de profondeur. Fixez le bras mural (A) sur le mur à l'aide de deux vis à bois à tête plate n°14 x 2,5 po (H), comme illustré.

Passez à l'étape 2, page 16.

⚠ AVERTISSEMENT !

- Serrez les vis de manière que la plaque murale soit fermement fixée, mais sans excès. Un serrage excessif peut endommager les vis et en réduire considérablement le pouvoir de maintien.
- Ne serrez jamais à plus de 9 Nm (80 po-lb).
- Assurez-vous que les vis de montage sont ancrées au centre des montants. L'usage d'un localisateur « bord à bord » est fortement conseillé.



Installation sur du béton plein ou un bloc de béton de mâchefer

⚠ AVERTISSEMENT !

- Si vous installez des montures murales Peerless sur un bloc de béton de mâchefer, vérifiez que vous disposez d'une épaisseur de béton d'au moins 1 3/8 po dans le trou destiné aux ancrages de béton. Ne percez pas dans les joints de mortier ! Veillez à effectuer le montage dans une partie pleine du bloc, généralement à au moins 1 po du côté du bloc. Le bloc de béton de mâchefer doit être conforme aux spécifications de l'ASTM C-90. Pour percer le trou, il est conseillé d'utiliser une perceuse électrique standard sur un réglage bas au lieu d'un marteau perforateur, afin d'éviter de briser la partie arrière du trou lorsque vous pénétrez dans un vide ou une cavité.
- Le béton doit avoir une densité minimum de 2 000 psi. Un béton de densité moindre risquerait de ne pas retenir un ancrage de béton.
- Assurez-vous que le mur pourra soutenir sans difficulté la charge combinée de l'équipement, de toute sa visserie et de tous ses composants.

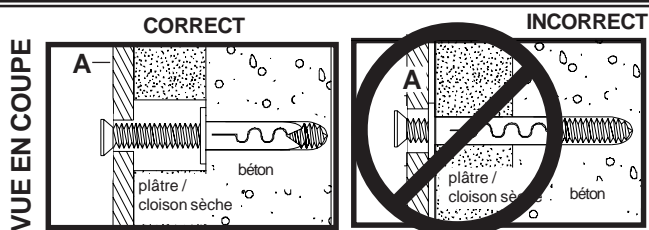
- 1 Enlevez les gaines coulissantes du bras mural (A), comme illustré à la figure 1.1. Mettez de niveau et utilisez la plaque murale comme gabarit pour marquer le centre des trous. Percez deux trous de 6 mm (1/4 po) de diamètre à une profondeur minimum de 51 mm (2 po). Insérez les ancrages (B) dans les trous au ras du mur comme illustré à la figure 1.3. Placez le bras mural (A) sur l'ancrage et fixez avec une vis à bois (H), comme illustré aux figures 1.4 et 1.6. Assurez-vous que la monture murale est de niveau et serrez toutes les fixations. Reportez-vous à la figure 1.5.

⚠ AVERTISSEMENT !

- Serrez les vis de manière que la plaque murale soit fermement fixée, mais sans excès. Un serrage excessif peut endommager les vis et en réduire considérablement le pouvoir de maintien.
- Ne serrez jamais à plus de 9 Nm (80 po-lb).

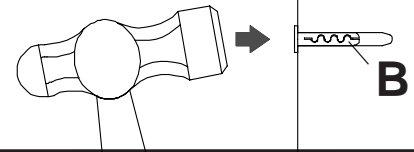
⚠ AVERTISSEMENT !

- Les ancrages de béton **ne sont pas** prévus pour être fixés sur un mur en béton recouvert d'une couche de plâtre, une cloison sèche, ou autre matériau de finition, comme illustré à droite. S'il est inévitable d'effectuer le montage sur un mur en béton recouvert de plâtre / cloison sèche, ces matériaux (jusqu'à 5/8 po d'épaisseur) doivent être chambrés, comme illustré à droite. Assurez-vous que les ancrages de béton ne se séparent pas du béton lorsque vous serrez les vis. Si l'épaisseur du plâtre / de la cloison sèche dépasse 5/8 po, des fixations adaptées devront être fournies par l'installateur (n'a pas été évalué par l'UL).



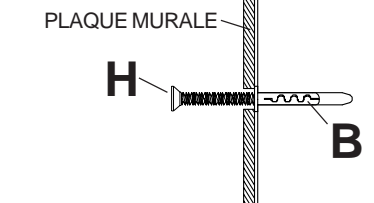
Percez des trous et insérez les ancrages.

fig 1.3



Placez la plaque murale sur l'ancrage et fixez avec une vis.

fig 1.4



Serrez toutes les fixations.

fig 1.5

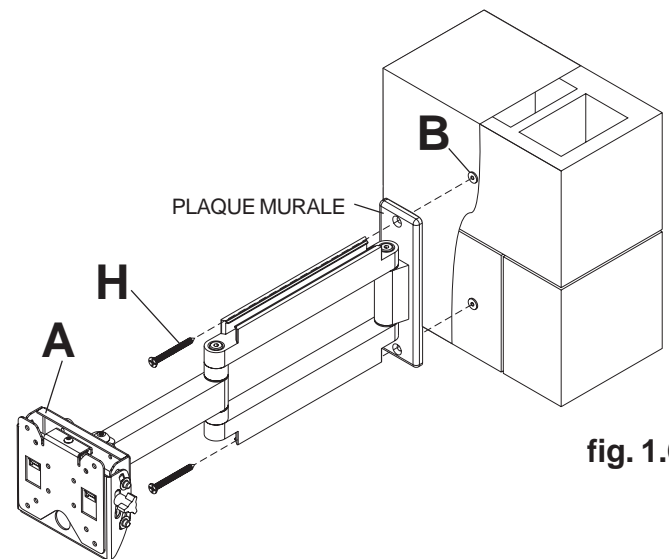
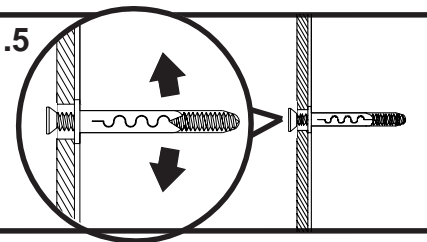
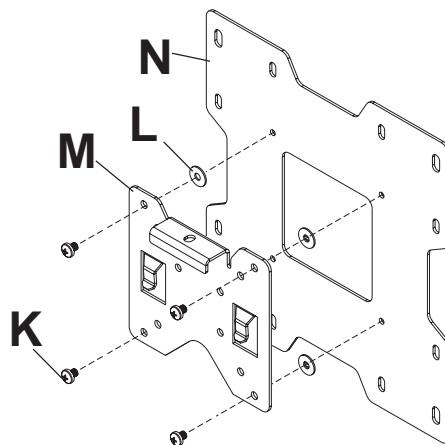


fig. 1.6

Directives d'installation de la plaque d'adaptation au moniteur selon une disposition de montage VESA 200 x 100 ou 200 x 200

Remarque : Pour les dispositions de montage VESA 75 mm et 100 mm, voir la page suivante.

- 2** Fixez le support à crochets (**M**) à la plaque d'adaptation (**N**) à l'aide de quatre vis M5 x 6 mm (**K**) et des rondelles N° 10 (**L**) comme indiqué.



⚠ AVERTISSEMENT

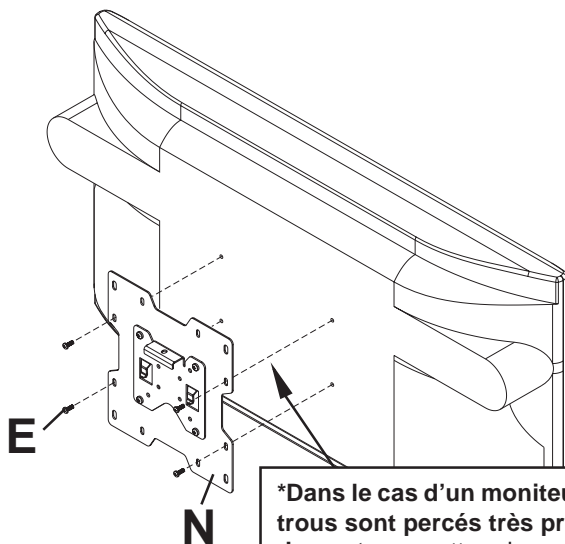
- Si les vis ne font pas trois tours complets dans les ouvertures du moniteur ou si, une fois vissées, les vis ne retiennent pas fermement la plaque d'adaptation, celle-ci risque de lâcher et le moniteur d'être endommagé.

POUR LA DISPOSITION DE MONTAGE VESA 200 x 100 :

- 2-1** Choisissez la disposition des trous indiquée ci-dessous. Fixez la plaque d'adaptation (**N**) à l'arrière du moniteur à l'aide de quatre vis M4 x 10 mm (**E**), comme indiqué ci-dessous.

Remarque : Si la vis (**E**) est engagée à moins de trois filets, fixez la plaque d'adaptation (**N**) à l'arrière du moniteur à l'aide de quatre vis M4 x 20 mm (**F**) et de quatre entretoises (**C**), comme indiqué ci-dessous.

Passez à l'étape 3 de la page 19.



***Dans le cas d'un moniteur dont les trous sont percés très près les uns des autres, mettez des entretoises (**C**) entre la plaque d'adaptation (**N**) et le moniteur.**

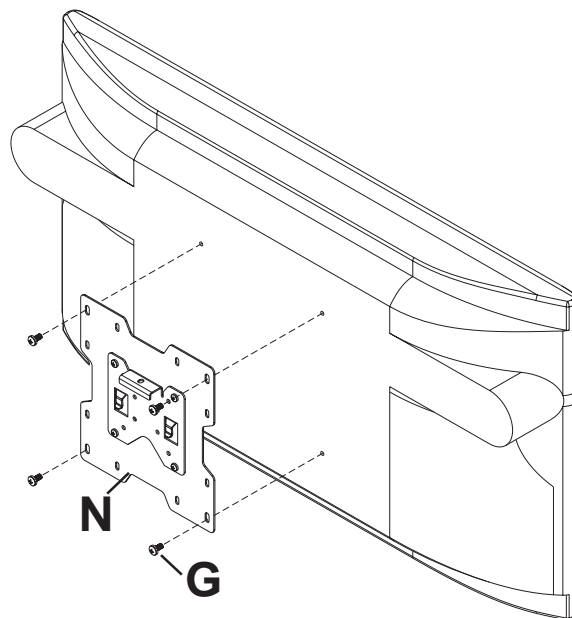


POUR LA DISPOSITION DE MONTAGE VESA 200 x 200 :

Choisissez la disposition des trous indiquée ci-dessous. Fixez la plaque d'adaptation (**N**) à l'arrière du moniteur à l'aide de quatre vis M6 x 12 mm (**G**), comme indiqué ci-dessous.

Remarque : Si la vis (**G**) est engagée à moins de trois filets, fixez la plaque d'adaptation (**N**) à l'arrière du moniteur à l'aide de quatre vis M6 x 20 mm (**I**). Si la vis (**I**) demeure engagée à moins de trois filets, utilisez quatre vis M6 x 30 mm (**J**).

Passez à l'étape 3 de la page 19.



Directives d'installation du support à crochets au moniteur selon une disposition de montage VESA 75 ou 100

⚠ AVERTISSEMENT

- Si les vis ne font pas trois tours complets dans les ouvertures du moniteur ou si, une fois vissées, les vis ne retiennent pas fermement la plaque d'adaptation, celle-ci risque de lâcher et le moniteur d'être endommagé.

POUR UNE DISPOSITION DE MONTAGE VESA® 75 :

- 2 Choisissez la disposition des trous indiquée ci-dessous. Fixez le support à crochets (**M**) à l'arrière du moniteur à l'aide de quatre vis M4 x 10 mm (**E**), comme indiqué ci-dessous.

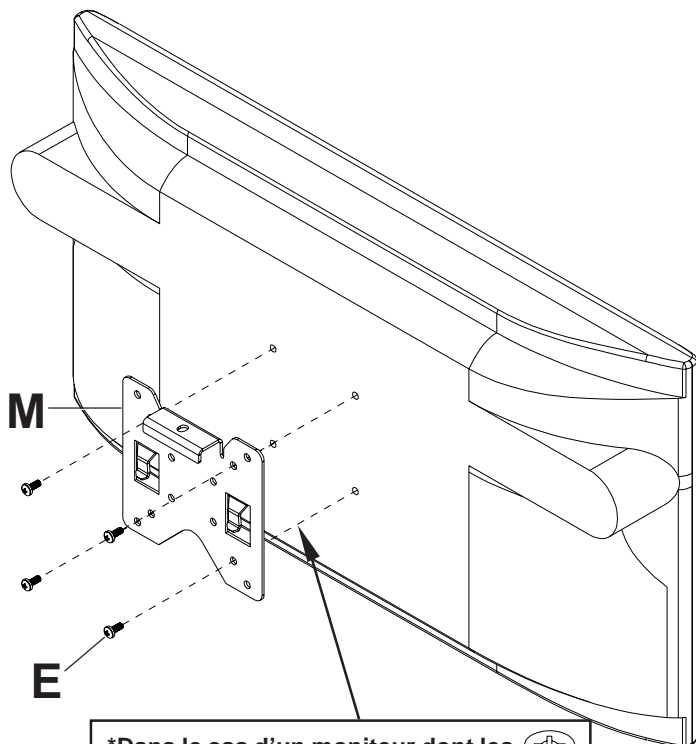
Remarque : Si les trous sont percés très près les uns des autres, fixez le support à crochets (**M**) à l'arrière du moniteur à l'aide de quatre vis M4 x 20 mm (**F**) et de quatre entretoises (**C**), comme indiqué ci-dessous.

Passez à l'étape 3 de la page 19.

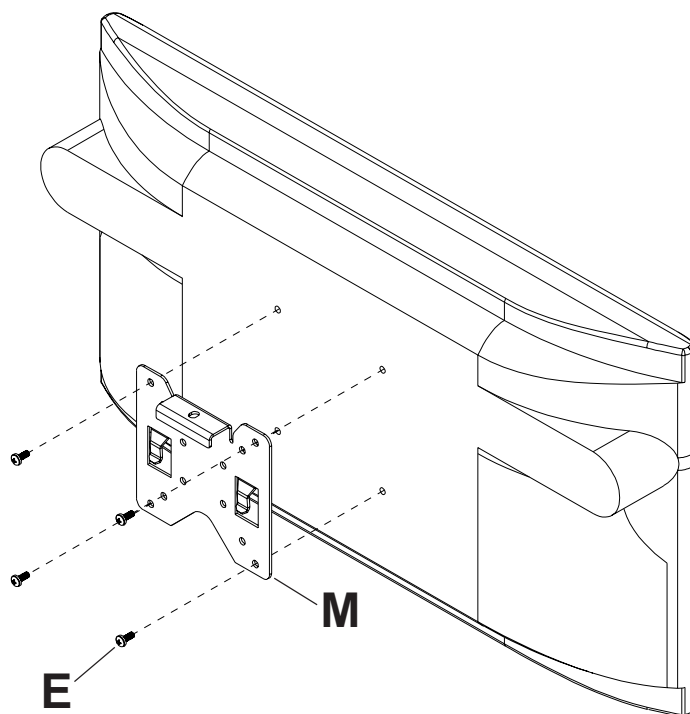
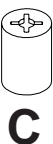
POUR UNE DISPOSITION DE MONTAGE VESA 100 :

- Choisissez la disposition des trous indiquée ci-dessous. Fixez le support à crochets (**M**) à l'arrière du moniteur à l'aide de quatre vis M4 x 10 mm (**E**), comme indiqué ci-dessous.

Passez à l'étape 3 de la page 19.



*Dans le cas d'un moniteur dont les trous sont percés très près les uns des autres, mettez des entretoises (**C**) entre la support à crochets (**M**) et le moniteur.



Pour vérifier la compatibilité du support adaptateur avec votre moniteur, veuillez consulter la liste d'interfaces pour écrans à cristaux liquides ou à plasma de notre site Internet, à l'adresse www.peerlessmounts.com, ou appelez le service à la clientèle de Peerless pour connaître le type de support pouvant s'adapter à votre moniteur modèles LC ou PLP (n'a pas été évalué par l'UL).

DIRECTIVES D'INSTALLATION D'UN SUPPORT ADAPTATEUR LC DE PEERLESS

Remarque : Veuillez consulter la feuille d'instructions du support adaptateur LC pour fixer le support adaptateur au moniteur.

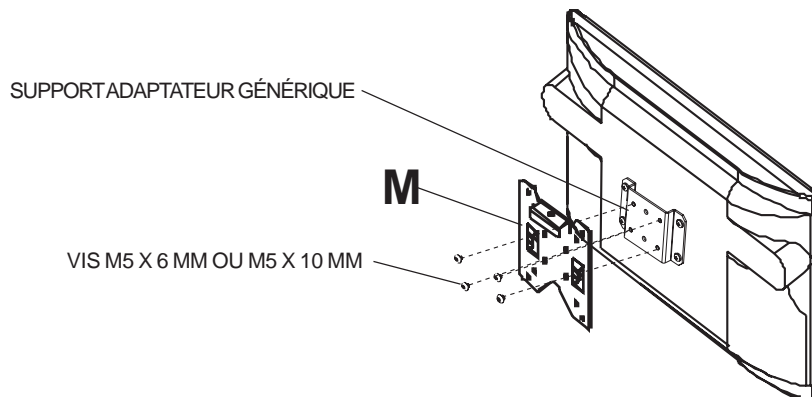
Remarque : Des vis M5 x 6 mm ou M5 x 10 mm accompagnent le support adaptateur LC.

2 Fixez le support à crochets (**M**) à la plaque d'adaptation à l'aide de quatre vis M5 x 6 mm ou M5 x 10 mm.

Passez à l'étape 3 de la page 19.

⚠ AVERTISSEMENT

- Si les vis ne font pas trois tours complets dans les ouvertures du moniteur ou si, une fois vissées, les vis ne retiennent pas fermement la plaque d'adaptation, celle-ci risque de lâcher et le moniteur d'être endommagé.

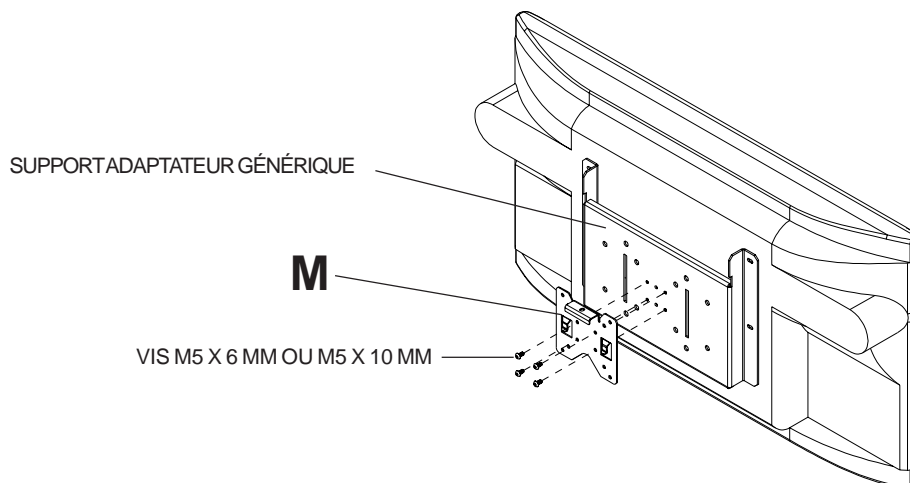


DIRECTIVES D'INSTALLATION D'UN SUPPORT ADAPTATEUR PLP DE PEERLESS

Remarque : Veuillez consulter la feuille d'instructions du support adaptateur PLP pour fixer le support adaptateur au moniteur.

Remarque : Des vis M5 x 10 mm accompagnent le support adaptateur PLP.

2 Fixez le support à crochets (**M**) au support adaptateur à l'aide de quatre vis M5 x 10 mm.



Installation et retrait d'un écran plat

3 Pour fixer le moniteur à la monture murale (A), abaissez le support à crochets (M), avec l'écran incliné, dans les trous de la monture murale, tel qu'illustré à la figure 3.1. Lorsque les crochets sont bien engagés, abaissez-les pour les emboîter dans les trous, tel qu'illustré à la figure 3.2. Insérez la vis cruciforme M5 (K) et serrez-la bien afin de fixer le moniteur à la monture murale, tel qu'illustré à la figure 3.3.

Pour retirer le moniteur de la monture, desserrez la vis (K) et enlevez le moniteur de la monture.

⚠ AVERTISSEMENT

- N'essayez pas de soutenir un poids trop lourd pour vous. Demandez l'aide d'une autre personne ou servez-vous d'un dispositif de levage mécanique pour installer votre moniteur de façon sécuritaire.
- Vissez bien le support à crochets (M) à l'aide de la vis (K), sinon le moniteur pourrait tomber de sa monture s'il était frappé accidentellement.

ATTENTION

- Ne serrez pas excessivement les vis. Un serrage excessif risque d'endommager la monture. Serrez les vis jusqu'à un couple maximal de 20 po/lb (2,26 N.m)

ATTENTION

- N'employez pas une force excessive pour serrer les vis. Un serrage excessif peut endommager la monture. Serrez les vis à un couple maximum de 4,5 Nm (40 po-lb)

⚠ ATTENTION

- Prenez garde de ne pas vous pincer les doigts lorsque vous écartez et repliez la monture vers le mur.

4-1 Faites pivoter le moniteur jusqu'à la position désirée (de 5° dans le sens des aiguilles d'une montre ou dans le sens contraire). Insérez une vis cruciforme à tête plate n° 10-32 x 6,4 mm (1/4 po) (O) pour verrouiller le moniteur à sa position, tel qu'illustré à la figure 4.2

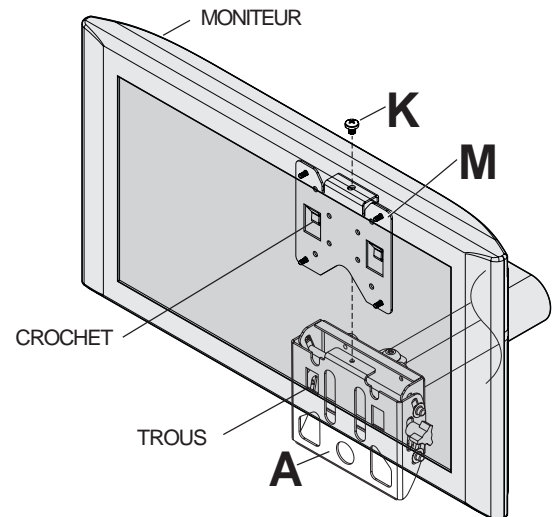


fig. 3.3

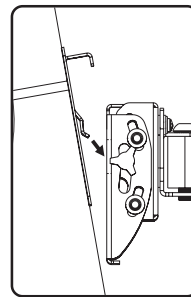


fig. 3.1

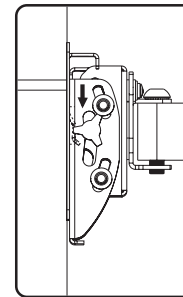


fig. 3.2

4 Réglez le bouton situé sur le côté de la monture illustrée à la figure 4.1 à la tension désirée pour équilibrer la taille et le poids de l'écran.

Poussez ou tirez depuis de haut ou le bas de l'écran pour régler l'inclinaison comme illustré. L'inclinaison peut être réglée à un maximum de 15° à l'avant ou 5° à l'arrière.

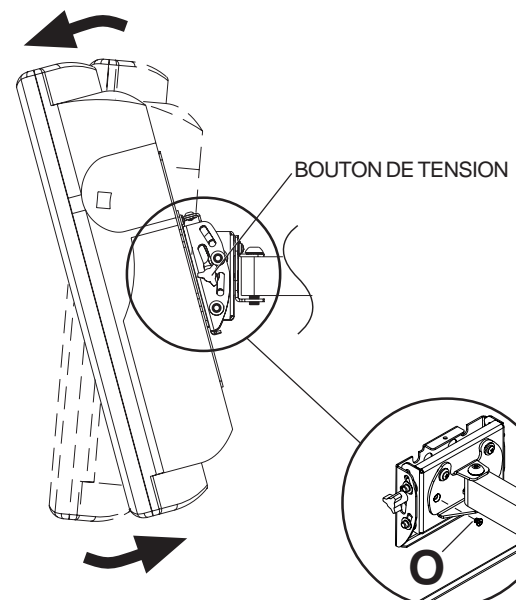


fig. 4.1

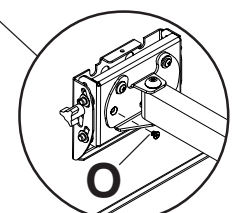


fig. 4.2

Remarque : Veillez à laisser assez de mou dans les cordons pour permettre le mouvement total du bras.

5 Faites passer les cordons à l'intérieur des fentes de la monture murale (A), comme illustré à la figure 4.1.

Facultatif : Faites passer le cordon d'alimentation dans un côté de la monture et les câbles d'interconnexion dans l'autre côté pour éviter toute interférence avec le signal.

Bloquez les cordons en place en glissant les gaines des cordons sur la monture, comme illustré à la figure 4.2. Il peut être nécessaire de déplacer l'écran afin de faciliter l'accès pour le faire coulisser sur les gaines des cordons.

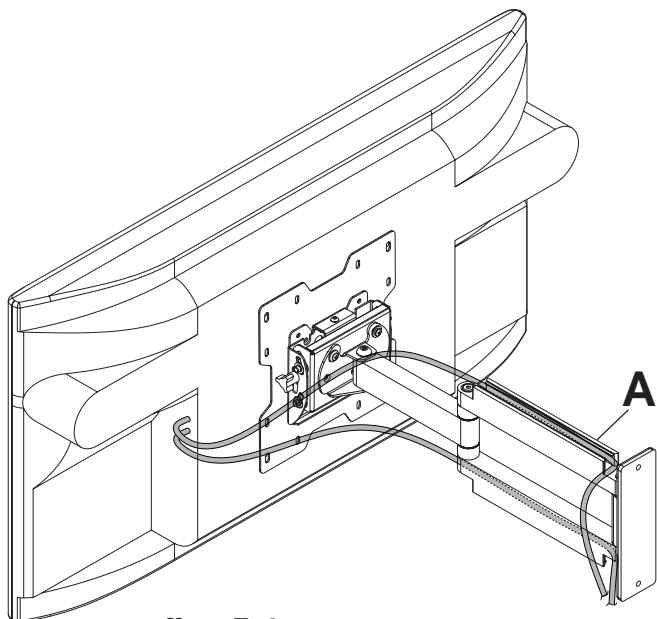


fig. 5.1

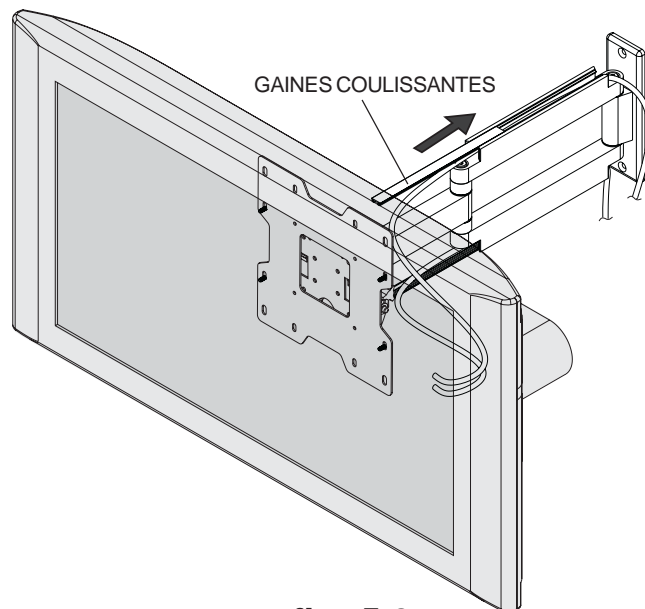


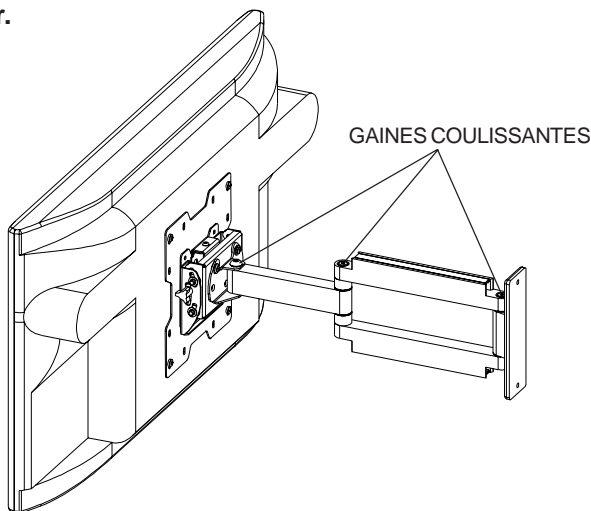
fig. 5.2

⚠ AVERTISSEMENT !

- Ne retirez ou ne desserrez pas la vis jusqu'à ce qu'elle ne soit plus engagée dans la monture. Cela pourrait faire tomber l'écran.

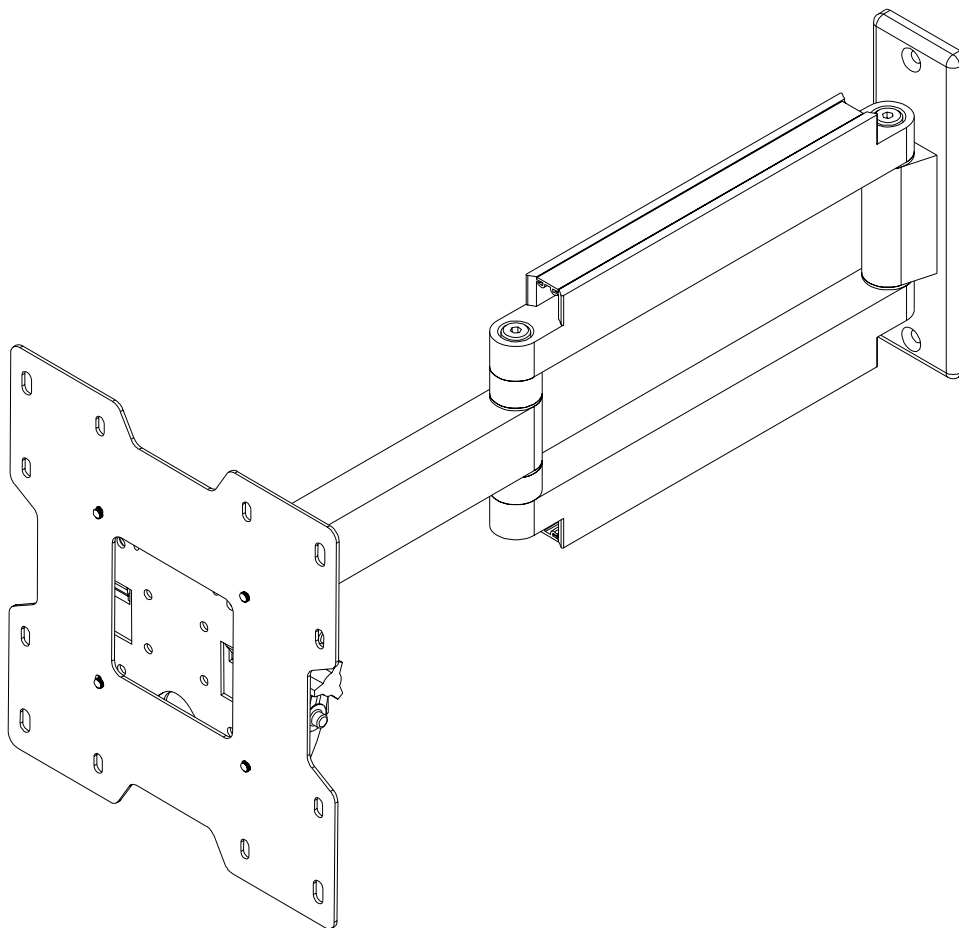
6 Procédez comme suit pour augmenter ou diminuer la tension des points de pivotement du bras :

- Pour augmenter la tension, tournez la ou les vis de tension dans le sens horaire avec la clé hexagonale de 3/16 po (D).
- Pour diminuer la tension, tournez la ou les vis de tension dans le sens antihoraire avec la clé hexagonale. **Ne tournez pas de plus d'un demi-tour.**



Instalación y montaje: SmartMount™ Brazo de pared articulado para LCD

Modelos: SA740P, SA740P-S, RTFPA-220, RTFPA-220I, RTFPA-220S,
RTFPA-220SI, 902220



Características:

- Apto para pantallas LCD de 22" a 40"
- Tres puntos de pivote alargables para permitir un ajuste amplio del ángulo visual
- Compatible con VESA® 75/100/200 x 100/200 x 200
- Deja espacio libre para plegarlo plano contra la muralla
- Mantiene los cables electrónicos pasados por la parte interior para evitar desorden

Capacidad máxima de soportar carga:
80 lbs (36,3 kg)



Nota: Lea toda la hoja de instrucciones antes de iniciar la instalación y el montaje.

¡ADVERTENCIA!

- No comience la instalación de su producto Peerless sin antes haber leído y comprendido las instrucciones y los avisos de precaución contenidos en esta hoja de instalación. Ante cualquier duda respecto a las instrucciones o avisos de precaución, llame al departamento de servicio al cliente de Peerless al 00+1+(708) 865-8870.
- Este producto debe instalarlo una persona con buenas aptitudes mecánicas, experiencia en la construcción básica de edificios y una comprensión total de estas instrucciones.
- Asegúrese de que la superficie de apoyo es capaz de soportar con toda seguridad la carga combinada del equipo y todos los herrajes y componentes.
- Nunca monte este producto en una construcción de paredes con montantes (pies derechos) de metal a menos que se pueda verificar que éstos están hechos de acero calibre 25 como mínimo, los tabiques de yeso-cartón tienen un espesor mínimo de 1/2" y usted obtiene y utiliza el juego de accesorios Peerless para montantes de metal.
- Nunca sobrepase la capacidad máxima de carga.
- Si el montaje va ser en una construcción de paredes con montantes de madera, asegúrese de que los tornillos de montaje estén anclados en el centro de los montantes. Se recomienda usar un localizador de montantes de "borde a borde".
- Siempre solicite la ayuda de un asistente o use un equipo de izar mecánico para levantar y colocar el equipo con toda seguridad.
- Apriete los tornillos firmemente, pero no en exceso. El apriete excesivo puede dañar los artículos, reduciendo enormemente su fuerza de fijación. Vea los valores de par de apriete sugeridos donde corresponda dentro de estas instrucciones.

Herramientas necesarias para el montaje

- localizador de montantes (se recomienda usar el de "borde a borde")
- destornillador phillips
- taladro con brocas de 1/4" y 5/32"
- llave Allen de 3/16"

Accesorios

- Placa de apoyo para montantes de metal (modelos WSP)

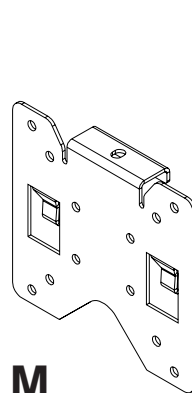
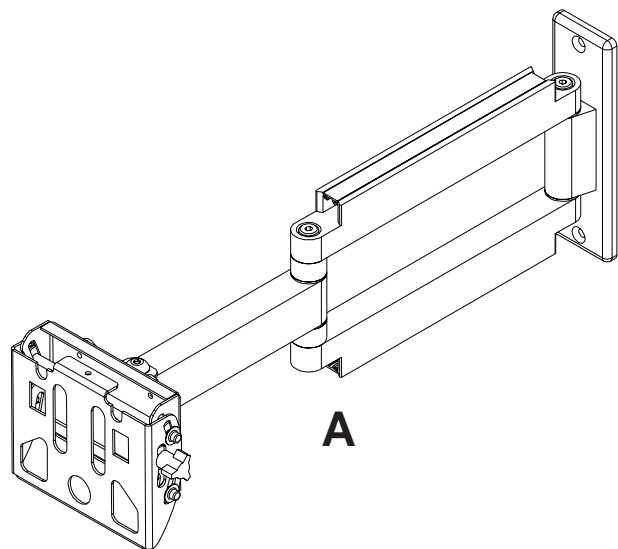
Contenido

Lista de piezas	24
Instalación en una pared con montantes de madera	25
Instalación en una pared de concreto macizo y bloques de hormigón de escorias	26

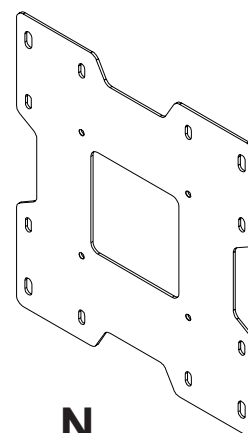
Lista de piezas

RTFPA-220 SA740P RTFPA-220I RTFPA-220S SA740P-S 902220 RTFPA-220SI

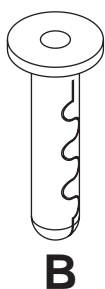
Descripción	Cant.	N° de pieza	N° de pieza	N° de pieza	N° de pieza
A soporte para pared	1	095-0376	095-0376	095-0378	095-0378
B Anclaje Alligator®	2	590-0097	590-0097	590-0097	590-0097
C espaciador de retención de 0.198" DI x 0.313" DE x 0.437" altura	4	590-5005	590-5005	590-5003	590-5003
D tornillo phillips de cabeza plana de 1/4-20 x 0.5"	2	520-1209	520-1209	520-2178	520-2178
E tornillo phillips M4 x 0,7 x 10 mm	4	504-9012	504-9012	520-2027	520-2027
F tornillo phillips M4 x 0,7 x 20 mm	4	504-9020	504-9020	504-2014	504-2014
G tornillo phillips M6 x 1 x 12 mm	4	520-1128	520-1128	520-2039	520-2039
H tornillo de cabeza plana para madera, #14 x 2-1/2"	2	520-1202	520-1202	520-2165	520-2165
I tornillo phillips M6 x 1 x 20 mm	4	520-9402	520-9402	520-2040	520-2040
J tornillo phillips M6 x 1 x 30 mm	4	510-9109	510-9109	520-2042	520-2042
K tornillo phillips M5 x 1 x 6 mm	5	520-1023	520-1023	520-2214	520-2214
L arandela plana Nro. 10	4	540-9400	540-9400	540-9442	540-9442
M soporte de gancho	1	095-1346	095-1346	095-4346	095-4346
N placa adaptadora	1	095-1322	095-1322	095-4322	095-4322
O tornillo Phillips de cabeza plana Nro. 10-32 x ¼"	1	520-1108	520-1108	520-2108	520-2108
P equipo de instalación (no demostrado)	1	n/a	200-8570	n/a	200-8570



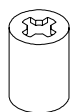
M



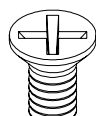
N



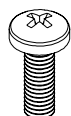
B



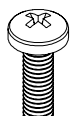
C



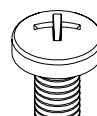
D



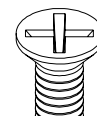
E



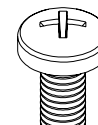
F



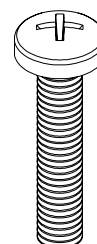
G



H



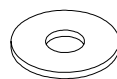
I



J



K



L



O

Instalación en una pared con montantes de madera

⚠ ¡ADVERTENCIA!

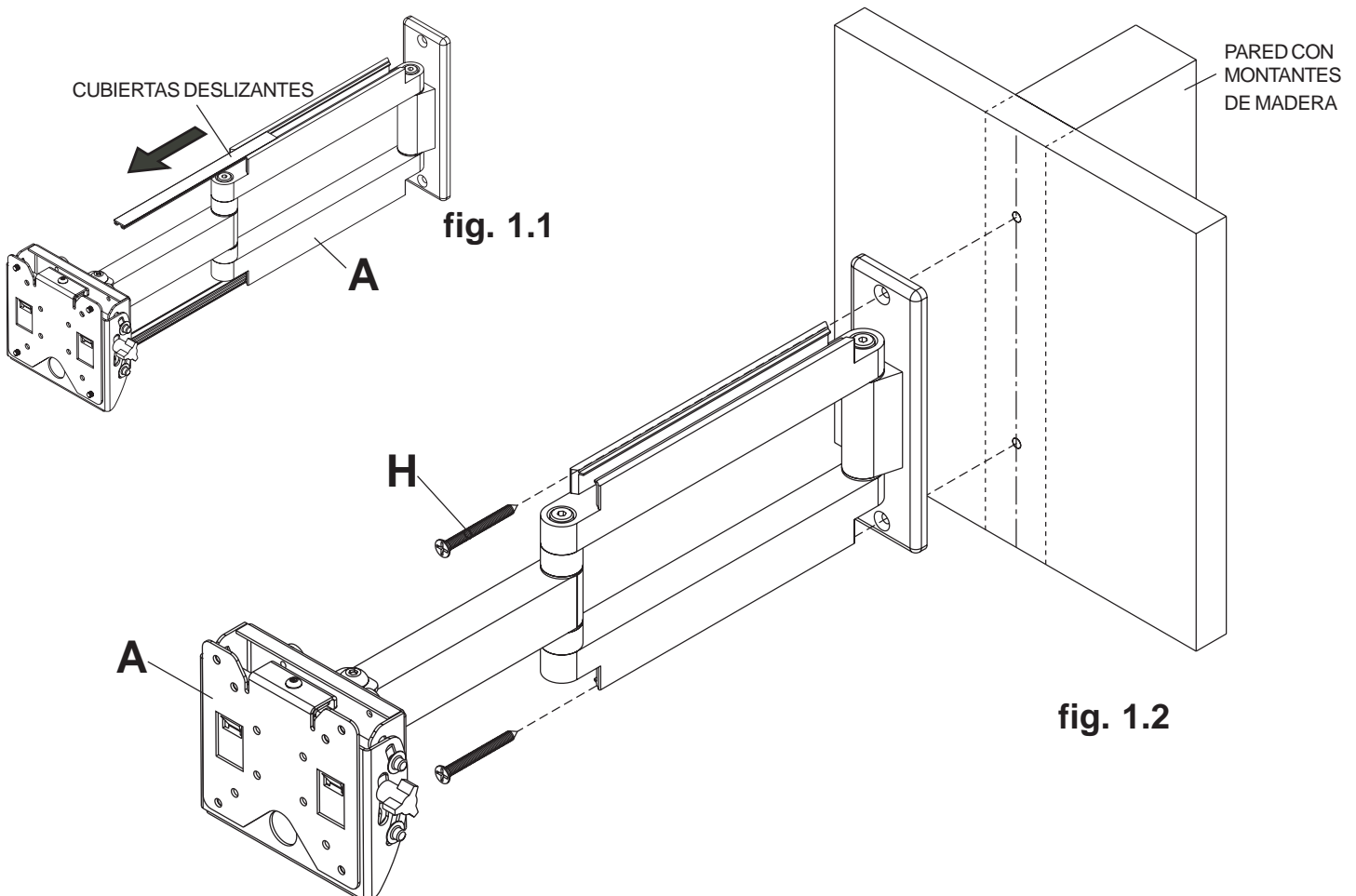
- Asegúrese de que la pared es capaz de soportar con toda seguridad la carga combinada del equipo y todos los herrajes y componentes.

- 1 Quite las cubiertas deslizantes del conjunto de brazo de pared (A), como se muestra en la figura 1.1. Con la ayuda de un localizador de montantes, ubique y marque los bordes del montante de madera utilizado para el montaje de este producto. Se recomienda usar un localizador de montantes de “borde a borde”. Use un nivel para trazar una línea vertical por el centro del montante. Use la placa de pared como plantilla para marcar el centro de los agujeros a lo largo de la línea vertical. Taladre dos agujeros de 5/32" (4 mm) de diámetro y 2.5" (65 mm) de profundidad. Fije el conjunto de brazo de pared (A) a la pared con los dos tornillos de cabeza plana #14 x 2.5" (H), como se muestra.

Proceda al paso 2 en la página 26.

⚠ ¡ADVERTENCIA!

- Apriete los tornillos de tal modo que la placa de apoyo quede firmemente sujeta, pero no apriete en exceso. El apriete excesivo puede dañar los tornillos, reduciendo enormemente su fuerza de fijación.
- Nunca apriete más de 80 pulg-lb (9 N•m).
- Asegúrese de que los tornillos de montaje queden fijados en el centro de los montantes. Se recomienda usar un localizador de montantes de “borde a borde”.



Instalación en una pared de concreto macizo y bloques de hormigón de escorias

⚠ ¡ADVERTENCIA!

- Cuando instale montajes de pared Peerless en bloques de hormigón de escorias, verifique que tiene un mínimo de 1-3/8" de superficie efectiva de concreto en el agujero que va a utilizar para los anclajes de concreto. ¡No perforo en las juntas de mortero! Asegúrese de instalarlo en una parte sólida del bloque, generalmente a un mínimo de 1" del costado del bloque. El bloque de hormigón de escorias debe ser de conformidad con las especificaciones C-90 de ASTM. Se sugiere taladrar el agujero con un taladro eléctrico normal en velocidad lenta en vez de un taladro percutor para evitar romper la parte trasera del agujero al entrar en un espacio o cavidad.
- El concreto debe tener una densidad mínima de 2000 psi. Un concreto menos denso podría no sujetar el anclaje para concreto.
- Asegúrese de que la pared es capaz de soportar con toda seguridad la carga combinada del equipo y todos los herrajes y componentes.

- 1 Quite las cubiertas deslizantes del conjunto de brazo de pared (A), como se muestra en la figura 1.1. Nivele y utilice la placa de apoyo como plantilla para marcar el centro de los agujeros. Taladre dos agujeros de 1/4" (6 mm) de diámetro hasta una profundidad mínima de 2" (51 mm). Inserte los anclajes (B) en los agujeros a ras con la pared, como se muestra en la figura 1.1. Coloque el brazo de pared (A) sobre el anclaje y sujételo con el tornillo para madera (H), como se muestra en las figuras 1.2 y 1.4. Asegúrese de que el brazo de pared esté nivelado y después apriete todas las fijaciones. Vea la figura 1.3.

⚠ ¡ADVERTENCIA!

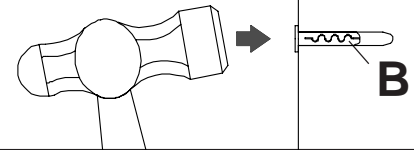
- Apriete los tornillos de tal modo que la placa de apoyo quede firmemente sujeta, pero no apriete en exceso. El apriete excesivo puede dañar los tornillos, reduciendo enormemente su fuerza de fijación.
- Nunca apriete más de 80 pulg-lb (9 N•m).

⚠ ¡ADVERTENCIA!

- Los anclajes de concreto **no están** diseñados para fijación a paredes de concreto recubiertas con una capa de yeso, tabique de yeso-cartón, u otros materiales de acabado, como se muestra a la derecha. Si no se puede evitar el montaje a una pared de concreto recubierta con yeso/tabique de yeso-cartón, (hasta 5/8" de grosor), será necesario escariar el acabado. Asegúrese de que los anclajes de concreto no se alejan del concreto al apretar los tornillos. Si la pared de yeso/tabique de yeso-cartón es más gruesa que 5/8", el instalador deberá suministrar fijaciones especiales (no evaluado por UL).

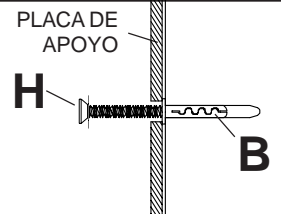
Perfore los agujeros y después inserte los anclajes.

fig. 1.3



Coloque la placa de apoyo sobre el anclaje y sujétela con el tornillo.

fig. 1.4



Apriete todas las fijaciones.

fig. 1.5

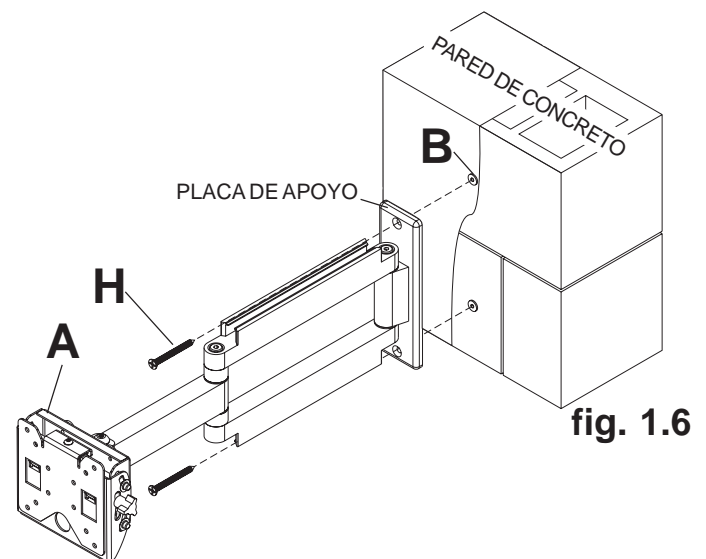
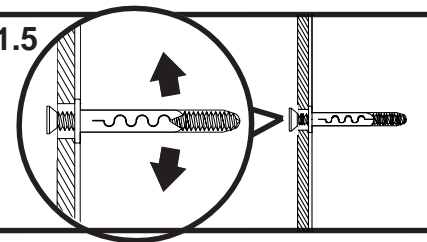
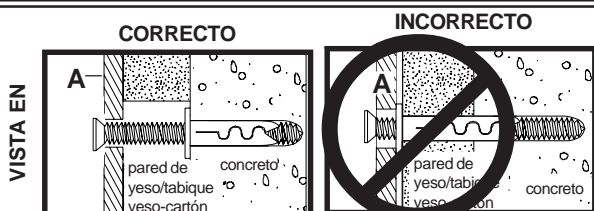


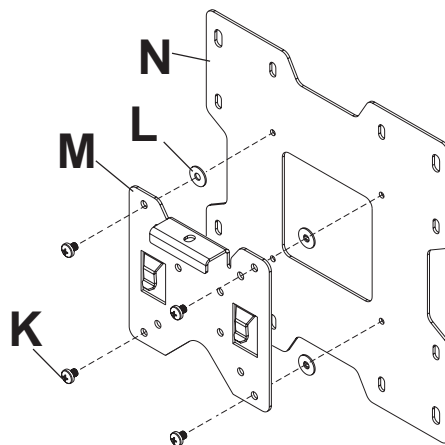
fig. 1.6



Cómo fijar la placa adaptadora a la pantalla con la configuración de montaje VESA 200 x 100 ó 200 x 200

Nota: Para las configuraciones VESA de 75 mm y de 100 mm, vea la página siguiente.

- 2** Fije el soporte de gancho (M) a la placa adaptadora (N) con cuatro tornillos M5 x 6 mm (K) y arandelas Nro. 10 (L) como se indica.



⚠ ADVERTENCIA

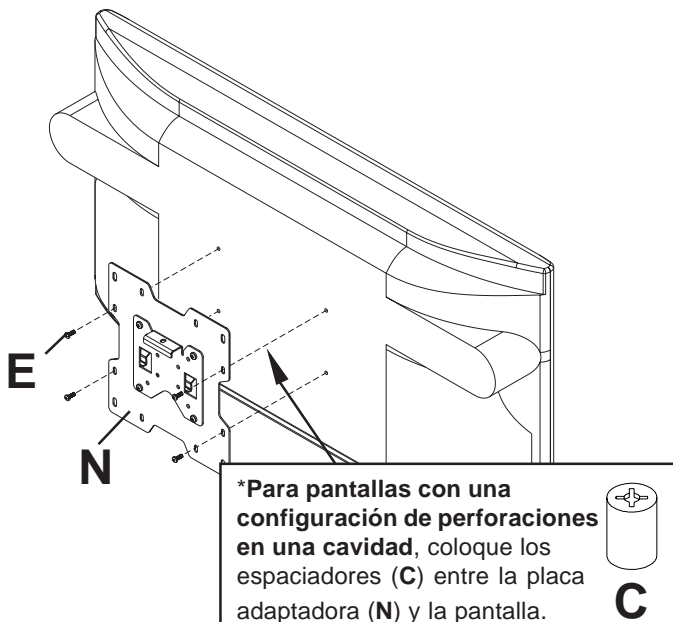
- Si los tornillos no pueden atornillarse tres vueltas completas en los orificios de la pantalla, o si los tornillos topan fondo y la placa adaptadora no está firmemente asegurada, se podría dañar la pantalla o causar la falla del producto.

PARA CONFIGURACIÓN DE MONTAJE VESA 200 x 100:

- 2-1** Seleccione la configuración de perforaciones que se indica a continuación. Fije la placa adaptadora (N) a la parte posterior de la pantalla con cuatro tornillos M4 x 10 mm (E), como se indica más abajo.

***Nota:** Si el tornillo (E) no puede atornillarse tres vueltas, fije la placa adaptadora (N) a la parte posterior de la pantalla con cuatro tornillos M4 x 20 mm (F) y cuatro espaciadores (C), como se indica más abajo.

Continúe con el paso 3 de la página 29.

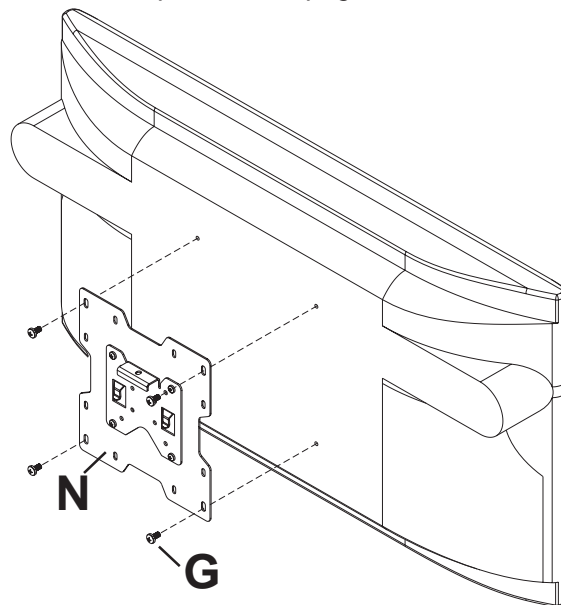


PARA CONFIGURACIÓN DE MONTAJE VESA 200 x 200:

Seleccione la configuración de perforaciones que se indica a continuación. Fije la placa adaptadora (N) a la parte posterior de la pantalla con cuatro tornillos M6 x 12 mm (G), como se indica más abajo.

***Nota:** Si el tornillo (G) no puede atornillarse tres vueltas, fije la placa adaptadora (N) a la parte posterior de la pantalla con cuatro tornillos M6 x 20 mm (I). Si el tornillo (I) aún no se puede atornillar más de tres vueltas, utilice cuatro tornillos M6 x 30 mm (J).

Continúe con el paso 3 de la página 29.



Cómo fijar el soporte de gancho a la pantalla con configuración de montaje VESA 75 ó 100

⚠ ADVERTENCIA

- Si los tornillos no pueden atornillarse tres vueltas completas en los orificios de la pantalla, o si los tornillos topan fondo y la placa adaptadora no está firmemente asegurada, se podría dañar la pantalla o causar la falla del producto.

PARA CONFIGURACIÓN DE MONTAJE VESA® 75:

- 2** Seleccione la configuración de perforaciones que se indica a continuación. Fije el soporte de gancho (**M**) a la parte posterior de la pantalla con cuatro tornillos M4 x 10 mm (**E**), como se indica más abajo.

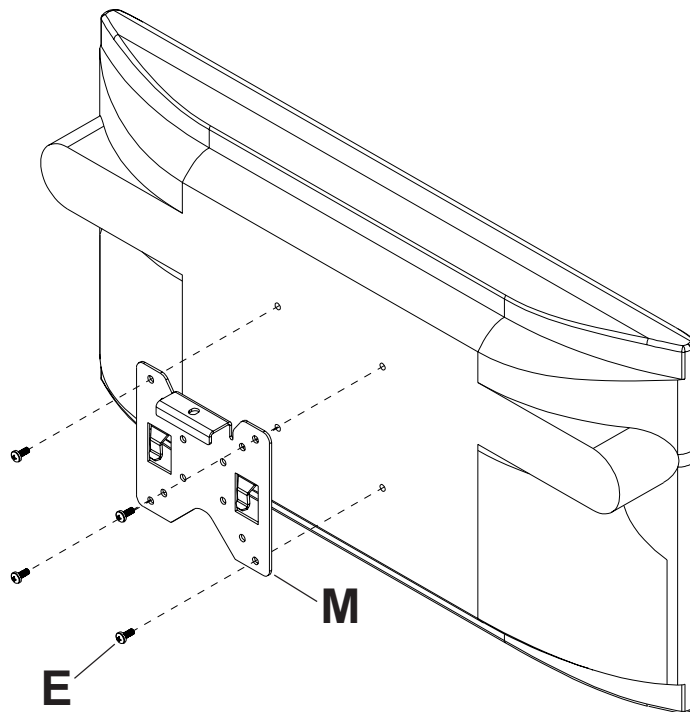
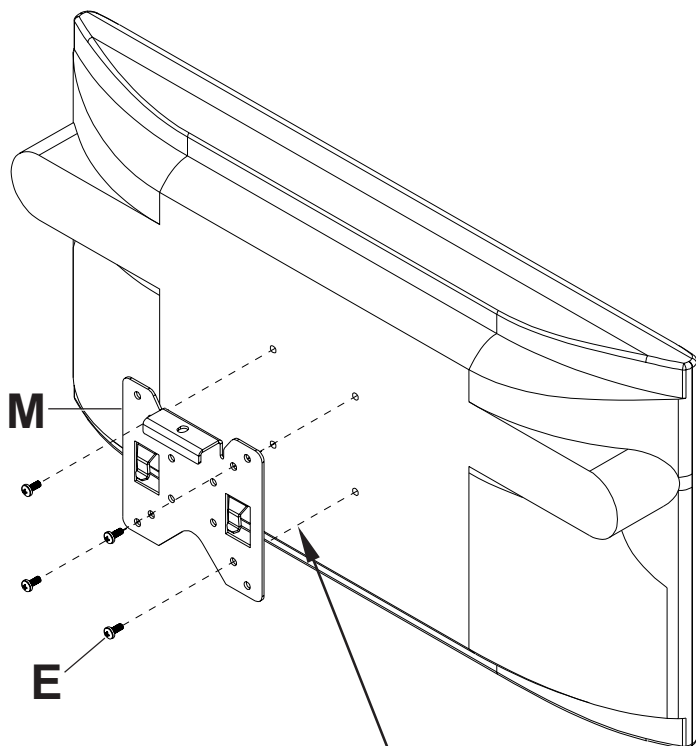
***Nota:** Si la configuración de perforaciones está en una cavidad, fije el soporte de gancho (**M**) a la parte posterior de la pantalla con cuatro tornillos M4 x 20 mm (**F**) y cuatro espaciadores de retención (**C**), como se indica más abajo.

Continúe con el paso 3 de la página 29.

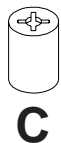
PARA CONFIGURACIÓN DE MONTAJE VESA 100:

- Seleccione la configuración de perforaciones que se indica a continuación. Fije el soporte de gancho (**M**) a la parte posterior de la pantalla con cuatro tornillos M4 x 10 mm (**E**), como se indica más abajo.

Continúe con el paso 3 de la página 29.



***Para pantallas con una configuración de perforaciones en una cavidad, coloque los espaciadores (C) entre el soporte de gancho (M) y la pantalla.**



Si tiene preguntas acerca de la compatibilidad de la pantalla, consulte la lista de interfaces para LCD o plasma en nuestro sitio Web www.peerlessmounts.com o bien, llame a servicio al cliente para consultar sobre un soporte adaptador específico modelos LC o PLP (no evaluado por UL).

PARA INSTALAR EN EL SOPORTE ADAPTADOR MODELO LC DE PEERLESS

Nota: Consulte la hoja de instrucciones del soporte adaptador modelo LC para fijar el soporte adaptador a la pantalla.

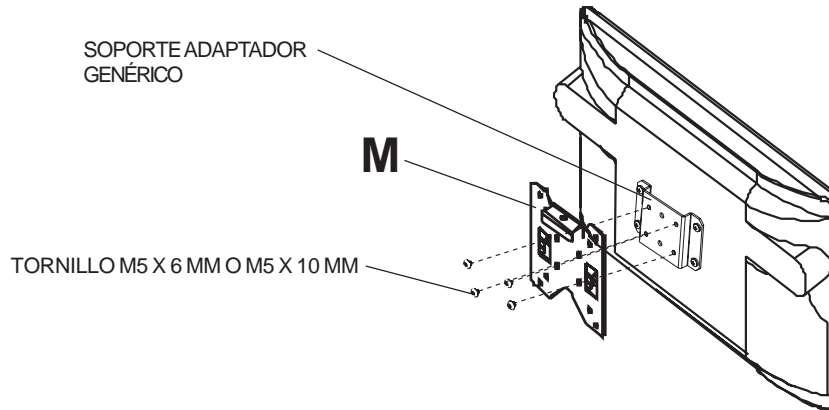
Nota: El soporte adaptador modelo LC incluye tornillos M5 x 6 mm o M5 x 10 mm.

2 Fije el soporte de gancho (**M**) al soporte adaptador con cuatro tornillos M5 x 6 mm o M5 x 10 mm.

Continúe con el paso 3 de la página 29.

⚠ ADVERTENCIA

- Si los tornillos no pueden atornillarse tres vueltas completas en los orificios de la pantalla, o si los tornillos topan fondo y la placa adaptadora no está firmemente asegurada, se podría dañar la pantalla o causar la falla del producto.

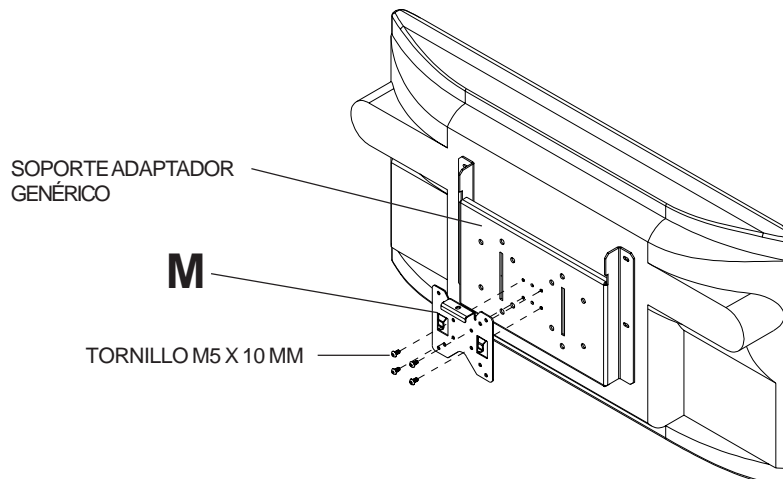


PARA INSTALAR EN EL SOPORTE ADAPTADOR MODELO PLP DE PEERLESS

Nota: Consulte la hoja de instrucciones del soporte adaptador modelo PLP para fijar el soporte adaptador a la pantalla.

Nota: El soporte adaptador modelo PLP incluye tornillos M5 x 10 mm.

2 Fije el soporte de gancho (**M**) al soporte adaptador con cuatro tornillos M5 x 10 mm.



Cómo instalar y retirar la pantalla de panel plano

- 3** Para fijar la pantalla al montaje de pared (A), baje el soporte de gancho (M) con la pantalla a un ángulo respecto de las cavidades del montaje de pared, como se ilustra en la figura 3.1. Una vez que los clips estén ajustados, presione hacia abajo para asentarlos en las cavidades, como se ilustra en la figura 3.2. Inserte y apriete el tornillo Phillips M5 (K) para fijar la pantalla al montaje de pared, como se ilustra en la figura 3.3.

Para sacar la pantalla del montaje, suelte el tornillo (K) y levántela del montaje.

⚠ ADVERTENCIA

- No levante más del peso que pueda soportar. Solicite ayuda a otra persona o utilice un equipo de levantamiento mecánico para lograr colocar la pantalla de manera segura.
- Si no asegura el soporte de gancho (M) con el tornillo (K), la pantalla se puede salir del montaje si se golpea accidentalmente.

ATENCIÓN

- No apriete los tornillos en exceso. Un apriete excesivo puede causar daño en el montaje. Apriete los tornillos a una torsión máxima de 20 pulg. • lb (2.26 N.M.)

¡ATENCIÓN!

- No apriete los tornillos aplicando demasiada fuerza. El apriete excesivo podría dañar el soporte. Apriete los tornillos a 40 pulg-lb (4.5 N•m) de par torsor máximo.

⚠ ¡ATENCIÓN!

- Tenga cuidado de no aplastarse los dedos al abrir y cerrar el soporte.

- 4-1** Gire la pantalla hacia la posición deseada (5° hacia la derecha o hacia la izquierda). Inserte y apriete el tornillo Phillips de cabeza plana Nro. 10-32 x ¼" (O) para asegurar la pantalla en la posición que se ilustra en la figura 4.2.

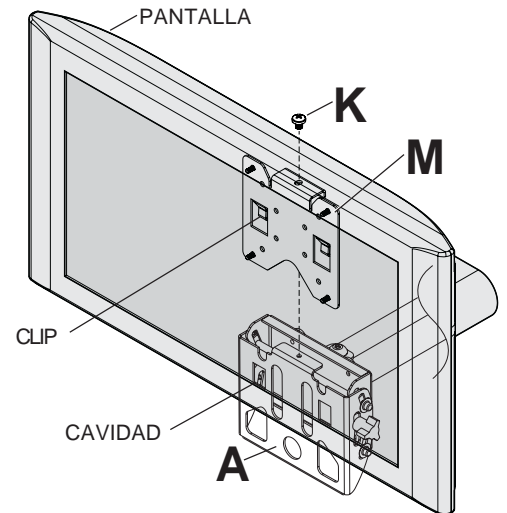


fig. 3.3

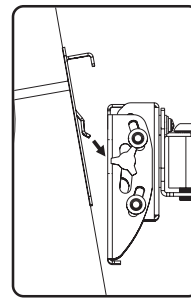


fig. 3.1

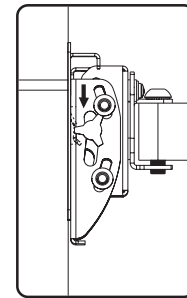


fig. 3.2

4

- Ajuste la perilla tensora en la parte lateral del soporte, como se muestra en la figura 4.1, a la tensión deseada para equilibrar el peso y tamaño de la pantalla.

Empuje o jale de la parte superior o inferior de la pantalla para ajustar la inclinación, como se muestra. La inclinación puede ajustarse hasta un máximo de 15° hacia adelante ó 5° hacia atrás.

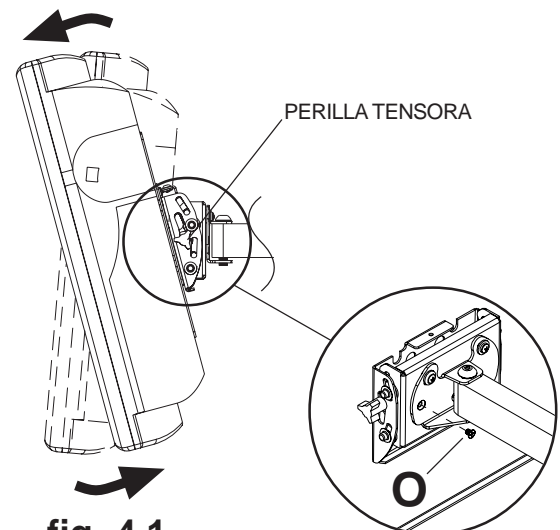


fig. 4.1

fig. 4.2

5

Nota: Asegúrese de que los cordones tengan flojedad suficiente para permitir el movimiento completo del brazo.

Pase los cordones por las ranuras del brazo del conjunto de brazo de pared (A), como se muestra en la figura 4.1.

Opcional: Pase el cordón de alimentación a través de un lado del soporte y el cable (cables) de señales a través del otro lado para evitar estorbar la señal.

Fije los cordones en su lugar deslizando las cubiertas en el soporte, como se muestra en la figura 4.2. Es posible que tenga que mover la pantalla para tener mejor acceso y facilitar el deslizamiento de las cubiertas para cordones.

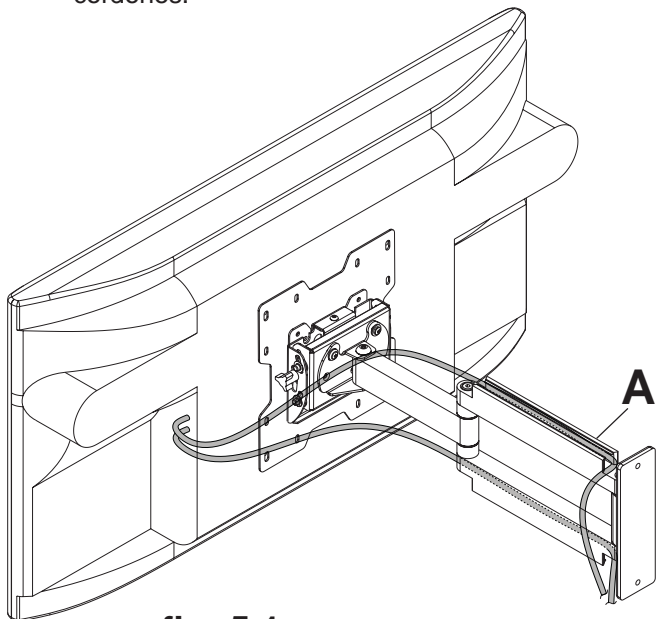


fig. 5.1

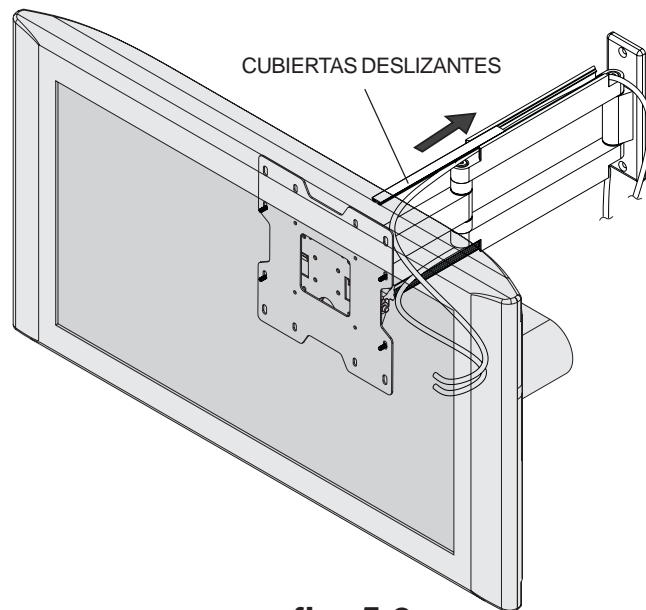


fig. 5.2

⚠ ¡ADVERTENCIA!

- No retire el tornillo ni lo afloje hasta que se haya desenganchado del soporte. Se podría caer la pantalla.

6

Si desea aumentar o disminuir la tensión en los puntos de articulación del brazo, haga lo siguiente:

- Para aumentarla, gire el tornillo de cabeza hueca en sentido horario con la llave allen de 3/16" (D).
- Para reducirla, gire el tornillo de cabeza hueca en sentido contrahorario con la llave allen. **No lo gire más de media vuelta.**

