

A/V Equipment

A/V Component

Adjustable Shelf

For A/V Components or Microwaves



- Versatile design ideal for stacking multiple A/V components or supporting a microwave

- Adjustable width up to 18.44" and depth range of 14.86" to 23"

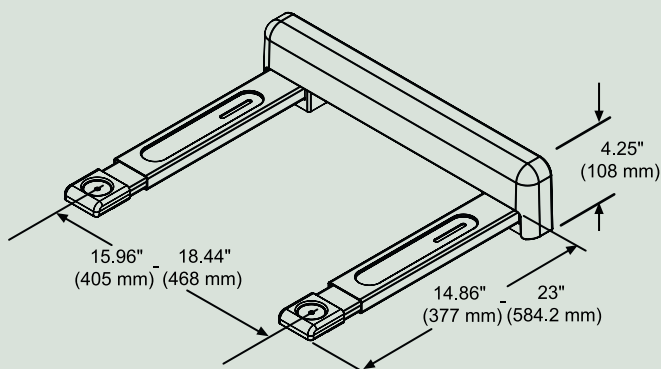
- Snap-on cover hides wall plate and mounting hardware



- Adjustment knobs allows for easy leveling of components

- Embossed arms with screw holes secure components to shelf

- 100 lb load capacity allows stacking of multiple components, ideal for A/V closets



MODELS

| | |
|----------------|--------|
| PS200 | Black |
| PS200-S | Silver |

SPECIFICATIONS

DIMENSIONS: (W x H x D)
15.96"-18.44" x 4.25" x 14.86"- 23"
(40.5-46.8 x 10.8 x 37.7-58.42 cm)

MAX LOAD: 100 lb (45.3 kg)

SHIP WEIGHT: 10.7 lb (4.8 kg)

MOUNTING SURFACES: Wood stud, concrete, cinder block and metal stud
(Metal stud accessory required)



ACCESSORIES

pg#

ACC215: 2-pack Metal Stud Fastener Kit .151