

VANTAGE

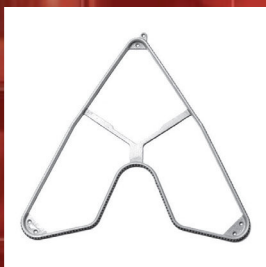
Replacement Parts For



90's



70's



30's

That Make Your Job Easier.

Parts Catalog 2011



We Listen. You Profit.



GREAT PARTS START WITH GREAT DESIGN...

Vantage engineers take pride in supplying products that are not just copies, but offer improvements in design, installation, and function. Many original equipment designs are re-engineered to incorporate improved metals, elastomers, and technologies.

*Great designs provide
performance and durability to
keep your pinsetters running
and your bowlers bowling.*



Inventory management allows us to have the right part on hand when the mechanic needs it.

INVENTORY SYSTEM...

Vantage's Inventory Management System is one of the most sophisticated in the industry. This combined with forecasting it allows Vantage to react faster to industry trends. Making it easier for the mechanic to get the right part at the right time.

Vantage Bowling Corporation

8100 AMF Drive, Mechanicsville, Virginia 23111
 (804) 569-1000 1-866-460-7263
 Fax: (804) 730-4464

www.vantagebowling.com

©QubicaAMF Worldwide

Brunswick as used throughout this catalog is the registered trademark of Brunswick Bowling & Billiards and is in no way associated with Vantage Bowling or QubicaAMF.

Table of Contents

Vantage Policies and Procedures	4
How to Use This Catalog	5
Highlights	6-9

90 Machines

Bounce Plate & Roller Assembly	10
Distributor Drive Shaft Assembly	11
Respot Cell Assembly 1-6 (Steel)	12
Respot Cell Assembly 7-10 (Steel)	13
Tie Rod Assembly	14
Tie Rod Bracker Assembly	15
Table & Bracket Assembly (Steel)	16
Table to Cross Beam (Steel)	17
Sweep Arm Assembly	18
Sweep Bar Mounting Assembly	19
Pin Elevator Wheel Assembly	20
Motor	21

70 Machines

High Performance Cushion Rebuilding - Vantage Style...	22
Cushion	23
Pit Rebuilding - Vantage Style	24
Bounce Plate & Roller Assembly	25
Kickback Assembly	26-27
Pin Elevator & Pit Supports	28-29
82-70 Distributor Assembly	30-33
Bin Assembly	34-35
Shuttle Assembly	36-37
Yoke	38-39
Respot Cell	40
Table Wireway Assembly	41
Table Components	42-43
Front End Drive Assembly	44
Shuttle Operator & Solenoid Assembly	45
Table Drive Assembly	46
Spot & Respot Link Assembly	47
Sweep Bar Mounting Assembly	48
Sweep Arm Assembly	49
Replacement Motors & Gear Boxes	50
Gearbox Kits	51
Gearbox Components Table/Sweep Motors	52
Complete Table/Sweep Motors and Gearboxes	53
Gearbox Components/Backend Motors	54
Complete Backend Motors & Gearboxes	55

70/30 Machines

Ball Lift Assembly	56-57
Ball Kicker Assembly	58
Belt Tensioner & Belt Tightener	59
Light Ball Sensor Assembly	60-61
Ratchet Drive Assembly	62
Track Rail Assembly	63

30 Machines

82-30 Springs/Pin Elevator/Ball Return	64
82-30 Distributor Assembly	65
82-30 Distributor Assembly	66
82-30 Sweep & Table, Spot & Respot Mechanism	67

Front Ball Lifts

C-90 & Vantage Standard Ball Lift	68
C-90 & Vantage Standard & Back Saver	69
Spectrum Components	70
Sure Pik Replacement Parts	71

Electrical, Tools, Belts

Motor Switches-Centifugal Mechanisms-Klixons	72
Micro Switches-Relays-Cables	73
Capacitors-Chassis & Control Panel Switches	74
Foul Lights	75
Mechanics Tool Kit	76-77
Replacement Belts	78

New Hardware Section

79-95	
Index	95-108



Vantage Bowling Policies and Procedures

WARRANTY CLAIM

QubicaAMF offers a one-year warranty on any defective product except where noted in this catalog.

1. Call the QubicaAMF technical support group at 866-460-7263, press option 4.
2. Technical support will trouble-shoot and determine the validity of the warranty.
3. Once approved, a warranty order will be placed and an RA (return authorization) will be assigned.
4. The replacement product and RA will be sent to your location.
5. If the RA product is not received within 30 days, the RA will be cancelled and the open invoice will become due. Late returns are subject to a minimum 25% late return fee.
6. Once the RA product is returned and received, Customer Service will issue a credit upon inspection and acceptance in accordance with the Warranty Policy on page 112.

RETURN OF PRODUCT

QubicaAMF requires prior authorization for the return of product. The product must be in the current catalog and be in saleable condition.

1. Call the QubicaAMF technical support group at 866-460-7263, press option 4.
2. The technician will evaluate the request and issue an RA.
3. All returns are subject to a minimum 25% restocking fee. Additional charges may apply based on the condition of the returned product.
4. Special orders do not qualify under the Return Product policy. See Special Orders policy.

BREAKAGE, DAMAGE OR LOSS OF GOODS

All orders/shipments must be inspected upon receipt. In the event of breakage, damage or loss of goods, be sure to sign the receipt from the carrier as "goods received damaged". Please call the Customer Support group to notify them of any such issues. Notification must be made within 24 hours of your receipt. The carrier may inspect the shipment/package. It is important to retain all interior and exterior packing materials until the claim is resolved. Pictures may be requested.

SHORT SHIPMENTS

Upon inspection of a received order, if you discover that product is missing, please contact our Technical Support group within 7 days of receipt. They may be reached at 866-460-7263, press option 4. Please have your order number and account number available. Providing the 7-day restriction has been met, QubicaAMF will ship the missing product.

SPECIAL ORDERS

Orders for custom/customized product and/or packaging cannot be altered, adjusted or cancelled. Special orders do not qualify under the Return of Product policy.

HOURS OF OPERATION

The QAMF Customer Support group is open 8:00 AM to 5:30 PM EST Monday through Friday, excluding holidays. Customer Support Representatives are available to answer any questions, handle exchanges and returns and take orders. They may be reached at 866-460-7263, press option 2. Our fax number is 804-730-4464.

Our Technical Support technicians are available 8:30 AM to 5:30 PM EST Monday through Friday. They may be contacted for technical questions, warranty questions or issues, shipment shortages or return of product. They may be reached at 866-460-7263, press option 4.

PAYMENT TERMS

Standard terms are net 30 days from invoice date. Other optional extended payment plans are available with credit approval. Finance charges are assessed on all delinquent accounts.

We do offer the option of paying COD or Visa and MasterCard credit card. If you do not presently have an open account with us, please call our Credit department at 866-460-QAMF (7263) and press option 7. COD shipments may incur an additional charge.

PRICING

All prices quoted are FOB, point of origin. **Prices are subject to change without notice.**

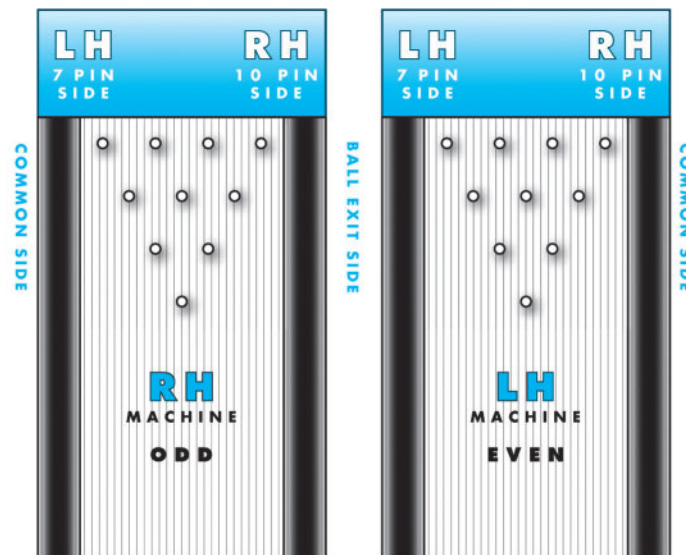
EXPRESS SHIPMENTS

Lanes down and you need something in a hurry? Just call our Customer Support group and let them know that you need to place an order for overnight delivery. There is NO additional handling charge for rush orders - you pay only for the express freight charges.

Vantage is taking steps to define a good working catalog.

The Vantage Catalog has gone through numerous changes this year with the inclusion of parts for new machine styles and true to size hardware. Also this year are new illustrations through out the Catalog. Each Catalog has been separated into Sections based upon machine style and then broken down into subassemblies following the pins through the machines. Starting at the pits and working up and around the machine finishing of with the electrical systems.

Vantage is taking the mystery out of right hand and left hand.



It has always been confusing when talking about pinsetter, which machine is a right hand machine and which machine is a left hand machine. And, then there is a right hand side and a left hand side of a right hand machine and vice versa. Then how do you look at the machine from the mechanics end or the bowlers end which reverses the right and left. Vantage has added labeling to its part numbers to make this a little easier. By labeling the parts ODD and EVEN as well as 7 Pin and 10 Pin this should cut down on some of the confusion on which part is correct for which machine.



Stop the Friction...Join the Revolution

VAL 150-001

Positive Indexing Distributor Brake

Distributor Clutch Replacement

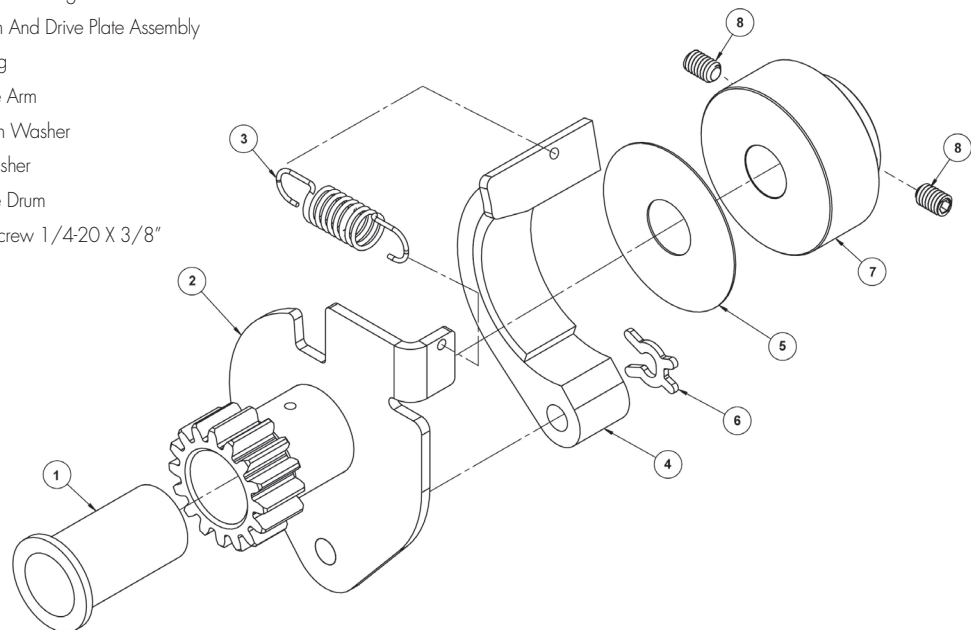


The Positive Indexing Distributor Brake was designed to eliminate some of the inherent problems that are caused by using a clutch to drive the Distributor Assembly. Vantage understands that there are a number of other issues that could cause a Distributor Assembly to not run correctly - e.g. eccentric bearing adjustments, belt length, stop bracket shimming, and others. Please refer to the Pinspotters maintenance manual for properly maintaining your Distributor Assemblies.

The Positive Indexing Distributor Brake is designed to run without LUBRICATION. Adding any kind of lubricant to the Brake Drum will void the warranty. A slight dab of grease on the Stop Blade is acceptable to decrease the friction between the Stop Blade and Pinion Plate Assembly.

PARTS LIST

Item	Qty	Part Number	Description
1	1	Val150-001-01	Oil-Less Bushing
2	1	Val150-001-02	Pinion And Drive Plate Assembly
3	1	Val150-001-03	Spring
4	1	Val150-001-04	Brake Arm
5	1	Val150-001-06	Nylon Washer
6	1	Val150-001-07	X-Washer
7	1	Val150-001-08	Brake Drum
8	2	Val150-001-09	Set Screw 1/4-20 X 3/8"



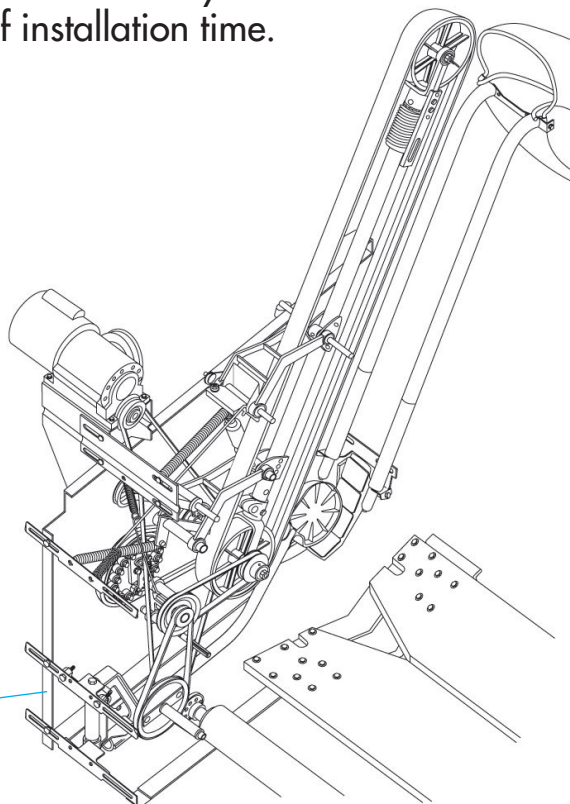
PBL performance is closer than you think, kick the kicker roller habit!

Our new pbl mini kit can improve ball return in your center with as little as three hours of installation time.

PBL Conversion Kits for kicker roller exits improve ball return under all bowling conditions. Veteran mechanics know that PBLs' solve kicker roller exit problems now! Kicker roller exits experience ball return problems for three basic reasons:

- Excessive lane oil on kicker rollers and starter pads - these are eliminated with a PBL.
- Constant adjustment of old components - all of these are replaced with a PBL.
- Hydraulic shock failure. This component may be too weak to sweep pins away or too strong, pushing light balls back into the pit. It's eliminated with a PBL from Vantage.

The Mini Conversion uses no Light Ball Sensor



FULL KICKER ROLLER TO PBL CONVERSION V 610-700-120

Each conversion kit comes complete with a light ball sensor, ratchet drive assembly, belt tightener, components to modify the belt tensioner, ball lift, kickback and track rail assemblies. Because we supply more new components than the O.E.M. version, you modify fewer parts saving time and giving you better ball return sooner.

THE MINI PBL SYSTEM V610 700 120 MINI

Introduced by Vantage over 10 years ago has become an industry standard in ball lift systems. It is an economical alternative to the full PBL conversion offering an excellent ball return system with fewer parts to replace and maintain. It includes all the important components of a full PBL without the light ball sensor, but features a speed reducing pulley for slower paddle operation and our non-hydraulic, adjustable, Super Rudder Drive Link. These combine to improve the return of light balls.

THE MODIFIED MINI PBL I SYSTEM V610 700 120 KHP

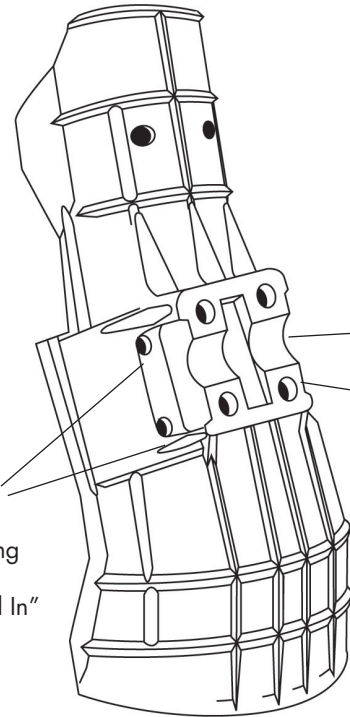
Vantage is introducing this new kit to help combat some of the ball lift assembly troubles currently being reported by mechanics. This new kit is a smaller version of Mini PBL eliminating the door weldments and two other sub-assembly packages from the kit. This version is meant for centers that had kicker return systems and installed humpbacks and would like to convert to the Mini PBL systems. In conjunction with the Pulleys and Ball Lift Belt set, this alternative will give each mechanic a ball lift system that will last for years to come.

THE MODIFIED MINI PBL II SYSTEM V610 700 120 PHP

Vantage has introduced this new kit to help combat some of the ball lift assembly troubles currently being reported by mechanics. This new kit is a smaller version of Mini PBL only including the Ratchet Drive Assembly and those components needed for replacing the parts removed when installing the Humpback system. This version is meant for centers that had PBL return systems and installed humpbacks and would like to convert back to the PBL systems. In conjunction with the Pulleys and Ball Lift Belt set, this alternative will give each mechanic a ball lift system that will last for years to come.



The world's most popular non-metal spotting cup just got better!



Molded Mounting Holes for "Pull In" Liners

With over 100,000 sold and in use, Vantage Lexan® cups are proven as durable replacements for aluminum. **That's because they're not plastic - they're Lexan® an engineering polycarbonate.** Their one piece construction installs easily and never requires width adjustment.

We've redesigned our product to include features loyal users have requested like:

Molded holes for "pull in" liner installation.

A narrower mounting area for easier side to side adjustment.

Reinforced mounting holes.

Lightweight, durable and easy to install, try the "new" Lexan® cup from Vantage - **the people who made plastic cups work!**

V 070 002 809 Lexan® Spotting Cup
V 070 002 809-L Lexan® Spotting Cup with liners

*Lexan® is a registered trademark of General Electric Corporation.



Die Cast Aluminum Pitbull Spotting Cups! Our new die cast spotting cups offer longer life than originals. Interchange perfectly and adjust easily.



Super Rudder Drive Link

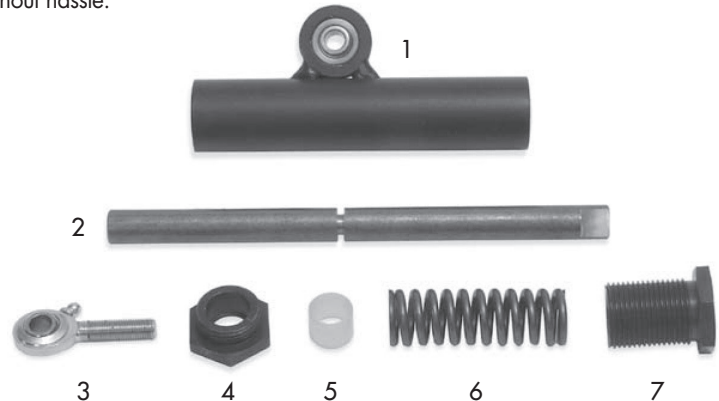
Had It With Rudder Drive Links?

- Too much pressure?
- Too little pressure?
- Oil leakage?
- Low service life?

Try the new Super Rudder Drive Link From Vantage!
Its design relies on easy to adjust spring tension that provides consistent paddle operation. Get the paddle pressure you want, without hassle.

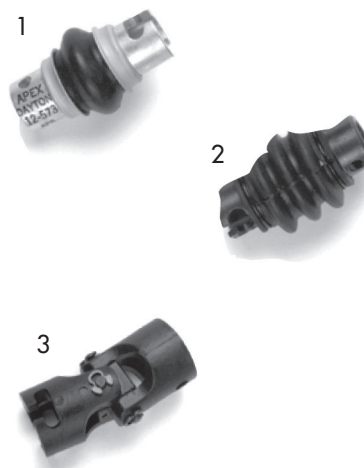
Order Part Number:
V 000 029 671-A Super Rudder Drive Link

- 1 V 000 029 671-BB Complete Mod 1 Body
- 2 V 000 029 671-BS Mod 1 Shaft
- 3 V 070 006 046 Rod End
- 4 V 000 029 671-BSR Mod 1 Short Reducer
- 5 V 000 029 671-BD Delrin Bushing
- 6 V 000 029 671-S Spring
- 7 V 000 029 671-BLR Long Reducer



Vantage offers three universal joints to meet the demands of all types of bowling.

1. The Apex brand joint is the "old original" asked for by veteran mechanics who remember these lasting for many years without failure. Now available from Vantage.
Order part number **V 070 007 586 A**
2. Our standard universal joint has been the choice of thousands of satisfied mechanics around the world. It features a replaceable boot for easy replacement of lubrication and offers excellent service life at an attractive price.
Order part number **V 070 007 586**
3. Our new Pit Bull U Joint is made from the highest quality polymers available. It offers excellent service life at a very attractive price.
Order part number **V 070 007 586 P**



Ball return nightmares are over with new belts from vantage!

Sure-Pik and ball lift problems are cured with Vantage's new rubber compound designed specifically for bowling ball returns. To fully employ its increased friction we've returned to a flat belt surface. This is more efficient than a concave surface in ball transfer. Try one you'll be glad you did!!!

Order Part Numbers:

V 190 001 305 Sure Pik Belt
V 000 024 604 Ball Lift Belt
V 000 024 604 Kit Pulleys and Ball Lift Belt Set



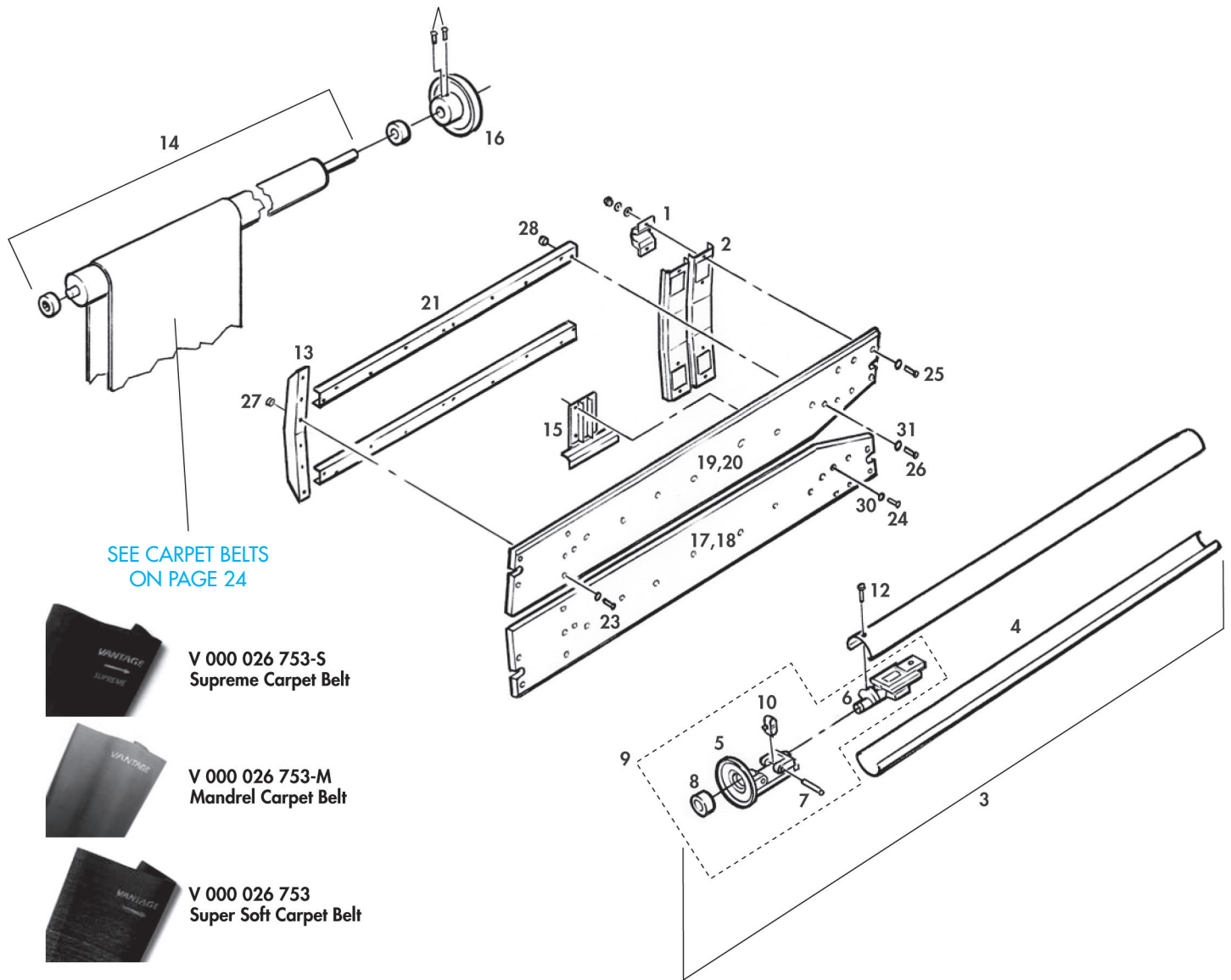
Want slower pinwheel operation, try our adjustable pin feed pulley...

The answer for reduced pin distributor jams, poor pin to belt contact and old worn pins. Adjustability allows you to select the pinwheel speed you want.

Order Part Numbers:

V 000 024 598 Adjustable Pin Feed Pulley





SEE CARPET BELTS ON PAGE 24



V 000 026 753-S
Supreme Carpet Belt

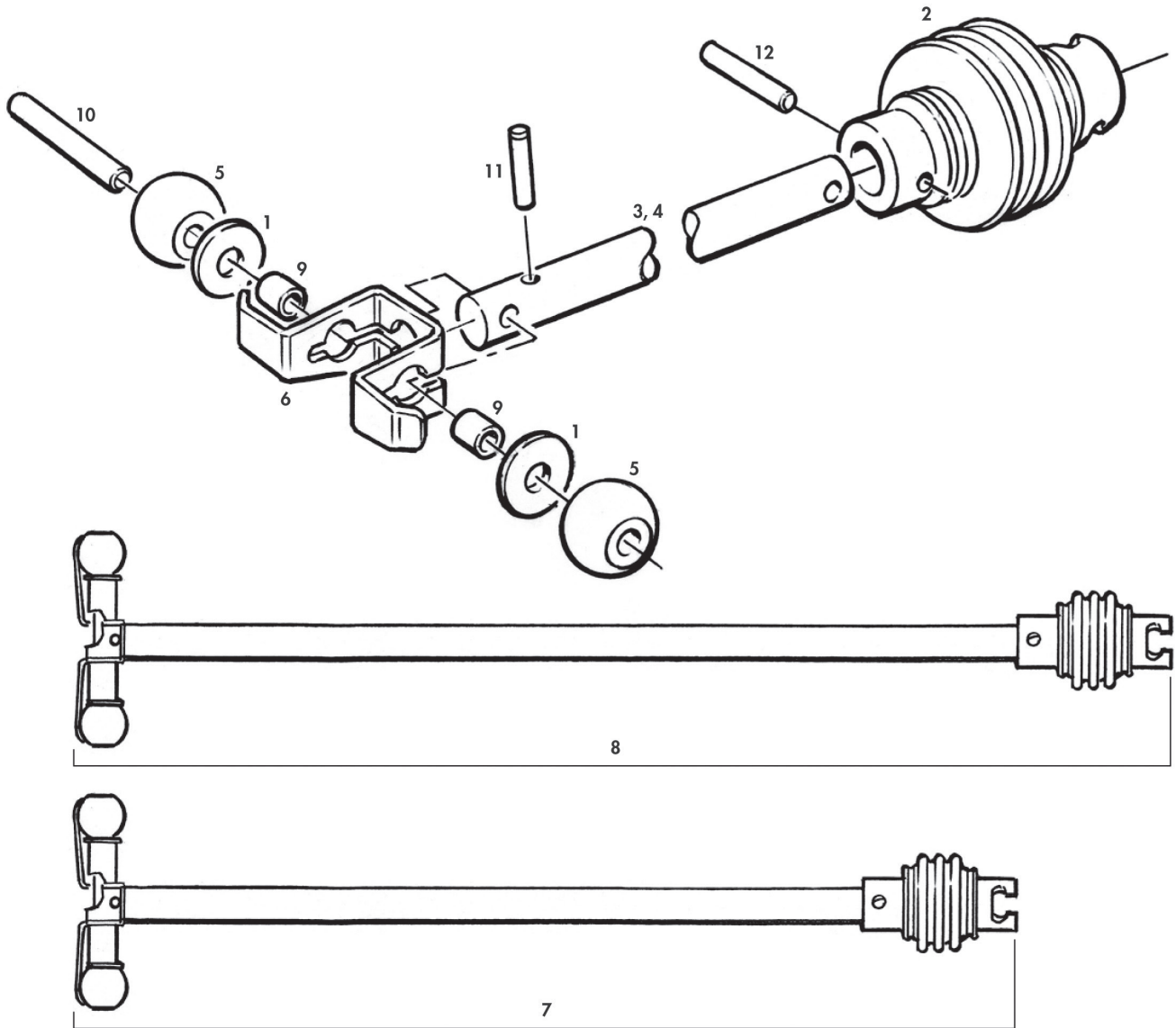


V 000 026 753-M
Mandrel Carpet Belt



V 000 026 753
Super Soft Carpet Belt

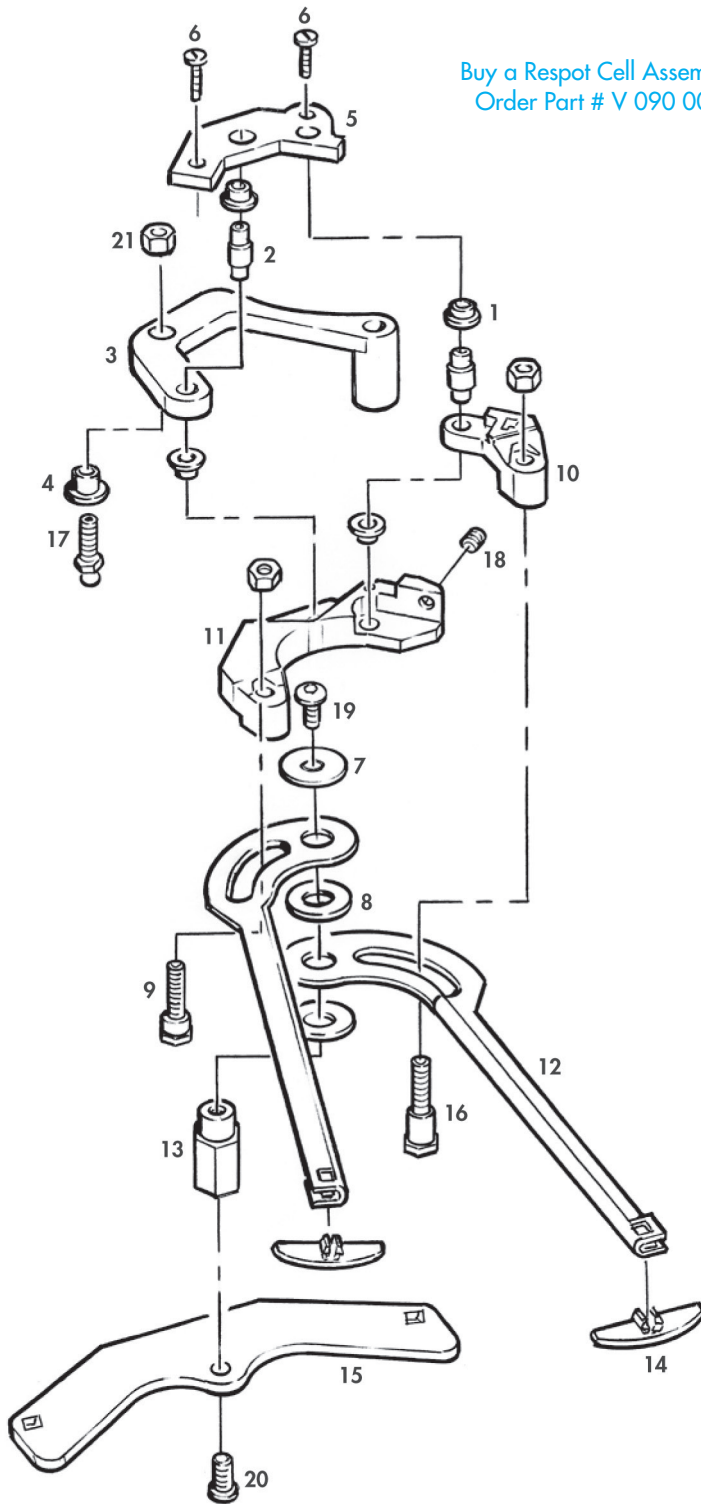
Part #	Description	Part #	Description	Part #	Description
1	V 000 021 224 Vibration Dampener	13	V 000 029 626 Angle Support	23	V 809 849 165 Scr-Hex 1/4 - 20 x 1
2	V 000 021 914 Channel	14	V 070 002 034 Rear Roller Assembly	24	V 809 849 325 Scr-Hex 1/4 - 20 x 2
3	V 000 024 576 Front Roller Assembly	15	V 070 007 769 Ball Idling Bracket (Not Available)	25	V 809 857 205 Scr-Hex 1/4 - 20 x 1 - 1/4
4	V 000 024 578 Roller Body	16	V 090 004 203 Carpet Drive Sheave	26	V 809 857 295 Scr-Hex 1/4 - 20 x 1 - 1/4 (Not Available)
5	V 000 024 579 Hinge Roller	17	V 090 005 270 Bounce Board RF	27	V 844 049 002 Str-Lk 1/4 - 20
6	V 000 024 580 Hinge Shaft	18	V 090 005 271 Bounce Board LF (Not Shown)	28	V 844 057 002 Str-Lk Nut 5/16 - 18
7	V 000 024 582 Roller Pin	19	V 090 005 272 Bounce Board RR	29	V 913 411 100 ESNA Roll Pin (Not Shown)
8	V 000 024 590 Bearing	20	V 090 005 273 Bounce board LR (Not Shown)	30	V 948 753 102 Wshr .281 I.D. x .625 O.D. x .06
9	V 000 024 592 Hinge Assembly	21	V 090 005 274 Reinforcing Bar	31	V 948 761 112 Wshr, 343 I.D. x 625 O.D. x .06
10	V 000 024 597 Link Assembly	22	V 806 265 160 Sq Hd. Screw cup Pt. 3/16 - 16 x 1 LG.		
11	V 000 025 622 Bonding Strap (Not Shown)				
12	V 000 025 662 Nyloc Screw				



Part #	Description	Part #	Description	Part #	Description
1	V 000 029 073 Washer	6	V 090 002 034 Ball Bearing Retainer	9	V 722 501 070 Spacer
2	V 070 007 586 Universal Joint	7	V 090 006 102 Distributor Drive Shaft Assy - R.H. ODD Short	10	V 908 048 480 Dowel Pin, 1/4 x 3.0
3	V 090 002 017 Shaft, L.H. Machine	8	V 090 006 103 Distributor Drive Shaft Assy - L.H. EVEN Long	11	V 913 423 120 Spring Pin, .125 x 3/4 LG.
4	V 090 002 018 Shaft, R.H. Machine			12	V 913 437 160 Spring Pin, .187 x 1 LG.
5	V 090 002 019 Ball Bearing				



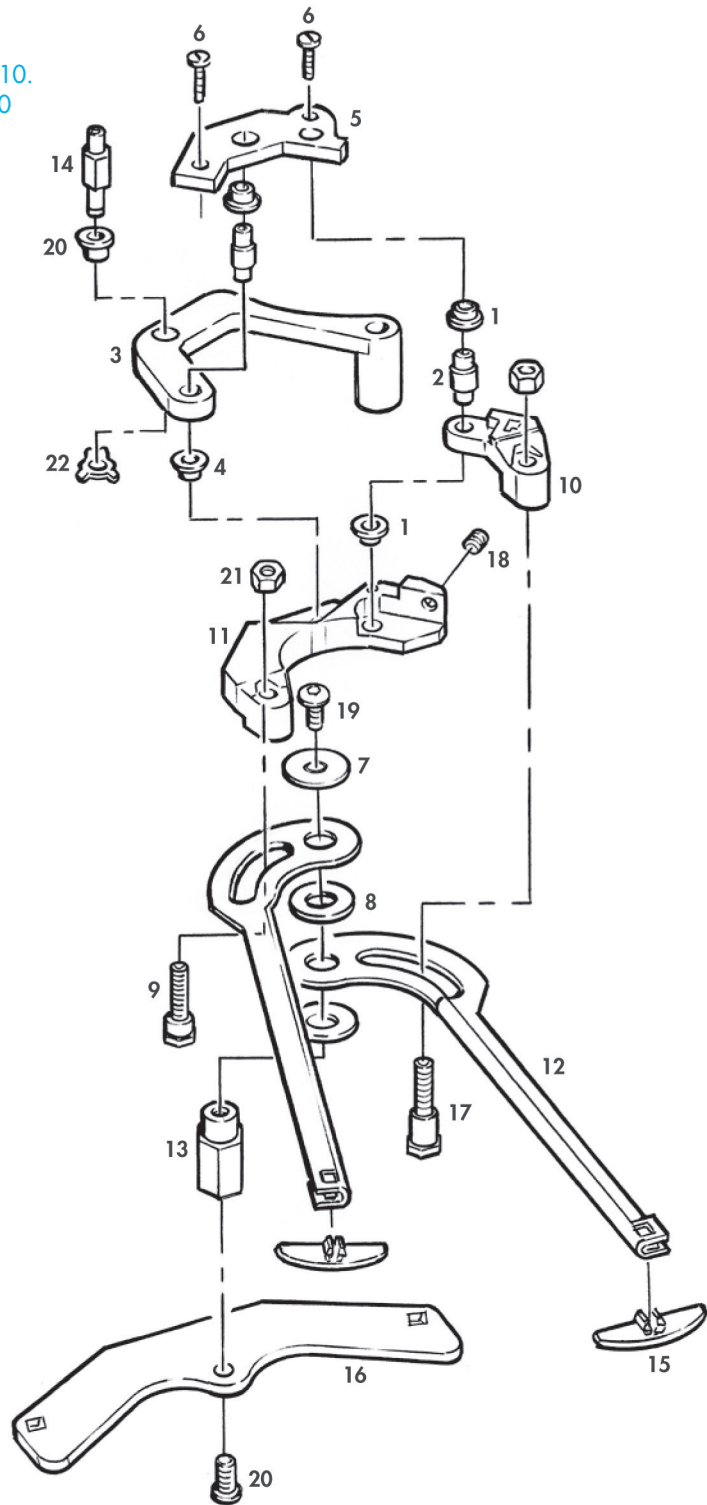
Buy a Respot Cell Assembly 1-6.
Order Part # V 090 005 544



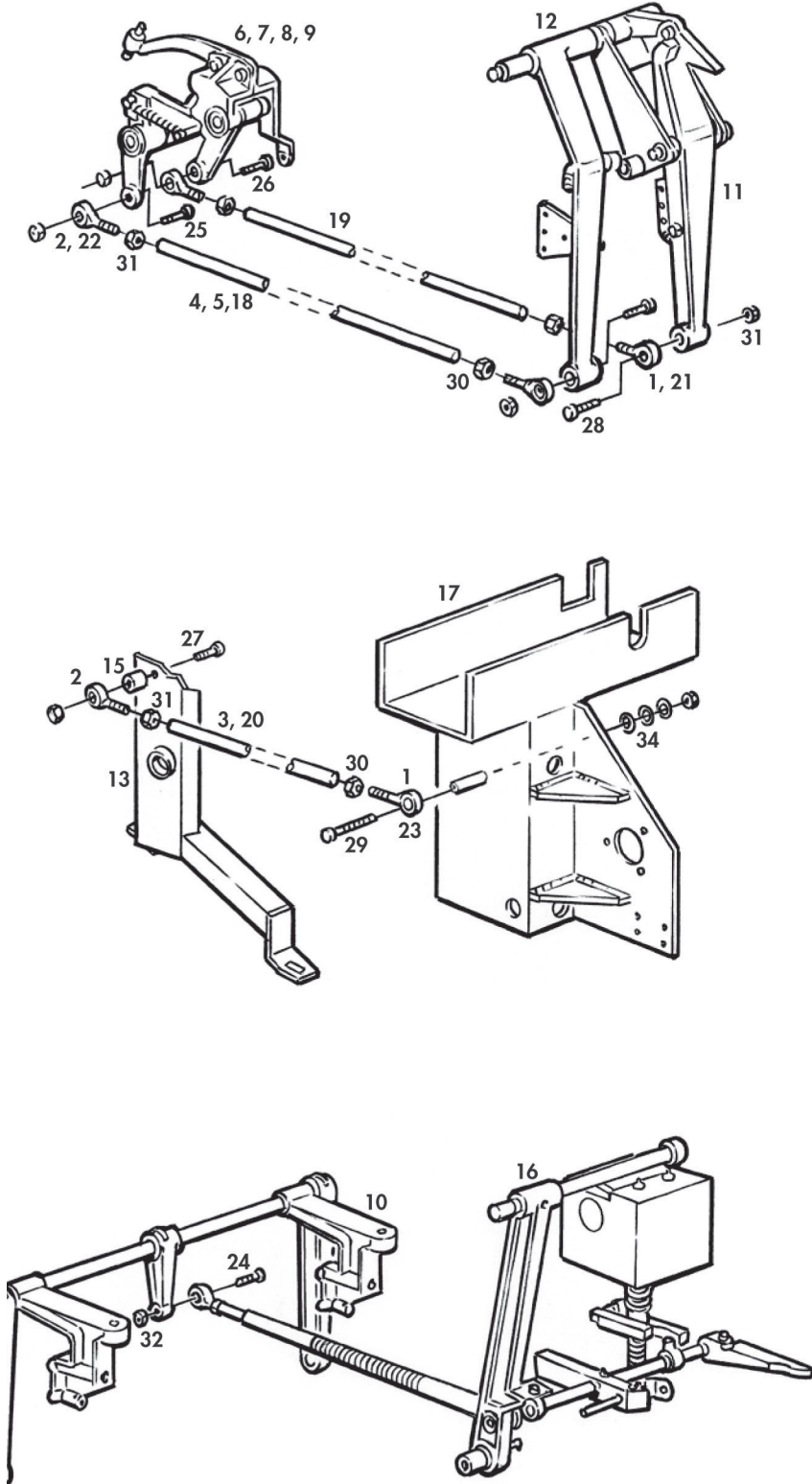
Part #	Description
1 V 070 002 630	Flanged Bearing, .252 x .315 x .218
2 V 070 002 645	Lever Assembly Shaft
3 V 070 002 651	Respot Lever
4 V 070 002 653	Flanged Bearing, .252 x .315 x .38
5 V 070 002 695	Yoke Plate
6 V 070 002 750	Screw, Flat Head
7 V 070 007 192	Washer
8 V 070 007 193	Respot Cell Spacer
9 V 070 007 195	Stud, Short
10 V 090 004 113	Respot Yoke Arm
11 V 090 004 118	Respot Yoke Arm
12 V 090 004 123	Respot Finger Assembly
13 V 090 005 522	Respot Finger Bushing
14 V 090 005 617	Finger Insert
15 V 090 005 632	Not Available
16 V 090 005 640	Stud, Long
17 V 730 027 019	Stud, Ball Head
18 V 807 650 050	Setscrew, 1/4 - 28 x 5/16
19 V 808 549 080	Screw, Button Head Cap, 1/4 - 20 x 1/2
20 V 809 149 100	Screw, Button HD w/Patch, 1/4 - 20 x 5/8 (Not Available)
21 V 844 049 002	Nut, Stover Lock, 1/4 - 20



Buy a Respot Cell Assembly 7-10.
Order Part # V 090 005 540



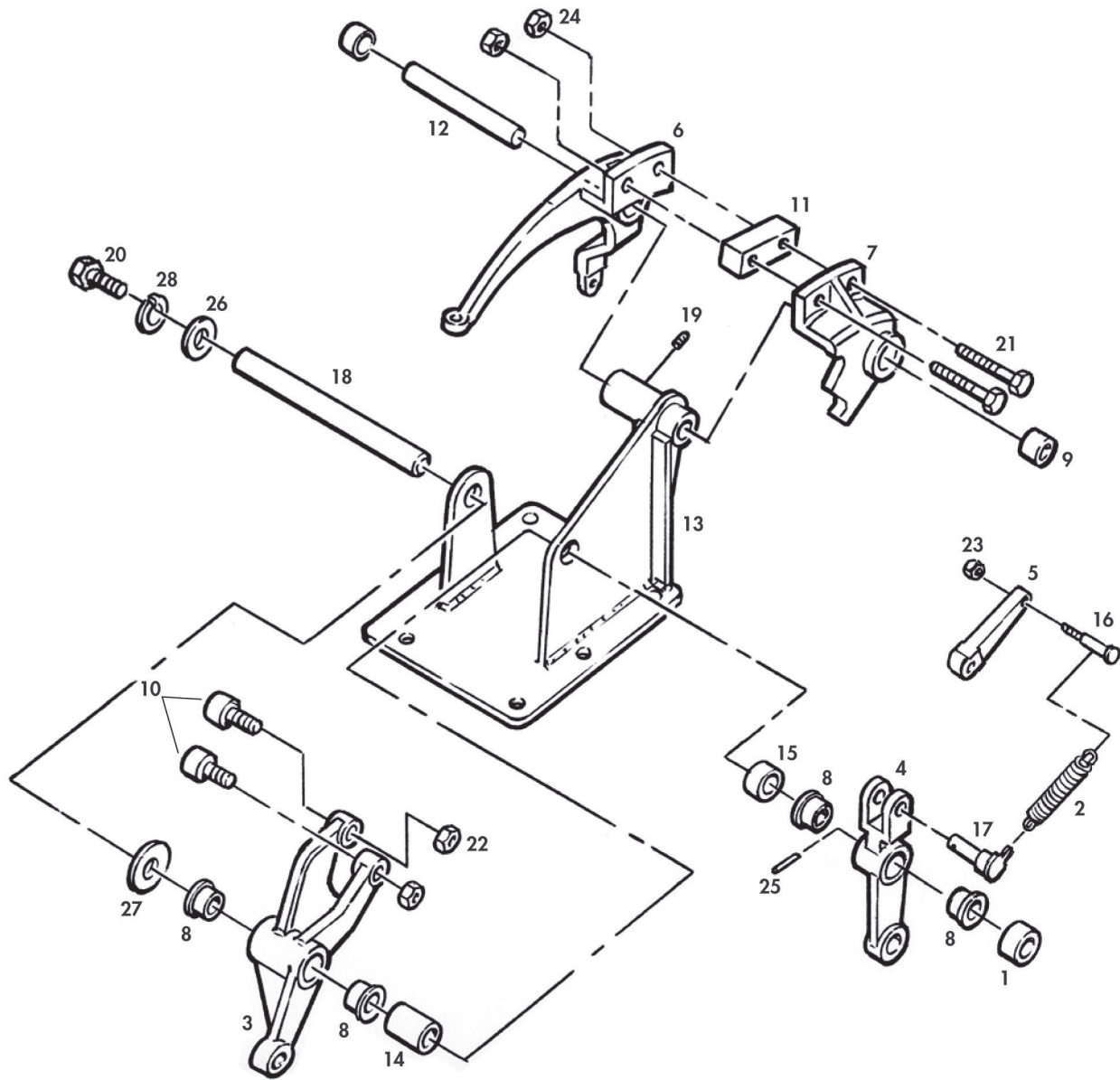
Part #	Description
1 V 070 002 630	Flanged Bearing, .252 x .315 x .218
2 V 070 002 645	Lever Assembly Shaft
3 V 070 002 651	Respot Lever
4 V 070 002 653	Flanged Bearing, .252 x .315 x .38
5 V 070 002 695	Yoke Plate
6 V 070 002 750	Screw, Flat Head
7 V 070 007 192	Washer
8 V 070 007 193	Respot Cell Spacer
9 V 070 007 195	Stud, Short
10 V 090 004 113	Respot Yoke Arm
11 V 090 004 118	Respot Yoke
12 V 090 004 123	Respot Finger Assembly
13 V 090 005 522	Respot Finger Bushing
14 V 090 005 571	Pin, 8-9-10 Links
15 V 090 005 617	Finger Insert
16 V 090 005 632	Not Available
17 V 090 005 640	Stud, Long
18 V 807 650 050	Setscrew, 1/4 - 28 x 5/16
19 V 808 549 080	Screw, Button Head Cap, 1/4 - 20 X 1/2
20 V 809 149 100	Screw, Button HD w/Patch, 1/4 - 20 x 5/8 (Not Available)
21 V 844 049 002	Nut, Stover Lock, 1/4 - 20
22 V 963 200 002	X-Washer



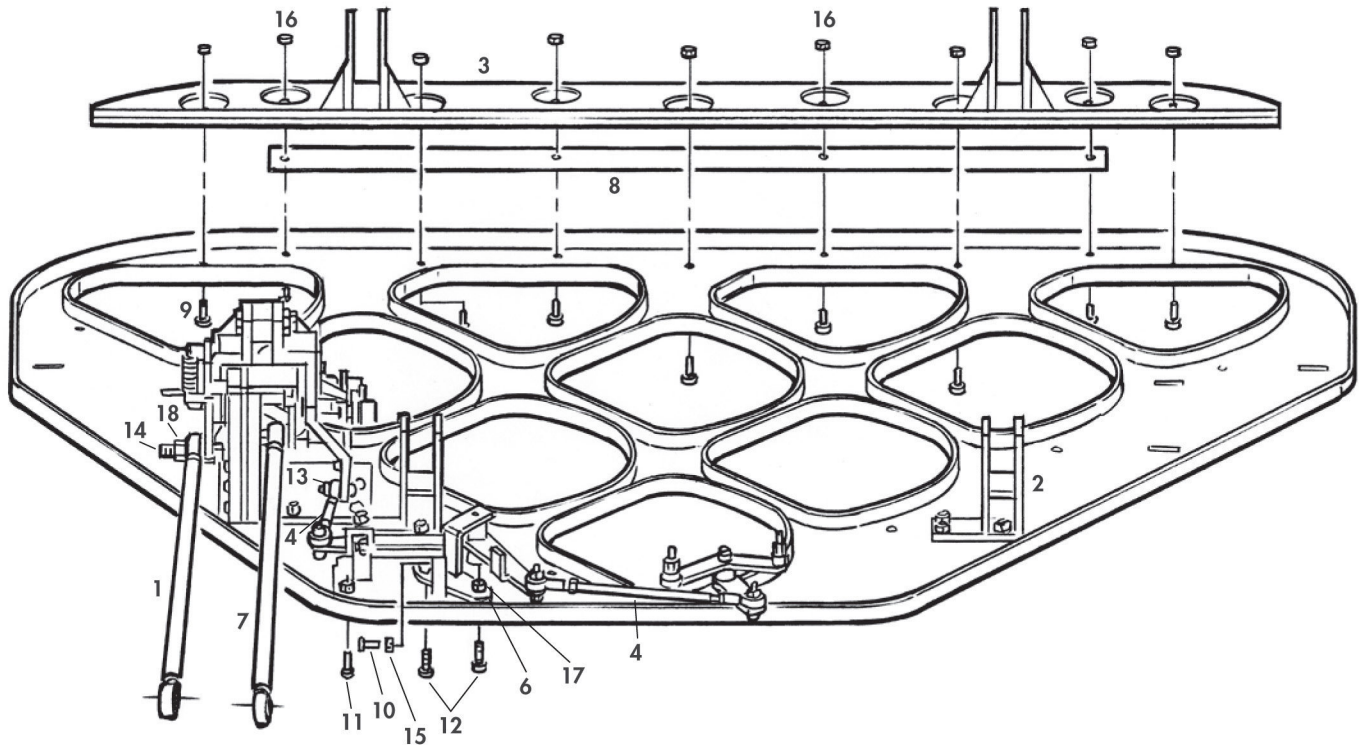
Part # **Description**

1	V 000 025 004	End Fitting, R.H.
2	V 000 025 005	End Fitting L.H.
3	V 070 001 557	Table Tie Rod
4	V 070 001 601	Tie Rod Assy Respot
5	V 070 001 606	Respot Tie Rod
6	V 070 002 578	Spot Lever Assembly
7	V 070 002 595	Not Available
8	V 070 002 727	Shifter Link Assembly
9	V 070 002 728	Cam Link Assembly
10	V 070 006 358	Bracket Asy For Bin
11	V 070 006 481	Spot Link Assembly
12	V 070 006 492	Respot Arm Link Assembly
13	V 070 007 295	Table Support Weldment R.H.
14	V 070 007 296	Table Support Weldment L.H. (Not Shown)
14a	V 070 007 302	Spacer
15	V 070 007 303	Spacer, 7/16 I.D.
16	V 090 003 655	Not Available
17	V 090 004 001	Not Available
18	V 090 005 251	Tie Rod Assy Respot
19	V 090 005 252	Tie Rod Assembly Spot
20	V 090 005 253	Tie Rod Asy
21	V 090 005 264	End Fitting, R.H.
22	V 090 005 265	End Fitting, L.H.
23	V 710 501 013	Not Available
24	V 809 865 245	Hex HD. Cap Screw, 3/8 - 16 x 1-1/2 LG
25	V 809 869 245	Hex HD. Cap Screw, 7/16 - 14 x 1 - 1/2 LG
26	V 809 869 285	Hex HD. Cap Screw, 7/16 - 14 x 1 - 3/4 LG
27	V 809 869 325	Hex HD. Cap Screw, 7/16 - 14 x 2 LG
28	V 809 869 365	Hex HD. Cap Screw, 7/16 - 1/4 x 2 - 1/4 LG.
29	V 809 869 405	Hex HD. Cap Screw R.H. 7/16 - 14 x 2 - 1/2 LG.
30	V 835 570 002	Hex Jam Nut, 7/16 - 20 R.H.
31	V 835 670 002	Hex Jam Nut, 7/16 - 20 L.H.
32	V 844 065 002	Flex Loc Nut, 3/8 - 16
33	V 844 069 002	Stover Lock Nut, 7/16 - 14
34	V 949 100 002	Plain Washer, 15/32 I.D. x 59/64

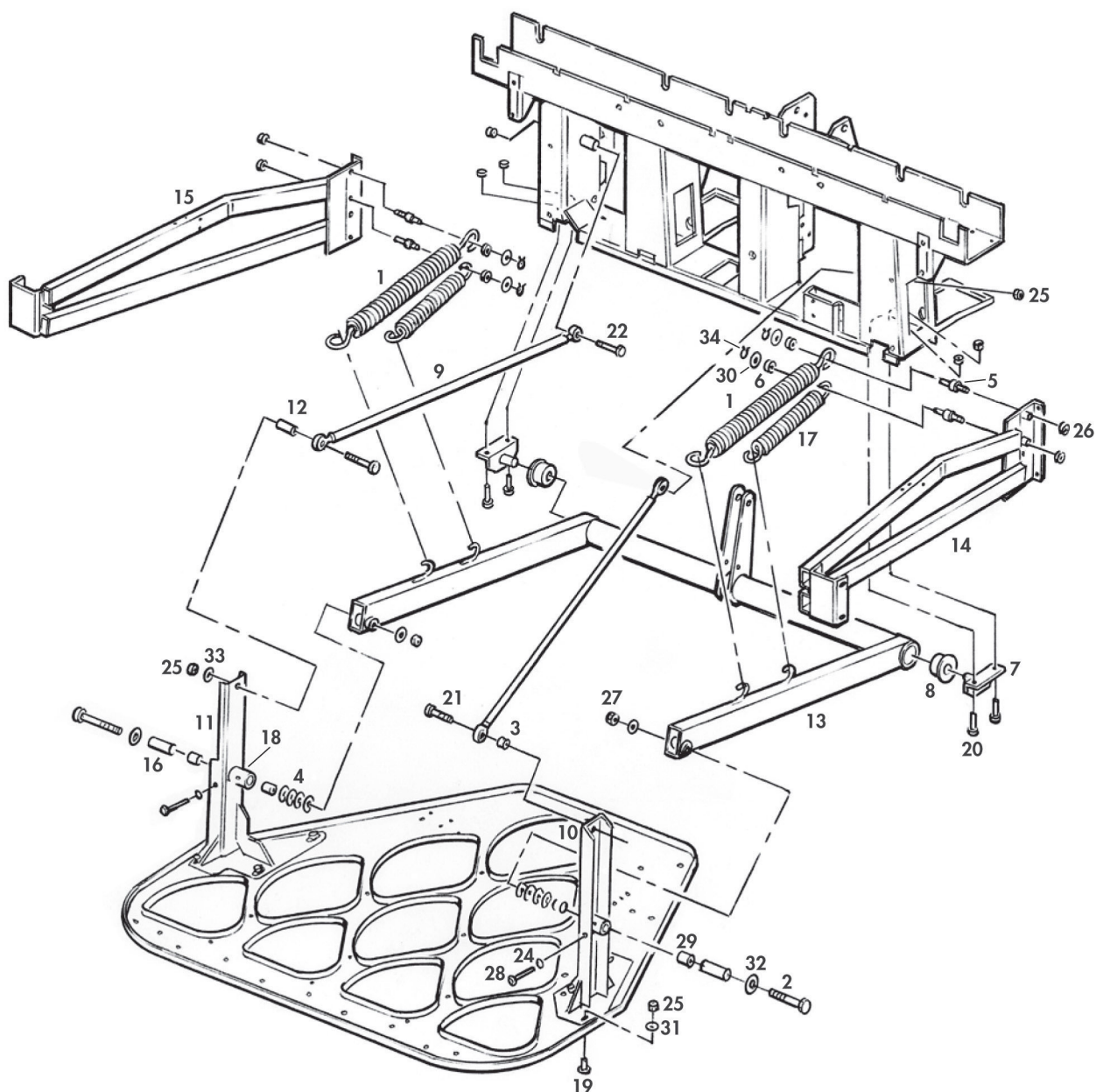
Bold faced parts denote new parts.



Part #	Description	Part #	Description	Part #	Description
1	V 000 021 423 Shaft Collar	9	V 070 002 781 Needle Bearing	21	V 809 865 325 Screw, Hex 3/8 - 16 x 2
2	V 070 001 807 Respot Lever Spring	10	V 070 002 816 Cam Follower	22	V 840 066 002 Nut, Flex Lock, Thin, 3/8 - 24
3	V 070 002 578 Spot Lever Assembly (Includes 14 & 21)	*11	V 090 005 520 Spacer	23	V 843 140 002 Nut, Hex Lock, 10 - 32
4	V 070 002 579 Finger Lever Assy (Includes 14 & 16)	*12	V 090 005 521 Shaft, Short Side	24	V 844 065 002 Nut, Stover lock, 3/8 - 16
5	V 070 002 590 Finger Link	*13	V 090 005 526 Tie Rod Bracket	25	V 913 423 120 Spring Pin
6	V 070 002 725 Not Available	*14	V 090 005 532 Spacer	26	V 948 767 132 Washer, Flat, 13/32 x 13/16 x 1/16
7	V 070 002 727 Shifter Link & Bearing Assy (Includes 4 & 6)	*15	V 090 005 533 Spacer	27	V 948 983 212 Washer, Flat, 21/32 x 1-5/16
8	V 070 002 745 Flanged Bearing, .6265 x .814 x 1/2	*16	V 090 005 629 Pin	28	V 951 164 002 Washer, Split Lock, 3/8
		*17	V 090 005 631 Pivot Weldment		
		*18	V 090 005 655 Shaft		
		19	V 807 249 060 Setscrew, 1/4 - 20 x 3/8		
		20	V 809 865 125 Screw, Hex, 3/8 - 16 x 3/4		



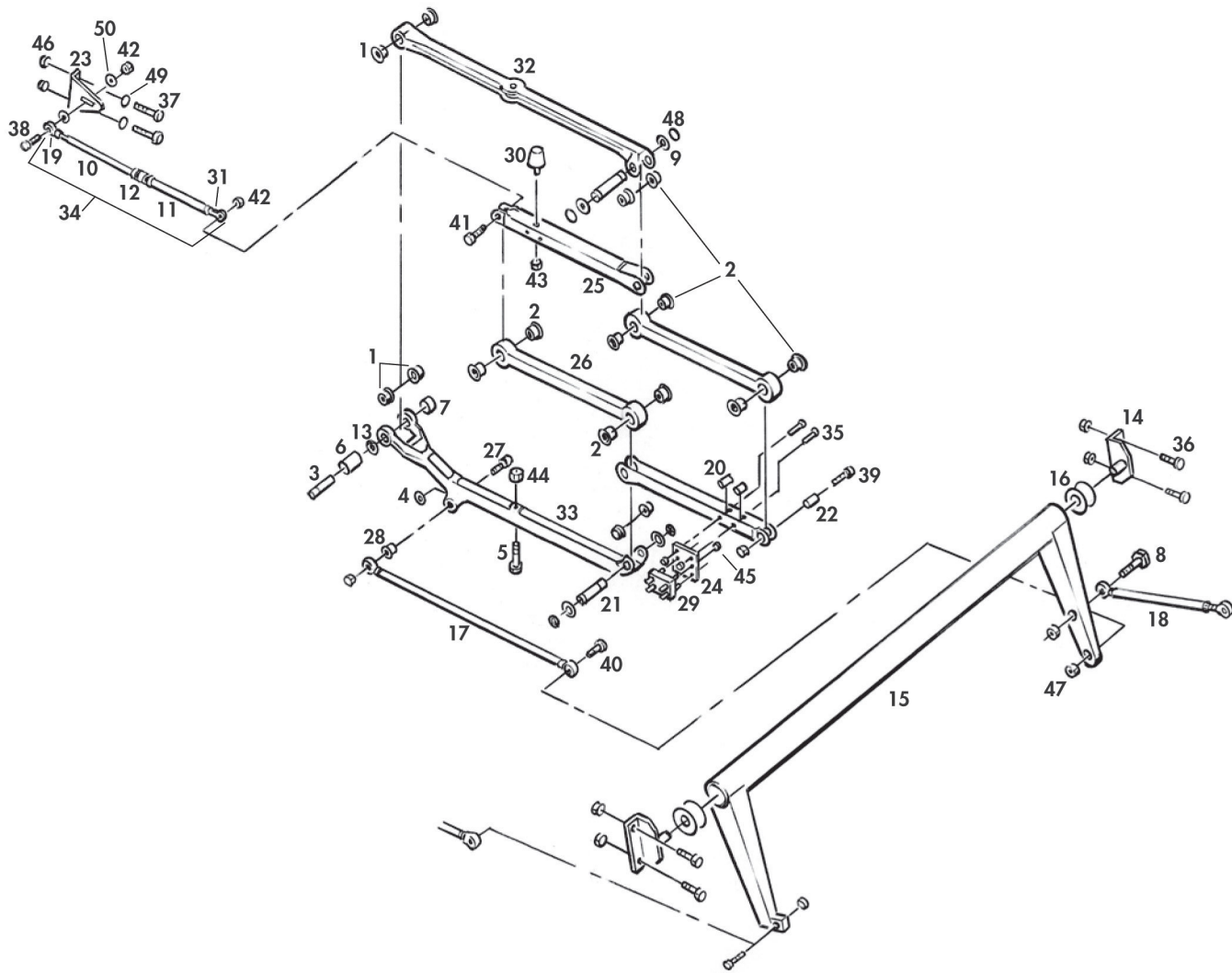
Part #	Description	Part #	Description	Part #	Description
1	V 090 005 251 Respot Tie Rod	9	V 808 549 120 Screw, Button Head Cap, 1/4 - 20 x 3/4	13	V 809 849 165 Screw, Hex, 1/4 - 20 x 1
2	V 090 005 505 Front Bracket Weldment	10	V 808 549 200 Screw, Button Head Cap, 1/4 - 20 x 1-1/4	14	V 809 869 285 Screw, Hex, 7/16 - 14 x 1-1/2
*3	V 090 005 536 Mounting Bracket	11	V 808 557 120 Screw, Button Head Cap, 5/16 - 18 x 3/4	15	V 835 549 002 Nut, Hex Jam, 1/4 - 20
4	V 090 005 613 Rod Assembly, Long	12	V 808 557 140 Screw, Button Head Cap, 5/16 - 18 x 7/8	16	V 844 049 002 Nut, Stover lock, 1/4 - 20
5	V 090 005 615 Rod Assembly, Short			17	V 844 057 002 Nut, Stover lock, 5/16 - 18
*6	V 090 005 637 Pivot Support Bracket			18	V 844 069 002 Nut, Stover lock, 7/16 - 14
7	V 090 005 651 Spot Tie Rod				
8	V 090 005 656 Not Available				



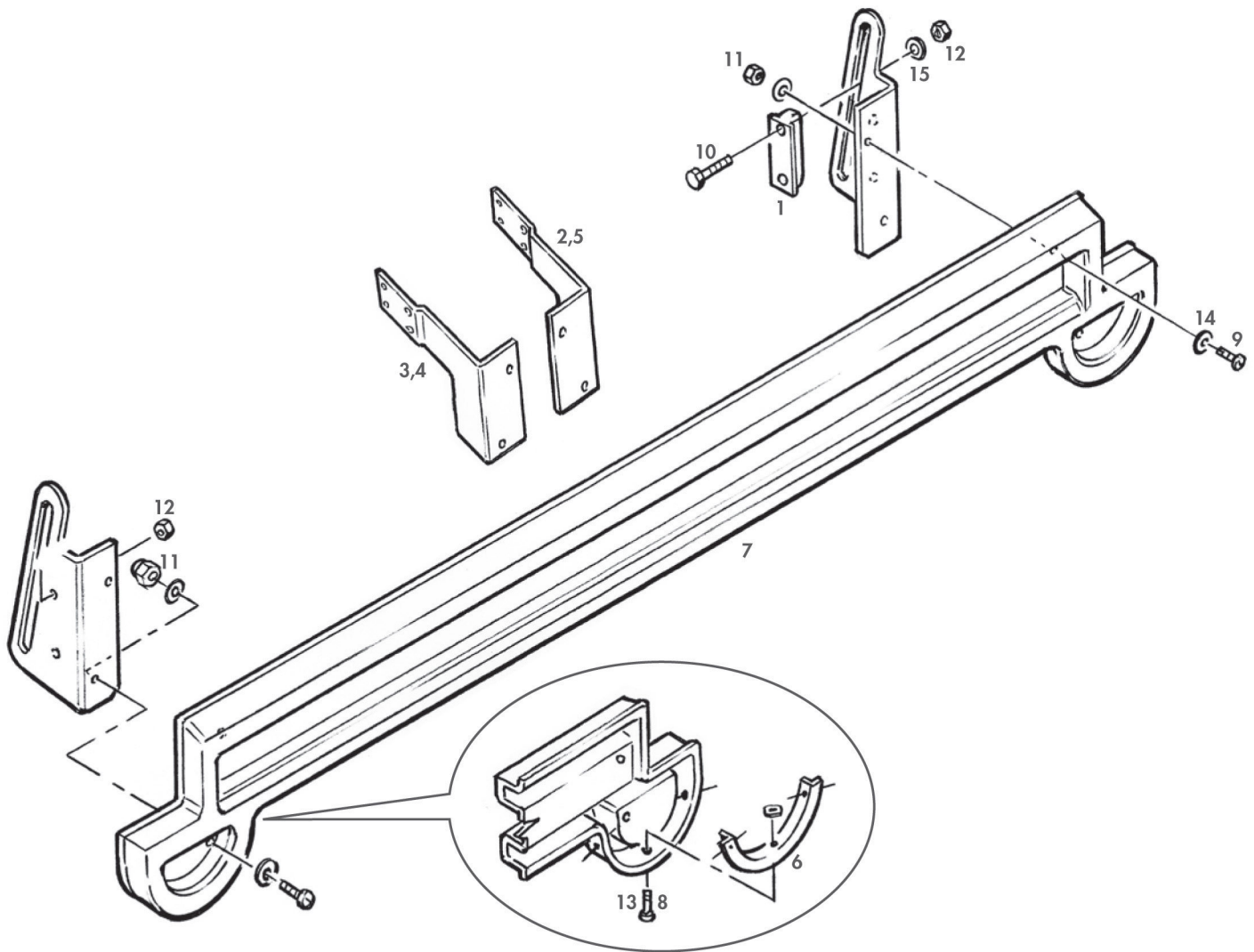
Part #	Description	Part #	Description	Part #	Description
1	V 000 022 782 Counterbalance Spring	14	V 090 005 646 Not Available	26	V 839 665 002 Nut, Stover Lock, 3/8 - 16
2	V 070 006 048 Bolt, Special	15	V 090 005 647 Not Available	27	V 844 081 002 Nut, Stover Lock, 5/8 - 11
3	V 070 007 303 Leveling Rod Spacer	16	V 090 005 654 Sleeve, Upright	28	V 879 849 487 Not Available
4	V 070 007 752 Spacer	17	V 090 005 662 Counterbalance Spring, Small	29	V 900 114 101 Sleeve Bearing, .877 x 1.128 x 5/8
5	V 090 002 028 Spring Roller Pin	18	V 710 501 009 Not Available	30	V 945 867 242 Washer, Flat, .406 x 1-1/2 x .05
6	V 090 003 795 Counterbalance Spring Roller	19	V 801 369 161 Not Available	31	V 948 868 162 Washer, Flat, 7/16
7	V 090 004 007 Tube Hanger Bracket	20	V 809 865 245 Screw, Hex, 3/8 - 16 x 1-1/2	32	V 948 983 212 Washer, 21/32 x 1-5/16
8	V 090 005 015 Bearing Torque Tube	21	V 809 869 325 Screw, Hex, 7/16 - 14 x 2.25	33	V 949 100 002 Washer, 59/64 x 15/32 x 1/16
9	V 090 005 253 Tie Rod Assembly	22	V 809 869 365 Screw, Hex, 7/16 - 14 x 2.25	34	V 963 400 002 X-Washer, 3/16
10	V 090 005 509 Table Support Weldment, L.H.	24	V 835 549 002 Nut, Hex Jam, 1/4 - 20		
11	V 090 005 514 Table Support Weldment, R.H.	25	V 838 369 002 Not Available		
12	V 090 005 597 Leveling Spacer				
13	V 090 005 645 Torque Tube Weldment				



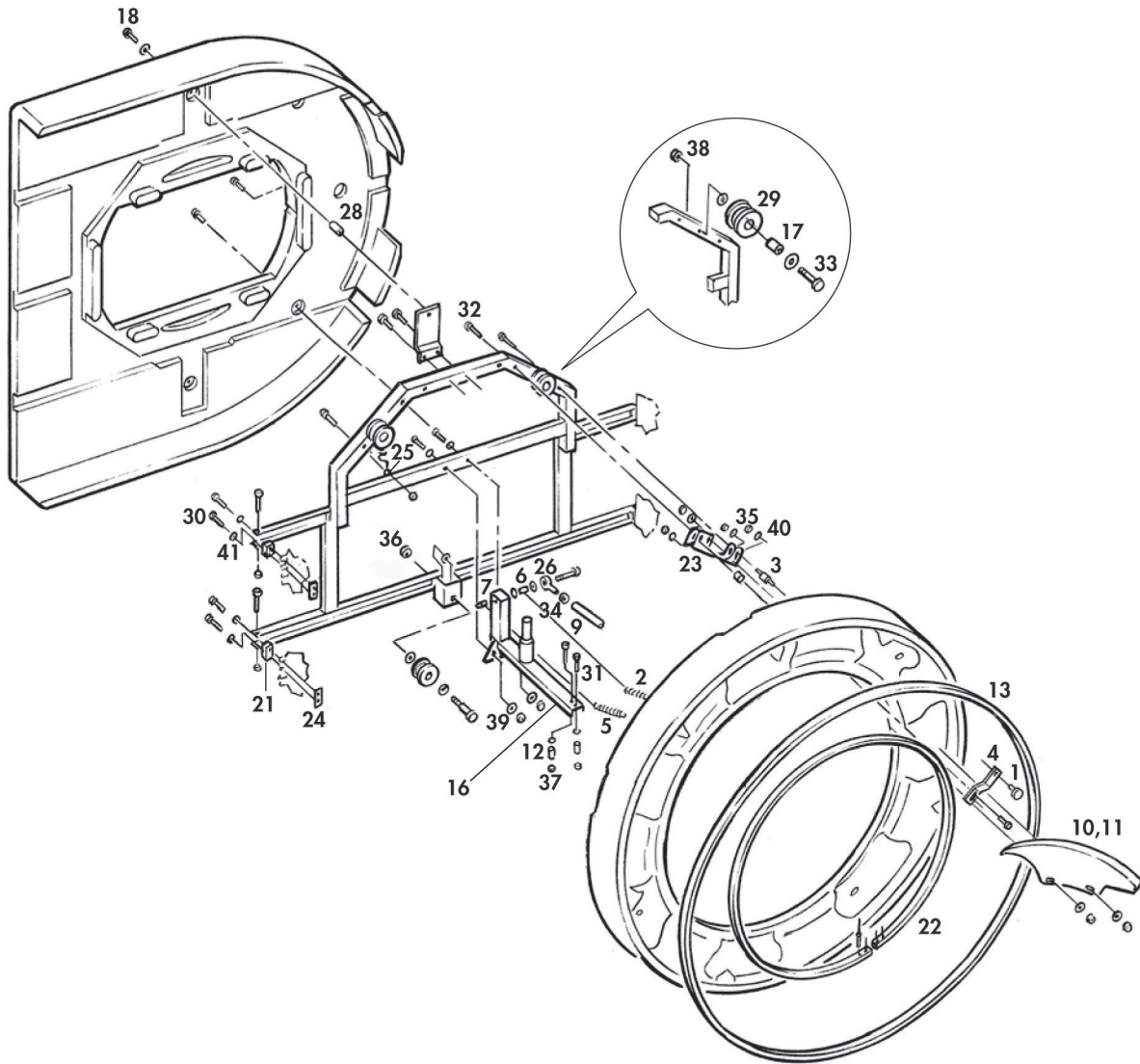
Sweep Arm Assembly



Part #	Description	Part #	Description	Part #	Description
1	V 000 023 104 Flanged Bearing, 1.25 x 1.5 .953	19	V 090 005 257 Rod End	37	V 809 865 445 Screw, Hex, 3/8 - 16 x 2.75
2	V 000 023 114 Flanged Bearing, .628 x .81 x .06	20	V 090 006 125 Lower Steel Sweep Spacer	38	V 809 869 245 Bolt, 7/16-14 x 1.5
3	V 070 003 106 Main Pivot Shaft	21	V 090 006 126 Pin, Steel Sweep Linkage	39	V 809 869 325 Bolt, Hex, 7/16 - 14 x 2
4	V 070 003 117 Drive Link Spacer	22	V 090 006 127 Steel Sweep Link Sleeve	40	V 809 869 365 Screw, Hex, 7/16 - 14 x 2-1/4
5	V 070 003 221 Screw, Sweep link Assembly	23	V 090 006 128 Sweep Link Bracket	41	V 809 869 405 Bolt, Hex, 7/16 - 14 x 2-1/2
6	V 070 003 232 Main Pivot Spacer, Long	24	V 090 006 131 Sweep Shock Mount Plate	42	V 844 069 002 Nut, Stover Lock, 7/16 - 14
7	V 070 003 233 Main Pivot Spacer, Short	25	V 090 006 132 Steel Sweep Link, Upper & Lower	43	V 839 057 002 Nut, Hex Lock Nylon, 5/16 - 18
8	V 070 003 243 Screw, Hex, 1/2 - 13 x 2 1/2	26	V 090 006 133 Middle Link, Steel	44	V 839 665 002 Nut, Flex Lock, 3/8 - 16
9	V 070 006 121 Washer	27	V 090 006 134 Drive Link Pin	45	V 844 057 002 Nut, Stover Lock, 5/16 - 18
10	V 070 007 276 Rod	28	V 090 006 135 Drive Link Bushing/Spacer	46	V 844 065 002 Nut, Stover Lock, 3/8 - 16
11	V 070 007 278 Tube Weldment	29	V 090 006 136 Shock Mount	47	V 844 073 002 Nut, Stover Lock, 1/2 - 13
12	V 070 007 283 Bumper	30	V 090 006 137 Bumper	48	V 919 005 600 Retaining Ring
13	V 070 011 819 Not Available	31	V 090 006 138 Rod End, 7/16 - 20 .5	49	V 948 767 132 Washer, 13/32 x 13/16 x 1/16
14	V 090 004 007 Torque Tube Hanger	32	V 090 006 139 Stabilizer Link Assy	50	V 949 100 002 Washer, 59/64 x 15/32
15	V 090 004 010 Sweep Rocker Arm	33	V 090 006 140 Drive Link Assy		
16	V 090 005 015 Torque Tube Bearing	34	V 090 006 145 Sweep Link Slide Assy		
17	V 090 005 254 Drive Link Connecting Rod	35	V 809 857 365 Screw, Hex, 5/16 - 18 x 2 1/4		
18	V 090 005 255 Connecting Rod Assembly	36	V 809 865 285 Screw, Hex, 3/8 - 16 x 1 x 3/4		



Part #	Description	Part #	Description	Part #	Description	
1	V 000 023 182	Slide Bar	8	V 749 537 068	Not Available	
2	V 090 001 170	Sweep Mounting Bracket R.H.	9	V 808 557 140	Screw, Soc. Butt HD. 5/16 - 18 x 7/8 LG	
3	V 090 001 171	Sweep Mounting Bracket L.H.	10	V 809 857 245	Screw, Hex HD. Cap, 5/16 - 18 x 1 - 1/2 LG (GR-8)	
4	V 090 006 129	Sweep Mounting Bracket L.H.	11	V 830 057 002	Nut - Acorn 5/16 - 18 (Plated)	
5	V 090 006 130	Sweep Mounting Bracket R.H.	12	V 844 057 002	Nut Stover Lock 5/16 - 18	
6	V 300 000 175	Cap- Sweep Bar	13	V 938 637 100	Rivet-Pop 3/16 Diameter, Aluminum	
7	V 300 000 182	Sweep Bar and Cap Assembly				
				14	V 948 722 111	Washer - Black Oxide, 11/16 O.D. x 11/32 I.D. x 1/16 THK
				15	V 948 761 112	Washer, 11/16 O.D. x 11/32 I.D. x 1/16 THK.

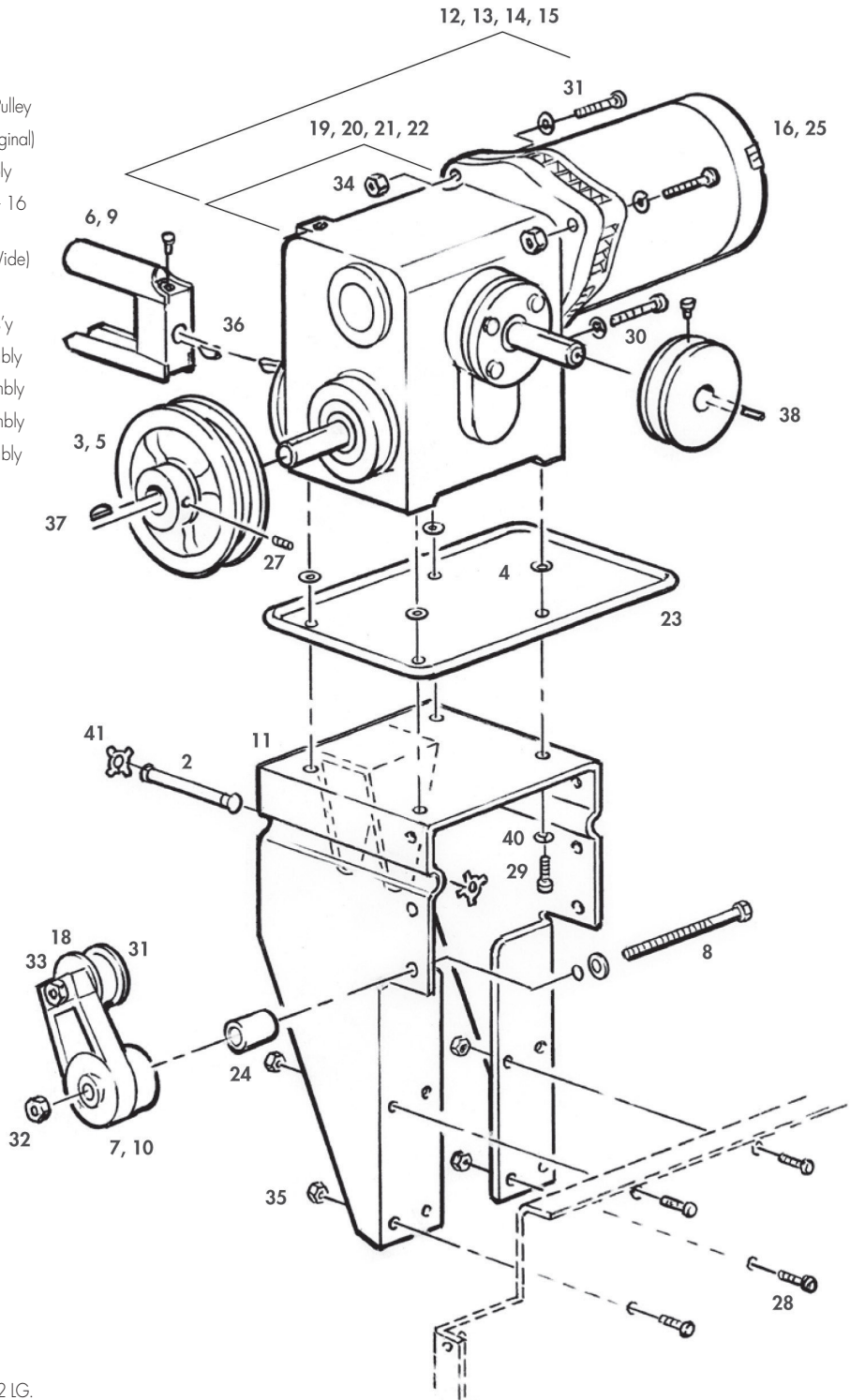


Part #	Description	Part #	Description	Part #	Description
1	V 000 021 992 Bumper	17	V 090 003 116 Spacer	32	V 809 857 405 Screw, Hex, 5/16 - 18 x 2-1/2
2	V 000 026 032 Distributor Lateral Drive Spring	18	V 090 004 055 Washer	33	V 809 865 725 Screw, Hex, 3/8 - 16 x 4-1/2
3	V 000 029 068 Rubber Mounting	19	V 090 004 116 Not Available	34	V 831 566 002 Nut, Hex, 3/8 - 24
4	V 070 001 415 Rail Stop Bracket	20	V 090 004 117 Not Available	35	V 834 557 002 Nut, Hex, 5/16 - 18
5	V 070 006 030 Safety Link Spring	21	V 090 005 106 Hinge/Spacer	36	V 840 381 002 Nut, Flex Lock, 5/8-11
6	V 070 006 043 Spacer	*22	V 090 005 108 Pin Wheel Strip	37	V 844 057 002 Nut, Stover Lock, 5/16 - 18
7	V 070 006 044 Spring Post Nut, 3/8 - 16	*23	V 090 005 120 Rail Standoff Bracket	38	V 844 065 002 Nut, Stover Lock, 3/8 - 16
8	V 070 006 045 Distributor Support Post	24	V 090 005 123 Nut Plate	39	V 948 761 112 Washer, Flat, 11/16 x 11/32 x 1/16
9	V 070 006 047 Safety Link Tube	*25	V 090 005 144 Static Brush	40	V 948 767 132 Washer, 13/16 x 13/32 x 1/16
10	V 070 006 098 Rail, R.H. Machine	26	V 090 005 256 Rod End	41	V 951 156 002 Washer, Split Lock, 5/16
11	V 070 006 099 Rail, L.H. Machine	27	V 090 007 145 Not Available		
12	V 070 008 449 Spacer	28	V 090 007 241 Spacer		
13	V 090 002 065 Pin Wheel Bolt	29	V 090 007 327 Pin Elevator Roller		
14	V 090 003 102 Not Available	30	V 809 857 325 Screw, Hex, 5/16 - 18 x 2		
15	V 090 003 111 Upper Guard Support	31	V 809 857 365 Screw, Hex, 5/16 - 18 x 2-1/4		
*16	V 090 003 112 Distributor Mount				



Part # Description

1	V 000 022 172	Pulley
2	V 000 022 821	Shock Pin
3	V 000 023 673	Pin Elevator Sheave
4	V 000 023 758	Paper Washer, 3/8 I.D. x 7/8 O.D.
5	V 000 024 598	Adjustable Speed Pin Feed Pulley
6	V 000 027 390	Distributor Drive Housing (Original)
7	V 070 002 007	Belt Tightener Pulley Assembly
8	V 070 003 221	Hex HD. Cap Screw, 3/8 - 16 3 - 1/2 LG.
9	V 090 001 130	Distributor Drive Housing (Wide)
10	V 090 003 508	Tensioner Assembly
*11	V 090 003 509	Motor Mount Weldment Ass'y
*12	V 090 003 512	Gearbox L.H. 50 Hz Assembly
*13	V 090 003 513	Gearbox R.H. 50 Hz Assembly
*14	V 090 003 514	Gearbox R.H. 60 Hz Assembly
*15	V 090 003 515	Gearbox L.H. 60 Hz Assembly
*16	V 090 003 766	Motor, 60 Hz (OBS)
17	V 090 004 120	Stub Shaft (Not Shown)
18	V 090 004 444	Idler Pulley
*19	V 090 004 501	Gearbox R.H. 60 Hz (OBS)
*20	V 090 004 502	Gearbox L.H. 60 Hz (OBS)
*21	V 090 004 506	Gearbox R.H. 50 Hz (OBS)
*22	V 090 004 507	Gearbox L.H. 50 Hz (OBS)
23	V 090 004 517	Back End Motor Drip Pan
24	V 090 004 519	Spacer
*25	V 090 007 310	Motor, 50 Hz
26	V 700 107 146	Loctite - OBS
27	V 807 358 060	Socket Set Screw, 5/16 - 24 x 3/8 LG.
28	V 809 857 125	Hex HD. Cap Screw, 5/16 - 18 x 3/4 LG.
29	V 809 865 165	Hex HD. Cap Screw, 3/8 - 16 x 1 LG.
30	V 809 865 245	Hex HD. Cap Screw, 3/8 - 16 x 1 - 1/2 LG.
31	V 809 865 325	Hex HD. Cap Screw, 3/8 - 16 x 2 LG.
31	V 809 865 325	Hex HD. Cap Screw, 3/8 - 16 x 2 LG.
32	V 831 565 002	Hex Nut, 3/8 - 16
33	V 835 565 002	Hex Jam Nut, 3/8 - 16
34	V 839 665 002	Flex Loc Nut, 3/8 - 16
35	V 844 057 002	Stover Lock Nut 5/16 - 18
36	V 907 000 300	Key
37	V 907 201 000	Key, Hi-Pro # HP-606 (Not Available)
38	V 907 202 600	Key, Square 3/16 x 3/16 x 2 LG. (Not Available)
39	V 948 767 132	Flat Washer, 13/32 I.D. x 13/16 O.D. x 1/16 THK.
40	V 951 164 002	Split Lock Washer, 3/8
41	V 963 600 002	XWasher





Is reactive resin ball damage a concern?

If so, these High Performance cushion replacements can help. With no protruding rivets to hold balls in the pit, ball exit is the fastest available. **LESS PIT TIME = LESS BALL DAMAGE!**



Super Cushion

V 222-L Super Cushion Left - Even Machines

V 222-R Super Cushion Right - Odd Machines

The Super Cushion offers the one piece urethane construction of our popular Total Cushion, but utilizes our high strength Super Rivets for attachment to the cushion plank. The molded design of the Super Cushion allows the rivets to be pulled into place flush with the cushion surface, eliminating head wear, pull through and ball marking, while providing easy ball exit.

- Sixteen Super Rivets, Vantage part number V 000 028 519-U.
- No metal inserts or hardware.
- Unique "matte finish" – will not reflect pit lights or impede automatic scoring.

Total Cushion

V 201-L Total Cushion Left - Even Machines

V 201-R Total Cushion Right - Odd Machines

This popular product, choice of mechanics worldwide, has a new "impact resistant" insert system. We have added a 7 gauge steel washer to the inside of the total cushion that prevents bolt pull through due to repeated ball impact or over tensioning of the lock nut on the back of the cushion plank. Each total cushion is shipped with a bolt pack and instructions for easy installation.

- No rivets for installation or maintenance.
- Impact and oil resistance.
- Easy ball exit from the machine minimizing machine cycle time and ball damage.
- No marking of pins or balls.

Premium Cushion

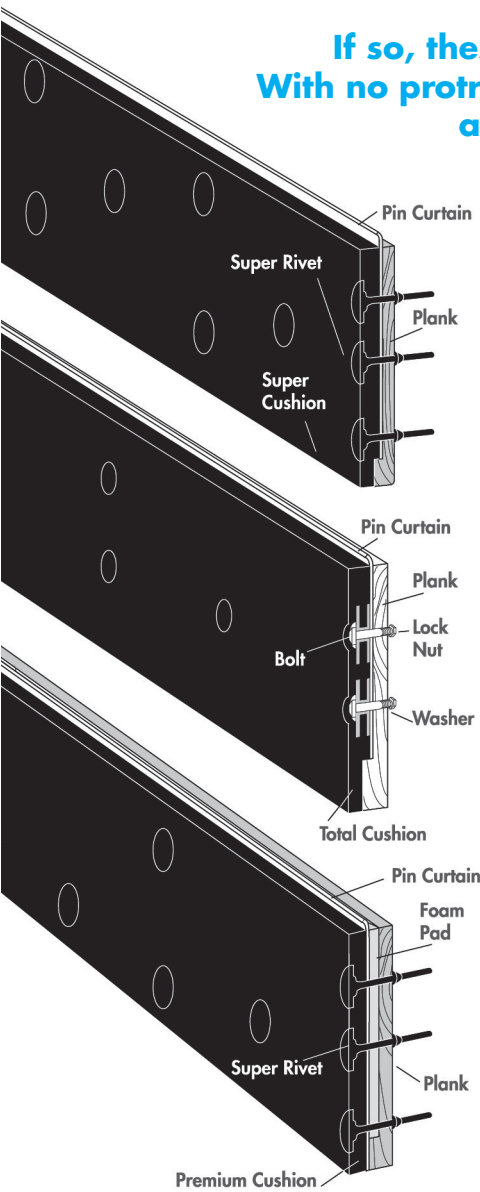
V 225 - L Premium Cushion Left - Even Machines

V 225 - R Premium Cushion Right - Odd Machines

If you have had it with buna pads, cushion facings and rubber rivets, then our Premium Cushion is for you. That's because it replaces these troublesome parts with one piece of molded urethane.

It "sandwiches" the pin curtain and foam pad between it and the wood cushion plank and is attached using sixteen Vantage Super Rivets. This combination offers:

- No ball or pin marking, in fact you don't even use a cushionfacing!
- Identical installation to the O.E.M with molded pockets to hold the rivets – not die cut holes.
- Impact and oil resistance far superior to any rubber version available.
- Sixteen Super Rivets, Vantage part number V 000 028 519-U.

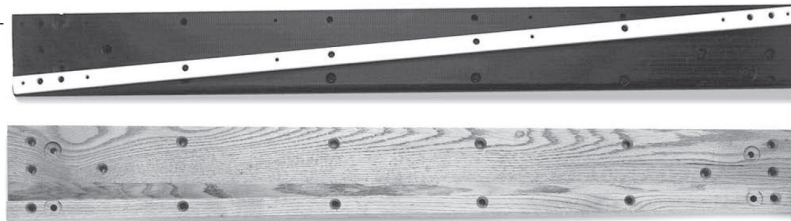


Two Cushion Planks - Only Vantage gives you a choice.

V 000 024 795-6 Universal Cushion Plank

This product represents a significant improvement over the original wood product because it is made to accommodate both right and left hand machines by changing the way the lower strip is attached to the body of the cushion plank. Manufactured from a material offering greater durability against the impact of balls and pins than does wood, it will not split, fracture, or sliver.

V 000 024 7956-LK — U.C.P. Lower Strip Kit

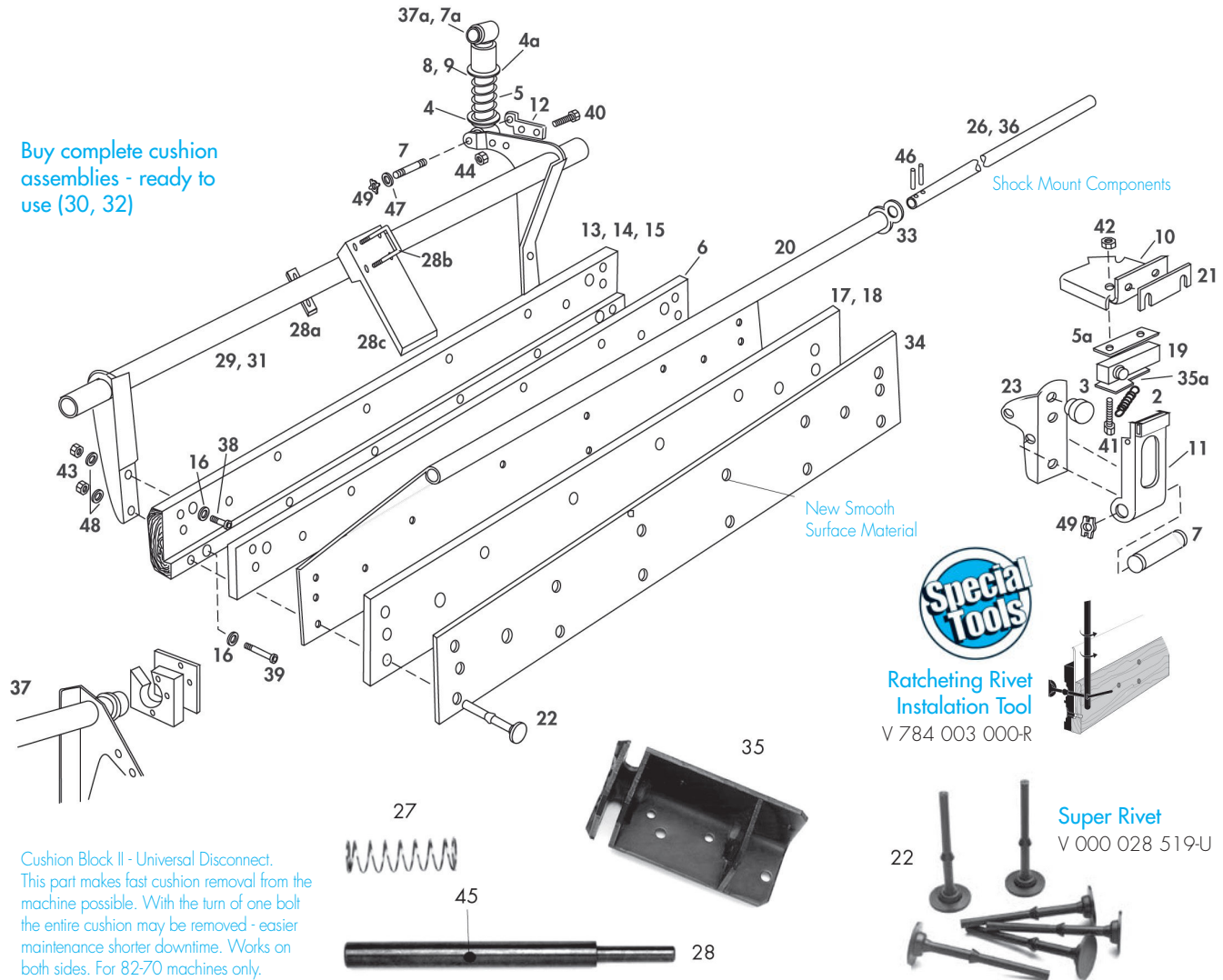


V 000 024 7956-L Lower Strip for 795-6

V 000 024 795 Wood Cushion Plank, Left Hand (Even)

V 000 024 796 Wood Cushion Plank, Right Hand (Odd)

Buy complete cushion assemblies - ready to use (30, 32)



Cushion Block II - Universal Disconnect.
 This part makes fast cushion removal from the machine possible. With the turn of one bolt the entire cushion may be removed - easier maintenance shorter downtime. Works on both sides. For 82-70 machines only.



Ratcheting Rivet Installation Tool
 V 784 003 000-R



Part #	Description
2	V 000 021 431 Spring (82-70 machines)
3	V 000 021 992 Bumper
4	V 000 022 286 Collar
4a	V 000 022 287 Washer-Spring Seat (Steel Const.)
5	V 000 022 288 Cushion Spring
5a	V 000 022 296 Insulator
6	V 000 022 770 Cushion Sponge
7	V 000 022 821 Pin
7a	V 000 022 822 Sleeve
8	V 000 022 823 Shock Absorber
9	V 000 022 824 Cushion Shock Assembly
10	V 000 022 828 Bracket
11	V 000 023 621 Switch Lever
12	V 000 024 534 Ear Hanger
13	V 000 024 795 Wood Cushion Plank L.H. (Even)
14	V 000 024 795-6 Universal Cushion Plank
15	V 000 024 796 Wood Cushion Plank R.H. (Odd - shown)
16	V 000 024 801 Plank Washer
17	V 000 024 807 Cushion R.H. (Odd - shown)

Part #	Description
18	V 000 024 808 Cushion L.H. (Even)
19	V 000 026 043 Switch
20	V 000 026 445 Pin Curtain
21	V 000 028 036 Shim
22	V 000 028 519-U Super Rivet
23	V 000 029 624 Shock Mount Bracket
26	V 030 003 055 82-30 Curtain Rod
27	V 070 001 389 Curtain Latch Spring
28	V 070 001 396 Curtain Latch Pin
28a	V 070 001 421 Curtain Pad Strip
28b	V 000 001 422 U-Bolt 5/16-18 x 2 1/4 x 4 1/2
28c	V 070 001 432 Curtain Protection Pad Assembly
29	V 070 002 050 Hanger Weldment R.H. (Odd)
30	V 070 002 060 Cushion Assembly R.H. W/ Total Cushion (Odd)
31	V 070 002 252 Hanger Weldment L.H. (Even)
32	V 070 002 260 Cushion Assembly L.H. W/Total Cushion (Even)
33	V 070 005 610 Curtain Hanger

Part #	Description
34	V 070 006 761 "Smoothie" Cushion Facing
35	V 070 007 360 Support Bracket Weldment
35a	V 070 011 250 Switch Bracket
36	V 070 011 288 Curtain Rod
37	V 230 Cushion Block II Universal Disconnect (Not Available)
37a	V 721 502 005 Bshng-Rubr Manro Shk
38	V 808 865 320 Flat Head Socket Screw
39	V 808 865 400 Flat Head Socket Screw
40	V 809 857 125 Hex Head Cap Screw
41	V 818 227 202 Round Head Sems Screw
42	V 839 527 002 Flexloc Nut
43	V 839 665 002 Flexloc Nut
44	V 844 057 002 Stover Lock Nut
45	V 913 431 160 Roll Pin
46	V 913 437 240 Roll Pin
47	V 948 975 172 Washer
48	V 951 164 002 Lock Washer (Even)
49	V 963 600 002 X-Washer

Bold faced parts denote a Vantage value added engineering improvement - contact your distributor for details.



Carpet Belts

Vantage offers three carpets to meet the demands of all types of bowling:



V 000 026 753-S Supreme Carpet Belt

Our newest design in Carpets taking the attributes of the premium carpet and improving upon them to make it more consistent and longer lasting.

Its unique construction:

- Will not unravel or fray.
- Offers a heavy belt body that tracks perfectly under extreme machine stress.
- Offers excellent resistance to all lane oil brands extending belt life.

Three Year Warranty



V 000 026 753-M Mandrel Carpet Belt

Many mechanics prefer the "old original".

A plied rubber/nylon belt built on steel mandrels and cured to dimension. This one's for them! Heavy, durable construction provides years of trouble free service.

Two Year Warranty



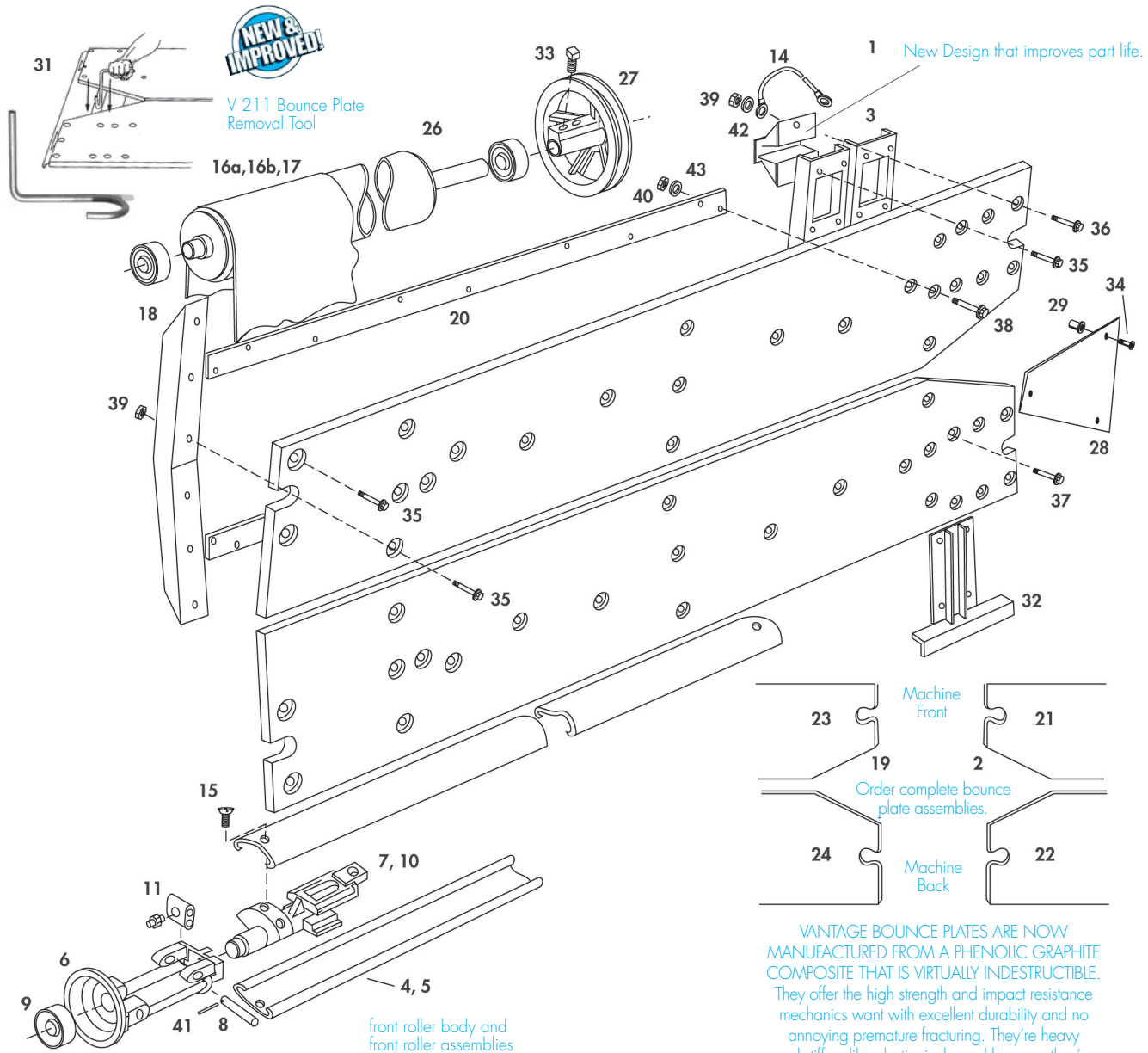
V 000 026 753 Super Soft Carpet Belt

This is the original interwoven carpet belt - why buy a copy when you can own the original? Its durable construction provides long service life and an attractive price.

It offers:

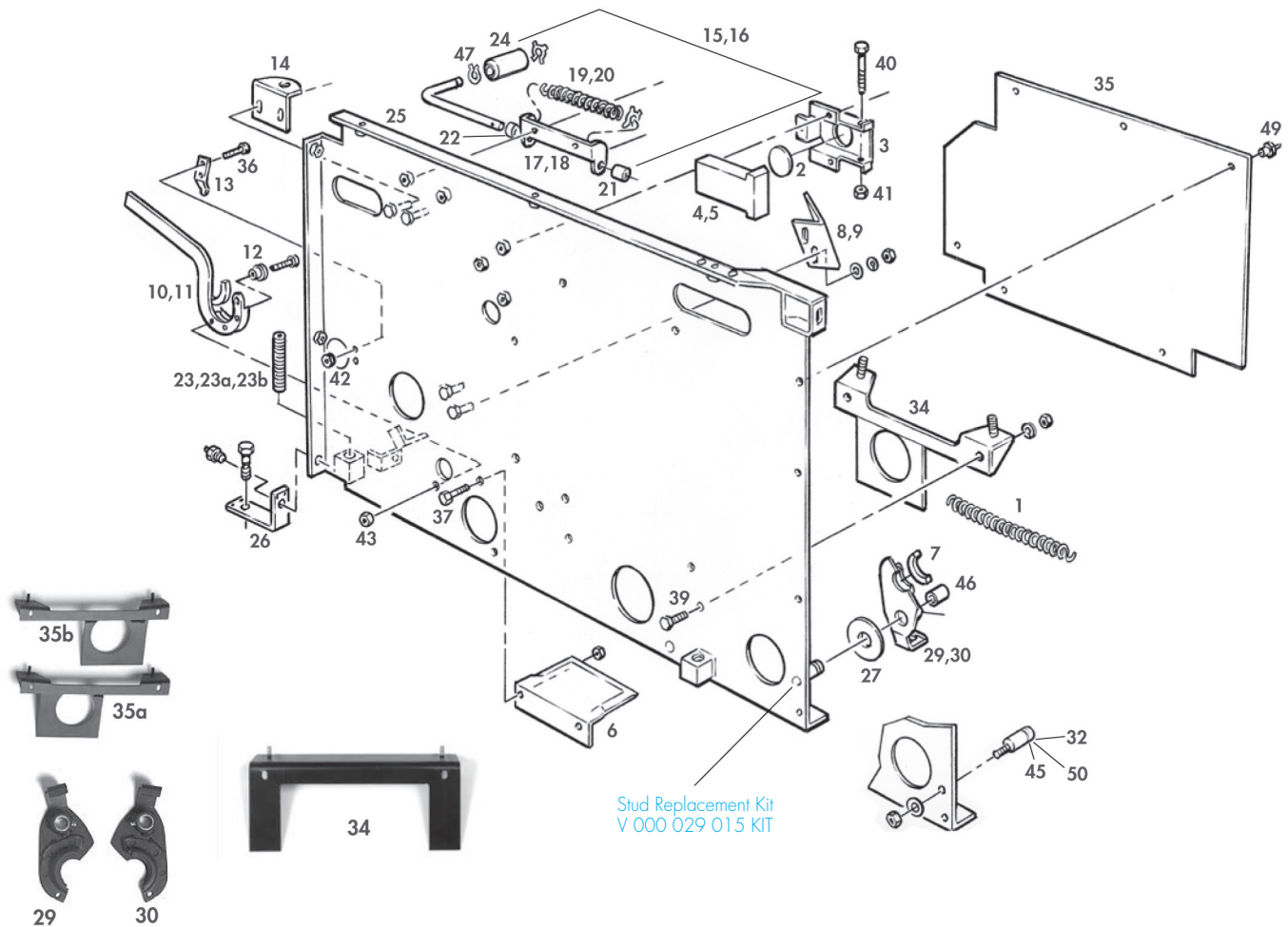
- No stretching, its interwoven body takes the pounding and abuse of daily play without stretch.
- The most proven seam of its kind in the industry.
- Special heat - set edges prevent unraveling.
- Total resistance to all types of lane oil.
- Easy cleaning with machine cleaners or carpet belt brushes.

One Year Warranty

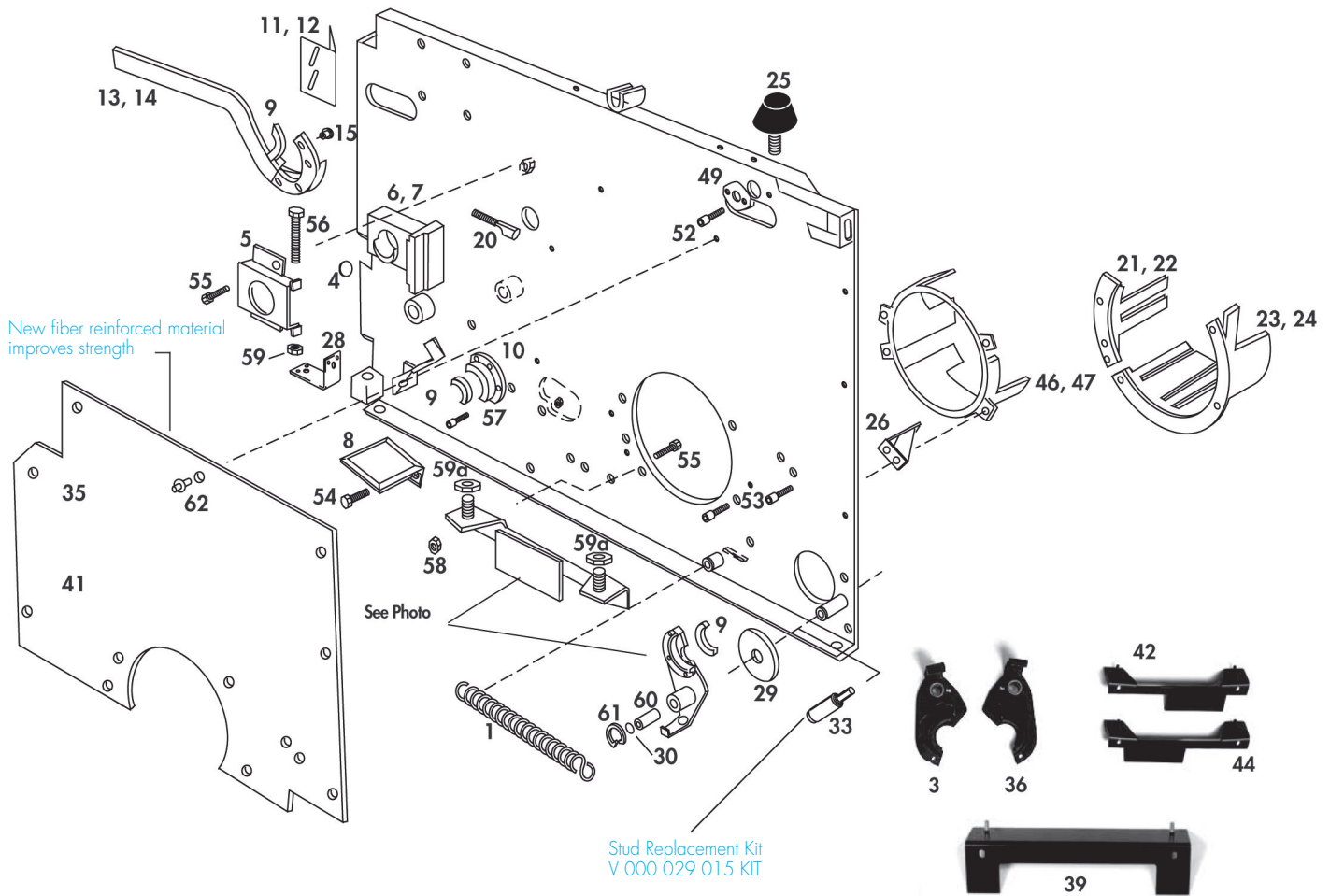


Part #	Description	Part #	Description	Part #	Description
1	V 000 021 224	Vibration Dampener	17	V 000 026 753-S	Supreme Carpet Belt
2	V 000 021 420	Bounce Plate Assy. R.H. (Odd)	18	V 000 029 626	Angle Support
3	V 000 021 914	Channel	19	V 000 029 656	Bounce Plate Assy. L.H. (Even)
4	V 000 024 576	Front Roller Assembly	20	V 000 029 898	Reinforcement Bar
5	V 000 024 578	Roller Body	21	V 000 029 899	Bounce Plate Front R.H. (Odd)
6	V 000 024 579	Hinge Roller	22	V 000 029 924	Bounce Plate Rear R.H. (Odd)
7	V 000 024 580	Shaft/Hinge	23	V 000 029 925	Bounce Plate Front L.H. (Even)
8	V 000 024 582	Pin	24	V 000 029 926	Bounce Plate Rear L.H. (Even)
9	V 000 024 590	Bearing	26	V 070 002 034	Rear Roller Assembly
10	V 000 024 592	Hinge Assembly	27	V 070 002 097	Carpet Pulley
11	V 000 024 597	Oilite Bronze Link	28	V 070 007 846	Filler Plate Kit
14	V 000 025 622	Bonding Strap	29	V 070 007 847	Rubber Fastener
15	V 000 025 662	Nyloc Screw	31	V 211	Bounce Plate Removal Tool
16a	V 000 026 753	Super Soft Carpet Belt	32	V 610 704 014	Kit Ball Idling Bracket
16b	V 000 026 753-M	Mandrel Carpet Belt	33	V 806 265 160	Square Head Set Screw
			34	V 808 849 160	Flat Head Socket Screw
			35	V 809 849 165	Hex Head Cap Screw
			36	V 809 849 205	Hex Head Cap Screw
			37	V 809 849 325	Hex Head Cap Screw
			38	V 809 857 205	Hex Head Cap Screw
			39	V 844 049 002	Stover Lock Nut
			40	V 844 057 002	Stover Lock Nut
			41	V 913 411 100	Roll Pin
			42	V 948 753 102	Washer
			43	V 948 761 112	Washer

Bold faced parts denote a Vantage value added engineering improvement - contact your distributor for details.



Part #	Description	Part #	Description	Part #	Description
1	V 000 021 204 Spring	23	V 000 024 890 Jackscrew	35b	V 070 007 375 Pitt Supp. Brkt. R.H. for L.H. Mach
2	V 000 022 300 Shield	23a	V 000 025 207 Jackscrew Lock Short (Not Shown)	36	V 809 849 125 Screw-Hex 1/4-20 x 3/4
3	V 000 022 788 Box-Support	23b	V 000 025 208 Jackscrew Lock Long (Not Shown)	37	V 809 857 125 Screw-Hex 5/16-18 x 3/4
4	V 000 022 794 Block Support RH	24	V 000 025 803 Roller-Pin Ejec Assembly	38	V 809 857 165 Screw-Hex 5/16-18 x 1 (Not Shown)
5	V 000 022 795 Block Support LH	25	V 000 025 804 Shaft-Pin Ejec Assembly	39	V 809 865 165 Screw-Hex 3/8-16 x 1
6	V 000 022 878 Angle	26	V 000 026 464 Bracket-Back End	40	V 809 865 645 Screw-Hex 3/8-16 x 4
7	V 000 022 924 Support-Bearing	27	V 000 027 641 Bearing TH .752 x 2.75 x .062	41	V 839 665 002 Nut-Flx 3/8-16
8	V 000 023 431 Clip Bottom RH	28	V 000 027 642 Washer (Not Shown)	42	V 844 049 002 1/4-20 Lock Nut
9	V 000 023 432 Clip Bottom LH	29	V 000 027 645 Bearing Supp. L.H. for R.H. Mach	43	V 844 057 002 5/16-18 Stover Locknut
10	V 000 023 464 Support Wldmnt-RH mach LH Side	30	V 000 027 646 Bearing Supp. R.H. for L.H. Mach	44	V 844 058 002 5/16 x 24 Stover Locknut (Not Shown)
11	V 000 023 465 Support Wldmnt-LH mach RH Side	31	V 000 028 334 Pin Ejecor Washer (Not Shown)	45	V 844 074 002 Nut-Str-Lk 1/2-20
12	V 000 023 467 Bearing FL .314 x .434 x .310	32	V 000 029 015 Stud-Pivot	46	V 900 112 203 Bearing SL .753 x 1 x 1 1/4
13	V 000 023 468 Bracket	32a	V 000 029 015KIT Pivot Stud Replacement Kit	47	V 919 005 400 Ring-Ret. 5100-43
14	V 000 023 821 Side Clip Weld	32b	V 000 029 015WV Pivot Stud Washer	48	V 919 005 800 Ring-Ret. 5100-75 (Not Shown)
15	V 000 024 507 Pin Ejec Assembly LH	33	V 000 029 317 Stop-Pin (Not Shown)	49	V 937 000 000 Rvt-Drive Alum Unv Hd
16	V 000 024 508 Pin Ejec Assembly RH	34	V 070 001 451 Uni-Pit Support, Common Side	50	V 941 072 200 Washer-1/2 x 1 1/2 x .083
17	V 000 024 510 Brkt Assembly-LH	35	V 070 002 027 Panel	51	V 948 767 132 Washer 13/32 x 13/16 x 1/16 (Not Shown)
18	V 000 024 511 Brkt Assembly-RH	35a	V 070 007 373 Pitt Supp. Brkt. L.H. for R.H. Mach	52	V 951 164 002 Washer-Lk-Split 3/8 (Not Shown)
19	V 000 024 512 Spring-LH			53	V 963 600 002 Washer-X 1/4 9000-16
20	V 000 024 513 Spring-RH				
21	V 000 024 515 Bearing SL .44 x .56 x 3/4				
22	V 000 024 516 Bearing SL .44 x .56 x 3/8				

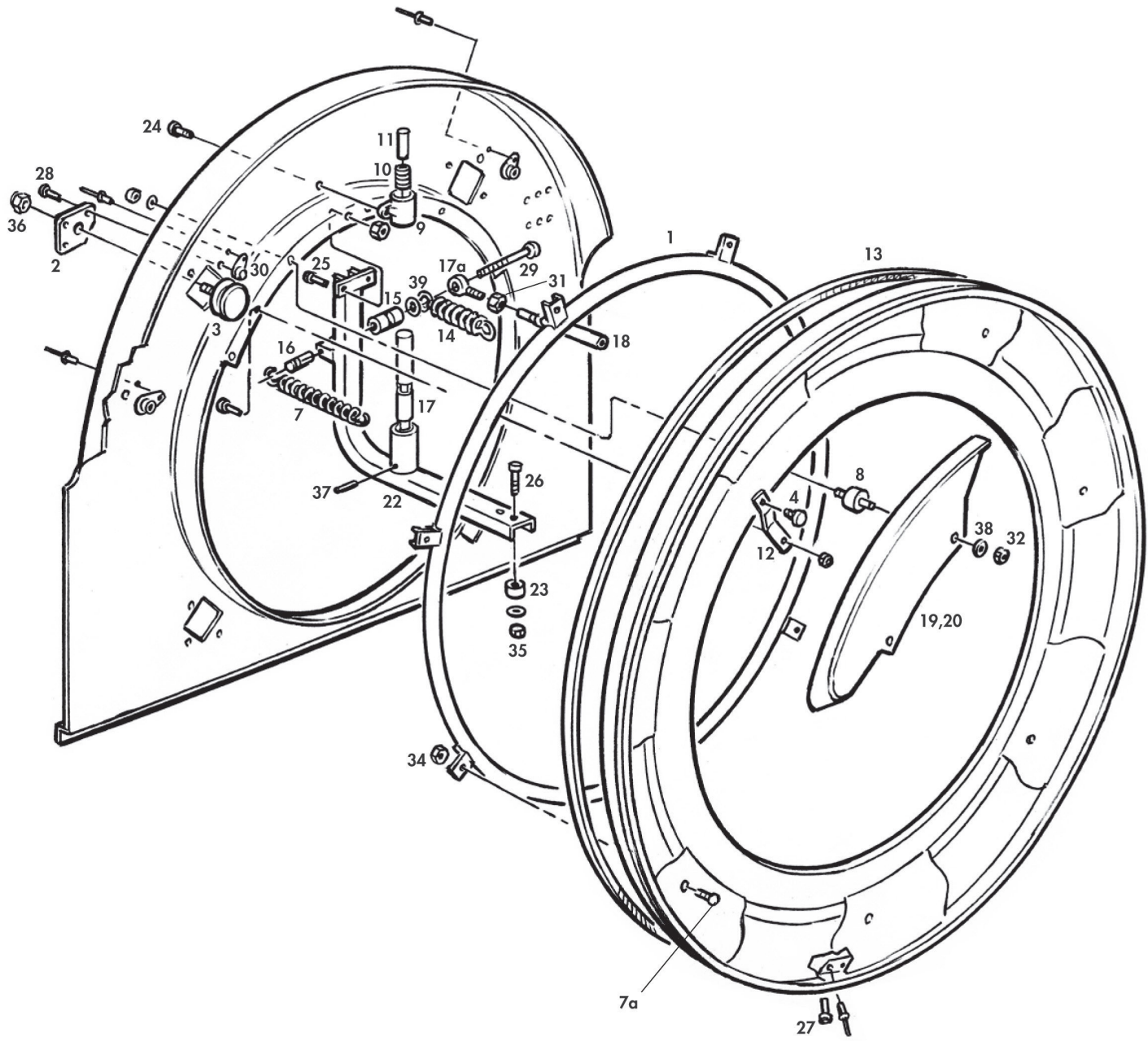


Part #	Description
1	V 000 021 204 Spring
2	V 000 022 069 Pit Support Bracket
3	V 000 022 249 Bearing Support Assembly L.H.
4	V 000 022 300 Shield
5	V 000 022 788 Box
6	V 000 022 794 Urethane Cushion Block R.H.
7	V 000 022 795 Urethane Cushion Block L.H.
8	V 000 022 878 Angle
9	V 000 022 924 Bearing Support
10	V 000 022 926 Bearing Retainer
11	V 000 023 431 Clip Bottom R.H. (Even)
12	V 000 023 432 Clip Bottom L.H. (Odd)
13	V 000 023 464 Support Weldment L.H. (Odd)
14	V 000 023 465 Support Weldment R.H. (Even)
15	V 000 023 467 Flange Bushing
16	V 000 024 507 Pin Ejector Assembly L.H. (Even)
17	V 000 024 508 Pin Ejector Assembly R.H. (Odd)

Part #	Description
18	V 000 024 512 Spring L.H. (Even)
19	V 000 024 513 Spring R.H. (Odd)
20	V 000 024 610 Clamp Stud
21	V 000 024 623 Rear Segment L.H. (Even)
22	V 000 024 624 Rear Segment R.H. (Odd)
23	V 000 024 625 Front Segment R.H. (Odd)
24	V 000 024 626 Front Segment L.H. (Even)
25	V 000 024 641 Stop Bumper
26	V 000 024 668 Track Support Bracket Weldment
27	V 000 025 803 Pin Ejector Roller Assembly
28	V 000 026 464 Bracket
29	V 000 027 641 Thrust Washer
30	V 000 027 642 Washer
33	V 000 029 015 Pivot Stud
33a	V 000 029 015KIT Pivot Stud Replacement Kit
33b	V 000 029 015WV Pivot Stud Washer
35	V 000 029 640 Kickback Panel for 82-30 or 82-70
36	V 000 029 672 Bearing Support Assembly R.H.
39	V 070 001 450 Uni-Pit Support, Ball Return Side

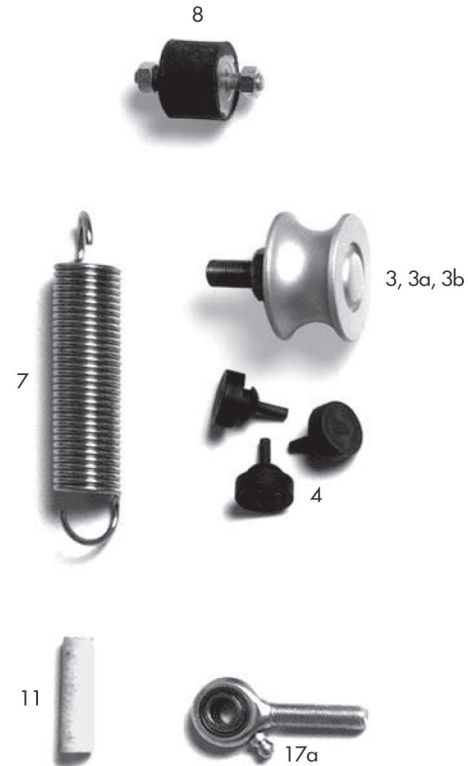
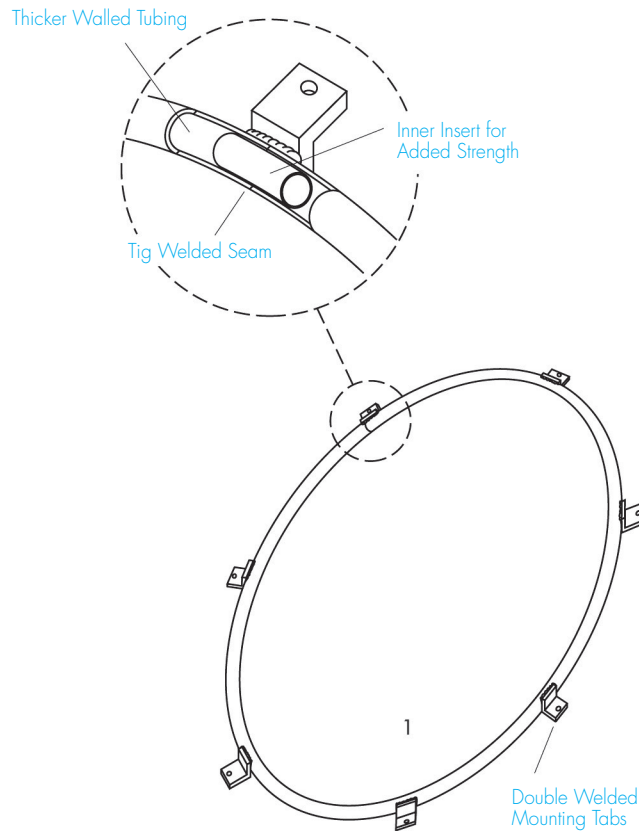
Part #	Description
41	V 070 002 027 Kickback Panel Common (70)
41a	V 070 004 642 Bracket Stop
42	V 070 007 372 Pit Supp. Brkt. R.H. for R.H. Mach.
44	V 070 007 374 Pitt Supp. Brkt. L.H. for L.H. Mach.
46	V 070 011 005 Door Weldment L.H. (Even)
47	V 070 011 006 Door Weldment R.H. (Odd)
48	V 070 011 035 Strap (Not Shown)
49	V 070 011 286 Curtain Rod Bushing
52	V 808 549 160 Button Head Socket Screw
53	V 808 857 120 Flat Head Socket Screw
54	V 809 857 125 Hex Head Cap Screw
55	V 809 865 205 Hex Head Cap Screw
56	V 809 865 645 Hex Head Cap Screw
57	V 810 258 100 Socket Head Cap Screw
58	V 839 665 002 Flexloc Nut
59	V 840 065 002 Thin Flexloc Nut
59a	V 844 058 002 Stover Lock Nut
60	V 900 112 203 Sleeve Bushing
61	V 919 005 800 Retaining Ring
62	V 937 000 000 Drive Rivet

Bold faced parts denote a Vantage value added engineering improvement - contact your distributor for details.





Reinforced Joint Construction



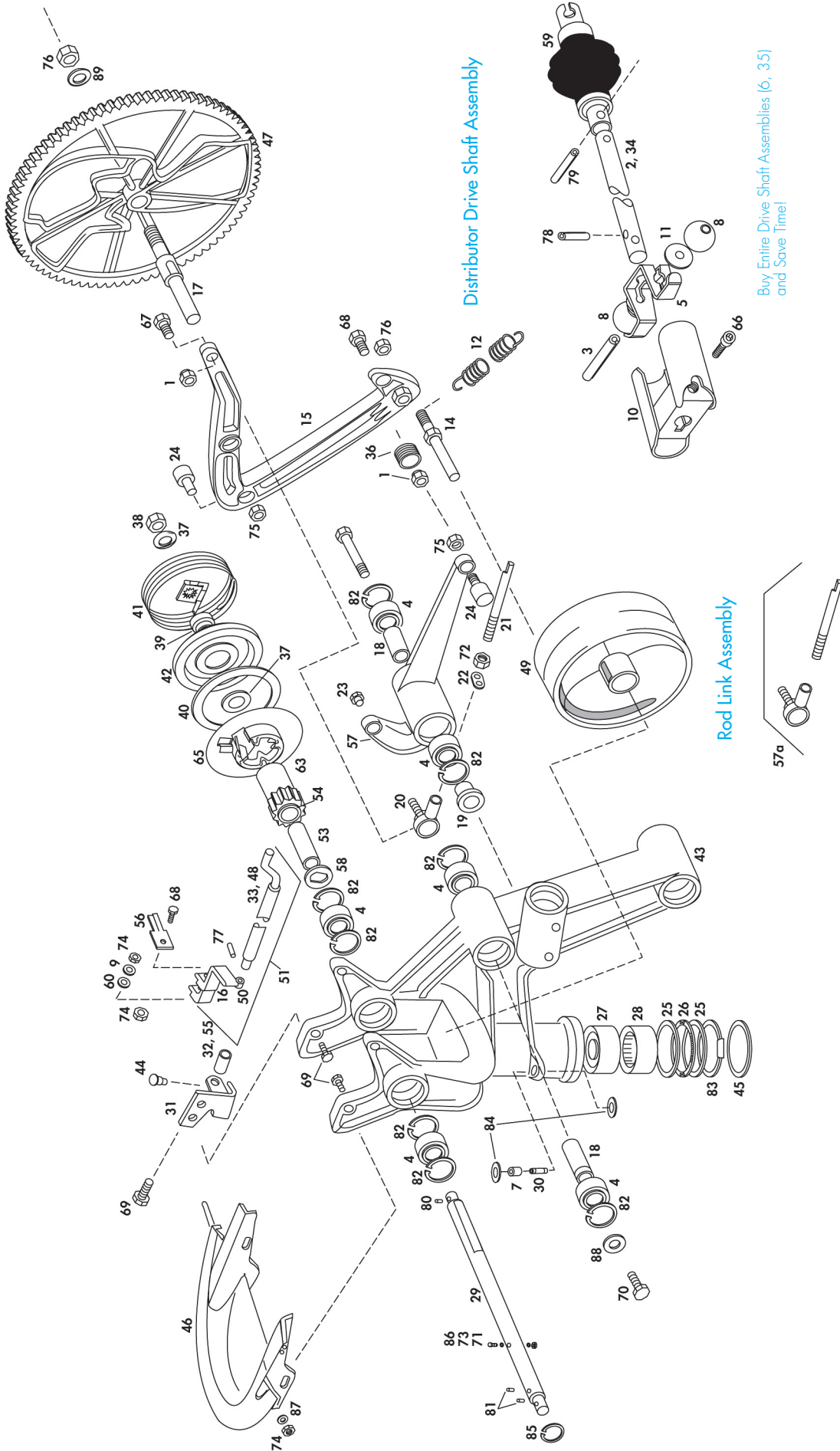
Part #	Description	Part #	Description	Part #	Description
1	V 000 020 855 Ring Weldment	13	V 070 002 005 Belt-Drive Pin Elev	28	V 809 858 125 Screw-Hex 5/16-24 x 3/4
2	V 000 021 210 Plate-Roller	14	V 070 006 030 Spring-Safety Link	29	V 809 865 725 Screw-Hex 3/8-16 x 4 1/2
3	V 000 021 211 Roller (Steel)	15	V 070 006 043 Spacer-Clamp	30	V 830 358 002 Nut-AN 5/16-24 CD
3a	V 000 021 211-B Bearing	16	V 070 006 044 Nut-Spring Post	31	V 831 566 002 Nut-Hex 3/8-24
3b	V 000 021 211-S Roller (Nylon)	17	V 070 006 045 Post-Dist.Supt.Assembly	32	V 834 557 002 Nut Hex 5/16-18
4	V 000 021 992 Bumper-Grommet #2250	17a	V 070 006 046 Rod End Distributor Support	33	V 843 139 002 NutKep 10-24 (Not Shown)
5	V 000 022 219 Pin Elev Guard Assembly (Not Shown)	18	V 070 006 047 Tube-Safety Link	34	V 844 049 002 1/4-20 Lock Nut
6	V 000 022 222 Brkt/Mtg-Pin Elv Grd (Not Shown)	19	V 070 006 098 Rail-RH Mach.Bk.End	35	V 844 057 002 5/16-18 Stover Locknut
7	V 000 026 032 Spring	20	V 070 006 099 Rail-LH Mach.Bk.End	36	V 844 074 002 Nut-Stvr-Lk 1/2-20
7a	V 000 027 014 Bolt 1/4-20 x 3/4 Carriage H	21	V 070 006 143 Spacer (Not Shown)	37	V 913 437 280 Pin-Spring .187 x 1 3/4
8	V 000 029 068 Rubber Mount	22	V 070 007 357 Chanel Supt Weld	38	V 948 761 112 5/16 Wrought Washer
9	V 000 029 201 Oiler Body	23	V 070 008 449 Spacer-Dist. Support	39	V 948 767 132 Washer, 13/32 x 13/16 x 1/16
10	V 000 029 202 Spring Wick	24	V 809 849 125 Screw-Hex 1/4-20 x 3/4		
11	V 000 029 203 Wick Pin	25	V 809 857 165 Screw-Hex 5/16-18 x 1		
12	V 070 001 415 Bracket-Wheel	26	V 809 857 405 Screw-Hex 5/16-18 x 2 1/2		
		27	V 809 858 085 Screw-Hex 5/16-24 x 1/2		

Bold faced parts denote a Vantage value added engineering improvement - contact your distributor for details.



82-70 Distributor Assembly (Part 1)

Buy a New Pin Distributor pre-assembled order Part# V 610 704 032



Buy Entire Drive Shaft Assemblies (6, 35) and Save Time!



Original Style Trip Support System Still the Best!

If roll pin failure on trip stop rods is causing you pin jams, try the original style. Special "keyed" design locks the trip support casting and rod together.

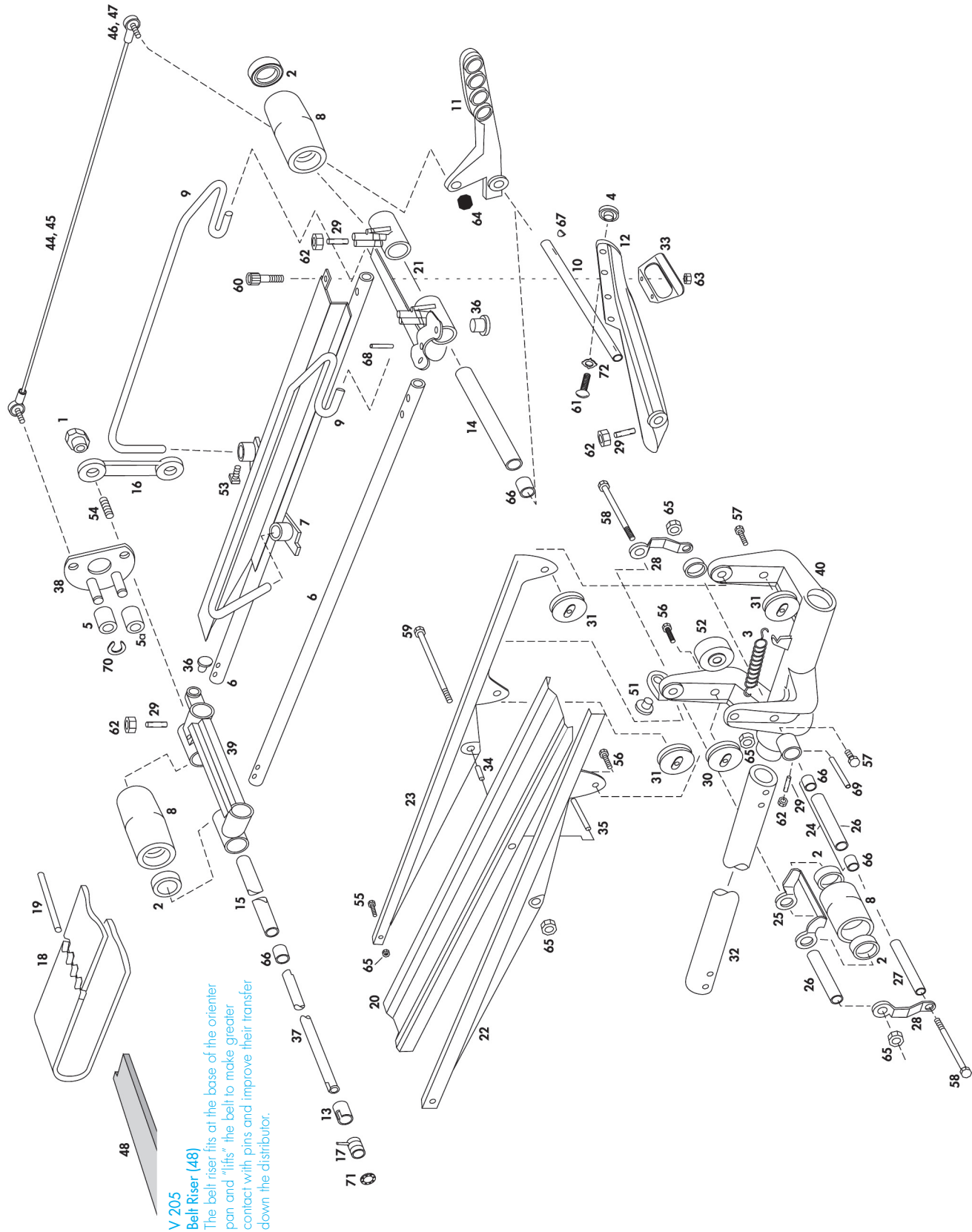
V 610 704 005-6
82-70 Pin Distributor
tune up kit (64),
improves
distributor indexing!



Part #	Description	Part #	Description	Part #	Description	Part #	Description
1	V 000 022 173 Special Nut	25	V 070 006 073 Thrust Washer	46	V 070 006 144 Orientor Pan Assembly	66	V 807 358 060 Socket Head Set Screw
2	V 000 022 369 Shaft L.H. (Even) Machine	26	V 070 006 074 Needle Thrust Bearing	47	V 070 006 149 Distributor Indexing Cam	67	V 809 849 100 Flat Head Cap Screw
3	V 000 022 717 Pin	27	V 070 006 075 Needle Bearing	48	V 090 006 663 Trip Stop Rod Assembly	68	V 809 849 125 Hex Head Cap Screw
4	V 000 024 679 Bearing		Closed End	49	V 070 006 666 Pulley	69	V 809 849 205 Hex Head Cap Screw
5	V 000 024 892 Ball Bearing Retainer	28	V 070 006 076 Open End Bearing	50	V 070 006 667 Trip Support Casting	70	V 809 857 080 Hex Head Cap Screw
6	V 000 024 893 Dist. Drive Shaft Assembly	29	V 070 006 077 Shaft Drive Distributor	51	V 090 006 668 Trip Rod & Casting	71	V 810 239 240 Socket Head Cap Screw
7	V 000 026 081 Spring Post Sleeve	30	V 070 006 082 Pin Spring Post	52	V 090 006 663 Trip Stop Rod Assembly	72	V 831 566 002 Hex Nut
8	V 000 026 461 Ball Bearing	31	V 070 006 084 Trip Stop Support Bracket	53	V 070 006 676 Pinion Sleeve	73	V 840 039 002 Flexloc Nut
9	V 000 026 865 Washer	32	V 070 006 087 Pivot 31/32 Long	53a	V 070 006 676S Pinion Sleeve For Super	74	V 844 049 002 Steer Lock Nut
10	V 000 027 390 Housing Weldment	33	V 070 006 091 OBS, use V0900066630	54	V 070 006 679 Clutch	75	V 844 050 002 Steer Lock Nut
11	V 000 029 073 Washer	34	V 070 006 101 Shaft R.H. (Odd) Machine	55	V 070 006 685 Bushing Pinion	76	V 844 073 002 Steer Lock Nut
12	V 070 006 034 Spring	35	V 070 006 102 Dist. Drive Shaft Assembly	55a	V 070 006 686 Pinion Assembly	77	V 913 415 090 Roll Pin
14	V 070 006 049 Shaft Arm		R.H. (Odd)	56	V 070 006 691 Stop Blade	78	V 913 423 120 Roll Pin
15	V 070 006 051 Arm	36	V 070 006 111 Spring Post Sleeve	57	V 070 007 119 Drive Arm Assembly	79	V 913 437 120 Roll Pin
16	V 070 006 060 OBS, use V090006663 & V090006665	37	V 070 006 121 Washer	57a	V 070 007 137 Rod Link Assembly	80	V 913 437 140 Roll Pin
17	V 070 006 061 Shaft Cam Support	38	V 070 006 124 Nut Special	58	V 070 007 376 Thrust Washer	81	V 914 037 206 Roll Pin
18	V 070 006 064 Spacer Bearing	39	V 070 006 125 Distributor Worm Gear	59	V 070 007 586 Distributor Universal Joint	82	V 919 000 600 Retaining Ring
19	V 070 006 065 Clamp Race	40	V 070 006 126 Friction Disc	60	V 070 007 651 Nylon Washer	83	V 919 004 200 Retaining Ring
20	V 070 006 066 Rod End Female	41	V 070 006 128 Spring Assembly	61	V 610 704 004 The Super Clutch	84	V 919 005 300 Retaining Ring
21	V 070 006 067 Rod Safety Link Distributor	42	V 070 006 130 Clutch Plate Drive	62	V 610 704 004NS Super Clutch without Shaft	85	V 919 005 600 R Retaining Ring
22	V 070 006 068 Support Spring Distributor	43	V 070 006 136 Main Casting and	63	V 610 704 005 Pinion & Sleeve	86	V 948 745 082 Washer
23	V 070 006 069 Nut Special	44	V 070 006 142 Bearing Assy	64	V 610 704 005-6 82-70 Pin Distributor Tune	87	V 948 753 102 Washer
24	V 070 006 071 Cam Follower	45	V 070 006 143 Spacer	65	V 610 704 006 Up Kit	88	V 948 761 112 Washer
						89	V 948 975 172 Clutch Plate



Buy a New Carriage Assembly pre-assembled order Part # V 610 704 030



V 205

Belt Riser (48)

The belt riser fits at the base of the orienter pan and "lifts" the belt to make greater contact with pins and improve their transfer down the distributor.



Part #	Description	Part #	Description
1	V 000 022 173 Special Nut	37	V 070 006 659 Shaft
2	V 000 024 679 Bearing	38	V 070 006 661 Trip Rocker Arm Weldment
3	V 000 026 031 Spring	39	V 070 006 672 Rear Carriage
4	V 000 026 251 Bearing	39a	V 070 006 683 Tube Assembly Middle - 7 7/64"
5	V 070 001 857 Roller	40	V 070 006 688 Carriage Support Casting Assy
5a	V 070 001 857L Special Dist. Roller	41	V 070 006 757-U Ultra High Grip Dist. Belt
6	V 070 006 004 Tube	42	V 070 006 757-C Standard Dist. Belt
7	V 070 006 009 Belt Runner Support Assembly	43	V 070 006 757-R Rough Top Dist. Belt
8	V 070 006 011 Pulley Assembly	44	V 070 011 170 Trip Rod Assembly
9	V 070 006 013 Pin Guide	45	V 070 011 170-C Trip Cable Assembly
10	V 070 006 014 Shaft	46	V 070 011 172 Ball Joint 7/16"
11	V 070 006 015 Trip Arm Assembly R.H. (10 pin)	47	V 070 011 173 Ball Joint 9/16"
12	V 070 006 016 Trip Arm Assembly L.H. (7 pin)	48	V 205 Belt Riser
13	V 070 006 019 Collar	51	V 701 710 098 Spiralign Bearing
14	V 070 006 021 Tube Assembly Front	52	V 701 849 124 Threaded Bore Concentric Bearing
15	V 070 006 022 Tube Assembly Middle - 7 1/2"	53	V 806 249 060 Square Head Set Screw
16	V 070 006 029 Connecting Link	54	V 807 249 160 Socket Head Set Screw
17	V 070 006 035 Spring	55	V 808 549 200 Button Head Socket Screw
18	V 070 006 036 Belt Lacing	56	V 809 849 125 Hex Head Cap Screw
19	V 070 006 037 Belt Pin	57	V 809 849 162 Hex Head Cap Screw
20	V 070 006 042 Belt Runner Rear	58	V 809 849 604 Hex Head Cap Screw
21	V 070 006 055 Front Carriage	59	V 809 849 885 Hex Head Cap Screw
22	V 070 006 103 Support Guide L.H. (7 pin)	60	V 810 239 160 Socket Head Cap Screw
23	V 070 006 104 Support Guide R.H. (10 pin)	61	V 813 540 082 Phillips Head Truss Screw
24	V 070 006 105 Tube Assembly	62	V 834 549 002 Hex Nut
25	V 070 006 106 Tracking Bracket	63	V 840 039 002 Flexloc Nut
26	V 070 006 107 Tube-Belt Tightener	64	V 840 040 002 Flexloc Nut
27	V 070 006 108 Spacer-Roller Assembly	65	V 844 049 002 Stover Lock Nut
28	V 070 006 109 Link	66	V 900 106 081 Sleeve Bushing
29	V 070 006 116 Clamp Stud	67	V 907 000 100 Key
30	V 070 006 117 Concentric Bearing	68	V 913 437 140 Roll Pin
31	V 070 006 118 Eccentric Bearing	69	V 913 464 280 Roll Pin
32	V 070 006 120 Carriage Support Tube	70	V 919 005 000 Retaining Ring
33	V 070 006 137 Belt Guard	71	V 919 006 800 Retaining Ring
34	V 070 006 139 Inner Spacer	72	V 957 100 002 Star Washer
35	V 070 006 140 Outer Spacer		
36	V 070 006 142 Bumper		

Distributor Belts



V 070 006 757-U Ultra High Grip Dist. Belt (41)

High grip design offers a "sticky" surface that grabs and moves pins NOW!



V 070 006 757-C Standard Dist. Belt (42)

Standard, durable construction. Lower cost. Each comes packed in roll form with clippers and pins.



V 070 006 757-R Rough Top Dist. Belt (43)

Rough top design features an aggressive tread (shown) for a high friction surface.

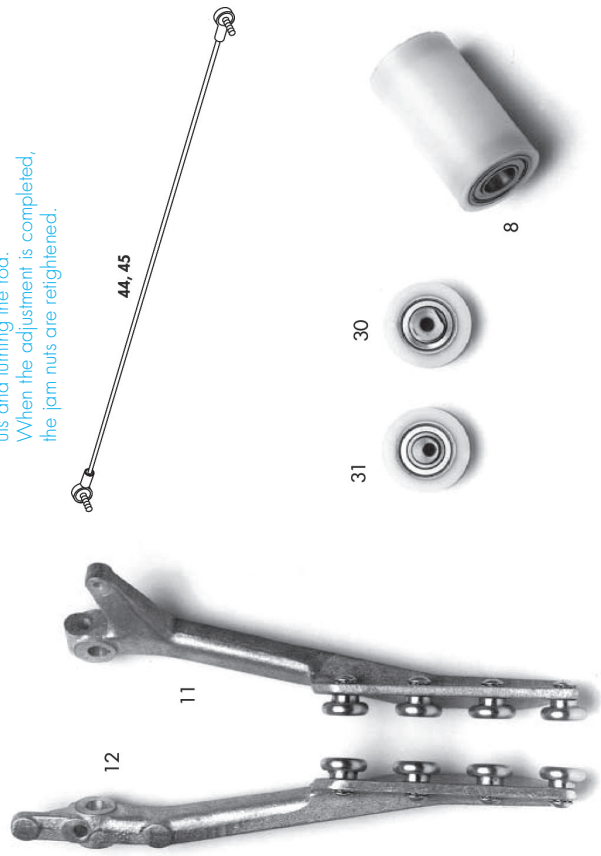


Update your distributors with the new cable system!



V 070 011 170 Trip Rod Assembly (44)

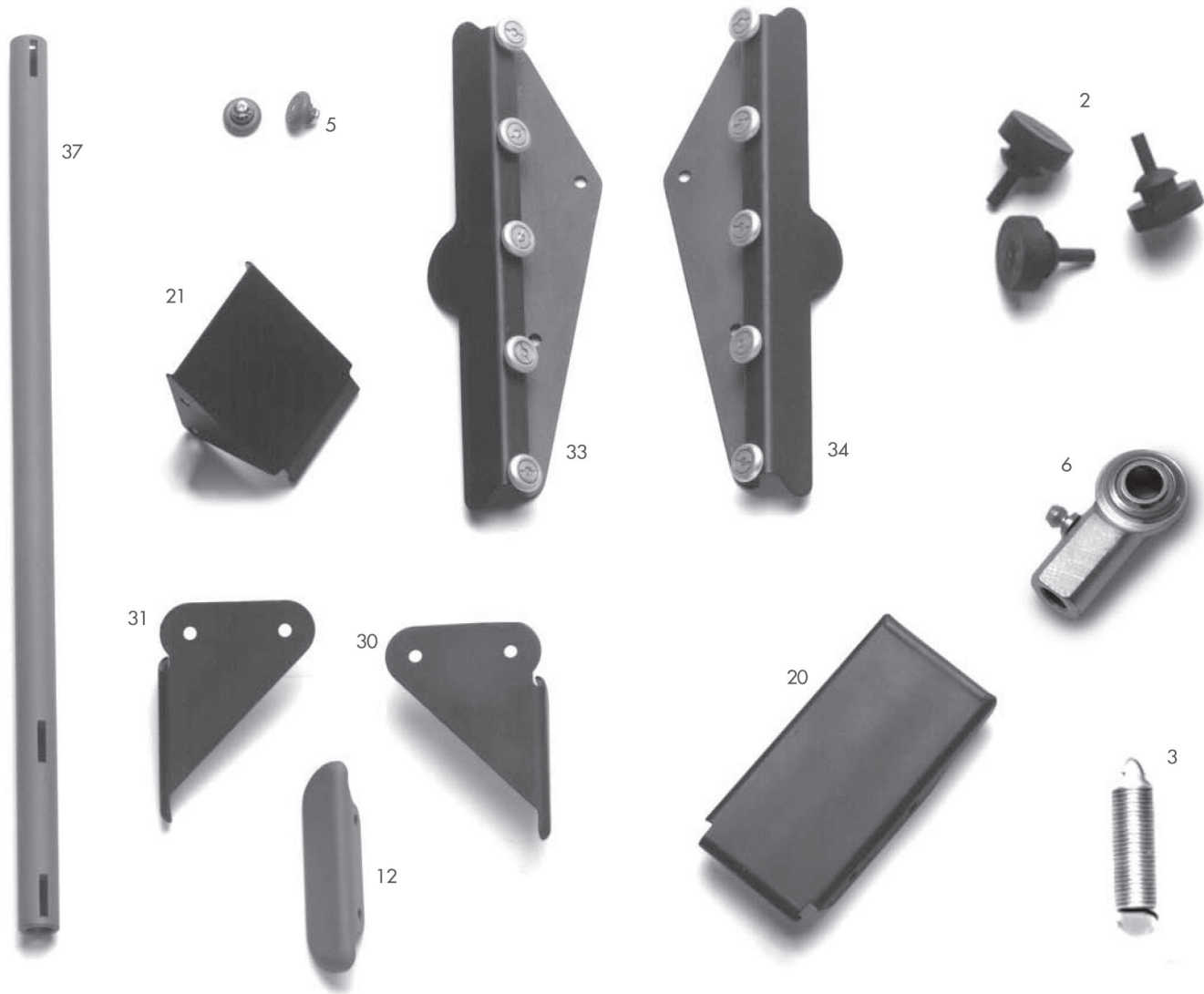
The Vantage trip rod assembly employs the use of a rod that has been threaded with right hand threads on one end and left hand threads on the opposite end. This feature enables mechanics to adjust the trip rod while it is on the machine simply by loosening the jam nuts and turning the rod. When the adjustment is completed, the jam nuts are retightened.



Bold faced parts denote a Vantage value added engineering improvement - contact your distributor for details.

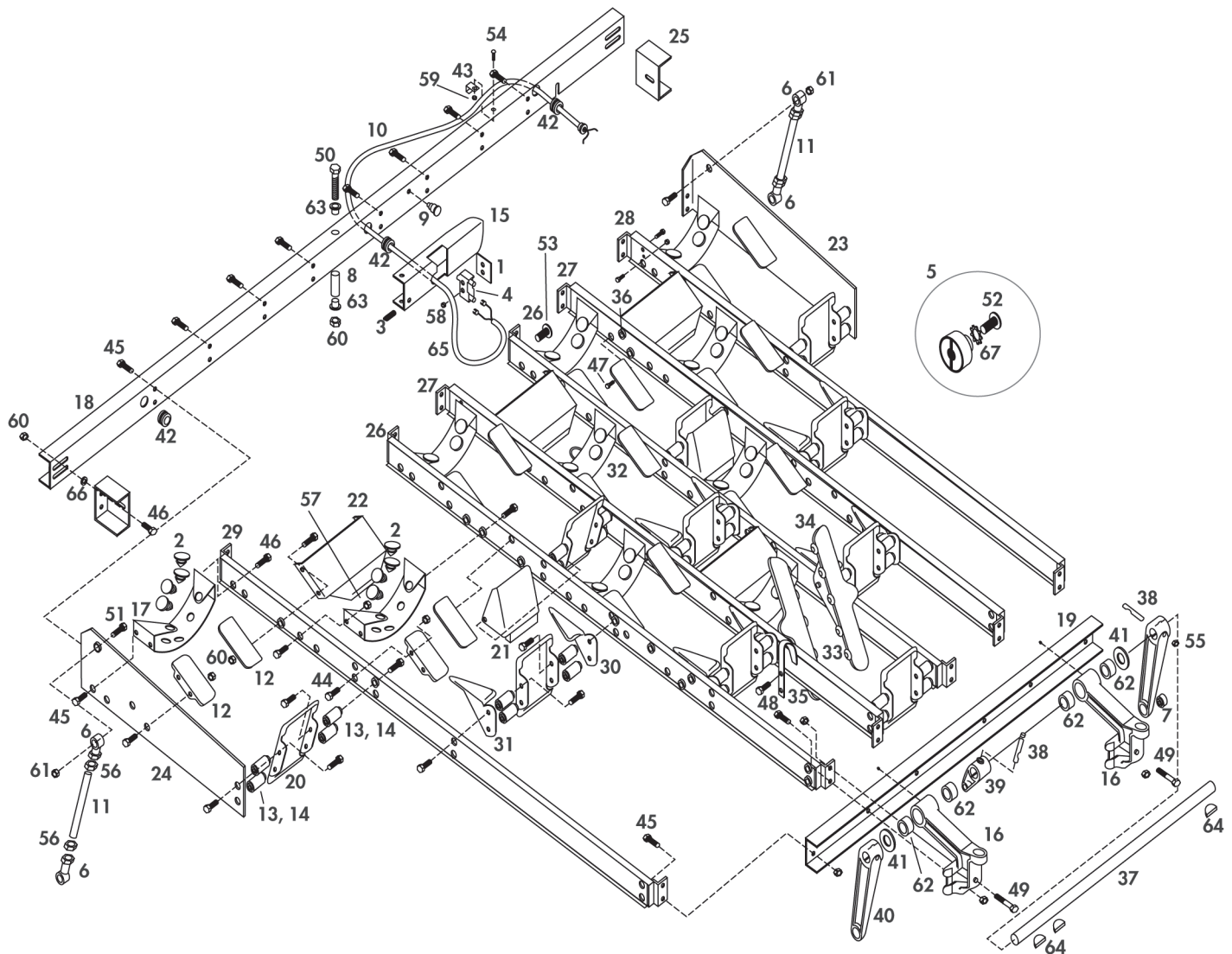


Vantage Offers All Components Required for Bin Assembly Maintenance



Part #	Description	Part #	Description	Part #	Description
1	V 000 021 575 Insulator	15	V 070 006 356 Switch Actuator	28	V 070 006 376 Stringer Outside R.H. (10 pin)
2	V 000 021 992 Bumper	16	V 070 006 358 Bracket Assembly	29	V 070 006 377 Stringer Outside L.H. (7 pin)
3	V 000 022 168 Spring	17	V 070 006 359 Pin Head Bracket	30	V 070 006 380 Pin Guide #4 Pin
4	V 000 026 043 Switch	18	V 070 006 361 Channel Weldment	31	V 070 006 381 Pin Guide #6 Pin
5	V 000 026 251 Bearing	19	V 070 006 363 Channel Short	32	V 070 006 384 Bracket Weldment
6	V 000 026 446 Rod End	20	V 070 006 364 Spacer Pin Butt Guide	33	V 070 006 386 Track Assembly L.H. (7 pin)
7	V 000 029 614 Uniball	21	V 070 006 365 Spacer Pin Guide	34	V 070 006 388 Track Assembly R.H. (10 pin)
8	V 070 006 108 Spacer	22	V 070 006 366 Spacer Pin Head Guide	35	V 070 006 389 Guide Pin #1
9	V 070 006 142 Bumper	23	V 070 006 369 Pin Guide R.H. (10 pin)	36	V 070 006 390 Spacer
10	V 070 006 272 Bin Switch Cable	24	V 070 006 370 Pin Guide L.H. (7 pin)	37	V 070 006 402 Shaft
11	V 070 006 351 Rod	25	V 070 006 371 Bracket Support		
12	V 070 006 353 Pin Guide	26	V 070 006 372 Stringer Center R.H. & L.H.		
13	V 070 006 354 Shock Mount Bin Assembly	27	V 070 006 373 Stringer Center L.H. & R.H.		

Bold faced parts denote a Vantage value added engineering improvement - contact your distributor for details.



Part #	Description	Part #	Description	Part #	Description
38	V 070 006 403 Stud Clamp	49	V 809 849 485 Hex Head Cap Screw	62	V 900 114 101 Sleeve Bushing
39	V 070 006 408 Lever Bin Assembly	50	V 809 849 605 Hex Head Cap Screw	63	V 900 206 091 Flange Bushing
40	V 070 006 429 Shuttle Operating Arm Assembly	51	V 809 865 165 Hex Head Cap Screw	64	V 907 000 600 Hi Pro Key
41	V 701 329 050 Washer Thrust Oilite	52	V 813 540 082 Phillips Head Truss Screw	65	V 948 631 062 Washer
42	V 711 516 020 Grommet	53	V 818 227 162 Round Head Sems Screw	66	V 948 753 102 Washer
43	V 744 203 014 Nyloclip	54	V 818 233 082 Round Head Sems Screw	67	V 957 100 002 Shake Proof Washer
44	V 808 549 080 Button Head Socket Screw	55	V 831 565 002 Hex Nut		
45	V 809 849 085 Hex Head Cap Screw	56	V 835 566 002 Hex Jam Nut		
46	V 809 849 125 Hex Head Cap Screw	57	V 840 049 002 Flexloc Nut		
47	V 809 849 165 Hex Head Cap Screw	58	V 843 127 002 Keps Nut		
48	V 809 849 285 Hex Head Cap Screw	59	V 843 133 002 Keps Nut		
		60	V 844 049 002 Stover Lock Nut		
		61	V 844 065 002 Hex Lock Nut		



V 070 006 254 (3)
Tube, Side (Short)

4,5,6



V 070 006 255 (4)
Tube, Side (Long)

V 070 006 256 (5)
Tube, Outside

V 070 006 257 (6)
Tube, Center

7



V 070 006 258 (7)
Tube, Cross (Short)

V 070 006 447 (13)
Spring

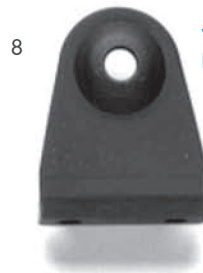


13

V 208 - Twin Pin Guide (14)
The twin pin guide is designed to replace two pin holders and a bin strap with one piece of high density plastic. It reduces costs, smooths out shuttle operation and helps reduce "double shutting".



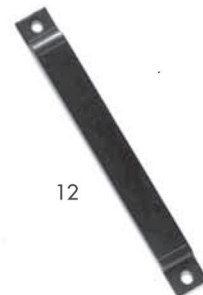
14



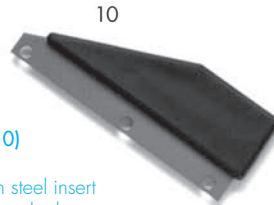
8

V 070 006 259 (8)
Bracket Arm

V 070 006 268 (12)
Bin Strap
Bin strap breakage? Try our heavy duty model. Thousands of satisfied users tell us it is the best they've ever used!



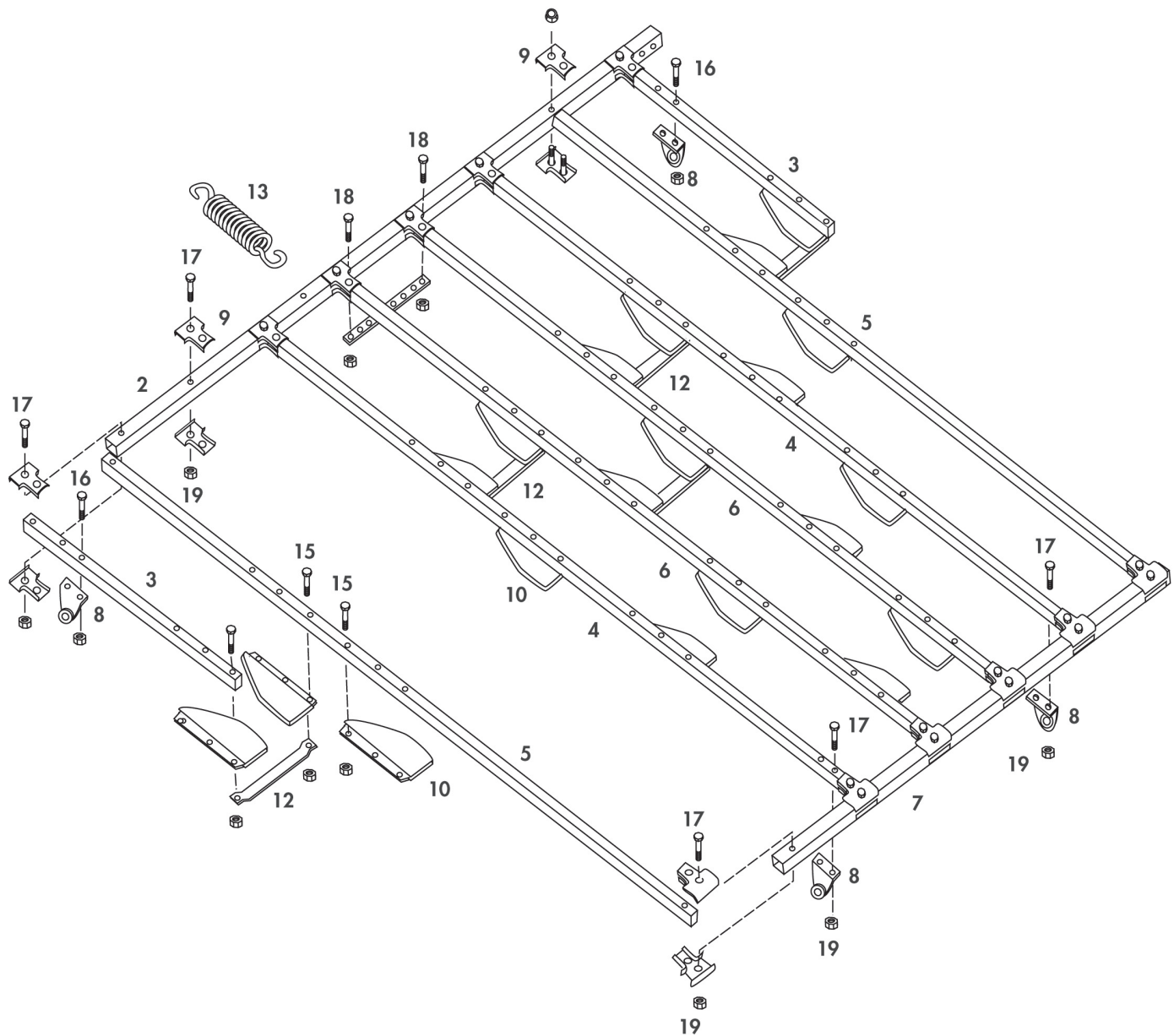
12



10

V 070 006 265 (10)
Pin Holder

Made with a tough steel insert and covered with hard oil resistant rubber this pin holder will wear and last longer than all plastic O.E.M. replacements.

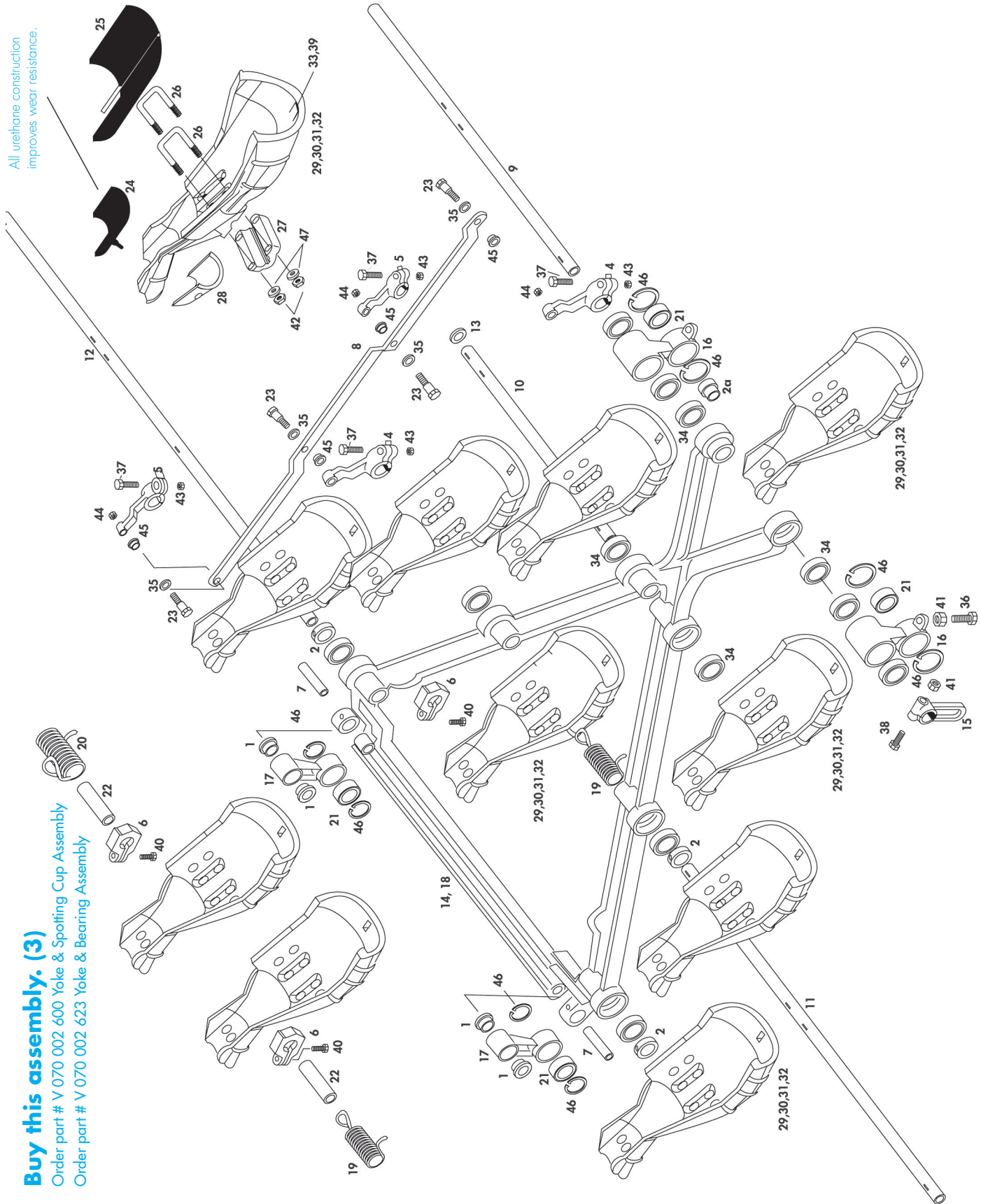


Part #	Description	Part #	Description	Part #	Description
1	V 070 006 250 Shuttle Assembly	8	V 070 006 259 Bracket Arm	15	V 808 549 240 Button Head Socket Screw
2	V 070 006 253 Shuttle Cross Tube (Long)	9	V 070 006 261 Clamp End	16	V 808 549 320 Button Head Socket Screw
3	V 070 006 254 Tube, Side (Short)	10	V 070 006 265 Pin Holder	17	V 809 849 245 Hex Head Cap Screw
4	V 070 006 255 Tube, Side (Long)	11	V 070 006 266 Strap	18	V 809 849 285 Hex Head Cap Screw
5	V 070 006 256 Tube, Outside	12	V 070 006 268 Bin Strap	19	V 844 049 002 Stover Lock Nut
6	V 070 006 257 Tube, Center	13	V 070 006 447 Spring		
7	V 070 006 258 Tube, Cross (Short)	14	V 208 Twin Pin Guide		

Bold faced parts denote a Vantage value added engineering improvement - contact your distributor for details.



All urethane construction improves wear resistance.



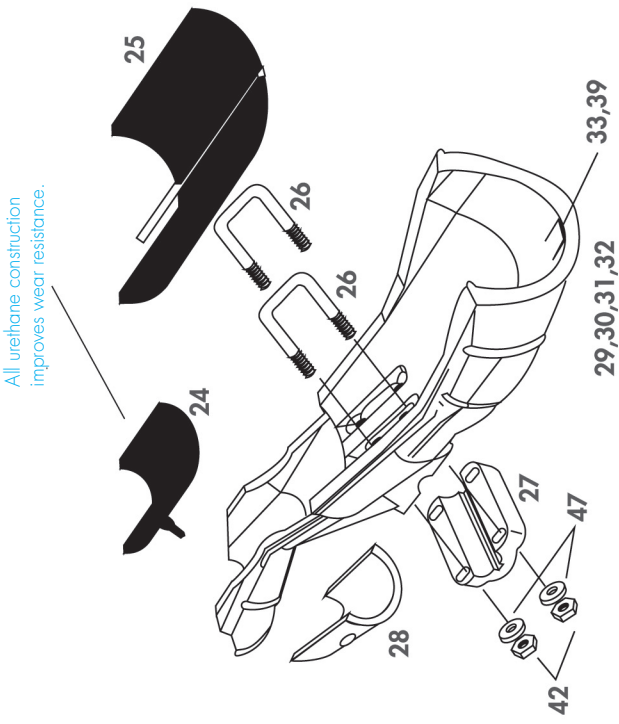
Buy this assembly. (3)

Order part # V 070 002 600 Yoke & Spotting Cup Assembly

Order part # V 070 002 623 Yoke & Bearing Assembly



Part #	Description	Part #	Description
1	V 000 023 114	33	V 070 002 818
2	V 000 025 549	34	V 190 001 490
2a	V 070 002 573	35	V 701 310 036
3	V 070 002 600	36	V 806 265 240
4	V 070 002 602	37	V 809 865 245
5	V 070 002 603	38	V 809 865 365
6	V 070 002 608	39	V 810 249 200
7	V 070 002 609	40	V 810 258 160
8	V 070 002 612	41	V 835 565 002
9	V 070 002 615	42	V 839 057 002
10	V 070 002 616	43	V 839 665 002
11	V 070 002 617	44	V 844 049 002
12	V 070 002 618	45	V 900 205 053
13	V 070 002 620	46	V 919 000 700
14	V 070 002 623	47	V 948 761 112
15	V 070 002 624		
16	V 070 002 664		
17	V 070 002 665		
18	V 070 002 683		
19	V 070 002 688		
20	V 070 002 689		
21	V 070 002 698		
22	V 070 002 719		
23	V 070 002 723		
24	V 070 002 784		
25	V 070 002 784-S		
26	V 070 002 787		
27	V 070 002 788		
28	V 070 002 798		
29	V 070 002 809		
30	V 070 002 809-A		
31	V 070 002 809-AS		
32	V 070 002 809-L		



All urethane construction improves wear resistance.

The world's most popular non-metal spotting cup just got better!

V 070 002 809 Lexan® Spotting Cup
V 070 002 809-L Lexan® Spotting Cup with liners

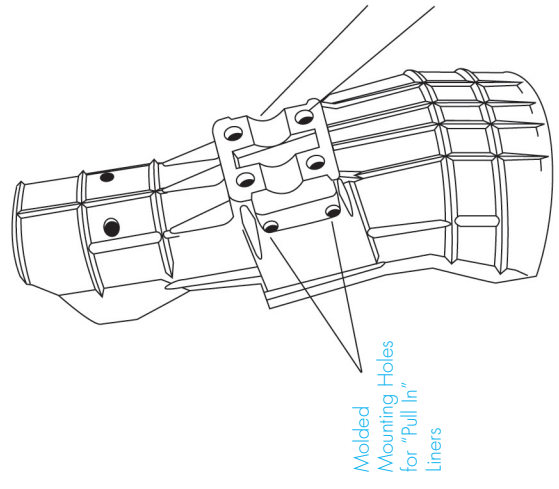
With over 100,000 sold and in use, Vantage Lexan® cups are proven as durable replacements for aluminum.

That's because they're not plastic - they're Lexan® an engineering polycarbonate. Their one piece construction installs easily and never requires width adjustment.

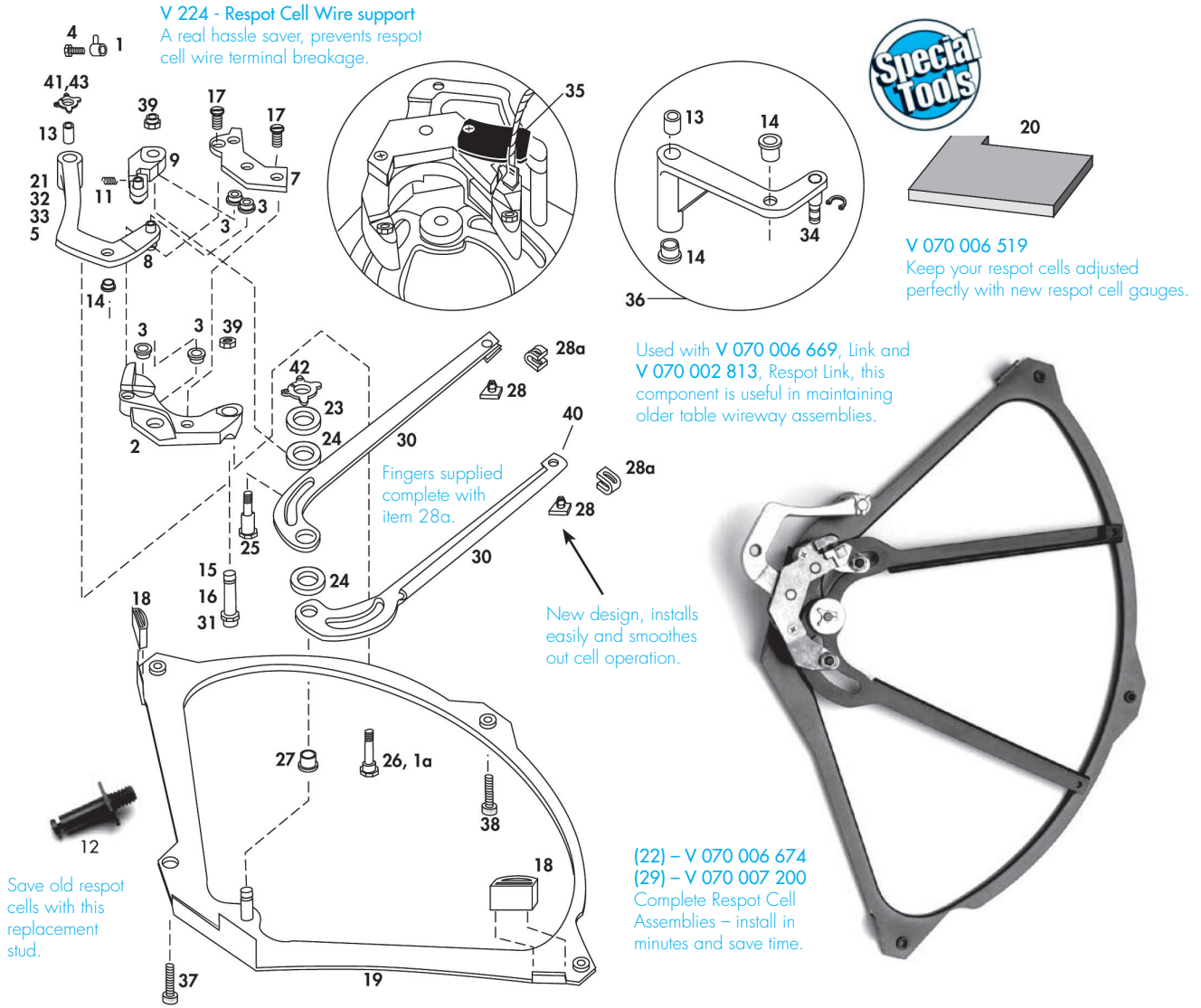
We've redesigned our product to include features loyal users have requested like:

- Molded holes for "pull in" liner installation.**
- A narrower mounting area for easier side to side adjustment.**
- Reinforced mounting holes.**
- Lightweight, durable and easy to install, try the "new" Lexan® cup from Vantage - the people who made plastic cups work!**

*Lexan® is a registered trademark of General Electric Corporation.

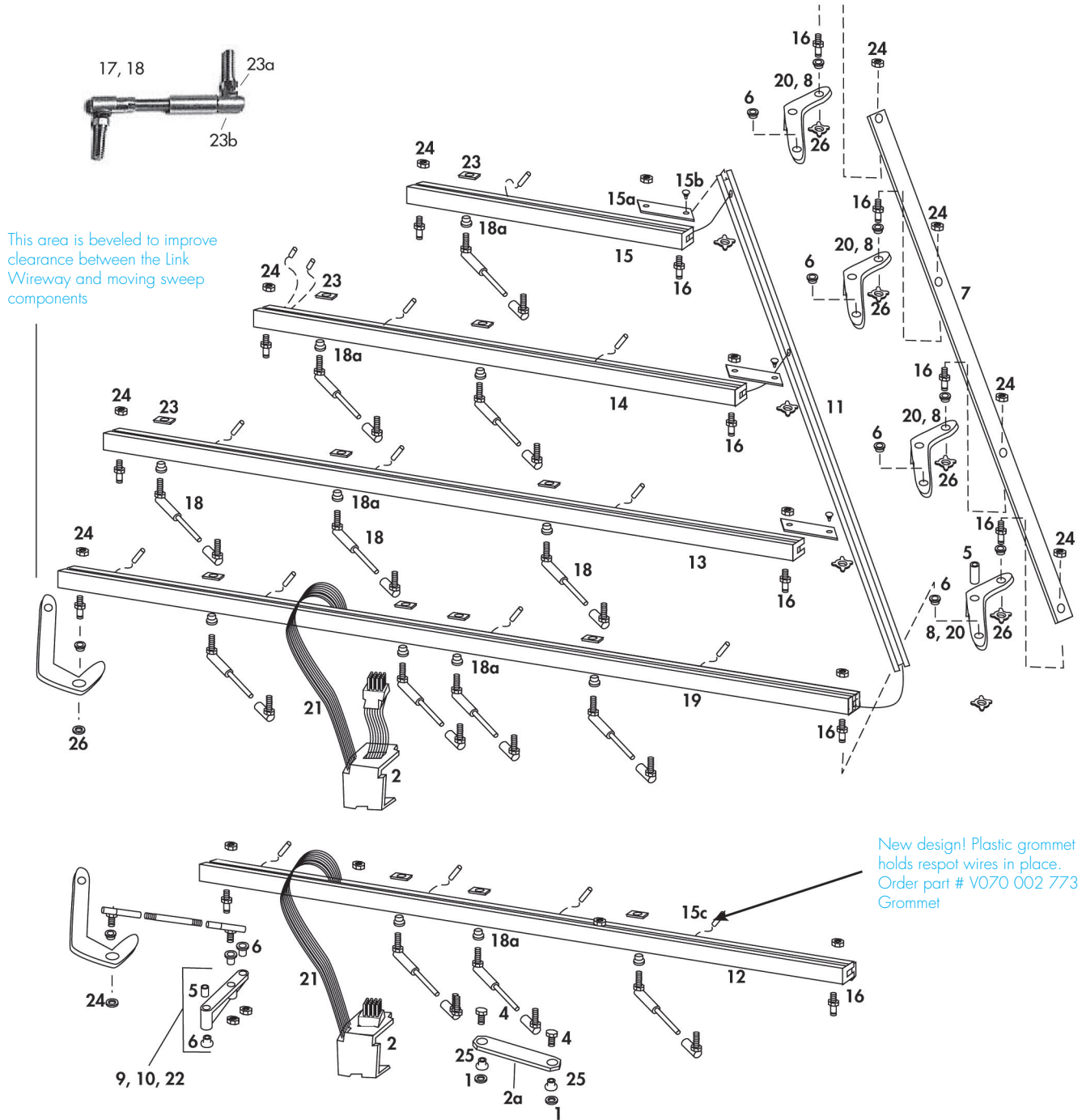


Bold faced parts denote a Vantage value added engineering improvement - contact your distributor for details.



Part #	Description	Part #	Description	Part #	Description
1	V 070 002 570 Insert Assembly	14	V 070 002 653 Flange Bushing	28a	V 070 007 197-0 Original Style Insert
1a	V 070 002 628 Stud Respot Roll (Die Cast Fingers)	15	V 070 002 654 Pivot Stud 1/4" Dia.	29	V 070 007 200 Respot Cell Assembly Complete
2	V 070 002 629 Yoke Arm Assembly	16	V 070 002 685 Pivot Shaft 7 Cell	30	V 070 007 261 Finger Assembly
3	V 070 002 630 Flange Bushing	16a	V 070 002 686 Respot Cell Assembly (7 Cell)	31	V 070 007 617 Pivot Stud 5/16" Dia.
4	V 070 002 632 Stop Screw	17	V 070 002 750 Screw	32	V 070 007 618 Lever Assy (9 Cell) W/Item 14 & Pin 5/16"
5	V 070 002 633 Lever Assy (7 Cell) W/Item 13,14 1/4"	18	V 070 002 752 Bumper	33	V 070 007 620 Lever Assy (7 Cell) W/Item 14 & Pin 5/16"
6	V 070 002 642 Respot Yoke Assy 7 Cell W/Items 1,2,4,7,9,11,17 and 36	19	V 070 002 792 Respot Cell Frame	34	V 070 008 154 Pivot Pin #7 Cell
7	V 070 002 644 Plate Assembly	20	V 070 006 519 Respot Gauge	35	V 224 Respot Cell Wire Support
8	V 070 002 645 Shaft	21	V 070 006 673 L ever Assy (9 Cell) W/Items 13,14 and Pin 1/4"	36	V 610 704 026 Lever Respot Arm (7 Cell)
9	V 070 002 646 Arm Respot Yoke	22	V 070 006 674 Respot Cell Assembly Complete (7 Cell)	37	V 808 640 121 Socket Head Cap Screw
10	V 070 002 647 Yoke Respot Assembly W/Items 1,2,4,7,9,11,17 and 21	23	V 070 007 192 Washer	38	V 808 640 141 Socket Head Cap Screw
11	V 070 002 649 Spring	24	V 070 007 193 Spacer/Nylon Washer	39	V 844 049 002 Stover Lock Nut
12	V 070 002 650 Stud	25	V 070 007 194 Stud-Long	40	V 913 437 100 Roll Pin
13	V 070 002 652 Sleeve Bushing	26	V 070 007 195 Stud-Short	41	V 963 100 002 X-Washer 1/4" Pin
		27	V 070 007 196 Bushing	42	V 963 200 002 X-Washer
		28	V 070 007 197 Insert	43	V 963 400 002 X-Washer 5/16" Pin

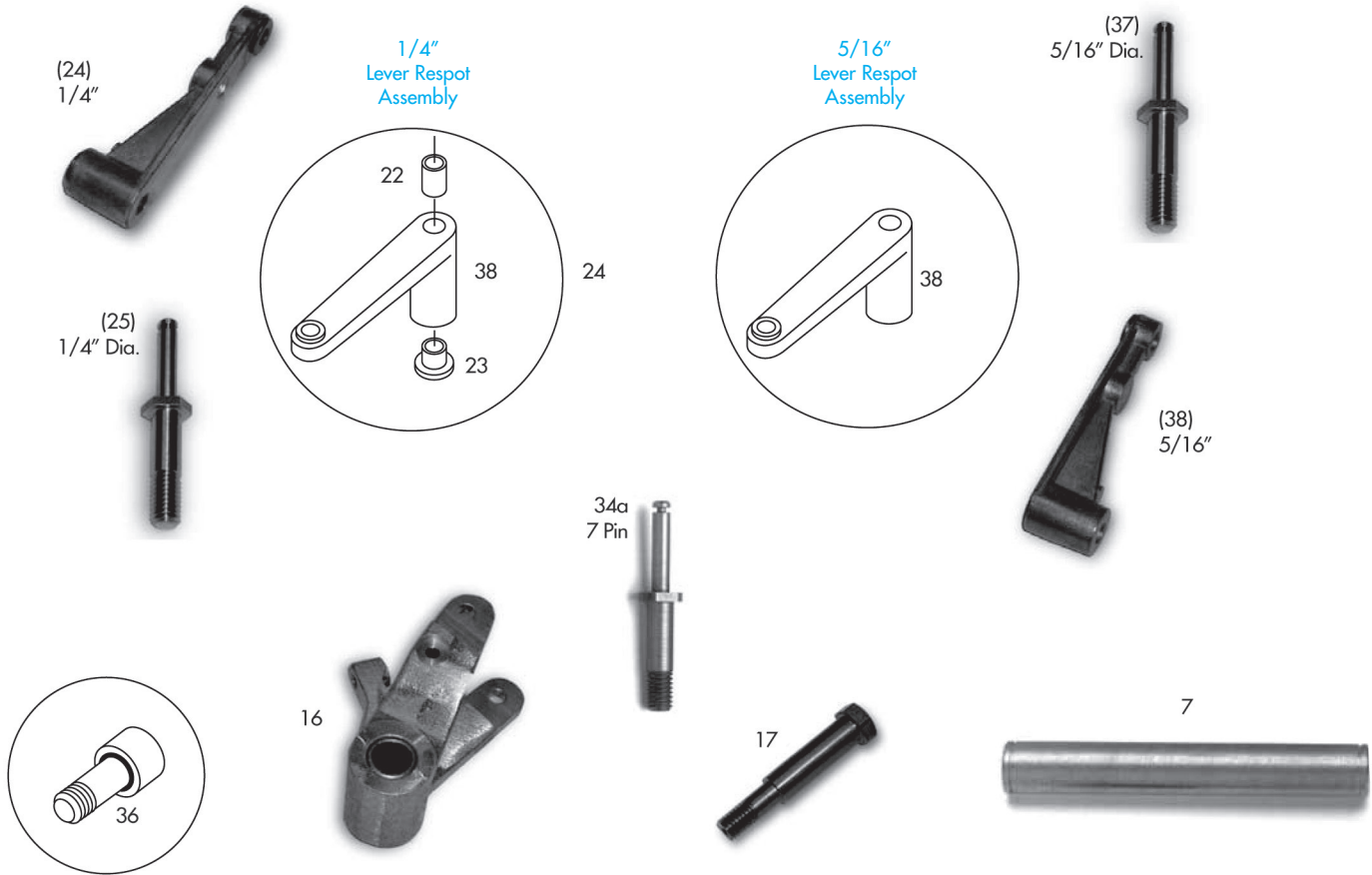
Bold faced parts denote a Vantage value added engineering improvement - contact your distributor for details.



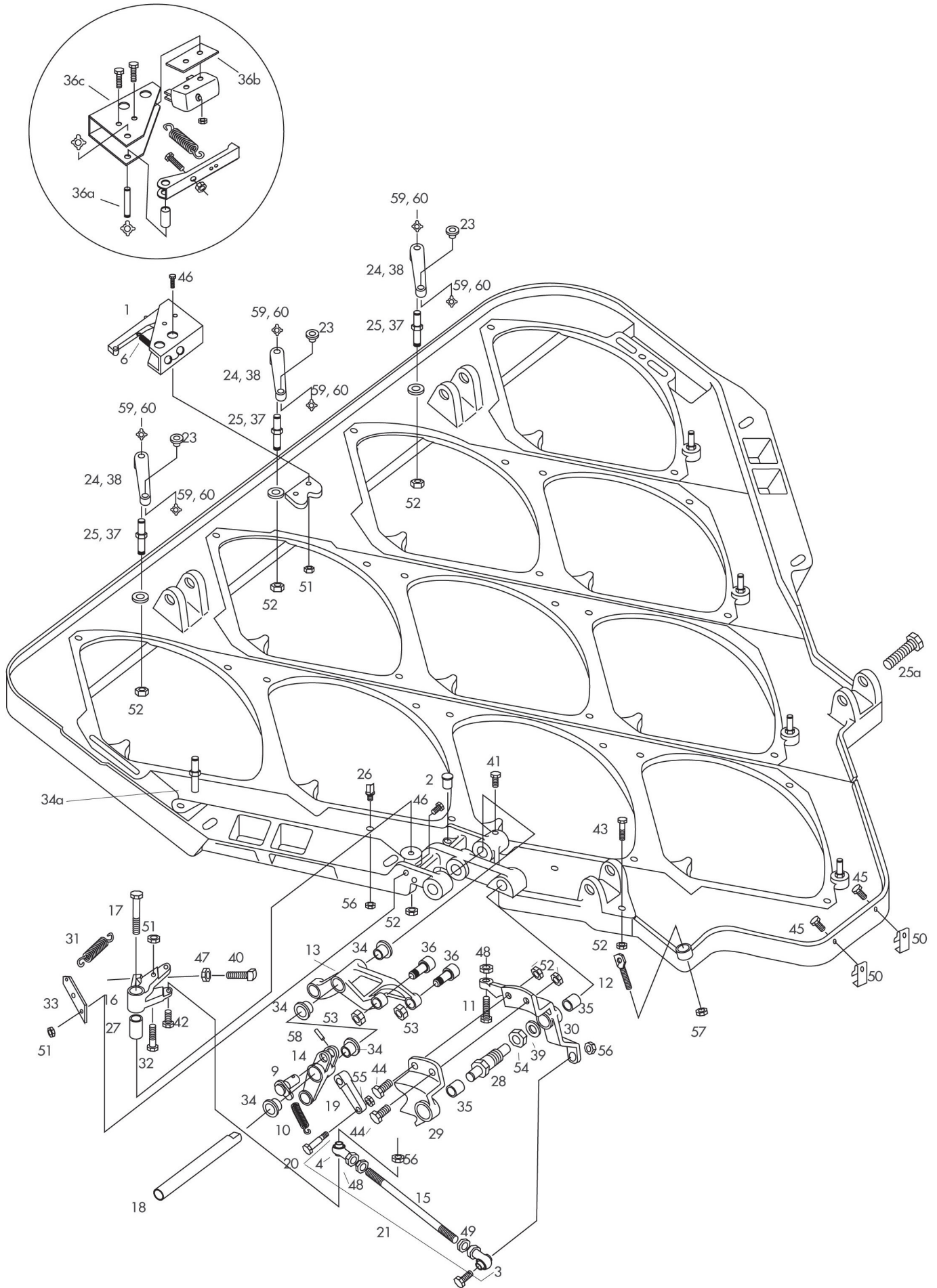
Part #	Description
1	V 000 026 865 Washer
2	V 070 002 538 Bracket
2a	V 070 002 582 Rear Drive Link Assembly
4	V 070 002 619 Pin Actuator Shaft
5	V 070 002 652 Sleeve Bushing
6	V 070 002 653 Flange Bushing
7	V 070 002 671 Link Respot Connector
8	V 070 002 678 Lever Respot Assembly, 1/4" Pin
9	V 070 002 708 Lever Assembly Respot
10	V 070 002 758 Lever And Bushing Assembly 70 A Machine

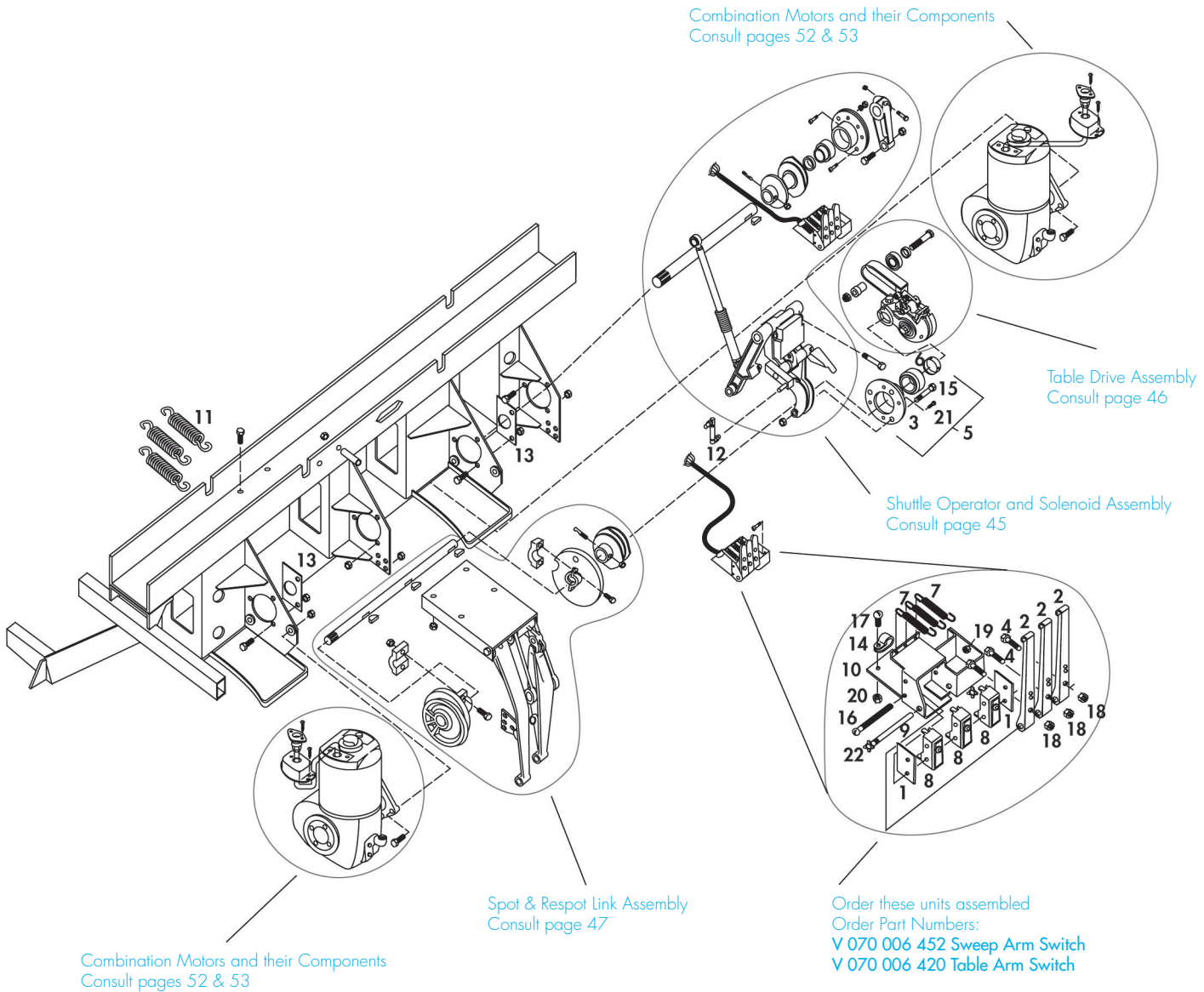
Part #	Description
11	V 070 002 766 LinkWireway
12	V 070 006 669 Link
13	V 070 002 768 Link
14	V 070 002 769 Link
15	V 070 002 770 Link
15a	V 070 002 771 Plate
15b	V 070 002 772 Pin
15c	V 070 002 773 Grommet
16	V 070 002 774 Pin
18	V 070 002 814 Link Assembly
18a	V 070 002 815 Spacer Bushing
18b	V 070 005 602 Table Cable Assembly

Part #	Description
19	V 070 006 669 Link
20	V 070 007 623 Lever Respot Assembly, 5/16" Pin
21	V 610 704 010 Lower Table Cable
22	V 610 704 155 Lever Assembly Respot
23	V 724 507 002 Tinnerman Nut
23a	V 730 027 019 Ball Stud 1/4 - 20
23b	V 730 036 025 Clip
24	V 844 049 002 Stover Lock Nut
25	V 900 205 053 Flange Bushing
26	V 963 200 002 X-Washer

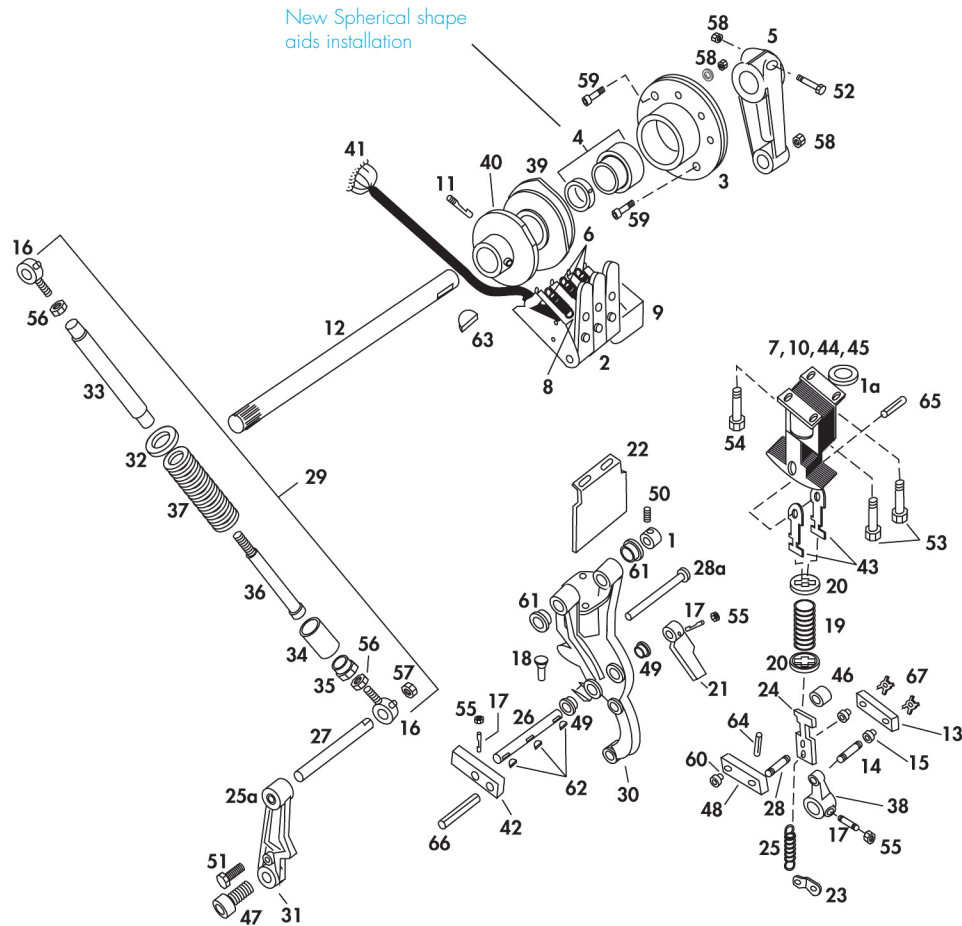


Part #	Description	Part #	Description	Part #	Description
1	V 000 021 645 Switch Lever Assembly	25	V 070 002 681 Respot Lever Pivot Pin 1/4"	39	V 701 316 041 Thrust Washer
2	V 000 022 580 Pin Stop	25a	V 070 002 701 Stud	40	V 806 249 160 Square Head Set Screw
3	V 000 022 737 1/4 Rod End Bearing L.H.	26	V 070 002 702 Stop Respot	41	V 807 357 060 Socket Head Set Screw
4	V 000 022 738 1/4 Rod End Bearing R.H.	27	V 070 002 715 Sleeve Bushing	42	V 809 849 165 Hex Head Cap Screw
6	V 000 024 657 Spring	28	V 070 002 726 Shaft	43	V 809 865 125 Hex Head Cap Screw
7	V 070 001 583 Pin	29	V 070 002 727 Link And Bearing Assembly	44	V 809 865 205 Hex Head Cap Screw
9	V 070 001 804 Pivot Weldment	30	V 070 002 728 Cam Link Bearing Assembly	45	V 810 233 080 Socket Head Cap Screw
10	V 070 001 807 Spring	31	V 070 002 732 Spring	46	V 810 239 120 Socket Head Cap Screw
11	V 070 001 871 Hex Head Cap Screw	32	V 070 002 733 Cam Link Screw	47	V 835 549 002 Hex Jam Nut
12	V 070 002 577 Stud	33	V 070 002 734 Bracket	48	V 835 550 002 Hex Jam Nut
13	V 070 002 578 Lever Assembly Spot	34	V 070 002 745 Flange Bushing	49	V 835 650 002 Hex Jam Nut
14	V 070 002 579 Finger Lever Assembly	34a	V 070 002 751 Respot Lever Pivot Pin 7 Side	50	V 839 533 002 Flexloc Nut
15	V 070 002 581 Tie Rod	35	V 070 002 781 Needle Bearing	51	V 839 539 002 Flexloc Nut
16	V 070 002 583 Actuating Link Assembly	36	V 070 002 816 Cam Follower	52	V 839 665 002 Flexloc Nut
17	V 070 002 584 Bell Crank Pin	36a	V 070 006 693 Shaft, Switch Assembly	53	V 840 066 002 Flexloc Nut
18	V 070 002 585 Shaft	36b	V 070 006 694 Spacer	54	V 840 600 002 Flexloc Nut
19	V 070 002 590 Finger Link	36c	V 070 006 695 Switch Assembly Bracket	55	V 843 140 002 Keps Nut
20	V 070 002 592 Pin	37	V 070 007 616 Pin 5/16"	56	V 844 049 002 Stover Lock Nut
21	V 070 002 594 Tie Rod Assembly	38	V 070 007 622 Lever Respot Assembly 5/16"	57	V 844 057 002 Stover Lock Nut
22	V 070 002 652 Sleeve Bushing			58	V 913 423 160 Roll Pin
23	V 070 002 653 Flange Bushing			59	V 963 200 002 X-Washer
24	V 070 002 680 Lever Respot Assembly 1/4"			60	V 963 400 002 X-Washer



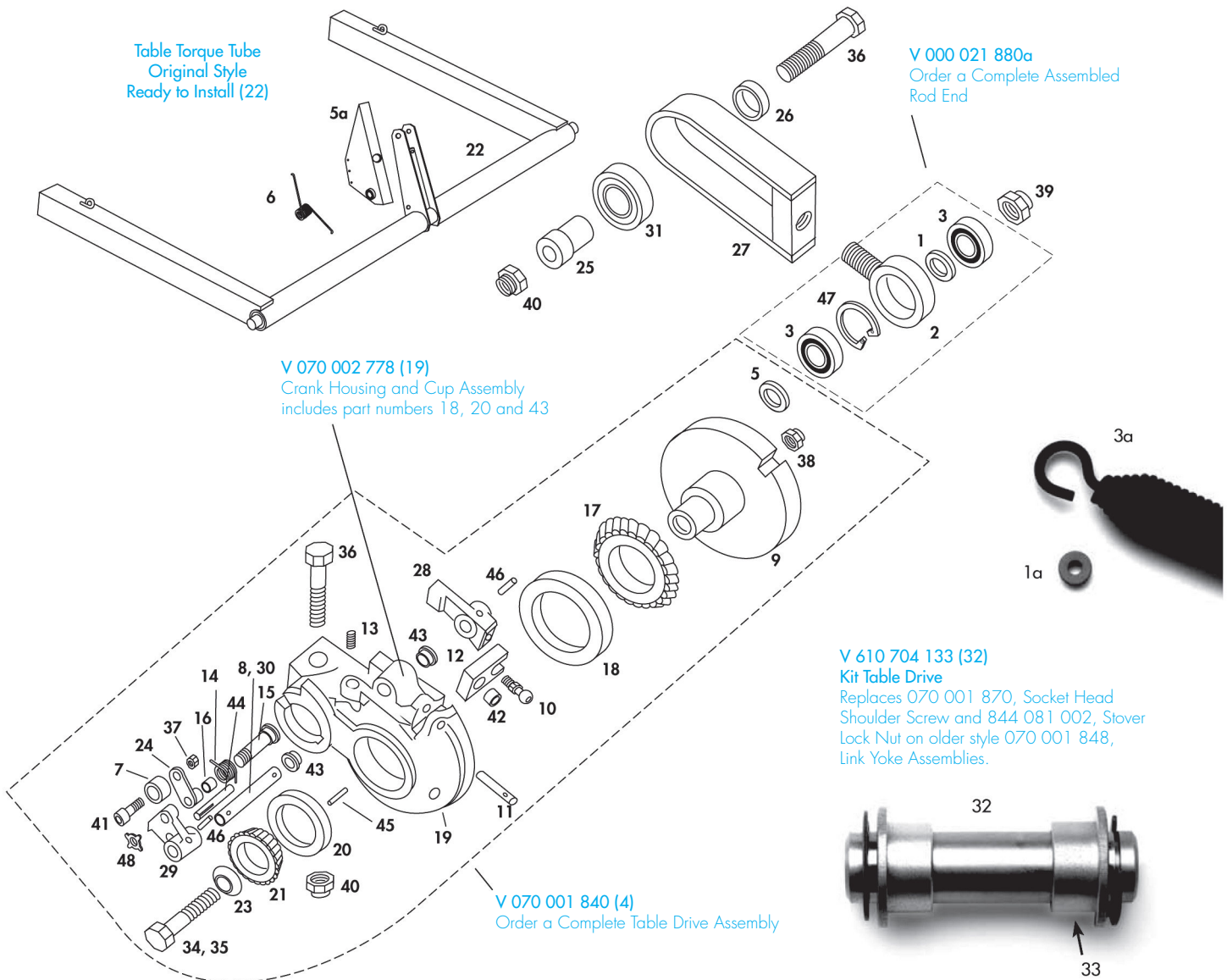


Part #	Description	Part #	Description	Part #	Description
1	V 000 021 575 Insulator	10	V 000 026 419 Housing Weldment	19	V 843 127 002 Keps Nut
2	V 000 021 645 Switch Lever Assembly	11	V 070 001 707 Spot Respot/ Arm Spring	20	V 843 133 002 Keps Nut
3	V 000 021 683 Bearing Retainer	11a	V 070 006 310 Spacer	21	V 880 239 140 Shoulder Screw
4	V 000 021 714 Adjusting Screw	12	V 070 006 493 Ball Joint Assembly	22	V 963 200 002 X-Washer
5	V 000 021 744 Self Aligning Bearing Assembly	13	V 070 006 765 Shaft Plate		
6	V 000 021 905 Bearing (W/Locking Collar)	13a	V 070 007 115 Receptacle		
7	V 000 024 657 Spring	14	V 744 203 014 Nyloclip		
8	V 000 026 042 Switch Table/ Sweep Cam	15	V 809 857 405 Hex Head Cap Screw		
9	V 000 026 401 Shaft	16	V 818 227 402 Round Head Sems Screw		
		17	V 818 233 082 Round Head Sems Screw		
		18	V 835 550 002 Hex Jam Nut		



Part #	Description	Part #	Description	Part #	Description
1	V 000 021 423 Collar (With Set Screw)	23	V 070 006 280 Spring Clip	45	V 090 005 723 Solenoid Insulated
1a	V 000 021 442 Rubber Washer (Seal Washer)	24	V 070 006 282 Spring Link	46	V 070 008 133 Spacer
2	V 000 021 645 Switch Lever Assembly	25	V 070 006 283 Spring	47	V 610 704 002 Kit Link Replacement
3	V 000 021 683 Bearing Retainer	25a	V 070 006 284 Clamp Stud	48	V 610 704 015 Cam Follower Assembly
4	V 000 021 905 Bearing (W/Locking Collar)	26	V 070 006 285 Shaft	49	V 701 416 058 Flange Bushing
5	V 000 023 139 Crank Arm	27	V 070 006 286 Shaft	50	V 807 357 040 Socket Head Set Screw
6	V 000 024 657 Spring	28	V 070 006 287 Pin	51	V 809 865 205 Hex Head Cap Screw
7	V 000 026 027 Solenoid 5/32" Plunger Hole 60 HZ	28a	V 070 006 289 Shaft Headed	52	V 809 873 405 Hex Head Cap Screw
8	V 000 026 042 Switch - Table/Sweep Cam	29	V 090 005 263 Connecting Rod Assembly	53	V 813 933 162 Hex Head Machine Screw
9	V 000 026 419 Housing Weldment	30	V 070 006 294 Bracket Casting	54	V 814 333 122 Hex Head Machine Screw
10	V 000 027 873 Solenoid 5/32" Plunger Hole 50 HZ	31	V 070 006 295 Lever	55	V 835 549 002 Hex Jam Nut
11	V 070 001 664 Clamp Stud	32	V 070 006 296 Washer Spring	56	V 835 566 002 Hex Jam Nut
12	V 070 001 699 Sweep Drive Shaft	33	V 070 006 297 Long Tube	57	V 840 065 002 Thin Flexloc Nut
13	V 070 001 774 Link Assembly	34	V 070 006 299 Tube Assembly	58	V 844 073 002 Stover Lock Nut
14	V 070 001 777 Pin	35	V 070 006 302 Tube Plug	59	V 880 239 140 Shoulder Screw
15	V 070 002 653 Flange Bushing	36	V 070 006 304 Rod Assembly	60	V 900 204 121 Flange Bushing
16	V 070 006 046 Rod End	37	V 070 006 306 Spring	61	V 900 210 161 Flange Bushing
17	V 070 006 116 Clamp Stud	38	V 070 006 307 Link Assembly	62	V 907 000 200 Key
18	V 070 006 142 Bumper	39	V 070 006 449 Cam Weldment, Sweep	63	V 907 000 900 Key
19	V 070 006 276 Spring	40	V 070 006 450 Cam Weldment, Sweep	64	V 913 415 100 Roll Pin
20	V 070 006 277 Washer	41	V 070 006 452 Sweep Cable-Sweep Cam Switch	65	V 913 448 120 Roll Pin
21	V 070 006 278 Cam Link	42	V 070 006 484 Stop Lever Assembly	66	V 913 464 400 Roll Pin
22	V 070 006 279 Solenoid Guard	43	V 070 006 724 Spring Link Outside	67	V 963 200 002 X-Washer
		44	V 070 006 726 Solenoid 1/4" Plunger Hole 60 HZ		

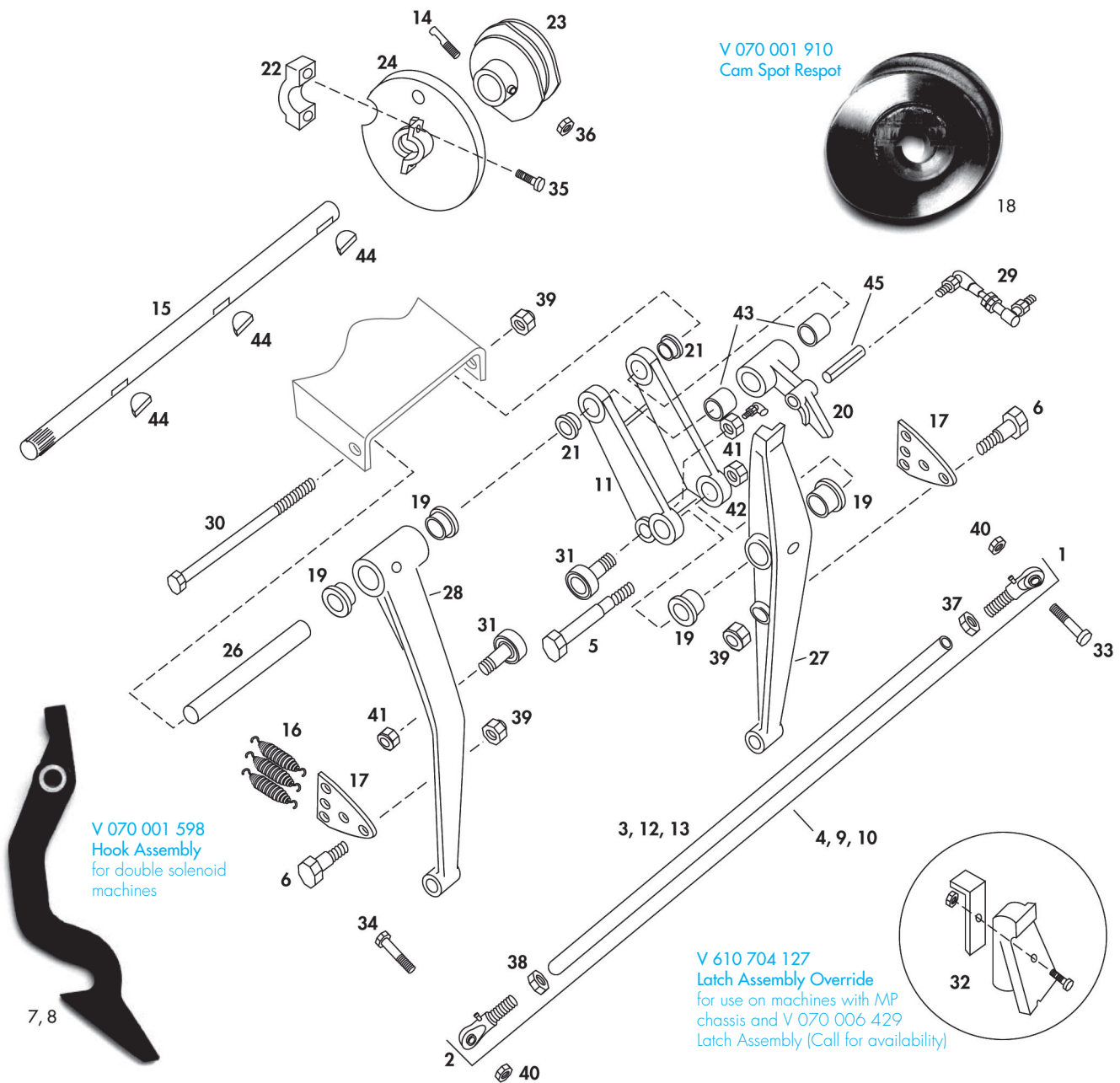
Bold faced parts denote a Vantage value added engineering improvement - contact your distributor for details.



Part #	Description
1	V 000 021 878 Spacer
1a	V 070 001 668 Roller
2	V 000 021 880 Rod End
2a	V 000 021 880a Assembled Rod End
3	V 000 021 881 Bearing
3a	V 000 022 782 Counter Balance Spring
4	V 070 001 840 Table Drive Assembly
5	V 070 001 849 Washer
5a	V 070 001 852 Lever Table Arm
6	V 070 001 853 Spring
7	V 070 001 857 Roller
7a	V 070 001 857L Special Dist. Roller
8	V 070 001 866 Pin 3/32 Roll Pin Holes
9	V 070 001 877 Table Drive Eccentric
10	V 070 001 893 Cam Ball Assembly
11	V 070 001 894 Pivot Pin
12	V 070 001 898 Latch
13	V 070 001 917 Spring

Part #	Description
14	V 070 001 931 Spring
15	V 070 001 932 Pin
16	V 070 002 652 Sleeve Bushing
17	V 070 002 776 Cone, Roller Bearing
18	V 070 002 777 Cup, Roller Bearing
19	V 070 002 778 Crank Housing and Cup Assembly
20	V 070 002 780 Cup, Roller Bearing
21	V 070 002 824 Cone and Seal
22	V 610 704 003 Torque Tube Yoke Conversion Kit
23	V 070 006 729 Disc Spring
24	V 070 007 250 Link Hub Assembly
25	V 070 007 310 Flange Bushing
26	V 070 007 311 Sleeve
27	V 070 007 755 Yoke Assembly
28	V 070 008 321 Arm Latch Assembly
29	V 070 008 322 Link
30	V 070 008 325 Pin 1/8 Roll Pin Holes

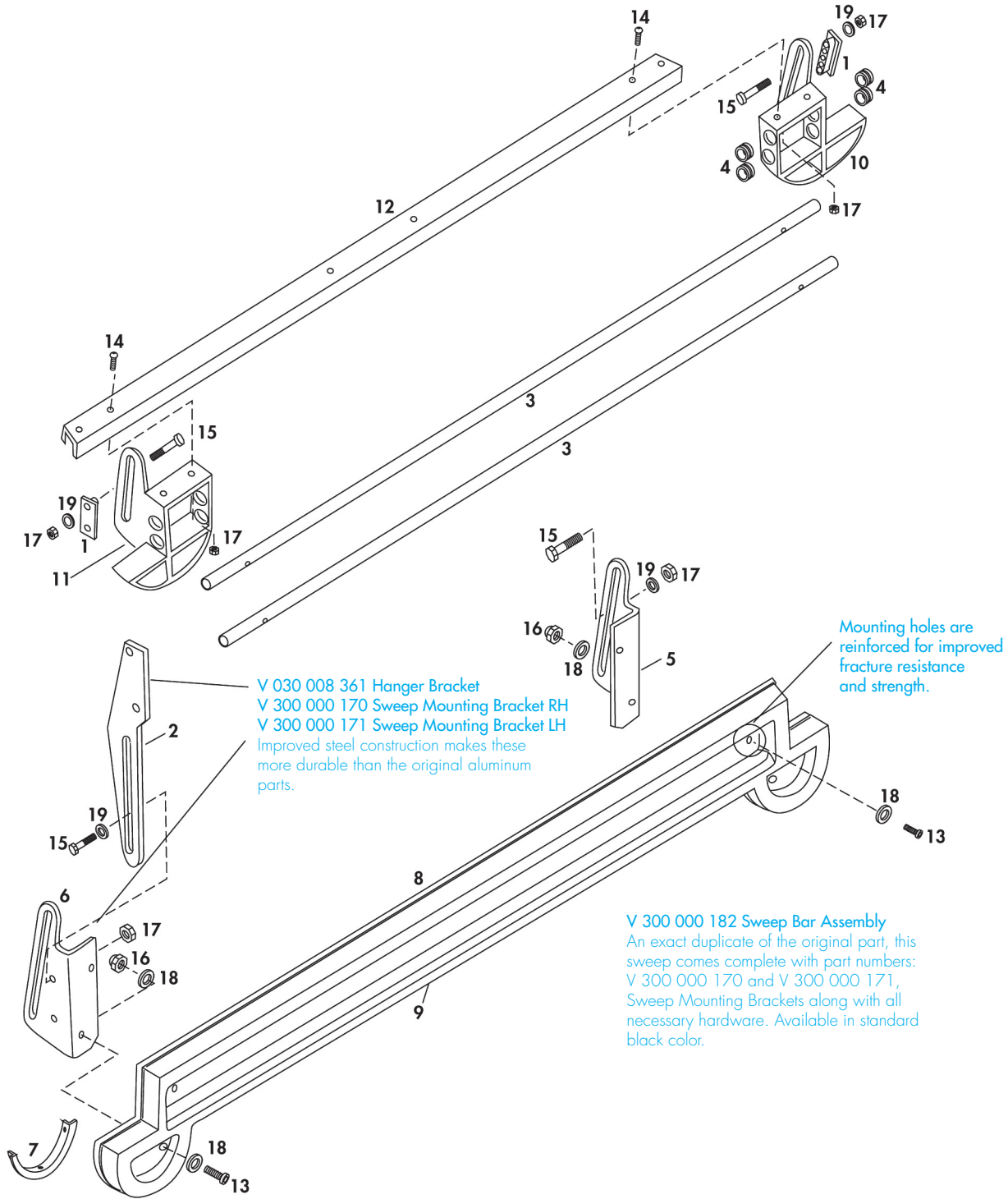
Part #	Description
31	V 190 001 490 Bearing
32	V 610 704 133 Kit Table Drive
33	V 610 704 133-B Bushing for Kit Table Drive
34	V 809 870 285 Hex Head Cap Screw
35	V 809 870 325 Hex Head Cap Screw
36	V 809 873 405 Hex Head Cap Screw
37	V 839 539 002 Flexloc Nut
38	V 840 070 002 Flexloc Nut
39	V 840 182 002 Thin Flexloc Nut
40	V 844 073 002 Stover Lock Nut
41	V 880 139 120 Shoulder Screw
42	V 900 104 071 Sleeve Bushing
43	V 900 205 053 Flange Bushing
44	V 912 137 200 Groove Pin
45	V 913 415 120 Roll Pin
46	V 913 423 120 Roll Pin
47	V 919 000 600 Retaining Ring
48	V 963 300 002 X-Washer



Part #	Description	Part #	Description	Part #	Description
1	V 000 025 004 End Fitting R.H.	16	V 070 001 707 Spot/Respot Arm Spring	33	V 809 869 245 Hex Head Cap Screw
2	V 000 025 005 End Fitting L.H.	17	V 070 001 751 Spring Hanger	34	V 809 869 285 Hex Head Cap Screw
3	V 070 001 557 Tie Rod	18	V 070 001 910 Cam Spot Respot	35	V 810 265 280 Socket Head Cap Screw
4	V 070 001 558 Table Tie Rod	19	V 070 001 919 Flange Bushing	36	V 835 549 002 Hex Jam Nut
5	V 070 001 585 Spot Link Pin	20	V 070 001 997 Alternate Latch Assembly	37	V 835 570 002 Hex Jam Nut
5a	V 070 001 562 Cap Cam Hub	21	V 070 002 691 Flange Bushing	38	V 835 670 002 Hex Jam Nut
6	V 070 001 587 Spring Hanger Pin	22	V 070 006 407 Cam Hub Cap	39	V 839 665 002 Flexloc Nut
7	V 070 001 591 Pin (Not Shown)	23	V 070 006 417 Cam Weldment, Table	40	V 844 069 002 Stover Lock Nut
8	V 070 001 598 Hook Assembly	24	V 070 006 427 Shuttle Cam	41	V 844 070 002 Stover Lock Nut
9	V 070 001 601 Respot Tie Rod	26	V 070 006 457 Spotting Arm Shaft	42	V 844 073 002 Stover Lock Nut
10	V 070 001 602 Spot Tie Rod	27	V 070 006 481 Spotting Arm Link Assy	43	V 900 110 141 Sleeve Bushing
11	V 070 001 605 Upper Spotting Link Assy	28	V 070 006 492 Respot Arm Link Assy	44	V 907 000 900 Key
12	V 070 001 606 Respot Tie Rod	29	V 070 006 493 Ball Joint Assembly	45	V 913 464 360 Roll Pin
13	V 070 001 607 Spot Tie Rod	30	V 070 006 496 Hex Head Cap Screw		
14	V 070 001 664 Clamp Stud	31	V 610 704 002 Cam Follower Assembly		
15	V 070 001 700 Table Drive Shaft	32	V 610 704 127 Latch Assembly Override		

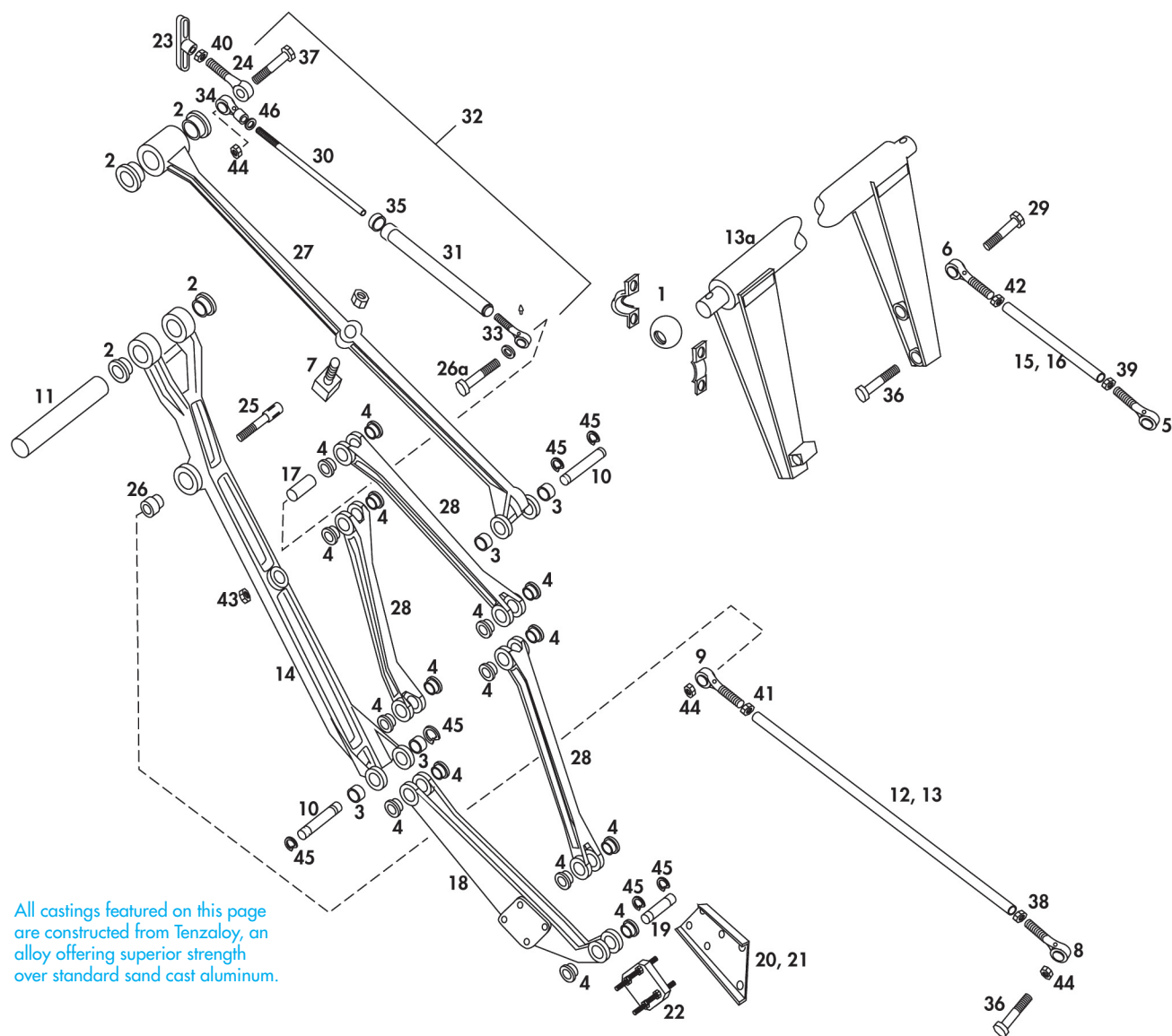


Sweep Bar Mounting Assembly



Part #	Description	Part #	Description	Part #	Description
1	V 000 023 182 Slide Bar	7	V 300 000 175 Cap Sweep Bar	15	V 809 857 245 Hex Head Cap Screw
2	V 030 008 361 Hanger Bracket	8	V 300 000 182 Sweep Bar Assembly	16	V 830 057 002 Acorn Nut
3	V 070 003 180 Tube	9	V 300 000 182-NB Sweep Bar Only	17	V 844 057 002 Stover Lock Nut
4	V 070 003 236 Grommet	10	V 610 700 079 Shield R.H. (10 pin)	18	V 948 722 111 Washer
5	V 300 000 170 Sweep Mounting Bracket R.H. (10 pin)	11	V 610 700 089 Shield L.H. (7 pin)	19	V 948 761 112 Washer
6	V 300 000 171 Sweep Mounting Bracket L.H. (7 pin)	12	V 610 700 099 Channel Sweep		
		13	V 808 557 140 Button Head Socket Screw		
		14	V 808 557 160 Button Head Socket Screw		

Bold faced parts denote a Vantage value added engineering improvement - contact your distributor for details.



All castings featured on this page are constructed from Tenzaloy, an alloy offering superior strength over standard sand cast aluminum.

Part #	Description	Part #	Description	Part #	Description
1	V 000 022 811 Pillow Block	14	V 070 003 158 Drive Link Assembly	30	V 070 007 276 Rod
1a	V 000 021 527 U-Bolt	15	V 070 003 159 Tube	31	V 070 007 278 Tube Weldment
1b	V 000 021 528 Saddle	16	V 070 003 162 Motor Connecting Rod	32	V 070 007 280 Link Assembly Telescoping Sweep
2	V 000 023 104 Flange Bushing	17	V 070 003 173 Sleeve Bushing	33	V 070 007 281 Rod End Male
3	V 000 023 105 Sleeve Bushing	18	V 070 003 184 Support Link Assembly	34	V 070 007 282 Rod End Female
4	V 000 023 114 Flange Bushing	19	V 070 003 189 Pin-Bearing	35	V 070 007 283 Bumper
5	V 000 023 160 End Fitting R.H.	20	V 070 003 190 Shock Bracket R.H.	36	V 809 869 365 Hex Head Cap Screw
6	V 000 023 161 End Fitting L.H.	21	V 070 003 191 Shock Bracket L.H. (Shown)	37	V 809 869 405 Hex Head Cap Screw
7	V 000 023 279 Urethane Sweep Bumper	22	V 070 003 195 Shock Mount	38	V 835 570 002 Hex Jam Nut
8	V 000 025 004 End Fitting R.H.	23	V 070 003 222 Shock Mounting Bracket	39	V 835 574 002 Hex Jam Nut
9	V 000 025 005 End Fitting L.H.	24	V 070 003 223 Threaded Link	40	V 835 582 002 Hex Jam Nut
10	V 070 003 103 Pin-Bearing	25	V 070 003 231 Pin Bearing	41	V 835 670 002 Hex Jam Nut
11	V 070 003 106 Shaft Main Pivot	26	V 070 003 234 Flange Bushing	42	V 835 674 002 Hex Jam Nut
12	V 070 003 115 Drive Link Connecting Rod	26a	V 070 003 235 Sweep Link Screw	43	V 839 665 002 Flexloc Nut
13	V 070 003 116 Tube	27	V 070 003 238 Stabilizing Link	44	V 844 069 002 Stover Lock Nut
13a	V 070 003 132 Sweep Rocker Arm Assembly	28	V 070 003 242 Link Assembly	45	V 919 010 700 Retaining Ring
		29	V 070 003 245 Screw	46	V 949 100 002 Washer

Bold faced parts denote a Vantage value added engineering improvement - contact your distributor for details.



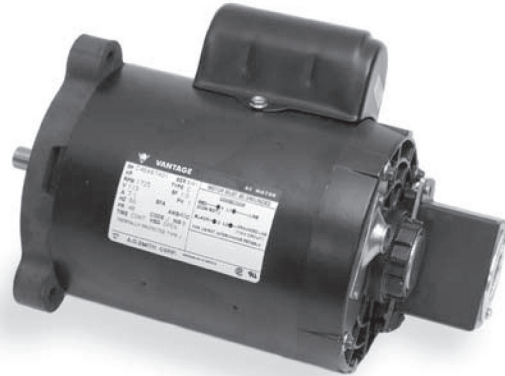
Replacement Motors for National Gearboxes

Vantage offers a wide variety of replacement motors for all National gearboxes. Consult the following chart to select the motor for your application.

Order Part Numbers:

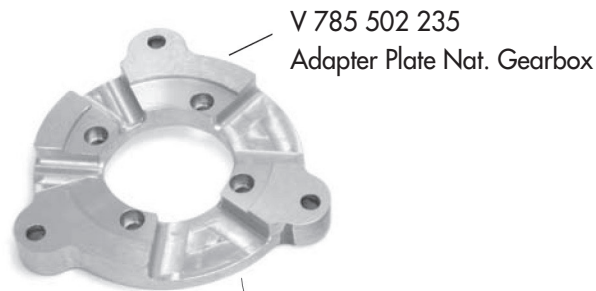
V785 502 233 National B.E. Motor 60HZ

V785 502 234 National B.E. Motor 50HZ

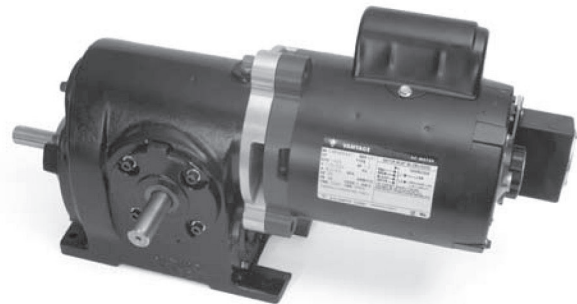
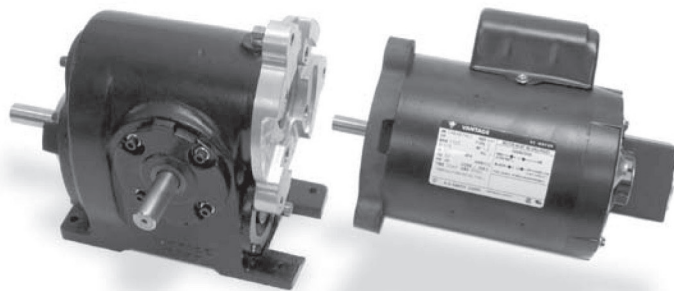
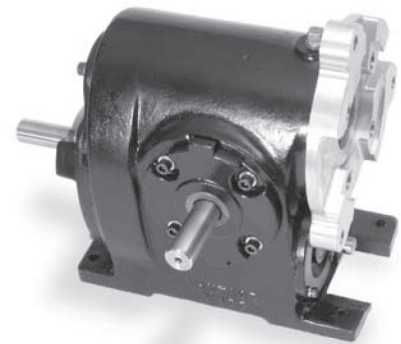


Vantage backend motors and gearboxes with vented, replaceable motor heads

New vented adaptor plates for the replaceable motor make the Vantage backend tops in cool operation, ease of maintenance, and service life. Order one today!



V 785 502 235
Adapter Plate Nat. Gearbox



Order Part Numbers:

V 070 006 213 Vantage B.E. Motor L.H. 50HZ

V 070 006 216 Vantage B.E. Motor R.H. 50HZ (shown)

V 610 704 045 Vantage B.E. Motor L.H. 60HZ (OBS)

V 610 704 047 Vantage B.E. Motor R.H. 60HZ (shown) (OBS)



Gearbox Kits

A Vantage Exclusive - "Special Blend" Gearbox Oil

V 280 "Special blend" Gearbox oil

The use of proper lubrication in all pinspotter gearboxes can reduce wear and extend service life. Just making sure gearboxes have oil is an absolute must. Vantage has specially compounded its new gearbox oil to deliver smooth, cool operation, under all bowling conditions. Conveniently packaged in 16 ounce bottles.



Now Everything you need to rebuild backend motors is contained in one, easy to install kit!



Each motor comes complete with worm gear installed to the length required in the gearbox. After installation the rotor and worm are checked for total indicated runout, (Tir) and corrected to within .001 of centerline for perfect, smooth operation.

Vantage makes backend gearbox maintenance and service simple by supplying the most common service components all in one easy to install kit. Parts are precision assembled at Vantage to exacting standards.

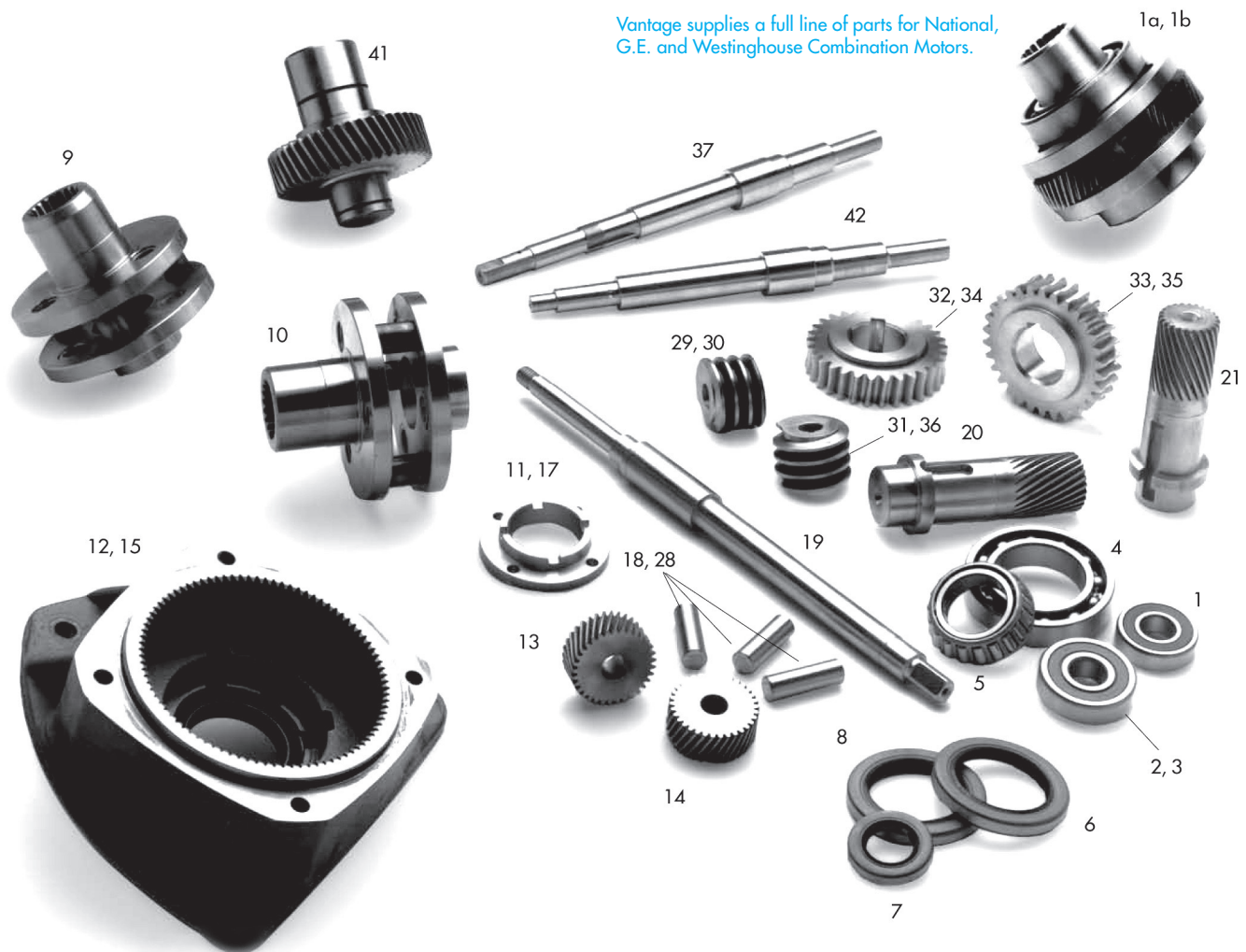
*** We Even Remembered To Send New Gearbox Oil!**

Order Part Numbers:

V 610 704 042	Kit Backend Motor Rebuild Kit L.H. 60HZ (OBS)
V 610 704 043	Kit Backend Motor Rebuild Kit R.H. 60HZ (OBS)
V 070 006 211	Kit Backend Motor Rebuild Kit L.H. 50HZ
V 070 006 212	Kit Backend Motor Rebuild Kit R.H. 50HZ (OBS)



Vantage supplies a full line of parts for National, G.E. and Westinghouse Combination Motors.



Part #	Description	Part #	Description	Part #	Description
1a V 218	Gear Cage Assembly WEST w/Cage, Helical Gears, Spindles & Bearings	14	Planet Gear GE 12.1&14.53RPM	31	Worm (14.5 RPM) - WEST
1b V 219	Gear Cage Assembly G.E. w/Cage, Helical Gears, Spindles & Bearings	15	Cover Flgd w/Ring Gear WEST	32	Worm Wheel - WEST 12.1 RPM
1 V 701 015 004	Wrm Shft OB Brng 12.1&14.53RPM-GE&WH	16	Expansion Plug G.E. - WEST*	33	Worm Wheel 14.5 RPM WEST
2 V 701 021 010	Bearing G.E.	17	Bearing Retainer - WEST	34	Wheel 12.1 RPM GE
3 V 701 021 014	Wrm Shft IB Brng 12.1&14.53RPM-GE&WH	18	Planet Gear Shaft - WEST	35	Wheel 14.53 RPM GE
4 V 701 077 015	Brng-Cage OB&IB 12.1&14.53RPM-GE&WH	19	Rotor Shaft - WEST	36	Worm (14.5 RPM) - GE
5 V 701 240 032	Brng Whl Shft OB&IB 12.1&14.53RPM-GE&WH	20	Sun Gear & Shaft - WEST	37	Shaft National Motor, Combo (OBS)
6 V 716 501 013	Seal OP Shaft G.E.	21	Wheel Shaft - G.E.	41	Gear and Shaft, Combo Motor
7 V 716 503 015	Oil Seal G.E. & WEST	21a	Shim*	42	Shaft National Motor, Back End (OBS)
8 V 716 503 020	Oil Seal WEST	21b	Shim Set Bearing Cap*	43	Cap Screw-Seal Cap G.E. & WEST *
9 V 785 501 048	Gear Cage WEST	23	Shims IB Wrm Brng 12.1&14.53RPM GE*	44	Flexloc Nut G.E. & WEST*
10 V 785 501 050	Cage w/Spndle Brgs GE	23a	Shims OB Wheel Bearing*	45	Key, Worm G.E. & WEST*
11 V 785 501 067	Cap-Worm Shaft Seal G.E.	24	Spacer Worm OB 12.1&14.53RPM GE*	46	Sun Gear Key*
12 V 785 501 094	Cover Flanged w/Ring Gear GE	25	Worm Spacer Small - WEST*	47	Key, Wheel G.E.*
13 V 785 501 134	Helical Gear - WEST	26	Spacer Worm IB 12.1&14.53RPM GE*	48	Lock Washer Seal Cap - G.E. & WEST *Not Shown
		27	Worm Spacer large - WEST*		
		28	Spindles 12.1 & 14.53 RPM GE		
		29	Worm (12.1 RPM) - WEST		
		30	Worm (12.1 RPM) - GE		

Bold faced parts denote a Vantage value added engineering improvement - contact your distributor for details.



Motors, Gearboxes & Stators for 82-70 Applications.

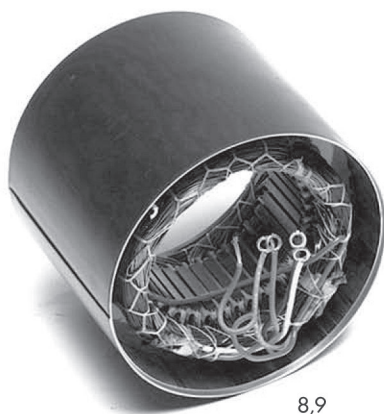
It's about time! The time it takes to send motors, gearboxes and other components in for exchange, replacement or repair. Now you can buy the assembly you need and install it yourself. No waiting, No downtime, No hassle!! Our gearbox is made at our plant in Denver, Colorado and assembled with components made in the USA

to original specifications. Our motors and stators are designed to interchange with Westinghouse original gearboxes and components, and are available in 110V/60HZ and 220V/50HZ.

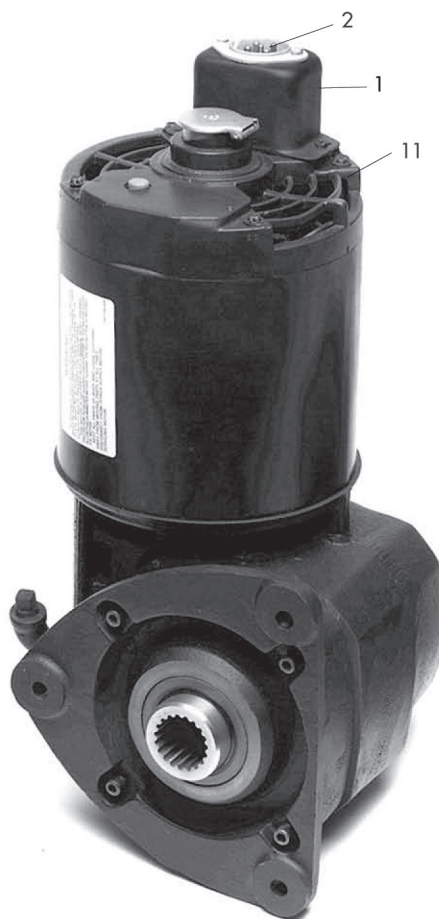
Complete Vantage gearboxes are also available in 110V/60HZ and 220V/50HZ in both 14.5 and 12.1 RPM outputs.



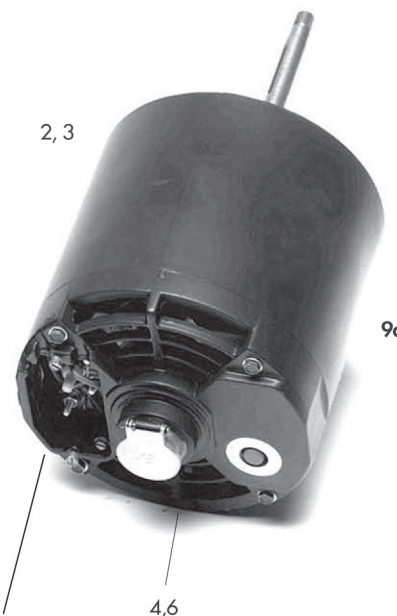
Motor Crank
V 030 003 943



8,9



3,10



Order Part #'s
(5) - V 070 100 508-P 115V/60HZ
(7) - V 070 100 509-P 230V/50HZ
With plug and receptacle attached.

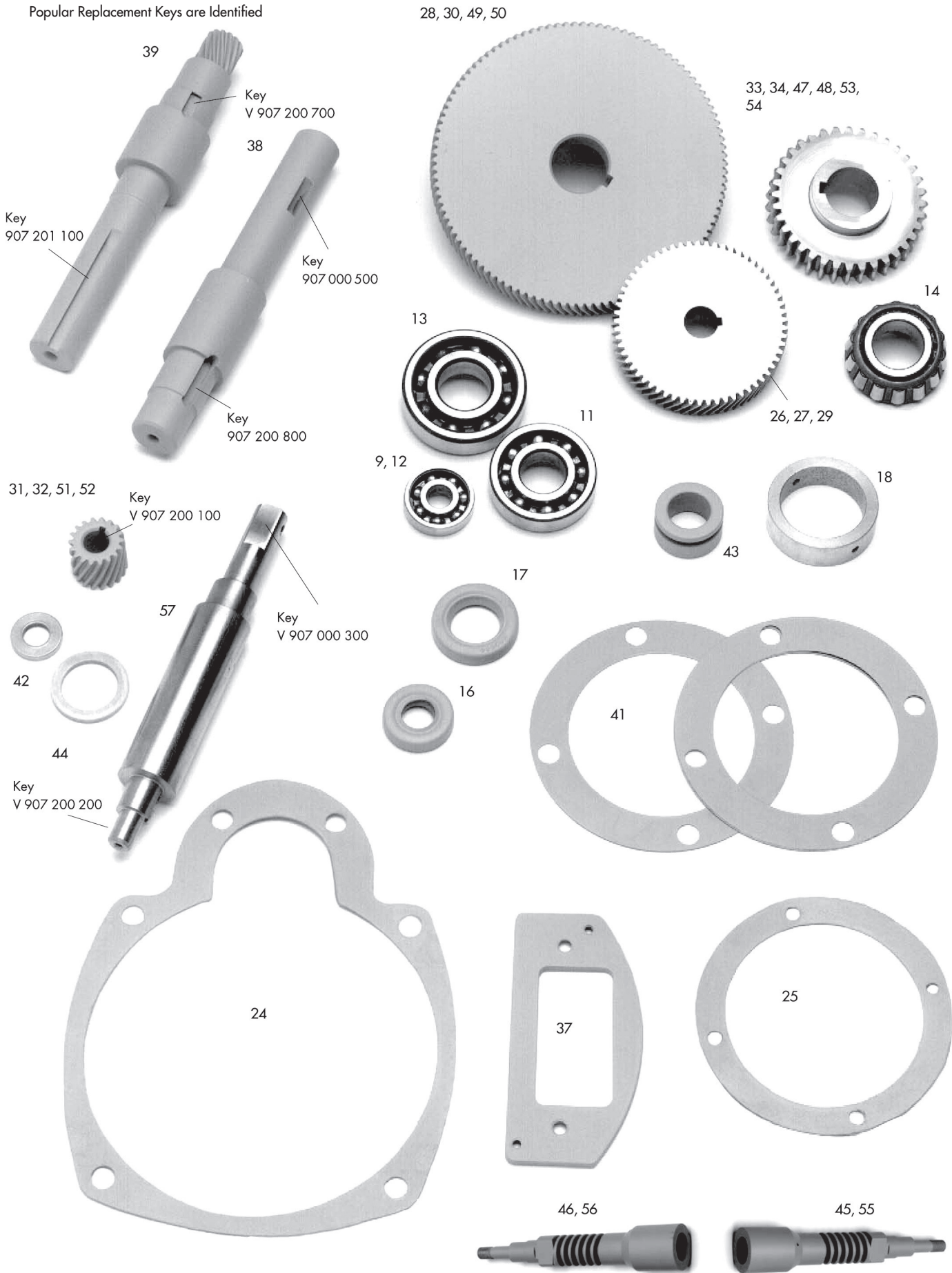
Part #	Description
1 V 000 025 590	Housing
2 V 000 027 655	Male Receptacle 5 Prong
3 V 070 006 219	Motor & Gearbox 230V/50HZ Combo, 14.5 RPM Output (OBS)
4 V 070 100 508	Motor 115V/60HZ Combo
5 V 070 100 508-P	Motor and Plug Assembly 115V/60HZ

Part #	Description
6 V 070 100 509	Motor 230V/50HZ Combo (OBS)
7 V 070 100 509-P	Motor and Plug Assembly 230V/50HZ
8 V 070 100 511	Stator Only 230V/50HZ Combo (OBS)
9 V 070 100 512	Stator Only 115V/60HZ Combo (OBS)
9a V 070 100 512 K	Stator & End Ball Kit 115V/60HZ (OBS)

Part #	Description
10 V 610 704 052	Motor & Gearbox 115V/60HZ Combo, 12.1 RPM Output
11 V 785 501 031	End Bell 70 Combo WEST

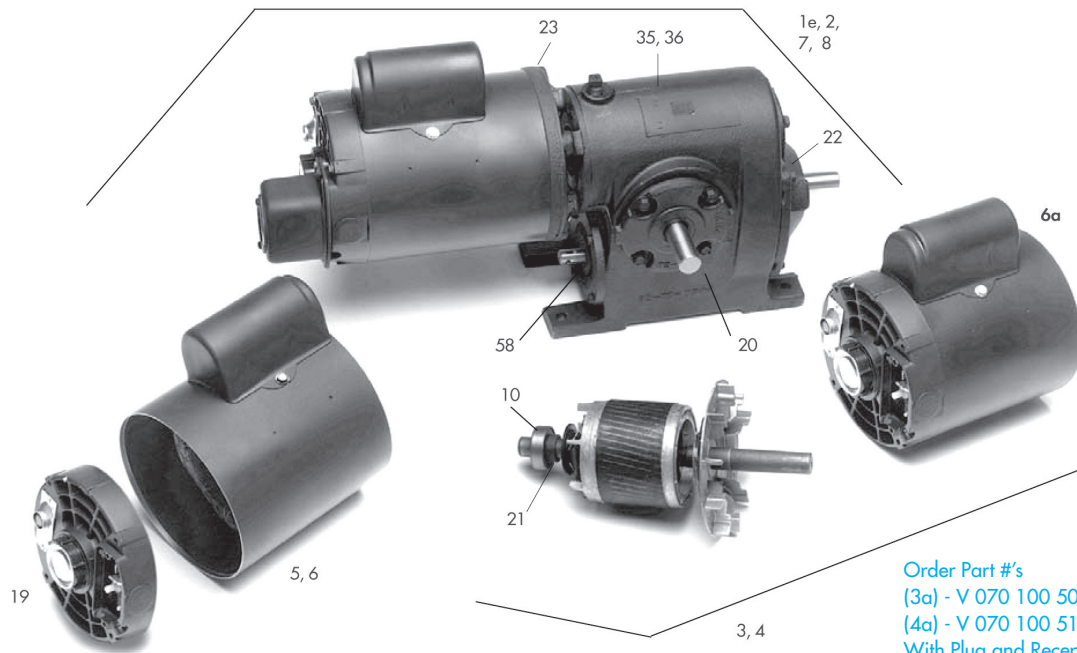


Popular Replacement Keys are Identified





Backend Motors, Gearboxes & Stators for 82-70 Westinghouse/ A. O. Smith Applications.

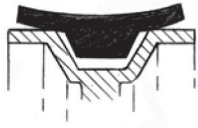


Order Part #'s
(3a) - V 070 100 507-P 230V/50HZ
(4a) - V 070 100 510-P 115V/60HZ
 With Plug and Receptacle Attached

Part #	Description	Part #	Description	Part #	Description
1	V 070 002 010 Drip Pan	12	V 701 025 003 Bearing	35	V 785 501 177 Housing R.H.
1a	V 070 002 074 Motor Mount Bracket R.H. Rear	13	V 701 025 011 Bearing	36	V 785 501 178 Housing L.H.
1b	V 070 002 084 Motor Mount Bracket R.H. Front	14	V 701 224 030 Bearing	37	V 785 501 208 Adaptor Plate
1c	V 070 002 212 Motor Mount Bracket L.H. Rear	15	V 716 501 009 Seal, Worm Shaft (Not Shown)	38	V 785 501 297 Shaft 50HZ & 60HZ G.E. & WEST
1d	V 070 002 214 Motor Mount Bracket L.H. Front	16	V 716 503 022 Seal	39	V 785 501 298 Wheel Shaft Output 50HZ & 60HZ
1e	V 070 006 211 B.E. Motor & Gearbox 50HZ L.H. (shown)	17	V 716 503 023 Seal	40	V 785 501 308 Shims, IB - Wheel Bearing*
2	V 070 006 212 B.E. Motor & Gearbox 50HZ R.H. (OBS)	18	V 785 501 014 Bushing - A.O. Smith	41	V 785 501 310 Shim Set OB Wheel Bearing
2a	V 070 006 230 New B.E. Motor Head RH 50 HZ.	19	V 785 501 015 End Bell - 70 B.E. A.O. Smith	42	V 785 501 331 Spacer, Distributor Output Shaft
2b	V 070 006 231 New B.E. Motor Head LH 50 HZ.	20	V 785 501 066 Wheel Cap	43	V 785 501 342 Spacer, Worm Shaft
3	V 070 100 507 Motor 230V/50HZ B.E.	21	V 785 501 079 Collar	44	V 785 501 398 Washer
3a	V 070 100 507P Motor and Plug Assembly 230V/50HZ	22	V 785 501 095 Cover	45	V 785 501 430 Gear, Worm & Shaft L.H. 60HZ (Even)
4	V 070 100 510 Motor 115V/60HZ B.E.	23	V 785 501 104 Adaptor	46	V 785 501 431 Gear, Worm & Shaft R.H. 60HZ (Odd)
4a	V 070 100 510P Motor and Plug Assy. 115V/60HZ	24	V 785 501 106 Gasket	47	V 785 501 434 Gear Wheel RH - WEST
5	V 070 100 513 Stator Only 230V/50HZ B.E.	25	V 785 501 108 Gasket - Distributor Cap	48	V 785 501 439 Gear Wheel LH - WEST
6	V 070 100 514 Stator Only 115V/60HZ B.E.	26	V 785 501 117 Gear Distributor Output Y17&Y18 G.E.	49	V 785 501 514 Gear, Offset Output L.H. 50HZ
6a	V 070 100 514-K Stator & End Bell Kit 115V/60HZ B.E.	27	V 785 501 122 Gear Distributor Output Y11&Y12 G.E.	50	V 785 501 515 Gear, Offset Output R.H. 50HZ
7	V 610 704 042 B.E. Motor & Gearbox 60HZ L.H. (shown) (OBS)	28	V 785 501 124 Gear - Offset Output R.H. 60HZ	51	V 785 501 516 Gear, Offset Pinion L.H. 50HZ
8	V 610 704 043 B.E. Motor & Gearbox 60HZ R.H. (OBS)	29	V 785 501 125 Gear Distributor Output - WEST 50HZ & 60HZ (OBS)	52	V 785 501 517 Gear, Offset Pinion R.H. 50HZ
9	V 701 011 003 Bearing Dist. Shaft IB	30	V 785 501 126 Gear, Offset Output L.H. 60HZ	53	V 785 501 525 Gear Wheel L.H. 50HZ
10	V 701 020 091 Bearing, Motor O.P.E.	31	V 785 501 131 Gear, Offset Pinion L.H. 60HZ	54	V 785 501 526 Gear Wheel R.H. 50HZ
11	V 701 021 008 Bearing	32	V 785 501 132 Gear, Offset Pinion R.H. 60HZ	55	V 785 501 551 Gear Worm & Shaft L.H. 50HZ
		33	V 785 501 146 Gear Wheel LH - G.E.	56	V 785 501 552 Gear Worm & Shaft R.H. 50HZ
		34	V 785 501 147 Gear Wheel RH - G.E.	57	V 785 501 621 Shaft Distributor Output - G.E. & WEST
				58	V 785 501 662 Cap, Distributor Output

*Part not shown

Bold faced parts denote a Vantage value added engineering improvement - contact your distributor for details.



Wrong #1

A wide deep pulley with a narrow shallow belt will cause a cupping effect to the belt. This will cause the "V" to separate from the flat part of the belt.



Wrong #2

A narrow shallow pulley with a wide deep belt will cause a crowning effect. This will cause the belts to run off the pulleys and throw bowling balls to one side or the other.

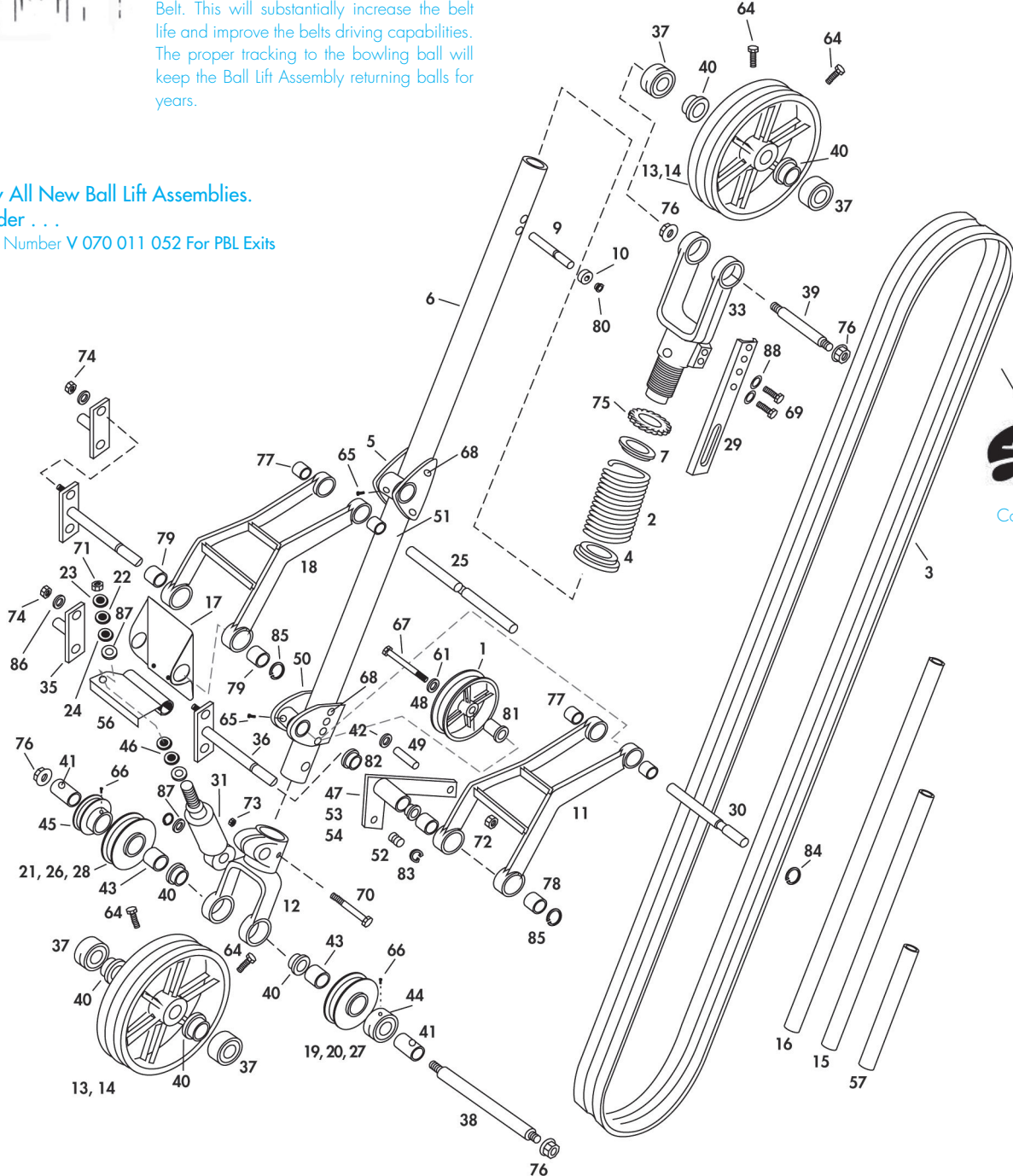
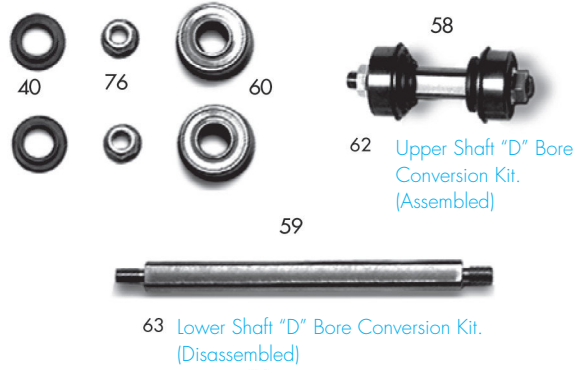


RIGHT

When the Pulleys and Ball Lift Belts are matched it allows for proper tracking of the Belt. This will substantially increase the belt life and improve the belts driving capabilities. The proper tracking to the bowling ball will keep the Ball Lift Assembly returning balls for years.

Buy All New Ball Lift Assemblies.
Order . . .
Part Number V 070 011 052 For PBL Exits

Frozen Bearings? Excessive Shaft Wear? Try Our "D" Bore Conversion Kits!



Consult page 6



Out Of Time? Here's A Solution For Quick Easy Ball Lift Maintenance... Pre-assembled Upper And Lower Yoke Assemblies.

Here's the solution, buy the Upper and Lower Yoke Assembly complete. Take the hassles out of trying to get these done when you're in a hurry, just replace it and go back and rebuild them when time permits. Great for those summer time projects.

Order Part Numbers:

V 000 024 659 A Lower Yoke Assembled - PBL's

V 000 024 659 AK Lower Yoke Assembled - KICKERS

V 070 001 995 A Upper Yoke Assembled - KICKERS & PBL



Part #	Description	Part #	Description	Part #	Description
1	V 000 021 408 Idler Pulley Assembly	32	V 030 008 780 Lower Shaft, 8 3/4" Long	61	V 146 005 277 Countersunk Washer
2	V 000 024 603 Spring	33	V 070 001 995 Yoke Upper	62	V 610 704 150 Upper Shaft "D" Bore Conversion Kit
3	V 000 024 604 Belt, Narrow Shallow Groove	33a	V 070 001 995A Upper Yoke Assembled - KICKERS & PBL	63	V 610 704 151 L Lower Shaft "D" Bore Conversion Kit
4	V 000 024 605 Lower Retainer	34	V 070 002 175 Lower Shaft, 8 1/2" Long	64	V 806 265 160 Square Head Set Screw
5	V 000 024 606 Support	34a	V 070 004 813 Not Available	65	V 807 265 060 Socket Head Set Screw
6	V 000 024 607 Tube	35	V 070 006 320 Shaft Ball Lift Adj, 9 1/2"-11"	66	V 807 265 080 Socket Head Set Screw
7	V 000 024 608 Upper Retainer	36	V 070 006 325 Shaft Ball Lift Fix, 9 1/2"-11"	67	V 808 849 565 Flat Head Socket Screw
8	V 000 024 645 Upper Shaft	37	V 070 006 699 Ball Bearing	68	V 809 849 365 Hex Head Cap Screw
9	V 000 024 648 Pivot Pin	38	V 070 006 746 Lower Shaft	69	V 809 865 165 Hex Head Cap Screw
10	V 000 024 650 Roller Assembly	39	V 070 006 747 Upper Shaft	70	V 809 865 445 Hex Head Cap Screw
11	V 000 024 651 Link Assembly Lower	40	V 070 006 748 Clutch Spacer	71	V 831 566 002 Hex Nut
12	V 000 024 659 Yoke Lower	41	V 070 006 749 Clutch Race	72	V 839 549 002 Flexloc Nut
12a	V 000 024 659A Lower Yoke Assembled - PBL's	42	V 070 007 192 Washer	73	V 839 665 002 Flexloc Nut
12b	V 000 024 659AK Lower Yoke Assembled - KICKERS	43	V 070 007 291 Clutch Bearing	74	V 840 057 002 Flexloc Nut
13	V 000 024 661 Belt Pulley for part (OBS-use V000024661-5)	44	V 070 008 210 Sheave	75	V 845 100 000 Bearing Locknut
14	V 000 024 661-5 Belt Pulley for part # 3	45	V 070 008 211 Sheave	76	V 856 070 002 Flange Nut
15	V 000 024 663 Upper Track Cover, Urethane	46	V 070 008 212 Spacer	77	V 900 110 121 Sleeve Bushing
16	V 000 024 663-4 Complete Track Cover 55" Long	47	V 070 008 215 Belt Tightener Weldment	78	V 900 112 161 Sleeve Bushing
17	V 000 024 716 Spring Holder	48	V 070 008 217 Spacer	79	V 900 112 203 Sleeve Bushing
18	V 000 024 720 Link Assembly Upper	49	V 070 008 218 Spacer	80	V 900 206 081 Flange Bushing
19	V 000 024 811 Ball Return Pulley 5" R.H.	50	V 070 011 002 Support	81	V 900 208 161 Flange Bushing
20	V 000 024 811-2 Sheave - Ball Lift 5"	51	V 070 011 004 Tube and Support Assembly	82	V 900 212 161 Flange Bushing
21	V 000 024 812 Ball Return Pulley 5" L.H.	52	V 070 011 040 Roller	83	V 919 005 200 Retaining Ring
22	V 000 027 996 Rubber Cushion	53	V 070 011 041 Belt Tightener Weldment Assembly	84	V 919 005 600 Retaining Ring
23	V 000 027 998 Retainer	54	V 070 011 042 Belt Tightener Assembly, Complete	85	V 919 005 800 Retaining Ring
24	V 000 028 057 Cushion Guide Retainer	55	V 070 011 052 Ball Lift Assembly	86	V 948 761 112 Washer
25	V 000 028 737 Pivot Shaft	56	V 070 011 289 Shock Absorber Bracket	87	V 948 983 212 Washer
26	V 000 028 771 Sheave-Ball Lift 4"	57	V 070 011 440 Lower Track Cover, Urethane	88	V 951 164 002 Lock Washer
27	V 000 028 772 Ball Return Pulley 4" R.H.	58	V 070 011 795 Upper Shaft "D" Bore		
28	V 000 028 773 Ball Return Pulley 4" L.H.	59	V 070 011 796 Lower Shaft "D" Bore		
29	V 000 029 613 Rail	60	V 070 011 797 "D" Bore Bearing		
30	V 000 029 660 Shaft - Ball Lift				
31	V 000 029 661 Shock Absorber				

Bold faced parts denote a Vantage value added engineering improvement - contact your distributor for details.



Vantage now has 8 Kicker Rollers and new reactive Resin Balls!

2 Formulas:

Black

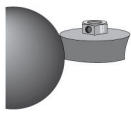
Red Blaster Red

High Friction surface to grip balls under all oiling conditions.
Soft enough to conform to the shape of any ball. Specially formulated.


for new "Reactive Resin" bowling balls.
Softest kicker rollers available, yet offer excellent wear.

And 5 Shapes:

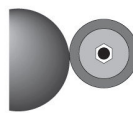
1 Full Contact
V 000 022 080-2 Black
V 000 022 080-6 "Red Blaster"



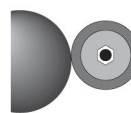
2 The Football
V 000 022 080-1 Black
V 000 022 080-5 "Red Blaster"




3 Traditional Round
V 000 022 080 Black
V 000 022 080-4 "Red Blaster"



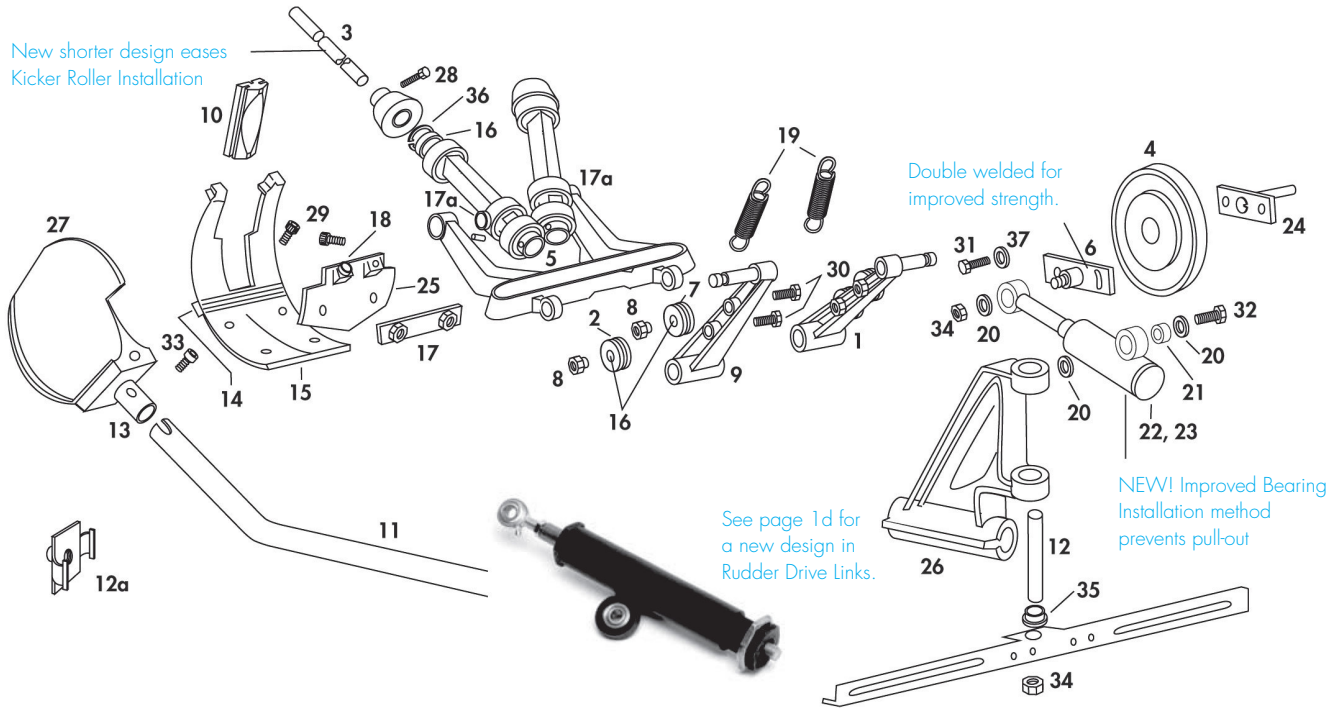
4 Fat Boy
V 000 022 080-9 Black
V 000 022 080-10 "Red Blaster"



5 Red Lighting
V 000 022 080-112 For Even Machines
V 000 022 080-111 For Odd Machines



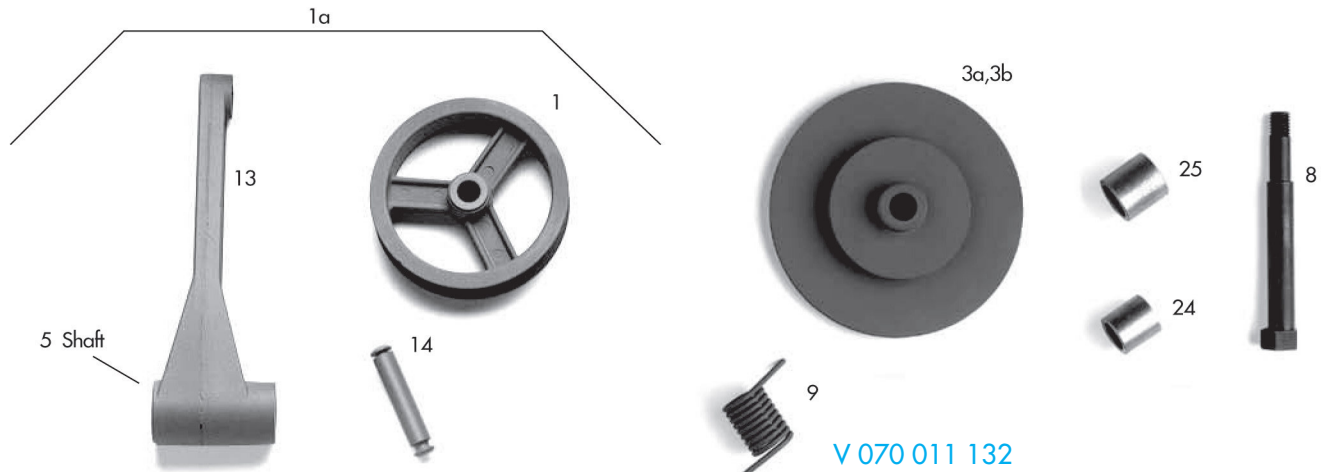
NEW!



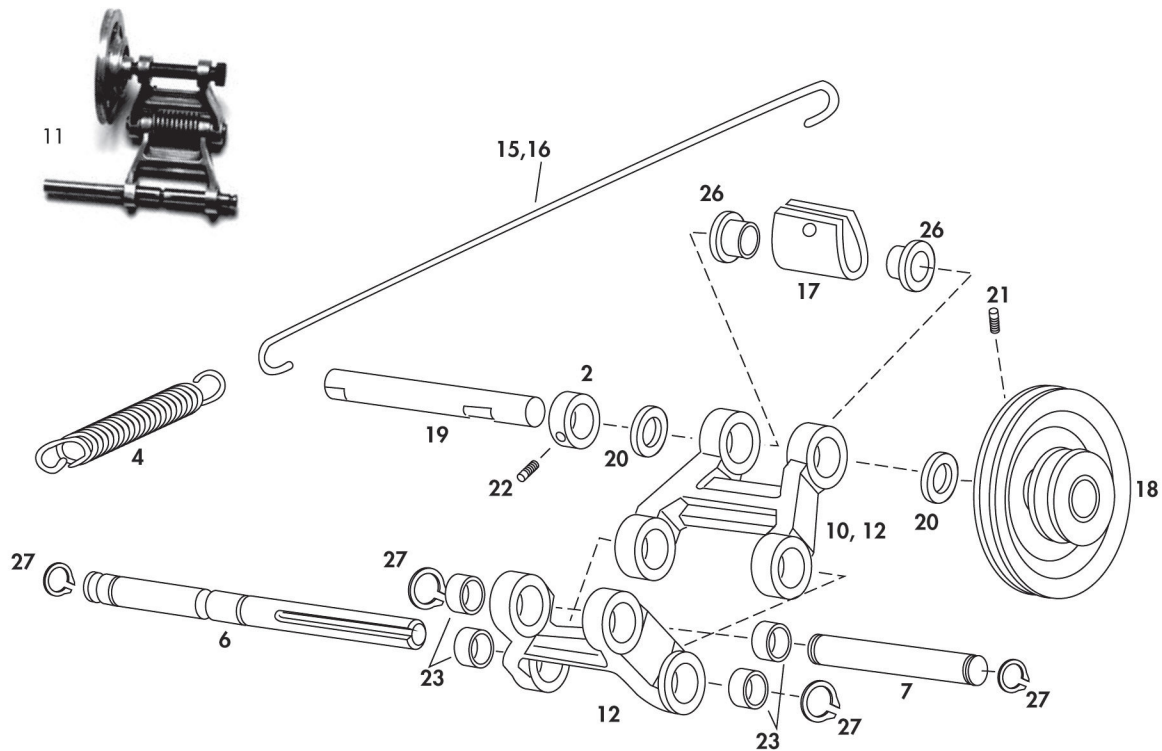
Part #	Description	Part #	Description	Part #	Description
1	V 000 021 407 Idler Arm Assembly R.H.	13	V 000 024 622 Plug	27	V 070 011 408 Urethane Paddle
2	V 000 021 417 Idler Roller Assembly, Flat Bottom	14	V 000 024 628 Ball Return Assembly Pad	28	V 806 657 080 Set Screw
3	V 000 022 077 Kicker Roller Drive Shaft	15	V 000 024 678 Front Filler Pad	29	V 808 957 160 Flat Head Socket Screw
4	V 000 022 079 Pulley	16	V 000 024 679 Bearing	30	V 809 849 145 Hex Head Cap Screw
5	V 000 022 082 Pulley	17	V 000 024 745 Nut Plate	31	V 809 857 205 Hex Head Cap Screw
6	V 000 022 092 Crank Plate Weldment	17a	V 000 025 621 Sleeve Bearing	32	V 809 865 245 Hex Head Cap Screw
7	V 000 022 096 Idler Roller Assembly, "V" Grooved	18	V 000 025 638 Bumper	33	V 809 865 405 Hex Head Cap Screw
8	V 000 022 173 Special Nut	19	V 000 029 601 Spring	34	V 839 665 002 Flexloc Nut
9	V 000 022 218 Idler Arm Assembly L.H.	20	V 000 029 611 Uniball Washer	35	V 900 212 201 Flange Bushing
10	V 000 024 612 Starter Pad	21	V 000 029 614 Uniball	36	V 919 005 600 Retaining Ring
11	V 000 024 614 Rudder Arm	22	V 000 029 671 Rudder Drive Link	37	V 948 761 112 Washer
12	V 000 024 615 Shaft	23	V 000 029 671-A Adjustable Rudder Drive Link		
12a	V 000 024 618 Nut Carriage Assembly	24	V 000 029 695 Crank Shaft Weldment		
		25	V 000 029 959 Rear Filler Pad		
		26	V 070 011 066 Rudder Arm Support		

Bold faced parts denote a Vantage value added engineering improvement - contact your distributor for details.

V 000 021 409 Belt Tightener Assembly



V 070 011 132
 Belt Tensioner Assembly for PBL Exits.(18a)
 Have a spare on hand for emergencies.



Part #	Description
1	V 000 021 408 Idler Pulley Assembly
1a	V 000 021 409 Belt Tightener Assembly
2	V 000 021 423 Collar (With Set Screw)
3a	V 000 022 063 Pulley
3b	V 000 022 064 Pulley Underdrive
4	V 000 026 031 Spring
5	V 000 029 603 Shaft for V 070 011 411 Idler Arm Assembly
6	V 000 029 605 Shaft
7	V 000 029 606 Pivot Shaft-Short
8	V 000 029 608 Shaft
9	V 000 029 609 Spring

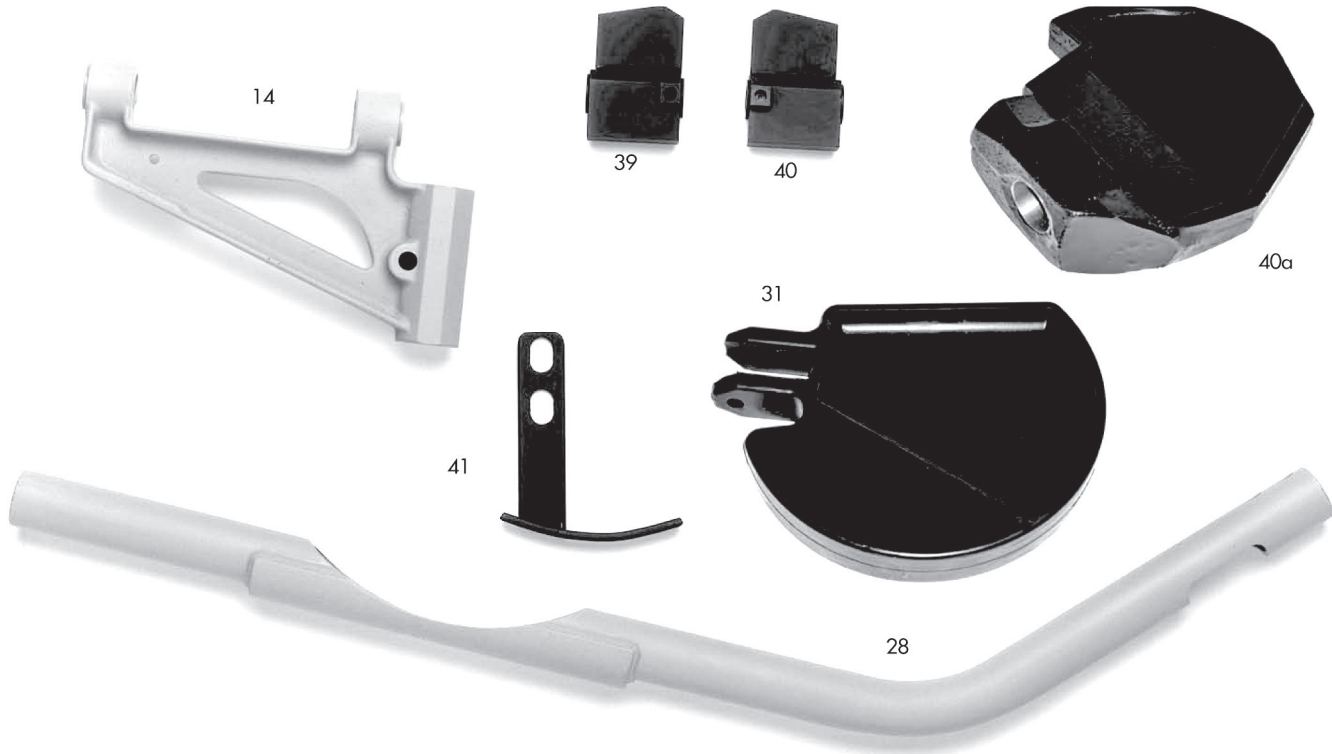
Part #	Description
11	V 000 029 657 Belt Tensioner Assembly for Kicker Exits
12	V 000 029 659 Hanger Arm Assembly
13	V 070 001 411 Idler Arm Assembly
14	V 070 002 072 Idler Shaft
15	V 070 011 034 Extension Rod
16	V 070 011 106 Spring Extension
17	V 070 011 109 Spring Clip
18	V 070 011 131 Pulley
18a	V 070 011 132 Belt Tensioner Assy. for PBL Exits
19	V 070 011 133 Shaft

Part #	Description
20	V 701 320 045 Thrust Washer
21	V 807 257 060 Socket Head Set Screw
22	V 807 357 040 Socket Head Set Screw
23	V 900 110 081 Sleeve Bushing
24	V 900 110 141 Sleeve Bushing, for old style Belt Tensioners
25	V 900 110 161 Sleeve Bushing, for old style Belt Tensioners
26	V 900 210 101 Flange Bushing
27	V 919 005 600 Retaining Ring

Bold faced parts denote a Vantage value added engineering improvement - contact your distributor for details.



Vantage Makes All the Parts You Need to Service Light Ball Sensors

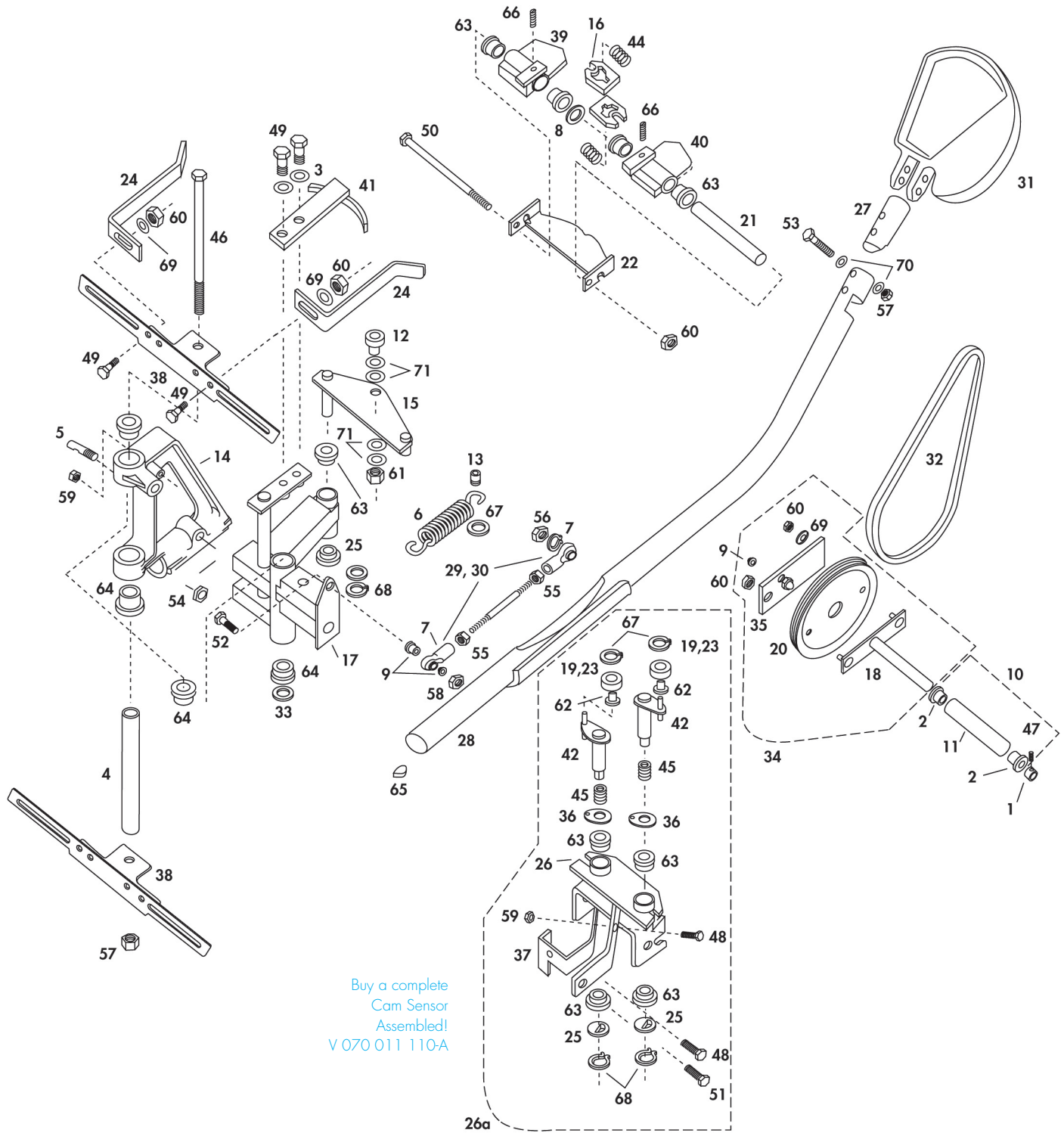


Part #	Description
1	V 000 021 423 Collar (With Set Screw)
2	V 000 021 427 Flange Bushing
3	V 000 022 869 Washer
4	V 000 024 615 Shaft
5	V 000 024 616 Clamp Stud
6	V 000 026 031 Spring
7	V 000 026 446 Rod End
8	V 000 027 264 Spacer
9	V 000 029 611 Uniball Washer
10	V 000 029 696 Tube Adjustment Assembly
11	V 000 029 697 Tube
12	V 070 006 728 Cam Follower
13	V 070 011 040 Roller
14	V 070 011 066 Rudder Arm Support Assembly
15	V 070 011 068 Link Weldment
16	V 070 011 077 Trip Finger
17	V 070 011 080 Rudder Drive Assembly
18	V 070 011 092 Crank Shaft Weldment
19	V 070 011 096 Roller
20	V 070 011 097 Crank Pulley
21	V 070 011 098 Sleeve
22	V 070 011 099 Cam
23	V 070 011 105 Roller Assembly
24	V 070 011 107 Trip Arm
25	V 070 011 108 Washer
26	V 070 011 110 Cam Sensor Assembly

Part #	Description
26a	V 070 011 110-A Cam Sensor Assembled
27	V 070 011 121 Plug
28	V 070 011 122 Rudder Arm
29	V 070 011 123 Rod Assembly
30	V 070 011 124 Rod
31	V 070 011 146 PBL Paddle
32	V 070 011 147 PBL Rudder Drive 38"
33	V 070 011 151 Spacer Rudder Drive
34	V 070 011 178 Rudder Drive Crank Assembly
35	V 070 011 225 Crank Adjustment Plate Weldment
36	V 070 011 273 Tab
37	V 070 011 299 Brace Sensor
38	V 070 011 319 Rudder Arm Support
39	V 070 011 406 Rudder Cam Weldment Assembly R.H.
40	V 070 011 407 Rudder Cam Weldment Assembly L.H.
40a	V 070 011 408 Urethane paddle
41	V 070 011 418 Cam Weldment
42	V 070 011 626 Trip Arm Assembly
43	V 610 700 122 Light Ball Sensor Assembly
44	V 722 971 522 Spring
45	V 722 985 512 Spring
46	V 802 865 996 Hex Head Bolt
47	V 807 357 040 Socket Head Set Screw

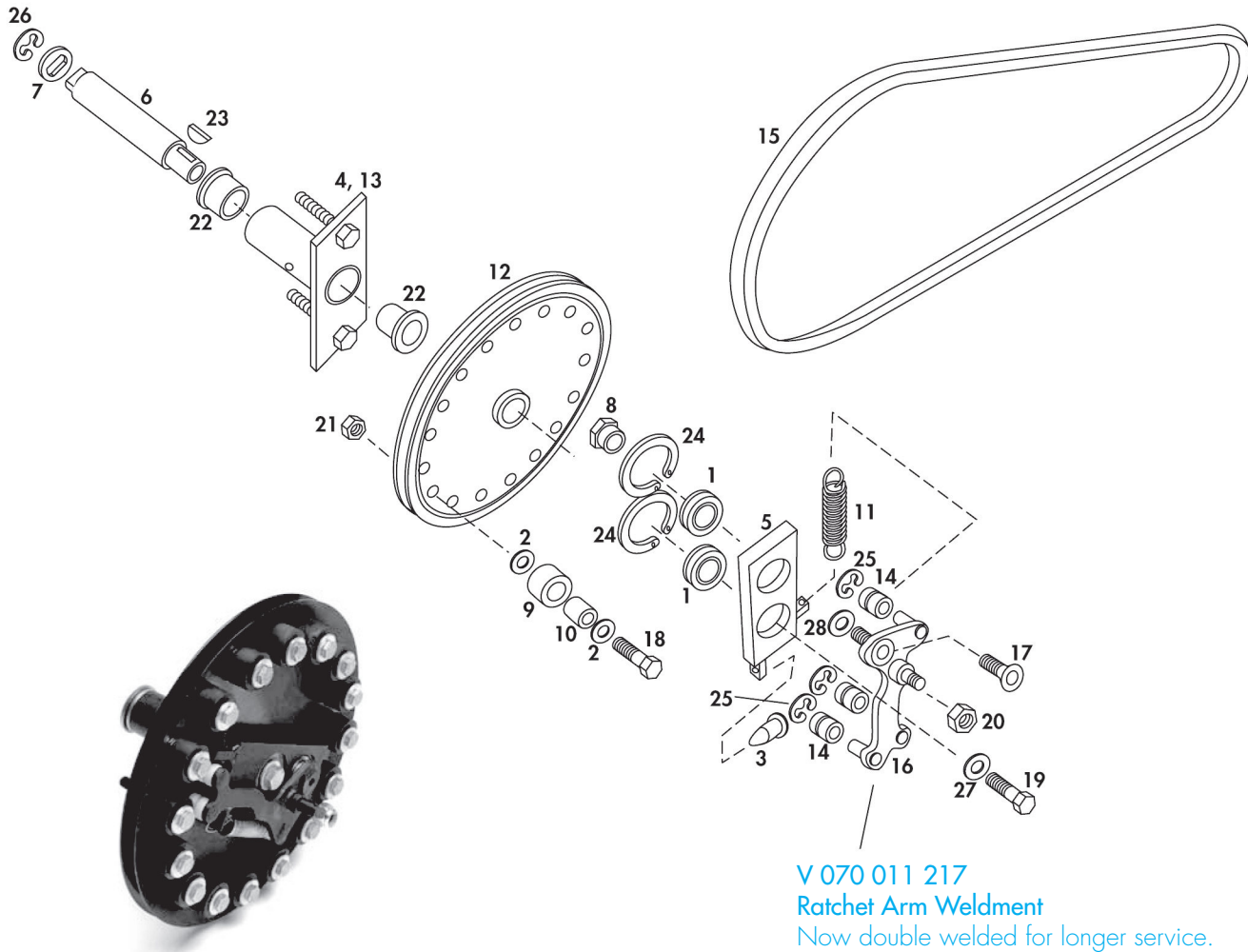
Part #	Description
48	V 809 849 145 Hex Head Cap Screw
49	V 809 857 165 Hex Head Cap Screw
50	V 809 857 880 Hex Head Cap Screw
51	V 809 865 165 Hex Head Cap Screw
52	V 809 865 205 Hex Head Cap Screw
53	V 809 865 405 Hex Head Cap Screw
54	V 831 573 002 Hex Nut
55	V 835 566 002 Hex Jam Nut
56	V 838 866 002 Flexloc Nut
57	V 839 565 002 Flexloc Nut
58	V 840 065 002 Thin Flexloc Nut
59	V 844 049 002 Stover Lock Nut
60	V 844 057 002 Stover Lock Nut
61	V 844 070 002 Stover Lock Nut
62	V 900 205 081 Flange Bushing
63	V 900 208 091 Flange Bushing
64	V 900 212 201 Flange Bushing
65	V 907 000 900 Key
66	V 913 448 120 Roll Pin
67	V 919 005 200 Retaining Ring
68	V 919 005 500 Retaining Ring
69	V 948 761 112 Washer
70	V 948 767 132 Washer
71	V 949 100 002 Washer

Bold faced parts denote a Vantage value added engineering improvement - contact your distributor for details.



Buy a complete
Cam Sensor
Assembled!
V 070 011 110-A

**Order A Complete Assembly, Ready To Install
V 610 700 122 Light Ball Sensor Assembly**



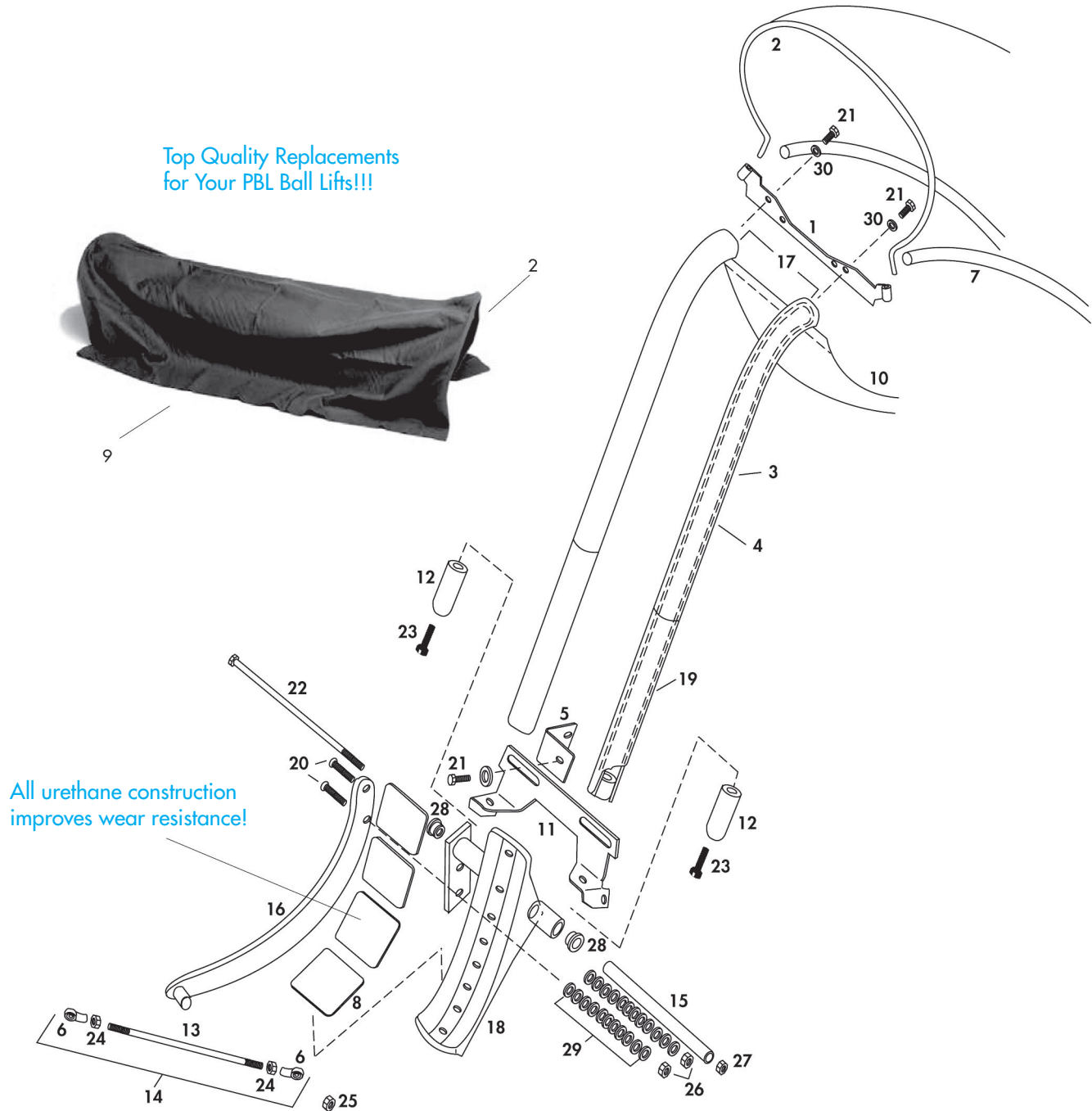
Buy a complete Ratchet Drive Assembly
order Part # V 070 011 039

Part #	Description	Part #	Description	Part #	Description
1	V 000 024 679 Bearing	12	V 070 011 033 Pulley Ratchet	21	V 839 549 002 Flexloc Nut
2	V 000 026 865 Washer	13	V 070 011 036 Bearing and Housing Assembly	22	V 900 212 161 Flange Bushing
3	V 070 006 142 Bumper	13a	V 070 011 039 Ratchet Drive Assembly	23	V 907 000 200 Key
4	V 070 011 009 Housing	14	V 070 011 040 Roller	24	V 919 000 600 Retaining Ring
5	V 070 011 013 Crank Weldment	15	V 070 011 064 PBL Ratchet Drive 45"	25	V 919 005 200 Retaining Ring
6	V 070 011 027 Shaft-Ratchet Assembly	16	V 070 011 217 Ratchet Arm Weldment	26	V 919 005 800 Retaining Ring
7	V 070 011 028 Washer	17	V 808 865 140 Flat Head Socket Screw	27	V 948 767 132 Washer
8	V 070 011 029 Nut Ratchet	18	V 809 849 205 Hex Head Cap Screw	28	V 948 964 142 Washer
9	V 070 011 030 Roller	19	V 809 965 125 Hex Head Cap Screw		
10	V 070 011 031 Spacer-Roller	20	V 838 866 002 Flexloc Nut		
11	V 070 011 032 Spring				

Bold faced parts denote a Vantage value added engineering improvement - contact your distributor for details.



Top Quality Replacements
for Your PBL Ball Lifts!!!



All urethane construction
improves wear resistance!

Part #	Description	Part #	Description	Part #	Description
1	V 000 021 813 Wiper Support	11	V 070 008 191 Bracket	22	V 809 865 992 Hex Head Cap Screw
2	V 000 021 814 Ring	12	V 070 011 018 Ball Guide	23	V 810 365 401 Socket Head Cap Screw Long Loc
3	V 000 024 663 Upper Track Cover, Urethane	13	V 070 011 048 Rod	24	V 835 566 002 Hex Jam Nut
4	V 000 024 666 Track Rail Weldment	14	V 070 011 049 Rod Assembly	25	V 838 866 002 Flexloc Nut
5	V 000 024 668 Track Support Bracket Weldment	15	V 070 011 063 Shaft	26	V 844 057 002 Stover Lock Nut
6	V 000 026 446 Rod End	16	V 070 011 218 Lever Arm Weldment	27	V 844 065 002 Stover Lock Nut
7	V 000 029 629 Downsweep Weldment	17	V 070 011 279 Track Assembly	28	V 900 210 161 Flange Bushing
8	V 070 002 784 Spotting Cup Liner	18	V 070 011 412 PBL Lift Arm Assembly	29	V 948 767 132 Washer
9	V 070 004 669 Ball Wiper Cloth	19	V 070 011 440 Lower Track Cover, Urethane	30	V 951 164 002 Lockwasher
10	V 070 004 670 Dust Trap Lower	20	V 808 857 280 Flat Head Socket Screw		
		21	V 809 865 165 Hex Head Cap Screw		

Bold faced parts denote a Vantage value added engineering improvement - contact your distributor for details.



Part # Description

Springs for 82-30 Applications

1	V 000 021 204	Spring
2	V 000 021 431	Spring - Switch Lever
	V 000 022 168	Spring
	V 000 024 657	Spring
	V 000 024 673	Spring
3	V 000 026 031	Spring - Belt Tensioner
4	V 000 026 032	Spring - Lateral Drive
5	V 000 028 237	Spring - Assembly Clutch
	V 000 029 202	Spring - Pin Elevator Wick
6	V 000 029 508	Spring - Respot Switch
	V 000 029 601	Spring - Ball Kicker
	V 000 029 609	Spring
	V 030 003 227	Spring - Latch Assembly
	V 030 003 248	Spring Pin Assembly - Clamp
	V 030 003 449	Spring Index
	V 030 003 451	Spring - Respot Latch
	V 030 003 903	Spring - Gate Assembly

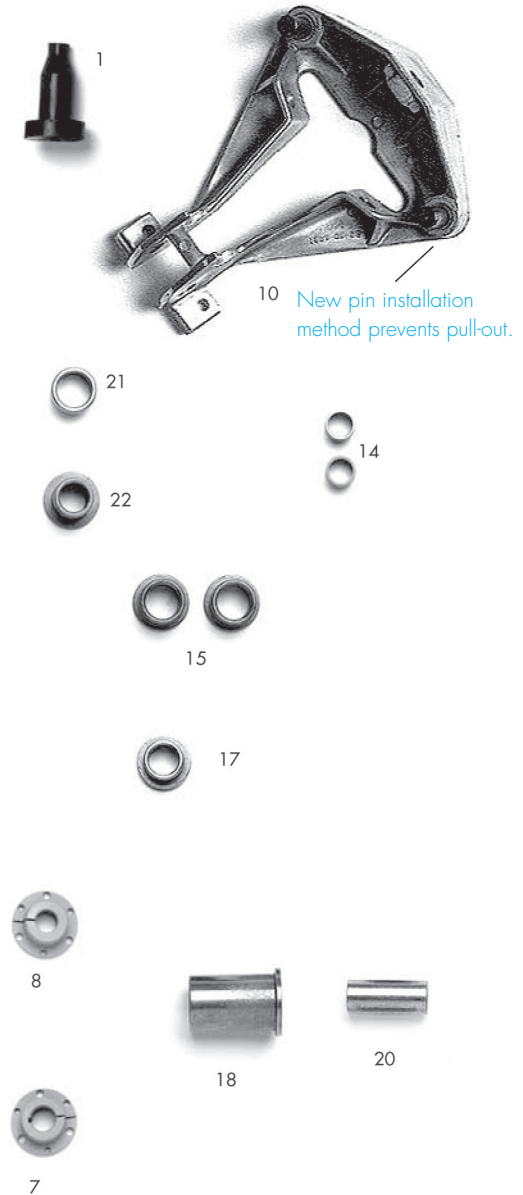
82-30 Pin Elevator Replacements



Part # Description

Pin Elevator		
1	V 000 028 362	Plug
3	V 030 001 121	Bushing (OBS)
4	V 030 001 690	Stud
5	V 030 001 694	Washer
6	V 030 004 517	Bushing
7	V030 006 456	Carpet Roller Hub 7/8"
8	V 030 006 457	Carpet Roller Hub 3/4"
9	V 030 006 622	Ring Weldment
10	V 030 006 631	Housing

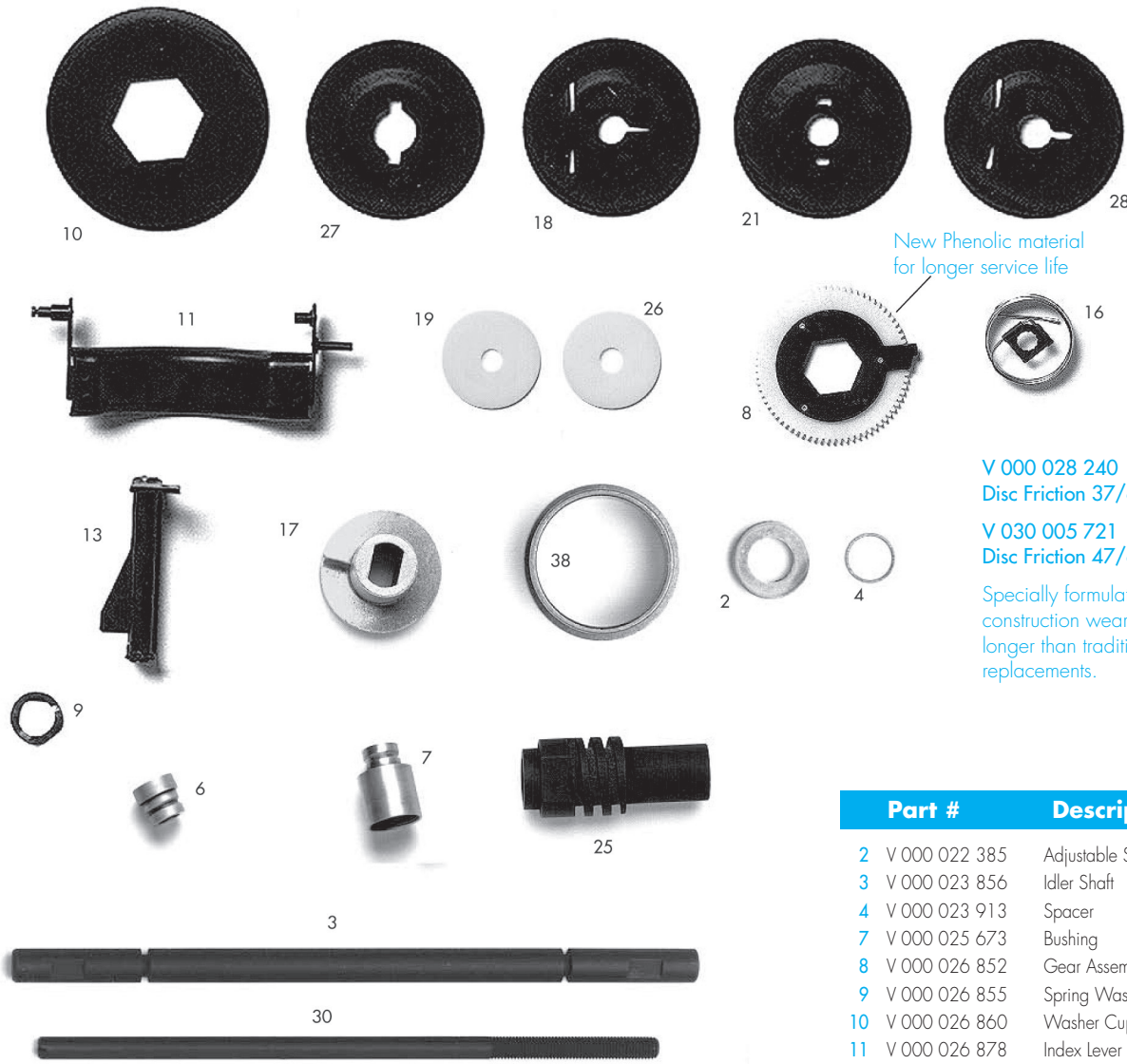
Top Quality Replacements for 82-30 Housing Assemblies



Part # Description

12	V 030 006 663	Roller
14	V 030 007 850	Sleeve Bushing
15	V 030 008 166	Flange Bushing
17	V 701 411 086	Flange Bushing
18	V 701 416 087	Flange Bushing
19	V 900 105 061	Sleeve Bushing
20	V 900 105 161	Sleeve Bushing
21	V 900 106 041	Sleeve Bushing
22	V 900 205 061	Flange Bushing

Bold faced parts denote a Vantage value added engineering improvement - contact your distributor for details.



New Phenolic material for longer service life

V 000 028 240
Disc Friction 37/64" I.D.

V 030 005 721
Disc Friction 47/64" I.D.

Specially formulated polymer construction wears and lasts longer than traditional fiber replacements.

Part #	Description
--------	-------------

2	V 000 022 385 Adjustable Spacer/
3	V 000 023 856 Idler Shaft
4	V 000 023 913 Spacer
7	V 000 025 673 Bushing
8	V 000 026 852 Gear Assembly
9	V 000 026 855 Spring Washer
10	V 000 026 860 Washer Cup
11	V 000 026 878 Index Lever Assembly
13	V 000 027 403 Trip Lever Assembly
16	V 000 028 237 Spring
17	V 000 028 238 Friction Plate Cam
18	V 000 028 239 Clutch Plate
19	V 000 028 240 Disc Friction 37/64" Hole Diameter
21	V 000 028 316 Clutch Plate 37/64" Hole Diameter
23	V 030 005 660 Belt Pin
24	V 030 005 661 Belt Lacing
25	V 030 005 670 Worm Clutch
26	V 030 005 721 Disc Friction 47/64" Hole Diameter
27	V 030 005 722 Friction Flange 47/64" Hole Diameter
28	V 030 005 723 Friction Flange 1/2" Hole Diameter
30	V 030 007 133 Shaft
31	V 030 007 633-U Ultra High Grip Dist. Belt
32	V 030 007 633-C Standard Dist. Belt
33	V 030 007 633-R Rough Top Dist. Belt
38	V 701 436 064 Flange Bushing

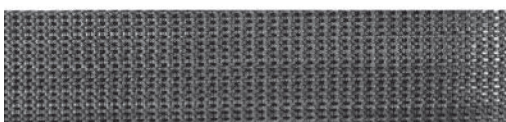


Distributor Belts

V 030 007 633-U
Ultra High Grip
Distributor Belt (31)
High grip design offers a "sticky" surface that grabs and moves pins NOW!



V 030 007 633-C
Standard Distributor Belt (32)
Standard, durable construction. Lower cost. Each comes packed in roll form with clippers and pins.



V 030 007 633-R
Rough Top Distributor Belt (33)
Rough top design features an aggressive tread (shown) for a high friction surface.

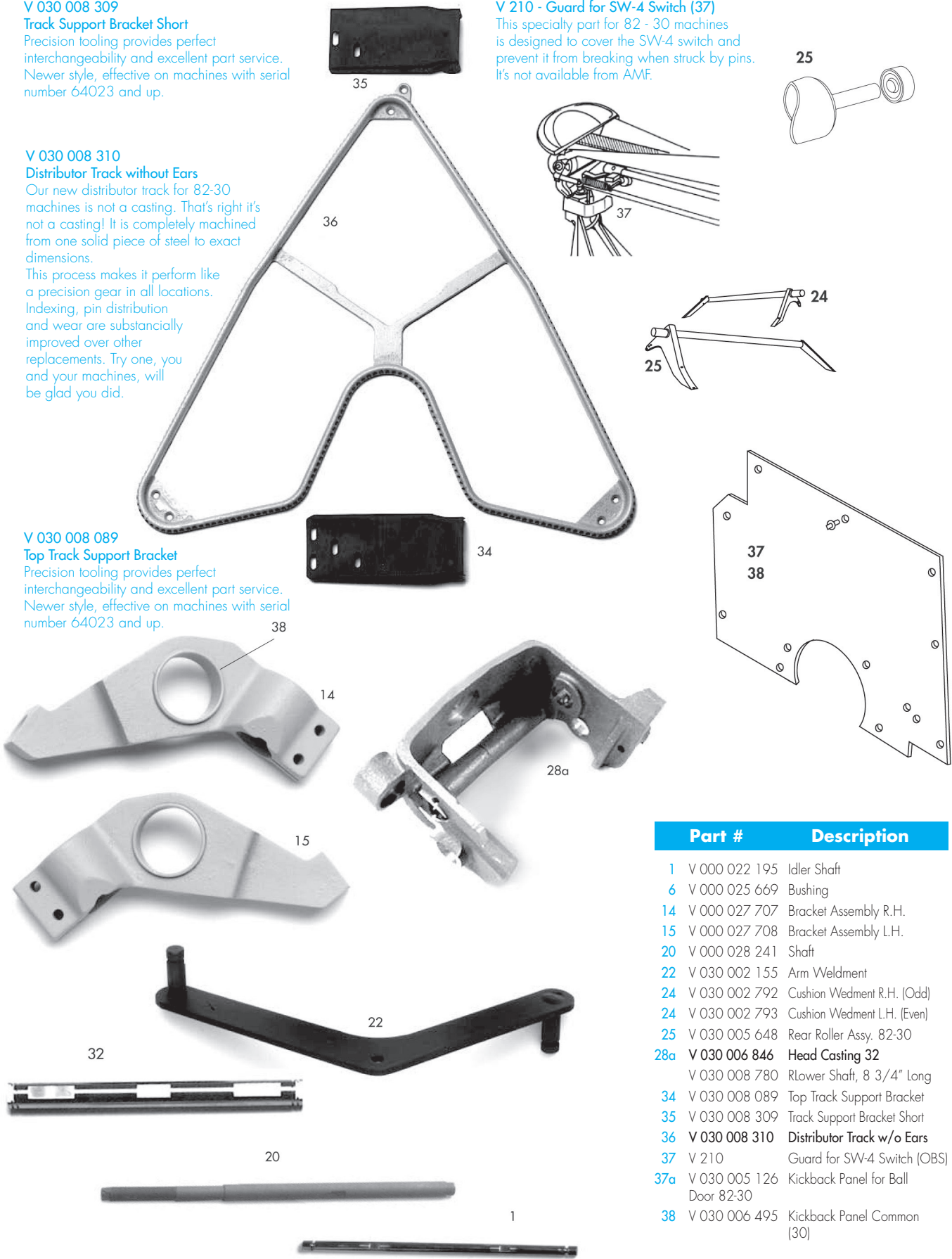


V 030 008 309
Track Support Bracket Short
 Precision tooling provides perfect interchangeability and excellent part service. Newer style, effective on machines with serial number 64023 and up.

V 030 008 310
Distributor Track without Ears
 Our new distributor track for 82-30 machines is not a casting. That's right it's not a casting! It is completely machined from one solid piece of steel to exact dimensions. This process makes it perform like a precision gear in all locations. Indexing, pin distribution and wear are substantially improved over other replacements. Try one, you and your machines, will be glad you did.

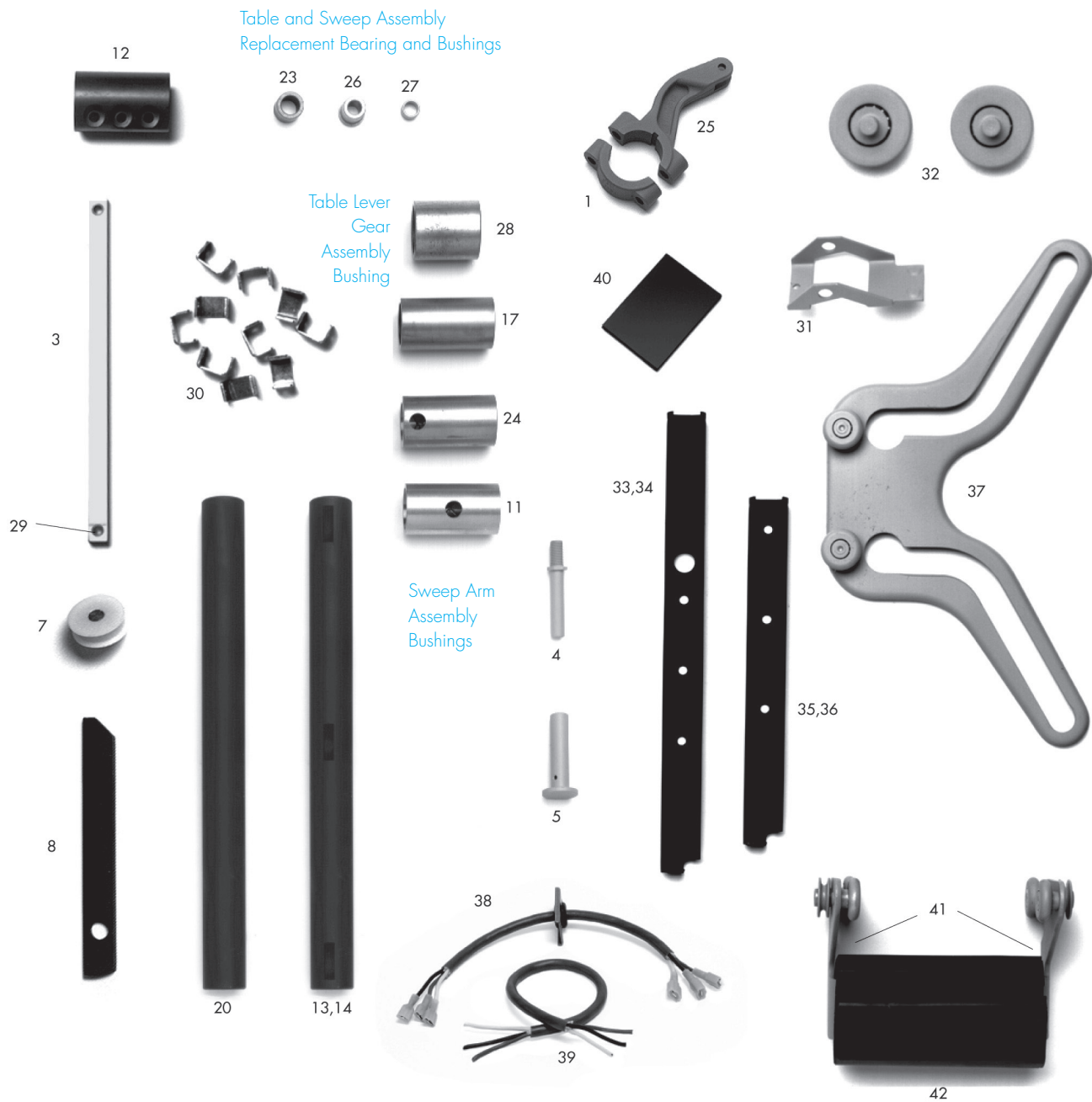
V 030 008 089
Top Track Support Bracket
 Precision tooling provides perfect interchangeability and excellent part service. Newer style, effective on machines with serial number 64023 and up.

V 210 - Guard for SW-4 Switch (37)
 This specialty part for 82 - 30 machines is designed to cover the SW-4 switch and prevent it from breaking when struck by pins. It's not available from AMF.



Part #	Description
1	V 000 022 195 Idler Shaft
6	V 000 025 669 Bushing
14	V 000 027 707 Bracket Assembly R.H.
15	V 000 027 708 Bracket Assembly L.H.
20	V 000 028 241 Shaft
22	V 030 002 155 Arm Weldment
24	V 030 002 792 Cushion Wedment R.H. (Odd)
24	V 030 002 793 Cushion Wedment L.H. (Even)
25	V 030 005 648 Rear Roller Assy. 82-30
28a	V 030 006 846 Head Casting 32
	V 030 008 780 RLower Shaft, 8 3/4" Long
34	V 030 008 089 Top Track Support Bracket
35	V 030 008 309 Track Support Bracket Short
36	V 030 008 310 Distributor Track w/o Ears
37	V 210 Guard for SW-4 Switch (OBS)
37a	V 030 005 126 Kickback Panel for Ball Door 82-30
38	V 030 006 495 Kickback Panel Common (30)

Bold faced parts denote a Vantage value added engineering improvement - contact your distributor for details.

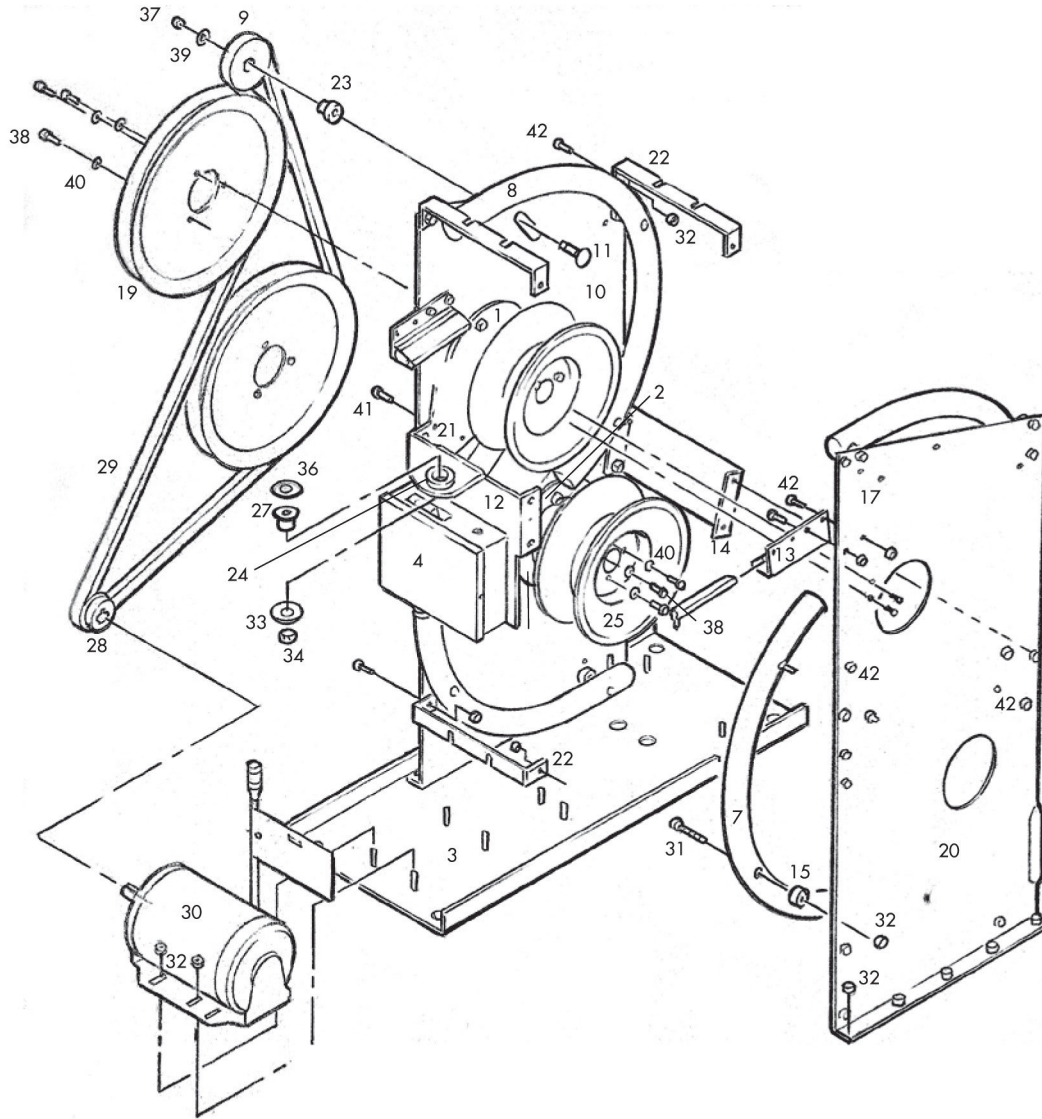


Part #	Description
1	V 030 001 148 Cap Arm
3	V 030 001 331 Link Assembly
4	V 030 001 369 Stud
5	V 030 001 488 Not Available
7	V 030 002 114 Steel Roller Wheel
8	V 030 002 171 Sweep Brake
11	V 030 002 540 Grooved Bearing
12	V 030 003 257 Coupling
13	V 030 003 433 Shaft Extension R.H.
14	V 030 003 434 Shaft Extension L.H.
17	V 030 005 093 Bearing
20	V 030 006 026 Shaft

Part #	Description
23	V 030 008 164 Bearing
24	V 030 008 301 Bearing
25	V 030 008 378 Arm Assembly
26	V 701 412 054 Flange Bushing
27	V 701 512 072 Sleeve Bushing
28	V 701 540 083 Sleeve Bushing
29	V 900 104 061 Sleeve Bushing
30	V 030 001 122 Stop
31	V 030 001 170 Switch Arm
32	V 030 003 896 Respot Cell Bearing
33	V 030 005 261 Lower Track L.H.
34	V 030 005 262 Lower Track R.H.

Part #	Description
35	V 030 005 263 Upper Track L.H.
36	V 030 005 264 Upper Track R.H.
37	V 030 005 284 Track Carrier Assembly
38	V 030 006 546 Wire Cells 2-3-5
39	V 030 006 548 Wire Cells 1-4-6-7-8-9-10
40	V 030 008 352 Actuating Pad
41	V 030 008 370 Gripper Assembly
42	V 030 008 542 Gripper Pad

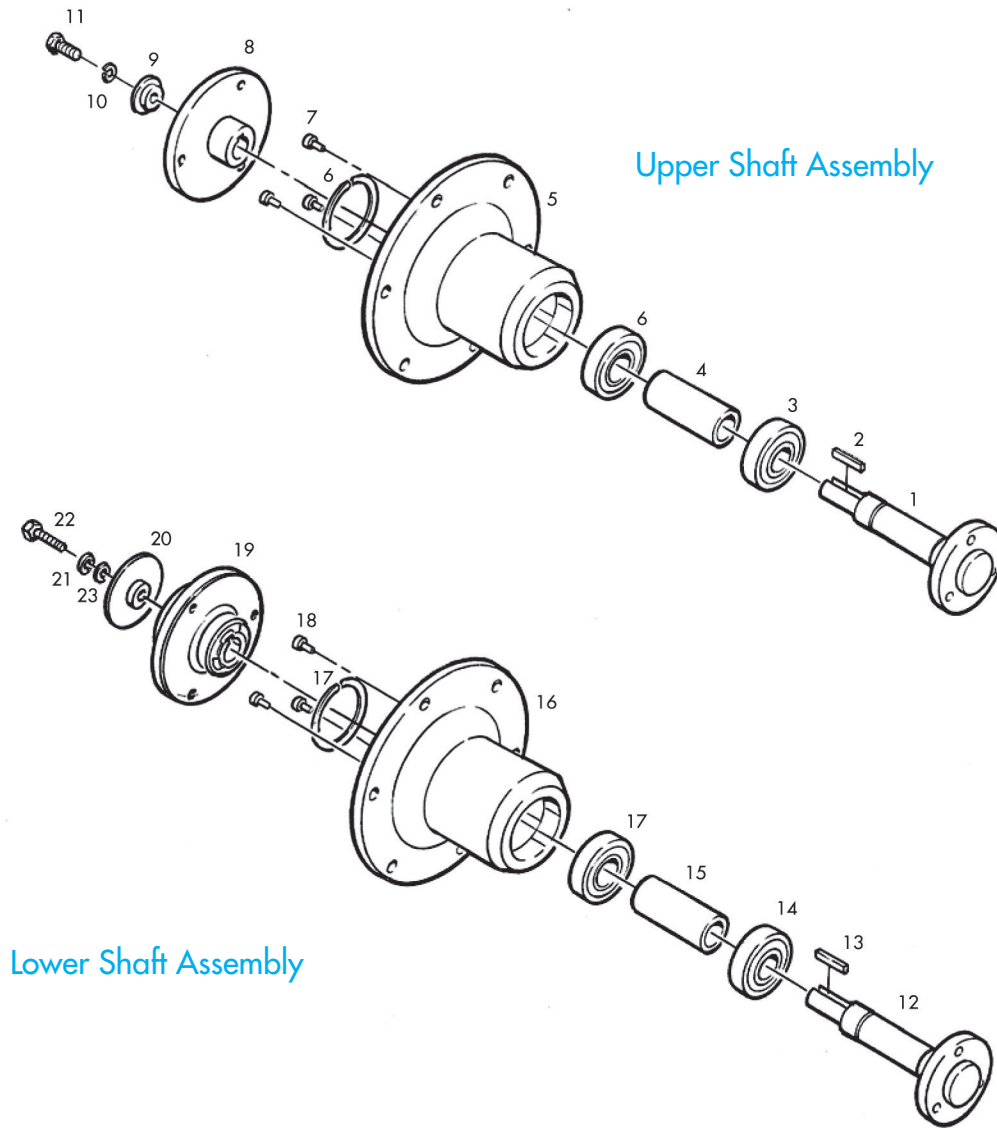
Bold faced parts denote a Vantage value added engineering improvement - contact your distributor for details.



Part #	Description
1	V 250 001 009 Upper Shaft Assembly
2	V 250 001 015 Lower Shaft Assembly
3	V 250 001 003 Not Available
4	V 250 001 014 Control Box (OBS)
7	V 250 001 013 Lower Track Assembly
8	V 250 001 012 Upper Track Assembly
9	V 250 001 011 Idler Assembly
10	V 250 010 002 Not Available
11	V 250 001 027 Tensioner Lock Nut
12	V 250 001 004 Support Brace
13	V 250 001 435 Ball Outlet Guide
14	V 250 001 005 Rear Brace
15	V 250 001 034 Rail Spacer
16	V 250 001 054 Stiffener Plate
17	V 070 011 211 Danger Decal
19	V 250 001 057 12" Pulley Concept 90

Part #	Description
20	V 250 001 001 Right Side Panel (OBS)
21	See 16
22	V 250 001 023 Spacer Bracket (Call for availability)
23	V 250 001 021 Tensioner Hub (OBS)
24	40-200 0.10 Rubber Bushing (Not available)
25	V 250 001 051 Concept 90 Ball Lift Wheel
27	40-2000.11 Inner Bushing (Not available)
28	V 250 001 537 Sheave 3 X 59
29	V 250 001 037 Dubl-V Belt Concept 90
30	V 250 001 040 Mtr for Frt. Ball Lift
31	V 808 557 360 Button Head Sckt. 5/16-18 X 2.25
32	V 839 057 002 Hex Lock Nut 5/16-18 ESNA

Part #	Description
33	40-2000.9 Special Washer (Not available)
34	V 844 073 002 Stover Lock Nut 1/2-13 1
36	See 33
37	V 809 865 245 Hex Head Cap Scr 3/8-16 X 1.5
38	V 809 857 100 Hex Head Cap Scr 5/16-18 X 5/8
39	V 070 006 296 Washer Spring
40	V 951 156 002 Lock Washer 5/16
41	V 809 857 165 Hex Head Cap Scr 5/16-18 X 1
42	V 809 857 125 Hex Head Cap Scr 5/16-18 X 3/4



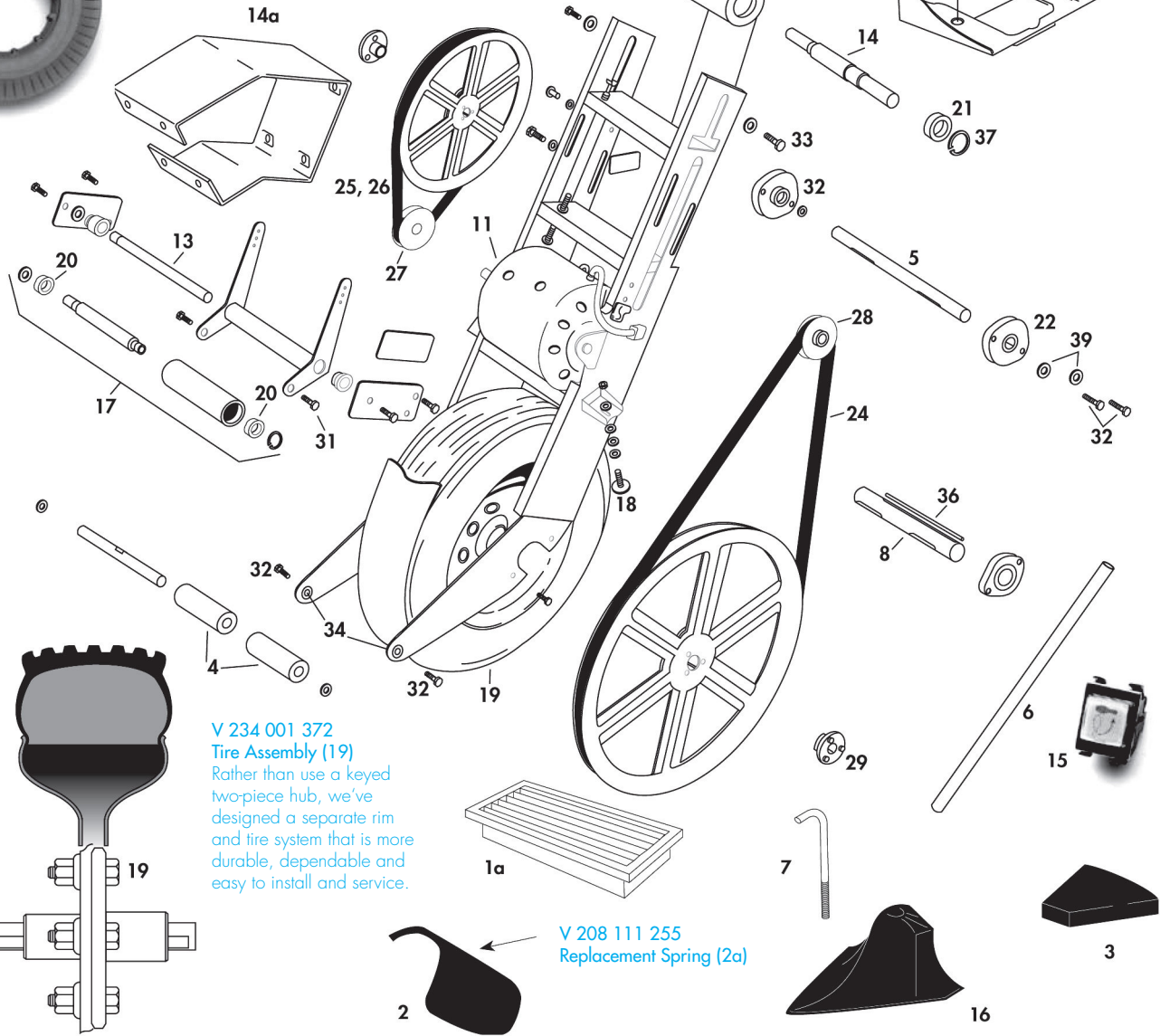
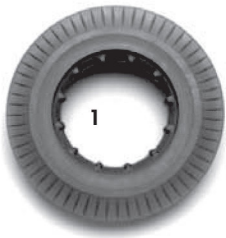
Upper Shaft Assembly

Lower Shaft Assembly

Part #	Description	Part #	Description	Part #	Description
Upper Shaft Assembly					
1	V 250 001 230	Shaft	11	V 809 849 145	Hex Hd Cap Scr 1/4-20 X 7/8
2	V 250 001 233	Shaft Key	Lower Shaft Assembly		
3	V 250 001 042	Bearing	12	V 250 001 230	Shaft
4	V 250 001 232	Bearing Spacer	13	V 250 001 233	Shaft Key
5	V 250 001 229	Bearing Housing	14	V 250 001 042	Bearing
6	V 250 001 041	Bearing and Retaining Ring	15	V 250 001 232	Bearing Spacer
7	V 810 240 060	Sckt Hed Cap Scr 10-32 X 3/8	16	V 250 001 229	Bearing Housing
8	V 250 001 060	Hub, Pulley	17	V 250 001 041	Bearing and Retaining Ring
9	V 250 001 226	Cap	18	V 810 240 060	Sckt Hed Cap Scr 10-32 X 3/8
10	V 951 148 002	Washer 1/4 Split	19	V 250 001 008	Clutch Housing Assembly
			20	V 250 001 231	Clutch Cover
			21	V 951 148 002	Washer 1/4 Split
			22	V 809 849 165	1/4-20 X 1 Hex Head Screw
			23	V 948 753 102	1/4 Flat Washer



V 234 001 368
Shaft Assembly and Belt Roller (17)
 This new Vantage design incorporates replaceable bearings and shaft



V 234 001 372
Tire Assembly (19)
 Rather than use a keyed two-piece hub, we've designed a separate rim and tire system that is more durable, dependable and easy to install and service.

V 208 111 255
Replacement Spring (2a)

Part #	Description	Part #	Description	Part #	Description
1	V 057 001 238 Lazy Susan Tire (OBS)	14	V 234 001 221 Crown Pulley Shaft	27	V 719 616 005 Pulley, 1/2" Bore 2.5 Pd.
1a	V 208 111 131 Grill Hand Dryer	14a	V 234 001 243 Motor Mounting Bracket (OBS)	28	V 719 624 004 Pulley, 3/4" Bore 2.5 Pd.
2	V 208 111 229 Ball Stop (OBS)	15	V 234 001 265 Tenth Frame Switch	29	V 741 550 515 Bushing
2a	V 208 111 255 Replacement Spring	16	V 234 001 277 Island Bumper (OBS)	30	V 808 549 160 Button Head Socket Screw
3	V 234 001 041 Ball Stop Assembly	17	V 234 001 368 Shaft Assembly & Belt Roller	31	V 809 857 100 Hex Head Cap Screw
4	V 234 001 109 Rubber Shock (OBS)	18	V 234 001 371 Bumper-Ball Lift Mechanism	32	V 809 857 205 Hex Head Cap Screw
5	V 234 001 112 Idler Shaft	19	V 234 001 372 Tire Assembly	33	V 809 873 100 Hex Head Cap Screw
6	V 234 001 115 Rail Cover	20	V 701 020 030 Fafnir Bearing	34	V 900 207 061 Bearing
7	V 234 001 126 Spectrum Grill Hook	21	V 701 024 031 Bearing	36	V 907 202 100 Key
8	V 234 001 135 Tire Shaft	22	V 702 424 002 Flange Bearing 3/4" Bore	37	V 919 001 000 Retaining Ring
10	V 234 001 147 Ball Return Belt	24	V 702 504 012 V-Belt	38	V 948 648 092 Washer
11	V 234 001 163 Motor 115V/60 with Brackets (OBS)	25	V 702 504 013 V-Belt 60HZ	39	V 948 761 112 Washer
13	V 234 001 174 Pivot-Shaft	26	V 702 504 014 V-Belt 50HZ		

Bold faced parts denote a Vantage value added engineering improvement - contact your distributor for details.

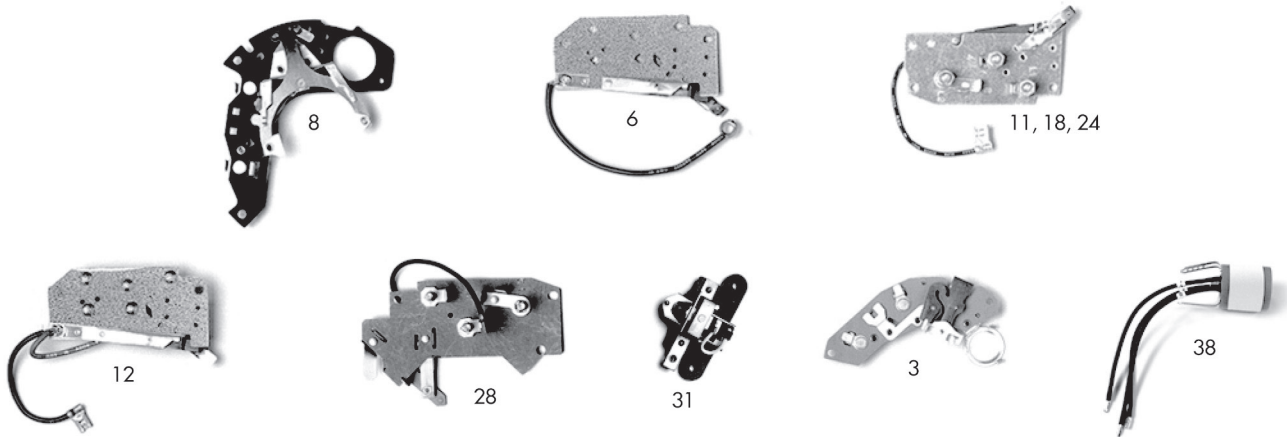


Part #	Description	Part #	Description	Description	Part #
1	V 000 022 068 Sure Pik Drive Motor 115V/60HZ	14	V 208 111 131 Grill, Hand Dryer	BALL LIFT BELTS	
2	V 000 022 093 Fusestat	15	V 208 111 170 Sure Pik Blower with Motor	Magic Circle Ball Lifts	
3	V 000 023 520 10th Frame Switch	16	V 208 111 180 Sure Pik Grill Hook	Motor to Pulley V-Belt	
3	V 190 001 345 Idler Assembly	17	V 208 111 229 Ball Stop (OBS)	Outside 3/8" x 36"	V 000 029 433*
7	V 190 001 355 Belt	17a	V 208 111 255 Replacement Spring	Pulley to Drive V-Belt 1/2" x 41"	V 057 001 003*
8	V 190 001 357 Shaft			Sure Pik Ball Lifts	
9	V 190 001 364 Link W/Replaceable Shaft			m Motor to Pulley V-Belt 47"	V 190 001 546
10	V 190 001 490 Bearing			m Motor to Pulley Round Belt 47"	V 190 001 546R
11	V 208 111 008 Sure Pik Bumper (OBS)			m Motor to Pulley V-Belt 45"	V 208 111 174
12	V 208 111 025 Sure Pik Island			m Motor to Pulley Round Belt 42 5/8"	V 208 111 174-R
13	V 208 111 031 Blower Hose			n Ball Lift Belt	V 190 001 305
				* Not Shown	

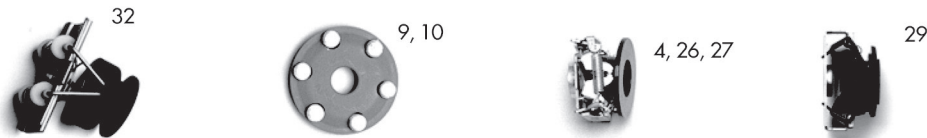
Bold faced parts denote a Vantage value added engineering improvement - contact your distributor for details.



Motor Switches



Centrifugal Mechanisms



Motor plugs and Klixons



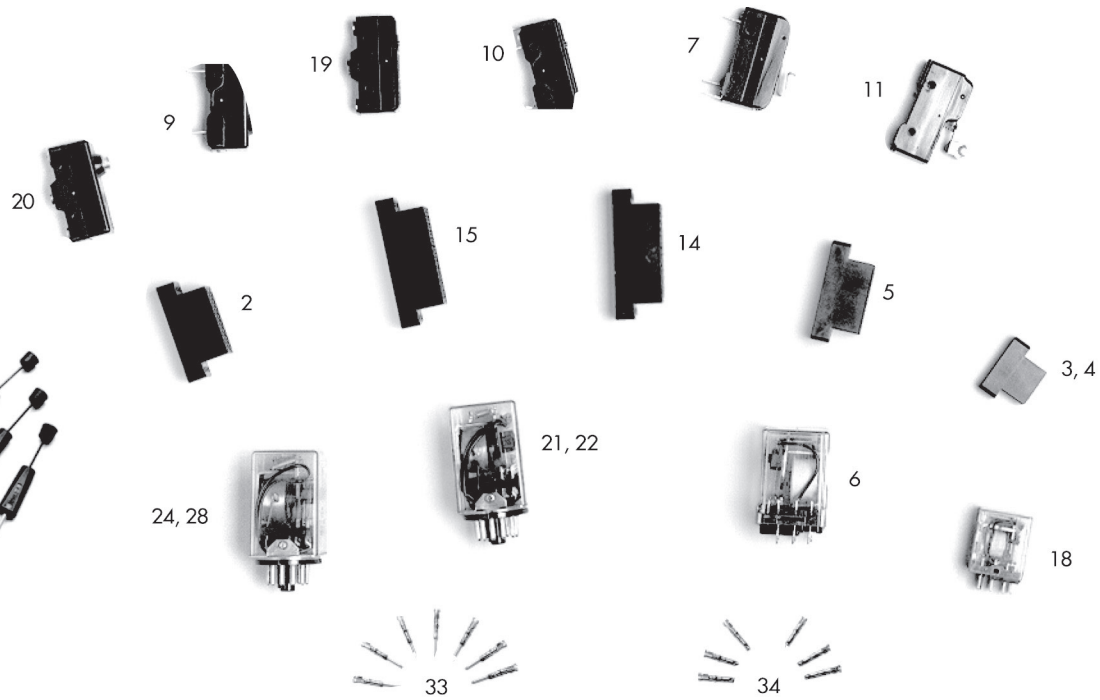
Carbon Brush for National Combination Motors-V 785 502 020

Use this chart to select the specific part you need

MOTOR TYPE	CENTRIFUGAL MECHANISM	MOTOR SWITCH	KLIXON	PLUG
Westinghouse/A.O. Smith				
Combo 60HZ	V 030 005 923 (26) V 785 501 378 (10)	V 785 501 386 (12) V 785 501 372 (6) (Aux Switch)	V 785 501 393 (15)	V 000 027 655 (2)
Model #314P079 Model #325P201 Model #314P145 Model #325P205	Combo 50HZ Backend 60HZ (OBS) Backend 60HZ Backend 50HZ Backend 50HZ Backend 50HZ	V 030 005 923 (27) V 785 501 377 (9) V 030 005 923 (29) V 785 501 520 (18) V 785 501 562 (24) V 785 501 564 (25)	V 785 501 386 (12) V 785 501 384 (11) V 785 501 664 (28) V 785 501 522 (20) V 785 501 564 (25)	V 785 501 393 (15) V 785 501 394 (11) V 785 501 394 (11) V 000 025 906 (1) V 000 025 906 (1) V 000 025 906 (1)
General Electric				
Combo 60HZ Combo 50HZ (OBS) Backend 60HZ Model #76F71 1YD3K Backend 50HZ Sure Pik	V 785 501 192 (4)	V 030 005 923 (8) V 785 501 168 (3)	V 785 501 392 (14) V 785 501 540 (22) V 785 501 389 (13) V 785 501 508 (17)	V 000 027 655 (2) V 000 027 655 (2) V 000 025 906 (1) V 000 025 906 (1)
National				
Combination 50 & 60HZ Backend 50 & 60HZ	V 785 502 191 (32)	V 785 502 190 (31)	V 785 502 005 (35) V 785 502 080 (36)	V 000 027 655 (2) V 000 025 906 (1)
Solid State Switches				
All Backend Motors		V 610 309 042 (38)		
DLD Westinghouse				

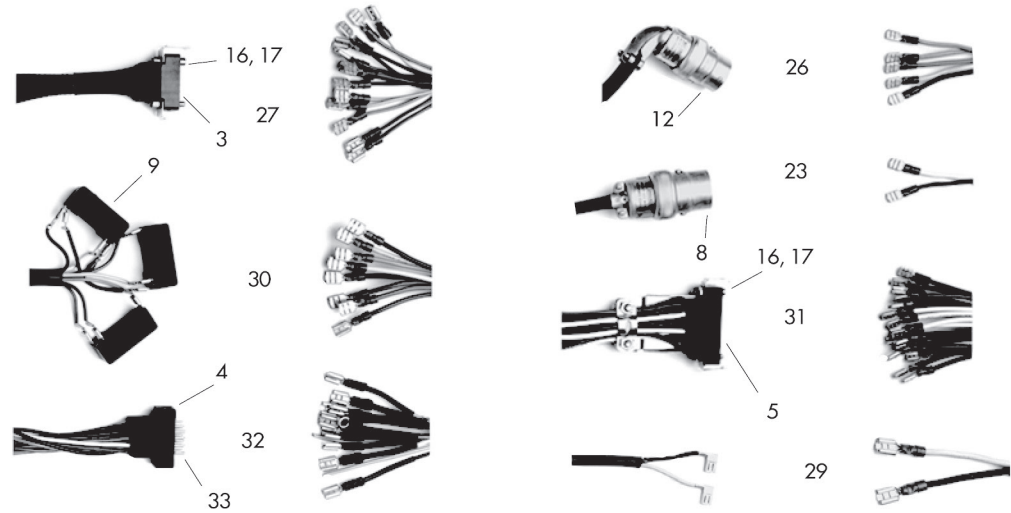


Extractor Tool
V 030 004 031



AMP Hand Crimping Tool
V 277

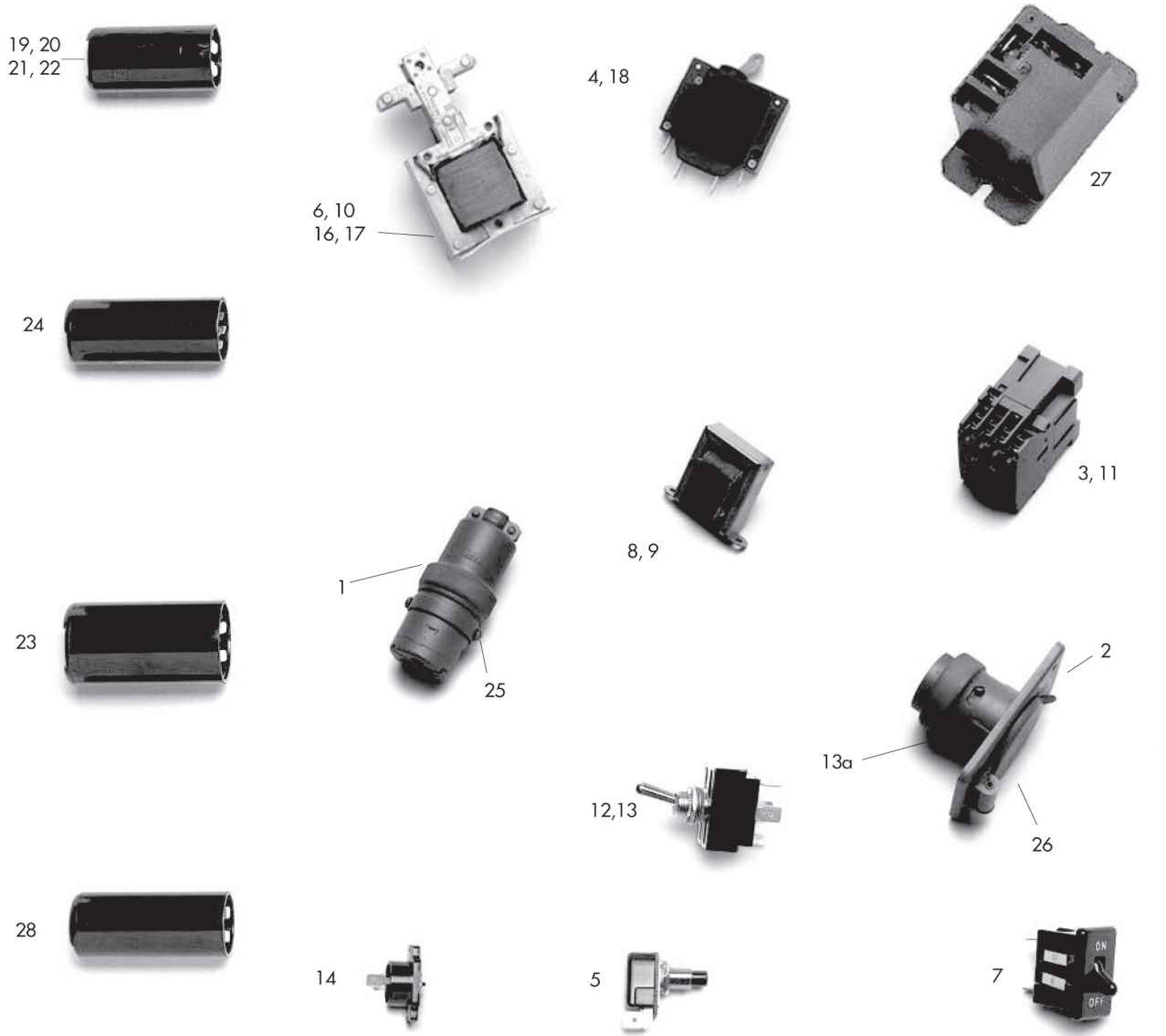
Keep your machines in top form with new cable assemblies and replacement plugs from Vantage!



Part #	Description
1	V 000 025 068 AMP Plug-Female C-1
3	V 000 025 078 AMP Plug-Table Cable, Female
4	V 000 025 079 AMP Plug-Table Cable, Male
5	V 000 025 144 AMP Plug, Male C-1
5a	V 000 025 183 Clamp Washer
5b	V 000 025 556 Locking Spring Clip Female
5c	V 000 025 557 Locking Sprint Clip Male
6	V 000 025 863 Relay-Backend Motor
7	V 000 025 879 Micro Switch 82-30 Chassis
8	V 000 025 907 Plug-Female Backend Motor
9	V 000 026 042 Switch-Table/Sweep Cam
10	V 000 026 043 Bin Micro Switch
11	V 000 026 247 Micro Switch 82-30 Distributor Support Bracket

Part #	Description
12	V 000 027 660 Plug-Female 5 Prong Combination Motor
13	V 000 028 078 Panel Switch Managers Control Box (Not Shown)
14	V 000 028 409 Male Block C-2
15	V 000 028 410 Female Block C-2
16	V 000 028 441 Guide Socket-AMP Plugs
17	V 000 028 442 Guide Pin-AMP Plugs
18	V 000 028 754 Relay 82-70 Chassis
19	V 030 004 702 Micro Switch
20	V 030 004 703 Micro Switch 82-30 Pin Counter
21	V 057 001 228 Relay 120V 82-30 Sure Pik
22	V 057 001 229 Relay 24V Sure Pik
23	V 070 005 094 Cable Assembly-Back End Motor

Part #	Description
24	V 070 005 515 Relay 11 Pin M & MZ
26	V 070 005 542 Cable Assembly-Sweep-Table Motor
27	V 070 005 604 Upper Table Cable
28	V 070 005 883 Relay 10V Spotting
29	V 070 006 272 Bin Switch Cable Assembly
30	V 070 006 452 Sweep Cable-Sweep Cam Switch
31	V 070 006 473 C-1 Cable Assembly
32	V 610 704 010 Lower Table Cable
33	V 760 011 197 Guide Pin Male (Gold Plated)
34	V 760 019 201 Guide Socket Female (Gold Plated)



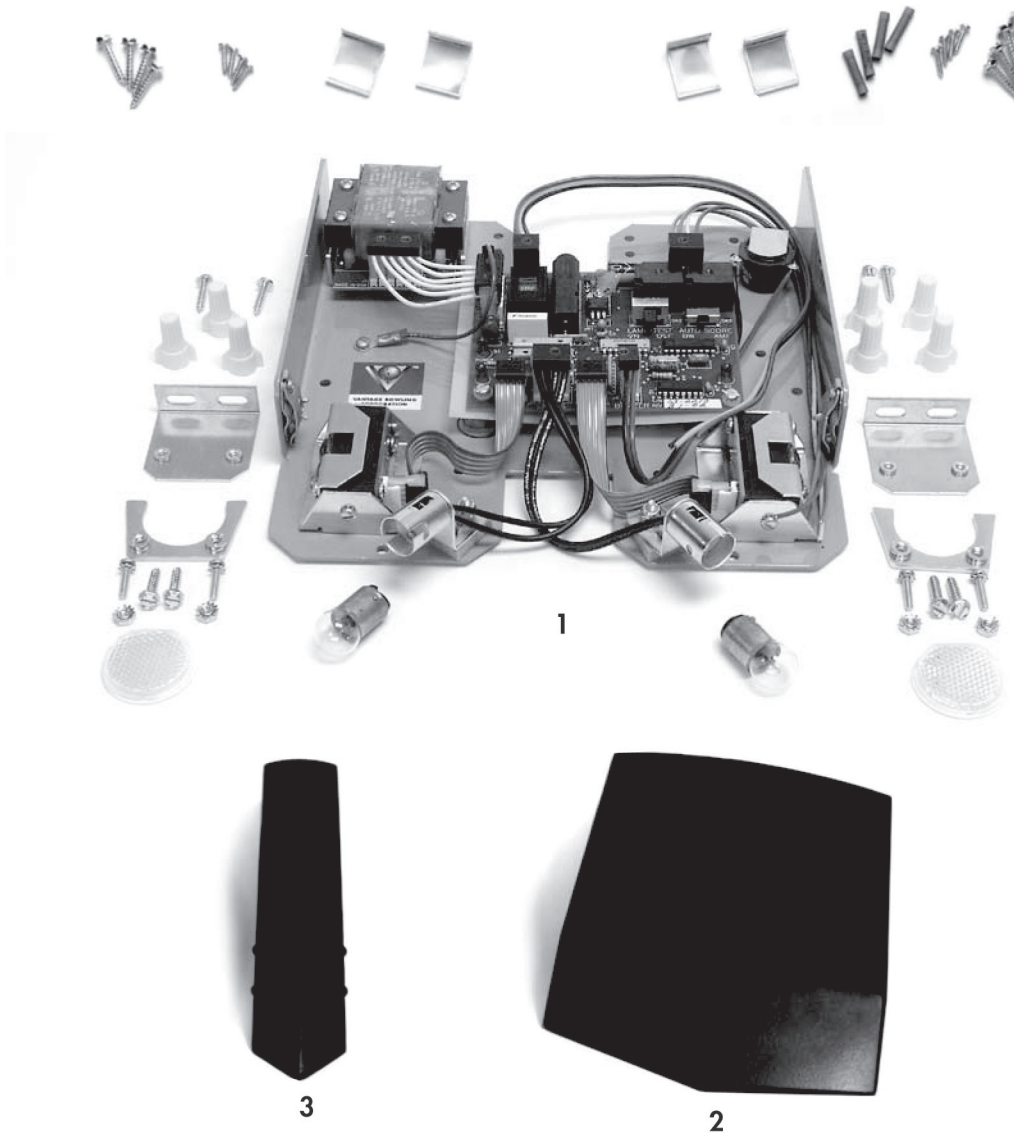
Part #	Description
1	V 000 023 265 Power Plug (OBS)
2	V 000 024 719 Power Receptacle
3	V 000 025 124-1 24V Contactor New Style w/Bracket (82-70 Machines)
4	V 000 025 292 Circuit Breaker-No Emergency Stop
5	V 000 025 865 Plunger Switch-Mechanics Control Box
6	V 000 026 027 Solenoid 5/32 Plunger Hole 60HZ
7	V 000 026 037 Toggle Switch-Pit-Sweep Table On/Off
8	V 000 026 836 Transformer 115V/60HZ T2
9	V 000 027 870 Transformer 115/230 50-60HZ T2
10	V 000 027 873 Solenoid 5/32 Plunger Hole 50HZ

Part #	Description
11	V 030 006 526-1 32V Contactor New Style w/Bracket (82-30 Machines)
12	V 070 005 529 Sweep Run Switch
13	V 070 005 530 Sweep Reverse Switch
13a	V 070 005 539 Spacer
14	V 070 005 666 Circuit Breaker 82-70 Chassis-Pindicator
16	V 070 006 726 Solenoid 1/4 Plunger Hole 60HZ
17	V 090 005 723 Solenoid Insulated
18	V 070 009 821 Circuit Breaker 82-70 Emergency Stop
19	V 743 000 011 Capacitor 82-30 G.E. Backend Motor
20	V 743 000 014 Capacitor 82-30 Pin Elevator Backend Motor G.E.

Part #	Description
21	V 743 000 015 Capacitor WEST. 82-70 60HZ B.E.
22	V 743 000 017 Capacitor G.E. 82-70 60HZ B.E.
23	V 743 000 020 Capacitor Sweep/Table Motor
24	V 743 000 125 Capacitor WEST. B.E. 50HZ
25	V 754 010 336 Power Plug-Hubbell (Newer Model Machines)
26	V 755 020 359 Power Receptacle-Hubbell (Newer Model Machines)
27	V 755 504 048 Relay MP Chassis
28	V 785 501 528 Capacitor 50HZ WEST.B.E.
29	V 788 001 057 Upper Contact
30	V 788 001 058 Lower Contact



New Foul LightS for AMF & Brunswick Installations



The vantage foul light System offers a fully integrated circuit board and complete compatibility with all centers AND bowling machinery.

Its many benefits include:

- Compatibility with all major scoring systems
- A low profile for easy installation under any type of ball return cover, that is designed for subway ball returns
- Modular construction for easy service and troubleshooting
- Operation at 120V or 240V
- Vantage service and support worldwide!
- Easy adjustment of photo optics

Attractively priced, contact your Vantage distributor.

[Part# VFL-001 Vantage Foul Light System \(OBS\) \(1\)](#)

[Part# VFL-002 Wide Division Cover \(2\)](#)

[Part# VFL-003 Narrow Division Cover with Reflector \(3\)](#)



Part number V 784 528 052

Now you can make sure you always have the right tool when you need it! American made tools assure consistent quality and durability. Available as a set or individually as shown. Get a grip on your machine maintenance when you have the right tool from Vantage!



Part #	Description	Part #	Description	Part #	Description
1	V 030 002 748 Sweep Cam Gauge	19	V 789 502 003 Extension 3"	37	V 793 503 017 Allen Wrench Set
2	V 030 003 542 Belt Lacer	20	V 789 502 004 Extension 5"	38	V 793 503 051 Uni Key Set
3	V 070 006 519 Respot Cell Gauge	21	V 789 505 008 Drive Ratchet 3/8"	39	V 793 506 000 Combination Wrench Set
5	V 724 001 011 Electrical Tape	22	V 789 509 000 Deep Socket Set	40	V 793 507 028 Offset Box Wrench 7/16 x 1/2
6	V 780 503 014 Allen Wrench Socket Set	23	V 789 511 027 Socket Set 1/4" Drive	41	V 793 507 029 Offset Box Wrench 9/16 x 5/8
7	V 782 501 001 Extension 11"	24	V 789 512 029 Universal 3/8" Drive	42	V 793 507 030 Offset Box Wrench 11/16 x 3/4
8	V 783 501 001 Ball Peen Hammer 16 oz.	25	V 790 001 001 Solder Iron	43	V 793 509 036 1/4" Thin Wrench
9	V 783 502 002 Plastic Hammer 16 oz.	26	V 791 003 003 HD Continuity Tester	44	V 793 509 037 9/16 x 5/8 Open End Wrench
10	V 784 003 000 Rivet Installation Tool	27	V 791 004 004 High Voltage Testlight	45	V 793 509 049 1/2 x 9/16" Open End Wrench - Thin
11	V 784 528 052 Mechanics Tool Kit	28	V 792 009 010 Crimping Tool	46	V 793 510 000 Ratcheting Wrench Set
12	V 785 001 001 Lube Gun	29	V 792 016 018 Level	47	V 793 511 045 Spanner Wrench
13	V 786 501 001 Channellock Pliers	30	V 792 018 020 Magnetic Pick Up Tool	48	V 793 514 048 10" Vise Grip Wrench
14	V 786 502 002 5" Needle Nose Pliers	31	V 792 026 028 Steel Tape		
15	V 786 503 003 6" Gripping Pliers	32	V 792 501 001 Carpet Removal Pins		
16	V 786 504 004 6" Diagonal Cutters	33	V 792 502 002 Carpet Flag Tool		
16a	V 787 001 006 Drive Punch Set	34	V 792 505 005 Spring Puller		
17	V 788 504 004 Hack Saw	35	V 793 002 007 Snap Ring Pliers		
18	V 789 001 000 Screw Driver Set	36	V 793 501 000 Adjustable Wrench Set		

Have you gone nuts?

During machine maintenance the most frustrating parts to find are the small parts that hold your machines together. Your Vantage distributor carries a complete line of:

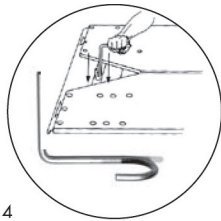
- Bolts
- Washers
- Retaining Rings
- X-Washers
- Bushings
- Roll Pins

All are available immediately to meet your service needs. Many part numbers are featured in this catalog, but many more are in stock. Call your distributor for any part number you require.

You may also purchase a "Bowling Center Small Parts Kit" containing 66 part numbers in varying quantities. This makes sure you have the right parts all the time in your center! Order part #V-221.



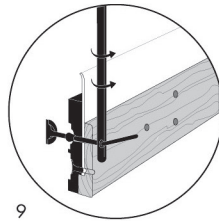
Service Tools To Make Your Life Easier!



4

V 211 Bounce Plate Removal Tool

A real hand saver! This part fits between the channels on bounce plate assemblies and helps lift them out of the pit. Saves time, saves backs, saves knuckles!

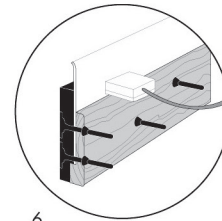


9

V 784 003 000-R

Ratcheting Rivet Installation Tool

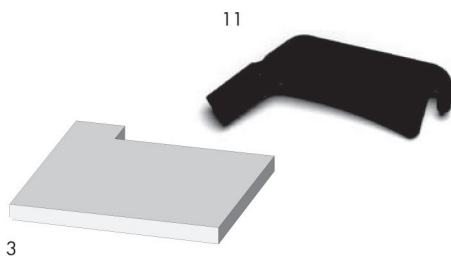
Need to install rivets in a hurry? Especially where cushion weldments bolt to cushion planks? This tool attaches to any 3/8" drive ratchet for easy rivet installation anywhere on the cushion plank. We'll supply the tool, you supply the ratchet.



6

V 223 Emergency Pit Switch

When machines won't cycle due to a damaged or failed cushion switch, the Emergency Pit Switch is the fastest way to get back into bowling. Its special design slips between the cushion sponge and the cushion plank fast and a two connection hookup attaches directly to pit switch wiring. Installs in minutes!

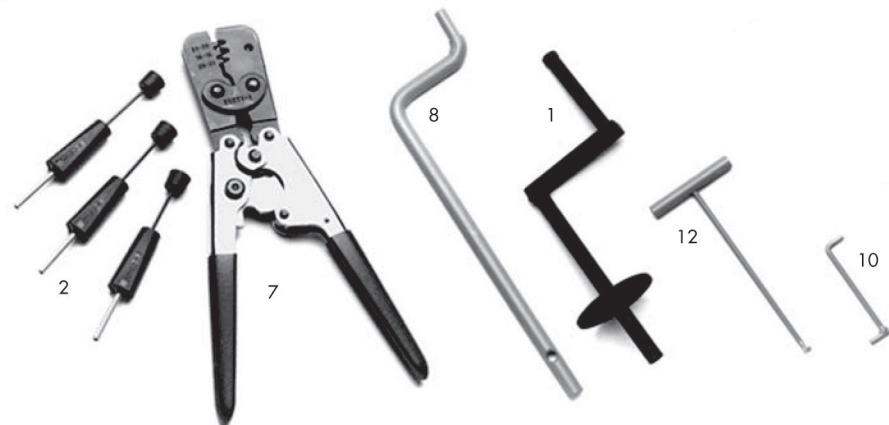


3

V 277 AMP Hand Crimping Tool

V 030 004 031 Extractor Tool

When servicing chassis plugs these two tools are a must. The extractor tool makes removal of old pins and sockets quick and easy. The hand crimping tool is designed specifically to attach these pins and sockets to your wiring, assuring durable, tight, trouble free connections



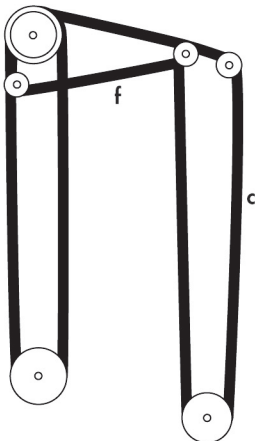
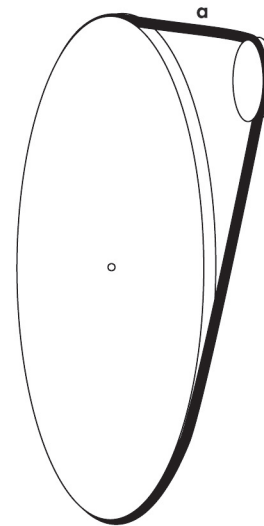
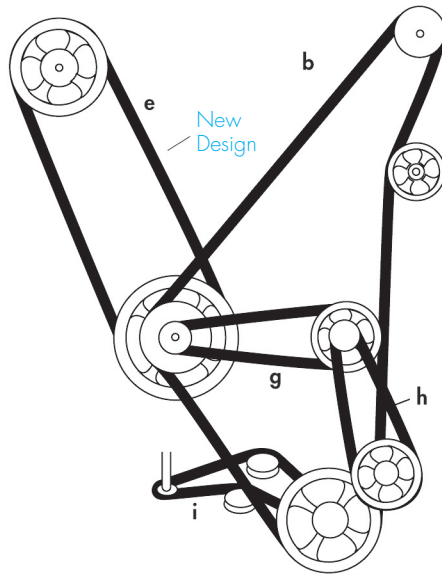
Part #	Description	Part #	Description	Part #	Description
1	V 030 003 943 Motor Crank	6	V 223 Emergency Pit Switch	10	V 792 501 001 Carpet Removal Pin
2	V 030 004 031 Extractor Tool	7	V 277 AMP Hand Crimping Tool	11	V 792 502 002 Carpet Flag Tool
3	V 070 006 519 Respot Cell Gauge	8	V 784 003 000 Rivet Installation Tool	12	V 792 505 005 Spring Puller
4	V 211 Bounce Plate Removal Tool	9	V 784 003 000-R Ratcheting Rivet Installation Tool		

Bold faced parts denote a Vantage value added engineering improvement - contact your distributor for details.

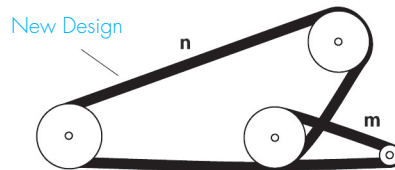


Ball Return Nightmares are Over with New Belts from Vantage

Sure-Pik and ball lift problems are cured with Vantage's new rubber compound designed specifically for bowling ball returns. To fully employ its increased friction we've returned to a flat belt surface. This is more efficient than a concave surface in ball transfer. Try one you'll be glad you did!!!



Sure Pik Ball Lifts

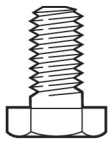


Part #	Description	Part #	Description	Part #	Description
a	V 070 002 005 Pin Elevator Drive Belt	e	V 000 024 604 Ball Lift Belt Shallow Groove	V 070 011 148 *	PBL Rudder Drive 40"
b	V 030 003 912 Carpet Drive Belt 135"	f	V 030 006 017 Ball Elevator Drive V-Belt 58"	V 070 011 147 *	PBL Rudder Drive 38"
b	V 030 008 792 Carpet Drive Belt 135"	g	V 000 027 710 Ball Rudder Primary V-Belt Outside 1/4" x 36"	V 070 011 064 *	PBL Ratchet Drive 45"
b	V 000 022 099A Carpet Drive Belt 114"	h	V 000 029 600 Ball Rudder Secondary	V 250 001 037 *	Double "V" Belt
b	V 000 022 099 Carpet Drive Belt 112"	i	V 000 028 864 Ball Kicker Belt 36 1/2"		
c	V 030 005 197 Carpet Drive Belt 131"	i	V 000 028 865 Ball Kicker Belt 34 5/8"		

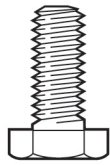
* Not Shown



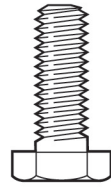
1/4-20 Hex Head Cap Screws



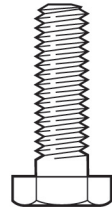
V 809 849 085
1/4-20 x 1/2



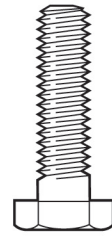
V 809 849 100
1/4-20 x 5/8



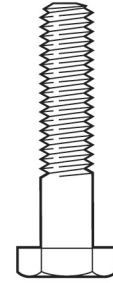
V 809 849 125
1/4-20 x 3/4



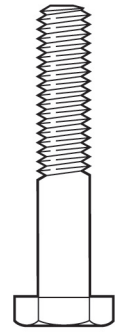
V 809 849 145
1/4-20 x 7/8



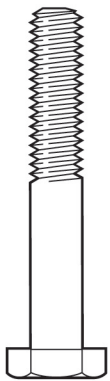
V 809 849 165
1/4-20 x 1



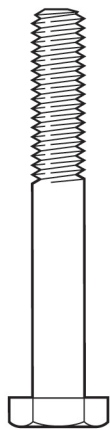
V 809 849 205
1/4-20 x 1-1/4



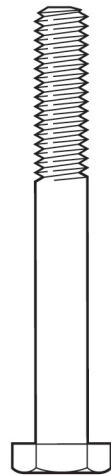
V 809 849 245
1/4-20 x 1-1/2



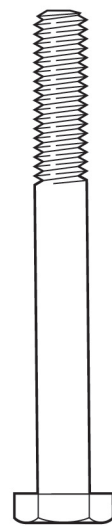
V 809 849 285
1/4-20 x 1-3/4



V 809 849 325
1/4-20 x 2



V 809 849 365
1/4-20 x 2-1/4



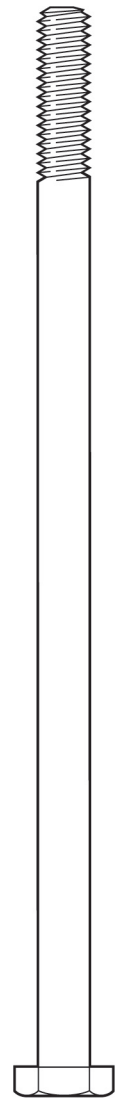
V 809 849 405
1/4-20 x 2-1/2



V 809 849 485
1/4-20 x 3



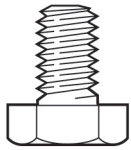
V 809 849 605
1/4-20 x 3-3/4



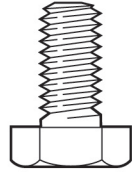
V 809 849 885
1/4-20 x 5-1/2



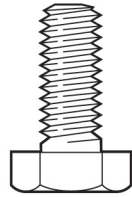
5/16-18 Hex Head Cap Screws



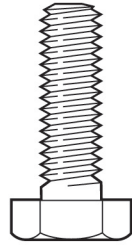
V 809 857 080
5/16-18 x 1/2



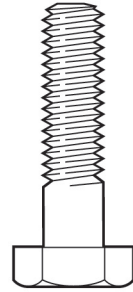
V 809 857 100
5/16-18 x 5/8



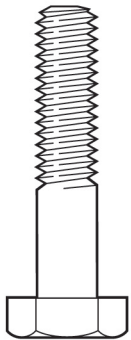
V 809 857 125
5/16-18 x 3/4



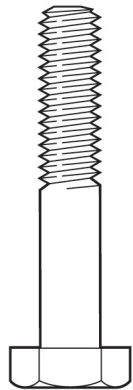
V 809 857 165
5/16-18 x 1



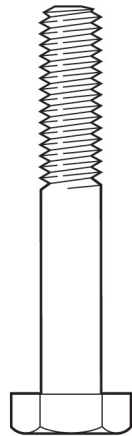
V 809 857 205
5/16-18 x 1-1/4



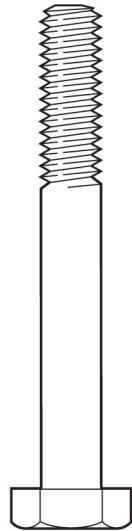
V 809 857 245
5/16-18 x 1-1/2



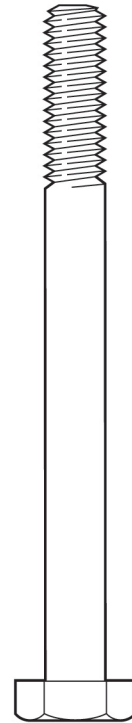
V 809 857 280
5/16-18 x 1-3/4



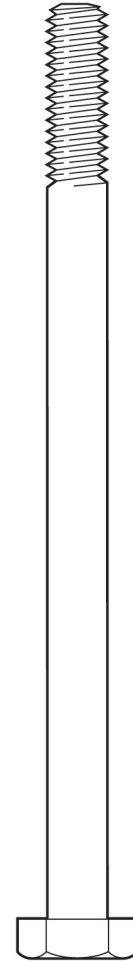
V 809 857 325
5/16-18 x 2



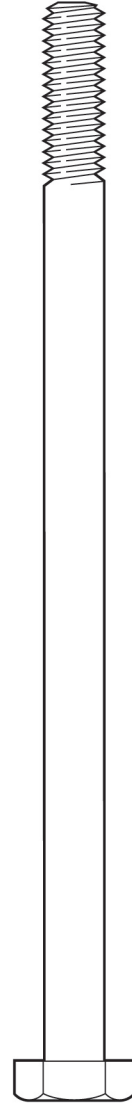
V 809 857 405
5/16-18 x 2-1/2



V 809 857 565*
5/16-18 x 3-1/2

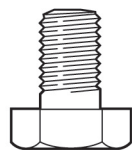


V 809 857 760
5/16-18 x 4-3/4

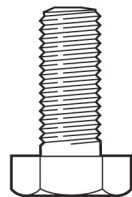


V 809 857 880
5/16-18 x 5-1/2

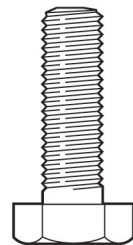
5/16-24 Hex Head Cap Screws



V 809 858 085
5/16-24 x 1/2



V 809 858 125
5/16-24 x 3/4

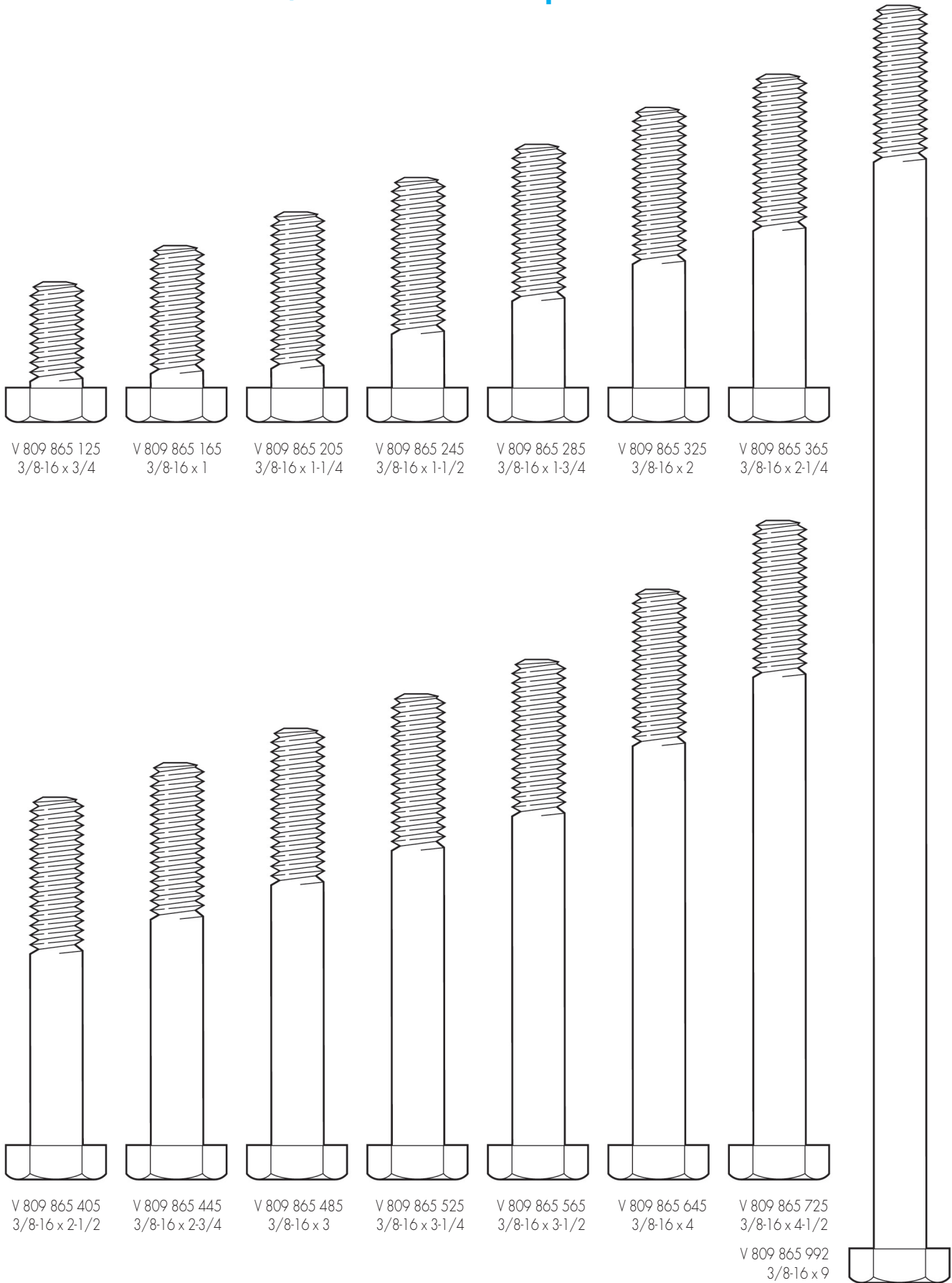


V 809 858 165
5/16-24 x 1

* Call for availability.

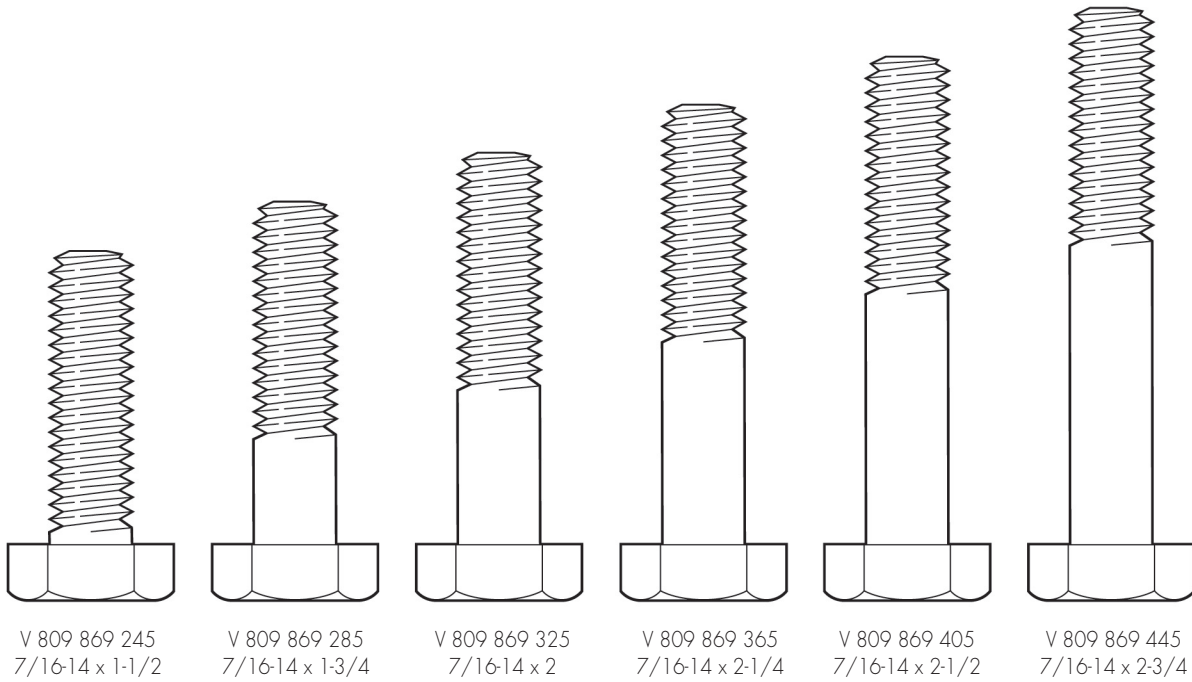


3/8-16 Hex Head Cap Screws

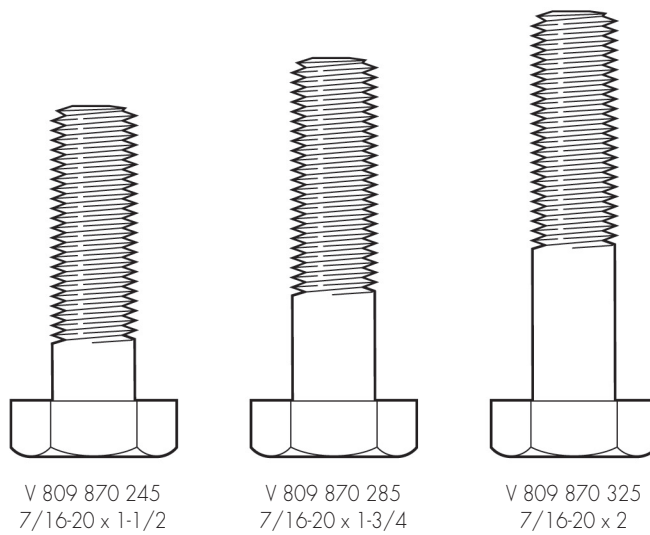




7/16-14 Hex Head Cap Screws



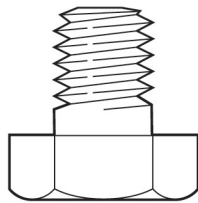
7/16-20 Hex Head Cap Screws



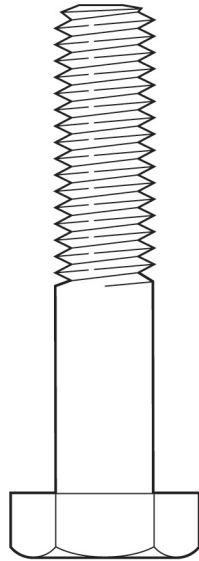
* Call for availability.



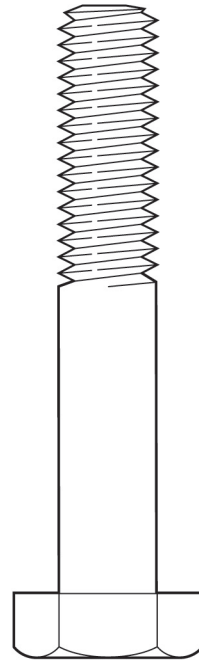
1/2-13 Hex Head Cap Screws



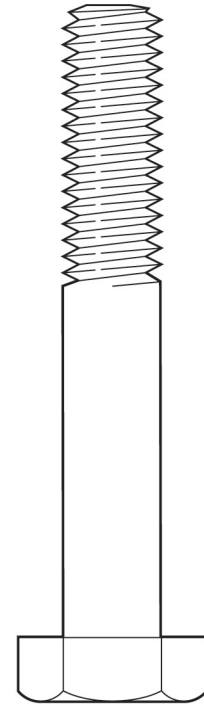
V 809 873 100
1/2-13 x 5/8



V 809 873 405
1/2-13 x 2-1/2

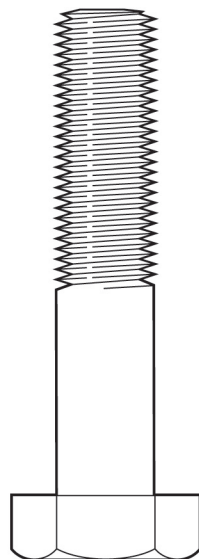


V 809 873 485
1/2-13 x 3



V 809 873 525
1/2-13 x 3-1/4

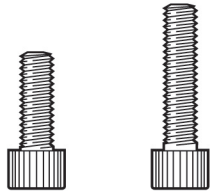
1/2-20 Hex Head Cap Screws



V 809 874 365
1/2-20 x 2-1/2

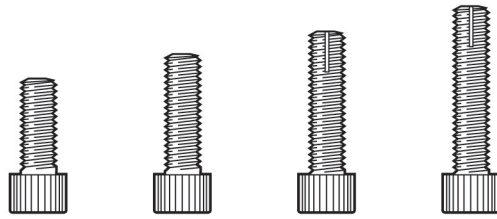


#8-32 Socket Head



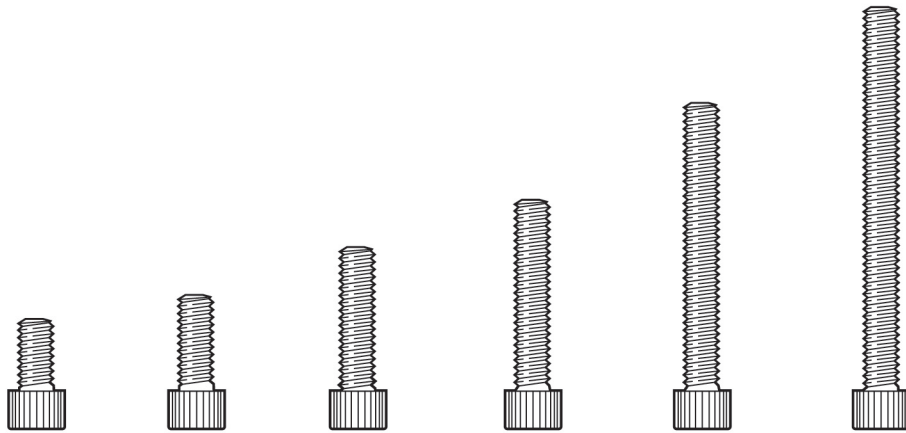
V 810 233 080 #8-32 x 1/2
V 810 233 120 #8-32 x 3/4

#10-32 Socket Head



V 810 240 080 #10-32 x 1/2
V 810 240 100 #10-32 x 5/8
V 808 640 121 #10-32 x 3/4 WITH NYLOC
V 808 640 141 #10-32 x 7/8 WITH NYLOC

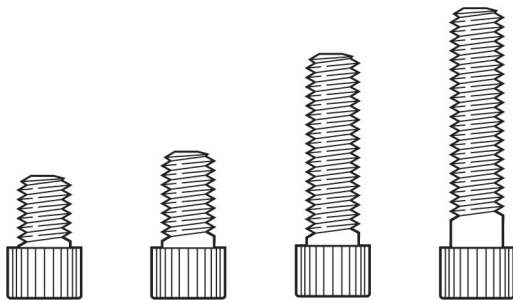
#10-24 Socket Head



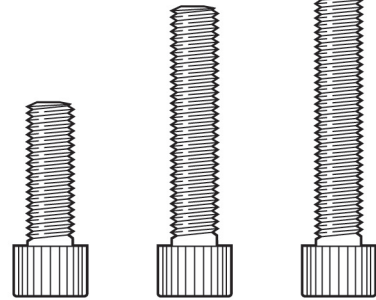
V 810 239 060 #10-24 x 3/8
V 810 239 080 #10-24 x 1/2
V 810 239 120 #10-24 x 3/4
V 810 239 160 #10-24 x 1
V 810 239 240 #10-24 x 1-1/2
V 810 239 320 #10-24 x 2

1/4-20 Socket Head

1/4-28 Socket Head



V 810 249 060 1/4-20 x 3/8
V 810 249 080 1/4-20 x 1/2
V 810 249 160 1/4-20 x 1
V 810 249 200 1/4-20 x 1-1/4

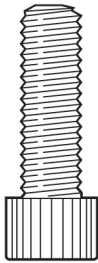


V 810 250 120 1/4-28 x 3/4
V 810 250 200 1/4-28 x 1-1/4
V 810 250 480 1/4-28 x 3

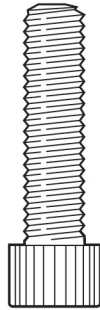


5/16-18 Socket Head

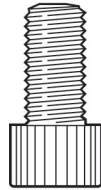
5/16-24 Socket Head



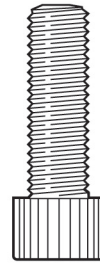
V 810 257 160
5/16-18 x 1



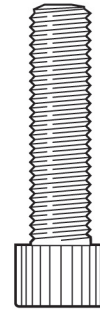
V 810 257 200
5/16-18 x 1-1/4



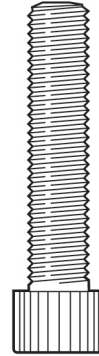
V 810 258 100
5/16-24 x 5/8



V 810 258 160
5/16-24 x 1

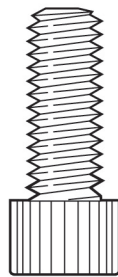


V 810 258 200
5/16-24 x 1-1/4

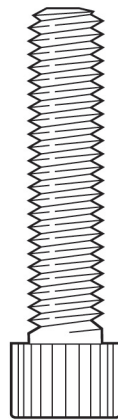


V 810 258 240
5/16-24 x 1-1/2

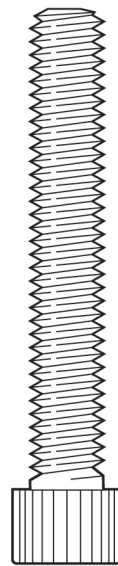
3/8-16 Socket Head



V 810 265 160
3/8-16 x 1



V 810 265 280
3/8-16 x 1-3/4

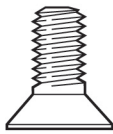


V 810 265 400
3/8-16 x 2-1/2

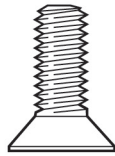
* Call for availability.



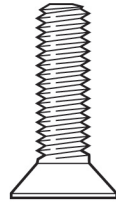
1/4-20 Flat Head Socket Cap Screws



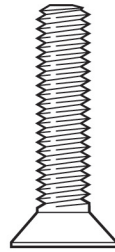
V 808 849 100
1/4-20 x 5/8



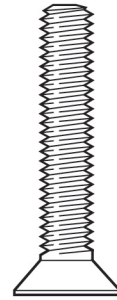
V 808 849 120
1/4-20 x 3/4



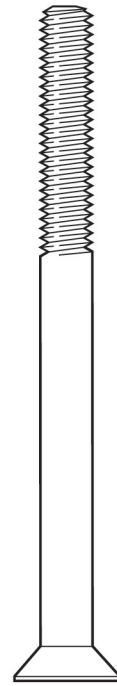
V 808 849 160
1/4-20 x 1



V 808 849 200
1/4-20 x 1-1/4

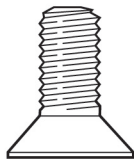


V 808 849 240
1/4-20 x 1-1/2

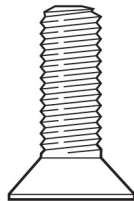


V 808 849 565
1/4-20 x 3-1/2

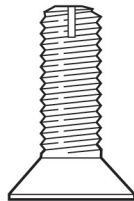
5/16-18 Flat Head Socket



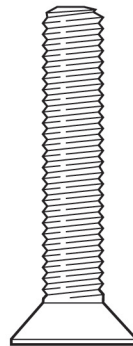
V 808 857 120
5/16-18 x 3/4



V 808 857 160
5/16-18 x 1

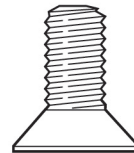


V 808 957 160
5/16-18 x 1
WITH NYLOC

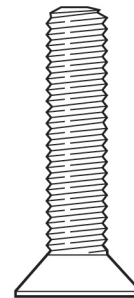


V 808 857 280
5/16-18 x 1-3/4

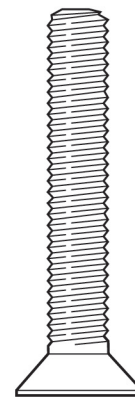
5/16-24 Flat Head Socket



V 808 858 120
5/16-24 x 3/4



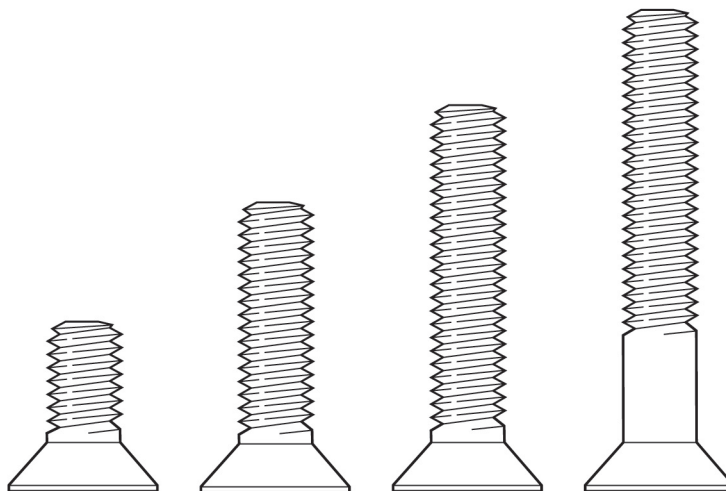
V 808 858 240
5/16-24 x 1-1/2



V 808 858 320
5/16-24 x 2



3/8-16 Flat Head Socket Cap Screws



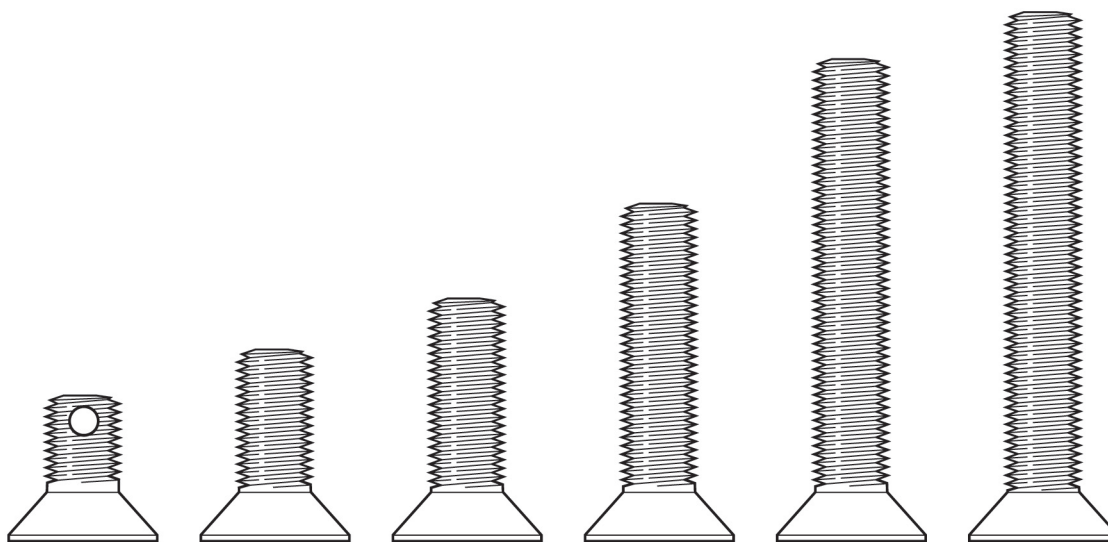
V 808 865 140
3/8-16 x 7/8

V 808 865 240
3/8-16 x 1-1/2

V 808 865 320
3/8-16 x 2

V 808 865 400
3/8-16 x 2-1/2

3/8-24 Flat Head Socket Cap Screws



V 000 025 662
3/8-24 x 3/4
WITH NYLOC

V 808 866 160
3/8-24 x 1

V 808 866 200
3/8-24 x 1-1/4

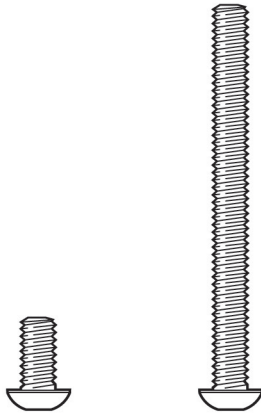
V 808 866 320
3/8-24 x 2

V 808 866 400
3/8-24 x 2-1/2

V 808 866 440
3/8-24 x 2-3/4



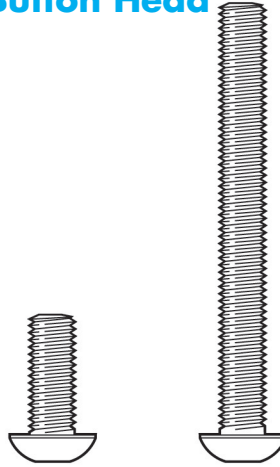
#10-24 Button Head



V 808 539 060
#10-24 x 3/8

V 808 539 320
#10-24 x 2

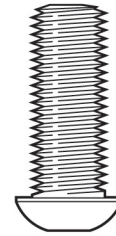
1/4-28 Button Head



V 808 550 100
1/4-28 x 5/8

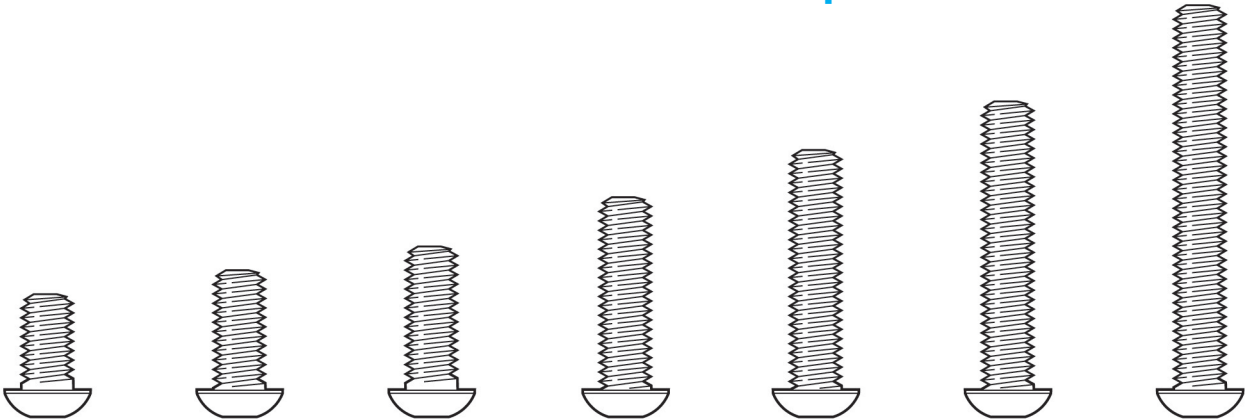
V 808 550 360
1/4-28 x 2-1/4

3/8-24 Button Head



V 808 566 160
3/8-24 x 1

1/4-20 Button Head Socket Cap Screws



V 808 549 080
1/4-20 x 1/2

V 808 549 100
1/4-20 x 5/8

V 808 549 120
1/4-20 x 3/4

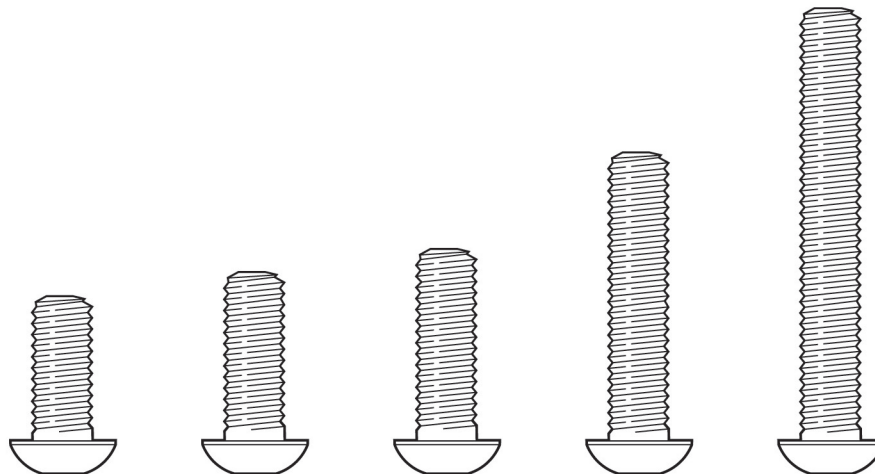
V 808 549 160
1/4-20 x 1

V 808 549 200
1/4-20 x 1-1/4

V 808 549 240
1/4-20 x 1-1/2

V 808 549 320
1/4-20 x 2

5/16-18 Button Head Socket Cap Screws



V 808 557 120
5/16-18 x 3/4

V 808 557 140
5/16-18 x 7/8

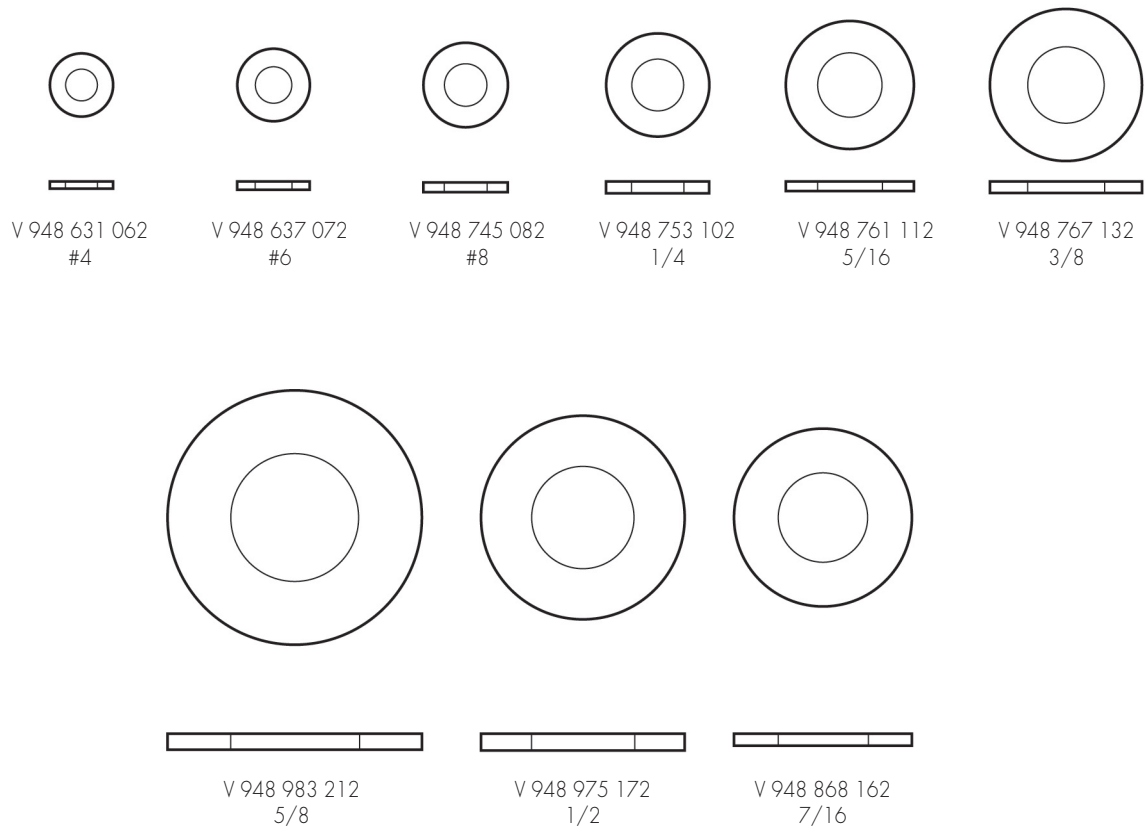
V 808 557 160
5/16-18 x 1

V 808 557 240
5/16-18 x 1-1/2

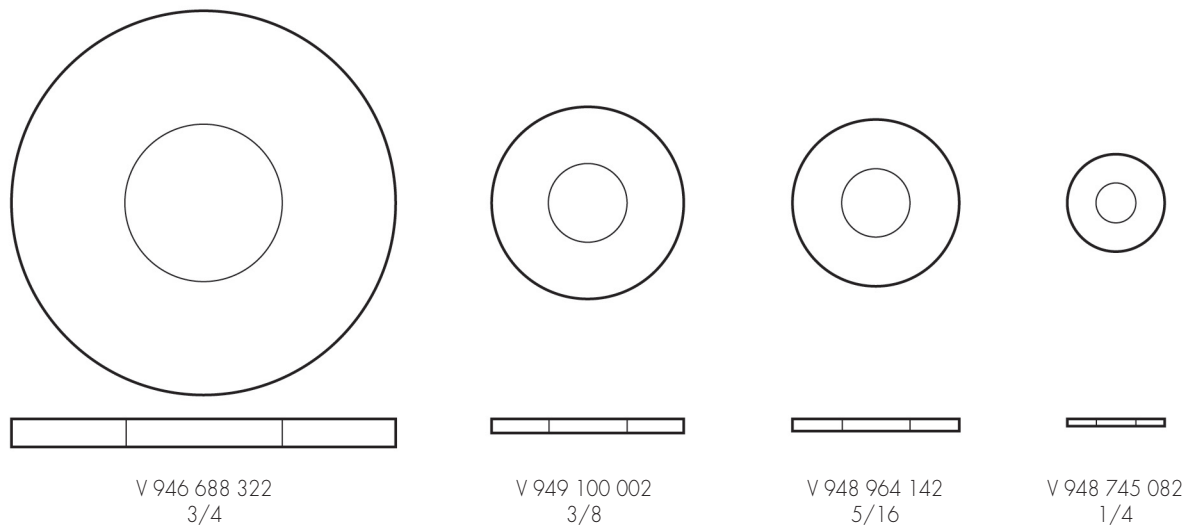
V 808 557 360
5/16-18 x 2-1/4



Flat Washers (SAE)



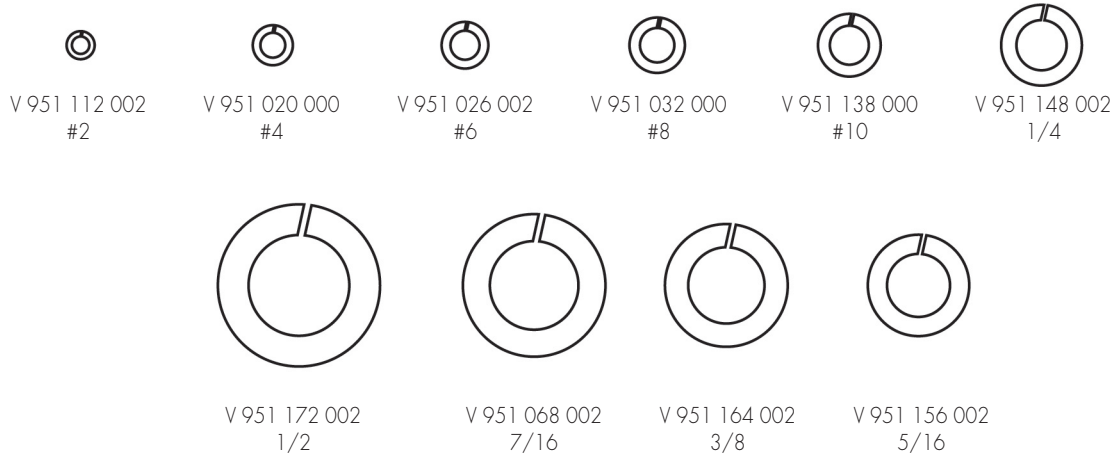
Flat Washers (USS)



* Call for availability.



Split Lockwashers



External Tooth Lockwashers

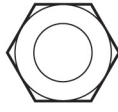

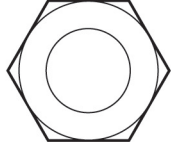
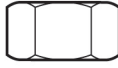
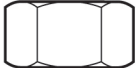
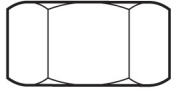


X-Washers





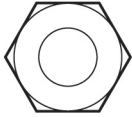









Standard Hex Nuts










Course	V 831 565 002 3/8-16	V 831 573 002 1/2-13	
			
			
Fine	V 831 558 002 5/16-24	V 831 566 002 3/8-24	

Machine Screw Nuts





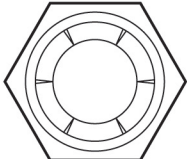





Course		V 835 539 002 #10-24	V 834 549 002 1/4-20	V 834 557 002 5/16-18	
					
					
Fine	V 834 821 000 #4-40	V 834 527 002 #6-32	V 835 540 002 #10-32		



Nyloc Hex Nuts

Course		V 838 939 002 #10-24	V 838 849 007 1/4-20		
					
					
Fine	V 838 727 002 #6-32	V 839 533 002 #8-32	V 838 740 002 #10-32		V 838 866 002 3/8-24













Flexloc Hex Nuts

Course	V 840 039 002 #10-24	V 840 049 002 1/4-20	V 840 057 002 5/16-18	V 840 065 002 3/8-16	
					
					
Fine	V 840 040 002 #10-32		V 840 058 002 5/16-24	V 840 066 002 3/8-24	V 840 070 002 7/16-20



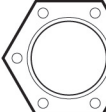
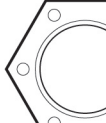
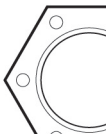

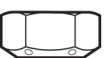




* Call for availability.



Jam Nuts

Course	V 835 549 002 1/4-20 R.H.	V 835 557 002 5/16-18 R.H.	V 835 565 002 3/8-16 R.H.		V 835 573 002 1/2-13 R.H.	
						
						
Fine	V 835 550 002 1/4-28 R.H. V 835 650 002 1/4-28 L.H.	V 835 558 002 5/16-24 R.H.	V 835 566 002 3/8-24 R.H.	V 835 570 002 7/16-20 R.H. V 835 670 002 7/16-20 L.H.	V 835 574 002 1/2-20 R.H. V 835 674 002 1/2-20 L.H.	V 835 582 002 5/8-18 R.H.

Stover Nuts

Course	V 844 049 002 1/4-20	V 844 057 002 5/16-18	V 844 065 002 3/8-16	V 844 069 002 7/16-14	V 844 073 002 1/2-13	V 844 081 002 5/8-11
						
						
Fine	V 844 050 002 1/4-28	V 844 058 002 5/16-24		V 844 070 002 7/16-20	V 844 074 002 1/2-20	

* Call for availability.



External Retaining Rings



V 919 005 000
EXTERNAL



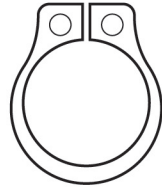
V 919 005 200
EXTERNAL



V 919 005 300
EXTERNAL



V 919 005 400
EXTERNAL



V 919 005 500
EXTERNAL



V 919 005 600
EXTERNAL



V 919 005 800
EXTERNAL

E-Clip Retaining Rings

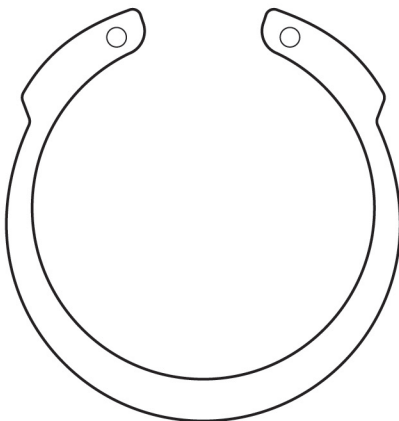


V 919 010 200
E-CLIP

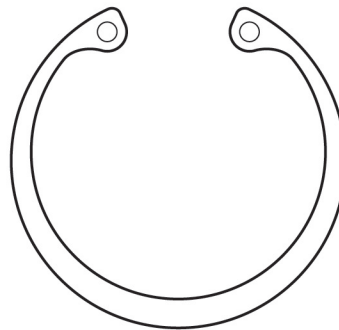


V 919 010 700
E-CLIP

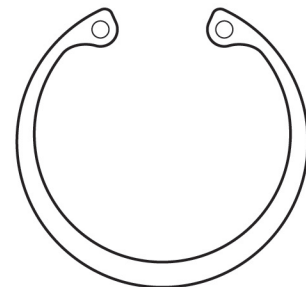
Internal Retaining Rings



V 919 004 200
INTERNAL



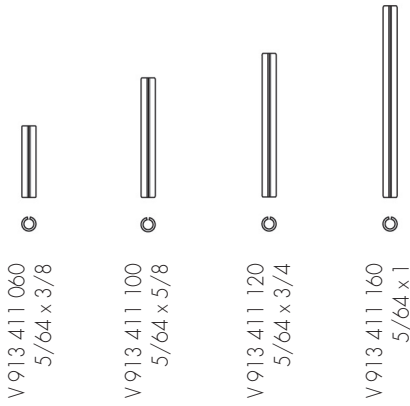
V 919 000 700
INTERNAL



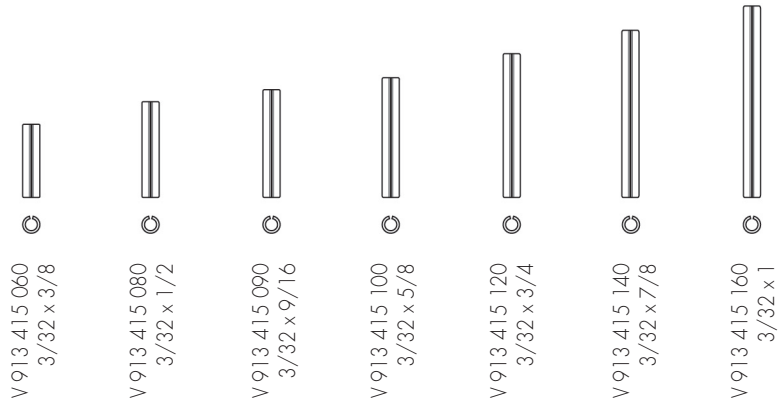
V 919 000 600
INTERNAL



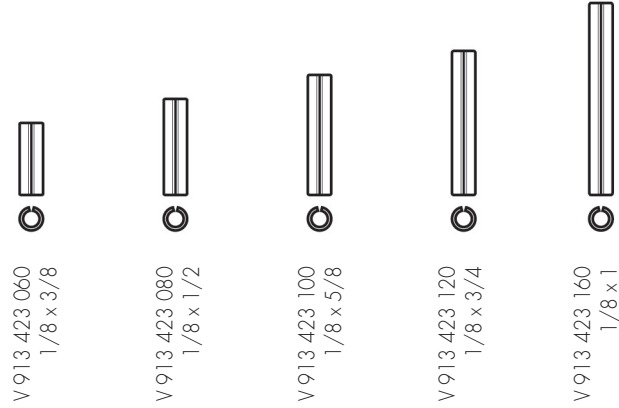
5/64 Roll Pins



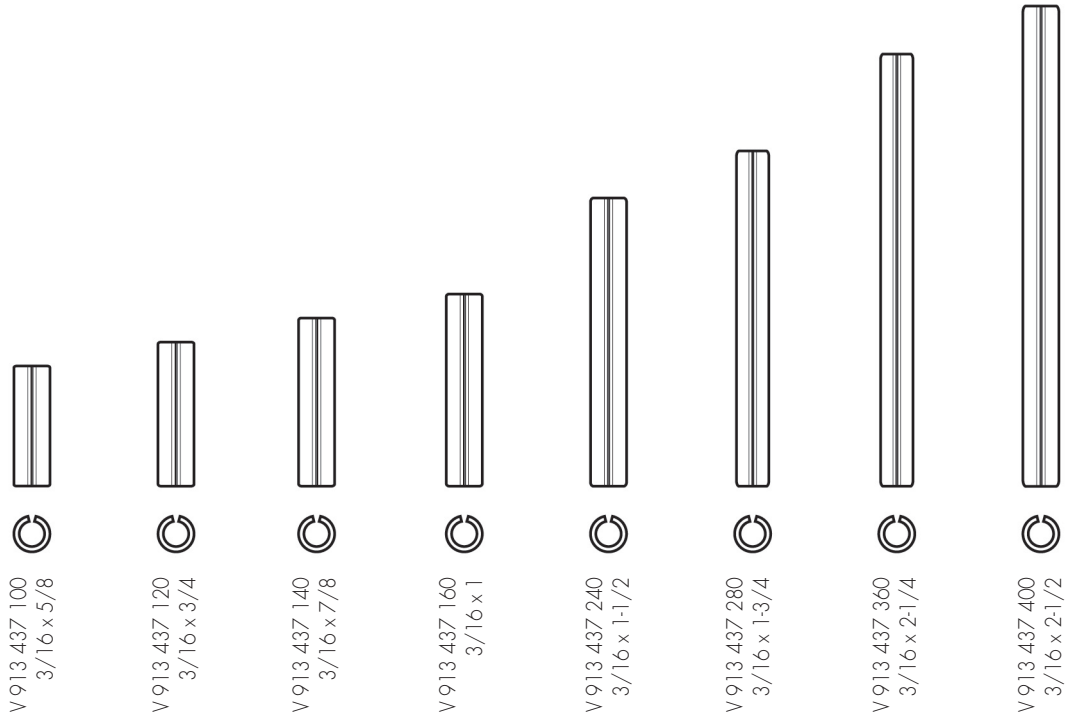
3/32 Roll Pins



1/8 Roll Pins



3/16 Roll Pins



* Call for availability.



Part #	Page #	Part #	Page #	Part #	Page #	Part #	Page #	Part #	Page #
VFL001	75	V000021914	10,25	V000022385	65	V000023758	21	V000024624	27
VFL002	75	V000021992	20,23,29,34	V000022580	42	V000023821	26	V000024625	27
VFL003	75	V000022063	59	V000022717	31	V000023856	65	V000024626	27
VT5-001 CB		V000022064	59	V000022737	42	V000023913	65	V000024628	58
V000020855	29	V000022068	71	V000022738	42	V000024507	26,27	V000024641	27
V000021204	26,27,64	V000022069	27	V000022770	23	V000024508	26,27	V000024645	57
V000021210	29	V000022077	58	V000022782	17,46	V000024510	26	V000024648	57
V000021211	29	V000022079	58	V000022788	26,27	V000024511	26	V000024650	57
V000021211-B	29	V000022080	58	V000022794	26,27	V000024512	26,27	V000024651	57
V000021211-S	29	V000022080-1	58	V000022795	26,27	V000024513	26,27	V000024657	42,44,45,64
V000021224	10,25	V000022080-10	58	V000022811	49	V000024515	26	V000024659	57
V000021407	58	V000022080-111	58	V000022821	21,23	V000024516	26	V000024659A	57
V000021408	57,59	V000022080-112	58	V000022822	23	V000024534	23	V000024659AK	57
V000021409	59	V000022080-2	58	V000022823	23	V000024576	10,25	V000024661	57
V000021417	58	V000022080-4	58	V000022824	23	V000024578	10,25	V0000246615	57
V000021420	25	V000022080-5	58	V000022828	23	V000024579	10,25	V000024663	57,63
V000021423	15,45,59,60	V000022080-6	58	V000022869	60	V000024580	10,25	V0000246634	57
V000021427	60	V000022080-9	58	V000022878	26,27	V000024582	10,25	V000024666	63
V000021431	23,64	V000022082	58	V000022924	26,27	V000024590	10,25	V000024668	27,63
V000021442	45	V000022092	58	V000022926	27	V000024592	10,25	V000024673	64
V000021443		V000022093	71	V000023104	18,49	V000024597	10,25	V000024678	58
V000021527	49	V000022096	58	V000023105	49	V000024598	9,21	V000024679	31,33,58,62
V000021528	49	V000022099	78	V000023114	18,39,49	V000024603	57	V000024683	
V000021575	34,44	V000022099A	78	V000023139	45	V000024604	9,57,78	V000024716	57
V000021645	42,44,45	V000022168	34,64	V000023160	49	V000024604KIT	9	V000024719	74
V000021652		V000022172	21	V000023161	49	V000024605	57	V000024720	57
V000021683	44,45	V000022173	31,33,58	V000023182	19,48	V000024606	57	V000024736	
V000021714	44	V000022195	66	V000023279	49	V000024607	57	V000024745	58
V000021744	44	V000022218	58	V000023265	74	V000024608	57	V000024795	22,23
V000021786	FR	V000022219	29	V000023431	26,27	V000024610	27	V000024795-6	22,23
V000021787	FR	V000022222	29	V000023432	26,27	V000024612	58	V000024795-6L	22
V000021813	63	V000022249	27	V000023464	26,27	V000024614	58	V000024795-6LK	22
V000021814	63	V000022286	23	V000023465	26,27	V000024615	58,60	V000024796	22,23
V000021878	46	V000022287	23	V000023467	26,27	V000024616	60	V000024801	23
V000021880	46	V000022288	23	V000023468	26	V000024618	58	V000024806	
V000021880A	46	V000022296	23	V000023520	71	V000024619		V000024807	23
V000021881	46	V000022300	26,27	V000023621	23	V000024622	58	V000024808	23
V000021905	44,45	V000022369	31	V000023673	21	V000024623	27	V000024811	57

D = Discontinued Part
FR = Frame



Part #	Page #	Part #	Page #	Part #	Page #	Part #	Page #	Part #	Page #
V0000248112	57	V000026043	23,34,73	V000027996	57	V000029601	58,64	V000029959	58
V000024812	57	V000026081	31	V000027998	57	V000029603	59	V030001119	
V000024890	26	V000026247	73	V000028036	23	V000029605	59	V030001121	64
V000024892	31	V000026251	33,34	V000028057	57	V000029606	59	V030001122	67
V000024893	31	V000026401	44	V000028078	73	V000029608	59	V030001148	67
V000025004	14,47,49	V000026419	44,45	V000028237	64,65	V000029609	59,64	V030001170	67
V000025005	14,47,49	V000026445	23	V000028238	65	V000029611	58,60	V030001331	67
V000025068	73	V000026446	34,60,63	V000028239	65	V000029613	57	V030001369	67
V000025078	73	V000026461	31	V000028240	65	V000029614	34,58	V030001488	67
V000025079	73	V000026464	26,27	V000028241	66	V000029624	23	V030001690	64
V0000251241	74	V000026753	10,24,25	V000028316	65	V000029626	10,25	V030001694	64
V000025144	73	V000026753M	10,24,25	V000028334	26	V000029627		V030002114	67
V000025183	73	V000026753S	10,24,25	V000028362	64	V000029629	63	V030002155	66
V000025207	26	V000026836	74	V000028409	73	V000029640	27	V030002171	67
V000025208	26	V000026852	65	V000028410	73	V000029656	25	V030002540	67
V000025292	74	V000026855	65	V000028441	73	V000029657	59	V030002748	76
V000025549	39	V000026860	65	V000028442	73	V000029659	59	V030002792	66
V000025556	73	V000026865	31,41,62	V000028495	FR	V000029660	57	V030002793	66
V000025557	73	V000026878	65	V000028519U	22,23	V000029661	57	V030003055	23
V000025590	53	V000027014	29	V000028737	57	V000029661		V030003227	64
V000025621	58	V000027099	FR	V000028754	73	V000029671	58	V030003248	64
V000025622	10,25	V000027100	FR	V000028771	57	V000029671-A	8,58	V030003257	67
V000025638	58	V000027264	60	V000028772	57	V000029671-AS		V030003433	67
V000025662	10,25,87	V000027368	D	V000028773	57	V000029671-BB	8	V030003434	67
V000025669	66	V000027372	D	V000028864	78	V000029671-BD	8	V030003449	64
V000025673	65	V000027390	21,31	V000028865	78	V000029671-BLR	8	V030003451	64
V000025803	26,27	V000027403	65	V000029015	26,27	V000029671-BS	8	V030003542	76
V000025804	26	V000027641	26,27	V000029015KIT	26,27	V000029671-BSR	8	V030003896	67
V000025863	73	V000027642	26,27	V000029015W	26,27	V000029671-S	8	V030003903	64
V000025865	74	V000027645	26	V000029068	20,29	V000029672		V030003912	78
V000025879	73	V000027646	26	V000029073	11,31	V000029695	58	V030003943	53,77
V000025906	72	V000027655	53,72	V000029201	29	V000029696	60	V030004031	77
V000025907	73	V000027660	73	V000029202	29,64	V000029697	60	V030004517	64
V000026027	45,74	V000027707	66	V000029203	29	V000029898	25	V030004702	73
V000026031	33,59,60,64	V000027708	66	V000029317	26	V000029899	25	V030004703	73
V000026032	20,29,64	V000027710	78	V000029433	71	V000029924	25	V030005093	67
V000026037	74	V000027870	74	V000029508	64	V000029925	25	V030005126	66
V000026042	44,45,73	V000027873	45,74	V000029600	78	V000029926	25	V030005146	

D = Discontinued Part
FR = Frame



Part #	Page #	Part #	Page #	Part #	Page #	Part #	Page #	Part #	Page #
V030005197	78	V030008310	66	V070001653	FR	V070002010	55	V070002609	39
V030005261	67	V030008352	67	V070001664	45,47	V070002012		V070002612	39
V030005262	67	V030008361	48	V070001668	46	V070002013		V070002615	39
V030005263	67	V030008370	67	V070001698		V070002027	26	V070002616	39
V030005264	67	V030008378	67	V070001699	45	V070002034	10,25	V070002617	39
V030005284	67	V030008542	67	V070001700	47	V070002050	23	V070002618	39
V030005648	66	V030008780	57,66	V070001707	44,47	V070002060	23	V070002619	41
V030005660	65	V030008792	78	V070001751	47	V070002072	59	V070002620	39
V030005661	65	V057001003	71	V070001774	45	V070002074	55	V070002623	38,39
V030005662		V057001228	73	V070001777	45	V070002084	55	V070002624	39
V030005670	65	V057001229	73	V070001804	42	V070002097	25	V070002628	40
V030005721	65	V057001238	70	V070001807	15,42	V070002169		V070002629	40
V030005722	65	V070001184	FR	V070001817	D	V070002175	57	V070002630	12,13,40
V030005723	65	V070001195	FR	V070001822	D	V070002212	55	V070002632	40
V030005923	72	V070001389	23	V070001840	46	V070002214	55	V070002633	40
V030006017	78	V070001396	23	V070001849	46	V070002216		V070002642	40
V030006026	67	V070001411	59	V070001852	46	V070002252	23	V070002644	40
V030006456	64	V070001412	FR	V070001853	46	V070002260	23	V070002645	12,13,40
V030006457	64	V070001415	20,29	V070001857	33,46	V070002538	41	V070002646	40
V030006495	66	V070001421	23	V070001857L	33,46	V070002570	40	V070002647	40
V0300065261	74	V070001422	23	V070001866	46	V070002573	38	V070002649	40
V030006546	67	V070001432	23	V070001871	42	V070002577	42	V070002650	40
V030006548	67	V070001450	27	V070001877	46	V070002578	14,15,42	V070002651	12,13
V030006622	64	V070001451	26	V070001893	46	V070002579	15,42	V070002651	
V030006631	64	V070001557	14,47	V070001894	46	V070002581	42	V070002652	40,41,42,46
V030006662		V070001558	47	V070001898	46	V070002582	41	V070002653	12,13,40,41,42,45
V030006663	64	V070001562	47	V0700019078		V070002583	42	V070002654	40
V030006846	66	V070001583	42	V070001910	47	V070002584	42	V070002655	
V030007133	65	V070001584		V070001917	46	V070002585	42	V070002661	
V030007633U	65	V070001585	47	V070001919	47	V070002590	15,42	V070002663	
V030007633C	65	V070001587	47	V070001931	46	V070002592	42	V070002664	39
V030007633R	65	V070001591	47	V070001932	46	V070002594	42	V070002665	39
V030007850	64	V070001598	47	V070001995	57	V070002595	14 NA	V070002667	
V030008089	66	V070001601	14,47	V070001995A	57	V070002596		V070002671	41
V030008164	67	V070001602	47	V070001997	47	V070002600	38,39	V070002678	41
V030008166	64	V070001605	47	V070002004		V070002602	39	V070002680	42
V030008301	67	V070001606	14,47	V070002005	29,78	V070002603	39	V070002681	42
V030008309	66	V070001607	47	V070002007	21,26,27	V070002608	39	V070002683	39

D = Discontinued Part
FR = Frame



Part #	Page #	Part #	Page #	Part #	Page #	Part #	Page #	Part #	Page #
V070002685	40	V070002781	15,42	V070003233	18	V070006016	33	V070006091	31
V070002686	40	V070002784	39,63	V070003234	49	V070006019	33	V070006097	
V070002688	39	V070002784S	39	V070003235	49	V070006021	33	V070006098	20,29
V070002689	39	V070002787	39	V070003236	48	V070006022	33	V070006099	20,29
V070002691	47	V070002788	39	V070003238	49	V070006029	33	V070006101	31
V070002695	12,13	V070002792	40	V070003242	49	V070006030	20,29	V070006102	31
V070002698	39	V070002798	39	V070003243	18	V070006034	31	V070006103	33
V070002701	42	V070002809	8,39	V070003245	49	V070006035	33	V070006104	33
V070002702	42	V070002809A	39	V070011066	58	V070006036	33	V070006105	33
V070002708	41	V070002809AS	39	V070004642	27	V070006037	33	V070006106	33
V070002715	42	V070002809L	8,39	V070004654		V070006042	33	V070006107	33
V070002719	39	V070002813	40	V070004669	63	V070006043	20,29	V070006108	33,34
V070002723	39	V070002814	41	V070004670	63	V070006044	20,29	V070006109	33
V070002725	15 NA	V070002815	41	V070004690	FR	V070006045	20,29	V070006111	31
V070002726	42	V070002816	15,42	V070004713	FR	V070006046	8,29,45	V070006116	33,45
V070002727	14,15,42	V070002818	39	V070004738	FR	V070006047	20,29	V070006117	33
V070002728	14,42	V070002824	46	V070004813	56,57	V070006048	17	V070006118	33
V070002732	42	V070003103	49	V070005094	73	V070006049	31	V070006120	33
V070002733	42	V070003106	18,49	V070005451	D	V070006051	31	V070006121	18,31
V070002734	42	V070003115	49	V070005515	73	V070006055	33	V070006124	31
V070002745	15,42	V070003116	49	V070005521	D	V070006060	31	V070006125	31
V070002750	12,13,40	V070003117	18	V070005529	74	V070006061	31	V070006126	31
V070002751	42	V070003132	49	V070005530	74	V070006064	31	V070006128	31
V070002752	40	V070003158	49	V070005539	74	V070006065	31	V070006130	31
V070002758	41	V070003159	49	V070005542	73	V070006066	31	V070006136	31
V070002766	41	V070003162	49	V070005602	41	V070006067	31	V070006137	33
V070006669	40,41	V070003173	49	V070005604	73	V070006068	31	V070006139	33
V070002768	41	V070003180	48	V070005610	23	V070006069	31	V070006140	33
V070002769	41	V070003184	49	V070005614	D	V070006071	31	V070006142	31,33,34
V070002770	41	V070003189	49	V070005666	74	V070006072			45,62
V070002771	41	V070003190	49	V070005883	73	V070006073	31	V070006143	29,31
V070002772	41	V070003191	49	V070006002		V070006074	31	V070006144	31
V070002773	41	V070003195	49	V070006004	33	V070006075	31	V070006149	31
V070002774	41	V070003221	18,21	V070006009	33	V070006076	31	V070006211	51,55
V070002776	46	V070003222	49	V070006011	33	V070006077	31	V070006211KIT	
V070002777	46	V070003223	49	V070006013	33	V070006082	31	V070006212	51,55
V070002778	46	V070003231	49	V070006014	33	V070006084	31	V070006212KIT	
V070002780	46	V070003232	18	V070006015	33	V070006087	31	V070006213	50

D = Discontinued Part
FR = Frame



Part #	Page #	Part #	Page #	Part #	Page #	Part #	Page #	Part #	Page #
V070006216	50	V070006310	44	V070006420	44	V070006688	33	V070007282	49
V070006219	53	V070006320	57	V070006425	FR	V070006691	31	V070007283	18,49
V070006230	55	V070006325	57	V070006426	FR	V070006693	42	V070007291	57
V070006231	55	V070006351	34	V070006427	47	V070006694	42	V070007295	14
V070006250	37	V070006353	34	V070006429	35	V070006695	42	V070007296	14
V070006253	37	V070006354	34	V070006432	FR	V070006699	57	V070007302	14
V070006254	36,37	V070006356	34	V070006429	47	V070006724	45	V070007303	14,17
V070006255	36,37	V070006358	14,34	V070006447	36,37	V070006726	45,74	V070007310	46
V070006256	36,37	V070006359	34	V070006449	45	V090005723	45,74	V070007311	46
V070006257	36,37	V070006360		V070006450	45	V070006728	60	V070007357	29
V070006258	36,37	V070006361	34	V070006452	44,45,73	V070006729	46	V070007359	
V070006259	36,37	V070006363	34	V070006457	47	V070006746	57	V070007360	23
V070006261	37	V070006364	34	V070006473	73	V070006747	57	V070007370	
V070006265	36,37	V070006365	34	V070006478	FR	V070006748	57	V070007372	27
V070006266	37	V070006366	34	V070006481	14,47	V070006749	57	V070007373	26
V070006268	36,37	V070006369	34	V070006484	45	V070006757U	33	V070007374	27
V070006272	34,73	V070006370	34	V070006490	FR	V070006757C	33	V070007375	26
V070006276	45	V070006371	34	V070006492	47	V070006757R	33	V070007376	31
V070006277	45	V070006372	34	V070006493	44,47	V070006761	23	V070007510	FR
V070006278	45	V070006373	34	V070006496	47	V070006765	44	V070007586	9,11,31
V070006279	45	V070006376	34	V070006519	40,76,77	V070007115	44	V070007586A	9
V070006280	45	V070006377	34	V070006587		V070007119	31	V070007586B	
V070006282	45	V070006380	34	V070006659	33	V070007137	30,31	V070007586P	9
V070006283	45	V070006381	34	V070006661	33	V070007192	12,13,40,57	V070007616	42
V070006284	45	V070006384	34	V090006663	31	V070007193	12,13,40	V070007617	40
V070006285	45	V070006386	34	V070006666	31	V070007194	40	V070007618	40
V070006286	45	V070006388	34	V070006667	31	V070007195	12,13,40	V070007620	40
V070006287	45	V070006389	34	V090006668	31	V070007196	40	V070007622	42
V070006289	45	V070006390	34	V070006669	41	V070007197	40	V070007623	41
V070006294	45	V070006402	35	V070006672	33	V070007197O	40	V070007651	31
V070006295	45	V070006403	35	V070006673	40	V070007199		V070007752	17
V070006296	45,68	V070006405	D	V070006674	40	V070007200	40	V070007755	46
V070006297	45	V070006407	47	V070006676	31	V070007250	46	V070007769	10
V070006299	45	V070006408	35	V070006676S	31	V070007261	40	V070007843	
V070006302	45	V070006411	FR	V070006679	31	V070007276	18,49	V070007844	
V070006304	45	V070006413	FR	V070006683	33	V070007278	18,49	V070007846	25
V070006306	45	V070006414	FR	V070006685	31	V070007280	49	V070007847	25
V070006307	45	V070006417	47	V070006686	31	V070007281	49	V070008126	

D = Discontinued Part
FR = Frame



Part #	Page #	Part #	Page #	Part #	Page #	Part #	Page #	Part #	Page #
V070008133	45	V070011037		V070011151	60	V070100507P	55	V090004055	20
V070008154	40	V070011039	62	V070011165		V070100508	53	V090004113	12,13
V070008182		V070011040	57,60,62	V070011170	33	V070100508P	53	V090004116	20
V070008187		V070011041	57	V070011170C	33	V070100509	53	V090004117	20
V070008188		V070011042	57	V070011171		V070100509P	53	V090004118	12,13
V070008191	63	V070011048	63	V070011172	33	V070100510	55	V090004120	21
V070008207		V070011049	63	V070011173	33	V070100510P	55	V090004123	12,13
V070008210	57	V070011052	56,57	V070011178	60	V070100511	53	V090004131	
V070008211	57	V070011063	63	V070011211	68	V070100512	53	V090004203	10
V070008212	57	V070011064	62,78	V070011217	62	V070100512K	53	V090004444	21
V070008215	57	V070011066	60	V070011218	63	V070100513	55	V090004501	21
V070008217	57	V070011068	60	V070011225	60	V070100514	55	V090004502	21
V070008218	57	V070011077	60	V070011226		V070100514K	55	V090004506	21
V070008321	46	V070011080	60	V070011250	23	V090001130	21	V090004507	21
V070008322	46	V070011092	60	V070011273	60	V090001170	19	V090004517	21
V070008325	46	V070011096	60	V070011279	63	V090001171	19	V090004519	21
V070008449	20,29	V070011097	60	V070011286	27	V090002017	11	V090005015	17,18
V070009821	74	V070011098	60	V070011288	23	V090002018	11	V090005106	20
V070009828		V070011099	60	V070011289	57	V090002019	11	V090005108	20
V070009829		V070011100		V070011299	60	V090002028	17	V090005109	
V070010238		V070011105	60	V070011319	60	V090002034	11	V090005120	20
V070011002	57	V070011106		V070011323		V090002065	20	V090005123	20
V070011004	57	V070011107	60	V070011368		V090003102	20	V090005144	20
V070011005	27	V070011108	60	V070011406	59,60	V090003111	20	V090005251	14,16
V070011006	27	V070011109	59	V070011407	60	V090003112	20	V090005252	14
V070011009	62	V070011110	60	V070011408	58,60	V090003116	20	V090005253	14,17
V070011013	62	V070011110A	60,61	V070011411	59	V090003508	21	V090005254	18
V070011018	63	V070011121	60	V070011412	63	V090003509	21	V090005255	18
V070011027	62	V070011122	60	V070011414		V090003606		V090005256	20
V070011028	62	V070011123	60	V070011418	60	V090003655	14	V090005257	18
V070011029	62	V070011124	60	V070011440	57,63	V090003766	21	V090005264	14
V070011030	62	V070011131	59	V070011440R		V090003795	17	V090005265	14
V070011031	62	V070011131M		V070011626	60	V090003901		V090005270	10
V070011032	62	V070011132	59	V070011795	57	V090003902		V090005271	10
V070011033	62	V070011133	59	V070011796	57	V090003903		V090005272	10
V070011034	59	V070011146	60	V070011797	57	V090004001	14	V090005273	10
V070011035	27	V070011147	60,78	V070011819	18	V090004007	17,18	V090005274	10
V070011036	62	V070011148	78	V070100507	55	V090004010	18	V090005505	16

D = Discontinued Part
FR = Frame



Part #	Page #	Part #	Page #	Part #	Page #	Part #	Page #	Part #	Page #
V090005509	17	V090006132	18	V208111180	71	V250001003	68	V300000182	19,48
V090005514	17	V090006133	18	V208111229	70,71	V250001004	68	V300000182NB	48
V090005520	15	V090006134	18	V208111255	70,71	V250001005	68	V40200010	68
V090005521	15	V090006135	18	V209		V250001008	69	V40200011	68
V090005522	12,13	V090006136	18	V210	66	V250001009	68	V4020009	68
V090005526	15	V090006137	18	V211	25,77	V250001011	68	V610309042	72
V090005532	15	V090006138	18	V213		V250001012	68	V610700079	48
V090005533	15	V090006139	18	V218	52	V250001012C		V610700089	48
V090005536	16	V090006140	18	V219	52	V250001013	68	V610700099	48
V090005540	13	V090006145	18	V220B		V250001014	68	V610700120	7
V090005544	12	V090006663	31	V220R		V250001015	68	V610700120KHP	7
V090005571	13	V090006665	31	V220W		V250001021	68	V610700120MINI	
V090005597	17	V090007145	20	V221	77	V250001023	68	V610700120PHP	7
V090005613	16	V090007241	20	V222L	22	V250001027	68	V610700122	60,61
V090005615	16	V090007310	21	V222R	22	V250001034	68	V610704001	
V090005617	12,13	V090007327	20	V223	77	V250001037	68,78	V610704002	45,47
V090005629	15	V146005277	57	V224	40	V250001040	68	V610704004	31
V090005631	15	V190001305	9,71	V225L	22	V250001041	69	V6107040042	
V090005632	12,13	V190001345	71	V225R	22	V250001042	69	V610704004B	
V090005637	16	V190001355	71	V230	23	V250001051	68	V610704004CD	
V090005640	12,13	V190001357	71	V234001041	70	V250001054	68	V610704004NS	31
V090005645	17	V190001364	71	V234001109	70	V250001057	68	V610704004P	
V090005646	17	V190001364S		V234001112	70	V250001060	69	V610704004S	
V090005647	17	V190001490	39,46,71	V234001115	70	V250001226	69	V610704004W	
V090005651	16	V190001546	71	V234001126	70	V250001229	69	V610704005	31
V090005654	17	V190001546R	71	V234001135	70	V250001230	69	V6107040056	31
V090005655	15	V201L	22	V234001147	70	V250001231	69	V610704006	31
V090005656	16	V201R	22	V234001163	70	V250001232	69	V610704010	41,73
V090005662	17	V203		V234001174	70	V250001233	69	V610704014	25
V090006102	11	V203RING		V234001221	70	V250001236	D	V610704015	45
V090006103	11	V205	32,33	V234001243	70	V250001435	68	V610704020	
V090006125	18	V208	36,37	V234001265	70	V250001537	68	V610704026	40
V090006126	18	V208111008	71	V234001277	70	V250010002	68	V610704028	
V090006127	18	V208111025	71	V234001352		V277	77	V610704030	32
V090006128	18	V208111131	70,71	V234001368	70	V280	51	V610704032	30
V090006129	19	V208111170	71	V234001371	70	V300000170	48	V610704041	
V090006130	19	V208111174	71	V234001372	70	V300000171	48	V610704042	51,55
V090006131	18	V208111174R	71	V250001001	68	V300000175	19,48	V610704042KIT	

D = Discontinued Part
FR = Frame



Part #	Page #	Part #	Page #	Part #	Page #	Part #	Page #	Part #	Page #
V610704043	51,55	V701540083	67	V743000125	74	V785501122	55	V030005923	72
V610704043KIT		V701710098	33	V744203014	35,44	V785501124	55	V785501377	72
V610704045	50	V701712097		V746001016		V785501125	55	V785501378	72
V610704047	50	V701849124	33	V746605011		V785501126	55	V785501384	72
V610704050		V702424002	70	V746605011		V785501131	55	V785501386	72
V610704051		V702504012	70	V749537068	19	V785501132	55	V785501389	72
V610704052	53	V702504013	70	V751001423		V785501134	52	V785501392	72
V610704127	47	V702504014	70	V754010336	74	V785501137	52	V785501393	72
V610704133	46	V709002010		V754020312		V785501146	55	V785501394	72
V610704133B	46	V709002022		V755020359	74	V785501147	55	V785501398	55
V610704150	57	V709002024		V755504048	74	V785501168	72	V785501423	52
V610704151	57	V710501009	17	V759517051		V785501177	55	V785501426	52
V610704155	41	V710501013	14	V760011197	73	V785501178	55	V785501427	52
V612070012		V711516020	35	V760019201	73	V785501179	52	V785501430	55
V700107146	21	V714501001		V780503014	76	V785501192	72	V785501431	55
V701011003	55	V716501009	55	V782501001	76	V785501208	55	V785501434	55
V701015004	52	V716501013	52	V783502002	76	V785501223	52	V785501435	52
V701020030	70	V716503015	52	V784003000	76,77	V785501228	52	V785501437	52
V701020091	55	V716503020	52	V784003000R	23,77	V785501287	52	V785501438	52
V701021008	55	V716503022	55	V784528052	76	V785501288	52	V785501439	55
V701021010	52	V716503023	55	V785001001	76	V785501291	52	V785501475	
V701021014	52	V718506006		V785501014	55	V785501295	52	V785501476	
V701024031	70	V718508008		V785501015	55	V785501297	55	V785501477	
V701025003	55	V719616005	70	V785501023		V785501298	55	V785501478	
V701025011	55	V719624004	70	V785501024		V785501300	52	V785501505	
V701077015	52	V722501070	11	V785501031	53	V785501302	52	V785501508	72
V701224030	55	V722971522	60	V785501040		V785501305	52	V785501514	55
V701240032	52	V722985512	60	V785501048	52	V785501308	55	V785501515	55
V701310036	39	V724001011	76	V785501050	52	V785501310	55	V785501516	55
V701316041	42	V724507002	41	V785501066	55	V785501312	52	V785501517	55
V701320045	59	V730027019	12,41	V785501067	52	V785501331	55	V785501520	72
V701329050	35	V730036025	41	V785501079	55	V785501336	52	V785501522	72
V701411086	64	V741550515	70	V785501094	52	V785501337	52	V785501525	55
V701412054	67	V743000011	74	V785501095	55	V785501338	52	V785501526	55
V701416058	45	V743000014	74	V785501104	55	V785501341	52	V785501527	
V701416087	64	V743000015	74	V785501106	55	V785501342	55	V785501528	74
V701436064	65	V743000017	74	V785501108	55	V785501343	52	V785501533	72
V701512072	67	V743000020	74	V785501117	55	V785501372	72	V785501540	72

D = Discontinued Part
FR = Frame



Part #	Page #	Part #	Page #	Part #	Page #	Part #	Page #	Part #	Page #
V785501543	52	V791004004	76	V806749160		V807650050	12,13	V808566160	88
V785501544	52	V792005005		V806857080		V808149022		V808640121	40,84
V785501551	55	V792009010	76	V807227040		V808524040		V808640141	40,84
V785501552	55	V792016018	76	V807227050		V808527060		V808640161	
V785501562	72	V792018020	76	V807233040		V808533050		V808827080	
V785501564	72	V792026028	76	V807233080		V808533061		V808827101	
V785501621	55	V792501001	76,77	V807239040		V808533120		V808833080	
V785501653		V792502002	76,77	V807249040		V808539060	88	V808833121	
V785501662	55	V792505005	76,77	V807249060	15	V808539100		V808839080	
V785501664	72	V793002007	76	V807249070		V808539240		V808839160	
V785502005	72	V793501000	76	V807249160	33	V808539260		V808840040	
V785502008	52	V793503017	76	V807250080		V808539280		V808840080	
V785502020		V793503051	76	V807257060	59	V808539320	88	V808840100	
V785502055	52	V793506000	76	V807257080		V808539320		V808840120	
V785502080	72	V793507028	76	V807265060	57	V808540080		V808840200	
V785502085	52	V793507029	76	V807265080	57	V808540081		V808840260	
V785502190	72	V793507030	76	V807265160		V808540100		V808849080	
V785502191	72	V793509036	76	V807333030		V808540160		V808849100	86
V785502233	50	V793509037	76	V807333040		V808549080	12,13,35,88	V808849120	86
V785502234	50	V793509049	76	V807339060		V808549100	88	V808849160	25,86
V785502235	50	V793510000	76	V807340040		V808549120	16,88	V808849200	86
V786501001	76	V793510041		V807340100		V808549160	27,70,88	V808849240	86
V786502002	76	V793510042		V807340140		V808549200	16,33,88	V808849280	
V786503003	76	V793510043		V807340160		V808549240	37,88	V808849320	
V786504004	76	V793510044		V807349030		V808549320	37,88	V808849565	57,86
V787001006	76	V793511045	76	V807349060		V808550100	88	V808850100	
V788001057	74	V793514048	76	V807350040		V808550360	88	V808850120	
V788001058	74	V801369161	17	V807350060		V808557100		V808850140	
V788504004	76	V802057100		V807357040	45,59,60	V808557120	16,88	V808850200	
V789001000	76	V802865996	60	V807357060	42	V808557140	16,19,48,88	V808850240	
V789502003	76	V806157200		V807357080		V808557160	48,88	V808850320	
V789502004	76	V806233080		V807358040		V808557240	88	V808850360	
V789505008	76	V806249060	33	V807358060	21,31	V808557360	68,88	V808850400	
V789509000	76	V806249160	42	V807358080		V808558120		V808850420	
V789511027	76	V806265160	10,25,57	V807365060		V808558140		V808857080	
V789512029	76	V806265240	39	V807439060		V808558160		V808857120	27,86
V790001001	76	V806357100		V807640060		V808558200		V808857160	86
V791003003	76	V806657080	58	V807649160		V808558320		V808857200	



Part #	Page #	Part #	Page #	Part #	Page #	Part #	Page #	Part #	Page #
V808857240		V809849405	79	V809865205	27,42,45	V809873485	83	V810249080	84
V808857280	63,86	V809849445			60,81	V809873525	83	V810249160	84
V808858100		V809849485	35,79	V809865245	14,17,21	V809874365	83	V810249200	39,84
V808858120	86	V809849604	33		39,58,68,81	V809874525		V810249240	
V808858160		V809849605	35,79	V809865285	18,81	V809881640		V810249320	
V808858200		V809849885	33,79	V809865325	15,21,81	V809965125	62	V810249360	
V808858240	86	V809850085		V809865365	39,81	V810221080		V810249400	
V808858320	86	V809850105		V809865405	58,60,81	V810221100		V810250080	
V808858440		V809850125		V809865445	18,57,81	V810221120		V810250100	
V808865140	62,87	V809850165		V809865485	81	V810224060		V810250120	84
V808865240	87	V809850205		V809865525	81	V810227060		V810250160	
V808865320	23,87	V809857080	31,80	V809865565	81	V810227080		V810250200	84
V808865400	23,87	V809857100	68,70,80	V809865605		V810233040		V810250240	
V808866120		V809857125	21,23,26	V809865645	26,27,81	V810233060		V810250280	
V808866160	87		27,68,80	V809865725	20,29,81	V810233080	42,84	V810250360	
V808866200	87	V809857165	26,29,60	V809865805		V810233100		V810250480	84
V808866320	87		68,80	V809865960		V810233120	84	V810250520	
V808866400	87	V809857205	10,25,58	V809865992	63,81	V810233140		V810257120	
V808866440	87		70,80	V809866285		V810233160		V810257160	85
V808866520		V809857245	19,48,80,	V809866325		V810239060	84	V810257200	85
V808957160	58,86	V809857280	80	V809866645		V810239080	84	V810257240	
V809149100	12,13	V809857295	10	V809869245	14,18,47,82	V810239120	42,84	V810257445	
V809839080	52	V809857325	20,80	V809869285	14,16,47,82	V810239140		V810257520	
V809840080		V809857365	18,20	V809869325	14,17,18,82	V810239160	33,84	V810258100	27,85
V809849060		V809857405	20,29,44,80	V809869365	14,17,18,49,82	V810239200		V810258120	
V809849085	35,79	V809857565	80	V809869405	14,18,49,82	V810239240	31,84	V810258140	
V809849100	31,79	V809857660		V809869445	82	V810239320	84	V810258160	39,85
V809849125	26,29,31	V809857760	80	V809870245	82	V810240060	69	V810258200	85
	33,35,79	V809857880	60,80	V809870285	46,82	V810240080	84	V810258240	85
V809849145	58,60,69,79	V809858085	29,80	V809870325	46,82	V810240100	84	V810258280	
V809849162	33	V809858125	29,80	V809870365		V810240120		V810258320	
V809849165	10,16,25	V809858165	80	V809870405		V810240160		V810258360	
	35,42,69,79	V809858200		V809870445		V810240200		V810265160	85
V809849205	25,31,62,79	V809858285		V809873100	70,83	V810240240		V810265200	
V809849245	37,79	V809858365		V809873280		V810240280		V810265280	47,85
V809849285	35,37,79	V809865125	15,42,81	V809873325		V810240400		V810265400	85
V809849325	10,25,79	V809865165	21,26,35	V809873405	45,46,83	V810240500		V810265560	
V809849365	57,79		57,60,63,81	V809873442		V810249060	84	V810266120	

D = Discontinued Part
FR = Frame



Part #	Page #	Part #	Page #	Part #	Page #	Part #	Page #	Part #	Page #
V810266160		V812627202		V813213040		V814327122		V818240122	
V810266200		V812633062		V813221082		V814333122	45	V818240244	
V810266240		V812633082		V813221162		V814339122		V818321062	
V810266280		V812633102		V813221202		V814433082		V818621042	
V810266320		V812633122		V813227042		V814649160		V818627042	
V810266400		V812633202		V813227042		V814740068		V818633042	
V810273320		V812633242		V813227062		V814749162		V818833162	
V810274400		V812633282		V813227082		V814852562		V820532062	
V810340201		V812639062		V813227122		V817921060		V820538122	
V810365401	63	V812639082		V813227162		V817921080		V821049082	
V810366401		V812639102		V813240063		V817927062		V821142202	
V810457160		V812639122		V813240082		V817927142		V821147082	
V811927102		V812639602		V813240122		V817933062		V821226042	
V811927160		V812640082		V813240244		V817940062		V821232062	
V811933062		V812649202		V813249122		V818033042		V821247162	
V811933082		V812817122		V813313082		V818033062		V821438082	
V811939082		V812821102		V813321042		V818221042		V821438122	
V811939122		V812827052		V813321062		V818221062		V821438162	
V811940062		V812827062		V813321089		V818221082		V822326062	
V812021061		V812827092		V813327042		V818221102		V822332282	
V812027062		V812827102		V813327062		V818221122		V822338122	
V812027122		V812827282		V813327082		V818221162		V822420053	
V812027162		V812827322		V813333062		V818224042		V822426087	
V812039142		V812828162		V813333102		V818227042		V822432082	
V812039162		V812833042		V813340042		V818227062		V822626042	
V812039362		V812833062		V813340060		V818227082		V822638322	
V812040122		V812833082		V813340122		V818227122		V822732062	
V812049162		V812833102		V813349163		V818227162	35	V822732080	
V812050122		V812833121		V813433032		V818227202	23	V822732080	
V812140240		V812833162		V813539163		V818227402	44	V822826083	
V812227062		V812833762		V813540082	33,35	V818233062		V822826083	
V812621062		V812840062		V813549102		V818233082	35,44	V822832062	
V812621082		V812840082		V813922162		V818233100		V822832062	
V812627062		V812840162		V813927042		V818233122		V822926122	
V812627082		V812849042		V813933162	45	V818233162		V822932100	
V812627102		V812849102		V813940202		V818239062		V822932122	
V812627122		V812849322		V813949082		V818239082		V822942100	
V812627162		V812939102		V813949109		V818239122		V823126062	



Part #	Page #	Part #	Page #	Part #	Page #	Part #	Page #	Part #	Page #
V823132082		V827620062		V834821000	91	V839539002	42,46		40,41,42
V823138082		V827620102		V834821002		V839549002	57,62		60,93
V823138122		V828127042		V835539002	91	V839565002	60	V844050002	31,93
V823220032		V828127062		V835540002	91	V839665002	17,18,21	V844057002	10,16,18
V823226042		V828127082		V835549002	16,17,42		23,26,27		19,20,21
V823226082		V828133042			45,47,93		39,42,47		23,25,26
V823232042		V828133062		V835550002	42,44,93		49,57,58		29,42,48
V823232062		V828133082		V835557002	93	V839750002			60,63,93
V823232082		V828139122		V835558002	93	V839766002		V844058002	26,27,93
V823238062		V828140042		V835565002	21,39,93	V840027002		V844065002	14,15,18
V823632042		V828140082		V835566002	35,45,60	V840028002			20,63,93
V823732062		V828527042			63,93	V840033002		V844069002	14,16,18
V823926123		V828527082		V835570002	14,47,49,93	V840039002	31,33,92		47,49,93
V824126103		V828627052		V835573002	93	V840040002	33,92	V844070002	47,60,93
V824526062		V829139082		V835574002	49,93	V840049002	35,92	V844073002	18,31,45
V824532082		V829432100		V835581002		V840057002	57,92		46,47,68,93
V824538162		V829438160		V835582002	49,93	V840058002	92	V844074002	26,29,93
V824732042		V830049002		V835587000		V840065002	27,45,60,92	V844081002	93
V824820082		V830057002	19,48	V835587002		V840066002	15,42,92	V844087002	17
V824832082		V830139002		V835650002	42,93	V840070002	46,92	V845100000	57
V824848082		V830358002	29	V835670002	14,47,49,93	V840182002	46	V853500001	
V825533052		V830358002		V835674002	49,93	V840381002	20	V856070002	57
V825539122		V830857002		V837057002		V840500002		V879849487	17
V825727052		V831558002	91	V838139122		V840600002	42	V880139120	46
V826032060		V831565002	21,35,91	V838369002	17	V843140002	15	V880239140	44,45
V826039102		V831566002	20,29,31	V838669002	52	V843127002	35,44	V900104061	67
V826039122			57,91	V838727002	92	V843133002	35,44	V900104071	46
V826049122		V831573002	60,91	V838740002	92	V843139002	29	V900105061	64
V826049142		V832021029		V838849007	92	V843140002	42	V900105161	64
V826049202		V832557002		V838866002	60,62,63,92	V843140042		V900106041	64
V826139122		V834513002		V838939002	92	V843149002		V900106081	33
V826149062		V834517002		V838940002		V843157002		V900110081	59
V826149082		V834524000		V839057002	18,39,68	V843158002		V900110121	57
V827327042		V834527002	91	V839100002		V843165006		V900110141	47,59
V827327062		V834533002		V839249007		V844049002	10,12,13	V900110161	59
V827327082		V834549002	33,91	V839521002			16,25,26	V900110403	
V827327102		V834557002	20,29	V839527002	23		29,31,33	V900112161	57
V827333240		V834621000		V839533002	42,92		35,37,39	V900112203	26,27,57

D = Discontinued Part
FR = Frame



Part #	Page #	Part #	Page #	Part #	Page #	Part #	Page #	Part #	Page #
V900114101	17,35	V907202600	21	V913437280	29,95	V919006000		V946688322	89
V900204121	45	V907248200		V913437360	95	V919006200		V948515042	
V900205053	39,41,46	V908048480	11	V913437400	95	V919006500		V948519002	
V900205061	64	V911023202		V913448100		V919006600		V948523052	
V900205081	60	V912137120		V913448120	45,60	V919006800	33	V948631052	
V900206081	57	V912137200	46	V913448200		V919007000		V948631062	35,89
V900206091	35	V913407040		V913448280		V919007600		V948637072	89
V900207061	70	V913407070		V913448320		V919007800		V948648092	70
V900208091	60	V913407080		V913448360		V919007900		V948722111	19,48
V900208161	57	V913411060	95	V913448400		V919009000		V948745082	31,89
V900210101	59	V913411100	10,25,95	V913456140		V919010000		V948753082	
V900210161	45,63	V913411120	95	V913456320		V919010100		V948753102	10,25,31
V900212161	57,62	V913411160	95	V913464280	33	V919010200	94		35,89
V900212201	58,60	V913415060	95	V913464360	47	V919010200		V948761112	10,19,20
V907000100	33	V913415080	95	V913464400	45	V919010300			25,29,31
V907000200	45,62	V913415090	31,95	V913472121		V919010400			39,48,57
V907000300	21,54	V913415100	45,95	V913472640		V919010500			58,60,70,89
V907000500	54	V913415120	46,95	V914037206	31	V919010600		V948767132	15,18,20
V907000600	35	V913415140	95	V916931256		V919010700	49,94		21,26,29
V907000700		V913415160	95	V917933062		V919010800			60,62,63,89
V907000800		V913423060	95	V919000300		V919013100		V948868162	17,89
V907000900	45,47,60	V913423080	95	V919000600	31,46,62,94	V919013108		V948964142	62,89
V907200100	54	V913423100	95	V919000700	39,94	V919013300		V948975172	23,31,89
V907200200	54	V913423120	11,15,31,46,95	V919000900		V919013308		V948979942	
V907200500		V913423160	42,95	V919001000	70	V937000000	26,27	V948983212	15,17,57,89
V907200600	52	V913423200		V919001200		V938523030		V949100002	14,17,18
V907200700	54	V913423240		V919003100		V938537060			49,60,89
V907200800	54	V913423280		V919004200	31,94	V938537075		V951020000	90
V907200900		V913431120		V919005000	33,94	V938637100	19	V951026002	90
V907201000	21	V913431160	23	V919005200	57,60,62,94	V941072000		V951032000	90
V907201100	54	V913431220		V919005300	31	V941072200	26	V951068002	90
V907201200		V913431320		V919005400	26,94	V941137102		V951112002	90
V907201300		V913437100	40,95	V919005500	60,94	V944553113		V951138000	52,90
V907201400		V913437120	31,95	V919005600	18,31,57	V945045084		V951148002	69,90
V907201700	52	V913437140	31,33,95		58,59,94	V945056122		V951156002	20,68,90
V907201800	52	V913437160	11,95	V919005700		V945867242	17	V951164002	15,21,23
V907201900		V913437180		V919005800	26,27,57	V946076162			26,57,63,90
V907202100	70	V913437240	23,95		62,94	V946400002		V951172002	90



QubicaAMF Worldwide Aftermarket Products Warranty Schedule.

Except as set forth in this Purchase Order, QAMF MAKES NO REPRESENTATIONS OR WARRANTIES OF MERCHANTABILITY, FITNESS FOR A PARTICULAR PURPOSE, OF ANY OTHER WARRANTY, EITHER EXPRESSED OR IMPLIED. All other warranties, expressed or implied, statutory or otherwise, are excluded. QAMF shall not assume or authorize any other person to assume for it any other liability or warranty in connection with the Equipment. Under no circumstances shall QAMF be liable for loss of profits or other direct, indirect or consequential costs, expenses, losses or damages arising out of QAMF's breach of this Purchase Order or defects in or failure of the equipment. Purchaser shall, if requested by QAMF, post such notices and make such disclaimers of warranties to Purchaser's customers as QAMF may require. Purchaser shall hold QAMF harmless from all losses, damages, costs, and expenses (including attorney's fees) for injury or damage to third parties caused by breach of any of Purchaser's duties under this Purchase Order. QAMF's warranties apply only to the Original Purchaser. If repairs to electronic parts or boards, other than a standard board replacement with a genuine QAMF-supplied board are not made by an QAMF representative, then QAMF shall have no liability whatever under any warranty.

Detail Warranty Schedule is as follows:

Product	Standard*	Exception
New Replacement Parts	1 year	Pumpkin carpet belt is 2 years
Rebuilt/Repaired Replacement Parts	90 days	Compromising seals voids warranty; Lane Parts 1 year
House Balls	2 years	
Super Value Rental Shoes	6 month limited	
Premium Rental Shoes	1 year	
Lane Supplies	1 year	
Lane Finishes	90 days	9 months in can
Pro Shop Equipment	1 year	

Each warranty above is subject to the following conditions and limitations:

1. This warranty is for defects in materials and workmanship only.
2. Warranty for spoilable items does not extend beyond the printed expiration date.
3. QAMF shall not be liable for loss of profits or other direct or indirect costs, expenses, losses or damages arising out of defects in the Equipment.
4. This warranty is extended to, and may be enforced only by the original Purchaser or the assignee named on the face of this agreement.
5. Purchaser shall maintain house temperature and humidity conditions as outlined in the QAMF Maintenance Manual during the Installation period and at all times thereafter.
6. Replacement parts or materials shall be delivered to Purchaser at the place of Installation or original delivery.
7. Notice of any defects must be sent to QAMF by Purchaser and received by QAMF no later than ten (10) days after expiration of each Warranty for such Warranty to apply.
8. The defect must not have been caused by carelessness, improper treatment (whether by inexperienced players or otherwise) or any willful or negligent act or omission (including any failure to comply with instructions given by QAMF).
9. In no event will QAMF be liable for any damages caused by the Customer's failure to perform the Customer's responsibilities in caring for QAMF products.
10. QAMF shall not assume any other liability in connection with the QAMF Equipment.
11. THIS WARRANTY IS MADE IN LIEU OF ANY OTHER EXPRESSED OR IMPLIED WARRANTIES, INCLUDING ANY IMPLIED WARRANTY OF MERCHANTABILITY OR FITNESS FOR A PARTICULAR PURPOSE, AND IN LIEU OF ANY OTHER OBLIGATION ON THE PART OF AMF.
12. QAMF shall have no liability whatsoever if repairs or replacements are made by anyone not approved in advance by QAMF in writing.
13. A shipping and handling fee applies to all warranty orders.
14. At QAMF's determination, a product under warranty may be replaced with a new, rebuilt or repaired product.
15. QAMF warranty is limited as stated herein.

Visit Our Website!

Visit us on the web:

www.vantagebowling.com

Join our Email Club by visiting:

<http://join.theemailclub.com/vantagebowling>

Val!

Introducing Value Added Line



Visit our website at
www.vantagebowling.com
to get a **FREE** Vantage Val T-shirt!!



Vantage Bowling Corporation

8100 AMF Drive, Mechanicsville, Virginia 23111
(804) 569-1000 1-866-460-7263
Fax: (804) 730-4464

www.vantagebowling.com