

Front view

- A Image height
- B Image base
- C Extradrop
- D Fabric total height
- E Fabric total base
- F Casing length
- G Weighing bar length



Very functional screen, ultra compact and simple to recess with its small aluminium case with white epoxy finish.

Technical data

Reference	A cm	B cm	C cm	D cm	E cm	F cm	G cm	Wattage w
4:3 format	Black borders							
SQ2B4129172	129	172	4	137	180	192,1	191	121
SQ2B4144192	144	192	4	152	200	212,1	211	121
SQ2B4174232	174	232	4	182	240	252,1	251	121
SQ2B4196262	196	262	4	204	270	282,1	281	121
SQ2B4219292	219	292	4	227	300	312,1	311	121
16:9 format	Black borders + extra drop							
SQ2B4097172	97	172	30	131	180	192,1	191	121
SQ2B4108192	108	192	30	142	200	212,1	211	121
SQ2B4130232	130	232	30	164	240	252,1	251	121
SQ2B4147262	147	262	30	181	270	282,1	281	121
SQ2B4164292	164	292	15	183	300	312,1	311	121
SQ2B4192342	192	342	4	200	350	362,1	361	121
16:10 format	Black borders + extra drop							
SQ2B4108172	108	172	20	132	180	192,1	191	121
SQ2B4120192	120	192	20	144	200	212,1	211	121
SQ2B4145232	145	232	20	169	240	252,1	251	121
SQ2B4164262	164	262	15	183	270	282,1	281	121
SQ2B4183292	183	292	20	207	300	312,1	311	121
SQ2B4214342	214	342	4	222	350	362,1	361	121



- The triangular weighing bar is perfectly integrated in the case when the screen is rolled up.
- Black-out matt white projection surface M2
- Wall or ceiling mounting.
- Motor on the right.

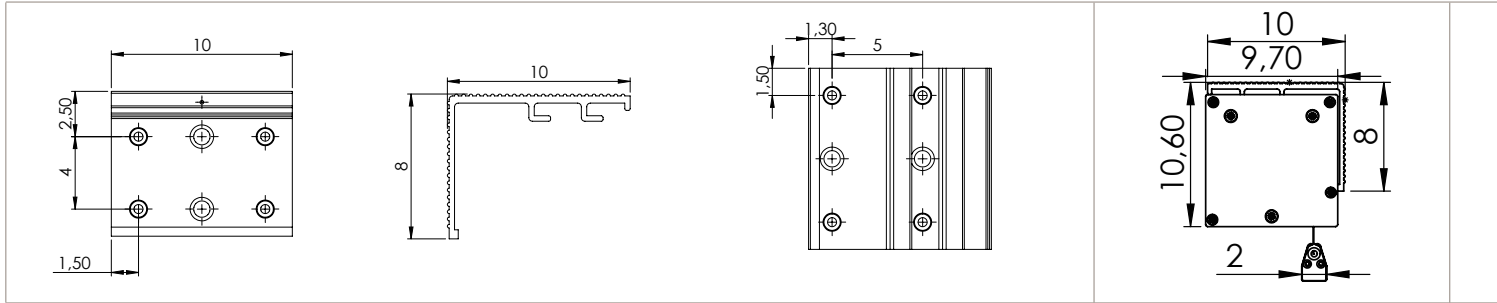


Chemin de Beurepaire
91410 DOURDAN - FRANCE
Tel +33 (0)1 64 59 94 54

Side view

Standard bracket drawing

Casing



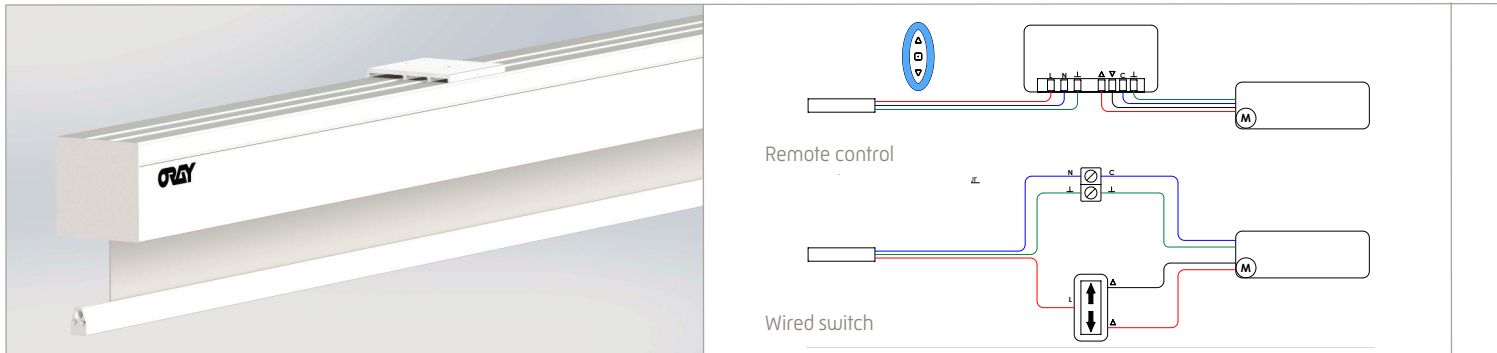
STANDARD BRACKETS

2 standard brackets per screen up to 3m base

3 standard brackets for models SQ2B4192342 and SQ2B4214342

Wiring

Wiring diagrams for remote control receiver and wired switch

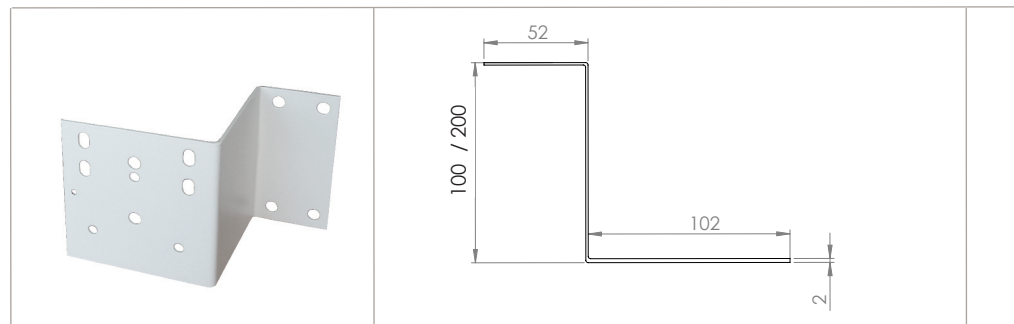


In case of automation control, the power must be cut off between rolling up and unrolling order.

- L Live
- N Neutral
- C Common
- ↑ Up
- ↓ Down
- ⊥ Ground

Extending brackets

Extending bracket 10 or 20 cm



EXTENDING BRACKETS for a wall offset of 10 or 20 cm: a pair up to 300cm base and a trio for the 350cm base model.

The pair	Reference
10 cm	OPTECAR10BSQ
20 cm	OPTECAR20BSQ
The trio	Reference
10 cm	OPTECAR10BSQ3
20 cm	OPTECAR20BSQ3



Chemin de Beurepaire
91410 DOURDAN - FRANCE
Tel +33 (0)1 64 59 94 54