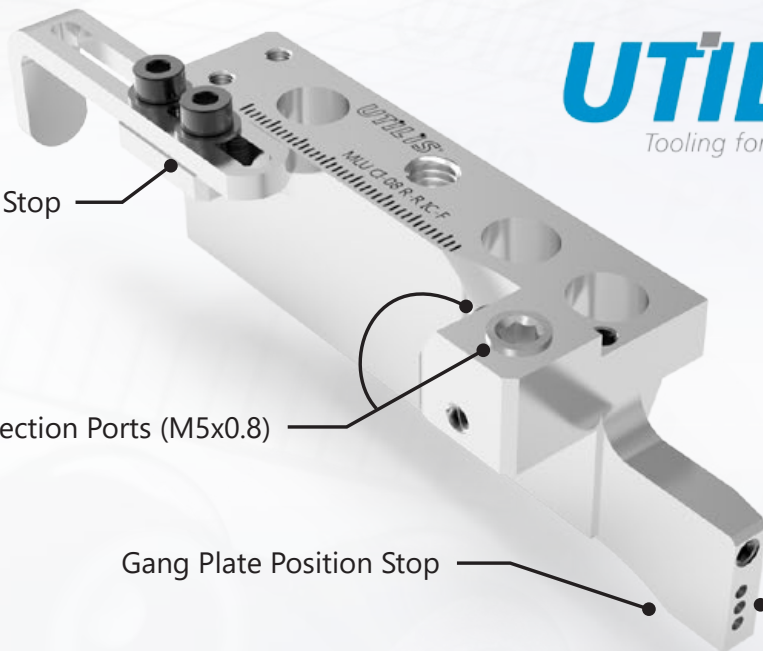


multidec[®] Swiss Type Tools

Coolant Thru Wedges & Accessories



UTILIS[®]
Tooling for High Technology

Adjustable Graduated Stop
For Quick Change

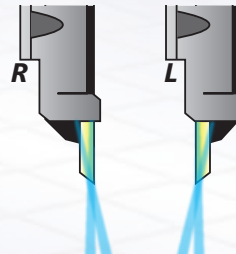
Coolant Connection Ports (M5x0.8)

Gang Plate Position Stop

Coolant Jets

- **Works With Any High-Quality Square Shank Tooling**
- **Eliminates Stringy Chips From Collecting On Your Cutting Tools**
- **Adjustable Stop Provides Quick Change Capability**
- **Low Interference Design**

Coolant Spray Patterns



Right Hand Coolant
Jets w/ Right Hand
Tool Shank

Left Hand Coolant
Jets w/ Left Hand
Tool Shank

www.genswiss.com | (413) 562-4800

sales@genswiss.com

6 Old Stage Road, Westfield, MA 01085

Citizen - Coolant Thru Wedges

<i>Machine Model</i>	<i>Holder</i>	<i>Tool Plate</i>	<i>Pos.</i>	<i>Left Hand</i>	<i>Right Hand</i>
R07	8x8mm	QFT4308	T11-T12	MLU CI-12 R-L IC-F	MLU CI-12 R-R IC-F
L12	8x8mm	GTF7020	T1-T6	MLU CI-10 R-L IC-F	MLU CI-10 R-R IC-F
L12	3/8in (9.525mm)	GTF7010L	T1-T6	MLU CI-07 R-L IC-F	MLU CI-07 R-R IC-F
C16, K12, K16, M16	10x10mm	GTF6010, BTF1010, GTF5110, (5J003 M)	T1-T6	MLU CI-02 R-L IC-F	MLU CI-02 R-R IC-F
K12, L12	10x10mm	GTF7010	T1-T6	MLU CI-09 R-L IC-F	MLU CI-09 R-R IC-F
L16	10x10mm	GTF3110	T1-T4	MLU CI-14 R-L IC-F	MLU CI-14 R-R IC-F
A20, K12, K16, L20, M16	12x12mm	BTF1012, GTF3812	T1-T6	MLU CI-01 R-L IC-F	MLU CI-01 R-R IC-F
A20, L20	12x12mm	GTF3612, BTF2212, BTF2412	T2-T5	MLU CI-01 R-L IC-F	MLU CI-01 R-R IC-F
A20, M20	12x12mm	BTF2413, GTF2513	T1-T6	MLU CI-05 R-L IC-F	MLU CI-05 R-R IC-F
A20, L20	1/2in (12.7mm)	BTF2213, BTF2413, GTF3113	T2-T6	MLU CI-03 R-L IC-F	MLU CI-03 R-R IC-F
A232, M32	16x16mm, 5/8in	GTF5216, GTF5816	T1-T5	MLU CI-08 R-L IC-F	MLU CI-08 R-R IC-F
L25, L32	16x16mm, 5/8in	GTF4016, GTF4516	T11-T15	MLU CI-08 R-L IC-F	MLU CI-08 R-R IC-F
L20	16x16mm, 5/8in	BTF2413, GTF3612	T1 (Cut Off)	MLU CI-08 R-L IC-F	MLU CI-08 R-R IC-F

Star - Coolant Thru Wedges

<i>Machine Model</i>	<i>Holder</i>	<i>Tool Plate</i>	<i>Pos.</i>	<i>Left Hand</i>	<i>Right Hand</i>
SR-10J	8x8mm	691-01	T1-T6	MLU ST-01 R-L IC-F	MLU ST-01 R-R IC-F
SR-16R, SR-20R, R11	12x12mm	541-01	T1-T6	MLU ST-07 R-L IC-F	MLU ST-07 R-R IC-F
SR-20J, R111, R1V, SB-16	12x12mm	0E0-62, 680-62, 0W0-62, 481-02	T2-T6	MLU ST-07 R-L IC-F	MLU ST-07 R-R IC-F
SR-20J, R111, SB-16	12x12mm	0E0-62, 680-62, 481-02	T1 (Cut Off)	MLU ST-08 R-L IC-F	MLU ST-08 R-R IC-F
SR-20R1V	12x12mm	0W0-62	T1 (Cut Off)	MLU ST-09 R-L IC-F	MLU ST-09 R-R IC-F
SV-12, 20	12x12mm	421-01	T3-T5	MLU ST-10 R-L IC-F	MLU ST-10 R-R IC-F
SV-12, 20	12x12mm	421-01	T1 (Cut Off), T2	MLU ST-11 R-L IC-F	MLU ST-11 R-R IC-F
SV-12, 20	1/2in (12.7mm)	421-91	T3-T5	MLU ST-05 R-L IC-F	MLU ST-05 R-R IC-F
SV-12, 20	1/2in (12.7mm)	421-91	T1 (Cut Off), T2	MLU ST-04 R-L IC-F	MLU ST-04 R-R IC-F
SR-32J	16x16mm, 5/8in	670-62	T2-T6	MLU ST-03 R-L IC-F	MLU ST-03 R-R IC-F
SR-32J	16x16mm, 5/8in	670-62	T1 (Cut Off)	MLU ST-02 R-L IC-F	MLU ST-02 R-R IC-F
SV-32	16x16mm	421-04	T2-T4	MLU ST-13 R-L IC-F	MLU ST-13 R-R IC-F
SV-32	16x16mm	421-04	T1 (Cut Off)	MLU ST-12 R-L IC-F	MLU ST-12 R-R IC-F

Tsugami - Coolant Thru Wedges

<i>Machine Model</i>	<i>Holder</i>	<i>Tool Plate</i>	<i>Pos.</i>	<i>Left Hand</i>	<i>Right Hand</i>
BH, BO, BS, S	12x12mm		T1-T8, T18-T24	MLU TS-02 R-L IC-F	MLU TS-02 R-R IC-F
H207, SS207, SS207-5AX	12x12mm		T1-T8, T18-T21	MLU TS-01 R-L IC-F	MLU TS-01 R-R IC-F
BH20	12x12mm		T1 (Cut Off)	MLU TS-04 R-L IC-F	MLU TS-04 R-R IC-F
HS237	16x16mm		T1-T5	MLU TS-06 R-L IC-F	MLU TS-06 R-R IC-F

Tornos - Coolant Thru Wedges

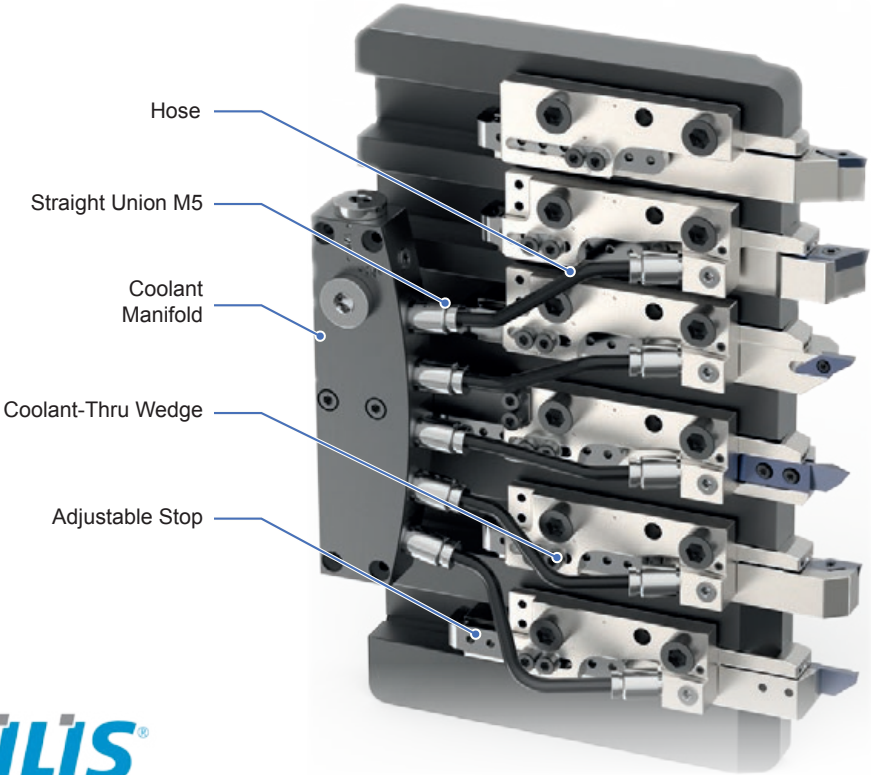
<i>Machine Model</i>	<i>Holder</i>	<i>Tool Plate</i>	<i>Pos.</i>	<i>Left Hand</i>	<i>Right Hand</i>
GT13, DT13	12x12mm	390224, 390223	T1-T5	MLU TO-06 R-L IC-F	MLU TO-06 R-R IC-F
GT13, DT13	12x12mm	390224	T1 (Cut Off)	MLU TO-07 R-L IC-F	MLU TO-07 R-R IC-F
CT20/5	12x12mm	2000118	T1-T6	MLU TO-05 R-L IC-F	MLU TO-05 R-R IC-F
SWISS GT26	16x16mm	386209	T1-T5		MLU TO-04 R-R IC-F
SWISS GT26	16x16mm	386210	T2-T4		MLU TO-03 R-R IC-F
SWISS GT26	16x16mm	386210	T1, T2 (Cut Off)		MLU TO-02 R-R IC-F

Hanwha - Coolant Thru Wedges

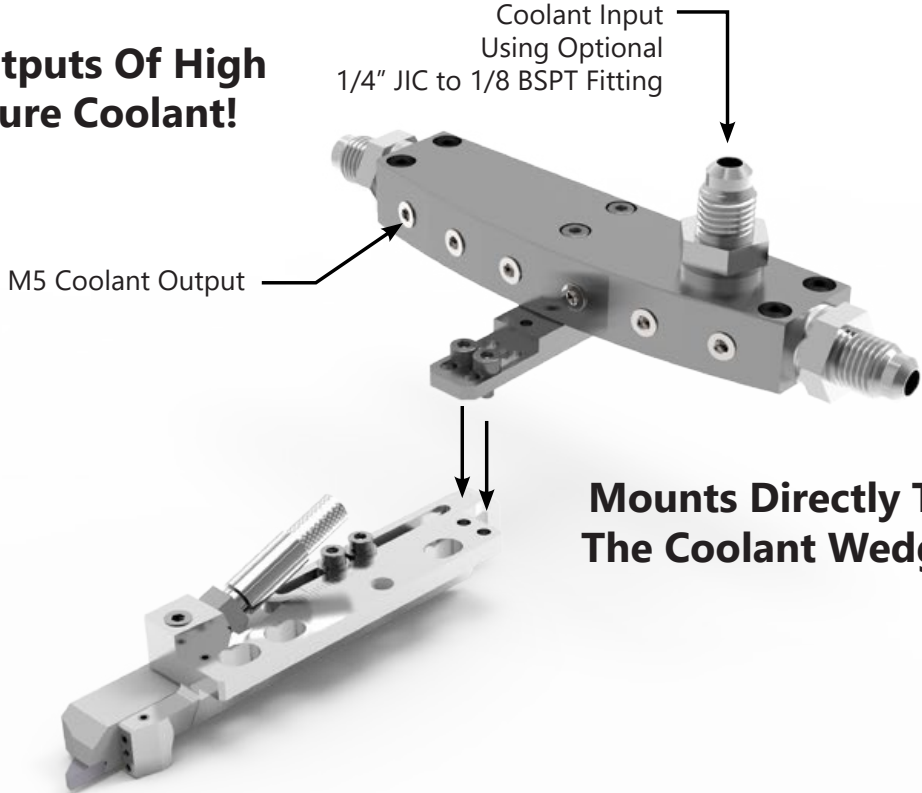
<i>Machine Model</i>	<i>Holder</i>	<i>Tool Plate</i>	<i>Pos.</i>	<i>Left Hand</i>	<i>Right Hand</i>
XD12 J, SL16 S	12x12mm		T1-T6	MLU HA-01 R-L IC-F	MLU HA-01 R-R IC-F
XD20 H, XD20 J, SL200	12x12mm		T1-T6		MLU HA-02 R-R IC-F

Need Help Choosing A Coolant Wedge? See Last Page

Coolant Manifolds & Accessories



2-8 Outputs Of High Pressure Coolant!



Mounts Directly To The Coolant Wedge

Coolant Accessories For True Coolant Flexibility

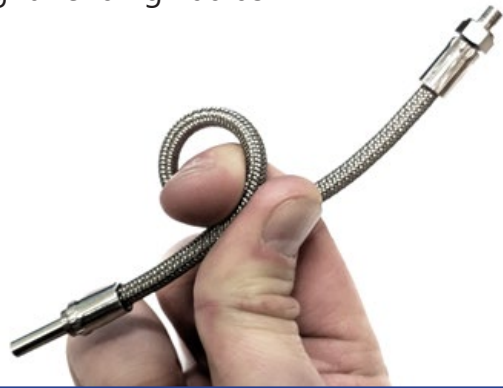
Compact Accessories With High Pressure Capability



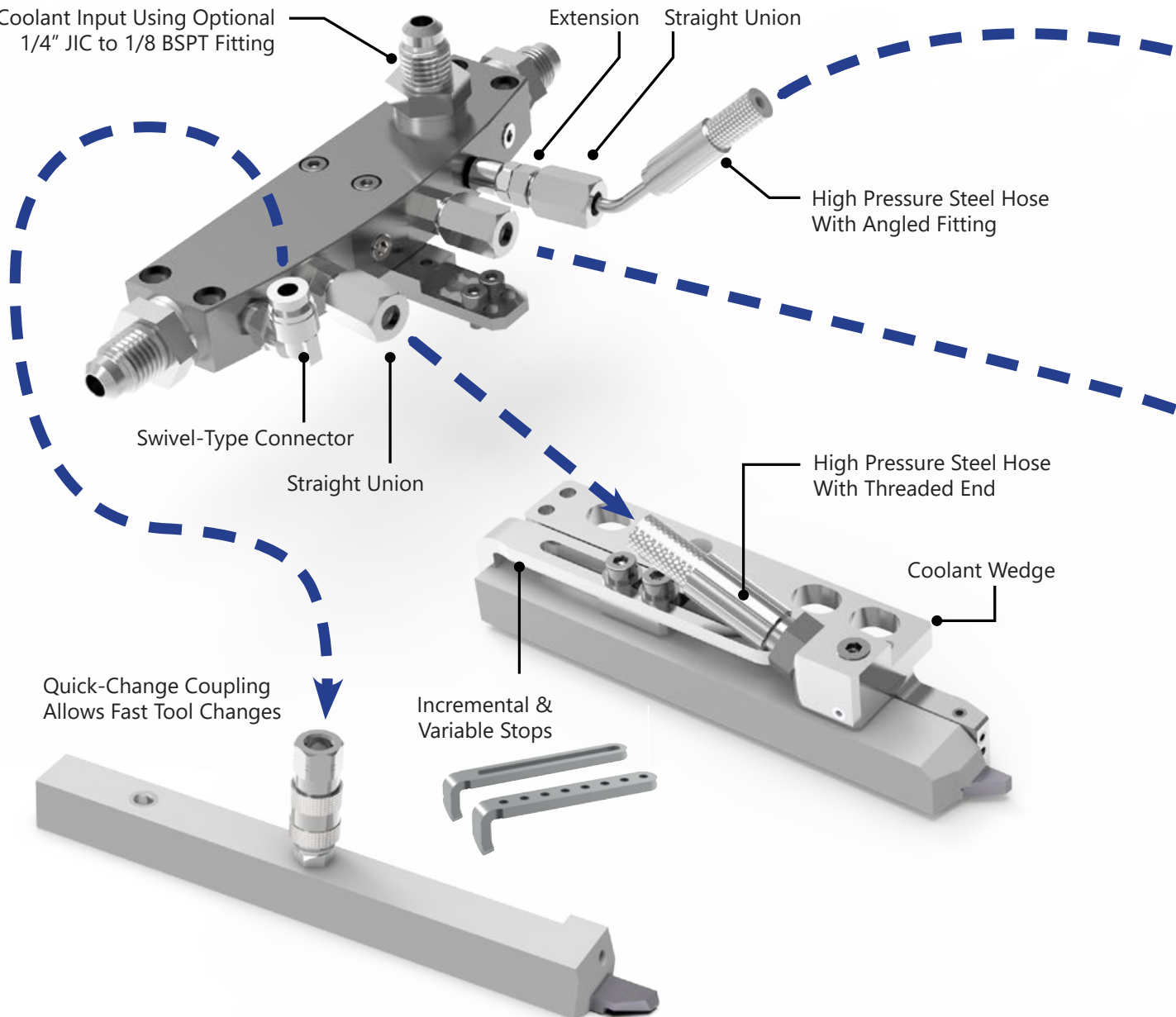
Manifold With 2 Outputs Shown

Maximum 200 bar/2900 psi

Tight Bending Radius



Coolant Input Using Optional 1/4" JIC to 1/8 BSPT Fitting



Extension Straight Union

High Pressure Steel Hose With Angled Fitting

Swivel-Type Connector

Straight Union

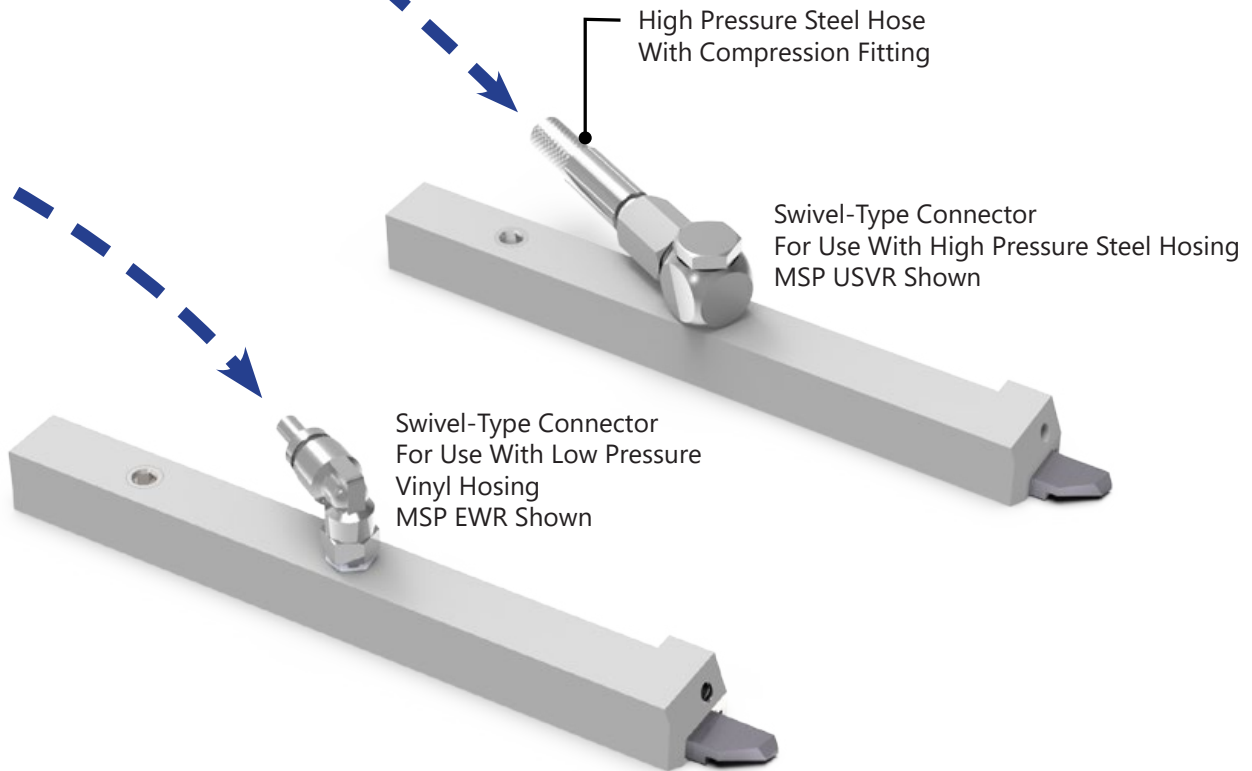
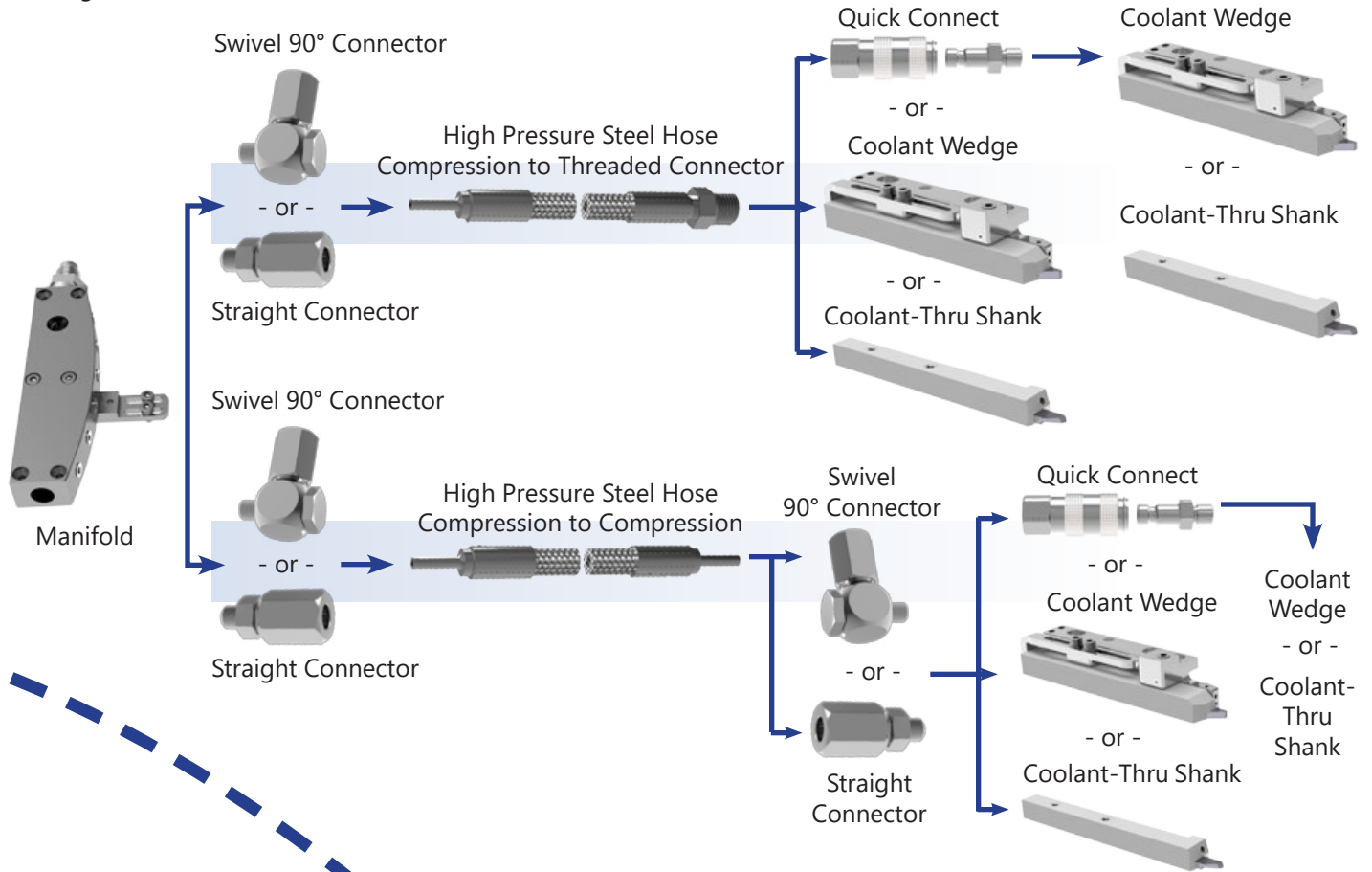
High Pressure Steel Hose With Threaded End

Coolant Wedge

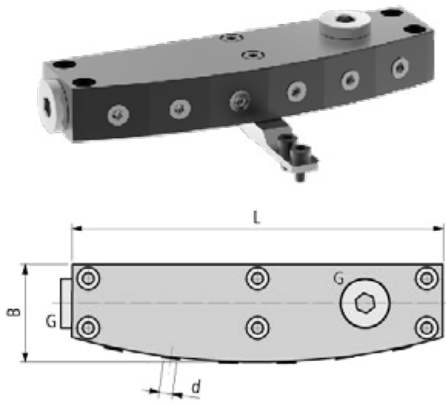
Quick-Change Coupling Allows Fast Tool Changes

Incremental & Variable Stops

Many Connection Combinations Available...



**Need Low-Pressure Hoses & Fittings?
Contact GenSwiss**



Manifolds

High Pressure

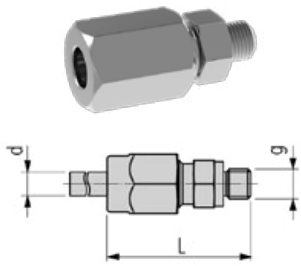
Part No.	G	B	d	L	Inputs (G)	Outputs (d)
MLU KV 2-2 S	G1/8	24mm	M5	23mm	2	2
MLU KV 4-3 S	G1/8	24mm	M5	45mm	3	4
MLU KV 6-3 S	G1/8	24mm	M5	65mm	3	6
MLU KV 8-3 S	G1/8	25mm	M5	85mm	3	8
MLU KV 2-2 L	G1/8	25mm	M5	35mm	2	2
MLU KV 4-3 L	G1/8	25mm	M5	68mm	3	4
MLU KV 6-3 L	G1/8	28mm	M5	105mm	3	6
MLU KV 8-3 L	G1/8	25mm	M5	138mm	3	8

Manifold Fitting: Input

High Pressure



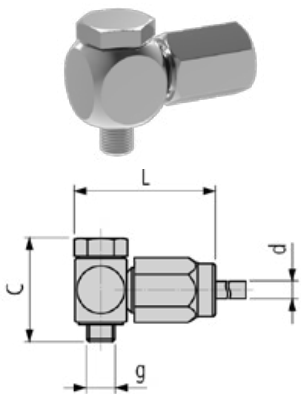
Part No.	Description	Manifold Pos.
4005-000104	Staight 0° 1/4" JIC to 1/8 BSPT	Input
4005-000105	Staight 45° 1/4" JIC to 1/8 BSPT	Input
4005-000106	Staight 90° 1/4" JIC to 1/8 BSPT	Input



Straight Union

High Pressure

Part No.	g	d	L	Coolant Manifold
MSP UGVR M5-2	M5	2mm	19mm	MLU KV...S, MLU KV...L
MSP UGVR M5-3	M5	3mm	21mm	MLU KV...S, MLU KV...L
MSP UGVR M5-4	M5	4mm	27mm	MLU KV...L
MSP UGVR M5-5	M5	5mm	27mm	MLU KV...L
MSP UGVR M5-6	M5	6mm	27mm	MLU KV...L
MSP UGVR G1/8-2	G1/8	2mm	25mm	MLU KV...L
MSP UGVR G1/8-3	G1/8	3mm	26mm	MLU KV...L
MSP UGVR G1/8-4	G1/8	4mm	32mm	MLU KV...L
MSP UGVR G1/8-5	G1/8	5mm	32mm	MLU KV...L
MSP UGVR G1/8-6	G1/8	6mm	32mm	MLU KV...L
MSP UGVR G1/8-8	G1/8	8mm	34mm	MLU KV...L



Swivel Union

High Pressure

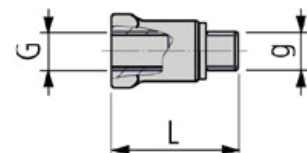
Part No.	g	d	L	C	Coolant Manifold
MSP USVR M5-3	M5	3mm	28mm	21mm	MLU KV...L
MSP USVR M5-4	M5	4mm	28mm	21mm	MLU KV...L
MSP USVR M5-5	M5	5mm	28mm	21mm	MLU KV...L
MSP USVR M5-6	M5	6mm	28mm	21mm	MLU KV...L
MSP USVR G1/8-4	G1/8	4mm	37mm	30mm	MLU KV...L
MSP USVR G1/8-5	G1/8	5mm	37mm	30mm	MLU KV...L
MSP USVR G1/8-6	G1/8	6mm	37mm	30mm	MLU KV...L
MSP USVR G1/8-8	G1/8	8mm	37mm	30mm	MLU KV...L

Extension

High Pressure

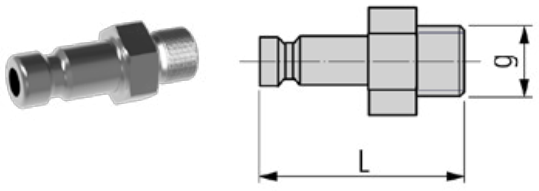


Part No.	G	g	L
MSP VL 100 M5-M5	M5	M5	10mm
MSP VL 200 M5-M5	M5	M5	20mm
MSP VL 400 M5-M5	M5	M5	40mm



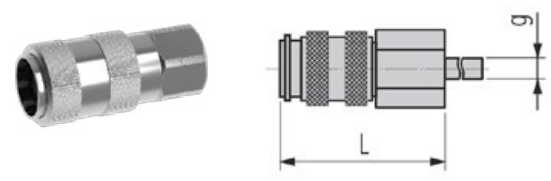
Quick-Change Connection (Plug)

Part No.	g	L
MSP UNM M5	M5	20mm



Quick-Change Connection (Coupling)

Part No.	g	L
MSP UCF M5	M5	26mm



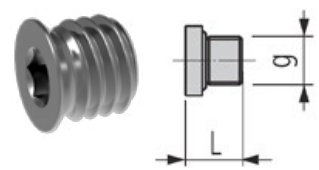
Conversion Fittings:

Prod No.	Description
4005-000111	0° Male Union - M5-0.8 to 1/4 JIC Flare Fitting. Connects to side ports on all shank sizes. Included With All Coolant-Thru Shanks



Screw Plugs

Part No.	g	L
MSP VSR G1/8	G1/8	11mm
MSP VSR M5	M5	4mm

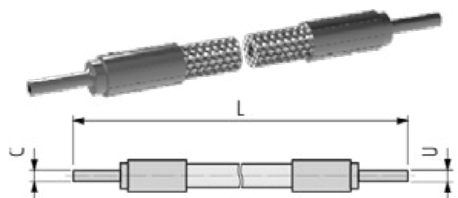


High Pressure Steel Braided Hosing

Compression Fitted

Part No.	L	C	U
MSP UHPT 150 3-3	150	3	3
MSP UHPT 200 3-3	200	3	3
MSP UHPT 300 3-3	300	3	3
MSP UHPT 500 3-3	500	3	3
MSP UHPT 150 4-4	150	4	4
MSP UHPT 200 4-4	200	4	4
MSP UHPT 300 4-4	300	4	4
MSP UHPT 500 4-4	500	4	4
MSP UHPT 150 5-5	150	5	5
MSP UHPT 200 5-5	200	5	5
MSP UHPT 300 5-5	300	5	5
MSP UHPT 500 5-5	500	5	5
MSP UHPT 150 6-4	150	6	4
MSP UHPT 200 6-4	200	6	4
MSP UHPT 300 6-4	300	6	4
MSP UHPT 500 6-4	500	6	4

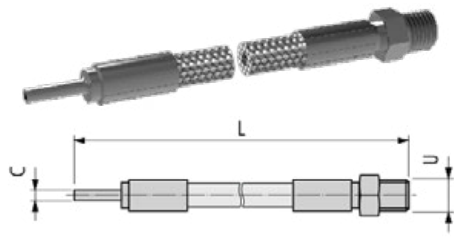
Units of Measurement = mm



Compression to Threaded

Part No.	L	C	U
MSP UHPT 150 M5-3	150	3	M5
MSP UHPT 200 M5-3	200	3	M5
MSP UHPT 300 M5-3	300	3	M5
MSP UHPT 500 M5-3	500	3	M5
MSP UHPT 150 M5-4	150	4	M5
MSP UHPT 200 M5-4	200	4	M5
MSP UHPT 300 M5-4	300	4	M5
MSP UHPT 500 M5-4	500	4	M5
MSP UHPT 150 M5-5	150	5	M5
MSP UHPT 200 M5-5	200	5	M5
MSP UHPT 300 M5-5	300	5	M5
MSP UHPT 500 M5-5	500	5	M5

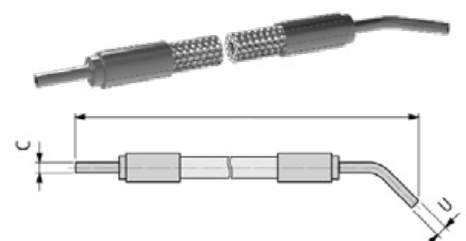
Units of Measurement = mm



Compression to 45° Compression

Part No.	L	C	U
MSP UHPT 150 3-45-3	150	3	3
MSP UHPT 200 3-45-3	200	3	3
MSP UHPT 300 3-45-3	300	3	3
MSP UHPT 500 3-45-3	500	3	3
MSP UHPT 150 4-45-4	150	4	4
MSP UHPT 200 4-45-4	200	4	4
MSP UHPT 300 4-45-4	300	4	4
MSP UHPT 500 4-45-4	500	4	4
MSP UHPT 150 5-45-5	150	5	5
MSP UHPT 200 5-45-5	200	5	5
MSP UHPT 300 5-45-5	300	5	5
MSP UHPT 500 5-45-5	500	5	5
MSP UHPT 150 6-45-4	150	6	4
MSP UHPT 200 6-45-4	200	6	4
MSP UHPT 300 6-45-4	300	6	4
MSP UHPT 500 6-45-4	500	6	4

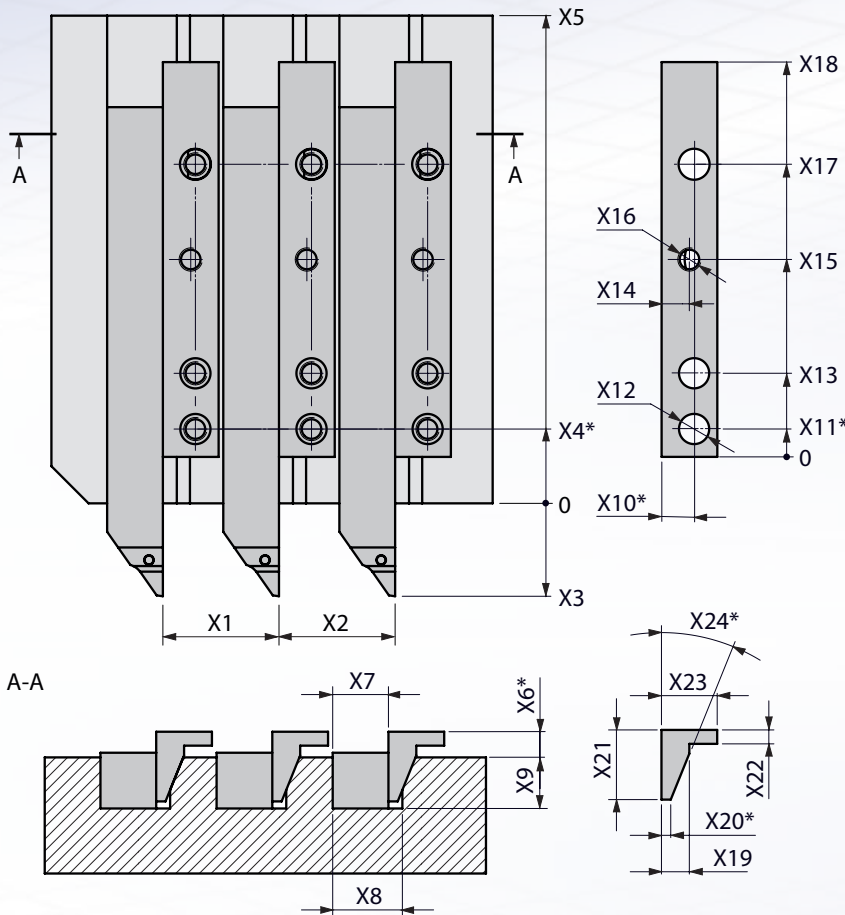
Units of Measurement = mm



**Need Low-Pressure Hoses & Fittings?
Contact GenSwiss**

If you need assistance choosing a clamp, GenSwiss will help! Before contacting GenSwiss, obtain the exact dimensions of the tool plate and clamping shim (see the diagrams below) and enter each into the provided tables. Be sure to take measurements from the tool plate position where the multidec® quick-change clamping shims will be used.

Machine Info	
Manufacturer	_____
Type	_____
Year Manufactured	_____
Serial Number	_____
Plate Number	_____
Shaft Cross-Section	_____

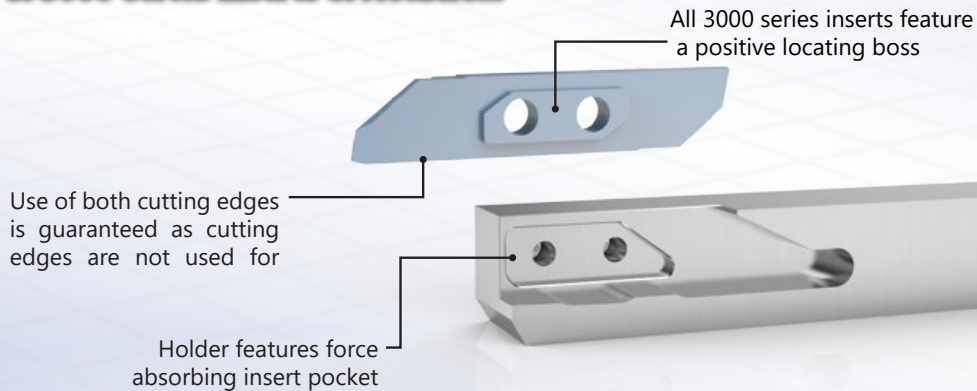
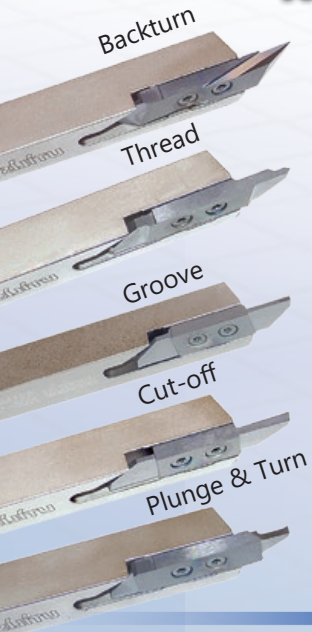


Dimensions	(in)
X1	_____
X2	_____
X3	_____
X4*	_____
X5	_____
X6*	_____
X7	_____
X8	_____
X9	_____
X10*	_____
X11*	_____
X12	_____

Dimensions	(in)
X13	_____
X14	_____
X15	_____
X16	_____
X17	_____
X18	_____
X19	_____
X20*	_____
X21	_____
X22	_____
X23	_____
X24*	_____

*Critical Dimensions

1600 & 3000 Series Inserts & Holders...



Call Us Today!
(413)562-4800