

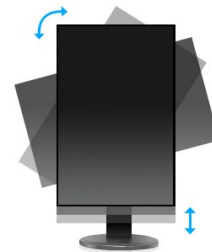


Full HD LED monitor with VA panel and a USB hub

The ProLite XB2283HSU-B1DP is an excellent 22" Full HD LED-backlit monitor with 1920 x 1080p resolution and VA panel technology guaranteeing accurate and consistent colour reproduction with wide viewing angles. Triple Input support and USB HUB ensure compatibility with the latest installed graphics cards and embedded Notebook outputs. The ergonomic stand offers 13 cm height adjustment with pivot and swivel, making this screen suitable for a wide range of applications and environments where workplace flexibility and ergonomics are key factors. A perfect solution for education, local government, business and finance markets.



VA panel technology offers higher contrast, darker blacks and much better viewing angles than standard TN technology. The screen will look good no matter what angle you look at it.



HAS + PIVOT

A Height Adjustable Stand allows you to set the perfect position of the screen ensuring ergonomic posture and optimal viewing comfort which benefits not only your health but also productivity. Screen rotation means you can change the position of the screen from landscape into portrait. This feature can be very handy while working with long spreadsheets or texts.

1. DISPLAY CHARACTERISTICS

DIAGONAL	21.5"; 54.7cm
PANEL	VA LED-backlit
DISPLAY AREA H X W	268.1 x 476.6 mm; 10.6" x 18.8"
RESPONSE TIME	5 ms
CONTRAST	3000 : 1 typical
CONTRAST	12 000 000 : 1 ACR
BRIGHTNESS	250 cd/m ² typical
VIEWING ZONE	horizontal/vertical: 178° / 178°; right/left: 89° / 89°; up/down: 89° / 89°
DISPLAY COLOUR	16.7 million
PIXEL PITCH H X V	0.248 x 0.248 mm
NATIVE RESOLUTION	Full HD 1080p, 1920 x 1080 (2.1 megapixel)
HORIZONTAL SYNC	30 - 80 KHz
VERTICAL SYNC	55 - 75 Hz
SYNCHRONIZATION	Separate Sync
ASPECT RATIO	16 : 9

2. INTERFACES & CONNECTORS

ANALOG INPUT CONNECTOR	VGA
DIGITAL INPUT CONNECTOR	DVI-D, DisplayPort
HDCP	yes
USB HUB	UP 1 x USB 2.0 / DOWN 2 x USB 2.0

3. SPECIAL FEATURES

APPLE - MAC	All iiyama monitors are compatible with Apple-Macintosh computers.
PLUG & PLAY	VESA DDC2B™
CONTROLS	On-Screen-Display in 11 languages (EN, FR, DE, IT, PL, ES, NL, JP, Chinese, RU, CZ) and 6 front controls (Power, Menu/ Select, Scroll up/ Volume, Scroll down/ ECO, Exit, Auto)
USER CONTROLS	auto adjust, luminance (brightness, contrast), geometry (H. position, V. position, clock, phase), colour, OSD (H. position, V. position, OSD time), language, recall, miscellaneous (sharpness, DDC/CI, display information, ACR, display mode, OD, opening logo), input select, audio adjust (volume, mute, DisplayPort audio)
SPEAKERS	2 x 1 W (Stereo)
ANTI-THEFT-DEVICE	Kensington-lock™ prepared
SAFETY	TCO, CE, TUV-GS, VCCI-B, CU
HEIGHT ADJUSTABLE STAND	Yes
HEIGHT ADJUSTMENT	130 mm
ROTATION (PIVOT FUNCTION)	90°
SWIVEL STAND	90°; 45° left; 45° right

TILT ANGLE	22° up; 5° down
VESA MOUNTING	100 x 100 mm
COLOUR	Black

4. ACCESSORIES

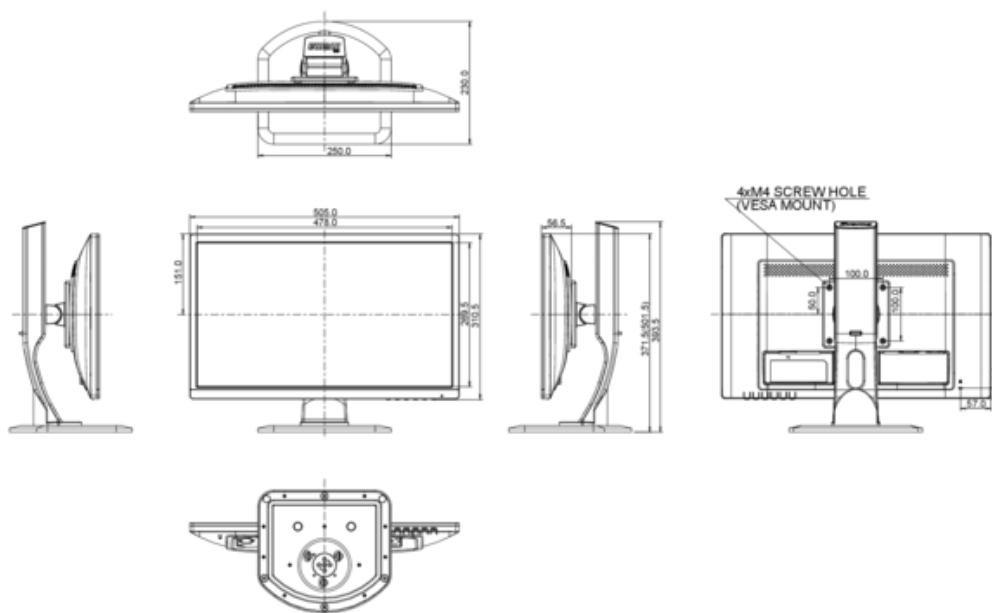
DRIVER	Windows 95 / 98 / 2000 / ME / XP / Vista / 7 / 8 / 10
INCLUDED ACCESSORIES	power cable, DVI-D cable, DisplayPort cable, USB cable, audio cable, stand, quick start guide, safety guide

5. POWER MANAGEMENT

POWER SUPPLY	AC 100 - 240 V, 50 / 60 Hz
POWER SUPPLY UNIT	internal
POWER USAGE	19 W typical; max. 0.5 W in Power management mode
POWER MANAGEMENT	VESA DPMS, ENERGY STAR®

6. DIMENSIONS & WEIGHT

DIMENSIONS W X H X D	505 x 371.5 (501.5) x 230 mm
WEIGHT	4.8 kg



All trademarks and registered trademarks acknowledged. E & O E. Specification subject to change without notice. All LCD's comply with ISO-9241-307:2008 in connection with pixel defects.