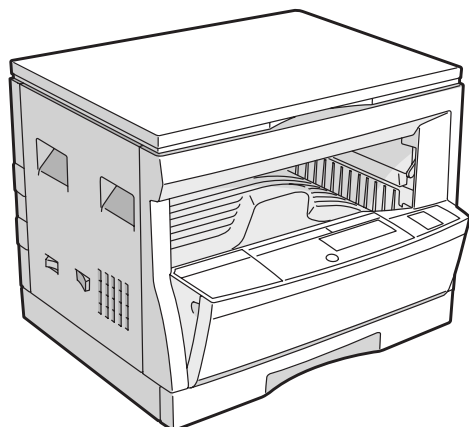


SHARP PARTS GUIDE

CODE:00ZAR160//P1/



DIGITAL COPIER

AR-S160 (Japan only)

AR-160 (Except Japan)

MODEL AR-161 (Except Japan)

CONTENTS

- | | | | |
|----|---------------------------------|----|---------------------------------|
| 1 | Exteriors | 19 | COPY-Operation PWB |
| 2 | Operation panel section | 20 | Duplex/P-out sensor PWB |
| 3 | Side door unit | 21 | MHPS PWB |
| 4 | Optical unit | 22 | Tray sensor PWB |
| 5 | 2nd,3rd mirror unit | 23 | Manual paper feeding sensor PWB |
| 6 | Middle frame unit | 24 | PS sensor PWB |
| 7 | Process unit | 25 | RCU PWB |
| 8 | DV cartridge unit | 26 | Low voltage power supply unit |
| 9 | Fusing unit | 27 | ERDH-Operation PWB |
| 10 | Main drive unit | 28 | Delivery interface PWB |
| 11 | Base plate unit 1 | 29 | Dry heater PWB ..Japan only |
| 12 | Base plate unit 2 | 30 | Shifter HP sensor PWB ..AR-161 |
| 13 | Manual paper feeding multi unit | | |
| 14 | Delivery frame unit | | |
| 15 | TC case unit | | |
| 16 | 250 sheets tray unit | | |
| 17 | Packing material & Accessories | | |
| 18 | MCU PWB | | Index |

SHARP CORPORATION

This document has been published to be used for after sales service only.
The contents are subject to change without notice.

DEFINITION

The definition of each Rank is as follows and also noted in the list

- A : Parts necessary to be stocked as High usage parts.
- B : Parts necessary to be stocked as Standard usage parts.
- C : Low usage parts.
- D : Parts necessary for refurbish.
- E : Unit parts recommended to be stocked for efficient after sales service.
Please note that the lead time for the said parts may be longer than normal parts.
- S : Consumable parts.

Please note that the following parts used in Copier under the same description are classified into A or B Rank depending upon the place used.

Example: Gear made of Metal, Sprocket, Bearing, Belt made of Rubber, Spring clutch mechanism.

A Rank : The parts which may be with the revolution or loading.

B Rank : Parts similar to A Rank parts, but are not included in Rank A.



Because parts marked with “△” is indispensable for the machine safety maintenance and operation, it must be replaced with the parts specific to the product specification.

- Other than this Parts Guide, please refer to documents Service Manual (including Circuit Diagram) of this model.
- Please use the 13 digit code described in the right hand corner of front cover of the document, when you place an order.
- For U.S. only-Use order codes provided in advertising literature. Do not order from parts department.

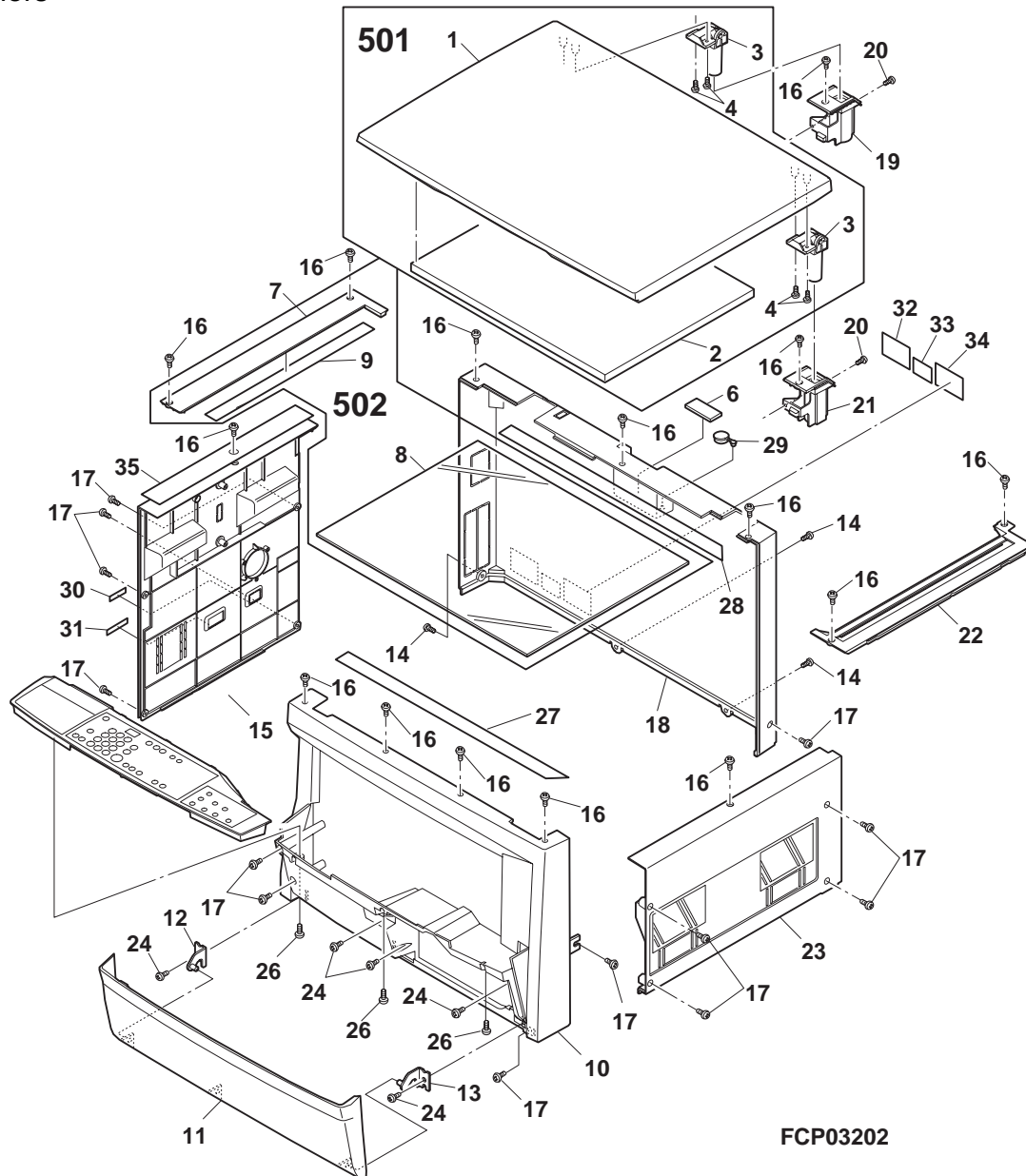
1 Exteriors

| NO. | PARTS CODE | PRICE RANK | | NEW MARK | PART RANK | DESCRIPTION |
|-----|---------------|------------|-----|----------|-----------|---|
| | | Ex. | Ja. | | | |
| 1 | GC0VH0010QSZZ | BE | GN | N | D | OC cover |
| 2 | PSHEZ0058QSZZ | AY | FQ | N | C | OC sheet |
| 3 | CHNG-0007QS01 | AM | EG | N | C | OC hinge |
| 4 | XEBSE40P10000 | AA | DD | | C | Screw (4×10) |
| 6 | GFTA-0002QSZZ | AD | DJ | N | D | SPF connector cover |
| 7 | CFiX-0008QS01 | AR | EQ | N | C | Glass fixing plate (Japan only) |
| | CFiX-0008QS02 | AQ | EQ | N | C | Glass fixing plate (Except Japan,Europe) |
| | CFiX-0008QS03 | AR | EQ | N | C | Glass fixing plate (For Europe) |
| 8 | PGLSP0003QSZZ | BA | FX | N | B | Table glass |
| 9 | PSHEZ0059QSZZ | AF | DS | N | C | Sheet |
| 10 | CCAB-0012QS01 | BE | GN | N | D | Front exterior (Japan only) (AR-S160) |
| | CCAB-0012QS02 | BC | GJ | N | D | Front exterior (Except Japan,Europe) (AR-160) |
| | CCAB-0012QS03 | BE | GN | N | D | Front exterior (For Europe) (AR-160) |
| | CCAB-0012QS05 | BC | GJ | N | D | Front exterior (Except Japan,Europe) (AR-161) |
| | CCAB-0012QS06 | BE | GN | N | D | Front exterior (For Europe) (AR-161) |
| 11 | GFTA-0001QSZZ | AW | FG | N | D | Front exterior cover (Except Europe) |
| | GFTA-0001QSZA | AX | FG | N | D | Front exterior cover (For Europe) |
| 12 | CARMP0010QS01 | AD | DJ | N | C | Hinge arm L |
| 13 | CARMP0011QS01 | AD | DJ | N | C | Hinge arm R |
| 14 | XEBSE40P10000 | AA | DD | | C | Screw (4×10) |
| 15 | GCAB-0014QSZZ | AY | FQ | N | D | Left exterior (Except Europe) |
| | GCAB-0014QSZA | BA | FX | N | D | Left exterior (For Europe) |
| 16 | XBBSE30P06000 | AA | DD | | C | Screw (3×6) |
| 17 | XHBSE30P08000 | AA | DD | | C | Screw (3×8) |
| 18 | GCAB-0013QSZZ | BC | GD | N | D | Rear exterior (Except Europe) |
| | GCAB-0013QSZA | BE | GN | N | D | Rear exterior (For Europe) |
| 19 | PGiDM0054QSZZ | AG | DX | N | C | Hinge guide L |
| 20 | XHBSD30P06000 | AA | DD | | C | Screw (3×6) |
| 21 | PGiDM0055QSZZ | AG | DX | N | C | Hinge guide R |
| 22 | GC0VH0011QSZZ | AP | EQ | N | D | OC glass fixing cover (Except Europe) |

1 Exteriors

| NO. | PARTS CODE | PRICE RANK | | NEW MARK | PART RANK | DESCRIPTION |
|-----|---------------|------------|-----|----------|-----------|--|
| | | Ex. | Ja. | | | |
| 22 | GCOVH0011QSZA | AQ | EQ | N | D | OC glass fixing cover (For Europe) |
| 23 | GCAB-0015QSZZ | AV | FG | N | D | Right exterior (Except Europe) |
| | GCAB-0015QSZA | AX | FQ | N | D | Right exterior (For Europe) |
| 24 | XEBSE40P10000 | AA | DD | | C | Screw (4×10) |
| 26 | XEBSE30P08000 | AA | DD | | C | Screw (3×8) |
| 27 | PSHEZ0088QSZZ | AF | DS | N | C | Table glass sheet F |
| 28 | PSHEZ0089QSZZ | AF | DS | N | C | Table glass sheet R |
| 29 | PCAPH0011QSZZ | AC | DJ | N | C | SC cap |
| 30 | TLABH0103QSZZ | AE | DS | N | C | Warm heater label (Japan only) |
| 31 | TLABH0104QSZZ | AE | DS | N | C | Power supply label (Japan only) |
| 32 | TCAUA0770FCZZ | AB | DD | | C | Service caution label (Except Japan) |
| 33 | TLABH0264GCZZ | AC | DJ | | C | Service man label (For Europe) |
| 34 | TLABZ0058QSZZ | AD | DJ | | C | Class 1 label (200V series) |
| 35 | TLABH0107QSZZ | AG | DX | N | C | Operation instruction label (Japan only) |
| | TLABH0108QSZZ | AG | DX | N | C | Operation instruction label (Except Japan) |
| 501 | CCOVH0010QS51 | BM | HV | N | E | OC cover unit |
| 502 | CFiX-0008QS51 | BF | GN | N | E | Table unit (Japan only) |
| | CFiX-0008QS52 | BF | GN | N | E | Table unit (Except Japan, Europe) |
| | CFiX-0008QS53 | BC | GJ | N | E | Table unit (For Europe) |

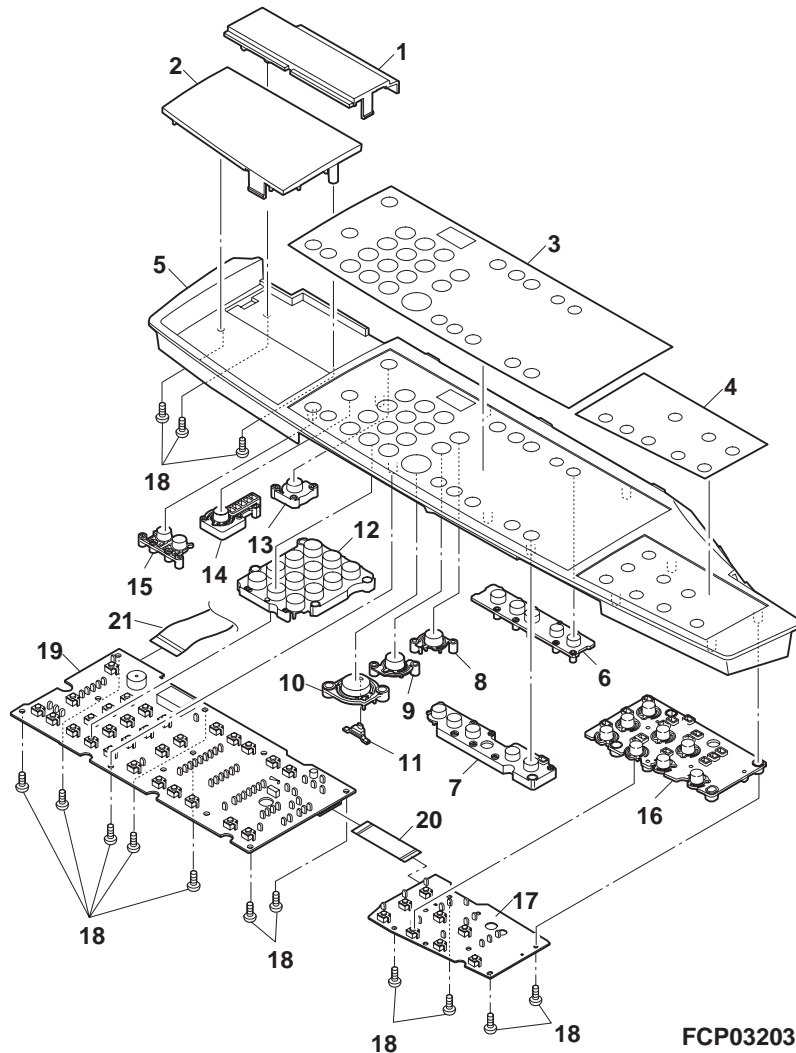
1 Exteriors



2 Operation panel section

| NO. | PARTS CODE | PRICE RANK | | NEW MARK | PART RANK | DESCRIPTION |
|-----|-----------------|------------|-----|----------|-----------|--|
| | | Ex. | Ja. | | | |
| 1 | GCÖVH0015QSZZ | AG | DX | N | D | LCD dummy cover |
| 2 | GCÖVH0016QSZZ | AH | DX | N | D | FAX dummy cover |
| 3 | HPNLH0004QSZZ | AV | FG | N | D | Main Dec. panel (Japan only) |
| | HPNLH0004QSZ1 | AV | FG | N | D | Main Dec. panel (USA) |
| | HPNLH0004QSZ2 | AV | FG | N | D | Main Dec. panel (CANADA) |
| | HPNLH0004QSZ3 | AV | FG | N | D | Main Dec. panel (For Europe) |
| | HPNLH0004QSZ4 | AV | FG | N | D | Main Dec. panel (U.Kingdom) |
| | HPNLH0004QSZ5 | AV | FG | N | D | Main Dec. panel (Australia) |
| 4 | HPNLH0006QSZZ | AM | EG | N | D | Dec. panel (Japan only) |
| | HPNLH0006QSZ1 | AM | EG | N | D | Dec. panel (USA,U.Kingdom) |
| | HPNLH0006QSZ2 | AM | EG | N | D | Dec. panel (Other countries) |
| 5 | GCAB-0017QSZZ | AV | FG | N | D | Operation panel exterior (Except Europe) |
| | GCAB-0017QSZA | AW | FG | N | D | Operation panel exterior (For Europe) |
| 6 | JBTN-0018QSZZ | AE | DJ | N | C | Function key |
| 7 | JBTN-0029QSZZ | AE | DS | N | C | Select key |
| 8 | CBTN-0022QS01 | AF | DS | N | C | CA key |
| 9 | CBTN-0021QS01 | AF | DS | N | C | Clear key |
| 10 | CBTN-0019QS01 | AG | DX | N | C | Copy key |
| 11 | JBTN-0020QSZZ | AC | DJ | N | C | Copy key (LIGHT IND) |
| 12 | CBTN-0016QS01 | AN | EG | N | C | Ten key |
| 13 | JBTN-0026QSZZ | AE | DJ | N | C | Interrupt key |
| 14 | JBTN-0030QSZZ | AD | DJ | N | C | Mode select key |
| 15 | JBTN-0027QSZZ | AD | DJ | N | C | Density select key |
| 16 | JBTN-0023QSZZ | AG | DX | N | C | Special function key |
| 17 | CPWBF0025QS51 | AZ | FQ | N | E | ERDH-operation PWB |
| 18 | XEBSD30P08000 | AA | DD | N | C | Screw (3×8) |
| | CPWBN0024QS51 | BR | LP | N | E | COPY-operation PWB (Japan,Australia) |
| | CPWBN0024QS52 | BQ | LP | N | E | COPY-operation PWB (Other countries) |
| 20 | DHA i -0116QSZZ | AC | DJ | N | C | Panel ERDH harness |
| 21 | DHA i -0115QSZZ | AF | DS | N | C | Operation panel harness |

2 Operation panel section

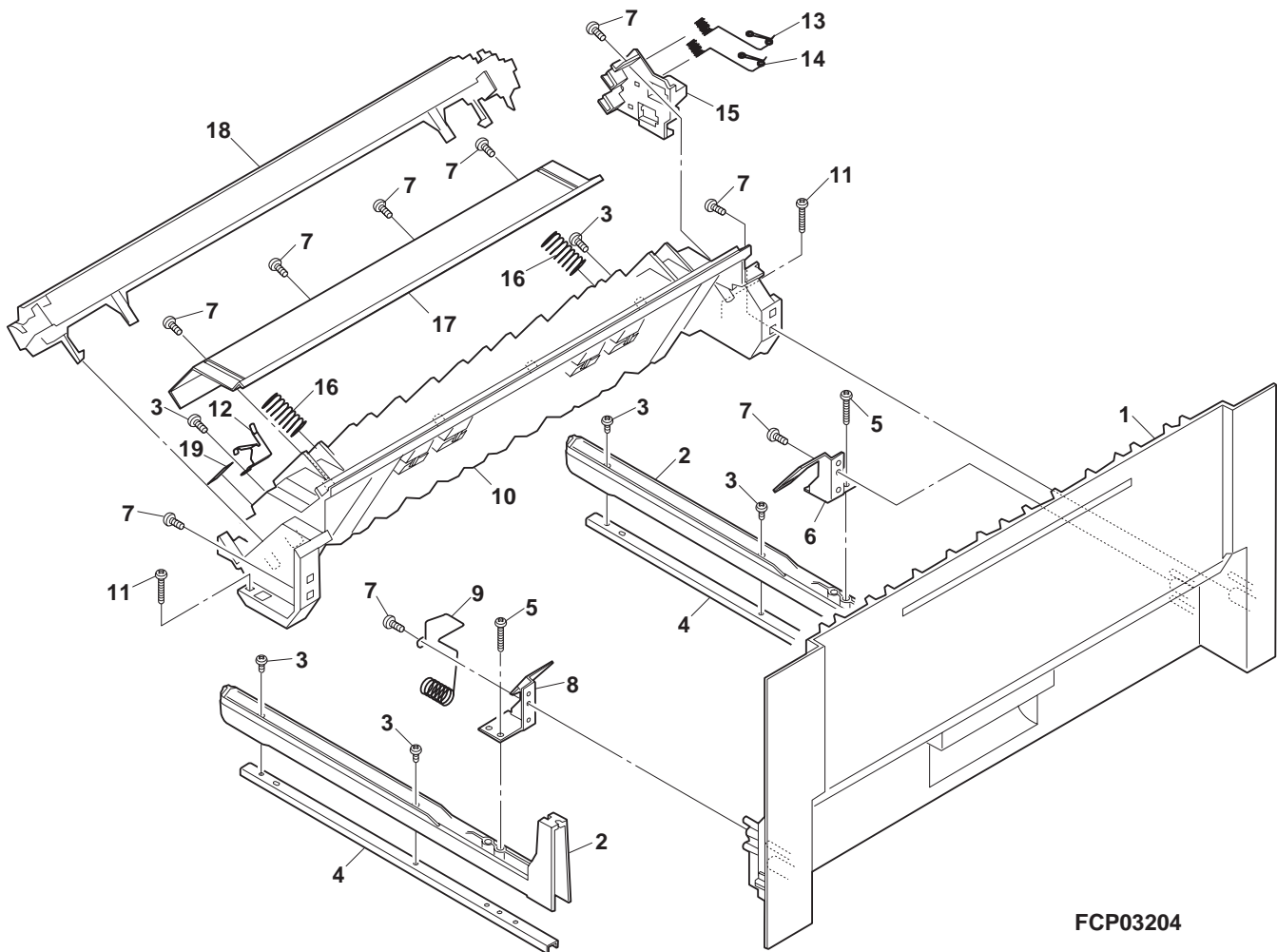


FCP03203

3 Side door unit

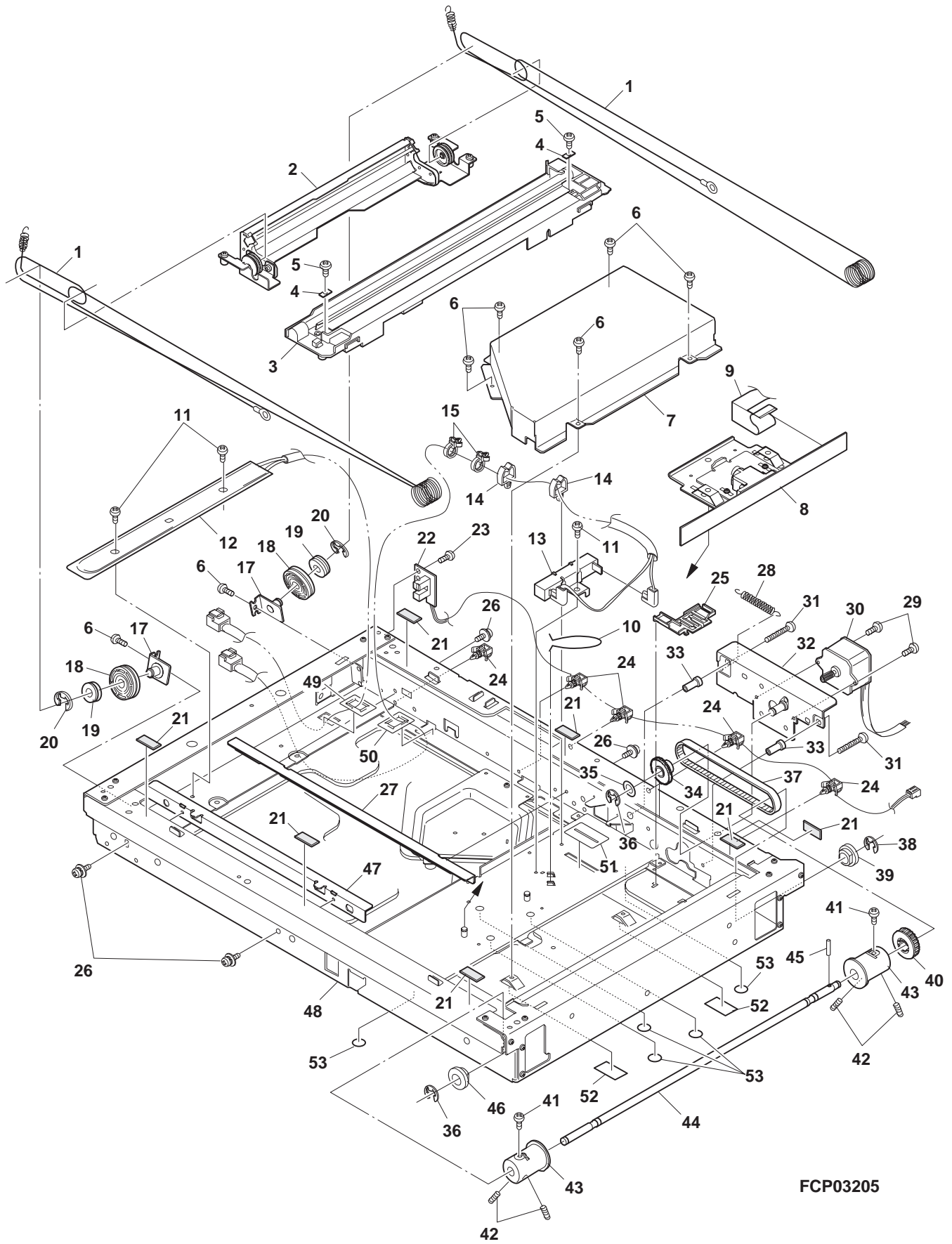
| NO. | PARTS CODE | PRICE RANK | | NEW MARK | PART RANK | DESCRIPTION |
|-----|---------------|------------|-----|----------|-----------|-------------------------------|
| | | Ex. | Ja. | | | |
| 1 | GDÖR-0001QSZZ | AW | FG | N | D | Right door (Except Europe) |
| | GDÖR-0001QSZA | AW | FG | N | D | Right door (For Europe) |
| 2 | LRALP0004QSZZ | AL | EB | N | C | Right door rail |
| 3 | XHBSD30P10000 | AA | DD | | C | Screw (3×10) |
| 4 | LPLTM0092QSZZ | AF | DS | N | C | Rail reinforce plate |
| 5 | XHBSD30P14000 | AA | DD | | C | Screw (3×14) |
| 6 | LPLTM0091QSZZ | AE | DS | N | C | Inner reinforce plate R |
| 7 | XEBSD30P10000 | AA | DD | | C | Screw (3×10) |
| 8 | LPLTM0090QSZZ | AE | DS | N | C | Inner reinforce plate F |
| 9 | MSPRC0085QSZZ | AE | DJ | N | C | TC case GND spring |
| 10 | LFRM-0016QSZZ | AT | EZ | N | C | Right door inner |
| 11 | XHBSD30P16000 | AA | DD | | C | Screw (3×16) |
| 12 | LPLTM0068QSZZ | AE | DJ | N | C | TC case terminal plate |
| 13 | MSPRC0084QSZZ | AD | DJ | N | C | BC interface electrode spring |
| 14 | MSPRC0083QSZZ | AD | DJ | N | C | TC interface electrode spring |
| 15 | LHLDZ0033QSZZ | AF | DS | N | C | TC terminal interphase holder |
| 16 | MSPRC0082QSZZ | AC | DJ | N | C | Pressure spring |
| 17 | PGiDH0041QSZZ | AL | EB | N | C | BC rear paper guide |
| 18 | CHLDZ0030QS51 | BA | FX | N | E | TC unit |
| 19 | TCAUH0819FCZZ | AA | DD | | C | HT caution label (Japan only) |

3 Side door unit



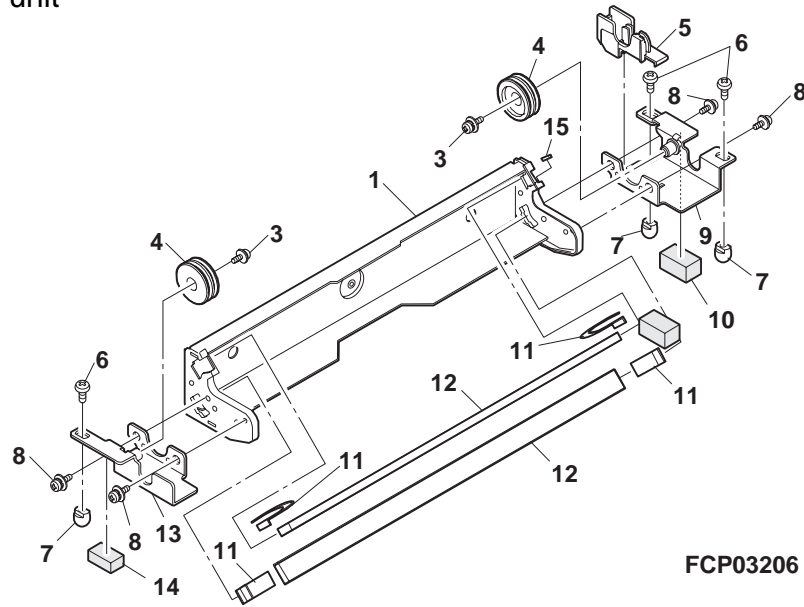
FCP03204

4 Optical unit



FCP03205

5 2nd,3rd mirror unit



FCP03206

5 2nd,3rd mirror unit

| NO. | PARTS CODE | PRICE RANK | | NEW MARK | PART RANK | DESCRIPTION |
|-----|---------------|------------|-----|----------|-----------|-------------------------------|
| | | Ex. | Ja. | | | |
| 1 | LHLDZ0044QSZZ | AP | EQ | N | C | 2nd,3rd mirror holder |
| 3 | XBPSD40P06KS0 | AA | DD | | C | Screw (4×6KS) |
| 4 | NPLYZ0007QSZZ | AG | DX | | C | W pulley |
| 5 | LHLDZ0013QSZZ | AD | DJ | | C | CL guide holder |
| 6 | XEBSD40P06000 | AA | DD | | C | Screw (4×6) |
| 7 | CSLi-0103FC31 | AF | DS | | E | Slider unit (4pcs/set) |
| 8 | LX-BZ0335FCZZ | AA | DD | | C | Screw (4×6)(Red) |
| 9 | CPLTM0029QS01 | AH | DX | | C | Pulley fixing plate R |
| 10 | PCUSS0009QSZZ | AA | DJ | | C | MB-B cushion R |
| 11 | LFiX-0284FCZZ | AC | DD | | C | 2nd,3rd mirror fixing plate F |
| 12 | PMiR-0008QSZZ | AP | EQ | N | B | 2nd,3rd mirror |
| 13 | CPLTM0028QS01 | AH | DX | | C | Pulley fixing plate F |
| 14 | PCUSS0201FCZZ | AA | DD | | C | MB-B cushion |
| 15 | PSPAZ0011QSZZ | AD | DJ | N | C | Mirror spacer |
| | (Unit) | | | | | |
| 901 | CMiR-0008QS31 | BB | GD | N | E | 2nd,3rd mirror unit |

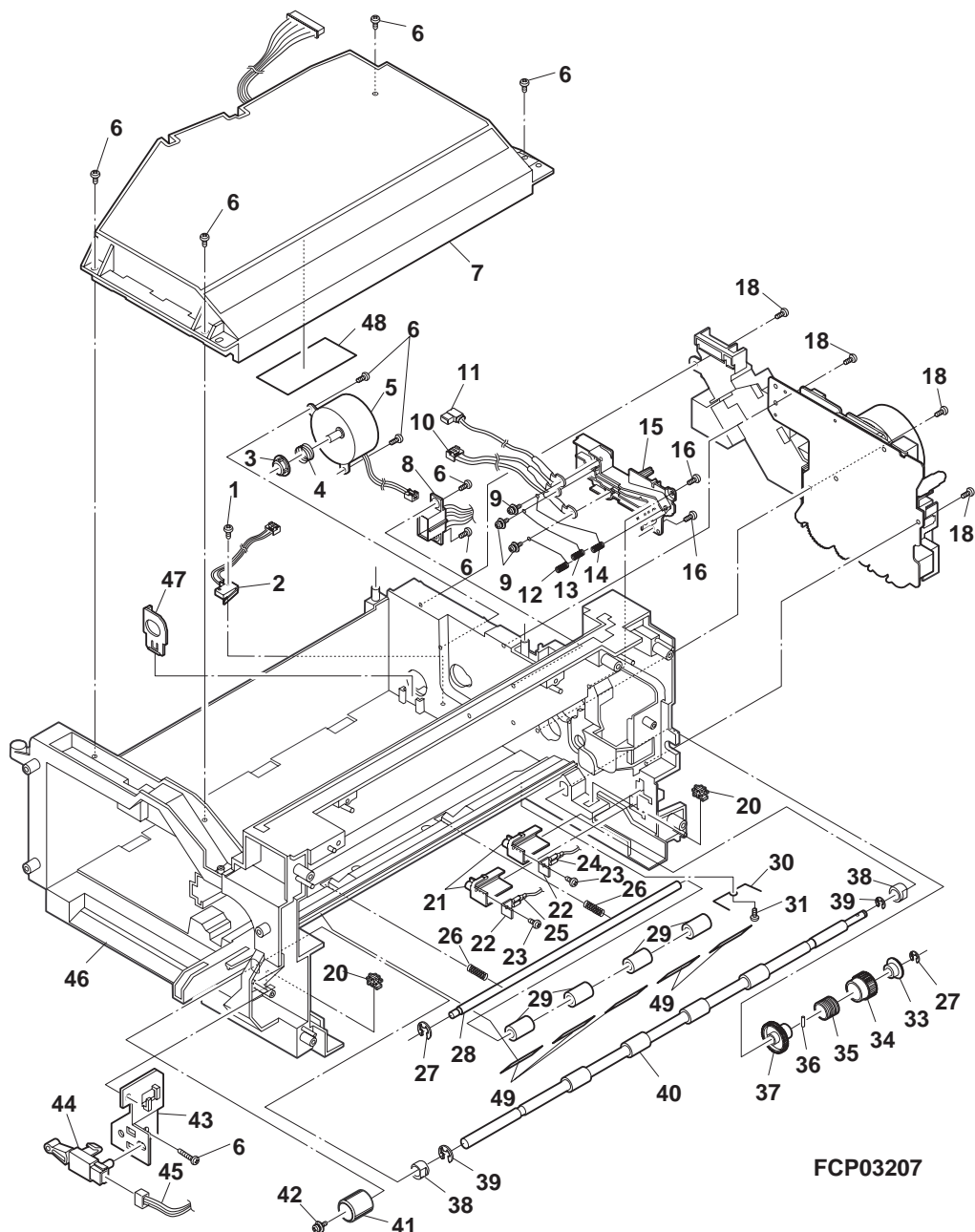
6 Middle frame unit

| NO. | PARTS CODE | PRICE RANK | | NEW MARK | PART RANK | DESCRIPTION |
|-----|---------------|------------|-----|----------|-----------|---------------------------------|
| | | Ex. | Ja. | | | |
| 1 | XEPSD23P12000 | AA | DD | | C | Screw (2.3×12) |
| 2 | CSW-M0007QS51 | AQ | EQ | N | E | Inter lock switch unit |
| 3 | NCPL-0002QSZZ | AC | DJ | | C | Hopper cupring |
| 4 | MSPRC0024QSZZ | AA | DJ | | C | Hopper spring |
| 5 | RMOTD0016QSZZ | AY | FQ | N | B | Toner motor |
| 6 | XEBSD30P10000 | AA | DD | | C | Screw (3×10) |
| 7 | DUNTK0041QSZZ | AU | EZ | N | E | LSU unit (100V series) |
| | DUNTK0041QS11 | CC | TZ | N | E | LSU unit (200V series) |
| 8 | DHAi-0112QSZZ | AP | EQ | N | C | DEV harness |
| 9 | XBPSC30P06ES0 | AA | DD | | C | Screw (3×6ES) |
| 10 | CHAi-0109QS51 | AN | EG | N | E | GB-MCFB harness unit |
| 11 | CHAi-0107QS51 | AK | DX | N | E | MC harness unit |
| 12 | MSPRD0104QSZZ | AC | DJ | N | C | HV terminal spring (case) |
| 13 | MSPRD0103QSZZ | AC | DJ | N | C | HV terminal spring (grid) |
| 14 | MSPRD0102QSZZ | AC | DJ | N | C | HV terminal spring |
| 15 | LHLDZ0038QSZZ | AH | DX | N | C | High voltage terminal holder |
| 16 | XEBSD30P08000 | AA | DD | | C | Screw (3×8) |
| 18 | XEBSD30P10000 | AA | DD | | C | Screw (3×10) |
| 20 | LSTPP0005QSZZ | AC | DJ | N | C | SD stopper |
| 21 | LHLDZ0039QSZZ | AE | DJ | N | C | High voltage terminal holder TC |
| 22 | LPLTM0067QSZZ | AC | DJ | N | C | TC terminal plate |
| 23 | XEBSD30P06000 | AA | DD | | C | Screw (3×6) |
| 24 | DHAi-0106QSZZ | AL | EB | N | C | BC harness |
| 25 | DHAi-0108QSZZ | AK | DX | N | C | TC harness |
| 26 | MSPRC0105QSZZ | AB | DJ | N | C | PS pressure spring |
| 27 | XRESP40-06000 | AA | DD | | C | E type ring |
| 28 | NSFTZ0021QSZZ | AK | EB | N | C | PS roller shaft |
| 29 | NKOM-0001QSZZ | AD | DJ | N | C | PS collar (φ12) |
| 30 | MSPRD0139QSZZ | AB | DJ | N | C | PS earth spring |
| 31 | XEBSD30P06000 | AA | DD | | C | Screw (3×6) |

6 Middle frame unit

| NO. | PARTS CODE | PRICE RANK | | NEW MARK | PART RANK | DESCRIPTION |
|-----|---------------|------------|-----|----------|-----------|-----------------------------------|
| | | Ex. | Ja. | | | |
| 33 | LBÖSZ1508FCZZ | AG | DX | | C | Cam boss A2 |
| 34 | PPiPP0174FCZZ | AC | DJ | | C | Pipe C |
| 35 | MSPRC0106QSZZ | AF | DS | N | C | PS clutch spring |
| 36 | XPSSJ20-07000 | AA | DD | | C | Spring pin (φ2-7) |
| 37 | NGERH0062QSZZ | AK | DX | N | C | Clutch gear (32T) |
| 38 | NBRGC0047FCZZ | AD | DJ | | C | Bearing E |
| 39 | XRESP60-08000 | AA | DD | | C | E type ring |
| 40 | NRÖLP0032QSZZ | AT | EZ | N | C | PS trnsport roller |
| 41 | JKNBZ0003QSZZ | AD | DJ | N | C | PS knob |
| 42 | XBPSD30P10KS0 | AB | DD | | C | Screw (3×10KS) |
| 43 | LPLTM0070QSZZ | AD | DJ | N | C | Process detect SW fixing plate |
| 44 | QSW-B0003QSZZ | AF | DS | | B | Tray detect switch |
| 45 | DHAi-0090QSZZ | AF | DS | N | C | Drum initial SW harness |
| 46 | LFRM-0024QSZZ | BC | GD | N | C | Middle frame |
| 47 | LPiNS0301FCZZ | AD | DJ | | C | DV guide pin |
| 48 | TCAUH0007QSZZ | AD | DJ | | C | Laser caution label (200V series) |
| 49 | PSHEZ0056QSZZ | AC | DJ | N | C | PS rear guide sheet |
| | | | | | | |
| | | | | | | |
| | | | | | | |

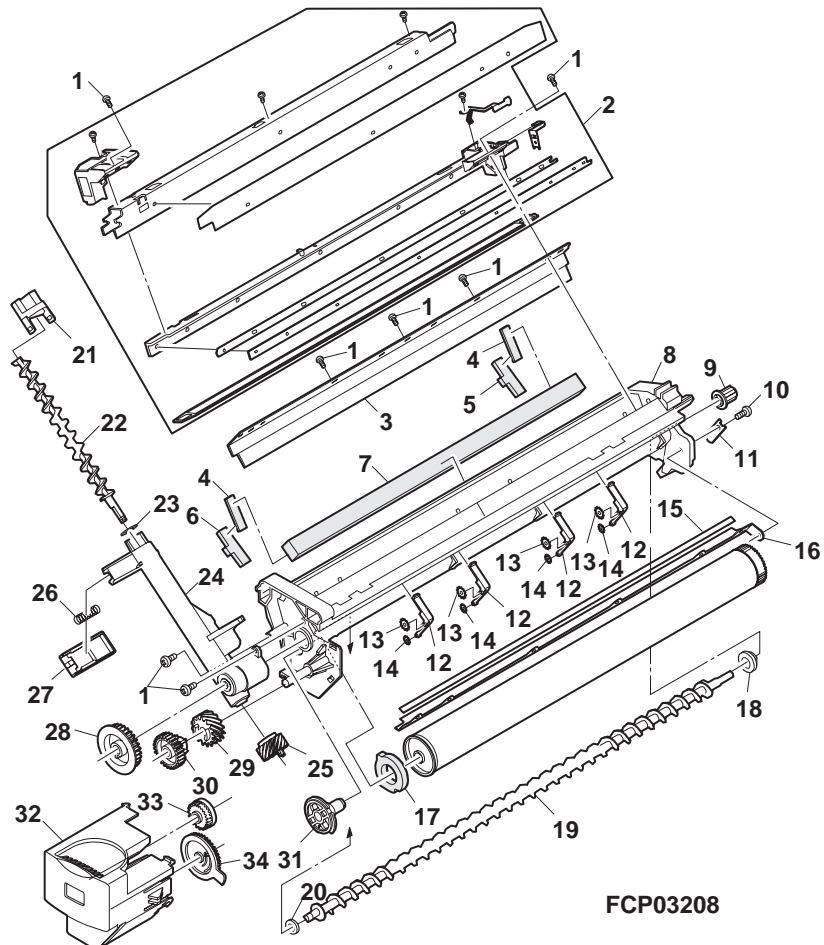
6 Middle frame unit



7 Process unit

| NO. | PARTS CODE | PRICE RANK | | NEW MARK | PART RANK | DESCRIPTION |
|-----|---------------|------------|-----|----------|-----------|---------------------------------------|
| | | Ex. | Ja. | | | |
| 1 | XEBSD30P10000 | AA | DD | | C | Screw (3×10) |
| 2 | CHLDZ0035QS51 | BH | GX | N | E | MC holder unit |
| 3 | UCLEZ0009QSZZ | AV | FG | N | C | Cleaning blade |
| 4 | PMLT-0015QSZZ | AA | DJ | | C | Toner shield cushion |
| 5 | PSEL-0022QSZ1 | AF | DS | | C | Seal R |
| 6 | PSEL-0021QSZ1 | AF | DS | | C | Seal F |
| 7 | PMLT-0023QSZZ | AE | DJ | N | C | CL blade cushion |
| 8 | CFRM-0021QS01 | AQ | EQ | N | C | Process frame |
| 9 | NCPL-0003QSZZ | AC | DJ | | C | Screw cupring |
| 10 | XBBS030P06000 | AA | DD | | C | Screw (3×6) |
| 11 | LPLTM0101QSZZ | AC | DJ | N | C | Sub blade earth plate |
| 12 | LHLDZ0045QSZZ | AD | DJ | N | C | Starling holder |
| 13 | LX-WZ0329FCZZ | AB | DD | | C | Washer |
| 14 | LX-RZ0001QSZZ | AB | DD | N | C | Starling (φ5) |
| 15 | PTPE-0006QSZZ | AC | DJ | N | C | Sub blade tape |
| 16 | UCLEZ0010QSZZ | AR | EQ | N | C | Sub blade |
| 17 | PMLT-0017QSZZ | AC | DJ | | C | Flange cushion |
| 18 | NBRGP0299FCZZ | AC | DJ | | C | CL bearing (M5) |
| 19 | NSFTZ0020QSZZ | AL | EB | N | C | Transport screw |
| 20 | PMLT-0018QSZ1 | AC | DJ | | C | Transport screw cushion |
| 21 | PCAPH0009QSZZ | AC | DJ | N | C | Toner pipe cap |
| 22 | NSFTZ0019QSZZ | AE | DJ | N | C | Transport pipe screw |
| 23 | PSPAZ0696FCZZ | AC | DJ | | C | P cap spacer |
| 24 | PPiPP0005QSZZ | AM | EG | N | C | Toner pipe |
| 25 | NGERH0039QSZZ | AE | DS | | C | Transport pipe gear (14T) |
| 26 | MSPRC0045QSZZ | AA | DJ | | C | Toner pipe spring |
| 27 | PSHT-0004QSZZ | AC | DJ | | C | Toner pipe shutter |
| 28 | NGERH0036QSZZ | AC | DJ | | C | Transport screw gear (30T) |
| 29 | NGERH0038QSZZ | AC | DJ | | C | Transport pipe gear (15T) |
| 30 | NGERH0037QSZZ | AC | DJ | | C | Idle gear (26T) |
| 31 | LFiX-0007QSZ1 | AE | DJ | N | C | Drum fixing plate B (USA,CANADA) |
| 32 | LFiX-0007QSZZ | AE | DJ | N | C | Drum fixing plate A (Other countries) |
| 33 | PCÖVP0018QSZZ | AG | DS | | C | Drum cover |
| 34 | NGERH0035QSZ1 | AC | DJ | N | C | Detector gear (25T) |
| 34 | NGERH0034QSZ1 | AC | DJ | N | C | Detector gear (50T) |

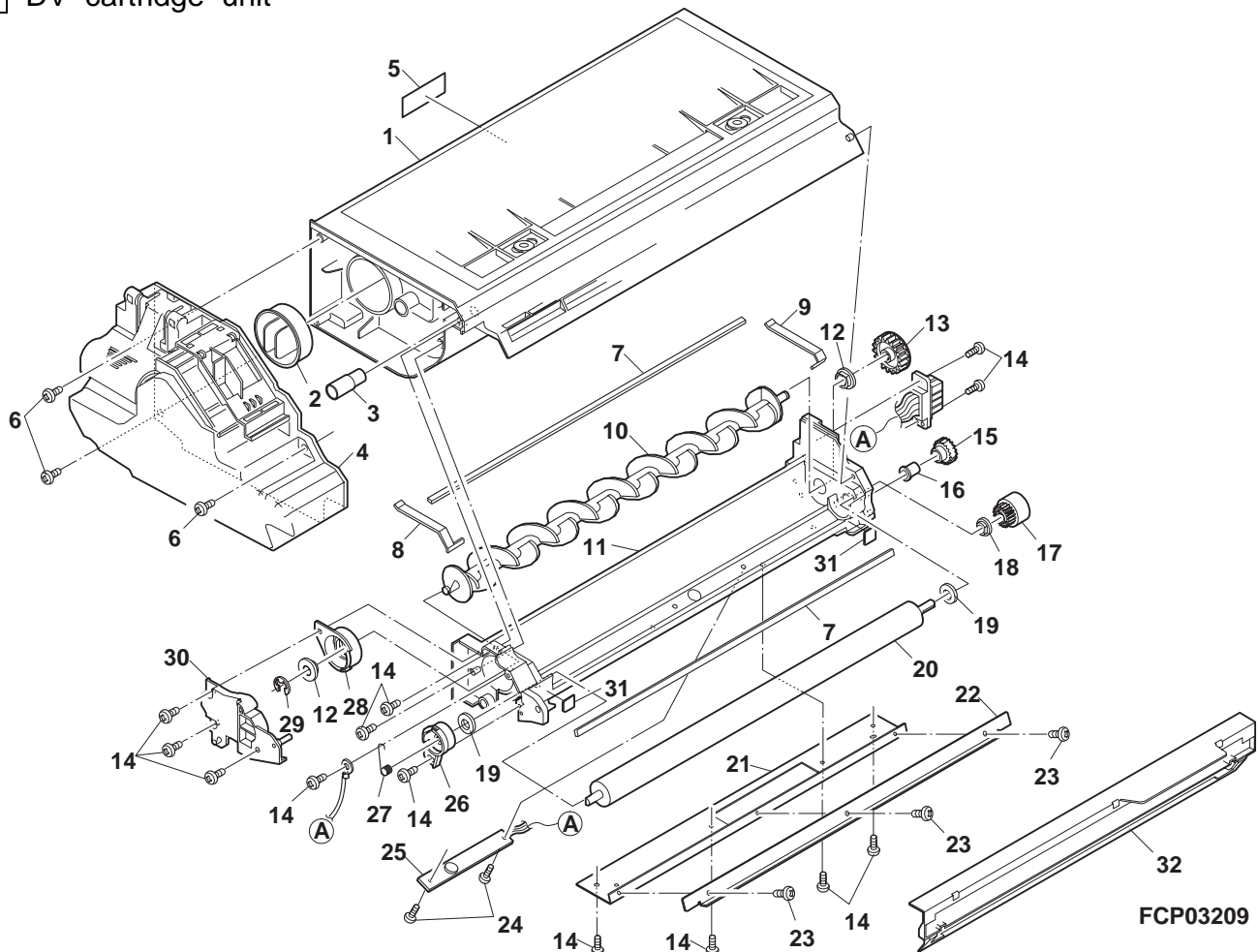
7 Process unit



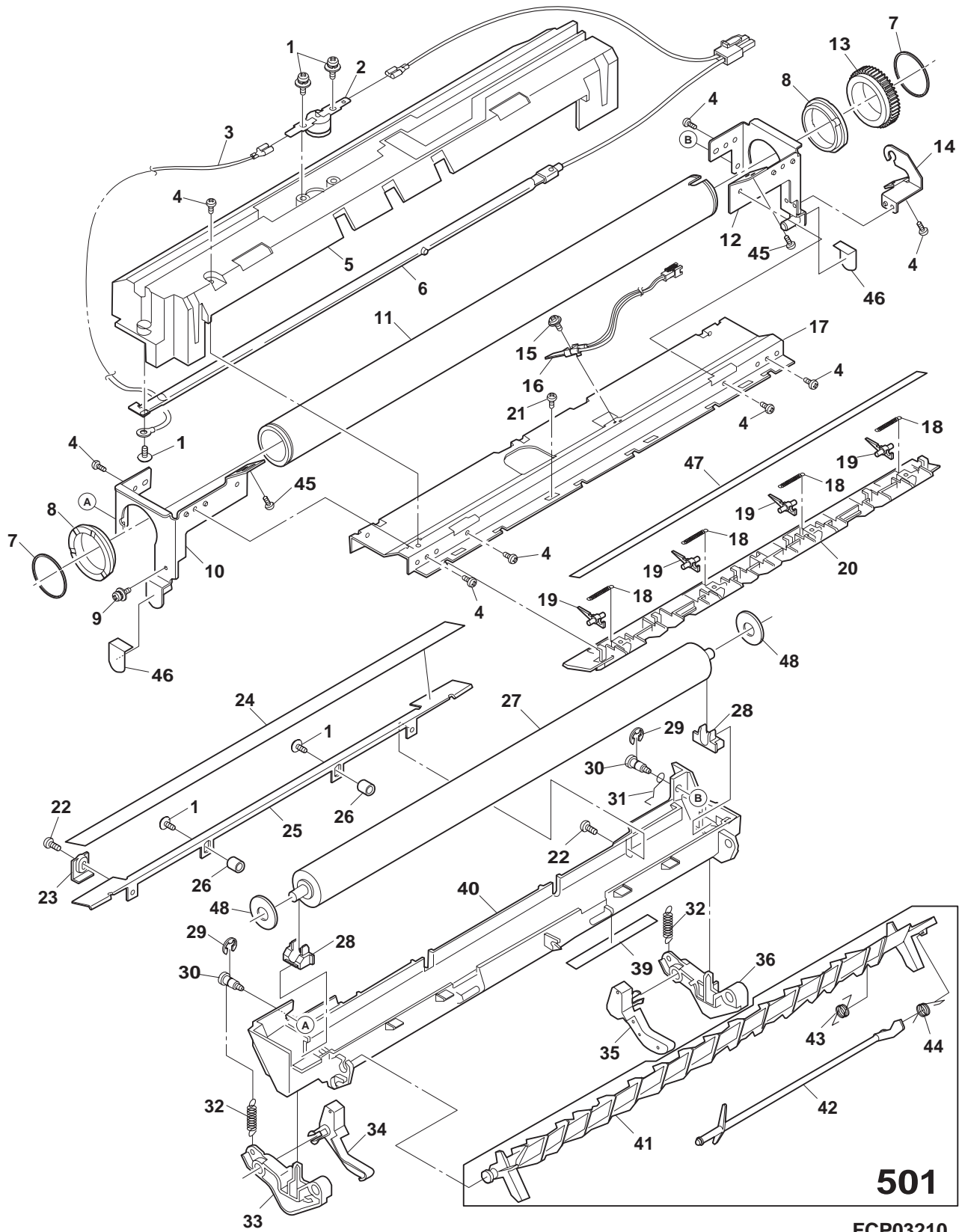
8 DV cartridge unit

| NO. | PARTS CODE | PRICE RANK | | NEW MARK | PART RANK | DESCRIPTION |
|-----|---------------|------------|-----|----------|-----------|------------------------------------|
| | | Ex. | Ja. | | | |
| 1 | CBØX-0002YS54 | BF | GN | N | E | Toner box unit A (USA,CANADA) |
| | CBØX-0002YS52 | BE | GN | N | E | Toner box unit B (Other countries) |
| 2 | PCAPH0005YSZZ | AD | DJ | N | C | Toner cap |
| 3 | PCAPH0004YSZZ | AC | DJ | N | C | Cap D |
| 4 | CBØX-0003YS52 | AZ | FQ | N | E | Waste toner box unit |
| 5 | TLABZ1721FCZZ | AA | DD | | C | DV CA label |
| 6 | XEBSD30P10000 | AA | DD | | C | Screw (3×10) |
| 7 | PMLT-0002YSZZ | AC | DJ | N | C | DV-TH cushion |
| 8 | PMLT-0005YSZZ | AB | DJ | N | C | DV side cushion F |
| 9 | PMLT-0006YSZZ | AB | DJ | N | C | DV side cushion R |
| 10 | NRØLM0001YSZZ | AP | EQ | N | C | MX roller |
| 11 | PBØX-0001YSZZ | AN | EQ | N | D | DV box |
| 12 | NBRGC0008YSZZ | AH | DX | N | C | DV bearing |
| 13 | NGERH0002YSZZ | AD | DJ | N | C | DV gear (28T) |
| 14 | XEBSF30P08000 | AA | DD | | C | Screw (3×8) |
| 15 | NGERH0001YSZZ | AD | DJ | N | C | DV idle gear (20T) |
| 16 | PCAPH0001YSZZ | AD | DJ | N | C | DV idle cap |
| 17 | NGERH0028QSZZ | AD | DJ | | C | DV gear (18T) |
| 18 | NBRGC0387FCZ1 | AC | DJ | | C | Bearing |
| 19 | PMLT-0686FCZZ | AA | DD | | C | MG cushion |
| 20 | NRØLM0002YSZZ | BA | FX | N | C | MG roller |
| 21 | LPLTM0002YSZZ | AS | EQ | N | C | Doctor reinforce plate |
| 22 | LPLTM0001YSZZ | AN | EG | N | C | Doctor |
| 23 | XBPBZ30P04000 | AA | DD | | C | Screw (3×4) |
| 24 | XUBUZ30P06000 | AA | DD | | C | Screw (3×6) |
| 25 | RDTCM0001YSZZ | AZ | FQ | N | B | ATC sensor |
| 26 | LHLDZ0002YSZZ | AC | DJ | N | C | MG holder |
| 27 | MSPRK0001YSZZ | AB | DJ | N | C | Bias spring |
| 28 | LHLDZ0001YSZZ | AD | DJ | N | C | Bearing holder |
| 29 | XRESP50-06000 | AA | DD | | C | E type ring |
| 30 | PCØVP0001YSZZ | AE | DJ | N | C | DV-F side cover |
| 31 | PSHEA0004YSZZ | AC | DJ | N | C | DV side sheet |
| 32 | CCØVP0003YS52 | AS | EQ | N | E | MG cover unit |

8 DV cartridge unit



9 Fusing unit



501

FCP03210

10 Main drive unit

| NO. | PARTS CODE | PRICE RANK | | NEW MARK | PART RANK | DESCRIPTION |
|-----|---------------|------------|-----|----------|-----------|--------------------|
| | | Ex. | Ja. | | | |
| 1 | PGiDM0030QSZZ | AL | EB | N | C | Harness guide |
| 2 | XHBSD30P08000 | AA | DD | | C | Screw (3×8) |
| 3 | DHAi-0110QSZZ | AP | EQ | N | C | HL harness |
| 4 | DHAi-0089QSZZ | AH | DX | N | C | Thermister harness |
| 5 | DHAi-0114QSZZ | AC | DJ | N | C | Main motor harness |
| 6 | XBBS40P10000 | AA | DD | | C | Screw (4×10) |
| 7 | RMÖTP0014QSZZ | BH | GX | N | B | Main motor |
| 8 | PTME-0003QSZ1 | AD | DJ | N | C | Roller pawl |
| 9 | MSPRC1318FCZ1 | AA | DJ | | C | Spring B |
| 10 | RPLU-0009QSZZ | AN | EG | N | B | Solenoid CSA |
| 11 | LPLTM0048QSZZ | AF | DS | N | C | Drive earth plate |
| 12 | XRESP40-06000 | AA | DD | | C | E type ring |
| 13 | LX-WZ0002QSZZ | AB | DD | N | C | PO belt washer |
| 14 | NGERH0053QSZZ | AD | DJ | N | C | Gear (25/18T) |
| 15 | PTME-0012QSZZ | AC | DJ | N | C | PS clutch pawl |
| 16 | RPLU-0008QSZZ | AN | EG | N | B | Solenoid PS |
| 17 | XBBS40P04000 | AA | DD | | C | Screw (3×4) |
| 18 | CPLTM0047QS01 | BA | FX | N | C | Main drive unit |
| 19 | NGERH0010QSZZ | AD | DJ | | C | Gear (28T) |
| 20 | NGERH0009QSZZ | AD | DJ | | C | Gear (46/16T) |
| 21 | NGERH0014QSZZ | AD | DJ | | C | Gear (30/15T) |
| 22 | NGERH0011QSZZ | AD | DJ | | C | MG gear |
| 23 | MSPRC2132FCZ1 | AA | DJ | | C | MG roller spring |
| 24 | NCPL-0004FCZZ | AB | DD | | C | Cupring B |
| 25 | NGERH0052QSZZ | AE | DJ | N | C | Gear (38/18T) |
| 26 | NGERH0007QSZZ | AH | DX | | C | Gear (68/26T) |
| 27 | NGERH0057QSZZ | AE | DJ | N | C | Gear (41T) |
| 28 | NGERH0008QSZZ | AL | EB | | C | Gear (55/19T) |
| 29 | NGERH0059QSZZ | AD | DJ | N | C | Gear (23/27T) |
| 30 | NGERH0012QSZZ | AE | DS | | C | Gear (20T) |
| 31 | NGERH0058QSZZ | AF | DS | N | C | Gear (21/17T) |
| 32 | NGERH0013QSZZ | AG | DX | | C | Gear (31/17T) |
| 33 | NGERH0016QSZZ | AD | DJ | | C | Cupring gear (34T) |
| 34 | MSPRC0081QSZZ | AB | DJ | N | C | HT ratchet spring |
| 35 | NGERH0055QSZZ | AE | DJ | N | C | Ratchet gear (44T) |
| 36 | NGERH0056QSZZ | AE | DJ | N | C | Ratchet gear (33T) |
| 37 | LX-WZ0314FCZZ | AA | DD | | C | Washer |
| 38 | NGERH0054QSZZ | AD | DJ | N | C | Gear (33/20T) |
| 501 | CGERH0011QS51 | AE | DS | | E | MG gear unit |

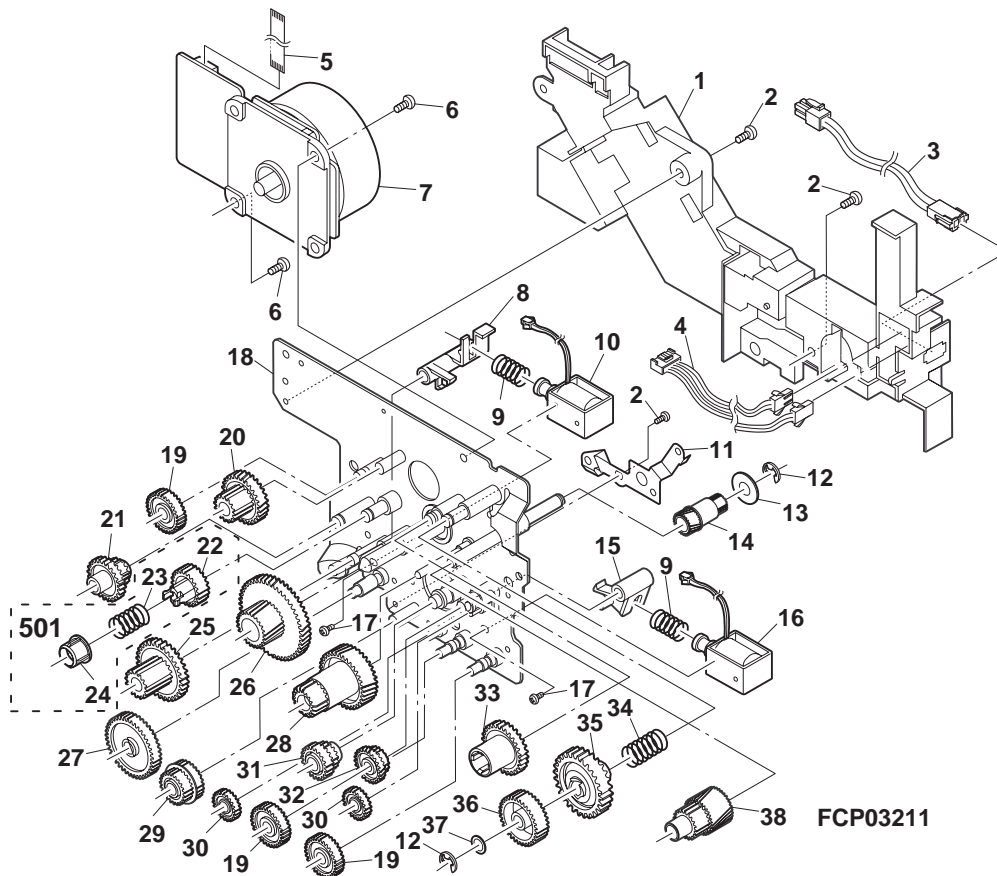
11 Base plate unit 1

| NO. | PARTS CODE | PRICE RANK | | NEW MARK | PART RANK | DESCRIPTION |
|-----|---------------|------------|-----|----------|-----------|-----------------------------------|
| | | Ex. | Ja. | | | |
| 1 | QSW-B0003QSZZ | AF | DS | | B | Tray detect switch |
| 2 | DHAi-0091QSZZ | AF | DS | N | C | Tray SW harness |
| 3 | PTME-0013QSZZ | AL | EB | N | C | Door lock pawl |
| 4 | MSPRT0100QSZZ | AB | DJ | N | C | Door lock lever spring |
| 5 | MLEVP0022QSZZ | AE | DJ | N | C | Door lock lever |
| 6 | LPLTM0065QSZZ | AL | EB | N | C | Base reinforce plate F |
| 7 | XEPS40P12000 | AA | DD | | C | Screw (4×12) |
| 8 | XBBS40P10000 | AA | DD | | C | Screw (3×10)(Japan only) |
| 9 | CPWBF0023QS51 | BA | FX | N | E | Dry heater PWB (Japan only) |
| 10 | LPLTM0066QSZZ | AF | DS | N | C | Tray earth plate |
| 11 | XBBS40P08000 | AA | DD | | C | Screw (3×8) |
| 12 | GDAi-0002QSZZ | BH | GX | N | C | Base plate |
| 13 | XRESP40-06000 | AA | DD | | C | E type ring |
| 14 | LBOSZ1031FCZZ | AC | DJ | | C | Clutch boss |
| 15 | MSPRC1152FCZZ | AE | DJ | | C | Clutch spring |
| 16 | PPiPP0006QSZZ | AD | DJ | N | C | Clutch sleeve |
| 17 | NGERH0060QSZZ | AH | DX | N | C | Clutch gear (34T) |
| 18 | XRESP50-06000 | AA | DD | | C | E type ring |
| 19 | NBRGP0007QSZZ | AD | DJ | N | C | Bearing (φ6) |
| 20 | CRÖLP0039QS01 | AW | FG | N | C | Paper feeding roller |
| 21 | GFTA-0005QSZZ | AC | DJ | N | C | 2nd drive cover |
| 22 | XBBS40P12000 | AA | DD | | C | Screw (4×12) |
| 23 | PSHEZ2174FCZZ | AB | DD | | C | Paper feeding sheet |
| 24 | CPWBF1177FC66 | AP | EQ | N | E | Manual paper feeding sensor PWB |
| 25 | MLEVP0023QSZZ | AE | DS | N | C | MF sensor actuator |
| 26 | PCÖVP0033QSZZ | AF | DS | N | C | Manual feed sensor cover |
| 27 | LRALP0005QSZZ | AN | EQ | N | C | Base plate rail R (Except Europe) |
| 27 | LRALP0005QSZA | AQ | EQ | N | C | Base plate rail R (For Europe) |
| 28 | PSHEZ2026FCZ1 | AB | DD | | C | Sheet M1 |
| 29 | LHLDZ0017QSZZ | AD | DJ | | C | Pressure plate holder |
| 30 | MSPRC0101QSZZ | AB | DJ | N | C | Pressure plate spring |
| 31 | GFTA-0007QSZZ | AE | DS | N | C | Pressure plate cover |
| 32 | MLEVP0024QSZZ | AF | DS | N | C | Sensor lever ACT |
| 33 | LDAiU0011QSZZ | AF | DS | N | C | Sensor base |
| 34 | CPWBF1177FC65 | AP | EQ | N | E | Tray sensor PWB |
| 35 | XBBS40P08000 | AA | DD | | C | Screw (3×8)(Japan only) |
| 36 | RHET-0004QSZ1 | AP | EQ | N | B | Dry heater (tray) (Japan only) |

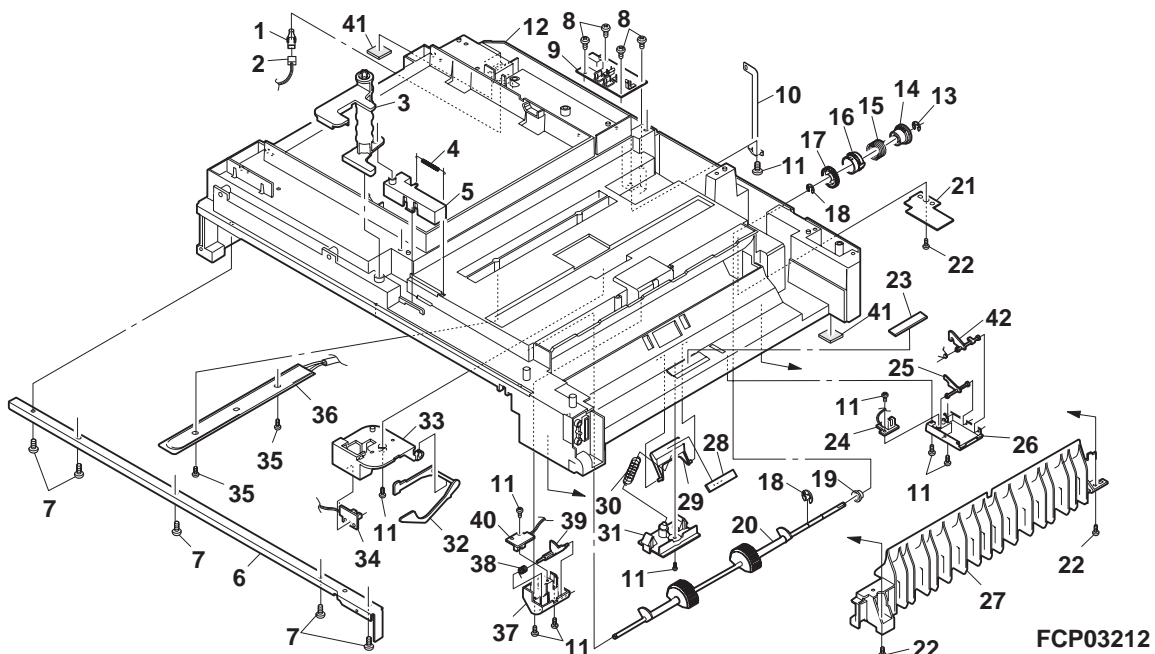
11 Base plate unit 1

| NO. | PARTS CODE | PRICE RANK | | NEW MARK | PART RANK | DESCRIPTION |
|-----|---------------|------------|-----|----------|-----------|----------------------|
| | | Ex. | Ja. | | | |
| 37 | PCÖVP0032QSZZ | AE | DJ | N | C | PS sensor cover |
| 38 | MSPRC0099QSZZ | AC | DJ | N | C | PS actuator spring |
| 39 | MLEVP0021QSZZ | AD | DJ | N | C | PS front actuator |
| 40 | CPWBF1177FC67 | AP | EQ | N | E | PS sensor PWB |
| 41 | GLEGG0064FCZZ | AC | DJ | N | C | Rubber foot |
| 42 | MLEVP0044QSZZ | AE | DS | N | C | MF sensor actuator 2 |
| | | | | | | |
| | | | | | | |

10 Main drive unit



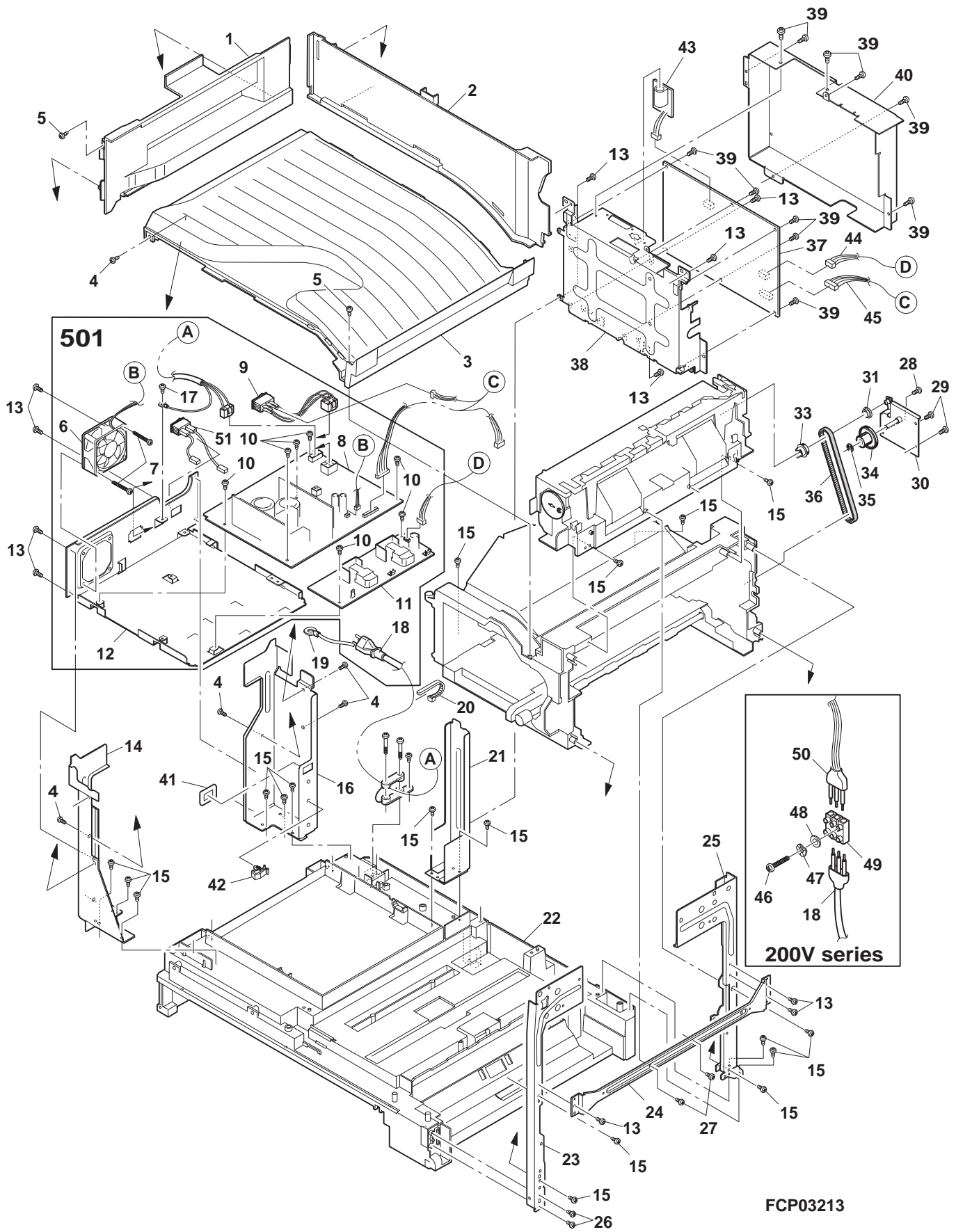
11 Base plate unit 1



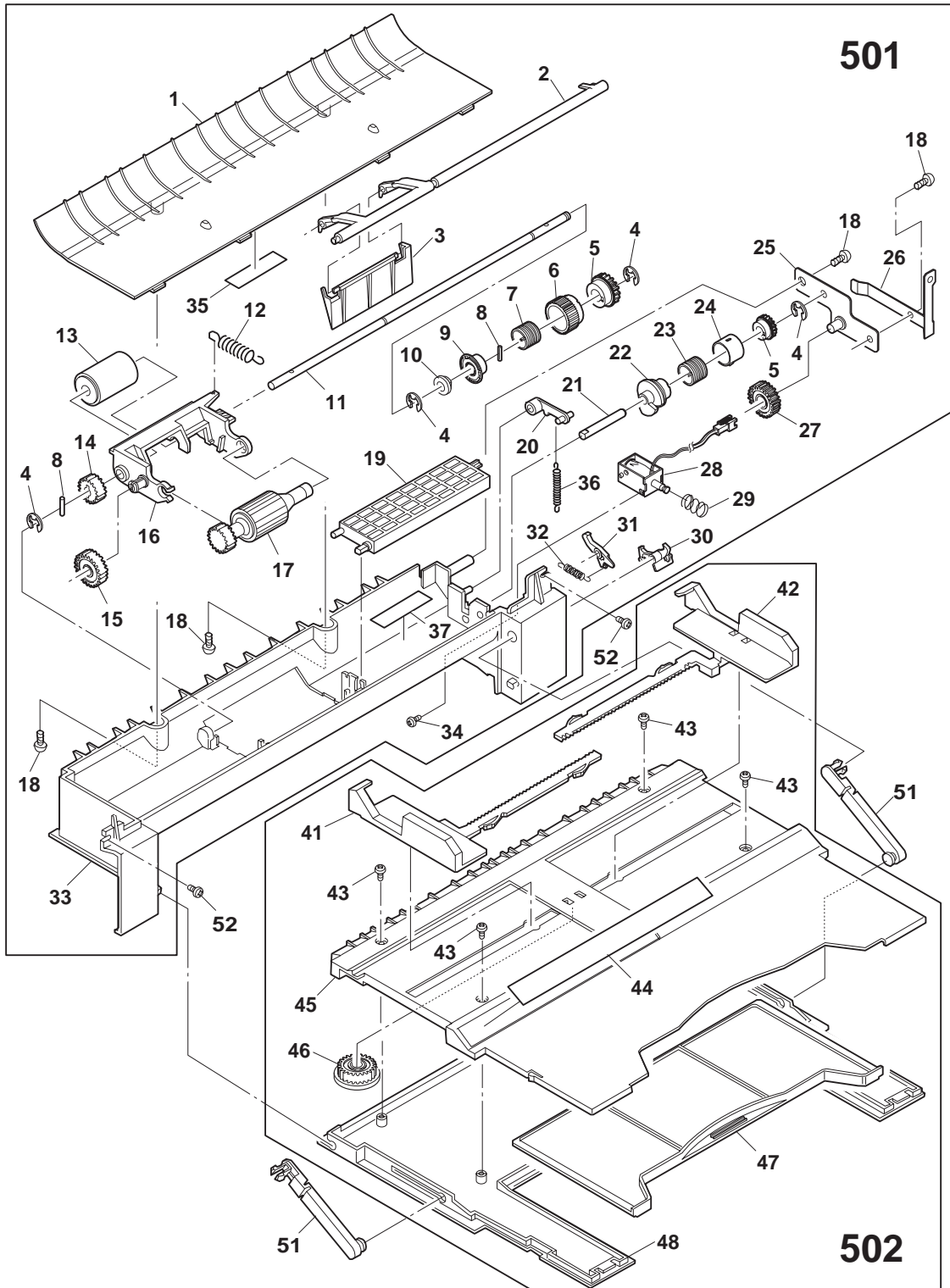
12 Base plate unit 2

| NO. | PARTS CODE | PRICE RANK | | NEW MARK | PART RANK | DESCRIPTION |
|-----|-----------------|------------|-----|----------|-----------|---|
| | | Ex. | Ja. | | | |
| 1 | GCÖVH0014QSZZ | AR | EQ | N | C | Delivery left cover (Except Europe) |
| | GCÖVH0014QSZA | AS | EQ | N | C | Delivery left cover (For Europe) |
| 2 | GCÖVH0012QSZZ | AS | EQ | N | C | Delivery rear cover (Except Europe) |
| | GCÖVH0012QSZA | AT | EZ | N | C | Delivery rear cover (For Europe) |
| 3 | LSÖU-0013QSZZ | BB | FX | N | D | Delivery tray (Except Europe) |
| | LSÖU-0013QSZA | BB | GD | N | D | Delivery tray (For Europe) |
| 4 | XEBSE30P08000 | AA | DD | | C | Screw (3×8) |
| 5 | XHBSE30P08000 | AA | DD | | C | Screw (3×8) |
| 6 | NFANP0003QSZZ | AY | FQ | N | B | PS fan |
| 7 | XBPSD30P30KS0 | AA | DD | | C | Screw (3×30KS) |
| 8 | RDEN-0002QSZZ | BX | TF | N | E | Low voltage power supply unit (100V) |
| | RDEN-0002QS11 | BX | RR | N | E | Low voltage power supply unit (120V) |
| | RDEN-0002QS12 | BY | TF | N | E | Low voltage power supply unit (200V series) |
| 9 | DUNTK0049QSZZ | AU | EZ | N | E | AC switch unit |
| 10 | XBPSD30P08KS0 | AA | DD | | C | Screw (3×8KS) |
| 11 | RDEN-0001QSZZ | BK | HG | N | E | High voltage power supply unit |
| 12 | LPLTM0082QSZZ | AR | EQ | N | C | PS PWB fixing plate |
| 13 | XHBSD30P06000 | AA | DD | | C | Screw (3×6) |
| 14 | LFRM-0022QSZZ | AP | EQ | N | C | Corner frame FL |
| 15 | XEPSD40P12000 | AA | DD | | C | Screw (4×12) |
| 16 | LFRM-0023QSZZ | AQ | EQ | N | C | Corner frame RL |
| 17 | XBPSN40P06K00 | AA | DD | | C | Screw (4×6K) |
| 18 | DHA i -0137QSZZ | AW | FG | N | B | AC cord (100V)(Japan) |
| | DHA i -0136QSZZ | AY | FQ | N | B | AC cord (120V)(USA,CANADA) |
| | DHA i -0142QSZZ | AX | FG | N | B | AC cord (For Europe) |
| | DHA i -0143QSZZ | BA | FX | N | B | AC cord BS (U.Kingdom) |
| | DHA i -0144QSZZ | AZ | FQ | N | B | AC cord SAA (Australia) |
| 19 | DHA i -0139QSZZ | AG | DX | N | B | Earth wire (Japan only) |
| 20 | LBJNDJ2004SCZZ | AA | DD | | C | Wire band (120V) |
| 21 | LFRM-0032QSZZ | AN | EG | N | C | Corner frame CR |
| 22 | GDA i -0002QSZZ | BH | GX | N | C | Base plate |
| 23 | LFRM-0025QSZZ | AM | EG | N | C | Corner frame FR |
| 24 | LPLTM0099QSZZ | AK | DX | N | C | Corner frame R reinforce plate |
| 25 | LFRM-0026QSZZ | AS | EZ | N | C | Corner frame RR |
| 26 | XHBSD30P12000 | AA | DD | | C | Screw (3×12) |
| 27 | XHBSD30P08000 | AA | DD | | C | Screw (3×8) |
| 28 | XHBSD30P10000 | AA | DD | | C | Screw (3×10) |
| 29 | XHBSD30P08000 | AA | DD | | C | Screw (3×8) |
| 30 | CPLTM0071QS01 | AL | EB | N | C | Drive joint plate |
| 31 | NBRGC0529FCZZ | AD | DJ | | C | Bearing |
| 33 | NPLYZ0009QSZZ | AD | DJ | N | C | 34 pulley |
| 34 | NGERH0071QSZZ | AF | DS | N | C | Gear (28/42T) |
| 35 | XRESP40-06000 | AA | DD | | C | E type ring |
| 36 | NBLTT0007QSZZ | AH | DX | N | B | Delivery roller drive belt (328) |
| 37 | CPWBX0021QS51 | CD | UD | N | E | MCU PWB (AR-S160/AR-160) |
| | CPWBX0021QS54 | CD | UD | N | E | MCU PWB (AR-161··) |
| | CPWBX0021QS53 | CD | UD | N | E | MCU PWB (AR-161··) |
| 38 | LPLTM0063QSZZ | AU | EZ | N | C | MCU fixing plate |
| 39 | XBBSE30P06000 | AA | DD | | C | Screw (3×6) |
| 40 | LPLTM0064QSZZ | AR | EQ | N | C | MCU shield plate |
| 41 | PSHEP0090QSZZ | AD | DJ | N | C | Optical edge protect sheet A (Japan only) |
| 42 | LHLDW0049QSZZ | AC | DJ | N | C | Mini clamp (Japan only) |
| 43 | CPWBF0033QS51 | AP | EQ | N | E | RCU PWB |
| 44 | DHA i -0101QSZZ | AK | DX | N | C | PS high volt harness |
| 45 | DHA i -0105QSZZ | AW | FG | N | C | PS low volt harness |
| 46 | XEBSD30P18000 | AA | DD | | C | Screw (3×18)(200V series) |
| 47 | XWSSD30-07000 | AA | DD | | C | Washer (200V series) |
| 48 | XWHSD30-05080 | AA | DD | | C | Washer (200V series) |
| 49 | QTANN0015FCZZ | AG | DS | | C | 3P terminal base (200V series) |
| 50 | DHA i -0140QSZZ | AP | EQ | N | C | AC harness (200V series) |
| 51 | DUNTK0088QSZZ | AU | EZ | N | E | Dry AC switch unit (Japan only) |
| 501 | DUNTK0050QSZZ | BF | GN | N | E | Power supply unit (100V) |
| | DUNTK0050QS11 | CD | UB | N | E | Power supply unit (120V) |
| | DUNTK0050QS12 | CC | UB | N | E | Power supply unit (200V series) |

12 Base plate unit 2



13 Manual paper feeding multi unit

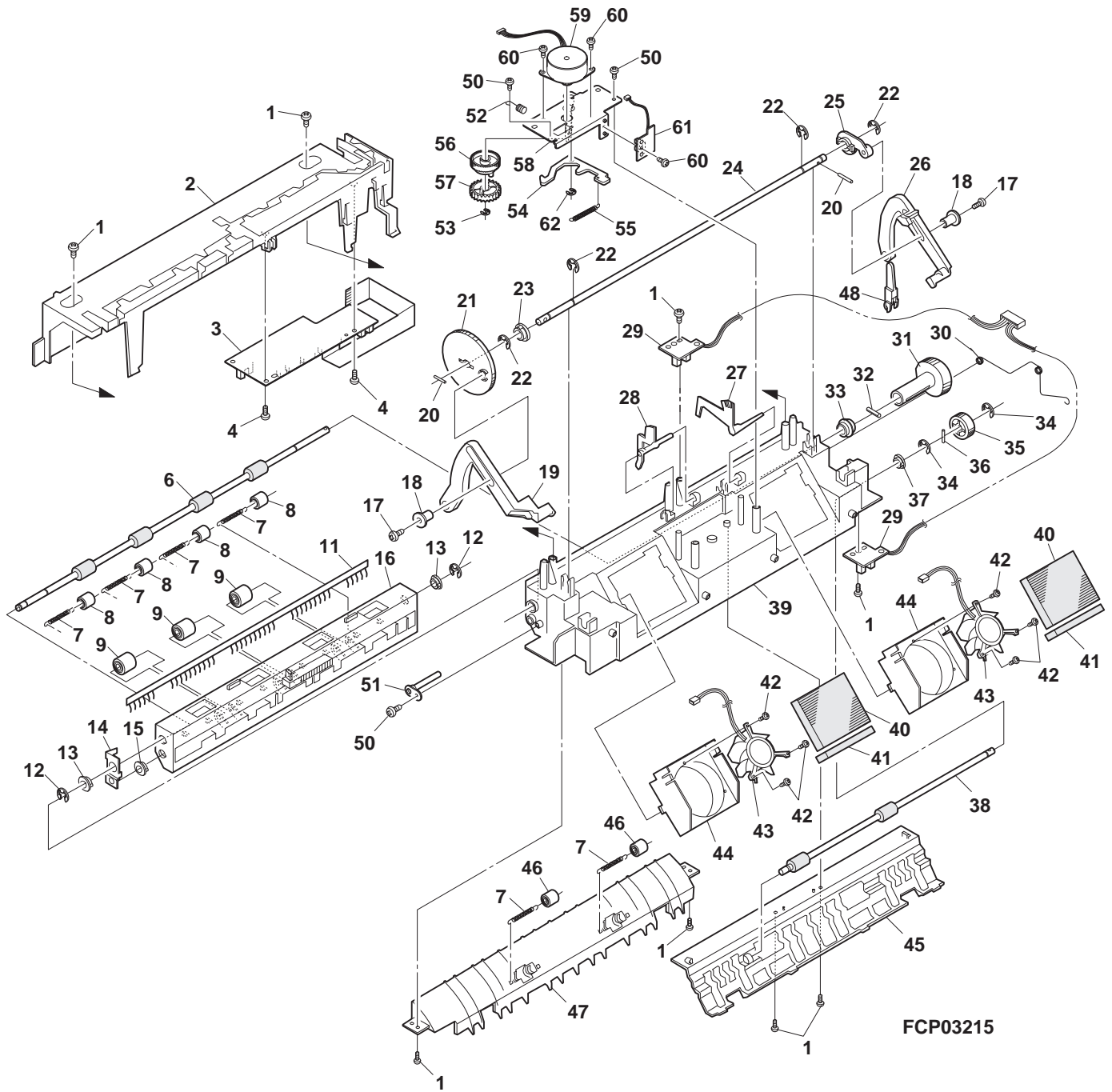


FCP03214

14 Delivery frame unit

| NO. | PARTS CODE | PRICE RANK | | NEW MARK | PART RANK | DESCRIPTION |
|-----|---------------|------------|-----|----------|-----------|---|
| | | Ex. | Ja. | | | |
| 1 | XEBSD30P08000 | AA | DD | | C | Screw (3×8) |
| 2 | GCOVH0018QSZZ | AQ | EQ | N | C | Delivery front side cover (Except Europe) |
| | GCOVH0018QSZA | AR | EQ | N | C | Delivery front side cover (For Europe) |
| 3 | CPWBF0018QS51 | AY | FQ | N | E | Delivery interface PWB (AR-S160/AR-160) |
| | CPWBF0018QS52 | AY | FQ | N | E | Delivery interface PWB (AR-161) |
| 4 | XEBSD30P06000 | AA | DD | | C | Screw (3×6) |
| 6 | NRÖLP0033QSZZ | AR | EQ | N | C | Delivery roller S (AR-S160/AR-160) |
| | NRÖLM0037QSZZ | AR | EQ | N | C | Delivery roller C (AR-161) |
| 7 | MSPRT0229GCAZ | AC | DJ | | C | FU spring R |
| 8 | NRÖLP0034QSZZ | AD | DJ | N | C | Delivery roller |
| 9 | NKOM-0002QSZZ | AC | DJ | N | C | Delivery collar |
| 11 | PBRSR0005QSZZ | AK | EB | N | B | Discharge brush |
| 12 | XRESP50-06000 | AA | DD | | C | E type ring |
| 13 | NBRGC0529FCZZ | AD | DJ | | C | Bearing |
| 14 | LPLTM0100QSZZ | AE | DJ | N | C | Delivery earth plate B |
| 15 | NBRGY2122SCZZ | AB | DD | | B | Transport roller bearing 1 (AR-161) |
| 16 | LHLDZ0040QSZZ | AS | EQ | N | C | Delivery roller holder |
| 17 | XEBSD30P14000 | AA | DD | | C | Screw (3×14) |
| 18 | LBÖSZ0048QSZZ | AD | DJ | N | C | Separator lever boss |
| 19 | MLEVP0028QSZZ | AF | DS | N | C | Sparetor lever F |
| 20 | XPSSJ20-10000 | AA | DD | | C | Spring pin (φ2-10) |
| 21 | NGERH0076QSZZ | AD | DJ | N | C | Sparetor cam shaft |
| 22 | XRESP50-06000 | AA | DD | | C | E type ring |
| 23 | NBRGC0529FCZZ | AD | DJ | | C | Bearing |
| 24 | NSFTZ0025QSZZ | AQ | EQ | N | C | Sparetor drive shaft |
| 25 | MCAMP0002QSZZ | AE | DJ | N | C | Sparetor drive cam |
| 26 | MLEVP0027QSZZ | AF | DS | N | C | Sparetor lever R |
| 27 | MLEVP0029QSZZ | AF | DS | N | C | FULL detector lever |
| 28 | MLEVP0025QSZZ | AD | DJ | N | C | Delivery actuator |
| 29 | CPWBF1177FC64 | AP | EQ | N | E | Duplex / P-out sensor PWB |
| 30 | MSPRD0143QSZZ | AF | DS | N | C | Delivery earth spring A |
| 31 | NGERH0063QSZZ | AD | DJ | N | C | Delivery drive gear (30T) |
| 32 | LPINS0258FCZZ | AA | DD | | C | Spring pin (φ3-8) |
| 33 | NBRGM0008QSZZ | AE | DJ | N | C | Bearing (φ6) |
| 34 | XRESP40-06000 | AA | DD | | C | E type ring |
| 35 | NGERH0070QSZZ | AC | DJ | N | C | DUP delivery R gear (20T) |
| 36 | XPSSJ20-10000 | AA | DD | | C | Spring pin (φ2-10) |
| 37 | NBRGY2122SCZZ | AB | DD | | B | Transport roller bearing 1 |
| 38 | NRÖLP0038QSZZ | AP | EQ | N | C | DUP delivery roller |
| 39 | LFRM-0027QSZZ | AV | FG | N | C | Delivery frame |
| 40 | PFiLZ0004QSZZ | AM | EG | N | B | Ozone filter |
| 41 | PMLT-0027QSZZ | AC | DJ | N | C | Cleaning fan cushion |
| 42 | XEBSD20P06000 | AA | DD | | C | Screw (2×6) |
| 43 | NFANP0002QSZZ | AY | FQ | N | B | Cooling fan |
| 44 | PDUC-0003QSZZ | AK | DX | N | C | Cleaning fan duct |
| 45 | PGiDM0039QSZZ | AS | EQ | N | C | Delivery upper paper guide |
| 46 | NRÖLP1122FCZZ | AF | DS | | C | PS upper roller |
| 47 | PGiDM0040QSZZ | AQ | EQ | N | C | Delivery lower paper guide |
| 48 | MLEVP0045QSZZ | AD | DJ | N | C | Delivery ATC lever |
| 50 | XEBSD30P08000 | AA | DD | | C | Screw (3×8) (AR-161) |
| 51 | CSFTZ0023QS01 | AH | DX | N | C | Shifter shaft (AR-161) |
| 52 | MSPRD0144QSZZ | AC | DJ | N | C | Delivery earth spring B (AR-161) |
| 53 | XRESP40-06000 | AA | DD | | C | E type ring (AR-161) |
| 54 | LSTPP0003QSZZ | AE | DJ | N | C | Shifter stopper (AR-161) |
| 55 | MSPRT0107QSZZ | AC | DJ | N | C | Shifter return spring (AR-161) |
| 56 | NGERH0067QSZZ | AD | DJ | N | C | Shifter gear (24T) (AR-161) |
| 57 | NGERH0068QSZZ | AD | DJ | N | C | Shifter gear (50T) (AR-161) |
| 58 | CPLTM0075QS01 | AL | EB | N | C | Shifter drive plate (AR-161) |
| 59 | RMOTP0018QSZZ | AV | FG | N | B | Shifter motor (AR-161) |
| 60 | XHBSF30P05000 | AA | DD | | C | Screw (3×5) (AR-161) |
| 61 | CPWBF1177FC68 | AP | EQ | N | E | Shifter HP sensor PWB (AR-161) |
| 62 | XRESP30-06000 | AA | DD | | C | E type ring (AR-161) |

14 Delivery frame unit



15 TC case unit

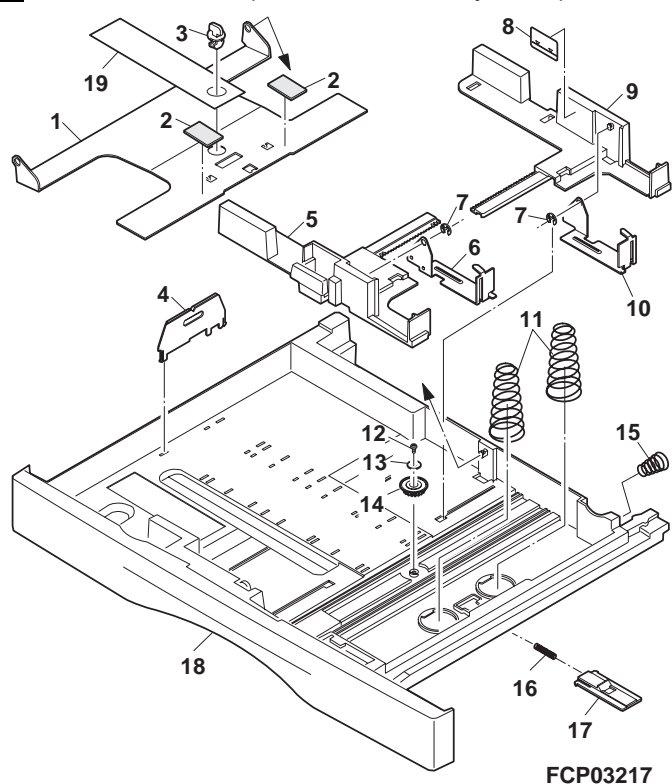
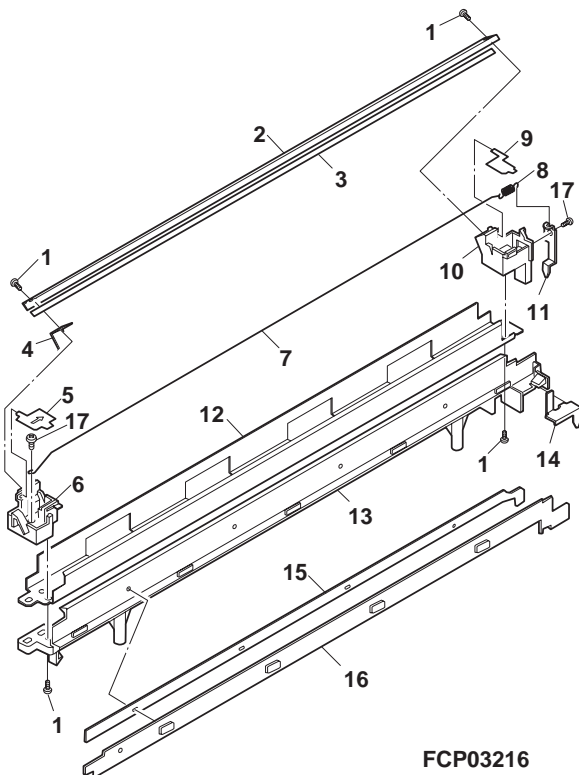
| NO. | PARTS CODE | PRICE RANK | | NEW MARK | PART RANK | DESCRIPTION |
|--------|---------------|------------|-----|----------|-----------|--------------------------------|
| | | Ex. | Ja. | | | |
| 1 | XEBSE30P08000 | AA | DD | | C | Screw (3×8) |
| 2 | PGiDH0031QSZZ | AH | DX | N | C | TC front guide |
| 3 | PSHEP0050QSZZ | AC | DJ | N | C | TC sheet |
| 4 | LPLTM0059QSZZ | AC | DJ | N | C | TC upper PG earth spring plate |
| 5 | PSHEP0051QSZZ | AB | DJ | N | C | TC cover sheet F |
| 6 | LHLDZ0030QSZZ | AD | DJ | N | C | TC holder F |
| 7 | DWiR-0466CSZZ | BG | HC | | B | Charger wire |
| 8 | MSPRT0513FCZ1 | AA | DJ | | C | MC tension spring |
| 9 | PSHEP0052QSZZ | AB | DJ | N | C | TC cover sheet R |
| 10 | LHLDZ0032QSZZ | AD | DJ | N | C | TC holder R |
| 11 | QSLP-0009QSZZ | AD | DJ | N | C | TC electrode plate |
| 12 | PCASZ0006QSZZ | AM | EG | N | C | TC case |
| 13 | LHLDZ0031QSZZ | AK | EB | N | C | Discharge holder |
| 14 | QSLP-0008QSZZ | AD | DJ | N | C | BC electrode plate |
| 15 | LPLTZ0049QSZZ | AG | DS | N | C | Discharge plate |
| 16 | PGiDM0032QSZZ | AE | DS | N | C | Separator guide |
| 17 | XEBSD30P06000 | AA | DD | | C | Screw (3×6) |
| (Unit) | | | | | | |
| 901 | CHLDZ0030QS51 | BA | FX | N | E | TC unit |

16 250 sheets tray unit

| NO. | PARTS CODE | PRICE RANK | | NEW MARK | PART RANK | DESCRIPTION |
|--------|---------------|------------|-----|----------|-----------|------------------------|
| | | Ex. | Ja. | | | |
| 1 | LPLTM0053QSZZ | AS | EQ | N | C | Rotation plate |
| 2 | PSHEZ0054QSZZ | AC | DJ | N | C | Rotation plate sheet |
| 3 | LHLDW1226FCZZ | AB | DJ | | C | Turn fasner |
| 4 | LPLTM2642FCZZ | AC | DJ | | C | Tray rear plate |
| 5 | PGiDM0035QSZZ | AP | EQ | N | C | Guide F |
| 6 | PTME-0255FCZZ | AG | DS | | C | 250 Tray pawl F |
| 7 | XRESP40-06000 | AA | DD | | C | E type ring |
| 8 | TLABH0064QSZ1 | AC | DJ | N | C | Indicator label |
| 9 | PGiDM0036QSZZ | AP | EQ | N | C | Guide R |
| 10 | PTME-0256FCZZ | AG | DS | | C | 250 Tray pawl R |
| 11 | MSPRC0090QSZZ | AD | DJ | N | C | Tray spring |
| 12 | XEBSD30P08000 | AA | DD | | C | Screw (3×8) |
| 13 | XWHS30-08100 | AA | DD | | C | Washer |
| 14 | NGERH0193FCZZ | AB | DD | | C | UC manual feed gear |
| 15 | MSPRC1873FCZ1 | AB | DJ | | C | Tray spring |
| 16 | MSPRC1145FCZZ | AA | DD | | C | Stopper spring |
| 17 | LSTPP0161FCZZ | AB | DD | | C | Rotation plate stopper |
| 18 | GCASP0003QSZZ | AZ | FQ | N | D | Tray case |
| 19 | TTAG-0004QSZZ | AC | DJ | N | D | Tray rotation tag |
| (Unit) | | | | | | |
| 901 | CCASP0003QS51 | BG | GX | N | E | 250 Tray unit |

15 TC case unit

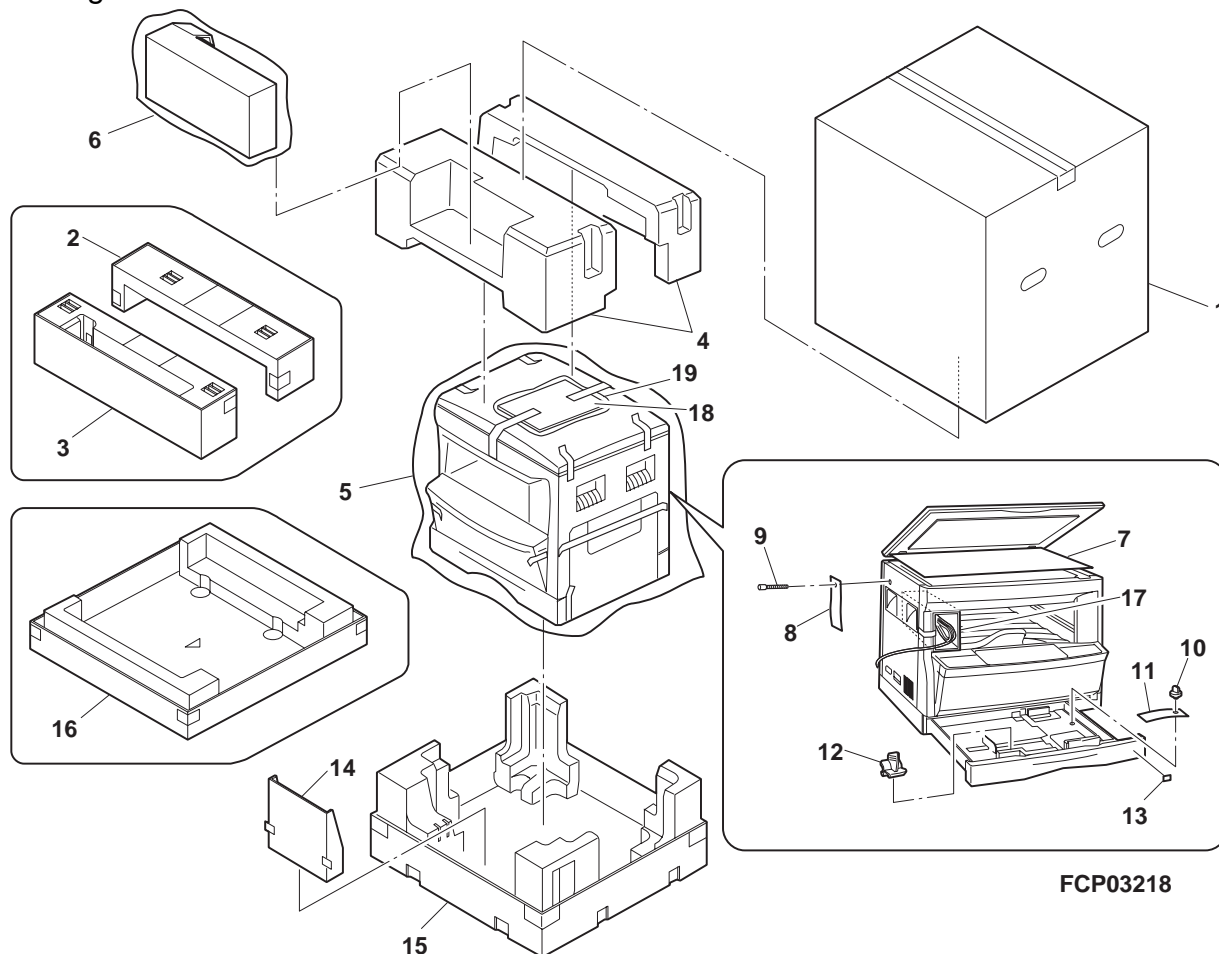
16 250 (250 sheets tray unit)



17 Packing material & Accessories

| NO. | PARTS CODE | PRICE RANK | | NEW MARK | PART RANK | DESCRIPTION |
|-----|---------------|------------|-----|----------|-----------|---|
| | | Ex. | Ja. | | | |
| 1 | SPAKC0135QSZZ | AY | FQ | N | D | Packing case (Japan only) (AR-S160) |
| | SPAKC0100QS14 | AY | FQ | N | D | Packing case (USA) (AR-160) |
| | SPAKC0091QSZZ | AY | FQ | N | D | Packing case (For Europe except U.Kingdom) (AR-160) |
| | SPAKC0100QS12 | AY | FQ | N | D | Packing case (CANADA,Australia,U.Kingdom,Others) (AR-160) |
| | SPAKC0100QS15 | AY | FQ | N | D | Packing case (USA) (AR-161) |
| | SPAKC0091QS11 | AY | FQ | N | D | Packing case (For Europe except U.Kingdom) (AR-161) |
| | SPAKC0100QS13 | AY | FQ | N | D | Packing case (CANADA,Australia,U.Kingdom,Others) (AR-161) |
| 2 | SPAKA0132QSZZ | AR | EQ | N | D | Top packing cushion F OC (Japan only) |
| 3 | SPAKA0131QSZZ | AT | EZ | N | D | Top packing cushion F OC (Japan only) |
| 4 | SPAKA0083QSZZ | AX | FG | N | D | Top packing cushion (Except Japan) |
| 5 | SSAKH9982QCZZ | AF | DS | | D | Vinyl bag (1190x940mm) |
| 6 | UBAGF0018YSZ1 | AF | DS | N | D | DV aluminum bag |
| 7 | SPAKA0134QSZZ | AE | DJ | N | D | OC protection sheet |
| 8 | TCADZ0010QSZZ | AC | DJ | | D | Fixer screw caution card |
| 9 | LX-BZ0015QSZZ | AF | DS | N | C | 2nd,3rd mirror fixing screw |
| 10 | LHLDW1226FCZZ | AB | DJ | | C | Turn fasner |
| 11 | TTAG-0004QSZZ | AC | DJ | N | D | Tray rotation tag |
| 12 | CCEZ0005QS51 | AQ | EQ | | E | Charger cleaner unit |
| 13 | TLABH0065QSZZ | AN | EG | N | C | Size display label (AB series) |
| | TLABH0069QSZZ | AN | EG | N | C | Size display label (Inch series) |
| 14 | SPAKA0133QSZZ | AG | DS | N | D | Spacer A (Japan only) |
| 15 | CPAKA0084QS01 | BA | FX | N | D | Bottom packing cushion (Except Japan) |
| 16 | SPAKA0130QSZZ | BA | FX | N | D | Bottom packing case (Japan only) |
| 17 | SPAKA0150QSZZ | AF | DS | N | D | Accessories protection packing cushion |
| 18 | TiNSJ0114QSZZ | AX | ZZ | N | D | Operation manual (Japanese) (Japan) |
| | TiNSE0115QSZZ | AS | EQ | N | D | Operation manual (USA) |
| | TiNSE0116QSZZ | AS | EQ | N | D | Operation manual (English) (CANADA,Germany,U.Kingdom,Australia) |
| | TiNSF0117QSZZ | BA | FX | N | D | Operation manual (French) (CANADA) |
| | TiNSG0118QSZZ | BB | GD | N | D | Operation manual (German) (Germany) |
| | TiNSS0119QSZZ | AY | FQ | N | D | Operation manual (Spanish) |
| | TiNSi0120QSZZ | AT | EZ | N | D | Operation manual (Italian) |
| | TiNSZ0121QSZZ | AY | FQ | N | D | Operation manual (Swedish) |
| | TiNSZ0122QSZZ | AY | FQ | N | D | Operation manual (Dutch) |
| 19 | SSAKA2343QCZZ | AA | DD | | D | Vinyl bag (260x380mm) |
| 101 | TLABH0068QSZZ | AF | DS | N | C | Label (AB series) |
| | TLABH0078QSZZ | AF | DS | N | C | Label (Inch series) |
| 102 | GCOVZ0023QSZZ | BA | FX | N | D | Dust cover (Japan only) |

17 Packing material & Accessories



18 MCU PWB

| NO. | PARTS CODE | PRICE RANK | | NEW MARK | PART RANK | DESCRIPTION |
|-----|------------------|------------|-----|----------|-----------|--|
| | | Ex. | Ja. | | | |
| 1 | QCNCM0016QSZZ | AL | EB | N | C | Connector (60pin) [CN7] |
| 2 | QCNCM0017QSZZ | AC | DJ | N | C | Connector (4pin) [CN17] |
| 3 | QCNCM0019QSZZ | AB | DJ | N | C | Connector (2pin) [CN19] |
| 4 | QCNCM0030QSZZ | AL | EB | | C | Connector (60pin) [CN3] |
| 5 | QCNCM0846FCZZ | AF | DS | | C | Connector (12pin) [CN12] |
| 6 | QCNCM0877FCZZ | AF | DS | | C | Connector (20pin) [CN10] |
| 7 | QCNCM0923FC22 | AF | DS | | C | Connector (22Pin) [CN5] |
| 8 | QCNCM0923FC24 | AF | DS | | C | Connector (24pin) [CN11] |
| 9 | QCNCM1005MCZZ | AB | DD | | C | Connector (2pin) [CN36] |
| 10 | QCNCM1006MCZZ | AB | DD | | C | Connector (3pin) [CN22] |
| 11 | QCNCM1119LC0C | AC | DJ | N | C | Connector (3pin) [CN28] |
| 12 | QCNCM1119LC0D | AC | DJ | N | C | Connector (4pin) [CN15] |
| 13 | QCNCM2401SC0C | AB | DJ | | C | Connector (3pin) [CN29] |
| 14 | QCNCM2401SC0D | AC | DJ | | C | Connector (4pin) [CN31] |
| 15 | QCNCM2401SC0E | AC | DJ | | C | Connector (5pin) [CN1] |
| 16 | QCNCM7014SC0B | AD | DJ | | C | Connector (2pin) [CN18] |
| 17 | QCNCM7014SC0C | AA | DD | | C | Connector (3pin) [CN32] |
| 18 | QCNCM7014SC0D | AB | DD | | C | Connector (4pin) [CN27] |
| 19 | QCNCM7014SC0E | AB | DJ | | C | Connector (5pin) [CN34] |
| 20 | QCNCM7014SC0F | AB | DD | | C | Connector (6pin) [CN26] |
| 21 | QCNCM7014SC0G | AB | DD | | C | Connector (7pin) [CN6] |
| 22 | QCNCM7014SC1A | AC | DJ | | C | Connector (11pin) [CN8] |
| 23 | QCNCM7014SC1B | AD | DJ | | C | Connector (12pin) [CN4] |
| 24 | QCNCM7014SC1J | AC | DD | | C | Connector (10pin) [CN9] |
| 25 | QCNCP0240QCZZ | AA | DJ | | C | Connector (2pin) [CN14] |
| 26 | QCNCP0242QCZZ | AA | DJ | | C | Connector (2pin) [CN16] |
| 27 | QCNCP0341QCZZ | AC | DJ | | C | Connector (3pin) [CN33] |
| 28 | QCNCW0015QSZZ | AE | DJ | | C | Connector (5pin) [CN35] |
| 29 | QCNCW0024QSZZ | AF | DS | | C | Connector (32pin) [CN2] |
| 30 | QCNCW0885FCZZ | AG | DX | | C | Connector (12pin) [CN30] |
| 32 | QCNCW0948FCZ3 | AC | DJ | | C | Connector (3pin) [CN23,24] |
| 33 | QCNCW1124LC0D | AB | DJ | | C | Connector (4pin) [CN20] |
| 34 | QCNCW1124LC0H | AC | DJ | | C | Connector (8pin) [CN13] |
| 35 | QCNCW1124LC1F | AC | DJ | | C | Connector (16pin) [CN25] |
| 36 | QSÖCZ6408ACZZ | AB | DD | | C | 8P DIP socket [for IC4] |
| 38 | RCRSZ0001QSZZ | AG | DS | | B | Crystal (19.6608MHZ) [X1] |
| 39 | RCRSZ0003QSZZ | AP | EQ | | B | Crystal (22.000MHZ) [X2] |
| 40 | RCRSZ0004QSZZ | AP | EQ | N | B | Crystal (20.3094MHZ) [X3] |
| 41 | RMP TW4000QC J J | AB | DD | | B | Block resistor (0Ω×4) [BR4,29,30] |
| 42 | RMP TW4103QC J J | AB | DD | | B | Block resistor (10KΩ×4) [BR1,2,3,6,7,11,13-24,31,47,51,52,66-73] |
| 43 | RMP TW4203QC J J | AA | DD | | B | Block resistor (20KΩ×4) [BR43,44,45,53-65] |
| 44 | RMP TW4222QC J J | AB | DD | | B | Block resistor (2.2KΩ×4) [BR50] |
| 45 | RMP TW4330QC J J | AB | DD | | B | Block resistor (33Ω×4) [BR5,8,9,10,12,32-38,40,41,42,74-82] |
| 47 | VCCCCY1HH120J | AA | DD | | C | Capacitor (50WV 12PF) [C253] |
| 48 | VCCCCY1HH180J | AA | DD | | C | Capacitor (50WV 18PF) [C11,12] |
| 49 | VCCCCY1HH101J | AA | DD | | C | Capacitor (50WV 100PF) [C266,CN3,7] |
| 50 | VCCUCY1AJ105Z | AC | DD | | C | Capacitor (10WV 1.0μF) [C15] |
| 51 | VCEAGU1CW106M | AA | DD | | C | Capacitor (16WV 10μF) [C7,9,103] |
| 52 | VCEAGU1CW107M | AB | DD | | C | Capacitor (16WV 100μF) [C25,32,33,35,37,41,42,73] |
| 53 | VCEAGU1CW226M | AA | DD | | C | Capacitor (16WV 22μF) [C91,98,254,255] |
| 54 | VCEAGU1CW476M | AB | DD | | C | Capacitor (16WV 47μF) [C262,263] |
| 55 | VCEAGU1HW107M | AC | DD | | C | Capacitor (50WV 100μF) [C74] |
| 56 | VCEAGA1VW106M | AA | DD | | C | Capacitor (35WV 10μF) [C102] |
| 57 | VCEAGU1VW476M | AB | DD | | C | Capacitor (35WV 47μF) [C72,75,76,96,97] |
| 58 | VCKYCY1EB223K | AA | DD | | C | Capacitor (25WV 0.022μF) [C13,14,17,24,30,89] |
| | VCKYCY1EF104Z | AA | DD | | C | Capacitor (25WV 0.10μF) [C1,8,10,16,19,20,22,26,27,28,29,31,34] |
| 59 | VCKYCY1EF104Z | AA | DD | | C | Capacitor (25WV 0.10μF) [C36,43,58,62,65,69,84,85,87] |
| | VCKYCY1EF104Z | AA | DD | | C | Capacitor (25WV 0.10μF) [C88,90,104,113,114,131-138] |
| | VCKYCY1EF104Z | AA | DD | | C | Capacitor (25WV 0.10μF) [C200,201,202,203,205-251,CN5] |
| 60 | VCKYCY1HB102K | AA | DD | N | C | Capacitor (50WV 1000PF) [C4,5,18,21,23,77-81,105-112,115-130] |
| 61 | VCKYCY1HB222K | AA | DD | | C | Capacitor (50WV 2200PF) [C39,61,68,95,101] |
| 62 | VCKYCY1HB471K | AB | DD | | C | Capacitor (50WV 470PF) [C99,100,252] |
| 63 | VHDDSS133// -1 | AA | DD | | B | Diode (DSS133) [D2-9] |
| 64 | VHERD20EB3/-1 | AB | DD | | B | Zener diode (RD20EB3) [D1] |
| 65 | VHEUDZS5.6B-1 | AC | DJ | | B | Zener diode (UDZS5.6B) [ZD1-16] |
| 66 | VHiHG73C025FD | BE | GN | | B | IC (HG73C025FD) [IC13] |
| 67 | VHiH8S/2350FP | AY | FQ | | B | CPU (H8S/2350FP) [IC1] |
| 68 | VHiLM358PS/-S | AC | DJ | | B | IC (LM358PS) [IC10] |
| 69 | VHiMC7805CT-2 | AE | DS | | B | IC (MC7805CT-2) [IC15] |
| 70 | VHiM24C04BN6/ | AG | DX | N | B | IC (M24C04BN6) [IC4] |
| 71 | VHiM51953BL-1 | AF | DS | | B | IC (M51953BL) [IC2] |
| 72 | VHiM66236FP-1 | AT | EZ | | B | IC (M66236FP) [IC14] |
| 73 | VHiNJM2903M/- | AD | DJ | | B | IC (NJM2903M) [IC16] |
| 74 | VHiNJM3414M-1 | AF | DX | | B | IC (NJM3414M) [IC9] |
| 75 | VHiSLA7027MUL | AQ | EQ | | B | IC (SLA7027MUL) [IC25] |
| 76 | VHiSTA401A/-1 | AP | EQ | | B | IC (STA401A) [IC26] |
| 77 | VHiTA7291S/-1 | AF | DS | | B | IC (TA7291S) [IC27] |

18 MCU PWB

| NO. | PARTS CODE | PRICE RANK | | NEW MARK | PART RANK | DESCRIPTION | |
|-----|-------------------|------------|-----|----------|-----------|--|--|
| | | Ex. | Ja. | | | | |
| 78 | VH i TD62503F/- | AG | DX | | B | IC (TD62503F) | [IC31] |
| 79 | VH i ULN2003AN1 | AE | DJ | | B | IC (ULN2003AN1) | [IC28,29,38] |
| 80 | VH i W24258A12J | AN | EG | N | B | IC (W24258A12J) | [IC18,19,21,22,35,37] |
| 81 | VH i 29F400BCA1 | BA | FX | N | B | IC (29F400BCA1)(AR-S160/AR-160) | [IC20] |
| | VH i 29F400BCB1 | BA | FX | N | B | IC (29F400BCB1)(AR-161) | [IC20] |
| 82 | VH i 65808GN146 | BF | GN | N | B | IC (65808GN146) | [IC5] |
| 83 | VH i 74HCT244MF | AH | DX | | B | IC (74HCT244MF) | [IC8] |
| 84 | VH i 74LS244NS1 | AH | DX | | B | IC (74LS244NS1) | [IC30,32,33] |
| 85 | VH i 74VHC08/-1 | AE | DS | | B | IC (74VHC08) | [IC3,39] |
| 86 | VH i TC74ACT32F | AF | DS | | B | IC (TC74ACT32F) | [IC12] |
| 87 | VH V i CPN38// -1 | AF | DS | | B | IC protector (ICPN38) | [F1,2,3,5,6,7] |
| 88 | VRS-CY1JD000J | AA | DD | | C | Resistor (1/16W 0Ω ±5%) | [R94,115,202,FB3,4,9] |
| 89 | VRS-CY1JD100J | AA | DD | | C | Resistor (1/16W 10Ω ±5%) | [R8,51-56,61-66] |
| 90 | VRS-CY1JD101J | AA | DD | | C | Resistor (1/16W 100Ω ±5%) | [R3,4,7,117,118] |
| 91 | VRS-CY1JD102J | AA | DD | | C | Resistor (1/16W 1.0KΩ ±5%) | [R13-18,24,25,33,137,201] |
| 92 | VRS-CY1JD103F | AB | DD | | C | Resistor (1/16W 10KΩ ±1%) | [R29,31,72,74] |
| 93 | VRS-CY1JD103J | AA | DD | | C | Resistor (1/16W 10KΩ ±5%) | [R1,2,5,6,10,23,50,70,73,85,93,97] |
| 94 | VRS-CY1JD680J | AA | DD | | C | Resistor (1/16W 68Ω ±5%) | [R105] |
| 95 | VRS-CY1JD221J | AA | DD | | C | Resistor (1/16W 220Ω ±5%) | [R107] |
| 96 | VRS-CY1JD511J | AA | DD | | C | Resistor (1/16W 510Ω ±5%) | [R103] |
| 97 | VRS-CY1JD203J | AA | DD | | C | Resistor (1/16W 20KΩ ±5%) | [R27,32,34,35,57-60,67,68,138,139,140] |
| | VRS-CY1JD205J | AA | DD | | C | Resistor (1/16W 2.0MΩ ±5%) | [R28,30] |
| 99 | VRS-CY1JD220F | AA | DD | N | C | Resistor (1/16W 22Ω ±1%) | [R76] |
| 101 | VRS-CY1JD242F | AA | DD | | C | Resistor (1/16W 2.4KΩ ±1%) | [R69,75] |
| 102 | VRS-CY1JD242J | AA | DD | | C | Resistor (1/16W 2.4KΩ ±5%) | [R81,100,109] |
| 103 | VRS-CY1JD330J | AA | DD | | C | Resistor (1/16W 30Ω ±5%) | [R36-49] |
| 104 | VRS-CY1JD331J | AA | DD | | C | Resistor (1/16W 330Ω ±5%) | [R12,106,FB1] |
| 105 | VRS-CY1JD472J | AA | DD | | C | Resistor (1/16W 4.7KΩ ±5%) | [R19,21,26,77,78,79,87] |
| 106 | VRS-CY1JD473J | AA | DD | | C | Resistor (1/16W 47KΩ ±5%) | [R101,102,113,114] |
| 107 | VRS-RE3DA1R0J | AB | DD | | C | Resistor (2W 1.0Ω ±5%) | [R104,108] |
| 108 | VRS-RE3DA131J | AC | DD | | C | Resistor (2W 130Ω ±5%) | [R71] |
| 109 | VRS-TP2BD221J | AB | DD | | C | Resistor (1/8W 220Ω ±5%) | [R80,82,83,84,86,88,89] |
| 110 | VRS-TP2BD472J | AA | DD | | C | Resistor (1/8W 4.7KΩ ±5%) | [R111,112] |
| 111 | VRS-TP2BD473J | AA | DD | | C | Resistor (1/8W 47KΩ ±5%) | [R110] |
| 112 | VSDTC114EK/-1 | AB | DD | | B | Transistor (DTC114EK) | [Q1,3] |
| 113 | VS2SA1036KQRC | AB | DD | | B | Transistor (2SA1036KQRC) | [Q2] |
| 114 | VH i SC65165V6T | BW | RR | N | B | 16MDRAM (SC65165V6T)(AR-161 ·· USA,CANADA) | [IC36] |
| 115 | VH i 16163CLT-6 | BA | FX | N | B | 64MDRAM (16163CLT-6)(AR-161 ·· USA,CANADA) | [IC34] |
| 116 | VHD1N4005E/-1 | AB | DJ | | B | Diode (1N4005E) | [D10] |
| 117 | RF i LN0019GCZZ | AC | DJ | | B | Bead filter | [FB2,10,11] |
| 118 | VRS-TS2AD101J | AA | DD | | C | Resistor (1/10W 100Ω ±5%) | [FB8] |
| 119 | VRD-HT2EY103J | AA | DD | | C | Resistor (1/4W 10KΩ ±5%) | |
| | (Unit) | | | | | | |
| 901 | CPWBX0021QS51 | CD | UD | N | E | MCU PWB (AR-S160/AR-160) | |
| | CPWBX0021QS54 | CD | UD | N | E | MCU PWB (AR-161 ·· USA,CANADA) | |
| | CPWBX0021QS53 | CD | UD | N | E | MCU PWB (AR-161 ·· Except USA,CANADA) | |

19 COPY-Operation PWB

| NO. | PARTS CODE | PRICE RANK | | NEW MARK | PART RANK | DESCRIPTION | |
|-----|-----------------|------------|-----|----------|-----------|--|---|
| | | Ex. | Ja. | | | | |
| 1 | QCNCW0020QSZZ | AG | DS | N | C | Connector (12pin) | [CN1] |
| 2 | QCNCW0021QSZZ | AF | DS | N | C | Connector (15pin) | [CN4] |
| 3 | QCNCW0022QSZZ | AE | DJ | N | C | Connector (25pin) | [CN3] |
| 4 | QCNCW0023QSZZ | AE | DS | N | C | Connector (19pin) | [CN2] |
| 5 | QSW-P0008QSZZ | AC | DJ | N | B | Switch (EVQ-23G-04K) | [K1-5,7,8,9,11-14,16-20,22-33] |
| 6 | RCRMZ0001QSZZ | AE | DS | N | B | Crystal (9.8304MHZ) | [X1] |
| 7 | RCRSZ0005QSZZ | AF | DS | N | B | Crystal (MX38T)(32.768KHZ) | [X2] |
| 8 | VCCCY1HH150J | AB | DD | | C | Capacitor (50WV 15PF) | [C12,13] |
| 9 | VCCCY1HH300J | AB | DD | | C | Capacitor (50WV 30PF) | [C14,15] |
| 10 | VCEAJU1CW476M | AB | DD | | C | Capacitor (16WV 47μF) | [C1] |
| 11 | VCKYCY1HB102K | AA | DD | N | C | Capacitor (50WV 1000PF) | [C2-7,10,11,18] |
| 12 | VCKYCY1HF103Z | AA | DD | | C | Capacitor (50WV 0.010μF) | [C8] |
| 13 | VCCUCY1AJ105Z | AC | DD | | C | Capacitor (10WV 1.0μF) | [C9] |
| 14 | VCKYCY1HF223Z | AA | DD | | C | Capacitor (50WV 0.022μF) | [C17] |
| 15 | VHDDSS133// -1 | AA | DD | | B | Diode (DSS133) | [D56-67] |
| 16 | VH i H8/3643/-1 | AU | EZ | N | B | IC (H8/3643) | [IC1] |
| 17 | VH i TB62706AN/ | AS | EQ | N | B | IC (TB62706AN) | [IC3] |
| 18 | VH i TD62785F// | AN | EQ | N | B | IC (TD62785F) | [IC2] |
| 19 | VHPLTC3650G01 | AQ | EQ | | B | Photo transistor (LTC3650G01) | [U1] |
| 20 | VHPMPG3864K-J | AC | DJ | | B | LED (Green) (MPG3864K)(Japan,Australia) | [D1-4,6,7,10,11,12,14,15,16,18-24] |
| | VHPMPG3864K-J | AC | DJ | | B | LED (Green) (MPG3864K)(Japan,Australia) | [D26-33,35,36,37,39,40,41,43,44,46-50,52] |
| | VHPMPG3864K-J | AC | DJ | | B | LED (Green) (MPG3864K)(Except Japan,Australia) | [D1-4,6,7,10,11,12,14,15,16,18-20,22,23,24] |

19 COPY-Operation PWB

| NO. | PARTS CODE | PRICE RANK | | NEW MARK | PART RANK | DESCRIPTION |
|-----|---------------|------------|-----|----------|-----------|---|
| | | Ex. | Ja. | | | |
| 20 | VHPMPG3864K-J | AC | DJ | | B | LED (Green) (MPG3864K)(Except Japan,Australia) [D26-32,35,36,37,39,40,41,43,44,46-50,52] |
| 21 | VHPMVR3864K-J | AC | DJ | | B | LED (Red) (MVR3864K) [D5,8,9,13,17,42,45,51,53,54] |
| 22 | VRD-RC2EY161J | AA | DD | | C | Resistor (1/4W 160Ω ±5%) [R1,9] |
| 23 | VRS-CY1JD000J | AA | DD | | C | Resistor (1/16W 0Ω ±5%) [R58] |
| 24 | VRS-CY1JD103J | AA | DD | | C | Resistor (1/16W 10KΩ ±5%) [R10-17,20-24,26-44,46-49,51] |
| 25 | VRS-CY1JD105J | AA | DD | | C | Resistor (1/16W 1.0MΩ ±5%) [R45] |
| 26 | VRS-CY1JD123J | AA | DD | | C | Resistor (1/16W 12KΩ ±5%) [R18] |
| 27 | VRS-CY1JD471J | AA | DD | | C | Resistor (1/16W 470Ω ±5%) [R8] |
| 28 | VRS-TP2BD6R8J | AA | DD | N | C | Resistor (1/8W 6.8Ω ±5%) [R2-7] |
| 29 | VS2SA1162-Y-1 | AB | DD | | B | Transistor (2SA1162) [Q1] |
| 30 | VS2SC2712Y/-1 | AB | DJ | | B | Transistor (2SC2712Y) [Q4] |
| | (Unit) | | | | | |
| 901 | CPWBN0024QS51 | BR | LP | N | E | COPY-Operation PWB (Japan,Australia) |
| | CPWBN0024QS52 | BQ | LP | N | E | COPY-Operation PWB (Except Japan,Australia) |
| | | | | | | |
| | | | | | | |

20 Duplex/P-out sensor PWB

| NO. | PARTS CODE | PRICE RANK | | NEW MARK | PART RANK | DESCRIPTION |
|-----|------------------|------------|-----|----------|-----------|-------------------------------|
| | | Ex. | Ja. | | | |
| 1 | DHA i - 0100QSZZ | AG | DX | N | C | Duplex / P-out sensor harness |
| 2 | LBNDJ0037FCZ1 | AA | DJ | | C | Wire band (T18S) |
| 3 | VCKYPU1HB102K | AA | DD | | C | Capacitor (50WV 0.001μF) |
| 4 | VHPGP1S53V/-1 | AE | DS | | B | Photo transistor (GP1S53V) |
| | (Unit) | | | | | |
| 901 | CPWBF1177FC64 | AP | EQ | N | E | Duplex / P-out sensor PWB |
| | | | | | | |
| | | | | | | |

21 MHPS PWB

| NO. | PARTS CODE | PRICE RANK | | NEW MARK | PART RANK | DESCRIPTION |
|-----|------------------|------------|-----|----------|-----------|----------------------------|
| | | Ex. | Ja. | | | |
| 1 | DHA i - 0096QSZZ | AF | DS | N | C | Scanner HP sensor harness |
| 2 | LBNDJ0037FCZ1 | AA | DJ | | C | Wire band (T18S) |
| 3 | VCKYPU1HB102K | AA | DD | | C | Capacitor (50WV 0.001μF) |
| 4 | VHPGP1S53V/-1 | AE | DS | | B | Photo transistor (GP1S53V) |
| | (Unit) | | | | | |
| 901 | CPWBF1177FC63 | AP | EQ | N | E | MHPS PWB |
| | | | | | | |
| | | | | | | |

22 Tray sensor PWB

| NO. | PARTS CODE | PRICE RANK | | NEW MARK | PART RANK | DESCRIPTION |
|-----|------------------|------------|-----|----------|-----------|----------------------------|
| | | Ex. | Ja. | | | |
| 1 | DHA i - 0092QSZZ | AF | DS | N | C | Tray empty sensor harness |
| 2 | LBNDJ0037FCZ1 | AA | DJ | | C | Wire band (T18S) |
| 3 | VCKYPU1HB102K | AA | DD | | C | Capacitor (50WV 0.001μF) |
| 4 | VHPGP1S53V/-1 | AE | DS | | B | Photo transistor (GP1S53V) |
| | (Unit) | | | | | |
| 901 | CPWBF1177FC65 | AP | EQ | N | E | Tray sensor PWB |
| | | | | | | |
| | | | | | | |

23 Manual paper feeding sensor PWB

| NO. | PARTS CODE | PRICE RANK | | NEW MARK | PART RANK | DESCRIPTION |
|-----|------------------|------------|-----|----------|-----------|---------------------------------|
| | | Ex. | Ja. | | | |
| 1 | DHA i - 0093QSZZ | AF | DS | N | C | Hand empty sensor harness |
| 2 | LBNDJ0037FCZ1 | AA | DJ | | C | Wire band (T18S) |
| 3 | VCKYPU1HB102K | AA | DD | | C | Capacitor (50WV 0.001μF) |
| 4 | VHPGP1S53V/-1 | AE | DS | | B | Photo transistor (GP1S53V) |
| | (Unit) | | | | | |
| 901 | CPWBF1177FC66 | AP | EQ | N | E | Manual paper feeding sensor PWB |
| | | | | | | |
| | | | | | | |

24 PS sensor PWB

| NO. | PARTS CODE | PRICE RANK | | NEW MARK | PART RANK | DESCRIPTION |
|-----|------------------|------------|-----|----------|-----------|----------------------------|
| | | Ex. | Ja. | | | |
| 1 | DHA i - 0094QSZZ | AF | DS | N | C | Paper in sensor harness |
| 2 | LBNDJ0037FCZ1 | AA | DJ | | C | Wire band (T18S) |
| 3 | VCKYPU1HB102K | AA | DD | | C | Capacitor (50WV 0.001μF) |
| 4 | VHPGP1S53V/-1 | AE | DS | | B | Photo transistor (GP1S53V) |
| | (Unit) | | | | | |
| 901 | CPWBF1177FC67 | AP | EQ | N | E | PS sensor PWB |
| | | | | | | |
| | | | | | | |
| | | | | | | |

25 RCU PWB

| NO. | PARTS CODE | PRICE RANK | | NEW MARK | PART RANK | DESCRIPTION |
|-----|------------------|------------|-----|----------|-----------|----------------------------|
| | | Ex. | Ja. | | | |
| 1 | DHA i - 0133QSZZ | AH | DX | N | C | RCS PWB harness |
| 2 | QCNCM0029QSZZ | AK | DX | N | C | Connector (MD-S5130)(5pin) |
| | (Unit) | | | | | |
| 901 | CPWBF0033QS51 | AP | EQ | N | E | RCU PWB |
| | | | | | | |
| | | | | | | |
| | | | | | | |

26 Low voltage power supply unit

| NO. | PARTS CODE | PRICE RANK | | NEW MARK | PART RANK | DESCRIPTION |
|-----|---------------|------------|-----|----------|-----------|--|
| | | Ex. | Ja. | | | |
| 1 | 0KY0D113A003/ | AX | FG | N | B | Diode (100V series) [D1] |
| | 0KY0D119A006/ | AW | FG | N | B | Diode (200V series) [D1] |
| 2 | 0KY0D157A006/ | AF | DS | N | B | Diode [D2,3] |
| 3 | 0KY0D202B001/ | AZ | FQ | N | B | Diode (100V series) [D116] |
| | 0KY0D202B006/ | AZ | FQ | N | B | Diode (200V series) [D116] |
| 4 | 0KY0D206B003/ | AY | FQ | N | B | Diode [D101] |
| 5 | 0KY0D208B006/ | AQ | EQ | N | B | Diode (100V series) [D51] |
| | 0KY0D264A010/ | AN | EQ | N | B | Diode (200V series) [D51] |
| 6 | 0KY0D219B006/ | AQ | EQ | N | B | Diode [D903] |
| 7 | 0KY0D251A002/ | AD | DJ | N | B | Diode [D4,104,105,108,111,118,120,904] |
| 8 | 0KY0D264A006/ | AL | EB | N | B | Diode [D107] |
| 9 | 0KY0D265A002/ | AK | DX | N | B | Diode [D8] |
| 10 | 0KY0D466A024/ | AE | DS | N | B | Diode [D119] |
| 11 | 0KY0D466A048/ | AE | DS | N | B | Diode [D117] |
| 12 | 0KY0D466A096/ | AE | DS | N | B | Diode [D7] |
| 13 | 0KY0D466A105/ | AU | EZ | N | B | Diode [D11,103] |
| 14 | 0KY0D513A406/ | AU | EZ | N | B | Triac (100V series) [TRA2] |
| | 0KY0D513A606/ | AU | EZ | N | B | Triac (200V series) [TRA2] |
| 15 | 0KY0D517A416/ | BC | GD | N | B | Triac (100V series) [TRA1] |
| | 0KY0D517A616/ | BC | GJ | N | B | Triac (200V series) [TRA1] |
| 16 | 0KY0T502A001/ | AY | FQ | N | B | Transistor [Q112] |
| 17 | 0KY0T415A003/ | AT | EZ | N | B | Transistor [Q902] |
| 18 | 0KY0T421A001/ | BA | FX | N | B | Transistor [Q901] |
| 19 | 0KY0T643A001/ | BB | GD | N | B | Transistor (100V series) [Q1] |
| | 0KY0T617A001/ | BA | FX | N | B | Transistor (200V series) [Q1] |
| 20 | 0KY0T351A005/ | AF | DS | N | B | Transistor [Q101,103,113,903,904] |
| 21 | 0KY0H112A001/ | AN | EQ | N | B | IC [IC902] |
| 22 | 0KY0H128A001/ | AZ | FQ | N | B | IC [IC1] |
| 23 | 0KY0H130A012/ | AT | EZ | N | B | IC [IC102] |
| 24 | 0KY0H141A001/ | AZ | FQ | N | B | IC [IC101] |
| 25 | 0KY0H153A001/ | AP | EQ | N | B | IC [IC103,901] |
| 26 | 0KY0H719A001/ | AN | EG | N | B | Photo coupler (100V series) [PC1,2,4] |
| | 0KY0H723A001/ | AP | EQ | N | B | Photo coupler (200V series) [PC1,2,4] |
| 27 | 0KY0H725A001/ | AV | FG | N | B | Photo coupler [PC10] |
| 28 | 0KY0D719A471/ | AM | EG | N | B | Varister (100V series) [Z1,2] |
| | 0KY0D719A471/ | AM | EG | N | B | Varister (200V series) [Z1] |
| 29 | 0KY0K651A362/ | AV | FG | N | B | Arrester (100V series) [AL1] |
| 30 | 0KY0D802A101/ | AS | EQ | N | B | Fuse resistor [PTC101] |
| 31 | 0KY0R153U100/ | AC | DJ | N | C | Resistor [R118,150,156] |
| 32 | 0KY0R153U220/ | AC | DJ | N | C | Resistor [R24] |
| 33 | 0KY0R153U221/ | AC | DJ | N | C | Resistor [R104] |
| 34 | 0KY0R153U331/ | AC | DJ | N | C | Resistor [R107,109] |
| 35 | 0KY0R153U391/ | AC | DJ | N | C | Resistor [R122] |
| 36 | 0KY0R153U471/ | AC | DJ | N | C | Resistor [R37] |
| 37 | 0KY0R153U102/ | AC | DJ | N | C | Resistor [R8,33,142,154] |
| 38 | 0KY0R153U152/ | AC | DJ | N | C | Resistor [R103] |
| 39 | 0KY0R153U222/ | AC | DJ | N | C | Resistor [R106,128,144,907] |
| 40 | 0KY0R153U272/ | AC | DJ | N | C | Resistor [R143] |
| 41 | 0KY0R153U332/ | AC | DJ | N | C | Resistor [R110,119] |
| 42 | 0KY0R153U472/ | AC | DJ | N | C | Resistor [R14,108] |
| 43 | 0KY0R153U103/ | AC | DJ | N | C | Resistor [R23,27,28,30,120,123,901] |
| 44 | 0KY0R153U123/ | AC | DJ | N | C | Resistor [R114] |
| 45 | 0KY0R153U153/ | AC | DJ | N | C | Resistor [R113,127] |
| 46 | 0KY0R153U223/ | AC | DJ | N | C | Resistor [R105] |

26 Low voltage power supply unit

| NO. | PARTS CODE | PRICE RANK | | NEW MARK | PART RANK | DESCRIPTION | |
|-----|---------------|------------|-----|----------|-----------|---------------------------|--------------------------|
| | | Ex. | Ja. | | | | |
| 47 | 0KY0R153U273/ | AC | DJ | N | C | Resistor | [R117,153] |
| 48 | 0KY0R153U473/ | AC | DJ | N | C | Resistor | [R29,124] |
| 49 | 0KY0R153U683/ | AC | DJ | N | C | Resistor | [R111,126] |
| 50 | 0KY0R153U104/ | AC | DJ | N | C | Resistor | [R15] |
| 51 | 0KY0R153U224/ | AC | DJ | N | C | Resistor | [R141] |
| 52 | 0KY0R153U105/ | AC | DJ | N | C | Resistor | [R155] |
| 53 | 0KY0R163B564/ | AE | DJ | N | C | Resistor | [R6] |
| 54 | 0KY0R353U100/ | AD | DJ | N | C | Resistor | [R32] |
| 55 | 0KY0R353U330/ | AD | DJ | N | C | Resistor | [R902] |
| 56 | 0KY0R353U181/ | AD | DJ | N | C | Resistor | [R131] |
| 57 | 0KY0R353U221/ | AD | DJ | N | C | Resistor (100V series) | [R26,115] |
| | 0KY0R353U241/ | AD | DJ | N | C | Resistor (200V series) | [R26] |
| 58 | 0KY0R353U271/ | AD | DJ | N | C | Resistor (100V series) | [R34] |
| | 0KY0R353U221/ | AD | DJ | N | C | Resistor (200V series) | [R34,115] |
| 59 | 0KY0R353U431/ | AD | DJ | N | C | Resistor | [R904] |
| 60 | 0KY0R353U821/ | AD | DJ | N | C | Resistor | [R903] |
| 61 | 0KY0R353U102/ | AD | DJ | N | C | Resistor | [R909] |
| 62 | 0KY0R353U122/ | AD | DJ | N | C | Resistor | [R905] |
| 63 | 0KY0R353U392/ | AD | DJ | N | C | Resistor | [R121] |
| 64 | 0KY0R353U153/ | AD | DJ | N | C | Resistor | [R116] |
| 65 | 0KY0R353U223/ | AD | DJ | N | C | Resistor | [R35,36] |
| 66 | 0KY0R362U100/ | AG | DX | N | C | Resistor | [R40] |
| 67 | 0KY0R451C220/ | AE | DS | N | C | Resistor (100V series) | [R9,10] |
| | 0KY0R452D100/ | AF | DS | N | C | Resistor (200V series) | [R9,10] |
| 68 | 0KY0R451C101/ | AE | DS | N | C | Resistor | [R3] |
| 69 | 0KY0R451C121/ | AE | DS | N | C | Resistor | [R4] |
| 70 | 0KY0R451C222/ | AF | DS | N | C | Resistor | [R132] |
| 71 | 0KY0R452D100/ | AF | DS | N | C | Resistor | [R38] |
| 72 | 0KY0R452D101/ | AF | DS | N | C | Resistor | [R145,146] |
| 73 | 0KY0R452D153/ | AF | DS | N | C | Resistor (100V series) | [R11,12] |
| | 0KY0R452D473/ | AF | DS | N | C | Resistor (200V series) | [R11,12] |
| 74 | 0KY0R452D273/ | AF | DS | N | C | Resistor (100V series) | [R18,19] |
| | 0KY0R452D683/ | AF | DS | N | C | Resistor (200V series) | [R18,19] |
| 75 | 0KY0R452D563/ | AF | DS | N | C | Resistor (100V series) | [R13] |
| | 0KY0R452D473/ | AF | DS | N | C | Resistor (200V series) | [R13,16,22] |
| 76 | 0KY0R516FR01/ | AR | EQ | N | C | Resistor | [R908] |
| 77 | 0KY0R516FR05/ | AR | EQ | N | C | Resistor (100V series) | [R25,139,140] |
| | 0KY0R516FR15/ | AR | EQ | N | C | Resistor (200V series) | [R25] |
| | 0KY0R516FR05/ | AR | EQ | N | C | Resistor (200V series) | [R139,140] |
| 78 | 0KY0R522F100/ | AU | EZ | N | C | Resistor | [R7] |
| 79 | 0KY0R854E102/ | AG | DS | N | B | Variable resistor | [VR101,102] |
| 80 | 0KY0C151E101/ | AD | DJ | N | C | Capacitor | [C117] |
| 81 | 0KY0C151M221/ | AE | DS | N | C | Capacitor | [C110] |
| 82 | 0KY0C171E331/ | AD | DJ | N | C | Capacitor | [C19] |
| 83 | 0KY0C1A9R221/ | AG | DS | N | C | Capacitor (100V series) | [C10,104] |
| | 0KY0C1A8S470/ | AG | DS | N | C | Capacitor (200V series) | [C10] |
| | 0KY0C1A9R221/ | AG | DS | N | C | Capacitor (200V series) | [C104] |
| 84 | 0KY0C1A9R331/ | AG | DX | N | C | Capacitor | [C101] |
| 85 | 0KY0C1A9R471/ | AG | DX | N | C | Capacitor (100V series) | [C51] |
| 86 | 0KY0C1H6Q222/ | AH | DX | N | C | Capacitor (100V series) | [C12,13] |
| | 0KY0C1H6Q472/ | AK | EB | N | C | Capacitor (200V series) | [C12,C13,C61,C62] |
| 87 | 0KY0C1H6Q472/ | AK | EB | N | C | Capacitor (100V series) | [C2,3] |
| 88 | 0KY0C245Q224/ | AN | EG | N | C | Capacitor | [C4,7] |
| 89 | 0KY0C251E102/ | AE | DJ | N | C | Capacitor | [C23,109,121,905] |
| 90 | 0KY0C251E472/ | AE | DJ | N | C | Capacitor | [C17,902] |
| 91 | 0KY0C251E103/ | AE | DJ | N | C | Capacitor | [C15,24,107,108,118,123] |
| 92 | 0KY0C251E223/ | AE | DS | N | C | Capacitor | [C20] |
| 93 | 0KY0C251E333/ | AE | DS | N | C | Capacitor | [C16] |
| 94 | 0KY0C251E473/ | AF | DS | N | C | Capacitor | [C5] |
| 95 | 0KY0C251E104/ | AG | DS | N | C | Capacitor | [C105,111] |
| 96 | 0KY0C2X0Q104/ | AR | EQ | N | C | Capacitor | [C6] |
| 97 | 0KY0C364E4R7/ | AH | DX | N | C | Capacitor | [C18,115,116] |
| 98 | 0KY0C374D820/ | AH | DX | N | C | Capacitor | [C14] |
| 99 | 0KY0C374D331/ | AN | EG | N | C | Capacitor | [C112] |
| 100 | 0KY0C375B471/ | AN | EG | N | C | Capacitor | [C113,903] |
| 101 | 0KY0C3L2A332/ | AT | EZ | N | C | Capacitor | [C119,153] |
| 102 | 0KY0C3L2B152/ | AS | EQ | N | C | Capacitor | [C901] |
| 103 | 0KY0C3L3L102/ | BD | GJ | N | C | Capacitor (100V series) | [C8,22] |
| | 0KY0C3J5M181/ | BC | GD | N | C | Capacitor (200V series) | [C8,22] |
| 104 | 0KY0C3L7D102/ | AR | EQ | N | C | Capacitor | [C102,103,114] |
| 105 | 0KY0L100C0022 | BA | FX | N | C | Coil (100V series) | [L104] |
| | 0KY0L100C002/ | BC | GJ | N | C | Coil (200V series) | [L104] |
| 106 | 0KY0L100E0112 | BB | GD | N | C | Coil (100V series) | [L101] |
| | 0KY0L100E011/ | BD | GN | N | C | Coil (200V series) | [L101] |
| 107 | 0KY0L107R202/ | AZ | FX | N | C | Coil (100V series) | [L7,8] |
| | 0KY0L115J602/ | AX | FG | N | C | Coil (200V series) | [L7] |
| 108 | 0KY0L200Q0362 | BE | GN | N | B | Transformer (100V series) | [T1] |
| | 0KY0L200Q036/ | BF | GN | N | B | Transformer (200V series) | [T1] |
| 109 | 0KY0L551A001/ | AE | DS | N | B | Bead filter (100V series) | [BEA51,101,102,104] |
| | 0KY0L551A001/ | AE | DS | N | B | Bead filter (200V series) | [BEA101,102,104] |

26 Low voltage power supply unit

| NO. | PARTS CODE | PRICE RANK | | NEW MARK | PART RANK | DESCRIPTION |
|-----|---------------|------------|-----|----------|-----------|---|
| | | Ex. | Ja. | | | |
| 110 | 0KY0L551A002/ | AF | DS | N | B | Bead filter [BEA3] |
| 111 | 0KY0L552A001/ | AE | DS | N | B | Bead filter [BEA4] |
| 112 | 0KY0K716A4R0/ | AK | DX | N | A | Fuse (100V series) [F101,102] |
| | 0KY0K717A4R0/ | AK | DX | N | A | Fuse (200V series) [F101,102] |
| 113 | 0KY0K716A5R0/ | AK | DX | N | A | Fuse (100V series) [F3] |
| | 0KY0K718A4R0/ | AM | EG | N | A | Fuse (200V series) [F3] |
| 114 | 0KY0K722A020/ | AT | EZ | N | A | Fuse (AC250V 20A)(100V) [F1.2] |
| | 0KY0K704A020/ | AQ | EQ | N | A | Fuse (AC250V 20A)(120V) [F1] |
| | 0KY0K723A010/ | AR | EQ | N | A | Fuse (200V series) [F1.2] |
| 115 | 0KY0K309A024/ | AZ | FQ | N | B | Relay [RL1] |
| 116 | 0KY0K202B003/ | AG | DX | N | C | Connector [CN102] |
| 117 | 0KY0K219B003/ | AS | EZ | N | C | Connector [CN1] |
| 118 | 0KY0K219B004/ | AU | EZ | N | C | Connector [CN3] |
| 119 | 0KY0K219B006/ | AX | FG | N | C | Connector [CN2] |
| 120 | 0KY0K235B002/ | AN | EG | N | C | Connector [CN6] |
| 121 | 0KY0K236B026/ | AR | EQ | N | C | Connector [CN101] |
| 122 | 0KY0K252P004/ | AH | DX | N | C | Frame grand terminal [FG1,2,3] |
| 123 | 0KY0L313R001/ | AH | DX | N | C | Coil [L105,106] |
| 124 | 0KY0K251A002/ | AG | DX | N | C | Connector (200V series) [CN4] |
| 125 | 0KY0L112R502/ | BB | GD | N | C | Coil (200V series) [L1] |
| 126 | 0KY0L114R101/ | AX | FG | N | C | Coil (200V series) [L2,3,4] |
| | (Unit) | | | | | |
| 901 | RDEN-0002QSZZ | BX | TF | N | E | Low voltage power supply unit (100V) |
| | RDEN-0002QS11 | BX | RR | N | E | Low voltage power supply unit (120V) |
| | RDEN-0002QS12 | BY | TF | N | E | Low voltage power supply unit (200V series) |

27 ERDH-Operation PWB

| NO. | PARTS CODE | PRICE RANK | | NEW MARK | PART RANK | DESCRIPTION |
|-----|-----------------|------------|-----|----------|-----------|--|
| | | Ex. | Ja. | | | |
| 1 | DHA i -0116QSZZ | AC | DJ | N | C | Panel ERDH harness |
| 2 | QCNCW0021QSZZ | AF | DS | N | C | Connector (52793-1590) [CN1] |
| 3 | QSW-P0008QSZZ | AC | DJ | N | B | Switch (EVQ-23G-04K) [K1-3,5,6,8,9] |
| 4 | VHPMPG3864K-J | AC | DJ | | B | LED (Green) (MPG3864K-J) [D1-5,7,8,9,13,14,15] |
| | (Unit) | | | | | |
| 901 | CPWBF0025QS51 | AZ | FQ | N | E | ERDH-operation PWB |

28 Delivery interface PWB

| NO. | PARTS CODE | PRICE RANK | | NEW MARK | PART RANK | DESCRIPTION |
|-----|-----------------|------------|-----|----------|-----------|---|
| | | Ex. | Ja. | | | |
| 1 | DHA i -0117QSZZ | AF | DS | N | C | Tray unit harness |
| 2 | QCNCM2401SC0F | AB | DJ | | C | Connector (6pin)(AR-161) [CN3] |
| 3 | QCNCM7014SC0C | AA | DD | | C | Connector (3pin)(AR-161) [CN4] |
| 4 | QCNCM7014SC0F | AB | DD | | C | Connector (6pin) [CN2] |
| 5 | QCNCW1124LC1F | AC | DJ | | C | Connector (16pin) [CN1] |
| 6 | VCEAGU1VW476M | AB | DD | | C | Capacitor (35WV 47μF) [C3] |
| 7 | VCKYPU1HB102K | AA | DD | | C | Capacitor (50WV 0.001μF) [C1,2] |
| 8 | VH i STA401A/-1 | AP | EQ | | B | IC (STA401A)(AR-S160/AR-160) [IC2] |
| | VH i STA401A/-1 | AP | EQ | | B | IC (STA401A)(AR-161) [IC1,2] |
| 9 | VHPGP1S53V/-1 | AE | DS | | B | Photo transistor (GP1S53V) [ISO1,2] |
| 10 | VHV i CPN38//-1 | AF | DS | | B | IC protector (ICPN38)(AR-S160/AR-160) [F2] |
| | VHV i CPN38//-1 | AF | DS | | B | IC protector (ICPN38)(AR-161) [F1,2] |
| 11 | VRD-HT2EY151J | AA | DD | | C | Resistor (1/4W 150Ω ±5%)(AR-S160/AR-160) [R1.2] |
| | VRD-HT2EY151J | AA | DD | | C | Resistor (1/4W 150Ω ±5%)(AR-161) [R1,2,3] |
| 12 | VRD-HT2EY222J | AA | DD | | C | Resistor (1/4W 2.2KΩ ±5%)(AR-S160/AR-160) [R8-11] |
| | VRD-HT2EY222J | AA | DD | | C | Resistor (1/4W 2.2KΩ ±5%)(AR-161) [R4-11] |
| | (Unit) | | | | | |
| 901 | CPWBF0018QS51 | AY | FQ | N | E | Delivery interface PWB (AR-S160/AR-160) |
| | CPWBF0018QS52 | AY | FQ | N | E | Delivery interface PWB (AR-161) |

SHARP

COPYRIGHT © 1998 BY SHARP CORPORATION

All rights reserved.

Printed in Japan.

No part of this publication may be reproduced,
stored in a retrieval system, or transmitted,
in any form or by any means,
electronic, mechanical, photocopying, recording, or otherwise,
without prior written permission of the publisher.

SHARP CORPORATION
Printing & Reprographic Systems Group
Quality & Reliability Control Center
Yamatokoriyama, Nara 639-1186, Japan
December 1998 Printed in Japan ㊞