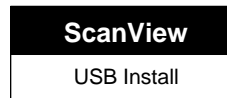


PROVU™ PD6080/PD6081 Modbus® Scanners

Instruction Manual



PROVU
SERIES



- 1/8 DIN Modbus Scanner with NEMA 4X, IP65 Front
- Modbus RS-485 RTU Scanner as Master, Slave, or Snooter
- Dual Analog Inputs (0-20 mA, 4-20 mA, 0-5 V, 1-5 V, and ± 10 V)
- RS-485 Serial Communications Requires Use of PDA1485 Adapter (Provided)
- Decimal or Feet & Inches (with Eighths & Sixteenths) Display Options
- Scan up to 16 Modbus Process Variables
- Add, Diff, Avg, Multi, Div, Min, Max, Weighted Avg, Ratio, Concentration, & More
- Dual-Line 6-Digit Display, 0.6" (15 mm) & 0.46" (12 mm)
- Isolated 24 VDC @ 200 mA Transmitter Power Supply
- 2 or 4 Relays with Interlocking Capability + Isolated 4-20 mA Output Options
- Free PC-Based, On-Board, ScanView USB Programming Software
- SunBright Display Standard Feature; Great for Outdoor Applications
- No Assembly Required
- Operating Temperature Range: -40 to 65°C (-40 to 149°F)
- Input Power Options: 85-265 VAC / 90-265 VDC or 12-24 VDC / 12-24 VAC
- Multi-Pump Alternation Control
- Programmable Display, Function Keys & Digital Input
- External 4-Relay, Dual 4-20 mA Output & Digital I/O Expansion Modules
- Password Protection
- Wide Assortment of NEMA 4X Enclosures for up to Ten Scanners
- Light / Horn & Reset Button Accessory
- Control Station Accessory for Remote Operation of PROVU
- 3-Year Warranty

PRECISION DIGITAL CORPORATION

233 South Street • Hopkinton MA 01748 USA
Tel (800) 343-1001 • Fax (508) 655-8990
www.prediq.com



Disclaimer

The information contained in this document is subject to change without notice. Precision Digital makes no representations or warranties with respect to the contents hereof and specifically disclaims any implied warranties of merchantability or fitness for a particular purpose. See Warranty Information and Terms & Conditions on www.prediq.com for complete details.

CAUTION

- Read complete instructions prior to installation and operation of the scanner.

WARNINGS

- Risk of electric shock or personal injury.
- This product is not recommended for life support applications or applications where malfunctioning could result in personal injury or property loss. Anyone using this product for such applications does so at his/her own risk. Precision Digital Corporation shall not be held liable for damages resulting from such improper use.

WARNING

Cancer and Reproductive Harm - www.P65Warnings.ca.gov

Limited Warranty

Precision Digital Corporation warrants this product against defects in material or workmanship for the specified period under "Specifications" from the date of shipment from the factory. Precision Digital's liability under this limited warranty shall not exceed the purchase value, repair, or replacement of the defective unit. See Warranty Information and Terms & Conditions on www.prediq.com for complete details.

Registered Trademarks

All trademarks mentioned in this document are the property of their respective owners.

© 2022 Precision Digital Corporation.
All rights reserved.

FREE ScanView Programming Software



The scanner can be powered from the USB connection. When using the USB connection, **DO NOT** apply AC or DC power to the scanner.

The easiest and quickest way to program your PROVU Modbus scanner is to use the FREE ScanView programming software. This software is loaded into the scanner and connects and installs directly to your PC with a USB cable. We recommend that the first thing you do after taking the Modbus scanner out of the box is connect it to your PC with the provided USB cable – do not use a different cable. **DO NOT** apply AC or DC power to the scanner while your PC is connected to the scanner as it will disrupt the USB connection.

ScanView programming software is intuitive, and most customers can get their scanner programmed as they like without even looking in the manual.

For more information on ScanView visit
www.prediq.com/ScanView

In addition to programming, the software may be used for:

- Monitoring
- Datalogging using your PC
- Generating and saving programming files for later use

Once your Modbus scanner is programmed the way you want it, you can wire it up for your application per the instructions in this manual and install it. If you find that you need to make adjustments to the programming after the scanner is installed, you can use the front panel buttons and the instructions in this manual to do so.

Table of Contents

Introduction.....	6
Ordering Information.....	6
Specifications.....	10
Operating Modes.....	10
Master & Snooper Settings.....	10
PV Settings.....	10
Display Settings.....	10
Math Functions.....	11
General.....	11
Serial Communications.....	11
Dual Process Input.....	12
Relays.....	12
Isolated 4-20 mA Transmitter Output.....	13
USB Connection.....	13
On-Board Digital Input (F4).....	13
ScanView Software.....	13
Compliance Information.....	14
Safety.....	14
Electromagnetic Compatibility.....	14
EU Declaration of Conformity.....	14
Safety Information.....	14
Installation.....	14
Unpacking.....	14
Panel Mounting Instructions.....	15
Mounting Dimensions.....	15
Installation Overview.....	16
ScanView Software.....	16
ScanView Installation.....	16
ScanView Monitoring.....	17
ScanView Data Logging.....	17
Transmitter Supply Voltage Selection (P+, P-).....	18
Connections.....	18
Connectors Labeling.....	18
Power Connections.....	19
Serial Communications Connection.....	19
Serial Communications Connections Table.....	19
F4 Digital Input Connections.....	19
Relay Connections.....	20
Switching Inductive Loads.....	20
4-20 mA Output Connections.....	20
Analog Output Power Supply.....	20
External Relay, Analog Output, & Digital I/O Connections.....	21
Remote Operation of Scanner.....	21
Interlock Relay Feature.....	21
Analog Input Signal Connections.....	22
Setup and Programming.....	23
Overview.....	23
Front Panel Buttons and Status LED Indicators.....	23
Display Functions & Messages.....	24
Menu Navigation Tip.....	27
Setting Numeric Values.....	27
Main Menu.....	27
Serial Communications (SERIAL).....	28
Scanner Mode Selection.....	29
Operating Modes (MODE).....	29
How to Enable Process Variables (PVs).....	29
Master Mode (MASTER).....	30
Snooper Mode (SNOOPER).....	31

How to Select 5 or 6-Digit Registers.....32
 Slave Mode (SLAVE) 32

Setting Up the Scanner (SEtUP).....33
 Setting Up the Process Variables (PVs) (PU SEtUP) 34
 Setting the Display Decimal Point (d, SPdP) 35
 Setting the Float Decimal Point (FLoEdP) 35
 Scaling the PV Display Values (SCALe) 35

Setting Up the Displays (dSPLY SEtUP).....36
 Display Line 1 Parameters (LInE 1 dSPLY) 36
 Display Line 2 Parameters (LInE 2 dSPLY) 36
 Display Intensity (d-IntY) 36
 Display Line 1 Menu (LInE 1 dSPLY) 37
 Display Line 2 Menu (LInE 2 dSPLY) 38
 Setting the Tags (tAG) & Units (unItS) 39
 Application Example 1 39
 Application Example 2 41

Setting the Relay Operation (rELAY).....42
 Relay Setup Menu (rELAY SEtUP) 42
 Setting the Relay Action (Rct i) 43
 Programming Set and Reset Points 43
 Setting Fail-Safe Operation (FR iL5F) 43
 Programming Time Delay (dELAY) 43
 Relay Action for Communications Break (brERR) 43
 Relay Action for Loss of 4-20 mA Input (Loop Break) 44
 Time Delay Operation 44
 Relay Sampling Operation 44

Relay and Alarm Operation Diagrams45
 High Alarm Operation (Set > Reset) 45
 Low Alarm Operation (Set < Reset) 45
 High Alarm with Fail-Safe Operation (Set > Reset) 45
 Low Alarm with Fail-Safe Operation (Set < Reset) 45
 Pump Alternation Control Operation 46
 Relay Operation After Communications Break 46

Relay Operation Details47
 Overview 47
 Relays Auto Initialization 47
 Fail-Safe Operation (FR iL5F) 47
 Front Panel LEDs 47
 Latching and Non-Latching Relay Operation 47
 Non-Latching Relay (Rct o) 48
 Non-Latching Relay with Manual Reset (R-nRn) 48
 Latching Relay (LRctH) 48
 Latching Relay with Clear (Lct-Lr) 48
 Acknowledging Relays 48
 Pump Alternation Control Applications (RLtErn) 49
 Setting Up the Interlock Relay (Force On) Feature 49

Scaling the 4-20 mA Analog Output (Rout).....50

Setting Up the Password (PR55).....51
 Protecting or Locking the Scanner 51
 Making Changes to a Password Protected Scanner 51
 Disabling Password Protection 51

Advanced Features Menu52
 Advanced Menu Navigation Tips 52
 Advanced Features Menu & Display Messages 52
 Scan Function (SCRn) 54
 Manual Control Menu (Lctntrl) 55
 Noise Filter (F iLtEr) 56
 Noise Filter Bypass (bYPR55) 56
 Rounding Feature (round) 56
 Select Menu (SELct) 56
 Low-Flow Cutoff (Lct oFF) 64
 Analog Output Source Programming (RoutPr) 64
 Programmable Function Keys User Menu (uSEr) 66
 Digital Input Menu (d i i) 67

- Digital Output Menu (d*B* *i*)67
- Reset Menu (r*ESEt*).....67
- Input Calibration (i*LRl*).....68
- Recalibrating the Analog Input Channels (Ch-A & Ch-B).....68
- Troubleshooting.....69**
- Diagnostics Menu (d*RG*)70**
- Determining Software Version.....70
- Reset Scanner to Factory Defaults70
- Testing the Display LEDs.....70
- Scanner Operation.....71**
- Front Panel Buttons Operation71**
- Function Keys Operation.....71**
- F4 Operation71**
- Maximum/Minimum Readings71**
- Factory Defaults & User Settings.....72**

Table of Figures

- Figure 1. 1/8 DIN Panel Cutout Dimensions15
- Figure 2. Panel Mounting Details15
- Figure 3. Scanner Dimensions - Side View15
- Figure 4. Scanner Dimensions - Top View15
- Figure 5. Transmitter Supply Voltage Selection18
- Figure 6. PD6080/81-#H0 Connectors Label.....18
- Figure 7. PD6080/81-#H2 Connectors Label.....18
- Figure 8. PD6080/81-#H3 Connectors Label.....18
- Figure 9. PD6080/81-#H4 Connectors Label.....18
- Figure 10. PD6080/81-#H5 Connectors Label.....18
- Figure 11. PD6080/81-#H7 Connectors Label.....18
- Figure 12. Power Connections19
- Figure 13. Serial Communications Connections19
- Figure 14. Three-Wire RS-485 Connection19
- Figure 15. F4 Digital Input Connections19
- Figure 16. Relay Connections.....20
- Figure 17. AC and DC Loads Protection.....20
- Figure 18. Low Voltage DC Loads Protection20
- Figure 19. 4-20 mA Output Connections20
- Figure 20. Analog Output Supply Powering Other Devices.....20
- Figure 21. Scanner to Control Station Connection.....21
- Figure 22. Interlock Connections21
- Figure 23. Transmitters Powered by Internal Supply22
- Figure 24. Transmitter Powered by Ext. Supply or Self-Powered22
- Figure 25. Voltage Input Connections22

Introduction

The ProVu PD6080/6081 Super Snooper Modbus® Scanners are multi-purpose, easy-to-use digital scanners that can be programmed as a Modbus RTU Master, Slave, or Snooper. They are capable of scanning up to 16 variables generated by any Modbus device and can also accept two analog input signals like 4-20 mA or 0-10 VDC. Their superluminous SunBright display makes them easily readable in smoke, dust, fog, and even direct sunlight. The PD6080 displays in decimal format, while the PD6081 displays in Feet & Inches.

As a master, the PD6080/6081 reads up to 16 slave devices, scales the data from each, displays the result, and operates the internal relays and 4-20 mA output. It displays all the enabled PVs in sequence, at a user programmable scan rate. As a snooper, the PD6080/6081 listens to the Modbus traffic and picks up a specific register or registers being polled by a master device from a specific slave device and processes the data being read. As a slave, it is controlled by a master device. The data sent to it by the master is scaled, displayed, and used to operate the relays and 4-20 mA output.

The PD6080/6081 Modbus scanner is housed in an 1/8 DIN panel enclosure that features a NEMA 4X front panel. Data is displayed on an adjustable intensity, dual-line, six-digit display. Display line 1 is a 0.6 inch, seven-segment LED display, while display line 2 has a digit height of 0.46 inches. The Modbus scanner can be powered from 85-265 VAC or 12-36 VDC. It is available with up to four internal relays and four external relays, up to eight digital inputs/outputs, as well as a dual 4-20 mA output expansion module.

The PD6080/6081 comes equipped with dual analog input channels (4-20 mA and/or 0-10 VDC) for use in Master, Snooper, or Slave Mode. These can be assigned to mA or volts by mapping a PV to the internal scanner addresses 256-259, depending on the desired function.

Various math functions may be applied to the Modbus and analog inputs including addition, difference, absolute difference, average, weighted average, multiplication, division, minimum, maximum, draw, ratio, and concentration. This is in addition to the input signal conditioning functions (linear, square root, programmable exponent, or round horizontal tank calculations). The displays, relays, and the analog outputs may be assigned to PVs or to math channels C1, C2, C3, or C4. The digital inputs/outputs can be custom-programmed for specific operations. A digital input (F4) is standard.

Free ScanView software allows a Super Snooper Modbus Scanner to be accessed with a computer. Configure multiple scanners, conveniently monitor critical information, and log data right from a PC with ease, further increasing plant efficiency.

Ordering Information

SunBright Decimal Display Models

85-265 VAC Model	12-24 VDC Model	Options Installed
PD6080-6H0	PD6080-7H0	No options
PD6080-6H2	PD6080-7H2	2 relays
PD6080-6H3	PD6080-7H3	4-20 mA output
PD6080-6H4	PD6080-7H4	4 relays
PD6080-6H5	PD6080-7H5	2 relays & 4-20 mA output
PD6080-6H7	PD6080-7H7	4 relays & 4-20 mA output

SunBright Feet & Inches Display Models

85-265 VAC Model	12-24 VDC Model	Options Installed
PD6081-6H0	PD6081-7H0	No options
PD6081-6H2	PD6081-7H2	2 relays
PD6081-6H3	PD6081-7H3	4-20 mA output
PD6081-6H4	PD6081-7H4	4 relays
PD6081-6H5	PD6081-7H5	2 relays & 4-20 mA output
PD6081-6H7	PD6081-7H7	4 relays & 4-20 mA output

Accessories

Model	Description
PDA1002	DIN rail mounting kit for two devices
PDA1004	4 SPST (Form A) relays module
PDA1011	Dual analog output module
PDA1044	4 digital inputs & 4 digital outputs module
PDA1232	RS-232 serial adapter
PDA7485-I	RS-232 to RS-485 isolated converter
PDA8008	USB Adapter
PDA8232-N	USB to RS-232 non-isolated converter
PDA8485-I	USB to RS-485 isolated converter
PDA-LH	Light / horn accessory
MOD-LH	Light / horn / enclosure modification
PDA2360	Plastic control stations series
PD659	Signal isolators, splitters, & conditioners
PD9501	Multi-function calibrator
PD9502	Low-cost signal generator
PDX6901	Snubber: 0.01 µF/470 Ω, 250 VAC

Enclosures

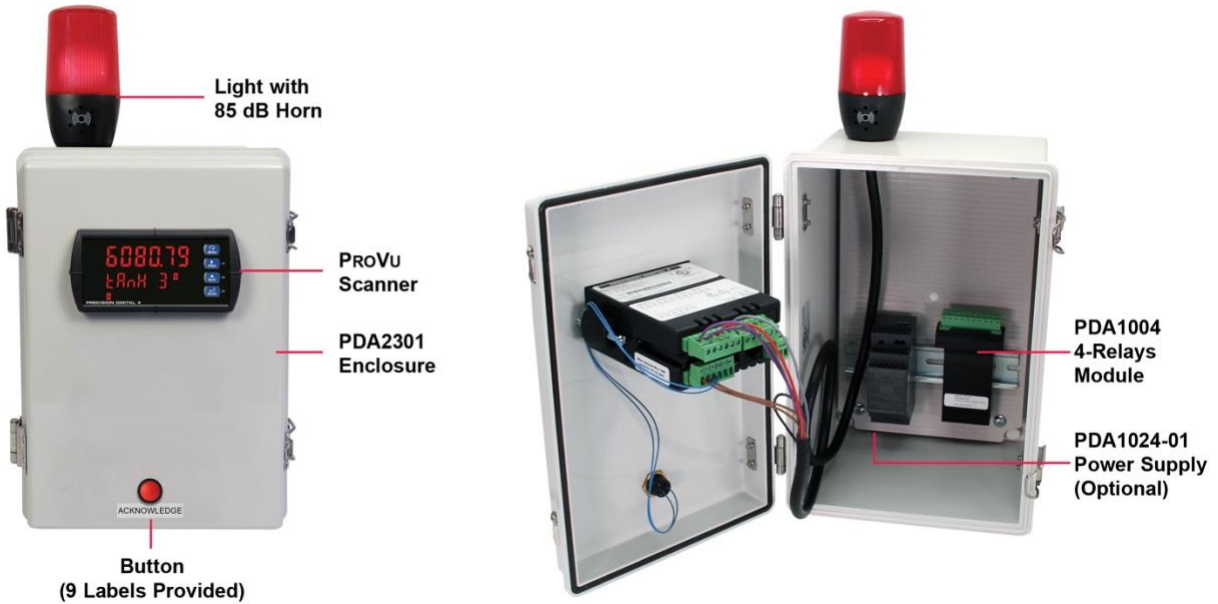
Series	Scanners	Material
PDA2300	1-10	Plastic NEMA 4X
PDA2500	1-6	Plastic NEMA 4X
PDA2600	1-6	Stainless Steel NEMA 4X
PDA2700	1-6	Painted Steel NEMA 4
PDA2800	1-2	Plastic NEMA 4X
PDA3400	1-3	Plastic NEMA 4X

Need help selecting the right enclosure?
Go to www.prediq.com/esu

Replacement Option Cards

Model	Options Installed
PD1102	2 relays
PD1103	4-20 mA output
PD1104	4 relays
PD1105	2 relays & 4-20 mA output
PD1107	4 relays & 4-20 mA output

Light / Horn Accessories



PROVU Scanner Shown in a PDA2301 Enclosure with MOD-LHRB1 Red Light / Horn and Button. Scanner & Enclosure Sold Separately. Assembly Required.

MOD-LH



Model	Description
MOD-LHRB1	Red Light / Horn and Button with Holes Drilled in Enclosure ⁽¹⁾
MOD-LHGB1	Green Light / Horn and Button with Holes Drilled in Enclosure ⁽¹⁾
MOD-LHYB1	Yellow Light / Horn and Button with Holes Drilled in Enclosure ⁽¹⁾
MOD-LHBB1	Blue Light / Horn and Button with Holes Drilled in Enclosure ⁽¹⁾
MOD-LHWB1	White Light / Horn and Button with Holes Drilled in Enclosure ⁽¹⁾
MOD-LH5CB1	Light / Horn with User Choice of Red, Green, Yellow, Blue or White Light, Button, and Holes Drilled in Enclosure ⁽¹⁾

PDA-LH & PDA-BUTTON



Model	Description
PDA-LHR	Red Light / Horn
PDA-LHG	Green Light / Horn
PDA-LHY	Yellow Light / Horn
PDA-LHB	Blue Light / Horn
PDA-LHW	White Light / Horn
PDA-LHW	White Light / Horn
PDA-LH5C	Light / Horn with User Choice of Red, Green, Yellow, Blue or White Light
PDA-BUTTON1R	Red Button
PDA-BUTTON1G	Green Button
PDA-BUTTON1B	Blue Button

Note:

- This MOD supplies the Light / Horn and Button. The enclosure comes pre-drilled with holes for Light / Horn and Button and the user performs the installation and wiring. Controller and enclosure are sold separately. The Light / Horn hole is in the back left corner of the enclosure and the Button is centered on the cover of the enclosure below the controller about an inch off the bottom of the cover except on the PDA3400 series where it is mounted on the side of the enclosure.

PDA2360 Control Stations



Model	Description
PDA2360-E	Emergency button
PDA2361-A	Ack button
PDA2361-B	Blank button
PDA2361-R	Reset button
PDA2361-T	Tare button
PDA2361-S	Stop button
PDA2361-Q	Silence button
PDA2362-AR	Ack and Reset buttons
PDA2362-BB	Two blank buttons
PDA2364-MRUE	Menu, right, up, enter buttons

Note: Control stations with one button may be connected directly to the meter via the F4 terminal. A PDA1044 (4) digital inputs & (4) digital outputs module is required to operate the control stations of more than one button. See *Remote Operation of* on page 21 for details.

Signal Splitter & Conditioner Accessories



Model	Description
PD659-1MA-1MA	Signal Isolator with One 4-20 mA Input and One 4-20 mA Output
PD659-1MA-2MA	Signal Splitter with One 4-20 mA Input and Two 4-20 mA Outputs
PD659-1V-1MA	Signal Conditioner with One 0-10 VDC Input and One 4-20 mA Output
PD659-1MA-1V	Signal Conditioner with One 4-20 mA Input and One 0-10 VDC Output

Helpful Videos

Precision Digital's PROVu Series is a powerful line of 1/8 DIN meters that boasts advanced functionality for various applications. The following videos might be of interest.

Super Snoop Modbus Scanner Short Introduction

These Modbus scanners display up to 16 Modbus process variables (PVs) on an RS-485 network and are easy to integrate into any existing network.



<https://www.predig.com/videos/dD6BGcKUwuc>

PROVu Multi-Pump Alternation

Learn how to use the PROVu as a pump controller.



<https://www.predig.com/videos/PumpControl>

PROVu Function Keys Tutorial

Learn how the PROVu's function keys increase the utility of the PROVu.



<https://www.predig.com/videos/WMBYKlavW-Q>

Connect a PROVu to a PC Using MeterView Pro

Learn how easy it is to use MeterView Pro software.



https://www.predig.com/videos/PC_Connect

Connect a 2-Wire 4-20 mA Transmitter to a PROVu

Learn how to connect your transmitter to a PROVu.



https://www.predig.com/videos/4-20_mA_Connections

MeterView Pro USB Programming Software

Learn how easy it is to program a PROVu PD6000 process meter.



https://www.predig.com/videos/MVPro_SW

Specifications

Except where noted all specifications apply to operation at +25°C.

Operating Modes

Master	Processes data read from Modbus RTU slave devices. It polls up to 16 process variables from 1 to 16 slave devices. The Master is capable of scanning the selected PVs, scaling the data, triggering relays, performing math operations, and driving the analog outputs.
Snooper	Listens to the Modbus traffic and picks up a specific register or registers being polled by a master device from a specific slave device and processes the data being read. The Snooper mode handles the data the same way as the Master.
Slave	Processes data sent to it from a Modbus RTU master device.

Note: The relays and the 4-20 mA outputs are functional in all modes.

Master & Snooper Settings

PV Number	PV1–PV16 Enable or disable the process variables to be polled by the Master.
Slave Id	Assign the slave ID or address (1-247, 256-259 for mA or volts inputs) containing the process variables to be displayed by the selected PV.
Function Code	Select which Modbus function code (03, 04, or 65) to use in reading the slave device.
Register Number	5 digit: 30001-39999, 40001-49999, or 1-65,536 6 digit: 300001-365536 or 400001-465536 (Function Code 65 N/A here) Specifies which register(s) to read in the slave device. Range is dependent on Function Code selection (65, 04, or 03) and digits selection (5 or 6).
Data Type	Select the data format that the slave device uses. Select between Short integer (2 byte), Long integer (4 byte), or floating point (4 byte), Signed or Unsigned (integer only) and byte order: 1234, 4321, 2143, or 3412 (big-endian vs. little-endian, or swapped).
Poll Time	1.0 to 99.9 sec. Time between read-commands (Master mode).
Slave Response Timeout	0.0 to 99.9 seconds: Time allowed for the slave to respond before the scanner generates a communication break condition. The master polls the slave 3 times before starting the response timeout timer. Slave/Snooper mode: Time the scanner will wait for new data before going into break condition. Slave mode: Programming 0 disables the timeout; the last value received will be displayed indefinitely.

Communication Break	Displays br ERH after the Master has polled the slave device 3 times and the response timeout has elapsed. The Snooper and Slave modes go into break condition after no new data is received within the response timeout window. Relays can be programmed to go on, off, or ignore the break condition. The analog outputs can be setup to generate a fixed mA current when a break condition is detected.
----------------------------	---

PV Settings

Tag & Units	6-character, independent tag and units for each PV and math channel
PV Format	PD6080 default: Decimal format PD6081 default: FT & IN, 1/8 th or 1/16 th ; decimal format may be selected for line 2 indication.
Display Decimal Point	Up to five decimal places or none: <i>d.ddddd, dd.ddddd, ddd.dddd, dddd.dd, ddddd.d, or ddddd</i>
Float Decimal Point	Select the number of decimals to use for the floating point data expected from the slave or master device (this is independent from the display decimal point selection).
PV & Math Scaling	All PVs and math channels may be scaled to represent the input data in any engineering unit. Example: Level transmitter = 999.999 inches; to display in Ft-In-1/16 th scale input 2 to display 83 Ft – 4 In – 0/16 th .

Display Settings

Scan Mode	Automatic: 1.0 to 99.9 sec Manual: Front panel or digital inputs Go on alarm: Continues scanning after an alarm is detected Stop on alarm: Goes to the alarmed PV and stops scanning; press Scan to resume scanning.
Display Scan Rate	Master/Snooper: 1 PV/second to 1 PV every 99.9 seconds Slave: Dependent on master device (e.g. PLC) <i>Note: The display scan rate is independent of the poll time.</i>
Display Assignment	Display Line 1: PV, Ch-C (math channel), PV & units, tag & PV, tag-PV-units, Ch-C & units, tag-Ch-C-unit, set points, max/min PV, max/min Ch-C. Display Line 2: Same as Display Line 1; plus units, tag or turned off. The tag and units are displayed alternately for 2 seconds max, when selected. Different tags & PVs may be selected to display on line 1 & 2 at the same time.

Math Functions

Name	Math Operation (Examples) (P = Adder, F = Factor)	Setting
Addition	$(PV1+PV2+P)*F$	5000
Difference	$(PV1-PV2+P)*F$	0.1F
Absolute difference	$((Abs(PV1- PV2)+P)*F$	0.1F0.5
Average	$((PV1+PV2)/2)+P)*F$	0.50
Multiplication	$((PV1*PV2)+P)*F$	0.000000
Division	$((PV1/PV2)+P)*F$	0.000000
Max PV	Max value of all selected PVs	0.000000
Min PV	Min value of all selected PVs	0.000000
Draw	$((PV1/PV2)-1)*F$	0.000000
Weighted average	$((PV2-PV1)*F)+PV1$	0.000000
Ratio	$(PV1/PV2)*F$	0.000000
Concentration	$(PV1/(PV1+PV2))*F$	0.000000
Math 2	Math on other math channels	0.000000
Programmable Constants	Constant P (Adder): -99.999 to 999.999, default: 0.000 Constant F (Factor): 0.001 to 999.999, default: 1.000	

General

Input/output	Modbus RTU over RS-485 Two analog inputs (4-20 mA, ±10 V)
Display	Line 1: 0.60" (15 mm) high, red LEDs Line 2: 0.46" (12 mm) high, red LEDs 6 digits each (-99999 to 999999), with lead zero blanking
Display Intensity	Eight user selectable intensity levels. Default value is six.
LED Status Indicators	See <i>Front Panel Buttons and Status LED Indicators</i> on page 23 for details.
Overrange	Display flashes 999999
Underrange	Display flashes -999999
Programming Methods	Four front panel buttons, digital inputs, PC and ScanView software, or Modbus registers.
Max/Min Display	Max/min readings are stored until reset by the user or when power to the scanner is turned off. User can reset by front panel push buttons, digital input, or via Modbus registers.
Rounding	Select 1, 2, 5, 10, 20, 50, or 100 (e.g. rounding = 10, value = 123.45, display = 123.50).
Password	Three programmable passwords restrict modification of programmed settings. Pass 1: Allows use of function keys and digital inputs Pass 2: Allows use of function keys, digital inputs and editing set/reset points Pass 3: Restricts all programming, function keys, and digital inputs.
Non-Volatile Memory	All programmed settings are stored in non-volatile memory for a minimum of ten years, with or without power.

Power Options	85-265 VAC 50/60 Hz; 90-265 VDC, 20 W max; 12-24 VDC, 12-24 VAC, 15 W max. Powered over USB for configuration only.
Fuse	Required external fuse: UL Recognized, 5 A max, slow blow; up to 6 scanners may share one 5 A fuse.
Isolation	4 kV input/output-to-power line 500 V input-to-output or output-to-P+ supply
Overvoltage Category	Installation Overvoltage Category II: Local level with smaller transient overvoltages than Installation Overvoltage Category III.
Environmental	Operating temperature range: -40 to 65°C (-40 to 149°F) Storage temperature range: -40 to 85°C (-40 to 185°F) Relative humidity: 0 to 90% non-condensing
Connections	Removable screw terminal blocks accept 12 to 22 AWG wire, RJ45 for external relays, digital I/O, and serial communication adapters.
Enclosure	1/8 DIN, high impact plastic, UL 94V-0, color: black
Front Panel	NEMA 4X, IP65
Mounting	1/8 DIN panel cutout required: 3.622" x 1.772" (92 mm x 45 mm) Two panel mounting bracket assemblies are provided.
Tightening Torque	Screw terminal connectors: 5 lb-in (0.56 Nm)
Overall Dimensions	2.45" x 4.68" x 4.19" (62 mm x 119 mm x 106 mm) (H x W x D)
Weight	9.5 oz (269 g)
Warranty	3 years parts & labor. See Warranty Information and Terms & Conditions on www.predig.com for complete details.

Serial Communications

Method	External device: model PDA1485 serial adapter (provided).
Scanner ID	1 – 247 (Scanner Modbus address)
Baud Rate	300 – 19,200 bps
Transmit Time Delay	Programmable 0 to 4999 ms This is the time the scanner will wait for a slave to respond before sending another request on the bus. This value should be greater than 100 ms to avoid collisions on the bus.
Data	8 bits (1 start bit, 1 or 2 stop bits)
Parity	Even, Odd, or None with 1 or 2 stop bits
Byte-To-Byte Timeout	0.01 – 2.54 second
Turn Around Delay	Less than 2 ms (fixed)

Note: Refer to the PROVU Scanner Modbus Register Tables located at www.predig.com for details.

Dual Process Input

Two Inputs	Two non-isolated analog inputs, independent field selectable: 0-20 mA, 4-20 mA; ±10 V (0-5, 1-5, 0-10 V)						
Isolated Transmitter Power Supply	Terminals P+ & P-: 24 VDC ±10%. All models selectable for 24, 10, or 5 VDC supply (internal jumper J4). 85-265 VAC models rated @ 200 mA max, 12-24 VDC powered models rated @ 100 mA max. 5 & 10 VDC supply rated @ 50 mA max. Refer to <i>Transmitter Supply Voltage Selection (P+, P-)</i> on page 18.						
PV Analog Channel ID	Ch-A mA: Assign PV to ID 256 or Ch-A volt: 257; Ch-B mA: Assign PV to ID 258 or Ch-B volt: 259						
Accuracy	±0.03% of calibrated span ±1 count, square root & programmable exponent accuracy range: 10-100% of calibrated span						
Temperature Drift	0.005% of calibrated span/°C max from 0 to 65°C ambient, 0.01% of calibrated span/°C max from -40 to 0°C ambient						
Input Signal Conditioning	Linear, square root, programmable exponent, or round horizontal tank volume calculation						
Multi-Point Linearization	2 to 32 points for PV1 and PV2						
Programmable Exponent	User selectable from 1.0001 to 2.9999 for open channel flow						
Round Horizontal Tank	Diameter & Length: 999.999 inch or cm calculates volume in gallons or liters respectively.						
Low-Flow Cutoff	0.1 to 999,999 (0 disables cutoff function) for PV1 and PV2. Point below at which display always shows zero.						
Calibration Range	<table border="1"> <thead> <tr> <th>Input Range</th> <th>Minimum Span</th> </tr> </thead> <tbody> <tr> <td>4-20 mA</td> <td>0.15 mA</td> </tr> <tr> <td>±10 V</td> <td>0.10 V</td> </tr> </tbody> </table> <p>An error message will appear if the input 1 & input 2 signals are too close together.</p>	Input Range	Minimum Span	4-20 mA	0.15 mA	±10 V	0.10 V
Input Range	Minimum Span						
4-20 mA	0.15 mA						
±10 V	0.10 V						
Input Impedance	Voltage ranges: greater than 500 kΩ Current ranges: 50 - 100 Ω (depending on internal resettable fuse impedance)						
Input Overload	Current input protected by an internal resettable fuse, 30 VDC max. Fuse resets automatically after fault is removed.						
HART Transparency	The scanner can support ONLY one HART loop on either of the inputs. A signal isolator, such as the PD659 is required if two HART loops are being connected. Under the described conditions, the scanner does not interfere with existing HART communications; it displays the 4-20 mA primary variable and it allows the HART communications to pass through without interruption. The scanner is not affected if a HART communicator is connected to the loop. The scanner does not display secondary HART variables.						

Relays

Rating	2 or 4 SPDT (Form C) internal and/or 4 SPST (Form A) external; rated 3 A @ 30 VDC and 125/250 VAC resistive load; 1/14 HP (≈ 50 W) @ 125/250 VAC for inductive loads
Noise Suppression	Noise suppression is recommended for each relay contact switching inductive loads to prevent disruption to the microprocessor's operation. Recommended suppressor value: 0.01 μF/470 Ω, 250 VAC (PDX6901). See <i>Switching Inductive Loads</i> on page 20 for details.
Deadband	0-100% of span, user programmable
High or Low Alarm	User may program any alarm for high or low trip point. Unused alarm LEDs and relays may be disabled (turn off).
Relay Operation	<ul style="list-style-type: none"> Automatic (non-latching) and/or manual reset Latching (requires manual acknowledge) with or without clear Pump alternation control (2-8 relays) Sampling (based on set point and time) Off (disable unused relays and enable Interlock feature) Manual on/off control mode
Relay Reset (Acknowledge)	User selectable via front panel button, F4 terminal at back of scanner, external contact closure on digital inputs, or through serial communications.
Time Delay	0 to 999.9 seconds, on & off relay time delays. Programmable and independent for each relay
Fail-Safe Operation	Programmable and independent for each relay. <i>Note: Relay coil is energized in non-alarm condition. In case of power failure, relay will go to alarm state.</i>
Auto Initialization	When power is applied to the scanner, relays will reflect the state of the input to the scanner.
Additional Relays	An external module, model PDA1004 , is available to add 4 SPST 3 A relays to the scanner.

Isolated 4-20 mA Transmitter Output

Output Source	PV1-16, math channels C1-4, set points 1-8, or manual control mode		
Scaling Range	1.000 to 23.000 mA for any display range		
Calibration	Factory calibrated: 4.000 to 20.000 = 4-20 mA output		
Analog Out Programming	23.000 mA maximum for all parameters: Overrange, underrange, max, min, and break		
Communications Break	Programmable mA output when a slave device does not reply within the response timeout.		
Accuracy	± 0.1% of span ± 0.004 mA		
Temperature Drift	0.4 µA/°C max from 0 to 65°C ambient, 0.8 µA/°C max from -40 to 0°C ambient. <i>Note: Analog output drift is separate from input drift.</i>		
Isolated Transmitter Power Supply	Terminals I+ & R: 24 VDC ± 10%. May be used to power the 4-20 mA output or other devices. All models rated @ 40 mA max.		
External Loop Power Supply	35 VDC maximum		
Output Loop Resistance	Power supply	Minimum	Maximum
	24 VDC	10 Ω	700 Ω
	35 VDC (external)	100 Ω	1200 Ω
0-10 VDC Output	The PD659-1MA-1V can convert the optional 4-20 mA output to a 0-10 VDC output		
Additional 4-20 mA Outputs	An external module, model PDA1011 , is available to add two 4-20 mA outputs to the scanner.		

USB Connection

Function	Programming only
Compatibility	USB 2.0 Standard, Compliant
Connector Type	Micro-B receptacle
Cable	USB A Male to Micro-B Cable
Driver	Microsoft® Windows® XP/Vista/7/8/10
Power	USB port provides power to the scanner. DO NOT apply AC or DC power to the scanner while the USB port is in use.

On-Board Digital Input (F4)

Function	Remote operation of front-panel buttons, acknowledge/reset relays, reset max/min values. See <i>Function Keys & Digital I/O Available Settings</i> on page 66 for a complete list of capabilities.
Contacts	3.3 VDC on contact. Connect normally open contacts across F4 to COM
Logic Levels	Logic High: 3 to 5 VDC Logic Low: 0 to 1.25 VDC
Additional I/O	Up to 2 external modules, model PDA1044 with 4 digital inputs and 4 digital outputs each can be added.

ScanView Software

Availability	Download directly from scanner or from www.prediq.com/download_software
System Requirements	Microsoft® Windows® XP/Vista/7/8/10
Communications	USB 2.0 (for programming only) (Standard USB A to Micro USB B) RS-232 adapter, RS-485 adapter and RS-485 to USB converter (programming, monitoring, and data logging)
Configuration	Configure scanners one at a time
Power	USB port provides power to the scanner. DO NOT apply AC or DC power to the scanner while the USB port is in use.

Compliance Information

Safety

UL & c-UL Listed	USA & Canada UL 508 Industrial Control Equipment
UL File Number	E160849
Front Panel	UL Type 4X, NEMA 4X, IP65; panel gasket provided
Low Voltage Directive	EN 61010-1 Safety requirements for measurement, control, and laboratory use

Electromagnetic Compatibility

Emissions	EN 55022 Class A ITE emissions requirements
Radiated Emissions	Class A
AC Mains Conducted Emissions	Class A
Immunity	EN 61326-1 Measurement, control, and laboratory equipment EN 61000-6-2 EMC heavy industrial generic immunity standard
RFI - Amplitude Modulated	80 - 1000 MHz 10 V/m 80% AM (1 kHz) 1.4 - 2.0 GHz 3 V/m 80% AM (1 kHz) 2.0 - 2.7 GHz 1 V/m 80% AM (1 kHz)
Electrical Fast Transients	±2kV AC mains, ±1kV other
Electrostatic Discharge	±4kV contact, ±8kV air
RFI - Conducted	10V, 0.15-80 MHz, 1kHz 80% AM
AC Surge	±2kV Common, ±1kV Differential
Surge	1KV (CM)
Power-Frequency Magnetic Field	30 A/m 70%V for 0.5 period
Voltage Dips	40%V for 5 & 50 periods 70%V for 25 periods
Voltage Interruptions	<5%V for 250 periods

Note:

Testing was conducted on scanners installed through the covers of grounded metal enclosures with cable shields grounded at the point of entry representing installations designed to optimize EMC performance.

EU Declaration of Conformity

EU Declaration of Conformity is available in the Documentation CD provided with the product under the EU DoC menu.

Safety Information

CAUTION

- Read complete instructions prior to installation and operation of the scanner.

WARNINGS

- Risk of electric shock or personal injury.
- Hazardous voltages exist within enclosure. Installation and service should be performed only by trained service personnel.

Installation

There is no need to remove the scanner from its case to complete the installation, wiring, and setup of the scanner.

Unpacking

Remove the scanner from box. Inspect the packaging and contents for damage. Report damages, if any, to the carrier. If any part is missing or the scanner malfunctions, please contact your supplier or the factory for assistance.

Panel Mounting Instructions

- Prepare a standard 1/8 DIN panel cutout - 3.622" x 1.772" (92 mm x 45 mm). Refer to *Figure 1. 1/8 DIN Panel Cutout Dimensions* below for more details.
- Clearance: allow at least 6.0" (152 mm) behind the panel for wiring.
- Panel thickness: 0.04" - 0.25" (1.0 mm - 6.4 mm). Recommended minimum panel thickness to maintain Type 4X rating: 0.06" (1.5 mm) steel panel, 0.16" (4.1 mm) plastic panel.
- Remove the two mounting brackets provided with the scanner (back-off the two screws so that there is 1/4" (6.4 mm) or less through the bracket. Slide the bracket toward the front of the case and remove).
- Insert scanner into the panel cutout.
- Install mounting brackets and tighten the screws against the panel. To achieve a proper seal, tighten the mounting bracket screws evenly until scanner is snug to the panel along its short side. **DO NOT OVER TIGHTEN**, as the rear of the panel may be damaged.

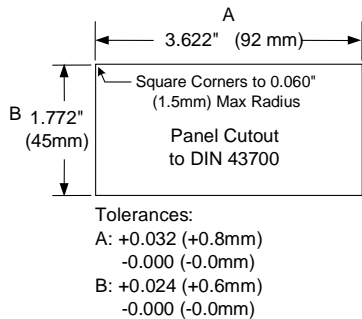
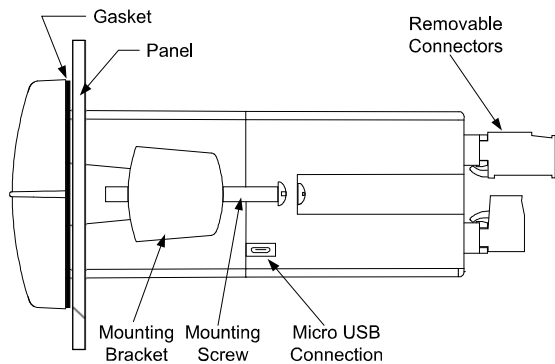


Figure 1. 1/8 DIN Panel Cutout Dimensions



DO NOT apply AC or DC power to the scanner when using the USB connection.

Figure 2. Panel Mounting Details

Mounting Dimensions

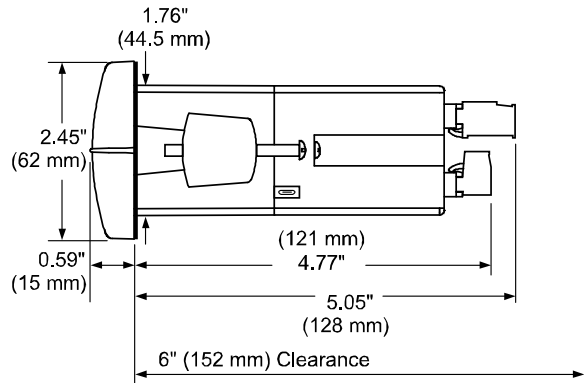


Figure 3. Scanner Dimensions - Side View

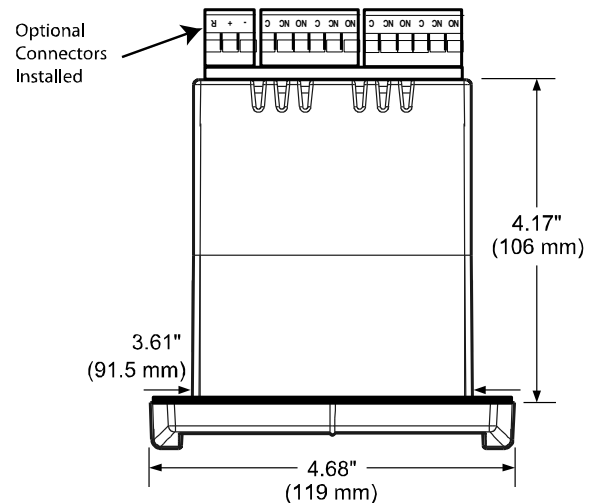


Figure 4. Scanner Dimensions - Top View

ENCLOSURE
CAD
 DIMENSIONAL DRAWINGS

Download free 3-D CAD files of these instruments to simplify your drawings!

predig.com/documentation-cad

Installation Overview

We recommend the following sequence for getting the scanner into service:

1. **DO NOT** apply AC or DC power to the scanner.
2. Connect the scanner to the PC with the USB cable provided. **DO NOT** use a different USB cable.
3. If ScanView (SV) is already installed in your computer, then the program will launch automatically in most systems. If the program does not start automatically, double-click on the SV icon.
4. If SV is not installed, follow the instructions provided below.
5. Use SV to configure the scanner for your application.
6. Disconnect the USB cable from the scanner.
7. Apply power and signal and check operation of the scanner.
8. Install the scanner and put into service.
9. Make any programming adjustments using the front panel buttons.

ScanView Software

The easiest and quickest way to program your PROVU scanner is to use the FREE ScanView programming software. This software is loaded into the scanner and connects and installs directly to your PC with the USB cable provided. **DO NOT** use a different USB cable. We recommend that the first thing you do after taking the scanner out of the box is connect the PROVU to your PC with the provided USB cable. **DO NOT** apply AC or DC power to the scanner while your PC is connected to the scanner as it will disrupt the USB connection. It is not necessary to apply an input signal.

ScanView programming software is intuitive, and most customers can get their scanner programmed as they like without even looking in the manual.

For more information on ScanView visit www.prediq.com/ScanView

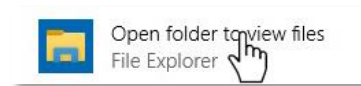
ScanView Installation

1. Connect one end of the provided USB cable to the scanner and the other end to the computer. The computer will automatically install the driver software it needs to talk to the scanner. Follow the on-screen instructions and allow sufficient time for the process to complete. This can take a few minutes. If the process is interrupted, then it could leave the system in an unstable condition.

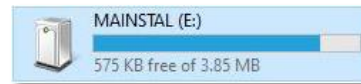
⚠️ WARNINGS

- Only one scanner may be connected at a time. Attaching multiple scanners will cause a conflict with the scanner software.
- **DO NOT** apply AC or DC power to the scanner when using the USB connection.

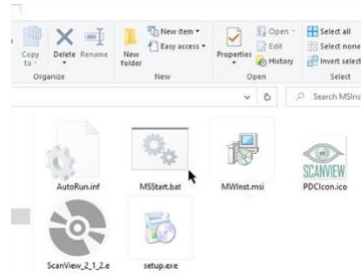
2. Once the driver is installed, an AutoPlay dialog should appear for the drive "MAINSTAL." Click "Open folder to view files."



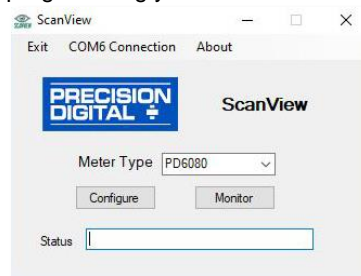
If the computer does not display an AutoPlay dialog for the drive "MAINSTAL," you should open My Computer and double-click on the drive labeled "MAINSTAL."



3. Double-click on the file named "MSStart." The program will open a few windows and install two programs on your computer. Simply follow the on-screen instructions until you see one of the dialogs below. If you receive a "User Account Control" warning, click "Yes."



4. If there is an update available, click the "Update" button to install the new version. Otherwise, click "Configure" to begin programming your scanner.



Note: If you decide to update your ScanView software, once the installation has completed, you will be asked if you want to update the setup files located on the scanner itself. This way, you will always have the most current version on the scanner for future installs.

⚠️ WARNING

- **DO NOT** unplug the scanner while the new installation files are being written to it. The scanner will display a red error message during the process and you will receive an on-screen notification once the process is complete.
- Do not disconnect and reconnect the scanner rapidly. Allow at least 10 seconds from disconnection before reconnecting USB to the scanner.

ScanView Monitoring



Once the scanner has been configured, the user chooses Monitor from the top menu bar. The Monitor window will appear; the enabled PVs and all associated values will take a few seconds to display. The PVs will display as configured - either in Decimal or Feet & Inches format. Data Logging, Scanning, and Alarm Status can all be viewed at the bottom of the Monitor window.

ScanView Data Logging

ScanView software allows the user to log data and generate reports.

1. Select Monitor - Stop Scan from the top menu bar.
2. Select the Data Log drop-down menu from the top menu bar. Parameters for Data Logging are: Interval, Units, Log File Name, and Start/Pause. For Interval the choices are: 1-60, and for Unit choices for logging data are: Seconds, Minutes, and Hours.
3. Save the Data Log File. It is recommended to name the file using a unique name and the date, such as: **"ScanView_1.00_Log_X_100813"**.
4. Select Monitor - Start Scan from the top menu bar, then select Data Log - Start from the top menu bar. The log file can be retrieved at any time by following the path: **(C:) - Program Files (x86) - PDC - ScanView 1.00 - Data Log.**

⚠ IMPORTANT

- Once Data Logging has begun, the Configure, Customize, and Connection screens cannot be accessed until the user has paused Data Logging.

Data Log files are saved in the Data Log folder as ".CSV" files. To view Data Log files, the user must first pause both Scanning and Data Logging. Data Logging & Scan Status can be seen at the bottom of the Monitor window.

Transmitter Supply Voltage Selection (P+, P-)

All scanners, including models equipped with the 12-24 VDC power option, are shipped from the factory configured to provide 24 VDC power for the transmitter or sensor. If the transmitter requires 5 or 10 VDC excitation, the internal jumper J4 must be configured accordingly.

To access the voltage selection jumper:

1. Remove all the wiring connectors.
2. Unscrew the back cover.
3. Slide out the back cover by about 1 inch.
4. Configure the J4 jumper, located behind the input signal connector, for the desired excitation voltage as shown.

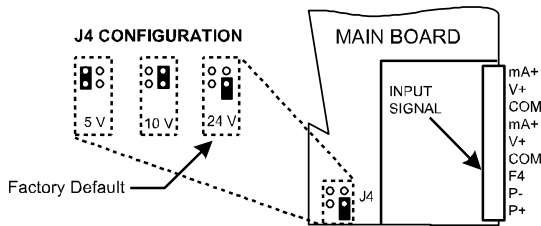


Figure 5. Transmitter Supply Voltage Selection

Connections

All connections are made to removable screw terminal connectors located at the rear of the scanner.

CAUTION

- Use copper wire with 60°C or 60/75°C insulation for all line voltage connections. Observe all safety regulations. Electrical wiring should be performed in accordance with all applicable national, state, and local codes to prevent damage to the scanner and ensure personnel safety.

Connectors Labeling

The connectors' label, affixed to the scanner, shows the location of all connectors available with requested configuration.

Note: # on the following figures refers to power options. (Example: PD6080-6H5)

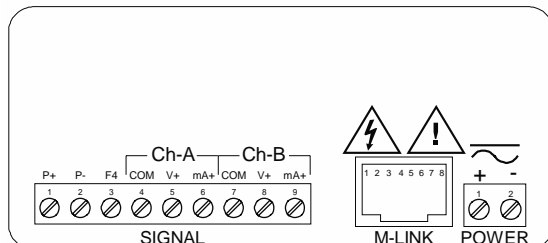


Figure 6. PD6080/81-#H0 Connectors Label

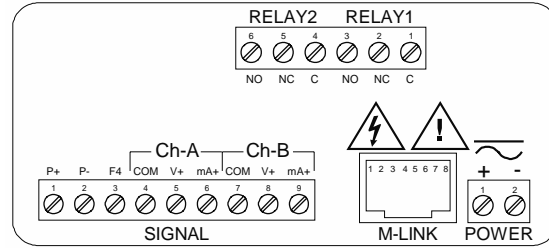


Figure 7. PD6080/81-#H2 Connectors Label

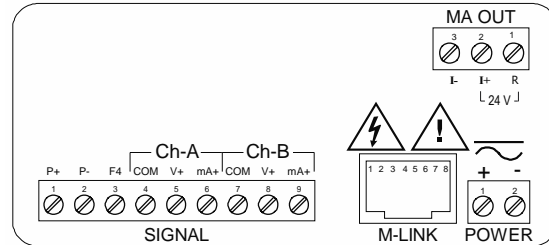


Figure 8. PD6080/81-#H3 Connectors Label

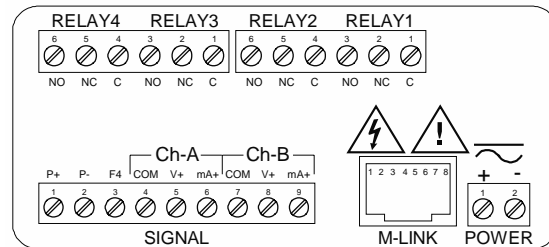


Figure 9. PD6080/81-#H4 Connectors Label

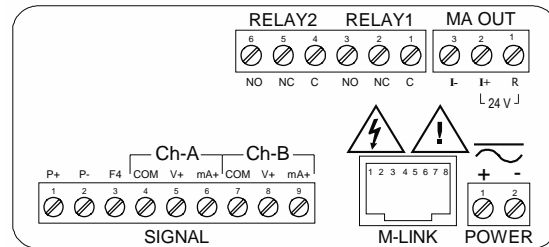


Figure 10. PD6080/81-#H5 Connectors Label

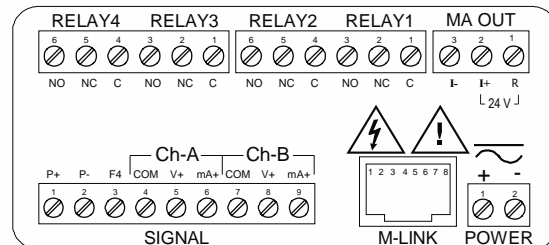


Figure 11. PD6080/81-#H7 Connectors Label

WARNING

- **DO NOT** connect any equipment other than Precision Digital's expansion modules, cables, or scanners to the RJ45 M LINK connector. Otherwise damage will occur to the equipment and the scanner.

Power Connections

Power connections are made to a two-terminal connector labeled POWER on the back of the scanner. The scanner will operate regardless of DC polarity connection. The + and - symbols are only a suggested wiring convention. There are separate models for low voltage and high voltage power. See *Ordering Information* on page 6 for details.

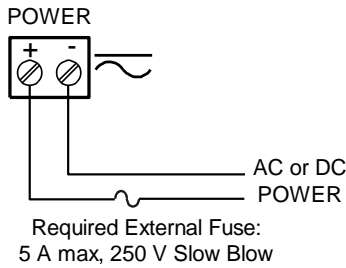


Figure 12. Power Connections

Serial Communications Connection

Serial communications connection is made to an RJ45 connector labeled M-LINK on the back of the scanner. The Modbus Scanner uses the PDA1485 RS-485 adapter to interface with other Modbus devices and the PDA8485 RS-485 to USB converter or PDA7485 RS-232 to RS-485 converter to connect to a PC. The same port is used for interfacing with all expansion modules (e.g. external relays, digital I/O).

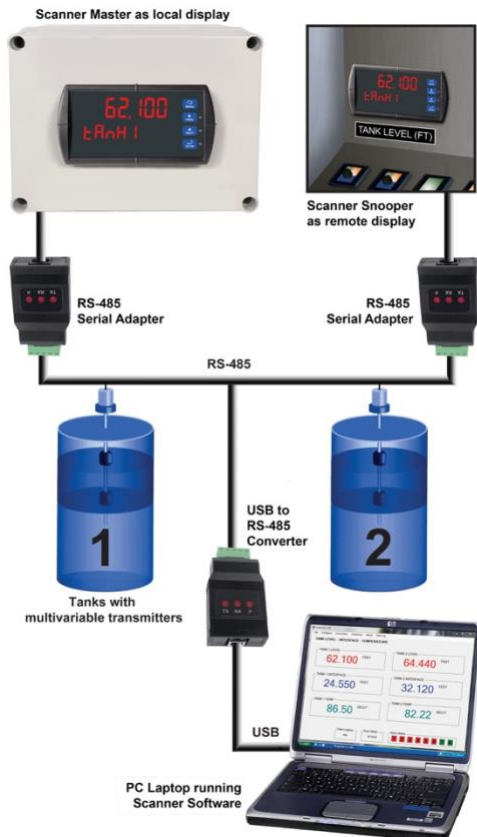


Figure 13. Serial Communications Connections

Serial Communications Connections Table

The table below shows the terminal connections for 3-wire RS-485 devices.

PD6080/ PD6081 Master	PD6080/ PD6081 Snooper	PC Connection	Modbus Slave Meter	Modbus Level Gauge
PDA1485 RS-485 Adapter	PDA1485 RS-485 Adapter	PDA8485 RS-485 to USB	RS-485	RS-485
			G	GND
$\overline{DI} - \overline{DO}$	$\overline{DI} - \overline{DO}$	$\overline{DI} - \overline{DO}$	D-	A (-)
DI - DO	DI - DO	DI - DO	D+	B (+)

Three Wire Connections

In order to wire the 5 pins for use as a 3-wire half-duplex RS-485 connection, it is necessary to create a jumper connection between DI – DO and DI- – DO- as shown below.

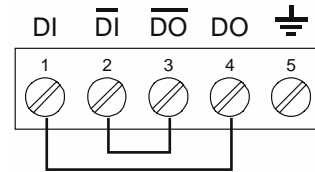


Figure 14. Three-Wire RS-485 Connection

F4 Digital Input Connections

A digital input, F4, is standard on the scanner. This digital input, connected with a normally open contact across F4 and COM, or with an active low signal applied to F4. It can be used for remote operation of front-panel buttons, to acknowledge/reset relays, or to reset max/min values. See *Function Keys & Digital I/O Available Settings* on page 66 for a complete list of capabilities.

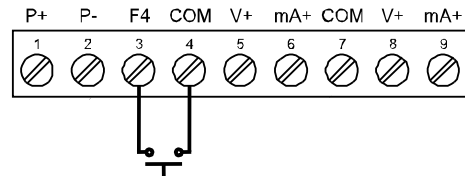


Figure 15. F4 Digital Input Connections

Relay Connections

Relay connections are made to two six-terminal connectors labeled RELAY1 – RELAY4 on the back of the scanner. Each relay's C terminal is common only to the normally open (NO) and normally closed (NC) contacts of the corresponding relay. The relays' C terminals should not be confused with the COM (common) terminal of the INPUT SIGNAL connector.

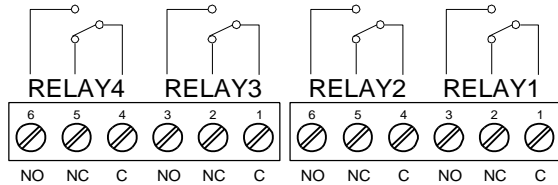


Figure 16. Relay Connections

Switching Inductive Loads

The use of snubbers to suppress electrical noise is strongly recommended when switching inductive loads to prevent disrupting the microprocessor's operation. The snubbers also prolong the life of the relay contacts. Suppression can be obtained with resistor-capacitor (RC) networks assembled by the user or purchased as complete assemblies. Refer to the following circuits for RC network assembly and installation:

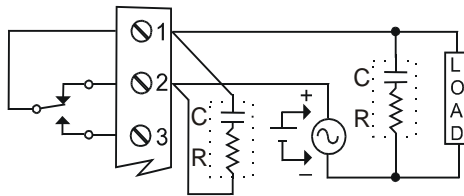


Figure 17. AC and DC Loads Protection

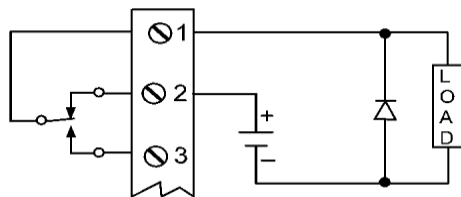
Choose R and C as follows:

R: 0.5 to 1 Ω for each volt across the contacts

C: 0.5 to 1 μF for each amp through closed contacts

Notes:

1. Use capacitors rated for 250 VAC.
2. RC networks may affect load release time of solenoid loads. Check to confirm proper operation.
3. Install the RC network at the scanner's relay screw terminals. An RC network may also be installed across the load. Experiment for best results.



Use a diode with a reverse breakdown voltage two to three times the circuit voltage and forward current at least as large as the load current.

Figure 18. Low Voltage DC Loads Protection

RC Networks (Snubbers) Available from Precision Digital

RC networks are available from Precision Digital and should be applied to each relay contact switching an inductive load. Part number: [PDX6901](#).

Note: Relays are de-rated to 1/14 HP (50 watts) with an inductive load.

4-20 mA Output Connections

Connections for the 4-20 mA transmitter output are made to the connector terminals labeled mA OUT. The 4-20 mA output may be powered internally or from an external power supply.

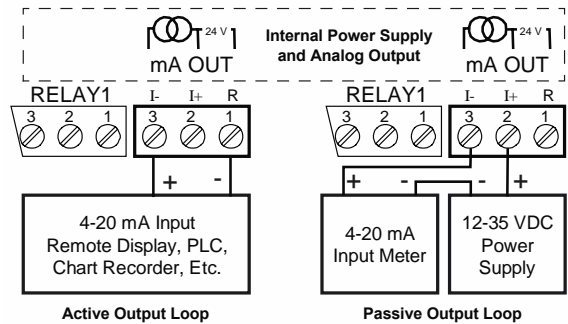


Figure 19. 4-20 mA Output Connections

Analog Output Power Supply

The internal 24 VDC power supply powering the analog output may be used to power other devices, if the analog output is not used. The I+ terminal is the +24 V and the R terminal is the return.

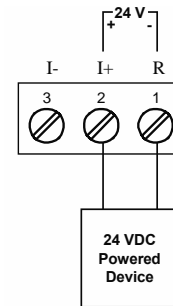


Figure 20. Analog Output Supply Powering Other Devices

External Relay, Analog Output, & Digital I/O Connections

The relay, dual analog output, and digital I/O expansion modules PDA1004, PDA1011, and PDA1044 are connected to the scanner using a CAT5 cable provided with each module. The two RJ45 connectors on the expansion modules are identical and interchangeable; they are used to connect additional modules to the system.

Note: The jumper located between the RJ45 connectors of the PDA1044 must be removed on the second digital I/O module in order for the system to recognize it as module #2.

⚠ WARNING

- **DO NOT** connect or disconnect the expansion modules with the power on! More detailed instructions are provided with each optional expansion module.

Remote Operation of Scanner

The scanner can be operated via the front panel push buttons or a remote control station using the PDA1044 Digital I/O module as illustrated in Figure 21. Scanner to Control Station Connection.



Figure 21. Scanner to Control Station Connection

Interlock Relay Feature

As the name implies, the interlock relay feature reassigns one, or more, alarm/control relays for use as interlock relay(s). Interlock contact(s) are wired to digital input(s) and trigger the interlock relay. This feature is enabled by configuring the relay, and the corresponding digital input(s). See *Setting Up the Interlock Relay (Force On) Feature* on page 49.

In the example below, an Interlock Contact switch is connected to a digital input, which will be used to force on (energize) the Interlock Relay. The Interlock Relay and the Control Relay are connected in series with the load.

- When the Interlock Contact is closed (safe), the Interlock Relay energizes, allowing power to flow to the Control Relay; the corresponding front panel LED is on.
- When the Interlock Contact is open, the corresponding front panel LED flashes (locked out), the Interlock Relay is de-energized, preventing power from flowing to the Control Relay and the load.

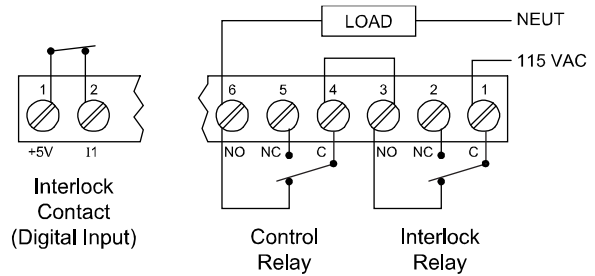


Figure 22. Interlock Connections

Analog Input Signal Connections

Analog input signal connections are made to a nine-terminal connector labeled SIGNAL on the back of the scanner. The COM (common) terminals are the return for the 4-20 mA and the ±10 V input signals. The two COM terminals connect to the same common return and are not isolated.

Current (mA) Connections

The following figures show examples of current connections.

There are no switches or jumpers to set up for current inputs. Setup and programming is performed through the front panel buttons or using ScanView software.

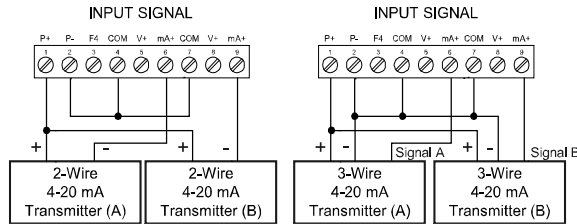


Figure 23. Transmitters Powered by Internal Supply

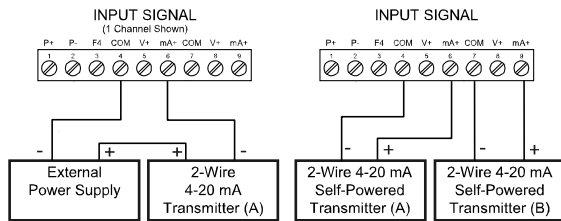


Figure 24. Transmitter Powered by Ext. Supply or Self-Powered

The current input is protected against current overload by a resettable fuse. The display may or may not show a fault condition depending on the nature of the overload.

The fuse limits the current to a safe level when it detects a fault condition, and automatically resets itself when the fault condition is removed.

Voltage (V) Connections

The following figures show examples of voltage connections.

There are no switches or jumpers to set up for voltage inputs. Setup and programming is performed through the front panel buttons or using ScanView software.

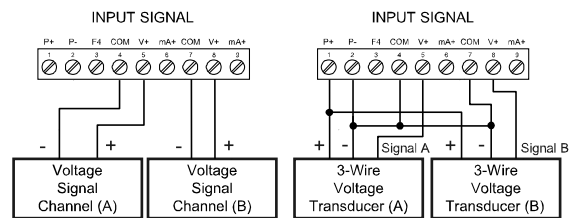


Figure 25. Voltage Input Connections

The scanner is capable of accepting any voltage from -10 VDC to +10 VDC.

Setup and Programming

There is **no need to recalibrate** the scanner when first received from the factory.

The scanner is **factory calibrated** prior to shipment for milliamps and volts with calibration equipment that is certified to NIST standards.

Overview

There are no jumpers involved in the scanner setup procedure.

Setup and programming is done using ScanView software or through the front panel buttons.

After power and signal connections have been completed and verified, apply power to the scanner.

Front Panel Buttons and Status LED Indicators



PD6080



PD6081

Button Symbol	Description
	Menu
F1	PREV/Right arrow/F1
F2	NEXT/Up arrow/F2
F3	SCAN/Enter/F3
PREV	Go to previous PV
NEXT	Go to next PV
<i>Note: F4 is a digital input. Alarms 5-8 are enabled when relay expansion module is installed.</i>	

LED	State	Indication
1-8	Steady	Alarm condition based on set and reset points, independent of relay status in certain configurations. (Available on all meter configurations, including those without relays installed)
1-8	Flashing	Relay interlock switch open
1-8 & M	Flashing	Relay in manual control mode
F	Flashing	Communications fault Condition
	Flashing	Press SCAN to pause scanning
▶	Steady	Press SCAN to resume scanning
■	Flashing	Stop scan on alarm
M	Flashing	Analog output in manual control mode
$\frac{\quad}{8}$	Steady	Eighths of an inch
$\frac{\quad}{16}$	Steady	Sixteenths of an inch

Symbol	Description
FT	Feet value
IN	Inches value
- -	Designation separators

- Press the Menu button to enter or exit the Programming Mode at any time.
- Press the Right arrow button to move to the next digit during digit or decimal point programming.
- Press the Up arrow button to scroll through the menus, decimal point, or to increment a digit.
- Press the Enter button to access a menu or to accept a setting.
- Press and hold the Menu button for three seconds to access the advanced features of the scanner.
- Press the SCAN/Enter button once to pause scanning (Pause LED flashes), then press the SCAN/Enter button again to resume scanning (Play LED turns on).
- Press NEXT to go to the next PV; auto scan resumes after 10 seconds of inactivity.
- Press PREV to go to the previous PV; auto scan resumes after 10 seconds of inactivity.

Display Functions & Messages

The following table shows the main menu functions and messages in the order they appear in the menu.

Display Functions & Messages		
Display	Parameter	Action/Setting Description
ᠨᠠᠭᠠᠳᠡ	Mode	Enter <i>Mode</i> menu
ᠨᠠᠭᠰᠡᠲᠡᠷ	Master	Enter <i>Master Mode</i>
ᠫᠤᠯᠠᠨᠪᠷ	PV Number	Select PV
ᠫᠤ 1	PV	Select PV 1-16
ᠡᠨᠠᠷᠪᠠᠯᠡ	Enable	Enable PV
ᠳᠢᠰᠠᠷᠪᠠᠯ	Disable	Disable PV
ᠰᠯᠠᠷᠤᠶᠢᠳ	Slave ID	Enter the unique Slave ID for each PV
ᠮᠤᠨᠴᠣᠳ	Function Code	Enter the Function Code for each PV
ᠮᠤᠨ 03	Function Code 03	Use Function Code 03 to read slave device
ᠮᠤᠨ 04	Function Code 04	Use Function Code 04 to read slave device
ᠮᠤᠨ 65	Function Code 65	Use Function Code 65 to read slave device
ᠷᠡᠭᠢᠨᠪᠷ	Register Number	Enter the Register Number for each PV
5 ᠳᠢᠭᠢ 6 ᠳᠢᠭᠢ	Register Number Digits	Select either 5 (x0001-x9999) or 6 (x00001-x65536) digits
ᠳᠠᠲᠠᠶᠢ	Data Type	Enter the Data Type for each PV
ᠹᠤᠯᠠᠭᠢᠨᠠᠵᠢ	Floating Point Data Type	Floating Point Data Type. Select <i>Floating Point</i> as the data type to be read from the slave device.
ᠰᠬᠣᠷᠲᠢ	Short Integer Data Type	Short Integer Data Type. Select <i>Short Integer</i> as the data type to be read from the slave device.
ᠯᠠᠭᠢᠨᠠᠵᠢ	Long Integer Data Type	Long Integer Data Type. Select <i>Long Integer</i> as the data type to be read from the slave device.
ᠪᠢᠨᠠᠷᠢᠶᠢ	Binary	Binary Data format. Select <i>Binary</i> format for Short or Long integers.
ᠪᠴᠳ	BCD	BCD Data format. Select <i>BCD</i> format for Short or Long integers.
ᠰᠢᠭᠢᠨᠡᠳ	Signed	Signed Data. Select <i>Signed Binary</i> format for Short or Long integers.
ᠤᠨᠰᠢᠭᠢᠨᠡᠳ	Unsigned	Unsigned Data. Select <i>Unsigned Binary</i> format for Short or Long integers.
ᠶᠡᠳᠢᠴᠠ	Byte Order	Select big-endian byte order.
ᠶᠡᠳᠢᠵᠢ	Byte Order	Select little-endian byte order.
ᠶᠡᠳᠢᠴᠢ	Byte Order	Select byte-swapped big-endian byte order. Not available for Short integer.

Display Functions & Messages		
Display	Parameter	Action/Setting Description
ᠰᠶᠠᠵᠢ	Byte Order	Select byte-swapped little-endian byte order. Not available for Short integer.
ᠲ-ᠫᠣᠯᠯ	Polling Time	Enter Polling Time (the time between read commands). In other words, how often the display is updated in Master mode.
ᠲ-ᠷᠡᠰᠭᠢᠮᠤ	Response Time	Enter the time allowed for a slave device to respond to a command.
ᠰᠢᠨᠠᠭᠠᠫᠤᠯᠠᠭ	Snooper	Enter <i>Snooper Mode</i>
ᠫᠤᠯᠠᠨᠪᠷ	PV Number	Select PV
ᠫᠤ 1	PV	Select PV 1-16
ᠡᠨᠠᠷᠪᠠᠯᠡ	Enable	Enable PV
ᠳᠢᠰᠠᠷᠪᠠᠯ	Disable	Disable PV
ᠰᠯᠠᠷᠤᠶᠢᠳ	Slave ID	Enter the unique Slave ID of the device to be polled by Master
ᠮᠤᠨᠴᠣᠳ	Function Code	Enter the Function Code for each PV
ᠮᠤᠨ 03	Function Code 03	Use Function Code 03 to read slave device
ᠮᠤᠨ 04	Function Code 04	Use Function Code 04 to read slave device
ᠮᠤᠨ 65	Function Code 65	Use Function Code 65 to read slave device
ᠷᠡᠭᠢᠨᠪᠷ	Register Number	Enter the Register Number for each PV
5 ᠳᠢᠭᠢ 6 ᠳᠢᠭᠢ	Register Number Digits	Select either 5 (x0001-x9999) or 6 (x00001-x65536) digits
ᠳᠠᠲᠠᠶᠢ	Data Type	Enter the Data Type for each PV
ᠹᠤᠯᠠᠭᠢᠨᠠᠵᠢ	Floating Point Data Type	Floating Point Data Type. Select <i>Floating Point</i> as the data type to be read from the slave device.
ᠰᠬᠣᠷᠲᠢ	Short Integer Data Type	Short Integer Data Type. Select <i>Short Integer</i> as the data type to be read from the slave device.
ᠯᠠᠭᠢᠨᠠᠵᠢ	Long Integer Data Type	Long Integer Data Type. Select <i>Long Integer</i> as the data type to be read from the slave device.
ᠪᠢᠨᠠᠷᠢᠶᠢ	Binary	Binary Data. Select <i>Binary</i> format for Short or Long integers.
ᠪᠴᠳ	BCD	BCD Data. Select <i>BCD</i> format for Short or Long integers.
ᠰᠢᠭᠢᠨᠡᠳ	Signed	Signed Data. Select <i>Signed Binary</i> format for Short or Long integers.
ᠤᠨᠰᠢᠭᠢᠨᠡᠳ	Unsigned	Unsigned Data. Select <i>Unsigned Binary</i> format for Short or Long integers.

Display Functions & Messages		
Display	Parameter	Action/Setting Description
1234	Byte Order	Select big-endian byte order.
4321	Byte Order	Select little-endian byte order.
2143	Byte Order	Select byte-swapped big-endian byte order. Not available for Short.
3412	Byte Order	Select byte-swapped little-endian byte order. Not available for Short.
፩-፫፻፷፱	Response Time	Enter the time allowed for a slave device to respond to a command.
፮፻፷፱	Slave	Enter Slave Mode
፩፻፷፱	Data Type	Enter the Data Type for each PV
፫፻፷፱	Floating Point Data Type	Floating Point Data Type. Select <i>Floating Point</i> as the data type to be read from the slave device.
፮፻፷፱	Short Integer Data Type	Short Integer Data Type. Select <i>Short Integer</i> as the data type to be read from the slave device.
፫፻፷፱	Long Integer Data Type	Long Integer Data Type. Select <i>Long Integer</i> as the data type to be read from the slave device.
፮፻፷፱	Binary	Binary Data. Select <i>Binary</i> format for Short or Long integers.
፮፻፷፱	BCD	BCD Data. Select <i>BCD</i> format for Short or Long integers.
፮፻፷፱	Signed	Signed Data. Select <i>Signed Binary</i> format for Short or Long integers.
፮፻፷፱	Unsigned	Unsigned Data. Select <i>Unsigned Binary</i> format for Short or Long integers.
1234	Byte Order	Select big-endian byte order.
4321	Byte Order	Select little-endian byte order.
2143	Byte Order	Select byte-swapped big-endian byte order. Not available for Short integer.
3412	Byte Order	Select byte-swapped little-endian byte order. Not available for Short integer.
፩-፫፻፷፱	Response Time	Enter the time allowed for a slave device to respond to a command.
፮፻፷፱	Setup	Enter <i>Setup</i> menu
፱	Process Variable	Enter <i>PV Setup</i> menu
፱ 1	PV	Select PV 1-16
፫፻፷፱	Tag	Tag
፮፻፷፱	Units	Units

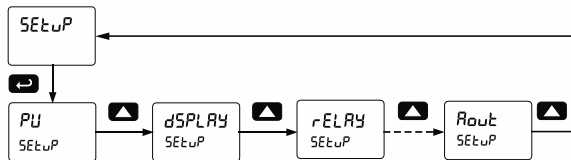
Display Functions & Messages		
Display	Parameter	Action/Setting Description
፫፻፷፱	Format	Format (Decimal, Eighths, or Sixteenths of an Inch)
፩፻፷፱	Decimal	Decimal Format
፫፻፷፱	Eighths	Eighth Inch Format
፫፻፷፱	Sixteenths	Sixteenth Inch Format
፩፻፷፱	Decimal Point	Decimal Point menu
፩፻፷፱	Display Decimal Point	Set the decimal point position for the display. This is independent from float decimal point.
፫፻፷፱	Floating Decimal Point	Floating Decimal Point. Select the decimal point for the expected floating point data.
፮፻፷፱	Scale PV	Scale PV
፫፻፷፱	Input 1	Scale input 1 signal or program input 1 value
፩፻፷፱	Display 1	Program display 1 value
፫፻፷፱	Input 2	Scale input 2 signal or program input 2 value (up to 32 points)
፩፻፷፱	Display 2	Program display 2 value (up to 32 points)
፩፻፷፱	Display	Enter <i>Display Setup</i> menu
፫፻፷፱	Display Line 1	Top Display
፩፻፷፱	Display PV	Display PVs 1-16
፩፻፷፱	Display C Channel	Display Math Channels C1-C4
፫፻፷፱	Display PV & Units	Display PV & Units
፫፻፷፱	Display Tag, PV Number	Display Tag & PV Number selected
፫፻፷፱	Display Tag, PV# & Units	Display Tag, PV Number selected, & Units
፫፻፷፱	Display C & Units	Display C1-C4 & Units
፫፻፷፱	Display Tag, C, & Units	Display Tag, C1-C4 & Units
፩፻፷፱	Display Set Points 1-8	Display Set Points 1-8
፫፻፷፱	Display Max PV 1-16	Display Maximum value for each enabled PV1-16
፫፻፷፱	Display Min PV 1-16	Display Minimum value for each enabled PV1-16
፫፻፷፱	Display Max Ch C1-C4	Display Maximum for math channels C1-C4
፫፻፷፱	Display Min Ch C1-C4	Display Minimum for math channels C1-C4
፫፻፷፱	Display Line 2	Bottom Display
፩፻፷፱	Display Tag	Display Tag
፩፻፷፱	Display Tag & Units	Display Tag & Units
፩፻፷፱	Display off	Display Off

Display Functions & Messages		
Display	Parameter	Action/Setting Description
d- IntY	Display Intensity	Display Intensity
rELRY	Relay Setup	Enter Relay Setup menu
RSS ስጠ	Assign Relay	Assign Relay menu
rELRY 1	Relay 1-8	Assign Relay 1-8
PV 1	PV 1-16	Map Relay to PV 1-16
ጠጉPV	Multiple PVs	Map Relay to Multiple PVs
rLY 1	Relay 1-8	Relay 1-8
Rct 1	Relay Action 1-8	Assign Relay Action for relays 1-8
Rሁቴ	Automatic	Set relay for automatic reset
R-ጠገጠ	Auto-manual	Set relay for auto or manual reset any time
LREጅH	Latching	Set relay for latching operation
ጌቴ-ጂጊr	Latching-cleared	Set relay for latching operation with manual reset only after alarm condition has cleared
RLጂErጠ	Alternate	Set relay for pump alternation control
SRጠገPL	Sample	Set relay for sample time trigger control
OFF	Off	Turn relay off
FR ስጊF	Fail-safe	Enter Fail-safe menu
FLS 1	Fail-safe 1	Set relay 1-8 fail-safe operation
on	On	Enable fail-safe operation
off	Off	Disable fail-safe operation
dELRY	Delay	Enter relay Time Delay menu
dLY 1	Delay 1*	*Enter relay 1-8 time delay setup
On 1	On 1	Set relay 1 On time delay
OFF 1	Off 1	Set relay 1 Off time delay
brERH	Break	Set relay condition if communication break detected
no Rct	No action	Ignore break condition. No change in relay state when Communications Break detected.
On	On	Relay goes to alarm condition when break detected. Relay turns on when Communications Break detected.
OFF	Off	Relay goes to non-alarm condition when break detected. Relay turns off when Communications Break detected.

Display Functions & Messages		
Display	Parameter	Action/Setting Description
Rሁቴ	Analog output	Enter the Analog Output scaling menu
Rሁቴ 1	Aout channel	Analog Output source channel (*1-3)
d ስ 1	Display 1	Program the first Display value for the Analog Output.
ሁቴ 1	Output 1	Program the first Output value that corresponds to the Display 1 value for the Analog Output. (e.g. 4.000 mA).
d ስ 2	Display 2	Program the second Display value for the Analog Output.
ሁቴ 2	Output 2	Program the second Output value that corresponds to the Display 2 value for the Analog Output. (e.g. 4.000 mA). (e.g. 20.000 mA)
SEr ገገL	Serial	Enter Serial menu
SEገጠ id	Scan ID	Enter Scan ID of the meter being polled (1-247)
bRሁd	Baud Rate	Select Baud Rate (Choices: 300/600/1200/2400/4800/9600/19,200) (Must match that of other devices)
ጌr dLY	Transmit Delay	Enter Transmit Delay (Master's delay must be greater than Snooper or slave devices)
PRr ጌY	Parity	Select Parity (Even, Odd, None 1-Stop, or None 2-Stop) (Must match that of other devices)
ጌ-ጌYጌ	Byte-to-byte Timeout	Enter the timeout value allowed between received bytes. (This is used to fix communication problems with slow devices).
PRSS	Password	Enter the Password menu
PRSS 1	Password 1	Set or enter Password 1
PRSS 2	Password 2	Set or enter Password 2
PRSS 3	Password 3	Set or enter Password 3
ሁጌጋc	Unlocked	Program password to lock scanner
ጌጋc	Locked	Enter password to unlock scanner
ግግግግግግ - ግግግግግግ	Flashing	Over/under range condition

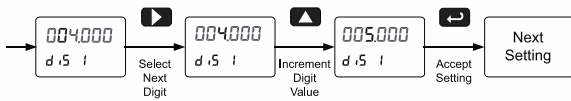
Menu Navigation Tip

- The Up arrow scrolls through the sub-menus within a menu, after the last item it returns to the top menu. Press Enter to step into the menu again or press Up arrow to move to the next menu.
- Note: There are some exceptions (e.g. PV - Enable - - Data type ▲ Next PV).
- Press Menu to exit programming at any time.



Setting Numeric Values

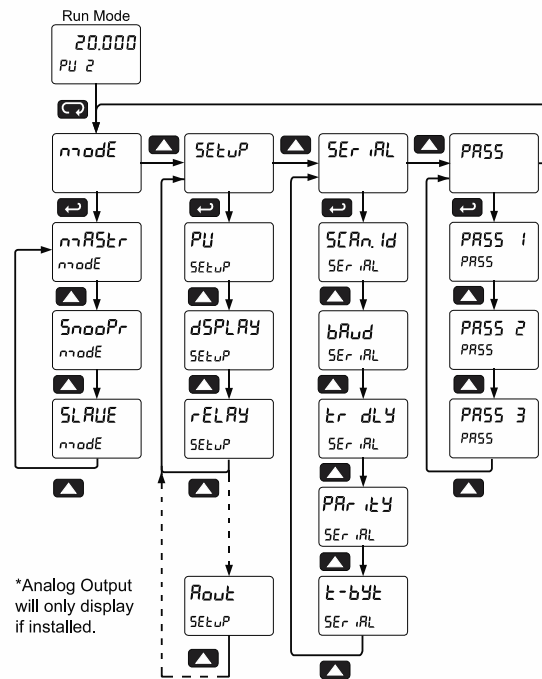
The numeric values are set using the Right and Up arrow buttons. Press the Right arrow to select the next digit and the Up arrow to increment the digit's value. The digit being changed is displayed brighter than the rest. Press and hold the Up arrow to auto-increment the display value. Press the Enter button, at any time, to accept a setting or the Menu button to exit without saving changes.



Main Menu

The main menu consists of the most commonly used functions: *Mode*, *Setup*, *Serial*, and *Password*.

- Press Menu button to enter Scanner Programming
- Press Up arrow button to scroll through the menus
- Press Menu, at any time, to exit and return to Run Mode
- Changes to the settings are saved to memory only after pressing Enter
- The display moves to the next menu every time a setting is accepted by pressing Enter



Serial Communications (SEr iAL)

The scanner is equipped with RS-485 Modbus RTU serial communications.

The *Serial* menu is used for programming the Scanner ID, Baud Rate, Transmit Delay, Parity, and Byte-to-Byte Timeout parameters.

The scanner may be connected to a PC for initial configuration via the on-board USB connection. For ongoing digital communications with a computer or other data terminal equipment, an RS-232, or RS-485 option is required; see *Ordering Information* on page 6 for details.

⚠ WARNING

- **DO NOT** connect any equipment other than Precision Digital's expansion modules, cables, or scanners to the RJ45 M LINK connector. Otherwise damage will occur to the equipment and the scanner.

When using more than one scanner in a multi-drop mode, each scanner must be provided with its own unique address. The scanner address (Scan ID) may be programmed between 1 and 247.

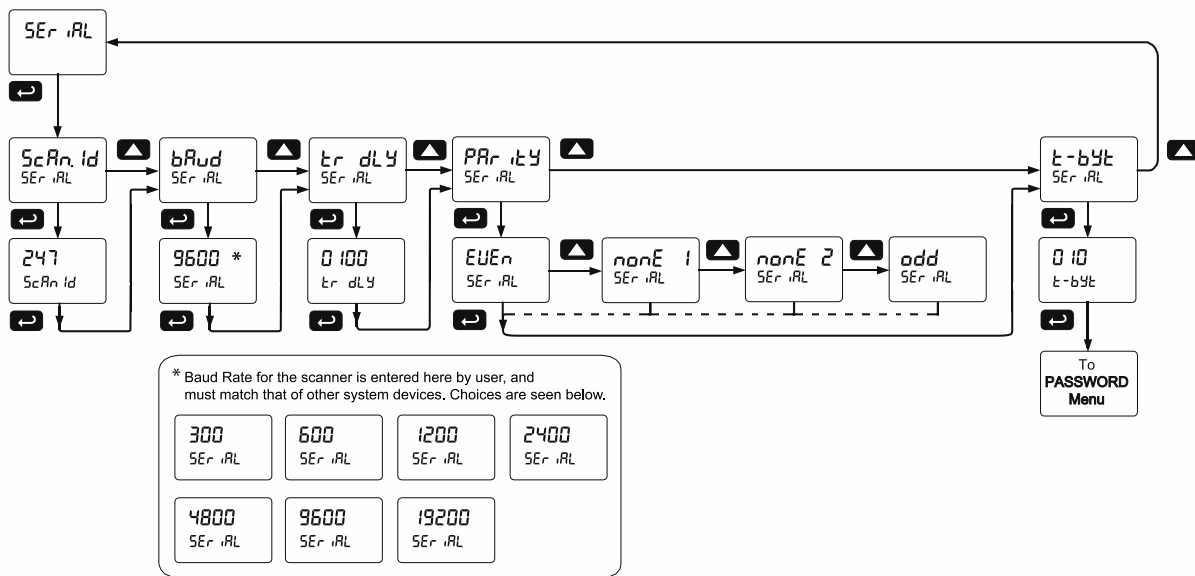
The transmit delay may be set between 0 and 4999 ms; this value must be less than (Poll Time/# of PVs).

The parity can be set to even, odd, or none with 1 or 2 stop bits.

When setting up the scanner to run on a Modbus system, the devices must be programmed with matching Baud Rate and Parity. Failure to match up the network devices' parameters may result in communication breaks.

Notes:

1. *The byte-to-byte timeout setting may be adjusted to fix communication errors with slow devices.*
2. *The Transmit Delay of the Master must be greater than the Snooper or the slave devices being polled.*



Scanner Mode Selection

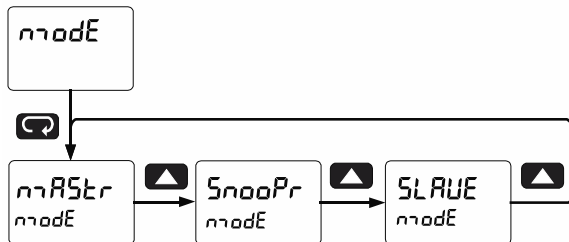
Operating Modes (הרודע)

The *Mode* menu is used to select how the scanner is to function:

1. **Master:** Reads a slave device, scales the data from it, displays the result, and operates the relays and 4-20 mA output. The Master polls from 1 to 16 process variables from 1 to 16 slave devices. The Master processes and displays PV1 through PV16 and alternately displays the variables being polled.
2. **Snooper:** Listens to the Modbus traffic and picks up a specific register or registers being polled by a Master device from a specific slave device and processes the data being read.
3. **Slave:** Read and controlled by a master device (PLC, DCS, etc). The data sent to it by the master is scaled, displayed, and used to operate the relays and 4-20 mA output.

The Master mode requires additional parameter selection to specify how the slave device is to be read and how to interpret the data.

Press **Menu** to enter Scanner Programming. Press the **Enter** button to access any menu or press **Up** arrow button to scroll through choices. Press the **Menu** button to exit at any time and return to Run mode.



How to Enable Process Variables (PVs)

In Master or Snooper Mode, navigate to the *PV Number* menu and press ENTER. From there, the user can scroll through all of the sixteen available PVs. In order to enable a specific PV, simply press ENTER to access the desired PV, then scroll to ENABLE and press ENTER (Follow the same course of action for disabling PVs).

Enter the Slave ID of the device being polled by the Master, followed by the Function Code, Register Number, Data Type, and Byte Order. Analog input channels must be assigned a Slave ID corresponding to the input to be read as indicated here:

- Ch A = 256 (mA) or 257 (V)
- Ch B = 258 (mA) or 259 (V)

Once the desired PVs are enabled, navigate to the *Setup* menu and enter the PV Setup in order to select the PV tag, units, format, and decimal point parameters, as well as to scale the PVs.

Once the user has scaled the final PV, the scanner automatically goes to the *Display Setup* menu to access line 1 and 2 display assignments.

By default, display line 1 is assigned to *Display PV* (הרודע PV) and line 2 to display the *Tag* (הרודע תג) for the corresponding PV.

It is possible to display PVs & Tags on line 1 and 2 simultaneously by selecting *Tag & PV Number* (הרודע תג & PV). Display line 1 is setup by default to display PV & tag for PV1, 3, 5, 7; while line 2 is setup by default to display PV & tag 2, 4, 6, 8. These can be changed by the user to display any or all PVs. Program either display line 1 or 2 to show the desired parameters and press ENTER. See *Setting Up the Displays* (הרודע תצוגות) on page 36 for details.

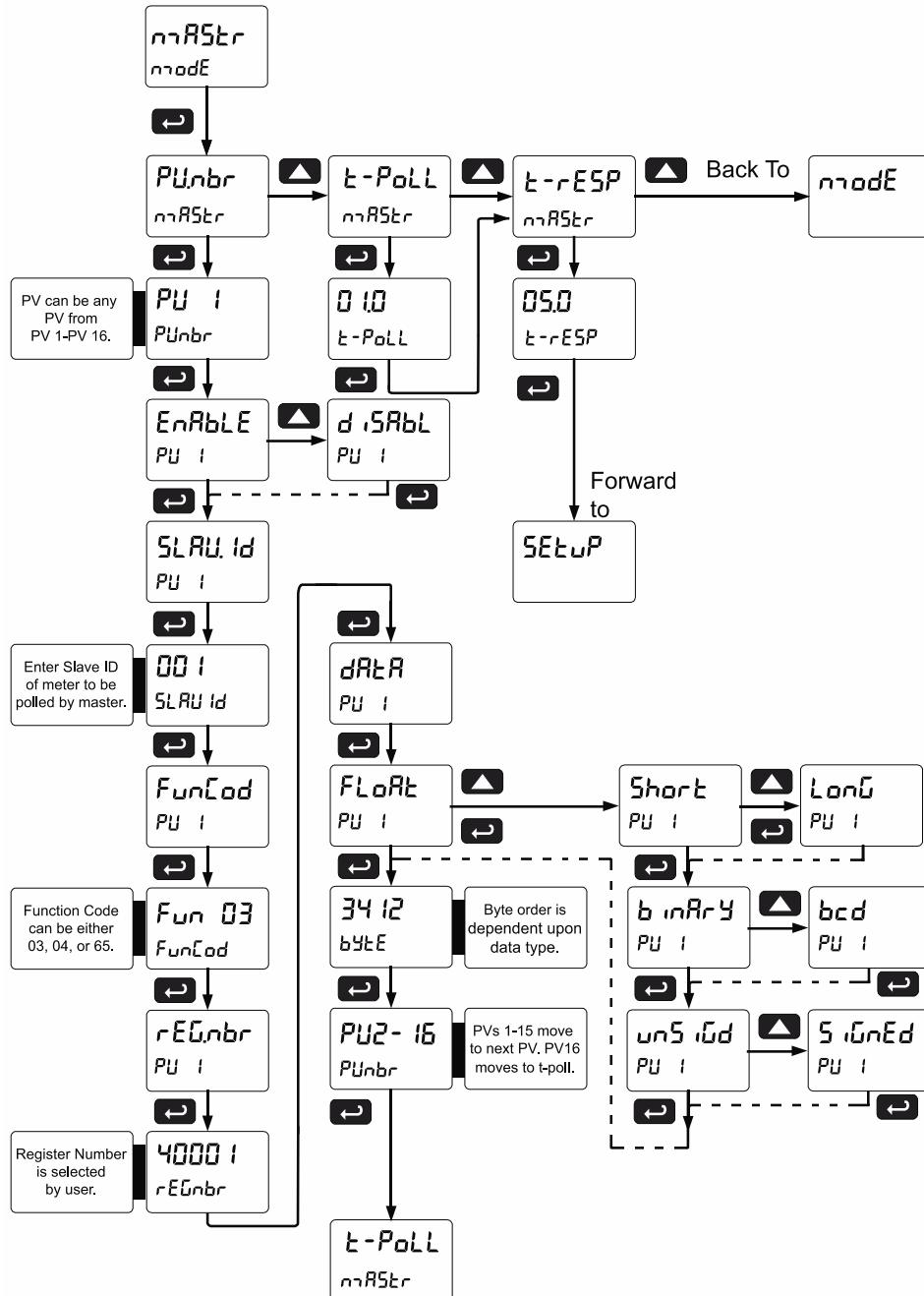
Master Mode (מאסטר)

The Master mode contains the *PV Number*, *Poll Time*, and *Response Timeout* menus.

PV Number: Enable/disable PVs, select slave ID, function code, register number, data type & byte order.

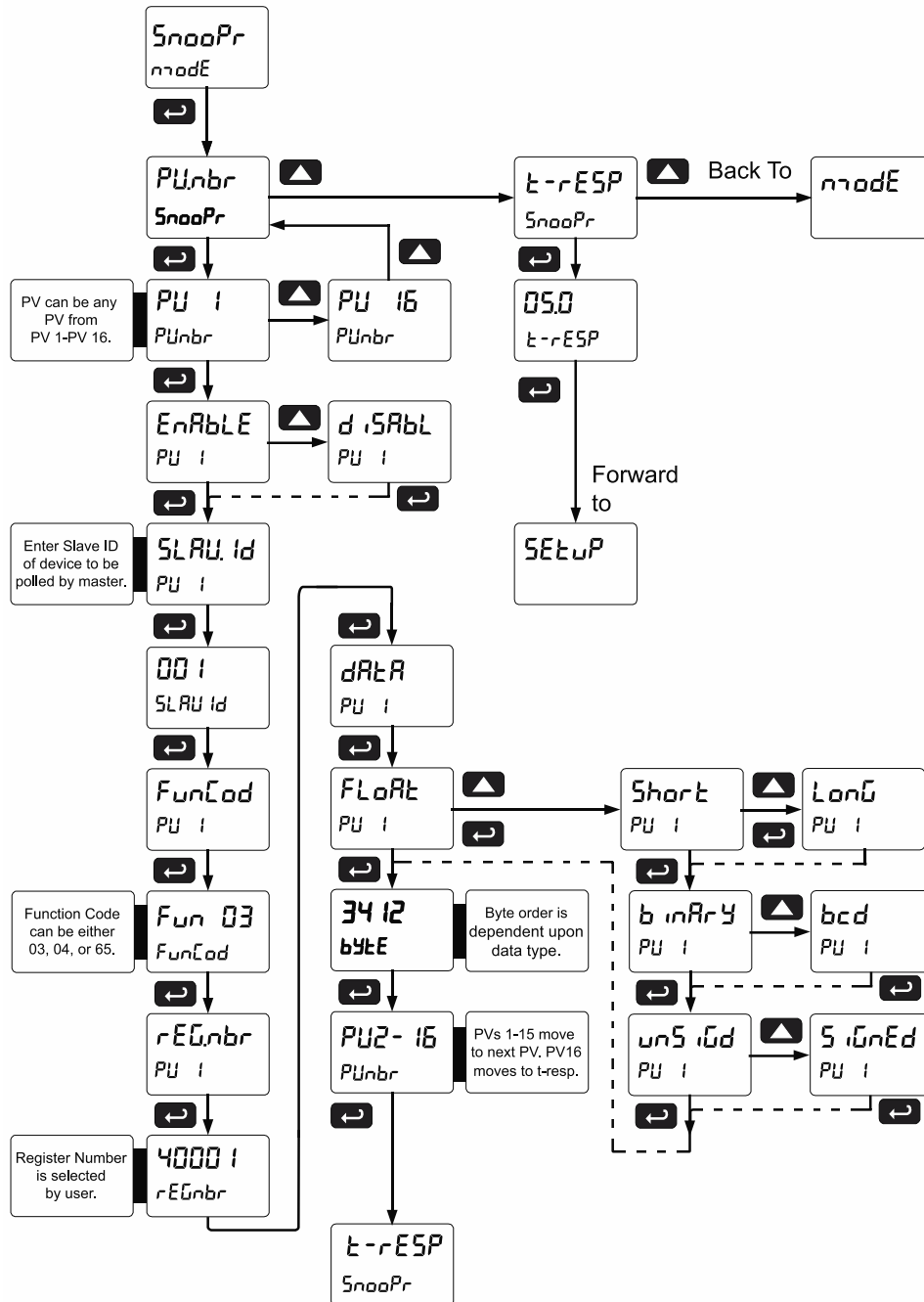
Poll Time: Enter the time interval to poll the slave devices selected.

Response timeout: Enter the time interval to wait after three polls before reporting it as a Communications Break.



Snooper Mode (SnooPr)

The Snooper mode is used to listen to data being transmitted on the bus. Multiple Snoopers can be connected to the RS-485 bus and display any process variable. The same process variable can be displayed in multiple locations. Use the menu below to configure Snooper Mode parameters.



Notes:

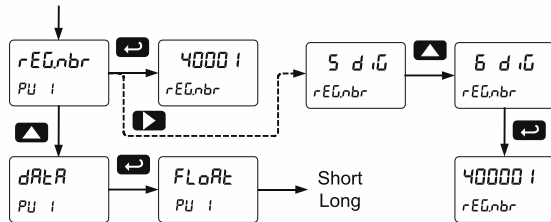
1. To minimize the possibility of communication errors and communication break conditions, use a poll time of 5 seconds or more with slow baud rates (e.g. 4800 bps or less).
2. The response time for scanners set up for Snooper mode must be greater than the Master's poll time. This setting corresponds to the time window during which the Snooper listens to the bus for a reply by the slave device being polled by the master device. As soon as the Snooper detects a new reply on the bus, the display is updated. If there is no reply within the response time setting, the Snooper goes into communications break condition.

How to Select 5 or 6-Digit Registers

In Master or Snooper Mode, it is possible to select either a five-digit or a six-digit Register Number. Once the operator has enabled a PV, entered a Slave ID, and chosen a Function Code, the scanner will arrive at the Register Number menu (rEGnbr). Press the Right arrow to display the number of digits being used and then the Up arrow to change the setting for the number of digits to be used for that register (5 d iG or 6 d iG), then press ENTER.

Notes:

1. If Function Code 03 is selected, the Register Number defaults to 40001; if Function Code 04 is selected, the Register Number defaults to 30001.
2. Default Data Type is Float
3. Default Slave ID for PV1=001, for PV2=002, for PV3=003, etc.



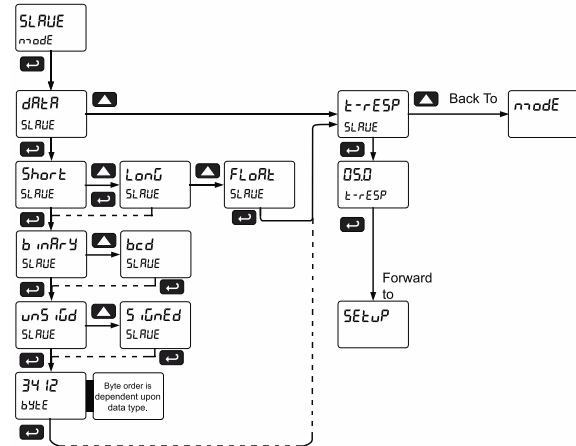
The Master ignores the decimal point setting for slave devices that specify a Short or Long integer. For example, a slave that is displaying 12.34 is read as 1,234. Floating point data may or may not utilize the decimal point. Refer to the slave's operating manual to make sure.

The Register Number range is based on the Function Code and the number of digits selected. See the following table:

Function Code	5 Digit	6 Digit
03	40001 – 49999	400001 – 465536
04	30001 – 39999	300001 – 365536
65	65001-65999	N/A

Slave Mode (SLAVE)

The Slave mode is capable of accepting Short, Long, and Float data types. Refer to the Modbus Register Tables at www.predig.com for details of all the predefined parameters. Follow the menu below to navigate and set all parameters for Slave Mode.

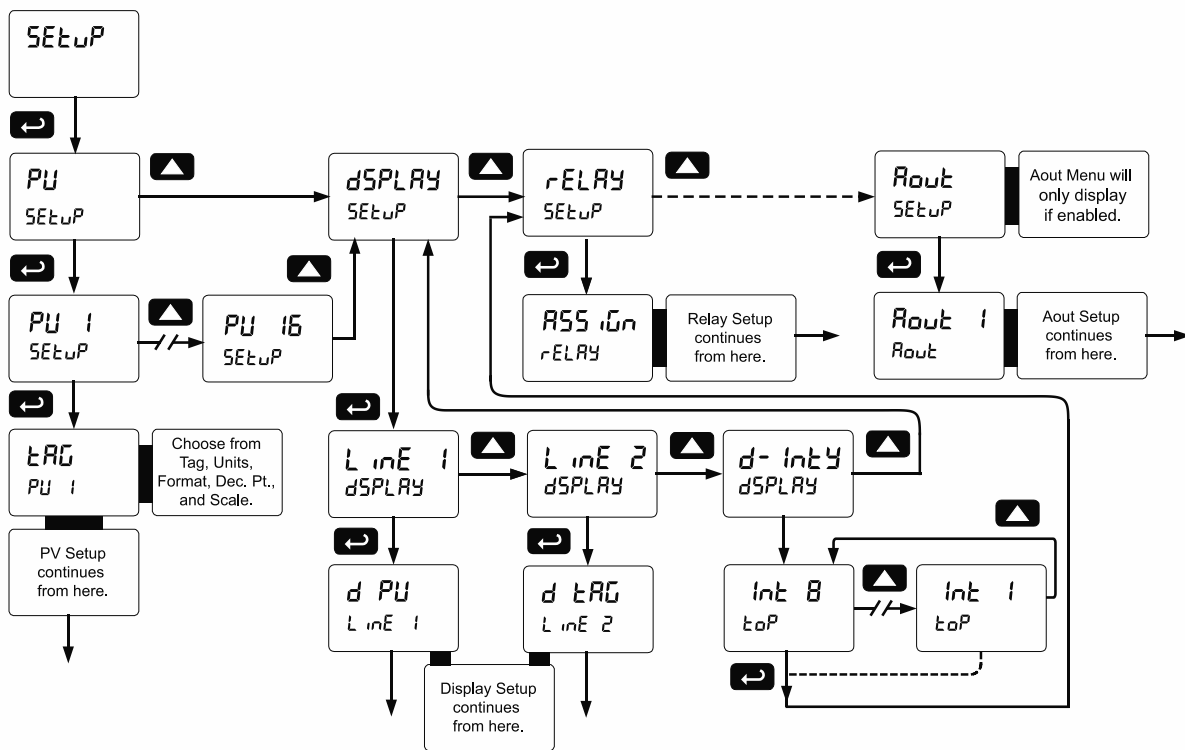


Setting Up the Scanner (SEtUP)

The Setup menu is used to select:

1. PV Setup
 - a. PV Tags
 - b. PV Units
 - c. Format: Decimal point or Feet & Inches
 - d. Decimal Point
 - e. Scale input data
2. Display assignment & Intensity
3. Relay assignment and operation
4. 4-20 mA analog output scaling

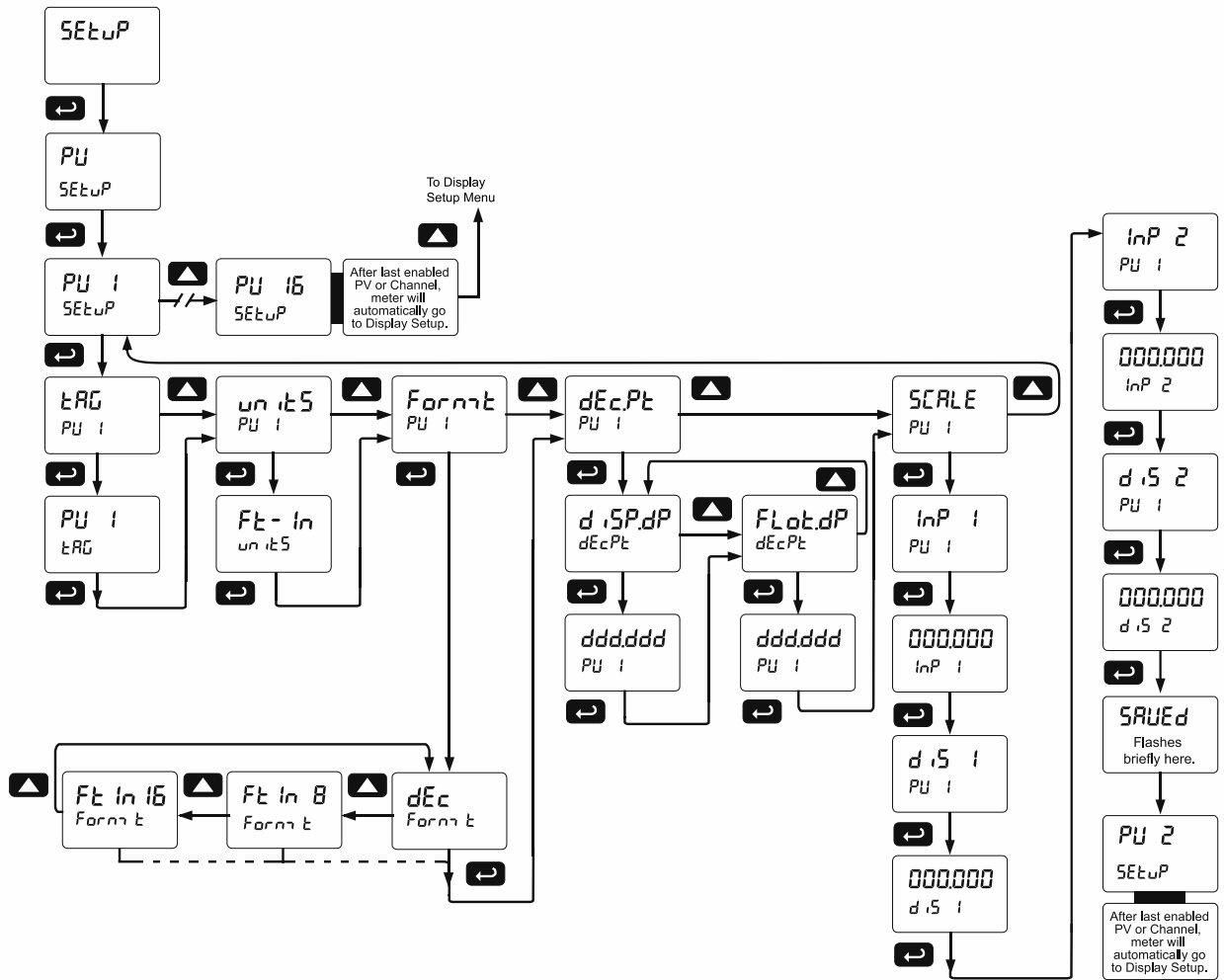
Press the Menu button to exit at any time.



Setting Up the Process Variables (PVs) (PU SEtUP)

Enter the *PV Setup* menu to set up all the criteria associated with each enabled PV. Once you have selected the desired PV, you can select parameters for each. These include tag, units, format, display decimal point, float decimal point (resolution), and scaling of the input data.

Note: PV1 and PV2 can have multiple points for linearization. Only two points are available for all other PVs and for either the Square Root or Programmable Exponent functions.



Setting the Display Decimal Point (d,SP,dP)

Decimal point may be set one to five decimal places or with no decimal point at all. Pressing the **Up** arrow moves the decimal point one place to the right until no decimal point is displayed, and then it moves to the leftmost position. The decimal point is programmable only for the Display Value.

Setting the Float Decimal Point (FLot,dP)

If floating point data type is selected, select the number of decimals to correspond to the expected floating point data; the numbers to right of the LSD will be ignored by the scanner.

Example:

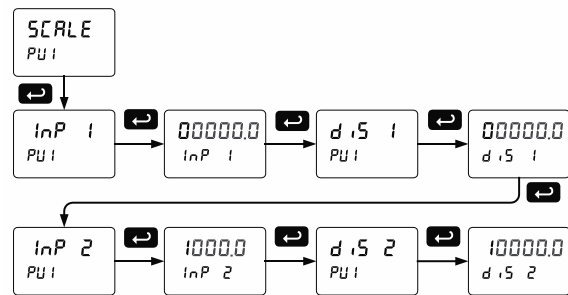
If you have a number such as 12.3456, you have to tell the scanner how many digits to the right are of interest to you. In this case selecting 4 places will make use of all the digits. For most applications the display decimal point will be set accordingly (i.e. 4 places).

If 2 decimal places are selected, the number 12.3456 is displayed as 12.35; notice that the number is rounded up.

Scaling the PV Display Values (SCALE)

The data that the scanner receives can be scaled to display in engineering units. Input 1 must be less than Input 2, Input 2 must be less than Input 3, etc. (known as monotonic values). Press **Enter** to save the changes or **Menu** to exit without saving. When the Linear function is selected for PV1 & PV2, up to 32 points may be programmed to handle non-linear data. Only two points are available for all other PVs and for either the Square Root or Programmable Exponent functions. Round Horizontal Tanks are scaled using the length and diameter of the tank.

Scale Menu



The display will show **Error** if the scaling or calibration process is unsuccessful. Undesired operation may occur if the error is not corrected. Correct the error by either changing one of the inputs in question or changing the number of points to exclude an erroneous input point.

Notes

1. For Feet & Inches Display format, the display values will be in the format 99^{FT} 11^{IN} 15^{/16th} or 8th. Make the left digit for inches and 16th blank if the value is less than 10. Example: 50 Feet, 9 Inches, and 8/16 will be displayed as 50^{FT} _9^{IN} _8^{16th} instead of 50^{FT} 09^{IN} 08^{/16th}.
2. Scaling Short and Long input values (input 1, input 2, etc.) should be done without the decimal point.

Multi-Point Linearization (L inERR)

The scanner is set up at the factory for 2-point linear scaling. Up to 32 linearization points may be selected for PV1 and PV2. All other PVs have two linearization points available. See *Linear Function Menu (L inERR)* on page 57 for details.

Setting Up the Displays (ገጽ ፩ ማረጋገጫ)

Display Line 1 Parameters (ገጽ ፩ ማረጋገጫ)

The top display (ገጽ ፩) can be programmed to display any of the following:

Display	Parameter	Setting Description
ገጽ ፩	Display PV	Display PVs 1-16
ገጽ ፩-፩	Display C Channel	Display Math Channels C1-C4
ገጽ ፩ ሆ	Display PV & Units	Display PV & Units
ገጽ ፩፩	Display Tag, PV Number	Display Tag & PV Number selected
ገጽ ፩፩፩	Display Tag, PV# & Units	Display Tag, PV Number selected, & Units
ገጽ ፩ ሆ	Display C & Units	Display C1-C4 & Units
ገጽ ፩ ሆ	Display Tag, C, & Units	Display Tag, C1-C4 & Units
ገጽ ፩ ፩	Display Set Points 1-8	Display Set Points 1-8
ገጽ ፩-፩	Display Max PV 1-16	Display Maximum value for each enabled PV1-16
ገጽ ፩-፩	Display Min PV 1-16	Display Minimum value for each enabled PV1-16
ገጽ ፩-፩	Display Max Ch C1-C4	Display Maximum for math channels C1-C4
ገጽ ፩-፩	Display Min Ch C1-C4	Display Minimum for math channels C1-C4

Display Line 2 Parameters (ገጽ ፩ ማረጋገጫ)

The bottom display (ገጽ ፩) can be programmed to display any of the following:

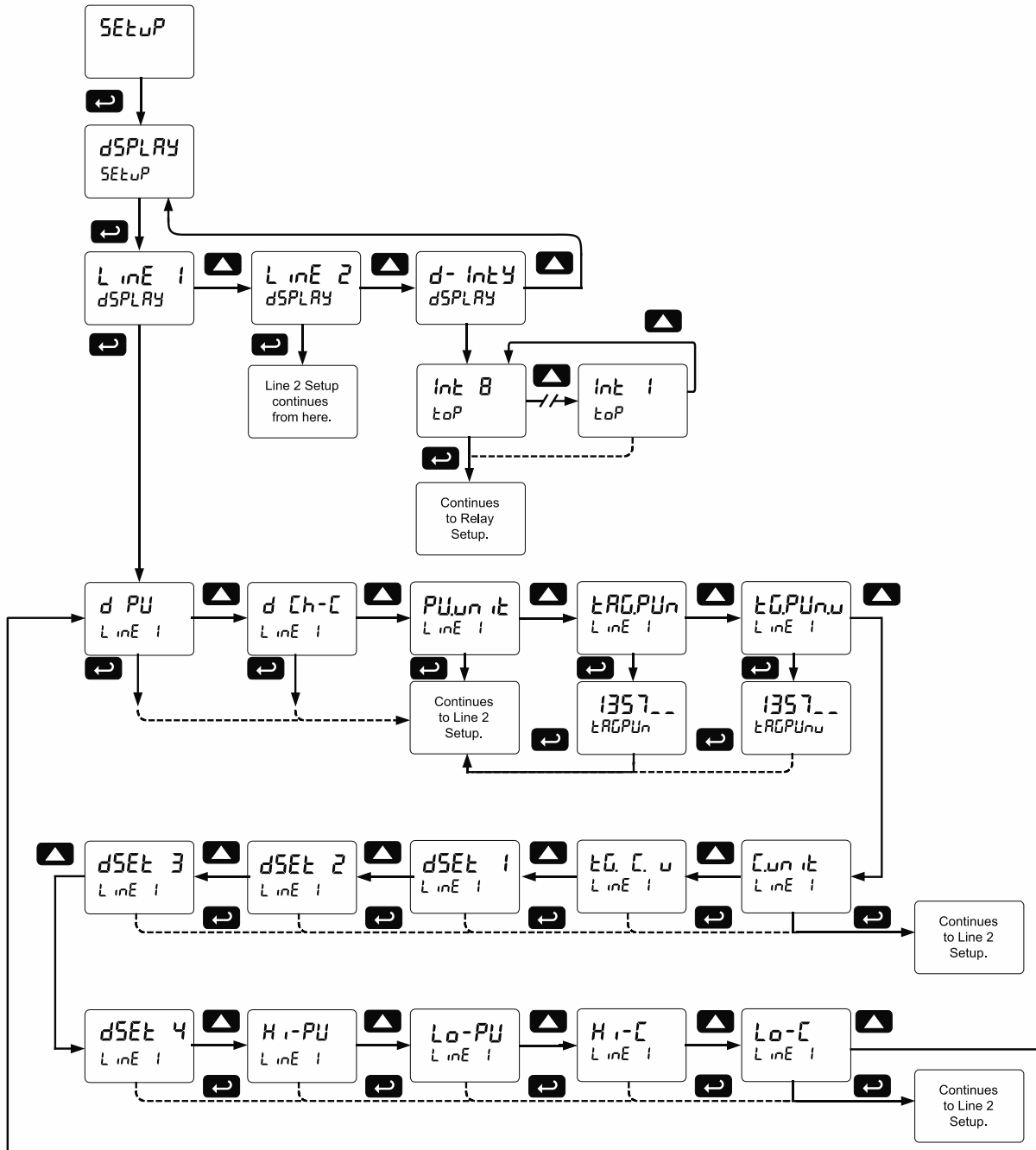
Display	Parameter	Setting Description
ገጽ ፩	Display PV	Display PVs 1-16
ገጽ ፩-፩	Display C Channel	Display Math Channels C1-C4
ገጽ ፩ ሆ	Display PV & Units	Display PV & Units
ገጽ ፩፩	Display Tag, PV Number	Display Tag & PV Number selected
ገጽ ፩፩፩	Display Tag, PV# & Units	Display Tag, PV Number selected, & Units
ገጽ ፩ ሆ	Display C & Units	Display C1-C4 & Units
ገጽ ፩ ሆ	Display Tag, C, & Units	Display Tag, C1-C4 & Units
ገጽ ፩ ፩	Display Set Points 1-8	Display Set Points 1-8
ገጽ ፩-፩	Display Max PV 1-16	Display Maximum value for each enabled PV1-16
ገጽ ፩-፩	Display Min PV 1-16	Display Minimum value for each enabled PV1-16
ገጽ ፩-፩	Display Max Ch C1-C4	Display Maximum for math channels C1-C4
ገጽ ፩-፩	Display Min Ch C1-C4	Display Minimum for math channels C1-C4
ገጽ ፩ ፩፩	Display Tag	Display Tag (Line 2 only)
ገጽ ፩ ፩፩	Display Tag & Units	Display Tag & Units (Line 2 only)
ገጽ ፩ ፩፩፩	Display off	Display Off (Line 2 only)

Note: Toggling displays use the Scan Time for the value and 2 seconds for Tag and Units.

Display Intensity (ገጽ ፩ ማረጋገጫ)

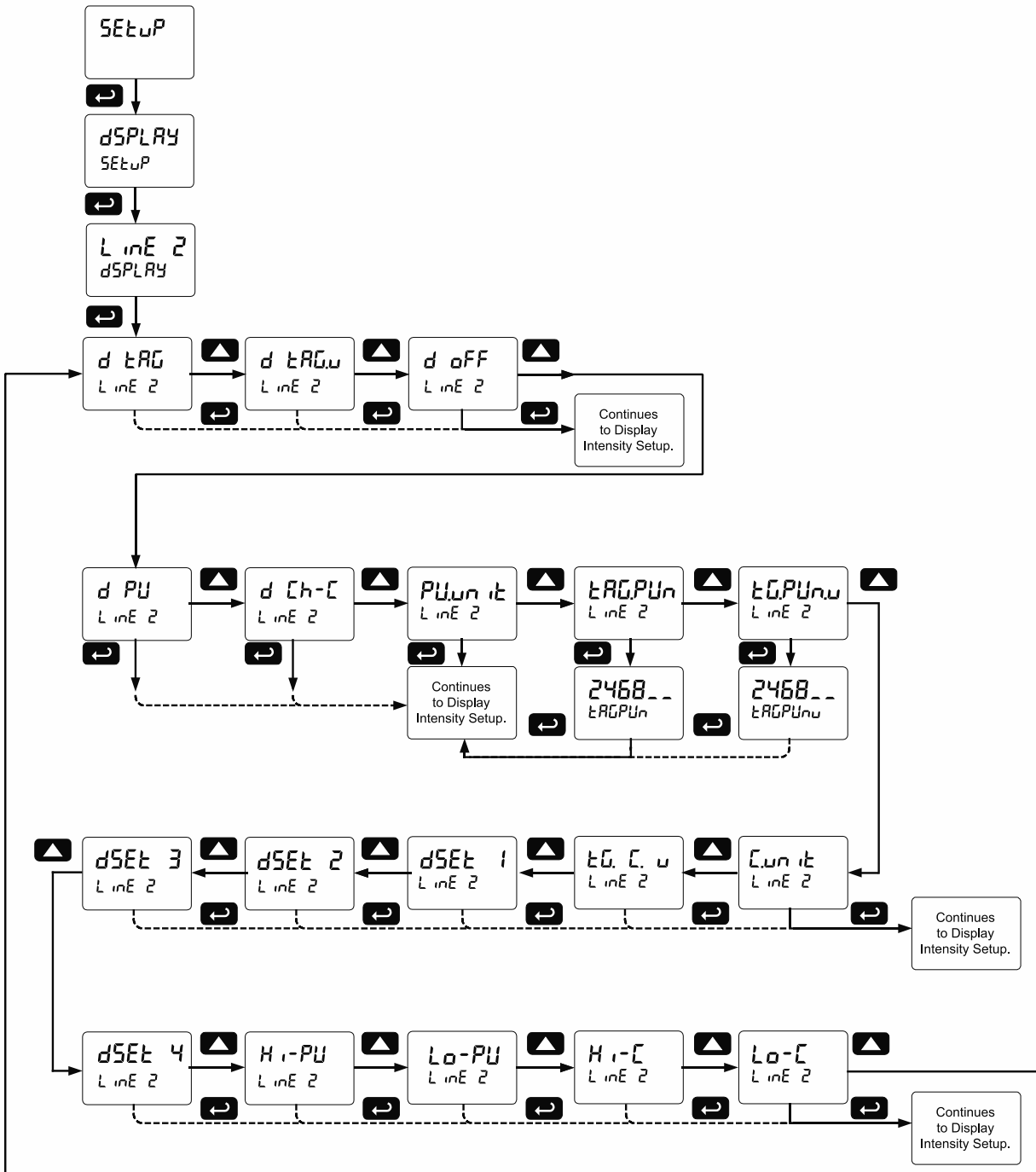
The scanner has eight display intensity levels to give the best performance under various lighting conditions. Select intensity 8 for outdoor applications. The default intensity setting is 6.

Display Line 1 Menu (LINE 1 dSPRAY)



Note: For Tag-PVn and Tag-PVn-U, the default settings for PVs are 1,3,5, & 7, followed by two underscores, which represent empty PVs. These all can be changed to any enabled PVs.

Display Line 2 Menu (LINE 2 DISPLAY)



Note: For Tag-PVn and Tag-PVn-U, the default settings for PVs are 2,4,6,& 8, followed by two underscores, which represent empty PVs. These all can be changed to any enabled PVs.

Setting the Tags (tRn) & Units (un t5)

Each PV can be setup with its own tag and units. See the flow charts on the previous pages to access the display menu to show the tag or toggling tag & units. The engineering units and custom tags can be set using the following 7-segment character set:

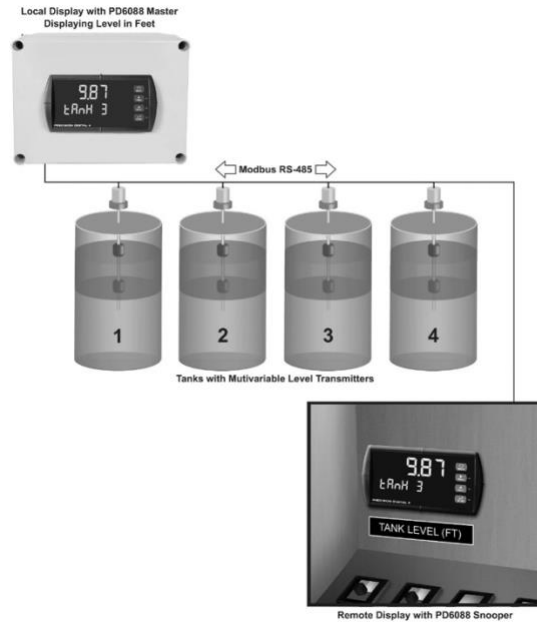
Display	Character	Display	Character
0	0	K	K
1	1	L	L
2	2	m	m
3	3	n	n
4	4	O	O
5	5	o	o
6	6	P	P
7	7	q	q
8	8	r	r
9	9	S	S
A	A	t	t
b	b	u	u
C	C	V	V
c	c	w	w
d	d	X	X
E	E	Y	Y
F	F	Z	Z
G	G	-	-
g	g	/	/
H	H]]
h	h	[[
i	i	=	=
J	J	Degree(<)	Degree(<)
		Space	Space

Notes:

1. Degree symbol represented by (<) if programming with ScanView.
2. The letters "m" and "w" use two 7-segment LEDs each; when selected the characters to the right are shifted one position.
3. Press and hold up arrow to auto-scroll the characters in the display.

Application Example 1

In this application we have a system consisting of (4) multivariable tank level gauges connected to (2) PD6080 Modbus scanners displaying Product Level, Interface Level, and Average Temperature. One of the Modbus Scanners is located next to the tanks and the other is located in the control room.



Register Numbers & Process Variables

- 30001 - Product Level
- 30003 - Interface Level
- 30017 - Average Temperature

The following table shows the system setup for a typical multivariable level gauge, one PD6080 Master, and one PD6080 Snooper:

Parameter	PD6080 Master	PD6080 Snooper	Description/Comment
Mode	Master	Snooper	
PV1 Slave ID	1	1	
Function Code	04	04	
Register PV1	30001	30001	Tank 1 Product Level
Data Type	Long integer Binary, Signed	Long	
Byte Order	1234	1234	
PV2 Slave ID	1	1	
Function Code	04	04	

Parameter	PD6080 Master	PD6080 Snoopier	Description/ Comment
Register PV2	30003	30003	Tank 1 Interface
Data Type	Long integer Binary, Signed	Long	
Byte Order	1234	1234	
PV3 Slave ID	1	1	
Function Code	04	04	
Register PV3	30017	30017	Tank 1 Average Temperature
Data Type	Long integer Binary, Signed	Long	
Byte Order	1234	1234	
PV4 Slave ID	2	2	
Function Code	04	04	
Register PV4	30001	30001	Tank 2 Product Level
Data Type	Long integer Binary, Signed	Long	
Byte Order	1234	1234	
PV5 Slave ID	2	2	
Function Code	04	04	
Register PV5	30003	30003	Tank 2 Interface
Data Type	Long integer Binary, Signed	Long	
Byte Order	1234	1234	
PV6 Slave ID	2	2	
Function Code	04	04	
Register PV6	30017	30017	Tank 2 Average Temperature
Data Type	Long integer Binary, Signed	Long	
Byte Order	1234	1234	
PV7 Slave ID	3	3	

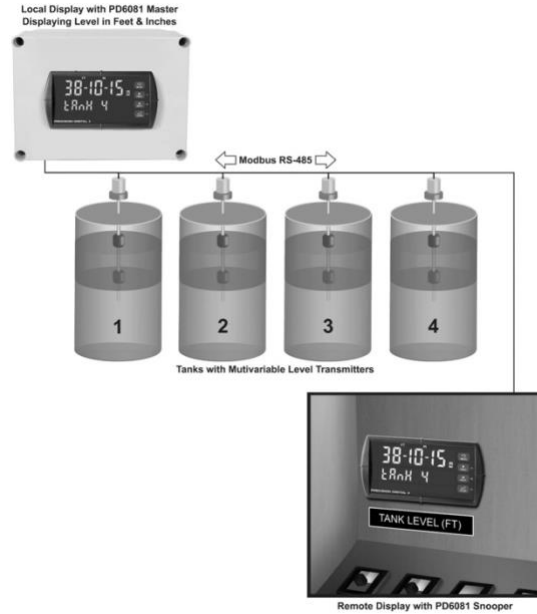
Parameter	PD6080 Master	PD6080 Snoopier	Description/ Comment
Function Code	04	04	
Register PV7	30001	30001	Tank 3 Product Level
Data Type	Long integer Binary, Signed	Long	
Byte Order	1234	1234	
PV8 Slave ID	3	3	
Function Code	04	04	
Register PV8	30003	30003	Tank 3 Interface
Data Type	Long integer Binary, Signed	Long	
Byte Order	1234	1234	
PV9 Slave ID	3	3	
Function Code	04	04	
Register PV9	30017	30017	Tank 3 Average Temperature
Data Type	Long integer Binary, Signed	Long	
Byte Order	1234	1234	
PV10 Slave ID	4	4	
Function Code	04	04	
Register PV10	30001	30001	Tank 4 Product Level
Data Type	Long integer Binary, Signed	Long	
Byte Order	1234	1234	
PV11 Slave ID	4	4	
Function Code	04	04	
Register PV11	30003	30003	Tank 4 Interface
Data Type	Long integer Binary, Signed	Long	
Byte Order	1234	1234	

Parameter	PD6080 Master	PD6080 Snooper	Description/ Comment
PV12 Slave ID	4	4	
Function Code	04	04	
Register PV12	30017	30017	Tank 4 Average Temperature
Data Type	Long integer Binary, Signed	Long	
Byte Order	1234	1234	
Scanner ID	246	245	
Polling Time	5.0 sec	N/A	
Slave Response Timeout	10.0 sec	10.0 sec	
Baud	4800	4800	
Parity	None 1	None 1	1 stop bit
Byte-to-Byte Timeout	0.01 sec	0.01 sec	
Decimal point	3 places	3 places	
Input 1	000000	000000	Scaling for Level & Interface
Display 1	000000	000000	
Input 2	999999	999999	0.001 inch resolution
Display 2	83.333	83.333	Feet

Application Example 2

In this application we have a system consisting of (4) multivariable tank level gauges connected to (2) PD6081s displaying Product Level, Interface Level, and Average Temperature.

One of the Modbus Scanners is located next to the tanks and the other is located in the control room. The display readout is shown in sixteenths of an inch.



Register Numbers & Process Variables

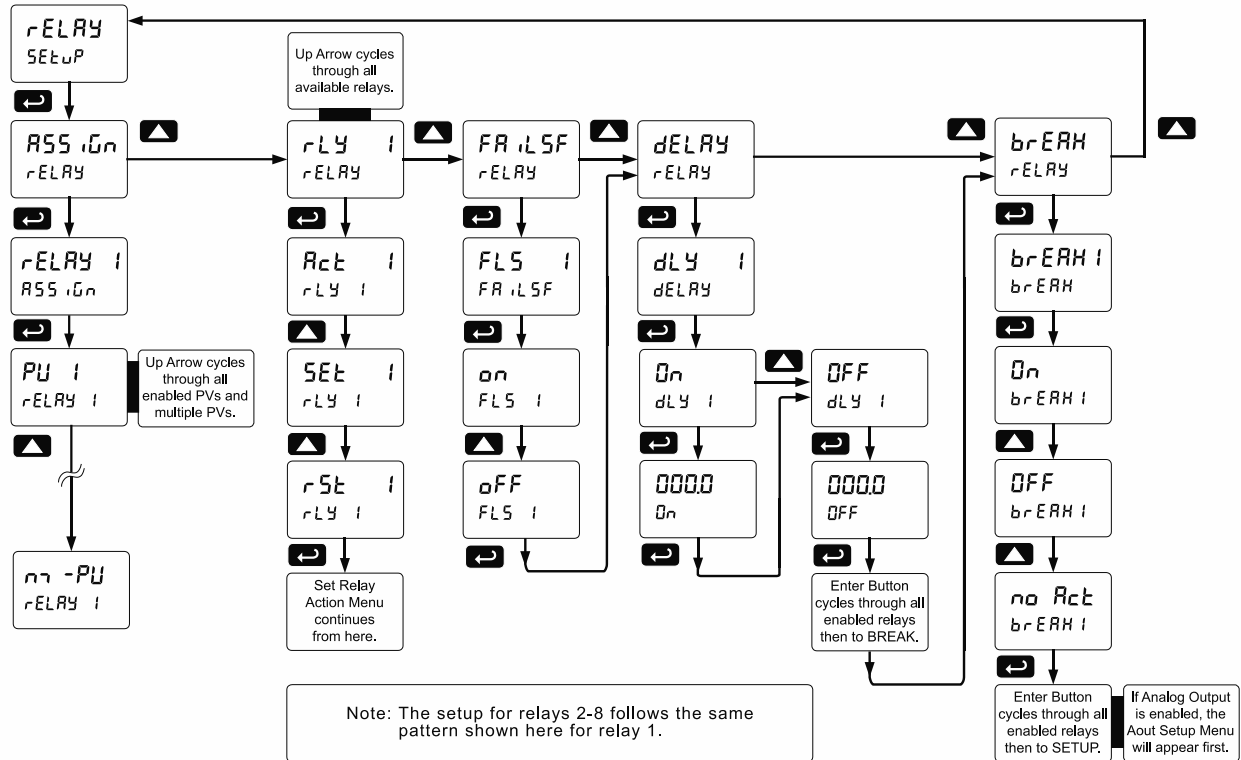
- 30001 - Product Level
- 30003 - Interface Level
- 30017 - Average Temperature

Note: The example above shows the PD6081. The setup of the scanner is the same as the first example. The PD6081's Feet & Inches display is clearly visible.

Setting the Relay Operation (rELRY)

This menu is used to set up the assignment and operation of the relays.

Relay Setup Menu (rELRY SEtUP)



CAUTION

- During setup, the relays do not follow the input and they will remain in the state found prior to entering the Relay menu.

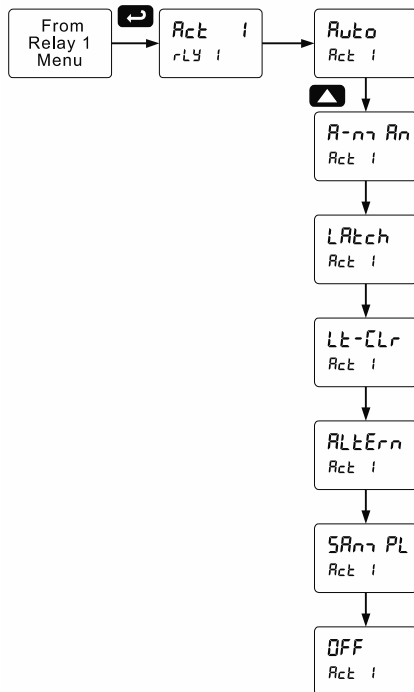
1. **ASSIGN** Relay assignment
 - a. Assign relay to PV
 - b. Assign relay to Math channel
 - c. Assign relays to multiple PVs (2 to 16 PVs)
2. **Act** Relay action
 - a. Automatic reset only (non-latching)
 - b. Automatic + manual reset at any time (non-latching)
 - c. Latching (manual reset only)
 - d. Latching with Clear (manual reset only after alarm condition has cleared)
 - e. Pump alternation control (automatic reset only)
 - f. Sampling (the relay is activated for a user-specified time)
 - g. Off (relay state controlled by Interlock feature)
3. **SEt** Set point & **rSEt** Reset point
4. **FAILSF** Fail-safe operation
 - a. On (enabled)
 - b. Off (disabled)
5. **dELAY** Time delay
 - a. On delay (0-999.9 seconds)
 - b. Off delay (0-999.9 seconds)
6. **brEAK** Relay action for communications break or loss of 4-20 mA input

Setting the Relay Action (Act i)

Operation of the relays is programmed in the *Action* menu. The relays may be set up for any of the following modes of operation:

1. Automatic reset (non-latching)
2. Automatic + manual reset at any time (non-latching)
3. Latching (manual reset only, at any time)
4. Latching with Clear (manual reset only after alarm condition has cleared)
5. Pump alternation control (automatic reset only)
6. Sampling (the relay is activated for a user-specified time)
7. Off (relay state controlled by Interlock feature)

The following graphic shows relay 1 action setup; relay 2-8 are set up in a similar fashion.

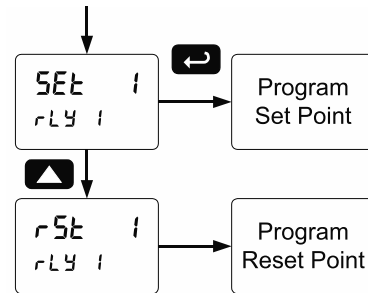


Programming Set and Reset Points

High alarm indication: program set point above reset point.

Low alarm indication: program set point below reset point.

The deadband is defined as the difference between set and reset points. Minimum deadband is one display count. If the set and reset points are programmed with the same value, the relay will reset one count below the set point.



Note: Changes are not saved until the reset point has been accepted.

Setting Fail-Safe Operation (FR LSF)

In fail-safe mode of operation, the relay coil is energized when the process variable is within safe limits and the relay coil is de-energized when the alarm condition exists. The fail-safe operation is set independently for each relay. Select *on* to enable or select *off* to disable fail-safe operation.

Programming Time Delay (dELAY)

The *On* and *Off* time delays may be programmed for each relay between 0 and 999.9 seconds. The relays will transfer only after the condition has been maintained for the corresponding time delay.

The *On* time delay is associated with the set point.

The *Off* time delay is associated with the reset point.

Relay Action for Communications Break (br ERH)

The Scanner will poll the slave device three times before reporting a communications break condition. After the third failure, the Response Timeout timer starts and will determine the actual time to report a PV in break condition.

1. Turn *On* (Go to alarm condition)
2. Turn *Off* (Go to non-alarm condition)
3. No Action (The relays will maintain the last condition)

Refer to *Relay Operation After Communications Break* on page 46 for details.

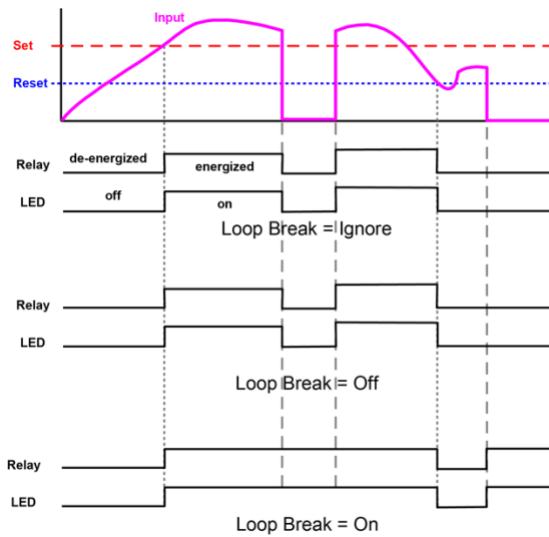
Relay Action for Loss of 4-20 mA Input (Loop Break)

The loop break feature is associated with the 4-20 mA input. Each relay may be programmed to go to one of the above conditions when the scanner detects the loss of the input signal (i.e. < 0.005 mA).

Notes:

1. This is not dependent on the Communications Break or Response Timeout setting.
2. This is not a true loop break condition; if the signal drops below 0.005 mA, it is interpreted as a "loop break" condition.

The following graph shows the loop break relay operation for a high alarm relay.

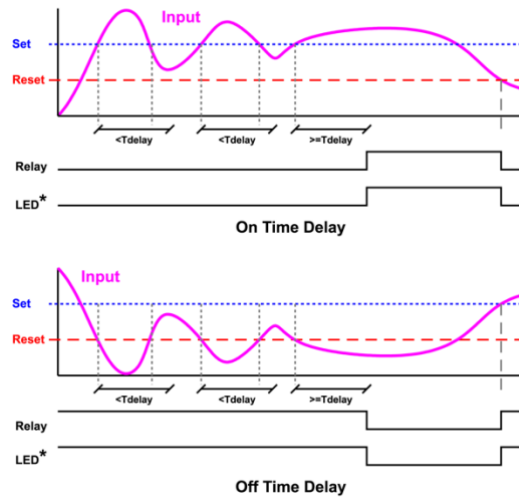


When the scanner detects a break in the 4-20 mA loop, the relay will go to one of the following selected actions:

1. Turn On (Go to alarm condition)
2. Turn Off (Go to non-alarm condition)
3. Ignore (Processed as a low signal condition)
Note: Select no Action

Time Delay Operation

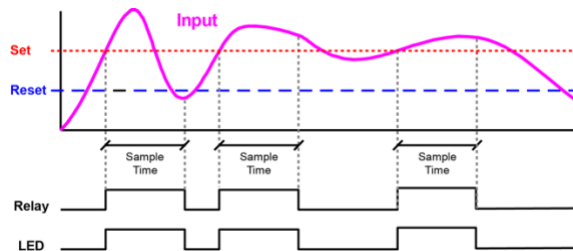
The following graphs show the operation of the time delay function.



When the signal crosses the set point, the On time delay timer starts and the relay trips when the time delay has elapsed. If the signal drops below the set point (high alarm) before the time delay has elapsed, the On time delay timer resets and the relay does not change state. The same principle applies to the Off time delay.

Note: If "Automatic or Manual (R-n-Rn)" reset mode is selected, the LED follows the reset point and not the relay state when the relay is acknowledged.

Relay Sampling Operation



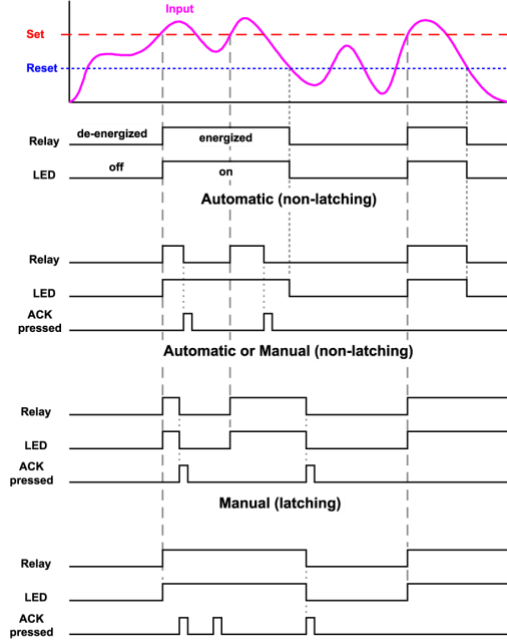
When the signal crosses the set point, the relay trips and the sample time starts. After the sample time has elapsed, the relay resets. The cycle repeats every time the set point is crossed, going up for high alarms and going down for low alarms.

The sample time can be programmed between 0.1 and 5999.9 seconds.

Relay and Alarm Operation Diagrams

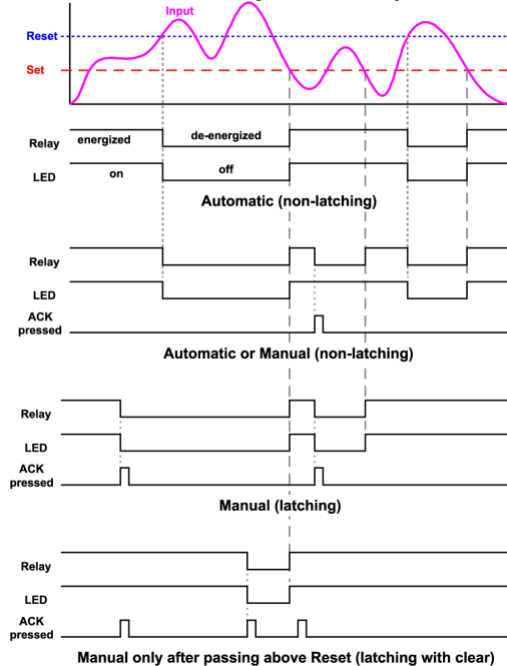
The following graphs illustrate the operation of the relays, status LEDs, and ACK button.

High Alarm Operation (Set > Reset)



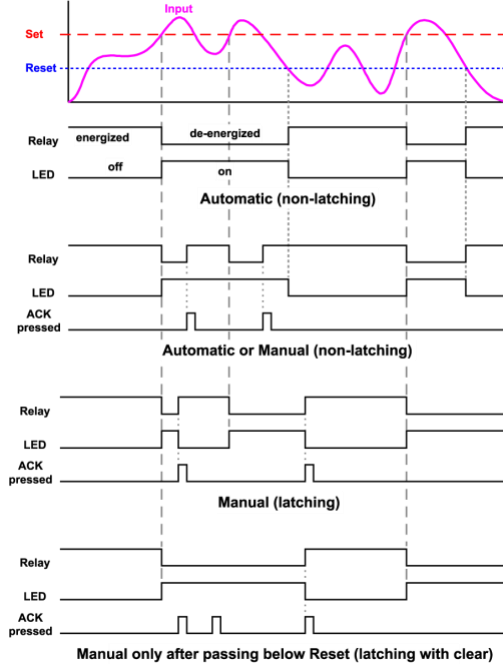
For Manual reset mode, ACK can be pressed anytime to turn "off" relay. To detect a new alarm condition, the signal must go below the set point, and then go above it.

Low Alarm Operation (Set < Reset)



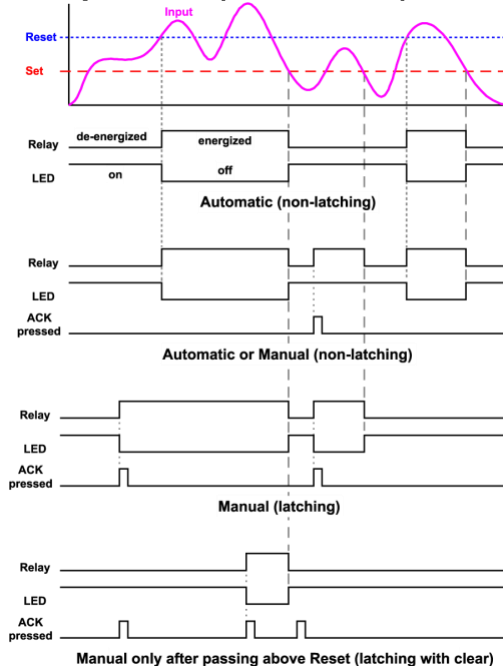
For Manual reset mode, ACK can be pressed anytime to turn "off" relay. For relay to turn back "on", signal must go above set point and then go below it.

High Alarm with Fail-Safe Operation (Set > Reset)



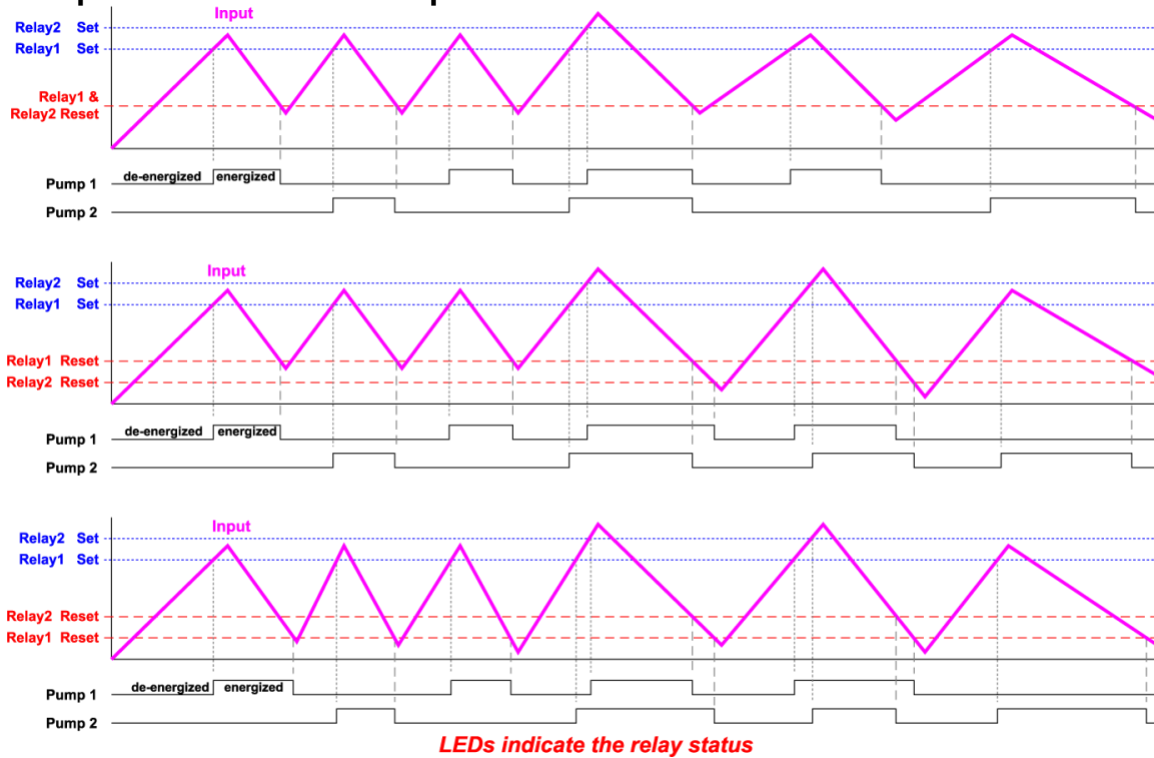
Manual only after passing below Reset (latching with clear)
 Note: Relay coil is energized in non-alarm condition. In case of power failure, relay will go to alarm state.

Low Alarm with Fail-Safe Operation (Set < Reset)



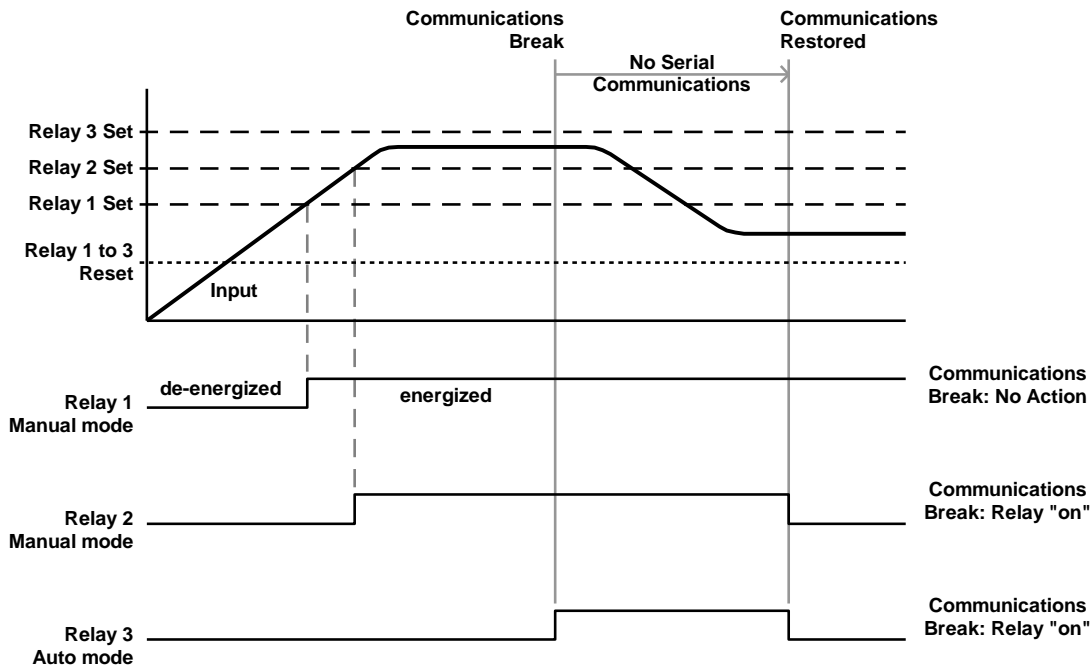
Manual only after passing above Reset (latching with clear)
 Note: Relay coil is energized in non-alarm condition. In case of power failure, relay will go to alarm state.

Pump Alternation Control Operation



Relay Operation After Communications Break

When a Master scanner fails to receive a reply from the slave it is called a Communications Break. The relays can be programmed to react to this event by going On, Off, or No Action. After communication is restored the relays are turned off or on, based on their operating mode and their set and reset points, without regard to their prior state. This is similar to the auto initialization on power up. Below is a diagram showing three examples. The same is true for a scanner set up to operate in Snooper mode.



Relay Operation Details

Overview

The relay capabilities of the scanner expand its usefulness beyond simple indication to provide users with alarm and control functions. These capabilities include front panel alarm status LEDs, as well as either 2 or 4 optional internal relays, and/or 4 external relays via expansion modules. Typical applications include high and low temperature, level, pressure or flow alarms, control applications such as simple on/off pump control, and pump alternation control for up to 8 pumps. There are four basic ways the relays can be used:

1. High and Low Alarms with Latching or Non-Latching Relays
2. Simple On/Off Control with 100% Adjustable Deadband
3. Sampling (Based on Time)
4. Pump Alternation Control for up to 8 Pumps

Relays Auto Initialization

When power is applied to the scanner, the front panel LEDs and alarm relays will reflect the state of the input to the scanner after the first response from the slave device. The following table indicates how the alarm LEDs and relays will react on power-up based on the set and reset points:

Alarm #	HI or LO Alarm	Set Point	Reset Point	Power-Up Reading	Relay & LED
1	HI	1000	500	499	Off
2	LO	700	900	499	On
3	LO	250	400	499	Off
4	HI	450	200	499	On

Fail-Safe Operation (FR, LSF)

The following table indicates how the relays behave based on the fail-safe selection for each relay:

Fail-Safe Selection	Non-Alarm State		Alarm State		Power Failure
	NO	NC	NO	NC	
Off	Open	Closed	Closed	Open	Relays go to non-alarm state
On	Closed	Open	Open	Closed	Relays go to alarm state

Note: NO = Normally Open, NC = Normally Closed. This refers to the condition of the relay contacts when the power to the scanner is off.

Front Panel LEDs

The alarm status LEDs on the front panel are available on all meters, even those without relays installed, and provide status indication for the following:

LED	Status	LED	Status
1	Alarm 1	5	Alarm 5
2	Alarm 2	6	Alarm 6
3	Alarm 3	7	Alarm 7
4	Alarm 4	8	Alarm 8

Note: LEDs 5-8 require the external relay module PDA1004 to be connected.

The scanner is supplied with four alarm points that include front panel LEDs to indicate alarm conditions. This standard feature is particularly useful for alarm applications that require visual-only indication. The LEDs are controlled by the set and reset points programmed by the user. When the display reaches a set point for a high or low alarm, the corresponding alarm LED will turn on. When the display returns to the reset point the LED will go off. The front panel LEDs respond differently for latching and non-latching relays.

For non-latching relays, the LED is always off during normal condition and always on during alarm condition, regardless of the state of the relay (e.g. Relay acknowledged after alarm condition).

For latching relays, the alarm LEDs reflect the status of the relays, regardless of the alarm condition. The following tables illustrate how the alarm LEDs function in relation to the relays and the acknowledge button (Default: F3 key assigned to ACK):

Latching and Non-Latching Relay Operation

The relays can be set up for latching (manual reset) or non-latching (automatic reset) operation.

Relay terminology for following tables	
Terminology	Relay Condition
On	Alarm (Tripped)
Off	Normal (Reset)
Ack	Acknowledged

The On and Off terminology does not refer to the status of the relay's coil, which depends on the fail-safe mode selected.

WARNING

- In latching relay mode, if Fail-Safe is off, latched relays will reset (unlatch) when power is cycled.

Non-Latching Relay (ጸሁኔ)

In this application, the scanner is set up for automatic reset (non-latching relay). Acknowledging the alarm while it is still present has no effect on either the LED or the relay. When the alarm finally goes away, the relay automatically resets and the LED also goes off.

Automatic reset only		
Condition	LED	Relay
Normal	Off	Off
Alarm	On	On
Ack (No effect)	On	On
Normal	Off	Off

Non-Latching Relay with Manual Reset (ጸ-ገገጸገ)

In this application, the scanner is set up for automatic and manual reset at any time (non-latching relay). The LED and the relay automatically reset when the scanner returns to the normal condition.

In addition, the relay can be manually reset while the alarm condition still exists, but the LED will stay on until the scanner returns to the normal condition.

Automatic + manual reset at any time		
Condition	LED	Relay
Normal	Off	Off
Alarm	On	On
Normal	Off	Off
Next Alarm	On	On
Ack	On	Off
Normal	Off	Off

Latching Relay (ጸጸኔርዞ)

In this application, the scanner is set up for manual reset at any time. Acknowledging the alarm even if the alarm condition is still present resets the relay and turns off the LED.

Manual reset any time		
Condition	LED	Relay
Normal	Off	Off
Alarm	On	On
Ack	Off	Off

Latching Relay with Clear (ጸጸ-ጸጸገ)

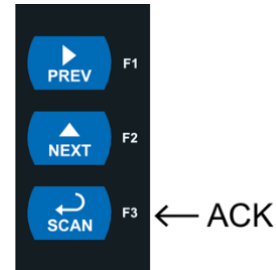
In this application, the scanner is set up for manual reset only after the signal passes the reset point (alarm condition has cleared). Acknowledging the alarm while it is still present has no effect on either the LED or the relay. When the alarm is acknowledged after it returns to the normal state, the LED and the relay go off. Notice that the LED remains on, even after the scanner returns to the normal condition. This is because, for latching relays, the alarm LED reflects the status of the relay, regardless of the alarm condition.

Manual reset only after alarm condition has cleared		
Condition	LED	Relay
Normal	Off	Off
Alarm	On	On
Ack (No effect)	On	On
Normal	On	On
Ack	Off	Off

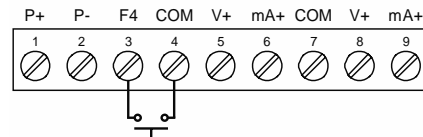
Acknowledging Relays

There are three ways to acknowledge relays programmed for manual reset:

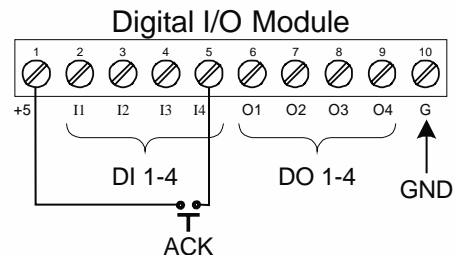
1. Via the programmable front panel function keys F1-F3 (Example: F3 assigned to ACK).



2. Remotely via a normally open push button wired to the F4 terminal at the rear of the instrument.



3. One of the digital inputs and the +5 V terminals on the digital I/O expansion module.



When the ACK button or the assigned digital input is closed, all relays programmed for manual reset are acknowledged.

Pump Alternation Control Applications (RLtErn)

For pump control applications where two or more similar pumps are used to control the level of a tank or a well, it is desirable to have all the pumps operate alternately. This prevents excessive wear and overheating of one pump over the lack of use of the other pumps.

Up to 8 relays can be set up to alternate every time an on/off pump cycle is completed. The set points and reset points can be programmed, so that the first pump on is the first pump off.

Application #1: Pump Alternation Using Relays 1 & 2

Set and Reset Point Programming			
Relay	Set Point	Reset Point	Function
1	30.000	10.000	Controls pump #1
2	35.000	5.000	Controls pump #2
3	4.000	9.000	Controls low alarm
4	40.000	29.000	Controls high alarm

1. Relays 1 and 2 are set up for pump alternation.
2. Relays 3 and 4 are set up for low and high alarm indication.

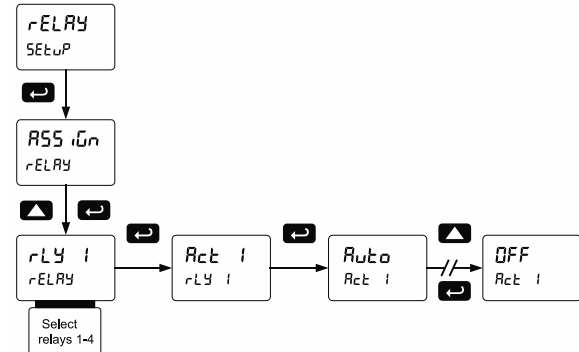
Pump Alternation Operation

1. Pump #1 turns on when the level reaches 30.000, when level drops below 10.000 pump #1 turns off.
2. The next time the level reaches 30.000, pump #2 turns on, when the level drops below 10.000, pump #2 turns off.
3. If the level doesn't reach 35.000 pump #1 and pump #2 will be operating alternately.
4. If pump #1 cannot keep the level below 35.000 pump #2 will turn on at 35.000, then as the level drops to 10.000 pump #1 turns off, pump #2 is still running and shuts off below 5.000.
5. Notice that with the set and reset points of pump #2 outside the range of pump #1, the first pump on is the first pump to go off. This is true for up to 8 alternating pumps, if set up accordingly.
6. Relay #3 will go into alarm if the level drops below 4.000 and relay #4 will go into alarm if the level exceeds 40.000.
7. Adding the 4 external relays expansion module allows using the 4 SPDT internal relays for pump alternation and the 4 SPST external relays for high, high-high, low, and low-low alarm indication.

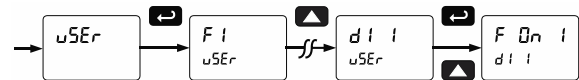
Setting Up the Interlock Relay (Force On) Feature

Relays 1-4 can be set up as interlock relays. To set up the relays for the interlock feature:

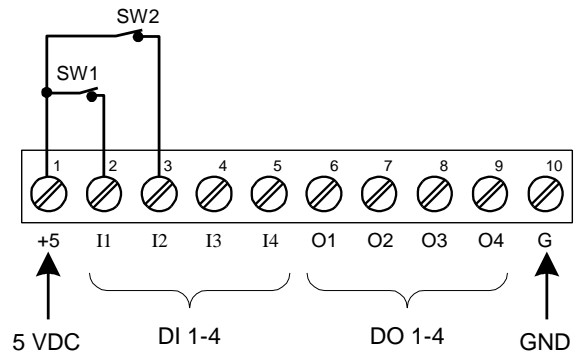
1. Access the Setup – Relay – Action menu and set the action to off.



2. In the Advanced features – User menu, program any of the digital inputs to Force On any of the internal relays (1-4). The Advanced Features Menu can be found on page 52.



3. Connect a switch or dry contact between the +5V terminal and the corresponding digital input (di-1 to di-4) terminal.



Interlock Relay Operation Example

Relays 1 & 2 are configured to energize (their front panel LEDs are steady on) when SW1 & SW2 switches (above) are closed. If the contacts to these digital inputs are opened, the corresponding front panel LEDs flash, indicating this condition. The processes being controlled by the interlock relay will stop, and will re-start only after the interlock relay is re-activated by the digital inputs (switches).

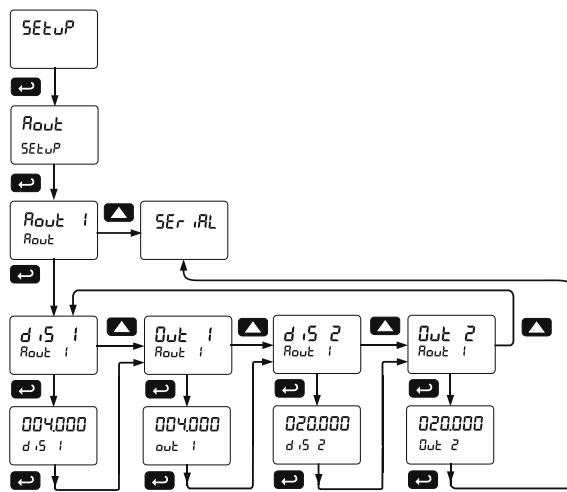
Note: If multiple digital inputs are assigned to the same relay, then the corresponding logic is (AND) – i.e. both switches must be closed to trip the relay.

Scaling the 4-20 mA Analog Output (Rout)

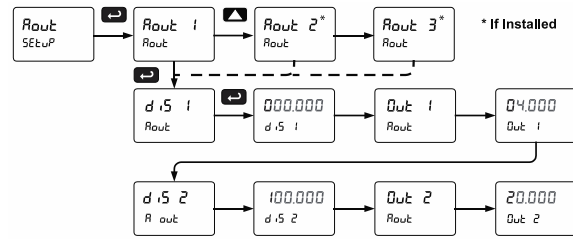
The 4-20 mA analog outputs can be scaled to provide a 4-20 mA signal for any display range selected. The Analog Outputs can be mapped to PVs or Math Channels. To select the channel and source assignments the analog outputs are assigned to, see *Analog Output Source Programming (RoutPr)* on page 64.

No equipment is needed to scale the analog outputs; simply program the display values to the corresponding mA output signal.

The *Analog Output* menu is used to program the 4-20 mA outputs based on display values.



There are three analog outputs available. These only display when they are enabled. See graphic below.



Notes: Changes to the settings are saved to memory only after pressing ENTER. Changes made to settings prior to pressing ENTER are not saved. Once ENTER is pressed, the display moves to the next menu.

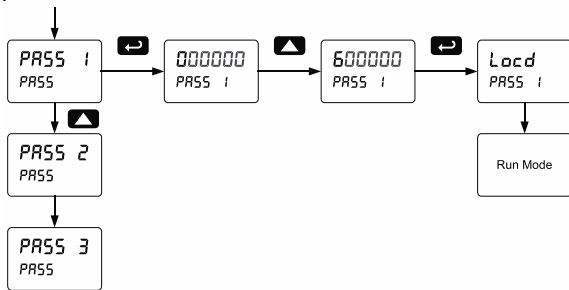
Setting Up the Password (PR55)

The *Password* menu is used for programming three levels of security to prevent unauthorized changes to the programmed parameter settings.

- Pass 1: Allows use of function keys and digital inputs
- Pass 2: Allows use of function keys, digital inputs and editing set/reset points
- Pass 3: Restricts all programming, function keys, and digital inputs.

Protecting or Locking the Scanner

Enter the *Password* menu and program a six-digit password.

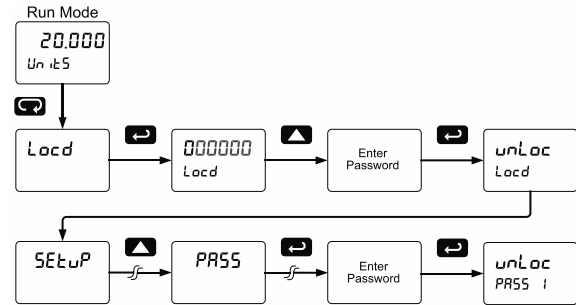


Making Changes to a Password Protected Scanner

If the scanner is password protected, the scanner will display the message *Locd* (*Locked*) when the Menu button is pressed. Press the Enter button while the message is being displayed and enter the correct password to gain access to the menu. After exiting the programming mode, the scanner returns to its password protected condition.

Disabling Password Protection

To disable the password protection, access the *Password* menu and enter the correct password twice, as shown below. The scanner is now unprotected until a new password is entered.



If the correct six-digit password is entered, the scanner displays the message *unLoc* (*Unlocked*) and the protection is disabled until a new password is programmed.

If the password entered is incorrect, the scanner displays the message *Locd* (*Locked*) for about two seconds, and then it returns to Run Mode. To try again, press Enter while the *Locked* message is displayed.

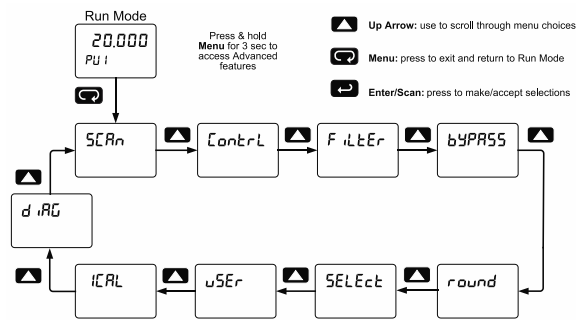
Did you forget the password?

The password may be disabled by entering a master password once. If you are authorized to make changes, enter the master password 508655 to unlock the scanner.

Advanced Features Menu

To simplify the setup process, functions not needed for most applications are located in the *Advanced Features* menu:

1. Scan Mode: Auto or manual; Go on alarm or stop on alarm
2. Control relays and analog output
3. Noise Filter
4. Noise Filter Bypass
5. Rounding Feature
6. Select Math, Linearization function, Cutoff
7. User Programming for function keys and digital I/O
8. Analog Channels Input Calibration
9. System Information



Advanced Menu Navigation Tips

- Press and hold the **Menu** button for three seconds to access the Advanced Features Menu.
- Press the **Up** arrow button to scroll through the Advanced Features Menu.
- Press **Menu** at any time, to exit and return to Run mode.
- Changes made to settings prior to pressing **Enter/Scan** are not saved.
- Changes to the settings are saved to memory only after pressing **Enter/Scan**.
- The display automatically moves to the next menu every time a setting is accepted by pressing **Enter/Scan**.

Advanced Features Menu & Display Messages

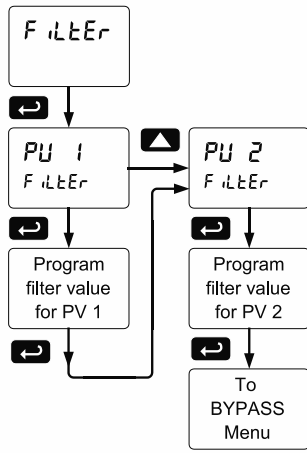
Advanced Features Menu & Display Messages		
Display	Parameter	Action/Setting
SCAN	Scan	Enter Scan menu
α α α α	Scan Mode	Select Auto or Manual Scan Mode
α α α α	Automatic	Select Automatic Scan Mode
α α α	Scan Time	Select Scanning Time
α α α	Manual	Select Manual Scan Mode
α α α α α	Alarm	Select Go or Stop Alarm
α α	Go	Select Alarm Go
α α α α	Stop	Select Alarm Stop
Control	Manual Control	Enter Manual Control menu for relays and analog output 1
α α α α	Automatic	Select Automatic Control of Outputs and Relays
α α α	Manual	Select Manual Control of Outputs and Relays
α α α α 1	Analog Output 1	Select Analog Output 1 for manual control
α α α 1	Relay 1	Select Relay 1-8 for manual control
α α	On	Select On for Relay 1-8
α α α	Off	Select Off for Relay 1-8
Filter	Filter	Enter Filter menu
PV 1	PV 1 Filter	Program Filter Value for PV 1
PV 2	PV 2 Filter	Program Filter Value for PV 2
bypass	Filter Bypass	Enter Filter Bypass menu
PV 1	PV 1 Filter Bypass	Program Filter Bypass Value for PV 1
PV 2	PV 2 Filter Bypass	Program Filter Bypass Value for PV 2
round	Rounding Feature	Enter Rounding Feature menu
1*	1 Rounding Value	Program Rounding Value for PV *(User-selectable & rounds to the nearest 1, 2, 5, 10, 20, 50, 100)
Select	Select	Enter Select menu
Function	Function	Enter data Linearization Function menu
PV 1*	PV 1 Function	*Enter Linearization Function menu for all enabled PVs
Ch C 1*	Ch C1 Function	*Enter Linearization Function menu for all enabled math channels
Linear	Linear	Enter Linear menu
no Pts	Number of Points	Enter Number of Linearization Points
SCALE	Scale	Scale Number of Linearization Points

Advanced Features Menu & Display Messages		
Display	Parameter	Action/Setting
Input 1	Input 1	Scale input 1 signal or program input 1 value
Display 1	Display 1	Program display 1 value
Input 2	Input 2	Scale input 2 signal or program input 2 value (up to 32 points for PV1 & PV2)
Display 2	Display 2	Program display 2 value (up to 32 points for PV1 & PV2)
Square Root	Square Root	Enter Square Root menu
Programmable Exponent	Programmable Exponent	Enter Programmable Exponent menu
Programmable Exponent Value	Programmable Exponent Value	Enter the Programmable Exponent Value
Round Horizontal Tank	Round Horizontal Tank	Enter Round Horizontal Tank menu
Inch	Inch	Enter to calculate tank values in Inches
Centimeters	Centimeters	Enter to calculate tank values in Centimeters
Diameter	Diameter	Enter tank diameter
Length	Length	Enter tank length
Math	Math	Enter Math menu
Channel C1	Channel C1	*Enter Math Channel C1-C4 menu
Operation	Operation	Enter Math Operation menu
Constant	Constant	Enter Math Constant menu
Adder	Adder	Enter Adder Value
Factor	Factor	Enter Factor Value
Sum	Sum	Math Function Sum
Difference	Difference	Math Function Difference
Absolute Difference	Absolute Difference	Math Function Absolute Difference
Average	Average	Math Function Average
Multiply	Multiply	Math Function Multiply
Divide	Divide	Math Function Divide
Max	Max	Math Function Maximum of all selected PVs
Min	Min	Math Function Minimum of all selected PVs
Draw	Draw	Math Function Draw
Weighted Average	Weighted Average	Math Function Weighted Average
Ratio	Ratio	Math Function Ratio
Concentration	Concentration	Math Function Concentration
Math2	Math2	Resultant Math Channel Math operation applied to other math channels (e.g. C3 = C1/C2)
Sum	Sum	Math2 Function Sum
Difference	Difference	Math2 Function Difference

Advanced Features Menu & Display Messages		
Display	Parameter	Action/Setting
Absolute Difference	Absolute Difference	Math2 Function Absolute Difference
Average	Average	Math2 Function Average
Multiply	Multiply	Math2 Function Multiply
Divide	Divide	Math2 Function Divide
Cutoff	Cutoff	Enter Low Flow Cutoff menu
PV 1 Cutoff	PV 1 Cutoff	Program Cutoff Value for PV 1
PV 2 Cutoff	PV 2 Cutoff	Program Cutoff Value for PV 2
Analog Output Program	Analog Output Program	Enter Analog Output Programmable parameters menu
Analog Output 1-3 (If Installed)	Analog Output 1-3	*Analog Output 1-3 (If Installed)
Analog Output Data Source	Analog Output Data Source	Enter Analog Output Data Source menu
Source PV	Source PV	*Select PV for Analog Output Data Source
Source Math Channel	Source Math Channel	*Select C1-4 for Analog Output Data Source
Set Point 1-8	Set Point 1-8	*Select Set Points 1-8
Communications Break	Communications Break	Set analog output value if input loop break is detected
Ignore Break	Ignore Break	Ignore Break
Force Break	Force Break	Force Break
Calibration	Calibration	Enter the Analog Output Calibration menu
Maximum	Maximum	Select Maximum value for all Analog Outputs
Minimum	Minimum	Select Minimum value for all Analog Outputs
Overrange	Overrange	Enter the Analog Output value for an Overrange condition
Underrange	Underrange	Enter the Analog Output value for an Underrange condition
User	User	Enter the User menu for assigning function keys and digital I/O
F1-4	F1-4	*F1-F4 Function Keys
Previous	Previous	Previous PV
Next	Next	Next PV
Scan	Scan	Scan or pause scan
Acknowledge	Acknowledge	Acknowledge relays
Reset	Reset	Enter Reset menu
Reset Max	Reset Max	Reset Maximum
Reset Min	Reset Min	Reset Minimum
Reset Max-Min	Reset Max-Min	Reset Maximum & Minimum
Relay	Relay	Relay menu
Set Points 1-8	Set Points 1-8	Set Points 1-8
Relay Disable	Relay Disable	Relay Disable (all relays)

Noise Filter (F iLtEr)

Most applications do not require changing this parameter. It is intended to help attain a steady display with unsteady (noisy) input data. The field selectable noise filter averages any minor or quick changes in the input data and displays the reading with greater stability. Increasing the filter value will help stabilize the display. However, this will reduce the display response to changes on the input data. The filter level may be set anywhere from 2 to 199. Setting the filter value to zero disables the filter function, and the bypass setting becomes irrelevant. This parameter is associated with the analog input channels PV1 and PV2.



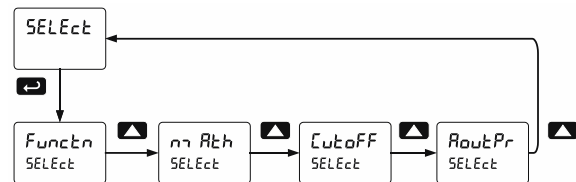
Rounding Feature (r ound)

The rounding feature is used to give the user a steadier display with fluctuating signals. Rounding is used in addition to the filter function.

Rounding causes the display to round to the nearest value according to the rounding criteria selected.

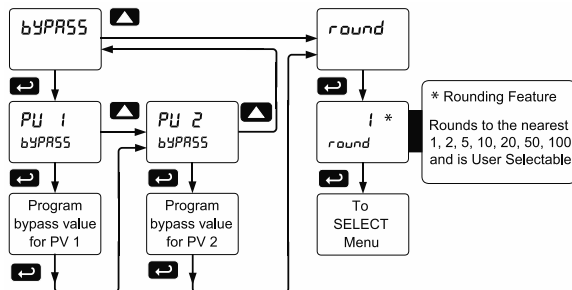
Select Menu (SELEct)

The *Select* menu is used to select the input data linearization function (linear, square root, programmable exponent, or round horizontal tank), math functions, constants, low-flow cutoff, and analog output programming. Multi-point linearization is part of the linear function selection.



Noise Filter Bypass (bYPASS)

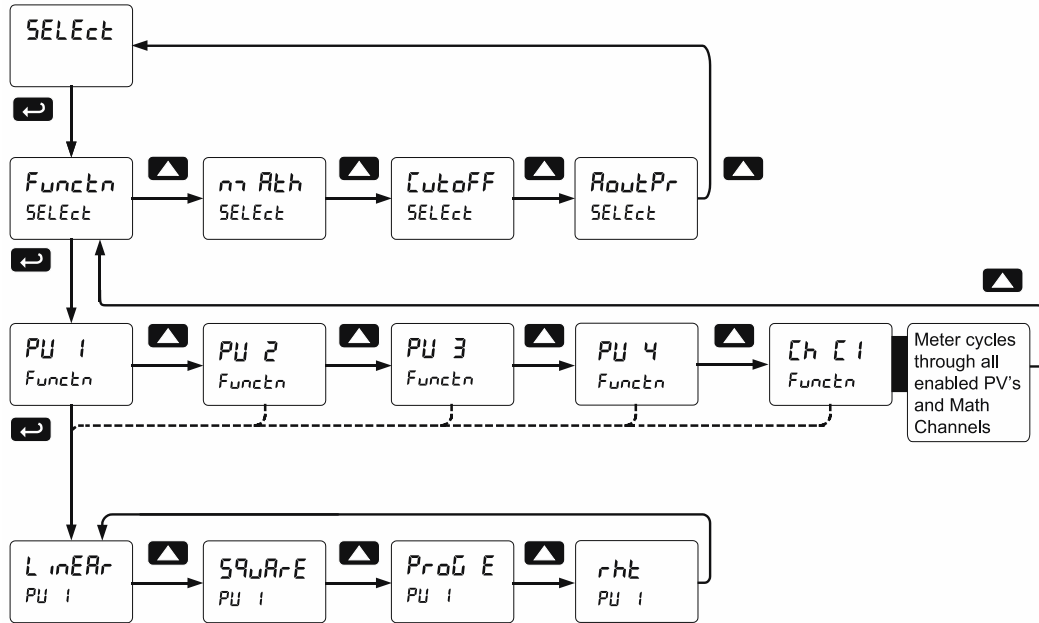
The scanner can be programmed to filter small input changes, but allow larger input changes to be displayed immediately, by setting the bypass value accordingly. If the input signal goes beyond the bypass value, it will be displayed immediately with no averaging done on it. The noise filter bypass value may be set anywhere from 0.2 to 99.9. Increasing the bypass value may slow down the display response to changes on the input signal.



* Rounding Feature
Rounds to the nearest
1, 2, 5, 10, 20, 50, 100
and is User Selectable

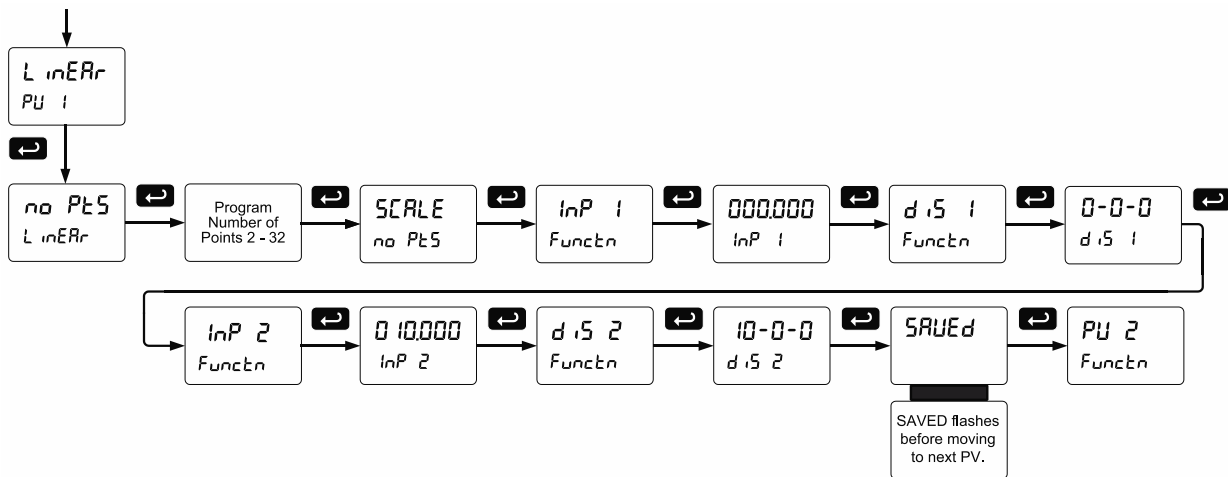
Input Data Conditioning Function Menu (FuncTn)

The *Function* menu is used to select the input-to-output transfer function applied to the input data: linear, square root, programmable exponent, or round horizontal tank volume calculation. Multi-point linearization (for PV1 and PV2) is part of the linear function selection. Scanners are set up at the factory for linear function with 2-point linearization. The linear function provides a display that is linear with respect to the input data (e.g 0.000 = 0.000, 10.000 = 10.000, and then 5.000 = 5.000).



Linear Function Menu (L inERr)

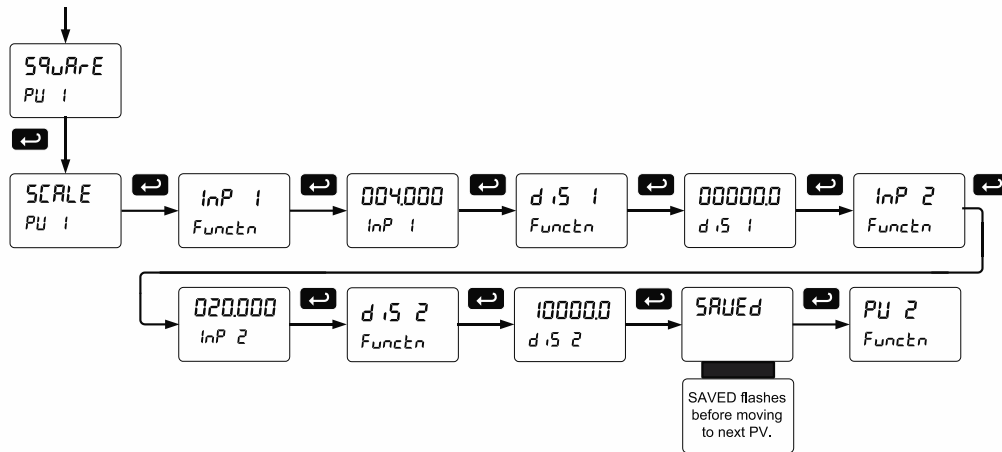
Scanners are set up at the factory for linear function with 2-point linearization. Up to 32 linearization points can be selected for PV1 and PV2 under the *Linear* function in the *Advanced Features* menu. The multi-point linearization can be used to linearize the display for non-linear signals such as those from level transmitters used to measure volume in odd-shaped tanks or to convert level to flow using weirs and flumes with complex exponents.



Note: Multi-point Linearization applies to PV1 and PV2 only. All other PVs use two linearization points.

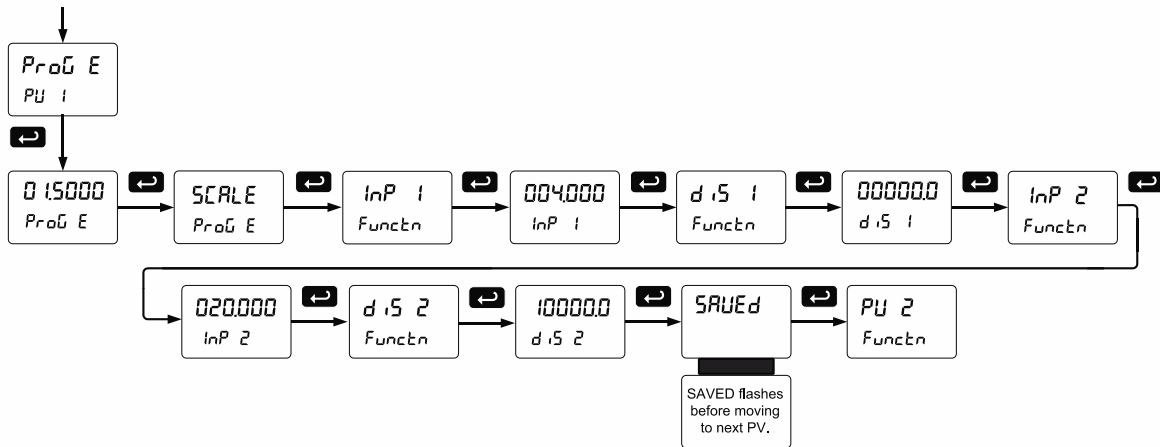
Square Root Function Menu (SQURrE)

The square root function is used to calculate flow measured with a differential pressure transmitter. The flow rate is proportional to the square root of the differential pressure. Scale the scanner so that the low input signal (e.g. 4 mA) is equal to zero flow and the high input signal (e.g. 20 mA) is equal to the maximum flow.



Programmable Exponent Function Menu (ProG E)

The programmable exponent function is used to calculate open-channel flow measured with a level transmitter in weirs and flumes. The flow rate is proportional to the head height. Scale the scanner so that the low input signal (e.g. 4 mA) is equal to zero flow and the high input signal (e.g. 20 mA) is equal to the maximum flow. This method works well for all weirs and flumes that have a simple exponent in the flow calculation formula. For weirs and flumes with complex exponents it is necessary to use a strapping table and the 32-point linearization of the scanner.



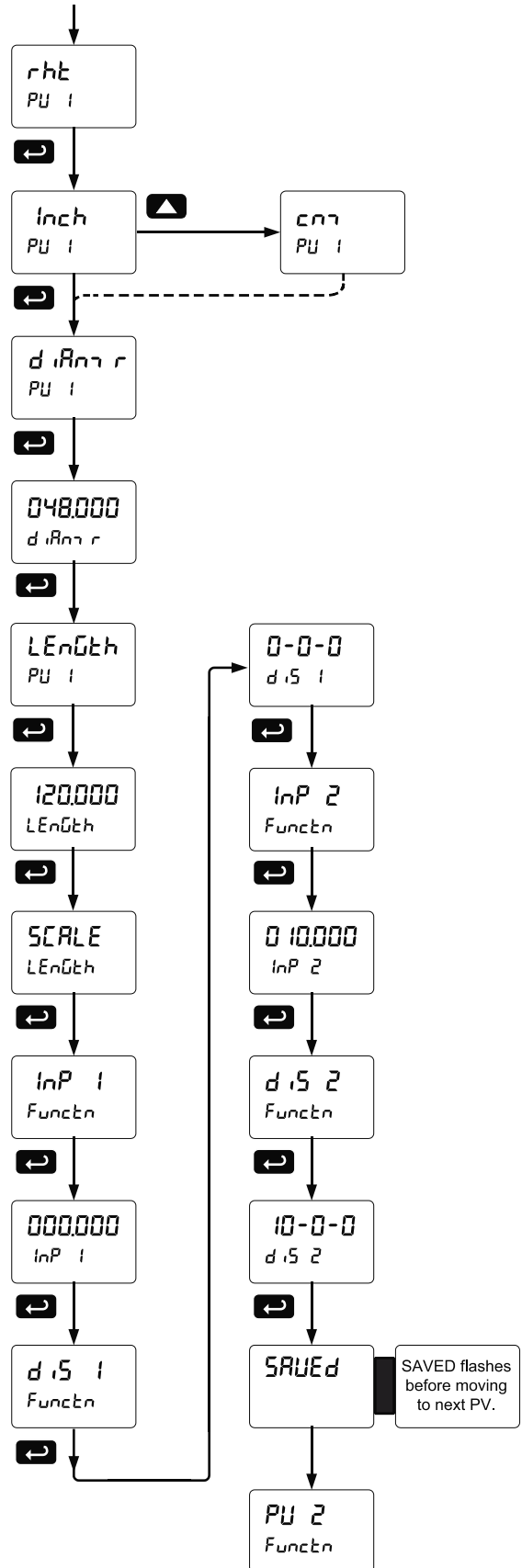
Round Horizontal Tank Function Menu (rht)

This function is used to calculate volume in a round horizontal tank with flat ends. The volume is calculated based on the diameter and length of the tank. The tank's dimensions can be entered in inches or centimeters; the scanner automatically calculates the volume in gallons or liters. After entering the dimensions, complete the scaling process with the display values calculated by the scanner. The scanner can be re-scaled to display the volume in any engineering unit without the need to re-enter the dimensions again.

Changing the Volume from Gallons to Liters

In the graphic, entering the 48" for the diameter and 120" for the length of the round horizontal tank, the scanner automatically calculates that the volume of the tank is 940.02 gallons.

1. Convert gallons to liters
 1 US gallon = 3.7854 L
 940.02 gal = 3558.4 L
 2. Go to the *Setup - PV - Decimal Point* menu and change the decimal point to 1 decimal.
 3. Go to the *Setup - PV - Scale* menu and press Enter until d.5 2 is shown on display line 1.
 4. Press Enter and change the display 2 value to 3558.4.
 5. The scanner is now displaying the volume in liters.
- Note: The display can be scaled to display the volume in any engineering units.*



Math Functions (ጠጥቂ)

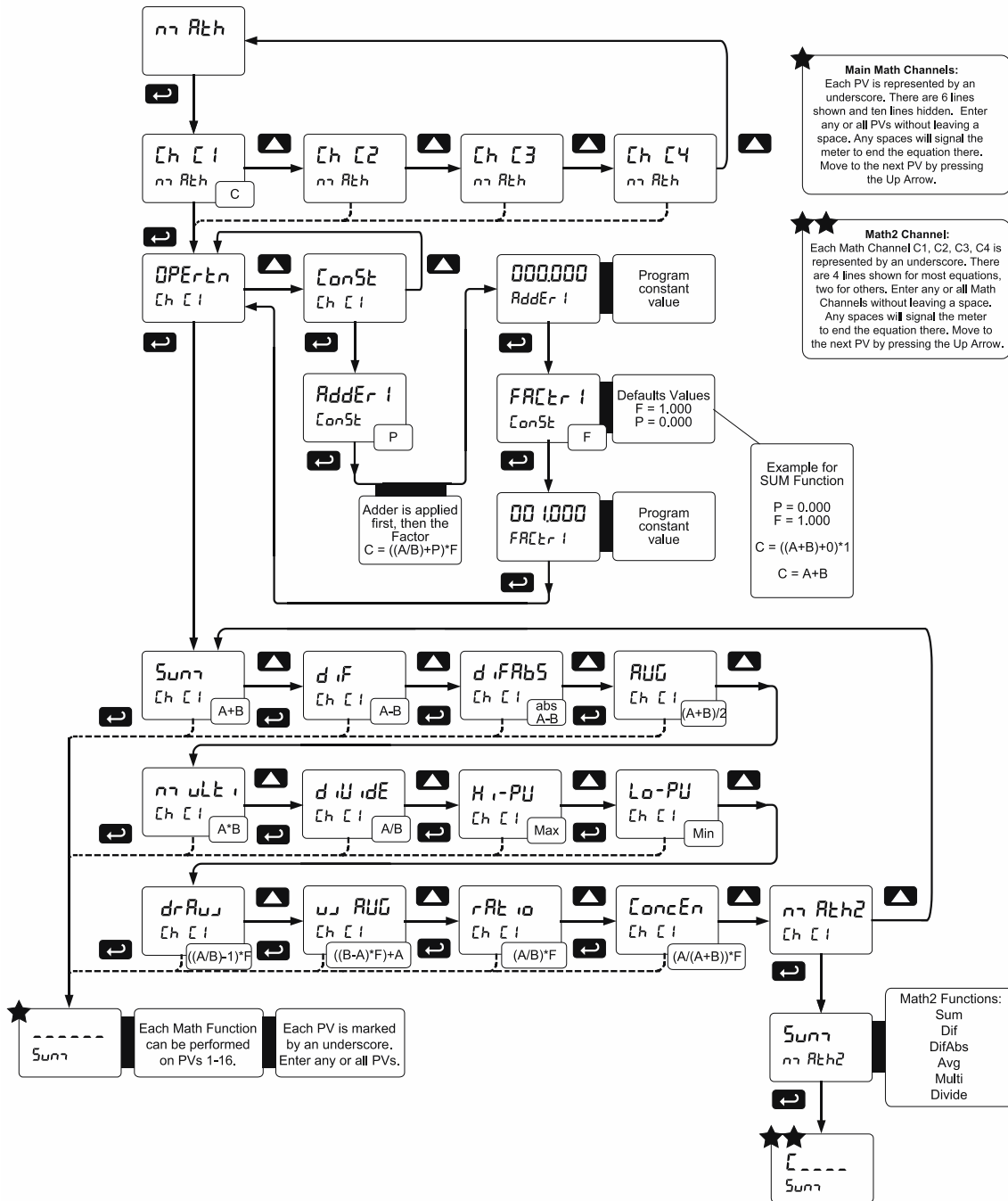
The *Math* menu is used to select the math function that will determine the channels' C1-C4 value. These math functions are applied to PVs and other math channels. The results are displayed by selecting Display Channel C (ፈ ረከ ረ) in the *Display* menu. Most math functions may be applied to all PVs: For example, it is possible to add up to 16 PVs and calculate the total volume of all the tanks in a field. The Math2 function allows for further calculations on the results of other math channels (e.g. C4 = C2/C1). The following math functions are available:

Name	Math Operation (Examples) (P = Adder, F = Factor)	Setting
Addition	$(PV1+PV2+P)*F$	ፍጠጥ
Difference	$(PV1-PV2+P)*F$	ፈ ረከ ረ
Absolute difference	$((Abs(PV1- PV2)+P)*F$	ፈ ረከ ረፍ
Average	$((PV1+PV2)/2+P)*F$	ጸህፍ
Multiplication	$((PV1*PV2)+P)*F$	ጠጥቂ ረከ ረ
Division	$((PV1/PV2)+P)*F$	ፈ ረከ ረፈ
Max PV	Max value of all selected PVs	ጠጥቂ ረከ ረ
Min PV	Min value of all selected PVs	ፈ ረከ ረፍ
Draw	$((PV1/PV2)-1)*F$	ፈ ረከ ረፍ
Weighted average	$((PV2-PV1)*F)+PV1$	ፈ ረከ ረፍ
Ratio	$(PV1/PV2)*F$	ጠጥቂ ረከ ረ
Concentration	$(PV1/(PV1+PV2))*F$	ፈ ረከ ረፍ
Math 2	Math on other math channels	ጠጥቂ ረከ ረ
Addition	$C3 = (C1+C2+P)*F$	ፍጠጥ
Difference	$C4 = (C1-C2+P)*F$	ፈ ረከ ረ
Absolute difference	$C3 = ((Abs(C1- C2)+P)*F$	ፈ ረከ ረፍ
Average	$C4 = (((C1+C2)/2)+P)*F$	ጸህፍ
Multiplication	$C3 = ((C1*C2)+P)*F$	ጠጥቂ ረከ ረ
Division	$C4 = ((C1/C2)+P)*F$	ፈ ረከ ረፈ

Math Constants (ፈ ረከ ረ)

The *Math Constants* menu is used to set the constants used in the math channel. The math functions include the selected PVs, as well as the constants P (Adder) and the Factor F (Multiplier) as indicated in the above examples. The *Adder* constant (P) may be set from -99.999 to 999.999. The *Factor* constant (F) may be set from 0.001 to 999.999. The above chart details the math functions that may be selected in the *Math Function* menu.

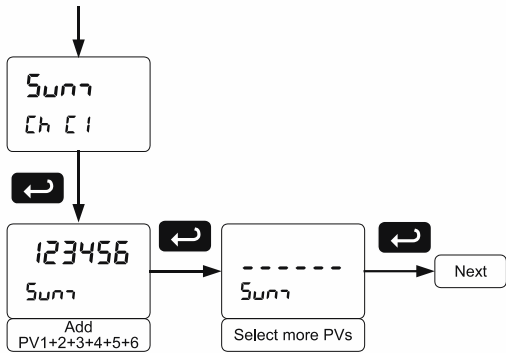
Math Function Menu (ܢܪܪܬܗ)



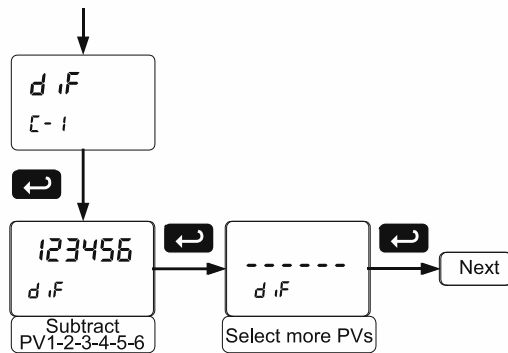
Notes:

1. In the above menu, "A" & "B" in equations can represent any PVs (PV1-PV16). See table above.
2. Each digit represents one PV in hexadecimal format, except PV16 (G).
3. PV1 – PV9 = 1 - 9, PV10 – PV16 = A – G
4. No PV selected = "underscore symbol"
5. Digit range: 1-G, then "_"
6. If there is an empty digit, the scanner will end the equation at that point.
7. For Math2 Channel, "C" is fixed, indicating which Math Channels are being processed.
8. Please refer to the following graphics for details on various Math Functions:

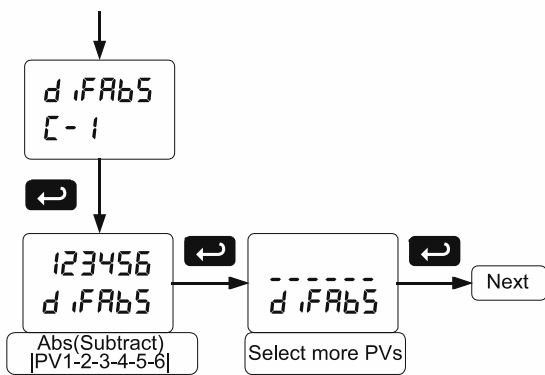
Sum Menu (רִשׁוּם)



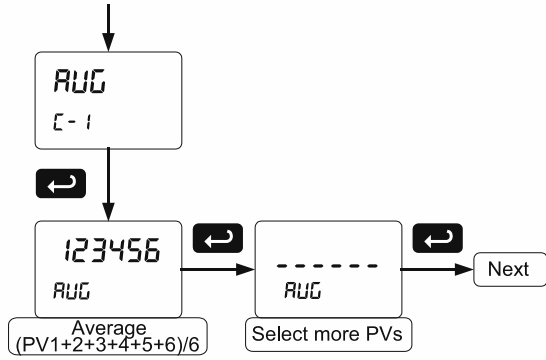
Difference Menu (דִּיפ)



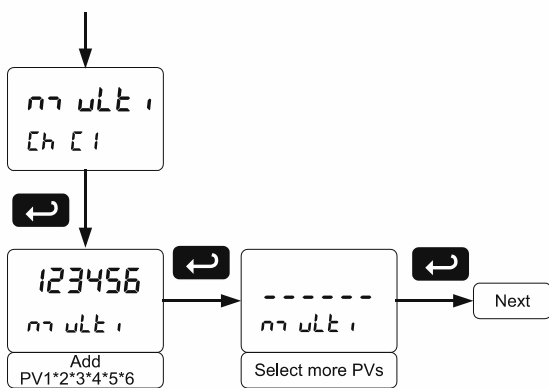
Difference Absolute Menu (דִּיפֶּבֶס)



Average Menu (רִשׁוּם)

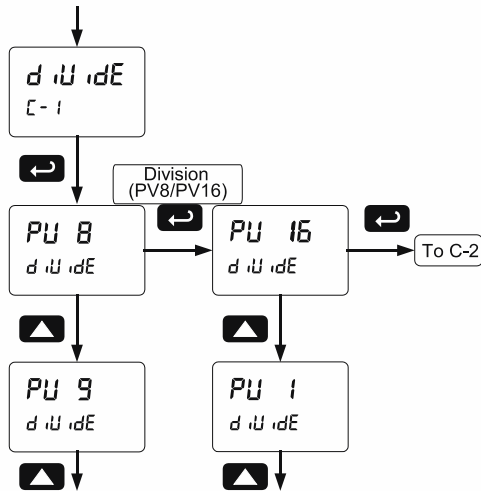


Multiplication Menu (יִלְטָרָה)



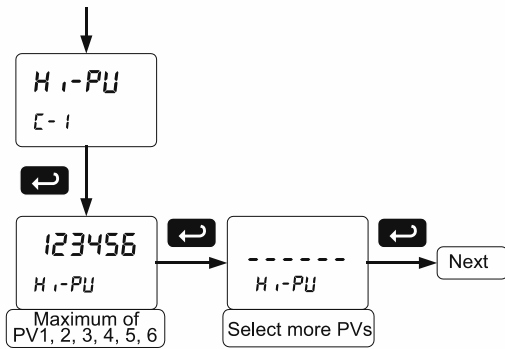
Divide Menu (דִּיבִּיז)

Only two PVs at a time will be used for this function.

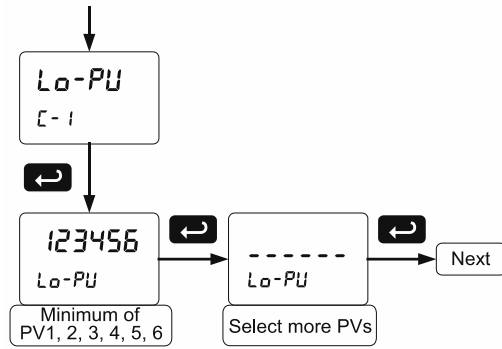


- Notes:
1. Press Up arrow to scroll through PV1 - PV16
 2. The first PV is the dividend and the second PV is the divisor.

Maximum PV Menu (H i -PU)

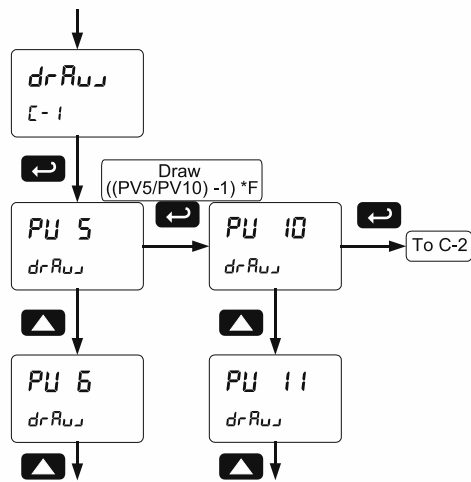


Minimum PV Menu (Lo-PU)



Draw Menu (drRuu)

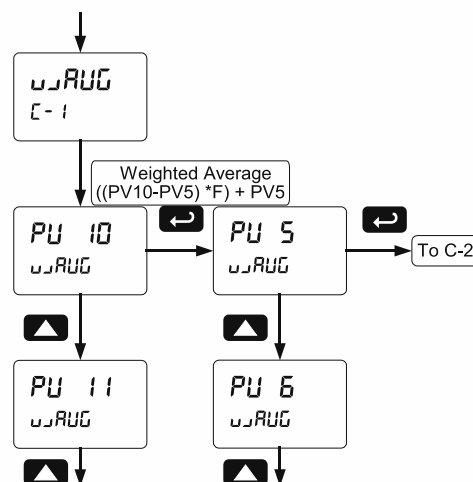
Only two PVs at a time will be used for this function.



- Notes:
1. Press Up arrow to scroll through PV1 - PV16
 2. The first PV is the dividend and the second PV is the divisor.

Weighted Average Menu (uuRUG)

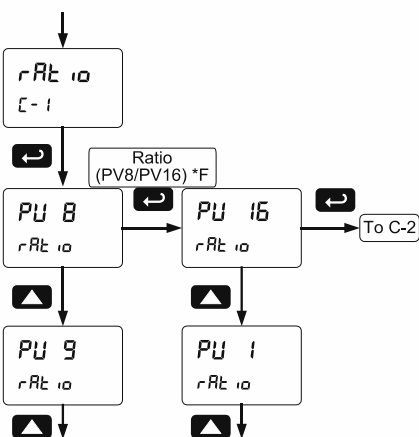
Only two PVs at a time will be used for this function



- Notes:
1. Press Up arrow to scroll through PV1 - PV16
 2. The first PV selected is the first PV in the equation.

Ratio Menu (rRt io)

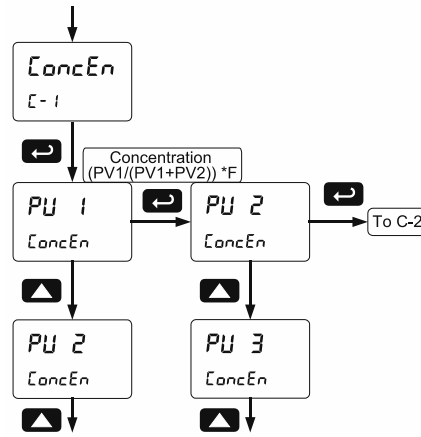
Only two PVs at a time will be used for this function



- Notes:
1. Press Up arrow to scroll through PV1 - PV16
 2. The first PV is the dividend and the second PV is the divisor.

Concentration Menu (ConcEn)

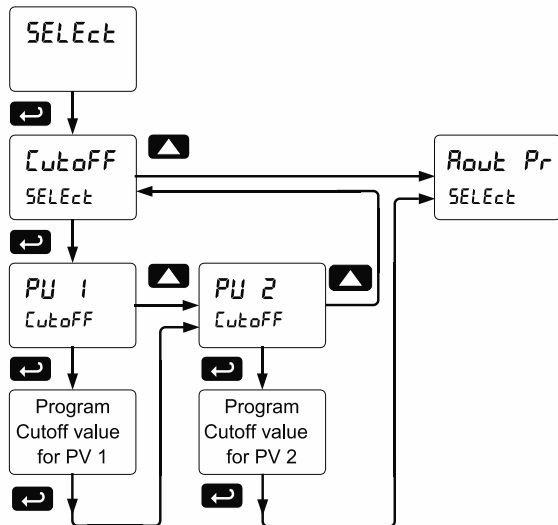
Only two PVs at a time will be used for this function



- Notes:
1. Press Up arrow to scroll through PV1 - PV16
 2. The first PV is the dividend and the Sum of the PVs is the divisor.

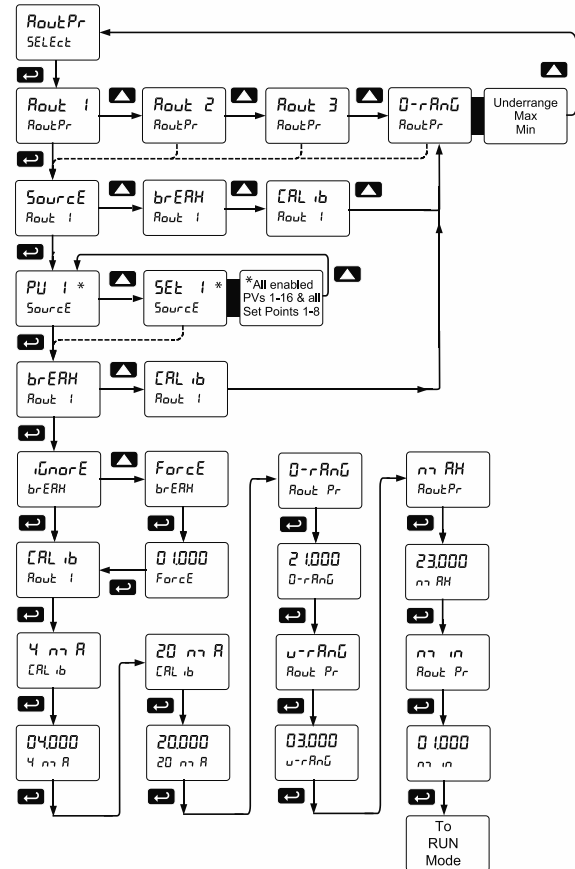
Low-Flow Cutoff (Cutoff)

The low-flow cutoff feature allows the scanner to be programmed so that the often unsteady output from a differential pressure transmitter, at low flow rates, always displays zero on the scanner. The cutoff value may be programmed from 0.1 to 999999. When the input data is below the cutoff value, the scanner will display zero. Programming the cutoff value to zero disables the cutoff feature. The cutoff can be disabled to display negative values.



Analog Output Source Programming (RoutPr)

The 4-20 mA analog outputs can be programmed for source of data, overrange and underrange, absolute maximum and minimum output, and communications break values. They can also be recalibrated.



- To calibrate the analog outputs, follow the graphic above.
- The overrange and underrange values are the values that will be output when the display shows an overrange or underrange condition. This setting is common to all analog outputs.
- The maximum and minimum values are the absolute limits for the 4-20 mA output. This setting is common to all analog outputs.
- The communications break value determines the mA output when a Slave fails to reply to a command within the Response time.

Analog Output Value for Loss of 4-20 mA Input (Loop Break)

The AoutPr - Break menu is used to force the analog output to go to a user-specified mA value if a break condition is detected in the 4-20 mA input loop. Selecting Ignore causes the mA output to go to the minimum value.

Analog Output Calibration

- There is **no need to recalibrate** the 4-20 mA output when first received from the factory.
- The 4-20 mA outputs is **factory calibrated** prior to shipment. The calibration equipment is certified to NIST standards.

The 4-20 mA output can be recalibrated in the field. A calibrated digital meter with an input range of at least 25 mA and a resolution of 1 μ A is recommended.

⚠ CAUTION

- If an uncalibrated meter or a meter with less resolution is used, the calibration of the 4-20 mA output could be adversely affected.

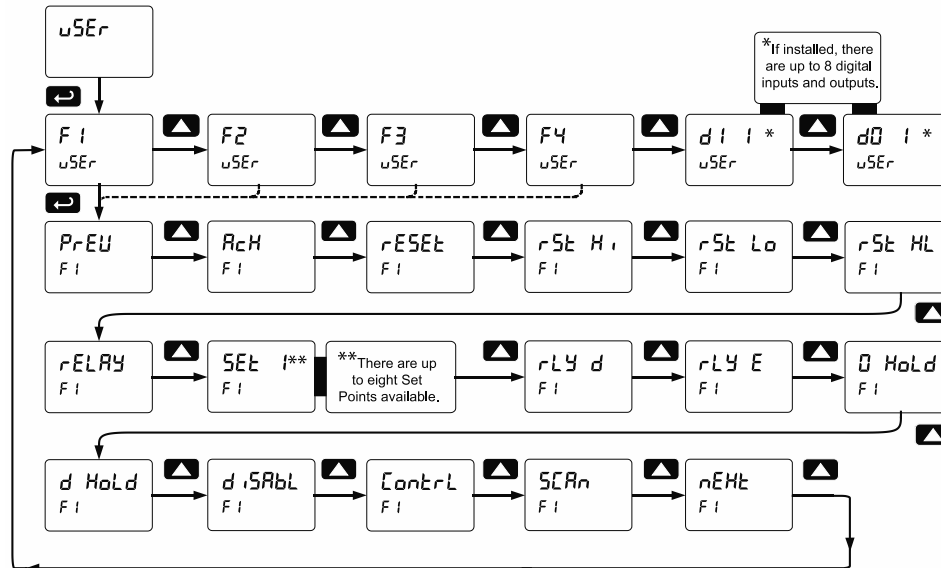
Analog Output Calibration Procedure

1. Wire the PD6080/6081 4-20 mA output to a current loop that includes a power supply (internal or external 12 to 24 VDC), and the mA input on the digital meter. See *Figure 19. 4-20 mA Output Connections* on page 20 for details.
2. Turn on all devices. Allow for a 15 to 30 minute warm-up.
3. Go to the Advanced Features menu and navigate to the Analog Output Programming (RoutPr) → Calibration (LRL 6) menu and press **Enter**.
4. The display will show 4 mA. The PD6080/6081 mA output should now be close to 4 mA. Press **Enter** and the display will show 04.0000. Enter the actual value read by the digital mA meter and press **Enter**.
5. The display will show 20 mA. The PD6080/6081 mA output should now be close to 20 mA. Press **Enter** and the display will show 20.0000. Enter the actual value read by the digital mA meter and press **Enter**.
6. The PD6080/6081 will now calculate the calibration factors and store them.
7. Press **Menu** to exit and return to Run mode.

Programmable Function Keys User Menu (uSEr)

The *User* menu allows the user to assign the front panel function keys F1, F2, and F3, the digital input F4 (a digital input located on the input signal connector), and up to eight additional digital inputs to access most of the menus or to activate certain functions immediately (e.g. reset max & min, hold relay states, etc.). This allows the scanner to be greatly customized for use in specialized applications.

Up to eight digital outputs can be assigned to a number of actions and functions executed by the scanner (i.e. alarms, relay acknowledgement, reset max, min, or max & min, tare, and reset tare). The digital outputs can be used to trigger external alarms or lights to indicate these specific events.

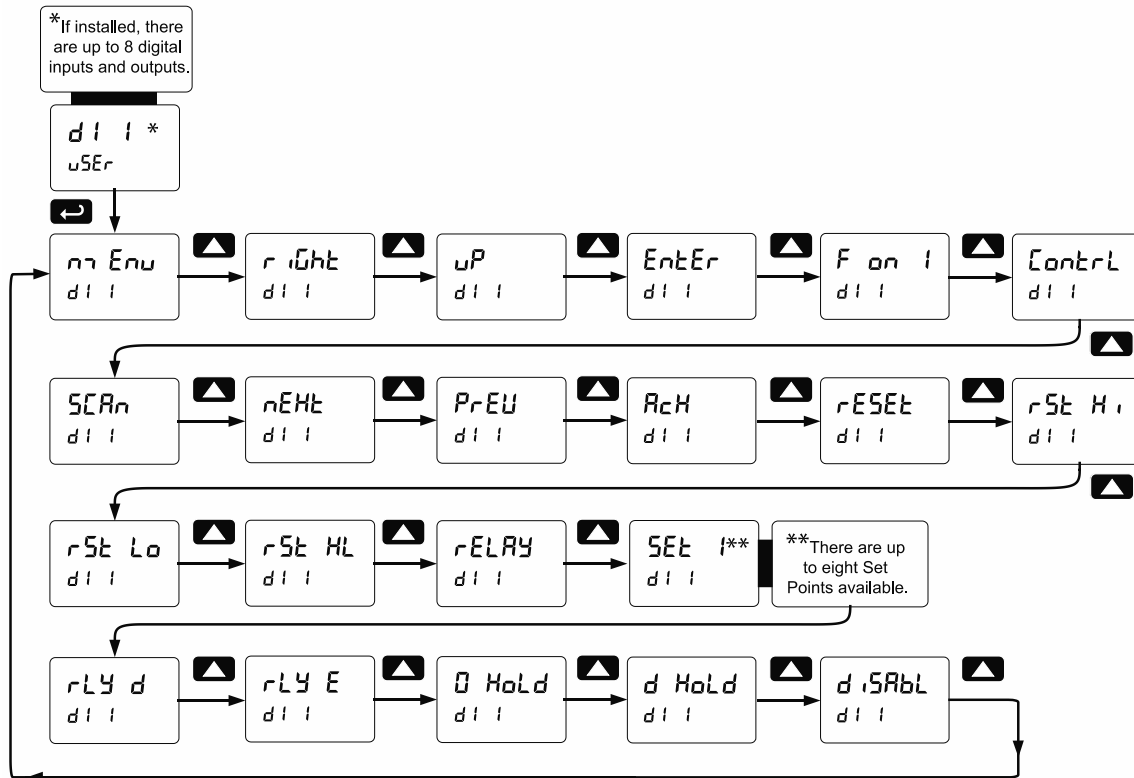


Function Keys & Digital I/O Available Settings

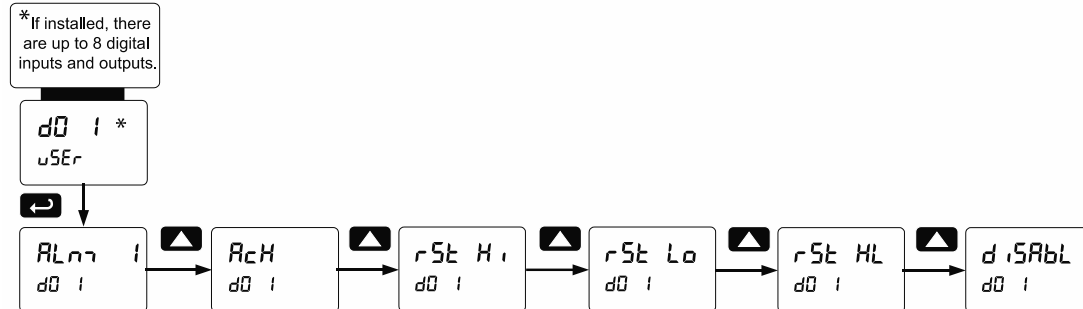
Display	Description
SCAn	Scan through all PVs
nEHt	Skip to the next PV
PrEU	Return to the previous PV
R c H	Acknowledge all active relays that are in a manual operation mode such as auto-manual or latching
rESEt	Directly access the reset menu
rSt H i	Reset the stored maximum display values for all channels
rSt Lo	Reset the stored minimum display values for all channels
rSt H L	Reset the stored maximum & minimum display values for all channels
rELRY	Directly access the relay menu
SEt i*	Directly access the set point menu for relay 1 (*through 8)
rLY d	Disable all relays until a button assigned to <i>enable relays (rLY E)</i> is pressed
rLY E	Enable all relays to function as they have been programmed
O HoLd	Hold current relay states and analog output as they are until a button assigned to <i>enable relays (rLY E)</i> is pressed

Display	Description
d HoLd	Hold the current display value, relay states, and analog output momentarily while the function key or digital input is active. The process value will continue to be calculated in the background.
d ,SRbL	Disable the selected function key or digital I/O
CoNtrL	Directly access the manual control menu
nEHt	Mimic the menu button functionality (digital inputs only)
rLY E	Mimic the right arrow/F1 button functionality (digital inputs only)
uP	Mimic the up arrow/F2 button functionality (digital inputs only)
EntEr	Mimic the enter/F3 button functionality (digital inputs only)
F on i*	Force relay 1 (*through 4) into the on state. This function is used in conjunction with a digital input expansion module to achieve interlock functionality. See page 49 for details about interlock relays.
ALrnn i*	Provide indication when alarm 1 (*through 8) has been triggered (digital outputs only)

Digital Input Menu (d I I)



Digital Output Menu (d O I)

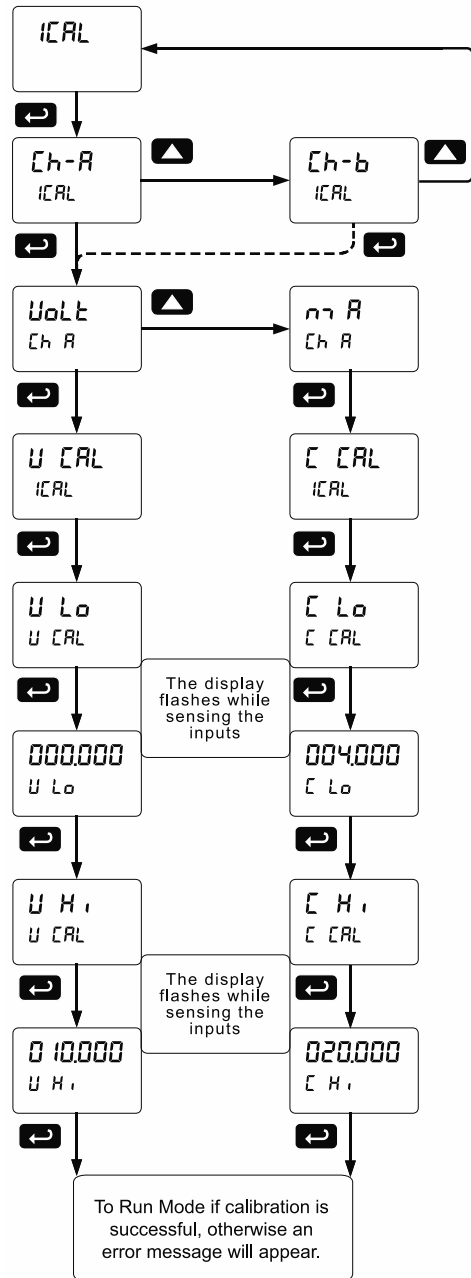


Reset Menu (rESEt)

The Reset menu is used to reset the maximum or minimum reading (peak or valley) reached by the process; both may be reset at the same time by selecting “reset high & low” (rSt HL). This is applied to all PVs and math channels.

Resetting is possible by going into the USER menu, selecting a function key or digital input, pressing ENTER to take you to the next level, then pressing the Up arrow until you arrive at the RESET menu. Press ENTER to assign the RESET menu to the selected function key or digital input. Now, when the scanner is in Run Mode, pressing the selected function key will take you to the RESET menu, where you can scroll through Reset Hi (Max), Reset Lo (Min), and Reset HiLo (Reset Max and Min), choosing what value to reset. You can also select the specific reset function (e.g. Reset HiLo) to the selected digital input or function key.

Input Calibration (ICAL)



Recalibrating the Analog Input Channels (Ch-A & Ch-B)

The analog input channels are calibrated at the factory. If recalibration is needed, follow the flowchart menu above and the instructions below.

1. Enter the ICAL menu to calibrate channel A and channel B.
2. Select mA or Volt
3. Apply the low (4 mA or 0 V) and high (20 mA or 10 V) signals as requested.
4. Press Enter to accept the values entered or press Menu to exit calibration without saving the changes.

Error Message (Error)

An error message indicates that the calibration or scaling process was not successful. After the error message is displayed, the scanner reverts to input 2 during calibration or scaling and to input 1 during internal calibration, allowing the appropriate input signal to be applied or programmed.

The error message might be caused by any of the following:

1. Input signal is not connected to the proper terminals, or it is connected backwards.
2. Minimum input span requirements not maintained.

Input Range	Input 1 & Input 2 Span
4-20 mA	0.15 mA
±10 VDC	0.10 VDC

Troubleshooting

This scanner is a highly sophisticated instrument with an extensive list of features and capabilities. If the front panel buttons are used to program the scanner, it may be a difficult task to keep everything straight. That is why we strongly recommend the use of the free [ScanView](#) software for all programming activities. A cable is provided with the scanner for programming with Scan software.

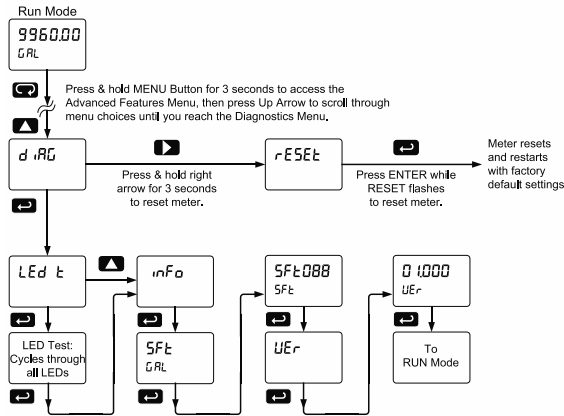
If you have programmed the scanner with the front panel buttons and it is not working as intended, try re-programming the scanner using ScanView software.

Symptom	Check/Action
No display at all	Check power at power connector
Not able to change setup or programming, <code>LoCd</code> is displayed	Scanner is password-protected, enter correct six-digit password to unlock or Master Password of 508655.
Scanner does not respond to input change	If a <i>Low-Flow Cutoff</i> Value has been programmed, the scanner will display zero below that point, regardless of the input – which can appear like the scanner is not responding to an input change. Check to make sure the problem is not being caused by an undesired low-flow cutoff value. To prevent the display from showing a negative value, set the low-flow cutoff to a value greater than zero.
Scanner displays error message during scaling (<code>Error</code>)	Check: Input 2 must greater than Input 1, Input 3 must be greater than Input 2, etc.
Scanner displays 1. 999999 2. -999999	Indicating overrange or underrange condition Check the input data value and scaling in <i>Setup</i> menu
Display stop scanning, ■ LED indicator flashing	Check: 1. Stop on alarm feature has been enabled 2. Press PREV or NEXT to resume scanning
Displays <code>brERRH</code> message	Check: 1. RS-485 connection to slave devices 2. Slave Id, register number of slave devices 3. Baud rate and parity of all devices on the bus 4. Scanner Id must be different from other devices
Snooper mode not reading the PVs on the RS-485 bus	Check: 1. Increase Master's Transmit Delay (e.g. Snooper delay = 100ms, Master delay = 110ms) 2. Increase Snooper's byte-to-byte timeout 3. Decrease the slave device's transmit delay to <10ms 4. Snooper cannot read the same PV twice, check setup
Scanner experiencing faults and communication breaks	Check: 1. Increase response time (<code>trESP</code>) and/or transmit delay (<code>tr dLY</code>). This may require some trial and error, as these are dependent upon the number of devices on the bus. 2. Internal Scan ID Modbus address. Addresses 256 (mA) or 257 (V) are used for Channel A, while Addresses 258 (mA) or 259 (V) are used for Channel B.
Scanner not communicating with ScanView software	Check: 1. Serial adapter and cable 2. Serial settings 3. Scanner address, baud rate, and transmit delay
Display does not respond to input data, reading a fixed number	Check: Display assignment, it might be displaying max/ min
Display reading is not accurate	Check: 1. PV Scaling 2. Check format selected: Dec or Ft&In
Relay operation is reversed	Check: 1. Fail-safe in <i>Setup</i> menu 2. Wiring of relay contacts
Relay and status LED do not respond to signal	Check: 1. Relay action in <i>Setup</i> menu 2. Set and reset points
Flashing relay status LEDs	Relays in manual control mode or relay interlock switches opened.
If the display locks up or the scanner does not respond at all	Cycle the power to reboot the microprocessor.
Other symptoms not described above	Call Technical Support for assistance.

Note: Certain sequences of events can cause unexpected results. To solve these issues, it is best to start fresh from factory defaults and use the manual as a step by step programming guide, rather than a random approach to programming. To reset the scanner to factory defaults, see Reset Scanner to Factory Defaults on page 70. In addition, for best results, we recommend using the free ScanView software for all programming needs.

Diagnostics Menu (d ,RL)

The *Diagnostics* menu is located in the *Advanced Features* menu, to access *Diagnostics* menu see *Advanced Features Menu* on page 52. This menu allows the user to test the functionality of all the scanner LEDs, check the scanner's software and version information, and erase the ScanView software installation files from the scanner. Press the Enter button to view the settings and the Menu button to exit at any time.



Determining Software Version

To determine the software version of a scanner:

1. Go to the *Diagnostics* menu (d ,RL) and press Enter button.
2. Press Up arrow button and scroll to Information menu (inFo).
3. Press Enter to access the software number (5Ft) and version (UER) information. Write down the information as it is displayed. Continue pressing Enter until all the information is displayed.
4. The scanner returns to Run Mode after displaying all the settings.

Reset Scanner to Factory Defaults

When the parameters have been changed in a way that is difficult to determine what's happening, it might be better to start the setup process from the factory defaults.

Instructions to load factory defaults:

1. Enter the *Advanced Features* menu, see *Advanced Features Menu* on page 52.
2. Press Up arrow to go to *Diagnostics* menu
3. Press and hold Right arrow for three seconds, press Enter when display flashes rESEt .
Note: If Enter is not pressed within three seconds, the display returns to Run Mode.
4. The scanner goes through an initialization sequence (similar as on power-up), and loads the factory default settings.

Testing the Display LEDs

To test all LEDs on the display:

1. Go to the *Diagnostics* menu (d ,RL) and press Enter button.
2. Press Up arrow button and scroll to LED Test menu (LED t)
3. Press the Enter button to activate the LED Test. The scanner will cycle through all digits, decimal points, and relay indicators to enable the operator to check that all LEDs are functioning properly.
4. Press the Enter button again to access the Information menu (inFo) or press the Menu button to return to Run Mode.

Scanner Operation

The PD6080/6081 scanner is capable of operating as a Modbus Master, Slave or Snooper. As a Slave, the PD6080/6081 requires connection to a Master device: PLC, DCS, etc. As a Master, the PD6080/6081 interfaces up to sixteen slave devices and can alternately display their Process Variables. As a Snooper it can be connected anywhere in the RS-485 bus to read any of the variables being requested by the Master device.





Four math channels (C1-C4) are available to perform operations on any PV or math channel, with adder and factor constants, and display the results. Engineering units or tags may be displayed with all PVs or math channels. Another level of Math functions can be performed on the resultant math channel Math2. For example, the operator can use the Math2 Channel to calculate the Sum of all other Math Channels, which may have each performed a different Math function.

The dual-line display can be customized by the user. Typically, the upper display is used to display the PV, while the lower display is used to display the tag for each PV.

Additionally, the scanner can be set up to display any input or math channel on the upper display and alternate between tag & units on the lower display. The relays and analog output can be programmed to operate based on any PV or math channel.

The scanner is capable of accepting two analog input channels (A and B) of either current (0-20 mA, 4-20 mA) or voltage signals (0-5 V, 1-5 V, 0-10 V, ± 10 V) and displaying these signals in engineering units from -99999 to 999999 (e.g. a 4-20 mA signal could be displayed as -50.000 to 50.000). The analog input channels must be mapped to PVs using the Slave IDs 256-259.

Front Panel Buttons Operation

Button Symbol	Description
	Press to enter, exit Programming Mode, or exit max/min readings
	Press to move to the previous PV or math channel
	Press to move to the next PV or math channel
	Press once to pause scanning, press again to resume scanning

Function Keys Operation

During operation, the programmable function keys operate according to the way they have been programmed in the *Advanced Features – User* menu. See *Programmable Function Keys User Menu (u5Er)* on page 66 for details.

The table above shows the factory default settings for F1, F2, and F3.

F4 Operation

A digital input, F4, is standard on the scanner. This digital input is programmed identically to function keys F1, F2, and F3. The input is triggered with a contact closure to COM, or with an active low signal. During operation, F4 operates according to the way it has been programmed in the *Advanced Features – User* menu. See *Programmable Function Keys User Menu (u5Er)* on page 66 for details.

Maximum/Minimum Readings

The max & min readings (peak & valley) reached by the PVs or math channels can be displayed by assigning the display to max/min through the *Display Setup* menu.

A digital input should be programmed to reset the max & min readings.

Factory Defaults & User Settings

The following table shows the factory setting for most of the programmable parameters on the scanner.

Factory Defaults & User Settings		
Parameter	Display	Default Setting
Mode	ጠገገገ	Master
Function Code	ፍጠፍገገ	03
PV Number	ፆፆፆፆፆፆ	PV1-PV4 Enabled
Slave ID PV1-16	ፆፆፆፆ ፆፆ	001 - 016
Register Number PV1-16	ፆፆፆፆፆፆ	40001
Data Type PV1-16	ፆፆፆፆፆ	Float
Byte Order	ፆፆፆፆ	Big-endian
Polling Time	ፆፆፆፆፆፆ	5.0 second
Slave Response Timeout	ፆፆፆፆፆፆ	10.0 second
Serial	ፆፆፆፆፆፆ	
Scanner ID	ፆፆፆፆ ፆፆ	246
Baud	ፆፆፆፆ	9600
Parity	ፆፆፆፆፆፆ	Even
Byte-to-byte timeout	ፆፆፆፆፆፆ	0.01 second
Setup	ፆፆፆፆፆፆ	
Tag PV1-16	ፆፆፆፆ ፆፆፆፆ	PV 1 – PV 16
Units PV1-16	ፆፆፆፆፆፆ ፆፆፆፆ	FEET
Units C1-4	ፆፆፆፆፆፆ ፆፆፆፆ ፆፆፆፆ	UnitC1 – UnitC4
Display Format PV1-16	ፆፆፆፆፆፆ ፆፆፆፆ	Dec (PD6080) Ft-In-16 (PD6081)
Display Format C1-4	ፆፆፆፆፆፆ ፆፆፆፆ ፆፆፆፆ	Decimal
Display decimal point	ፆፆፆፆፆፆፆፆ	ddd.ddd
Float decimal point	ፆፆፆፆፆፆፆፆ	ddd.ddd
Number of points	ፆፆ ፆፆፆፆ	2 (all PVs and C channels)
Scaling	ፆፆፆፆፆፆ ፆፆፆፆ	All
Input 1	ፆፆፆፆ ፆፆ	0.000
Display 1	ፆፆፆፆ ፆፆ	0.000
Input 2	ፆፆፆፆ ፆፆ	10.000
Display 2	ፆፆፆፆ ፆፆ	10.000
Math, channel C1-4	ፆፆፆፆ	Sum
Adder (constant P)	ፆፆፆፆፆፆ	0.000
Factor (constant F)	ፆፆፆፆፆፆ	1.000

Factory Defaults & User Settings		
Parameter	Display	Default Setting
Filter	ፆፆፆፆፆፆ	
Filter, PV 1	ፆፆፆፆ	70
Filter, PV 2	ፆፆፆፆ	70
Bypass, PV 1	ፆፆፆፆፆፆፆፆ	0.2
Bypass, PV 2	ፆፆፆፆፆፆፆፆ	0.2
Round	ፆፆፆፆፆፆ	1
Cutoff	ፆፆፆፆፆፆፆፆ	
Cutoff value, PV 1	ፆፆፆፆ	0.0 (disabled)
Cutoff value, PV 2	ፆፆፆፆ	0.0 (disabled)
Display assignment	ፆፆፆፆፆፆፆፆ	
Line 1	ፆፆ ፆፆፆፆ	Display PV
Line 2	ፆፆ ፆፆፆፆ	Display tag
Display intensity	ፆፆፆፆፆፆ	6
Relay 1 assignment	ፆፆ ፆፆ	PV 1
Relay 1 action	ፆፆፆፆ ፆፆ	Automatic
Relay 1 set point	ፆፆፆፆ ፆፆ	1.000
Relay 1 reset point	ፆፆፆፆ ፆፆ	0.500
Relay 2 assignment	ፆፆ ፆፆ	PV 2
Relay 2 action	ፆፆፆፆ ፆፆ	Automatic
Relay 2 set point	ፆፆፆፆ ፆፆ	2.000
Relay 2 reset point	ፆፆፆፆ ፆፆ	1.500
Relay 3 assignment	ፆፆ ፆፆ	PV 3
Relay 3 action	ፆፆፆፆ ፆፆ	Automatic
Relay 3 set point	ፆፆፆፆ ፆፆ	3.000
Relay 3 reset point	ፆፆፆፆ ፆፆ	2.500
Relay 4 assignment	ፆፆ ፆፆ	PV 4
Relay 4 action	ፆፆፆፆ ፆፆ	Automatic
Relay 4 set point	ፆፆፆፆ ፆፆ	4.000
Relay 4 reset point	ፆፆፆፆ ፆፆ	3.500
Fail-safe relay 1	ፆፆፆፆ ፆፆ	Off
Fail-safe relay 2	ፆፆፆፆ ፆፆ	Off
Fail-safe relay 3	ፆፆፆፆ ፆፆ	Off
Fail-safe relay 4	ፆፆፆፆ ፆፆ	Off
On delay relay 1	ፆፆ ፆፆ	0.0 sec
Off delay relay 1	ፆፆፆፆ ፆፆ	0.0 sec
On delay relay 2	ፆፆ ፆፆ	0.0 sec
Off delay relay 2	ፆፆፆፆ ፆፆ	0.0 sec
On delay relay 3	ፆፆ ፆፆ	0.0 sec
Off delay relay 3	ፆፆፆፆ ፆፆ	0.0 sec
On delay relay 4	ፆፆ ፆፆ	0.0 sec
Off delay relay 4	ፆፆፆፆ ፆፆ	0.0 sec

Factory Defaults & User Settings		
Parameter	Display	Default Setting
Communications break relay 1	0n	On
Communications break relay 2	0n	On
Communications break relay 3	0n	On
Communications break relay 4	0n	On
Display 1 analog output	d 1 1	00.00.00
Output 1 value	0ut 1	4.000 mA
Display 2 analog output	d 1 2	20.00.00
Output 2 value	0ut 2	20.000 mA
Source analog output	Source	PV 1
Overrange output	0-r RnG	21.000 mA
Underrange output	u-r RnG	3.000 mA
Communications break output	brEAK	1.000 mA
Maximum output	0rRk	23.000 mA
Minimum output	0rRn	1.000 mA
F1 function key	F 1	Previous PV
F2 function key	F 2	Next PV
F3 function key	F 3	Scan/Pause
F4 function (digital input)	F 4	Acknowledge relays
Digital input 1	d 1 1	Menu
Digital input 2	d 1 2	Right arrow
Digital input 3	d 1 3	Up arrow
Digital input 4	d 1 4	Enter
Digital output 1	d 0 1	Alarm 1
Digital output 2	d 0 2	Alarm 2
Digital output 3	d 0 3	Alarm 3
Digital output 4	d 0 4	Alarm 4
Password 1	PR55 1	000000 (unlocked)
Password 2	PR55 2	000000 (unlocked)
Password 3	PR55 3	000000 (unlocked)

Contact Precision Digital

Technical Support

Call: (800) 610-5239 or (508) 655-7300

Fax: (508) 655-8990

Email: support@predig.com

Sales Support

Call: (800) 343-1001 or (508) 655-7300

Fax: (508) 655-8990

Email: sales@predig.com

Place Orders

Email: orders@predig.com

For the latest version of this manual please visit

www.predig.com

PRECISION DIGITAL CORPORATION

233 South Street • Hopkinton MA 01748 USA

Tel (800) 343-1001 • Fax (508) 655-8990

www.predig.com

