

# Eaton Flex and Basic ePDU



## Intelligent Power Distribution

Maximise and Manage your rack power

Eaton®'s FlexPDUs are designed to increase power distribution from a single UPS and provide more flexibility. The Flex products have a detachable input cord, which allow the units to be mounted in close proximity to a single phase UPS, and provide multiple outlet configurations in a small chassis.

FlexPDUs are available with IEC or Australian output receptacles, allowing for easy connection to a wide range of equipment.

Eaton's Basic ePDU® line is designed to provide the highest reliability and quality for critical power loads. Built to be light weight and easy to mount, these power distribution units are cost effective solutions to meet all business needs.

The units have durable chassis systems, the vertical models are aluminum and the horizontal models are steel, ensuring strength and integrity. Additionally, these units are stocked for high availability.



Powering Business Worldwide

# Intelligent Power for the Data Centre

Designed for the needs of the modern data centre, these ePDU® configurations are flexible and available with different input configurations and ratings. All versions feature output to C13, C19 or Australian socket outlets.

## Basic ePDU Features

Designed for reliable and cost effective power distribution, Basic ePDUs have the form factor and outlet choices to meet your needs. All ePDUs, including basic ePDUs, are made of rugged aluminium or steel chassis and incorporate fully shrouded circuit breakers and switches.

- Rugged construction
- Data centre grade components
- Multiple mounting options
- Shrouded circuit breakers and switches
- High-density units available to support blade servers and network switches

## Flex PDU

FlexPDUs (Power Distribution Units) are flexible mounting PDU's for easy connection of multiple loads either as free-standing or on rack-mounted UPSs

- Rotatable rack mount brackets allow side mounting and installation flexibility
- High-grade components increase product reliability and fault tolerance

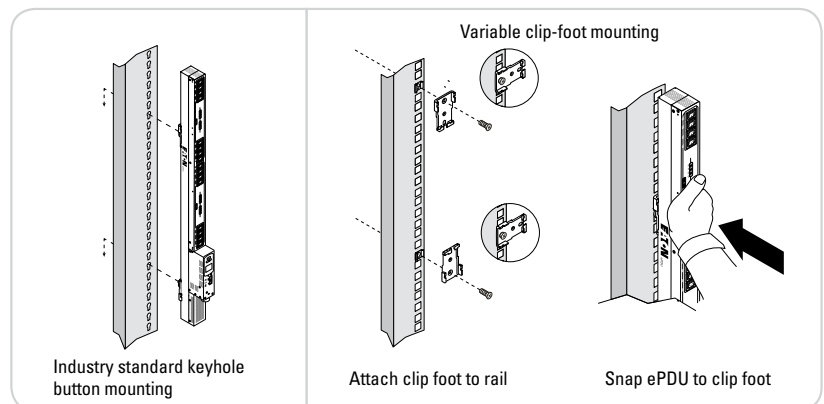
### What's in the box (Basic ePDU):

- ePDU
- Clip-Foot Mounting Brackets
- Keyhole Buttons
- Mounting Screws
- Quick Setup Guide
- Quick Start Guide

| Part Number  | Form Factor | Rating | Input Type    | Outlet Type     | Breakers | Dimensions (WxDxH mm) | Weight (kg) |
|--------------|-------------|--------|---------------|-----------------|----------|-----------------------|-------------|
| ePBZ02       | OU          | 10     | C14           | C13, 12         | -        | 43.4x439x58.5         | 1.4         |
| ePBZ03       | OU          | 16     | C20           | C13, 16         | -        | 47.5x635x59.6         | 1.5         |
| ePBZ04       | 1U          | 16     | C20           | C13,12          | -        | 43.4x439x58.5         | 1.6         |
| ePBZ05       | OU          | 10     | C14           | C13, 16         | -        | 47.5x635x59.6         | 1.4         |
| ePBZ06       | 1U          | 16     | C20           | C13,10: C19,2   | -        | 43.4x439x58.5         | 1.6         |
| ePBZ31       | OU          | 32     | IEC309 32A    | C13, 20: C19, 4 | 2        | 44.5x920.8x50         | 2.7         |
| ePBZ32       | OU          | 16     | IEC309 16A    | C13, 20: C19, 4 | -        | 44.5x768.4x50         | 1.7         |
| ePBZ33       | OU          | 16     | C20           | C13, 20: C19, 4 | -        | 44.5x768.4x50         | 1.6         |
| PW312BA0UC07 | OU          | 16 3Ph | IEC309 16A 3P | C13, 36: C19, 6 | -        | 57x1400x52.3          | 10          |
| PW322BA0UC56 | OU          | 32 3Ph | IEC309 32A 3P | C13, 3: C19, 6  | 6        | 57x1200x115.8         | 10          |
| PW322BA0UC57 | OU          | 32 3Ph | IEC309 32A 3P | C19, 6          | 6        | 57x1135x115.8         | 10          |
| M68438       | OU/1U       | 16A    | C20           | C13, 12         | 1        | 44 x 483 x 80         | 1.6         |
| M68445       | OU/1U       | 16A    | C20           | Aust 3-pin, 6   | 1        | 44 x 483 x 80         | 1.6         |
| M66857       | 2U          | 52A    | Hardwired     | C13,8: C19,4    | 4        | 90 x 483 x 90         | 5           |

| Accessories               |        |
|---------------------------|--------|
| Plug Restraint Cable Tray | KBLT01 |

### Space-saving mounting options — all hardware included



Powering Business Worldwide

Switch ON to Eaton.

#### Eaton Australia

1300 UPS UPS (1300 877 877)  
aupqsales@eaton.com  
www.eaton.com/powerquality

#### Eaton New Zealand

0508 EATON NZ (0508 328 6669)  
www.powerquality.eaton.com  
NZSales@eaton.com