

NetShelter® SX Cable Management

Organize large volumes of cables from networking switches and patch panels



Vertical Cable Management

AR7580 – Vertical Cable Manager for NetShelter SX 750 mm wide

- Fits all 750 mm wide enclosures*
 - Capacity 250 Cat6, 190 Cat6a (.25" - .30" dia) per channel section
 - Mount up to 4 per enclosure
 - 6" durable fingers at 1U increments
 - Cable retainers standard
 - Full covers available
- * Excludes AR3140, AR3340, AR3347 which includes pre-installed vertical cable managers



AR7581 – Hinged Covers for NetShelter SX 750 mm Wide Vertical Cable Manager

- Covers conceal all vertical cable routing
- Covers open left and right
- Snap hinges provide trouble-free access to cables



AR7582 – Replacement Cable Retainers

- Qty. 6 cable retainers with snap hinges

Horizontal Cable Management

AR8602 – Horizontal Cable Manager, 1U Single Side with Cover

- Includes covers with snap hinges for trouble-free access to cables.



AR8600 – Horizontal Cable Manager, 2U Single Side with Cover

- Includes covers with snap hinges for trouble-free access to cables.

AR8603 – High Density Horizontal Cable Manager, 2U Single Side with Cover

- 6-in fingers, rear cable pass-through holes and slots for AR8008BLK/AR8016ABLK cable troughs, and snap on covers



AR8601 – Horizontal Cable Manager, 2U Double Side with Cover

- Includes covers with snap hinges for trouble-free access to cables.

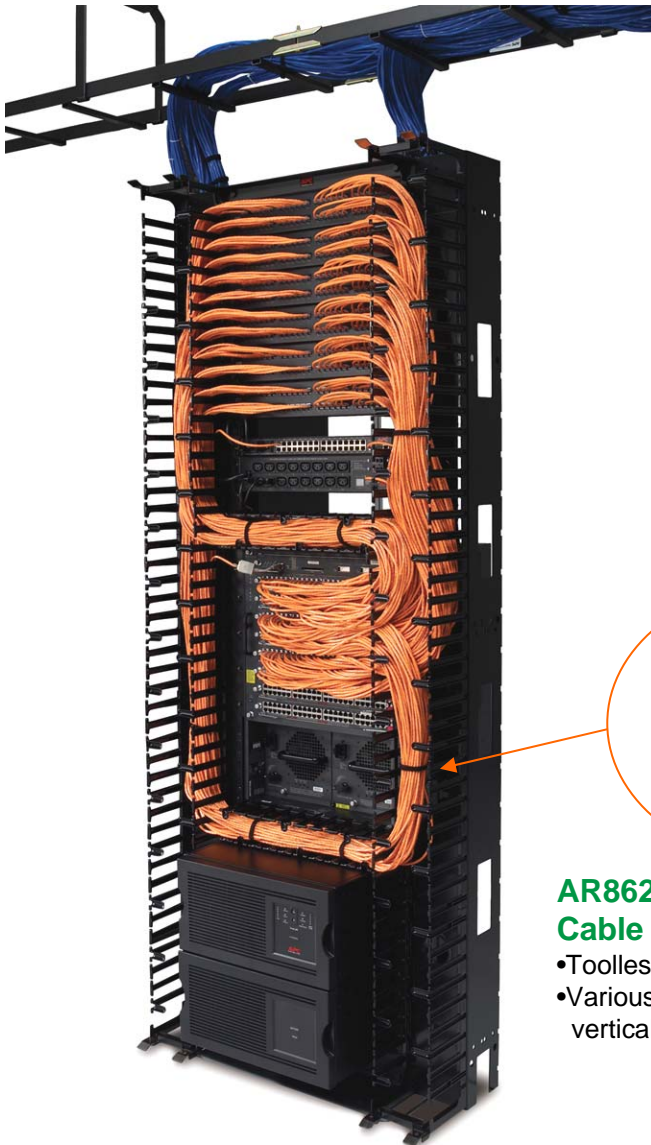


Open Frame Vertical Cable Management

Vertical Cable Managers

AR8650 – 6" Wide or AR8651 – 12" Wide

- Fits two and four post open frame racks
- Double-sided cable channels
- Dual hinge, snap on covers included
- Smooth radius fingers at 1U increments for superior cable protection
- Toolless mounting provided on back panel for new fiber spools and hook and loop fasteners
- Cable Capacity: AR8650 (front) - 370 Cat6, 270 Cat6a
AR8650 (rear) - 510 Cat6, 380 Cat6a
AR8651 (front) - 740 Cat6, 550 Cat6a
AR8651 (rear) - 1030 Cat6, 760 Cat6a



AR8621 – Toolless Hook and Loop Cable Managers

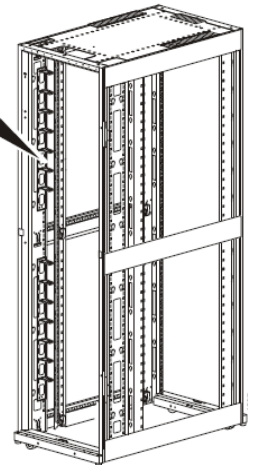
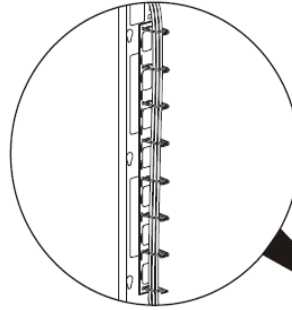
- Toolless for organizing data cable bundles
- Various mounting positions on back panel of vertical cable managers

NetShelter SX Cable Management

Rear Zero U Vertical Cable Managers

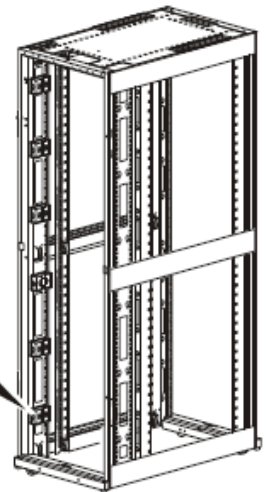
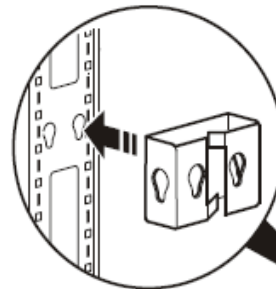
AR8442 – Vertical Cable Organizer 8 Cable Rings, Zero U

- Support 35 to 55 CAT 6/CAT 6a data cables
- Mount toollessly on the rear cable organizer



AR7710 - Cable Containment Brackets with PDU Mounting

- Low profile vertical cable management
- Support 60 to 90 CAT 6/CAT 6a data cables
- Mount toollessly on the rear cable organizer



Horizontal Cable Organizers

AR8425A and AR8426A – 1U and 2U Horizontal Cable Organizers

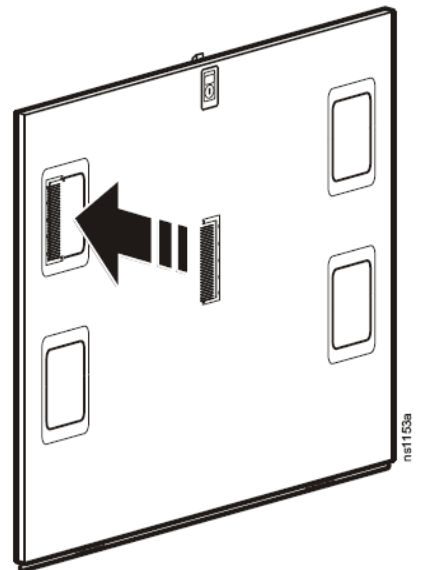
AR8428 – Horizontal Cable Organizer 2U with pass through holes

AR8427 – Horizontal Cable Organizer 2U with cable fingers



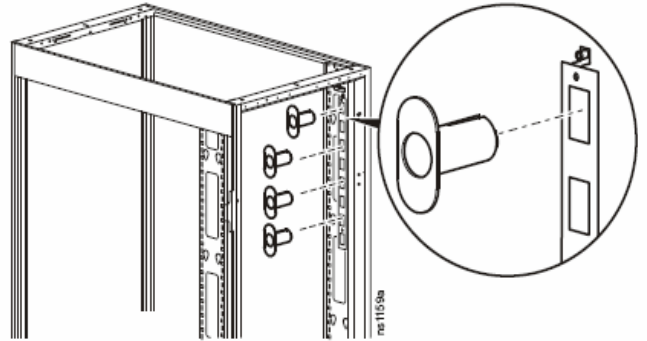
AR7305 - NetShelter SX 42U Pass -Through Side Panels

- Allow pass through to adjacent racks
- Holes contain brushes to control airflow
- Includes two panels



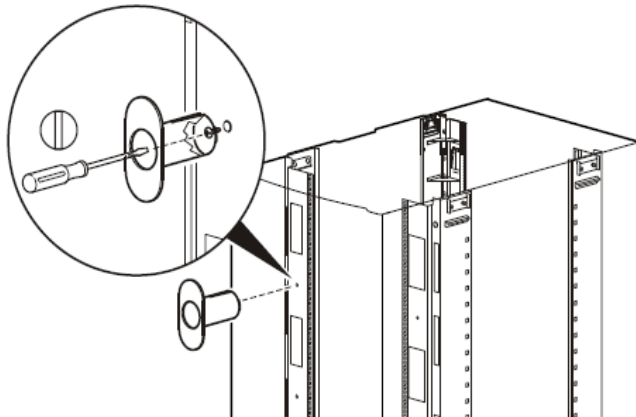
AR8443A - Vertical Fiber Organizer

- Manage fiber within a NetShelter SX enclosure
- Promote proper bend radius of the fiber
- Mitigate any kinking or damaging of the cable
- Includes two organizers and four spools

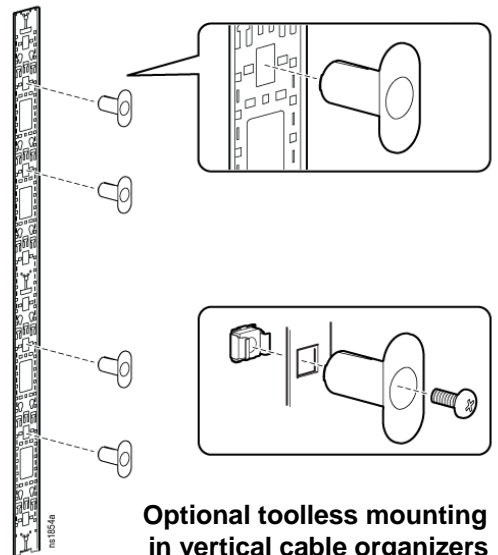


AR8444 - Spools for Vertical Fiber Organizer

- Four plastic spools for fiber management
- Toollessly mount to the vertical cable organizers
- Attach with screws to the mounting rails of 750mm wide enclosures (Excludes AR3140, AR3340, AR3347 which includes pre-installed vertical cable managers)



750-mm Wide Enclosures:
AR3150, AR3157, AR3350, AR3357



Optional toolless mounting
in vertical cable organizers