

# Cortex™-A9

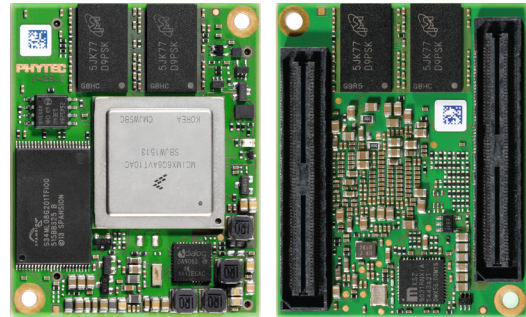
phyCORE®-i.MX 6

phyCORE-i.MX 6,  
i.MX 6Solo, 1 GHz,  
256 MB DDR3 RAM,  
256 MB SLC NAND Flash,  
4kB EEPROM, 1x Ethernet,  
with DSC Technology  
Volume price (10K)  
from **39,-e**

Mit dem phyCORE-i.MX 6 entscheiden Sie sich für das kleinste industrietaugliche i.MX 6 Design am Markt. Die Cortex™-A9 Quadcore Rechenleistung befindet sich auf nur 40 x 50 mm Modulgröße – bereits inklusive PMIC. Das Modul kann wahlweise mit SLC-NAND Flash oder eMMC bestückt werden und ist auch in DSC-Technologie zum direkten Auflöten auf das Basisboard erhältlich.

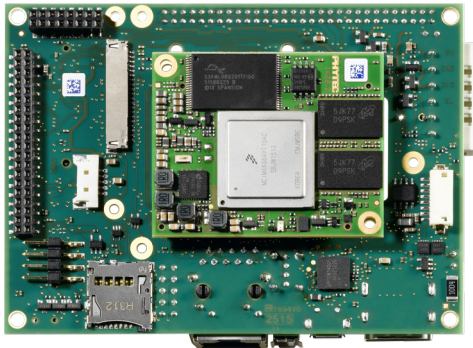
The phyCORE-i.MX 6 module is the smallest industrial-grade i.MX 6 board with this expansion (40 x 50 mm). The module provides up to 2 GB DDR3 RAM, up to 8 GB NAND Flash, PCIe 2.0 and two parallel camera interfaces. It is also available with DSC technology.

- NXP Semiconductor i.MX 6Solo / i.MX 6Dual / i.MX 6Quad with 1x 1.2 GHz / 2x 1.2 GHz / 4x 1.2 GHz
- Smallest i.MX 6 module for industrial use 40 x 50mm
- DDR3 RAM up to 2 GB
- NAND Flash up to 8 GB (SLC or eMMC)
- USB HOST / OTG
- LCD Interface (LVDS)

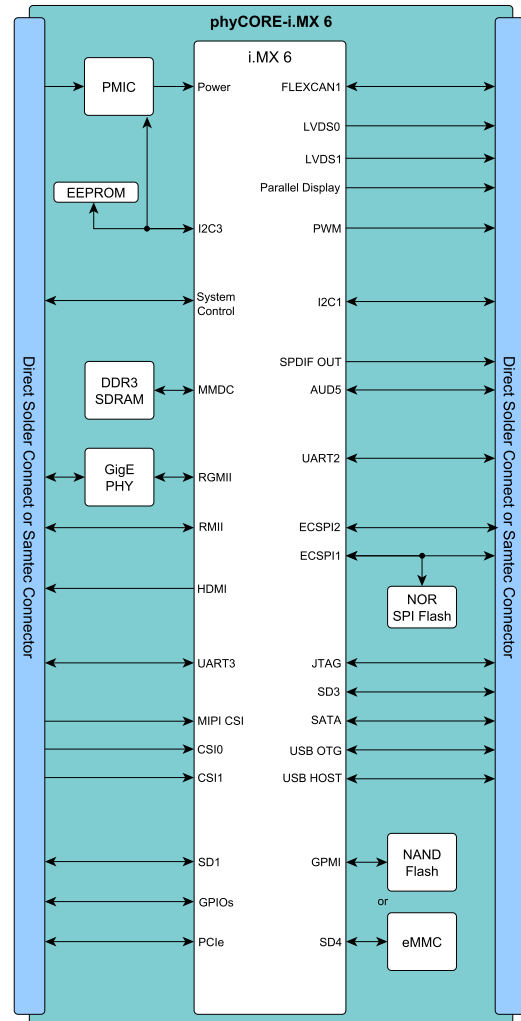
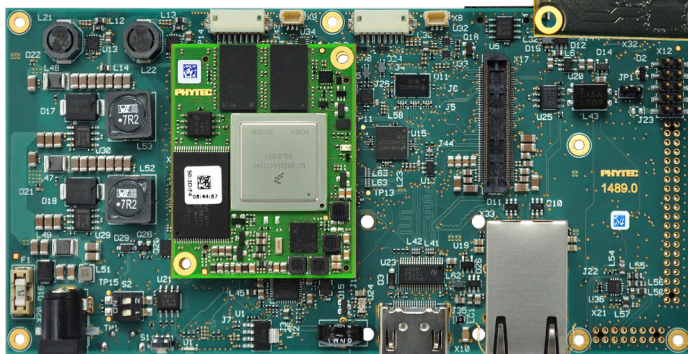
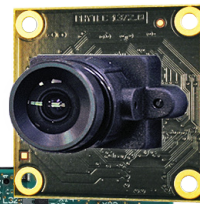


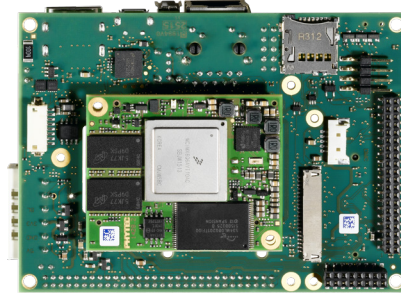
phyBOARD-Mira und phyBOARD-Nunki — unsere besonders für Embedded Imaging geeigneten SBCs.

phyBOARD-Mira and phyBOARD-Nunki — our special Embedded Imaging SBCs.



**NEW** phyBOARD-Nunki





Features / Name	phyCORE-i.MX 6	phyBOARD-Mira Low Cost Kit	phyBOARD-Mira Full Featured Kit	phyBOARD-Mira Camera Kit
Product	Module	Development Kit	Development Kit	Embedded Imaging Kit
Processor	i.MX 6Solo / i.MX 6DualLite / i.MX 6Quad / i.MX 6DualPlus / i.MX 6QuadPlus	i.MX 6Solo	i.MX 6Quad	i.MX 6Quad
Architecture	ARM Cortex-A9	ARM Cortex-A9	ARM Cortex-A9	ARM Cortex-A9
Clock frequency	up to 1x 1.2 GHz / 2x 1.2 GHz / up to 4x 1.2 GHz	1x 1 GHz	4x 1 GHz	4x 1 GHz
<b>MEMORY</b>				
NAND Flash	256 MB...8 GB	512 MB	1 GB	1 GB
NOR Flash	4 MB...16 MB	-	16 MB	16 MB
eMMC	2 GB...64 GB	-	-	-
DDR3 RAM	up to 2 GB	256 MB	1 GB	1 GB
EEPROM	4 kB, 32 kB	4 kB	4 kB	4 kB
<b>INTERFACES</b>				
Ethernet	1x 10/100/1000 Mbit/s	1x 10/100 Mbit/s	1x 10/100/1000 Mbit/s	1x 10/100/1000 Mbit/s
USB	1x Host, 1x OTG	1x Host, 1x OTG	1x Host, 1x OTG	1x Host, 1x OTG
UART	up to 5x	up to 5	up to 5	up to 5
RS232	-	1x	1x	1x
CAN	up to 2x	-	1x	1x
PCIe	1x	-	1x	1x
I <sup>2</sup> C	up to 3x	via Expansion Connector	via Expansion Connector	via Expansion Connector
SPI	up to 5x	via Expansion Connector	via Expansion Connector	via Expansion Connector
MMC/SD/SDIO	up to 2x	microSD Card	microSD Card	microSD Card
Keypad	up to 1x	-	-	-
PWM	up to 4x	via Expansion Connector	via Expansion Connector	via Expansion Connector
A/D	up to 4x	-	-	-
SATA	1x	via Expansion Connector	via Expansion Connector	via Expansion Connector
Expansion Bus	-	I <sup>2</sup> C, 2x SPI, UART, JTAG, SD, SATA	I <sup>2</sup> C, 2x SPI, UART, JTAG, SD, SATA	I <sup>2</sup> C, 2x SPI, UART, JTAG, SD, SATA
LCD	2x LVDS, up to 1x 24 bit parallel	-	LVDS (via optional Display Adapter PEB-AV-02)	LVDS (via optional Display Adapter PEB-AV-02)
Audio	I <sup>2</sup> S	via optional AV-Adapter	via optional AV-Adapter	via optional AV-Adapter
Camera	up to 2x parallel, CSI	-	up to 1x parallel, CSI	up to 2x parallel, CSI, Camera module and lens included
HDMI	-	via optional HDMI-Adapter PEB-AV-01	via optional HDMI-Adapter PEB-AV-01	via optional HDMI-Adapter PEB-AV-01
RTC	i.MX 6 or PMIC internal	Gold Cap Backup	Gold Cap Backup	Gold Cap Backup
Power Supply	3.3 V	5 V	12-24V via Power Adapter	12-24V via Power Adapter
Dimensions	40 x 50 mm	100 x 72 mm (Pico-ITX)	100 x 72 mm (Pico-ITX)	100 x 72 mm (Pico-ITX)
Connector	Samtec 0.5 mm pitch (280 pins)	Samtec 0.5 mm pitch (280 pins)	Samtec 0.5 mm pitch (280 pins)	Samtec 0.5 mm pitch (280 pins)
Temperature Range	-40 °C...+85°C	0°C...+70°C	-40 °C...+85°C	-40 °C...+85°C
Kit Content	-	phyBOARD-Mira i.MX 6Solo, Debug Adapter, Quickstart Instructions, Linux Yocto BSP	phyBOARD-Mira, i.MX 6Quad, Debug Adapter, Power Adapter, Quickstart Instructions, Linux Yocto BSP	phyBOARD-Mira, i.MX 6Quad, Debug Adapter, Power Adapter, Camera module with lens mount, lens, LVDS Camera cable, Power Supply, Quickstart Instructions, Linux Yocto BSP
Part Number	PCM-058	KPB-01501-001	KPB-01501-002	KPB-01501-Video-L01