



BLOCAN®
Cable Channel System
Fast assembly and perfect organisation

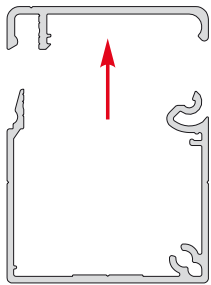
The image displays various components of the BLOCAN Cable Channel System. In the foreground, there are several grey, extruded aluminum channels of different sizes. One channel is shown with a cross-section, revealing an internal orange cable. Another channel is shown with two cables (one purple, one blue) held in place by a grey plastic clip. A third channel is shown with a yellow cable and a grey braided shield. In the background, a large bundle of white cables is neatly organized within a similar channel system, demonstrating the product's application in a server rack or control cabinet.

BLOCAN® – Cable Channel System

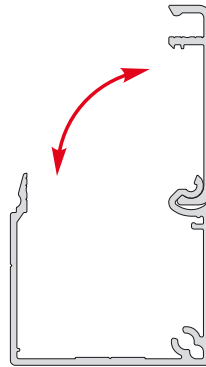
Channel functionality

- ✓ Aluminium cable channel in sizes 40x40, 40x80 and 80x40
- ✓ Smooth and scratch-resistant easy to clean anodised surface

Easy to open / excellent accessibility

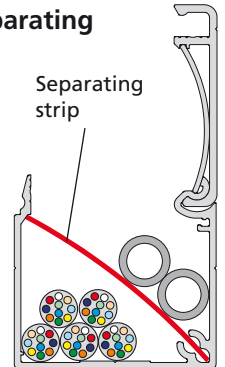


Lift cover to open



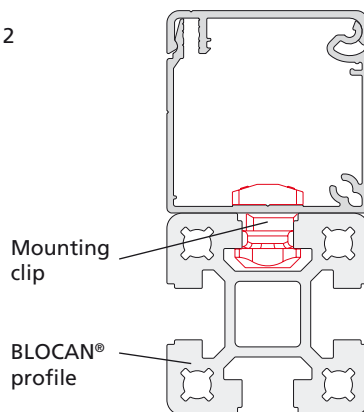
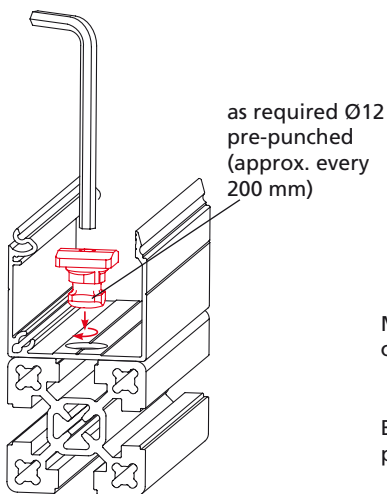
or pivot open.

Arrangement in channel with optional separating strips



Assembling the channel

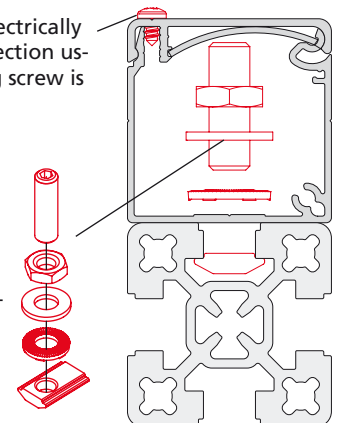
Easy assembly (no profile drilling) with BLOCAN profiles



Equipotential bonding

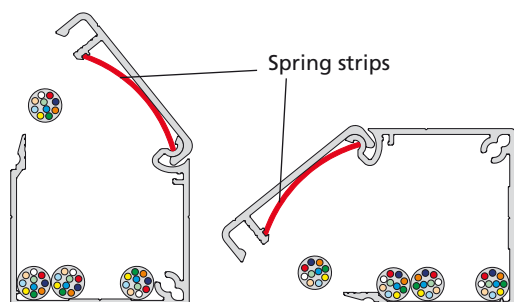
Creation of an electrically conducting connection using a self-tapping screw is possible.

Earthing kit available as accessory

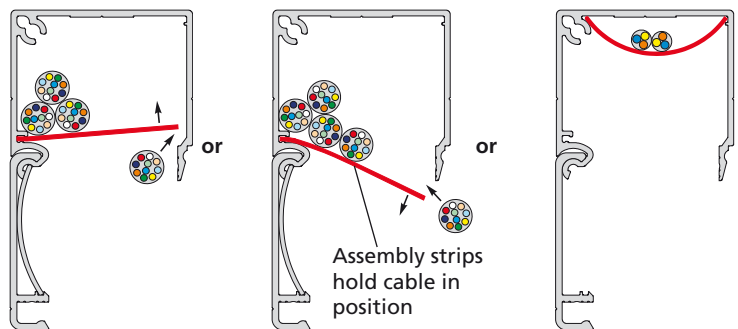


Cable arrangement

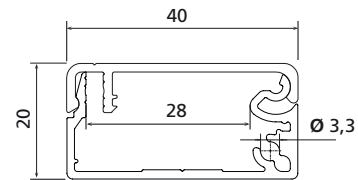
Insertable spring strips hold cover in position



Assembly strips facilitate overhead assembly

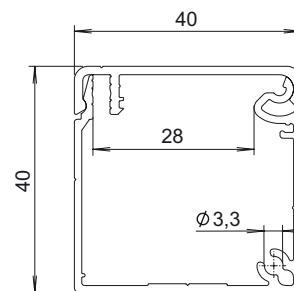


Profile KK-40x20



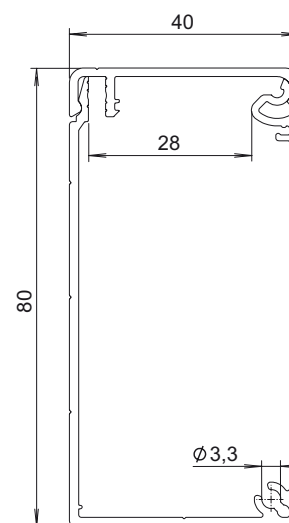
Code No.	Profile	Version	Weight
4F55A01	KK-40x20, bar 6 m	Channel with mounting holes	0,609 kg/m
4F55A00	KK-40x20, cut to required length		
4F55001	KK-40x20, bar 6 m	Channel without mounting holes	0,611 kg/m
4F55000	KK-40x20, cut to required length		

Profile KK-40x40



Code No.	Profile	Version	Weight
4E15A01	KK-40x40, bar 6 m	Channel with mounting holes	0,745 kg/m
4E15A00	KK-40x40, cut to required length		
4E15001	KK-40x40 bar 6 m	Channel without mounting holes	0,747 kg/m
4E15000	KK-40x40, cut to required length		

Profile KK-40x80

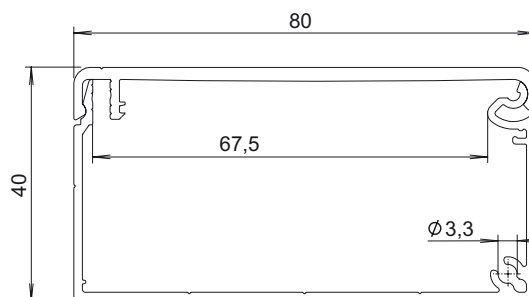


Code No.	Profile	Version	Weight
4E35A01	KK-40x80, bar 6 m	Channel with mounting holes	1,152 kg/m
4E35A00	KK-40x80, cut to required length		
4E35001	KK-40x80 bar 6 m	Channel without mounting holes	1,155 kg/m
4E35000	KK-40x80, cut to required length		

BLOCAN® – Cable Channel System

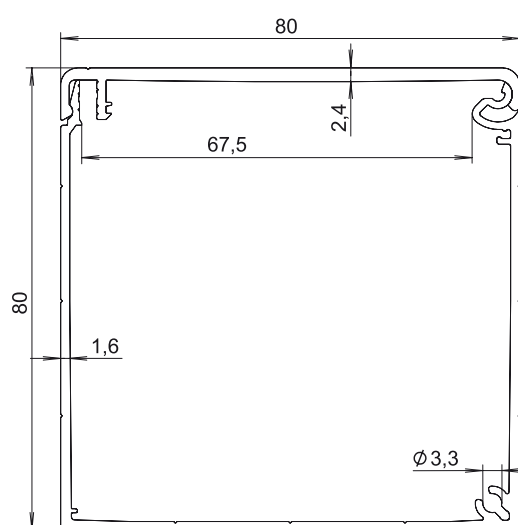
Cable channel profiles

Profil KK-80x40



Code No.	Profile	Version	Weight
4E25A01	KK-80x40, bar 6 m	Channel with mounting holes	1,290 kg/m
4E25A00	KK-80x40, cut to required length		
4E25001	KK-80x40 bar 6 m	Channel without mounting holes	1,292 kg/m
4E25000	KK-80x40, cut to required length		

Profil KK-80x80



Code No.	Profile	Version	Weight
4F15A01	KK-80x80, bar 6 m	Channel with mounting holes	1,690 kg/m
4F15A00	KK-80x80, cut to required length		
4F15001	KK-80x80 bar 6 m	Channel without mounting holes	1,693 kg/m
4F15000	KK-80x80, cut to required length		

Order instruction:

- Purchase only in lot sizes and amultiple of that see product table below

Spring strips for cover

Material: PVC
Recommended quantity: 5 units/meter



Code No.	KK-Profile	lot sizes
4E185041	40x20 40x40, 40x80	10, 20, 30... piece
4E285011	80x40, 80x80	

Cover plate

Material: natural anodised aluminium



Code No.	KK-Profile	lot sizes
4F555011	40x20	6, 12, 18... piece
4E155011	40x40	
4E255011	40x80, 80x40,	
4F155011	80x80	

Grommet for cable outlet

Material: Z-PVC
Outlet Ø 22 mm



Code No.	KK-Profile	lot sizes
4E185051	40x40, 40x80, 80x40, 80x80	6, 12, 18... piece

Separating strip

Material: PVC



Code No.	KK-Profile	lot sizes
4E185061	40x40	10, 20, 30... piece
4E285021	40x80, 80x40	
4F185011	80x80	

Cable mounting clip

Material: PA-GF30



Code No.	KK-Profile	lot sizes
4E185031	all	10, 20, 30... piece

End cover for cable outlet

Material: natural anodised aluminium
Thickness 1.5 mm
Hole Ø 25 mm



Code No.	KK-Profile	lot sizes
4E155021	40x40	6, 12, 18... piece
4E255021	40x80, 80x40	
4F155021	80x80	

Membrane grommet for cable outlet

Material: Z-PVC



Code No.	KK-Profile	lot sizes
4E185021	40x40, 40x80, 80x40, 80x80	6, 12, 18... piece

Edge protection for inlets and profile ends

Material: PVC, grey



Code No.	KK-Profile	Type
4E18501	all	1 unit per 1 m

BLOCAN® – Cable Channel System

Order instruction:

- Purchase only in lot sizes and multiple of that see product table below

Assembly strip

Material: PVC



Code No.	KK-Profile	lot sizes
4E185071	40x20 40x40, 40x80	10, 20, 30... piece
4E285011	80x40	

Cable tie base *

Material: PA66



Code No.	KK-Profile	lot sizes
4F185021	all	10, 20, 30... piece

* May be used with channel assembly clip.

Self-tapping screw (ISO 7049 St. 3.5x9.5, type F)



Code No.	KK-Profile	lot sizes
4E165011	all	10, 20, 30... piece

Earthing kit



Code No.	KK-Profile	Type
4E16502	all	screw, slot stone, washers

Contact washer

(Equipotential bonding for cover plates)



Material: Galvanised steel

Code No.	KK-Profile	lot sizes
4E165031	all	100, 200, 300... piece



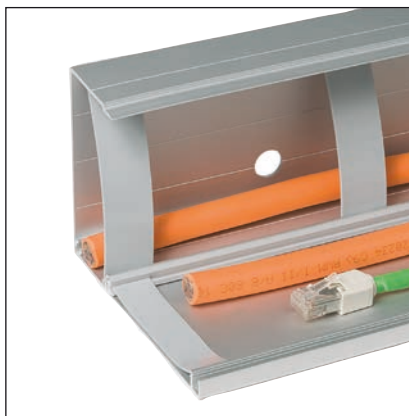
Spring strips hold the cover open in any position



Quick and easy assembly with a fixing clip



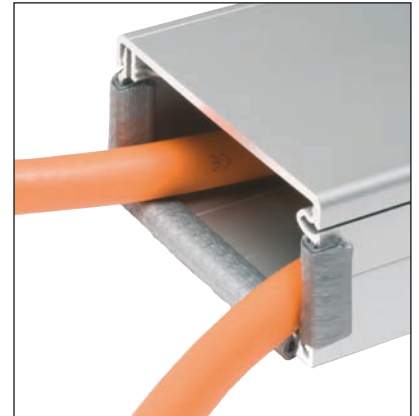
Cover plates and outlets as required



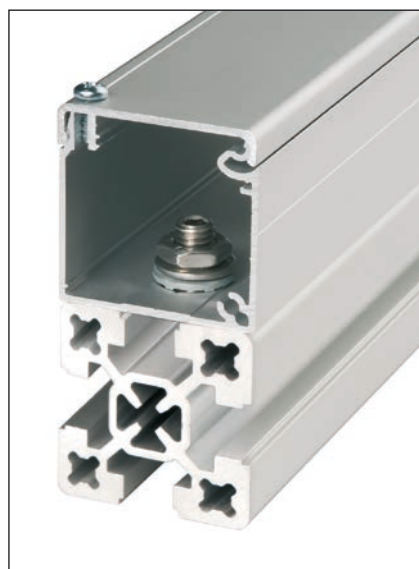
Leads can be separated with pressfit separating strips...



...or make overhead work easier.



Edge protection for inlets or outlets



Standard components make equipotential bonding easy



RK ROSE+KRIEGER

A Phoenix Mecano Company

RK Rose+Krieger GmbH
Connecting and positioning systems
Potsdamer Straße 9
32423 Minden, Germany
Telefon +49 571 93 35-0
Telefax +49 571 93 35-119
info@rk-online.de
www.rk-rose-krieger.com



Brochure PDF file
to download