

# WORLD-CLASS MANUFACTURING AND DISTRIBUTION FACILITIES



- |  |   |  |  |   |
|--|---|--|--|---|
| <p><b>1 SHURflo HQ</b><br/>Cypress, CA<br/>120,000 sq. ft.</p> <p><b>2 STA-RITE</b><br/>Murrietta, CA<br/>70,000 sq. ft.</p> <p><b>3 Cuma</b><br/>Monterey, Mexico<br/>50,000 sq. ft.</p> <p><b>4 STA-RITE HQ</b><br/>Delavan, WI<br/>230,000 sq. ft.</p> <p><b>5 STA-RITE</b><br/>Grand Island, NE<br/>60,000 sq. ft.</p> | <p><b>6 Hypro HQ</b><br/>New Brighton, MN<br/>100,000 sq. ft.</p> <p><b>7 SHURflo</b><br/>Elkhart, IN<br/>20,000 sq. ft.</p> <p><b>8 Fibredyne</b><br/>Dover, NH<br/>50,000 sq. ft.</p> <p><b>9 Nocchi</b><br/>Pisa, Italy<br/>90,000 sq. ft.</p> <p><b>10 Nocchi</b><br/>Brescia, Italy<br/>20,000 sq. ft.</p> | <p><b>11 Onga</b><br/>Melbourne, Australia<br/>75,000 sq. ft.</p> <p><b>12 Chansuba</b><br/>India<br/>5,000 sq. ft.</p> <p><b>13 STA-RITE GmbH</b><br/>Greisham, Germany<br/>30,000 sq. ft.</p> <p><b>14 Onga</b><br/>Auckland, New Zealand<br/>10,000 sq. ft.</p> <p><b>15 STA-RITE de Mexico</b><br/>Monterey, Mexico<br/>20,000 sq. ft.</p> | <p><b>16 SHURflo</b><br/>Crawley, United Kingdom<br/>20,000 sq. ft.</p> <p><b>17 STA-RITE</b><br/>Mississauga, Canada<br/>40,000 sq. ft.</p> <p><b>18 STA-RITE</b><br/>Union City, TN<br/>200,000 sq. ft.</p> <p><b>19 Western Dispense</b><br/>Santa Barbara, CA<br/>10,000 sq. ft.</p> <p><b>20 Edwards Manufacturing</b><br/>Milwaukie, OR<br/>10,000 sq. ft.</p> | <p><b>21 Precision</b><br/>Minneapolis, MN<br/>10,000 sq. ft.</p> <p><b>22 Lurmark, Ltd.</b><br/>Cambridge, UK<br/>10,000 sq. ft.</p> <p><b>23 Vico</b><br/>South El Monte, CA<br/>80,000 sq. ft.</p> <p><b>24 Park International</b><br/>Long Beach, CA<br/>130,000 sq. ft.</p> <p><b>25 SRT</b><br/>Hangzhou, China<br/>200,000 sq. ft.</p> |
|--|---|--|--|---|

## We've Been Moving and Improving Water Since 1934

### COMPANY PROFILE

Date Incorporated: October 4, 1934 ■ Current Number of Employees: 2,300 ■ Annual Sales: Almost \$600 Million

STA-RITE is headquartered in Delavan, Wisconsin, and is a leading worldwide manufacturer of pumps and water systems. Our professional series products include pumps and both steel and fibrewound tanks, to give you "an advantage you can count on."

In 1934, our founder, William C. Heath, built a pump that he said was "built right to stay right, because water is never where you need and want it most."

Today, our products are moving and improving water for people in more than 100 countries throughout the world. They serve the agricultural, industrial and residential markets.

**NOTE:** We also offer professional dealer training and group tours of our headquarters operations and modern manufacturing plants in Delavan, Wisconsin. We love to have you, because we think you'll be very impressed. Just give us a call!



# table of contents

**PRODUCT SELECTION GUIDE** ..... 4-7

**SUBMERSIBLE PUMPS**

5 and 7 GPM TrimLine™ 4" Stainless Steel ..... 8-12  
10, 15, 20, 30 and 50 GPM 4" Stainless Steel ..... 13-23  
5 and 7 GPM Trimline™ 4" Composite ..... 24-28  
10, 15, 20 and 30 GPM 4" Composite ..... 29-36  
70 GPM 4" Submersible Pump ..... 37-39  
90 GPM 4" Submersible Pump ..... 40-42  
4" Submersible Motor Accessory ..... 43  
6TS 6" Submersible Pump ..... 44-48  
4" Motors and Controls ..... 49-50

**SHALLOW WELL JET PUMPS**

CJ Self-Priming ..... 51-52  
HN Self-Priming Cast Iron ..... 53-54  
SN Self-Priming Cast Iron ..... 55-56  
FN Self-Priming Cast Iron ..... 57-58  
PN Self-Priming Corrosion-Resistant ..... 59-60

**PRO-Source™ WATER SYSTEM PACKAGES** ..... 61-62

**CONVERTIBLE DEEP WELL JET PUMPS**

HL Self-Priming Cast Iron ..... 63-66  
SL Self-Priming Cast Iron ..... 67-70  
FL Self-Priming Cast Iron ..... 71-73  
PL Corrosion-Resistant ..... 74-76  
HMS Horizontal Multi-Stage Jet/Centrifugal ..... 77-80  
MS Vertical Multi-Stage ..... 81-83  
SSJ Vertical Single-Stage ..... 84-86

**JET PACKAGES AND ACCESSORIES** ..... 87-90

**TANKS**

Signature 2000® Fibrewound Pressure ..... 91-93  
PRO-Source Plus™ Fibrewound Air-Over-Water ..... 94-95  
PRO-Source Plus™ Steel Pressurized ..... 96-97  
PRO-Source™ Steel Pressurized ..... 98-101  
PRO-Source™ Epoxy Lined ..... 102-103

**CENTRIFUGAL AND UTILITY PUMPS**

DSS4HG PRO-Storm Self-Priming Multi-Stage ..... 104-105  
DS3 PRO-Storm™ Self-Priming Cast Iron ..... 106-108  
PD Self-Priming Corrosion-Resistant ..... 109-110  
D Self-Priming Cast Iron ..... 111-114  
CC Straight Centrifugal Cast Iron ..... 115-116  
DPC Self-Priming Cast Iron ..... 117-118  
J/JB General Purpose Cast Iron ..... 119-121  
HP/HPS High-Pressure Booster ..... 122-125  
EDD/EEDD Engine-Driven Self-Priming ..... 126-127

**UTILITY PUMPS** ..... 128-129

**SUBMERSIBLE AND PEDESTAL SUMP PUMPS**

P133/PC133 Pedestal Sump Pumps ..... 130  
DC233/DC250 Cast Iron Sump Pumps ..... 131-133  
DP2 Sink Pump System ..... 134-135  
Trident™ D175 Sump/Utility ..... 136-137  
D130/D140 Composite/Stainless Steel ..... 138-139  
D125/D133/D150 Submersible Sump Pumps ..... 140-141

**BATTERY BACK-UP DRAINER SYSTEMS** ..... 142-143



# table of contents

## EFFLUENT PUMPS

Effluent Pumps Composite Curve..... 144  
EC2 Cast Iron Submersible ..... 145-146  
EC3 Cast Iron Submersible ..... 147-148  
HT3/HTX3 Cast Iron Submersible High Temperature ..... 149-150  
EC4 Cast Iron Submersible ..... 151-152  
EC6/EC7/EH7 Cast Iron Submersible..... 153-154  
HT7 Cast Iron Submersible High Temperature ..... 155-156  
EC9 Cast Iron Submersible ..... 157-158  
ST.E.P. Plus™ D Series Multi-Stage ..... 159-161  
ST.E.P. Plus™ High Head Multi-Stage..... 162-163

## SEWAGE PUMPS

SC4 Cast Iron Submersible ..... 164-165  
SC5 Cast Iron Submersible ..... 166-167  
SC6 Cast Iron Submersible ..... 168-169  
SC7/SCC7 Cast Iron Submersible ..... 170-171  
SC9/SCC9 Cast Iron Submersible ..... 172-173  
SP4 Packaged Sewage System ..... 174-175  
SP5 Packaged Sewage System ..... 176-177  
Sewage Pumps Composite Curve..... 178

## GRINDER PUMPS

Grinder Pumps Composite Curve ..... 179  
SG Grinder Pumps ..... 180-181  
SG/SGC Grinder Pumps ..... 182-183

## WASTEWATER PUMPS

Wastewater Pumps ..... 184-185  
Rail Systems ..... 186-187  
Wastewater Pumps Composite Curve..... 188

## GENERAL INFORMATION

SES Update Product Nomenclature ..... 189  
STA-RITE SES Part Number Cross Reference..... 190  
Water Systems Product Nomenclature..... 191-192  
Sizing Home Water Systems ..... 193  
Pipe Friction Loss Chart..... 194  
Cable Selection for 4" Submersibles ..... 195

## REPAIR PARTS INDEX.....

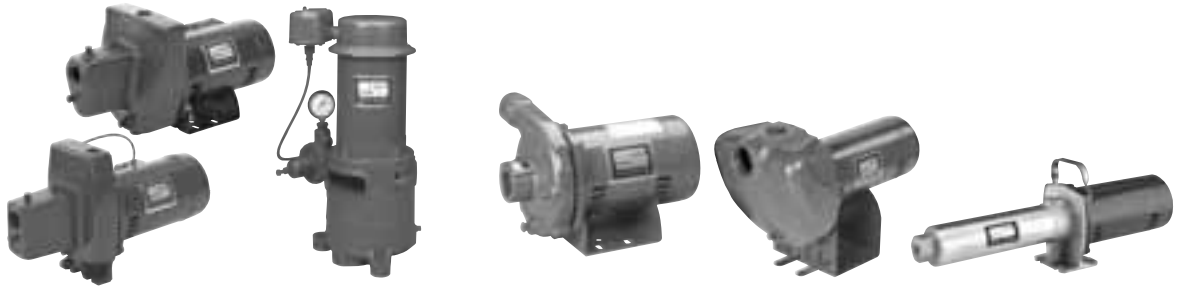
197

## IMPORTANT NOTES

Specifications and/or materials are subject to change without notice.  
Dimensions are for estimating purposes only.  
Products are tested and rated in accordance with Water Systems Council Standards.

Dura-Glas®, OMNIPRO®, and Signature 2000® are registered trademarks of WICOR Industries.  
PRO-Source™, PRO-SourcePLUS™, PRO-Storm™, SignaSeal™, STE.P. Plus™, Trident™, and TrimLine™ are trademarks of WICOR Industries.  
Delrin® is a registered trademark of E.I. DuPont de Nemours and Co.  
Flomatic® is a registered trademark of Flomatic Corp.  
KDF® is a registered trademark of Fluid Treatment, Inc.  
Lexan® and Noryl® are registered trademarks of General Electric Co.  
Nylatron® is a registered trademark of Polymer Corp.

# product selection guide



<b>Product Type</b>	<i>Self-Priming Shallow Well and Convertible Jet</i>	<i>Vertical Single &amp; Multi-Stage and Self-Priming Horizontal Multi-Stage Deep Well Jet</i>	<i>Small, Straight Centrifugal</i>	<i>Self-Priming Centrifugal</i>	<i>High Pressure Booster Pumps</i>
<b>Application</b>	Residential and general water supply systems, booster, and light irrigation	General water supply, booster and light irrigation for 2", 3" and 4" or larger water wells	General purpose, process, booster and liquid transfer	Lawn sprinkling, light irrigation, general dewatering and sump drainage, liquid transfer	General purpose booster, warm and cold water wash down, cleaning
<b>Description</b>	Threaded connections Motor-drive Mechanical seal Back pull-out design Convertible to deep well use	Threaded connections Motor-drive Mechanical seals	Threaded connections Motor-drive, ODP and TEFC Mechanical seals – standard and high temperature Back pull-out design 4-position discharge	Fast priming Threaded connections Motor- and engine-drive Portable or permanent installation Mechanical seals Back pull-out design	Threaded connections Motor-drive Mechanical seals ODP and TEFC motors
<b>Materials</b>	Cast iron or fiberglass reinforced thermoplastic with thermoplastic impellers	Cast iron with thermoplastic impellers	Cast iron with bronze (high temperature) or thermoplastic impellers	Cast iron or fiberglass reinforced thermoplastic with bronze, cast iron or thermoplastic impellers	Signature 2000® – Stainless steel or cast iron construction with thermoplastic impellers/diffusers
<b>Performance Capacity Head</b>	To 45 GPM To 160 TDH/ft.	To 55 GPM To 325 TDH/ft.	To 260 GPM To 140 TDH/ft.	To 240 GPM To 160 TDH/ft.	To 40 GPM To 690 TDH/ft.
<b>Suction/ Discharge</b>	1" to 1-1/4" 3/4" to 1"	1-1/4" suction, 1" drive 1"	1-1/4" to 2-1/2" 1" to 2"	1" to 3" 1" to 2-1/2"	3/4" to 1-1/4" 1" to 1-1/2"
<b>Horsepower</b>	1/3 to 1-1/2 HP	1/2 to 2 HP	1/3 to 5 HP	1/2 to 5 HP	1/2 to 3 HP
<b>Series</b>	SN, HN, FN, PN, SL, HL, FL, PL	SSJ, MS, HMS	J/JB, CC	D, DS3, EDD, DPC, PD	HR, HPS

# product selection guide



6" Stainless Steel Submersible Turbine	4" Submersible	Water Systems Tanks		
		Signature 2000® Pressurized Fibrewound	PRO-Source™ PRO-SourcePLUS™ Pressurized Steel	PRO-Source™ EpoxyLined "Air Over Water" Steel
General water supply, irrigation, booster, sump, circulation, dewatering	General water supply, booster, sump circulation, and irrigation	General water storage and transfer	General water storage and transfer	General water storage and transfer
Threaded connections Completely submerged sealed motor coupled to pump	Threaded connections Completely submerged sealed motor 2 and 3 wire	Pre-pressurized composite well tank UL Classified to ANSI/NSF 61 Field serviceable	Pre-pressurized steel well tank UL Classified to ANSI/NSF 61	Air over water standard tank
All stainless steel construction	Signature 2000® – Stainless steel and composite construction with thermoplastic impellers/diffusers 70 GPM Series – Cast iron bowls with thermoplastic impellers 90 GPM High Flow Series	Pressure vessel: polyethylene Exterior: continuous, overlapping fiberglass strands, sealed with high grade epoxy resin, then oven cured	Pressure vessel: steel Exterior: baked-on powder polyester paint Water separator: PVC	Pressure vessel: steel Exterior: baked-on powder polyester paint Interior: baked-on epoxy paint
To 365 GPM To 1400 TDH/ft.	To 125 GPM To 1900 TDH/ft.	Physical Capacity: 20 - 119 gallons Drawdown: 5.2 - 41.1 gallons Maximum operating pressure: 125 PSI	Physical Capacity: 2.7 - 85 gallons Drawdown: 0.6 - 30 gallons Maximum operating pressure: 100 PSI	Physical Capacity: 12 - 120 gallons Drawdown: 1.9 - 18.6 gallons Maximum operating pressure: 75 PSI
3" to 4"	1-1/4" to 2"	1" to 1-1/4" NPT	3/4" to 1-1/4" NPT	1-1/4" NPT
1 to 60 HP	1/2 to 10 HP	N/A	N/A	N/A
6TS	Signature 2000® Series, 70 GPM Series and 90 GPM Series	Signature 2000®	PRO-Source™ PRO-SourcePLUS™	PRO-Source™

Signature 2000® is a registered trademark of WICOR Industries. PRO-Source™ and PRO-SourcePLUS™ are trademarks of WICOR Industries.

# product selection guide



Pump Type	<i>Cast Iron Submersible Sump Pumps</i>	<i>Submersible Sump Pumps/ Emergency Battery Backup Sump Systems</i>	<i>ST.E.P. Plus™ D Series Multi-Stage Submersible</i>	<i>High Head Multi-Stage Submersible Effluent Pumps</i>
<b>Application</b>	Residential sump drainage Commercial sump drainage Dewatering, water transfer	Residential sump drainage Emergency dewatering for residential sumps, utility	Effluent Cistern Aeration Irrigation	Onsite wastewater treatment systems and residential and commercial filtered effluent removal
<b>Description</b>	Oil-cooled motor Heavy-duty construction Auto-operation – Vertical or tethered switches	Oil-cooled motor Durable construction Corrosion-resistant Auto-operation – Vertical or tethered switches 12vdc motor charge: 0.8A (DB100) 8A (DB200)	Threaded connections Completely submersible sealed motor with jacketed cord	Threaded connections Completely submersible sealed motor with jacketed cord
<b>Materials</b>	Cast iron housings Thermoplastic impeller Stainless steel hardware	Thermoplastic pump housing Thermoplastic impeller Thermoplastic inlet screen	Stainless steel and composite construction with thermoplastic impellers/diffusers	Stainless steel and composite construction with thermoplastic impellers/diffusers
<b>Performance Capacity Head</b>	To 62 GPM To 32' TDH	To 100 GPM To 25' TDH	To 40 GPM To 240' TDH	To 25 GPM To 250' TDH
<b>Horsepower</b>	1/3, 1/2 HP	1/4, 3/10, 1/3, 4/10, 1/2, 3/4 HP	1/2 HP	1/2 HP
<b>Solids Handling Capability</b>	1/2" Diameter	1/4"-3/8" Diameter	.080" Diameter	1/8" Diameter
<b>Model</b>	DC233/DC250	D125, D130, D133, D140, D150, D175, DB100, DB200	10DOM, 20DOM, 30 DOM	STEP 10, STEP 20

# product selection guide



<b><i>Submersible Effluent Pumps</i></b>	<b><i>Submersible Sewage Pumps</i></b>	<b><i>Grinders</i></b>	<b><i>Waste Handlers</i></b>	<b><i>Packaged Systems</i></b>
Effluent and wastewater removal and transfer Sump drainage, dewatering Flood control Boiler blow down pits Hot water sumps Condensate pits	Sewage, effluent, wastewater removal and transfer Sump drainage Dewatering Flood control	Sewage removal Dewatering	Sewage removal Lift stations Fluid transfer Flood control	Laundry tray/utility sink/wet bar installation Dehumidifier/air conditioning installation Below grade wastewater transfer to new or existing plumbing installation
Rugged cast iron Permanently lubricated seals and bearings Thermal overload protection Pump out vanes for seal protection Auto or manual operation 1-1/2" or 2" NPT discharge	Rugged cast iron Non-clog vortex or vane-type impellers Permanently lubricated seals and bearings 2" or 3" NPT discharge Auto or manual operation Thermal overload protection	Cutter grinds solids to fine slurry Pumping impeller Industrial rated motor	Large waste handling capability Free-standing or guide rail system installations	Pre-plumbed package system – pump assembled in basin Auto operation
Cast iron volute Cast iron impeller – OR – Thermoplastic Stainless hardware	Cast iron volute Cast iron impeller – OR – Thermoplastic Stainless hardware	Grinder parts – Hardened stainless steel Cast iron impeller Carbon/ceramic seals Ball bearings	Volute, motor housing and impeller – Cast iron Impeller wear ring – Bronze Shaft – Stainless steel Double seal assembly	Polyethylene or structural foam basin Cast iron pump
To 160 GPM To 90' TDH	To 235 GPM To 54' TDH	To 175 GPM To 150' TDH	To 1000 GPM To 100' TDH	To 130 GPM To 24' TDH
1/3, 4/10, 1/2, 1, 2 HP	1/2, 3/4, 1, 1-1/2, 2 HP	2 to 7-1/2 HP	3 to 12 HP	1/3, 4/10, 1/2 HP
1/2"- 3/4" Diameter	2" Diameter	N/A	2-1/2"- 4" Diameter	1/2" and 2" Diameter
EC2, EC3, EC4, EC6, EC7, EH7, HT3/HTX3, HT7 (High Temp.), EC9	SC4, SC5, SC6, SC7, SCC7, SC9, SCC9	SG/SGC	SW40, SWH40, SW60	DP2, SP4, SP5

# 4" submersible pumps – 5 and 7 gpm TrimLine™



*Precision-engineered, high-quality, rugged Signature 2000® Stainless Steel Series Pumps deliver efficient, dependable performance even in rough, aggressive water.*

*The TrimLine™ 5 and 7 GPM Series Pumps are 3-3/4" maximum O.D. Heads to 1,150 feet and capacities to 10.5 GPM. Built to deliver long-term, trouble-free service. Floating impeller design resists sand and reduces sand locking. These pumps feature the patented SignaSeal™ staging system.*

## APPLICATIONS

- **Water systems...** for residential, industrial, commercial, multiple housing and farm use.

## SPECIFICATIONS

- Shell** – Stainless steel
- Discharge** – Stainless steel
- Discharge Bearing** – Nylatron®
- Intermediate Bearing** – (On larger units) polycarbonate, nitrile rubber and stainless steel
- Impellers** – Acetal
- Diffusers** – Polycarbonate
- Suction Caps** – Polycarbonate with stainless steel insert
- Thrust Pads** – Proprietary spec.
- Shaft and Coupling** – Stainless steel
- Intake** – Stainless steel
- Intake Screen** – Polypropylene
- Cable Guard** – Stainless steel
- Agency Listings** – UL and CSA
- Check Valve** – Acetal

*Signature* 2000®  
**STAINLESS STEEL**

## FEATURES

### Patented Staging System –

Our proven SignaSeal™ staging system incorporates a harder-than-sand ceramic wear surface that when incorporated with our floating impeller design, greatly reduces problems with abrasives, sand lock-up and running dry.

**Discharge** – Corrosion-resistant 300 grade stainless steel for durability in aggressive water. Large octagon wrench area for ease of installation.

**Discharge Bearing** – Exclusive self-lubricating Nylatron® bearing resists wear from sand.

**Intake** – Corrosion-resistant 300 grade stainless steel for durability in aggressive water.

**Shaft** – Positive drive from 7/16" hexagonal heavy-duty 300 grade stainless steel.

**Coupling** – Stainless steel press fit to pump shaft. Couples to all standard NEMA motors.

**Shell** – Highest grade, heavy-walled corrosion-resistant stainless steel. Threaded for easy servicing.

**Hardware** – All screws, washers and nuts are corrosion-resistant 300 grade stainless steel.

**Check Valve** – Durable internal spring-loaded check valve.

**Cable Guard** – Corrosion-resistant stainless steel guard protects motor leads. Tapered ends prevent pump from catching on well.

**Intake Screen** – Corrosion-proof polypropylene.

**Franklin Electric Motor** – 2 and 3 wire NEMA standard super stainless series water filled motors.

UL Classified to  
ANSI/NSF  
Standard 61,  
Drinking Water Systems  
Components – Health Effects



Nylatron® is a registered trademark of Polymer Corp. Signature 2000® is a registered trademark of WICOR Industries. PRO-Source™, SignaSeal™ and TrimLine™ are trademarks of WICOR Industries.

In order to provide the best products possible, specifications are subject to change.





# 4" submersible pumps – 5 and 7 gpm TrimLine™

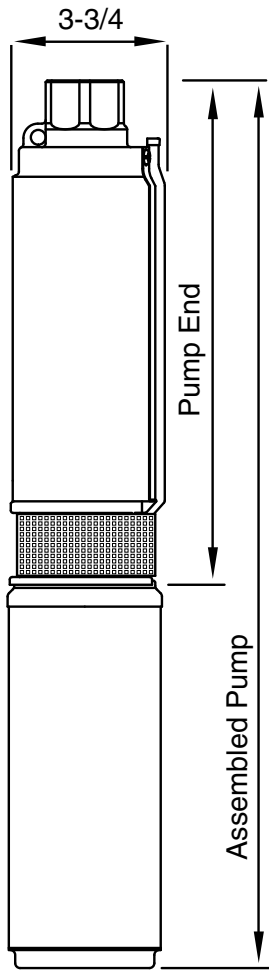
ORDERING INFORMATION																	
GPM	Motor Type	HP	Stgs.	PH	Volt	Assembled Pump			Pump End			Motor		Control Box			
						Catalog Number	Length Inches*	Weight Pounds*	Catalog Number	Length Inches*	Weight Pounds*	Catalog Number	Weight Pounds*	Catalog Number	Weight Pounds*		
5	2 Wire	1/2	13	1	115	5SP4C01HL	27-1/2	28	L5P4CHL	18	12	P218-1079C	22				
		1/2	13	1	230	5SP4C02HL	27-1/2	28	L5P4CHL	18	12	P218-1080C	22				
		3/4	18	1	230	5SP4D02HL	32-3/4	34	L5P4DHL	22	15	P218-1081C	26				
		1	22	1	230	5SP4E02HL	37	39	L5P4EHL	25-1/4	17	P218-1082C	29				
		1-1/2	30	1	230	5SP4F02HL	47	51	L5P4FHL	32	21	P218-1327C	39				
	3 Wire	1/2	13	1	115	5P4C01HL	27-1/2	28	L5P4CHL	18	12	P218-1072C	21	P217-809	3		
		1/2	13	1	230	5P4C02HL	27-1/2	28	L5P4CHL	18	12	P218-1073C	21	P217-810	3		
		3/4	18	1	230	5P4D02HL	32-3/4	34	L5P4DHL	22	15	P218-1074C	25	P217-811	3		
		1	22	1	230	5P4E02HL	37	39	L5P4EHL	25-1/4	17	P218-1075C	28	P217-812	3		
		1-1/2	30	1	230	5P4F02HL	45-1/2	48	L5P4FHL	32	21	P218-1076C	31	P217-813	6		
		1-1/2	30	3	230				L5P4FHL	32	21	P218-1330C	31	1095-K41	6		
		1-1/2	30	3	460				L5P4FHL	32	21	P218-1279C	33	1096-K33	6		
		2	38	1	230				L5P4GHL	37-3/4	25	P218-1328C	43	P217-814	8		
		2	38	3	230				L5P4GHL	37-3/4	25	P218-1331C	47	1095-K43	6		
		2	38	3	460				L5P4GHL	37-3/4	25	P218-1274C	47	1096-K33	6		
		7	2 Wire	1/2	10	1	115	7SP4C01HL	25-1/2	27	L7P4CHL	16	11	P218-1079C	22		
				1/2	10	1	230	7SP4C02HL	25-1/2	27	L7P4CHL	16	11	P218-1080C	22		
				3/4	13	1	230	7SP4D02HL	29	32	L7P4DHL	18-1/2	13	P218-1081C	26		
1	17			1	230	7SP4E02HL	33-3/4	37	L7P4EHL	22	15	P218-1082C	29				
1-1/2	22			1	230	7SP4F02HL	42-1/2	47	L7P4FHL	27-1/4	17	P218-1327C	39				
3 Wire	1/2		10	1	115	7P4C01HL	25-1/2	27	L7P4CHL	16	11	P218-1072C	21	P217-809	3		
	1/2		10	1	230	7P4C02HL	25-1/2	27	L7P4CHL	16	11	P218-1073C	21	P217-810	3		
	3/4		13	1	230	7P4D02HL	29	32	L7P4DHL	18-1/2	13	P218-1074C	25	P217-811	3		
	1		17	1	230	7P4E02HL	33-3/4	37	L7P4EHL	22	15	P218-1075C	28	P217-812	3		
	1-1/2		22	1	230	7P4F02HL	41	44	L7P4FHL	27-1/4	17	P218-1076C	31	P217-813	6		
	1-1/2		22	3	230				L7P4FHL	27-1/4	17	P218-1330C	33	1095-K41	6		
	1-1/2		22	3	460				L7P4FHL	27-1/4	17	P218-1279C	33	1096-K33	6		
	2		28	1	230				L7P4GHL	32-1/2	20	P218-1328C	43	P217-814	8		
	2		28	3	230				L7P4GHL	32-1/2	20	P218-1331C	47	1095-K43	6		
	2		28	3	460				L7P4GHL	32-1/2	20	P218-1274C	47	1096-K33	6		
	3		36	1	230				L7P4HHL	39-1/2	24	P218-1450C	53	P217-815	9		
	3		36	3	230				L7P4HHL	39-1/2	24	P218-1441C	53	1095-K52	6		
	3		36	3	460				L7P4HHL	39-1/2	24	P218-1452C	53	1096-K37	6		

\*Length and Weight are approximate.  
TrimLine™ version maximum outside diameter 3-3/4". Standard version maximum outside diameter 3-7/8".

**NOTE:** Motor, Control Box or Magnetic Starter must be ordered separately.  
Discharge NPT is 1-1/4".

# 4" submersible pumps – 5 and 7 gpm TrimLine™

## OUTLINE DIMENSIONS

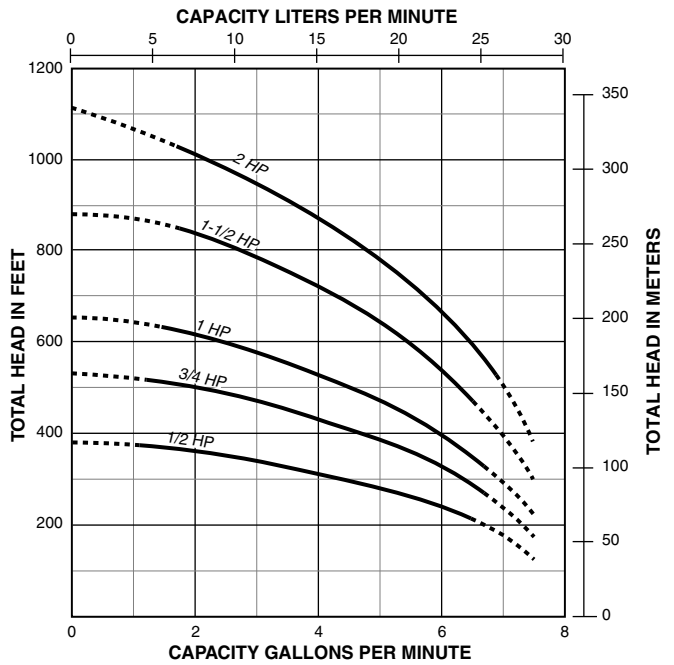


Discharge	
5 GPM	1-1/4" NPT
7 GPM	1-1/4" NPT

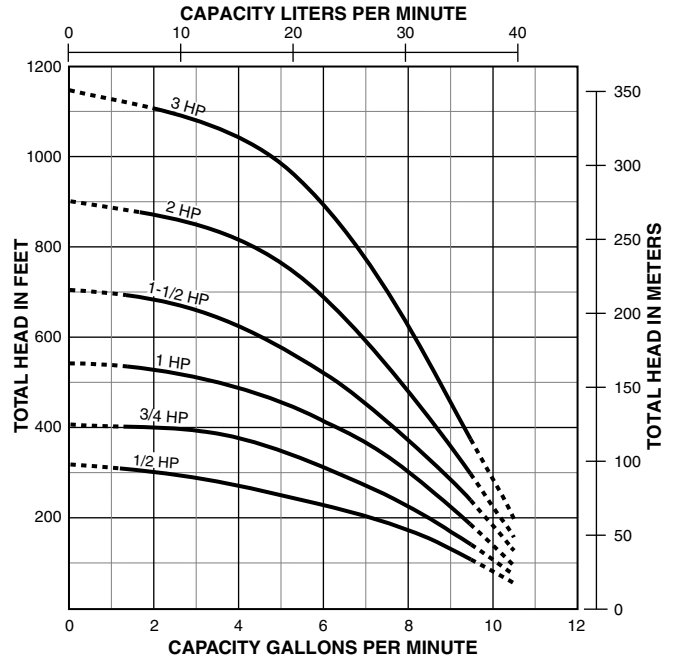
For dimensions, refer to Ordering Information table.

Dimensions (in inches) are for estimating purposes only.

## PUMP PERFORMANCE – 5 GPM



## PUMP PERFORMANCE – 7 GPM



Tested and rated in accordance with Water Systems Council standards.

**NOTE:** Pumps installed with a PRO-Source™ tank require a 100 PSI relief valve. Pumps installed with a conventional tank require a 75 PSI relief valve. Relief valve must be capable of relieving entire flow of pump at relief pressure.





# 4" submersible pumps – 10, 15, 20, 30, and 50 gpm



*Precision-engineered, high-quality, rugged Signature 2000® Stainless Steel Series Pumps deliver efficient, dependable performance even in rough, aggressive water. Heads to 1,950 feet and capacities to 65 GPM. Built to deliver long-term, trouble-free service. Floating impeller design resists sand and reduces sand locking. These pumps feature the patented SignaSeal™ staging system.*

## APPLICATIONS

- **Water systems...** for residential, industrial, commercial, multiple housing and farm use.

## SPECIFICATIONS

- Shell** – Stainless steel
- Diameter** – 3-7/8"
- Discharge** – Stainless steel
- Discharge Bearing** – Nylatron®
- Intermediate Bearing** – (On larger units) Polycarbonate, nitrile rubber and stainless steel
- Impellers** – Acetal
- Diffusers** – Polycarbonate
- Suction Caps** – Polycarbonate with stainless steel insert
- Thrust Pads** – Proprietary spec.
- Shaft and Coupling** – Stainless steel
- Intake** – Stainless steel
- Intake Screen** – Polypropylene
- CableGuard** – Stainless steel
- Check Valve** – Acetal†
- Agency Listings** – UL and CSA

UL Classified to ANSI/NSF Standard 61, Drinking Water Systems Components – Health Effects



Flomatic® is a registered trademark of Flomatic Corporation. Nylatron® is a registered trademark of Polymer Corp. Signature 2000® is a registered trademark of WICOR Industries. PRO-Source™, SignaSeal™, and TrimLine™ are trademarks of WICOR Industries.

In order to provide the best products possible, specifications are subject to change.

*Signature* 2000®

## STAINLESS STEEL

### FEATURES

- Patented Staging System** – Our proven SignaSeal™ staging system incorporates a harder-than-sand ceramic wear surface that when incorporated with our floating impeller design, greatly reduces problems with abrasives, sand lock-up and running dry.
- Discharge** – Corrosion-resistant 300 grade stainless steel for durability in aggressive water. Large octagon wrench area for ease of installation.
- Discharge Bearing** – Exclusive self-lubricating Nylatron® bearing resists wear from sand.
- Intake** – Corrosion-resistant 300 grade stainless steel for durability in aggressive water.
- Shaft** – Positive drive from 7/16" hexagonal heavy-duty 300 grade stainless steel.
- Coupling** – Stainless steel press fit to pump shaft. Couples to all standard NEMA motors.
- Shell** – Highest grade, heavy-walled corrosion-resistant stainless steel. Threaded for easy servicing.
- Hardware** – All screws, washers and nuts are corrosion-resistant 300 grade stainless steel.
- Check Valve**† – Durable internal spring-loaded check valve.
- Cable Guard** – Corrosion-resistant stainless steel guard protects motor leads. Tapered ends prevent pump from catching on well.
- Intake Screen** – Corrosion-proof.
- Franklin Electric Motor** – 2 and 3 wire NEMA standard super stainless series water-filled motors.

†Except where noted.



# 4" submersible pumps – 10, 15, 20, 30, and 50 gpm

## ORDERING INFORMATION

GPM	Motor Type	HP	Stgs.	PH	Volt	Assembled Pump			Pump End			Motor		Control Box	
						Catalog Number	Length Inches*	Weight Pounds*	Catalog Number	Length Inches*	Weight Pounds*	Catalog Number	Weight Pounds*	Catalog Number	Weight Pounds*
10**	2 Wire	1/2	6	1	115	10SP4C01H	22	27	L10P4CH	12	8-1/2	P218-1079C	22		
		1/2	6	1	230	10SP4C02H	22	27	L10P4CH	12	8-1/2	P218-1080C	22		
		3/4	8	1	230	10SP4D02H	25	30	L10P4DH	13-3/4	9-1/2	P218-1081C	26		
		1	11	1	230	10SP4E02H	28	34	L10P4EH	15-1/2	10-1/4	P218-1082C	29		
		1-1/2	15	1	230	10SP4F02H	34	41	L10P4FH	19	12	P218-1327C	39		
	3 Wire	1/2	6	1	115	10P4C01H	22	27	L10P4CH	12	8-1/2	P218-1072C	21	P217-809	3
		1/2	6	1	230	10P4C02H	22	27	L10P4CH	12	8-1/2	P218-1073C	21	P217-810	3
		3/4	8	1	230	10P4D02H	25	30	L10P4DH	13-3/4	9-1/2	P218-1074C	25	P217-811	3
		1	11	1	230	10P4E02H	28	34	L10P4EH	15-1/2	10-1/4	P218-1075C	28	P217-812	3
		1-1/2	15	1	230	10P4F02H	32-3/4	41	L10P4FH	19	12	P218-1076C	31	P217-813	6
		1-1/2	15	3	230				L10P4FH	19	12	P218-1330C	33	1095-K41	6
		1-1/2	15	3	460				L10P4FH	19	12	P218-1279C	33	1096-K33	6
		2	19	1	230				L10P4GH	21-1/2	13-1/2	P218-1328C	43	P217-814	8
		2	19	3	230				L10P4GH	21-1/2	13-1/2	P218-1331C	47	1095-K43	6
		2	19	3	460				L10P4GH	21-1/2	13-1/2	P218-1274C	47	1096-K33	6
		3	26	1	230				L10P4HH	27-1/2	16-1/2	P218-1450C	53	P217-815	9
		3	26	3	230				L10P4HH	27-1/2	16-1/2	P218-1441C	53	1095-K52	6
		3	26	3	460				L10P4HH	27-1/2	16-1/2	P218-1452C	53	1096-K37	6
		5	43	1	230				L10P4JH	42-3/4	25	P218-1329C	67	P217-910	10
		5	43	3	230				L10P4JH	42-3/4	25	P218-1333C	67	1095-K61	6
5	43	3	460				L10P4JH	42-3/4	25	P218-1278C	67	1096-K49	6		
15**	2 Wire	1/2	5	1	115	15SP4C01H	22-1/4	27	L15P4CH	12-1/4	9	P218-1079C	22		
		1/2	5	1	230	15SP4C02H	22-1/4	27	L15P4CH	12-1/4	9	P218-1080C	22		
		3/4	7	1	230	15SP4D02H	25-3/4	31	L15P4DH	14-1/2	10	P218-1081C	26		
		1	9	1	230	15SP4E02H	29-1/4	35	L15P4EH	16-3/4	11	P218-1082C	29		
		1-1/2	12	1	230	15SP4F02H	35-1/4	43	L15P4FH	20-1/4	13	P218-1327C	39		
	3 Wire	1/2	5	1	115	15P4C01H	22-1/4	27	L15P4CH	12-1/4	9	P218-1072C	21	P217-809	3
		1/2	5	1	230	15P4C02H	22-1/4	27	L15P4CH	12-1/4	9	P218-1073C	21	P217-810	3
		3/4	7	1	230	15P4D02H	25-3/4	31	L15P4DH	14-1/2	10	P218-1074C	25	P217-811	3
		1	9	1	230	15P4E02H	29-1/4	35	L15P4EH	16-3/4	11	P218-1075C	28	P217-812	3
		1-1/2	12	1	230	15P4F02H	33-3/4	41	L15P4FH	20-1/4	13	P218-1076C	31	P217-813	6
		1-1/2	12	3	230				L15P4FH	20-1/4	13	P218-1330C	33	1095-K41	6
		1-1/2	12	3	460				L15P4FH	20-1/4	13	P218-1279C	33	1096-K33	6
		2	15	1	230				L15P4GH	23-1/2	15	P218-1328C	43	P217-814	8
		2	15	3	230				L15P4GH	23-1/2	15	P218-1331C	47	1095-K43	6
		2	15	3	460				L15P4GH	23-1/2	15	P218-1274C	47	1096-K33	6
		3	22	1	230				L15P4HH	31-1/4	18	P218-1450C	53	P217-815	9
		3	22	3	230				L15P4HH	31-1/4	18	P218-1441C	53	1095-K52	6
		3	22	3	460				L15P4HH	31-1/4	18	P218-1452C	53	1096-K37	6

\* Length and Weight are approximate.

\*\* For 10 GPM, 15 GPM, and 20 GPM, discharge is 1-1/4" NPT.

\*\*\* For 30 GPM and 50 GPM discharge is 2" NPT.

**NOTE:** On 2 HP and larger – Pump, Motor, Control Box or Magnetic Starter must be ordered separately.

† Check Valve not included on 5 HP, 7-1/2 HP and 10 HP models. Check valve not included on 50 GPM models.

TrimLine™ version maximum outside diameter 3-3/4". Standard version maximum outside diameter on all models is 3-7/8".



# 4" submersible pumps – 10, 15, 20, 30, and 50 gpm

## ORDERING INFORMATION

GPM	Motor Type	HP	Stgs.	PH	Volt	Assembled Pump			Pump End			Motor		Control Box	
						Catalog Number	Length Inches*	Weight Pounds*	Catalog Number	Length Inches*	Weight Pounds*	Catalog Number	Weight Pounds*	Catalog Number	Weight Pounds*
20**	2 Wire	3/4	5	1	230	20SP4D02H	23-3/4	30	L20P4DH	12-1/2	8-1/2	P218-1081C	26		
		1	7	1	230	20SP4E02H	27-1/4	34	L20P4EH	14-3/4	9-3/4	P218-1082C	29		
		1-1/2	9	1	230	20SP4F02H	32	39	L20P4FH	16-3/4	10-3/4	P218-1327C	39		
	3 Wire	3/4	5	1	230	20P4D02H	23-3/4	30	L20P4DH	12-1/2	8-1/2	P218-1074C	25	P217-811	3
		1	7	1	230	20P4E02H	27-1/4	34	L20P4EH	14-3/4	9-3/4	P218-1075C	28	P217-812	3
		1-1/2	9	1	230	20P4F02H	30-1/2	39	L20P4FH	16-3/4	10-3/4	P218-1076C	31	P217-813	6
		1-1/2	9	3	230				L20P4FH	16-3/4	10-3/4	P218-1330C	33	1095-K41	6
		1-1/2	9	3	460				L20P4FH	16-3/4	10-3/4	P218-1279C	33	1096-K33	6
		2	12	1	230				L20P4GH	20-1/4	12-1/2	P218-1328C	43	P217-814	8
		2	12	3	230				L20P4GH	20-1/4	12-1/2	P218-1331C	47	1095-K43	6
		2	12	3	460				L20P4GH	20-1/4	12-1/2	P218-1274C	47	1096-K33	6
		3	17	1	230				L20P4HH	25-3/4	15	P218-1450C	53	P217-815	9
		3	17	3	230				L20P4HH	25-3/4	15	P218-1441C	53	1095-K52	6
		3	17	3	460				L20P4HH	25-3/4	15	P218-1452C	53	1096-K37	6
		5	28	1	230				L20P4JH	38	21	P218-1329C	67	P217-910	10
		5	28	3	230				L20P4JH	38	21	P218-1333C	67	1095-K61	6
		5	28	3	460				L20P4JH	38	21	P218-1278C	67	1095-K49	6
		7-1/2	40	3	230				L20P4KH	53-3/4	30	P218-937C	69	1095-K67	6
		7-1/2	40	3	460				L20P4KH	53-3/4	30	P218-1321C	69	1096-K55	6
		10	54	3	460				L20P4LH	71	41	P218-982C	80	1100-K58	6
30***	2 Wire	1	5	1	230	30SP4E02H	26-1/2	35	L30P4EH	14	9-3/4	P218-1082C	29		
		1-1/2	6	1	230	30SP4F02H	30-1/2	39	L30P4FH	15-1/4	10-3/4	P218-1327C	39		
	3 Wire	1	5	1	230	30P4E02H	26-1/2	35	L30P4EH	14	10	P218-1075C	28	P217-812	3
		1-1/2	6	1	230	30P4F02H	29	39	L30P4FH	15-1/4	11	P218-1076C	31	P217-813	6
		1-1/2	6	3	230				L30P4FH	15-1/4	11	P218-1330C	33	1095-K41	6
		1-1/2	6	3	460				L30P4FH	15-1/4	11	P218-1279C	33	1096-K33	6
		2	8	1	230				L30P4GH	18-1/4	12	P218-1328C	43	P217-814	8
		2	8	3	230				L30P4GH	18-1/4	12	P218-1331C	47	1095-K43	6
		2	8	3	460				L30P4GH	18-1/4	12	P218-1274C	47	1096-K33	6
		3	12	1	230				L30P4HH	24	15	P218-1450C	53	P217-815	9
		3	12	3	230				L30P4HH	24	15	P218-1441C	53	1095-K52	6
		3	12	3	460				L30P4HH	24	15	P218-1452C	53	1096-K37	6
		5	20	1	230				L30P4JH	35-3/4	20	P218-1329C	67	P217-910	10
		5	20	3	230				L30P4JH	35-3/4	20	P218-1333C	67	1095-K61	6
		7-1/2	28	3	230				L30P4KH	50	27	P218-937C	69	1095-K67	6
		7-1/2	28	3	460				L30P4KH	50	27	P218-1321C	69	1096-K55	6
		10	38	3	460				L30P4LH	65-1/2	35	P218-982C	80	1100-K58	6

\* Length and Weight are approximate.

\*\* For 10 GPM, 15 GPM, and 20 GPM, discharge is 1-1/4" NPT.

\*\*\* For 30 GPM and 50 GPM discharge is 2" NPT.

**NOTE:** On 2 HP and larger – Pump, Motor, Control Box or Magnetic Starter must be ordered separately.

† Check Valve not included on 5 HP, 7-1/2 HP and 10 HP models. Check valve not included on 50 GPM models.

TrimLine™ version maximum outside diameter 3-3/4". Standard version maximum outside diameter on all models is 3-7/8".



# 4" submersible pumps – 10, 15, 20, 30, and 50 gpm

## ORDERING INFORMATION

GPM	Motor Type	HP	Stgs.	PH	Volt	Pump End			Motor		Control Box	
						Catalog Number	Length Inches*	Weight Pounds*	Catalog Number	Weight Pounds*	Catalog Number	Weight Pounds*
50***	2 Wire	1-1/2	4	1	230	L50P4FH	15-1/4	10	P218-1327C	39		
	3 Wire	1-1/2	4	1	230	L50P4FH	15-1/4	10	P218-1076C	31	P217-813	6
		1-1/2	4	3	230	L50P4FH	15-1/4	10	P218-1330C	33	1095-K41	6
		1-1/2	4	3	460	L50P4FH	15-1/4	10	P218-1279C	33	1096-K33	6
		2	6	1	230	L50P4GH	19-1/4	12	P218-1328C	43	P217-814	8
		2	6	3	230	L50P4GH	19-1/4	12	P218-1331C	47	1095-K43	6
		2	6	3	460	L50P4GH	19-1/4	12	P218-1274C	47	1096-K33	6
		3	8	1	230	L50P4HH	23-1/4	15	P218-1450C	53	P217-815	9
		3	8	3	230	L50P4HH	23-1/4	15	P218-1441C	53	1095-K52	6
		3	8	3	460	L50P4HH	23-1/4	15	P218-1452C	53	1096-K37	6
		5	13	1	230	L50P4JH	33-1/2	20	P218-1329C	67	P217-910	10
		5	13	3	230	L50P4JH	33-1/2	20	P218-1333C	67	1095-K61	6
		5	13	3	460	L50P4JH	33-1/2	20	P218-1278C	67	1096-K49	6
		7-1/2	20	3	230	L50P4KH	47-1/2	25	P218-937C	69	1095-K67	6
		7-1/2	20	3	460	L50P4KH	47-1/2	25	P218-1321C	69	1096-K55	6
		10	25	3	460	L50P4LH	57-3/4	35	P218-982C	80	1096-K58	6

\* Length and Weight are approximate.

\*\* For 10 GPM, 15 GPM, and 20 GPM, discharge is 1-1/4" NPT.

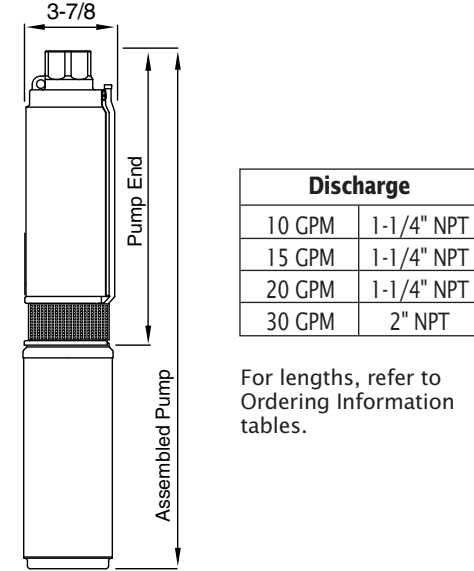
\*\*\* For 30 GPM and 50 GPM discharge is 2" NPT.

**NOTE:** Pump, Motor, Control Box or Magnetic Starter must be ordered separately.  
Check valve not included on 50 GPM models.



# 4" submersible pumps – 10, 15, 20, 30, and 50 gpm

## OUTLINE DIMENSIONS – 10, 15, 20, AND 30 GPM

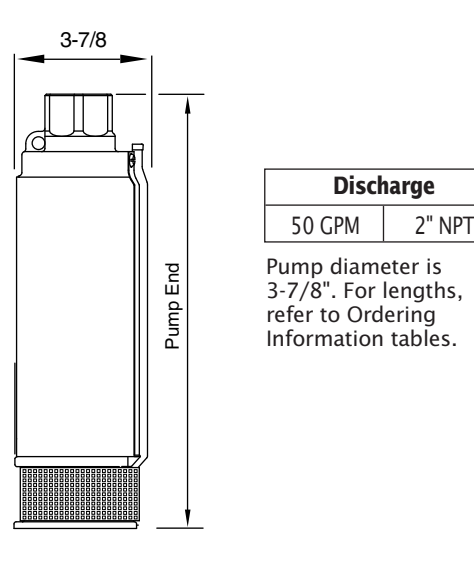


Discharge	
10 GPM	1-1/4" NPT
15 GPM	1-1/4" NPT
20 GPM	1-1/4" NPT
30 GPM	2" NPT

For lengths, refer to Ordering Information tables.

Dimensions (in inches) are for estimating purposes only.

## OUTLINE DIMENSIONS – 50 GPM

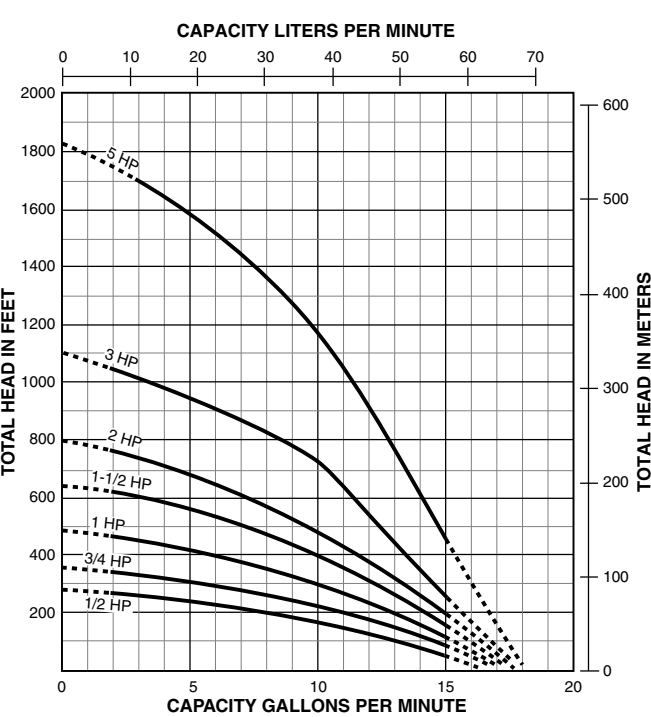


Discharge	
50 GPM	2" NPT

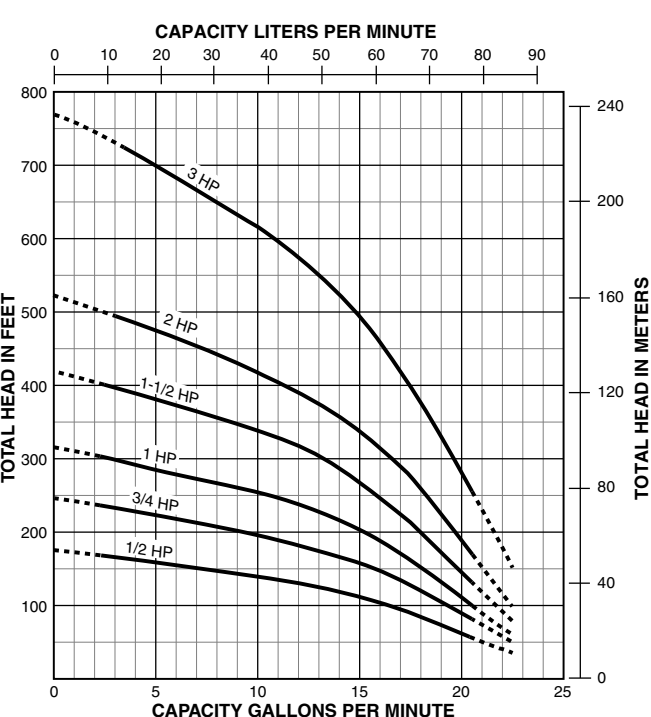
Pump diameter is 3-7/8". For lengths, refer to Ordering Information tables.

Dimensions (in inches) are for estimating purposes only.

## PUMP PERFORMANCE – 10 GPM



## PUMP PERFORMANCE – 15 GPM

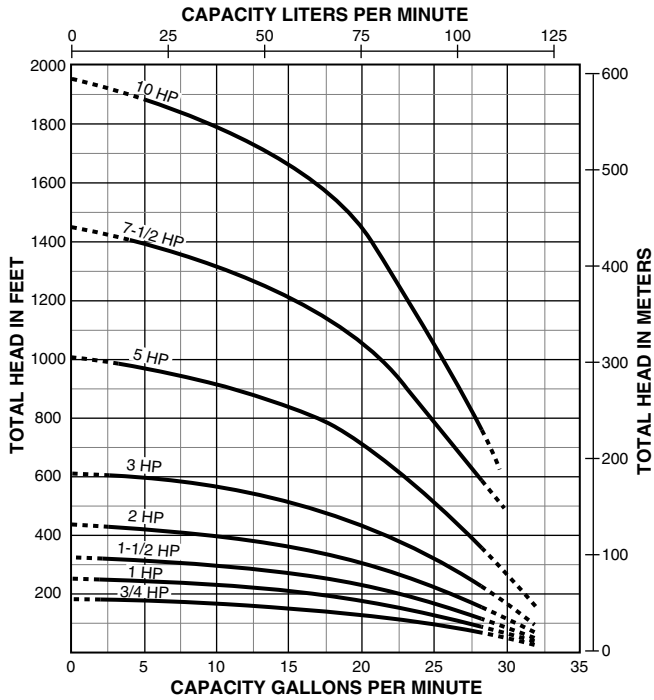


Tested and rated in accordance with Water Systems Council standards.  
**NOTE:** Pumps installed with a PRO-Source™ tank require a 100 PSI relief valve. Pumps installed with a conventional tank require a 75 PSI relief valve. Relief valve must be capable of relieving entire flow of pump at relief pressure.

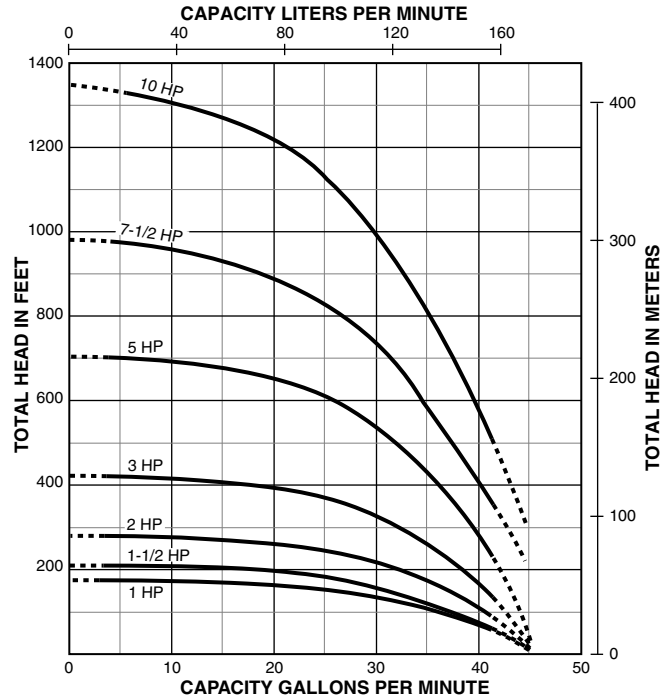


# 4" submersible pumps – 10, 15, 20, 30, and 50 gpm

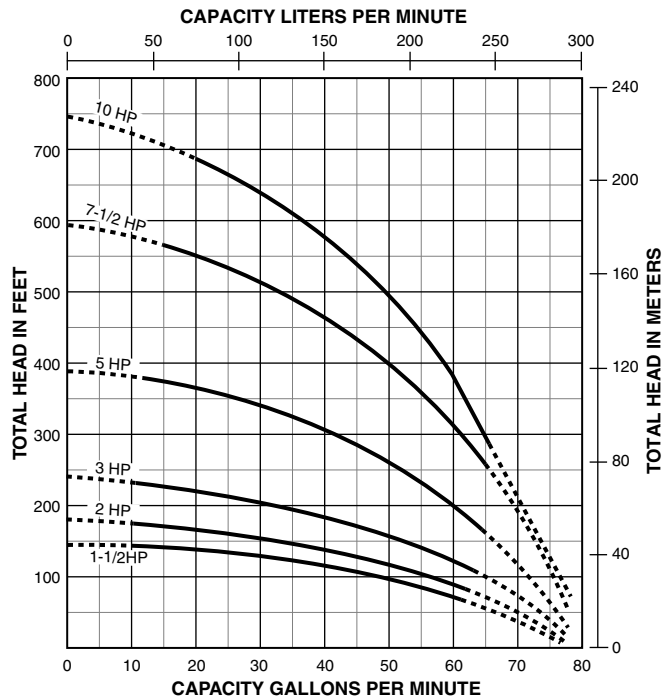
**PUMP PERFORMANCE – 20 GPM**



**PUMP PERFORMANCE – 30 GPM**



**PUMP PERFORMANCE – 50 GPM**











# 4" submersible pumps – 10, 15, 20, 30, and 50 gpm

## 30 Gallons per Minute PUMP PERFORMANCE (Capacity in Gallons Per Minute)

HP	PSI	Pumping Depth in Feet																			Shutoff Head	
		20	40	60	80	100	125	150	175	200	250	300	350	400	450	500	550	600	650	700	Feet	PSI
1	0	44.0	42.5	40.9	39.1	36.8	32.5	26.0	8.0												175	76
	20	40.4	38.8	36.0	32.4	27.7	13.3															
	30	38.0	35.3	31.7	26.3	14.3																
	40	35.0	31.4	25.9	12.1																	
	50	30.2	24.0	3.0																		
	60	21.9																				
1-1/2	0	44.2	43.1	41.9	39.9	37.5	34.1	30.9	26.9	17.0											210	91
	20	41.2	39.1	36.5	34.0	31.5	27.8	21.5														
	30	38.9	36.1	33.8	31.0	27.9	21.8															
	40	36.0	33.5	30.8	27.7	20.2																
	50	32.9	30.1	26.8	21.5																	
	60	29.5	25.9	18.1																		
2	0	44.9	43.9	43.0	41.8	40.5	38.8	36.8	34.7	31.6	23.7										280	121
	20	42.7	41.3	40.1	38.7	37.1	34.9	32.1	29.0	24.8												
	30	41.2	40.0	38.5	37.0	35.0	32.2	29.1	24.9	15.2												
	40	39.9	38.3	36.6	34.8	32.7	29.8	25.1	16.1													
	50	38.0	36.3	34.5	32.1	30.0	25.3	17.5														
	60	36.0	34.0	31.9	29.1	26.0	18.0															
3	0	45.0	44.5	44.0	43.2	42.7	41.6	40.1	39.6	38.2	35.5	32.0	27.3								420	182
	20	43.8	43.0	42.4	41.5	41.0	39.8	38.5	37.1	35.7	32.1	28.0	18.5									
	30	42.9	42.2	41.3	40.6	39.9	38.7	37.2	35.8	34.2	30.3	24.9	6.0									
	40	42.1	41.2	40.4	39.7	38.8	37.3	35.9	34.5	32.6	28.3	19.9										
	50	41.1	40.3	39.5	38.5	37.4	36.0	34.6	32.7	31.0	25.2	9.5										
	60	40.2	39.3	38.3	37.2	36.1	34.7	32.8	31.0	28.5	20.5											
5	0	—	—	—	44.3	44.0	43.5	43.0	42.6	42.0	40.7	39.2	38.0	36.0	34.2	31.9	29.2	26.0	20.0		705	305
	20	—	44.1	44.0	43.4	43.1	42.7	42.0	41.3	40.8	39.3	38.2	36.2	34.4	32.4	30.0	26.1	21.5				
	30	44.1	43.9	43.4	43.0	42.8	42.1	41.4	40.8	40.1	38.7	37.0	35.1	33.1	31.1	26.0	24.1	16.0				
	40	43.8	43.4	43.0	42.7	42.1	41.5	40.9	40.2	39.3	37.9	36.1	34.3	32.0	29.4	26.2	20.4					
	50	43.3	43.0	42.6	42.0	41.5	41.2	40.2	39.5	38.8	37.1	35.4	33.2	31.2	28.8	24.5	16.0					
	60	42.9	42.5	42.0	41.4	41.1	40.3	39.8	38.9	38.1	36.2	34.2	32.1	30.0	26.7	22.0						

HP	PSI	Pumping Depth in Feet														Shutoff Head						
		200	300	400	500	600	700	800	900	1000	1100	1200	1300	1400	Feet	PSI						
7-1/2	0	—	43.2	40.4	37.6	34.8	32.0	28.1	20.0												975	422
	20	44.6	42.0	39.3	36.5	33.8	30.5	25.5	13.8													
	30	44.2	41.3	38.6	35.8	33.1	29.8	23.3	6.5													
	40	43.6	40.7	38.1	35.6	32.6	29.3	21.7														
	50	42.7	40.1	37.3	34.6	31.7	27.4	19.3														
	60	42.0	39.4	36.5	33.7	30.7	25.1	13.9														
10	0	—	44.7	43.1	41.3	39.5	37.3	35.1	33.1	30.4	27.1	22.5	11.9								1345	582
	20	—	44.2	42.3	40.5	38.6	36.4	34.5	31.8	29.2	25.3	18.7										
	30	—	43.7	42.0	40.1	43.0	35.7	33.7	31.3	28.4	24.2	16.3										
	40	44.9	43.3	41.6	39.7	37.7	35.5	33.5	30.9	27.7	23.4	14.4										
	50	44.6	42.7	41.0	39.3	37.1	34.9	32.8	30.2	26.7	21.7	7.7										
	60	44.3	42.3	40.6	38.7	36.5	34.5	32.3	29.5	25.7	20.1	5.0										

**CAUTION: DO NOT** use pump at flow rates indicated by the symbol '—'. To do so can cause premature failure of unit. Pump warranty void when failure occurs under these conditions. Tested and rated in accordance with Water Systems Council Standards.

**NOTE:** Pumps installed with a PRO-Source™ tank require a 100 PSI relief valve. Pumps installed with a conventional tank require a 75 PSI relief valve. Relief valve must be capable of relieving entire flow of pump at relief pressure.



# 4" submersible pumps – 10, 15, 20, 30, and 50 gpm

50 Gallons per Minute		PUMP PERFORMANCE (Capacity in Gallons Per Minute)																	
HP	PSI	Pumping Depth in Feet															Shutoff Head		
		20	40	60	80	100	125	150	175	200	250	300	350	450	550	650	700	Feet	PSI
1-1/2	0	—	71.0	65.1	58.2	49.3	33.5											145	63
	20	63.5	55.9	46.5	32.5														
	30	54.8	45.0	30.0															
	40	43.3	26.9																
	50	21.9																	
	60																		
2	0	—	72.6	68.0	63.3	57.0	47.8	33.9										180	78
	20	66.5	62.2	55.1	46.8	37.1	13.0												
	30	61.1	53.6	46.0	34.3	14.1													
	40	52.8	45.0	32.5	11.0														
	50	42.7	27.9																
	60	25.2																	
3	0	—	75.5	71.5	68.0	64.5	59.4	52.5	45.0	33.8								235	102
	20	70.5	66.9	63.7	59.0	53.5	46.5	36.2	18.2										
	30	66.1	62.9	58.1	53.0	47.0	37.0	20.5											
	40	62.5	57.6	52.0	46.2	38.8	22.1												
	50	56.5	51.0	44.7	36.2	22.8													
	60	50.0	43.7	34.0	20.5														
5	0	—	—	75.8	73.9	71.1	68.9	65.9	63.2	59.9	51.9	41.9	22.5					385	166
	20	75.0	72.9	70.3	68.2	66.1	63.5	60.8	56.1	52.4	42.5	24.9							
	30	72.4	70.1	68.0	66.0	63.8	60.9	56.9	53.0	47.9	35.5	12.9							
	40	69.9	67.9	65.5	63.2	61.0	57.0	53.2	48.0	43.5	27.0								
	50	67.2	65.1	63.0	60.8	57.1	53.3	48.1	43.6	36.4	14.2								
	60	64.9	62.4	60.0	56.9	53.7	48.7	44.1	37.5	28.0									
7-1/2	0	—	—	—	—	75.2	73.5	71.3	69.8	68.0	66.0	61.0	55.3	43.1	20.0			595	257
	20	—	—	74.8	73.4	71.8	70.0	68.3	66.5	64.8	61.1	56.0	50.0	34.9					
	30	—	74.4	73.2	71.5	70.1	68.8	66.7	64.9	63.3	58.7	53.2	47.2	28.8					
	40	74.1	72.9	71.2	69.9	68.9	66.8	65.0	63.6	61.7	56.2	50.9	44.1	22.0					
	50	72.6	71.1	69.8	68.3	66.9	65.1	63.7	61.8	58.9	53.9	47.5	41.0	13.2					
	60	71.0	69.3	68.1	66.7	65.2	63.8	61.9	59.0	56.5	51.1	44.9	36.0						
10	0	—	—	—	—	—	75.3	73.8	72.2	70.8	67.9	65.0	62.1	54.2	44.7	29.0	15.2	745	322
	20	—	—	—	75.2	74.0	72.4	71.0	69.6	68.1	65.5	62.5	59.1	50.1	39.2	17.1			
	30	—	—	75.0	73.9	72.6	71.1	69.7	68.2	66.9	64.1	61.2	56.9	47.5	35.0	10.5			
	40	—	74.9	73.7	72.3	71.2	69.8	68.3	67.0	65.8	63.0	59.3	54.9	45.2	30.5				
	50	74.7	73.5	72.1	71.0	69.9	68.4	67.1	65.9	64.2	61.5	57.2	53.0	42.9	25.0				
	60	73.2	72.0	70.9	69.7	68.5	67.2	66.0	64.3	63.2	59.9	55.0	51.0	40.6	19.7				

**CAUTION: DO NOT** use pump at flow rates indicated by the symbol ‘—’. To do so can cause premature failure of unit. Pump warranty void when failure occurs under these conditions.

Tested and rated in accordance with Water Systems Council Standards.

**NOTE:** Pumps installed with a PRO-Source™ tank require a 100 PSI relief valve. Pumps installed with a conventional tank require a 75 PSI relief valve. Relief valve must be capable of relieving entire flow of pump at relief pressure.

# 4" submersible pumps – 5 and 7 gpm TrimLine™



*Precision-engineered, corrosion-resistant Signature 2000® Composite Pumps in 5 and 7 GPM deliver efficient, dependable performance even in rough, aggressive water. Heads to over 850 feet and capacities to 10 GPM. Built to deliver long-term, trouble-free service.*

*These pumps feature the patented SignaSeal™ staging system. Floating stack design resists sand and reduces sand locking.*

*The 5 and 7 GPM models are the smaller 3-3/4" diameter TrimLine™.*

## APPLICATIONS

- **Water systems...** for residential, industrial, commercial, multiple housing and farm use.

## SPECIFICATIONS

- Shell** – Stainless steel
- Discharge** – Fiberglass reinforced thermoplastic
- Discharge Bearing** – Nylatron®
- Intermediate Bearing** – (On larger units) polycarbonate, nitrile rubber and stainless steel
- Impellers** – Acetal
- Diffusers** – Polycarbonate
- Suction Caps** – Polycarbonate with stainless steel insert
- Thrust Pads** – Proprietary spec.
- Shaft and Coupling** – Stainless steel
- Intake** – Fiberglass reinforced thermoplastic
- Intake Screen** – Polypropylene
- Cable Guard** – Stainless steel
- Agency Listings** – UL and CSA
- Check Valve** – Acetal

*Signature*  
**2000**  
**COMPOSITE**

## FEATURES

### Patented Staging System –

Our proven SignaSeal™ staging system incorporates a harder-than-sand ceramic wear surface that when incorporated with our floating impeller design, greatly reduces problems with abrasives, sand lock-up and running dry.

**Discharge** – Corrosion-resistant fiberglass reinforced thermoplastic for durability in aggressive water.

Large octagon wrench area for ease of installation.

**Discharge Bearing** – Exclusive self-lubricating Nylatron® bearing resists wear from sand.

**Intake** – Corrosion-resistant fiberglass reinforced thermoplastic for durability in aggressive water.

**Shaft** – Positive drive from 7/16" hexagonal heavy-duty 300 grade stainless steel.

**Coupling** – Stainless steel press fit to pump shaft. Couples to all standard NEMA motors.

**Shell** – Heavy-walled corrosion-resistant stainless steel. Threaded for easy servicing.

**Hardware** – All screws, washers and nuts are corrosion-resistant 300 grade stainless steel.

**Check Valve** – Durable internal poppet type check valve.

**Cable Guard** – Corrosion-resistant stainless steel guard protects motor leads. Tapered ends prevent pump from catching on well.

**Intake Screen** – Corrosion-proof polypropylene.

### Franklin Electric Motor –

2 and 3 wire NEMA standard super stainless series water filled motors.

UL Classified to  
ANSI/NSF  
Standard 61,  
Drinking Water Systems  
Components – Health Effects



Delrin® is a registered trademark of E.I. DuPont de Nemours and Co. Nylatron® is a registered trademark of Polymer Corp. Signature 2000® is a registered trademark of WICOR Industries. PRO-Source™, SignaSeal™, and TrimLine™ are trademarks of WICOR Industries.

In order to provide the best products possible, specifications are subject to change.





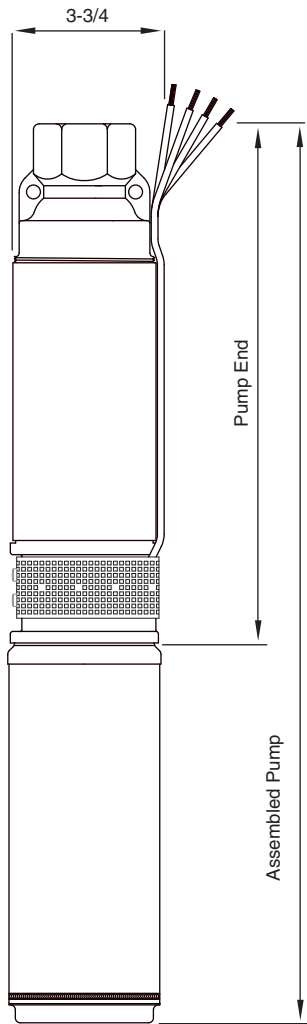
# 4" submersible pumps – 5 and 7 gpm TrimLine™

ORDERING INFORMATION																
GPM	Motor Type	HP	Stgs.	PH	Volt	Assembled Pump			Pump End			Motor		Control Box		
						Catalog Number	Length Inches*	Weight Pounds*	Catalog Number	Length Inches*	Weight Pounds*	Catalog Number	Weight Pounds*	Catalog Number	Weight Pounds*	
5	2 Wire	1/2	13	1	115	5SP4C01JL	27-1/2	29	LSP4CJL	18	12	P218-1079C	22			
		1/2	13	1	230	5SP4C02JL	27-1/2	29	LSP4CJL	18	12	P218-1080C	22			
		3/4	18	1	230	5SP4D02JL	32-3/4	34	LSP4DJL	22	15	P218-1081C	26			
		1	22	1	230	5SP4E02JL	37	38	LSP4EJL	25-1/4	17	P218-1082C	29			
		1-1/2	30	1	230	5SP4F02JL	47	45	LSP4FJL	32	21	P218-1327C	39			
	3 Wire	1/2	13	1	115	5P4C01JL	27-1/2	29	LSP4CJL	18	12	P218-1072C	21	P217-809	3	
		1/2	13	1	230	5P4C02JL	27-1/2	29	LSP4CJL	18	12	P218-1073C	21	P217-810	3	
		3/4	18	1	230	5P4D02JL	32-3/4	24	LSP4DJL	22	15	P218-1074C	25	P217-811	3	
		1	22	1	230	5P4E02JL	37	38	LSP4EJL	25-1/4	17	P218-1075C	28	P217-812	3	
		1-1/2	30	1	230	5P4F02JL	45-1/2	45	LSP4FJL	32	21	P218-1076C	31	P217-813	6	
		1-1/2	30	3	230				LSP4FJL	32	21	P218-1330C	31	1095-K41	6	
		1-1/2	30	3	460				LSP4FJL	32	21	P218-1279C	31	1096-K33	6	
	7	2 Wire	1/2	10	1	115	7SP4C01JL	25-1/2	27	L7P4CJL	16	12	P218-1079C	22		
			1/2	10	1	230	7SP4C02JL	25-1/2	27	L7P4CJL	16	12	P218-1080C	22		
3/4			13	1	230	7SP4D02JL	29	32	L7P4DJL	18-1/2	15	P218-1081C	26			
1			17	1	230	7SP4E02JL	33-3/4	37	L7P4EJL	22	17	P218-1082C	29			
1-1/2			22	1	230	7SP4F02JL	42-1/2	47	L7P4FJL	27-1/4	21	P218-1327C	39			
3 Wire		1/2	10	1	115	7P4C01JL	25-1/2	27	L7P4CJL	16	12	P218-1072C	21	P217-809	3	
		1/2	10	1	230	7P4C02JL	25-1/2	27	L7P4CJL	16	12	P218-1073C	21	P217-810	3	
		3/4	13	1	230	7P4D02JL	29	32	L7P4DJL	18-1/2	15	P218-1074C	25	P217-811	3	
		1	17	1	230	7P4E02JL	33-3/4	37	L7P4EJL	22	17	P218-1075C	28	P217-812	3	
		1-1/2	22	1	230	7P4F02JL	41	44	L7P4FJL	27-1/4	21	P218-1076C	31	P217-813	6	
		1-1/2	22	3	230				L7P4FJL	27-1/4	21	P218-1330C	39	1095-K41	6	
		1-1/2	22	3	460				L7P4FJL	27-1/4	21	P218-1279C	39	1096-K33	6	

\*Length and Weight are approximate.  
 TrimLine™ version maximum outside diameter 3-3/4". Standard version maximum outside diameter 3-7/8".  
**NOTE:** Motor, Control Box or Magnetic Starter must be ordered separately.  
 Discharge NPT is 1-1/4".

# 4" submersible pumps – 5 and 7 gpm TrimLine™

## OUTLINE DIMENSIONS

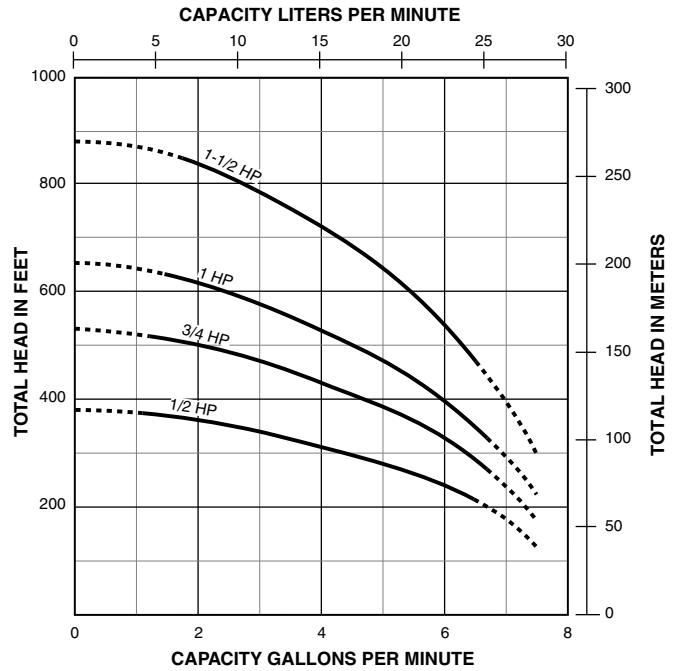


Discharge	
5 GPM	1-1/4" NPT
7 GPM	1-1/4" NPT

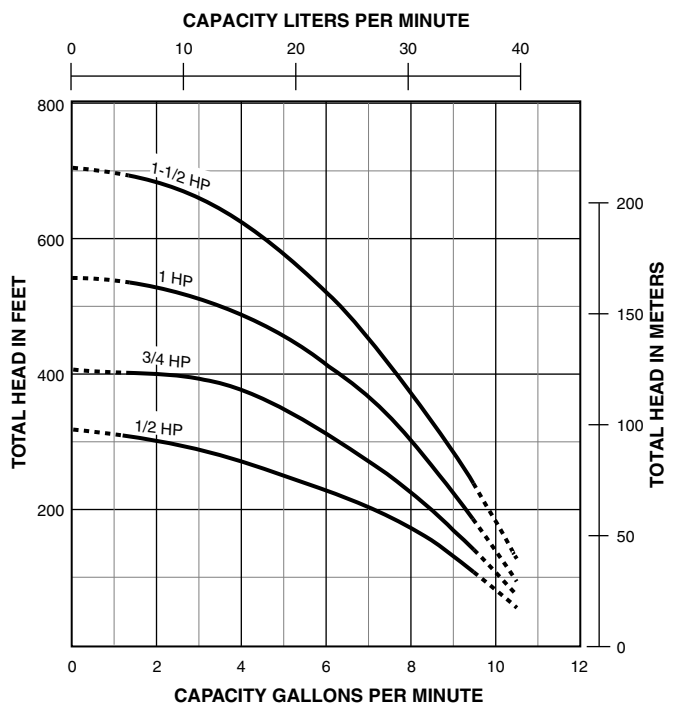
For dimensions, refer to Ordering Information table.

Dimensions (in inches) are for estimating purposes only.

## PUMP PERFORMANCE – 5 GPM



## PUMP PERFORMANCE – 7 GPM



Tested and rated in accordance with Water Systems Council standards.

**NOTE:** Pumps installed with a PRO-Source™ tank require a 100 PSI relief valve. Pumps installed with a conventional tank require a 75 PSI relief valve. Relief valve must be capable of relieving entire flow of pump at relief pressure.





# 4" submersible pumps – 10, 15, 20, and 30 gpm



*Precision-engineered, corrosion-resistant Signature 2000® Composite Pumps in 10, 15, 20 and 30 GPM deliver efficient, dependable performance even in rough, aggressive water. Heads to over 650 feet and capacities to 45 GPM. Built to deliver long-term, trouble-free service.*

*These pumps feature the patented SignaSeal™ staging system. Floating impeller design resists sand and reduces sand locking.*

### APPLICATIONS

- **Water systems...** for residential, industrial, commercial, multiple housing and farm use.

### SPECIFICATIONS

- Shell** – Stainless steel
- Diameter** – 3-7/8"
- Discharge** – Fiberglass-reinforced thermoplastic
- Discharge Bearing** – Nylatron®
- Intermediate Bearing** – (On larger units) Polycarbonate, nitrile rubber and stainless steel.
- Impellers** – Acetal
- Diffusers** – Polycarbonate
- Suction Caps** – Polycarbonate with stainless steel insert
- Thrust Pads** – Proprietary spec.
- Shaft and Coupling** – Stainless steel
- Intake** – Fiberglass-reinforced thermoplastic
- Intake Screen** – Polypropylene
- CableGuard** – Stainless steel
- Check Valve** – Acetal
- Agency Listings** – UL and CSA



### FEATURES

**Patented Staging System** – Our proven SignaSeal™ staging system incorporates a harder-than-sand ceramic wear surface that when incorporated with our floating impeller design, greatly reduces problems with abrasives, sand lock-up and running dry.

**Discharge** – Corrosion-resistant fiberglass reinforced thermoplastic for durability in aggressive water. Large octagon wrench area for ease of installation.

**Discharge Bearing** – Exclusive self-lubricating Nylatron® bearing resists wear from sand.

**Intake** – Corrosion-resistant fiberglass reinforced thermoplastic for durability in aggressive water.

**Shaft** – Positive drive from 7/16" hexagonal heavy-duty 300 grade stainless steel.

**Coupling** – Stainless steel press fit to pump shaft. Couples to all standard NEMA motors.

**Shell** – Heavy-walled corrosion-resistant stainless steel. Threaded for easy servicing.

**Hardware** – All screws, washers and nuts are corrosion-resistant 300 grade stainless steel.

**Check Valve** – Durable internal poppitt type check valve.

**Cable Guard** – Corrosion-resistant stainless steel guard protects motor leads. Tapered ends prevent pump from catching on well.

**Intake Screen** – Corrosion-proof polypropylene.

**Franklin Electric Motor** – 2 and 3 wire NEMA standard super stainless series water-filled motors.

UL Classified to ANSI/NSF Standard 61, Drinking Water Systems Components – Health Effects



Nylatron® is a registered trademark of Polymer Corp. Signature 2000® is a registered trademark of WICOR Industries. PRO-Source™, SignaSeal™, and TrimLine™ are trademarks of WICOR Industries.

In order to provide the best products possible, specifications are subject to change.



# 4" submersible pumps – 10, 15, 20, and 30 gpm

## ORDERING INFORMATION

GPM	Motor Type	HP	Stgs.	PH	Volt	Assembled Pump			Pump End			Motor		Control Box			
						Catalog Number	Length Inches*	Weight Pounds*	Catalog Number	Length Inches*	Weight Pounds*	Catalog Number	Weight Pounds*	Catalog Number	Weight Pounds*		
10**	2 Wire	1/2	6	1	115	10SP4C01J	22	27	L10P4CJ	12	8-1/2	P218-1079C	22				
		1/2	6	1	230	10SP4C02J	22	27	L10P4CJ	12	8-1/2	P218-1080C	22				
		3/4	8	1	230	10SP4D02J	25	30	L10P4DJ	13-3/4	9-1/2	P218-1081C	26				
		1	10	1	230	10SP4E02J	28	34	L10P4EJ	15-1/2	10-1/4	P218-1082C	29				
		1-1/2	14	1	230	10SP4F02J	34	41	L10P4FJ	19	12	P218-1327C	39				
	3 Wire	1/2	6	1	115	10P4C01J	22	27	L10P4CJ	12	8-1/2	P218-1072C	21	P217-809	3		
		1/2	6	1	230	10P4C02J	22	27	L10P4CJ	12	8-1/2	P218-1073C	21	P217-810	3		
		3/4	8	1	230	10P4D02J	25	30	L10P4DJ	13-3/4	9-1/2	P218-1074C	25	P217-811	3		
		1	10	1	230	10P4E02J	28	34	L10P4EJ	15-1/2	10-1/4	P218-1075C	28	P217-812	3		
		1-1/2	14	1	230	10P4F02J	32-3/4	41	L10P4FJ	19	12	P218-1076C	31	P217-813	6		
		1-1/2	14	3	230				L10P4FJ	19	12	P218-1330C	39	1095-K41	6		
		1-1/2	14	3	460				L10P4FJ	19	12	P218-1279C	39	1096-K33	6		
		15**	2 Wire	1/2	5	1	115	15SP4C01J	22-1/4	27	L15P4CJ	12-1/4	9	P218-1079C	22		
		1/2		5	1	230	15SP4C02J	22-1/4	27	L15P4CJ	12-1/4	9	P218-1080C	22			
3/4	7	1		230	15SP4D02J	25-3/4	31	L15P4DJ	14-1/2	10	P218-1081C	26					
1	9	1		230	15SP4E02J	29-1/4	35	L15P4EJ	16-3/4	11	P218-1082C	29					
1-1/2	12	1		230	15SP4F02J	35-1/4	43	L15P4FJ	20-1/4	13	P218-1327C	39					
3 Wire	1/2	5	1	115	15P4C01J	22-1/4	27	L15P4CJ	12-1/4	9	P218-1072C	21	P217-809	3			
	1/2	5	1	230	15P4C02J	22-1/4	27	L15P4CJ	12-1/4	9	P218-1073C	21	P217-810	3			
	3/4	7	1	230	15P4D02J	25-3/4	31	L15P4DJ	14-1/2	10	P218-1074C	25	P217-811	3			
	1	9	1	230	15P4E02J	29-1/4	35	L15P4EJ	16-3/4	11	P218-1075C	28	P217-812	3			
	1-1/2	12	1	230	15P4F02J	33-3/4	41	L15P4FJ	20-1/4	13	P218-1076C	31	P217-813	6			
	1-1/2	12	3	230				L15P4FJ	20-1/4	13	P218-1330C	33	1095-K41	6			
	1-1/2	12	3	460				L15P4FJ	20-1/4	13	P218-1279C	33	1096-K33	6			
	20**	2 Wire	3/4	5	1	230	20SP4D02J	23-3/4	30	L20P4DJ	12-1/2	8-1/2	P218-1081C	26			
1	7		1	230	20SP4E02J	27-1/4	34	L20P4EJ	14-3/4	9-3/4	P218-1082C	29					
1-1/2	9		1	230	20SP4F02J	32	39	L20P4FJ	16-3/4	10-3/4	P218-1327C	39					
3 Wire	3/4	5	1	230	20P4D02J	23-3/4	30	L20P4DJ	12-1/2	8-1/2	P218-1074C	25	P217-811	3			
	1	7	1	230	20P4E02J	27-1/4	34	L20P4EJ	14-3/4	9-3/4	P218-1075C	28	P217-812	3			
	1-1/2	9	1	230	20P4F02J	30-1/2	39	L20P4FJ	16-3/4	10-3/4	P218-1076C	31	P217-813	6			
	1-1/2	9	3	230				L20P4FJ	16-3/4	10-3/4	P218-1330C	33	1095-K41	6			
	1-1/2	9	3	460				L20P4FJ	16-3/4	10-3/4	P218-1279C	33	1096-K33	6			
	2	12	1	230				L20P4GJ	20-1/4	12-1/2	P218-1328C	43	P217-814	8			
	2	12	3	230				L20P4GJ	20-1/4	12-1/2	P218-1331C	47	1095-K43	6			
	2	12	3	460				L20P4GJ	20-1/4	12-1/2	P218-1274C	47	1096-K33	6			
30**	2 Wire	1	5	1	230	30SP4E02J	26-1/2	35	L30P4EJ	14	10	P218-1082C	29				
		1-1/2	6	1	230	30SP4F02J	30-1/2	39	L30P4FJ	15-1/4	11	P218-1327C	39				
	3 Wire	1	5	1	230	30P4E02J	26-1/2	35	L30P4EJ	14	10	P218-1075C	28	P217-812	3		
		1-1/2	6	1	230	30P4F02J	29	39	L30P4FJ	15-1/4	11	P218-1076C	31	P217-813	6		
		1-1/2	6	3	230				L30P4FJ	15-1/4	11	P218-1330C	33	1095-K41	6		
		1-1/2	6	3	460				L30P4FJ	15-1/4	11	P218-1297C	33	1096-K33	6		
		2	8	1	230				L30P4GJ	18-1/4	12	P218-1328C	43	P217-814	8		
		2	8	3	230				L30P4GJ	18-1/4	12	P218-1331C	47	1095-K43	6		
		2	8	3	460				L30P4GJ	18-1/4	12	P218-1274C	47	1096-K33	6		

\*Length and Weight are approximate.

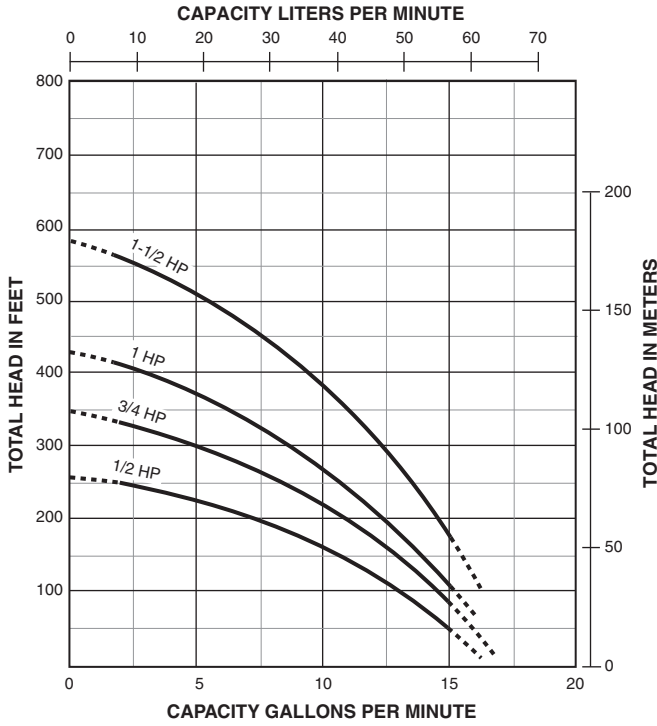
\*\*For 10 GPM, 15 GPM, 20 GPM, and 30 GPM discharge is 1-1/4" NPT.

**NOTE:** On 2 HP and larger pumps – Motor, Control Box or Magnetic Starter must be ordered separately.

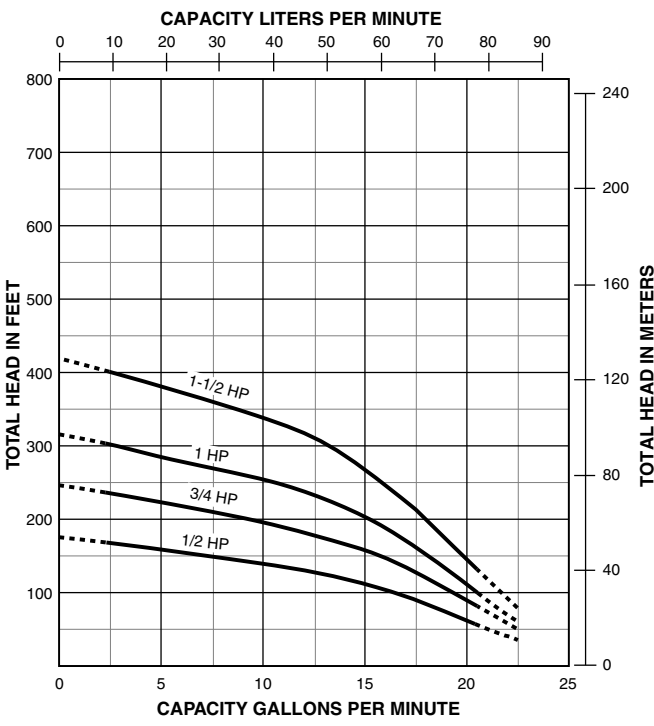


# 4" submersible pumps – 10, 15, 20, and 30 gpm

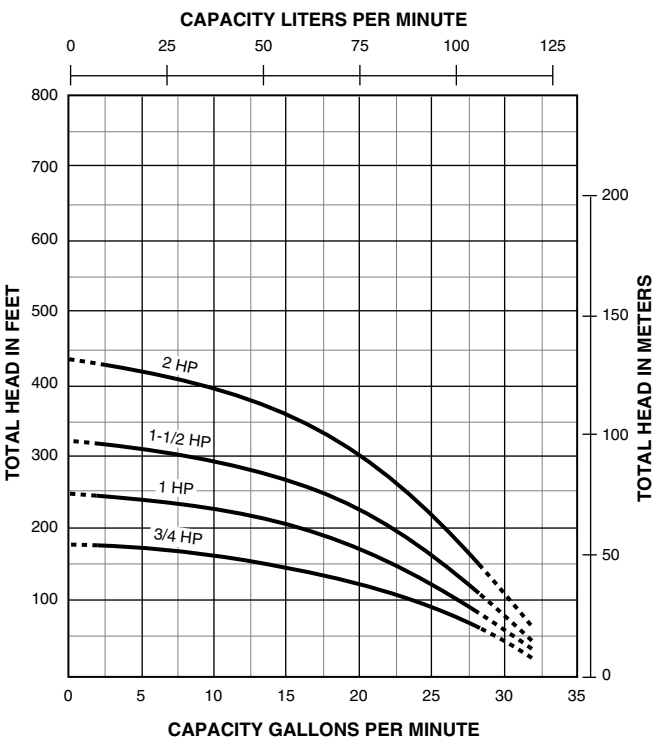
**PUMP PERFORMANCE – 10 GPM**



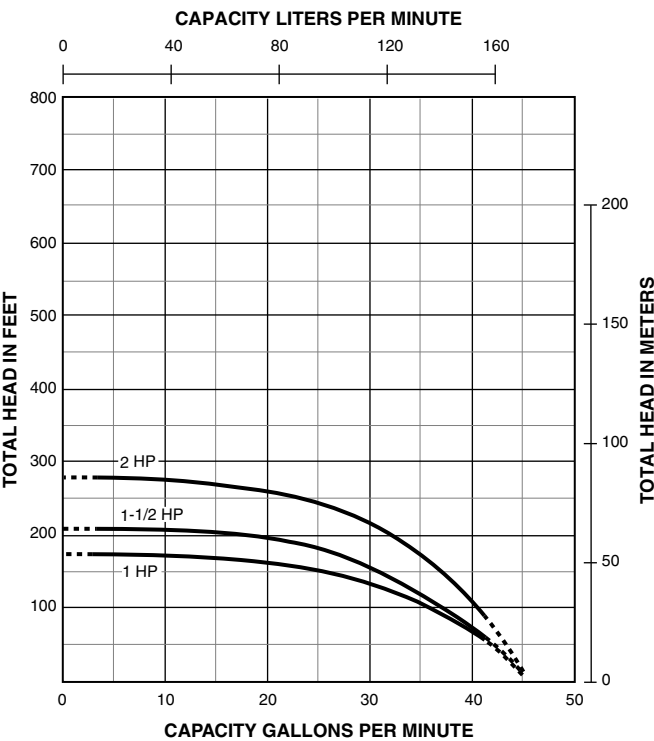
**PUMP PERFORMANCE – 15 GPM**



**PUMP PERFORMANCE – 20 GPM**

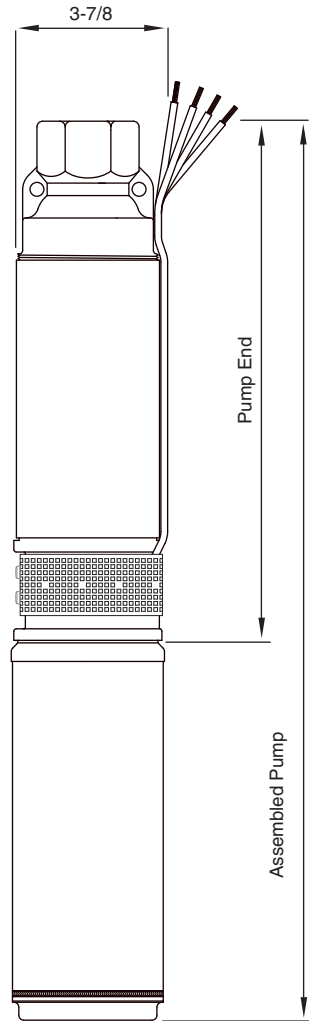


**PUMP PERFORMANCE – 30 GPM**



# 4" submersible pumps – 10, 15, 20, and 30 gpm

## OUTLINE DIMENSIONS



Discharge	
10 GPM	1-1/4" NPT
15 GPM	1-1/4" NPT
20 GPM	1-1/4" NPT
30 GPM	1-1/4" NPT

For lengths, refer to Ordering Information tables.

Dimensions (in inches) are for estimating purposes only.





# 4" submersible pumps – 10, 15, 20, and 30 gpm

## 10 Gallons per Minute PUMP PERFORMANCE (Capacity in Gallons Per Minute)

HP	PSI	Pumping Depth in Feet																	Shutoff Head				
		20	40	60	80	100	125	150	175	200	250	300	350	400	450	500	550	600	Feet	PSI			
1/2	0	—	—	14.1	13.5	12.8	12.0	10.8	9.5	7.4	4.7								255	110			
	20	14.0	13.3	12.7	12.0	11.0	9.6	7.8	5.2	1.4													
	30	13.2	12.6	11.8	10.9	9.8	8.0	5.5	1.7														
	40	12.4	11.7	10.8	9.7	8.2	8.8	2.0															
	50	11.5	10.5	9.4	7.8	5.8	2.2																
	60	10.4	9.2	7.5	5.4	2.8																	
3/4	0	—	—	—	14.8	14.4	13.8	13.0	12.0	11.0	8.4	4.7							340	147			
	20	—	14.7	14.3	13.7	13.0	12.2	11.2	9.9	8.6	5.0												
	30	14.4	14.2	13.7	13.0	12.3	11.2	10.0	8.8	7.2	3.0												
	40	14.2	13.5	12.9	12.1	11.3	10.2	8.9	7.4	5.3													
	50	13.4	12.7	12.0	11.0	10.2	8.9	7.4	5.5	3.2													
	60	12.6	11.9	11.0	10.0	9.1	7.5	5.7	4.4	1.4													
1	0	—	—	—	—	15.8	15.3	14.7	14.0	13.3	11.7	9.5	6.9	4.2					425	184			
	20	—	—	15.7	15.3	14.8	14.2	13.4	12.6	11.8	9.8	7.2	3.8										
	30	—	15.6	15.2	14.7	14.2	13.5	12.8	11.8	10.8	8.5	5.8	2.0										
	40	15.6	15.1	14.6	14.1	13.5	12.9	11.9	10.9	9.8	7.4	4.2											
	50	15.1	14.5	14.0	13.4	12.9	11.9	10.9	9.9	8.8	5.9	2.2											
	60	14.4	13.9	13.3	12.8	12.0	11.0	10.0	8.8	7.5	4.5												
1-1/2	0	—	—	—	—	—	—	15.7	15.3	14.8	13.8	12.7	11.5	10.1	8.6	6.6	4.2		595	258			
	20	—	—	—	—	15.8	15.4	14.9	14.4	13.9	12.8	11.6	10.3	8.7	6.9	4.4							
	30	—	—	—	15.7	15.4	14.9	14.5	13.9	13.4	12.3	11.0	9.6	7.9	5.8	2.9							
	40	—	16.0	15.6	15.3	15.0	14.5	14.0	13.5	12.9	11.7	10.4	8.9	7.1	4.6	1.0							
	50	15.9	15.5	15.3	14.9	14.5	14.0	13.5	12.9	12.4	11.0	9.7	8.0	6.0	3.2								
	60	15.5	15.2	14.8	14.4	14.0	13.5	13.0	12.4	11.7	10.5	9.0	7.3	4.7	1.2								

**CAUTION: DO NOT** use pump at flow rates indicated by the symbol ‘—’. To do so can cause premature failure of unit. Pump warranty void when failure occurs under these conditions. Tested and rated in accordance with Water Systems Council Standards.

**NOTE:** Pumps installed with a PRO-Source™ tank require a 100 PSI relief valve. Pumps installed with a conventional tank require a 75 PSI relief valve. Relief valve must be capable of relieving entire flow of pump at relief pressure.



# 4" submersible pumps – 10, 15, 20, and 30 gpm

15 Gallons per Minute		PUMP PERFORMANCE (Capacity in Gallons Per Minute)																
HP	PSI	Pumping Depth in Feet														Shutoff Head		
		20	40	60	80	100	125	150	175	200	250	300	350	400	450	500	Feet	PSI
1/2	0	—	21.5	20.0	18.7	16.9	13.1	7.4	0.2								175	76
	20	19.7	18.3	16.3	13.0	8.8	1.5											
	30	18.0	15.6	12.4	7.9	2.0												
	40	15.2	11.9	7.0	1.3													
	50	11.2	5.8	0.1														
	60	4.8																
3/4	0	—	22.5	21.2	20.2	19.3	17.8	16.0	13.2	9.6						245	106	
	20	20.9	19.9	19.0	17.7	16.4	13.7	10.0	4.9									
	30	19.8	18.8	17.6	16.1	14.0	10.7	5.5	0.7									
	40	18.6	17.5	15.9	13.5	10.9	6.0	0.8										
	50	17.2	15.4	13.1	10.0	6.4	1.1											
	60	15.0	12.7	9.7	5.5	1.8												
1	0	—	—	22.1	21.8	20.4	19.4	18.4	17.2	15.5	10.3	2.7				318	138	
	20	21.9	20.9	20.2	19.3	18.7	17.5	15.8	13.4	10.9	3.2							
	30	20.8	20.0	19.1	18.5	17.6	16.0	13.7	11.1	7.5								
	40	19.8	19.0	18.3	17.4	16.2	13.9	11.3	8.1	3.7								
	50	18.9	18.2	17.1	15.8	14.0	11.4	8.2	4.0	0.3								
	60	18.0	17.0	15.6	13.7	11.7	8.4	4.4	0.6									
1-1/2	0	—	—	—	22.1	21.4	20.5	19.9	19.3	18.4	16.4	13.1	8.3	2.8		420	182	
	20	—	21.8	21.2	20.5	20.0	19.3	18.6	17.6	16.5	13.5	9.1	3.2					
	30	21.7	21.1	20.3	19.9	19.3	18.7	17.7	16.6	15.4	11.7	6.3	0.1					
	40	21.0	20.2	19.8	19.2	18.7	17.9	16.7	15.5	13.7	9.4	3.6						
	50	20.2	19.7	19.2	18.6	18.0	16.8	15.6	13.8	11.9	6.7	0.5						
	60	19.6	19.0	18.5	17.7	16.9	15.7	13.9	12.0	9.7	3.8							

**CAUTION: DO NOT** use pump at flow rates indicated by the symbol ‘—’. To do so can cause premature failure of unit. Pump warranty void when failure occurs under these conditions.

Tested and rated in accordance with Water Systems Council Standards.

**NOTE:** Pumps installed with a PRO-Source™ tank require a 100 PSI relief valve. Pumps installed with a conventional tank require a 75 PSI relief valve. Relief valve must be capable of relieving entire flow of pump at relief pressure.



# 4" submersible pumps – 10, 15, 20, and 30 gpm

## 20 Gallons per Minute PUMP PERFORMANCE (Capacity in Gallons Per Minute)

HP	PSI	Pumping Depth in Feet														Shutoff Head	
		20	40	60	80	100	125	150	175	200	250	300	350	400	450	Feet	PSI
3/4	0	—	—	29.2	26.9	23.5	19.0	13.7	1.8							180	78
	20	28.5	25.8	22.5	18.5	14.5	3.4										
	30	25.2	22.0	18.3	13.9	4.5											
	40	21.3	17.6	13.0	3.0												
	50	17.2	11.4	1.8													
	60	10.2															
1	0	—	—	31.0	29.6	28.0	25.3	22.4	18.8	15.5					251	109	
	20	30.5	29.2	27.4	25.1	22.8	19.5	16.1	10.1								
	30	28.8	27.2	24.9	22.5	19.8	16.5	10.6									
	40	27.0	24.5	22.0	19.4	16.8	11.6	2.6									
	50	24.2	21.5	19.0	16.3	12.5	3.3										
	60	21.3	18.6	16.0	11.1	3.7											
1-1/2	0	—	—	—	30.9	29.8	28.2	26.4	24.0	21.6	16.4	5.4			323	140	
	20	—	30.5	29.4	28.2	26.8	24.4	22.0	19.5	16.8	6.8						
	30	30.3	29.3	28.0	26.5	24.7	22.2	19.6	17.1	13.9							
	40	29.1	27.8	26.2	24.3	22.3	19.8	17.3	14.2	8.0							
	50	27.5	26.0	24.1	22.1	20.0	17.5	14.5	8.3								
	60	25.6	23.9	21.9	19.8	17.5	14.8	9.1	2.2								
2	0	—	—	—	31.5	30.7	29.7	28.6	27.3	26.0	23.2	20.2	16.2	8.5	435	188	
	20	—	31.3	30.5	29.7	28.8	27.5	26.1	24.9	23.4	20.6	16.7	9.5				
	30	31.1	30.3	29.5	28.7	27.6	26.2	25.0	23.5	22.1	19.1	13.8	4.8				
	40	30.2	29.4	28.5	27.5	26.4	25.1	23.7	22.2	20.8	17.2	10.1					
	50	29.3	28.3	27.2	26.1	25.1	23.8	22.3	20.9	19.3	14.0	5.7					
	60	28.1	27.1	26.0	25.0	23.9	22.4	21.0	19.4	17.3	10.8						

**CAUTION: DO NOT** use pump at flow rates indicated by the symbol ‘—’. To do so can cause premature failure of unit. Pump warranty void when failure occurs under these conditions. Tested and rated in accordance with Water Systems Council Standards.

**NOTE:** Pumps installed with a PRO-Source™ tank require a 100 PSI relief valve. Pumps installed with a conventional tank require a 75 PSI relief valve. Relief valve must be capable of relieving entire flow of pump at relief pressure.



# 4" submersible pumps – 10, 15, 20, and 30 gpm

## 30 Gallons per Minute PUMP PERFORMANCE (Capacity in Gallons Per Minute)

HP	PSI	Pumping Depth in Feet														Shutoff Head	
		20	40	60	80	100	125	150	175	200	250	300	350	400	450	Feet	PSI
1	0	44.0	42.5	40.9	39.1	36.8	32.5	26.0	8.0							175	76
	20	40.4	38.8	36.0	32.4	27.7	13.3										
	30	38.0	35.3	31.7	26.3	14.3											
	40	35.0	31.4	25.9	12.1												
	50	30.2	24.0	3.0													
	60	21.9															
1-1/2	0	44.2	43.1	41.9	39.9	37.5	34.1	30.9	26.9	17.0					210	91	
	20	41.2	39.1	36.5	34.0	31.5	27.8	21.5									
	30	38.9	36.1	33.8	31.0	27.9	21.8										
	40	36.0	33.5	30.8	27.7	20.2											
	50	32.9	30.1	26.8	21.5												
	60	29.5	25.9	18.1													
2	0	44.9	43.9	43.0	41.8	40.5	38.8	36.8	34.7	31.6	23.7				280	121	
	20	42.7	41.3	40.1	38.7	37.1	34.9	32.1	29.0	24.8							
	30	41.2	40.0	38.5	37.0	35.0	32.2	29.1	24.9	15.2							
	40	39.9	38.3	36.6	34.8	32.7	29.8	25.1	16.1								
	50	38.0	36.3	34.5	32.1	30.0	25.3	17.5									
	60	36.0	34.0	31.9	29.1	26.0	18.0										

**CAUTION: DO NOT** use pump at flow rates indicated by the symbol '—'. To do so can cause premature failure of unit. Pump warranty void when failure occurs under these conditions. Tested and rated in accordance with Water Systems Council Standards.

**NOTE:** Pumps installed with a PRO-Source™ tank require a 100 PSI relief valve. Pumps installed with a conventional tank require a 75 PSI relief valve. Relief valve must be capable of relieving entire flow of pump at relief pressure.

# 4" submersible pumps



*Precision engineered, quality built, and rugged 70 GPM Series submersibles may be used in wells 4" or larger. Maximum outside diameter 3-7/8".*

## APPLICATIONS

- **Water systems...** for residential, industrial, commercial, multiple housing and farm use.

## SPECIFICATIONS

**Discharge** – Cast iron, ASTM A48 Class 30

**Pump Bowls** – Cast iron, ASTM A48 Class 30

**Impellers** – Polycarbonate with brass insert

**Collets** – Stainless steel, AISI 416

**Upthrust Bearing** – Bronze, ASTM B255 Type II

**Pump Shaft** – Stainless steel, AISI 416

**Bowl and Intake Bearings** – Nitrile (proprietary spec.)

**Lead Guard** – Stainless steel, AISI 430

**Intake Bracket** – Cast iron, ASTM A48 Class 30

**Screen** – Stainless steel, AISI 430

**Pump/Motor Coupling** – Stainless steel, AISI 416

# 70 GPM SERIES

## FEATURES

**Discharge** – Heavy-duty cast iron construction provides smooth water passage to column pipe. NPT threads standard.

**Bowl and Intake Bearings** – Fluted, cutless rubber type assures superior abrasive-handling characteristics, located at each stage.

**Polycarbonate Impellers** – Glass-reinforced polycarbonate resists abrasives and provides smooth water passages for minimum friction loss. Ensures optimum pump efficiency.

**Pump Bowls** – Highly efficient hydraulic design... threaded bowl design in gray cast iron.

**Upthrust Bearing** – Bronze upthrust bearing provides positive momentary upthrust protection during start-up.

**Intake Bracket** – Efficient hydraulic design minimizes entrance losses, ensuring maximum pump performance.

**Stainless Steel Pump Shaft** – Precision straightened shaft is corrosion-resistant stainless steel.

**Pump/Motor Coupling** – Stainless steel for maximum corrosion resistance... precision machined to ensure accurate alignment and power transfer.

**Intake Screen** – Stainless steel material offers maximum corrosion resistance... protects against damaging solids entering the pump assembly.

PRO-Source™ is a trademark of WICOR Industries.

In order to provide the best products possible, specifications are subject to change.

# 4" submersible pumps

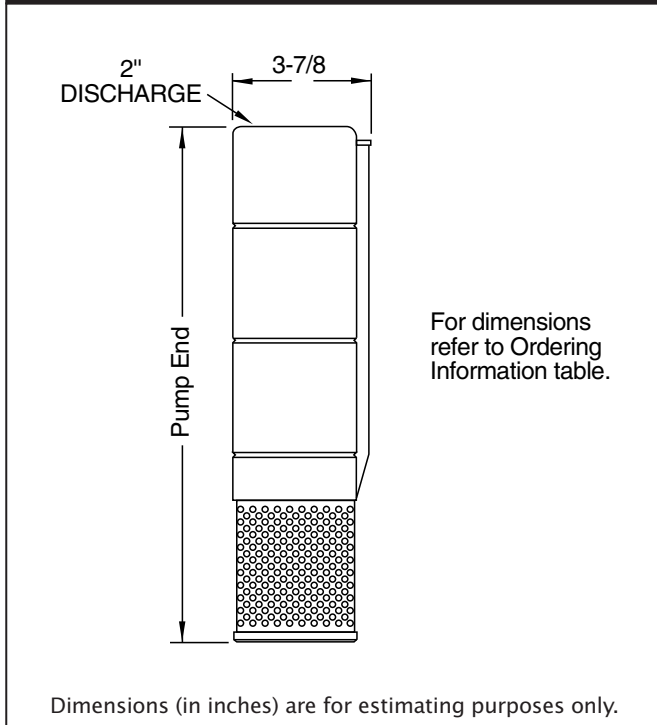
## ORDERING INFORMATION

Motor Type	HP	Stgs.	PH	Volt	Pump End			Motor		Control Box	
					Catalog Number	Length Inches*	Weight Pounds*	Catalog Number	Weight Pounds*	Catalog Number	Weight Pounds*
2 Wire	1-1/2	4	1	230	<b>L70F4</b>	20-25/32	26	<b>P218-1327C</b>	39		
3 Wire	1-1/2	4	1	230	<b>L70F4</b>	20-25/32	26	<b>P218-1076C</b>	31	<b>P217-813</b>	6
	1-1/2	4	3	230	<b>L70F4</b>	20-25/32	26	<b>P218-1330C</b>	33	<b>1095-K41</b>	6
	1-1/2	4	3	460	<b>L70F4</b>	20-25/32	26	<b>P218-1279C</b>	33	<b>1096-K33</b>	6
	2	5	1	230	<b>L70G4</b>	24-1/16	31	<b>P218-1328C</b>	43	<b>P217-814</b>	8
	2	5	3	230	<b>L70G4</b>	24-1/16	31	<b>P218-1331C</b>	47	<b>1095-K43</b>	6
	2	5	3	460	<b>L70G4</b>	24-1/16	31	<b>P218-1274C</b>	47	<b>1096-K33</b>	6
	3	7	1	230	<b>L70H4</b>	30-5/8	39	<b>P218-1450C</b>	53	<b>P217-815</b>	9
	3	7	3	230	<b>L70H4</b>	30-5/8	39	<b>P218-1441C</b>	53	<b>1095-K52</b>	6
	3	7	3	460	<b>L70H4</b>	30-5/8	39	<b>P218-1452C</b>	53	<b>1096-K37</b>	6
	5	12	1	230	<b>L70J4</b>	47-1/32	60	<b>P218-1329C</b>	67	<b>P217-910</b>	10
	5	12	3	230	<b>L70J4</b>	47-1/32	60	<b>P218-1333C</b>	67	<b>1095-K61</b>	6
	5	12	3	460	<b>L70J4</b>	47-1/32	60	<b>P218-1278C</b>	67	<b>1096-K49</b>	6
	7-1/2	17	3	230	<b>L70K4</b>	63-7/16	81	<b>P218-937C</b>	69	<b>1095-K67</b>	6
	7-1/2	17	3	460	<b>L70K4</b>	63-7/16	81	<b>P218-1321C</b>	69	<b>1096-K55</b>	6
	10	23	3	460	<b>L70L4</b>	83-1/8	106	<b>P218-982C</b>	80	<b>1096-K58</b>	6

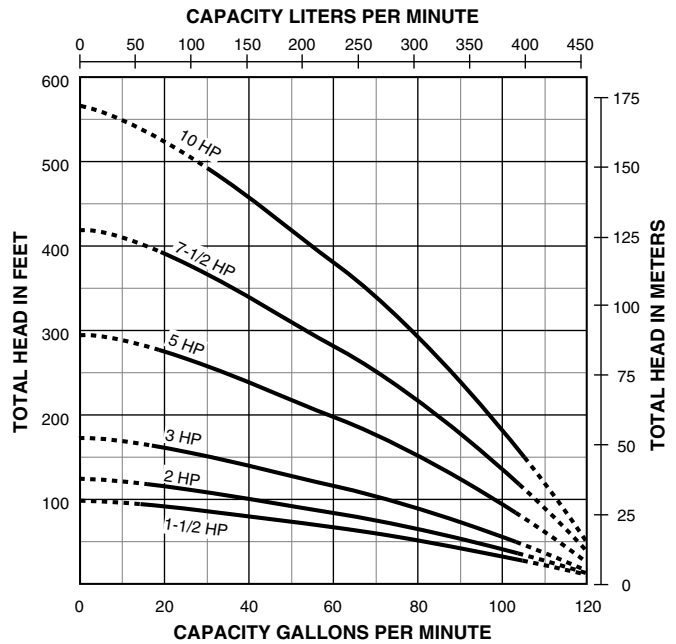
\*Length and Weight are approximate.

**NOTE:** Pump end and motor purchased separately.

## OUTLINE DIMENSIONS



## PUMP PERFORMANCE – 70 GPM



Tested and rated in accordance with Water Systems Council Standards.

**NOTE:** Pumps installed with a PRO-Source™ tank require a 100 PSI relief valve. Pumps installed with a conventional tank require a 75 PSI relief valve. Relief valve must be capable of relieving entire flow of pump at relief pressure.



# 4" submersible pumps

70 Gallons per Minute			PUMP PERFORMANCE (Capacity in Gallons Per Minute)																							
HP	PSI	Pumping Depth in Feet																								
		20'	40'	60'	80'	100'	125'	150'	175'	200'	225'	250'	275'	300'	325'	350'	375'	400'	425'	450'	475'	500'	525'	550'		
1-1/2	0	—	92.5	70.0	40.0	—																				
	20	61.5	31.0	—																						
	30	25.0	—																							
	40	—																								
	50																									
	60																									
2	0	—	100.0	85.0	64.0	40.0	—																			
	20	79.0	57.0	32.5	—	—																				
	30	52.5	28.0	—																						
	40	25.0	—																							
	50	—																								
	60																									
3	0	—	104.0	98.0	86.0	73.5	52.5	31.0	—																	
	20	95.0	82.5	68.0	52.0	35.0	—	—																		
	30	81.0	66.0	49.0	32.0	—	—																			
	40	64.0	47.0	29.0	—	—																				
	50	43.0	25.5	—	—																					
	60	22.0	—																							
5	0	—	—	—	106.0	99.0	91.0	82.0	72.0	60.0	47.5	35.0	21.0	—												
	20	—	104.0	97.0	90.5	83.5	74.0	62.0	49.5	37.0	23.0	—	—													
	30	102.5	96.0	88.5	82.5	74.5	63.0	50.0	38.0	25.0	—	—														
	40	95.0	87.5	81.5	73.5	64.0	51.5	39.0	26.0	—	—															
	50	86.0	80.0	72.0	62.0	52.0	39.5	27.0	—	—																
	60	78.0	70.0	61.0	50.0	40.0	27.5	—	—																	
7-1/2	0	—	—	—	108.0	103.0	97.0	91.0	85.0	78.0	75.0	62.5	54.0	45.5	35.5	16.5	—									
	20	—	—	108.0	102.5	97.5	92.0	86.0	80.0	76.0	64.9	56.0	47.0	37.5	27.5	18.0	—									
	30	—	107.5	102.0	97.0	92.5	87.0	80.5	76.5	65.0	56.5	47.5	38.0	28.0	19.0	—										
	40	107.0	101.5	96.5	92.0	87.5	81.5	77.0	65.5	57.0	48.0	38.5	29.0	19.5	—											
	50	101.0	96.0	91.0	86.0	82.0	77.0	66.0	57.5	48.0	39.0	30.0	20.0	—												
	60	95.0	90.0	85.0	80.5	77.5	66.5	57.5	49.0	40.0	31.0	21.0	—													
10	0	—	—	—	—	110.0	106.0	102.0	97.5	93.0	88.0	84.0	79.0	74.9	68.0	62.0	55.0	48.0	42.5	36.0	28.5	22.0	12.5			
	20	—	—	—	110.0	107.0	102.5	98.5	93.5	89.0	85.0	80.0	75.5	69.5	62.5	56.0	49.5	43.0	37.0	31.0	22.5	14.5	—	—		
	30	—	—	109.5	106.5	103.0	99.0	94.0	89.5	85.0	80.5	76.0	70.0	63.0	57.0	55.0	43.5	37.5	31.5	23.5	15.0	—				
	40	—	109.0	106.0	102.5	99.5	95.0	90.0	85.5	81.0	76.5	70.5	64.0	57.5	51.0	44.0	38.0	32.0	24.0	15.5	—					
	50	108.0	105.5	102.0	98.5	95.0	90.0	86.0	81.5	76.5	71.0	64.5	57.5	51.5	44.5	38.0	32.5	24.5	16.0	—	—					
	60	104.5	101.5	98.0	94.0	91.0	86.5	82.0	77.0	72.0	65.0	58.0	52.0	46.0	38.5	32.5	25.0	17.5	—	—						

**CAUTION: DO NOT** use pump at flow rates indicated by the symbol —. To do so can cause premature failure of unit. Pump warranty void when failure occurs under these conditions. Tested and rated in accordance with Water Systems Council Standards.

**NOTE:** Pumps installed with a PRO-Source™ tank require a 100 PSI relief valve. Pumps installed with a conventional tank require a 75 PSI relief valve. Relief valve must be capable of relieving entire flow of pump at relief pressure.

## 4" submersible pumps



Noryl® is a registered trademark of General Electric Co.  
In order to provide the best products possible, specifications are subject to change.

*The NEW 90 GPM Stainless Steel High-Flow 4" Submersible Pumps deliver efficient and dependable performance even in rough, aggressive water. Heads to 410 feet and capabilities to 120 GPM. Built to deliver long-term, trouble-free service. FDA compliant engineered composite and stainless steel components.*

### APPLICATIONS

■ **Water systems...** for residential, industrial, commercial, multiple housing and farm use

### SPECIFICATIONS

**Discharge** – 300 grade stainless steel with 2" NPT threads

**Top Bearing** – Acetal

**Top Bearing Journal** – 300 grade stainless steel

**Diffuser Assembly** – Noryl® (20% glass filled) urethane  
300 grade stainless steel

**Up-Thrust Washers** – Phenolic

**Impellers** – Polycarbonate (20% glass filled)

**Impeller Eye Seals** – Urethane

**Bowls** – Noryl® (20% glass filled)

**Intermediate Bearing** – Acetal

**Intermediate Bearing Journal** – 300 grade stainless steel

**Shaft** – 300 grade stainless steel

**Coupling** – 300 grade stainless steel, 7/16" hex stock

**Shell** – 300 grade stainless steel

**Motor Adapter** – 300 grade stainless steel

**Suction Screen** – 300 grade stainless steel

**Cable Guard** – 300 grade stainless steel

**Fasteners** – 300 grade stainless steel

## 90 GPM SERIES HIGH-FLO 4"

### FEATURES

**Discharge** – Heavy-duty 300 grade stainless steel construction provides smooth water passage to column pipe. Large wrench flats and rope hole

**Top Bearing** – Field-proven, sealed and lubricated top bearing assembly keeps abrasives out, ensuring long bearing life.

**Impellers** – 20% glass-reinforced polycarbonate to resist abrasives and provide smooth water passage for minimal friction loss.

**Upthrust Bearing** – Phenolic washers and stainless steel up thrust rings at each stage provide excellent wear resistant surfaces.

**Diffuser Bearing** – Urethane bearings at each stage provide radial protection and stability, and excellent resistance to sand damage.

**Motor Bracket** – 300 grade precision cast stainless steel. Incorporates an efficient hydraulic design for maximum volume and access to motor mounting nuts.

**Shaft** – 300 grade "treated" stainless steel pump shaft is corrosion-resistant. The hex shape offers generous impeller drive surfaces.

**Motor Coupling** – Pressed on, sintered 300 grade stainless steel for maximum corrosion resistance provides trouble-free transfer of power between motor and pump shaft.

**Shell** – Heavy-gauge, 300-series stainless steel pump shell is durable and offers high corrosion resistance.

**Intake Screen** – 300 series stainless steel material offers maximum corrosion resistance and protects against damaging solids entering the pump.

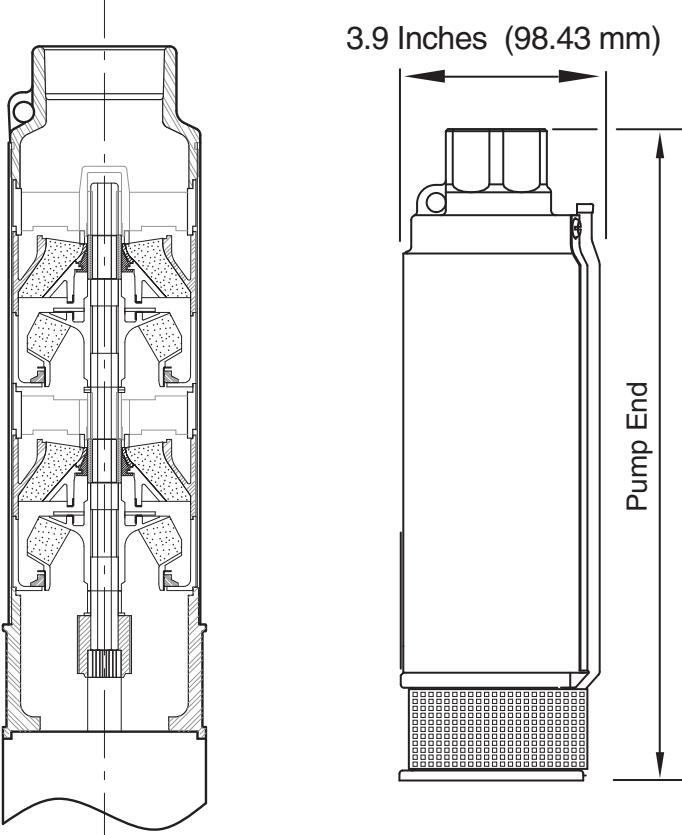


# 4" submersible pumps

## ORDERING INFORMATION

Motor Type	HP	Stgs.	PH	Volt	Pump End		Motor		Control Box		
					Catalog Number	Length Inches (mm)	Weight Pounds (Kg)	Catalog Number	Weight Pounds (Kg)	Catalog Number	Weight Pounds (Kg)
3-wire	2	5	1	230	L90HF20	21 (533)	15 (6.8)	224 301 92	43 (19.5)	P217-814	8 (3.6)
			3	230				234 315 92	47 (21.3)	1095-K43	6 (2.7)
			3	460				234 325 94	47 (21.3)	1096-K33	6 (2.7)
	3	7	1	230	L90HF30	26-5/8 (676)	17 (7.7)	224 302 26	53 (24.0)	P217-815	9 (4.1)
			3	230				234 316 26		6 (2.7)	
			3	460				234 326 26		6 (2.7)	
	5	12	1	230	L90HF50	41-1/2 (1080)	19 (8.6)	224 303 52	67 (30.4)	P217-910	10 (45.4)
			3	230				234 317 52		6 (2.7)	
			3	460				234 327 52		6 (2.7)	
	7-1/2	19	3	230	L90HF75	61-1/2 (1562)	22 (10.0)	224 318 52	69 (31.3)	1095-K67	6 (2.7)
				460				234 328 52		1096-K55	6 (2.7)
	10	23	3	460	L90HF100	72-3/8 (1838)	35 (15.9)	234 595 34	80 (36.3)	1096-K58	6 (2.7)

## CROSS-SECTIONAL VIEW / OUTLINE DIMENSIONS



Model Number	Discharge
L90HF20	2" NPT
L90HF30	
L90HF50	
L90HF75	
L90HF100	

Dimensions are for estimating purposes only.

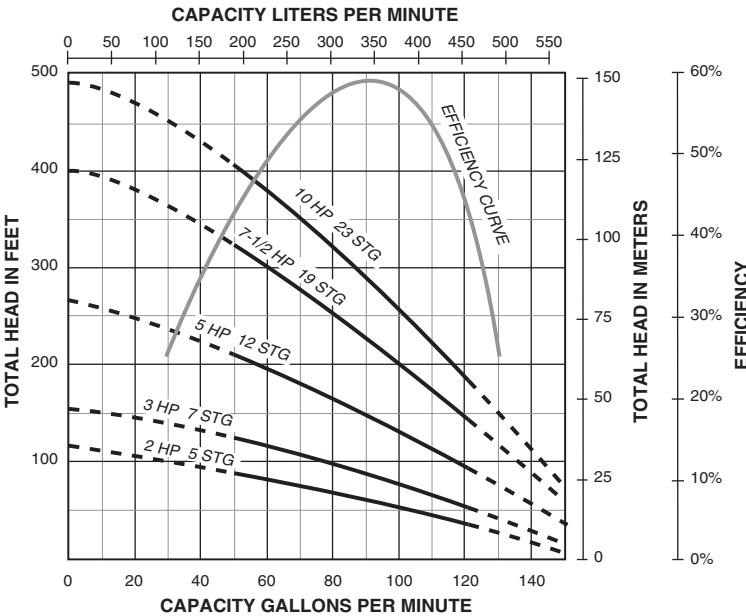


# 4" submersible pumps

## 90 Gallons per Minute PUMP PERFORMANCE (Capacity in Gallons Per Minute)

HP	PSI	Pumping Depth in Feet														Shutoff Head	
		20'	40'	60'	80'	100'	125'	150'	175'	200'	250'	300'	350'	400'	Feet	PSI	
2	0	-	115	90	60										109	48	
	20	80	53														
	30	50															
	40																
	50																
	60																
3	0	-	-	113	96	75	50							153	67		
	20	108	90	69	50												
	30	87	66														
	40																
	50																
	60																
5	0	-	-	-	-	115	103	86	72	56				258	112		
	20	-	122	112	102	88	74	59									
	30	119	111	101	87	73	58										
	40	108	98	84	72	57											
	50	96	83	71	56												
	60	82	70	55													
7-1/2	0	-	-	-	-	-	125	115	107	98	78	59		402	175		
	20	-	-	-	123	116	108	100	90	79	61						
	30	-	-	121	115	107	99	91	80	71	53						
	40	-	120	114	106	98	92	81	72	61							
	50	119	113	105	97	93	82	73	62								
	60	112	104	96	94	83	74	63									
10	0	-	-	-	-	-	-	-	118	112	99	81	66	52	491	213	
	20	-	-	-	-	-	119	113	106	100	83	67	53				
	30	-	-	-	-	120	114	107	101	93	75	60					
	40	-	-	-	119	114	107	101	94	84	68	54					
	50	-	-	118	114	108	102	95	85	77	62						
	60	125	117	113	108	102	94	86	78	70	55						

### PUMP PERFORMANCE - 90 GPM



# 4" submersible motor accessory



Patent #6,398,521 B1

*The new STA-RITE #Pkg. 4x6, Pump/Motor Adapter offers the professional distributor and dealer the flexibility to stock standard 4" submersible pump ends, and 4" and 6" motors, better utilizing inventory dollars and delivery demands!*

### APPLICATIONS

- **Water systems...** for residential, industrial, commercial, multiple housing and farm use.

### SPECIFICATIONS

- Adapter Casting** – Stainless steel
- Coupling** – Stainless steel
- Intake Screen** – Stainless steel
- Beveled Wire Forms** – Stainless steel
- Socket Head Cap-screws** – Stainless steel
- Studs** – Stainless steel
- Fasteners** – Stainless steel

### ORDERING INFORMATION

Catalog Number	Pump End*	Motor*	Maximum HP	Weight Pounds**
PKG 4x6	4" Nema	6" Nema	10	5

\*Pump end and motor ordered separately.

\*\*Shipping weight is approximate.

Signature 2000® is a registered trademark of WICOR Industries.

In order to provide the best products possible, specifications are subject to change.

## 4" x 6" ADAPTER

### FEATURES

- Extends Single-phase Power Availability** – To all Signature 2000® submersibles through 10 HP using 6" single-phase motors.
- Easy Assembly** – Easy job-site assembly.
- Double-suction Screens** – Reduce inlet suction velocity, reducing the amount of suspended solids ingested by pump.



# 6" STA-RITE® submersible pumps

**NEW!**



*The STA-RITE 6TS Series Submersible features heavy-duty 304 stainless steel construction that will outperform ordinary fabricated stainless steel pumps in aggressive water conditions.*

### APPLICATIONS

- **Water systems...** for municipal, multiple housing, commercial, in water fountains, irrigation, mine de-watering, and farm use.

### SPECIFICATIONS

- **Suction Motor Bracket** – Stainless steel 304 (investment cast)
- **Top Bearing** – Stainless steel 304 (chrome plated)
- **Coupling** – Stainless steel 416
- **Shaft** – Stainless steel 416
- **Spacer** – Stainless steel 304
- **Impeller** – Stainless steel 304
- **Diffuser Bowl** – Stainless steel 304
- **Discharge Bracket** – Stainless steel 304 (investment cast)
- **Check Valve** – Stainless steel 304

## 6TS SERIES

### FEATURES

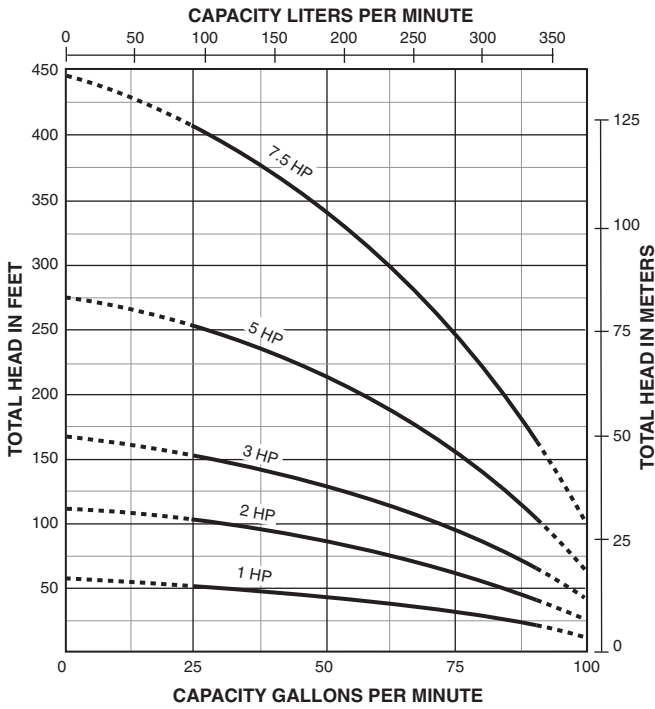
- **Heavy-Duty, Investment Cast 304 Stainless Steel Discharge and Suction Bracket** – Assures perfect pump-to-motor alignment with any NEMA-standard submersible motor. Discharge assures secure connection to drop pipe. Wrench flats provide positive grip during installation.
- **Low-Profile Stainless Steel Lead Guard** – Aids installation in narrow wells
- **Wide Range of Performance Options** – 1 HP to 60 HP; 29 – 365 U.S. GPM
- **Hard Chrome-plated Top Bearing Journal** – Reduces wear in harsh conditions, such as sand
- **State-of-the-Art Design** – Delivers maximum performance and reliability in the toughest conditions
- **100% Lead-free Components** – Meets all U.S. federal guidelines for safe drinking water
- **Built-In Thrust Protection** – Protects pump during periods of high demand and start-up. Prevents pump failure.
- **Self-aligning Teflon Wear Rings** – Improve pump efficiency and durability

STA-RITE® is a registered trademark with the U.S. Trademark Office. In order to provide the best products possible, specifications are subject to change.

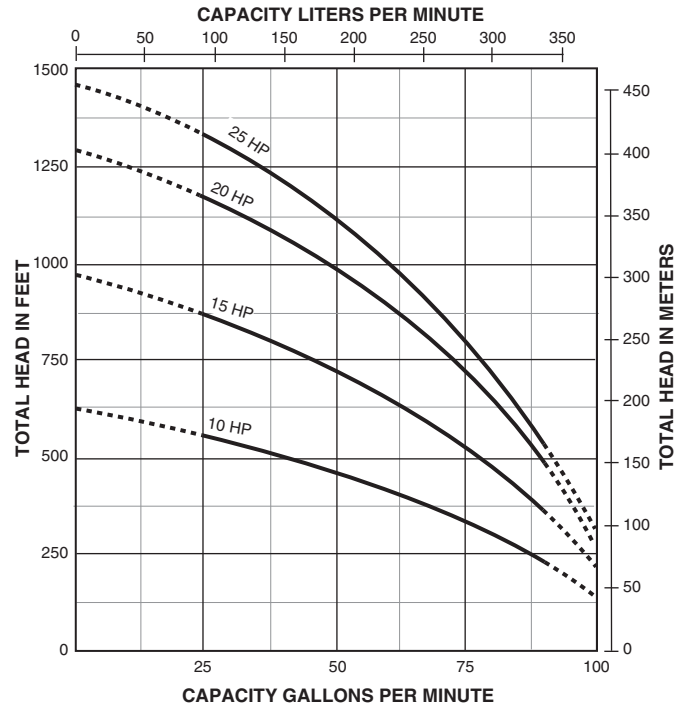


# 6" STA-RITE® submersible pumps

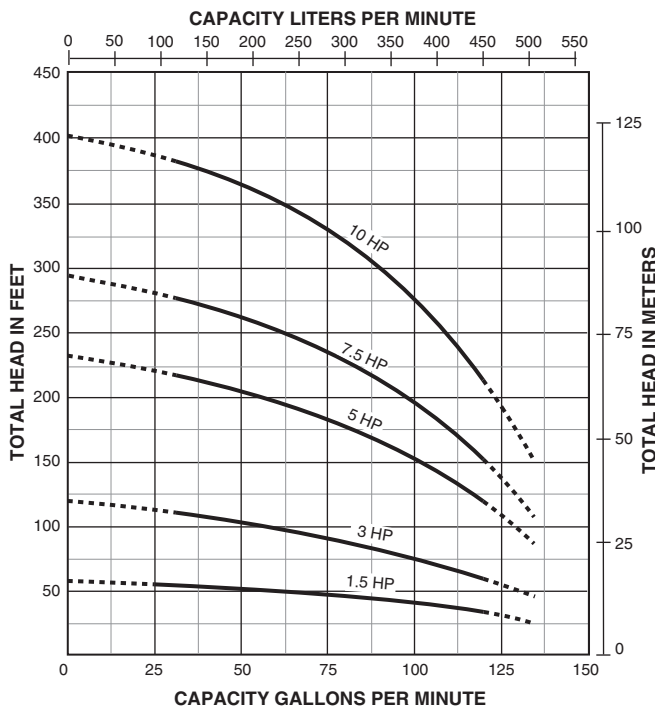
**PUMP PERFORMANCE – 6TS75 (1 – 7.5 HP)**



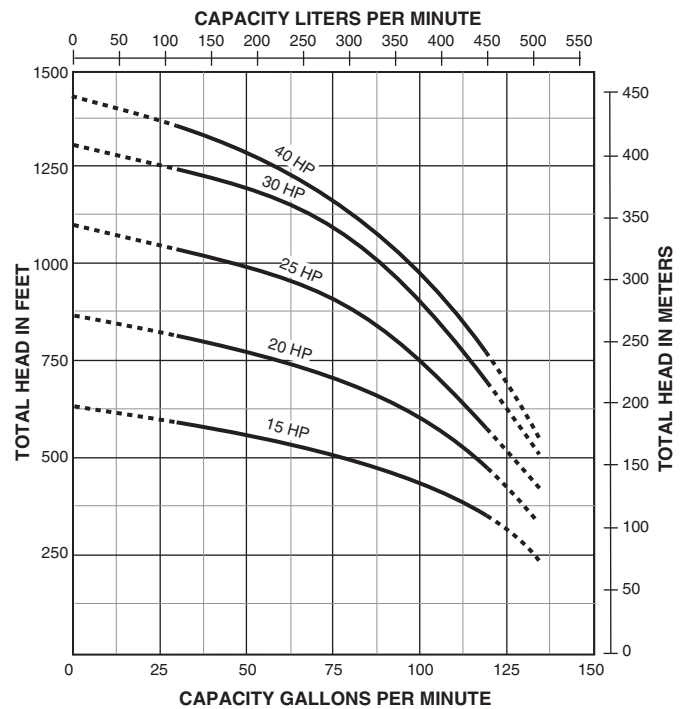
**PUMP PERFORMANCE – 6TS75 (10 – 25 HP)**



**PUMP PERFORMANCE – 6TS95 (1.5 – 10 HP)**



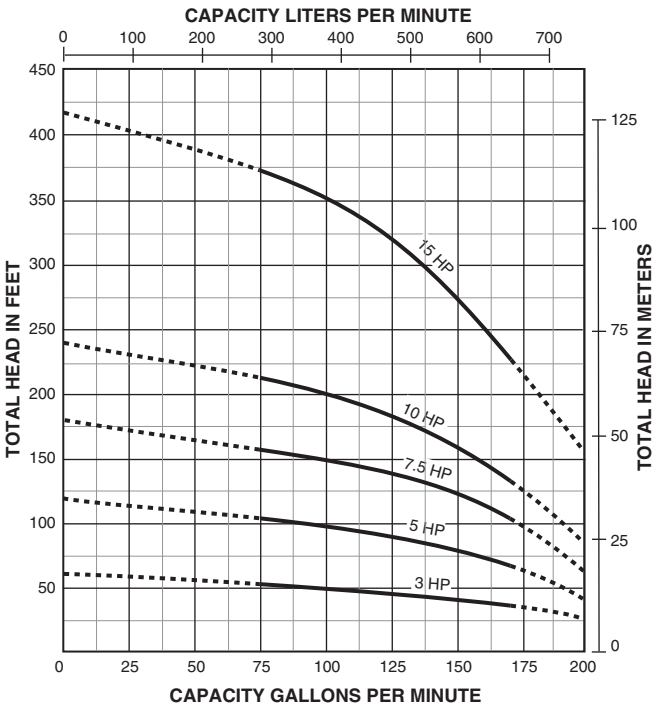
**PUMP PERFORMANCE – 6TS95 (15 – 40 HP)**



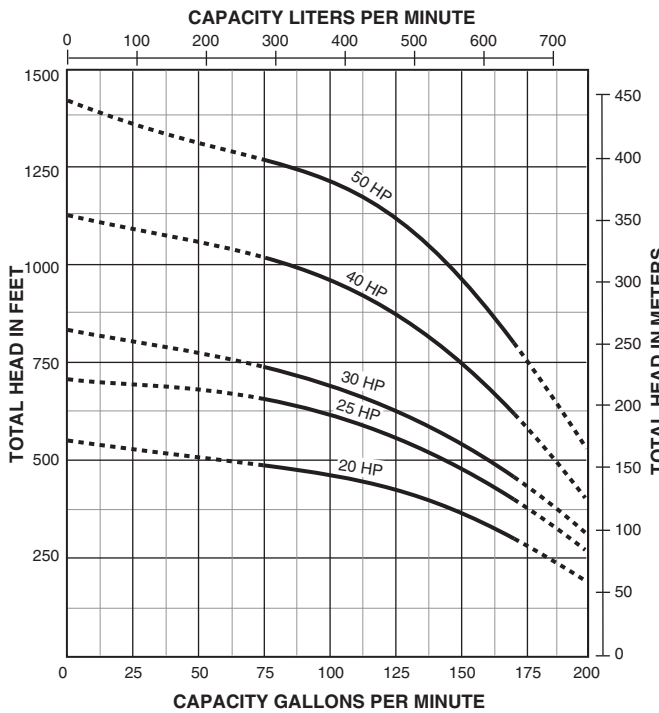


# 6" STA-RITE® submersible pumps

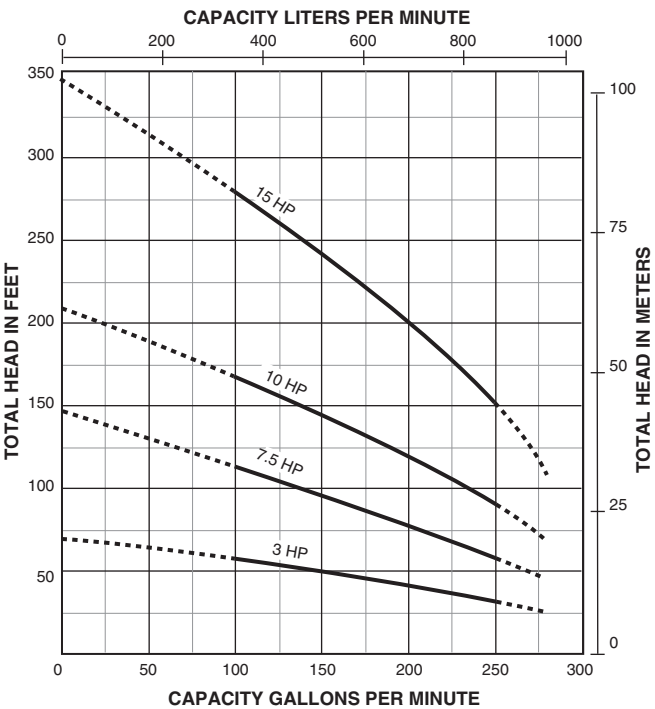
**PUMP PERFORMANCE – 6TS140 (3 – 15 HP)**



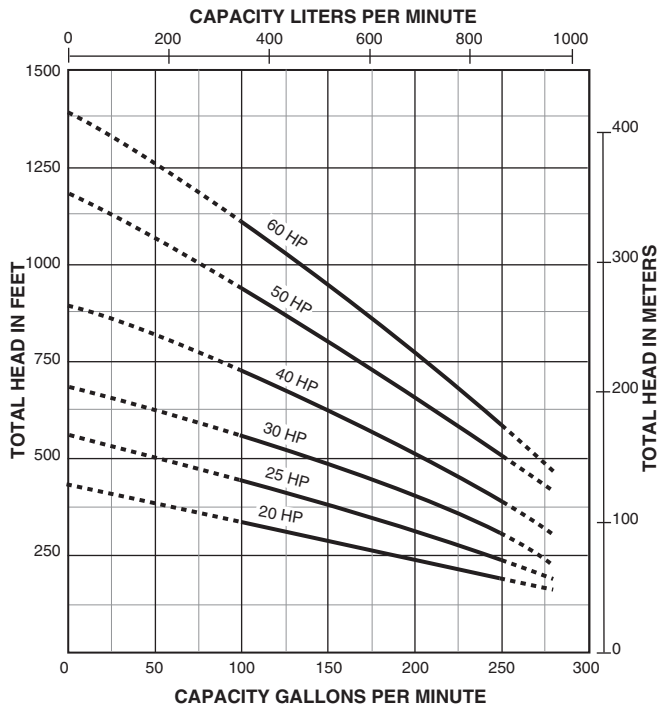
**PUMP PERFORMANCE – 6TS140 (20 – 50 HP)**



**PUMP PERFORMANCE – 6TS230 (3 – 15 HP)**



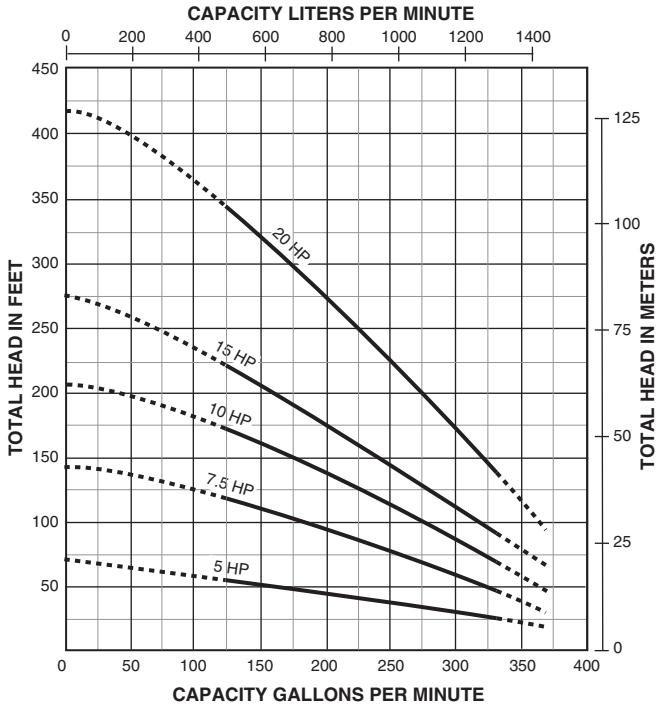
**PUMP PERFORMANCE – 6TS230 (20 – 60 HP)**



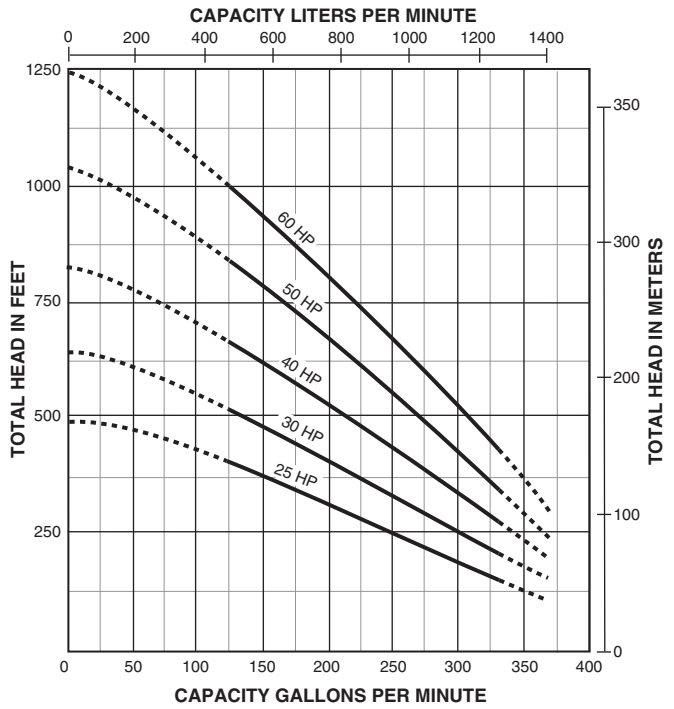


# 6" STA-RITE® submersible pumps

**PUMP PERFORMANCE – 6TS300 (5 – 20 HP)**



**PUMP PERFORMANCE – 6TS300 (25 – 60 HP)**





# 6" STA-RITE® submersible pumps

ORDERING INFORMATION						
Capacity GPM	Catalog Number	HP	Stages	Discharge	Motor Diameter	Weight Pounds*
75	L6TS75-10	1	1	3"	4"	25
	L6TS75-20	2	2	3"	4"	27
	L6TS75-30	3	3	3"	4"	29
	L6TS75-50	5	5	3"	4"	32
	L6TS75-75	7-1/2	8	3"	6"	38
	L6TS75-100	10	11	3"	6"	43
	L6TS75-150	15	17	3"	6"	53
	L6TS75-200	20	23	3"	6"	64
	L6TS75-250	25	26	3"	6"	69
95	L6TS95-15	1-1/2	1	3"	4"	26
	L6TS95-30	3	2	3"	4"	28
	L6TS95-50	5	4	3"	4"	30
	L6TS95-75	7-1/2	5	3"	6"	34
	L6TS95-100	10	7	3"	6"	38
	L6TS95-150	15	11	3"	6"	46
	L6TS95-200	20	15	3"	6"	54
	L6TS95-250	25	19	3"	6"	62
	L6TS95-300	30	23	3"	6"	70
L6TS95-400	40	25	3"	6"	74	
140	L6TS140-30	3	1	3"	4"	24
	L6TS140-50	5	2	3"	4"	26
	L6TS140-75	7-1/2	3	3"	6"	29
	L6TS140-100	10	4	3"	6"	31
	L6TS140-150	15	7	3"	6"	39
	L6TS140-200	20	9	3"	6"	43
	L6TS140-250	25	12	3"	6"	51
	L6TS140-300	30	14	3"	6"	56
	L6TS140-400	40	19	3"	6"	68
L6TS140-500	50	24	3"	6"	80	
230	L6TS230-30	3	1	4"	4"	40
	L6TS230-50	5	1	4"	4"	44
	L6TS230-75	7-1/2	2	4"	6"	49
	L6TS230-100	10	3	4"	6"	53
	L6TS230-150	15	5	4"	6"	62
	L6TS230-200	20	6	4"	6"	67
	L6TS230-250	25	8	4"	6"	76
	L6TS230-300	30	10	4"	6"	89
	L6TS230-400	40	13	4"	6"	103
	L6TS230-500	50	17	4"	6"	116
L6TS230-600	60	20	4"	6"	129	
300	L6TS300-50	5	1	4"	4"	40
	L6TS300-75	7-1/2	2	4"	6"	44
	L6TS300-100	10	3	4"	6"	49
	L6TS300-150	15	4	4"	6"	53
	L6TS300-200	20	6	4"	6"	62
	L6TS300-250	25	7	4"	6"	67
	L6TS300-300	30	9	4"	6"	76
	L6TS300-400	40	12	4"	6"	89
	L6TS300-500	50	15	4"	6"	103
L6TS300-600	60	18	4"	6"	116	

\*Weights are approximate.





# 4" submersible motors and controls

FRANKLIN STANDARD QD CONTROL BOXES			
Capacitor Start/Induction Run			
Catalog Number	HP	Motor Voltage	Weight Pounds*
28010449	1/2	115	3
28010549	1/2	230	3
28010749	3/4	230	3
28010849	1	230	3

FRANKLIN CRC CONTROL BOXES			
Capacitor Start/Capacitor Run			
Catalog Number	HP	Motor Voltage	Weight Pounds*
28240550	1/2	230	6
28240750	3/4	230	6
28240850	1	230	6
28230081	1-1/2	230	7
28230181	2	230	8
28230281	3	230	9
28211381	5	230	10

FRANKLIN DELUXE CONTROL BOXES			
Capacitor Start/Capacitor Run; Include Magnetic Contactor			
Catalog Number	HP	Motor Voltage	Weight Pounds*
28230183	2	230	8
28230283	3	230	9
28211393	5	230	10

**NOTE:** Magnetic contactor included allows use of light-duty pressure switch.

STA-RITE Control Boxes listed below are approved for use on the appropriate equally rated (HP and voltage) Franklin 4" submersible motors. All **other** STA-RITE Control Boxes are **not** approved for use on Franklin motors.

FRANKLIN DELUXE CONTROL BOXES FOR FRANKLIN MOTORS			
Capacitor Start/Capacitor Run			
Catalog Number	HP	Motor Voltage	Weight Pounds*
VIP4C02	1/2	230	6
VIP4D02	3/4	230	6
VIP4E02	1	230	6
VIP4F02	1-1/2	230	6
VIP4G02	2	230	6

FRANKLIN 208V CONVERSION RELAYS	
For Single Phase Control Boxes	
Catalog Number	HP
U17-1252	1/2 thru 3
P17-917	5 thru 10

**Important Notice:** Please refer to Franklin's Application, Installation and Maintenance Manual (M1311) for detailed information on 208V relay usage.

\*Weights are approximate.

In order to provide the best products possible, specifications are subject to change.

FRANKLIN ELECTRONIC PUMP UNDERLOAD PROTECTORS					
Catalog Number	Model	HP	Motor Voltage	Weight Pounds*	Motor Type
P217-920	QD PUMPTEC	1/2-1	230	2	3W
P217-889	PUMPTEC	1/3-1-1/2	115/230	5	2W or 3W
P217-918	PUMPTEC PLUS	1/2-5	230	5	3W

FRANKLIN				
Three Wire 4" Submersible Motors				
Catalog Number	HP	Motor Voltage	Phase	Weight Pounds*
21450490	1/2	115	1	21
21450590	1/2	230	1	21
21450790	3/4	230	1	25
21450890	1	230	1	28
23451392	1	230	3	24
23450492	1-1/2	200	1	31
22430092	1-1/2	230	3	31
23451492	1-1/2	230	3	33
23452492	1-1/2	460	3	33
22430192	2	230	1	43
23430592	2	200	3	47
23431592	2	230	3	47
23432594	2	460	3	47
22430226*	3	230	1	53
23430626*	3	200	3	53
23431626*	3	230	3	53
23432626*	3	460	3	53
22430352	5	230	1	67
23430752	5	200	3	67
23431752	5	230	3	67
23432752	5	460	3	67
23430852	7-1/2	200	3	69
23431852	7-1/2	230	3	69
23432852	7-1/2	460	3	69
23459534	10	460	3	80

\*900 lb. thrust bearing

**NOTE:** All 4" motors shipped with plug-in lead.

FRANKLIN				
Two Wire 4" Submersible Motors				
Catalog Number	HP	Motor Voltage	Phase	Weight Pounds*
24450490	1/2	115	1	22
24450590	1/2	230	1	22
24450790	3/4	230	1	26
24450890	1	230	1	29
24430990	1-1/2	230	1	39

FRANKLIN STANDARD 4" MOTOR LEADS				
Single Connector Type With Ground Wire				
Catalog Number	Conductor	Description	Cable Length	Average Size
P18-1349	3 Wire	Individual Wires	48"	14
P18-1350	3 Wire	Individual Wires	100"	14
P18-1348	2 Wire	Individual Wires	48"	14



# 4" submersible motors and controls

**NOTE:** STA-RITE numbers in shaded areas, Franklin numbers on white.  
 [S] = START CAPACITOR; [R] = RUN CAPACITOR; [MC] = MAGNETIC CONTACTOR

## CAPACITOR START/INDUCTION RUN CONTROL BOXES

HP	Voltage	STA-RITE Number	Franklin Number	QD Relay Kit	Capacitor	
					STA-RITE	Franklin
1/2	115	P217-809		U17-1231	U17-1229	275464201
			28010449	305101906		
1/2	230	P217-810		U17-1232	U17-1172	275464105
			28010549	305101902		
3/4	230	P217-811		U17-1233	U17-1173	275464118
			28010749	305101903		
1	230	P217-812		U17-1234	U17-1174	275464113
			28010849	305101904		

## CAPACITOR START/CAPACITOR RUN CONTROL BOXES

HP	Voltage	STA-RITE Number	Franklin Number	QD Relay Kit	Capacitor		
					STA-RITE	Franklin	
1/2	230	P217-903		U17-1235	U17-1172	275464105 [S]	
			28240550	305105901	U17-1253	155327107 [R]	
3/4	230	P217-904		U17-1236	U18-1555	275470114 [S]	
			28240750	305105902	U18-1557	155327108 [R]	
1	230	P217-905		U17-1237	U18-1555	275470114 [S]	
			28240850	305105903	U18-1557	155327108 [R]	
<b>Voltage Relay</b>							<b>Overload</b>
							<b>STA-RITE</b> <b>Franklin</b>
1-1/2	230	P217-813		U17-1187	U17-1174	275464113 [S]	U17-1191    275411107
			28230081	155031102	U17-1177	155328102 [R]	
2	230	P217-814		U17-1187	U17-1174	275464113 [S]	U17-1191    275411107 [S]
			28230181	155031102	U17-1178	155328103 [R]	U17-1194    275411113 [R]
3	230	P217-815		U17-1187	U17-1175	275463111 [S]	U17-1192    275411108 [S]
			28230281	155031102	U17-1179	155327102 [R]	U17-1230    275411115 [R]
5	230	P217-910		U17-1187	U17-1176	275468118 [S]	U17-1193    275411102 [S]
			28211381	155031102	U17-1180	155327101 [R](2)	U17-1254    275406102 [R]

## CAPACITOR START/CAPACITOR RUN DELUXE CONTROL BOXES

HP	Voltage	STA-RITE Number	Franklin Number	Voltage Relay	Capacitor		Overload	
					STA-RITE	Franklin	STA-RITE	Franklin
2	230	P217-911		U17-1187	U17-1174	275464113 [S]	U17-1191	275411107 [S]
			28230183	155031102	U17-1178	155328103 [R]	U17-1194	275411113 [R]
					U17-1189	155325102 [MC]		
3	230	P217-912		U17-1187	U17-1175	275463111 [S]	U17-1192	275411108 [S]
			28230283	155031102	U17-1179	155327102 [R]	U17-1230	275411115 [R]
					U17-1189	155325102 [MC]		
5	230	P217-913		U17-1187	U17-1176	275468118 [S]	U17-1193	275411102 [S]
			28211393	155031102	U17-1180	155327101 [R](2)	U17-1254	275406102 [R]
					S33999	155326101 [MC]		

## ACCESSORIES

Description	Catalog Number
Control Box Surge Arrestor	150814902
QD Control Box Test Cord	150961901

Description	Catalog Number	HP	Voltage
Voltage Relay Kits	305102901		115
	305102903		208
	305102902		230
QD Relay Kits	305101906	1/2	115
	305101902	1/2	230
	305101903	3/4	230
	305101904	1	230

# self-priming stainless steel shallow well jet pumps



*ClearJet models provide excellent performance with good pressure for wells to 25' deep. Self-priming after the priming chamber has been filled with water.*

**APPLICATIONS**  
Water systems and sprinkling for homes, farms and cottages

**SPECIFICATIONS**

**Maximum Liquid Temperature Limits** – 122°F (50°C)  
**Max. Inlet Pressure:** 50 PSI  
**Priming Time at 20 Feet:**  
 Cj90E = 5.3 min.  
 Cj90F = 4.2 min.  
 (Average time to full prime)

**ORDERING INFORMATION**

Catalog No.	HP	Switch Setting	Description	Pipe Tapping Sizes		Motor Voltage	Approx. Wt. Lbs.
				Suct.	Disch.		
Cj90E	1	30-50	Base Mounted Pump	1-1/4"	1"	115/230	26
Cj90F	1-1/2	30-50	Base Mounted Pump	1-1/4"	1"	115/230	29

**CJ SERIES**

**Body** – 304 Stainless steel  
**Jet Assembly, Diffuser, Impeller** – Noryl®  
**Shaft** – One-piece threaded, 416 grade stainless steel  
**Base** – Polypropylene

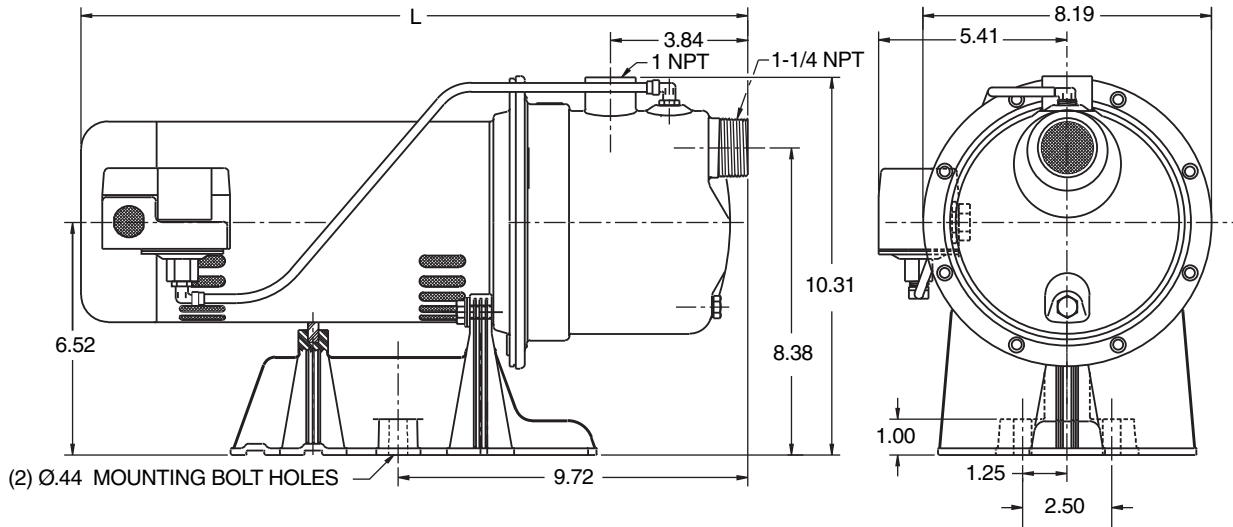
**FEATURES**

- Corrosion Free** – Stainless steel pump body provides maximum resistance to corrosion
- Built-in Jet** – High strength thermo-plastic components are corrosion resistant.
- Mechanical Shaft Seal** – Highly polished carbon-ceramic and stainless steel construction.
- Motor Windings** – Superior insulation materials protect against excessive moisture and contaminants... assure prolonged motor life.
- Balanced Rotor** – Die cast under high pressures for uniform performance and greater efficiency, dynamically balanced.
- Heavy-duty Ball Bearings** – Shielded, permanently lubricated bearings, extensively tested to ensure extended life and smooth, quiet operation.
- Pump and Motor Shaft** – Stainless steel for maximum corrosion resistance; one-piece threaded shaft for positive impeller drive and alignment.
- Dustproof Cover** – All electrical components are protected from dirt, dust and insects by a dustproof canopy; ventilating air cannot contaminate vital switching components.
- Pressure Switch** – Quality, fixed differential (20 PSI).

Noryl® is a registered trademark of General Electric Co. PRO-Source™ is a trademark of WICOR Industries.  
 In order to provide the best products possible, specifications are subject to change.

# self-priming stainless steel shallow well jet pumps

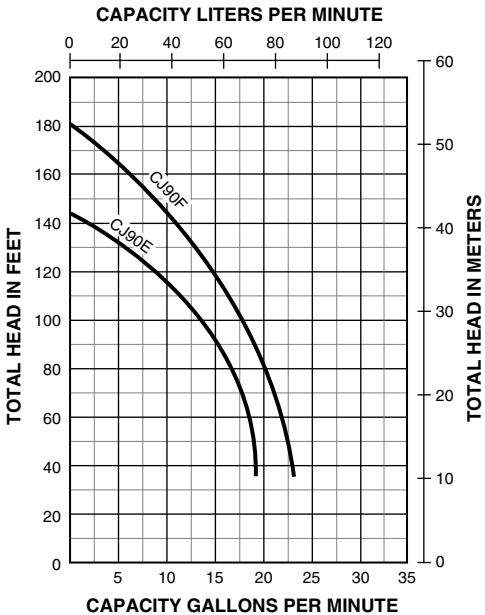
## OUTLINE DIMENSIONS



Cat. No.	L
Cj90E	18.19
Cj90F	19.25

Dimensions (in inches) are for estimating purposes only. All dimensions ± .12

## PUMP PERFORMANCE



## PUMP PERFORMANCE (Capacity in Gallons Per Minute)

Catalog Number	HP	Disch. Pressure PSI	Depth to Water					Shut Off Pressure PSI
			5'	10'	15'	20'	25'	
Cj90E	1	30	17.8	16.2	14.11	11.8	9.0	63
		40	11.5	11.2	10.8	10.6	8.6	
		50	5.5	5.5	5.5	5.5	5.5	
Cj90F	1-1/2	30	18.6	16.5	14.5	12.0	9.1	80
		40	18.6	16.4	14.5	11.8	9.1	
		50	15.9	15.7	13.9	11.7	9.1	

Tested and rated in accordance with Water Systems Council Standards.

**NOTE:** Cj90E used 30-50 PSI pressure switch, Cj90F used 40-60 PSI pressure switch.

Pumps installed with a PRO-Source™ tank require a 100 PSI relief valve. Pumps installed with a conventional tank require a 75 PSI relief valve. Relief valve must be capable of relieving entire flow of pump at relief pressure.

**2.31 FT. OF HEAD = 1 PSI**  
**1 FT. OF HEAD = .433 PSI**

# self-priming cast iron shallow well jet pumps



This product is Listed to UL Standards for Safety by Underwriters Laboratories Inc. (UL) – Indoor/Outdoor use.



**The ProjJet™ HN models provide excellent performance with good pressure for wells to 25' deep. Self-priming after the priming chamber has been filled with water.**

### APPLICATIONS

■ **Water systems and sprinkling...** for homes, farms and cottages.

### SPECIFICATIONS

**Max. Liquid Temperature** – 140°F  
**Max. Inlet Pressure** – 50 PSI

**Priming time at 15 feet** –  
HNC = 1.7; HND = 1.1; HNE = 1.3

**Priming time at 25 feet** –  
HNC = 4.4; HND = 4.4; HNE = 2.6  
(Average minutes to full prime)

**Body** – Close-grained cast iron

**Nozzle** – High strength Lexan®

**Venturi** – Lexan®

**Impeller** – Noryl®

**Diffuser** – Reinforced polypropylene  
**Shaft** – One-piece threaded, 416 grade stainless steel

**Base** – Steel, 10 gauge

### ORDERING INFORMATION

Catalog Number	HP	Switch Setting	Description	Pipe Tapping Sizes		Motor Voltage	Approx. Wt. Lbs.
				Suct.	Disch.		
HNC	1/2	30-50	Base Mounted Pump	1-1/4"	1"	115/230	47
HND	3/4	30-50	Base Mounted Pump	1-1/4"	1"	115/230	65
HNE	1	30-50	Base Mounted Pump	1-1/4"	1"	115/230	70

Lexan® and Noryl® are registered trademarks of General Electric Co. ProjJet™ and PRO-Source™ are trademarks of WICOR Industries. In order to provide the best products possible, specifications are subject to change.

## PROJET™ HN SERIES

### FEATURES

**Quality Construction** – Close-grained cast iron body, specially treated for corrosion resistance. Drain port provided for easy winterizing.

**Built-in Jet** – High strength Lexan® nozzle and venturi for maximum resistance to corrosion and abrasion. Clean out plug provided for ease of service.

**Noryl® Impeller** – Precision-molded for perfect balance... ultra-smooth for highest performance and efficiency.

**Precision Molded Diffuser** – Pump primes faster, handles more air, with multi-port, precision-molded, reinforced polypropylene diffuser.

**Mechanical Shaft Seal** – Precision lapped and highly polished carbon-ceramic, stainless steel construction. Internal design guarantees continuous water lubrication.

**Motor Windings** – Superior insulation materials protect against excessive moisture and contaminants... assure prolonged motor life.

**Balanced Rotor** – Die cast under high pressures for uniform performance and greater efficiency, dynamically balanced.

**Heavy-duty Ball Bearings** – Shielded, permanently lubricated bearings, extensively tested to ensure extended life and smooth, quiet operation.

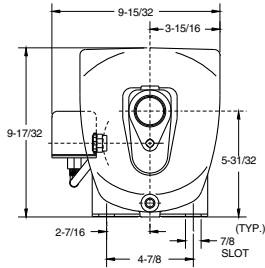
**Pump and Motor Shaft** – Stainless steel for maximum corrosion resistance; one-piece threaded shaft for positive impeller drive and alignment.

**UL 778 Approved** – The complete pump assembly passes the strict UL requirements certifying the pump and motor for both indoor and outdoor use.

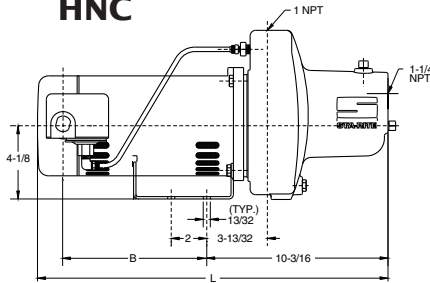
**Pressure Switch** – Professional quality, allows cut-in and differential adjustments.

# self-priming cast iron shallow well jet pumps

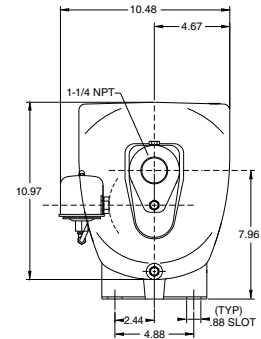
## OUTLINE DIMENSIONS



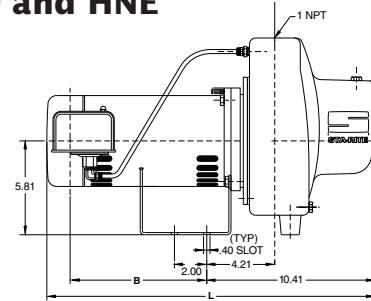
**HNC**



Cat. No.	L	B
HNC	19.7	8.1
HND	22.3	8.0
HNE	23.4	9.0

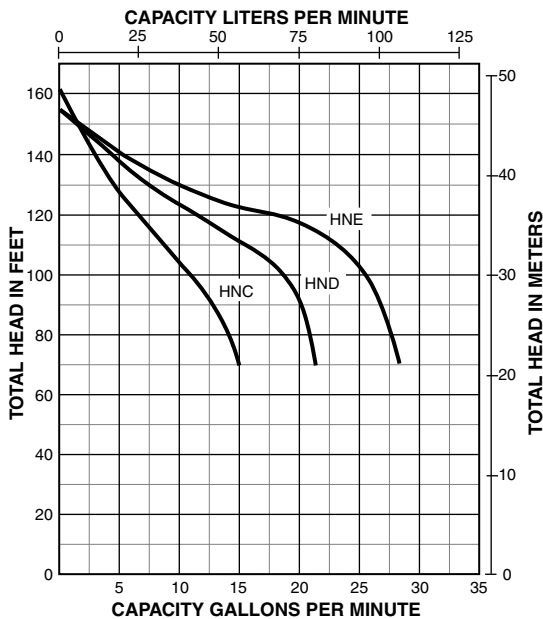


**HND and HNE**



Dimensions (in inches) are for estimating purposes only.

## PUMP PERFORMANCE



**2.31 FT. OF HEAD = 1 PSI**  
**1 FT. OF HEAD = .433 PSI**

## PUMP PERFORMANCE (Capacity in Gallons Per Minute)

Catalog Number	HP	Disch. Pressure PSI	Dynamic Suction Lift					Shut Off Pressure PSI
			5'	10'	15'	20'	25'	
HNC	1/2	30	15.0	13.0	11.6	8.7	6.9	70
		40	12.5	11.4	10.1	8.2	6.8	
		50	8.0	6.8	6.1	4.8	3.5	
HND	3/4	30	21.4	19.1	16.5	13.3	9.5	67
		40	20.8	18.7	15.8	13.2	9.3	
		50	13.5	11.6	10.1	7.4	2.4	
HNE	1	30	28.5	25.0	21.4	17.4	12.6	67
		40	28.3	24.4	21.0	17.2	12.3	
		50	21.5	18.3	10.9	3.1	1.6	

Pump will operate at all depths shown, with pressure switch set at 30-50 PSI. Tested and rated in accordance with Water Systems Council Standards.

**NOTE:** Pumps installed with a PRO-Source™ tank require a 100 PSI relief valve. Pumps installed with a conventional tank require a 75 PSI relief valve. Relief valve must be capable of relieving entire flow of pump at relief pressure.

# self-priming cast iron shallow well jet pumps



This product is Listed to UL Standards for Safety by Underwriters Laboratories Inc. (UL).



*The ProJet™ SN Series Pumps provide excellent performance with good pressure for wells to 25' deep. Self-priming after the priming chamber has been filled with water.*

## APPLICATIONS

- Water systems and sprinkling... for homes, farms and cottages.

## SPECIFICATIONS

**Max. Liquid Temperature:** 140°F  
**Max. Inlet Pressure:** 50 PSI

### Priming Time at 15 Feet:

SNC = 2.3; SND = 1.7  
 SNE = 1.3; SNF = 1.1

### Priming Time at 25 Feet:

SNC = 6.4; SND = 4.4  
 SNE = 4.4; SNF = 2.6

(Average minutes to full prime)

**Body** – Close-grained cast iron

**Nozzle** – High strength Lexan®

**Venturi** – Lexan®

**Impeller** – Noryl®

**Diffuser** – Reinforced polypropylene

**Shaft** – One-piece threaded, 416 grade stainless steel

**Base** – Steel, 10 gauge

## ORDERING INFORMATION

Catalog Number	HP	Switch Setting	Description	Pipe Tapping Sizes		Motor Voltage	Approx. Wt. Lbs.
				Suct.	Disch.		
SNC	1/2	30-50	Base Mounted Pump	1-1/4"	1"	115/230	45
SNC-5L Less Pressure Switch	1/2	NA	Base Mounted Pump	1-1/4"	1"	115/230	45
SNC-HF25L	1/2	20-40	Hi Flow, Base Mounted	1-1/4"	1"	115/230	45
SND	3/4	30-50	Base Mounted Pump	1-1/4"	1"	115/230	47
SNE	1	30-50	Base Mounted Pump	1-1/4"	1"	115/230	55
SNF	1-1/2	30-50	Base Mounted Pump	1-1/4"	1"	115/230	60

Lexan® and Noryl® are registered trademarks of General Electric Co. ProJet™ and PRO-Source™ are trademarks of WICOR Industries.

In order to provide the best products possible, specifications are subject to change.

## PROJET™ SN SERIES

### FEATURES

**Quality Construction** – Close-grained cast iron body. Drain port provided for easy winterizing.

**Built-in Jet** – High strength Lexan® nozzle and venturi for maximum resistance to corrosion and abrasion. Clean out plug provided for ease of service.

**Noryl® Impeller** – Precision-molded for perfect balance... ultra-smooth for highest performance and efficiency.

**Precision Molded Diffuser** – Pump primes faster, handles more air, with multi-port, precision-molded, reinforced polypropylene diffuser.

**Mechanical Shaft Seal** – Precision lapped and highly polished carbon-ceramic, stainless steel construction. Internal design guarantees continuous water lubrication.

**Motor Windings** – Superior insulation materials protect against excessive moisture and contaminants... assure prolonged motor life.

**Balanced Rotor** – Die cast under high pressures for uniform performance and greater efficiency, dynamically balanced.

**Heavy-duty Ball Bearings** – Shielded, permanently lubricated bearings, extensively tested to ensure extended life and smooth, quiet operation.

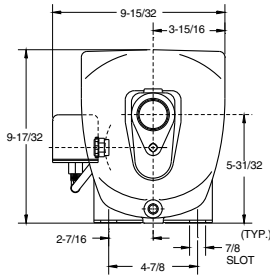
**Pump and Motor Shaft** – Stainless steel for maximum corrosion resistance; one-piece threaded shaft for positive impeller drive and alignment.

**Dustproof Cover** – All electrical components are protected from dirt, dust and insects by a dustproof canopy; ventilating air cannot contaminate vital switching components.

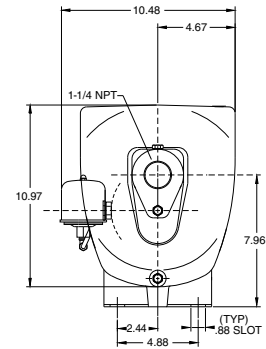
**Pressure Switch** – Professional quality, allows cut-in adjustments.

# self-priming cast iron shallow well jet pumps

## OUTLINE DIMENSIONS

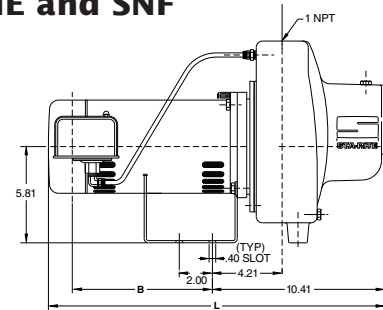
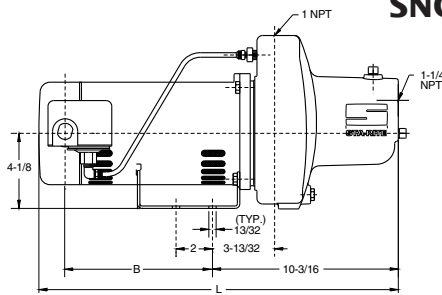


Cat. No.	L	B
SNC	19.7	8.1
SND	19.7	8.1
SNE	22.3	8.0
SNF	23.4	9.0



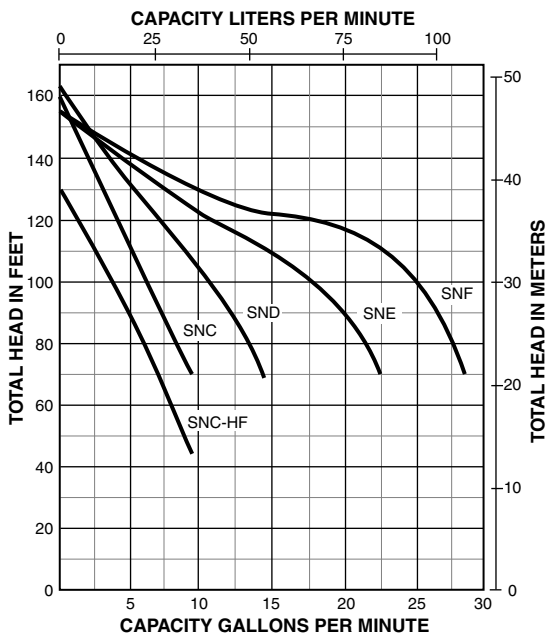
**SNC and SND**

**SNE and SNF**



Dimensions (in inches) are for estimating purposes only.

## PUMP PERFORMANCE



**2.31 FT. OF HEAD = 1 PSI**  
**1 FT. OF HEAD = .433 PSI**

## PUMP PERFORMANCE (Capacity in Gallons Per Minute)

Catalog Number	HP	Disch. Pressure PSI	Dynamic Suction Lift					Shut Off Pressure PSI
			5'	10'	15'	20'	25'	
SNC-HF25L	1/2	20	13.7	12.3	10.6	8.8	6.3	56
		30	11.8	10.6	9.3	8.2	6.2	
		40	7.2	6.3	5.2	4.0	2.4	
SNC	1/2	30	9.7	8.3	7.4	5.9	4.3	70
		40	7.9	7.2	6.4	5.6	4.1	
		50	4.5	3.8	3.1	2.7	1.8	
SND	3/4	30	15.0	13.0	11.6	8.7	6.9	70
		40	12.5	11.4	10.1	8.2	6.8	
		50	8.0	6.8	6.1	4.8	3.5	
SNE	1	30	21.4	19.1	16.5	13.3	9.5	67
		40	20.8	18.7	15.8	13.2	9.3	
		50	13.5	11.6	10.1	7.4	2.4	
SNF	1-1/2	30	28.5	25.0	21.4	17.4	12.6	67
		40	28.3	24.4	21.0	17.2	12.3	
		50	21.5	18.3	10.9	3.1	1.6	

Pump will operate at all depths shown, with pressure switch set at 30-50 PSI.

Tested and rated in accordance with Water Systems Council Standards.

**NOTE:** Pumps installed with a PRO-Source™ tank require a 100 PSI relief valve. Pumps installed with a conventional tank require a 75 PSI relief valve. Relief valve must be capable of relieving entire flow of pump at relief pressure.



# self-priming cast iron shallow well jet pump



This product is Listed to UL Standards for Safety by Underwriters Laboratories Inc. (UL).



*The FN Series provides strong performance with good pressure for wells to 25' deep. Self-priming after the priming chamber has been filled with water.*

## APPLICATIONS

- **Water systems and sprinkling...** for homes, farms and cottages.

## SPECIFICATIONS

**FNC Priming Time:**  
 at 15': 2.25 minutes max.  
 at 25': 6.5 minutes max.

**FND Priming Time:**  
 at 15': 1.7 minutes max.  
 at 25': 4.4 minutes max.

**Max. Liquid Temperature:** 140°F  
**FNC Max. Inlet Pressure:** 60 PSI  
**FND Max. Inlet Pressure:** 50 PSI  
**Max. Inlet PSI + Pump Discharge PSI:** not to exceed 100 PSI  
**Body and Base** – Close-grained cast iron  
**Nozzle** – High strength polycarbonate  
**Venturi** – Polycarbonate  
**Impeller** – Noryl®  
**Diffuser** – Reinforced polypropylene  
**Shaft** – One-piece threaded stainless steel

## ORDERING INFORMATION

Catalog Number	HP	Switch Setting	Description	Pipe Tapping Sizes		Motor Voltage	Approx. Wt. Lbs.
				Suct.	Disch.		
FNC	1/2	30-50	Base Mounted Pump	1-1/4"	1"	115/230	46
FND	3/4	30-50	Base Mounted Pump	1-1/4"	1"	115/230	47

Noryl® is a registered trademark of General Electric Co. PRO-Source™ is a trademark of WICOR Industries.

In order to provide the best products possible, specifications are subject to change.

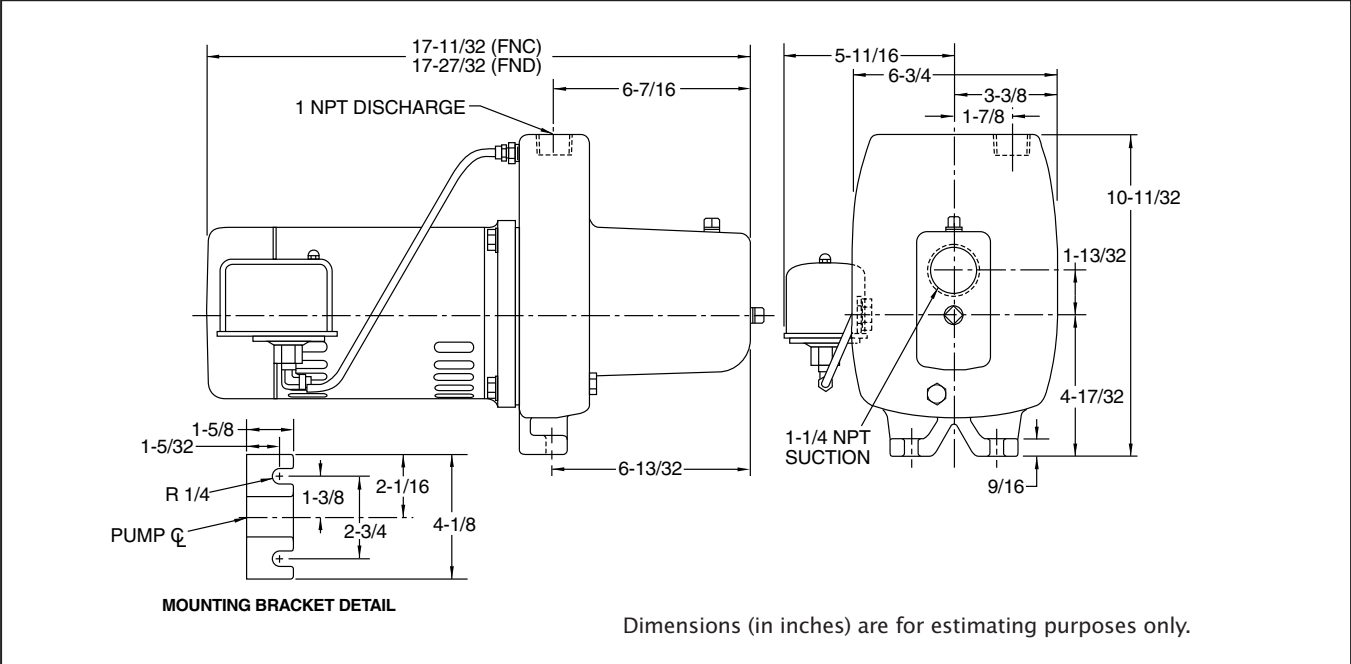
## FN SERIES

### FEATURES

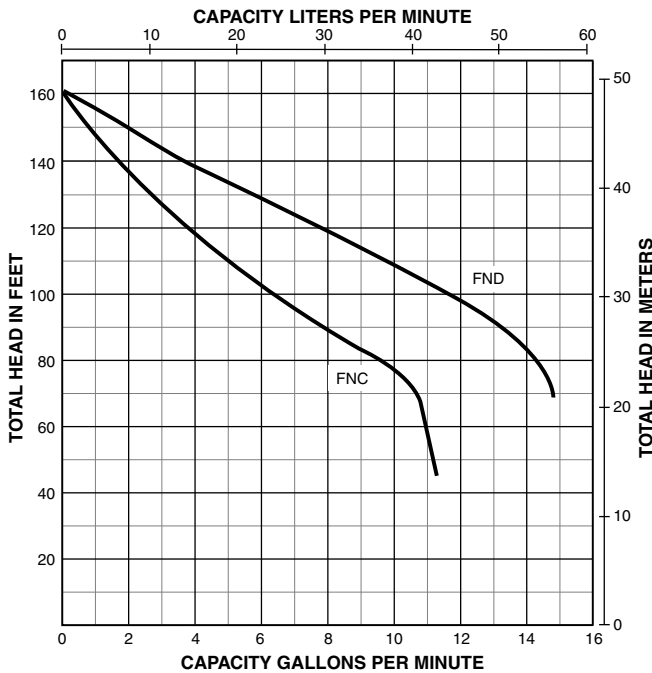
- Quality Construction** – Close-grained cast iron body and base, specially treated for corrosion resistance. Drain port provided for easy winterizing.
- Built-in Jet** – High strength polycarbonate nozzle and venturi for maximum resistance to corrosion and abrasion. Clean out plug provided for ease of service.
- Noryl® Impeller** – Precision-molded for perfect balance... ultra-smooth for highest performance and efficiency.
- Precision Molded Diffuser** – Pump primes faster, handles more air, with multi-port, precision-molded, reinforced polypropylene diffuser.
- Mechanical Shaft Seal** – Precision lapped and highly polished carbon-ceramic, stainless steel construction. Internal design guarantees continuous water lubrication.
- Motor Windings** – Superior insulation materials protect against excessive moisture and contaminants... assure prolonged motor life.
- Balanced Rotor** – Die cast under high pressures for uniform performance and greater efficiency, dynamically balanced.
- Heavy-duty Ball Bearings** – Sealed, permanently lubricated bearings, extensively tested to ensure extended life and smooth, quiet operation.
- Pump and Motor Shaft** – Stainless steel for maximum corrosion resistance; one-piece threaded shaft for positive impeller drive and alignment.
- Dustproof Cover** – All electrical components are protected from dirt, dust and insects by a dustproof canopy; ventilating air cannot contaminate vital switching components.
- Pressure Switch** – Adjustable cut-in and fixed differential (20 PSI).

# self-priming cast iron shallow well jet pump

## OUTLINE DIMENSIONS



## PUMP PERFORMANCE



## PUMP PERFORMANCE

Cat. No.	HP	Disch. Pressure		Dynamic Suction Lift					Shut Off Pressure PSI
		PSI	Feet Head	5'	10'	15'	20'	25'	
FNC	1/2	20	46.2	9.8	8.8	7.5	6.2	4.5	69
		30	69.3	9.2	8.2	7.2	5.9	4.2	
		40	92.4	6.9	6.0	5.3	4.5	4.0	
		50	115.5	3.8	3.5	2.7	1.9	1.4	
FND	3/4	30	69.3	15.0	13.0	11.6	8.7	6.9	70
		40	92.4	12.5	11.4	10.1	8.2	6.8	
		50	115.5	8.0	6.8	6.1	4.8	3.5	

Pump will operate at all depths shown, with pressure switch set at 30-50 PSI.

Tested and rated in accordance with Water Systems Council Standards.

**NOTE:** Pumps installed with a PRO-Source™ tank require a 100 PSI relief valve. Pumps installed with a conventional tank require a 75 PSI relief valve. Relief valve must be capable of relieving entire flow of pump at relief pressure.

# corrosion-resistant self-priming shallow well jet pumps



This product is Listed to UL Standards for Safety by Underwriters Laboratories Inc. (UL).



**PN Series Pumps are corrosion- and abrasion-resistant and are ideal for wells with pumping levels of 25' or less.**

**Self-priming after the pump housing is initially filled with water.**

**Capacities to 13 GPM. Available in 1/3, 1/2 and 3/4 HP models.**

### APPLICATIONS

- Water Systems
- Booster Pump
- Marine Use
- Mist Sprayers – Poultry
- Fountains and Water Features

### SPECIFICATIONS

- Body and Seal Plate** – Fiberglass-reinforced polypropylene
- Nozzle** – Glass-filled Noryl®
- Venturi** – Noryl®
- Impeller** – Polycarbonate
- Diffuser** – Fiberglass reinforced polypropylene
- Base** – 10-gauge steel

## PN SERIES

### FEATURES

**Quality Construction** – Fiberglass-reinforced thermoplastic polypropylene body provides total corrosion resistance and high resistance to abrasion.

**Built-in Jet** – Shallow-well jet has corrosion-resistant Noryl® nozzle and venturi.

**Polycarbonate Impeller** – Precision-molded for perfect balance... ultra-smooth for highest performance and efficiency.

**Precision Molded Diffuser** – Polypropylene diffuser allows pump to prime faster, handle more air.

**Heavy-duty Motor** – Stainless steel shaft and dual heavy-duty ball bearings.

**Heavy-duty Ball Bearings** – Shielded, permanently lubricated bearings, extensively tested to ensure extended life and smooth, quiet operation.

**Dual Voltage Capability** – 1/2 and 3/4 HP motors have dual voltage motors and are shipped at the 230 Volt setting.

### ORDERING INFORMATION

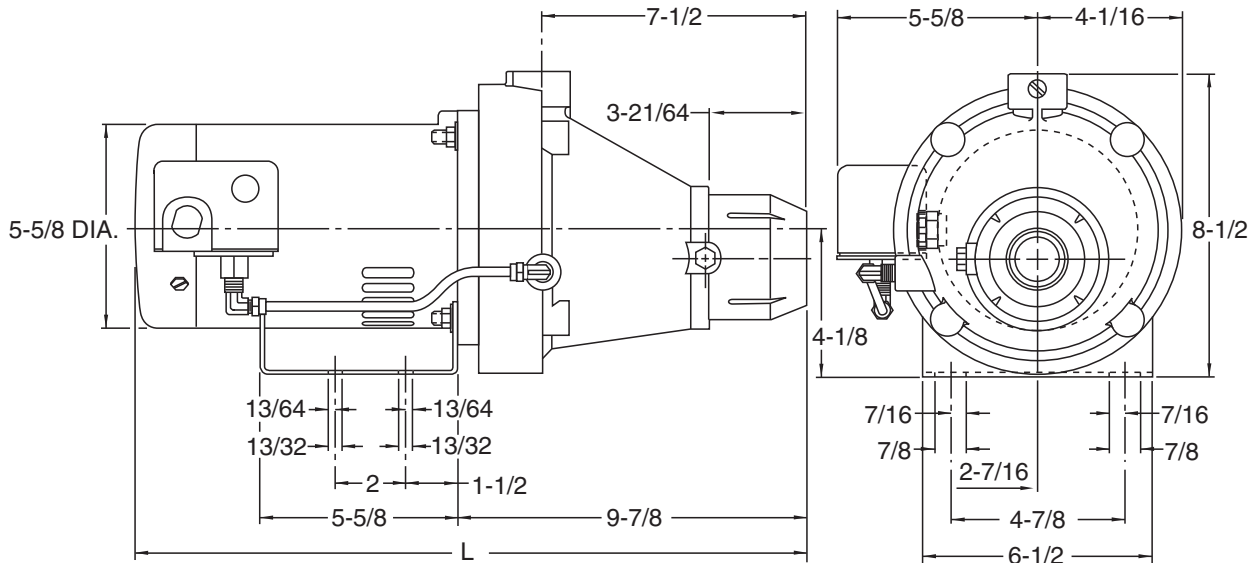
Catalog Number	HP	Description	Pipe Tapping Sizes		Motor Voltage	Approx. Wt. Lbs.
			Suct.	Disch.		
PNC	1/2	Base Mounted Pump	1-1/4"	3/4"	115/230	28
PND	3/4	Base Mounted Pump	1-1/4"	3/4"	115/230	30

Noryl® is a registered trademark of General Electric Co. PRO-Source™ is a trademark of WICOR Industries.

In order to provide the best products possible, specifications are subject to change.

# corrosion-resistant self-priming shallow well jet pumps

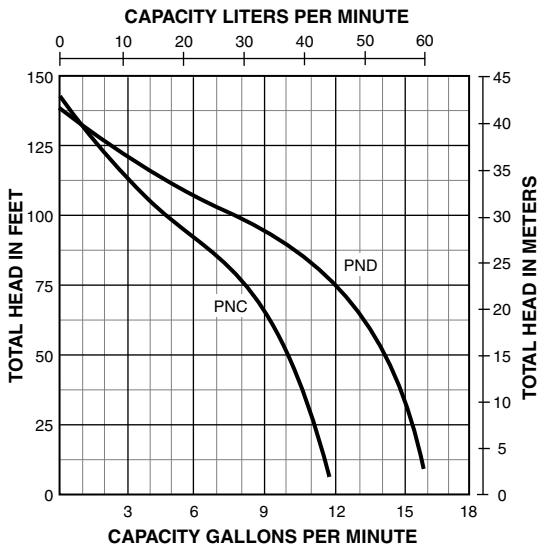
## OUTLINE DIMENSIONS



Cat. No.	L
PNC	19
PND	19-3/4

Dimensions (in inches) are for estimating purposes only.

## PUMP PERFORMANCE



## PUMP PERFORMANCE (Capacity in Gallons Per Minute)

Catalog Number	HP	Total Suction Lift	Discharge Pressure (PSI)			Shut Off PSI
			30	40	50	
PNC	1/2	5	7.2	5.0	2.3	63
		10	6.7	5.0	2.3	61
		15	5.7	4.6	2.2	58
		20	4.6	4.3	2.2	57
		25	3.2	3.2	2.1	53
PND	3/4	5	8.8	8.1	4.7	67
		10	7.8	7.5	4.6	65
		15	6.8	6.7	4.5	63
		20	5.8	5.4	4.4	60
		25	3.6	3.5	3.4	57

Pumps will operate at all depths shown, with pressure switch set at 30-50 PSI. Tested and rated in accordance with Water Systems Council Standards.

**NOTE:** Pumps installed with a PRO-Source™ tank require a 100 PSI relief valve. Pumps installed with a conventional tank require a 75 PSI relief valve. Relief valve must be capable of relieving entire flow of pump at relief pressure.



# PRO-Source™ water system jet tank packages



ProJet™ pumps are Listed to UL Standards for Safety by Underwriters Laboratories Inc. (UL). PRO-Source™ tanks are UL Classified to ANSI/NSF 61, Drinking Water Systems Components.



**PRO-Source™ Water System Packages are handy and economical pump/tank packages for the professional contractor. The PRO-Source™ Water System Packages utilize the NEW ProJet™ cast iron jet pumps and the dependable PRO-Source™ quality**

**pressurized steel tanks. Plumbing connections are made using galvanized fittings and 3-ply nylon reinforced vinyl tubing with stainless steel hose clamps. Ideal for installations where there is limited space.**

## ORDERING INFORMATION

Jet/ Tank Cat. No.	HP	Jet Pump Type	Pump Cat. No.	Tank Cat. No.	Tank Style	Tank Capacity U.S. Gals.	Drawdown @30-50 PSI Switch Set.	Pipe Size		Approx Wt. Lbs.
								Inlet	Outlet	
SNCP15H	1/2	Shallow Well	SNC	PS15H	Horizontal	6	1.8	1-1/4"	1"	85
SNCP42	1/2	Shallow Well	SNC	PS42	Vertical	19	5.8	1-1/4"	1"	120
SLCP42*	1/2	Deep Well	SLC	PS42	Vertical	19	5.8	1-1/4" x 1"	1"	127
SLDP42*	3/4	Deep Well	SLD	PS42	Vertical	19	5.8	1-1/4" x 1"	1"	130

\*Shallow well/deep well jet package included.

## APPLICATIONS

- Water systems, sprinkling and pressure boosting... for homes, farms and cottages.

## SPECIFICATIONS

- Max. Liquid Temperature – 120°F (49°C)
- Max. Inlet Pressure – 50 PSI
- Pump Discharge PSI – Not to exceed 100 PSI

## FEATURES

- ProJet™ Jet Pumps**
- Body** – Close-grained cast iron
- Nozzle** – High strength polycarbonate
- Venturi** – Polycarbonate
- Impeller** – Noryl®
- Diffuser** – Reinforced polypropylene.
- Shaft** – 416 stainless steel
- Base** – Steel, 10 gauge

## PRO-Source™ Pressurized Tanks

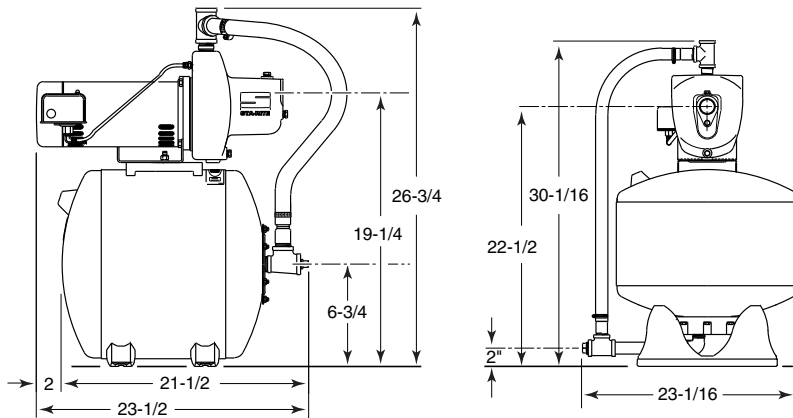
- Shell** – Heavy gauge steel
- Base** – High-impact composite; polypropylene
- Finish** – Baked-on polyester paint
- Water Cell** – PVC made from FDA listed material
- Flange** – Reinforced polypropylene.
- Connections** – Galvanized
- Tubing** – 3-ply nylon reinforced vinyl with stainless steel hose clamps

Noryl® is a registered trademark of General Electric Co. ProJet™ and PRO-Source™ are trademarks of WICOR Industries.

In order to provide the best products possible, specifications are subject to change.

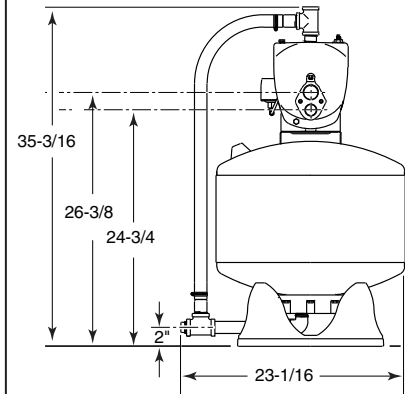
# PRO-Source™ water system jet tank packages

## OUTLINE DIMENSIONS – SHALLOW WELL



Dimensions (in inches) are for estimating purposes only.

## OUTLINE DIMENSIONS – DEEP WELL



Dimensions (in inches) are for estimating purposes only.

## SHALLOW WELL PUMP PERFORMANCE (Capacity in Gallons Per Minute)

Catalog Number	HP	Total Suction Lift	Discharge Pressure PSI			Shut Off PSI
			30	40	50	
SNCP	1/2	5'	9.7	7.9	4.5	67
		10'	8.3	7.2	3.8	65
		15'	7.4	6.4	3.1	62
		20'	5.9	5.6	2.7	60
		25'	4.3	4.1	1.8	58

## TANK DRAWDOWN (In Gallons)

Tank Cat. No.	Pressure Switch Setting				
	20-40	30-50	40-60	50-70	60-80
PS15H	2.2	1.8	1.6	1.4	1.2
PS42S	6.9	5.8	5.0	4.4	3.9

**NOTE:** Pump will operate at all depths shown, with pressure switch set at 30-50 PSI. Pumps installed with PRO-Source™ tank require a 100 PSI relief valve.

## DEEP WELL PUMP PERFORMANCE (Capacity in Gallons Per Minute)

Catalog Number	HP	Use Venturi/ Nozzle	Ejector Pkg.*	Shallow Well Jet Combinations					
				Total Suction Lift	Discharge Pressure (PSI)				Shut Off PSI
					30	40	50	60	
SLCP	1/2	N32P-66B J34P-41	29SD	5'	9.0	7.9	4.1	-	61
				15'	7.2	6.3	3.3	-	56
				25'	4.7	4.1	2.1	-	52
SLDP	3/4	N32P-66B J34P-41	29SD	5'	9.9	9.8	7.3	3.5	70
				15'	7.9	7.8	5.8	2.8	64
				25'	5.1	5.0	3.8	1.7	59

Catalog Number	HP	Use Venturi/ Nozzle	Ejector Pkg.*	Shallow Well Jet Combinations							
				Discharge Pressure PSI	Discharge Pressure (PSI)					Shut Off Min. Depth	
					30	40	50	60	70		80
SLCP	1/2	J32P-24 J34P-41	4SD	30	7.3	5.8	4.5	3.3	2.3	-	68
				40	4.5	3.4	2.3	-	-	-	
SLDP	3/4	J32P-24 J34P-41	4SD	30	8.9	7.3	6.4	5.0	4.0	2.5	75
				40	6.5	5.1	4.0	3.0	1.8	0.8	

\*Jet packages included.



# self-priming cast iron convertible jet pumps



Pressure Gauge (included)



This product is Listed to UL Standards for Safety by Underwriters Laboratories Inc. (UL) – Indoor/Outdoor use.

*The ProJet™ HL convertible jet pumps offer a proven cast iron self-priming design available in 1/2 – 1 HP models. The ProJet™ HL convertible jets utilize the STA-RITE built-in regulators offering easier priming and better range of performance from a complete line of shallow well, 4" double pipe, 2" and 3" single pipe jet packages.*

### APPLICATIONS

- Water systems and sprinkling... for homes, farms and cottages.

### SPECIFICATIONS

- Body and Seal Plate** – Close-grained cast iron
- Impeller** – High strength Noryl®
- Diffuser** – Reinforced polypropylene with brass wear ring
- Shaft** – One-piece threaded 416 stainless steel
- Base** – Steel, 10 gauge
- Max. Liquid Temperature** – 140°F
- Max. Inlet Pressure** – 50 PSI
- Pressure Switch Pre-Set** – 30-50 PSI
- Suction Ports** – “Suction-over-Drive”
- Pressure Gauge** – 0-100 PSI

### ORDERING INFORMATION

Catalog Number	HP	Description	Pipe Tapping Sizes			Motor Voltage	Approx. Wt. Lbs.
			Suct.	Drive	Disch.		
HLC	1/2	Base Mounted Pump	1-1/4"	1"	1"	115/230	42
HLD	3/4	Base Mounted Pump	1-1/4"	1"	1"	115/230	60
HLE	1	Base Mounted Pump	1-1/4"	1"	1"	115/230	65

A Jet Package should be ordered with every Series HL Pump.

**NOTE:** Pumps installed with a PRO-Source™ tank require a 100 PSI relief valve. Pumps installed with a conventional tank require a 75 PSI relief valve. Relief valve must be capable of relieving flow of pump at relief pressure.

Noryl® is registered trademark of General Electric Co. ProJet™ and PRO-Source™ are trademarks of WICOR Industries.

In order to provide the best products possible, specifications are subject to change.

## PROJET™ HL SERIES

### FEATURES

**Quality Construction** – Close-grained cast iron pump body, is rugged one-piece unit, specially treated to resist corrosion. Drain port provided for easy winterizing.

**Noryl® Impeller** – Precision-molded for perfect balance... ultra-smooth for highest performance and efficiency.

**Precision Molded Diffuser** – Pump primes faster, handles more air, with multi-port, precision-molded, reinforced polypropylene diffuser.

**Pressure Switch** – High quality, cut-in and differential pressure setting are adjustable.

**Mechanical Shaft Seal** – Precision lapped and highly polished carbon-ceramic, stainless steel construction. Internal design guarantees continuous water lubrication for maximum protection.

**Motor Windings** – Superior insulation materials protect against excessive moisture and contaminants... assures prolonged motor life.

**Balanced Rotor** – Die cast under high pressures for uniform performance and greater efficiency... dynamically balanced.

**Heavy-duty Ball Bearings** – Shielded, permanently lubricated bearings, extensively tested to ensure extended life and smooth, quiet operation.

**Pump and Motor Shaft** – 416 stainless steel for maximum corrosion resistance; one-piece threaded shaft for positive impeller drive and alignment.

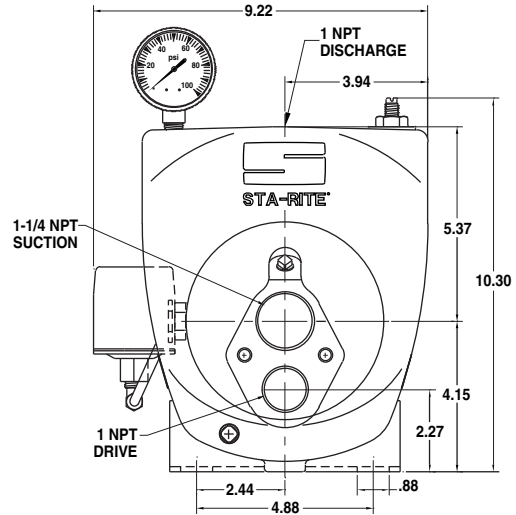
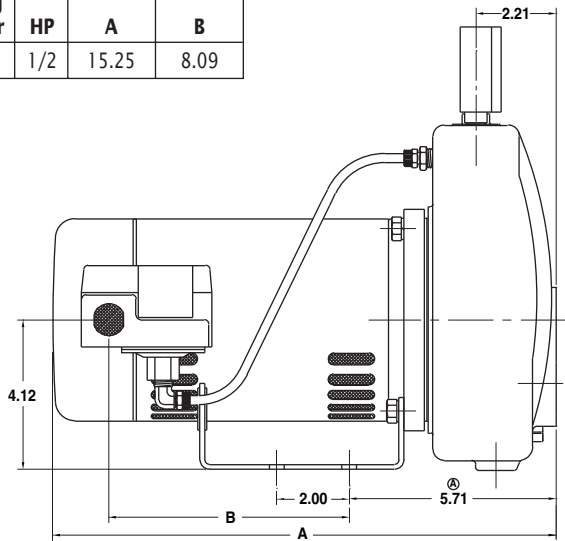
**UL 778 Approved** – The complete pump assembly passes the strict UL requirements certifying the pump and motor for both indoor and outdoor use.

# self-priming cast iron convertible jet pumps

## OUTLINE DIMENSIONS

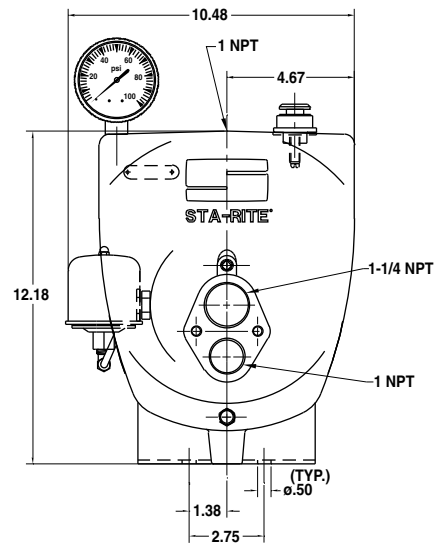
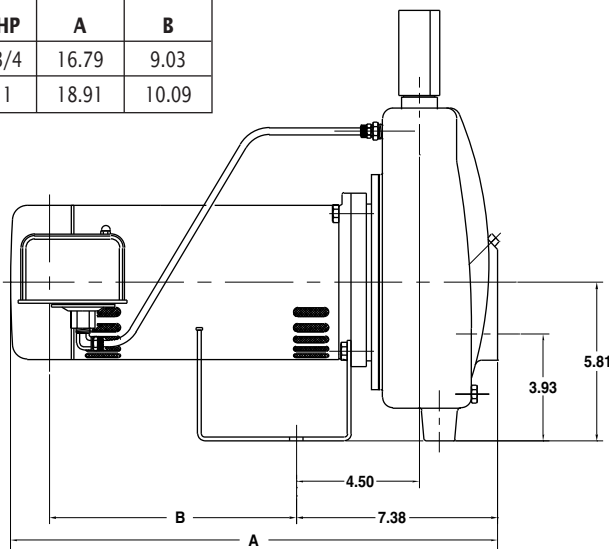
### HLC

Catalog Number	HP	A	B
HLC	1/2	15.25	8.09



### HLD and HLE

Catalog Number	HP	A	B
HLD	3/4	16.79	9.03
HLE	1	18.91	10.09



Dimensions (in inches) are for estimating purposes only.

**NOTE:** 1/4 NPT, 0-100 PSI pressure gauge supplied uninstalled to prevent shipping damage.





# self-priming cast iron convertible jet pumps

## PUMP PERFORMANCE (Capacity in Gallons Per Minute) SHALLOW WELL – 5', 10', 15', 20', AND 25' PUMPING DEPTHS

Cat. No.	HP	Disch. Press.	Pumping Depth to Water in Feet																								
			5 Ft. lift				10 ft. lift				15 ft. lift				20 ft. lift				25 ft. lift								
HLC	1/2	Jet Package	11SD	10SD	29SD	CK5		11SD	10SD	29SD	CK5		11SD	10SD	29SD	CK5		11SD	10SD	29SD	CK5		11SD	10SD	29SD	CK5	
		Venturi N32P_	-68B	-67B	-66B	-66B		-68B	-67B	-66B	-66B		-68B	-67B	-66B	-66B		-68B	-67B	-66B	-66B		-68B	-67B	-66B	-66B	
		Nozzle J34P_	-44	-44	-41	-45		-44	-44	-41	-45		-44	-44	-41	-45		-44	-44	-41	-45		-44	-44	-41	-45	
		20 PSI	20.6	14.4	10.1	6.6		19.0	13.2	9.3	6.1		16.5	11.5	8.1	5.3		13.3	9.5	6.9	4.5		9.8	6.9	5.3	3.4	
		30 PSI	19.6	14.3	9.9	6.5		18.1	13.1	9.1	6.0		15.7	11.4	7.9	5.2		13.3	9.5	6.7	4.4		9.8	6.9	5.1	3.4	
		40 PSI	10.3	12.1	9.8	6.4		9.4	11.2	9.0	5.9		8.2	9.7	7.8	5.1		6.4	8.3	6.6	4.3		3.1	6.3	5.1	3.3	
		50 PSI		4.6	7.3	6.3			4.3	6.7	5.8			3.7	5.8	5.0			2.6	4.9	4.3			1.0	3.8	3.3	
		60 PSI			3.5	5.8				3.2	5.3				2.8	4.6				2.4	3.9					3.0	
		Shut Off-PSI	55	59	70	72		53	57	66	67		50	55	64	65		48	53	61	63		46	51	59	61	
HLD	3/4	Jet Package	12SD	11SD	CK1	CK5	CK1	12SD	11SD	CK1	CK5	CK1	12SD	11SD	CK1	CK5	CK1	12SD	11SD	CK1	CK5	CK1	12SD	11SD	CK1	CK5	CK1
		Venturi N32P_	-65	-68B	-72E	-67B	-72	-65	-68B	-72E	-67B	-72	-65	-68B	-72E	-67B	-72	-65	-68B	-72E	-67B	-72	-65	-68B	-72E	-67B	-72
		Nozzle J34P_	-44	-44	-43	-45	-43	-44	-44	-43	-45	-43	-44	-44	-43	45	-43	-44	-44	-43	-45	-43	-44	-44	-43	-45	-43
		20 PSI	24.2	20.3	14.5	12.6	8.6	23.2	19.4	13.9	12.1	8.3	20.2	16.9	12.1	10.5	7.2	17.7	13.6	10.3	8.2	6.1	12.5	10.4	7.9	6.2	4.7
		30 PSI	24.0	20.3	14.4	12.4	8.5	23.0	19.4	13.8	11.8	8.2	20.0	16.9	12.0	10.3	7.1	17.7	13.6	10.2	8.0	6.0	12.5	10.4	7.8	6.0	4.6
		40 PSI	16.7	16.4	13.7	12.2	8.3	16.0	15.8	13.1	11.7	7.9	13.9	13.7	11.4	10.2	6.9	16.0	11.5	9.7	7.8	5.9	10.3	8.3	7.4	5.8	4.5
		50 PSI			12.6	12.0	8.2			12.1	11.5	7.8			10.5	10.0	6.8			8.9	7.7	5.8			6.8	5.7	4.4
		60 PSI			6.0	8.2	6.1			5.8	7.8	5.9			5.0	6.8	5.1			4.3	5.8	4.3			3.3	4.8	3.3
		70 PSI				4.2	2.9				4.0	2.8				3.5	2.4				2.8	2.0				2.0	1.6
Shut Off-PSI	61	62	71	80	82	59	60	69	78	79	57	58	67	76	77	54	55	65	74	75	52	53	63	72	73		
HLE	1	Jet Package	12SD	CK2	60SD			12SD	CK2	60SD			12SD	CK2	60SD			12SD	CK2	60SD			12SD	CK2	60SD		
		Venturi N32P_	-65	-64	-64			-65	-64	-64			-65	-64	-64			-65	-64	-64			-65	-64	-64		
		Nozzle J34P_	-44	-44	-45			-44	-44	-45			-44	-44	-45			-44	-44	-45			-44	-44	-45		
		20 PSI	26.8	21.6	18.4			24.6	19.9	16.9			21.4	17.3	14.7			18.2	14.7	12.5			13.9	11.2	9.6		
		30 PSI	26.5	21.5	18.1			24.4	19.8	16.7			21.2	17.2	14.5			18.0	14.6	12.3			13.8	11.2	9.4		
		40 PSI	22.9	21.3	17.5			21.0	19.6	16.1			18.3	17.0	14.0			15.6	14.5	11.9			11.9	11.1	9.1		
		50 PSI	15.1	16.8	17.3			13.9	15.4	15.9			12.1	13.4	13.8			10.3	11.4	11.7			7.9	8.7	9.0		
		60 PSI		4.0	15.6				3.7	14.4				3.2	12.5				2.7	10.6				2.1	8.1		
		70 PSI			4.1					3.8					3.3					2.8							
Shut Off-PSI	61	71	77			59	69	75			57	67	73			55	65	71			53	63	68				

NOTE: Pumps are supplied with 30 - 50 pressure switch setting. Cut-in / Cut-out pressure settings are adjustable.



# self-priming cast iron convertible jet pumps

## PUMP PERFORMANCE (Capacity in Gallons Per Minute)

### DEEP WELL (40 PSI) 4" DOUBLE PIPE

Cat. No.	HP	Jet. No.	Uses Venturi	Uses Nozzle	Pumping Depth in Feet											Max. Pump Shut Off Press. PSI		
					20'	30'	40'	50'	60'	70'	80'	90'	100'	110'	120'	Jet at 20 ft. Depth	Jet at Max. Depth	
HLC	1/2	CK3	J32P-26	J34P-41	9.4	8.0	6.6										77	68
		54SD	J32P-22	J34P-44	8.0	6.9	5.7	4.8	3.8	3.2							94	70
		CK5	N32P-66B	J34P-45	7.3	6.2	5.0	4.0									83	69
		55SD	J32P-18	J34P-43	5.0	4.3	3.7	3.2	2.6	2.2	1.8	1.5					96	63
HLD	3/4	CK1	N32P-72	J34P-43	13.2	10.8	8.4	6.3	4.2								74	56
		CK2	J32P-24	J34P-44	13.0	11.5	9.9	8.7	7.5	6.6	5.4						105	80
		54SD	J32P-22	J34P-44	8.5	7.7	6.7	6.3	5.8	5.4	4.8	4.0	3.7	3.4	2.7		122	73
HLE	1	54SD	J32P-22	J34P-44	9.5	8.5	7.4	6.9	6.5	6.0	5.4	4.8	4.2	3.6	2.9		127	76

**NOTE:** Tank body on HLE pump tapped 1-1/4" x 1". On HLE pump drop pipe should be increased to 1-1/2" x 1-1/4" to ensure adequate capacity from pump.

## PUMP PERFORMANCE (Capacity in Gallons Per Minute)

### DEEP WELL (40 PSI) 2" SINGLE PIPE

Cat. No.	HP	Jet. No.	Uses Venturi	Uses Nozzle	Pumping Depth in Feet											Max. Pump Shut Off Press. PSI		
					20'	30'	40'	50'	60'	70'	80'	90'	100'	110'	120'	Jet at 20 ft. Depth	Jet at Max. Depth	
HLC	1/2	54AP	J32P-22	J34P-44	7.4	6.3	5.2	3.9	2.5	2.0							82	54
HLD	3/4	10AP	J32P-24	J34P-44	10.5	10.0	8.1	6.2									96	79
		54AP	J32P-22	J34P-44	6.0	5.3	4.8	4.2	4.1	3.7	3.5	2.8	2.1	1.6			95	53
HLE	1	9AP	J32P-29	J34P-44	11.7	11.1	9.8	6.8									69	57
		8AP	J32P-18	J34P-42	6.7	5.8	5.3	4.7	4.5	4.1	3.8	3.1	2.6	2.0	1.6		129	72

### DEEP WELL (40 PSI) 3" SINGLE PIPE

HLC	1/2	9CP	J32P-26	J34P-41	9.4	8.0	6.6										77	68
		54CP	J32P-22	J34P-44	8.0	6.9	5.7	4.8	3.8	3.2								94
HLD	3/4	18CP	J32P-24	J34P-44	13.0	11.5	9.9	8.7	7.5	6.6	5.4						106	80
		54CP	J32P-22	J34P-44	8.5	7.7	6.7	6.3	5.8	5.4	4.8	4.0	3.7	3.4	2.7		122	73
		57CP	J32P-33	P122-10B	18.0	15.4	12.8	10.8									81	68
		54CP	J32P-22	J34P-44	9.5	8.5	7.4	6.9	6.5	6.0	5.4	4.8	4.2	3.6	2.9		127	76

Tank body on HLE pump tapped 1-1/4" x 1". Drop pipe should be increased to 1-1/2" x 1-1/4" to ensure adequate capacity from pump. Tested and rated in accordance with Water Systems Council Standards.

**NOTE:** Pumps installed with a PRO-Source™ tank require a 100 PSI relief valve. Pumps installed with a conventional tank require a 75 PSI relief valve. Relief valve must be capable of relieving entire flow of pump at relief pressure.



# self-priming cast iron convertible jet pumps



This product is Listed to UL Standards for Safety by Underwriters Laboratories Inc. (UL).



**The ProJet™ SL convertible jet pumps offer a proven cast iron self-priming design available in 1/2 - 1-1/2 HP models. The ProJet™ SL convertible jets utilize the STA-RITE built-in regulators offering easier priming and better range of performance from a complete line of shallow well, 4" double pipe, 2" and 3" single pipe jet packages.**

### APPLICATIONS

- **Water systems and sprinkling...** for homes, farms and cottages.

### SPECIFICATIONS

- Body and Seal Plate** – Close-grained cast iron
- Impeller** – High strength Noryl®
- Diffuser** – Reinforced polypropylene with brass wear ring
- Shaft** – One-piece threaded 416 stainless steel
- Base** – Steel, 10 gauge
- Max. Liquid Temperature** – 140°F
- Max. Inlet Pressure** – 50 PSI
- Pressure Switch Pre-Set** – 30-50 PSI
- Suction Ports** – “Suction-over-Drive”

### ORDERING INFORMATION

Catalog Number	HP	Description	Pipe Tapping Sizes			Motor Voltage	Approx. Wt. Lbs.
			Suct.	Drive	Disch.		
SLC	1/2	Base Mounted Pump	1-1/4"	1"	1"	115/230	40
SLD	3/4	Base Mounted Pump	1-1/4"	1"	1"	115/230	42
SLE	1	Base Mounted Pump	1-1/4"	1"	1"	115/230	60
SLF	1-1/2	Base Mounted Pump	1-1/4"	1"	1"	115/230	65

A Jet Package should be ordered with every SL Series Pump.

**NOTE:** Pumps installed with a PRO-Source™ tank require a 100 PSI relief valve. Pumps installed with a conventional tank require a 75 PSI relief valve. Relief valve must be capable of relieving flow of pump at relief pressure.

Noryl® is registered trademark of General Electric Co. ProJet™ and PRO-Source™ are trademarks of WICOR Industries .

In order to provide the best products possible, specifications are subject to change.

## PROJET™ SL SERIES

### FEATURES

**Quality Construction** – Close-grained cast iron pump body, is rugged one-piece unit, specially treated to resist corrosion. Drain port provided for easy winterizing.

**Noryl® Impeller** – Precision-molded for perfect balance... ultra-smooth for highest performance and efficiency.

**Precision Molded Diffuser** – Pump primes faster, handles more air, with multi-port, precision-molded, reinforced polypropylene diffuser.

**Pressure Switch** – High quality, cut-in pressure setting are adjustable. Fixed 20 PSI differential.

**Mechanical Shaft Seal** – Precision lapped and highly polished carbon-ceramic, stainless steel construction. Internal design guarantees continuous water lubrication for maximum protection.

**Motor Windings** – Superior insulation materials protect against excessive moisture and contaminants... assures prolonged motor life.

**Balanced Rotor** – Die cast under high pressures for uniform performance and greater efficiency... dynamically balanced.

**Heavy-duty Ball Bearings** – Shielded, permanently lubricated bearings, extensively tested to ensure extended life and smooth, quiet operation.

**Pump and Motor Shaft** – 416 stainless steel for maximum corrosion resistance; one-piece threaded shaft for positive impeller drive and alignment.

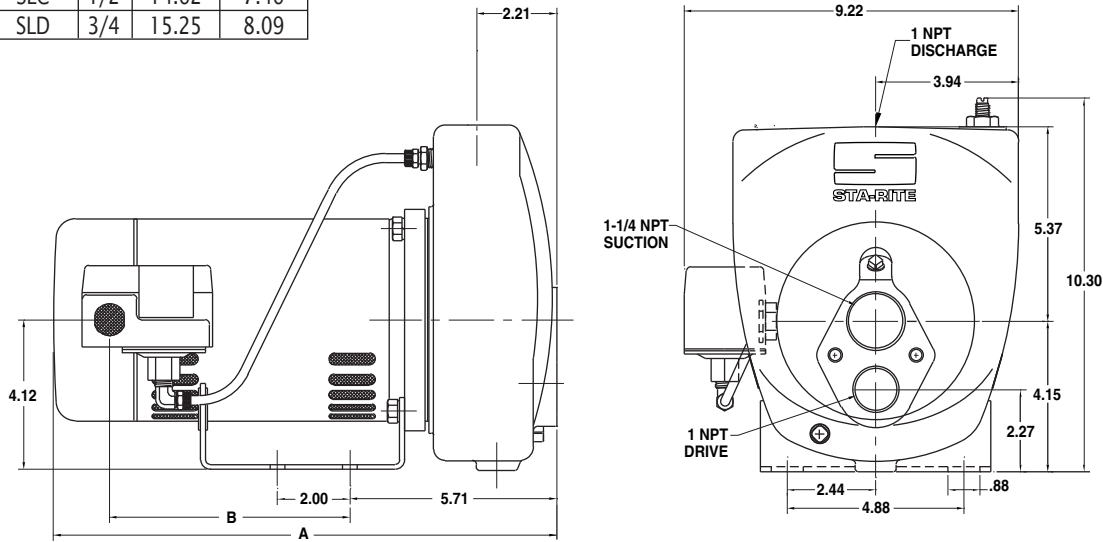
**Dustproof Cover** – Dustproof canopy protects all electrical components from dirt, dust and insects; ventilating air cannot contaminate vital switching components... eliminates the most common cause of motor failure.

# self-priming cast iron convertible jet pumps

## OUTLINE DIMENSIONS

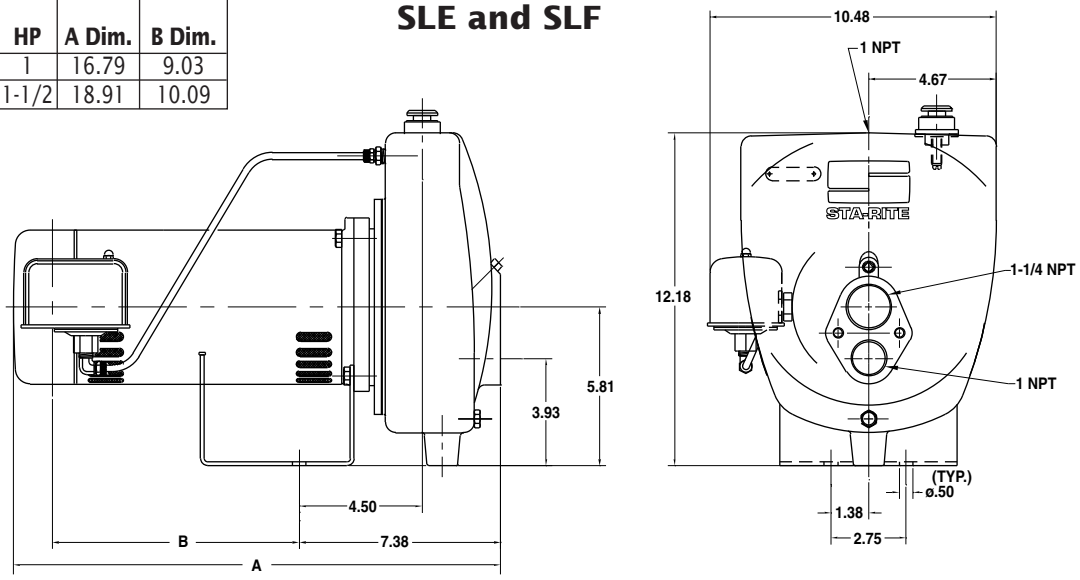
### SLC and SLD

Catalog Number	HP	A Dim.	B Dim.
SLC	1/2	14.62	7.46
SLD	3/4	15.25	8.09



### SLE and SLF

Catalog Number	HP	A Dim.	B Dim.
SLE	1	16.79	9.03
SLF	1-1/2	18.91	10.09



Dimensions (in inches) are for estimating purposes only.



# self-priming cast iron convertible jet pumps

## PUMP PERFORMANCE (Capacity in Gallons Per Minute) SHALLOW WELL – 5', 10', 15', 20', AND 25' PUMPING DEPTHS

Cat. No.	HP	Disch. Press.	Pumping Depth to Water in Feet																											
			5 Ft. lift				10 ft. lift				15 ft. lift				20 ft. lift				25 ft. lift											
SLC	1/2	Jet Package	10SD	29SD	CK3			10SD	29SD	CK3			10SD	29SD	CK3			10SD	29SD	CK3			10SD	29SD	CK3					
		Venturi N32P_	-67B	-66B	-78B			-67B	-66B	-78B			-67B	-66B	-78B			-67B	-66B	-78B			-67B	-66B	-78B					
		Nozzle J34P_	-44	-41	-41			-44	-41	-41			-44	-41	-41			-44	-41	-41			-44	-41	-41					
		20 PSI	12.0	9.1	5.9			9.7	8.4	5.4			12.0	7.3	4.7			9.7	6.2	4.0			6.7	4.7	3.1					
		30 PSI	10.8	9.0	5.8			9.5	8.3	5.3			10.8	7.2	4.6			9.5	6.1	3.9			6.7	4.7	3.0					
		40 PSI	5.2	7.9	5.6			4.2	7.2	5.2			5.2	6.3	4.5			4.2	5.4	3.8			2.5	4.1	2.9					
		50 PSI		4.1	4.5				3.8	4.1				3.3	3.6				2.8	3.1				2.1	2.3					
		60 PSI			2.4					2.2					1.9					1.6										
Shut Off-PSI	53	61	70			51	58	66			49	56	64			47	54	61			45	52	58							
SLD	3/4	Jet Package	11SD	10SD	29SD	CK5			11SD	10SD	29SD	CK5			11SD	10SD	29SD	CK5			11SD	10SD	29SD	CK5						
		Venturi N32P_	-68B	-67B	-66B	-66B			-68B	-67B	-66B	-66B			-68B	-67B	-66B	-66B			-68B	-67B	-66B	-66B						
		Nozzle J43P_	-44	-44	-41	-45			-44	-44	-41	-45			-44	-44	-41	-45			-44	-44	-41	-45						
		20 PSI	20.6	14.4	10.1	6.6			19.0	13.2	9.3	6.1			16.5	11.5	8.1	5.3			13.3	9.5	6.9	4.5						
		30 PSI	19.6	14.3	9.9	6.5			18.1	13.1	9.1	6.0			15.7	11.4	7.9	5.2			13.3	9.5	6.7	4.4						
		40 PSI	10.3	12.1	9.8	6.4			9.4	11.2	9.0	5.9			8.2	9.7	7.8	5.1			6.4	8.3	6.6	4.3						
		50 PSI		4.6	7.3	6.3				4.3	6.7	5.8				3.7	5.8	5.0				2.6	4.9	4.3						
		60 PSI			3.5	5.8					3.2	5.3					2.8	4.6					2.4	3.9						
Shut Off-PSI	55	59	70	72			53	57	66	67			50	55	64	65			48	53	61	63								
SLE	1	Jet Package	12SD	11SD	CK1	CK5	CK1			12SD	11SD	CK1	CK5	CK1			12SD	11SD	CK1	CK5	CK1			12SD	11SD	CK1	CK5	CK1		
		Venturi N32P_	-65	-68B	-72E	-67B	-72			-65	-68B	-72E	-67B	-72			-65	-68B	-72E	-67B	-72			-65	-68B	-72E	-67B	-72		
		Nozzle J34P_	-44	-44	-43	-45	-43			-44	-44	-43	-45	-43			-44	-44	-43	45	-43			-44	-44	-43	-45	-43		
		20 PSI	24.2	20.3	14.5	12.6	8.6			23.2	19.4	13.9	12.1	8.3			20.2	16.9	12.1	10.5	7.2			17.7	13.6	10.3	8.2	6.1		
		30 PSI	24.0	20.3	14.4	12.4	8.5			23.0	19.4	13.8	11.8	8.2			20.0	16.9	12.0	10.3	7.1			17.7	13.6	10.2	8.0	6.0		
		40 PSI	16.7	16.4	13.7	12.2	8.3			16.0	15.8	13.1	11.7	7.9			13.9	13.7	11.4	10.2	6.9			11.8	11.5	9.7	7.8	5.9		
		50 PSI			12.6	12.0	8.2					12.1	11.5	7.8					10.5	10.0	6.8					8.9	7.7	5.8		
		60 PSI			6.0	8.2	6.1					5.8	7.8	5.9					5.0	6.8	5.1					4.3	5.8	4.3		
70 PSI				4.2	2.9						4.0	2.8							3.5	2.4						2.8	2.0			
Shut Off-PSI	61	62	71	80	82			59	60	69	78	79			57	58	67	76	77			54	55	65	74	75				
SLF	1-1/2	Jet Package	12SD	CK2	60SD			12SD	CK2	60SD			12SD	CK2	60SD			12SD	CK2	60SD			12SD	CK2	60SD					
		Venturi N32P_	-65	-64	-64			-65	-64	-64			-65	-64	-64			-65	-64	-64			-65	-64	-64					
		Nozzle J34P_	-44	-44	-45			-44	-44	-45			-44	-44	-45			-44	-44	-45			-44	-44	-45					
		20 PSI	26.8	21.6	18.4			24.6	19.9	16.9			21.4	17.3	14.7			18.2	14.7	12.5			13.9	11.2	9.6					
		30 PSI	26.5	21.5	18.1			24.4	19.8	16.7			21.2	17.2	14.5			18.0	14.6	12.3			13.8	11.2	9.4					
		40 PSI	22.9	21.3	17.5			21.0	19.6	16.1			18.3	17.0	14.0			15.6	14.5	11.9			11.9	11.1	9.1					
		50 PSI	15.1	16.8	17.3			13.9	15.4	15.9			12.1	13.4	13.8			10.3	11.4	11.7			7.9	8.7	9.0					
		60 PSI		4.0	15.6				3.7	14.4				3.2	12.5				2.7	10.6				2.1	8.1					
70 PSI			4.1					3.8					3.3					2.8												
Shut Off-PSI	61	71	77			59	69	75			57	67	73			55	65	71			53	63	68							

Pumps are supplied with 30 – 50 pressure switch setting. Cut-in pressure settings are adjustable.



# self-priming cast iron convertible jet pumps

<b>PUMP PERFORMANCE (Capacity in Gallons Per Minute)</b>																		
<b>DEEP WELL (40 PSI) 4" DOUBLE PIPE</b>																		
Cat. No.	HP	Jet. No.	Uses Venturi	Uses Nozzle	Pumping Depth in Feet												Max. Pump Shut Off Press. PSI	
					20'	30'	40'	50'	60'	70'	80'	90'	100'	110'	120'	Jet at 20 ft. Depth	Jet at Max. Depth	
SLC	1/2	4SD	J32P-24	J34P-41	5.9	4.5	3.4	2.3								68	54	
		15SD	J32P-18	J34P-42	4.6	3.9	3.3	2.8	2.3	1.7						84	59	
SLD	3/4	CK3	J32P-26	J34P-41	9.4	8.0	6.6									77	68	
		54SD	J32P-22	J34P-44	8.0	6.9	5.7	4.8	3.8	3.2						94	70	
		CK5	N32P-66B	J34P-45	7.3	6.2	5.0	4.0								83	69	
		55SD	J32P-18	J34P-43	5.0	4.3	3.7	3.2	2.6	2.2	1.8	1.5				96	63	
SLE	1	CK1	N32P-72	J34P-43	13.2	10.8	8.4	6.3	4.2							74	56	
		CK2	J32P-24	J34P-44	13.0	11.5	9.9	8.7	7.5	6.6	5.4					105	80	
		54SD	J32P-22	J34P-44	8.5	7.7	6.7	6.3	5.8	5.4	4.8	4.0	3.7	3.4	2.7	122	73	
SLF	1-1/2	54SD	J32P-22	J34P-44	9.5	8.5	7.4	6.9	6.5	6.0	5.4	4.8	4.2	3.6	2.9	127	76	

Tank body on SLF pump tapped 1-1/4" x 1". On SLF pump drop pipe should be increased to 1-1/2" x 1-1/4" to ensure adequate capacity from pump.

<b>PUMP PERFORMANCE (Capacity in Gallons Per Minute)</b>																		
<b>DEEP WELL (40 PSI) 2" SINGLE PIPE</b>																		
Cat. No.	HP	Jet. No.	Uses Venturi	Uses Nozzle	Pumping Depth in Feet												Max. Pump Shut Off Press. PSI	
					20'	30'	40'	50'	60'	70'	80'	90'	100'	110'	120'	Jet at 20 ft. Depth	Jet at Max. Depth	
SLC	1/2	8AP	J32P-18	J34P-42	4.7	4.1	3.4	2.5	1.9	1.5						84	58	
SLD	3/4	54AP	J32P-22	J34P-44	7.4	6.3	5.2	3.9	2.5	2.0						82	54	
SLE	1	10AP	J32P-24	J34P-44	10.5	10.0	8.1	6.2								96	79	
		54AP	J32P-22	J34P-44	6.0	5.3	4.8	4.2	4.1	3.7	3.5	2.8	2.1	1.6		95	53	
SLF	1-1/2	9AP	J32P-29	J34P-44	11.7	11.1	9.8	6.8								69	57	
		8AP	J32P-18	J34P-42	6.7	5.8	5.3	4.7	4.5	4.1	3.8	3.1	2.6	2.0	1.6	129	72	
<b>DEEP WELL (40 PSI) 3" SINGLE PIPE</b>																		
SLC	1/2	19CP	J32P-24	J34P-41	5.9	4.5	3.4	2.3								68	54	
		16CP	J32P-18	J34P-42	4.6	3.9	3.3	2.8	2.3	1.7						84	59	
		9CP	J32P-26	J34P-41	9.4	8.0	6.6									77	68	
SLD	3/4	54CP	J32P-22	J34P-44	8.0	6.9	5.7	4.8	3.8	3.2						94	70	
SLE	1	18CP	J32P-24	J34P-44	13.0	11.5	9.9	8.7	7.5	6.6	5.4					106	80	
		54CP	J32P-22	J34P-44	8.5	7.7	6.7	6.3	5.8	5.4	4.8	4.0	3.7	3.4	2.7	122	73	
		57CP	J32P-33	P122-10B	18.0	15.4	12.8	10.8								81	68	
SLF	1-1/2	54CP	J32P-22	J34P-44	9.5	8.5	7.4	6.9	6.5	6.0	5.4	4.8	4.2	3.6	2.9	127	76	

Tank body on SLF pump tapped 1-1/4" x 1". Drop pipe should be increased to 1-1/2" x 1-1/4" to ensure adequate capacity from pump. Tested and rated in accordance with Water Systems Council Standards.

**NOTE:** Pumps installed with a PRO-Source™ tank require a 100 PSI relief valve. Pumps installed with a conventional tank require a 75 PSI relief valve. Relief valve must be capable of relieving entire flow of pump at relief pressure.

# self-priming cast iron convertible jet pumps



This product is Listed to UL Standards for Safety by Underwriters Laboratories Inc. (UL).



**FL Series Pumps feature a proven self-priming “convertible” design. The same convertible jet can be attached to pump for use on shallow well installation, or be utilized in 4" or larger wells for use as a double pipe deep well jet.**

**FL Series Pumps provide high capacities up to 11 GPM... depths to 90 feet. They are rated for 30-50 PSI operation.**

## APPLICATIONS

- **Water systems and sprinkling...** for homes, farms and cottages.

## SPECIFICATIONS

- Body and Base** – Close-grained cast iron
- Impeller** – Lexan®
- Diffuser** – Reinforced polypropylene
- Shaft** – One-piece threaded 416 stainless steel
- Pressure Switch Pre-Set** – 30-50 PSI
- Suction Ports** – Drive-over-Suction

## ORDERING INFORMATION

Catalog Number	HP	Description	Pipe Tapping Sizes			Motor Voltage	Approx. Wt. Lbs.
			Suction	Drive	Disch.		
FLC	1/2	Base Mounted Pump	1-1/4"	1"	1"	115/230	44
FLD	3/4	Base Mounted Pump	1-1/4"	1"	1"	115/230	45

A Jet Package should be ordered with every FL Series Pump.

**NOTE:** Pumps installed with a PRO-Source™ tank require a 100 PSI relief valve. Pumps installed with a conventional tank require a 75 PSI relief valve. Relief valve must be capable of relieving flow of pump at relief pressure.

Lexan® is a registered trademark of General Electric Co. PRO-Source™ is a trademark of WICOR Industries.

In order to provide the best products possible, specifications are subject to change.

## FL SERIES

### FEATURES

**Quality Construction** – Close-grained cast iron pump body and base are rugged one-piece unit, specially treated to resist corrosion. Drain port provided for easy winterizing.

**Pressure Regulator** – Simple, built-in regulator is performance proven. Adjustable for best performance on all deep well installations.

**Lexan® Impeller** – Precision-molded for perfect balance... ultra-smooth for highest performance and efficiency.

**Precision Molded Diffuser** – Pump primes faster; handles more air, with multi-port, precision-molded, reinforced polypropylene diffuser.

**Mechanical Shaft Seal** – Precision lapped and highly polished carbon-ceramic, stainless steel construction. Internal design guarantees continuous water lubrication for maximum protection.

**Motor Windings** – Superior insulation materials protect against excessive moisture and contaminants... assures prolonged motor life.

**Balanced Rotor** – Die cast under high pressures for uniform performance and greater efficiency... dynamically balanced.

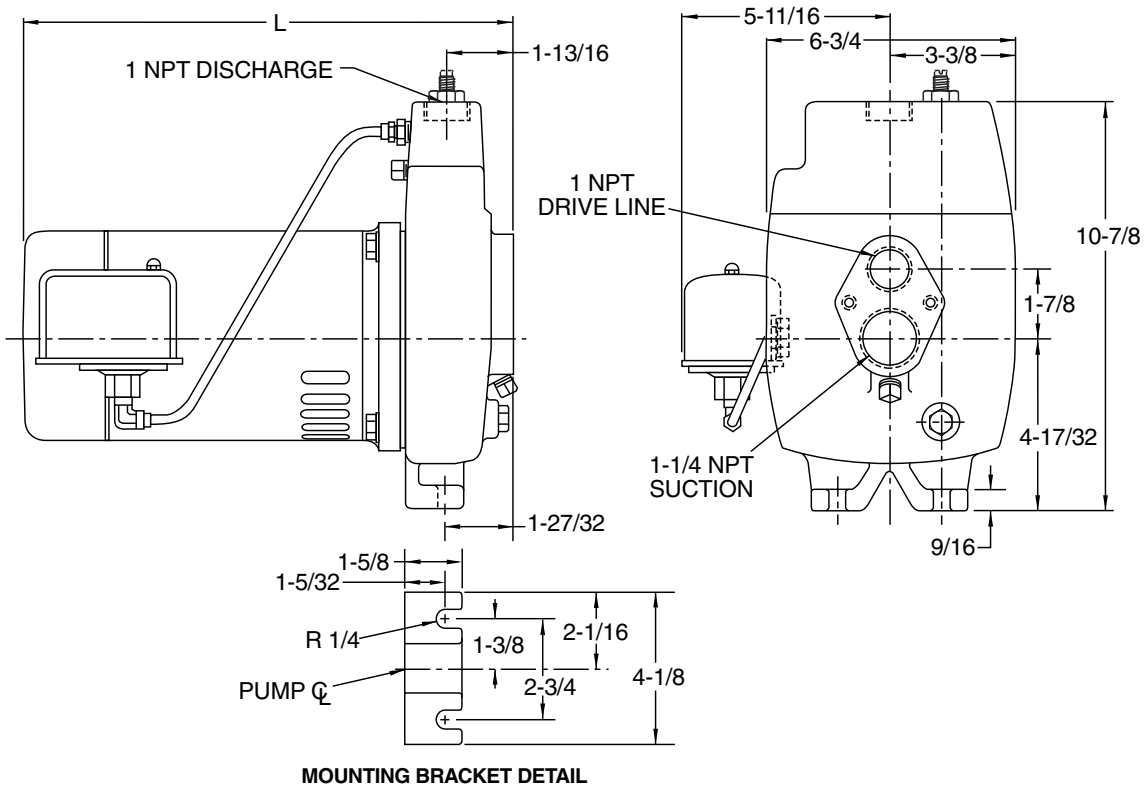
**Heavy-duty Ball Bearings** – Shielded, permanently lubricated bearings, extensively tested to ensure extended life and smooth, quiet operation.

**Pump and Motor Shaft** – Stainless steel for maximum corrosion resistance; one-piece threaded shaft for positive impeller drive and alignment.

**Dustproof Cover** – Dustproof canopy protects all electrical components from dirt, dust and insects; ventilating air cannot contaminate vital switching components... eliminates the most common cause of motor failure.

# self-priming cast iron convertible jet pumps

## OUTLINE DIMENSIONS



Cat. No.	L
FLCH	12 - 13/16
FLDH	13 - 9/16

Dimensions (in inches) are for estimating purposes only.





# self-priming cast iron convertible jet pumps

<b>PUMP PERFORMANCE (Capacity in Gallons per Minute)</b>																	
<b>SHALLOW WELL, 5' 10' 15' 20' 25' PUMPING DEPTHS</b>																	
HP	Cat. No.	Disch. Press.	Pumping Depth to Water in Feet														
			5 Ft. lift			10 ft. lift			15 ft. lift			20 ft. lift			25 ft. lift		
FLC	1/2	<b>Jet Package</b>	<b>10SD</b>	<b>29SD</b>		<b>10SD</b>	<b>29SD</b>		<b>10SD</b>	<b>29SD</b>		<b>10SD</b>	<b>29SD</b>		<b>10SD</b>	<b>29SD</b>	
		Venturi N32P--	-67B	-66B		-67B	-66B		-67B	-66B		-67B	-66B		-67B	-66B	
		Nozzle J34P--	-44	-41		-44	-41		-44	-41		-44	-41		-44	-41	
		20 PSI	12.0	9.1		9.7	8.4		12.0	7.3		9.7	6.2		6.7	4.7	
		30 PSI	10.8	9.0		9.5	8.3		10.8	7.2		9.5	6.1		6.7	4.7	
		40 PSI	5.2	7.9		4.2	7.2		5.2	6.3		4.2	5.4		2.5	4.1	
		50 PSI		4.1			3.8			3.3			2.8			2.1	
		60 PSI															
		<b>Shut Off-PSI</b>	<b>53</b>	<b>61</b>		<b>51</b>	<b>58</b>		<b>49</b>	<b>56</b>		<b>47</b>	<b>54</b>		<b>45</b>	<b>52</b>	
FLD	3/4	<b>Jet Package</b>	<b>11SD</b>	<b>10SD</b>	<b>29SD</b>	<b>11SD</b>	<b>10SD</b>	<b>29SD</b>	<b>11SD</b>	<b>10SD</b>	<b>29SD</b>	<b>11SD</b>	<b>10SD</b>	<b>29SD</b>	<b>11SD</b>	<b>10SD</b>	<b>29SD</b>
		Venturi N32P--	-68B	-67B	-66B	-68B	-67B	-66B	-68B	-67B	-66B	-68B	-67B	-66B	-68B	-67B	-66B
		Nozzle J43P--	-44	-44	-41	-44	-44	-41	-44	-44	-41	-44	-44	-41	-44	-44	-41
		20 PSI	20.6	14.4	10.1	19.0	13.2	9.3	16.5	11.5	8.1	13.3	9.5	6.9	9.8	6.9	5.3
		30 PSI	19.6	14.3	9.9	18.1	13.1	9.1	15.7	11.4	7.9	13.3	9.5	6.7	9.8	6.9	5.1
		40 PSI	10.3	12.1	9.8	9.4	11.2	9.0	8.2	9.7	7.8	6.4	8.3	6.6	3.1	6.3	5.1
		50 PSI		4.6	7.3		4.3	6.7		3.7	5.8		2.6	4.9		1.0	3.8
		60 PSI			3.5			3.2			2.8			2.4			
		<b>Shut Off-PSI</b>	<b>55</b>	<b>59</b>	<b>70</b>	<b>53</b>	<b>57</b>	<b>66</b>	<b>50</b>	<b>55</b>	<b>64</b>	<b>48</b>	<b>53</b>	<b>61</b>	<b>46</b>	<b>51</b>	<b>59</b>

**NOTE:** Pumps are supplied with 30 – 50 pressure switch setting. Cut-in pressure settings are adjustable.

<b>PUMP PERFORMANCE (Capacity in Gallons per Minute)</b>																
<b>DEEP WELL (40 PSI) 4" DOUBLE PIPE</b>																
Cat No.	HP	Jet. No.	Uses Venturi	Uses Nozzle	Pumping Depth in Feet									Max. Pump Shut Off Press. PSI		
					20'	30'	40'	50'	60'	70'	80'	90'	Jet at 20 ft. Depth	Jet at Max. Depth		
FLC	1/2	4SD	J32P-24	J34P-41	5.9	4.5	3.4	2.3							68	54
		15SD	J32P-18	J34P-42	4.6	3.9	3.3	2.8	2.3	1.7					84	59
FLD	3/4	54SD	J32P-22	J34P-44	8.0	6.9	5.7	4.8	3.8	3.2					94	70
		55SD	J32P-18	J34P-43	5.0	4.3	3.7	3.2	2.6	2.2	1.8	1.5			96	63
<b>DEEP WELL (40 PSI) 2" SINGLE PIPE</b>																
FLC	1/2	8AP	J32P-18	J34P-42	4.7	4.1	3.4	2.5	1.9	1.5					84	58
FLD	3/4	54AP	J32P-22	J34P-44	7.4	6.3	5.2	3.9	2.5	2.0					82	54
<b>DEEP WELL (40 PSI) 3" SINGLE PIPE</b>																
FLC	1/2	19CP	J32P-24	J34P-41	5.9	4.5	3.4	2.3							68	54
		16CP	J32P-18	J34P-42	4.6	3.9	3.3	2.8	2.3	1.7					84	59
FLD	3/4	9CP	J32P-26	J34P-41	9.4	8.0	6.6								77	68
		54CP	J32P-22	J34P-44	8.0	6.9	5.7	4.8	3.8	3.2					94	70

Tested and rated in accordance with Water Systems Council Standards.

**NOTE:** Pumps installed with a PRO-Source™ tank require a 100 PSI relief valve. Pumps installed with a conventional tank require a 75 PSI relief valve. Relief valve must be capable of relieving entire flow of pump at relief pressure.

# corrosion-resistant convertible deep well jet pumps



This product is Listed to UL Standards for Safety by Underwriters Laboratories Inc. (UL).



**Durability and corrosion resistance are built into every PL Series Pump, due to the rugged fiberglass reinforced thermoplastic pump construction. The engineered composite components are lightweight yet extremely resistant to sand and abrasive wear. The non-corrosive design and exceptional strength assure years of trouble-free operation.**

### APPLICATIONS

- Water systems and sprinkling... for homes, farms and cottages.

### SPECIFICATIONS

- Pump Body and Seal Plate** – Dura-Glas®
- Impeller** – Noryl®
- Nozzle** – Noryl®
- Venturi** – Noryl®
- O-Ring** – Buna-N
- Clamp** – Stainless steel
- Shaft** – Stainless steel
- Diffuser** – Reinforced polypropylene with brass wear ring
- Shallow Well Jet** – Sold separately
- Pressure Switch Pre-Set** – 30-50 PSI
- Suction Ports** – Suction-over-Drive

### ORDERING INFORMATION

Catalog Number	HP	Pipe Tapping Sizes			Motor Voltage	Approx. Wt. Lbs.
		Suct.	Drive	Disch.		
PLC	1/2	1-1/4"	1"	1"	115/230	27
PLD	3/4	1-1/4"	1"	1"	115/230	28
PLE	1	1-1/4"	1"	1"	115/230	30
PLF	1-1/2	1-1/4"	1"	1"	115/230	36

A Jet Package should be ordered with every PL Series pump.

Dura-Glas® is a registered trademark of WICOR Industries. Noryl® is a registered trademark of General Electric Co. PRO-Source™ is a trademark of WICOR Industries. In order to provide the best products possible, specifications are subject to change.

## PL SERIES

### FEATURES

#### Superior Rustproof

**Construction** – Pump body is Dura-Glas® fiberglass reinforced thermoplastic – lightweight, rust-proof and exceptionally strong. All components in contact with water are resistant to the corrosive and abrasive forces found in the most aggressive water conditions.

**Precision Diffuser** – Multi-port, reinforced polypropylene design primes faster and handles more air.

**Precision Molded Impeller** – Precision molded Noryl® gives perfect balance and ultra-smoothness for highest performance and efficiency.

**Pressure Regulator and Gauge** – Performance-proven, simple, built-in pressure regulator is adjustable for best performance on all deep well installations. Pressure gauge included.

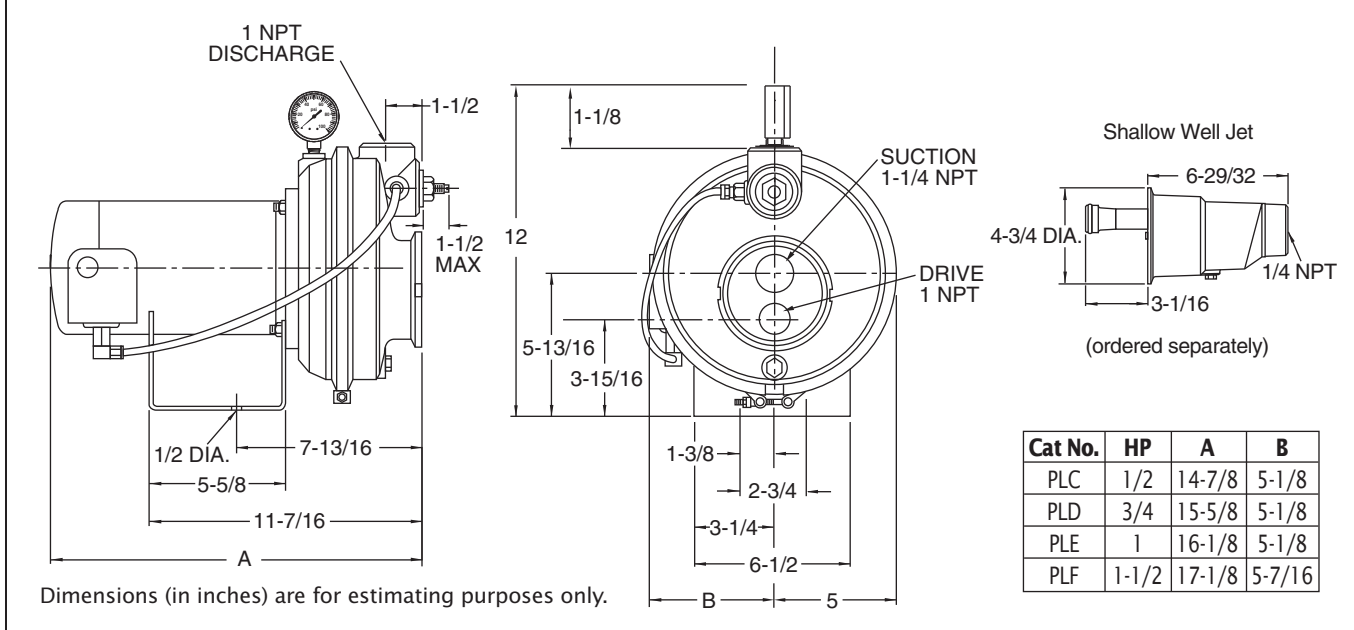
**Shaft Seal** – Stainless steel heat sink provides maximum cooling of the mechanical shaft seal.

**Heavy-duty Motor** – Dustproof canopy completely encloses electrical components and provides dust, dirt and insect protection. Ventilating air cannot contaminate vital switching components. Permanently lubricated, heavy-duty ball bearings ensure smooth, quiet operation and extended motor life.

**Easy Serviceability** – PL pumps are disassembled by removing the stainless steel clamp. Piping does not have to be disturbed. Seal replacement takes only a few minutes. “Control room” motor design makes all components easily accessible.

# corrosion-resistant convertible deep well jet pumps

## OUTLINE DIMENSIONS



## PUMP PERFORMANCE (Capacity in Gallons Per Minute)

### SHALLOW WELL

Catalog Number	HP	S.W. Jet No.	Press. Switch Setting	Dynamic Suct. Lift Ft.	Discharge Pressure — PSI					Shut Off Press. PSI
					20	30	40	50	60	
PLC	1/2	PKG 1-21N	30-50	5'	9.5	9.2	9.0	5.8	3.0	72
				10'	8.2	8.0	7.8	5.2	2.3	70
				15'	7.2	6.8	6.8	4.5	1.8	68
				20'	5.7	5.7	5.7	3.8		66
PLD	3/4	PKG 1-22N	30-50	5'	16.2	15.8	15.3	8.7	1.3	62
				10'	14.2	14.0	13.8	7.2		60
				15'	12.2	12.0	11.8	5.3		58
				20'	9.7	9.7	9.2	3.7		55
PLE	1	PKG 1-23N	30-50	5'	21.3	21.0	20.7	13.2	4.2	62
				10'	18.8	18.7	18.3	11.1	1.7	60
				15'	16.0	15.8	15.7	8.9		58
				20'	12.8	12.7	12.3	5.7		55
PLF	1-1/2	PKG 1-24N	30-50	5'	26.3	26.2	26.2	21.3	7.7	64
				10'	23.7	23.3	23.2	19.2	3.5	62
				15'	20.3	20.2	20.0	16.3		60
				20'	16.2	16.0	15.8	11.2		57
				25'	11.5	11.3	11.3			54

Tested and rated in accordance with Water Systems Council standards.

**NOTE:** Pumps installed with a PRO-Source™ tank require a 100 PSI relief valve. Pumps installed with a conventional tank require a 75 PSI relief valve. Relief valve must be capable of relieving entire flow of pump at relief pressure.



# corrosion-resistant convertible deep well jet pumps

<b>PUMP PERFORMANCE (Capacity in Gallons Per Minute)</b>															
<b>DEEP WELL 4" DOUBLE PIPE – 40 PSI</b>															
Cat. No.	HP	Jet No.	Uses Venturi	Uses Nozzle	Pumping Depth in Feet										
					20'	30'	40'	50'	60'	70'	80'	90'	100'	110'	120'
PLC	1/2	4SD	J32P-24	J34P-41		4.5	3.5	2.3	1.3						
		10SD	N32P-67B	J34P-44		9.5	7.0	4.5	2.0						
PLD	3/4	4SD	J32P-24	J34P-41		6.5	5.1	4.0	3.0	1.8	0.8				
PLE	1	4SD	J32P-24	J34P-41		8.4	7.3	6.2	5.0	4.1	2.9	2.0	1.1		
PLF	1-1/2	11SD	N32P-68B	J34P-44		11.5	9.4	8.0	6.5	5.3	3.8	2.5	1.1		

<b>PUMP PERFORMANCE (Capacity in Gallons Per Minute)</b>															
<b>DEEP WELL 2" SINGLE PIPE – 40 PSI</b>															
Cat. No.	HP	Jet No.	Uses Venturi	Nozzle	Pumping Depth in Feet										
					20'	30'	40'	50'	60'	70'	80'	90'	100'	110'	120'
PLC	1/2	13AP	J32P-26	J34P-44	5.8	3.8	1.0								
		10AP	J32P-24	J34P-44	4.3	3.0	1.6								
		8AP	J32P-18	J34P-42	3.8	3.3	2.6	2.0	1.5						
PLD	3/4	14AP	J32P-32	J34P-45	9.2	6.7	4.3								
		10AP	J32P-24	J34P-44	6.2	4.8	3.7	2.3	1.2						
		8AP	J32P-18	J34P-42	4.1	3.7	3.1	2.6	2.1	1.6	1.2	0.8			
PLE	1	15AP	J32P-33	J34P-41	12.3	9.2	5.7								
		9AP	J32P-29	J34P-44	10.6	7.4	4.7	2.2							
		8AP	J32P-18	J34P-42	5.0	4.7	4.2	3.8	3.3	2.7	2.3	1.8	1.3		
PLF	1-1/2	16AP	J32P-38	J34P-45	15.3	11.8	8.5	5.2							
		9AP	J32P-29	J34P-44		12.3	9.3	6.4	4.0						
		8AP	J32P-18	J34P-42		5.7	5.0	4.6	4.2	3.7	3.3	2.8	2.4	1.8	1.3
<b>DEEP WELL 3" SINGLE PIPE – 40 PSI</b>															
PLC	1/2	25CP	J32P-26	J34P-44	5.8	4.0	2.1								
		19CP	J32P-24	J34P-41		4.5	3.5	2.3	1.3						
PLD	3/4	11CP	J32P-32	J34P-45	9.5	7.0	4.5	2.0							
		19CP	J32P-24	J34P-41		6.5	5.1	4.0	3.0	1.8	0.8				
PLE	1	26CP	J32P-33	J34P-41	13.0	9.8	6.0								
		17CP	J32P-29	J34P-44		11.5	8.0	5.2	2.6						
		19CP	J32P-24	J34P-41		8.4	7.3	6.2	5.0	4.1	2.9	2.0	1.1		
PLF	1-1/2	10CP	J32P-38	J34P-45	16.6	13.3	9.5	6.0							
		15CP	J32P-22	J34P-43		8.6	7.9	6.9	6.2	5.4	4.4	3.2	2.2	1.5	0.9

Tested and rated in accordance with Water Systems Council standards.  
**NOTE:** Pumps installed with a PRO-Source™ tank require a 100 PSI relief valve. Pumps installed with a conventional tank require a 75 PSI relief valve. Relief valve must be capable of relieving entire flow of pump at relief pressure.



# horizontal multi-stage jet/centrifugal pumps



This product is Listed to UL Standards for Safety by Underwriters Laboratories Inc. (UL).



**HMS Series Multi-Stage Jet Pumps are the highest performing pumps available in its category. The HMS Series Convertible Jets utilize the STA-RITE built-in regulator, offering easier priming and better range of performance from a complete line of Shallow Well, 4" Double Pipe, 2" and 3" Single Pipe Jet Packages. Pump may also be operated as a self-priming centrifugal (to 25 ft.) to provide a wide range of high pressure applications.**

### APPLICATIONS

- Water systems and sprinkling... for homes, farms and cottages.

### SPECIFICATIONS

- Body** – One-piece rugged cast iron
- Pump and Motor Shaft** – 416 stainless steel
- Impeller** – Polycarbonate
- Diffuser** – Corrosion-resistant cast iron
- Pressure Switch Pre-Set** – 30-50 PSI
- Suction Ports** – Drive-over-Suction

### ORDERING INFORMATION

Catalog Number	HP	Pipe Tapping Sizes			Stages	Motor Voltage	Approx. Wt. Lbs.
		Suct.	Drive	Disch.			
HMSD	3/4	1-1/4"	1"	1"	2	115/230	50
HMSE	1	1-1/4"	1"	1"	2	115/230	80
HMSF	1-1/2	1-1/4"	1"	1"	2	115/230	85

### AUTOMATIC PRESSURE REGULATOR – DEEP WELL

Catalog Number	Description	Application	Approx. Wt. Lbs.
PKG 107	Regulator, tubing, pipe plug and compression fitting.	Required for ALL deep well installations.	4

Order pump and pressure regulator if required, from ordering information tables above. A jet package and the automatic pressure regulator, described above, are required on all deep well installations.

PRO-Source™ is a trademark of WICOR Industries.

In order to provide the best products possible, specifications are subject to change.

## HMS SERIES

### FEATURES

**Automatic Pressure Regulator** – Faster-acting and quieter, design eliminates “hunting” for correct drive pressure. New improved stem and guide are precisely molded to assure efficient, trouble-free performance on all deep wells. See ordering information (Deep well only).

**Quality Construction** – Close-grained cast iron pump body is rugged, one-piece unit, specially treated to resist corrosion. Drain port provided for easy winterizing.

**Precision-machined Diffusers** – Assure faster priming.

**Mechanical Shaft Seal** – Precision lapped and highly polished carbon-ceramic, stainless steel construction. Internal design guarantees continuous water lubrication for maximum protection.

**Polycarbonate Impellers** – Precision molded for perfect balance, and ultra-smooth for highest performance and efficiency.

**Motor Windings** – Superior insulation materials protect against excessive moisture and contaminants to ensure prolonged motor life.

**Dustproof Cover** – All electrical components are protected from dirt, dust and insects by a dustproof canopy. Ventilating air cannot contaminate vital switching components. This eliminates the most common cause of motor failure.

**Balanced Rotor** – Rotor is die cast under high pressures for uniform performance and greater efficiency; dynamically balanced.

**Heavy-duty Ball Bearings** – Shielded, permanently lubricated bearings are extensively tested to ensure extended life and smooth, quiet operation.

**Pump and Motor Shaft** – One piece threaded shaft for positive impeller drive and alignment. Shaft is stainless steel for maximum corrosion resistance.



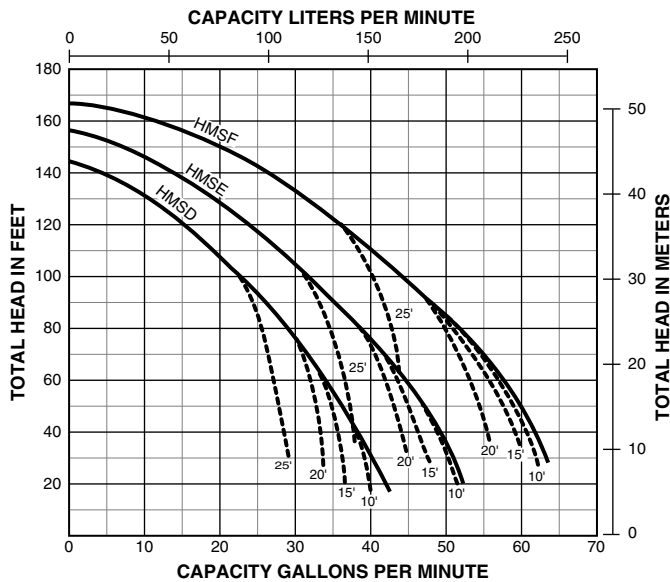
# horizontal multi-stage jet/centrifugal pumps

## PUMP PERFORMANCE SHALLOW WELL

Catalog Number	HP	Jet* Number	Uses Venturi	Uses Nozzle	Disch Press. PSI	Total Suction Lift Ft.				
						5'	10'	15'	20'	25'
HMSD	3/4	PKG 1 29SD	N32P-66B	J34P-41	20	9.6	8.2	7.0	5.8	3.9
					30	9.1	7.9	6.5	5.6	3.9
					40	8.8	7.7	6.3	5.6	3.9
					50	8.5	7.6	6.2	5.6	3.9
					60	7.7	7.3	6.2	5.6	3.9
					70	5.5	5.1	4.7	4.2	3.6
					80	3.5	3.1	2.8	2.3	1.9
					**S.O.	102	96	96	96	90
HMSE	1	PKG 1 10SD	N32P-67B	J34P-44	20	13.0	11.2	9.8	7.8	5.8
					30	12.5	11.0	9.5	7.6	5.7
					40	12.2	10.9	9.4	7.6	5.7
					50	12.1	10.8	9.2	7.6	5.7
					60	12.0	10.8	9.2	7.6	5.7
					70	10.2	9.6	8.6	7.4	5.7
					80	7.4	6.8	6.2	5.5	4.8
					**S.O.	108	108	108	102	102
HMSF	1-1/2	PKG 1 10SD	N32P-67B	J34P-44	20	15.9	13.3	12.2	9.6	7.0
					30	15.6	13.2	12.2	9.5	7.0
					40	15.3	13.1	12.1	9.4	6.9
					50	14.9	13.0	11.9	9.3	6.8
					60	14.4	12.9	11.7	9.2	6.7
					70	13.7	12.7	11.5	9.0	6.6
					80	12.6	12.1	10.8	8.7	6.4
					90	9.5	8.5	7.8	7.2	5.7
					100	5.9	5.0	4.4	3.8	3.2
					**S.O.	120	120	114	114	108

\* Order Jet Package separately. \*\*S.O. = Shut Off Pressure in PSI.

## PUMP PERFORMANCE



Tested and rated in accordance with Water Systems Council standards.

**NOTE:** Pumps installed with a PRO-Source™ tank require a 100 PSI relief valve. Pumps installed with a conventional tank require a 75 PSI relief valve. Relief valve must be capable of relieving entire flow of pump at relief pressure.

**NOTE:** Dotted lines indicate performance reduction at high suction lift.

# horizontal multi-stage jet/centrifugal pumps

## PUMP PERFORMANCE (Capacity in Gallons Per Minute)

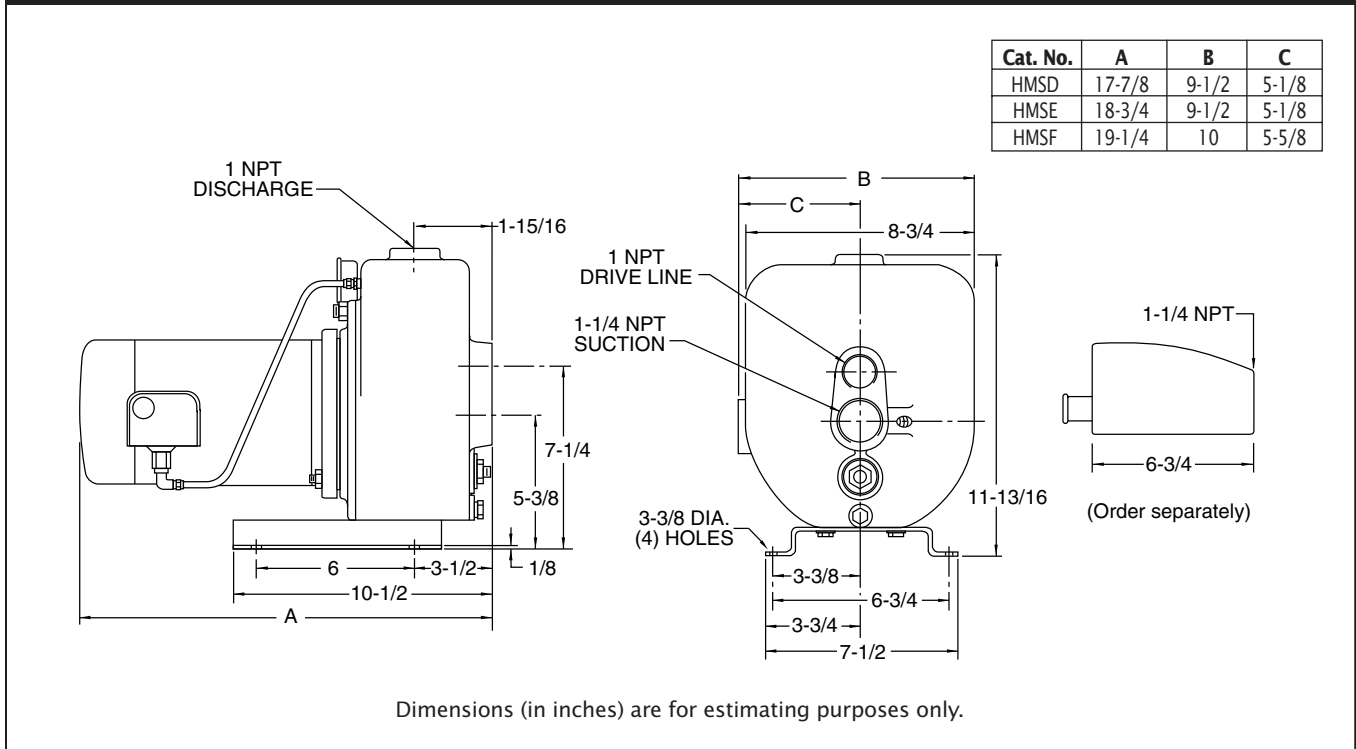
### CENTRIFUGAL APPLICATION

Catalog Number	HP	Total Suct. Lift Ft.	Discharge Pressure - PSI					Shut Off Pressure PSI
			20	30	40	50	60	
HMSD	3/4	5	37	30	24	15	-	60
		10	35	29	21	13	-	60
		15	33	27	19	9	-	60
		20	32	26	17	6	-	60
		25	31	24	15	-	-	60
HMSE	1	5	47	40	33	24	10	65
		10	46	38	31	21	7	65
		15	44	36	28	18	-	65
		20	42	35	26	15	-	65
		25	41	33	24	12	-	65
HMSE	1	5	60	53	46	36	23	68
		10	58	52	43	33	21	68
		15	56	49	41	30	16	68
		20	55	47	39	27	12	68
		25	54	41	36	25	-	68

Tested and rated in accordance with Water Systems Council standards.

**NOTE:** Pumps installed with a PRO-Source™ tank require a 100 PSI relief valve. Pumps installed with a conventional tank require a 75 PSI relief valve. Relief valve must be capable of relieving entire flow of pump at relief pressure.

## OUTLINE DIMENSIONS





# horizontal multi-stage jet/centrifugal pumps

<b>PUMP PERFORMANCE (Capacity in Gallons Per Minute)</b>																		
<b>DEEP WELL 2" SINGLE PIPE – 40 PSI</b>																		
Cat. No.	HP	Jet No.	Uses Venturi	Uses Nozzle	Pumping Depth in Feet													
					20'	30'	40'	50'	60'	70'	80'	90'	100'	110'	120'	130'	140'	150'
HMSD	3/4	13AP	J32P-26	J34P-44	12.0	10.8	9.6	8.1	6.9	5.5								
		22AP	J32P-22	J34P-43					7.9	6.7	5.5	4.7	3.9	3.0				
		8AP	J32P-18	J34P-42									4.0	3.6	3.1	2.7	2.2	
HMSE	1	5AP	J32P-29	J34P-41	16.3	15.6	14.1	12.0	9.9	8.2	6.0							
		4AP	J32P-24	J34P-41					8.9	7.9	7.0	5.8	4.7	3.6	2.5			
		19AP	J32P-20	J34P-43										4.0	3.2	2.3	1.8	1.3
HMSE	1-1/2	15AP	J32P-33	J34P-41	20.0	18.5	17.0	13.6	10.4	7.6	5.0							
		2AP	J32P-26	J34P-41					10.6	9.2	8.0	6.0	4.5	3.7	3.0	2.2		
		23AP	J32P-20	J34P-44											4.3	3.5	2.7	2.4
<b>DEEP WELL 3" SINGLE PIPE – 40 PSI</b>																		
HMSD	3/4	17CP	J32P-29	J34P-44	12.8	11.5	10.2	8.9	7.6	6.1								
		18CP	J32P-24	J34P-44					7.8	6.9	6.0	5.3	4.5	3.6				
		16CP	Factory Installed										5.0	4.4	3.9	3.4	3.0	2.5
HMSE	1	7CP	J32P-32	J34P-41	17.8	16.2	14.6	13.0	11.4	9.6	7.7							
		9CP	J32P-26	J34P-41					10.7	9.8	9.0	7.9	6.7	5.8	5.0	4.1		
HMSE	1-1/2	10CP	J32P-38	J34P-45	21.7	19.7	17.9	15.9	14.0	11.0	8.0							
		9CP	J32P-26	J34P-41					11.1	10.8	10.6	9.7	8.9	7.5	6.5	5.5		
		19CP	Factory Installed	J34P-41											6.9	6.1	5.3	4.6
<b>DEEP WELL 4" DOUBLE – 40 PSI</b>																		
HMSD	3/4	CK2	J32P-29	J34P-44	12.8	11.5	10.2	8.9	7.6	6.1								
		CK2	J32P-24	J34P-44					7.8	6.9	6.0	5.3	4.5	3.6				
		15SD	Factory Installed										5.0	4.4	3.9	3.4	3.0	2.5
HMSE	1	CK3	J32P-32	J34P-41	17.8	16.2	14.6	13.0	11.4	9.6	7.7							
		CK3	J32P-26	J34P-41					10.7	9.8	9.0	7.9	6.7	5.8	5.0	4.1		
		CK1	J32P-20	J34P-43										5.0	4.5	3.9	3.5	3.0
HMSE	1-1/2	CK4	J32P-38	J34P-45	21.7	19.7	17.9	15.9	14.0	11.0	8.0							
		CK3	J32P-26	J34P-41					11.1	10.8	10.6	9.7	8.9	7.5	6.5	5.5		
		4SD	Factory Installed												6.9	6.1	5.3	4.6

Tested and rated in accordance with Water Systems Council standards.  
**NOTE:** Pumps installed with a PRO-Source™ tank require a 100 PSI relief valve. Pumps installed with a conventional tank require a 75 PSI relief valve. Relief valve must be capable of relieving entire flow of pump at relief pressure.



# vertical multi-stage deep well jet pumps



*The MS Series Vertical Jet Pumps are the industry standard deep well jet pumps for over-the-well "bolt-on" installations.*

*The MS Series Jet Pumps include the pre-plumbed STA-RITE external automatic regulator, pressure gauge, pressure switch, and a complete line of casing adapters to drive the 4" double pipe or 2" and 3" single pipe jet packages.*

### APPLICATIONS

- Water systems and sprinkling... for homes, farms and cottages.

### SPECIFICATIONS

- Body** – Rugged cast iron
- Pump and Motor Shaft** – 416 stainless steel
- Impellers** – Noryl®
- Diffuser** – Close-grained cast iron

## MS SERIES

### FEATURES

**Automatic Pressure Regulator** – Faster-acting and quieter, design eliminates "hunting" for correct drive pressure. New improved stem and guide are precisely molded to assure efficient, trouble-free performance on all deep wells.

**Quality Construction** – Precision-machined, close-grained cast iron pump body and base are specially treated to resist corrosion.

**Noryl® Impellers** – Precision molded for perfect balance, and ultra-smooth for highest performance and efficiency.

**Pressure Switch** – High quality. Differential and cut-in/cut-out pressure settings are adjustable.

**Motor Windings** – Superior insulation materials protect against excessive moisture and contaminants to ensure prolonged motor life.

**Mechanical Shaft Seal** – Precision lapped and highly polished carbon-ceramic, stainless steel construction. Internal design guarantees continuous water lubrication for maximum protection.

**Dustproof Cover** – All electrical components are protected from dirt, dust and insects by a dustproof canopy. Ventilating air cannot contaminate vital switching components. This eliminates the most common cause of motor failure.

**Balanced Rotor** – Rotor is die cast under high pressures for uniform performance and greater efficiency; dynamically balanced.

**Heavy-duty Ball Bearings** – Permanently lubricated sealed bearings are extensively tested to ensure extended life and smooth, quiet operation.

**Pump and Motor Shaft** – One piece threaded shaft for positive impeller drive and alignment. Shaft is stainless steel for maximum corrosion resistance.

### ORDERING INFORMATION

Cat. No.	HP	Description	Max. Press. Reg. Setting	Pipe Tapping Sizes			Motor Voltage	Approx. Wt. Lbs.
				Suct.	Drive	Disch.		
MSD	3/4	Base Mounted Pump	40 PSI	1-1/4"	1"	1"	115/230	67
MSE	1	Base Mounted Pump	60 PSI	1-1/4"	1-1/4"	1"	115/230	73
MSF	1-1/2	Base Mounted Pump	85 PSI	1-1/4"	1-1/4"	1"	230	120
MSG	2	Base Mounted Pump	95 PSI	1-1/4"	1-1/4"	1"	230	125

### ADAPTER FLANGE

Catalog Number	Description	Used With
∅216-26	1-1/4" x 1"	Offset single pipe, 4" double pipe through 3/4 HP
∅216-27	1-1/4" x 1-1/4"	4" double pipe 1, 1-1/2 and 2 HP

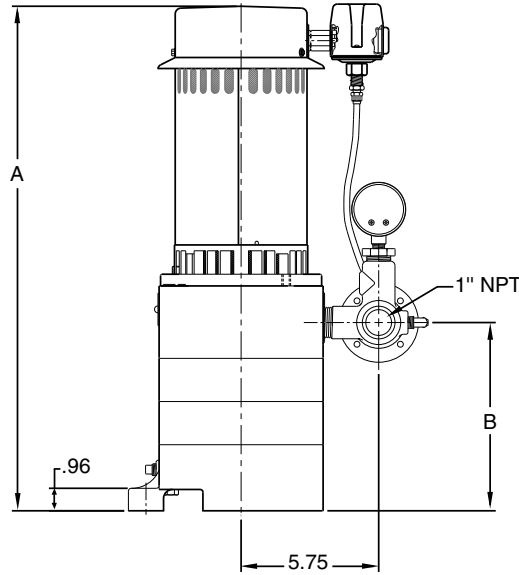
Order pump from ordering information table above. A Jet Package should be ordered with every Series MS Pump. All installations require an appropriate size adapter flange or casing adapter if bolt-on feature is desired.

Noryl® is registered trademark of General Electric Co. PRO-Source™ is a trademark of WICOR Industries.

In order to provide the best products possible, specifications are subject to change.

# vertical multi-stage deep well jet pumps

## OUTLINE DIMENSION



Cat. No.	A	B
MSD	17-5/16	5-5/8
MSE	18-3/8	5-5/8
MSF	20-7/16	7-1/2
MSG	20-15/16	7-1/2

Dimensions (in inches) are for estimating purposes only.

## PUMP PERFORMANCE (Capacity in Gallons Per Minute) DEEP WELL (40 PSI) 4" DOUBLE PIPE

Cat. No.	HP	Jet No.	Uses Venturi	Uses Nozzle	Pumping Depth in Feet																				Max. Pump Shut Off Press. (PSI)	
					30'	40'	50'	60'	70'	80'	90'	100'	110'	120'	130'	140'	180'	200'	220'	240'	260'	280'	300'	320'	Jet at Min. Depth	Jet at Max. Depth
MSD	3/4	23SD	J32P-24	J34P-42	10.2	8.4	6.8	5.8	4.5	3.1	2.1	1.1												80	46	
		15SD	J32P-18	J34P-42	5.5	5.4	5.3	5.2	4.7	4.3	4.1	3.7	3.1	2.7	2.3	1.9									137	75
MSE	1	23SD	J32P-24	J34P-42	12.1	11.7	11.6	11.1	10.2	9.2	7.8	6.4	5.0	4.0	3.0									120	76	
		15SD	J32P-18	J34P-42	5.5	5.5	5.5	5.4	5.3	5.3	5.2	5.1	5.1	5.0	4.8	4.5	3.3	2.7	2.0	1.3	1.0			200	97	
MSF	1-1/2	23SD	J32P-24	J34P-42	12.2	12.2	12.2	12.2	11.7	11.3	10.7	9.9	9.0	8.3	7.0	4.0	1.3							164	95	
		15SD	J32P-18	J34P-42	5.5	5.5	5.5	5.5	5.5	5.5	5.3	5.3	5.2	5.1	5.1	5.0	4.8	4.7	4.5	4.3	4.0	3.3	2.7	314	172	
MSG	2	23SD	J32P-24	J34P-42	12.2	12.2	12.2	12.2	11.8	11.3	11.2	11.1	11.0	10.0	8.7	7.0	4.0	2.0						195	110	
		15SD	J32P-18	J34P-42	5.5	5.5	5.5	5.5	5.5	5.5	5.3	5.3	5.2	5.1	5.1	5.0	5.0	4.8	4.8	4.5	4.3	4.0	3.3	2.7	314	172

Tested and rated in accordance with Water Systems Council Standards.  
**NOTE:** Pumps installed with a PRO-Source™ tank require a 100 PSI relief valve. Pumps installed with a conventional tank require a 75 PSI relief valve. Relief valve must be capable of relieving entire flow of pump at relief pressure.



# vertical multi-stage deep well jet pumps

PUMP PERFORMANCE (Capacity in Gallons Per Minute)																							
DEEP WELL (40 PSI) 2" SINGLE PIPE																							
Cat. No.	HP	Jet No.	Uses Venturi	Uses Nozzle	Pumping Depth in Feet																Max. Pump Shut Off Press. (PSI)		
					30'	40'	50'	60'	70'	80'	90'	100'	110'	120'	130'	140'	180'	200'	220'	240'	260'	Jet at Min. Depth	Jet at Max. Depth
MSD	3/4	12AP	J32P-24	J34P-42	10.0	8.3	6.1	4.7	3.8	2.0	1.4											79	50
		8AP	J32P-18	J34P-42	5.5	5.4	5.2	5.0	4.4	4.3	4.1	3.7	3.1	2.4	2.1	1.4							135
MSE	1	12AP	J32P-24	J34P-42	12.1	11.3	11.2	10.0	8.8	7.6	6.5	5.6	3.3	1.8								118	80
		8AP	J32P-18	J34P-42	5.5	5.5	5.3	5.3	5.2	5.1	5.0	5.0	5.0	5.0	4.5	4.2	2.0					198	126
MSF	1-1/2	12AP	J32P-24	J34P-42	12.2	12.0	12.0	12.0	11.5	11.2	9.7	8.3	6.8	5.5	4.2	3.3						162	110
		8AP	J32P-18	J34P-42	5.5	5.5	5.5	5.5	5.5	5.3	5.2	5.1	5.0	5.0	5.0	4.8	4.3	3.5	2.7	1.7		266	158
MSG	2	12AP	J32P-24	J34P-42	12.2	12.0	12.0	12.0	11.7	11.2	11.0	10.3	8.3	7.5	6.3	5.3						193	139
		8AP	J32P-18	J34P-42	5.5	5.5	5.5	5.5	5.5	5.3	5.2	5.2	5.1	5.1	5.0	4.8	4.7	4.3	3.7	3.2	2.5	312	192

PUMP PERFORMANCE (Capacity in Gallons Per Minute)																									
DEEP WELL (40 PSI) 3" SINGLE PIPE																									
Cat. No.	HP	Jet No.	Uses Venturi	Uses Nozzle	Pumping Depth in Feet																Max. Pump Shut Off Press. (PSI)				
					30'	40'	50'	60'	70'	80'	90'	100'	110'	120'	130'	140'	180'	200'	220'	240'	260'	280'	300'	320'	Jet at Min. Depth
MSD	3/4	23CP	J32P-24	J34P-42	10.2	8.4	6.8	5.8	4.5	3.1	2.1	1.1										80	46		
		17CP	J32P-29	J34P-44	12.0	10.4	8.5	6.6	4.3	2.1													77	50	
		16CP	J32P-18	J34P-42	5.5	5.4	5.3	5.2	4.7	4.3	4.1	3.7	3.1	2.7	2.3	1.9							137	75	
MSE	1	23CP	J32P-24	J34P-42	12.1	11.7	11.6	11.1	10.2	9.2	7.8	6.4	5.0	4.0	3.0							120	76		
		16CP	J32P-18	J34P-42	5.5	5.5	5.5	5.4	5.3	5.3	5.2	5.1	5.1	5.0	4.8	4.5	3.3	2.7	2.0	1.3	1.0		200	97	
MSF	1-1/2	23CP	J32P-24	J34P-42	12.2	12.2	12.2	12.2	11.7	11.3	10.7	9.9	9.0	8.3	7.0	4.0	1.3					164	95		
		22CP	J32P-20	J34P-42	7.7	7.7	7.7	7.5	7.5	7.4	7.3	7.3	7.2	7.2	7.0	7.0	4.3	4.0	3.2	2.2			210	110	
		16CP	J32P-18	J34P-42	5.5	5.5	5.5	5.5	5.5	5.5	5.3	5.2	5.2	5.1	5.0	5.0	4.9	4.7	4.0	3.8	3.0	2.3	1.7	268	132
MSG	2	23CP	J32P-24	J34P-42	12.2	12.2	12.2	12.2	11.8	11.3	11.2	11.1	11.0	10.0	8.7	7.0	4.0	2.0					195	110	
		22CP	J32P-20	J34P-42	7.7	7.7	7.7	7.5	7.5	7.4	7.3	7.3	7.2	7.2	7.0	7.0	5.3	5.0	4.7	4.0	3.0	2.2		250	128
		16CP	J32P-18	J34P-42	5.5	5.5	5.5	5.5	5.5	5.5	5.3	5.3	5.2	5.1	5.1	5.0	5.0	4.8	4.7	4.5	4.3	4.0	3.3	2.7	314

Tested and rated in accordance with Water Systems Council Standards.

**NOTE:** Pumps installed with a PRO-Source™ tank require a 100 PSI relief valve. Pumps installed with a conventional tank require a 75 PSI relief valve. Relief valve must be capable of relieving entire flow of pump at relief pressure.

# vertical single-stage deep well jet pumps



*The SSJ Series Vertical Jet Pumps are the industry standard deep well jet pumps for over-the-well "bolt-on" installations.*

*The SSJ Series Jet Pumps include the pre-plumbed STA-RITE external automatic regulator, pressure gauge, pressure switch, and a complete line of casing adapters to drive the 4" double pipe or 2" and 3" single pipe jet packages.*

### APPLICATIONS

- **Water systems and sprinkling...** for homes, farms and cottages.

### SPECIFICATIONS

- Body** – Rugged cast iron
- Pump and Motor Shaft** – Stainless steel
- Impellers** – Noryl®
- Diffuser** – Heavy-duty cast iron

## SSJ SERIES

### FEATURES

**Automatic Pressure Regulator** – Faster-acting, quieter design eliminates "hunting" for correct drive pressure. New improved stem and guide are precisely molded to assure efficient, trouble-free performance on all deep wells.

**Quality Construction** – Precision-machined, close-grained cast iron pump body and base are specially treated to resist corrosion.

**Noryl® Impellers** – Precision molded for perfect balance, and ultra-smooth for highest performance and efficiency.

**Pressure Switch** – High quality. Differential and cut-in/cut-out pressure settings are adjustable.

**Dustproof Cover** – All electrical components are protected from dirt, dust and insects by a dustproof canopy. Ventilating air cannot contaminate vital switching components. This eliminates the most common cause of motor failure.

**Motor Windings** – Superior insulation materials protect against excessive moisture and contaminants to ensure prolonged motor life.

**Balanced Rotor** – Rotor is die cast under high pressures for uniform performance and greater efficiency; dynamically balanced.

**Heavy-duty Ball Bearings** – Shielded, permanently lubricated bearings are extensively tested to ensure extended life and smooth, quiet operation.

**Pump and Motor Shaft** – One piece threaded shaft for positive impeller drive and alignment. Shaft is stainless steel for maximum corrosion resistance.

### ORDERING INFORMATION

Catalog Number	HP	Description	Pipe Tapping Sizes			Motor Voltage	Approx. Wt. Lbs.
			Suct.	Drive	Disch.		
SSJc	1/2	Base Mounted Pump	1-1/4"	1"	1"	115/230	53
SSJD	3/4	Base Mounted Pump	1-1/4"	1"	1"	115/230	63
SSJE	1	Base Mounted Pump	1-1/4"	1"	1"	115/230	65

### ADAPTER FLANGE\*

Catalog Number	Description	Used With
J216-26	1-1/4" x 1"	Offset single pipe and 4" double pipe

\*Required for all 4" double pipe or offset installations.

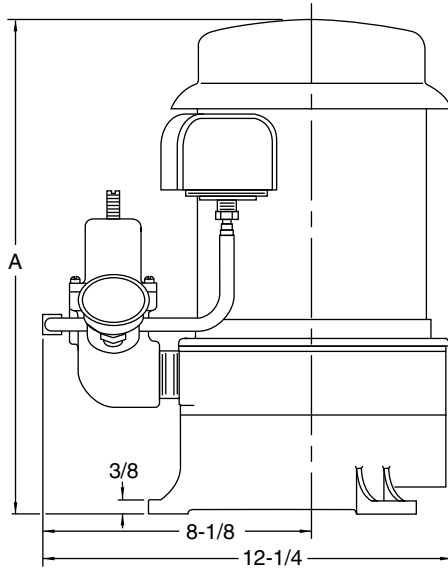
**NOTE:** Order pump from ordering information table above. A Jet Package should be ordered with every SSJ Series Pump. All installations require an appropriate size adapter flange or casing adapter.

Noryl® is registered trademark of General Electric Co. PRO-Source™ is a trademark of WICOR Industries.

In order to provide the best products possible, specifications are subject to change.

# vertical single-stage deep well jet pumps

## OUTLINE DIMENSIONS



Cat. No.	A
SSJc	14-1/2
SSJd	15-1/8
SSJe	16-3/16

Dimensions (in inches) are for estimating purposes only.

## PUMP PERFORMANCE *(Capacity in Gallons Per Minute)*

### DEEP WELL (40 PSI) 4" DOUBLE PIPE

Cat. No.	HP	Jet No.	Use Venturi	Use Nozzle	Pumping Depth in Feet												Max. Pump Shut Off Pressure (PSI)	
					20'	30'	40'	50'	60'	70'	80'	90'	100'	110'	120'	130'	Jet at Min. Depth	Jet at Max. Depth
SSJc	1/2	15SD	J32P-18	J34P-42		4.8	4.3	3.7	3.0	2.4	1.8	1.5	1.0	0.5			91	50
		CK4	J32P-32	J34P-35	9.5	7.0	4.5	2.0									62	44
		4SD	J32P-24	J34P-41		6.5	5.1	4.0	3.0	1.8	0.8							75
SSJd	3/4	CK1	J32P-22	J34P-43		8.3	7.4	6.3	5.3	3.8	3.5	2.6	1.8	1.0			88	46
		CK3	J32P-32	J34P-41		10.0	6.4	3.0									57	46
		4SD	J32P-24	J34P-41		8.6	7.5	6.5	5.2	4.0	2.9	1.8	0.8				93	51
SSJe	1	CK1	J32P-22	J34P-43		8.6	7.8	6.6	5.6	4.5	3.6	2.8	2.3	1.7	1.1	0.6	98	47
		CK4	J32P-28	J34P-45		11.4	10.7	9.6	8.3	7.0	5.0	3.3	1.6				102	48
		CK4	J32P-38	J34P-45	17.0	13.2	9.5	5.8	2.2								66	44

Tested and rated in accordance with Water Systems Council Standards.

**NOTE:** Pumps installed with a PRO-Source™ tank require a 100 PSI relief valve. Pumps installed with a conventional tank require a 75 PSI relief valve. Relief valve must be capable of relieving entire flow of pump at relief pressure.



# vertical single-stage deep well jet pumps

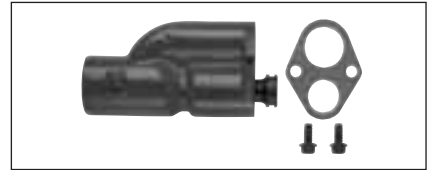
<b>PUMP PERFORMANCE (Capacity in Gallons Per Minute)</b>																		
<b>DEEP WELL (40 PSI) 2" SINGLE PIPE</b>																		
Cat. No.	HP	Jet No.	Use Venturi	Use Nozzle	Pumping Depth in Feet											Max. Pump Shut Off Pressure (PSI)		
					20'	30'	40'	50'	60'	70'	80'	90'	100'	110'	120'	130'	Jet at Min. Depth	Jet at Max. Depth
SSJC	1/2	14AP	J32P-32	J34P-45	9.2	6.7	4.3										61	49
		10AP	J32P-24	J34P-44		6.2	4.8	3.7	2.3	1.2							71	47
		8AP	J32P-18	J34P-42		4.1	3.7	3.1	2.6	2.1	1.6	1.2	0.8				94	53
SSJD	3/4	15AP	J32P-33	J34P-41	12.3	9.2	5.7										57	48
		9AP	J32P-29	J34P-44		10.6	7.4	4.7	2.3								64	47
		8AP	J32P-18	J34P-42		5.0	4.7	4.2	3.8	3.3	3.3	2.3	1.8	1.3			109	62
SSJE	1	16AP	J32P-38	J34P-45	15.3	11.8	8.5	5.2									65	48
		9AP	J32P-29	J34P-44		12.3	9.3	6.4	4.0								72	53
		8AP	J32P-18	J34P-42		5.7	5.0	4.6	4.2	3.7	3.3	2.8	2.4	1.8	1.3		124	66
<b>DEEP WELL (40 PSI) 3" SINGLE PIPE</b>																		
SSJC	1/2	19CP	J32P-24	J34P-41		6.5	5.1	4.0	3.0	1.8	0.8						75	45
		16CP	J32P-18	J34P-42		4.8	4.3	3.7	3.0	2.4	1.8	1.5	1.0	0.5			91	50
		11CP	J32P-32	J34P-45	9.5	7.0	4.5	2.0									62	44
SSJD	3/4	26CP	J32P-33	J34P-41	13.0	9.8	6.0										58	49
		19CP	J32P-24	J34P-41		8.6	7.5	6.5	5.2	4.0	2.9	1.8	0.8				93	51
		17CP	J32P-29	J34P-44		11.5	8.0	5.2	2.6								66	48
		15CP	J32P-22	J34P-43		8.3	7.4	6.3	5.3	3.8	3.5	2.6	1.8	0.1			88	46
SSJE	1	19CP	J32P-24	J34P-41		7.9	7.5	7.2	6.5	5.6	4.4	2.8					105	69
		15CP	J32P-22	J34P-43		8.6	7.8	6.6	5.6	4.5	3.6	2.8	2.3	1.7	1.1	0.6	98	47
		10CP	J32P-38	J34P-45	17.0	13.2	9.5	5.8	2.2								66	44

Tested and rated in accordance with Water Systems Council Standards.  
**NOTE:** Pumps installed with a PRO-Source™ tank require a 100 PSI relief valve. Pumps installed with a conventional tank require a 75 PSI relief valve. Relief valve must be capable of relieving entire flow of pump at relief pressure.

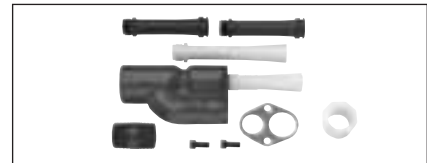
# jet packages and accessories

ORDERING INFORMATION		
Package	Jet Number	Used With Pump Series
<b>SHALLOW WELL AND 4" DEEP WELL DOUBLE PIPE</b>		
<b>PKG 1 - <input type="checkbox"/> <input type="checkbox"/> SD</b>  ▪ For shallow well applications  ▪ For all 4" double pipe applications	4SD	SL, HL, FL, HMS
	10SD	SL, HL, FL, HMS
	11SD	SL, HL, FL, HMS
	12SD	SL, HL, FL, HMS
	15SD	SL, HL, FL, HMS
	23SD	MS, PL
	27SD	SL, HL, FL
	29SD	SL, HL, FL, HMS
	54SD	SL, HL, FL
	55SD	SL, HL, FL
60SD	SL, HL	
<b>SHALLOW WELL AND 4" DEEP WELL DOUBLE PIPE - KITS</b>		
<b>PKG CK <input type="checkbox"/></b>  ▪ Same as SD jets above, with three (3) venturis	CK1	SL, HL, HMS, SSJ
	CK2	SL, HL, HMS, SSJ
	CK3	SL, HL, HMS, SSJ, FL
	CK4	HMS, SSJ
	CK5	SL, HL, HMS, SSJ
<b>4" DEEP WELL DOUBLE PIPE WITH ACCESSORY PACKAGES</b>		
<b>PKG 2A - <input type="checkbox"/> <input type="checkbox"/> SD</b>	4SD	SL, HL, FL, HMS
	15SD	SL, HL, FL, HMS
	23SD	MS, PL
	54SD	SL, HL, FL
	55SD	SL, HL, FL
<b>PL SERIES PLASTIC SHALLOW WELL JET PACKAGES</b>		
<b>PKG 1 - <input type="checkbox"/> <input type="checkbox"/> N</b>  ▪ For all shallow well applications	21N	PL
	22N	PL
	23N	PL
	24N	PL

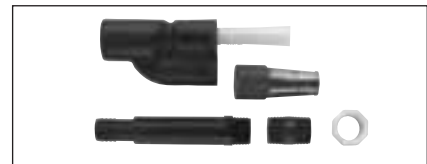
CONTINUED ON NEXT PAGE.



**PKG 1-   SD**  
Shallow Well & Deep Well



**PKG CK**

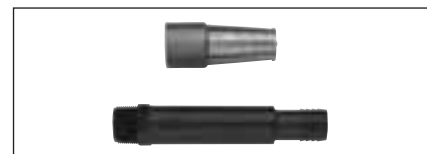


**PKG 2A-   SD**  
Double Pipe



**PKG 1-   N**  
PL Shallow Well

ORDERING INFORMATION		
ACCESSORY PACKAGE		
Catalog Number	Description	Approx. Wt. Lbs.
PKG 2A	Poly Pipe and Foot Valve Kit	3



**PKG 2A**  
Accessory Package

# jet packages and accessories

ORDERING INFORMATION (Cont'd.)			
Package	Jet Number	Suction Tapping	Used With Pump Series
<b>2" SINGLE PIPE*</b>			
<b>PKG 1** - <input type="checkbox"/> <input type="checkbox"/> AP</b> <b>PKG 1- <input type="checkbox"/> <input type="checkbox"/> APB</b> <b>(4 lbs.)</b>  <ul style="list-style-type: none"> <li>▪ Jet with built-in check valve</li> <li>▪ For all 2" single pipe deep well applications</li> </ul>	54 AP	1-1/4" M and 1" F	SL, HL, FL
	23 AP		HMS
	22 AP		HMS
	18 AP		HMS
	19 AP		HMS
	16 AP & APB		PL, SSJ
	15 AP		PL, HMS, SSJ
	14 AP		PL, SSJ
	13 AP		PL, HMS
	12 AP & APB		MS
	10 AP & APB		SL, HL, PL, SSJ
	9 AP & APB		SL, HL, PL, SSJ
	8 AP & APB		SL, HL, PL, HMS, SSJ, MS, FL
	7 AP & APB		HMS
	5 AP		HMS
	4 AP		HMS
	2 AP		HMS
	<b>3" SINGLE PIPE</b>		
<b>PKG 1** <input type="checkbox"/> <input type="checkbox"/> CP</b> <b>(6 lbs.)</b>  <ul style="list-style-type: none"> <li>▪ Jet with built-in check valve</li> <li>▪ For all 3" single pipe deep well applications</li> </ul>	57 CP	1-1/4" M and 1" F	SL, HL
	54 CP		SL, HL, FL
	26 CP		PL, SSJ
	25 CP		PL
	23 CP		MS
	22 CP		HMS, MS
	19 CP		SL, HL, PL, HMS, SSJ, FL
	18 CP		SL, HL, HMS
	17 CP		PL, HMS, SSJ, MS,
	16 CP		SL, HL, HMS, SSJ, MS, FL
	15 CP		PL, SSJ
	11 CP		PL, SSJ
	10 CP		PL, HMS
	9 CP		SL, HL, HMS, FL
	7 CP		HMS



**PKG 1-   AP**  
**2" Single Pipe Cast Iron**  
**or**  
**PKG 1-   APB**  
**2" Single Pipe Brass**  
**or**  
**PKG 1-   CP**  
**3" Single Pipe**

**A JET PACKAGE SHOULD BE ORDERED WITH EVERY CONVERTIBLE OR DEEP WELL JET PUMP.**

\*Order one (1) U11-1 turned coupling for each length of drop pipe.  
 \*\*For casing adapter, please see following page.

ORDERING INFORMATION		
TURNED COUPLING		
Catalog Number	Description	Approx. Wt. Lbs.
U11-1	Turned Coupling	1





# jet packages and accessories



**Vertical - Straight Offset Casing Adapter**



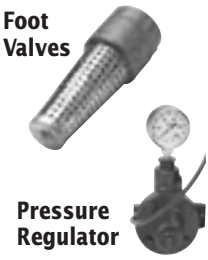
**Vertical - Bolt-on Casing Adapter**



**Horizontal - Right Angle Casing Adapter Drive-Over-Suction**



**Horizontal - Right Angle Casing Adapter Suction-Over-Drive**

<b>ACCESSORIES</b>			
<b>Catalog Number</b>	<b>Description</b>	<b>Approx. Wt. Lbs.</b>	<b>Use With Pump Series</b>
<b>CASING ADAPTERS</b>			
J216-13A	2" vertical - straight offset	6	General Usage
J216-14A	3" vertical - straight offset	8	General Usage
J216-21	2" vertical - bolt-on	6	SSJ, MS
J216-23	3" vertical - bolt-on	7	SSJ, MS
J216-16A	2" horizontal - right angle - drive-over-suction	7	FL, HMS
J216-18A	3" horizontal - right angle - drive-over-suction	9	FL, HMS
J37-4	Offset nipple	1	General Usage
J216-29B	2" concentric pipe - pitless adapter	6	SSJ, MS
J216-42	2" concentric pipe - pitless adapter	6	FL, HMS
J216-44	2" horizontal right angle - suction-over-drive	7	SL, HL
<b>FOOT VALVES</b>			 <p><b>Foot Valves</b></p> <p><b>Pressure Regulator</b></p>
U212-28	3/4" foot valve and strainer	1	
U212-93	1" foot valve and strainer	1	
U212-94	1-1/4" foot valve and strainer	2	
U212-92	1-1/2" foot valve and strainer	3	
U212-16	2" foot valve and strainer	3	
<b>PRESSURE REGULATOR</b>			
PKG 107	Regulator, tubing, pipe plug and compression fitting	4	

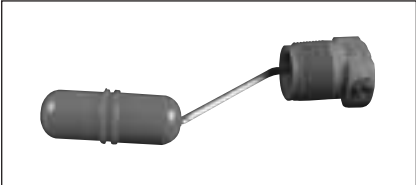
# jet packages and accessories

<b>ACCESSORIES (Cont'd.)</b>		
<b>AIR VOLUME CONTROLS</b>		
<b>Catalog Number</b>	<b>Description</b>	<b>Approx. Wt. Lbs.</b>
U238-5A	STA-RITE AVC, 1/4" compression fitting for copper tube, nipple, instruction sheet	1
U238-5B	STA-RITE AVC, 1/4" compression fitting for plastic tube, nipple, instruction sheet	1
J238-10B	STA-RITE AVC, 1/4" plastic tubing, compression fittings, reducer bushing and instruction sheet	3
E238-2	Air volume control – submersible	1
U238-4	AVC bulk. No fittings.	1
U238-5E	AVC boxed. No fittings or nipple.	1
U78-774P	Plastic AVC reducer bushing, 1-1/4" x 1/4"	1
<b>TANK MOUNTING PACKAGES – PRO-Source™ TANKS</b>		
Pkg 111	For tank mounting PL and PN Series jet pumps	2
Pkg 112	For tank mounting HN, SN, FN, HL, SL, and FL Series Jet Pumps	2
Pkg 198	Jet Pump Mounting Bracket	3
Pkg 207	Pump-to-Tank Fitting Package – all galvanized fittings	4
<b>PRESSURE GAUGES</b>		
Pkg 108	Adapter, gasket, capscrews	4
<b>REVERSING ADAPTER</b>		
U239-2	Pressure gauge, bottom mount 1/4", 0-100 PSI	1
U239-3	Pressure gauge, bottom mount 1/8", 0-100 PSI	1
U239-3A	U239-3 with 1/4" x 1/8" reducer bushing	1
U239-8	Pressure gauge, bottom mount 1/4", 0-200 PSI	1
U78-107DT	Reducer bushing for U239-3 1/4" x 1/8"	1

PRO-Source™ is a trademark of WICOR Industries.



**Air Volume Controls**



**Air Volume Control**



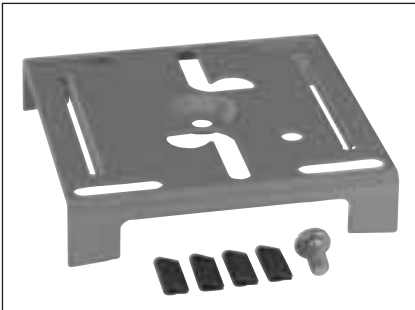
**Reducer Bushing**



**Tank Mounting Packages**



**Reversing Adapter**



**PKG 198 Universal Jet Mounting Bracket**



**Pressure Gauge**

# fibrewound pressure tanks



UL Classified to ANSI/NSF 61, Drinking Water System Components



## Signature

# 2000®

### FIBREWOUND PRESSURE TANKS

*Built Tough... for Quality*  
**Every Signature 2000® tank utilizes a durable, FDA approved air cell which is resistant to chlorine and will not promote taste or odor problems associated with iron bacteria that may be present in the water supply.**

*Built Tough... for Durability*  
**Each tank is wrapped with more than three miles of over-lapping, continuous fiberglass strands, sealed with high grade epoxy resin, then oven cured. Tough composite construction means longer lasting tanks that will not rust, corrode, dent or scratch.**

*Built Tough... for Easy Installation and Service*  
**Not only is composite construction tougher, it's also more lightweight... as little as half the weight of steel tanks. Installation is faster, easier and can be handled by one person. Repairable with the tank installed.**

### ORDERING INFORMATION

Catalog Number	Max. Capacity gal/liter	Diameter inch/cm	Height inch/cm	Service Clearance inch/cm	Precharge PSI/kPa	Connection Size Female	Connection Material	Drawdown in Gallons/Liters			Weight lbs/kg
								20-40	30-50	40-60	
SR20-6S	20/76	16/41	36/92	48/122	40/276	1" NPT	Stn. Stl.	6.9/26.2	5.9/22.4	5.2/19.7	25/11
SR35-10S	35/133	20/51	39.5/101	51/130	40/276	1" NPT	Stn. Stl.	12.1/46.0	10.3/39.1	9.0/34.2	40/18
SR40-12S	40/151	16/41	60.5/154	80/201	40/276	1" NPT	Stn. Stl.	13.8/52.2	11.8/44.7	10.3/39.0	36/16.3
SR48-14S	48/182	20/51	50.25/128	69/175	40/276	1" NPT	Stn. Stl.	16.5/62.5	14.2/53.8	12.4/46.9	41/18.6
SR60-18	60/228	24/61	45.75/117	58/148	40/276	1-1/4" NPT	Stn. Stl.	20.7/78.6	17.7/67.2	15.5/58.9	60/27
SR85-25	85/323	24/61	59.5/152	78/199	40/276	1-1/4" NPT	Stn. Stl.	29.3/111.3	25.1/95.3	21.9/83.2	75/34
SR119-35	119/452	28/72	62.25/159	81/206	40/276	1-1/4" NPT	Stn. Stl.	41.1/156.1	35.1/133.3	30.7/116.6	105/48

Maximum Operating Pressure = 100 PSI  
 Maximum Liquid Temperature: 120°F (49°C)  
 Maximum External (Ambient) Temperature: 125°F (52°C)

# fibrewound pressure tanks

## APPLICATIONS

- Use wherever pressurized tanks are needed in water systems applications.

## SPECIFICATIONS

**Inner Liner** – One-piece high-density polyethylene

**Outer Shell** – Fiberglass-wound and epoxy resin sealed

**Air Cell** – Heavy mil ethyl-vinyl-acetate (EVA)

**Upper and Lower Flanges** – Reinforced polypropylene

**Base** – One piece high density polyethylene

**Service Connection** – Stainless steel on all models

**Air Valve** – Brass body, Schrader core assembly

**Weather Cap** – High density polyethylene

## FEATURES

**Durable Composite Construction** – A rugged one-piece molded, inner-liner of premium high-density polyethylene.

- Miles of continuous overlapping fiberglass strands, sealed with oven cured epoxy make the outer-shell impervious to rust, dents, and ultra-violet rays (no paint to scratch and touch-up).
- Proprietary wrap pattern makes the tank stronger than steel. Tanks can be installed with a wider range of pressure settings, so you can select the system pressure you want.

**Air Cell** – The air cell is fabricated from durable and extensively tested ethyl-vinyl-acetate (EVA).

- EVA is resistant to chlorine.
- EVA will not support iron bacteria growth that may be present in the water supply.
- EVA and Polyethylene meet FDA requirements for potable water supplies.

- Signature 2000® Fibrewound Pressure Tank assembly is classified to ANSI/NSF Standard 61 for water system components.

**Tank Base** – Rigid molded polyethylene is the sturdiest composite base on the market. Corrosion- and impact-resistant. Base rotates 360° for ease-of-service hook-up.

**Replaceable Air Cell** – With the tank installed! Air cell access is via a top mount design. Generous and accessible air cell opening facilitates easy removable and re-installation of replacement air cell (with the professional contractor in mind).

**Five Year Warranty** – Managed and provided by WICOR Industries, the only US manufacturer to design and manufacture fibrewound and steel tanks!

Signature 2000® is a registered trademark of WICOR Industries.

In order to provide the best products possible, specifications are subject to change.

## TANK SIZING RULE:

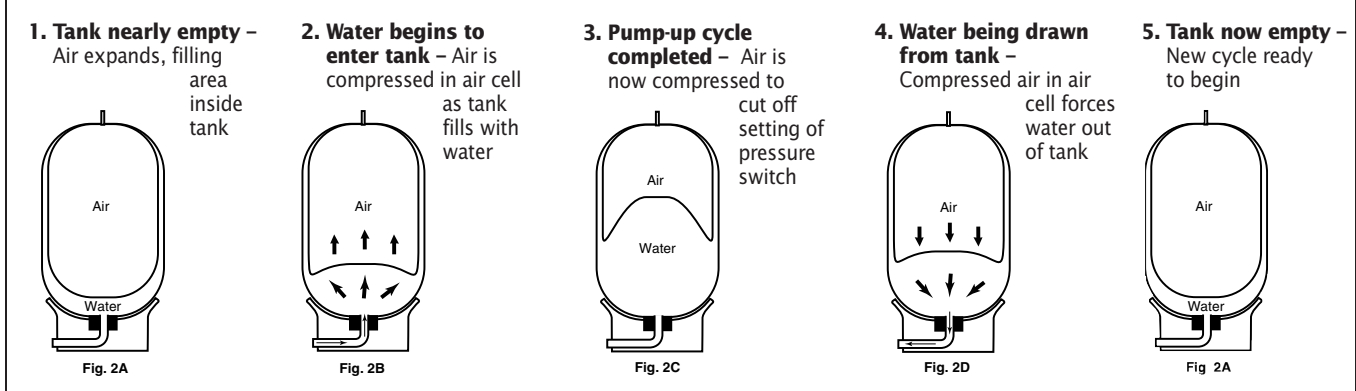


**Size tank for one gallon of drawdown for each gallon per minute at pump capacity.**

**EXAMPLE:** For a 1 HP - 20 GPM unit pumping 20 gallons per minute on a 30-50 pressure switch setting, the properly sized Signature 2000® tank is a SR85-25, which has a 25.1 gallon drawdown.

# fibrewound pressure tanks

## OPERATING CYCLE



## CHART A

### TANK SELECTION CHART

Pump GPM	System Pressure Switch Setting – PSI					
	20-40		30-50		40-60	
	Run Times					
	1 Minute	2 Minute	1 Minute	2 Minute	1 Minute	2 Minute
5	SR20	SR35	SR20	SR35	SR20	SR40
7.5	SR20	SR48	SR35	SR48	SR35	SR60
10	SR40	SR60	SR35	SR60	SR40	SR85
12.5	SR48	SR60	SR40	SR85	SR48	SR85
15	SR60	SR85	SR48	SR119	SR60	SR119
20	SR60	SR119	SR60	SR119	SR85	SR85 (2)
30	SR85	SR85 (2)	SR119	SR60 + SR119	SR119	SR119 (2)
50	SR85 (2)	SR119 (2)	SR85 (2)	SR119 (3)	SR119 (2)	SR119 (4)

**NOTE:** Drawdown will be affected by operating temperature of the system, accuracy of the pressure switch and gauge, the actual precharge pressure, and rate of fill.

## CHART B

### DRAWDOWN VOLUME MULTIPLIER\* (APPROXIMATE)

Pump Off Pressure PSI	Pump Start Pressure – PSI							
	10	20	30	40	50	60	70	80
20	0.26							
30	0.41	0.22						
40		0.37	0.18					
50		0.46	0.31	0.15				
60			0.40	0.27	0.13			
70			0.47	0.35	0.24	0.12		
80				0.42	0.32	0.21	0.11	
90				0.48	0.38	0.29	0.19	0.10
100					0.44	0.35	0.26	0.17

\*Utilize this chart if proper selection cannot be made using Chart A. Drawdown based on Boyle's Law.

#### Procedure:

1. Identify drawdown multiplier relating to specific application.

2. Insert multiplier (X) into the following formula:  

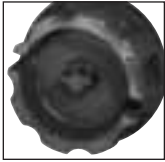
$$\text{Pump GPM} \times \text{Min Run Time} = \text{Minimum Tank Capacity Required}$$
 Multiplier (X)

3. Refer to "Ordering Information" Table – Max. Capacity Gals.

# fibrewound air-over-water and contact tanks



**Bottom Fitting**



### SPECIFICATIONS

- Inner Liner** – One-piece high-density polyethylene
- Outer Shell** – Fiberglass-wound and epoxy resin sealed
- Upper and Lower Flanges** – Reinforced polypropylene
- Base** – One-piece high-density polyethylene
- Service Connections** – Reinforced polypropylene

### FEATURES

- Durable Composite Construction** – A rugged one-piece molded inner liner of premium high-density polyethylene. Miles of continuous overlapping fiberglass strands, sealed with oven-cured epoxy, make the outer shell impervious to rust, dents, and ultra-violet rays (no paint to scratch and touch-up).
- Tank Base** – Rigid molded polyethylene is the sturdiest composite base on the market. Corrosion and impact-resistant. Base rotates 360° for ease-of-service hook-up.
- Composite Service Connection** – Threaded for ease of installation.
- Five Year Warranty** – We are the only US manufacturer to design and manufacture fibrewound and steel tanks!

UL Classified to ANSI/NSF 61, Drinking Water System Components.



*Built Tough... for Quality Professional grade composite construction means longer lasting tanks that will not rust, corrode, dent or scratch.*

*Built Tough... for Durability Each tank is wrapped with more than three miles of over-lapping, continuous fiberglass strands, sealed with high grade epoxy resin, then oven cured.*

*Built Tough... for Easy Installation Not only is composite construc-*

*tion tougher, it's also more light-weight... as little as half the weight of steel tanks. Installation is faster, easier and can be handled by one person.*

### APPLICATIONS

- Use wherever standard tanks are needed in residential and light commercial water systems
- Replacement for galvanized steel

## ORDERING INFORMATION

Catalog Number	Maximum Capacity gal/liter	Diameter inch/cm	Height inch/cm	Inlet Female	Outlet Female	Side-Bung Fitting Female	Additional Port Female	Top Port Female	Drawdown in Gallons/Liters			Weight lbs/kg	Max. Operating PSI
									20-40	30-50	40-60		
FAW40	40/51	16/41	61/154	1-1/4" NPT	1-1/4" NPT	1-1/4" NPT	1/8" NPT	1-1/4"	6.7/25	5.8/22	5.0/19	34/16	75
FAW85	85/23	24/61	60/152	1-1/4" NPT	1-1/4" NPT	1-1/4" NPT	1/8" NPT	1-1/4"	14.3/54	12.3/47	10.7/41	71/32	75
FAW119	119/452	28/72	63/159	1-1/4" NPT	1-1/4" NPT	1-1/4" NPT	1/8" NPT	1-1/4"	19.7/75	16.9/64	14.7/56	100/45	75
FCT40	40/51	16/41	61/154	1-1/4" NPT	1-1/4" NPT	None	1/8" NPT	1-1/4"	-	-	-	34/16	75
FCT85	85/23	24/61	60/152	1-1/4" NPT	1-1/4" NPT	None	1/8" NPT	1-1/4"	-	-	-	71/32	75
FCT119	119/452	28/72	63/159	1-1/4" NPT	1-1/4" NPT	None	1/8" NPT	1-1/4"	-	-	-	100/45	75

PRO-Source Plus™ is a trademark of WICOR Industries.

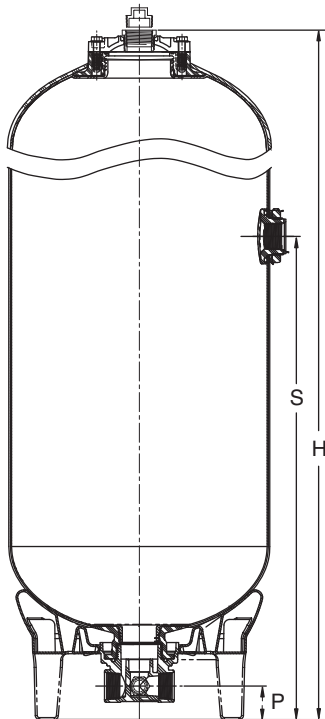
In order to provide the best products possible, specifications are subject to change.

# fibrewound air-over-water and contact tanks

Pump GPM	System Pressure Switch Setting – PSI		
	20-40	30-50	40-60
	1 Minute Run Time		
5	FAW40	FAW40	FAW40
7-1/2	FAW85	FAW85	FAW85
10	FAW85	FAW85	FAW85
15	FAW119	FAW119	FAW119
20	FAW119	FAW119 and FAW40	FAW119 and FAW40
30	FAW119 and FAW85	FAW119 (2)	FAW119 (2) and FAW40
50	FAW119 (3)	FAW119 (3)	FAW119 (4)

Catalog Number	Dimensions in Inches		
	P	S	H
FAW40	2.2	30.0	59.0
FAW85	2.2	29.7	59.3
FAW119	1.6	29.7	60.2
FCT40	2.2	N/A	59.0
FCT85	2.2	N/A	59.3
FCT119	1.6	N/A	60.2

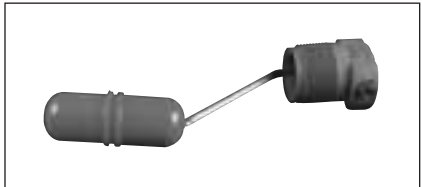
## VERTICAL OUTLINE DIMENSIONS



Dimensions (in inches) are for estimating purposes only.

**Tank Sizing Rule:**  
Size tank for one gallon of drawdown for each gallon per minute of pump capacity.

**Example:**  
For a 10 gpm pump operating on a 40-60 pressure switch, the proper size tank would be FAW85, which has a drawdown of 10.7 at 40-60 PSI setting.



**Air Volume Control  
(not included)**

# premium steel pressurized water system tanks



UL Classified to ANSI/NSF Standard 61,  
Drinking Water System Components – Health Effects



- ✓ **Stainless Steel Service Connection** – “The Professional’s Choice”
- ✓ **Metal Air Valve Assembly** – “Field-Serviceable”
- ✓ **125 PSI Maximum Operating Pressure** – Four Sizes: PSP120, PSP200, PSP220 and PSP320



## APPLICATIONS

- Residential Water Systems
- Industrial, Commercial and Agricultural

## SPECIFICATIONS

- Shell** – Heavy gauge steel
- Base** – High-impact composite; ABS
- Finish** – Electrostatically applied, baked-on polyester paint
- Water Cell** – One piece seamless PVC, made from FDA listed material
- Flange** – 304SS
- Service Connection** – NPT threads, integral to flange
- Air Valve** – Nickel-plated brass, threaded for ease of service

PRO-Source Plus™ is a trademark of WICOR Industries.

In order to provide the best products possible, specifications are subject to change.

## ORDERING INFORMATION

Catalog Number	Maximum Capacity gal/liter	Diameter* inch/cm	Height* inch/cm	Precharge PSI/kPa	Connection Size Female	Drawdown in Gallons/Liter			Weight lbs/kg	Maximum Operating PSI
						20-40	30-50	40-60		
<b>VERTICAL MODELS</b>										
PSP42S-T02	19 / 72	20 / 51	21 / 53.3	40 / 276	1" NPT	6.9 / 26.1	5.8 / 21.9	5.0 / 18.9	49 / 22.2	100
PSP42T-T02	19 / 72	16 / 40.6	27.5 / 70	40 / 276	1" NPT	6.9 / 26.1	5.8 / 21.9	5.0 / 18.9	44 / 20.0	100
PSP75T-T03	32 / 121	16 / 40.6	43 / 109	40 / 276	1" NPT	11.6 / 43.9	9.8 / 37.1	8.5 / 32.2	60 / 27.2	100
PSP82T-T05	35 / 133	20 / 51	33 / 84	40 / 276	1" NPT	12.7 / 48.1	10.7 / 40.5	9.3 / 35.2	70 / 31.8	100
PSP120-T50	50 / 189	24 / 61	32.5 / 83	40 / 276	1-1/4" NPT	18.3 / 69.3	15.5 / 58.7	13.4 / 50.7	88 / 39.9	125
PSP200-T51	62 / 235	24 / 61	39.5 / 100	40 / 276	1-1/4" NPT	21.4 / 81.0	18.3 / 69.3	16.0 / 60.6	116 / 52.6	125
PSP220-T52	85 / 322	24 / 61	51 / 130	40 / 276	1-1/4" NPT	30 / 113.6	26 / 98.4	22 / 83.3	128 / 58.1	125
PSP320-TR50	119 / 450	24 / 61	68 / 173	40 / 276	1-1/4" NPT	41.3 / 156.3	35.4 / 134.0	31.0 / 117.3	140 / 63.5	125

\*Subject to change without notice.

Maximum Liquid Temperature: 120°F (49°C) Maximum External (Ambient) Temperature: 125°F (52°C)





# premium steel pressurized water system tanks

## FEATURES

- Service Connection** – 304 stainless steel.
- Air Valve** – Nickel-plated brass.
- Maximum Operating Pressure** – 100 PSI on 16" and 20" tanks; 125 PSI on 24" tanks.
- Heavy Gauge Metal Construction** – Sturdy “welded wrapper and head design.” Built to last.
- Polyester Paint Finish** – Electrostatically powder painted, then oven baked for a smooth high-gloss, appliance-quality finish. Resists corrosion.
- Elongated, Seamless Water Cell** – Controlled 2-dimensional cell expansion.
  - Rugged, seamless “water cell” prevents the most common cause of pump failure – “waterlogging”
  - Water never touches the steel tank material.
  - Translucent bag material facilitates manufacturing quality control inspection.

- Stainless Service Connection** – Corrosion-resistant.
  - Stainless steel – the professional’s choice.
- Integral Stand Pipe** – Promotes complete flushing of the water entering/exiting the tank.
- Nitrogen-Rich Precharge** – Decreases air permeation three to four times over straight air precharge.
- 40 PSI Precharge** – Ready for use with 40/60 pressure range systems. Enables installer to reduce pressure depending on pressure switch setting.
- Sturdy Base** – Tested-tough composite construction.
- Five Year Warranty** – Managed and provided by WICOR Industries, the only US pump manufacturer to design and manufacture fibrewound and steel tanks!

**Tank Sizing Rule:**

Size tank for one gallon of drawdown for each gallon per minute of pump capacity.

**Example:**

For a 1 HP 20 GPM unit pumping 20 gallons per minute on a 30-50 pressure switch setting, the properly sized PRO-Source Plus™ tank is a PSP220-T52 which has a 26 gallon drawdown.

**CHART A – TANK SELECTION CHART**

Pump GPM	System Pressure Switch Setting – PSI					
	20-40		30-50		40-60	
	Run Times					
	1 Minute	2 Minute	1 Minute	2 Minute	1 Minute	2 Minute
5	PSP42T	PSP75T	PSP42T	PSP82T	PSP42T	PSP82T
7-1/2	PSP75T	PSP82T	PSP75T	PSP120	PSP75T	PSP200
10	PSP75T	PSP200	PSP82T	PSP200	PSP82T	PSP220
12-1/2	PSP82T	PSP200	PSP120	PSP220	PSP120	PSP220
15	PSP120	PSP220	PSP120	PSP120 (2)	PSP200	PSP200 (2)
20	PSP200	PSP200 (2)	PSP200	PSP200 (2)	PSP220	PSP220 (2)
30	PSP220	PSP220 (2)	PSP120 (2)	PSP220 (2)	PSP200 (2)	PSP220 (3)
30	-	-	PSP320	PSP320 + PSP220	PSP320	PSP320 (2)
50	PSP200 + PSP220	PSP220 (3)	PSP220 (2)	PSP220 (4)	PSP220 (2)	PSP220 (5)
50	-	PSP320 (2) + PSP200	-	PSP320 (3)	PSP320 (2)	PSP320 (4)

**NOTE:** Drawdown will be affected by operating temperature of the system, accuracy of the pressure switch and gauge, the actual precharge pressure, and rate of fill.

Pumps installed with a PRO-Source Plus™ tank require a relief valve equal to the tank’s maximum operating pressure. Relief valve must be capable of relieving entire flow of pump at relief pressure.

**CHART B – DRAWDOWN VOLUME MULTIPLIER\* (APPROX.)**

Pump Off Pressure PSI	Pump Start Pressure – PSI							
	10	20	30	40	50	60	70	80
20	0.26							
30	0.41	0.22						
40		0.37	0.18					
50		0.46	0.31	0.15				
60			0.40	0.27	0.13			
70			0.47	0.35	0.24	0.12		
80				0.42	0.32	0.21	0.11	
90				0.48	0.38	0.29	0.19	0.10
100					0.44	0.35	0.26	0.17

\*Utilize this chart if proper selection cannot be made using Chart A. Drawdown based on Boyle’s Law.

**Procedure:** 1. Identify drawdown multiplier relating to specific application. 2. Insert multiplier (X) into the following formula:

$$\frac{\text{Pump GPM} \times \text{Min Run Time}}{\text{Multiplier (X)}} = \text{Minimum Tank Capacity Required}$$

**Example:** An example of a 20 GPM pump with a minimum run time of 1 minute, installed on a 50 - 70 PSIG system pressure range:

$$\frac{20 \text{ GPM} \times 1 \text{ minute}}{.24 \text{ (factor) from Chart B}} = 83.3 \text{ minimum U.S. gallon tank capacity}$$

Referring to “Ordering Information” chart, the model PSP220-T52 has the closest U.S. gallon capacity that is greater or equal to the minimum volume requirement of 83.3 U.S. gallons.

# steel pressurized water system tanks



## APPLICATIONS

- Use wherever pressurized tanks are needed in water systems applications.

## SPECIFICATIONS

- Shell** – Heavy gauge steel
- Base** – High-impact composite; ABS
- Finish** – Electrostatically applied, baked-on polyester paint
- Water Cell** – One piece seamless PVC, made from FDA listed material
- Flange** – Reinforced polypropylene
- Service Connection** – Reinforced polypropylene integral to flange
- Air Valve** – Rubber stem/brass body Schrader valve assembly
- UV Valve Cover** – High density polyethylene

UL Classified to ANSI/NSF Standard 61, Drinking Water System Components – Health Effects



PRO-Source™ is a trademark of WICOR Industries.  
In order to provide the best products possible, specifications are subject to change.

## ORDERING INFORMATION

Catalog Number	Maximum Capacity gal/liter	Diameter* inch/cm	Height* inch/cm	Length inch/cm	Precharge PSI/kPa	Connection Size Female	Drawdown in Gallons/Liter			Weight lbs/kg
							20-40	30-50	40-60	
<b>VERTICAL MODELS</b>										
PS15-S02	6.0 / 22.7	12 / 30.5	16.1 / 40.9	-	40 / 276	3/4" NPT	2.2 / 8.3	1.8 / 6.8	1.6 / 6.0	18 / 8.2
PS30-T01	14 / 53	16 / 40.6	23 / 54.4	-	40 / 276	1" NPT	4.8 / 18.2	4.1 / 15.5	3.6 / 13.6	37 / 16.8
PS42S-T02	19 / 72	20 / 51	21 / 53.3	-	40 / 276	1" NPT	6.9 / 26.1	5.8 / 21.9	5.0 / 18.9	45 / 20.4
PS42T-T02	19 / 72	16 / 40.6	27.5 / 70	-	40 / 276	1" NPT	6.9 / 26.1	5.8 / 21.9	5.0 / 18.9	40 / 18.1
PS75T-T03	32 / 121	16 / 40.6	43 / 109	-	40 / 276	1" NPT	11.6 / 43.9	9.8 / 37.1	8.5 / 32.2	56 / 25.4
PS82T-T05	35 / 133	20 / 51	33 / 84	-	40 / 276	1" NPT	12.7 / 48.1	10.7 / 40.5	9.3 / 35.2	66 / 29.9
PS120-T50	50 / 189	24 / 61	32.5 / 83	-	40 / 276	1-1/4" NPT	18.3 / 69.3	15.5 / 58.7	13.4 / 50.7	84 / 38.1
PS200-T51	62 / 235	24 / 61	39.5 / 100	-	40 / 276	1-1/4" NPT	21.4 / 81.0	18.3 / 69.3	16.0 / 60.6	112 / 50.8
PS220-T52	85 / 322	24 / 61	51 / 130	-	40 / 276	1-1/4" NPT	30 / 113.6	26 / 98.4	22 / 83.3	124 / 56.2
PS320-TR50	119 / 450	24 / 61	68 / 173	-	40 / 276	1-1/4" NPT	41.3 / 156.3	35.4 / 134.0	31.0 / 117.3	140 / 63.5
<b>HORIZONTAL MODELS</b>										
PS15H-S05	6.0 / 22.7	12 / 30.5	13.8 / 35.0	16 / 40.6	40 / 276	3/4" NPT	2.2 / 8.3	1.8 / 6.8	1.6 / 6.0	22 / 10
PS42H-S00	19 / 72	16 / 40.6	17.5 / 44.5	28 / 71.1	40 / 276	1" NPT	6.9 / 26.1	5.8 / 21.9	5.0 / 18.9	40 / 18

\*Subject to change without notice.

Maximum Operating Pressure = 100 PSI

Maximum Liquid Temperature: 120°F (49°C)      Maximum External (Ambient) Temperature: 125°F (52°C)



# steel pressurized water system tanks

## FEATURES

- Heavy Gauge Metal Construction** – Sturdy “welded wrapper and head design.” Built to last.
- Polyester Paint Finish** – Electrostatically powder painted, then oven baked for a smooth high-gloss, appliance-quality finish. Resists corrosion.
- Elongated, Seamless Water Cell** – Controlled 2-dimensional cell expansion.
  - Rugged, seamless “water cell” prevents the most common cause of pump failure – “waterlogging”
  - Water never touches the steel tank material.
  - Translucent bag material facilitates manufacturing quality control inspection.
- Composite Sealing Flange** – Corrosion-resistant.
  - Integral o-ring groove better traps the water cell’s sealing ring.

- Reinforcing ribs strengthen and maintain a flat smooth sealing surface.
- Integral Stand Pipe** – Keeps the water cell standing erect, promoting complete flushing of the water entering/exiting the tank.
- Nitrogen-Rich Precharge** – Decreases air permeation three to four times over straight air precharge.
- 40 PSI Precharge** – Ready for use with 40/60 pressure range systems. Enables installer to reduce pressure depending on pressure switch setting.
- Sturdy Base** – Tested-tough composite construction.
- Five Year Warranty** – Managed and provided by WICOR Industries, the only US pump manufacturer to design and manufacture fibre-wound and steel tanks!

**PRO-Source™  
Tank Sizing Rule:**

Size tank for one gallon of drawdown for each gallon per minute of pump capacity.

---

**Example:**

For a 1 HP 20 GPM unit pumping 20 gallons per minute on a 30-50 pressure switch setting, the properly sized PRO-Source™ tank is a PS220-T52 which has a 26 gallon drawdown.

**CHART A – TANK SELECTION CHART**

Pump GPM	System Pressure Switch Setting – PSI					
	20-40		30-50		40-60	
	Run Times					
	1 Minute	2 Minute	1 Minute	2 Minute	1 Minute	2 Minute
5	PS42T	PS75T	PS42T	PS82T	PS42T	PS82T
7-1/2	PS75T	PS82T	PS75T	PS120	PS75T	PS200
10	PS75T	PS200	PS82T	PS200	PS82T	PS220
12-1/2	PS82T	PS200	PS120	PS220	PS120	PS220
15	PS120	PS220	PS120	PS120 (2)	PS200	PS200 (2)
20	PS200	PS200 (2)	PS200	PS200 (2)	PS220	PS220 (2)
30	PS220	PS220 (2)	PS120 (2)	PS220 (2)	PS200 (2)	PS220 (3)
30	–	–	PS320	PS320 + PS220	PS320	PS320 (2)
50	PS200 + PS220	PS220 (3)	PS220 (2)	PS220 (4)	PS220 (2)	PS220 (5)
50	–	PS320 (2) + PS200	–	PS320 (3)	PS320 (2)	PS320 (4)

**NOTE:** Drawdown will be affected by operating temperature of the system, accuracy of the pressure switch and gauge, the actual precharge pressure, and rate of fill. Pumps installed with a PRO-Source™ tank require a 100 PSI relief valve. Relief valve must be capable of relieving entire flow of pump at relief pressure.

**CHART B – DRAWDOWN VOLUME MULTIPLIER\* (APPROX.)**

Pump Off Pressure PSI	Pump Start Pressure – PSI							
	10	20	30	40	50	60	70	80
20	0.26							
30	0.41	0.22						
40		0.37	0.18					
50		0.46	0.31	0.15				
60			0.40	0.27	0.13			
70			0.47	0.35	0.24	0.12		
80				0.42	0.32	0.21	0.11	
90				0.48	0.38	0.29	0.19	0.10
100					0.44	0.35	0.26	0.17

\*Utilize this chart if proper selection cannot be made using Chart A. Drawdown based on Boyle’s Law.

**Procedure:** 1. Identify drawdown multiplier relating to specific application.  
2. Insert multiplier (X) into the following formula:

$$\frac{\text{Pump GPM} \times \text{Min Run Time}}{\text{Multiplier (X)}} = \text{Minimum Tank Capacity Required}$$

**Example:** An example of a 20 GPM pump with a minimum run time of 1 minute, installed on a 50 - 70 PSIG system pressure range:  

$$\frac{20 \text{ GPM} \times 1 \text{ minute}}{.24 \text{ (factor) from Chart B}} = 83.3 \text{ minimum U.S. gallon tank capacity}$$

Referring to “Ordering Information” chart, the model PS220-T52 has the closest U.S. gallon capacity that is greater or equal to the minimum volume requirement of 83.3 U.S. gallons.

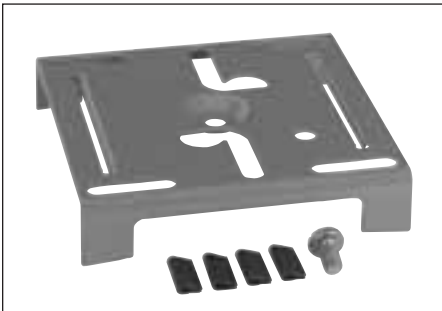
# steel pressurized water system tanks

## PRO-Source™ PROFESSIONAL PERFORMANCE TIPS

- ① Size tank to one gallon drawdown for each GPM capacity.
- ② Adjust factory precharge at installation, if needed.
- ③ Securely tighten sealing cap on air valve.
- ④ Check precharge every 6 months.



## ACCESSORIES



PKG 198  
Universal Jet  
Mounting  
Bracket



PKG 111,  
PKG 112 or  
PKG 207  
Jet Pump-  
to-Tank  
Mounting Pkg.

## ORDERING INFORMATION

PKG 198 – Jet Pump Mounting Bracket
PKG 111 – Pump to Tank Fitting Package for PL and PN Series jet pumps
PKG 112 – Pump to Tank Fitting Package for HN, SN, FN, HL, SL, and FL Series jet pumps
PKG 207 – Pump to Tank Fitting Package for HN, SN, FN, HL, SL and FL Series jet pumps, with galvanized fittings

## MULTIPLE TANK INSTALLATIONS

PRO-Source™ tanks can be connected together to increase the supply of usable water (drawdown). Two tanks of the same size will double the supply and three tanks will triple the supply. See Figures No. 1 and 2 for the typical installations of this kind.

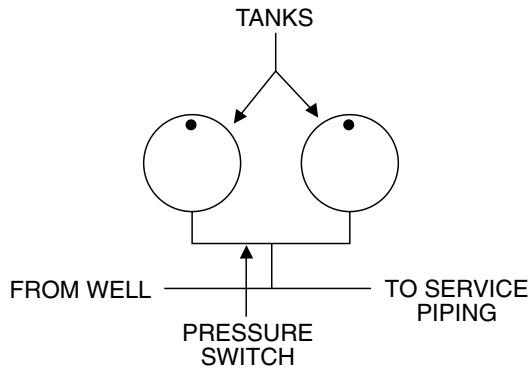


Figure 1

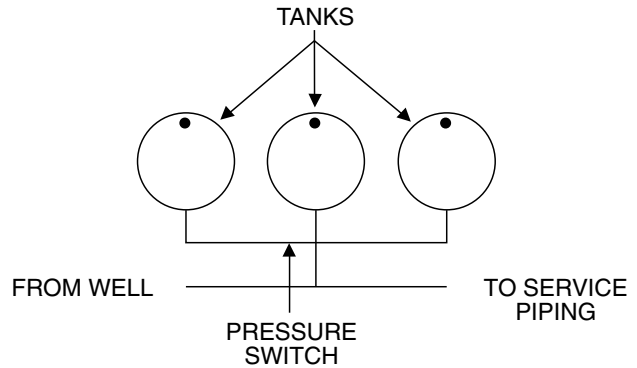
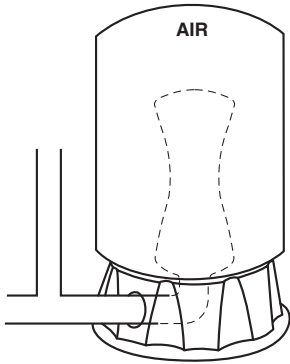


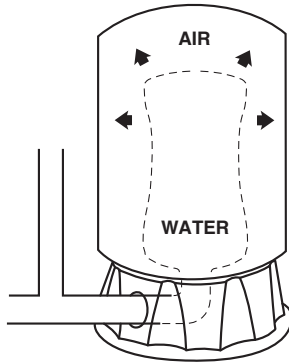
Figure 2

# steel pressurized water system tanks

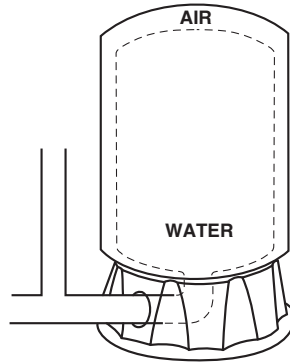
## SEQUENCE OF OPERATION



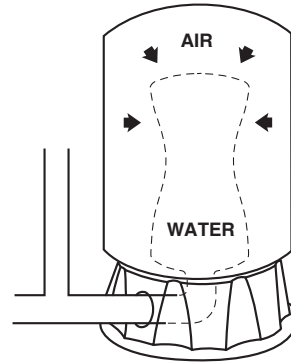
**WATER CELL IS COMPLETELY EMPTY:**  
A new cycle is ready to begin. Simple, positive action produces maximum drawdown on every cycle.



**WATER BEGINS TO ENTER THE TANK:**  
Air is compressed around the water cell as it fills with water.



**PUMP-UP CYCLE COMPLETED:**  
Air is now compressed to the cut-off setting of pressure switch.



**WATER IS BEING DRAWN FROM THE TANK:** Compressed air in the tank forces water out of the water cell.

# steel EpoxyLined air-over-water tanks



## FEATURES

**Quality Construction** – The precision press fit head and wrapper minimize the possibility of large gaps between components. This manufacturing process reduces the possibility of corrosion and seam leaks.

**Heavy Gauge Steel** – Sturdy construction is emphasized, with heavier gauge steel than most tanks. This minimizes the possibility of dents from mishandling, and rust-through.

**Uniform Epoxy Coating** – The insides of the tanks are electrostatically powder-coated and then are oven baked to ensure proper adhesion and consistent coverage. This paint process offers superior corrosion resistance over traditional wet paints.

**Appliance-like Exterior Finish** – A polyester paint is also electrostatically adhered to the outer surface and then baked on for a high-gloss appearance.

**Flush Mount Fittings** – Designed to solve one of the toughest corrosion problems, these fittings eliminate flanges and sharp angles that make paint adherence difficult.

**Standard Top Mount Fitting** – Facilitates use as a retention tank, or for hard-to-fit areas. This fitting can also be used for an optional jet mount package.

**Sturdy Base** – Bases for horizontal models are constructed of heavy gauge steel, with slots for ventilation to avoid condensation problems.

UL Classified to ANSI/NSF Standard 61, Drinking Water System Components – Health Effects



*The PRO-Source™ EpoxyLined Tank is an excellent corrosion-resistant tank available in a variety of sizes for use in water systems applications, as a retention tank or holding tank. This tank utilizes an electrostatic paint process, resulting in superior rust protection.*

## APPLICATIONS

- For use as a standard water tank, retention tank or holding tank.

## SPECIFICATIONS

- Shell** – Heavy gauge steel
- Skirt** – Heavy gauge steel
- Interior Coating** – Epoxy
- Fittings** – Machined steel
- Finish** – Baked-on polyester paint

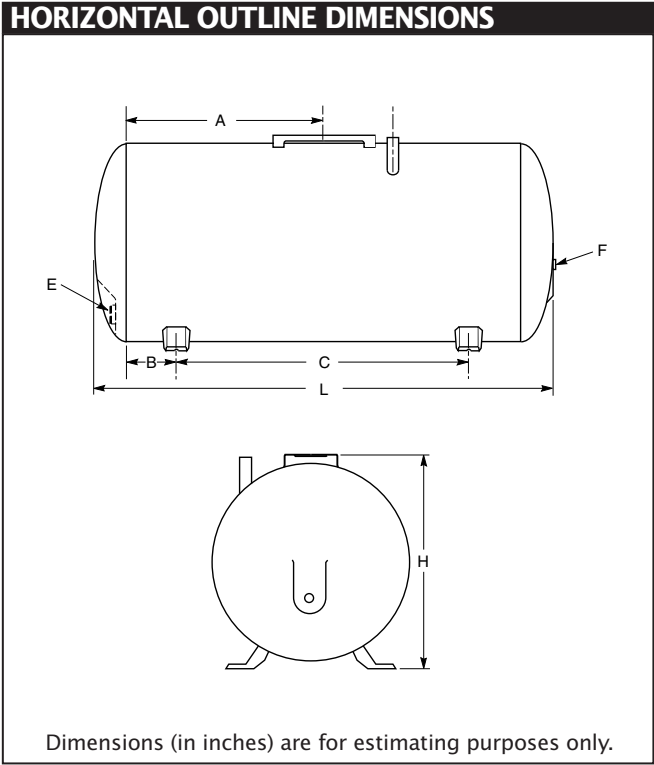
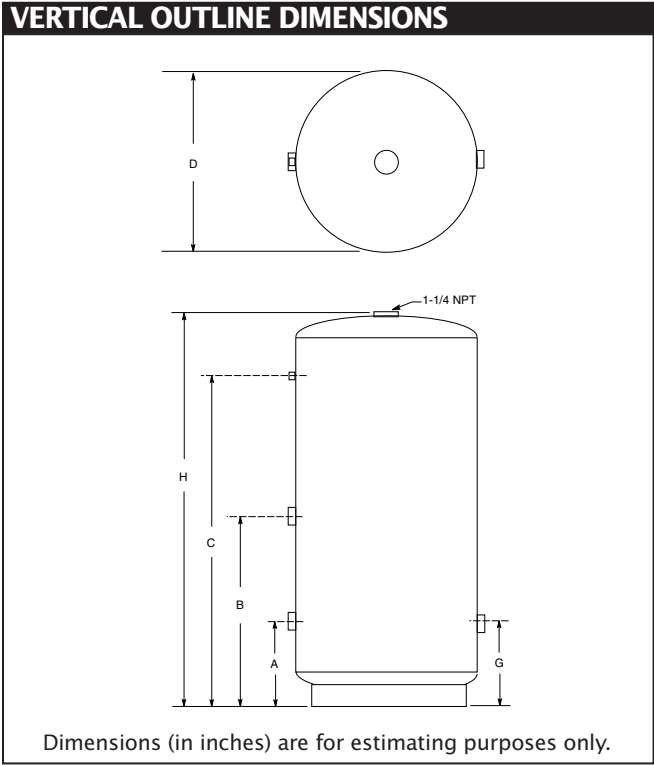
## ORDERING INFORMATION

Catalog Number	Capacity U.S. Gal.	Style	Tank Diameter	Tank Height	Tank Length	Approx. Wt. Lbs.	Max. Oper. Press. (PSI)
AW30H	30	Horizontal	16"	17-1/2"	36-1/2"	55	75
AW42	42	Vertical	20"	36-5/8"	N/A	67	75
AW42T	42	Vertical	16"	53-1/2"	N/A	65	75
AW85	85	Vertical	24"	51"	N/A	94	75
AW120	120	Vertical	24"	68"	N/A	120	75

PRO-Source™ is a trademark of WICOR Industries.

In order to provide the best products possible, specifications are subject to change.

# steel EpoxyLined air-over-water tanks



### DIMENSIONAL DATA

#### VERTICAL EPOXYLINED TANKS

Catalog Number	Gallons	Dimensions in Inches									
		Dia. D	Ht. H	A Dist.	A Size	B Dist.	B Size	C Dist.	C Size	G Dist.	G Size
AW42	42	20	36-5/8	8-1/2	1-1/4	19-1/2	1-1/4	27-3/4	1/4	8-1/2	1-1/4
AW42T	42	16	53-1/2	8	1-1/4	28	1-1/4	45	1/4	8	1-1/4
AW85	85	24	51	12	1-1/4	26-1/8	1-1/4	40-7/8	1/4	9-1/2	1-1/4
AW120	120	24	68	12	1-1/4	35	1-1/4	58-1/8	1/4	9-1/2	1-1/4

#### HORIZONTAL EPOXYLINED TANKS

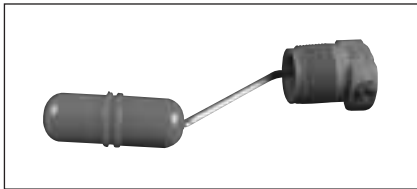
Catalog Number	Gallons	Dimensions in Inches							Outlet Size	
		Dia.	Length	Ht.	A	B	C	E	F	
AW30H	30	16	36-1/2	17-1/2	13-3/4	4-3/4	22	3/4	1/4	

Horizontal tanks include pump mounting bracket as standard.

**NOTE:** All pumps installed with a PRO-Source™ tank require a 75 PSI relief valve. Relief valve must be capable of relieving entire pump flow at relief pressure.

### TANK PERFORMANCE

Catalog Number	Capacity U.S. Gal.	Drawdown in Gallons		
		20-40	30-50	40-60
AW30H	30	5.2	4.4	3.9
AW42	42	6.7	5.8	5.0
AW42T	42	6.9	5.9	5.2
AW85	85	14.3	12.3	10.7
AW120	120	19.9	17.1	14.9



**Air Volume Control**

# self-priming multi-stage pump



*The new PRO-Storm™ multi-stage series of sprinkler pumps delivers high-performance without priming problems and delays.*

*The new PRO-Storm multi-stage series is designed for minimal electrical consumption and quiet operation from the professional grade A.O. Smith motor. The new PRO-Storm multi-stage series offers 1st-in-class priming lift capabilities of up to 20 foot lifts!*

### APPLICATIONS

- Residential and commercial turf irrigation
- Residential water systems
- Shower and washing systems
- Water transfer
- Heating and air conditioning systems
- Water features and fountains

### ORDERING INFORMATION

Catalog Number	HP	Pipe Tapping Sizes		Motor Voltage	Approx. Wt. Lbs.
		Suction	Discharge		
DSS4HG	2	1-1/2" NPT	1-1/4" NPT	230	95
DSS4HG3T	2	1-1/2" NPT	1-1/4" NPT	230/460	95

## PRO-Storm™ DSS4HG SERIES

### SPECIFICATIONS

**Motor Bracket and Integral Pump Base** – Close-grained cast iron, 1-1/2" NPT inlet connection, stable heavy-duty design for rigid pipe and solid base mountings.

**Discharge** – Close-grained cast iron, 1-1/4" NPT discharge connection, with easy-access drain-port for end of season draining and winterization.

**Impellers and Diffusers** – Noryl® precision molded extra-smooth ports to maximize efficiency and performance.

**Outer Shell** – Polished 304 stainless steel

**Shaft** – 303 stainless steel

**Priming Valve** – Special brass priming valve, patented for trouble-free operation during the initial pump priming.

**Mechanical Seal** – High-pressure seal, carbon-ceramic seal faces, Buna-N elastomers.

**A.O. Smith Motor** – 2 HP, single-phase, 3450RPM, 230 Volt, high-service factor, capacitor-start/capacitor-run, open-drip proof motor, rated for continuous-duty operation. 230/460 TEFC available.

**Maximum Inlet Pressure** – 20 PSI

**Maximum Discharge Pressure** – 130 PSI

**Maximum Operating Temperature** – 120°F (49°C)

**Maximum Suction Lift** – 20 feet

**Number of Stages** – 4

PRO-Storm™ is a trademark of WICOR Industries.

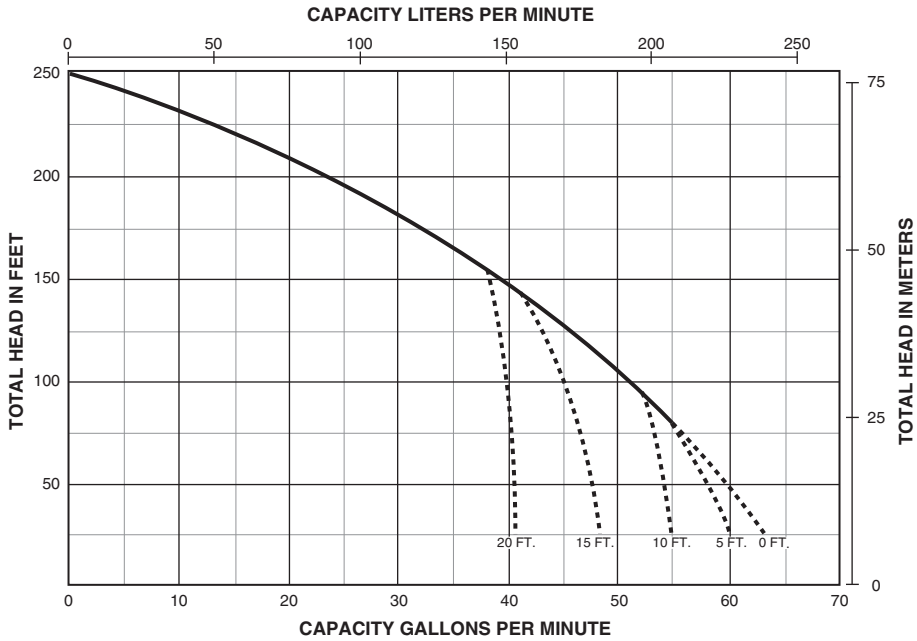
In order to provide the best products possible, specifications are subject to change.





# self-priming multi-stage pump

## PUMP PERFORMANCE



**NOTE:** Dotted lines indicate performance reduction at high suction lift.

PUMP PERFORMANCE (Capacity in Gallons Per Minute)							
Catalog Number	HP	Discharge Pressure		Suction Lift in Feet			
		PSI	Feet Head	5'	10'	15'	20'
HMSSG	2	20	46	57	54	47	40
		30	69	56	53	46	39
		40	92	52	50	44	39



# self-priming centrifugal pumps



Single-phase models are Listed to UL Standards for Safety by Underwriters Laboratories Inc. (UL). Patent pending.



**The PRO-Storm™ Series\* of cast iron sprinklers offer superior unmatched performance, available in 1 HP through 2-1/2 HP models.**

**The PRO-Storm models offer “single-body-fill” priming to 25-foot lifts, in less than 5 minutes!**

**The PRO-Storm models exceed the strict safety requirements of Underwriters Laboratory UL778, and CSA. Required by many state and local codes.**

**The PRO-Storm models are completely interchangeable with the original STA-RITE DS2 Series models, saving costly plumbing**

**“change-out” dollars and installation headaches!**

**\*Single- and three-phase available.**

### APPLICATIONS

- **Residential irrigation pump...** can be safely operated by timer or other automatic device
- **Contractors...** for dewatering excavation, water transfer and supply
- **Agriculture seed bed and plot irrigation, stock watering**
- **Industrial sump drainage, marine pumping, liquid transfer and supply operations**

## PRO-Storm™ DS3 SERIES

### SPECIFICATIONS

- Body and Seal Plate** – Close-grained cast iron
- Impeller** – Noryl®
- Diffuser** – Reinforced polypropylene
- Shaft** – One-piece threaded 416 stainless steel
- Base** – Steel, 10 gauge
- Motor** – A.O. Smith 2-compartment

### FEATURES

- Rugged Construction** – Close-grained cast iron body, specially treated for corrosion resistance.
- Noryl® Impeller** – Precision-molded for perfect balance... ultra-smooth for highest performance and efficiency.
- Precision Molded Diffuser** – Pump primes faster, handles more air, with multi-port, precision-molded, reinforced polypropylene diffuser.
- High Head Models** – Deliver up to 145' of head with capacities to 95 GPM.
- Easy Serviceability** – Normal wearing parts are easily accessible for service and replacement, without disturbing piping or mounting.
- Motor Windings** – Superior insulation materials protect against excessive moisture and contaminants... ensures prolonged motor life.
- Balanced Rotor** – Die cast under high pressures for uniform performance and greater efficiency, dynamically balanced.
- Drain Port** – Provided for easy winterizing.
- UL 778 Approved** – The complete pump assembly passes the strict UL requirements certifying the pump and motor for both indoor and outdoor use.

Noryl® is a registered trademark of General Electric Co. PRO-Source™ and PRO-Storm™ are trademarks of WICOR Industries.  
In order to provide the best products possible, specifications are subject to change.

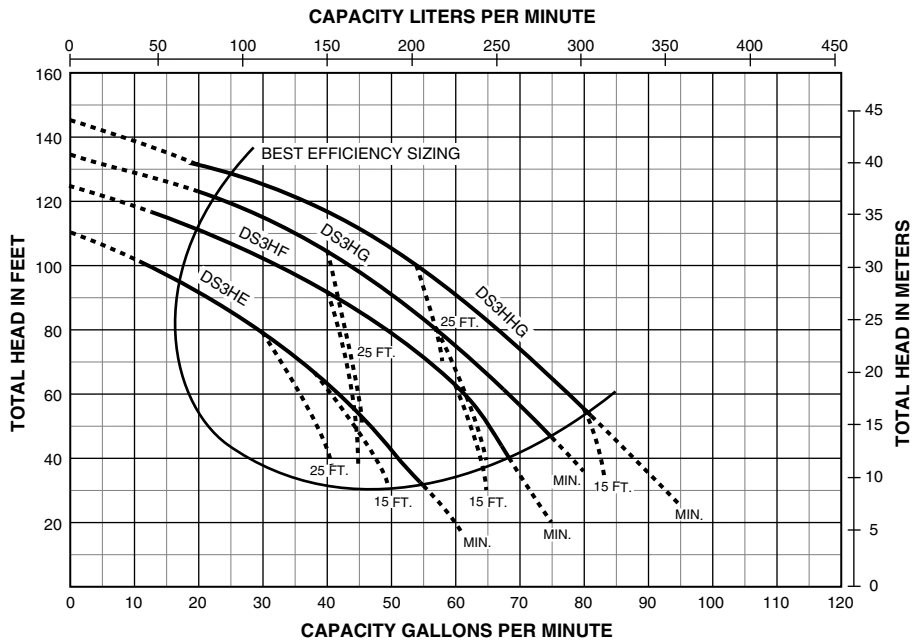
### ORDERING INFORMATION

HIGH HEAD						
Catalog Number	HP	Voltage	Phase	Pipe Tapping Sizes		Approx. Wt. Lbs.
				Suction	Discharge	
DS3HE	1	115/230	1	2"	1-1/2"	52
DS3HE3	1	208-230/460	3	2"	1-1/2"	52
DS3HF	1-1/2	115/230	1	2"	1-1/2"	58
DS3HF3	1-1/2	208-230/460	3	2"	1-1/2"	58
DS3HG	2	230	1	2"	2"	83
DS3HG3	2	208-230/460	3	2"	2"	83
DS3HHG	2-1/2	230	1	2"	2"	85
DS3HHG3	2-1/2	208-230/460	3	2"	2"	85



# self-priming centrifugal pumps

## PUMP PERFORMANCE



**NOTE:** Dotted lines indicate performance reduction at high suction lift.

## PUMP PERFORMANCE (Capacity in Gallons Per Minute)

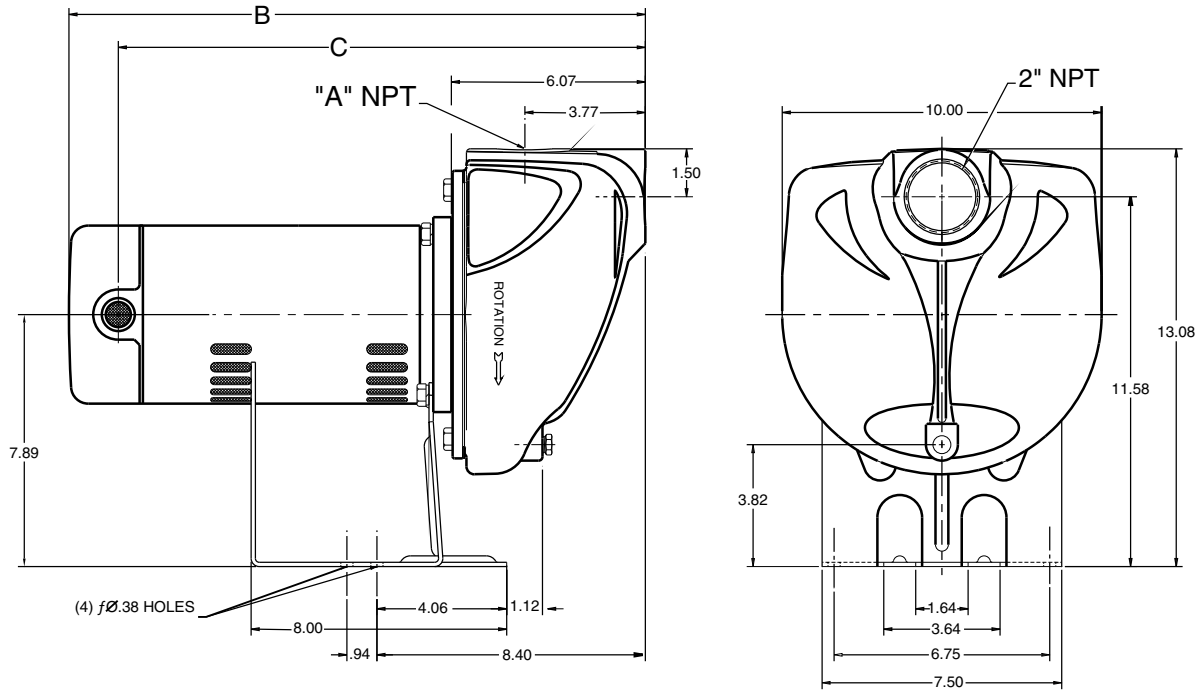
Catalog Number	HP	Discharge Pressure		Suction Lift in Feet				
		PSI	Feet Head	5'	10'	15'	20'	25'
DS3HE	1	20	46.2	48	45	40	37	33
		30	69.3	33	30	26	22	16
		40	92.4	15	10	—	—	—
DS3HF	1-1/2	20	46.2	64	62	60	57	54
		30	69.3	53	50	46	42	37
		40	92.4	35	30	25	19	—
DS3HG	2	20	46.2	72	70	67	65	62
		30	69.3	60	58	54	51	47
		40	92.4	45	42	37	30	27
		50	115.5	23	16	—	—	—
DS3HHG	2-1/2	20	46.2	83	80	77	74	71
		30	69.3	70	67	63	60	55
		40	92.4	56	52	48	40	35
		50	115.5	36	28	20	—	—

Tested and rated in accordance with Water Systems Council Standards.

**NOTE:** Pumps installed with a PRO-Source™ tank require a 100 PSI relief valve. Pumps installed with a conventional tank require a 75 PSI relief valve. Relief valve must be capable of relieving entire flow of pump at relief pressure.

# self-priming centrifugal pumps

## OUTLINE DIMENSIONS



Catalog Number	A NPT	B	C
DS3HE	1-1/2" NPT	18.04	16.60
DS3HE3	1-1/2" NPT	16.45	15.07
DS3HF	1-1/2" NPT	19.10	17.66
DS3HF3	1-1/2" NPT	16.95	15.48
DS3HG	2" NPT	19.54	18.10
DS3HG3	2" NPT	17.95	16.48
DS3HHG	2" NPT	19.85	18.41
DS3HHG3	2" NPT	18.69	17.23

Dimensions (in inches) are for estimating purposes only.

# corrosion-resistant self-priming sprinkler pumps



This product is Listed to UL Standards for Safety by Underwriters Laboratories Inc. (UL).



*Quick priming PD Series Pumps feature lightweight construction in a self-priming design. These models offer a stronger pump body with reinforcement ribs and also a new 2" suction that is designed for the professional pump contractor.*

### APPLICATIONS

- Lawn and landscape sprinkling; self primer out of tanks or cisterns.
- Light chemical transfer for compatible fluids.

### ORDERING INFORMATION

Catalog Number	HP	Pipe Tapping Sizes		Motor Voltage	Approx. Wt. Lbs.
		Suction	Discharge		
PD2HE	1	2"	1-1/2"	115/230	38
PD2HF	1-1/2	2"	1-1/2"	115/230	41
PDHG	2	2"	2"	230	52
PDHHC	2-1/2	2"	2"	230	54

**NOTE:** All motors are shipped from the factory set at 230 Volt. 1 and 1-1/2 HP pumps also feature dual voltage motors. Easy to change voltage settings require switching only 2 wires to reset voltage. Just remove the dust cover and change the 2 leads on the terminal board as shown on motor nameplate.

## PD SERIES

### SPECIFICATIONS

- Body and Base** – Fiberglass-reinforced thermoplastic
- Impeller** – Engineered polymer
- Diffuser** – Polypropylene
- Shaft** – 416 stainless steel

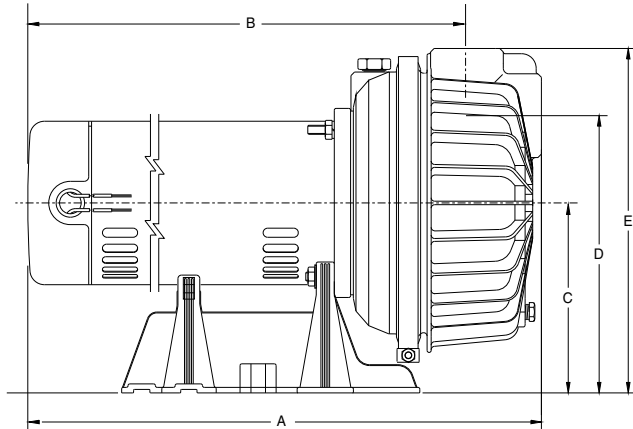
### FEATURES

- Quality Construction** – Fiberglass-reinforced thermoplastic provides total corrosion resistance and high resistance to sandy water.
- Lightweight Design** – Space-age materials make these pumps more portable than conventional cast iron pumps.
- Composite Impeller** – Highest performance and efficiency from ultra-smooth materials precision molded for perfect balance.
- Easily Serviced** – Normal wearing parts are easily accessible for service and replacement, without disturbing piping or mounting.
- Dustproof Cover** – Electrical components protected from dust and insects.
- Heavy-Duty Motor** – Heavy-duty 1 through 2-1/2 HP motors. Designed for continuous operation. Stainless steel shaft.
- Dual Voltage Capability** – 1 and 1-1/2 HP motors have dual voltage motors and are shipped at the 230 Volt setting. 2 and 2-1/2 HP are 230 Volt setting only.

In order to provide the best products possible, specifications are subject to change.

# corrosion-resistant self-priming sprinkler pumps

## OUTLINE DIMENSIONS



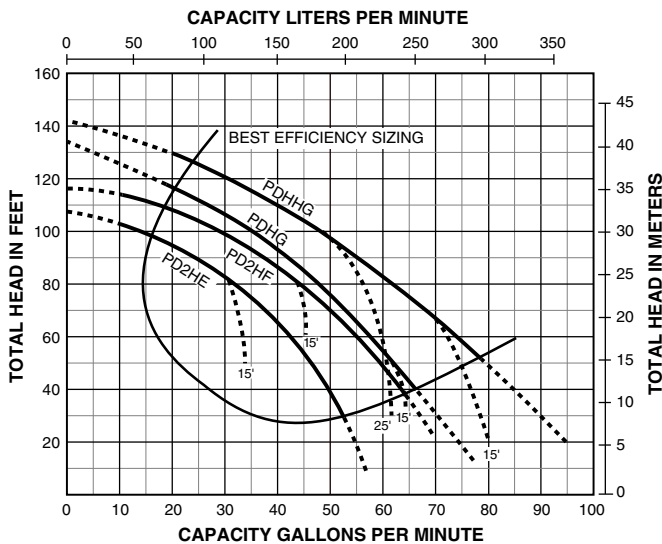
Catalog Number	A	B	C	D	E
PD2HE	18-5/8	16-1/8	6-9/16	9-9/16	11-13/16
PD2HF	19-3/4	17-1/4	6-9/16	9-9/16	11-13/16
PDHG	21	17-3/16	6-9/16	8-7/8	12-3/8
PDHHG	21	17-3/16	6-9/16	8-7/8	12-3/8

Dimensions (in inches) are for estimating purposes only.

## PERFORMANCE (Capacity in Gallons Per Minute)

Disch. Press. PSI	PD2HE					PD2HF					PDHG					PDHHG				
	Distance Above Water																			
	5'	10'	15'	20'	25'	5'	10'	15'	20'	25'	5'	10'	15'	20'	25'	5'	10'	15'	20'	25'
10	53	52	50	48	46	67	66	64	61	59	70	69	67	64	62	90	88	86	82	80
20	45	42	39	37	35	59	56	54	50	47	61	59	56	53	50	79	76	72	70	65
30	35	31	27	24	18	48	44	40	37	32	50	48	44	41	37	66	62	57	55	50
40	17	10				31	26	20	10		36	33	25	23	19	50	45	42	37	32
50											16	9				30	23	20		

## PUMP PERFORMANCE



**NOTE:** Dotted lines indicate performance reduction at high suction lift.

# self-priming centrifugal pumps



3 and 5 HP

1, 1 1/2, 2, 2 1/2 HP



Order suction flange with flapper check separately.

This product is Listed to UL Standards for Safety by Underwriters Laboratories Inc. (UL). (1, 1 1/2, 2, 2 1/2 HP)

**Some of the fastest priming pumps on the market. Available in high head or medium head series. Feature leak-proof mechanical seals, easy service design, heavy-duty motors, rugged construction. Available in 1 through 5 HP.**

**Optional 6" and 8" Trap Packages are available.**

## APPLICATIONS

- **Lawn Sprinkling...** operate from 1 to 30 or more heads. Can be safely operated by timer or other automatic device.
- **Contractors...** for dewatering excavation, jetting, water transfer and supply operations.
- **Agriculture...** seed bed and plot irrigation, stock watering, fire protection.
- **Industrial...** sump drainage, fire protection, marine pumping, liquid transfer and supply operations.

## D SERIES

### SPECIFICATIONS

**Body and Base** – Close-grained cast iron

**Impeller** – Noryl® on 1 through 2-1/2 HP, bronze on 3 and 5 HP

**Diffuser** – Cast iron

**Shaft** – 1 through 2-1/2 HP: 416 stainless steel; 3 and 5 HP: Carbon steel inside removable shaft sleeve of stainless steel.

### FEATURES

**1 through 5 HP** – Both high head and medium head models offer heavy-duty motors, easy service design, and air volume control tapping.

**Drain Port** – Provided for easy winterizing.

**Medium Head Models** – Deliver up to 115' of head with capacities to 159 GPM.

**High Head Models** – Deliver up to 138' of head with capacities to 162 GPM.

**Easy Serviceability** – Normal wearing parts are easily accessible for service and replacement, without disturbing piping or mounting.

**Heavy-duty Motors** – Designed for continuous operation. Capacitor start, will not cause electrical interference with TV or other appliances. Nationally known motors have ball bearing, stainless steel shaft. For single- and three-phase operation, 3450 RPM.

Noryl® is a registered trademark of General Electric Co.

In order to provide the best products possible, specifications are subject to change.

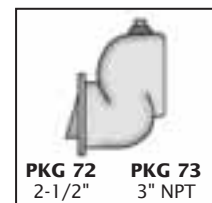
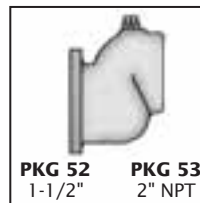
# self-priming centrifugal pumps

## ORDERING INFORMATION

HIGH HEAD							
Catalog Number	HP	Pipe Tapping Sizes		Motor Voltage	Phase	Max. Load Amps	Approx. Wt. Lbs.
		Suction Flanges	Pump Discharge				
DHE	1	Pkg52	1-1/2"	115/230	1	14.8/7.4	65
DHE3	1	Pkg52	1-1/2"	208-230/460	3	3.6/1.8	65
DHF	1-1/2	Pkg52	1-1/2"	115/230	1	19.2/9.6	72
DHF3	1-1/2	Pkg52	1-1/2"	208-230/460	3	4.7/2.35	72
DHG	2	Pkg53	2"	230	1	12.0	113
DHG3	2	Pkg53	2"	208-230/460	3	6.8/3.4	113
DHHG	2-1/2	Pkg53	2"	230	1	12.0	120
DHHG3	2-1/2	Pkg53	2"	208-230/460	3	8.5/4.25	120
DHH	3	Pkg53	1-1/2"	230	1	13.4	144
DHH3	3	Pkg53	1-1/2"	208-230/460	3	8.6/4.3	144
DHJ	5	Pkg72	2"	230	1	22	184
DHJ3	5	Pkg72	2"	208-230/460	3	13.2/6.6	184
MEDIUM HEAD							
DMG	2	Pkg52	1-1/2"	230	1	12.0	86
DMG3	2	Pkg52	1-1/2"	208-230/460	3	6.8/3.4	86
DMMG	2-1/2	Pkg53	2"	230	1	12.0	93
DMMG3	2-1/2	Pkg53	2"	208-230/460	3	8.5/4.25	93
DMH	3	Pkg72	2"	230	1	13.4	137
DMH3	3	Pkg72	2"	208-230/460	3	8.6/4.3	137
DMJ	5	Pkg73	2-1/2"	230	1	22	184
DMJ3	5	Pkg73	2-1/2"	230/460	3	13.2/6.6	184

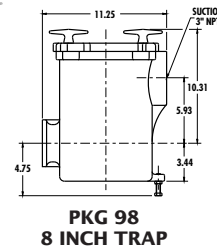
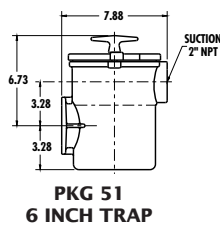
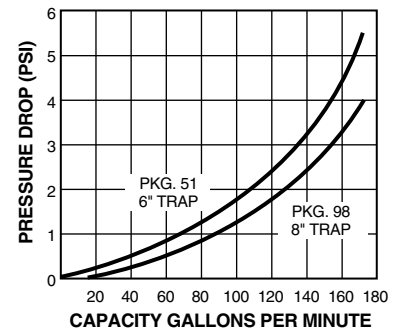
### SUCTION FLANGES (order separately - required for suction tap sizes)

Package 52 -	Package 53 -	Package 72 -	Package 73 -
1-1/2"	2"	2-1/2"	3"



### 6" AND 8" TRAP PACKAGES

Catalog Number	Description	Suction Port Size	Approx. Wt. Lbs.
PKG 51	6" Cast Iron Trap with Basket (For C, CC, and D Series Pumps)	2" NPT	20
PKG 76	Cast Iron Flange for Remote Installation	3" NPT	4
PKG 98	8" Cast Iron Trap with Basket (For C, CC, and D Series Pumps)	3" NPT	40

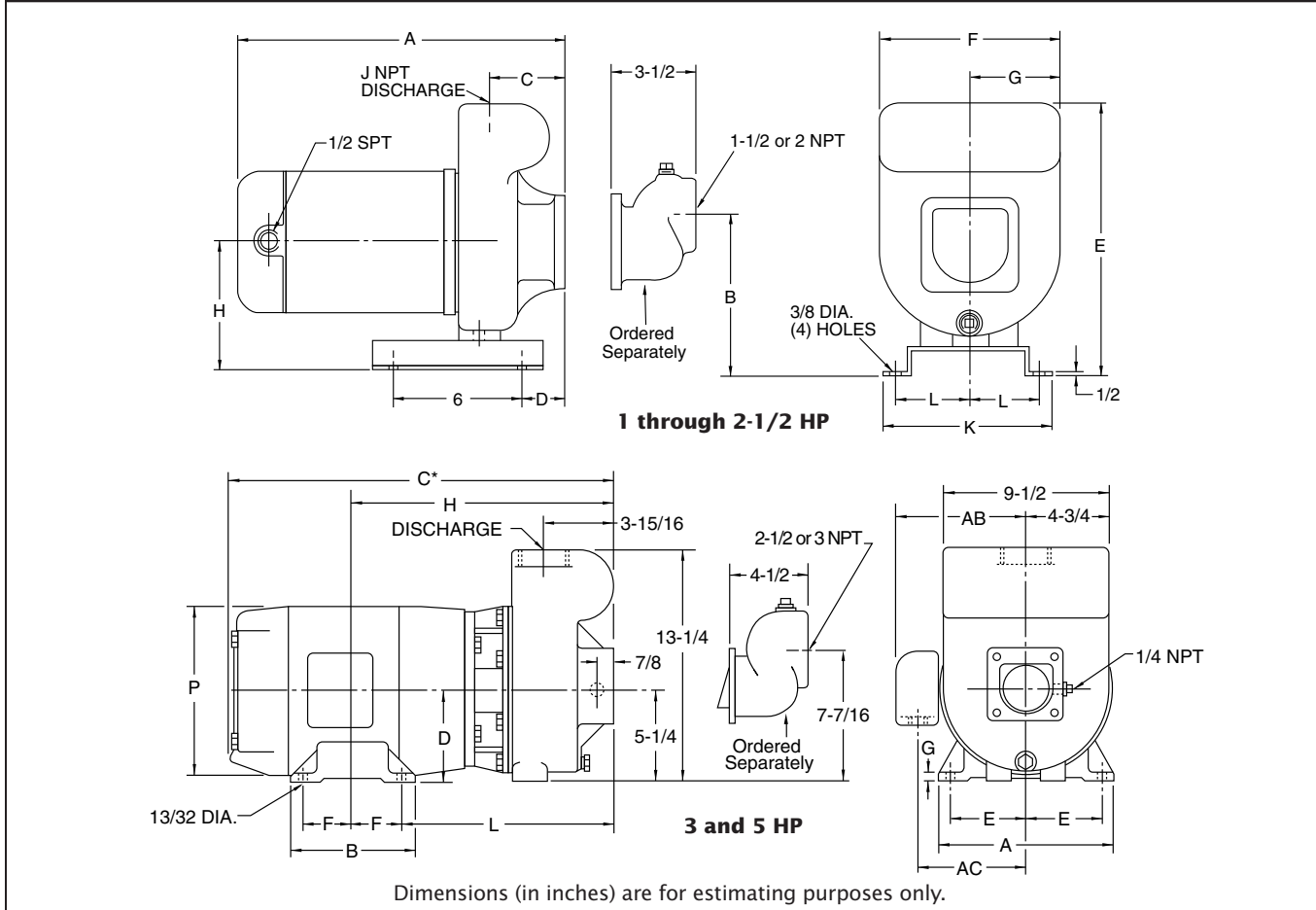






# self-priming centrifugal pumps

## OUTLINE DIMENSIONS



### DIMENSIONS IN INCHES – 1 THROUGH 2-1/2 HP

Catalog Number	HP	A	B	C	D	E	F	G	H	J	K	L
DHE	1	15-13/16	7-1/16	3-1/2	4	11-7/8	7-7/8	3-15/16	5-13/16	1-1/2	7-1/2	3-3/8
DHF	1-1/2	16-11/16	7-1/16	3-1/2	4	11-7/8	7-7/8	3-15/16	5-13/16	1-1/2	7-1/2	3-3/8
DHG	2	18-11/16	7-13/16	3-15/16	3-13/16	14-3/8	9-1/2	4-3/4	6-9/16	2	7-1/2	3-3/8
DHHG	2-1/2	19-11/16	7-13/16	3-15/16	3-13/16	14-3/8	9-1/2	4-3/4	6-9/16	2	7-1/2	3-3/8
DMG	2	17-15/16	7-1/16	3-1/2	4	11-7/8	7-7/8	3-15/16	5-13/16	1-1/2	7-1/2	3-3/8
DMMG	2-1/2	18-15/16	7-1/16	3-1/2	4	11-7/8	7-7/8	3-15/16	5-13/16	2	7-1/2	3-3/8

### DIMENSIONS IN INCHES – 3 AND 5 HP

Catalog Number	HP	A	B	C*	D	E	F	G	H	L	P	AB	AC
DHH	3	9	6	20-3/4	4-1/2	3-3/4	2-1/4	1/2	15	12-3/4	9-3/4	8-1/8	6-1/2
DHJ	5	9	7	21-3/4	4-1/2	3-3/4	2-3/4	1/2	15-1/2	12-3/4	9-3/4	9	7
DMH	3	9	6	20-3/4	4-1/2	3-3/4	2-1/4	1/2	15	12-3/4	9-3/4	8-1/8	6-1/2
DMJ	5	9	7	21-3/4	4-1/2	3-3/4	2-3/4	1/2	15-1/2	12-3/4	9-3/4	9	7

\*Overall length (C) is shown for single-phase motors. Three-phase motors are slightly smaller. Dimensions are for estimating purposes only.

# straight centrifugal pumps



Optional Flange and Packages Available

*The CC Series Pumps are compact and lightweight, but rugged. Choose from 3 or 5 HP high head and medium head models. For lower pressures and maximum capacity, medium head models offer heads to 75 feet and capacities to 220 GPM. Where higher pressures are desired, the high head model offers heads to 102 feet and capacities to 260 GPM.*

## APPLICATIONS

- Water Systems
- Sprinkling for homes, farms and industry

See page 112 for flange and trap packages.

## ORDERING INFORMATION

HIGH HEAD							
Catalog Number	HP	Pipe Tapping Sizes		Motor Voltage**	Phase	Max. Load Amps*	Approx. Wt. Lbs.
		Suct.	Disch.				
CCHH	3	2-1/2"	2"	230	1	13.4	80
CCHH3	3	2-1/2"	2"	230/460	3	8.6/4.3	66
CCH $\tau$	5	2-1/2"	2"	230	1	22	94
CCH $\tau$ 3	5	2-1/2"	2"	230/460	3	13.2/6.6	80
MEDIUM HEAD							
CCMH	3	2-1/2"	2"	230	1	13.4	80
CCMH3	3	2-1/2"	2"	230/460	3	8.6/4.3	66

\*Maximum load amps may vary with motor suppliers.

\*\*200 Volt and 575 Volt models are available. Consult factory.

PRO-Source™ is a trademark of WICOR Industries.

In order to provide the best products possible, specifications are subject to change.

## CC SERIES

### SPECIFICATIONS

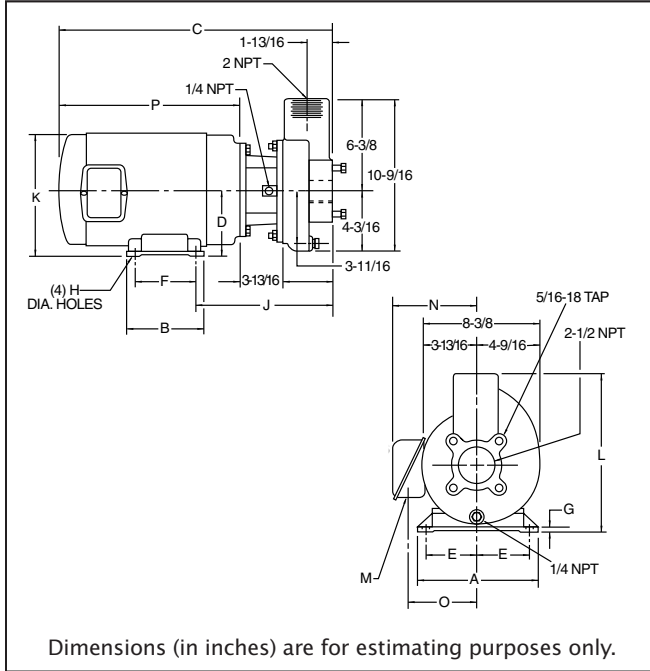
- Body** – Close-grained cast iron
- Base** – Heavy gauge steel
- Impeller** – Silicon brass (non-leaded)
- Rugged Motors** – 3 to 5 HP, 3450 RPM, open drip-proof, continuous duty rated. 40°C ambient maximum, NEMA series, JM construction.
- Shaft** – Carbon steel inside a 300 Series stainless steel sealed removable shaft sleeve.
- Bearings** – Permanently sealed ball type, pre-lubricated.
- Thermal Overload Protection** – *Single-phase motors:* automatic reset; *Three-phase motors:* external thermal protection required.
- Max. Liquid Temperature** – 125°F
- Ambient Air Temperature** – 104°F
- Max. Pressure** – 75 PSI
- pH Range** – 6-14 cast iron

### FEATURES

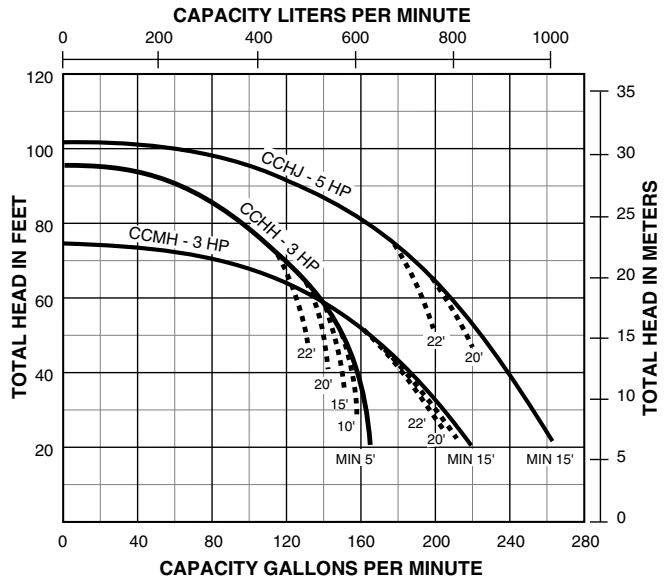
- Compact and Lightweight** – Can be installed where most other 3 and 5 HP pumps will not fit... requires just 11-3/8" x 18-1/2". Complete pumps weigh only 66 to 94 lbs.
- 4-Position Discharge** – Permits installation with discharge horizontal or vertical, to right or left. Volute features drain port which is functional when discharge is vertical.
- Silicon Brass Impeller and Wear Ring** – Silicon brass impeller is precision cast and machined. Dynamically balanced for long seal life and quiet operation. Non-overloading. Contains no lead. Silicon brass wear ring is replaceable.
- Easy Service** – Back pull-out design: entire motor may be removed for servicing impeller, seal or motor without disturbing plumbing. Centerline discharge for ease of installation.
- Shaft Seal** – Self-flushing, mechanical John Crane Type 2. Ceramic and carbon seal faces. Stainless steel, brass and Buna-N spring bellows.

# straight centrifugal pumps

## OUTLINE DIMENSIONS



## PUMP PERFORMANCE



**NOTE:** Dotted lines indicate performance reduction at high suction lift.

## DIMENSIONAL DATA

Cat. No.	A	B	C*	D	E	F	G*	H*	J	K	L	M*	N*	O*	P*
CCHH CCMH	9	6-1/2	21-1/2	4-1/2	3-3/4	4-1/2	7/16	7/16	10-5/16	9-23/32	10-7/8	3/4	8-1/8	6-1/2	14-1/8
CCHH3 CCMH3	7	6	18-13/32	3-1/2	2-3/4	5	9/32	11/32	9-9/32	7-7/32	9-7/8	3/4	6-29/32	5-13/32	11
CCHJ CCHJ3	9	7-1/2	22-1/2	4-1/2	3-3/4	5-1/2	7/16	7/16	10-5/16	9-23/32	10-7/8	3/4	9	6-15/16	15-1/8

\*Dimensions may vary with motor supplier.

## PUMP PERFORMANCE (Capacity in Gallons Per Minute)

HIGH HEAD		Disch. Pressure		Dynamic Suction Lift				
Cat. No.	HP	PSI	Feet Head	5'	10'	15'	20'	22'
CCHH	3	20	46.2	148	142	134	125	120
		30	69.3	110	98	85	60	57
		40	92.4	-	-	-	-	-
CCHJ	5	20	46.2	222	214	205	196	190
		30	69.3	180	166	152	125	120

MEDIUM HEAD		Disch. Pressure		Dynamic Suction Lift				
Cat. No.	HP	PSI	Feet Head	5'	10'	15'	20'	22'
CCMH	3	20	46.2	165	148	133	112	100
		30	69.3	-	-	-	-	-
		40	92.4	-	-	-	-	-

Tested and rated in accordance with Water Systems Council Standards.

**NOTE:** Pumps installed with a PRO-Source™ tank require a 100 PSI relief valve. Pumps installed with a conventional tank require a 75 PSI relief valve. Relief valve must be capable of relieving entire flow of pump at relief pressure.

# self-priming centrifugal pump



This product is Listed to UL Standards for Safety by Underwriters Laboratories Inc. (UL).



*The DPC Series self-priming centrifugal pump is a rugged cast iron pump capable of priming up to 20' vertically and will handle solids up to 0.225" diameter. The unit is equipped with a 1/2 HP 115 Volt motor and features 1-1/4" suction and discharge.*

### APPLICATIONS

- Effluent and Wastewater Removal
- Sump Drainage
- Dewatering
- Circulation
- Fountains

### ORDERING INFORMATION

Catalog Number	HP	Max. Load Amps	Volts	Phase/Cycles	Automatic
DPC	1/2	9.4	115	1/60	No

## DPC SERIES

### SPECIFICATIONS

- Volute** – Cast iron
- Impeller** – Polycarbonate
- Diffuser** – Reinforced polypropylene
- Shaft** – One-piece threaded stainless steel
- Base** – Steel 10 gauge
- Maximum Liquid Temperature Limits** – 130°F (55°C)

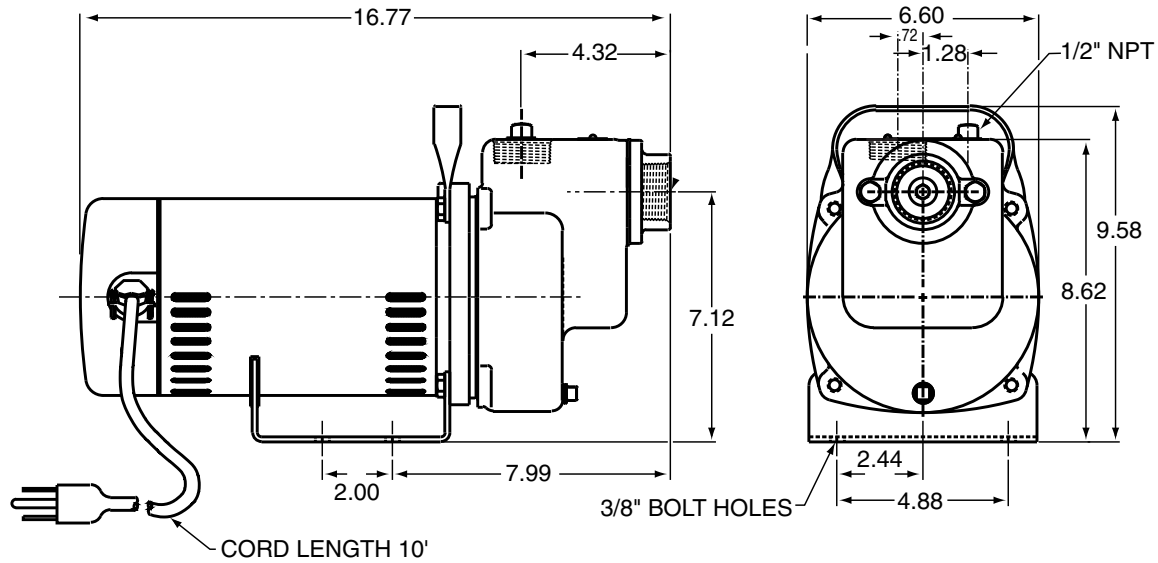
### FEATURES

- Motor** – 1/2 HP, 3450 RPM, 115 Volt split phase, 60 Hz. Built-in thermal overload protection with automatic reset.
- Mechanical Seal** – J. Crane type 6A or equal. Buna-N elastomers, carbon and ceramic sealing faces, stainless steel metal part.
- Heavy-duty Ball Bearings** – Shielded, permanently lubricated bearings, extensively tested to ensure extended life and smooth, quiet operation.
- Built-in Convenience** – Comes complete with built-in overload protection with automatic reset and a built-in check valve.
- Power Cord** – 10', 115 Volt.

In order to provide the best products possible, specifications are subject to change.

# self-priming centrifugal pump

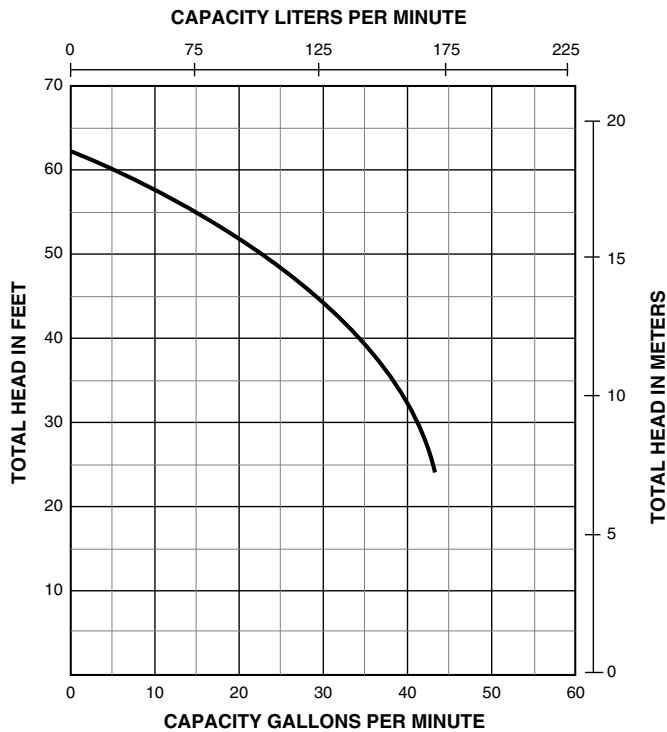
## OUTLINE DIMENSIONS



NOTE: 1-1/4" SUCTION AND DISCHARGE  
ALL DIMENSIONS ± .06

Dimensions (in inches) are for estimating purposes only.

## PUMP PERFORMANCE





# general purpose centrifugal pumps



J Series is Listed to UL Standards for Safety by Underwriters Laboratories Inc. (UL).  
 JB Series is UL Listed for water temperatures up to 175°F.



**The J/JB Series Pumps have a heavy-duty cast iron construction and are offered in high and medium head models, with Noryl® or silicon bronze impeller.**

### APPLICATIONS

- **Water systems and sprinkling...** for homes, farms and industry.

### SPECIFICATIONS

- Body and Seal Plate** – Close-grained cast iron
- Base** – Steel 10 gauge
- Impeller – J Series** – Noryl®
- Impeller – JB Series** – Silicon bronze
- Shaft** – 416 stainless steel
- Mechanical Seal** – Carbon/ceramic, Buna-N

## J/JB SERIES

### FEATURES

- 1/3 through 2-1/2 HP** – High head and medium head models, with heavy-duty motors, easy service design and four-position discharge.
- Drain Port** – Provided for easy winterizing.
- Medium Head Models** – Deliver up to 110' of head with capacities to 140 GPM.
- High Head Models** – Deliver up to 140' of head with capacities to 90 GPM.
- Easy Serviceability** – All models include replaceable wear ring and feature back pull-out design.
- J Series with Noryl® Impellers** – Abrasion-resistant for normal applications with working temperatures to 140°F.
- JB Series with Silicon Bronze** – JB pumps equipped with shaft seals rated for temperatures to 225°F.

### ORDERING INFORMATION

HIGH HEAD									
Catalog Number	Noryl® Impeller	Silicon Bronze Impeller	HP	Pipe Tapping Sizes		Motor Voltage	Phase	Max. Load Amps	Approx. Wt. Lbs.
				Suct.	Disch.				
JHB	JBHB		1/3	1-1/4"	1"	115	1	9.41	38
JHC	JBHC		1/2	1-1/4"	1"	115/230	1	8.8/4.4	39
JHC3	JBHC3			1-1/4"	1"	208-230/460	3	2.3/1.15	39
JHD	JBHD		3/4	1-1/4"	1"	115/230	1	12.2/6.1	42
JHD3	JBHD3			1-1/4"	1"	208-230/460	3	3.1/1.55	42
JHE	JBHE		1	1-1/4"	1"	115/230	1	14.8/7.4	45
JHE3	JBHE3			1-1/4"	1"	208-230/460	3	3.6/1.8	45
JHF	JBHF		1-1/2	1-1/4"	1"	115/230	1	19.2/9.6	49
JHF3	JBHF3			1-1/4"	1"	208-230/460	3	4.7/2.35	49
JHG	JBHG		2	1-1/2"	1-1/4"	230	1	12.0	69
JHG3	JBHG3			1-1/2"	1-1/4"	208-230/460	3	6.8/3.4	69
JHHG	JBHHG		2-1/2	2"	1-1/2"	230	1	12.0	74
JHHG3	JBHHG3			2"	1-1/2"	208-230/460	3	8.5/4.25	74

MEDIUM HEAD									
Catalog Number	Noryl® Impeller	Silicon Bronze Impeller	HP	Pipe Tapping Sizes		Motor Voltage	Phase	Max. Load Amps	Approx. Wt. Lbs.
				Suct.	Disch.				
JMB	JBMB		1/3	1-1/4"	1"	115	1	9.41	38
JMC	JBMC		1/2	1-1/4"	1"	115/230	1	8.8/4.4	39
JMC3	JBMC3			1-1/4"	1"	208-230/460	3	2.3/1.15	39
JMD	JBMD		3/4	1-1/4"	1"	115/230	1	12.2/6.1	42
JMD3	JBMD3			1-1/4"	1"	208-230/460	3	3.1/1.55	42
JME	JBME		1	1-1/2"	1-1/4"	115/230	1	14.8/7.4	43
JME3	JBME3			1-1/2"	1-1/4"	208-230/460	3	3.6/1.8	43
JMF	JBMF		1-1/2	1-1/2"	1-1/4"	115/230	1	19.2/9.6	54
JMF3	JBMF3			1-1/2"	1-1/4"	208-230/460	3	4.7/2.35	54
JMG	JBMG		2	1-1/2"	1-1/4"	230	1	12.0	66
JMG3	JBMG3			1-1/2"	1-1/4"	208-230/460	3	6.8/3.4	66
—	JBMMG		2-1/2	2"	1-1/2"	230	1	12.0	74
—	JBMMG3			2"	1-1/2"	208-230/460	3	8.5/4.25	74

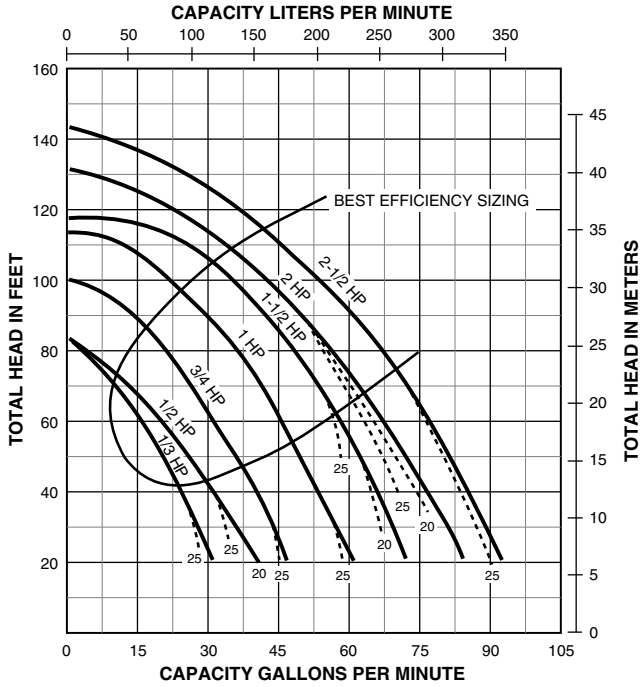
Noryl® is a registered trademark of General Electric Co. PRO-Source™ is a trademark of WICOR Industries.  
 In order to provide the best products possible, specifications are subject to change.



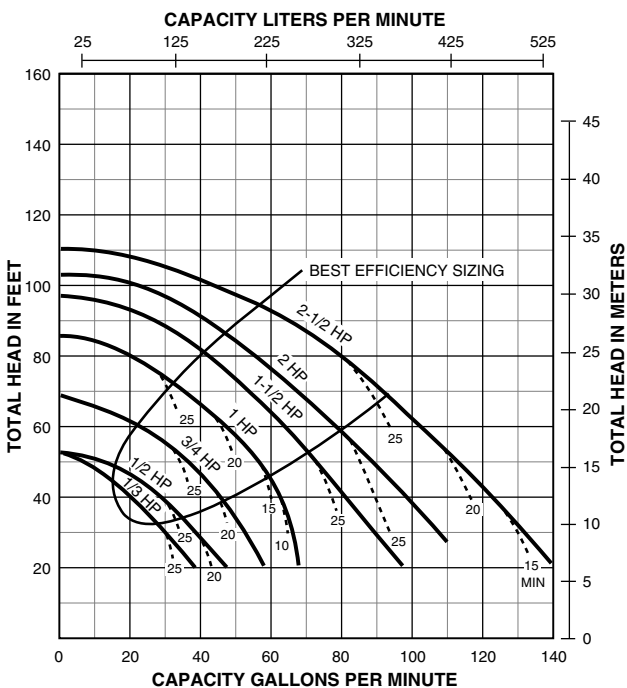
# general purpose centrifugal pumps

## PUMP PERFORMANCE

### High Head



### Medium Head



## PUMP PERFORMANCE (Capacity in Gallons Per Minute)

HIGH HEAD							
HP	Discharge Pressure		Dynamic Suction Lift				
	PSI	Feet Head	5'	10'	15'	20'	25'
1/3	10	23.1	—	26	24	22	20
	20	46.2	20	18	15	11	10
	30	69.3	6	—	—	—	—
1/2	10	23.1	—	34	32	29	26
	20	46.2	25	21	18	15	11
	30	69.3	10	—	—	—	—
3/4	10	23.1	—	—	42	39	37
	20	46.2	35	32	30	28	26
	30	69.3	24	22	19	15	10
1	20	46.2	48	46	45	43	40
	30	69.3	38	35	31	28	25
	40	92.4	23	20	15	—	—
1-1/2	20	46.2	62	60	58	55	52
	30	69.3	50	48	44	40	37
	40	92.4	37	32	29	22	—
2	20	46.2	71	68	66	62	60
	30	69.3	60	57	52	59	45
	40	92.4	45	40	36	31	24
	50	115.5	22	15	—	—	—
	20	46.2	81	79	76	74	71
2-1/2	30	69.3	69	67	63	60	56
	40	92.4	56	51	47	44	38
	50	115.5	33	30	22	15	—

Tested and rated in accordance with Water Systems Council Standards.

**NOTE:** Pumps installed with a PRO-Source™ tank require a 100 PSI relief valve. Pumps with a conventional tank require a 75 PSI relief valve. Relief valve must be capable of relieving entire flow of pump at relief pressure.

**NOTE:** Dotted lines indicate performance reduction at high suction lift.

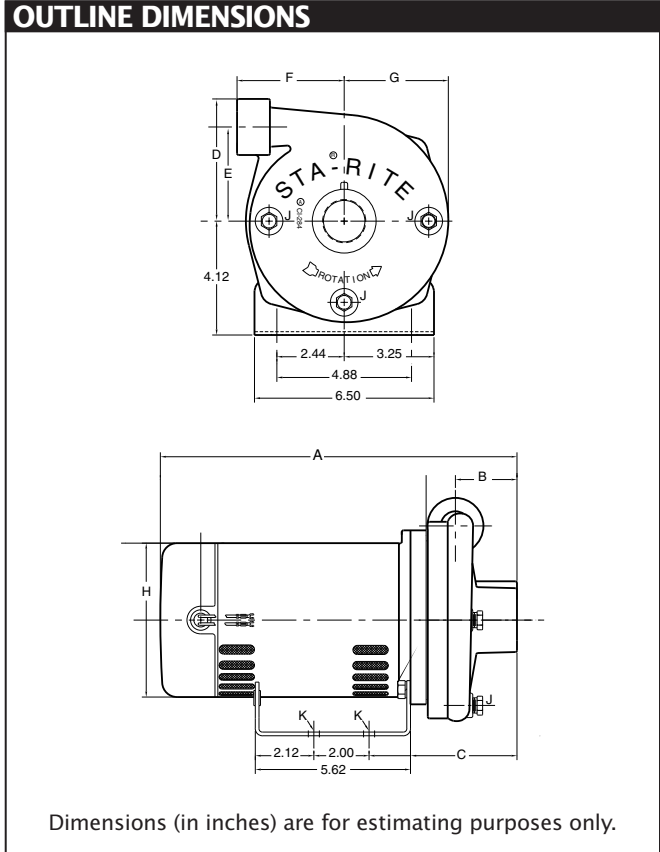


# general purpose centrifugal pumps

PUMP PERFORMANCE (Capacity in Gallons Per Minute)							
MEDIUM HEAD							
HP	Discharge Pressure		Dynamic Suction Lift				
	PSI	Feet Head	5'	10'	15'	20'	25'
1/3	10	23.1	32	27	18	—	—
	20	46.2	—	—	—	—	—
1/2	10	23.1	40	37	32	27	17
	20	46.2	—	—	—	—	—
3/4	10	23.1	—	50	46	42	32
	20	46.2	37	29	21	—	—
1	20	46.2	54	51	44	40	33
	30	69.3	33	28	18	—	—
1-1/2	20	46.2	71	69	62	57	51
	30	69.3	52	47	34	30	20
2	20	46.2	88	84	78	70	66
	30	69.3	67	60	50	45	40
	40	92.4	25	13	—	—	—
2-1/2	20	46.2	111	106	101	95	90
	30	69.3	90	83	77	70	60
	40	92.4	46	38	20	—	—

Tested and rated in accordance with Water Systems Council Standards.

**NOTE:** Pumps installed with a PRO-Source™ tank require a 100 PSI relief valve. Pumps with a conventional tank require a 75 PSI relief valve. Relief valve must be capable of relieving entire flow of pump at relief pressure.



Dimensions (in inches) are for estimating purposes only.

DIMENSIONS (In Inches)													
HIGH HEAD													
HP	NPT Suct.	NPT Disch.	ECII (1 Phase)	A (3 Phase)	B	C	D	E	F	G	H	NPT J	K
1/3	1-1/4	1	13	13-3/8	2-1/16	5-9/16	4-1/2	3-7/16	3-7/8	3-15/16	5-5/8	1/4	3/8 Dia.
1/2	1-1/4	1	11-21/32	13-3/8	2-1/16	5-9/16	4-1/2	3-7/16	3-7/8	3-15/16	5-5/8	1/4	3/8 Dia.
3/4	1-1/4	1	11-25/32	13-3/8	2-1/16	5-9/16	4-1/2	3-7/16	3-7/8	3-15/16	5-5/8	1/4	3/8 Dia.
1	1-1/4	1	12-25/32	13-7/8	2-1/16	5-9/16	4-1/2	3-7/16	3-7/8	3-15/16	5-5/8	1/4	3/8 Dia.
1-1/2	1-1/4	1	13-39/64	14-3/8	2-1/16	5-9/16	4-1/2	3-7/16	3-7/8	3-15/16	5-5/8	1/4	3/8 Dia.
2	1-1/2	1-1/4	16-3/4	16-15/16	2-13/16	6-5/16	4-27/32	3-13/32	4-5/8	4	6-7/16	1/4	3/8 Dia.
2-1/2	2	1-1/2	17-3/4	17-1/4	2-13/16	6-5/16	4-27/32	3-13/32	4-5/8	4	6-7/16	1/4	3/8 Dia.
MEDIUM HEAD													
1/3	1-1/4	1	12-9/16	12-15/16	1-7/16	5-1/8	4-7/16	3-1/4	2-1/4	3-1/4	5-5/8	1/4	3/8 Dia.
1/2	1-1/4	1	11-7/32	12-15/16	1-7/16	5-1/8	4-7/16	3-1/4	2-1/4	3-1/4	5-5/8	1/4	3/8 Dia.
3/4	1-1/4	1	11-31/32	12-15/16	1-7/16	5-1/8	4-7/16	3-1/4	2-1/4	3-1/4	5-5/8	1/4	3/8 Dia.
1	1-1/2	1-1/4	12-11/32	13-7/16	1-7/16	5-1/8	4-7/16	3-1/4	2-1/4	3-1/4	5-5/8	1/4	3/8 Dia.
1-1/2	1-1/2	1-1/4	13-25/32	14-9/16	2	5-3/4	4-13/16	3-1/2	4-1/4	3-15/16	5-5/8	1/4	3/8 Dia.
2	1-1/2	1-1/4	16-3/16	16-3/8	2	5-3/4	4-13/16	3-1/2	4-1/4	3-15/16	6-7/16	1/4	3/8 Dia.
2-1/2	2	1-1/2	17-3/16	16-11/16	2	5-3/4	4-13/16	3-1/2	4-1/4	3-15/16	6-7/16	1/4	3/8 Dia.

# high-pressure booster pumps



\*HPS Series is UL 778 Listed for Indoor/Outdoor Use.



*The HP/HPS Booster Pumps are the most durable booster pump available. The patented SignaSeal™ floating impeller design minimizes thrust loads allowing for continuous operation without damage to motor bearings, mechanical seal or pump hydraulic components.*

### APPLICATIONS

- Car wash
- Filtration and reverse osmosis
- Residential, commercial or agricultural pressure washing
- Booster and spray systems
- HVAC
- General purpose pumping

### SPECIFICATIONS

- Max. Inlet Pressure** – 80 PSI
- Max. Working Pressure** – 315 PSI
- Max. Suction Lift** – 15 feet
- Maximum Limits** – Prolonged use with liquids above 140° F is not recommended.
- Discharge** –  
*HP Series:* cast iron  
*HPS Series:* stainless steel
- Motor Adapter and Base** –  
*HP Series:* cast iron  
*HPS Series:* stainless steel
- Shell** – Stainless steel 304 grade
- Impeller** – Acetal
- Diffuser** – Polycarbonate
- Shaft** – Stainless steel 304 grade
- O-Rings** – Buna-N
- Mechanical Seal** – Carbon/ceramic, Buna-N

## Signature 2000® HP/HPS SERIES

### FEATURES

**Patented Stage System** – The proven SignaSeal™ staging system utilizes a patented ceramic wear surface that, when incorporated with STA-RITE's "true" independent floating impellers, dominates with 1<sup>st</sup>-in-class performance, superior sand handling and thrust management staging system.

**Acetal Impellers** – Precision-molded for perfect balance... ultra-smooth for highest performance and efficiency.

**Precision Molded Diffusers** – Superior performance with high resistance to corrosion and abrasion

**Mechanical Shaft Seal** – Precision lapped and highly polished carbon-ceramic, stainless steel construction. Internal design guarantees continuous water lubrication.

**Motor Windings** – Superior insulation materials protect against excessive moisture and contaminants... assure prolonged motor life

**Balanced Rotor** – Die cast under high pressures for uniform performance and greater efficiency; dynamically balanced

**Heavy-duty Ball Bearings** – Shielded, permanently lubricated bearings, extensively tested to ensure extended life and smooth, quiet operation.

**Pump and Motor Shaft** – Stainless steel for maximum corrosion resistance; one-piece threaded shaft for positive impeller drive

**Dustproof Cover** – All electrical components are protected from dirt, dust and insects by a dustproof canopy; ventilating air cannot contaminate.

Signature 2000® is a registered trademark of WICOR Industries. SignaSeal™ is a trademark of WICOR Industries.

In order to provide the best products possible, specifications are subject to change.



# high-pressure booster pumps

## ORDERING INFORMATION

Catalog Number		GPM	HP	Phase	Stages	Pipe Tapping Sizes		Motor Voltage	Shipping Wt. (lbs.)
Cast Iron	Stainless Steel					Inlet	Outlet		
HP7C	HPS7C	7	1/2	1	9	3/4"	3/4"	115/230	48
HP7C3	HPS7C3		1/2	3	9	3/4"	3/4"	208-230/460	45
HP7D	HPS7D		3/4	1	12	3/4"	3/4"	115/230	48
HP7D3	HPS7D3		3/4	3	12	3/4"	3/4"	208-230/460	45
HP7E	HPS7E		1	1	16	3/4"	3/4"	115/230	51
HP7E3	HPS7E3		1	3	16	3/4"	3/4"	208-230/460	48
HP10C	HPS10C	10	1/2	1	6	3/4"	3/4"	115/230	45
HP10C3	HPS10C3		1/2	3	6	3/4"	3/4"	208-230/460	42
HP10D	HPS10D		3/4	1	8	3/4"	3/4"	115/230	46
HP10D3	HPS10D3		3/4	3	8	3/4"	3/4"	208-230/460	43
HP10E	HPS10E		1	1	10	3/4"	3/4"	115/230	50
HP10E3	HPS10E3		1	3	10	3/4"	3/4"	208-230/460	47
HP10F	HPS10F		1-1/2	1	14	3/4"	3/4"	115/230*	58
HP10F3	HPS10F3		1-1/2	3	14	3/4"	3/4"	208-230/460	53
HP10G	HPS10G		2	1	16	3/4"	3/4"	115/230*	63
HP10G3	HPS10G3		2	3	16	3/4"	3/4"	208-230/460	59
HP20E	HPS20E	20	1	1	7	1"	1"	115/230	49
HP20E3	HPS20E3		1	3	7	1"	1"	208-230/460	46
HP20F	HPS20F		1-1/2	1	9	1"	1"	115/230	57
HP20F3	HPS20F3		1-1/2	3	9	1"	1"	208-230/460	52
HP20G	HPS20G		2	1	11	1"	1"	115/230	62
HP20G3	HPS20G3		2	3	11	1"	1"	208-230/460	58
HP20H	HPS20H		3	1	15	1"	1"	208-230	59
HP20H3	HPS20H3		3	3	15	1"	1"	200-230/460	55
HP30E	HPS30E	30	1	1	5	1-1/4"	1-1/4"	115/230	47
HP30E3	HPS30E3		1	3	5	1-1/4"	1-1/4"	208-230/460	44
HP30F	HPS30F		1-1/2	1	6	1-1/4"	1-1/4"	115/230	54
HP30F3	HPS30F3		1-1/2	3	6	1-1/4"	1-1/4"	208-230/460	49
HP30G	HPS30G		2	1	7	1-1/4"	1-1/4"	115/230	57
HP30G3	HPS30G3		2	3	7	1-1/4"	1-1/4"	208-230/460	53
HP30H	HPS30H		3	1	11	1-1/4"	1-1/4"	208-230	59
HP30H3	HPS30H3		3	3	11	1-1/4"	1-1/4"	200-230/460	55

**NOTE:** ODP motor is standard, for TEFC motors, contact Customer Service.

## ORDERING INFORMATION

### ACCESSORIES

Pkg. No.	Description	Approx. Wt. Lbs.
<b>SUCTION</b>		
83	Suction hose – 3/4" 150 PSI hose, 6 ft. section with two (2) female hose fittings	3
85	Two (2) garden hose/NPT adapters – 3/4" NPT male to 3/4" garden hose male	3
96	Vacuum relief valve – 1/2" NPT	2
<b>150 PSI RATED* DISCHARGE</b>		
84	Discharge hose – 3/4" 150 PSI hose, 25 ft. section with male and female garden hose fittings	10
86	High pressure pistol grip nozzle with three (3) nozzles (No. 56, 50 and 49)	2
<b>315 PSI RATED* DISCHARGE</b>		
162	25' of 1" ID hose with 3/4" male and female hose fittings 315 PSI rating	15
194	High pressure pistol grip nozzle with three (3) nozzles (No. 56, 50 and 49) rated for 500 PSI	2

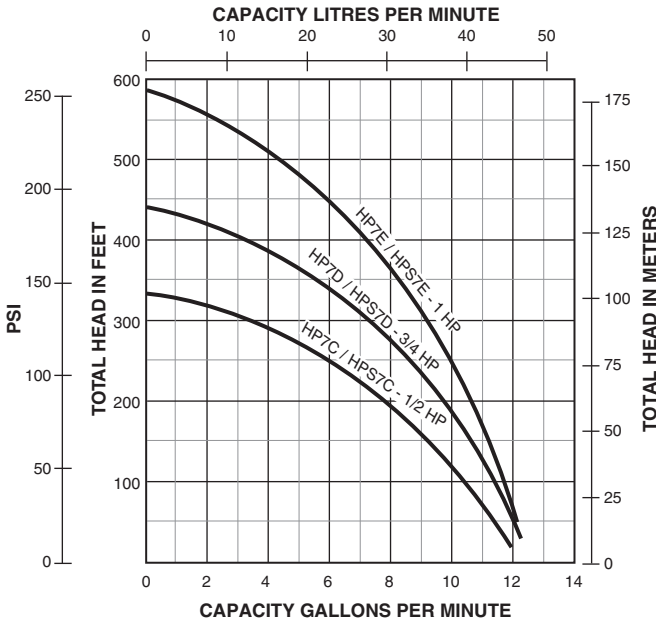
\*To select proper discharge accessories for your pump, add incoming pressure to pump output pressure, to determine total discharge pressure.

**Example:** Incoming pressure 20 PSI + pump output pressure (HP7C at 0 GPM, 300') 87 PSI = Total 150 PSI at discharge = 150 PSI rated discharge accessories

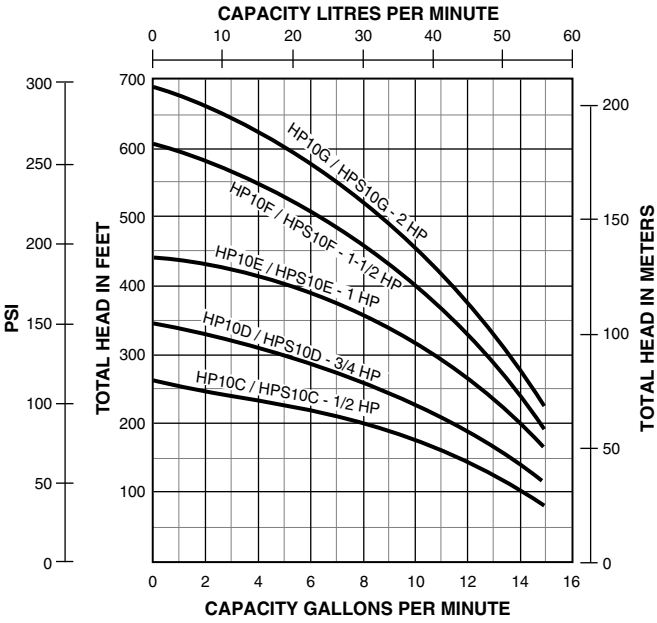


# high-pressure booster pumps

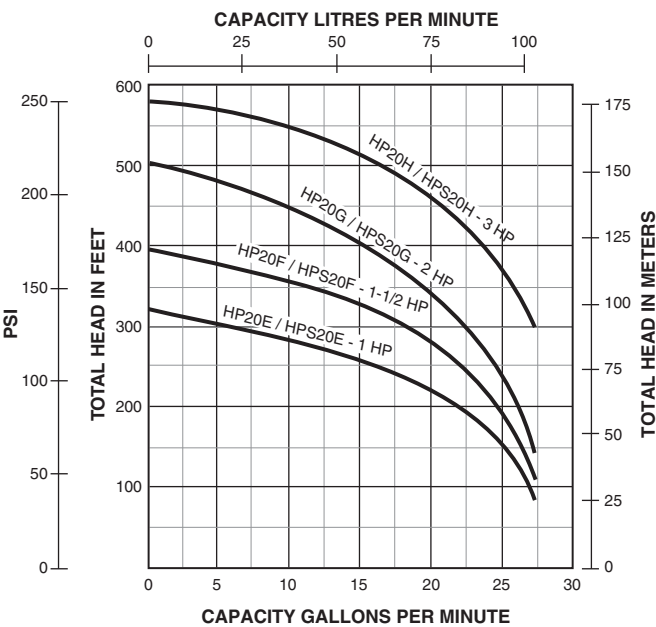
## PUMP PERFORMANCE – 7 GPM



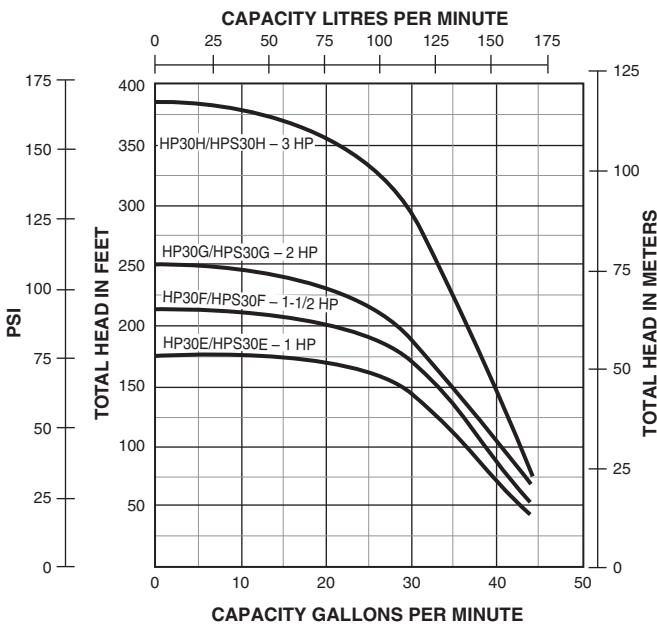
## PUMP PERFORMANCE – 10 GPM



## PUMP PERFORMANCE – 20 GPM

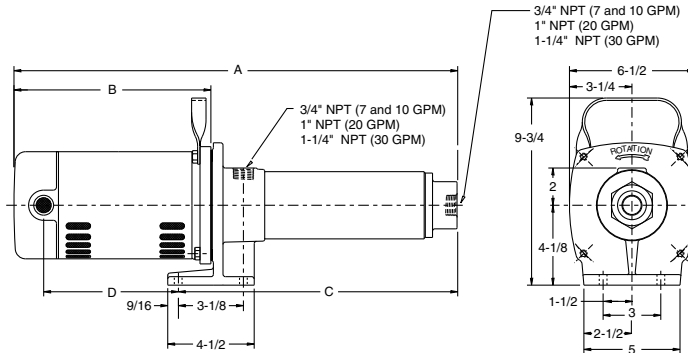


## PUMP PERFORMANCE – 30 GPM



# high-pressure booster pumps

## OUTLINE DIMENSIONS



## DIMENSIONS IN INCHES

### CAST IRON

Catalog Number	HP	A	B	C	D
HP7C	1/2	24.28	10.38	15.76	6.68
HP7C3	1/2	26.41	9.88	18.39	6.68
HP7D	3/4	27.41	10.88	18.39	7.69
HP7D3	3/4	30.41	10.38	21.89	7.28
HP7E	1	31.91	11.88	21.89	8.69
HP7E3	1	22.15	10.88	13.13	7.68
HP10C	1/2	22.87	11.60	13.13	8.44
HP10C3	1/2	21.15	9.88	13.13	6.68
HP10D	3/4	24.99	11.97	14.88	8.81
HP10D3	3/4	25.15	10.38	16.63	7.28
HP10E	1	27.80	13.03	16.63	9.87
HP10E3	1	24.78	10.88	15.76	7.68
HP10F	1-1/2	31.18	13.78	19.26	10.31
HP10FG	1-1/2	31.91	11.88	21.89	8.69
HP10G	2	36.44	13.78	24.52	10.62
HP10G3	2	32.66	12.63	21.89	9.44
HP20E	1	26.85	13.03	15.68	9.87
HP20E3	1	26.93	10.88	17.91	7.68
HP20F	1-1/2	29.83	13.78	17.91	10.31
HP20F3	1-1/2	30.16	11.88	20.14	8.69
HP20G	2	32.06	13.78	20.14	10.62
HP20G3	2	26.53	12.63	15.76	9.44
HP20H	3	36.80	14.05	24.47	11.12
HP20H3	3	34.67	11.92	24.47	8.97
HP30E	1	25.08	11.88	14.92	8.69
HP30E3	1	24.08	10.88	14.92	7.69
HP30F	1-1/2	27.26	12.63	16.35	9.44
HP30F3	1-1/2	26.51	11.88	16.35	8.69
HP30G	2	28.49	12.42	17.79	9.47
HP30G3	2	28.70	12.63	17.79	9.44
HP30H	3	35.86	14.05	23.53	11.12
HP30H3	3	33.73	11.92	23.53	8.97

### STAINLESS STEEL

Catalog Number	HP	A	B	C	D
HPS7C	1/2	25.39	11.60	15.65	8.44
HPS7C3	1/2	26.27	9.88	18.25	6.68
HPS7D	3/4	28.36	11.97	18.25	8.81
HPS7D3	3/4	26.77	10.38	18.25	7.28
HPS7E	1	31.89	11.97	21.78	8.81
HPS7E3	1	30.80	10.88	21.78	11.94
HPS10C	1/2	22.76	11.60	13.02	8.44
HPS10C3	1/2	22.79	9.88	14.77	6.68
HPS10D	3/4	24.88	11.97	14.77	8.81
HPS10D3	3/4	25.04	10.38	16.52	7.28
HPS10E	1	27.69	13.03	16.52	9.87
HPS10E3	1	29.05	10.88	20.03	7.68
HPS10F	1-1/2	31.95	13.78	20.03	10.31
HPS10F3	1-1/2	31.80	11.88	21.78	8.69
HPS10G	2	33.70	13.78	21.78	10.62
HPS10G3	2	27.22	12.63	16.45	9.44
HPS20E	1	26.74	13.03	15.57	9.87
HPS20E3	1	26.82	10.88	17.80	7.68
HPS20F	1-1/2	29.72	13.78	17.80	10.31
HPS20F3	1-1/2	30.05	11.88	20.03	8.69
HPS20G	2	31.95	13.78	20.03	10.62
HPS20G3	2	26.42	12.63	15.65	9.44
HPS20H	3	36.80	14.05	24.47	11.12
HPS20H3	3	34.67	11.92	24.47	8.97
HPS30E	1	26.23	13.03	14.92	9.87
HPS30E3	1	24.08	10.88	14.92	7.69
HPS30F	1-1/2	28.10	13.47	16.35	10.31
HPS30F3	1-1/2	26.51	11.88	16.35	8.69
HPS30G	2	29.85	13.78	17.79	10.62
HPS30G3	2	28.70	12.63	17.79	9.44
HPS30H	3	35.86	14.05	23.53	11.12
HPS30H3	3	33.73	11.92	23.53	8.97

# engine-driven self-priming pumps



Series EDDH



Series EEDDH

## EDD/EEDD SERIES

*These engine-driven centrifugal pumps can be used where electrical power is not available. Powerful 4-cycle gasoline engines get the job done faster and more efficiently.*

*Close-coupled EDDH has pump and engine close-coupled on all-steel base... 16" long, 14" wide and 13-1/8" high. EDDH features 5/8" diameter, ductile iron threaded shaft extension.*

*Frame-mounted EEDDH features pump and engine frame-mounted on all-steel base... 18-11/16" long, 14" wide and 13-1/8" high. Stub shaft allows easy replacement with other gasoline-powered engines. EEDDH has 3/4" diameter keyed ductile iron shaft extension.*

*Order Catalog No. EEDD for pump end only, supplied without engine, to be used with 5/8" or 3/4" shaft in gasoline-engine-driven applications. Pump is identical in design to stub-shaft EEDDH.*

### ORDERING INFORMATION

Catalog Number	HP	Description	Fuel Tank Size	Pipe Tapping Sizes		Approx. Wt. Lbs.
				Suction	Discharge	
EDDH	3	Gasoline powered pump	3 Quarts	2"	2"	65
EEDDH	3	Gasoline powered pump	3 Quarts	2"	2"	70
EEDD	-	Gasoline powered pump	-	2"	2"	38

Design Series EDDH – Engine-driven without stub shaft

Design Series EEDDH – Engine-driven with stub shaft

Design Series EEDD – Stub shaft pump only

### SPECIFICATIONS

**Body** – Close-grained cast iron

**Impeller** – Cast iron

**Diffuser** – Cast iron

**Diffuser Ring** – Buna-N

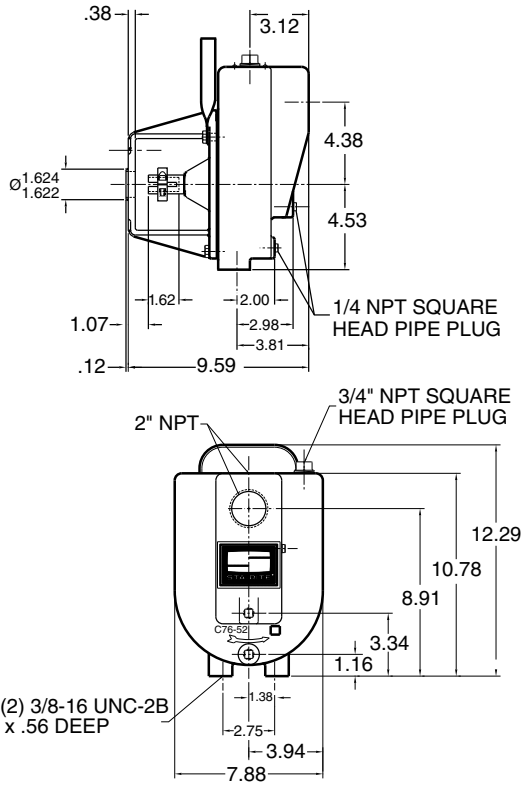
**Stub Shaft (EEDD only)** –

416 stainless steel

In order to provide the best products possible, specifications are subject to change.

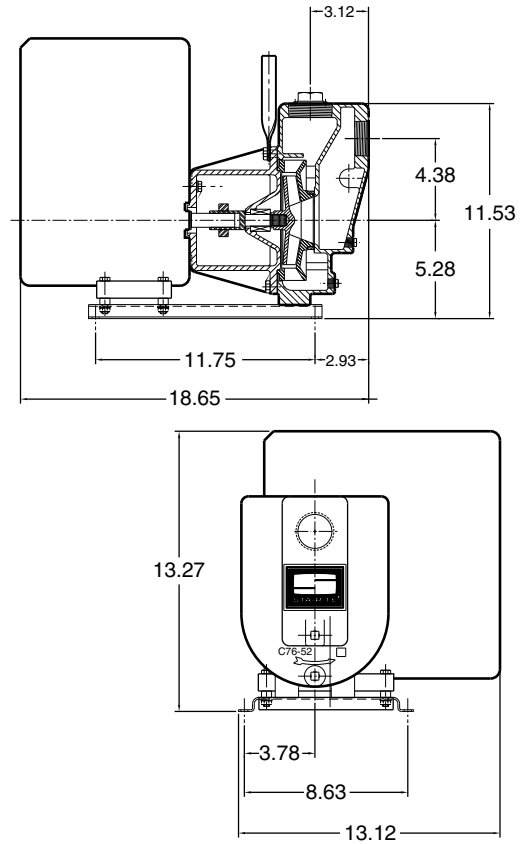
# engine-driven self-priming pumps

## OUTLINE DIMENSIONS - EEDD



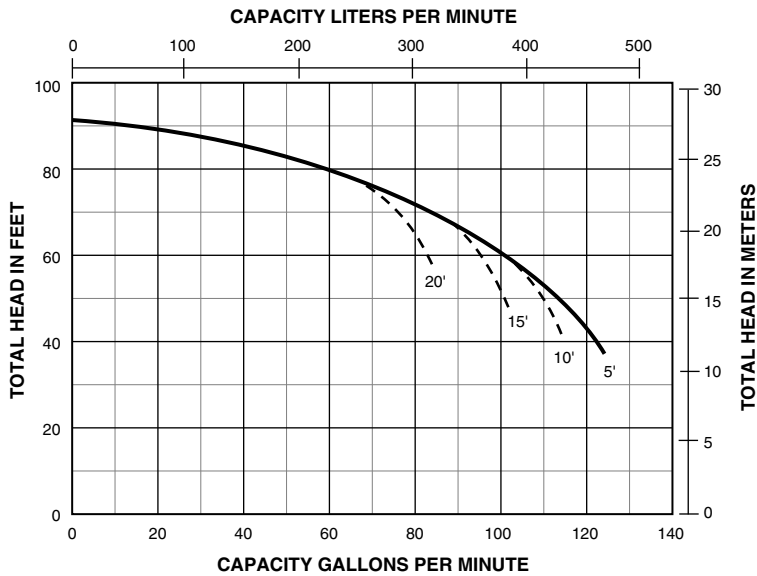
Dimensions (in inches) are for estimating purposes only.

## OUTLINE DIMENSIONS - EEDDH



Dimensions (in inches) are for estimating purposes only.

## PUMP PERFORMANCE



NOTE: Dotted lines indicate performance reduction at high suction lift.

# utility pumps



This product is Listed to UL Standards for Safety by Underwriters Laboratories Inc. (UL).



*The US3 pump's construction of high-impact engineered resin provides corrosion-free and dependable operation. The discharge is 1-1/4" MNPT and will fit a garden hose by using*

*the adapter provided. Current offering has a 1/6 HP, 115 Volt, single-phase shaded pole motor. Product includes an 8' power cord; a 25' replacement cord is available.*

## US3 SERIES

### APPLICATIONS

- Emergency Dewatering
- Water Transfer

### SPECIFICATIONS

**Motor** – 1/6 HP (3,450 RPM); Oil-filled; shaded pole with thermal overload protection, 115 Volts, single-phase, 60 Hz

**Construction** – High-impact, engineered polymer

**Power Cord** – Easily replaceable 8' with optional 25' cord available

**Discharge** – 1-1/4" MNPT with garden hose discharge adapter

**Impeller** – Thermoplastic, semi-open vane type

**Shaft Seals** – Double lip

**Bearings** – Sleeve type, oil lubricated

### FEATURES

**Construction** – High-impact corrosion-resistant engineered resin construction

**Draw down** – Pumps down to 1/8"

**Versatile** – Portable and multi-purpose for a variety of uses

**Performance** – Pumps 19 gallons per minute at 5' of lift

### ORDERING INFORMATION

Catalog Number	HP	Max Load Amps	Volts	Phase/Cycles	Cord Length	Construction	Approx. Wt. Lbs.
US31718M	1/6	6.0	115	1/60	8'	Composite	7 lbs.

### PUMP PERFORMANCE

Vertical Lift Feet/Meters	5/1.5	10/3.0	15/4.6	20/6.1	<b>Shut Off</b> 21/6.4
Gallons/Liters per Minute	19/71.9	17/64.4	14/53.0	8/30.3	<b>No Flow</b>

In order to provide the best products possible, specifications are subject to change.





# utility pumps



This product is Listed to UL Standards for Safety by Underwriters Laboratories Inc. (UL).



*The US4 pump, including the impeller, is made from heavy-duty die cast aluminum, providing corrosion-free and dependable service. The discharge is 1-1/4" FNPT and will fit a garden hose by using the adapter provided. Current offering has a 1/4 HP,*

*115 Volt, single-phase shaded pole motor. Product includes an 8' power cord; a 25' replacement cord is available. This manual operation pump can be made automatic by adding our patented switch.*

## US4 SERIES

### APPLICATIONS

- Emergency Dewatering
- Water Transfer

### SPECIFICATIONS

**Construction** – Epoxy-coated die cast aluminum body and volute

**Motor** – 1/4 HP (3,450 RPM); Oil-filled; shaded pole with thermal overload protection; 115 Volts, single-phase, 60 Hz

**Power Cord** – Easily replaceable 8' with optional 25' cord available

**Discharge** – 1-1/4" NPT with garden hose discharge adapter

**Impeller** – Epoxy coated die cast aluminum, open vane type

**Shaft Seals** – Mechanical

**Bearings** – Top and bottom sleeve type, oil lubricated

### FEATURES

**Construction** – Heavy-duty, die cast aluminum body and volute; toughest in the industry

**Draw Down** – Pumps down to 1/8"

**Easy Maintenance** – Removable screen for easy cleaning

**Performance** – Pumps 19 gallons per minute at 5' of lift

**Automatic Operation Option** – Patented switch for automatic operation available (SSS11)

### ORDERING INFORMATION

Catalog Number	HP	Max Load Amps	Volts	Phase/Cycles	Cord Length	Construction	Approx. Wt. Lbs.
US42518M	1/4	5.0	115	1/60	8'	Epoxy Coated Aluminum	9

### PUMP PERFORMANCE

Vertical Lift Feet/Meters	5/1.5	10/3.0	15/4.6	20/6.1	Shut Off 21/6.4
Gallons/Liters per Minute	19/71.9	17/64.4	14/53.0	8/30.3	No Flow

In order to provide the best products possible, specifications are subject to change.

# pedestal sump pumps



This product is Listed to UL Standards for Safety by Underwriters Laboratories Inc. (UL).



*The pedestal design is engineered for the easy installation and replacement of most other brands of pedestal pumps. Models available include corrosion-resistant engineered resin or cast iron with stainless steel construction. Float switch*

*assembly is easily adjustable to accommodate a variety of on/off settings.*

### APPLICATIONS

- Basement Sumps
- Dewatering

### ORDERING INFORMATION

Catalog Number	HP	Max. Load Amps	Volts	Phase/Cycles	Cord Length	Mechanical Switch Type
P13316V	1/3	3.5	115	1/60	6'	Vertical
PC13316V	1/3	3.5	115	1/60	6'	Vertical

### PUMP PERFORMANCE

Total Head in Feet/Meters	5/1.5	10/3	15/4.6	20/6.1	22/6.7
Gallons/Liters Per Minute	50/170	40/197	27/114	12/45	No Flow

## P133/PC133 SERIES

### SPECIFICATIONS

- Motor** – Air-cooled
- Base** – High-impact corrosion-resistant engineered resin or rugged cast iron
- Switch** – Vertical
- Power Cord** – 6'
- Discharge** – P13316V: 1-1/4" NPT; PC13316V: 1-1/2" NPT
- Impeller** – Corrosion-resistant thermoplastic with non-clogging performance
- Maximum Liquid Temperature Limits** – 77°F (25°C)

### FEATURES

- Switch** – Vertical style operation provides easy adjustment for on/off setting to specific application needs.
- Intake** – Screened intake prevents debris from entering the pump.
- Heavy-duty Motor** – Built-in thermal overload protection with automatic reset.
- Easy Serviceability** – Pump intake, impeller, base, switch, and float assembly are serviceable.
- Performance** – Models range up to 50 gallons per minute at 5' of lift.
- Base Construction (Corrosion-Resistant Model P13316V)** – Corrosion-resistant pump base is durable during and long after installation.
- Base Construction (Cast Iron Models PC13316V)** – Cast iron pump base is rugged and assembled to a stainless steel support column.

In order to provide the best products possible, specifications are subject to change.

# cast iron submersible sump pumps



This product is Listed to UL Standards for Safety by Underwriters Laboratories Inc. (UL).



**Rugged cast iron sump pumps feature a vortex impeller to provide solids-handling capability up to 1/2". Product is available in 1/3 or 1/2 HP, 115 Volt single phase 60 Hz. Pump discharge is 1-1/2" FNPT. Field-replaceable piggy-back float switch: vertical for minimum diameter 10" sumps,**

**or tethered for minimum diameter 14" sumps.**

### APPLICATIONS

- Basement Sumps
- Dewatering
- Light Effluent
- Water Transfer

### ORDERING INFORMATION

Catalog Number	HP	Maximum Load Amps	Volts	Phase/Cycles	Cord Length	Mechanical Switch Type
DC233110M	1/3	9.8	115	1/60	10'	Manual
DC233110T	1/3	9.8	115	1/60	10'	Tethered
DC233110V	1/3	9.8	115	1/60	10'	Vertical
DC233120M	1/3	9.8	115	1/60	20'	Manual
DC233120T	1/3	9.8	115	1/60	20'	Tethered
DC233120V	1/3	9.8	115	1/60	20'	Vertical
DC250110M	1/2	12.0	115	1/60	10'	Manual
DC250110T	1/2	12.0	115	1/60	10'	Tethered
DC250110V	1/2	12.0	115	1/60	10'	Vertical
DC250120M	1/2	12.0	115	1/60	20'	Manual
DC250120T	1/2	12.0	115	1/60	20'	Tethered
DC250120V	1/2	12.0	115	1/60	20'	Vertical

Noryl® is a registered trademark of General Electric Co.

In order to provide the best products possible, specifications are subject to change.

## DC233/ DC250 SERIES

### SPECIFICATIONS

**Motor** – Oil-cooled 1/3 HP and 1/2 HP versions available, 115 Volts, single phase, 60 Hz

**Motor Cover/Volute** – Cast iron

**Lower Volute Base** – Fiberglass reinforced polypropylene

**Switch** – Tethered float or vertical

**Power Cord** – 10' or 20' grounded three-prong, water-resistant, type SJTW-A/SJTW

**Discharge** – 1-1/2" FNPT

**Exterior Hardware** – Stainless steel

**Shaft Seal** – Mechanical, carbon/ceramic

**Impeller** – Fiberglass reinforced Noryl® with threaded brass insert

**Bearings** – Upper sleeve and Lower ball bearings, oil lubricated

**Maximum Liquid Temperature Limits** – 130°F (55°C)

### FEATURES

**Switch** – Tethered float switch operates in sump diameters of 14" or larger. Vertical switch design with guard allows for operation in sump diameters of 10" or larger.

**Construction** – Rugged cast iron pump body and motor cover for applications needing a durable pump.

**Intake** – Screened intake prevents debris from entering the pump.

**Oil-Cooled Motor** – Transfers heat to sump water efficiently while lubricating internal motor components.

**Performance** – Models range up to 62 gallons per minute at 5' of lift.

**Anti Air Lock Hole** – Built into base; eliminates added labor.

**Solids Handling Capability** – 1/2"

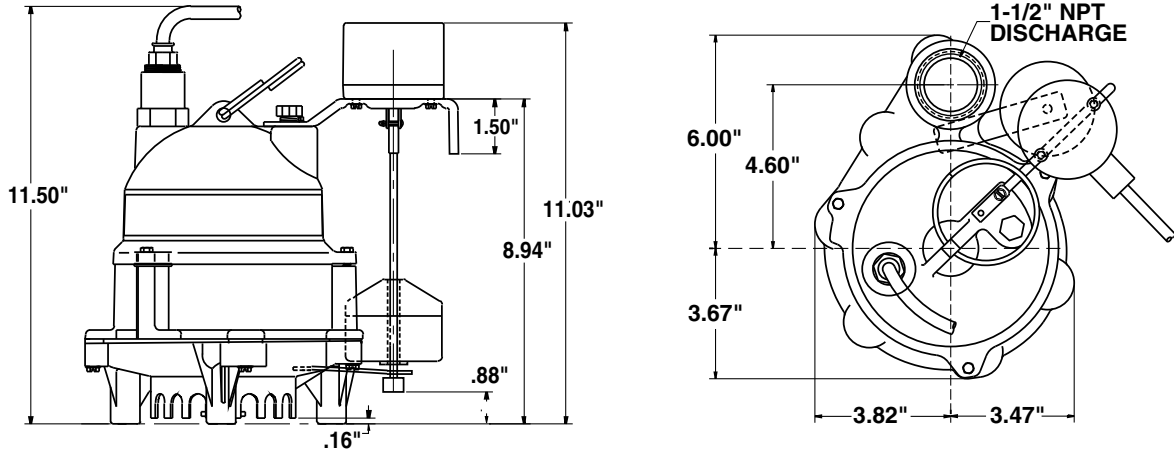
**Ball Bearings and Shaft Seal** – Lubricated and designed for long life.

**Easy Serviceability** – Pump intake screen, impeller, base, switch, and power cord are serviceable.

# cast iron submersible sump pumps

## OUTLINE DIMENSIONS - VERTICAL FLOAT

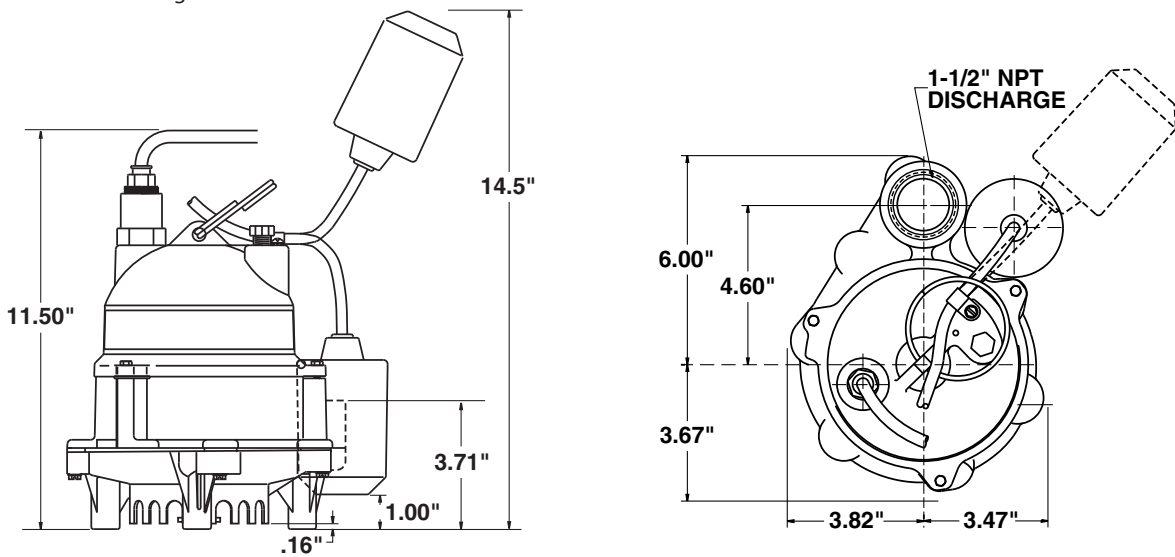
Designed to fit 10" or larger basins.



Dimensions (in inches) are for estimating purposes only.

## OUTLINE DIMENSIONS - TETHERED FLOAT

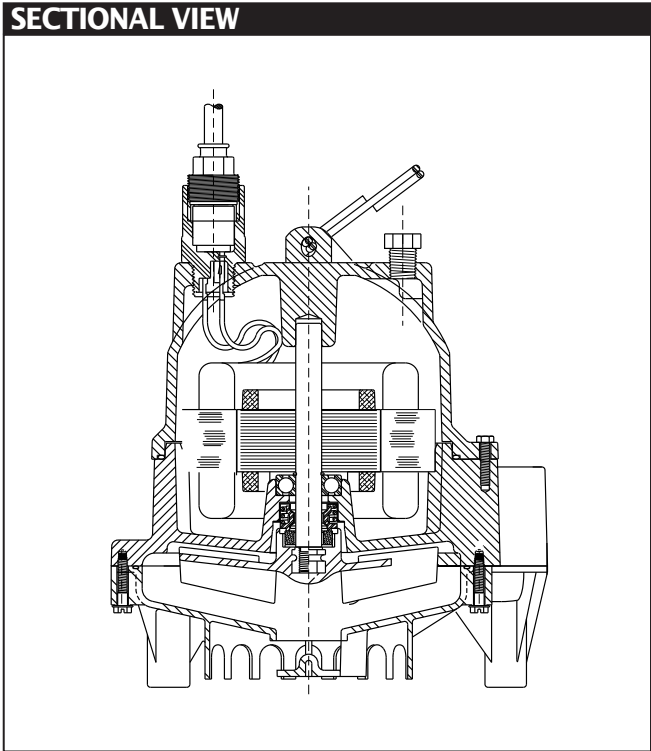
Designed to fit 14" or larger basins.



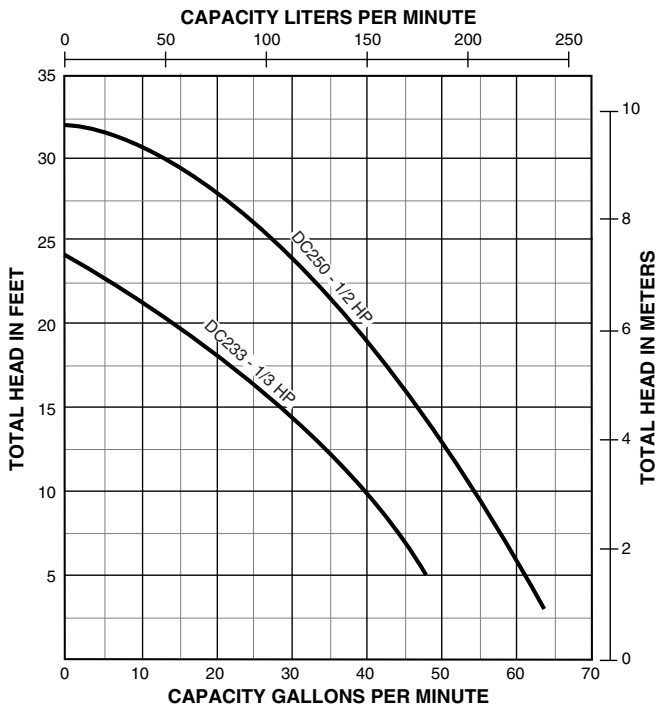
Dimensions (in inches) are for estimating purposes only.

# cast iron submersible sump pumps

PUMP PERFORMANCE					
1/3 HP					
Vertical Lift Feet/Meters	5/1.5	10/3	15/4.6	20/6.1	Shut Off 24/7.3
Gallons/Liters Per Minute	48/182	40/151	29/110	15/57	No Flow
1/2 HP					
Vertical Lift Feet/Meters	5/1.5	10/3	15/4.6	20/6.1	25/7.6
Gallons/Liters Per Minute	62/235	53/201	46/174	38/144	29/110
					No Flow



## PUMP PERFORMANCE





# sink pump system



This product (pump only) is Listed to UL Standards for Safety by Underwriters Laboratories Inc. (UL).



*This packaged sink pump system is an ideal alternative to direct drain plumbing for gray water applications. Pump water from laundry trays, wet bar/beautician/utility sinks; transfer drain water from air conditioning or dehumidifier units. Components include rugged, high performing 1/3 HP cast iron pump with a vortex impeller, a heavy-duty compact*

*covered basin, and rigid internal discharge pipe. This pre-packaged sink/pump system is ready for immediate installation and is ideal for retrofitting projects.*

### APPLICATIONS

- Laundry trays, wet bars, beautician or utility sinks
- Dehumidifier/air-conditioning units

### ORDERING INFORMATION

Catalog Number	HP	Max. Load Amps	Volts	Phase/Cycles	Cord Length	Mechanical Switch Type
DP233110V	1/3	9.8	115	1/60	10'	Vertical

Noryl® is a registered trademark of General Electric Co.

In order to provide the best products possible, specifications are subject to change.

## DP2 SERIES

### SPECIFICATIONS

- Motor** – Oil-cooled 1/3 HP  
115 Volts, single phase, 60 Hz
- Motor Cover/Volute** – Cast iron
- Lower Volute Base** – Fiberglass reinforced polypropylene
- Switch** – Vertical type
- Power Cord** – 10' grounded three-prong, water-resistant, type SJTW-A/SJTW. UL/CSA approved.
- Discharge** – 1-1/2" FNPT
- Exterior Hardware** – Stainless steel
- Shaft Seal** – Mechanical, carbon/ceramic
- Impeller** – Fiberglass reinforced Noryl® with threaded brass insert
- Bearings** – Upper sleeve and lower ball bearings, oil lubricated
- Maximum Liquid Temperature Limits** – 130°F (55°C) continuous

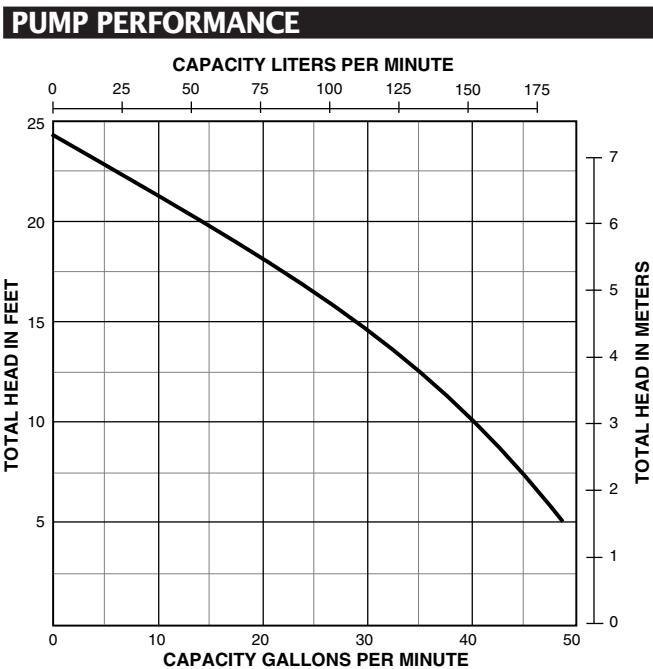
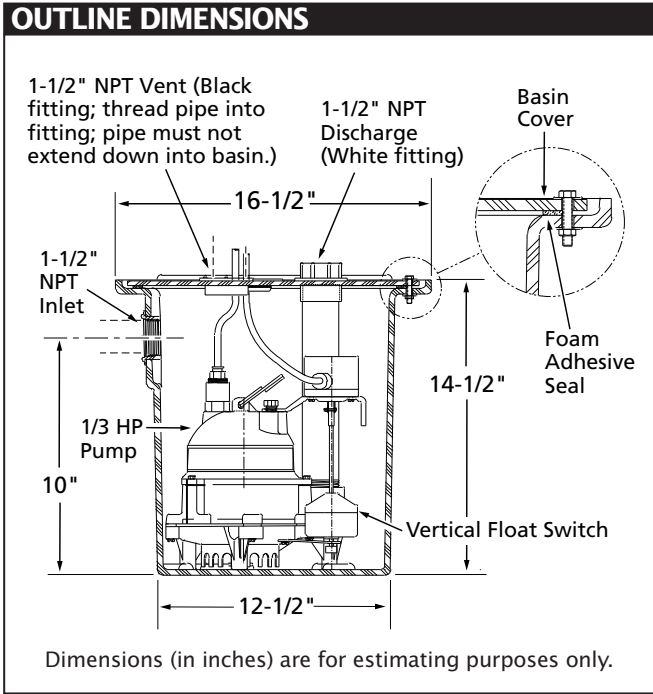
### FEATURES – BASIN

- Packaged System** – Ready for immediate installation.
- Polyethylene Tank** – 5-gallon, seamless, molded, with bolt-on lid for maximum durability.
- Installation** – Fits in 16-1/2" diameter by 16-1/4" high space.
- Spin-welded Fittings** – 1-1/2" FNPT threaded discharge, 1-1/2" FNPT threaded vent, 1-1/2" FNPT threaded inlet.

### FEATURES – PUMP

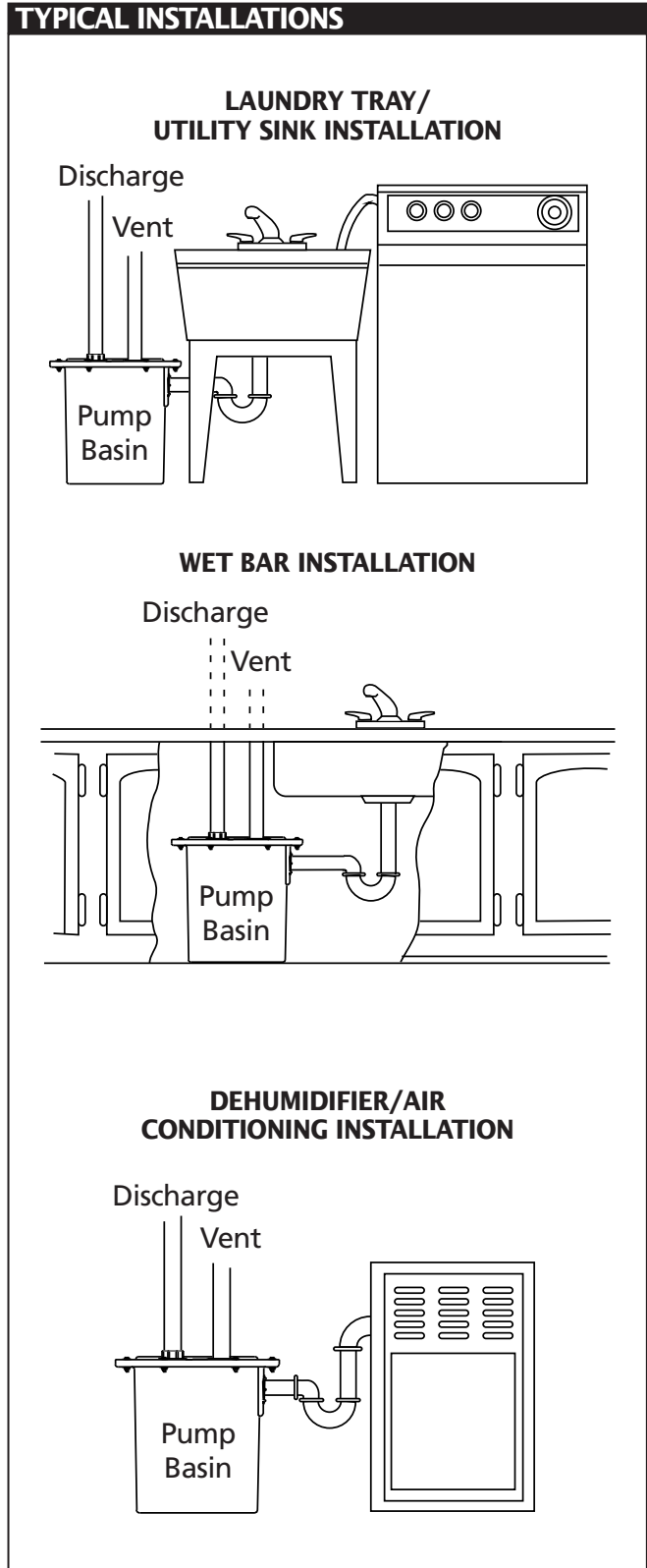
- Pump** – Submersible, fully automatic, cast iron, 1/3 HP. UL/CSA approved.
- Motor** – Oil-cooled, high torque, 115 Volts, has automatic overload protection.
- Performance** – Pumps to 48 gallons per minute at 5' of lift.
- Float Switch** – Vertical, with automatic or manual operation (piggy-back).
- Suction Plate** – Stainless steel; prevents unwanted debris from entering the pump.

# sink pump system



### PUMP PERFORMANCE

<b>Vertical Lift Feet/Meters</b>	5/1.5	10/3	15/4.6	20/6.1	<b>Shut Off</b> 24/7.3
<b>Gallons/Liters per Minute</b>	48/182	40/151	29/110	15/57	<b>No Flow</b>





# submersible sump/utility pumps



This product is Listed to UL Standards for Safety by Underwriters Laboratories Inc. (UL).



*This high performing 3/4 HP automatic submersible pump is ideal for use in heavy-duty sump and utility applications. It pumps up to 100 gallons per minute. Features include a high-efficiency motor and a unique compact design with a built-in check valve. Use this product in a 14-inch sump basin where pumps must*

*run frequently and handle large amounts of water. Also ideal as a utility pump for pumping out flooded basements.*

### APPLICATIONS

- Basement Sumps
- Dewatering
- Utility

### ORDERING INFORMATION

Catalog Number	HP	Max. Load Amps	Volts	Phase/Cycle	Cord Length	Mechanical Switch Type
D175110T	3/4	7.5	115	1/60	10'	Tethered
D175120M	3/4	7.5	115	1/60	20'	Manual
D175120T	3/4	7.5	115	1/60	20'	Tethered

## TRIDENT™ D175 SERIES

### SPECIFICATIONS

- Motor** – Energy efficient oil-cooled at 3/4 HP, 115 Volts, single phase, 60 Hz
- Power Cord** – 10' or 20' grounded three-prong, type SJTW-A/SJTW
- Discharge** – Universal 1-1/4" or 1-1/2", rubber coupling and clamps to attach to PVC or galvanized pipe
- Exterior Hardware** – Stainless steel
- Shaft Seal** – Double lip seal
- Impeller** – Fiberglass reinforced Noryl®
- Bearings** – Lower ball, upper-sleeve type, oil-lubricated
- Maximum Liquid Temperature Limits** – 77°F (25°C)

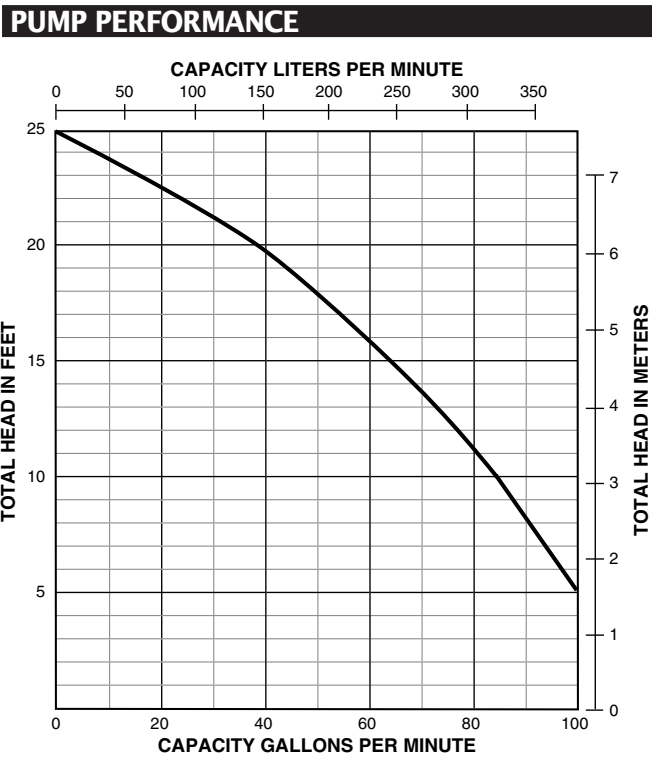
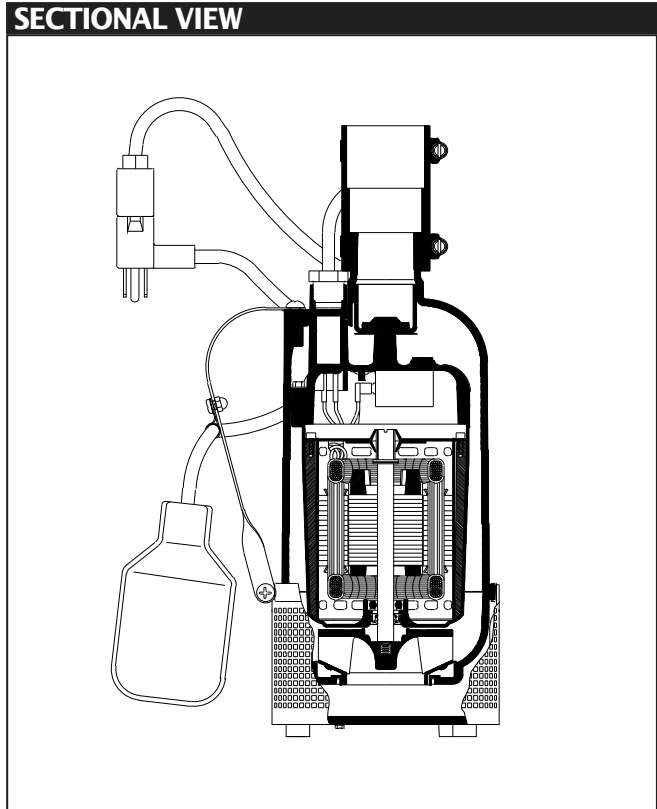
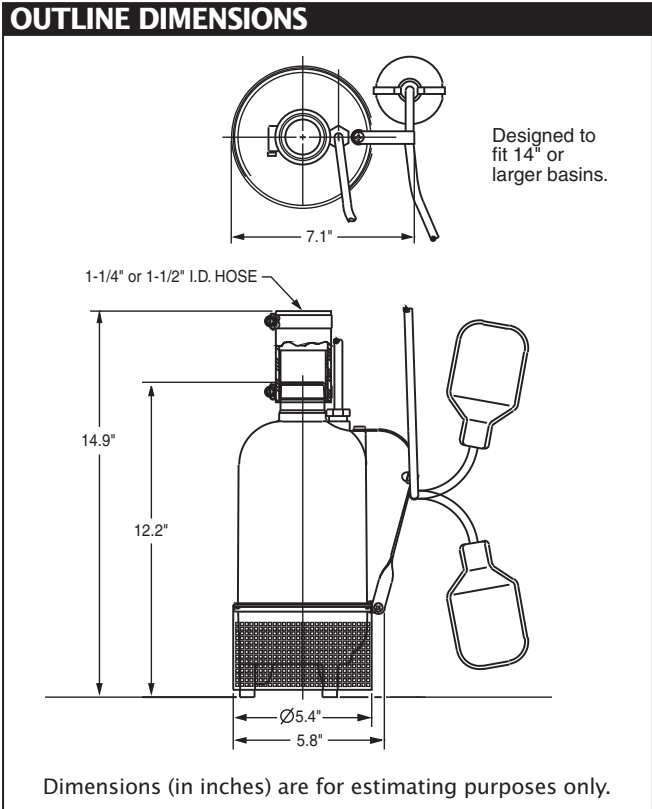
### FEATURES

- Switch** – Tethered style non-mercury float switch operates in sump diameters of 14" or larger.
- Construction** – Motor cover and base made of high-impact engineered resin.
- Intake** – Screened intake prevents debris from entering the pump.
- Oil-Cooled Motor** – Transfer heat to sump water efficiently while lubricating internal motor components.
- Performance** – Models range up to 100 gallons per minute at 5' of lift.
- Bearings** – Lubricated lower ball, upper sleeve type.
- Shaft Seal** – Double lip seal.
- Active Cooling** – Water being pumped cools the motor on the way to the discharge.
- Easy Serviceability** – Pump intake, impeller, base, switch, and power cord are serviceable.

Noryl® is a registered trademark of General Electric Co. Trident™ is a trademark of WICOR Industries.  
In order to provide the best products possible, specifications are subject to change.



# submersible sump/utility pumps



### PUMP PERFORMANCE

Vertical Lift Feet/Meters	5/1.5	10/3	15/4.6	20/6.1	Shut Off 25/7.6
Gallons/Liters Per Minute	100/379	84/318	64/242	39/148	No Flow



# composite/stainless steel submersible sump pumps



This product is Listed to UL Standards for Safety by Underwriters Laboratories Inc. (UL).



*The D130/D140 Series Pumps are constructed from engineered composites and stainless steel components providing dependable, corrosion-resistant service. Product available in 3/10 HP or 4/10 HP versions, 115 Volt single phase, 60 Hz, high efficiency PSC motors. Product includes 8' or 15' power cord with tethered style float switch. Pump discharge is 1-1/4" NPT.*

## APPLICATIONS

- Basement Sumps
- Dewatering
- Water Transfer

## ORDERING INFORMATION

Catalog Number	HP	Maximum Load Amps	Volts	Phase/Cycles	Cord Length	Mechanical Switch Type
D13018T	3/10	2.3	115	1/60	8'	Tethered
D130115T	3/10	2.3	115	1/60	15'	Tethered
D14018T	4/10	2.9	115	1/60	8'	Tethered
D140115T	4/10	2.9	115	1/60	15'	Tethered

## D130/D140 SERIES

### SPECIFICATIONS

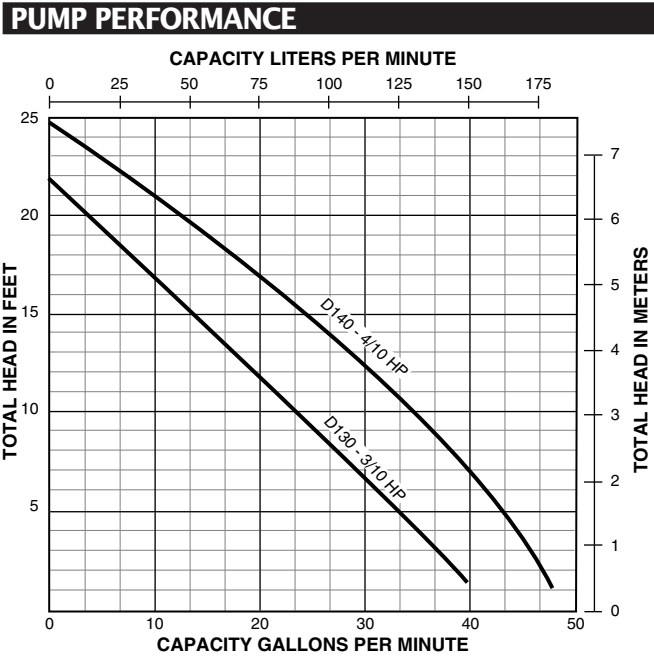
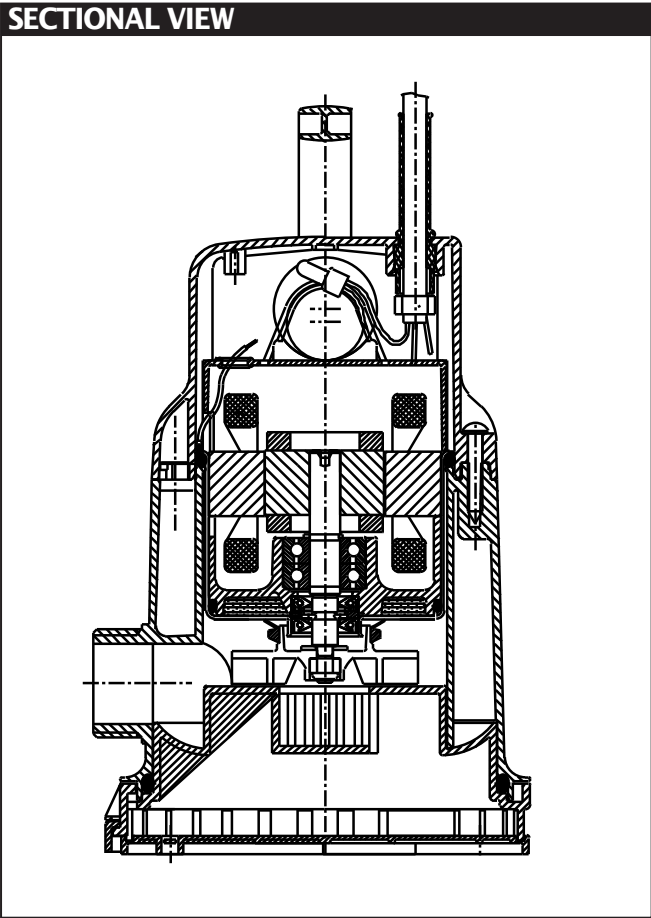
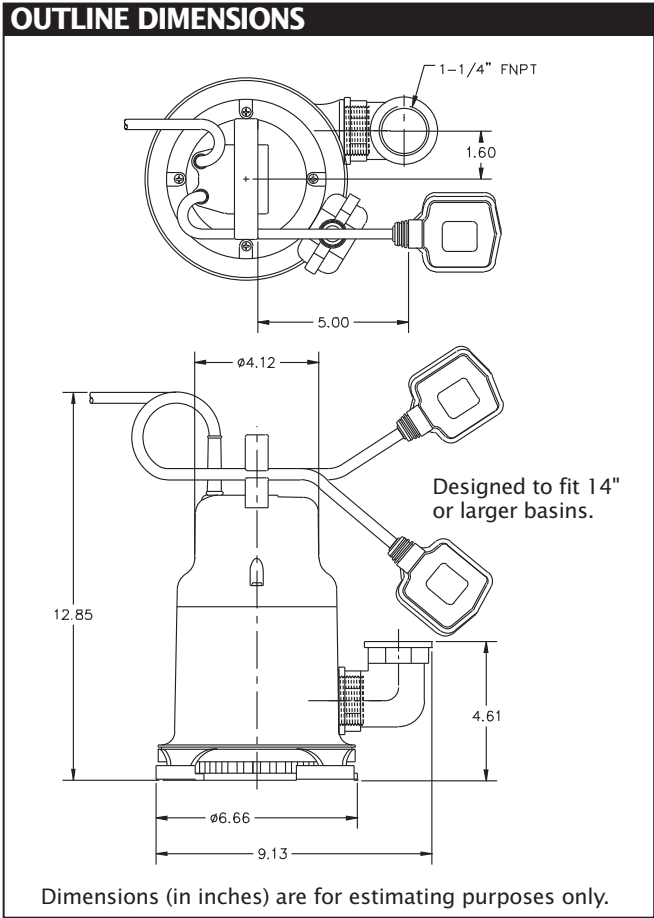
- Motor** – Energy efficient oil-free PSC motor at 3/10 HP or 4/10 HP, 115 Volts, single phase, 60 Hz
- Power Cord** – 8' or 15' grounded three prong water-resistant type SJTW-A/SJTW
- Discharge** – Vertical 1-1/4" FNPT
- Exterior Hardware** – Stainless steel
- Shaft Seal** – Double lip seal
- Impeller** – Engineered composite, semi-open design
- Bearing** – Permanently lubricated ball bearings
- Maximum Liquid Temperature Limits** – 77°F (25°C)

### FEATURES

- Switch** – Tethered style non-mercury float switch operates in sump diameters of 14" or larger.
- Construction** – Motor cover and base made of high-impact engineered resin.
- Motor Housing** – 304 series stainless steel.
- Intake** – Screened intake prevents debris from entering the pump.
- Performance** – Models range up to 42 gallons per minute at 5' of lift.
- Bearings** – Permanently lubricated ball bearings.
- Discharge** – 1-1/4" NPT.

In order to provide the best products possible, specifications are subject to change.

# composite/stainless steel submersible sump pumps



### PUMP PERFORMANCE

D130 SERIES - 3/10 HP						
Vertical Lift Feet/Meters	1/3	5/1.5	10/3	15/4.6	20/6.1	Shut-Off 22/6.7
Gallons/Liters per Minute	40/151	32/121	23/87	13/49	4/15	No Flow
D140 SERIES - 4/10 HP						
Vertical Lift Feet/Meters	1/3	5/1.5	10/3	15/4.6	20/6.1	Shut-Off 25/7.6
Gallons/Liters per Minute	48/182	42/159	35/132	25/95	12/45	No Flow

# submersible sump pumps



This product is Listed to UL Standards for Safety by Underwriters Laboratories Inc. (UL).



**Automatic submersible sump pumps provide reliable protection and performance against flooded basements. The submersible design allows for quiet operation with a wide range of models available to accommodate a variety of applications. Switch choices include tethered styles for a wide range of on/off settings**

**or vertical style for narrow diameter sumps. Materials of construction include high-impact corrosion-resistant engineered resin. Other options include discharge size (1-1/2" FNPT).**

### APPLICATIONS

- Basement Sumps
- Dewatering

## D125/D133/D150 SERIES

### SPECIFICATIONS

**Motor** – Oil-cooled submersible, 115 Volts, single phase, 60 Hz  
**Base** – High-impact corrosion-resistant engineered resin  
**Switch** – Tethered or vertical style  
**Power Cord** – 8' Type SJTW-A/SJTW  
**Discharge** – 1-1/2" FNPT  
**Impeller** – Corrosion-resistant thermoplastic, semi-open type  
**Maximum Liquid Temperature Limits** – 77°F (25°C)

### FEATURES

**Switch** – Tethered float style installs into sump diameter of 14" or larger. Vertical style installs into sump diameters of 10" or larger.  
**Intake** – Screened intake prevents debris from entering the pump.  
**Oil-cooled Motor** – Transfers heat to sump water efficiently while lubricating internal motor components.  
**Performance** – Models range up to 54 gallons per minute at 5' of lift.  
**Easy Serviceability** – Pump intake, impeller, base, switch, and power cord are serviceable.  
**Base Construction** – High-impact corrosion-resistant engineered resin pump base is durable for residential application.

### ORDERING INFORMATION

Catalog Number	HP	Max. Load Amps	Volts	Phase/Cycles	Cord Length	Mechanical Switch Type
D12518T	1/4	8.5	115	1/60	8'	Tethered
D12518V	1/4	8.5	115	1/60	8'	Vertical
D13318T	1/3	9.0	115	1/60	8'	Tethered
D13318V	1/3	9.0	115	1/60	8'	Vertical
D15018T	1/2	13.0	115	1/60	8'	Tethered
D15018V	1/2	13.0	115	1/60	8'	Vertical

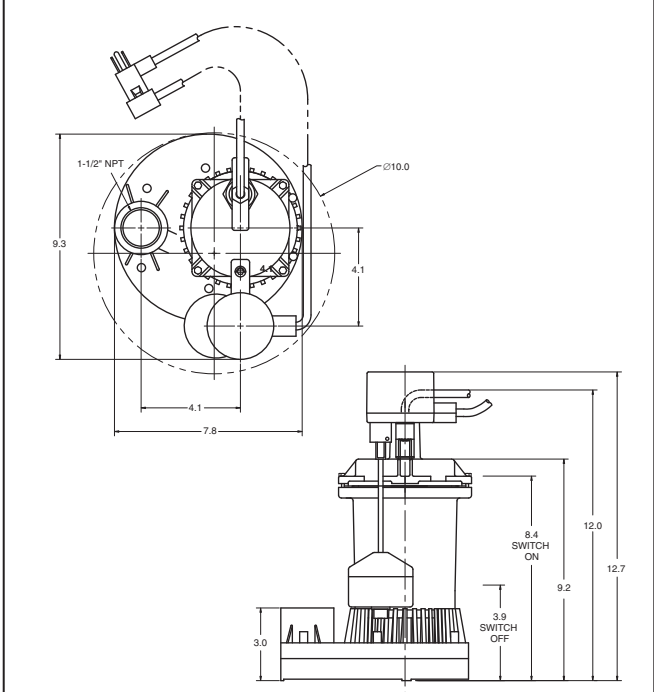
### PUMP PERFORMANCE

1/4 HP					
Vertical Lift Feet/Meters	5/1.5	10/3	15/4.6	Shut Off	18/5.5
Gallons/Liters per Minute	38/144	30/114	14/53	No Flow	
1/3 HP					
Vertical Lift Feet/Meters	5/1.5	10/3	15/4.6	Shut Off	20/6.1
Gallons/Liters per Minute	46/174	36/136	24/91	No Flow	
1/2 HP					
Vertical Lift Feet/Meters	5/1.5	10/3	15/4.6	20/6.1	Shut Off 24/7.3
Gallons/Liters per Minute	54/204	45/170	33/125	20/76	No Flow

In order to provide the best products possible, specifications are subject to change.

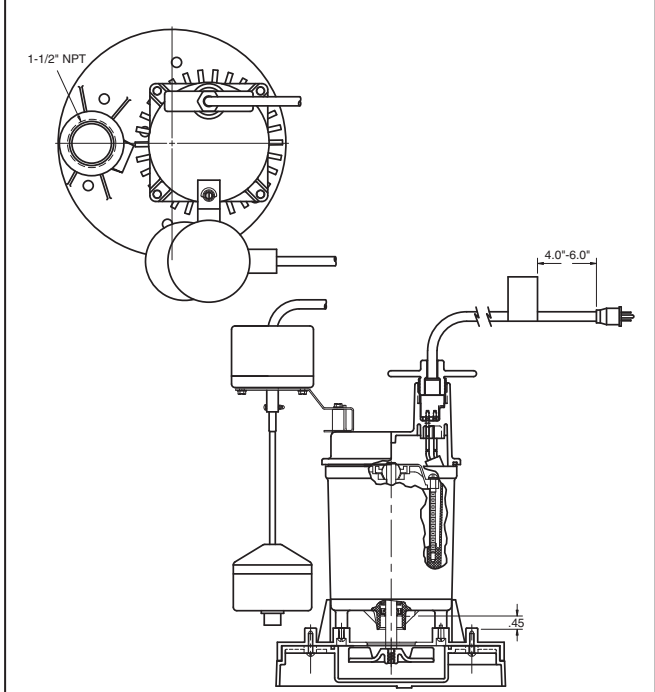
# composite/stainless steel submersible sump pumps

## VERTICAL FLOAT OUTLINE DIMENSIONS



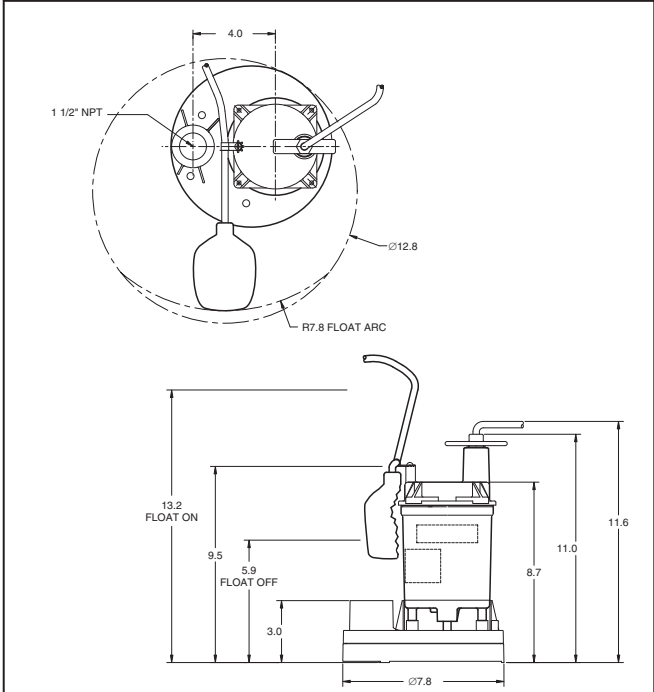
Dimensions (in inches) are for estimating purposes only.

## VERTICAL FLOAT SECTIONAL VIEW



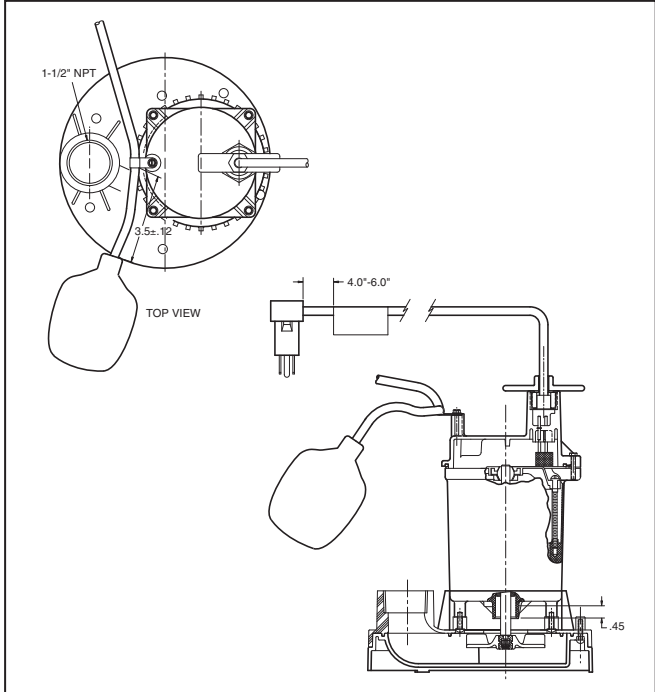
Dimensions (in inches) are for estimating purposes only.

## TETHERED FLOAT OUTLINE DIMENSIONS



Dimensions (in inches) are for estimating purposes only.

## TETHERED FLOAT SECTIONAL VIEW



Dimensions (in inches) are for estimating purposes only.

# battery back-up drainer systems



DB10018T

DB20018T

**Fully automatic back-up sump pump systems constantly monitor sump activity and responds instantly. Both the DB10018T and the DB20018T carry 1 year warranties.**

## APPLICATIONS

- Basement sumps

## ORDERING INFORMATION

Catalog Number	Pump Amp Draw @ 10 Feet	Charger Output	Approx. Wt. Lbs.
DB10018T	10	0.8A	12 lbs.
DB20018T	18	8A	18 lbs.

\*Based on use with battery #FP12V27DCC or #FP12V24DCC (sold separately).

## DB SERIES

### SPECIFICATIONS

**Motor** – 12 Vdc

**Charger** – 0.8A (DB100)  
8A (DB200)

**Switch** – Tethered float

**Discharge** – 1-1/4" NPT

### FEATURES

**Easy Installation** – Includes pump mounting tee, check valve, and all fittings needed for 1-1/4" and 1-1/2" PVC piping. Battery case included.

#### DB10018T

**Emergency Back-up** – Fully automatic sump pump system will operate in the event of primary pump failure or power outage

**Capacity** – Removes more than 10,000 gallons of water per power outage; capable of draining the average sump pit over 1,000 times on a single charge

**Charger** – State-of-the-art computer controlled UL/CUL approved; provides maximum security

#### DB20018T

**Sump Pump System** – Heavy-duty, professional, 12 Volt; best value in flood insurance

**High Capacity** – 3,000 gallons per hour pump provides performance comparable to most 1/3 HP primary pumps; ideal for highly active sumps

**Quick Installation** – Simple push-on connectors

**Charging System** – Smart and powerful, UL/CUL approved; efficiently restores a safe charge to your battery

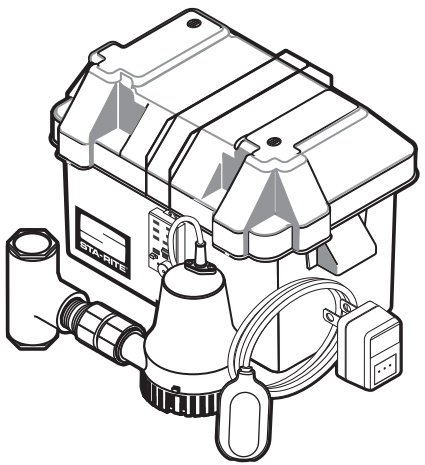
**For Best Results** – Use battery FP12V27DCC (sold separately)

In order to provide the best products possible, specifications are subject to change.

# battery back-up drainer systems

**DB10018T**

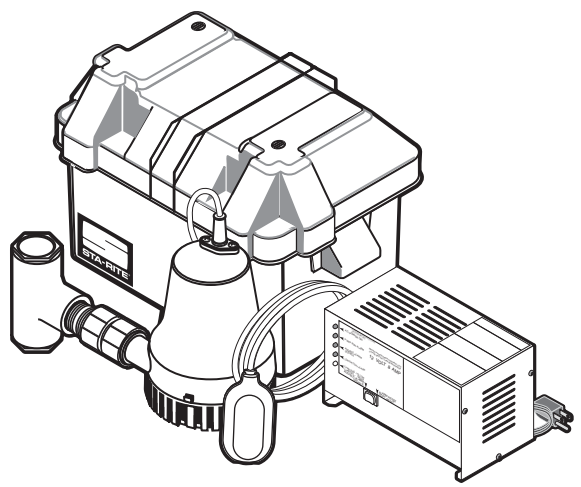
Carton Dimensions:  
16" x 9" x 10-1/4"



Dimensions (in inches) are for estimating purposes only.

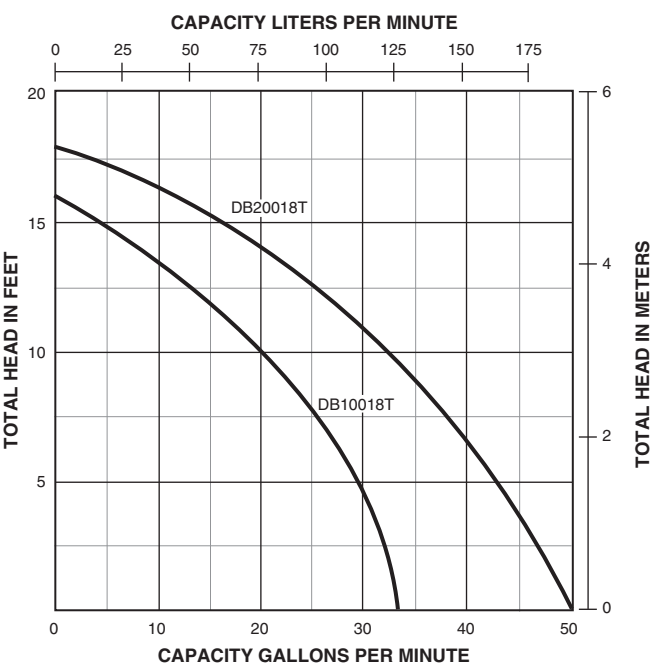
**DB20018T**

Carton Dimensions:  
16-3/4" x 20-1/8" x 9-1/2"

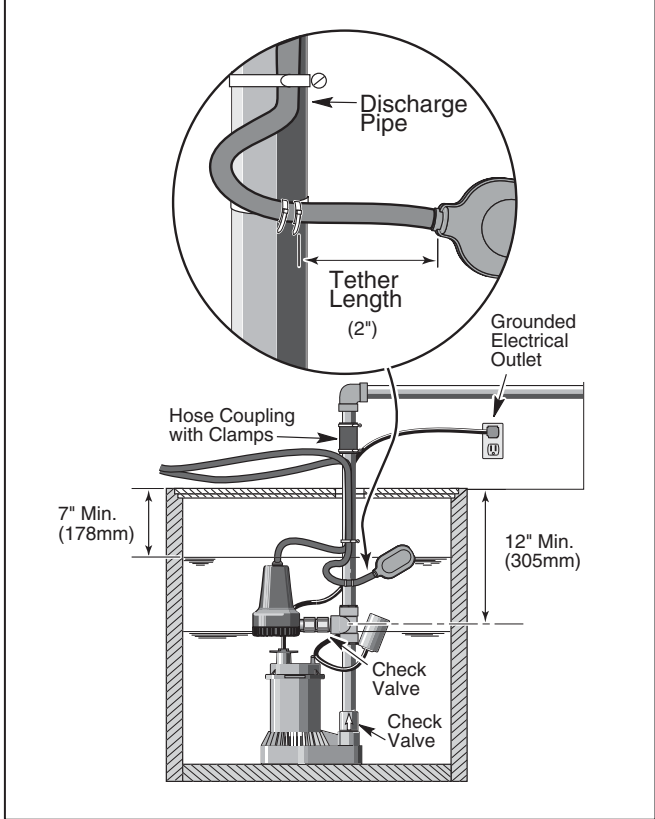


Dimensions (in inches) are for estimating purposes only.

## PUMP PERFORMANCE



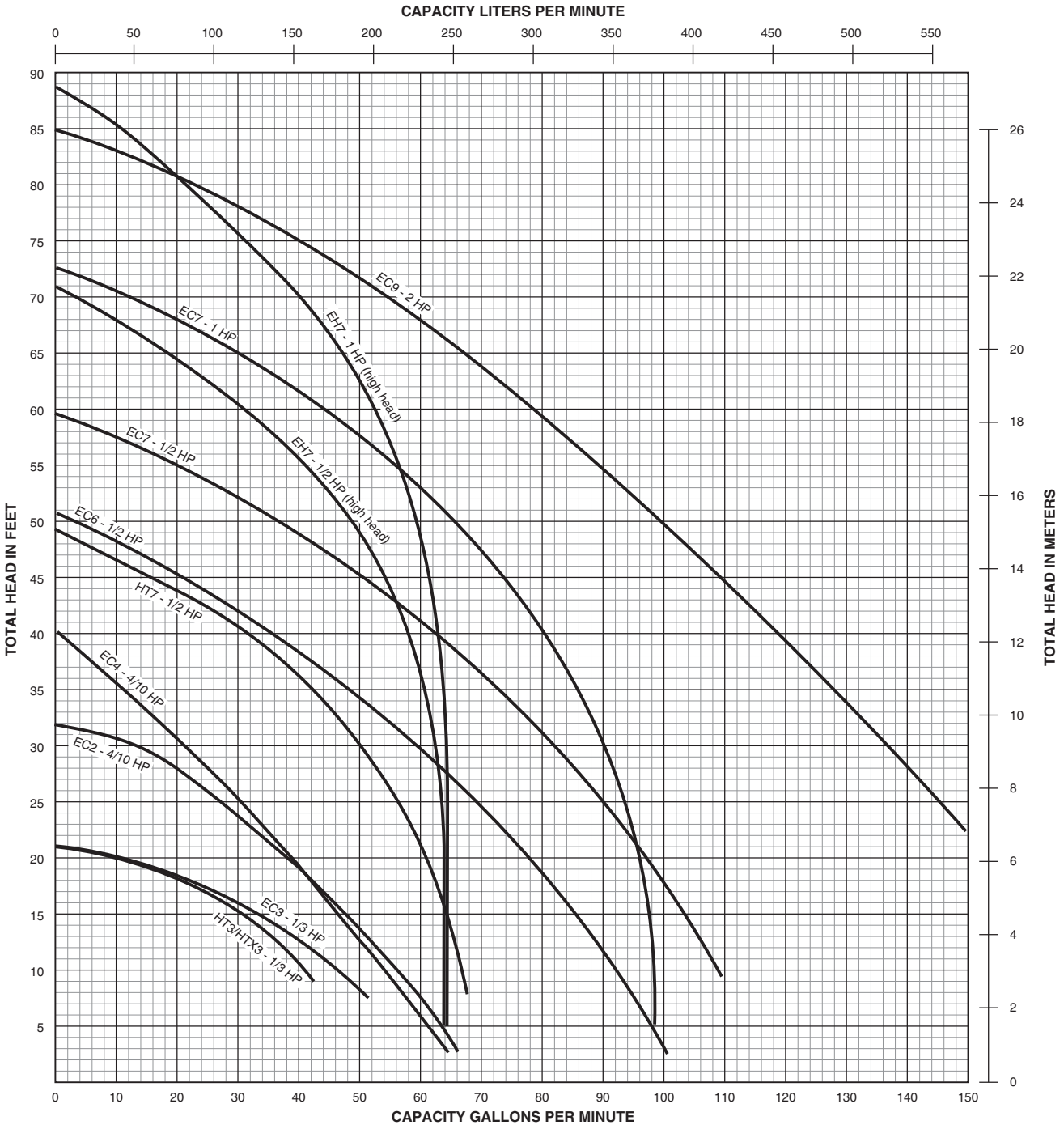
## TYPICAL INSTALLATION





# effluent pumps composite curve

## PUMP PERFORMANCE



**NOTE:** HT (high temperature) Series Pump performance shown at maximum fluid handling temperature (HT7 200°F = 93°C; HT3 (194°F = 90°C.)

For S.T.E.P. Plus High Head multi-stage submersible effluent pumps, see pages 160 and 163.

S.T.E.P. Plus™ is a trademark of WICOR Industries.



# cast iron submersible effluent pumps



This product is Listed to UL Standards for Safety by Underwriters Laboratories Inc. (UL).



**The EC2 Series Submersible Pumps are constructed of rugged cast iron, with a non-clog vortex impeller typically used in septic tank effluent applications. Product is available in 4/10 HP, 115 Volt, single phase, complete with a 10' or 20' power cord and 1-1/2" NPT vertical discharge. Automatic units have field-replaceable piggy-back tethered style float switches. A full selec-**

**tion of accessories for automatic operation is available, and includes float switches, simplex and duplex controllers, basins, alarms and check valves.**

## APPLICATIONS

- Effluent and Wastewater Removal
- Sump Drainage
- Circulation
- Water Transfer

## ORDERING INFORMATION

Catalog Number	HP	Maximum Load Amps	Volts	Phase/Cycles	Cord Length	Mechanical Switch Type
EC240110M	4/10	12.5	115	1/60	10'	Manual
EC240110T	4/10	12.5	115	1/60	10'	Tethered
EC240120M	4/10	12.5	115	1/60	20'	Manual
EC240120T	4/10	12.5	115	1/60	20'	Tethered

Noryl® is a registered trademark of General Electric Co.

In order to provide the best products possible, specifications are subject to change.

## EC2 SERIES

### SPECIFICATIONS

**Upper Volute** – Cast iron

**Motor Cover** – Cast iron

**Lower Volute Base** – Fiberglass reinforced polypropylene

**Impeller** – Fiberglass reinforced Noryl® with threaded brass insert

**Shaft Seal** – Mechanical, carbon/ceramic

**Bearings** – Upper sleeve and lower ball bearings, oil lubricated

**O-Rings** – Buna-N

**Exterior Hardware** – Stainless steel

**Motor** – 4/10 HP, 1550 RPM, 115 Volt, 60 Hz. Class B insulation. Oil-filled shaded pole containing built-in thermal overload protection with automatic reset.

**Power Cord** – 10' or 20' water resistant 16-3 gauge, type SJTW-A/SJTW with integrally grounded 3-prong plug.

**Maximum Liquid Temperature Limits** – 130°F (55°C)

### FEATURES

**Construction** – Heavy-duty cast iron motor housing and upper volute. Corrosion-resistant composite base ideal for effluent applications.

**Bearings and Mechanical Seal** – Permanently lubricated for long life.

**Cord Seal** – Prevents oil loss from and protection for motor if cord is damaged.

**Overload Protection** – Built-in thermal overload with automatic reset.

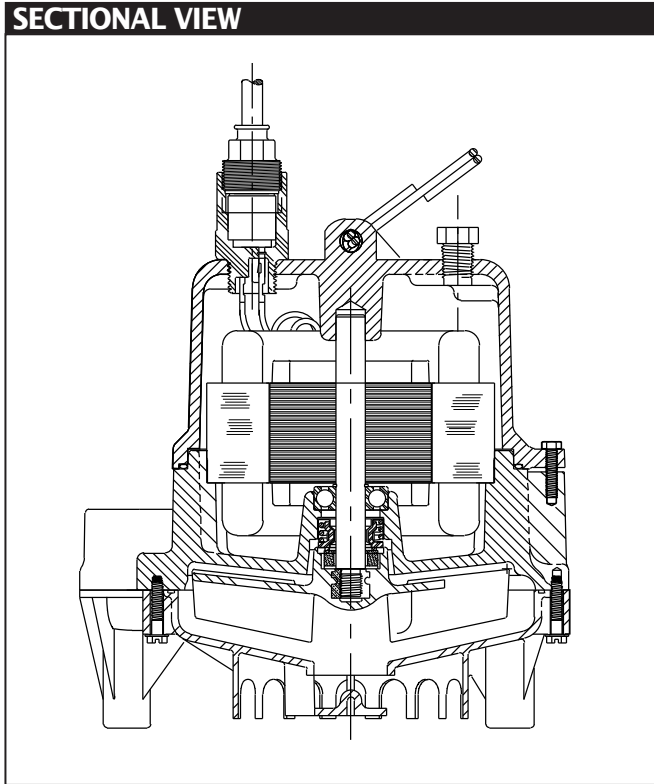
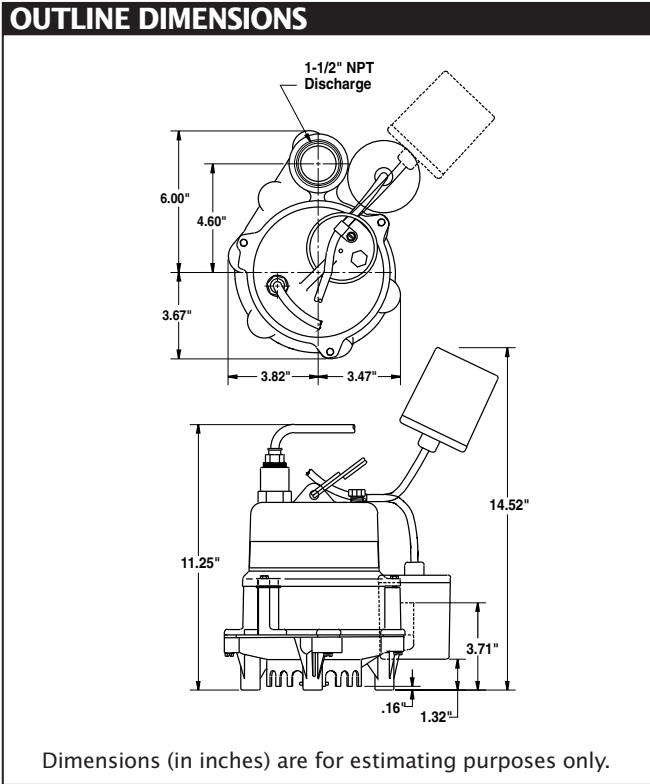
**Power Cord** – Field replaceable.

**Intake** – Built-in suction screen.

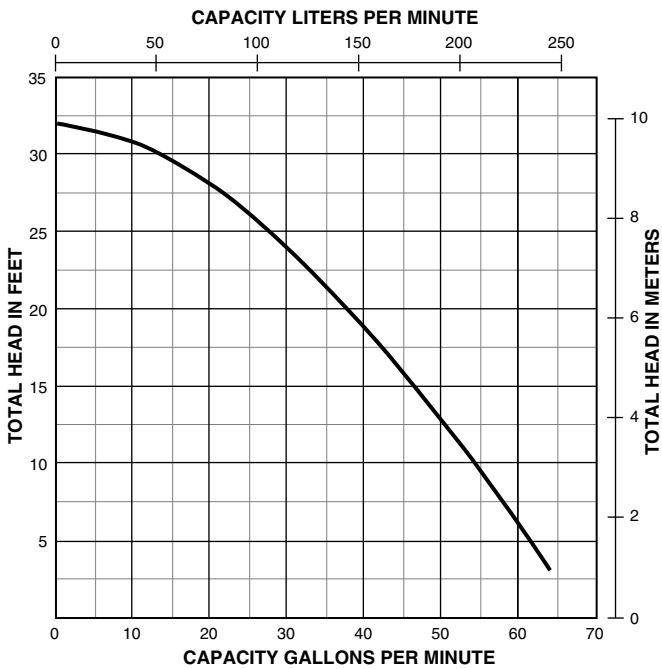
**Impeller** – Pump out vanes for seal protection.

**Solids Handling** – 1/2" spherical capability.

# cast iron submersible effluent pumps



### PUMP PERFORMANCE





# cast iron submersible effluent pumps



This product is Listed to UL Standards for Safety by Underwriters Laboratories Inc. (UL).



**The EC3 Series Pump is a rugged, submersible cast iron pump with a non-clog vortex impeller and solids handling capability to 3/4". Unit has a 1/3 HP, 115 or 230 Volt, single-phase motor and 1-1/2" NPT vertical discharge. A full selection of accessories for automatic operation is available, and includes float switches,**

**simplex controllers, duplex controllers, basins, alarms and check valves.**

### APPLICATIONS

- Effluent and Wastewater Removal
- Sump Drainage
- Dewatering
- Flood Control

### ORDERING INFORMATION

Catalog Number	HP	Max. Load Amps	Volts	Phase/Cycles	Cord Length	Mechanical Switch Type
EC333120M	1/3	13.0	115	1/60	20 ft.	Manual
EC333120T	1/3	13.0	115	1/60	20 ft.	Tethered
EC333220M	1/3	7.0	230	1/60	20 ft.	Manual
EC333220T	1/3	7.0	230	1/60	20 ft.	Tethered

Noryl® is a registered trademark of General Electric Co. In order to provide the best products possible, specifications are subject to change.

## EC3 SERIES

### SPECIFICATIONS

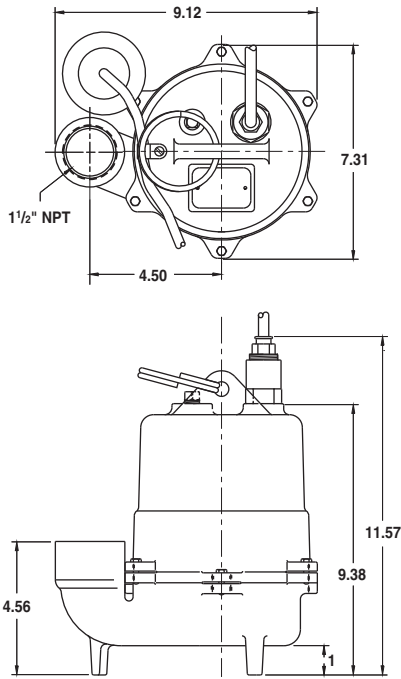
- Volute Casing** – Cast iron
- Upper and Lower Motor Housings** – Cast iron
- Impeller** – Fiberglass reinforced Noryl® with threaded insert
- Mechanical Seal** – J. Crane type 6A or equal, Buna-N elastomers, carbon and ceramic sealing faces, stainless steel metal parts
- Bearings** – Upper sleeve and lower ball bearings, oil lubricated
- Lower Motor Housing O-Ring** – Buna-N
- Exterior Hardware and Nameplate** – Stainless steel
- Motor** – 1/3 HP, 1550 RPM, 115 Volts or 230 Volts, single-phase, 60 Hz. Oil-filled. Built-in thermal overload protection with automatic reset.
- Power Cord** – 20' water resistant 16-3 SJTW-A/SJTW with integrally grounded three-prong plug.
- Maximum Liquid Temperature Limits** – 130°F (55°C)

### FEATURES

- Bearings and Mechanical Seal** – Permanently lubricated for long life.
- Impeller** – Non-clog vortex style, pump out vanes for seal protection.
- Overload Protection** – Built-in thermal overload with automatic reset.
- Cord Design** – Prevents oil loss from and moisture protection for motor. Easily replaceable or retro-fitted with optional 50' power cord.
- Serviceability** – Heavy-duty lift out ring, field serviceable.
- Solids Handling** – 3/4" spherical capability.
- Stainless Steel Hardware** – Allows easy disassembly after extended service.
- Controls** – Standard controls available for automatic operation.

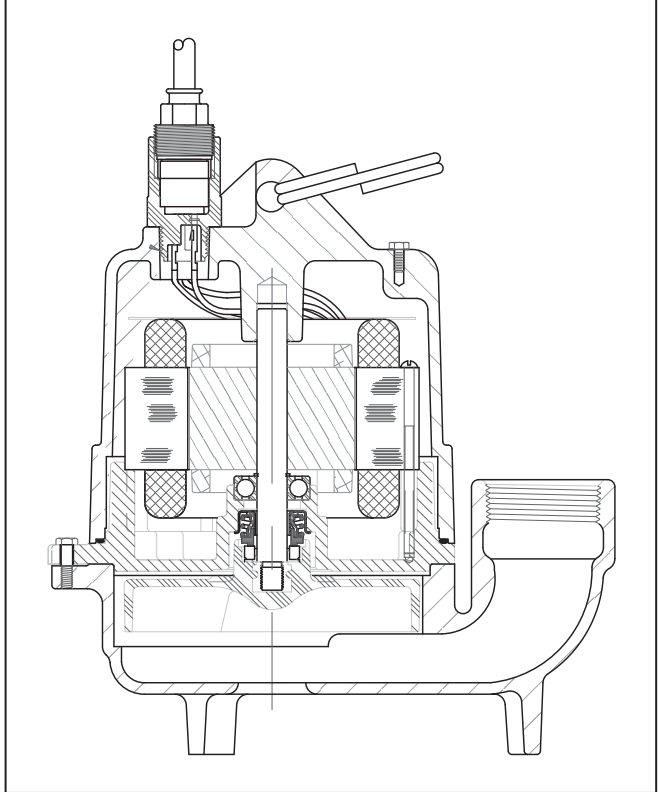
# cast iron submersible effluent pumps

## OUTLINE DIMENSIONS

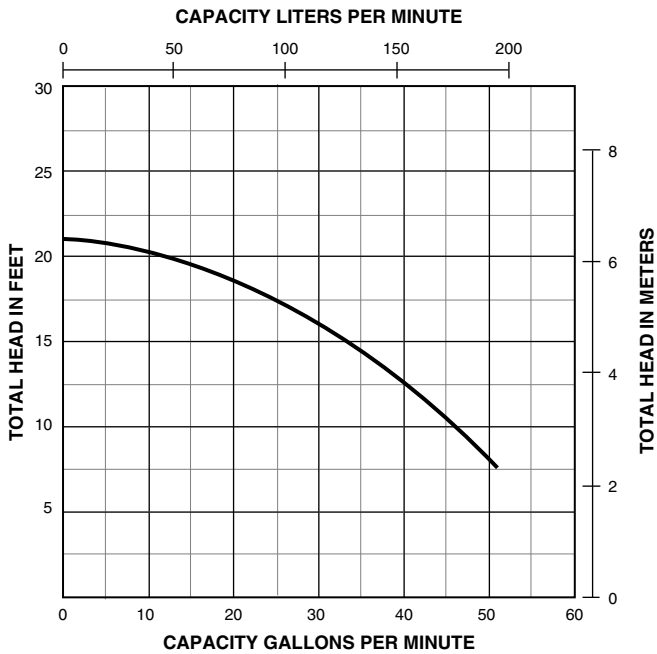


Dimensions (in inches) are for estimating purposes only.

## SECTIONAL VIEW



## PUMP PERFORMANCE



# cast iron submersible high temperature effluent pumps



*The HT3/HTX3 Series Pump is a small, rugged, submersible, cast iron pump with a non-clog vortex impeller and solids handling capability to 3/4". Unit has 1/3 HP, 115 Volt, single-phase motor and 1-1/2" NPT vertical discharge. Includes high temperature float switch.*

### APPLICATIONS

- Boiler Blow Down Pits
- Condensate Pits
- Hot Water Sumps

### ORDERING INFORMATION

Catalog Number	HP	Max. Load Amps	Volts	Phase/Cycle	Cord Length	Mechanical Switch Type
HTX333120M	1/3	13.0	115	1/60	20'	Manual
HT333120T	1/3	13.0	115	1/60	20'	Tethered

In order to provide the best products possible, specifications are subject to change.

## HT3/HTX3 SERIES

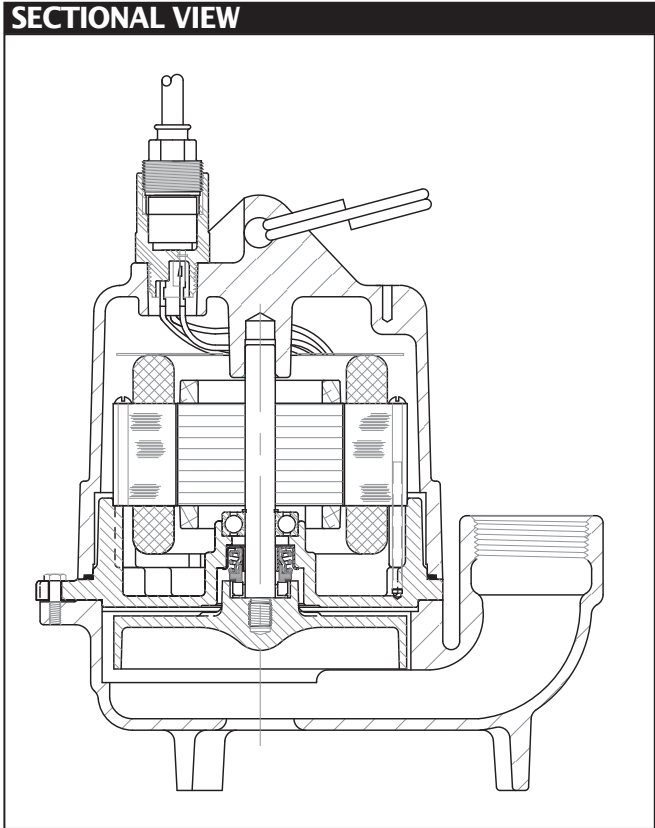
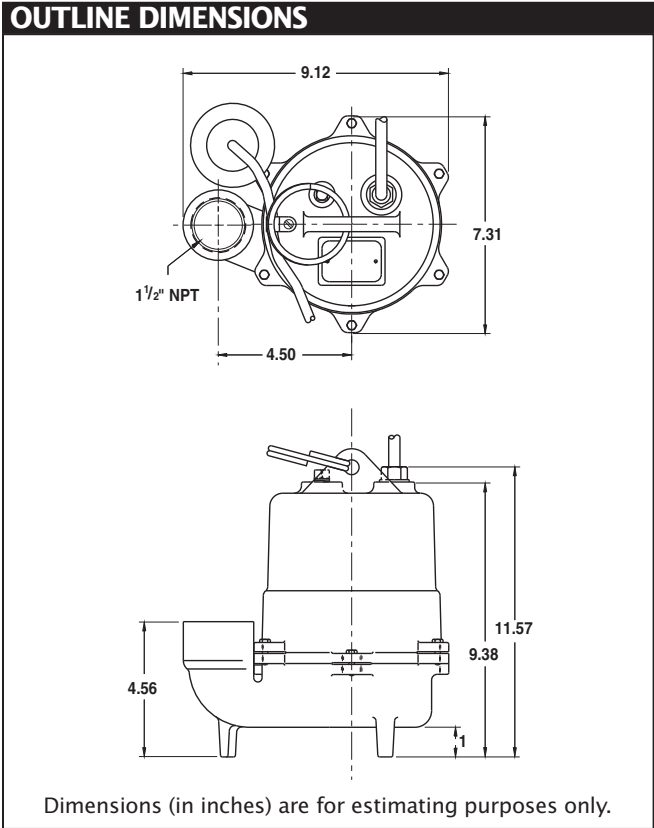
### SPECIFICATIONS

- Volute Casing** – Cast iron
- Upper and Lower Motor Housings** – Cast iron
- Impeller** – Cast iron
- Mechanical Seal** – J. Crane type 6A or equal, Buna-N elastomers, carbon and ceramic sealing faces, stainless steel metal parts
- Bearings** – Lower ball, upper sleeve type, oil lubricated
- Lower Motor Housing O-Ring** – Buna-N
- Exterior Hardware and Nameplate** – Stainless steel
- Motor** – 1/3 HP, 1550 RPM, 115 Volt, single-phase, 60 Hz. Oil-filled. Built-in thermal overload protection with automatic reset.
- Power Cord** – 20' oil and water resistant 16-3 SJOOW-A/SJOW with integrally grounded three-prong plug.
- Maximum Liquid Temperature Limits** – HT3: 194°F (90°C); HTX3: 200°F (93°C)

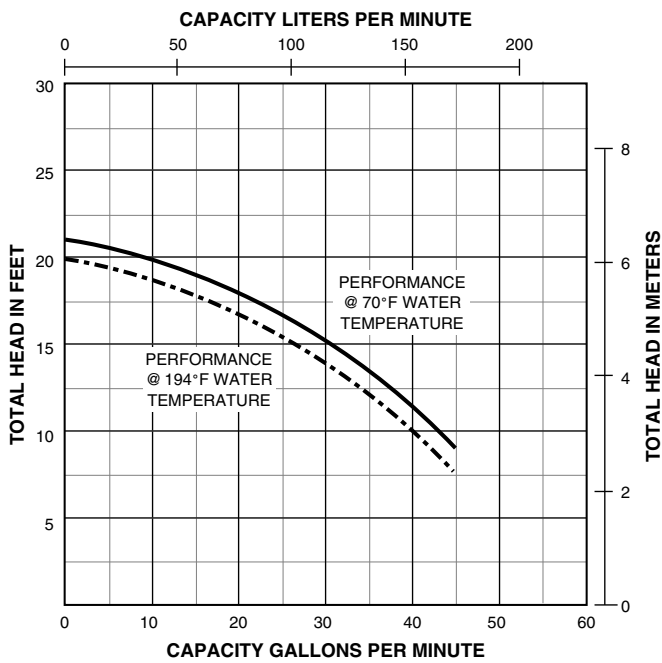
### FEATURES

- Impeller** – Non-clog vortex style, ejector vanes for seal protection.
- Stainless Steel Hardware** – Allows easy disassembly after extended service.
- Construction** – Cast iron motor housing, volute and impeller with stainless steel hardware for long life.
- Solids Handling** – 3/4" spherical capability.
- Overload Protection** – Built-in thermal overload with automatic reset.
- Serviceability** – Heavy-duty lift out ring.
- Cord Design** – Prevents oil loss from and moisture protection for motor.
- Bearings and Mechanical Seal** – Permanently lubricated for long life.

# cast iron submersible high temperature effluent pumps



### PUMP PERFORMANCE



# cast iron submersible effluent pumps



This product is Listed to UL Standards for Safety by Underwriters Laboratories Inc. (UL).



*The EC4 Series Pump is a rugged, submersible cast iron pump with a non-clog, semi-open impeller and solids handling capability to 3/4". Unit has a 4/10 HP single phase motor complete with power cord. 2" NPT vertical discharge is standard. A full selection of accessories for automatic operation is available, and includes*

*float switches, duplex controllers, simplex controllers, alarms, basins and check valves.*

## APPLICATIONS

- Effluent and Wastewater Removal
- Sump Drainage
- Dewatering
- Flood Control

## ORDERING INFORMATION

Catalog Number	HP	Max. Load Amps	Volts	Phase/Cycles	Cord Length	Mechanical Switch Type
EC440120M	4/10	9.7	115	1/60	20'	Manual
EC440120T	4/10	9.7	115	1/60	20'	Tethered
EC440220M	4/10	4.9	230	1/60	20'	Manual
EC440220T	4/10	4.9	230	1/60	20'	Tethered

Noryl® is a registered trademark of General Electric Co.

In order to provide the best products possible, specifications are subject to change.

## EC4 SERIES

### SPECIFICATIONS

**Volute Casing** – Cast iron

**Upper and Lower Motor Housing** – Cast iron

**Impeller** – Fiberglass reinforced Noryl® with threaded insert

**Mechanical Seal** – J. Crane type 6A or equal, Buna-N elastomers, carbon and ceramic sealing faces, stainless steel metal parts.

**Bearings** – Lower ball, upper sleeve type, oil lubricated

**Exterior Hardware and Nameplate** – Stainless steel

**Motor** – 4/10 HP, 3450 RPM, 115 Volts or 230 Volts single phase, 60 Hz. Oil-filled. Built-in thermal overload protection with automatic reset and permanent split capacitor on single phase only. Stainless steel motor shaft.

**Power Cord** – 20' oil and water resistant 18-3 SJTW-A/SJTW with integrally grounded 3-prong plug, single phase. UL Listed. Stainless steel cord connector.

**Maximum Liquid Temperature Limits** – 130°F (55°C)

### FEATURES

**Bearings and Mechanical Seal** – Permanently lubricated for long life.

**Impeller** – Non-clog vortex style, pump out vanes for seal protection.

**Overload Protection** – Built-in thermal overload with automatic reset.

**Cord Design** – Prevents oil loss from and moisture protection for motor.

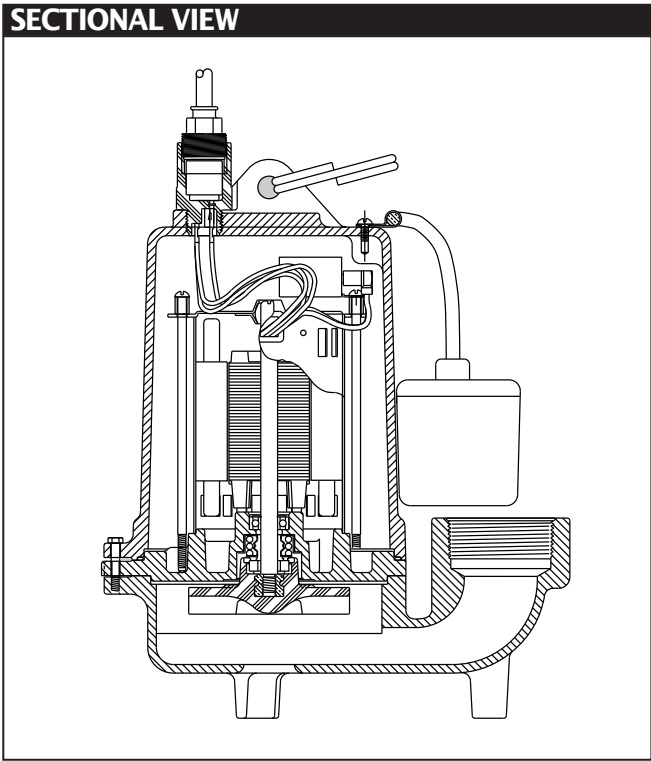
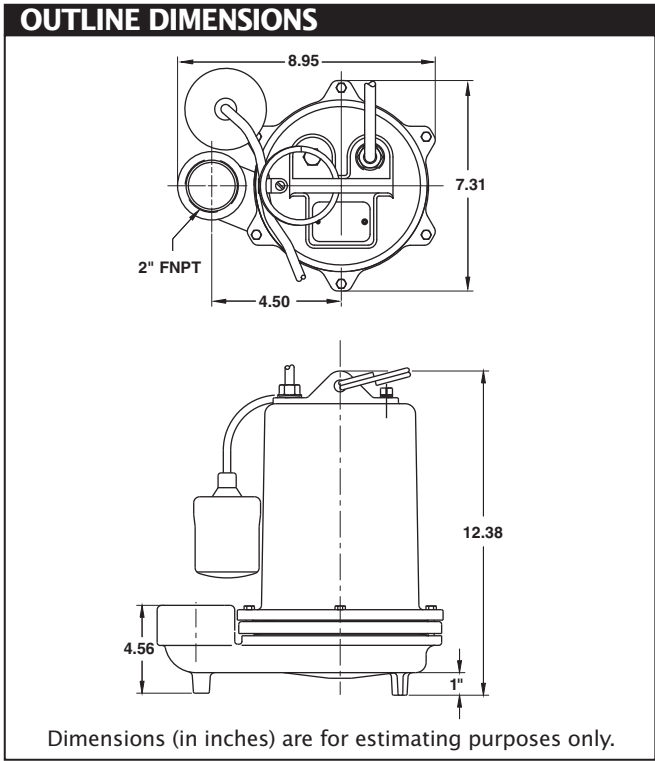
**Serviceability** – Heavy-duty lift out ring, field serviceable.

**Solids Handling** – 3/4" spherical capability.

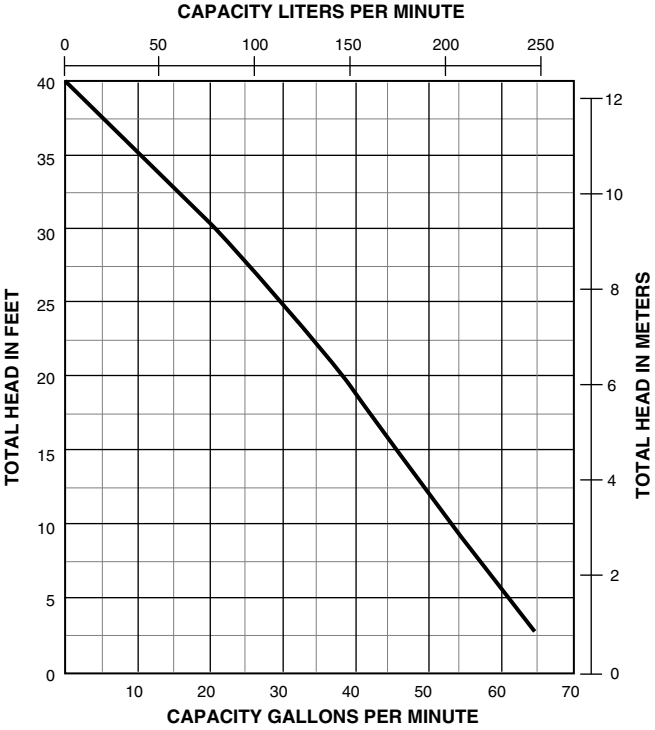
**Stainless Steel Hardware** – Allows easy disassembly after extended service.

**Controls** – Standard controls available for automatic operation.

# cast iron submersible effluent pumps



### PUMP PERFORMANCE





# cast iron submersible effluent pumps

**Silicon Carbide Seals**



This product is Listed to UL Standards for Safety by Underwriters Laboratories Inc. (UL).



**The EC6/EC7/EH7 Series Pump is a rugged, submersible cast iron pump with a non-clog, semi-open impeller and solids handling capability to 3/4". Unit has a 1/2, or 1 HP single or three phase motor complete with power cord. 2" NPT vertical discharge is standard. A full selection of accessories for automatic operation is available, and includes float switches, duplex controllers, simplex controllers, alarms, basins and check valves.**

## APPLICATIONS

- Effluent and Wastewater Removal
- Sump Drainage
- Dewatering
- Flood Control

## EC6/EC7/EH7 SERIES

### SPECIFICATIONS

**Volute Casing** – Cast iron

**Upper and Lower Motor Housing** – Cast iron

**Impeller** – Cast iron

**Mechanical Seal** – J. Crane type 6A or equal, Buna-N elastomers, silicon carbide sealing faces, stainless steel metal parts

**Bearings** – Ball type, oil lubricated

**Exterior Hardware and Nameplate** – Stainless steel

**Motor** – 1/2, and 1 HP, 3450 RPM, 115 Volts (1/2 HP only) or 230 Volts single phase or 208-230/460 Volts three phase, 60 Hz. Oil-filled. Built-in thermal overload protection with automatic reset and permanent split capacitor on single phase only. Stainless steel motor shaft and impeller lock nut.

**Power Cord** – Single Phase: 20' oil and water resistant 16-3 SJTW-A/SJTW with integrally grounded 3-prong plug. UL listed.

Three Phase: 20' oil and water resistant 16-4 STW-A/STW.

**Maximum Liquid Temperature Limits** – 130°F (55°C)

### FEATURES

**Bearings and Mechanical Seal** – Permanently lubricated for long life.

**Impeller** – Non-clog vortex style, pump out vanes for seal protection.

**Overload Protection** – Built-in thermal overload with automatic reset on single phase.

**Cord Design** – Prevents oil loss from and moisture protection for motor.

**Serviceability** – Heavy-duty lift out ring, field serviceable.

**Solids Handling** – 3/4" spherical capability.

**Stainless Steel Hardware** – Allows for easy disassembly after extended service.

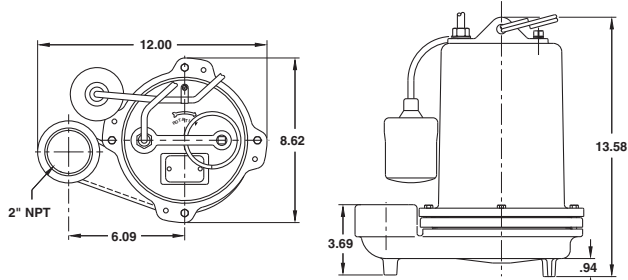
**Controls** – Standard controls. available for automatic operation.

**Float** – Mechanical (non mercury).

In order to provide the best products possible, specifications are subject to change.

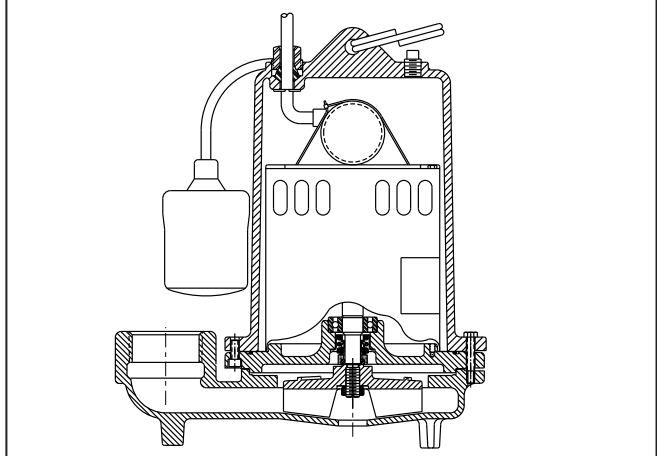
# cast iron submersible effluent pumps

## OUTLINE DIMENSIONS



Dimensions (in inches) are for estimating purposes only.

## SECTIONAL VIEW



## ORDERING INFORMATION

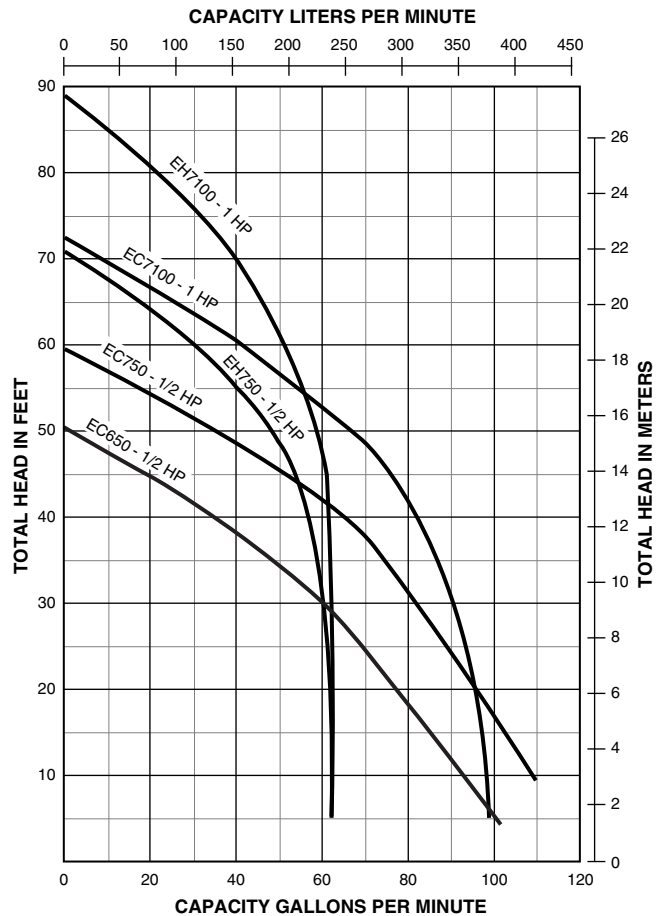
Catalog* Number	HP	Max. Load Amps	Volts	Phase/Cycles	Cord Length	Mechanical Switch Type
EC650120M	1/2	12.0	115	1/60	20'	Manual
EC650120T	1/2	12.0	115	1/60	20'	Tethered
EC650220M	1/2	5.6	230	1/60	20'	Manual
EC650220T	1/2	5.6	230	1/60	20'	Tethered
EC650320M	1/2	5.5	208-230	3/60	20'	Manual
EC650420M	1/2	2.7	460	3/60	20'	Manual
EC750120M	1/2	13.0	115	1/60	20'	Manual
EC750120T	1/2	13.0	115	1/60	20'	Tethered
EC750220M	1/2	6.4	230	1/60	20'	Manual
EC750220T	1/2	6.4	230	1/60	20'	Tethered
EC750320M	1/2	6.0	208-230	3/60	20'	Manual
EC750420M	1/2	3.0	460	3/60	20'	Manual
EC7100220M	1	6.6	230	1/60	20'	Manual
EC7100220T	1	6.6	230	1/60	20'	Tethered
EC7100320M	1	5.8	230	3/60	20'	Manual
EC7100420M	1	3.0	460	3/60	20'	Manual

### HIGH HEAD MODELS

EH750120M	1/2	12.0	115	1/60	20'	Manual
EH750120T	1/2	12.0	115	1/60	20'	Tethered
EH750220M	1/2	6.5	230	1/60	20'	Manual
EH750220T	1/2	6.5	230	1/60	20'	Tethered
EH750320M	1/2	5.2	230	3/60	20'	Manual
EH750420M	1/2	2.7	460	3/60	20'	Manual
EH7100220M	1	8.7	230	1/60	20'	Manual
EH7100220T	1	8.7	230	1/60	20'	Tethered
EH7100320M	1	6.0	230	3/60	20'	Manual
EH7100420M	1	3.1	460	3/60	20'	Manual

\*All EC6/EC7/EH7 Series Pumps have 3/4" solids handling capability and 2" NPT discharge.

## PUMP PERFORMANCE



# cast iron submersible high temperature effluent pump

**Silicon Carbide Seals**



*The HT7 Series Pump is a rugged, submersible cast iron pump with a non-clog, semi-open impeller. It has solids handling capability to 3/4" and is designed to handle liquids to 200°F (93°C). Unit has a 1/2 HP single phase motor complete with power cord. 2" NPT vertical discharge is standard.*

### APPLICATIONS

- Boiler Blow Down Pits
- Condensate Pits
- Hot Water Sumps

### ORDERING INFORMATION

Catalog Number	HP	Max. Load Amps	Volts	Phase/Cycles	Automatic	Cord Length	Mechanical Float Type
HT750120T	1/2	12.0	115	1/60	*	20'	Tethered
PW217-280	HT7 Control Box with High Temp Float Switch						

\*Control box is necessary for the HT7, and is not included with the pump. You must order it separately.

In order to provide the best products possible, specifications are subject to change.

## HT7 SERIES

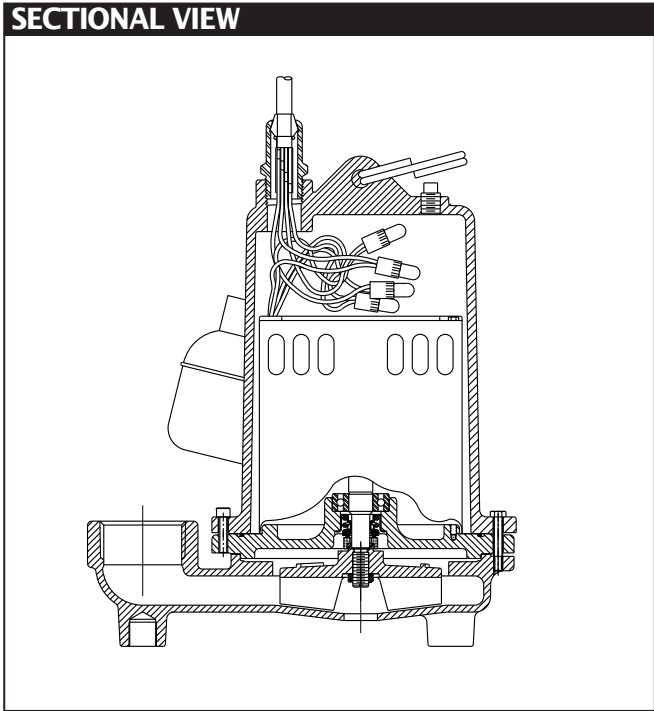
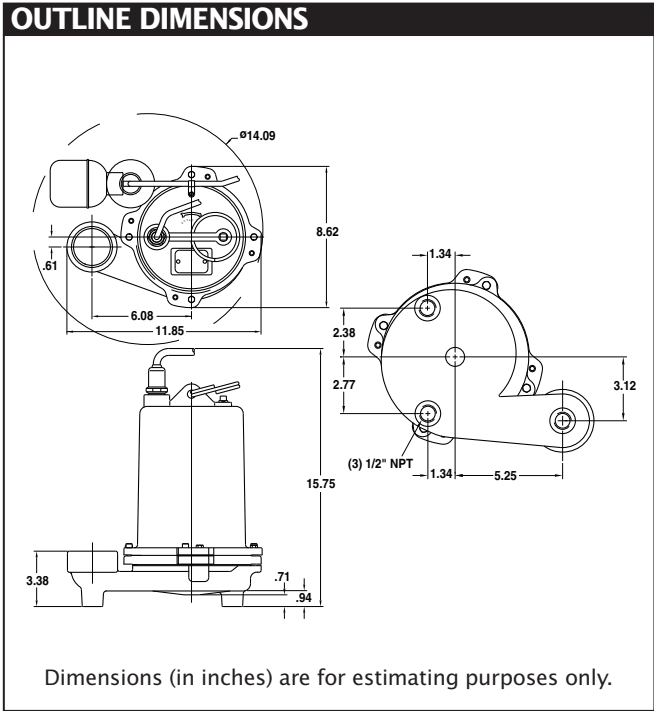
### SPECIFICATIONS

- Volute Casing** – Cast iron
- Upper and Lower Motor Housing** – Cast iron
- Impeller** – Cast iron
- Mechanical Seal** – J. Crane type 6A or equal, Buna-N elastomers, silicon carbide sealing faces, stainless steel metal parts
- Bearings** – Ball type, oil lubricated
- Exterior Hardware and Nameplate** – Stainless steel
- Motor** – 1/2 HP, 3450 RPM, 115 Volt single phase, 60 Hz. Class F insulation. Oil-filled. Built-in thermal overload protection with automatic reset. Stainless steel motor shaft and impeller lock nut.
- Power Cord** – 20' UL Listed, oil and water resistant 16-4 SOOW-A/SOOW with stainless steel cord connector
- Maximum Liquid Temperature Limits** – 200°F (93°C)

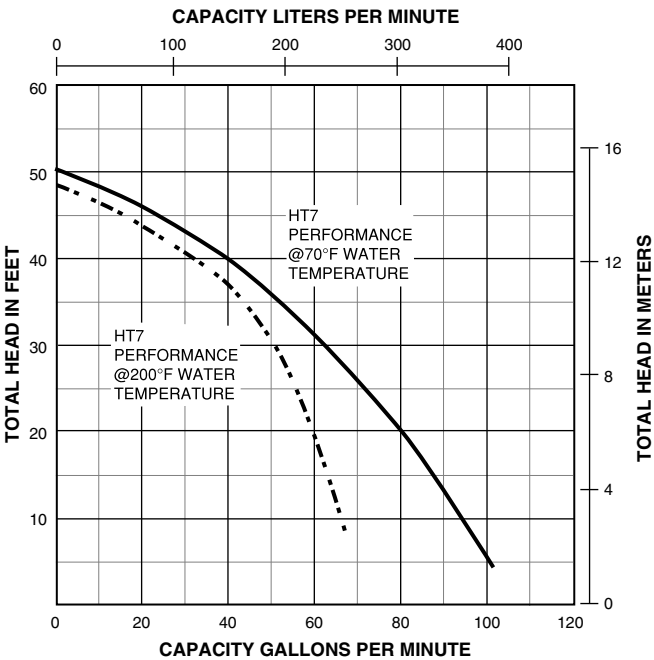
### FEATURES

- Solids Handling** – 3/4" spherical capabilities.
- Construction** – Cast iron motor housing, volute and impeller with stainless steel hardware for long life.
- Bearings and Mechanical Seal** – Permanently lubricated for long life.
- Impeller** – Non-clog vortex style, ejector vanes for seal protection.
- Overload Protection** – Built in thermal overload with automatic reset.
- Serviceability** – Heavy-duty lift out ring for field service.
- Stainless Steel Hardware** – Allows for easy disassembly after extended service.
- Cord Design** – Prevents oil loss from and moisture protection for motor.
- Height Adjustment** – Legs are drilled and tapped with 1/2" NPT threads to allow pump height to be adjusted.

# cast iron submersible high temperature effluent pump



### PUMP PERFORMANCE



# cast iron submersible effluent pumps

**Silicon Carbide Seals**



This product is Listed to UL Standards for Safety by Underwriters Laboratories Inc. (UL).



*The EC9 Series Pump is a rugged, submersible cast iron pump with a non-clog, semi-open impeller and solids handling capability to 3/4". Unit is available in 230V/1ph and 208-230V/460V/3ph and comes complete with a 20' power cord. 2" NPT vertical discharge is standard. A full selection of accessories for automatic operation is available, and includes*

*float switches, duplex controllers, simplex controllers, alarms, basins and check valves.*

### APPLICATIONS

- Effluent and Wastewater Removal
- Sump Drainage
- Dewatering
- Flood Control

### ORDERING INFORMATION

Catalog Number	HP	Max. Load Amps	Volts	Phase/Cycles	Cord Length	Mechanical Switch Type
EC9200220M	2	9.3	230	1/60	20'	Manual
EC9200320M	2	7.5	208-230	3/60	20'	Manual
EC9200420M	2	3.8	460	3/60	20'	Manual

**NOTE:** All EC9 Series Pumps have 3/4" solids handling capability and 2" NPT discharge.

In order to provide the best products possible, specifications are subject to change.

## EC9 SERIES

### SPECIFICATIONS

**Impeller/Volute Casing** – Cast iron  
**Upper and Lower Motor Housing** – Cast iron

**Shaft Seal** – Primary: mechanical type 6A or equal, Buna-N elastomers, silicon carbide sealing faces, stainless steel metal parts  
Secondary: self-lubricating lip seal

**Bearings** – Ball type, oil lubricated

**Exterior Hardware and Nameplate** – Stainless steel

**Motor** – 2 HP, 3450 RPM, 230V single phase or 208-230V/460V three phase, 60 Hz, oil-filled. Built-in thermal overload protection with automatic reset and permanent split capacitor on single phase only. Stainless steel motor shaft and impeller lock nut.

**Power Cord** – Single Phase: 20' oil and water resistant 16-3 SJTW-A/SJTW with integrally grounded 3-prong plug. UL listed.  
Three Phase: 20' oil and water resistant 16-4 STW-A/STW.

**Maximum Liquid Temperature Limits** – 130°F (55°C)

### FEATURES

**Dual Shaft Seals** – Primary mechanical seal with a secondary self-lubricating lip seal.

**Impeller** – Non-clog semi-open style.

**Bearings and Mechanical Seal** – Permanently lubricated for long life.

**Overload Protection** – Built-in thermal overload with automatic reset on single phase.

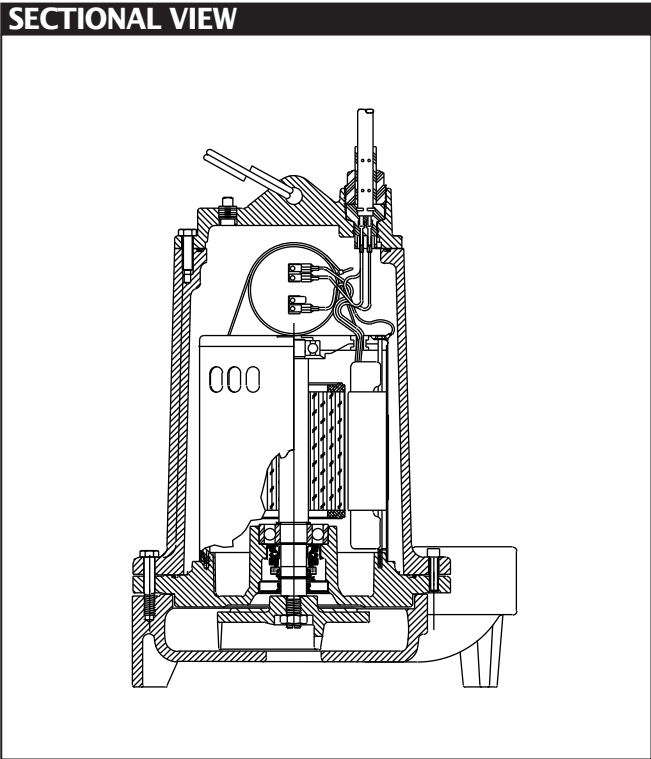
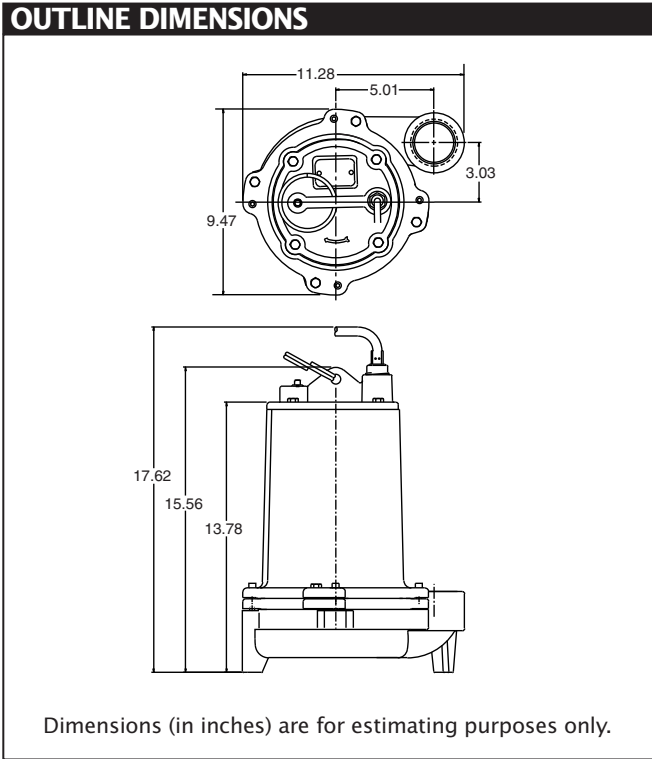
**Stainless Steel Hardware** – Allows for easy disassembly after extended service.

**Solids Handling** – 3/4" spherical capabilities.

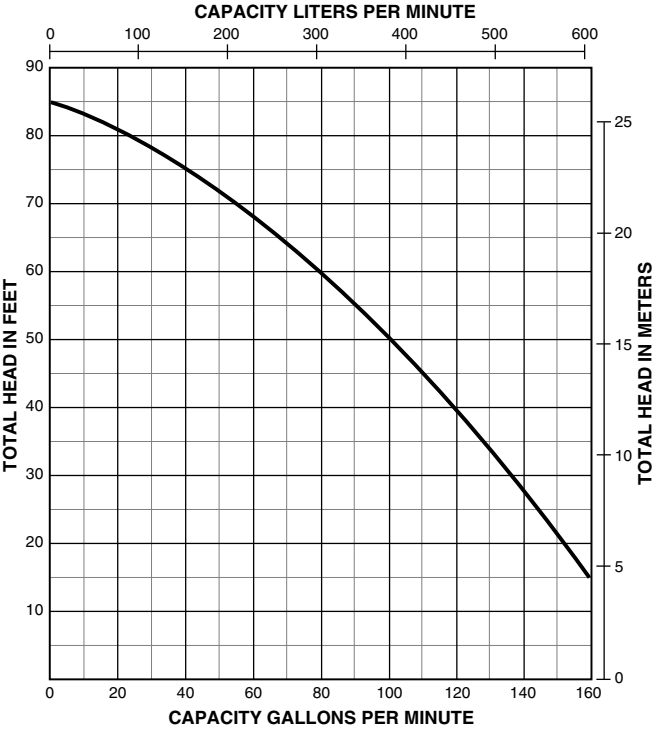
**Cord Design** – Prevents oil loss from the motor.

**Controls** – Standard controls. available for automatic operation.

# cast iron submersible effluent pumps



### PUMP PERFORMANCE





# 4" multi-stage submersible pump



This product is Listed to UL Standards for Safety by Underwriters Laboratories Inc. (UL).



**The STEP Plus™ D Series 4" submersible pump in 10, 20 and 30 GPM models dominate with superior "DRAW-DOWN" capability.**

**The STEP Plus™ D Series 4" submersible pump dominates with reduced AMP DRAW.**

**The STEP Plus™ D Series 4" submersible pump dominates with COOLER and QUIETER operation.**

### APPLICATIONS

- **Clean and Gray Water...** for residential, commercial, and agricultural use.

### SPECIFICATIONS

- Motor** – Available in 115 or 230 volt versions. Dry-wound, double ball-bearing, double-seal and thermal overload protected, UL and CSA approved.
- Shell** – Stainless steel (300 grade)
- Discharge** – Fiberglass-reinforced thermoplastic
- Discharge Bearing** – Nylatron®
- Impellers** – Acetel
- Diffusers** – Polycarbonate
- Suction Caps** – Polycarbonate with stainless steel wear ring
- Thrust Pads** – Proprietary spec.
- Shaft and Coupling** – Stainless steel 300 grade
- Intake** – Fiberglass-reinforced thermoplastic
- Intake Screen** – Stainless steel
- Jacketed Cord** – 600 Volt "SJOW" jacketed 10' leads, 2-wire with ground
- Agency Listing** – UL and CSA

## ST.E.P. Plus™ D SERIES

### FEATURES

**ST.E.P. Plus DOMINATES with a...**

**Patented Stage System** – The proven SignaSeal™ staging system utilizes a patented ceramic wear surface. When incorporated with STA-RITE's "true" independent floating impellers, dominates with 1st-in-class performance, superior sand handling, and a thrust management staging system with industry exclusive "dry-run" capabilities.

**Superior "draw-down" capability** – The ST.E.P. Plus Dominates in this class with the lowest draw-down of 4-1/2" (a standard 4" NEMA submersible only draws-down to 13-1/2").

**Reduced amp draw** – The ST.E.P. Plus Dominates in this class with less energy consumption – over 25% less amp draw (9.5 amps vs. 12.7 amps, 115 volt) than a 4" NEMA submersible, reducing operating costs and extending the service life of float switch contacts.

**Cooler and quieter operation** – The ST.E.P. Plus Dominates by using the pumped liquid to cool the motor as it passes over the motor. The water passing over the motor dampens the motor noise, eliminating expensive "flow-inducer sleeves" required when using a standard 4" NEMA submersible.

**Impellers** – Precision molded for perfect balance... ultra smooth for the highest performance and efficiency. Allows for .080" solids.

**Shaft** – Positive drive, hexagonal 7/16" – 300-grade stainless steel shaft offers generous impeller drive surfaces.

**Shaft bearing** – Exclusive self-lubricating Nylatron® bearing resists wear surface from sand and abrasives.

**Shell** – Heavy-walled, corrosion resistant 300-grade stainless steel.

### ORDERING INFORMATION

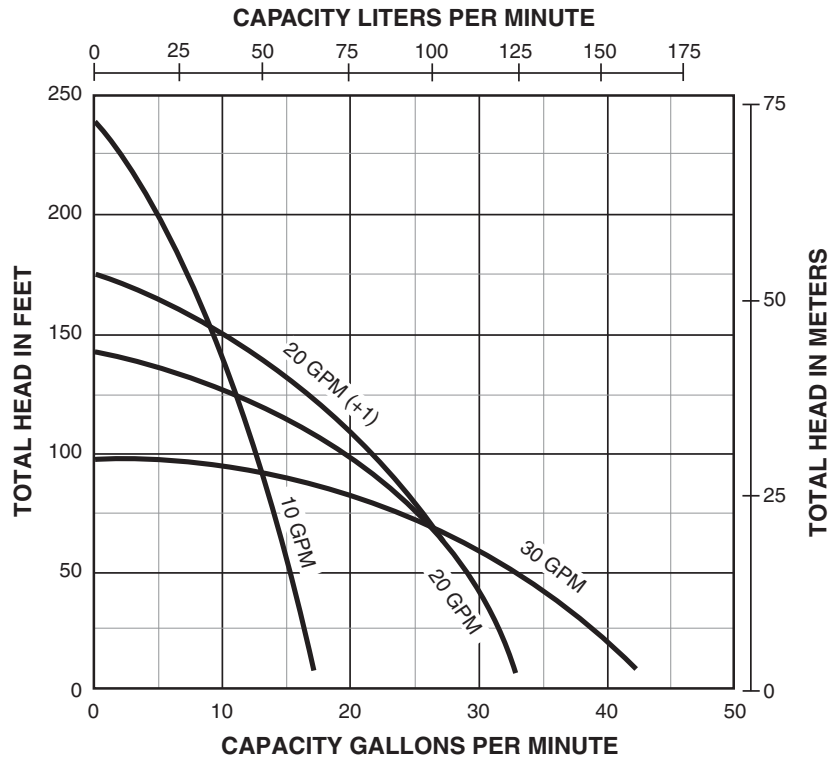
Catalog Number	HP	Max. Load Amps	Volts	Phase/Cycles	Cord Length	Pallet Quantity	Weight (Lbs.)
10DOM05221	1/2	5.5	230	1/60	10'	80	16
10DOM05121	1/2	11.0	115	1/60	10'	80	16
20DOM05221	1/2	4.6	230	1/60	10'	80	16
20DOM05121	1/2	9.5	115	1/60	10'	80	16
30DOM05221	1/2	4.6	230	1/60	10'	80	16
30DOM05121	1/2	9.5	115	1/60	10'	80	16
20DOM05221+1	1/2	5.3	230	1/60	10'	80	16
20DOM05121+1	1/2	10.6	115	1/60	10'	80	16

Nylatron® is a registered trademark of Polymer Corp. SignaSeal™ and ST.E.P. Plus™ are trademarks of WICOR Industries. In order to provide the best products possible, specifications are subject to change.



# 4" multi-stage submersible pump

## PUMP PERFORMANCE



### PUMP PERFORMANCE (Capacity in Gallons per Minute)

Pump Model	Flow Rate (GPM)	PSI											
		0	10	20	30	40	50	60	70	80	90	100	110
10DOM05221	10			15.0	13.7	12.7	11.5	10.2	8.4	6.5	4.3	1.0	
10DOM05121	10			15.0	13.7	12.7	11.5	10.2	8.4	6.5	4.3	1.0	
20DOM05221	20			30.0	26.0	21.5	14.2	4.4					
20DOM05121	20			30.0	26.0	21.5	14.2	4.4					
30DOM05221	30		38.5	33.3	25.8	16							
30DOM05121	30		38.5	33.3	25.8	16							
20DOM05221+1	20 + 1			30	27.5	24	20	13.5	6				
20DOM05121+1	20 + 1			30	27.5	24	20	13.5	6				

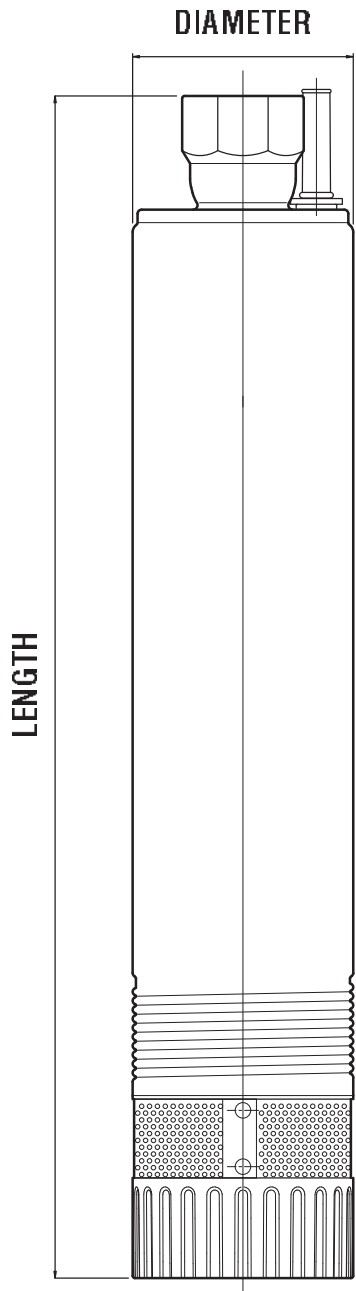
### PUMP PERFORMANCE (Capacity in Liters per Minute)

Pump Model	Flow Rate (LPM)	Bar											
		0	.69	1.38	2.07	2.76	3.45	4.13	4.82	5.51	6.20	6.89	7.58
10DOM05221	37.85		56.8	51.9	48.1	43.5	38.6	31.8	24.6	16.3	3.8		
10DOM05121	37.85		56.8	51.9	48.1	43.5	38.6	31.8	24.6	16.3	3.8		
20DOM05221	75.7		113.6	98.4	81.4	53.7	16.7						
20DOM05121	75.7		113.6	98.4	81.4	53.7	16.7						
30DOM05221	113.55	145.7	126.0	97.7	60.6								
30DOM05121	113.55	145.7	126.0	97.7	60.6								
20DOM05221+1	75.7 + 1			113.4	103.9	90.7	75.6	51.0	22.6				
20DOM05121+1	75.7 + 1			113.4	103.9	90.7	75.6	51.0	22.6				



# 4" multi-stage submersible pump

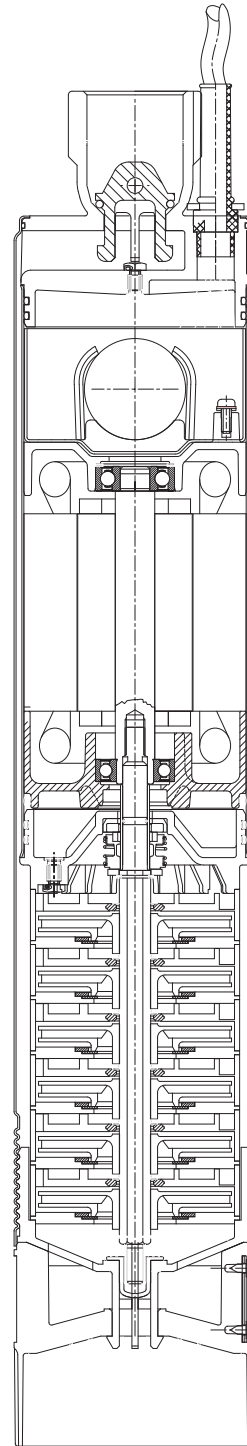
## OUTLINE DIMENSIONS



GPM	Length	Diameter
10	21.6" (549 mm)	3.86" (98 mm)
20	20.8" (529 mm)	3.86" (98 mm)
30	20.6" (523 mm)	3.86" (98 mm)
20+1	22.3" (567 mm)	3.86" (98 mm)

Dimensions are for estimating purposes only.

## CROSS-SECTION



# high head multi-stage submersible effluent pumps



This product is Listed to UL Standards for Safety by Underwriters Laboratories Inc. (UL).



*The STEP Plus™ 4" submersible effluent pumps in 10 and 20 GPM models offer dependable performance and value for high pressure filtered effluent applications.*

*These STEP Plus™ pumps will handle "dry run" conditions where other manufacturers fail.*

*The 10 and 20 GPM are industry standard 3-3/4" in diameter.*

*Powered by Franklin Electric submersible motors.*

### APPLICATIONS

■ **Filtered Effluent...** for residential, commercial, and agricultural use.

### SPECIFICATIONS

**Shell** – Stainless steel

**Discharge** – Fiberglass-reinforced thermoplastic

**Discharge Bearing** – Nylatron®

**Impellers** – Delrin®

**Diffusers** – Polycarbonate

**Suction Caps** – Polycarbonate with stainless steel wear ring

**Thrust Pads** – Proprietary spec.

**Shaft and coupling** – Stainless steel 300 grade

**Intake** – Fiberglass-reinforced thermoplastic

**Intake Screen** – Polypropylene

**Agency Listing** – UL, SSPMA

**Jacketed Cord** – 300 Volt "SJOW" jacketed 10' leads, 115 Volt, 2-wire with ground

**Franklin Electric Motors** – Proven field operation

## ST.E.P. Plus™

### STA-RITE EFFLUENT PUMP

### FEATURES

**Patented Staging System** – Proven SignaSeal™ staging system is designed with a corrosive resistant stainless steel wear surface, that when incorporated with our floating stack design, greatly reduces problems with abrasives, sand lock-up and running dry.

**Shaft** – Positive drive 300 grade stainless steel 7/16" hexagonal shaft.

**Discharge** – Fiberglass-reinforced thermoplastic.

**Discharge bearing** – Exclusive self-lubricating Nylatron® bearing resists wear from sand.

**Impellers** – Precision molded for perfect balance... ultra smooth for highest performance and efficiency. Allows for 1/8" solids.

**Shell** – Heavy-walled corrosion-resistant stainless steel. Threaded for easy servicing.

### ORDERING INFORMATION

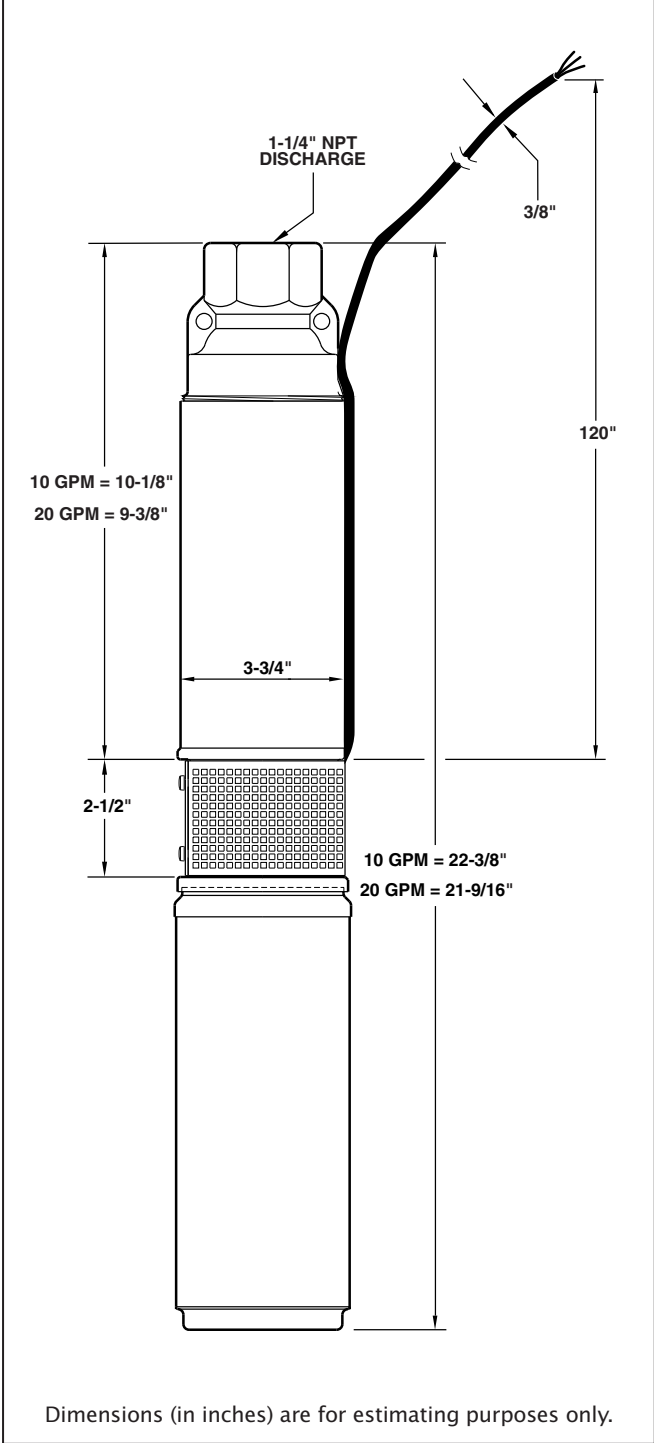
Catalog Number	HP	Max. Load Amps	Volts	Phase/Cycles	Cord Length
STEP10	1/2	12.0	115	1/60	10'
STEP20	1/2	12.0	115	1/60	10'

Delrin® is a registered trademark of E.I. DuPont de Nemours and Co. Nylatron® is a registered trademark of Polymer Corp. SignaSeal™ and ST.E.P. Plus™ are trademarks of WICOR Industries.

In order to provide the best products possible, specifications are subject to change.

# high head multi-stage submersible effluent pumps

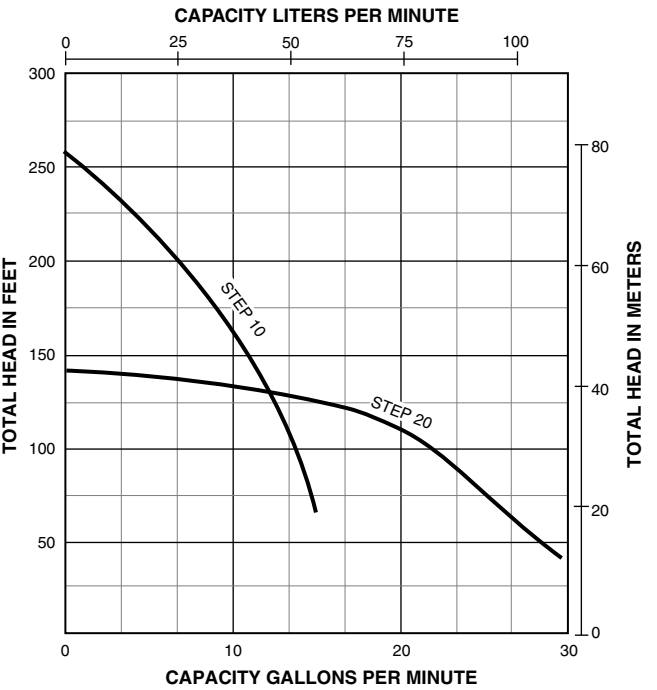
## OUTLINE DIMENSIONS



## PUMP PERFORMANCE

Catalog Number	Gallons/Liters per Minute	Head (Feet/Meters)	PSI
STEP10	0/0	255/78	110
	5/19	228/69	99
	10/38	170/52	74
	12.5/47	120/37	52
STEP20	0/0	145/44	63
	7.5/28	132/40	57
	15/57	125/38	54
	20/76	112/34	48
	25/95	75/23	32

## PUMP PERFORMANCE



# cast iron submersible sewage pumps



This product is Listed to UL Standards for Safety by Underwriters Laboratories Inc. (UL).



*The SC4 Series Pump is a rugged, cast iron, submersible pump with a non-clog vortex impeller and solids handling capability to 2". The unit is available with 4/10 HP, 115 Volt single-phase motor complete with a 10' or 20' power cord. This unit also features a 2" vertical discharge and a tethered float switch for automatic operation. Accessories include float*

*switches, alarms, basins and check valves.*

## APPLICATIONS

- Sewage, Effluent and Wastewater Removal and Transfer
- Sump Drainage
- Dewatering
- Flood Control

## ORDERING INFORMATION

Catalog Number	HP	Max. Load Amps	Volts	Phase/Cycles	Cord Length	Mechanical Switch Type
SC440110T	4/10	12.5	115	1/60	10'	Tethered
SC440120T	4/10	12.5	115	1/60	20'	Tethered

Noryl® is a registered trademark of General Electric Co. In order to provide the best products possible, specifications are subject to change.

## SC4 SERIES

### SPECIFICATIONS

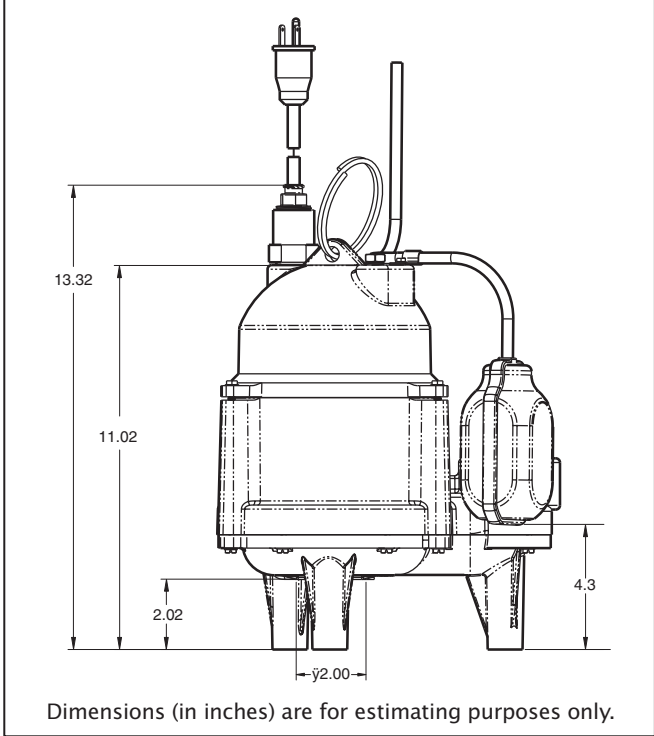
- Upper Volute** – Cast iron
- Motor Cover** – Cast Iron
- Lower Volute Base** – Fiberglass reinforced polypropylene
- Impeller** – Fiberglass reinforced Noryl® with brass threaded insert
- Mechanical Seal** – J. Crane type 6A or equal, Buna-N elastomers, carbon and ceramic sealing faces, stainless steel metal parts
- Bearings** – Upper sleeve and lower ball bearings
- Exterior Hardware and Nameplate** – Stainless steel
- Motor** – 4/10 HP, 1500 RPM, 115 Volt single phase, 60 Hz, oil-filled. Thermal overload protection with automatic reset
- Power Cord** – 10' or 20' water resistant 16-3 SJTW-A/SJTW with integrally grounded three-prong plug
- Maximum Liquid Temperature Limits** – 130°F (55°C)

### FEATURES

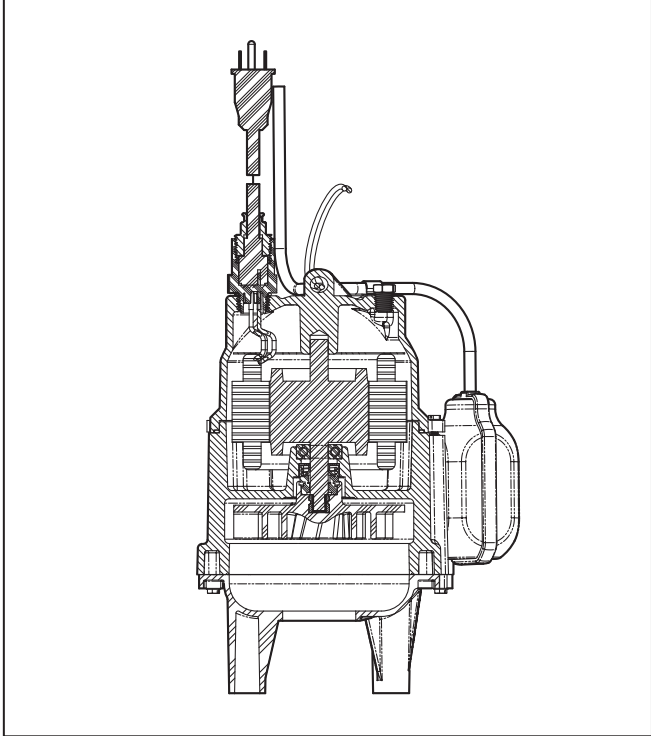
- Solids Handling** – 2" spherical capabilities
- Impeller** – Non-clog vortex style
- Overload Protection** – Built-in thermal overload with automatic reset
- Bearing and Mechanical Seal** – Permanently lubricated for long life
- Stainless Steel Hardware** – Allows for easy disassembly after extended service
- Serviceability** – Heavy-duty lift out ring
- Controls** – Tethered float switch available for automatic operation
- Cord Design** – In-field replaceable 50 ft. cord available, 115 volt only

# cast iron submersible sewage pumps

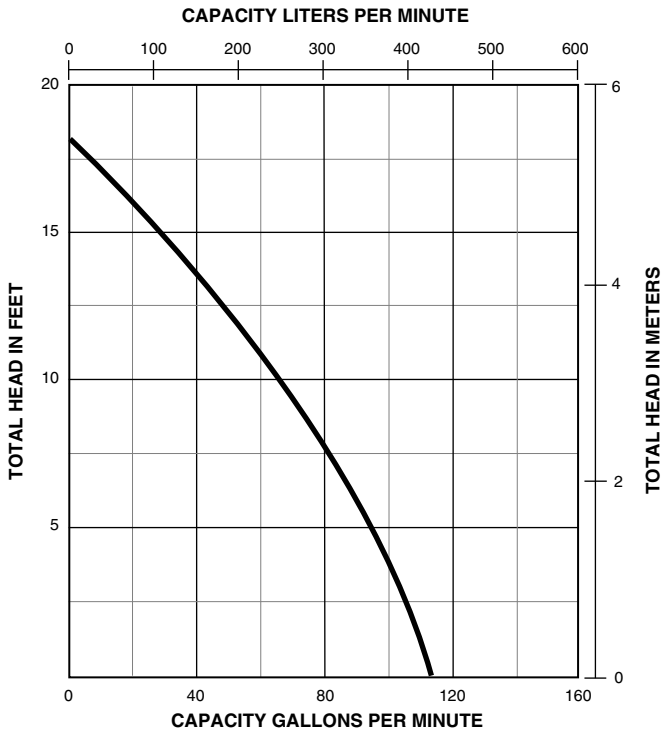
## OUTLINE DIMENSIONS



## SECTIONAL VIEW



## PUMP PERFORMANCE





# cast iron submersible sewage pumps



This product is Listed to UL Standards for Safety by Underwriters Laboratories Inc. (UL).



*The SC5 Series Pump is a rugged, cast iron, submersible pump with a non-clog vortex impeller and solids handling capability to 2". Unit available with 1/2 HP, 115 Volt or 230 Volt single-phase motor complete with 10' or 20' power cord. This unit features a 2" NPT vertical discharge and a full selection of accessories for automatic opera-*

*tion. Accessories include float switches, duplex controllers, simplex controllers, alarms, basins and check valves.*

### APPLICATIONS

- Sewage, Effluent and Wastewater Removal and Transfer
- Sump Drainage
- Dewatering
- Flood Control

### ORDERING INFORMATION

Catalog Number	HP	Max. Load Amps	Volts	Phase/Cycles	Cord Length	Mechanical Switch Type
SC550110M	1/2	13.0	115	1/60	10'	Manual
SC550110T	1/2	13.0	115	1/60	10'	Tethered
SC550120M	1/2	13.0	115	1/60	20'	Manual
SC550120T	1/2	13.0	115	1/60	20'	Tethered
SC550220M	1/2	8.0	230	1/60	20'	Manual
SC550220T	1/2	8.0	230	1/60	20'	Tethered

**NOTE:** All SC5 Series Pumps have 2" solids handling capability and 2" NPT discharge.

Noryl® is a registered trademark of General Electric Co. In order to provide the best products possible, specifications are subject to change.

## SC5 SERIES

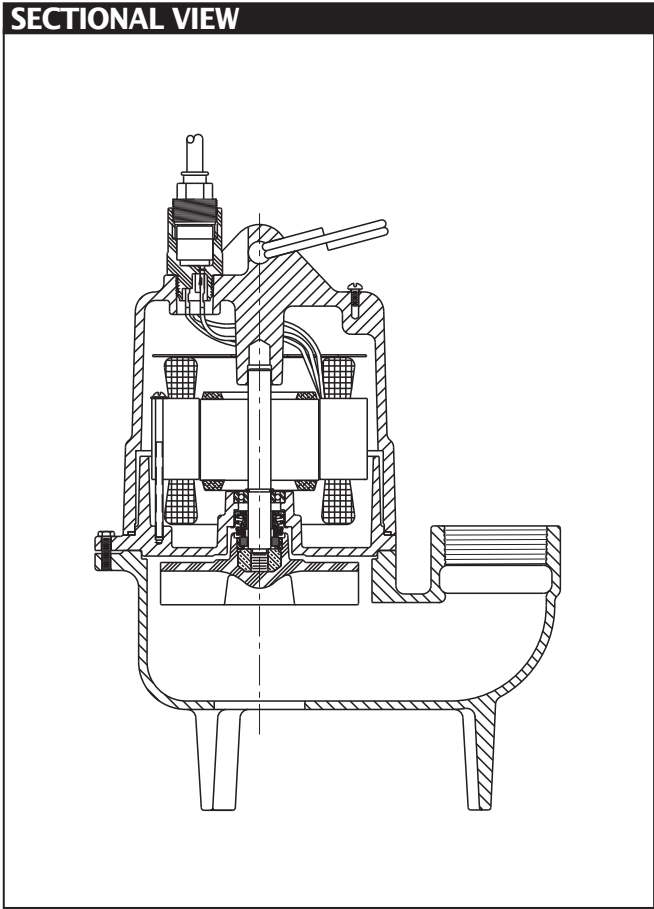
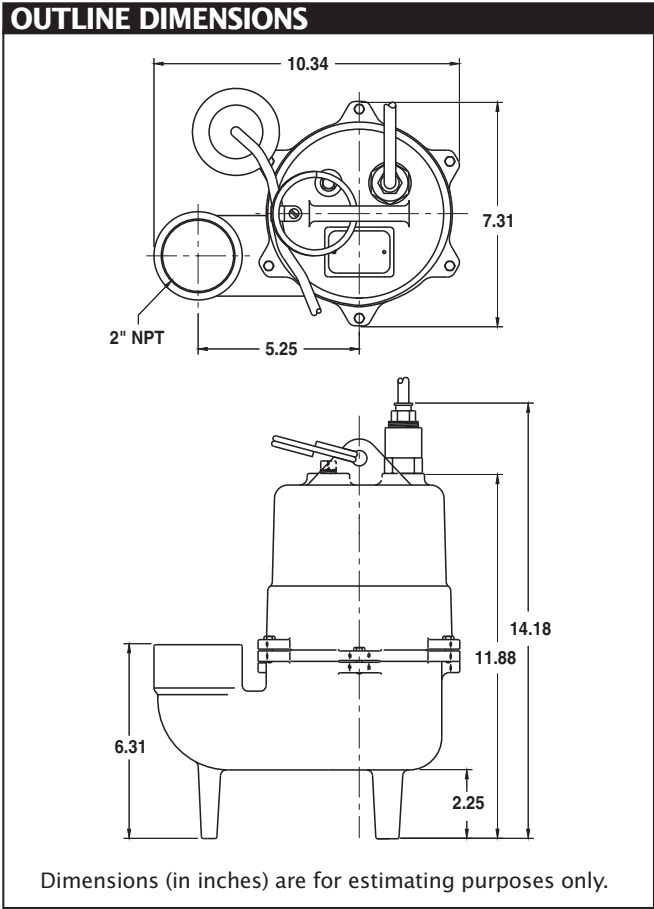
### SPECIFICATIONS

- Volute Casing** – Cast iron
- Impeller** – Fiberglass reinforced Noryl® with brass threaded insert
- Mechanical Seal** – J. Crane type 6A or equal, Buna-N elastomers, carbon and ceramic sealing faces, stainless steel metal parts
- Bearings** – Ball/sleeve type, oil lubricated
- Exterior Hardware and Nameplate** – Stainless steel
- Motor** – 1/2 HP, 1550 RPM, 115 Volt or 230 Volt, single-phase, 60 Hz. Oil-filled. Built-in thermal overload protection with automatic reset.
- Power Cord** – 10' or 20' water resistant 16-3 SJTW-A/SJTW with integrally grounded three-prong plug
- Maximum Liquid Temperature Limits** – 130°F (55°C)

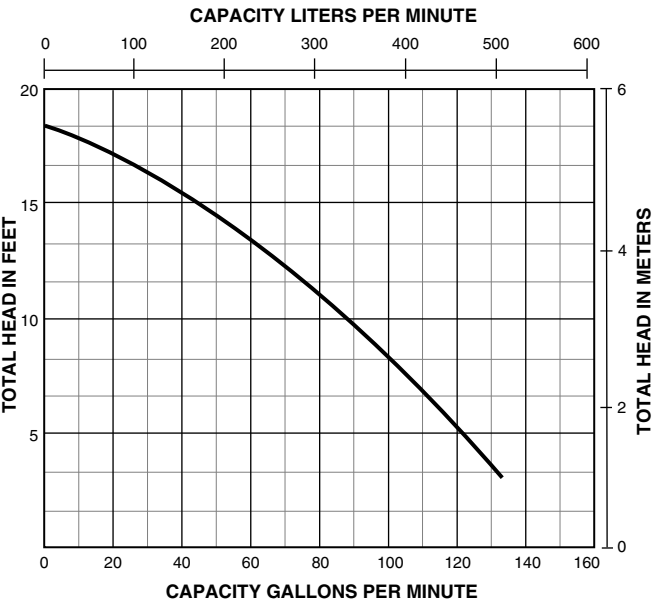
### FEATURES

- Solids Handling** – 2" spherical capabilities.
- Impeller** – Non-clog vortex style.
- Overload Protection** – Built-in thermal overload with automatic reset.
- Bearing and Mechanical Seal** – Permanently lubricated for long life.
- Stainless Steel Hardware** – Allows for easy disassembly after extended service.
- Serviceability** – Heavy-duty lift-out ring.
- Controls** – Standard controls available for automatic operation.
- Cord Design** – In-field replaceable 50' cord available, 115 volt only.

# cast iron submersible sewage pumps



### PUMP PERFORMANCE



# cast iron submersible sewage pumps

**Silicon Carbide Seals and Cast Iron Impeller**



This product is Listed to UL Standards for Safety by Underwriters Laboratories Inc. (UL).



**The SC6 Series Pumps are rugged, cast iron, submersible pumps with non-clog semi-open vane impellers and solids handling capability to 2". Available in both 115 Volt and 230 Volt single-phase versions, the SC6 Series comes with a 10' or 20' power cord, and is available in automatic or manual versions. Discharge pipe size is 2" NPT. A full selection of accessories for automatic operation is available,**

**and includes float switches, simplex controllers, duplex controllers, basins, alarms and check valves. 2" NPT discharge pipe size.**

### APPLICATIONS

- Sewage, Effluent and Wastewater Removal and Transfer
- Sump Drainage
- Dewatering
- Flood Control

### ORDERING INFORMATION

Catalog Number	HP	Max Load Amps	Volts/Phase	Cord Length	Mechanical Switch Type
SC650110T	1/2	9.0	115/1	10'	Tethered
SC650120M	1/2	9.0	115/1	20'	Manual
SC650120T	1/2	9.0	115/1	20'	Tethered
SC650220M	1/2	5.0	230/1	20'	Manual

**NOTE:** All SC6 Models have 2" solids handling capability and 2" NPT discharge.

## SC6 SERIES

### SPECIFICATIONS

**Volute Casing** – Cast iron

**Impeller** – Cast iron

**Upper and Lower Motor Housing** – Cast iron

**Mechanical Seal** – J. Crane type 6A or equal, Buna-N elastomers, silicon carbide seal faces, stainless steel metal parts

**Bearings** – Upper sleeve and lower ball bearings, oil lubricated

**Exterior Hardware and Nameplate** – Stainless steel

**Motor** – 1/2 HP, 1725 RPM, 115 Volt or 230 Volt single-phase, 60 Hz. Oil-filled. Permanent split capacitor. Built-in thermal overload protection with automatic reset.

**Power Cord** – 10' and 20' are oil and water resistant SJTW-A/SJTW 16/3 with UL/CSA Listed integrally grounded three-prong plug.

**Maximum Liquid Temperature Limits** – 130°F (55°C)

### FEATURES

**Solids Handling** – 2" spherical capability.

**Bearings and Mechanical Seal** – Permanently lubricated for long life.

**Impeller** – Non-clog semi-open vane.

**Overload Protection** – Built-in thermal overload with automatic reset.

**Serviceability** – Heavy-duty lift out ring, field replaceable.

**Stainless Steel Hardware** – Allows for easy disassembly after extended service.

**Float Switch** – Optional automatic.

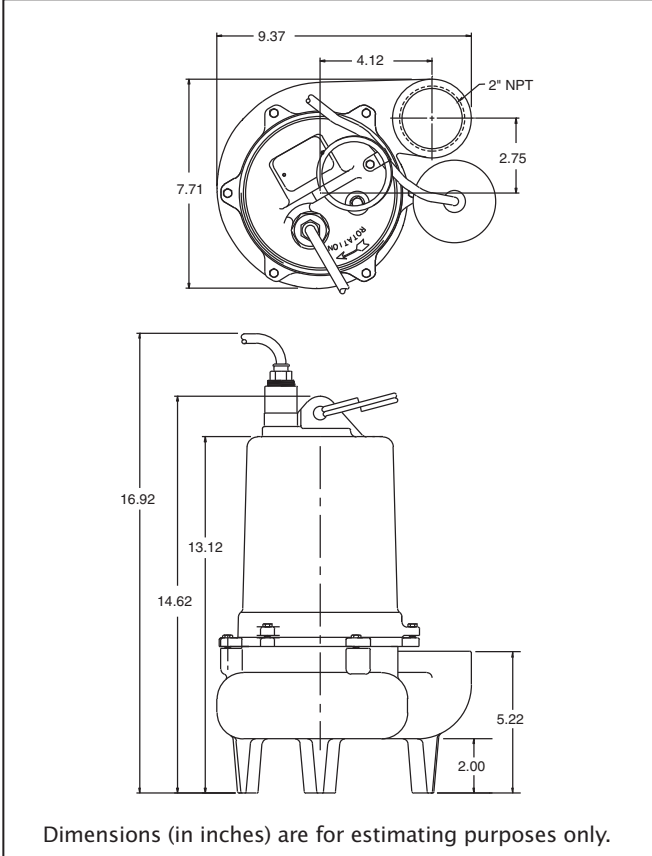
**Cord Design** – In-field replaceable 50' cord available, 115 volt only.

In order to provide the best products possible, specifications are subject to change.

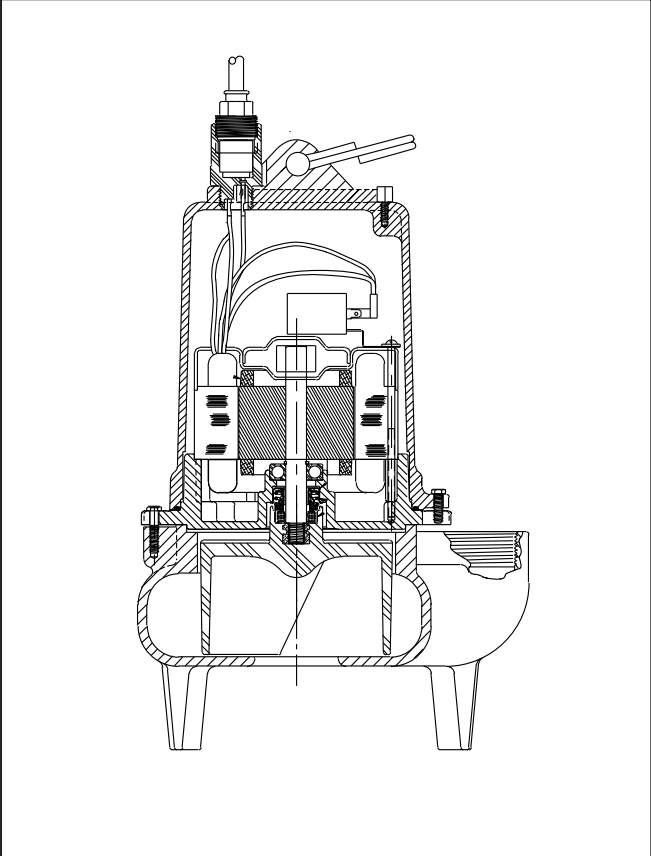


# cast iron submersible sewage pumps

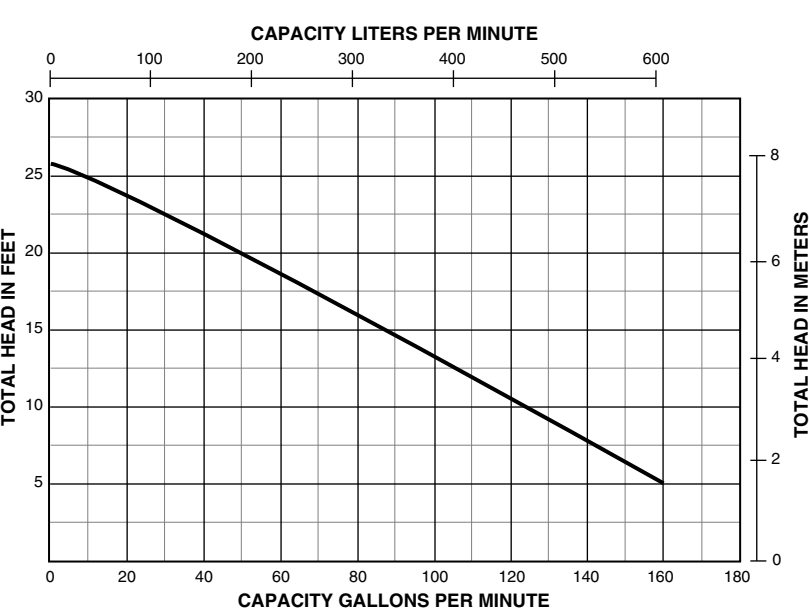
## OUTLINE DIMENSIONS



## SECTIONAL VIEW



## PUMP PERFORMANCE



# cast iron submersible sewage pumps

**Silicon Carbide Seals**



This product is Listed to UL Standards for Safety by Underwriters Laboratories Inc. (UL).



*The SC7/SCC7 Series Pumps are rugged, cast iron, submersible pumps with non-clog vortex impellers and solids handling capability to 2". Available with 1/2 or 3/4 HP, 115 Volt or 230 Volt single-phase or 208-230 Volts three-phase motor complete with 20' power cord. The SC7 Series have a 2" NPT vertical discharge. The SCC7 Series have a 3" NPT vertical discharge. A full selection of accessories for automatic*

*operation is available, and includes float switches, simplex controllers, duplex controllers, basins, alarms and check valves.*

## APPLICATIONS

- Sewage, Effluent and Waste-water Removal and Transfer
- Sump Drainage
- Dewatering
- Flood Control

## SC7/SCC7 SERIES

### SPECIFICATIONS

**Volute Casing** – Cast iron

**Impeller** – Cast iron

**Upper and Lower Motor Housing** – Cast iron

**Mechanical Seal** – J. Crane type 6A or equal, Buna-N elastomers, silicon carbide seal faces, stainless steel metal parts

**Bearings** – Ball type, oil lubricated

**Lower Motor Housing O-Ring** – Buna-N

**Exterior Hardware and Nameplate** – Stainless steel

**Motor** – 1/2 and 3/4 HP, 1725 RPM, 115 Volt or 230 Volt single-phase or 230 Volt three-phase, 60 Hz. Oil-filled. Permanent split capacitor. Built-in thermal overload protection with automatic reset. Stainless steel motor shaft and impeller lock nut.

**Power Cord** – Single Phase: 20' oil and water resistant 16-3 SJTW-A/SJTW with UL Listed integrally grounded three-prong plug.

Three Phase: 20' oil and water resistant 16-4 STW-A/STW

**Maximum Liquid Temperature Limits** – 130°F (55°C)

### FEATURES

**Solids Handling** – 2" spherical capability.

**Bearings and Mechanical Seal** – Permanently lubricated for long life.

**Impeller** – Non-clog vortex style with integral rim to reduce casing and impeller wear.

**Overload Protection** – Built-in thermal overload with automatic reset on single phase.

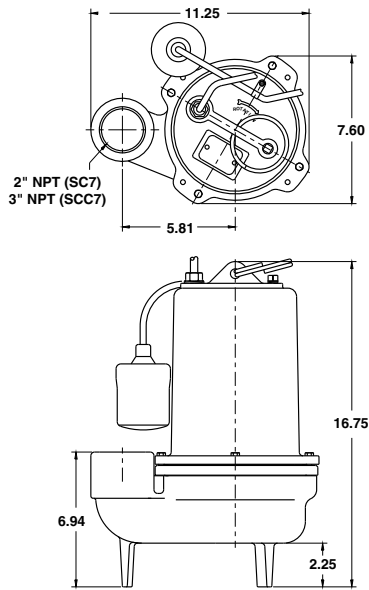
**Stainless Steel Hardware** – Allows for easy disassembly after extended service.

**Cord Design** – In-field replaceable 50' cord available.

In order to provide the best products possible, specifications are subject to change.

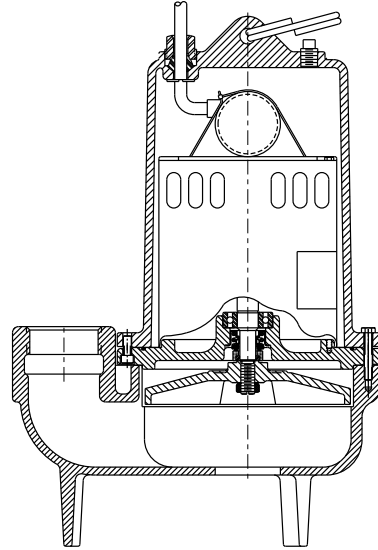
# cast iron submersible sewage pumps

## OUTLINE DIMENSIONS



Dimensions (in inches) are for estimating purposes only.

## SECTIONAL VIEW

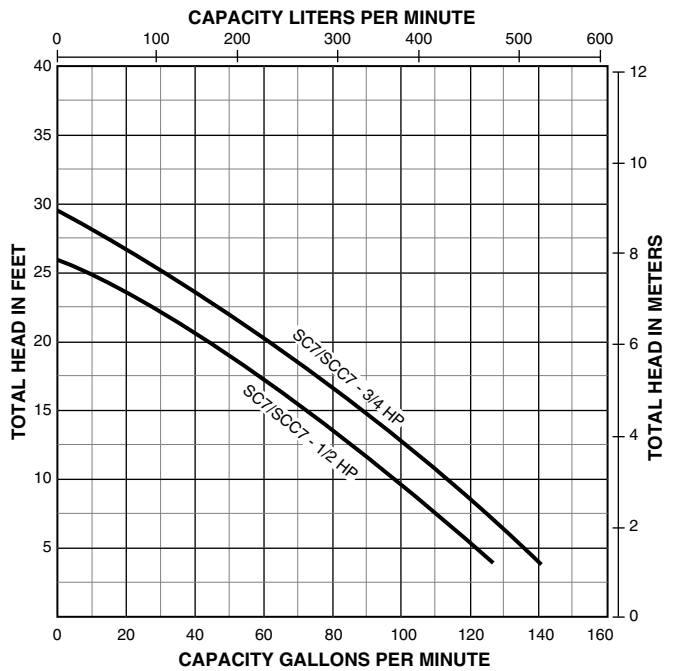


## ORDERING INFORMATION

Catalog* Number	HP	Max. Load Amps	Volts	Phase/ Cycles	Cord Length	Mechanical Switch Type	Dis- charge
<b>SC7 SERIES</b>							
SC750120M	1/2	11.2	115	1/60	20'	Manual	2" NPT
SC750120T	1/2	11.2	115	1/60	20'	Tethered	2" NPT
SC750220M	1/2	5.5	230	1/60	20'	Manual	2" NPT
SC750220T	1/2	5.5	230	1/60	20'	Tethered	2" NPT
SC750320M	1/2	4.0	208-230	3/60	20'	Manual	2" NPT
SC750420M	1/2	2.0	460	3/60	20'	Manual	2" NPT
SC775120M	3/4	12.0	115	1/60	20'	Manual	2" NPT
SC775120T	3/4	12.0	115	1/60	20'	Tethered	2" NPT
SC775220M	3/4	6.7	230	1/60	20'	Manual	2" NPT
SC775220T	3/4	6.7	230	1/60	20'	Tethered	2" NPT
SC775320M	3/4	4.8	208-230	3/60	20'	Manual	2" NPT
SC775420M	3/4	2.4	460	3/60	20'	Manual	2" NPT
<b>SCC7 SERIES</b>							
SCC750120M	1/2	11.2	115	1/60	20'	Manual	3" NPT
SCC750120T	1/2	11.2	115	1/60	20'	Tethered	3" NPT
SCC750220M	1/2	5.5	230	1/60	20'	Manual	3" NPT
SCC750220T	1/2	5.5	230	1/60	20'	Tethered	3" NPT
SCC750320M	1/2	4.0	208-230	3/60	20'	Manual	3" NPT
SCC750420M	1/2	2.0	460	3/60	20'	Manual	3" NPT
SCC775120M	3/4	12.0	115	1/60	20'	Manual	3" NPT
SCC775120T	3/4	12.0	115	1/60	20'	Tethered	3" NPT
SCC775220M	3/4	6.7	230	1/60	20'	Manual	3" NPT
SCC775220T	3/4	6.7	230	1/60	20'	Tethered	3" NPT
SCC775320M	3/4	4.8	208-230	3/60	20'	Manual	3" NPT
SCC775420M	3/4	2.4	460	3/60	20'	Manual	3" NPT

\*All SC7/SCC7 Series Pumps have 2" solids handling capabilities.

## PUMP PERFORMANCE



# cast iron submersible sewage pumps

**Silicon Carbide Seals**



This product is Listed to UL Standards for Safety by Underwriters Laboratories Inc. (UL).



*The SC9/SCC9 Series Pump is a rugged, cast iron, submersible pump with a non-clog, two-vane, semi-open impeller and solids handling capability to 2". Unit available with 3/4 thru 2 HP single- and three-phase motors complete with 20' power cord. The SC9 Series has a 2" NPT vertical discharge. The SCC9 Series features a 3" NPT vertical discharge. A full selection of accessories for automatic*

*operation is available, and includes float switches, simplex controllers, duplex controllers, basins, alarms and check valves.*

## APPLICATIONS

- Sewage, Effluent and Waste-water Removal and Transfer
- Sump Drainage
- Dewatering
- Flood Control

## SC9/SCC9 SERIES

### SPECIFICATIONS

**Impeller/Volute Casing** – Cast iron

**Upper and Lower Motor Housing** – Cast iron

**Shaft Seal** – Primary: Mechanical type 21 or equal, Buna-N elastomers, silicon carbide seal faces, stainless steel metal parts; Secondary: self-lubricating energized nitrile lip seal

**Bearings** – Ball type, oil lubricated

**Exterior Hardware and**

**Nameplate** – Stainless steel

**Motor** – 3/4, 1, 1-1/2 and 2 HP, 1725 RPM, 230 Volt single-phase or 208-230/460 Volt three-phase, 60 Hz. Oil-filled. Built-in thermal overload protection with automatic reset and permanent split capacitor on single-phase only. Stainless steel motor shaft and impeller lock nut.

**Power Cord** – Single Phase: 20' UL/CSA Listed. 3-wire 16-3 SJTW-A/SJTW water resistant cord with integrally grounded three-prong plug.

Three Phase: 20' UL/CSA Listed. 4-wire 16-4 STW-A/STW water-resistant cord.

**Maximum Liquid Temperature Limits** – 130°F (55°C)

### FEATURES

**Impeller** – Non-clog two vane semi-open style.

**Dual Shaft Seals** – Primary mechanical seal with a secondary self-lubricating lip seal.

**Solids Handling** – 2" spherical capability.

**Bearings and Mechanical Seal** – Permanently lubricated for long life.

**Overload Protection** – Built-in thermal overload with automatic reset on single phase.

**Cord Design** – In-field replaceable 50' cord available.

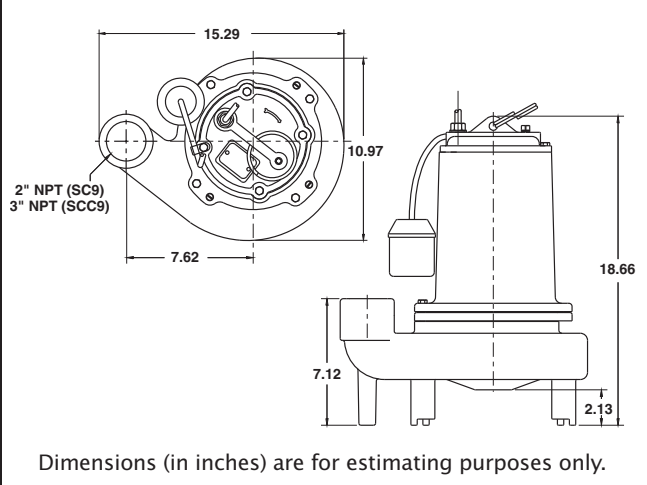
**Serviceability** – Heavy-duty lift out ring, field serviceable.

**Controls** – Standard controls are available for automatic operation.

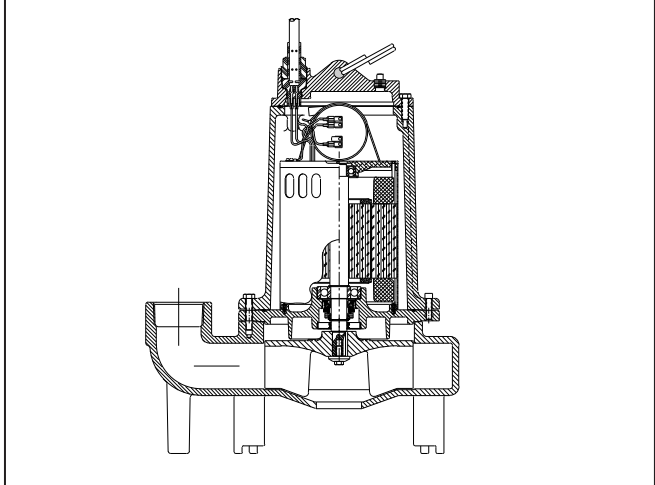
In order to provide the best products possible, specifications are subject to change.

# cast iron submersible sewage pumps

## OUTLINE DIMENSIONS



## SECTIONAL VIEW

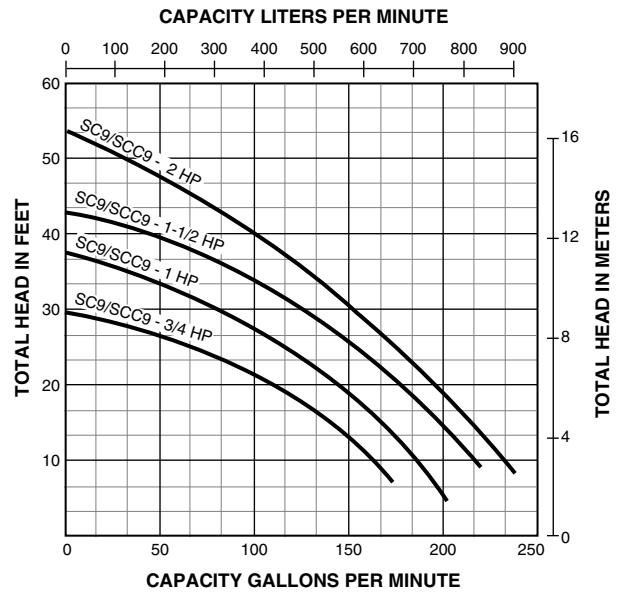


## ORDERING INFORMATION

Catalog Number	HP	Max. Load Amps	Volts	Phase/Cycles	Cord Length	Mechanical Switch Type	Dis-charge
<b>SC9 SERIES</b>							
SC975220M	3/4	7.5	230	1/60	20'	Manual	2" NPT
SC975220T	3/4	7.5	230	1/60	20'	Tethered	2" NPT
SC975320M	3/4	8.0	208-230	3/60	20'	Manual	2" NPT
SC975420M	3/4	4.0	460	3/60	20'	Manual	2" NPT
SC9100220M	1	8.5	230	1/60	20'	Manual	2" NPT
SC9100220T	1	8.5	230	1/60	20'	Tethered	2" NPT
SC9100320M	1	8.5	208-230	3/60	20'	Manual	2" NPT
SC9100420M	1	4.1	460	3/60	20'	Manual	2" NPT
SC9150220M	1-1/2	12.0	230	1/60	20'	Manual	2" NPT
SC9150320M	1-1/2	9.0	208-230	3/60	20'	Manual	2" NPT
SC9150420M	1-1/2	4.7	460	3/60	20'	Manual	2" NPT
SC9200220M	2	13.0	230	1/60	20'	Manual	2" NPT
SC9200320M	2	10.0	208-230	3/60	20'	Manual	2" NPT
SC9200420M	2	5.3	460	3/60	20'	Manual	2" NPT
<b>SCC9 SERIES</b>							
SCC975220M	3/4	7.5	230	1/60	20'	Manual	3" NPT
SCC975220T	3/4	7.5	230	1/60	20'	Tethered	3" NPT
SCC975320M	3/4	8.0	208-230	3/60	20'	Manual	3" NPT
SCC975420M	3/4	4.0	460	3/60	20'	Manual	3" NPT
SCC9100220M	1	8.5	230	1/60	20'	Manual	3" NPT
SCC9100220T	1	8.5	230	1/60	20'	Tethered	3" NPT
SCC9100320M	1	8.5	208-230	3/60	20'	Manual	3" NPT
SCC9100420M	1	4.1	460	3/60	20'	Manual	3" NPT
SCC9150220M	1-1/2	12.0	230	1/60	20'	Manual	3" NPT
SCC9150320M	1-1/2	9.0	208-230	3/60	20'	Manual	3" NPT
SCC9150420M	1-1/2	4.7	460	3/60	20'	Manual	3" NPT
SCC9200220M	2	13.0	230	1/60	20'	Manual	3" NPT
SCC9200320M	2	10.0	208-230	3/60	20'	Manual	3" NPT
SCC9200420M	2	5.3	460	3/60	20'	Manual	3" NPT

**NOTE:** All SC9/SCC9 Series Pumps have 2" solids handling capability.

## PUMP PERFORMANCE



# packaged sewage system



This product (pump only) is Listed to UL Standards for Safety by Underwriters Laboratories Inc. (UL).



*The SP4 Series pre-plumbed sewage system is a rugged, high quality product consisting of our SC4 Series 4/10 HP, 115 Volt cast iron and composite sewage pump ideal for applications requiring up to 2" solids handling capability. The 18" x 30" basin is constructed of the highest quality structural foam and has a 30-gallon capacity. The package comes with a single-piece structural foam lid, proprietary "Flush Mount" design for easy shipping and storage, and*

*an extra long 20' cord for quick installation. The unit comes field-ready with 2" FNPT threaded discharge and vent flanges [adaptable to 3" FNPT by using kit PW198-5 (ordered seperately)] and includes a 2" sewage check valve.*

### APPLICATIONS

- Residential Sewage Applications
- High-capacity Sump/Effluent Applications
- New or Existing Installations
- Ideal for Retrofit Applications

### ORDERING INFORMATION

Catalog Number	HP	Package Type	Cord Length	Mechanical Switch Type	Basin Size
SP440120T	4/10	Pre-assembled	20'	Tethered	18" x 30"

Noryl® is a registered trademark of General Electric Co.

In order to provide the best products possible, specifications are subject to change.

## SP4 SERIES

### SPECIFICATIONS

#### **Pump (Model SC440120T)**

**Volute Casing** – Composite.

**Exterior Hardware** – Stainless steel.

**Motor** – 4/10 HP, 1550 RPM, 115 Volt, single-phase, 60 Hz. Oil-filled. Built-in thermal overload with automatic reset.

**Maximum Limits** – Liquid temperature: 130°F (55°C).

For additional pump information, refer to Catalog S5610SES, page 13.

#### **Basin, Lid, and Accessories**

**Basin** – Injection-molded structural foam (polyethylene). 30-gallon capacity. Standard 18" x 30" basin.

**Lid** – Injection-molded structural foam (polyethylene). Gas-tight single-piece design with seal.

**Hub Adapter** – 4" Snap-in type with stainless steel clamp. Fits 4" DWV SCH. 40 plastic pipe.

**Flanges** – 2" FNPT threaded discharge and vent flanges [easily converts to 3" FNPT by using kit PW198-5 (ordered separately)]. Comes with gas-tight cord grommet.

**Check Valve** – Sewage check valve fits 2" black, galvanized, and DWV SCH. 40 pipe.

### FEATURES

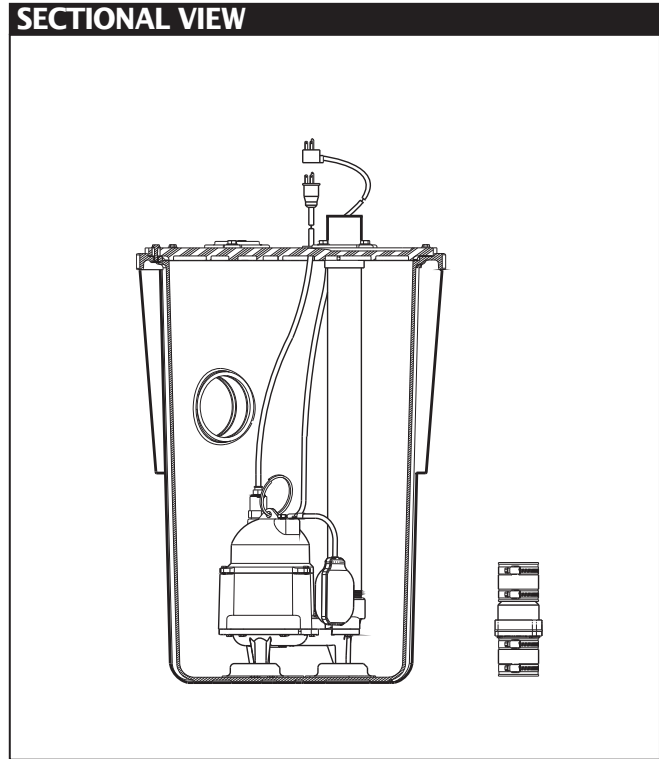
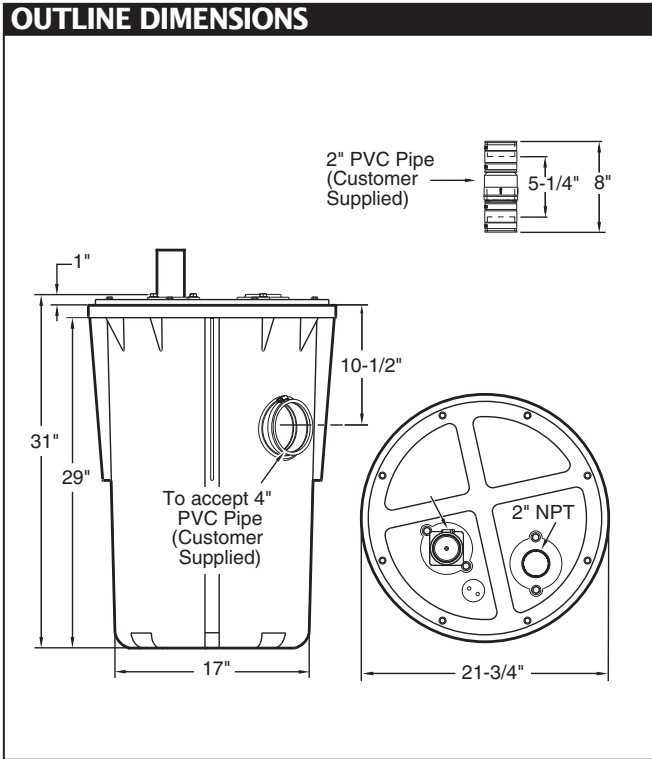
**Fully Assembled** – Check valve included.

**Injection-Molded Structural Foam** – Provides the highest quality construction for uniform wall thickness and strength.

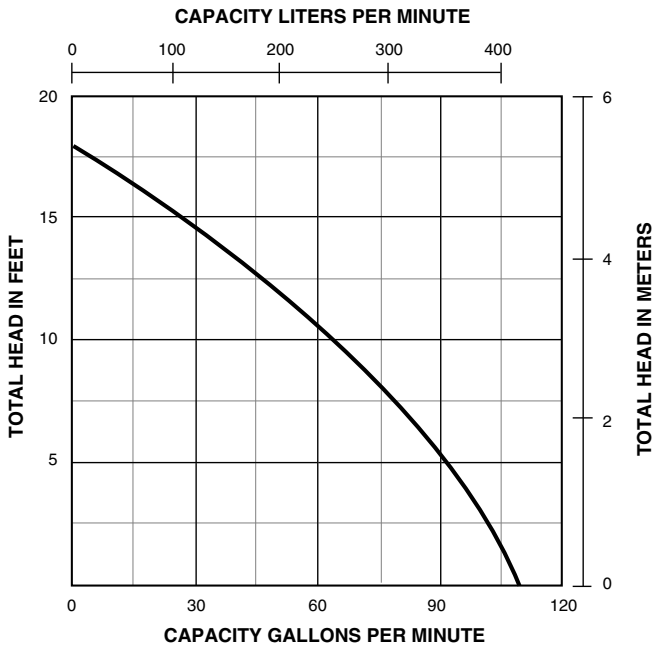
**Proprietary "Flush Mount" Design** – For easy shipping and storage. Allows for pallet stacking.

**Extra Long Cord** – 20' cord allows for easy installation.

# packaged sewage system



### PUMP PERFORMANCE



# packaged sewage system



This product (pump only) is Listed to UL Standards for Safety by Underwriters Laboratories Inc. (UL).



*The SP5 Series pre-plumbed sewage system is a rugged, high quality package consisting of our popular SC5 Series 1/2 HP, 115 Volt cast iron sewage pump suited for applications requiring up to 2" solids handling capability. The 18" x 30" basin is constructed of the highest quality structural foam and has a 30-gallon capacity. Unique features include a split gas-tight structural foam lid for easy pump access, proprietary "Flush Mount" design for easy shipping and storage, and an extra-long*

*20' cord for quick installation. The unit comes field-ready with 2" FNPT threaded discharge and vent flanges [adaptable to 3" FNPT by using kit PW198-5 (ordered separately)] and includes a 2" sewage check valve.*

### APPLICATIONS

- Residential Sewage Applications
- High-capacity Sump/Effluent Applications
- New or Existing Installations
- Ideal for Retrofit Applications

### ORDERING INFORMATION

Catalog Number	HP	Package Type	Cord Length	Mechanical Switch Type	Basin Size
SP550120T	1/2	Pre-assembled	20'	Tethered	18" x 30"

Noryl® is a registered trademark of General Electric Co. In order to provide the best products possible, specifications are subject to change.

## SP5 SERIES

### SPECIFICATIONS

#### **Pump (Model SC550120T)**

**Volute Casing** – Cast iron.

**Exterior Hardware** – Stainless steel.

**Motor** – 1/2 HP, 1550 RPM, 115 Volt, single-phase, 60 Hz. Oil-filled. Built-in thermal overload with automatic reset.

**Maximum Limits** – Liquid temperature: 130°F (55°C).

For additional pump information, refer to Catalog S5610SES, page 13.

#### **Basin, Lid, and Accessories**

**Basin** – Injection-molded structural foam (polyethylene). 30-gallon capacity. Standard 18" x 30" basin.

**Lid** – Injection-molded structural foam (polyethylene). Gas-tight two-piece design with seal.

**Hub Adapter** – 4" Snap-in type with stainless steel clamp. Fits 4" DWV SCH. 40 plastic pipe.

**Flanges** – 2" FNPT threaded discharge and vent flanges [easily converts to 3" FNPT by using kit PW198-5 (ordered separately)]. Comes with gas-tight cord grommet.

**Check Valve** – Sewage check valve fits 2" black, galvanized, and DWV SCH. 40 pipe.

### FEATURES

**Fully Assembled** – Check valve included.

**Injection Molded Structural Foam** – Provides the highest quality construction for uniform wall thickness and strength.

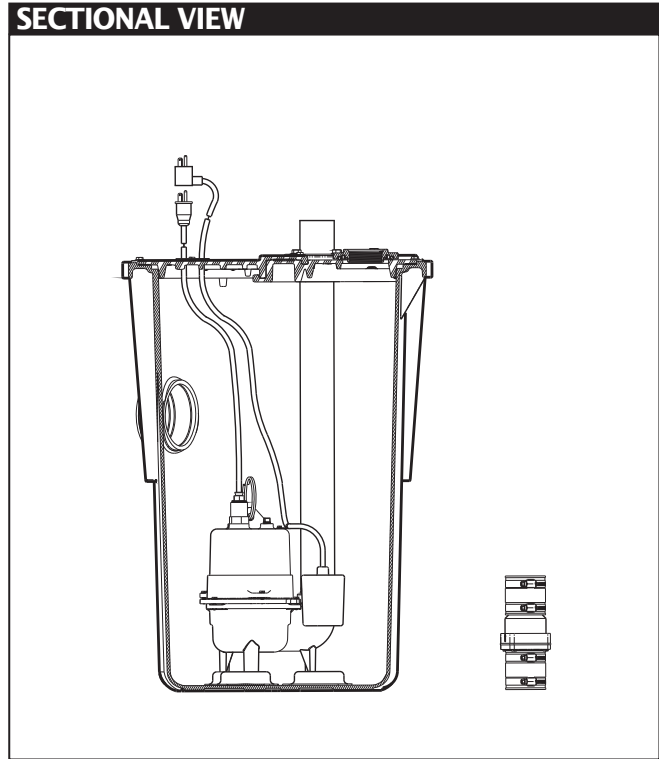
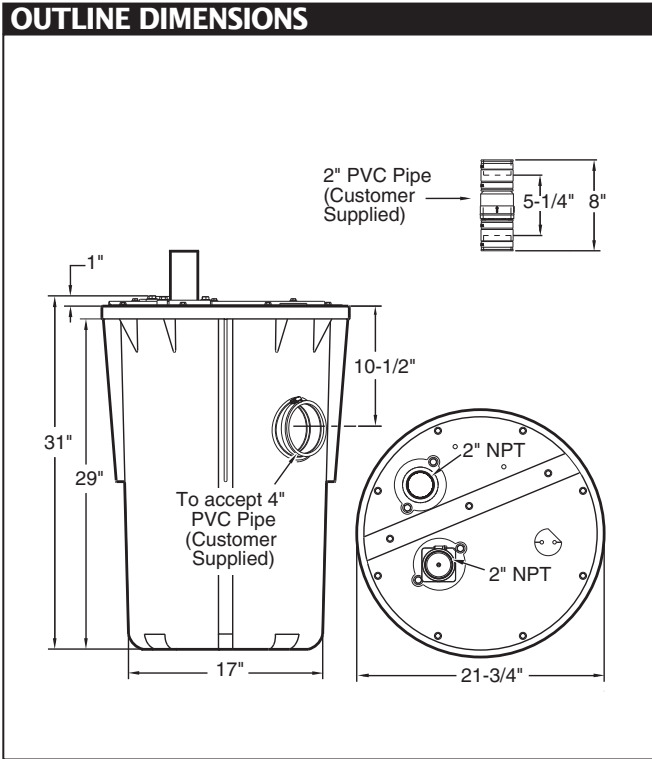
**Split Cover** – Gas-tight and allows for easy pump access with minimal disassembly.

**Proprietary "Flush Mount" Design** – For easy shipping and storage. Allows for pallet stacking.

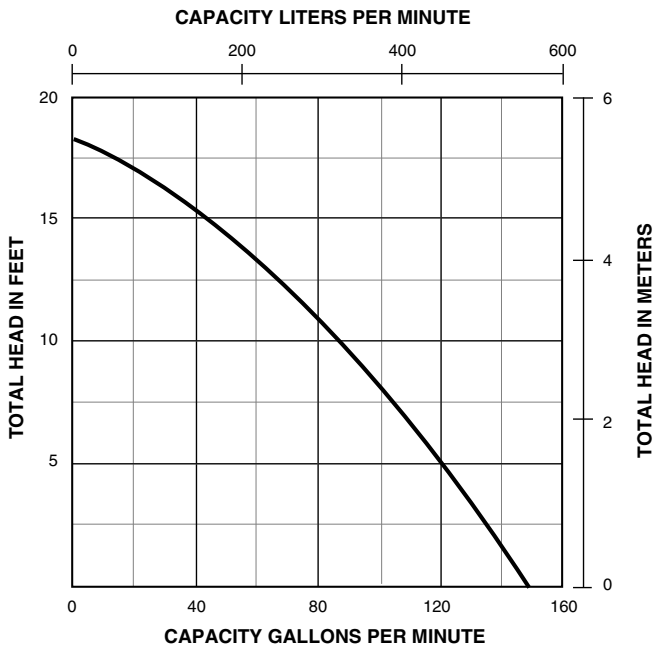
**Extra Long Cord** – 20' cord allows for easy installation.



# packaged sewage system



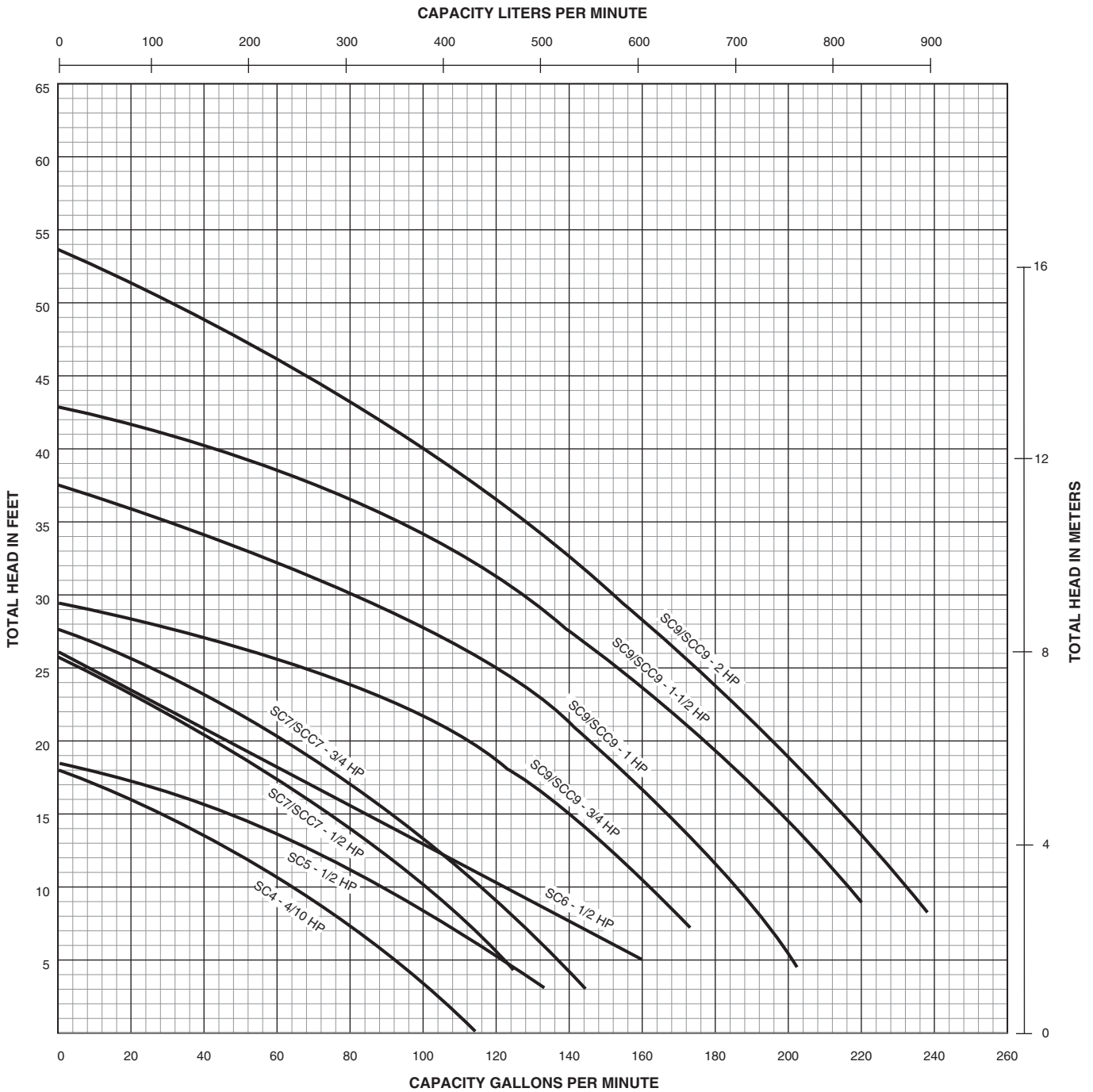
### PUMP PERFORMANCE





# sewage pumps composite curve

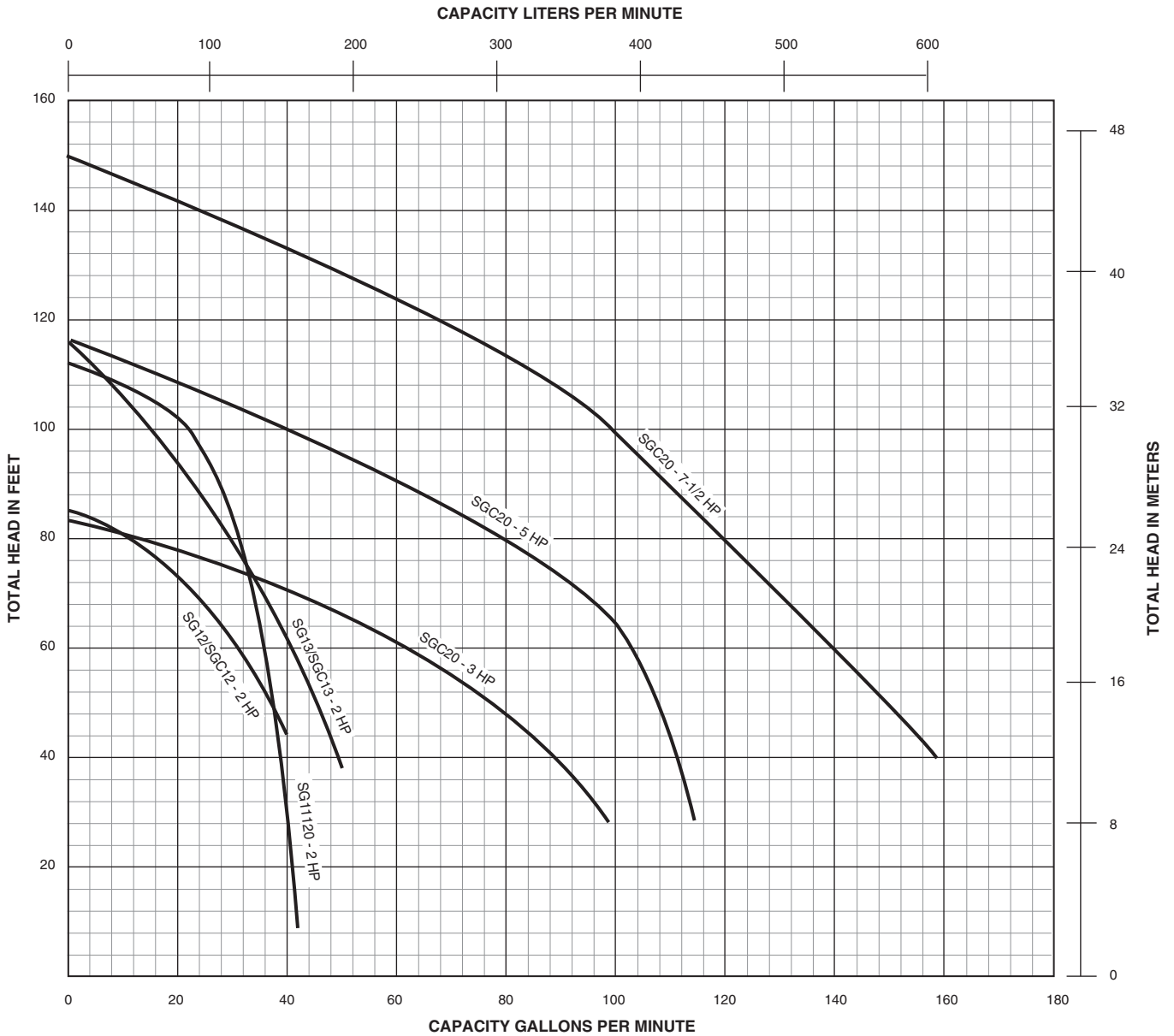
## PUMP PERFORMANCE





# grinder pumps composite curve

## PUMP PERFORMANCE



# grinder pumps

**Continuous Duty!  
Dual Mechanical Seals!**



**NEW!**

This product is Listed to UL Standards for Safety by Underwriters Laboratories Inc. (UL).



**Rugged cast iron submersible pump provides capacities to 42 GPM and heads to 112 feet. Dual cutter design reduces sewage to a fine slurry. Dry motor features stainless steel shaft and ball bearings. Silicon carbide seals provide less friction, better resistance to wear, more thermal protection and**

**greater corrosion resistance. Options available are lift out system components, control panels, switches, alarms and basin assemblies.**

### APPLICATIONS

- Sewage grinding
- Sewage, effluent and wastewater removal or transfer

### ORDERING INFORMATION

Catalog Number	HP	Volts	Phase*	Full Load Amps	Discharge
SG11200220T	2	230	1	13.4	1-1/4" NPT
SG11200320M	2	230/460	3	8.2/4.1	1-1/4" NPT

\*3 phase models are pre-wired for 230 volt.

In order to provide the best products possible, specifications are subject to change.

## SG SERIES RESIDENTIAL

### SPECIFICATIONS

- Motor Housing** – Cast iron
- Pump Casing** – Cast iron
- Seal Housing** – Cast iron
- Shaft** – Stainless steel
- Impeller** – Cast iron
- Cutters** – Stainless steel 440C hardened to 55-60 Rockwell C dual cutter design
- Upper and Lower Bearings** – Single row ball bearing shielded
- Fasteners** – Stainless steel

### FEATURES

**Motor** – *Dry motor design:* Capacitor start/capacitor run which provides maximum starting torque required to start with trash. Motor windings contain automatic thermal overload protection. Single-phase unit has a time proven springloaded mechanical switch.

**Mechanical Seals** – Dual mechanical seals in cast iron housing filled with oil for lubrication. Seals are silicon carbide at the pump's water side and carbon ceramic at the motor side. Silicon carbide provides longer life at the critical seal area. Seal features Buna-N elastomers and stainless steel hardware.

**Duty** – Pumps are rated 105°F continuous, 122°F intermittent.

**Shaft** – Stainless steel eliminates corrosion and fatigue for longer pump life. Short shaft extension to reduce deflection and prolong seal and bearing life.

**Float Switch** – SJE Pumpmaster Plus 20'.

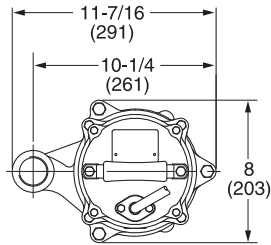
**Impeller** – Cast iron 10 vane for maximum clearing of particles.

**Adjustable Mounting Feet** – Stainless steel provided with rubber bottoms to reduce vibration.

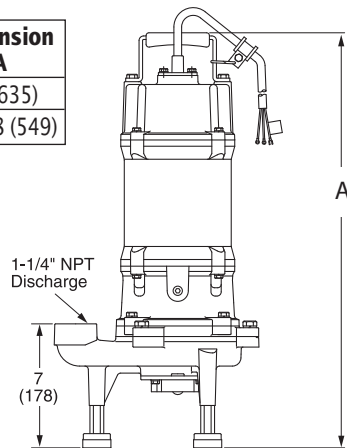
**Cord** – 14ga. SOW (3 phase) and 16ga SOW (1 phase) with secondary strain relief 20'.

# grinder pumps

## OUTLINE DIMENSIONS

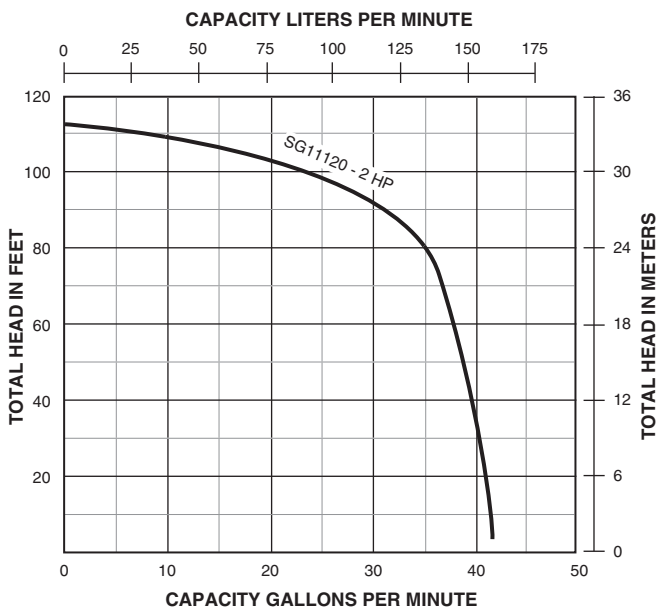


Phase	Dimension A
1	25 (635)
3	21-5/8 (549)

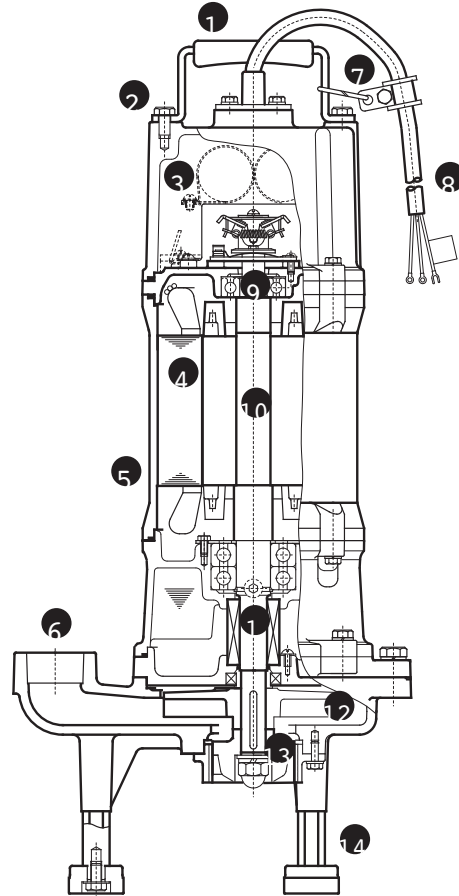


Dimensions in inches (mm) are for estimating purposes only.

## PUMP PERFORMANCE



## CROSS-SECTIONAL VIEW



- 1 Rubber coated handle
- 2 All hardware stainless steel
- 3 Dry capacitor and switch housing for ease of servicing
- 4 Dry capacitor start/run motor provides maximum starting torque. No need for control panel on single phase units.
- 5 Cast iron housings with baked on epoxy coating to resist corrosion
- 6 1-1/4" Discharge
- 7 Secondary cord strain relief
- 8 14 gauge or 16 gauge SOW cord for maximum oil and water resistance. Easily serviceable.
- 9 Upper and lower heavy duty ball bearings
- 10 Stainless steel shaft
- 11 Dual mechanical seals in an oil chamber. Silicon carbide at the water end; carbon ceramic at the motor end.
- 12 Cast iron 10 vane impeller for maximum clearing of particles
- 13 Hardened 440c stainless cutters and cutting ring. Replaceable without disassembling pump.
- 14 Stainless steel legs with rubber feet adjustable to 1/2"

# grinder pumps



*The STA-RITE SG/SGC Grinder Pump is a rugged cast iron submersible pump that provides capacities to 160 GPM and heads to 150 feet. The two-stage cutting design reduces industrial and domestic sewage to a fine slurry. The heavy-duty industrial rated motor features a stainless steel shaft supported by ball*

*bearings. The SGC Pumps feature internal circuitry to detect seal leakage and overheating of the windings. Options available for these units include lift-out system components, control panels, switches, alarms and sump basin assemblies. All pumps come standard with 25' cords.*

## ORDERING INFORMATION

Catalog Number	HP	Volts/Phase	Maximum Load Amps	Head	Internal Sensors	Discharge Size
SG12200225M	2	230/1	12.0	Low Head	No	1-1/4"
SG12200325M	2	208-230/460/3	6.6/6.0/3.0	Low Head	No	1-1/4"
SG13200225M	2	230/1	14.0	High Head	No	1-1/4"
SG13200325M	2	208-230/460/3	7.1/6.4/3.2	High Head	No	1-1/4"
SGC12200225M	2	230/1	12.0	Low Head	Yes	1-1/4"
SGC12200325M	2	208-230/460/3	6.6/6.0/3.0	Low Head	Yes	1-1/4"
SGC13200225M	2	230/1	14.0	High Head	Yes	1-1/4"
SGC13200325M	2	208-230/460/3	7.1/6.4/3.2	High Head	Yes	1-1/4"
SGC20300225M	3	230/1	28.0	Standard	Yes	2"
SGC20300325M	3	208-230/460/3	15.5/14.0/7.0	Standard	Yes	2"
SGC20500225M	5	230/1	34.0	Standard	Yes	2"
SGC20500325M	5	208-230/460/3	20.0/18.0/9.0	Standard	Yes	2"
SGC20750325M	7-1/2	208-230/460/3	24.3/22.0/11.0	Standard	Yes	2"

## SG/SGC SERIES COMMERCIAL

### APPLICATIONS

- Sewage Grinding
- Sewage, Effluent and Wastewater Removal or Transfer

### SPECIFICATIONS

**Volute Casing** – Cast iron

**Impeller** – Hardened stainless steel

**Cutters** – *First stage cutter and ring:* hardened stainless steel; *Shearing cutter:* hardened stainless steel

**Seals** – Dual carbon and ceramic, with stainless steel trim, running in oil

**Bearings** – Ball type, oil lubricated

**Exterior Fasteners** – Stainless steel

**Motor** – SG12, SG13, SGC12 and SGC13 Series models are 3450 RPM oil-filled motors; SG20 and SGC20 Series models are 3450 RPM dry-motor design. All SGC models are built with internal seal-leak probe and winding heat sensors.

**Power Cord** – Type SOOW, 25' standard

**Maximum Liquid Temperature Limits** – 130°F (55°C)

### FEATURES

**Motor Shaft** – Stainless steel with ball bearing support.

**Dual Shaft** – Seal isolates motor from sewage.

**Internal Oil Reservoir** – Lubricates shaft seals.

**Impeller** – Non-overloading design provides maximum force over entire power curve.

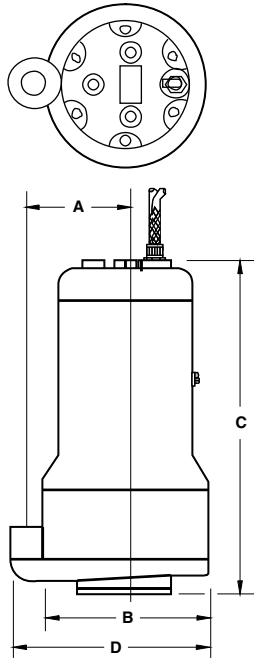
**Shearing Cutter, First Stage Cutter, and Main Cutter Ring** – Hardened stainless steel.

**Wired** – All three-phase units are prewired for 208-230 Volt operation and are field changeable to 460 Volt.

In order to provide the best products possible, specifications are subject to change.

# grinder pumps

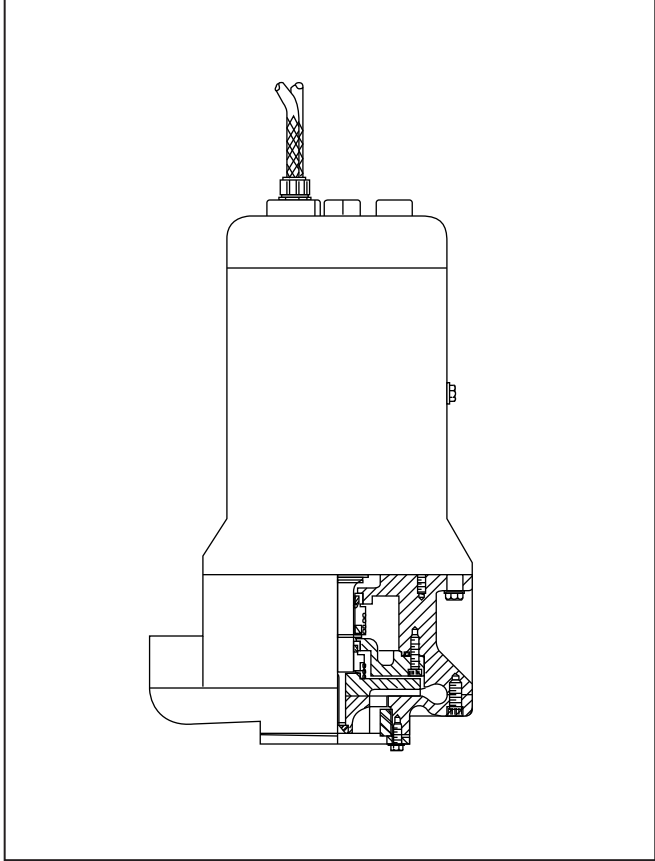
## OUTLINE DIMENSIONS



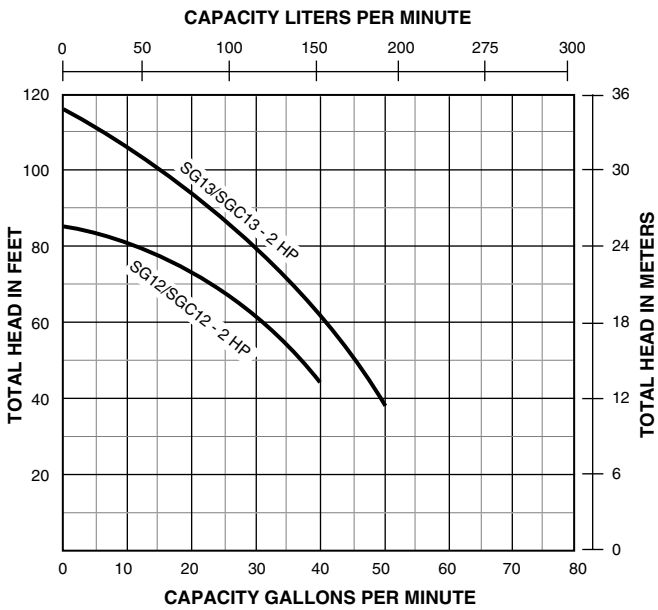
Catalog Number	A	B	C	D
SG12/SGC12, SG13/SGC13	5-1/8"	8-1/4"	17-5/8"	10-5/8"
SGC20	8"	10-5/8"	21-3/4"	14-3/4"

Dimensions (in inches) are for estimating purposes only.

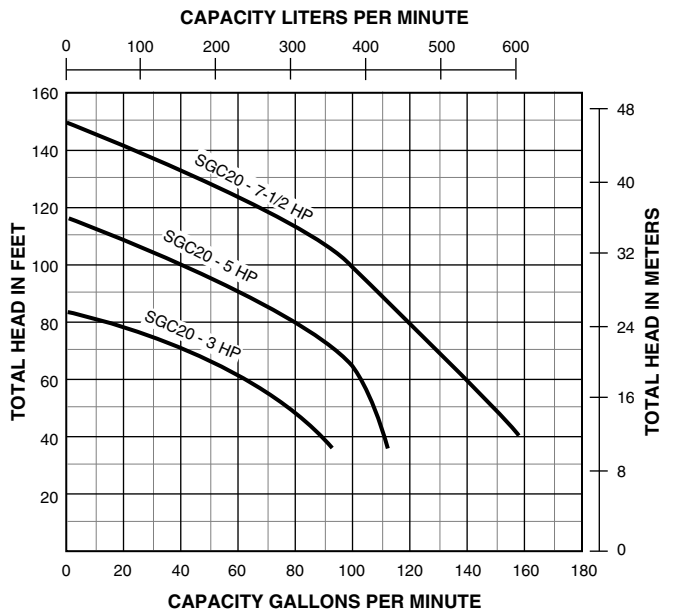
## SECTIONAL VIEW



## PUMP PERFORMANCE – SG12/SGC12, SG13/SGC13



## PUMP PERFORMANCE – SGC20



# wastewater pumps



Free-standing adaptor sold separately

The SW40/SWH40/SW60 Series Wastewater Pumps are rugged cast iron submersibles which provide pump capacities to 1,100 GPM, with heads of up to 100 feet through either a 4" or 6" ANSI standard flanged outlet. The heavy-duty industrial rated motor features a stainless steel

shaft supported by ball bearings. These pumps feature internal circuitry to detect seal leakage and overheating of the windings. Options available for these units include lift-out system components, control panels, switches, and alarms.

## SW40/ SWH40/ SW60

### APPLICATIONS

- Sewage, Trash, Effluent and Wastewater Removal or Transfer
- Sump drainage
- Dewatering
- Flood control
- Circulation

### SPECIFICATIONS

**Volute Casing** – Cast iron

**Impeller** – Cast iron

**Seals** – Dual carbon and ceramic, with stainless steel trim, running in oil

**Bearings** – Ball type, oil lubricated

**Exterior Fasteners** – Stainless steel

**Motor** – 3 or 5 HP, 230 Volt single-phase and 3, 5, 7-1/2, 10 or 12 HP, 208-230V/460V three-phase, 60 Hz, oil-filled, 1750 RPM. All motors built with internal seal leak probe and winding heat sensors.

**Power Cord** – Type STO, 25' standard

**Maximum Liquid Temperature Limits** – 130°F (55°C)

### FEATURES

**Motor Shaft** – Stainless steel with ball bearing.

**Dual Shaft Seal** – Isolates motor from sewage.

**Internal Oil Reservoir** – Lubricates shaft seals.

**Impeller** – Non-overloading design provides maximum force over entire pump curve; non-clog for solids up to 4" in diameter.

**Impeller Wear Ring** – Replaceable bronze.

**Three-phase Units** – Pre-wired for 208-230 Volt operation; field changeable to 460 Volt.

### ORDERING INFORMATION

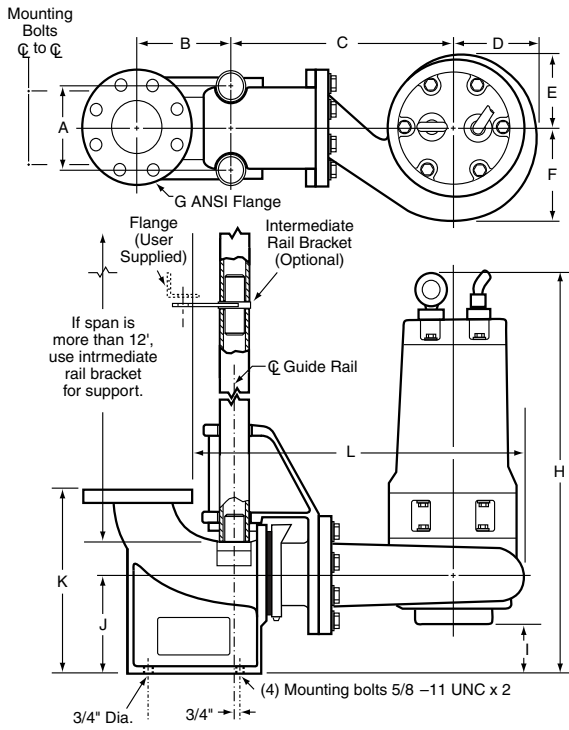
Catalog Number	HP	Max. Amps	Volts	Phase	Solids	Discharge
<b>SW40 SERIES</b>						
SW40300225M	3	20.0	230	1	3"	4"
SW40300325M	3	14.0/12.6/6.3	208-230/460	3	3"	4"
SW40500225M	5	27.0	230	1	3"	4"
SW40500325M	5	19.4/17.5/8.3	208-230/460	3	3"	4"
<b>SWH40 SERIES</b>						
SWH40750325M	7.5	33.2/30.0/15.0	208-230/460	3	2.5"	4"
SWH401000325M	10	37.6/34.0/17.0	208-230/460	3	2.5"	4"
SWH401200325M	12	40.0/37.0/18.5	208-230/460	3	2.5"	4"
<b>SW60 SERIES</b>						
SW60750325M	7.5	30.0/28.0/14.0	208-230/460	3	4"	6"
SW601000325M	10	35.4/32.0/16.0	208-230/460	3	4"	6"
SW601200325M	12	40.0/36.0/18.0	208-230/460	3	4"	6"
<b>FREE-STANDING ADAPTER/GUIDE RAIL</b>						
W52489L	Free-standing adapter for SG12 and SGC12					
W52454L	Free-standing adapter for SGC20					

In order to provide the best products possible, specifications are subject to change.



# wastewater pumps

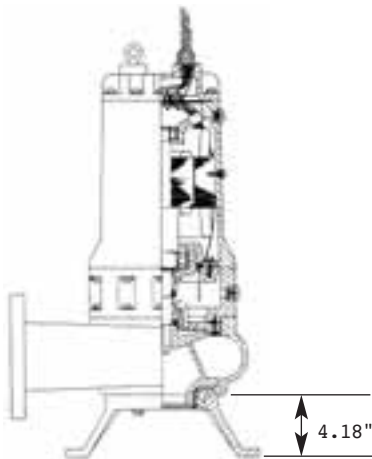
## OUTLINE DIMENSIONS



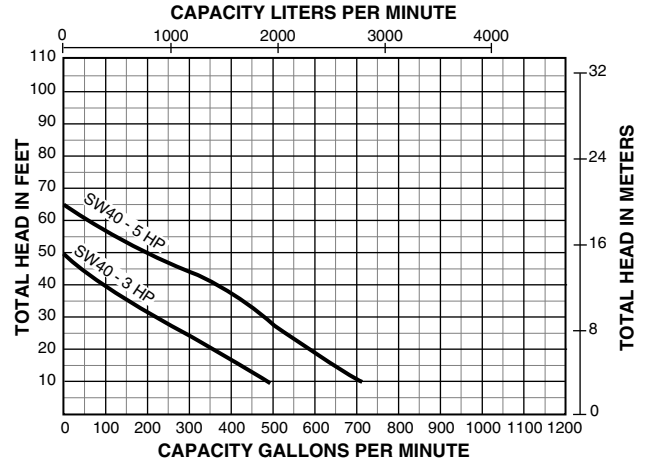
Catalog No.	A	B	C	D	E	F	G	H	I	J	K	L
40SW Series	6.50	7.75	18.00	6.50	6.00	7.50	4.00	31.40	3.75	7.75	14.00	28.75
40SWH Series	6.50	8.75	20.00	7.31	6.81	7.79	4.00	33.55	4.75	9.50	16.38	31.75
60SW Series	6.50	8.75	20.00	7.75	6.75	8.75	6.00	35.50	4.75	9.50	16.38	32.50

Dimensions (in inches) are for estimating purposes only.

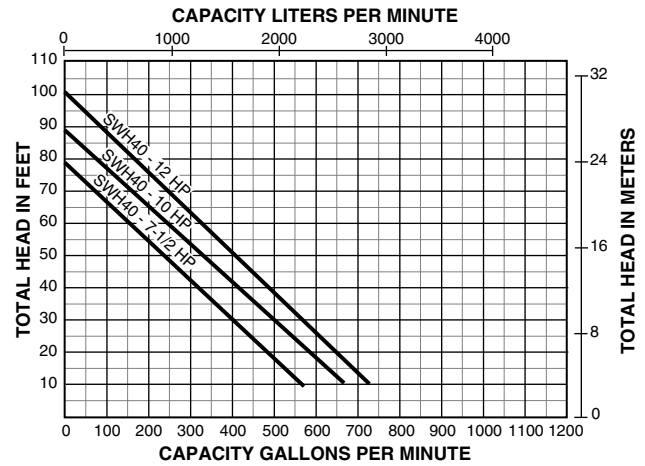
## SECTIONAL VIEW



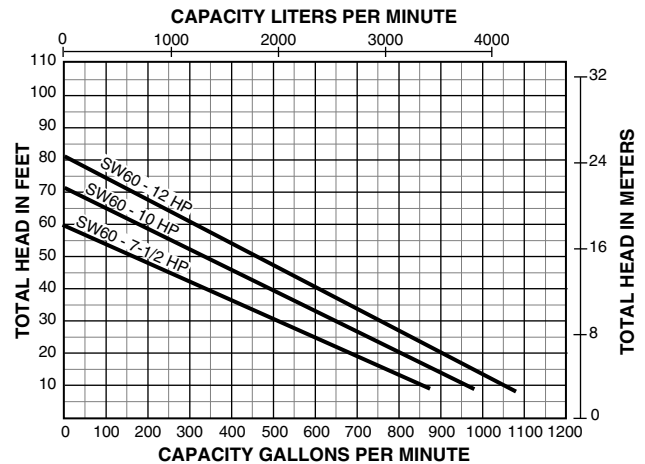
## PUMP PERFORMANCE – SW40



## PUMP PERFORMANCE – SWH40



## PUMP PERFORMANCE – SW60



# lift-out rail systems – 1-1/4" and 2" discharge



Field assembly required.

*STA-RITE offers safe and cost-effective lift-out guide-rail systems for sewage, effluent and grinder systems in the industry standard 1-1/4" and 2" discharge sizes.*

### APPLICATIONS

- Residential sewage and effluent systems
- Residential and light commercial grinder systems

### FEATURES

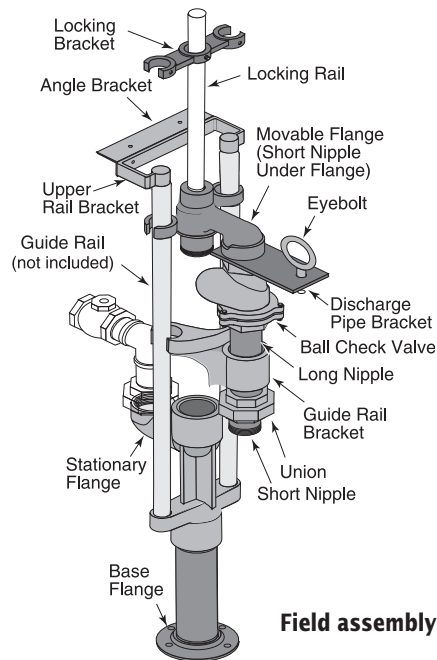
**Eliminates the need to disassemble piping to remove pump.**  
**Provides a safe method for pump removal – avoiding the need for personnel to enter basin and come in contact with contaminants.**

## 1-1/4" AND 2" NPT DISCHARGE LIFT-OUT RAIL SYSTEM

### SPECIFICATIONS

**Heavy-Duty Cast Iron Construction** – Flanges and guide-rail bracket  
**Supplied with durable discharge ball check-valve**  
**Positive mating easy-out disconnect design** – Incorporates field-serviceable o-ring seals  
**Twin Guide Rails** – Provide positive alignment with base. (Rails not included).  
**Reduces Time and Cost of Removing Pumps**

### OUTLINE DIMENSIONS



Field assembly required.

Dimensions (in inches) are for estimating purposes only.

### ORDERING INFORMATION

Catalog Number	Pump Model	Pump Discharge Size
W52439L	SG12 SG13	1-1/4"
W52440L	SG20	2"

In order to provide the best products possible, specifications are subject to change.

# lift-out rail systems – 4" and 6" discharge



Field assembly required.

*STA-RITE offers safe and cost-effective lift-out guide-rail systems for sewage, effluent and grinder systems in the industry standard 4" and 6" discharge sizes.*

### APPLICATIONS

- Residential sewage and effluent systems
- Residential and light commercial grinder systems

### FEATURES

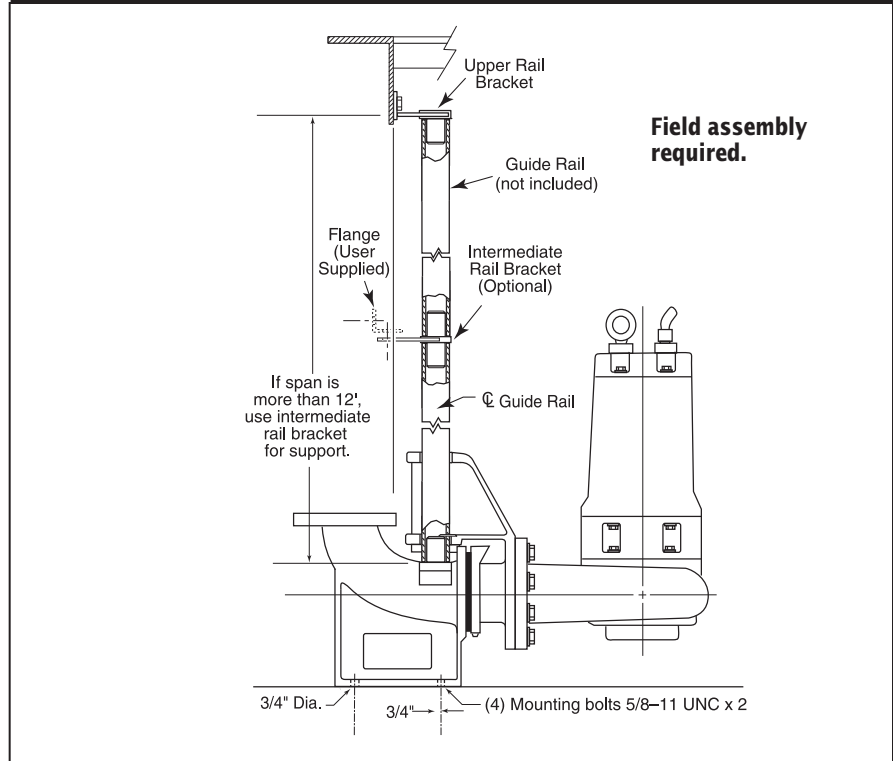
Eliminates the need to disassemble piping to remove pump.  
 Provides a safe method for pump removal – avoiding the need for personnel to enter basin and come in contact with contaminants.

## 4" AND 6" ANSI FLANGED DISCHARGE LIFT-OUT RAIL SYSTEM

### SPECIFICATIONS

- Heavy-Duty Cast Iron Construction** – Flanges and guide-rail bracket
- Supplied with durable ANSI flanged discharge ball check-valve**
- Positive mating easy-out disconnect design**
- Twin Guide Rails** – Provide positive alignment with base. (Rails not included).
- Reduces Time and Cost of Removing Pumps**

### OUTLINE DIMENSIONS



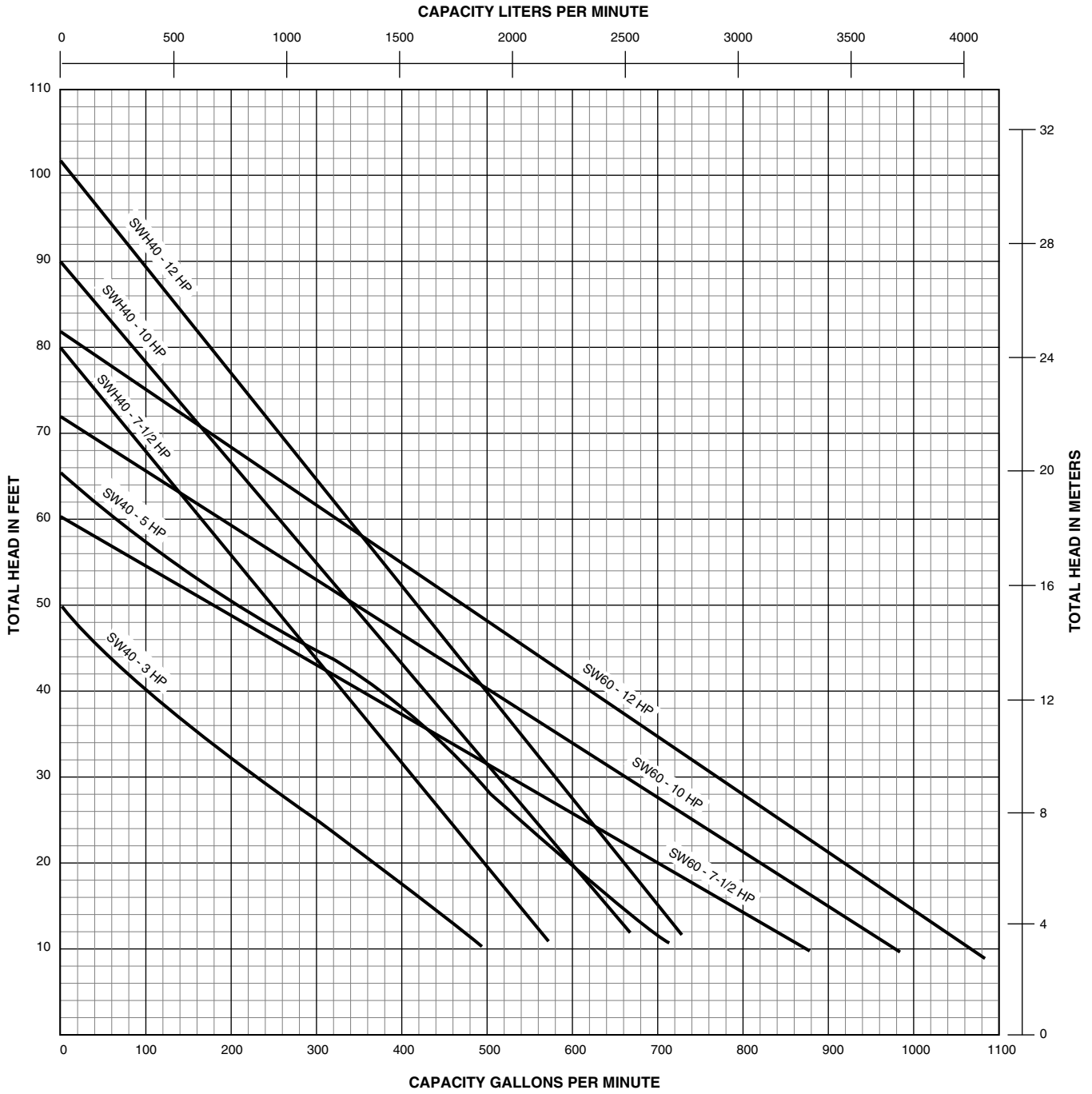
ORDERING INFORMATION		
Catalog Number	Pump Model	Pump Discharge Size
W52150L	SW40	4"
	SWH40	
W52154L	SW60	6"

In order to provide the best products possible, specifications are subject to change.



# wastewater pumps composite curve

## PUMP PERFORMANCE





# SES updated product nomenclature

Type	Series	HP	V	Cord	Operation
D = Drainer DC = Drainer Cast Iron DB = Drainer Backup DP = Drainer Package P = Pedestal PC = Pedestal Cast Iron E = Effluent EC = Effluent Cast Iron ECC = Effluent Cast Iron – Centrifugal EH = Effluent – High Head S = Sewage SC = Sewage Cast Iron SCC = Sewage Cast Iron – Commercial SW = Sewage Wastehandler SWH = Sewage Wastehandler – High Head SG = Sewage Grinder SGC = Sewage Grinder w/Control SP = Sewage Package HT = High Temperature HTX = Extra High Temperature	1 = 100 2 = 200 3 = 300 4 = 400 5 = 500 6 = 600 7 = 700 8 = 800 9 = 900 10 = 1000 12 = 1200 13 = 1300 20 = 2000 40 = 4000 60 = 6000	00 = Not Applicable 25 = 1/4 30 = 3/10 33 = 1/3 40 = 4/10 50 = 1/2 75 = 3/4 100 = 1 150 = 1-1/2 200 = 2 300 = 3 500 = 5 750 = 7-1/2 1000 = 10 1200 = 12	1 = 115V 2 = 208-230V/1 3 = 208-230V/3 4 = 460V/3 5 = 575V/3 DC = Direct Current	0 = 0 FT 4 = 4 FT 6 = 6 FT 8 = 8 FT 10 = 10 FT 15 = 15 FT 20 = 20 FT 25 = 25 FT	M = Manual T = Tethered Switch V = Vertical Switch

## SAMPLE MODEL NUMBERS

SC	9	100	2	20	M
----	---	-----	---	----	---

Sewage Pump (Cast Iron), 900 Series, 1HP, 230V/1PH, 20 ft. Cord, Manual Operation

EH	7	50	1	20	T
----	---	----	---	----	---

Effluent Pump (High Head), 700 Series, 1/2HP, 115V, 20 ft. Cord, Tethered Float

DC	2	33	1	10	V
----	---	----	---	----	---

Drainer Pump (Cast Iron), 200 Series, 1/3HP, 115V, 10 ft. Cord, Vertical Float



# STA-RITE SES part number cross reference

## EFFLUENT

New Number	Old Number
EC240110M	E33110
EC240110T	E33110T
EC240120M	E33120
EC240120T	E33120T
EC333120M	PWE3B01
EC333120T	PWE3B01A
EC333220M	PWE3B02
EC333220T	PWE3B02A
EC440120M	PWE4C01
EC440120T	PWE4C01A
EC440220M	PWE4C02
EC440220T	PWE4C02A
EC650120M	PWE7CC01
EC650120T	PWE7CC01A
EC650220M	PWE7CC02
EC650220T	PWE7CC02A
EC650320M	PWE7CC03
EC650420M	PWE7CC04
EC750120M	PWE7C01
EC750120T	PWE7C01A
EC750220M	PWE7C02
EC750220T	PWE7C02A
EC750320M	PWE7C03
EC750420M	PWE7C04
EC7100220M	PWE7E02
EC7100220T	PWE7E02A
EC7100320M	PWE7E03
EC7100420M	PWE7E04
EH750120M	PWEH7C01
EH750120T	PWEH7C01A
EH750220M	PWEH7C02
EH750220T	PWEH7C02A
EH750320M	PWEH7C03
EH750420M	PWEH7C04
EH7100220M	PWEH7E02
EH7100220T	PWEH7E02A
EH7100320M	PWEH7E03
EH7100420M	PWEH7E04
EC9200220M	PWE9G02
EC9200320M	PWE9G03
EC9200420M	PWE9G04
HT333120T	PHTS3B01
HTX333120M	PHTSX3B01
HT750120T	PHTS7CC01

## SEWAGE

New Number	Old Number
SC550110M	PWS51C01
SC550110T	PWS51C01A
SC550120M	PWS5C01
SC550120T	PWS5C01A
SC550220M	PWS5C02
SC550220T	PWS5C02A
SC650110T	PWS61C01A
SC650120M	PWS6C01
SC650120T	PWS6C01A
SC650220M	PWS6C02
SC750120M	PWS7C01
SC750120T	PWS7C01A
SC750220M	PWS7C02
SC750220T	PWS7C02A
SC750320M	PWS7C03
SC750420M	PWS7C04
SCC750120M	PWC7C01
SCC750120T	PWC7C01A
SCC750220M	PWC7C02
SCC750220T	PWC7C02A
SCC750320M	PWC7C03
SCC750420M	PWC7C04
SC775120M	PWS7D01
SC775120T	PWS7D01A
SC775220M	PWS7D02
SC775220T	PWS7D02A
SC775320M	PWS7D03
SC775420M	PWS7D04
SCC775120M	PWC7D01
SCC775120T	PWC7D01A
SCC775220M	PWC7D02
SCC775220T	PWC7D02A
SCC775320M	PWC7D03
SCC775420M	PWC7D04
SC975220M	PWS9D02
SC975220T	PWS9D02A
SC975320M	PWS9D03
SC975420M	PWS9D04
SCC975220M	PWC9D02
SCC975220T	PWC9D02A
SCC975320M	PWC9D03
SCC975420M	PWC9D04
SC9100220M	PWS9E02
SC9100220T	PWS9E02A
SC9100320M	PWS9E03
SC9100420M	PWS9E04
SCC9100220M	PWC9E02
SCC9100220T	PWC9E02A
SCC9100320M	PWC9E03
SCC9100420M	PWC9E04
SC9150220M	PWS9F02
SC9150320M	PWS9F03
SC9150420M	PWS9F04
SCC9150220M	PWC9F02
SCC9150320M	PWC9F03
SCC9150420M	PWC9F04
SC9200220M	PWS9G02
SC9200320M	PWS9G03
SC9200420M	PWS9G04
SCC9200220M	PWC9G02
SCC9200320M	PWC9G03
SCC9200420M	PWC9G04

## DRAINERS

New Number	Old Number
D12518T	ST25ASP
D12518V	ST25VSP
D13318T	ST33ASP
D13318V	ST33VSP
D15018T	ST50ASP
D15018V	ST50VSP
D175110T	P1511
D175120M	P1502
D175120T	P1512
DC233110M	D33110
DC233110T	D33110T
DC233110V	D33110V
DC233120M	D33120
DC233120T	D33120T
DC233120V	D33120V
DC250110M	D50110
DC250110T	D50110T
DC250110V	D50110V
DC250120M	D50120
DC250120T	D50120T
DC250120V	D50120V
PI3316V	ST33APP
PC13316V	ST33APC

## PACKAGED SYSTEMS

New Number	Old Number
SP550120T	PA500A
DP233110V	SPSD33110V

## GRINDERS

New Number	Old Number
SG12200225MB	12SG1-1012
SG12200325MB	12SG3-1012
SG13200225MB	12SG1-1011
SG13200325MB	12SG3-1011
SGC12200225MB	12SGC1-1012
SGC12200325MB	12SGC3-1012
SGC13200225MB	12SGC1-1011
SGC13200325MB	12SGC3-1011
SGC20300225MB	20SG1-2013
SGC20300325MB	20SG3-2013
SGC20500225MB	20SG1-2012
SGC20500325MB	20SG3-2012
SGC20750325MB	20SG3-2011

## WASTEHANDLERS

New Number	Old Number
SW40300225MB	40SW1-4013
SW40300325MB	40SW3-4013
SW40500225MB	40SW1-4011
SW40500325MB	40SW3-4011
SW60750325MB	60SW3-6013
SW60100325MB	60SW3-6012
SW601200325MB	60SW3-6011
SWH40750325MB	40SWHH3-4513
SWH40100325MB	40SWHH3-4512
SWH401200325MB	40SWHH3-4511



# Water Systems product nomenclature

STA-RITE Catalog Numbers define products for you. The following paragraphs describe number assignments and their meanings for 4" submersibles, jets and small centrifugal pumps.

## 4" SUBMERSIBLE PUMP CATALOG NUMBERS

Submersible pump catalog numbers are divided like this:



10P4D02H

	(1)	(2)	(3)	(4)	(5)	(6)
	GPM	type	HP	volt/phase	code	dash#

example: **10 P4 D 02 H -01**

**GPM – GALLONS PER MINUTE (1)**  
Current sizes: 5, 7, 10, 15, 20, 30 for the 4" Series.

**type – GENERAL PUMP DESIGN**  
"P4" is a three-wire submersible, designed to fit in a 4" or larger well.  
"SP4" is a two-wire submersible, designed to fit in a 4" or larger well.

**HP – HORSEPOWER**  
Horsepower designation for all STA-RITE pumps:

B = 1/3 HP	G = 2 HP
C = 1/2 HP	H = 3 HP
D = 3/4 HP	J = 5 HP
E = 1 HP	K = 7-1/2 HP
F = 1-1/2 HP	L = 10 HP

**(6) dash number – ENGINEERING SERIES NUMBER**  
Indicates small product improvements that do not affect performance.

**(5) code – CONSTRUCTION TYPE**  
Indicates the materials used in suction and discharge:

- J = plastic suction and discharge (Signature 2000®)
- H = stainless steel suction and discharge (Signature 2000®)
- JL = plastic suction and discharge (Signature 2000® TrimLine™)
- HL = stainless steel suction and discharge (Signature 2000® TrimLine™)

**(4) volt/phase – POWER SUPPLY**  
This indicates the type of motor provided on this model:

value	volts	phase
01	115	1
02	230	1
03	230	3
04	460	3

Signature 2000® is a registered trademark of WICOR Industries. TrimLine™ is a trademark of WICOR Industries.



# Water Systems product nomenclature

## JET PUMP CATALOG NUMBERS

Jet pump catalog numbers are patterned like this:

	SNC-L		
	(1) <i>type</i>	(2) <i>HP</i>	(3) <i>dash#</i>
example:	SN	C	-L

**(1) type – PUMP DESIGN SERIES**

**(2) HP – HORSEPOWER**

Horsepower designation for all STA-RITE Pumps:

- B = 1/3 HP                      E = 1 HP
- C = 1/2 HP                     F = 1-1/2 HP
- D = 3/4 HP                     G = 2 HP

**(3) dash# – ENGINEERING SERIES NUMBER (dash number)**

Indicates small product improvements that do not affect performance.

## SMALL CENTRIFUGAL PUMP CATALOG NUMBERS

Centrifugal pump catalog numbers are patterned like this:

	DS3HE			
	(1) <i>type</i>	(2) <i>head</i>	(3) <i>HP</i>	(4) <i>dash#</i>
example:	DS3	H	E	-01

**(1) type – PUMP DESIGN SERIES**

**(2) head – HEAD DESIGN**

H = high head

**(3) HP – HORSEPOWER**

Horsepower designation for all STA-RITE pumps:

- B = 1/3 HP                      G = 2 HP
- C = 1/2 HP                     HG = 2-1/2 HP
- D = 3/4 HP                     H = 3 HP
- E = 1 HP                        J = 5 HP
- F = 1-1/2 HP

Note that there is no unique letter for a 2-1/2 HP motor. When the head designator is doubled as in “HH” followed by a “G” horsepower code, the motor will be a 2-1/2 HP.

**(4) dash# – ENGINEERING SERIES NUMBER (dash number)**

Indicates small product improvements that do not affect performance.

## STEEL TANK CATALOG NUMBERS

Steel tank catalog numbers are patterned like this:

	PS42T		
	(1) <i>type</i>	(2) <i>size</i>	(3) <i>dash#</i>
example:	PS	42T	-T02

**(1) type – TANK DESIGN SERIES**

- PS = PRO-Source™
- AW = EpoxyLined Air-Over-Water Series

**(2) size – Tank size equivalent to traditional galvanized air-over-water tank**

- T = “tall” stand-up type
- H = “horizontal” pump mount type

**(3) dash# – ENGINEERING SERIES NUMBER (dash number)**

Indicates small product improvements that do not affect performance.

## SIGNATURE 2000® FIBREWOUND TANKS

Signature 2000® Fibrewound Tank catalog numbers are patterned like this:

	SR35-10			
	(1) <i>type</i>	(2) <i>size</i>	(3) <i>drawdown</i>	(4) <i>dash#</i>
example:	SR	35	-10	-01

**(1) type – TANK DESIGN SERIES**

SR = Signature 2000® Fibrewound Tanks

**(2) size – Tank vessel capacity in U.S. gallons**

**(3) drawdown – U.S. gallons drawdown with a 30-50 system pressure**

**(4) dash# – ENGINEERING SERIES NUMBER (dash number)**

Indicates small product improvements that do not affect performance.

Signature 2000® is a registered trademark of WICOR Industries. PRO-Source™ is a trademark of WICOR Industries.





# sizing home water systems

WICOR Industries has developed the following "Rule of Thumb" formula for sizing home water systems that will be applicable in many instances:

Simply count the fixtures and water outlets in the home. This method bases the approximate pumping capacity on use at the rate of a gallon per minute per fixture, and avoids the possibility of undersizing.

For instance, let us assume you count the following list of fixtures and water outlets in your home:

<b>Kitchen:</b>	Sink/Dishwasher	1
	(count as 1 fixture)	1
<b>Bath:</b>	Lavatory	1
	Tub	1
	Toilet	1
<b>Powder Room:</b>	Lavatory	1
	Toilet	1
<b>Laundry and Utility Room:</b>		
	Automatic washing machine	1
	(count as one fixture)	1
	Laundry tubs	1
	Shower	1
	Outdoor faucets	2
<b>Total fixtures and outlets</b>		<b>12</b>

Be sure that your pump installer provides a water system that will deliver 12 gallons per minute at the desired pressure.

### Average Water Requirements For General Service Around The Home And Farm

Each person per day, for all purposes	50 gal.
Each horse, dry cow or beef animal per day	12 gal.
Each milking cow per day	35 gal.
Each hog per day	4 gal.
Each sheep per day	2 gal.
Each 100 chickens per day	4 gal.

### Average Amount Of Water Required By Various Home And Yard Fixtures

Drinking fountain, continuously flowing	50 to 100 gal. per day
Each shower bath	Up to 60 gal.
To fill bathtub	30 gal.
To flush toilet	6 gal.
To fill lavatory	2 gal.
To sprinkle 1/4" of water on each 1000 sq. feet of lawn	160 gal.
Dishwasher – per load	3 gal.
Automatic washer – per load	Up to 50 gal.
Regeneration of domestic water softener	50-100 gal.

### Average Flow Rate Requirements By Various Fixtures

(GPM equals gallons per minute; GPH equals gallons per hour)

Shower	4 to 6 GPM
Bathtub	4 to 8 GPM
Toilet	4 to 5 GPM
Lavatory	1 to 3 GPM
Kitchen sink	2 to 3 GPM
1/2" hose and nozzle	200 GPH
3/4" hose and nozzle	300 GPH
Lawn sprinkler	120 GPH

### Pounds Pressure – Feet Of Head

Each pound of pressure developed by a pumping system is equal to 2.31 feet of head (feet of lift). Therefore, 10 pounds of pressure (PSI) will lift water vertically 23.1 feet. The following chart converts pressure to feet of head at various settings from 1 to 100 PSI.

This can be calculated for any setting using the following formula:

$$\text{Pounds per Sq. Inch} = \frac{\text{Head In Feet}}{2.31}$$

$$\text{Head in Feet} = \text{Pounds Per Sq. In.} \times 2.31$$

### CONVERSION TABLE

#### Pounds Pressure/Feet Of Head

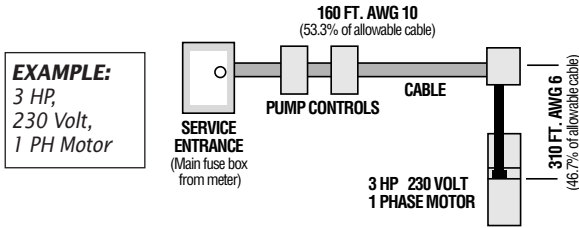
Pounds Pressure	Feet of Head
1	2.31
5	11.6
10	23.1
15	34.7
20	46.2
25	57.7
30	69.3
35	80.8
40	92.4
45	103.9
50	115.5
60	138.6
65	150.1
70	161.7
75	173.2
80	184.8
85	196.3
90	207.9
95	219.4
100	231.0



# cable selection for 4" submersible motors

**Two different cable sizes can be used.**

The example below is for reference. Depending on the installation, any number of combinations may be used, as long as the total percentage length of the two cables used does not exceed 100%. This is to ensure that adequate voltage will be supplied to the motor.



In a replacement installation, the well already has 160 feet of buried #10 cable between the service entrance and the well head. The question is: *What size cable is required in the well with a 3 HP, 230 Volt, 1 PH motor setting at 310 feet?*

1. According to the table, #10 cable is large enough for the 3 HP motor so the percent of the maximum allowable cable used by the 160-foot run is  $160 \div 300 = 53.3\%$ , since 300 feet is the total allowable.
2. With 53.3% of the total allowable cable already used between the service entrance and the well head, only 46.7% is left for the well. Therefore, the 310 feet needed in the well can only utilize 46.7% of the total feet allowed in the table.
3. From the table, 46.7% of the 470 feet for #8 cable equals only 220 feet, so a larger size is needed. For #6, 46.7% of 650 feet = 350 feet. As a result, #6 can be used for the 310 feet in the well.

**CAUTION** Use of wire size smaller than listed will void warranty.

**SINGLE PHASE, TWO OR THREE WIRE CABLE (Service Entrance to Motor)**

60 Hz Motor Rating		Copper Wire Size													
Volts	HP	14	12	10	8	6	4	3	2	1	0	00	000	0000	
115	1/3	130	210	340	540	840	1300	1610	1960	2390	2910	3450	4210	5060	
	1/2	100	160	250	390	620	960	1190	1460	1780	2160	2630	3140	3770	
230	1/3	550	880	1390	2190	3400	5250	6520	7960	9690	11770				
	1/2	400	650	1020	1610	2510	3880	4810	5880	7170	8720				
	3/4	300	480	760	1200	1870	2890	3580	4370	5330	6470	7870			
	1	250	400	630	990	1540	2380	2960	3610	4410	5360	6520			
	1-1/2	190	310	480	770	1200	1870	2320	2850	3500	4280	5240			
	2	150	250	390	620	970	1530	1910	2360	2930	3620	4480			
	3	120	190	300	470	750	1190	1490	1850	2320	2890	3610			
	5	0	110*	180	280	450	710	890	1110	1390	1740	2170	2680		
	7-1/2	0	0	120	200	310	490	610	750	930	1140	1410	1722		
10	0	0	0	160*	250	390	490	600	750	930	1160	1430	1760		

**THREE PHASE, THREE WIRE CABLE (Service Entrance to Motor)**

Motor Rating		Copper Wire Size (1)																		
Volts	HP	14	12	10	8	6	4	3	2	1	0	00	000	0000	250	300	350	400	500	
230V 60 Hz	1/2	930	1490	2350	3700	5760	8910													
	3/4	670	1080	1700	2680	4190	6490	8060	9860											
	1	560	910	1430	2280	3520	5460	6780	8290											
	1-1/2	420	670	1060	1670	2610	4050	5030	6160	7530	9170									
	2	320	510	810	1280	2010	3130	3890	4770	5860	7170	8780								
	3	240	390	620	990	1540	2400	2980	3660	4480	5470	6690	8020	9680						
	5	140*	230	370	590	920	1430	1790	2190	2690	3290	4030	4850	5870	6650	7560	8460	9220		
	7-1/2	0	160*	260	420	650	1020	1270	1560	1920	2340	2870	3440	4160	4710	5340	5970	6500	7510	
10	0	0	190*	310	490	760	950	1170	1440	1760	2160	2610	3160	3590	4100	4600	5020	5840		
460V 60 Hz	1/2	3770	6020	9460																
	3/4	2730	4350	6850																
	1	2300	3670	5770	9070															
	1-1/2	1700	2710	4270	6730															
	2	1300	2070	3270	5150	8050														
	3	1000	1600	2520	3970	6200														
	5	590	950	1500	2360	3700	5750													
	7-1/2	420	680	1070	1690	2640	4100	5100	6260	7680										
10	310	500	790	1250	1960	3050	3800	4680	5750	7050										

- (1) Lengths marked \* meet the U.S. National Electrical Code ampacity only for **individual** conductor 75°C cable. Only the lengths without \* meet the code for **jacketed** 75°C cable. Local code requirements may vary.
- (2) Maximum lengths shown maintain motor voltage at 95% of service entrance voltage, running at maximum nameplate amperes. If service entrance voltage will be at least motor nameplate voltage under normal load conditions, 50% additional length is permissible for all sizes.

- (3) This table is based on copper wire. If aluminum wire is used it must be two sizes larger. *Example:* When the table calls for #12 copper wire you would use #10 aluminum wire.
- (4) The portion of the total cable that is between the service entrance and a 3-phase motor starter should not exceed 25% of the total maximum length to assure reliable starter operation.
- (5) Cables #14 to #0000 are AWG sizes, and 250 to 500 are MCM sizes.



**notes**



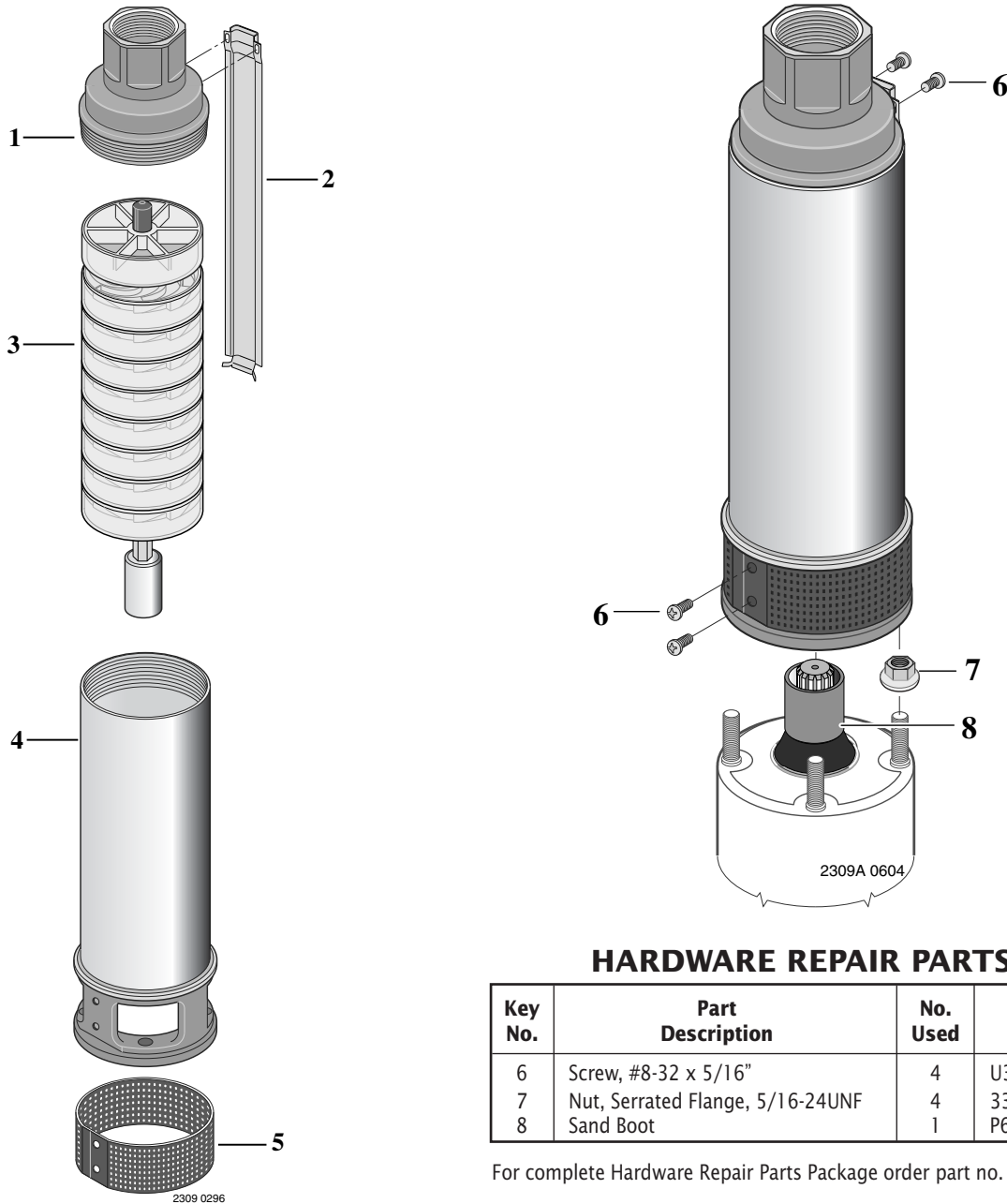
## repair parts table of contents

	Page
<b>Signature 2000® 4" Submersible Pumps</b>	<b>198-216</b>
<b>Shallow Well Jet Pumps</b>	<b>217-222</b>
<b>Deep Well Jet Pumps</b>	<b>223-233</b>
<b>Fibrewound and Steel Pressure Tanks</b>	<b>234-243</b>
<b>Centrifugal Pumps</b>	<b>244-280</b>
<b>Engine Driven Pumps</b>	<b>281-282</b>
<b>Sump, Sewage and Effluent Pumps</b>	<b>283-316</b>

# Signature 2000® TrimLine™ 4" submersible pump

stainless steel

5 GPM



## HARDWARE REPAIR PARTS

Key No.	Part Description	No. Used	Part No.
6	Screw, #8-32 x 5/16"	4	U30-957SS
7	Nut, Serrated Flange, 5/16-24UNF	4	33933
8	Sand Boot	1	P69-27

For complete Hardware Repair Parts Package order part no. P198-236.

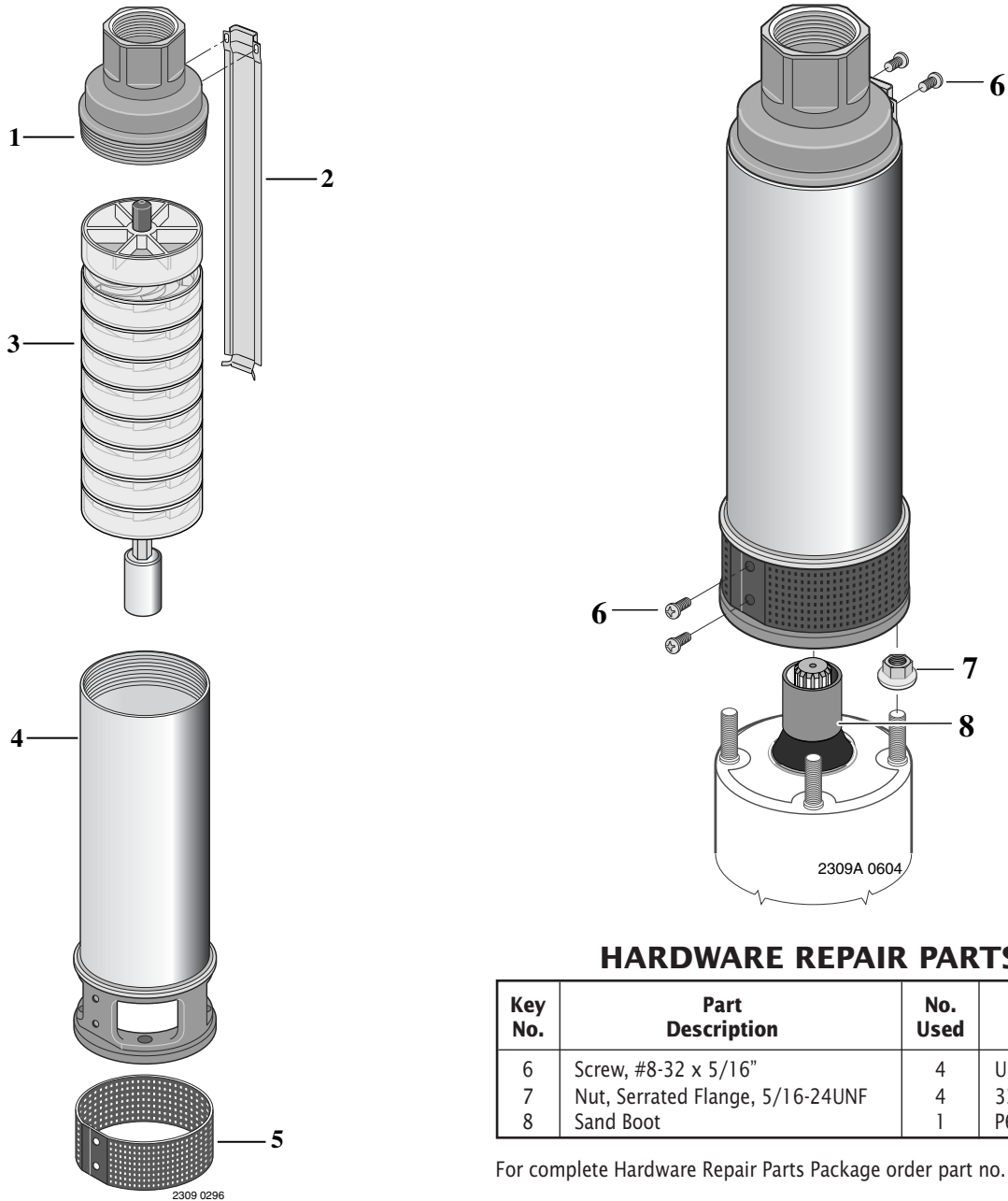
## LIQUID END REPAIR PARTS

Key No.	Part Description	Model				
		LSP4CHL-03	LSP4DHL-03	LSP4EHL-03	LSP4FHL-03B	LSP4GHL-03B
1	Discharge Connection	P152-69SS	P152-69SS	P152-69SS	P152-69SS	P152-69SS
2	Lead Guard	P3-749SS	P3-750SS	P3-751SS	P3-898SS	P3-901SS
3	Pump Stack	P325-288R	P325-289R	P325-290R	P325-494R	P325-495R
4	Shell and Suction Assembly	P256-384	P256-385	P256-386	P256-502	P256-503
5	Suction Screen	P8-32P	P8-32P	P8-32P	P8-32P	P8-32P

# Signature 2000® TrimLine™ 4" submersible pump

stainless steel

7 GPM



## HARDWARE REPAIR PARTS

Key No.	Part Description	No. Used	Part No.
6	Screw, #8-32 x 5/16"	4	U30-957SS
7	Nut, Serrated Flange, 5/16-24UNF	4	33933
8	Sand Boot	1	P69-27

For complete Hardware Repair Parts Package order part no. P198-236.

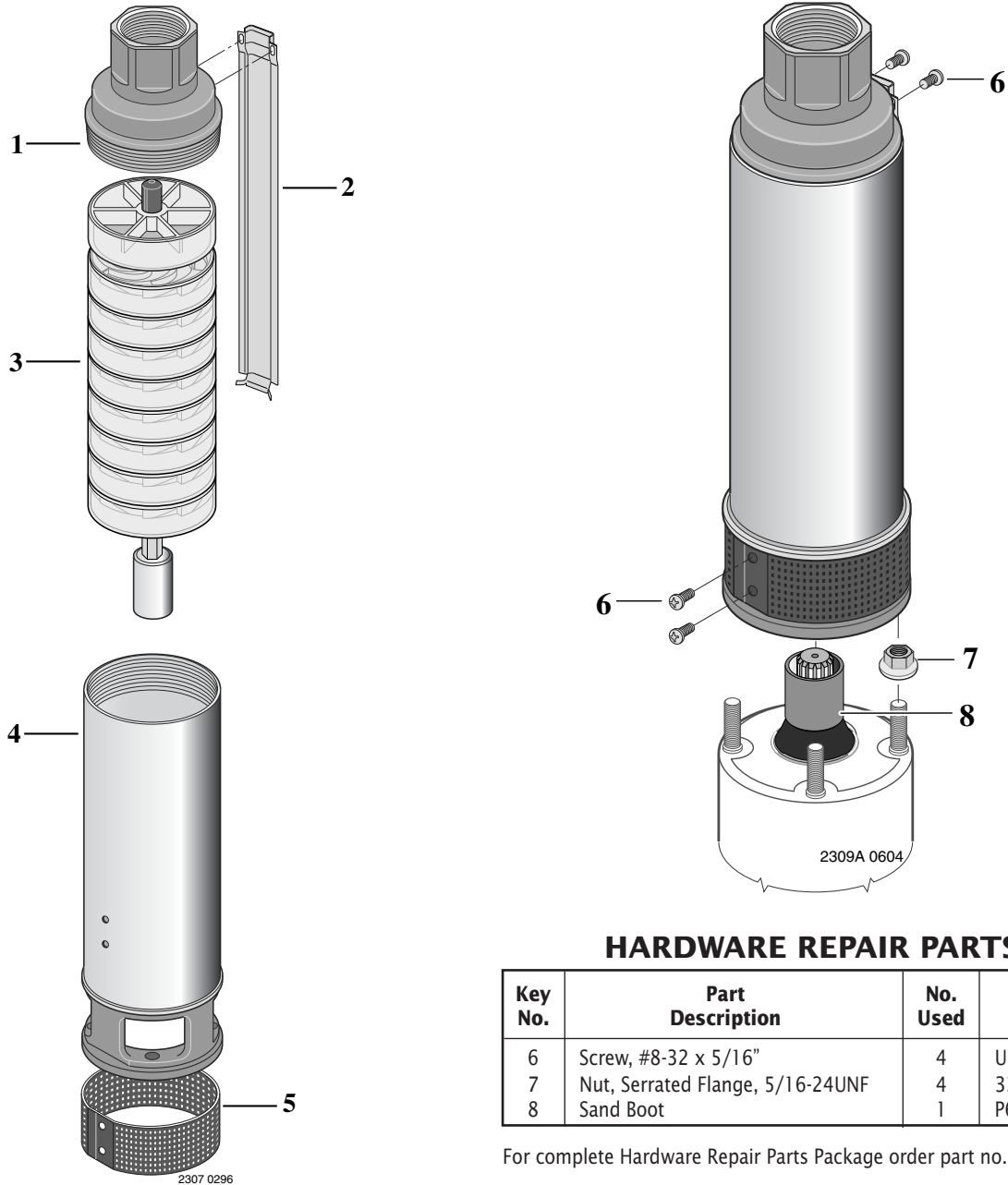
## LIQUID END REPAIR PARTS

Key No.	Part Description	Model					
		L7P4CHL-04	L7P4DHL-04	L7P4EHL-04	L7P4FHL-04B	L7P4GHL-04B	L7P4HHL-04B
1	Discharge Connection	P152-69SS	P152-69SS	P152-69SS	P152-69SS	P152-69SS	P152-69SS
2	Lead Guard	P3-753SS	P3-754SS	P3-750SS	P3-899SS	P3-901SS	P3-901SS
3	Pump Stack	P325-292R	P325-293R	P325-294R	P325-496R	P325-495R	P325-498R
4	Shell and Suction Assembly	P256-388	P256-389	P256-390	P256-504	P256-503	P256-506
5	Suction Screen	P8-32P	P8-32P	P8-32P	P8-32P	P8-32P	P8-32P

# Signature 2000® 4" submersible pump

stainless steel

10 GPM



## HARDWARE REPAIR PARTS

Key No.	Part Description	No. Used	Part No.
6	Screw, #8-32 x 5/16"	4	U30-957SS
7	Nut, Serrated Flange, 5/16-24UNF	4	33933
8	Sand Boot	1	P69-27

For complete Hardware Repair Parts Package order part no. P198-236.

## LIQUID END REPAIR PARTS

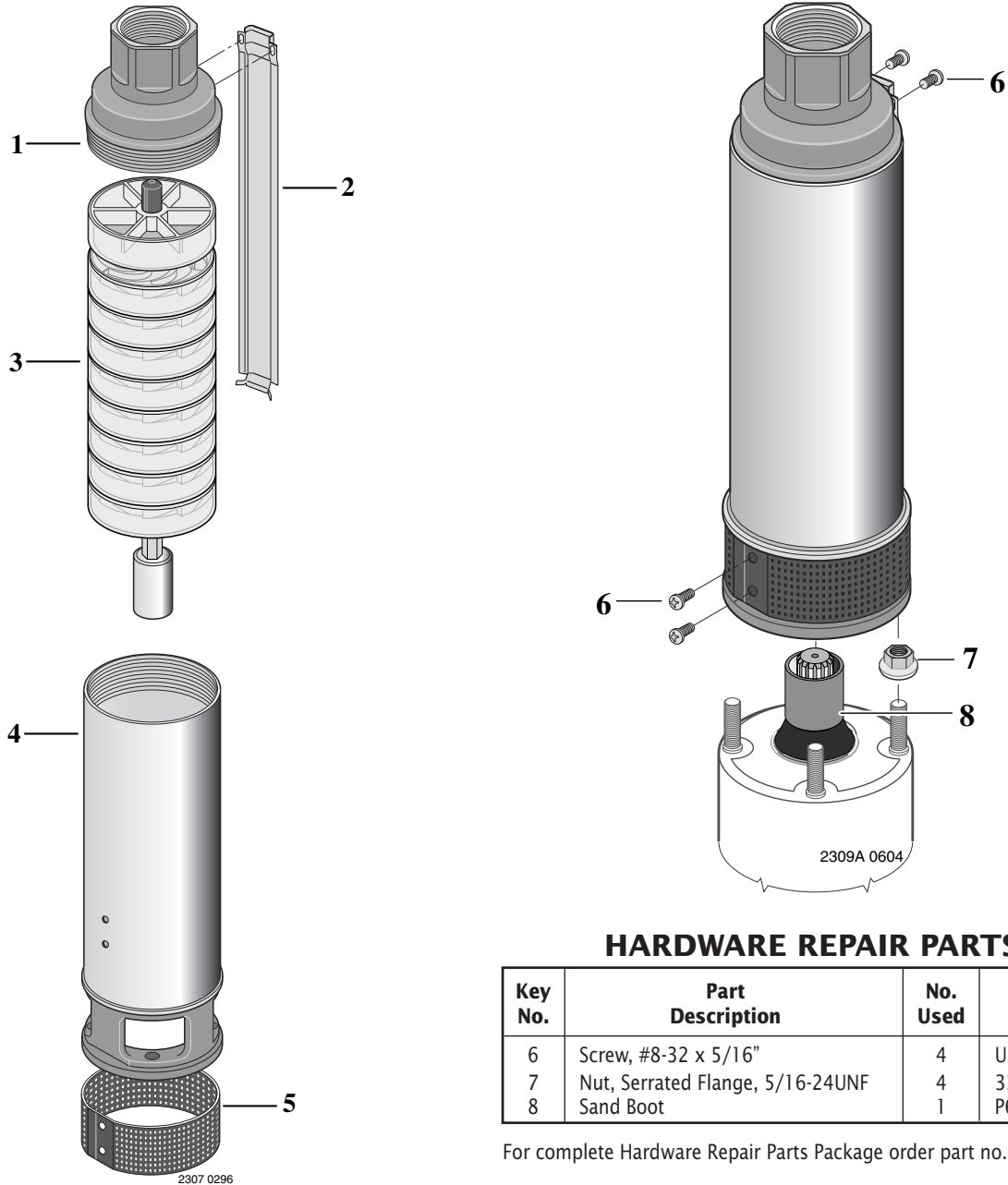
Key No.	Part Description	Model			
		L10P4CH-03	L10P4DH-03	L10P4EH-03	L10P4FH-03
1	Discharge Connection	P152-68SS	P152-68SS	P152-68SS	P152-68SS
2	Lead Guard	P3-690SS	P3-691SS	P3-709SS	P3-899SS
3	Pump Stack	P325-215R	P325-216R	P325-217R	P325-218R
4	Shell and Suction Assembly	P256-306	P256-307	P256-308	P256-309
5	Suction Screen	P8-32P	P8-32P	P8-32P	P8-32P



# Signature 2000® 4" submersible pump

stainless steel

10 GPM



## HARDWARE REPAIR PARTS

Key No.	Part Description	No. Used	Part No.
6	Screw, #8-32 x 5/16"	4	U30-957SS
7	Nut, Serrated Flange, 5/16-24UNF	4	33933
8	Sand Boot	1	P69-27

For complete Hardware Repair Parts Package order part no. P198-236.

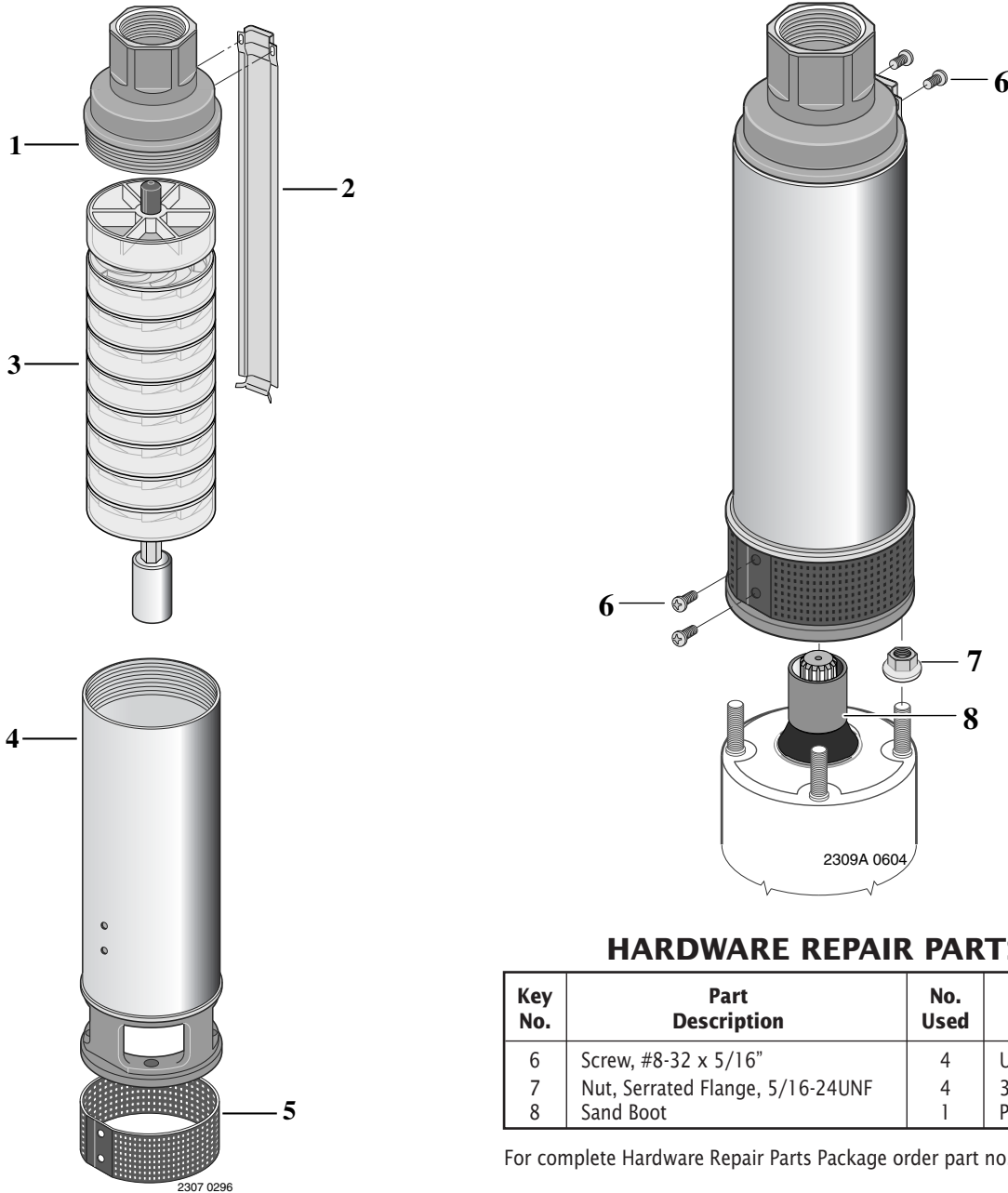
## LIQUID END REPAIR PARTS

Key No.	Part Description	Model		
		L10P4GH-03	L10P4HH-03B	L10P4JH-03B
1	Discharge Connection	P152-68SS	P152-68SS	P52-68SS
2	Lead Guard	P3-706SS	P3-889SS	P3-890SS
3	Pump Stack	P325-219R	P325-447R	P325-448R
4	Shell and Suction Assembly	P256-310	P256-476	P256-477
5	Suction Screen	P8-32P	P8-32P	P8-32P

# Signature 2000® 4" submersible pump

stainless steel

15 GPM



## HARDWARE REPAIR PARTS

Key No.	Part Description	No. Used	Part No.
6	Screw, #8-32 x 5/16"	4	U30-957SS
7	Nut, Serrated Flange, 5/16-24UNF	4	33933
8	Sand Boot	1	P69-27

For complete Hardware Repair Parts Package order part no. P198-236.

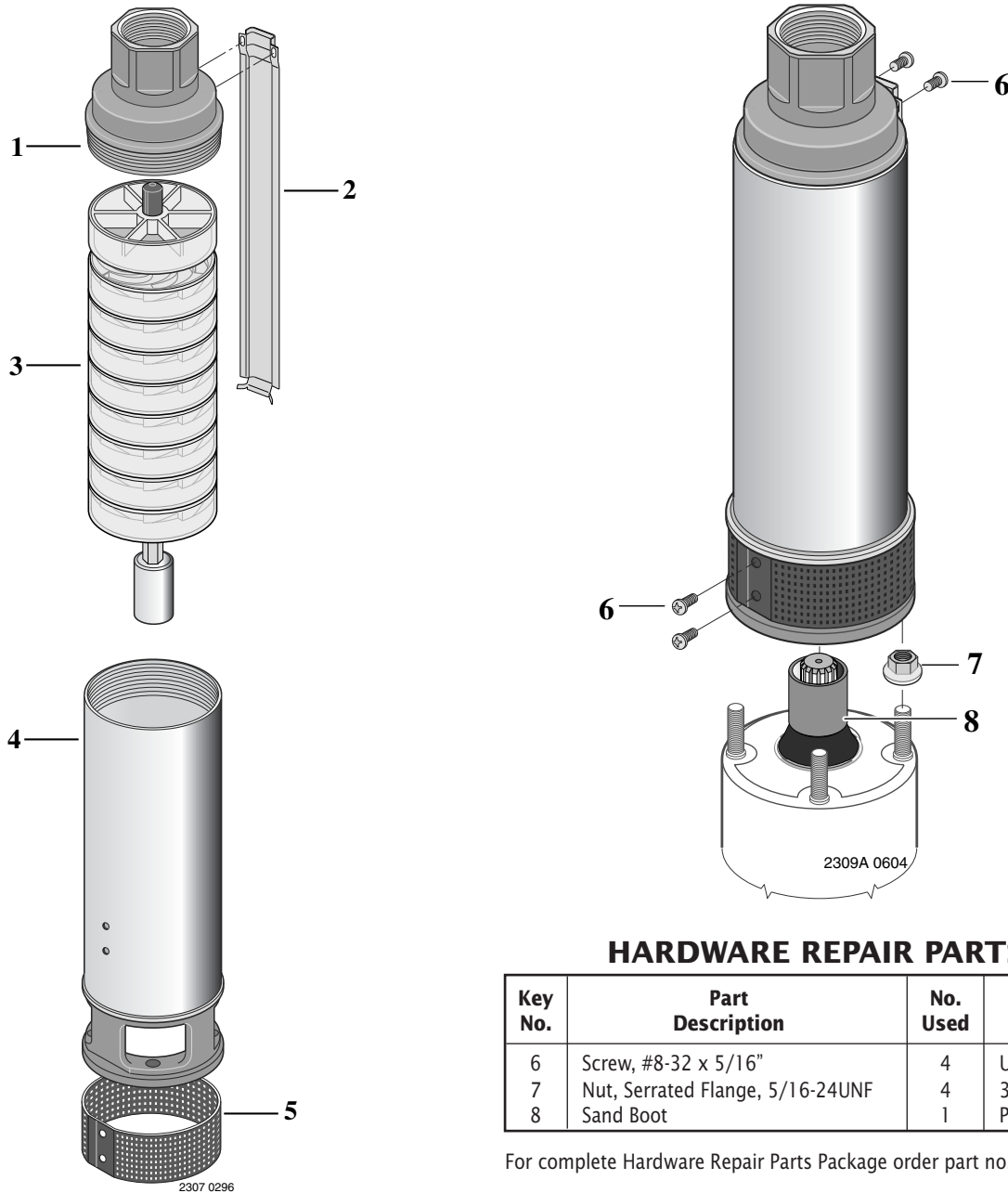
## LIQUID END REPAIR PARTS

Key No.	Part Description	Model					
		L15P4CH-03	L15P4DH-03	L15P4EH-03	L15P4FH-03	L15P4GH-03	L15P4HH-03
1	Discharge Connection	P152-68SS	P152-68SS	P152-68SS	P152-68SS	P152-68SS	P152-68SS
2	Lead Guard	P3-696SS	P3-633SS	P3-698SS	P3-699SS	P3-700SS	P3-701SS
3	Pump Stack	P325-221R	P325-222R	P325-223R	P325-224R	P325-225R	P325-226R
4	Shell and Suction Assembly	P256-312	P256-313	P256-314	P256-315	P256-316	P256-317
5	Suction Screen	P8-32P	P8-32P	P8-32P	P8-32P	P8-32P	P8-32P

# Signature 2000<sup>®</sup> 4" submersible pump

stainless steel

20 GPM



## HARDWARE REPAIR PARTS

Key No.	Part Description	No. Used	Part No.
6	Screw, #8-32 x 5/16"	4	U30-957SS
7	Nut, Serrated Flange, 5/16-24UNF	4	33933
8	Sand Boot	1	P69-27

For complete Hardware Repair Parts Package order part no. P198-236.

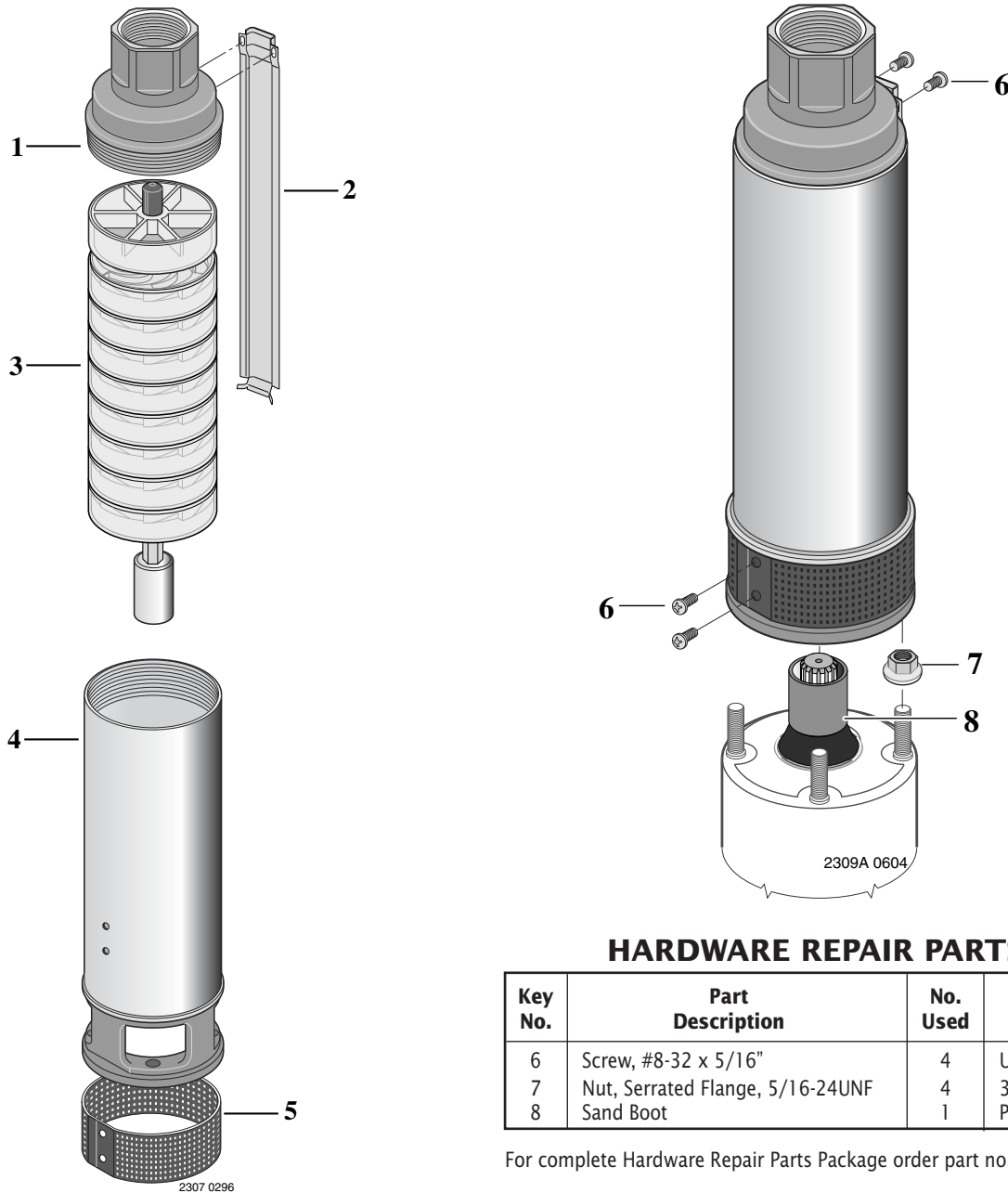
## LIQUID END REPAIR PARTS

Key No.	Part Description	Model			
		L20P4DH-03	L20P4EH-03	L20P4FH-03	L20P4GH-03
1	Discharge Connection	P152-68SS	P152-68SS	P152-68SS	P152-68SS
2	Lead Guard	P3-696SS	P3-633SS	P3-698SS	P3-699SS
3	Pump Stack	P325-227R	P325-228R	P325-229R	P325-230R
4	Shell and Suction Assembly	P256-312	P256-313	P256-314	P256-315
5	Suction Screen	P8-32P	P8-32P	P8-32P	P8-32P

# Signature 2000® 4" submersible pump

stainless steel

20 GPM



## HARDWARE REPAIR PARTS

Key No.	Part Description	No. Used	Part No.
6	Screw, #8-32 x 5/16"	4	U30-957SS
7	Nut, Serrated Flange, 5/16-24UNF	4	33933
8	Sand Boot	1	P69-27

For complete Hardware Repair Parts Package order part no. P198-236.

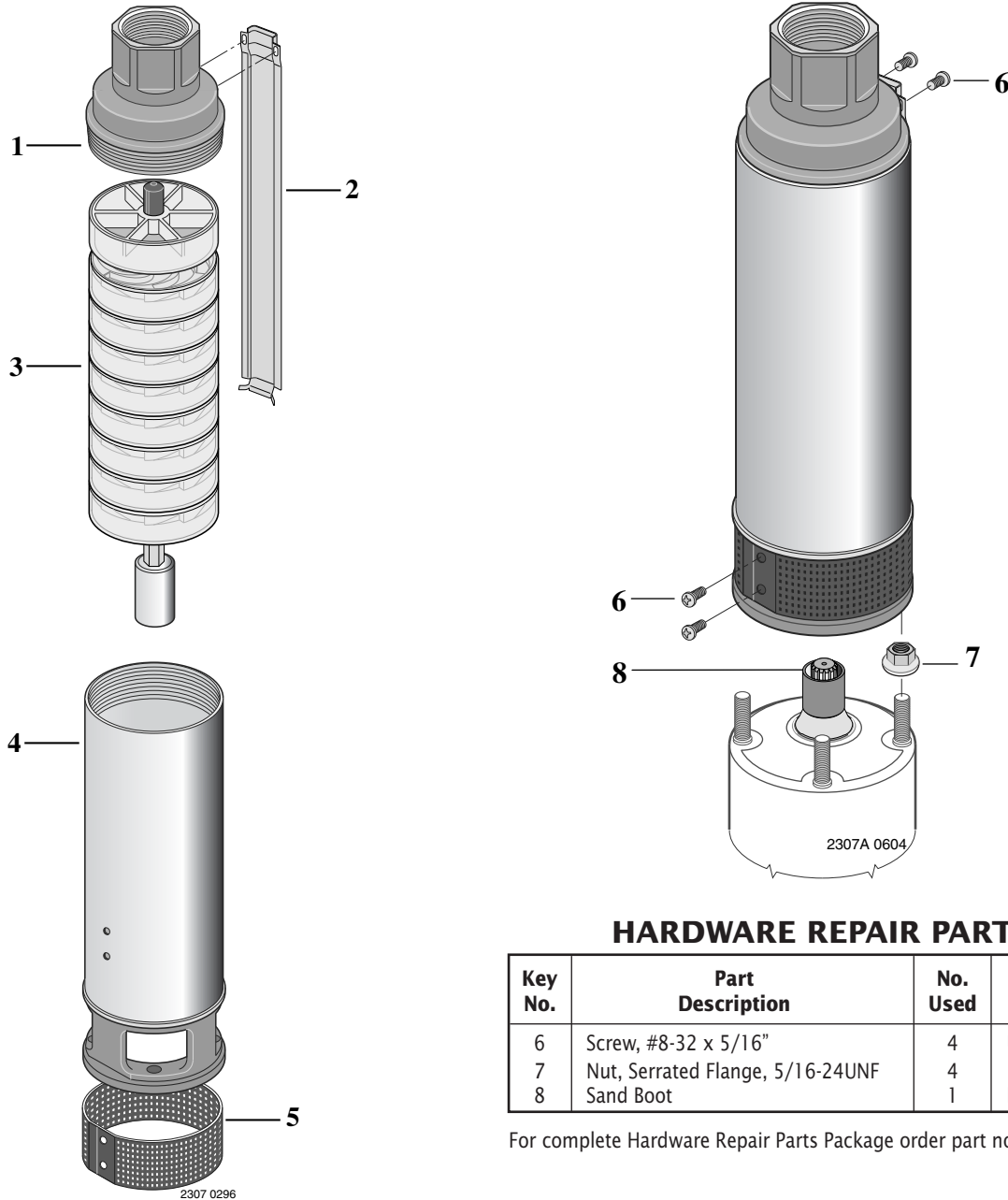
## LIQUID END REPAIR PARTS

Key No.	Part Description	Model			
		L20P4HH-03	L20P4JH-03	L20P4KH-03	L20P4LH-03
1	Discharge Connection	P152-68SS	P152-68SS	P52-68SS	P52-68SS
2	Lead Guard	P3-702SS	P3-633SS	P3-773SS	P3-786SS
3	Pump Stack	P325-231R	P325-232R	P325-320R	P325-342R
4	Shell and Suction Assembly	P256-318	P256-409	P256-415	P256-439
5	Suction Screen	P8-32P	P8-32P	P8-35SS	P8-35SS

# Signature 2000® 4" submersible pump

stainless steel

30 GPM



## HARDWARE REPAIR PARTS

Key No.	Part Description	No. Used	Part No.
6	Screw, #8-32 x 5/16"	4	U30-957SS
7	Nut, Serrated Flange, 5/16-24UNF	4	33933
8	Sand Boot	1	P69-27

For complete Hardware Repair Parts Package order part no. P198-236.

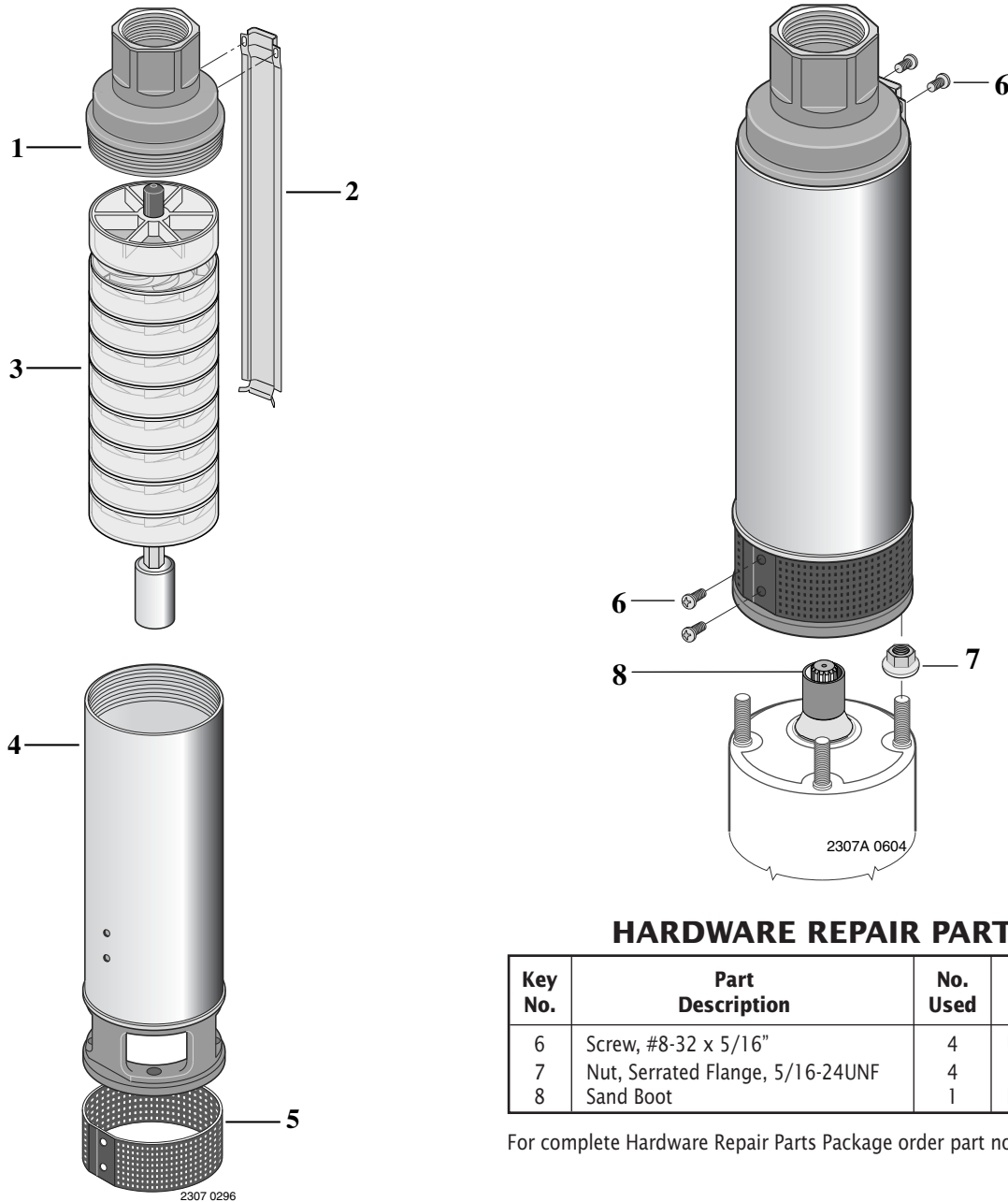
## LIQUID END REPAIR PARTS

Key No.	Part Description	Model			
		L30P4EH-03	L30P4FH-03	L30P4GH-03	L30P4HH-03
1	Discharge Connection	P152-71SS	P152-71SS	P152-71SS	P152-71SS
2	Lead Guard	P3-660SS	P3-709SS	P3-733SS	P3-734SS
3	Pump Stack	P325-265R	P325-266R	P325-267R	P325-268R
4	Shell and Suction Assembly	P256-362	P256-363	P256-364	P256-365
5	Suction Screen	P8-32P	P8-32P	P8-32P	P8-32P

# Signature 2000® 4" submersible pump

stainless steel

30 GPM



## HARDWARE REPAIR PARTS

Key No.	Part Description	No. Used	Part No.
6	Screw, #8-32 x 5/16"	4	U30-957SS
7	Nut, Serrated Flange, 5/16-24UNF	4	33933
8	Sand Boot	1	P69-28

For complete Hardware Repair Parts Package order part no. P198-258.

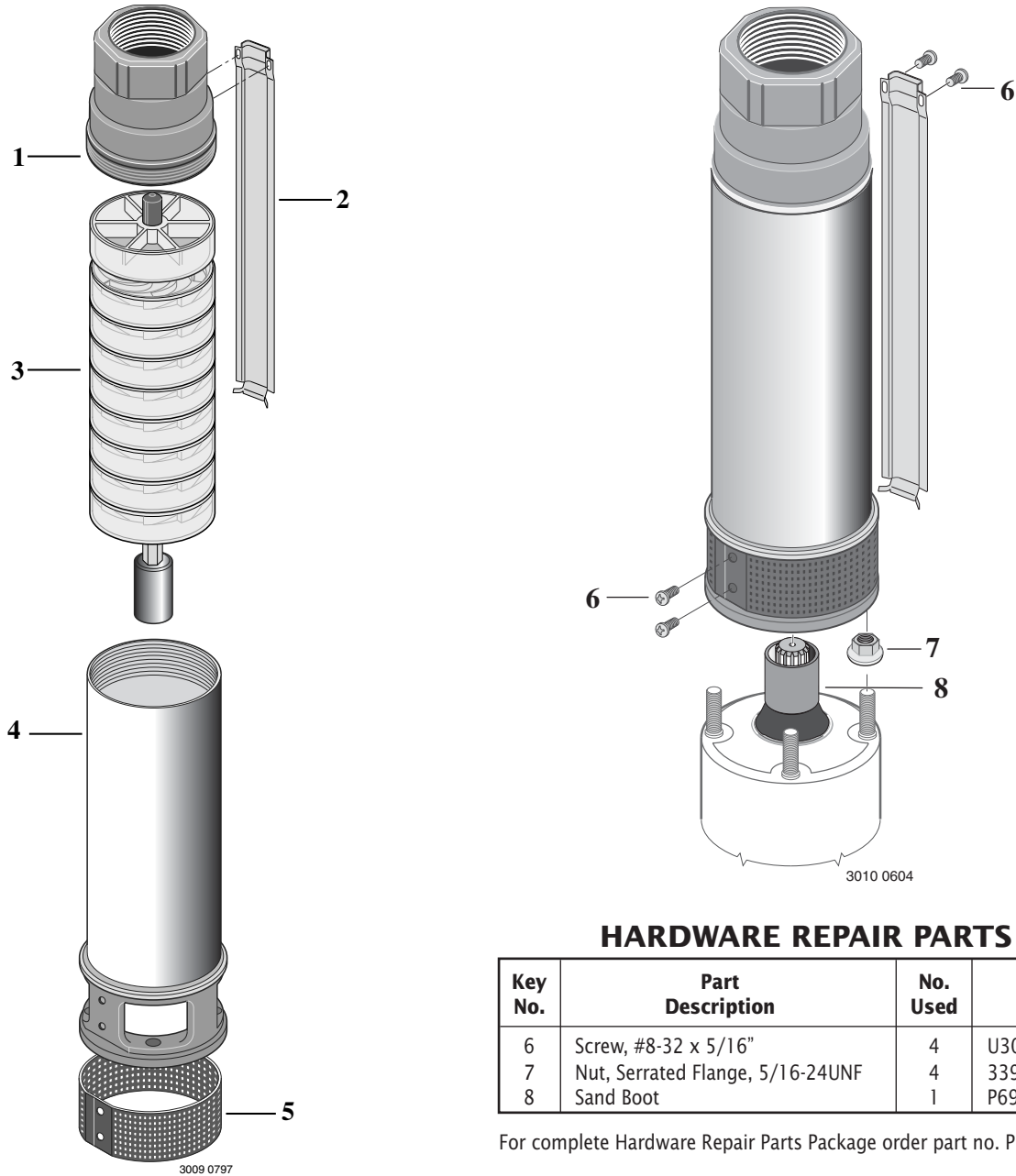
## LIQUID END REPAIR PARTS

Key No.	Part Description	Model		
		L30P4JH-03	L30P4KH-03	L30P4LH-03
1	Discharge Connection	P52-71SS	P52-71SS	P52-71SS
2	Lead Guard	P3-735SS	P3-776SS	P3-787SS
3	Pump Stack	P325-269R	P325-589R	P325-343R
4	Shell and Suction Assembly	P256-366	P256-419	P256-440
5	Suction Screen	P8-32P	P8-35SS	P8-35SS

# Signature 2000® 4" submersible pump

stainless steel

50 GPM



## HARDWARE REPAIR PARTS

Key No.	Part Description	No. Used	Part No.
6	Screw, #8-32 x 5/16"	4	U30-957SS
7	Nut, Serrated Flange, 5/16-24UNF	4	33933
8	Sand Boot	1	P69-27

For complete Hardware Repair Parts Package order part no. P198-236.

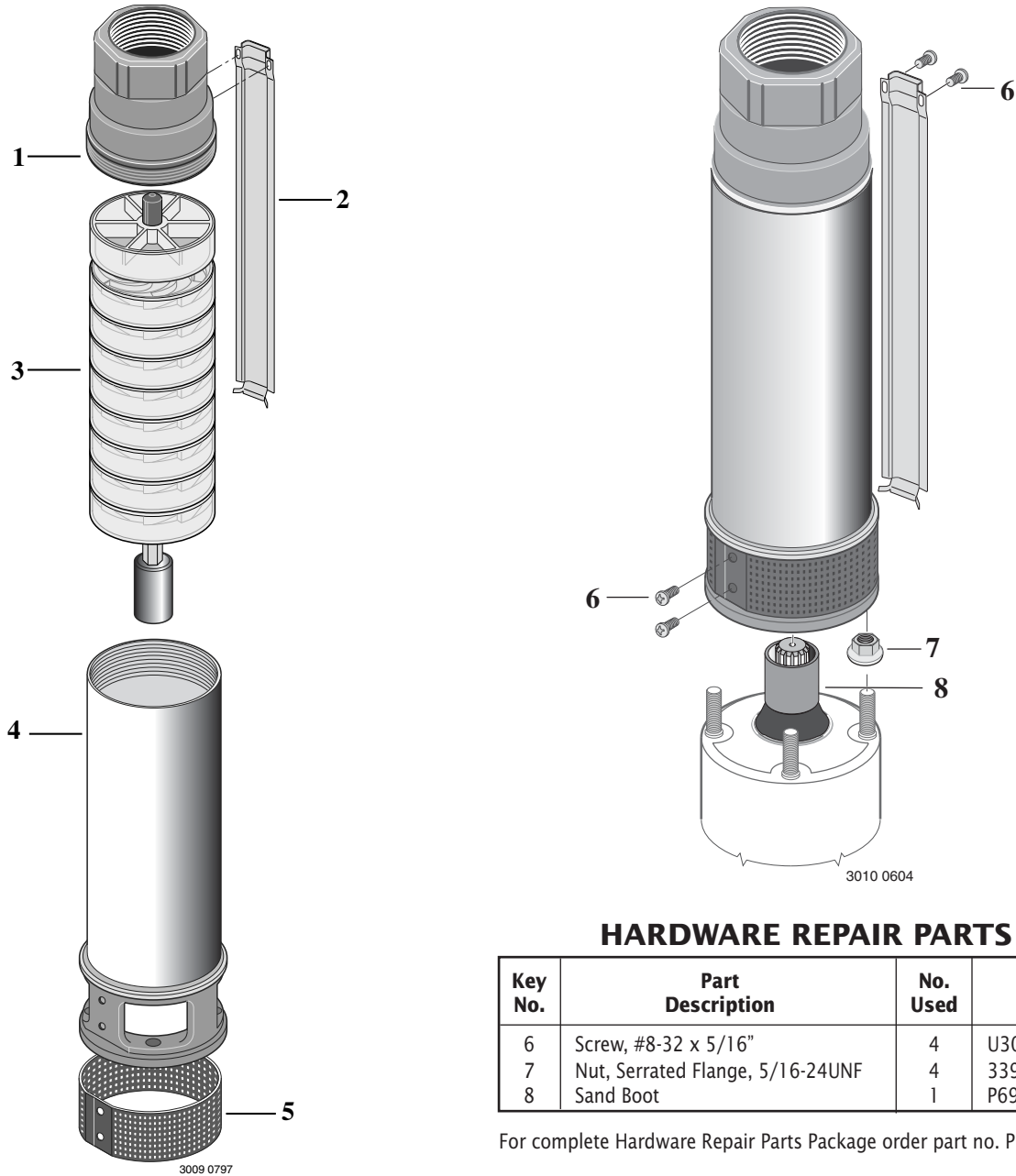
## LIQUID END REPAIR PARTS

Key No.	Part Description	Model		
		L50P4FH-03	L50P4GH-03	L50P4HH-03
1	Discharge Connection	P152-71SS	P152-71SS	P152-71SS
2	Lead Guard	P3-760SS	P3-595SS	P3-721SS
3	Pump Stack	P325-304R	P325-305R	P325-249R
4	Shell and Suction Assembly	P256-398	P256-399	P256-345
5	Suction Screen	P8-32P	P8-32P	P8-32P

# Signature 2000® 4" submersible pump

stainless steel

50 GPM



## HARDWARE REPAIR PARTS

Key No.	Part Description	No. Used	Part No.
6	Screw, #8-32 x 5/16"	4	U30-957SS
7	Nut, Serrated Flange, 5/16-24UNF	4	33933
8	Sand Boot	1	P69-28

For complete Hardware Repair Parts Package order part no. P198-258.

## LIQUID END REPAIR PARTS

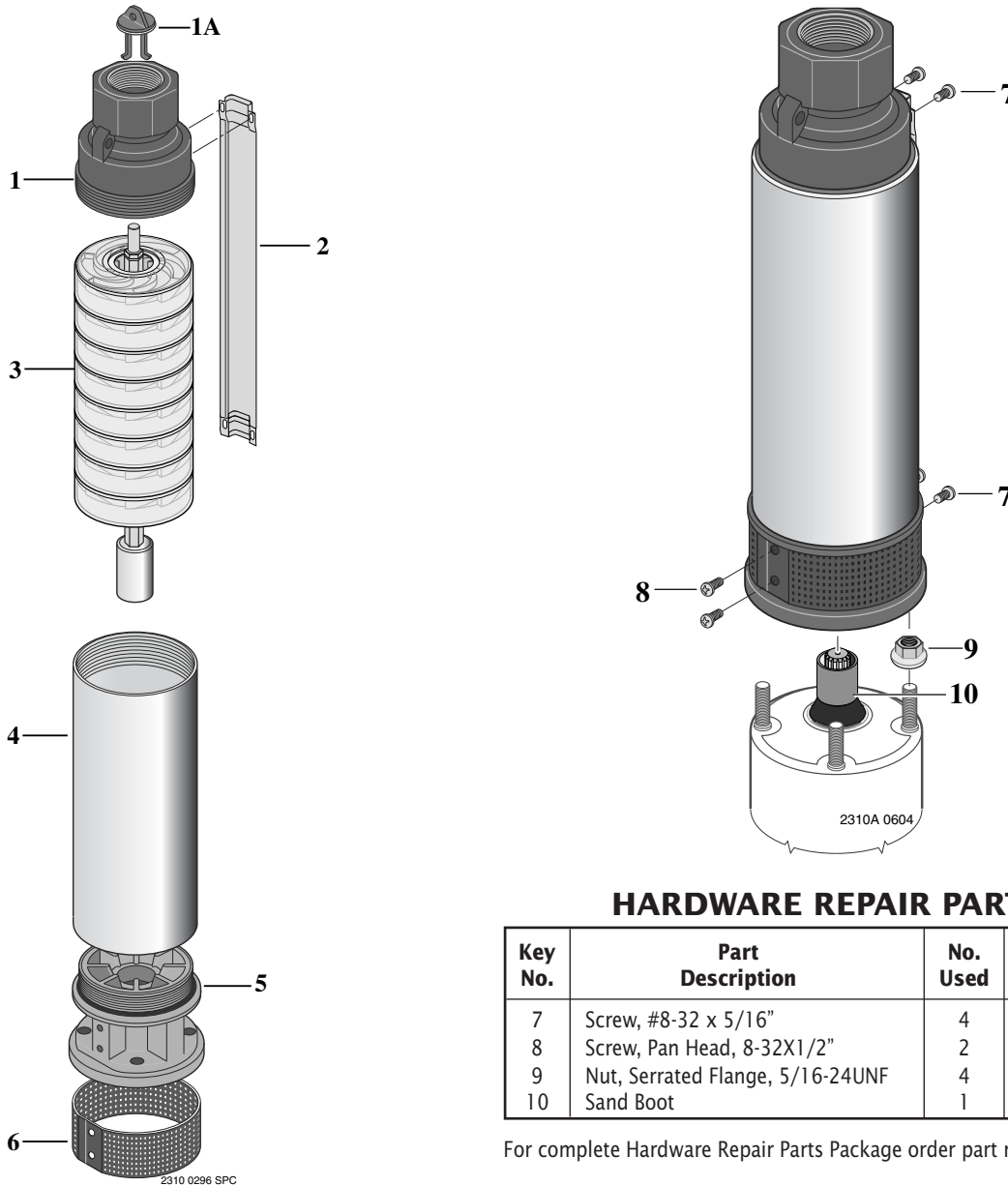
Key No.	Part Description	Model		
		L50P4JH-03	L50P4KH-03	L50P4LH-03
1	Discharge Connection	P52-71SS	P52-71SS	P52-71SS
2	Lead Guard	P3-762SS	P3-723SS	P3-763SS
3	Pump Stack	P325-306R	P325-251R	P325-307R
4	Shell and Suction Assembly	P256-400	P256-419	P256-401
5	Suction Screen	P8-32P	P8-35SS	P8-35SS



# Signature 2000® TrimLine™ 4" submersible pump

composite

5 GPM



## HARDWARE REPAIR PARTS

Key No.	Part Description	No. Used	Part No.
7	Screw, #8-32 x 5/16"	4	U30-957SS
8	Screw, Pan Head, 8-32X1/2"	2	U30-975SS
9	Nut, Serrated Flange, 5/16-24UNF	4	33933
10	Sand Boot	1	P69-27

For complete Hardware Repair Parts Package order part no. P198-245.

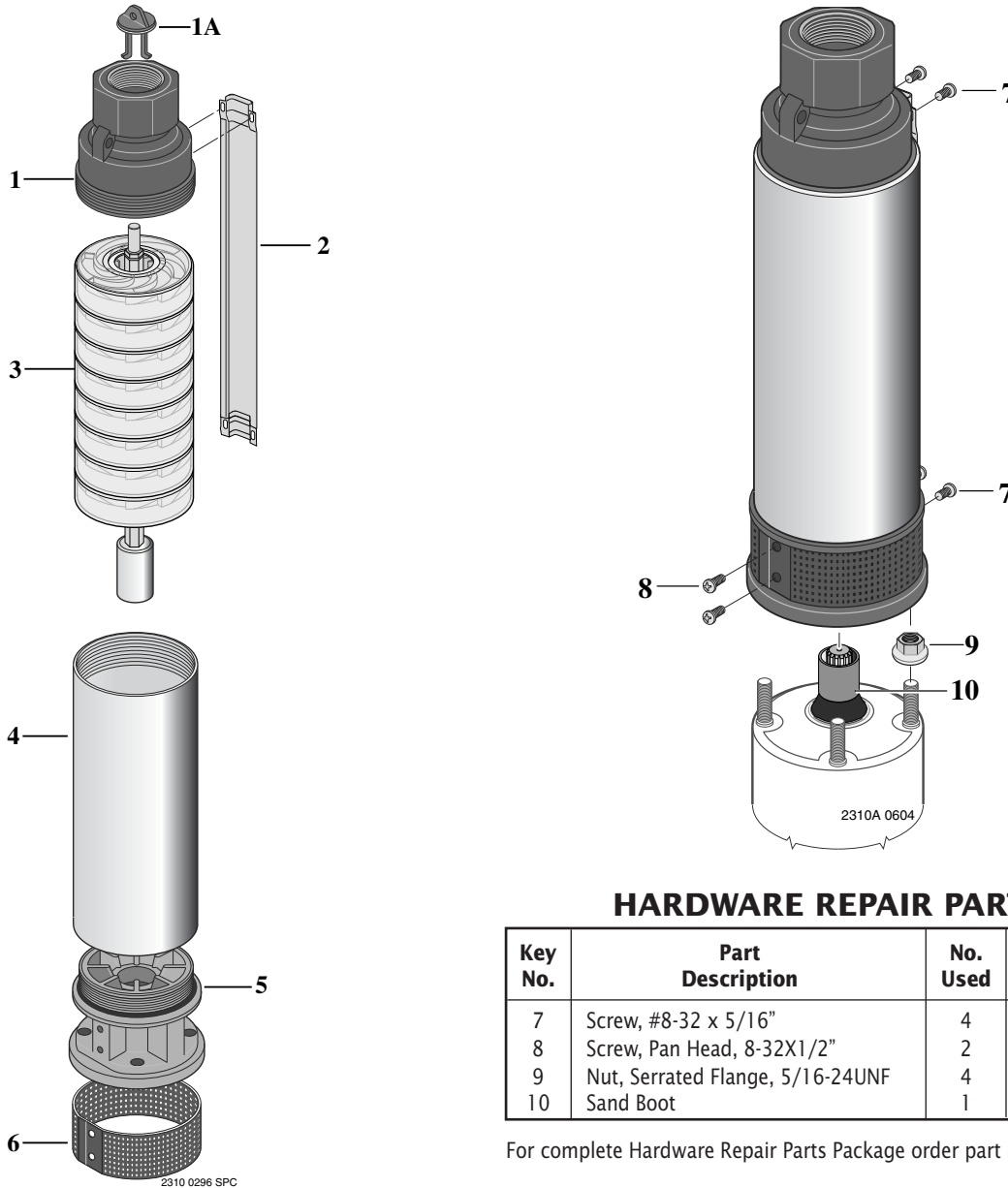
## LIQUID END REPAIR PARTS

Key No.	Part Description	Model			
		L5P4CJL-04	L5P4DJL-04	L5P4EJL-04	L5P4FJL-04B
1	Discharge Connection	P152-70P	P152-70P	P152-70P	P152-70P
1A	Poppet with O-Ring	P112-21P	P112-21P	P112-21P	P112-21P
2	Lead Guard	P3-848SS	P3-668SS	P3-855SS	P3-636SS
3	Pump Stack	P325-468R	P325-536R	P325-470R	-
4	Shell	P56-198SSL	P56-536SSL	P56-292SSL	P56-537SSL
5	Suction Connection	P2-113PA	P2-113PA	P2-113PA	P2-113PA
6	Suction Screen	P8-32P	P8-32P	P8-32P	P8-32P

# Signature 2000<sup>®</sup> TrimLine<sup>™</sup> 4" submersible pump

composite

7 GPM



## HARDWARE REPAIR PARTS

Key No.	Part Description	No. Used	Part No.
7	Screw, #8-32 x 5/16"	4	U30-957SS
8	Screw, Pan Head, 8-32X1/2"	2	U30-975SS
9	Nut, Serrated Flange, 5/16-24UNF	4	33933
10	Sand Boot	1	P69-27

For complete Hardware Repair Parts Package order part no. P198-245.

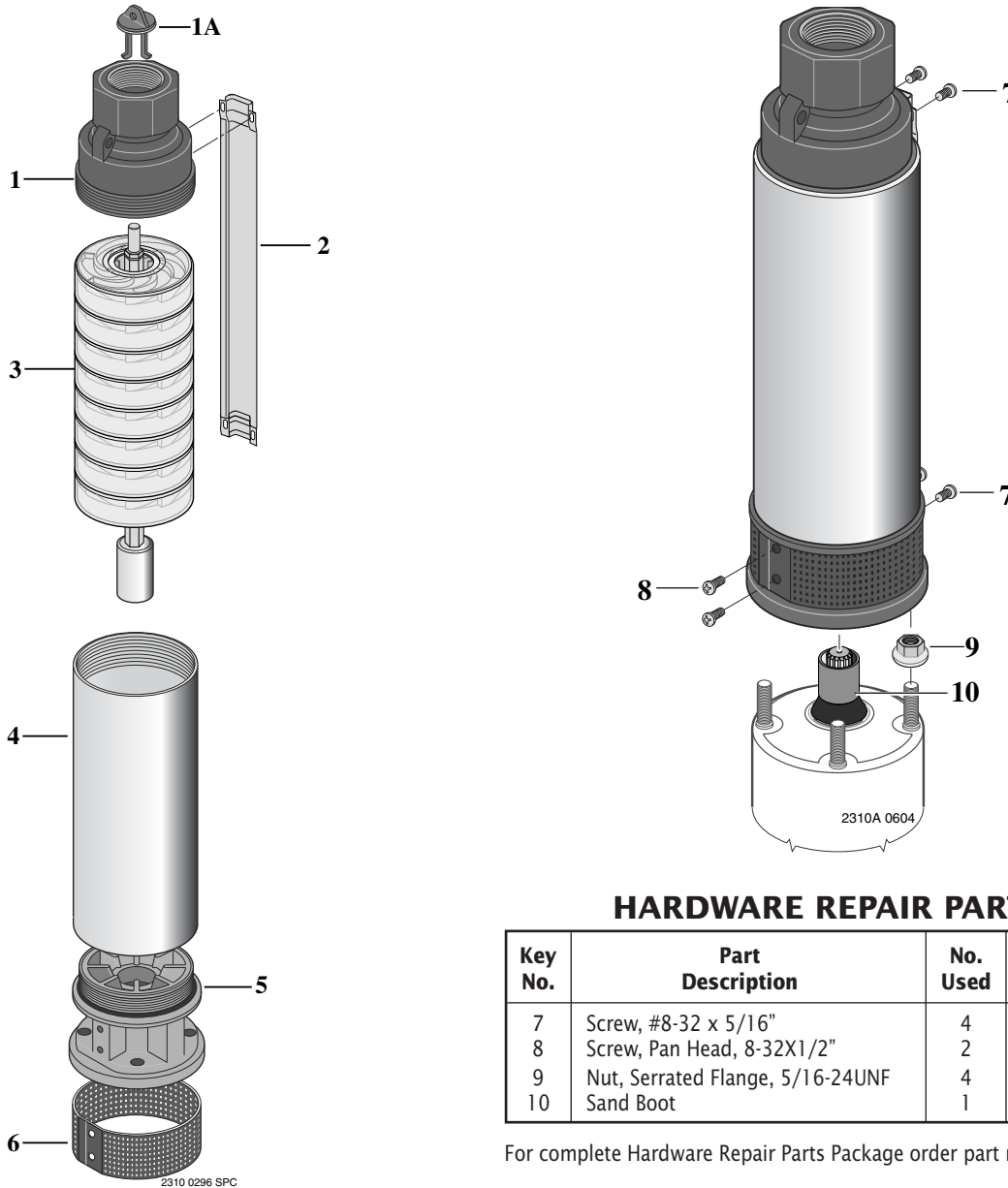
## LIQUID END REPAIR PARTS

Key No.	Part Description	Model			
		L7P4CJL-04	L7P4DJL-04	L7P4EJL-04	L7P4FJL-04B
1	Discharge Connection	P152-70P	P152-70P	P152-70P	P152-70P
1A	Poppet with O-Ring	P112-21P	P112-21P	P112-21P	P112-21P
2	Lead Guard	P3-907SS	P3-643SS	P3-912SS	P3-751SS
3	Pump Stack	P325-538R	P325-435R	P325-540R	-
4	Shell	P56-538SSL	P56-270SSL	P56-527SSL	P56-244SSL
5	Suction Connection	P2-113PA	P2-113PA	P2-113PA	P2-113PA
6	Suction Screen	P8-32P	P8-32P	P8-32P	P8-32P

# Signature 2000<sup>®</sup> 4" submersible pump

composite

10 GPM



## HARDWARE REPAIR PARTS

Key No.	Part Description	No. Used	Part No.
7	Screw, #8-32 x 5/16"	4	U30-957SS
8	Screw, Pan Head, 8-32X1/2"	2	U30-975SS
9	Nut, Serrated Flange, 5/16-24UNF	4	33933
10	Sand Boot	1	P69-27

For complete Hardware Repair Parts Package order part no. P198-245.

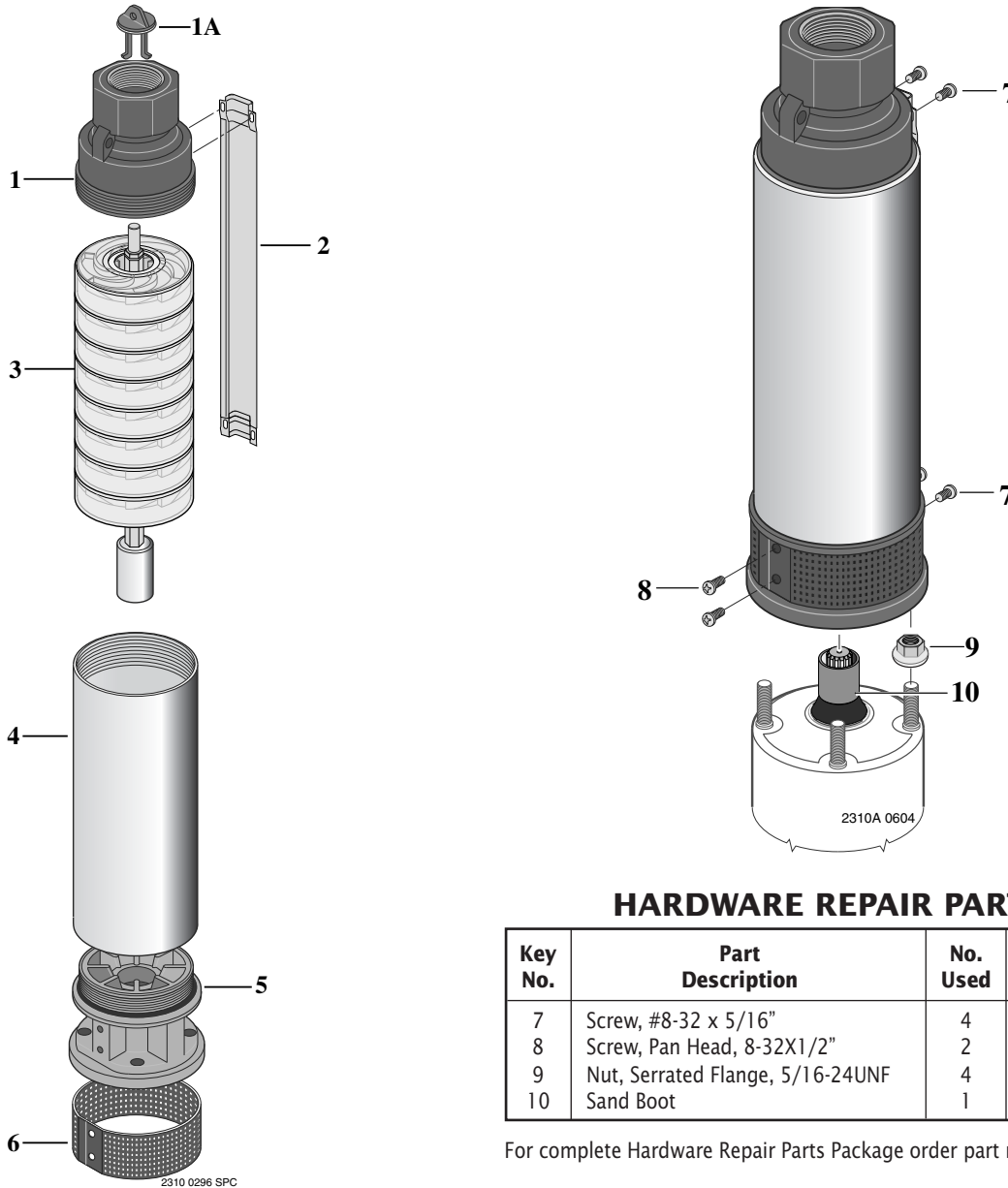
## LIQUID END REPAIR PARTS

Key No.	Part Description	Model			
		L10P4CJ-04	L10P4DJ-04	L10P4EJ-04	L10P4FJ-04
1	Discharge Connection	P152-60P	P152-60P	P152-60P	P152-60P
1A	Poppet with O-Ring	P112-21P	P112-21P	P112-21P	P112-21P
2	Lead Guard	P3-843SS	P3-845SS	P3-846SS	P3-902SS
3	Pump Stack	P325-436R	P325-450R	P325-453R	P325-456R
4	Shell	P56-135SSL	P56-136SSL	P56-137SSL	P56-138SSL
5	Suction Connection	P2-113PB	P2-113PB	P2-113PB	P2-113PB
6	Suction Screen	P8-32P	P8-32P	P8-32P	P8-32P

# Signature 2000<sup>®</sup> 4" submersible pump

composite

15 GPM



## HARDWARE REPAIR PARTS

Key No.	Part Description	No. Used	Part No.
7	Screw, #8-32 x 5/16"	4	U30-957SS
8	Screw, Pan Head, 8-32X1/2"	2	U30-975SS
9	Nut, Serrated Flange, 5/16-24UNF	4	33933
10	Sand Boot	1	P69-27

For complete Hardware Repair Parts Package order part no. P198-245.

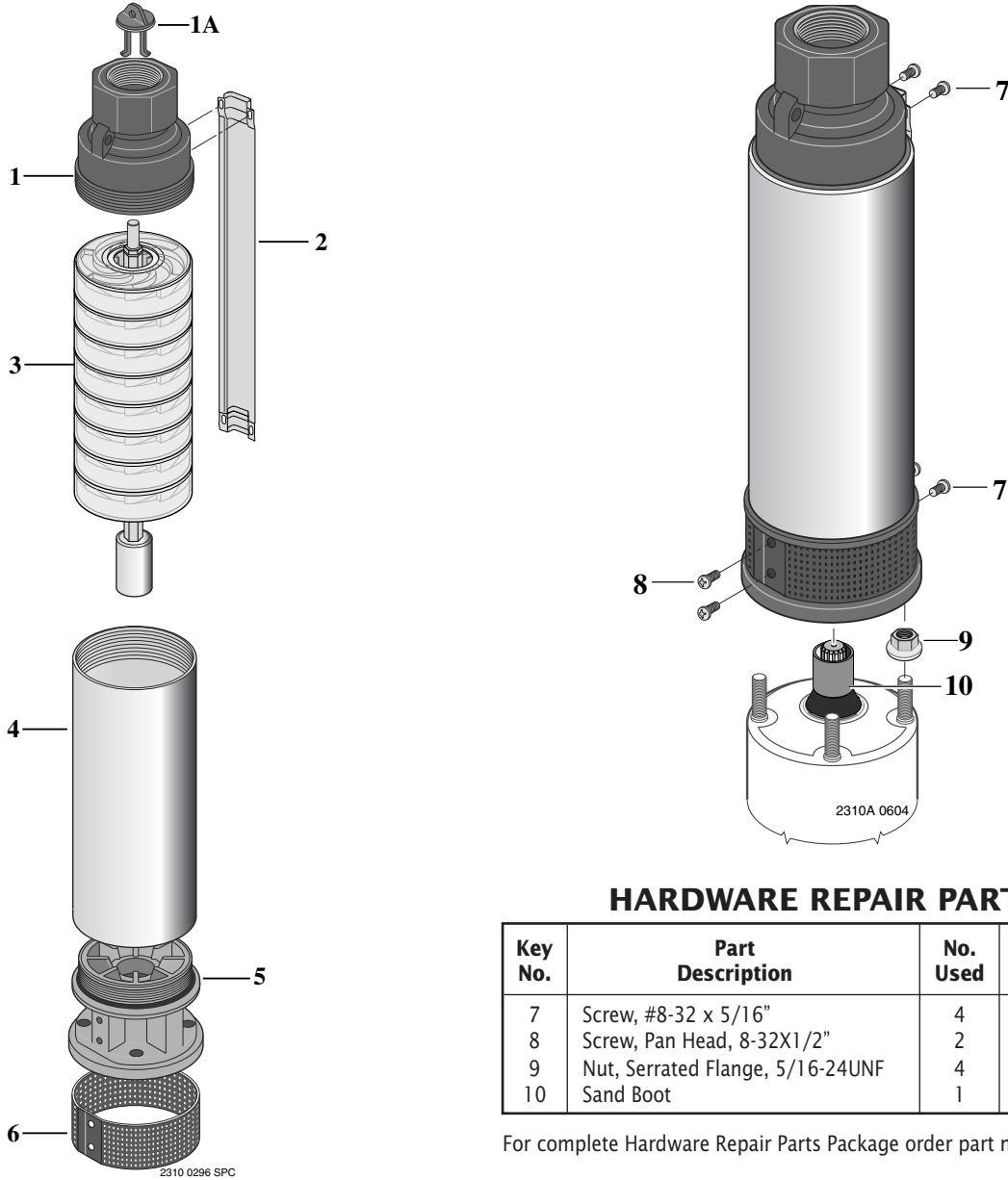
## LIQUID END REPAIR PARTS

Key No.	Part Description	Model			
		L15P4CJ-04	L15P4DJ-04	L15P4EJ-04	L15P4FJ-04
1	Discharge Connection	P152-60P	P152-60P	P152-60P	P152-60P
1A	Poppet with O-Ring	P112-21P	P112-21P	P112-21P	P112-21P
2	Lead Guard	P3-844SS	P3-903SS	P3-847SS	P3-849SS
3	Pump Stack	P325-503R	P325-504R	P325-505R	P325-506R
4	Shell	P56-141SSL	P56-142SSL	P56-143SSL	P56-144SSL
5	Suction Connection	P2-113PB	P2-113PB	P2-113PB	P2-113PB
6	Suction Screen	P8-32P	P8-32P	P8-32P	P8-32P

# Signature 2000® 4" submersible pump

composite

20 GPM



## HARDWARE REPAIR PARTS

Key No.	Part Description	No. Used	Part No.
7	Screw, #8-32 x 5/16"	4	U30-957SS
8	Screw, Pan Head, 8-32X1/2"	2	U30-975SS
9	Nut, Serrated Flange, 5/16-24UNF	4	33933
10	Sand Boot	1	P69-27

For complete Hardware Repair Parts Package order part no. P198-245.

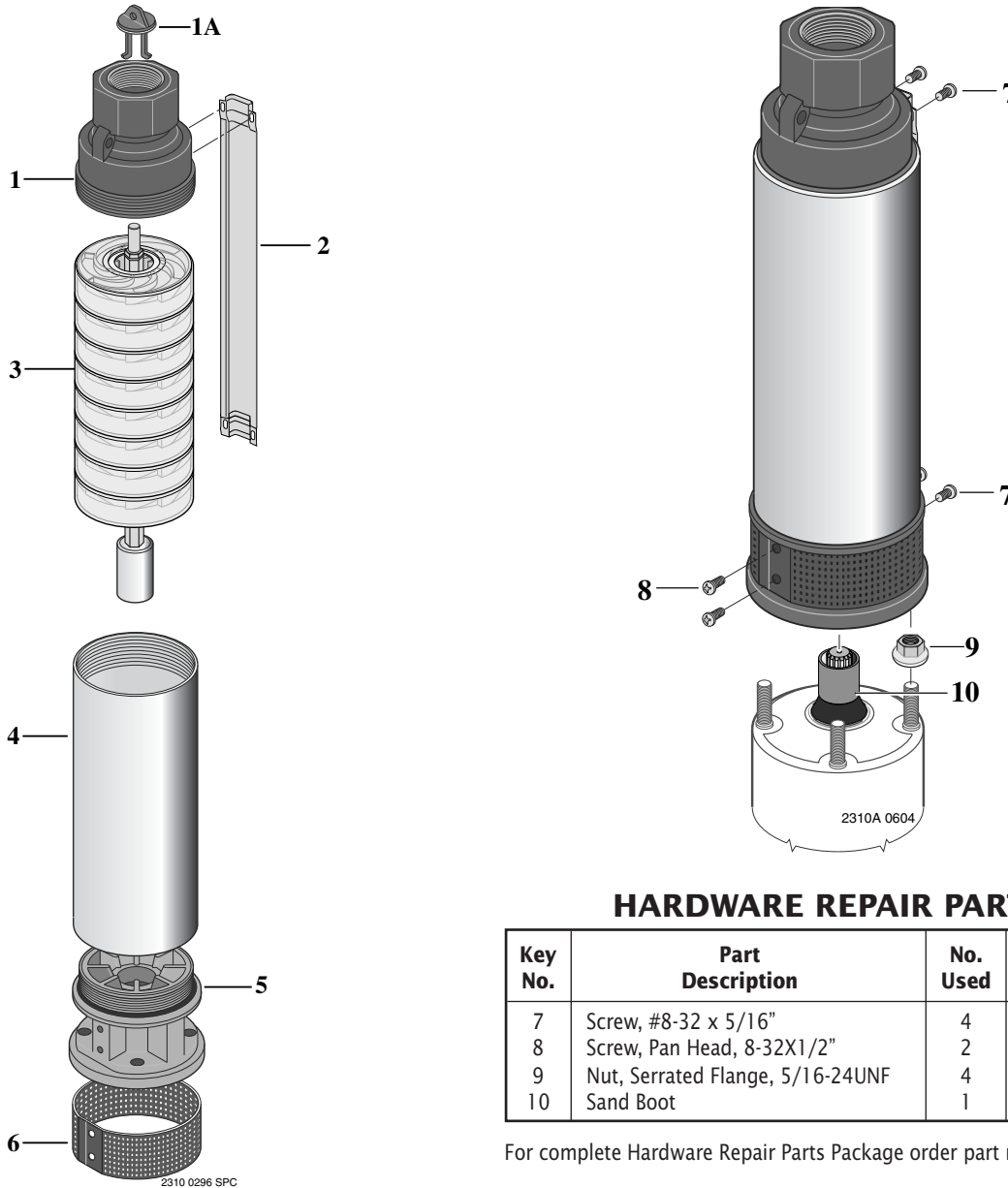
## LIQUID END REPAIR PARTS

Key No.	Part Description	Model			
		L20P4DJ-04	L20P4EJ-04	L20P4FJ-04	L20P4GJ-04
1	Discharge Connection	P152-60P	P152-60P	P152-60P	P152-60P
1A	Poppet with O-Ring	P112-21P	P112-21P	P112-21P	P112-21P
2	Lead Guard	P3-844SS	P3-903SS	P3-847SS	P3-849SS
3	Pump Stack	P325-509R	P325-437R	P325-459R	P325-510R
4	Shell	P56-141SSL	P56-142SSL	P56-143SSL	P56-144SL
5	Suction Connection	P2-113PB	P2-113PB	P2-113PB	P2-113PB
6	Suction Screen	P8-32P	P8-32P	P8-32P	P8-32P

# Signature 2000® 4" submersible pump

composite

30 GPM



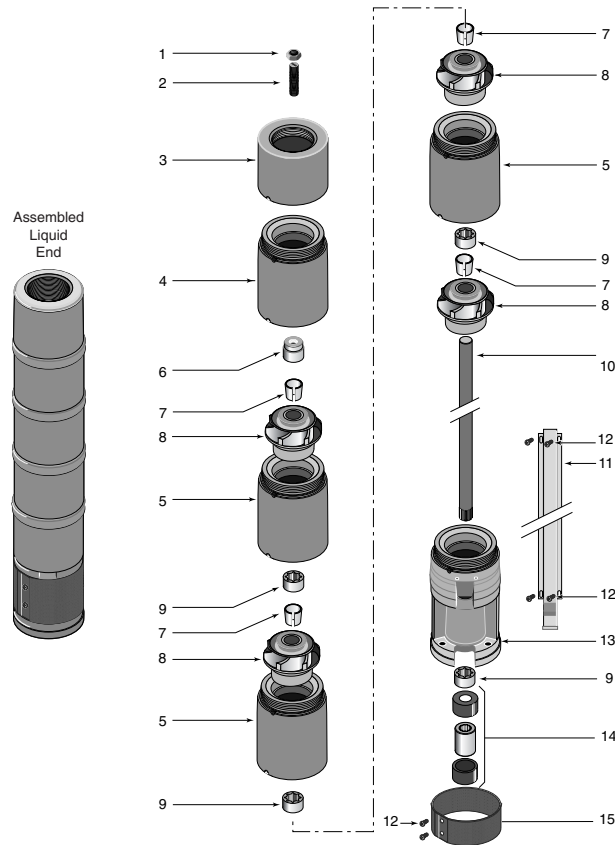
## HARDWARE REPAIR PARTS

Key No.	Part Description	No. Used	Part No.
7	Screw, #8-32 x 5/16"	4	U30-957SS
8	Screw, Pan Head, 8-32X1/2"	2	U30-975SS
9	Nut, Serrated Flange, 5/16-24UNF	4	33933
10	Sand Boot	1	P69-27

For complete Hardware Repair Parts Package order part no. P198-245.

## LIQUID END REPAIR PARTS

Key No.	Part Description	Model		
		L30P4EJ-04	L30P4FJ-04	L30P4GJ-04
1	Discharge Connection	P152-60P	P152-60P	P152-60P
1A	Poppet with O-Ring	P112-21P	P112-21P	P112-21P
2	Lead Guard	P3-906SS	P3-907SS	P3-910SS
3	Pump Stack	P325-465R	P325-517R	P325-466R
4	Shell	P56-183SSL	P56-184SSL	P56-185SSL
5	Suction Connection	P2-113PB	P2-113PB	P2-113PB
6	Suction Screen	P8-32P	P8-32P	P8-32P



## LIQUID END REPAIR PARTS

Key No.	Part Description	Model					
		L70F4-04	L70G4-04	L70H4-04	L70J4-04	L70K4-04	L70L4-04
1	Lock Nut, 3/8-16	U36-38D	U36-38D	U36-38D	U36-38D	U36-38D	U36-38D
2	Thrust Screw, 3/8-16	U30-843D	U30-843D	U30-843D	U30-843D	U30-843D	U30-843D
3	Discharge Connection	P52-77	P52-77	P52-77	P52-77	P52-77	P52-77
4	Top Bowl Assembly	P101-182A	P101-182A	P101-182A	P101-182A	P101-182A	P101-182A
5	Intermediate Bowl Assembly	P101-182 (3)	P101-182 (4)	P101-182 (6)	P101-182 (11)	P101-182 (15)	P101-182 (21)
6	Thrust Bearing	P43-44D	P43-44D	P43-44D	P43-44D	P43-44D	P43-44D
7	Collet	P23-112SS (4)	P23-112SS (5)	P23-112SS (7)	P23-112SS (12)	P23-112SS (17)	P23-112SS (23)
8	Impeller	P105-34P(4)	P105-34P(5)	P105-34P(7)	P105-34P(12)	P105-34P(17)	P105-34P(23)
9	Rubber Bearing (†)	P23-64(4)	P23-64(5)	P23-64(7)	P23-64(12)	P23-64(17)	P23-64(23)
10	Shaft	P10-481	P10-482	P10-483	P10-484	P10-485	P10-502
11	Lead Guard	P3-471SS	P3-472SS	P3-473SS	P3-475SS	P3-477SS	P3-478SS
12	Lead Guard Screw	U30-957SS(4)	U30-957SS(4)	U30-957SS(4)	U30-957SS(4)	U30-957SS(4)	U30-957SS(4)
13	Suction Connection (†)	P102-116	P102-116	P102-116	P102-116	P102-116	P102-116
14	Coupling and Slinger Assembly	P111-21S	P111-21S	P111-21S	P111-21S	P111-21S	P111-21S
15	Suction Screen	P8-30SS	P8-30SS	P8-30SS	P8-30SS	P8-30SS	P8-30SS
	▪ Suction Screen Screw, 8-32 x 1/2"	U30-975SS (2)	U30-975SS (2)	U30-975SS (2)	U30-975SS (2)	U30-975SS (2)	U30-975SS (2)
	▪ Lead Protector	P18-461(2)	P18-461(2)	P18-461(2)	P18-461(2)	P18-461(2)	P18-461(2)

(†) Each Intermediate Bowl Assembly and the Suction Connection include (1) Rubber Bearing.

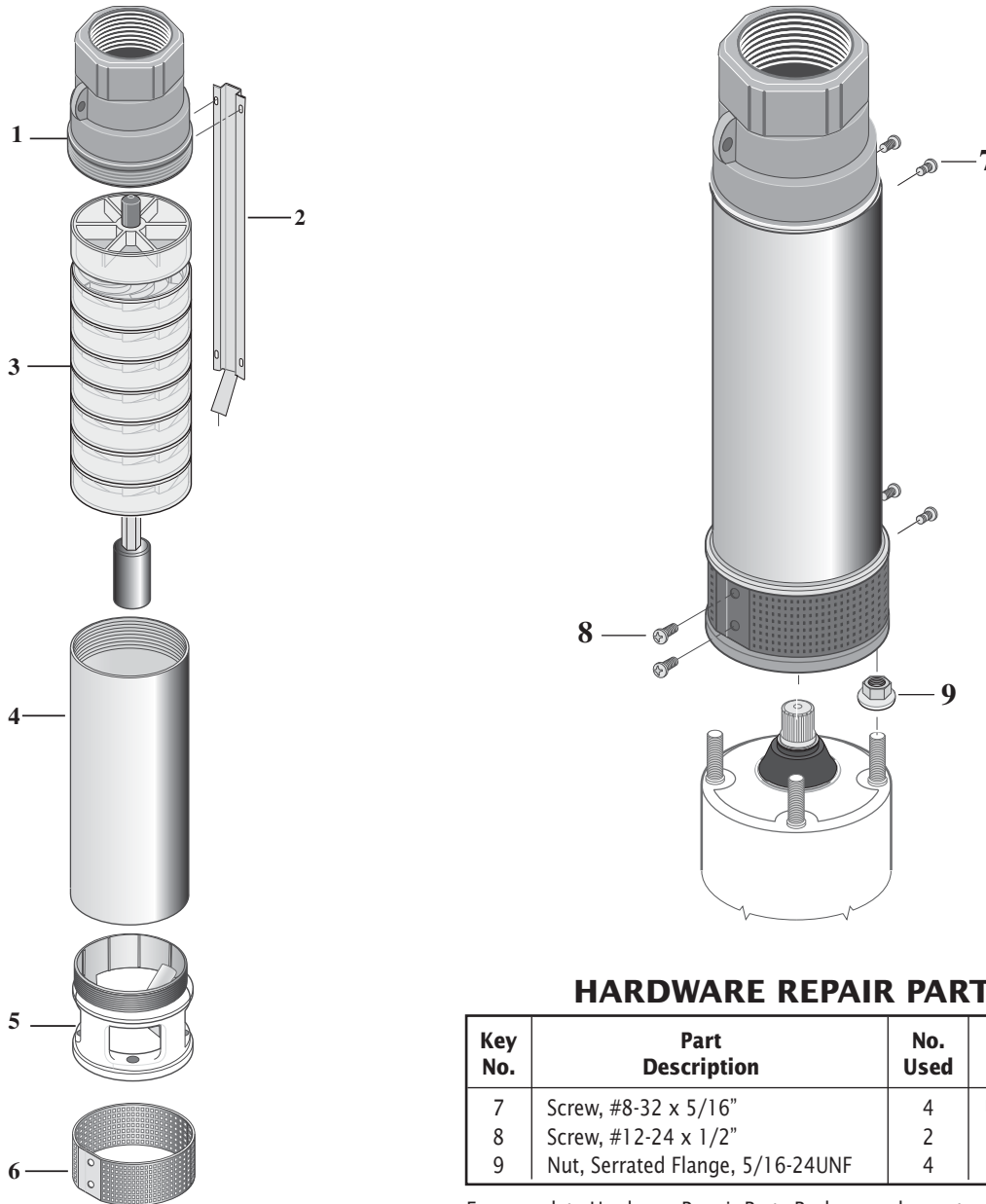
▪ Not Illustrated.

( ) Quantity is one (1) unless otherwise noted.

# Signature 2000<sup>®</sup> 4" submersible pump

stainless steel

90 GPM



## HARDWARE REPAIR PARTS

Key No.	Part Description	No. Used	Part No.
7	Screw, #8-32 x 5/16"	4	U30-957SS
8	Screw, #12-24 x 1/2"	2	34105A
9	Nut, Serrated Flange, 5/16-24UNF	4	33933

For complete Hardware Repair Parts Package order part no. P198-236.

## LIQUID END REPAIR PARTS

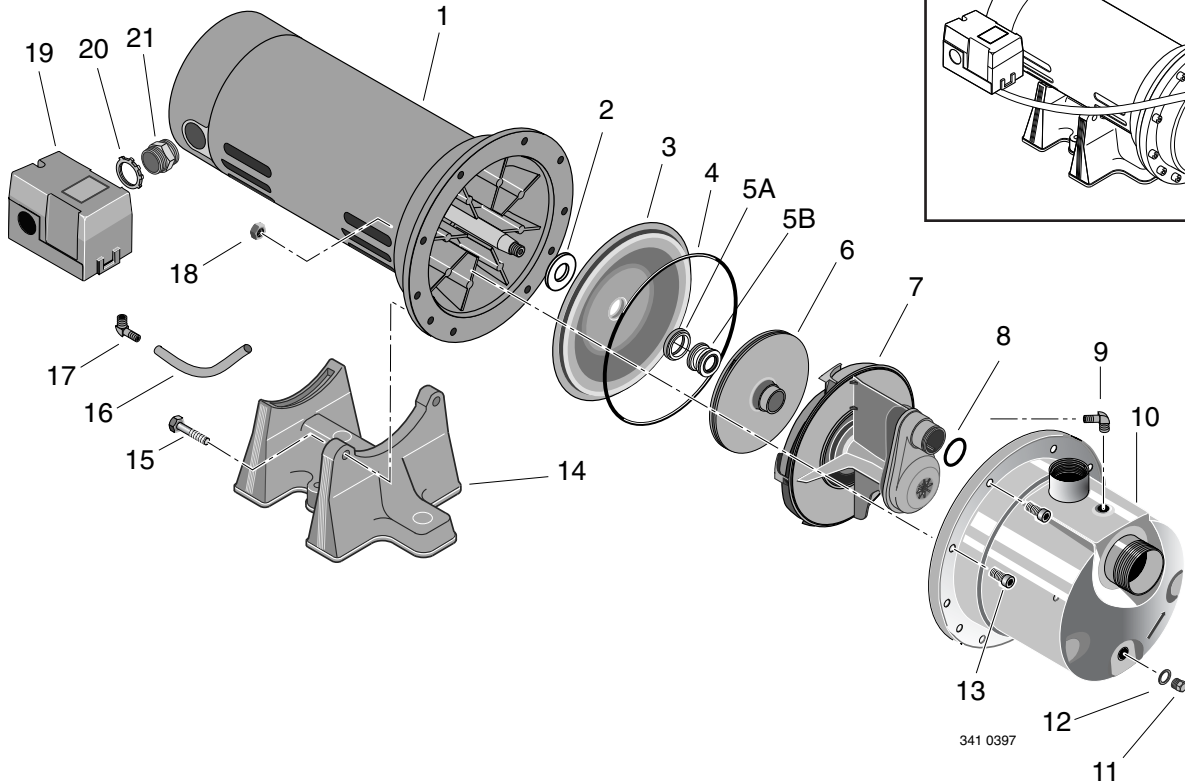
Key No.	Part Description	Model				
		L90HF20	L90HF30	L90HF50	L90HF75	L90HF100
1	Discharge Connection	P52-71SSA	P52-71SSA	P52-71SSA	P52-71SSA	P52-71SSA
2	Lead guard	P3-945SS	P3-946SS	P3-947SS	P3-948SS	P3-949SS
3	Pump Stack	P325-723R	P325-724R	P325-725R	P325-726R	P-325-727R
4	Shell	P56-626SS	P56-627SS	P56-628SS	P56-629SS	P56-630SS
5	Motor mount	34282	34282	34282	34282	34282
6	Suction Screen	35289	35289	35289	35289	35289



# stainless steel shallow well jet

**CJ series**

**1 and 1-1/2 HP**

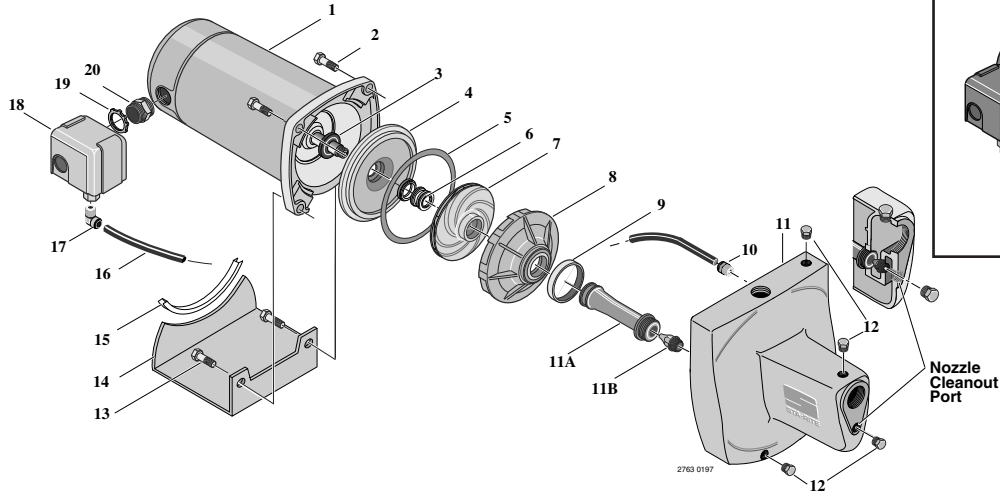


Key No.	Part Description	No. Used	CJ90E 1 HP	CJ90F 1-1/2 HP
1	Motor	1	J218-1006	J218-1007
2	Slinger	1	C69-7	C69-7
3	Seal Plate	1	784S0070	784S0070
4	O-Ring	1	111P0490	111P0490
5A	Shaft Seal Seat	1	111P0510	111P0510
5B	Shaft Seal Rotating	1	111P0500	111P0500
6	Impeller	1	101P1720	101P1720
7	Venturi	1	101P2900	101P2900
8	O-Ring	1	111P1100	111P1100
9	90° Hose Barb	1	171P4750T	171P4750T
10	Pump Body	1	723S0850	723S0850
11	Plug, Stainless Steel	1	121P2100	121P2100
12	Washer	1	111P0990	111P0990
13	Screw, Socket Head	8	121P0310	121P0310
14	Base	1	C4-42P	C4-42P
15	Bolt	2	U30-74SS	U30-74SS
16	Pressure Switch Tube	1	U37-672P	U37-673P
17	1/4" NPT 90° Hose Barb	1	U111-212T	U111-212T
18	Nut, M6x1 SS	8	U36-207SS	U36-207SS
19	Pressure Switch	1	U217-1202	U217-1204
20	1/2" Locknut	1	U36-112ZP	U36-112ZP
21	Connector	1	L43-5C	L43-5C

# cast iron shallow well jet pumps

## HN series

### 1/2 thru 1 HP



Key No.	Part Description	No. Used	HNC-L 1/2 HP	HND-L 3/4 HP	HNE-L 1 HP
1	Motor	1	A100CHL	A100DHL	A100EHL
2	Capscrew 3/8-16x1-1/4" Lg. Hex Hd.	2	U30-75ZP (4)	U30-75ZP	U30-75ZP
3	Water Slinger §#	1	17351-0009	17351-0009	17351-0009
4	Seal Plate Assembly	1	N3-9	L3-10	L3-10
5	Gasket, Seal Plate §#	1	N20-35	C20-21	C20-21
6	Shaft Seal Assembly	1	U109-6A	U109-6A	U109-6A
7	Impeller #	1	J105-42P	J105-8PAN	J105-22PA
8	Diffuser #	1	L1-25P	L1-23P	L1-23P
9	Gasket, Diffuser §#	1	N20-34	-	-
10	Quick Connect, 1/4" NPT	1	U11-217P	U11-217P	U11-217P
11	Pump Body Assembly	1	N176-43B	N176-44	N176-44A
11A	Venturi	1	N32P-75	N32P-64	N32P-65
11B	Nozzle	1	N34P-21 (#47)	J34P-44 (#54)	J34P-44 (#54)
12	Pipe Plug, 1/4" NPT Hex Hd.	4	U78-941ZPV (3)	U78-941ZPV	U78-941ZPV
13	Capscrew 3/8-16x1-1/2" Lg. Hex Hd.	2	†	U30-76ZP	U30-76ZP
14	Base	1	J4-9	J4-9C	J4-9C
15	Rubber Pad	1	C35-5	C35-5	C35-5
16	Tube, 1/4" I.D. (length varies)	1	U37-676P	U37-672P	U37-677P
17	Quick Connect Elbow, 1/4" NPT	1	U11-218P	U11-218P	U11-218P
18	Pressure Switch	1	U217-1216	U217-1216	U217-1216
19	Locknut, 1/2"	1	U36-112ZP	U36-112ZP	U36-112ZP
20	Connector	1	L43-5C	L43-5C	L43-5C
	▪ Diffuser Screw, #8-32x3/4"	3	-	U30-489SS	U30-489SS
	▪ Diffuser Washer, #8 Ext. Tooth	3	-	-	U43-21SS
	▪ Pulsation Plug	1	-	-	U17-1131

▪ Not illustrated.

§ Included in Seal and Gasket Kit.

# Included in Overhaul Kit.

† Catalog number HNC-L uses 4 of Key No. 2 Capscrews in place of Key No. 13 Capscrews.

( ) Indicates use of a quantity other than quantity listed in the "No. Used" column.

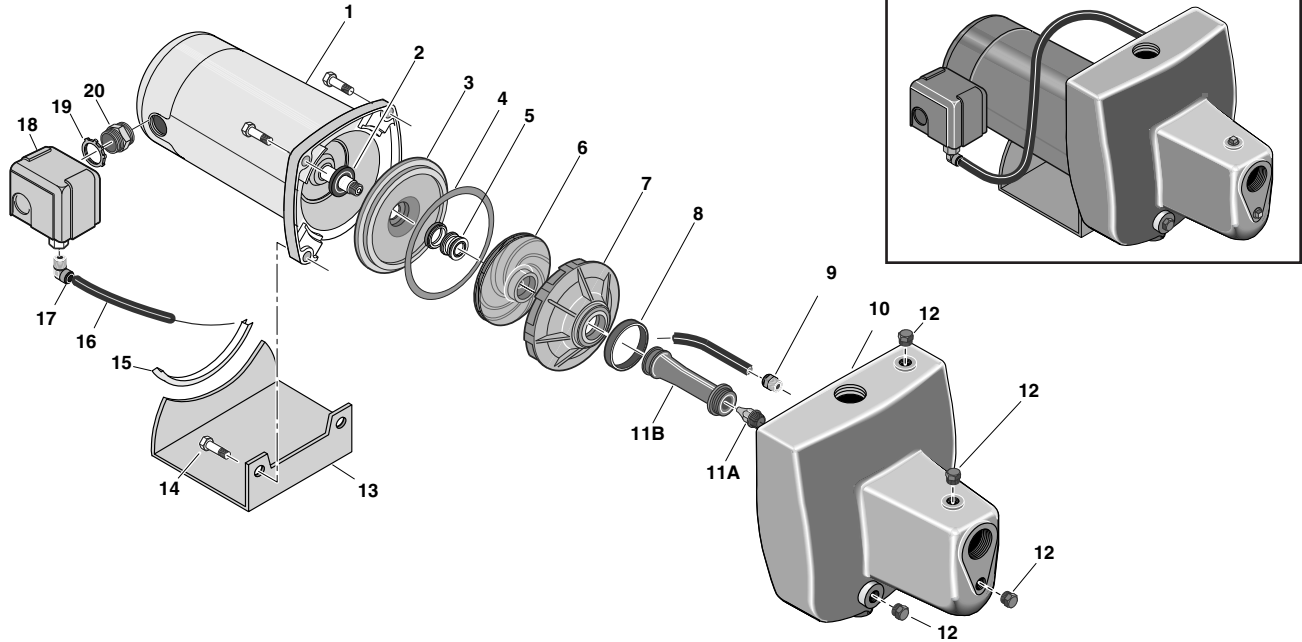
## SERVICE KITS

§ Seal and Gasket Kit	PP1550	PP1551	PP1551
# Overhaul Kit	PP1561	PP1553	PP1554

# cast iron shallow well jet pumps

**SN series**

**1/2 HP**



Key No.	Part Description	No. Used	SNC-L 1/2 HP	SNC-HF25L 1/2 HP	SNC-5L 1/2 HP
1	Motor	1	A100CLL	A100CLL	A100CLL
2	Water Slinger §#	1	17351-0009	17351-0009	17351-0009
3	Seal Plate	1	N3-9	N3-9	N3-9
4	Seal Plate Gasket §#	1	N20-35	N20-35	N20-35
5	Shaft Seal Assembly §#	1	U109-6A	U109-6A	U109-6A
6	Impeller #	1	J105-40P	J105-40P	J105-40P
7	Diffuser #	1	L1-25P	L1-25P	L1-25P
8	Diffuser Gasket §#	1	N20-34	N20-34	N20-34
9	Quick Connect - 1/4" NPT	1	U11-217P	U11-217P	—
10	Pump Body - Assembly	1	N176-43	N176-43A	N176-43
11A	Nozzle	(1)	N34P-17 (#43)	N34P-17 (#43)	N34P-17 (#43)
11B	Venturi	(1)	N32P-66	N32P-67	N32P-66
12	Pipe Plug - 1/4" NPT Hex Hd.	4	U78-941ZPV (3)	U78-941ZPV (3)	U78-941ZPV
13	Base	1	J4-9	J4-9	J4-9
14	Hex Capscrew - 3/8" - 16 x 1-1/4" Lg.	4	U30-75ZP	U30-75ZP	U30-75ZP
15	Rubber Pad	1	C35-5	C35-5	C35-5
16	Tube 1/4" I.D. (Length Varies)	1	U37-676P	U37-676P	—
17	Quick Connect Elbow - 1/4" NPT	1	U11-218P	U11-218P	—
18	Pressure Switch	1	U217-1225	U217-1226	—
19	Locknut - 1/2"	1	U36-112ZP	U36-112ZP	—
20	Connector	1	L43-5C	L43-5C	—

§ Included in Seal and Gasket Kit.

# Included in Overhaul Kit.

( ) Indicates use of a quantity other than quantity listed in the "No. Used" column.

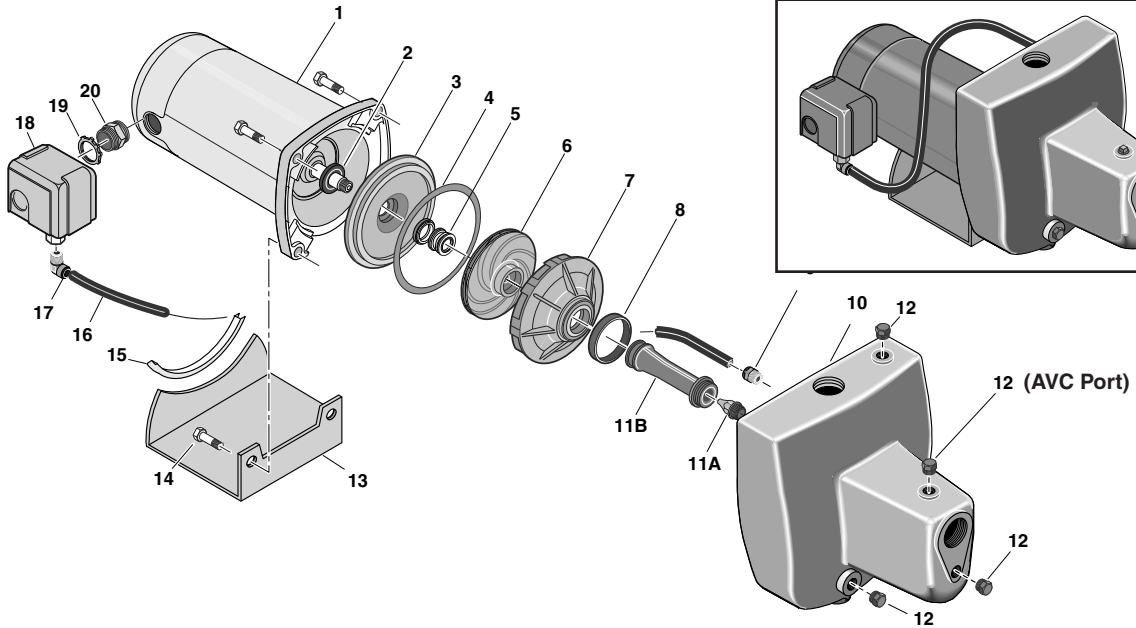
## SERVICE KITS

§ Seal and Gasket Kit	PP1550	PP1550	PP1550
# Overhaul Kit	PP1560	PP1560	PP1560

# cast iron shallow well jet pumps

## SN series

### 3/4 thru 1-1/2 HP



2352 0396

Key No.	Part Description	No. Used	SND-L 3/4 HP	SNE-L 1 HP	SNF-L 1-1/2 HP
1	Motor	1	A100DLL	A100ELL	A100FLL
2	Water Slinger §#	1	17351-0009	17351-0009	17351-0009
3	Seal Plate	1	N3-9	L3-10	L3-10
4	Seal Plate Gasket §#	1	N20-35	C20-21	C20-21
5	Shaft Seal Assembly §#	1	U109-6A	U109-6A	U109-6A
6	Impeller #	1	J105-42P	J105-8PAN	J105-22PA
7	Diffuser #	1	L1-25P	L1-23P	L1-23P
8	Diffuser Gasket §#	1	N20-34	C20-21	C20-21
9	Quick Connect - 1/4" NPT	1	U11-217P	U11-217P	U11-217P
10	Pump Body - Assembly	1	N176-43B	N176-44	N176-44A
11A	Nozzle	(1)	N34P-21 (#47)	J34P-44 (#54)	J34P-44 (#54)
11B	Venturi	(1)	N32P-75	N32P-64	N32P-65
12	Pipe Plug - 1/4" NPT Hex Hd.	4	U78-941ZPV (3)	U78-941ZPV	U78-941ZPV
13	Base	1	J104-9F	J104-9F	J104-9F
14	Hex Capscrew - 3/8" - 16 x 1-1/4" Lg.	2	U30-75ZP (4)	U30-75ZP	U30-75ZP
14	Hex Capscrew - 3/8" - 16 x 1-1/2" Lg.	2	—	U30-76ZP	U30-76ZP
15	Rubber Pad	1	C35-5	C35-5	C35-5
16	Tube 1/4" I.D. (Length Varies)	1	U37-676P	U37-672P	U37-672P
17	Quick Connect Elbow - 1/4" NPT	1	U11-218P	U11-218P	U11-218P
18	Pressure Switch	1	U217-1225	U217-1225	U217-1225
19	Locknut - 1/2"	1	U36-112ZP	U36-112ZP	U36-112ZP
20	Connector	1	L43-5C	L43-5C	L43-5C

§ Included in Seal and Gasket Kit.

# Included in Overhaul Kit.

( ) Indicates use of a quantity other than quantity listed in the "No. Used" column.

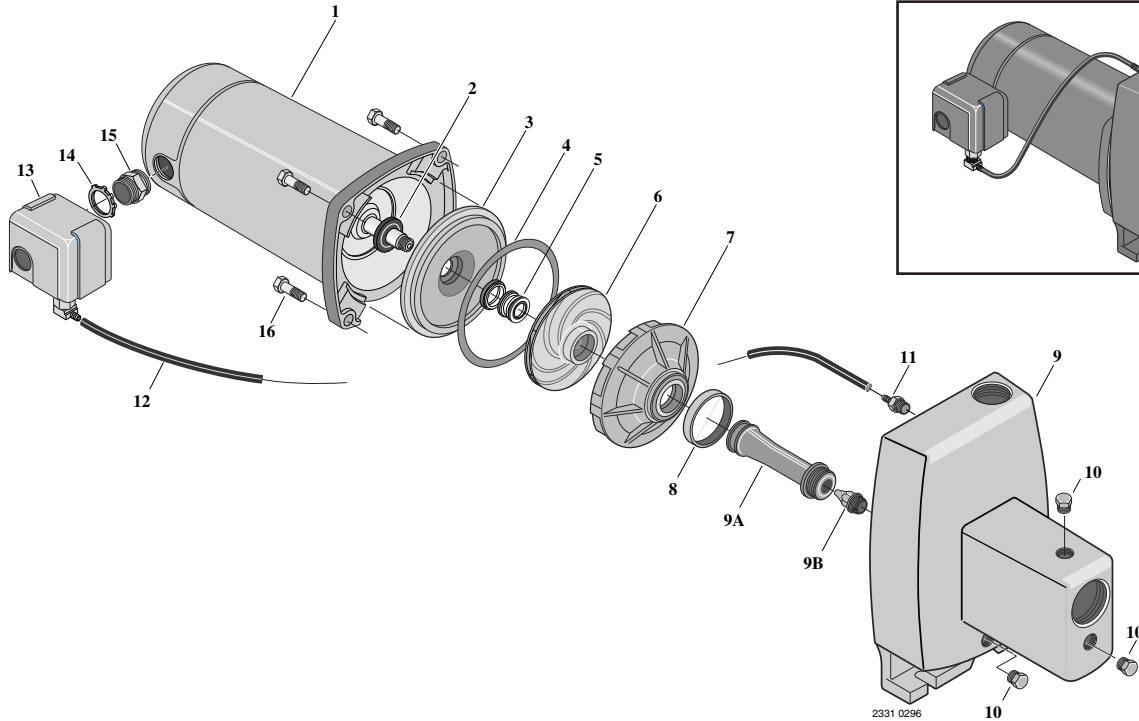
## SERVICE KITS

§ Seal and Gasket Kit	PP1550	PP1551	PP1551
# Overhaul Kit	PP1561	PP1553	PP1554

# cast iron shallow well jet pumps

**FN series**

**1/2 and 3/4 HP**



Key No.	Part Description	No. Used	FNC-L 1/2 HP	FND-L 3/4 HP
1	Motor, 60 Cycle - 115/230V	1	A100CLL	A100DLL
2	Water Slinger §#	1	17351-0009	17351-0009
3	Seal Plate	1	N3-9	N3-9
4	Gasket, Seal Plate to Pump Body §#	1	N20-35	N20-35
5	Shaft Seal, 5/8" §#	1	U109-6A	U109-6A
6	Impeller #	1	J105-40PH	J105-42P
7	Diffuser #	1	L1-25P	L1-25P
8	Gasket, Diffuser to Pump Body §#	1	N20-34	N20-34
9	Pump Body - Assembly	1	N176-38	N176-38F
9A	Venturi	(1)	N32P-66	N32P-75
9B	Nozzle	(1)	N34P-17 (#43)	N34P-21 (#47)
10	Pipe Plug, 1/4" NPT Hex Hd.	3	U78-941ZPV	U78-941ZPV
11	Barbed Fitting, Straight	1	U111-211T	U111-211T
12	Tube, Pressure Switch, 1/4"	1	U37-672P	U37-672P
13	Pressure Switch	1	U217-1202	U217-1202
14	Locknut, 1/2"	1	U36-112ZP	U36-112ZP
15	Connector	1	L43-5C	L43-5C
16	Hex Capscrew, 3/8" - 16 x 1-1/4" Lg.	4	U30-75ZP	U30-75ZP
▪	Motor Lead Wires	2	-	U17-1198

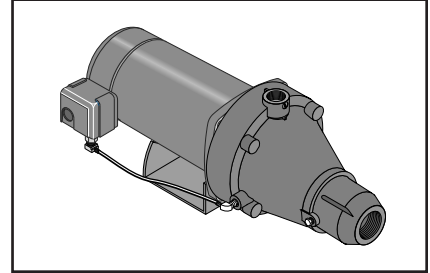
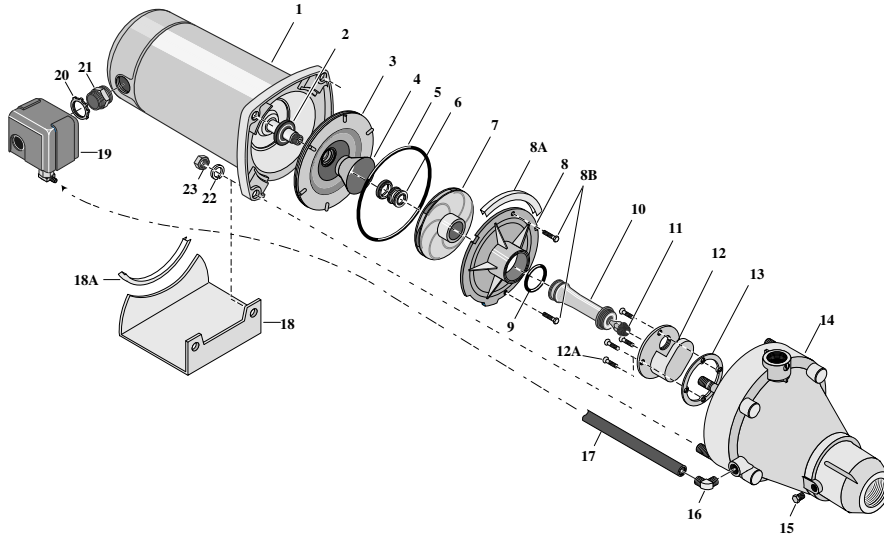
▪ Not illustrated.

§ Included in Seal and Gasket Kit.

# Included in Overhaul Kit.

## SERVICE KITS

§ Seal and Gasket Kit	PP1550	PP1550
# Overhaul Kit	-	PP1561



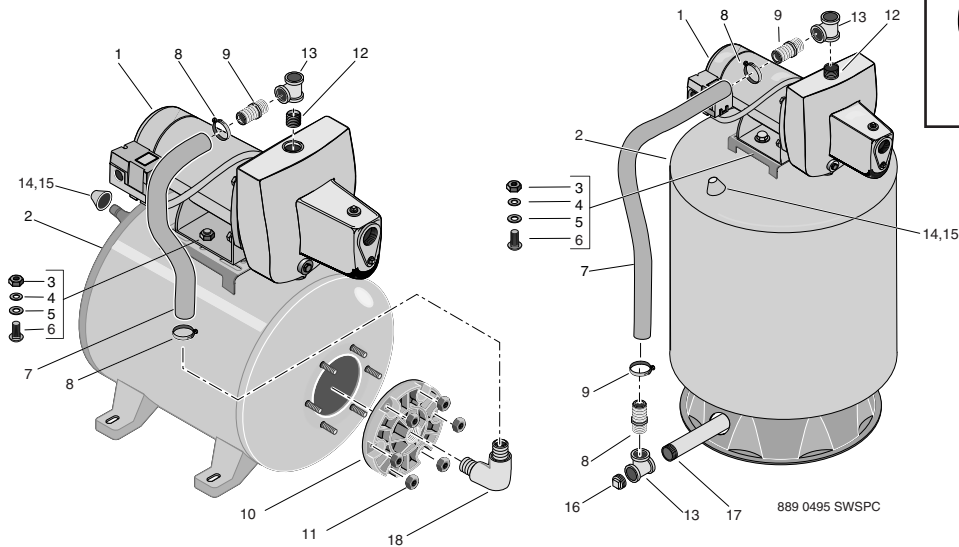
Key No.	Part Description	No. Used	PNC-1L 1/2 HP	PND-1L 3/4 HP
1	Motor, 60 Cycle - 115/230V	1	A100CLL	A100DLL
2	Water Slinger §#	1	17351-0009	17351-0009
3	Seal Plate - Assembly	1	N103-12PSS	N103-12PSS
4	Insert, Stainless Steel	1	J3-2SS	J3-2SS
5	O-Ring §#	1	U9-390	U9-390
6	Mechanical Seal Assembly §#	1	U109-6A	U109-6A
7	Impeller #	1	J105-40PF	J105-42PTB
8	Diffuser #	1	N1-28P	N1-28P
8A	Pad, Diffuser #	1	C35-41	C35-41
8B	Screw, #10 - 16 #	2	U30-738SS	U30-738SS
9	O-Ring §#	1	U9-201	U9-201
10	Venturi	1	N32P-78	N32P-66
11	Nozzle	1	N34P-17 (#43)	N34P-19 (#45)
12	Jet Body Insert	1	N76-29P	N76-29P
12A	Screw, #10 - 16	4	U30-742SS	U30-742SS
13	Gasket, Tank	1	J20-18	J20-18
14	Tank Body	1	N76-35P	N76-35P
15	Pipe Plug, 1/8" NPT	1	WC78-41T	WC78-41T
16	Compression Fitting, 90° Elbow	1	U111-212T	U111-212T
17	Tubing, 1/4"	1	U37-669P	U37-669P
18	Base Assembly	1	J104-9F	J104-9F
18A	Pad, Base	1	C35-5	C35-5
19	Pressure Switch	1	U217-1202	U217-1216
20	Locknut, 1/2"	1	U36-112ZP	U36-112ZP
21	Connector, 1/2"	1	L43-5C	L43-5C
22	Lockwasher, 3/8"	4	U43-12ZP	U43-12ZP
23	Hex Nut, 3/8 - 16	4	U36-38ZP	U36-38ZP

§ Included in Seal and Gasket Kit.

# Included in Overhaul Kit.

### SERVICE KITS

§ Seal and Gasket Kit	PP1530	PP1530
# Overhaul Kit	PP1520	PP1521



Key No.	Part Description	No. Used	SNCP15H-02 15 Gal.	SNCP42-02 19 Gal.
1	Pump, 1/2 HP Shallow Well Jet	1	SNC-L	SNC-L
2	Tank Assembly	1	U131-483	U231-475-SR
3	Nut 3/8"-16 Hex Head	2	U36-38ZP	U36-38ZP
4	Washer 3/8" Kantlin	2	U43-12ZP (4)	U43-12ZP
5	Washer, 1/2"	2	U43-129ZP	U43-129ZP
6	Carriage Bolt, 3/8"-16 x 1-1/4"	2	U30-256ZP	U30-256ZP
7	Hose	1	U74-37X	U74-37F
8	Clamp, Hose	2	U19-55SS	U19-55SS
9	Connector, 1" NPT x 1" Barbed	2	U78-978GP (1)	U78-978GP
10	Tank Flange	1	U31-442P	U31-446P▪
11	Flanged Nut - 5/16 - 18 Hex.	6	U36-202BT	U36-202BT▪
12	Pipe Nipple, Close	1	U37-54GP	U37-54GP
13	Pipe Tee, 1"x1"x1"	1	U78-977GP	U78-977GP (2)
14	Air Valve with Cap	1	U212-160	U212-160
15	Air Valve Cover	1	U31-380P	U31-380P
16	Pipe Plug	1	-	U78-61GPS
17	Pipe Nipple, 1"x7"	1	-	U37-63GP
18	Elbow	1	U78-770P	-

( ) Indicates use of a quantity other than quantity listed in the "No. Used" column.

▪ Not illustrated.

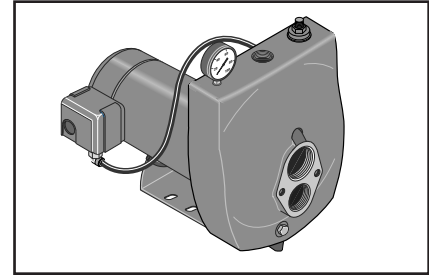
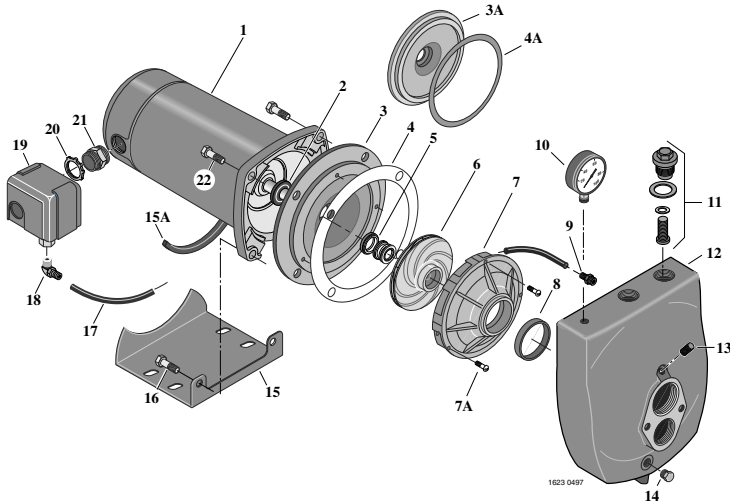
## PUMP SERVICE KITS

§ Seal and Gasket Kit	PP1550	PP1550
# Overhaul Kit	PP1560	PP1560

# cast iron convertible jet pumps

## HL series

### 1/2 thru 1 HP



Key No.	Part Description	No. Used	HLC-L 1/2 HP	HLD-L 3/4 HP	HLE-L 1 HP
1	Motor	1	A100CHL	A100DHL	A100EHL
2	Water Slinger §#	1	17351-0009	17351-0009	17351-0009
3	Seal Plate	1	-	L3-10	L3-10
3A	Seal Plate	1	N3-9	-	-
4	Seal Plate Gasket	1	-	C20-21	C20-21
4A	Seal Plate Gasket §#	1	N20-35	-	-
5	Shaft Seal Assembly, 5/8" §#	1	U109-6A	U109-6A	U109-6A
6	Impeller #	1	J105-86P	J105-85P	J105-22PA
7	Diffuser #	1	L1-48P	L1-47P	L1-23P
7A	8-32x3/4" Rd. Hd. Capscrew	3	-	U30-489SS	U30-489SS
8	Diffuser Ring §#	1	L21-1	L21-1	L21-1
9	Quick Connect – Straight	1	U11-217P	U11-217P	U11-217P
10	Pressure Gauge	1	U239-2	U239-2	U239-2
11	Control Valve Assembly	1	L262-4PS	L262-5PS	L262-5PS
12	Pump Body	1	L76-48	L76-49	L76-49
13	Pipe Plug, 1/8" Square Head	1	U78-56ZPS	U78-56ZPS	U78-56ZPS
14	Drain Plug, 1/4" NPT Hex Head	1	U78-941ZPV	U78-941ZPV	U78-941ZPV
15	Base	1	J4-9	J4-9C	J4-9C
▪	Motor Pad	1	C35-5	C35-5	C35-5
16	3/8-16x1-1/2" Capscrew	2	-	U30-76ZP	U30-76ZP
17	Switch Tube	1	U37-672P	U37-672P	U37-677P
18	Quick Connect – Elbow	1	U11-218P	U11-218P	U11-218P
19	Pressure Switch	1	U217-1216	U217-1216	U217-1216
20	Lock Nut	1	U36-112ZP	U36-112ZP	U36-112ZP
21	Connector	1	L43-5C	L43-5C	L43-5C
22	3/8-16x1-1/4" Capscrew	2	U30-75ZP (4)	U30-75ZP	U30-75ZP

( ) Indicates use of a quantity other than quantity listed in the "No. Used" column.

▪ Not illustrated.

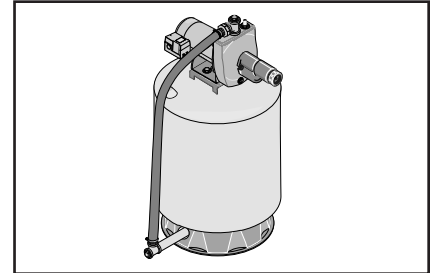
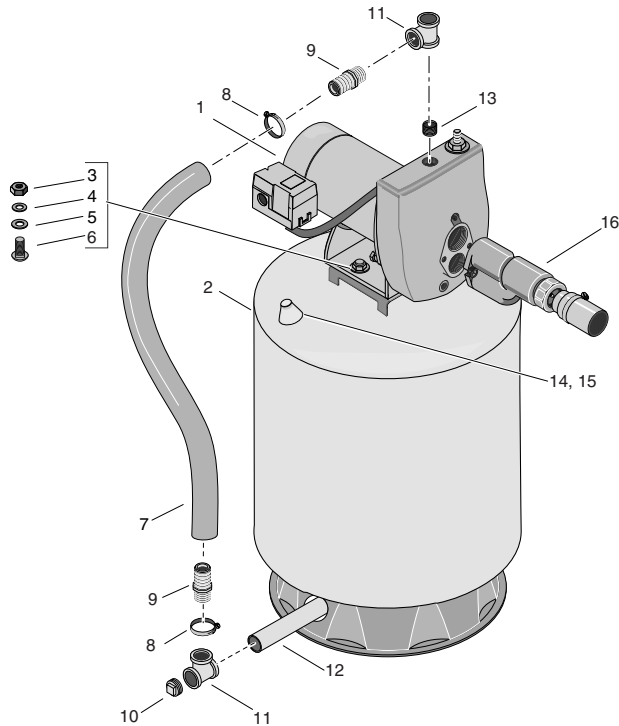
§ Included in Seal and Gasket Kit.

# Included in Overhaul Kit.

## SERVICE KITS

§ Seal and Gasket Kit	PP1550	PP1551	PP1551
# Overhaul Kit	PP1565	PP1566	PP1554





Key No.	Part Description	No. Used	SLCP42-02 19 Gal.	SLDP42-02 19 Gal.
1	Pump, 1/2 HP Deep Well Jet	1	SLC-L	-
1	Pump, 3/4 HP Deep Well Jet	1	-	SLD-L
2	Tank Assembly	1	U231-475-SR	U231-475-SR
3	Nut 3/8"-16 Hex Head	2	U36-38ZP	U36-38ZP
4	Washer, 1/2"	2	U43-129ZP	U43-129ZP
5	Washer 3/8" Kantlin	2	U43-12ZP	U43-12ZP
6	Carriage Bolt, 3/8"-16 x 1-1/4"	2	U30-256ZP	U30-256ZP
7	Hose	1	U74-37F	U74-37F
8	Clamp, Hose	2	U19-55SS	U19-55SS
9	Connector, 1" NPT x 1" Barbed	2	U78-978GP	U78-978GP
10	Pipe Plug, 1" NPT Sq. Hd.	1	U78-61GPS	U78-61GPS
11	Pipe Tee, 1"x1"x1"	2	U78-977GP	U78-977GP
12	Pipe Nipple, 1" x 7" long	1	U37-63GP	U37-63GP
13	Pipe Nipple, Close	1	U37-54GP	U37-54GP
14	Air Valve and Cap	1	U212-160	U212-160
15	Air Valve Cover	1	U31-380P	U31-380P
16	Jet Package	1	J198-13	J198-14
	▪ Tank Flange	1	U31-460P	U31-460P
	▪ Flange Nut, 5/16-18 Hex Head	6	U36-202BT	U36-202BT

▪ Not illustrated.

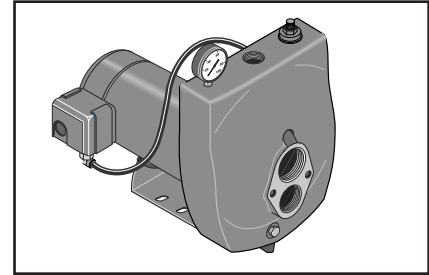
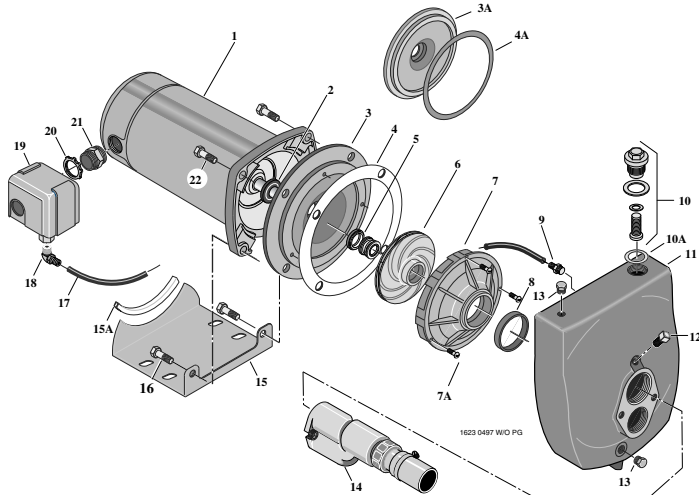
## PUMP SERVICE KITS

§ Seal and Gasket Kit	PP1550	PP1550
# Overhaul Kit	PP1560	PP1565

# cast iron convertible jet pumps

## SL series

### 1/2 thru 1-1/2 HP



Key No.	Part Description	No. Used	SLC-L 1/2 HP	SLD-L 3/4 HP	SLE-L 1 HP	SLF-L 1-1/2 HP
1	Motor	1	A100CLL	A100DLL	A100ELL	A100FLL
2	Water Slinger §#	1	17351-0009	17351-0009	17351-0009	17351-0009
3	Seal Plate	1	-	-	L3-10	L3-10
3A	Seal Plate	1	N3-9	N3-9	-	-
4	Seal Plate Gasket §	1	-	-	C20-21	C20-21
4A	Seal Plate Gasket §#	1	N20-35	N20-35	-	-
5	Shaft Seal Assembly, 5/8" §#	1	U109-6A	U109-6A	U109-6A	U109-6A
6	Impeller #	1	J105-40P	J105-86P	J105-85P	J105-22PA
7	Diffuser #	1	L1-25P	L1-48P	L1-47P	L1-23P
7A	8-32x3/4" Rd. Hd. Capscrew	3	-	-	U30-489SS	U30-489SS
8	Diffuser Ring §#	1	L21-1	L21-1	L21-1	L21-1
9	Quick Connect - Straight	1	U11-217P	U11-217P	U11-217P	U11-217P
10	Control Valve Assembly	1	L262-4PS	L262-4PS	L262-5PS	L262-5PS
10A	Gasket, Control Valve	1	L20-39	L20-39	L20-40	L20-40
11	Pump Body	1	L76-48A	L76-48A	L76-49A	L76-49A
12	Pipe Plug, 1/8" Square Head	1	U78-56ZPS	U78-56ZPS	U78-56ZPS	U78-56ZPS
13	Drain Plug, 1/4" NPT Hex Head	2	U78-941ZPV	U78-941ZPV	U78-941ZPV	U78-941ZPV
14	Ejector Kit#	1	J198-13	J198-15	J198-28	J198-29
15	Base	1	J4-9	J4-9	J4-9	J4-9
15A	Motor Pad	1	C35-5	C35-5	C35-5	C35-5
16	3/8-16x1-1/2" Capscrew	2	-	-	U30-76ZP	U30-76ZP
17	Switch Tube	1	U37-677P	U37-677P	U37-677P	U37-677P
18	Quick Connect - Elbow	1	U11-218P	U11-218P	U11-218P	U11-218P
19	Pressure Switch	1	U217-1225	U217-1225	U217-1216	U217-1225
20	Lock Nut	1	U36-112ZP	U36-112ZP	U36-112ZP	U36-112ZP
21	Connector	1	L43-5C	L43-5C	L43-5C	L43-5C
22	3/8-16x1-1/4" Capscrew	2	U30-75ZP (4)	U30-75ZP (4)	U30-75ZP	U30-75ZP

( ) Indicates use of a quantity other than quantity listed in the "No. Used" column.

§ Included in Seal and Gasket Kit.

# Included in Overhaul Kit.

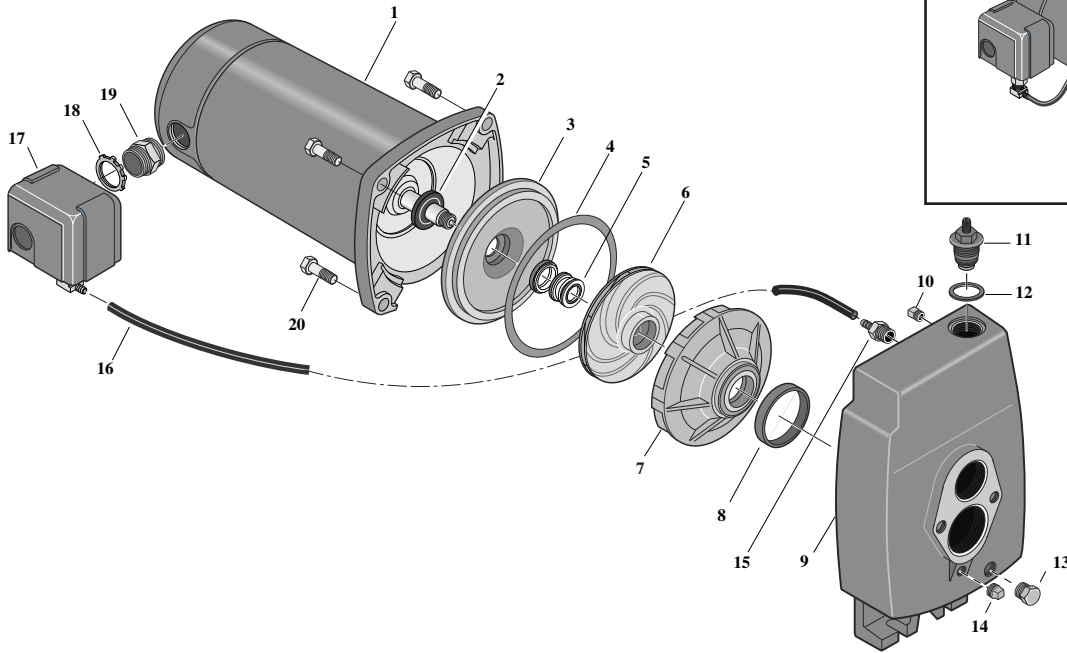
## SERVICE KITS

§ Seal and Gasket Kit	PP1550	PP1550	PP1551	PP1551
# Overhaul Kit	PP1560	PP1565	PP1566	PP1554

# cast iron convertible jet pumps

**FL series**

**1/2 and 3/4 HP**



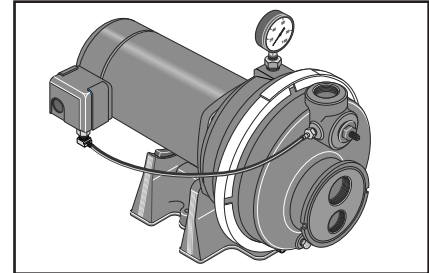
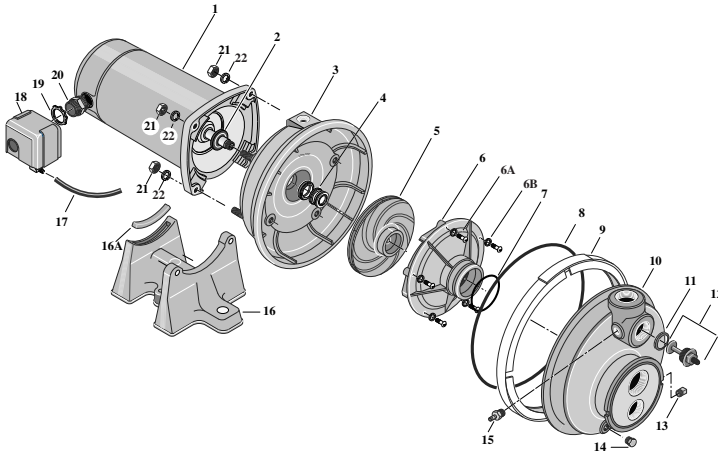
Key No.	Part Description	No. Used	FLC-L 1/2 HP	FLD-L 3/4 HP
1	Motor, 60 Cycle - 115/230V	1	A100CLL	A100DLL
2	Water Slinger §#	1	17351-0009	17351-0009
3	Seal Plate	1	N3-9	N3-9
4	Gasket - Seal Plate to Pump Body §#	1	N20-35	N20-35
5	Shaft Seal, 5/8" §#	1	U109-6A	U109-6A
6	Impeller #	1	J105-40P	J105-86P
7	Diffuser #	1	L1-25P	L1-48P
8	Diffuser Ring §#	1	L21-1	L21-1
9	Pump Body	1	L76-44	L76-44
10	Pipe Plug, 1/4" NPT	1	U78-62ZPS	U78-56ZPS
11	Control Valve Assembly	1	L262-4P	L262-4P
12	Gasket, Control Valve	1	L20-39	L20-39
13	Pipe Plug, 1/4" NPT Hex Hd.	1	U78-941ZPV	U78-941ZPV
14	Pipe Plug, 1/8" NPT	1	U78-959T	U78-959T
15	Barbed Fitting - Straight	1	U111-211T	U111-211T
16	Tube, Pressure Switch, 1/4"	1	U37-672P	U37-672P
17	Pressure Switch	1	U217-1202	U217-1202
18	Locknut, 1/2"	1	U36-112ZP	U36-112ZP
19	Connector	1	L43-5C	L43-5C
20	Hex Capscrew, 3/8" - 16 x 1-1/4" Lg.	4	U30-75ZP	U30-75ZP

§ Included in Seal and Gasket Kit.

# Included in Overhaul Kit.

## SERVICE KITS

§ Seal and Gasket Kit	PP1550	PP1550
# Overhaul Kit	PP1560	PP1565



Key No.	Part Description	No. Used	PLB-2L 1/3 HP	PLC-2L 1/2 HP
1	Motor	1	A100BHL	A100CLL
2	Water Slinger §#	1	17351-0009	17351-0009
3	Seal Plate	1	L176-47P	L176-47P
3A	Pressure Gauge	1	U239-3	U239-3
3B	Reducer, 1/2x1/8 NPT	1	U78-107PT	U78-107PT
4	Shaft Seal §#	1	U109-6A	U109-6A
5	Impeller #	1	J105-40PE	J105-40PE
6	Diffuser #	1	J1-39P	J1-39P
6A	Diffuser Screws #	5	U30-542SS	U30-542SS
6B	Washer, #8 #	5	U43-21SS	U43-21SS
7	Diffuser O-Ring #	1	U9-199	U9-199
8	O-Ring, V-Clamp Assembly §#	1	U9-399	U9-399
9	"V" Clamp Assembly	1	C19-54SS	C19-54SS
10	Pump Body	1	L76-37P	L76-37P
11	Gasket	1	L20-40	L20-40
12	Regulator	1	J198-20	J198-20
13	Pipe Plug	1	WC78-41T	WC78-41T
14	Drain Plug	1	U78-941ZPV	U78-941ZPV
15	Barbed Fitting – Straight	1	U111-211T	U111-211T
16	Base	1	C4-42P	C4-42P
16A	Motor Pad	1	C35-11	C35-11
17	Switch Tube	1	U37-671P	U37-671P
▪	Barbed Fitting – Elbow	1	U111-212T	–
18	Pressure Switch	1	U217-1216	U217-1202
19	Lock Nut	1	U36-112ZP	U36-112ZP
20	Connector	1	L43-5C	L43-5C
21	Hex Nut, 5/16 - 18	4	U36-37ZP	U36-37ZP
22	Washer, 5/16	2	U43-61ZP	U43-61ZP

▪ Not illustrated.

§ Included in Seal and Gasket Kit.

# Included in Overhaul Kit.

(†) Included in Pressure Gauge/Regulator Package, Part Number J198-20.

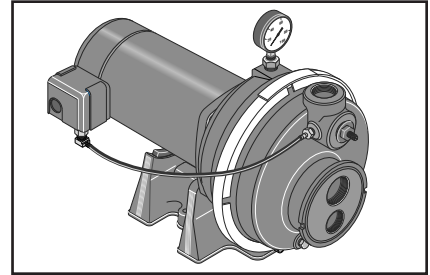
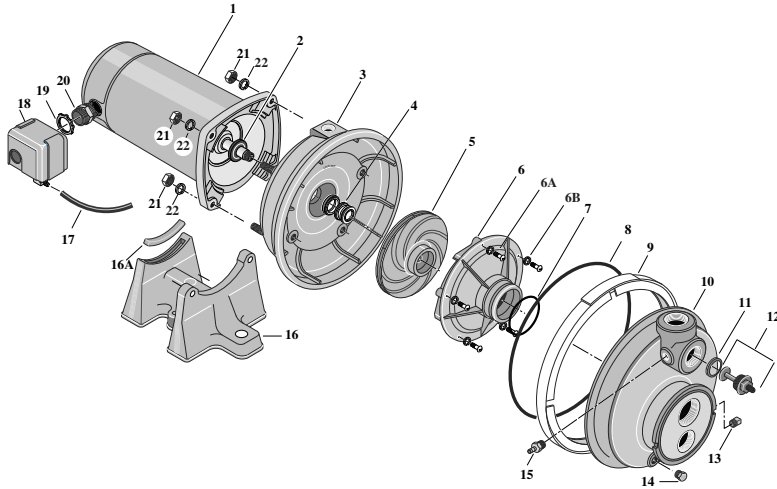
### SERVICE KITS

§ Seal and Gasket Kit	PP1500	PP1500
# Overhaul Kit	PP1511	PP1511

# convertible deep well jet pumps

**PL series**

**3/4 thru 1-1/2 HP**



Key No.	Part Description	No. Used	PLB-DL 3/4 HP	PLE-2L 1 HP	PLF-2L 1-1/2 HP
1	Motor	1	A100DLL	A100ELL	A100FLL
2	Water Slinger §#	1	17351-0009	17351-0009	17351-0009
3	Seal Plate	1	L176-47P	L176-47P	L176-47P
3A	Pressure Gauge	1	U239-3	U239-3	U239-3
3B	Reducer, 1/2x1/8 NPT	1	U78-107PT	U78-107PT	U78-107PT
4	Shaft Seal §#	1	U109-6A	U109-6A	U109-6A
5	Impeller #	1	J105-42PT	J105-8PAN	J105-22PA
6	Diffuser #	1	J1-39P	J1-40P	J1-40PA
6A	Diffuser Screws #	5	U30-542SS	U30-542SS	U30-542SS
6B	Washer, #8 #	5	U43-21SS	U43-21SS	U43-21SS
7	Diffuser O-Ring #	1	U9-199	U9-199	L21-1
8	O-Ring, V-Clamp Assembly §#	1	U9-399	U9-399	U9-399
9	"V" Clamp Assembly	1	C19-54SS	C19-54SS	-
10	Pump Body	1	L76-37P	L76-37P	L76-37P
11	Gasket	1	L20-40	L20-40	L20-40
12	Regulator	1	J198-20	J198-20	J198-20
13	Pipe Plug	1	WC78-41T	WC78-41T	WC78-41T
14	Drain Plug	1	U78-941ZPV	U78-941ZPV	U78-941ZPV
15	Barbed Fitting – Straight	1	U111-211T	U111-211T	U111-211T
16	Base	1	C4-42P	C4-42P	C4-42P
16A	Motor Pad	1	C35-11	C35-11	C35-11
17	Switch Tube	1	U37-671P	U37-671P	U37-677P
18	Pressure Switch	1	U217-1202	U217-1202	U217-1202
19	Lock Nut	1	U36-112ZP	U36-112ZP	U36-112ZP
20	Connector	1	L43-5C	L43-5C	L43-5C
21	Hex Nut, 5/16 - 18	4	U36-37ZP	U36-37ZP	U30-75ZP
22	Washer, 5/16	2	U43-61ZP	U43-61ZP	U43-61ZP

§ Included in Seal and Gasket Kit.

# Included in Overhaul Kit.

(†) Included in Pressure Gauge/Regulator Package, Part Number J198-20.

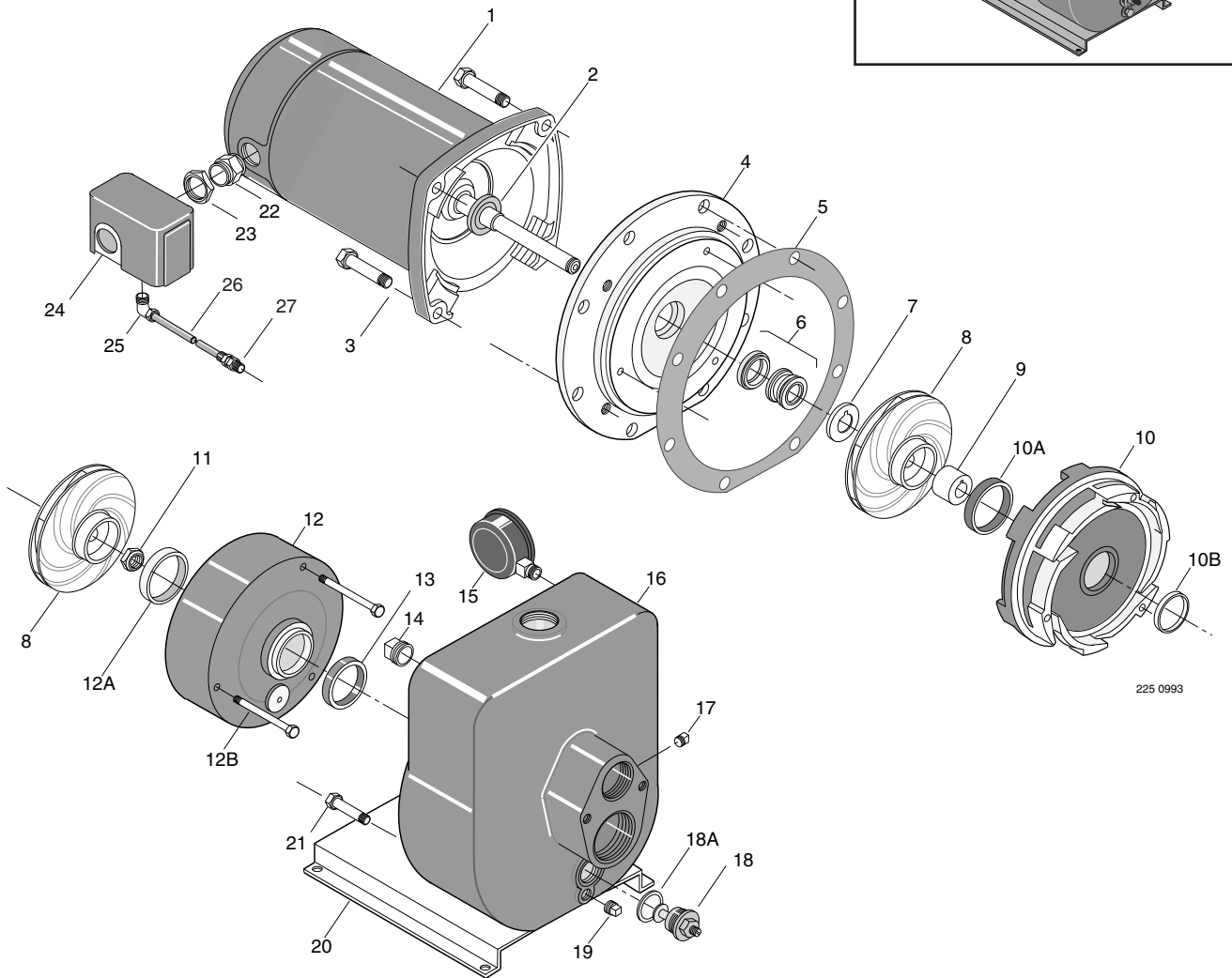
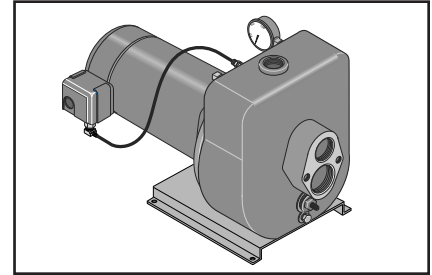
## SERVICE KITS

§ Seal and Gasket Kit	PP1500	PP1500	PP1500
# Overhaul Kit	PP1512	PP1513	PP1564

# multi-stage jet/centrifugal pumps

## HMS series

3/4 thru 1-1/2 HP



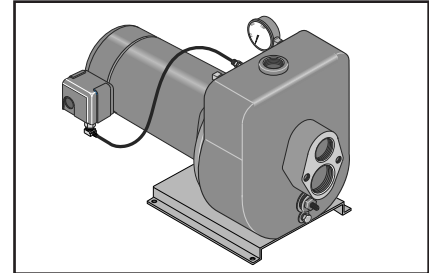
225 0993

**HMSD-1FL**  
**3/4 HP**

**HMSE-1FL**  
**1 HP**

**HMSF-1FL**  
**1-1/2 HP**

## 3/4 thru 1-1/2 HP

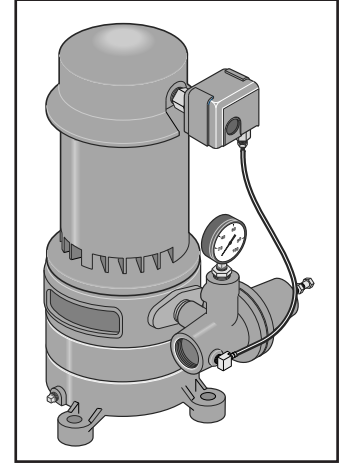
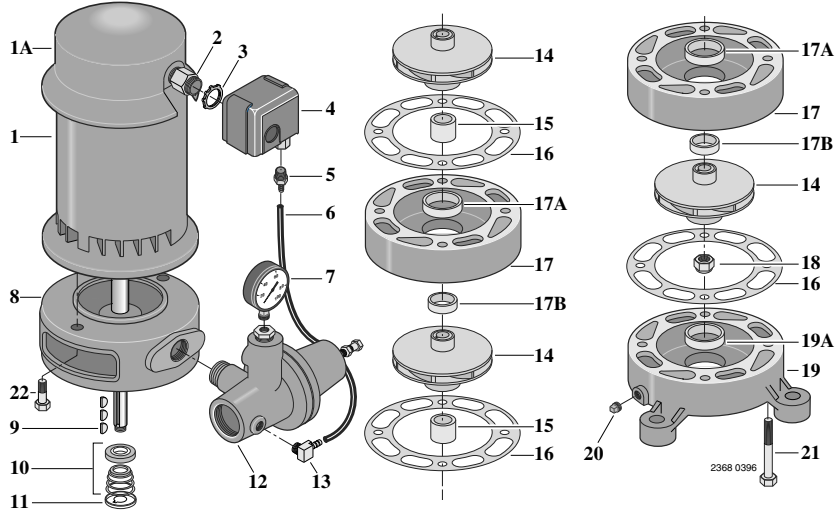


Key No.	Part Description	W/KIT	No. Used	HMSD-1FL 3/4 HP	HMSE-1FL 1 HP	HMSF-1FL 1-1/2 HP
1	Motor, 60 Hz, 115/230V - Single Phase		1	A700DH	A700EH	A700FH
▪	Key - Shaft	OH	2	U65-15SS	U65-15SS	U65-15SS
2	Water Slinger		1	17351-0009	17351-0009	17351-0009
3	Capscrew - 3/8" x 16 x 1" Hex Head		4	U30-74ZP	U30-74ZP	U30-74ZP
4	Seal Plate		1	L3-26	L3-26	L3-26
5	Gasket - Seal Plate	OH/SG	1	L20-43	L20-43	L20-43
6	Shaft Seal	OH/SG	1	U109-267	U109-267	U109-267
7	Spring Holder Washer	OH/SG	1	J24-11	J24-11	J24-11
8	Impeller	OH	2	L105-2PC	L105-2PB	L105-2P
9	Spacer - Impeller		1	J43-23	J43-23	J43-23
10	Diffuser Assembly w/Wear Rings		1	L101-45	L101-45	L101-45
10A	Wear Ring	OH	(1)	L23-9	L23-9	L23-9
10B	Wear Ring	OH	(1)	P23-19	P23-19	P23-19
11	Stop Nut - Shaft	OH	1	U36-175D	U36-175D	U36-175D
12	Diffuser Cover w/Wear Ring		1	L103-27	L103-27	L103-27
12A	Wear Ring		(1)	L23-9	L23-9	L23-9
12B	Capscrew - 1/4" - 20 x 3" Lg.		3	U30-528SS	U30-528SS	U30-528SS
13	Diffuser Ring	OH/SG	1	L21-1	L21-1	L21-1
14	Pipe Plug - 1/2" NPT		1	U78-59ZPS	U78-59ZPS	U78-59ZPS
15	Pressure Gauge		1	U239-8	U239-8	U239-8
16	Pump Body		1	L76-36	L76-36	L76-36
17	Pipe Plug - 1/8" NPT		1	U78-56ZPS	U78-56ZPS	U78-56ZPS
18	Valve Assembly		1	L262-4PS	L262-4PS	L262-4PS
18A	Gasket		1	L20-39	L20-39	L20-39
19	Plug - 1/4" NPT		1	U78-941ZPV	U78-941ZPV	U78-941ZPV
20	Base		1	U4-5	U4-5	U4-5
▪	Lockwasher - 3/8"		2	U43-12ZP	U43-12ZP	U43-12ZP
▪	Capscrew - 3/8" - 16 x 5/8" Lg.		2	U30-71ZP	U30-71ZP	U30-71ZP
21	Capscrew - 3/8" - 16 x 7/8" Hex Head		8	U30-73ZP	U30-73ZP	U30-73ZP
22	Connector		1	L43-5C	L43-5C	L43-5C
23	Locknut - 1/2"		1	U36-112ZP	U36-112ZP	U36-112ZP
24	Pressure Switch		1	U217-1216	U217-1216	U217-1217
25	Compression Fitting - Elbow - 1/4"		1	U111-212T	U111-212T	U111-212T
26	Tube - Pressure Switch		1	U37-677P	U37-677P	U37-677P
27	Compression Fitting - Straight - 1/4"		1	U111-100T	U111-100T	U111-100T

▪ Not illustrated.

### SERVICE KITS

Seal and Gasket Kit	1	PP1625	PP1625	PP1625
Overhaul Kit	1	PP1631	PP1632	PP1633
<b>NOTE:</b> SG Included in Seal and Gasket Kit. OH Included in Overhaul Kit.				



Key No.	Part Description	No. Used	MSC-6 1/2 HP	MSD-6 3/4 HP	MSE-6 1 HP	MSF-6 1-1/2 HP	MSG-6 2 HP
1	Motor, 60 Cycle - 115/230V	1	A300CH	A300DH	A300EH	-	-
1	Motor, 60 Cycle - 230V	1	-	-	-	A300FH	A300GH
1A	Motor Canopy	1	U18-1300	U18-1300	U18-1300	U18-1355	U18-1355
2	Connector, Pressure Switch	1	J43-13C	J43-13C	J43-13C	J43-13C	J43-13C
3	Locknut, 1/2"	1	U36-112ZP	U36-112ZP	U36-112ZP	U36-112ZP	U36-112ZP
4	Pressure Switch	1	U217-1216	U217-1216	U217-1216	U217-204E	U217-204E
5	Barbed Fitting, Straight	1	U111-211T	U111-211T	U111-211T	U111-211T	U111-211T
6	Tube, Pressure Switch, 1/4"	1	U37-672P	U37-672P	U37-672P	U37-672P	U37-672P
7	Pressure Gauge	1	U239-3	U239-3	U239-3	U239-8	U239-8
8	Adapter	1	L2-16	L2-16	L2-16	L2-16	L2-16
9	Key, Woodruff §#	-	U65-15SS(2)	U65-15SS(2)	U65-15SS(2)	U65-15SS(3)	U65-15SS(3)
10	Shaft Seal §#	1	U109-99	U109-99	U109-99	U109-99	U109-99
11	Spring Holder §#	1	J24-11	J24-11	J24-11	J24-11	J24-11
12	Pressure Regulator Valve	1	J212-24E	J212-24E	J212-24E	J212-24E	J212-24E
13	Barbed Fitting, 90° Elbow	1	U111-212T	U111-212T	U111-212T	U111-212T	U111-212T
14	Impeller #	1	J105-75PA(2)	J105-75P(2)	J105-76P(2)	J105-74PA(3)	J105-74P(3)
15	Spacer, Impeller	-	J43-23(1)	J43-23(1)	J43-23(1)	J43-23(2)	J43-23(2)
16	Gasket §#	-	J20-11(2)	J20-11(2)	J20-11(2)	J20-11(3)	J20-11(3)
17	Volute, Intermediate Assembly	-	J101-26(1)	J101-26(1)	J101-26(1)	J101-26(2)	J101-26(2)
17A	Wear Ring #	-	J23-10(1)	J23-10(1)	J23-10(1)	J23-10(2)	J23-10(2)
17B	Wear Ring	-	J23-11(1)	J23-11(1)	J23-11(1)	J23-11(2)	J23-11(2)
18	Stop Nut, 1/2 - 20	1	U36-175D	U36-175D	U36-175D	U36-175D	U36-175D
19	Base Volute Assembly	1	J101-33	J101-33	J101-33	J101-33	J101-33
19A	Wear Ring	1	J23-10	J23-10	J23-10	J23-10	J23-10
20	Pipe Plug, 1/4" NPT	1	U78-941ZPV	U78-941ZPV	U78-941ZPV	U78-941ZPV	U78-941ZPV
21	Hex Capscrew, 3/8 - 16	4	U30-82ZP	U30-82ZP	U30-82ZP	U30-81ZP	U30-81ZP
22	Hex Capscrew, 3/8 - 16 x 1-1/8" Lg.	2	U30-861ZP	U30-861ZP	U30-861ZP	U30-861ZP	U30-861ZP

§ Included in Seal and Gasket Kit.

# Included in Overhaul Kit.

### SERVICE KITS

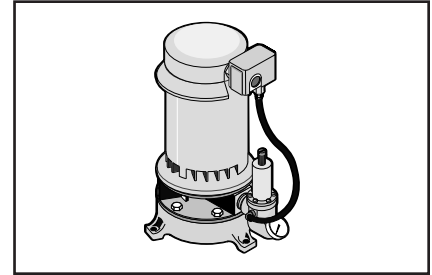
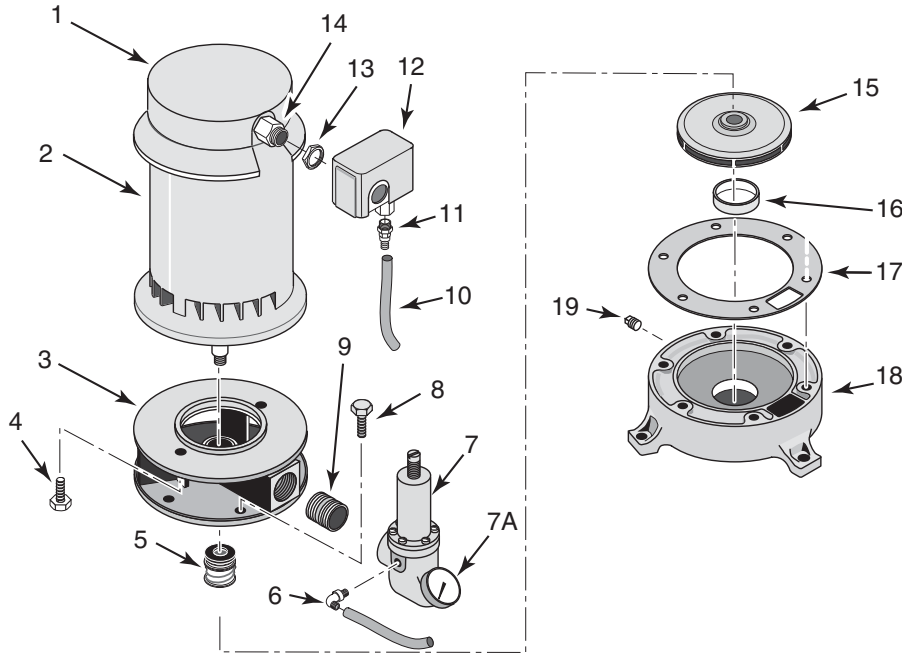
§ Seal and Gasket Kit	PP1650	PP1650	PP1650	PP1650	PP1650
# Overhaul Kit	PP1655	PP1656	PP1657	PP1658	PP1659



# vertical single-stage deep well jet pumps

## SSJ series

### 1/2 thru 1 HP



Key No.	Part Description	No. Used	SSJC 1/2 HP	SSJD 3/4 HP	SSJE 1 HP
1	Motor Canopy	1	J18-59	J18-59	J18-59
2	Motor	1	A200CH	A200DH	A200EH
3	Adapter	1	L2-8B	L2-8B	L2-8B
4	3/8-16x1" Capscrews	2	U30-74ZP	U30-74ZP	U30-74ZP
5	Shaft Seal	1	U109-6A	U109-6A	U109-6A
6	1/4" NPT Barbed Elbow	1	U111-212T	U111-212T	U111-212T
7	Pressure Regulator	1	J212-19E	J212-19E	J212-19E
8	5/16-18x5/8" Capscrews	6	U30-58ZP	U30-58ZP	U30-58ZP
9	1" NPTx2" Nipple	1	U37-55GPT	U37-55GPT	U37-55GPT
10	Tube	1	U37-672P	U37-672P	U37-672P
11	1/4" NPT Barbed Fitting	1	U111-211T	U111-211T	U111-211T
12	Pressure Switch	1	U217-1215	U217-1215	U217-1215
13	1/2" Locknut	1	U36-112ZP	U36-112ZP	U36-112ZP
14	Connector	1	J43-13C	J43-13C	J43-13C
15	Impeller	1	J105-42P	J105-8PN	J105-22P
16	Wear Ring	1	J8	J8A	J8A
17	Gasket	1	J20-9	J20-9	J20-9
18	Volute with Wear Ring	1	J101-35B	J101-35	J101-35
19	1/4" NPT Pipe Plug	1	U78-941ZPV	U78-941ZPV	U78-941ZPV

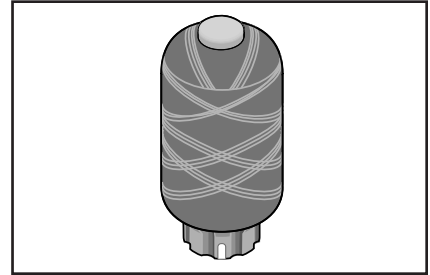
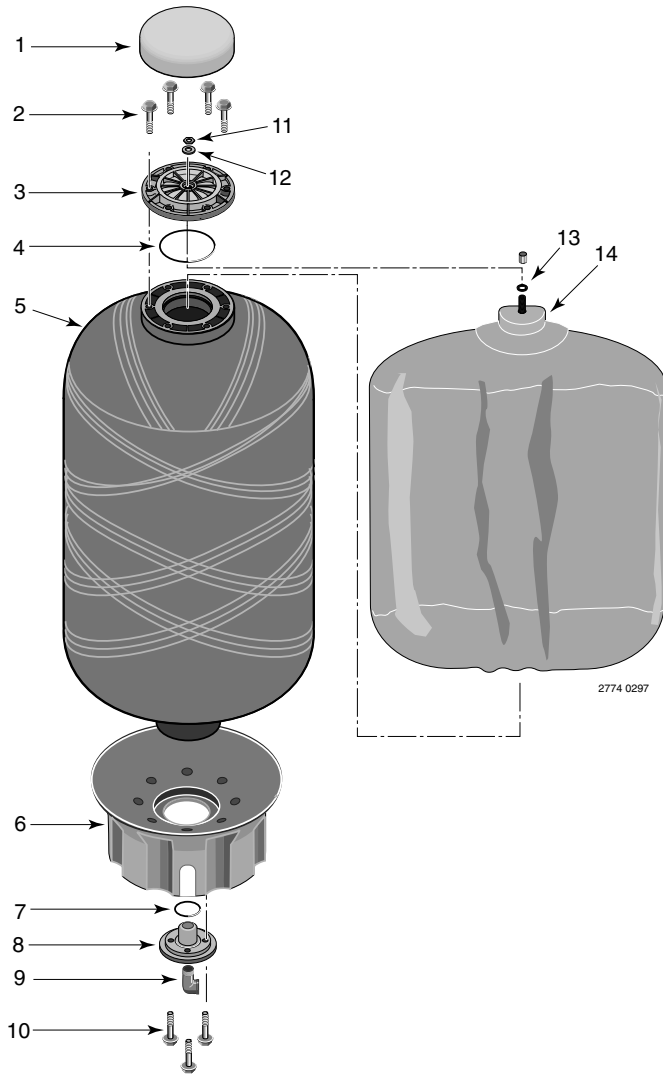
§ Included in Seal and Gasket Kit.

# Included in Overhaul Kit.

## SERVICE KITS

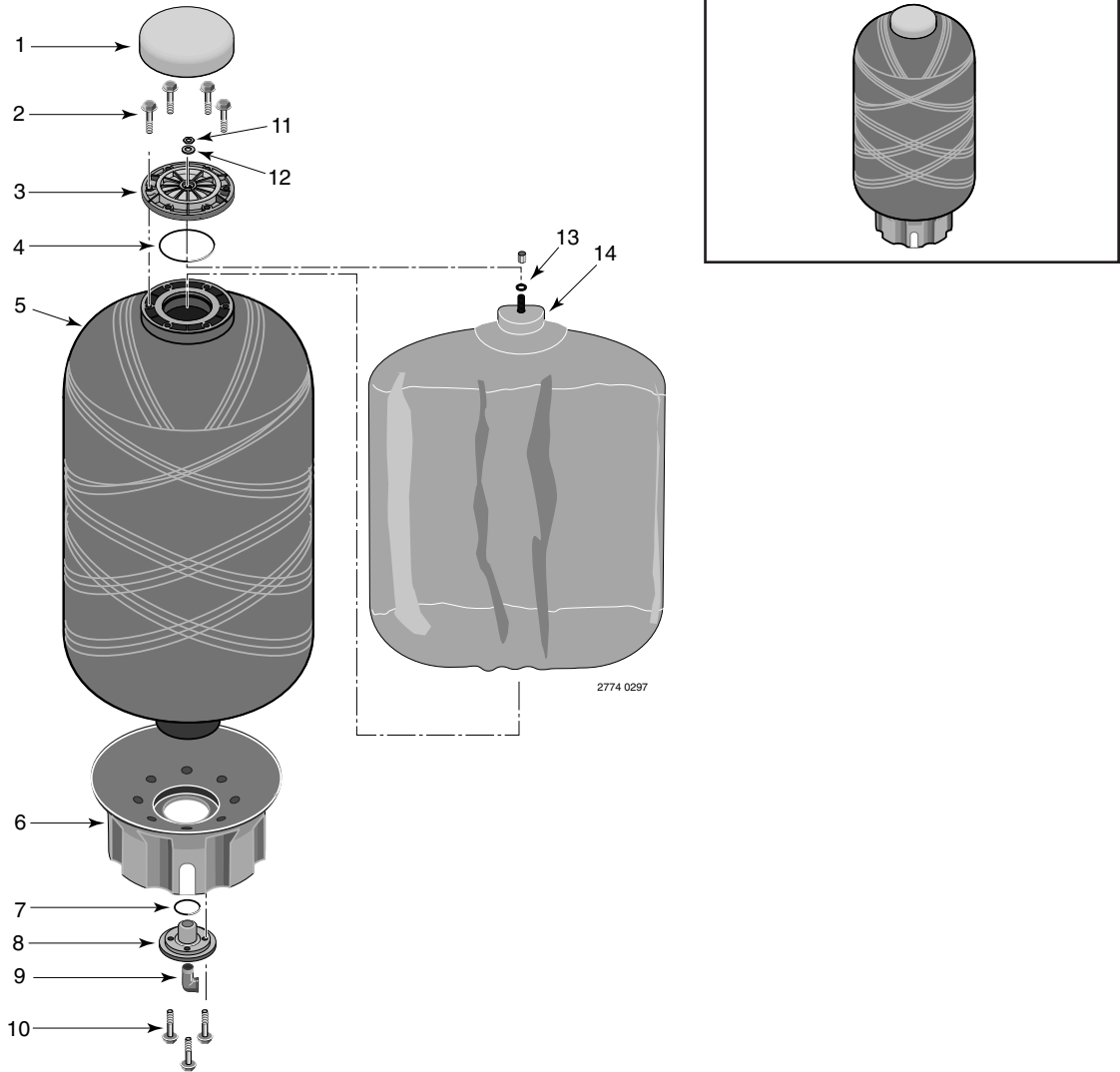
§ Seal and Gasket Kit	PP1600	PP1600	PP1600
# Overhaul Kit	PP1605	PP1606	PP1607

# fibrewound pressure tanks



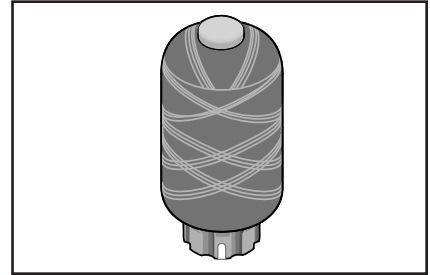
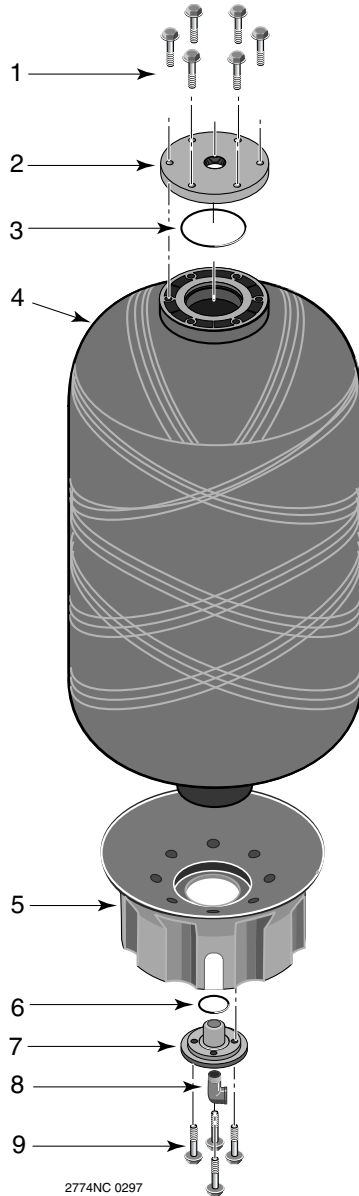
Key No.	Part Description	No. Used	SR20-6S-01	SR35-10S-01	SR40-12S	SR48-14S
1	Weather Cover	1	U31-399P	U31-399P	U31-399P	U31-399P
2	Capscrew 3/8-16x1-3/4" Washer Hd.	10	U30-970BT	U30-970BT	U30-970BT	U30-970BT
3	Top Flange	1	U31-362P	U31-362P	U31-362P	U31-362P
4	O-Ring	1	U9-428	U9-428	U9-428	U9-428
5	Tank Assembly	1	U231-385P	U231-386P	1000000541	1000000542
6	Base	1	U31-390P	U31-391P	U31-390P	U31-391P
7	O-Ring	1	U9-414	U9-414	U9-414	U9-414
8	Bottom Flange Assembly (Includes Key No. 9)	1	U131-364P	U131-364P	U131-364P	U131-364P
9	Street Elbow, 1" NPT S.S.	1	U78-970SS	U78-970SS	U78-970SS	U78-970SS
10	Nut, Hex	1	U36-201NPD	U36-201NPD	U36-201NPD	U36-201NPD
11	Washer, Flat	1	U43-60SS	U43-60SS	U43-60SS	U43-60SS
12	Square Cut O-Ring	1	U9-416	U9-416	U9-416	U9-416
13	Air Cell	1	U31-394P	U31-395P	1000000537	1000000538

# fibrewound pressure tanks



Key No.	Part Description	No. Used	SR60-18	SR85-25	SR119-35
1	Weather Cover	1	U31-399P	U31-399P	U31-399P
2	Capscrew 3/8-16x1-3/4" Washer Hd.	10	U30-970BT	U30-970BT	U30-970BT
3	Top Flange	1	U31-362P	U31-362P	U31-362P
4	O-Ring	1	U9-428	U9-428	U9-428
5	Tank Assembly	1	U231-387P	U231-388P	U231-389P
6	Base	1	U31-392P	U31-392P	U31-393P
7	O-Ring	1	U9-414	U9-414	U9-414
8	Bottom Flange Assembly (Includes Key No. 9)	1	U131-400P	U131-400P	U131-400P
9	Reducing Elbow, 1-1/4"x1"	1	U78-973SS	U78-973SS	U78-973SS
10	Nut, Hex	1	U36-201NPD	U36-201NPD	U36-201NPD
11	Washer, Flat	1	U43-60SS	U43-60SS	U43-60SS
12	Square Cut O-Ring	1	U9-416	U9-416	U9-416
13	Air Cell	1	U31-396P	U31-397P	U31-398P

# fibrewound pressure tanks without air cell



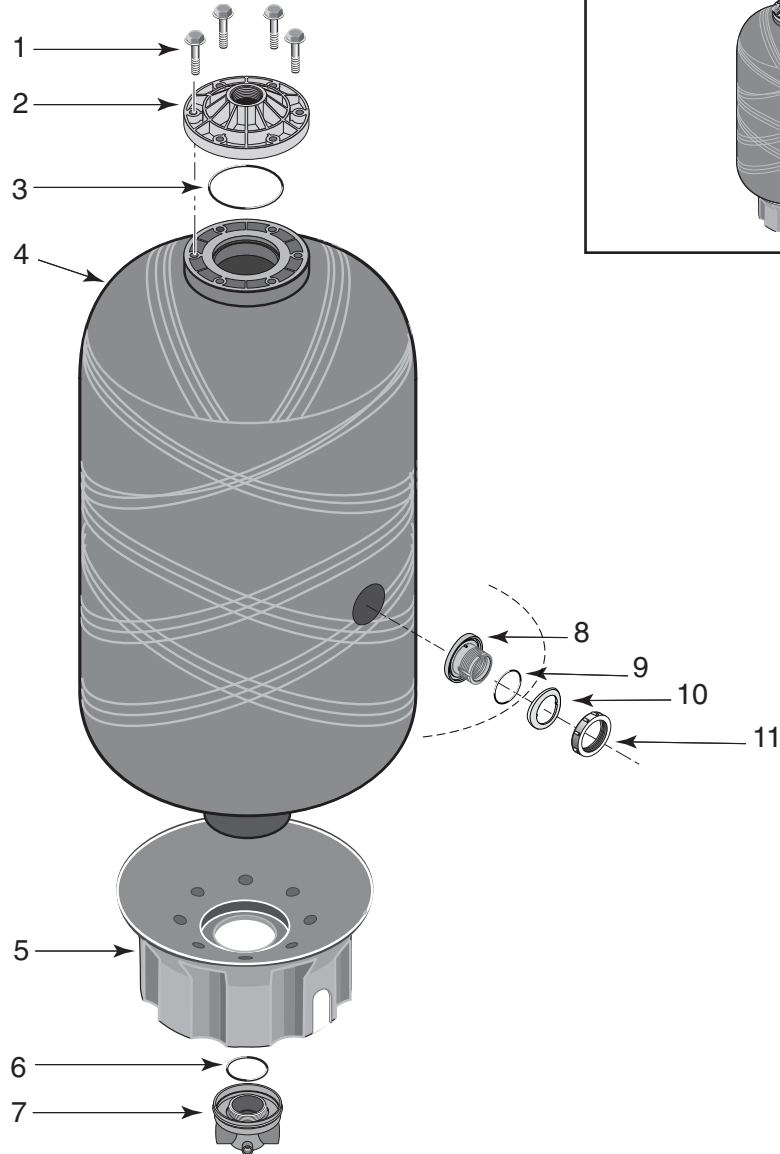
2774NC 0297

Key No.	Part Description	No. Used	SR20-6S-NC	SR35-10S-NC	SR60-18-NC	SR85-25-NC	SR119-35-NC
1	Capscrew 3/8-16x1-3/4" Washer Hd.	6	U30-970BT	U30-970BT	U30-970BT	U30-970BT	U30-970BT
2	Top Flange - 1-1/4" NPTF	1	U131-362PA	U131-362PA	U131-362PA	U131-362PA	U131-362PA
3	O-Ring	1	U9-428	U9-428	U9-428	U9-428	U9-428
4	Tank Assembly	1	U231-385P	U231-386P	U231-387P	U231-388P	U231-389P
5	Base	1	U31-390P	U31-391P	U31-392P	U31-392P	U31-393P
6	O-Ring	1	U9-414	U9-414	U9-414	U9-414	U9-414
7	Bottom Flange Assembly (Includes Key No. 9)	1	U131-415	U131-415	U131-400P	U131-400P	U131-400P
8	Reducing Elbow, 1-1/4"x1"	1	-	-	U78-973SS	U78-973SS	U78-973SS
8	Street Elbow, 1" S.S.	1	U78-970SS	U78-970SS	-	-	-
9	Capscrew 3/8-16x1-3/4" Washer Hd.	4	U30-970BT	U30-970BT	U30-970BT	U30-970BT	U30-970BT

# fibrewound air-over-water tanks

# FAW series

40 thru 119 Gal.

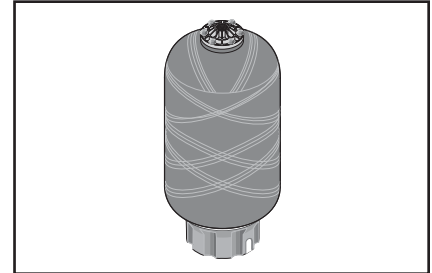
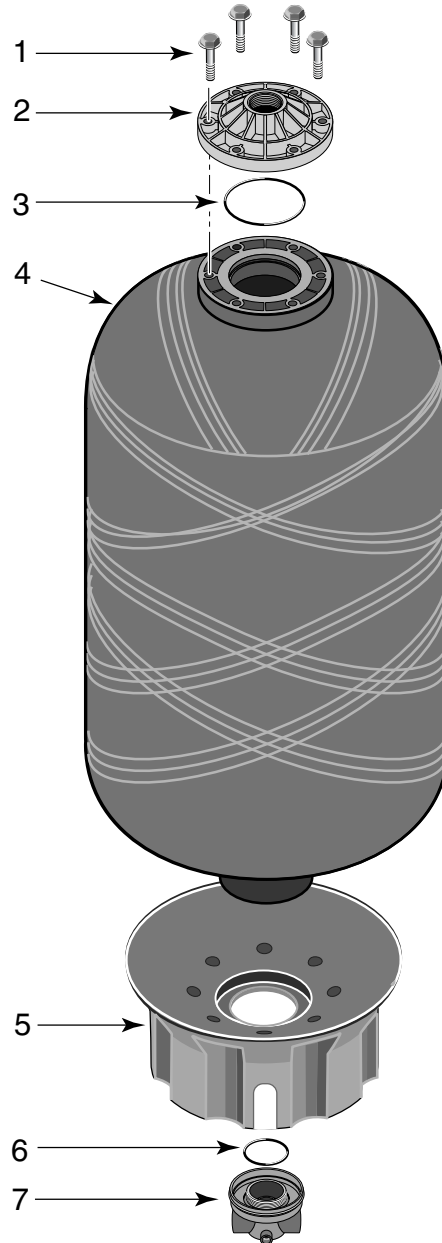


Key No.	Part Description	No. Used	FAW40 40 Gal.	FAW85 85 Gal.	FAW119 119 Gal.
1	Capscrew 3/8-16x1-1/2 Washer Hd.	6	U30-970BT	U30-970BT	U30-970BT
2	Top Flange, 1-1/4	1	U31-580P	U31-580P	U31-580P
3	O-Ring, 3.72 ID	1	U9-423	U9-423	U9-423
4	Tank Assembly	1	U231-595PA	U231-593PA	U231-594PA
5	Base	1	U31-590P	U31-591P	U31-592P
6	O-Ring, 2.75 O.D.	1	U9-444	U9-444	U9-444
7	Bottom Tank Tee Fitting	1	U131-589P	U131-589P	U131-589P
8	1-1/4 NPT Bulkhead Fitting	1	U31-582P	U31-583P	U31-584P
9	O-Ring, 2.725 I.D.	1	U9-446	U9-446	U9-446
10	Spacer Washer	1	U31-585P	U31-586P	U31-587P
11	2-1/4 -10 Butt Nut	1	U31-588P	U31-588P	U31-588P

# fibrewound contact tanks

# FCT series

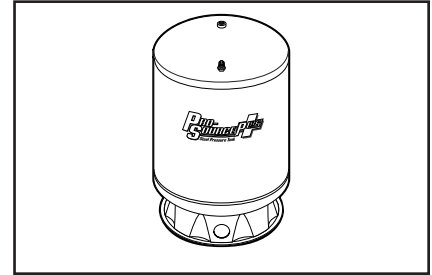
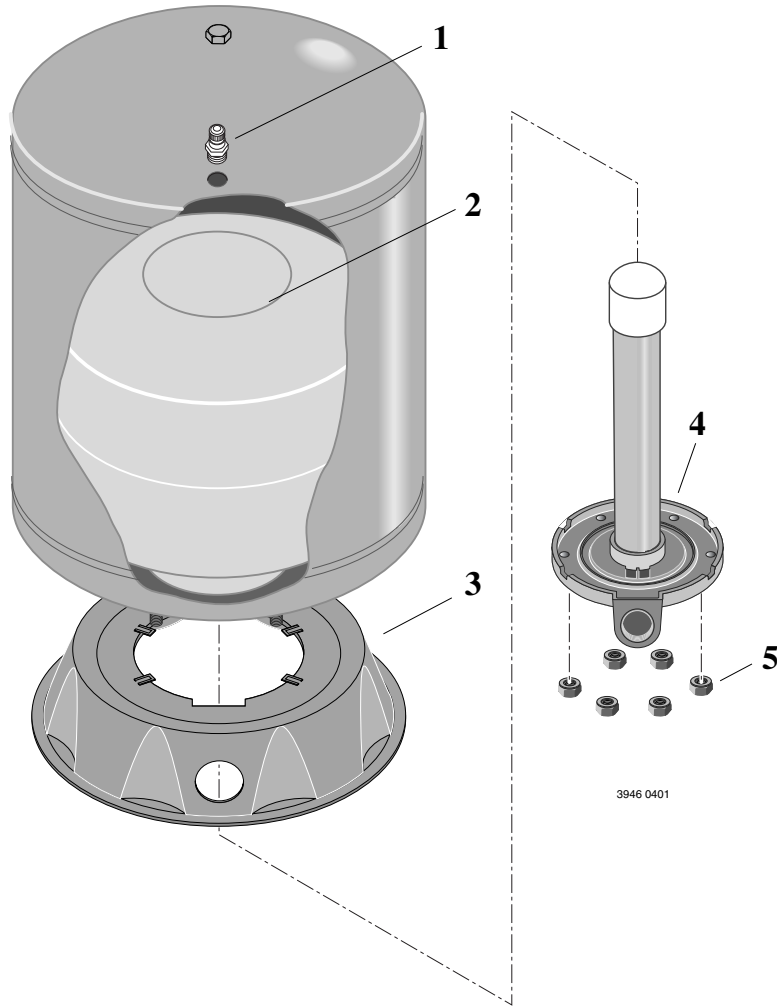
40 thru 119 Gal.



Key No.	Part Description	No. Used	FCT40 40 Gal.	FCT85 85 Gal.	FCT119 119 Gal.
1	Capscrew 3/8-16x1-1/2" Washer Hd.	6	U30-970BT	U30-970BT	U30-970BT
2	Top Flange - 1-1/4" NPTF	1	U31-580P	U31-580P	U31-580P
3	O-Ring	1	U9-423	U9-423	U9-423
4	Tank Assembly	1	U231-595P	U231-593P	U231-594P
5	Base	1	U31-590P	U31-591P	U31-592P
6	O-Ring	1	U9-444	U9-444	U9-444
7	Bottom Flange Assembly	1	U131-589P	U131-589P	U131-589P

# steel pressure tanks

19 thru 119 Gal.



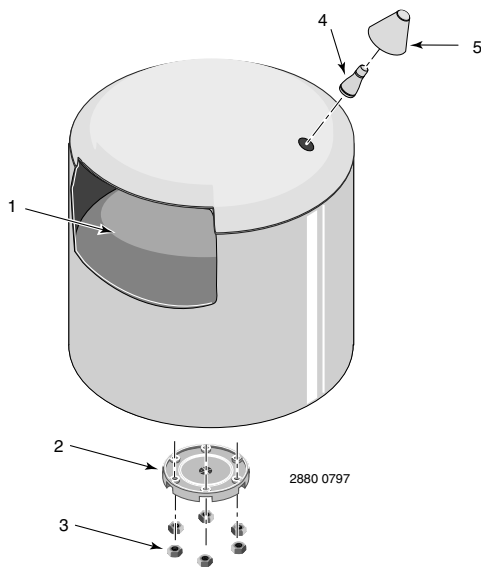
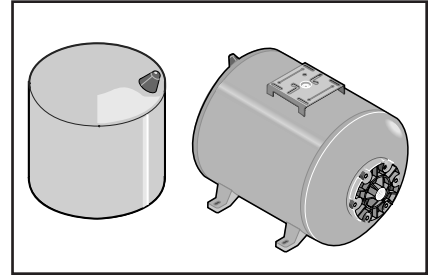
3946 0401

Key No.	Part Description	No. Used	PSP42T-T02 19 Gal.	PSP42T-T02 19 Gal.	PSP75T-T03 32 Gal.	PSP82T-T05 35 Gal.
1	Air Valve with Cap	1	U212-266	U212-266	U212-266	U212-266
2	Bladder, Vinyl	1	U20-8	U20-15S	U20-15	U20-13L
3	Base	1	U31-505P	U31-505P	U31-505P	U31-512P
4	Cover Flange	1	U31-511SS*	U231-531	U231-532	U231-531
5	Flanged Nut, 5/16-18 Hex Head	6	U36-202BT	U36-202BT	U36-202BT	U36-202BT

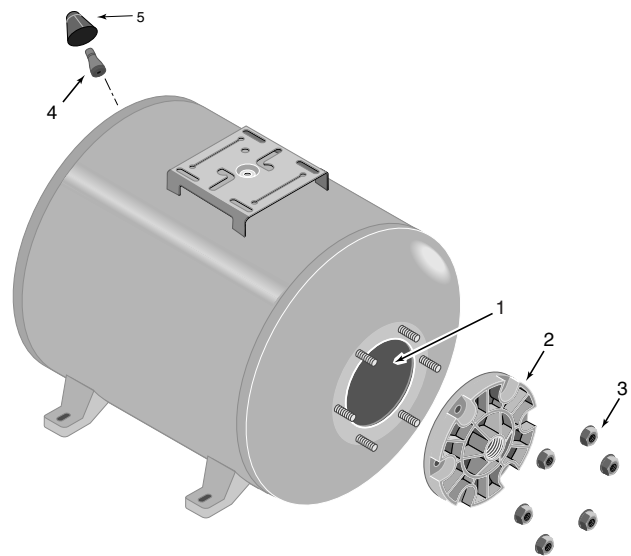
\* Does not require Stand Pipe.

Key No.	Part Description	No. Used	PSP120-T50 50 Gal.	PSP200-T51 62 Gal.	PSP220-T52 85 Gal.	PSP320-TR50 119 Gal.
1	Air Valve with Cap	1	U212-266	U212-266	U212-266	U212-266
2	Bladder, Vinyl	1	U20-10	U20-14	U20-17	U20-20
3	Base	1	U31-512P	U31-512P	U31-512P	U31-512P
4	Cover Flange	1	U31-510SS*	U231-534	U231-533	U231-533
5	Flanged Nut, 5/16-18 Hex Head	6	U36-202BT	U36-202BT	U36-202BT	U36-202BT

# steel pressure tanks



**Model PS15-S02**



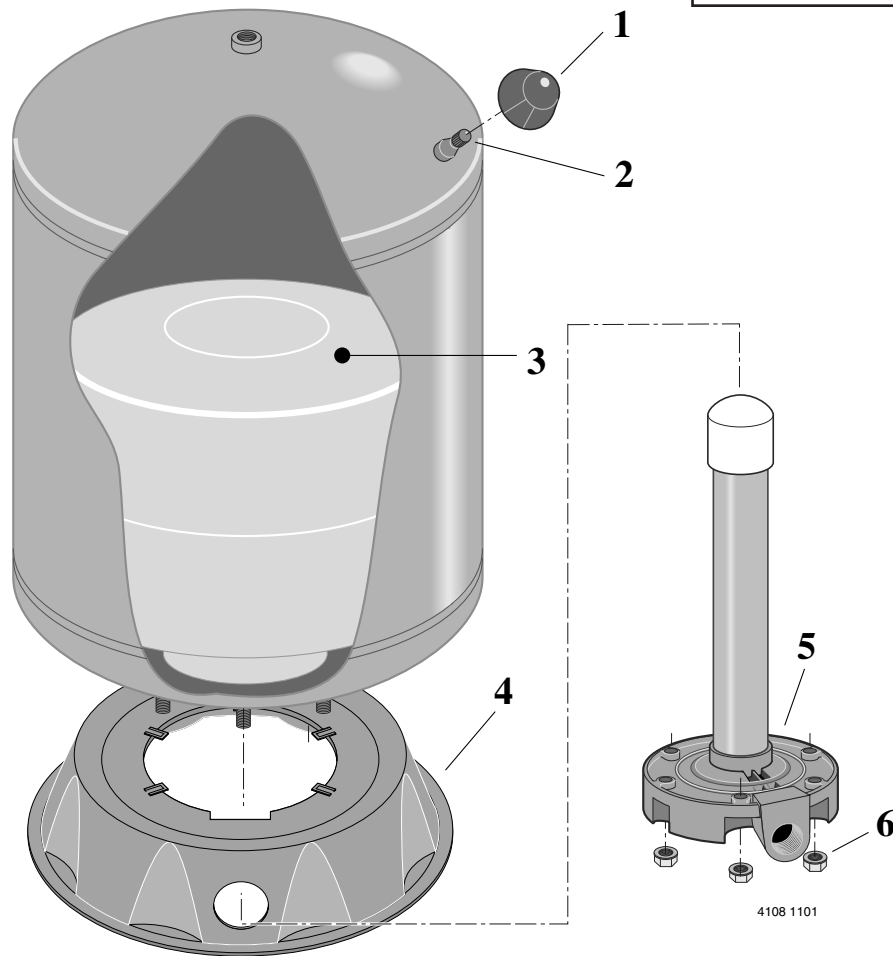
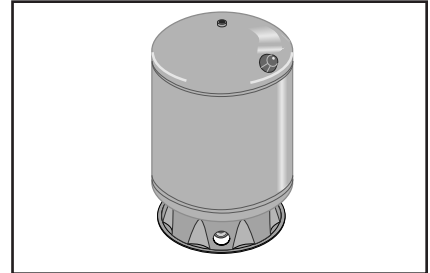
**Models PS15H-S05,  
PS42H-T00**

Key No.	Part Description	No. Used	PS15-S02 PS15H-S05 6 Gal.	PS42H-T00 19 Gal.
1	Bladder, Vinyl	1	U20-7	U20-13
2	Tank Flange	1	U31-442P	U31-446P
3	Flanged Nut, 5/16"-18 Hex Head	6	U36-202BT	U36-202BT
4	Air Valve with Cap	1	U212-160	U212-160
5	Air Valve Cover	1	U31-380P	U31-380P



# steel pressure tanks

14 thru 32 Gal.

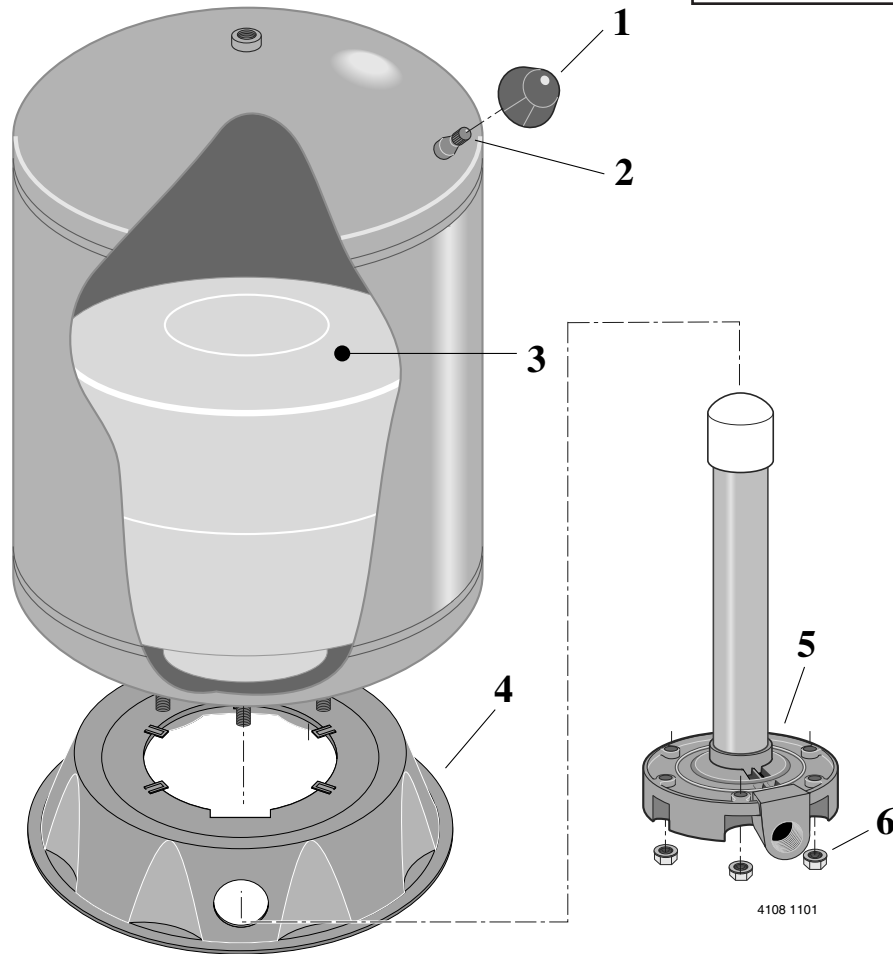
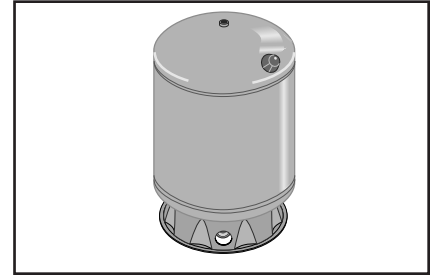


Key No.	Part Description	No. Used	PS30-T01 14 Gal.	PS42S-T02 19 Gal.	PS42T-T02 19 Gal.	PS75T-T03 32 Gal.
1	Air Valve Cover	1	U31-380P	U31-380P	U31-380P	U31-380P
2	Air Valve with Cap	1	U212-160	U212-160	U212-160	U212-160
3	Bladder, Vinyl	1	U20-13	U20-8	U20-15S	U20-15
4	Base	1	U31-505P	U31-505P	U31-505P	U31-505P
5	Tank Flange	1	U31-446P*	U31-446P*	U231-460P	U231-461P
6	Flanged Nut, 5/16-18 Hex Head	6	U36-202BT	U36-202BT	U36-202BT	U36-202BT

\* Does not require Stand Pipe.

# steel pressure tanks

35 thru 119 Gal.

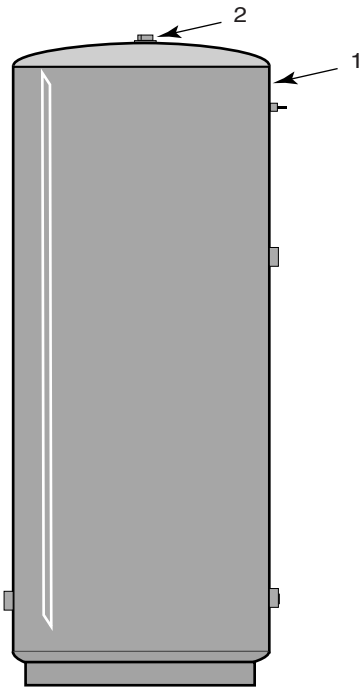


4108 1101

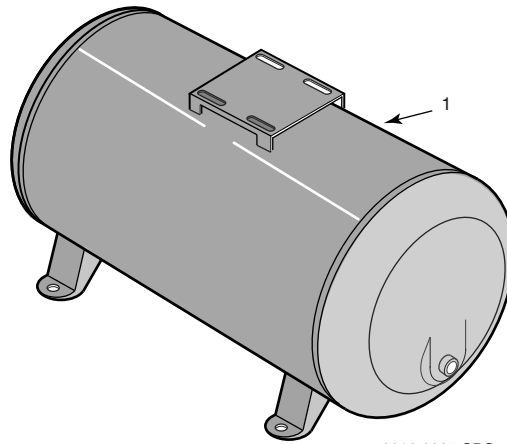
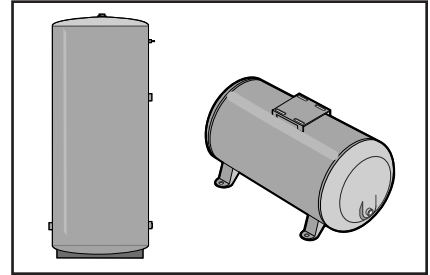
Key No.	Part Description	No. Used	PS82T-T05 35 Gal.	PS120-T50 50 Gal.	PS200-T51 62 Gal.	PS220-T52 85 Gal.	PS320-TR50 119 Gal.
1	Air Valve Cover	1	U31-380P	U31-380P	U31-380P	U31-380P	U31-380P
2	Air Valve with Cap	1	U212-160	U212-160	U212-160	U212-160	U212-160B
3	Bladder, Vinyl	1	U20-13L	U20-10	U20-14	U20-17	U20-20
4	Base	1	U31-505P	U31-512P	U31-512P	U31-512P	U31-512P
5	Tank Flange	1	U231-460P	U31-447P*	U231-482P*	U231-462P*	U231-462P
6	Flanged Nut, 5/16-18 Hex Head	6	U36-202BT	U36-202BT	U36-202BT	U36-202BT	U36-202BT

\* Does not require Stand Pipe.

# steel epoxylined air over water tanks



**Vertical Tank**



2012 0895 SPC

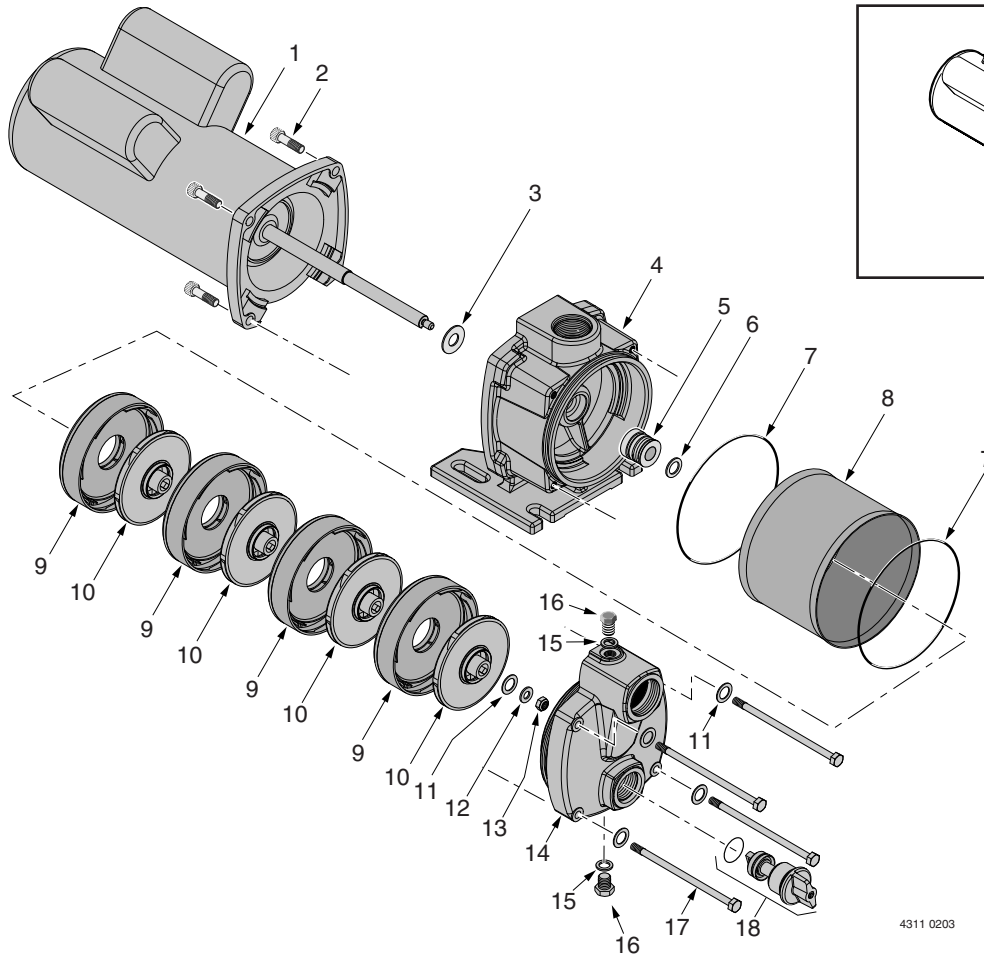
**Horizontal Tank**

## VERTICAL TANKS

Key No.	Part Description	No. Used	AW42-01 42 Gal.	AW42T-01 42 Gal.	AW85-01 85 Gal.	AW120-01 120 Gal.
1	Tank	1	U31-380P	U31-380P	U31-380P	U31-380P
2	Pipe Plug, 1-1/4" Square Head with Vibraseal	1	U212-160	U212-160	U212-160	U212-160

## HORIZONTAL TANKS

Key No.	Part Description	No. Used	AW12H-01 12 Gal.	AW30H-01 30 Gal.
1	Tank	1	U231-92-SR	U231-94-SR



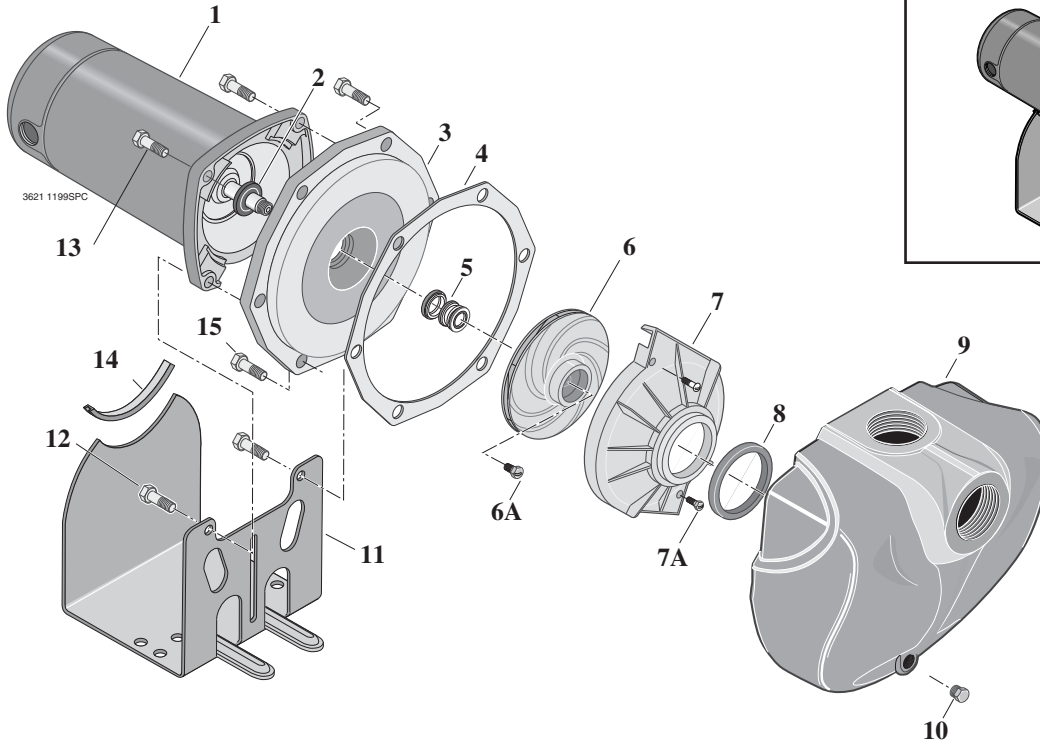
4311 0203

Key No.	Part Description	No. Used	DSS4HG 2 HP	DSS4HG3T 2 HP
1	Motor	1	M13783	M14007
2	Socket Head Capscrew	4	U30-104ZP	U30-104ZP
3	Slinger	1	17351-0009	17351-0009
4	Bracket	1	M14008	M14008
5	Shaft Seal	1	M13800	M13800
6	Spacer	1	121P1710	121P1710
7	O-Ring	2	111P0830	111P0830
8	Sleeve	1	251A4310	251A4310
9	Diffuser	4	101P4790	101P4790
10	Impeller	4	101P2070	101P2070
11	Washer, Toothed	5	M13975	M13975
12	Washer, Flat	1	121P1760	121P1760
13	Impeller Nut	1	U36-204SSW	U36-204SSW
14	Pump Body (Suction)	1	721S3360	721S3360
15	Washer	2	121P0810	121P0810
16	Pipe Plug	2	171P1180	171P1180
17	Capscrew	4	121P1690	121P1690
18	Priming Valve Complete (Includes O-Ring)	1	ZBR05820	ZBR05820

# self-priming centrifugal pumps

## DS3 series

1 thru 2-1/2 HP



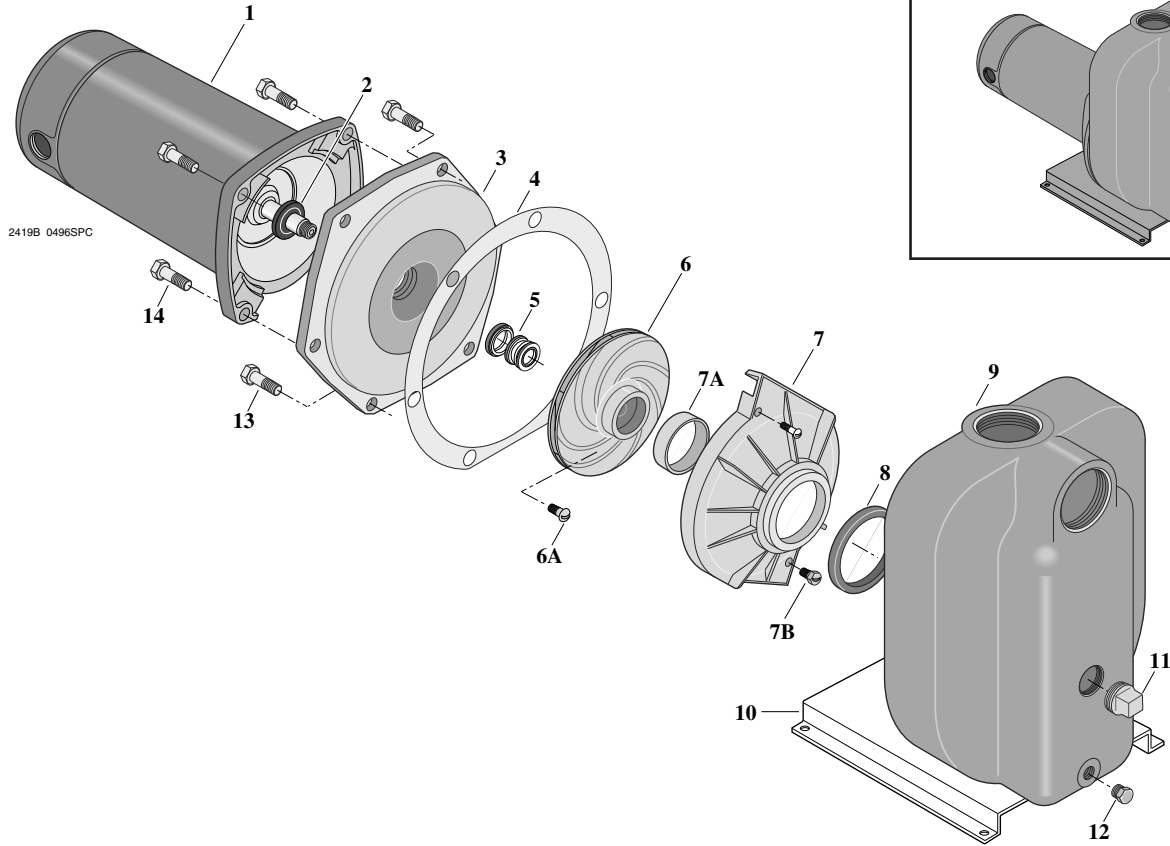
Key No.	Part Description	No. Used	DS3HE-01 DS3HE3-01 1 HP	DS3HF-01 DS3HF3-01 1-1/2 HP	DS3HG-01 DS3HG3-01 2 HP	DS3HHG-01 DS3HHG3-01 2-1/2 HP
1	Motor, 115/230V, 1 Phase	1	A100ELL	A100FLL	-	-
1	Motor, 230V, 1 Phase	1	-	-	A100GSL	AE100G5LL
1	Motor, 208-230/460V, 3 Phase	1	AP100EL	AP100FL	AP100GL	AP100G5L
2	Water Slinger	1	17351-0009	17351-0009	17351-0009	17351-0009
3	Seal Plate	1	C3-155	C3-155	C3-117	C3-117
4	Gasket - Seal Plate	1	C20-86	C20-86	C20-87	C20-87
5	Shaft Seal	1	U109-6A	U109-6A	U109-6A	U109-6A
6	Impeller (1 Phase)	1	C105-92PKB	C105-92PCB	C105-214PDA	C105-214PA
6	Impeller (3 Phase)	1	C105-92PKBA	C105-92PCBA	C105-214PDA	C105-214PA
6A	Impeller Screw (1 Phase)	1	-	-	C30-14SS	C30-14SS
6A	Impeller Screw (3 Phase)	1	C30-14SS	C30-14SS	C30-14SS	C30-14SS
7	Diffuser	1	C101-276P	C101-276P	C101-182	C101-182
7A	Screw 10-24 x1" Lg. Hex Head	2	U30-696SS	U30-696SS	-	-
7A	Machine Screw 8-32x7/8" Lg. Hex Head	2	-	-	U30-53SS	U30-53SS
8	Diffuser Ring	1	C21-10	C21-10	C21-2	C21-2
9	Pump Body Assembly	1	C76-67	C76-67	C76-68	C76-68
10	Plug 1/4" NPT Hex. Hd.	1	U78-941ZPV	U78-941ZPV	U78-941ZPV	U78-941ZPV
11	Base	1	C4-82	C4-82	C4-82	C4-82
12	3/8-16x1" Capscrew	4	U30-74ZP	U30-74ZP	U30-74ZP	U30-74ZP
13	Motor Pad	1	C35-5	C35-5	C35-5	C35-5
14	Capscrew 3/8-16x3/4" Lg.	6	U30-72ZP	U30-72ZP	-	-
14	Capscrew 5/16-18x3/4" Lg.	8	-	-	U30-60ZP	U30-60ZP
▪	Lockwasher 3/8"	2	U43-12ZP	U43-12ZP	U43-12ZP	U43-12ZP
▪	Nut, 3/16"-18, Hex Head	2	U36-37ZP	U36-37ZP	U36-37ZP	U36-37ZP

▪ Not illustrated.

# high head centrifugal pumps

## DS2 series

### 1 and 1-1/2 HP



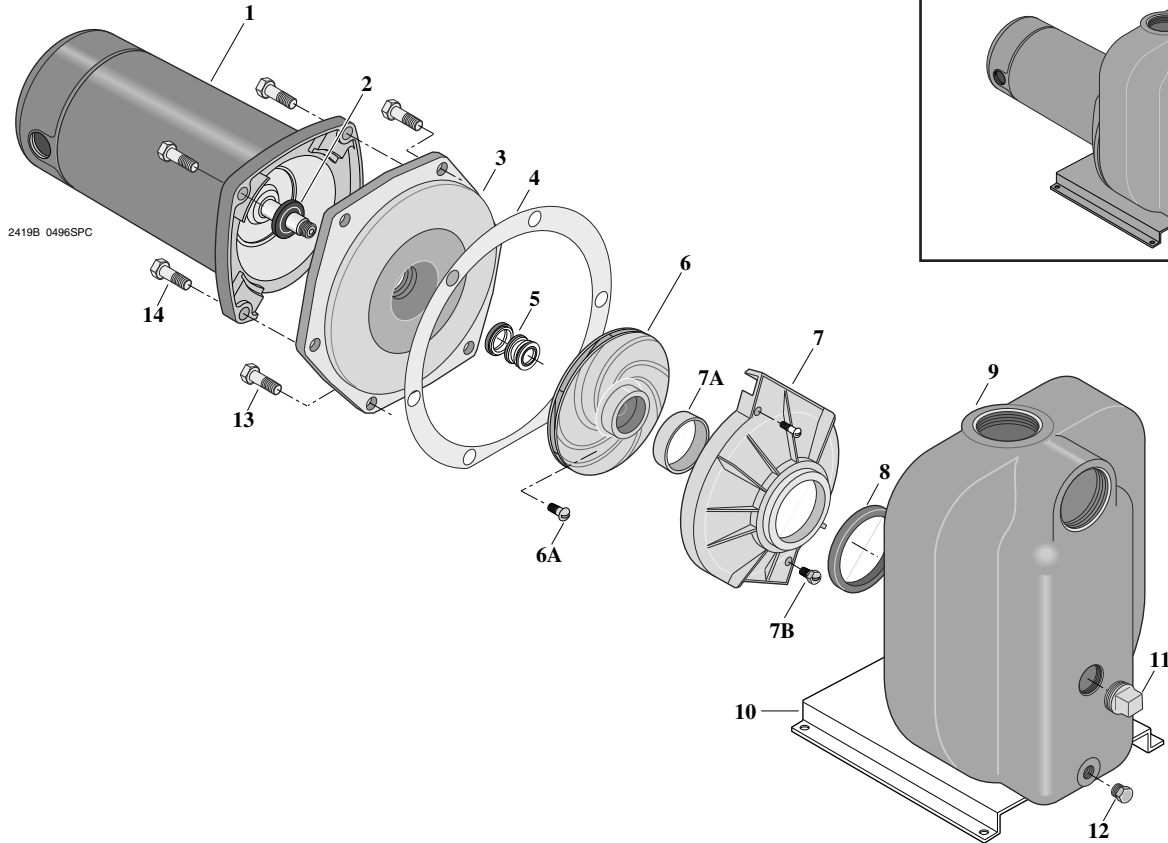
Key No.	Part Description	No. Used	DS2HE-191PL 1 HP	DS2HE3-191P 1 HP	DS2HF-192PL 1-1/2 HP	DS2HF3-192P 1-1/2 HP
1	Motor, 60 Cycle, 230V, 1 Phase	1	A100ELL	-	A100FLL	-
1	Motor, 60 Cycle, 208-230/460V, 3 Phase	1	-	AP100EL	-	AP100FL
2	Water Slinger	1	17351-0009	17351-0009	17351-0009	17351-0009
3	Seal Plate	1	C3-155	C3-155	C3-155	C3-155
4	Gasket	1	C20-86	C20-86	C20-86	C20-86
5	Mechanical Shaft Seal	1	U109-6A	U109-6A	U109-6A	U109-6A
6	Impeller	1	C105-92PKB	C105-92PKBA	C105-92PCB	C105-92PCBA
6A	Impeller Screw	1	-	C30-14SS	-	C30-14SS
7	Diffuser with Wear Ring	1	C101-276P	C101-276P	C101-276P	C101-276P
7A	Wear Ring	1	C23-27	C23-27	C23-27	C23-27
7B	Machine Screw, #8 - 32 x 7/8" Hex Head	2	U30-696SS	U30-696SS	U30-696SS	U30-696SS
8	Diffuser Ring	1	C21-10	C21-10	C21-10	C21-10
9	Pump Body Assembly	1	C176-49B	C176-49B	C176-49B	C176-49B
10	Base	1	U4-5	U4-5	U4-5	U4-5
11	Pipe Plug, 3/4" NPT Sq. Hd.	1	U78-60ZPS	U78-60ZPS	U78-60ZPS	U78-60ZPS
12	Pipe Plug, 1/4" NPT Hex Hd.	1	U78-941ZPV	U78-941ZPV	U78-941ZPV	U78-941ZPV
13	Hex Capscrew, 5/16" - 18 x 3/4" Lg.	6	U30-72ZP	U30-72ZP	U30-72ZP	U30-72ZP
14	Hex Capscrew, 3/8" - 16 x 1-1/8" Lg.	4	U30-74ZP	U30-74ZP	U30-74ZP	U30-75ZP
14A	Lockwasher, 3/8"	4	-	-	-	U43-12ZP
15	Lockwasher, 3/8"	2	U43-12ZP	U43-12ZP	U43-12ZP	U43-12ZP
16	Hex Capscrew, 3/8" - 16 x 5/8" Lg.	2	U30-71ZP	U30-71ZP	U30-71ZP	U30-71ZP

▪ Pump mounting hardware is not illustrated.

# high head centrifugal pumps

## DS2 series

### 2 and 2-1/2 HP



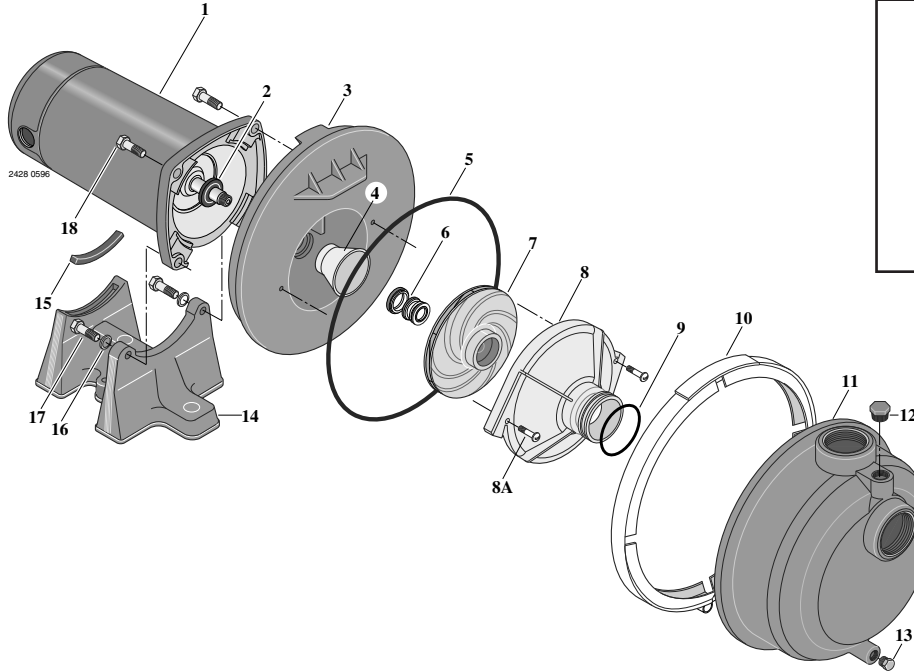
Key No.	Part Description	No. Used	DS2HG-102L 2 HP	DS2HG3-102 2 HP	DS2HHG-53L 2-1/2 HP	DS2HHG3-53 2-1/2 HP
1	Motor, 60 Cycle, 230V, 1 Phase	1	A100GLL	-	AE100G5LL	-
2	Motor, 60 Cycle, 208-230/460V, 3 Phase	1	-	AP100GL	-	AP100G5L
1	Water Slinger	1	17351-0009	17351-0009	17351-0009	17351-0009
3	Seal Plate	1	C3-117	C3-117	C3-117	C3-117
4	Gasket, Volute	1	C20-87	C20-87	C20-87	C20-87
5	Mechanical Shaft Seal	1	U109-6A	U109-6A	U109-6A	U109-6A
6	Impeller	1	C105-214PDA	C105-214PDA	C105-214PA	C105-214PA
6A	Impeller Screw	1	C30-14SS	C30-14SS	C30-14SS	C30-14SS
7	Diffuser with Wear Ring	1	C101-182	C101-182	C101-182	C101-182
7A	Wear Ring	1	C23-19B	C23-19B	C23-19B	C23-19B
7B	Machine Screw, #8 - 32 x 7/8"	2	U30-53SS	U30-53SS	U30-53SS	U30-53SS
8	Diffuser Ring	1	C21-2	C21-2	C21-2	C21-2
9	Pump Body	1	C76-50	C76-50	C76-50	C76-50
10	Base	1	U4-5	U4-5	U4-5	U4-5
11	Pipe Plug, 3/4" NPT Sq. Hd.	1	U78-60ZPS	U78-60ZPS	U78-60ZPS	U78-60ZPS
12	Pipe Plug, 1/4" NPT Hex Hd.	1	U78-941ZPV	U78-941ZPV	U78-941ZPV	U78-941ZPV
13	Hex Capscrew, 5/16" - 18 x 3/4" Lg.	8	U30-60ZP	U30-60ZP	U30-60ZP	U30-60ZP
14	Hex Capscrew, 3/8" - 16 x 1-1/8" Lg.	4	U30-74ZP	U30-74ZP	U30-74ZP	U30-74ZP
15	Lockwasher, 3/8"	2	U43-12ZP	U43-12ZP	U43-12ZP	U43-12ZP
16	Hex Capscrew, 3/8" - 16 x 5/8" Lg.	2	U30-71ZP	U30-71ZP	U30-71ZP	U30-71ZP

■ Pump mounting hardware is not illustrated.

# self-priming sprinkler pumps

**PD series**

**2 and 2-1/2 HP**



Key No.	Part Description	No. Used	PDHG-L 2 HP	PDHGG-L 2-1/2 HP
1	Motor, 60 Cycle, 230V, 1 Phase	1	AE100GHL	AE100G5LL
2	Water Slinger §#	1	17351-0009	17351-0009
3	Seal Plate	1	C103-189P	C103-189P
4	Insert, Seal Plate	1	J3-2	J3-2
5	O-Ring §#	1	U9-228A	U9-228A
6	Shaft Seal §#	1	U109-6A	U109-6A
7	Impeller #	1	C105-214PFA	C105-214PGA
▪	Impeller Screw §#	1	C30-51SS	C30-51SS
8	Diffuser #	1	C1-274P	C1-274P
8A	Machine Screw, #8 - 32 §#	2	U30-542SS	U30-542SS
9	O-Ring §#	1	U9-393	U9-393
10	"V" Clamp	1	C19-37A	C19-37A
11	Tank Body Front Half Complete (Includes Key Nos. 12 and 13)	1	C176-62P	C176-62P
12	Priming Plug	1	WC78-39T	WC78-39T
13	Pipe Plug, 1/4" NPT Hex Hd.	1	WC78-40T	WC78-40T
14	Base	1	C4-42P	C4-42P
15	Pad, Base	1	C35-11	C35-11
16	Washer, 5/16"	2	U43-42SS	U43-42SS
17	Hex Capscrew, 5/16" - 16 x 1-1/2" Lg.	2	U30-77SS	U30-77SS
18	Hex Capscrew, 5/16" - 16 x 1" Lg.	2	U30-74SS	U30-74SS

▪ Not illustrated.

§ Included in Seal and Gasket Kit.

# Included in Overhaul Kit.

## SERVICE KITS

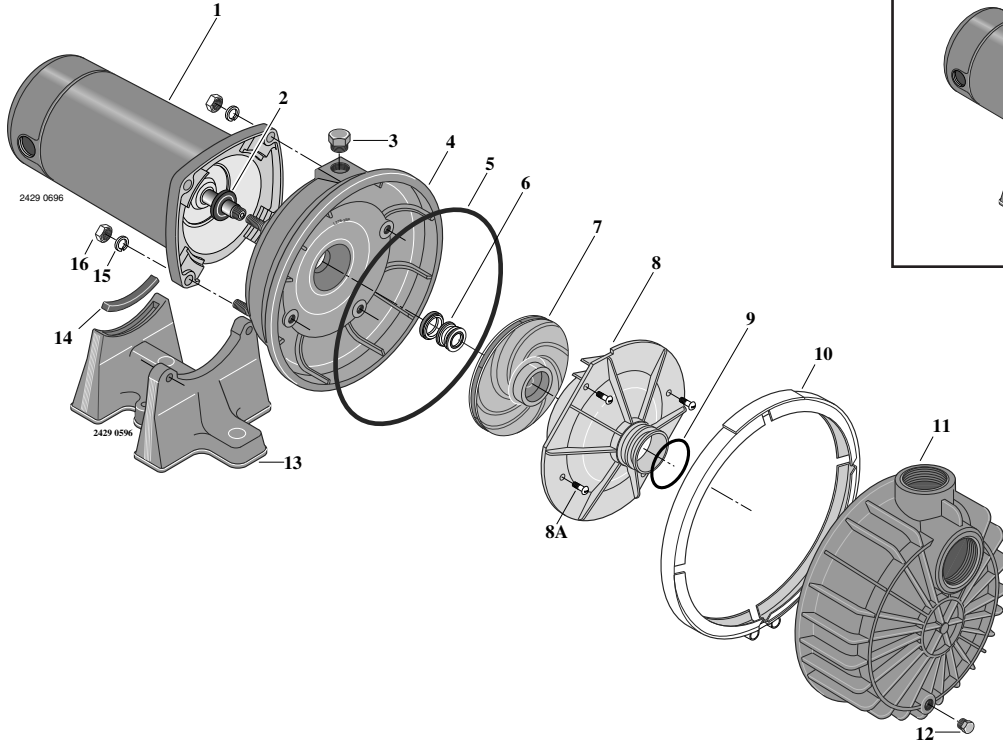
§ Seal and Gasket Kit	FPP5000	FPP5000
# Overhaul Kit	FPP5008	-



# self-priming sprinkler pumps

## PD2 series

### 3/4 thru 1-1/2 HP



Key No.	Part Description	No. Used	PD2HE-L 1 HP	PD2HF-L 1-1/2 HP
1	Motor, 60 Cycle, 115/230V, 1 Phase*	1	A100EHL	A100FHL
2	Water Slinger §#	1	17351-0009	17351-0009
3	Priming Plug	1	WC78-39T	WC78-39T
4	Tank Body Back Half	1	L176-47P1	L176-47P1
5	O-Ring §#	1	U9-399	U9-399
6	Shaft Seal §#	1	U109-6A	U109-6A
7	Impeller #	1	C105-92PVB	C105-92PBBB
8	Diffuser #	1	C1-258PCA	C1-258PCA
8A	Machine Screw, #8 - 32 §#	4	U30-869SS	U30-869SS
	▪ Lockwasher, #8 §#	4	U43-21SS	U43-21SS
9	O-Ring §#	1	U9-226	U9-226
10	"V" Clamp	1	C19-54SS	C19-54SS
11	Tank Body Front Half Complete	1	C176-66P	C176-66P
12	Pipe Plug, 1/4" NPT Hex Hd.	1	WC78-40T	WC78-40T
13	Base	1	C4-42P	C4-42P
14	Pad, Base	1	C35-11	C35-11
15	Washer, 5/16"	4	U43-11ZP	U43-11ZP
16	Hex Capscrew, 5/16" - 16 x 1-1/2" Lg.	4	U36-37ZP	U36-37ZP

- Not illustrated.
- § Included in Seal and Gasket Kit.
- # Included in Overhaul Kit.

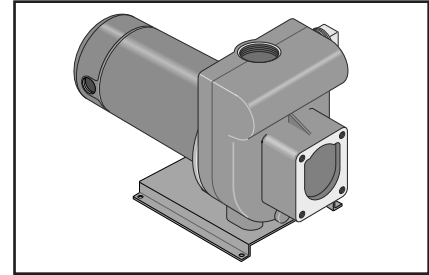
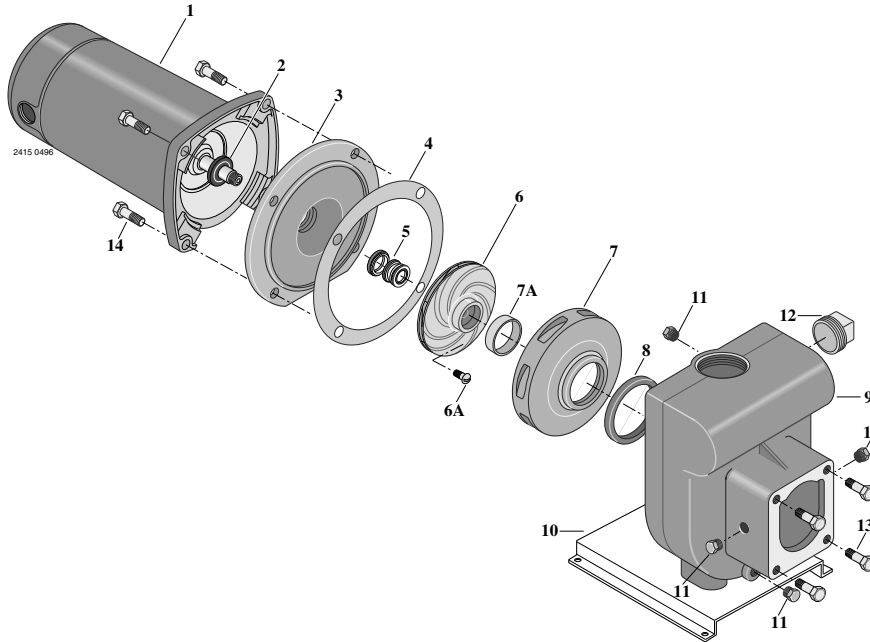
## SERVICE KITS

§ Seal and Gasket Kit	FPP5000	FPP5000
# Overhaul Kit	FPP5001	FPP5002

# self-priming centrifugal pumps

## DH series

### 1 and 1-1/2 HP



Key No.	Part Description	No. Used	DHE-50L DHE3-50 1 HP	DHF-51L DHF3-51 1-1/2 HP
1	Motor, 1 HP, 230V, 1 Phase	1	A100ELL	–
1	Motor, 1 HP, 208-230/460V, 3 Phase	1	AP100EL	–
1	Motor, 1-1/2 HP, 230V, 1 Phase	1	–	A100FLL
1	Motor, 1-1/2 HP, 208-230/460V, 3 Phase	1	–	AP100FL
2	Water Slinger §	1	17351-0009	17351-0009
3	Seal Plate	1	C3-52	C3-23
4	Gasket, Seal Plate §	1	C20-21	C20-21
5	Shaft Seal §	1	U109-6A	U109-6A
6	Impeller, Single Phase	1	C105-92PLC	C105-92PBJ
6	Impeller, Three Phase	1	C105-92PLA	C105-92PBA
6A	Impeller Screw	1	C30-14SS	C30-14SS
7	Diffuser with Wear Ring	1	C101-212B	C101-212B
7A	Wear Ring	1	C23-27	C23-27
8	Diffuser Ring	1	C21-2	C21-2
9	Pump Body	1	C76-1J	C76-1J
10	Base	1	U4-5	U4-5
11	Pipe Plug, 1/4" NPT Hex Hd.	4	U78-941ZPV	U78-941ZPV
12	Pipe Plug, 1-1/2" NPT	1	U78-63GPS	U78-63GPS
13	Hex Capscrew, 5/16" - 18 x 3/4" Lg.	4	U30-60ZP	U30-60ZP
14	Hex Capscrew, 3/8" - 16 x 1-1/4" Lg.	4	U30-75ZP	U30-75ZP
15	Lockwasher, 3/8"	4	U43-12ZP	U43-12ZP
16	Hex Capscrew, 3/8" - 16 x 5/8" Lg.	2	U30-71ZP	U30-71ZP

- Base mounting hardware. Not illustrated.
- § Included in Seal and Gasket Kit.

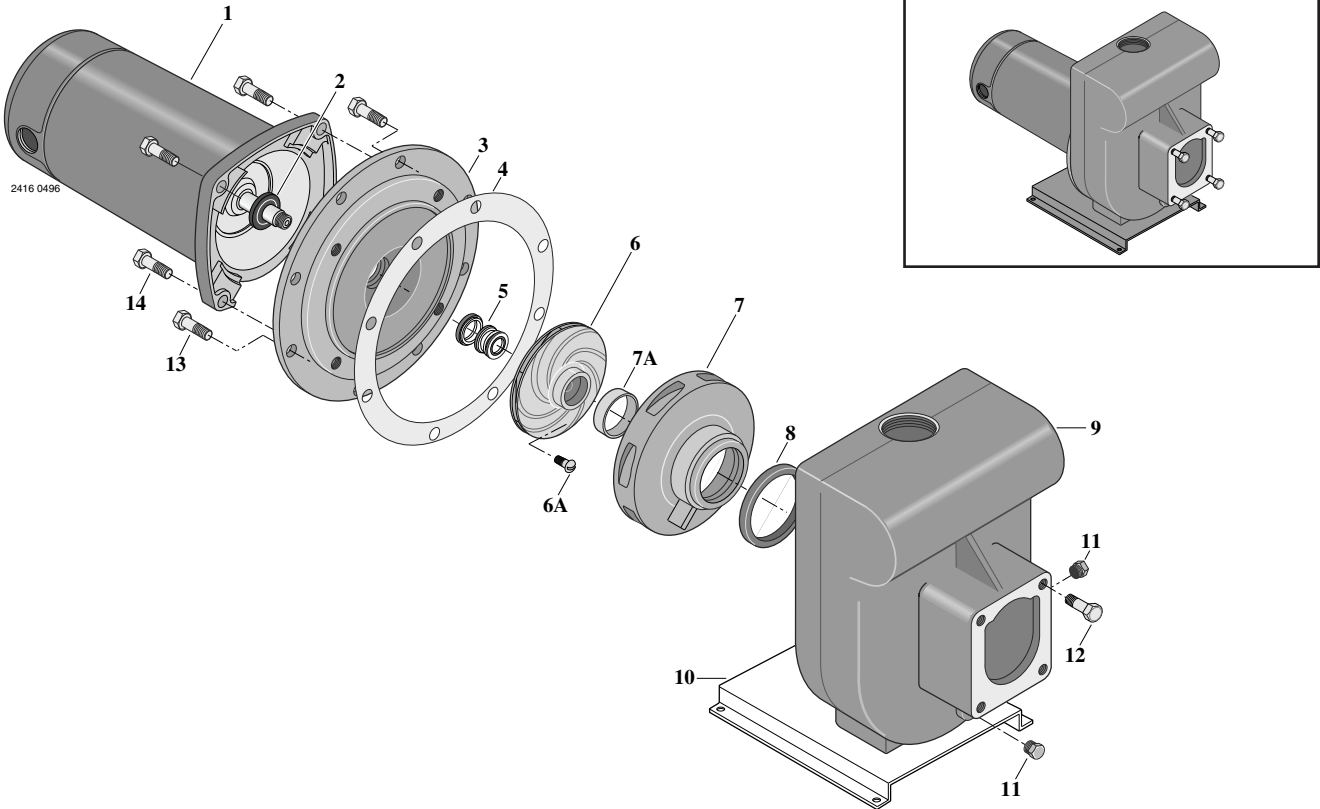
## SERVICE KITS

§ Seal and Gasket Kit	PP1700	PP1700
-----------------------	--------	--------

# self-priming centrifugal pumps

## DH series

### 2 and 2-1/2 HP



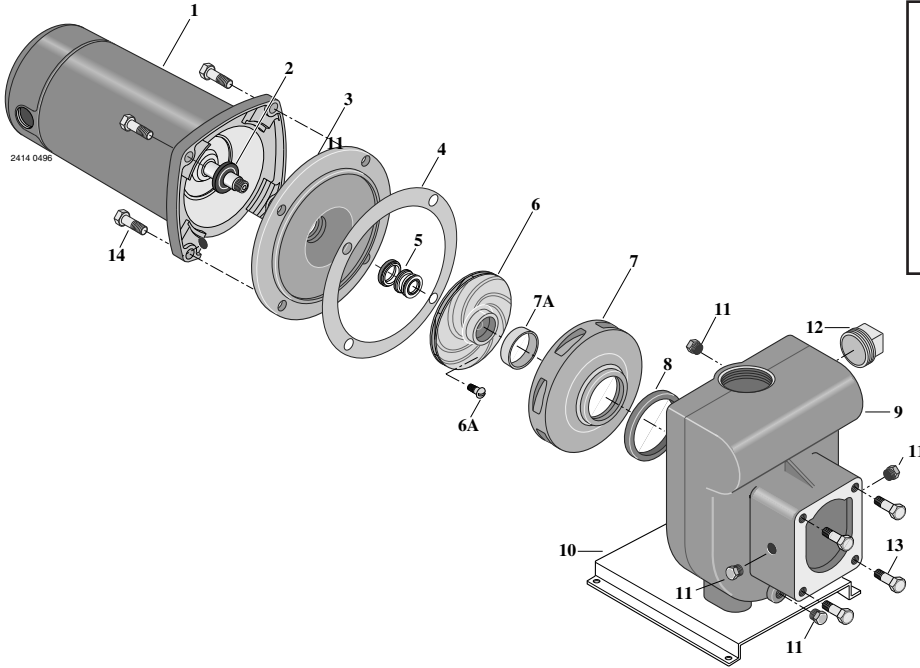
Key No.	Part Description	No. Used	DHG-52L DHG3-52 2 HP	DHHG-53L DHHG3-53 2-1/2 HP
1	Motor, 2 HP, 230V, 1 Phase	1	AE100GLL	-
1	Motor, 2 HP, 208-230/460V, 3 Phase	1	AP100GL	-
1	Motor, 2-1/2 HP, 230V, 1 Phase	1	-	AE100G5LL
1	Motor, 2-1/2 HP, 208-230/460V, 3 Phase	1	-	AP100G5L
2	Water Slinger	1	17351-0009	17351-0009
3	Seal Plate	1	C3-35	C3-35
4	Gasket, Seal Plate	1	C20-46	C20-46
5	Shaft Seal	1	U109-6A	U109-6A
6	Impeller	1	C105-214PCA	C105-214PA
6A	Impeller Screw	1	C30-14SS	C30-14SS
7	Diffuser with Wear Ring	1	C101-77	C101-77
7A	Wear Ring	1	C23-19	C23-19
8	Diffuser Ring	1	C21-2	C21-2
9	Pump Body	1	C76-12	C76-12
10	Base	1	U4-5	U4-5
11	Drain Plug, 1/4" NPT Hex. Hd.	2	U78-941ZPV	U78-941ZPV
12	Hex Capscrew, 5/16" - 18 x 3/4" Lg.	4	U30-60ZP	U30-60ZP
13	Hex Capscrew, 3/8" - 16 x 3/4" Lg.	8	U30-72ZP	U30-72ZP
14	Hex Capscrew, 3/8" - 16 x 1" Lg.	4	U30-74ZP	U30-74ZP
15	Lockwasher, 3/8"	4	U43-12ZP	U43-12ZP
16	Hex Capscrew, 3/8" - 16 x 5/8" Lg.	2	U30-71ZP	U30-71ZP

▪ Base mounting hardware. Not illustrated.

# self-priming centrifugal pumps

## DM series

### 2 and 2-1/2 HP



Key No.	Part Description	No. Used	DMG-41L DMG3-41 2 HP	DMMG-42L DMMG3-42 2-1/2 HP
1	Motor, 2 HP, 230V, 1 Phase	1	AE100GLL	—
1	Motor, 2 HP, 208-230/460V, 3 Phase	1	AP100GL	—
1	Motor, 2-1/2 HP, 230V, 1 Phase	1	—	AE100G5LL
1	Motor, 2-1/2 HP, 208-230/460V, 3 Phase	1	—	AP100G5L
2	Water Slinger §	1	17351-0009	17351-0009
3	Seal Plate	1	C3-23	C3-23
4	Gasket, Seal Plate §	1	C20-21	C20-21
5	Shaft Seal §	1	U109-6A	U109-6A
6	Impeller	1	C105-114PNA	C105-80EA
6	Impeller Screw	1	C30-14SS	C30-14SS
7	Diffuser with Wear Ring	1	C101-56C	C101-72
7A	Wear Ring	1	C23-32D	C23-32D
8	Diffuser Ring	1	C21-2	C21-2
9	Pump Body	1	C76-1J	C76-1L
10	Base	1	U4-5	U4-5
11	Drain Plug, 1/4" NPT Hex. Hd.	3	U78-941ZPV	U78-941ZPV
12	Pipe Plug, 1-1/2" NPT Square Hd.	1	U78-63GPS	U78-63GPS
13	Hex Capscrew, 5/16" - 18 x 3/4" Lg.	4	U30-60ZP	U30-60ZP
14	Hex Capscrew, 3/8" - 16 x 1-1/4" Lg.	4	U30-75ZP	U30-75ZP
15	Lockwasher, 3/8"	4	U43-12ZP	U43-12ZP
16	Hex Capscrew, 3/8" - 16 x 5/8" Lg.	2	U30-71ZP	U30-71ZP

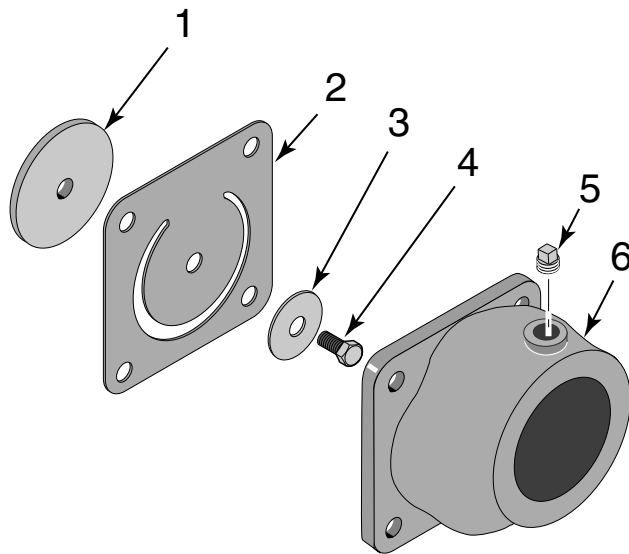
▪ Base mounting hardware. Not illustrated.

§ Included in Seal and Gasket Kit.

## SERVICE KITS

§ Seal and Gasket Kit	PP1700	PP1700
-----------------------	--------	--------

# suction flange assemblies



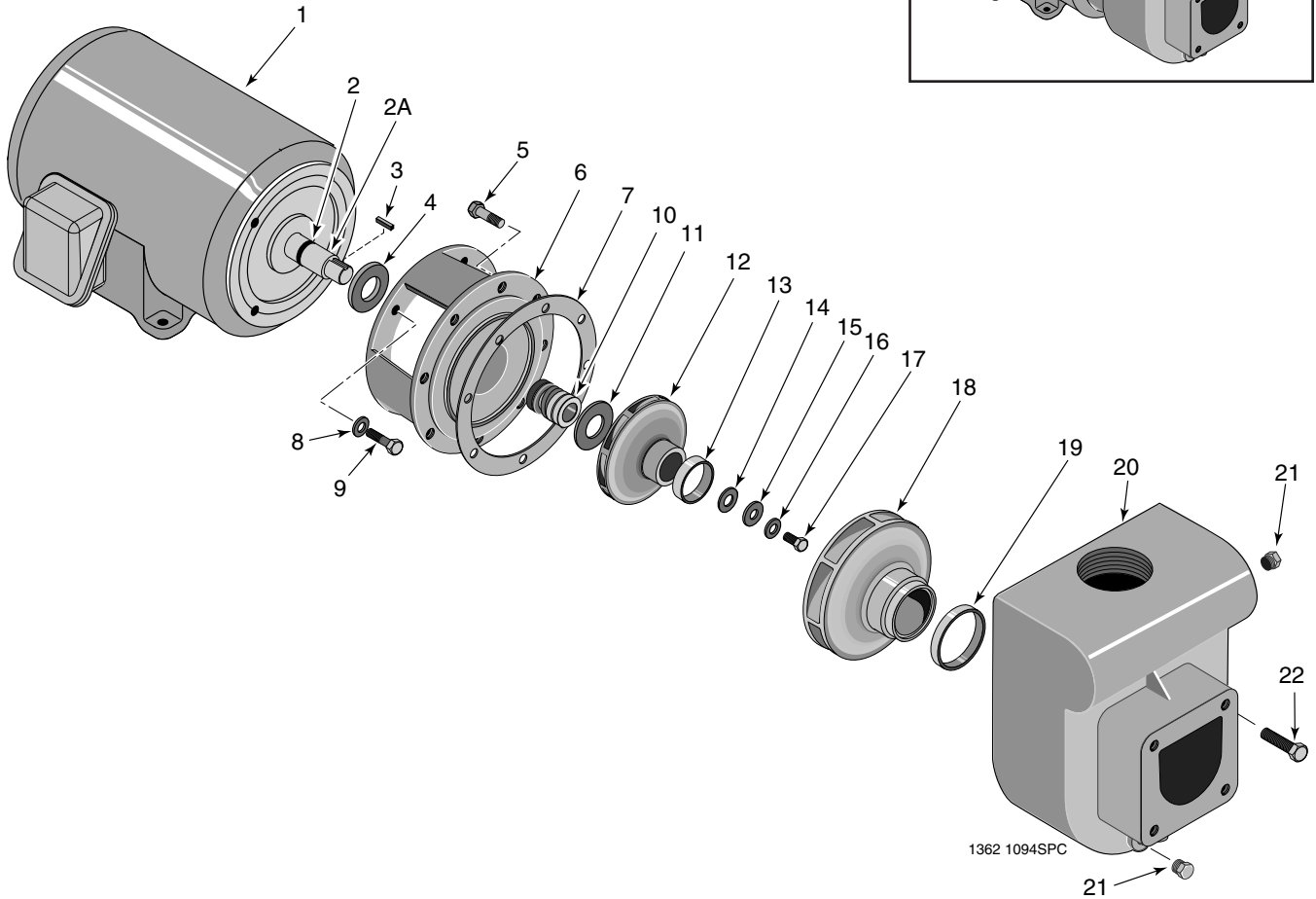
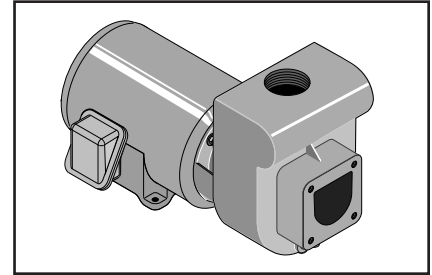
Key No.	Part Description	No. Used	Suction Flange Assemblies			
			PKG 52	PKG 53	PKG 72	PKG 73
1	Valve Plate Washer	1	C61-5SS	C61-5SS	C61-5SS	C61-5SS
2	Flange Gasket	1	C20-15	C20-15	C20-15	C20-15
3	Valve Washer	1	C43-15SS	C43-15SS	C43-15SS	C43-15SS
4	Capscrew, 1/4-20x1/2" Hex Head	1	U30-50SS	U30-50SS	U30-50SS	U30-50SS
5	Pipe Plug, 1/4" NPT Square Head with LO	1	U78-57SSS	U78-57SSS	U78-57SSS	U78-57SSS
6	Suction Flange, 1-1/2" NPT	1	C3-22	-	-	-
6	Suction Flange, 2" NPT	1	-	C3-22A	-	-
6	Suction Flange, 2-1/2" NPT	1	-	-	C3-74	-
6	Suction Flange, 3" NPT	1	-	-	-	C3-74B
▪	Nut, Hex 1/4-20, SS	1	35407-0071	35407-0071	35407-0071	35407-0071

▪ Not illustrated.

# self-priming centrifugal pumps

## DM/DH series

3 and 5 HP

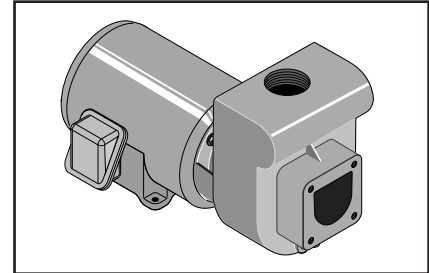


MEDIUM HEAD		HIGH HEAD	
3 HP	5 HP	3 HP	5 HP
DMH-171	DMJ-172	DHH-169	DHJ-170
DM2H-110	DM2J-172	DH2H-112	DH2J-113
DMH3-171	DMJ3-172	DHH3-169	DHJ3-170
DM2H3-171	DM2J3-172	DH2H3-169	DH2J3-170

# self-priming centrifugal pumps

# DM/DH series

## 3 and 5 HP



Key No.	Part Description	No. Used	DMH-171 DMH3-171 DM2H-110 DM2H3-171 3 HP	DMJ-172 DMJ3-172 DM2J-172 DM2J3-172 5 HP	DHH-169 DHH3-169 DH2H-112 DH2H3-169 3 HP	DHJ-170 DHJ3-170 DH2J-113 DH2J3-170 5 HP
1	Motor - 60 Cycle - 230V, Single Phase	1	C218-177	C218-180	C218-177	C218-180
1	Motor - 60 Cycle - 208-230/460V, Three Phase	1	C218-179	C218-182	C218-179	C218-182
1	Motor - 60 Cycle - 200V, Single Phase	1	C218-191	C218-192	C218-191	C218-192
1	Motor - 60 Cycle - 200V, Three Phase	1	C218-178	C218-181	C218-178	C218-181
2	O-Ring #	1	U9-265	U9-265	U9-265	U9-265
2A	Sleeve #	1	C23-58	C23-58	C23-58	C23-58
3	Key - Square	1	U65-42A	U65-42A	U65-42A	U65-42A
4	Water Slinger - Single Phase	1	C69-15	C69-15	C69-15	C69-15
4	Water Slinger - 230/460V, Three Phase	1	C69-16	C69-15	C69-16	C69-15
4	Water Slinger - 200 V, Three Phase	1	C69-15	C69-15	C69-15	C69-15
5	Capscrew - 3/8 - 16 x 7/8" Lg. #	8	U30-73ZP	U30-73ZP	U30-73ZP	U30-73ZP
6	Motor Adapter #	1	C2-66	C2-66	C2-66	C2-66
7	Gasket - Adapter #	1	C20-46	C20-46	C20-46	C20-46
8	Lockwasher - 3/8" #	4	U43-12ZP	U43-12ZP	U43-12ZP	U43-12ZP
9	Capscrew - 3/8 - 16 x 7/8" Lg. #	4	U30-73ZP	U30-73ZP	U30-73ZP	U30-73ZP
10	Shaft Seal #	1	U109-433SS	U109-433SS	U109-433SS	U109-433SS
11	Gasket - Seal #	1	C20-101	C20-101	C20-101	C20-101
12	Impeller (-113, -170) #	1	-	-	-	C5-249
12	Impeller (-112, -169, -171) #	1	C5-246	-	C5-248	-
12	Impeller (-172) #	1	-	C5-247	-	-
13	Wear Ring	1	J23-5	C23-14	J23-5	J23-5
14	Gasket - Impeller #	1	C20-100	C20-100	C20-100	C20-100
15	Washer - Impeller #	1	C43-45SS	C43-45SS	C43-45SS	C43-45SS
16	Gasket, Stat-O-Seal #	1	C43-46	C43-46	C43-46	C43-46
17	Screw - Impeller - 3/8 - 16 x 3/4" Lg. #	1	U30-72SS	U30-72SS	U30-72SS	U30-72SS
18	Volute Diffuser (w/Wear Ring, Key No. 13)	1	C101-126	C101-126B	C101-132	C101-132
19	Diffuser Ring	1	C21-2	C21-2	C21-2	C21-2
20	Pump Body	1	C76-12	C76-12C	C76-12B	C76-12
21	Pipe Plug - 1/4" NPT, Hex Hd. †	2	U78-941ZPV	U78-941ZPV	U78-941ZPV	U78-941ZPV
22	Capscrew - 5/16 - 18 x 3/4" Lg.	4	U30-60ZP	U30-60ZP	U30-60ZP	U30-60ZP
▪	Model Plate	1	U33-208SS	U33-208SS	U33-208SS	U33-208SS
▪	Decal, Warning	1	U27-781	U27-781	U27-781	U27-781
▪	Tag, No Motor Overload	1	U63-75	U63-75	U63-75	U63-75

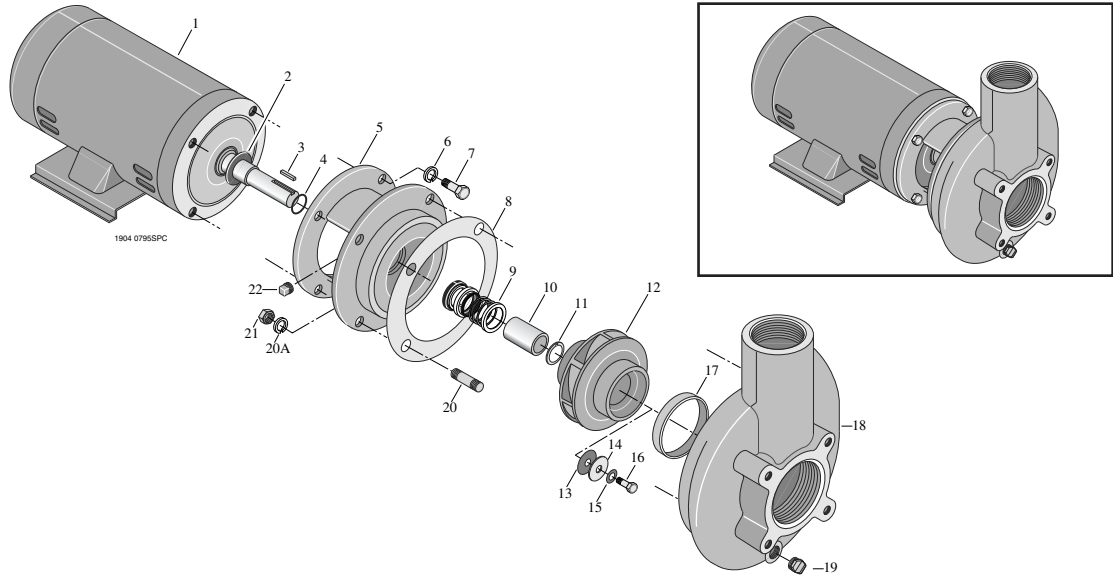
▪ Not illustrated.

# Included in Overhaul Kit.

† U78-57CT is used on Model DM2H3-171 only.

## SERVICE KITS

# Overhaul Kit	C600-101	C600-102	C600-103	C600-104
----------------	----------	----------	----------	----------



Key No.	Part Description	No. Used	CCMH-136S CCMH3-136S CCM2H-136 CCM2H3-136S 3 HP	CMH-136 CMH3-136 CM2H-136 CM2H3-136 3 HP	CCHH-137S CCMH3-136S CCH2H-137S CCH2H3-137S 3 HP
1	Motor, 60 Cycle, 230V, 1 Phase	1	C218-177	C218-177	C218-177
1	Motor, 60 Cycle, 208-230/460V, 3 Phase	1	C218-179	C218-179	C218-179
1	Motor, 60 Cycle, 200V, 1 Phase	1	C218-191	C218-191	C218-191
1	Motor, 60 Cycle, 200V, 3 Phase	1	C218-178	C218-178	C218-178
2	Water Slinger, Single Phase	1	C69-15	C69-15	C69-15
2	Water Slinger, Three Phase	1	C69-16	C69-16	C69-16
3	Key, Square	1	U65-42A	U65-42A	U65-42A
4	O-Ring	1	U9-265	U9-265	U9-265
5	Adapter, Motor	1	C2-81	C2-81D	C2-81
6	Lockwasher, 3/8"	8	U43-12ZP	U43-12ZP	U43-12ZP
7	Hex Capscrew, 3/8 - 16 x 7/8" Lg.	4	U30-73ZP	U30-73ZP	U30-73ZP
8	Gasket	1	C20-77	C20-77	C20-77
9	Shaft Seal	1	U109-433SS	U109-433SS	U109-433SS
10	Sleeve	1	C23-58	C23-58	C23-58
11	Gasket, Sleeve	1	C20-101	C20-101	C20-101
12	Impeller	1	C105-224DG	C105-224DG	C105-224DF
13	Gasket, Impeller	1	C20-100	C20-100	C20-100
14	Impeller Washer	1	C43-45SS	C43-45SS	C43-45SS
15	Washer, Gasket	1	C43-46	C43-46	C43-46
16	Impeller Screw, 3/8" - 16 x 3/4" Lg.	1	U30-72SS	U30-72SS	U30-72SS
17	Wear Ring	1	C23-40	C23-40	C23-40
18	Volute Assembly (incl. Key No. 20-21)	1	C201-174	C201-174D	C201-174
18A	Volute Assembly (incl. Key No. 20 only)	1	C101-167	C101-167D	C101-167
19	Pipe Plug, 1/4" NPT	1	U78-941ZPV	U78-941ZPV	U78-941ZPV
20	Stud, 3/8 - 16 x 1-1/4" Lg.	4	U30-22SS	U30-22SS	U30-22SS
20A	Washer, 3/8"	4	-	U43-12SS	-
21	Nut, Hex 3/8 - 16	4	U36-38ZP	U36-38SSW	U36-38ZP
22	Pipe Plug, 1/4" NPT	1	U78-57SSS	U78-57SSS	U78-57SSS
▪	Capscrew, 5/16" - 18 x 3/4"	4	-	U30-60SS	-
▪	Capscrew, 5/16" - 18 x 7/8"	4	U30-62ZP	-	U30-62ZP

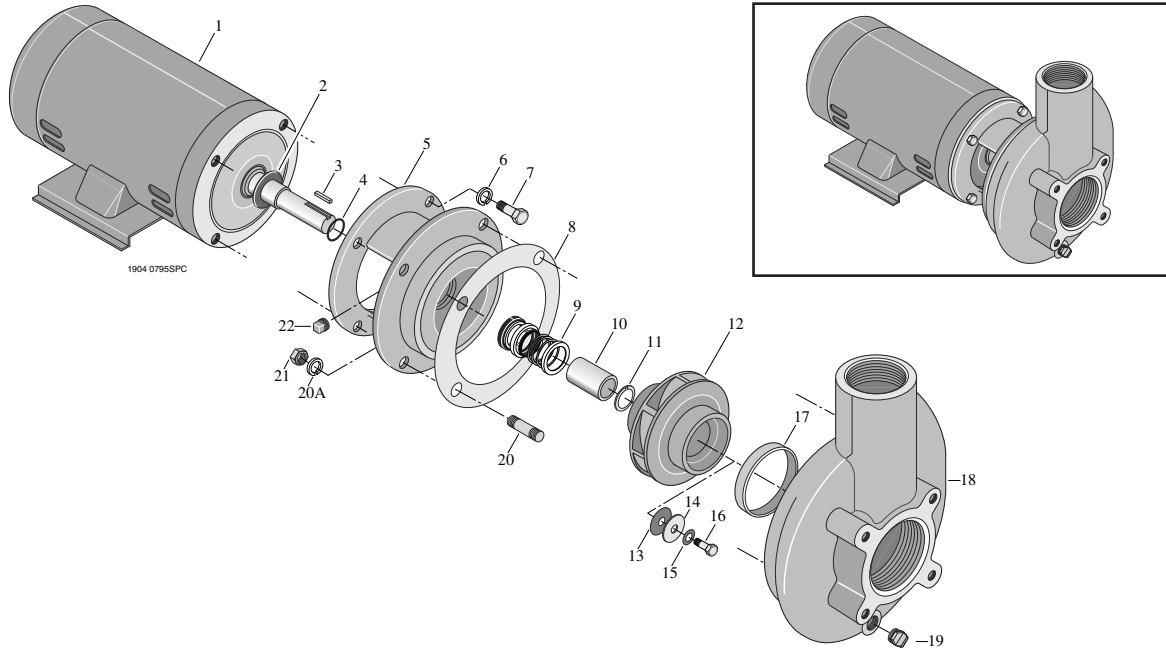
▪ Not illustrated.



# straight centrifugal pump

C/CC series

5 HP

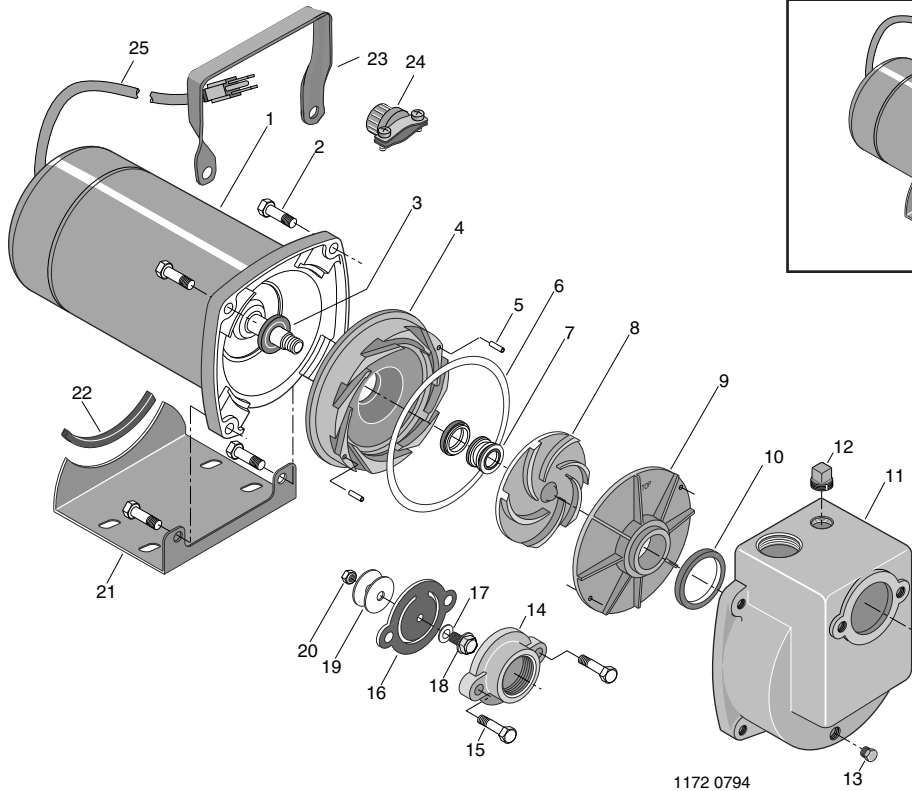


Key No.	Part Description	No. Used	CCHJ-138S CCHJ3-138S CCH2J3-138S 5 HP
1	Motor 230V/60H/1 Ph.	1	C218-180
1	Motor 208-230/460V/60H/3 Ph.	1	C218-182
1	Motor 200V/60H/3 Ph.	1	C218-181
2	Water Slinger	1	C69-15
3	Key, Square	1	U65-42A
4	O-Ring	1	U9-265
5	Adapter	1	C2-81
6	Lockwasher, 3/8"	8	U43-12ZP
7	Capscrew, 3/8 - 16 x 7/8"	4	U30-73ZP
8	Gasket	1	C20-77
9	Shaft Seal	1	U109-433SS
10	Sleeve	1	C23-58
11	Gasket, Sleeve	1	C20-101
12	Impeller	1	C105-224DE
13	Gasket	1	C20-100
14	Washer, Impeller	1	C43-45SS
15	Gasket	1	C43-46
16	Screw, Impeller 3/8 - 16 x 3/4"	1	U30-72SS
17	Wear Ring Only	1	C23-40
18	Volute Assembly (includes #20 & 21)	1	C201-174
18A	Volute Assembly (includes #20 Only)	1	C101-167
19	Pipe Plug, 1/4" NPT	1	U78-941ZPV
20	Stud, 3/8-16 x 1-1/4"	4	U30-22SS
20A	Washer, 3/8"	4	-
21	Nut, Hex 3/8 x 16	4	U36-38ZP
22	Pipe Plug, 1/4" NPT	1	U78-57SSS
▪	Capscrew 5/16 - 18 x 1"	4	U30-62ZP

▪ Not illustrated.

# self-priming centrifugal pump

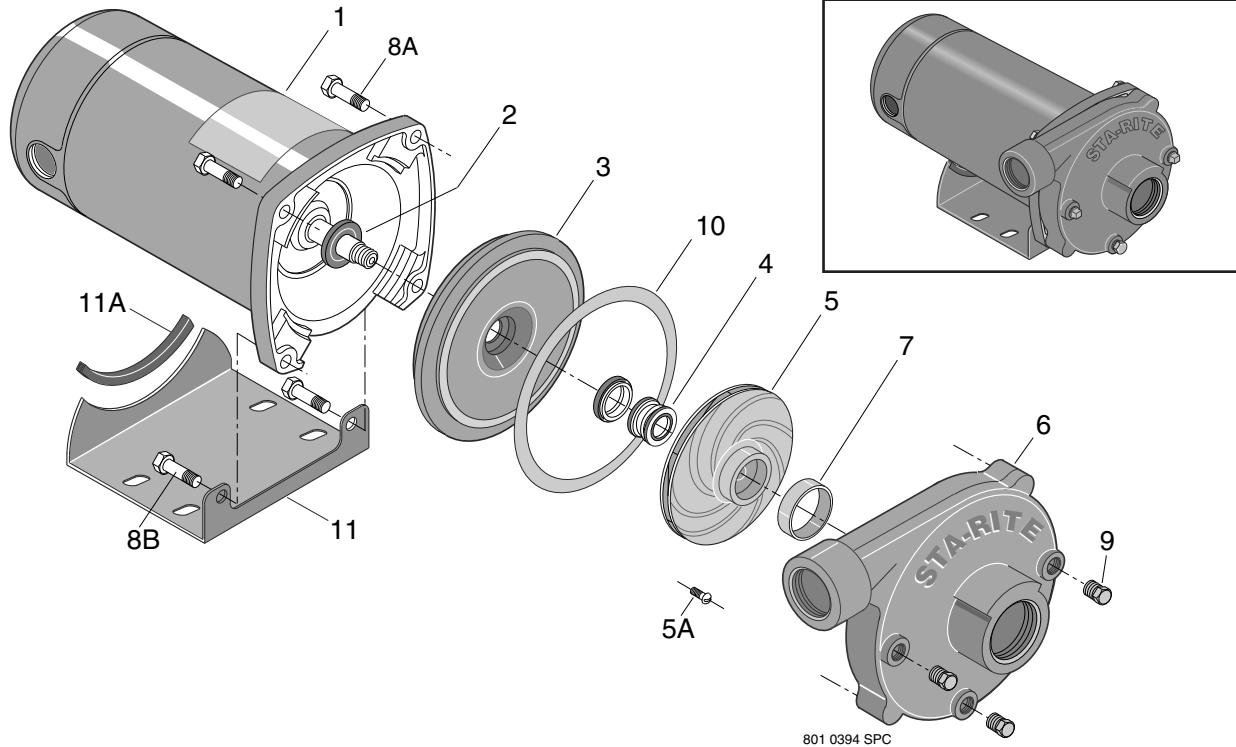
## DPC series



1172 0794

Key No.	Part Description	No. Used	Model DPC
1	Motor, 1/2 HP, 60 Cycle - 115/230V	1	A100CLL
2	Capscrew, 3/8-16x1-1/2" Hex Head	4	U30-76ZP
3	Water Slinger	1	17351-0009
4	Seal Plate Diffuser	1	C3-120
5	Roll Pin 3/32x5-16"	2	U30-522SS
6	Gasket	1	N20-35
7	Shaft Seal	1	U109-6A
8	Impeller	1	C5-184P
9	Diffuser Cover	1	C6-47P
10	Diffuser Ring	1	C21-11
11	Pump Body	1	C76-41
12	Pipe Plug, 1/2" NPT Square Head	1	U78-59ZPS
13	Pipe Plug, 1/4" NPT Hex Head	1	U78-941ZPV
14	Flange, 1-1/4" NPT	1	PW16-4
15	Capscrew, 3/8-16x1" Head Head	2	U30-74ZP
16	Check Valve Flapper	1	PW22-1
17	Washer, 5/16"	1	U43-41SS
18	Capscrew, 1/4-20x3/4" Hex Head	1	U30-52ZP
19	Washer, Flat 1-1/2" D	2	U43-138ZP
20	Nut, 1/4-20 Hex Head	1	U36-36ZP
21	Base	1	J4-9
22	Rubber Pad	1	C35-5
23	Handle	1	C54-21
24	Strain Relief	1	U71-7
25	Cord	1	U17-402

## 1/3 thru 1-1/2 HP



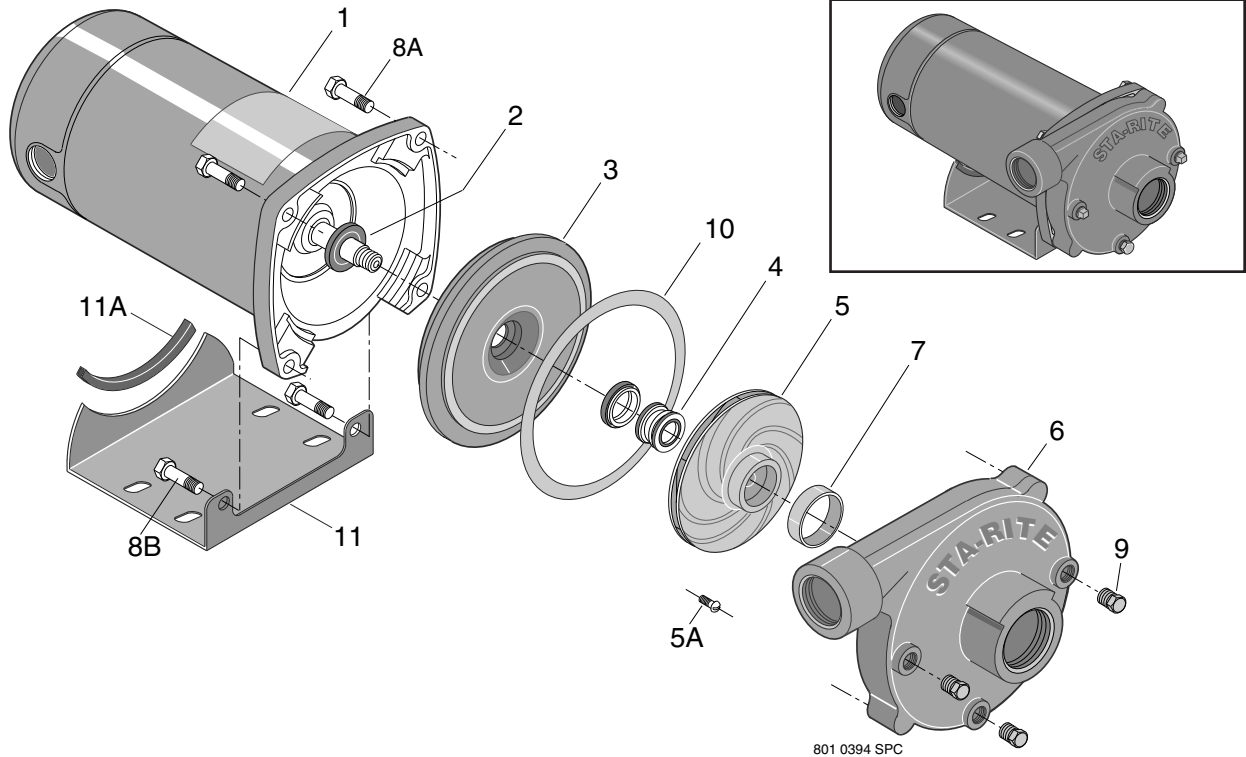
Key No.	Part Description	No. Used	JHB-61HL - 1/3 HP	JHC-61HL JHC3-61H 1/2 HP	JHD-62HL JHD3-62H 3/4 HP	JHE-63HL JHE3-63H 1 HP	JHF-51HL JHF3-51H 1-1/2 HP
1	Motor, 115V, Single Phase *	1	A100BHL	-	-	-	-
1	Motor, 115/230V, Single Phase *	1	-	A100CLL	A100DLL	A100ELL	A100FLL
1	Motor, 208-230/460V, Three Phase *	1	-	AP100CL	AP100DL	AP100EL	AP100FL
2	Water Slinger §	1	17351-0009	17351-0009	17351-0009	17351-0009	17351-0009
3	Seal Plate	1	C3-178	C3-178	C3-178	C3-178	C3-178
4	Shaft Seal §	1	U109-6A	U109-6A	U109-6A	U109-6A	U109-6A
5	Impeller - Single Phase	1	C105-92PN	C105-92PN	C105-92PM	C105-92PL	C105-92PB
5	Impeller - Three Phase	1	-	C105-92PNA	C105-92PMA	C105-92PLA	C105-92PBA
5A	Impeller Screw - Three Phase	1	-	C30-14SS	C30-14SS	C30-14SS	C30-14SS
6	Volute Assembly - Complete	1	C101-284A	C101-284A	C101-284A	C101-284A	C101-284A
7	Wear Ring	(1)	C23-27	C23-27	C23-27	C23-27	C23-27
8A	Capscrew - 3/8 - 16 x 1-1/4" Lg.	(2)	U30-75ZP	U30-75ZP	U30-75ZP	U30-75ZP	U30-75ZP
8B	Capscrew - 3/8 - 16 x 1-1/2" Lg.	(2)	U30-76ZP	U30-76ZP	U30-76ZP	U30-76ZP	U30-76ZP
9	Pipe Plug - 1/4" NPT	(3)	U78-941ZPV	U78-941ZPV	U78-941ZPV	U78-941ZPV	U78-941ZPV
10	Gasket - Volute §	1	C20-121	C20-121	C20-121	C20-121	C20-121
11	Base	1	J4-9	J4-9	J4-9	J4-9	J4-9
11A	Motor Pad	1	C35-5	C35-5	C35-5	C35-5	C35-5

§ Included in Seal and Gasket Kit.

\* For repair or service to motors, always give the motor Model Number and any other data found on the Motor Model Plate.

### SERVICE KITS

§ Seal and Gasket Kit	PP1700	PP1700	PP1700	PP1700	PP1700
-----------------------	--------	--------	--------	--------	--------



Key No.	Part Description	No. Used	JHG-52HL JHG3-52H 2 HP	JHHG-53HL JHHG3-53H 2-1/2 HP
1	Motor, 230V, Single Phase *	1	A100GSL	AE100G5L
1	Motor, 208-230/460V, Three Phase *	1	AP100GL	AP100G5L
2	Water Slinger §	1	17351-0009	17351-0009
3	Seal Plate	1	C3-181	C3-181
4	Shaft Seal §	1	U109-6A	U109-6A
5	Impeller - Single Phase	1	C105-214PCA	C105-214PA
5	Impeller - Three Phase	1	C105-214PCA	C105-214PA
5A	Impeller Screw - Single Phase	1	C30-14SS	C30-14SS
5A	Impeller Screw - Three Phase	1	C30-14SS	C30-14SS
6	Volute Assembly - Complete	1	C101-264	C101-264B
7	Wear Ring	(1)	C23-19	C23-19
8A	Capscrew - 3/8 - 16 x 1" Lg.	(2)	U30-74ZP	U30-74ZP
8B	Capscrew - 3/8 - 16 x 1-1/4" Lg.	(2)	U30-75ZP	U30-75ZP
9	Pipe Plug - 1/4" NPT	(3)	U78-941ZPV	U78-941ZPV
10	Gasket - Volute §	1	C20-122	C20-122
11	Base	1	J4-9	J4-9A
11A	Motor Pad	1	C35-5	C35-5

§ Included in Seal and Gasket Kit.

\* For repair or service to motors, always give the motor Model Number and any other data found on the Motor Model Plate.

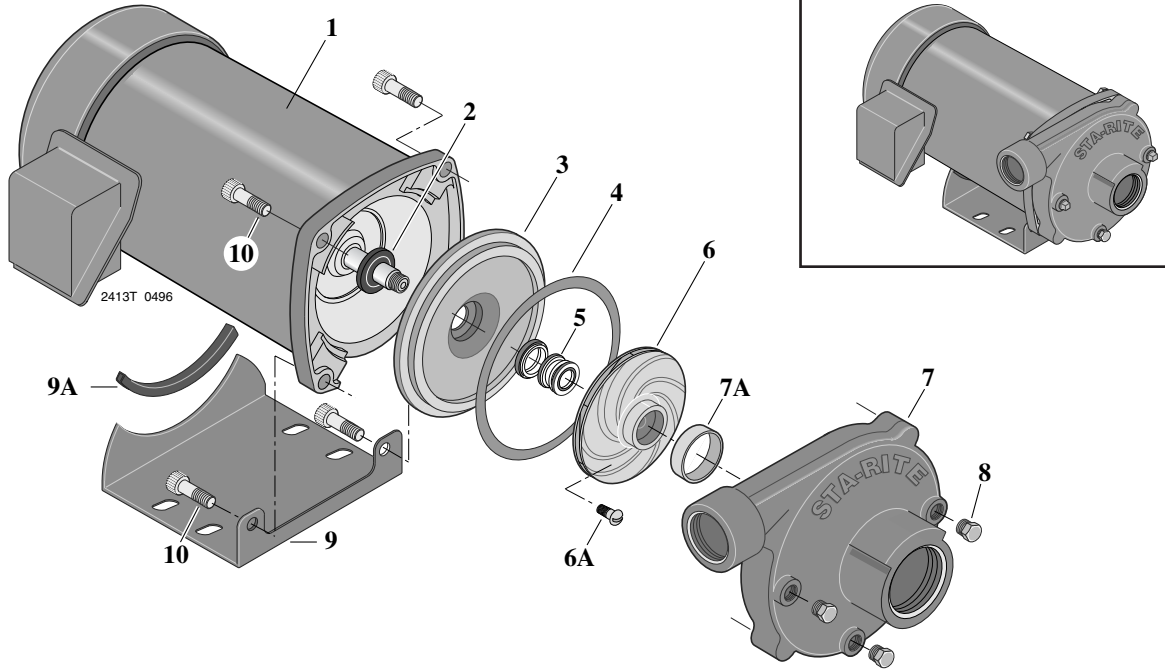
### SERVICE KITS

§ Seal and Gasket Kit	PP1700	PP1700
-----------------------	--------	--------

# general purpose centrifugal pumps/TEFC motor

# JH series

## 1/3 thru 1-1/2 HP

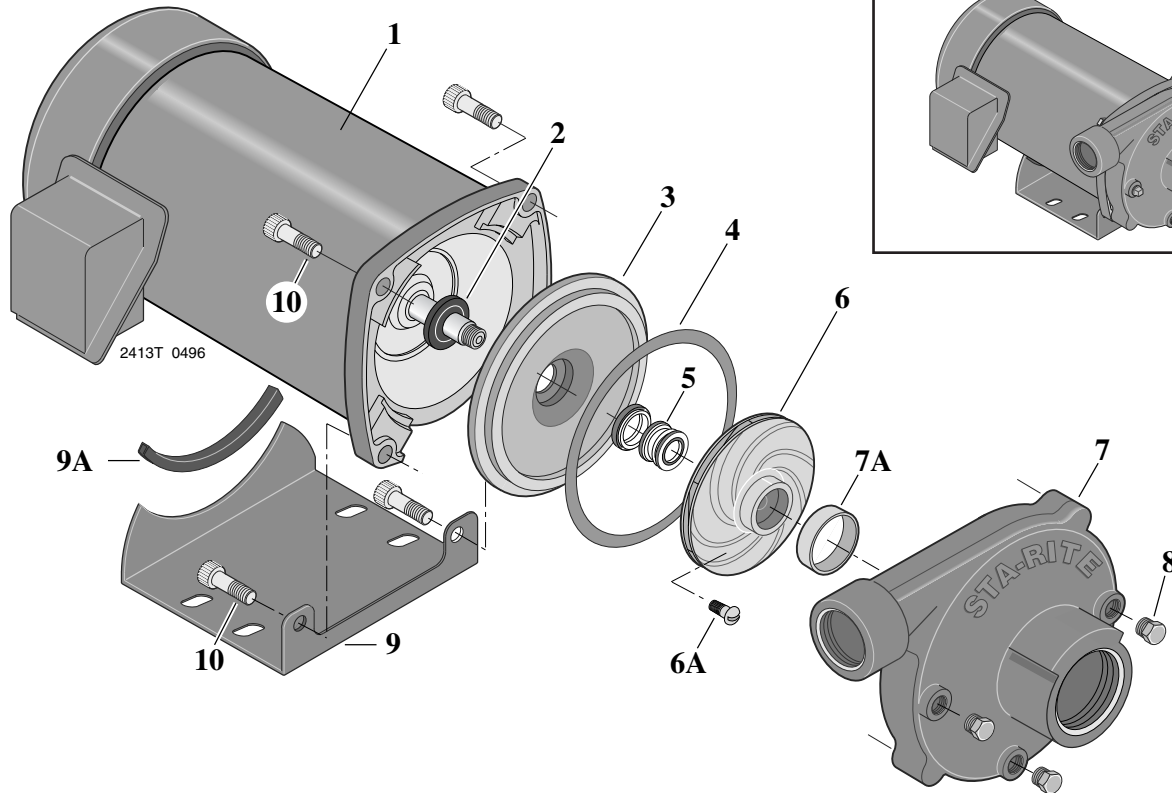


Key No.	Part Description	No. Used	JHBT-61H - 1/3 HP	JHCT-61H JHC3T-61H 1/2 HP	JHDT-62H JHD3T-62H 3/4 HP	JHET-63H JHE3T-63H 1 HP	JHFT-51H JHF3T-51H 1-1/2 HP
1	Motor, 1/3 HP, 115V, 1 Phase	1	A100BH-T	-	-	-	-
1	Motor, 1/2 HP, 115/230V, 1 Phase	1	-	A100CL-T	-	-	-
1	Motor, 1/2 HP, 208-230/460V, 3 Phase	1	-	AP100CL-T	-	-	-
1	Motor, 3/4 HP, 115/230V, 1 Phase	1	-	-	A100DL-T	-	-
1	Motor, 3/4 HP, 208-230/460V, 3 Phase	1	-	-	AP100DL-T	-	-
1	Motor, 1 HP, 115/230V, 1 Phase	1	-	-	-	A100EL-T	-
1	Motor, 1 HP, 208-230/460V, 3 Phase	1	-	-	-	AP100EL-T	-
1	Motor, 1-1/2 HP, 115/230V, 1 Phase	1	-	-	-	-	A100FL-T
1	Motor, 1-1/2 HP, 208-230/460V, 3 Phase	1	-	-	-	-	AP100FL-T
2	Water Slinger §	1	17351-0009	17351-0009	17351-0009	17351-0009	17351-0009
3	Seal Plate	1	C3-178	C3-178	C3-178	C3-178	C3-178
4	Gasket, Seal Plate §	1	C20-121	C20-121	C20-121	C20-121	C20-121
5	Shaft Seal §	1	U109-6A	U109-6A	U109-6A	U109-6A	U109-6A
6	Impeller, Single Phase	1	C105-92PN	C105-92PN	C105-92PM	C105-92PL	C105-92PB
6	Impeller, Three Phase	1	-	C105-92PNA	C105-92PMA	C105-92PLA	C105-92PBA
6A	Impeller Screw	1	-	C30-14SS	C30-14SS	C30-14SS	C30-14SS
7	Volute Assembly with Wear Ring	1	C101-284A	C101-284A	C101-284A	C101-284A	C101-284A
7A	Wear Ring	1	C23-7	C23-7	C23-7	C23-7	C23-7
8	Pipe Plug, 1/4" NPT Hex Hd.	1	U78-941ZPV	U78-941ZPV	U78-941ZPV	U78-941ZPV	U78-941ZPV
9	Base with Motor Pad	1	J204-9	J204-9	J204-9	J204-9	J204-9
9A	Motor Pad	1	C35-5	C35-5	C35-5	C35-5	C35-5
10	Hex Capscrew, 3/8" - 16 x 1-1/2" Lg.	2	U30-76ZP	U30-76ZP	U30-76ZP	U30-76ZP	U30-76ZP
11	Hex Capscrew, 3/8" - 16 x 1-1/4" Lg.	2	U30-75ZP	U30-75ZP	U30-75ZP	U30-75ZP	U30-75ZP

§ Included in Seal and Gasket Kit.

### SERVICE KITS

§ Seal and Gasket Kit (J Series)	PP1700	PP1700	PP1700	PP1700	PP1700
----------------------------------	--------	--------	--------	--------	--------

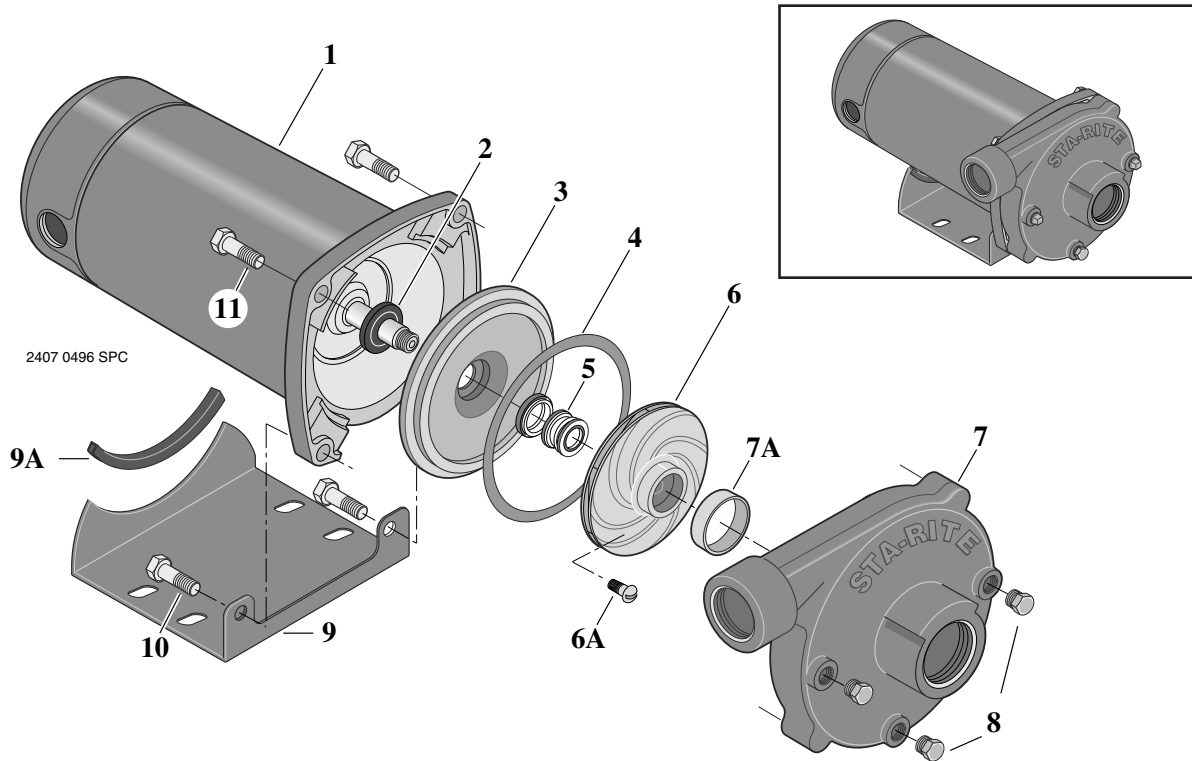


Key No.	Part Description	No. Used	JHGT-52H JHG3T-52H 2 HP	JHHG3T-53H 2-1/2 HP
1	Motor, 2 HP, 230V, 1 Phase	1	AE100GL-T	-
1	Motor, 2 HP, 208-230/460V, 3 Phase	1	AP100GL-T	-
1	Motor, 2-1/2 HP, 230V, 1 Phase	1	-	AE100G5L-T
1	Motor, 2-1/2 HP, 208-230/460V, 3 Phase	1	-	AP100G5L-T
2	Water Slinger §	1	17351-0009	17351-0009
3	Seal Plate	1	C3-181	C3-181
4	Gasket, Seal Plate §	1	C20-122	C20-122
5	Shaft Seal §	1	U109-6A	U109-6A
6	Impeller	1	C105-214PCA	C105-214PA
6A	Impeller Screw (3 Phase Only)	1	C30-14SS	C30-14SS
7	Volute Assembly with Wear Ring	1	C101-264B	C101-264B
7A	Wear Ring	1	C23-19	C23-19
8	Pipe Plug, 1/4" NPT Hex Hd.	3	U78-941ZPV	U78-941ZPV
9	Base with Motor Pad	1	J104-9A	J104-9A
9A	Motor Pad	1	C35-5	C35-5
10	Hex Capscrew, 3/8" - 16 x 1" Lg.	2	U30-75ZP	U30-75ZP
11	Hex Capscrew, 3/8" - 16 x 1-1/4" Lg.	2	U30-74ZP	U30-74ZP

§ Included in Seal and Gasket Kit.

### SERVICE KITS

§ Seal and Gasket Kit	PP1700	PP1700
-----------------------	--------	--------

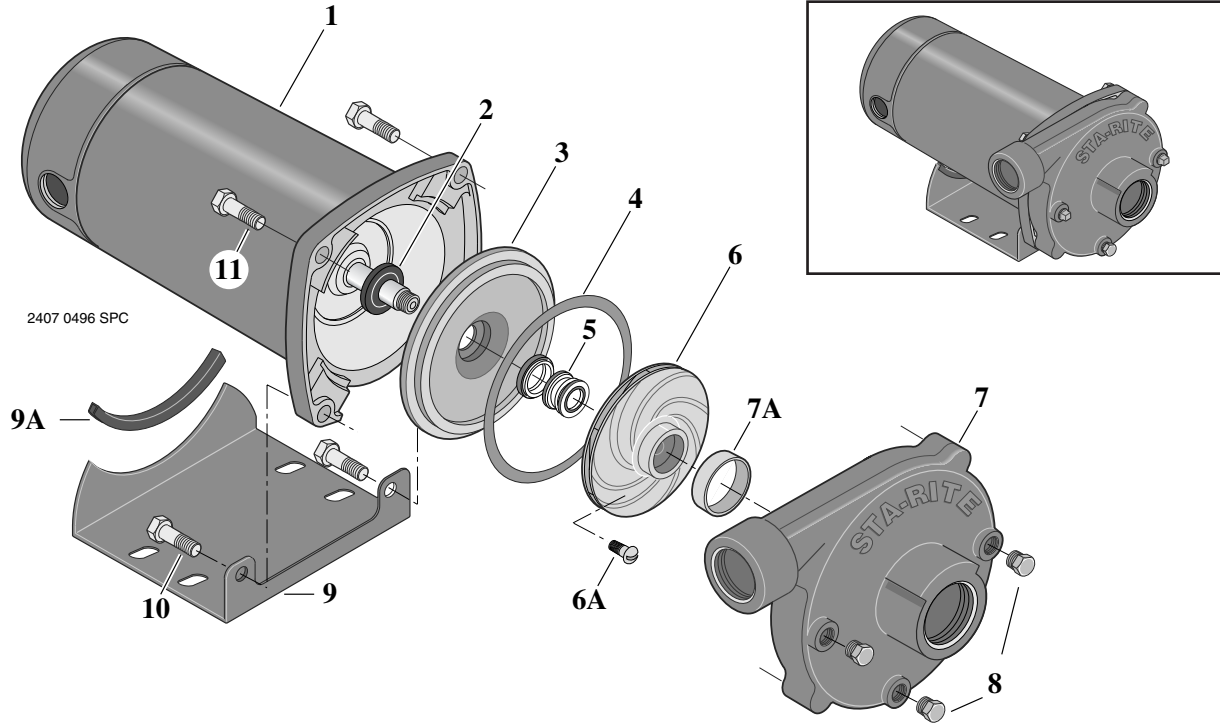


Key No.	Part Description	No. Used	JBHB-61S - 1/3 HP	JBHC-61S JBHC3-61S 1/2 HP	JBHD-62S JBHD3-62S 3/4 HP
1	Motor, 1/3 HP, 115V, 1 Phase	1	AS100BHL	-	-
1	Motor, 1/2 HP, 115/230V, 1 Phase	1	-	A100CLL	-
1	Motor, 1/2 HP, 208-230/460V, 3 Phase	1	-	AP100CL	-
1	Motor, 3/4 HP, 115/230V, 1 Phase	1	-	-	A100DLL
1	Motor, 3/4 HP, 208-230/460V, 3 Phase	1	-	-	AP100DL
2	Water Slinger §	1	17351-0009	17351-0009	17351-0009
3	Seal Plate	1	C3-178	C3-178	C3-178
4	Gasket, Seal Plate §	1	C20-121	C20-121	C20-121
5	Shaft Seal §	1	U109-6A	U109-6A	U109-6A
6	Impeller, Single Phase	1	-	-	C105-94B
6	Impeller, Three Phase	1	C5-256BA	C5-256BA	C105-94BA
6A	Impeller Screw, Three Phase	1	C30-14SS	C30-14SS	C30-14SS
7	Volute Assembly with Wear Ring	1	C101-281B	C101-281B	C101-281B
7A	Wear Ring	1	C23-27	C23-27	C23-27
8	Pipe Plug, 1/4" NPT Hex Hd.	3	U78-941ZPV	U78-941ZPV	U78-941ZPV
9	Base with Motor Pad	1	J104-9F	J104-9F	J104-9F
9A	Motor Pad	1	C35-5	C35-5	C35-5
10	Hex Capscrew, 3/8" - 16 x 1-1/2" Lg.	2	U30-76ZP	U30-76ZP	U30-75ZP
11	Hex Capscrew, 3/8" - 16 x 1-1/4" Lg.	2	U30-75ZP	U30-75ZP	U30-76ZP

§ Included in Seal and Gasket Kit.

### SERVICE KITS

§ Seal and Gasket Kit (J Series)	PP1700	PP1700	PP1700
----------------------------------	--------	--------	--------



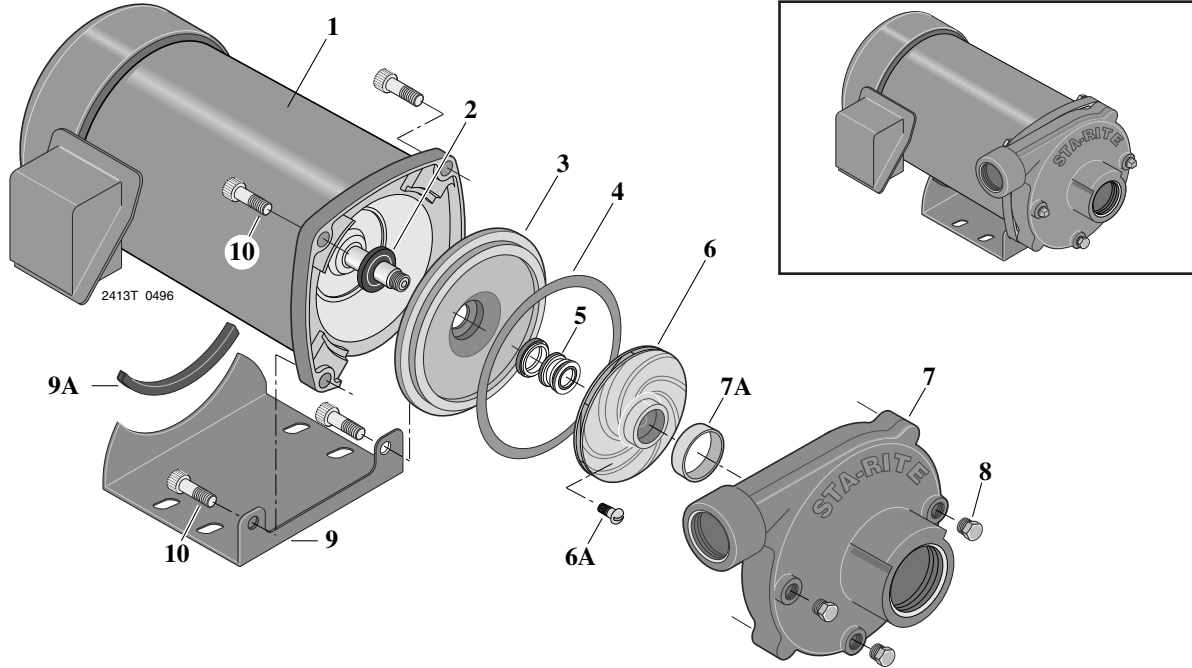
Key No.	Part Description	No. Used	JBHE-63S JBHE3-63S 1 HP	JBHF-51S JBHF3-51S 1-1/2 HP	JBHG-52S JBHG3-52S 2 HP	JBHHG-53S JBHHG3-53S 2-1/2 HP
1	Motor, 1 HP, 115/230V, 1 Phase	1	A100ELL	-	-	-
1	Motor, 1 HP, 208-230/460V, 3 Phase	1	AP100EL	-	-	-
1	Motor, 1-1/2 HP, 115/230V, 1 Phase	1	-	A100FLL	-	-
1	Motor, 1-1/2 HP, 208-230/460V, 3 Phase	1	-	AP100FL	-	-
1	Motor, 2 HP, 115/230V, 1 Phase	1	-	-	AP100GSL	AE100G5LL
1	Motor, 2-1/2 HP, 208-230/460V, 3 Phase	1	-	-	AP100GL	AP100G5L
2	Water Slinger §	1	17351-0009	17351-0009	17351-0009	17351-0009
3	Seal Plate	1	C3-178	C3-178	C3-181	C3-181
4	Gasket, Seal Plate §	1	C20-121	C20-121	C20-122	C20-122
5	Shaft Seal §	1	U109-6A	U109-6A	U109-6A	U109-6A
6	Impeller, Three Phase	1	C5-254BA	C5-254BC	C5-257BB	C5-257B
6A	Impeller Screw, Three Phase	1	C30-14SS	C30-14SS	C30-14SS	C30-14SS
7	Volute Assembly with Wear Ring	1	C101-281B	C101-281B	C101-264	C101-264B
7A	Wear Ring	1	C23-27	C23-27	C23-19	C23-19
8	Pipe Plug, 1/4" NPT Hex Hd.	3	U78-941ZPV	U78-941ZPV	U78-941ZPV	U78-941ZPV
9	Base with Motor Pad	1	J104-9F	J104-9F	J104-9F	J104-9F
9A	Motor Pad	1	C35-5	C35-5	C35-5	C35-5
10	Hex Capscrew, 3/8" - 16 x 1" Lg.	2	-	-	U30-74ZP	U30-74ZP
11	Hex Capscrew, 3/8" - 16 x 1-1/4" Lg.	2	U30-75ZP	U30-75ZP	U30-75ZP	U30-75ZP
11	Hex Capscrew, 3/8" - 16 x 1-1/2" Lg.	2	U30-76ZP	U30-76ZP	-	-

§ Included in Seal and Gasket Kit.

### SERVICE KITS

§ Seal and Gasket Kit (J Series)	PP1700	PP1700	PP1700	PP1700
----------------------------------	--------	--------	--------	--------



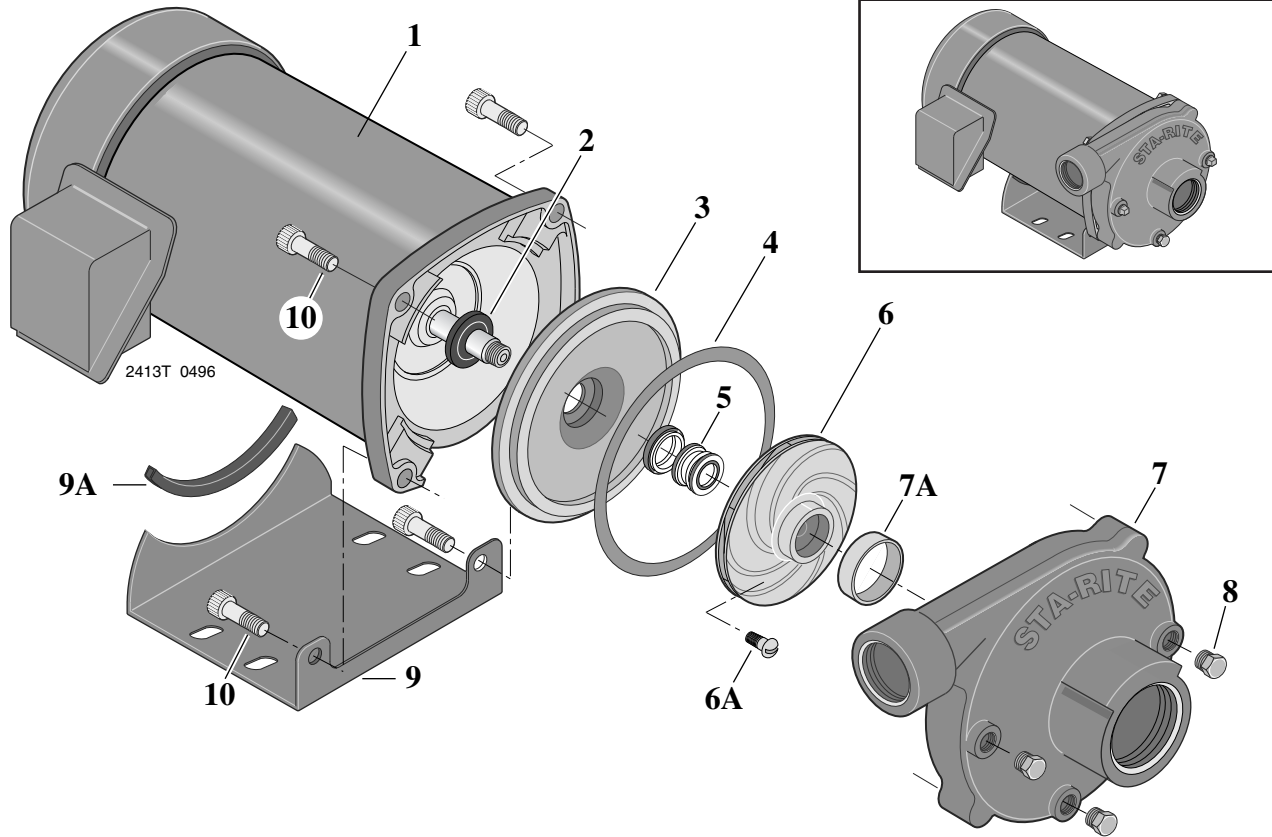


Key No.	Part Description	No. Used	JBHBT-61S - 1/3 HP	JBHCT-61S JBHC3T-61S 1/2 HP	JBHDT-62S JBHD3T-62S 3/4 HP	JBHET-63S JBHE3T-63S 1 HP	JBHFT-51S JBHF3T-51S 1-1/2 HP
1	Motor, 1/3 HP, 115V, 1 Phase	1	A100BH-T	-	-	-	-
1	Motor, 1/2 HP, 115/230V, 1 Phase	1	-	A100CL-T	-	-	-
1	Motor, 1/2 HP, 208-230/460V, 3 Phase	1	-	AP100CL-T	-	-	-
1	Motor, 3/4 HP, 115/230V, 1 Phase	1	-	-	A100DL-T	-	-
1	Motor, 3/4 HP, 208-230/460V, 3 Phase	1	-	-	AP100DL-T	-	-
1	Motor, 1 HP, 115/230V, 1 Phase	1	-	-	-	A100EL-T	-
1	Motor, 1 HP, 208-230/460V, 3 Phase	1	-	-	-	AP100EL-T	-
1	Motor, 1-1/2 HP, 115/230V, 1 Phase	1	-	-	-	-	A100FL-T
1	Motor, 1-1/2 HP, 208-230/460V, 3 Phase	1	-	-	-	-	AP100FL-T
2	Water Slinger §	1	17351-0009	17351-0009	17351-0009	17351-0009	17351-0009
3	Seal Plate	1	C3-178	C3-178	C3-178	C3-178	C3-178
4	Gasket, Seal Plate §	1	C20-121	C20-121	C20-121	C20-121	C20-121
5	Shaft Seal §	1	U109-6A	U109-6A	U109-6A	U109-6A	U109-6A
6	Impeller, Single Phase	1	-	-	C105-94B	-	-
6	Impeller, Three Phase	1	C5-256BA	C5-256BA	C105-94BA	C5-254BA	C5-254BC
6A	Impeller Screw	1	C30-14SS	C30-14SS	C30-14SS	C30-14SS	C30-14SS
7	Volute Assembly with Wear Ring	1	C101-281B	C101-281B	C101-281B	C101-281B	C101-281B
7A	Wear Ring	1	C23-27	C23-27	C23-27	C23-27	C23-27
8	Pipe Plug, 1/4" NPT Hex Hd.	3	U78-941ZPV	U78-941ZPV	U78-941ZPV	U78-941ZPV	U78-941ZPV
9	Base with Motor Pad	1	J104-9A	J104-9A	J104-9A	J104-9A	J104-9A
9A	Motor Pad	1	C35-5	C35-5	C35-5	C35-5	C35-5
10	Hex Capscrew, 3/8" - 16 x 1-1/2" Lg.	2	U30-76ZP	U30-76ZP	U30-76ZP	U30-76ZP	U30-76ZP
11	Hex Capscrew, 3/8" - 16 x 1-1/4" Lg.	2	U30-75ZP	U30-75ZP	U30-75ZP	U30-75ZP	U30-75ZP

§ Included in Seal and Gasket Kit.

### SERVICE KITS

§ Seal and Gasket Kit (J Series)	PP1700	PP1700	PP1700	PP1700	PP1700
----------------------------------	--------	--------	--------	--------	--------



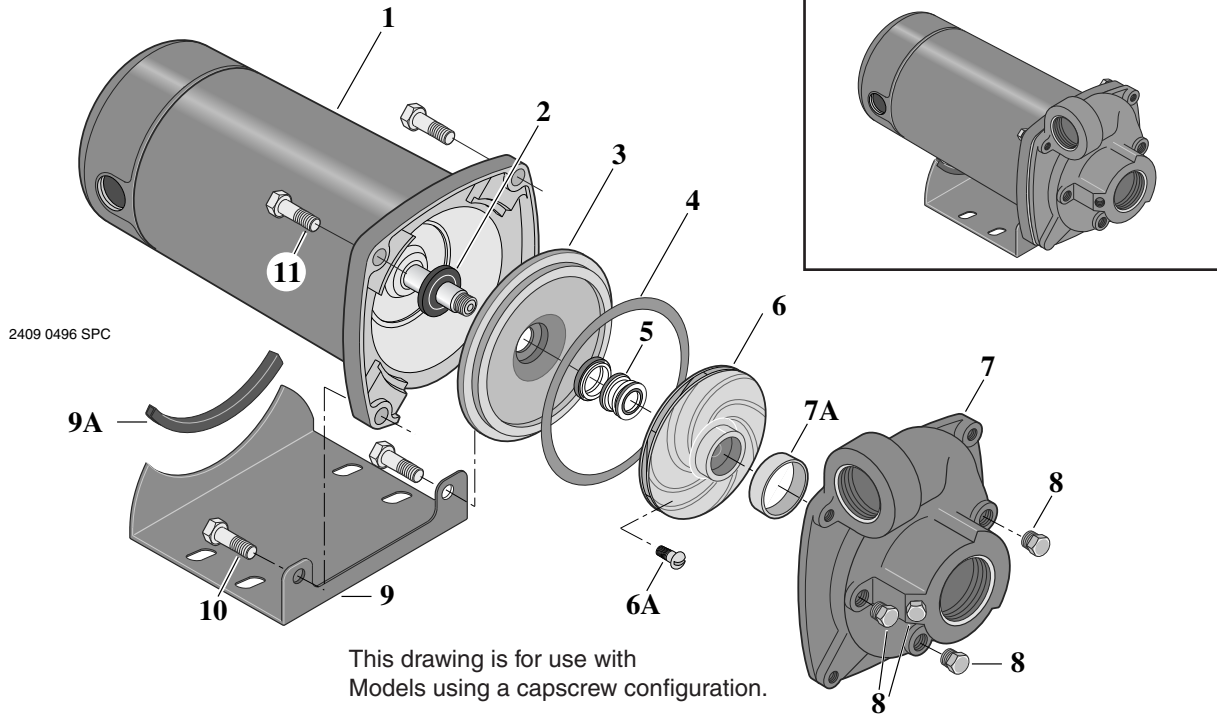
Key No.	Part Description	No. Used	JBHGT-52H JBHG3T-52H 2-1/2 HP	JBHHGT-53H JBHHG3T-53H 2-1/2 HP
1	Motor, 2-1/2 HP, 230V, 1 Phase	1	AE100G5L-T	AE100G5L-T
1	Motor, 2-1/2 HP, 208-230/460V, 3 Phase	1	AP100G5L-T	AP100G5L-T
2	Water Slinger §	1	C20-122	C69-2
3	Seal Plate	1	C3-181	C3-181
4	Gasket, Seal Plate §	1	C20-122	C20-122
5	Shaft Seal §	1	U109-118	U109-118
6	Impeller	1	C105-95A	C105-89A
6A	Impeller Screw*	1	C30-14SS	C30-14SS
7	Volute Assembly with Wear Ring	1	C101-264	C101-264B
7A	Wear Ring	1	C23-19	C23-19
8	Pipe Plug, 1/4" NPT Hex Hd.	3	U78-941ZPV	U78-941ZPV
9	Base with Motor Pad	1	J104-9A	J104-9A
9A	Motor Pad	1	C35-5	C35-5
10	Capscrew, 3/8 - 16 x 1" Hex Head	2	U30-74ZP	U30-74ZP
11	Capscrew, 3/8 - 16 x 1-1/4" Hex Head	2	U30-75ZP	U30-75ZP

\* Except Model Number JBHGT-52H.

§ Included in Seal and Gasket Kit.

### SERVICE KITS

§ Seal and Gasket Kit (J Series)	PP1700	PP1700
----------------------------------	--------	--------

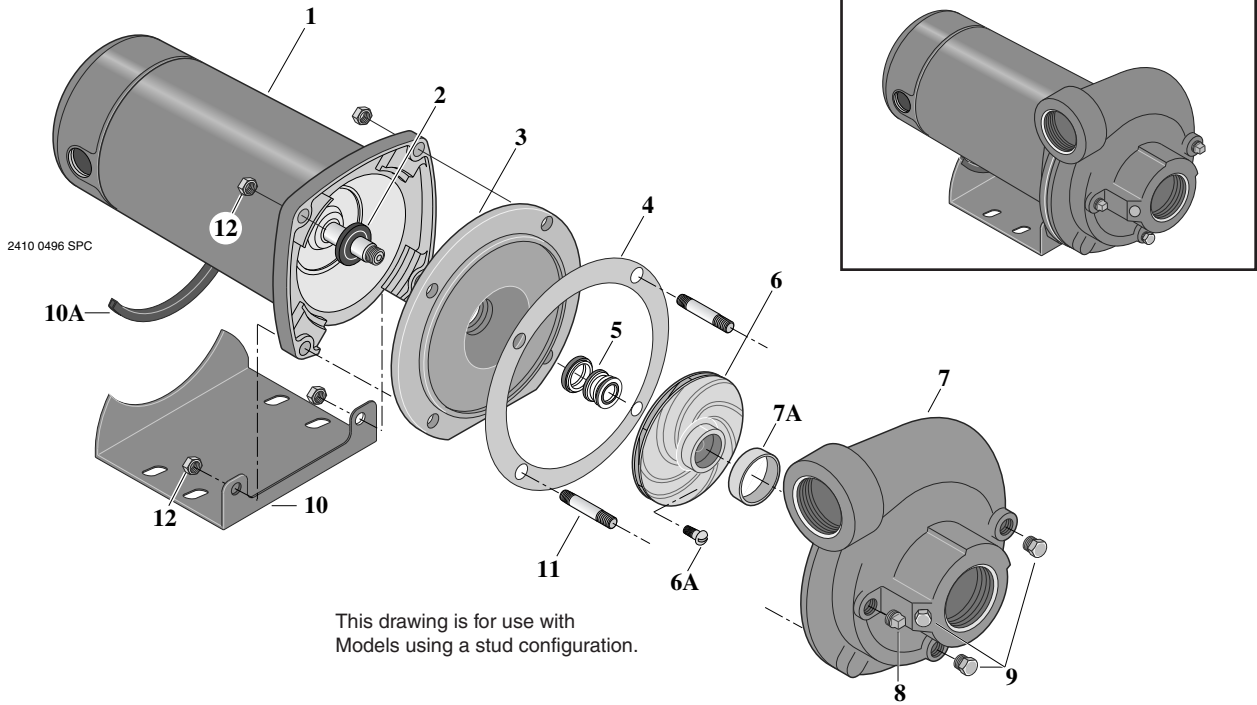


Key No.	Part Description	No. Used	JMB-56L - 1/3 HP	JMC-56L JMC3-56 1/2 HP	JMD-57L JMD3-57 3/4 HP	JME-58L JME3-58 1 HP
1	Motor, 1/3 HP, 115V, 1 Phase	1	AS100BHL	-	-	-
1	Motor, 1/2 HP, 115/230V, 1 Phase	1	-	A100CLL	-	-
1	Motor, 1/2 HP, 208-230/460V, 3 Phase	1	-	AP100CL	-	-
1	Motor, 3/4 HP, 115/230V, 1 Phase	1	-	-	A100DLL	-
1	Motor, 3/4 HP, 208-230/460V, 3 Phase	1	-	-	AP100DL	-
1	Motor, 1 HP, 115/230V, 1 Phase	1	-	-	-	A100ELL
1	Motor, 1 HP, 208-230/460V, 3 Phase	1	-	-	-	AP100EL
2	Water Slinger §	1	17351-0009	17351-0009	17351-0009	17351-0009
3	Seal Plate	1	N3-8	N3-8	N3-8	N3-8
4	Gasket, Seal Plate §	1	N20-26	N20-26	N20-26	N20-26
5	Shaft Seal §	1	U109-6A	U109-6A	U109-6A	U109-6A
6	Impeller, Single Phase	1	J105-42PHA	-	-	J105-42P
6	Impeller, Three Phase	1	-	J105-42PHA	J105-42PJA	J105-42PPA
6A	Impeller Screw	1	-	C30-6SS	C30-6SS	C30-6SS
7	Volute Assembly with Wear Ring	1	C101-122E	C101-122E	C101-122E	C101-122
7A	Wear Ring	1	N23-7	N23-7	N23-7	N23-7
8	Pipe Plug, 1/4" NPT Hex Hd.	4	U78-941ZPV	U78-941ZPV	U78-941ZPV	U78-941ZPV
9	Base with Motor Pad	1	J104-9F	J104-9F	J104-9F	J104-9F
9A	Motor Pad	1	C35-5	C35-5	C35-5	C35-5
10	Hex Capscrew, 3/8" - 16 x 1-1/2" Lg.	2	U30-76ZP	U30-76ZP	U30-76ZP	U30-76ZP
11	Hex Capscrew, 3/8" - 16 x 1-1/4" Lg.	2	U30-75ZP	U30-75ZP	U30-75ZP	U30-75ZP

§ Included in Seal and Gasket Kit.

### SERVICE KITS

§ Seal and Gasket Kit (J Series)	PP1700	PP1700	PP1700	PP1700
----------------------------------	--------	--------	--------	--------

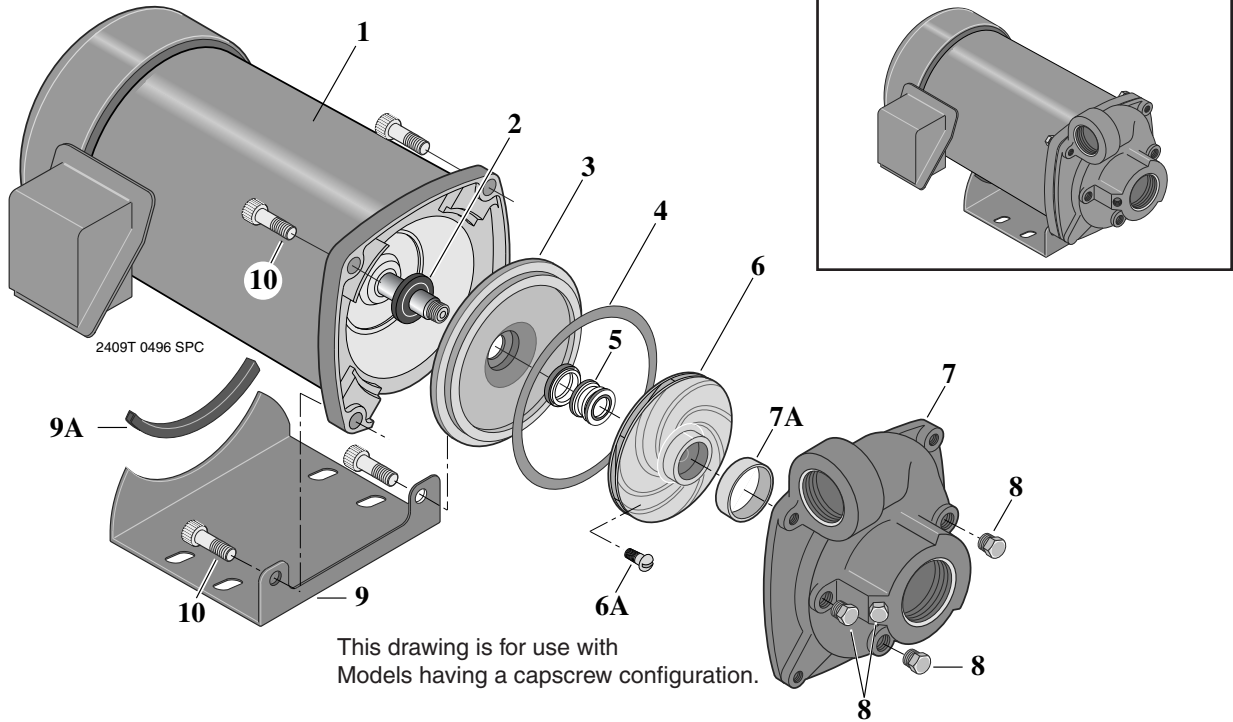


Key No.	Part Description	No. Used	JMF-40L JMF3-40 1-1/2 HP	JMG-41L JMG3-41 2 HP
1	Motor, 1-1/2 HP, 115/230V, 1 Phase	1	A100FLL	-
1	Motor, 1-1/2 HP, 208-230/460V, 3 Phase	1	AP100FL	-
1	Motor, 2 HP, 230V, 1 Phase	1	-	A100GSL
1	Motor, 2 HP, 208-230/460V, 3 Phase	1	-	AP100GL
1	Motor, 2-1/2 HP, 230V, 1 Phase	1	-	-
1	Motor, 2-1/2 HP, 208-230/460V, 3 Phase	1	-	-
2	Water Slinger §	1	17351-0009	17351-0009
3	Seal Plate	1	C3-52	C3-52
4	Gasket, Seal Plate §	1	C20-21	C20-21
5	Shaft Seal §	1	U109-6A	U109-6A
6	Impeller, Single Phase	1	C105-114PC	-
6	Impeller, Three Phase	1	C105-114PCA	C105-114PA
6A	Impeller Screw	1	C30-14SS	C30-14SS
7	Volute Assembly with Wear Ring	1	C101-123	C101-123
7A	Wear Ring	1	C23-19	C23-19
8	Pipe Plug, 1/4" NPT Sq. Hd.	1	U78-57DT	U78-57DT
9	Pipe Plug, 1/4" NPT Hex Hd.	3	U78-941ZPV	U78-941ZPV
10	Base with Motor Pad	1	J104-9F	J104-9F
10A	Motor Pad	1	C35-5	C35-5
11	Stud, 3/8 - 16 x 1-13/16"	4	U30-35SS	U30-29
12	Hex Nut, 3/8 - 16	4	U36-38ZP	U36-38ZP

§ Included in Seal and Gasket Kit.

### SERVICE KITS

§ Seal and Gasket Kit	PP1700	PP1700
-----------------------	--------	--------

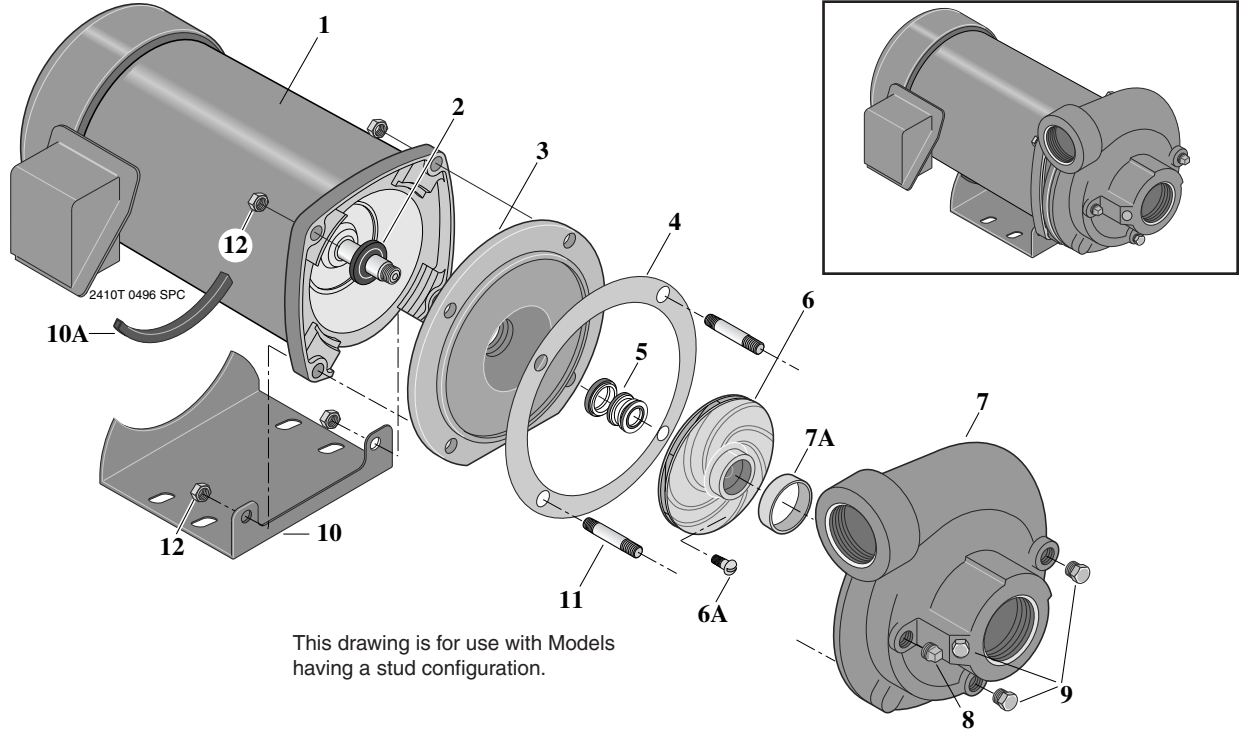


Key No.	Part Description	No. Used	JMBT-56 - 1/3 HP	JMCT-56 JMC3T-56 1/2 HP	JMDT-57 JMD3T-57 3/4 HP	JMET-58 JME3T-58 1 HP
1	Motor, 1/3 HP, 115V, 1 Phase	1	A100BH-T	-	-	-
1	Motor, 1/2 HP, 115/230V, 1 Phase	1	-	A100CL-T	-	-
1	Motor, 1/2 HP, 208-230/460V, 3 Phase	1	-	AP100CL-T	-	-
1	Motor, 3/4 HP, 115/230V, 1 Phase	1	-	-	A100DL-T	-
1	Motor, 3/4 HP, 208-230/460V, 3 Phase	1	-	-	AP100DL-T	-
1	Motor, 1 HP, 115/230V, 1 Phase	1	-	-	-	A100EL-T
1	Motor, 1 HP, 208-230/460V, 3 Phase	1	-	-	-	AP100EL-T
2	Water Slinger §	1	17351-0009	17351-0009	17351-0009	17351-0009
3	Seal Plate	1	N3-8	N3-8	N3-8	N3-8
4	Gasket, Seal Plate §	1	N20-26	N20-26	N20-26	N20-26
5	Shaft Seal §	1	U109-6A	U109-6A	U109-6A	U109-6A
6	Impeller, Single Phase	1	J105-42PHA	-	-	J105-42P
6A	Impeller, Three Phase	1	-	J105-42PHA	J105-42PJA	J105-42PPA
6A	Impeller Screw	1	-	C30-6SS	C30-6SS	C30-6SS
7	Volute Assembly with Wear Ring	1	C101-122E	C101-122E	C101-122E	C101-122
7A	Wear Ring	1	N23-7	N23-7	N23-7	N23-7
8	Pipe Plug, 1/4" NPT Hex Hd.	4	U78-941ZPV	U78-941ZPV	U78-941ZPV	U78-941ZPV
9	Base with Motor Pad	1	J104-9A	J104-9A	J104-9A	J104-9A
9A	Motor Pad	1	C35-5	C35-5	C35-5	C35-5
10	Hex Capscrew, 3/8" - 16 x 1-1/2" Lg.	2	U30-76ZP	U30-76ZP	U30-76ZP	U30-76ZP
11	Hex Capscrew, 3/8" - 16 x 1-1/4" Lg.	2	U30-75ZP	U30-75ZP	U30-75ZP	U30-75ZP

§ Included in Seal and Gasket Kit.

### SERVICE KITS

§ Seal and Gasket Kit	PP1700	PP1700	PP1700	PP1700
-----------------------	--------	--------	--------	--------

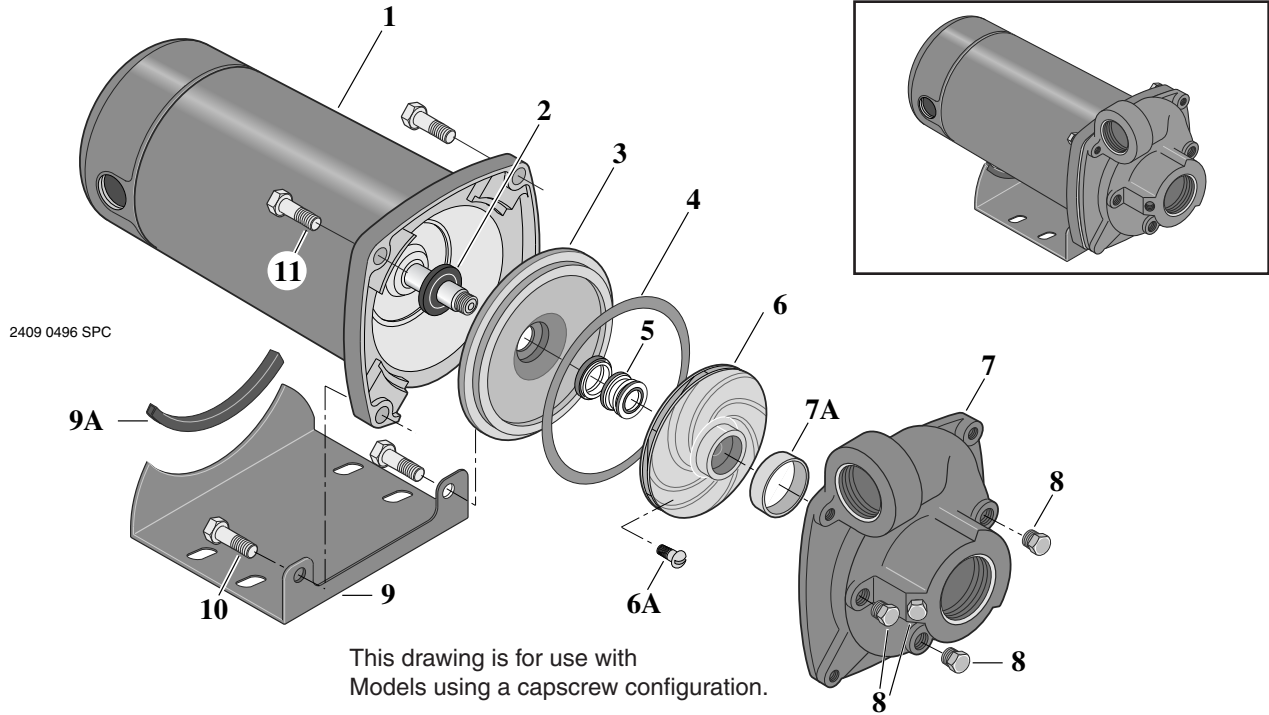


Key No.	Part Description	No. Used	JMFT-40 JMF3T-40 1-1/2 HP	JMGT-41 JMG3T-41 2 HP
1	Motor, 1-1/2 HP, 115/230V, 1 Phase	1	A100FL-T	-
1	Motor, 1-1/2 HP, 208-230/460V, 3 Phase	1	AP100FL-T	-
1	Motor, 2 HP, 230V, 1 Phase	1	-	AE100G5L-T
1	Motor, 2 HP, 208-230/460V, 3 Phase	1	-	AP100GL-T
1	Motor, 2-1/2 HP, 230V, 1 Phase	1	-	-
1	Motor, 2-1/2 HP, 208-230/460V, 3 Phase	1	-	-
2	Water Slinger §	1	17351-0009	17351-0009
3	Seal Plate	1	C3-52	C3-52
4	Gasket, Seal Plate §	1	C20-21	C20-21
5	Shaft Seal §	1	U109-6A	U109-6A
6	Impeller, Single Phase	1	C105-114PC	C105-114PA
6	Impeller, Three Phase	1	C105-114PCA	C105-114PA
6A	Impeller Screw	1	C30-14SS	C30-14SS
7	Volute Assembly with Wear Ring	1	C101-123	C101-123
7A	Wear Ring	1	C23-19	C23-19
8	Pipe Plug, 1/4" NPT Sq. Hd.	1	U78-57DT	U78-57DT
9	Pipe Plug, 1/4" NPT Hex Hd.	3	U78-941ZPV	U78-941ZPV
10	Base with Motor Pad	1	J104-9	J104-9
10A	Motor Pad	1	C35-5	C35-5
11	Stud, 3/8 - 16 x 1-13/16"	4	U30-35SS	U30-35SS
12	Hex Nut, 3/8 - 16	4	U36-38ZP	U36-38ZP

§ Included in Seal and Gasket Kit.

### SERVICE KITS

§ Seal and Gasket Kit	PP1700	PP1700
-----------------------	--------	--------

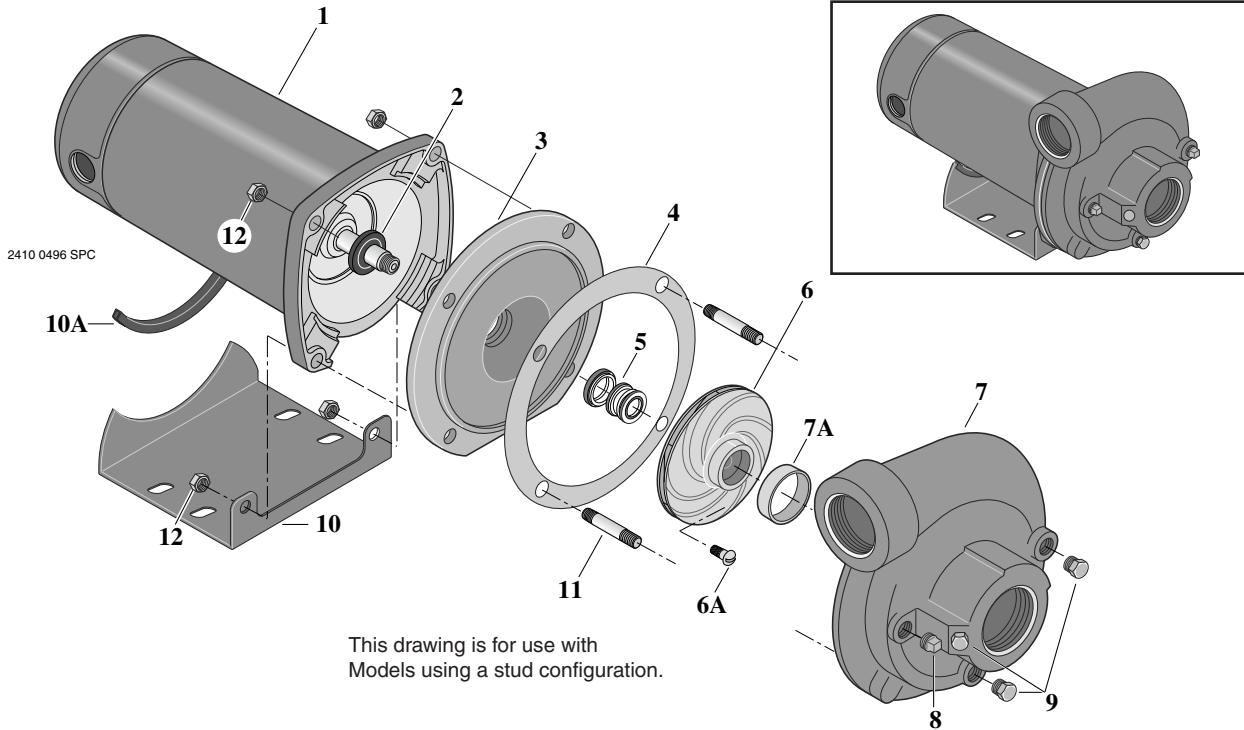


Key No.	Part Description	No. Used	JBMB-56S - 1/3 HP	JBMC-56S JBMC3-56S 1/2 HP	JBMD-57S JBMD3-57S 3/4 HP	JBME-58S JBME3-58S 1 HP
1	Motor, 1/3 HP, 115V, 1 Phase	1	AS100BHL	-	-	-
1	Motor, 1/2 HP, 115/230V, 1 Phase	1	-	A100CLL	-	-
1	Motor, 1/2 HP, 208-230/460V, 3 Phase	1	-	AP100CL	-	-
1	Motor, 3/4 HP, 115/230V, 1 Phase	1	-	-	A100DLL	-
1	Motor, 3/4 HP, 208-230/460V, 3 Phase	1	-	-	AP100DL	-
1	Motor, 1 HP, 115/230V, 1 Phase	1	-	-	-	A100ELL
1	Motor, 1 HP, 208-230/460V, 3 Phase	1	-	-	-	AP100EL
2	Water Slinger §	1	17351-0009	17351-0009	17351-0009	17351-0009
3	Seal Plate	1	N3-8	N3-8	N3-8	N3-8
4	Gasket, Seal Plate §	1	N20-26	N20-26	N20-26	N20-26
5	Shaft Seal §	1	U109-6A	U109-6A	U109-6A	U109-6A
6	Impeller, Single Phase	1	J105-42MA	J105-42MA	J105-42LA	J105-42NA
6	Impeller, Three Phase	1	-	J105-42MA	J105-42LA	J105-42NA
6A	Impeller Screw	1	-	C30-6SS	C30-6SS	C30-6SS
7	Volute Assembly with Wear Ring	1	C101-122E	C101-122E	C101-122E	C101-122
7A	Wear Ring	1	N23-7	N23-7	N23-7	N23-7
8	Pipe Plug, 1/4" NPT Hex Hd.	4	U78-941ZPV	U78-941ZPV	U78-941ZPV	U78-941ZPV
9	Base with Motor Pad	1	J104-9F	J104-9F	J104-9F	J104-9F
9A	Motor Pad	1	C35-5	C35-5	C35-5	C35-5
10	Hex Capscrew, 3/8" - 16 x 1-1/2" Lg.	2	U30-76ZP	U30-76ZP	U30-76ZP	U30-76ZP
11	Hex Capscrew, 3/8" - 16 x 1-1/4" Lg.	2	U30-75ZP	U30-75ZP	U30-75ZP	U30-75ZP

§ Included in Seal and Gasket Kit.

### SERVICE KITS

§ Seal and Gasket Kit (J Series)	PP1700	PP1700	PP1700	PP1700
----------------------------------	--------	--------	--------	--------



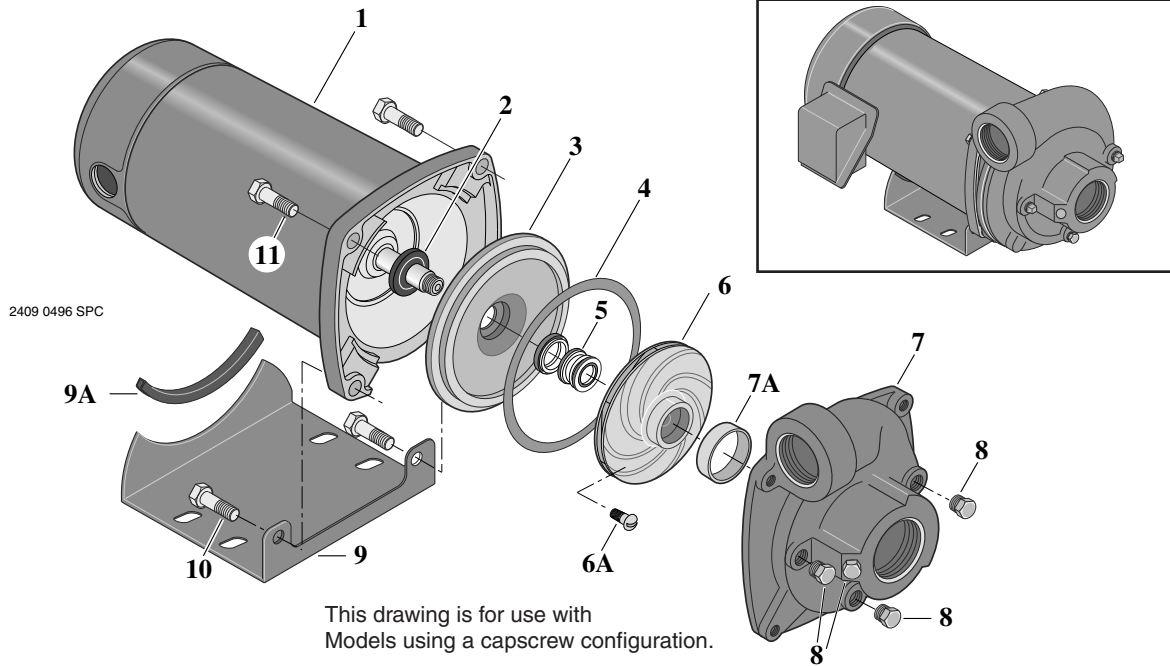
Key No.	Part Description	No. Used	JBMF-40S JBMF3-40S 1-1/2 HP	JBMG-41S JBMG3-41S 2 HP	JBMMG-59S JBMMG3-59S 2-1/2 HP
1	Motor, 1-1/2 HP, 115/230V, 1 Phase	1	A100FLL	-	-
1	Motor, 1-1/2 HP, 208-230/460V, 3 Phase	1	AP100FL	-	-
1	Motor, 2 HP, 230V, 1 Phase	1	-	A100GSL	-
1	Motor, 2 HP, 208-230/460V, 3 Phase	1	-	AP100GL	-
1	Motor, 2-1/2 HP, 230V, 1 Phase	1	-	-	AE100G5LL
1	Motor, 2-1/2 HP, 208-230/460V, 3 Phase	1	-	-	AP100G5L
2	Water Slinger §	1	17351-0009	17351-0009	17351-0009
3	Seal Plate	1	C3-52	C3-52	C3-52
4	Gasket, Seal Plate §	1	C20-21	C20-21	C20-21
5	Shaft Seal §	1	U109-6A	U109-6A	U109-6A
6	Impeller, Single Phase	1	C105-79	-	-
6	Impeller, Three Phase	1	C105-79B	C105-73BA	C105-80DA
6A	Impeller Screw	1	C30-14SS	C30-14SS	C30-14SS
7	Volute Assembly with Wear Ring	1	C101-123	C101-123	C101-123B
7A	Wear Ring	1	C23-19	C23-19	C23-19
8	Pipe Plug, 1/4" NPT Sq. Hd.	1	U78-57DT	U78-57DT	U78-57DT
9	Pipe Plug, 1/4" NPT Hex Hd.	3	U78-941ZPV	U78-941ZPV	U78-941ZPV
10	Base with Motor Pad	1	J104-9F	J104-9F	J104-9F
10A	Motor Pad	1	C35-5	C35-5	C35-5
11	Stud, 3/8 - 16 x 1-13/16"	4	U30-35SS	U30-35SS	U30-35SS
12	Hex Nut, 3/8 - 16	4	U36-38ZP	U36-38ZP	U36-38ZP

§ Included in Seal and Gasket Kit.

### SERVICE KITS

§ Seal and Gasket Kit (J Series)	PP1700	PP1700	PP1700
----------------------------------	--------	--------	--------





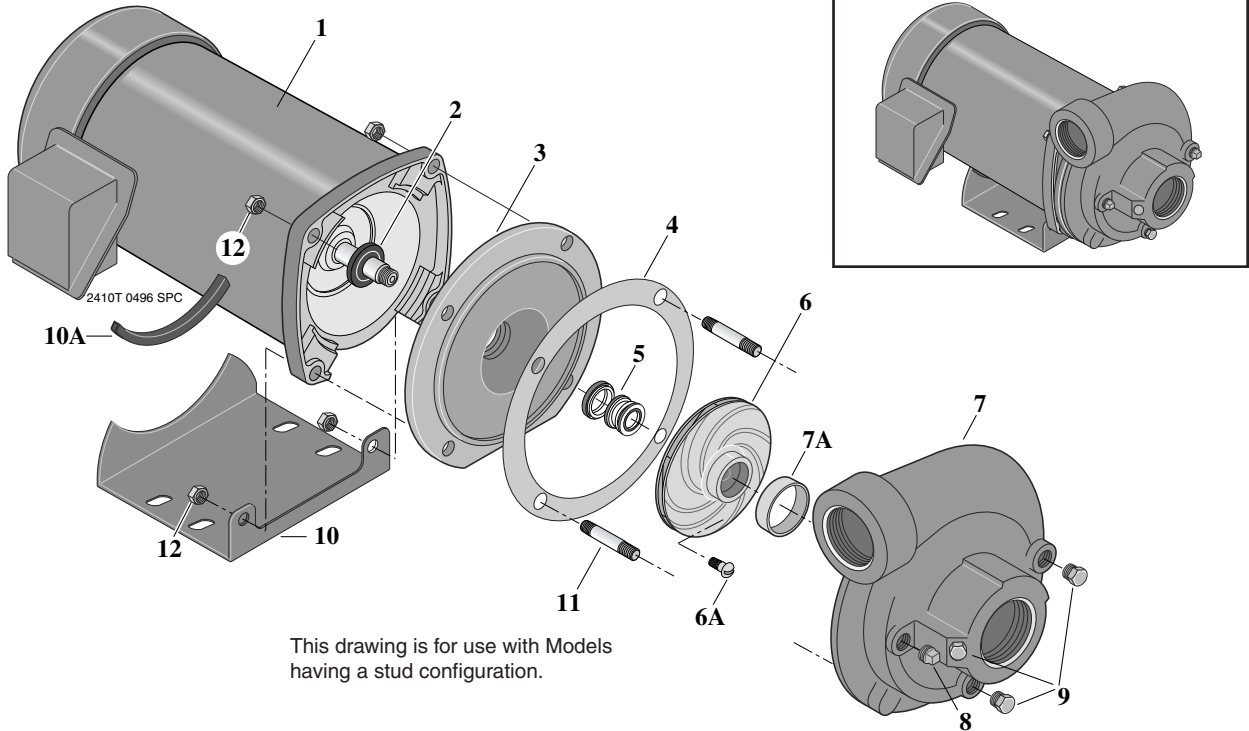
Key No.	Part Description	No. Used	JBMBT-56S - 1/3 HP	JBMCT-56S JBMC3T-56S 1/2 HP	JBMDT-57S JBMD3T-57S 3/4 HP	JBMET-58S JBME3T-58S 1 HP
1	Motor, 1/3 HP, 115V, 1 Phase	1	A100BH-T	-	-	-
1	Motor, 1/2 HP, 115/230V, 1 Phase	1	-	A100CL-T	-	-
1	Motor, 1/2 HP, 208-230/460V, 3 Phase	1	-	AP100CL-T	-	-
1	Motor, 3/4 HP, 115/230V, 1 Phase	1	-	-	A100DL-T	-
1	Motor, 3/4 HP, 208-230/460V, 3 Phase	1	-	-	AP100DL-T	-
1	Motor, 1 HP, 115/230V, 1 Phase	1	-	-	-	A100EL-T
1	Motor, 1 HP, 208-230/460V, 3 Phase	1	-	-	-	AP100EL-T
2	Water Slinger §	1	17351-0009	17351-0009	17351-0009	17351-0009
3	Seal Plate	1	N3-8	N3-8	N3-8	N3-8
4	Gasket, Seal Plate §	1	N20-26	N20-26	N20-26	N20-26
5	Shaft Seal §	1	U109-6A	U109-6A	-	U109-6A
5	Shaft Seal * §	1	-	-	U109-118	U109-118
6	Impeller, Single Phase	1	J105-42MA	J105-42MA	-	J105-42NA
6	Impeller, Three Phase	1	-	C105-42CA	J105-42BA	J105-42HA
6A	Impeller Screw	1	-	C30-6SS	C30-6SS	C30-6SS
7	Volute Assembly with Wear Ring	1	C101-122E	C101-122E	C101-122E	C101-122
7A	Wear Ring	1	N23-7	N23-7	N23-7	N23-7
8	Pipe Plug, 1/4" NPT Hex Hd.	4	U78-941ZPV	U78-941ZPV	U78-941ZPV	U78-941ZPV
9	Base with Motor Pad	1	J104-9A	J104-9A	J104-9A	J104-9A
9A	Motor Pad	1	C35-5	C35-5	C35-5	C35-5
10	Hex Capscrew, 3/8" - 16 x 1-1/2" Lg.	2	U30-76ZP	U30-76ZP	U30-76ZP	U30-76ZP
11	Hex Capscrew, 3/8" - 16 x 1-1/4" Lg.	2	U30-75ZP	U30-75ZP	U30-75ZP	U30-75ZP

\* Used on Models JBMD3T-57S and JBME3T-58S.

§ Included in Seal and Gasket Kit.

### SERVICE KITS

§ Seal and Gasket Kit (J Series)	PP1700	PP1700	PP1700	PP1700
----------------------------------	--------	--------	--------	--------



Key No.	Part Description	No. Used	JBMFT-40S JBMF3T-40S 1-1/2 HP	JBMGT-41S JBMG3T-41S 2 HP	JBMMGT-59S JBM MG3T-59S 2-1/2 HP
1	Motor, 1-1/2 HP, 115/230V, 1 Phase	1	A100FL-T	-	-
1	Motor, 1-1/2 HP, 208-230/460V, 3 Phase	1	AP100FL-T	-	-
1	Motor, 2 HP, 230V, 1 Phase	1	-	AE100GL-T	-
1	Motor, 2 HP, 208-230/460V, 3 Phase	1	-	AP100GL-T	-
1	Motor, 2-1/2 HP, 230V, 1 Phase	1	-	-	AE100G5L-T
1	Motor, 2-1/2 HP, 208-230/460V, 3 Phase	1	-	-	AP100G5L-T
2	Water Slinger §	1	17351-0009	17351-0009	17351-0009
3	Seal Plate	1	C3-52	C3-52	C3-52
4	Gasket, Seal Plate §	1	C20-21	C20-21	C20-21
5	Shaft Seal §	1	U109-6A	U109-6A	U109-6A
6	Impeller, Single Phase	1	C105-79B	-	-
6	Impeller, Three Phase	1	C105-79BA	C105-73BA	C105-80DA
6A	Impeller Screw	1	C30-14SS	C30-14SS	C30-14SS
7	Volute Assembly with Wear Ring	1	C101-123	C101-123	C101-123B
7A	Wear Ring	1	C23-19	C23-19	C23-19
8	Pipe Plug, 1/4" NPT Sq. Hd.	1	U78-57DT	U78-57DT	U78-57DT
9	Pipe Plug, 1/4" NPT Hex Hd.	3	U78-941ZPV	U78-941ZPV	U78-941ZPV
10	Base with Motor Pad	1	J104-9A	J104-9A	J104-9A
10A	Motor Pad	1	C35-5	C35-5	C35-5
11	Stud, 3/8 - 16 x 2"	4	U30-35SS	U30-35SS	U30-35SS
12	Hex Nut, 3/8 - 16	4	U36-38ZP	U36-38ZP	U36-38ZP

§ Included in Seal and Gasket Kit.

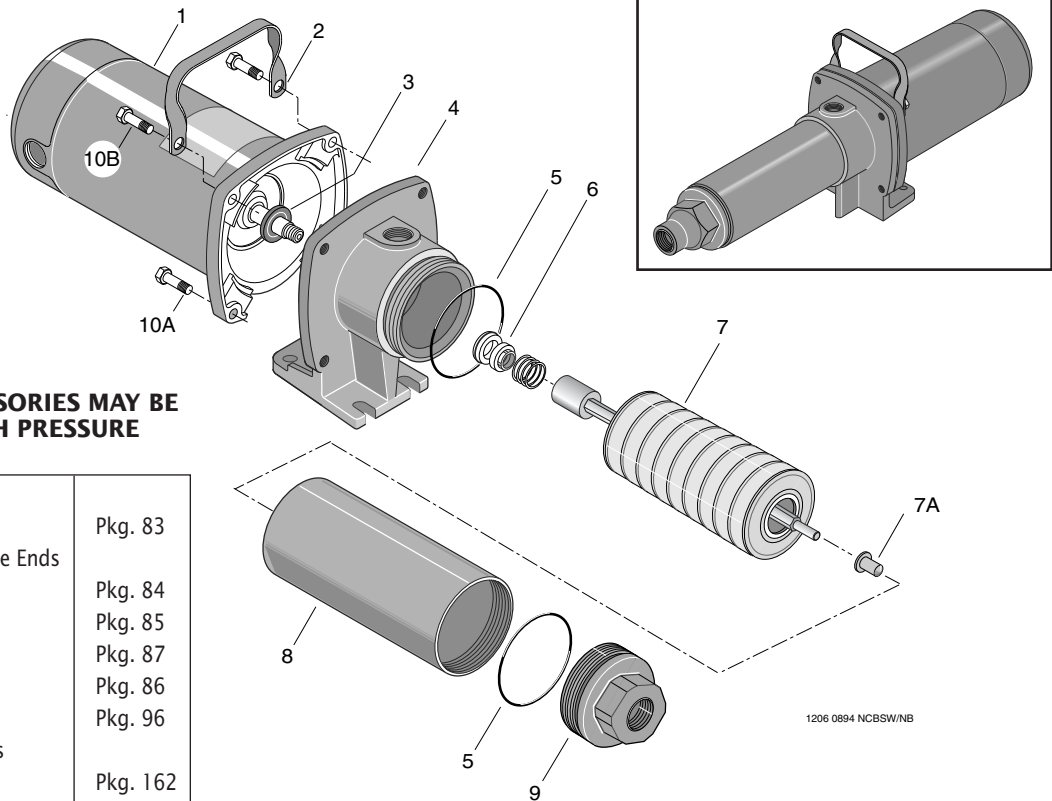
### SERVICE KITS

§ Seal and Gasket Kit (J Series)	PP1700	PP1700	PP1700
----------------------------------	--------	--------	--------

# high pressure booster pumps

## HP series

### 7 thru 10 Gallons



#### THE FOLLOWING ACCESSORIES MAY BE ORDERED FOR THE HIGH PRESSURE BOOSTER PUMPS

Hose 6'-3/4" w/Female Ends (150 PSI Rating)	Pkg. 83
Hose 25'-3/4" w/Male & Female Ends (150 PSI Rating)	Pkg. 84
Adapter 3/4" NPT x 3/4" Hose	Pkg. 85
Sprayer Gun	Pkg. 87
Nozzle - High Pressure	Pkg. 86
Suction Vacuum Relief Valve	Pkg. 96
Hose 25' - 1" ID with 3/4" Ends (315 PSI Rating)	Pkg. 162

Key No.	Part Description	No. Used	HP7C-02 HP7C3-02 HP10C-02 HP10C3-02 1/2 HP	HP7D-02 HP7D3-02 HP10D-02 HP10D3-02 3/4 HP	HP7E-02 HP7E3-02 HP10E-02 HP10E3-02 1 HP	HP10F-02 HP10F3-02 1-1/2 HP	HP10G-02 HP10G3-02 2 HP
1	Motor - 115/230 Volt, 1 Phase	1	A100CHL	A100DHL	A100EHL	A100FHL	AE100GSL
1	Motor - 208-230/460 Volt, 3 Phase	1	AP100CH	AP100DL2	AP100EH	AP100FH	AP100GH
2	Handle †	1	C54-21	C54-21	C54-21	-	-
3	Water Slinger	1	17351-0009	17351-0009	17351-0009	17351-0009	17351-0009
4	Pump Body	1	C2-85	C2-85	C2-85	C2-85	C2-85
5	O-Ring	2	U9-430	U9-430	U9-430	U9-430	U9-430
6	Shaft Seal Assembly	1	U9-118	U9-118	U9-118	U9-118	U9-118
7	Pump Stack (7 GPM Pump)	1	P325-422	P325-423	P325-424	-	-
7	Pump Stack (10 GPM Pump)	1	P325-425	P325-426	P325-439	P325-428	P325-429
7A	Nylatron Bearing (included with Key No. 9)	1	W31112	W31112	W31112	W31112	W31112
8	Pump Shell (7 GPM Pump)	1	P56-430SSL	P56-431SSL	P56-432SSL	-	-
8	Pump Shell (10 GPM Pump)	1	P56-460SSL	P56-461SSL	P56-469SSL	P56-452SSL	P56-432SSL
9	Discharge Assembly	1	C152-3	C152-3	C152-3	C152-3	C152-4
10A	Capscrew - 3/8 x 16 x 1-1/4"	2	U30-75ZP	U30-75ZP	U30-75ZP	U30-75ZP	U30-75ZP
10B	Capscrew - 3/8 x 16 x 1-1/2"	2	U30-76ZP	U30-76ZP	U30-76ZP	-	-
▪	Cord Connector**	1	U71-7	U71-7	-	-	-
▪	Cord**	1	U17-402	U17-1238	-	-	-

\* HP10C, HP10D, HP10F, and HP10G Series Model Numbers use (4) U30-75ZP capscrews.

† Handle comes with HP7, HP10E, and HP20 Series Model Numbers only.

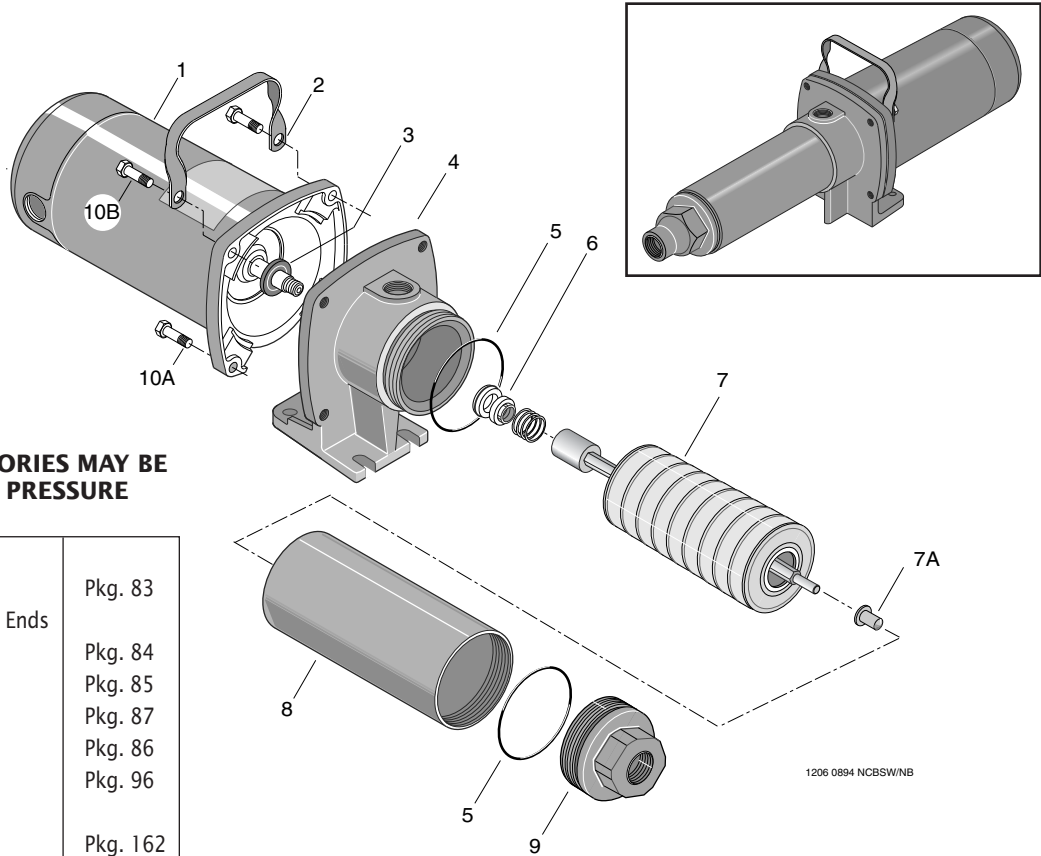
\*\* Included with Model Numbers HP7C-01 and the HP7D Series Model Numbers.

▪ Not Illustrated.

# high pressure booster pumps

**HP series**

**20 Gallons**



**THE FOLLOWING ACCESSORIES MAY BE ORDERED FOR THE HIGH PRESSURE BOOSTER PUMPS**

Hose 6'-3/4" w/Female Ends (150 PSI Rating)	Pkg. 83
Hose 25'-3/4" w/Male & Female Ends (150 PSI Rating)	Pkg. 84
Adapter 3/4" NPT x 3/4" Hose	Pkg. 85
Sprayer Gun	Pkg. 87
Nozzle - High Pressure	Pkg. 86
Suction Vacuum Relief Valve	Pkg. 96
Hose 25' - 1" ID with 3/4" Ends (315 PSI Rating)	Pkg. 162

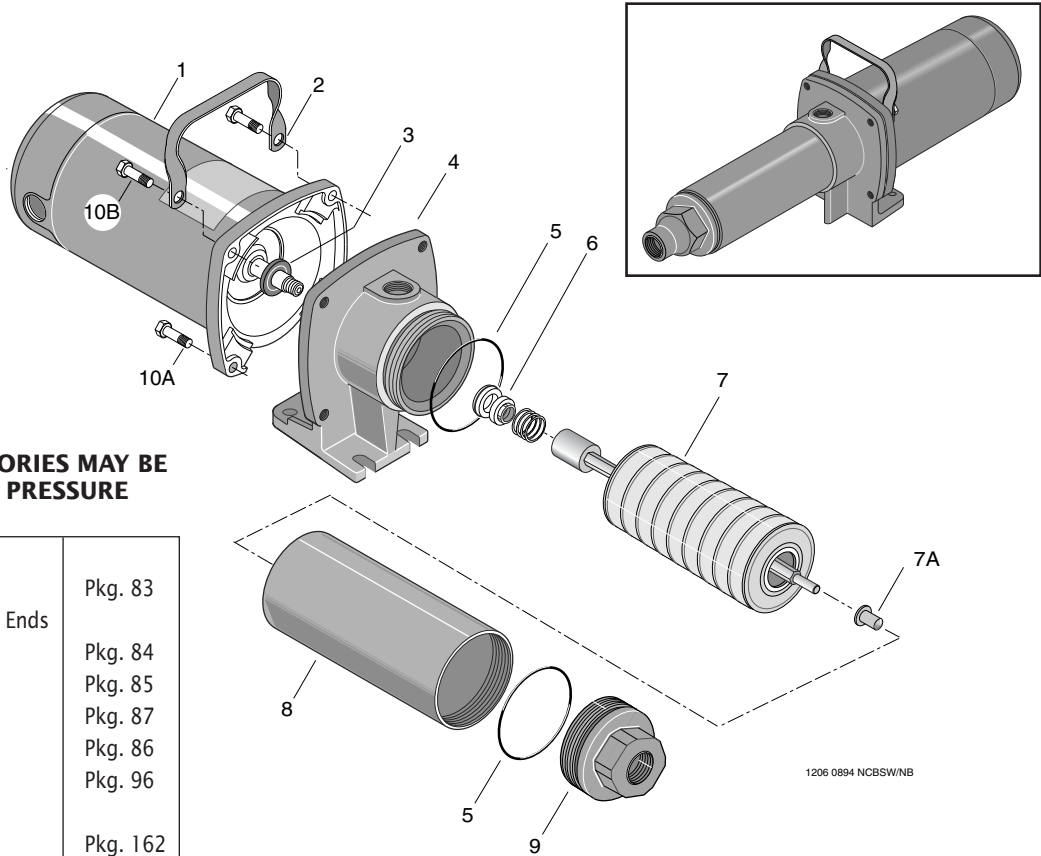
1206 0894 NCBSWNB

Key No.	Part Description	No. Used	HP20E-02 HP20E3-02 1 HP	HP20F-02 HP20F3-02 1-1/2 HP	HP20G-02 HP20G3-02 2 HP	HP20H-01 HP20H3-01 2 HP
1	Motor - 115/230 Volt, 1 Phase	1	A100EHL	A100GSL	AE100G5L	-
1	Motor - 230 Volt, 1 Phase	1	-	-	-	AE100HLL
1	Motor - 208-230/460 Volt, 3 Phase	1	AP100EL2	AP100FHP	AP100GH	AP100HL
1	Motor - 230 Volt, 1 Phase, TEFC	1	-	-	-	J218-1035
1	Motor - 208-230/460 Volt, 3 Phase, TEFC	1	-	-	-	J218-1036
2	Handle	1	C54-21	C54-21	C54-21	C54-21
3	Water Slinger	1	17351-0009	17351-0009	17351-0009	17351-0009
4	Pump Body	1	C2-86SSA	C2-85A	C2-85A	C2-85A
5	O-Ring	2	U9-430	U9-430	U9-430	U9-430
6	Shaft Seal Assembly	1	U9-118	U9-118	U9-118	U9-118
7	Pump Stack	1	P325-440R	P325-431	P325-432	P325-718R
7A	Nylatron Bearing (included with Key No. 9)	1	W31112	W31112	W31112	W31112
8	Pump Shell	1	P56-433SSL	P56-434SSL	P56-452SSL	P56-620SSL
9	Discharge Assembly	1	C152-3A	C152-3A	C152-3A	C152-3A
10A	Capscrew - 3/8 x 16 x 1-1/4"	2	U30-75ZP	U30-75ZP	U30-75ZP	U30-75ZP
10B	Capscrew - 3/8 x 16 x 1-1/2"	2	U30-76ZP	U30-76ZP	U30-76ZP	U30-76ZP

# high pressure booster pumps

**HP series**

**30 Gallons**



**THE FOLLOWING ACCESSORIES MAY BE ORDERED FOR THE HIGH PRESSURE BOOSTER PUMPS**

Hose 6'-3/4" w/Female Ends (150 PSI Rating)	Pkg. 83
Hose 25'-3/4" w/Male & Female Ends (150 PSI Rating)	Pkg. 84
Adapter 3/4" NPT x 3/4" Hose	Pkg. 85
Sprayer Gun	Pkg. 87
Nozzle - High Pressure	Pkg. 86
Suction Vacuum Relief Valve	Pkg. 96
Hose 25' - 1" ID with 3/4" Ends (315 PSI Rating)	Pkg. 162

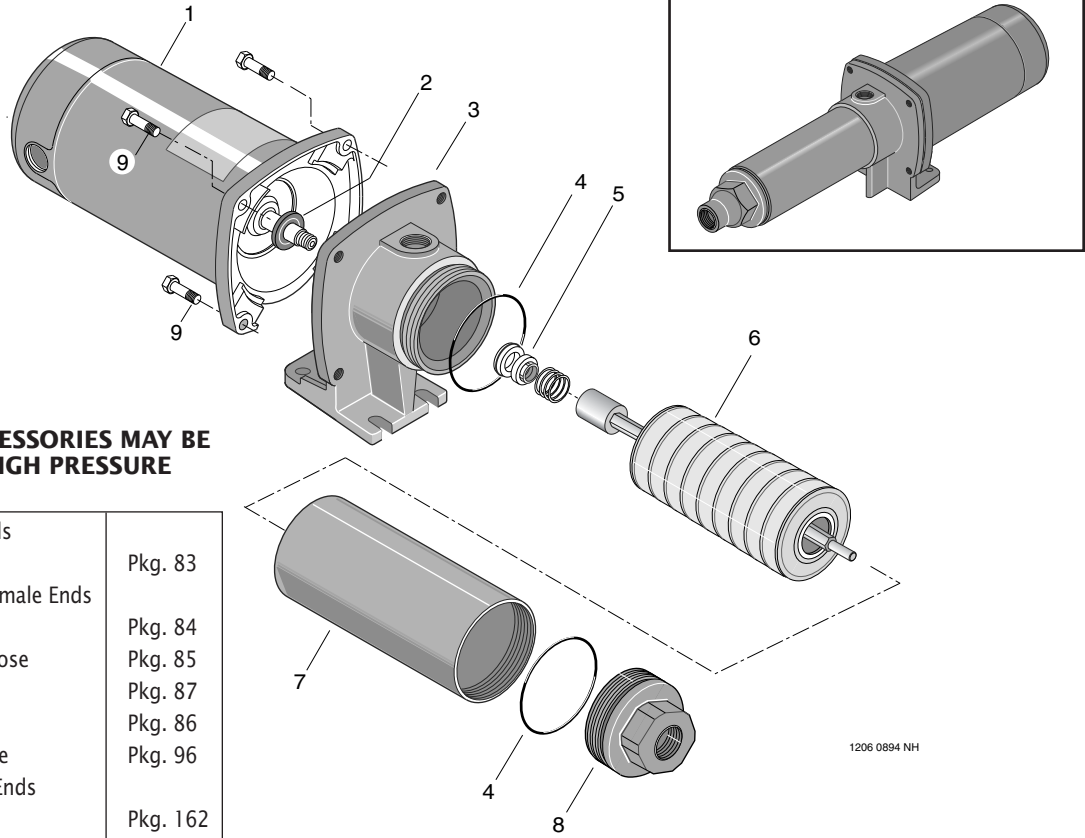
1206 0894 NCBSWNB

Key No.	Part Description	No. Used	HP30E-02 HP30E3-02 1 HP	HP30F-02 HP30F3-02 1-1/2 HP	HP30G-02 HP30G3-02 2 HP	HP30H-02 HP30H3-02 2 HP
1	Motor - 115/230 Volt, 1 Phase	1	A100EHL	AE100FHL	-	-
1	Motor - 230 Volt, 1 Phase	1	-	-	A100GSL	AE100HLL
1	Motor - 208-230/460 Volt, 3 Phase	1	AP100EH	AP100FH	AP100GH	AP100HL
1	Motor - 230 Volt, 1 Phase, TEFC	1	A100FL-T	AE100GL-T	AE100G5L-T	J218-1035
1	Motor - 208-230/460 Volt, 3 Phase, TEFC	1	AP100FL-T	AP100GL-T	AP100G5L-T	J218-1036
2	Handle	1	C54-21	C54-21	C54-21	C54-21
3	Water Slinger	1	17351-0009	17351-0009	17351-0009	17351-0009
4	Pump Body	1	C2-85B	C2-85B	C2-85B	C2-85B
5	O-Ring	2	U9-430	U9-430	U9-430	U9-430
6	Shaft Seal Assembly	1	U9-118	U9-118	U9-118	U9-118
7	Pump Stack	1	P325-719R	P325-720R	P325-721R	P325-722
7A	Nylatron Bearing (included with Key No. 9)	1	W31112	W31112	W31112	W31112
8	Pump Shell	1	P56-621SSL	P56-622SSL	P56-434SSL	P56-615SSL
9	Discharge Assembly	1	C152-3B	C152-3B	C152-3B	C152-3B
10A	Capscrew - 3/8 x 16 x 1-1/4"	2	U30-75ZP	U30-75ZP	U30-75ZP	U30-75ZP
10B	Capscrew - 3/8 x 16 x 1-1/2"	2	U30-76ZP	U30-76ZP	U30-76ZP	U30-76ZP

# stainless steel high pressure booster pumps

## HPS series

### 7 thru 10 Gallons



**THE FOLLOWING ACCESSORIES MAY BE ORDERED FOR THE HIGH PRESSURE BOOSTER PUMPS**

Hose 6'-3/4" w/Female Ends (150 PSI Rating)	Pkg. 83
Hose 25'-3/4" w/Male & Female Ends (150 PSI Rating)	Pkg. 84
Adapter 3/4" NPT x 3/4" Hose	Pkg. 85
Sprayer Gun	Pkg. 87
Nozzle - High Pressure	Pkg. 86
Suction Vacuum Relief Valve	Pkg. 96
Hose 25' - 1" ID with 3/4" Ends (315 PSI Rating)	Pkg. 162

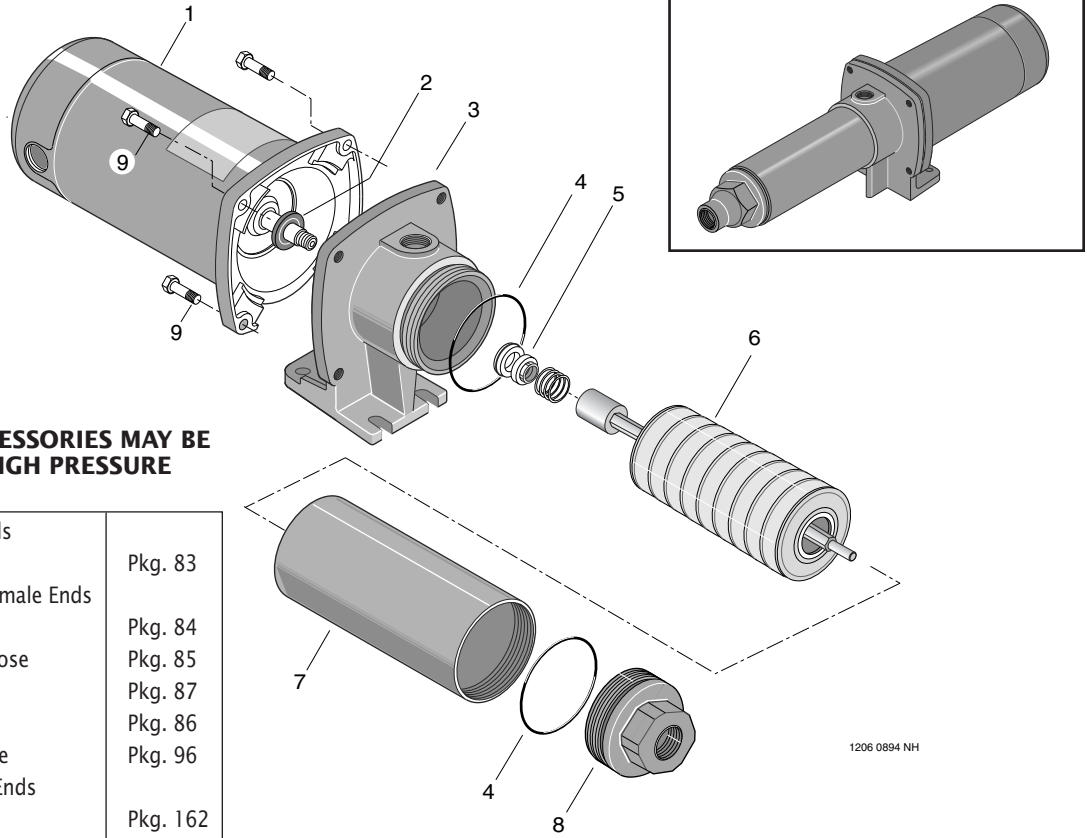
1206 0894 NH

Key No.	Part Description	No. Used	HPS7C-01 HPS7C3-01 HPS10C-01 HPS10C3-01 1/2 HP	HPS7D-01 HPS7D3-01 HPS10D-01 HPS10D3-01 3/4 HP	HPS7E-01 HPS7E3-01 HPS10E-01 HPS10E3-01 1HP	HPS10F-01 HPS10F3-01 1-1/2 HP	HPS10G-01 HPS10G3-01 2 HP
1	Motor - 115/230 Volt, 1 Phase	1	A100DHL	A100DHL	A100FLL	A100GSL	AE100G5L
1	Motor - 208-230/460, 3 Phase	1	AP100CH	AP100DL2	AP100EH	AP100FH	AP100GH
2	Water Slinger	1	17351-0009	17351-0009	17351-0009	17351-0009	17351-0009
3	Pump Body	1	C2-86SS	C2-86SS	C2-86SS	C2-86SS	C2-86SS
4	O-Ring	2	U9-430	U9-430	U9-430	U9-430	U9-430
5	Shaft Seal Assembly	1	U9-118	U9-118	U9-118	U9-118	U9-118
6	Pump Stack (7 GPM)	1	P325-422	P325-423	P325-424	-	-
6	Pump Stack (10 GPM)	1	P325-425	P325-426	P325-439	P325-428	P325-429
6A	Nylatron Bearing (included with Key No. 8)	1	W31112	W31112	W31112	W31112	W31112
7	Pump Shell (7GPM)	1	P56-430SSL	P56-431SSL	P56-432SSL	-	-
7	Pump Shell (10GPM)	1	P56-460SSL	P56-461SSL	P56-469SSL	P56-452SSL	P56-432SSL
8	Discharge Assembly	1	C152-4	C152-4	C152-4	C152-4	C152-4
9	Capscrew, 3/8 x 16 x 1-1/4", S.S.	4	U30-75SS	U30-75SS	U30-75SS	U30-75SS	U30-75SS

# stainless steel high pressure booster pumps

## HPS series

### 20 Gallons



#### THE FOLLOWING ACCESSORIES MAY BE ORDERED FOR THE HIGH PRESSURE BOOSTER PUMPS

Hose 6'-3/4" w/Female Ends (150 PSI Rating)	Pkg. 83
Hose 25'-3/4" w/Male & Female Ends (150 PSI Rating)	Pkg. 84
Adapter 3/4" NPT x 3/4" Hose	Pkg. 85
Sprayer Gun	Pkg. 87
Nozzle - High Pressure	Pkg. 86
Suction Vacuum Relief Valve	Pkg. 96
Hose 25' - 1" ID with 3/4" Ends (315 PSI Rating)	Pkg. 162

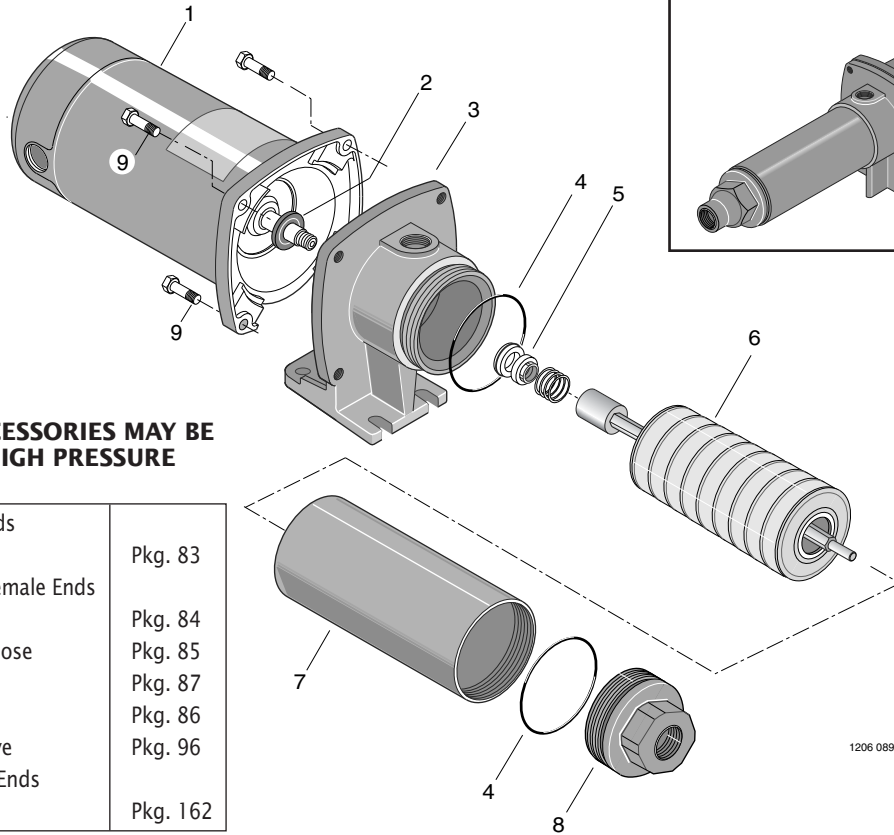
Key No.	Part Description	No. Used	HPS20E-01 HPS20E3-01 1HP	HPS20F-01 HPS20F3-01 1-1/2 HP	HPS20G-01 HPS20G3-01 2 HP	HPS20H-01 HPS20H3-01 3 HP
1	Motor - 115/230 Volt, 1 Phase	1	J218-956C	A100GSL	AE100G5L	-
1	Motor - 230 Volt, 1 Phase	1	-	-	-	AE100HLL
1	Motor - 230/460, 3 Phase	1	AP100EL2	AP100FH	AP100GH	AP100HL
1	Motor - 230 Volt, 1 Phase, TEFC	1	-	-	-	J218-1035
1	Motor - 208-230/460 Volt, 3 Phase, TEFC	1	-	-	-	J218-1036
2	Water Slinger	1	17351-0009	17351-0009	17351-0009	17351-0009
3	Pump Body	1	C2-86SSA	C2-86SSA	C2-86SSA	C2-86SSA
4	O-Ring	2	U9-430	U9-430	U9-430	U9-430
5	Shaft Seal Assembly	1	U9-118	U9-118	U9-118	U9-118
6	Pump Stack (HPS20/1 Phase)	1	P325-440	P325-431	P325-432	P325-718R
6	Pump Stack (HPS20/3 Phase)	1	P325-430	P325-431	P325-432	-
6A	Nylatron Bearing (included with Key No. 8)	1	W31112	W31112	W31112	W31112
7	Pump Shell (HPS20/1 Phase)	1	P56-470SSL	P56-434SSL	P56-452SSL	P56-620SSL
7	Pump Shell (HPS20/3 Phase)	1	P56-433SSL	P56-434SSL	P56-452SSL	-
8	Discharge Assembly	1	C152-4	C152-4	C152-4	C152-4A
9	Capscrew 3/8 x 16 x 1-1/4"	2	U30-75ZP*	U30-75ZP	U30-75ZP	U30-75ZP
9	Capscrew 3/8 x 16 x 1-1/2"	2	U30-76ZP	U30-76ZP	U30-76ZP	U30-76ZP

\* Model Number HP20E-01 uses (4) U40-75SS Capscrews.

# stainless steel high pressure booster pumps

## HPS series

### 30 Gallons



1206 0894 NH

#### THE FOLLOWING ACCESSORIES MAY BE ORDERED FOR THE HIGH PRESSURE BOOSTER PUMPS

Hose 6'-3/4" w/Female Ends (150 PSI Rating)	Pkg. 83
Hose 25'-3/4" w/Male & Female Ends (150 PSI Rating)	Pkg. 84
Adapter 3/4" NPT x 3/4" Hose	Pkg. 85
Sprayer Gun	Pkg. 87
Nozzle - High Pressure	Pkg. 86
Suction Vacuum Relief Valve	Pkg. 96
Hose 25' - 1" ID with 3/4" Ends (315 PSI Rating)	Pkg. 162

Key No.	Part Description	No. Used	HPS30E-01 HPS30E3-01 1HP	HPS30F-01 HPS30F3-01 1-1/2 HP	HPS30G-01 HPS30G3-01 2 HP	HPS30H-01 HPS30H3-01 3 HP
1	Motor - 115/230 Volt, 1 Phase	1	A100EHL	AE100FHL	-	-
1	Motor - 230 Volt, 1 Phase	1	-	-	A100GSL	AE100HLL
1	Motor - 230/460, 3 Phase	1	AP100EH	AP100FH	AP100GH	AP100H
1	Motor - 230 Volt, 1 Phase, TEFC	1	A100FL-T	AE100GL-T	AE100G5L-T	J218-1035
1	Motor - 208-230/460 Volt, 3 Phase, TEFC	1	AP100FL-T	AP100GL-T	AP100G5L-T	J218-1036
2	Water Slinger	1	17351-0009	17351-0009	17351-0009	17351-0009
3	Pump Body	1	C2-86SSB	C2-86SSB	C2-86SSB	C2-86SSB
4	O-Ring	2	U9-430	U9-430	U9-430	U9-430
5	Shaft Seal Assembly	1	U9-118	U9-118	U9-118	U9-118
6	Pump Stack	1	P325-719R	P325-720R	P325-721R	P325-722R
6A	Nylatron Bearing (included with Key No. 8)	1	W31112	W31112	W31112	W31112
7	Pump Shell	1	P56-621SSL	P56-622SSL	P56-434SSL	P56-615SSL
8	Discharge Assembly	1	C152-4	C152-4	C152-4	C152-4A
9	Capscrew 3/8 x 16 x 1-1/4"	2	U30-75ZP*	U30-75ZP	U30-75ZP	U30-75ZP
9	Capscrew 3/8 x 16 x 1-1/2"	2	U30-76ZP	U30-76ZP	U30-76ZP	U30-76ZP

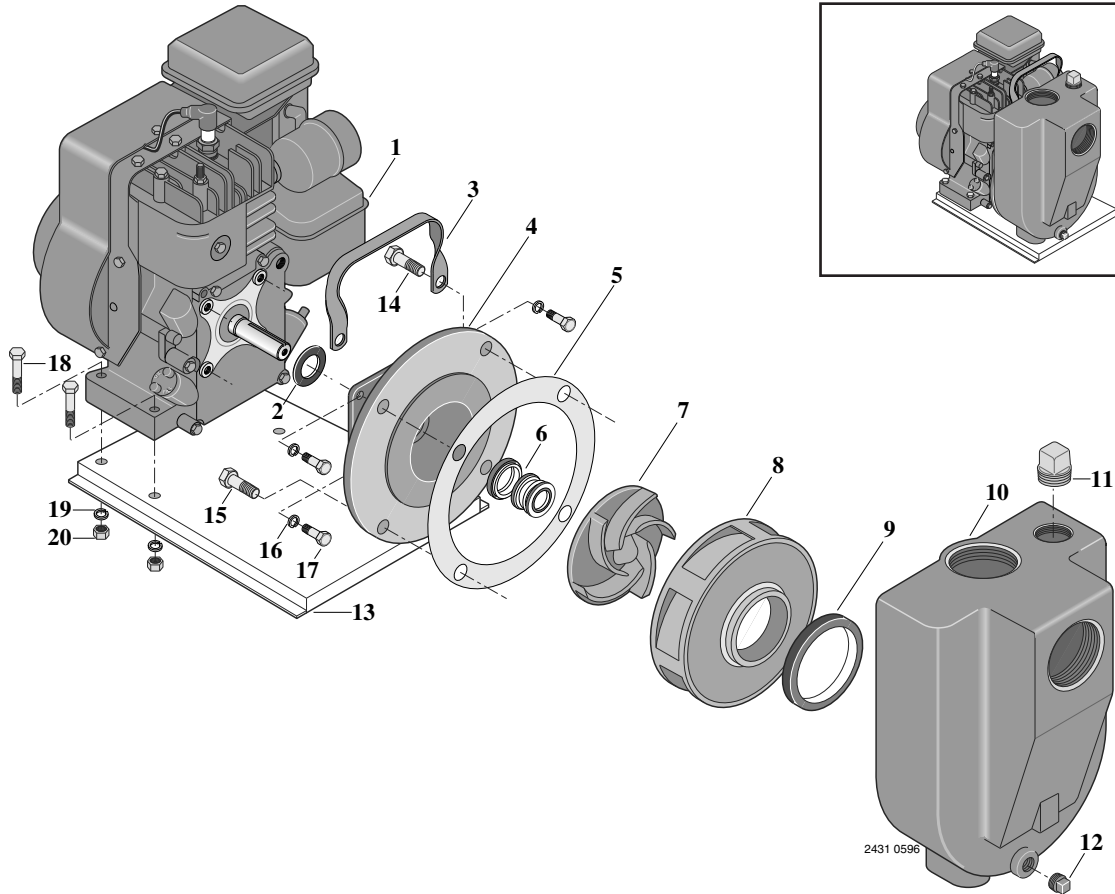
\* Model Number HP20E-01 uses (4) U40-75SS Capscrews.



# engine drive self-priming pump

**EDD series**

**3 HP**

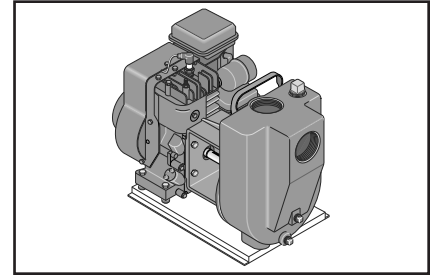
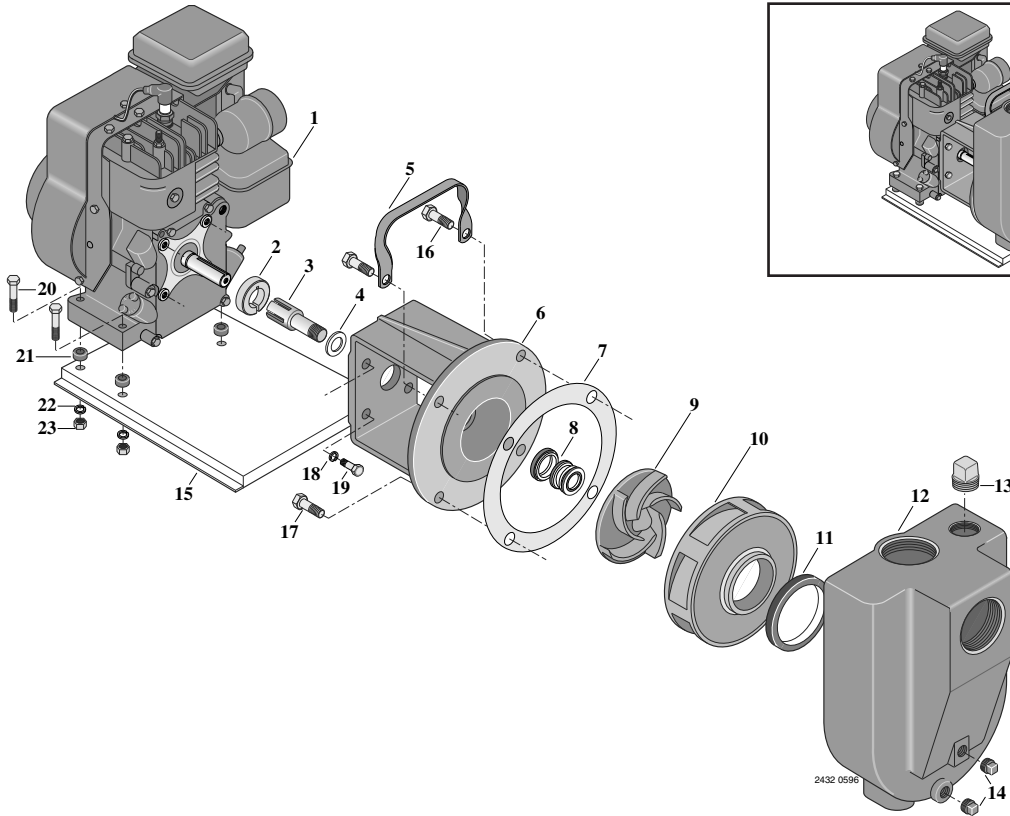


Key No.	Part Description	No. Used	Model and Horsepower
			EDDH-29R 3 HP
1	Gasoline Engine, 3 HP	1	U277-24R
2	Water Slinger	1	17351-0009
3	Handle	1	C54-29
4	Adapter	1	C2-14B
5	Gasket, Adapter to Pump	1	C20-21
6	Mechanical Shaft Seal	1	U109-6A
7	Impeller	1	C5-60
8	Diffuser	1	C1-51
9	Diffuser Ring	1	C21-2
10	Pump Body	1	C76-52F
11	Pipe Plug, 3/4" NPT Sq. Hd.	1	U78-60ZPS
12	Pipe Plug, 1/4" NPT Hex Hd.	1	U78-941ZP
13	Base	1	C104-9
14	Hex Capscrew, 3/8 - 16 x 7/8" Lg.	2	U30-73ZP
15	Hex Capscrew, 3/8 - 16 x 3/4" Lg.	2	U30-72ZP
16	Lockwasher, 5/16"	4	U43-11ZP
17	Hex Capscrew, 5/16" - 24 x 7/8" Lg.	4	U30-777ZP
18	Hex Capscrew, 5/16" - 18 x 1-1/4" Lg.	4	U30-64ZP
19	Lockwasher, 5/16"	4	U43-11ZP
20	Nut, Hex 5/16 - 18	4	U36-37ZP

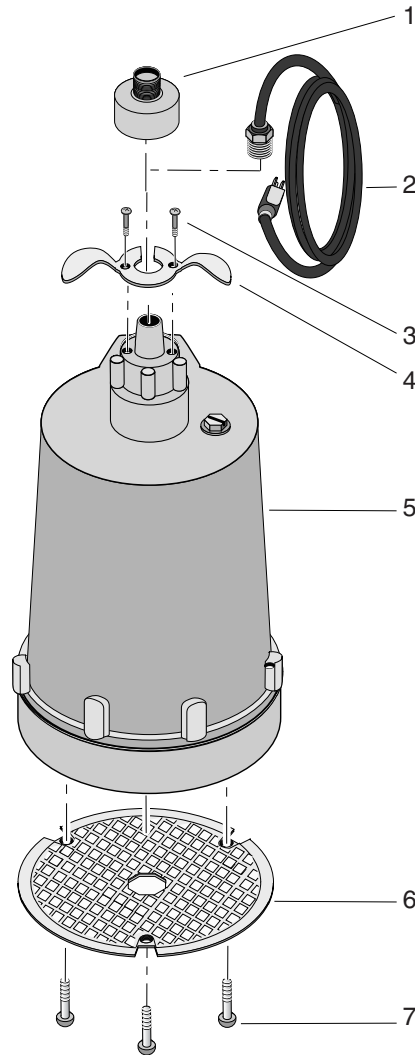
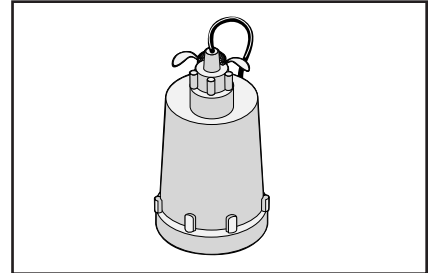
# engine drive self-priming pump

**EEDD series**

**3 HP**

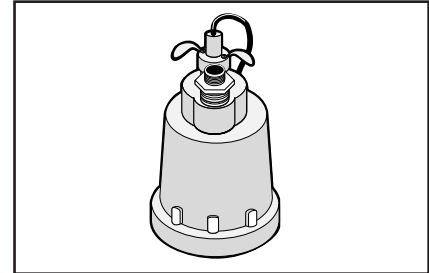
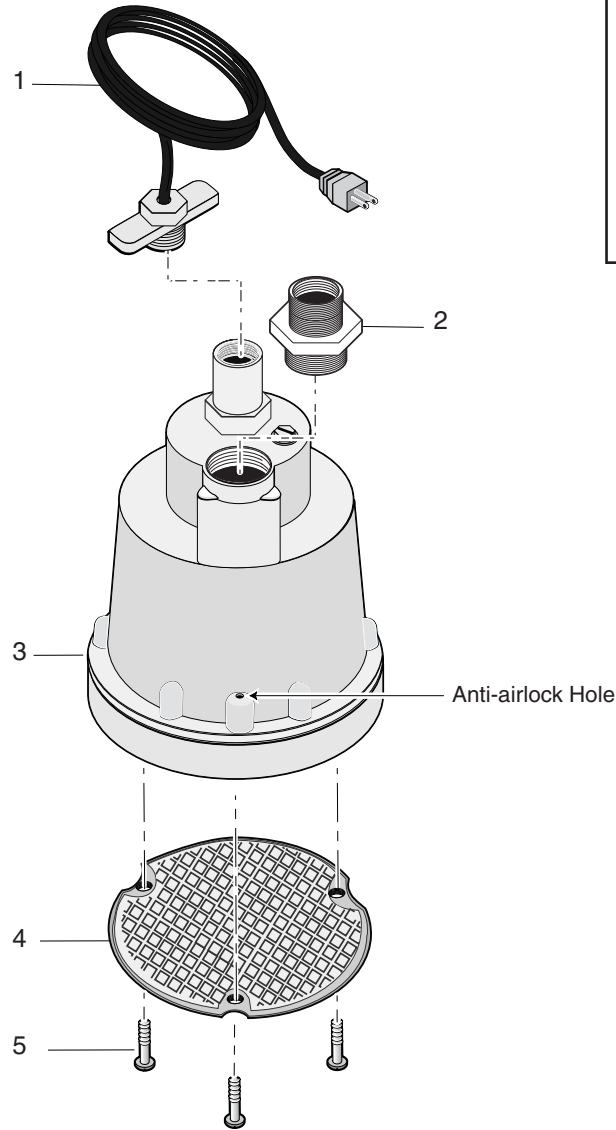


Key No.	Part Description	No. Used	Model and Horsepower
			EEDDH-29R 3 HP
1	Gasoline Engine, 3 HP	1	U277-24BR
2	Clamp Assembly	1	C111-1
3	Shaft Extension	1	C10-22
4	Spacer	1	C43-37
5	Handle	1	C54-29
6	Adapter	1	C2-49
7	Gasket	1	C20-21
8	Mechanical Shaft Seal	1	U109-106SS
9	Impeller	1	C5-60
10	Diffuser	1	C1-51
11	Diffuser Ring	1	C21-2
12	Pump Body	1	C76-52
13	Pipe Plug, 3/4" NPT Sq. Hd.	1	U78-60ZPS
14	Pipe Plug, 1/4" NPT Sq. Hd.	2	U78-57SSS
15	Base	1	C104-9
16	Hex Capscrew, 3/8 - 16 x 7/8" Lg.	2	U30-73SS
17	Hex Capscrew, 3/8 - 16 x 3/4" Lg.	2	U30-72SS
18	Lockwasher, 5/16"	4	U43-11ZP
19	Hex Capscrew, 5/16" - 18 x 7/8" Lg.	4	U30-777ZP
20	Hex Capscrew, 5/16" - 18 x 1-3/4" Lg.	4	U30-66FTZP
21	Engine Pads	4	C43-20
22	Lockwasher, 5/16"	4	U43-11ZP
23	Hex Nut, 5/16 - 18	4	U36-37ZP



Key No.	Part Description	No. Used	US31718M 1/6 HP
1	Hose Adapter, 1-1/4"	1	007-022
2	Power Cord Assembly	1	227-264-B
3	Screws, Handle	2	670-646
4	Handle	1	383-147-B
5	Pump Motor Assembly	1	**
6	Pump Screen	1	667-013
7	Screws, Screen	3	670-646

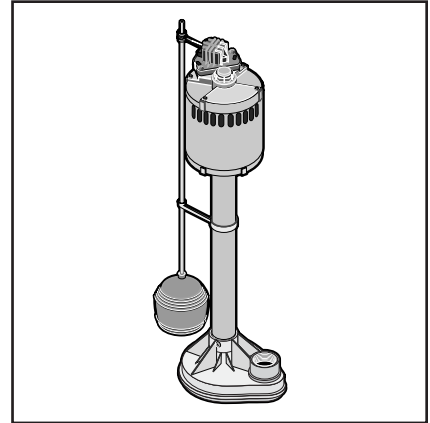
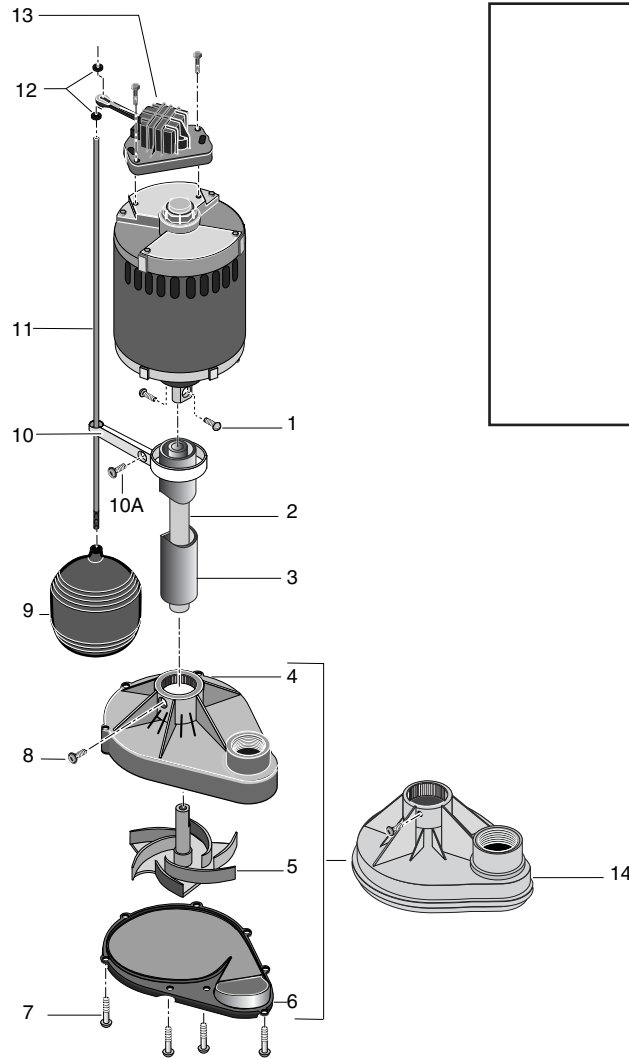
\*\* If motor fails, replace entire pump.



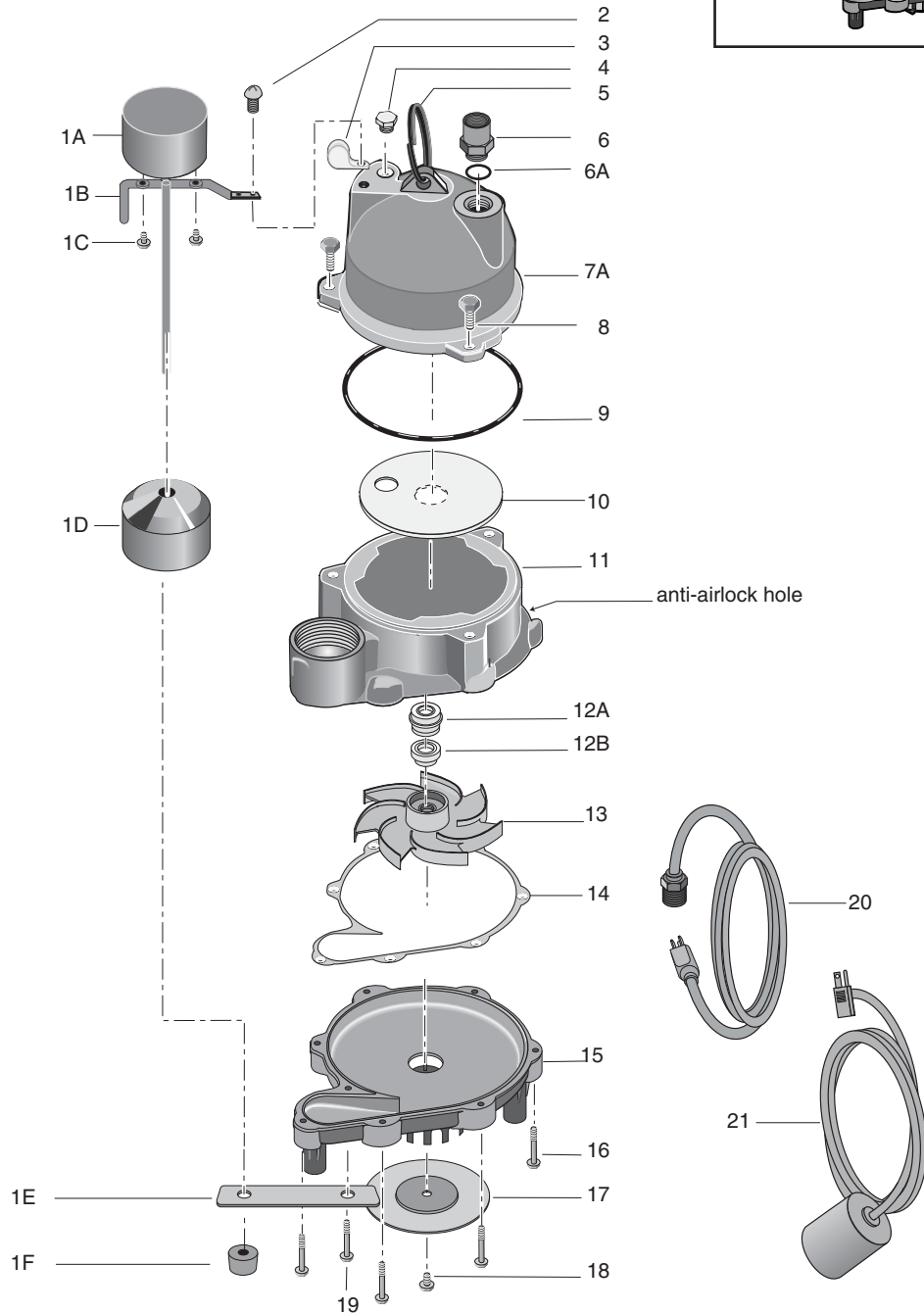
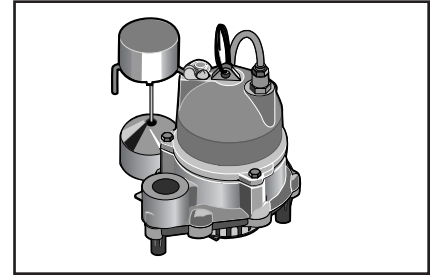
Key No.	Part Description	No. Used	US42518M-01 1/4 HP
1	Power Cord (8')	1	PS17-54
1	Power Cord (25')*	1	PS17-136
2	Hose Adapter, 1-1/4"	1	007-031
3	Pump Motor Assembly	1	**
4	Inlet Screen	1	667-016
5	Screws, Screen	3	670-793

\* Not illustrated.

\*\* If motor fails, replace entire pump.



Key No.	Part Description	No. Used	PC13316V 1/3 HP	P13316V 1/3 HP
1	Screw, #8 - 32 x 1/2" Hex Head	2	U30-932ZP	U30-932ZP
2	Shaft	1	RP0005257	RP0005257
3	Column	1	S15-37SS	RP0005264A
4	Volute (Pump Body)	1	S1-31B	-
5	Impeller	1	PS5-21P	-
6	Base Plate	1	PS4-17P	-
7	Screw, #8 - 32 x 1/2" Pan Head	8	U30-571BT	-
8	Screw, 1/4" Conepoint	1	U30-946PH	-
8	Screw, #8 - 18 x 3/8" Self-tapping	1	-	SC004-116
9	Float	1	FT0013-63	FT0013-63
10	Float Rod Guide	1	RP0005249	RP0005249
10A	Screw, #8 - 1" Self-tapping	1	U30-929ZP	U30-929ZP
12	Float Rod	1	RP005168S	RP005168S
12	Float Stop	2	RP0005248	RP0005248
13	Automatic Switch (Float Actuated)	1	FP0018-7D	FP0018-7D
14	Impeller Assembly	1	-	S101-33P





# cast iron submersible sump pumps

# DC233/DC250 series

1/3 thru 1/2 HP

Key No.	Part Description	No. Used	DC233110T DC250110T	DC233120T DC250120T	DC233110V DC250110V	DC233120V DC250120V	DC233110M DC250110M	DC233120M DC250120M
1	Vertical Switch (Incl. 1A thru 1F)	1	–	–	PKG 208	PKG 209	–	–
1A	Switch	1						
1B	Mounting Bracket	1						
1C	Screw	2						
1D	Float	1						
1E	Retainer Strap	1						
1F	Stop	1						
2	Screw, #8-1/2" self-tapping †	1	U30-539SS	U30-539SS	U30-539SS	U30-539SS	–	–
3	Switch Cord Clamp †	1	CC0030-13	CC0030-13	–	–	–	–
4	Oil Fill Plug	1	U78-941ZPV	U78-941ZPV	U78-941ZPV	U78-941ZPV	U78-941ZPV	U78-941ZPV
5	Ring Handle	1	U97-128SS	U97-128SS	U97-128SS	U97-128SS	U97-128SS	U97-128SS
6	Cord Connector	1	PS17-46P	PS17-46P	PS17-46P	PS17-46P	PS17-46P	PS17-46P
6A	O-Ring	1	U9-370	U9-370	U9-370	U9-370	U9-370	U9-370
7A	Motor Cover - DC Series	1	PS18-144B	PS18-144B	PS18-144B	PS18-144B	PS18-144B	PS18-144B
8	#10-32 x3/4", Capscrew	3	U30-482SS	U30-482SS	U30-482SS	U30-482SS	U30-482SS	U30-482SS
9	O-Ring	1	U9-339	U9-339	U9-339	U9-339	U9-339	U9-339
10	Insulating Disk	1	PS18-82	PS18-82	PS18-82	PS18-82	PS18-82	PS18-82
11	Motor / Upper Volute	1	*	*	*	*	*	*
12A	Shaft Seal Stationary Head Assembly	1	U9-379A	U9-379A	U9-379A	U9-379A	U9-379A	U9-379A
12B	Shaft Seal Rotating Mating Ring	1	U9-321A	U9-321A	U9-321A	U9-321A	U9-321A	U9-321A
13	Impeller	1	**	**	**	**	**	**
14	Gasket	1	PS20-21	PS20-21	PS20-21	PS20-21	PS20-21	PS20-21
15	Lower Volute	1	PS1-34P	PS1-34P	PS1-34P	PS1-34P	PS1-34P	PS1-34P
16	Lower Pump Body Screw #10-32x1"							
	Hex Washer, self-tapping	7	U30-966SS	U30-966SS	U30-966SS	U30-966SS	U30-966SS	U30-966SS
17	Suction Plate ***	1	U43-142SS	U43-142SS	U43-142SS	U43-142SS	U43-142SS	U43-142SS
18	Screw, #6-1/4" pan head ***	1	U30-972SS	U30-972SS	U30-972SS	U30-972SS	U30-972SS	U30-972SS
19	Lower Pump Body Screw #10-32x1-1/8"							
	Hex Washer, self-tapping	1	U30-967SS	U30-967SS	U30-967SS	U30-967SS	U30-967SS	U30-967SS
20	Powercord Assembly	1	See Chart	See Chart	See Chart	See Chart	See Chart	See Chart
21	Tethered Float Switch †	1	PS217-62	PS217-64	–	–	–	–
▪	Dielectric Oil All Models use .61 qts.	1	U197-8A	U197-8A	U197-8A	U197-8A	U197-8A	U197-8A

▪ Not illustrated.

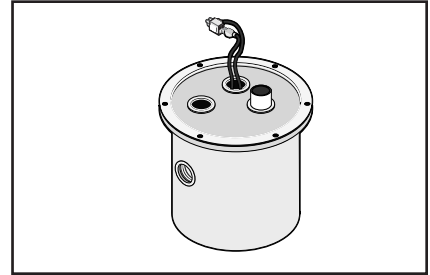
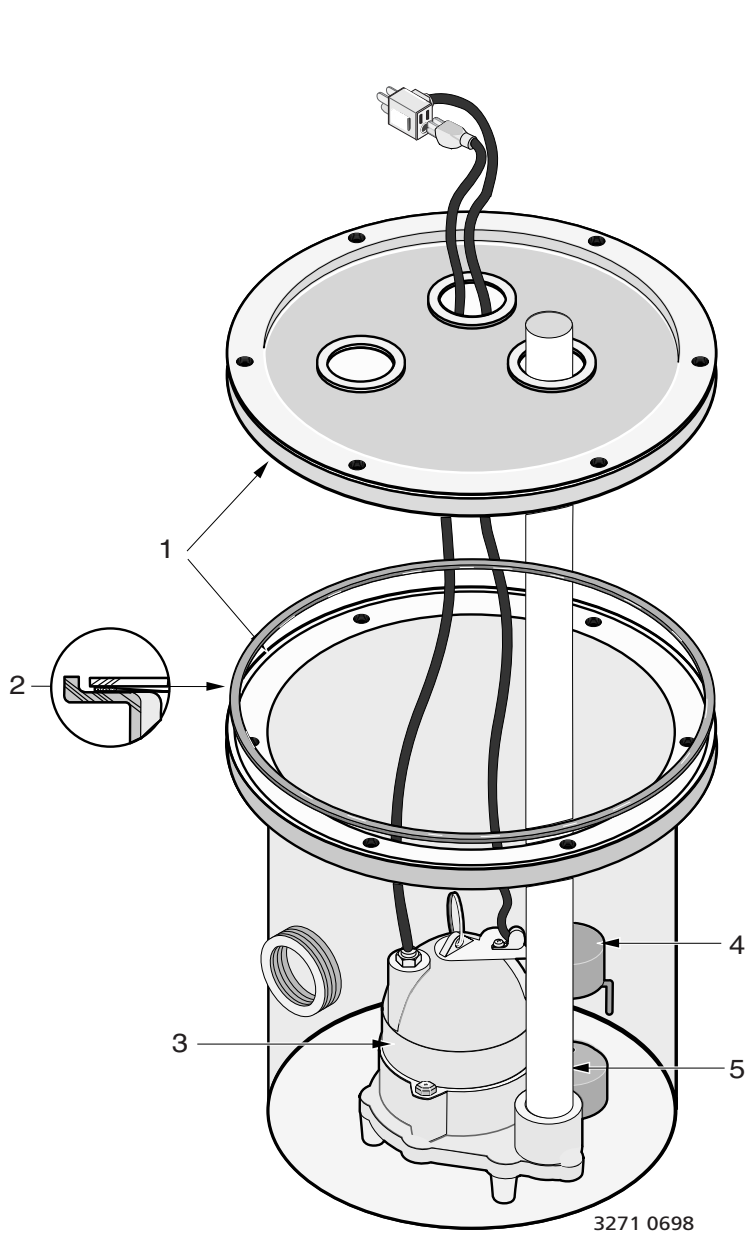
\* If the Motor fails replace the entire pump.

\*\* The DC233 Series pumps use Impeller number PS5-26P. All remaining Model numbers use Impeller number PS5-29P.

\*\*\* DC Series pumps only.

† For use with Model Numbers ending in "T".

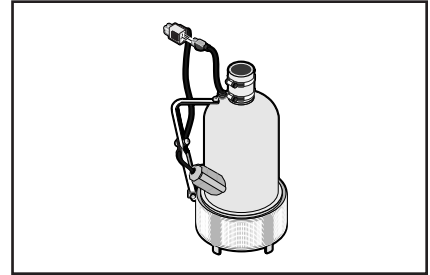
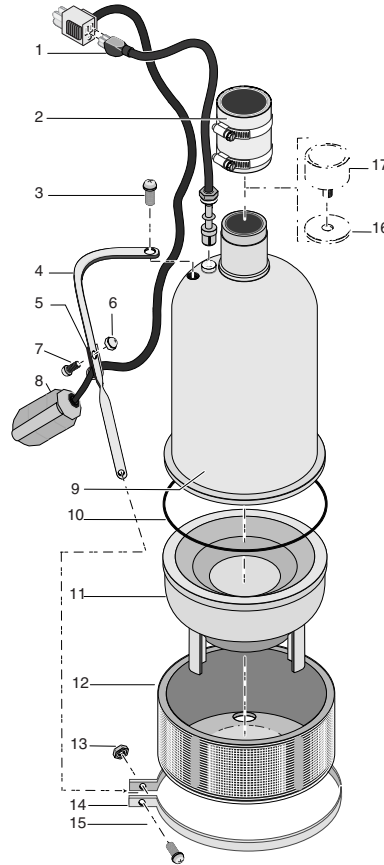
Power Cord Assemblies			
Pump Model	Power Cord	Pump Model	Power Cord
DC233110M	PW117-281-TSU	DC250110M	PW117-237-TSU
DC233110T	PW117-281-TSU	DC250110T	PW117-237-TSU
DC233110V	PW117-281-TSU	DC250110V	PW117-237-TSU
DC233120M	PW117-122-TSU	DC250120M	PW117-122-TSU
DC233120T	PW117-122-TSU	DC250120T	PW117-122-TSU
DC233120V	PW117-122-TSU	DC250120V	PW117-122-TSU



Key No.	Part Description	No. Used	DP233110V 1/3 HP
1	5 Gallon Poly Basin, Lid and Hardware	1	PW73-45
2	Foam Adhesive Seal	1	PW73-38
3	Submersible Sump Pump	1	D33110V
4	Automatic Vertical Float Switch	1	PKG 208
5	1-1/2" Discharge Pipe	1	U37-687P

\* See Pump Model DC233110V (Page 277) for pump repair parts.





Key No.	Part Description	No. Used	D175110T 3/4 HP	D175120T 3/4 HP	D175120M 3/4 HP
1	Power Cord	1	1513001-TSU	1513002-TSU	1513002-TSU
2	Hose and Clamp Assembly	1	U74-68	U74-68	U74-68
3	Screw, Handle	1	14000	14000	14000
4	Float Bracket/Handle	1	PS54-14SS	PS54-14SS	-
5	Switch Cord Clamp	1	CC0030-13	CC0030-13	-
6	Nut, Acorn, SS	1	U36-203SS	U36-203SS	-
7	Screw, Panhead	1	U30-971SS	U30-971SS	-
8	Automatic Float Switch Assembly	1	PS17-109	PS17-111	-
9	Upper Pump Housing***	1	12920	12920	12920
10	O-Ring	1	10801	10801	10801
11	Lower Pump Housing***	1	12084	12084	12084
12	Pump Screen	1	12924	12924	12924
13	Hex Nut	1	U36-105SS	U36-105SS	U36-105SS
14	Housing Clamp	1	15146	15146	15146
15	Screw, Panhead	1	4327	4327	4327
16	Washer, Check Valve	1	13052	13052	13052
17	Check Valve	1	10041	10041	10041
▪	Screw, Screen	1	U30-955PS	U30-955PS	U30-955PS
▪	Motor	1	*	*	*

▪ Not illustrated.

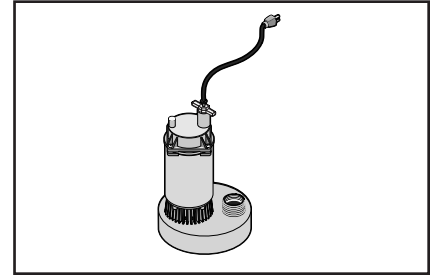
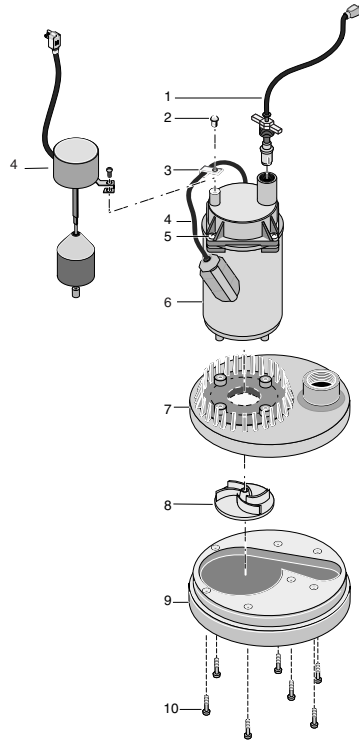
\*\* If motor fails, replace entire pump.

\*\*\* Not available as a replacement part.

# submersible sump pumps

# D125/D133/D150 series

1/4 thru 1/2 HP

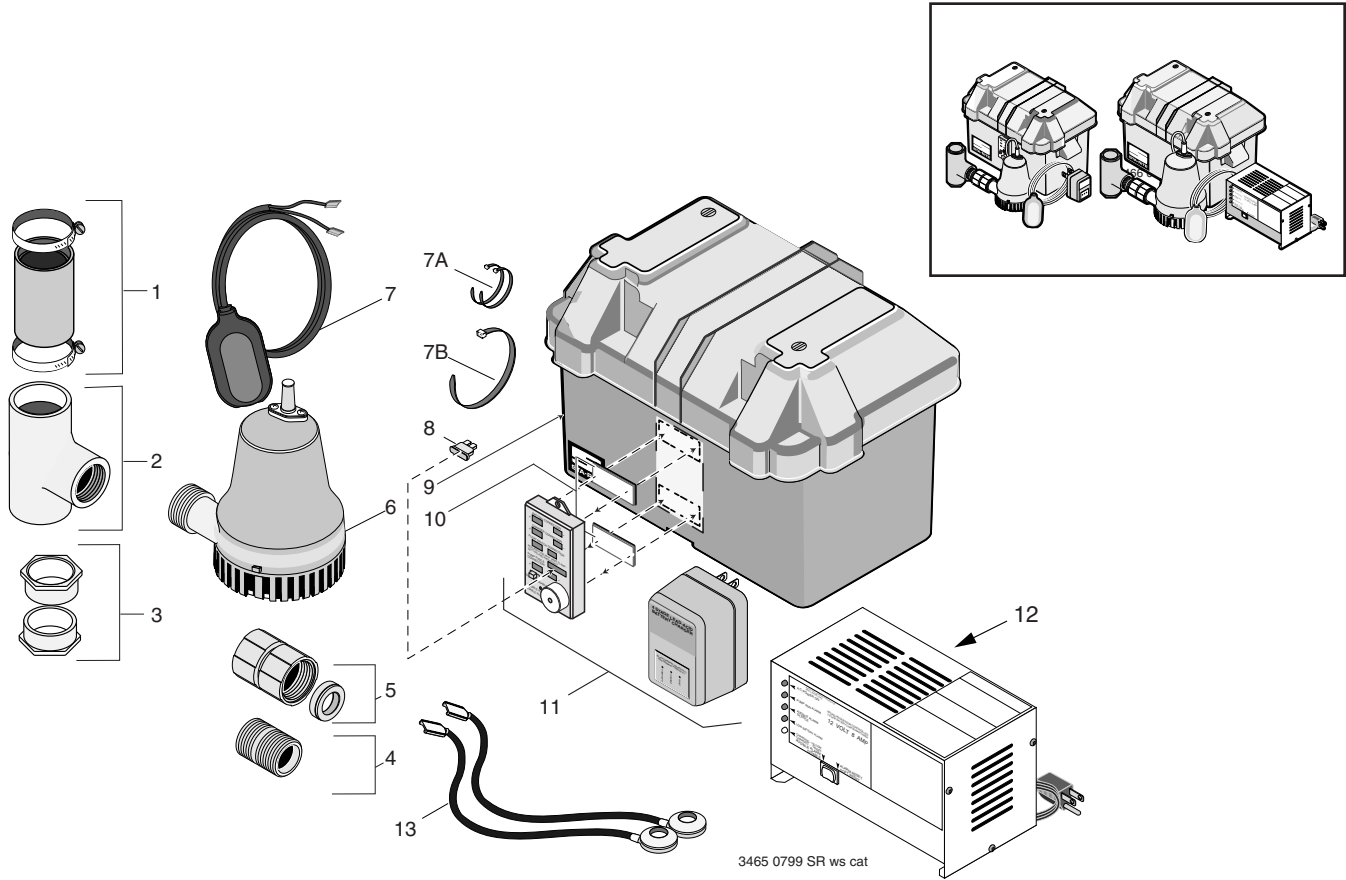


Key No.	Part Description	No. Used	D125115T D133115T D150155T	D12518T D13318T D15018T	D12518V D13318V D15018V
1	Power Cord Assembly	1	See Chart, Below	See Chart, Below	See Chart, Below
2	Cord Clamp Screw	1	U30-955PS	U30-955PS	-
3	Float Switch Cord Clamp	1	CC0030-13	CC0030-13	-
4	Automatic Float Switch Assembly	1	1000001334	PS17-108	PS17-66
5	Screw, #8-32x7/8" Hex Head	4	U30-951PS	U30-951PS	U30-951PS
6	Motor	1	**	**	**
7	Volute (Upper)	1	PS1-21P	PS1-21P	PS1-21P
8	Impeller	1	See Chart, Below	See Chart, Below	See Chart, Below
9	Volute (Lower)	1	FP0005781	FP0005781	FP0005781
10	Screw, #8-16x1/2" Lg. Pan Head	7	U30-934ZP	U30-934ZP	U30-934ZP
▪	Screw, #8-32x5/8" Phillips Pan Head	4	U30-912PS	U30-912PS	U30-912PS

▪ Not illustrated.

\*\* If motor fails, replace entire pump.

Impellers and Power Cord Assemblies		
Model	Impeller	Power Cord Assembly
D12518T	RP0000917	PS117-54-TSU
D13318T	RP0000918A	PS117-54-TSU
D15018T	RP0000911A	PS117-53-TSU
D12518V	RP0000917	PS117-54-TSU
D13318V	RP0000918A	PS117-54-TSU
D15018V	RP0000911A	PS117-53-TSU
D125115T	RP0000917	PS117-51-TSU
D133115T	RP0000918A	PS117-51-TSU
D150115T	RP0000911A	OV-ELCOR8-TSU



3465 0799 SR ws cat

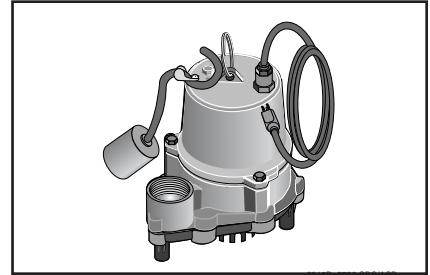
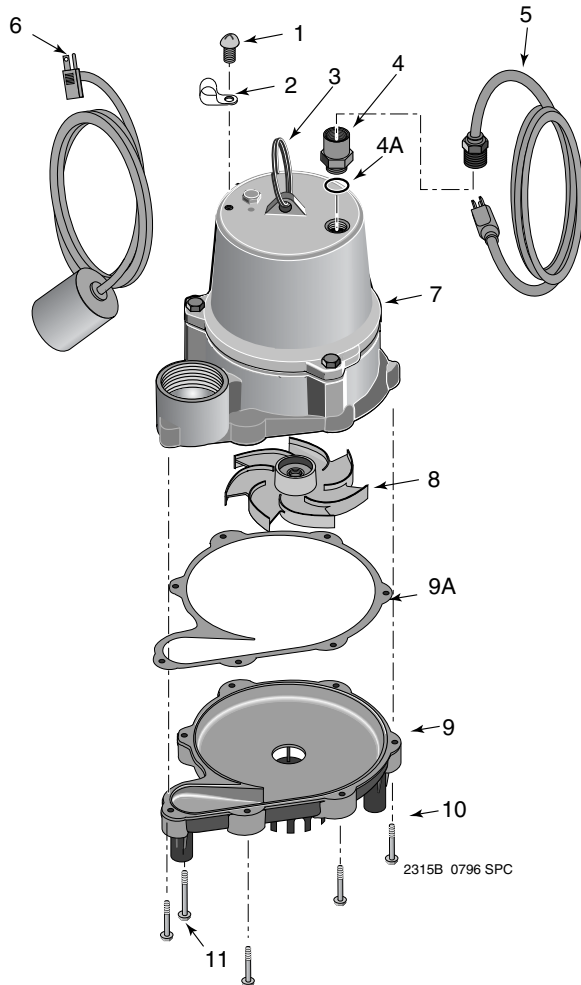
Key No.	Part Description	No. Used	DB10018T	DB20018T
1	Rubber Hose Coupling and Clamps	1	U74-68	U74-68
2	PVC Tee 1-1/2 x 1-1/2 Slip x 1-1/4 FNPTW/1-1/4 (††)	1	U78-846P	U78-846P
3	1-1/2" Slip x 1-1/4" Slip Reducer Bushing	1	U78-876P	U78-876P
4	PVC Nipple, 1-1/4", Close	1	U37-66P	U37-66P
5	Check Valve	1	U212-261P	U212-261P
6	DC Backup Pump	1	PS17-118	PS17-115
7	Float Switch	1	PS117-120P	PS117-120P
7A	Small Cable Ties	2	*	*
7B	Large Cable Tie	1	*	*
8	Replacement Fuse, - ATO 20 Amp, 12 Volt	1	*	*
9	Battery Case with Cover and Strap	1	PS17-100	PS17-100
10	Two Face Tape, 1" x 2" (†)	3	PS97-5	-
11	Charger Kit (DB10018T) (includes wires, junction box)	1	PS217-112	-
12	Charger Kit (DB20018T)	1	-	PS217-119
13	Battery Lead (†††)	1	PS117-114	-
▪	Fittings Package	1	PS198-10	PS198-11

- † Fittings Package PS198-10 includes Key Nos. 1, 2, 3, and 10.
- †† Includes 1-1/2 x 1-1/4 Reducer Bushings (2).
- ††† Included with Key No. 11 or may be purchased separately.
- Not illustrated.
- \* Purchase locally.

# cast iron submersible effluent pumps

## EC2 series

### 4/10 HP



Key No.	Part Description	No. Used	EC240110M EC240110T 4/10 HP	EC240120M EC240120T 4/10 HP
1	Screw, #8-1/2" Self-tapping*	1	U30-539SS	U30-539SS
2	Switch Cord Clamp	1	CC0030-13	CC0030-13
3	Ring Handle	1	U97-128SS	U97-128SS
4	Cord Connector	1	PS17-46P	PS17-46P
4A	O-Ring	1	U9-370	U9-370
5	Power Cord Assembly	1	PW17-237	PW17-122
6	Float Switch*	1	PS217-62	PS217-64
7	Motor / Upper Volute	1	**	**
8	Impeller	1	PS5-29P	PS5-29P
9	Lower Pump Body	1	PS1-34P	PS1-34P
9A	Gasket	1	PS20-21	PS20-21
10	Lower Pump Body Screw #10-32x1" Hex Washer, Self-tapping	7	U30-966SS	U30-966SS
11	Lower Pump Body Screw #10-32x1-1/8" Hex Washer, Self-tapping	1	U30-967SS	U30-967SS

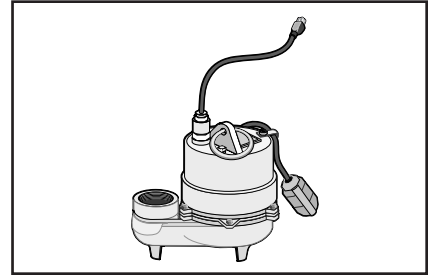
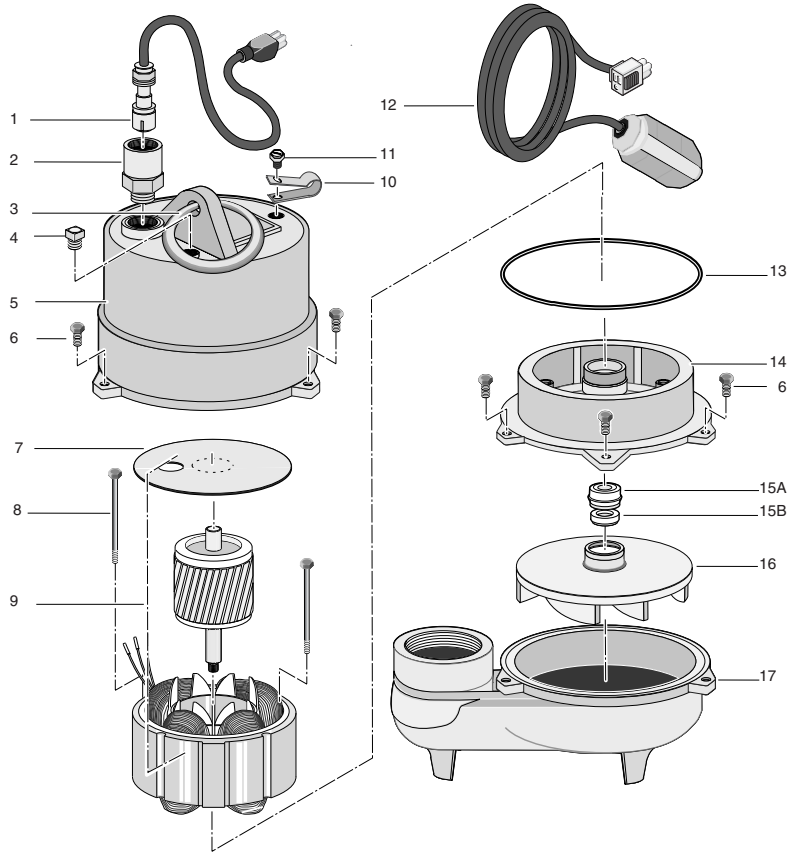
\* Models EC240110T and EC240120T only.

\*\* If motor fails, replace entire pump.

# cast iron submersible effluent pumps

## EC3 series

### 1/3 HP



Key No.	Part Description	No. Used	EC333120M EC333120T 1/3 HP 115V	EC333220M EC333220T 1/3 HP 230V
1	Power Cord	1	PW117-122-TSE	PW117-218-TSE
2	Cord Connector	1	PS17-46P	PS17-46P
3	Handle Ring	1	U97-102SS	U97-102SS
4	1/4" NPT Plug	1	U78-57DV	U78-57DV
5	Upper Motor Housing	1	PW18-22F	PW18-22F
6	#10-32 x 3/4" Capscrew	6	U30-482SS	U30-482SS
7	Insulating Disk	1	PS18-82	PS18-82
8	#10-32 x 3-1/8" Capscrew	2	U30-949ZP	U30-949ZP
9	Rotor/Stator Assembly	1	PS218-151	PS218-153
10	Switch Cord Clamp*	1	CC0030-13	CC0030-13
11	#8-32 x 1/2" Capscrew*	1	U30-539SS	U30-539SS
12	Automatic Float Switch*	1	PS217-64	PW217-222
13	O-Ring	1	U9-339	U9-339
14	Lower Motor Housing	1	PW18-23AA	PW18-23AA
15A	Shaft Seal, Stationary Head Assembly	1	U9-379A	U9-379A
15B	Shaft Seal, Rotating Mating Ring	1	U9-321A	U9-321A
16	Impeller	1	PW5-5P	PW5-5P
17	Volute	1	PW1-4	PW1-4
▪	Dielectric Oil	1	U197-8A	U197-8A

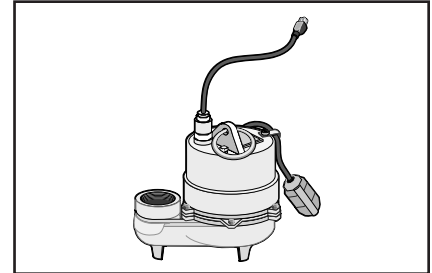
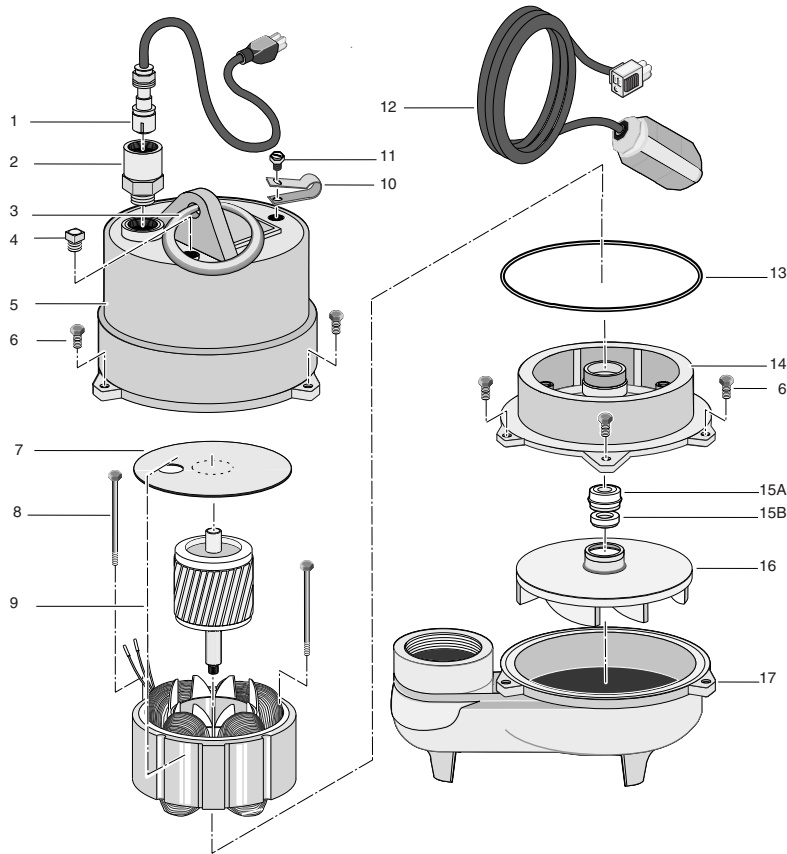
▪ Not Illustrated.

\* Models w/"T" suffix only.

# cast iron submersible high temp. effluent pumps

# HT3/HTX3 series

## 1/3 HP



Key No.	Part Description	No. Used	HT333120T 1/3 HP	HTX333120M 1/3 HP
1	Power Cord	1	PW117-226-TSE	§
2	Cord Connector	1	PS17-46P	§
3	Handle Ring	1	U97-102SS	U97-102SS
4	1/4" NPT Plug	1	U78-57DV	U78-57DV
5	Upper Motor Housing	1	PW18-22F	PW18-22
6	#10-32 x 3/4" Capscrew	6	U30-482SS	U30-482SS
7	Insulating Disk	1	PS18-82	PS18-82
8	#10-32 x 3-1/8" Capscrew	2	U30-949ZP	U30-949ZP
9	Rotor/Stator Assembly	1	PS218-151	PS218-151
10	Switch Cord Clamp*	1	CC0030-13	-
11	#8-32 x 1/2" Capscrew*	1	U30-539SS	-
12	Automatic Float Switch*	1	PW217-25	-
13	O-Ring	1	U9-339	U9-339
14	Lower Motor Housing	1	PW18-23AA	PW18-23AA
15A	Shaft Seal, Stationary Head Assembly	1	U9-379A	U9-379A
15B	Shaft Seal, Rotating Mating Ring	1	U9-321A	U9-321A
16	Impeller	1	PW5-5	PW5-5
17	Volute	1	PW1-4	PW1-4
▪	Dielectric Oil	1	U197-8A	U197-8A

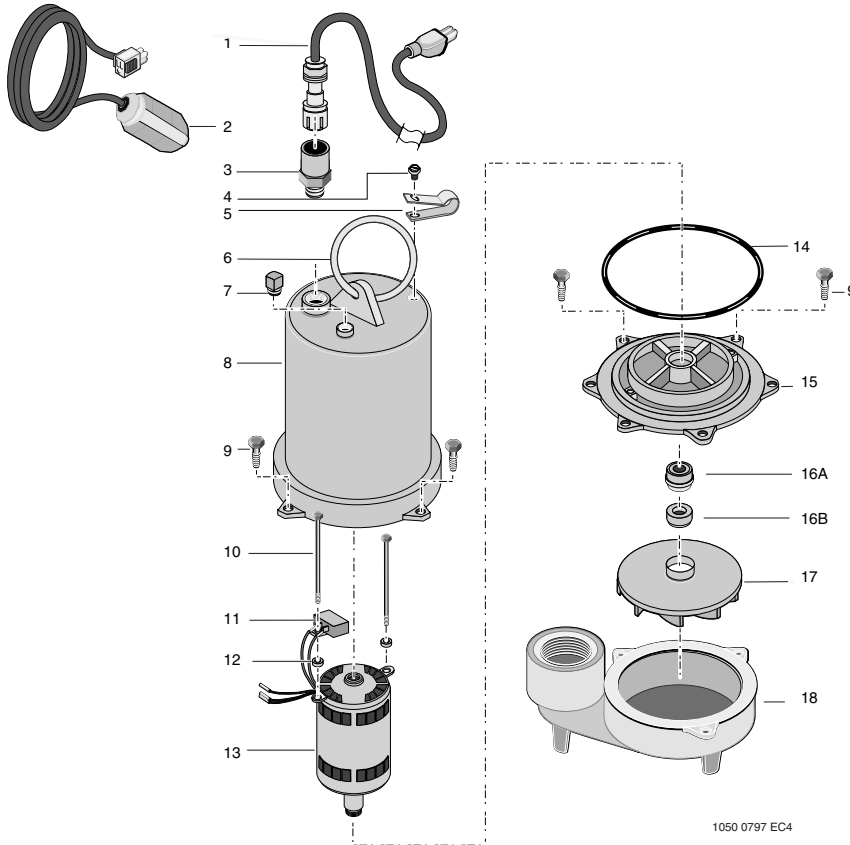
▪ Not Illustrated.

§ Requires Replacement Cord, Part No. PW117-106-TSE.

# cast iron submersible effluent pumps

## EC4 series

### 4/10 HP



1050 0797 EC4

Key No.	Part Description	Qty	EC440120T EC440120M 4/10 HP 115V	EC440220T EC440220M 4/10 HP 230V
1	Power Cord	1	PW117-122-TSE	PW117-218-TSE
2	Automatic Float Switch*	1	PS117-126P	PS117-126P
2	Cord Connector	1	PS17-46P	PS17-46P
4	#8-32 x 1/2" Capscrew*	1	U30-539SS	U30-539SS
5	Switch Cord Clamp*	1	CC0030-13	CC0030-13
6	Handle Ring	1	U97-102SS	U97-102SS
7	1/4" NPT Plug	1	U78-57DV	U78-57DV
8	Upper Motor Housing	1	PW18-133	PW18-133
9	#10-32 x 3/4" Capscrew	6	U30-482SS	U30-482SS
10	#10-32 x 3-1/8" Capscrew	2	U30-963ZP	U30-963ZP
11	Capacitor	1	PS18-148	PS18-154
12	Spacer	2	U43-139	U43-139
13	Rotor/Stator Assembly	1	PW118-145	PW18-152
14	O-Ring	1	U9-339	U9-339
15	Lower Motor Housing	1	PW18-134	PW18-134
16A	Shaft Seal, Stationary Head Assembly	1	U9-379A	U9-379A
16B	Shaft Seal, Rotating Mating Ring	1	U9-379C	U9-379C
17	Impeller	1	PW5-16P	PW5-16P
18	Volute	1	PW1-16	PW1-16
▪	Dielectric Oil	2	U197-8A	U197-8A

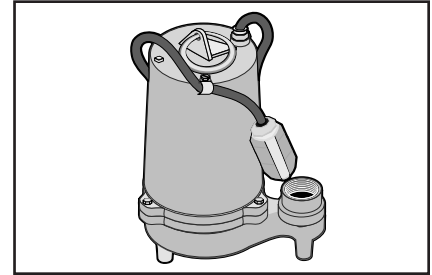
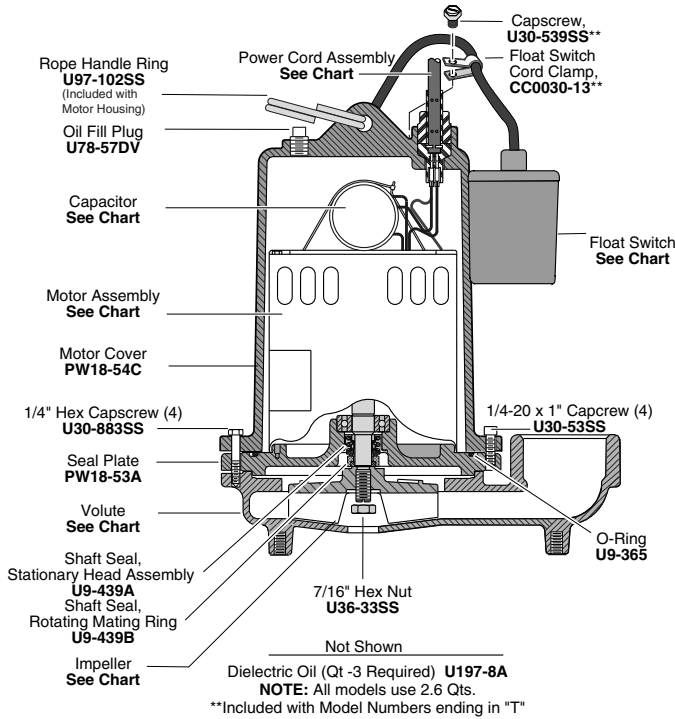
▪ Not Illustrated.

\* Model with "T" suffix only.

# cast iron submersible effluent pumps

# EC6/EC7/EH7 series

1/2 thru 1 HP



Model	Capacitor*	Motor Assembly	Volute	Impeller	Float Switch	Power Cord
EC650120M	U18-1592	PW218-62	PW1-8F	PW5-9H	-	PW117-231-TSE
EC650120T	U18-1592	PW218-62	PW1-8F	PW5-9H	PW217-111B	PW117-231-TSE
EC650220M	U18-1592	PW218-60	PW1-8F	PW5-9H	-	PW117-232-TSE
EC650220T	U18-1592	PW218-60	PW1-8F	PW5-9H	PW217-108B	PW117-232-TSE
EC650320M	-	PW218-64	PW1-8F	PW5-9H	-	PW117-235-TSE
EC650420M	-	PW218-64	PW1-8F	PW5-9H	-	PW117-235-TSE
EC750120M	U18-1592	PW218-62	PW1-8F	PW5-9	-	PW117-231-TSE
EC750120T	U18-1592	PW218-62	PW1-8F	PW5-9	PW217-111B	PW117-231-TSE
EC750220M	U18-1592	PW218-60	PW1-8F	PW5-9	-	PW117-232-TSE
EC750220T	U18-1592	PW218-60	PW1-8F	PW5-9	PW217-108B	PW117-232-TSE
EC750320M	-	PW218-64	PW1-8F	PW5-9	-	PW117-235-TSE
EC750420M	-	PW218-64	PW1-8F	PW5-9	-	PW117-235-TSE
EC7100220M	U18-1591	PW218-61	PW1-8E	PW5-9F	-	PW117-232-TSE
EC7100220T	U18-1591	PW218-61	PW1-8E	PW5-9F	PW217-108B	PW117-232-TSE
EC7100320M	-	PW218-64	PW1-8E	PW5-9F	-	PW117-235-TSE
EC7100420M	-	PW218-64	PW1-8E	PW5-9F	-	PW117-235-TSE
EH750120M	U18-1592	PW218-62	PW1-8	PW5-9E	-	PW117-231-TSE
EH750120T	U18-1592	PW218-62	PW1-8	PW5-9E	PW217-111B	PW117-231-TSE
EH750220M	U18-1592	PW218-60	PW1-8	PW5-9E	-	PW117-232-TSE
EH750220T	U18-1592	PW218-60	PW1-8	PW5-9E	PW217-108B	PW117-232-TSE
EH750320M	-	PW218-64	PW1-8	PW5-9E	-	PW117-235-TSE
EH750420M	-	PW218-64	PW1-8	PW5-9E	-	PW117-235-TSE
EH7100220M	U18-1591	PW218-61	PW1-8	PW5-9G	-	PW117-232-TSE
EH7100220T	U18-1591	PW218-61	PW1-8	PW5-9G	PW217-108B	PW117-232-TSE
EH7100320M	-	PW218-64	PW1-8	PW5-9G	-	PW117-235-TSE
EH7100420M	-	PW218-64	PW1-8	PW5-9G	-	PW117-235-TSE

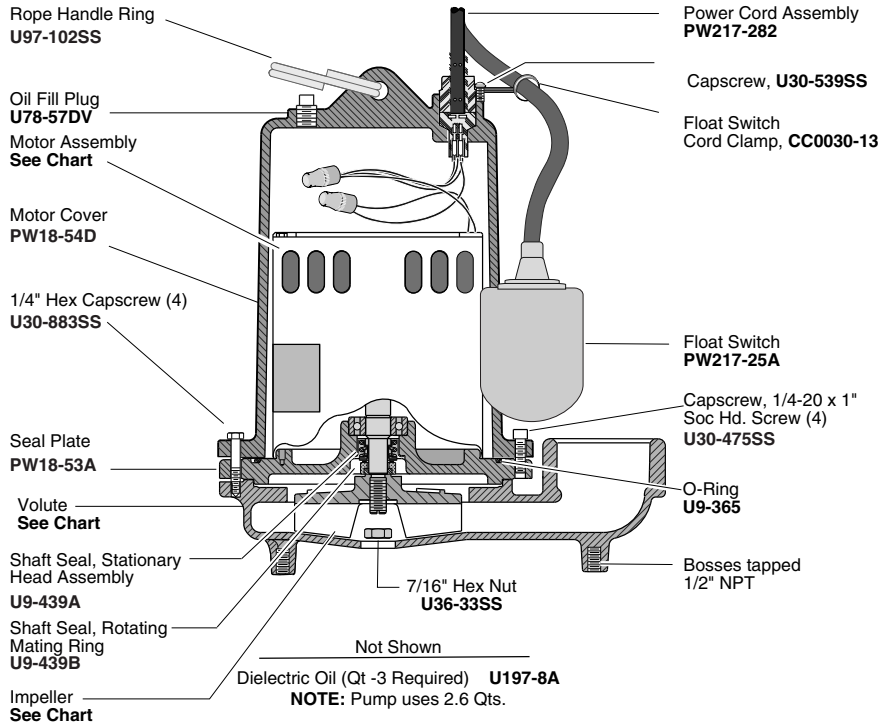
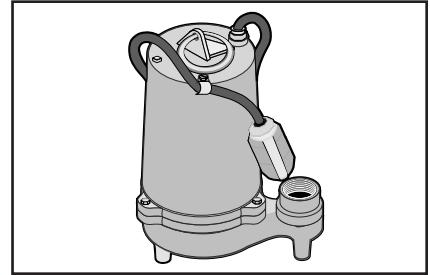
\*Used on Single Phase Models Only.  
 Three Phase Models Require a Control Panel.



# cast iron submersible high temp. effluent pump

## HT7 series

### 1/2 HP

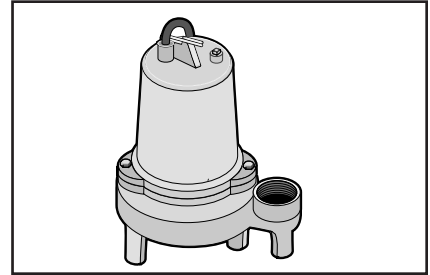
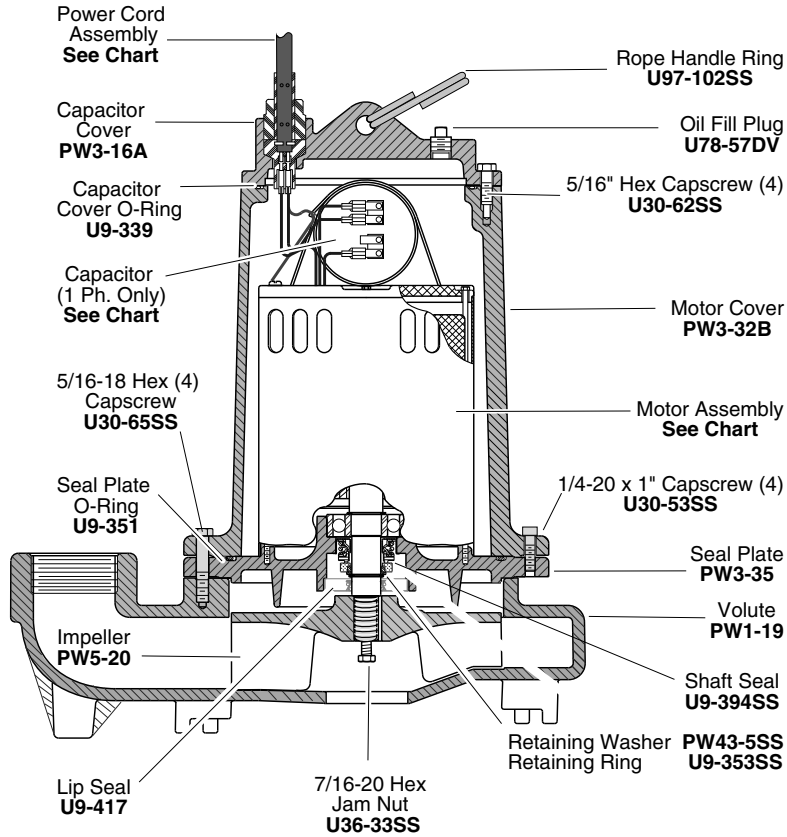


Model	Motor Assembly	Volute	Impeller	Float Switch	Power Cord
HT750120T	PW218-137	PW1-17	PW5-9H	PW217-25A	PW117-282-TSE

# cast iron submersible effluent pumps

**EC9 series**

**2 HP**



Not Shown

Dielectric Oil (Qt -3 Required) **U197-8A**

**NOTE:** All models use 2.6 Qts.

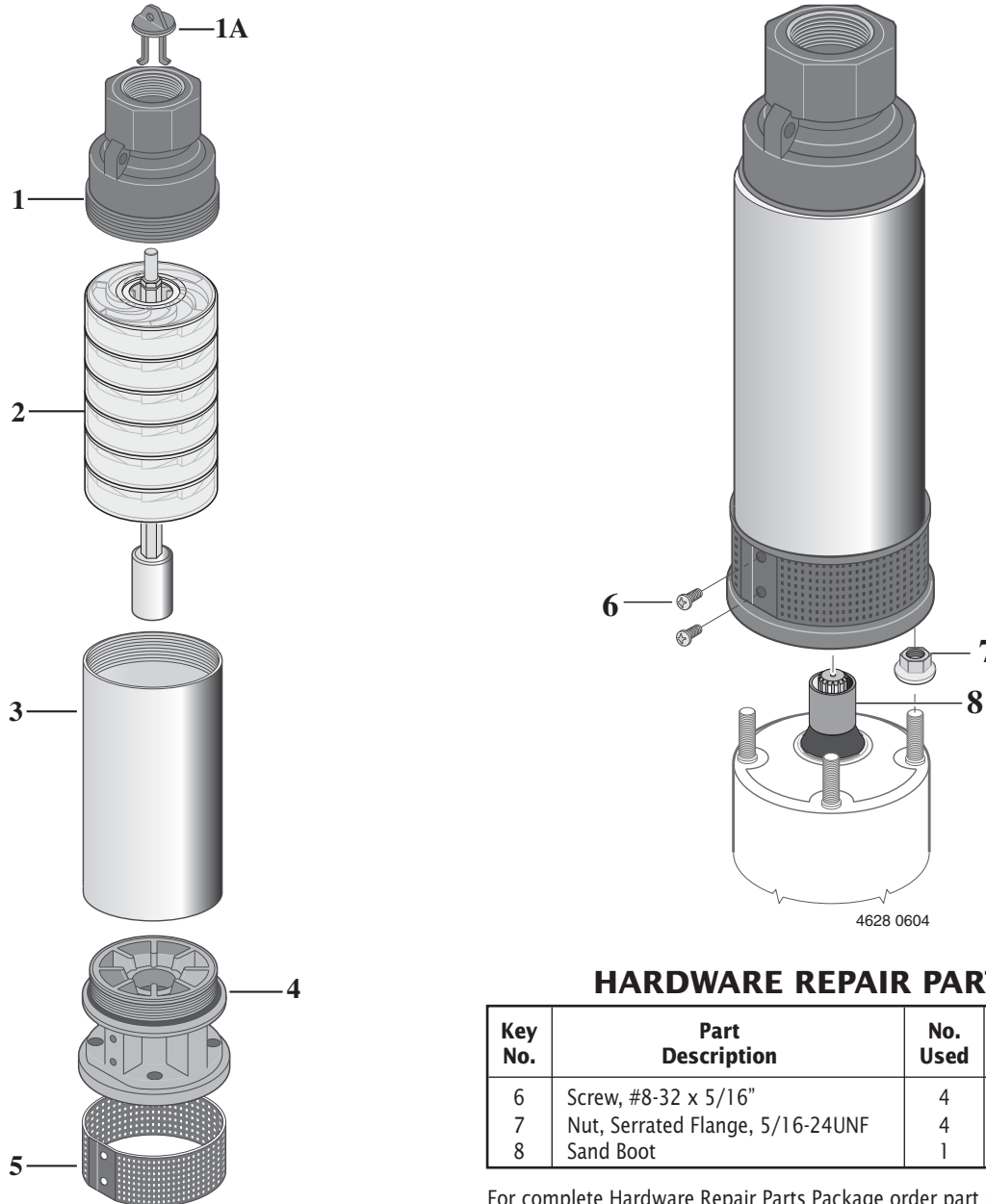
Model	Capacitor*	Motor Assembly	Power Cord Assembly
EC9200220M	U18-1391	PW218-150	PW117-232-TSE
EC9200320M	-	PW218-151	PW117-235-TSE
EC9200420M	-	PW218-151	PW117-235-TSE

\* Used on single phase models only.

# Submersible Effluent Pump

# ST.E.P. PLUS series

## 10 and 20 GPM



### HARDWARE REPAIR PARTS

Key No.	Part Description	No. Used	Part No.
6	Screw, #8-32 x 5/16"	4	U30-957SS
7	Nut, Serrated Flange, 5/16-24UNF	4	33933
8	Sand Boot	1	P69-27

For complete Hardware Repair Parts Package order part no. P198-236.

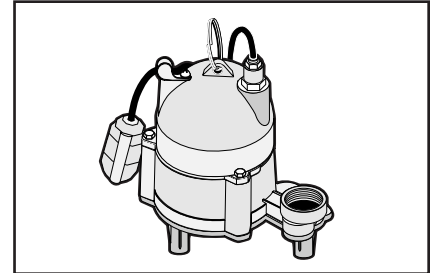
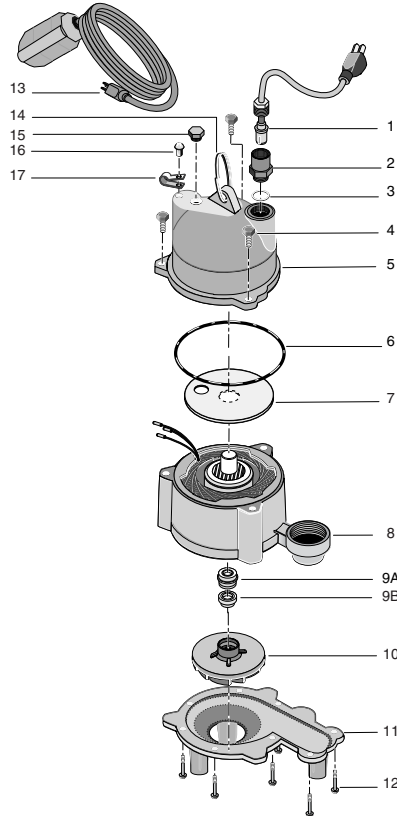
### LIQUID END REPAIR PARTS

Key No.	Part Description	Model	
		STEP 10	STEP 20
1	Discharge Connection w/ Poppet Valve	P152-60P	P152-60P
1A	Poppet and O-Ring Assembly	P112-21P	P112-21P
2	Pump Stack	P325-449	P325-560
3	Shell	P56-135SSL	P56-195SSL
4	Motor Mount	P2-113PB	P2-113PB
5	Suction Screen	P8-32P	P8-32P

# cast iron submersible sewage pumps

## SC4 series

### 4/10 HP



Key No.	Part Description	No. Used	SC440110T 4/10 HP	SC440120T 4/10 HP
1	Power Cord	1	PW117-237-TSE	PW117-122-TSE
2	Cord Connector	1	PS17-46P	PS17-46P
3	O-Ring	1	U9-370	U9-370
4	#10-32 x 3/4" Capscrew	3	U30-482SS	U30-482SS
5	Upper Motor Housing	1	**	**
6	O-Ring	1	U9-339	U9-339
7	Insulating Disk	1	PS18-82	PS18-82
8	Lower Motor Housing	1	**	**
9A	Shaft Seal, Stationary Head Assembly	1	U9-379A	U9-379A
9B	Shaft Seal, Rotating Mating Ring	1	U9-321A	U9-321A
10	Impeller	1	PW5-11P	PW5-11P
11	Volute	1	PW1-13	PW1-13
12	#10-32 x 3-1/8" Capscrew	8	U30-966SS	U30-966SS
13	Automatic Float Switch	1	PS217-62	PS217-64
14	Handle Ring	1	U97-128SS	U97-128SS
15	1/4" NPT Plug	1	U78-941ZPV	U78-941ZPV
16	#8-32 x 1/2" Capscrew	1	U30-539SS	U30-539SS
17	Switch Cord Clamp*	1	CC0030-13	CC0030-13
▪	Dielectric Oil (uses .61 qts.)	1	U197-8A	U197-8A

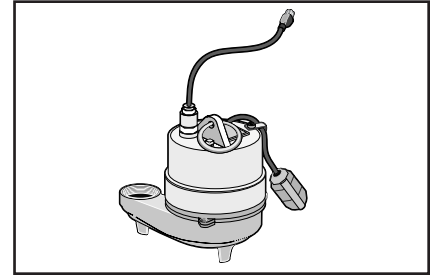
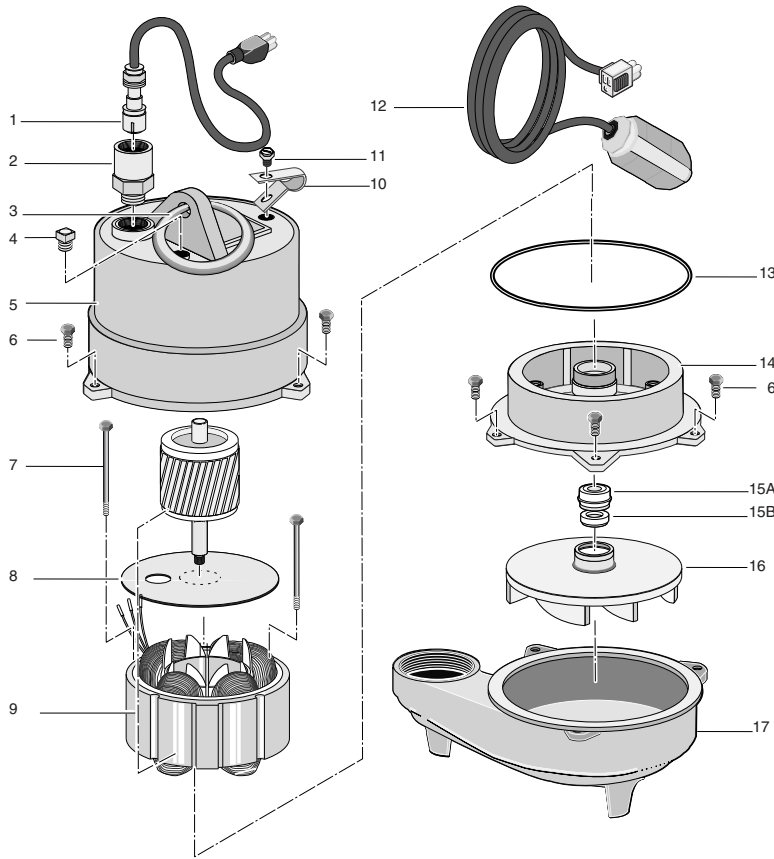
▪ Not illustrated.

\*\*Motor is not serviceable. If the motor fails replace the entire pump.

# cast iron submersible sewage pumps

## SC5 series

### 1/2 HP



Key No.	Part Description	No. Used	SC550110M SC550110T 1/2 HP 115V	SC550120M SC550120T 1/2 HP 115V	SC550220M SC550220T 1/2 HP 230V
1	Power Cord	1	PW117-237-TSE	PW117-122-TSE	PW117-218TSE
2	Cord Connector	1	PS17-46P	PS17-46P	PS17-46P
3	Handle Ring	1	U97-102SS	U97-102SS	U97-102SS
4	1/4" NPT Plug	1	U78-57DV	U78-57DV	U78-57DV
5	Upper Motor Housing	1	PW18-22F	PW18-22F	PW18-22F
6	#10-32 x 3/4" Capscrew	6	U30-482SS	U30-482SS	U30-482SS
7	Insulating Disk	1	PS18-82	PS18-82	PS18-82
8	#10-32 x 3-1/8" Capscrew	2	U30-949ZP	U30-949ZP	U30-949ZP
9	Rotor/Stator Assembly	1	PS218-151	PS218-151	PS218-153
10	Switch Cord Clamp*	1	CC0030-13	CC0030-13	CC0030-13
11	#8-32 x 1/2" Capscrew*	1	U30-539SS	U30-539SS	U30-539SS
12	Automatic Float Switch*	1	PS217-62	PS217-64	PW217-222
13	O-Ring	1	U9-339	U9-339	U9-339
14	Lower Motor Housing	1	PW18-23AA	PW18-23AA	PW18-23AA
15A	Shaft Seal, Stationary Head Assembly	1	U9-379A	U9-379A	U9-379A
15B	Shaft Seal, Rotating Mating Ring	1	U9-321A	U9-321A	U9-321A
16	Impeller	1	PW5-11P	PW5-11P	PW5-11P
17	Volute	1	PW1-13	PW1-13	PW1-13
▪	Dielectric Oil	1	U197-8A	U197-8A	U197-8A

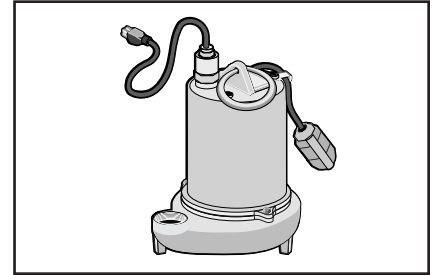
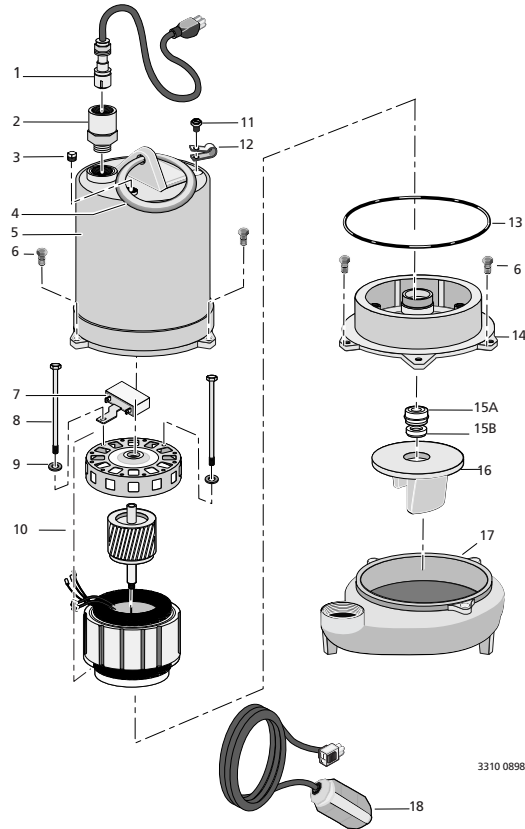
▪ Not Illustrated.

\* Models w/"T" suffix only.

# cast iron submersible sewage pumps

## SC6 series

### 1/2 HP



3310 0898 SC6

Key No.	Part Description	No. Used	SC650110T 1/2 HP 115V	SC650120T SC650120M 1/2 HP 115V	SC650220M 1/2 HP 230V
1	Power Cord	1	PW117-237-TSE	PW117-122-TSE	PW117-218-TSE
2	Cord Connector	1	PS17-46P	PS17-46P	PS17-46P
3	1/4" NPT Plug	1	U78-57DV	U78-57DV	U78-57DV
4	Handle Ring	1	U97-102SS	U97-102SS	U97-102SS
5	Upper Motor Housing	1	PW18-133	PW18-133	PW18-133
6	#10-32 x 3/4" Capscrew	6	U30-482SS	U30-482SS	U30-482SS
7	Capacitor	1	PW18-146	PW18-146	PW18-146
8	#10-32 x 4-1/4" Capscrew	2	U30-973ZP	U30-973ZP	U30-973ZP
9	Washer	1	U43-43ZP	U43-43ZP	U43-43ZP
10	Rotor/Stator Assembly	1	PW118-148	PW118-148	PW118-149
11	#8-32 x 1/2" Capscrew*	1	U30-539SS	U30-539SS	U30-539SS
12	Switch Cord Clamp*	1	CC0030-13	CC0030-13	-
13	O-Ring	1	U9-339	U9-339	U9-339
14	Lower Motor Housing	1	PW18-23AA	PW18-23AA	PW18-23AA
15A	Shaft Seal, Stationary Head Assembly	1	U9-439A	U9-439A	U9-439A
15B	Shaft Seal, Rotating Mating Ring	1	U9-439B	U9-439B	U9-439B
16	Impeller	1	PW5-21	PW5-21	PW5-21
17	Volute	1	PW1-18	PW1-18	PW1-18
18	Automatic Float Switch*	1	PS217-62	PS217-64	-
▪	Dielectric Oil**	1	U197-8A	U197-8A	U197-8A

▪ Not Illustrated.

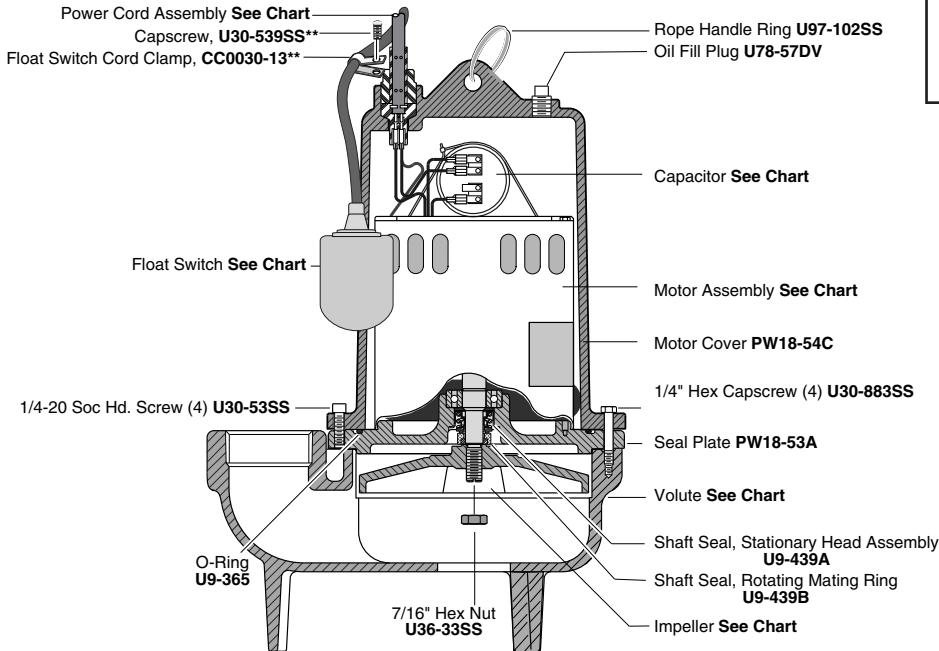
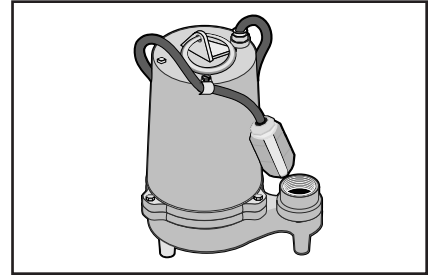
\* Model Numbers ending in "T" Only.

\*\* Series SC6 uses 1.2 qts.

# cast iron submersible sewage pumps

## SC7 series

1/2 thru 3/4 HP



Not Shown  
 Motor Through Bolts (4) **U30-941**  
 Dielectric Oil (Qt -3 Required) **U197-8A**  
**NOTE:** All models use 2.6 qts.  
 \*\* Included with Models including a "T"

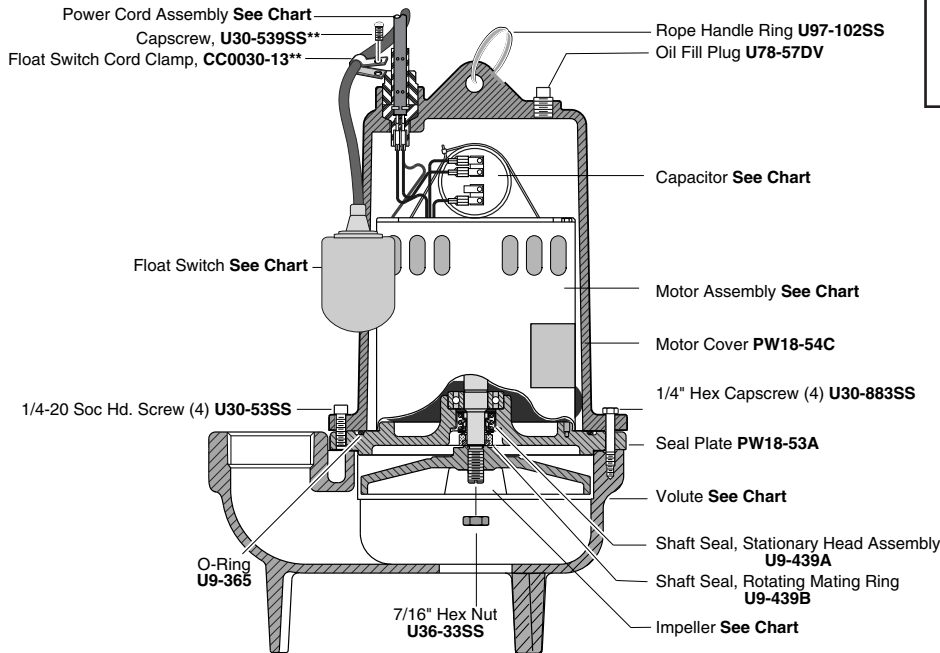
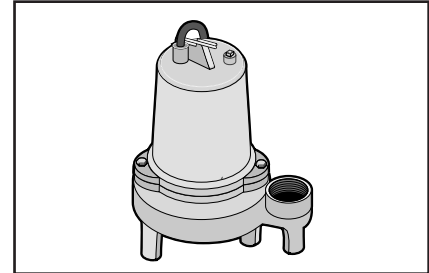
Model	Capacitor*	Motor Assembly	Volute	Impeller	Float Switch	Power Cord Assembly
SC750120M	U18-1590	PW218-67	PW1-3A	PW5-3	-	PW117-231-TSE
SC750120T	U18-1590	PW218-67	PW1-3A	PW5-3	PW217-107B	PW117-231-TSE
SC750220M	U18-1588	PW218-68	PW1-3A	PW5-3	-	PW117-232-TSE
SC750220T	U18-1588	PW218-68	PW1-3A	PW5-3	PW217-108B	PW117-232-TSE
SC750320M	-	PW218-72	PW1-3A	PW5-3	-	PW117-235-TSE
SC750420M	-	PW218-72	PW1-3A	PW5-3	-	PW117-235-TSE
SC775120M	U18-1590	PW218-136	PW1-3A	PW5-4	-	PW117-231-TSE
SC775120T	U18-1590	PW218-136	PW1-3A	PW5-4	PW217-111B	PW117-231-TSE
SC775220M	U18-1588	PW218-71	PW1-3A	PW5-4	-	PW117-232-TSE
SC775220T	U18-1588	PW218-71	PW1-3A	PW5-4	PW217-112B	PW117-232-TSE
SC775320M	-	PW218-72	PW1-3A	PW5-4	-	PW117-235-TSE
SC775420M	-	PW218-72	PW1-3A	PW5-4	-	PW117-235-TSE

\*Single Phase only.  
 A Control Panel is needed for all three phase models.

# cast iron submersible sewage pumps

# SCC7 series

## 1/2 thru 3/4 HP



Not Shown  
 Motor Through Bolts (4) **U30-941**  
 Dielectric Oil (Qt -3 Required) **U197-8A**  
**NOTE:** All models use 2.6 qts.  
 \*\* Included with Models including a "T"

Model	Capacitor*	Motor Assembly	Volute	Impeller	Float Switch	Power Cord
SCC750120M	U18-1590	PW218-67	PW1-14	PW5-3	-	PW117-231-TSE
SCC750120T	U18-1590	PW218-67	PW1-14	PW5-3	PW217-107B	PW117-231-TSE
SCC750220M	U18-1588	PW218-68	PW1-14	PW5-3	-	PW117-232-TSE
SCC750220T	U18-1588	PW218-68	PW1-14	PW5-3	PW217-108B	PW117-232-TSE
SCC750320M	-	PW218-72	PW1-14	PW5-3	-	PW117-235-TSE
SCC750420M	-	PW218-72	PW1-14	PW5-3	-	PW117-235-TSE
SCC775120M	U18-1590	PW218-136	PW1-14	PW5-4	-	PW117-231-TSE
SCC775120T	U18-1590	PW218-136	PW1-14	PW5-4	PW217-111B	PW117-231-TSE
SCC775220M	U18-1588	PW218-71	PW1-14	PW5-4	-	PW117-232-TSE
SCC775220T	U18-1588	PW218-71	PW1-14	PW5-4	PW217-224	PW117-232-TSE
SCC775320M	-	PW218-72	PW1-14	PW5-4	-	PW117-235-TSE
SCC775420M	-	PW218-72	PW1-14	PW5-4	-	PW117-235-TSE

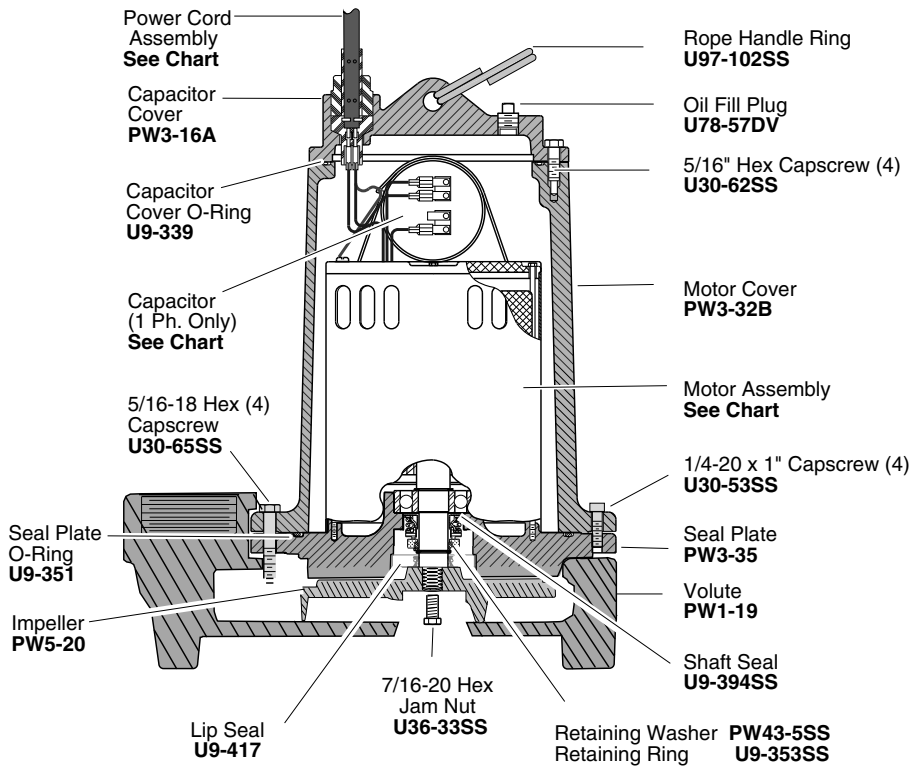
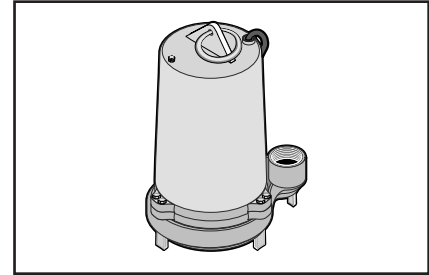
\*Single Phase only.  
 A Control Panel is needed for all three phase models.



# cast iron submersible sewage pumps

# SC9/SCC9 series

## 3/4 thru 2 HP



Not Shown

Dielectric Oil (Qt -3 Required) **U197-8A**

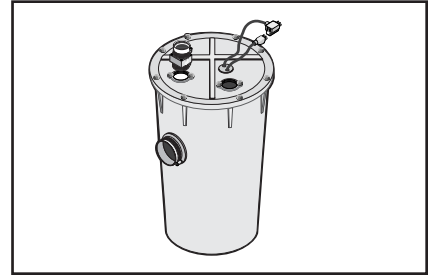
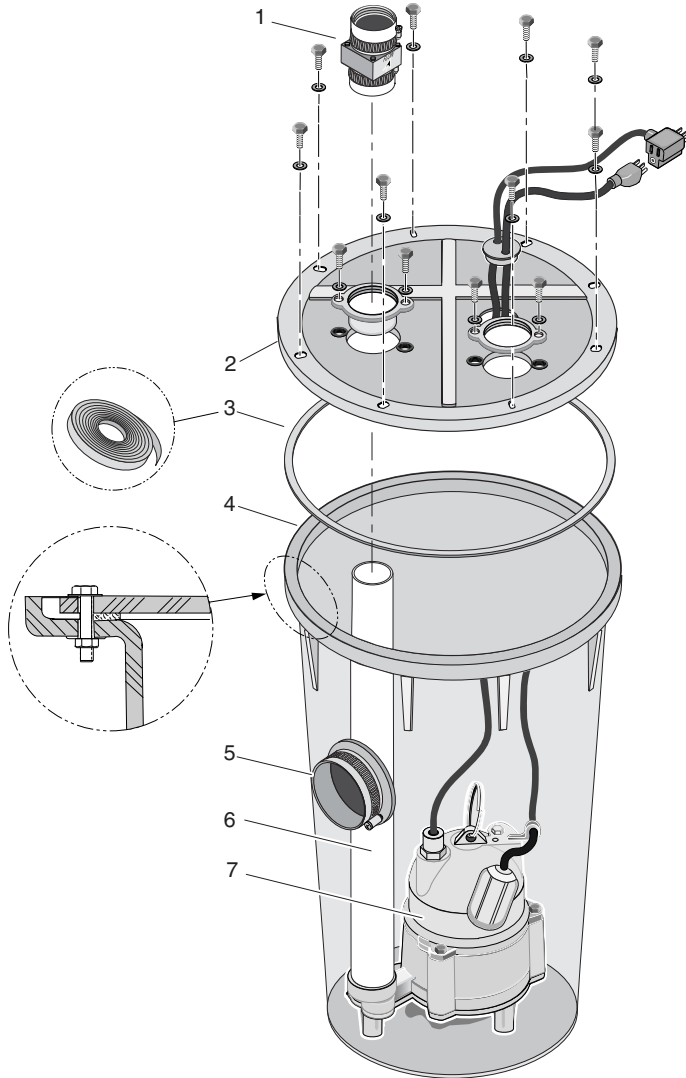
**NOTE:** All models use 2.6 Qts.

1307B 0497 EC9

Model	Capacitor*	Motor Assembly	Impeller	Float Switch**	Power Cord
SC975220T, SCC975220T	U18-1589	PW118-81	PW5-7C	PW217-224	PW117-232-TSE
SC975220M, SCC975220M	U18-1589	PW118-81	PW5-7C	-	PW117-232-TSE
SC975320M, SCC975320M	-	PW118-87	PW5-7C	-	PW117-235-TSE
SC975420M, SCC975420M	-	PW118-87	PW5-7C	-	PW117-235-TSE
SC9100220M, SCC9100220M	U18-1589	PW118-81	PW5-7B	-	PW117-232-TSE
SC9100220T, SCC9100220T	U18-1589	PW118-81	PW5-7B	PW217-224	PW117-232-TSE
SC9100320M, SCC9100320M	-	PW118-87	PW5-7B	-	PW117-235-TSE
SC9100420M, SCC9100420M	-	PW118-87	PW5-7B	-	PW117-235-TSE
SC9150220M, SCC9150220M	U18-1590	PW118-83	PW5-7A	-	PW117-232-TSE
SC9150320M, SCC9150320M	-	PW118-87	PW5-7A	-	PW117-235-TSE
SC9150420M, SCC9150420M	-	PW118-87	PW5-7A	-	PW117-235-TSE
SC9200220M, SCC9200220M	U18-1592	PW118-83	PW5-7	-	PW117-232-TSE
SC9200320M, SCC9200320M	-	PW118-87	PW5-7	-	PW117-235-TSE
SC9200420M, SCC9200420M	-	PW118-87	PW5-7	-	PW117-235-TSE

\* SC9 Series Model Numbers use Volute P/N. PW1-5. SCC9 Series Model Numbers use Volute P/N PW1-15.

\*\* Model numbers ending in "T" include Float Switch model number PW217-224. Float Switch PW217-224 turns on at 22" and turns off at 13". Float Switch not illustrated.

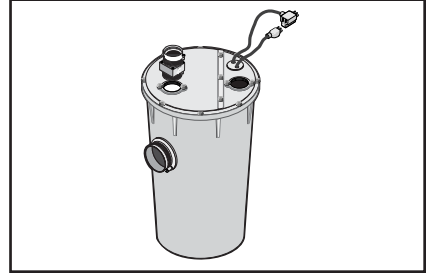
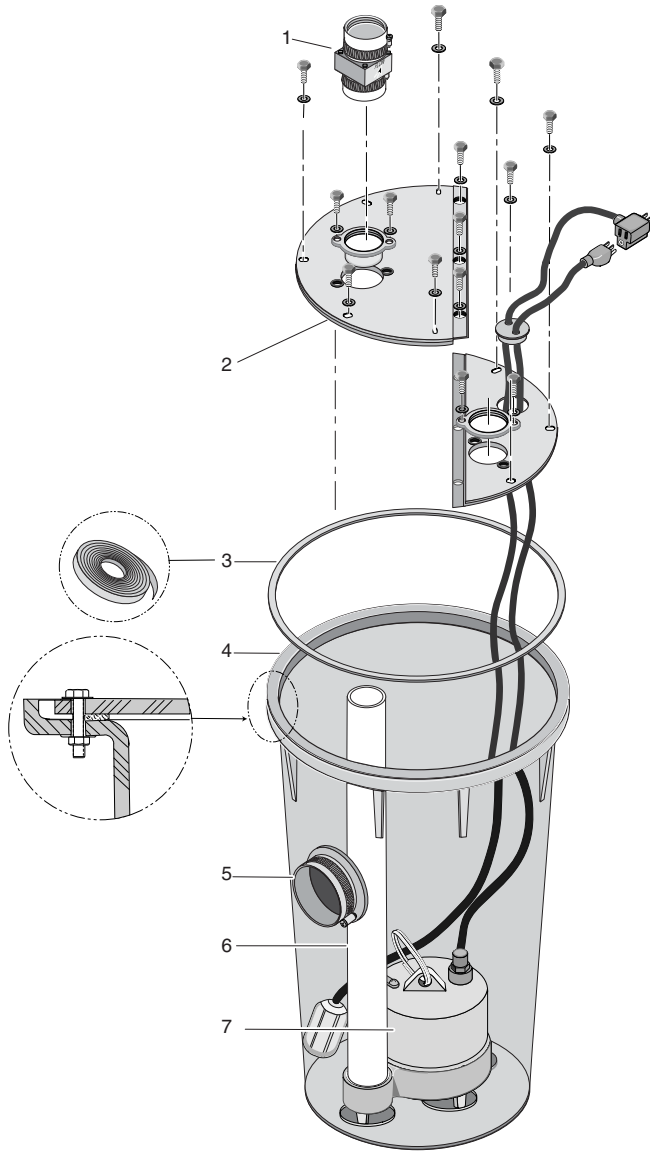


Key No.	Part Description	No. Used	SP440120T
1	Check Valve, 2" Swing PVC	1	PW73-49
2	Sewage Basin Cover	1	PW73-60
3	Gasket Tape, Cover	1	*
4	Sewage Basin	1	PW73-46
5	Inlet Hub Assembly with Cord Grommet	1	PW73-47
6	Discharge Pipe	1	U78-997P
7	Sewage Pump**	1	SC440120T
▪	Hardware Package	1	PW198-4
▪	3" Vent Kit	1	PW198-5

▪ Not Illustrated.

\* Included in Hardware Package.

\*\* For Pump Repair Parts, see repair parts for pump SC440120T Page 283.

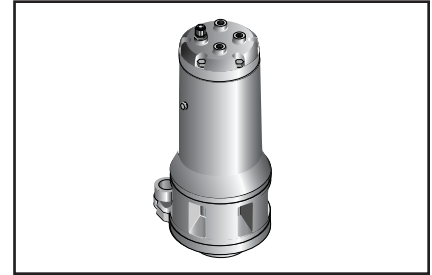
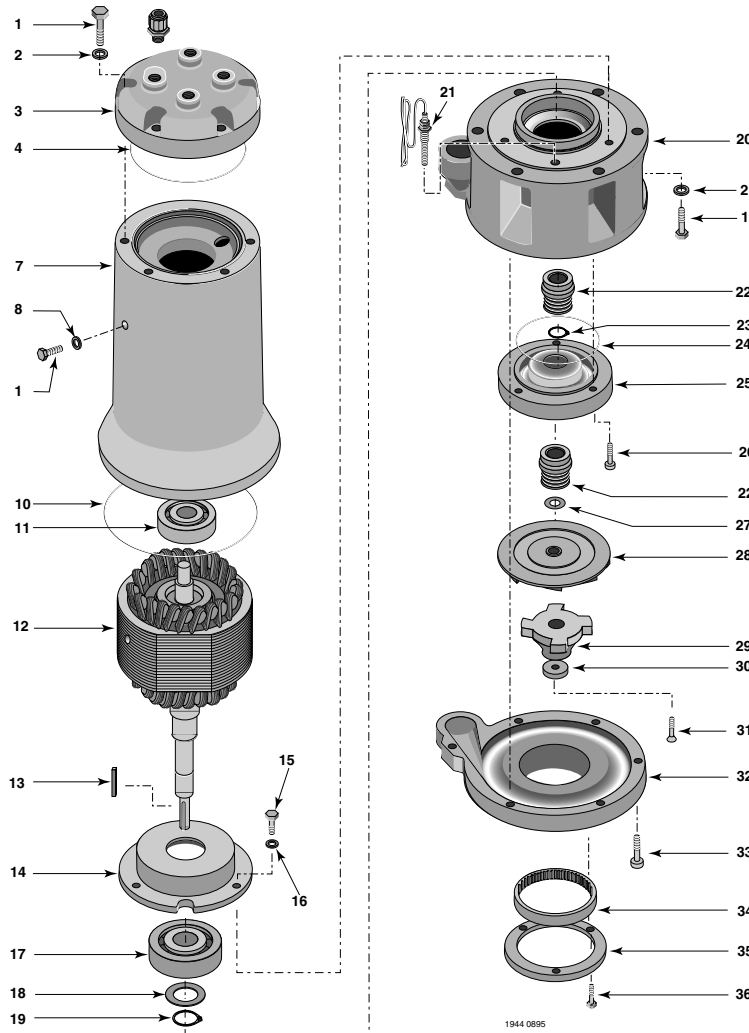


Key No.	Part Description	No. Used	SP550120T
1	Check Valve, 2" Swing PVC	1	PW73-49
2	Sewage Basin Cover	1	PW73-48
3	Gasket Tape, Cover	1	*
4	Sewage Basin	1	PW73-46
5	Inlet Hub, Snap-In	1	PW73-47
6	Discharge Pipe	1	U78-996P
7	Sewage Pump**	1	SC550120T
▪	Hardware Package	1	PW198-4

▪ Not Illustrated.

\* Included in Hardware Package.

\*\* For Pump Repair Parts, see repair parts for pump SC550120T Page 284.



### Terminal Cover Repair Parts

Part Description	No. Used	W52016L	W52457L
Terminal Cover Assembly Complete	1	W52016L	W52457L
Terminal Cover Only	1	W52051	W52683
8-32x1/4" Round Head Tap Screw	1	U30-664C	U30-664C
1/8" Socket Head Pipe Plug	1	13659	13659
Power Cord Assembly	1	W52087L	W52087L
Cable Seal	1	16550	16550
Solderless Connector	3	24901	24901
Connector Ring, Tongue	1	25457	25457
25' Cable (Bulk) 14/4 600V Type STO	1	M10149	M10149
Control Cord Assembly	1	—	W52458L
Cable Seal	1	—	16553
Solderless Connector	3	—	24901
Connector Ring, Tongue	1	—	25457
25' Cable (Bulk) 16/4 600V Type STO	1	—	M10150



# grinder pumps

# SG/SGC series

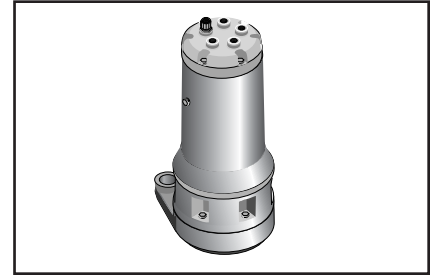
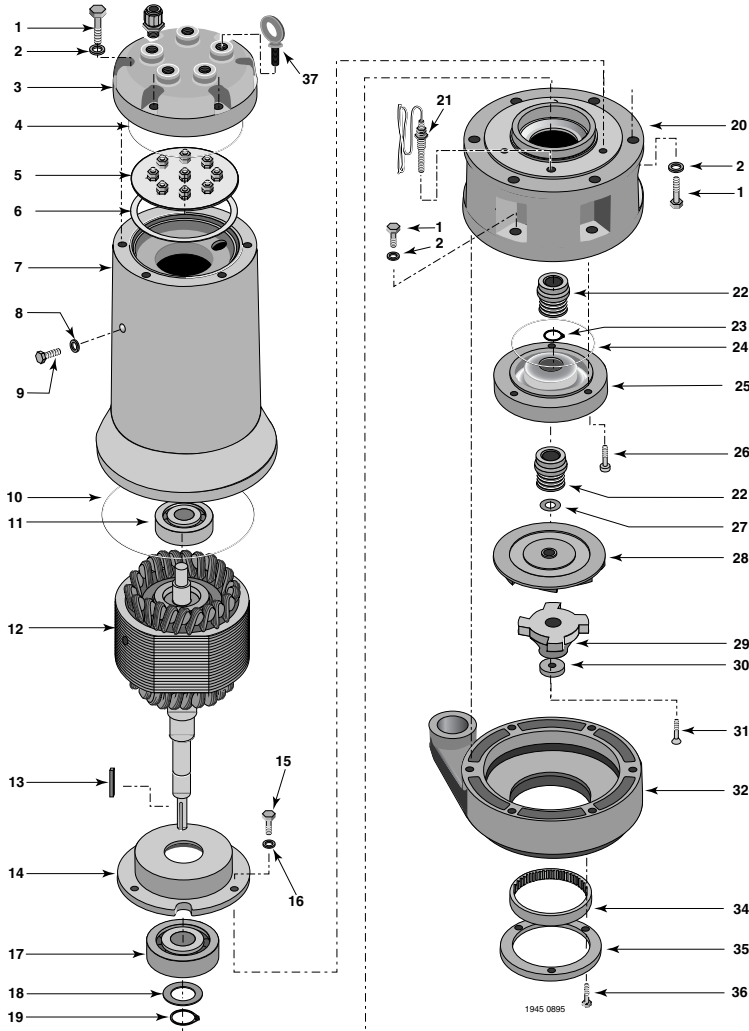
## 2 HP

Key No.	Part Description	No. Used	SG12200225MB	SGC12200225MB
			SG12200325MB	SGC12200325MB
			SG13200225MB	SGC13200225MB
			SG13200325MB	SGC13200325MB
			2 HP	2 HP
1	5/16-18x1 Hex Head Cap Screw SS	13	10411	10411
2	5/16 Lockwasher SS	12	S23088	S23088
3	Terminal Cover Assembly	1	W52016L	W52457L
4	O-Ring	1	25378	25378
7	Motor Housing	1	W52013	W52013
8	Sealing Washer	1	14998	14998
10	O-Ring	1	25277	25277
11	Top Bearing	1	15248	15248
12	Motor/Shaft Assembly (Single Phase)	1	W52082F	W52082F
12	Motor/Shaft Assembly (Three Phase)	1	W52083F	W52083F
13	Key	1	W52090	W52090
14	Bearing Retainer	1	W52031	W52031
15	1/4-20x1 Hex Head Cap Screw SS	3	10649	10649
16	1/4 Lockwasher SS	3	U43-23SS	U43-23SS
17	Thrust Bearing	1	S13269	S13269
18	Support Ring	1	25386	25386
19	Retaining Ring	1	25416	25416
20	Seal Plate	1	W52019	W52456
21	Leak Detector Probe Assembly**	1	-	W52094L
22	Shaft Seal	2	16504	16504
23	Retaining Ring	1	25395	25395
24	O-Ring	1	25379	25379
25	Back Plate (SG12 & SGC12 Series)	1	W52023	W52023
25	Back Plate (SG13 & SGC13 Series)	1	W52033	W52033
26	1/4-20x3/4 Socket Head Cap Screw SS	3	S25928	S25928
27	Impeller Shim Set (20 Shims)	*	25406	25406
28	Impeller (SG12 & SGC12 Series)	1	W52096	W52096
28	Impeller (SG13 & SGC13 Series)	1	W52035	W52035
29	Cutter	1	W52228	W52228
30	Impeller Retainer	1	W52092	W52092
31	5/16-18x1 Flat Head Cap Screw SS	1	10670	10670
32	Volute	1	W52027	W52027
33	5/16-18x1 Socket Head Cap Screw	6	10579	10579
34	Cutter Ring	1	W52229	W52229
35	Bottom Plate	1	W52462F	W52462F
36	1/4-20x1/2 Hex Head Cap Screw SS	3	10674	10674
	▪ Leak Detector Lead Wire**	2 Ft.	-	16692
	▪ Thermostat (3 Phase)**	2	-	25534
	▪ Thermostat (1 Phase)**	1	-	25534
	▪ Dielectric Oil (3.8 Quarts)	4	U197-8A	U197-8A
	▪ Flexible Tube	1	W52270	W52270
	▪ 3/4" Pipe Plug	1	13674	13674
	▪ Capacitor Pack (Single Phase only)	1	W52468L	W52468L

\* As Needed.

\*\* SGC Models only.

▪ Not Illustrated.



### Terminal Cover Repair Parts

Part Description	No. Used	SGC20300225MB	SGC20500225MB	SGC20300325MB
		SSGC20500325MB		SGC20750325MB
Terminal Cover Assembly Complete	1	W52017L	W54002L	W52098L
Terminal Cover Only	1	W52257	W52257	W52011
8-32x1/4" Round Head Tap Screw	1	U30-664C	U30-664C	U30-664C
Power Cord Assembly	1	W52088L	W54003L	W52088L
Cable Seal	1	16572	M10248	16572
Solderless Connector	3	25421	25601	25421
Connector Ring, Tongue	1	25440	25600	25440
25' Cable (Bulk) 14/4 600V Type STO	—	—	—	M10149
25' Cable (Bulk) 8/4 Type STO	—	—	M10151	—
25' Cable (Bulk) 10/4 Type STO	—	16682	—	16682
Control Cord Assembly	1	W52095L	W52095L	W52095L
Cable Seal	1	16553	16553	16553
Solderless Connector	3	25420	25420	25420
Connector Ring, Tongue	1	25457	25457	25457
25' Cable (Bulk) 16/4 600V Type STO	—	M10150	M10150	M10150



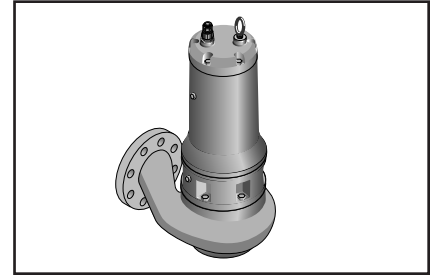
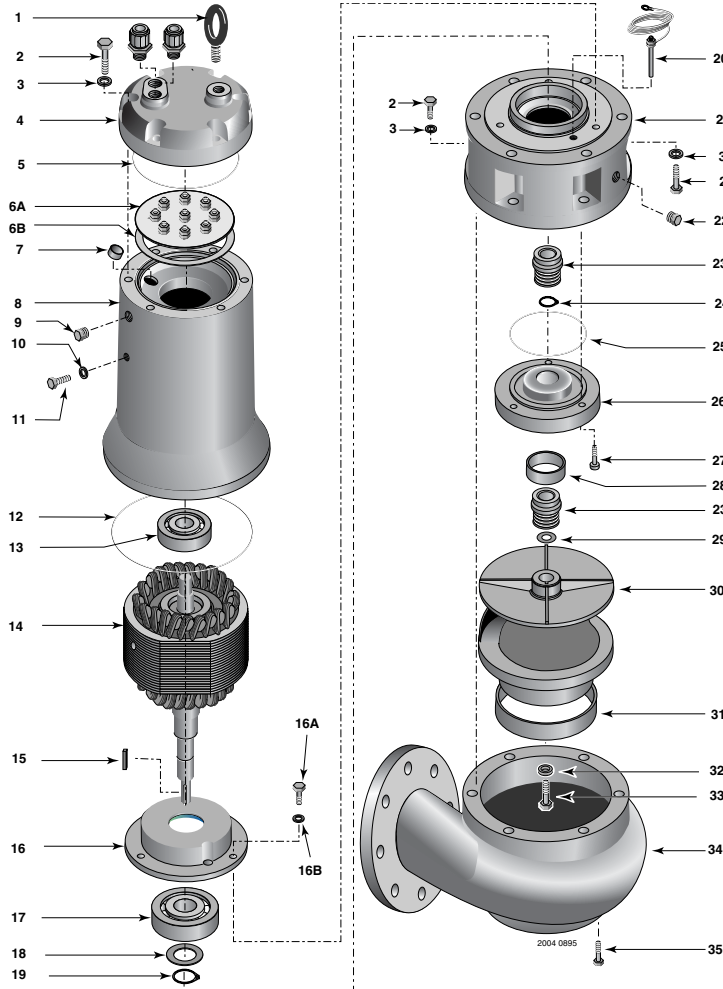
# grinder pumps

# SG/SGC series

## 3 thru 7-1/2 HP

Key No.	Part Description	No. Used	SGC20300225MB 3 HP	SGC20500225MB 5 HP	SGC20300325MB 3 HP	SGC20500325MB 5 HP	SGC20750325MB 7-1/2 HP
1	3/8-16x1-1/4" Hex Hd Cap Screw, SS	18	S23568	S23568	S23568	S23568	S23568
2	3/8" Lockwasher, SS	18	S23036	S23036	S23036	S23036	S23036
3	Terminal Cover Assembly	1	W52017L	W54002L	W52098L	W52017L	W52017L
4	O-Ring	1	U9-365	U9-365	U9-365	U9-365	U9-365
5	Terminal Board Assembly	1	W52190L	W52190L	W52190L	W52190L	W52190L
6	Terminal Board Gasket	1	25413	25413	25413	25413	25413
7	Motor Housing	1	W52103	W52103	W52103	W52103	W52103
8	Sealing Washer	1	14997	14997	14997	14997	14997
9	3/8-16x1 HHCS, SS Stator Bolt	1	S23566	S23566	S23566	S23566	S23566
10	O-Ring	1	25399	25399	25399	25399	25399
11	Top Bearing	1	15265	15265	15265	15265	15265
12	Motor	1	W52084F	W52084F	W52085F	W52085F	W52097F
13	Key	1	S24170	S24170	S24170	S24170	S24170
14	Bearing Retainer	1	W52139	W52139	W52139	W52139	W52139
15	5/16-18x1" Hex Hd Cap Screw, SS	3	10650	10650	10650	10650	10650
16	5/16" Lockwasher, SS	3	S23088	S23088	S23088	S23088	S23088
17	Thrust Bearing	1	15270	15270	15270	15270	15270
18	Support Ring	1	25407F	25407F	25407F	25407F	25407F
19	Retaining Ring	1	25411	25411	25411	25411	25411
20	Seal Plate	1	W52021	W52021	W52021	W52021	W52021
21	Leak Detector Probe Assembly	1	W52094L	W52094L	W52094L	W52094L	W52094L
22	Shaft Seal	2	16554	16554	16554	16554	16554
23	Retaining ring	1	25412	25412	25412	25412	25412
24	O-Ring	1	25378	25378	25378	25378	25378
25	Back Plate	1	W52025	W52025	W52025	W52025	W52025
26	5/16-18x1" Socket Hd Cap Screw	6	10623	10623	10623	10623	10623
27	Impeller Shim Set (20 Shims)	As Req.	25388	25388	25388	25388	25388
28	Impeller	1	W52037	W52039	W52037	W52039	W52163
29	Cutter	1	W52259	W52259	W52259	W52259	W52259
30	Impeller Retainer	1	W52093	W52093	W52093	W52093	W52093
31	3/8-16x1" Socket Hd Cap Screw, SS	1	10672	10672	10672	10672	10672
32	Volute	1	W52484	W52484	W52484	W52484	W52484
34	Cutter Ring	1	W52261	W52261	W52261	W52261	W52261
35	Bottom Plate	1	W52470F	W52470F	W52470F	W52470F	W52470F
36	3/8-16x1/2" Hex Hd Cap Screw, SS	3	S27542	S27542	S27542	S27542	S27542
37	Eyebolt	1	W52918	W52918	W52918	W52918	W52918
▪	Motor Lead Wire	1	16692	16692	16692	16692	16692
▪	1/2" NPT Pipe Plug, SS	1	13674	13674	13674	13674	13674
▪	3/8" NPT Pipe Plug, SS	1	13675	13675	13675	13675	13675
▪	Flex Tube	1	W52269	W52269	W52269	W52269	W52269
▪	Capacitor Pack, (1 Phase only)	1	W52469L	W52469L	—	—	—
▪	Dielectric Oil (7 Quarts)	7	U197-8A	U197-8A	U197-8A	U197-8A	U197-8A

▪ Not Illustrated.



### Terminal Cover Repair Parts

Part Description	No. Used	SW40300225MB	SW40300325MB	SW40750325MB	SW60750325MB
		SW40500225MB	SW40500325MB	SW401000325MB SW401200325MB	SW601000325MB SW601200325MB
#8-32x1/4" Screw	1	11303	11303	11303	11303
Terminal Cover	1	W52188	W52135	W52137	W52137
Power Cord Assembly	1	W52088L	W52089L	W52497L	W52497L
Cable Seal	1	16572	16550	M10248	M10248
10-4 Cable	25 Ft.	16682	-	-	-
14-4 Cable	25 Ft.	-	M10149	-	-
8-4 Cable	25 Ft.	-	-	M10151	M10151
Connector Ring	3	25421	25420	25600	25600
Connector Ring	2	25457	25457	25457*	25457*
Connector Ring	1	25440	-	25601	25601
Control Cord Assembly	1	W52095L	W52095L	W52095L	W52095L
Cable Seal	1	16553	16553	16553	16553
16-4 Cable	25 Ft.	M10150	M10150	M10150	M10150
Connector Ring	3	25420	25420	25420	25420

\* 40SWHH, 60SW use one only.





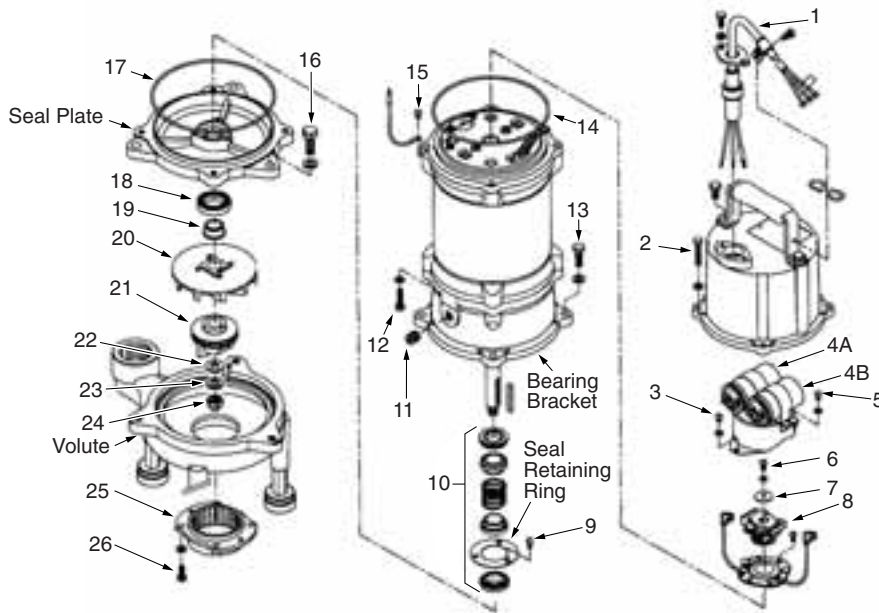
# wastewater pumps

# SW40/SWH40/SW60 series

## 3 thru 12 HP

Key No.	Part Description	No. Used	SW40300225MB	SWH40750325MB	SW60750325MB
			SW40300325MB	SWH401000325MB	SW601000325MB
			SW40500225MB	SWH401200325MB	SW601200325MB
1	Eye Bolt	1	W25918	W25918	W25918
2	3/8-16X1-1/4" Hex Head Cap Screw SS	18	S23568	S23568	S23568
3	3/8" Lockwasher, SS	18	S23036	S23036	S23036
4	Terminal Cover Assembly	1	W52206L	W52208L	W52208L
4	Terminal Cover Assembly (Model SW40300325M only)	1	W52207L	—	—
5	O-Ring	1	U9-365	25276	25276
6A	Terminal Board Assembly	1	W52190L	W52215L	W52215L
6B	Terminal Board Gasket	1	25413	25424	25424
7	Flex Tube	1	W52269	W52269	W52269
8	Motor Housing, 1 Phase	1	W52101	—	—
8	Motor Housing, 3 Phase	1	W52103	W52105	W52105
9	3/8" NPT Pipe Plug, SS	1	13675	13675	13675
10	Sealing Washer	1	14997	14997	14997
11	Stator Retaining Screw	1	S23566	S23566	S23566
12	O-Ring	1	25399	25426	25426
13	Top Bearing	1	15228	S13269	S13269
14	Motor/Shaft Assembly, 1 Phase	1	W52149F	—	—
14	Motor/Shaft Assembly, 3 Phase	1	W52153F	W52155F	W52155F
15	Shaft Key	1	S23505	S24189	S24189
16	Bearing Retainer	1	W52139	W52145	W52145
16A	5/16-18x1" Hex Head Cap Screw, SS*	3	10650	10411	S27542
16B	5/16" Lockwasher, SS	3	14843	S23088	14843
17	Thrust Bearing	1	15263	25427	25427
18	Support Ring	1	25407F	25422F	25422F
19	Retaining Ring	1	25411	25394	25394
20	Leak Detector Probe Assembly	1	W52094L	W52094L	W52094L
20A	Lead Wire	2 Ft.	16692	16692	16692
21	Seal Plate	1	W52119	W52121	W52123
22	1/2" NPT Seal Plate Drain Plug	1	13674	13674	13674
23	Shaft Seal	2	16554	S32015	S32015
24	Retaining Ring	1	25412	25423	25423
25	O-Ring	1	25277	25425	—
26	Back Plate	1	W52113	W52115	W52117
27	Soc. Hd. Cap Screw, SS	6	10623	10687	10666
28	Impeller Bushing	1	W52199	W52200	W52200
29	Impeller Shims (set of 9)	*	25385	—	—
30	Impeller (4011, 4511, 6011)	1	W52129	W52131	W52219
30	Impeller (4013, 4513, 6013)	1	W52164	W52160	W52221
30	Impeller (4512, 6012)	1	—	W52159	W52220
31	Wear Ring	1	W52193	W52194	W52195
32	Impeller Retainer	1	W52191	W52192	W52192
33	Impeller Cap Screw, SS	1	S23568	S23568	S23568
34	Volute	1	W52794	W52772	W52773
35	3/8-16 x 1/2" Hex Head Cap Screw	3	S27542	S27542	S27542
■	Cable Tie	2	U19-69	U19-69	U19-69
■	Capacitor Pack (1 Phase Only)	1	W52467L	—	—
■	Dielectric Oil (1 Quart Bottles)	( )	U197-8A (7.5 Qts.)	U197-8A (13 Qts.)	U197-8A (8.3 Qts.)
■	Free-Standing Adapter	*	W52422L	W52423L	W52423L

- Not illustrated separately.
- Not illustrated.
- \* Quantity as required.

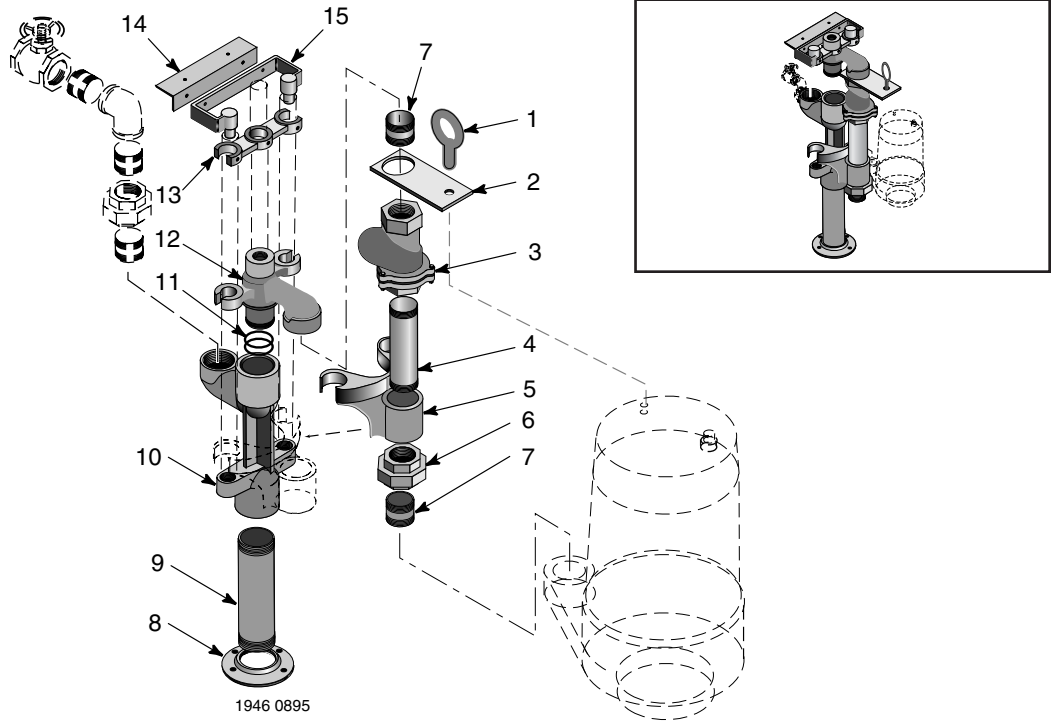


Key No.	Part Description	No. Used	SG11200220TB	SG11200320TB
1	Cord	1	E01-1241-5	E01-1241-5
2	Capscrew M6x25	2	*	*
3	Capscrew	2	*	*
4A	Run Capacitor (12 mfd, 450V)	1	E14-0121-0	—
4B	Start Capacitor (150 mfd, 250V)	1	E14-1503-0	—
5	Capscrew	2	*	—
6	Capscrew	1	*	—
7	Flat Washer	1	H53-1102-0	—
8	Centrifugal Switch	1	E12-2P82-3	—
9	Capscrew M5x8	3	*	*
10	Shaft Seal	1	F21-1202-0	F21-1202-0
11	Drain Plug 1/4" NPT	1	H55-3204-0	H55-3204-0
12	Capscrew M6x25	4	*	*
13	Capscrew M8x25	4	*	*
14	O-Ring	()	G47-3811-0(3)	G47-3811-0(2)
15	Capscrew M5x8	1	*	*
16	Capscrew M10x30	3	*	*
17	O-Ring	1	G47-3891-0	G47-3891-0
18	Oil Seal	1	F25-2501-0	F25-2501-0
19	Oil Seal Bushing	1	A24-3811-0	A24-3811-0
20	Impeller	1	B27-3811-0	B27-3811-0
21	Rotating Cutter	1	A39-3811-0	A39-3811-0
22	Flat Washer	1	H53-1008-0	H53-1008-0
23	Lock Washer	1	H54-1008-0	H54-1008-0
24	Cap Nut M12	1	H56-6122-0	H56-6122-0
25	Stationary Grinder	1	A40-3811-0	A40-3811-0
26	Capscrew M6x16	4	*	*
▪	Float Switch with 20' Cord	1	PW217-112B	—
▪	Dielectric Oil	**	U197-8A	U197-8A

▪ Not Illustrated.

\* Standard hardware item. Purchase locally.

\*\* Two packets required.

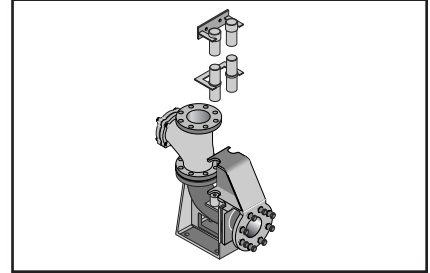
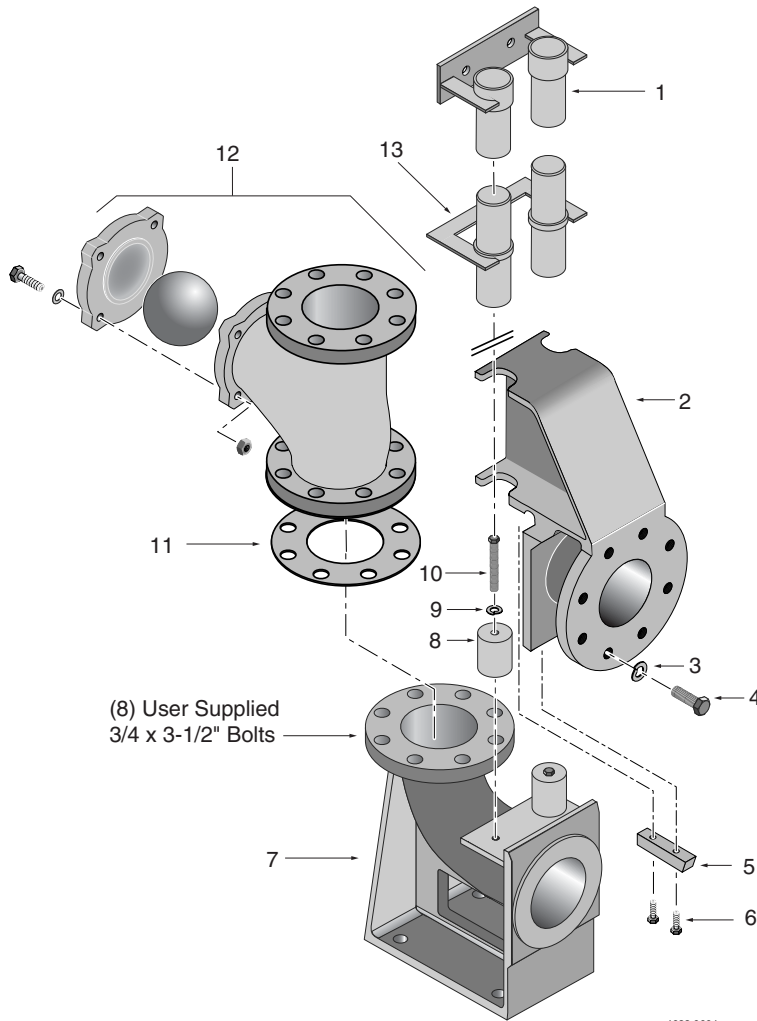


Key No.	Part Description	No. Used	SG12 Assembly SGC12 Assembly SG13 Assembly SGC13 Assembly W52439L	SGC20 Assembly W52440L
1	Eyebolt	1	W52919	W52918
2	Discharge Pipe Bracket	1	W52298F	W52068F
3	1-1/4 Ball Check Valve	1	14143	-
3	2" Ball Check Valve	1	-	M09848
4	1-1/4x8-1/2 Nipple	1	W52437	-
4	2x6 Nipple Galvanized	1	-	13367
5	Guide Rail Bracket	1	W52295	W52297
6	1-1/4 Union Galvanized	1	13850	-
6	2" Union Galvanized	1	-	13851
7	1-1/4x1-3/4 Nipple Galvanized	2	13366	-
7	2x2-1/2 Nipple Galvanized	2	-	13352
8	Base Flange	1	S11787	S11787
9	Base Pipe	1	W52435	W52433F
10	Stationary Flange	1	W52285	W52287
11	O-Ring	2	22302	22302
12	Movable Flange	1	W52289	W52290
13	Locking Bar	1	W52293	W52293
14	Angle Bracket	1	W52436	W52436
15	Upper Rail Bracket	1	W52284F	W52284F
	▪ 3/8 Washer, Flat	4	S23050	S23050
	▪ 3/8-16 SS Nut	4	S23484	S23484
	▪ 3/8-16x1 SS Cap Screw	4	S23566	S23566
	▪ 3/8-16x3/4 SS Cap Screw	6	S27544	S27544
	▪ Socket Head Cap Screw	3	S25928	S25928

▪ Not illustrated.

# guide rail lift-out system

SW series



4633 0604

Key No.	Part Description	No. Used	40SW W52150L	60SW W52154L
1	Upper Guide Rail Bracket	1	W52181F	W52181F
2	Lift-Out Guide	1	W52171	W52179
3	5/8" Lock Washer	8	U43-14SS	-
3	3/4" Lock Washer	8	-	U43-109SS
4	5/8-11 x 2-1/4" SS Capscrew	8	10677	-
4	3/4-10 x 2-1/4" SS Capscrew	8	-	11301
5	1" x 1" x 4" Locking Bar	1	W52695	W52695
6	3/8-16 x 1-1/2" Capscrew	2	10667	10667
7	Discharge Base	1	W52169	W52177
8	Lift Out Pipe Guide	2	W52174	W52174
9	1/2" Lock Washer	2	U43-13SS	U43-13SS
10	1/2-13 x 4" Capscrew	2	10679	10679
11	Asbestos Gasket	1	25469	S10368
12	Ball Check Valve	1	M09850	M09851
13	Intermediate Bracket	*	W52182	W52182

\* Optional, purchase separately; use with lift-out guide rails more than 12' long.