

**NOW AVAILABLE!**

Introducing EXM BoxCAD Product Configurator

## EXM... The special's specialist.



1 2 3 4 5 6

EXM's CAD drawing automation software allows you to design custom enclosures in 8 easy steps...



### Did you Know?

EXM special enclosures can significantly reduce your labor costs and increase product quality.



### Need help?

If you require assistance using this software please call us at 1-800-363-2423 or e-mail at [info@exmweb.com](mailto:info@exmweb.com)

To access **BoxCAD** simply visit our web-site at [www.exmweb.com](http://www.exmweb.com) and select the **BoxCAD** icon.

## Web-based drawing automation software

In the quest to perfect its value added services, EXM has developed a state of the art intelligent product configurator. This web-based drawing automation software enables any registered user to create the product configuration required and **within minutes obtain drawings, a bill of material and quotation. CAD files are available in 3D (STP) or 2D (.DXF).**

The exclusive advantage of **BoxCAD** is the ability to create in **6 simple steps** a product configuration with **custom color, custom cutouts, custom mounted hardware, custom size and custom accessory assemblies throughout.**

The objective is to **increase efficiency** and **reduce time delivery**, by eliminating **back and forth communication** between distributors and EXM engineers.

**It's now a question of days before you receive your order!**



# INDEX

<i>Mtrx MODULAR SOLUTIONS</i>	<i>p.001</i>
<i>METRIC CABINETS &amp; ENCLOSURES</i>	<i>p.163</i>
<i>NEMA 1 ENCLOSURES</i>	<i>p.191</i>
<i>ELECTRICAL DISTRIBUTION</i>	<i>p.221</i>
<i>NEMA 3/3R ENCLOSURES</i>	<i>p.249</i>
<i>NEMA 12-13 ENCLOSURES</i>	<i>p.259</i>
<i>NEMA 4-12 ENCLOSURES</i>	<i>p.271</i>
<i>NEMA 4-4X ENCLOSURES</i>	<i>p.317</i>
<i>NEMA 4X-12 FIBERGLASS</i>	<i>p.353</i>
<i>EMC ENCLOSURES</i>	<i>p.359</i>
<i>NEMA 1/12-13/4/4X WIREWAY</i>	<i>p.363</i>
<i>NEMA 1/12-13/4/4X DISCONNECTS</i>	<i>p.383</i>
<i>NEMA 12-13/4X PUSHBUTTONS</i>	<i>p.413</i>
<i>NEMA 12-13 PC CABINETS</i>	<i>p.421</i>
<i>GENUINE EXM ACCESSORIES</i>	<i>p.439</i>
<i>ELECTRONIC ENCLOSURES</i>	<i>p.493</i>
<i>ENVIRONMENT CONTROL</i>	<i>p.581</i>
<i>TECHNICAL DATA</i>	<i>p.689</i>

*EXM : Redefining Enclosures.*



Data subject to  
change without  
notice.



# SERIES INDEX

CATALOG NUMBER	PAGE #	CATALOG NUMBER	PAGE #	CATALOG NUMBER	PAGE #	CATALOG NUMBER	PAGE #	CATALOG NUMBER	PAGE #
01000.0-00	632	1100 CC	243	1412 RDE	374	5300 MC	257	6100 SLK	84
01140.9-00	626	1100 CF	364	1412 SN	374	5412 CH	272	6100 SLK...CE	86
01160.0-00	625	1100 CIP	196	1412 SS	374	5412 DDS	314	6100 SLKNT	125
01163.0-00	627	1100 CKO	203	1412 TL	374	5412 EAL	336	6100 SLM	101
01164.0-00	627	1100 CM	202	1412 TT	374	5412 EALBU	346	6100 SLR	97
01170.0-00	629	1100 CP	364	1412 X (wireway)	378	5412 EALCH	322	6100 SLRQ	98
01172.0-00	628	1100 DAL	220	1500 BA	422	5412 EALLC	325	6412 ES	168
01180.0-00	631	1100 DER	210	1500 BA (ducts)	369	5412 EALQT	342	6412 ESCHTB	166
01190.0-00	630	1100 DF	206	1500 BASS	423	5412 EALSC	327	6412 ESCHWTB	167
01220.0-00	624	1100 DFP	208	1500 BC	369	5412 ES	286	6412 ESTB	164
01230.0-00	623	1100 E	204	1500 BH	369	5412 ESA	388	6412 ESW	172
01245.0-00	622	1100 EL	364	1500 CF	369	5412 ESBU	300	6412 ESWTB	165
01300.0-00	621	1100 ELA	364	1500 CO	369	5412 ESCH	274	6500 CO	188
01602.0-00	634	1100 EN	205	1500 CP	369	5412 ESCHB	276	6500 COTU	188
01622.0-03	633	1100 ES	364	1500 CS	426	5412 ESCHE	360	6500 ESDD	174
01800.0-00	610	1100 FCD	213	1500 CSD	424	5412 ESCHV	278	6500 MCO	180
01803.0-00	613	1100 IB	218	1500 CSE	425	5412 ESCHW	280	6500 MTU	178
01804.0-00	612	1100 HCF	213	1500 CSS	427	5412 ESCS	428	6500 MWD	177
01805.0-00	614	1100 HCFW	212	1500 DH	369	5412 ESDA	294	6500 MX	18
01821.0-00	615	1100 HCS	213	1500 ED	415	5412 ESDD	311	6500 MXAC	54
01850.0-00	606	1100 HCSW	212	1500 EI	369	5412 ESDG	308	6500 MXARB	134
01930.0-00	607	1100 HD	364	1500 EL	416	5412 ESE	361	6500 MXB	56
02010.0-00	649	1100 HS	364	1500 EO	369	5412 ESEL	290	6500 MXBA	47
02500.0-14	587	1100 JO	364	1500 ET	369	5412 ESFM	299	6500 MXBH	49
02520.0-00	585	1100 MC	242	1500 FL	369	5412 ESFRH	356	6500 MXBM	60
02520.0-02	586	1100 MCHQ	244	1500 HP	369	5412 ESFRQ	357	6500 MXBP	48
02600.0-00	588	1100 OA	364	1500 JB	369	5412 ESFRS	355	6500 MXBT	61
02610.0-00	590	1100 RD	364	1500 JP	369	5412 ESHD	310	6500 MXC	36
02700.0-00	644	1100 SS	364	1500 KE	369	5412 ESLC	283	6500 MXCC	108
02800.0-00	640	1100 T	222	1500 KS	369	5412 ESPR	305	6500 MXCE	65
02810.0-00	641	1100 T (empty)	215	1500 MN	417	5412 ESQT	306	6500 MXCEAP	66
03051.0-00	645	1100 TC	211	1500 PE	422	5412 ESS	330	6500 MXCECC	109
03060.0-00	647	1100 TF	364	1500 PESS	423	5412 ESSA	398	6500 MXCEDP	66
03102.9-00	642	1100 TL	364	1500 RD	369	5412 ESSBU	344	6500 MXCEPL	66
03500.0-00	590	1100 VE	219	1500 SD	414	5412 ESSC	282	6500 MXCESP	66
04640.0-00	643	1100 W	194	1500 SF	418	5412 ESSCH	318	6500 MXCET	67
04700.0-00	636	1100 WD	217	1500 SS	369	5412 ESSDD	350	6500 MXCP	37
06000.0-00	637	1100 WDAL	220	1500 TL	369	5412 ESSLC	324	6500 MXCRAIL	118
06001.0-00	638	1100 WE	216	1500 TO	369	5412 ESSP	334	6500 MXD	22
06040.0-00	635	1300	252	1500 TT	369	5412 ESSPCH	320	6500 MXDD	23
08400.9-00	618	1300 CH	258	1500 WE	369	5412 ESSPCHE	362	6500 MXDDE	29
08600.0-00	611	1300 DWPAL	251	1500 WS	369	5412 ESSQT	340	6500 MXDDV	27
08604.0-00	615	1300 DWPF	250	2500 CA	431	5412 ESSSC	326	6500 MXDDW	25
08608.0-00	613	1400 B	223	2500 CPU	436	5412 ESSW	338	6500 MXDF	128
08611.0-00	609	1400 BSS	225	2500 CPUSH	433	5412 ESTH	302	6500 MXDH	30
09510.0-01	620	1400 BSSP	224	2500 IQ	438	5412 ESW	296	6500 MXDM	46
11800.0-00	611	1400 BT	230	2500 KB	435	5412 SSDD	348	6500 MXDP	31
11802.0-00	612	1400 BTCU	232	2500 KF	433	5500 DCS	262	6500 MXDS	38
11803.0-00	613	1400 BTSS	234	2500 KM	433	5500 ESDD	260	6500 MXDU	28
11821.0-00	615	1400 BTSSCU	236	2500 MSH	433	5500 ESSDD	261	6500 MXDV	26
11850.0-00	606	1400 SDSS	419	2500 PC	436	5500 ESSY	394	6500 MXDW	24
13051.0-00	646	1400 T	223	2500 PCF	437	5500 ESY	390	6500 MXEI	105
13060.0-00	648	1400 TSS	225	2500 PCM	437	5500 MD	268	6500 MXFPR	132
14000.0-00	639	1400 TSSP	224	2500 PE	432	5500 SSDD	263	6500 MXFT	52
21800.0-00	611	1412 BA	374	2500 PRI	432	5500 UCD	398	6500 MXG	116
21804.0-00	612	1412 BC	374	2500 PRISH	434	5500 UCDSS	400	6500 MXGF	117
21805.0-00	614	1412 CF	374	2500 TA	434	5500 UFD	396	6500 MXGG	117
28400.0-00	616	1412 CH	284	5100 ES	198	5500 UFDSS	398	6500 MXGQ	117
28401.0-00	617	1412 CH...IP	285	5100 ESA	384	6100 SL	78	6500 MXIAD	106
1100	192	1412 CHSS	329	5100 ESCH	197	6100 SL...CE	90	6500 MXIEX	106
1100 AD	364	1412 CHSSP...IP	328	5100 ESDD	200	6100 SLC	99	6500 MXIMA	106
1100 B	222	1412 CO	374	5100 ESFS	201	6100 SLCQ	100	6500 MXISL	106
1100 BA	364	1412 CP	374	5100 ESY	387	6100 SLD	92	6500 MXJ...	104
1100 BT	226	1412 EL	374	5300 CT	248	6100 SLDD	95	6500 MXK	12
1100 BTCU	228	1412 FF	374	5300 ES	254	6100 SLDDV	96	6500 MXKNT	124
1100 C	203	1412 NS	374	5300 ESCH	253	6100 SLDV	94	6500 MXKPC	70
1100 CB	214	1412 RDC	374	5300 ESDD	256	6100 SLDW	93	6500 MXKPC...F	71

Data subject to change without notice.



# SERIES INDEX

CATALOG NUMBER	PAGE #	CATALOG NUMBER	PAGE #	CATALOG NUMBER	PAGE #	CATALOG NUMBER	PAGE #	CATALOG NUMBER	PAGE #
6500 MXKPC...L	72	6500 MXWRB	134	880 IPS	469	885 GBOX	458	889 FP	471
6500 MXL	126	6500 MXWS	121	880 K	481	885 IPDA	476	889 FSP	471
6500 MXLA	141	6500 MXWSR	121	880 LCD	484	885 MF	461	889 HP	471
6500 MXLB	142	6500 MXWS1	121	880 LED	582	885 MFLD	461	889 HRR	469
6500 MXLCS	132	6500 WD	185	880 LEDB	582	885 MFHD	461	889 HSP	471
6500 MXLDW	133	880 ADCP	481	880 LEDRB	582	886 C200	472	889 SW	470
6500 MXLEV	141	880 ALB	240	880 LP	591	886 CB200	472	9412	316
6500 MXLF	127	880 APH	456	880 LPF	591	886 CE	465	9412 SS	351
6500 MXLG	134	880 C	472	880 LPH	592	886 CHD	464	9500	264
6500 MXLQ	127	880 CUB	241	880 MCPW	469	886 CHDTB	464	9500 DD	265
6500 MXLRAIL	119	880 DDC	443	880 MFT	461	886 CLEV	141	9500 DA	266
6500 MXLSH	133	880 DDH	456	880 P	472	886 CT	120	9500 DADD	267
6500 MXLSL	134	880 DFP	443	880 PDLK	448	886 DDC	138	9500 UxD	404
6500 MXLSP	133	880 EB	472	880 PH	457	886 DR	118	9500 UxDSS	408
6500 MXLSPM	133	880 EI	474	880 PL	459	886 DS	473	BXXX MF series	520
6500 MXM	39	880 ESDS	474	880 PL...CO/MCO	462	886 EB12	141	BXXX series	518
6500 MXMB	40	880 ESSS	469	880 PLCHQ	459	886 ELKPX	457	G0XXX F series	524
6500 MXMD	44	880 FLM	583	880 PLDD	459	886 ELIT	457	G0XXX series	522
6500 MXMI	41	880 FLPW	583	880 PLES	463	886 ESL4	137	G10XX Type A	553
6500 MXMJ	105	880 FPH	592	880 PLESQ	459	886 ESL5	137	G10XX Type B	557
6500 MXMP	43	880 FRH	358	880 PM	476	886 ESL6	138	G10XX Type C	559
6500 MXMR	131	880 FRS	358	880 PP	477	886 ESL7	138	G10XX Type D	561
6500 MXMRC	132	880 FS	476	880 PPEX	477	886 ESL8	138	G11XX Type A	563
6500 MXMRV	132	880 GA	481	880 PPXL	477	886 ESSL6	139	G11XX Type B	565
6500 MXMS	42	880 GB	479	880 PR	472	886 FLRDS	584	G12XX series	567
6500 MXMSB	149	880 GC	479	880 PR1	619	886 FLSB	144	G13XX Type A	569
6500 MXMSCE	64	880 GNDS01	479	880 PR2	619	886 FSX	114	G13XX Type B	570
6500 MXPC	74	880 GP	488	880 SCQ1	444	886 GFP	145	G14XX series	571
6500 MXPCW	75	880 GPF	486	880 SCQ2	445	886 GPB	146	G15XX Type A	573
6500 MXPD	74	880 GPR	487	880 SCQ2ELS	445	886 GPCE	57	G15XX Type B	574
6500 MXPDW	75	880 GPS	488	880 SCQ3	445	886 GPF	57	G15XX Type C	575
6500 MXPHB	77	880 GRCB	479	880 SCQ4	450	886 GPG	120	G16XX series	576
6500 MXPLF	58	880 GS	481	880 SCQ4CH	446	886 GPR	146	G17XX series	577
6500 MXPLC	109	880 HBL	460	880 SCQCOM	442	886 GPRC	146	G18XX series	511
6500 MXPK	76	880 HBLE	460	880 SCQ-CAM	453	886 GPV	57	G19XX series	513
6500 MXPLVF	59	880 HBLK	460	880 SKWHD	470	886 GWK	145	G1XX series	526
6500 MXPLW	62	880 HBMR	460	880 SP	466	886 GSK	145	G21XX series	535
6500 MXPM	76	880 HBMH	460	880 WK	492	886 HBK	143	G2XX series	529
6500 MXPRISH	112	880 HD	150	881 BB/BP	239	886 HD	148	G31XX series	535
6500 MXPT	76	880 HDCM	483	881 BRB/BRC	238	886 HG120	149	G3XX series	529
6500 MXPVB	77	880 HDFM	483	881 CBAR	458	886 HG180	149	G4XX series	537
6500 MXPW	76	880 HDGS	119	881 CE	465	886 HGSIDE	149	G5XX series	501
6500 MXR	32	880 HDHXM	482	881 CHD	464	886 HWK	143	G5XX Type B	503
6500 MXRH	34	880 HDM	482	881 FLRDS	584	886 INS	139	G7XX Type A	539
6500 MXRP	35	880 HDMFM	482	881 GC	478	886 KBEX	114	G7XX Type B	541
6500 MXRSK	141	880 HDMM	482	881 GRB	478	886 KBF	115	G7XX Type C	543
6500 MXSCE	63	880 HDN	483	881 GRC	478	886 KBS	115	G8XX Type A	544
6500 MXSCEC	64	880 HDP	483	881 LP	591	886 K...	149	G8XX Type B	546
6500 MXSCECC	109	880 HDPM	483	881 SP	467	886 LHDK	137	G8XX Type C	505
6500 MXSCEP	64	880 HDT	482	881 SPHQ	247	886 LSS	139	G9XX Type A	548
6500 MXSCEV	64	880 HDTC	483	881 WP	213	886 MXLRAIL	119	G9XX Type B	549
6500 MXSH	110	880 HDTR	483	882 SP	468	886 PHD...	136	G9XX Type C	550
6500 MXSHD	112	880 HDTRM	482	883 CE	465	886 PL	462	G9XX Type D	551
6500 MXSHS	110	880 HE	475	883 CHD	464	886 PLES	463	G9XX Type E	553
6500 MXSK	141	880 HES	475	883 CM	457	886 PPEX	114	GH series	516
6500 MXSP	111	880 HESCH	475	883 CML	457	886 PPG	113	GKF	593
6500 MXSPM	111	880 HFC	475	885 CBAR	458	886 PPXL	113	GKV	594
6500 MXSR	129	880 HLW	475	885 CE	465	886 RDS	144	GSN series	509
6500 MXSRG	130	880 HP	480	885 CEAL	465	886 SP	190	HQOXX series	494
6500 MXSRP	130	880 HPPL	480	885 CHD	464	886 UB	119	IQ (A/C's)	651
6500 MXT	50	880 HWK	490	885 CHMF	462	886 US	119	IQ (Fans)	602
6500 MXTC	51	880 HWKL	491	885 DR	474	886 UZ	119	PG series	578
6500 MXTP	53	880 HWKV	489	885 ESCHMF	462	886 WC	102	Potting Boxes	579
6500 MXTSB	118	880 HWKO	490	885 ESFRMF	462	886 WK	142	PXFT	650
6500 MXTSP	147	880 HWKOL	491	885 ESL3/4	456	886 WSB	141	RF series	507
6500 MXTV	55	880 HWKOV	489	885 ESMF	462	889 CBAR	458	TB	605
6500 MXU	16	880 INTM	412	885 ESOMF	462	889 FLRDS	584		

Data subject to change without notice.



# PRODUCT FAMILIES

## The 'ES' family



**Standard cover**  
NEMA/EEMAC 1  
5100 ES  
p.198



**Latch cover**  
NEMA/EEMAC 3  
5300 ES  
p.254



**Standard cover**  
NEMA/EEMAC 4/12  
5412 ES  
p.286



**Window cover**  
NEMA/EEMAC 4/12  
5412 ESW  
p.296



**Flush mount**  
NEMA/EEMAC 4/12  
5412 ESFM  
p.298



**Buttable**  
NEMA/EEMAC 4/12  
5412 ESB  
p.300



**Insulated**  
NEMA/EEMAC 4/12  
5412 ESTH  
p.302



**Pressurized**  
NEMA/EEMAC 4/12  
5412 ESPR  
p.305



**1/4 turn cover liftoff**  
NEMA/EEMAC 4/12  
5412 ESQT  
p.306



**Aluminum (Painted)**  
NEMA/EEMAC 4X  
5412 EAL  
p.336



**Stainless steel (Brushed)**  
NEMA/EEMAC 4X  
5412 ESS  
p.330



**Painted SS**  
NEMA/EEMAC 4X  
5412 ESSP  
p.334



**SS Windowed**  
NEMA/EEMAC 4X  
5412 ESSW  
p.338



**SS Buttable**  
NEMA/EEMAC 4X  
5412 ESSBU  
p.344



**SS 1/4 turn cover liftoff**  
NEMA/EEMAC 4X  
5412 ESSQT  
p.340



**EMI/RFI Shielded**  
NEMA/EEMAC 4/12  
5412 ESE  
p.361

Data subject to  
change without  
notice.

# PRODUCT FAMILIES

## The 'ES' family



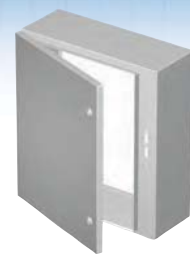
**Console top**  
NEMA/EEMAC 4/12  
5412 ESCS  
p.428



**Metric Box**  
NEMA/EEMAC 4/12  
6412 ES  
p.168



**Windowed Metric Box**  
NEMA/EEMAC 4/12  
6412 ESW  
p.172



**Disconnect SS**  
NEMA/EEMAC 4/4X  
5412 ESA/ESSA  
p.388 / p.392



**Disconnect**  
NEMA/EEMAC 12/13  
5500 ESY/ESSY  
p.390 / p.394



**Double Gasketed**  
NEMA/EEMAC 4/12  
5412 ESDG  
p.308



**Heavy duty**  
NEMA/EEMAC 4/12  
5412 ESHD  
p.310



**Flange mounted locks**  
NEMA/EEMAC 4/12  
5412 ESEL  
p.290



**Dual Access**  
NEMA/EEMAC 4/12  
5412 ESDA  
p.294



**Double door**  
NEMA/EEMAC 1  
5100 ESDD  
p.200



**Double door**  
NEMA/EEMAC 3/3R  
5300 ESDD  
p.256

**SS Double door center post**  
NEMA/EEMAC 4X/12  
5412 ESSDD  
p.350



**Double door center post**  
NEMA/EEMAC 4/12  
5412 ESDD  
p.313



**Double door**  
NEMA/EEMAC 12/13  
5500 ESSDD  
p.261



**Double door**  
NEMA/EEMAC 12/13  
5500 ESDD  
p.260



**Double door**  
NEMA/EEMAC 12/13  
6500 ESDD  
p.174



Data subject to  
change without  
notice.



v



# PRODUCT FAMILIES

## The 'ESCH' family



**Standard cover**  
NEMA/EEMAC 1  
5100 ESCH  
p.197



**Quick release**  
NEMA/EEMAC 3/3R  
5300 ESCH  
p.253



**Standard cover**  
NEMA/EEMAC 4/12  
5412 ESCH  
p.274



**RAL 7035 finish**  
NEMA/EEMAC 4/12  
5412 ESCHB  
p.276



**Clear cover**  
NEMA/EEMAC 4/12  
5412 ESCHV  
p.278



**JIC Polycarbonate window**  
NEMA/EEMAC 4/12  
5412 ESCHW  
p.280



**Stainless steel**  
NEMA/EEMAC 4X  
5412 ESSCH  
p.318



**Painted SS**  
NEMA/EEMAC 4X  
5412 ESSPCH  
p.320



**Aluminum**  
NEMA/EEMAC 4X  
5412 EALCH  
p.322



**Lift-off cover**  
NEMA/EEMAC 4/12  
5412 ESLC  
p.283



**SS Lift-off cover**  
NEMA/EEMAC 4X  
5412 ESSLC  
p.324



**EMI/RFI Shielded**  
NEMA/EEMAC 4/12  
5412 ESCHE  
p.360



**Screw cover**  
NEMA/EEMAC 4/12  
5412 ESSC  
p.282

## The 'ESCH' Metric family



**Hinged terminal**  
NEMA/EEMAC 4/12  
6412 ESCHTB  
p.166



**Window, hinged**  
NEMA/EEMAC 4/12  
6412 ESCHWTB  
p.167



**Screw cover**  
NEMA/EEMAC 4/12  
6412 ESTB  
p.164



**Windowed Screw cover**  
NEMA/EEMAC 4/12  
6412 ESWTB  
p.165

Data subject to  
change without  
notice.



# PRODUCT FAMILIES

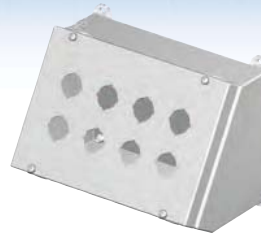
## The 'ESCH' family of pushbutton



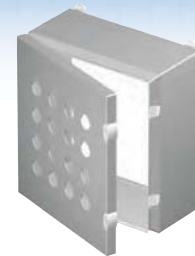
**Pushbutton (Std)**  
NEMA/EEMAC 12/13  
1500 SD/SD...MN  
p.414



**Pushbutton (Extra depth)**  
NEMA/EEMAC 12/13  
1500 ED/ED...MN  
p.415



**Pushbutton (Sloped front)**  
NEMA/EEMAC 12/13  
1500 SF  
p.418



**Pushbutton (Extra large)**  
NEMA/EEMAC 12/13  
1500 EL  
p.416

## The 'CH' family



**Utility enclosure**  
NEMA/EEMAC 1  
1100  
p.192



**Windowed utility**  
NEMA/EEMAC 1  
1100 W  
p.194



**Modular construction utility**  
NEMA/EEMAC 1  
1100 CM  
p.202



**JIC enclosures utility**  
NEMA/EEMAC 4/12  
5412 CH  
p.272



## The Wiring Trough family



**Hinged cover**  
NEMA/EEMAC 4/12  
1412 CH  
p.284



**Hinged cover (inner panel)**  
NEMA/EEMAC 4/12  
1412 CH...IP  
p.285



**Hinged cover SS**  
NEMA/EEMAC 4/12  
1412 CHSS  
p.329



**Hinged cover SS (inner panel)**  
NEMA/EEMAC 4/12  
1412 CHSSP...IP  
p.328



## The Fiberglass family



**Screw cover**  
NEMA/EEMAC 4X/12  
5412 ESFRS  
p.355



**Hinged cover**  
NEMA/EEMAC 4X/12  
5412 ESFRH  
p.356



**Quick release cover**  
NEMA/EEMAC 4X/12  
5412 ESFRQ  
p.357

Data subject to  
change without  
notice.



# PRODUCT FAMILIES

## The Freestanding cabinet family



**Freestanding**  
NEMA/EEMAC 12/13  
5500 DDS  
p.262



**SS Freestanding**  
NEMA/EEMAC 12/13  
5500 SSDD  
p.263



**Freestanding**  
NEMA/EEMAC 12/13  
9500  
p.264



**Dual access**  
NEMA/EEMAC 12/13  
9500 DA  
p.266



**Watertight Double door**  
NEMA/EEMAC 4/12  
5412 DDS  
p.314



**Watertight Single door**  
NEMA/EEMAC 4/12  
9412  
p.316



**SS Watertight Double door**  
NEMA/EEMAC 4X/12  
5412 SSDD  
p.348



**SS Watertight Single door**  
NEMA/EEMAC 4X/12  
9412 SS  
p.351



**Disconnect**  
NEMA/EEMAC 4/12  
5500 UFD  
p.396



**SS Disconnect**  
NEMA/EEMAC 12/13  
5500 UFDSS  
p.398



**Disconnect center flange**  
NEMA/EEMAC 12/13  
5500 UCD  
p.400



**SS Disconnect**  
NEMA/EEMAC 12/13  
5500 UCDSS  
p.402



**Multi-door**  
NEMA/EEMAC 12/13  
5500 MD  
p.268



**Multi-door disconnect**  
NEMA/EEMAC 12/13  
9500 UxD  
p.404



**SS Disconnect**  
NEMA/EEMAC 12/13  
9500 UxDSS  
p.408



**Power distribution solution**  
886 Busbar  
p.151

Data subject to change without notice.

# PRODUCT FAMILIES

The Freestanding modular enclosure solutions



**Single/Double door cabinets**  
NEMA/EEMAC 12/13; Standard  
6500 MXK  
p.12



**Single/Double door disconnect cabinets**  
NEMA/EEMAC 12/13; Standard  
6500 MXU  
p.16



**Preconfigured variations**  
**Multi-door, covers and consoles**  
NEMA/EEMAC 12/13; PC Cabinets  
6500 MXKPC  
p.70



**Preconfigured Network / Server**  
**Dual access door cabinets** **Single door cabinets**  
NEMA/EEMAC 12;  
CEA-310-D  
6500 MXKNT  
p.124

**Preconfigured Network / Server**  
**Single door cabinets**  
NEMA/EEMAC 1;  
CEA-310-D  
6100 SLKNT  
p.125



**Single door cabinets**  
**(CE Suffix) With or without**  
**top cable entry provision**  
NEMA/EEMAC 1; Light duty  
6100 SLK  
p.84



**Joined and corner cabinets**  
**Single/Double door cabinets**  
6500 MX Line-ups  
p.103

Data subject to  
change without  
notice.



# PRODUCT FAMILIES

The commercial enclosure family



**Screw Cover  
Pull Box**  
NEMA/EEMAC 1  
1100 DF  
p.206



**Junction Box**  
NEMA/EEMAC 1  
1100 DFP  
p.208



**Pull box Extension ring**  
NEMA/EEMAC 1  
1100 DER  
p.210



**Modular Construction**  
NEMA/EEMAC 1  
1100 CM  
p.202



**Ventilated**  
NEMA/EEMAC 1  
1100 VE  
p.219



**Instrument Enclosure**  
NEMA/EEMAC 1  
1100 IB  
p.218



**Screw Cover Trough**  
NEMA/EEMAC 1  
1100 WD  
p.217



**Hinged Trough (empty)**  
NEMA/EEMAC 1  
1100 T  
p.215



**Hinged Trough**  
NEMA/EEMAC 1  
1100 WE  
p.216



**Hinged Cover Pull Box**  
NEMA/EEMAC 1  
1100 E  
p.204



**Hinged Cover**  
NEMA/EEMAC 1  
1100 C & CKO  
p.203



**Free standing**  
NEMA/EEMAC 1  
5100 ESFS  
p.201



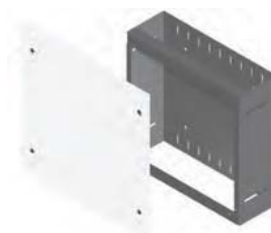
**Telephone Cabinets**  
NEMA/EEMAC 1  
1100 TC  
p.211



**Type-1 Covers for TC**  
NEMA/EEMAC 1  
1100 HCFW / HCSW  
p.212



**Type-1 Covers for TC**  
NEMA/EEMAC 1  
1100 HCF / HCS  
p.213



**Communication Box**  
NEMA/EEMAC 1  
1100 CB  
p.214

Data subject to  
change without  
notice.

x





# PRODUCT FAMILIES

## The commercial enclosure family



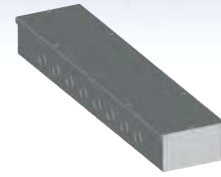
**Weatherproof  
No Gasket**  
NEMA/EEMAC 3  
1300  
p.252



**junction boxes  
With Gasket**  
NEMA/EEMAC 3  
1300 DWPF  
p.250



**Aluminium**  
NEMA/EEMAC 3  
1100 DAL  
p.220



**Aluminium**  
NEMA/EEMAC 1  
1100 WDAL  
p.220

## The distribution enclosure family



**Metering Cabinets  
(Hydro-Québec)**  
NEMA/EEMAC 1  
1100 MC / MCHQ  
p.242 / p.244



**Metering Cabinets**  
NEMA/EEMAC 1  
1100 CC  
p.243



**Current Transformer**  
NEMA/EEMAC 3  
5300 CT  
p.248



**Bus Bar trough**  
NEMA/EEMAC 1  
1100 BT / BTCU  
p.226 / p.228



**Splitter box (Steel)**  
NEMA/EEMAC 1  
1100 B  
p.222



**Splitter trough (Steel)**  
NEMA/EEMAC 1  
1100 T  
p.222



**Splitter box (Steel)**  
NEMA/EEMAC 3R/4/12  
1400 B  
p.223



**Splitter trough (Steel)**  
NEMA/EEMAC 3R/4/12  
1400 T  
p.223



**Splitter box (SS)**  
NEMA/EEMAC 4X  
1400 BSS  
p.225



**Splitter trough (SS)**  
NEMA/EEMAC 4X  
1400 TSS  
p.225



**Bus bar trough (SS)**  
NEMA/EEMAC 3R/4/12-4X  
1400 BT / BTSS  
p.230 / p.232



**Splitter blocks  
lugs**  
881 BB / BP  
p.238

Data subject to  
change without  
notice.





# PRODUCT FAMILIES

## The metric boxes & consoles family



**Writing shelf**  
NEMA/EEMAC 12/13  
**6500 WD**  
p.179



**Writing shelf**  
NEMA/EEMAC 12/13  
**6500 MWD**  
p.177



**Turret**  
NEMA/EEMAC 12/13  
**6500 MTU**  
p.178



**Single door base**  
NEMA/EEMAC 12/13  
**6500 MCO**  
p.180



**Single access base**  
NEMA/EEMAC 12/13  
**6500 MCO**  
p.181



**Dual access base**  
NEMA/EEMAC 12/13  
**6500 MCO**  
p.187



**Monobloc console**  
NEMA/EEMAC 12/13  
**6500 CO**  
p.189



**Turret**  
NEMA/EEMAC 12/13  
**6500 COTU**  
p.188

## The PC cabinets family



**Pedestal**  
1500  
PE/PEA/BA/PESS/BASS  
p.422



**Consolets**  
NEMA/EEMAC 12/13  
1500 CSD/CSE/CS  
p.424 / p.425 / p.426



**PC cabinet**  
NEMA 12/13  
2500 CA/CAF/CAM  
p.431



**PC pedestal**  
NEMA 12/13  
2500 PRI/CPU/PE  
p.432



**Table cover plate**  
NEMA 12/13  
2500 TA  
p.434



**PC cabinet**  
NEMA 12/13  
2500 PC  
p.436



**PC cabinet**  
NEMA 12/13  
2500 PCF/PCM  
p.437



**PC cabinet**  
NEMA 12/13  
2500 IQ  
p.438

Data subject to  
change without  
notice.

# PRODUCT FAMILIES

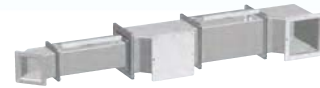
## The wireway family



**Hinged cover / Screw cover**  
NEMA/EEMAC 1  
1100 DUCTS  
p.364



**Lay-in wireway**  
NEMA/EEMAC 12  
1500 DUCTS  
p.368



**Pull Through Lay-in wireway**  
NEMA/EEMAC 4  
1412 / 1412 X  
p.374 - 378

## The accessories



**Locks and Handles**  
p.442



**Cabinet handles**  
p.456



**Padlocks provision**  
p.459



**Touch up paint**  
p.472



**Door stop kits**  
p.473



**Print Pockets**  
p.477



**Grounding kits**  
p.478



**Instrument Plates**  
p.486



**Window kits**  
p.489



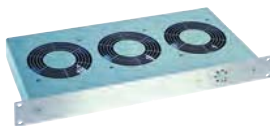
**Heating**  
p.633



**Lights**  
p.583



**Filter fans**  
p.593



**Ventilating**  
p.606



**Pressure control**  
p.616



**Regulating & monitoring**  
p.621



**Air conditioner**  
p.654

Data subject to  
change without  
notice.



# PRODUCT FAMILIES

## Small ABS Plastic Enclosures



**Hand-Held**  
G5XX series  
p.501



**Medium Hand-Held  
T-Cases**  
G8XX Type A series  
p.544



**Hand-Held T-case**  
G8XX Type B series  
p.546



**Hand-Held with Grip**  
G8XX Type C series  
p.505



**Hand-Held Electronic  
Enclosures**  
G9XX Type A series  
p.548



**Hand-Held**  
G9XX Type B series  
p.549



**Hand-Held Medium  
Size**  
G9XX Type C series  
p.550



**Hand-Held**  
G9XX Type D series  
p.551



**Jumbo Size Hand-Held**  
G9XX Type E series  
p.553



**Utility Box & USB  
Boxes**  
G19XX series  
p.513



**Sloped Hand-held**  
G11XX Type A series  
p.563



**Snap-in with Hinged  
Cover**  
GH series  
p.516

## Larger ABS Plastic Enclosures



**Molded Cases**  
G4XX series  
p.537



**Desktop IP54**  
G7XX Type A series  
p.539



**Instrument Cases**  
G7XX Type B series  
p.541



**Snap-in Instrument**  
G7XX Type C series  
p.543

Data subject to  
change without  
notice.



# PRODUCT FAMILIES

## Larger ABS & Polycarbonate Plastic Enclosures



**Sealed  
Polycarbonate or ABS**  
G2XX & G3XX series  
p.529



**Sealed New Design  
Polycarbonate & ABS**  
G21XX & G31XX series  
p.535



**Keyboard Enclosures**  
G11XX Type B  
p.565



**Snap-in**  
G18XX series  
p.511

## Utility Boxes



**Impact ABS Plastic**  
G10XX Type A series  
p.555



**Plastic Project Cases**  
G10XX Type B series  
p.557



**Impact ABS Plastic**  
G10XX Type C series  
p.559



**Utiliboxes**  
G10XX Type D series  
p.561

## EMI/RFI Aluminum Boxes

## Controller Enclosures



**Multi-Purpose  
(Shielded)**  
G0XXX series  
p.522



**Multi-Purpose  
(Flanged)**  
G0XXX F series  
p.524



**Remote Control**  
G13XX Type A series  
p.569



**Battery Contact Kit**  
G13XX Type B series  
p.570

## Die-Cast Aluminum Enclosures



**Dual Conductive &  
Continuous Gasket**  
HQ0XX series  
p.494



**Die-Cast Aluminium**  
BXXX series  
p.518



**Flanged**  
BXXX MF series  
p.520



**Sealed**  
G1XX series  
p.526

Data subject to  
change without  
notice.

\* Rubber feets, Battery holder and accessories are available and sold seperately.



# WHY CHOOSE EXM?

EXM Manufacturing Ltd. has been producing electrical and electronic enclosures since 1975.

Our commitment to complete customer satisfaction is reflected in the superior quality of our products. EXM manufactures a

full line of NEMA rated enclosures and cabinets for industrial and commercial applications.

EXM also produces consoles, PC cabinets, electrical distribution equipment, modular cabinets and accessories.

Our products are engineered with

distinct product advantages, many of which are unparalleled in the industry.

The following reasons why you should choose our products demonstrate how **EXM is redefining enclosures.**

## 1. BoxCAD product configurator



Our automated manufacturing process allows us to produce custom enclosures quickly and effectively. Components from the Mtrx modular cabinet system can also be customized. EXM can produce enclosures with special sizes or colors. We can pierce holes or install studs and standoffs and a variety of other accessories such as windows, filter fans and more. The objective is to reduce

delivery time and to eliminate back and forth communication. Everything can be easily done on-line without the need of a

CAD expert, just visit :

[www.boxcadexm.com](http://www.boxcadexm.com)

to customize your enclosures.

**Look for the BoxCAD logo to indicate if the enclosure is available for customization within the software.**

## 2. More modular, industrial and commercial products



EXM manufactures complete lines of modular, industrial and commercial enclosures.

EXM offers more standard sizes to meet your specific requirements.

Industrial enclosures are available in light gray (metric dimensions) and gray (standard dimensions).

**EXM is a single source for all your enclosure requirements.**

## 3. Galvanized Mtrx modular cabinet frame



**Mtrx modular cabinet frames are roller-formed and are made of powder-coated electro-galvanized steel.** This unique advantage offers exceptional corrosion resistance.

The symmetric frame is reinforced by an exclusive stiffening rib, present all along the inner edges of the cabinet.

The result is a rigid, practical and aesthetic frame.

## 4. Poured-in-place gaskets



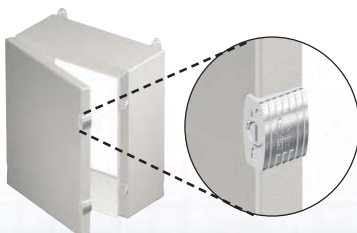
Many EXM products, including the new Mtrx modular cabinets, feature a high-quality seamless poured-in place gasket.

Contrary to neoprene gaskets used on most competing boxes, these gaskets preserve their integrity and do not suffer from compression.

This process extends the life of the enclosure and further assures the effectiveness of the seal.

**Poured gaskets allow the effective use of quarter-turn locking technology.** Indeed, the use of quarter turn locks with neoprene gaskets is inadequate because of compression problems.

## 5. Flange-mounted 1/4 turn locks



EXM ESCH enclosures feature easy-access 1/4 turn flange-mounted locking mechanisms which are located outside the gasket-protected area.

This eliminates water infiltration problems through the lock and **provides a full workable space on the door.**

Standard JIC enclosures require the lengthy manual tightening of series of clamps to close the cover. In contrast, EXM ESCH enclosures are closed within seconds simply by operating a minimum number of 1/4 turn locks.

Key locks, padlock provisions and inserts are available.

Data subject to change without notice.

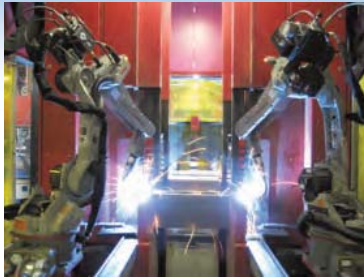
xvi





# WHY CHOOSE EXM?

## 6. Automated seamless welding



EXM benefits from an automated manufacturing process which allows seamless welding of nearly all enclosures, including some NEMA 1 & 3 products!

This makes the construction of our 5100 ES (NEMA 1) and our 5300 ES (NEMA 3) enclosures similar to that of a NEMA 4 box.

Seamless welding provides **above-par durability, rigidity & security**; all at a very competitive price.

Why settle for spot welding when you can benefit from all the advantages of continuously welded EXM enclosures?

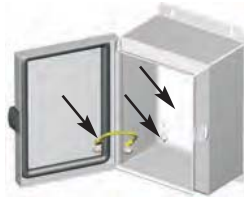
## 7. Heavy duty die cast hinges



**EXM industrial enclosures (ES family)** feature heavy-duty die cast hinges. These hinges are not spot welded, they are bolted on. This minimizes the risk of rust formation and facilitates their removal. They are also concealed to improve the appearance of the enclosures. On enclosures higher than 30" (760mm) the captive hinge pin which binds the hinge to the door can be pulled to

remove the door. On the other enclosures, most users install their equipment on a table top. A similar hinge is used, made in one piece that permits opening the door until it touches the table top. This facilitates mounting of instruments on the door as it lays against a solid surface. These doors can be removed by unfastening the anti-vibration lock screws.

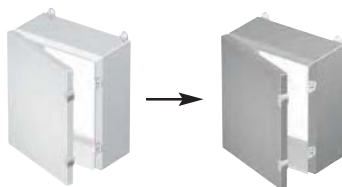
## 8. Inner panel and anti-vibration hardware included



Most EXM wall mounted enclosures (ES and ESCH series) **come complete with an inner panel and a ground strap**. This eliminates the need to purchase the panel separately.

Furthermore, most EXM products are shipped with quality anti-vibration hardware. This hardware is ideal for mobile OEM applications and comes at no extra cost to the customer.

## 9. Save on powder coated stainless steel



EXM offers a full line of powder coated stainless steel products. Before contaminants are exposed to the stainless steel, they are thwarted by a durable layer of powder coating, which maximizes the life of the stainless steel

component.

**Best of all, painted stainless steel costs less than brushed stainless steel!\* That's more protection for less money!**

## 10. Manufactured in 3 North American distribution centers



**Most EXM products are produced in our fully automated North American manufacturing facilities.**

This automation is the result of 35 years of in-house research and development.

These factors reduce lead time and allow us to remain flexible and competitive.

To optimize our level of service in the United States, a new distribution center has been opened in West-borough, MA.

\* Some conditions apply.

Data subject to change without notice.



xvii

# WHAT'S NEW?

## 1. New BoxCAD 3.0 is more intuitive than ever



The **New version of BoxCAD** is a new and improved online product configurator that has been upgraded visually and technically to ease the process of creating customized enclosures online. The number of steps has been decrease to provide a much simpler and more mainstream navigation. We've been innovating with a drag and drop full size gridded window, users can easily place cut-outs, accessories or other features such as studs, stand offs, press fit fasteners and many more, by dragging the feature from an intuitive menu and dropping them on the surface that they are working on. In addition we

have exceeded the expectations by creating a universal interface that is more user-friendly, for a pleasant experience throughout the process. More accessories are available; a broader variety of industry standard cutouts is offered. To access BoxCAD simply visit the configuration web-site at : [www.boxcadexm.com](http://www.boxcadexm.com)

**Look for the BoxCAD logo to indicate if the enclosure is available for customization within the software.**

## 2. New wide variety of small electronic enclosures



**The new GXXX series** enclosure family features a wide range of high quality enclosures for packaging and protection of electrical, electronic components and systems.

The GXXX series are a quality range of Polycarbonate, ABS, fiberglass and aluminum enclosures with IP ratings up to IP67 including RFI and EMI Shielded

options.

The thermoplastic enclosures are used for protecting electrical and electronic components operating in harsh outdoor environments. All Plastic and aluminum enclosure materials fulfill the requirements of the RoHS directive.

Many accessories are also available in this series

**See page : 493**

## 3. New ES type enclosure with external locks



**The new 5412 ESEL** is a more contemporary version of the traditional clamp type enclosure.

The 5412 ESEL has been designed with external screw type locks, that are situated on 3 sides of the enclosure for secure closing. Locks are added depending of the size of the enclosure.

The new screw type locks allows a bigger instrument mounting area on the door.

A full length piano hinge with a stainless steel pin permits 180 degrees opening.

Mounting feet are welded to the box to ease the installation on a flat surface.

**See page : 290**

## 4. New double gasketed ES type enclosure



Based on the popular 5412 ES series, the new **5412 ESDG** water, oil & dust tight enclosures are used indoors or outdoors to provide protection against dust, water, dirt or oil splashing. The 5412 ESDG are made from quality 14 GA or 16 GA steel, with corner seems continuously welded. The captive pins of the concealed hinges can be pulled to remove

the door. A double gasket system, consisting of an external gasket that acts like a front line barrier against liquids, works in conjunction with the internal high quality robotically poured-in-place seamless gasket to ensure a complete and durable water tight seal.

**See page : 304**

Data subject to change without notice.

## WHAT'S NEW?

### 5. New enclosure LED lights



The new LED lights are designed to illuminate the interior of small to large enclosures with very low power consumption. It is perfect for energy saving and is eco-friendly as well. The light bars are motion activat-

ed and the length of use can be adjustable to minimize consumption.

Comes complete with 2 mounting brackets for easy installation.

**See page : 580**

### 6. New anti-vibration wing nuts



The new anti-vibration wing nuts are an addition to our selection of hardware. These wing nuts are designed to be used on M5 fasteners that needs to be tightened or loosened frequently without the use of tools.

They have a nylon insert to capture the bolt or screw which in turn provides a locking feature.

They are used in applications where vibration or motion could loosen or undo the nut.

**See page : 582**

### 7. The new padlockable handle



The new padlockable handle is a versatile, ergonomic and robust cast handle that may be used for a wide range of applications.

The handle is available with a key insert, a standard slot screw driver insert or a variety of other inserts.

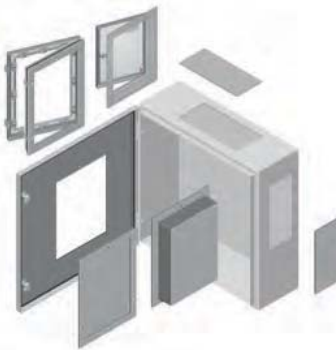
The unique design of the "L" han-

dle offers a padlock provision for increased security and accommodates single or multi-point latching.

The handle seals against dust and water penetration, making it ideal for applications which require IP-65 rating.

**See page : 482**

### 8. New instrument mounting plates, gland plates & window kits



The new instrument mount gland plates are designed to permit standardization of the enclosures providing greater flexibility for the different cut-outs required with differing instrument combinations. The user can have the same enclosure with the same cut-out for the gland plate. Then the gland plate can be pierced by the user or the factory according to the requirements of the present project. There is no need to pierce the enclosures and then

plug the holes that are not required. Also there is no need to manipulate a bulky enclosure, the holes are pierced on the gland plates that are smaller and easy to manipulate.

The instrument plates can be used in conjunction with the NEMA/EEMAC 4 window kits, to permit mounting of lower rated instruments on a type 4 enclosure. **See page : 485**

### 9. New power distribution solutions



**EXM offers the new power distribution solutions.**

**Improved productivity:** Multiple connections achieved at once. Pre-calibrated snap-on devices eliminate having to drill busbars.

**Improved versatility & flexibility:** Limitless configurations possi-

ble. Reconfigurable, scaleable & upgradeable.

**Improved safety & security:** Protection degree up to IP120.

**Improved aesthetics:** Organized and clean look.

**See page : 153**

Data subject to change without notice.

And many more new accessories are available!



xix





# Mtrx MODULAR SOLUTIONS



**6500 MX series**  
NEMA 12/13  
Industrial, Electrical,  
Disconnect Solutions  
See Page 10

**MX/SL**  
COMPATIBLE

**6100 SL series**  
NEMA1  
Light Industrial, Electrical,  
Electronic, Server, and  
Networking Solutions  
See page 78



# HOW TO ORDER YOUR MODULAR SOLUTION

## STEP 1

### OPTION 1

ORDER STANDARD  
PRE-ASSEMBLED KIT



**6500 MXK NEMA 12/13**  
STD CABINET p.10

**6500 MXU NEMA 12/13**  
DISCONNECT CABINET p.14

**6500 MXKPC NEMA 12/13**  
PC CABINET p.70

**6500 MXKNT NEMA 12/13**  
NETWORK AND/OR  
SERVER CABINET p.124

**6100 SLK NEMA 1**  
STD CABINET p.84

**6100 SLKNT NEMA 1**  
NETWORK AND/OR  
SERVER CABINET p.125

### OPTION 2

ORDER STANDARD  
COMPONENTS TO BUILD KIT



**FRAME**  
**Mtrx**  
NEMA 12 p.18

**Streamline**  
NEMA 1 p.88



**WINDOW DOOR**  
**Mtrx**  
NEMA 12 p.24

**Streamline**  
NEMA 1 p.88



**REAR COVER**  
**Mtrx**  
NEMA 12 p.32

**Streamline**  
NEMA 1 p.97



**INNER PANEL**  
**Mtrx**  
NEMA 12 p.39

**Streamline**  
NEMA 1 p.101



**TOP COVER**  
**Mtrx**  
NEMA 12 p.50



**BOTTOM COVER**  
**Mtrx**  
NEMA 12 p.56

### OPTION 3

ORDER COMBINATION OF STD  
OR SPECIAL "CUSTOM"  
COMPONENTS (\*) TO MAKE KIT



**FRAME**  
**Mtrx**  
NEMA 12 p.18

**Streamline**  
NEMA 1 p.88



**SPECIAL DOOR**  
**W/CUTOUPS (\*)**  
**Mtrx**  
NEMA 12 p.24

**Streamline**  
NEMA 1 p.88



**REAR COVER**  
**Mtrx**  
NEMA 12 p.32

**Streamline**  
NEMA 1 p.97



**INNER PANEL**  
**Mtrx**  
NEMA 12 p.39

**Streamline**  
NEMA 1 p.101



**TOP COVER**  
**Mtrx**  
NEMA 12 p.50



**BOTTOM COVER**  
**Mtrx**  
NEMA 12 p.56

Data subject to  
change without  
notice.

# HOW TO ORDER YOUR MODULAR SOLUTION

## STEP 2

**ADD SIDE COVERS,  
SIDE DOORS OR CREATE  
LINE-UP (\*\*)**



- 6500 MXC NEMA12/13**  
SIDE COVER p.36
- 6500 MXDS NEMA12/13**  
SIDE DOOR p.38
- 6500 MXCE NEMA 12**  
CABLE ENTRY CABINET p.65
- 6100 SLC NEMA 1**  
SIDE COVER p.99
- 6100 SLCQ NEMA 1**  
QUICK INSTALL SIDE COVER p.100
- TO ADD ADJACENT CABI-  
NETS, REFER TO BAYING  
SOLUTIONS** p.103

## STEP 3

**ADD INTERNAL  
AND EXTERNAL  
ACCESSORIES (\*\*)**



**REFER TO INDEX COLUMN  
FOR COMPLETE LISTING  
OF ACCESSORIES. →**

## INDEX

<b>MTRX SOLUTIONS (NEMA 12-13)</b>	
• Selection Guide	p. 6
• Pre-Assembled Kits	p. 10
• Frames	p. 18
• Doors	p. 22
• Rear Covers	p. 32
• Side Covers	p. 36
• Inner Mounting Panels	p. 39
• Top Covers	p. 50
• Bottom Covers & Plinths	p. 56
• Cable Entry Solutions	p. 63
<b>PC CABINETS, PARTIAL COVERS, DOORS, AND CONSOLES SOLUTIONS</b> p. 69	
<b>MTRX STREAMLINE (NEMA 1)</b>	
• Selection Guide	p. 80
• Prepackaged Kits	p. 84
• Frames	p. 88
• Doors	p. 92
• Rear Covers	p. 97
• Side Covers	p. 99
• Inner Mounting Panels	p. 101
<b>NETWORK, IT SOLUTIONS KITS</b> p. 123	
<b>ACCESSORIES</b>	
• Multi-door (Joining) Solutions	p. 104
• Shelving and Storage	p. 110
• Grid Railing and Cable Management	p. 116
• 19", 23", 24" Racks & Panels	p. 126
• Handles and Locks	p. 136
• Handling, Supporting & Lifting Solutions	p. 141
• Window and Door Kits	p. 142
• Lighting	p. 144
• Grounding	p. 145
• Touch-up Paint	p. 146
• Environmental Control and Cooling	p. 147
• Mtrx Specific Hardware	p. 148
• Spare Parts and Replacements	p. 149
<b>POWER DISTRIBUTION SOLUTIONS FOR LOW VOLTAGE</b> p. 151	

**\*\* Refer to EXM's value added services for special pre-assemblies. (p.68)**

**MX/SL COMPATIBLE** Components can be used on both Mtrx<sup>2</sup> (NEMA 12-13) or streamline (NEMA 1) solutions



Data subject to change without notice.

## Oil & dust tight metric modular cabinets



The Mtrx series cabinets are used to protect equipment against oil, dust and light water splashing for indoor applications.

The standard cabinets are available in steel. However Mtrx cabinet external covers can be made

of aluminum, brushed or powder coated stainless steel, and with EMI/RFI shielding.

Available in single, double and multi bay standard or disconnect configurations, the Mtrx cabinets can be ordered in complete

pre-assembled kits or can be fully customized by ordering individual parts.

The Mtrx series cabinets are designed and manufactured in North America exclusively by EXM.

## Industry Standards

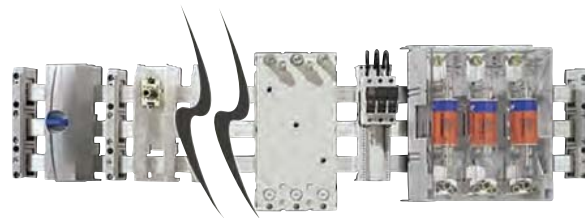
- UL Listed
- CSA Certified
- NEMA/EEMAC
- CE (IEC60529; IP55)
- RoHS Compliant



6500 MXKPC see p. 70  
(PC cabinet & special covers)



6500 MXKNT see p. 124  
(Server & Network)



POWER DISTRIBUTION see p. 151  
(BUSBARs Systems)

Data subject to change without notice.



Customize with

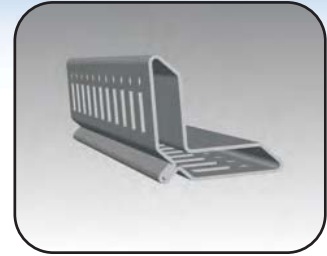




## Oil & dust tight metric modular cabinets

### Frame:

- 10 bend closed profile roll-formed electrogalvanized posts
- Fully welded load bearing structure with steel cast corners
- 25mm DIN system hole pattern in all axes height, width & depth
- M12 x 1.75 25mm long threaded hole for installation of lifting or supporting h/w directly into structural frame
- Standard powder coated fine texture dark gray finish (RAL7011)
- 150 standard sizes – **close to 500 custom sizes available**
- Multi-bay / multi-door line-up capable



### Doors and External Covers (Top, Bottom, Rear, Sides):

- 14ga or 16ga as per UL / CSA requirements
- Standard two tone textured powder coated finish – top / bottom: dark gray RAL7011; door / rear / sides: light gray RAL7035
- Seamless robotically poured-in-place gaskets
- Locking, latching or mounting hardware all outside of enclosure controlled volume
- Doors supplied standard with metallic pull type handle with slotted insert and complete latching mechanism. Provision for padlocking.
- One-person assembly



### Inner Mounting Panel:

- Standard 11ga electrogalvanized panel – can be supplied standard painted white
- Adjustable in depth at increments of 25mm
- Panel surface flush with frame in standard rear most position
- Exclusive “wobble free” support devices
- Exclusive “slide and snap” features in accordance with one-person assembly philosophy

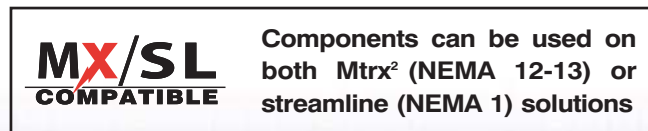


### Accessories:

- Full line of external accessories and internal accessories for infinite configuration capabilities and applications
- All major external components are standard factory assembled – refer to icon
- Majority of Accessories are interchangeable between Mtrx and Streamline lines– refer to icon



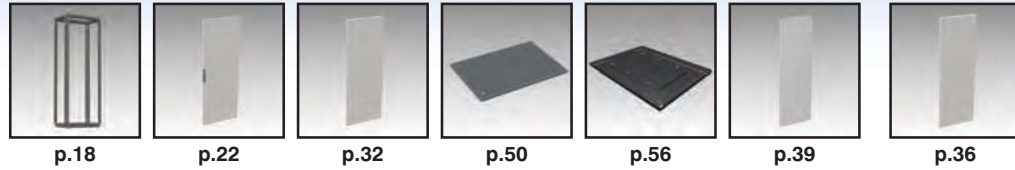
**NOTE: MIXING EXTERNAL COMPONENTS FROM THE MTRX 6500MX AND STREAMLINE 6100 SL SERIES WILL RENDER THE MTRX ENCLOSURE TO A NEMA 1 RATING**



Data subject to change without notice.

# NEMA 12-13 Mtrx CABINETS

## Mtrx selection guide - Single bay cabinets



DIMENSIONS			Cabinet Frame	Solid Door	Back Cover	Solid Top	Solid Base	Mounting Panel	Left and right Side covers*
H	W	D							
700	600	600	6500 MX070606	6500 MXD0706	6500 MXR0706	6500 MXT0606	6500 MXB0606	6500 MXM0706	6500 MXC0706
700	600	800	6500 MX070608	6500 MXD0706	6500 MXR0706	6500 MXT0608	6500 MXB0608	6500 MXM0706	6500 MXC0708
700	600	900	6500 MX070609	6500 MXD0706	6500 MXR0706	6500 MXT0609	6500 MXB0609	6500 MXM0706	6500 MXC0709
700	600	1000	6500 MX070610	6500 MXD0706	6500 MXR0706	6500 MXT0610	6500 MXB0610	6500 MXM0706	6500 MXC0710
700	600	1200	6500 MX070612	6500 MXD0706	6500 MXR0706	6500 MXT0612	6500 MXB0612	6500 MXM0706	6500 MXC0712
700	800	600	6500 MX070806	6500 MXD0708	6500 MXR0708	6500 MXT0806	6500 MXB0806	6500 MXM0708	6500 MXC0706
700	800	800	6500 MX070808	6500 MXD0708	6500 MXR0708	6500 MXT0808	6500 MXB0808	6500 MXM0708	6500 MXC0708
700	800	900	6500 MX070809	6500 MXD0708	6500 MXR0708	6500 MXT0809	6500 MXB0809	6500 MXM0708	6500 MXC0709
700	800	1000	6500 MX070810	6500 MXD0708	6500 MXR0708	6500 MXT0810	6500 MXB0810	6500 MXM0708	6500 MXC0710
700	800	1200	6500 MX070812	6500 MXD0708	6500 MXR0708	6500 MXT0812	6500 MXB0812	6500 MXM0708	6500 MXC0712
1400	600	400	6500 MX140604	6500 MXD1406	6500 MXR1406	6500 MXT0604	6500 MXB0604	6500 MXM1406	6500 MXC1404
1400	600	500	6500 MX140605	6500 MXD1406	6500 MXR1406	6500 MXT0605	6500 MXB0605	6500 MXM1406	6500 MXC1405
1400	600	600	6500 MX140606	6500 MXD1406	6500 MXR1406	6500 MXT0606	6500 MXB0606	6500 MXM1406	6500 MXC1406
1400	600	800	6500 MX140608	6500 MXD1406	6500 MXR1406	6500 MXT0608	6500 MXB0608	6500 MXM1406	6500 MXC1408
1400	600	900	6500 MX140609	6500 MXD1406	6500 MXR1406	6500 MXT0609	6500 MXB0609	6500 MXM1406	6500 MXC1409
1400	600	1000	6500 MX140610	6500 MXD1406	6500 MXR1406	6500 MXT0610	6500 MXB0610	6500 MXM1406	6500 MXC1410
1400	600	1200	6500 MX140612	6500 MXD1406	6500 MXR1406	6500 MXT0612	6500 MXB0612	6500 MXM1406	6500 MXC1412
1400	700	800	6500 MX140708	6500 MXD1407	6500 MXR1407	6500 MXT0708	6500 MXB0708	6500 MXM1407	6500 MXC1408
1400	800	400	6500 MX140804	6500 MXD1408	6500 MXR1408	6500 MXT0804	6500 MXB0804	6500 MXM1408	6500 MXC1404
1400	800	500	6500 MX140805	6500 MXD1408	6500 MXR1408	6500 MXT0805	6500 MXB0805	6500 MXM1408	6500 MXC1405
1400	800	600	6500 MX140806	6500 MXD1408	6500 MXR1408	6500 MXT0806	6500 MXE0806	6500 MXM1408	6500 MXC1406
1400	800	800	6500 MX140808	6500 MXD1408	6500 MXR1408	6500 MXT0808	6500 MXB0808	6500 MXM1408	6500 MXC1408
1400	800	900	6500 MX140809	6500 MXD1408	6500 MXR1408	6500 MXT0809	6500 MXB0809	6500 MXM1408	6500 MXC1409
1400	800	1000	6500 MX140810	6500 MXD1408	6500 MXR1408	6500 MXT0810	6500 MXE0810	6500 MXM1408	6500 MXC1410
1400	800	1200	6500 MX140812	6500 MXD1408	6500 MXR1408	6500 MXT0812	6500 MXB0812	6500 MXM1408	6500 MXC1412
1600	400	400	6500 MX160404	6500 MXD1604	6500 MXR1604	6500 MXT0404	6500 MXB0404	6500 MXM1604	6500 MXC1604
1600	400	500	6500 MX160405	6500 MXD1604	6500 MXR1604	6500 MXT0405	6500 MXB0405	6500 MXM1604	6500 MXC1605
1600	400	600	6500 MX160406	6500 MXD1604	6500 MXR1604	6500 MXT0406	6500 MXB0406	6500 MXM1604	6500 MXC1606
1600	600	400	6500 MX160604	6500 MXD1606	6500 MXR1606	6500 MXT0604	6500 MXB0604	6500 MXM1606	6500 MXC1604
1600	600	500	6500 MX160605	6500 MXD1606	6500 MXR1606	6500 MXT0605	6500 MXB0605	6500 MXM1606	6500 MXC1605
1600	600	600	6500 MX160606	6500 MXD1606	6500 MXR1606	6500 MXT0606	6500 MXB0606	6500 MXM1606	6500 MXC1606
1600	600	800	6500 MX160608	6500 MXD1606	6500 MXR1606	6500 MXT0608	6500 MXB0608	6500 MXM1606	6500 MXC1608
1600	600	900	6500 MX160609	6500 MXD1606	6500 MXR1606	6500 MXT0609	6500 MXB0609	6500 MXM1606	6500 MXC1609
1600	600	1000	6500 MX160610	6500 MXD1606	6500 MXR1606	6500 MXT0610	6500 MXB0610	6500 MXM1606	6500 MXC1610
1600	600	1200	6500 MX160612	6500 MXD1606	6500 MXR1606	6500 MXT0612	6500 MXB0612	6500 MXM1606	6500 MXC1612
1600	800	400	6500 MX160804	6500 MXD1608	6500 MXR1608	6500 MXT0804	6500 MXB0804	6500 MXM1608	6500 MXC1604
1600	800	500	6500 MX160805	6500 MXD1608	6500 MXR1608	6500 MXT0805	6500 MXB0805	6500 MXM1608	6500 MXC1605
1600	800	600	6500 MX160806	6500 MXD1608	6500 MXR1608	6500 MXT0806	6500 MXB0806	6500 MXM1608	6500 MXC1606
1600	800	800	6500 MX160808	6500 MXD1608	6500 MXR1608	6500 MXT0808	6500 MXB0808	6500 MXM1608	6500 MXC1608
1600	800	900	6500 MX160809	6500 MXD1608	6500 MXR1608	6500 MXT0809	6500 MXB0809	6500 MXM1608	6500 MXC1609
1600	800	1000	6500 MX160810	6500 MXD1608	6500 MXR1608	6500 MXT0810	6500 MXB0810	6500 MXM1608	6500 MXC1610
1600	800	1200	6500 MX160812	6500 MXD1608	6500 MXR1608	6500 MXT0812	6500 MXB0812	6500 MXM1608	6500 MXC1612

\* Side covers are sold in individual packs or in pairs.

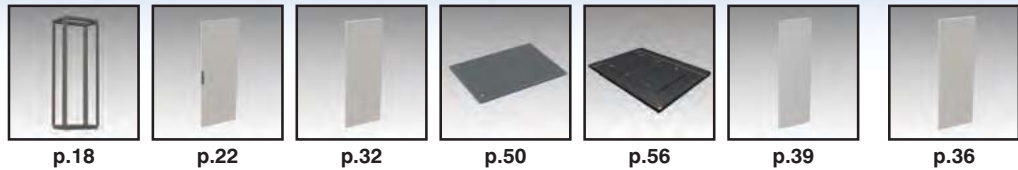
For all cabinet sizes, refer to table above for individual standard external components.

Refer to p.2 on how to order your modular solution by either pre-assembled kits or individual components.

Data subject to change without notice.

# NEMA 12-13 Mtrx CABINETS

## Mtrx selection guide - Single bay cabinets



DIMENSIONS			Cabinet Frame	Solid Door	Back Cover	Solid Top	Solid Base	Mounting Panel	Left and right Side covers*
H	W	D							
1600	900	400	6500 MX160904	6500 MXD1609	6500 MXR1609	6500 MXT0904	6500 MXB0904	6500 MXM1609	6500 MXC1604
1600	900	500	6500 MX160905	6500 MXD1609	6500 MXR1609	6500 MXT0905	6500 MXB0905	6500 MXM1609	6500 MXC1605
1600	900	600	6500 MX160906	6500 MXD1609	6500 MXR1609	6500 MXT0906	6500 MXB0906	6500 MXM1609	6500 MXC1606
1600	900	800	6500 MX160908	6500 MXD1609	6500 MXR1609	6500 MXT0908	6500 MXB0908	6500 MXM1609	6500 MXC1608
1600	1000	400	6500 MX161004	6500 MXD1610	6500 MXR1610	6500 MXT1004	6500 MXB1004	6500 MXM1610	6500 MXC1604
1600	1000	500	6500 MX161005	6500 MXD1610	6500 MXR1610	6500 MXT1005	6500 MXB1005	6500 MXM1610	6500 MXC1605
1600	1000	600	6500 MX161006	6500 MXD1610	6500 MXR1610	6500 MXT1006	6500 MXB1006	6500 MXM1610	6500 MXC1606
1800	400	400	6500 MX180404	6500 MXD1804	6500 MXR1804	6500 MXT0404	6500 MXB0404	6500 MXM1804	6500 MXC1804
1800	400	500	6500 MX180405	6500 MXD1804	6500 MXR1804	6500 MXT0405	6500 MXB0405	6500 MXM1804	6500 MXC1805
1800	400	600	6500 MX180406	6500 MXD1804	6500 MXR1804	6500 MXT0406	6500 MXB0406	6500 MXM1804	6500 MXC1806
1800	400	800	6500 MX180408	6500 MXD1804	6500 MXR1804	6500 MXT0408	6500 MXB0408	6500 MXM1804	6500 MXC1808
1800	600	400	6500 MX180604	6500 MXD1806	6500 MXR1806	6500 MXT0604	6500 MXB0604	6500 MXM1806	6500 MXC1804
1800	600	500	6500 MX180605	6500 MXD1806	6500 MXR1806	6500 MXT0605	6500 MXB0605	6500 MXM1806	6500 MXC1805
1800	600	600	6500 MX180606	6500 MXD1806	6500 MXR1806	6500 MXT0606	6500 MXB0606	6500 MXM1806	6500 MXC1806
1800	600	800	6500 MX180608	6500 MXD1806	6500 MXR1806	6500 MXT0608	6500 MXB0608	6500 MXM1806	6500 MXC1808
1800	600	900	6500 MX180609	6500 MXD1806	6500 MXR1806	6500 MXT0609	6500 MXB0609	6500 MXM1806	6500 MXC1809
1800	600	1000	6500 MX180610	6500 MXD1806	6500 MXR1806	6500 MXT0610	6500 MXB0610	6500 MXM1806	6500 MXC1810
1800	600	1200	6500 MX180612	6500 MXD1806	6500 MXR1806	6500 MXT0612	6500 MXB0612	6500 MXM1806	6500 MXC1812
1800	800	400	6500 MX180804	6500 MXD1808	6500 MXR1808	6500 MXT0804	6500 MXB0804	6500 MXM1808	6500 MXC1804
1800	800	500	6500 MX180805	6500 MXD1808	6500 MXR1808	6500 MXT0805	6500 MXB0805	6500 MXM1808	6500 MXC1805
1800	800	600	6500 MX180806	6500 MXD1808	6500 MXR1808	6500 MXT0806	6500 MXB0806	6500 MXM1808	6500 MXC1806
1800	800	800	6500 MX180808	6500 MXD1808	6500 MXR1808	6500 MXT0808	6500 MXB0808	6500 MXM1808	6500 MXC1808
1800	800	900	6500 MX180809	6500 MXD1808	6500 MXR1808	6500 MXT0809	6500 MXB0809	6500 MXM1808	6500 MXC1809
1800	800	1000	6500 MX180810	6500 MXD1808	6500 MXR1808	6500 MXT0810	6500 MXB0810	6500 MXM1808	6500 MXC1810
1800	800	1200	6500 MX180812	6500 MXD1808	6500 MXR1808	6500 MXT0812	6500 MXB0812	6500 MXM1808	6500 MXC1812
1800	900	400	6500 MX180904	6500 MXD1809	6500 MXR1809	6500 MXT0904	6500 MXB0904	6500 MXM1809	6500 MXC1804
1800	900	500	6500 MX180905	6500 MXD1809	6500 MXR1809	6500 MXT0905	6500 MXB0905	6500 MXM1809	6500 MXC1805
1800	900	600	6500 MX180906	6500 MXD1809	6500 MXR1809	6500 MXT0906	6500 MXB0906	6500 MXM1809	6500 MXC1806
1800	900	800	6500 MX180908	6500 MXD1809	6500 MXR1809	6500 MXT0908	6500 MXB0908	6500 MXM1809	6500 MXC1808
1800	1000	400	6500 MX181004	6500 MXD1810	6500 MXR1810	6500 MXT1004	6500 MXB1004	6500 MXM1810	6500 MXC1804
1800	1000	500	6500 MX181005	6500 MXD1810	6500 MXR1810	6500 MXT1005	6500 MXB1005	6500 MXM1810	6500 MXC1805
1800	1000	600	6500 MX181006	6500 MXD1810	6500 MXR1810	6500 MXT1006	6500 MXB1006	6500 MXM1810	6500 MXC1806
1800	1000	800	6500 MX181008	6500 MXD1810	6500 MXR1810	6500 MXT1008	6500 MXB1008	6500 MXM1810	6500 MXC1808
2000	400	400	6500 MX200404	6500 MXD2004	6500 MXR2004	6500 MXT0404	6500 MXB0404	6500 MXM2004	6500 MXC2004
2000	400	500	6500 MX200405	6500 MXD2004	6500 MXR2004	6500 MXT0405	6500 MXB0405	6500 MXM2004	6500 MXC2005
2000	400	600	6500 MX200406	6500 MXD2004	6500 MXR2004	6500 MXT0406	6500 MXB0406	6500 MXM2004	6500 MXC2006
2000	400	800	6500 MX200408	6500 MXD2004	6500 MXR2004	6500 MXT0408	6500 MXB0408	6500 MXM2004	6500 MXC2008
2000	600	400	6500 MX200604	6500 MXD2006	6500 MXR2006	6500 MXT0604	6500 MXB0604	6500 MXM2006	6500 MXC2004
2000	600	500	6500 MX200605	6500 MXD2006	6500 MXR2006	6500 MXT0605	6500 MXB0605	6500 MXM2006	6500 MXC2005
2000	600	600	6500 MX200606	6500 MXD2006	6500 MXR2006	6500 MXT0606	6500 MXB0606	6500 MXM2006	6500 MXC2006
2000	600	800	6500 MX200608	6500 MXD2006	6500 MXR2006	6500 MXT0608	6500 MXB0608	6500 MXM2006	6500 MXC2008
2000	600	900	6500 MX200609	6500 MXD2006	6500 MXR2006	6500 MXT0609	6500 MXB0609	6500 MXM2006	6500 MXC2009

\* Side covers are sold in individual packs or in pairs.

For all cabinet sizes, refer to table above for individual standard external components.

Refer to p.2 on how to order your modular solution by either pre-assembled kits or individual components.

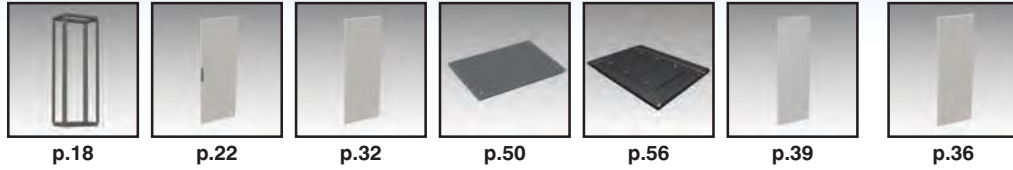
Data subject to change without notice.





# NEMA 12-13 Mtrx CABINETS

## Mtrx selection guide - Single bay cabinets



DIMENSIONS			Cabinet Frame	Solid Door	Back Cover	Solid Top	Solid Base	Mounting Panel	Left and right Side covers*
H	W	D							
2000	600	1000	6500 MX200610	6500 MXD2006	6500 MXR2006	6500 MXT0610	6500 MXB0610	6500 MXM2006	6500 MXC2010
2000	600	1200	6500 MX200612	6500 MXD2006	6500 MXR2006	6500 MXT0612	6500 MXB0612	6500 MXM2006	6500 MXC2012
2000	700	600	6500 MX200706	6500 MXD2007	6500 MXR2007	6500 MXT0706	6500 MXB0706	6500 MXM2007	6500 MXC2006
2000	700	800	6500 MX200708	6500 MXD2007	6500 MXR2007	6500 MXT0708	6500 MXB0708	6500 MXM2007	6500 MXC2008
2000	700	900	6500 MX200709	6500 MXD2007	6500 MXR2007	6500 MXT0709	6500 MXB0709	6500 MXM2007	6500 MXC2009
2000	700	1000	6500 MX200710	6500 MXD2007	6500 MXR2007	6500 MXT0710	6500 MXB0710	6500 MXM2007	6500 MXC2010
2000	700	1200	6500 MX200712	6500 MXD2007	6500 MXR2007	6500 MXT0712	6500 MXB0712	6500 MXM2007	6500 MXC2012
2000	800	400	6500 MX200804	6500 MXD2008	6500 MXR2008	6500 MXT0804	6500 MXB0804	6500 MXM2008	6500 MXC2004
2000	800	500	6500 MX200805	6500 MXD2008	6500 MXR2008	6500 MXT0805	6500 MXB0805	6500 MXM2008	6500 MXC2005
2000	800	600	6500 MX200806	6500 MXD2008	6500 MXR2008	6500 MXT0806	6500 MXB0806	6500 MXM2008	6500 MXC2006
2000	800	800	6500 MX200808	6500 MXD2008	6500 MXR2008	6500 MXT0808	6500 MXB0808	6500 MXM2008	6500 MXC2008
2000	800	900	6500 MX200809	6500 MXD2008	6500 MXR2008	6500 MXT0809	6500 MXB0809	6500 MXM2008	6500 MXC2009
2000	800	1000	6500 MX200810	6500 MXD2008	6500 MXR2008	6500 MXT0810	6500 MXB0810	6500 MXM2008	6500 MXC2010
2000	800	1200	6500 MX200812	6500 MXD2008	6500 MXR2008	6500 MXT0812	6500 MXB0812	6500 MXM2008	6500 MXC2012
2000	900	400	6500 MX200904	6500 MXD2009	6500 MXR2009	6500 MXT0904	6500 MXB0904	6500 MXM2009	6500 MXC2004
2000	900	500	6500 MX200905	6500 MXD2009	6500 MXR2009	6500 MXT0905	6500 MXB0905	6500 MXM2009	6500 MXC2005
2000	900	600	6500 MX200906	6500 MXD2009	6500 MXR2009	6500 MXT0906	6500 MXB0906	6500 MXM2009	6500 MXC2006
2000	900	800	6500 MX200908	6500 MXD2009	6500 MXR2009	6500 MXT0908	6500 MXB0908	6500 MXM2009	6500 MXC2008
2000	1000	400	6500 MX201004	6500 MXD2010	6500 MXR2010	6500 MXT1004	6500 MXB1004	6500 MXM2010	6500 MXC2004
2000	1000	500	6500 MX201005	6500 MXD2010	6500 MXR2010	6500 MXT1005	6500 MXB1005	6500 MXM2010	6500 MXC2005
2000	1000	600	6500 MX201006	6500 MXD2010	6500 MXR2010	6500 MXT1006	6500 MXB1006	6500 MXM2010	6500 MXC2006
2000	1000	800	6500 MX201008	6500 MXD2010	6500 MXR2010	6500 MXT1008	6500 MXB1008	6500 MXM2010	6500 MXC2008
2200	400	500	6500 MX220405	6500 MXD2204	6500 MXR2204	6500 MXT0405	6500 MXB0405	6500 MXM2204	6500 MXC2205
2200	400	600	6500 MX220406	6500 MXD2204	6500 MXR2204	6500 MXT0406	6500 MXB0406	6500 MXM2204	6500 MXC2206
2200	400	800	6500 MX220408	6500 MXD2204	6500 MXR2204	6500 MXT0408	6500 MXB0408	6500 MXM2204	6500 MXC2208
2200	600	500	6500 MX220605	6500 MXD2206	6500 MXR2206	6500 MXT0605	6500 MXB0605	6500 MXM2206	6500 MXC2205
2200	600	600	6500 MX220606	6500 MXD2206	6500 MXR2206	6500 MXT0606	6500 MXB0606	6500 MXM2206	6500 MXC2206
2200	600	800	6500 MX220608	6500 MXD2206	6500 MXR2206	6500 MXT0608	6500 MXB0608	6500 MXM2206	6500 MXC2208
2200	600	900	6500 MX220609	6500 MXD2206	6500 MXR2206	6500 MXT0609	6500 MXB0609	6500 MXM2206	6500 MXC2209
2200	600	1000	6500 MX220610	6500 MXD2206	6500 MXR2206	6500 MXT0610	6500 MXB0610	6500 MXM2206	6500 MXC2210
2200	600	1200	6500 MX220612	6500 MXD2206	6500 MXR2206	6500 MXT0612	6500 MXB0612	6500 MXM2206	6500 MXC2212
2200	700	800	6500 MX220708	6500 MXD2207	6500 MXR2207	6500 MXT0708	6500 MXB0708	6500 MXM2207	6500 MXC2208
2200	700	900	6500 MX220709	6500 MXD2207	6500 MXR2207	6500 MXT0709	6500 MXB0709	6500 MXM2207	6500 MXC2209
2200	700	1000	6500 MX220710	6500 MXD2207	6500 MXR2207	6500 MXT0710	6500 MXB0710	6500 MXM2207	6500 MXC2210
2200	700	1200	6500 MX220712	6500 MXD2207	6500 MXR2207	6500 MXT0712	6500 MXB0712	6500 MXM2207	6500 MXC2212
2200	800	500	6500 MX220805	6500 MXD2208	6500 MXR2208	6500 MXT0805	6500 MXB0805	6500 MXM2208	6500 MXC2205
2200	800	600	6500 MX220806	6500 MXD2208	6500 MXR2208	6500 MXT0806	6500 MXB0806	6500 MXM2208	6500 MXC2206
2200	800	800	6500 MX220808	6500 MXD2208	6500 MXR2208	6500 MXT0808	6500 MXB0808	6500 MXM2208	6500 MXC2208
2200	800	900	6500 MX220809	6500 MXD2208	6500 MXR2208	6500 MXT0809	6500 MXB0809	6500 MXM2208	6500 MXC2209
2200	800	1000	6500 MX220810	6500 MXD2208	6500 MXR2208	6500 MXT0810	6500 MXB0810	6500 MXM2208	6500 MXC2210
2200	800	1200	6500 MX220812	6500 MXD2208	6500 MXR2208	6500 MXT0812	6500 MXB0812	6500 MXM2208	6500 MXC2212
2200	900	500	6500 MX220905	6500 MXD2209	6500 MXR2209	6500 MXT0905	6500 MXB0905	6500 MXM2209	6500 MXC2205

\* Side covers are sold in individual packs or in pairs.

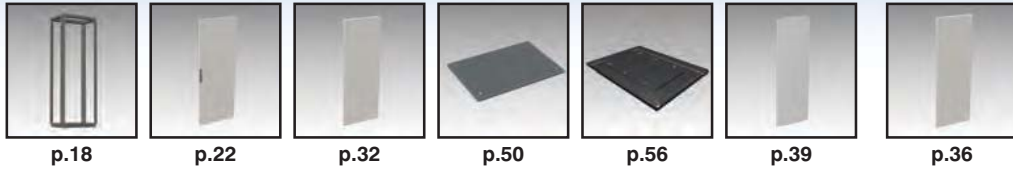
For all cabinet sizes, refer to table above for individual standard external components.

Refer to p.2 on how to order your modular solution by either pre-assembled kits or individual components.

Data subject to change without notice.

# NEMA 12-13 Mtrx CABINETS

## Mtrx selection guide - Single bay cabinets



DIMENSIONS			Cabinet Frame	Solid Door	Back Cover	Solid Top	Solid Base	Mounting Panel	Left and right Side covers*
H	W	D							
2200	900	600	6500 MX220906	6500 MXD2209	6500 MXR2209	6500 MXT0906	6500 MXB0906	6500 MXM2209	6500 MXC2206
2200	900	800	6500 MX220908	6500 MXD2209	6500 MXR2209	6500 MXT0908	6500 MXB0908	6500 MXM2209	6500 MXC2208
2200	1000	500	6500 MX221005	6500 MXD2210	6500 MXR2210	6500 MXT1005	6500 MXB1005	6500 MXM2210	6500 MXC2205
2200	1000	600	6500 MX221006	6500 MXD2210	6500 MXR2210	6500 MXT1006	6500 MXB1006	6500 MXM2210	6500 MXC2206
2200	1000	800	6500 MX221008	6500 MXD2210	6500 MXR2210	6500 MXT1008	6500 MXB1008	6500 MXM2210	6500 MXC2208
2200	900	600	6500 MX220906	6500 MXD2209	6500 MXR2209	6500 MXT0906	6500 MXB0906	6500 MXM2209	6500 MXC2206
2200	900	800	6500 MX220908	6500 MXD2209	6500 MXR2209	6500 MXT0908	6500 MXB0908	6500 MXM2209	6500 MXC2208
2200	1000	500	6500 MX221005	6500 MXD2210	6500 MXR2210	6500 MXT1005	6500 MXB1005	6500 MXM2210	6500 MXC2205
2200	1000	600	6500 MX221006	6500 MXD2210	6500 MXR2210	6500 MXT1006	6500 MXB1006	6500 MXM2210	6500 MXC2206
2200	1000	800	6500 MX221008	6500 MXD2210	6500 MXR2210	6500 MXT1008	6500 MXB1008	6500 MXM2210	6500 MXC2208

## Mtrx selection guide - Double bay cabinets

DIMENSIONS			Cabinet Frame	Solid Door	Back Cover	Solid Top	Solid Base	Mounting Panel	Left and right Side covers*
H	W	D							
700	1200	600	6500 MX071206	6500 MXD0712	6500 MXR0712	6500 MXT1206	6500 MXB1206	6500 MXM0712	6500 MXC0706
1400	1200	400	6500 MX141204	6500 MXD1412	6500 MXR1412	6500 MXT1204	6500 MXB1204	6500 MXM1412	6500 MXC1404
1400	1200	500	6500 MX141205	6500 MXD1412	6500 MXR1412	6500 MXT1205	6500 MXB1205	6500 MXM1412	6500 MXC1405
1400	1600	400	6500 MX141604	6500 MXD1416	6500 MXR1416	6500 MXT1604	6500 MXB1604	6500 MXM1416	6500 MXC1404
1400	1600	500	6500 MX141605	6500 MXD1416	6500 MXR1416	6500 MXT1605	6500 MXB1605	6500 MXM1416	6500 MXC1405
1600	1200	400	6500 MX161204	6500 MXD1612	6500 MXR1612	6500 MXT1204	6500 MXB1204	6500 MXM1612	6500 MXC1604
1600	1200	500	6500 MX161205	6500 MXD1612	6500 MXR1612	6500 MXT1205	6500 MXB1205	6500 MXM1612	6500 MXC1605
1600	1200	600	6500 MX161206	6500 MXD1612	6500 MXR1612	6500 MXT1206	6500 MXB1206	6500 MXM1612	6500 MXC1606
1600	1200	800	6500 MX161208	6500 MXD1612	6500 MXR1612	6500 MXT1208	6500 MXB1208	6500 MXM1612	6500 MXC1608
1800	1200	400	6500 MX181204	6500 MXD1812	6500 MXR1812	6500 MXT1204	6500 MXB1204	6500 MXM1812	6500 MXC1804
1800	1200	500	6500 MX181205	6500 MXD1812	6500 MXR1812	6500 MXT1205	6500 MXB1205	6500 MXM1812	6500 MXC1805
1800	1200	600	6500 MX181206	6500 MXD1812	6500 MXR1812	6500 MXT1206	6500 MXB1206	6500 MXM1812	6500 MXC1806
1800	1200	800	6500 MX181208	6500 MXD1812	6500 MXR1812	6500 MXT1208	6500 MXB1208	6500 MXM1812	6500 MXC1808
1800	1600	400	6500 MX181604	6500 MXD1816	6500 MXR1816	6500 MXT1604	6500 MXB1604	6500 MXM1816	6500 MXC1804
1800	1600	500	6500 MX181605	6500 MXD1816	6500 MXR1816	6500 MXT1605	6500 MXB1605	6500 MXM1816	6500 MXC1805
1800	1600	600	6500 MX181606	6500 MXD1816	6500 MXR1816	6500 MXT1606	6500 MXB1606	6500 MXM1816	6500 MXC1806
1800	1600	800	6500 MX181608	6500 MXD1816	6500 MXR1816	6500 MXT1608	6500 MXB1608	6500 MXM1816	6500 MXC1808
2000	1200	400	6500 MX201204	6500 MXD2012	6500 MXR2012	6500 MXT1204	6500 MXB1204	6500 MXM2012	6500 MXC2004
2000	1200	500	6500 MX201205	6500 MXD2012	6500 MXR2012	6500 MXT1205	6500 MXB1205	6500 MXM2012	6500 MXC2005
2000	1200	600	6500 MX201206	6500 MXD2012	6500 MXR2012	6500 MXT1206	6500 MXB1206	6500 MXM2012	6500 MXC2006
2000	1200	800	6500 MX201208	6500 MXD2012	6500 MXR2012	6500 MXT1208	6500 MXB1208	6500 MXM2012	6500 MXC2008
2000	1600	400	6500 MX201604	6500 MXD2016	6500 MXR2016	6500 MXT1604	6500 MXB1604	6500 MXM2016	6500 MXC2004
2000	1600	500	6500 MX201605	6500 MXD2016	6500 MXR2016	6500 MXT1605	6500 MXB1605	6500 MXM2016	6500 MXC2005
2000	1600	600	6500 MX201606	6500 MXD2016	6500 MXR2016	6500 MXT1606	6500 MXB1606	6500 MXM2016	6500 MXC2006
2000	1600	800	6500 MX201608	6500 MXD2016	6500 MXR2016	6500 MXT1608	6500 MXB1608	6500 MXM2016	6500 MXC2008
2200	1200	500	6500 MX221205	6500 MXD2212	6500 MXR2212	6500 MXT1205	6500 MXB1205	6500 MXM2212	6500 MXC2205
2200	1200	600	6500 MX221206	6500 MXD2212	6500 MXR2212	6500 MXT1206	6500 MXB1206	6500 MXM2212	6500 MXC2206
2200	1200	800	6500 MX221208	6500 MXD2212	6500 MXR2212	6500 MXT1208	6500 MXB1208	6500 MXM2212	6500 MXC2208

\* Side covers are sold in individual packs or in pairs.

For all cabinet sizes, refer to table above for individual standard external components.

Refer to p.2 on how to order your modular solution by either pre-assembled kits or individual components.

Data subject to change without notice.

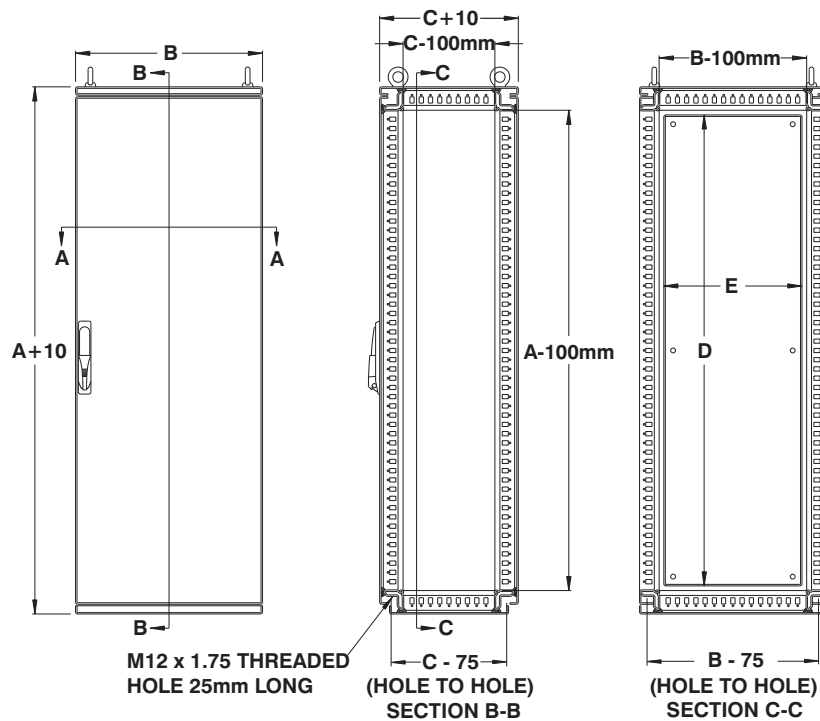


## Single bay cabinet kit

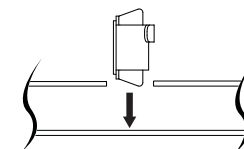
The 6500 MXK cabinet kit is used to protect equipment against oil, dust and light water splashing. The protection rating is achieved by the use of a high quality robotically poured-in-place gasket. The standard cabinet kits consist of:

- 6500 MX frame (painted dark gray RAL7011; galvanized) (see p.18)
- 6500 MXT top cover (painted dark gray RAL7011; steel) (see p.50)
- 6500 MXB bottom cover (painted dark gray RAL7011; steel) (see p.56)
- 6500 MXR rear cover (painted light gray RAL7035; steel) (see p.32)
- 6500 MXD solid door (painted light gray RAL7035; steel) – Consisting of : a 4 points locking door; a tubular stiffening frame; and a zinc cast pull handle with slotted insert. (see p.22)
- 6500 MXM inner mounting panel (no finish 11ga galvanized) (see p.39)
- 4 standard leveling feet (see p.141)
- 4 lifting eye bolts (see p.141)

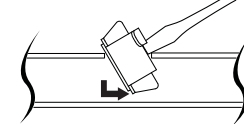
UL Listed / CSA Certified. CE (IEC60529)  
NEMA/EEMAC 12-13 / IP55.



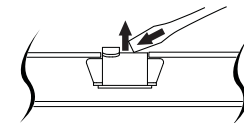
STEP 1: INSERT INTO RECTANGULAR CUTOUT



STEP 2: ROTATE AND SLIDE INTO CUTOUT



STEP 3: PUSH UNTIL SPRING IS ENGAGED



All modular frames are supplied with a hole pattern offset every 25mm to accommodate the installation of front inserted clip nuts (p.148) in all three axes. Refer to above steps for installation.

Data subject to change without notice.



## Single bay cabinet kit

CATALOG NUMBER	NOMINAL			PANEL	
	A	B*	C	D	E
6500 MXK070606	700	600	600	580	485
6500 MXK070608	700	600	800	580	485
6500 MXK070609	700	600	900	580	485
6500 MXK070610	700	600	1000	580	485
6500 MXK070612	700	600	1200	580	485
6500 MXK070806	700	800	600	580	685
6500 MXK070808	700	800	800	580	685
6500 MXK070810	700	800	1000	580	685
6500 MXK070812	700	800	1200	580	685
6500 MXK140604	1400	600	400	1280	485
6500 MXK140605	1400	600	500	1280	485
6500 MXK140606	1400	600	600	1280	485
6500 MXK140708	1400	700	800	1280	585
6500 MXK140804	1400	800	400	1280	685
6500 MXK140805	1400	800	500	1280	685
6500 MXK140808	1400	800	800	1280	685
6500 MXK160404	1600	400	400	1480	285
6500 MXK160405	1600	400	500	1480	285
6500 MXK160406	1600	400	600	1480	285
6500 MXK160604	1600	600	400	1480	485
6500 MXK160605	1600	600	500	1480	485
6500 MXK160606	1600	600	600	1480	485
6500 MXK160608	1600	600	800	1480	485
6500 MXK160609	1600	600	900	1480	485
6500 MXK160610	1600	600	1000	1480	485
6500 MXK160612	1600	600	1200	1480	485
6500 MXK160804	1600	800	400	1480	685
6500 MXK160805	1600	800	500	1480	685
6500 MXK160806	1600	800	600	1480	685
6500 MXK160808	1600	800	800	1480	685
6500 MXK160809	1600	800	900	1480	685
6500 MXK160810	1600	800	1000	1480	685
6500 MXK160812	1600	800	1200	1480	685
6500 MXK160904	1600	900	400	1480	785
6500 MXK160905	1600	900	500	1480	785
6500 MXK160906	1600	900	600	1480	785
6500 MXK160908	1600	900	800	1480	785
6500 MXK161004	1600	1000	400	1480	885
6500 MXK161005	1600	1000	500	1480	885
6500 MXK161006	1600	1000	600	1480	885
6500 MXK180404	1800	400	400	1680	285
6500 MXK180405	1800	400	500	1680	285
6500 MXK180406	1800	400	600	1680	285
6500 MXK180408	1800	400	800	1680	285
6500 MXK180604	1800	600	400	1680	485
6500 MXK180605	1800	600	500	1680	485
6500 MXK180606	1800	600	600	1680	485
6500 MXK180608	1800	600	800	1680	485
6500 MXK180609	1800	600	900	1680	485
6500 MXK180610	1800	600	1000	1680	485
6500 MXK180612	1800	600	1200	1680	485
6500 MXK180804	1800	800	400	1680	685
6500 MXK180805	1800	800	500	1680	685
6500 MXK180806	1800	800	600	1680	685
6500 MXK180808	1800	800	800	1680	685
6500 MXK180809	1800	800	900	1680	685
6500 MXK180810	1800	800	1000	1680	685
6500 MXK180812	1800	800	1200	1680	685
6500 MXK180904	1800	900	400	1680	785
6500 MXK180905	1800	900	500	1680	785
6500 MXK180906	1800	900	600	1680	785

CATALOG NUMBER	NOMINAL			PANEL	
	A	B*	C	D	E
6500 MXK180908	1800	900	800	1680	785
6500 MXK181004	1800	1000	400	1680	885
6500 MXK181005	1800	1000	500	1680	885
6500 MXK181006	1800	1000	600	1680	885
6500 MXK181008	1800	1000	800	1680	885
6500 MXK200404	2000	400	400	1880	285
6500 MXK200405	2000	400	500	1880	285
6500 MXK200406	2000	400	600	1880	285
6500 MXK200408	2000	400	800	1880	285
6500 MXK200604	2000	600	400	1880	485
6500 MXK200605	2000	600	500	1880	485
6500 MXK200606	2000	600	600	1880	485
6500 MXK200608	2000	600	800	1880	485
6500 MXK200610	2000	600	1000	1880	485
6500 MXK200612	2000	600	1200	1880	485
6500 MXK200706	2000	700	600	1880	585
6500 MXK200708	2000	700	800	1880	585
6500 MXK200709	2000	700	900	1880	585
6500 MXK200710	2000	700	1000	1880	585
6500 MXK200712	2000	700	1200	1880	585
6500 MXK200804	2000	800	400	1880	685
6500 MXK200805	2000	800	500	1880	685
6500 MXK200806	2000	800	600	1880	685
6500 MXK200808	2000	800	800	1880	685
6500 MXK200809	2000	800	900	1880	685
6500 MXK200810	2000	800	1000	1880	685
6500 MXK200812	2000	800	1200	1880	685
6500 MXK200904	2000	900	400	1880	785
6500 MXK200905	2000	900	500	1880	785
6500 MXK200906	2000	900	600	1880	785
6500 MXK200908	2000	900	800	1880	785
6500 MXK201004	2000	1000	400	1880	885
6500 MXK201005	2000	1000	500	1880	885
6500 MXK201006	2000	1000	600	1880	885
6500 MXK201008	2000	1000	800	1880	885
6500 MXK220405	2200	400	500	2080	285
6500 MXK220406	2200	400	600	2080	285
6500 MXK220408	2200	400	800	2080	285
6500 MXK220605	2200	600	500	2080	485
6500 MXK220606	2200	600	600	2080	485
6500 MXK220608	2200	600	800	2080	485
6500 MXK220609	2200	600	900	2080	485
6500 MXK220610	2200	600	1000	2080	485
6500 MXK220612	2200	600	1200	2080	485
6500 MXK220708	2200	700	800	2080	585
6500 MXK220709	2200	700	900	2080	585
6500 MXK220710	2200	700	1000	2080	585
6500 MXK220712	2200	700	1200	2080	585
6500 MXK220805	2200	800	500	2080	685
6500 MXK220806	2200	800	600	2080	685
6500 MXK220808	2200	800	800	2080	685
6500 MXK220809	2200	800	900	2080	685
6500 MXK220810	2200	800	1000	2080	685
6500 MXK220812	2200	800	1200	2080	685
6500 MXK220905	2200	900	500	2080	785
6500 MXK220906	2200	900	600	2080	785
6500 MXK220908	2200	900	800	2080	785
6500 MXK221005	2200	1000	500	2080	885
6500 MXK221006	2200	1000	600	2080	885
6500 MXK221008	2200	1000	800	2080	885

\* Side panels (one on each side) add 10mm to width.



Data subject to change without notice.



p.473



p.112



p.113



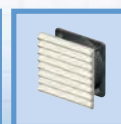
p.144



p.626



p.651



p.593

<http://www.exmweb.com>

1-800-363-2423

Fax : 450-979-4626



[info@exmweb.com](mailto:info@exmweb.com)

## Double bay cabinet kit

The **6500 MXK cabinet kit** is used to protect equipment against oil, dust and light water splashing. The protection rating is achieved by the use of a high quality robotically poured-in-place gasket. The standard cabinet kits consist of:

- **6500 MX** frame (painted dark gray RAL7011; galvanized) (see p.18)
- **6500 MXT** top cover (painted

dark gray RAL7011; steel) (see p.50)

- **6500 MXB** bottom cover (painted dark gray RAL7011; steel) (see p.56)
- **6500 MXR** rear cover (painted light gray RAL7035; steel) (see p.32)
- **6500 MXDD** overlapping solid doors (painted light gray RAL7035; steel) – consisting of : a 4 point locking door (right

side); a flange door (left side); and a standard zinc cast pull handle with slotted insert (see p.23 )

- **6500 MXM** inner mounting panel (no finish 11ga galvanized) (see p.39)
- 4 standard leveling feet (p.141)
- 4 lifting eye bolts (see p.141)

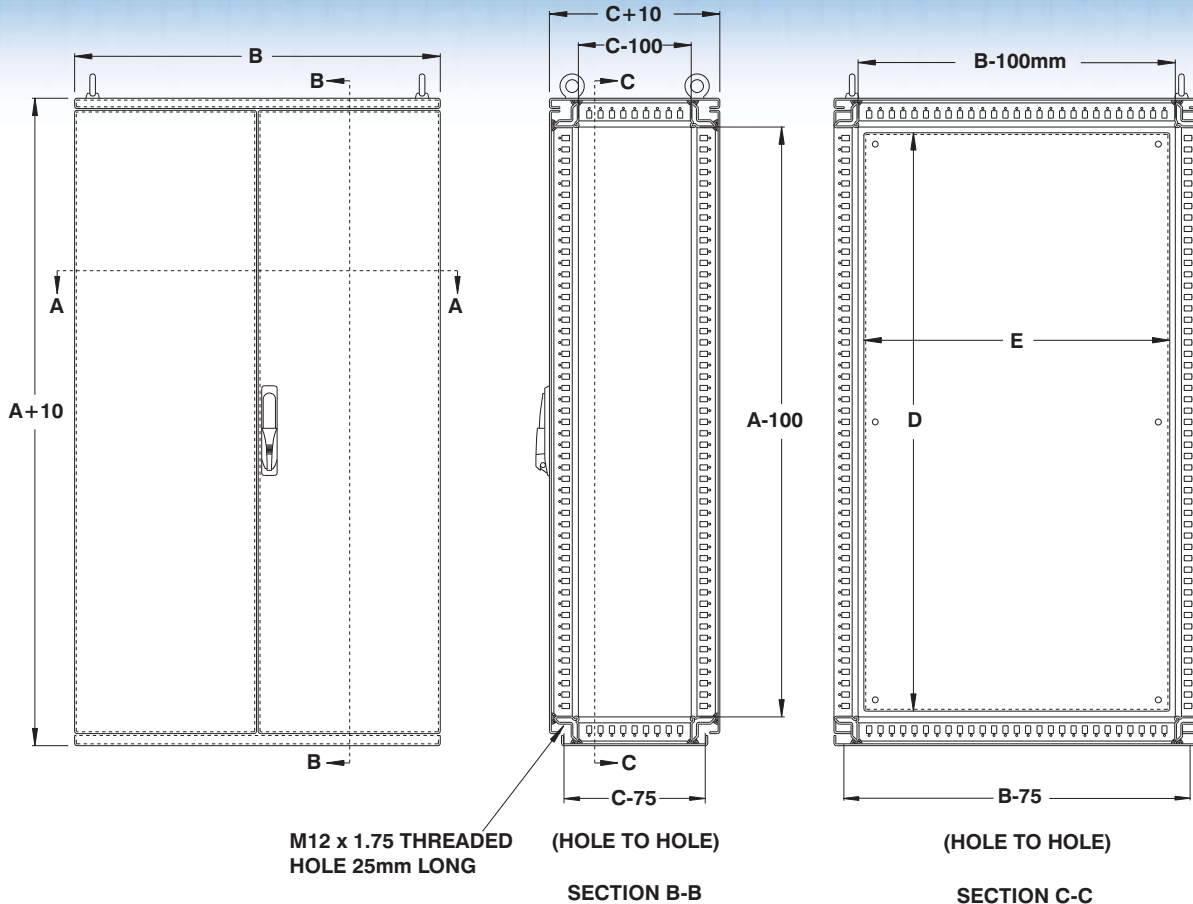
**NEMA/EEMAC 12-13  
CSA Certified / UL Listed  
CE (IEC60529 / IP55)**



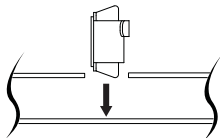
**Note:** 4 levelling feet and 4 lifting eye bolts are supplied uninstalled for each cabinet kit. These may be screwed into the M12 x 1.75 25mm long threaded anchoring holes located at each corner of the cabinet.

Data subject to change without notice.

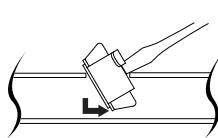
## Double bay cabinet kit



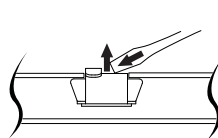
**STEP 1 : INSERT INTO RECTANGULAR CUTOUT**



**STEP 2 : ROTATE AND SLIDE INTO CUTOUT**



**STEP 3 : PUSH UNTIL SPRING IS ENGAGED**



All modular frames are supplied with a hole pattern offset every 25mm to accommodate the installation of front inserted clip nuts (p.148) in all three axes. Refer to above steps for installation

CATALOG NUMBER	NOMINAL			PANEL	
	A	B*	C	D	E
6500 MXK071206	700	1200	600	580	1085
6500 MXK141204	1400	1200	400	1280	1085
6500 MXK141205	1400	1200	500	1280	1085
6500 MXK141604	1400	1600	400	1280	1485
6500 MXK141605	1400	1600	500	1280	1485
6500 MXK161204	1600	1200	400	1480	1085
6500 MXK161205	1600	1200	500	1480	1085
6500 MXK161206	1600	1200	600	1480	1085
6500 MXK161208	1600	1200	800	1480	1085
6500 MXK181204	1800	1200	400	1680	1085
6500 MXK181205	1800	1200	500	1680	1085
6500 MXK181206	1800	1200	600	1680	1085
6500 MXK181208	1800	1200	800	1680	1085
6500 MXK181604	1800	1600	400	1680	1485

CATALOG NUMBER	NOMINAL			PANEL	
	A	B*	C	D	E
6500 MXK181605	1800	1600	500	1680	1485
6500 MXK181606	1800	1600	600	1680	1485
6500 MXK181608	1800	1600	800	1680	1485
6500 MXK201204	2000	1200	400	1880	1085
6500 MXK201205	2000	1200	500	1880	1085
6500 MXK201206	2000	1200	600	1880	1085
6500 MXK201208	2000	1200	800	1880	1085
6500 MXK201604	2000	1600	400	1880	1485
6500 MXK201605	2000	1600	500	1880	1485
6500 MXK201606	2000	1600	600	1880	1485
6500 MXK201608	2000	1600	800	1880	1485
6500 MXK221205	2200	1200	500	2080	1085
6500 MXK221206	2200	1200	600	2080	1085
6500 MXK221208	2200	1200	800	2080	1085

\* Side panels (one on each side) add 10mm to width.

Data subject to change without notice.



p.473



p.112



p.113



p.144



p.626



p.651



p.593



## Single bay disconnect cabinet kit

The **6500 MXU disconnect cabinet kit** is used to protect equipment against oil, dust and light water splashing. The protection rating is achieved by the use of a high quality robotically poured-in-place gasket. The standard cabinet kits consist of:

- **6500 MX** frame (painted dark gray RAL7011; galvanized) (see p.18)
- **6500 MXT** top cover (painted dark gray RAL7011; steel) (see p.50)

- **6500 MXB** bottom cover (painted dark gray RAL7011; steel) (see p.56)
- **6500 MXR** rear cover (painted light gray RAL7035; steel) (see p.32)
- **6500 MXDU** solid disconnect door (painted light gray RAL7035; steel) – consisting of : a 4 point locking master door (std left side); a 200mm wide disconnect flange door (right side); a disconnect defeater kit prohibiting access to a live

enclosure; and a standard zinc cast pull handle with slotted insert (see p.28)

- **6500 MXM** inner mounting panel (no finish 11ga galvanized) (see p.39)
- 4 standard leveling feet (p.141)
- 4 lifting eye bolts (see p.141)

**NEMA/EEMAC 12-13  
CSA Certified / UL Listed  
CE (IEC60529 / IP55)**

**Note: For left hand disconnect provisions refer to suffix "L" on facing page.**

**If the 6500 MXU disconnect cabinet is to be used with a flange mounted disconnect switch or a circuit breaker, the following items must be ordered:**

### Ordering an Allen-Bradley 1494V Disconnect switch

- an operating mechanism with the disconnect switch 1494V
  - an operating handle 1494V-H1
  - a connecting rod 1494V-RA1 if the enclosure is 8" deep or 1494V-RA2 if the enclosure is 12" deep
  - if required, a trailer fuse block kit 1494V, a fuse clip and line and load connectors.
- (Will not accept 1494F disconnect switch, 1494V-R1, -R2 and -W2 operating handles)

### Circuit breaker

- a Westinghouse or General Electric circuit breaker.
- an operating mechanism 1494V
- an operating handle 1494V-H11
- a connecting rod 1494V-RA1 if the enclosure is 8" deep or 1494V-RA2 if the enclosure is 12" deep

### Ordering a Cutler Hammer Disconnect switch catalog C361

- an operating mechanism with the disconnect switch
- an operating handle (C361-H2 or H4)

### Circuit breaker operators catalog C371

- a Cutler hammer or Westinghouse circuit breaker
- an operating mechanism
- an operating handle

### Ordering a Square D Class 9422 Disconnect switch

- an operating mechanism with the disconnect switch class 9422
- an operating mechanism handle class 9422 Type A-1

### Circuit breaker

- a Square D circuit breaker
- an operating mechanism class 9422
- an operating mechanism handle class 9422 Type A-1

### Ordering a General Electric TDA Disconnect Switch

- a disconnect switch QMR or QMW
- a fuse clip kit if required
- a TDAI flange handle
- an operating mechanism, variable depth

### Circuit breakers

- a circuit breaker
- a TDAI flange handle
- an operating handle 1494V-H11
- an operating mechanism, variable depth

### Ordering an ABB Disconnect switch

- a switch flange operated fuse if required
- a DSFHS-12 shaft
- a DSFHN-HS12 handle

### Circuit breaker

- a circuit breaker
- an operating mechanism
- a FHS-12 shaft
- a FHN-HS12 handle

### Ordering an I-E Max-Flex™ Disconnect switch

- a basic right hand switch
- a fuse kit if required
- a handle FHOHS flange mounted
- an operator FHOSO6R
- a cable FHOECO36

### Circuit breaker

- a circuit breaker
- a set of pressure wire connectors
- a handle FHOH flange mounted
- an operating mechanism
- a standard cable 36"

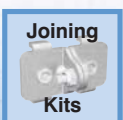
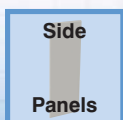
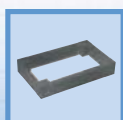
### Ordering a Westinghouse

- a disconnect switch or circuit breaker type DS
- a yoke assembly and backplate
- a rod and brace assembly
- a pivot mechanism
- an operating handle

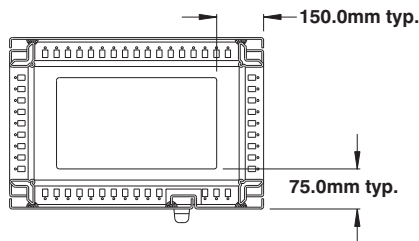
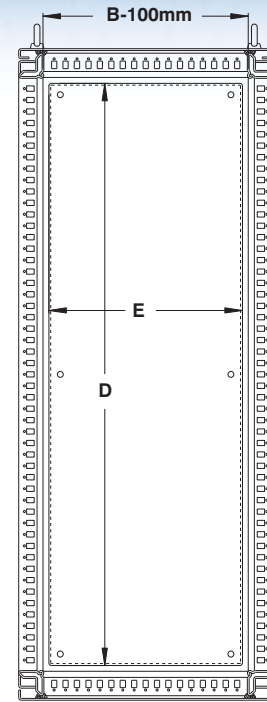
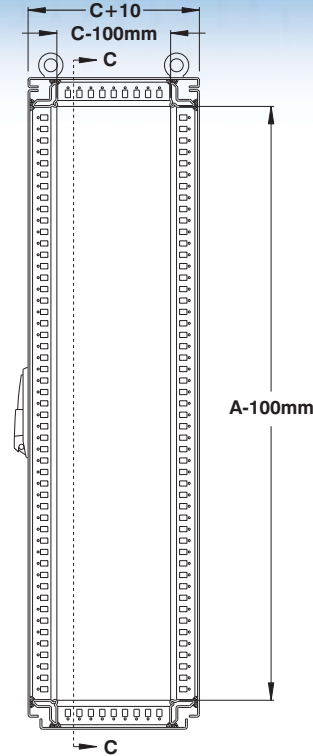
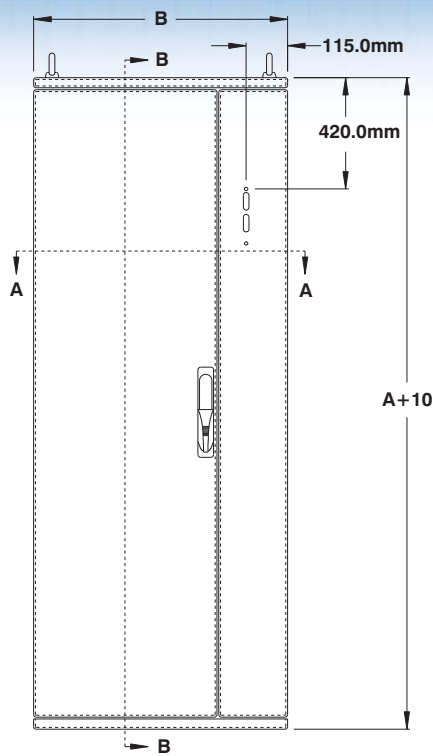


Data subject to change without notice.

**Disconnect switches and operating mechanisms are not furnished with the enclosures.**







SECTION A-A

SECTION B-B

SECTION C-C



CATALOG NUMBER	NOMINAL			PANEL	
	A	B*	C	D	E
6500 MXU160604	1600	600	400	1480	485
6500 MXU160605	1600	600	500	1480	485
6500 MXU160606	1600	600	600	1480	485
6500 MXU160608	1600	600	800	1480	485
6500 MXU160804	1600	800	400	1480	685
6500 MXU160805	1600	800	500	1480	685
6500 MXU160806	1600	800	600	1480	685
6500 MXU160808	1600	800	800	1480	685
6500 MXU180604	1800	600	400	1680	485
6500 MXU180605	1800	600	500	1680	485
6500 MXU180606	1800	600	600	1680	485
6500 MXU180608	1800	600	800	1680	485
6500 MXU180804	1800	800	400	1680	685
6500 MXU180805	1800	800	500	1680	685
6500 MXU180806	1800	800	600	1680	685
6500 MXU180808	1800	800	800	1680	685
6500 MXU181004	1800	1000	400	1680	885
6500 MXU181005	1800	1000	500	1680	885

CATALOG NUMBER	NOMINAL			PANEL	
	A	B*	C	D	E
6500 MXU181006	1800	1000	600	1680	885
6500 MXU181008	1800	1000	800	1680	885
6500 MXU200604	2000	600	400	1880	485
6500 MXU200605	2000	600	500	1880	485
6500 MXU200606	2000	600	600	1880	485
6500 MXU200608	2000	600	800	1880	485
6500 MXU200804	2000	800	400	1880	685
6500 MXU200805	2000	800	500	1880	685
6500 MXU200806	2000	800	600	1880	685
6500 MXU200808	2000	800	800	1880	685
6500 MXU200809	2000	800	900	1880	685
6500 MXU201004	2000	1000	400	1880	885
6500 MXU201005	2000	1000	500	1880	885
6500 MXU201006	2000	1000	600	1880	885
6500 MXU201008	2000	1000	800	1880	885

\* Side panels (one on each side) add 10mm to width.  
 † The kits above come with a right hand disconnect provision.

Add suffix 'L' for a left hand disconnect

Data subject to change without notice.



p.473

p.112

p.113

p.144

p.626

p.651

p.593

<http://www.exmweb.com>

1-800-363-2423

Fax : 450-979-4626



[info@exmweb.com](mailto:info@exmweb.com)

## Double bay disconnect cabinet kit

The **6500 MXU disconnect cabinet kit** is used to protect equipment against oil, dust and light water splashing. The protection rating is achieved by the use of a high quality robotically poured-in-place gasket. The standard cabinet kits consist of:

- **6500 MX** frame (painted dark gray RAL7011; galvanized) (see p.18)
- **6500 MXT** top cover (painted dark gray RAL7011; steel) (see p.50)
- **6500 MXB** bottom cover (paint-

ed dark gray RAL7011; steel) (see p.56)

- **6500 MXR** rear cover (painted light gray RAL7035; steel) (see p.32)
- **6500 MXDU** solid disconnect door (painted light gray RAL7035; steel) – consisting of : a 4 point locking master door (std left side); a 200mm wide disconnect flange door (right side); a disconnect defeater kit prohibiting access to a live enclosure; and a standard zinc cast pull handle with slotted

insert (see p.28)

- **6500 MXM** inner mounting panel (no finish 11ga galvanized) (see p.39)
- 4 standard leveling feet (p.141)
- 4 lifting eye bolts (see p.141)

**NEMA/EEMAC 12-13**

**CSA Certified / UL Listed**

**CE (IEC60529 / IP55)**

**Note: For left hand disconnect-provisions refer to suffix "L" on facing page.**

**If the 6500 MXU disconnect cabinet is to be used with a flange mounted disconnect switch or a circuit breaker, the following items must be ordered:**

### Ordering an Allen-Bradley 1494V Disconnect switch

- an operating mechanism with the disconnect switch 1494V
- an operating handle 1494V-H1
- a connecting rod 1494V-RA1 if the enclosure is 8" deep or 1494V-RA2 if the enclosure is 12" deep
- if required, a trailer fuse block kit 1494V, a fuse clip and line and load connectors.

(Will not accept 1494F disconnect switch, 1494V-R1, -R2 and -W2 operating handles)

### Circuit breaker

- a Westinghouse or General Electric circuit breaker.
- an operating mechanism 1494V
- an operating handle 1494V-H11
- a connecting rod 1494V-RA1 if the enclosure is 8" deep or 1494V-RA2 if the enclosure is 12" deep



### Ordering a Cutler Hammer Disconnect switch catalog C361

- an operating mechanism with the disconnect switch
- an operating handle (C361-H2 or H4)

### Circuit breaker operators catalog C371

- a Cutler hammer or Westinghouse circuit breaker
- an operating mechanism
- an operating handle

### Ordering a Square D Class 9422 Disconnect switch

- an operating mechanism with the disconnect switch class 9422
- an operating mechanism handle class 9422 Type A-1

### Circuit breaker

- a Square D circuit breaker
- an operating mechanism class 9422
- an operating mechanism handle class 9422 Type A-1

### Ordering a General Electric TDA Disconnect Switch

- a disconnect switch QMR or QMW
- a fuse clip kit if required
- a TDAI flange handle
- an operating mechanism, variable depth

### Circuit breakers

- a circuit breaker
- a TDAI flange handle
- an operating handle 1494V-H11
- an operating mechanism, variable depth

### Ordering an ABB Disconnect Switch

- a switch flange operated fuse if required
- a DSFHS-12 shaft
- a DSFHN-HS12 handle

### Circuit breaker

- a circuit breaker
- an operating mechanism
- a FHS-12 shaft
- a FHN-HS12 handle

### Ordering an I-T-E Max-Flex™ Disconnect switch

- a basic right hand switch
- a fuse kit if required
- a handle FHOHS flange mounted
- an operator FHOSO6R
- a cable FHOECO36

### Circuit breaker

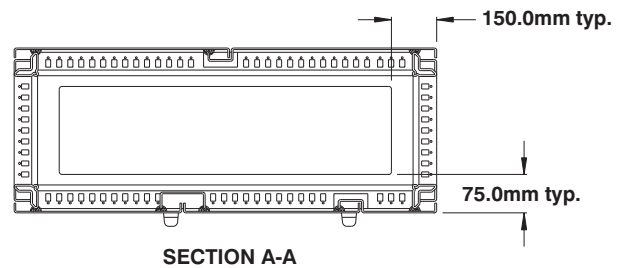
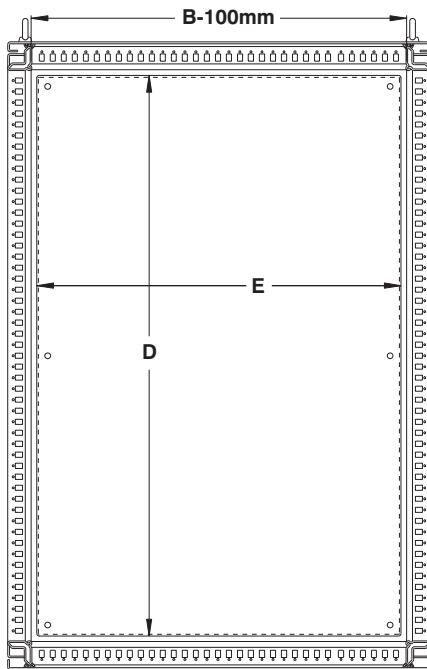
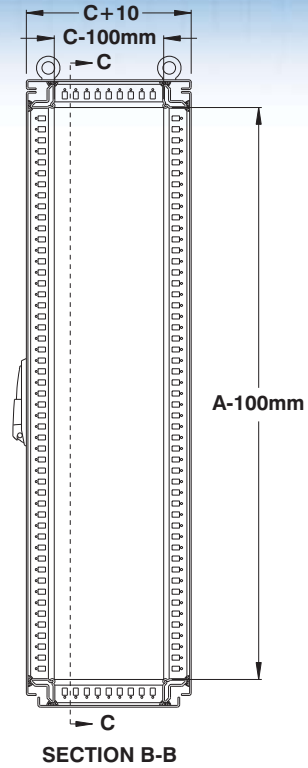
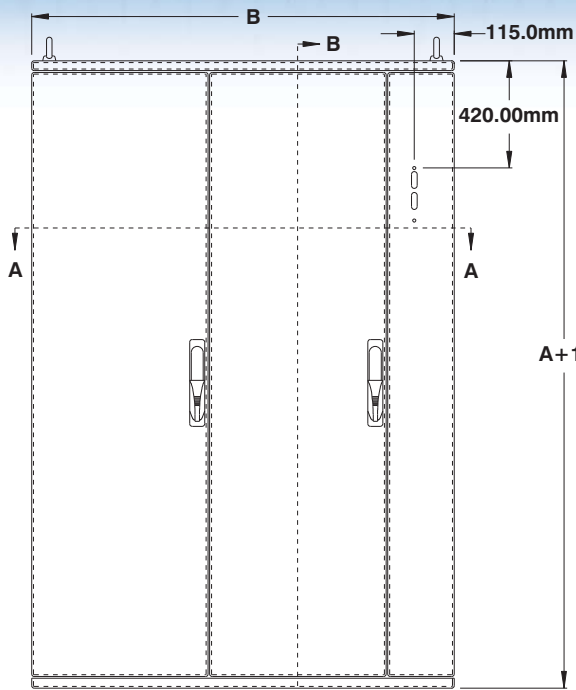
- a circuit breaker
- a set of pressure wire connectors
- a handle FHOH flange mounted
- an operating mechanism
- a standard cable 36"

### Ordering a Westinghouse

- a disconnect switch or circuit breaker type DS
- a yoke assembly and backplate
- a rod and brace assembly
- a pivot mechanism
- an operating handle

**Disconnect switches and operating mechanisms are not furnished with the enclosures.**

Data subject to change without notice.



CATALOG NUMBER	NOMINAL			PANEL	
	A	B*	C	D	E
6500 MXU201805	2000	1800	500	1880	1685
6500 MXU201806	2000	1800	600	1880	1685

\* Side panels (one on each side) add 10mm to width.

Add suffix "L" for left hand side disconnect

Data subject to change without notice.



p.473

<http://www.exmweb.com>



p.112

<http://www.exmweb.com>



p.113



p.144

<http://www.exmweb.com>



p.626



p.651

Fax : 450-979-4626



p.593



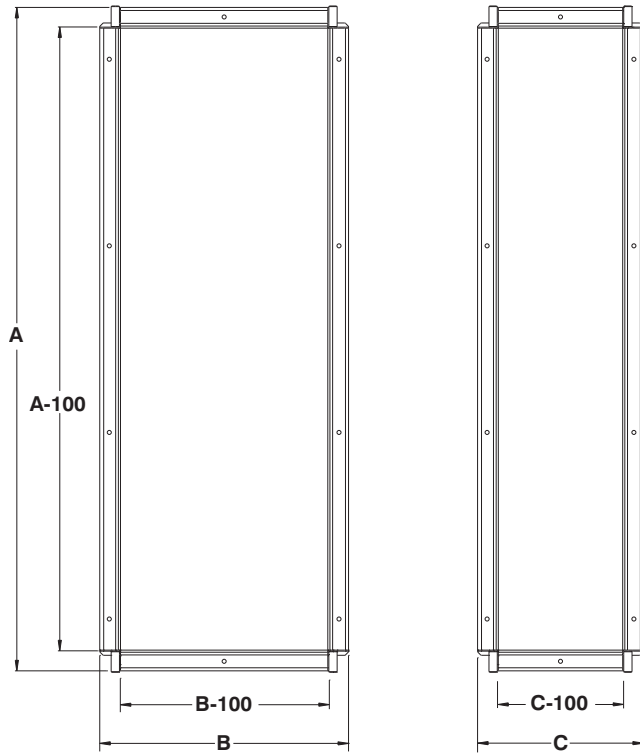
[info@exmweb.com](mailto:info@exmweb.com)

## Single bay frame

The **6500 MX** is the base frame of a Mtrx cabinet. The fully welded frame is made of powder coated **electrogalvanized steel and steel cast corners**. The tube-shaped roller formed design features an exclusive stiffening rib. This special stiffening rib consists

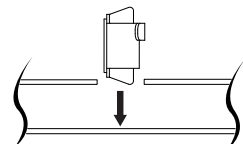
of three layers of material (4.5mm) all along the frame's inner edges. The frame design is fully symmetric. This facilitates installation and accessory selection. A hole pattern which can accommodate front inserted M8 clip nuts is present at 25 mm

increments. Self-tapping holes for M5 screws are provided. Inner panel sliding rails, eyebolts and leveling feet are also provided. The frame is RAL7011 sandtex dark gray.

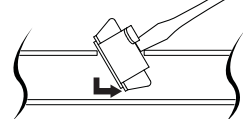


M12 x 1.75 25 mm LONG  
THREADED INSERT

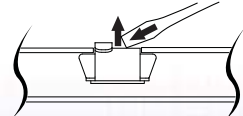
**STEP 1: INSERT INTO  
RECTANGULAR CUTOUT**



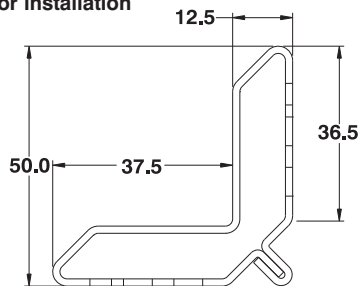
**STEP 2: ROTATE AND  
SLIDE INTO CUTOUT**



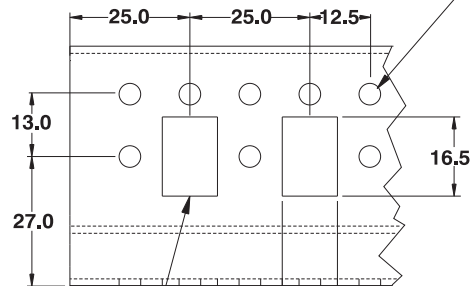
**STEP 3: PUSH UNTIL  
SPRING IS ENGAGED**



All modular frames are supplied with a hole pattern offset every 25mm to accommodate the installation of front inserted clip nuts (p.148) in all three axes. Refer to steps for installation



FOR M5 SELF TAPPING  
HARDWARE (880 HDT10,  
SEE PAGE 482)



FOR M5, M6 OR M8  
FRONT INSERTED CLIP NUTS  
(880 HDFM, SEE PAGE 483)

Data subject to  
change without  
notice.



<b>Solid</b> Doors	<b>Window</b> Doors	<b>Side</b> Doors	<b>Back</b> Covers	<b>Side</b> Covers	<b>Dress</b> Frames	<b>Mounting</b> Panel
p.22	p.24	p.38	p.32	p.36	p.128	p.39



# NEMA 12-13 MTRX CABINETS

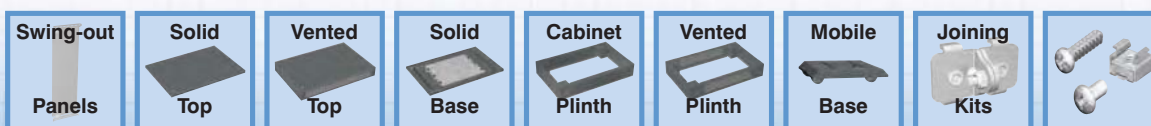
# 6500 MX

CATALOG NUMBER	NOMINAL			DIMENSIONS		
	H	W	D	A	B	C
6500 MX070606	700	600	600	700	600	600
6500 MX070608	700	600	800	700	600	800
6500 MX070609	700	600	900	700	600	900
6500 MX070610	700	600	1000	700	600	1000
6500 MX070612	700	600	1200	700	600	1200
6500 MX070806	700	800	600	700	800	600
6500 MX070808	700	800	800	700	800	800
6500 MX070809	700	800	900	700	800	900
6500 MX070810	700	800	1000	700	800	1000
6500 MX070812	700	800	1200	700	800	1200
6500 MX140604	1400	600	400	1400	600	400
6500 MX140605	1400	600	500	1400	600	500
6500 MX140606	1400	600	600	1400	600	600
6500 MX140608	1400	600	800	1400	600	800
6500 MX140609	1400	600	900	1400	600	900
6500 MX140610	1400	600	1000	1400	600	1000
6500 MX140612	1400	600	1200	1400	600	1200
6500 MX140708	1400	700	800	1400	700	800
6500 MX140804	1400	800	400	1400	800	400
6500 MX140805	1400	800	500	1400	800	500
6500 MX140806	1400	800	600	1400	800	600
6500 MX140808	1400	800	800	1400	800	800
6500 MX140809	1400	800	900	1400	800	900
6500 MX140810	1400	800	1000	1400	800	1000
6500 MX140812	1400	800	1200	1400	800	1200
6500 MX160404	1600	400	400	1600	400	400
6500 MX160405	1600	400	500	1600	400	500
6500 MX160406	1600	400	600	1600	400	600
6500 MX160604	1600	600	400	1600	600	400
6500 MX160605	1600	600	500	1600	600	500
6500 MX160606	1600	600	600	1600	600	600
6500 MX160608	1600	600	800	1600	600	800
6500 MX160609	1600	600	900	1600	600	900
6500 MX160610	1600	600	1000	1600	600	1000
6500 MX160612	1600	600	1200	1600	600	1200
6500 MX160804	1600	800	400	1600	800	400
6500 MX160805	1600	800	500	1600	800	500
6500 MX160806	1600	800	600	1600	800	600
6500 MX160808	1600	800	800	1600	800	800
6500 MX160809	1600	800	900	1600	800	900
6500 MX160810	1600	800	1000	1600	800	1000
6500 MX160812	1600	800	1200	1600	800	1200
6500 MX160904	1600	900	400	1600	900	400
6500 MX160905	1600	900	500	1600	900	500
6500 MX160906	1600	900	600	1600	900	600
6500 MX160908	1600	900	800	1600	900	800
6500 MX161004	1600	1000	400	1600	1000	400
6500 MX161005	1600	1000	500	1600	1000	500
6500 MX161006	1600	1000	600	1600	1000	600
6500 MX180404	1800	400	400	1800	400	400
6500 MX180405	1800	400	500	1800	400	500
6500 MX180406	1800	400	600	1800	400	600
6500 MX180408	1800	400	800	1800	400	800
6500 MX180604	1800	600	400	1800	600	400
6500 MX180605	1800	600	500	1800	600	500
6500 MX180606	1800	600	600	1800	600	600
6500 MX180608	1800	600	800	1800	600	800
6500 MX180609	1800	600	900	1800	600	900
6500 MX180610	1800	600	1000	1800	600	1000
6500 MX180612	1800	600	1200	1800	600	1200
6500 MX180804	1800	800	400	1800	800	400
6500 MX180805	1800	800	500	1800	800	500
6500 MX180806	1800	800	600	1800	800	600
6500 MX180808	1800	800	800	1800	800	800
6500 MX180809	1800	800	900	1800	800	900
6500 MX180810	1800	800	1000	1800	800	1000

CATALOG NUMBER	NOMINAL			DIMENSIONS		
	H	W	D	A	B	C
6500 MX180812	1800	800	1200	1800	800	1200
6500 MX180904	1800	900	400	1800	900	400
6500 MX180905	1800	900	500	1800	900	500
6500 MX180906	1800	900	600	1800	900	600
6500 MX180908	1800	900	800	1800	900	800
6500 MX181004	1800	1000	400	1800	1000	400
6500 MX181005	1800	1000	500	1800	1000	500
6500 MX181006	1800	1000	600	1800	1000	600
6500 MX181008	1800	1000	800	1800	1000	800
6500 MX200404	2000	400	400	2000	400	400
6500 MX200405	2000	400	500	2000	400	500
6500 MX200406	2000	400	600	2000	400	600
6500 MX200408	2000	400	800	2000	400	800
6500 MX200604	2000	600	400	2000	600	400
6500 MX200605	2000	600	500	2000	600	500
6500 MX200606	2000	600	600	2000	600	600
6500 MX200608	2000	600	800	2000	600	800
6500 MX200609	2000	600	900	2000	600	900
6500 MX200610	2000	600	1000	2000	600	1000
6500 MX200612	2000	600	1200	2000	600	1200
6500 MX200706	2000	700	600	2000	700	600
6500 MX200708	2000	700	800	2000	700	800
6500 MX200709	2000	700	900	2000	700	900
6500 MX200710	2000	700	1000	2000	700	1000
6500 MX200712	2000	700	1200	2000	700	1200
6500 MX200804	2000	800	400	2000	800	400
6500 MX200805	2000	800	500	2000	800	500
6500 MX200806	2000	800	600	2000	800	600
6500 MX200808	2000	800	800	2000	800	800
6500 MX200809	2000	800	900	2000	800	900
6500 MX200810	2000	800	1000	2000	800	1000
6500 MX200812	2000	800	1200	2000	800	1200
6500 MX200904	2000	900	400	2000	900	400
6500 MX200905	2000	900	500	2000	900	500
6500 MX200906	2000	900	600	2000	900	600
6500 MX200908	2000	900	800	2000	900	800
6500 MX201004	2000	1000	400	2000	1000	400
6500 MX201005	2000	1000	500	2000	1000	500
6500 MX201006	2000	1000	600	2000	1000	600
6500 MX201008	2000	1000	800	2000	1000	800
6500 MX220405	2200	400	500	2200	400	500
6500 MX220406	2200	400	600	2200	400	600
6500 MX220408	2200	400	800	2200	400	800
6500 MX220605	2200	600	500	2200	600	500
6500 MX220606	2200	600	600	2200	600	600
6500 MX220608	2200	600	800	2200	600	800
6500 MX220609	2200	600	900	2200	600	900
6500 MX220610	2200	600	1000	2200	600	1000
6500 MX220612	2200	600	1200	2200	600	1200
6500 MX220706	2200	700	600	2200	700	600
6500 MX220708	2200	700	800	2200	700	800
6500 MX220709	2200	700	900	2200	700	900
6500 MX220710	2200	700	1000	2200	700	1000
6500 MX220712	2200	700	1200	2200	700	1200
6500 MX220805	2200	800	500	2200	800	500
6500 MX220806	2200	800	600	2200	800	600
6500 MX220808	2200	800	800	2200	800	800
6500 MX220809	2200	800	900	2200	800	900
6500 MX220810	2200	800	1000	2200	800	1000
6500 MX220812	2200	800	1200	2200	800	1200
6500 MX220905	2200	900	500	2200	900	500
6500 MX220906	2200	900	600	2200	900	600
6500 MX220908	2200	900	800	2200	900	800
6500 MX221005	2200	1000	500	2200	1000	500
6500 MX221006	2200	1000	600	2200	1000	600
6500 MX221008	2200	1000	800	2200	1000	800



Data subject to change without notice.



<http://www.exmweb.com>
 p.44      p.50      p.55      p.56      p.58      p.59      p.60      p.104      p.148  
 1-800-363-2423      Fax : 450-979-4626      info@exmweb.com

## Double bay frame

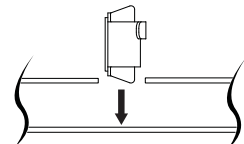
The **6500 MX** is the base frame of a Mtrx cabinet. The fully welded frame is made of powder coated **electrogalvanized steel and steel cast corners**. The tube-shaped roller formed design features an exclusive stiffening rib. This special stiffening rib consists

of three layers of material (4.5mm) all along the frame's inner edges. The frame design is fully symmetric. This facilitates installation and accessory selection. A hole pattern which can accommodate front inserted M8 clip nuts is present at 25 mm

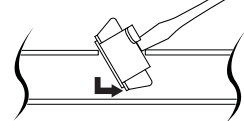
increments. Self-tapping holes for M5 screws are provided. Inner panel sliding rails, eyebolts and leveling feet are also provided. The frame is RAL7011 sandtex dark gray.



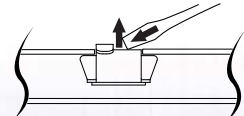
**STEP 1: INSERT INTO RECTANGULAR CUTOUT**



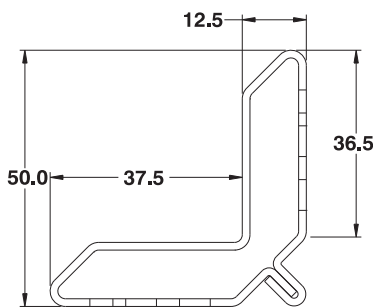
**STEP 2: ROTATE AND SLIDE INTO CUTOUT**



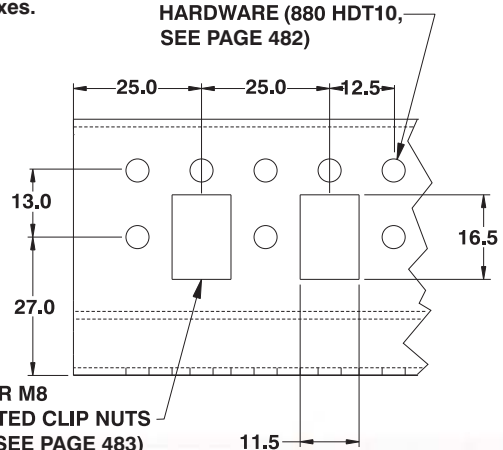
**STEP 3: PUSH UNTIL SPRING IS ENGAGED**



All modular frames are supplied with a hole pattern offset every 25mm to accommodate the installation of front inserted clip nuts (p.148) in all three axes. Refer to above steps for installation



**FOR M5 SELF TAPPING HARDWARE (880 HDT10, SEE PAGE 482)**

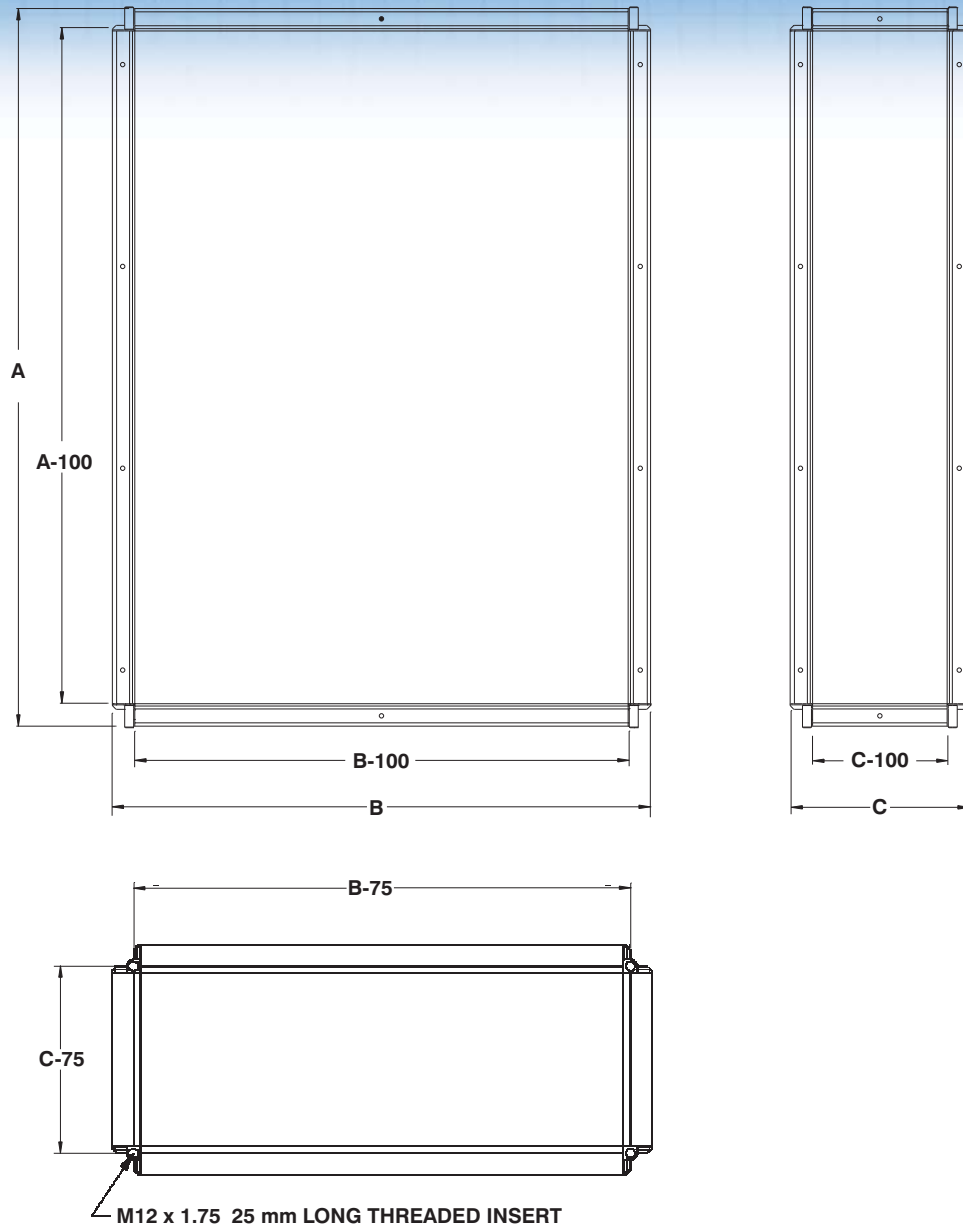


**FOR M5, M6 OR M8 FRONT INSERTED CLIP NUTS (880 HDFM..., SEE PAGE 483)**

Data subject to change without notice.



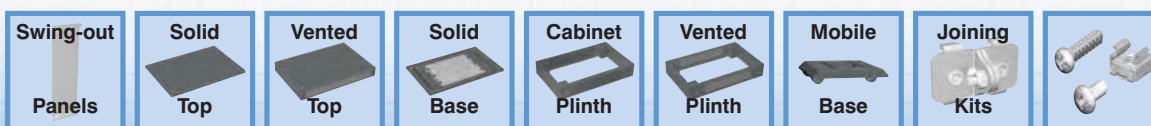
Solid Doors	Window Doors	Side Doors	Back Covers	Side Covers	Dress Frames	Mounting Panel
p.22	p.24	p.38	p.32	p.36	p.128	p.39



CATALOG NUMBER	NOMINAL			DIMENSIONS		
	H	W	D	A	B	C
6500 MX071206	700	1200	600	700	1200	600
6500 MX141204	1400	1200	400	1400	1200	400
6500 MX141205	1400	1200	500	1400	1200	500
6500 MX141604	1400	1600	400	1400	1600	400
6500 MX141605	1400	1600	500	1400	1600	500
6500 MX161204	1600	1200	400	1600	1200	400
6500 MX161205	1600	1200	500	1600	1200	500
6500 MX161206	1600	1200	600	1600	1200	600
6500 MX161208	1600	1200	800	1600	1200	800
6500 MX181204	1800	1200	400	1800	1200	400
6500 MX181205	1800	1200	500	1800	1200	500
6500 MX181206	1800	1200	600	1800	1200	600
6500 MX181208	1800	1200	800	1800	1200	800
6500 MX181604	1800	1600	400	1800	1600	400

CATALOG NUMBER	NOMINAL			DIMENSIONS		
	H	W	D	A	B	C
6500 MX181605	1800	1600	500	1800	1600	500
6500 MX181606	1800	1600	600	1800	1600	600
6500 MX181608	1800	1600	800	1800	1600	800
6500 MX201204	2000	1200	400	2000	1200	400
6500 MX201205	2000	1200	500	2000	1200	500
6500 MX201206	2000	1200	600	2000	1200	600
6500 MX201208	2000	1200	800	2000	1200	800
6500 MX201604	2000	1600	400	2000	1600	400
6500 MX201605	2000	1600	500	2000	1600	500
6500 MX201606	2000	1600	600	2000	1600	600
6500 MX201608	2000	1600	800	2000	1600	800
6500 MX221205	2200	1200	500	2200	1200	500
6500 MX221206	2200	1200	600	2200	1200	600
6500 MX221208	2200	1200	800	2200	1200	800

Data subject to change without notice.



p.44  
<http://www.exmweb.com>

p.56  
1-800-363-2423

p.59  
Fax : 450-979-4626

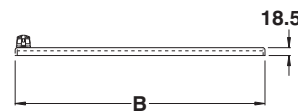
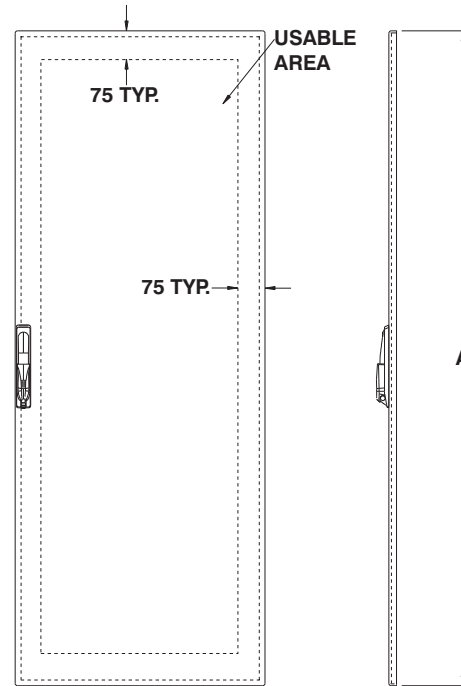
p.148  
[info@exmweb.com](mailto:info@exmweb.com)

## Solid door for single bay cabinets

The **6500 MXD solid doors** are installed on the front and/or back face of a Mtrx single bay cabinet. They are made of 14ga steel. All doors are supplied standard with:

(i) a low profile metallic pull handle and a four point locking mechanism; (ii) a reinforcing tubular stiffening frame with provision for M5 self-tapping hardware; (iii) all installation hardware, 120° right

side hinging with captive hinge pins; and (iv) a durable robotically poured-in-place gasket. Doors are reversible. Finish is powder coated RAL7035 textured light gray.



CATALOG NUMBER	NOMINAL		DIMENSIONS	
	H	W	A	B
6500 MXD0706	700	600	660	595
6500 MXD0708	700	800	660	795
6500 MXD1406	1400	600	1360	595
6500 MXD1407	1400	700	1360	695
6500 MXD1408	1400	800	1360	795
6500 MXD1604	1600	400	1560	395
6500 MXD1606	1600	600	1560	595
6500 MXD1608	1600	800	1560	795
6500 MXD1609	1600	900	1560	895
6500 MXD1610	1600	1000	1560	995
6500 MXD1804	1800	400	1760	395
6500 MXD1806	1800	600	1760	595
6500 MXD1808	1800	800	1760	795
6500 MXD1809	1800	900	1760	895

CATALOG NUMBER	NOMINAL		DIMENSIONS	
	H	W	A	B
6500 MXD1810	1800	1000	1760	995
6500 MXD2004	2000	400	1960	395
6500 MXD2006	2000	600	1960	595
6500 MXD2007	2000	700	1960	695
6500 MXD2008	2000	800	1960	795
6500 MXD2009	2000	900	1960	895
6500 MXD2010	2000	1000	1960	995
6500 MXD2204	2200	400	2160	395
6500 MXD2206	2200	600	2160	595
6500 MXD2207	2200	700	2160	695
6500 MXD2208	2200	800	2160	795
6500 MXD2209	2200	900	2160	895
6500 MXD2210	2200	1000	2160	995

**180°?** For 180° (up to 270°) hinging add suffix 'B'  
For LEFT side hinging add suffix 'L'

- i.e.: 6500 MXD1806B → Door with 180° hinging on std right side
- 6500 MXD1806L → Door with std hinging on LEFT side
- 6500 MXD1806LB → Door with 180° hinging on LEFT side

Data subject to change without notice.





## Solid doors for double bay cabinets

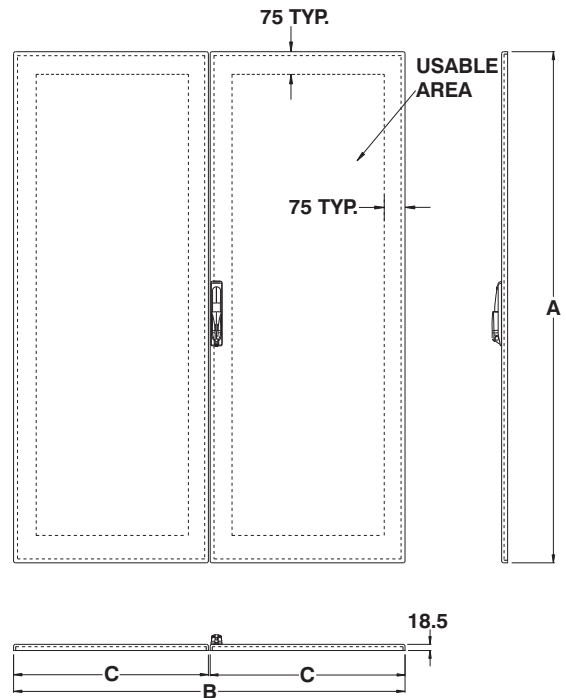
The **6500 MXDD overlapping solid doors** are installed on the front and/or back face of a Mtrx single bay cabinet. They are made of 14ga steel.

All doors are supplied standard with: (i) a master door on the right and a flange door on the left; (ii) a

low profile metallic pull handle and a four point locking mechanism; (iii) top and bottom flange door locking handles; (iv) reinforcing tubular stiffening frames with provision for M5 self-tapping hardware; (v) all installation hardware, 120° hinging with captive

hinge pins; and (vi) durable robotically poured-in-place gaskets.

Doors are reversible. Finish is powder coated RAL7035 textured light gray.



CATALOG NUMBER	NOMINAL		DIMENSIONS		
	H	W	A	B	C
6500 MXDD0712	700	1200	660	1195	595
6500 MXDD1410	1400	1000	1360	995	495
6500 MXDD1412	1400	1200	1360	1195	595
6500 MXDD1416	1400	1600	1360	1595	795
6500 MXDD1610	1600	1000	1560	995	495
6500 MXDD1612	1600	1200	1560	1195	595
6500 MXDD1810	1800	1000	1760	995	495
6500 MXDD1812	1800	1200	1760	1195	595

CATALOG NUMBER	NOMINAL		DIMENSIONS		
	H	W	A	B	C
6500 MXDD1816	1800	1600	1760	1595	795
6500 MXDD2010	2000	1000	1960	995	495
6500 MXDD2012	2000	1200	1960	1195	595
6500 MXDD2016	2000	1600	1960	1595	795
6500 MXDD2018	2000	1800	1960	1795	895
6500 MXDD2210	2200	1000	2160	995	495
6500 MXDD2212	2200	1200	2160	1195	595

**180°?** For 180° (up to 270°) hinging add suffix 'B'  
For LEFT side master door add suffix 'L'

- i.e.: 6500 MXDD1812B → Doors with 180° hinging on std right side
- 6500 MXDD1812L → Master door on LEFT side
- 6500 MXDD1812LB → Master door on LEFT side and doors with 180° hinging

Data subject to change without notice.



p.138

<http://www.exmweb.com>



p.136



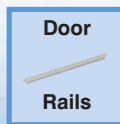
p.141



p.452



p.473



p.118

Fax : 450-979-4626



p.113



[info@exmweb.com](mailto:info@exmweb.com)

## Window door for single bay cabinet

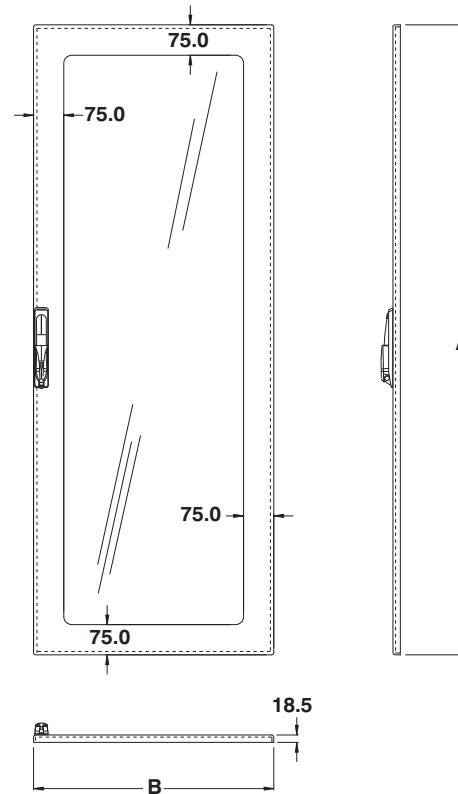
The 6500 MXDW window doors are installed on the front and/or back face of a Mtrx single bay cabinet. They are made of 14ga steel and a lexan window. All doors are supplied standard with:

- (i) a low profile metallic pull handle

- (ii) a reinforcing tubular stiffening frame with provision for M5 self-tapping hardware;
- (iii) all installation hardware, 120° right side hinging with captive hinge pins; and (iv) a durable

robotically poured-in-place gasket.

Doors are reversible. Finish is powder coated RAL7035 textured light gray.



CATALOG NUMBER	NOMINAL		DIMENSIONS	
	H	W	A	B
6500 MXDW0706	700	600	660	595
6500 MXDW0708	700	800	660	795
6500 MXDW1406	1400	600	1360	595
6500 MXDW1407	1400	700	1360	695
6500 MXDW1408	1400	800	1360	795
6500 MXDW1604	1600	400	1560	395
6500 MXDW1606	1600	600	1560	595
6500 MXDW1608	1600	800	1560	795
6500 MXDW1609	1600	900	1560	895
6500 MXDW1610	1600	1000	1560	995
6500 MXDW1804	1800	400	1760	395
6500 MXDW1806	1800	600	1760	595
6500 MXDW1808	1800	800	1760	795
6500 MXDW1809	1800	900	1760	895

CATALOG NUMBER	NOMINAL		DIMENSIONS	
	H	W	A	B
6500 MXDW1810	1800	1000	1760	995
6500 MXDW2004	2000	400	1960	395
6500 MXDW2006	2000	600	1960	595
6500 MXDW2007	2000	700	1960	695
6500 MXDW2008	2000	800	1960	795
6500 MXDW2009	2000	900	1960	895
6500 MXDW2010	2000	1000	1960	995
6500 MXDW2204	2200	400	2160	395
6500 MXDW2206	2200	600	2160	595
6500 MXDW2207	2200	700	2160	695
6500 MXDW2208	2200	800	2160	795
6500 MXDW2209	2200	900	2160	895
6500 MXDW2210	2200	1000	2160	995

**180°?** For 180° (up to 270°) hinging add suffix 'B'  
For LEFT side hinging add suffix 'L'

- i.e.: 6500 MXDW1806B → Door with 180° hinging on std right side
- 6500 MXDW1806L → Door with std hinging on LEFT side
- 6500 MXDW1806LB → Door with 180° hinging on LEFT side

Data subject to change without notice.

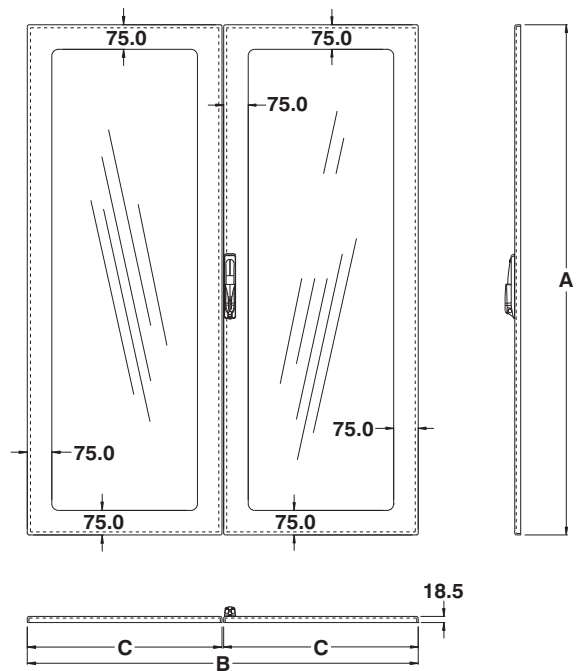


## Window doors for double bay cabinet

The 6500 MXDDW overlapping window doors are installed on the front and/or back face of a Mtrx single bay cabinet. They are made of 14ga steel and lexan windows. All doors are supplied standard with: (i) a master door on the right and a flange door on the left;

(ii) a low profile metallic pull handle and a four point locking mechanism; (iii) top and bottom flange door locking handles; (iv) reinforcing tubular stiffening frames with provision for M5 self-tapping hardware; (v) all installation hardware, 120° hinging with captive hinge

pins; and (vi) durable robotically poured-in-place gaskets. Doors are reversible. Finish is powder coated RAL7035 textured light gray.



CATALOG NUMBER	NOMINAL		DIMENSIONS		
	H	W	A	B	C
6500 MXDDW0712	700	1200	660	1195	595
6500 MXDDW1410	1400	1000	1360	995	495
6500 MXDDW1412	1400	1200	1360	1195	595
6500 MXDDW1416	1400	1600	1360	1595	795
6500 MXDDW1610	1600	1000	1560	995	495
6500 MXDDW1612	1600	1200	1560	1195	595
6500 MXDDW1810	1800	1000	1760	995	495
6500 MXDDW1812	1800	1200	1760	1195	595

CATALOG NUMBER	NOMINAL		DIMENSIONS		
	H	W	A	B	C
6500 MXDDW1816	1800	1600	1760	1595	795
6500 MXDDW2010	2000	1000	1960	995	495
6500 MXDDW2012	2000	1200	1960	1195	595
6500 MXDDW2016	2000	1600	1960	1595	795
6500 MXDDW2018	2000	1800	1960	1795	895
6500 MXDDW2210	2200	1000	2160	995	495
6500 MXDDW2212	2200	1200	2160	1195	595

**180°?** For 180° (up to 270°) hinging add suffix 'B'  
For LEFT side master door add suffix 'L'

- i.e.: 6500 MXDDW1812B → Doors with 180° hinging on std right side
- 6500 MXDDW1812L → Master door on LEFT side
- 6500 MXDDW1812LB → Master door on LEFT side and doors with 180° hinging

Data subject to change without notice.



p.138

<http://www.exmweb.com>



p.136



p.141



p.452



p.473



p.118

Fax : 450-979-4626



p.113



[info@exmweb.com](mailto:info@exmweb.com)

## Vented door for single bay cabinet

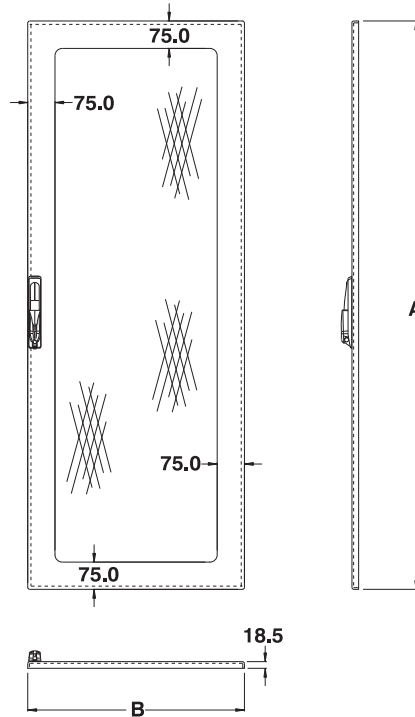
The 6500 MXDV vented doors are installed on the front and/or back face of a Mtrx single bay cabinet. The door contours are made of 14ga steel. The ventilation perforations meet or exceed server manufacturer requirements for passive cooling capabilities

(comes standard with 6mm perforations) . All doors are supplied standard with: (i) a low profile metallic pull handle and a four point locking mechanism; (ii) a reinforcing tubular stiffening frame with provision for M5 self-tapping hardware; (iii) all installation hard-

ware, 120° right side hinging with captive hinge pins; and (iv) a durable robotically poured-in-place gasket.

Doors are reversible. Finish is powder coated RAL7035 textured light gray.

**NEMA/EEMAC 1 / IP20**



CATALOG NUMBER	NOMINAL		DIMENSIONS	
	H	W	A	B
6500 MXDV0706	700	600	660	595
6500 MXDV0708	700	800	660	795
6500 MXDV1406	1400	600	1360	595
6500 MXDV1407	1400	700	1360	695
6500 MXDV1408	1400	800	1360	795
6500 MXDV1604	1600	400	1560	395
6500 MXDV1606	1600	600	1560	595
6500 MXDV1608	1600	800	1560	795
6500 MXDV1609	1600	900	1560	895
6500 MXDV1610	1600	1000	1560	995
6500 MXDV1804	1800	400	1760	395
6500 MXDV1806	1800	600	1760	595
6500 MXDV1808	1800	800	1760	795
6500 MXDV1809	1800	900	1760	895

CATALOG NUMBER	NOMINAL		DIMENSIONS	
	H	W	A	B
6500 MXDV1810	1800	1000	1760	995
6500 MXDV2004	2000	400	1960	395
6500 MXDV2006	2000	600	1960	595
6500 MXDV2007	2000	700	1960	695
6500 MXDV2008	2000	800	1960	795
6500 MXDV2009	2000	900	1960	895
6500 MXDV2010	2000	1000	1960	995
6500 MXDV2204	2200	400	2160	395
6500 MXDV2206	2200	600	2160	595
6500 MXDV2207	2200	700	2160	695
6500 MXDV2208	2200	800	2160	795
6500 MXDV2209	2200	900	2160	895
6500 MXDV2210	2200	1000	2160	995

## 180°, slotted?

For 180° (up to 270°) hinging add suffix 'B'  
 For LEFT side hinging add suffix 'L'  
 For small vent holes add suffix 'SH'  
 For slotted vent holes add suffix 'SL'

- i.e.: 6500 MXDV1806B → Door with 180° hinging on std right side
- 6500 MXDV1806L → Door with std hinging on LEFT side
- 6500 MXDV1806LB → Door with 180° hinging on LEFT side
- 6500MXDV1806SL → Door with slotted venting

Data subject to change without notice.



p.138



p.136



p.141



p.452



p.473



p.118



p.113



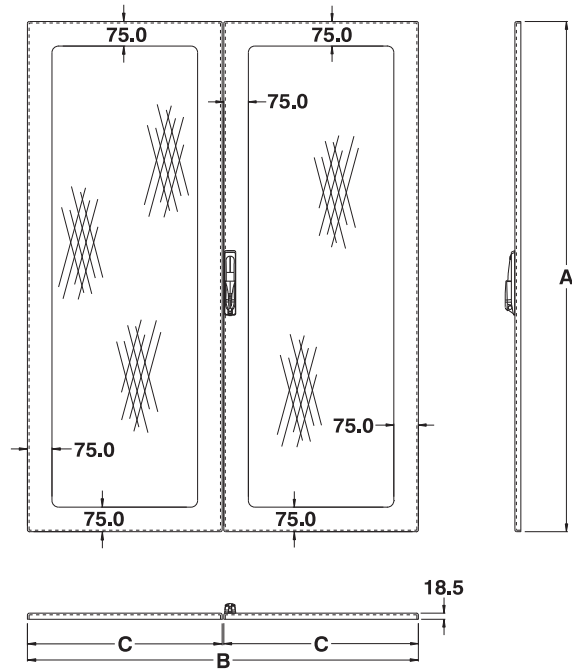
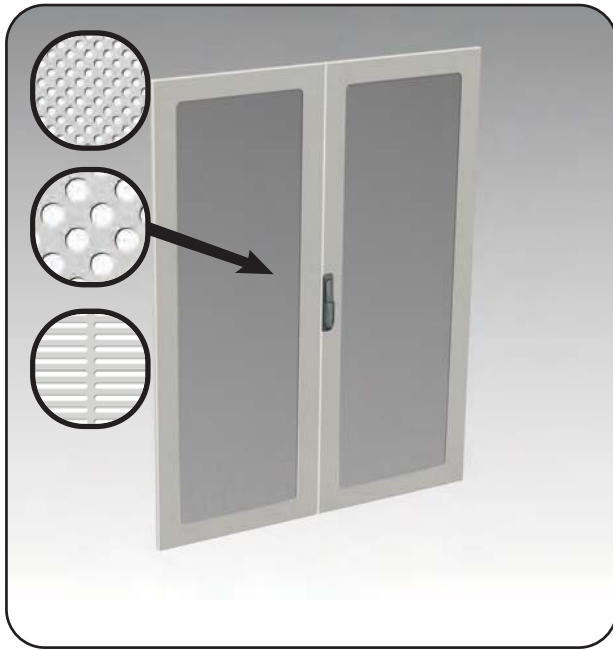
## Vented doors for double bay cabinet

The 6500 MXDDV overlapping vented doors are installed on the front and/or back face of a Mtrx single bay cabinet. The ventilation perforations meet or exceed server manufacturer requirements for passive cooling capabilities (comes standard with 6mm perforations). All

doors are supplied standard with: (i) a master door on the right and a flange door on the left; (ii) a low profile metallic pull handle and a four point locking mechanism; (iii) top and bottom flange door locking handles; (iv) reinforcing tubular stiffening frames with provision for M5

self-tapping hardware; (v) all installation hardware, 120° hinging with captive hinge pins; and (iv) durable robotically poured-in-place gaskets. Doors are reversible. Finish is powder coated RAL7035 textured light gray.

**NEMA/EEMAC 1 / IP20**



CATALOG NUMBER	NOMINAL		DIMENSIONS		
	H	W	A	B	C
6500 MXDDV0712	700	1200	660	1195	595
6500 MXDDV1410	1400	1000	1360	995	495
6500 MXDDV1412	1400	1200	1360	1195	595
6500 MXDDV1416	1400	1600	1360	1595	7955
6500 MXDDV1610	1600	1000	1560	995	495
6500 MXDDV1612	1600	1200	1560	1195	595
6500 MXDDV1810	1800	1000	1760	995	495
6500 MXDDV1812	1800	1200	1760	1195	595

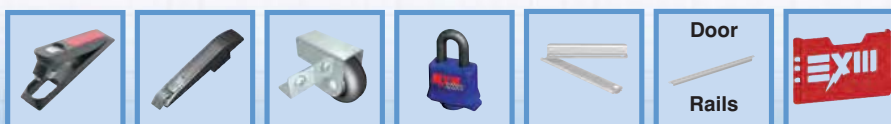
CATALOG NUMBER	NOMINAL		DIMENSIONS		
	H	W	A	B	C
6500 MXDDV1816	1800	1600	1760	1595	795
6500 MXDDV2010	2000	1000	1960	995	495
6500 MXDDV2012	2000	1200	1960	1195	595
6500 MXDDV2016	2000	1600	1960	1595	795
6500 MXDDV2018	2000	1800	1960	1795	895
6500 MXDDV2210	2200	1000	2160	995	495
6500 MXDDV2212	2200	1200	2160	1195	595

## 180°, slotted?

For 180° (up to 270°) hinging add suffix 'B'  
 For LEFT side hinging add suffix 'L'  
 For small vent holes add suffix 'SH'  
 For slotted vent holes add suffix 'SL'

i.e.: 6500 MXDDV1812B – Door with 180° hinging on std right side  
 6500MXDDV1812SL – Door with slotted venting

Data subject to change without notice.



p.138    p.136    p.141    p.452    p.473    p.118    p.113  
<http://www.exmweb.com>    1-800-363-2423    Fax : 450-979-4626



info@exmweb.com

## Disconnect doors

The **6500 MXDU disconnect doors** are installed on the front face of a Mtrx single bay cabinet. They are made of 14ga steel. All doors are supplied standard with: (i) a master door on the left and a disconnect door with universal disconnect cut-out on the

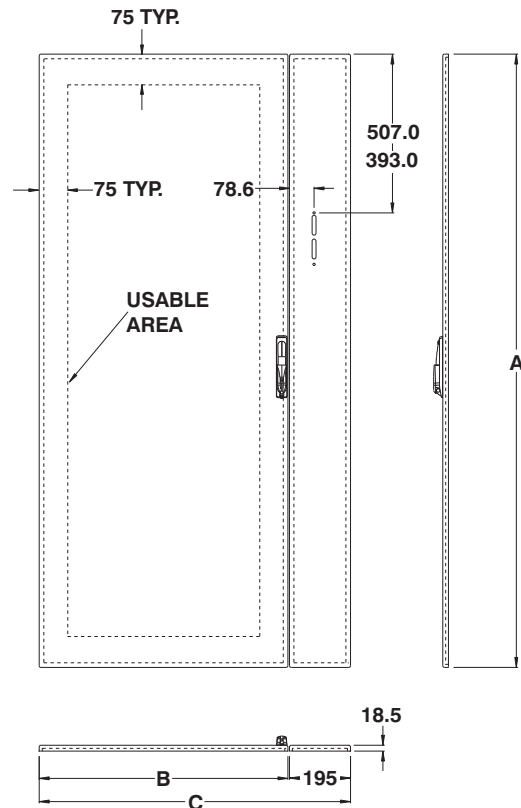
right side; (ii) a low profile metallic pull handle and a four point locking mechanism; (iii) top and bottom disconnect door locking handles; (iv) reinforcing tubular stiffening frames with provision for M5 self-tapping hardware; (v) all installation hardware; (vi) 120°

hinging with captive hinge pins; (vii) an interlock mechanism for live cabinet; and (viii) a durable robotically poured-in-place gaskets.

Doors are reversible. Finish is powder coated RAL7035 textured light gray.



**Note: Disconnect switch and operating mechanism are not supplied with the door.**



CATALOG NUMBER	NOMINAL		DIMENSIONS		
	H	D	A	B	C
6500 MXDU1606	1600	600	1560	400	595
6500 MXDU1608	1600	800	1560	600	795
6500 MXDU1806	1800	600	1760	400	595
6500 MXDU1808	1800	800	1760	600	795

CATALOG NUMBER	NOMINAL		DIMENSIONS		
	H	D	A	B	C
6500 MXDU1810	1800	1000	1760	800	995
6500 MXDU2006	2000	600	1960	400	595
6500 MXDU2008	2000	800	1960	600	795
6500 MXDU2010	2000	1000	1960	800	995

**180°?** For 180° (up to 270°) hinging add suffix 'B'  
For LEFT side disconnect add suffix 'L'

- i.e.: 6500 MXDU1806B → Door with 180° hinging
- 6500 MXDU1806L → Door with LEFT side disconnect
- 6500 MXDU1806LB → Door with LEFT side disconnect with 180° hinging

Data subject to change without notice.



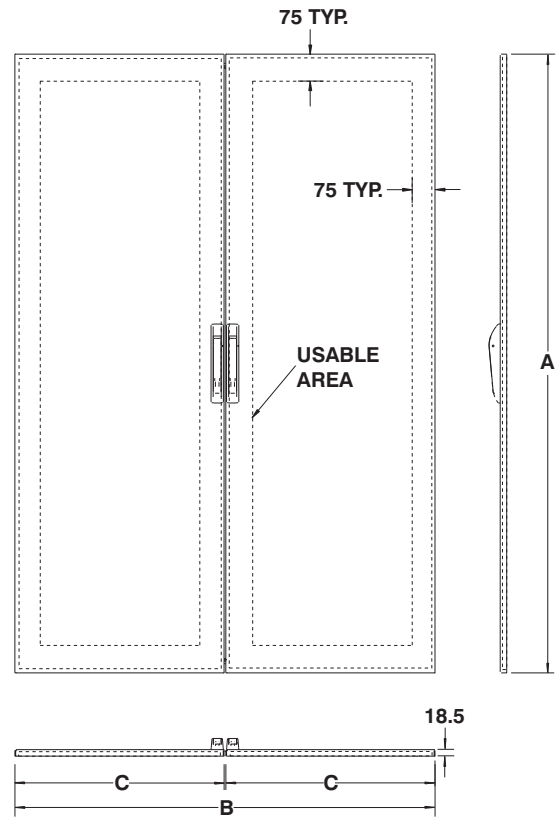
## Double external doors for double bay cabinet

The 6500 MXDDE double external doors are installed on the front and/or back face of a Mtrx double bay cabinet. They are made of 14ga steel. These doors were developed for applications where the addition of a vertical mullion outweighs joining two

separate frames. Door kits are supplied standard with: (i) low profile metallic pull handles and four point locking mechanisms; (ii) reinforcing tubular stiffening frames with provision for M5 self-tapping hardware; (iii) all installation hardware; (iv) 120°

hinges with captive hinge pins; (v) durable robotically poured-in-place gaskets; and (vi) a sealing vertical mullion to retain NEMA 12 rating.

Finish is powder coated RAL7035 textured light gray.



CATALOG NUMBER	NOMINAL		DIMENSIONS		
	H	W	A	B	C
6500 MXDDE0712	700	1200	660	1195	595
6500 MXDDE1412	1400	1200	1360	1195	595
6500 MXDDE1416	1400	1600	1360	1595	795
6500 MXDDE1612	1600	1200	1560	1195	595
6500 MXDDE1812	1800	1200	1760	1195	595

CATALOG NUMBER	NOMINAL		DIMENSIONS		
	H	W	A	B	C
6500 MXDDE1816	1800	1600	1760	1595	795
6500 MXDDE2012	2000	1200	1960	1195	595
6500 MXDDE2016	2000	1600	1960	1595	795
6500 MXDDE2018	2000	1800	1960	1795	895
6500 MXDDE2212	2200	1200	2160	1195	595

**180°?** For 180° (up to 270°) hinging add suffix 'B'

i.e.: 6500 MXDDE1812B → doors with 180° hinging

Data subject to change without notice.



p.138 p.136 p.141 p.452 p.473 p.118 p.113  
<http://www.exmweb.com> 1-800-363-2423 Fax : 450-979-4626



info@exmweb.com

## Half vertical doors for single bay cabinet

The 6500 MXDH half vertical doors are installed on the front and/or back face of a Mtrx single bay cabinet. They are made of steel. These doors were developed for applications where two controlled areas can be accessed separately. Door kits are supplied standard with: (i) upper and lower

door panels with two low profile metallic pull handles and two point locking mechanisms; (ii) reinforcing tubular vertical stiffeners with provision for M5 self-tapping hardware; (iii) four heavy duty hinges with captive hinge pins; (iv) durable robotically poured-in-place gaskets;

and (v) a horizontal mullion to retain NEMA 12 rating. Finish is powder coated RAL7035 textured light gray.

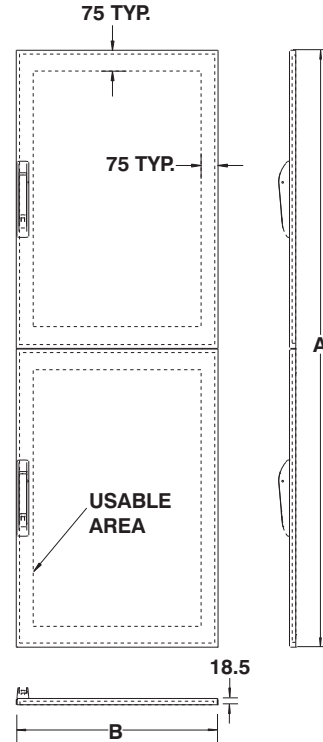
**Note: Can be combined with half rear cover 6500 MXRH (see p.34)**



**MX/SL**  
COMPATIBLE



Note: Other partial doors and covers are available on page 74



CATALOG NUMBER	NOMINAL		DIMENSIONS	
	H	W	A	B
6500 MXDH0708	700	800	660	795
6500 MXDH1406	1400	600	1360	595
6500 MXDH1407	1400	700	1360	695
6500 MXDH1408	1400	800	1360	795
6500 MXDH1409	1400	900	1360	895
6500 MXDH1604	1600	400	1560	395
6500 MXDH1606	1600	600	1560	595
6500 MXDH1608	1600	800	1560	795
6500 MXDH1609	1600	900	1560	895
6500 MXDH1610	1600	1000	1560	995
6500 MXDH1804	1800	400	1760	395
6500 MXDH1806	1800	600	1760	595
6500 MXDH1808	1800	800	1760	795
6500 MXDH1809	1800	900	1760	895

CATALOG NUMBER	NOMINAL		DIMENSIONS	
	H	W	A	B
6500 MXDH1810	1800	1000	1760	995
6500 MXDH2004	2000	400	1960	395
6500 MXDH2006	2000	600	1960	595
6500 MXDH2007	2000	700	1960	695
6500 MXDH2008	2000	800	1960	795
6500 MXDH2009	2000	900	1960	895
6500 MXDH2010	2000	1000	1960	995
6500 MXDH2204	2200	400	2160	395
6500 MXDH2206	2200	600	2160	595
6500 MXDH2207	2200	700	2160	695
6500 MXDH2208	2200	800	2160	795
6500 MXDH2209	2200	900	2160	895
6500 MXDH2210	2200	1000	2160	995

**180°?** For 180° (up to 270°) hinging add suffix 'B'  
For LEFT side hinging add suffix 'L'

- i.e.: 6500 MXDH1806B → Door with 180° hinging on std right side
- 6500 MXDH1806L → Door with std hinging on LEFT side
- 6500 MXDH1806LB → Door with 180° hinging on LEFT side

Data subject to change without notice.



p.138



p.136



p.141



p.452



p.473



p.118



p.113

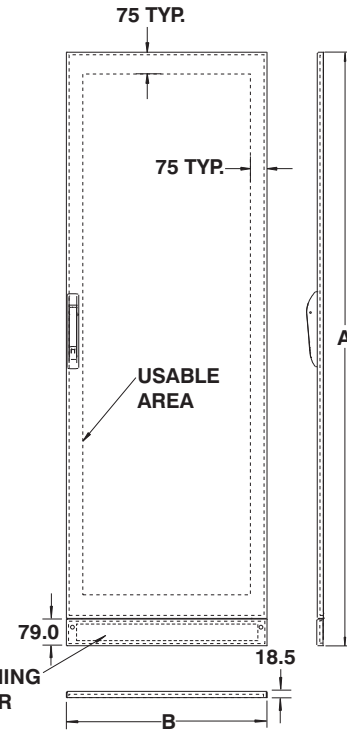


## Door with access panel for single bay cabinet

The 6500 MXDP Access panel doors are installed on the front and/or back face of a Mtrx single bay cabinet. They are made of steel. These doors were developed for applications where access is required or limited to the lower portion of the enclosure. This approach enables the

handling of much smaller panels should wiring or piping be routed via the front or rear of the enclosure. Door kits are supplied standard with: (i) a low profile metallic pull handle and four point locking mechanism; (ii) reinforcing tubular stiffening frames with provision for M5 self-tapping hard-

ware; (iii) four heavy duty hinges with captive hinge pins; (iv) durable robotically poured-in-place gaskets; (v) horizontal mulion to retain NEMA 12 rating. Finish is powder coated RAL7035 textured light gray.



CATALOG NUMBER	NOMINAL		DIMENSIONS	
	H	W	A	B
6500 MXDP0708	700	800	660	795
6500 MXDP1406	1400	600	1360	595
6500 MXDP1407	1400	700	1360	695
6500 MXDP1408	1400	800	1360	795
6500 MXDP1409	1400	900	1360	895
6500 MXDP1604	1600	400	1560	395
6500 MXDP1606	1600	600	1560	595
6500 MXDP1608	1600	800	1560	795
6500 MXDP1609	1600	900	1560	895
6500 MXDP1610	1600	1000	1560	995
6500 MXDP1804	1800	400	1760	395
6500 MXDP1806	1800	600	1760	595
6500 MXDP1808	1800	800	1760	795
6500 MXDP1809	1800	900	1760	895

CATALOG NUMBER	NOMINAL		DIMENSIONS	
	H	W	A	B
6500 MXDP1810	1800	1000	1760	995
6500 MXDP2004	2000	400	1960	395
6500 MXDP2006	2000	600	1960	595
6500 MXDP2007	2000	700	1960	695
6500 MXDP2008	2000	800	1960	795
6500 MXDP2009	2000	900	1960	895
6500 MXDP2010	2000	1000	1960	995
6500 MXDP2204	2200	400	2160	395
6500 MXDP2206	2200	600	2160	595
6500 MXDP2207	2200	700	2160	695
6500 MXDP2208	2200	800	2160	795
6500 MXDP2209	2200	900	2160	895
6500 MXDP2210	2200	1000	2160	995

**180°?** For 180° (up to 270°) hinging add suffix 'B'  
For LEFT side hinging add suffix 'L'

- i.e.: 6500 MXDP1806B → Doors with 180° hinging
- 6500 MXDP1806L → Master door on LEFT side
- 6500 MXDP1806LB → Master door on LEFT side and doors with 180° hinging

Data subject to change without notice.



p.138

<http://www.exmweb.com>



p.136



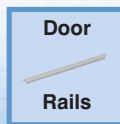
p.141



p.452



p.473



Door

Rails

p.118

Fax : 450-979-4626



p.113



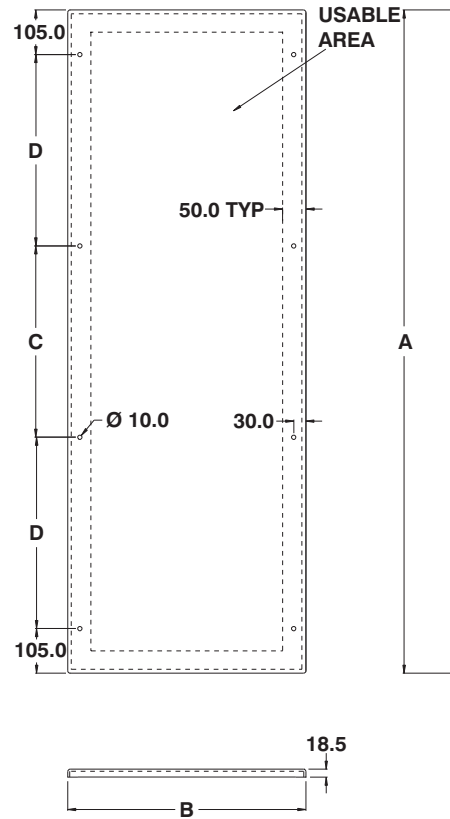
[info@exmweb.com](mailto:info@exmweb.com)

## Single piece back cover

The 6500 MXR back covers are made to be installed on the back and/or front face of a Mtrx cabinet. The 6500 MXR consists of one back cover, ribbed mounting

brackets and installation hardware. A robotically poured-in place gasket ensures a complete and durable seal. The covers are finished with heat fused powder

paint, electrostatically applied on a phosphatized base. Finish is RAL7035 textured light gray.



CATALOG NUMBER	NOMINAL		DIMENSIONS			
	H	W	A	B	C	D
6500 MXR0706	700	600	660	595	-	-
6500 MXR0708	700	800	660	795	-	-
6500 MXR0712	700	1200	660	1195	-	-
6500 MXR1406	1400	600	1360	595	450	350
6500 MXR1407	1400	700	1360	695	450	350
6500 MXR1408	1400	800	1360	795	450	350
6500 MXR1412	1400	1200	1360	1195	450	350
6500 MXR1604	1600	400	1560	395	450	450
6500 MXR1606	1600	600	1560	595	450	450
6500 MXR1608	1600	800	1560	795	450	450
6500 MXR1609	1600	900	1560	895	450	450
6500 MXR1610	1600	1000	1560	995	450	450
6500 MXR1612	1600	1200	1560	1195	450	450
6500 MXR1804	1800	400	1760	395	500	525
6500 MXR1806	1800	600	1760	595	500	525
6500 MXR1808	1800	800	1760	795	500	525
6500 MXR1809	1800	900	1760	895	500	525

CATALOG NUMBER	NOMINAL		DIMENSIONS			
	H	W	A	B	C	D
6500 MXR1810	1800	1000	1760	995	500	525
6500 MXR1812	1800	1200	1760	1195	500	525
6500 MXR2004	2000	400	1960	395	600	575
6500 MXR2006	2000	600	1960	595	600	575
6500 MXR2007	2000	700	1960	695	600	575
6500 MXR2008	2000	800	1960	795	600	575
6500 MXR2009	2000	900	1960	895	600	575
6500 MXR2010	2000	1000	1960	995	600	575
6500 MXR2012	2000	1200	1960	1195	600	575
6500 MXR2204	2200	400	2160	395	650	650
6500 MXR2206	2200	600	2160	595	650	650
6500 MXR2207	2200	700	2160	695	650	650
6500 MXR2208	2200	800	2160	795	650	650
6500 MXR2209	2200	900	2160	895	650	650
6500 MXR2210	2200	1000	2160	995	650	650
6500 MXR2212	2200	1200	2160	1195	650	650

Data subject to change without notice.

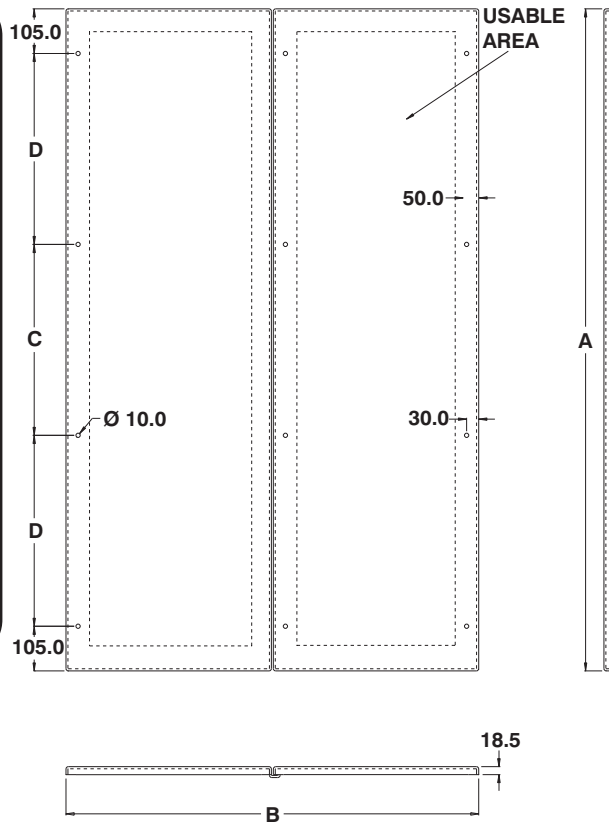
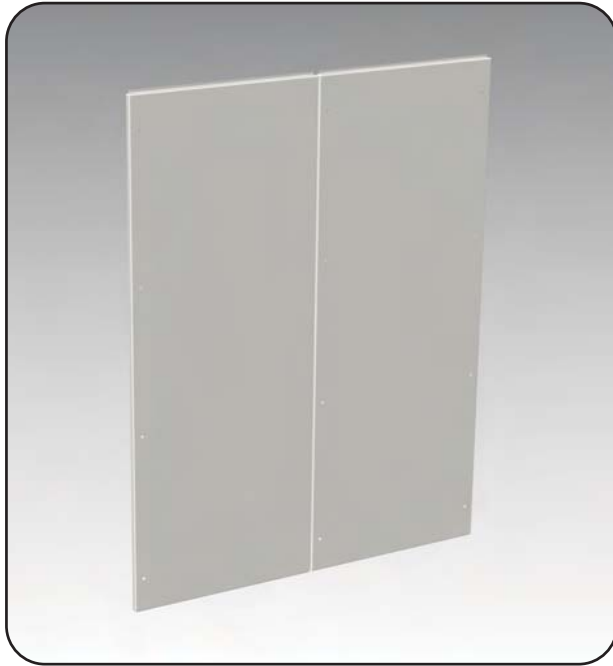


## Double piece back cover

The 6500 MXR back covers are made to be installed on the back and/or front face of a double bay Mtrx cabinet. They are made of steel. The 6500 MXR consists of

two overlapping back covers, ribbed mounting brackets and installation hardware. A robotically poured-in place gasket ensures a complete and durable seal. The

covers are finished with heat fused powder paint, electrostatically applied on a phosphatized base. Finish is RAL7035 textured light gray.



CATALOG NUMBER	NOMINAL		DIMENSIONS			
	H	W	A	B	C	D
6500 MXR1416	1400	1600	1360	1595	450	350
6500 MXR1816	1800	1600	1760	1595	500	525
6500 MXR2016	2000	1600	1960	1595	600	575
6500 MXR2018	2000	1800	1960	1795	650	650

**Please note:**  
1200mm wide double bay cabinets require single piece back covers. See page 32.

Data subject to change without notice.



[p.148](#)    [p.113](#)    [p.143](#)    [p.146](#)    [p.626](#)    [p.644](#)    [p.593](#)  
<http://www.exmweb.com>    1-800-363-2423    Fax : 450-979-4626



info@exmweb.com

## Half rear cover for single bay cabinet

The 6500 MXRH half rear covers are installed on the front and/or back face of a Mtrx single bay cabinet. They are made of steel. These covers were developed for applications where two controlled areas can be accessed separately.

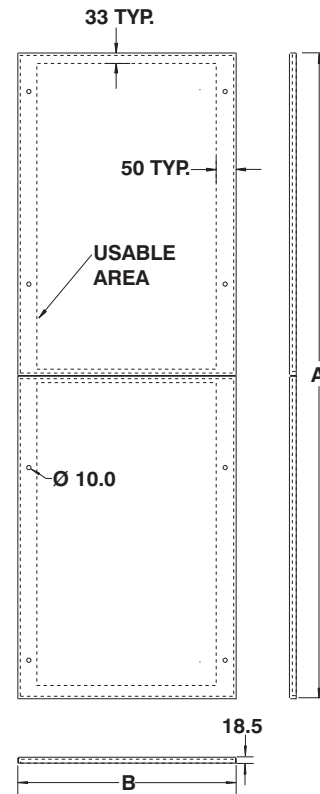
All half rear cover kits are supplied standard with: (i) all necessary mounting hardware and flush mounting screws; (ii) durable robotically poured-in-place gaskets; (iii) horizontal mullion to retain NEMA 12 rating. The Finish is powder coated RAL7035 textured light gray.

der coated RAL7035 textured light gray.

**Note: Half rear covers can be combined with half doors 6500 MXDH (see page 30)**



**MX/SL**  
COMPATIBLE



CATALOG NUMBER	NOMINAL		DIMENSIONS	
	H	W	A	B
6500 MXRH1406	1400	600	1360	595
6500 MXRH1407	1400	700	1360	695
6500 MXRH1408	1400	800	1360	795
6500 MXRH1409	1400	900	1360	895
6500 MXRH1604	1600	400	1560	395
6500 MXRH1606	1600	600	1560	595
6500 MXRH1608	1600	800	1560	795
6500 MXRH1609	1600	900	1560	895
6500 MXRH1610	1600	1000	1560	995
6500 MXRH1804	1800	400	1760	395
6500 MXRH1806	1800	600	1760	595
6500 MXRH1808	1800	800	1760	795
6500 MXRH1809	1800	900	1860	895

CATALOG NUMBER	NOMINAL		DIMENSIONS	
	H	W	A	B
6500 MXRH1810	1800	1000	1760	995
6500 MXRH2004	2000	400	1960	395
6500 MXRH2006	2000	600	1960	595
6500 MXRH2007	2000	700	1960	695
6500 MXRH2008	2000	800	1960	795
6500 MXRH2009	2000	900	1960	895
6500 MXRH2010	2000	1000	1960	995
6500 MXRH2204	2200	400	2160	395
6500 MXRH2206	2200	600	2160	595
6500 MXRH2207	2200	700	2160	695
6500 MXRH2208	2200	800	2160	795
6500 MXRH2209	2200	900	2160	895
6500 MXRH2210	2200	1000	2160	995

Data subject to change without notice.



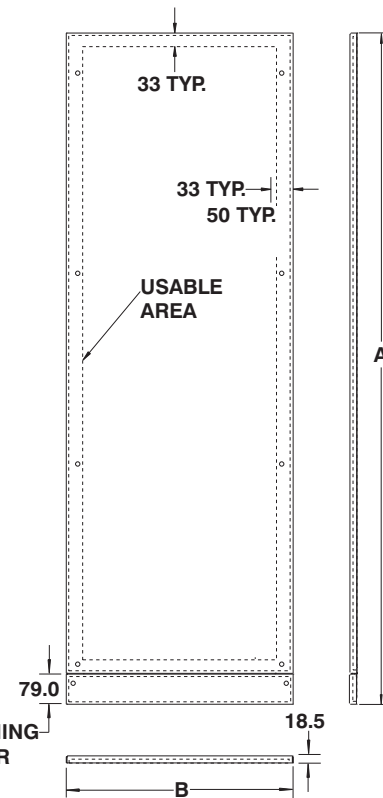


## Rear cover with access panel for single bay cabinet

The 6500 MXRP Access panel rear covers are installed on the front and/or back face of a Mtrx single bay cabinet. They are made of steel. These covers were developed for applications where access is required or limited to the lower portion of the enclosure.

This approach enables the handling and possible modifications of much smaller panels should wiring or piping be routed via the front or rear of the enclosure. Rear cover kits are supplied standard with: (i) all installation hardware and flush mounting screws;

(ii) durable robotically poured-in-place gaskets; (iii) horizontal mulion to retain NEMA 12 rating. Finish is powder coated RAL7035 textured light gray.



**MX/SL**  
COMPATIBLE

CATALOG NUMBER	NOMINAL		DIMENSIONS	
	H	W	A	B
6500 MXRP1406	1400	600	1360	595
6500 MXRP1407	1400	700	1360	695
6500 MXRP1408	1400	800	1360	795
6500 MXRP1409	1400	900	1360	895
6500 MXRP1604	1600	400	1560	395
6500 MXRP1606	1600	600	1560	595
6500 MXRP1608	1600	800	1560	795
6500 MXRP1609	1600	900	1560	895
6500 MXRP1610	1600	1000	1560	995
6500 MXRP1804	1800	400	1760	395
6500 MXRP1806	1800	600	1760	595
6500 MXRP1808	1800	800	1760	795
6500 MXRP1809	1800	900	1760	895

CATALOG NUMBER	NOMINAL		DIMENSIONS	
	H	W	A	B
6500 MXRP1810	1800	1000	1760	995
6500 MXRP2004	2000	400	1960	395
6500 MXRP2006	2000	600	1960	595
6500 MXRP2007	2000	700	1960	695
6500 MXRP2008	2000	800	1960	795
6500 MXRP2009	2000	900	1960	895
6500 MXRP2010	2000	1000	1960	995
6500 MXRP2204	2200	400	2160	395
6500 MXRP2206	2200	600	2160	595
6500 MXRP2207	2200	700	2160	695
6500 MXRP2208	2200	800	2160	795
6500 MXRP2209	2200	900	2160	895
6500 MXRP2210	2200	1000	2160	995

Data subject to change without notice.



p.148

<http://www.exmweb.com>



p.113



p.143



p.146



p.626



p.644

Fax : 450-979-4626



p.593



[info@exmweb.com](mailto:info@exmweb.com)

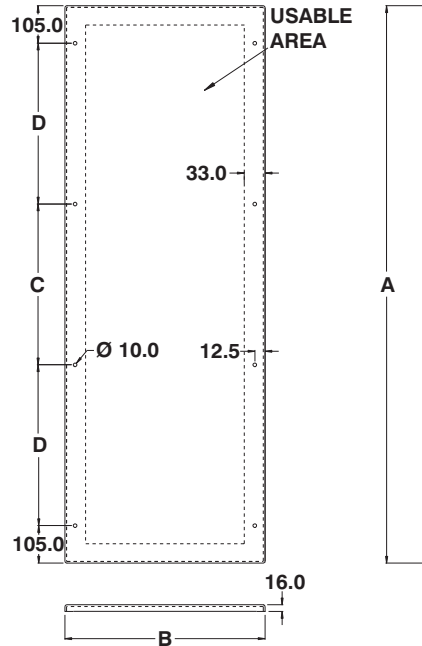
## Solid side cover

The 6500 MXC side covers are made to be installed on the sides of a Mtrx cabinet. They are made of steel or stainless steel. The 6500 MXC consists of one side cover, and mounting hardware. **If side covers are required for**

**both sides of the cabinet, two 6500 MXC must be ordered.** A quality robotically poured-in place gasket ensures a complete and durable seal. The covers are finished with heat fused powder paint, electrostatically applied on

a phosphatized base. Finish is RAL7035 textured light gray.

**Note: Side covers are not included with the cabinet kit (6500 MXK) and must be ordered separately.**



CATALOG NUMBER	NOMINAL		DIMENSIONS			
	H	D	A	B	C	D
6500 MXC0706	700	600	660	560	-	-
6500 MXC0708	700	800	660	760	-	-
6500 MXC0709	700	900	660	860	-	-
6500 MXC0710	700	1000	660	960	-	-
6500 MXC0712	700	1200	660	1160	-	-
6500 MXC1404	1400	400	1360	360	450	350
6500 MXC1405	1400	500	1360	460	450	350
6500 MXC1406	1400	600	1360	560	450	350
6500 MXC1408	1400	800	1360	760	450	350
6500 MXC1409	1400	900	1360	860	450	350
6500 MXC1410	1400	1000	1360	960	450	350
6500 MXC1412	1400	1200	1360	1160	450	350
6500 MXC1604	1600	400	1560	360	450	450
6500 MXC1605	1600	500	1560	460	450	450
6500 MXC1606	1600	600	1560	560	450	450
6500 MXC1608	1600	800	1560	760	450	450
6500 MXC1609	1600	900	1560	860	450	450
6500 MXC1610	1600	1000	1560	960	450	450
6500 MXC1612	1600	1200	1560	1160	450	450
6500 MXC1804	1800	400	1760	360	500	525

CATALOG NUMBER	NOMINAL		DIMENSIONS			
	H	D	A	B	C	D
6500 MXC1805	1800	500	1760	460	500	525
6500 MXC1806	1800	600	1760	560	500	525
6500 MXC1808	1800	800	1760	760	500	525
6500 MXC1809	1800	900	1760	860	500	525
6500 MXC1810	1800	1000	1760	960	500	525
6500 MXC1812	1800	1200	1760	1160	500	575
6500 MXC2004	2000	400	1960	360	600	575
6500 MXC2005	2000	500	1960	460	600	575
6500 MXC2006	2000	600	1960	560	600	575
6500 MXC2008	2000	800	1960	760	600	575
6500 MXC2009	2000	900	1960	860	600	575
6500 MXC2010	2000	1000	1960	960	600	575
6500 MXC2012	2000	1200	1960	1160	600	575
6500 MXC2205	2200	500	2160	460	650	650
6500 MXC2206	2200	600	2160	560	650	650
6500 MXC2208	2200	800	2160	760	650	650
6500 MXC2209	2200	900	2160	860	650	650
6500 MXC2210	2200	1000	2160	960	650	650
6500 MXC2212	2200	1200	2160	1160	650	650

For left side installation add suffix 'L'  
for right side installation add suffix 'R'  
For purchase of pair (Right and Left) add suffix 'P'

i.e.: 6500 MXC1806L → Side cover installed on Left  
6500 MXC1806R → Side cover installed on Right  
6500 MXC1806P → Pair of side covers installed

Data subject to change without notice.

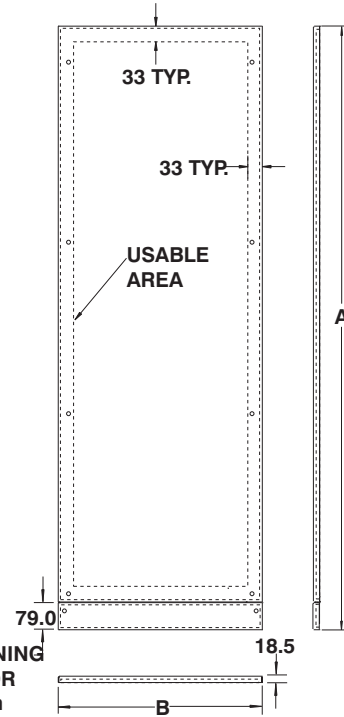


## Side cover with access panel

The 6500 MXCP Access panel side covers are installed on the sides of a Mtrx cabinet. They are made of steel. These side covers were developed for applications where access is required or limited to the lower portion of the

enclosure. This approach enables the handling and possible modifications of much smaller panels should wiring or piping be routed via the side of the enclosure. Side cover kits are supplied standard with: (i) all installation

hardware and flush mounting screws; (ii) durable robotically poured-in-place gaskets; (iii) horizontal mullion to retain NEMA 12 rating. Finish is powder coated RAL7035 textured light gray.



CATALOG NUMBER	NOMINAL		DIMENSIONS	
	H	D	A	B
6500 MXCP0706	700	600	660	560
6500 MXCP0708	700	800	660	760
6500 MXCP0709	700	900	660	860
6500 MXCP0710	700	1000	660	960
6500 MXCP1404	1400	400	1360	360
6500 MXCP1405	1400	500	1360	460
6500 MXCP1406	1400	600	1360	560
6500 MXCP1408	1400	800	1360	760
6500 MXCP1409	1400	900	1360	860
6500 MXCP1410	1400	1000	1360	960
6500 MXCP1604	1600	400	1560	360
6500 MXCP1605	1600	500	1560	460
6500 MXCP1606	1600	600	1560	560
6500 MXCP1608	1600	800	1560	760
6500 MXCP1609	1600	900	1560	860
6500 MXCP1610	1600	1000	1560	960
6500 MXCP1804	1800	400	1760	360

CATALOG NUMBER	NOMINAL		DIMENSIONS	
	H	D	A	B
6500 MXCP1805	1800	500	1760	460
6500 MXCP1806	1800	600	1760	560
6500 MXCP1808	1800	800	1760	760
6500 MXCP1809	1800	900	1760	860
6500 MXCP1810	1800	1000	1760	960
6500 MXCP2004	2000	400	1960	360
6500 MXCP2005	2000	500	1960	460
6500 MXCP2006	2000	600	1960	560
6500 MXCP2008	2000	800	1960	760
6500 MXCP2009	2000	900	1960	860
6500 MXCP2010	2000	1000	1960	960
6500 MXCP2205	2200	500	2160	460
6500 MXCP2206	2200	600	2160	560
6500 MXCP2208	2200	800	2160	760
6500 MXCP2209	2200	900	2160	860
6500 MXCP2210	2200	1000	2160	960

For left side installation add suffix 'L'  
 for right side installation add suffix 'R'  
 For purchase of pair (Right and Left) add suffix 'P'

- i.e.: 6500 MXCP1806L → Side cover installed on Left
- 6500 MXCP1806R → Side cover installed on Right
- 6500 MXCP1806P → Pair of side covers installed

Data subject to change without notice.



p.148

<http://www.exmweb.com>



p.113



p.143



p.146



p.626



p.644



p.593



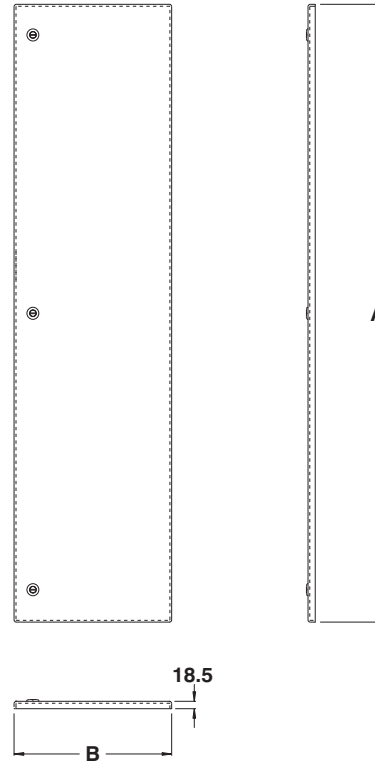
[info@exmweb.com](mailto:info@exmweb.com)

## Side door

The 6500 MXDS solid side doors are installed on the sides of a Mtrx cabinet. They are made of steel. The heavy-duty die cast hinges feature self-retaining hinge

pins which facilitate the removal of the door. The door is secured by quarter-turn locking mechanisms. A quality robotically poured-in-place gasket ensures a

complete and durable seal. Finish is powder coated RAL7035 textured light gray.



CATALOG NUMBER	NOMINAL		DIMENSIONS	
	H	D	A	B
6500 MXDS0706	700	600	660	560
6500 MXDS0708	700	800	660	760
6500 MXDS0709	700	900	660	860
6500 MXDS0710	700	1000	660	960
6500 MXDS1404	1400	400	1360	360
6500 MXDS1405	1400	500	1360	460
6500 MXDS1406	1400	600	1360	560
6500 MXDS1408	1400	800	1360	760
6500 MXDS1409	1400	900	1360	860
6500 MXDS1410	1400	1000	1360	960
6500 MXDS1604	1600	400	1560	360
6500 MXDS1605	1600	500	1560	460
6500 MXDS1606	1600	600	1560	560
6500 MXDS1608	1600	800	1560	760
6500 MXDS1609	1600	900	1560	860
6500 MXDS1610	1600	1000	1560	960
6500 MXDS1804	1800	400	1760	360

CATALOG NUMBER	NOMINAL		DIMENSIONS	
	H	D	A	B
6500 MXDS1805	1800	500	1760	460
6500 MXDS1806	1800	600	1760	560
6500 MXDS1808	1800	800	1760	760
6500 MXDS1809	1800	900	1760	860
6500 MXDS1810	1800	1000	1760	960
6500 MXDS2004	2000	400	1960	360
6500 MXDS2005	2000	500	1960	460
6500 MXDS2006	2000	600	1960	560
6500 MXDS2008	2000	800	1960	760
6500 MXDS2009	2000	900	1960	860
6500 MXDS2010	2000	1000	1960	960
6500 MXDS2205	2200	500	2160	460
6500 MXDS2206	2200	600	2160	560
6500 MXDS2208	2200	800	2160	760
6500 MXDS2209	2200	900	2160	860
6500 MXDS2210	2200	1000	2160	960

Data subject to change without notice.



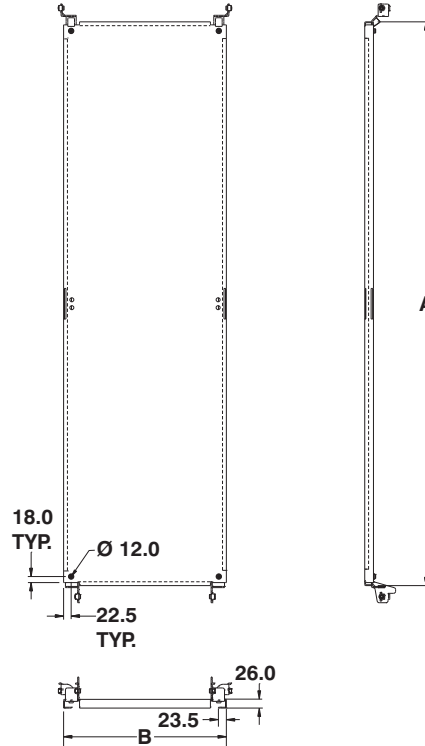


## Full mounting panel

The **6500 MXM mounting panel** is installed inside a Mtrx cabinet. They are made of 11 GA of galvanized steel. The 6500 MXM consists of the mounting panel, mounting brackets and all installation hardware. Mounting channels are bolted to the bottom of the cabinet to support the inner panel

during its installation. This facilitates assembly and allows one or multiple panels to be installed at any depth. All inner panels are supplied standard with a pair of mid-section support brackets (two pairs for 1600mm and 1800mm wide panels). These brackets fasten directly to

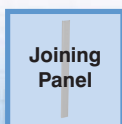
the frame, for panels in their default full back position. For panels installed at other depths, optional grid railing is available to install the support brackets. Standard finish is unpainted 11 GA galvanized steel. Can be provided painted white.



CATALOG NUMBER	NOMINAL		DIMENSIONS	
	H	W	A	B
6500 MXM0706	700	600	580	485
6500 MXM0708	700	800	580	685
6500 MXM0712	700	1200	580	1085
6500 MXM1406	1400	600	1280	485
6500 MXM1407	1400	700	1280	585
6500 MXM1408	1400	800	1280	685
6500 MXM1412	1400	1200	1280	1085
6500 MXM1416	1400	1600	1280	1485
6500 MXM1604	1600	400	1480	285
6500 MXM1606	1600	600	1480	485
6500 MXM1608	1600	800	1480	685
6500 MXM1609	1600	900	1480	785
6500 MXM1610	1600	1000	1480	885
6500 MXM1612	1600	1200	1480	1085
6500 MXM1804	1800	400	1680	285
6500 MXM1806	1800	600	1680	485
6500 MXM1808	1800	800	1680	685
6500 MXM1809	1800	900	1680	785
6500 MXM1810	1800	1000	1680	885

CATALOG NUMBER	NOMINAL		DIMENSIONS	
	H	W	A	B
6500 MXM1812	1800	1200	1680	1085
6500 MXM1816	1800	1600	1680	1485
6500 MXM2004	2000	400	1880	285
6500 MXM2006	2000	600	1880	485
6500 MXM2007	2000	700	1880	585
6500 MXM2008	2000	800	1880	685
6500 MXM2009	2000	900	1880	785
6500 MXM2010	2000	1000	1880	885
6500 MXM2012	2000	1200	1880	1085
6500 MXM2016	2000	1600	1880	1485
6500 MXM2018	2000	1800	1880	1685
6500 MXM2204	2200	400	2080	285
6500 MXM2206	2200	600	2080	485
6500 MXM2207	2200	700	2080	585
6500 MXM2208	2200	800	2080	685
6500 MXM2209	2200	900	2080	785
6500 MXM2210	2200	1000	2080	885
6500 MXM2212	2200	1200	2080	1085

Data subject to change without notice.



p.105

<http://www.exmweb.com>



p.116

For panel painted white RAL9003 add suffix 'W'  
i.e.: 6500 MXM1806W → steel inner panel painted white

1-800-363-2423

Fax : 450-979-4626



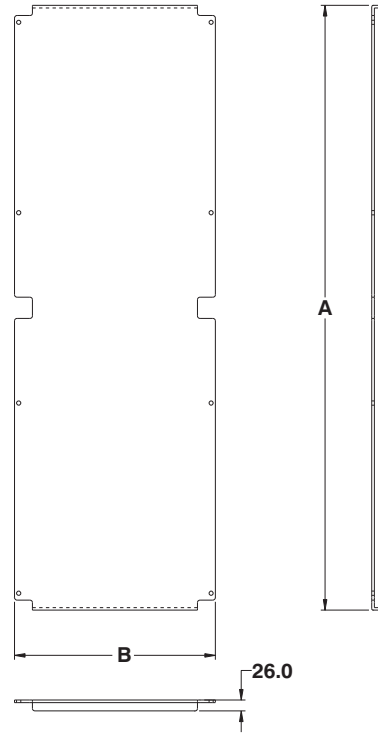
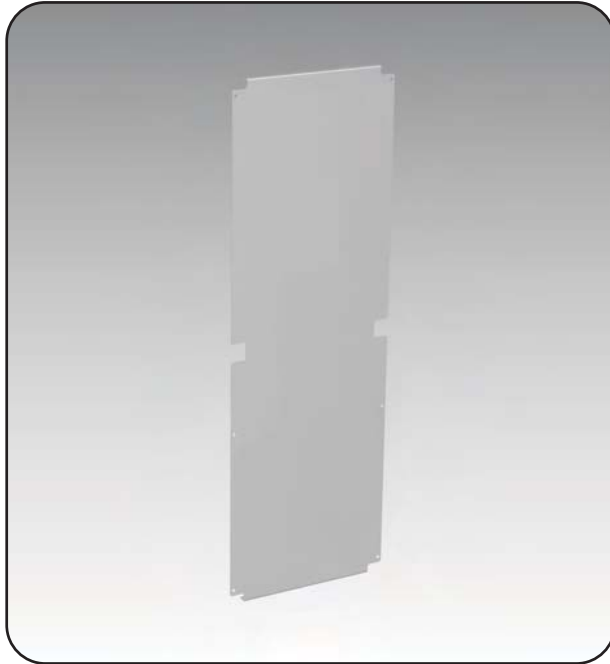
[info@exmweb.com](mailto:info@exmweb.com)

## Back mounting panel

The 6500 MXMB back mounting panel is installed on the back side of a 6500 MXM full mounting panel to provide additional mounting space. They are made of galvanized steel. One 6500

MXMB back mounting panel can be installed on each 6500 MXM panel in the cabinet. The panels' finish is bare galvanized steel or painted white.

**Note: The 6500 MXMB back mounting cannot be used alone, they must be used in conjunction with a 6500 MXM full panel.**



**MX/SL**  
COMPATIBLE

CATALOG NUMBER	NOMINAL		DIMENSIONS	
	H	W	A	B
6500 MXMB0706	700	600	530	475
6500 MXMB0708	700	800	530	675
6500 MXMB0712	700	1200	530	1075
6500 MXMB1406	1400	600	1230	475
6500 MXMB1407	1400	700	1230	575
6500 MXMB1408	1400	800	1230	675
6500 MXMB1412	1400	1200	1230	1075
6500 MXMB1416	1400	1600	1230	1475
6500 MXMB1604	1600	400	1430	275
6500 MXMB1606	1600	600	1430	475
6500 MXMB1608	1600	800	1430	675
6500 MXMB1609	1600	900	1430	775
6500 MXMB1610	1600	1000	1430	875
6500 MXMB1612	1600	1200	1430	1075
6500 MXMB1804	1800	400	1630	275
6500 MXMB1806	1800	600	1630	475
6500 MXMB1808	1800	800	1630	675

CATALOG NUMBER	NOMINAL		DIMENSIONS	
	H	W	A	B
6500 MXMB1810	1800	1000	1630	875
6500 MXMB1812	1800	1200	1630	1075
6500 MXMB1816	1800	1600	1630	1475
6500 MXMB2004	2000	400	1830	275
6500 MXMB2006	2000	600	1830	475
6500 MXMB2007	2000	700	1830	575
6500 MXMB2008	2000	800	1830	675
6500 MXMB2010	2000	1000	1830	875
6500 MXMB2012	2000	1200	1830	1075
6500 MXMB2016	2000	1600	1830	1475
6500 MXMB2018	2000	1800	1830	1675
6500 MXMB2204	2200	400	2030	275
6500 MXMB2206	2200	600	2030	475
6500 MXMB2207	2200	700	2030	575
6500 MXMB2208	2200	800	2030	675
6500 MXMB2210	2200	1000	2030	875
6500 MXMB2212	2200	1200	2030	1075

For panel painted white RAL9003 add suffix 'W'  
i.e.: 6500 MXMB1806W → steel inner panel painted white

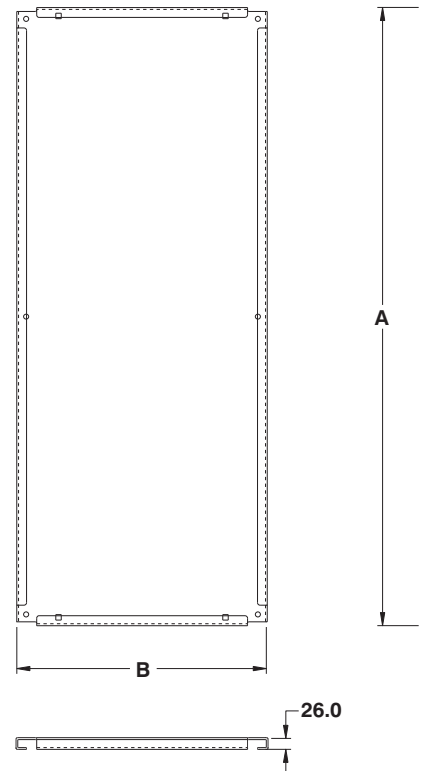
Data subject to change without notice.

## Side inserted mounting panel

The 6500 MXMI side inserted mounting panel is installed inside a Mtrx cabinet. They are made of galvanized steel. The 6500 MXMI are installed through the cabinet

sides. Installation brackets and hardware are supplied. They are larger than standard panels. Multiple 6500 MXMI panels are usually installed in cabinet rows to

provide a continuous mounting surface without requiring joining panels. The panels' finish is bare galvanized steel or painted white.



**MX/SL**  
COMPATIBLE

CATALOG NUMBER	NOMINAL		DIMENSIONS	
	H	W	A	B
6500 MXMI0706	700	600	580	600
6500 MXMI0708	700	800	580	800
6500 MXMI0712	700	1200	580	1200
6500 MXMI1406	1400	600	1280	600
6500 MXMI1407	1400	700	1280	700
6500 MXMI1408	1400	800	1280	800
6500 MXMI1412	1400	1200	1280	1200
6500 MXMI1416	1400	1600	1280	1600
6500 MXMI1604	1600	400	1480	400
6500 MXMI1606	1600	600	1480	600
6500 MXMI1608	1600	800	1480	800
6500 MXMI1609	1600	900	1480	900
6500 MXMI1610	1600	1000	1480	1000
6500 MXMI1612	1600	1200	1480	1200
6500 MXMI1804	1800	400	1680	400
6500 MXMI1806	1800	600	1680	600
6500 MXMI1808	1800	800	1680	800
6500 MXMI1809	1800	900	1680	900
6500 MXMI1810	1800	1000	1680	1000

CATALOG NUMBER	NOMINAL		DIMENSIONS	
	H	W	A	B
6500 MXMI1812	1800	1200	1680	1200
6500 MXMI1816	1800	1600	1680	1600
6500 MXMI2004	2000	400	1880	400
6500 MXMI2006	2000	600	1880	600
6500 MXMI2007	2000	700	1880	700
6500 MXMI2008	2000	800	1880	800
6500 MXMI2009	2000	900	1880	900
6500 MXMI2010	2000	1000	1880	1000
6500 MXMI2012	2000	1200	1880	1200
6500 MXMI2016	2000	1600	1880	1600
6500 MXMI2018	2000	1800	1880	1800
6500 MXMI2204	2200	400	2080	400
6500 MXMI2206	2200	600	2080	600
6500 MXMI2207	2200	700	2080	700
6500 MXMI2208	2200	800	2080	800
6500 MXMI2209	2200	900	2080	900
6500 MXMI2210	2200	1000	2080	1000
6500 MXMI2212	2200	1200	2080	1200

For panel painted white RAL9003 add suffix 'W'  
i.e.: 6500 MXMI1806W → steel inner panel painted white

Data subject to change without notice.

## Side mounting panel

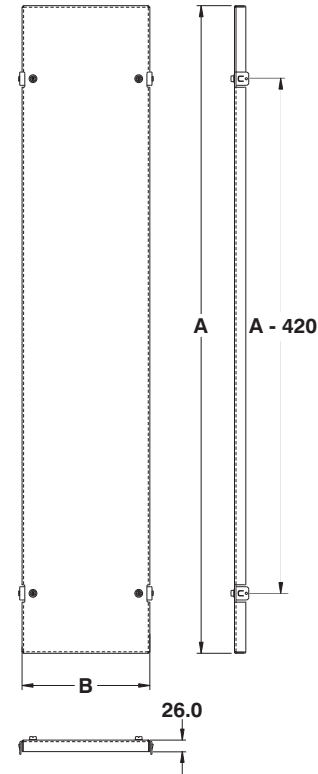
The **6500 MXMS side mounting panel** is installed inside a Mtrx cabinet. They are made of galvanized steel. The 6500 MXMS consists of the mounting panel,

mounting brackets and all installation hardware. Side mounting panels are designed to be installed on the sides of modular cabinets.

The panels' finish is bare galvanized steel or painted white.



**MX/SL**  
COMPATIBLE



CATALOG NUMBER	NOMINAL		DIMENSIONS	
	H	D	A	B
6500 MXMS0706	700	600	570	490
6500 MXMS0708	700	800	570	690
6500 MXMS0709	700	900	570	790
6500 MXMS1404	1400	400	1270	290
6500 MXMS1405	1400	500	1270	390
6500 MXMS1406	1400	600	1270	490
6500 MXMS1408	1400	800	1270	690
6500 MXMS1409	1400	900	1270	790
6500 MXMS1604	1600	400	1470	290
6500 MXMS1605	1600	500	1470	390
6500 MXMS1606	1600	600	1470	490
6500 MXMS1608	1600	800	1470	690
6500 MXMS1609	1600	900	1470	790
6500 MXMS1804	1800	400	1670	290

CATALOG NUMBER	NOMINAL		DIMENSIONS	
	H	D	A	B
6500 MXMS1805	1800	500	1670	390
6500 MXMS1806	1800	600	1670	490
6500 MXMS1808	1800	800	1670	690
6500 MXMS1809	1800	900	1670	790
6500 MXMS2004	2000	400	1870	290
6500 MXMS2005	2000	500	1870	390
6500 MXMS2006	2000	600	1870	490
6500 MXMS2008	2000	800	1870	690
6500 MXMS2009	2000	900	1870	790
6500 MXMS2205	2200	500	2070	390
6500 MXMS2206	2200	600	2070	490
6500 MXMS2208	2200	800	2070	690
6500 MXMS2209	2200	900	2070	790

For panel painted white RAL9003 add suffix 'W'  
i.e.: 6500 MXMS1806W → steel inner panel painted white

Data subject to change without notice.

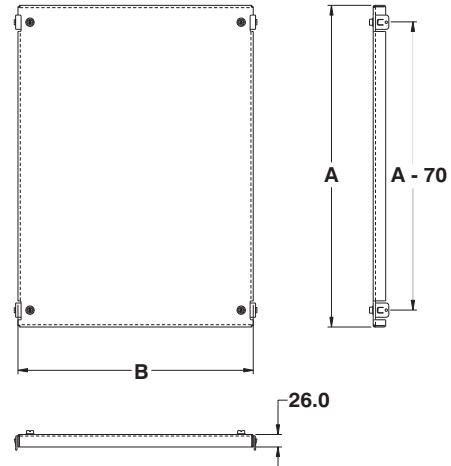


## Partial mounting panel

The **6500 MXMP partial mounting panel** is installed inside a Mtrx cabinet. They are made of galvanized steel.

Partial mounting panels are bolted to the frame using the included installation brackets and hardware. The panels can also be

installed using optional grid rails. The panels' is bare galvanized steel or painted white.



**MX/SL**  
COMPATIBLE

CATALOG NUMBER	NOMINAL		DIMENSIONS	
	H	W	A	B
6500 MXMP0308	350	800	220	690
6500 MXMP0309	350	900	220	790
6500 MXMP0310	350	1000	220	890
6500 MXMP0312	350	1200	220	1090
6500 MXMP0706	700	600	570	490
6500 MXMP0707	700	700	570	590
6500 MXMP0708	700	800	570	690
6500 MXMP0709	700	900	570	790
6500 MXMP0710	700	1000	570	890
6500 MXMP0712	700	1200	570	1090
6500 MXMP0716	700	1600	570	1490
6500 MXMP0804	800	400	670	290
6500 MXMP0806	800	600	670	490
6500 MXMP0808	800	800	670	690
6500 MXMP0809	800	900	670	790
6500 MXMP0810	800	1000	670	890
6500 MXMP0812	800	1200	670	1090
6500 MXMP0904	900	400	770	290
6500 MXMP0906	900	600	770	490
6500 MXMP0908	900	800	770	690

CATALOG NUMBER	NOMINAL		DIMENSIONS	
	H	W	A	B
6500 MXMP0909	900	900	770	790
6500 MXMP0910	900	1000	770	890
6500 MXMP0912	900	1200	770	1090
6500 MXMP0916	900	1600	770	1490
6500 MXMP1004	1000	400	870	290
6500 MXMP1006	1000	600	870	490
6500 MXMP1007	1000	700	870	590
6500 MXMP1008	1000	800	870	690
6500 MXMP1009	1000	900	870	790
6500 MXMP1010	1000	1000	870	890
6500 MXMP1012	1000	1200	870	1090
6500 MXMP1016	1000	1600	870	1490
6500 MXMP1018	1000	1800	870	1690
6500 MXMP1104	1100	400	970	290
6500 MXMP1106	1100	600	970	490
6500 MXMP1107	1100	700	970	590
6500 MXMP1108	1100	800	970	690
6500 MXMP1109	1100	900	970	790
6500 MXMP1110	1100	1000	970	890
6500 MXMP1112	1100	1200	970	1090

For panel painted white RAL9003 add suffix 'W'  
i.e.: 6500 MXMP1006W → steel inner panel painted white

Data subject to change without notice.



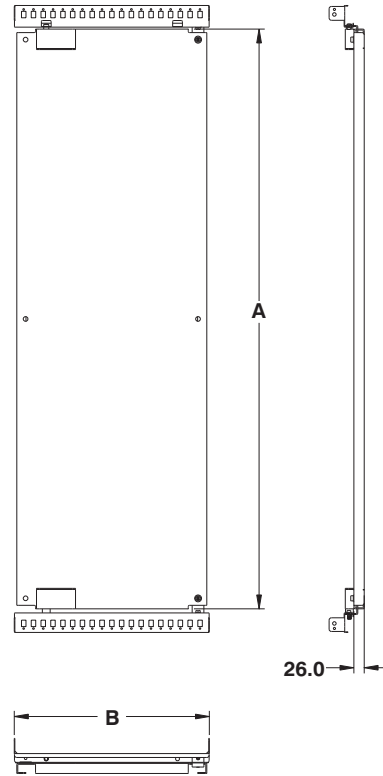
p.116

## Swing-out mounting panel

The 6500 MXMD swing-out mounting panel is installed inside a Mtrx cabinet. They are made of galvanized steel. The 6500 MXMD consists of one

panel, supported by hinges which are installed on mounting brackets at the top and bottom of the panel. These brackets are bolted to the frame, using the included

installation hardware. The panels' finish is bare galvanized steel or painted white.



**MX/SL**  
COMPATIBLE

CATALOG NUMBER	NOMINAL		DIMENSIONS	
	H	W	A	B
6500 MXMD0706	700	600	580	485
6500 MXMD0708	700	800	580	685
6500 MXMD0709	700	900	580	785
6500 MXMD0710	700	1000	580	885
6500 MXMD0712	700	1200	580	1085
6500 MXMD1406	1400	600	1280	485
6500 MXMD1407	1400	700	1280	585
6500 MXMD1408	1400	800	1280	685
6500 MXMD1409	1400	900	1280	785
6500 MXMD1410	1400	1000	1280	885
6500 MXMD1412	1400	1200	1280	1085
6500 MXMD1416	1400	1600	1280	1485
6500 MXMD1604	1600	400	1480	285
6500 MXMD1606	1600	600	1480	485
6500 MXMD1608	1600	800	1480	685
6500 MXMD1609	1600	900	1480	785
6500 MXMD1610	1600	1000	1480	885
6500 MXMD1612	1600	1200	1480	1085
6500 MXMD1804	1800	400	1680	285
6500 MXMD1806	1800	600	1680	485
6500 MXMD1808	1800	800	1680	685

CATALOG NUMBER	NOMINAL		DIMENSIONS	
	H	W	A	B
6500 MXMD1809	1800	900	1680	785
6500 MXMD1810	1800	1000	1680	885
6500 MXMD1812	1800	1200	1680	1085
6500 MXMD1816	1800	1600	1680	1485
6500 MXMD2004	2000	400	1880	285
6500 MXMD2006	2000	600	1880	485
6500 MXMD2007	2000	700	1880	585
6500 MXMD2008	2000	800	1880	685
6500 MXMD2009	2000	900	1880	785
6500 MXMD2010	2000	1000	1880	885
6500 MXMD2012	2000	1200	1880	1085
6500 MXMD2016	2000	1600	1880	1485
6500 MXMD2018	2000	1800	1880	1685
6500 MXMD2204	2200	400	2080	285
6500 MXMD2206	2200	600	2080	485
6500 MXMD2207	2200	700	2080	585
6500 MXMD2208	2200	800	2080	685
6500 MXMD2209	2200	900	2080	785
6500 MXMD2210	2200	1000	2080	885
6500 MXMD2212	2200	1200	2080	1085

Data subject to change without notice.

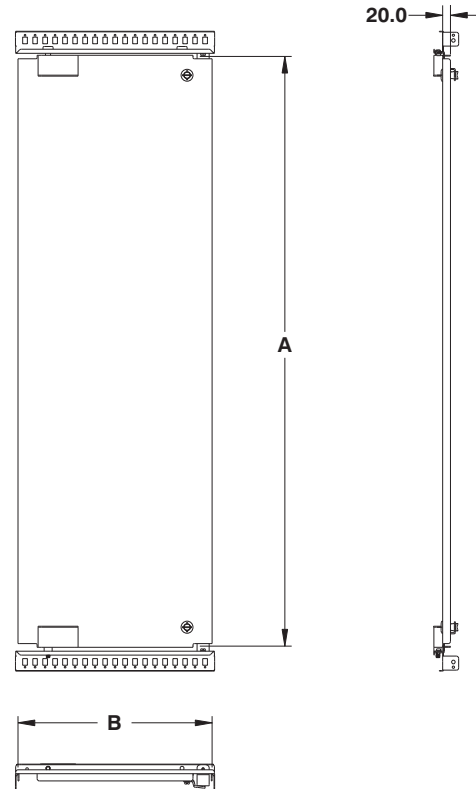
For panel painted white RAL9003 add suffix 'W'  
i.e.: 6500 MXMD1806W → steel inner panel painted white

## Inner door for single bay cabinet

The 6500 MXDM inner doors are installed inside a Mtrx single bay cabinet. They are made of steel. The door's frame is bolted to cabinet's frame, at any depth within the cabinet. Installation hardware

is provided. The doors are secured by quarter-turn locks. Key locks can be ordered separately. The doors are hinged on the left side. They are finished with heat fused powder paint,

electrostatically applied on a phosphatized base. The finish is RAL7035 textured light gray.



**MX/SL**  
COMPATIBLE

CATALOG NUMBER	NOMINAL		DIMENSIONS	
	H	W	A	B
6500 MXDM0706	700	600	580	485
6500 MXDM0708	700	800	580	685
6500 MXDM0709	700	900	580	785
6500 MXDM1406	1400	600	1280	485
6500 MXDM1407	1400	700	1280	585
6500 MXDM1408	1400	800	1280	685
6500 MXDM1409	1400	900	1280	785
6500 MXDM1410	1400	1000	1280	885
6500 MXDM1604	1600	400	1480	285
6500 MXDM1606	1600	600	1480	485
6500 MXDM1608	1600	800	1480	685
6500 MXDM1609	1600	900	1480	785
6500 MXDM1610	1600	1000	1480	885
6500 MXDM1804	1800	400	1680	285
6500 MXDM1806	1800	600	1680	485

CATALOG NUMBER	NOMINAL		DIMENSIONS	
	H	W	A	B
6500 MXDM1808	1800	800	1680	685
6500 MXDM1809	1800	900	1680	785
6500 MXDM1810	1800	1000	1680	885
6500 MXDM2004	2000	400	1880	285
6500 MXDM2006	2000	600	1880	485
6500 MXDM2007	2000	700	1880	585
6500 MXDM2008	2000	800	1880	685
6500 MXDM2009	2000	900	1880	785
6500 MXDM2010	2000	1000	1880	885
6500 MXDM2204	2200	400	2080	285
6500 MXDM2206	2200	600	2080	485
6500 MXDM2207	2200	700	2080	585
6500 MXDM2208	2200	800	2080	685
6500 MXDM2209	2200	900	2080	785
6500 MXDM2210	2200	1000	2080	885

Data subject to change without notice.



p.448



p.447



p.448

## Inner doors for double bay cabinet

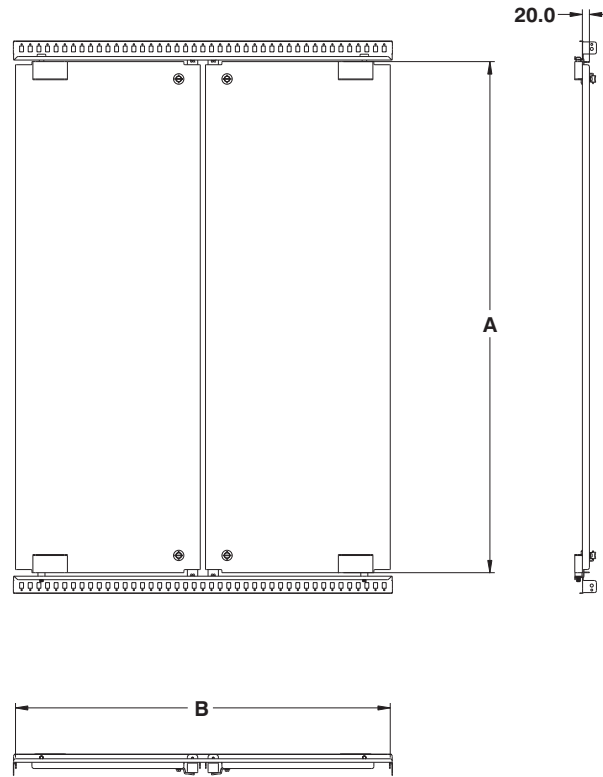
The 6500 MXDM inner doors are installed inside a Mtrx double bay cabinet. They are made of steel. The door's frame is bolted to cabinet's frame, at any depth within the cabinet. Installation hardware

is provided. The doors are secured by quarter-turn locks. Key locks can be ordered separately. The doors are hinged on the left side. They are finished with heat fused powder paint,

electrostatically applied on a phosphatized base. The finish is RAL7035 textured light gray.



**MX/SL**  
COMPATIBLE



CATALOG NUMBER	NOMINAL		DIMENSIONS	
	H	W	A	B
6500 MXDM0712	700	1200	580	1085
6500 MXDM1412	1400	1200	1280	1085
6500 MXDM1416	1400	1600	1280	1485
6500 MXDM1612	1600	1200	1480	1085
6500 MXDM1812	1800	1200	1680	1085

CATALOG NUMBER	NOMINAL		DIMENSIONS	
	H	W	A	B
6500 MXDM1816	1800	1600	1680	1485
6500 MXDM2012	2000	1200	1880	1085
6500 MXDM2016	2000	1600	1880	1485
6500 MXDM2018	2000	1800	1880	1685
6500 MXDM2212	2200	1200	2080	1085

Data subject to change without notice.



p.448



p.447



p.448

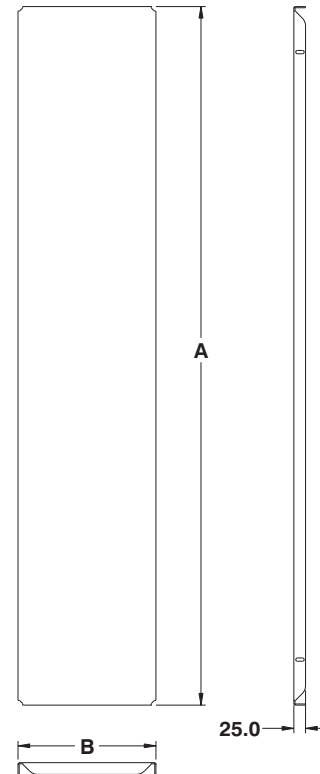
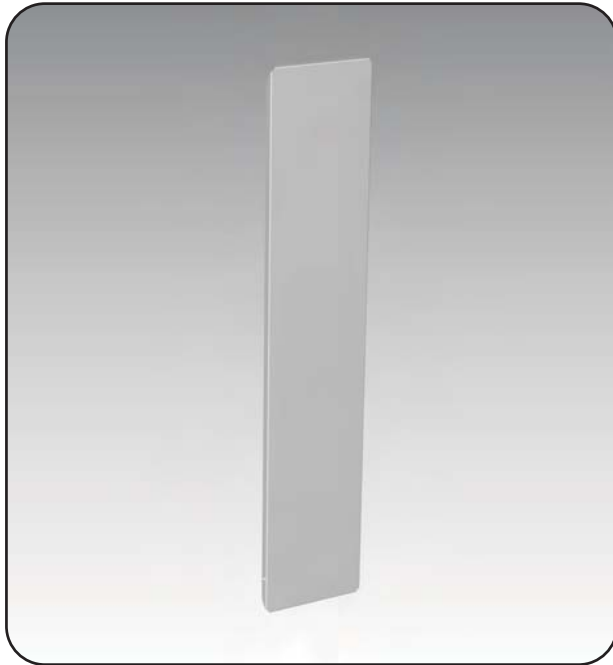


## Barrier panels

The 6500 MXBA barrier panels are used as dividers between ganged cabinets. The barriers are

designed to maintain the modular system's environmental integrity. They are made from steel.

Finish is powder coated dark gray RAL7011.



**MX/SL**  
COMPATIBLE

CATALOG NUMBER	NOMINAL		DIMENSIONS	
	H	D	A	B
6500 MXBA0706	700	600	595	495
6500 MXBA0708	700	800	595	695
6500 MXBA0709	700	900	595	795
6500 MXBA0710	700	1000	595	895
6500 MXBA0712	700	1200	595	1095
6500 MXBA1404	1400	400	1295	295
6500 MXBA1405	1400	500	1295	395
6500 MXBA1406	1400	600	1295	495
6500 MXBA1408	1400	800	1295	695
6500 MXBA1409	1400	900	1295	795
6500 MXBA1410	1400	1000	1295	895
6500 MXBA1412	1400	1200	1295	1095
6500 MXBA1604	1600	400	1495	295
6500 MXBA1605	1600	500	1495	395
6500 MXBA1606	1600	600	1495	495
6500 MXBA1608	1600	800	1495	695
6500 MXBA1609	1600	900	1495	795
6500 MXBA1610	1600	1000	1495	895
6500 MXBA1612	1600	1200	1495	1095
6500 MXBA1804	1800	400	1695	295

CATALOG NUMBER	NOMINAL		DIMENSIONS	
	H	D	A	B
6500 MXBA1805	1800	500	1695	395
6500 MXBA1806	1800	600	1695	495
6500 MXBA1808	1800	800	1695	695
6500 MXBA1809	1800	900	1695	795
6500 MXBA1810	1800	1000	1695	895
6500 MXBA1812	1800	1200	1695	1095
6500 MXBA2004	2000	400	1895	295
6500 MXBA2005	2000	500	1895	395
6500 MXBA2006	2000	600	1895	495
6500 MXBA2008	2000	800	1895	695
6500 MXBA2009	2000	900	1895	795
6500 MXBA2010	2000	1000	1895	895
6500 MXBA2012	2000	1200	1895	1095
6500 MXBA2205	2200	500	2095	395
6500 MXBA2206	2200	600	2095	495
6500 MXBA2208	2200	800	2095	695
6500 MXBA2209	2200	900	2095	795
6500 MXBA2210	2200	1000	2095	895
6500 MXBA2212	2200	1200	2095	1095

Data subject to change without notice.



p.104



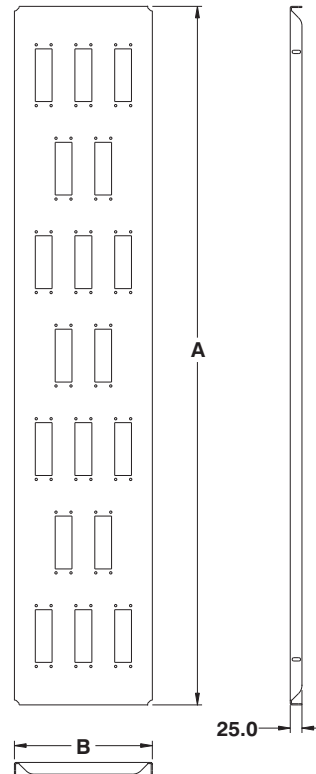
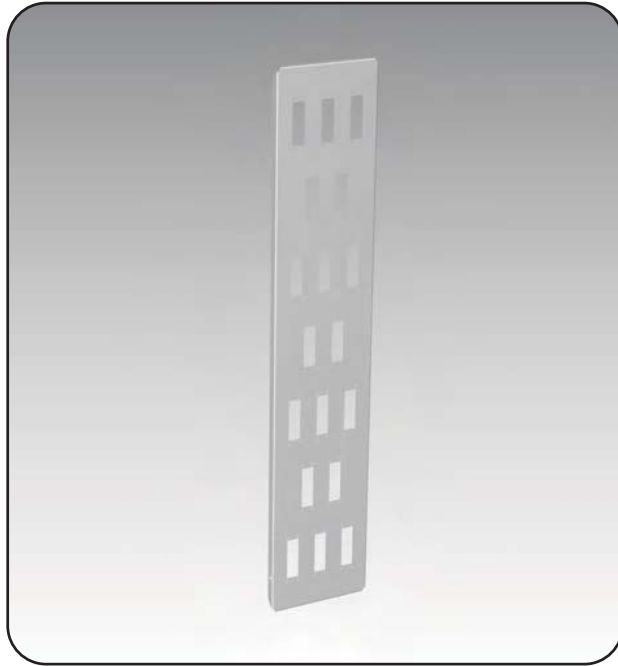
p.106

## Perforated barrier panel

The 6500 MXBP perforated barrier panels are used as barriers between ganged cabinets. The barriers are perforated to facilitate

the installation of connectors. They are often used in conjunction with 6500 MXCE cable entry cabinets. They are made from steel.

Finish is powder coated dark gray RAL7011.



**MX/SL**  
COMPATIBLE

CATALOG NUMBER	NOMINAL		DIMENSIONS	
	H	D	A	B
6500 MXBP0706	700	600	595	495
6500 MXBP0708	700	800	595	695
6500 MXBP0709	700	900	595	795
6500 MXBP0710	700	1000	595	895
6500 MXBP0712	700	1200	595	1095
6500 MXBP1404	1400	400	1295	295
6500 MXBP1405	1400	500	1295	395
6500 MXBP1406	1400	600	1295	495
6500 MXBP1408	1400	800	1295	695
6500 MXBP1409	1400	900	1295	795
6500 MXBP1410	1400	1000	1295	895
6500 MXBP1412	1400	1200	1295	1095
6500 MXBP1604	1600	400	1495	295
6500 MXBP1605	1600	500	1495	395
6500 MXBP1606	1600	600	1495	495
6500 MXBP1608	1600	800	1495	695
6500 MXBP1609	1600	900	1495	795
6500 MXBP1610	1600	1000	1495	895
6500 MXBP1612	1600	1200	1495	1095
6500 MXBP1804	1800	400	1695	295

CATALOG NUMBER	NOMINAL		DIMENSIONS	
	H	D	A	B
6500 MXBP1805	1800	500	1695	395
6500 MXBP1806	1800	600	1695	495
6500 MXBP1808	1800	800	1695	695
6500 MXBP1809	1800	900	1695	795
6500 MXBP1810	1800	1000	1695	895
6500 MXBP1812	1800	1200	1695	1095
6500 MXBP2004	2000	400	1895	295
6500 MXBP2005	2000	500	1895	395
6500 MXBP2006	2000	600	1895	495
6500 MXBP2008	2000	800	1895	695
6500 MXBP2009	2000	900	1895	795
6500 MXBP2010	2000	1000	1895	895
6500 MXBP2012	2000	1200	1895	1095
6500 MXBP2205	2200	500	2095	395
6500 MXBP2206	2200	600	2095	495
6500 MXBP2208	2200	800	2095	695
6500 MXBP2209	2200	900	2095	795
6500 MXBP2210	2200	1000	2095	895
6500 MXBP2212	2200	1200	2095	1095

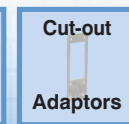
Data subject to change without notice.



p.104



p.106



p.66

## Horizontal barrier panel

The **6500 MXBH horizontal barrier panel** can be used as dividers in two possible configurations:

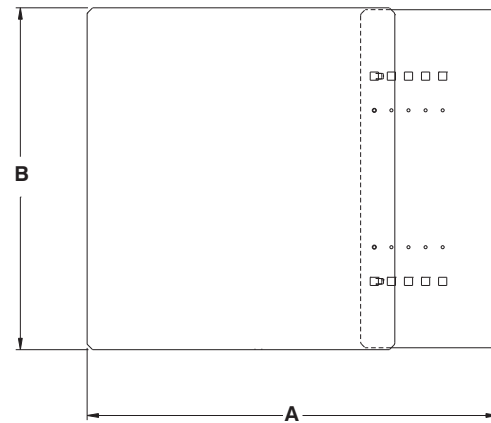
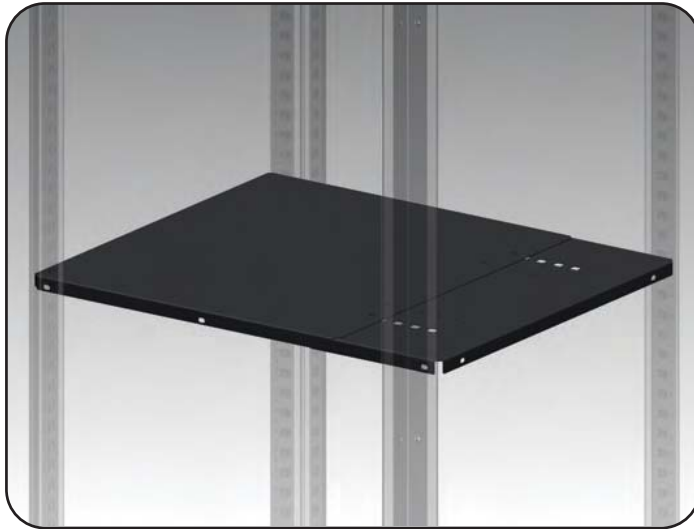
(i) within the top or bottom cabinet frame as a divider between a cabinet and either a cable entry top hat, a solid cable entry top or bot-

tom trough; (ii) or simply used as a horizontal barrier adjustable at increments of 25mm anywhere in height throughout the enclosure.

The barriers are non structural, They are designed to prohibit

access from one area to another. They are made of 16GA sheet metal. Supplied with installation hardware.

Finish is powder coated RAL7011 textured dark gray.

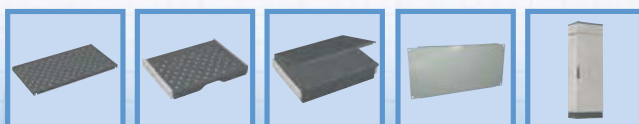


**MX/SL**  
COMPATIBLE

CATALOG NUMBER	NOMINAL		DIMENSIONS	
	W	D	A	B
6500 MXBH0404	400	400	400	300
6500 MXBH0405	400	500	400	400
6500 MXBH0406	400	600	400	500
6500 MXBH0408	400	800	400	700
6500 MXBH0604	600	400	600	300
6500 MXBH0605	600	500	600	400
6500 MXBH0606	600	600	600	500
6500 MXBH0608	600	800	600	700
6500 MXBH0609	600	900	600	800
6500 MXBH0610	600	1000	600	900
6500 MXBH0612	600	1200	600	1100
6500 MXBH0704	700	400	700	300
6500 MXBH0705	700	500	700	400
6500 MXBH0706	700	600	700	500
6500 MXBH0708	700	800	700	700
6500 MXBH0709	700	900	700	800
6500 MXBH0710	700	1000	700	900
6500 MXBH0712	700	1200	700	1100
6500 MXBH0804	800	400	800	300
6500 MXBH0805	800	500	800	400
6500 MXBH0806	800	600	800	500
6500 MXBH0808	800	800	800	700

CATALOG NUMBER	NOMINAL		DIMENSIONS	
	W	D	A	B
6500 MXBH0809	800	900	800	800
6500 MXBH0810	800	1000	800	900
6500 MXBH0812	800	1200	800	1100
6500 MXBH0904	900	400	900	300
6500 MXBH0905	900	500	900	400
6500 MXBH0906	900	600	900	500
6500 MXBH0908	900	800	900	700
6500 MXBH0909	900	900	900	800
6500 MXBH1004	1000	400	1000	300
6500 MXBH1005	1000	500	1000	400
6500 MXBH1006	1000	600	1000	500
6500 MXBH1008	1000	800	1000	700
6500 MXBH1204	1200	400	1200	300
6500 MXBH1205	1200	500	1200	400
6500 MXBH1206	1200	600	1200	500
6500 MXBH1208	1200	800	1200	700
6500 MXBH1604	1600	400	1600	300
6500 MXBH1605	1600	500	1600	400
6500 MXBH1606	1600	600	1600	500
6500 MXBH1608	1600	800	1600	700
6500 MXBH1805	1800	500	1600	400
6500 MXBH1806	1800	600	1600	500

Data subject to change without notice.



p.110

p.111

p.112

p.64

p.67

<http://www.exmweb.com>

1-800-363-2423

Fax : 450-979-4626

[info@exmweb.com](mailto:info@exmweb.com)

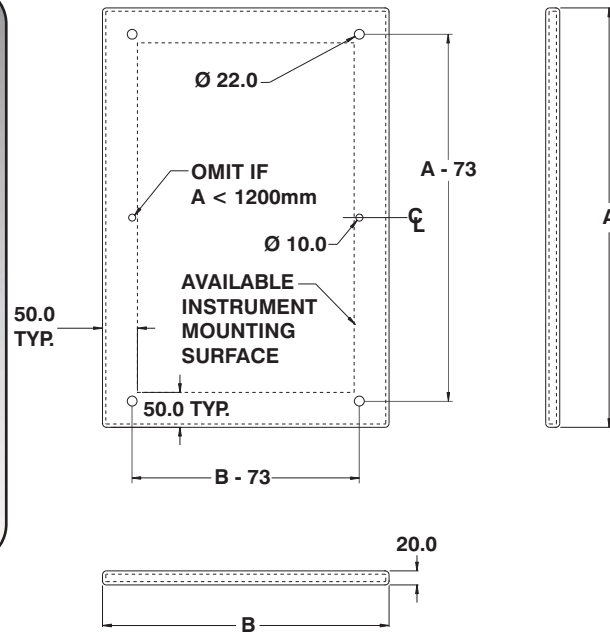
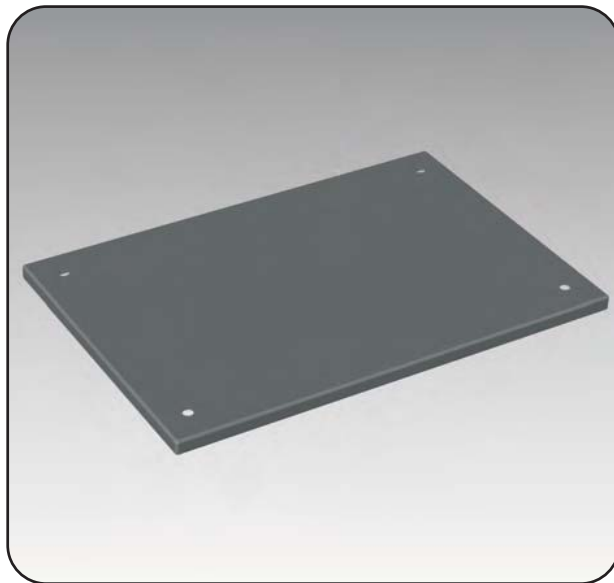


## Solid top

The **6500 MXT solid top** is made to be installed on top of a Mtrx cabinet. They are made of steel. The 6500 MXT consists of one solid top cover and installation

hardware. A quality robotically poured-in-place gasket ensures a complete and durable seal. The tops are finished with heat fused powder paint, electrostatically

applied on a phosphatized base. Finish is RAL 7011 sandtex dark gray.



CATALOG NUMBER	NOMINAL		DIMENSIONS	
	W	D	A	B
6500 MXT0404	400	400	398	398
6500 MXT0405	400	500	398	498
6500 MXT0406	400	600	398	598
6500 MXT0408	400	800	398	798
6500 MXT0604	600	400	598	398
6500 MXT0605	600	500	598	498
6500 MXT0606	600	600	598	598
6500 MXT0608	600	800	598	798
6500 MXT0609	600	900	598	898
6500 MXT0610	600	1000	598	998
6500 MXT0612	600	1200	598	1198
6500 MXT0704	700	400	698	398
6500 MXT0705	700	500	698	498
6500 MXT0706	700	600	698	598
6500 MXT0708	700	800	698	798
6500 MXT0709	700	900	698	898
6500 MXT0710	700	1000	698	998
6500 MXT0712	700	1200	698	1198
6500 MXT0804	800	400	798	398
6500 MXT0805	800	500	798	498
6500 MXT0806	800	600	798	598
6500 MXT0808	800	800	798	798

CATALOG NUMBER	NOMINAL		DIMENSIONS	
	W	D	A	B
6500 MXT0809	800	900	798	898
6500 MXT0810	800	1000	798	998
6500 MXT0812	800	1200	798	1198
6500 MXT0904	900	400	898	398
6500 MXT0905	900	500	898	498
6500 MXT0906	900	600	898	598
6500 MXT0908	900	800	898	798
6500 MXT1004	1000	400	998	398
6500 MXT1005	1000	500	998	498
6500 MXT1006	1000	600	998	598
6500 MXT1008	1000	800	998	798
6500 MXT1204	1200	400	1198	398
6500 MXT1205	1200	500	1198	498
6500 MXT1206	1200	600	1198	598
6500 MXT1208	1200	800	1198	798
6500 MXT1604	1600	400	1598	398
6500 MXT1605	1600	500	1598	498
6500 MXT1606	1600	600	1598	598
6500 MXT1608	1600	800	1598	798
6500 MXT1805	1800	500	1598	498
6500 MXT1806	1800	600	1598	598

Data subject to change without notice.



p.141



p.104



p.144



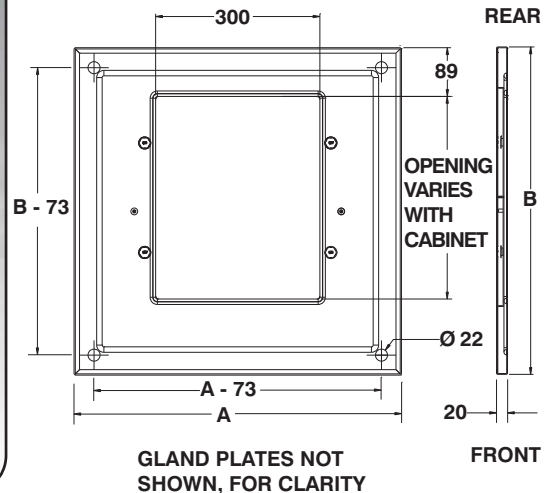
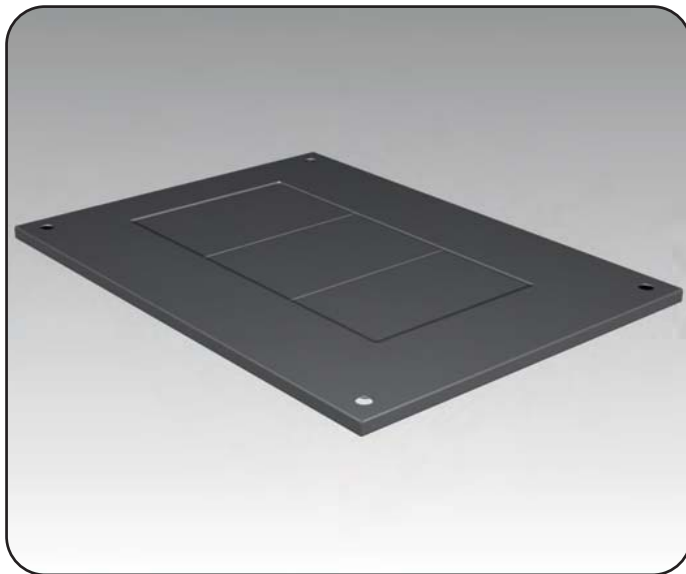
## Cable entry top cover

The **6500 MXTC cable entry top cover** is installed on the top of a Mtrx cabinet. It is made of steel. This cable entry top cover was developed for applications where cables are to be run into the

enclosure via its top without having to modify the enclosure. Cable top cover kits are supplied standard with: (i) all installation hardware and flush mounting screws; (ii) durable robotically

poured-in-place gaskets; (iii) adjustable gland plates.

Standard finish is powder coated RAL7011 textured dark gray.

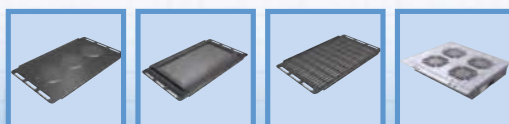


**Please note:**  
NEMA rating will depend of gland plate configuration.  
Standard as NEMA 12 when opening is entirely blocked.

CATALOG NUMBER	NOMINAL		DIMENSIONS	
	W	D	A	B
6500 MXTC0404	400	400	398	398
6500 MXTC0405	400	500	398	498
6500 MXTC0406	400	600	398	598
6500 MXTC0408	400	800	398	798
6500 MXTC0604	600	400	598	398
6500 MXTC0605	600	500	598	498
6500 MXTC0606	600	600	598	598
6500 MXTC0608	600	800	598	798
6500 MXTC0609	600	900	598	898
6500 MXTC0610	600	1000	598	998
6500 MXTC0612	600	1200	598	1198
6500 MXTC0704	700	400	698	398
6500 MXTC0705	700	500	698	498
6500 MXTC0706	700	600	698	598
6500 MXTC0708	700	800	698	798
6500 MXTC0709	700	900	698	898
6500 MXTC0710	700	1000	698	998
6500 MXTC0712	700	1200	698	1198
6500 MXTC0804	800	400	798	398
6500 MXTC0805	800	500	798	498
6500 MXTC0806	800	600	798	598
6500 MXTC0808	800	800	798	798

CATALOG NUMBER	NOMINAL		DIMENSIONS	
	W	D	A	B
6500 MXTC0809	800	900	798	898
6500 MXTC0810	800	1000	798	998
6500 MXTC0812	800	1200	798	1198
6500 MXTC0904	900	400	898	398
6500 MXTC0905	900	500	898	498
6500 MXTC0906	900	600	898	598
6500 MXTC0908	900	800	898	798
6500 MXTC1004	1000	400	998	398
6500 MXTC1005	1000	500	998	498
6500 MXTC1006	1000	600	998	598
6500 MXTC1008	1000	800	998	798
6500 MXTC1204	1200	400	1198	398
6500 MXTC1205	1200	500	1198	498
6500 MXTC1206	1200	600	1198	598
6500 MXTC1208	1200	800	1198	798
6500 MXTC1604	1600	400	1598	398
6500 MXTC1605	1600	500	1598	498
6500 MXTC1606	1600	600	1598	598
6500 MXTC1608	1600	800	1598	798
6500 MXTC1805	1800	500	1798	498
6500 MXTC1806	1800	600	1798	598

Data subject to change without notice.



p.57

p.57

p.57

p.52

## Top cover fan tray (ultra low noise)

The 6500 MXFT ultra low noise top cover fan tray is installed on the top or bottom of a 600mm wide or more Mtrx cabinet. In order to install on top one must order the cable entry top cover (6500 MXTC) and replace two gland plates by the tray. For an installation on the bottom, 600mm wide cabinets only, sim-

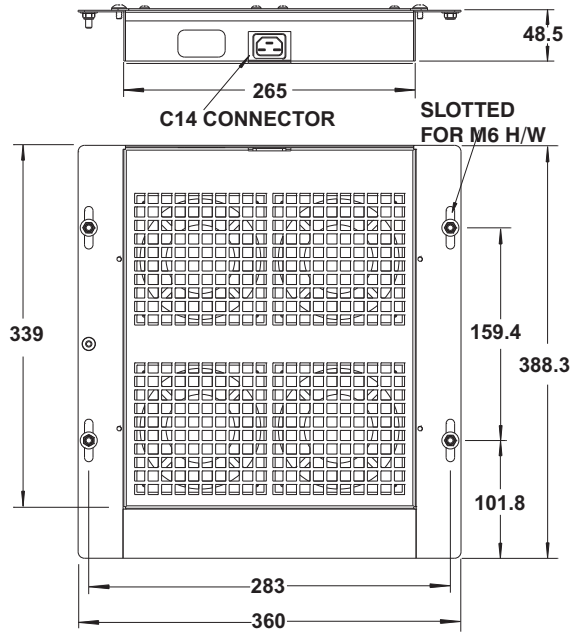
ply remove and replace two gland plates. The tray is made of steel. Installed and serviced from the inside or outside of the enclosure. This fan tray was developed for applications where low noise and chimney active cooling is required. Fan tray kits are supplied standard with: (i) all installation hardware; (ii) four muffin fans

and wire harness; (iii) one IEC-320-C14 connector. Standard finish is powder coated RAL7011 textured dark gray.

**CSA / UR;  
NEMA/EEMAC 1 / IP20**

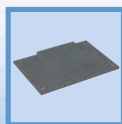
**Note: 120V or 230V power cord not included**

**MX/SL  
COMPATIBLE**



FAN TRAY CATALOG NUMBER	VOLTAGE (VAC)	WATTS PER FAN (W)	OPERATING FREQUENCY PER FAN (Hz)	AIR FLOW PER FAN (CFM)	AIR FLOW TOTAL (CFM)	NOISE LEVEL PER FAN (dB)
6500 MXFT115V	110	8.24	50	73.5	294	39.2
	120	7.89	60	51.4	205.6	30.5
6500 MXFT230V	220	8.00	50	73.5	294	39.2
	240	7.60	60	51.4	205.6	30.5

Data subject to change without notice.



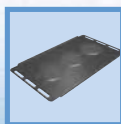
p.53



p.651



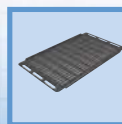
p.593



p.57



p.57



p.57



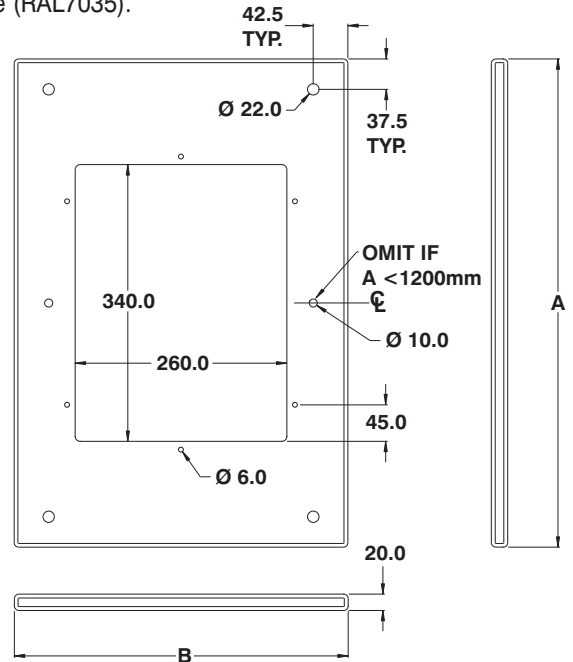
p.119

## Pagoda top with exhaust fan

The 6500 MXTP pagoda top is made to be installed on top of a Mtrx cabinet. They are made of steel. The 6500 MXTP must be ordered using two part numbers. (i) The first part specifies the pagoda fan (voltage and size) finish is gray RAL7035;

(ii) the second specifies the pagoda pre-perforated top cover. A robotically poured-in-place gasket ensures a complete and durable seal. The tops are finished with heat fused powder paint, electro-statically applied on a phosphatized base (RAL7035).

**Note:** Only the pagoda top cover is factory assembled. The pagoda fan is supplied inside the cabinet. For further details on fan refer to p. 603\* (TB19000 & TB22000.)



FAN CATALOG NUMBER	VOLTAGE	WATTAGE	AIR VOLUME
TB19000222	115V	80W	575m <sup>3</sup> /h
TB19000220	230V	80W	575m <sup>3</sup> /h
TB22000222	115V	85W	860m <sup>3</sup> /h
TB22000220	230V	85W	860m <sup>3</sup> /h

Please note:  
The pagoda top and the fan must be ordered separately.

TOP CATALOG NUMBER	NOMINAL		DIMENSIONS	
	W	D	A	B
6500 MXTP0406	400	600	400	600
6500 MXTP0408	400	800	400	800
6500 MXTP0604	600	400	600	400
6500 MXTP0605	600	500	600	500
6500 MXTP0606	600	600	600	600
6500 MXTP0608	600	800	600	800
6500 MXTP0609	600	900	600	900
6500 MXTP0610	600	1000	600	1000
6500 MXTP0612	600	1200	600	1200
6500 MXTP0706	700	600	700	600
6500 MXTP0708	700	800	700	800
6500 MXTP0709	700	900	700	900
6500 MXTP0710	700	1000	700	1000
6500 MXTP0712	700	1200	700	1200
6500 MXTP0804	800	400	800	400
6500 MXTP0805	800	500	800	500
6500 MXTP0806	800	600	800	600
6500 MXTP0808	800	800	800	800
6500 MXTP0809	800	900	800	900
6500 MXTP0810	800	1000	800	1000

TOP CATALOG NUMBER	NOMINAL		DIMENSIONS	
	W	D	A	B
6500 MXTP0812	800	1200	800	1200
6500 MXTP0904	900	400	900	400
6500 MXTP0905	900	500	900	500
6500 MXTP0906	900	600	900	600
6500 MXTP0908	900	800	900	800
6500 MXTP1004	1000	400	1000	400
6500 MXTP1005	1000	500	1000	500
6500 MXTP1006	1000	600	1000	600
6500 MXTP1008	1000	800	1000	800
6500 MXTP1204	1200	400	1200	400
6500 MXTP1205	1200	500	1200	500
6500 MXTP1206	1200	600	1200	600
6500 MXTP1208	1200	800	1200	800
6500 MXTP1604	1600	400	1600	400
6500 MXTP1605	1600	500	1600	500
6500 MXTP1606	1600	600	1600	600
6500 MXTP1608	1600	800	1600	800
6500 MXTP1805	1800	500	1800	500
6500 MXTP1806	1800	600	1800	600

Data subject to change without notice.



p.141

p.104

p.144



## Top mounted air conditioner

The 6500 MXAC top mounted air conditioner is made to be installed on top of a Mtrx cabinet. The top and the air conditioner casing are made of steel.

The 6500 MXAC must be ordered using two part numbers. The first

specifies the top mounted air conditioner (voltage and cooling capacity); the second specifies the corresponding AC pre-perforated top cover.

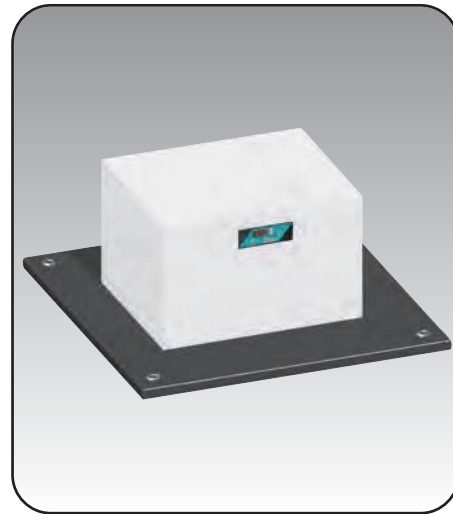
A robotically poured-in-place gasket ensures a complete and

durable seal. The tops are finished with heat fused powder paint, electro-statically applied on a phosphatized base (RAL7011).

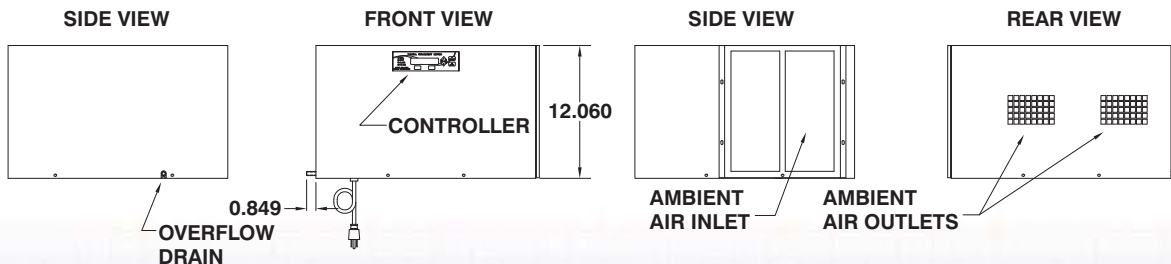
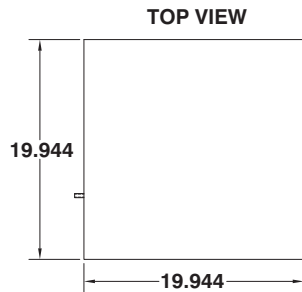
A/C CATALOG NUMBER	A/C TYPE	COOLING CAPACITY	VOLTAGE / FREQUENCY	MAX. AMPS	MAX. TEMP.	DIMENSIONS			SHIP WGHT LBS.
						H	W	D	
IQ3000T-126	Square	3000 BTU/HR	120/60	8.3	131°F	12.06	19.94	19.94	75
IQ3000T-225	Square	3000 BTU/HR	230/60 ; 220/50	4.3/4.8	131°F	12.06	19.94	19.94	75
IQ4000T-126	Square	4000 BTU/HR	120/60	8.5	131°F	12.06	19.94	19.94	75
IQ4000T-225	Square	4000 BTU/HR	230/60 ; 220/50	4.5/5.0	131°F	12.06	19.94	19.94	75
IQ5000T-126	Square	5000 BTU/HR	120/60	8.9	125°F	12.06	19.94	19.94	75
IQ5000T-225	Square	5000 BTU/HR	230/60 ; 220/50	4.5/5.0	125°F	12.06	19.94	19.94	75
IQ6000T-126	Square	6000 BTU/HR	120/60	10.3	125°F	12.06	19.94	19.94	75
IQ6000T-225	Square	6000 BTU/HR	230/60 ; 220/50	4.5/5.0	125°F	12.06	19.94	19.94	75

**Please note:**  
To determine your cooling capacity requirements, refer to the calculations on page 651.

TOP CATALOG NUMBER	NOMINAL		TOP CATALOG NUMBER	NOMINAL	
	W	D		W	D
6500 MXAC0606	600	600	6500 MXAC0905	900	500
6500 MXAC0608	600	800	6500 MXAC0906	900	600
6500 MXAC0609	600	900	6500 MXAC0908	900	800
6500 MXAC0610	600	1000	6500 MXAC1004	1000	400
6500 MXAC0612	600	1200	6500 MXAC1005	1000	500
6500 MXAC0706	700	600	6500 MXAC1006	1000	600
6500 MXAC0708	700	800	6500 MXAC1008	1000	800
6500 MXAC0709	700	900	6500 MXAC1204	1200	400
6500 MXAC0710	700	1000	6500 MXAC1205	1200	500
6500 MXAC0712	700	1200	6500 MXAC1206	1200	600
6500 MXAC0804	800	400	6500 MXAC1208	1200	800
6500 MXAC0805	800	500	6500 MXAC1604	1600	400
6500 MXAC0806	800	600	6500 MXAC1605	1600	500
6500 MXAC0808	800	800	6500 MXCA1606	1600	600
6500 MXAC0809	800	900	6500 MXCA1608	1600	800
6500 MXAC0810	800	1000	6500 MXAC1805	1800	500
6500 MXAC0812	800	1200	6500 MXAC1806	1800	600
6500 MXAC0904	900	400			



**Note:** Only the AC top cover is factory assembled. The AC is supplied separately. For further details on air conditioners contact EXM customer service at 1-800-363-2423



Data subject to change without notice.

**Please note:**  
For certain applications, grid railing can be ordered separately to mount to the cabinet frame for extra A/C support.





## Vented top

The 6500 MXTV vented top is made to be installed on top of a Mtrx cabinet.

The 6500 MXTV consists of one vented top cover (made of steel) and installation hardware.

There are ventilation perforations

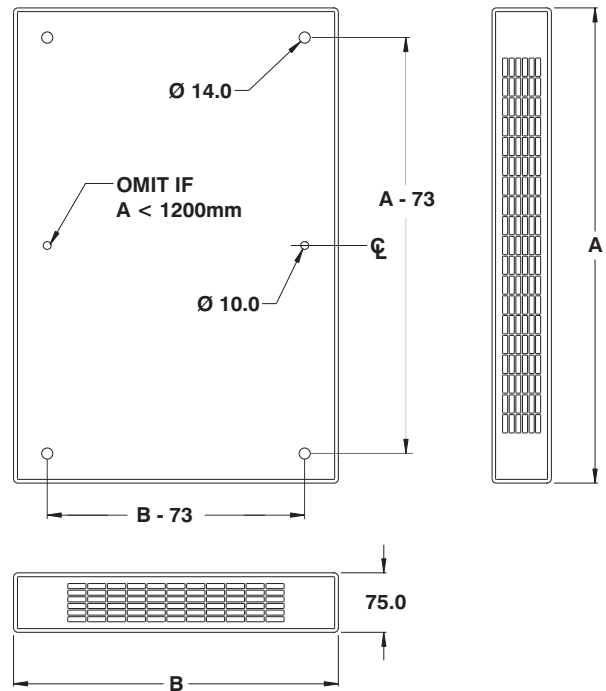
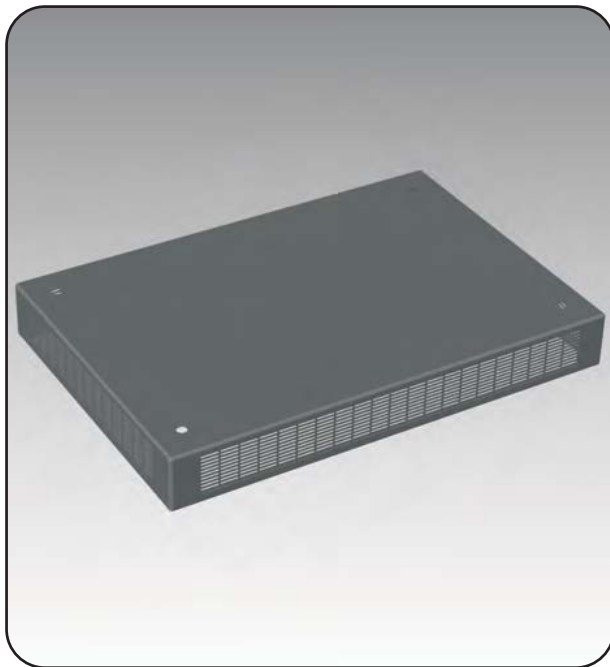
on four sides. The tops are finished with heat fused powder paint, electrostatically applied on a phosphatized base.

Finish is RAL 7011 sandtex dark gray.

**Note:** (i) If required, lifting eye-

bolts must be ordered separately. (ii) Due to the ventilation louvers, vented tops are not water, oil and dust tight.

**NEMA/EEMAC 1 / IP20**



CATALOG NUMBER	NOMINAL		DIMENSIONS	
	W	D	A	B
6500 MXTV0404	400	400	398	398
6500 MXTV0405	400	500	398	498
6500 MXTV0406	400	600	398	598
6500 MXTV0408	400	800	398	798
6500 MXTV0604	600	400	598	398
6500 MXTV0605	600	500	598	498
6500 MXTV0606	600	600	598	598
6500 MXTV0608	600	800	598	798
6500 MXTV0609	600	900	598	898
6500 MXTV0610	600	1000	598	998
6500 MXTV0612	600	1200	598	1198
6500 MXTV0706	700	600	698	598
6500 MXTV0708	700	800	698	798
6500 MXTV0709	700	900	698	898
6500 MXTV0710	700	1000	698	998
6500 MXTV0712	700	1200	698	1198
6500 MXTV0804	800	400	798	398
6500 MXTV0805	800	500	798	498
6500 MXTV0806	800	600	798	598
6500 MXTV0808	800	800	798	798
6500 MXTV0809	800	900	798	898

CATALOG NUMBER	NOMINAL		DIMENSIONS	
	W	D	A	B
6500 MXTV0810	800	1000	798	998
6500 MXTV0812	800	1200	798	1198
6500 MXTV0904	900	400	898	398
6500 MXTV0905	900	500	898	498
6500 MXTV0906	900	600	898	598
6500 MXTV0908	900	800	898	798
6500 MXTV1004	1000	400	998	398
6500 MXTV1005	1000	500	998	498
6500 MXTV1006	1000	600	998	598
6500 MXTV1008	1000	800	998	798
6500 MXTV1204	1200	400	1198	398
6500 MXTV1205	1200	500	1198	498
6500 MXTV1206	1200	600	1198	598
6500 MXTV1208	1200	800	1198	798
6500 MXTV1604	1600	400	1598	398
6500 MXTV1605	1600	500	1598	498
6500 MXTV1606	1600	600	1598	598
6500 MXTV1608	1600	800	1598	798
6500 MXTV1805	1800	500	1798	498
6500 MXTV1806	1800	600	1798	600

Data subject to change without notice.



p.141



p.141



p.144

## Solid base

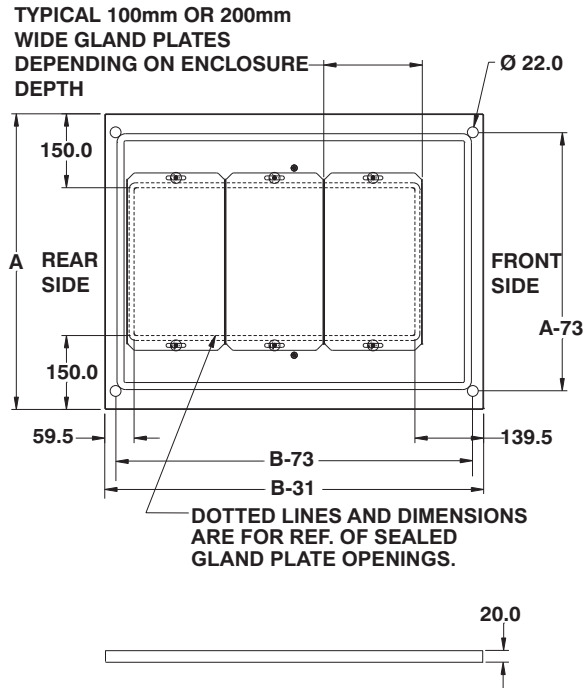
The 6500 MXB solid base is made to be installed at the bottom of a Mtrx cabinet. They are made of steel. Solid bases are available with separate gland plates (standard) or one full gland plate.

Installation hardware is included. A quality poured-in-place gasket ensures a complete and durable seal.

The bases are finished with heat fused powder paint, electrostatically applied on a phosphatized

base. Finish is RAL7011 sandtex dark gray.

**Note: If required, plinths must be ordered separately.**



CATALOG NUMBER		NOMINAL	
W/STD. PLATES	W/FULL PLATE	A	B
6500 MXB0404	6500 MXB0404F	400	400
6500 MXB0405	6500 MXB0405F	400	500
6500 MXB0406	6500 MXB0406F	400	600
6500 MXB0408	6500 MXB0408F	400	800
6500 MXB0604	6500 MXB0604F	600	400
6500 MXB0605	6500 MXB0605F	600	500
6500 MXB0606	6500 MXB0606F	600	600
6500 MXB0608	6500 MXB0608F	600	800
6500 MXB0609	6500 MXB0609F	600	900
6500 MXB0610	6500 MXB0610F	600	1000
6500 MXB0612	6500 MXB0612F	600	1200
6500 MXB0706	6500 MXB0706F	700	600
6500 MXB0708	6500 MXB0708F	700	800
6500 MXB0709	6500 MXB0709F	700	900
6500 MXB0710	6500 MXB0710F	700	1000
6500 MXB0712	6500 MXB0712F	700	1200
6500 MXB0804	6500 MXB0804F	800	400
6500 MXB0805	6500 MXB0805F	800	500
6500 MXB0806	6500 MXB0806F	800	600
6500 MXB0808	6500 MXB0808F	800	800
6500 MXB0809	6500 MXB0809F	800	900

CATALOG NUMBER		NOMINAL	
W/STD. PLATES	W/FULL PLATE	A	B
6500 MXB0810	6500 MXB0810F	800	1000
6500 MXB0812	6500 MXB0812F	800	1200
6500 MXB0904	6500 MXB0904F	900	400
6500 MXB0905	6500 MXB0905F	900	500
6500 MXB0906	6500 MXB0906F	900	600
6500 MXB0908	6500 MXB0908F	900	800
6500 MXB1004	6500 MXB1004F	1000	400
6500 MXB1005	6500 MXB1005F	1000	500
6500 MXB1006	6500 MXB1006F	1000	600
6500 MXB1008	6500 MXB1008F	1000	800
6500 MXB1204	6500 MXB1204F	1200	400
6500 MXB1205	6500 MXB1205F	1200	500
6500 MXB1206	6500 MXB1206F	1200	600
6500 MXB1208	6500 MXB1208F	1200	800
6500 MXB1604	6500 MXB1604F	1600	400
6500 MXB1605	6500 MXB1605F	1600	500
6500 MXB1606	6500 MXB1606F	1600	600
6500 MXB1608	6500 MXB1608F	1600	800
6500 MXB1805	6500 MXB1805F	1800	500
6500 MXB1806	6500 MXB1806F	1800	600

Data subject to change without notice.



## Gland plates

### Filter gland plate

The **886 GPF** filter gland plate is installed mainly on the bottom cover of a standard Mtrx cabinet. The steel part and filter is supplied in individual packs. Standard finish RAL7011 textured dark gray.

**NOTE: Only the 886 GPF0602 and 0604 can be installed on cable entry top covers 6500 MXTC (p.51) and on Streamline cabinets (p.78).**



### Ventilated gland plate

The **886 GPV** ventilated gland plate is installed mainly on the bottom cover of a standard Mtrx cabinet. The steel plate is supplied in individual packs. Standard finish RAL7011 textured dark gray.

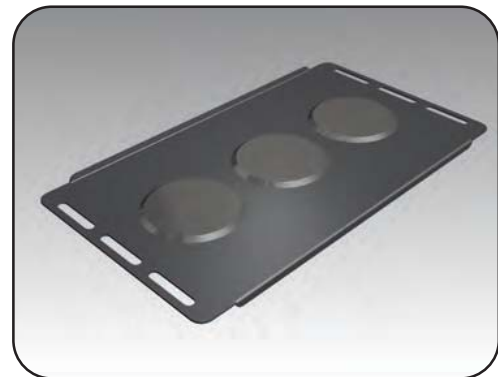
**Note: Only the 886 GPV0602 and 0604 can be installed on cable entry top covers 6500 MXTC (p.51) and on Streamline cabinets (p.78).**



### Cable entry gland plate

The **886 GPCE** cable entry gland plate is installed mainly on the bottom cover of a standard Mtrx cabinet. The steel plate is supplied in individual packs with three 3 inch plastic blanking caps. Standard finish RAL7011 textured dark gray. For cable entry grommets - Refer to cable management section, grommets and seals p.119)

**Note: Only the 886 GPCE0602 can be installed on cable entry top covers 6500 MXTC (p.51) and on Streamline cabinets (p.78).**



**MX/SL**  
COMPATIBLE

CATALOG NUMBER	CATALOG NUMBER	CATALOG NUMBER	CABINET WIDTH	CABINET DEPTH	GLAND PLATE WIDTH (mm)	GLAND PLATE DEPTH (mm)
886 GPF0602	886 GPV0602	886 GPCE0602	600	400 TO 1200	360	200
886 GPF0604	886 GPV0604	-	600	400 TO 1200	360	400
886 GPF0702	886 GPV0702	886 GPCE0702	700 & 1200	400 TO 1200	460	200
886 GPF0704	886 GPV0704	-	700 & 1200	400 TO 1200	460	400
886 GPF0802	886 GPV0802	886 GPCE0802	800	400 TO 1200	560	200
886 GPF0804	886 GPV0804	-	800	400 TO 1200	560	400
886 GPF0902	886 GPV0902	886 GPCE0902	900 & 1600	400 TO 1200	660	200
886 GPF0904	886 GPV0904	-	900 & 1600	400 TO 1200	660	400
886 GPF1002	886 GPV1002	886 GPCE1002	700 & 1800	400 TO 1200	760	200
886 GPF1004	886 GPV1004	-	700 & 1800	400 TO 1200	760	400

Data subject to change without notice.



p.51

p.56

p.52

p.119

p.120

## Base plinth

The 6500 MXPLF base plinths are made to be installed under Mtrx cabinets. They are made of steel.

**Plinths are ordered using two catalog numbers.** (i) The 6500 MXPLF specifies the plinth's front and rear covers and is relative to the cabinet's width.

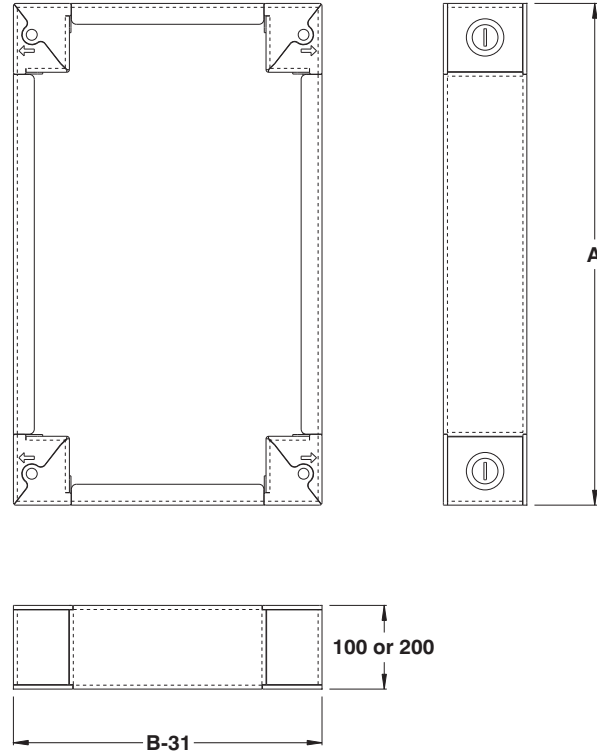
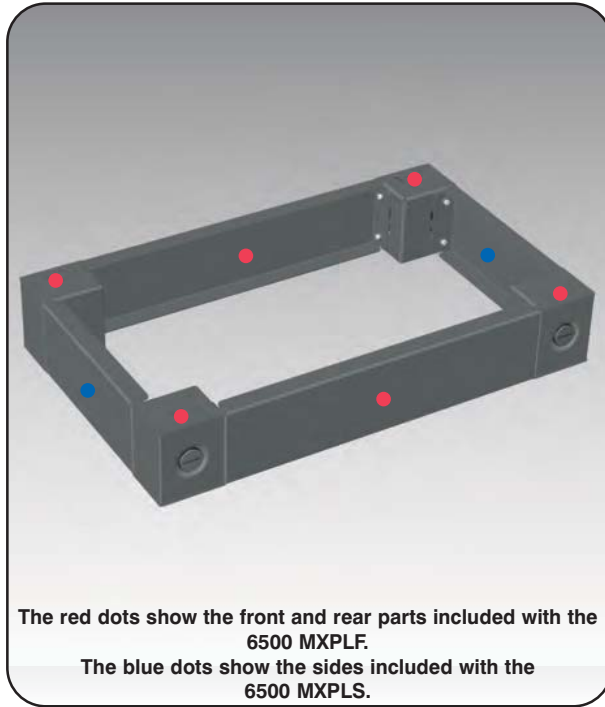
(ii) The 6500 MXPLS specifies the plinth's side covers and is relative to the cabinet's depth.

Mtrx plinths feature an exclusive ¼ turn lock system which was designed to facilitate the installation and removal of plinth covers. The plinths are finished with heat fused powder paint, electrostatically

applied on a phosphatized base. Finish is RAL 7011 sandtex dark gray.

**Plinths are not included with the 6500 MXK and 6500 MXU cabinet kits and must always be ordered separately.**

**MX/SL**  
COMPATIBLE



FRONT AND REAR PLINTH COVERS †		NOMINAL WIDTH (A)
100mm HEIGHT	200mm HEIGHT	
6500 MXPLF0104	6500 MXPLF0204	400
6500 MXPLF0106	6500 MXPLF0206	600
6500 MXPLF0107	6500 MXPLF0207	700
6500 MXPLF0108	6500 MXPLF0208	800
6500 MXPLF0109	6500 MXPLF0209	900
6500 MXPLF0110	6500 MXPLF0210	1000
6500 MXPLF0112	6500 MXPLF0212	1200
6500 MXPLF0116	6500 MXPLF0216	1600
6500 MXPLF0118	6500 MXPLF0218	1800

† The 6500 MXPLF kits include front and rear plinth covers, four corner blocks and installation hardware. The side plinth covers must be purchased separately.

SIDE PLINTH COVERS ‡		NOMINAL DEPTH (B)
100mm HEIGHT	200mm HEIGHT	
6500 MXPLS0104	6500 MXPLS0204	400
6500 MXPLS0105	6500 MXPLS0205	500
6500 MXPLS0106	6500 MXPLS0206	600
6500 MXPLS0108	6500 MXPLS0208	800
6500 MXPLS0109	6500 MXPLS0209	900
6500 MXPLS0110	6500 MXPLS0210	1000
6500 MXPLS0111	6500 MXPLS0211	1100
6500 MXPLS0112	6500 MXPLS0212	1200

‡ The 6500 MXPLS kits include side plinth covers and installation hardware. The 6500 MXPLF front and rear plinth covers must be purchased separately.

Data subject to change without notice.





## Vented plinth

The **6500 MXPLVF vented plinths** are made to be installed under Mtrx cabinets. They are made of steel.

**Vented plinths are ordered using two catalog numbers.**

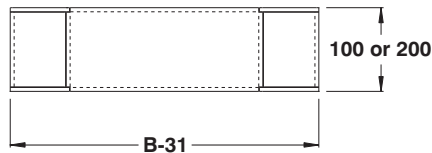
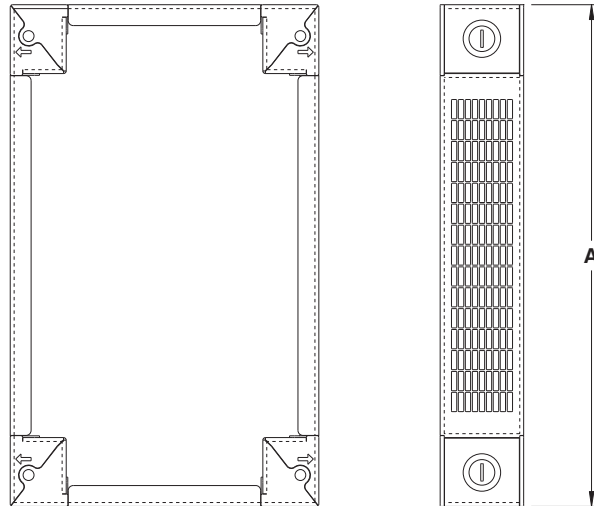
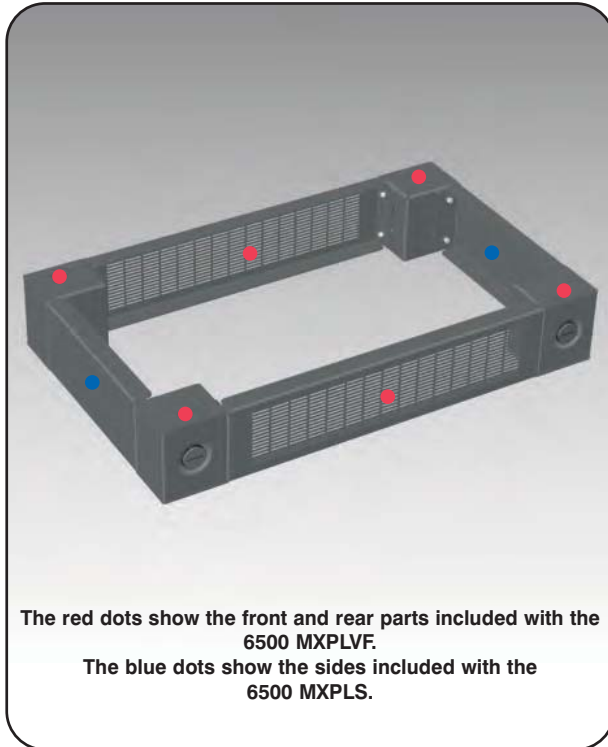
(i) The 6500 MXPLVF specifies the plinth's front and rear covers and is relative to the cabinet's width.

(ii) The 6500 MXPLS specifies the plinth's side covers and is relative to the cabinet's depth.

Mtrx plinths feature an exclusive ¼ turn plinth system which was designed to facilitate the installation and removal of plinth covers. The plinth's front and rear covers are vented.

The plinths are finished with heat fused powder paint, electrostatically applied on a phosphatized base. Finish is RAL 7011 sandtex dark gray.

**Plinths are not included with the 6500 MXK and 6500 MXU cabinet kits and must always be ordered separately.**



**MX/SL**  
COMPATIBLE

FRONT AND REAR PLINTH COVERS †		NOMINAL WIDTH (A)
100mm HEIGHT	200mm HEIGHT	
6500 MXPLVF0104	6500 MXPLVF0204	400
6500 MXPLVF0106	6500 MXPLVF0206	600
6500 MXPLVF0107	6500 MXPLVF0207	700
6500 MXPLVF0108	6500 MXPLVF0208	800
6500 MXPLVF0109	6500 MXPLVF0209	900
6500 MXPLVF0110	6500 MXPLVF0210	1000
6500 MXPLVF0112	6500 MXPLVF0212	1200
6500 MXPLVF0116	6500 MXPLVF0216	1600
6500 MXPLVF0118	6500 MXPLVF0218	1800

SIDE PLINTH COVERS ‡		NOMINAL DEPTH (B)
100mm HEIGHT	200mm HEIGHT	
6500 MXPLS0104	6500 MXPLS0204	400
6500 MXPLS0105	6500 MXPLS0205	500
6500 MXPLS0106	6500 MXPLS0206	600
6500 MXPLS0108	6500 MXPLS0208	800
6500 MXPLS0109	6500 MXPLS0209	900
6500 MXPLS0110	6500 MXPLS0210	1000
6500 MXPLS0111	6500 MXPLS0211	1100
6500 MXPLS0112	6500 MXPLS0212	1200

† The 6500 MXPLVF kits include front and rear plinth covers, four corner blocks and installation hardware. The side plinth covers must be purchased separately.

‡ The 6500 MXPLS kits include side plinth covers and installation hardware. The 6500 MXPLVF front and rear plinth covers must be purchased separately.



## Mobile base

The 6500 MXBM mobile bases are installed under Mtrx cabinets. They are made of steel.

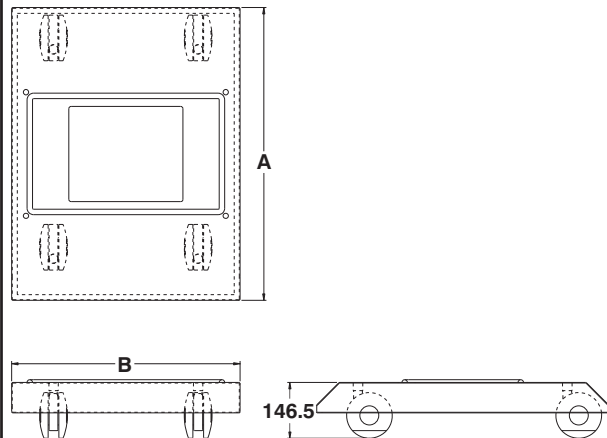
The 6500 MXBM consists of a base with four caster wheels and all required installation hardware. The heavy duty caster wheels

come with brakes.

The bases are finished with heat fused powder paint, electrostatically applied on a phosphatized base. The finish is RAL7011 sand-tex dark gray.

In order to maintain the cabinet's integrity, the 6500 MXBM mobile base must be used in conjunction with a 6500 MXB solid base, which is ordered separately for 6500MX cabinets.

**MX/SL**  
COMPATIBLE



CATALOG NUMBER	NOMINAL		DIMENSIONS	
	W	D	A	B
6500 MXBM0404	400	400	769	400
6500 MXBM0405	400	500	869	400
6500 MXBM0406	400	600	969	400
6500 MXBM0408	400	800	1169	400
6500 MXBM0604	600	400	769	600
6500 MXBM0605	600	500	869	600
6500 MXBM0606	600	600	969	600
6500 MXBM0608	600	800	1169	600
6500 MXBM0609	600	900	1269	600
6500 MXBM0610	600	1000	1369	600
6500 MXBM0612	600	1200	1569	600
6500 MXBM0706	700	600	969	700
6500 MXBM0708	700	800	1169	700
6500 MXBM0709	700	900	1269	700
6500 MXBM0710	700	1000	1369	700
6500 MXBM0712	700	1200	1569	700
6500 MXBM0804	800	400	769	800
6500 MXBM0805	800	500	869	800
6500 MXBM0806	800	600	969	800
6500 MXBM0808	800	800	1169	800
6500 MXBM0809	800	900	1269	800

CATALOG NUMBER	NOMINAL		DIMENSIONS	
	W	D	A	B
6500 MXBM0810	800	1000	1369	800
6500 MXBM0812	800	1200	1569	800
6500 MXBM0904	900	400	1269	400
6500 MXBM0905	900	500	869	900
6500 MXBM0906	900	600	969	900
6500 MXBM0908	900	800	1169	900
6500 MXBM1004	1000	400	769	1000
6500 MXBM1005	1000	500	869	1000
6500 MXBM1006	1000	600	969	1000
6500 MXBM1008	1000	800	1169	1000
6500 MXBM1204	1200	400	769	1200
6500 MXBM1205	1200	500	869	1200
6500 MXBM1206	1200	600	969	1200
6500 MXBM1208	1200	800	1169	1200
6500 MXBM1604	1600	400	769	1600
6500 MXBM1605	1600	500	869	1600
6500 MXBM1606	1600	600	969	1600
6500 MXBM1608	1600	800	1169	1600
6500 MXBM1805	1800	500	869	1800
6500 MXBM1806	1800	600	969	1800

Data subject to change without notice.

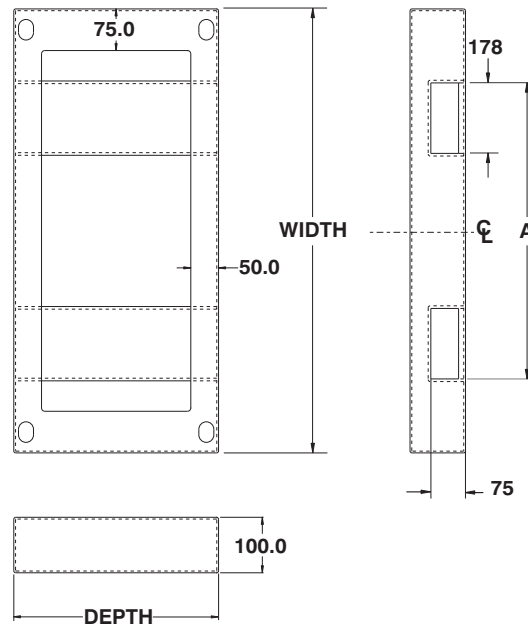
## Transportation base

The **6500 MXBT transportation bases** are installed under rows of Mtrx cabinets. They are made of steel.

The 6500 MXBT are used to facilitate the transportation of ganged cabinet.

The rugged 10 GA open bottom base is built with openings and tracks to facilitate the use of either fork lifts or lifting chains and rods. A high quality robotically poured-in-place gasket ensures a complete and durable seal. The

bases are finished with heat fused powder paint, electrostatically applied on a phosphatized base. Finish is RAL7011 sandtex dark gray.



FITS FRAME WIDTH	CATALOG NUMBER FITS FRAME DEPTH				A
	400mm	500mm	600mm	800mm	
600	6500 MXBT0604	6500 MXBT0605	6500 MXBT0606	6500 MXBT0608	521
700	6500 MXBT0704	6500 MXBT0705	6500 MXBT0706	6500 MXBT0708	521
800	6500 MXBT0804	6500 MXBT0805	6500 MXBT0806	6500 MXBT0808	686
900	6500 MXBT0904	6500 MXBT0905	6500 MXBT0906	6500 MXBT0908	686
1000	6500 MXBT1004	6500 MXBT1005	6500 MXBT1006	6500 MXBT1008	686
1200	6500 MXBT1204	6500 MXBT1205	6500 MXBT1206	6500 MXBT1208	686
1300	6500 MXBT1304	6500 MXBT1305	6500 MXBT1306	6500 MXBT1308	686
1400	6500 MXBT1404	6500 MXBT1405	6500 MXBT1406	6500 MXBT1408	686
1500	6500 MXBT1504	6500 MXBT1505	6500 MXBT1506	6500 MXBT1508	686
1600	6500 MXBT1604	6500 MXBT1605	6500 MXBT1606	6500 MXBT1608	686
1700	6500 MXBT1704	6500 MXBT1705	6500 MXBT1706	6500 MXBT1708	686
1800	6500 MXBT1804	6500 MXBT1805	6500 MXBT1806	6500 MXBT1808	686
1900	6500 MXBT1904	6500 MXBT1905	6500 MXBT1906	6500 MXBT1908	686
2000	6500 MXBT2004	6500 MXBT2005	6500 MXBT2006	6500 MXBT2008	686
2100	6500 MXBT2104	6500 MXBT2105	6500 MXBT2106	6500 MXBT2108	686
2200	6500 MXBT2204	6500 MXBT2205	6500 MXBT2206	6500 MXBT2208	686
2300	6500 MXBT2304	6500 MXBT2305	6500 MXBT2306	6500 MXBT2308	686
2400	6500 MXBT2404	6500 MXBT2405	6500 MXBT2406	6500 MXBT2408	686
2500	6500 MXBT2504	6500 MXBT2505	6500 MXBT2506	6500 MXBT2508	686
2600	6500 MXBT2604	6500 MXBT2605	6500 MXBT2606	6500 MXBT2608	686
2700	6500 MXBT2704	6500 MXBT2705	6500 MXBT2706	6500 MXBT2708	686
2800	6500 MXBT2804	6500 MXBT2805	6500 MXBT2806	6500 MXBT2808	686
2900	6500 MXBT2904	6500 MXBT2905	6500 MXBT2906	6500 MXBT2908	686
3000	6500 MXBT3004	6500 MXBT3005	6500 MXBT3006	6500 MXBT3008	686

Data subject to change without notice.



## Watertight plinths

The **6500 MXPLW** watertight plinths are made to be installed under Mtrx cabinets. They are made of steel.

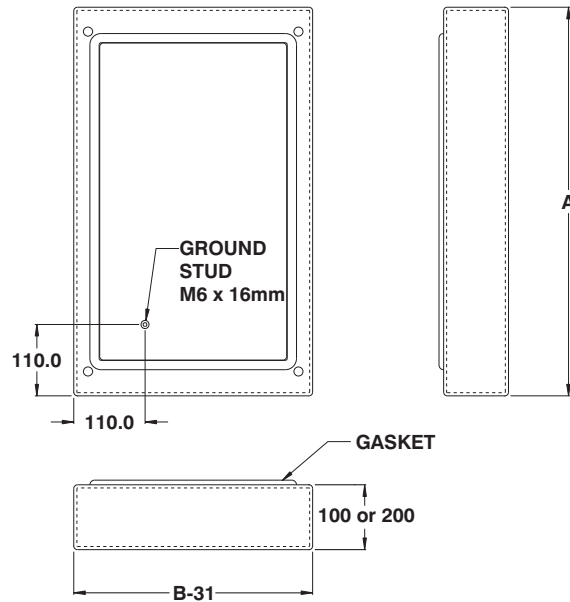
The 6500 MXPLW is a seamlessly welded base and comes with all installation hardware.

A quality robotically poured-in-place gasket ensures a complete and durable watertight seal.

The plinths are finished with heat fused powder paint, electrostatically applied on a phosphatized base.

Finish is RAL7011 sandtex dark gray.

**Please note that watertight plinths cannot be stacked.**



CATALOG NUMBER		NOMINAL	
100mm HEIGHT	200mm HEIGHT	A	B
6500 MXPLW0404	6500 MXPLW20404	400	400
6500 MXPLW0405	6500 MXPLW20405	400	500
6500 MXPLW0406	6500 MXPLW20406	400	600
6500 MXPLW0408	6500 MXPLW20408	400	800
6500 MXPLW0604	6500 MXPLW20604	600	400
6500 MXPLW0605	6500 MXPLW20605	600	500
6500 MXPLW0606	6500 MXPLW20606	600	600
6500 MXPLW0608	6500 MXPLW20608	600	800
6500 MXPLW0609	6500 MXPLW20609	600	900
6500 MXPLW0610	6500 MXPLW20610	600	1000
6500 MXPLW0612	6500 MXPLW20612	600	1200
6500 MXPLW0706	6500 MXPLW20706	700	600
6500 MXPLW0708	6500 MXPLW20708	700	800
6500 MXPLW0709	6500 MXPLW20709	700	900
6500 MXPLW0710	6500 MXPLW20710	700	1000
6500 MXPLW0712	6500 MXPLW20712	700	1200
6500 MXPLW0804	6500 MXPLW20804	800	400
6500 MXPLW0805	6500 MXPLW20805	800	500
6500 MXPLW0806	6500 MXPLW20806	800	600
6500 MXPLW0808	6500 MXPLW20808	800	800
6500 MXPLW0809	6500 MXPLW20809	800	900

CATALOG NUMBER		NOMINAL	
100mm HEIGHT	200mm HEIGHT	A	B
6500 MXPLW0810	6500 MXPLW20810	800	1000
6500 MXPLW0812	6500 MXPLW20812	800	1200
6500 MXPLW0904	6500 MXPLW20904	900	400
6500 MXPLW0905	6500 MXPLW20905	900	500
6500 MXPLW0906	6500 MXPLW20906	900	600
6500 MXPLW0908	6500 MXPLW20908	900	800
6500 MXPLW1004	6500 MXPLW21004	1000	400
6500 MXPLW1005	6500 MXPLW21005	1000	500
6500 MXPLW1006	6500 MXPLW21006	1000	600
6500 MXPLW1008	6500 MXPLW21008	1000	800
6500 MXPLW1204	6500 MXPLW21204	1200	400
6500 MXPLW1205	6500 MXPLW21205	1200	500
6500 MXPLW1206	6500 MXPLW21206	1200	600
6500 MXPLW1208	6500 MXPLW21208	1200	800
6500 MXPLW1604	6500 MXPLW21604	1600	400
6500 MXPLW1605	6500 MXPLW21605	1600	500
6500 MXPLW1606	6500 MXPLW21606	1600	600
6500 MXPLW1608	6500 MXPLW21608	1600	800
6500 MXPLW1805	6500 MXPLW21805	1800	500
6500 MXPLW1806	6500 MXPLW21806	1800	600

Data subject to change without notice.



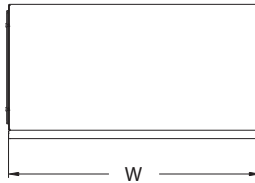
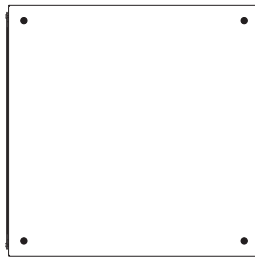
## Solid top or bottom cable entry trough

The 6500 MXSCE solid top or bottom cable entry trough is installed on the top or base of a Mtrx cabinet. It is made of steel or stainless steel. This variable height symmetric trough was developed for applications where cables, bus bars or pipes are to

be run into the enclosure via the top or bottom without having to order either a separate top or bottom cover. The troughs are an extension of the controlled volume of the enclosure, retaining the NEMA 12 rating. Supplied standard with: (i) all installation

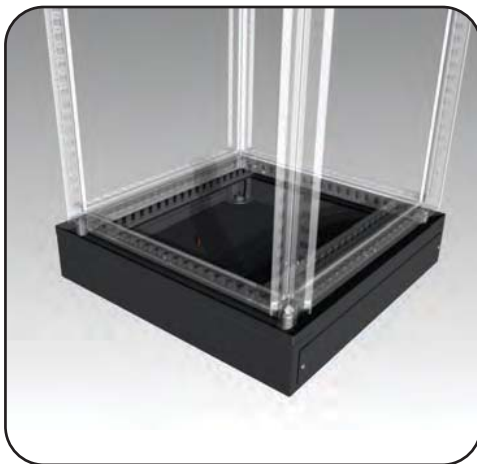
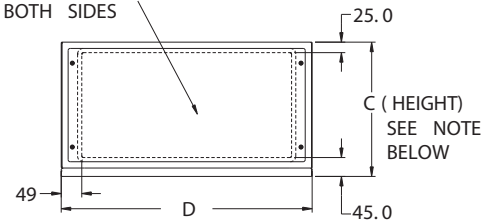
hardware; (ii) sealing plugs in eye bolt or leveling feet mounting holes. Standard finish is powder coated RAL7011 Sandtex dark gray

**Note: Solid end plates are provided. For other options refer to page 64**



ORIENTATION SHOWN IS FOR TOP INSTALLATION. ROTATE 180° FOR BOTTOM INSTALLATION

OPENING CLEARANCE ON BOTH SIDES

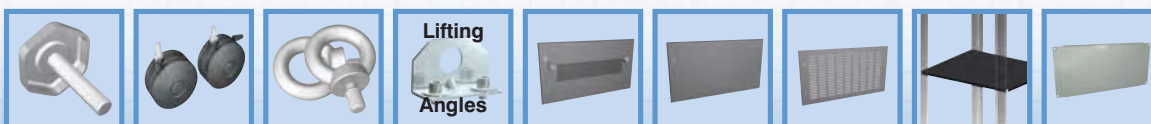


CATALOG NUMBER	NOMINAL		CATALOG NUMBER	NOMINAL	
	W	D		W	D
6500 MXSCE010404	400	400	6500 MXSCE010808	800	800
6500 MXSCE010405	400	500	6500 MXSCE010809	800	900
6500 MXSCE010406	400	600	6500 MXSCE010810	800	1000
6500 MXSCE010408	400	800	6500 MXSCE010812	800	1200
6500 MXSCE010604	600	400	6500 MXSCE010904	900	400
6500 MXSCE010605	600	500	6500 MXSCE010905	900	500
6500 MXSCE010606	600	600	6500 MXSCE010906	900	600
6500 MXSCE010608	600	800	6500 MXSCE010908	900	800
6500 MXSCE010609	600	900	6500 MXSCE011004	1000	400
6500 MXSCE010610	600	1000	6500 MXSCE011005	1000	500
6500 MXSCE010612	600	1200	6500 MXSCE011006	1000	600
6500 MXSCE010704	700	400	6500 MXSCE011008	1000	800
6500 MXSCE010705	700	500	6500 MXSCE011204	1200	400
6500 MXSCE010706	700	600	6500 MXSCE011205	1200	500
6500 MXSCE010708	700	800	6500 MXSCE011206	1200	600
6500 MXSCE010709	700	900	6500 MXSCE011208	1200	800
6500 MXSCE010710	700	1000	6500 MXSCE011604	1600	400
6500 MXSCE010712	700	1200	6500 MXSCE011605	1600	500
6500 MXSCE010804	800	400	6500 MXSCE011606	1600	600
6500 MXSCE010805	800	500	6500 MXSCE011608	1600	800
6500 MXSCE010806	800	600	6500 MXSCE011805	1800	500
			6500 MXSCE011806	1800	600

Default HEIGHT 'C' is 100mm, for 200mm, 300mm, 400mm height replace '01' in part number by '02', '03', '04' respectively. Default installation is on top, for bottom installation add suffix 'B'

i.e.: 6500 MXSCE010806 → 100mm high installed on top  
6500 MXSCE030806B → 300mm high installed on bottom

Data subject to change without notice.



## Cable entry trough mounting panel

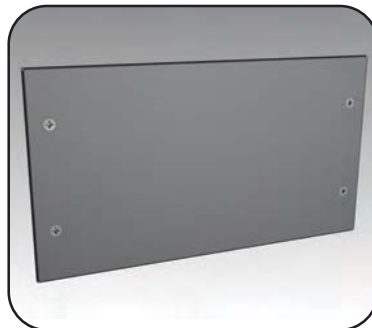
The **6500 MXMSCE cable entry mounting panel** is installed directly within the cable entry trough. Its mounting surface aligns itself with that of the cabinet's inner mounting panel (6500 MXM p.39). The panel is made of unfinished 11ga galvanized steel. Installation h/w supplied. (Sold in individual packs)



CATALOG NUMBER	FIT ON TROUGH HEIGHT C	FIT IN WIDTH
6500 MXMSCE-04	Replace the	400
6500 MXMSCE-06	'—' by the	600
6500 MXMSCE-07	correct	700
6500 MXMSCE-08	height	800
6500 MXMSCE-09		900
6500 MXMSCE-10	'01' = 100	1000
6500 MXMSCE-12	'02' = 200	1200
6500 MXMSCE-16	'03' = 300	1600
6500 MXMSCE-18	'04' = 400	1800

## Solid end plate

The **6500 MXSCEP solid end plate** is installed at either end of the cable entry trough. The plate is supplied with all installation hardware and gasket. Standard finish RAL7035 textured light gray. (Sold in pairs)



CATALOG NUMBER	FIT ON TROUGH HEIGHT C	FIT ON TROUGH DEPTH
6500 MXSCEP-04	Replace the	400
6500 MXSCEP-05	'—' by the	500
6500 MXSCEP-06	correct height	600
6500 MXSCEP-08	'01' = 100	800
6500 MXSCEP-09	'02' = 200	900
6500 MXSCEP-10	'03' = 300	1000
	'04' = 400	

## Ventilated end plate

The **6500 MXSCEV ventilated end plate** is installed at either ends of the cable entry trough. The plate is perforated for ventilation and supplied with all installation hardware. Standard finish RAL7035 textured light gray. (Sold in individual packs)



CATALOG NUMBER	FIT ON TROUGH HEIGHT C	FIT ON TROUGH DEPTH
6500 MXSCEV-04	Replace the	400
6500 MXSCEV-05	'—' by the	500
6500 MXSCEV-06	correct height	600
6500 MXSCEV-08	'01' = 100	800
6500 MXSCEV-09	'02' = 200	900
6500 MXSCEV-10	'03' = 300	1000
	'04' = 400	

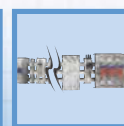
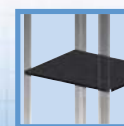
## Cable entry end plate

The **6500 MXSCEC cable entry end plate** is installed at either ends of the cable entry trough. The plate is supplied with all installation hardware, adjustable cable clamping plate and gaskets. Standard finish RAL7035 textured light gray. (Sold in individual packs)



CATALOG NUMBER	FIT ON TROUGH HEIGHT C	FIT ON TROUGH DEPTH
6500 MXSCEC-04	Replace the	400
6500 MXSCEC-05	'—' by the	500
6500 MXSCEC-06	correct height	600
6500 MXSCEC-08	'01' = 100	800
6500 MXSCEC-09	'02' = 200	900
6500 MXSCEC-10	'03' = 300	1000
	'04' = 400	

Data subject to change without notice.



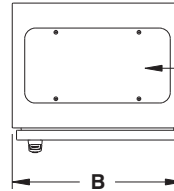
## Cable entry cabinets

The 6500 MXCE cabinets are used to facilitate cable entry into the side of a modular cabinet system. They are made from steel and have an open top and bottom to provide cable access.

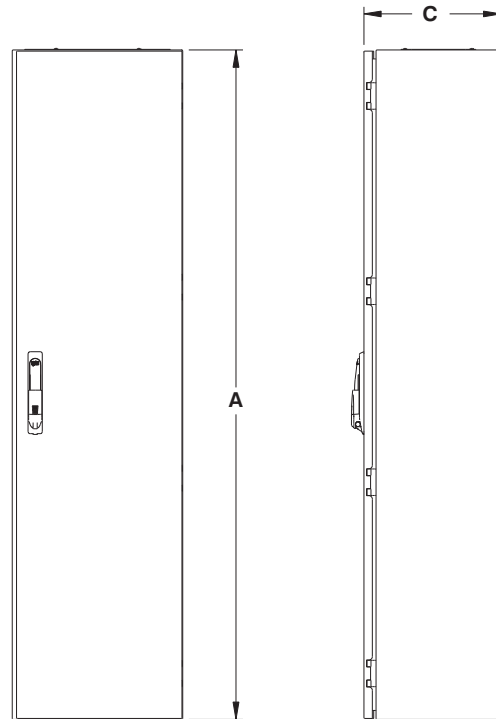
Optional closing plates are available to seal the top and bottom (see next page).

A door is supplied with the cabinet to seal its open side. This door features a padlockable key

lock handle. Cable entry cabinets are finished with heat fused powder paint, electrostatically applied on a phosphatized base. Finish is RAL 7035 textured gray.



SHOWN WITH SOLID COVER PLATE, SOLD SEPARATELY.



CATALOG NUMBER	NOMINAL		DIMENSIONS		
	H	D	A	B	C
6500 MXCE0706	700	600	710	610	330
6500 MXCE1404	1400	400	1410	410	330
6500 MXCE1405	1400	500	1410	510	330
6500 MXCE1406	1400	600	1410	610	330
6500 MXCE1408	1400	800	1410	810	330
6500 MXCE1604	1600	400	1610	410	330
6500 MXCE1605	1600	500	1610	510	330
6500 MXCE1606	1600	600	1610	610	330
6500 MXCE1608	1600	800	1610	810	330
6500 MXCE1804	1800	400	1810	410	330
6500 MXCE1805	1800	500	1810	510	330

CATALOG NUMBER	NOMINAL		DIMENSIONS		
	H	D	A	B	C
6500 MXCE1806	1800	600	1810	610	330
6500 MXCE1808	1800	800	1810	810	330
6500 MXCE2004	2000	400	2010	410	330
6500 MXCE2005	2000	500	2010	510	330
6500 MXCE2006	2000	600	2010	610	330
6500 MXCE2008	2000	800	2010	810	330
6500 MXCE2009	2000	900	2010	910	330
6500 MXCE2205	2200	500	2210	510	330
6500 MXCE2206	2200	600	2210	610	330
6500 MXCE2208	2200	800	2210	810	330
6500 MXCE2209	2200	900	2210	910	330

Data subject to change without notice.



p.138

<http://www.exmweb.com>



p.136



p.137



p.137



p.141

☎ 1-800-363-2423



p.146

Fax : 450-979-4626



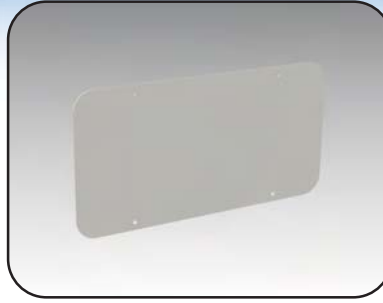
p.593



[info@exmweb.com](mailto:info@exmweb.com)

## Solid closure plate

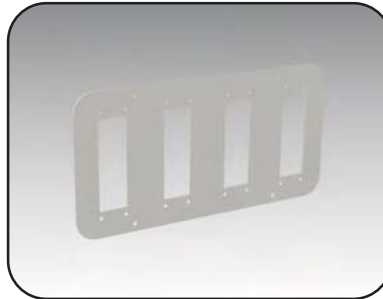
The **6500 MXCESP** solid closure plates are used to seal the top and bottom of a cable entry cabinet. They are made of steel and are finished with RAL7035 textured gray powder coating.



CATALOG NUMBER	FITS CABLE ENTRY CABINETS WITH A DEPTH OF
6500 MXCESP04	400mm
6500 MXCESP05	500mm
6500 MXCESP06	600mm
6500 MXCESP08	800mm
6500 MXCESP09	900mm

## Closure plate with DIN cut-out

The **6500 MXCEDP** closure plates with DIN cut-outs are used to seal the top and bottom of a cable entry cabinet. The 24-pin cut-outs can be sealed or adapted using the adaptors below. They are made of steel and are finished with RAL7035 textured gray powder coating.



CATALOG NUMBER	FITS CABLE ENTRY CABINETS WITH A DEPTH OF
6500 MXCEDP04	400mm
6500 MXCEDP05	500mm
6500 MXCEDP06	600mm
6500 MXCEDP08	800mm
6500 MXCEDP09	900mm

## Closure plate adaptors

The **6500 MXCEAP** are used with 6500 MXCEDP cable entry closing plates to seal unused cut-outs or to adapt to different cut-out sizes. They are made of steel and are finished with RAL7035 textured gray powder coating.



CATALOG NUMBER	ADAPTS FROM 24 PIN CUT-OUT TO
6500 MXCEAP00	Blank cover
6500 MXCEAP16	16 pin cut-out
6500 MXCEAP10	10 pin cut-out
6500 MXCEAP06	6 pin cut-out

## Base plinths for cable entry cabinets

The **6500 MXCEPL** are installed under cable entry cabinets. They are made of steel. The 6500 MXCEPL consists of four plinth blocks, four plinth panels and all installation hardware. The plinths are finished with heat fused powder paint. The finish is RAL7011 sandtex dark gray.



CATALOG NUMBER	FITS CABLE ENTRY CABINETS WITH A DEPTH OF
6500 MXCEPL04	400mm
6500 MXCEPL05	500mm
6500 MXCEPL06	600mm
6500 MXCEPL08	800mm
6500 MXCEPL09	900mm

Data subject to change without notice.

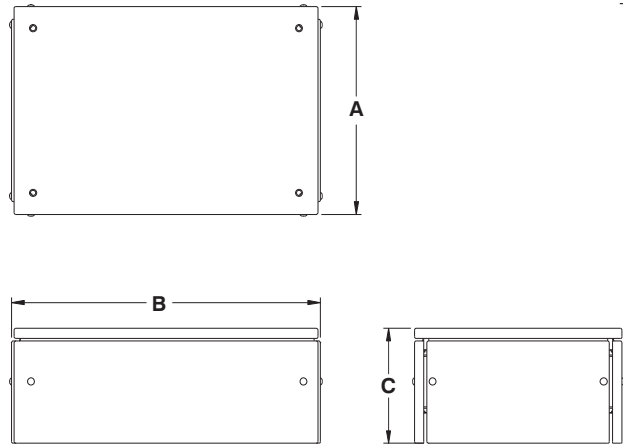


## Cable entry top hats

The 6500 MXCET top hats are used to facilitate cable entry into the side of a modular cabinet system. They are made of steel and have open sides to provide cable access.

The four side panels, the top panel and the bottom dividing panel are included. All the required installation hardware is supplied. Cable entry cabinets are finished with heat fused powder paint, electrostatically applied on a phosphatized base. Finish is RAL7035 textured gray.

**Note: Eyebolts cannot be installed on cabinets with cable entry top hats.**



Custom cable entry top hats for ganged cabinet rows are also available. Contact your sales representative for details.

CATALOG NUMBER	NOMINAL		DIMENSIONS		
	W	D	A	B	C
6500 MXCET0404	400	400	410	410	227
6500 MXCET0405	400	500	410	510	227
6500 MXCET0406	400	600	410	610	227
6500 MXCET0408	400	800	410	810	227
6500 MXCET0604	600	400	610	410	227
6500 MXCET0605	600	500	610	510	227
6500 MXCET0606	600	600	610	610	227
6500 MXCET0608	600	800	610	810	227
6500 MXCET0609	600	900	610	910	227
6500 MXCET0610	600	1000	610	1010	227
6500 MXCET0706	700	600	710	610	227
6500 MXCET0708	700	800	710	810	227
6500 MXCET0709	700	900	710	910	227
6500 MXCET0710	700	1000	710	1010	227
6500 MXCET0804	800	400	810	410	227
6500 MXCET0805	800	500	810	510	227
6500 MXCET0806	800	600	810	610	227
6500 MXCET0808	800	800	810	810	227
6500 MXCET0809	800	900	810	910	227

CATALOG NUMBER	NOMINAL		DIMENSIONS		
	W	D	A	B	C
6500 MXCET0810	800	1000	810	1010	227
6500 MXCET0904	900	400	910	410	227
6500 MXCET0905	900	500	910	510	227
6500 MXCET0906	900	600	910	610	227
6500 MXCET0908	900	800	910	810	227
6500 MXCET1004	1000	400	1010	410	227
6500 MXCET1005	1000	500	1010	510	227
6500 MXCET1006	1000	600	1010	610	227
6500 MXCET1008	1000	800	1010	810	227
6500 MXCET1204	1200	400	1210	410	227
6500 MXCET1205	1200	500	1210	510	227
6500 MXCET1206	1200	600	1210	610	227
6500 MXCET1208	1200	800	1210	810	227
6500 MXCET1604	1600	400	1610	410	227
6500 MXCET1605	1600	500	1610	510	227
6500 MXCET1606	1600	600	1610	610	227
6500 MXCET1608	1600	800	1610	810	227
6500 MXCET1805	1800	500	1810	510	227
6500 MXCET1806	1800	600	1810	610	227

Data subject to change without notice.



# NEMA 12-13 MTRX CABINETS

Value added services & custom requirements

## LINE-UP



## GEAR SYSTEM



## CUSTOM CUT-OUTS



## WIRE MOUNTING SYSTEM



## BUSBAR WIRING SYSTEM



## RELIABILITY AND ROBUSTNESS



The Mtrx solutions are designed for different applications and industries. Our automated manufacturing process allows the production of custom enclosures quickly and effectively.

The majority of EXM products are manufactured in our fully automated North American facilities.

**Contact the EXM customer services to discover the value-added services that we can provide to your company.**

# NEMA 12 -13 Mtrx PARTIAL COVERS & MODULAR PC CABINETS



**MX/SL**  
COMPATIBLE

## Mtrx modular PC cabinet kits– with pull out shelf

The 6500 MXKPC modular PC cabinet kits are complete factory assembled units regrouping all necessary components for specific oil & dust tight PC cabinet applications. Each presented kit consists of the following standard mtrx modular components:

- Mtrx modular frame system

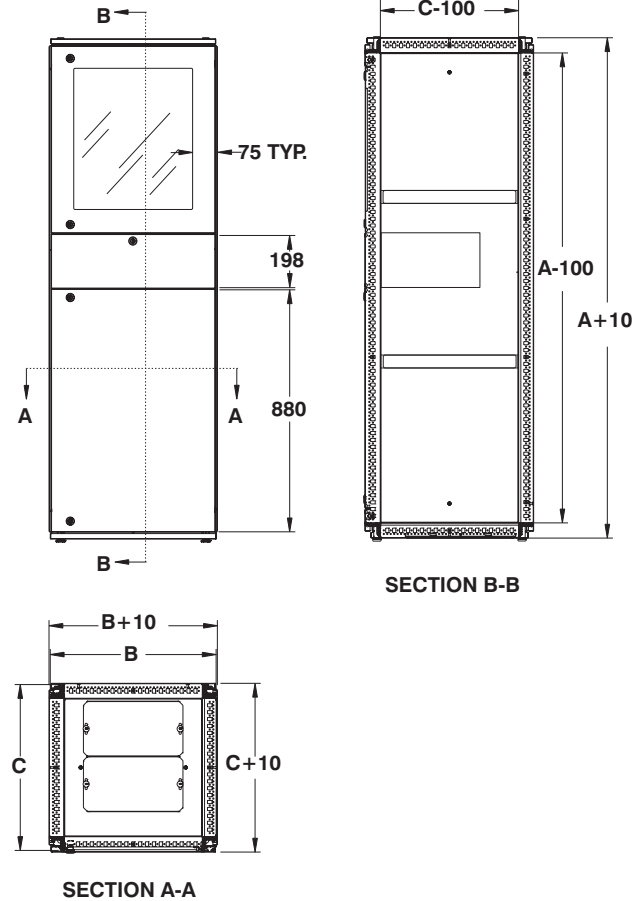
(with eye bolts and leveling feet)

- External covers (top, bottom, rear, and two sides)
- One partial top window door
- One horizontal hinged door with pull out shelf and sliding mouse pad.
- One partial lower door
- Two adjustable shelves (6500

MXSH)

- Two horizontal mullions
- Frame, top and bottom are powder coated dark gray RAL7011. All other external covers are light gray RAL7035.

**CSA Certified / UL Listed  
NEMA/EEMAC 12-13 / IP55**



CATALOG NUMBER	A (mm)	B (mm)	C (mm)
6500 MXKPC180606	1800	600	600
6500 MXKPC180608	1800	600	800
6500 MXKPC180806	1800	800	600
6500 MXKPC180808	1800	800	800
6500 MXKPC200606	2000	600	600
6500 MXKPC200608	2000	600	800
6500 MXKPC200806	2000	800	600
6500 MXKPC200808	2000	800	800

**NOTE:** All Mtrx components or accessories can be installed on the Modular PC Cabinet. Refer to sections: Multi-Door Solutions p.103; Shelving and Storage p.110; Rails and Cable Clamps p.119; ...

Data subject to change without notice.





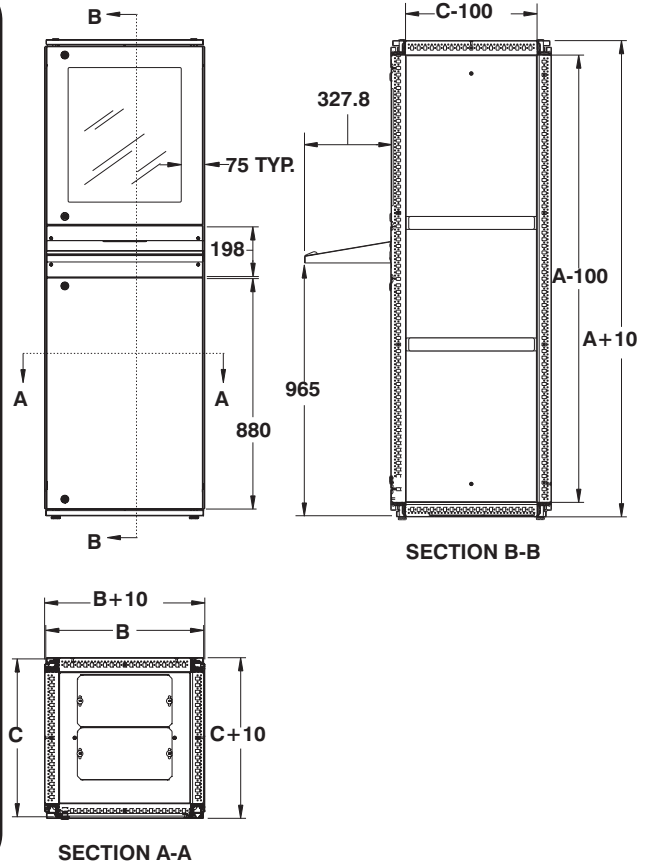
## Mtrx Modular PC cabinet kits – with fixed shelf

The 6500 MXKPC...F modular PC cabinet kits are complete factory assembled units regrouping all necessary components for specific oil & dust tight PC cabinet applications. Each presented kit consists of the following standard mtrx modular components:

- Mtrx modular frame system

- (with eye bolts and leveling feet)
- External covers (top, bottom, rear, and sides)
- One partial top window door;
- One fixed, external shelf
- One partial lower door
- Two horizontal mullions
- Two adjustable shelves (6500

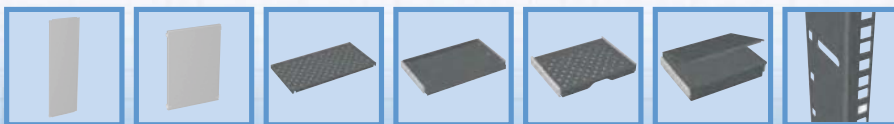
MXSH)  
 Frame, top and bottom are powder coated dark gray RAL7011. All other external covers are light gray RAL7035.  
**CSA Certified / UL Listed**  
**NEMA/EEMAC 12-13 / IP55**



CATALOG NUMBER 6500 MXKPC(A)(B)(C)F	A (mm)	B (mm)	C (mm)
6500 MXKPC180606F	1800	600	600
6500 MXKPC180608F	1800	600	800
6500 MXKPC180806F	1800	800	600
6500 MXKPC180808F	1800	800	800
6500 MXKPC200606F	2000	600	600
6500 MXKPC200608F	2000	600	800
6500 MXKPC200806F	2000	800	600
6500 MXKPC200808F	2000	800	800

**NOTE:** All Mtrx components or accessories can be installed on the Modular PC Cabinet. Refer to sections: Multi-Door Solutions p.103; Shelving and Storage p.110; Rails and Cable Clamps p.119; ...

Data subject to change without notice.



p.41    p.42    p.110    p.111    p.111    p.112    p.127  
<http://www.exmweb.com>    1-800-363-2423    Fax : 450-979-4626



info@exmweb.com

## Mtrx modular PC cabinet kits– with 19in rack angle

The 6500 MXKPC...L modular PC cabinet kits are complete factory assembled units regrouping all necessary components for specific oil & dust tight PC cabinet applications. Each presented kit consists of the following standard mtrx modular components:

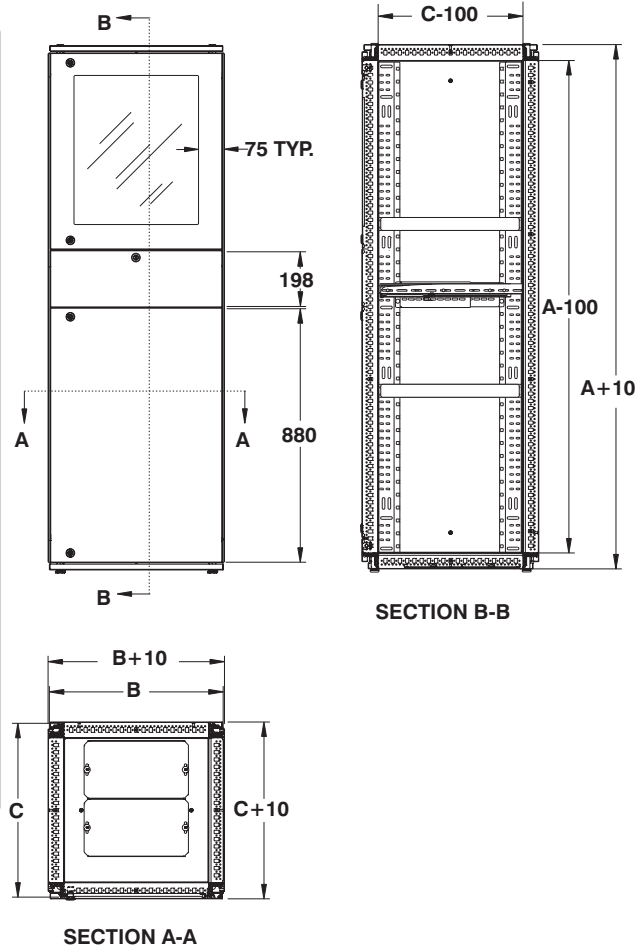
- Mtrx modular frame system (with eye bolts and leveling feet)

- External covers (top, bottom rear, and sides)
- Partial top window door
- Horizontal hinged door with pull out shelf and sliding mouse pad.
- Two sets of 19" rack angles
- Partial lower door
- Horizontal mullions
- Two adjustable shelves (6500

MXLSH)

Frame, top and bottom are powder coated dark gray RAL7011. All other external covers are light gray RAL7035.

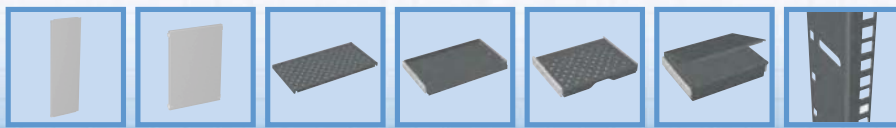
**CSA Certified / UL Listed  
NEMA/EEMAC 12-13 / IP55**



CATALOG NUMBER 6500 MXKPC(A)(B)(C)L	A (mm)	B (mm)	C (mm)
6500 MXKPC180606L	1800	600	600
6500 MXKPC180608L	1800	600	800
6500 MXKPC180609L	1800	600	900
6500 MXKPC180610L	1800	600	1000
6500 MXKPC180612L	1800	600	1200
6500 MXKPC200606L	2000	600	600
6500 MXKPC200608L	2000	600	800
6500 MXKPC200609L	2000	600	900
6500 MXKPC200610L	2000	600	1000
6500 MXKPC200612L	2000	600	1200

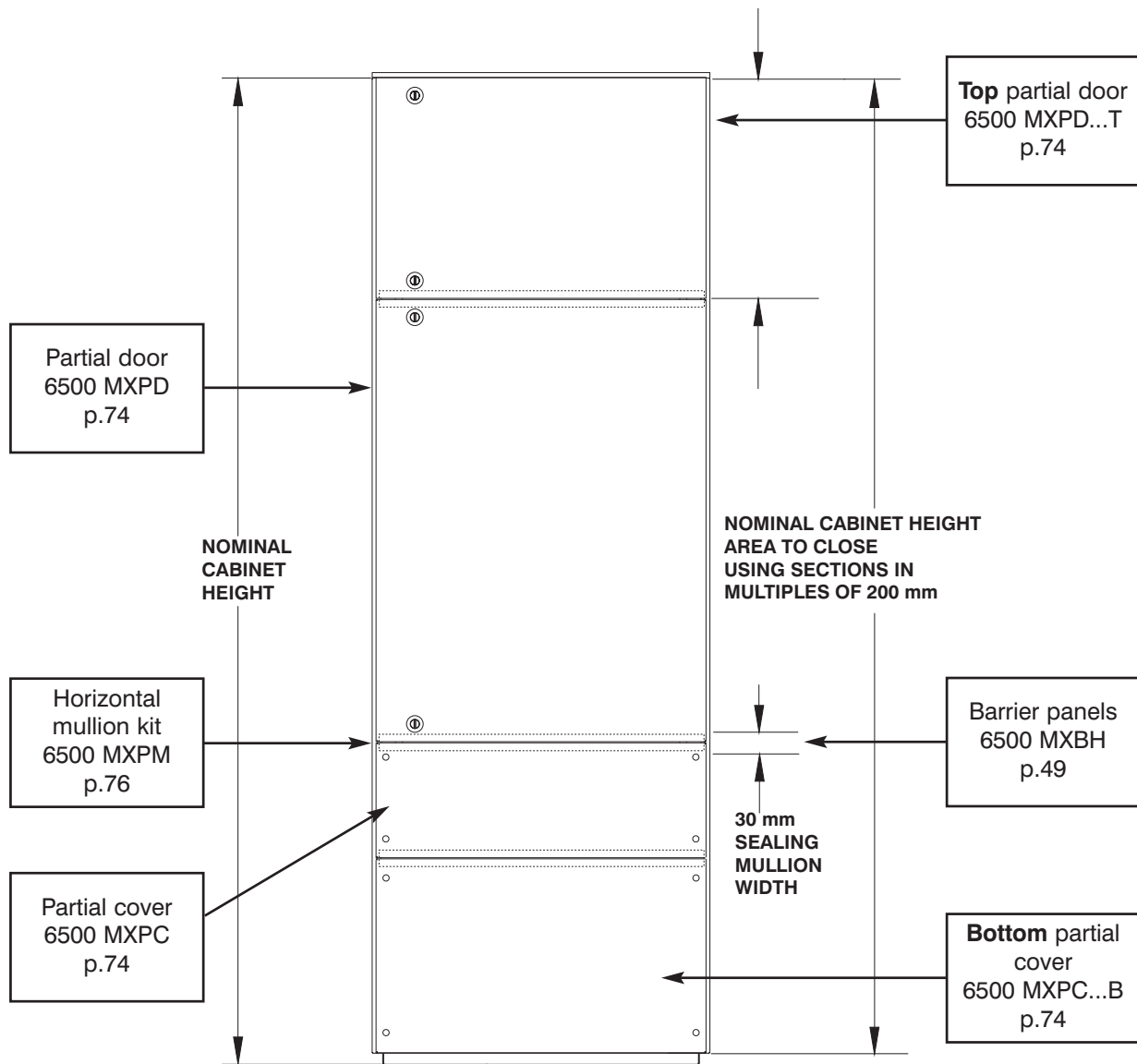
**NOTE:** All Mtrx components or accessories can be installed on the Modular PC Cabinet. Refer to sections: Multi-Door Solutions p.103 ; Shelving and Storage p.110; Rails and Cable Clamps p.116; ...

Data subject to change without notice.



# NEMA 12 -13 Mtrx PARTIAL COVERS & CONSOLES

*Limitless Configurations of access panels, doors, consoles, and division barriers can be factory assembled using our value added services.*



The modular front or rear accessories can be combined with any standard top, bottom or side covers of the Mtrx family of products. Partial covers or doors are offered standard in multiples of 200mm. When using this approach, key components are required to ensure the enclosure retains its

protection rating: (i) Horizontal mullions (one required per seam); (ii) Panel, door or console. Each component is supplied with its necessary installation hardware and gaskets. Protection rating, when assembled with standard Mtrx frame, top, bottom, rear and side covers, is NEMA 12 / IP55.

All parts are finished textured light gray RAL7035.

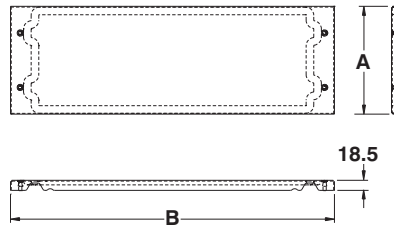
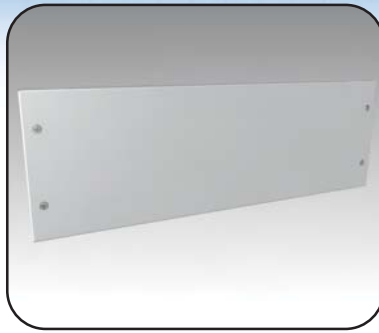
**Note :** Top and Bottom partial covers, doors, window doors or window covers, needs a suffix 'T' or 'B' to the catalog number. (i.e.: 6500 MXPC...T) or (i.e.: 6500 MXPC...B).

Data subject to change without notice.



## Partial cover

The **6500 MXPC partial cover** is installed directly onto the frame of a Mtrx cabinet frame. All installation hardware and brackets are supplied with the kit. The NEMA 12 protection rating is retained when used in conjunction with horizontal mulions. Produced in 16ga or 14ga sheet metal. Finished textured light gray RAL7035. **NEMA/EEMAC 12**

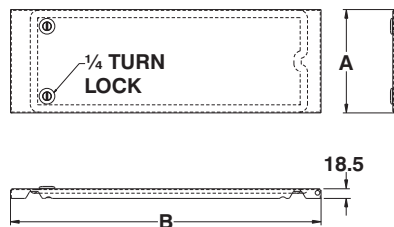
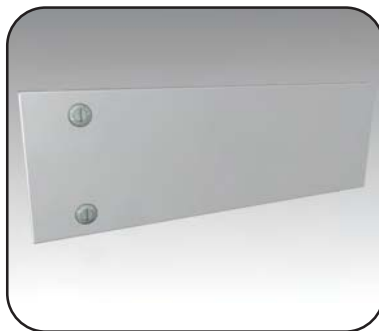


† Add suffix 'T' for Top partial cover (i.e.: 6500 MXPC1010T)  
‡ Add suffix 'B' for Bottom partial cover (i.e.: 6500 MXPC1010B)

CATALOG NUMBER	NOMINAL (mm) Height / Width	DIMENSIONS (mm) A / B
6500 MXPC0204	200 / 400	198 / 395
6500 MXPC0206	200 / 600	198 / 595
6500 MXPC0207	200 / 700	198 / 695
6500 MXPC0208	200 / 800	198 / 795
6500 MXPC0209	200 / 900	198 / 895
6500 MXPC0210	200 / 1000	198 / 995
6500 MXPC0404	400 / 400	398 / 395
6500 MXPC0406	400 / 600	398 / 595
6500 MXPC0407	400 / 700	398 / 695
6500 MXPC0408	400 / 800	398 / 795
6500 MXPC0409	400 / 900	398 / 895
6500 MXPC0410	400 / 1000	398 / 995
6500 MXPC0604	600 / 400	598 / 395
6500 MXPC0606	600 / 600	598 / 595
6500 MXPC0607	600 / 700	598 / 695
6500 MXPC0608	600 / 800	598 / 795
6500 MXPC0609	600 / 900	598 / 895
6500 MXPC0610	600 / 1000	598 / 995
6500 MXPC0804	800 / 400	798 / 395
6500 MXPC0806	800 / 600	798 / 595
6500 MXPC0807	800 / 700	798 / 695
6500 MXPC0808	800 / 800	798 / 795
6500 MXPC0809	800 / 900	798 / 895
6500 MXPC0810	800 / 1000	798 / 995
6500 MXPC1004	1000 / 400	998 / 395
6500 MXPC1006	1000 / 600	998 / 595
6500 MXPC1007	1000 / 700	998 / 695
6500 MXPC1008	1000 / 800	998 / 795
6500 MXPC1009	1000 / 900	998 / 895
6500 MXPC1010	1000 / 1000	998 / 995

## Partial door

The **6500 MXPD partial door** is installed directly onto the frame of a Mtrx cabinet frame. Right or left hand hinged. Hardware, slotted ¼ turn locks and hinges are supplied with the kit. NEMA 12 protection rating is retained when used in conjunction with horizontal mulions. Produced in 16ga or 14ga sheet metal. Finished textured light gray RAL7035. **NEMA/EEMAC 12**



† Add suffix 'T' for Top partial cover (i.e.: 6500 MXPD1010T)  
‡ Add suffix 'B' for Bottom partial cover (i.e.: 6500 MXPD1010B)

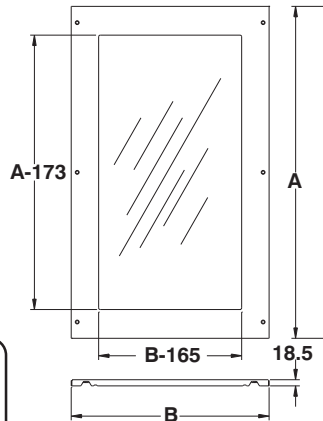
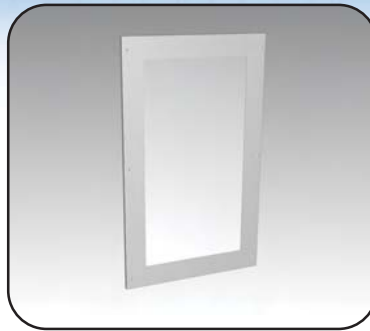
CATALOG NUMBER	NOMINAL (mm) Height / Width	DIMENSIONS (mm) A / B
6500 MXPD0204	200 / 400	198 / 395
6500 MXPD0206	200 / 600	198 / 595
6500 MXPD0207	200 / 700	198 / 695
6500 MXPD0208	200 / 800	198 / 795
6500 MXPD0209	200 / 900	198 / 895
6500 MXPD0210	200 / 1000	198 / 995
6500 MXPD0404	400 / 400	398 / 395
6500 MXPD0406	400 / 600	398 / 595
6500 MXPD0407	400 / 700	398 / 695
6500 MXPD0408	400 / 800	398 / 795
6500 MXPD0409	400 / 900	398 / 895
6500 MXPD0410	400 / 1000	398 / 995
6500 MXPD0604	600 / 400	598 / 395
6500 MXPD0606	600 / 600	598 / 495
6500 MXPD0607	600 / 700	598 / 695
6500 MXPD0608	600 / 800	598 / 795
6500 MXPD0609	600 / 900	598 / 895
6500 MXPD0610	600 / 1000	598 / 995
6500 MXPD0804	800 / 400	798 / 395
6500 MXPD0806	800 / 600	798 / 595
6500 MXPD0807	800 / 700	798 / 695
6500 MXPD0808	800 / 800	798 / 795
6500 MXPD0809	800 / 900	798 / 895
6500 MXPD0810	800 / 1000	798 / 995
6500 MXPD1004	1000 / 400	998 / 395
6500 MXPD1006	1000 / 600	998 / 595
6500 MXPD1007	1000 / 700	998 / 695
6500 MXPD1008	1000 / 800	998 / 795
6500 MXPD1009	1000 / 900	998 / 895
6500 MXPD1010	1000 / 1000	998 / 995

Data subject to change without notice.



## Partial window cover

The **6500 MXPCW partial window cover** is installed directly onto the frame of either a Mtrx or Streamline cabinet frame. All installation hardware and brackets are supplied with the kit. The NEMA 12 protection rating is retained when used in conjunction with horizontal mullions. Produced in 16ga or 14ga sheet metal with a lexan window. Finished textured light gray RAL7035.  
**NEMA/EEMAC 12**



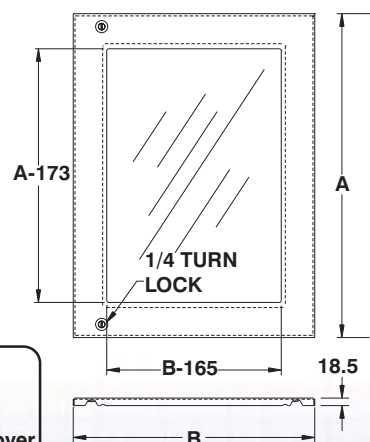
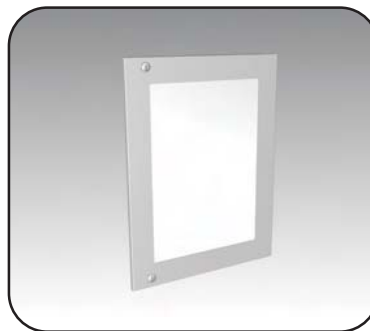
† Add suffix 'T' for Top partial cover (i.e.: 6500 MXPCW1010T)

‡ Add suffix 'B' for Bottom partial cover (i.e.: 6500 MXPCW1010B)

CATALOG NUMBER	NOMINAL (mm) Height / Width	DIMENSIONS (mm) A / B
6500 MXPCW0204	200 / 400	198 / 395
6500 MXPCW0206	200 / 600	198 / 595
6500 MXPCW0207	200 / 700	198 / 695
6500 MXPCW0208	200 / 800	198 / 795
6500 MXPCW0209	200 / 900	198 / 895
6500 MXPCW0210	200 / 1000	198 / 995
6500 MXPCW0404	400 / 400	398 / 395
6500 MXPCW0406	400 / 600	398 / 595
6500 MXPCW0407	400 / 700	398 / 695
6500 MXPCW0408	400 / 800	398 / 795
6500 MXPCW0409	400 / 900	398 / 895
6500 MXPCW0410	400 / 1000	398 / 995
6500 MXPCW0604	600 / 400	598 / 395
6500 MXPCW0606	600 / 600	598 / 595
6500 MXPCW0607	600 / 700	598 / 695
6500 MXPCW0608	600 / 800	598 / 795
6500 MXPCW0609	600 / 900	598 / 895
6500 MXPCW0610	600 / 1000	598 / 995
6500 MXPCW0804	800 / 400	798 / 395
6500 MXPCW0806	800 / 600	798 / 595
6500 MXPCW0807	800 / 700	798 / 695
6500 MXPCW0808	800 / 800	798 / 795
6500 MXPCW0809	800 / 900	798 / 895
6500 MXPCW0810	800 / 1000	798 / 995
6500 MXPCW1004	1000 / 400	998 / 395
6500 MXPCW1006	1000 / 600	998 / 595
6500 MXPCW1007	1000 / 700	998 / 695
6500 MXPCW1008	1000 / 800	998 / 795
6500 MXPCW1009	1000 / 900	998 / 895
6500 MXPCW1010	1000 / 1000	998 / 995

## Partial window door

The **6500 MXPDW partial window door** is installed directly onto the frame of either an Mtrx or Streamline cabinet frame. Right or left hand hinged. Hardware, slotted 1/4 turn locks and hinges are supplied with the kit. NEMA 12 protection rating is retained when used in conjunction with horizontal mullions. Produced in 16ga or 14ga sheet metal with a lexan window. Finished textured light gray RAL7035.  
**NEMA/EEMAC 12**



† Add suffix 'T' for Top partial cover (i.e.: 6500 MXPDW1010T)

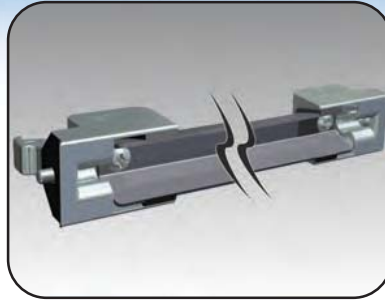
‡ Add suffix 'B' for Bottom partial cover (i.e.: 6500 MXPDW1010B)

CATALOG NUMBER	NOMINAL (mm) Height / Width	DIMENSIONS (mm) A / B
6500 MXPDW0204	200 / 400	198 / 395
6500 MXPDW0206	200 / 600	198 / 595
6500 MXPDW0207	200 / 700	198 / 695
6500 MXPDW0208	200 / 800	198 / 795
6500 MXPDW0209	200 / 900	198 / 895
6500 MXPDW0210	200 / 1000	198 / 995
6500 MXPDW0404	400 / 400	398 / 395
6500 MXPDW0406	400 / 600	398 / 595
6500 MXPDW0407	400 / 700	398 / 695
6500 MXPDW0408	400 / 800	398 / 795
6500 MXPDW0409	400 / 900	398 / 895
6500 MXPDW0410	400 / 1000	398 / 995
6500 MXPDW0604	600 / 400	598 / 395
6500 MXPDW0606	600 / 600	598 / 495
6500 MXPDW0607	600 / 700	598 / 695
6500 MXPDW0608	600 / 800	598 / 795
6500 MXPDW0609	600 / 900	598 / 895
6500 MXPDW0610	600 / 1000	598 / 995
6500 MXPDW0804	800 / 400	798 / 395
6500 MXPDW0806	800 / 600	798 / 595
6500 MXPDW0807	800 / 700	798 / 695
6500 MXPDW0808	800 / 800	798 / 795
6500 MXPDW0809	800 / 900	798 / 895
6500 MXPDW0810	800 / 1000	798 / 995
6500 MXPDW1004	1000 / 400	998 / 395
6500 MXPDW1006	1000 / 600	998 / 595
6500 MXPDW1007	1000 / 700	998 / 695
6500 MXPDW1008	1000 / 800	998 / 795
6500 MXPDW1009	1000 / 900	998 / 895
6500 MXPDW1010	1000 / 1000	998 / 995

Data subject to change without notice.

## Horizontal mullion

The **6500 MXPM horizontal mullion kit** is used to seal trim panels, partial covers or partial doors and retain the protection rating of the enclosure. The zinc castings also act as the latch for the partial door ¼ turn locks. Finish is textured dark gray RAL7011.



CATALOG NUMBER	FOR FRAME WIDTH OR DEPTH (mm)
6500 MXPM04	400
6500 MXPM06	600
6500 MXPM07	700
6500 MXPM08	800
6500 MXPM09	900
6500 MXPM10	1000

## Fixed writing / keyboard console

The **6500 MXPW fixed writing / keyboard console kit** fits within a 200mm high module. Its 320mm angled surface with trim is ideal for writing, documentation, or a keyboard. A cutout and sealing cap is provided for cable access. Finish is textured light gray RAL7035.



CATALOG NUMBER	FOR FRAME WIDTH OR DEPTH (mm)
6500 MXPW04	400
6500 MXPW06	600
6500 MXPW07	700
6500 MXPW08	800
6500 MXPW09	900
6500 MXPW10	1000

## Horizontal hinged cover

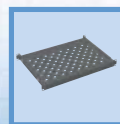
The **6500 MXPK Horizontal hinged cover** fits within a 200mm high module. Its horizontally hinged cover enables a tray to slide out. Supplied standard with slotted or keyed ¼ turn locks. Finish is textured dark gray RAL7011.

**Note: The horizontal hinged door can be combined with frame mounted or rack mounted pull shelves and drawers. Refer to pages 111 and 112.**

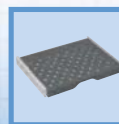


CATALOG NUMBER	FOR FRAME WIDTH OR DEPTH (mm)
6500 MXPK0206	600
6500 MXPK0207	700
6500 MXPK0208	800
6500 MXPK0209	900
6500 MXPK0210	1000

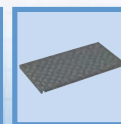
Data subject to change without notice.



p.133



p.111



p.110

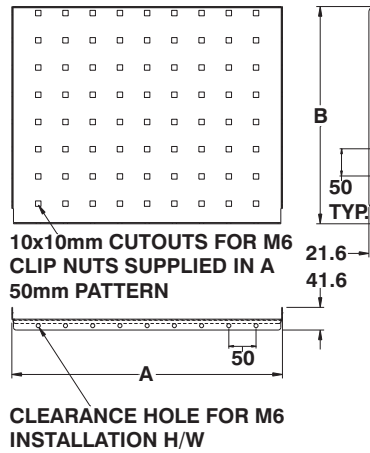
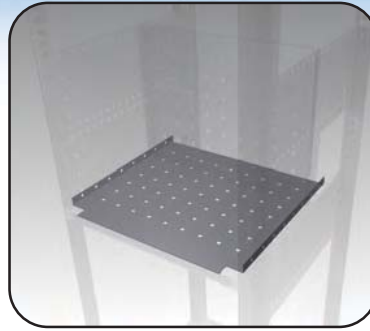


p.127

## Horizontal division barrier

The 6500 MXP HB horizontal barrier kits are barriers that restrict vertical access from one area to another within the enclosure, thus possibly creating modular volumes accessible via partial doors or partial covers. Knockouts are provided to run cables through from one compartment to another. Ventilation openings enable air to circulate. Each kit consists of one barrier panel and its mounting hardware.

**Note: requires grid railing (see p.117) or vertical barrier 6500 MXPVB see below for installation.**

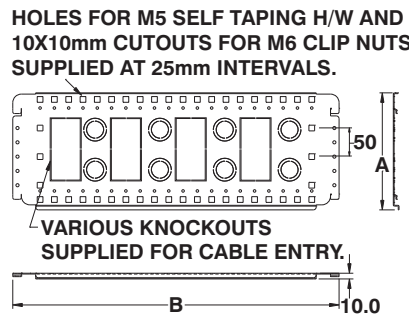
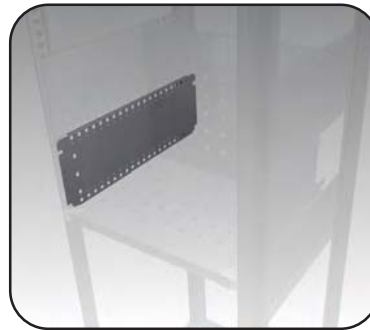


CATALOG NUMBER	NOMINAL (mm) Width / Depth	DIMENSIONS (mm) A / B
6500 MXP HB0404	400 / 400	297 / 300
6500 MXP HB0405	400 / 500	297 / 400
6500 MXP HB0406	400 / 600	297 / 500
6500 MXP HB0408	400 / 800	297 / 700
6500 MXP HB0409	400 / 900	297 / 800
6500 MXP HB0604	600 / 400	497 / 300
6500 MXP HB0605	600 / 500	497 / 400
6500 MXP HB0606	600 / 600	497 / 500
6500 MXP HB0608	600 / 800	497 / 700
6500 MXP HB0609	600 / 900	497 / 800
6500 MXP HB0704	700 / 400	597 / 300
6500 MXP HB0705	700 / 500	597 / 400
6500 MXP HB0706	700 / 600	597 / 500
6500 MXP HB0708	700 / 800	597 / 700
6500 MXP HB0709	700 / 900	597 / 800
6500 MXP HB0804	800 / 400	697 / 300
6500 MXP HB0805	800 / 500	697 / 400
6500 MXP HB0806	800 / 600	697 / 500
6500 MXP HB0808	800 / 800	697 / 700
6500 MXP HB0809	800 / 900	697 / 800
6500 MXP HB0904	900 / 400	797 / 300
6500 MXP HB0905	900 / 500	797 / 400
6500 MXP HB0906	900 / 600	797 / 500
6500 MXP HB0908	900 / 800	797 / 700
6500 MXP HB0909	900 / 900	797 / 800
6500 MXP HB1004	1000 / 400	897 / 300
6500 MXP HB1005	1000 / 500	897 / 400
6500 MXP HB1006	1000 / 600	897 / 500
6500 MXP HB1008	1000 / 800	897 / 700
6500 MXP HB1009	1000 / 900	897 / 800

**MX/SL**  
COMPATIBLE

## Modular vertical division barrier

The 6500 MXPVB modular vertical barrier kit is supplied in multiples of 200mm. These stackable barriers restrict access vertically, between adjacent cabinets or cable troughs. Knockouts and various mounting features are provided throughout. Each kit consists of a pair of barriers and the necessary mounting hardware.



CATALOG NUMBER	BARRIER HEIGHT A (mm)	FOR FRAME WIDTH OR DEPTH B (mm)
6500 MXPVB0204	200	400
6500 MXPVB0205	200	500
6500 MXPVB0206	200	600
6500 MXPVB0207	200	700
6500 MXPVB0208	200	800
6500 MXPVB0209	200	900
6500 MXPVB0404	400	400
6500 MXPVB0405	400	500
6500 MXPVB0406	400	600
6500 MXPVB0407	400	700
6500 MXPVB0408	400	800
6500 MXPVB0409	400	900
6500 MXPVB0604	600	400
6500 MXPVB0605	600	500
6500 MXPVB0606	600	600
6500 MXPVB0607	600	700
6500 MXPVB0608	600	800
6500 MXPVB0609	600	900
6500 MXPVB0804	800	400
6500 MXPVB0805	800	500
6500 MXPVB0806	800	600
6500 MXPVB0607	800	700
6500 MXPVB0808	800	800
6500 MXPVB0809	800	900
6500 MXPVB1004	1000	400
6500 MXPVB1005	1000	500
6500 MXPVB1006	1000	600
6500 MXPVB1007	1000	700
6500 MXPVB1008	1000	800
6500 MXPVB1009	1000	900

Data subject to change without notice.

## Light duty metric modular cabinets



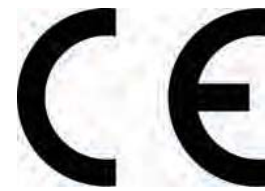
The STREAMLINE series of cabinets are used to house and protect equipment where environmental considerations aren't as severe as NEMA 12 requirements, however where robustness, versatility and quality are still being sought.

These cabinets are made of welded steel frames with incorporated top and bottom covers. Available in single bay standard configurations, the STREAMLINE cabinets can be ordered in complete application specific kits or can be fully customized by order-

ing individual parts. Many components and accessories are interchangeable between the NEMA 12 Mtrx and NEMA 1 STREAMLINE **MX/SL COMPATIBLE** series. Look for the MX/SL icon. Designed and made in North America.

### Industry Standards

- UL Listed
- CSA Certified
- NEMA/EEMAC
- CE (IEC60529; IP30)
- RoHS Compliant



### Industry Standards



Partial covers and doors see p.73



PC cabinet solutions or accessories see p.71



6100 SLKNT server and network solutions see p.125

Data subject to change without notice.

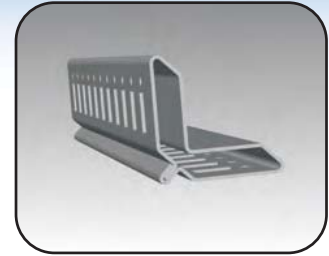




## Light duty metric modular cabinets

### Frame:

- 10 bend closed profile roll-formed electrogalvanized posts
- Fully welded load bearing structure with steel cast lifting and support corners
- Frame includes welded sheet metal top and bottom covers with cable entry provisions
- 25mm DIN system hole pattern in height and depth
- M12 threaded hole for installation of lifting or supporting h/w directly into structural frame
- Standard powder paint coated fine texture dark gray finish (RAL7011)
- Multi-bay / multi-door line-up capable



### Doors, Sides and Rear Covers:

- 14ga or 16ga as per UL / CSA requirements
- Standard powder paint coated textured light gray RAL7035 or black RAL9005 finish
- 4 point locking, latching or mounting hardware all outside of enclosure volume
- Doors supplied standard with metallic pull type handle with slotted insert and complete latching mechanism. Provision for padlocking
- One-person assembly



### Inner Mounting Panel:

- Standard 12ga electrogalvanized panel – can be supplied painted white
- Adjustable in depth at increments of 25mm
- Panel surface flush with frame in standard rear most position
- Exclusive “wobble free” support devices
- Exclusive “slide n` snap” features in accordance with one-person assembly philosophy



### Accessories:

- Full line of external accessories and internal accessories for infinite configuration capabilities and applications
- All major external components are standard factory assembled – refer to icon
- Accessories are interchangeable between Mtrx and Streamline lines



Data subject to change without notice.

# NEMA 1 Mtrx STREAMLINE

## Streamline Selection Guide



p.88



p.92



p.97



p.101



p.99

DIMENSIONS			Cabinet Frame	Solid Door	Back Cover	Mounting Panel	Left and right Side covers*
H	W	D					
700	600	400	6100 SL070604	6100 SLD0706	6100 SLR0706	6100 SLM0706	6100 SLC0704
700	600	500	6100 SL070605	6100 SLD0706	6100 SLR0706	6100 SLM0706	6100 SLC0705
700	600	600	6100 SL070606	6100 SLD0706	6100 SLR0706	6100 SLM0706	6100 SLC0706
700	600	800	6100 SL070608	6100 SLD0706	6100 SLR0706	6100 SLM0706	6100 SLC0708
700	600	900	6100 SL070609	6100 SLD0706	6100 SLR0706	6100 SLM0706	6100 SLC0709
700	600	1000	6100 SL070610	6100 SLD0706	6100 SLR0706	6100 SLM0706	6100 SLC0710
700	600	1100	6100 SL070611	6100 SLD0706	6100 SLR0706	6100 SLM0706	6100 SLC0711
700	600	1200	6100 SL070612	6100 SLD0706	6100 SLR0706	6100 SLM0706	6100 SLC0712
700	700	400	6100 SL070704	6100 SLD0707	6100 SLR0707	6100 SLM0707	6100 SLC0704
700	700	500	6100 SL070705	6100 SLD0707	6100 SLR0707	6100 SLM0707	6100 SLC0705
700	700	600	6100 SL070706	6100 SLD0707	6100 SLR0707	6100 SLM0707	6100 SLC0706
700	700	800	6100 SL070708	6100 SLD0707	6100 SLR0707	6100 SLM0707	6100 SLC0708
700	700	900	6100 SL070709	6100 SLD0707	6100 SLR0707	6100 SLM0707	6100 SLC0709
700	700	1000	6100 SL070710	6100 SLD0707	6100 SLR0707	6100 SLM0707	6100 SLC0710
700	700	1100	6100 SL070711	6100 SLD0707	6100 SLR0707	6100 SLM0707	6100 SLC0711
700	700	1200	6100 SL070712	6100 SLD0707	6100 SLR0707	6100 SLM0707	6100 SLC0712
700	800	400	6100 SL070804	6100 SLD0708	6100 SLR0708	6100 SLM0708	6100 SLC0704
700	800	500	6100 SL070805	6100 SLD0708	6100 SLR0708	6100 SLM0708	6100 SLC0705
700	800	600	6100 SL070806	6100 SLD0708	6100 SLR0708	6100 SLM0708	6100 SLC0706
700	800	900	6100 SL070809	6100 SLD0708	6100 SLR0708	6100 SLM0708	6100 SLC0709
700	800	1000	6100 SL070810	6100 SLD0708	6100 SLR0708	6100 SLM0708	6100 SLC0710
700	800	1100	6100 SL070811	6100 SLD0708	6100 SLR0708	6100 SLM0708	6100 SLC0711
700	800	1200	6100 SL070812	6100 SLD0708	6100 SLR0708	6100 SLM0708	6100 SLC0712
1400	600	400	6100 SL140604	6100 SLD1406	6100 SLR1406	6100 SLM1406	6100 SLC1404
1400	600	500	6100 SL140605	6100 SLD1406	6100 SLR1406	6100 SLM1406	6100 SLC1405
1400	600	600	6100 SL140606	6100 SLD1406	6100 SLR1406	6100 SLM1406	6100 SLC1406
1400	600	800	6100 SL140608	6100 SLD1406	6100 SLR1406	6100 SLM1406	6100 SLC1408
1400	600	900	6100 SL140609	6100 SLD1406	6100 SLR1406	6100 SLM1406	6100 SLC1409
1400	600	1000	6100 SL140610	6100 SLD1406	6100 SLR1406	6100 SLM1406	6100 SLC1410
1400	600	1100	6100 SL140611	6100 SLD1406	6100 SLR1406	6100 SLM1406	6100 SLC1411
1400	600	1200	6100 SL140612	6100 SLD1406	6100 SLR1406	6100 SLM1406	6100 SLC1412
1400	700	400	6100 SL140704	6100 SLD1407	6100 SLR1407	6100 SLM1407	6100 SLC1404
1400	700	500	6100 SL140705	6100 SLD1407	6100 SLR1407	6100 SLM1407	6100 SLC1405
1400	700	600	6100 SL140706	6100 SLD1407	6100 SLR1407	6100 SLM1407	6100 SLC1406
1400	700	800	6100 SL140708	6100 SLD1407	6100 SLR1407	6100 SLM1407	6100 SLC1408
1400	700	900	6100 SL140709	6100 SLD1407	6100 SLR1407	6100 SLM1407	6100 SLC1409

\* Side covers are sold in individual packs or in pairs.

For all cabinet sizes, refer to table above for individual standard external components.

Refer to p.2 on how to order your modular solution by either pre-assembled kits or individual components.

Data subject to change without notice.

# NEMA 1 Mtrx STREAMLINE

## Streamline Selection Guide



p.88



p.92



p.97



p.101



p.99

DIMENSIONS			Cabinet Frame	Solid Door	Back Cover	Mounting Panel	Left and right Side covers*
H	W	D					
1400	700	1000	6100 SL140710	6100 SLD1407	6100 SLR1407	6100 SLM1407	6100 SLC1410
1400	700	1100	6100 SL140711	6100 SLD1407	6100 SLR1407	6100 SLM1407	6100 SLC1411
1400	700	1200	6100 SL140712	6100 SLD1407	6100 SLR1407	6100 SLM1407	6100 SLC1412
1400	800	400	6100 SL140804	6100 SLD1408	6100 SLR1408	6100 SLM1408	6100 SLC1404
1400	800	500	6100 SL140805	6100 SLD1408	6100 SLR1408	6100 SLM1408	6100 SLC1405
1400	800	600	6100 SL140806	6100 SLD1408	6100 SLR1408	6100 SLM1408	6100 SLC1406
1400	800	800	6100 SL140808	6100 SLD1408	6100 SLR1408	6100 SLM1408	6100 SLC1408
1400	800	900	6100 SL140809	6100 SLD1408	6100 SLR1408	6100 SLM1408	6100 SLC1409
1400	800	1000	6100 SL140810	6100 SLD1408	6100 SLR1408	6100 SLM1408	6100 SLC1410
1400	800	1100	6100 SL140811	6100 SLD1408	6100 SLR1408	6100 SLM1408	6100 SLC1411
1400	800	1200	6100 SL140812	6100 SLD1408	6100 SLR1408	6100 SLM1408	6100 SLC1412
1600	600	400	6100 SL160604	6100 SLD1606	6100 SLR1606	6100 SLM1606	6100 SLC1604
1600	600	500	6100 SL160605	6100 SLD1606	6100 SLR1606	6100 SLM1606	6100 SLC1605
1600	600	600	6100 SL160606	6100 SLD1606	6100 SLR1606	6100 SLM1606	6100 SLC1606
1600	600	800	6100 SL160608	6100 SLD1606	6100 SLR1606	6100 SLM1606	6100 SLC1608
1600	600	900	6100 SL160609	6100 SLD1606	6100 SLR1606	6100 SLM1606	6100 SLC1609
1600	600	1000	6100 SL160610	6100 SLD1606	6100 SLR1606	6100 SLM1606	6100 SLC1610
1600	600	1100	6100 SL160611	6100 SLD1606	6100 SLR1606	6100 SLM1606	6100 SLC1611
1600	600	1200	6100 SL160612	6100 SLD1606	6100 SLR1606	6100 SLM1606	6100 SLC1612
1600	700	400	6100 SL160704	6100 SLD1607	6100 SLR1607	6100 SLM1607	6100 SLC1604
1600	700	500	6100 SL160705	6100 SLD1607	6100 SLR1607	6100 SLM1607	6100 SLC1605
1600	700	600	6100 SL160706	6100 SLD1607	6100 SLR1607	6100 SLM1607	6100 SLC1606
1600	700	800	6100 SL160708	6100 SLD1607	6100 SLR1607	6100 SLM1607	6100 SLC1608
1600	700	900	6100 SL160709	6100 SLD1607	6100 SLR1607	6100 SLM1607	6100 SLC1609
1600	700	1000	6100 SL160710	6100 SLD1607	6100 SLR1607	6100 SLM1607	6100 SLC1610
1600	700	1100	6100 SL160711	6100 SLD1607	6100 SLR1607	6100 SLM1607	6100 SLC1611
1600	700	1200	6100 SL160712	6100 SLD1607	6100 SLR1607	6100 SLM1607	6100 SLC1612
1600	800	400	6100 SL160804	6100 SLD1608	6100 SLR1608	6100 SLM1608	6100 SLC1604
1600	800	500	6100 SL160805	6100 SLD1608	6100 SLR1608	6100 SLM1608	6100 SLC1605
1600	800	600	6100 SL160806	6100 SLD1608	6100 SLR1608	6100 SLM1608	6100 SLC1606
1600	800	800	6100 SL160808	6100 SLD1608	6100 SLR1608	6100 SLM1608	6100 SLC1608
1600	800	900	6100 SL160809	6100 SLD1608	6100 SLR1608	6100 SLM1608	6100 SLC1609
1600	800	1000	6100 SL160810	6100 SLD1608	6100 SLR1608	6100 SLM1608	6100 SLC1610
1600	800	1100	6100 SL160811	6100 SLD1608	6100 SLR1608	6100 SLM1608	6100 SLC1611
1600	800	1200	6100 SL160812	6100 SLD1608	6100 SLR1608	6100 SLM1608	6100 SLC1612
1800	600	400	6100 SL180604	6100 SLD1806	6100 SLR1806	6100 SLM1806	6100 SLC1804

\* Side covers are sold in individual packs or in pairs.

For all cabinet sizes, refer to table above for individual standard external components.

Refer to p.2 on how to order your modular solution by either pre-assembled kits or individual components.

Data subject to change without notice.



# NEMA 1 Mtrx STREAMLINE

## Streamline Selection Guide



p.88



p.92



p.97



p.101



p.99

DIMENSIONS			Cabinet Frame	Solid Door	Back Cover	Mounting Panel	Left and right Side covers*
H	W	D					
1800	600	500	6100 SL180605	6100 SLD1806	6100 SLR1806	6100 SLM1806	6100 SLC1805
1800	600	600	6100 SL180606	6100 SLD1806	6100 SLR1806	6100 SLM1806	6100 SLC1806
1800	600	800	6100 SL180608	6100 SLD1806	6100 SLR1806	6100 SLM1806	6100 SLC1808
1800	600	900	6100 SL180609	6100 SLD1806	6100 SLR1806	6100 SLM1806	6100 SLC1809
1800	600	1000	6100 SL180610	6100 SLD1806	6100 SLR1806	6100 SLM1806	6100 SLC1810
1800	600	1100	6100 SL180611	6100 SLD1806	6100 SLR1806	6100 SLM1806	6100 SLC1811
1800	600	1200	6100 SL180612	6100 SLD1806	6100 SLR1806	6100 SLM1806	6100 SLC1812
1800	700	400	6100 SL180704	6100 SLD1807	6100 SLR1807	6100 SLM1807	6100 SLC1804
1800	700	500	6100 SL180705	6100 SLD1807	6100 SLR1807	6100 SLM1807	6100 SLC1805
1800	700	600	6100 SL180706	6100 SLD1807	6100 SLR1807	6100 SLM1807	6100 SLC1806
1800	700	800	6100 SL180708	6100 SLD1807	6100 SLR1807	6100 SLM1807	6100 SLC1808
1800	700	900	6100 SL180709	6100 SLD1807	6100 SLR1807	6100 SLM1807	6100 SLC1809
1800	700	1000	6100 SL180710	6100 SLD1807	6100 SLR1807	6100 SLM1807	6100 SLC1810
1800	700	1100	6100 SL180711	6100 SLD1807	6100 SLR1807	6100 SLM1807	6100 SLC1811
1800	700	1200	6100 SL180712	6100 SLD1807	6100 SLR1807	6100 SLM1807	6100 SLC1812
1800	800	400	6100 SL180804	6100 SLD1808	6100 SLR1808	6100 SLM1808	6100 SLC1804
1800	800	500	6100 SL180805	6100 SLD1808	6100 SLR1808	6100 SLM1808	6100 SLC1805
1800	800	600	6100 SL180806	6100 SLD1808	6100 SLR1808	6100 SLM1808	6100 SLC1806
1800	800	800	6100 SL180808	6100 SLD1808	6100 SLR1808	6100 SLM1808	6100 SLC1808
1800	800	900	6100 SL180809	6100 SLD1808	6100 SLR1808	6100 SLM1808	6100 SLC1809
1800	800	1000	6100 SL180810	6100 SLD1808	6100 SLR1808	6100 SLM1808	6100 SLC1810
1800	800	1100	6100 SL180811	6100 SLD1808	6100 SLR1808	6100 SLM1808	6100 SLC1811
1800	800	1200	6100 SL180812	6100 SLD1808	6100 SLR1808	6100 SLM1808	6100 SLC1812
2000	600	400	6100 SL200604	6100 SLD2006	6100 SLR2006	6100 SLM2006	6100 SLC2004
2000	600	500	6100 SL200605	6100 SLD2006	6100 SLR2006	6100 SLM2006	6100 SLC2005
2000	600	600	6100 SL200606	6100 SLD2006	6100 SLR2006	6100 SLM2006	6100 SLC2006
2000	600	800	6100 SL200608	6100 SLD2006	6100 SLR2006	6100 SLM2006	6100 SLC2008
2000	600	900	6100 SL200609	6100 SLD2006	6100 SLR2006	6100 SLM2006	6100 SLC2009
2000	600	1000	6100 SL200610	6100 SLD2006	6100 SLR2006	6100 SLM2006	6100 SLC2010
2000	600	1100	6100 SL200611	6100 SLD2006	6100 SLR2006	6100 SLM2006	6100 SLC2011
2000	600	1200	6100 SL200612	6100 SLD2006	6100 SLR2006	6100 SLM2006	6100 SLC2012
2000	700	400	6100 SL200704	6100 SLD2007	6100 SLR2007	6100 SLM2007	6100 SLC2004
2000	700	500	6100 SL200705	6100 SLD2007	6100 SLR2007	6100 SLM2007	6100 SLC2005
2000	700	600	6100 SL200706	6100 SLD2007	6100 SLR2007	6100 SLM2007	6100 SLC2006
2000	700	800	6100 SL200708	6100 SLD2007	6100 SLR2007	6100 SLM2007	6100 SLC2008
2000	700	900	6100 SL200709	6100 SLD2007	6100 SLR2007	6100 SLM2007	6100 SLC2009

\* Side covers are sold in individual packs or in pairs.

For all cabinet sizes, refer to table above for individual standard external components.

Refer to p.2 on how to order your modular solution by either pre-assembled kits or individual components.

Data subject to change without notice.



# NEMA 1 Mtrx STREAMLINE

## Streamline Selection Guide



p.88



p.92



p.97



p.101



p.99

DIMENSIONS			Cabinet Frame	Solid Door	Back Cover	Mounting Panel	Left and right Side covers*
H	W	D					
2000	700	1000	6100 SL200710	6100 SLD2007	6100 SLR2007	6100 SLM2007	6100 SLC2010
2000	700	1100	6100 SL200711	6100 SLD2007	6100 SLR2007	6100 SLM2007	6100 SLC2011
2000	700	1200	6100 SL200712	6100 SLD2007	6100 SLR2007	6100 SLM2007	6100 SLC2012
2000	800	400	6100 SL200804	6100 SLD2008	6100 SLR2008	6100 SLM2008	6100 SLC2004
2000	800	500	6100 SL200805	6100 SLD2008	6100 SLR2008	6100 SLM2008	6100 SLC2005
2000	800	600	6100 SL200806	6100 SLD2008	6100 SLR2008	6100 SLM2008	6100 SLC2006
2000	800	800	6100 SL200808	6100 SLD2008	6100 SLR2008	6100 SLM2008	6100 SLC2008
2000	800	900	6100 SL200809	6100 SLD2008	6100 SLR2008	6100 SLM2008	6100 SLC2009
2000	800	1000	6100 SL200810	6100 SLD2008	6100 SLR2008	6100 SLM2008	6100 SLC2010
2000	800	1100	6100 SL200811	6100 SLD2008	6100 SLR2008	6100 SLM2008	6100 SLC2011
2000	800	1200	6100 SL200812	6100 SLD2008	6100 SLR2008	6100 SLM2008	6100 SLC2012
2200	600	400	6100 SL220604	6100 SLD2206	6100 SLR2206	6100 SLM2206	6100 SLC2204
2200	600	500	6100 SL220605	6100 SLD2206	6100 SLR2206	6100 SLM2206	6100 SLC2205
2200	600	600	6100 SL220606	6100 SLD2206	6100 SLR2206	6100 SLM2206	6100 SLC2206
2200	600	800	6100 SL220608	6100 SLD2206	6100 SLR2206	6100 SLM2206	6100 SLC2208
2200	600	900	6100 SL220609	6100 SLD2206	6100 SLR2206	6100 SLM2206	6100 SLC2209
2200	600	1000	6100 SL220610	6100 SLD2206	6100 SLR2206	6100 SLM2206	6100 SLC2210
2200	600	1100	6100 SL220611	6100 SLD2206	6100 SLR2206	6100 SLM2206	6100 SLC2211
2200	600	1200	6100 SL220612	6100 SLD2206	6100 SLR2206	6100 SLM2206	6100 SLC2212
2200	700	400	6100 SL220704	6100 SLD2207	6100 SLR2207	6100 SLM2207	6100 SLC2204
2200	700	500	6100 SL220705	6100 SLD2207	6100 SLR2207	6100 SLM2207	6100 SLC2205
2200	700	600	6100 SL220706	6100 SLD2207	6100 SLR2207	6100 SLM2207	6100 SLC2206
2200	700	800	6100 SL220708	6100 SLD2207	6100 SLR2207	6100 SLM2207	6100 SLC2208
2200	700	900	6100 SL220709	6100 SLD2207	6100 SLR2207	6100 SLM2207	6100 SLC2209
2200	700	1000	6100 SL220710	6100 SLD2207	6100 SLR2207	6100 SLM2207	6100 SLC2210
2200	700	1100	6100 SL220711	6100 SLD2207	6100 SLR2207	6100 SLM2207	6100 SLC2211
2200	700	1200	6100 SL220712	6100 SLD2207	6100 SLR2207	6100 SLM2207	6100 SLC2212
2200	800	400	6100 SL220804	6100 SLD2208	6100 SLR2208	6100 SLM2208	6100 SLC2204
2200	800	500	6100 SL220805	6100 SLD2208	6100 SLR2208	6100 SLM2208	6100 SLC2205
2200	800	600	6100 SL220806	6100 SLD2208	6100 SLR2208	6100 SLM2208	6100 SLC2206
2200	800	800	6100 SL220808	6100 SLD2208	6100 SLR2208	6100 SLM2208	6100 SLC2208
2200	800	900	6100 SL220809	6100 SLD2208	6100 SLR2208	6100 SLM2208	6100 SLC2209
2200	800	1000	6100 SL220810	6100 SLD2208	6100 SLR2208	6100 SLM2208	6100 SLC2210
2200	800	1100	6100 SL220811	6100 SLD2208	6100 SLR2208	6100 SLM2208	6100 SLC2211
2200	800	1200	6100 SL220812	6100 SLD2208	6100 SLR2208	6100 SLM2208	6100 SLC2212

\* Side covers are sold in individual packs or in pairs.

For all cabinet sizes, refer to table above for individual standard external components.

Refer to p.2 on how to order your modular solution by either pre-assembled kits or individual components.

Data subject to change without notice.



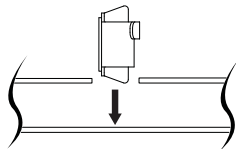
## Single bay cabinet kit

The 6100 SLK cabinet kit is comparable to the Mtrx kit in form, fit and function however designed for NEMA 1 rated applications. The standard cabinet kits consists of:

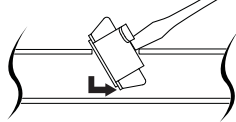
- 6100 SL frame with incorporated top and bottom (painted dark gray RAL7011; galvanized) and accessory kit (cable entry caps; eye bolts; leveling feet) (p.141)
- 6100 SLR rear cover (painted light gray RAL7035; steel) (p.97)
- 6100 SLD solid door (painted light gray RAL7035; steel) - consisting of: a 4 point locking mechanism; vertical stiffeners; a zinc cast pull handle with slotted insert (p.92)
- 6100 SLM inner mounting panel (no finish 12ga galvanized) (p.101)
- 4 std leveling feet
- 4 lifting eye bolts

CSA Certified / UL Listed  
NEMA/EEMAC 1 / IP30

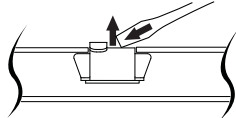
STEP 1: INSERT INTO  
RECTANGULAR CUTOUT



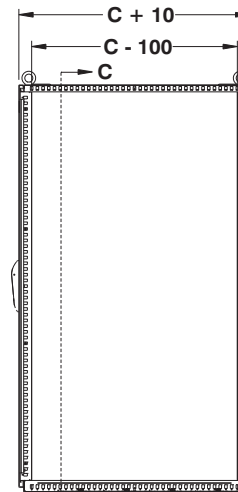
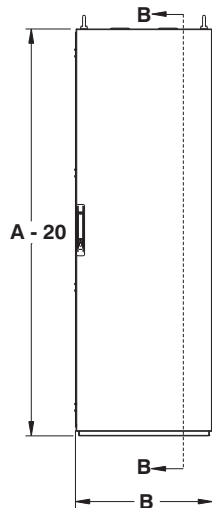
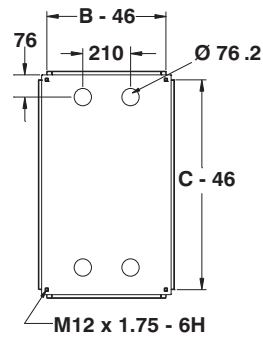
STEP 2: ROTATE AND  
SLIDE INTO CUTOUT



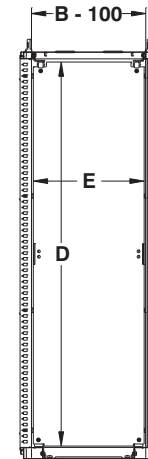
STEP 3: PUSH UNTIL  
SPRING IS ENGAGED



All modular frames are supplied with a hole pattern offset every 25mm to accommodate the installation of front inserted clip nuts (p.148) in all three axes. Refer to above steps for installation



SECTION B-B



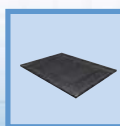
SECTION C-C



CATALOG NUMBER	NOMINAL			PANEL	
	A	B*	C	D	E
6100 SLK070604	700	600	400	580	485
6100 SLK070605	700	600	500	580	485
6100 SLK070606	700	600	600	580	485
6100 SLK070608	700	600	800	580	485
6100 SLK070609	700	600	900	580	485
6100 SLK070610	700	600	1000	580	485
6100 SLK070611	700	600	1100	580	485
6100 SLK070612	700	600	1200	580	485
6100 SLK070704	700	700	400	580	585
6100 SLK070705	700	700	500	580	585
6100 SLK070706	700	700	600	580	585
6100 SLK070708	700	700	800	580	585
6100 SLK070709	700	700	900	580	585

CATALOG NUMBER	NOMINAL			PANEL	
	A	B*	C	D	E
6100 SLK070710	700	700	1000	580	585
6100 SLK070711	700	700	1100	580	585
6100 SLK070712	700	700	1200	580	585
6100 SLK070804	700	800	400	580	685
6100 SLK070805	700	800	500	580	685
6100 SLK070806	700	800	600	580	685
6100 SLK070809	700	800	900	580	685
6100 SLK070810	700	800	1000	580	685
6100 SLK070811	700	800	1100	580	685
6100 SLK070812	700	800	1200	580	685
6100 SLK140604	1400	600	400	1280	485
6100 SLK140605	1400	600	500	1280	485
6100 SLK140606	1400	600	600	1280	485

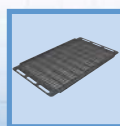
Data subject to change without notice.



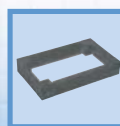
p.56



p.52



p.57



p.58



p.105



p.42

## Single bay cabinet kit

CATALOG NUMBER	NOMINAL			PANEL	
	A	B*	C	D	E
6100 SLK140608	1400	600	800	1280	485
6100 SLK140609	1400	600	900	1280	485
6100 SLK140610	1400	600	1000	1280	485
6100 SLK140611	1400	600	1100	1280	485
6100 SLK140612	1400	600	1200	1280	485
6100 SLK140704	1400	700	400	1280	585
6100 SLK140705	1400	700	500	1280	585
6100 SLK140706	1400	700	600	1280	585
6100 SLK140708	1400	700	800	1280	585
6100 SLK140709	1400	700	900	1280	585
6100 SLK140710	1400	700	1000	1280	585
6100 SLK140711	1400	700	1100	1280	585
6100 SLK140712	1400	700	1200	1280	585
6100 SLK140804	1400	800	400	1280	685
6100 SLK140805	1400	800	500	1280	685
6100 SLK140806	1400	800	600	1280	685
6100 SLK140808	1400	800	800	1280	685
6100 SLK140809	1400	800	900	1280	685
6100 SLK140810	1400	800	1000	1280	685
6100 SLK140811	1400	800	1100	1280	685
6100 SLK140812	1400	800	1200	1280	685
6100 SLK160604	1600	600	400	1480	485
6100 SLK160605	1600	600	500	1480	485
6100 SLK160606	1600	600	600	1480	485
6100 SLK160608	1600	600	800	1480	485
6100 SLK160609	1600	600	900	1480	485
6100 SLK160610	1600	600	1000	1480	485
6100 SLK160611	1600	600	1100	1480	485
6100 SLK160612	1600	600	1200	1480	485
6100 SLK160704	1600	700	400	1480	585
6100 SLK160705	1600	700	500	1480	585
6100 SLK160706	1600	700	600	1480	585
6100 SLK160708	1600	700	800	1480	585
6100 SLK160709	1600	700	900	1480	585
6100 SLK160710	1600	700	1000	1480	585
6100 SLK160711	1600	700	1100	1480	585
6100 SLK160712	1600	700	1200	1480	585
6100 SLK160804	1600	800	400	1480	685
6100 SLK160805	1600	800	500	1480	685
6100 SLK160806	1600	800	600	1480	685
6100 SLK160808	1600	800	800	1480	685
6100 SLK160809	1600	800	900	1480	685
6100 SLK160810	1600	800	1000	1480	685
6100 SLK160811	1600	800	1100	1480	685
6100 SLK160812	1600	800	1200	1480	685
6100 SLK180604	1800	600	400	1680	485
6100 SLK180605	1800	600	500	1680	485
6100 SLK180606	1800	600	600	1680	485
6100 SLK180608	1800	600	800	1680	485
6100 SLK180609	1800	600	900	1680	485
6100 SLK180610	1800	600	1000	1680	485
6100 SLK180611	1800	600	1100	1680	485
6100 SLK180612	1800	600	1200	1680	485
6100 SLK180704	1800	700	400	1680	585
6100 SLK180705	1800	700	500	1680	585
6100 SLK180706	1800	700	600	1680	585
6100 SLK180708	1800	700	800	1680	585
6100 SLK180709	1800	700	900	1680	585
6100 SLK180710	1800	700	1000	1680	585

CATALOG NUMBER	NOMINAL			PANEL	
	A	B*	C	D	E
6100 SLK180711	1800	700	1100	1680	585
6100 SLK180712	1800	700	1200	1680	585
6100 SLK180804	1800	800	400	1680	685
6100 SLK180805	1800	800	500	1680	685
6100 SLK180806	1800	800	600	1680	685
6100 SLK180808	1800	800	800	1680	685
6100 SLK180809	1800	800	900	1680	685
6100 SLK180810	1800	800	1000	1680	685
6100 SLK180811	1800	800	1100	1680	685
6100 SLK180812	1800	800	1200	1680	685
6100 SLK200604	2000	600	400	1880	485
6100 SLK200605	2000	600	500	1880	485
6100 SLK200606	2000	600	600	1880	485
6100 SLK200608	2000	600	800	1880	485
6100 SLK200609	2000	600	900	1880	485
6100 SLK200610	2000	600	1000	1880	485
6100 SLK200611	2000	600	1100	1880	485
6100 SLK200612	2000	600	1200	1880	485
6100 SLK200704	2000	700	400	1880	585
6100 SLK200705	2000	700	500	1880	585
6100 SLK200706	2000	700	600	1880	585
6100 SLK200708	2000	700	800	1880	585
6100 SLK200709	2000	700	900	1880	585
6100 SLK200710	2000	700	1000	1880	585
6100 SLK200711	2000	700	1100	1880	585
6100 SLK200712	2000	700	1200	1880	585
6100 SLK200804	2000	800	400	1880	685
6100 SLK200805	2000	800	500	1880	685
6100 SLK200806	2000	800	600	1880	685
6100 SLK200808	2000	800	800	1880	685
6100 SLK200809	2000	800	900	1880	685
6100 SLK200810	2000	800	1000	1880	685
6100 SLK200811	2000	800	1100	1880	685
6100 SLK200812	2000	800	1200	1880	685
6100 SLK220604	2200	600	400	2080	485
6100 SLK220605	2200	600	500	2080	485
6100 SLK220606	2200	600	600	2080	485
6100 SLK220608	2200	600	800	2080	485
6100 SLK220609	2200	600	900	2080	485
6100 SLK220610	2200	600	1000	2080	485
6100 SLK220611	2200	600	1100	2080	485
6100 SLK220612	2200	600	1200	2080	485
6100 SLK220704	2200	700	400	2080	585
6100 SLK220705	2200	700	500	2080	585
6100 SLK220706	2200	700	600	2080	585
6100 SLK220708	2200	700	800	2080	585
6100 SLK220709	2200	700	900	2080	585
6100 SLK220710	2200	700	1000	2080	585
6100 SLK220711	2200	700	1100	2080	585
6100 SLK220712	2200	700	1200	2080	585
6100 SLK220804	2200	800	400	2080	685
6100 SLK220805	2200	800	500	2080	685
6100 SLK220806	2200	800	600	2080	685
6100 SLK220808	2200	800	800	2080	685
6100 SLK220809	2200	800	900	2080	685
6100 SLK220810	2200	800	1000	2080	685
6100 SLK220811	2200	800	1100	2080	685
6100 SLK220812	2200	800	1200	2080	685

\* Side panels (one on each side) add 10mm to width.



For exterior of cabinet finished textured black RAL9005 add suffix "X"

6100 SLK180606X → cable entry version with external finish textured black RAL9005

Data subject to change without notice.



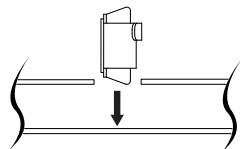
## Single bay cabinet kit with top cable entry gland plate

The 6100 SLK cabinet kit is comparable to the Mtrx kit in form, fit and function however designed for NEMA 1 rated applications. The standard cabinet kits consists of:

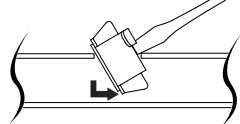
- 6100 SL frame with incorporated top and bottom (painted dark gray RAL7011; galvanized) and accessory kit (cable entry caps & gland plates; eye bolts; leveling feet) (p.141)
- 6100 SLR rear cover (painted light gray RAL7035; steel) (p. 97)
- 6100 SLD solid door (painted light gray RAL7035; steel) - consisting of: a 4 point locking mechanism; vertical stiffeners; a zinc cast pull handle with slotted insert (p.92)
- 6100 SLM inner mounting panel (no finish 12ga galvanized) (p.101)
- 4 std leveling feet
- 4 lifting eye bolts

CSA Certified / UL Listed  
NEMA/EEMAC 1 / IP30

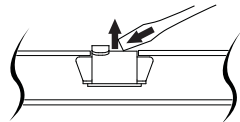
STEP 1: INSERT INTO  
RECTANGULAR CUTOUT



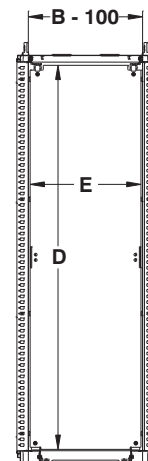
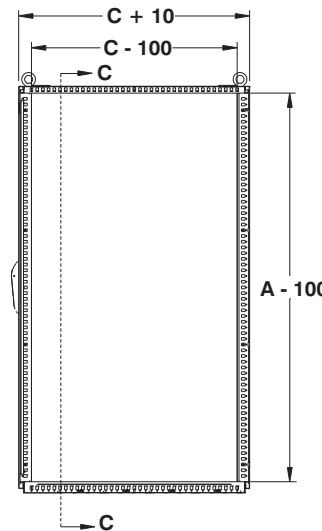
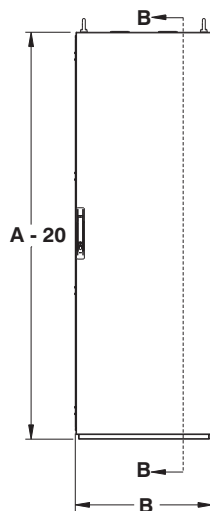
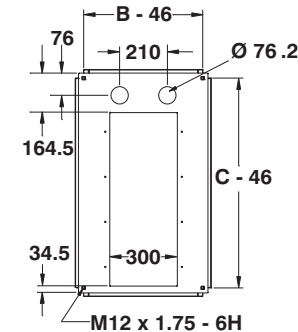
STEP 2: ROTATE AND  
SLIDE INTO CUTOUT



STEP 3: PUSH UNTIL  
SPRING IS ENGAGED



All modular frames are supplied with a hole pattern offset every 25mm to accommodate the installation of front inserted clip nuts (p.148) in all three axes. Refer to above steps for installation



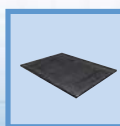
SECTION B-B

SECTION C-C

CATALOG NUMBER	NOMINAL			PANEL	
	A	B*	C	D	E
6100 SLK070604CE	700	600	400	580	485
6100 SLK070605CE	700	600	500	580	485
6100 SLK070606CE	700	600	600	580	485
6100 SLK070608CE	700	600	800	580	485
6100 SLK070609CE	700	600	900	580	485
6100 SLK070610CE	700	600	1000	580	485
6100 SLK070611CE	700	600	1100	580	485
6100 SLK070612CE	700	600	1200	580	485
6100 SLK070704CE	700	700	400	580	585
6100 SLK070705CE	700	700	500	580	585
6100 SLK070706CE	700	700	600	580	585
6100 SLK070708CE	700	700	800	580	585
6100 SLK070709CE	700	700	900	580	585

CATALOG NUMBER	NOMINAL			PANEL	
	A	B*	C	D	E
6100 SLK070710CE	700	700	1000	580	585
6100 SLK070711CE	700	700	1100	580	585
6100 SLK070712CE	700	700	1200	580	585
6100 SLK070804CE	700	800	400	580	685
6100 SLK070805CE	700	800	500	580	685
6100 SLK070806CE	700	800	600	580	685
6100 SLK070809CE	700	800	900	580	685
6100 SLK070810CE	700	800	1000	580	685
6100 SLK070811CE	700	800	1100	580	685
6100 SLK070812CE	700	800	1200	580	685
6100 SLK140604CE	1400	600	400	1280	485
6100 SLK140605CE	1400	600	500	1280	485
6100 SLK140606CE	1400	600	600	1280	485

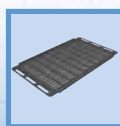
Data subject to change without notice.



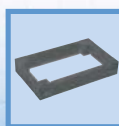
p.56



p.52



p.57



p.58



p.105



p.42



## Single bay cabinet kit with top cable entry gland plate

CATALOG NUMBER	NOMINAL			PANEL	
	A	B*	C	D	E
6100 SLK140608CE	1400	600	800	1280	485
6100 SLK140609CE	1400	600	900	1280	485
6100 SLK140610CE	1400	600	1000	1280	485
6100 SLK140611CE	1400	600	1100	1280	485
6100 SLK140612CE	1400	600	1200	1280	485
6100 SLK140704CE	1400	700	400	1280	585
6100 SLK140705CE	1400	700	500	1280	585
6100 SLK140706CE	1400	700	600	1280	585
6100 SLK140708CE	1400	700	800	1280	585
6100 SLK140709CE	1400	700	900	1280	585
6100 SLK140710CE	1400	700	1000	1280	585
6100 SLK140711CE	1400	700	1100	1280	585
6100 SLK140712CE	1400	700	1200	1280	585
6100 SLK140804CE	1400	800	400	1280	685
6100 SLK140805CE	1400	800	500	1280	685
6100 SLK140806CE	1400	800	600	1280	685
6100 SLK140808CE	1400	800	800	1280	685
6100 SLK140809CE	1400	800	900	1280	685
6100 SLK140810CE	1400	800	1000	1280	685
6100 SLK140811CE	1400	800	1100	1280	685
6100 SLK140812CE	1400	800	1200	1280	685
6100 SLK160604CE	1600	600	400	1480	485
6100 SLK160605CE	1600	600	500	1480	485
6100 SLK160606CE	1600	600	600	1480	485
6100 SLK160608CE	1600	600	800	1480	485
6100 SLK160609CE	1600	600	900	1480	485
6100 SLK160610CE	1600	600	1000	1480	485
6100 SLK160611CE	1600	600	1100	1480	485
6100 SLK160612CE	1600	600	1200	1480	485
6100 SLK160704CE	1600	700	400	1480	585
6100 SLK160705CE	1600	700	500	1480	585
6100 SLK160706CE	1600	700	600	1480	585
6100 SLK160708CE	1600	700	800	1480	585
6100 SLK160709CE	1600	700	900	1480	585
6100 SLK160710CE	1600	700	1000	1480	585
6100 SLK160711CE	1600	700	1100	1480	585
6100 SLK160712CE	1600	700	1200	1480	585
6100 SLK160804CE	1600	800	400	1480	685
6100 SLK160805CE	1600	800	500	1480	685
6100 SLK160806CE	1600	800	600	1480	685
6100 SLK160808CE	1600	800	800	1480	685
6100 SLK160809CE	1600	800	900	1480	685
6100 SLK160810CE	1600	800	1000	1480	685
6100 SLK160811CE	1600	800	1100	1480	685
6100 SLK160812CE	1600	800	1200	1480	685
6100 SLK180604CE	1800	600	400	1680	485
6100 SLK180605CE	1800	600	500	1680	485
6100 SLK180606CE	1800	600	600	1680	485
6100 SLK180608CE	1800	600	800	1680	485
6100 SLK180609CE	1800	600	900	1680	485
6100 SLK180610CE	1800	600	1000	1680	485
6100 SLK180611CE	1800	600	1100	1680	485
6100 SLK180612CE	1800	600	1200	1680	485
6100 SLK180704CE	1800	700	400	1680	585
6100 SLK180705CE	1800	700	500	1680	585
6100 SLK180706CE	1800	700	600	1680	585
6100 SLK180708CE	1800	700	800	1680	585
6100 SLK180709CE	1800	700	900	1680	585
6100 SLK180710CE	1800	700	1000	1680	585

CATALOG NUMBER	NOMINAL			PANEL	
	A	B*	C	D	E
6100 SLK180711CE	1800	700	1100	1680	585
6100 SLK180712CE	1800	700	1200	1680	585
6100 SLK180804CE	1800	800	400	1680	685
6100 SLK180805CE	1800	800	500	1680	685
6100 SLK180806CE	1800	800	600	1680	685
6100 SLK180808CE	1800	800	800	1680	685
6100 SLK180809CE	1800	800	900	1680	685
6100 SLK180810CE	1800	800	1000	1680	685
6100 SLK180811CE	1800	800	1100	1680	685
6100 SLK180812CE	1800	800	1200	1680	685
6100 SLK200604CE	2000	600	400	1880	485
6100 SLK200605CE	2000	600	500	1880	485
6100 SLK200606CE	2000	600	600	1880	485
6100 SLK200608CE	2000	600	800	1880	485
6100 SLK200609CE	2000	600	900	1880	485
6100 SLK200610CE	2000	600	1000	1880	485
6100 SLK200611CE	2000	600	1100	1880	485
6100 SLK200612CE	2000	600	1200	1880	485
6100 SLK200704CE	2000	700	400	1880	585
6100 SLK200705CE	2000	700	500	1880	585
6100 SLK200706CE	2000	700	600	1880	585
6100 SLK200708CE	2000	700	800	1880	585
6100 SLK200709CE	2000	700	900	1880	585
6100 SLK200710CE	2000	700	1000	1880	585
6100 SLK200711CE	2000	700	1100	1880	585
6100 SLK200712CE	2000	700	1200	1880	585
6100 SLK200804CE	2000	800	400	1880	685
6100 SLK200805CE	2000	800	500	1880	685
6100 SLK200806CE	2000	800	600	1880	685
6100 SLK200808CE	2000	800	800	1880	685
6100 SLK200809CE	2000	800	900	1880	685
6100 SLK200810CE	2000	800	1000	1880	685
6100 SLK200811CE	2000	800	1100	1880	685
6100 SLK200812CE	2000	800	1200	1880	685
6100 SLK220604CE	2200	600	400	2080	485
6100 SLK220605CE	2200	600	500	2080	485
6100 SLK220606CE	2200	600	600	2080	485
6100 SLK220608CE	2200	600	800	2080	485
6100 SLK220609CE	2200	600	900	2080	485
6100 SLK220610CE	2200	600	1000	2080	485
6100 SLK220611CE	2200	600	1100	2080	485
6100 SLK220612CE	2200	600	1200	2080	485
6100 SLK220704CE	2200	700	400	2080	585
6100 SLK220705CE	2200	700	500	2080	585
6100 SLK220706CE	2200	700	600	2080	585
6100 SLK220708CE	2200	700	800	2080	585
6100 SLK220709CE	2200	700	900	2080	585
6100 SLK220710CE	2200	700	1000	2080	585
6100 SLK220711CE	2200	700	1100	2080	585
6100 SLK220712CE	2200	700	1200	2080	585
6100 SLK220804CE	2200	800	400	2080	685
6100 SLK220805CE	2200	800	500	2080	685
6100 SLK220806CE	2200	800	600	2080	685
6100 SLK220808CE	2200	800	800	2080	685
6100 SLK220809CE	2200	800	900	2080	685
6100 SLK220810CE	2200	800	1000	2080	685
6100 SLK220811CE	2200	800	1100	2080	685
6100 SLK220812CE	2200	800	1200	2080	685

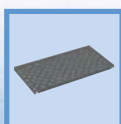
\* Side panels (one on each side) add 10mm to width.



For exterior of cabinet finished **textured black RAL9005** add suffix "X"

6100 SLK180606X → cable entry version with external finish textured black RAL9005

Data subject to change without notice.



p.110

<http://www.exmweb.com>



p.113



p.114



p.120



p.127



p.137



p.139



p.141



p.144

[info@exmweb.com](mailto:info@exmweb.com)

1-800-363-2423

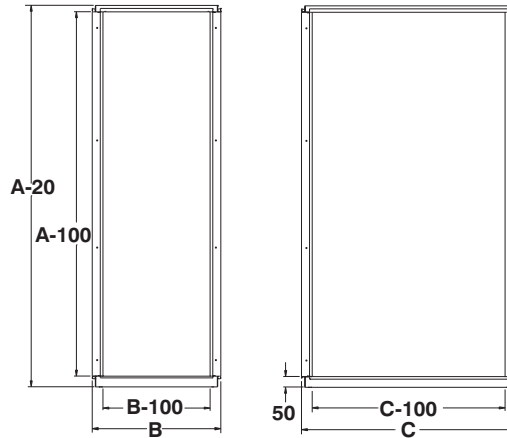
Fax : 450-979-4626

## Frame for Streamline Cabinet

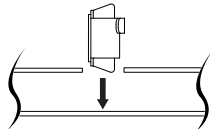
The 6100 SL Streamline frame is the base frame of the Streamline cabinet. The frame is a combination of the Mtrx roll formed tubular posts and welded sheet metal top and bottom.

The same hole pattern at 25mm increments are supplied in both the height and depth of the enclosure enabling the use of most of the Mtrx accessories. Inner panel sliding rails are incorporated in

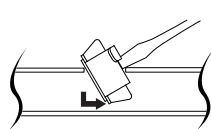
the frame construction. Eye bolts, leveling feet, cable entry caps and gland plates are provided standard. The frame is finished sandtex dark gray RAL7011.



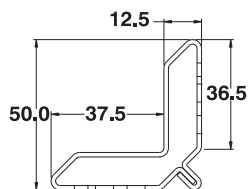
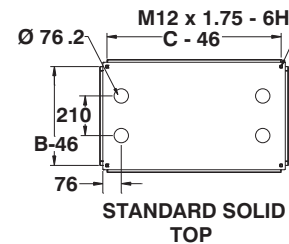
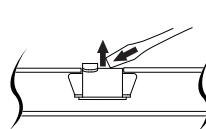
STEP 1 : INSERT INTO RECTANGULAR CUTOUT



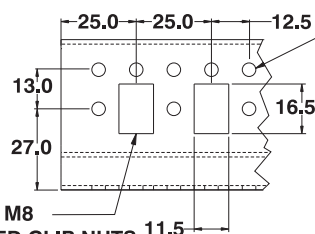
STEP 2 : ROTATE AND SLIDE INTO CUTOUT



STEP 3 : PUSH UNTIL SPRING IS ENGAGED



FOR M5, M6 OR M8 FRONT INSERTED CLIP NUTS (880 HDFM..., SEE PAGE 483)



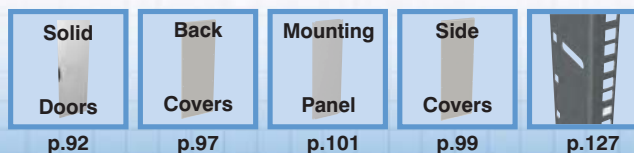
FOR M5 SELF TAPPING HARDWARE (880 HDT10, SEE PAGE 482)



CATALOG NUMBER	NOMINAL			DIMENSIONS		
	H	W	D	H	W	D
6100 SL070604	700	600	400	680	600	400
6100 SL070605	700	600	500	680	600	500
6100 SL070606	700	600	600	680	600	600
6100 SL070608	700	600	800	680	600	800
6100 SL070609	700	600	900	680	600	900
6100 SL070610	700	600	1000	680	600	1000
6100 SL070611	700	600	1100	680	600	1100
6100 SL070612	700	600	1200	680	600	1200
6100 SL070704	700	700	400	680	700	400
6100 SL070705	700	700	500	680	700	500
6100 SL070706	700	700	600	680	700	600
6100 SL070708	700	700	800	680	700	800
6100 SL070709	700	700	900	680	700	900

CATALOG NUMBER	NOMINAL			DIMENSIONS		
	H	W	D	H	W	D
6100 SL070710	700	700	1000	680	700	1000
6100 SL070711	700	700	1100	680	700	1100
6100 SL070712	700	700	1200	680	700	1200
6100 SL070804	700	800	400	680	800	400
6100 SL070805	700	800	500	680	800	500
6100 SL070806	700	800	600	680	800	600
6100 SL070809	700	800	900	680	800	900
6100 SL070810	700	800	1000	680	800	1000
6100 SL070811	700	800	1100	680	800	1100
6100 SL070812	700	800	1200	680	800	1200
6100 SL140604	1400	600	400	1380	600	400
6100 SL140605	1400	600	500	1380	600	500
6100 SL140606	1400	600	600	1380	600	600

Data subject to change without notice.



## Frame for Streamline Cabinet

CATALOG NUMBER	NOMINAL			DIMENSIONS		
	H	W	D	H	W	D
6100 SL140608	1400	600	800	1380	600	800
6100 SL140609	1400	600	900	1380	600	900
6100 SL140610	1400	600	1000	1380	600	1000
6100 SL140611	1400	600	1100	1380	600	1100
6100 SL140612	1400	600	1200	1380	600	1200
6100 SL140704	1400	700	400	1380	700	400
6100 SL140705	1400	700	500	1380	700	500
6100 SL140706	1400	700	600	1380	700	600
6100 SL140708	1400	700	800	1380	700	800
6100 SL140709	1400	700	900	1380	700	900
6100 SL140710	1400	700	1000	1380	700	1000
6100 SL140711	1400	700	1100	1380	700	1100
6100 SL140712	1400	700	1200	1380	700	1200
6100 SL140804	1400	800	400	1380	800	400
6100 SL140805	1400	800	500	1380	800	500
6100 SL140806	1400	800	600	1380	800	600
6100 SL140808	1400	800	800	1380	800	800
6100 SL140809	1400	800	900	1380	800	900
6100 SL140810	1400	800	1000	1380	800	1000
6100 SL140811	1400	800	1100	1380	800	1100
6100 SL140812	1400	800	1200	1380	800	1200
6100 SL160604	1600	600	400	1580	600	400
6100 SL160605	1600	600	500	1580	600	500
6100 SL160606	1600	600	600	1580	600	600
6100 SL160608	1600	600	800	1580	600	800
6100 SL160609	1600	600	900	1580	600	900
6100 SL160610	1600	600	1000	1580	600	1000
6100 SL160611	1600	600	1100	1580	600	1100
6100 SL160612	1600	600	1200	1580	600	1200
6100 SL160704	1600	700	400	1580	700	400
6100 SL160705	1600	700	500	1580	700	500
6100 SL160706	1600	700	600	1580	700	600
6100 SL160708	1600	700	800	1580	700	800
6100 SL160709	1600	700	900	1580	700	900
6100 SL160710	1600	700	1000	1580	700	1000
6100 SL160711	1600	700	1100	1580	700	1100
6100 SL160712	1600	700	1200	1580	700	1200
6100 SL160804	1600	800	400	1580	800	400
6100 SL160805	1600	800	500	1580	800	500
6100 SL160806	1600	800	600	1580	800	600
6100 SL160808	1600	800	800	1580	800	800
6100 SL160809	1600	800	900	1580	800	900
6100 SL160810	1600	800	1000	1580	800	1000
6100 SL160811	1600	800	1100	1580	800	1100
6100 SL160812	1600	800	1200	1580	800	1200
6100 SL180604	1800	600	400	1780	600	400
6100 SL180605	1800	600	500	1780	600	500
6100 SL180606	1800	600	600	1780	600	600
6100 SL180608	1800	600	800	1780	600	800
6100 SL180609	1800	600	900	1780	600	900
6100 SL180610	1800	600	1000	1780	600	1000
6100 SL180611	1800	600	1100	1780	600	1100
6100 SL180612	1800	600	1200	1780	600	1200
6100 SL180704	1800	700	400	1780	700	400
6100 SL180705	1800	700	500	1780	700	500
6100 SL180706	1800	700	600	1780	700	600
6100 SL180708	1800	700	800	1780	700	800
6100 SL180709	1800	700	900	1780	700	900
6100 SL180710	1800	700	1000	1780	700	1000

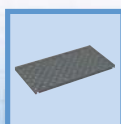
CATALOG NUMBER	NOMINAL			DIMENSIONS		
	H	W	D	H	W	D
6100 SL180711	1800	700	1100	1780	700	1100
6100 SL180712	1800	700	1200	1780	700	1200
6100 SL180804	1800	800	400	1780	800	400
6100 SL180805	1800	800	500	1780	800	500
6100 SL180806	1800	800	600	1780	800	600
6100 SL180808	1800	800	800	1780	800	800
6100 SL180809	1800	800	900	1780	800	900
6100 SL180810	1800	800	1000	1780	800	1000
6100 SL180811	1800	800	1100	1780	800	1100
6100 SL180812	1800	800	1200	1780	800	1200
6100 SL200604	2000	600	400	1980	600	400
6100 SL200605	2000	600	500	1980	600	500
6100 SL200606	2000	600	600	1980	600	600
6100 SL200608	2000	600	800	1980	600	800
6100 SL200609	2000	600	900	1980	600	900
6100 SL200610	2000	600	1000	1980	600	1000
6100 SL200611	2000	600	1100	1980	600	1100
6100 SL200612	2000	600	1200	1980	600	1200
6100 SL200704	2000	700	400	1980	700	400
6100 SL200705	2000	700	500	1980	700	500
6100 SL200706	2000	700	600	1980	700	600
6100 SL200708	2000	700	800	1980	700	800
6100 SL200709	2000	700	900	1980	700	900
6100 SL200710	2000	700	1000	1980	700	1000
6100 SL200711	2000	700	1100	1980	700	1100
6100 SL200712	2000	700	1200	1980	700	1200
6100 SL200804	2000	800	400	1980	800	400
6100 SL200805	2000	800	500	1980	800	500
6100 SL200806	2000	800	600	1980	800	600
6100 SL200808	2000	800	800	1980	800	800
6100 SL200809	2000	800	900	1980	800	900
6100 SL200810	2000	800	1000	1980	800	1000
6100 SL200811	2000	800	1100	1980	800	1100
6100 SL200812	2000	800	1200	1980	800	1200
6100 SL220604	2200	600	400	2180	600	400
6100 SL220605	2200	600	500	2180	600	500
6100 SL220606	2200	600	600	2180	600	600
6100 SL220608	2200	600	800	2180	600	800
6100 SL220609	2200	600	900	2180	600	900
6100 SL220610	2200	600	1000	2180	600	1000
6100 SL220611	2200	600	1100	2180	600	1100
6100 SL220612	2200	600	1200	2180	600	1200
6100 SL220704	2200	700	400	2180	700	400
6100 SL220705	2200	700	500	2180	700	500
6100 SL220706	2200	700	600	2180	700	600
6100 SL220708	2200	700	800	2180	700	800
6100 SL220709	2200	700	900	2180	700	900
6100 SL220710	2200	700	1000	2180	700	1000
6100 SL220711	2200	700	1100	2180	700	1100
6100 SL220712	2200	700	1200	2180	700	1200
6100 SL220804	2200	800	400	2180	800	400
6100 SL220805	2200	800	500	2180	800	500
6100 SL220806	2200	800	600	2180	800	600
6100 SL220808	2200	800	800	2180	800	800
6100 SL220809	2200	800	900	2180	800	900
6100 SL220810	2200	800	1000	2180	800	1000
6100 SL220811	2200	800	1100	2180	800	1100
6100 SL220812	2200	800	1200	2180	800	1200



For cabinet frame finished textured black RAL9005 add suffix "X"

6100 SL180606X→ cabinet with four 3 inch capped openings in each corners with exterior covers painted textured black

Data subject to change without notice.



p.110



p.113



p.114



p.120



p.127



p.137



p.139



p.141



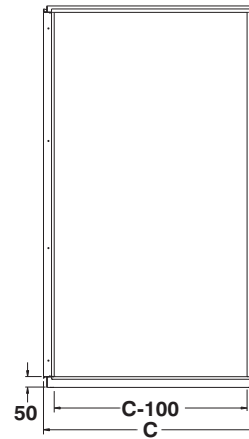
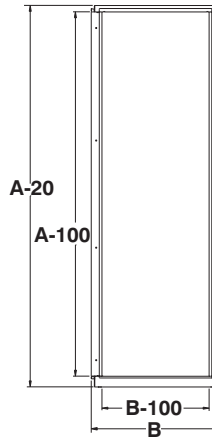
p.144

## Frame for Streamline Cabinet with Top Gland Plates

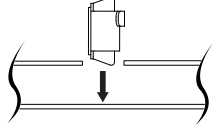
The 6100 SL Streamline frame is the base frame of the Streamline cabinet. The frame is a combination of the Mtrx roll formed tubular posts and welded sheet metal top and bottom.

The same hole pattern at 25mm increments are supplied in both the height and depth of the enclosure enabling the use of most of the Mtrx accessories. Inner panel sliding rails are Incorporated in

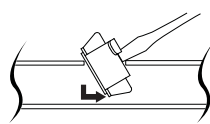
the frame construction. Eye bolts, leveling feet, cable entry caps and gland plates are provided standard. The frame is finished sandtex dark gray RAL7011.



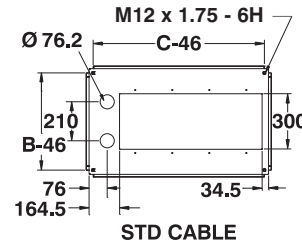
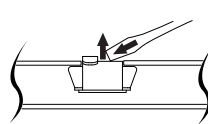
**STEP 1 : INSERT INTO RECTANGULAR CUTOUT**



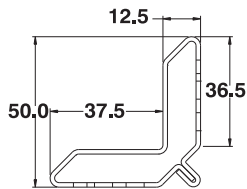
**STEP 2 : ROTATE AND SLIDE INTO CUTOUT**



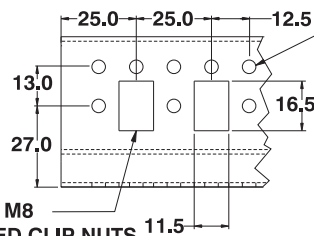
**STEP 3 : PUSH UNTIL SPRING IS ENGAGED**



STD CABLE



FOR M5, M6 OR M8 FRONT INSERTED CLIP NUTS (880 HDFM..., SEE PAGE 483)



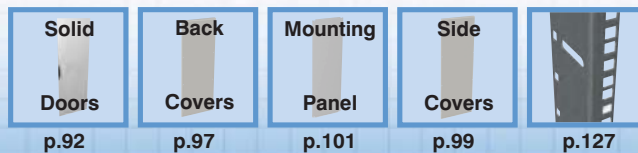
FOR M5 SELF TAPPING HARDWARE (880 HDT10, SEE PAGE 482)



CATALOG NUMBER	NOMINAL			DIMENSIONS		
	H	W	D	H	W	D
6100 SL070604CE	700	600	400	680	600	400
6100 SL070605CE	700	600	500	680	600	500
6100 SL070606CE	700	600	600	680	600	600
6100 SL070608CE	700	600	800	680	600	800
6100 SL070609CE	700	600	900	680	600	900
6100 SL070610CE	700	600	1000	680	600	1000
6100 SL070611CE	700	600	1100	680	600	1100
6100 SL070612CE	700	600	1200	680	600	1200
6100 SL070704CE	700	700	400	680	700	400
6100 SL070705CE	700	700	500	680	700	500
6100 SL070706CE	700	700	600	680	700	600
6100 SL070708CE	700	700	800	680	700	800
6100 SL070709CE	700	700	900	680	700	900

CATALOG NUMBER	NOMINAL			DIMENSIONS		
	H	W	D	H	W	D
6100 SL070710CE	700	700	1000	680	700	1000
6100 SL070711CE	700	700	1100	680	700	1100
6100 SL070712CE	700	700	1200	680	700	1200
6100 SL070804CE	700	800	400	680	800	400
6100 SL070805CE	700	800	500	680	800	500
6100 SL070806CE	700	800	600	680	800	600
6100 SL070809CE	700	800	900	680	800	900
6100 SL070810CE	700	800	1000	680	800	1000
6100 SL070811CE	700	800	1100	680	800	1100
6100 SL070812CE	700	800	1200	680	800	1200
6100 SL140604CE	1400	600	400	1380	600	400
6100 SL140605CE	1400	600	500	1380	600	500
6100 SL140606CE	1400	600	600	1380	600	600

Data subject to change without notice.





## Frame for Streamline Cabinet with top gland plates

CATALOG NUMBER	NOMINAL			DIMENSIONS		
	H	W	D	H	W	D
6100 SL140608CE	1400	600	800	1380	600	800
6100 SL140609CE	1400	600	900	1380	600	900
6100 SL140610CE	1400	600	1000	1380	600	1000
6100 SL140611CE	1400	600	1100	1380	600	1100
6100 SL140612CE	1400	600	1200	1380	600	1200
6100 SL140704CE	1400	700	400	1380	700	400
6100 SL140705CE	1400	700	500	1380	700	500
6100 SL140706CE	1400	700	600	1380	700	600
6100 SL140708CE	1400	700	800	1380	700	800
6100 SL140709CE	1400	700	900	1380	700	900
6100 SL140710CE	1400	700	1000	1380	700	1000
6100 SL140711CE	1400	700	1100	1380	700	1100
6100 SL140712CE	1400	700	1200	1380	700	1200
6100 SL140804CE	1400	800	400	1380	800	400
6100 SL140805CE	1400	800	500	1380	800	500
6100 SL140806CE	1400	800	600	1380	800	600
6100 SL140808CE	1400	800	800	1380	800	800
6100 SL140809CE	1400	800	900	1380	800	900
6100 SL140810CE	1400	800	1000	1380	800	1000
6100 SL140811CE	1400	800	1100	1380	800	1100
6100 SL140812CE	1400	800	1200	1380	800	1200
6100 SL160604CE	1600	600	400	1580	600	400
6100 SL160605CE	1600	600	500	1580	600	500
6100 SL160606CE	1600	600	600	1580	600	600
6100 SL160608CE	1600	600	800	1580	600	800
6100 SL160609CE	1600	600	900	1580	600	900
6100 SL160610CE	1600	600	1000	1580	600	1000
6100 SL160611CE	1600	600	1100	1580	600	1100
6100 SL160612CE	1600	600	1200	1580	600	1200
6100 SL160704CE	1600	700	400	1580	700	400
6100 SL160705CE	1600	700	500	1580	700	500
6100 SL160706CE	1600	700	600	1580	700	600
6100 SL160708CE	1600	700	800	1580	700	800
6100 SL160709CE	1600	700	900	1580	700	900
6100 SL160710CE	1600	700	1000	1580	700	1000
6100 SL160711CE	1600	700	1100	1580	700	1100
6100 SL160712CE	1600	700	1200	1580	700	1200
6100 SL160804CE	1600	800	400	1580	800	400
6100 SL160805CE	1600	800	500	1580	800	500
6100 SL160806CE	1600	800	600	1580	800	600
6100 SL160808CE	1600	800	800	1580	800	800
6100 SL160809CE	1600	800	900	1580	800	900
6100 SL160810CE	1600	800	1000	1580	800	1000
6100 SL160811CE	1600	800	1100	1580	800	1100
6100 SL160812CE	1600	800	1200	1580	800	1200
6100 SL180604CE	1800	600	400	1780	600	400
6100 SL180605CE	1800	600	500	1780	600	500
6100 SL180606CE	1800	600	600	1780	600	600
6100 SL180608CE	1800	600	800	1780	600	800
6100 SL180609CE	1800	600	900	1780	600	900
6100 SL180610CE	1800	600	1000	1780	600	1000
6100 SL180611CE	1800	600	1100	1780	600	1100
6100 SL180612CE	1800	600	1200	1780	600	1200
6100 SL180704CE	1800	700	400	1780	700	400
6100 SL180705CE	1800	700	500	1780	700	500
6100 SL180706CE	1800	700	600	1780	700	600
6100 SL180708CE	1800	700	800	1780	700	800
6100 SL180709CE	1800	700	900	1780	700	900
6100 SL180710CE	1800	700	1000	1780	700	1000

CATALOG NUMBER	NOMINAL			DIMENSIONS		
	H	W	D	H	W	D
6100 SL180711CE	1800	700	1100	1780	700	1100
6100 SL180712CE	1800	700	1200	1780	700	1200
6100 SL180804CE	1800	800	400	1780	800	400
6100 SL180805CE	1800	800	500	1780	800	500
6100 SL180806CE	1800	800	600	1780	800	600
6100 SL180808CE	1800	800	800	1780	800	800
6100 SL180809CE	1800	800	900	1780	800	900
6100 SL180810CE	1800	800	1000	1780	800	1000
6100 SL180811CE	1800	800	1100	1780	800	1100
6100 SL180812CE	1800	800	1200	1780	800	1200
6100 SL200604CE	2000	600	400	1980	600	400
6100 SL200605CE	2000	600	500	1980	600	500
6100 SL200606CE	2000	600	600	1980	600	600
6100 SL200608CE	2000	600	800	1980	600	800
6100 SL200609CE	2000	600	900	1980	600	900
6100 SL200610CE	2000	600	1000	1980	600	1000
6100 SL200611CE	2000	600	1100	1980	600	1100
6100 SL200612CE	2000	600	1200	1980	600	1200
6100 SL200704CE	2000	700	400	1980	700	400
6100 SL200705CE	2000	700	500	1980	700	500
6100 SL200706CE	2000	700	600	1980	700	600
6100 SL200708CE	2000	700	800	1980	700	800
6100 SL200709CE	2000	700	900	1980	700	900
6100 SL200710CE	2000	700	1000	1980	700	1000
6100 SL200711CE	2000	700	1100	1980	700	1100
6100 SL200712CE	2000	700	1200	1980	700	1200
6100 SL200804CE	2000	800	400	1980	800	400
6100 SL200805CE	2000	800	500	1980	800	500
6100 SL200806CE	2000	800	600	1980	800	600
6100 SL200808CE	2000	800	800	1980	800	800
6100 SL200809CE	2000	800	900	1980	800	900
6100 SL200810CE	2000	800	1000	1980	800	1000
6100 SL200811CE	2000	800	1100	1980	800	1100
6100 SL200812CE	2000	800	1200	1980	800	1200
6100 SL220604CE	2200	600	400	2180	600	400
6100 SL220605CE	2200	600	500	2180	600	500
6100 SL220606CE	2200	600	600	2180	600	600
6100 SL220608CE	2200	600	800	2180	600	800
6100 SL220609CE	2200	600	900	2180	600	900
6100 SL220610CE	2200	600	1000	2180	600	1000
6100 SL220611CE	2200	600	1100	2180	600	1100
6100 SL220612CE	2200	600	1200	2180	600	1200
6100 SL220704CE	2200	700	400	2180	700	400
6100 SL220705CE	2200	700	500	2180	700	500
6100 SL220706CE	2200	700	600	2180	700	600
6100 SL220708CE	2200	700	800	2180	700	800
6100 SL220709CE	2200	700	900	2180	700	900
6100 SL220710CE	2200	700	1000	2180	700	1000
6100 SL220711CE	2200	700	1100	2180	700	1100
6100 SL220712CE	2200	700	1200	2180	700	1200
6100 SL220804CE	2200	800	400	2180	800	400
6100 SL220805CE	2200	800	500	2180	800	500
6100 SL220806CE	2200	800	600	2180	800	600
6100 SL220808CE	2200	800	800	2180	800	800
6100 SL220809CE	2200	800	900	2180	800	900
6100 SL220810CE	2200	800	1000	2180	800	1000
6100 SL220811CE	2200	800	1100	2180	800	1100
6100 SL220812CE	2200	800	1200	2180	800	1200



For cabinet frame finished textured black RAL9005 add suffix "X"

6100 SL180606CEX → cable entry version with external finish textured black RAL9005

Data subject to change without notice.



## Solid Door for Streamline cabinet

The 6100 SLD Streamline solid door is installed in the front, back or both of a Streamline or Mtrx cabinet frame. All doors are supplied standard with: (i) a low profile Pull-type metallic slotted lock

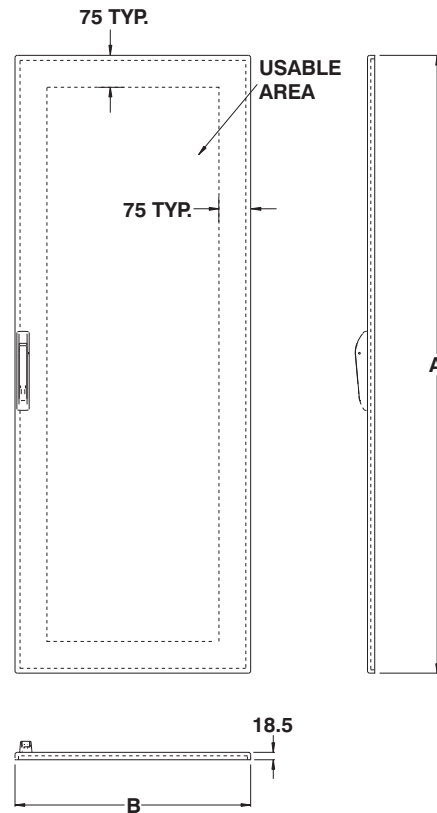
handle with a four point locking mechanism; (ii) stiffening rails with provision of M5 self-tapping holes; and (iii) all hinging and installation hardware.

This door does not have any gas-

ket for sealing. Standard finish is powder coated RAL7035 textured light gray or textured black RAL9005.



**MX/SL**  
COMPATIBLE



CATALOG NUMBER	NOMINAL		DIMENSIONS	
	W	H	A	B
6100 SLD0706	700	600	660	595
6100 SLD0707	700	700	660	695
6100 SLD0708	700	800	660	795
6100 SLD1406	1400	600	1360	595
6100 SLD1407	1400	700	1360	695
6100 SLD1408	1400	800	1360	795
6100 SLD1606	1600	600	1560	595
6100 SLD1607	1600	700	1560	695
6100 SLD1608	1600	800	1560	795

CATALOG NUMBER	NOMINAL		DIMENSIONS	
	W	H	A	B
6100 SLD1806	1800	600	1760	595
6100 SLD1807	1800	700	1760	695
6100 SLD1808	1800	800	1760	795
6100 SLD2006	2000	600	1960	595
6100 SLD2007	2000	700	1960	695
6100 SLD2008	2000	800	1960	795
6100 SLD2206	2200	600	2160	595
6100 SLD2207	2200	700	2160	695
6100 SLD2208	2200	800	2160	795

### 180°?

For 180° (up to 270°) hinging add suffix 'B'  
For LEFT side hinging add suffix 'L'

i.e.: 6100 SLD1806B → doors with 180° hinging on std right side  
6100 SLD1806L → door with std hinging on LEFT side  
6100 SLD1806LBX → LEFT hinging side, doors with 180° hinging and painted textured black RAL9005

Data subject to change without notice.

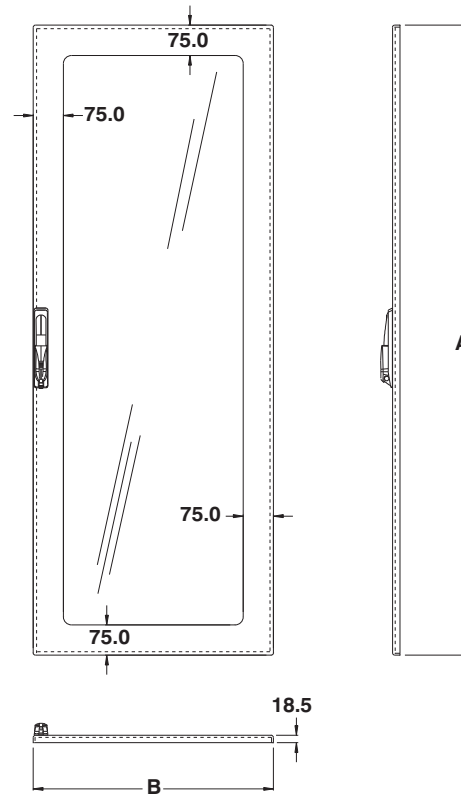


## Window Door for Streamline cabinet

The 6100 SLDW Streamline window door is installed in the front, back or both of a Streamline or Mtrx cabinet frame. All doors are supplied standard with: (i) a low profile Pull-type metallic slotted

lock handle with a four point locking mechanism; (ii) stiffening rails with provision of M5 self-tapping holes; (iii) all hinging and installation hardware; and (iv) a lexan window. This door does not have

any gasket for sealing. Standard finish is powder coated RAL7035 textured light gray or textured black RAL9005.



CATALOG NUMBER	NOMINAL		DIMENSIONS	
	W	H	A	B
6100 SLDW0706	700	600	660	595
6100 SLDW0707	700	700	660	695
6100 SLDW0708	700	800	660	795
6100 SLDW1406	1400	600	1360	595
6100 SLDW1407	1400	700	1360	695
6100 SLDW1408	1400	800	1360	795
6100 SLDW1606	1600	600	1560	595
6100 SLDW1607	1600	700	1560	695
6100 SLDW1608	1600	800	1560	795

CATALOG NUMBER	NOMINAL		DIMENSIONS	
	W	H	A	B
6100 SLDW1806	1800	600	1760	595
6100 SLDW1807	1800	700	1760	695
6100 SLDW1808	1800	800	1760	795
6100 SLDW2006	2000	600	1960	595
6100 SLDW2007	2000	700	1960	695
6100 SLDW2008	2000	800	1960	795
6100 SLDW2206	2200	600	2160	595
6100 SLDW2207	2200	700	2160	695
6100 SLDW2208	2200	800	2160	795

**180°?** For 180° (up to 270°) hinging add suffix 'B'  
For LEFT side hinging add suffix 'L'

- i.e.: 6100 SLDW1806B → Doors with 180° hinging on std right side
- 6100 SLDW1806L → Door with std hinging on LEFT side
- 6100 SLDW1806LBX → LEFT hinging side, doors with 180° hinging and painted textured black RAL9005

Data subject to change without notice.



p.138

<http://www.exmweb.com>



p.136



p.141



p.452

1-800-363-2423



p.473



p.118

Fax : 450-979-4626



p.113

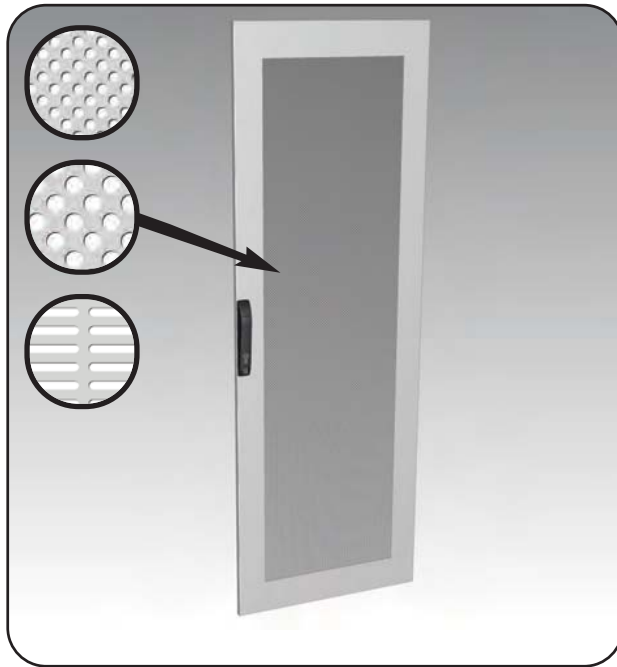


## Vented Door for Streamline cabinet

The 6100 SLDV Streamline vented door is installed in the front, back or both of a Streamline or Mtrx cabinet frame. All doors are supplied standard with: (i) Pull-type metallic slotted lock

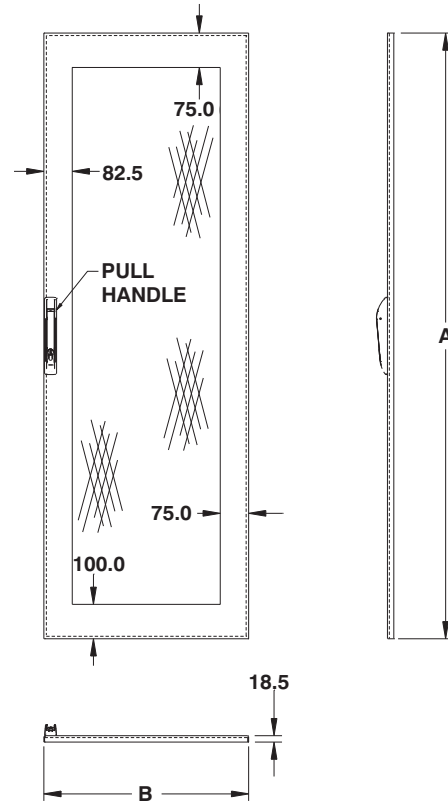
handle with a four point locking mechanism; (ii) a stiffener frame; (iii) all hinging and installation hardware; and (iv) a perforated panel that meets or exceed server manufacturer requirements for

passive cooling (comes stock with 6mm holes). This door does not have any gasket for sealing. Standard finish is powder coated RAL7035 textured light gray or textured black RAL9005.



FACTORY ASSEMBLED

MX/SL COMPATIBLE



CATALOG NUMBER	NOMINAL		DIMENSIONS	
	W	H	A	B
6100 SLDV0706	700	600	660	595
6100 SLDV0707	700	700	660	695
6100 SLDV0708	700	800	660	795
6100 SLDV1406	1400	600	1360	595
6100 SLDV1407	1400	700	1360	695
6100 SLDV1408	1400	800	1360	795
6100 SLDV1606	1600	600	1560	595
6100 SLDV1607	1600	700	1560	695
6100 SLDV1608	1600	800	1560	795

CATALOG NUMBER	NOMINAL		DIMENSIONS	
	W	H	A	B
6100 SLDV1806	1800	600	1760	595
6100 SLDV1807	1800	700	1760	695
6100 SLDV1808	1800	800	1760	795
6100 SLDV2006	2000	600	1960	595
6100 SLDV2007	2000	700	1960	695
6100 SLDV2008	2000	800	1960	795
6100 SLDV2206	2200	600	2160	595
6100 SLDV2207	2200	700	2160	695
6100 SLDV2208	2200	800	2160	795

## 180°, slotted?

For 180° (up to 270°) hinging add suffix 'B'  
 For exterior of cabinet finished textured black RAL9005 add suffix "X"  
 For small vent hole add suffix "SH"  
 For slotted vents add suffix "SL"

Data subject to change without notice.

i.e.: 6100 SLDV1806B → Doors with 180° hinging  
 6100 SLDV1806X → Painted textured black RAL9005  
 6100 SLDV1806SL → Slotted ventilation



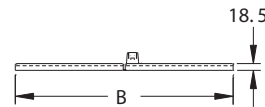
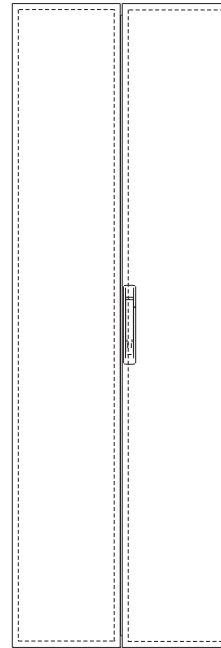


## Split Door for Streamline cabinet

The **6100 SLDD Streamline split doors** are installed in the front, back or both of a Streamline or Mtrx cabinet frame. These doors are supplied stan-

dard with all hinging, installation hardware, a low profile metallic swing handle and a three point locking mechanism. These doors don't have any gas-

ket for sealing. The doors are made of steel. Standard finish is powder coated RAL7035 textured light gray.



CATALOG NUMBER	NOMINAL		DIMENSIONS	
	W	H	A	B
6100 SLDD0706	700	600	660	595
6100 SLDD0707	700	700	660	695
6100 SLDD0708	700	800	660	795
6100 SLDD1406	1400	600	1360	595
6100 SLDD1407	1400	700	1360	695
6100 SLDD1408	1400	800	1360	795
6100 SLDD1606	1600	600	1560	595
6100 SLDD1607	1600	700	1560	695
6100 SLDD1608	1600	800	1560	795

CATALOG NUMBER	NOMINAL		DIMENSIONS	
	W	H	A	B
6100 SLDD1806	1800	600	1760	595
6100 SLDD1807	1800	700	1760	695
6100 SLDD1808	1800	800	1760	795
6100 SLDD2006	2000	600	1960	595
6100 SLDD2007	2000	700	1960	695
6100 SLDD2008	2000	800	1960	795
6100 SLDD2206	2200	600	2160	595
6100 SLDD2207	2200	700	2160	695
6100 SLDD2208	2200	800	2160	795

### 180°?

For 180° (up to 270°) hinging add suffix 'B'  
For exterior of cabinet finished textured black RAL9005 add suffix "X"

i.e.: 6100 SLDD1806B → Doors with 180° hinging  
6100 SLDD1806X → Painted textured black RAL9005

Data subject to change without notice.



p.138

<http://www.exmweb.com>



p.136



p.141



p.452

1-800-363-2423



p.473



p.118

Fax : 450-979-4626



p.113



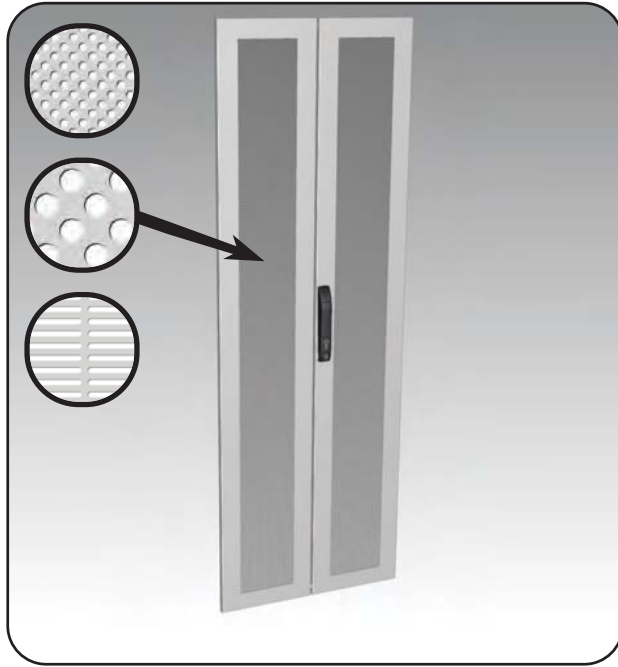
[info@exmweb.com](mailto:info@exmweb.com)

## Vented Split Door for Streamline cabinet

The 6100 SLDDV Streamline vented split doors are installed in the front, back or both sides of a Streamline or Mtrx cabinet frame. These doors are supplied standard with: (i) a low profile

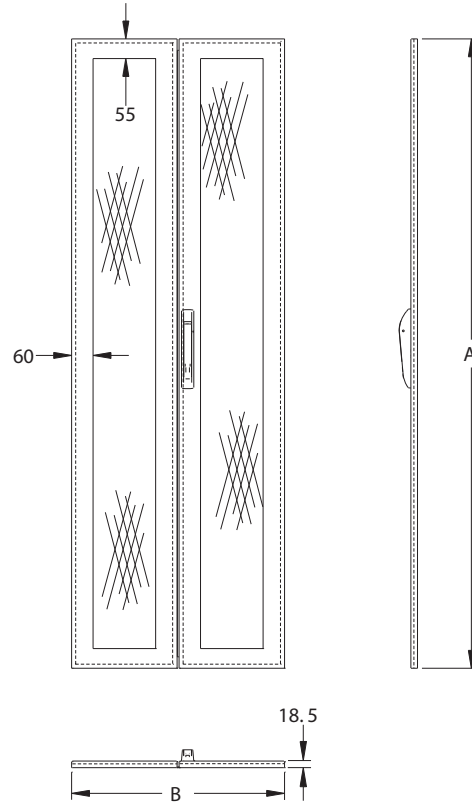
metallic swing handle and a three point locking mechanism (p. 139); (ii) all hinging and installation hardware; and (iii) 6 mm perforations for ventilation. These steel doors don't have any gasket

for sealing. Standard finish is powder coated RAL7035 textured light gray or textured black RAL9005.



FACTORY ASSEMBLED

MX/SL COMPATIBLE



CATALOG NUMBER	NOMINAL		DIMENSIONS	
	W	H	A	B
6100 SLDDV0706	700	600	660	595
6100 SLDDV0707	700	700	660	695
6100 SLDDV0708	700	800	660	795
6100 SLDDV1406	1400	600	1360	595
6100 SLDDV1407	1400	700	1360	695
6100 SLDDV1408	1400	800	1360	795
6100 SLDDV1606	1600	600	1560	595
6100 SLDDV1607	1600	700	1560	695
6100 SLDDV1608	1600	800	1560	795

CATALOG NUMBER	NOMINAL		DIMENSIONS	
	W	H	A	B
6100 SLDDV1806	1800	600	1760	595
6100 SLDDV1807	1800	700	1760	695
6100 SLDDV1808	1800	800	1760	795
6100 SLDDV2006	2000	600	1960	595
6100 SLDDV2007	2000	700	1960	695
6100 SLDDV2008	2000	800	1960	795
6100 SLDDV2206	2200	600	2160	595
6100 SLDDV2207	2200	700	2160	695
6100 SLDDV2208	2200	800	2160	795

### 180°, slotted?

For 180° (up to 270°) hinging add suffix 'B'  
 For exterior of cabinet finished textured black RAL9005 add suffix "X"  
 For small vent hole add suffix "SH"  
 For slotted vents add suffix "SL"

Data subject to change without notice.

i.e.: 6100 SLDDV1806B → Doors with 180° hinging  
 6100 SLDDV1806X → Painted textured black RAL9005  
 6100 SLDDV1806SL → Slotted ventilation

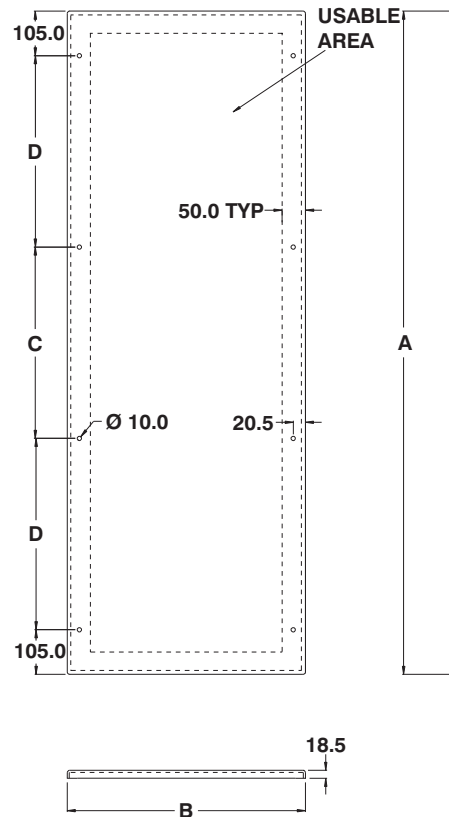


## Rear Cover for Streamline cabinet

The 6100 SLR Streamline rear cover is installed in the front, back or both of a Streamline or Mtrx cabinet frame. This rear

cover is supplied standard with all installation hardware. This rear cover does not have any gasket for sealing. Construction is steel.

Standard finish is powder coated RAL7035 textured light gray or textured black RAL9005.



CATALOG NUMBER	NOMINAL		DIMENSIONS			
	W	H	A	B	C	D
6100 SLR0706	700	600	660	595	-	-
6100 SLR0707	700	700	660	695	-	-
6100 SLR0708	700	800	660	795	-	-
6100 SLR1406	1400	600	1360	595	450	350
6100 SLR1407	1400	700	1360	695	450	350
6100 SLR1408	1400	800	1360	795	450	350
6100 SLR1606	1600	600	1560	595	450	450
6100 SLR1607	1600	700	1560	695	450	450
6100 SLR1608	1600	800	1560	795	450	450

CATALOG NUMBER	NOMINAL		DIMENSIONS			
	W	H	A	B	C	D
6100 SLR1806	1800	600	1760	595	500	525
6100 SLR1807	1800	700	1760	695	500	525
6100 SLR1808	1800	800	1760	795	500	525
6100 SLR2006	2000	600	1960	595	600	575
6100 SLR2007	2000	700	1960	695	600	575
6100 SLR2008	2000	800	1960	795	600	575
6100 SLR2206	2200	600	2160	595	650	650
6100 SLR2207	2200	700	2160	695	650	650
6100 SLR2208	2200	800	2160	795	650	650

For exterior of cabinet finished textured black RAL9005 add suffix "X"

i.e.: 6100 SLR1806X → painted textured black RAL9005

Data subject to change without notice.



p.148

<http://www.exmweb.com>



p.113



p.143



p.146

1-800-363-2423



p.626



p.644

Fax : 450-979-4626



p.593



[info@exmweb.com](mailto:info@exmweb.com)

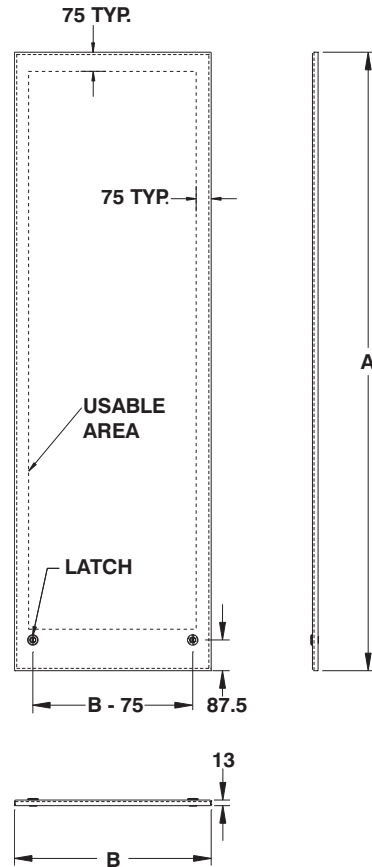
## Quick Install Rear Cover for Streamline cabinet

The 6100 SLRQ Streamline quick install rear cover is installed in the front, back or both of a Streamline or Mtrx cabinet frame. This cover is supplied standard with all installation hard-

ware. The cover is hooked and locked by its top flange and fixed in place by lower latches. This rear cover does not have any gasket for sealing.

Construction is steel. Standard

finish is powder coated RAL7035 textured light gray or textured black RAL9005.



CATALOG NUMBER	NOMINAL		DIMENSIONS	
	W	H	A	B
6100 SLRQ0706	700	600	660	595
6100 SLRQ0707	700	700	660	695
6100 SLRQ0708	700	800	660	795
6100 SLRQ1406	1400	600	1360	595
6100 SLRQ1407	1400	700	1360	695
6100 SLRQ1408	1400	800	1360	795
6100 SLRQ1606	1600	600	1560	595
6100 SLRQ1607	1600	700	1560	695
6100 SLRQ1608	1600	800	1560	795

CATALOG NUMBER	NOMINAL		DIMENSIONS	
	W	H	A	B
6100 SLRQ1806	1800	600	1760	595
6100 SLRQ1807	1800	700	1760	695
6100 SLRQ1808	1800	800	1760	795
6100 SLRQ2006	2000	600	1960	595
6100 SLRQ2007	2000	700	1960	695
6100 SLRQ2008	2000	800	1960	795
6100 SLRQ2206	2200	600	2160	595
6100 SLRQ2207	2200	700	2160	695
6100 SLRQ2208	2200	800	2160	795

For exterior of cabinet finished textured black RAL9005 add suffix "X"

i.e.: 6100 SLRQ1806X → Hinging painted textured black RAL9005

Data subject to change without notice.



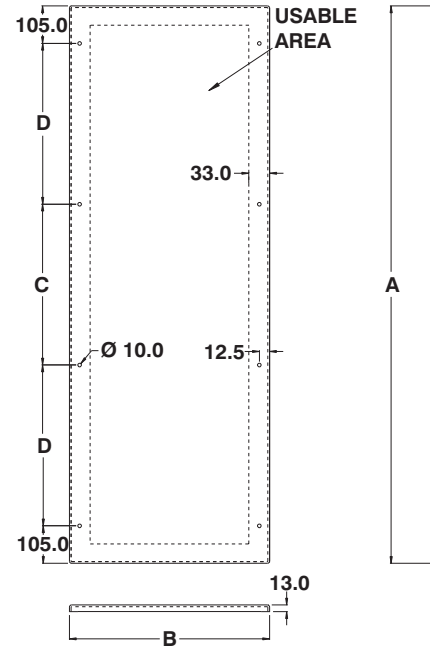


## Side Cover for Streamline cabinet

The 6100 SLC Streamline side cover is installed on the side of a Streamline or Mtrx cabinet frame. The side cover is supplied stan-

dard with all installation hardware. This side cover does not have any gasket for sealing. Construction is steel.

Standard finish is powder coated RAL7035 textured light gray or textured black RAL9005.



CATALOG NUMBER	NOMINAL		DIMENSIONS			
	W	H	A	B	C	D
6100 SLC0704	700	400	660	360	-	-
6100 SLC0705	700	500	660	460	-	-
6100 SLC0706	700	600	660	560	-	-
6100 SLC0708	700	800	660	760	-	-
6100 SLC0709	700	900	660	860	-	-
6100 SLC0710	700	1000	660	960	-	-
6100 SLC0711	700	1100	660	1060	-	-
6100 SLC0712	700	1200	660	1160	-	-
6100 SLC1404	1400	400	1360	360	450	350
6100 SLC1405	1400	500	1360	460	450	350
6100 SLC1406	1400	600	1360	560	450	350
6100 SLC1408	1400	800	1360	760	450	350
6100 SLC1409	1400	900	1360	860	450	350
6100 SLC1410	1400	1000	1360	960	450	350
6100 SLC1411	1400	1100	1360	1060	450	350
6100 SLC1412	1400	1200	1360	1160	450	350
6100 SLC1604	1600	400	1560	360	450	450
6100 SLC1605	1600	500	1560	460	450	450
6100 SLC1606	1600	600	1560	560	450	450
6100 SLC1608	1600	800	1560	760	450	450
6100 SLC1609	1600	900	1560	860	450	450
6100 SLC1610	1600	1000	1560	960	450	450
6100 SLC1611	1600	1100	1560	1060	450	450
6100 SLC1612	1600	1200	1560	1160	450	450

CATALOG NUMBER	NOMINAL		DIMENSIONS			
	W	H	A	B	C	D
6100 SLC1804	1800	400	1760	360	500	525
6100 SLC1805	1800	500	1760	460	500	525
6100 SLC1806	1800	600	1760	560	500	525
6100 SLC1808	1800	800	1760	760	500	525
6100 SLC1809	1800	900	1760	860	500	525
6100 SLC1810	1800	1000	1760	960	500	525
6100 SLC1811	1800	1100	1760	1060	500	525
6100 SLC1812	1800	1200	1760	1160	500	525
6100 SLC2004	2000	400	1960	360	600	575
6100 SLC2005	2000	500	1960	460	600	575
6100 SLC2006	2000	600	1960	560	600	575
6100 SLC2008	2000	800	1960	760	600	575
6100 SLC2009	2000	900	1960	860	600	575
6100 SLC2010	2000	1000	1960	960	600	575
6100 SLC2011	2000	1100	1960	1060	600	575
6100 SLC2012	2000	1200	1960	1160	600	575
6100 SLC2204	2200	400	2160	360	650	650
6100 SLC2205	2200	500	2160	460	650	650
6100 SLC2206	2200	600	2160	560	650	650
6100 SLC2208	2200	800	2160	760	650	650
6100 SLC2209	2200	900	2160	860	650	650
6100 SLC2210	2200	1000	2160	960	650	650
6100 SLC2211	2200	1100	2160	1060	650	650
6100 SLC2212	2200	1200	2160	1160	650	650

For side cover to be installed in pair (right & left) add suffix 'P'  
 For side cover to be specifically installed on right side (facing cabinet) add suffix 'R'  
 For side cover to be specifically installed on left side (facing cabinet) add suffix 'L'  
 For side cover to be finished textured black RAL9005 add suffix 'X'

i.e.: 6100 SLC1806L → Side cover to be installed on left side  
 6100 SLC1806RX → Side cover to be installed on right side and painted textured black RAL9005

Data subject to change without notice.



p.148

<http://www.exmweb.com>



p.113



p.143



p.146



p.626



p.644



p.593



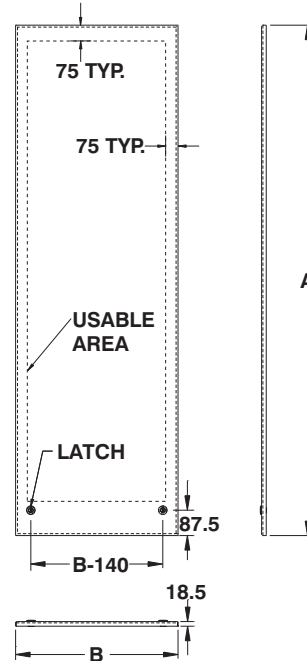
[info@exmweb.com](mailto:info@exmweb.com)

## Quick Install Side Cover for Streamline cabinet

The 6100 SLCQ Streamline quick install side cover is installed on the side of a Streamline or Mtrx cabinet frame. This cover is supplied standard with all installation

hardware. The cover is hooked and locked by its top flange and fixed in place by lower latches. This rear cover does not have any gasket for sealing.

Construction is steel. Standard finish is powder coated RAL7035 textured light gray or textured black RAL9005.



CATALOG NUMBER	NOMINAL		DIMENSIONS	
	H	W	A	B
6100 SLCQ0704	700	400	660	360
6100 SLCQ0705	700	500	660	460
6100 SLCQ0706	700	600	660	560
6100 SLCQ0708	700	800	660	760
6100 SLCQ0709	700	900	660	860
6100 SLCQ0710	700	1000	660	960
6100 SLCQ0711	700	1100	660	1060
6100 SLCQ0712	700	1200	660	1160
6100 SLCQ1404	1400	400	1360	360
6100 SLCQ1405	1400	500	1360	460
6100 SLCQ1406	1400	600	1360	560
6100 SLCQ1408	1400	800	1360	760
6100 SLCQ1409	1400	900	1360	860
6100 SLCQ1410	1400	1000	1360	960
6100 SLCQ1411	1400	1100	1360	1060
6100 SLCQ1412	1400	1200	1360	1160
6100 SLCQ1604	1600	400	1560	360
6100 SLCQ1605	1600	500	1560	460
6100 SLCQ1606	1600	600	1560	560
6100 SLCQ1608	1600	800	1560	760
6100 SLCQ1609	1600	900	1560	860
6100 SLCQ1610	1600	1000	1560	960
6100 SLCQ1611	1600	1100	1560	1060
6100 SLCQ1612	1600	1200	1560	1160

CATALOG NUMBER	NOMINAL		DIMENSIONS	
	H	W	A	B
6100 SLCQ1804	1800	400	1760	360
6100 SLCQ1805	1800	500	1760	460
6100 SLCQ1806	1800	600	1760	560
6100 SLCQ1808	1800	800	1760	760
6100 SLCQ1809	1800	900	1760	860
6100 SLCQ1810	1800	1000	1760	960
6100 SLCQ1811	1800	1100	1760	1060
6100 SLCQ1812	1800	1200	1760	1160
6100 SLCQ2004	2000	400	1960	360
6100 SLCQ2005	2000	500	1960	460
6100 SLCQ2006	2000	600	1960	560
6100 SLCQ2008	2000	800	1960	760
6100 SLCQ2009	2000	900	1960	860
6100 SLCQ2010	2000	1000	1960	960
6100 SLCQ2011	2000	1100	1960	1060
6100 SLCQ2012	2000	1200	1960	1160
6100 SLCQ2204	2200	400	2160	360
6100 SLCQ2205	2200	500	2160	460
6100 SLCQ2206	2200	600	2160	560
6100 SLCQ2208	2200	800	2160	760
6100 SLCQ2209	2200	900	2160	860
6100 SLCQ2210	2200	1000	2160	960
6100 SLCQ2211	2200	1100	2160	1060
6100 SLCQ2212	2200	1200	2160	1160

For side cover to be installed in pair (right & left) add suffix 'P'  
 For side cover to be specifically installed on right side (facing cabinet) add suffix 'R'  
 For side cover to be specifically installed on left side (facing cabinet) add suffix 'L'  
 For side cover to be finished textured black RAL9005 add suffix 'X'

i.e.: 6100 SLCQ1806L → Side cover to be installed on left side  
 6100 SLCQ1806RX → Side cover to be installed on right side and painted textured black RAL9005

Data subject to change without notice.

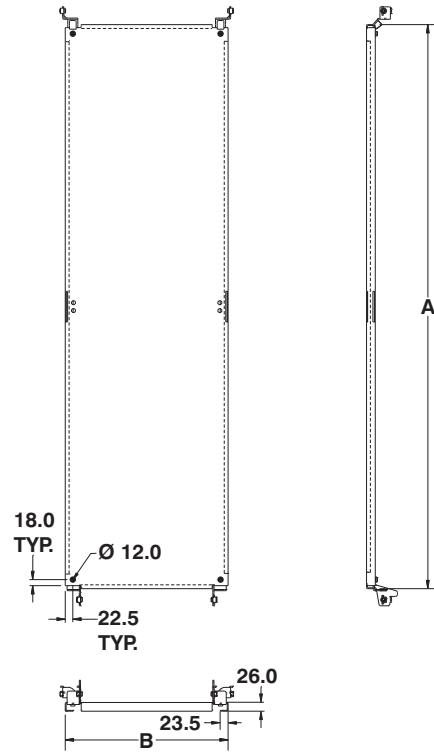


## Full Mounting Panel for Streamline cabinet

The 6100 SLM Streamline installation panel is installed inside a Streamline cabinet / frame. It is made of 12 GA galvanized steel. The panel kit consists of all the

panel and all installation hardware. Similarly to the Mtrx line, the panel slides, rotates and snaps into position. Panel is supplied in its default full back posi-

tion, however can be moved along depth by increments of 25mm. Standard finish is unpainted 12 GA galvanized steel. Can be provided painted white



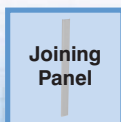
CATALOG NUMBER	NOMINAL		DIMENSIONS	
	W	H	A	B
6100 SLM0706	700	600	580	485
6100 SLM0707	700	700	580	585
6100 SLM0708	700	800	580	685
6100 SLM1406	1400	600	1280	485
6100 SLM1407	1400	700	1280	585
6100 SLM1408	1400	800	1280	685
6100 SLM1606	1600	600	1480	485
6100 SLM1607	1600	700	1480	585
6100 SLM1608	1600	800	1480	685

CATALOG NUMBER	NOMINAL		DIMENSIONS	
	W	H	A	B
6100 SLM1806	1800	600	1680	485
6100 SLM1807	1800	700	1680	585
6100 SLM1808	1800	800	1680	685
6100 SLM2006	2000	600	1880	485
6100 SLM2007	2000	700	1880	585
6100 SLM2008	2000	800	1880	685
6100 SLM2206	2200	600	2080	485
6100 SLM2207	2200	700	2080	585
6100 SLM2208	2200	800	2080	685

For panel painted white RAL9003 add suffix 'W'

i.e.: 6100 SLM1806W → Panel painted white RAL9003

Data subject to change without notice.



p.105

<http://www.exmweb.com>



p.116

1-800-363-2423

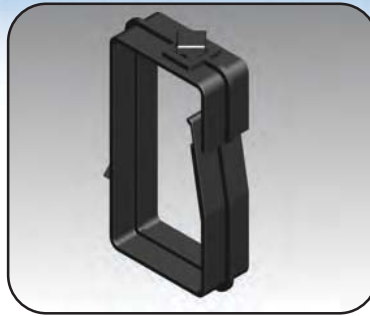
Fax : 450-979-4626



[info@exmweb.com](mailto:info@exmweb.com)

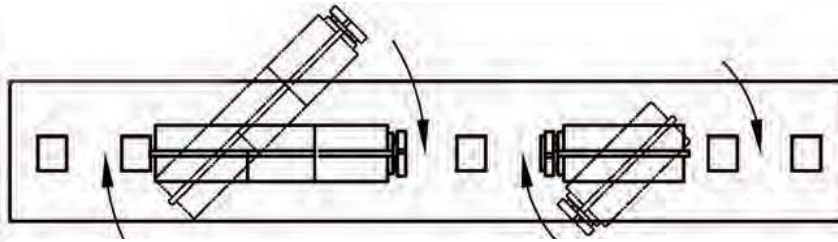
## Wire-catches

The 886 WC wire-catches are designed to fit onto the channel of the Mtrx cabinets. This item can be installed on a vertical or horizontal position without any nuts or screws. The wire-catch is reusable and offers a built-in catch device to prevent widening. Comes in a pack of 5 units.

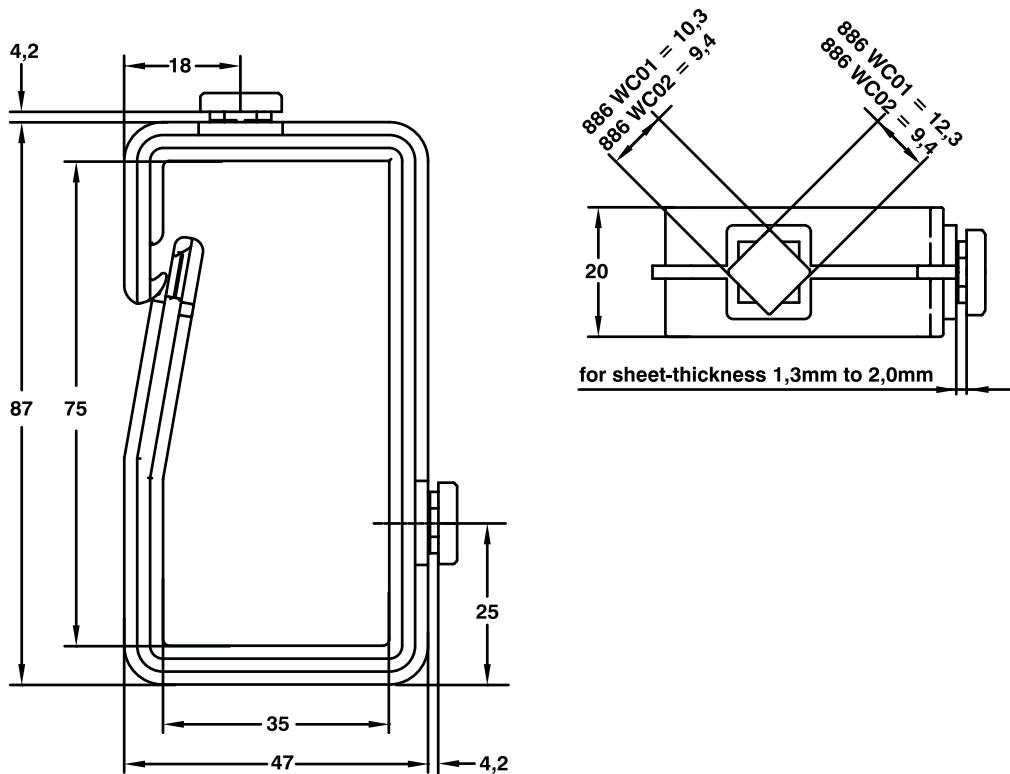


CATALOG NUMBER	for use with	Cable space (mm)
886 WC01	6500 & 6100 frames	75 x 35
886 WC02	6500 MXL Rails (19" rack angles)	75 x 35

For more information on cable management solutions, call our customer service at 1-800-363-2423 or visit us online at [www.exmweb.com](http://www.exmweb.com)



INSERT INTO RECTANGULAR CUTOUT AND ROTATE 45° TO LOCK IN PLACE.

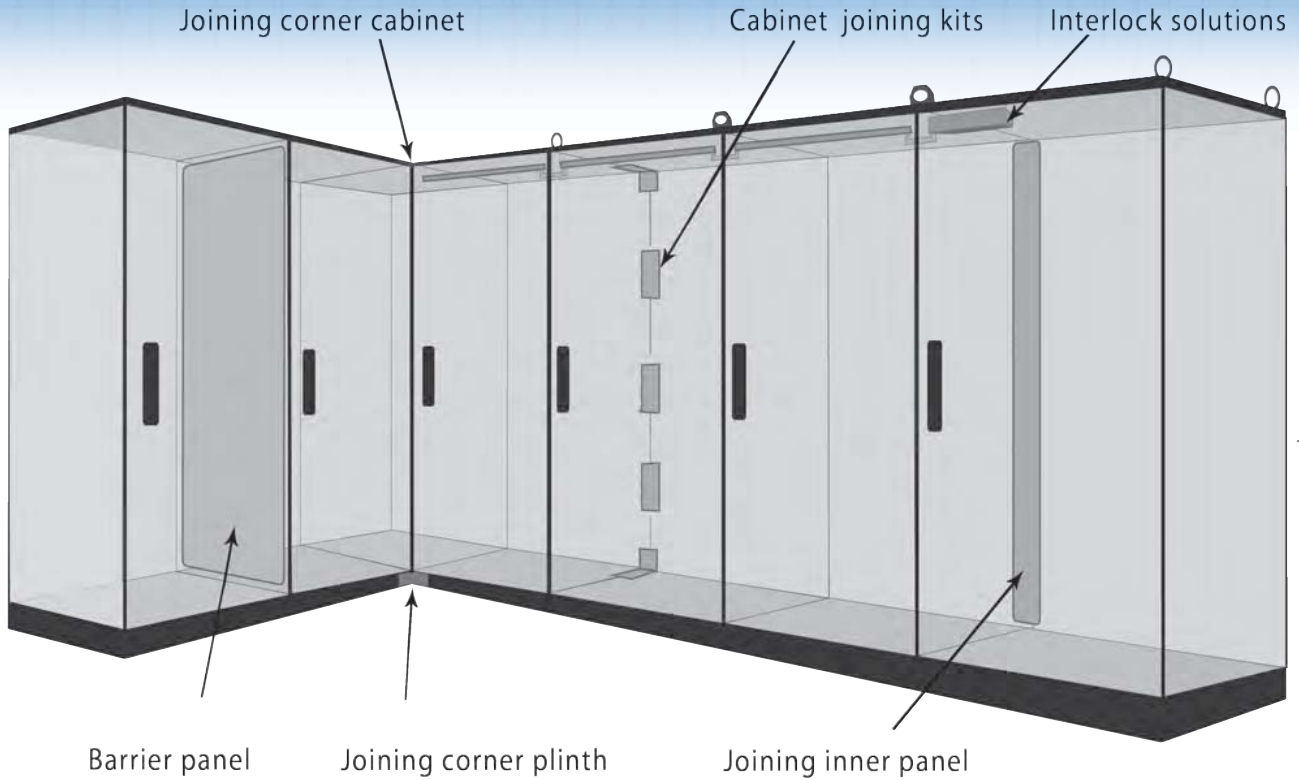


For more information on cable clamps and cable entry grommets refer to page 119.

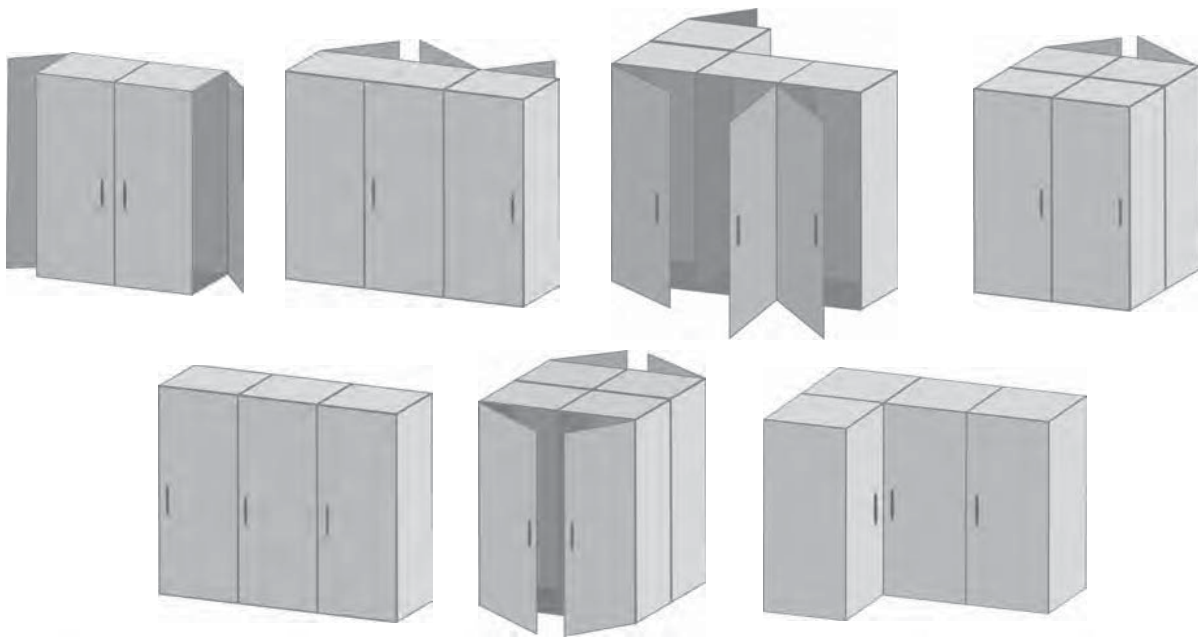
Data subject to change without notice.



# NEMA 12 -13 Mtrx MULTI-DOOR SOLUTIONS



**Limitless Configurations**  
**Capable of joining and expanding on all sides**



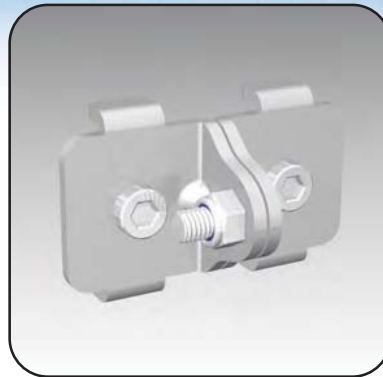
Data subject to  
change without  
notice.



## Standard joining brackets

The 6500 MXJO1 standard joining brackets are used to join Mtrx modular cabinet arrangements. The cabinets are fastened using brackets linked by a carriage bolt and a nut. Two cage nuts fit into the cabinet frame and two screws secure the brackets. The 6500 MXJO1 consists of six sets of brackets with installation hardware.

**Note: If required, joining gasket is ordered separately.**



CATALOG NUMBER	DESCRIPTION
6500 MXJO1	Joining brackets

## Heavy duty joining brackets

The 6500 MXJO2 joining brackets are used to join heavy Mtrx modular cabinet arrangements. The cabinets are fastened using brackets linked by two carriage bolts and two nuts. Four cage nuts fit into the cabinet frame and four screws secure the bracket. The 6500 MXJO2 consists of six sets of brackets with installation hardware.

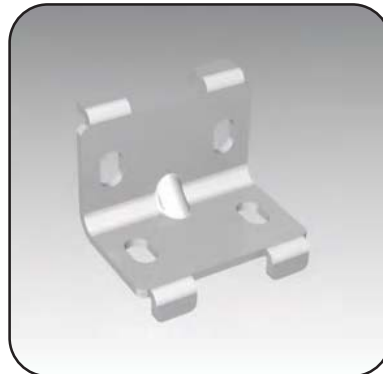
**Note: Joining gasket is ordered separately.**



CATALOG NUMBER	DESCRIPTION
6500 MXJO2	Joining brackets

## Reinforcement brackets

The 6500 MXJO3 reinforcement brackets are used in conjunction with a joining kit (see above) to fasten particularly heavy cabinet assemblies. These 'L' shaped brackets are installed in the corners of the cabinets. The 6500 MXJO3 consists of four brackets and all the required installation hardware.



CATALOG NUMBER	DESCRIPTION
6500 MXJO3	Reinforcement brackets

## Joining gasket

The 6500 MXJO4 joining gasket kit is used in conjunction with a joining bracket kit (see above) to maintain the cabinets environmental integrity. One size fits all.



CATALOG NUMBER	DESCRIPTION
6500 MXJO4	Joining gasket

**MX/SL**  
COMPATIBLE

Data subject to change without notice.

## Light duty joining brackets

The 6500 MXJO5 light duty joining brackets are used to join Mtrx modular cabinets once they are being joined at their final on site location.

**Note:** These joining brackets are not to be used where line-ups are to be transported in one piece.



CATALOG NUMBER	DESCRIPTION
6500 MXJO5	Light duty joining brackets

## External joining brackets

The 6500 MXJO6 external rapid joining brackets are an alternative in joining cabinets from the outside with minimal rework or from the inside with no added hardware.

**Note:** These joining brackets are not to be used where line-ups are to be transported in one piece.



CATALOG NUMBER	DESCRIPTION
6500 MXJO6	External / Internal rapid joining brackets

## Joining panel

The 6500 MXMJ joining panel is installed between adjacent mounting panels of cabinets (6500 MXM) being joined together in order to provide one continuous and removable mounting surface within the full height and width of the line-up.

**Note:** Adjacent inner panels are required to be installed 25mm forward to accommodate.



CATALOG NUMBER	FITS CABINET WIDTH (MM)
6500 MXMJ07	700
6500 MXMJ14	1400
6500 MXMJ16	1600
6500 MXMJ18	1800
6500 MXMJ20	2000
6500 MXMJ22	2200

Add suffix 'W' For panel painted white RAL9003

## Electrical interlock kits

The 6500 MXEI electro-mechanical interlock kits are used to restrict access to the enclosure volume while the power is on. The kits are compatible with all cabinet sizes.

**Note:** All mounting h/w and instructions supplied in kits. CSA /UR.



CATALOG NUMBER	Voltage
6500 MXEI1115	115V
6500 MXEI1230	230V
6500 MXEI1460	460V

Data subject to change without notice.

**MX/SL**  
COMPATIBLE

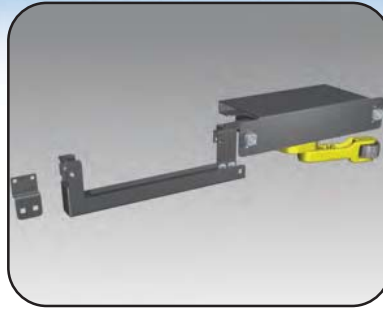


# NEMA 12-13 Mtrx MULTI-DOOR SOLUTIONS 6500 MXIMA

## Mechanical interlock, Actuator kits

The 6500 MXIMA mechanical interlock actuator kits are used in conjunction with interlock extensions and slave bridges in order to interlock up to 10 enclosures. Always installed on hinge side of the master doors.

**Note: Actuator is used for left or right side actuations. All mounting h/w supplied in kits.**



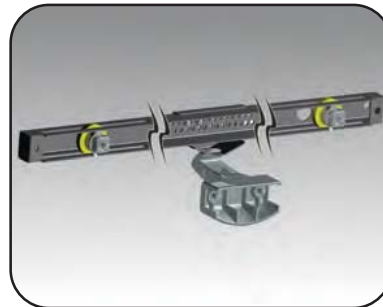
CATALOG NUMBER	DESCRIPTION
6500 MXIMA	Mechanical interlock, actuator kits

**MX/SL**  
COMPATIBLE

## Mechanical interlock, Extension kits

The 6500 MXIEX mechanical interlock extension kits are used to lock and unlock slave doors, via a cam and spring loaded hook. Extension kits are available for all cabinet widths.

**Note: All mounting h/w supplied in kits.**



CATALOG NUMBER	FITS CABINET WIDTH (MM)
6500 MXIEX04	400
6500 MXIEX06	600
6500 MXIEX07	700
6500 MXIEX08	800
6500 MXIEX09	900
6500 MXIEX10	1000
6500 MXIEX12	1200
6500 MXIEX16	1600
6500 MXIEX18	1800

## Mechanical interlock, Slave kits

The 6500 MXISL mechanical interlock slave kits are used in line-ups with more than one slave door. The slave kit is a bridge that joins adjacent extension kits in order to transfer actuating translations from one cabinet to another.



CATALOG NUMBER	DESCRIPTION
6500 MXISL	Mechanical interlock, slave kits

## Mechanical interlock, Adapter kits

The 6500 MXIAD mechanical interlock adapter kits are kits installed between an actuator kit and an extension kit where the line-up starts on opposite sides of the master door hinge side.

**Note: As per master kit, the adapter kit acts as the first slave bridge in a line-up. Supplied with all mounting h/w.**



CATALOG NUMBER	FITS CABINET WIDTH (MM)
6500 MXIAD04	400
6500 MXIAD06	600
6500 MXIAD07	700
6500 MXIAD08	800
6500 MXIAD09	900
6500 MXIAD10	1000
6500 MXIAD12	1200
6500 MXIAD16	1600
6500 MXIAD18	1800

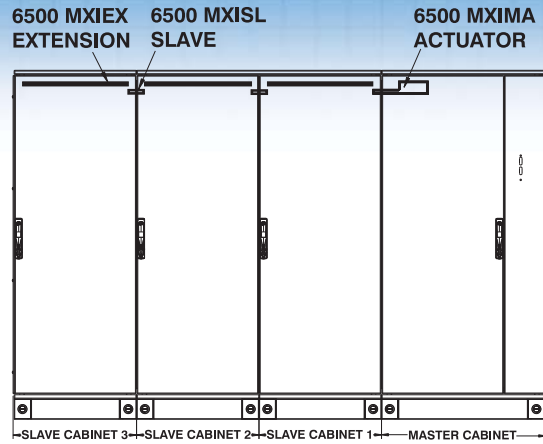
Data subject to change without notice.



# NEMA 12-13 Mtrx MULTI-DOOR SOLUTIONS

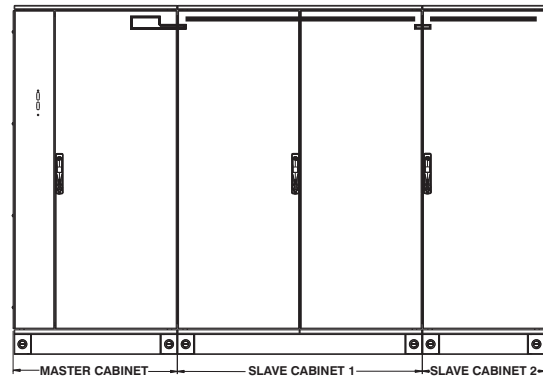
## ACTUATION TOWARDS LEFT - LINE-UP ON HINGE SIDE OF MASTER DOOR

Sample Bill Of Material  
(Qty 3 Cabinets):  
1x 6500 MXIMA  
3x 6500 MXIEX10  
2x 6500 MXISL



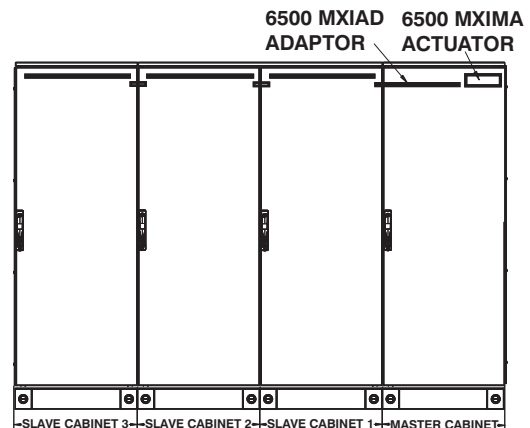
## ACTUATION TOWARDS RIGHT - LINE-UP ON HINGE SIDE OF MASTER DOOR

Sample Bill Of Material  
(Qty 3 Cabinets):  
1x 6500 MXIMA  
1x 6500 MXIEX12  
1x 6500 MXIEX10  
1x 6500 MXISL



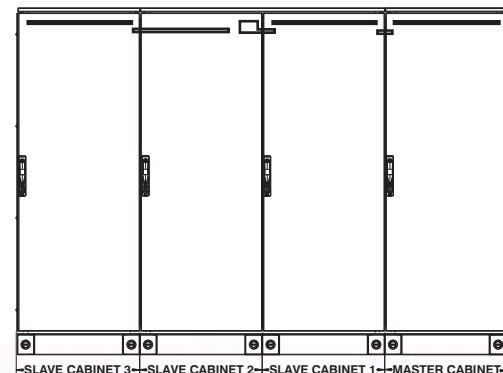
## ACTUATION OPPOSITE HINGE SIDE OF MASTER DOOR

Sample Bill Of Material  
(Qty 4 Cabinets):  
1x 6500 MXIMA  
3x 6500 MXIEX10  
2x 6500 MXISL  
1x 6500 MXIAD10



## ACTUATION BOTH SIDES OF MASTER DOOR

Sample Bill Of Material  
(Qty 4 Cabinets):  
1x 6500 MXIMA  
3x 6500 MXIEX10  
1x 6500 MXISL  
1x 6500 MXIAD10



**MX/SL**  
COMPATIBLE

NOTE: INTERLOCKING SOLUTIONS ARE FOR BOTH STANDARD AND DISCONNECT CABINETS, FOR FLANGE OR DOOR MOUNTED DISCONNECT



# NEMA 12-13 Mtrx MULTI-DOOR SOLUTIONS 6500 MXCC

## Corner cabinet side spacer kit

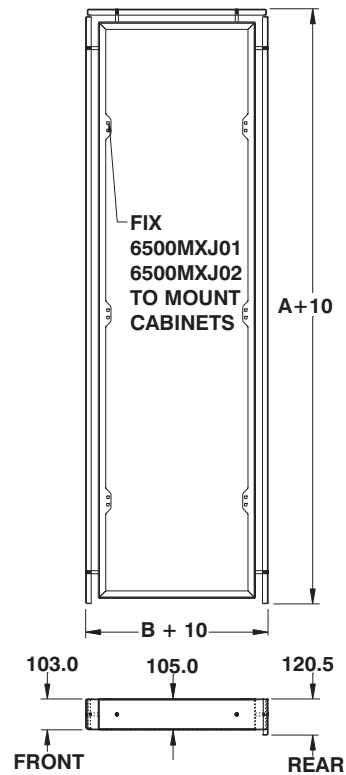
The 6500 MXCC corner cabinet side spacer kits are used to enable a 90° bend in a line-up. The spacers are to be assembled on one or on both open sides of the corner cabinet. To order a complete corner cabinet you must first select the following

standard components:

- 6500 MX frame (1x) (p.18)
- 6500 MXT top cover (1x) (p.50)
- 6500 MXB bottom cover (1x) (p.56)
- 6500 MXC side cover (2x) (p.36)
- Optional: 6500 MXPL plinth (p.58)
- Optional: 6500 MXSCE solid

cable entry top or bottom (p.63)

**Note: Spacers are sold separately. All mounting h/w and assembly instructions are supplied in kits.**



CATALOG NUMBER	NOMINAL		DIMENSIONS	
	H	D	A	B
6500 MXCC0706	700	600	660	560
6500 MXCC0708	700	800	660	760
6500 MXCC0709	700	900	660	860
6500 MXCC0710	700	1000	660	960
6500 MXCC0712	700	1200	660	1160
6500 MXCC1404	1400	400	1360	360
6500 MXCC1405	1400	500	1360	460
6500 MXCC1406	1400	600	1360	560
6500 MXCC1408	1400	800	1360	760
6500 MXCC1409	1400	900	1360	860
6500 MXCC1410	1400	1000	1360	960
6500 MXCC1412	1400	1200	1360	1160
6500 MXCC1604	1600	400	1560	360
6500 MXCC1605	1600	500	1560	460
6500 MXCC1606	1600	600	1560	560
6500 MXCC1608	1600	800	1560	760
6500 MXCC1609	1600	900	1560	860
6500 MXCC1610	1600	1000	1560	960
6500 MXCC1612	1600	1200	1560	1160
6500 MXCC1804	1800	400	1760	360

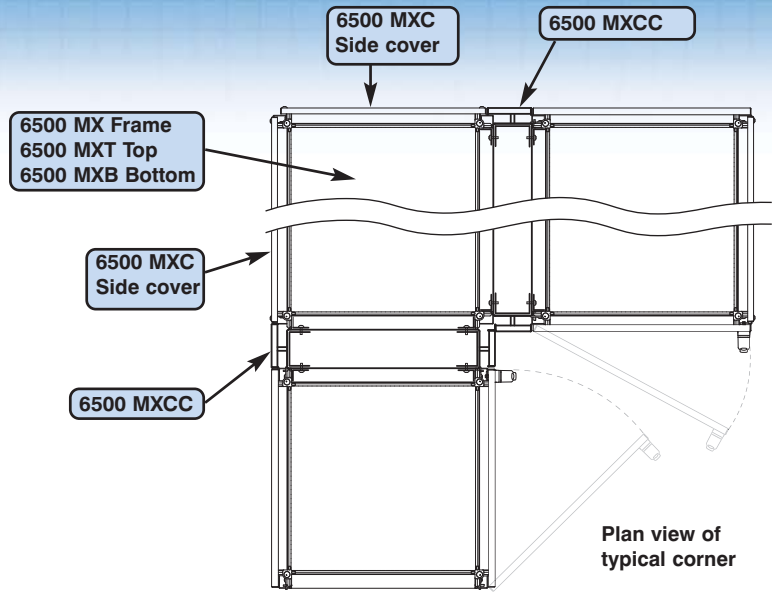
CATALOG NUMBER	NOMINAL		DIMENSIONS	
	H	D	A	B
6500 MXCC1805	1800	500	1760	460
6500 MXCC1806	1800	600	1760	560
6500 MXCC1808	1800	800	1760	760
6500 MXCC1809	1800	900	1760	860
6500 MXCC1810	1800	1000	1760	960
6500 MXCC1812	1800	1200	1760	1160
6500 MXCC2004	2000	400	1960	360
6500 MXCC2005	2000	500	1960	460
6500 MXCC2006	2000	600	1960	560
6500 MXCC2008	2000	800	1960	760
6500 MXCC2009	2000	900	1960	860
6500 MXCC2010	2000	1000	1960	960
6500 MXCC2012	2000	1200	1960	1160
6500 MXCC2205	2200	500	2160	460
6500 MXCC2206	2200	600	2160	560
6500 MXCC2208	2200	800	2160	760
6500 MXCC2209	2200	900	2160	860
6500 MXCC2210	2200	1000	2160	960
6500 MXCC2212	2200	1200	2160	1160

Data subject to change without notice.



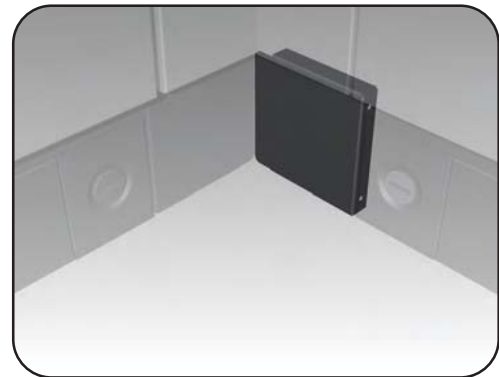
# NEMA 12-13 Mtrx MULTI-DOOR SOLUTIONS 6500 MXPLC

**NOTE:**  
 (i) Corner cabinets are ordered separately and are based on the standard 6500 MX frame and covers. Depending on fixed cover or door configurations (hinge right vs. hinge left) one 6500 MXCC spacer kit may be sufficient to meet the requirements. (Refer to adjacent image)  
 (ii) Two depths possible for line-ups. Can require two different adaptors.



## Plinth spacer, corner cabinet

The **6500 MXPLC** corner cabinet plinth spacer kits are cosmetic accessories used to ensure that aesthetically pleasing looks are retained at a 90° bend within a line-up. The spacers are standard 100mm or 200mm high. Supplied in pairs with all installation hardware. To be used with 6500 MXPL plinths (refer to p.58)



CATALOG NUMBER	FOR PLINTH HEIGHT (MM)
6500 MXPLC01	100
6500 MXPLC02	200

Data subject to change without notice.



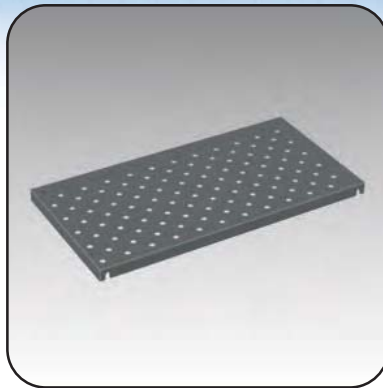
# NEMA 12-13 Mtrx SHELVING & STORAGE 6500 MXSH

## Fixed shelf

The 6500 MXSH fixed shelves are used to support computers or other light equipment. The shelves are vented to allow air circulation.

They are installed directly on the frame, using the included installation hardware. Several shelves can be installed in a cabinet. Shelves are available for all single bay cabinet configurations.

Transformers or other heavy equipment should be mounted to the bottom of the cabinet using the Transformer Support Bracket kit (6500 MXTSB), see page 118.



CATALOG NUMBER	NOMINAL	
	W	D
6500 MXSH0404	400	400
6500 MXSH0405	400	500
6500 MXSH0406	400	600
6500 MXSH0408	400	800
6500 MXSH0604	600	400
6500 MXSH0605	600	500
6500 MXSH0606	600	600
6500 MXSH0608	600	800
6500 MXSH0609	600	900
6500 MXSH0610	600	1000
6500 MXSH0706	700	600
6500 MXSH0708	700	800
6500 MXSH0709	700	900
6500 MXSH0710	700	1000
6500 MXSH0804	800	400
6500 MXSH0805	800	500
6500 MXSH0806	800	600
6500 MXSH0808	800	800
6500 MXSH0809	800	900
6500 MXSH0810	800	1000
6500 MXSH0904	900	400
6500 MXSH0905	900	500
6500 MXSH0906	900	600
6500 MXSH0908	900	800
6500 MXSH0909	900	900
6500 MXSH0910	900	1000
6500 MXSH1004	1000	400
6500 MXSH1005	1000	500
6500 MXSH1006	1000	600
6500 MXSH1008	1000	800
6500 MXSH1009	1000	900

## Sloped fixed shelf for monitor

The 6500 MXSHS sloped fixed shelves are used to support computers monitors or other light equipment. The shelves are vented to allow air circulation.

The shelves are sloped to facilitate monitor viewing. They are installed directly on the frame, using the included installation hardware. Several shelves can be installed in a cabinet. Shelves are available for all single bay cabinet configurations.

Transformers or other heavy equipment should be mounted to the bottom of the cabinet using the Transformer Support Bracket kit (6500 MXTSB), see page 118.



CATALOG NUMBER	NOMINAL	
	W	D
6500 MXSHS0404	400	400
6500 MXSHS0405	400	500
6500 MXSHS0406	400	600
6500 MXSHS0408	400	800
6500 MXSHS0604	600	400
6500 MXSHS0605	600	500
6500 MXSHS0606	600	600
6500 MXSHS0608	600	800
6500 MXSHS0609	600	900
6500 MXSHS0610	600	1000
6500 MXSHS0706	700	600
6500 MXSHS0708	700	800
6500 MXSHS0709	700	900
6500 MXSHS0710	700	1000
6500 MXSHS0804	800	400
6500 MXSHS0805	800	500
6500 MXSHS0806	800	600
6500 MXSHS0808	800	800
6500 MXSHS0809	800	900
6500 MXSHS0810	800	1000
6500 MXSHS0904	900	400
6500 MXSHS0905	900	500
6500 MXSHS0906	900	600
6500 MXSHS0908	900	800
6500 MXSHS0909	900	900
6500 MXSHS0910	900	1000
6500 MXSHS1004	1000	400
6500 MXSHS1005	1000	500
6500 MXSHS1006	1000	600
6500 MXSHS1008	1000	800
6500 MXSHS1009	1000	900

# 19"?

The shelving solutions above are installed directly on the cabinet frame. Shelves are also available for installation on 19" rack angles. See page 133 for details.

Data subject to change without notice.



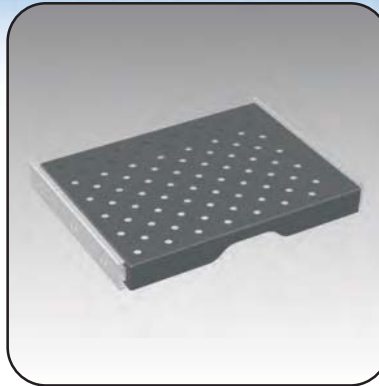
# NEMA 12-13 Mtrx SHELVING & STORAGE 6500 MXSP

## Pull-out shelf

The **6500 MXSP pull-out shelves** are used to support computers or other light equipment. The shelves are vented to allow air circulation.

They are installed directly on the frame, using the included installation brackets. Several shelves can be installed in a cabinet. Shelves are available for all single bay cabinet configurations.

Transformers or other heavy equipment should be mounted to the bottom of the cabinet using the Transformer Support Bracket kit (6500 MXTSB), see page 118.



CATALOG NUMBER	NOMINAL	
	W	D
6500 MXSP0404	400	400
6500 MXSP0405	400	500
6500 MXSP0406	400	600
6500 MXSP0408	400	800
6500 MXSP0604	600	400
6500 MXSP0605	600	500
6500 MXSP0606	600	600
6500 MXSP0608	600	800
6500 MXSP0609	600	900
6500 MXSP0610	600	1000
6500 MXSP0706	700	600
6500 MXSP0708	700	800
6500 MXSP0709	700	900
6500 MXSP0710	700	1000
6500 MXSP0804	800	400
6500 MXSP0805	800	500
6500 MXSP0806	800	600
6500 MXSP0808	800	800
6500 MXSP0809	800	900
6500 MXSP0810	800	1000
6500 MXSP0904	900	400
6500 MXSP0905	900	500
6500 MXSP0906	900	600
6500 MXSP0908	900	800
6500 MXSP0909	900	900
6500 MXSP0910	900	1000
6500 MXSP1004	1000	400
6500 MXSP1005	1000	500
6500 MXSP1006	1000	600
6500 MXSP1008	1000	800
6500 MXSP1009	1000	900

**MX/SL**  
COMPATIBLE

## Pull-out shelf with sliding mouse pad

The **6500 MXSPM pull-out shelves with mouse pad** are used to support computers or other light equipment. The shelves are vented to allow air circulation.

They are installed directly on the frame, using the included installation brackets. Several shelves can be installed in a cabinet. Shelves are available for all single bay cabinet configurations.

Transformers or other heavy equipment should be mounted to the bottom of the cabinet using the Transformer Support Bracket kit (6500 MXTSB), see page 118.



CATALOG NUMBER	NOMINAL	
	W	D
6500 MXSPM0404	400	400
6500 MXSPM0405	400	500
6500 MXSPM0406	400	600
6500 MXSPM0408	400	800
6500 MXSPM0604	600	400
6500 MXSPM0605	600	500
6500 MXSPM0606	600	600
6500 MXSPM0608	600	800
6500 MXSPM0609	600	900
6500 MXSPM0610	600	1000
6500 MXSPM0706	700	600
6500 MXSPM0708	700	800
6500 MXSPM0709	700	900
6500 MXSPM0710	700	1000
6500 MXSPM0804	800	400
6500 MXSPM0805	800	500
6500 MXSPM0806	800	600
6500 MXSPM0808	800	800
6500 MXSPM0809	800	900
6500 MXSPM0810	800	1000
6500 MXSPM0904	900	400
6500 MXSPM0905	900	500
6500 MXSPM0906	900	600
6500 MXSPM0908	900	800
6500 MXSPM0909	900	900
6500 MXSPM0910	900	1000
6500 MXSPM1004	1000	400
6500 MXSPM1005	1000	500
6500 MXSPM1006	1000	600
6500 MXSPM1008	1000	800
6500 MXSPM1009	1000	900

**19"?**

The shelving solutions above are installed directly on the cabinet frame. Shelves are also available for installation on 19" rack angles. See page 133 for details.

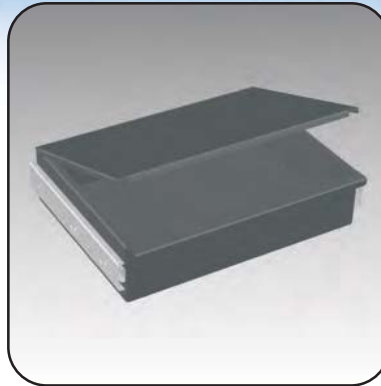
Data subject to change without notice.

# NEMA 12-13 Mtrx SHELVING & STORAGE 6500 MXSHD

## Drawer

The **6500 MXSHD** pull-out drawers are used to store light equipment. The drawers come with a writing surface which serves as a drawer cover.

They are installed directly on the frame, using the included installation brackets. Several drawers can be installed in a cabinet. Drawers are available for all single bay cabinet configurations.



CATALOG NUMBER	NOMINAL	
	W	D
6500 MXSHD0404	400	400
6500 MXSHD0405	400	500
6500 MXSHD0406	400	600
6500 MXSHD0408	400	800
6500 MXSHD0604	600	400
6500 MXSHD0605	600	500
6500 MXSHD0606	600	600
6500 MXSHD0608	600	800
6500 MXSHD0609	600	900
6500 MXSHD0610	600	1000
6500 MXSHD0706	700	600
6500 MXSHD0708	700	800
6500 MXSHD0709	700	900
6500 MXSHD0710	700	1000
6500 MXSHD0804	800	400
6500 MXSHD0805	800	500
6500 MXSHD0806	800	600
6500 MXSHD0808	800	800
6500 MXSHD0809	800	900
6500 MXSHD0810	800	1000
6500 MXSHD0904	900	400
6500 MXSHD0905	900	500
6500 MXSHD0906	900	600
6500 MXSHD0908	900	800
6500 MXSHD0909	900	900
6500 MXSHD0910	900	1000
6500 MXSHD1004	1000	400
6500 MXSHD1005	1000	500
6500 MXSHD1006	1000	600
6500 MXSHD1008	1000	800
6500 MXSHD1009	1000	900

## Folding shelf

The **886 FS folding shelves** are designed to be installed either on the inside (door mounted) or outside (surface mounted) of an enclosure. All hardware is provided for installation. Finish is white heat fused powder paint.

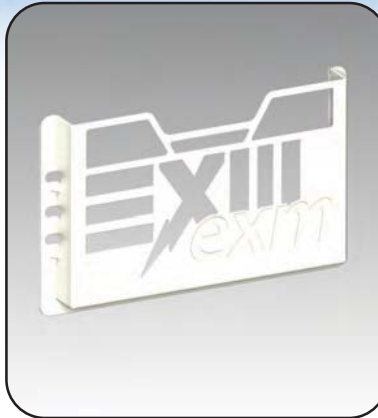


CATALOG NUMBER	NOMINAL	
	W	D
886 FS0303	305	305
886 FS0404	457	457

Data subject to change without notice.

## Plastic print pocket

The **880 PP** Print pockets are made of plastic and are installed using the self adhesive backing or using the mounting holes provided for M6 studs.



CATALOG NUMBER	DIMENSIONS		
	H	W	D
880 PP	152	241	25
880 PPL	305	305	25

**MX/SL**  
COMPATIBLE

## Large metal print pocket

The **886 PPXL** Extra large metal print pockets are made of steel and are installed on the vertical rails on the cabinet doors. Finish is red heat fused powder paint, electrostatically applied on a pre-treated base.



CATALOG NUMBER	DIMENSIONS			FITS CABINET WIDTHS
	H	W	D	
886 PPXL04	300	245	81	400
886 PPXL06	300	445	81	600, 1200
886 PPXL07	300	545	81	700
886 PPXL08	300	645	81	800, 1600
886 PPXL09	300	745	81	900
886 PPXL10	300	845	81	1000

## Generic large metal print pocket

The **886 PPG** Generic large metal print pockets are made of steel and installed in the lower corner of the door stiffeners. Fastened to a vertical stiffener and the lower horizontal stiffener. Finish is red heat fused powder paint.

**Note: Not compatible with streamline cabinets and doors.**



CATALOG NUMBER	DIMENSIONS			FITS CABINET WIDTHS
	H	W	D	
886 PPG	300	445	81	600, 700, 800, 900, 1000, 1200, 1600, 1800

Data subject to change without notice.



## External print pocket with lid

The 886 PPEX External print pockets with lid are made of 18GA steel and can be installed on any outside enclosure surface. The print pockets will accommodate standard B size binders either vertically or horizontally. Knockouts are supplied to mount an optional padlockable pull down hasp. Finish is light gray RAL7035 heat fused powder paint.



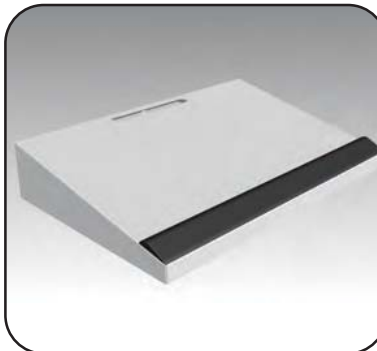
CATALOG NUMBER	DIMENSIONS (mm)		
	H	W	D
886 PPEXV	460	305	90
886 PPEXH	330	445	90

**NOTE:** Supplied with mounting hardware, however may require drilling holes for installation

**MX/SL**  
COMPATIBLE

## External keyboard tray

The 886 KBEX External keyboard trays are made of 16GA steel and can be installed on any outside enclosure surface. The external tray is designed to accommodate standard keyboard and mouse sizes. The wrist pad is included. Finish is light gray RAL7035 heat fused powder paint.

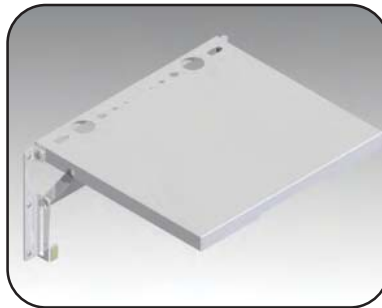


CATALOG NUMBER	DIMENSIONS (mm)		
	H	W	D
886 KBEX06	320	500	90

**NOTE:** Supplied with mounting hardware, however may require drilling holes for installation

## Low profile folding shelf – External or Internal

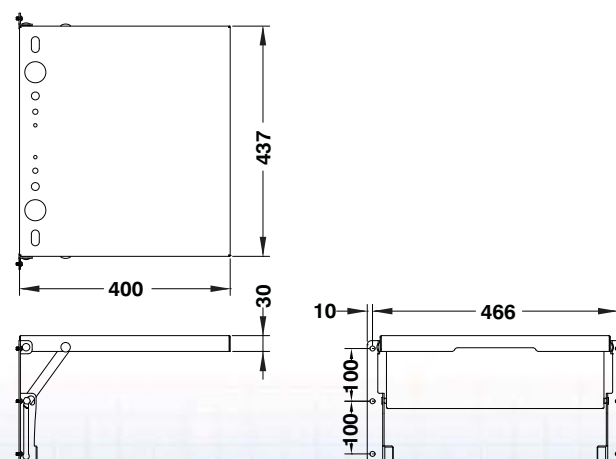
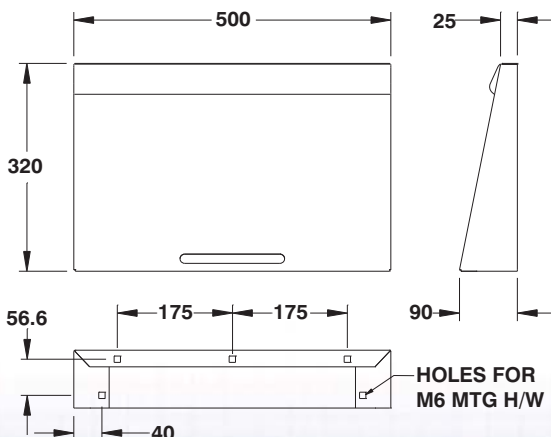
The 886 FSX Low profile folding shelves are made of 16GA steel and can be installed inside on the MTRX modular cabinet door stiffeners. Usable depth of shelf is 400mm. Finish is light gray RAL7035 heat fused powder paint.



CATALOG NUMBER	SHELF (mm) WIDTH	FITS CABINET WIDTHS
886 FSX04	236	400
886 FSX06	436	600, 1200
886 FSX07	536	700
886 FSX08	636	800, 1600, 1800
886 FSX09	736	900
886 FSX10	836	1000

886 KBEX

886 FSX



Data subject to change without notice.



## External screen console

The **886 KBS** screen compartment is designed to accommodate at most a 21 inch flat screen. The compartment is accessible via a locking window door made of 16GA steel and polycarbonate window. Finish is light gray RAL7035 heat fused powder paint.



CATALOG NUMBER	DIMENSIONS (mm)		
	H	W	D
886 KBS06	400	550	120

**NOTE:** Supplied with mounting hardware, however may require drilling holes for installation

## Fold down keyboard tray

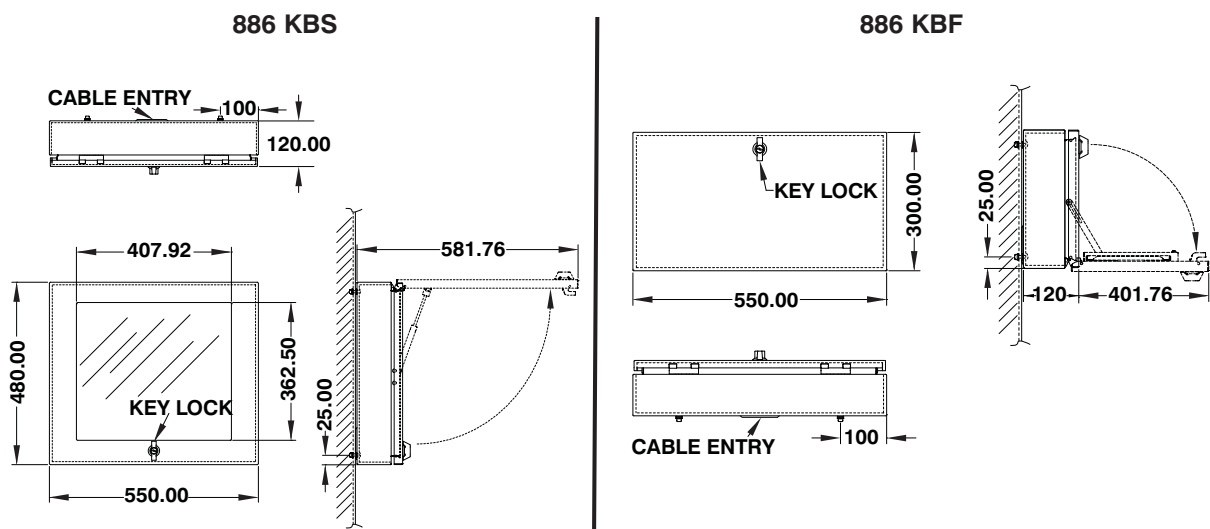
The **886 KBF** Fold down keyboard trays are made of 16GA steel and can be installed on any outside enclosure surface. The fold down tray is designed to accommodate standard keyboard and mouse sizes. Finish is light gray RAL7035 heat fused powder paint.



CATALOG NUMBER	DIMENSIONS (mm)		
	H	W	D
886 KBF06	300	550	120

**NOTE:** Supplied with mounting hardware, however may require drilling holes for installation

**MX/SL**  
COMPATIBLE



**NOTE :** The combination of the **886 KBF** and the **886 KBS** offers a solution for housing a keyboard and a flat screen. These two items are made of 16GA steel and can be installed on any enclosure surface. The two items **886 KBF** and **886 KBS** need to be selected in order to complete this kit

Data subject to change without notice.

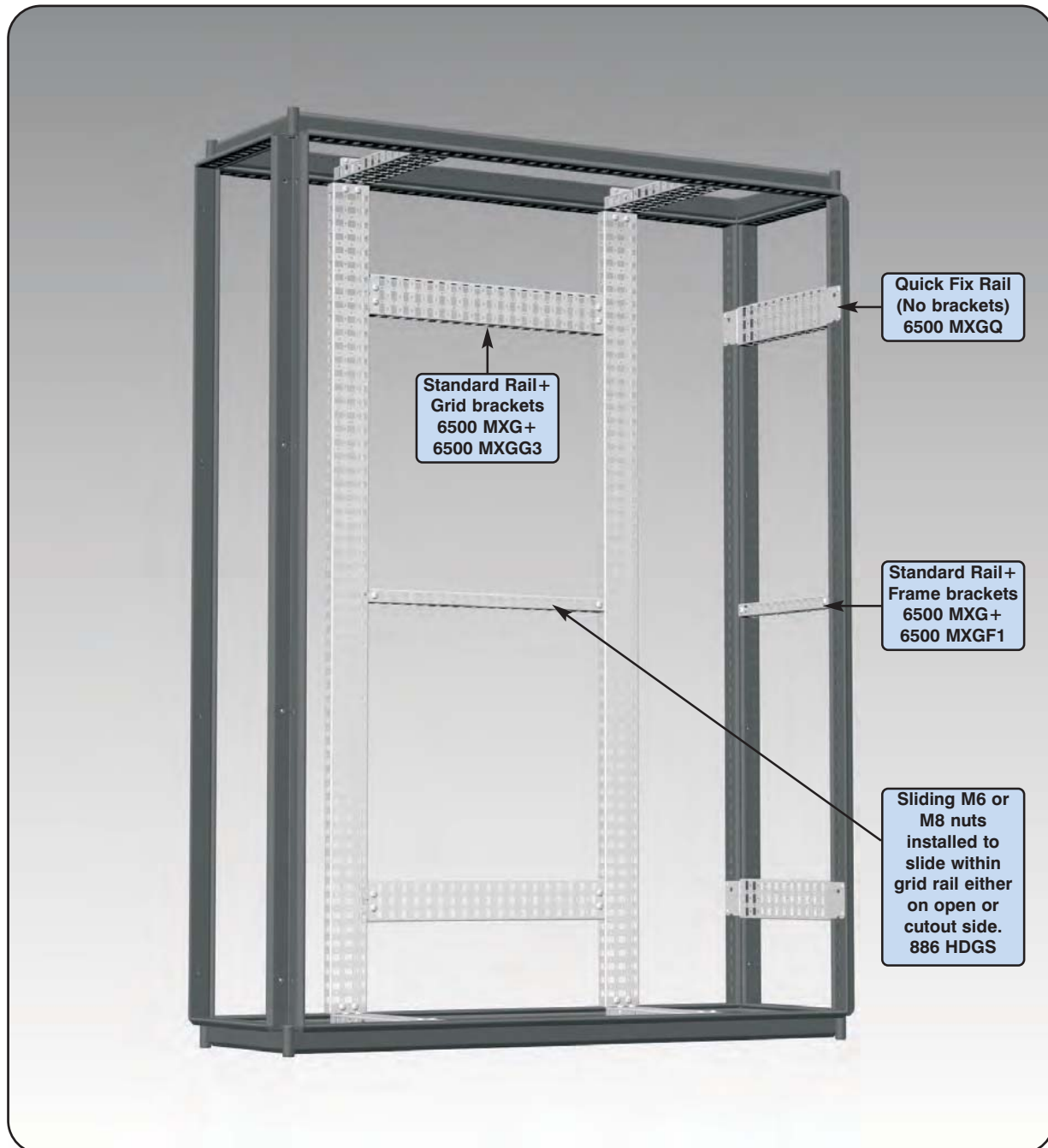
## Grid rail system

The **6500 MXG grid rail system** is used to expand the mounting capabilities of Mtrx cabinets. Grid rails can be installed horizontally or vertically, anywhere within the cabinet frame, using separately ordered installation brackets.

Two types of brackets are available. To mount grid rails to the cabinet frame, order the 6500 MXGF brackets. To mount grid rails to other rails, order the 6500 MXGG brackets. Quick fix rails, which do not require installation brackets, are

also available. The 6500 MXGQ quick fix rails can only be installed on the cabinet sides, along the cabinet's depth. Instruments can be installed on the rails using the self-tapping screws, cage nuts or sliding nuts, which can be ordered separately.

**MX/SL**  
COMPATIBLE

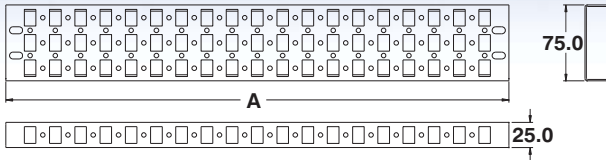


Data subject to change without notice.

# NEMA 12-13 Mtrx RAILS & CABLE CLAMPS 6500 MXG

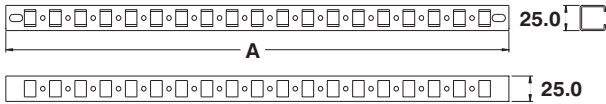
## Standard grid rails

### THREE HOLE GRID RAILS



The grid rails below require installation brackets:  
 6500 MXGF1 Grid-to-frame installation brackets (1 hole)  
 6500 MXGF3 Grid-to-frame installation brackets (3 holes)  
 6500 MXGG1 Grid-to-grid installation brackets (1 hole)  
 6500 MXGG3 Grid-to-grid installation brackets (3 holes)

### ONE HOLE GRID RAILS

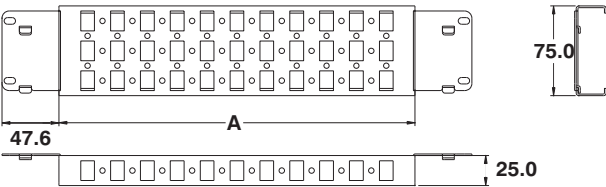


NOMINAL		CATALOG NUMBER	
W	A	ONE HOLE	THREE HOLES
400	298	6500 MXG104	6500 MXG304
500	398	6500 MXG105	6500 MXG305
600	498	6500 MXG106	6500 MXG306
700	598	6500 MXG107	6500 MXG307
800	698	6500 MXG108	6500 MXG308
900	798	6500 MXG109	6500 MXG309
1000	898	6500 MXG110	6500 MXG310
1200	1098	6500 MXG112	6500 MXG312
1400	1298	6500 MXG114	6500 MXG314
1600	1498	6500 MXG116	6500 MXG316
1800	1698	6500 MXG118	6500 MXG318
2000	1898	6500 MXG120	6500 MXG320
2200	2098	6500 MXG122	6500 MXG322

**MX/SL**  
COMPATIBLE

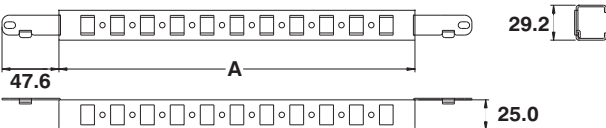
## Quick fix grid rails

### THREE HOLE GRID RAILS



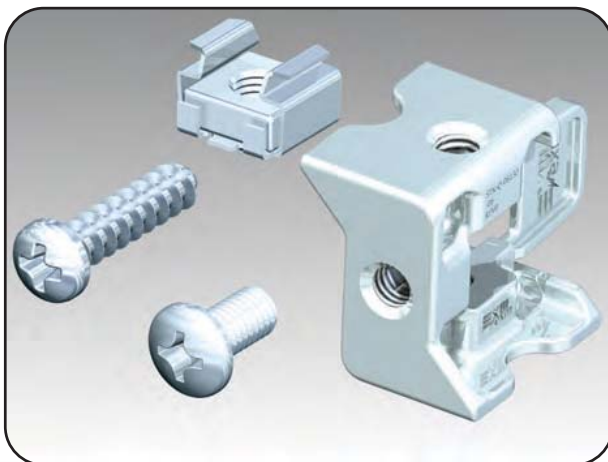
The quick fix grid rails below do not require installation brackets. They can only be installed on the cabinet's sides, along the cabinet's depth.

### ONE HOLE GRID RAILS



NOMINAL		CATALOG NUMBER	
D	A	ONE HOLE	THREE HOLES
400	298	6500 MXGQ104	6500 MXGQ304
500	398	6500 MXGQ105	6500 MXGQ305
600	498	6500 MXGQ106	6500 MXGQ306
800	698	6500 MXGQ108	6500 MXGQ308
900	798	6500 MXGQ109	6500 MXGQ309

## Hardware for grid rails



The hardware below is compatible with standard grid rails (6500 MXG) and quick fix grid rails (6500 MXGQ). Other types of screws and nuts are available on p.148.

CATALOG NUMBER	DESCRIPTION	PACKS OF
880 HDFM06	M6 front inserted clip nuts	100
880 HDFM08	M8 front inserted clip nuts	100
880 HDPM08	M8 standard cage nuts	100
880 HDP3118	5/16"-18 standard cage nuts	100
880 HDMM06	M6, 12mm machine screws	100
880 HDMM08	M8, 25mm machine screws	50
880 HDM3118	5/16"-18, 1" machine screws	50
880 HDT10	#10, 1/2" self-tapping screws	100
886 HDGS06	M6 sliding nut (rotate or slide in place)	20
886 HDGS08	M8 sliding nut (rotate or slide in place)	20

Refer to hardware section p.148 and p.482 for detailed image of cage, clip nut types and applications.

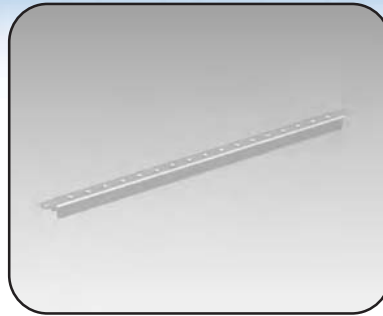
(\*) sliding nuts can be installed in both standard and quick fix grid rails, either facing the cutout or open side of the rail

Data subject to change without notice.



## Door rails

The **886 DR** horizontal door rails are designed to increase the mounting capacity of Mtrx cabinet doors. There are M5 holes every 25mm on the door rail. The 886 DR consists of one door rail with all installation hardware.



CATALOG NUMBER	FITS CABINET WIDTH
886 DR04	400
886 DR06	600, 1200
886 DR07	700
886 DR08	800, 1600
886 DR09	900
886 DR10	1000

## Transformer support bracket

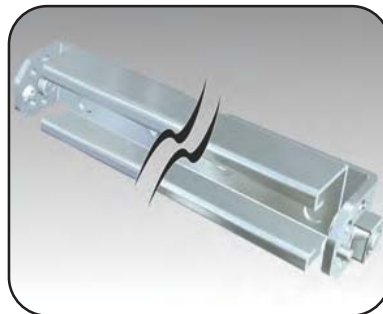
The **6500 MXTSB** transformer support brackets are used to mount transformers and other heavy equipment at the bottom of the cabinet. The kit includes two support brackets and installation hardware.



CATALOG NUMBER	FITS CABINET WIDTH
6500 MXTSB04	400mm
6500 MXTSB06	600mm
6500 MXTSB07	700mm
6500 MXTSB08	800mm
6500 MXTSB10	1000mm
6500 MXTSB12	1200mm
6500 MXTSB16	1600mm
6500 MXTSB09	900mm

## C type cable collecting rails

The **6500 MXCRAIL** cable collecting rail kit is used to fasten cable clamps in order to provide strain relief prior to making connections to equipment. The collecting rail kit includes one rail, two fastening brackets and all installation hardware. The rail can be rotated by increments of 45° to assist in cable routing.



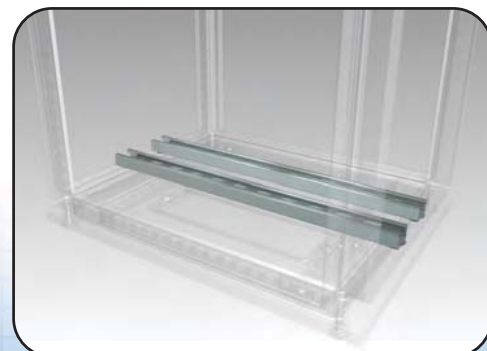
CATALOG NUMBER *	FITS CABINET WIDTH
6500 MXCRAIL03	300
6500 MXCRAIL04	400
6500 MXCRAIL05	500
6500 MXCRAIL06	600
6500 MXCRAIL07	700
6500 MXCRAIL08	800
6500 MXCRAIL09	900
6500 MXCRAIL10	1000
6500 MXCRAIL11	1100
6500 MXCRAIL12	1200
6500 MXCRAIL13	1300
6500 MXCRAIL14	1400
6500 MXCRAIL15	1500
6500 MXCRAIL16	1600
6500 MXCRAIL17	1700
6500 MXCRAIL18	1800
6500 MXCRAIL19	1900
6500 MXCRAIL20	2000
6500 MXCRAIL21	2100
6500 MXCRAIL22	2200

**NOTE\*:** standard c-rails have 5/8 inch opening. For smaller opening rail (16 mm) add suffix 'S'. The smaller rails will accommodate the 886UB cable clamps. (p.119)

6500 MXCRAIL



6500 MXTSB

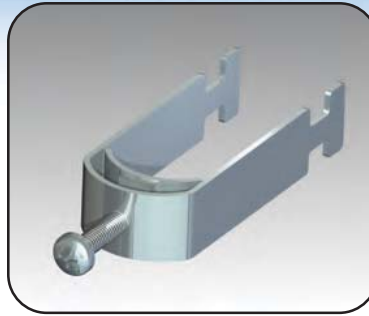


Data subject to change without notice.



## C-rail cable clamps

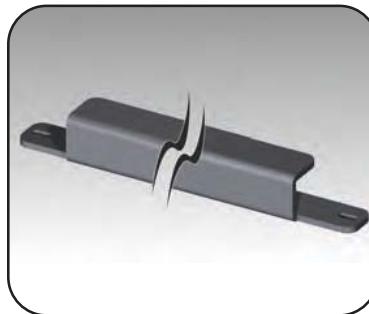
The 886 UB cable clamps for C-rail are used in conjunction with small C-rails for strain relieving cables. (Pack of 10)  
i.e.: 6500 MXCRAIL...S



CATALOG NUMBER	DESCRIPTION Cable diameter (mm)
886 UB6-14	6-14
886 UB12-18	12-18
886 UB18-22	18-22
886 UB38-42	38-42
886 UB42-50	42-50
886 UB50-64	50-64

## L-type cable collection rail

The 6500 MXLRAIL cable collecting rail kit is used to fasten cable clamps (886 UZ type) in order to provide strain relief prior to making connections to equipment. The collecting rail kit includes all installation hardware and is mounted directly onto the frame or optional grid rails.

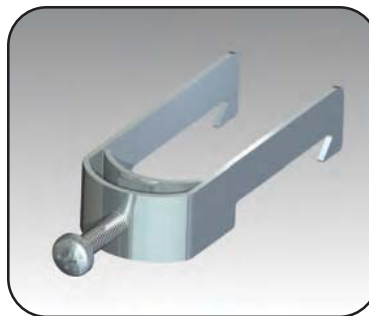


CATALOG NUMBER	FITS CABINET WIDTH (MM)
6500 MXLRAIL04	400
6500 MXLRAIL06	600
6500 MXLRAIL07	700
6500 MXLRAIL08	800
6500 MXLRAIL09	900
6500 MXLRAIL10	1000

**MX/SL**  
COMPATIBLE

## L-rail cable clamps

The 886 UZ cable clamps for L-rail are used in conjunction with L-rails for strain relieving cables. (Pack of 10)



CATALOG NUMBER	DESCRIPTION Cable diameter (mm)
886 UZ6-12	6-12
886 UZ12-16	12-16
886 UZ14-18	14-18
886 UZ18-22	18-22
886 UZ22-26	22-26
886 UZ26-30	26-30
886 UZ30-34	30-34
886 UZ34-38	34-38
886 UZ38-42	38-42
886 UZ42-46	42-46
886 UZ46-50	46-50

## Cable entry grommet

The 886 US cable entry grommets are used in conjunction with cable entry gland plates (886 GPCE0602 p.57). These offer extra protection from cables entering the cabinet via the base cover. Retrofit directly onto standard gland plate provisions.



CATALOG NUMBER	DESCRIPTION – Cut-away for cable diameter (mm)
886 US8	QTY 8 OF MAX 13mm
886 US3	QTY 3 OF MAX 21mm
886 US1	QTY 1 OF MAX 47mm

Data subject to  
change without  
notice.

## Cable entry gland plate

The **886 GPCE** cable entry gland plate is installed mainly on the bottom cover of a standard Mtrx cabinet. The steel plate is supplied in individual packs with three 3 inch plastic blanking caps. Supplied with gland plate depth of 200mm only (short side). Standard finish RAL7011 textured dark gray.



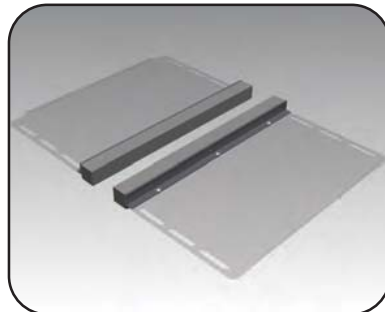
CATALOG NUMBER	FITS IN CABINET WIDTH	FIT ON TROUGH DEPTH
886 GPCE0602	600 & 1200	400 TO 1200
886 GPCE0702	700	400 TO 1200
886 GPCE0802	800 & 1600	400 TO 1200
886 GPCE0902	900	400 TO 1200
886 GPCE1002	1000	400 TO 1200

**NOTE:** Only the 886 GPCE0602 can be installed on cable entry top covers 6500 MXTC (p.51) and on Streamline cabinets (p.78).

**MX/SL**  
COMPATIBLE

## Cable entry protective foam for gland plate

The **886 GPG** kit is comprised of a Polyurethane foam gasket used to offer additional protection where cables enter the enclosure via the supplied gland plates. Kit consists of all hardware required for sealing one gland plate seam.



CATALOG NUMBER	FITS ON GLAND PLATES FOR WIDTH (MM)
886 GPG04	400
886 GPG06	600 & 1200
886 GPG07	700
886 GPG08	800 & 1600
886 GPG09	900
886 GPG10	1000

**NOTE:** Gland plate not provided, kit is intended for retrofitting onto gland plates supplied with cabinet bottom cover

## Cable guide

The **886 CT** kit is comprised of a pair of 16ga or 14ga sheet metal guides. Guides are installed directly onto the cabinet frame in any direction (height, width or

depth). The cable guides are supplied with features enabling the use of tie wraps throughout the entire length of the parts.

Finish is textured dark gray RAL7011. Supplied with all necessary mounting hardware.



CATALOG NUMBER	LENGTH (MM)	FITS IN NOMINAL CABINET /FRAME DIMENSION (MM)
886 CT04	295	400
886 CT05	395	500
886 CT06	495	600
886 CT07	595	700
886 CT08	695	800
886 CT09	795	900
886 CT10	895	1000
886 CT12	1095	1200
886 CT14	1295	1400
886 CT16	1495	1600
886 CT18	1695	1800
886 CT20	1895	2000
886 CT22	2095	2200

Data subject to change without notice.

# NEMA 12-13 Mtrx RAILS & CABLE CLAMPS 6500 MXWS

## Installation of wiring systems

**Note:** For Wiring Systems instead of mounting panels, interfacing accessories are made available. For more installation details, refer to table and accessories below or contact our customer support group.

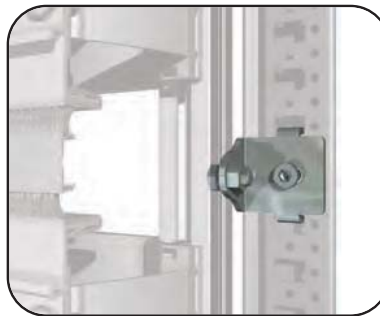
NOMINAL cabinet width (mm)	6500 MXWS & MXWSR surface-to-surface (mm)	886 K47473 hole-to-hole (mm)	Recommended wiring system rail length (mm)
400	296	260	285
500	396	360	385
600	496	460	485
700	596	560	585
800	696	660	685
900	796	760	785
1000	896	860	885
1200	1096	1060	1085
1600	1496	1460	1485



**MX/SL**  
COMPATIBLE

## Adaptor bracket kit for wiring system

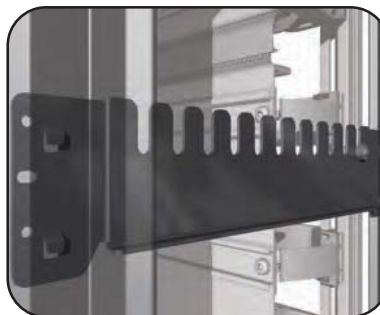
The **6500 MXWS adaptor bracket kit** is design for the installation of wiring systems. The adaptor bracket kit is suitable for either surface mounted or profile mounted wiring systems. The bracket kit enables the installation of partial wiring systems. System can be moved by increments of 25mm in vertical plane only.



CATALOG NUMBER	FITS WIRING SYSTEM
6500 MXWS1	LCS (LUTZE)

## Adaptor rail kit for wiring system

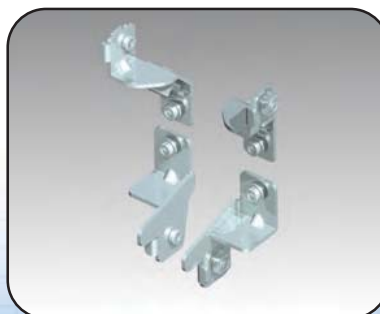
The **6500 MXWSR** is comprised of four rails and the necessary hardware for the installation of wiring kits. The rail kit enables the installation of partial wiring systems. System can be moved vertically (height) as well as horizontally (depth) by increments of 25mm. Typical use is with profile mounted systems.



CATALOG NUMBER	FITS CAB. DEPTH (mm)	FITS WIRING SYSTEM
6500 MXWSR04	400	LCS(LUTZE)
6500 MXWSR05	500	LCS(LUTZE)
6500 MXWSR06	600	LCS(LUTZE)
6500 MXWSR07	700	LCS(LUTZE)
6500 MXWSR08	800	LCS(LUTZE)
6500 MXWSR09	900	LCS(LUTZE)
6500 MXWSR10	1000	LCS(LUTZE)
6500 MXWSR11	1100	LCS(LUTZE)
6500 MXWSR12	1200	LCS(LUTZE)

## Bracket kit for inner panel or wiring system

The **886 K47473 kit** is comprised of four mounting brackets and the necessary hardware for the installation of a mounting plate/panel or wiring kit. The bracket kit enables only full height surface mounting systems and horizontal adjustments (depth) by increments of 25mm.



CATALOG NUMBER

886 K47473

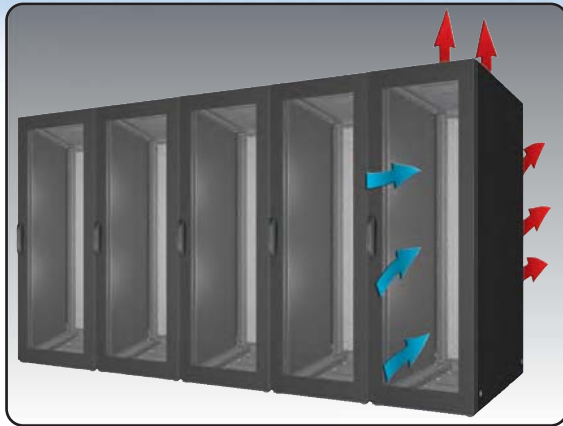
Horizontal M8 mounting hole-to-hole (mm)  
= (Cabinet NOMINAL Width) - 140

Vertical M8 mounting hole-to-hole (mm)  
= (Cabinet NOMINAL Height) - 174

Data subject to change without notice.

# Mtrx DATA CENTERS & SERVER ROOMS

## Networking Enclosure solutions



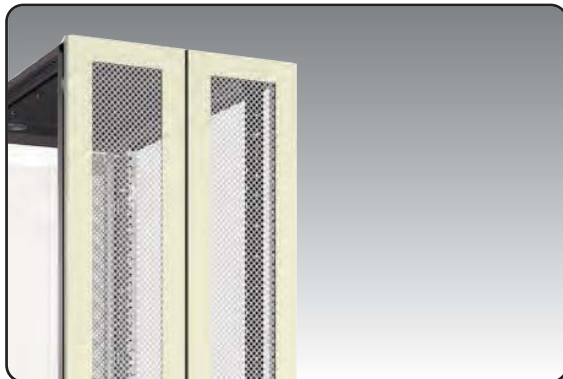
**Note :** The Mtrx solutions for datacom offers flexibility in both NEMA 12 and NEMA 1 ratings according to the environment where it will be used.

**The 6500 MXK** cabinets are used in environments where a heavy duty enclosure is needed.

**The 6100 SLK** cabinets are specifically designed for use in data centers and server rooms.

**Refer to page 124 and 125 for more details**

## Climate control solutions

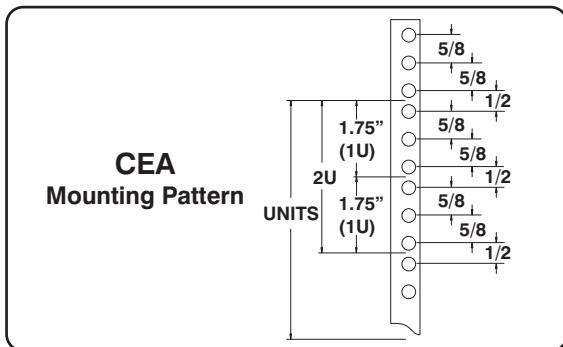


**The 6100 SLK** enclosures offer the limited possibility of passive cooling depending on the heat produced by the mounted equipment. The design of this network cabinet allows to maintaining an air flow with a low energy consumption.

Custom dimensions are available to save space and energy required to cool the installed systems.

**Refer to page 125 for more details**

## Rack Angles Construction



The configuration of accessories for networking and server racks is based upon a 19-inch rack design as defined in the CEA-310-E Standard. The standard unit used is 1,75".

The accessories available for the rack angles are designed for a 19", 23" and 24" wide use and are compatible with both Mtrx and Streamline solutions.

Some accessories are interchangeable between MX and SL solutions. Refer to the logo :

**MX/SL**  
COMPATIBLE

## Remote access control



**The E.line handles allow remote access control through the internet.**

- It has an online system configuration and access log.
- Local master-slave interlock systems are available.
- Local access via a keypad with a digital LED screen.
- Simple stand-alone systems are also available.
- Sleek European design.

Data subject to change without notice.



**Mtrx IT SOLUTIONS (NETWORKING and SERVER RACKS)**



**6500 MX platform**  
NEMA/EEMAC 12 / 13  
Heavy duty, rugged solutions

**CEA-310  
Compliant solutions**

**MX/SL  
COMPATIBLE**

**6100 SL platform**  
NEMA/EEMAC 1  
Light duty solutions

## Mtrx Modular pre-configured network cabinet

The 6500 MXKNT pre-configured network / server kits are complete factory assembled units regrouping all necessary components for specific network or server applications. Each presented kit consist of the following standard mtrx modular components:

- Mtrx modular frame system

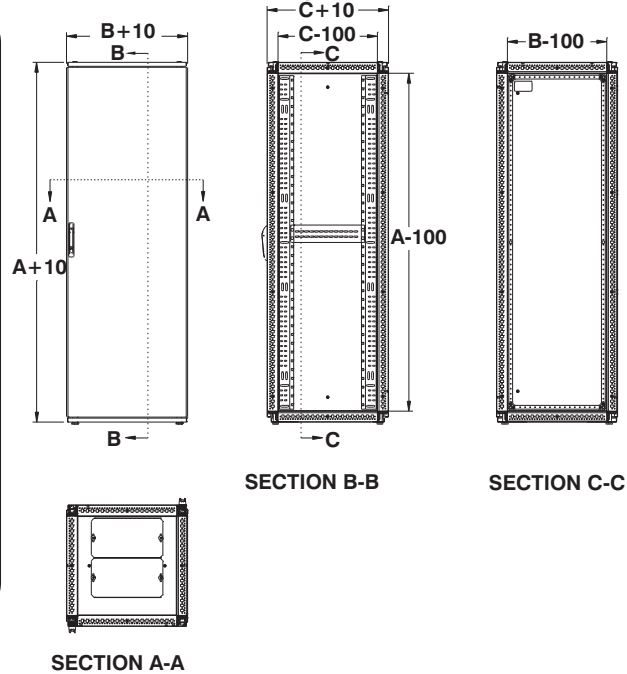
(with eye bolts and leveling feet)

- Top and bottom covers furnished with sealed access gland plates
- Standard side covers
- Front and rear doors (supplied with std front and rear solid doors)

- Two adjustable 19" rack angle sets

Frame, top and bottom are powder coated dark gray RAL7011. All other external covers are light gray RAL7035 or textured black RAL9005.

**NEMA/EEMAC 12-13 / IP55**  
**ANSI / CEA-310**



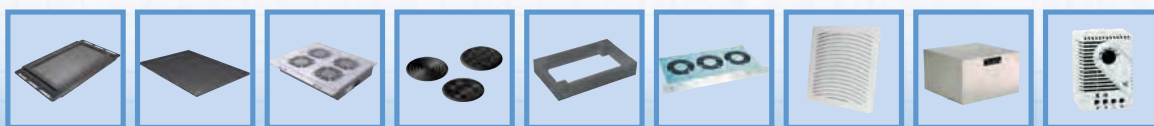
CATALOG NUMBER	A (mm)	B (mm)	C (mm)	Rack Units
6500 MXKNT140606	1400	600	600	29
6500 MXKNT140608	1400	600	800	29
6500 MXKNT140609	1400	600	900	29
6500 MXKNT140610	1400	600	1000	29
6500 MXKNT140612	1400	600	1200	29
6500 MXKNT160606	1600	600	600	33
6500 MXKNT160608	1600	600	800	33
6500 MXKNT160609	1600	600	900	33
6500 MXKNT160610	1600	600	1000	33
6500 MXKNT160612	1600	600	1200	33
6500 MXKNT180606	1800	600	600	38
6500 MXKNT180608	1800	600	800	38
6500 MXKNT180609	1800	600	900	38

CATALOG NUMBER	A (mm)	B (mm)	C (mm)	Rack Units
6500 MXKNT180610	1800	600	1000	38
6500 MXKNT180612	1800	600	1200	38
6500 MXKNT200606	2000	600	600	42
6500 MXKNT200608	2000	600	800	42
6500 MXKNT200609	2000	600	900	42
6500 MXKNT200610	2000	600	1000	42
6500 MXKNT200612	2000	600	1200	42
6500 MXKNT220606	2200	600	600	47
6500 MXKNT220608	2200	600	800	47
6500 MXKNT220609	2200	600	900	47
6500 MXKNT220610	2200	600	1000	47
6500 MXKNT220612	2200	600	1200	47

For exterior of cabinet finished textured black RAL9005 add suffix "X"

i.e.: 6500 MXKNT180606X → cabinet with doors and side covers painted textured black  
→ frame, top and bottom remain dark gray RAL7011

Data subject to change without notice.



## STREAMLINE Modular pre-configured network cabinet

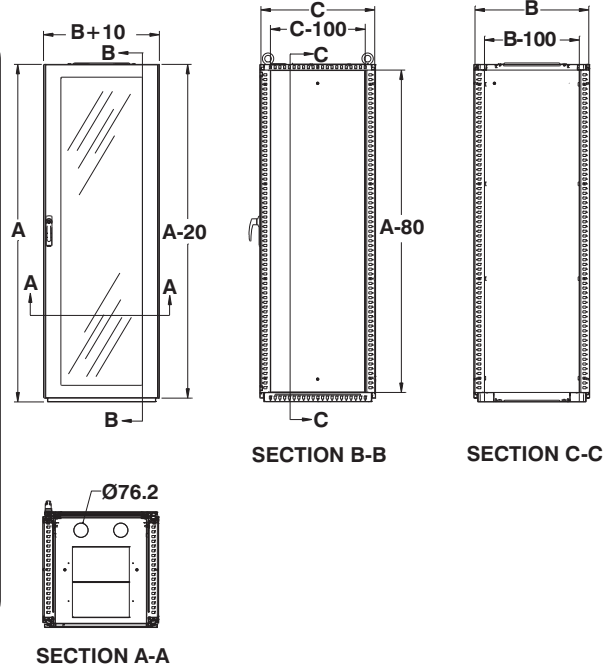
The 6100 SLKNT pre-configured network / server kits are complete factory assembled units regrouping all necessary components for specific network and server applications. Each presented kit consists of the following standard Streamline modular components:

- Streamline frame system (with eye bolts and leveling feet)
- Top and bottom furnished with access gland plates
- Quick install side covers
- Vented front door and Split vented rear door supplied standard for maximum passive cooling potential

- Two adjustable 19" rack angle sets

Frame, top and bottom are powder coated dark gray RAL7011. All other external covers are light gray RAL7035 or textured black RAL9005.

**NEMA/EEMAC 1 / IP20  
ANSI / CEA-310**



CATALOG NUMBER	A (mm)	B (mm)	C (mm)	Rack Units
6100 SLKNT140606	1400	600	600	29
6100 SLKNT140608	1400	600	800	29
6100 SLKNT140609	1400	600	900	29
6100 SLKNT140610	1400	600	1000	29
6100 SLKNT140611	1400	600	1100	29
6100 SLKNT140612	1400	600	1200	29
6100 SLKNT160606	1600	600	600	33
6100 SLKNT160608	1600	600	800	33
6100 SLKNT160609	1600	600	900	33
6100 SLKNT160610	1600	600	1000	33
6100 SLKNT160611	1600	600	1100	33
6100 SLKNT160612	1600	600	1200	33
6100 SLKNT180606	1800	600	600	38
6100 SLKNT180608	1800	600	800	38
6100 SLKNT180609	1800	600	900	38

CATALOG NUMBER	A (mm)	B (mm)	C (mm)	Rack Units
6100 SLKNT180610	1800	600	1000	38
6100 SLKNT180611	1800	600	1100	38
6100 SLKNT180612	1800	600	1200	38
6100 SLKNT200606	2000	600	600	42
6100 SLKNT200608	2000	600	800	42
6100 SLKNT200609	2000	600	900	42
6100 SLKNT200610	2000	600	1000	42
6100 SLKNT200611	2000	600	1100	42
6100 SLKNT200612	2000	600	1200	42
6100 SLKNT220606	2200	600	600	47
6100 SLKNT220608	2200	600	800	47
6100 SLKNT220609	2200	600	900	47
6100 SLKNT220610	2200	600	1000	47
6100 SLKNT220611	2200	600	1100	47
6100 SLKNT220612	2200	600	1200	47

For exterior of cabinet finished textured black RAL9005 add suffix "X"

- i.e.: 6100 SLKNT180606X → cabinet with doors and side covers painted textured black  
 → frame, top and bottom remain dark gray RAL7011

Data subject to change without notice.





## Rack mounting

The 6500 MXL rack angles are used to provide mounting solutions for electronic equipment in Mtrx cabinets.

Four types of industry standard rack angles are available, namely 19", 24", 23" and metric rack angles.

The 6500 MXL rack angles are furnished in pairs. They are installed on the frame using the included installation brackets.

Holes for self tapping screws and holes for clip nuts are provided. Screws and nuts can be purchased separately (p.148).

The 19" and metric rack angles are made to be installed in 600mm wide cabinets. The 24" and 23" rack angles are made to be installed in 700mm wide cabinets. The angles can be installed in larger cabinets using width reducing brackets (p.134).

**MX/SL**  
COMPATIBLE



Data subject to change without notice.

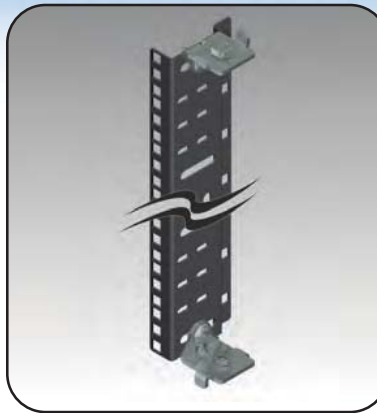


## Mtrx 19" rack angles

The **6500 MXL** rack angles are installed directly on the Mtrx cabinet frame using the included installation hardware.

19 inch rack angles are designed to be installed in 600mm wide cabinets and can be installed in larger cabinets using optional frame reducing brackets (see page 134). The 6500 MXL are sold in pairs and come with installation hardware. Finish is RAL7011 Dark Gray.

**ANSI / CEA-310**



CATALOG NUMBER	FITS CABINETS		RACK UNITS
	HEIGHT	WIDTH	
6500 MXL0719	700	600	13
6500 MXL1419	1400	600	29
6500 MXL1619	1600	600	33
6500 MXL1819	1800	600	38
6500 MXL2019	2000	600	42
6500 MXL2219	2200	600	47

**NOTE :** Also available in 23" and 24" rack mount standards.

**MX/SL**  
COMPATIBLE

## Mtrx 19" front rack angles

The **6500 MXLF** rack angles can be installed on the flange of 600mm width frame in order to obtain a front 19" rack mount. The 6500 MXLF are sold in pairs and come with installation hardware. Finish is RAL7011 Dark Gray.

**ANSI / CEA-310**



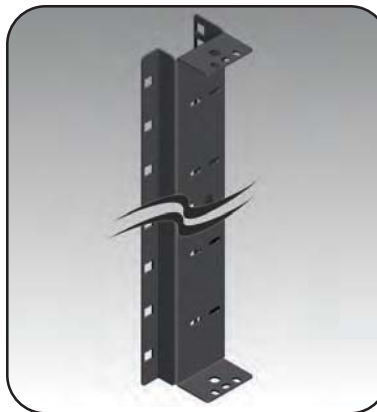
CATALOG NUMBER	FITS CABINETS		RACK UNITS
	HEIGHT	WIDTH	
6500 MXLF0719	700	600	13
6500 MXLF1419	1400	600	29
6500 MXLF1619	1600	600	33
6500 MXLF1819	1800	600	38
6500 MXLF2019	2000	600	42
6500 MXLF2219	2200	600	47

## Mtrx 19" rack angles quick install

The **6500 MXLQ** rack angles are installed directly on the Mtrx cabinet frame using self-tapping screw. 19 inch rack angles are design to be installed in 600mm wide cabinet. The 6500 MXLQ are sold in pairs and come with installation hardware. Finish is RAL7011 Dark Gray.

\*The 6500 MXLQ cannot be installed in conjunction with Mtrx grid rails.

**ANSI / CEA-310**



CATALOG NUMBER	FITS CABINETS		RACK UNITS
	HEIGHT	WIDTH	
6500 MXLQ0719	700	600	13
6500 MXLQ1419	1400	600	29
6500 MXLQ1619	1600	600	33
6500 MXLQ1819	1800	600	38
6500 MXLQ2019	2000	600	42
6500 MXLQ2219	2200	600	47

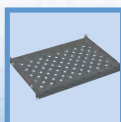
**NOTE :** For installation of shelves, pull-out shelves, drawers, or heavy rack mounted equipment, two pairs must be ordered.

Data subject to change without notice.

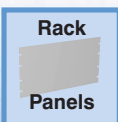


p.602

<http://www.exmweb.com>



p.133



p.131



p.132



p.148

1-800-363-2423

Fax : 450-979-4626



[info@exmweb.com](mailto:info@exmweb.com)

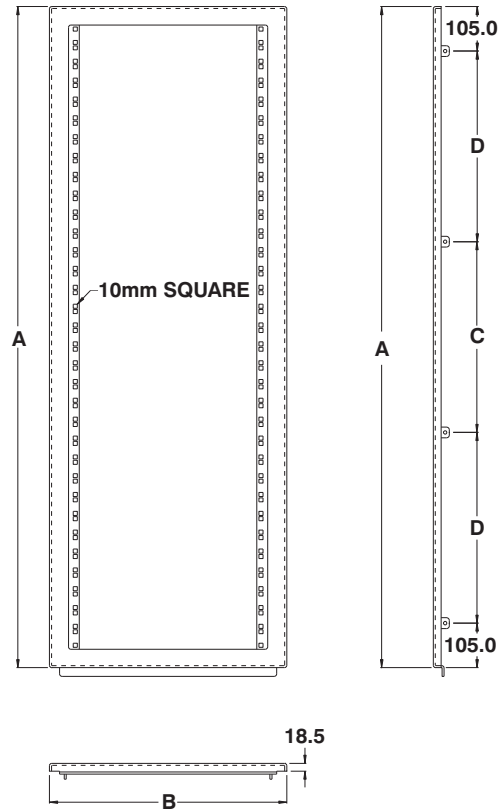
## Dress frame 19" rack

The 6500 MXDF dress frames are used instead of a door, when the front or back of the enclosure must remain open. This frame is designed to accommodate 19" rack equipment. Cage nuts and

screws for 19" rack mounting can be ordered separately. (see page 148) Frames are finished with heat fused powder paint, electrostatically applied on a pretreated

base. Finish is RAL7035 textured light gray. or textured black RAL9005.

**ANSI / CEA-310**



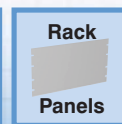
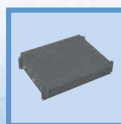
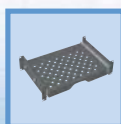
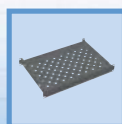
CATALOG NUMBER	NOMINAL		DIMENSIONS				RACK UNITS
	H	W	A	B	C	D	
6500 MXDF0706	700	600	660	595	-	-	13
6500 MXDF1406	1400	600	1360	595	450	350	29
6500 MXDF1606	1600	600	1560	595	450	450	33
6500 MXDF1806	1800	600	1760	595	500	525	38
6500 MXDF2006	2000	600	1960	595	600	575	42
6500 MXDF2206	2200	600	2160	595	650	650	47

**Please note:**  
If you require rack angles to support the back portion of your electronic equipment, order 6500 MXL rack angles separately. Refer to page 127.

For exterior of cabinet finished textured black RAL9005 add suffix 'X'

i.e.: 6500 MXDF1806X → Dress frame painted textured black RAL9005

Data subject to change without notice.

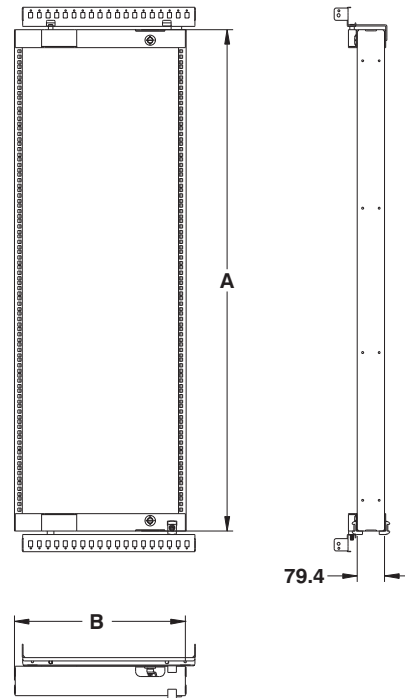


## Swing-out 19" rack frames

The 6500 MXSR swing-out 19" rack frames are installed inside Mtrx cabinets. They are made of steel and include all the required installation hardware.

These frames are hinged to facilitate the access to install 19 inch rack equipment. The racks can be installed at any depth within the cabinet. The racks are finished with heat

fused powder paint, electrostatically applied on a pretreated base. The finish is RAL 7011 sandtex dark gray. **ANSI / CEA-310**



**MX/SL**  
COMPATIBLE

CATALOG NUMBER	NOMINAL		DIMENSIONS		RACK UNITS
	H †	W ‡	A	B	
6500 MXSR0706	700	600	540	495	9
6500 MXSR0707	700	700	540	495	9
6500 MXSR0708	700	800	540	495	9
6500 MXSR1406	1400	600	1240	495	25
6500 MXSR1407	1400	700	1240	495	25
6500 MXSR1408	1400	800	1240	495	25
6500 MXSR1606	1600	600	1440	495	30
6500 MXSR1608	1600	800	1440	495	30
6500 MXSR1806	1800	600	1640	495	34
6500 MXSR1808	1800	800	1640	495	34
6500 MXSR2006	2000	600	1840	495	39
6500 MXSR2007	2000	700	1840	495	39
6500 MXSR2008	2000	800	1840	495	39
6500 MXSR2206	2200	600	2040	495	43
6500 MXSR2207	2200	700	2040	495	43
6500 MXSR2208	2200	800	2040	495	43

† Swing out racks can be installed in cabinets with widths equal to the dimension listed in column 'W'. For cabinets 700mm and 800mm wide, filler panels are supplied to fill the gap between the cabinet's frame and the swing-out rack's frame.

Data subject to change without notice.



<http://www.exmweb.com>

1-800-363-2423

Fax : 450-979-4626

info@exmweb.com

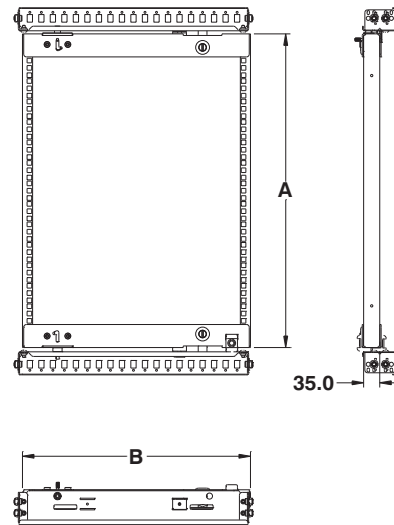


## Partial swing-out 19" rack frames

The **6500 MXSRP partial swing-out 19" rack frames** are installed inside either a Mtrx or Streamline cabinet or frame. The kits are comprised of all necessary instal-

lation railing and hardware, enabling the 19" rack to be installed anywhere in height and in depth within the enclosure volume. The racks are made of steel

with ¼ turn slotted locks, finished with powder paint coated paint RAL7011 sandtex dark gray. **ANSI / CEA-310**



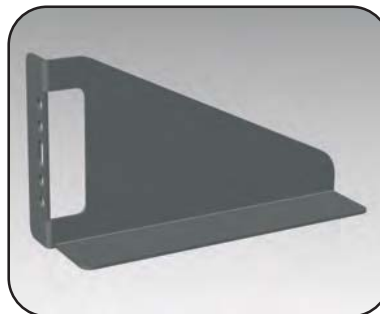
**MX/SL**  
COMPATIBLE

CATALOG NUMBER	RACK UNITS	FIT IN CABINET WIDTH (mm)	DIMENSIONS (mm)	
			A	B
6500 MXSRP3U06	3	600	233	495
6500 MXSRP6U06	6	600	366	495
6500 MXSRP9U06	9	600	500	495
6500 MXSRP12U06	12	600	633	495
6500 MXSRP15U06	15	600	766	495
6500 MXSRP18U06	18	600	900	495
6500 MXSRP3U07	3	700	233	495
6500 MXSRP6U07	6	700	366	495
6500 MXSRP9U07	9	700	500	495

CATALOG NUMBER	RACK UNITS	FIT IN CABINET WIDTH (mm)	DIMENSIONS (mm)	
			A	B
6500 MXSRP12U07	12	700	633	495
6500 MXSRP15U07	15	700	766	495
6500 MXSRP18U07	18	700	900	495
6500 MXSRP3U08	3	800	233	495
6500 MXSRP6U08	6	800	366	495
6500 MXSRP9U08	9	800	500	495
6500 MXSRP12U08	12	800	633	495
6500 MXSRP15U08	15	800	766	495
6500 MXSRP18U08	18	800	900	495

## Guides for swing-out rack

The **6500 MXSRG** swing out guides are used with swing out racks to provide extra support for rack equipment. The kit includes two guides and installation hardware.

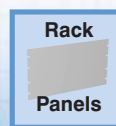


CATALOG NUMBER	DESCRIPTION
6500 MXSRG	Swing out guide

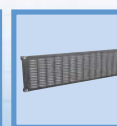
Data subject to change without notice.



p.148



p.131



p.132



p.148

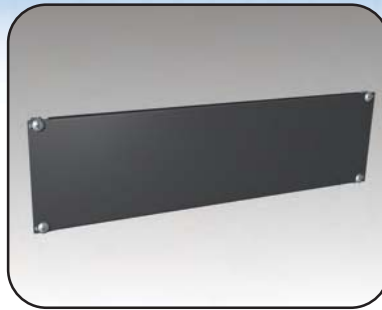


**19" Rack panels**

The **6500 MXMR** rack panels are used with Mtrx cabinet racks and are available in steel and aluminum. All panels are flat and have oblong mounting holes to facilitate installation.

The panels listed here are for use with 19" racks.

The panels are finished with powder paint coat RAL7011 sandtex dark gray.



**ANSI / CEA-310**

CATALOG NUMBER	NOMINAL WIDTH	RACK UNITS
6500 MXMR0119	19"	1
6500 MXMR0219	19"	2
6500 MXMR0319	19"	3
6500 MXMR0419	19"	4
6500 MXMR0519	19"	5
6500 MXMR0619	19"	6
6500 MXMR0719	19"	7
6500 MXMR0819	19"	8
6500 MXMR0919	19"	9
6500 MXMR1019	19"	10
6500 MXMR1119	19"	11
6500 MXMR1219	19"	12
6500 MXMR1619	19"	16

\* Add suffix 'AL' for aluminium.  
 ADD SUFFIX 'X' for textured black RAL 9005 finish.

**MX/SL**  
 COMPATIBLE

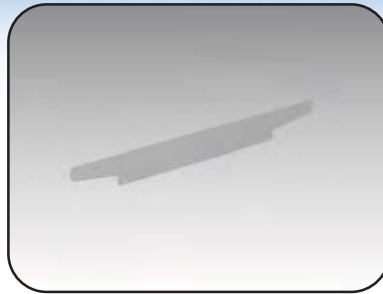
Data subject to change without notice.



## Filler panel for rack angles

The **6500 MXFPR** filler panel for rack angles is used to completely fill the rack mounting space for 19" racks at the top and bottom of the cabinet.

The kit includes two filler panels and all installation hardware.

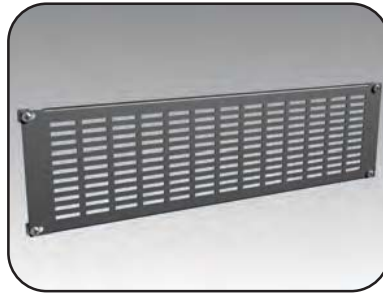


CATALOG NUMBER	USE WITH RACK WIDTH
6500 MXFPR19	19"

\* Add suffix 'AL' for aluminium.  
ADD SUFFIX 'X' for textured black RAL 9005 finish.

## 19" vented rack panels

The **6500 MXMRV** vented 19" rack panels are used with Mtrx or Streamline racks and are available in steel and aluminum. The panels are standard powder coated RAL7011 sandtex dark gray. **For finish in textured black RAL9005 add suffix "x".**



CATALOG NUMBER	RACK UNITS
6500 MXMRV0119	1
6500 MXMRV0219	2
6500 MXMRV0319	3
6500 MXMRV0419	4
6500 MXMRV0519	5
6500 MXMRV0619	6
6500 MXMRV0719	7
6500 MXMRV0819	8
6500 MXMRV0919	9
6500 MXMRV1019	10
6500 MXMRV1119	11
6500 MXMRV1219	12
6500 MXMRV1619	16

\* Add suffix 'AL' for aluminium.  
ADD SUFFIX 'X' for textured black RAL 9005 finish.

## 19" cable entry rack panel

The **6500 MXMRC** cable entry panels are used to run cables from front to back while retaining a pleasing appearance and dust barrier. The construction is sheet-metal with a brush insert. The panels are standard powder coated RAL7011 sandtex dark gray. **For finish in textured black RAL9005 add suffix "x".**

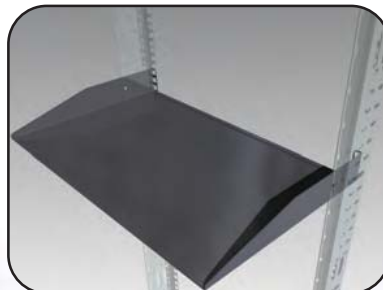


CATALOG NUMBER	RACK UNITS
6500 MXMRC1	1
6500 MXMRC2	2

\* For finish in textured black RAL9005 add suffix "X"

## 19" rack component shelf (light weight)

The **6500 MXLCS** component shelves are cost effective, light weight shelved to be used with one rack angle pair. The shelves are standard powder coated RAL7011 sandtex dark gray. **For finish in textured black RAL9005 add suffix "x".**



CATALOG NUMBER	SHELF DEPTH (mm)
6500 MXLCS02	200
6500 MXLCS03	300
6500 MXLCS04	400

\* For finish in textured black RAL9005 add suffix "X"

Data subject to change without notice.



p.148



p.148



p.132

## Fixed shelf for rack angles

The **6500 MXLSH** fixed shelves are used with two pairs of 'L' shaped rack angles. The shelves are slotted to improve ventilation

CATALOG NUMBER	SHELF DEPTH	FITS RACK SPACING (between mtg surfaces) (mm)
6500 MXLSH193	300	300, 400
6500 MXLSH195	500	500 to 700
6500 MXLSH197	700	800
6500 MXLSH198	800	800 to 1100

**NOTE:** Maximum rack spacing equals (Cabinet NOMINAL DEPTH - 100mm);

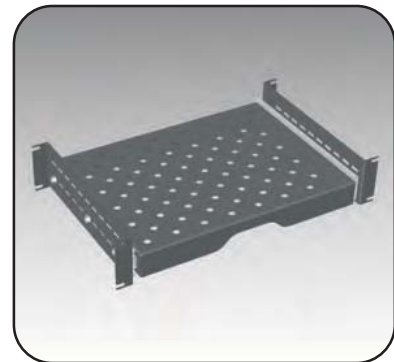


## Pull out shelf for rack angles

The **6500 MXLSP** pull-out shelves are used with two pairs of 'L' shaped rack angles. The shelves are slotted to improve ventilation

CATALOG NUMBER	FITS RACK WIDTH	SHELF DEPTH	FITS RACK SPACING (between mtg surfaces) (mm)
6500 MXLSP193	19"	300	500, 600
6500 MXLSP195	19"	500	600
6500 MXLSP197	19"	700	800
6500 MXLSP198	19"	800	900, 1000

**NOTE:** Maximum rack spacing equals (Cabinet NOMINAL DEPTH - 100mm);



**MX/SL**  
COMPATIBLE

## Pull out shelf with sliding mouse pad for rack angles

The **6500 MXLSPM** pull out shelf with mouse pad are used with two pairs of rack angles.

CATALOG NUMBER	SHELF DEPTH	FITS RACK SPACING (between mtg surfaces) (mm)
6500 MXLSPM193	300	500, 600
6500 MXLSPM195	500	600
6500 MXLSPM197	700	800
6500 MXLSPM198	800	900, 1000

**NOTE:** Maximum rack spacing equals (Cabinet NOMINAL DEPTH - 100mm);

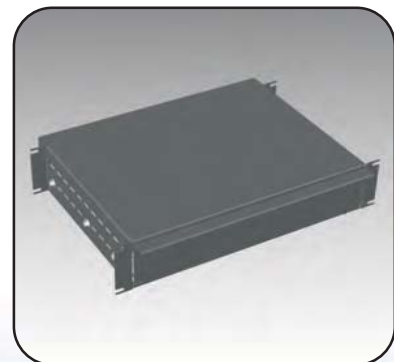


## Drawer for rack angles

The **6500 MXLDW** drawers are used with two pairs of rack angles. Drawers come with a writing surface which serves as a drawer cover.

CATALOG NUMBER	SHELF DEPTH	RACK UNIT HEIGHT	FITS RACK SPACING (between mtg surfaces) (mm)
6500 MXLDW193	300	1	500, 600
6500 MXLDW195	500	1	600, 700
6500 MXLDW197	700	1	800
6500 MXLDW198	800	1	800, 900, 1000

**NOTE:** Maximum rack spacing equals (Cabinet NOMINAL DEPTH - 100mm);



Data subject to change without notice.

## Slides for 'L' shaped rack angles

The **6500 MXLSL** slides are used with two pairs of 'L' shaped rack angles. The slides are installed directly on the rack angles; there is no need to order separate installation brackets. All installation hardware is included.

CATALOG NUMBER	FITS RACK WIDTH	SLIDE LENGTH	FITS RACK SPACING (between mtg surfaces) (mm)
6500 MXLSL03	19"	12"	500, 600
6500 MXLSL05	19"	18"	600, 700
6500 MXLSL08	19"	24"	800, 900, 1000

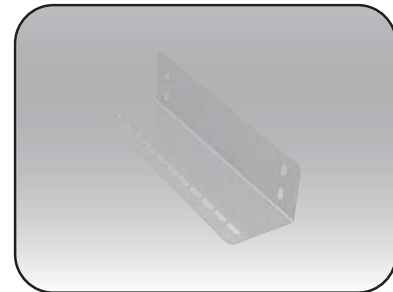


## Equipment guides

The **6500 MXLG** equipment guides are installed between pairs of rack angles. They are used to support rack-mounted instruments during installation. They are furnished in pairs.

**MX/SL**  
COMPATIBLE

CATALOG NUMBER	GUIDE LENGTH (mm)	FITS RACK SPACING (between mtg surfaces) (mm)
6500 MXLG4	270	300
6500 MXLG5	370	400
6500 MXLG6	470	500
6500 MXLG7	570	600
6500 MXLG8	670	700
6500 MXLG9	770	800
6500 MXLG10	870	900
6500 MXLG11	970	1000
6500 MXLG12	1070	1100



**NOTE:** Maximum rack spacing equals (Cabinet NOMINAL DEPTH - 100mm); racks can be installed at increments of 25mm along the entire depth of the cabinet

## Width reducing bracket

The **6500 MXWRB** width reducing brackets allow the use of rack angles with wider enclosures. The brackets are installed directly on the cabinet frame. The kit includes four brackets and all installation hardware.



CATALOG NUMBER	REDUCES WIDTH BY
6500 MXWRB1	100mm
6500 MXWRB2	200mm
6500 MXWRB4	400mm

**Note:** Combine with 6500 MXGQ to make depth adjustments (page. 117)

## Adjustable rack mounting bracket

The **6500 MXARB** adjustable rack mounting brackets allow the installation of rack angles at any width or depth within the cabinet. The brackets are installed directly on the cabinet frame. The kit includes four brackets and all installation hardware



CATALOG NUMBER	FITS FRAME DEPTH
6500 MXARB6	600mm
6500 MXARB8	800mm
6500 MXARB9	900mm
6500 MXARB10	1000mm
6500 MXARB11	1100mm
6500 MXARB12	1200mm

Data subject to change without notice.



# Mtrx SYSTEM ACCESSORIES



## Pull handle

The **886 PHD Pull Handle** is a versatile, ergonomic and robust cast handle. For ease of use the handle is spring loaded and provides a visual queue of the status

in which it is in. The handle is available with a key insert, a standard slot and a variety of other inserts (see p.139). The pull handle can be rendered padlockable

by simply adding a Pull Handle Padlock kit (886 PHDPK). Finish is sand textured dark gray RAL 7011. Can be supplied in different colors upon request.



CATALOG NUMBER	DESCRIPTION
886 PHD-K	Key lock
886 PHD-S	Screw driver slot
886 PHD-SQ7	Square 7mm
886 PHD-SQ8	Square 8mm
886 PHD-TR7	Traingle 7mm
886 PHD-TR8	Triangle 8mm
886 PHD-DB3	Double bit 3mm
886 PHD-DB5	Double bit 5mm
886 PHD-PB	Push button

**NOTE:** 886 PHD-S is the standard handle for all Mtrx and Streamline cabinets

## Pull handle padlock kit

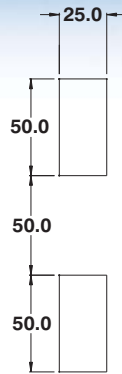
The **886 PHDPK** padlock kit is a heavy-duty cast set of parts that once installed on the pull handle, render it padlockable. Finish is zinc plated.

**NOTE:** Designed to fit with EXM's standard weather-proof padlock, catalog number: 880 PDLK375 see page 448



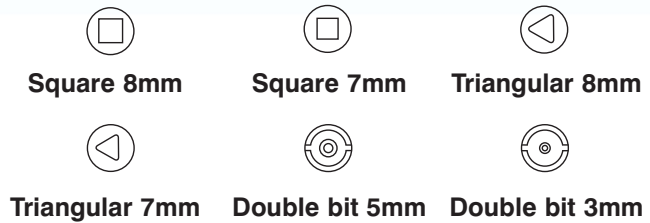
Data subject to change without notice.

## Mtrx cabinet handles



**886 PHD cut out**

In addition to the standard slot and key lock, these inserts are available for most handles.



The **886 LHDK** L-type metallic handle was designed to fit all Mtrx modular cabinets. The simple and aesthetically pleasing heavy-duty cast handle is presently available with a key insert that enables keeping the handle locked or unlocked. Finish is sand textured dark gray RAL7011.



CATALOG NUMBER	DESCRIPTION	SHIP WGHT LBS.
886 LHDK	Key lock	1

The **886 ESL5** swing handle was designed to fit all Mtrx modular cabinets. The handle is available with a key insert, a standard slot screw driver insert and a variety of other inserts. Finish is textured black.



CATALOG NUMBER	DESCRIPTION	SHIP WGHT LBS.
886 ESL5K	Key lock	1
886 ESL5S	Screw driver slot	1
886 ESL5SQ7	Square 7mm	1
886 ESL5SQ8	Square 8mm	1
886 ESL5TR7	Triangular 7mm	1
886 ESL5TR8	Triangular 8mm	1
886 ESL5DB3	Double bit 3mm	1
886 ESL5DB5	Double bit 5mm	1
886 ESL5B	Blank	1

The **885 ESL4** swing handle was designed to fit all Mtrx modular cabinets. The handle is available with a key insert, a standard slot screw driver insert or a variety of other inserts. A padlock provision is provided. Finish is textured black.



CATALOG NUMBER	DESCRIPTION	SHIP WGHT LBS.
885 ESL4K	Key lock	1
885 ESL4S	Screw driver slot	1
885 ESL4SQ7	Square 7mm	1
885 ESL4SQ8	Square 8mm	1
885 ESL4TR7	Triangular 7mm	1
885 ESL4TR8	Triangular 8mm	1
885 ESL4DB3	Double bit 3mm	1
885 ESL4DB5	Double bit 5mm	1
885 ESL4B	Blank	1

Data subject to change without notice.





The **886 ESL6** swing handle is an alternative to the 886 ESL5, which can be fitted to any Mtrx cabinet. The handle is available with a key insert, a standard slot screw driver insert and a variety of other inserts. A combination lock handle is also available. Finish is textured black.



CATALOG NUMBER	DESCRIPTION	SHIP WGHT LBS.
886 ESL6K	Key lock	1
886 ESL6S	Screw driver slot	1
886 ESL6SQ7	Square 7mm	1
886 ESL6SQ8	Square 8mm	1
886 ESL6TR7	Triangular 7mm	1
886 ESL6TR8	Triangular 8mm	1
886 ESL6DB3	Double bit 3mm	1
886 ESL6DB5	Double bit 5mm	1
886 ESL6B	Blank	1
886 ESL6C	Combination lock	1

The **886 ESL7** are color-coded swing handles which can be installed on any Mtrx cabinet. They are available with a variety of color faceplates and a clear faceplate to accommodate a custom label. Standard handles come with a screwdriver slot lock\*. Finish is textured black.



CATALOG NUMBER	DESCRIPTION	SHIP WGHT LBS.
886 ESL7R	Red faceplate	1
886 ESL7B	Blue faceplate	1
886 ESL7V	Green faceplate	1
886 ESL7Y	Yellow faceplate	1
886 ESL7O	Orange faceplate	1
886 ESL7K	Black faceplate	1
886 ESL7M	Mint faceplate	1
886 ESL7P	Purple faceplate	1

The **886 ESL8** are color-coded swing handles which can be installed on any Mtrx cabinet. They are available with a variety of color faceplates and a clear faceplate to accommodate a custom label. Handles come with a key lock.\* Finish is textured black.



CATALOG NUMBER	DESCRIPTION	SHIP WGHT LBS.
886 ESL8R	Red insert	1
886 ESL8B	Blue insert	1
886 ESL8V	Green insert	1
886 ESL8Y	Yellow insert	1
886 ESL8O	Orange insert	1
886 ESL8K	Black insert	1
886 ESL8M	Mint insert	1
886 ESL8P	Purple insert	1

The **886 DDC** dust cover was designed to protect Mtrx cabinet handles from foreign contaminants such as dust and debris. It can be installed over the following handle types only:  
 - 886 ESL6 (except 886 ESL6C)  
 - 886 ESL7  
 - 886 ESL8  
 Finish is textured black.



CATALOG NUMBER	DESCRIPTION	SHIP WGHT LBS.
886 DDC	Dust cover	1



## Stainless steel Mtrx cabinet handles

The **886 ESSL6** stainless steel seal type handle can be fitted to any Mtrx cabinet. The handle is available with a standard slot screw driver insert or a variety of other inserts. The finish is brushed 316 stainless steel.



CATALOG NUMBER	DESCRIPTION	SHIP WGHT LBS.
886 ESSL6K	Key lock	1
886 ESSL6S	Screw driver slot	1
886 ESSL6SQ7	Square 7mm	1
886 ESSL6SQ8	Square 8mm	1
886 ESSL6TR7	Triangular 7mm	1
886 ESSL6TR8	Triangular 8mm	1
886 ESSL6DB3	Double bit 3mm	1
886 ESSL6DB5	Double bit 5mm	1
886 ESSL6B	Blank	1

The **886 LSS** stainless steel handle was designed to fit all Mtrx modular cabinets. A 'L' type handle is used. A key lock version and a non-locking version are available. The finish is brushed 316 stainless steel.



CATALOG NUMBER	DESCRIPTION	SHIP WGHT LBS.
886 LSSK	Key lock	1
886 LSSN	Non locking	1

The **886 INS profile inserts** are inserts that will fit in either standard pull handles or swing handles. All profile inserts are replaceable once the handle is installed, provided the door is unlocked and open.



CATALOG NUMBER	DESCRIPTION
886 INS-K	Key lock
886 INS-S	Screw driver slot
886 INS-SQ7	Square 7mm
886 INS-SQ8	Square 8mm
886 INS-TR7	Triangle 7mm
886 INS-TR8	Triangle 8mm
886 INS-DB3	Double bit 3mm
886 INS-DB5	Double bit 5mm
886 INS-PB	Push button
886 INS-B *	Blank

In addition to the standard slot and key lock, these inserts are available for most handles.



Square 8mm



Square 7mm



Triangular 8mm



Triangular 7mm



Double bit 5mm



Double bit 3mm

Data subject to change without notice.

# Mtrx DOOR SUPPORTING KITS

**886 WSB** (pack of 2)  
Wall securing bracket kit –  
Fastens frame corners to wall –  
Wall mounting hole for max M10 or 3/8”  
fastener  
Zinc plated steel and mounting h/w



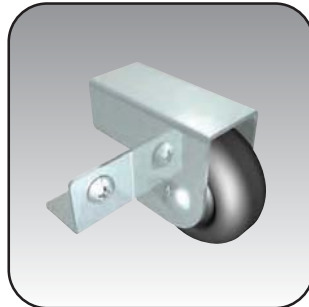
**6500 MXSK** (pack of 12)  
Fixed door support block – screws into  
door stiffener with plastic and M5 self tap-  
ing mounting hardware included



**886 DS4** (pack of 1)  
Door stop kit 90°, 110°, 135°  
Zinc plated steel with mounting hardware  
included



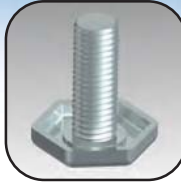
**6500 MXRSK** (pack of 1)  
Roller door support – supports door while  
rolling onto cabinet frame  
Rubber wheel, steel pins and mounting  
hardware included



Data subject to  
change without  
notice.

# Mtrx LIFTING AND SUPPORTING KITS

**6500 MXLEV** (pack of 4)  
Standard levelers – M12 stems  
screw directly into frame corners –  
Capacity (set) is 1000lbs  
Steel, zinc plated



**6500 MXLEV2** (pack of 4)  
Heavy duty levelers – M12 stems  
screw directly into frame corners –  
Capacity (set) is 2200lbs  
Steel, zinc plated



**6500 MXLEV3** (pack of 4)  
Anti slip levelers - M12 stems  
screw directly into frame corners –  
Capacity (set) is 1000lbs  
Urethane pad, Zinc plated steel



**6500 MXLEV4** (pack of 4)  
Anchoring levelers - M12 stems  
screw directly into frame corners –  
Capacity (set) is 1000lbs  
Zinc plated steel



**6500 MXLEV5** (pack of 4)  
Vibration damper levelers - M12  
stems screw directly into frame  
corners  
Rubber pad, steel, zinc plated



**6500 MXLEVPL** (pack of 4)  
Plinth leveling feet kit – For stan-  
dard **Mtrx plinth kits 6500 MXPL  
& MXPLV (p.58)**  
Zinc plated steel & hardware



**886 CLEV** (pack of 4)  
Casters with leveling feet – M12  
stems screw directly into frame  
corners – Capacity per set  
1000lbs



**886 CB200** (pack of 4)  
Caster wheels with brake – M12  
stems screw directly into frame  
corners - Capacity per set 1000lbs



**886 EB12** (pack of 4)  
Lifting eye bolt – M12 threads  
screw directly into frame corners –  
Capacity per set 3000lbs (each  
SWF - .34T) (see note below)  
Steel, zinc plated



**6500 MXLA** (set of 2)  
Lifting angles – Joins two  
adjacent cabinet lifting points in a  
line-up – Capacity (pair) 2000lbs  
(see note below)  
Steel, zinc plated and mounting h/w



**6500 MXLB lifting bar see page 142**

## Note on Lifting and Supporting accessories

When lifting with Eye Bolts:

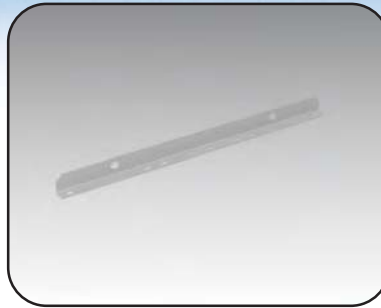
- (i) Make sure sling angles with top cover are no less than 45° - ideally should be 60° or more
  - (ii) If lifting at an angle always ensure eye bolts are oriented along the axis of the sling
- When lifting with Lifting Angles or Bar:
- (i) Vertical lifting at 90° with respect to top cover is recommended
  - (ii) Make sure shackles and spreader bar which comply with government regulations are used. Specified capacities are approximations and may vary due to spe-

cific applications. The acceptability of these systems for the eventual application is the sole responsibility of the customer. For large line-ups shipped assembled the use of our **transportation base / plinth (6500 MXBT p.61) is recommended.**

Data subject to change without notice.

## Lifting bars

The 6500 MXLB lifting bars are used to optimize weight distribution while lifting three to six ganged cabinets, with a maximum of 500lbs per bay. The bars mount on top of the cabinets. The kit includes two plated steel lifting bars and installation hardware.



CATALOG NUMBER	TOTAL WIDTH	PACKS OF
6500 MXLB12	1200	2
6500 MXLB13	1300	2
6500 MXLB14	1400	2
6500 MXLB15	1500	2
6500 MXLB16	1600	2
6500 MXLB17	1700	2
6500 MXLB18	1800	2
6500 MXLB19	1900	2
6500 MXLB20	2000	2
6500 MXLB21	2100	2
6500 MXLB22	2200	2
6500 MXLB23	2300	2
6500 MXLB24	2400	2
6500 MXLB25	2500	2
6500 MXLB26	2600	2
6500 MXLB27	2700	2
6500 MXLB28	2800	2
6500 MXLB29	2900	2
6500 MXLB30	3000	2

**MX/SL**  
COMPATIBLE

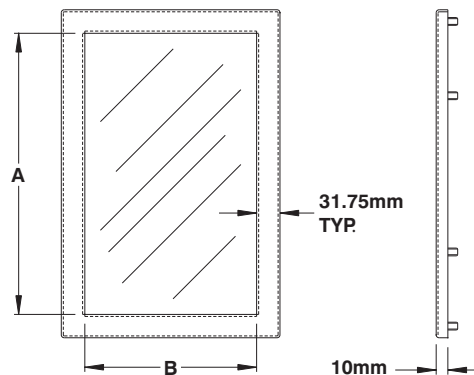
## Steel frame window kit

The 886 WK steel frame window kits are made from 16 or 14 GA steel with studs welded to permit easy installation by piercing a cut out on the cabinet. The window is self-extinguishing polycarbonate. All mounting hardware is supplied.

Frames are finished with heat fused powder paint, electrostatically applied on a pretreated base. Finish is RAL 7035 textured light gray.

**NEMA/EEMAC 12**

CATALOG NUMBER	DIMENSIONS		SHIP WGHT LBS.
	A	B	
886 WK1308	127	76	1
886 WK2314	229	140	2
886 WK3308	330	76	3
886 WK3313	330	127	4
886 WK4314	432	140	6
886 WK4328	432	279	7
886 WK5838	584	381	9
886 WK7448	737	483	12
886 WK8958	889	584	14



## Remote door switch - Series FLRDS

The 886 FLRDS remote door switch is a cost effective solution to power on/off the light within an enclosure. The bracket is designed to operate on all Mtrx doors and side doors, with or without stiffeners. Consists of switch, steel bracket and hardware.



CATALOG NUMBER	SHIP WGHT LBS.
886 FLRDS	1

Data subject to change without notice.



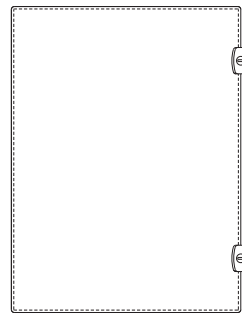
## Hinged access doors

The **886 HBK** hinged access doors are made from 16 or 14 GA steel, with studs welded to permit easy installation by piercing a cut out on the cabinet. These access doors have solid covers.

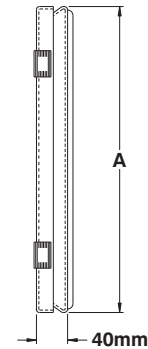
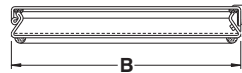
All mounting hardware and instructions are supplied. Frames are finished with RAL 7035 textured light gray heat fused powder paint, electrostatically applied on a pretreated base.

**NEMA/EEMAC 12**

CATALOG NUMBER	DIMENSIONS	
	A	B
886 HBK2020	203	203
886 HBK3030	305	305
886 HBK4030	406	305
886 HBK5040	508	406
886 HBK5050	508	508
886 HBK6150	610	508
886 HBK7661	762	610



1 METAL LOCK IF A < 508mm OR LESS  
2 METAL LOCKS IF A ≥ 508mm



**MX/SL**  
COMPATIBLE

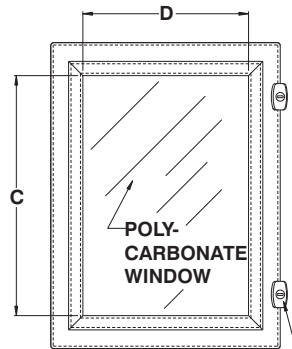
## Hinged window kits

The **886 HWK** hinged window kits are made from 16 or 14 GA steel, with studs welded to permit easy installation by piercing a cut out on the cabinet. The window is made with self extinguishing polycarbonate.

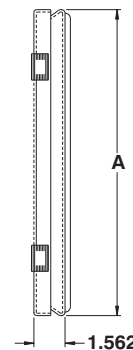
All mounting hardware and instructions are supplied. Frames are finished with RAL 7035 textured light gray heat fused powder paint, electrostatically applied on a pretreated base.

**NEMA/EEMAC 12**

CATALOG NUMBER	DIMENSIONS			
	A	B	C	D
886 HWK2020	203	203	123	125
886 HWK3030	305	305	225	227
886 HWK4030	406	305	326	227
886 HWK5040	508	406	428	328
886 HWK5050	508	508	428	430
886 HWK6150	610	508	530	430
886 HWK7661	762	610	682	532



1 METAL LOCK IF A < 12"  
2 METAL LOCKS IF A ≥ 12"



Data subject to change without notice.

For more window kits & access covers or doors, refer to p.489 to 492.



## Enclosure lights - Series 880 LED

The **880 LED** are designed to illuminate the interiors of small to large enclosures with the very low power consumption that the LED lights provide. The light bars are motion activated using the built-in motion sensor that eliminates the need for a door switch. The time the LED lights stay on, without

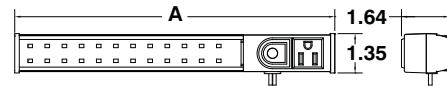
movement, is adjustable at 3, 5 or 10 minutes. The light bars are made from extruded aluminum and feature an integrated 120/240 Volts, 11.5 Amps USA/Canada standard receptacle, so that electrical devices (e.g. power tools) can be easily plugged in when needed. A 5 foot cord with an

USA/Canada 120/240 Volts plug is provided. The LED bars come complete with a set of 2 mounting brackets (880 LEDB) that are easily clipped along the length of the LED bar and can be fixed to the enclosure with the included M5 screws or optional right angle mounting bracket.

**MX/SL**  
COMPATIBLE



CATALOG NUMBER	A	QTY LEDS	WATTS	SHIP WGHT LBS.
880 LED12	12"	24	3	8
880 LED18	18"	36	3	9
880 LED24	24"	48	6	10
880 LED36	36"	64	6	12



## Remote door switch - Series RDS

The **886 RDS remote door switch** is a robust solution to power on/off a light within an enclosure. The switch is designed to operate on all Mtrx doors and side doors, with or without stiffeners. Consists of switch, mounting bracket and hardware.

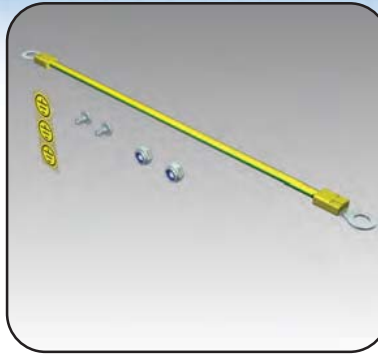


CATALOG NUMBER	SHIP WGHT LBS.
886 RDS	1

Data subject to change without notice.

## Mtrx grounding wire kit

The 886 GWK Mtrx grounding wire kit is comprised of 220mm long flexible stranded copper wires (6 mm) terminated by copper ring-tongue terminals. The strips are colored yellow with a green stripe. All installation hardware is provided with the kit. One kit consists of 10 grounding wires.



CATALOG NUMBER

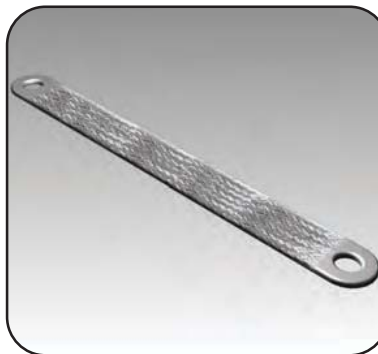
886 GWK

SHIP WGHT LBS.

1

## Mtrx grounding strap kit

The 886 GSK Mtrx grounding strap kit is comprised of 10 braided ground straps and installation hardware. Single wires are Cu ETP uncoated or tinned. Contact area is a metal alloy, lead-free, solidified and pressed.



CATALOG NUMBER

886 GSK102  
886 GSK162  
886 GSK252  
886 GSK103  
886 GSK163  
886 GSK253

CROSS SEC. (mm<sup>2</sup>)

10  
16  
25

LENGTH (mm)

200  
200  
200

**MX/SL**  
COMPATIBLE

## Mtrx central frame grounding point

The 886 GFP Mtrx central frame grounding point is designed to be fastened to Mtrx and Streamline horizontal or vertical frames throughout the enclosure. Supplied with installation hardware. Zinc plated steel bracket.



CATALOG NUMBER

886 GFP6  
886 GFP8

Ground stud thread

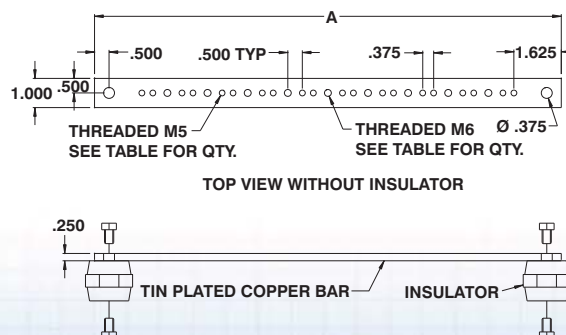
M6  
M8

For more grounding options refer to page 479.

## Mtrx central frame grounding point

The 880 GB grounding bars come in three sizes, with indoor resin insulators.

CATALOG NUMBER	A	M5	M6	SHIP WGHT LBS.
880 GB08	8	10	3	2
880 GB16	16	20	9	3
880 GB24	24	30	15	4



Data subject to change without notice.



## Potential equalization bar kit

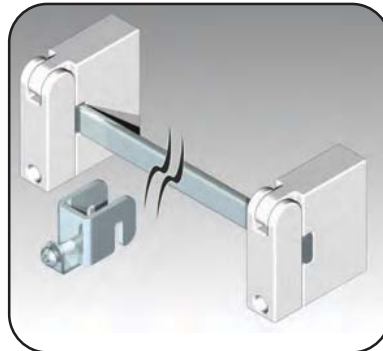
The **886 GPB potential equalization bar kit** is comprised of: (i) a 450mm long copper bar (20 x 5 mm section) with an approximate current carrying capacity of 200A; (ii) 20 connection points with M5 screws; (iii) 2 ground connections; (iv) 2 isolators and installation hardware.



CATALOG NUMBER	SHIP WGHT LBS.
886 GPB	2

## Potential equalization rail kit

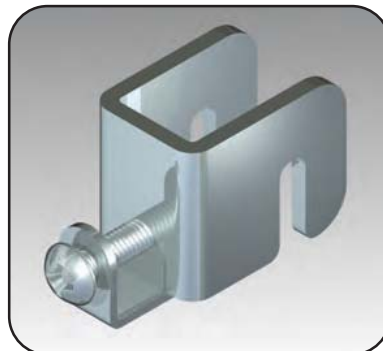
The **886 GPR potential equalization rail kit** is comprised of: (i) a copper rail (20x5mm section) with an approximate current carrying capacity of 200A; (ii) 15 conductor connector clamps 2.5 - 16 mm<sup>2</sup>; (iii) 2 ground connections; (iv) 2 isolators and installation hardware.



CATALOG NUMBER	NOMINAL CABINET DIM. (MM)	ACTUAL BAR LENGTH (MM)
886 GPR06	600	400
886 GPR07	700	500
886 GPR08	800	600
886 GPR09	900	700
886 GPR10	1000	800
886 GPR12	1200	1000
886 GPR14	1400	1200
886 GPR16	1600	1400
886 GPR18	1800	1600
886 GPR20	2000	1800
886 GPR22	2200	2000

## Ground rail conductor connector clamp kit

The **886 GPRC ground rail conductor connector clamp kit** is comprised of 15 conductor connector clamps 2.5 - 16mm.



CATALOG NUMBER	SHIP WGHT LBS.
886 GPRC	1

## Touch up paint

The **880 P** touch up spray paint cans are exact color match enamel paints in 12 oz. spray cans. They are sold in packs of 6 cans.

- 880 PGL:** Used for outer panels
- 880 PSG:** Used for frame
- 880 PTK:** Used for black finish



CATALOG NUMBER	COLOR	PACKS OF
880 PGL	RAL7035 - light gray	6
880 PSG	RAL7011 - gray	6
880 PTK	RAL9005 - black	6

Data subject to change without notice.

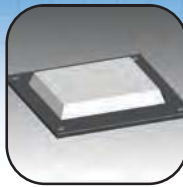
Additional colors are available on page 472.



# Mtrx ENVIRONMENTAL CONTROL

## Mtrx pagoda tops and pagoda fans

Refer to p. 53



## Mtrx top mounted air conditioning units and tops

Refer to p. 678-685



## Door or vertically mounted air conditioning units

Refer to p. 654-677



## Electronic Relay

Refer to p. 632



## Filter and grills

Refer to p. 593



## Fan, filter and grills

Refer to p. 594



## 19" rack mounted fan trays

Refer to p. 607



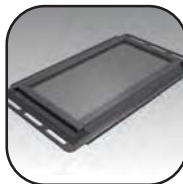
## Top mounted fan tray (Nema 1)

Refer to p. 52



## Vented and filter gland plates

Refer to p. 57



## Mtrx vented tops

Refer to p. 55



## Thermostats

Refer to p. 625-631



## Heaters

Refer to p. 633-649



## Hygrostats

Refer to p. 622-624



NOTE: All installation cutouts can be provided by EXM as part of our customization and value added services (refer to p.68)

Data subject to change without notice.



# Mtrx SPECIFIC HARDWARE

**Front inserted steel clip nuts** – for installation into frame posts and grid rails. Nuts slide on an angle into provided rectangle (25mm pattern) and are then rotated and translated to lock in place.



CATALOG NUMBER	DESCRIPTION	PACKS
880 HDFM05	M5 thread	100
880 HDFM06	M6 thread	100
880 HDFM08	M8 thread	100

**Standard steel cage nuts for grid rails** – for installation into grid rails (6500 MXG or 6500 MXGQ)



CATALOG NUMBER	DESCRIPTION	PACKS
880 HDPM08	M8 thread	100
880 HD3118	5/16"-18UNC	100

**Standard steel cage nuts for rack angles** – for installation into rack angles (6500 MXL).



CATALOG NUMBER	DESCRIPTION	PACKS
880 HDPM05	M5 thread	100
880 HDPM06	M6 thread	100
880 HDP2520	1/2"-20UNC	100

**Sliding nuts for grid rails** – Sliding nuts can be installed in both standard and quick fix grid rails, either facing the cutout or open side of the rail.



CATALOG NUMBER	DESCRIPTION	PACKS
886 HDGS06	Sliding nut M6	20
886 HDGS08	Sliding nut M8	20

**Hex socket cap screw** – installation hardware for inner mounting panel. Can be used with front inserted steel clip nuts



CATALOG NUMBER	DESCRIPTION	PACKS
880 HDHXM0512	M5 x 12mm	100
880 HDHXM0612	M6 x 12mm	100
880 HDHXM0812	M8 x 12mm	100
880 HDHXM1220	M12 x 20mm	25

**Thread-cutting screw** – for installation of accessories onto frame (25mm hole pattern), door stiffeners and grid rails. M6 hardware is for tapping in vertical post external mounting holes.



CATALOG NUMBER	DESCRIPTION	PACKS
880 HDTRM0508	M5 x 8mm	100
880 HDTRM0510	M5 x 10mm	100
880 HDTRM0610	M6 x 10mm	100

**Machine screw** – for installation of accessories into front or standard clip nuts or accessories throughout.



CATALOG NUMBER	DESCRIPTION	PACKS
880 HDM0632	6-32 UNC - 3/8"	100
880 HDM0832	8-32 UNC - 3/8"	100
880 HDM1024	10-24 UNC - 3/8"	100
880 HDM1032	10-32 UNF - 3/8"	100
880 HDMM04	M4 - 12mm	100
880 HDMM0425	M4 - 25mm	50
880 HDMM05	M5 - 12mm	100
880 HDMM06	M6 - 12mm	100
880 HDMM08	M8 - 25mm	50
880 HDMM10	M10 - 25mm	50

**Side and rear cover machine screw with mechanical stop** – standard installation hardware for side and rear covers.



CATALOG NUMBER	DESCRIPTION (Flat head)	PACKS
880 HDMFM0616	M6 (Philips drive)	50
880 HDMFM0812	M8 (Hex socket)	25

Data subject to change without notice.

# Mtrx SPARE PARTS & KITS

**886 HG120** (pack of 4)  
Standard hinge kit 120°  
Cast zinc, steel pins and mounting hardware



**886 HG180** (pack of 4)  
Hinge kit 180° (to 270°)  
Cast zinc, steel pins and mounting hardware



**886 HG5IDE** (pack of 4)  
Side door hinge kit  
Cast zinc, steel pins and mounting hardware



**886 K51000** (pack of 2)  
Hinge kit for partial doors  
Cast zinc, steel pins and mounting hardware



**886 K50900** (pack of 6)  
Fixed mounting bracket for partial outer covers  
Steel, zinc plated and hardware



**886 K11000** (pack of 12)  
3 way mounting bracket – (i) door latch; (ii) side cover mounting bracket; (iii) rear cover mtg bracket  
Steel, zinc plated and mounting h/w



**886 K11010** (pack of 8)  
Partial mounting bracket for side and rear covers  
Steel, zinc plated and mounting h/w



**886 K00610** (pack of 8)  
M18-M12 Double threaded bolt for MTRX top and bottom covers only  
Steel, zinc plated



**886 K70483** (pack of 8)  
Flange door (double door) latch  
Steel, zinc plated and mounting h/w



**886 K74700** (pack of 2)  
Flange door (double door) sealing block  
Cast zinc, gasketing and mounting h/w



**886 K10100** (set of handles: top and bottom)  
Flange door (double door) inner handles  
Steel and mounting h/w



**886 K47473** (set of 4)  
Inner panel mounting brackets all 4 corners  
Steel, zinc plated and mounting h/w



**6500 MXMSB** (pack of 2)  
Inner panel reinforcing brackets  
Steel, zinc plating and mounting h/w



**886 K46000** (pack of 1)  
Disconnect cabinet flange door defeater kit (hook and lever kit)  
Steel, zinc plating and mounting h/w



**886 K05251** (pack of 1)  
Uni-directional locking system gear box  
Cast zinc housing, steel, zinc plating and mounting h/w



**886 K06000** (set of 50)  
Gland plate thumb screws



**886 K45729-xx** (set of bars: top and bottom)  
Uni-directional locking bars  
Steel, zinc plated



CATALOG NUMBER	Fits on door height (mm)
886 K45729-07	700
886 K45729-14	1400
886 K45729-16	1600
886 K45729-18	1800
886 K45729-20	2000
886 K45729-22	2200

Data subject to change without notice.



## Safety solutions for the Mtrx and Streamline series

**Note:** To reduce the risk for your employees and liability of your company from electrical incidents, EXM has developed safety solutions to considerably minimize exposure to potentially harmful situations.

### Arc Flash Safety Solutions

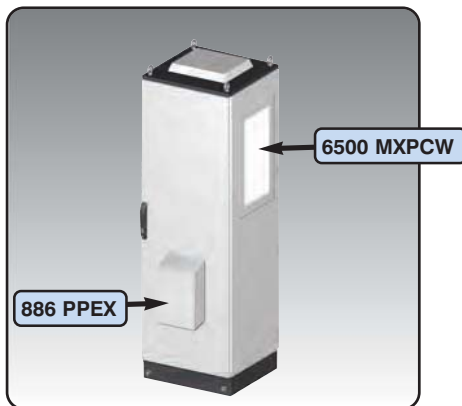
These accessories reduce the exposure from potential Arc Flash or from Arc Blast resulting from an electrical system breakdown.



**The External keyboard and Screen consoles** enable the operator to interact with the electrical system without having to open the enclosure. This accessory allows a secure interface with a live system.

The 886 KBS and 886 KBF can be mounted on both 6500 MX and 6100 SL series.

Refer to page 115 for more detail



**The Partial window cover, and hinged window kits** allow the operator to witness the components installed inside the cabinets without having to open the enclosure. The lexan window arc resistance is established at 10sec\*. The 6500 MXPCW, 6500 MXPDW and 886 HWK can be ordered in several standard sizes as well as custom sizes.

**The external print pocket with lid** allows the access to documentation from the exterior of the enclosure. The 886 PPEX is available with an optional locking system to secure documents.

Refer to page 142 and 143 for more details

### Interior Safety Solutions



**The Horizontal and Vertical division barriers** are designed to restrict the access to areas inside the enclosure. The 6500 MXP HB and 6500 MXP VB were developed to prevent the entry of an adult hand in restricted areas.

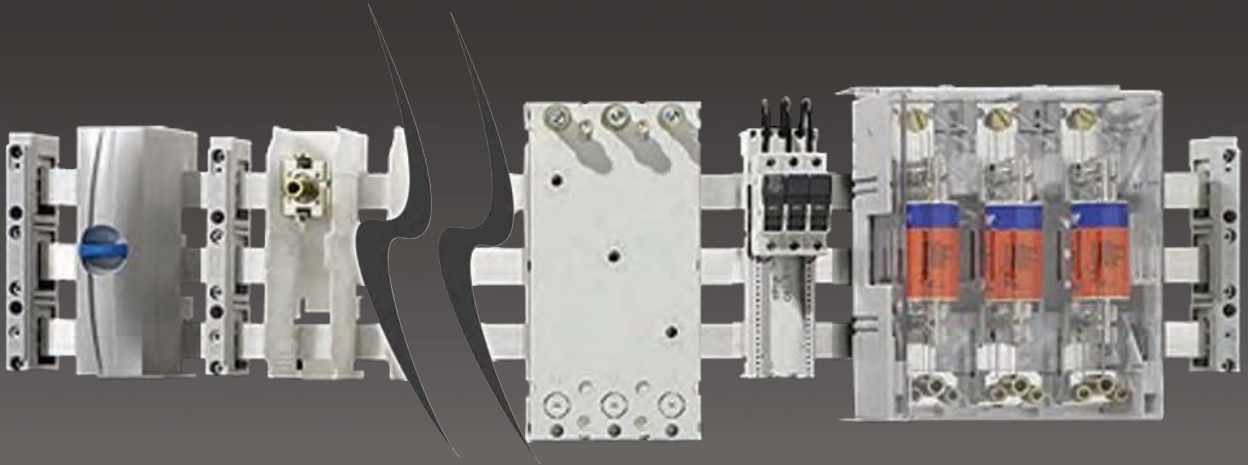
Refer to page 77 for more details

Data subject to change without notice.

\*Information given by the manufacturer, not intended for specification.



# POWER DISTRIBUTION SOLUTIONS FOR LOW VOLTAGE APPLICATIONS



## Improved productivity

- Multiple connections achieved at once
- Pre-calibrated snap-on devices eliminate having to drill busbars
- Down-time reduced for servicing or maintenance by swapping components

## Improved versatility & flexibility

- Limitless configuration possibilities
- Reconfigurable, scaleable & upgradeable

## Improved safety & security

- Protection degree up to IP20
- Short circuit tested with better results than traditional wiring
- UL 508A listed and CSA certified components for feeder circuits up to 600V AC

## Improved aesthetics

- Organized and clean look



# POWER DISTRIBUTION SOLUTIONS

## Busbar for 60mm system (up to 2500A)

The copper busbars are required to distribute the power phases throughout the system: individual enclosures; or line-ups of ganged cabinets. The busbars are offered in either flat bar or T-sections for a complete range of current carrying capacities. Bars and sections are sold in standard length of 2400mm. Standard finish is Tin plated. **UR / CSA**

**Note:** Precut to specific lengths available upon request.

Catalog number	Description	Cross section (mm <sup>2</sup> )	Current carrying capacities (A) at busbar temperature of *		Busbar support part number (to be ordered separately)	Measured short circuit strength Ieff (RMS) surge current (kA) at specific busbar support clearances (center to center) **		
			65°C	85°C		250mm	400mm	700mm
886 01618	Flat bar 12 x 5 mm	60	200A	250A	886 01508	18.75	18.75	-
886 01620	Flat bar 20 x 5 mm	100	320A	400A	886 01508	18.75	18.75	-
886 01622	Flat bar 30 x 5 mm	150	450A	550A	886 01508	25	22	-
886 01623	Flat bar 12 x 10 mm	120	360A	450A	886 01508	18.75	18.75	-
886 01624	Flat bar 20 x 10 mm	200	520A	630A	886 01508	18.75	18.75	-
886 01625	Flat bar 30 x 10 mm	300	630A	800A	886 01508	25	22	-
886 01609	Double T-section	500	-	1250A	886 01231	-	30	25
886 01608	Double T-section	720	-	1600A	886 01231	-	30	25
886 01187	Triple T-section	1140	-	2500A	886 01232	-	35	25

\* Current capacities of flat bars with components fitted were calculated by testing at an ambient temperature of 35°C (IEC and UL).

\* Current capacities of 'T' sections with components fitted were calculated by testing at an ambient temperature of 30°C (IEC and UL).

\*\* Approximate short-circuit strength according to UL845 for 60mm busbar system with respect to clearances (mm) between busbar supports part numbers 886 01508; 886 01231; or 886 01232

Busbar temperatures are influenced by mounted components and by air circulation. An ambient temperature dependent correction factor (k2) can be determined using the diagram opposite and example below. The busbar temperature will vary for changes in loading or ambient conditions.

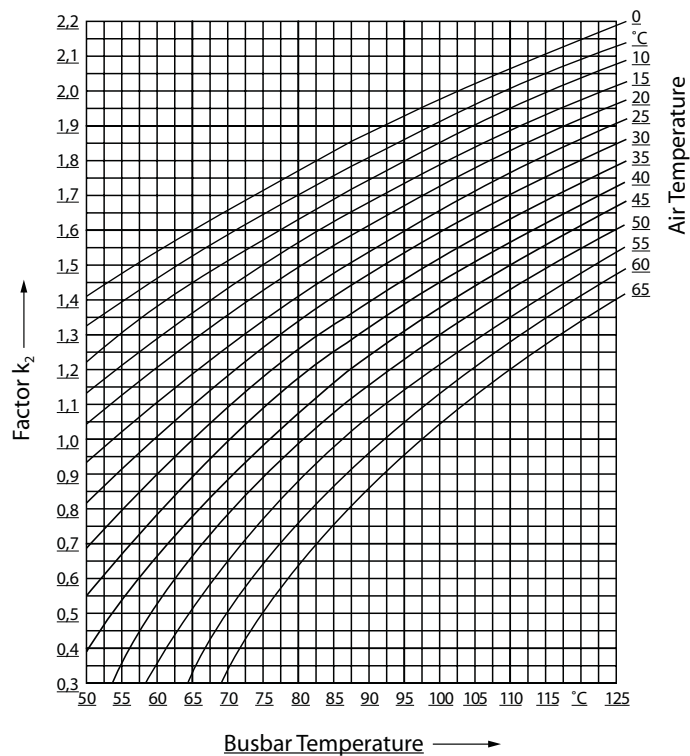
### Example: System using a 30 x 10mm busbar system

At 35°C the normal current carrying capacity is 630A (k2 = 1.0)

If a continuous load of 800A is required, then  $k2 = 800/630 = 1.3$

Using the diagram, at factor k2 and ambient 35°C the busbar temp. is now 85°C

Thus the components in contact with the bar must have a temperature resistance of at least 85°C



Data subject to change without notice.

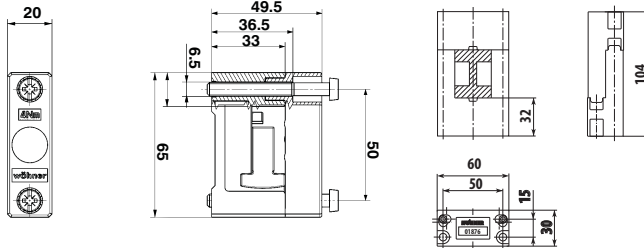


Not sure how to select or optimize your busbar system? Contact us with your system specifications and we'll support you in developing the best layout and bill of material for the application.

# POWER DISTRIBUTION SOLUTIONS

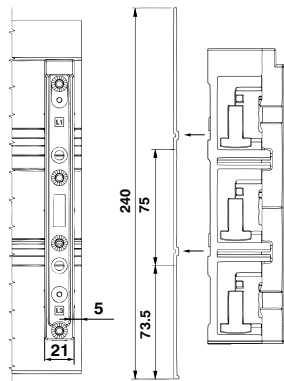
## Busbar supports for 60mm system (up to 2500A)

The busbar supports are designed to support and fasten the busbars onto a mounting surface, inner mounting panel or directly onto a Mtrx frame. **UR / CSA** Silicon-free, halogen-free. Self-extinguishing in accordance with UL94. Temperature stability 120° C.

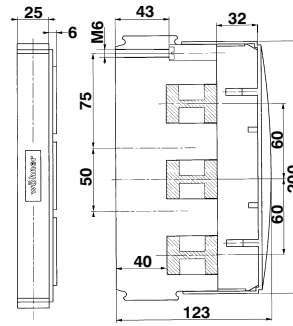


886 01601

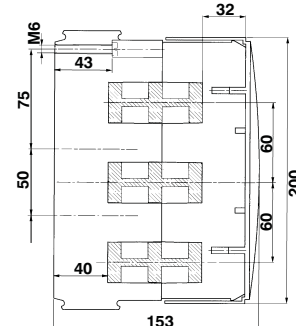
886 01876



886 01508 / 886 01515  
or 886 01518



886 01231



886 01232

Catalog number	Description	UL (UL508A)	CSA	QTY
886 01508	Support for 3-pole flat bar configuration – UL508A (suitable for 12, 20, or 30 mm wide x 5, or 10 mm thick bar)	✓	✓	10
886 01231	Support for 3-pole Double T-section configuration	✓	✓	3
886 01232	Support for 3-pole Triple T-section configuration	✓	✓	2
886 01601	Support for 1-pole flat bar configuration (suitable for 12, 15, 20, 25, or 30 mm wide x 5, or 10 mm thick bar)	UR (125V AC)	✓	1
886 01876	Support for 1-pole Double T-section configuration	UR (125V AC)	✓	10
886 01518	Base plate for 3-pole configuration (240 mm wide x 1100 mm long)	✓	✓	2
886 01515	Base plate for 3-pole configuration (240 mm wide x 700 mm long)	✓	✓	2



Not sure how to select or optimize your busbar system? Contact us with your system specifications and we'll support you in developing the best layout and bill of material for the application.

Data subject to change without notice.



# POWER DISTRIBUTION SOLUTIONS

## Connecting terminal for 60mm system (up to 800A)

The **connecting terminal plates** are devices used to connect cables or flexible copper bars to the 3 phases simultaneously without having to drill. Supplied with phase separators. Cover caps supplied if specified. Provision for connecting cables to be routed in from the top or bottom. The connecting terminal plates can be installed on either flat bars, double-T or triple-T sections. Height of module is 200mm.

### UR / CSA

Silicon-free, halogen-free. Self-extinguishing in accordance with UL94. Temperature stability 125° C



Catalog number	Description	Module width (mm)	UL (UL508A)	CSA	QTY
886 01563	Terminal plate with cover cap for 1.5 - 16 mm round conductor	20 mm			3
886 01240	Terminal plate with cover cap for 6 - 50 mm round conductor / flexible copper 6 x 9 x 0.8 mm	54 mm	✓	✓	1
886 01243	Terminal plate with cover cap for 35 - 120 mm round conductor / flexible copper 10 x 15.5 x 0.8 mm	81 mm	✓	✓	1
886 01199	Terminal plate with cover cap for 95 - 185 mm round conductor cross section	135 mm			1
886 01754	Terminal plate with cover cap for 150 - 300 mm round conductor cross section; 135 mm wide; up to 560A	135 mm	UR	✓	1
886 01753	Terminal plate with cover cap for flexible copper up to 10 x 32 x 1 mm	135 mm			1
886 01537	Terminal plate without cover cap for 120 - 300 mm round conductor	3x 51 mm sections	✓	✓	1
886 01538	Terminal plate without cover cap for flat busbars up to 32 x 20mm	3x 51 mm sections	✓	✓	1



Not sure how to select or optimize your busbar system? Contact us with your system specifications and we'll support you in developing the best layout and bill of material for the application.

Data subject to change without notice.

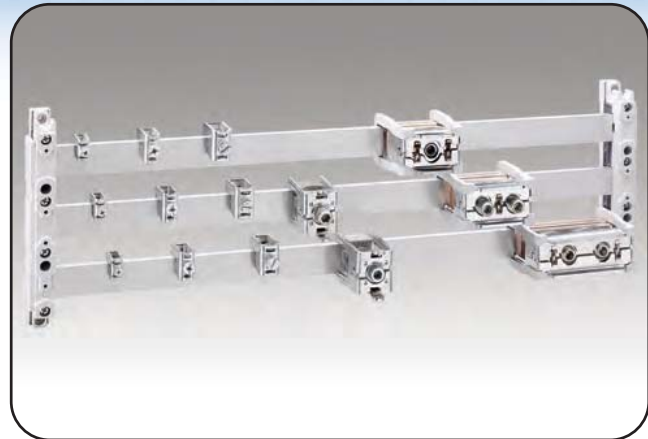


# POWER DISTRIBUTION SOLUTIONS

## Terminal clamps and brace terminals (up to 2500A)

The terminal clamps and brace terminals are devices used to connect cables or flexible copper bars to the individual phases without having to drill.

UR / CSA



Catalog number	Description	Connection cross section (mm) (min. - max.)	Terminal space W x H (mm)	For use up to max.	UL (UL508A)	CSA	QTY
<b>Universal conductor terminals</b>							
886 01284	5mm flat	1.5 - 16	7.5 x 7.5	180A	UR		100
886 01285	5mm flat	4 - 35	10.5 x 11	270A	UR	✓	50
886 01287	5mm flat	16 - 70	14 x 14	400A	UR	✓	25
886 01068	5mm flat	16 - 120	17 x 15	440A	UR	✓	25
886 01289	10mm flat	1.5 - 16	7.5 x 7.5	180A	UR	✓	100
886 01290	10mm flat	4 - 35	10.5 x 11	270A	UR	✓	50
886 01292	10mm flat, double-T and triple-T	16 - 70	14 x 14	400A	UR	✓	25
886 01203	10mm flat, double-T and triple-T	16 - 120	17 x 15	400A	UR	✓	25
886 01185	Double-T	320 - 800	41 x 20 - 42	1600A	✓	✓	3
886 01906	Double-T	500 - 750	54 x 5 - 28	1600A	✓	✓	3
886 01907	Double-T	600 - 900	64 x 5 - 28	1600A	✓	✓	3
886 01936	Double-T	500 - 1000	51 x 20 - 42	2000A	✓	✓	3
886 01911	Double-T	600 - 1200	64 x 20 - 42	1600A	✓	✓	3
886 01934	Double-T	800 - 1600	81 x 20 - 42	1600A	✓	✓	3
886 01935	Double-T	1000 - 2000	101 x 20 - 42	1600A	✓	✓	3
886 01008	Triple-T	500 - 1260	64 x 23 - 45	2500A	✓	✓	3
886 01186	Triple-T	1200 - 3600	101 x 23 - 45	2500A	✓	✓	3
<b>Brace terminals</b>							
886 01318	20 x 5 - 30 x 10 flat, double-T and triple-T	95 - 185	-	500A	UR	✓	6
886 01759	20 x 5 - 30 x 10 flat, double-T and triple-T bar up to 32 x 20	-	-	800A	UR	✓	3
886 01760	20 x 5 - 30 x 10 flat, double-T and triple-T	120 - 300	-	600A	UR	✓	3

Note: For UL508A systems, terminals, clamps and connectors are to be installed staggered or with barriers in order to meet the rule of thumb: distance from conductor-to-conductor or conductor-to-ground must be 1 inch through air or 2 inches along a surface.



Not sure how to select or optimize your busbar system? Contact us with your system specifications and we'll support you in developing the best layout and bill of material for the application.

Data subject to change without notice.



# POWER DISTRIBUTION SOLUTIONS

## Brace terminal for 30x10 and section busbars

The **brace terminals** are devices used to connect flat and flexible copper busbars to the 60mm three phase busbar system without drilling holes or additional hardware. UL 508A, CSA.



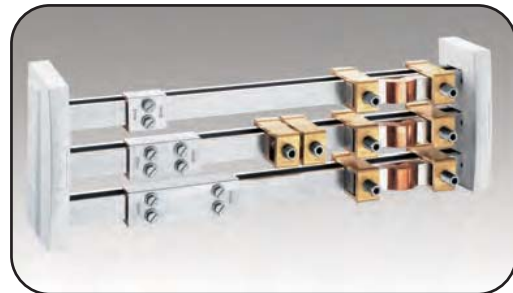
Catalog number	Description	Terminal space W x H (mm)	For use up to max.	UL (UL508A)	CSA	QTY
886 01069	30x10 flat,	55 x 28	1600A/2000A*	✓	✓	3
886 01070	double-T & triple-T	68 x 28	1600A/2000A*	✓	✓	3
886 01071	profiles	105 x 28	1600A/2000A*	✓	✓	3

**Installation tip! Rule of thumb; the distance between conductor to conductor or conductor to ground is 1 inch through air or 2 inches along surface.**

**Disclaimer: Supplied for gross layout & sizing of system. It is the responsibility of the customer to ensure all applicable industry standards are verified and met.**

## Busbar joining connectors for 60mm systems

The **busbar joining connectors** are devices used to join two identically shaped busbars within large enclosures or line-ups without any drilling. The joining connectors enable systems to be optimized for installation and transportability. This approach compliments, where applicable, the use of flat bar or round cables and terminal clamps.



Catalog number	For connection of busbar type	Max. distance between busbar ends	For use up to max.	QTY.
886 01166	Flat bar 12 – 20 x 5mm	5 to 10 mm	630A	12
886 01193	Flat bar 12 – 20 x 5mm	100 to 110 mm	630A	3
886 01990	Flat bar 20 – 30 x 5 / 10mm	9 to 20 mm	630A	6
886 01141	Flat bar 20 – 30 x 5 / 10 mm	50 to 60 mm	630A	3
886 01886	Flat bar 20 – 30 x 5 / 10 mm	100 to 110 mm	630A	3
886 01827	Double-T section	9 to 20 mm	1600A	6
886 01145	Double-T section	50 to 60 mm	1600A	3
886 01829	Double-T section	100 to 110 mm	1600A	3
886 01274	Triple-T section	50 to 60 mm	2500A	3
886 01275	Triple-T section	100 to 110 mm	2500A	3

Data subject to change without notice.

**?** Not sure how to select or optimize your busbar system? Contact us with your system specifications and we'll support you in developing the best layout and bill of material for the application.

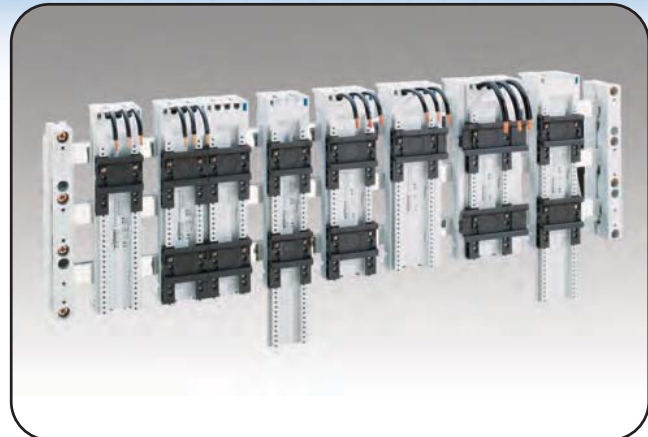
# POWER DISTRIBUTION SOLUTIONS

## Motor starter adaptors for 60mm system

The **motor starter adaptors** are devices used for mounting and connecting 3 pole motor starters directly onto the three phases of the busbars. The adaptors can be snapped into place on any busbar type (Flat, Double-T, Triple-T). The standard adaptors are 200mm high and are sold with or without leads (refer to table below).

**UR / CSA / UL 508A**

**Note:** A variety of other motor controller and equipment manufacturer specific adaptors are available upon request.



Catalog number	Description	No. of mounting rails (DIN rails)	Module width (mm)	UL (UL508A)	CSA	QTY
<i>Adaptor modules</i>						
886 32430	25A adaptor with leads AWG12 (≈ 4mm)	1 DIN	45 mm	✓	✓	4
886 32431	25A adaptor with leads AWG12 (≈ 4mm)	2 DIN	45 mm	✓	✓	4
886 32432	25A adaptor with leads AWG12 (≈ 4mm)	2 DIN	90 mm	✓	✓	2
886 32436	25A adaptor with 6mm <sup>2</sup> terminals, without leads	2 DIN	45 mm	✓	✓	4
886 32441	32A adaptor with leads AWG 10 (≈ 6mm)	1 DIN	54 mm	✓	✓	4
886 32442	32A adaptor with leads AWG 10 (≈ 6mm)	2 DIN	54 mm	✓	✓	4
886 32444	32A adaptor with leads AWG 10 (≈ 6mm)	1 DIN	72 mm	✓	✓	4
886 32454	63A adaptor with leads AWG 8 (≈ 10mm)	1 DIN	54 mm	✓	✓	4
886 32455	63A adaptor with leads AWG 8 (≈ 10mm)	2 DIN	54 mm	✓	✓	4
886 32456	63A adaptor with leads AWG 8 (≈ 10mm)	1 DIN	63 mm	✓	✓	4
886 32459	63A adaptor with leads AWG 8 (≈ 10mm)	2 DIN	81 mm	✓	✓	4
886 32467	80A adaptor with 16mm terminals, without leads	2 DIN	54 mm	✓	✓	4
<i>Terminal cap for modules without leads</i>						
886 32973	UL terminal cap for 886 32436	-	45 mm	✓	✓	4
886 32974	UL terminal cap for 880 32467	-	54 mm	✓	✓	4
<i>Side modules</i>						
886 32477	Universal adaptor without electrical contacts	2 DIN	45 mm	✓	✓	4
886 32478	Universal adaptor without electrical contacts	2 DIN	54 mm	✓	✓	4
886 32963	Side-mounted module, connectable on both sides	-	9 mm			10



Not sure how to select or optimize your busbar system? Contact us with your system specifications and we'll support you in developing the best layout and bill of material for the application.

Data subject to change without notice.



# POWER DISTRIBUTION SOLUTIONS

## Circuit breaker adaptor plate for 60mm system

The circuit breaker adaptor plates are devices used for mounting and connecting 3 pole circuit breakers directly onto the three phases of the busbars. The adaptors can be snapped into place on any busbar type (Flat, Double-T, Triple-T).

The circuit breaker adaptors are equipment specific as listed in the table below. For universal adaptors refer to Universal adaptor section (p.159). **UR / CSA Note: Circuit breakers not included; Special versions for other CBs also available upon request.**



Catalog number	Adaptor plate description / type	Height (mm)	Width (mm)	UL (UL508A)	CSA	QTY
<b>23 – 30 mm terminal pitch; screwless contacting; top connecting switchgear via integrated flexible Cu busbars</b>						
886 32575	160A for ABB T-max 1, 2, GE FD160, Merlin Gerin NS80	200	90	✓	✓	1
886 32549	125A for Allen-Bradley 140-CMN	200	90	✓	✓	1
886 32570	160A for Moeller NZM1	200	90	✓	✓	1
886 32226	100A, 400V for Siemens S3	182	70	UR	✓	2
<b>35 – 36 mm terminal pitch; busbar contacting; top or bottom connecting switchgear via direct / pipe connection</b>						
886 32154	300A for ABB T-max 4	325	110	UR	✓	1
886 32156	250A for Merlin-Gerin NS100, NS250, GE FD250	192	106	✓	✓	1
886 32140	250A for Moeller NZM2-XKR4	192	106	✓	✓	1
886 32976	160A for Siemens 3VL1 UL	172	108	UR	✓	1
886 32977	250A for Siemens 3VL2, 3VL3 UL	172	108	UR	✓	1
<b>43 - 46 mm terminal pitch; busbar contacting; top or bottom connecting switchgear via direct / pipe connection</b>						
886 32148	520A for ABB T-max 5	325	140	UR	✓	1
886 32157	570A for Merlin-Gerin NS400, NS630	272	140	✓	✓	1
886 32170	550A for Moeller NZM3-XKR130	272	140	✓	✓	1
886 32975	400A for Siemens 3VL4	295	140	✓	✓	1
<b>63 mm terminal pitch; busbar contacting; top connecting switchgear via direct / pipe connection</b>						
886 32980	600A for Siemens 3VL5	325	184	UR	✓	1



Not sure how to select or optimize your busbar system? Contact us with your system specifications and we'll support you in developing the best layout and bill of material for the application.

Data subject to change without notice.

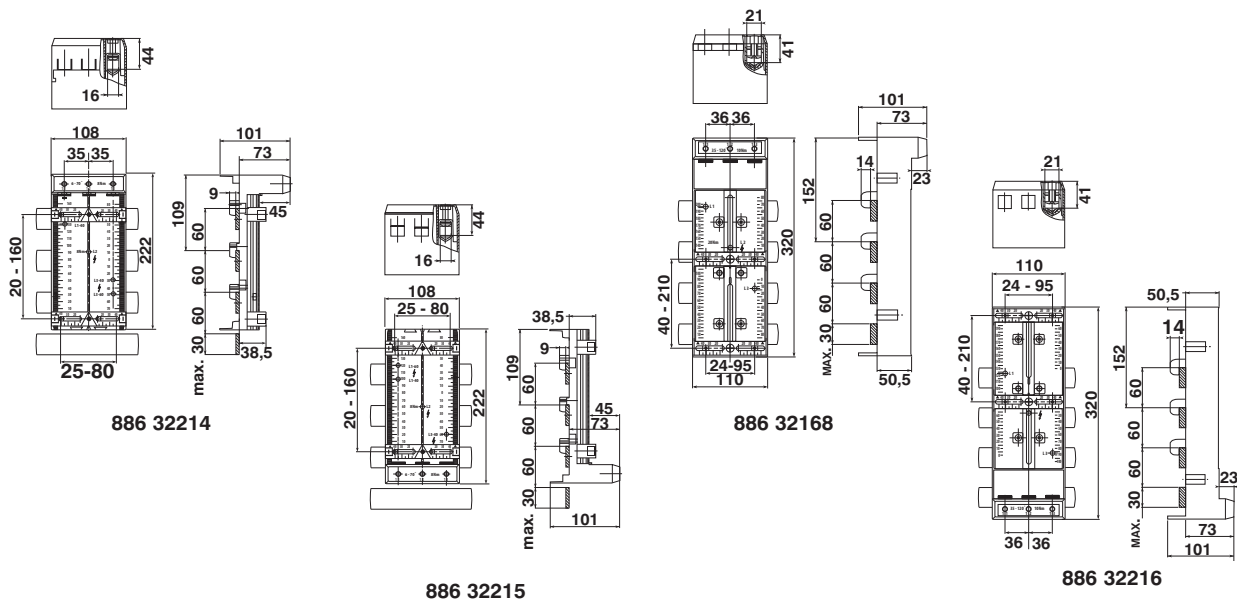


# POWER DISTRIBUTION SOLUTIONS

## Universal adaptor plate for 60mm system

The **universal adaptor plates** are devices used for mounting and connecting 3 pole equipment and breakers directly onto the three phases of the busbars. The adaptors can be snapped into place on any busbar type (Flat, Double-T, Triple-T). **UR / CSA**

**Note: Circuit breakers not included; All adaptors are for all busbar types.**



Catalog number	Adaptor plate description / type	Height (mm)	Width (mm)	UL (UL508A)	CSA
<b>Universal busbar adaptor (pack of 1)</b>					
Note: standard fit is for all commercially available switchgear with M4 fixing screws. For M5 and M6 screws the sliding nuts must be replaced accordingly (see accessories below)					
886 32214	200A top connection to system	222	108	UR	✓
886 32215	200A bottom connection to system	222	108	UR	✓
886 32168	250A top connection to system	320	110	UR	✓
886 32216	250A bottom connection to system	320	110	UR	✓
<b>Universal busbar accessories</b>					
886 32937	M5 slide nut (pack of 4)				
886 32938	M6 slide nut (pack of 4)				

**?** Not sure how to select or optimize your busbar system? Contact us with your system specifications and we'll support you in developing the best layout and bill of material for the application.

Data subject to change without notice.



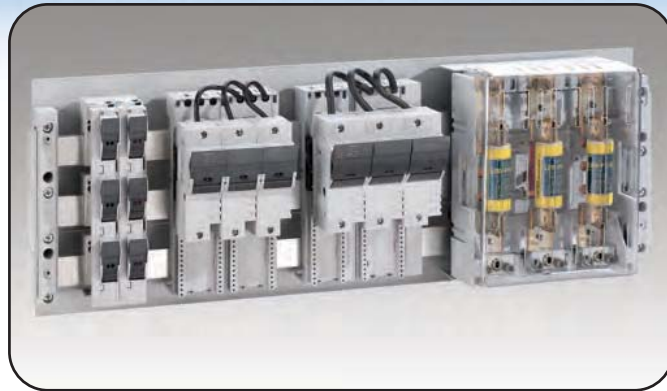
# POWER DISTRIBUTION SOLUTIONS

## Fuse holders for 60mm system

The busbar mounted fuse holders are devices used for mounting and connecting 3 pole fuse switches directly onto the three phases of the busbars. The adaptors can be snapped into place on any busbar type (Flat, Double-T, Triple-T) unless otherwise noted.

UR / CSA

**Note:** Fuse not included; Other versions available upon request.



Catalog number	Fuse holder description / type	Rated current / Rated voltage	Width (mm)	UL (UL508A)	CSA	QTY
<b>Bus-mounting fuse holder, 3 pole, 3 pole isolation</b>						
886 31954	For 10 x 38 mm cylindrical fuses IEC 60269-2-1	32A / 690V	27	UR	✓	4
886 31955	For 10 x 38 mm cylindrical fuses IEC 60269-2-1 with LED	32A / 690V	27	UR	✓	4
886 31958	For Class CC, cylindrical fuses UL 248-4	30A / 600V	27	✓	✓	4
886 31959	For Class CC, cylindrical fuses UL 248-4 with LED	30A / 600V	27	✓	✓	4
<b>Complete solution on busbar adaptor, 3 pole, 3 pole isolation</b>						
886 31967	Class J, 21 x 57	30A / 600V	108	✓	✓	1
886 31968	Class J, 21 x 57, with LED	30A / 600V	108	✓	✓	1
886 31969	Class J, 27 x 60	60A / 600V	126	✓	✓	1
886 31970	Class J, 27 x 60, with LED	60A / 600V	126	✓	✓	1
<b>Class J bus-mounting fuse base, connection top or bottom, 3 pole</b>						
Note* : For installation on 5mm thick flat bar a conversion kit must be order separately p/n 886 33148						
886 33310	Class J, 41 x 146 *	250A / 600V	210	✓	✓	1
886 33311	Class J, 54 x 181 *	400A / 600V	256	✓	✓	1



Not sure how to select or optimize your busbar system? Contact us with your system specifications and we'll support you in developing the best layout and bill of material for the application.

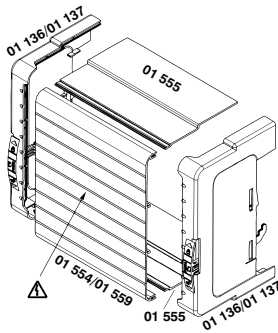
Data subject to change without notice.

# POWER DISTRIBUTION SOLUTIONS

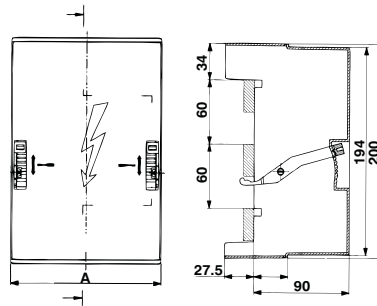
## Cover caps for terminal clamps for 60mm systems

The cover caps for terminal clamps are devices used to cover a group of single terminal clamps or every single terminal clamp accordingly. Supplied in either individual parts to build to required size or pre-established widths.

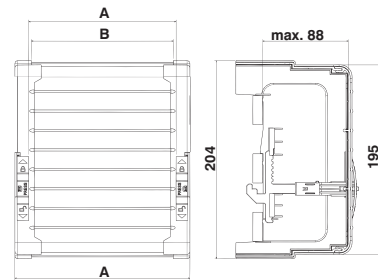
Silicon-free, halogen-free. Self-extinguishing in accordance to UL94. Temperature stability 125° C  
UR / CSA



886 01136 / 886 01554 /  
886 01555



886 01756 / 886 01757



886 01539 / 886 01596 /  
886 01540

Catalog number	Description / Fits on busbar	Size W x H x D (mm)	UL (UL508A)	CSA	QTY
886 01136	Holder set (left & right), 3 pole	n.a. x 200 x 90	✓	✓	1
886 01554	Front cover section, 3 pole	1100 x n.a. x n.a.	✓	✓	1
886 01555	Top / bottom cover section	1100 x n.a. x 90	✓	✓	2
886 01756	20 – 30 x 5/10; double-T and triple-T	135 x 200 x 90	UR	✓	1
886 01539	12 – 30 x 5/10; double-T and triple-T	180 x 200 x 90	✓	✓	1
886 01596	30 x 5/10; double-T and triple-T	228 x 200 x 90	✓	✓	1
886 01757	20 – 30 x 5/10; double-T and triple-T	270 x 200 x 90	UR	✓	1



Not sure how to select or optimize your busbar system? Contact us with your system specifications and we'll support you in developing the best layout and bill of material for the application.

Data subject to change without notice.



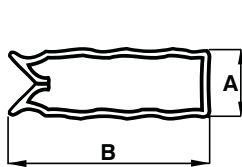
# POWER DISTRIBUTION SOLUTIONS

## Busbar covers for 60mm system (up to 2500A)

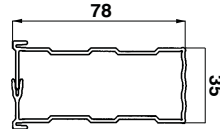
The busbar supports are designed to support and fasten the busbars onto a mounting surface, inner mounting panel or directly onto an mtrx frame. **UR / CSA** Silicon-free, halogen-free. Self-extinguishing in accordance with UL94. Temperature stability 120° C.



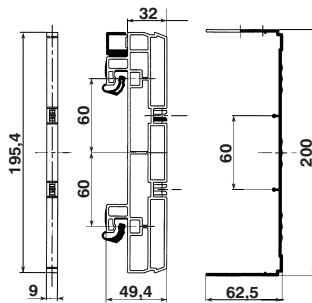
\* Image shows Double T-section bar only



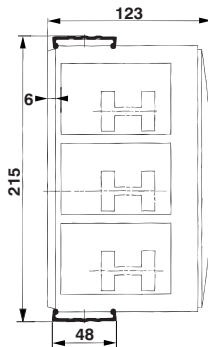
886 01244 / 886 01245



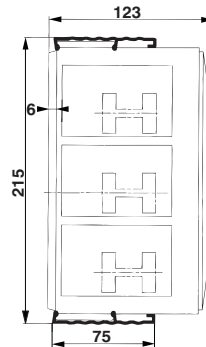
886 01252



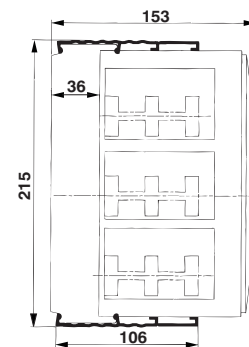
886 01025 / 886 01026



886 01236



886 01237



886 01238

Catalog number	Description	UL (UL508A)	CSA	QTY
886 01573	End cover for 3-pole flat bar configuration	✓	✓	10
886 01234	End cover for 3-pole Double or Triple T-section configuration	✓	✓	4
886 01244	Cover section for individual flat bar section (suitable for 12 to 30mm x 5mm thick bar) - 1000 mm long	✓	✓	10
886 01245	Cover section for individual flat bar section (suitable for 12 to 30mm x 10mm thick bar) - 1000 mm long	✓	✓	10
886 01252	Cover section for individual Double or Triple T-section - 1000 mm long	✓	✓	5
886 01025	Cover section for all 3-pole configurations - 1100 mm long (requires p/n 886 01026 for installation)	✓	✓	2
886 01026	Cover mount for p/n 886 01025	✓	✓	10
886 01236	Cover strip 48mm deep x 2400 mm long for top or bottom 3-pole cover section	UR (125V AC)	✓	1
886 01237	Cover strip 76mm deep x 2400 mm long for top or bottom 3-pole cover section	UR (125V AC)	✓	1
886 01238	Cover strip 106mm deep x 2400 mm long for top or bottom 3-pole cover section	UR (125V AC)	✓	1



Not sure how to select or optimize your busbar system? Contact us with your system specifications and we'll support you in developing the best layout and bill of material for the application.

Data subject to change without notice.



# METRIC CABINETS & ENCLOSURES



## Water, oil & dust tight terminal boxes, metric

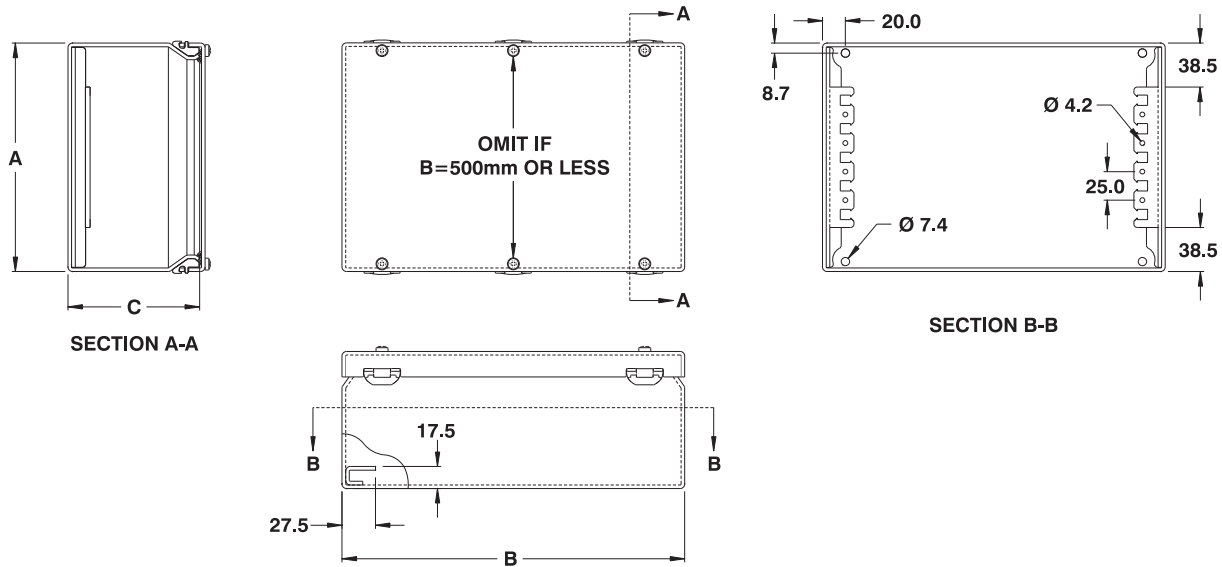
The 6412 ESTB screw cover oil and dust tight enclosures are used indoors and outdoors to protect the enclosed controls from dust, dirt, oil and water splashing. The box and cover are made from code gauge steel with all seams continuously welded. The opening has a curled lip around all sides to prevent dripping water from entering the enclosure when the door is open, it also increases rigidity. A high quality

robotically poured-in-place seamless gasket ensures a complete and durable water-tight seal. The enclosure can be internally mounted or externally mounted using optional wall mounting feet. These feet have oblong holes to facilitate installation. Mounting brackets are supplied on the bottom of the enclosure. Inner panels can be ordered separately, see page 190. Enclosures are finished with heat

fused powder paint, electrostatically applied on a pretreated base. Box is RAL7035 textured light gray.

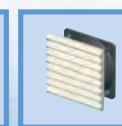
**CSA Certified / UL Listed.**  
**NEMA/EEMAC 4-12 / IP66**

**Refer to p.727 to validate choice of substrate for the application**



CATALOG NUMBER	DIMENSIONS - METRIC (mm)			SHIP WGHT LBS.
	B	A	C	
6412 ESTB151508	150	150	80	2
6412 ESTB202008	200	200	80	4
6412 ESTB302008	300	200	80	5
6412 ESTB402008	400	200	80	6
6412 ESTB502008	500	200	80	7
6412 ESTB602008	600	200	80	9
6412 ESTB802008	800	200	80	11
6412 ESTB151512	150	150	120	4
6412 ESTB202012	200	200	120	5
6412 ESTB301512	300	150	120	4
6412 ESTB302012	300	200	120	6
6412 ESTB303012	300	300	120	8
6412 ESTB402012	400	200	120	7
6412 ESTB403012	400	300	120	9
6412 ESTB404012	400	400	120	12
6412 ESTB502012	500	200	120	8
6412 ESTB503012	500	300	120	11
6412 ESTB602012	600	200	120	10
6412 ESTB603012	600	300	120	13
6412 ESTB604012	600	400	120	16
6412 ESTB606012	600	600	120	19
6412 ESTB802012	800	200	120	13
6412 ESTB804012	800	400	120	21

Data subject to change without notice.



## Water, oil & dust tight windowed terminal boxes, metric

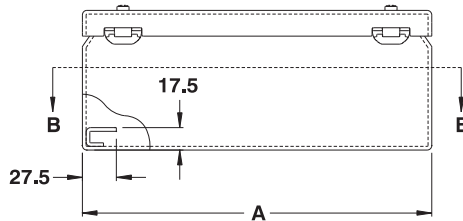
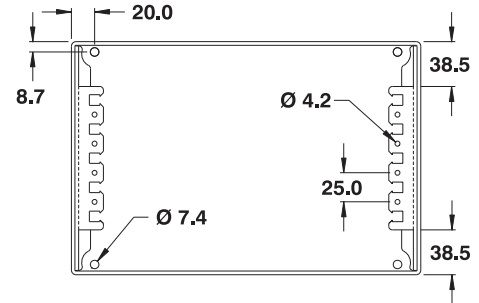
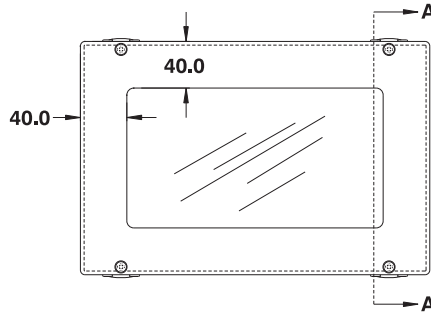
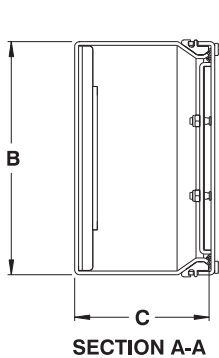
The **6412 ESTBW** screw cover oil and dust tight enclosures are used indoors and outdoors to protect the enclosed controls from dust, dirt, oil and water splashing. The box and cover are made from code gauge steel with all seams continuously welded. The window is made of 1/4 inch polycarbonate. The opening has a curled lip around all sides to prevent dripping water from entering the enclosure when the door is

open, it also increases rigidity. A high quality robotically poured-in-place seamless gasket ensures a complete and durable water-tight seal. The enclosure can be internally mounted or externally mounted using optional wall mounting feet. These feet have oblong holes to facilitate installation. Mounting brackets are supplied on the bottom of the enclosure. Inner panels can be ordered separately, see

page 190. Enclosures are finished with heat fused powder paint, electrostatically applied on a pretreated base. Box is RAL7035 textured light gray.

**CSA Certified / UL Listed.  
NEMA/EEMAC 4-12 / IP66**

**Refer to p.727 to validate choice of substrate for the application**



CATALOG NUMBER	DIMENSIONS - METRIC (mm)			SHIP WGHT LBS.
	B	A	C	
6412 ESWTB151508	150	150	80	2
6412 ESWTB202008	200	200	80	4
6412 ESWTB302008	300	200	80	5
6412 ESWTB402008	400	200	80	6
6412 ESWTB502008	500	200	80	7
6412 ESWTB602008	600	200	80	9
6412 ESWTB802008	800	200	80	11
6412 ESWTB151512	150	150	120	4
6412 ESWTB202012	200	200	120	5
6412 ESWTB301512	300	150	120	4
6412 ESWTB302012	300	200	120	6
6412 ESWTB303012	300	300	120	8
6412 ESWTB402012	400	200	120	7
6412 ESWTB403012	400	300	120	9
6412 ESWTB404012	400	400	120	12
6412 ESWTB502012	500	200	120	8
6412 ESWTB503012	500	300	120	11
6412 ESWTB602012	600	200	120	10
6412 ESWTB603012	600	300	120	13
6412 ESWTB604012	600	400	120	16
6412 ESWTB606012	600	600	120	19
6412 ESWTB802012	800	200	120	13
6412 ESWTB804012	800	400	120	21



Data subject to change without notice.



p.462

p.459

p.618

p.624

p.636

p.593

p.472

<http://www.exmweb.com>

1-800-363-2423

Fax : 450-979-4626



[info@exmweb.com](mailto:info@exmweb.com)

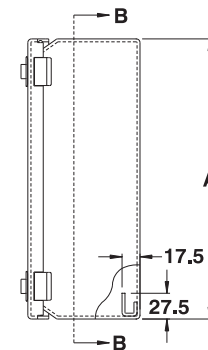
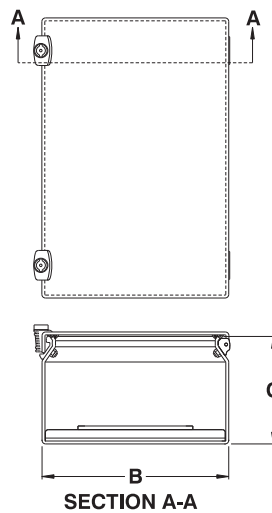
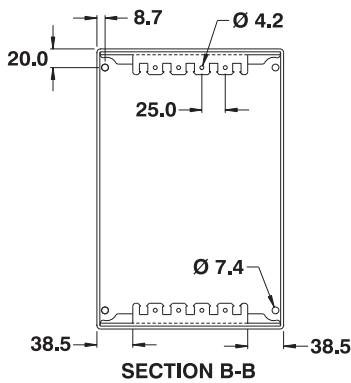
## Water, oil & dust tight hinged terminal boxes, metric

The 6412 ESCHTB are used indoors or outdoors to protect the enclosed controls from dust, dirt, oil and water splashing. The 6412 ESCHTB are made from quality code gauge steel, with corner seems continuously welded. The opening has a curled lip around all sides to prevent dripping water from entering the enclosure when the door is open, it also increases rigidity. A high quality robotically poured-in-place seamless gasket ensures a complete and durable

water-tight seal. The enclosures feature die cast hinges, which are bound to the cover by an exclusive concealed hinge pin system. The covers are interchangeable and can be removed by unfastening the anti-vibration lock nuts. The enclosure can be internally mounted or externally mounted using optional wall mounting feet. These feet have oblong holes to facilitate installation. Mounting brackets are supplied on the bottom of the enclosure. Inner panels can be ordered

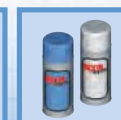
separately, see page 190. Enclosures are finished with heat fused powder paint, electrostatically applied on a pretreated base. Box is RAL7035 textured light gray. **CSA Certified / UL Listed NEMA/EEMAC 4-12 / IP66**

**Refer to p.727 to validate choice of substrate for the application**



CATALOG NUMBER	DIMENSIONS - METRIC (mm)			SHIP WGHT LBS.
	B	A	C	
6412 ESCHTB151508	150	150	80	2
6412 ESCHTB202008	200	200	80	4
6412 ESCHTB203008	200	300	80	5
6412 ESCHTB204008	200	400	80	6
6412 ESCHTB205008	200	500	80	7
6412 ESCHTB206008	200	600	80	9
6412 ESCHTB208008	200	800	80	11
6412 ESCHTB151512	150	150	120	4
6412 ESCHTB202012	200	200	120	5
6412 ESCHTB153012	150	300	120	4
6412 ESCHTB203012	200	300	120	6
6412 ESCHTB303012	300	300	120	8
6412 ESCHTB204012	200	400	120	7
6412 ESCHTB304012	300	400	120	9
6412 ESCHTB404012	400	400	120	12
6412 ESCHTB205012	200	500	120	8
6412 ESCHTB305012	300	500	120	11
6412 ESCHTB206012	200	600	120	10
6412 ESCHTB306012	300	600	120	13
6412 ESCHTB406012	400	600	120	16
6412 ESCHTB606012	600	600	120	19
6412 ESCHTB208012	200	800	120	13
6412 ESCHTB408012	400	800	120	21

Data subject to change without notice.





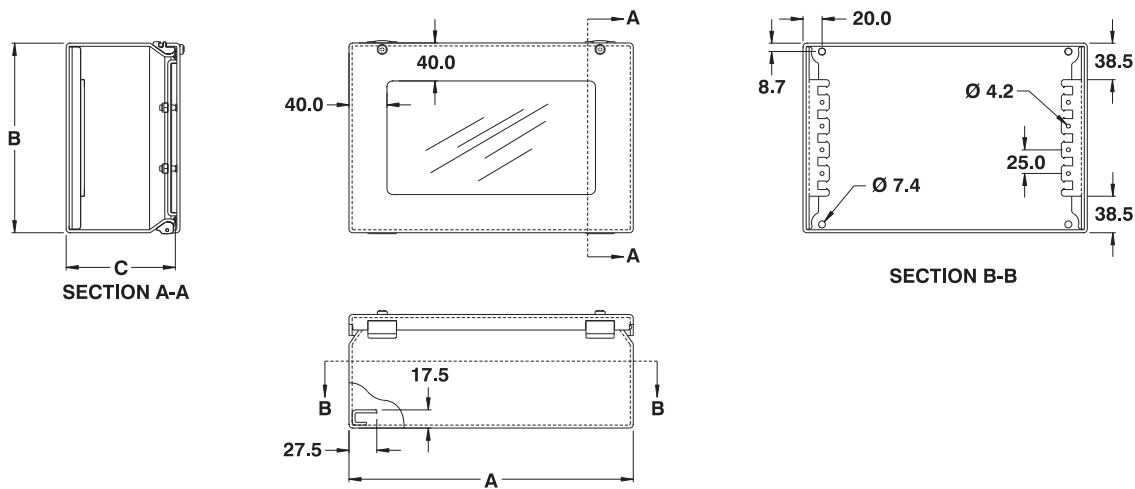
## Water, oil & dust tight hinged windowed terminal boxes

The 6412 ESCHWTB are used indoors or outdoors to protect the enclosed controls from dust, dirt, oil and water splashing. The 6412 ESCHWTB are made from quality code gauge steel, with corner seams continuously welded. The window is made of 1/4" lexan. The opening has a curled lip around all sides to prevent dripping water from entering the enclosure when the door is open, it also increases rigidity. A high quality robotically poured-in-place seamless gasket

ensures a complete and durable water-tight seal. The enclosures feature die cast hinges, which are bound to the cover by an exclusive concealed hinge pin system. The covers are interchangeable and can be removed by unfastening the anti-vibration lock nuts. The enclosure can be internally mounted or externally mounted using optional wall mounting feet. These feet have oblong holes to facilitate installation. Mounting brackets are supplied on the bottom of the enclosure.

sure. Inner panels can be ordered separately, see page 190. Enclosures are finished with heat fused powder paint, electrostatically applied on a pretreated base. Box is RAL7035 textured light gray. **CSA Certified / UL Listed NEMA/EEMAC 4-12 / IP66**

**Refer to p.727 to validate choice of substrate for the application**



CATALOG NUMBER	DIMENSIONS - METRIC (mm)			SHIP WGHT LBS.
	B	A	C	
6412 ESCHWTB151508	150	150	80	2
6412 ESCHWTB202008	200	200	80	4
6412 ESCHWTB302008	300	200	80	5
6412 ESCHWTB402008	400	200	80	6
6412 ESCHWTB502008	500	200	80	7
6412 ESCHWTB602008	600	200	80	9
6412 ESCHWTB802008	800	200	80	11
6412 ESCHWTB151512	150	150	120	4
6412 ESCHWTB202012	200	200	120	5
6412 ESCHWTB301512	300	150	120	4
6412 ESCHWTB302012	300	200	120	6
6412 ESCHWTB303012	300	300	120	8
6412 ESCHWTB402012	400	200	120	7
6412 ESCHWTB403012	400	300	120	9
6412 ESCHWTB404012	400	400	120	12
6412 ESCHWTB502012	500	200	120	8
6412 ESCHWTB503012	500	300	120	11
6412 ESCHWTB602012	600	200	120	10
6412 ESCHWTB603012	600	300	120	13
6412 ESCHWTB604012	600	400	120	16
6412 ESCHWTB606012	600	600	120	19
6412 ESCHWTB802012	800	200	120	13
6412 ESCHWTB804012	800	400	120	21



Data subject to change without notice.



p.444 p.459 p.614 p.624 p.636 p.593 p.472  
<http://www.exmweb.com> 1-800-363-2423 Fax : 450-979-4626



info@exmweb.com

## Water, oil & dust tight enclosures, metric

The 6412 ES water, oil & dust tight enclosures are used indoors or outdoors in areas where the enclosures may be subject to hosing or to water coming from any direction or for protection against dust, dirt or oil splashing. The 6412 ES are made from quality 14 GA or 16 GA steel, with corner seams continuously welded. The opening has a curled lip around all sides to prevent dripping water from entering the enclosure when the door is open, it also increases rigidity. A

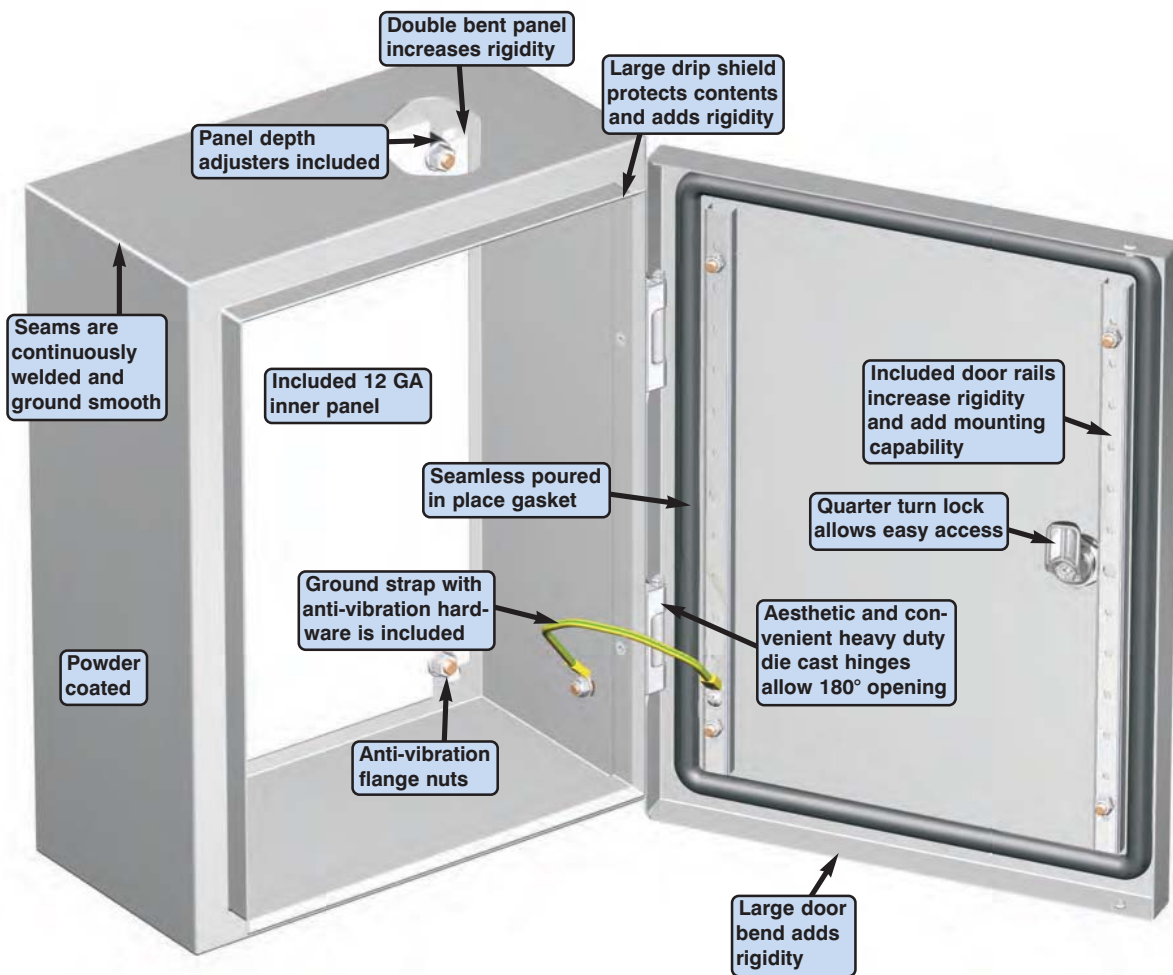
high quality robotically poured-in-place seamless gasket ensures a complete and durable water-tight seal. The captive pins of the concealed hinges can be pulled to remove the door.

A ¼ turn locking mechanism (or 3 point latch system on larger enclosures) ensures positive closing. Internal mounting holes are provided. Each enclosure comes **complete with a 12 GA inner panel** which is double bent\* for maximum rigidity and which mounts on M8

welded studs. Enclosures are finished with heat fused powder paint, electrostatically applied on a pre-treated base. The box is RAL7035 light gray, the panel is unpainted galvanized steel.

**CSA Certified / UL Listed  
NEMA/EEMAC 4-12 / IP66**

**Refer to p.727 to validate choice of substrate for the application**

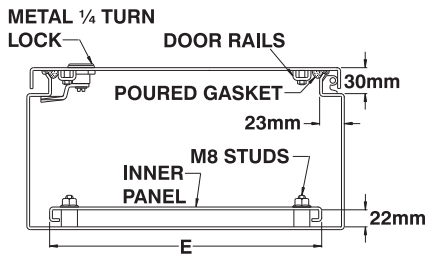
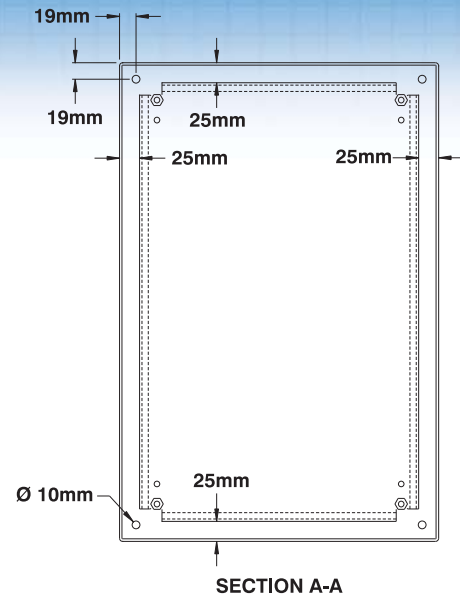
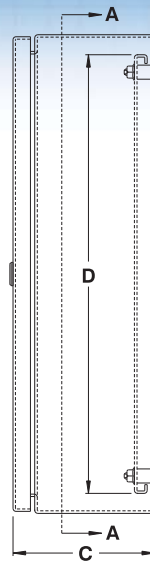
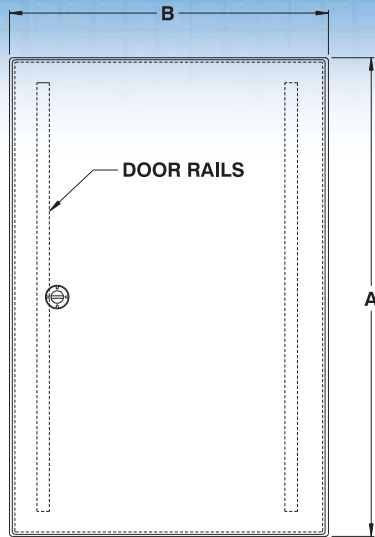


Customize with



Data subject to change without notice.





CATALOG NUMBER	DIMENSIONS - METRIC (mm)					SHIP WGHT LBS.
	B	A	C	D	E	
6412 ES020315	200	300	150	250	150	13
6412 ES030315	300	300	150	250	250	17
6412 ES030415	300	400	150	350	250	21
6412 ES040315	400	300	150	250	350	21
6412 ES040320	400	300	200	250	350	24
6412 ES040420	400	400	200	350	350	30
6412 ES060420	600	400	200	350	550	40
6412 ES060430	600	400	300	350	550	51

\* Only panels with one side 600mm or more are double bent.

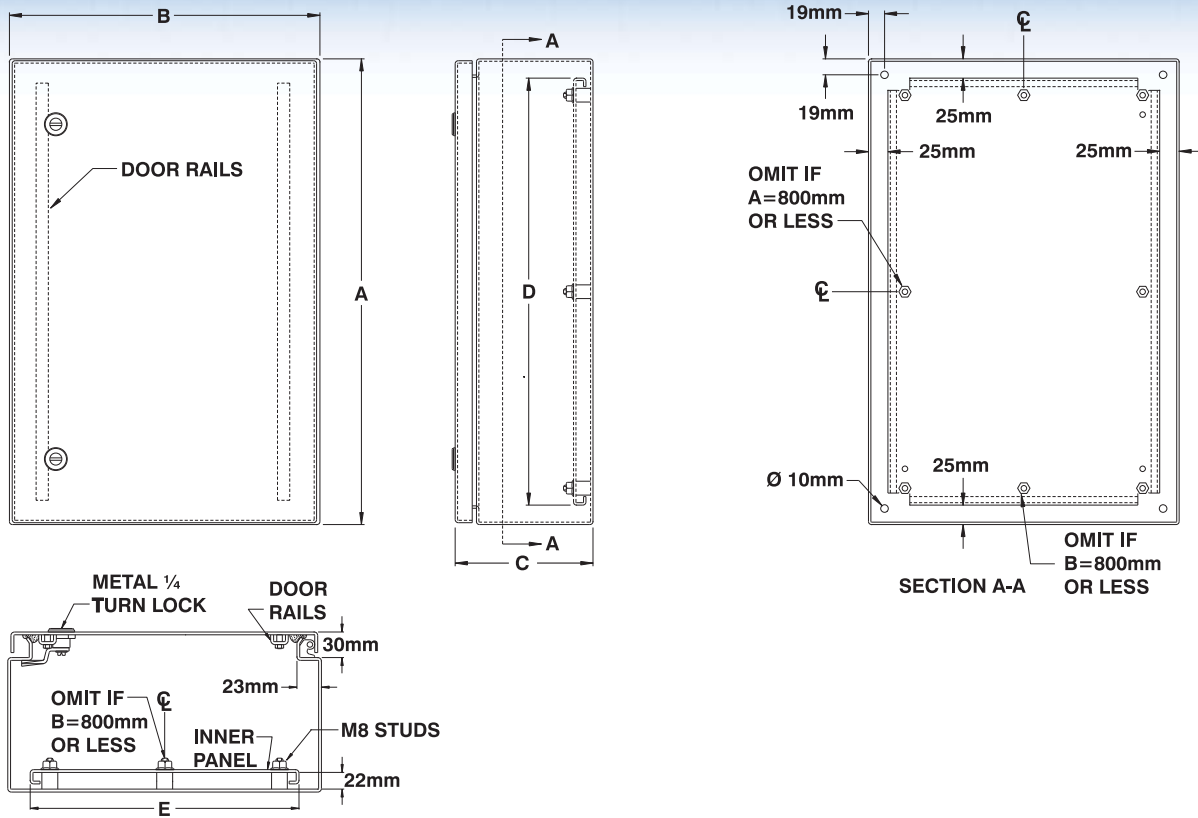


Customize with



[p.489](#)    [p.476](#)    [p.473](#)    [p.583](#)    [p.477](#)    [p.624](#)    [p.636](#)    [p.593](#)    [p.472](#)  
<http://www.exmweb.com>    1-800-363-2423    Fax : 450-979-4626    [info@exmweb.com](mailto:info@exmweb.com)

Data subject to change without notice.



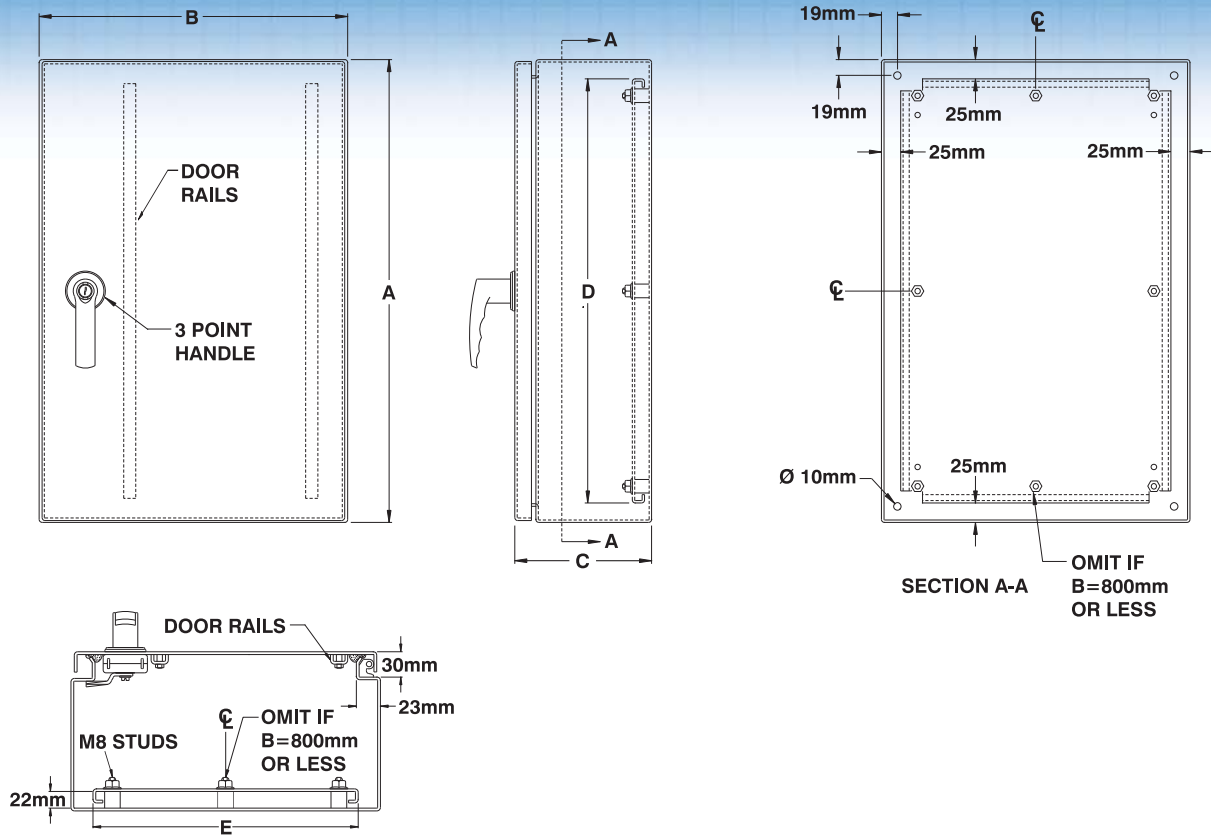
CATALOG NUMBER	DIMENSIONS - METRIC (mm)					SHIP WGHT LBS.
	B	A	C	D	E	
6412 ES030515	300	500	150	450	250	25
6412 ES030520	300	500	200	450	250	29
6412 ES040520	400	500	200	450	350	34
6412 ES040620	400	600	200	550	350	40
6412 ES050520	500	500	200	450	450	41
6412 ES050720	500	700	200	650	450	54
6412 ES060620	600	600	200	550	550	54
6412 ES040525	400	500	250	450	350	40
6412 ES040625	400	600	250	550	350	45
6412 ES050725	500	700	250	650	450	59
6412 ES060825	600	800	250	750	550	75
6412 ES061025	600	1000	250	950	550	96
6412 ES060630	600	600	300	550	550	66
6412 ES060830	600	800	300	750	550	81
6412 ES061030	600	1000	300	950	550	103
6412 ES080830	800	800	300	750	750	106
6412 ES081030	800	1000	300	950	750	128
6412 ES040640	400	600	400	550	350	79
6412 ES060640	600	600	400	550	550	79
6412 ES060840	600	800	400	750	550	101
6412 ES061040	600	1000	400	950	550	123



Data subject to change without notice.







CATALOG NUMBER	DIMENSIONS - METRIC (mm)					SHIP WGT LBS.
	B	A	C	D	E	
6412 ES061230	600	1200	300	1150	550	119
6412 ES081230	800	1200	300	1150	750	147



Customize with



**Insulated box?** To have your enclosure insulated, add suffix "TH"

i.e.: 6412ES040420TH → Insulated steel enclosure

Data subject to change without notice.



[p.489](#)    [p.476](#)    [p.473](#)    [p.583](#)    [p.477](#)    [p.624](#)    [p.636](#)    [p.593](#)    [p.472](#)  
<http://www.exmweb.com>    1-800-363-2423    Fax : 450-979-4626    [info@exmweb.com](mailto:info@exmweb.com)

## Water, oil & dust tight windowed enclosures, metric

The 6412 ESW water, oil & dust tight enclosures are used indoors or outdoors in areas where the enclosures may be subject to hosing or to water coming from any direction or for protection against dust, dirt or oil splashing. The 6412 ESW are made from quality 14 GA or 16 GA steel, with corner seems continuously welded. The window is made with self-extinguishing polycarbonate. The opening has a curled lip around all sides to prevent dripping water from entering the enclosure when the door is

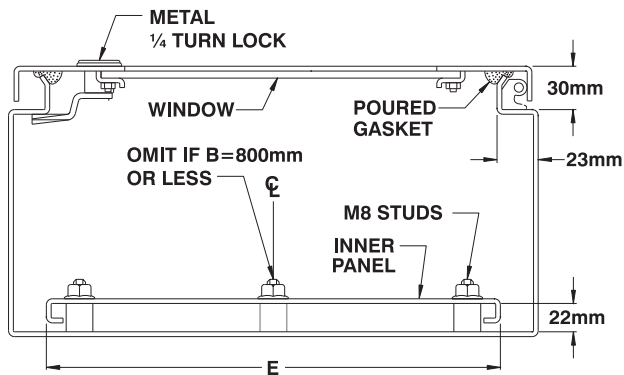
open, it also increases rigidity. A high quality robotically poured-in-place seamless gasket ensures a complete and durable water-tight seal. The captive pins of the concealed hinges can be pulled to remove the door.

A 1/4 turn locking mechanism (or 3 point latch system on larger enclosures) ensures positive closing. Internal mounting holes are provided. Each enclosure comes **complete with a 12 GA inner panel** which is double bent\* for maximum rigidity and which mounts on M8

welded studs. Enclosures are finished with heat fused powder paint, electrostatically applied on a pre-treated base. The box is RAL7035 textured light gray, the panel is unpainted galvanized steel.

**CSA Certified / UL Listed  
NEMA/EEMAC 4-12 / IP66**

**Refer to p.727 to validate choice of substrate for the application**



CATALOG NUMBER	DIMENSIONS					SHIP WTGT LBS.
	B	A	C	D	E	
6412 ESW020315	200	300	150	250	150	13
6412 ESW030315	300	300	150	250	250	17
6412 ESW030415	300	400	150	350	250	21
6412 ESW030515	300	500	150	450	250	25
6412 ESW040315	400	300	150	250	350	21
6412 ESW030520	300	500	200	450	250	29
6412 ESW040320	400	300	200	250	350	24
6412 ESW040420	400	400	200	350	350	30
6412 ESW040520	400	500	200	450	350	34
6412 ESW050520	500	500	200	450	450	41
6412 ESW060420	600	400	200	350	550	40
6412 ESW040525	400	500	250	450	350	40
6412 ESW060430	600	400	300	350	550	51
6412 ESW040620	400	600	200	550	350	40
6412 ESW050720	500	700	200	650	450	54
6412 ESW060620	600	600	200	550	550	54
6412 ESW040625	400	600	250	550	350	45
6412 ESW050725	500	700	250	650	450	59
6412 ESW060825	600	800	250	750	550	75
6412 ESW061025	600	1000	250	950	550	96
6412 ESW060630	600	600	300	550	550	66
6412 ESW060830	600	800	300	750	550	81
6412 ESW061030	600	1000	300	950	550	103
6412 ESW080830	800	800	300	750	750	106
6412 ESW081030	800	1000	300	950	750	128
6412 ESW040640	400	600	400	550	350	79
6412 ESW060640	600	600	400	550	550	79
6412 ESW060840	600	800	400	750	550	101
6412 ESW061040	600	1000	400	950	550	123
6412 ESW061230	600	1200	300	1150	550	119
6412 ESW081230	800	1200	300	1150	750	147

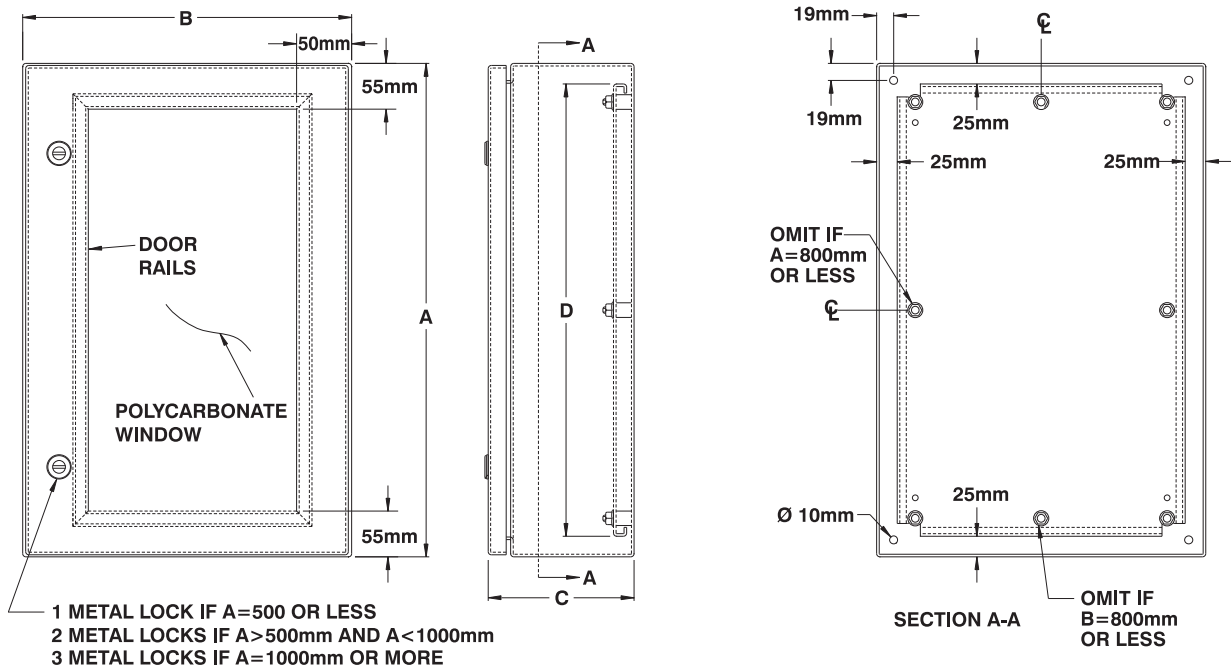
\* Only panels with sides 600mm or more are double bent.

Customize with



Data subject to change without notice.





**Insulated box?** To have your enclosure insulated, add suffix "TH"

i.e.: 6412ESW040420TH → Insulated steel enclosure

Data subject to change without notice.



p.476

<http://www.exmweb.com>



p.473



p.583



p.477

☎ 1-800-363-2423



p.612



p.624

Fax : 450-979-4626



p.636



p.593



p.472

[info@exmweb.com](mailto:info@exmweb.com)

## Oil & dust tight double door enclosure, metric

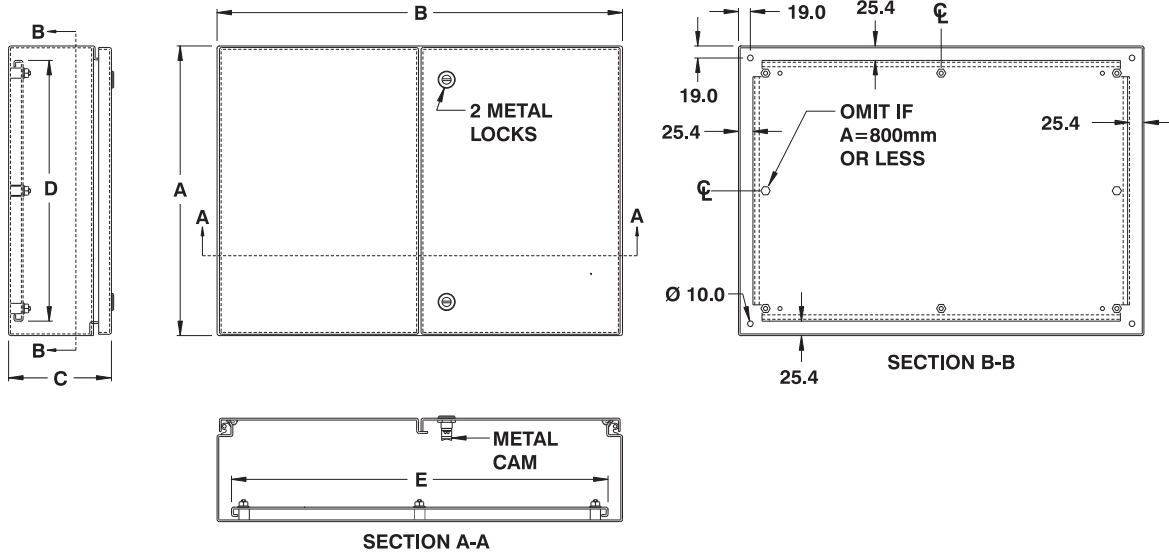
The 6500 ESDD wall mounted double door, oil and dust tight enclosures are used indoors for protection against dirt, dust and oil. The box and cover are made from quality 14 GA steel with all seams continuously welded. The opening has a curled lip around all sides and there is no center post. The left hand door is flanged and the quarter turn locks

are located on the right hand door. Larger enclosures have a three point handle on the right hand door. The captive pins of the concealed hinges can be easily pulled to remove the door. Wall mounting feet are optionally available. **Each enclosure comes complete with a 12 GA inner panel** which mounts on welded M8 studs. Enclosures are fin-

ished with heat fused powder paint, electrostatically applied on a pretreated base. The cabinet is RAL7035 textured light gray, the panel is unpainted galvanized steel.

**CSA Certified / UL Listed  
NEMA/EEMAC 12-13 / IP65**

**Refer to p.727 to validate choice of substrate for the application**



CATALOG NUMBER	DIMENSIONS - METRIC (mm)					SHIP WGHT LBS.
	B	A	C	D	E	
6500 ESDD100820	1000	800	200	750	950	112
6500 ESDD080630	800	600	300	550	750	71
6500 ESDD100830	1000	800	300	750	950	128

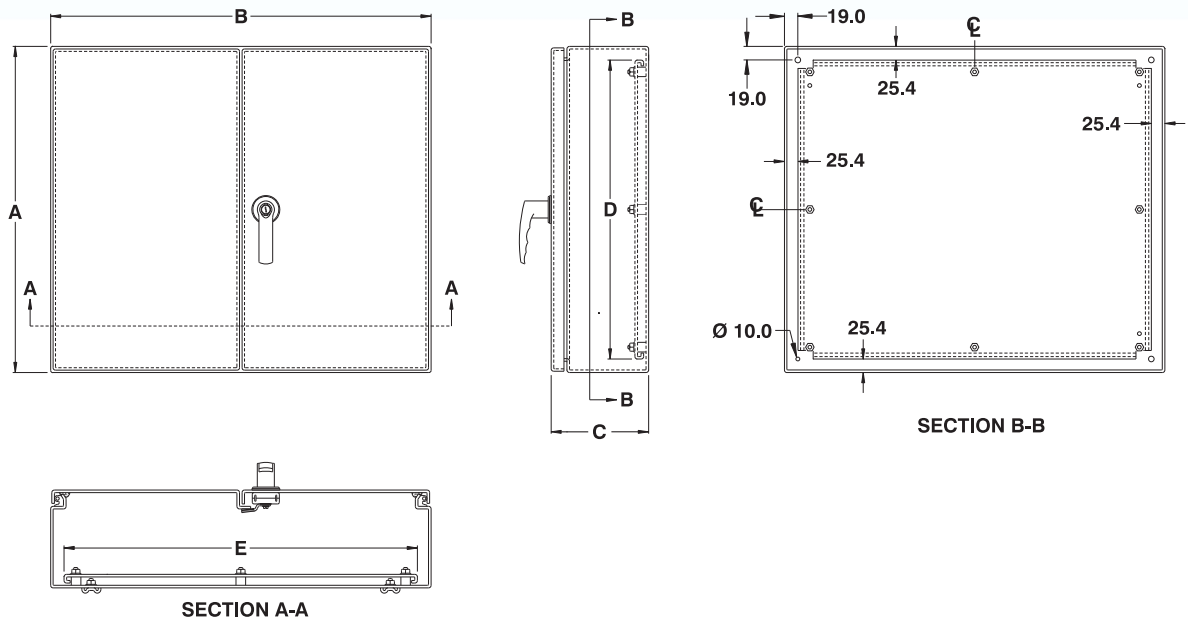
Customize with



Data subject to change without notice.







CATALOG NUMBER	DIMENSIONS - METRIC (mm)					SHIP WGHT LBS.
	B	A	C	D	E	
6500 ESDD101030	1000	1000	300	950	950	152
6500 ESDD101230	1000	1200	300	1150	950	176

Customize with



**Insulated box?** To have your enclosure insulated, add suffix "TH"

i.e.: 6500ESDD101230TH → Insulated steel enclosure

Data subject to change without notice.



[p.489](#)    [p.476](#)    [p.473](#)    [p.583](#)    [p.477](#)    [p.624](#)    [p.636](#)    [p.593](#)    [p.472](#)  
<http://www.exmweb.com>    1-800-363-2423    Fax : 450-979-4626    [info@exmweb.com](mailto:info@exmweb.com)

### Oil & dust tight metric modular consoles, 400mm depth

The 6500 400mm depth series modular consoles are used to protect equipment against oil and dust. These cabinets are made from 14 GA or 16 GA steel. The opening has a curled lip around all sides to increase rigidity and to ensure complete contact against the high quality seamless poured gasket. Gas spring cylinders facilitate door operation. Three top sections can be mounted over the 6500 MCO :

the 6500 MWD, 6500 MTU and 6500 WD. The 6500 MWD is made to be installed under the 6500 MTU. They can also be **ordered as complete units which come factory assembled.**

The captive pins of the concealed hinges can be pulled to remove the door. External mount locking mechanisms ensure positive closing. The 6500 MCO and 6500 MTU come **complete with a 12 GA galvanized**

**inner panel** which is double bent for maximum rigidity and which mounts on M8 welded studs.

The consoles are finished with heat fused powder paint, electrostatically applied on a pretreated base. Consoles are RAL7035 textured light gray.

**NEMA/EEMAC 12-13 / IP65**

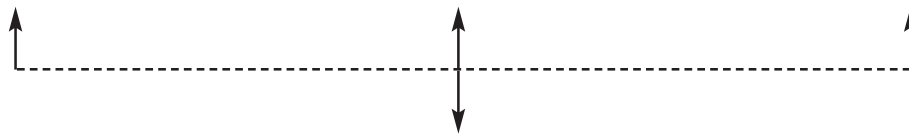
6500 MWD



6500 MTU



6500 WD



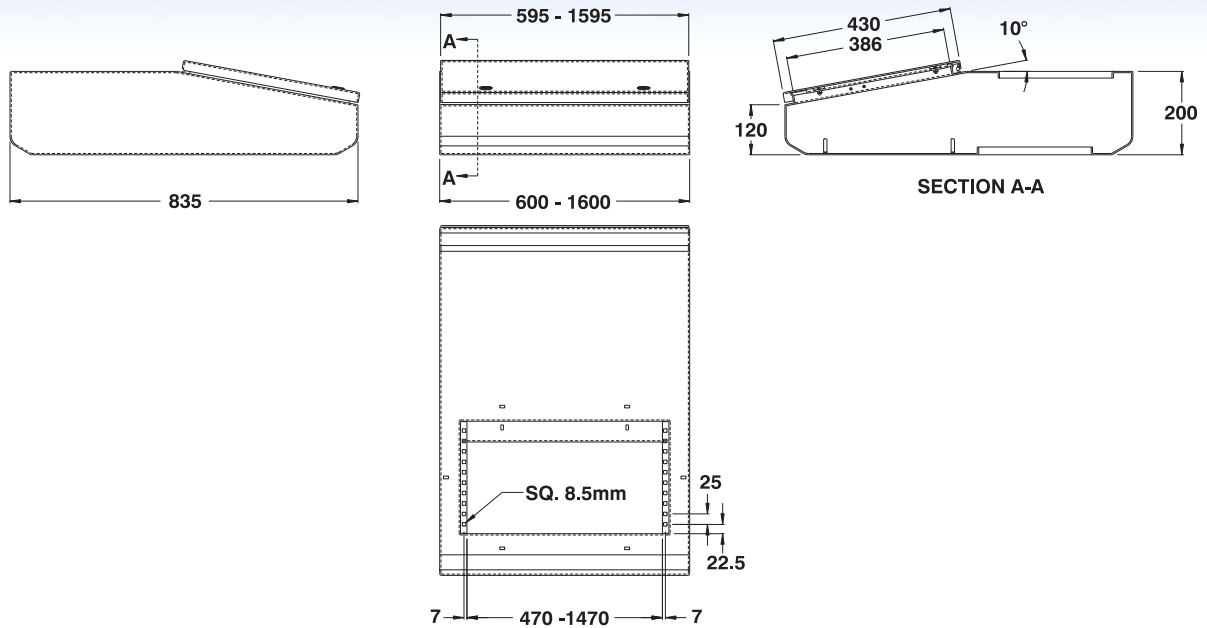
6500 MCO

Data subject to change without notice.

# IP65 METRIC CONSOLES

# 6500 MWD

Oil & dust tight writing shelf, 400mm depth



CATALOG NUMBER	DIMENSIONS		SHIP WGHT LBS.
	WIDTH	DEPTH	
6500 MWD0604	600	400	45
6500 MWD0804	800	400	56
6500 MWD1004	1000	400	67
6500 MWD1204	1200	400	78
6500 MWD1604	1600	400	97



6500MCWC comes with MCO, MWD, MWDC



Cover plate for 6500 MWD

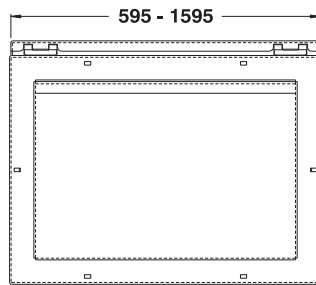
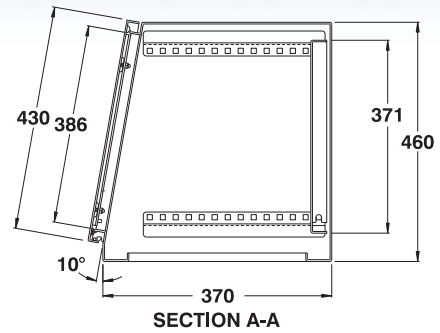
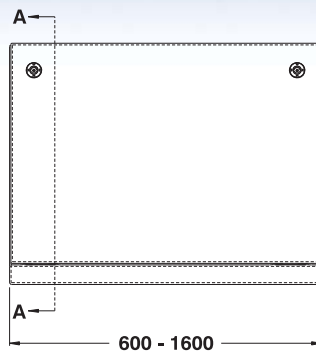
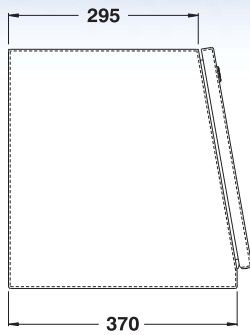
CATALOG NUMBER	WIDTH	DIMENSIONS		SHIP WGHT LBS.
		WIDTH	DEPTH	
6500 MWDC0604	600	600	400	135
6500 MWDC0804	800	800	400	156
6500 MWDC1004	1000	1000	400	182
6500 MWDC1204	1200	1200	400	221
6500 MWDC1604	1600	1600	400	277

Data subject to change without notice.

# IP65 METRIC CONSOLES

6500 MTU

Oil & dust tight turret, 400mm depth



CATALOG NUMBER	DIMENSIONS		SHIP WGHT LBS.
	WIDTH	DEPTH	
6500 MTU0604	600	400	40
6500 MTU0804	800	400	50
6500 MTU1004	1000	400	63
6500 MTU1204	1200	400	88
6500 MTU1604	1600	400	116



6500MCT comes with MCO, MTU

CATALOG NUMBER	DIMENSIONS		SHIP WGHT LBS.
	WIDTH	DEPTH	
6500 MCT0604	600	400	130
6500 MCT0804	800	400	150
6500 MCT1004	1000	400	178
6500 MCT1204	1200	400	231
6500 MCT1604	1600	400	296

Data subject to change without notice.



p.452



p.452



p.452



p.624



p.636



p.593



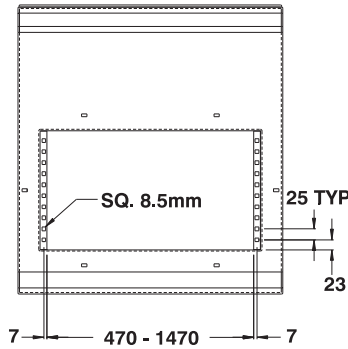
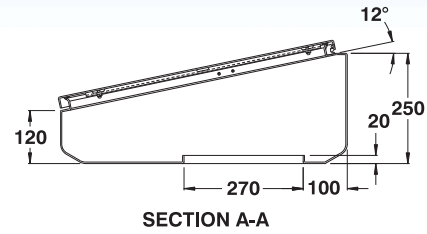
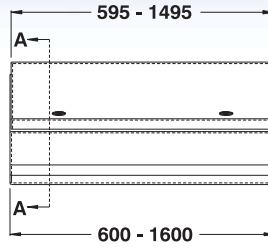
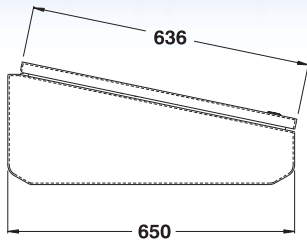
p.472



# IP65 METRIC CONSOLES

6500 WD

Oil & dust tight writing shelf, 400mm depth



CATALOG NUMBER	DIMENSIONS		SHIP WGHT LBS.
	WIDTH	DEPTH	
6500 WD0604	600	400	44
6500 WD0804	800	400	52
6500 WD1004	1000	400	63
6500 WD1204	1200	400	73
6500 WD1604	1600	400	92



6500MCW comes with MCO, WD

CATALOG NUMBER	DIMENSIONS		SHIP WGHT LBS.
	WIDTH	DEPTH	
6500 MCW0604	600	400	134
6500 MCW0804	800	400	152
6500 MCW1004	1000	400	178
6500 MCW1204	1200	400	216
6500 MCW1604	1600	400	272

Data subject to change without notice.



p.452

<http://www.exmweb.com>



p.452



p.452



p.624

1-800-363-2423



p.636



p.593

Fax : 450-979-4626



p.472

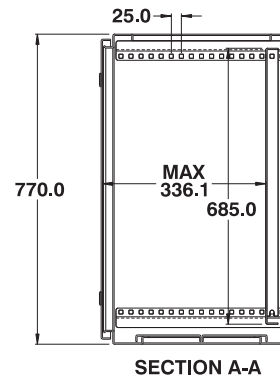
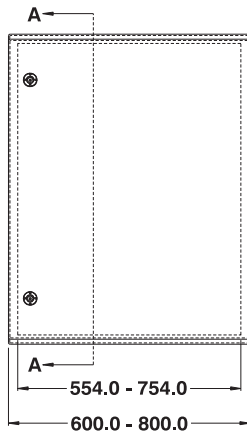
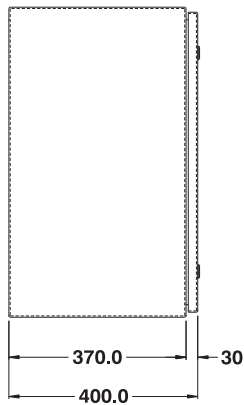
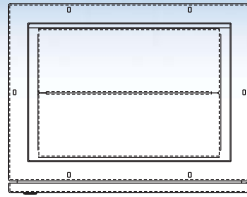


[info@exmweb.com](mailto:info@exmweb.com)

# IP65 METRIC CONSOLES

6500 MCO

Oil & dust tight single door base cabinet, 400mm depth



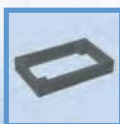
CATALOG NUMBER	DIMENSIONS		SHIP WGHT LBS.
	WIDTH	DEPTH	
6500 MCO0604	600	400	90
6500 MCO0804	800	400	100



6500MCWT comes with MCO, MWD, MTU

CATALOG NUMBER	DIMENSIONS		SHIP WGHT LBS.
	WIDTH	DEPTH	
6500 MCWT0604	600	400	175
6500 MCWT0804	800	400	206

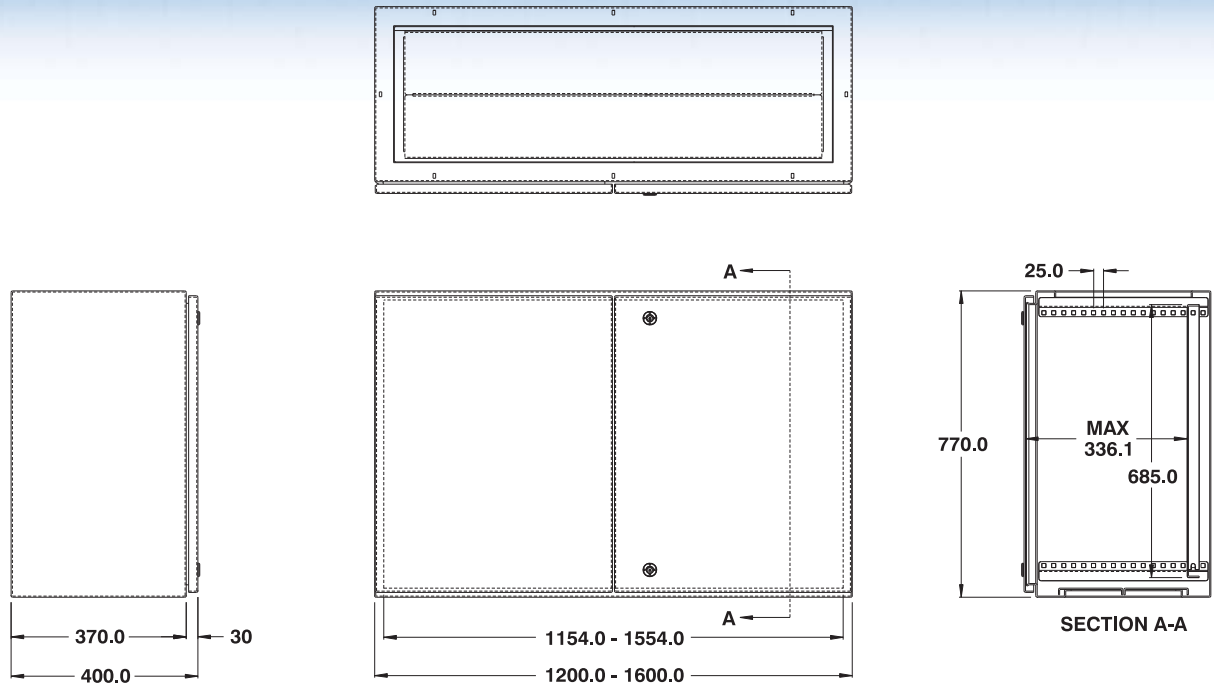
Data subject to change without notice.



# IP65 METRIC CONSOLES

# 6500 MCO

Oil & dust tight double door base cabinet, 400mm depth



CATALOG NUMBER	DIMENSIONS		SHIP WGHT LBS.
	WIDTH	DEPTH	
6500 MCO1004	1000	400	115
6500 MCO1204	1200	400	143
6500 MCO1604	1600	400	180



6500MCWT comes with MCO, MWD, MTU

CATALOG NUMBER	DIMENSIONS		SHIP WGHT LBS.
	WIDTH	DEPTH	
6500 MCWT1004	1000	400	245
6500 MCWT1204	1200	400	309
6500 MCWT1604	1600	400	393

Data subject to change without notice.



p.452    p.472    p.477    p.462    p.624    p.636    p.593  
<http://www.exmweb.com>    1-800-363-2423    Fax : 450-979-4626



info@exmweb.com

## Oil & dust tight metric modular consoles, 500mm depth

The **6500** 500mm depth series modular consoles are used to protect equipment against oil and dust. These cabinets are made from 14 GA or 16 GA steel. The opening has a curled lip around all sides to increase rigidity and to ensure complete contact against the high quality seamless poured gasket. Gas spring cylinders facilitate door operation. Three top sections can be mounted over the 6500 MCO :

the 6500 MWD, 6500 MTU and 6500 WD. The 6500 MWD is made to be installed under the 6500 MTU. They can also be **ordered as complete units which come factory assembled.**

The captive pins of the concealed hinges can be pulled to remove the doors. External mount locking mechanisms ensure positive closing. The 6500 MCO and 6500 MTU come **complete with a 12 GA galvanized inner panel** which is double bent for maximum rigidity and

which mounts on M8 welded studs. The consoles are finished with heat fused powder paint, electrostatically applied on a pretreated base. Consoles are RAL7035 textured light gray.

**NEMA/EEMAC 12-13 / IP65**

**Refer to p.727 to validate choice of substrate for the application**

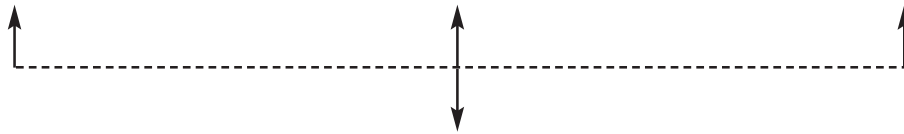
6500 MWD



6500 MTU



6500 WD



6500 MCO

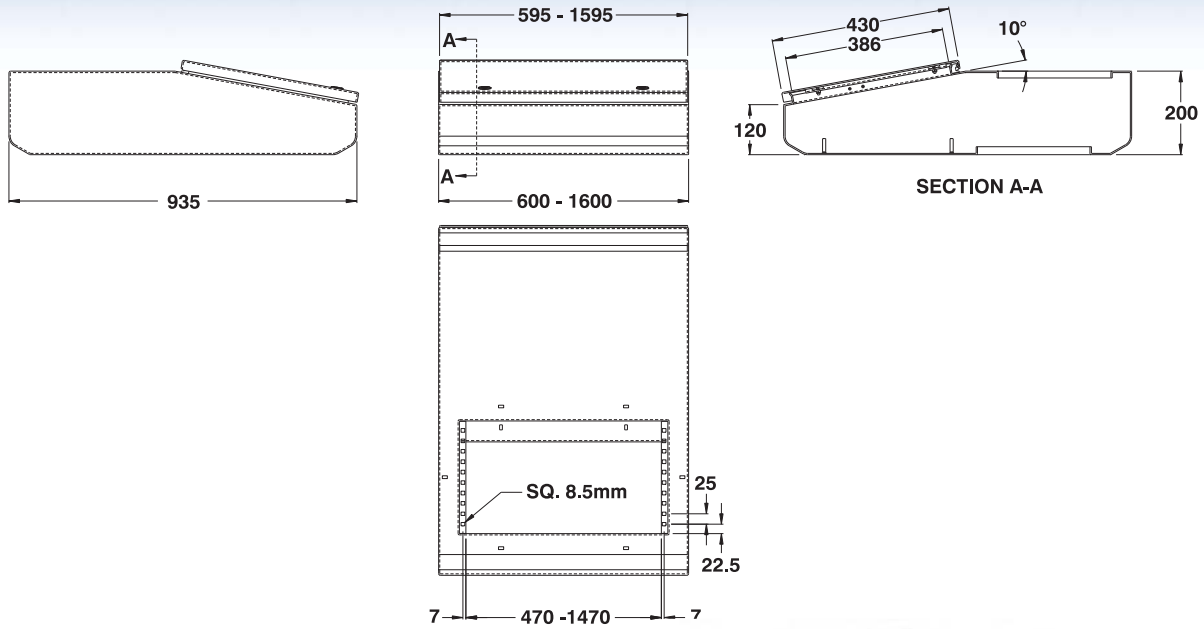
Data subject to change without notice.



# IP65 METRIC CONSOLES

# 6500 MWD

Oil & dust tight writing shelf, 500mm depth



CATALOG NUMBER	DIMENSIONS		SHIP WGHT LBS.
	WIDTH	DEPTH	
6500 MWD0605	600	500	54
6500 MWD0805	800	500	67
6500 MWD1005	1000	500	80
6500 MWD1205	1200	500	94
6500 MWD1605	1600	500	116



6500MCWC comes with MCO, MWD, MWDC



Cover plate for 6500 MWD

CATALOG NUMBER	WIDTH
6500 MWDC0605	600
6500 MWDC0805	800
6500 MWDC1005	1000
6500 MWDC1205	1200
6500 MWDC1605	1600

CATALOG NUMBER	DIMENSIONS		SHIP WGHT LBS.
	WIDTH	DEPTH	
6500 MCWC0605	600	500	146
6500 MCWC0805	800	500	175
6500 MCWC1005	1000	500	208
6500 MCWC1205	1200	500	244
6500 MCWC1605	1600	500	306

Data subject to change without notice.



p.452  
<http://www.exmweb.com>

p.452

p.452

p.624

p.636

p.593

p.472

1-800-363-2423

Fax : 450-979-4626

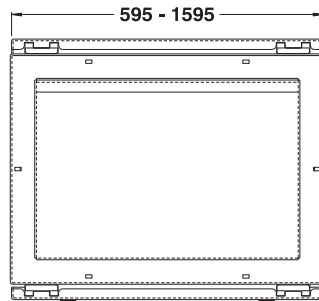
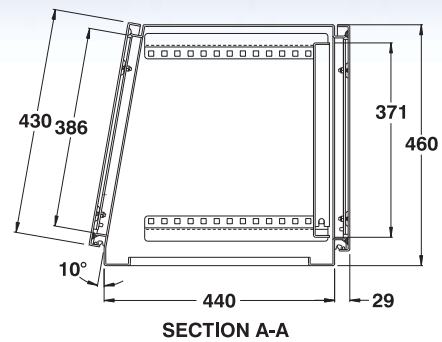
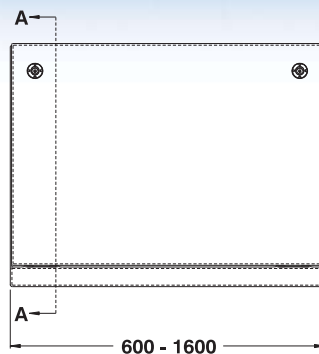
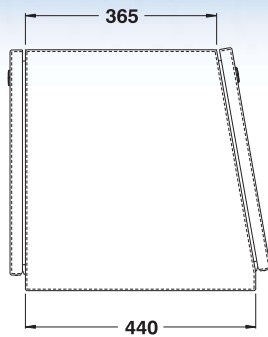


info@exmweb.com

# IP65 METRIC CONSOLES

6500 MTU

Oil & dust tight turret, 500mm depth



CATALOG NUMBER	DIMENSIONS		SHIP WGHT LBS.
	WIDTH	DEPTH	
6500 MTU0605	600	500	50
6500 MTU0805	800	500	67
6500 MTU1005	1000	500	87
6500 MTU1205	1200	500	106
6500 MTU1605	1600	500	137



6500MCT comes with MCO, MTU

CATALOG NUMBER	DIMENSIONS		SHIP WGHT LBS.
	WIDTH	DEPTH	
6500 MCT0605	600	500	142
6500 MCT0805	800	500	175
6500 MCT1005	1000	500	215
6500 MCT1205	1200	500	256
6500 MCT1605	1600	500	327

Data subject to change without notice.



p.452



p.452



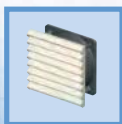
p.452



p.624



p.636



p.593

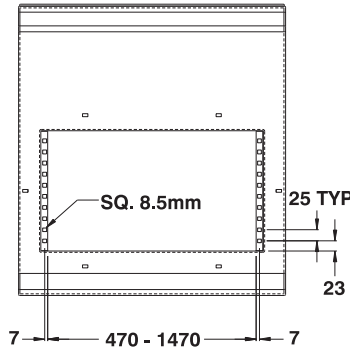
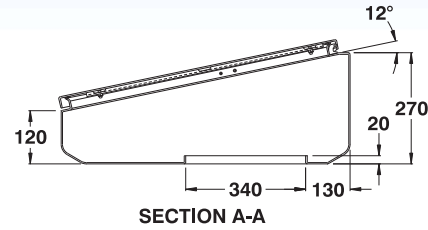
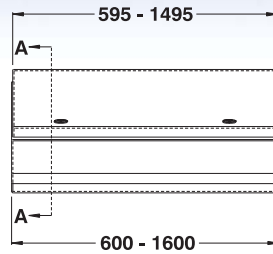
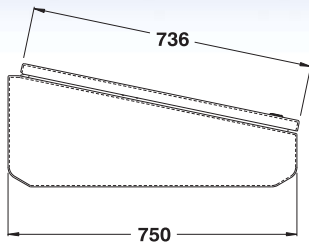


p.472

# IP65 METRIC CONSOLES

6500 WD

Oil & dust tight writing shelf, 500mm depth



CATALOG NUMBER	DIMENSIONS		SHIP WGHT LBS.
	WIDTH	DEPTH	
6500 WD0605	600	500	51
6500 WD0805	800	500	60
6500 WD1005	1000	500	69
6500 WD1205	1200	500	78
6500 WD1605	1600	500	99



6500MCW comes with MCO, WD

CATALOG NUMBER	DIMENSIONS		SHIP WGHT LBS.
	WIDTH	DEPTH	
6500 MCW0605	600	500	141
6500 MCW0805	800	500	168
6500 MCW1005	1000	500	197
6500 MCW1205	1200	500	228
6500 MCW1605	1600	500	289

Data subject to change without notice.



p,452 p,452 p,452 p.624 p.636 p.593 p.472  
<http://www.exmweb.com> 1-800-363-2423 Fax : 450-979-4626

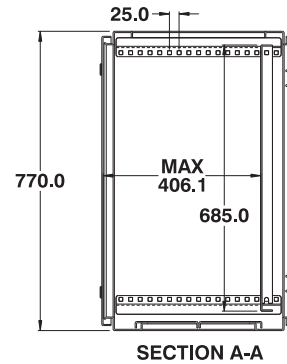
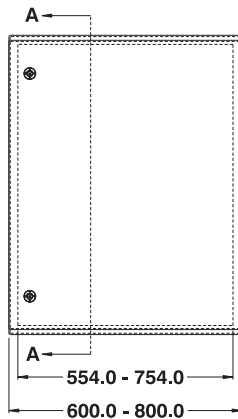
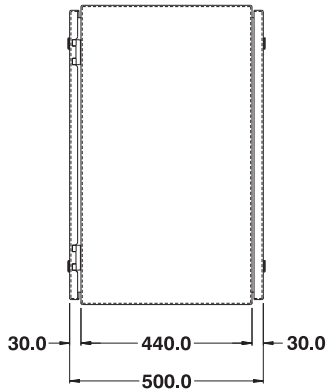
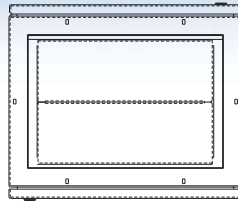


info@exmweb.com

# IP65 METRIC CONSOLES

# 6500 MCO

Oil & dust tight single door base cabinet, 500mm depth



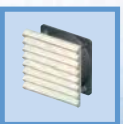
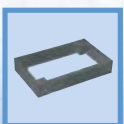
CATALOG NUMBER	DIMENSIONS		SHIP WGHT LBS.
	WIDTH	DEPTH	
6500 MCO0605	600	500	92
6500 MCO0805	800	500	108



6500MCWT comes with MCO, MWD, MTU

CATALOG NUMBER	DIMENSIONS		SHIP WGHT LBS.
	WIDTH	DEPTH	
6500 MCWT0605	600	500	196
6500 MCWT0805	800	500	242

Data subject to change without notice.

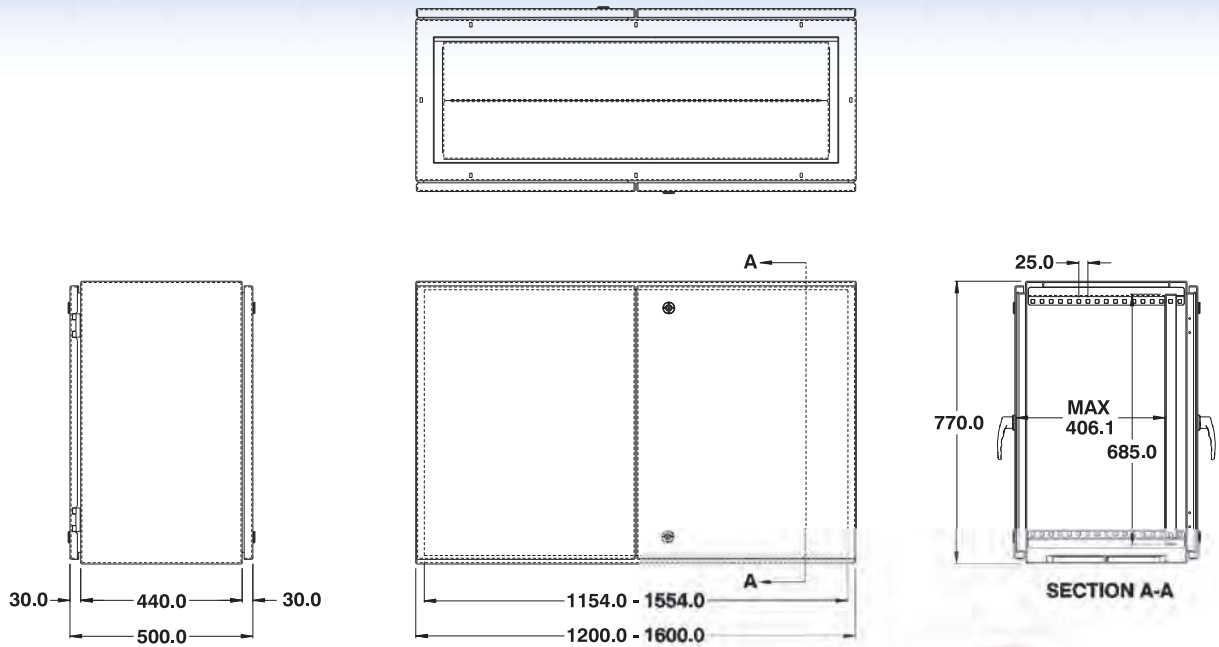




# IP65 METRIC CONSOLES

# 6500 MCO

Oil & dust tight double door base cabinet, 500mm depth



**FACTORY ASSEMBLED**



CATALOG NUMBER	DIMENSIONS		SHIP WGHT LBS.
	WIDTH	DEPTH	
6500 MCO1005	1000	500	128
6500 MCO1205	1200	500	150
6500 MCO1605	1600	500	190

**FACTORY ASSEMBLED**

6500MCWT comes with MCO, MWD, MTU

CATALOG NUMBER	DIMENSIONS		SHIP WGHT LBS.
	WIDTH	DEPTH	
6500 MCWT1005	1000	500	295
6500 MCWT1205	1200	500	350
6500 MCWT1605	1600	500	443

Data subject to change without notice.



p.452

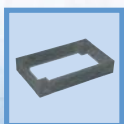
<http://www.exmweb.com>



p.472



p.477



p.462



p.624



p.636

Fax : 450-979-4626



p.593



[info@exmweb.com](mailto:info@exmweb.com)

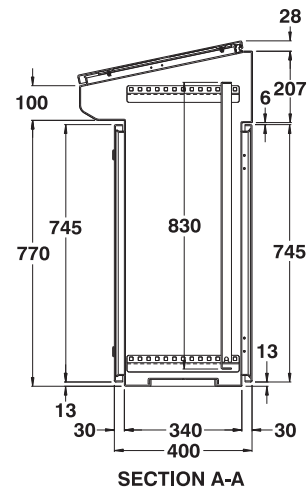
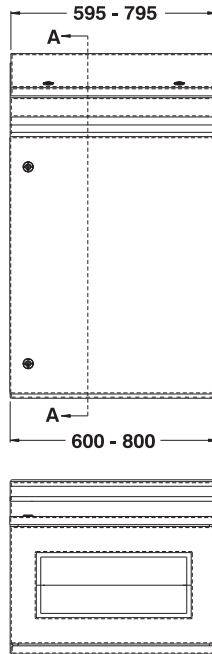
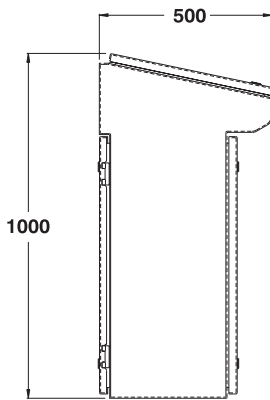
## Oil & dust tight metric monobloc consoles

The 6500 CO series monobloc consoles are used to protect equipment against oil and dust. These cabinets are made from 14 GA steel. The opening has a curled lip around all sides to increase rigidity and to ensure complete contact against the high quality seamless poured gasket. Gas spring cylinders facilitate door operation. Dual access doors are provided. The

captive pins of the concealed hinges can be pulled to remove the door. External mount locking mechanisms ensure positive closing. The 6500 CO comes **complete with a 12 GA galvanized inner panel** which is double bent for maximum rigidity and which mounts on M8 welded studs. The consoles are finished with heat fused powder paint, electrostatically applied on a

pretreated base or in type #4 stainless steel finish. Sections are RAL7035 textured light gray. **NEMA/EEMAC 12-13 / IP65**

**Refer to p.727 to validate choice of substrate for the application**



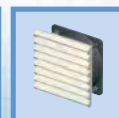
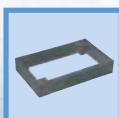
CATALOG NUMBER	DIMENSIONS		SHIP WGHT LBS.
	WIDTH	DEPTH	
6500 CO0604	600	400	114
6500 CO0804	800	400	138



CATALOG NUMBER	WIDTH
6500 COTU06	600
6500 COTU08	800

Turret for the 6500 CO

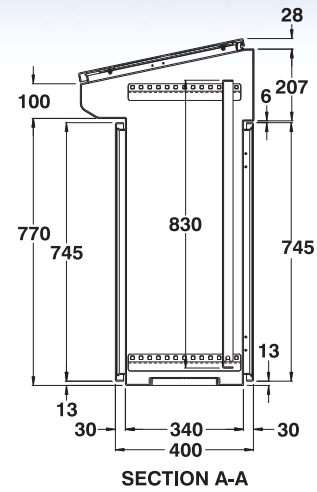
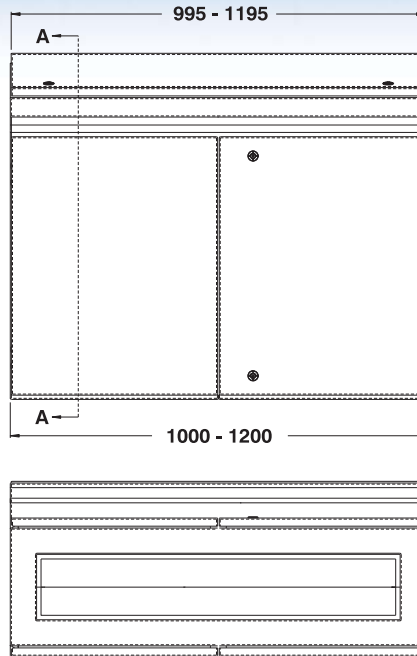
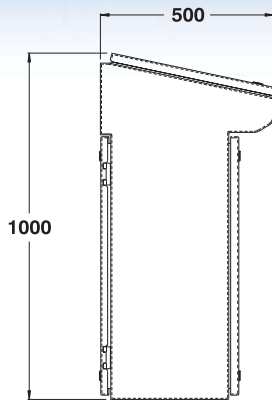
Data subject to change without notice.



# IP65 METRIC CONSOLES

# 6500 CO

Oil & dust tight metric monobloc consoles, double door



CATALOG NUMBER	DIMENSIONS		SHIP WGHT LBS.
	WIDTH	DEPTH	
6500 CO1004	1000	400	175
6500 CO1204	1200	400	199



Turret for the 6500 CO

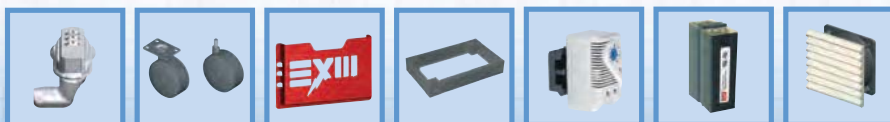
CATALOG NUMBER	WIDTH
6500 COTU10	1000
6500 COTU12	1200



6500COTUA comes with CO, COTU

CATALOG NUMBER	DIMENSIONS		SHIP WGHT LBS.
	WIDTH	DEPTH	
6500 COTUA0604	600	400	164
6500 COTUA0804	800	400	208
6500 COTUA1004	1000	400	265
6500 COTUA1204	1200	400	309

Data subject to change without notice.



p.452    p.472    p.477    p.462    p.624    p.636    p.593  
<http://www.exmweb.com>    1-800-363-2423    Fax : 450-979-4626

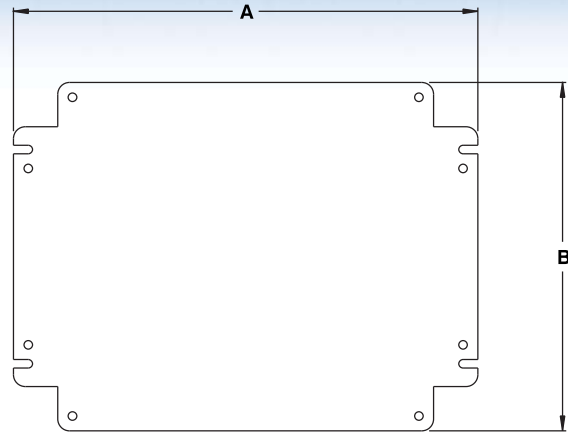


[info@exmweb.com](mailto:info@exmweb.com)

# INNER PANELS FOR METRIC ENCLOSURES

## Inner panels for 'TB' boxes

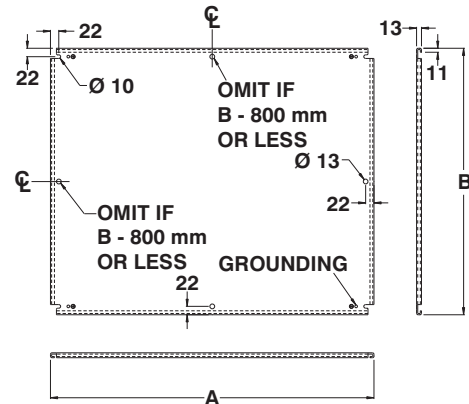
CATALOG NUMBER	DIMENSIONS	
	A	B
886 SP1515TB	140	140
886 SP3015TB	275	140
886 SP2020TB	175	170
886 SP3020TB	275	170
886 SP4020TB	375	170
886 SP5020TB	475	170
886 SP6020TB	575	170
886 SP8020TB	775	170
886 SP3030TB	275	270
886 SP4030TB	375	270
886 SP5030TB	475	270
886 SP6030TB	575	270
886 SP4040TB	375	370
886 SP6040TB	575	370
886 SP8040TB	775	370
886 SP6060TB	575	570



## Inner panels for the 6412 ES and 6500 MWD series

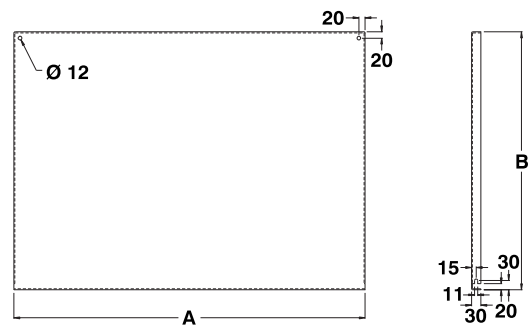
CATALOG NUMBER	DIMENSIONS	
	A	B
886 SP0203ES	250	150
886 SP0303ES	250	250
886 SP0304ES	350	250
886 SP0305ES	450	250
886 SP0404ES	350	350
886 SP0405ES	450	350
886 SP0406ES	550	350
886 SP0505ES	450	450
886 SP0507ES	650	450
886 SP0604ES	350	550
886 SP0606ES	550	550
886 SP0608ES	750	550

CATALOG NUMBER	DIMENSIONS	
	A	B
886 SP0610ES	950	550
886 SP0612ES	1150	550
886 SP0808ES	750	750
886 SP0810ES	950	750
886 SP0812ES	1150	750
886 SP1010ES	950	950
886 SP1012ES	1150	950
886 SP0600MWD	350	550
886 SP0800MWD	350	750
886 SP1000MWD	350	950
886 SP1200MWD	350	1150



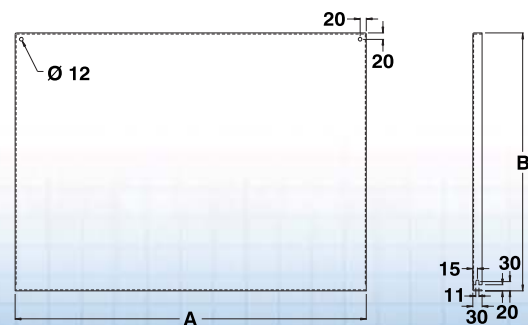
## Inner panels for the 6500 MTU and 6500 MCO series

CATALOG NUMBER	DIMENSIONS	
	A	B
886 SP0600MTU	530	370
886 SP0800MTU	730	370
886 SP1000MTU	930	370
886 SP1200MTU	1130	370
886 SP1600MTU	1530	370
886 SP0600MCO	530	685
886 SP0800MCO	730	685
886 SP1000MCO	930	685
886 SP1200MCO	1130	685
886 SP1600MCO	1530	685



## Inner panels for metric monobloc consoles

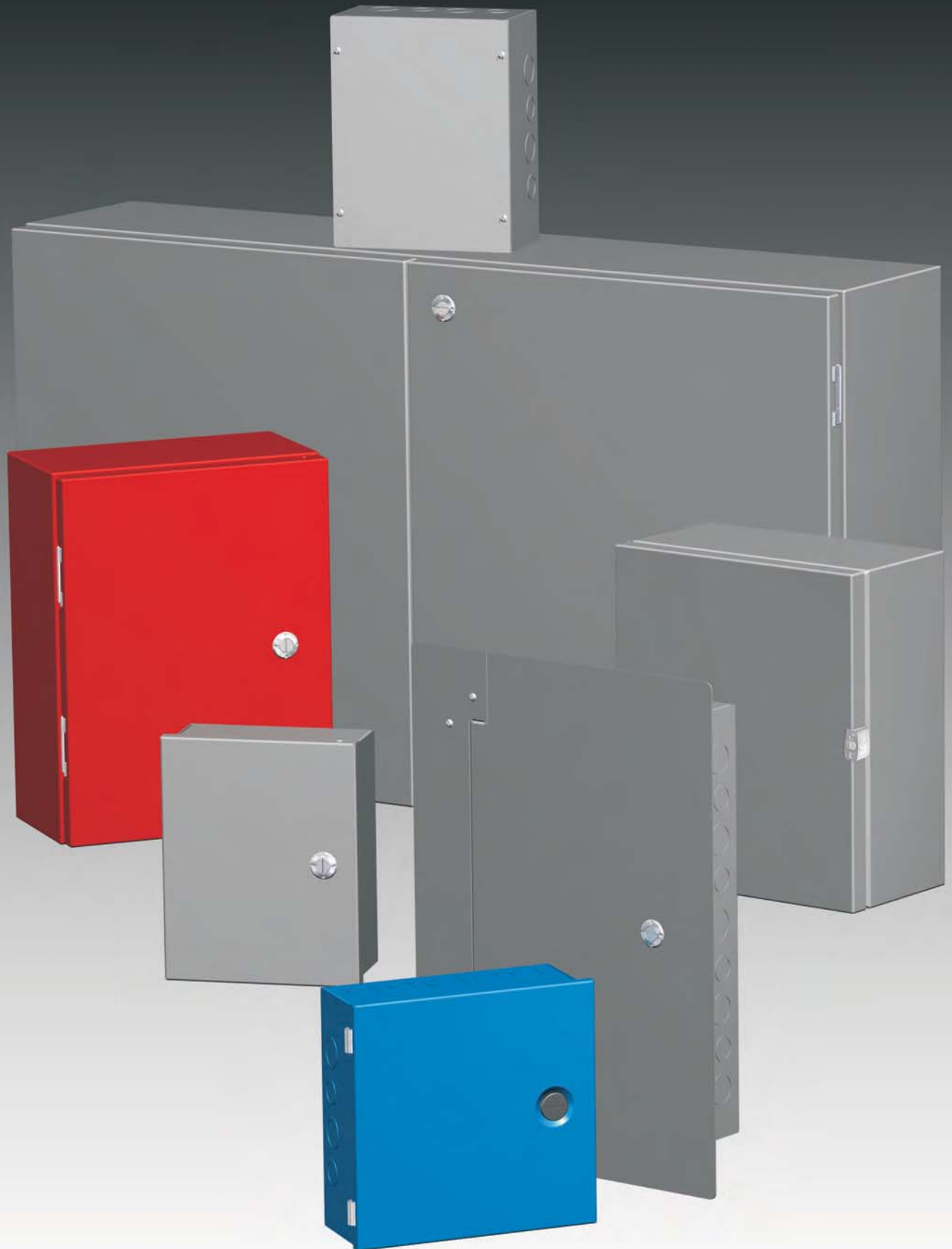
CATALOG NUMBER	DIMENSIONS	
	A	B
886 SP0600CO	530	830
886 SP0800CO	730	830
886 SP1000CO	930	830
886 SP1200CO	1130	830
886 SP1600CO	1530	830



Data subject to change without notice.



# NEMA 1 ENCLOSURES



## Small utility enclosures

The 1100 are used where the control installation does not demand a high degree of protection (such as watertight or dust tight), but where a quality enclosure is warranted. Boxes and covers are made from quality code gauge steel. The enclosures feature die cast hinges, which are bound to the cover by an exclusive concealed hinge pin system. The cover can be removed by

unfastening the anti-vibration lock nuts. Enclosures are closed with a ¼ turn lock that ensures tight positive closing against cushions. Four internal mounting holes are provided. Optional external mounting is available (885 ESCHMF).

**Each enclosure comes complete with a 14 GA inner panel** that mounts on weld nuts.

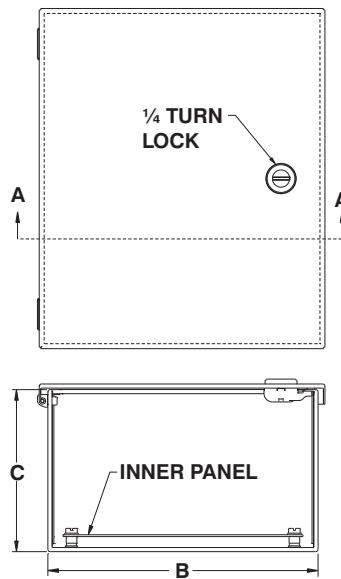
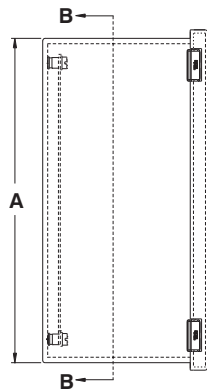
Enclosures and panels are finished

with heat fused powder paint, electrostatically applied on a pretreated base.

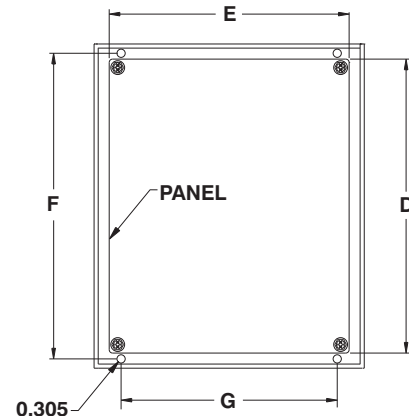
The box is ANSI/ASA 61 textured gray, the panel is white (other colors available).

**CSA Certified / UL Listed  
NEMA/EEMAC 1 / IP30**

**Refer to p.727 to validate choice of substrate for the application**



SECTION A-A



SECTION B-B



CATALOG NUMBER	DIMENSIONS							SHIP WGHT LBS.
	A	B	C	D	E	F	G	
1100 060604	6	6	4	4.88	4.88	5.312	4	4
1100 080604	8	6	4	6.88	4.88	7.312	4	4
1100 080804	8	8	4	6.88	6.88	7.312	4	4
1100 100804	10	8	4	8.88	6.88	9.312	6	7
1100 101004	10	10	4	8.88	8.88	9.312	8	8
1100 121004	12	10	4	10.88	8.88	11.31	8	9
1100 121204	12	12	4	10.88	10.88	11.31	10	11
1100 141204	14	12	4	12.88	10.88	13.31	10	12
1100 080606	8	6	6	6.88	4.88	7.312	4	5
1100 080806	8	8	6	6.88	6.88	7.312	6	7
1100 100806	10	8	6	8.88	6.88	9.312	6	8
1100 101006	10	10	6	8.88	8.88	9.312	8	9
1100 121006	12	10	6	10.88	8.88	11.31	8	11
1100 121206	12	12	6	10.88	10.88	11.31	10	12
1100 141206	14	12	6	12.88	10.88	13.31	10	14
1100 161206	16	12	6	14.88	10.88	15.31	10	16
1100 121208	12	12	8	10.88	10.88	11.31	10	14
1100 141208	14	12	8	12.88	10.88	13.31	10	16
1100 161208	16	12	8	14.88	10.88	15.31	10	17

Data subject to change without notice.



## Medium utility enclosures

The 1100 are used where the control installation does not demand a high degree of protection (such as watertight or dust tight), but where a quality enclosure is warranted. Boxes and covers are made from quality 16 GA or 14 GA steel. The enclosures feature die cast hinges, which are bound to the cover by an exclusive one piece concealed hinge.

The cover can be removed by unfastening the anti-vibration lock

screws. Enclosures are closed with a ¼ turn lock that ensures tight positive closing against cushions. Four internal mounting holes are provided. Optional external mounting is available (885 ESMF).

**Optional inner panels are available (881SP, 882SP or 881SP..P)** which are mounted on M8 welded studs. The inner panels needs to be ordered separately.

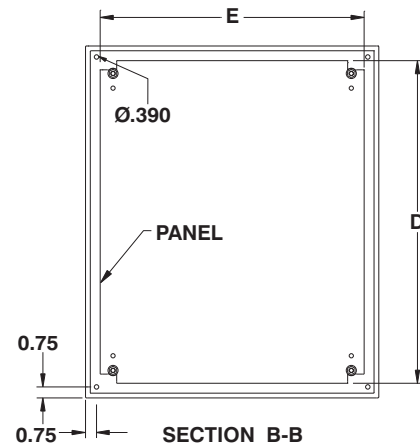
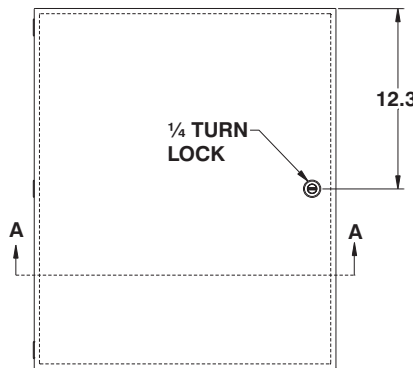
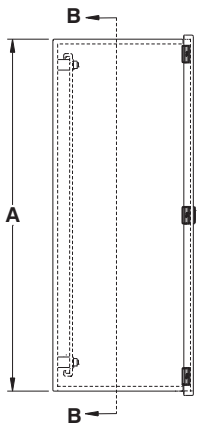
Enclosures and panels are finished with heat fused powder paint, elec-

trostatically applied on a pretreated base.

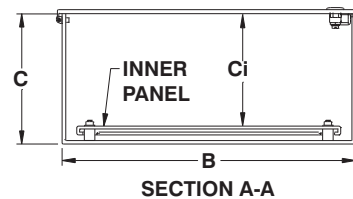
The box is ANSI/ASA 61 textured gray, the panel is white (other colors available).

**CSA Certified / UL Listed  
NEMA/EEMAC 1 / IP30**

**Refer to p.727 to validate choice of substrate for the application**



CATALOG NUMBER	DIMENSIONS						BOX & COVER GAUGE	SHIP WGT LBS.
	A	B	C	C <sub>i</sub>	D	E		
1100 161606	16	16	6.870	6	14	14	16	20
1100 162006	16	20	6.870	6	14	18	16	25
1100 201206	20	12	6.870	6	18	10	16	20
1100 201606	20	16	6.870	6	18	14	16	25
1100 202006	20	20	6.870	6	18	18	16	30
1100 241606	24	16	6.870	6	22	14	16	29
1100 242006	24	20	6.870	6	22	18	16	35
1100 242406	24	24	6.870	6	22	22	14	49
1100 302406	30	24	6.870	6	28	22	14	59
1100 362406	36	24	6.870	6	34	22	14	70
1100 363006	36	30	6.870	6	34	28	14	85
1100 201208	20	12	8.870	8	18	10	16	22
1100 201608	20	16	8.870	8	18	14	16	27
1100 202008	20	20	8.870	8	18	18	16	32
1100 242008	24	20	8.870	8	22	18	16	38
1100 242408	24	24	8.870	8	22	22	14	53
1100 302008	30	20	8.870	8	28	18	14	55
1100 302408	30	24	8.870	8	28	22	14	64
1100 303008	30	30	8.870	8	28	28	14	77
1100 362408	36	24	8.870	8	34	22	14	75
1100 363008	36	30	8.870	8	34	28	14	90
1100 202010	20	20	10.870	10	18	18	16	35
1100 242010	24	20	10.870	10	22	18	16	41
1100 302410	30	24	10.870	10	28	22	14	69
1100 242412	24	24	12.870	12	22	22	14	61
1100 302412	30	24	12.870	12	28	22	14	73
1100 363012	36	30	12.870	12	34	28	14	102



Note : Inner panel is optional

Data subject to change without notice.



p.444

p.443

p.452

p.462

p.468

p.478

p.472

<http://www.exmweb.com>

1-800-363-2423

Fax : 450-979-4626



[info@exmweb.com](mailto:info@exmweb.com)

## Small windowed utility enclosures

The 1100 W are used where the control installation does not demand a high degree of protection (such as watertight or dust tight), but where a quality enclosure is warranted. Boxes and covers are made from quality code gauge steel. The enclosures feature die cast hinges, which are bound to the cover by an exclusive concealed hinge pin system. The cover can be removed by unfastening the anti-

vibration lock nuts. Enclosures are closed with a ¼ turn lock that ensures tight positive closing against cushions. The window is made with self-extinguishing polycarbonate. Four internal mounting holes are provided. Optional external mounting is available (885 ESCHMF).

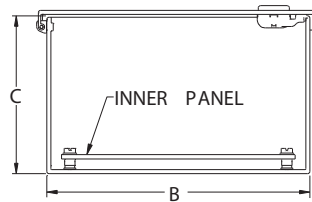
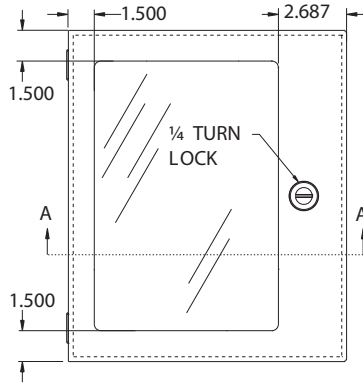
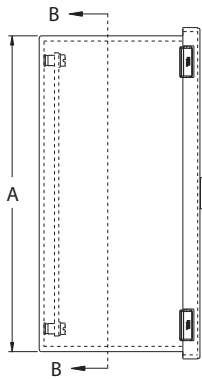
**Each enclosure comes complete with a 14 GA inner panel** which is mounted on weld nuts.

Enclosures and panels are finished with heat fused powder paint, electrostatically applied on a pretreated base.

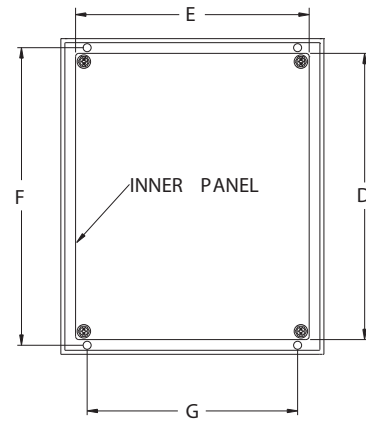
The box is ANSI/ASA 61 textured gray, the panel is white (other colors available).

**CSA Certified / UL Listed  
NEMA/EEMAC 1 / IP30**

**Refer to p.727 to validate choice of substrate for the application**



SECTION A-A

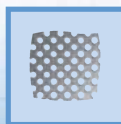


SECTION B-B



CATALOG NUMBER	DIMENSIONS							SHIP WGHT LBS.
	A	B	C	D	E	F	G	
1100 W060604	6	6	4	4.88	4.88	5.312	4	4
1100 W080604	8	6	4	6.88	4.88	7.312	4	4
1100 W080804	8	8	4	6.88	6.88	7.312	4	4
1100 W100804	10	8	4	8.88	6.88	9.312	6	7
1100 W101004	10	10	4	8.88	8.88	9.312	8	8
1100 W121004	12	10	4	10.88	8.88	11.31	8	9
1100 W121204	12	12	4	10.88	10.88	11.31	10	11
1100 W141204	14	12	4	12.88	10.88	13.31	10	12
1100 W080606	8	6	6	6.88	4.88	7.312	4	5
1100 W080806	8	8	6	6.88	6.88	7.312	6	7
1100 W100806	10	8	6	8.88	6.88	9.312	6	8
1100 W101006	10	10	6	8.88	8.88	9.312	8	9
1100 W121006	12	10	6	10.88	8.88	11.31	8	11
1100 W121206	12	12	6	10.88	10.88	11.31	10	12
1100 W141206	14	12	6	12.88	10.88	13.31	10	14
1100 W161206	16	12	6	14.88	10.88	15.31	10	16
1100 W121208	12	12	8	10.88	10.88	11.31	10	14
1100 W141208	14	12	8	12.88	10.88	13.31	10	16
1100 W161208	16	12	8	14.88	10.88	15.31	10	17

Data subject to change without notice.





## Medium windowed utility enclosures

The 1100 W are used where the control installation does not demand a high degree of protection (such as watertight or dust tight), but where a quality enclosure is warranted. Boxes and covers are made from quality 16 GA steel. The enclosures feature die cast hinges, which are bound to the cover by an exclusive concealed hinge pin system. The cover can be removed by unfastening the anti-vibration lock nuts. Enclosures are closed with a

¼ turn lock that ensures tight positive closing against rubber cushions. The window is made with self-extinguishing polycarbonate. Four internal mounting holes are provided. Optional external mounting is available (885 ESMF).

**Optional inner panels are available (881SP, 882SP or 881SP..P)** which are mounted on M8 welded studs. Inner panels need to be ordered separately.

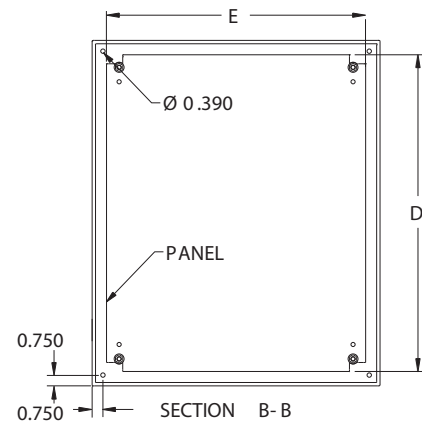
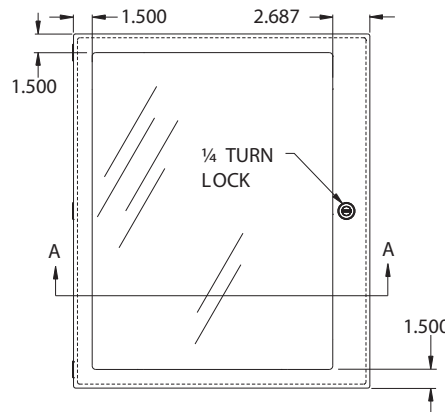
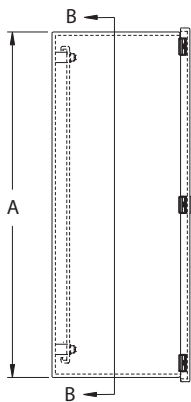
Enclosures and panels are finished

with heat fused powder paint, electrostatically applied on a pretreated base.

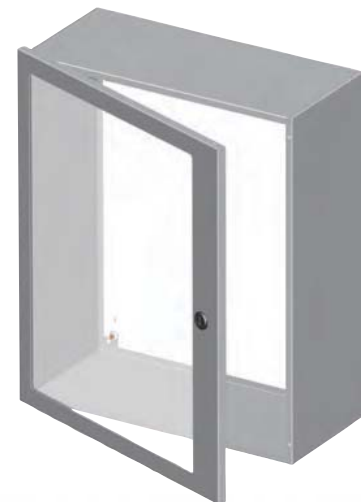
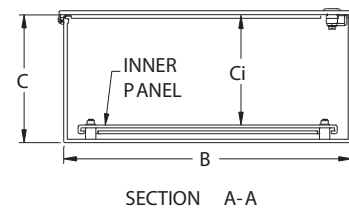
The box is ANSI/ASA 61 textured gray, the panel is white (other colors available).

**CSA Certified / UL Listed  
NEMA/EEMAC 1 / IP30**

**Refer to p.727 to validate choice of substrate for the application**



CATALOG NUMBER	DIMENSIONS						BOX & COVER GAUGE	SHIP WTGT LBS.
	A	B	C	C <sub>i</sub>	D	E		
1100 W161606	16	16	6.870	6	14	14	16	20
1100 W162006	16	20	6.870	6	14	18	16	25
1100 W201206	20	12	6.870	6	18	10	16	20
1100 W201606	20	16	6.870	6	18	14	16	25
1100 W202006	20	20	6.870	6	18	18	16	30
1100 W241606	24	16	6.870	6	22	14	16	29
1100 W242006	24	20	6.870	6	22	18	16	35
1100 W242406	24	24	6.870	6	22	22	14	49
1100 W302406	30	24	6.870	6	28	22	14	59
1100 W362406	36	24	6.870	6	34	22	14	70
1100 W363006	36	30	6.870	6	34	28	14	85
1100 W201208	20	12	8.870	8	18	10	16	22
1100 W201608	20	16	8.870	8	18	14	16	27
1100 W202008	20	20	8.870	8	18	18	16	32
1100 W242008	24	20	8.870	8	22	18	16	38
1100 W242408	24	24	8.870	8	22	22	14	53
1100 W302008	30	20	8.870	8	28	18	14	55
1100 W302408	30	24	8.870	8	28	22	14	64
1100 W303008	30	30	8.870	8	28	28	14	77
1100 W362408	36	24	8.870	8	34	22	14	75
1100 W363008	36	30	8.870	8	34	28	14	90
1100 W202010	20	20	10.870	10	18	18	16	35
1100 W242010	24	20	10.870	10	22	18	16	41
1100 W302410	30	24	10.870	10	28	22	14	69
1100 W242412	24	24	12.870	12	22	22	14	61
1100 W302412	30	24	12.870	12	28	22	14	73
1100 W363012	36	30	12.870	12	34	28	14	102



Note : Inner panel is optional

Data subject to change without notice.



p.444    p.444    p.443    p.452    p.468    p.478    p.472  
<http://www.exmweb.com>    1-800-363-2423    Fax : 450-979-4626



info@exmweb.com

## Large utility enclosures

The 1100 CIP are used where the control installation does not demand a high degree of protection (such as watertight or dust tight), but where a quality enclosure is warranted. Boxes and covers are made from quality 14 GA steel. The opening has a curled lip around all sides to prevent dripping water from entering the enclosure when the door is open, it also increases rigidity. The captive pins of the concealed hinges can be pulled to

remove the door. Enclosures are closed with a 1/4 turn lock that ensures tight positive closing against cushions. Four internal mounting holes are provided. Optional external mounting is available (885 ESMF).

**Optional inner panels are available (881SP, 882SP or 881SP..P)** which are mounted on M8 welded studs. Inner panels need to be ordered separately.

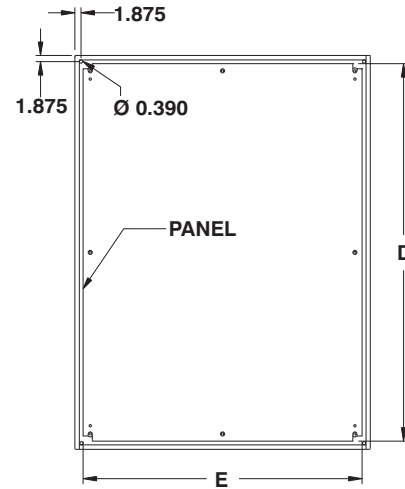
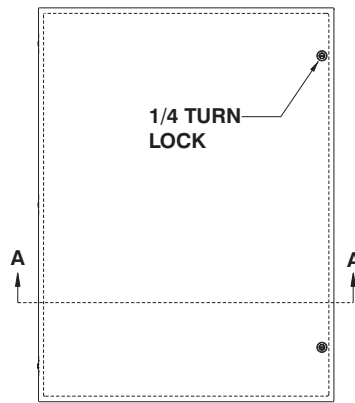
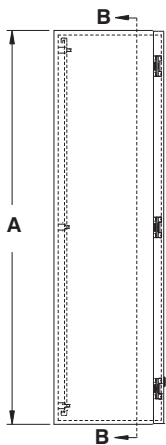
Enclosures and panels are finished

with heat fused powder paint, electrostatically applied on a pretreated base.

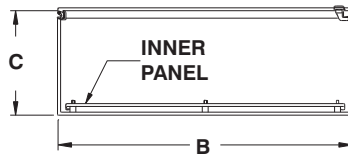
The box is ANSI/ASA 61 textured gray, the panel is white (other colors available).

**CSA Certified / UL Listed  
NEMA/EEMAC 1 / IP30**

**Refer to p.727 to validate choice of substrate for the application**



SECTION B-B



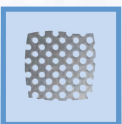
SECTION A-A



CATALOG NUMBER	DIMENSIONS					SHIP WGHT LBS.
	A	B	C	D	E	
1100 CIP423008	42	30	8	40	28	104
1100 CIP423608	42	36	8	40	34	121
1100 CIP483608	48	36	8	46	34	137
1100 CIP423010	42	30	10	40	28	110
1100 CIP423610	42	36	10	40	34	128
1100 CIP483610	48	36	10	46	34	144
1100 CIP423012	42	30	12	40	28	116
1100 CIP423612	42	36	12	40	34	135
1100 CIP483612	48	36	12	46	34	151
1100 CIP423016	42	30	16	40	28	128
1100 CIP423616	42	36	16	40	34	148
1100 CIP483616	48	36	16	46	34	165

Data subject to change without notice.

Note : inner panel is optional



## Small Utility Enclosures

The 5100 ESCH are used where the control installation does not demand a high degree of protection (such as water tight or dust tight) but where a quality enclosure is warranted.

Boxes and covers are made from 16 GA steel with all seams continuously welded. The opening has a curled lip around all sides to prevent dripping water from entering the box when the door is open, it also increases rigidity. The enclo-

sures feature die cast hinges, which are bound to the cover by an exclusive concealed hinge pin system. The covers are interchangeable and can be removed by unfastening the anti-vibration lock nuts. EXM's exclusive flange-mounted ¼ turn locking system ensures positive closing.

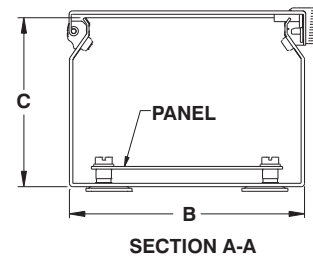
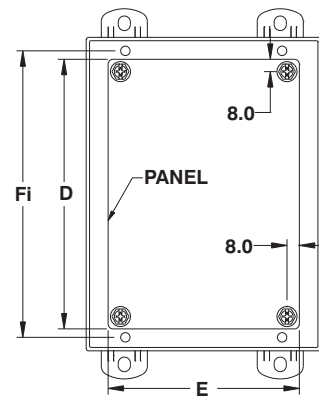
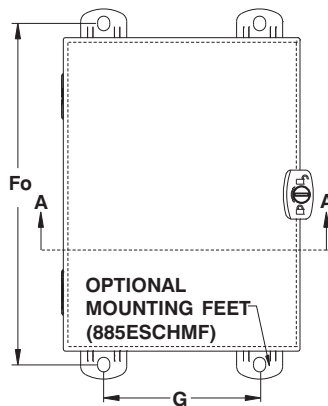
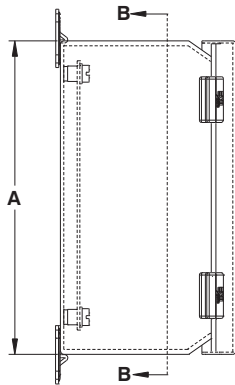
**Each enclosure comes complete with a 14 GA inner panel** which mounts on weld nuts. Four internal wall-mounting holes are provided.

Optional external mounting is available (885 ESCHMF).

Enclosures and panels are finished with heat fused powder paint, electrostatically applied on a pretreated base. Box is ANSI/ASA 61 gray, panel is white (other colors available).

**CSA Certified / UL Listed  
NEMA/EEMAC 1 / IP30**

**Refer to p.727 to validate choice of substrate for the application**



CATALOG NUMBER	DIMENSIONS									SHIP WGT LBS.
	A	B	C	D	E	Fo	Fi	G		
5100 ESCH060604	6	6	4	4.88	4.88	6.75	5.312	4	5	
5100 ESCH080604	8	6	4	6.88	4.88	8.75	7.312	4	6	
5100 ESCH080804	8	8	4	6.88	6.88	8.75	7.312	6	8	
5100 ESCH100804	10	8	4	8.88	6.88	10.75	9.312	6	10	
5100 ESCH101004	10	10	4	8.88	8.88	10.75	9.312	8	10	
5100 ESCH120604	12	6	4	10.88	4.88	12.75	11.312	4	8	
5100 ESCH121004	12	10	4	10.88	8.88	12.75	11.312	8	12	
5100 ESCH121204	12	12	4	10.88	10.88	12.75	11.312	10	15	
5100 ESCH151204	15	12	4	13.88	10.88	15.75	14.312	10	17	
5100 ESCH060605	6	6	5	4.88	4.88	6.75	5.312	4	6	
5100 ESCH080605	8	6	5	6.88	4.88	8.75	7.312	4	7	
5100 ESCH101005	10	10	5	8.88	8.88	10.75	9.312	8	14	
5100 ESCH121005	12	10	5	10.88	8.88	12.75	11.312	8	16	
5100 ESCH121205	12	12	5	10.88	10.88	12.75	11.312	10	18	
5100 ESCH060606	6	6	6	4.88	4.88	6.75	5.312	4	6	
5100 ESCH080606	8	6	6	6.88	4.88	8.75	7.312	4	7	
5100 ESCH100806	10	8	6	8.88	6.88	10.75	9.312	6	12	
5100 ESCH101006	10	10	6	8.88	8.88	10.75	9.312	8	14	
5100 ESCH121006	12	10	6	10.88	8.88	12.75	11.312	8	16	
5100 ESCH121206	12	12	6	10.88	10.88	12.75	11.312	10	18	
5100 ESCH140806	14	8	6	12.88	6.88	14.75	13.312	6	10	
5100 ESCH141206	14	12	6	12.88	10.88	14.75	13.312	10	19	
5100 ESCH151206	15	12	6	13.88	10.88	15.75	14.312	10	20	
5100 ESCH161006	16	10	6	14.88	8.88	16.75	15.312	8	19	
5100 ESCH161206	16	12	6	14.88	10.88	16.75	15.312	10	21	
5100 ESCH161406	16	14	6	14.88	12.88	16.75	15.312	12	23	
5100 ESCH121008	12	10	8	10.88	8.88	12.75	11.312	8	16	
5100 ESCH141208	14	12	8	12.88	10.88	14.75	13.312	10	20	
5100 ESCH161208	16	12	8	14.88	10.88	16.75	15.312	10	25	
5100 ESCH161408	16	14	8	14.88	12.88	16.75	15.312	12	26	
5100 ESCH161410	16	14	10	14.88	12.88	16.75	15.312	12	27	

Data subject to change without notice.

Customize with



## Large utility enclosures

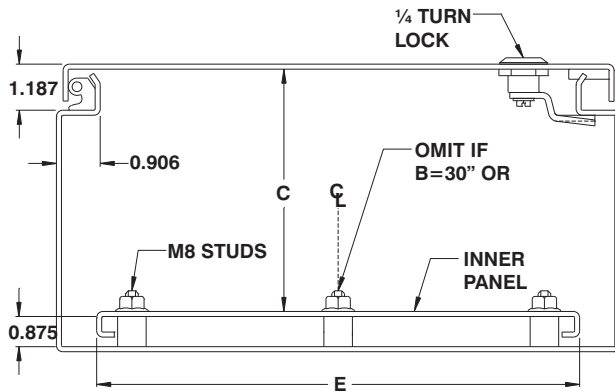
The 5100 ES are used where the control installation does not demand a high degree of protection (such as watertight or dust tight), but where a quality enclosure is warranted. The 5100 ES are made from quality 14 GA or 16 GA steel, with corner seems continuously welded. The opening has a curled lip around all sides to prevent dripping water from entering the enclosure when the door is open, it also increases rigidity.

These enclosures feature die cast hinges, which are bound to the cover by an exclusive one piece concealed hinge. The cover can be removed by unfastening the anti-vibration lock screws. A ¼ turn locking mechanism ensures positive closing. Internal mounting holes are provided. **Each enclosure comes complete with a 12 GA inner panel** which is double bent\* for maximum rigidity and which mounts on M8 welded studs.

Enclosures and panels are finished with heat fused powder paint, electrostatically applied on a pretreated base. Box is ANSI/ASA 61 gray, panel is white (other colors available).

**CSA Certified / UL Listed  
NEMA/EEMAC 1 / IP30**

**Refer to p.727 to validate choice of substrate for the application**

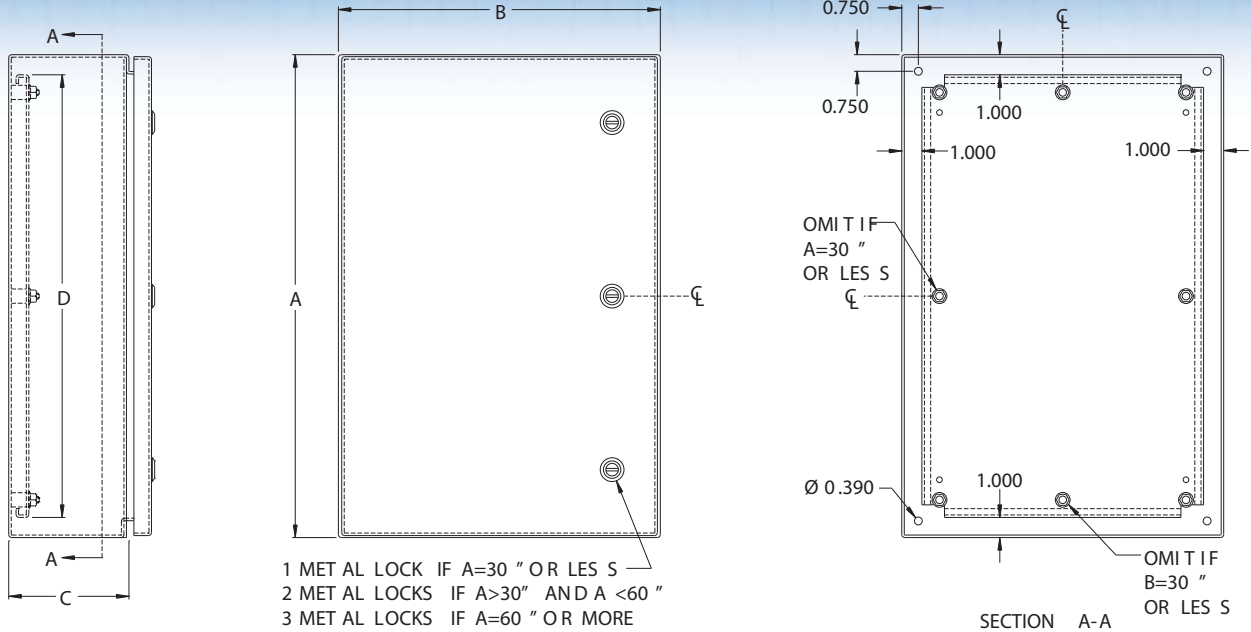


CATALOG NUMBER	DIMENSIONS					SHIP WGHT LBS.
	A	B	C	D	E	
5100 ES121206	12	12	6	10	10	19
5100 ES122406	12	24	6	10	22	35
5100 ES161206	16	12	6	14	10	24
5100 ES161606	16	16	6	14	14	31
5100 ES162006	16	20	6	14	18	37
5100 ES201206	20	12	6	18	10	29
5100 ES201606	20	16	6	18	14	37
5100 ES202006	20	20	6	18	18	45
5100 ES202406	20	24	6	18	22	53
5100 ES241206	24	12	6	22	10	35
5100 ES241606	24	16	6	22	14	44
5100 ES242006	24	20	6	22	18	53
5100 ES242406	24	24	6	22	22	62
5100 ES301606	30	16	6	28	14	53
5100 ES302006	30	20	6	28	18	65
5100 ES302406	30	24	6	28	22	76
5100 ES362406	36	24	6	34	22	90
5100 ES363006	36	30	6	34	28	109
5100 ES122408	12	24	8	10	22	38
5100 ES161208	16	12	8	14	10	27
5100 ES161608	16	16	8	14	14	34
5100 ES162008	16	20	8	14	18	41
5100 ES201208	20	12	8	18	10	33
5100 ES201608	20	16	8	18	14	41
5100 ES202008	20	20	8	18	18	49
5100 ES202408	20	24	8	18	22	57
5100 ES241208	24	12	8	22	10	38
5100 ES241608	24	16	8	22	14	48
5100 ES242008	24	20	8	22	18	57
5100 ES242408	24	24	8	22	22	67
5100 ES243008	24	30	8	22	28	81
5100 ES301208	30	12	8	28	10	46
5100 ES301608	30	16	8	28	14	58
5100 ES302008	30	20	8	28	18	70
5100 ES302408	30	24	8	28	22	81
5100 ES303008	30	30	8	28	28	98
5100 ES303608	30	36	8	28	34	116
5100 ES362408	36	24	8	34	22	95
5100 ES363008	36	30	8	34	28	116
5100 ES363608	36	36	8	34	34	136
5100 ES422408	42	24	8	40	22	110
5100 ES423008	42	30	8	40	28	133
5100 ES423608	42	36	8	40	34	156
5100 ES482408	48	24	8	46	22	124
5100 ES483008	48	30	8	46	28	150
5100 ES483608	48	36	8	46	34	177
5100 ES603608	60	36	8	58	34	218

Data subject to change without notice.







CATALOG NUMBER	DIMENSIONS					SHIP WGHT LBS.
	A	B	C	D	E	
5100 ES161210	16	12	10	14	10	30
5100 ES201610	20	16	10	18	14	44
5100 ES202010	20	20	10	18	18	53
5100 ES241210	24	12	10	22	10	42
5100 ES242010	24	20	10	22	18	62
5100 ES242410	24	24	10	22	22	71
5100 ES302010	30	20	10	28	18	74
5100 ES302410	30	24	10	28	22	86
5100 ES362410	36	24	10	34	22	101
5100 ES363010	36	30	10	34	28	122
5100 ES423010	42	30	10	40	28	140
5100 ES423610	42	36	10	40	34	164
5100 ES483010	48	30	10	46	28	158
5100 ES483610	48	36	10	46	34	185
5100 ES603610	60	36	10	58	34	227
5100 ES201612	20	16	12	18	14	48
5100 ES202012	20	20	12	18	18	57
5100 ES202412	20	24	12	18	22	66
5100 ES242012	24	20	12	22	18	66
5100 ES242412	24	24	12	22	22	76
5100 ES302412	30	24	12	28	22	92
5100 ES303012	30	30	12	28	28	110
5100 ES362412	36	24	12	34	22	107
5100 ES363012	36	30	12	34	28	129
5100 ES363612	36	36	12	34	34	150
5100 ES422412	42	24	12	40	22	118

CATALOG NUMBER	DIMENSIONS					SHIP WGHT LBS.
	A	B	C	D	E	
5100 ES423012	42	30	12	40	28	147
5100 ES423612	42	36	12	40	34	172
5100 ES482412	48	24	12	46	22	138
5100 ES483612	48	36	12	46	34	193
5100 ES602412	60	24	12	58	22	169
5100 ES603612	60	36	12	58	34	236
5100 ES723012	72	30	12	70	28	240
5100 ES723612	72	36	12	70	34	279
5100 ES242016	24	20	16	22	18	74
5100 ES242416	24	24	16	22	22	86
5100 ES302416	30	24	16	28	22	102
5100 ES362416	36	24	16	34	22	119
5100 ES363016	36	30	16	34	28	142
5100 ES423616	42	36	16	40	34	187
5100 ES483616	48	36	16	46	34	210
5100 ES603616	60	36	16	58	34	255
5100 ES723016	72	30	16	70	28	260
5100 ES723616	72	36	16	70	34	301
5100 ES302420	30	24	20	28	22	113
5100 ES363020	36	30	20	34	28	155
5100 ES483620	48	36	20	46	34	226
5100 ES603620	60	36	20	58	34	274
5100 ES723020	72	30	20	70	28	280
5100 ES302424	30	24	24	28	22	123
5100 ES723024	72	30	24	70	28	300

\* Only panels with sides 20" or more are double bent.

**Insulated box?** To have your enclosure insulated, add suffix "TH"

i.e.: 5100ES362412TH → Insulated steel enclosure

Customize with



## Double door utility enclosures

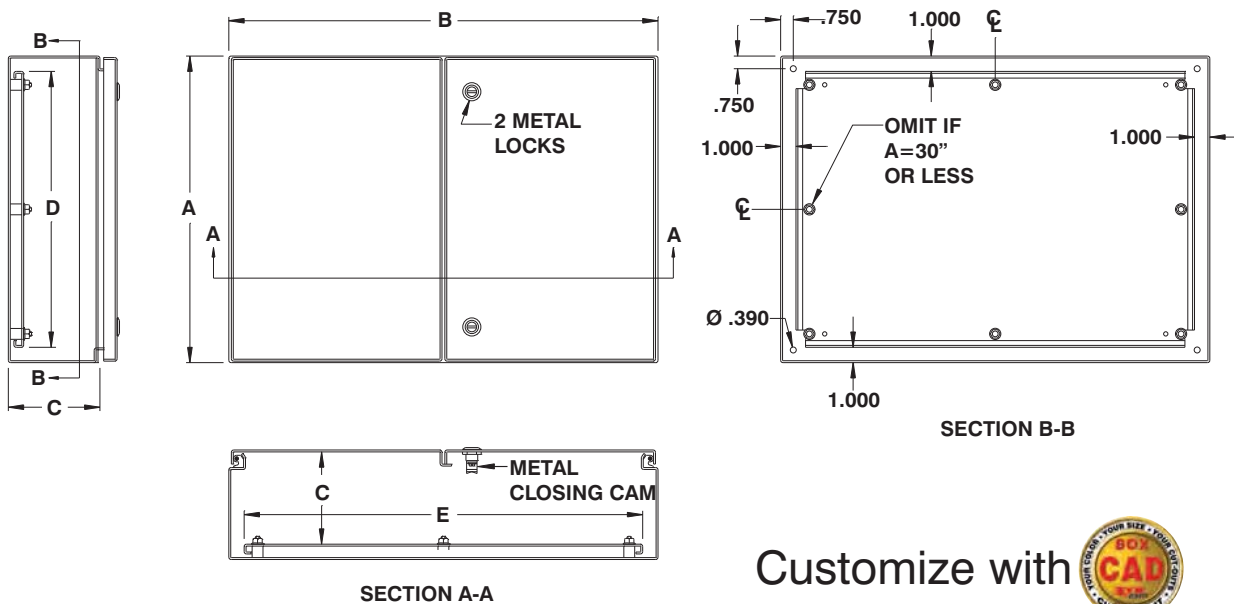
The 5100 ESDD are used where the control installation does not demand a high degree of protection (such as watertight or dust tight), but where a quality enclosure is warranted. The 5100 ESDD are made from quality 14 GA steel, with corner seems continuously welded. The opening has a curled lip around all sides to prevent dripping water from entering the enclosure when the

door is open, it also increases rigidity. The captive pins of the concealed hinges can be pulled out to remove the door. A ¼ turn locking mechanism ensures positive closing. Internal mounting holes are provided. Each enclosure comes complete with a 12 GA inner panel which is double bent for maximum rigidity and which mounts on M8 welded studs.

Enclosures and panels are finished with heat fused powder paint, electrostatically applied on a pretreated base. Box is ANSI/ASA 61 gray, panel is white (other colors available).

**CSA Certified / UL Listed**  
**NEMA/EEMAC 1 / IP30**

**Refer to p.727 to validate choice of substrate for the application**



Customize with



CATALOG NUMBER	DIMENSIONS					SHIP WGT LBS.
	A	B	C	D	E	
5100 ESDD244208	24	42	8	22	40	100
5100 ESDD244808	24	48	8	22	46	110
5100 ESDD544208	54	42	8	52	40	400
5100 ESDD244210	24	42	10	22	40	108
5100 ESDD304210	30	42	10	28	40	116
5100 ESDD304810	30	48	10	28	46	126
5100 ESDD306010	30	60	10	28	58	166
5100 ESDD364212	36	42	12	34	40	178
5100 ESDD364812	36	48	12	34	46	215
5100 ESDD366012	36	60	12	34	58	225
5100 ESDD424212	42	42	12	40	40	242
5100 ESDD424812	42	48	12	40	46	264
5100 ESDD426012	42	60	12	40	58	315
5100 ESDD484812	48	48	12	46	46	284

Data subject to change without notice.

**Insulated box?** To have your enclosure insulated, add suffix "TH"

i.e.: 5100ESDD364212TH → Insulated steel enclosure

## Free standing utility enclosures

The 5100 ESFS are used where the control installation does not demand a high degree of protection (such as watertight or dust tight), but where a quality enclosure is warranted. Boxes and covers are made from quality 14 GA steel. The opening has a curled lip around all sides to prevent dripping water from entering the enclosures when the door is open, it also increases rigidity. The

captive pins of the concealed hinges can be pulled to remove the door. Enclosures are closed with a 1/4 turn lock that ensures tight positive closing against cushions. **Each enclosure comes complete with a 12 GA inner panel** that mounts on M8 welded studs.

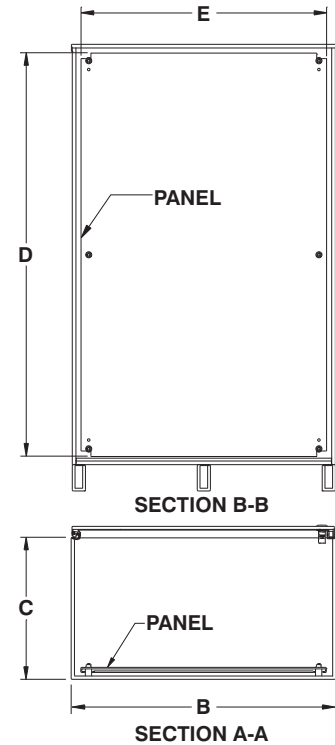
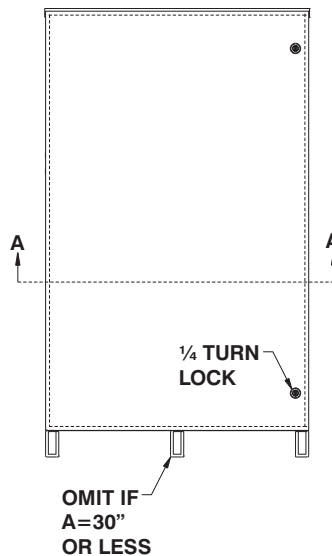
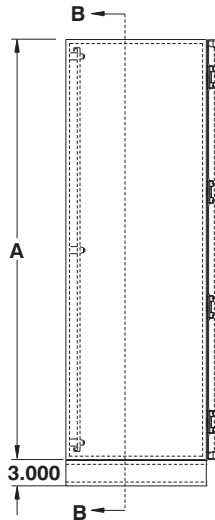
Enclosures and panels are finished with heat fused powder paint, electrostatically applied on a pretreated

base.

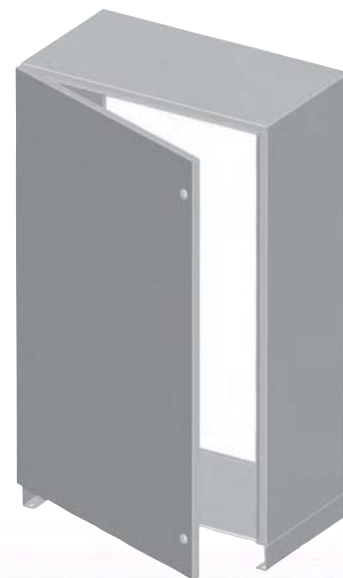
The box is ANSI/ASA 61 textured gray, the panel is white (other colors available).

**CSA Certified / UL Listed  
NEMA/EEMAC 1 / IP30**

**Refer to p.727 to validate choice of substrate for the application**



CATALOG NUMBER	DIMENSIONS					SHIP WGT LBS.
	A	B	C	D	E	
5100 ESFS423016	42	30	16	40	28	163
5100 ESFS423616	42	36	16	40	34	191
5100 ESFS483016	48	30	16	46	28	183
5100 ESFS483616	48	36	16	46	34	214
5100 ESFS603616	60	36	16	58	34	261
5100 ESFS723016	72	30	16	70	28	265
5100 ESFS723616	72	36	16	70	34	307
5100 ESFS423020	42	30	20	40	28	176
5100 ESFS423620	42	36	20	40	34	204
5100 ESFS483020	48	30	20	46	28	197
5100 ESFS483620	48	36	20	46	34	228
5100 ESFS603620	60	36	20	58	34	277
5100 ESFS723020	72	30	20	70	28	282
5100 ESFS723620	72	36	20	70	34	325
5100 ESFS423024	42	30	24	40	28	188
5100 ESFS423624	42	36	24	40	34	217
5100 ESFS483024	48	30	24	46	28	210
5100 ESFS483624	48	36	24	46	34	243
5100 ESFS603624	60	36	24	58	34	293
5100 ESFS723024	72	30	24	70	28	299
5100 ESFS723624	72	36	24	70	34	343



Data subject to change without notice.



p,452 p,452 p,452 p,452 p,452 p,462 p,462  
<http://www.exmweb.com> 1-800-363-2423 Fax : 450-979-4626



## Modular construction enclosures

The 1100 CM are used where the control installation does not demand a high degree of protection (such as watertight or dust tight), but where a quality enclosure is warranted. Boxes and covers are made of quality code gauge steel. The box consists of three parts : base, center and cover, which are assembled with self-tapping screws. **The base is offset to permit direct mounting of instru-**

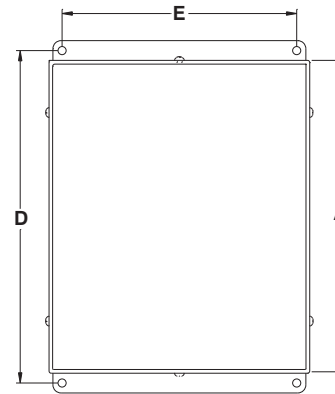
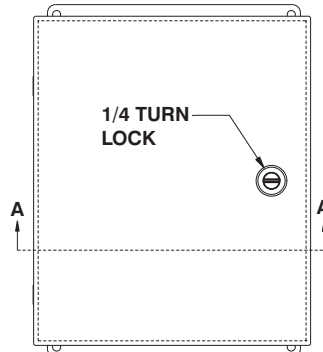
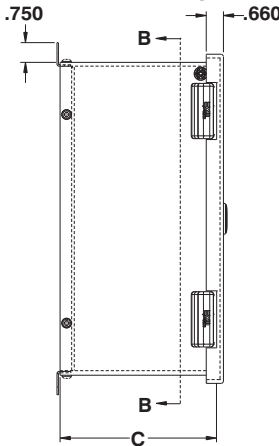
**ments.** The enclosures feature die cast hinges, which are bound to the cover by an exclusive concealed hinge pin system. The covers are interchangeable and can be removed by unfastening the anti-vibration lock nuts.

Enclosures are closed with a 1/4 turn lock that ensures tight positive door to box contact and can be interchanged with an optional key lock (880 SCQCOM-K). Four external

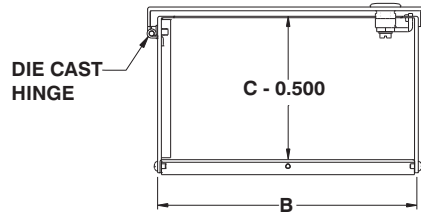
mounting holes are provided. Enclosures are finished with ANSI/ASA 61 gray heat fused powder paint, electrostatically applied on a pretreated base. (other colors available).

**CSA Certified / UL Listed  
NEMA/EEMAC 1 / IP30**

**Refer to p.727 to validate choice of substrate for the application**



SECTION B-B



SECTION A-A



CATALOG NUMBER	DIMENSIONS					SHIP WGHT LBS.
	A	B	C	D	E	
1100 CM060604	6	6	4	6.75	5.00	4
1100 CM080604	8	6	4	8.75	5.00	5
1100 CM080804	8	8	4	8.75	7.00	6
1100 CM100804	10	8	4	10.75	7.00	7
1100 CM101004	10	10	4	10.75	9.00	8
1100 CM121004	12	10	4	12.75	9.00	10
1100 CM121204	12	12	4	12.75	11.00	11
1100 CM161204	16	12	4	16.75	11.00	14
1100 CM201604	20	16	4	20.75	15.00	20
1100 CM242004	24	20	4	24.75	19.00	28
1100 CM080606	8	6	6	8.75	5.00	6
1100 CM100806	10	8	6	10.75	7.00	8
1100 CM121006	12	10	6	12.75	9.00	11
1100 CM121206	12	12	6	12.75	11.00	13
1100 CM161206	16	12	6	16.75	11.00	16
1100 CM201606	20	16	6	20.75	15.00	23
1100 CM242006	24	20	6	24.75	19.00	31
1100 CM080608	8	6	8	8.75	5.00	7
1100 CM100808	10	8	8	10.75	7.00	10
1100 CM121008	12	10	8	12.75	9.00	13
1100 CM161208	16	12	8	16.75	11.00	17
1100 CM201608	20	16	8	20.75	15.00	25
1100 CM242008	24	20	8	24.75	19.00	34

Data subject to change without notice.





## Type C & CKO Junction boxes

The 1100 C & CKO boxes are used as junction boxes, switch boxes, underground boxes or general service boxes.

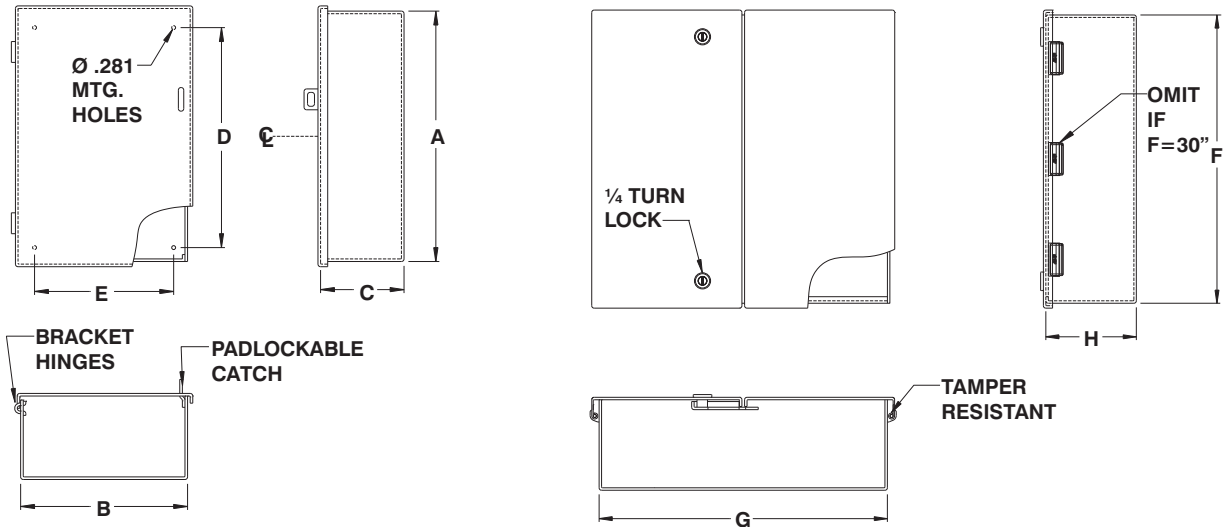
Boxes and covers are made from 16 GA or 14 GA steel. Four internal mounting holes are provided, except when dimensions D and E are not specified. A bonding screw and attachments are also

provided. Type CKO boxes have concentric knockouts on all four sides. Boxes smaller than 303012 have a single door which is secured with bracket hinges and a padlockable catch. Larger boxes have double doors mounted on concealed hinges and are closed with EXM's 1/4 turn lock and a padlockable catch.

Enclosures are finished with ANSI/ASA 61 gray heat fused powder paint, electrostatically applied on a pretreated base. (other colors available).

**CSA Certified / UL Listed \*  
NEMA/EEMAC 1 / IP30**

**Refer to p.727 to validate choice of substrate for the application**

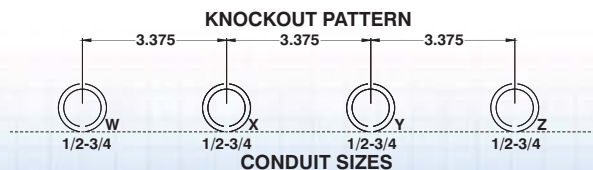


CATALOG NUMBER	DIMENSIONS					KNOCKOUT PATTERN		SHIP WGHT LBS.
	A	B	C	D	E	FACE A	FACE B	
*1100 CKO121206	12	12	6	10	10	W-X-Y	W-X-Y	22
*1100 CKO161606	16	16	6	14	14	W-X-Y-Z	W-X-Y-Z	39
*1100 CKO181206	18	12	6	16	10	W-X-Y-Z	W-X-Y	26
*1100 CKO181806	18	18	6	16	16	W-X-Y-Z	W-X-Y-Z	45
*1100 CKO202006	20	20	6	18	18	W-X-Y-Z	W-X-Y-Z	48
*1100 CKO241206	24	12	6	22	10	W-X-Y-Z	W-X-Y	39
*1100 CKO242406	24	24	6	22	22	W-X-Y-Z	W-X-Y-Z	65

CATALOG NUMBER	DIMENSIONS					SHIP WGHT LBS.
	A	B	C	D	E	
*1100 C121206	12	12	6	10	10	22
*1100 C161606	16	16	6	14	14	39
*1100 C181206	18	12	6	16	10	26
*1100 C181806	18	18	6	16	16	45
*1100 C202006	20	20	6	18	18	48
*1100 C241206	24	12	6	22	10	39
*1100 C242406	24	24	6	22	22	65
*1100 C202010	20	20	10	---	---	70

CATALOG NUMBER	DIMENSIONS			SHIP WGHT LBS.
	A	B	C	
1100 C303012	30	30	12	92
1100 C363612	36	36	12	140
1100 C484812	48	48	12	169

UL Listed where noted \*



p.462

<http://www.exmweb.com>

1-800-363-2423

Fax : 450-979-4626

[info@exmweb.com](mailto:info@exmweb.com)



## Type E junction boxes

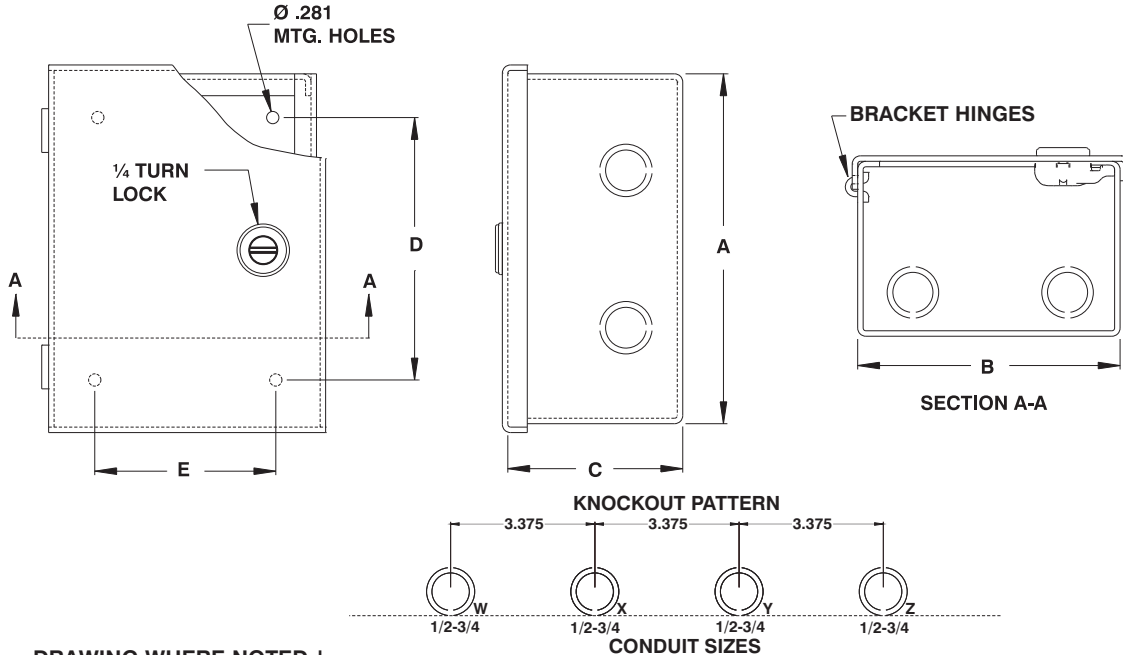
The 1100 E boxes are used as surface mounting junction boxes, switch boxes or general service boxes. Boxes and covers are made from 14 GA or 16 GA steel. Four internal mounting holes, a bonding screw and attachment are provided. All four sides have concentric knockouts, except as noted. Also available

without knockouts (add suffix "N" to the catalog number). These boxes feature formed steel hinges, a ¼ turn lock and a formed handle † to permit easy opening. The 1100 E is also available with a keylock option. Enclosures are finished with ANSI/ASA 61 gray heat fused powder paint, electrostatically applied on a pretreated base. (other colors available).

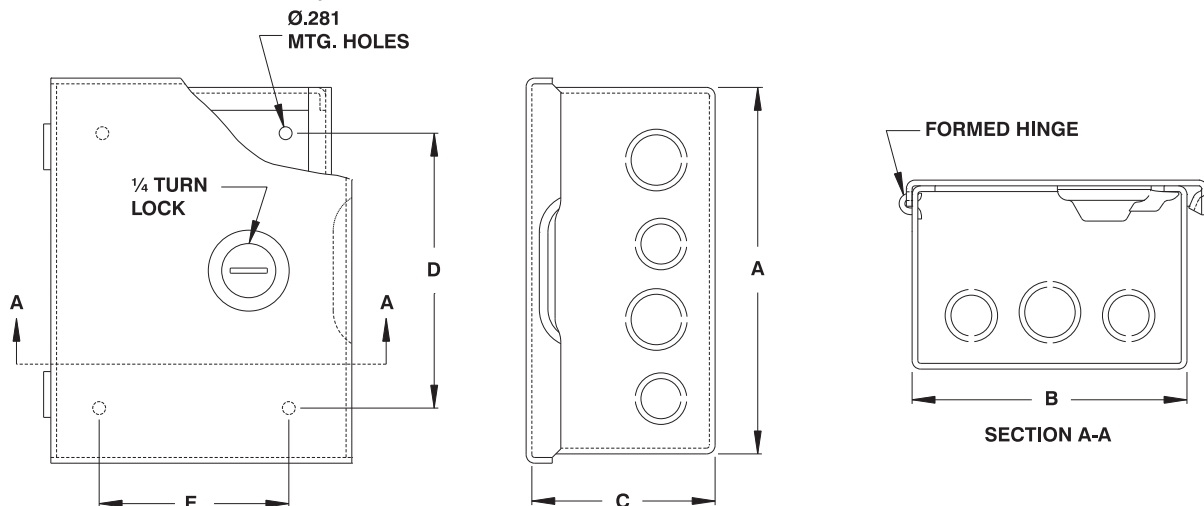
CSA Certified / UL Listed  
NEMA/EEMAC 1 / IP30

Refer to p.727 to validate choice of substrate for the application

DRAWING EXCEPT WHERE NOTED †



DRAWING WHERE NOTED †



\* Note :  
Suggested accessories noted \* are not compatible with 1100 E boxes which are noted †.

Data subject to change without notice.



p.444

p.444

p.444

p.444

p.444

p.443

p.472

## Type E junction boxes

CATALOG NUMBER	DIMENSIONS					KNOCKOUTS		SHIP WGT LBS.
	A	B	C	D	E	FACE A	FACE B	
1100 E060603	6	6	3	4	4	W-X	W-X	2
1100 E060604†	6	6	4	4	4	2-3-4	2-3-4	3
1100 E080604	8	6	4	6	4	W-X	W-X	3
1100 E080804†	8	8	4	6	6	6-7-8-9	6-7-8-9	4
1100 E100804	10	8	4	8	6	W-X	W-X	5
1100 E101004†	10	10	4	8	8	6-7-8-9	3-4-5-6-7	6
1100 E120604	12	6	4	10	4	W-X-Y	W-X	5
1100 E120804	12	8	4	10	6	W-X-Y	W-X	6
1100 E121004	12	10	4	10	8	W-X-Y	W-X	7
1100 E121204†	12	12	4	10	10	3-4-5-6-7	3-4-5-6-7	8
1100 E151204	15	12	4	13	10	W-X-Y-Z	W-X-Y	10
1100 E151504	15	15	4	13	13	W-X-Y-Z	W-X-Y-Z	13
1100 E181204	18	12	4	16	10	W-X-Y-Z	W-X-Y-Z	11
1100 E181504	18	15	4	16	13	W-X-Y-Z	W-X-Y-Z	14
1100 E181804	18	18	4	16	16	W-X-Y-Z	W-X-Y-Z	16
1100 E060606†	6	6	6	4	4	W-X	W-X	3
1100 E080606	8	6	6	6	4	W-X	W-X	5
1100 E080806†	8	8	6	6	6	W-X	W-X	5
1100 E100806	10	8	6	8	6	W-X	W-X	6
1100 E101006†	10	10	6	8	8	W-X	W-X	7
1100 E120806	12	8	6	10	6	W-X-Y	W-X	7
1100 E121006	12	10	6	10	8	W-X-Y	W-X	9
1100 E121206†	12	12	6	10	10	3-4-5-6-7	3-4-5-6-7	10
1100 E151206	15	12	6	13	10	W-X-Y-Z	W-X-Y	11
1100 E161606	16	16	6	14	14	W-X-Y-Z	W-X-Y-Z	14
1100 E181206	18	12	6	16	10	W-X-Y-Z	W-X-Y	13
1100 E181506	18	15	6	16	13	W-X-Y-Z	W-X-Y-Z	15
1100 E181806	18	18	6	16	16	W-X-Y-Z	W-X-Y-Z	17
1100 E241806	24	18	6	22	16	W-X-Y-Z	W-X-Y-Z	27
1100 E242406	24	24	6	22	22	W-X-Y-Z	W-X-Y-Z	34

CATALOG NUMBER	DIMENSIONS					KNOCKOUTS		SHIP WGT LBS.
	A	B	C	D	E	FACE A	FACE B	
1100 EN040404	4	4	4	2	--	--	--	1
1100 EN060603	6	6	3	4	4	--	--	2
1100 EN060604	6	6	4	4	4	--	--	3
1100 EN060606	6	6	6	4	4	--	--	3
1100 EN080604	8	6	4	6	4	--	--	3
1100 EN080606	8	6	6	6	4	--	--	5
1100 EN080804	8	8	4	6	6	--	--	4
1100 EN080806	8	8	6	6	6	--	--	5
1100 EN100804	10	8	4	8	6	--	--	5
1100 EN100806	10	8	6	8	6	--	--	6
1100 EN101004	10	10	4	8	8	--	--	6
1100 EN101006	10	10	6	8	8	--	--	7
1100 EN101008	10	10	8	8	8	--	--	8
1100 EN120604	12	6	4	10	4	--	--	5
1100 EN120804	12	8	4	10	6	--	--	6
1100 EN120806	12	8	6	10	6	--	--	7
1100 EN121004	12	10	4	10	8	--	--	7
1100 EN121006	12	10	6	10	8	--	--	9
1100 EN121204	12	12	4	10	10	--	--	8
1100 EN121206	12	12	6	10	10	--	--	10
1100 EN151204	15	12	4	13	10	--	--	10
1100 EN151206	15	12	6	13	10	--	--	11
1100 EN151504	15	15	4	13	13	--	--	13
1100 EN161606	16	16	6	14	14	--	--	14
1100 EN161608	16	16	8	14	14	--	--	14
1100 EN181204	18	12	4	16	10	--	--	11
1100 EN181206	18	12	6	16	10	--	--	13
1100 EN181504	18	15	4	16	13	--	--	14
1100 EN181506	18	15	6	16	13	--	--	15
1100 EN181804	18	18	4	16	16	--	--	16
1100 EN181806	18	18	6	16	16	--	--	17
1100 EN202010	20	20	10	18	18	--	--	32
1100 EN241806	24	18	6	22	16	--	--	27
1100 EN242406	24	24	6	22	22	--	--	34
1100 EN242408	24	24	8	22	22	--	--	38
1100 EN242410	24	24	10	22	22	--	--	41
1100 EN302010	30	20	10	28	18	--	--	44
1100 EN302406	30	24	6	28	22	--	--	42
* 1100 EN303010	30	30	10	28	28	--	--	60
1100 EN362410	36	24	10	34	22	--	--	59
* 1100 EN363612	36	36	12	34	34	--	--	70
* 1100 EN484812	48	48	12	46	46	--	--	118

**Note :**

Type E boxes are also available without knockouts, as series 1100 EN. (ie : 1100 EN161608)

Customize with



\* Enclosures come with double doors

Data subject to change without notice.



## Type DF junction boxes

The 1100 DF boxes are used as junction or pull boxes and are suitable for surface mounting with the standard screw cover or for flush mounting using either of the two optional covers (1100 HCF or 1100 FCD on page 212). Boxes and covers are made from 16 GA or 14 GA steel. Four internal mounting holes,

bonding screws and attachments are provided. All four sides have concentric knockouts, except as noted.

Also available without knockouts (add suffix "N" to the catalog number).

Enclosures are finished with ANSI/ASA 61 gray heat fused pow-

der paint, electrostatically applied on a pretreated base. (other colors available).

**CSA Certified**

**UL Listed where noted \***

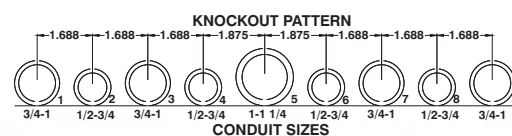
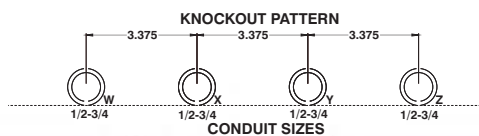
**NEMA/EEMAC 1 / IP30**

**Refer to p.727 to validate choice of substrate for the application**

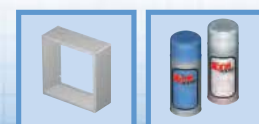
Customize with



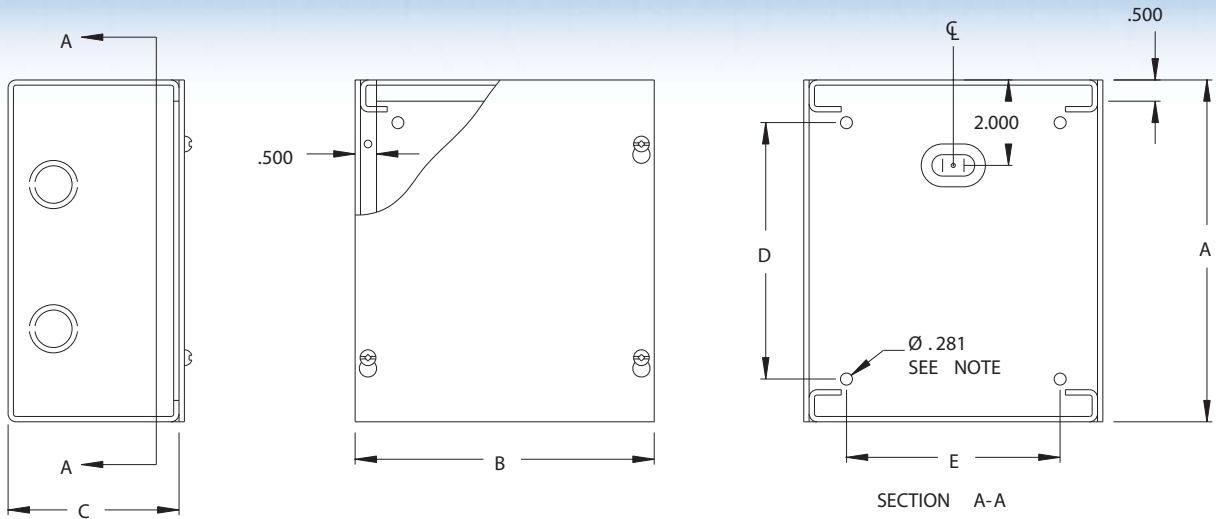
CATALOG NUMBER	DIMENSIONS					KNOCKOUTS		SHIP WGHT LBS.
	A	B	C	D	E	FACE A	FACE B	
*1100 DF060603	6	6	3	4	4	2-3-4	2-3-4	2
*1100 DF040404	4	4	4	2	2	W	W	1
*1100 DF060404	6	4	4	4	2	W-X	W	2
*1100 DF060604†	6	6	4	4	4	2-3-4	2-3-4	3
*1100 DF080604	8	6	4	6	4	W-X	W-X	3
*1100 DF080804†	8	8	4	6	6	6-7-8-9	6-7-8-9	4
*1100 DF100804	10	8	4	8	6	W-X	W-X	5
*1100 DF101004†	10	10	4	8	8	3-4-5-6-7	3-4-5-6-7	6
*1100 DF120604	12	6	4	10	4	W-X-Y	W-X	5
*1100 DF120804	12	8	4	10	6	W-X-Y	W-X	6
*1100 DF121004	12	10	4	10	8	W-X-Y	W-X	7
*1100 DF121204†	12	12	4	10	10	3-4-5-6-7	3-4-5-6-7	8
*1100 DF151204	15	12	4	13	10	W-X-Y-Z	W-X-Y	10
*1100 DF151504	15	15	4	13	13	W-X-Y-Z	W-X-Y-Z	13
*1100 DF161604	16	16	4	14	14	W-X-Y-Z	W-X-Y-Z	13
*1100 DF181204	18	12	4	16	10	W-X-Y-Z	W-X-Y-Z	11
*1100 DF181504	18	15	4	16	13	W-X-Y-Z	W-X-Y-Z	14
*1100 DF181804	18	18	4	16	16	W-X-Y-Z	W-X-Y-Z	16
*1100 DF242404	24	24	4	22	22	W-X-Y-Z	W-X-Y-Z	31
*1100 DF060606	6	6	6	4	4	W-X	W-X	3
*1100 DF080606	8	6	6	6	4	W-X	W-X	5
*1100 DF080806	8	8	6	6	6	6-7-8-9	6-7-8-9	5
*1100 DF100606	10	6	6	8	4	W-X	W-X	5
*1100 DF100806	10	8	6	8	6	W-X	W-X	6
*1100 DF101006	10	10	6	8	8	3-4-5-6-7	6-7-8-9	7
*1100 DF120606	12	6	6	10	4	W-X-Y	W-X	6
*1100 DF120806	12	8	6	10	6	W-X-Y	W-X	7
*1100 DF121006	12	10	6	10	8	W-X-Y	W-X	9
*1100 DF121206†	12	12	6	10	10	3-4-5-6-7	3-4-5-6-7	10
*1100 DF151206	15	12	6	13	10	W-X-Y-Z	W-X-Y	11
*1100 DF151506	15	15	6	13	13	W-X-Y-Z	W-X-Y-Z	13
*1100 DF161606†	16	16	6	14	14	2-3-4-5-6-7-8	2-3-4-5-6-7-8	14
*1100 DF181206	18	12	6	16	10	W-X-Y-Z	W-X-Y	13
*1100 DF181506	18	15	6	16	13	W-X-Y-Z	W-X-Y-Z	15
*1100 DF181806	18	18	6	16	16	W-X-Y-Z	W-X-Y-Z	17
*1100 DF241806	24	18	6	22	16	W-X-Y-Z	W-X-Y-Z	27
*1100 DF242406	24	24	6	22	22	W-X-Y-Z	W-X-Y-Z	34
*1100 DF101008	10	10	8	8	8	W-X	W-X	9
*1100 DF121208	12	12	8	10	10	W-X-Y	W-X-Y	12
*1100 DF151208	15	12	8	13	10	W-X-Y-Z	W-X-Y	13
*1100 DF161608	16	16	8	14	14	W-X-Y-Z	W-X-Y-Z	14
*1100 DF180808	18	8	8	16	6	W-X-Y-Z	W-X	17
*1100 DF181808	18	18	8	16	16	W-X-Y-Z	W-X-Y-Z	21
*1100 DF241208	24	12	8	22	10	W-X-Y-Z	W-X-Y	20
*1100 DF242408	24	24	8	22	22	W-X-Y-Z	W-X-Y-Z	38



Data subject to change without notice.







NOTE: -2 MTG. HOLE IF B=4.000 "

CATALOG NUMBER	DIMENSIONS					SHIP WGT LBS.	CATALOG NUMBER	DIMENSIONS					SHIP WGT LBS.
	A	B	C	D	E			A	B	C	D	E	
*1100 DF040404N	4	4	4	2	-	1	*1100 DF101008N	10	10	8	8	8	10
*1100 DF060404N	6	4	4	4	-	2	*1100 DF121208N	12	12	8	10	10	12
*1100 DF060603N	6	6	3	4	4	2	*1100 DF151208N	15	12	8	13	10	13
*1100 DF060604N	6	6	4	4	4	3	*1100 DF151508N	15	15	8	13	13	14
*1100 DF080604N	8	6	4	6	4	3	*1100 DF161608N	16	16	8	14	14	15
*1100 DF080804N	8	8	4	6	6	4	*1100 DF181808N	18	18	8	16	16	20
*1100 DF100804N	10	8	4	8	6	5	1100 DF241208N	24	12	8	22	10	20
*1100 DF101004N	10	10	4	8	8	6	1100 DF241808N	24	18	8	22	16	28
*1100 DF120604N	12	6	4	10	4	5	*1100 DF242408N	24	24	8	22	22	38
*1100 DF120804N	12	8	4	10	6	6	1100 DF303008N	30	30	8	28	28	48
*1100 DF121004N	12	10	4	10	8	7	*1100 DF362408N	36	24	8	34	22	55
*1100 DF121204N	12	12	4	10	10	8	1100 DF363008N	36	30	8	34	28	56
*1100 DF151204N	15	12	4	13	10	10	1100 DF363608N	36	36	8	34	34	65
*1100 DF151504N	15	15	4	13	13	12	*1100 DF121210N	12	12	10	10	10	18
*1100 DF161604N	16	16	4	14	14	13	*1100 DF151510N	15	15	10	13	13	22
*1100 DF181204N	18	12	4	16	10	11	*1100 DF181810N	18	18	10	16	16	28
*1100 DF181504N	18	15	4	16	13	14	*1100 DF202010N	20	20	10	18	18	32
*1100 DF181804N	18	18	4	16	16	16	*1100 DF241810N	24	18	10	22	16	36
*1100 DF060606N	6	6	6	4	4	3	*1100 DF242410N	24	24	10	22	22	41
*1100 DF080606N	8	6	6	6	4	5	*1100 DF302010N	30	20	10	28	18	44
*1100 DF080806N	8	8	6	6	6	5	*1100 DF302410N	30	24	10	28	22	50
*1100 DF100606N	10	6	6	8	4	5	1100 DF303010N	30	30	10	28	28	60
*1100 DF100806N	10	8	6	8	6	6	*1100 DF362410N	36	24	10	34	22	59
*1100 DF101006N	10	10	6	8	8	7	1100 DF363010N	36	30	10	34	28	61
*1100 DF120606N	12	6	6	10	4	6	1100 DF363610N	36	36	10	34	34	70
*1100 DF120806N	12	8	6	10	6	7	*1100 DF121212N	12	12	12	10	10	20
*1100 DF121006N	12	10	6	10	8	9	1100 DF151512N	15	15	12	13	13	24
*1100 DF121206N	12	12	6	10	10	10	*1100 DF181212N	18	12	12	16	10	23
*1100 DF151206N	15	12	6	13	10	11	*1100 DF181812N	18	18	12	16	16	26
*1100 DF151506N	15	15	6	13	13	13	*1100 DF242412N	24	24	12	22	22	49
*1100 DF161606N	16	16	6	14	14	14	*1100 DF301812N	30	18	12	28	16	45
*1100 DF181206N	18	12	6	16	10	13	*1100 DF302412N	30	24	12	28	22	51
*1100 DF181506N	18	15	6	16	13	15	1100 DF303012N	30	30	12	28	28	54
*1100 DF181806N	18	18	6	16	16	17	*1100 DF362412N	36	24	12	34	22	57
*1100 DF241806N	24	18	6	22	16	27	1100 DF363012N	36	30	12	34	28	65
*1100 DF242406N	24	24	6	22	22	34	1100 DF363612N	36	36	12	34	34	70
*1100 DF302406N	30	24	6	28	22	42	1100 DF484812N	48	48	12	46	46	118
*1100 DF362406N	36	24	6	34	22	48	1100 DF363618N	36	36	18	34	34	112
1100 DF363606N	36	36	6	34	34	60							

Data subject to change without notice.



## Padlockable screw cover junction boxes

The 1100 DFP boxes are used as junction or pull boxes and are suitable for surface mounting. These enclosures are equipped with a padlockable system that prevents removing the screw cover without previously removing the padlock. The screw cover has a lip on two opposing sides to permit the insertion of the padlock provision.

Boxes and covers are made from 16 GA or 14 GA steel. Four internal mounting holes, bonding screws and attachment are provided. All four sides have concentric knockouts, except as noted. Also available without knockouts (**add suffix 'N' to the catalog number**). Enclosures are finished with ANSI/ASA 61 gray heat fused pow-

der paint, electrostatically applied on a pretreated base. (other colors available).

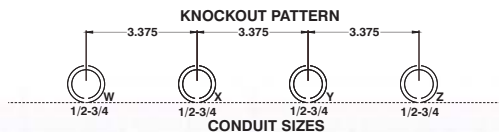
**CSA Certified**

**UL Listed where noted \***

**NEMA/EEMAC 1 / IP30**

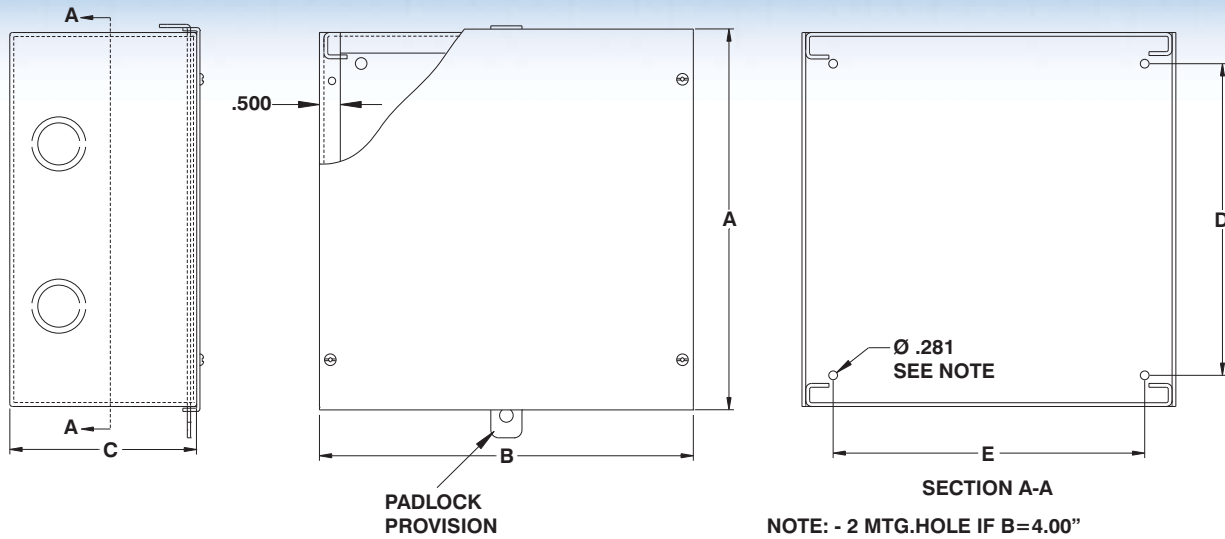
**Refer to p.727 to validate choice of substrate for the application**

CATALOG NUMBER	DIMENSIONS					KNOCKOUTS		SHIP WGHT LBS.
	A	B	C	D	E	FACE A	FACE B	
*1100 DFP060603	6	6	3	4	4	W-X	W-X	2
*1100 DFP040404	4	4	4	2	2	W	W	1
*1100 DFP060404	6	4	4	4	2	W-X	W	2
*1100 DFP060604	6	6	4	4	4	W-X	W-X	3
*1100 DFP080604	8	6	4	6	4	W-X	W-X	3
*1100 DFP080804	8	8	4	6	6	W-X	W-X	4
*1100 DFP100804	10	8	4	8	6	W-X	W-X	5
*1100 DFP101004	10	10	4	8	8	W-X	W-X	6
*1100 DFP120604	12	6	4	10	4	W-X-Y	W-X	5
*1100 DFP120804	12	8	4	10	6	W-X-Y	W-X	6
*1100 DFP121004	12	10	4	10	8	W-X-Y	W-X	7
*1100 DFP121204	12	12	4	10	10	W-X-Y	W-X-Y	8
*1100 DFP151204	15	12	4	13	10	W-X-Y-Z	W-X-Y	10
*1100 DFP151504	15	15	4	13	13	W-X-Y-Z	W-X-Y-Z	13
*1100 DFP161604	16	16	4	14	14	W-X-Y-Z	W-X-Y-Z	13
*1100 DFP181204	18	12	4	16	10	W-X-Y-Z	W-X-Y-Z	11
*1100 DFP181504	18	15	4	16	13	W-X-Y-Z	W-X-Y-Z	14
*1100 DFP181804	18	18	4	16	16	W-X-Y-Z	W-X-Y-Z	16
*1100 DFP242404	24	24	4	22	22	W-X-Y-Z	W-X-Y-Z	31
*1100 DFP060606	6	6	6	4	4	W-X	W-X	3
*1100 DFP080606	8	6	6	6	4	W-X	W-X	5
*1100 DFP080806	8	8	6	6	6	W-X	W-X	5
*1100 DFP100606	10	6	6	8	4	W-X	W-X	5
*1100 DFP100806	10	8	6	8	6	W-X	W-X	6
*1100 DFP101006	10	10	6	8	8	W-X	W-X	7
*1100 DFP120606	12	6	6	10	4	W-X-Y	W-X	6
*1100 DFP120806	12	8	6	10	6	W-X-Y	W-X	7
*1100 DFP121006	12	10	6	10	8	W-X-Y	W-X	9
*1100 DFP121206	12	12	6	10	10	W-X-Y	W-X-Y	10
*1100 DFP151206	15	12	6	13	10	W-X-Y-Z	W-X-Y	11
*1100 DFP151506	15	15	6	13	13	W-X-Y-Z	W-X-Y-Z	13
*1100 DFP161606	16	16	6	14	14	W-X-Y-Z	W-X-Y-Z	14
*1100 DFP181206	18	12	6	16	10	W-X-Y-Z	W-X-Y	13
*1100 DFP181506	18	15	6	16	13	W-X-Y-Z	W-X-Y-Z	15
*1100 DFP181806	18	18	6	16	16	W-X-Y-Z	W-X-Y-Z	17
*1100 DFP241806	24	18	6	22	16	W-X-Y-Z	W-X-Y-Z	27
*1100 DFP242406	24	24	6	22	22	W-X-Y-Z	W-X-Y-Z	34
*1100 DFP101008	10	10	8	8	8	W-X	W-X	9
*1100 DFP121208	12	12	8	10	10	W-X-Y	W-X-Y	12
*1100 DFP151208	15	12	8	13	10	W-X-Y-Z	W-X-Y	13
*1100 DFP161608	16	16	8	14	14	W-X-Y-Z	W-X-Y-Z	14
*1100 DFP180808	18	8	8	16	6	W-X-Y-Z	W-X	17
*1100 DFP181808	18	18	8	16	16	W-X-Y-Z	W-X-Y-Z	21
*1100 DFP241208	24	12	8	22	10	W-X-Y-Z	W-X-Y	20
*1100 DFP242408	24	24	8	22	22	W-X-Y-Z	W-X-Y-Z	38



Data subject to change without notice.





CATALOG NUMBER	DIMENSIONS					SHIP WGT LBS.
	A	B	C	D	E	
*1100 DFP040404N	4	4	4	2	-	1
*1100 DFP060404N	6	4	4	4	-	2
*1100 DFP060603N	6	6	3	4	4	2
*1100 DFP060604N	6	6	4	4	4	3
*1100 DFP080604N	8	6	4	6	4	3
*1100 DFP080804N	8	8	4	6	6	4
*1100 DFP100804N	10	8	4	8	6	5
*1100 DFP101004N	10	10	4	8	8	6
*1100 DFP120604N	12	6	4	10	4	5
*1100 DFP120804N	12	8	4	10	6	6
*1100 DFP121004N	12	10	4	10	8	7
*1100 DFP121204N	12	12	4	10	10	8
*1100 DFP151204N	15	12	4	13	10	10
*1100 DFP151504N	15	15	4	13	13	12
*1100 DFP161604N	16	16	4	14	14	13
*1100 DFP181204N	18	12	4	16	10	11
*1100 DFP181504N	18	15	4	16	13	14
*1100 DFP181804N	18	18	4	16	16	16
*1100 DFP060606N	6	6	6	4	4	3
*1100 DFP080606N	8	6	6	6	4	5
*1100 DFP080806N	8	8	6	6	6	5
*1100 DFP100606N	10	6	6	8	4	5
*1100 DFP100806N	10	8	6	8	6	6
*1100 DFP101006N	10	10	6	8	8	7
*1100 DFP120606N	12	6	6	10	4	6
*1100 DFP120806N	12	8	6	10	6	7
*1100 DFP121006N	12	10	6	10	8	9
*1100 DFP121206N	12	12	6	10	10	10
*1100 DFP151206N	15	12	6	13	10	11
*1100 DFP151506N	15	15	6	13	13	13
*1100 DFP161606N	16	16	6	14	14	14
*1100 DFP181206N	18	12	6	16	10	13
*1100 DFP181506N	18	15	6	16	13	15
*1100 DFP181806N	18	18	6	16	16	17
*1100 DFP241806N	24	18	6	22	16	27
*1100 DFP242406N	24	24	6	22	22	34
*1100 DFP302406N	30	24	6	28	22	42
*1100 DFP362406N	36	24	6	34	22	48
1100 DFP363606N	36	36	6	34	34	60

CATALOG NUMBER	DIMENSIONS					SHIP WGT LBS.
	A	B	C	D	E	
*1100 DFP101008N	10	10	8	8	8	10
*1100 DFP121208N	12	12	8	10	10	12
*1100 DFP151208N	15	12	8	13	10	13
*1100 DFP151508N	15	15	8	13	13	14
*1100 DFP161608N	16	16	8	14	14	15
*1100 DFP181808N	18	18	8	16	16	20
1100 DFP241208N	24	12	8	22	10	20
1100 DFP241808N	24	18	8	22	16	28
*1100 DFP242408N	24	24	8	22	22	38
1100 DFP303008N	30	30	8	28	28	48
*1100 DFP362408N	36	24	8	34	22	55
1100 DFP363008N	36	30	8	34	28	56
1100 DFP363608N	36	36	8	34	34	65
*1100 DFP121210N	12	12	10	10	10	18
*1100 DFP151510N	15	15	10	13	13	22
*1100 DFP181810N	18	18	10	16	16	28
*1100 DFP202010N	20	20	10	18	18	32
*1100 DFP241810N	24	18	10	22	16	36
*1100 DFP242410N	24	24	10	22	22	41
*1100 DFP302010N	30	20	10	28	18	44
*1100 DFP302410N	30	24	10	28	22	50
1100 DFP303010N	30	30	10	28	28	60
*1100 DFP362410N	36	24	10	34	22	59
1100 DFP363010N	36	30	10	34	28	61
1100 DFP363610N	36	36	10	34	34	70
*1100 DFP121212N	12	12	12	10	10	20
1100 DFP151512N	15	15	12	13	13	24
*1100 DFP181212N	18	12	12	16	10	23
*1100 DFP181812N	18	18	12	16	16	26
*1100 DFP242412N	24	24	12	22	22	49
*1100 DFP301812N	30	18	12	28	16	45
*1100 DFP302412N	30	24	12	28	22	51
1100 DFP303012N	30	30	12	28	28	54
*1100 DFP362412N	36	24	12	34	22	57
1100 DFP363012N	36	30	12	34	28	65
1100 DFP363612N	36	36	12	34	34	70
1100 DFP484812N	48	48	12	46	46	118
1100 DFP363618N	36	36	18	34	34	112

Data subject to change without notice.



## Pull box extension rings / Open bottom pull box

The 1100 DER extension rings are installed over 1100 DF pull boxes to extend the depth of the enclosure. Standalone 1100 DER extension rings can also be used for applications which require a pull box with an open bottom. The extension rings are made from 16 GA steel. Four internal mounting holes are provided. Covers are not included

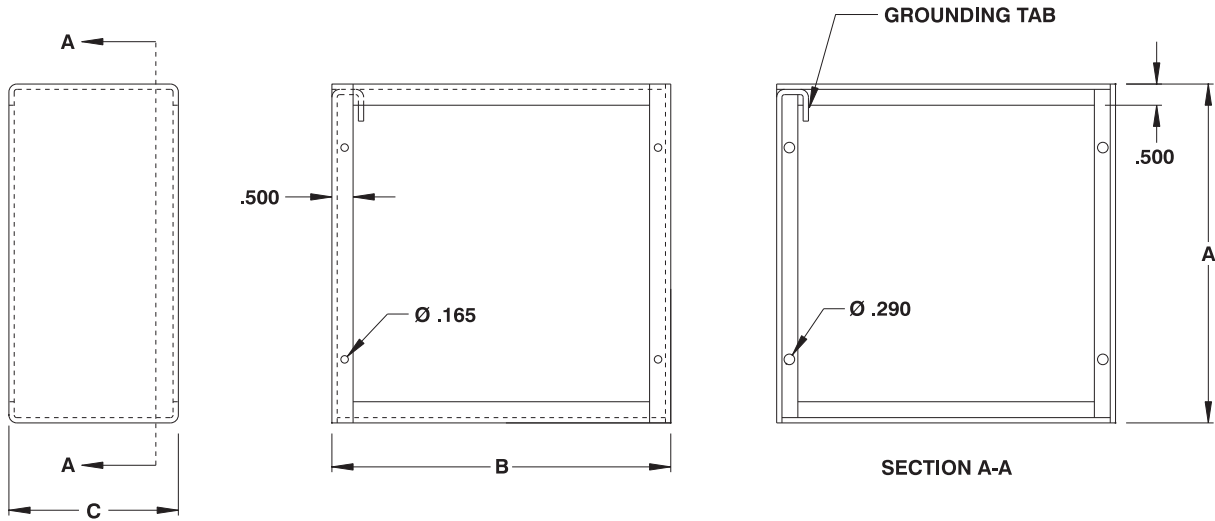
with the 1100 DER. When they are used as extension rings, the cover from the 1100 DF box can be installed on the 1100 DER. When they are used as standalone, open bottom pull boxes, the cover must be ordered separately. (see table)

ANSI/ASA 61 gray heat fused powder paint, electrostatically applied on a pretreated base. (other colors available).

**NEMA/EEMAC 1 / IP30**

**Refer to p.727 to validate choice of substrate for the application**

Enclosures are finished with

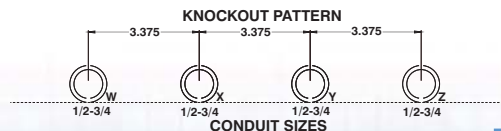


CATALOG NUMBER	DIMENSIONS			COVER NUMBER †	SHIP WGT LBS.
	A	B	C		
1100 DER060602	6	6	2	1100 DF0606C	2
1100 DER080802	8	8	2	1100 DF0808C	4
1100 DER101002	10	10	2	1100 DF1010C	5
1100 DER121202	12	12	2	1100 DF1212C	6
1100 DER161602	16	16	2	1100 DF1616C	9
1100 DER181802	18	18	2	1100 DF1818C	11
1100 DER060604	6	6	4	1100 DF0606C	4
1100 DER080804	8	8	4	1100 DF0808C	5
1100 DER101004	10	10	4	1100 DF1010C	7
1100 DER121204	12	12	4	1100 DF1212C	8
1100 DER161604	16	16	4	1100 DF1616C	12
1100 DER181804	18	18	4	1100 DF1818C	14
1100 DER060606	6	6	6	1100 DF0606C	5
1100 DER080806	8	8	6	1100 DF0808C	7
1100 DER101006	10	10	6	1100 DF1010C	9
1100 DER121206	12	12	6	1100 DF1212C	11
1100 DER161606	16	16	6	1100 DF1616C	15
1100 DER181806	18	18	6	1100 DF1818C	18

† If required, covers must be ordered separately.

\* Enclosures are also available with knockout; add suffix 'KO' to the catalog number. (ie: 1100 DER080806KO)

Data subject to change without notice.





## Telephone cabinets

The 1100 TC are specifically designed for telephone equipment. They are made of 16 GA or 14 GA steel and three different covers can be attached to the main body. If the installation requires a hinged flush mounted enclosure, then one body (1100 TC) and one cover (1100 HCF or 1100 HCFW) must be ordered. For a hinged surface mounted enclosure, one body (1100 TC) and

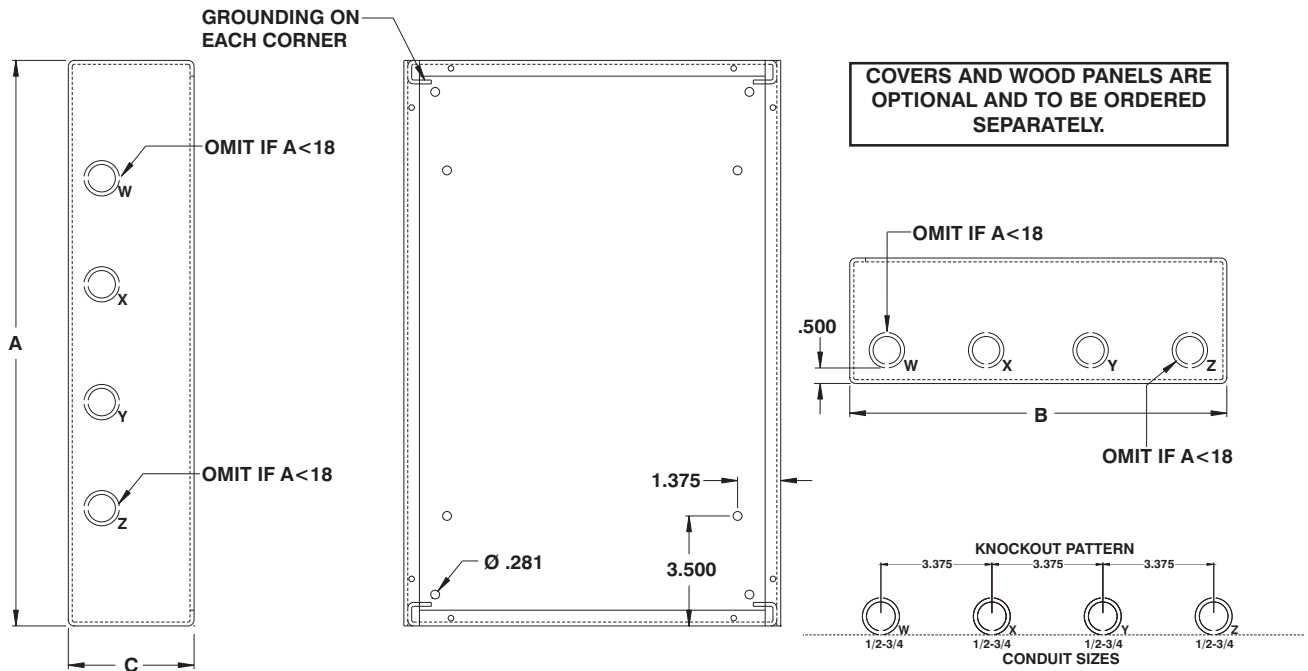
one cover (1100 HCS or 1100 HCSW) must be ordered. If a screw cover is required, one body (1100 TC) and one screw cover (1100 FCD) must be ordered.

The hinged covers are provided with a screw-on hinge and are closed with a ¼ turn key lock which ensures a positive door to box contact. Knockouts are provided and a wood back is available upon

request. Boxes and covers are finished with ANSI/ASA 61 gray heat fused powder paint, electrostatically applied on a pretreated base.

**CSA Certified / UL Listed  
NEMA/EEMAC 1 / IP30**

**Refer to p.727 to validate choice of substrate for the application**



CATALOG NUMBER	DIMENSIONS			SHIP WGHT LBS.	CATALOG NUMBER	DIMENSIONS			SHIP WGHT LBS.
	A	B	C			A	B	C	
1100 TC121204	12	12	4	7	1100 TC362406	36	24	6	32
1100 TC181204	18	12	4	10	1100 TC363006	36	30	6	37
1100 TC181804	18	18	4	12	1100 TC363606	36	36	6	43
1100 TC241804	24	18	4	15	1100 TC483006	48	30	6	47
1100 TC242404	24	24	4	19	1100 TC483606	48	36	6	53
1100 TC302404	30	24	4	22	1100 TC484806	48	48	6	66
1100 TC303004	30	30	4	27	1100 TC121208	12	12	8	14
1100 TC362404	36	24	4	26	1100 TC181208	18	12	8	18
1100 TC363004	36	30	4	31	1100 TC181808	18	18	8	21
1100 TC363604	36	36	4	36	1100 TC241808	24	18	8	25
1100 TC483004	48	30	4	39	1100 TC242408	24	24	8	30
1100 TC483604	48	36	4	45	1100 TC302408	30	24	8	34
1100 TC484804	48	48	4	58	1100 TC303008	30	30	8	39
1100 TC121206	12	12	6	11	1100 TC362408	36	24	8	38
1100 TC181206	18	12	6	13	1100 TC363008	36	30	8	44
1100 TC181806	18	18	6	17	1100 TC363608	36	36	8	50
1100 TC241806	24	18	6	20	1100 TC483008	48	30	8	54
1100 TC242406	24	24	6	24	1100 TC483608	48	36	8	61
1100 TC302406	30	24	6	28	1100 TC484808	48	48	8	76
1100 TC303006	30	30	6	33					



Data subject to change without notice.



p,444    p,444    p,444    p,444    p,212    p,472    p,444  
<http://www.exmweb.com>    1-800-363-2423    Fax : 450-979-4626



info@exmweb.com

## Type-1 covers, blank or windowed

The **1100 covers** are used in conjunction with the **1100 TC, 1100 DF\*, 1100 DFN\* or 1100 DER\* bodies**, where the control installation does not demand a high degree of protection (such as watertight or dust tight), but where a quality enclosure is warranted. Covers are made from quality 16 or 14 GA steel. Covers are available for: hinge flush mounting (1100 HCF), hinge surface mounting (1100 HCS), windowed hinge flush

mounting (1100 HCFW), windowed hinge surface mounting (1100 HCSW), screw cover flush mounting (1100 FCD) and screw cover surface mounting (1100 SCD). The window is made with self-extinguishing polycarbonate. Hinged covers are provided with a screw-on hinge and are closed with a 1/4 turn key lock which ensures a positive door to box contact. Covers are finished with ANSI/ASA 61 gray heat fused powder paint,

electrostatically applied on a pre-treated base (other colors available).

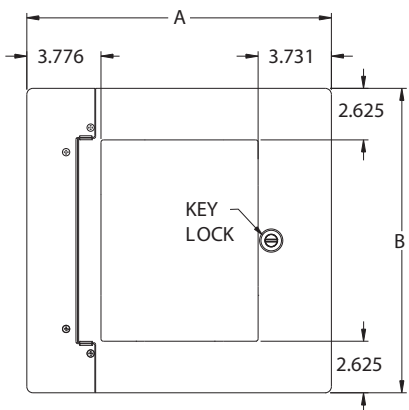
**CSA Certified / UL Listed  
NEMA/EEMAC 1 / IP30**

**\* - Field drilling of two holes is required**

**Refer to p.727 to validate choice of substrate for the application**

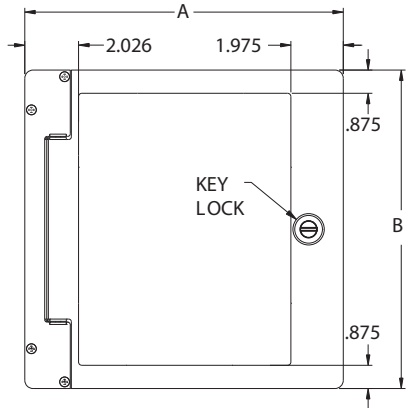
CATALOG NUMBER	DIMENSIONS		SHIP WGHT LBS.
	A	B	
1100 HCFW0808	11.5	11.5	2
1100 HCFW1008	13.5	11.5	2
1100 HCFW1010	13.5	13.5	3
1100 HCFW1208	15.5	11.5	3
1100 HCFW1210	15.5	13.5	3
1100 HCFW1212	15.5	15.5	4
1100 HCFW1512	18.5	15.5	5
1100 HCFW1515	18.5	18.5	5
1100 HCFW1612	19.5	15.5	5
1100 HCFW1616	19.5	19.5	6
1100 HCFW1812	21.5	15.5	5
1100 HCFW1815	21.5	18.5	6
1100 HCFW1818	21.5	21.5	7
1100 HCFW2016	23.5	19.5	7

CATALOG NUMBER	DIMENSIONS		SHIP WGHT LBS.
	A	B	
1100 HCFW2020	23.5	23.5	9
1100 HCFW2418	27.5	21.5	9
1100 HCFW2420	27.5	23.5	10
1100 HCFW2424	27.5	27.5	15
1100 HCFW3020	33.5	23.5	16
1100 HCFW3024	33.5	27.5	19
1100 HCFW3030	33.5	33.5	23
1100 HCFW3624	39.5	27.5	22
1100 HCFW3630	39.5	33.5	27
1100 HCFW3636	39.5	39.5	32
1100 HCFW4830	51.5	33.5	35
1100 HCFW4836	51.5	39.5	41
1100 HCFW4848	51.5	51.5	54



CATALOG NUMBER	DIMENSIONS		SHIP WGHT LBS.
	A	B	
1100 HCSW0808	8	8	1
1100 HCSW1008	10	8	1
1100 HCSW1010	10	10	2
1100 HCSW1208	12	8	2
1100 HCSW1210	12	10	2
1100 HCSW1212	12	12	2
1100 HCSW1512	15	12	3
1100 HCSW1515	15	15	4
1100 HCSW1612	16	12	3
1100 HCSW1616	16	16	4
1100 HCSW1812	18	12	3
1100 HCSW1815	18	15	4
1100 HCSW1818	18	18	5
1100 HCSW2016	20	16	5

CATALOG NUMBER	DIMENSIONS		SHIP WGHT LBS.
	A	B	
1100 HCSW2020	20	20	6
1100 HCSW2418	24	18	7
1100 HCSW2420	24	20	8
1100 HCSW2424	24	24	12
1100 HCSW3020	30	20	12
1100 HCSW3024	30	24	15
1100 HCSW3030	30	30	18
1100 HCSW3624	36	24	18
1100 HCSW3630	36	30	22
1100 HCSW3636	36	36	26
1100 HCSW4830	48	30	29
1100 HCSW4836	48	36	35
1100 HCSW4848	48	48	47



1100 HCFW



1100 HCSW

Data subject to change without notice.



p,444



p,444



p,443

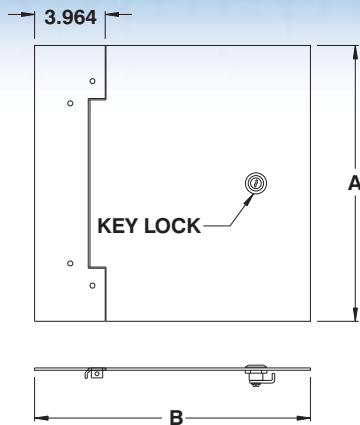


p,472

# NEMA 1 ENCLOSURES

1100 covers

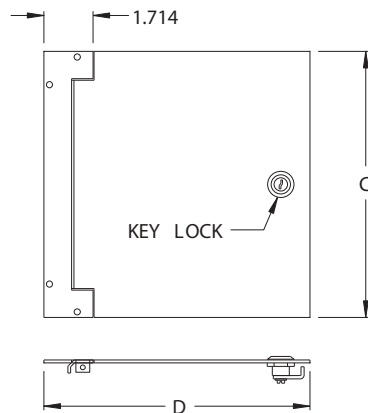
## Hinged Flush Cover



CATALOG NUMBER	DIMENSIONS		SHIP WGHT LBS.
	A	B	
1100 HCF0606	9.5	9.5	2
1100 HCF0806	11.5	9.5	3
1100 HCF0808	11.5	11.5	3
1100 HCF1008	13.5	11.5	3
1100 HCF1010	13.5	13.5	4
1100 HCF1206	15.5	9.5	4
1100 HCF1208	15.5	11.5	4
1100 HCF1210	15.5	13.5	5
1100 HCF1212	15.5	15.5	5
1100 HCF1512	18.5	15.5	6
1100 HCF1515	18.8	18.5	7
1100 HCF1612	19.5	15.5	7
1100 HCF1616	19.5	19.5	8
1100 HCF1812	21.5	15.5	7
1100 HCF1815	21.5	18.5	8

CATALOG NUMBER	DIMENSIONS		SHIP WGHT LBS.
	A	B	
1100 HCF1818	21.5	21.5	10
1100 HCF2016	23.5	19.5	9
1100 HCF2020	23.5	23.5	11
1100 HCF2418	27.5	21.5	11
1100 HCF2420	27.5	23.5	13
1100 HCF2424	27.5	27.5	15
1100 HCF3020	33.5	23.5	16
1100 HCF3024	33.5	27.5	18
1100 HCF3030	33.5	33.5	22
1100 HCF3624	39.5	27.5	21
1100 HCF3630	39.5	33.5	26
1100 HCF3636	39.5	39.5	30
1100 HCF4830	51.5	33.5	33
1100 HCF4836	51.5	39.5	39
1100 HCF4848	51.5	51.5	51

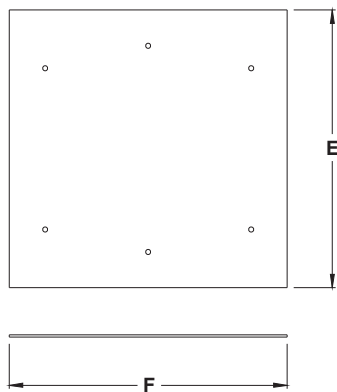
## Hinged Surface Cover



CATALOG NUMBER	DIMENSIONS		SHIP WGHT LBS.
	C	D	
1100 HCS0606	6	6	1
1100 HCS0806	8	6	1
1100 HCS0808	8	8	1
1100 HCS1008	10	8	1
1100 HCS1010	10	10	2
1100 HCS1206	12	6	1
1100 HCS1208	12	8	2
1100 HCS1210	12	10	2
1100 HCS1212	12	12	3
1100 HCS1512	15	12	3
1100 HCS1515	15	15	4
1100 HCS1612	16	12	4
1100 HCS1616	16	16	5
1100 HCS1812	18	12	4
1100 HCS1815	18	15	5

CATALOG NUMBER	DIMENSIONS		SHIP WGHT LBS.
	C	D	
1100 HCS1818	18	18	6
1100 HCS2016	20	16	6
1100 HCS2020	20	20	7
1100 HCS2418	24	18	8
1100 HCS2420	24	20	9
1100 HCS2424	24	24	11
1100 HCS3020	30	20	11
1100 HCS3024	30	24	13
1100 HCS3030	30	30	17
1100 HCS3624	36	24	16
1100 HCS3630	36	30	20
1100 HCS3636	36	36	24
1100 HCS4830	48	30	27
1100 HCS4836	48	36	32
1100 HCS4848	48	48	43

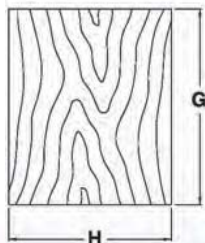
## Screw-on Flush Cover



CATALOG NUMBER	DIMENSIONS		SHIP WGHT LBS.
	E	F	
1100 FCD0606	9.5	9.5	2
1100 FCD0806	11.5	9.5	3
1100 FCD0808	11.5	11.5	3
1100 FCD1008	13.5	11.5	3
1100 FCD1010	13.5	13.5	4
1100 FCD1206	15.5	9.5	4
1100 FCD1208	15.5	11.5	4
1100 FCD1210	15.5	13.5	5
1100 FCD1212	15.5	15.5	5
1100 FCD1512	18.5	15.5	6
1100 FCD1515	18.5	18.5	7
1100 FCD1612	19.5	15.5	7
1100 FCD1616	19.5	19.5	8
1100 FCD1812	21.5	15.5	7
1100 FCD1815	21.5	18.5	8

CATALOG NUMBER	DIMENSIONS		SHIP WGHT LBS.
	E	F	
1100 FCD1818	21.5	21.5	10
1100 FCD2016	23.5	19.5	9
1100 FCD2020	23.5	23.5	11
1100 FCD2418	27.5	21.5	11
1100 FCD2420	27.5	23.5	13
1100 FCD2424	27.5	27.5	15
1100 FCD3020	33.5	23.5	16
1100 FCD3024	33.5	27.5	18
1100 FCD3030	33.5	33.5	22
1100 FCD3624	39.5	27.5	21
1100 FCD3630	39.5	33.5	26
1100 FCD3636	39.5	39.5	30
1100 FCD4830	51.5	33.5	33
1100 FCD4836	51.5	39.5	39
1100 FCD4848	51.5	51.5	51

## Wood Panel



CATALOG NUMBER	DIMENSIONS		SHIP WGHT LBS.
	G	H	
881 WP1212	7	10.750	1
881 WP1812	13	10.750	2
881 WP1818	13	16.750	3
881 WP2418	19	16.750	5
881 WP2424	19	22.750	6
881 WP3024	25	22.750	8
881 WP3030	25	28.750	11

CATALOG NUMBER	DIMENSIONS		SHIP WGHT LBS.
	G	H	
881 WP3624	31	22.750	10
881 WP3630	31	28.750	13
881 WP3636	31	34.750	16
881 WP4830	43	28.750	16
881 WP4836	43	34.750	22
881 WP4848	43	44.750	29

Data subject to change without notice.



p.206

p.444

p.443

p.472

<http://www.exmweb.com>

1-800-363-2423

Fax : 450-979-4626

[info@exmweb.com](mailto:info@exmweb.com)



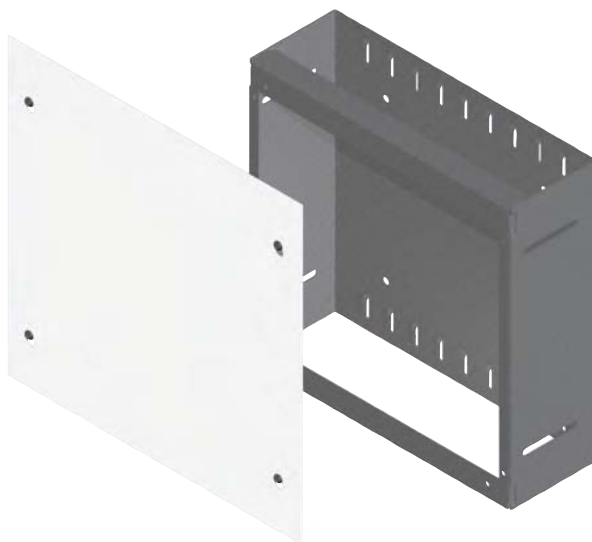
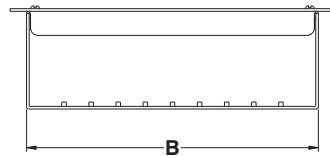
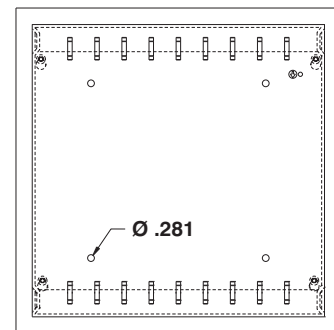
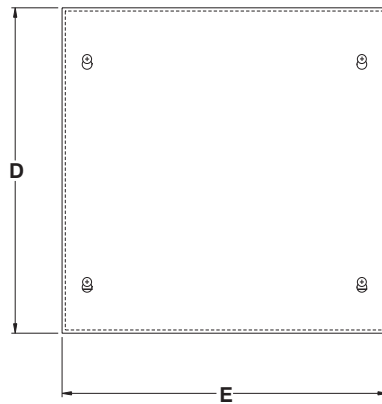
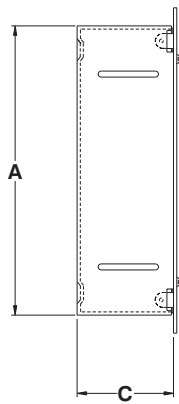
## Communications Box

The 1100 CB are specifically designed as a condominium, apartment or other buildings communications wiring box. They can be used to house wiring, automation, networking, security, telephony or television antenna, cable or satellite installations.

The boxes are made of 18 GA galvanized steel and have two cross stiffeners for greater rigidity. Four internal mounting holes are provided. Other types of optional covers are available (see pages 160-161) Boxes are unpainted and galvanized, covers are finished with white

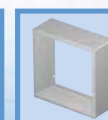
heat fused powder paint, electrostatically applied on a pretreated base.

**Refer to p.727 to validate choice of substrate for the application**



CATALOG NUMBER	DIMENSIONS					SHIP WGHT LBS.
	A	B	C	D	E	
1100 CB121204	12	12	4	13	13	6

Data subject to change without notice.





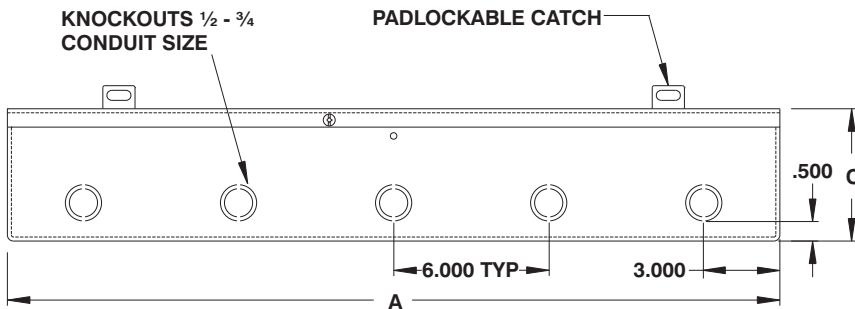
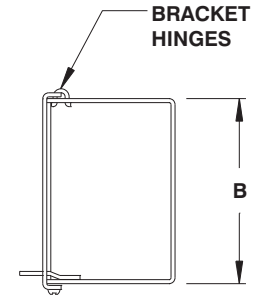
## Troughs

The 1100 T troughs are designed for ordinary locations. They are made from 14 GA or 16 GA steel. They have mounting holes in the back, knockouts, bracket hinges and a provision for padlocking.

Troughs are finished with heat fused powder paint, electrostatically applied on a pretreated base. Trough is ANSI/ASA 61 gray (other colors available).

**CSA Certified  
NEMA/EEMAC 1 / IP30**

**Refer to p.727 to validate choice of substrate for the application**



CATALOG NUMBER	DIMENSIONS			SHIP WGT LBS.
	A	B	C	
1100 T2100	24	6	4	12
1100 T3100	36	6	4	15
1100 T4100	48	6	4	20
1100 T5100	60	6	4	24
1100 T6100	72	6	4	28
1100 T2200	24	8	5	19
1100 T3200	36	8	5	26
1100 T4200	48	8	5	32
1100 T5200	60	8	5	40
1100 T6200	72	8	5	46
1100 T3400	36	10	6	34
1100 T4400	48	10	6	42
1100 T5400	60	10	6	50
1100 T6400	72	10	6	59



Data subject to change without notice.

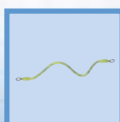


p.444

<http://www.exmweb.com>



p.478



p.479



p.472

1-800-363-2423

Fax : 450-979-4626



[info@exmweb.com](mailto:info@exmweb.com)

## Type WE hinged wiring troughs

The 1100 WE are used as junction or pull boxes and are suitable for surface mounting, where a hinged cover is required. Boxes and covers are made from 14 GA or 16 GA steel. Four internal mounting holes, a bonding screw and attachment are provided. All four sides have concentric knockouts. Also avail-

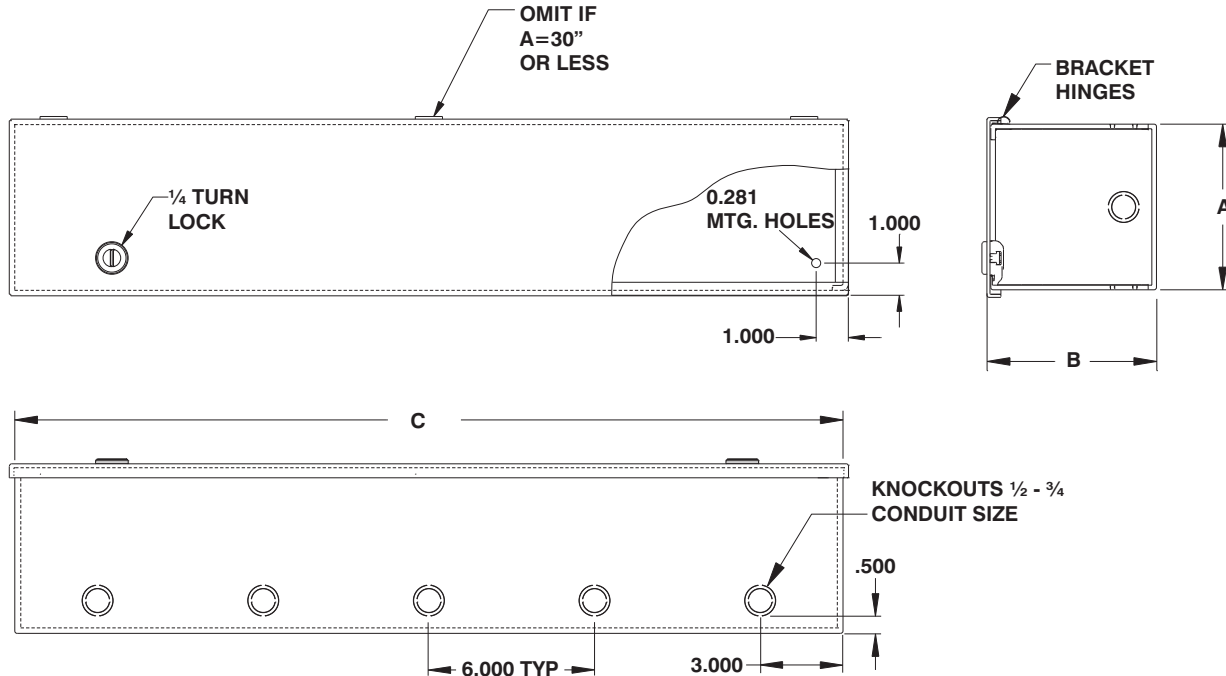
able without knockouts (add suffix "N" to the catalog number). These troughs feature formed steel hinges and a ¼ turn lock. Optional key lock is available (880 SCQCOM-K).

Enclosures are finished with ANSI/ASA 61 gray heat fused powder paint, electrostatically applied

on a pretreated base (other colors available).

**CSA Certified**  
**NEMA/EEMAC 1 / IP30**

**Refer to p.727 to validate choice of substrate for the application**



CATALOG NUMBER	DIMENSIONS			SHIP WGHT LBS.	CATALOG NUMBER	DIMENSIONS			SHIP WGHT LBS.
	A	B	C			A	B	C	
1100 WE040412	4	4	12	5	1100 WE080848	8	8	48	30
1100 WE040418	4	4	18	6	1100 WE080860	8	8	60	36
1100 WE040424	4	4	24	8	1100 WE080872	8	8	72	43
1100 WE040436	4	4	36	12	1100 WE101024	10	10	24	21
1100 WE040448	4	4	48	15	1100 WE101036	10	10	36	29
1100 WE040460	4	4	60	19	1100 WE101048	10	10	48	37
1100 WE040472	4	4	72	23	1100 WE101060	10	10	60	45
1100 WE060612	6	6	12	7	1100 WE101072	10	10	72	53
1100 WE060618	6	6	18	10	1100 WE121224	12	12	24	25
1100 WE060624	6	6	24	12	1100 WE121236	12	12	36	35
1100 WE060636	6	6	36	17	1100 WE121248	12	12	48	45
1100 WE060648	6	6	48	22	1100 WE121260	12	12	60	55
1100 WE060660	6	6	60	27	1100 WE121272	12	12	72	64
1100 WE060672	6	6	72	33					
1100 WE080812	8	8	12	10					
1100 WE080818	8	8	18	13					
1100 WE080824	8	8	24	16					
1100 WE080836	8	8	36	23					

**Note:** Type WE troughs are also available without knockouts, as series 1100 WE...N. (ie: 1100 WE080872N)

Data subject to change without notice.



p,444



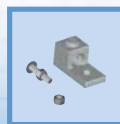
p,444



p,443



p,444



p,478



p,472

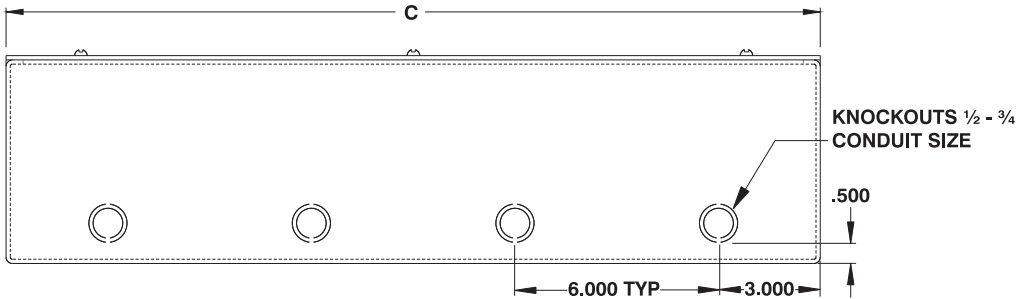
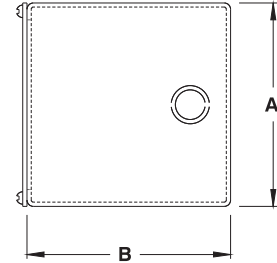
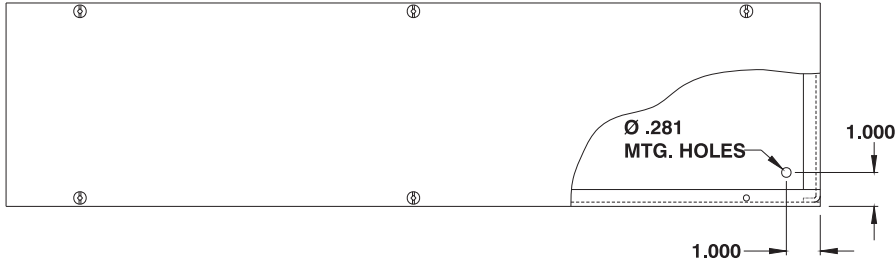
## Type WD wiring troughs

The 1100 WD are used as junction or pull boxes and are suitable for surface mounting with a screw cover. Boxes and covers are made from 14 GA or 16 GA steel. Four internal mounting holes, bonding

screws and attachments are provided. Enclosures are finished with heat fused powder paint, electrostatically applied on a pretreated base. Box is ANSI/ASA 61 gray

(other colors available).  
**CSA Certified**  
**NEMA/EEMAC 1 / IP30**

**Refer to p.727 to validate choice of substrate for the application**



CATALOG NUMBER	DIMENSIONS			SHIP WGHT LBS.	CATALOG NUMBER	DIMENSIONS			SHIP WGHT LBS.
	A	B	C			A	B	C	
1100 WD040412	4	4	12	6	1100 WD080836	8	8	36	25
1100 WD040418	4	4	18	8	1100 WD080848	8	8	48	32
1100 WD040424	4	4	24	10	1100 WD080860	8	8	60	40
1100 WD040436	4	4	36	12	1100 WD080872	8	8	72	47
1100 WD040448	4	4	48	15	1100 WD080884	8	8	84	55
1100 WD040460	4	4	60	21	1100 WD080896	8	8	96	65
1100 WD040472	4	4	72	23	1100 WD101024	10	10	24	26
1100 WD040484	4	4	84	26	1100 WD101036	10	10	36	36
1100 WD040496	4	4	96	30	1100 WD101048	10	10	48	47
1100 WD060612	6	6	12	8	1100 WD101060	10	10	60	57
1100 WD060618	6	6	18	11	1100 WD101072	10	10	72	68
1100 WD060624	6	6	24	13	1100 WD101096	10	10	96	90
1100 WD060630	6	6	30	15	1100 WD1010120	10	10	120	111
1100 WD060636	6	6	36	19	1100 WD121224	12	12	24	33
1100 WD060648	6	6	48	24	1100 WD121236	12	12	36	44
1100 WD060660	6	6	60	29	1100 WD121248	12	12	48	55
1100 WD060672	6	6	72	35	1100 WD121260	12	12	60	67
1100 WD060684	6	6	84	38	1100 WD121272	12	12	72	83
1100 WD060696	6	6	96	43	1100 WD121296	12	12	96	106
1100 WD080812	8	8	12	11	1100 WD1212120	12	12	120	131
1100 WD080824	8	8	24	18					

**Note :** Type WD boxes are also available without knockouts, as series 1100 WD...N. (ie : 1100 WD080872N)

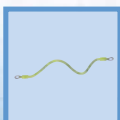


Data subject to change without notice.



p.478

<http://www.exmweb.com>



p.479



p.472

☎ 1-800-363-2423

Fax : 450-979-4626



[info@exmweb.com](mailto:info@exmweb.com)

## Instrument Ventilated Enclosures

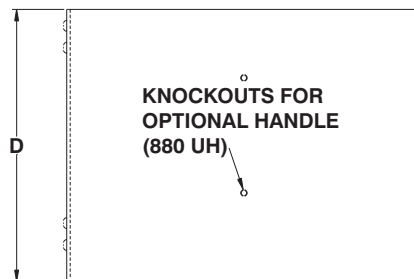
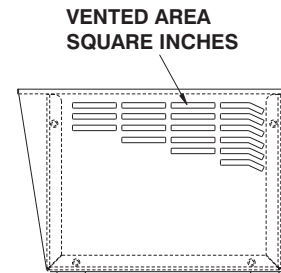
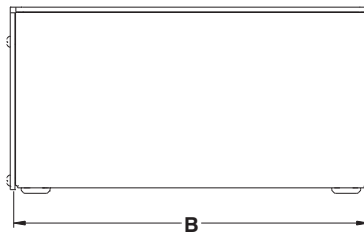
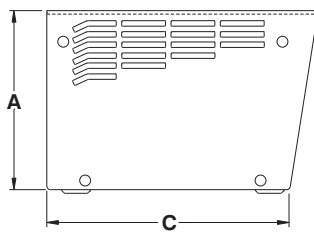
The 1100 IB are used for general purpose housing of electrical or electronic instruments. The enclosures are made of 18 GA steel. Covers with ventilation on the sides, attach to the boxes with screws positioned to prevent the front and back from pushing inside the enclosure. The top of the cover has knockouts for an

optional handle (page 460). The cover protrudes from the box, slanted on the front and straight on the back. This acts as a gripping place for manipulation and basic protection for the instruments mounted to the outside of the enclosure's front and back. Four internal mounting holes with clip-on polymeric feet are included.

Enclosures are finished with heat fused powder paint, electrostatically applied on a pretreated base.

Boxes are RAL7035 textured light gray. Covers are RAL7011 sand-tex dark gray.

**Refer to p.727 to validate choice of substrate for the application**



CATALOG NUMBER	DIMENSIONS				VENTED AREA INCHES	SHIP WGHT LBS.
	A	B	C	D		
1100 IB020305	2	3	5	5.5	1.12	1
1100 IB030407	3	4	7	7.625	1.12	2
1100 IB040508	4	5	8	8.875	1.12	3
1100 IB050810	5	8	10	11.312	5.62	5
1100 IB061208	6	12	8	9.312	4.50	5
1100 IB060610	6	6	10	11.062	20.50	5
1100 IB070712	7	7	12	13.062	27.37	7
1100 IB100918	10	9	18	19.062	24.62	14
1100 IB121219	12	12	19	20.062	28.50	18

\* Enclosures are also available non-ventilated; add suffix 'N' to the catalog number.

Data subject to change without notice.





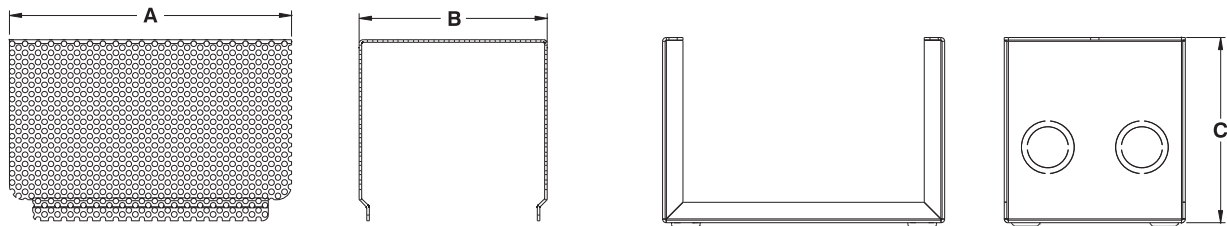
## Ventilated enclosures

The 1100 VE ventilated enclosures are used for general purposes whenever the contents require ventilation. The enclosures are made of 18 GA steel. There are knockouts at the top and bottom, and the two sides are

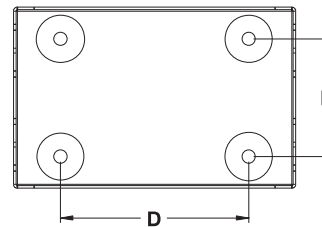
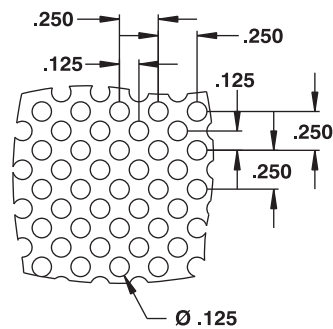
fully ventilated. Enclosures are also available non-ventilated (add suffix "N" to catalog number). Mounting holes are provided in the back and the cover are fixed with screws. Enclosures are finished with heat

fused powder paint, electrostatically applied on a pretreated base. Box is ANSI/ASA 61 gray (other colors available).

**Refer to p.727 to validate choice of substrate for the application**

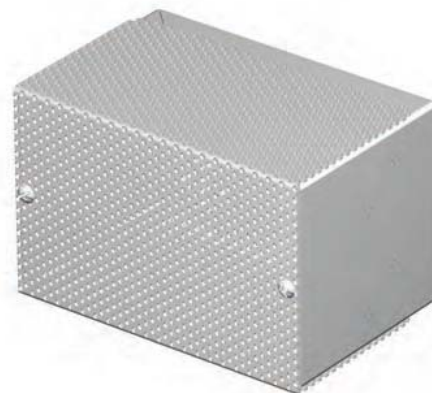


PERFORATION DETAIL



CATALOG NUMBER	DIMENSIONS					SHIP WGHT LBS.
	A	B	C	D	E	
1100 VE060404	6	4	4	4.000	2.500	2
1100 VE100404	10	4	4	7.000	2.500	3
1100 VE100606	10	6	6	7.000	4.500	4
1100 VE110707	11	7	7	8.000	5.500	6
1100 VE120808	12	8	8	9.000	6.500	7
1100 VE151008	15	10	8	12.000	8.500	10
1100 VE201008	20	10	8	17.000	8.500	12
1100 VE201010	20	10	10	17.000	8.500	14

\* Enclosures are also available non-ventilated; add suffix 'N' to the catalog number.



p.472

<http://www.exmweb.com>

☎ 1-800-363-2423

Fax : 450-979-4626

[info@exmweb.com](mailto:info@exmweb.com)



Data subject to change without notice.

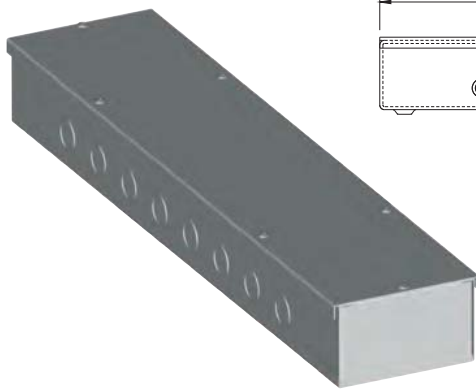
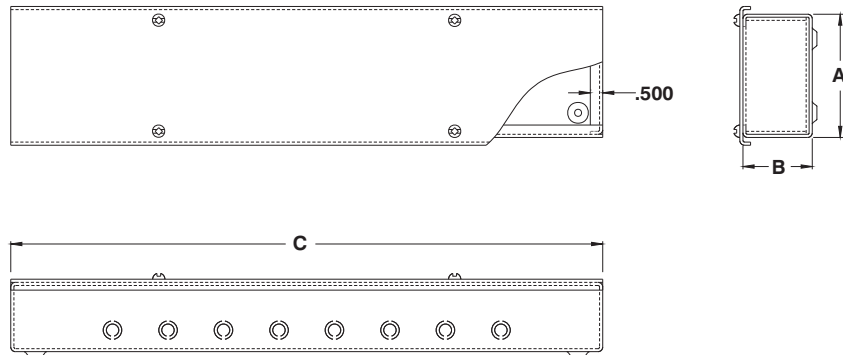
## Type WDAL Aluminum Wiring Troughs

The 1100 WDAL are used as junction or pull boxes and are suitable for surface mounting with a screw cover. Boxes and covers are made from 12 GA aluminum.

Four internal mounting holes, bonding screw and attachment are provided. Troughs are available with or without knockouts (add suffix "N" to the catalog number if knockouts are not required).

Boxes and covers are natural aluminum finish.

**CSA Certified**  
**NEMA/EEMAC 1 / IP30**



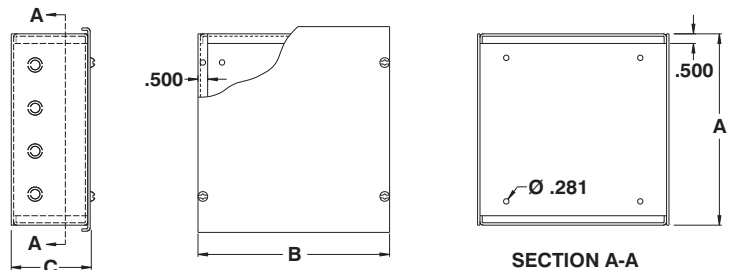
CATALOG NUMBER	DIMENSIONS			SHIP WGHT LBS.
	A	B	C	
1100 WDAL050312	5	3	12	1
1100 WDAL050318	5	3	18	2
1100 WDAL050324	5	3	24	2
1100 WDAL050336	5	3	36	3
1100 WDAL050348	5	3	48	5

The 1100 DAL are used as junction or pull boxes and are suitable for surface mounting with a screw cover. Boxes and covers are made from 12 GA aluminum. Four

internal mounting holes, bonding screw and attachment are provided. Two sides have concentric knockouts ( $1/2'' - 3/4''$  knockouts are standard). Boxes and covers are

natural aluminum finish.

**C.S.A. Certified**  
**NEMA/EEMAC 1 / IP30**



CATALOG NUMBER	DIMENSIONS			SHIP WGHT LBS.
	A	B	C	
1100 DAL060603	6	6	3	1
1100 DAL060604	6	6	4	1
1100 DAL080804	8	8	4	2
1100 DAL101004	10	10	4	2
1100 DAL121204	12	12	4	3
1100 DAL060606	6	6	6	1
1100 DAL080806	8	8	6	2
1100 DAL101006	10	10	6	2
1100 DAL120606	12	6	6	2
1100 DAL121206	12	12	6	3

Data subject to change without notice.

**Note:** Type WDAL and DAL troughs are also available without knockouts, as series 1100 DAL...N. (ie: 1100 DAL080804N)

# ELECTRICAL DISTRIBUTION



## Splitter Boxes & Troughs EEMAC/NEMA 1

The 1100 B splitter boxes are designed for 600 V (max.) service, 3 or 4 wires, in ordinary locations. They are made from 14 GA or 16 GA steel. They have mounting holes in the back, knockouts, bracket hinges and a provision

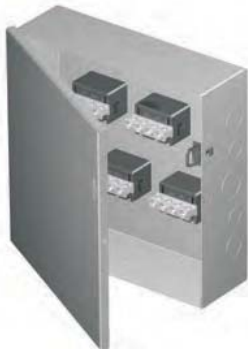
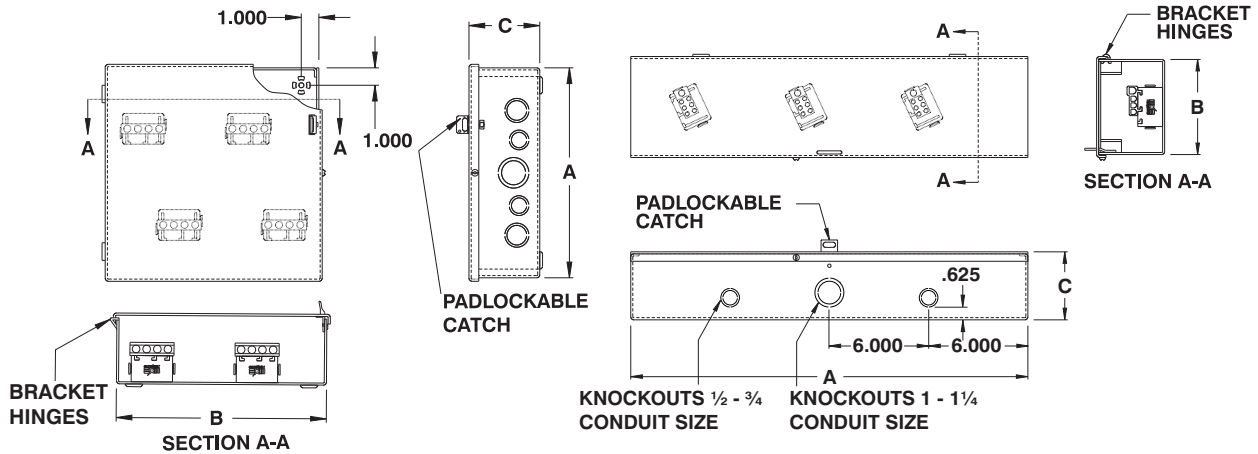
for padlocking. The phenolic insulated splitter blocks are factory installed. The 225, 400 and 600 lugs have removable tops which allow wires to be easily laid-in place. Enclosures are finished with heat fused powder paint,

electrostatically applied on a pre-treated base. Box is ANSI/ASA 61 gray (other colors available).

**C.S.A. Certified**

**NEMA/EEMAC 1 / IP30**

**Refer to p.727 to validate choice of substrate for the application**



CATALOG NUMBER		MAX AMP. CU-AL	MAIN LUGS		BRANCH LUGS		DIMENSIONS			SHIP WGHT LBS.
3 WIRES	4 WIRES		QTY	WIRES	QTY	WIRES	A	B	C	
1100 B73	1100 B74	70	1	2-14	3	2-14	10	10	4	8
1100 B103	1100 B104	125	1	2/0-14	3	2/0-14	12	12	4	11
1100 B203	1100 B204	225	1	300MCM-6	3	2/0-14	18	12	5	16
1100 B403	1100 B404	400	1	600MCM-4	3	600MCM-4	22	20	6	34
1100 B603	1100 B604	600	2	600MCM-4	2	600MCM-4	26	25	7	49

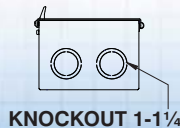
CATALOG NUMBER		MAX AMP. CU-AL	MAIN LUGS		BRANCH LUGS		DIMENSIONS			SHIP WGHT LBS.
3 WIRES	4 WIRES		QTY	WIRES	QTY	WIRES	A	B	C	
1100 T273	1100 T274	70	1	2-14	6	2-14	24	5.750	4	12
1100 T373	1100 T374	70	1	2-14	6	2-14	36	6	4	15
1100 T473	1100 T474	70	1	2-14	6	2-14	48	6	4	20
1100 T2103	1100 T2104	125	1	1/0-14	6	2-14	24	6	4	12
1100 T3103	1100 T3104	125	1	1/0-14	6	2-14	36	6	4	15
1100 T4103	1100 T4104	125	1	1/0-14	6	2-14	48	6	4	20
1100 T5103	1100 T5104	125	1	1/0-14	6	2-14	60	6	4	24
1100 T6103	1100 T6104	125	1	1/0-14	6	2-14	72	6	4	28
1100 T2203	-----	225	1	300MCM-6	6	2/0-14	24	8.250	5	19
1100 T3203	1100 T3204	225	1	300MCM-6	6	2/0-14	36	8	5	26
1100 T4203	1100 T4204	225	1	300MCM-6	6	2/0-14	48	8	5	32
1100 T5203	1100 T5204	225	1	300MCM-6	6	2/0-14	60	8	5	40
1100 T6203	1100 T6204	225	1	300MCM-6	6	2/0-14	72	8	5	46
1100 T3403	-----	400	2	250MCM-1/0*	6	4/0-14	36	9.750	6	34
1100 T4403	1100 T4404	400	2	250MCM-1/0*	6	4/0-14	48	10	6	42
1100 T5403	1100 T5404	400	2	250MCM-1/0*	6	4/0-14	60	10	6	50
1100 T6403	1100 T6404	400	2	250MCM-1/0*	6	4/0-14	72	10	6	59
1100 T4603	1100 T4604	600	4	250MCM-1/0†	6	4/0-14	48	10	6	42
1100 T5603	1100 T5604	600	4	250MCM-1/0†	6	4/0-14	60	10	6	50
1100 T6603	1100 T6604	600	4	250MCM-1/0†	6	4/0-14	72	10	6	59

\* OR 1 x 600MCM-4

† OR 2 x 600MCM-4

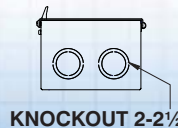
For 4 wire systems, add 1 lb to weight.

70 & 125 AMP

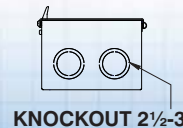


CONDUIT SIZE

225 AMP



400-600 AMP



Data subject to change without notice.



## Splitter Boxes & Troughs EEMAC/NEMA 3R/4/12

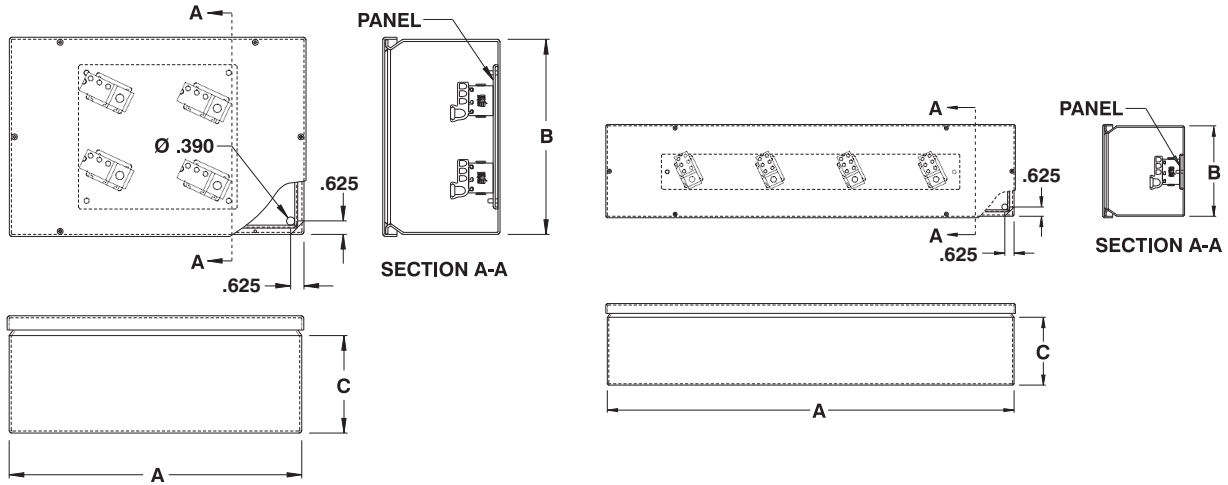
The 1400 B & T splitter boxes and troughs are designed for 600 V (max.) service, 3 or 4 wires, in ordinary locations. There is a curled lip around all sides to prevent water from entering when the enclosure is open. This also increases rigidity. They are made from 14 GA or 16 GA steel. They have four mounting

holes and a screw cover. There are no knockouts. The phenolic insulated splitter blocks are factory installed on an interior panel mounted on welded studs. Optional mounting feet are available (885 CHMF). Enclosures are finished with heat fused powder paint, electrostatically applied on a

pretreated base. Box is ANSI/ASA 61 gray, panel is white (other colors available).

**C.S.A. Certified**  
**NEMA/EEMAC 3R-4-12 / IP66**

**Refer to p.727 to validate choice of substrate for the application**



CATALOG NUMBER		MAX AMP. CU-AL	MAIN LUGS		BRANCH LUGS		DIMENSIONS			SHIP WGHT LBS.
3 WIRES	4 WIRES		QTY	WIRES	QTY	WIRES	A	B	C	
1400 B73	1400 B74	70	1	2-14	3	2-14	10	10	5	8
1400 B103	1400 B104	125	1	2/0-14	3	2/0-14	12	12	5	11
1400 B203	1400 B204	225	1	300MCM-6	3	2/0-14	18	12	6	16
1400 B403	1400 B404	400	1	600MCM-4	3	600MCM-4	22	20	8	34
1400 B603	1400 B604	600	2	600MCM-4	2	600MCM-4	26	25	8	49

CATALOG NUMBER		MAX AMP. CU-AL	MAIN LUGS		BRANCH LUGS		DIMENSIONS			SHIP WGHT LBS.
3 WIRES	4 WIRES		QTY	WIRES	QTY	WIRES	A	B	C	
1400 T273	1400 T274	70	1	2-14	6	2-14	24	6	5	12
1400 T373	1400 T374	70	1	2-14	6	2-14	36	6	5	15
1400 T473	1400 T474	70	1	2-14	6	2-14	48	6	5	20
1400 T2103	1400 T2104	125	1	1/0-14	6	2-14	24	6	5	12
1400 T3103	1400 T3104	125	1	1/0-14	6	2-14	36	6	5	15
1400 T4103	1400 T4104	125	1	1/0-14	6	2-14	48	6	5	20
1400 T5103	1400 T5104	125	1	1/0-14	6	2-14	60	6	5	24
1400 T6103	1400 T6104	125	1	1/0-14	6	2-14	72	6	5	28
1400 T2203	-----	225	1	300MCM-6	6	2/0-14	24	8	6	19
1400 T3203	1400 T3204	225	1	300MCM-6	6	2/0-14	36	8	6	26
1400 T4203	1400 T4204	225	1	300MCM-6	6	2/0-14	48	8	6	32
1400 T5203	1400 T5204	225	1	300MCM-6	6	2/0-14	60	8	6	40
1400 T6203	1400 T6204	225	1	300MCM-6	6	2/0-14	72	8	6	46
1400 T3403	-----	400	2	250MCM-1/0*	6	4/0-14	36	11	8	34
1400 T4403	1400 T4404	400	2	250MCM-1/0*	6	4/0-14	48	11	8	42
1400 T5403	1400 T5404	400	2	250MCM-1/0*	6	4/0-14	60	11	8	50
1400 T6403	1400 T6404	400	2	250MCM-1/0*	6	4/0-14	72	11	8	59
1400 T4603	1400 T4604	600	4	250MCM-1/0†	6	4/0-14	48	11	8	42
1400 T5603	1400 T5604	600	4	250MCM-1/0†	6	4/0-14	60	11	8	50
1400 T6603	1400 T6604	600	4	250MCM-1/0†	6	4/0-14	72	11	8	59

\* OR 1 x 600MCM-4

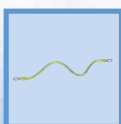
† OR 2 x 600MCM-4

For 4 wire systems, add 1 lb to weight.



p.478

<http://www.exmweb.com>



p.479



p.459



p.472



p.238



p.462

1-800-363-2423

Fax : 450-979-4626



## Splitter Boxes & Troughs EEMAC/NEMA 4x

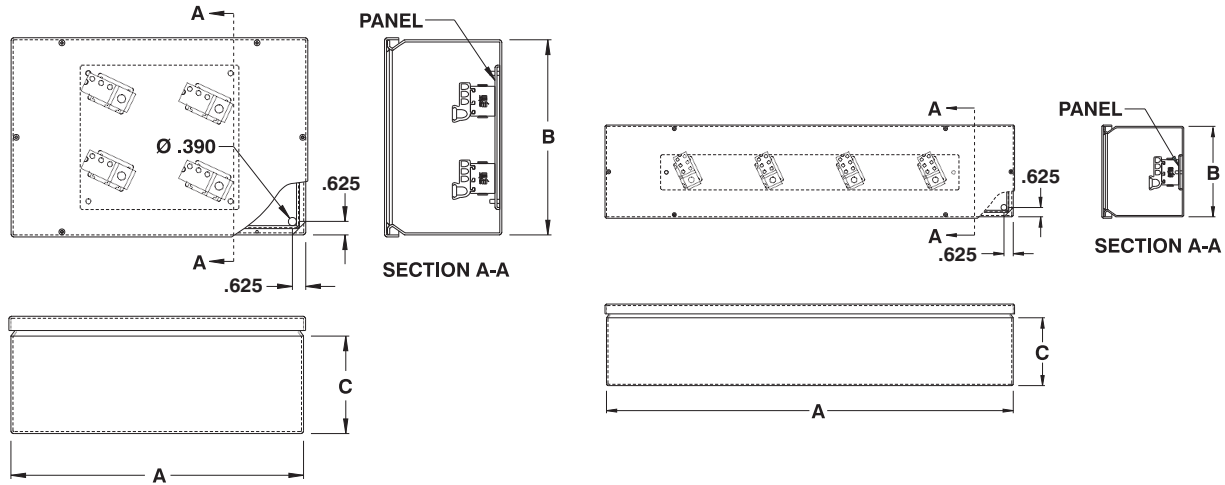
The 1400 BSSP & TSSP powder coated stainless steel splitter boxes and troughs are designed for 600 V (max.) service, 3 or 4 wires, in ordinary locations.

There is a curled lip around all sides to prevent water from entering when the enclosure is open.

This also increases rigidity. They are made from 14 GA or 16 GA stainless steel. They have four mounting holes and a screw cover. There are no knockouts. The phenolic insulated splitter blocks are factory installed on an interior panel mounted on welded

studs. Optional mounting feet are available (885 CHSSMF). The enclosure's exterior is powder coated ANSI/ASA 61 gray. The panel is powder coated white (other colors available).

**CSA Certified**  
**NEMA/EEMAC 4X / IP66**



CATALOG NUMBER		MAX AMP. CU-AL	MAIN LUGS		BRANCH LUGS		DIMENSIONS			SHIP WGHT LBS.
3 WIRES	4 WIRES		QTY	WIRES	QTY	WIRES	A	B	C	
1400 BSSP73	1400 BSSP74	70	1	2-14	3	2-14	10	10	5	8
1400 BSSP103	1400 BSSP104	125	1	2/0-14	3	2/0-14	12	12	5	11
1400 BSSP203	1400 BSSP204	225	1	300MCM-6	3	2/0-14	18	12	6	16
1400 BSSP403	1400 BSSP404	400	1	600MCM-4	3	600MCM-4	22	20	8	34
1400 BSSP603	1400 BSSP604	600	2	600MCM-4	2	600MCM-4	26	25	8	49

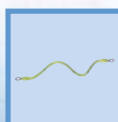
CATALOG NUMBER		MAX AMP. CU-AL	MAIN LUGS		BRANCH LUGS		DIMENSIONS			SHIP WGHT LBS.
3 WIRES	4 WIRES		QTY	WIRES	QTY	WIRES	A	B	C	
1400 TSSP273	1400 TSSP274	70	1	2-14	6	2-14	24	6	5	12
1400 TSSP373	1400 TSSP374	70	1	2-14	6	2-14	36	6	5	15
1400 TSSP473	1400 TSSP474	70	1	2-14	6	2-14	48	6	5	20
1400 TSSP2103	1400 TSSP2104	125	1	1/0-14	6	2-14	24	6	5	12
1400 TSSP3103	1400 TSSP3104	125	1	1/0-14	6	2-14	36	6	5	15
1400 TSSP4103	1400 TSSP4104	125	1	1/0-14	6	2-14	48	6	5	20
1400 TSSP5103	1400 TSSP5104	125	1	1/0-14	6	2-14	60	6	5	24
1400 TSSP6103	1400 TSSP6104	125	1	1/0-14	6	2-14	72	6	5	28
1400 TSSP2203	-----	225	1	300MCM-6	6	2/0-14	24	8	6	19
1400 TSSP3203	1400 TSSP3204	225	1	300MCM-6	6	2/0-14	36	8	6	26
1400 TSSP4203	1400 TSSP4204	225	1	300MCM-6	6	2/0-14	48	8	6	32
1400 TSSP5203	1400 TSSP5204	225	1	300MCM-6	6	2/0-14	60	8	6	40
1400 TSSP6203	1400 TSSP6204	225	1	300MCM-6	6	2/0-14	72	8	6	46
1400 TSSP3403	-----	400	2	250MCM-1/0*	6	4/0-14	36	11	8	34
1400 TSSP4403	1400 TSSP4404	400	2	250MCM-1/0*	6	4/0-14	48	11	8	42
1400 TSSP5403	1400 TSSP5404	400	2	250MCM-1/0*	6	4/0-14	60	11	8	50
1400 TSSP6403	1400 TSSP6404	400	2	250MCM-1/0*	6	4/0-14	72	11	8	59
1400 TSSP4603	1400 TSSP4604	600	4	250MCM-1/0†	6	4/0-14	48	11	8	42
1400 TSSP5603	1400 TSSP5604	600	4	250MCM-1/0†	6	4/0-14	60	11	8	50
1400 TSSP6603	1400 TSSP6604	600	4	250MCM-1/0†	6	4/0-14	72	11	8	59

\* OR 1 x 600MCM-4

† OR 2 x 600MCM-4

For 4 wire systems, add 1 lb to weight.

Data subject to change without notice.



## Splitter Boxes & Troughs EEMAC/NEMA 4X

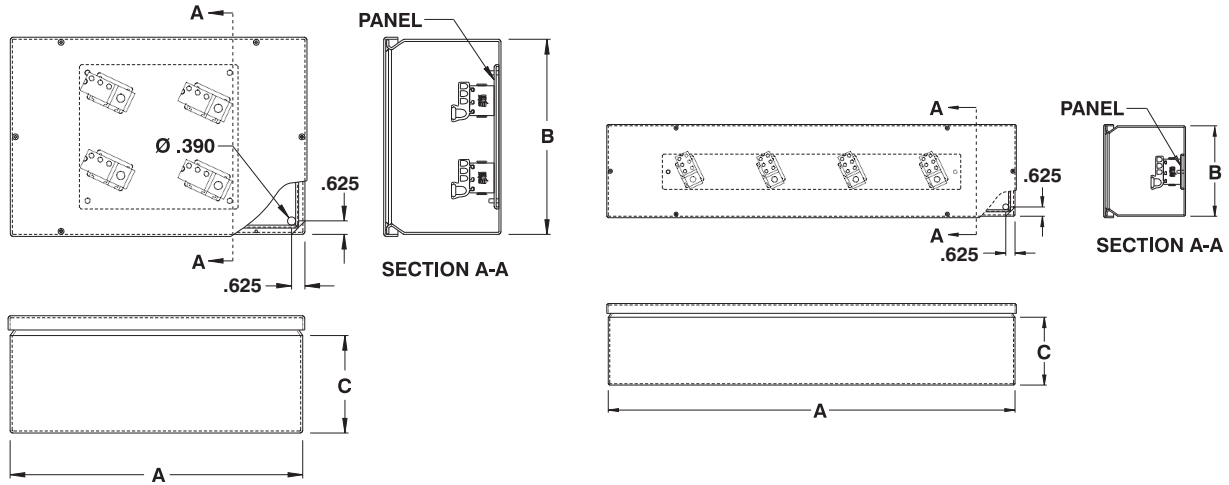
The 1400 BSS & TSS stainless steel splitter boxes and troughs are designed for 600 V (max.) service, 3 or 4 wires, in ordinary locations.

There is a curled lip around all sides to prevent water from entering when the enclosure is open. This also increases rigidity. They

are made from 14 GA or 16 GA stainless steel. They have four mounting holes and a screw cover. There are no knockouts. The phenolic insulated splitter blocks are factory installed on an interior panel mounted on welded studs. Optional mounting feet are available (885 CHSSMF). The

enclosure's exterior is unpainted and brushed smooth. The enclosures' interior and panel are powder coated white (other colors available).

**CSA Certified**  
**NEMA/EEMAC 4X / IP66**



CATALOG NUMBER		MAX AMP. CU-AL	MAIN LUGS		BRANCH LUGS		DIMENSIONS			SHIP WGHT LBS.
3 WIRES	4 WIRES		QTY	WIRES	QTY	WIRES	A	B	C	
1400 BSS73	1400 BSS74	70	1	2-14	3	2-14	10	10	5	8
1400 BSS103	1400 BSS104	125	1	2/0-14	3	2/0-14	12	12	5	11
1400 BSS203	1400 BSS204	225	1	300MCM-6	3	2/0-14	18	12	6	16
1400 BSS403	1400 BSS404	400	1	600MCM-4	3	600MCM-4	22	20	8	34
1400 BSS603	1400 BSS604	600	2	600MCM-4	2	600MCM-4	26	25	8	49

CATALOG NUMBER		MAX AMP. CU-AL	MAIN LUGS		BRANCH LUGS		DIMENSIONS			SHIP WGHT LBS.
3 WIRES	4 WIRES		QTY	WIRES	QTY	WIRES	A	B	C	
1400 TSS273	1400 TSS274	70	1	2-14	6	2-14	24	6	5	12
1400 TSS373	1400 TSS374	70	1	2-14	6	2-14	36	6	5	15
1400 TSS473	1400 TSS474	70	1	2-14	6	2-14	48	6	5	20
1400 TSS2103	1400 TSS2104	125	1	1/0-14	6	2-14	24	6	5	12
1400 TSS3103	1400 TSS3104	125	1	1/0-14	6	2-14	36	6	5	15
1400 TSS4103	1400 TSS4104	125	1	1/0-14	6	2-14	48	6	5	20
1400 TSS5103	1400 TSS5104	125	1	1/0-14	6	2-14	60	6	5	24
1400 TSS6103	1400 TSS6104	125	1	1/0-14	6	2-14	72	6	5	28
1400 TSS2203	-----	225	1	300MCM-6	6	2/0-14	24	8	6	19
1400 TSS3203	1400 TSS3204	225	1	300MCM-6	6	2/0-14	36	8	6	26
1400 TSS4203	1400 TSS4204	225	1	300MCM-6	6	2/0-14	48	8	6	32
1400 TSS5203	1400 TSS5204	225	1	300MCM-6	6	2/0-14	60	8	6	40
1400 TSS6203	1400 TSS6204	225	1	300MCM-6	6	2/0-14	72	8	6	46
1400 TSS3403	-----	400	2	250MCM-1/0*	6	4/0-14	36	11	8	34
1400 TSS4403	1400 TSS4404	400	2	250MCM-1/0*	6	4/0-14	48	11	8	42
1400 TSS5403	1400 TSS5404	400	2	250MCM-1/0*	6	4/0-14	60	11	8	50
1400 TSS6403	1400 TSS6404	400	2	250MCM-1/0*	6	4/0-14	72	11	8	59
1400 TSS4603	1400 TSS4604	600	4	250MCM-1/0†	6	4/0-14	48	11	8	42
1400 TSS5603	1400 TSS5604	600	4	250MCM-1/0†	6	4/0-14	60	11	8	50
1400 TSS6603	1400 TSS6604	600	4	250MCM-1/0†	6	4/0-14	72	11	8	59

\* OR 1 x 600MCM-4

† OR 2 x 600MCM-4

For 4 wire systems, add 1 lb to weight.



p.478

p.479

p.459

p.238

p.462

<http://www.exmweb.com>

1-800-363-2423

Fax : 450-979-4626

[info@exmweb.com](mailto:info@exmweb.com)



## Bus bar splitter troughs with aluminum bus bars

The 1100 BT bus bar splitter troughs are used indoors to house bus bars for power distribution. Troughs and covers are made from 14 GA steel. Four external mounting holes are provided for easy fixation.

Troughs are available in configurations of 3, 4 or 5 aluminum, tin plated

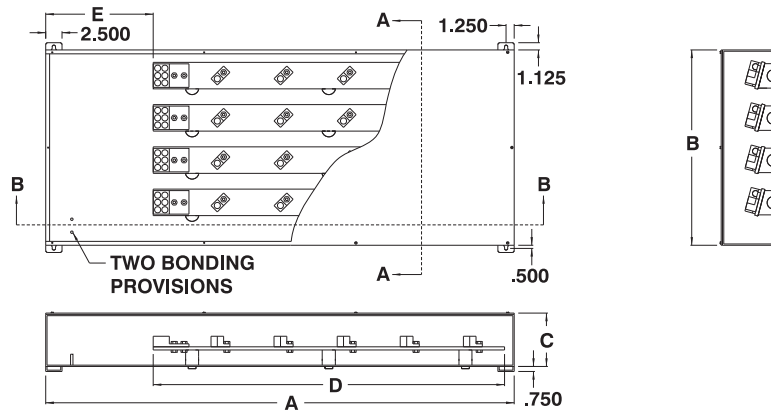
ed bus bars that mount on slanted insulators. There are no knockouts. Bus bars are also available drilled and tapped 1/4 - 20 at 6" interval. Add suffix 'DT' to the catalog number (ie. 1100BT...DT). Troughs are finished with heat fused powder paint, electrostatically applied on a pretreated base. Box is ANSI/ASA

61 gray.

**Note: Lugs must be ordered separately.**

**CSA Certified  
NEMA/EEMAC 1 / IP30**

**Refer to p.727 to validate choice of substrate for the application**



SECTION B-B

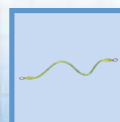
NOMINAL AMPACITY	MAIN LUGS	BRANCH LUGS		BAR CROSS SECTION	LENGTHS AVAILABLE (FEET)	
		QTY.	WIRES			
225	200	1	250MCM	2 #2	1/4 X 1	3-4-5-6-7-8-9
400	340	1	600MCM	3 2/0	1/4 X 2 1/2	3-4-5-6-7-8-9-10
600	500	2	350MCM	4 2/0	3/8 X 2 1/2	3-4-5-6-7-8-9-10-11-12
800	680	2	600MCM	5 2/0	1/2 X 3	3-4-5-6-7-8-9-10-11-12
1000	890	2	1000MCM	4 250MCM	3/8 X 4 1/2	5-6-7-8-9-10-11-12
1200	1020	3	600MCM	5 250MCM	1/2 X 4	5-6-7-8-9-10-11-12
1600	1335	3	1000MCM	4 250MCM	1/2 X 6	5-6-7-8-9-10-11-12
2000	1700	5	600MCM	7 350MCM	3/4 X 5	6-7-8-9-10-11-12
2500	2040	6	600MCM	8 350MCM	3/4 X 6	6-7-8-9-10-11-12

CU NOM. AMP	3 WIRES			4 WIRES			5 WIRES							
	CATALOG #	A	B	C	CATALOG #	A	B	C	CATALOG #	A	B	C	D	E
225	1100 BT03203	36	18	6	1100 BT03204	36	22	7	1100 BT03205	36	26	7	27	7.75
225	1100 BT04203	48	18	6	1100 BT04204	48	22	7	1100 BT04205	48	26	7	36	7.75
225	1100 BT05203	60	18	6	1100 BT05204	60	22	7	1100 BT05205	60	26	7	45	13.75
225	1100 BT06203	72	18	6	1100 BT06204	72	22	7	1100 BT06205	72	26	7	54	16.75
225	1100 BT07203	84	18	6	1100 BT07204	84	22	7	1100 BT07205	84	26	7	63	16.75
225	1100 BT08203	96	18	6	1100 BT08204	96	22	7	1100 BT08205	96	26	7	72	16.75
225	1100 BT09203	108	18	6	1100 BT09204	108	22	7	1100 BT09205	108	26	7	81	16.75
400	1100 BT03403	36	18	6	1100 BT03404	36	22	7	1100 BT03405	36	26	7	27	7.75
400	1100 BT04403	48	18	6	1100 BT04404	48	22	7	1100 BT04405	48	26	7	36	7.75
400	1100 BT05403	60	18	6	1100 BT05404	60	22	7	1100 BT05405	60	26	7	45	13.75
400	1100 BT06403	72	18	6	1100 BT06404	72	22	7	1100 BT06405	72	26	7	54	16.75
400	1100 BT07403	84	18	6	1100 BT07404	84	22	7	1100 BT07405	84	26	7	63	16.75
400	1100 BT08403	96	18	6	1100 BT08404	96	22	7	1100 BT08405	96	26	7	72	16.75
400	1100 BT09403	108	18	6	1100 BT09404	108	22	7	1100 BT09405	108	26	7	81	16.75
400	1100 BT10403	120	18	6	1100 BT10404	120	22	7	1100 BT10405	120	26	7	90	16.75
600	1100 BT03603	36	24	8	1100 BT03604	36	30	8	1100 BT03605	36	36	8	27	7.75
600	1100 BT04603	48	24	8	1100 BT04604	48	30	8	1100 BT04605	48	36	8	36	7.75
600	1100 BT05603	60	24	8	1100 BT05604	60	30	8	1100 BT05605	60	36	8	45	13.75
600	1100 BT06603	72	24	8	1100 BT06604	72	30	8	1100 BT06605	72	36	8	54	16.75
600	1100 BT07603	84	24	8	1100 BT07604	84	30	8	1100 BT07605	84	36	8	63	16.75

Data subject to change without notice.



p.478



p.479



p.472



p.239



p.239



# ELECTRICAL DISTRIBUTION

# 1100 BT

CU NOM. AMP	3 WIRES			4 WIRES				5 WIRES						
	CATALOG #	A	B	C	CATALOG #	A	B	C	CATALOG #	A	B	C	D	E
600	1100 BT08603	96	24	8	1100 BT08604	96	30	8	1100 BT08605	96	36	8	72	16.75
600	1100 BT09603	108	24	8	1100 BT09604	108	30	8	1100 BT09605	108	36	8	81	16.75
600	1100 BT10603	120	24	8	1100 BT10604	120	30	8	1100 BT10605	120	36	8	90	16.75
600	1100 BT11603	132	24	8	1100 BT11604	132	30	8	1100 BT11605	132	36	8	99	16.75
600	1100 BT12603	144	24	8	1100 BT12604	144	30	8	1100 BT12605	144	36	8	108	16.75
800	1100 BT03803	36	24	8	1100 BT03804	36	30	8	1100 BT03805	36	36	8	27	7.75
800	1100 BT04803	48	24	8	1100 BT04804	48	30	8	1100 BT04805	48	36	8	36	7.75
800	1100 BT05803	60	24	8	1100 BT05804	60	30	8	1100 BT05805	60	36	8	45	13.75
800	1100 BT06803	72	24	8	1100 BT06804	72	30	8	1100 BT06805	72	36	8	54	16.75
800	1100 BT07803	84	24	8	1100 BT07804	84	30	8	1100 BT07805	84	36	8	63	16.75
800	1100 BT08803	96	24	8	1100 BT08804	96	30	8	1100 BT08805	96	36	8	72	16.75
800	1100 BT09803	108	24	8	1100 BT09804	108	30	8	1100 BT09805	108	36	8	81	16.75
800	1100 BT10803	120	24	8	1100 BT10804	120	30	8	1100 BT10805	120	36	8	90	16.75
800	1100 BT11803	132	24	8	1100 BT11804	132	30	8	1100 BT11805	132	36	8	99	16.75
800	1100 BT12803	144	24	8	1100 BT12804	144	30	8	1100 BT12805	144	36	8	108	16.75
1000	1100 BT051003	60	24	8	1100 BT051004	60	30	8	1100 BT051005	60	36	8	45	13.75
1000	1100 BT061003	72	24	8	1100 BT061004	72	30	8	1100 BT061005	72	36	8	54	16.75
1000	1100 BT071003	84	24	8	1100 BT071004	84	30	8	1100 BT071005	84	36	8	63	16.75
1000	1100 BT081003	96	24	8	1100 BT081004	96	30	8	1100 BT081005	96	36	8	72	16.75
1000	1100 BT091003	108	24	8	1100 BT091004	108	30	8	1100 BT091005	108	36	8	81	16.75
1000	1100 BT101003	120	24	8	1100 BT101004	120	30	8	1100 BT101005	120	36	8	90	16.75
1000	1100 BT111003	132	24	8	1100 BT111004	132	30	8	1100 BT111005	132	36	8	99	16.75
1000	1100 BT121003	144	24	8	1100 BT121004	144	30	8	1100 BT121005	144	36	8	108	16.75
1200	1100 BT051203	60	24	8	1100 BT051204	60	30	8	1100 BT051205	60	36	8	45	13.75
1200	1100 BT061203	72	24	8	1100 BT061204	72	30	8	1100 BT061205	72	36	8	54	16.75
1200	1100 BT071203	84	24	8	1100 BT071204	84	30	8	1100 BT071205	84	36	8	63	16.75
1200	1100 BT081203	96	24	8	1100 BT081204	96	30	8	1100 BT081205	96	36	8	72	16.75
1200	1100 BT091203	108	24	8	1100 BT091204	108	30	8	1100 BT091205	108	36	8	81	16.75
1200	1100 BT101203	120	24	8	1100 BT101204	120	30	8	1100 BT101205	120	36	8	90	16.75
1200	1100 BT111203	132	24	8	1100 BT111204	132	30	8	1100 BT111205	132	36	8	99	16.75
1200	1100 BT121203	144	24	8	1100 BT121204	144	30	8	1100 BT121205	144	36	8	108	16.75
1600	1100 BT051603	60	27	8	1100 BT051604	60	32	10	1100 BT051605	60	37	10	45	13.75
1600	1100 BT061603	72	27	8	1100 BT061604	72	32	10	1100 BT061605	72	37	10	54	16.75
1600	1100 BT071603	84	27	8	1100 BT071604	84	32	10	1100 BT071605	84	37	10	63	16.75
1600	1100 BT081603	96	27	8	1100 BT081604	96	32	10	1100 BT081605	96	37	10	72	16.75
1600	1100 BT091603	108	27	8	1100 BT091604	108	32	10	1100 BT091605	108	37	10	81	16.75
1600	1100 BT101603	120	27	8	1100 BT101604	120	32	10	1100 BT101605	120	37	10	90	16.75
1600	1100 BT111603	132	27	8	1100 BT111604	132	32	10	1100 BT111605	132	37	10	99	16.75
1600	1100 BT121603	144	27	8	1100 BT121604	144	32	10	1100 BT121605	144	37	10	108	16.75
2000	1100 BT062003	72	30	9	1100 BT062004	72	37	10	1100 BT062005	72	44	10	54	16.75
2000	1100 BT072003	84	30	9	1100 BT072004	84	37	10	1100 BT072005	84	44	10	63	16.75
2000	1100 BT082003	96	30	9	1100 BT082004	96	37	10	1100 BT082005	96	44	10	72	16.75
2000	1100 BT092003	108	30	9	1100 BT092004	108	37	10	1100 BT092005	108	44	10	81	16.75
2000	1100 BT102003	120	30	9	1100 BT102004	120	37	10	1100 BT102005	120	44	10	90	16.75
2000	1100 BT112003	132	30	9	1100 BT112004	132	37	10	1100 BT112005	132	44	10	99	16.75
2000	1100 BT122003	144	30	9	1100 BT122004	144	37	10	1100 BT122005	144	44	10	108	16.75
2500	1100 BT062503	72	30	9	1100 BT062504	72	37	10	1100 BT062505	72	44	10	54	16.75
2500	1100 BT072503	84	30	9	1100 BT072504	84	37	10	1100 BT072505	84	44	10	63	16.75
2500	1100 BT082503	96	30	9	1100 BT082504	96	37	10	1100 BT082505	96	44	10	72	16.75
2500	1100 BT092503	108	30	9	1100 BT092504	108	37	10	1100 BT092505	108	44	10	81	16.75
2500	1100 BT102503	120	30	9	1100 BT102504	120	37	10	1100 BT102505	120	44	10	90	16.75
2500	1100 BT112503	132	30	9	1100 BT112504	132	37	10	1100 BT112505	132	44	10	99	16.75
2500	1100 BT122503	144	30	9	1100 BT122504	144	37	10	1100 BT122505	144	44	10	108	16.75

Bus bar also available drilled and tapped 1/4" - 20 at 6" interval, add suffix 'DT' to the catalog number (ie. 1100 BT...DT)

**Note :**  
EXM lugs must be ordered separately.  
See pages 238-239 for different types of lugs.

Data subject to change without notice.



## Bus bar splitter troughs with copper bus bars

The 1100 BTCU bus bar splitter troughs are used indoors to house bus bars for power distribution. Troughs and covers are made from 14 GA steel. Four external mounting holes are provided for easy fixation. Troughs are available in configurations of 3, 4 or 5 copper bus bars

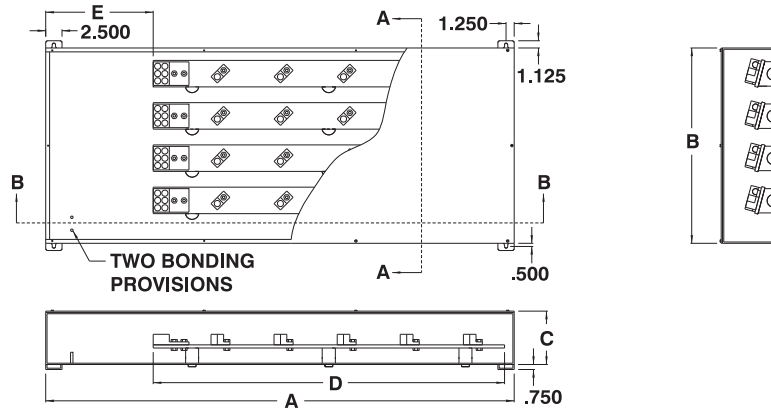
that mount on slanted insulators. There are no knockouts. Bus bars are also available drilled and tapped 1/4" - 20 at 6" interval. Add suffix 'DT' to the catalog number. (ie. 1100BTCU...DT). Troughs are finished with heat fused powder paint, electrostatically applied on a pretreated base.

Box is ANSI/ASA 61 gray.

**Note: Lugs must be ordered separately.**

**CSA Certified  
NEMA/EEMAC 1 / IP30**

**Refer to p.727 to validate choice of substrate for the application**



NOMINAL AMPACITY	MAIN LUGS	BRANCH LUGS	BAR CROSS SECTION	LENGTHS AVAILABLE (FEET)
CU	AL	QTY. WIRES	QTY. WIRES	
225	200	1 250MCM	2 #2	1/8 X 1 3-4-5-6-7-8-9
400	340	1 600MCM	3 2/0	3/16 X 1 1/2 3-4-5-6-7-8-9-10
600	500	2 350MCM	4 2/0	1/4 X 2 3-4-5-6-7-8-9-10-11-12
800	680	2 600MCM	5 2/0	1/4 X 3 3-4-5-6-7-8-9-10-11-12
1000	890	2 1000MCM	4 250MCM	1/4 X 4 5-6-7-8-9-10-11-12
1200	1020	3 600MCM	5 250MCM	5/16 X 4 5-6-7-8-9-10-11-12
1600	1335	3 1000MCM	4 250MCM	1/2 X 4 5-6-7-8-9-10-11-12
2000	1700	5 600MCM	7 350MCM	1/2 X 5 6-7-8-9-10-11-12
2500	2040	6 600MCM	8 350MCM	1/2 X 6 6-7-8-9-10-11-12

CU NOM. AMP	3 WIRES			4 WIRES			5 WIRES							
	CATALOG #	A	B	C	CATALOG #	A	B	C	CATALOG #	A	B	C	D	E
225	1100 BTCU03203	36	18	6	1100 BTCU03204	36	22	7	1100 BTCU03205	36	26	7	27	7.75
225	1100 BTCU04203	48	18	6	1100 BTCU04204	48	22	7	1100 BTCU04205	48	26	7	36	7.75
225	1100 BTCU05203	60	18	6	1100 BTCU05204	60	22	7	1100 BTCU05205	60	26	7	45	13.75
225	1100 BTCU06203	72	18	6	1100 BTCU06204	72	22	7	1100 BTCU06205	72	26	7	54	16.75
225	1100 BTCU07203	84	18	6	1100 BTCU07204	84	22	7	1100 BTCU07205	84	26	7	63	16.75
225	1100 BTCU08203	96	18	6	1100 BTCU08204	96	22	7	1100 BTCU08205	96	26	7	72	16.75
225	1100 BTCU09203	108	18	6	1100 BTCU09204	108	22	7	1100 BTCU09205	108	26	7	81	16.75
400	1100 BTCU03403	36	18	6	1100 BTCU03404	36	22	7	1100 BTCU03405	36	26	7	27	7.75
400	1100 BTCU04403	48	18	6	1100 BTCU04404	48	22	7	1100 BTCU04405	48	26	7	36	7.75
400	1100 BTCU05403	60	18	6	1100 BTCU05404	60	22	7	1100 BTCU05405	60	26	7	45	13.75
400	1100 BTCU06403	72	18	6	1100 BTCU06404	72	22	7	1100 BTCU06405	72	26	7	54	16.75
400	1100 BTCU07403	84	18	6	1100 BTCU07404	84	22	7	1100 BTCU07405	84	26	7	63	16.75
400	1100 BTCU08403	96	18	6	1100 BTCU08404	96	22	7	1100 BTCU08405	96	26	7	72	16.75
400	1100 BTCU09403	108	18	6	1100 BTCU09404	108	22	7	1100 BTCU09405	108	26	7	81	16.75
400	1100 BTCU10403	120	18	6	1100 BTCU10404	120	22	7	1100 BTCU10405	120	26	7	90	16.75
600	1100 BTCU03603	36	24	8	1100 BTCU03604	36	30	8	1100 BTCU03605	36	36	8	27	7.75
600	1100 BTCU04603	48	24	8	1100 BTCU04604	48	30	8	1100 BTCU04605	48	36	8	36	7.75
600	1100 BTCU05603	60	24	8	1100 BTCU05604	60	30	8	1100 BTCU05605	60	36	8	45	13.75
600	1100 BTCU06603	72	24	8	1100 BTCU06604	72	30	8	1100 BTCU06605	72	36	8	54	16.75
600	1100 BTCU07603	84	24	8	1100 BTCU07604	84	30	8	1100 BTCU07605	84	36	8	63	16.75

Data subject to change without notice.



p.478

p.479

p.472

p.239

p.239

# ELECTRICAL DISTRIBUTION

# 1100 BTCU

CU NOM. AMP	3 WIRES			4 WIRES			5 WIRES							
	CATALOG #	A	B	C	CATALOG #	A	B	C	CATALOG #	A	B	C	D	E
600	1100 BTCU08603	96	24	8	1100 BTCU08604	96	30	8	1100 BTCU08605	96	36	8	72	16.75
600	1100 BTCU09603	108	24	8	1100 BTCU09604	108	30	8	1100 BTCU09605	108	36	8	81	16.75
600	1100 BTCU10603	120	24	8	1100 BTCU10604	120	30	8	1100 BTCU10605	120	36	8	90	16.75
600	1100 BTCU11603	132	24	8	1100 BTCU11604	132	30	8	1100 BTCU11605	132	36	8	99	16.75
600	1100 BTCU12603	144	24	8	1100 BTCU12604	144	30	8	1100 BTCU12605	144	36	8	108	16.75
800	1100 BTCU03803	36	24	8	1100 BTCU03804	36	30	8	1100 BTCU03805	36	36	8	27	7.75
800	1100 BTCU04803	48	24	8	1100 BTCU04804	48	30	8	1100 BTCU04805	48	36	8	36	7.75
800	1100 BTCU05803	60	24	8	1100 BTCU05804	60	30	8	1100 BTCU05805	60	36	8	45	13.75
800	1100 BTCU06803	72	24	8	1100 BTCU06804	72	30	8	1100 BTCU06805	72	36	8	54	16.75
800	1100 BTCU07803	84	24	8	1100 BTCU07804	84	30	8	1100 BTCU07805	84	36	8	63	16.75
800	1100 BTCU08803	96	24	8	1100 BTCU08804	96	30	8	1100 BTCU08805	96	36	8	72	16.75
800	1100 BTCU09803	108	24	8	1100 BTCU09804	108	30	8	1100 BTCU09805	108	36	8	81	16.75
800	1100 BTCU10803	120	24	8	1100 BTCU10804	120	30	8	1100 BTCU10805	120	36	8	90	16.75
800	1100 BTCU11803	132	24	8	1100 BTCU11804	132	30	8	1100 BTCU11805	132	36	8	99	16.75
800	1100 BTCU12803	144	24	8	1100 BTCU12804	144	30	8	1100 BTCU12805	144	36	8	108	16.75
1000	1100 BTCU051003	60	24	8	1100 BTCU051004	60	30	8	1100 BTCU051005	60	36	8	45	13.75
1000	1100 BTCU061003	72	24	8	1100 BTCU061004	72	30	8	1100 BTCU061005	72	36	8	54	16.75
1000	1100 BTCU071003	84	24	8	1100 BTCU071004	84	30	8	1100 BTCU071005	84	36	8	63	16.75
1000	1100 BTCU081003	96	24	8	1100 BTCU081004	96	30	8	1100 BTCU081005	96	36	8	72	16.75
1000	1100 BTCU091003	108	24	8	1100 BTCU091004	108	30	8	1100 BTCU091005	108	36	8	81	16.75
1000	1100 BTCU101003	120	24	8	1100 BTCU101004	120	30	8	1100 BTCU101005	120	36	8	90	16.75
1000	1100 BTCU111003	132	24	8	1100 BTCU111004	132	30	8	1100 BTCU111005	132	36	8	99	16.75
1000	1100 BTCU121003	144	24	8	1100 BTCU121004	144	30	8	1100 BTCU121005	144	36	8	108	16.75
1200	1100 BTCU051203	60	24	8	1100 BTCU051204	60	30	8	1100 BTCU051205	60	36	8	45	13.75
1200	1100 BTCU061203	72	24	8	1100 BTCU061204	72	30	8	1100 BTCU061205	72	36	8	54	16.75
1200	1100 BTCU071203	84	24	8	1100 BTCU071204	84	30	8	1100 BTCU071205	84	36	8	63	16.75
1200	1100 BTCU081203	96	24	8	1100 BTCU081204	96	30	8	1100 BTCU081205	96	36	8	72	16.75
1200	1100 BTCU091203	108	24	8	1100 BTCU091204	108	30	8	1100 BTCU091205	108	36	8	81	16.75
1200	1100 BTCU101203	120	24	8	1100 BTCU101204	120	30	8	1100 BTCU101205	120	36	8	90	16.75
1200	1100 BTCU111203	132	24	8	1100 BTCU111204	132	30	8	1100 BTCU111205	132	36	8	99	16.75
1200	1100 BTCU121203	144	24	8	1100 BTCU121204	144	30	8	1100 BTCU121205	144	36	8	108	16.75
1600	1100 BTCU051603	60	27	8	1100 BTCU051604	60	32	10	1100 BTCU051605	60	37	10	45	13.75
1600	1100 BTCU061603	72	27	8	1100 BTCU061604	72	32	10	1100 BTCU061605	72	37	10	54	16.75
1600	1100 BTCU071603	84	27	8	1100 BTCU071604	84	32	10	1100 BTCU071605	84	37	10	63	16.75
1600	1100 BTCU081603	96	27	8	1100 BTCU081604	96	32	10	1100 BTCU081605	96	37	10	72	16.75
1600	1100 BTCU091603	108	27	8	1100 BTCU091604	108	32	10	1100 BTCU091605	108	37	10	81	16.75
1600	1100 BTCU101603	120	27	8	1100 BTCU101604	120	32	10	1100 BTCU101605	120	37	10	90	16.75
1600	1100 BTCU111603	132	27	8	1100 BTCU111604	132	32	10	1100 BTCU111605	132	37	10	99	16.75
1600	1100 BTCU121603	144	27	8	1100 BTCU121604	144	32	10	1100 BTCU121605	144	37	10	108	16.75
2000	1100 BTCU062003	72	30	9	1100 BTCU062004	72	37	10	1100 BTCU062005	72	44	10	54	16.75
2000	1100 BTCU072003	84	30	9	1100 BTCU072004	84	37	10	1100 BTCU072005	84	44	10	63	16.75
2000	1100 BTCU082003	96	30	9	1100 BTCU082004	96	37	10	1100 BTCU082005	96	44	10	72	16.75
2000	1100 BTCU092003	108	30	9	1100 BTCU092004	108	37	10	1100 BTCU092005	108	44	10	81	16.75
2000	1100 BTCU102003	120	30	9	1100 BTCU102004	120	37	10	1100 BTCU102005	120	44	10	90	16.75
2000	1100 BTCU112003	132	30	9	1100 BTCU112004	132	37	10	1100 BTCU112005	132	44	10	99	16.75
2000	1100 BTCU122003	144	30	9	1100 BTCU122004	144	37	10	1100 BTCU122005	144	44	10	108	16.75
2500	1100 BTCU062503	72	30	9	1100 BTCU062504	72	37	10	1100 BTCU062505	72	44	10	54	16.75
2500	1100 BTCU072503	84	30	9	1100 BTCU072504	84	37	10	1100 BTCU072505	84	44	10	63	16.75
2500	1100 BTCU082503	96	30	9	1100 BTCU082504	96	37	10	1100 BTCU082505	96	44	10	72	16.75
2500	1100 BTCU092503	108	30	9	1100 BTCU092504	108	37	10	1100 BTCU092505	108	44	10	81	16.75
2500	1100 BTCU102503	120	30	9	1100 BTCU102504	120	37	10	1100 BTCU102505	120	44	10	90	16.75
2500	1100 BTCU112503	132	30	9	1100 BTCU112504	132	37	10	1100 BTCU112505	132	44	10	99	16.75
2500	1100 BTCU122503	144	30	9	1100 BTCU122504	144	37	10	1100 BTCU122505	144	44	10	108	16.75

Bus bar also available drilled and tapped 1/4 - 20 at 6" interval, add suffix 'DT' to the catalog number (ie. 1100 BTCU...DT)

**Note :**

EXM lugs must be ordered separately.  
See pages 238-239 for different types of lugs.

Data subject to change without notice.



## Watertight bus bar splitter troughs

The 1400 BT bus bar splitter troughs are used indoors or outdoors to house bus bars for power distribution. Troughs and covers are made from 14 GA steel, with corner seams continuously welded. The opening has a curled lip around all sides to prevent dripping water from entering the enclosure when the door is open, it also increases rigidity.

A high quality robotically poured-in-place gasket ensures a complete

and durable water tight seal. The captive pins of the concealed hinges can be pulled to remove the door. Quarter turn mechanisms ensure positive closing. Troughs are available in configurations of 3, 4 or 5 aluminum, tin plated bus bars that mount on slanted insulators, which are installed on an inner panel. Lugs must be ordered separately.

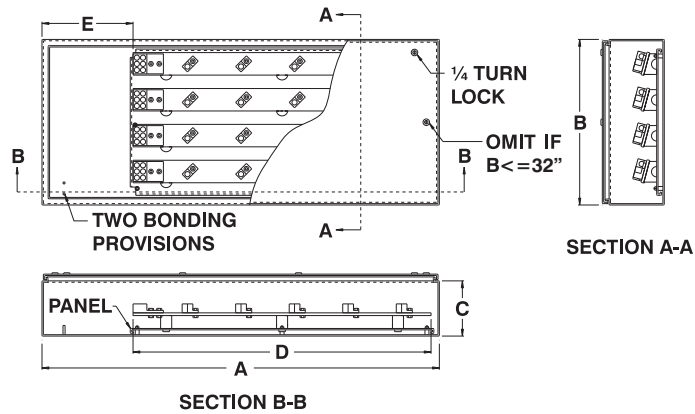
Bus bars are also available drilled and tapped 1/4 - 20 at 6" interval.

Add suffix 'DT' to the catalog number (ie. 1400BT..DT).

There are no knockouts. Troughs are finished with heat fused powder paint, electrostatically applied on a pretreated base. The box is gray, panel is white.

**CSA Certified**  
**NEMA/EEMAC 3R-4-12 / IP66**

**Refer to p.727 to validate choice of substrate for the application**



NOMINAL AMPACITY	MAIN LUGS		BRANCH LUGS		BAR CROSS SECTION	LENGTHS AVAILABLE (FEET)
	CU	AL	QTY.	WIRES		
225	200	1	250MCM	2 #2	1/4 X 1	3-4-5-6-7-8-9
400	340	1	600MCM	3 2/0	1/4 X 2 1/2	3-4-5-6-7-8-9-10
600	500	2	350MCM	4 2/0	3/8 X 2 1/2	3-4-5-6-7-8-9-10-11-12
800	680	2	600MCM	5 2/0	1/2 X 3	3-4-5-6-7-8-9-10-11-12
1000	890	2	1000MCM	4 250MCM	3/8 X 4 1/2	5-6-7-8-9-10-11-12
1200	1020	3	600MCM	5 250MCM	1/2 X 4	5-6-7-8-9-10-11-12
1600	1335	3	1000MCM	4 250MCM	1/2 X 6	5-6-7-8-9-10-11-12
2000	1700	5	600MCM	7 350MCM	3/4 X 5	6-7-8-9-10-11-12
2500	2040	6	600MCM	8 350MCM	3/4 X 6	6-7-8-9-10-11-12

CU NOM. AMP	3 WIRES			4 WIRES			5 WIRES							
	CATALOG #	A	B	C	CATALOG #	A	B	C	CATALOG #	A	B	C	D	E
225	1400 BT03203	36	18	8	1400 BT03204	36	22	8	1400 BT03205	36	26	8	27	7.75
225	1400 BT04203	48	18	8	1400 BT04204	48	22	8	1400 BT04205	48	26	8	36	7.75
225	1400 BT05203	60	18	8	1400 BT05204	60	22	8	1400 BT05205	60	26	8	45	13.75
225	1400 BT06203	72	18	8	1400 BT06204	72	22	8	1400 BT06205	72	26	8	54	16.75
225	1400 BT07203	84	18	8	1400 BT07204	84	22	8	1400 BT07205	84	26	8	63	16.75
225	1400 BT08203	96	18	8	1400 BT08204	96	22	8	1400 BT08205	96	26	8	72	16.75
225	1400 BT09203	108	18	8	1400 BT09204	108	22	8	1400 BT09205	108	26	8	81	16.75
400	1400 BT03403	36	18	8	1400 BT03404	36	22	8	1400 BT03405	36	26	8	27	7.75
400	1400 BT04403	48	18	8	1400 BT04404	48	22	8	1400 BT04405	48	26	8	36	7.75
400	1400 BT05403	60	18	8	1400 BT05404	60	22	8	1400 BT05405	60	26	8	45	13.75
400	1400 BT06403	72	18	8	1400 BT06404	72	22	8	1400 BT06405	72	26	8	54	16.75
400	1400 BT07403	84	18	8	1400 BT07404	84	22	8	1400 BT07405	84	26	8	63	16.75
400	1400 BT08403	96	18	8	1400 BT08404	96	22	8	1400 BT08405	96	26	8	72	16.75
400	1400 BT09403	108	18	8	1400 BT09404	108	22	8	1400 BT09405	108	26	8	81	16.75
400	1400 BT10403	120	18	8	1400 BT10404	120	22	8	1400 BT10405	120	26	8	90	16.75

Data subject to change without notice.





CU NOM. AMP	3 WIRES			4 WIRES			5 WIRES							
	CATALOG #	A	B	C	CATALOG #	A	B	C	CATALOG #	A	B	C	D	E
600	1400 BT03603	36	24	10	1400 BT03604	36	30	10	1400 BT03605	36	36	10	27	7.75
600	1400 BT04603	48	24	10	1400 BT04604	48	30	10	1400 BT04605	48	36	10	36	7.75
600	1400 BT05603	60	24	10	1400 BT05604	60	30	10	1400 BT05605	60	36	10	45	13.75
600	1400 BT06603	72	24	10	1400 BT06604	72	30	10	1400 BT06605	72	36	10	54	16.75
600	1400 BT07603	84	24	10	1400 BT07604	84	30	10	1400 BT07605	84	36	10	63	16.75
600	1400 BT08603	96	24	10	1400 BT08604	96	30	10	1400 BT08605	96	36	10	72	16.75
600	1400 BT09603	108	24	10	1400 BT09604	108	30	10	1400 BT09605	108	36	10	81	16.75
600	1400 BT10603	120	24	10	1400 BT10604	120	30	10	1400 BT10605	120	36	10	90	16.75
600	1400 BT11603	132	24	10	1400 BT11604	132	30	10	1400 BT11605	132	36	10	99	16.75
600	1400 BT12603	144	24	10	1400 BT12604	144	30	10	1400 BT12605	144	36	10	108	16.75
800	1400 BT03803	36	24	10	1400 BT03804	36	30	10	1400 BT03805	36	36	10	27	7.75
800	1400 BT04803	48	24	10	1400 BT04804	48	30	10	1400 BT04805	48	36	10	36	7.75
800	1400 BT05803	60	24	10	1400 BT05804	60	30	10	1400 BT05805	60	36	10	45	13.75
800	1400 BT06803	72	24	10	1400 BT06804	72	30	10	1400 BT06805	72	36	10	54	16.75
800	1400 BT07803	84	24	10	1400 BT07804	84	30	10	1400 BT07805	84	36	10	63	16.75
800	1400 BT08803	96	24	10	1400 BT08804	96	30	10	1400 BT08805	96	36	10	72	16.75
800	1400 BT09803	108	24	10	1400 BT09804	108	30	10	1400 BT09805	108	36	10	81	16.75
800	1400 BT10803	120	24	10	1400 BT10804	120	30	10	1400 BT10805	120	36	10	90	16.75
800	1400 BT11803	132	24	10	1400 BT11804	132	30	10	1400 BT11805	132	36	10	99	16.75
800	1400 BT12803	144	24	10	1400 BT12804	144	30	10	1400 BT12805	144	36	10	108	16.75
1000	1400 BT051003	60	24	10	1400 BT051004	60	30	10	1400 BT051005	60	36	10	45	13.75
1000	1400 BT061003	72	24	10	1400 BT061004	72	30	10	1400 BT061005	72	36	10	54	16.75
1000	1400 BT071003	84	24	10	1400 BT071004	84	30	10	1400 BT071005	84	36	10	63	16.75
1000	1400 BT081003	96	24	10	1400 BT081004	96	30	10	1400 BT081005	96	36	10	72	16.75
1000	1400 BT091003	108	24	10	1400 BT091004	108	30	10	1400 BT091005	108	36	10	81	16.75
1000	1400 BT101003	120	24	10	1400 BT101004	120	30	10	1400 BT101005	120	36	10	90	16.75
1000	1400 BT111003	132	24	10	1400 BT111004	132	30	10	1400 BT111005	132	36	10	99	16.75
1000	1400 BT121003	144	24	10	1400 BT121004	144	30	10	1400 BT121005	144	36	10	108	16.75
1200	1400 BT051203	60	24	10	1400 BT051204	60	30	10	1400 BT051205	60	36	10	45	13.75
1200	1400 BT061203	72	24	10	1400 BT061204	72	30	10	1400 BT061205	72	36	10	54	16.75
1200	1400 BT071203	84	24	10	1400 BT071204	84	30	10	1400 BT071205	84	36	10	63	16.75
1200	1400 BT081203	96	24	10	1400 BT081204	96	30	10	1400 BT081205	96	36	10	72	16.75
1200	1400 BT091203	108	24	10	1400 BT091204	108	30	10	1400 BT091205	108	36	10	81	16.75
1200	1400 BT101203	120	24	10	1400 BT101204	120	30	10	1400 BT101205	120	36	10	90	16.75
1200	1400 BT111203	132	24	10	1400 BT111204	132	30	10	1400 BT111205	132	36	10	99	16.75
1200	1400 BT121203	144	24	10	1400 BT121204	144	30	10	1400 BT121205	144	36	10	108	16.75
1600	1400 BT051603	60	27	10	1400 BT051604	60	32	12	1400 BT051605	60	37	12	45	13.75
1600	1400 BT061603	72	27	10	1400 BT061604	72	32	12	1400 BT061605	72	37	12	54	16.75
1600	1400 BT071603	84	27	10	1400 BT071604	84	32	12	1400 BT071605	84	37	12	63	16.75
1600	1400 BT081603	96	27	10	1400 BT081604	96	32	12	1400 BT081605	96	37	12	72	16.75
1600	1400 BT091603	108	27	10	1400 BT091604	108	32	12	1400 BT091605	108	37	12	81	16.75
1600	1400 BT101603	120	27	10	1400 BT101604	120	32	12	1400 BT101605	120	37	12	90	16.75
1600	1400 BT111603	132	27	10	1400 BT111604	132	32	12	1400 BT111605	132	37	12	99	16.75
1600	1400 BT121603	144	27	10	1400 BT121604	144	32	12	1400 BT121605	144	37	12	108	16.75
2000	1400 BT062003	72	30	10	1400 BT062004	72	37	12	1400 BT062005	72	44	12	54	16.75
2000	1400 BT072003	84	30	10	1400 BT072004	84	37	12	1400 BT072005	84	44	12	63	16.75
2000	1400 BT082003	96	30	10	1400 BT082004	96	37	12	1400 BT082005	96	44	12	72	16.75
2000	1400 BT092003	108	30	10	1400 BT092004	108	37	12	1400 BT092005	108	44	12	81	16.75
2000	1400 BT102003	120	30	10	1400 BT102004	120	37	12	1400 BT102005	120	44	12	90	16.75
2000	1400 BT112003	132	30	10	1400 BT112004	132	37	12	1400 BT112005	132	44	12	99	16.75
2000	1400 BT122003	144	30	10	1400 BT122004	144	37	12	1400 BT122005	144	44	12	108	16.75
2500	1400 BT062503	72	30	10	1400 BT062504	72	37	12	1400 BT062505	72	44	12	54	16.75
2500	1400 BT072503	84	30	10	1400 BT072504	84	37	12	1400 BT072505	84	44	12	63	16.75
2500	1400 BT082503	96	30	10	1400 BT082504	96	37	12	1400 BT082505	96	44	12	72	16.75
2500	1400 BT092503	108	30	10	1400 BT092504	108	37	12	1400 BT092505	108	44	12	81	16.75
2500	1400 BT102503	120	30	10	1400 BT102504	120	37	12	1400 BT102505	120	44	12	90	16.75
2500	1400 BT112503	132	30	10	1400 BT112504	132	37	12	1400 BT112505	132	44	12	99	16.75
2500	1400 BT122503	144	30	10	1400 BT122504	144	37	12	1400 BT122505	144	44	12	108	16.75

Bus bar also available drilled and tapped 1/4 - 20 at 6" interval, add suffix 'DT' to the catalog number (ie. 1400 BT...DT)

**Note :**

EXM lugs must be ordered separately.  
See pages 238-239 for different types of lugs.

Data subject to change without notice.



## Watertight bus bar splitter troughs with copper bus bars

The 1400 BTCU bus bar splitter troughs are used indoors or outdoors to house bus bars for power distribution. Troughs and covers are made from 14 GA steel, with corner seams continuously welded. The opening has a curled lip around all sides to prevent dripping water from entering the enclosure when the door is open, it also increases rigidity.

A high quality robotically poured-in-place gasket ensures a complete

and durable water tight seal. The captive pins of the concealed hinges can be pulled to remove the door. Quarter turn mechanisms ensure positive closing. Troughs are available in configurations of 3, 4 or 5 copper bus bars that mount on slanted insulators, which are installed on an inner panel. Lugs must be ordered separately.

Bus bars are also available drilled and tapped 1/4 - 20 at 6" interval. Add suffix 'DT' to the catalog num-

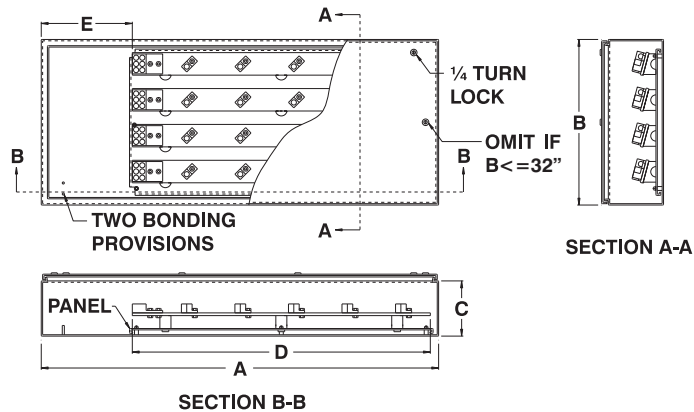
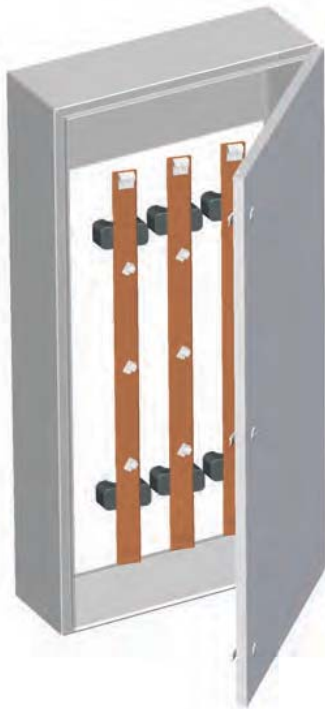
ber (ie. 1400BTCU...DT).

There are no knockouts. Troughs are finished with heat fused powder paint, electrostatically applied on a pretreated base. The box is gray, panel is white.

**CSA Certified**

**NEMA/EEMAC 3R-4-12 / IP66**

**Refer to p.727 to validate choice of substrate for the application**



NOMINAL AMPACITY	MAIN LUGS		BRANCH LUGS		BAR CROSS SECTION	LENGTHS AVAILABLE (FEET)	
	CU	AL	QTY.	WIRES			QTY.
225	200	1	250MCM	2	#2	1/8 X 1	3-4-5-6-7-8-9
400	340	1	600MCM	3	2/0	3/16 X 1 1/2	3-4-5-6-7-8-9-10
600	500	2	350MCM	4	2/0	1/4 X 2	3-4-5-6-7-8-9-10-11-12
800	680	2	600MCM	5	2/0	1/4 X 3	3-4-5-6-7-8-9-10-11-12
1000	890	2	1000MCM	4	250MCM	1/4 X 4	5-6-7-8-9-10-11-12
1200	1020	3	600MCM	5	250MCM	5/16 X 4	5-6-7-8-9-10-11-12
1600	1335	3	1000MCM	4	250MCM	1/2 X 4	5-6-7-8-9-10-11-12
2000	1700	5	600MCM	7	350MCM	1/2 X 5	6-7-8-9-10-11-12
2500	2040	6	600MCM	8	350MCM	1/2 X 6	6-7-8-9-10-11-12

CU NOM. AMP	3 WIRES			4 WIRES			5 WIRES							
	CATALOG #	A	B	C	CATALOG #	A	B	C	CATALOG #	A	B	C	D	E
225	1400 BTCU03203	36	18	8	1400 BTCU03204	36	22	8	1400 BTCU03205	36	26	8	27	7.75
225	1400 BTCU04203	48	18	8	1400 BTCU04204	48	22	8	1400 BTCU04205	48	26	8	36	7.75
225	1400 BTCU05203	60	18	8	1400 BTCU05204	60	22	8	1400 BTCU05205	60	26	8	45	13.75
225	1400 BTCU06203	72	18	8	1400 BTCU06204	72	22	8	1400 BTCU06205	72	26	8	54	16.75
225	1400 BTCU07203	84	18	8	1400 BTCU07204	84	22	8	1400 BTCU07205	84	26	8	63	16.75
225	1400 BTCU08203	96	18	8	1400 BTCU08204	96	22	8	1400 BTCU08205	96	26	8	72	16.75
225	1400 BTCU09203	108	18	8	1400 BTCU09204	108	22	8	1400 BTCU09205	108	26	8	81	16.75
400	1400 BTCU03403	36	18	8	1400 BTCU03404	36	22	8	1400 BTCU03405	36	26	8	27	7.75
400	1400 BTCU04403	48	18	8	1400 BTCU04404	48	22	8	1400 BTCU04405	48	26	8	36	7.75
400	1400 BTCU05403	60	18	8	1400 BTCU05404	60	22	8	1400 BTCU05405	60	26	8	45	13.75
400	1400 BTCU06403	72	18	8	1400 BTCU06404	72	22	8	1400 BTCU06405	72	26	8	54	16.75
400	1400 BTCU07403	84	18	8	1400 BTCU07404	84	22	8	1400 BTCU07405	84	26	8	63	16.75
400	1400 BTCU08403	96	18	8	1400 BTCU08404	96	22	8	1400 BTCU08405	96	26	8	72	16.75
400	1400 BTCU09403	108	18	8	1400 BTCU09404	108	22	8	1400 BTCU09405	108	26	8	81	16.75
400	1400 BTCU10403	120	18	8	1400 BTCU10404	120	22	8	1400 BTCU10405	120	26	8	90	16.75

Data subject to change without notice.



# ELECTRICAL DISTRIBUTION

# 1400 BTCU

CU NOM. AMP	3 WIRES			4 WIRES			5 WIRES							
	CATALOG #	A	B	C	CATALOG #	A	B	C	CATALOG #	A	B	C	D	E
600	1400 BTCU03603	36	24	10	1400 BTCU03604	36	30	10	1400 BTCU03605	36	36	10	27	7.75
600	1400 BTCU04603	48	24	10	1400 BTCU04604	48	30	10	1400 BTCU04605	48	36	10	36	7.75
600	1400 BTCU05603	60	24	10	1400 BTCU05604	60	30	10	1400 BTCU05605	60	36	10	45	13.75
600	1400 BTCU06603	72	24	10	1400 BTCU06604	72	30	10	1400 BTCU06605	72	36	10	54	16.75
600	1400 BTCU07603	84	24	10	1400 BTCU07604	84	30	10	1400 BTCU07605	84	36	10	63	16.75
600	1400 BTCU08603	96	24	10	1400 BTCU08604	96	30	10	1400 BTCU08605	96	36	10	72	16.75
600	1400 BTCU09603	108	24	10	1400 BTCU09604	108	30	10	1400 BTCU09605	108	36	10	81	16.75
600	1400 BTCU10603	120	24	10	1400 BTCU10604	120	30	10	1400 BTCU10605	120	36	10	90	16.75
600	1400 BTCU11603	132	24	10	1400 BTCU11604	132	30	10	1400 BTCU11605	132	36	10	99	16.75
600	1400 BTCU12603	144	24	10	1400 BTCU12604	144	30	10	1400 BTCU12605	144	36	10	108	16.75
800	1400 BTCU03803	36	24	10	1400 BTCU03804	36	30	10	1400 BTCU03805	36	36	10	27	7.75
800	1400 BTCU04803	48	24	10	1400 BTCU04804	48	30	10	1400 BTCU04805	48	36	10	36	7.75
800	1400 BTCU05803	60	24	10	1400 BTCU05804	60	30	10	1400 BTCU05805	60	36	10	45	13.75
800	1400 BTCU06803	72	24	10	1400 BTCU06804	72	30	10	1400 BTCU06805	72	36	10	54	16.75
800	1400 BTCU07803	84	24	10	1400 BTCU07804	84	30	10	1400 BTCU07805	84	36	10	63	16.75
800	1400 BTCU08803	96	24	10	1400 BTCU08804	96	30	10	1400 BTCU08805	96	36	10	72	16.75
800	1400 BTCU09803	108	24	10	1400 BTCU09804	108	30	10	1400 BTCU09805	108	36	10	81	16.75
800	1400 BTCU10803	120	24	10	1400 BTCU10804	120	30	10	1400 BTCU10805	120	36	10	90	16.75
800	1400 BTCU11803	132	24	10	1400 BTCU11804	132	30	10	1400 BTCU11805	132	36	10	99	16.75
800	1400 BTCU12803	144	24	10	1400 BTCU12804	144	30	10	1400 BTCU12805	144	36	10	108	16.75
1000	1400 BTCU051003	60	24	10	1400 BTCU051004	60	30	10	1400 BTCU051005	60	36	10	45	13.75
1000	1400 BTCU061003	72	24	10	1400 BTCU061004	72	30	10	1400 BTCU061005	72	36	10	54	16.75
1000	1400 BTCU071003	84	24	10	1400 BTCU071004	84	30	10	1400 BTCU071005	84	36	10	63	16.75
1000	1400 BTCU081003	96	24	10	1400 BTCU081004	96	30	10	1400 BTCU081005	96	36	10	72	16.75
1000	1400 BTCU091003	108	24	10	1400 BTCU091004	108	30	10	1400 BTCU091005	108	36	10	81	16.75
1000	1400 BTCU101003	120	24	10	1400 BTCU101004	120	30	10	1400 BTCU101005	120	36	10	90	16.75
1000	1400 BTCU111003	132	24	10	1400 BTCU111004	132	30	10	1400 BTCU111005	132	36	10	99	16.75
1000	1400 BTCU121003	144	24	10	1400 BTCU121004	144	30	10	1400 BTCU121005	144	36	10	108	16.75
1200	1400 BTCU051203	60	24	10	1400 BTCU051204	60	30	10	1400 BTCU051205	60	36	10	45	13.75
1200	1400 BTCU061203	72	24	10	1400 BTCU061204	72	30	10	1400 BTCU061205	72	36	10	54	16.75
1200	1400 BTCU071203	84	24	10	1400 BTCU071204	84	30	10	1400 BTCU071205	84	36	10	63	16.75
1200	1400 BTCU081203	96	24	10	1400 BTCU081204	96	30	10	1400 BTCU081205	96	36	10	72	16.75
1200	1400 BTCU091203	108	24	10	1400 BTCU091204	108	30	10	1400 BTCU091205	108	36	10	81	16.75
1200	1400 BTCU101203	120	24	10	1400 BTCU101204	120	30	10	1400 BTCU101205	120	36	10	90	16.75
1200	1400 BTCU111203	132	24	10	1400 BTCU111204	132	30	10	1400 BTCU111205	132	36	10	99	16.75
1200	1400 BTCU121203	144	24	10	1400 BTCU121204	144	30	10	1400 BTCU121205	144	36	10	108	16.75
1600	1400 BTCU051603	60	27	10	1400 BTCU051604	60	32	12	1400 BTCU051605	60	37	12	45	13.75
1600	1400 BTCU061603	72	27	10	1400 BTCU061604	72	32	12	1400 BTCU061605	72	37	12	54	16.75
1600	1400 BTCU071603	84	27	10	1400 BTCU071604	84	32	12	1400 BTCU071605	84	37	12	63	16.75
1600	1400 BTCU081603	96	27	10	1400 BTCU081604	96	32	12	1400 BTCU081605	96	37	12	72	16.75
1600	1400 BTCU091603	108	27	10	1400 BTCU091604	108	32	12	1400 BTCU091605	108	37	12	81	16.75
1600	1400 BTCU101603	120	27	10	1400 BTCU101604	120	32	12	1400 BTCU101605	120	37	12	90	16.75
1600	1400 BTCU111603	132	27	10	1400 BTCU111604	132	32	12	1400 BTCU111605	132	37	12	99	16.75
1600	1400 BTCU121603	144	27	10	1400 BTCU121604	144	32	12	1400 BTCU121605	144	37	12	108	16.75
2000	1400 BTCU062003	72	30	10	1400 BTCU062004	72	37	12	1400 BTCU062005	72	44	12	54	16.75
2000	1400 BTCU072003	84	30	10	1400 BTCU072004	84	37	12	1400 BTCU072005	84	44	12	63	16.75
2000	1400 BTCU082003	96	30	10	1400 BTCU082004	96	37	12	1400 BTCU082005	96	44	12	72	16.75
2000	1400 BTCU092003	108	30	10	1400 BTCU092004	108	37	12	1400 BTCU092005	108	44	12	81	16.75
2000	1400 BTCU102003	120	30	10	1400 BTCU102004	120	37	12	1400 BTCU102005	120	44	12	90	16.75
2000	1400 BTCU112003	132	30	10	1400 BTCU112004	132	37	12	1400 BTCU112005	132	44	12	99	16.75
2000	1400 BTCU122003	144	30	10	1400 BTCU122004	144	37	12	1400 BTCU122005	144	44	12	108	16.75
2500	1400 BTCU062503	72	30	10	1400 BTCU062504	72	37	12	1400 BTCU062505	72	44	12	54	16.75
2500	1400 BTCU072503	84	30	10	1400 BTCU072504	84	37	12	1400 BTCU072505	84	44	12	63	16.75
2500	1400 BTCU082503	96	30	10	1400 BTCU082504	96	37	12	1400 BTCU082505	96	44	12	72	16.75
2500	1400 BTCU092503	108	30	10	1400 BTCU092504	108	37	12	1400 BTCU092505	108	44	12	81	16.75
2500	1400 BTCU102503	120	30	10	1400 BTCU102504	120	37	12	1400 BTCU102505	120	44	12	90	16.75
2500	1400 BTCU112503	132	30	10	1400 BTCU112504	132	37	12	1400 BTCU112505	132	44	12	99	16.75
2500	1400 BTCU122503	144	30	10	1400 BTCU122504	144	37	12	1400 BTCU122505	144	44	12	108	16.75

Bus bar also available drilled and tapped 1/4 - 20 at 6" interval, add suffix 'DT' to the catalog number (ie. 1400 BTCU...DT)

### Note :

EXM lugs must be ordered separately.  
See pages 238-239 for different types of lugs.

Data subject to  
change without  
notice.





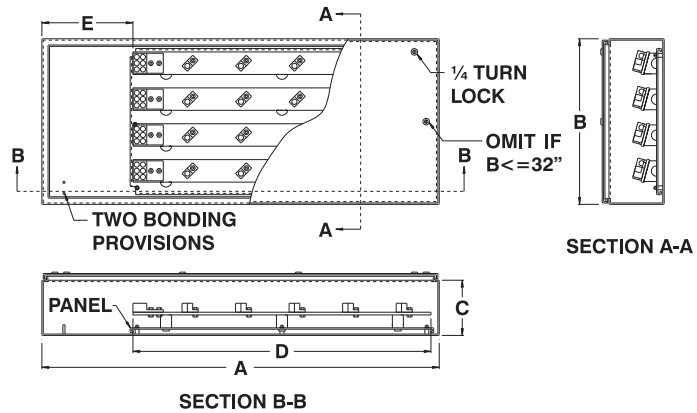
## Stainless steel bus bar splitter troughs

The 1400 BTSS bus bar splitter troughs are used indoors or outdoors to house bus bars for power distribution. Troughs and covers are made from 14 GA stainless steel, with corner seams continuously welded. The opening has a curled lip around all sides to prevent dripping water from entering the enclosure when the door is open, it also increases rigidity. A high quality robotically

poured-in-place gasket ensures a complete and durable water tight seal. The captive pins of the concealed hinges can be pulled to remove the door. Quarter turn mechanisms ensure positive closing. Troughs are available in configurations of 3, 4 or 5 aluminum, tin plated bus bars that mount on slanted insulators, which are installed on an inner panel. Lugs must be ordered sep-

arately. There are no knockouts. Bus bars are also available drilled and tapped 1/4 - 20 at 6" interval. Add suffix 'DT' to the catalog number (ie. 1400BTSS...DT). Troughs are unpainted and brushed smooth. The enclosure's interior and the inner panel are powder coated white.

**CSA Certified**  
**NEMA/EEMAC 4X / IP66**



NOMINAL AMPACITY	MAIN LUGS	BRANCH LUGS		BAR CROSS SECTION	LENGTHS AVAILABLE (FEET)	
		QTY.	WIRES			
225	200	1	250MCM	2 #2	1/4 X 1	3-4-5-6-7-8-9
400	340	1	600MCM	3 2/0	1/4 X 2 1/2	3-4-5-6-7-8-9-10
600	500	2	350MCM	4 2/0	3/8 X 2 1/2	3-4-5-6-7-8-9-10-11-12
800	680	2	600MCM	5 2/0	1/2 X 3	3-4-5-6-7-8-9-10-11-12
1000	890	2	1000MCM	4 250MCM	3/8 X 4 1/2	5-6-7-8-9-10-11-12
1200	1020	3	600MCM	5 250MCM	1/2 X 4	5-6-7-8-9-10-11-12
1600	1335	3	1000MCM	4 250MCM	1/2 X 6	5-6-7-8-9-10-11-12
2000	1700	5	600MCM	7 350MCM	3/4 X 5	6-7-8-9-10-11-12
2500	2040	6	600MCM	8 350MCM	3/4 X 6	6-7-8-9-10-11-12

CU NOM. AMP	3 WIRES			4 WIRES			5 WIRES							
	CATALOG #	A	B	C	CATALOG #	A	B	C	CATALOG #	A	B	C	D	E
225	1400 BTSS03203	36	18	8	1400 BTSS03204	36	22	8	1400 BTSS03205	36	26	8	27	7.75
225	1400 BTSS04203	48	18	8	1400 BTSS04204	48	22	8	1400 BTSS04205	48	26	8	36	7.75
225	1400 BTSS05203	60	18	8	1400 BTSS05204	60	22	8	1400 BTSS05205	60	26	8	45	13.75
225	1400 BTSS06203	72	18	8	1400 BTSS06204	72	22	8	1400 BTSS06205	72	26	8	54	16.75
225	1400 BTSS07203	84	18	8	1400 BTSS07204	84	22	8	1400 BTSS07205	84	26	8	63	16.75
225	1400 BTSS08203	96	18	8	1400 BTSS08204	96	22	8	1400 BTSS08205	96	26	8	72	16.75
225	1400 BTSS09203	108	18	8	1400 BTSS09204	108	22	8	1400 BTSS09205	108	26	8	81	16.75
400	1400 BTSS03403	36	18	8	1400 BTSS03404	36	22	8	1400 BTSS03405	36	26	8	27	7.75
400	1400 BTSS04403	48	18	8	1400 BTSS04404	48	22	8	1400 BTSS04405	48	26	8	36	7.75
400	1400 BTSS05403	60	18	8	1400 BTSS05404	60	22	8	1400 BTSS05405	60	26	8	45	13.75
400	1400 BTSS06403	72	18	8	1400 BTSS06404	72	22	8	1400 BTSS06405	72	26	8	54	16.75
400	1400 BTSS07403	84	18	8	1400 BTSS07404	84	22	8	1400 BTSS07405	84	26	8	63	16.75
400	1400 BTSS08403	96	18	8	1400 BTSS08404	96	22	8	1400 BTSS08405	96	26	8	72	16.75
400	1400 BTSS09403	108	18	8	1400 BTSS09404	108	22	8	1400 BTSS09405	108	26	8	81	16.75
400	1400 BTSS10403	120	18	8	1400 BTSS10404	120	22	8	1400 BTSS10405	120	26	8	90	16.75

Data subject to change without notice.





CU NOM. AMP	3 WIRES			4 WIRES			5 WIRES							
	CATALOG #	A	B	C	CATALOG #	A	B	C	CATALOG #	A	B	C	D	E
600	1400 BTSS03603	36	24	10	1400 BTSS03604	36	30	10	1400 BTSS03605	36	36	10	27	7.75
600	1400 BTSS04603	48	24	10	1400 BTSS04604	48	30	10	1400 BTSS04605	48	36	10	36	7.75
600	1400 BTSS05603	60	24	10	1400 BTSS05604	60	30	10	1400 BTSS05605	60	36	10	45	13.75
600	1400 BTSS06603	72	24	10	1400 BTSS06604	72	30	10	1400 BTSS06605	72	36	10	54	16.75
600	1400 BTSS07603	84	24	10	1400 BTSS07604	84	30	10	1400 BTSS07605	84	36	10	63	16.75
600	1400 BTSS08603	96	24	10	1400 BTSS08604	96	30	10	1400 BTSS08605	96	36	10	72	16.75
600	1400 BTSS09603	108	24	10	1400 BTSS09604	108	30	10	1400 BTSS09605	108	36	10	81	16.75
600	1400 BTSS10603	120	24	10	1400 BTSS10604	120	30	10	1400 BTSS10605	120	36	10	90	16.75
600	1400 BTSS11603	132	24	10	1400 BTSS11604	132	30	10	1400 BTSS11605	132	36	10	99	16.75
600	1400 BTSS12603	144	24	10	1400 BTSS12604	144	30	10	1400 BTSS12605	144	36	10	108	16.75
800	1400 BTSS03803	36	24	10	1400 BTSS03804	36	30	10	1400 BTSS03805	36	36	10	27	7.75
800	1400 BTSS04803	48	24	10	1400 BTSS04804	48	30	10	1400 BTSS04805	48	36	10	36	7.75
800	1400 BTSS05803	60	24	10	1400 BTSS05804	60	30	10	1400 BTSS05805	60	36	10	45	13.75
800	1400 BTSS06803	72	24	10	1400 BTSS06804	72	30	10	1400 BTSS06805	72	36	10	54	16.75
800	1400 BTSS07803	84	24	10	1400 BTSS07804	84	30	10	1400 BTSS07805	84	36	10	63	16.75
800	1400 BTSS08803	96	24	10	1400 BTSS08804	96	30	10	1400 BTSS08805	96	36	10	72	16.75
800	1400 BTSS09803	108	24	10	1400 BTSS09804	108	30	10	1400 BTSS09805	108	36	10	81	16.75
800	1400 BTSS10803	120	24	10	1400 BTSS10804	120	30	10	1400 BTSS10805	120	36	10	90	16.75
800	1400 BTSS11803	132	24	10	1400 BTSS11804	132	30	10	1400 BTSS11805	132	36	10	99	16.75
800	1400 BTSS12803	144	24	10	1400 BTSS12804	144	30	10	1400 BTSS12805	144	36	10	108	16.75
1000	1400 BTSS051003	60	24	10	1400 BTSS051004	60	30	10	1400 BTSS051005	60	36	10	45	13.75
1000	1400 BTSS061003	72	24	10	1400 BTSS061004	72	30	10	1400 BTSS061005	72	36	10	54	16.75
1000	1400 BTSS071003	84	24	10	1400 BTSS071004	84	30	10	1400 BTSS071005	84	36	10	63	16.75
1000	1400 BTSS081003	96	24	10	1400 BTSS081004	96	30	10	1400 BTSS081005	96	36	10	72	16.75
1000	1400 BTSS091003	108	24	10	1400 BTSS091004	108	30	10	1400 BTSS091005	108	36	10	81	16.75
1000	1400 BTSS101003	120	24	10	1400 BTSS101004	120	30	10	1400 BTSS101005	120	36	10	90	16.75
1000	1400 BTSS111003	132	24	10	1400 BTSS111004	132	30	10	1400 BTSS111005	132	36	10	99	16.75
1000	1400 BTSS121003	144	24	10	1400 BTSS121004	144	30	10	1400 BTSS121005	144	36	10	108	16.75
1200	1400 BTSS051203	60	24	10	1400 BTSS051204	60	30	10	1400 BTSS051205	60	36	10	45	13.75
1200	1400 BTSS061203	72	24	10	1400 BTSS061204	72	30	10	1400 BTSS061205	72	36	10	54	16.75
1200	1400 BTSS071203	84	24	10	1400 BTSS071204	84	30	10	1400 BTSS071205	84	36	10	63	16.75
1200	1400 BTSS081203	96	24	10	1400 BTSS081204	96	30	10	1400 BTSS081205	96	36	10	72	16.75
1200	1400 BTSS091203	108	24	10	1400 BTSS091204	108	30	10	1400 BTSS091205	108	36	10	81	16.75
1200	1400 BTSS101203	120	24	10	1400 BTSS101204	120	30	10	1400 BTSS101205	120	36	10	90	16.75
1200	1400 BTSS111203	132	24	10	1400 BTSS111204	132	30	10	1400 BTSS111205	132	36	10	99	16.75
1200	1400 BTSS121203	144	24	10	1400 BTSS121204	144	30	10	1400 BTSS121205	144	36	10	108	16.75
1600	1400 BTSS051603	60	27	10	1400 BTSS051604	60	32	12	1400 BTSS051605	60	37	12	45	13.75
1600	1400 BTSS061603	72	27	10	1400 BTSS061604	72	32	12	1400 BTSS061605	72	37	12	54	16.75
1600	1400 BTSS071603	84	27	10	1400 BTSS071604	84	32	12	1400 BTSS071605	84	37	12	63	16.75
1600	1400 BTSS081603	96	27	10	1400 BTSS081604	96	32	12	1400 BTSS081605	96	37	12	72	16.75
1600	1400 BTSS091603	108	27	10	1400 BTSS091604	108	32	12	1400 BTSS091605	108	37	12	81	16.75
1600	1400 BTSS101603	120	27	10	1400 BTSS101604	120	32	12	1400 BTSS101605	120	37	12	90	16.75
1600	1400 BTSS111603	132	27	10	1400 BTSS111604	132	32	12	1400 BTSS111605	132	37	12	99	16.75
1600	1400 BTSS121603	144	27	10	1400 BTSS121604	144	32	12	1400 BTSS121605	144	37	12	108	16.75
2000	1400 BTSS062003	72	30	10	1400 BTSS062004	72	37	12	1400 BTSS062005	72	44	12	54	16.75
2000	1400 BTSS072003	84	30	10	1400 BTSS072004	84	37	12	1400 BTSS072005	84	44	12	63	16.75
2000	1400 BTSS082003	96	30	10	1400 BTSS082004	96	37	12	1400 BTSS082005	96	44	12	72	16.75
2000	1400 BTSS092003	108	30	10	1400 BTSS092004	108	37	12	1400 BTSS092005	108	44	12	81	16.75
2000	1400 BTSS102003	120	30	10	1400 BTSS102004	120	37	12	1400 BTSS102005	120	44	12	90	16.75
2000	1400 BTSS112003	132	30	10	1400 BTSS112004	132	37	12	1400 BTSS112005	132	44	12	99	16.75
2000	1400 BTSS122003	144	30	10	1400 BTSS122004	144	37	12	1400 BTSS122005	144	44	12	108	16.75
2500	1400 BTSS062503	72	30	10	1400 BTSS062504	72	37	12	1400 BTSS062505	72	44	12	54	16.75
2500	1400 BTSS072503	84	30	10	1400 BTSS072504	84	37	12	1400 BTSS072505	84	44	12	63	16.75
2500	1400 BTSS082503	96	30	10	1400 BTSS082504	96	37	12	1400 BTSS082505	96	44	12	72	16.75
2500	1400 BTSS092503	108	30	10	1400 BTSS092504	108	37	12	1400 BTSS092505	108	44	12	81	16.75
2500	1400 BTSS102503	120	30	10	1400 BTSS102504	120	37	12	1400 BTSS102505	120	44	12	90	16.75
2500	1400 BTSS112503	132	30	10	1400 BTSS112504	132	37	12	1400 BTSS112505	132	44	12	99	16.75
2500	1400 BTSS122503	144	30	10	1400 BTSS122504	144	37	12	1400 BTSS122505	144	44	12	108	16.75

Bus bar also available drilled and tapped 1/4 - 20 at 6" interval, add suffix 'DT' to the catalog number (ie. 1400 BTSS...DT)  
 ‡ For painted stainless steel, add suffix 'P' to the catalog number (ie. 1400 BTSS...P).

### Note :

EXM lugs must be ordered separately.  
 See pages 238-239 for different types of lugs.

Data subject to  
 change without  
 notice.



p.583  
<http://www.exmweb.com>



p.477



p.624



p.636



p.593



p.238



p.239

☎ 1-800-363-2423

Fax : 450-979-4626



info@exmweb.com

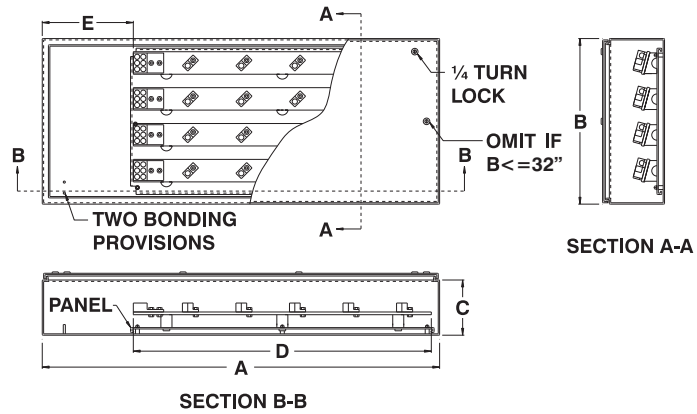
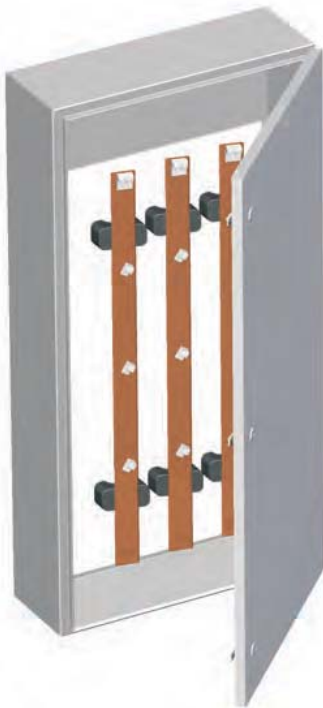
## SS bus bar splitter troughs with copper bus bars

The 1400 BTSSCU bus bar splitter troughs are used indoors or outdoors to house bus bars for power distribution. Troughs and covers are made from 14 GA stainless steel, with corner seams continuously welded. The opening has a curled lip around all sides to prevent dripping water from entering the enclosure when the door is open, it also increases rigidity. A high quality robotically

poured-in-place gasket ensures a complete and durable water tight seal. The captive pins of the concealed hinges can be pulled to remove the door. Quarter turn lock mechanisms ensure positive closing. Troughs are available in configurations of 3, 4 or 5 copper bus bars that mount on slanted insulators, which are installed on an inner panel. Lugs must be ordered separately. There are no

knockouts. Bus bars are also available drilled and tapped 1/4 - 20 at 6" interval. Add suffix 'DT' to the catalog number (ie. 1400BTSSCU...DT). Troughs are unpainted and brushed smooth. The enclosure's interior and the inner panel are powder coated white.

**CSA Certified**  
**NEMA/EEMAC 4X / IP66**



NOMINAL AMPACITY	MAIN LUGS		BRANCH LUGS		BAR CROSS SECTION	LENGTHS AVAILABLE (FEET)	
	CU	AL	QTY.	WIRES			QTY.
225	200	1	250MCM	2	#2	1/8 X 1	3-4-5-6-7-8-9
400	340	1	600MCM	3	2/0	3/16 X 1 1/2	3-4-5-6-7-8-9-10
600	500	2	350MCM	4	2/0	1/4 X 2	3-4-5-6-7-8-9-10-11-12
800	680	2	600MCM	5	2/0	1/4 X 3	3-4-5-6-7-8-9-10-11-12
1000	890	2	1000MCM	4	250MCM	1/4 X 4	5-6-7-8-9-10-11-12
1200	1020	3	600MCM	5	250MCM	5/16 X 4	5-6-7-8-9-10-11-12
1600	1335	3	1000MCM	4	250MCM	1/2 X 4	5-6-7-8-9-10-11-12
2000	1700	5	600MCM	7	350MCM	1/2 X 5	6-7-8-9-10-11-12
2500	2040	6	600MCM	8	350MCM	1/2 X 6	6-7-8-9-10-11-12

CU NOM. AMP	3 WIRES			4 WIRES			5 WIRES							
	CATALOG #	A	B	C	CATALOG #	A	B	C	CATALOG #	A	B	C	D	E
225	1400 BTSSCU03203	36	18	8	1400 BTSSCU03204	36	22	8	1400 BTSSCU03205	36	26	8	27	7.75
225	1400 BTSSCU04203	48	18	8	1400 BTSSCU04204	48	22	8	1400 BTSSCU04205	48	26	8	36	7.75
225	1400 BTSSCU05203	60	18	8	1400 BTSSCU05204	60	22	8	1400 BTSSCU05205	60	26	8	45	13.75
225	1400 BTSSCU06203	72	18	8	1400 BTSSCU06204	72	22	8	1400 BTSSCU06205	72	26	8	54	16.75
225	1400 BTSSCU07203	84	18	8	1400 BTSSCU07204	84	22	8	1400 BTSSCU07205	84	26	8	63	16.75
225	1400 BTSSCU08203	96	18	8	1400 BTSSCU08204	96	22	8	1400 BTSSCU08205	96	26	8	72	16.75
225	1400 BTSSCU09203	108	18	8	1400 BTSSCU09204	108	22	8	1400 BTSSCU09205	108	26	8	81	16.75
400	1400 BTSSCU03403	36	18	8	1400 BTSSCU03404	36	22	8	1400 BTSSCU03405	36	26	8	27	7.75
400	1400 BTSSCU04403	48	18	8	1400 BTSSCU04404	48	22	8	1400 BTSSCU04405	48	26	8	36	7.75
400	1400 BTSSCU05403	60	18	8	1400 BTSSCU05404	60	22	8	1400 BTSSCU05405	60	26	8	45	13.75
400	1400 BTSSCU06403	72	18	8	1400 BTSSCU06404	72	22	8	1400 BTSSCU06405	72	26	8	54	16.75
400	1400 BTSSCU07403	84	18	8	1400 BTSSCU07404	84	22	8	1400 BTSSCU07405	84	26	8	63	16.75
400	1400 BTSSCU08403	96	18	8	1400 BTSSCU08404	96	22	8	1400 BTSSCU08405	96	26	8	72	16.75
400	1400 BTSSCU09403	108	18	8	1400 BTSSCU09404	108	22	8	1400 BTSSCU09405	108	26	8	81	16.75
400	1400 BTSSCU10403	120	18	8	1400 BTSSCU10404	120	22	8	1400 BTSSCU10405	120	26	8	90	16.75

Data subject to change without notice.



CU NOM. AMP	3 WIRES			4 WIRES			5 WIRES							
	CATALOG #	A	B	C	CATALOG #	A	B	C	CATALOG #	A	B	C	D	E
600	1400 BTSSCU03603	36	24	10	1400 BTSSCU03604	36	30	10	1400 BTSSCU03605	36	36	10	27	7.75
600	1400 BTSSCU04603	48	24	10	1400 BTSSCU04604	48	30	10	1400 BTSSCU04605	48	36	10	36	7.75
600	1400 BTSSCU05603	60	24	10	1400 BTSSCU05604	60	30	10	1400 BTSSCU05605	60	36	10	45	13.75
600	1400 BTSSCU06603	72	24	10	1400 BTSSCU06604	72	30	10	1400 BTSSCU06605	72	36	10	54	16.75
600	1400 BTSSCU07603	84	24	10	1400 BTSSCU07604	84	30	10	1400 BTSSCU07605	84	36	10	63	16.75
600	1400 BTSSCU08603	96	24	10	1400 BTSSCU08604	96	30	10	1400 BTSSCU08605	96	36	10	72	16.75
600	1400 BTSSCU09603	108	24	10	1400 BTSSCU09604	108	30	10	1400 BTSSCU09605	108	36	10	81	16.75
600	1400 BTSSCU10603	120	24	10	1400 BTSSCU10604	120	30	10	1400 BTSSCU10605	120	36	10	90	16.75
600	1400 BTSSCU11603	132	24	10	1400 BTSSCU11604	132	30	10	1400 BTSSCU11605	132	36	10	99	16.75
600	1400 BTSSCU12603	144	24	10	1400 BTSSCU12604	144	30	10	1400 BTSSCU12605	144	36	10	108	16.75
800	1400 BTSSCU03803	36	24	10	1400 BTSSCU03804	36	30	10	1400 BTSSCU03805	36	36	10	27	7.75
800	1400 BTSSCU04803	48	24	10	1400 BTSSCU04804	48	30	10	1400 BTSSCU04805	48	36	10	36	7.75
800	1400 BTSSCU05803	60	24	10	1400 BTSSCU05804	60	30	10	1400 BTSSCU05805	60	36	10	45	13.75
800	1400 BTSSCU06803	72	24	10	1400 BTSSCU06804	72	30	10	1400 BTSSCU06805	72	36	10	54	16.75
800	1400 BTSSCU07803	84	24	10	1400 BTSSCU07804	84	30	10	1400 BTSSCU07805	84	36	10	63	16.75
800	1400 BTSSCU08803	96	24	10	1400 BTSSCU08804	96	30	10	1400 BTSSCU08805	96	36	10	72	16.75
800	1400 BTSSCU09803	108	24	10	1400 BTSSCU09804	108	30	10	1400 BTSSCU09805	108	36	10	81	16.75
800	1400 BTSSCU10803	120	24	10	1400 BTSSCU10804	120	30	10	1400 BTSSCU10805	120	36	10	90	16.75
800	1400 BTSSCU11803	132	24	10	1400 BTSSCU11804	132	30	10	1400 BTSSCU11805	132	36	10	99	16.75
800	1400 BTSSCU12803	144	24	10	1400 BTSSCU12804	144	30	10	1400 BTSSCU12805	144	36	10	108	16.75
1000	1400 BTSSCU051003	60	24	10	1400 BTSSCU051004	60	30	10	1400 BTSSCU051005	60	36	10	45	13.75
1000	1400 BTSSCU061003	72	24	10	1400 BTSSCU061004	72	30	10	1400 BTSSCU061005	72	36	10	54	16.75
1000	1400 BTSSCU071003	84	24	10	1400 BTSSCU071004	84	30	10	1400 BTSSCU071005	84	36	10	63	16.75
1000	1400 BTSSCU081003	96	24	10	1400 BTSSCU081004	96	30	10	1400 BTSSCU081005	96	36	10	72	16.75
1000	1400 BTSSCU091003	108	24	10	1400 BTSSCU091004	108	30	10	1400 BTSSCU091005	108	36	10	81	16.75
1000	1400 BTSSCU101003	120	24	10	1400 BTSSCU101004	120	30	10	1400 BTSSCU101005	120	36	10	90	16.75
1000	1400 BTSSCU111003	132	24	10	1400 BTSSCU111004	132	30	10	1400 BTSSCU111005	132	36	10	99	16.75
1000	1400 BTSSCU121003	144	24	10	1400 BTSSCU121004	144	30	10	1400 BTSSCU121005	144	36	10	108	16.75
1200	1400 BTSSCU051203	60	24	10	1400 BTSSCU051204	60	30	10	1400 BTSSCU051205	60	36	10	45	13.75
1200	1400 BTSSCU061203	72	24	10	1400 BTSSCU061204	72	30	10	1400 BTSSCU061205	72	36	10	54	16.75
1200	1400 BTSSCU071203	84	24	10	1400 BTSSCU071204	84	30	10	1400 BTSSCU071205	84	36	10	63	16.75
1200	1400 BTSSCU081203	96	24	10	1400 BTSSCU081204	96	30	10	1400 BTSSCU081205	96	36	10	72	16.75
1200	1400 BTSSCU091203	108	24	10	1400 BTSSCU091204	108	30	10	1400 BTSSCU091205	108	36	10	81	16.75
1200	1400 BTSSCU101203	120	24	10	1400 BTSSCU101204	120	30	10	1400 BTSSCU101205	120	36	10	90	16.75
1200	1400 BTSSCU111203	132	24	10	1400 BTSSCU111204	132	30	10	1400 BTSSCU111205	132	36	10	99	16.75
1200	1400 BTSSCU121203	144	24	10	1400 BTSSCU121204	144	30	10	1400 BTSSCU121205	144	36	10	108	16.75
1600	1400 BTSSCU051603	60	27	10	1400 BTSSCU051604	60	32	12	1400 BTSSCU051605	60	37	12	45	13.75
1600	1400 BTSSCU061603	72	27	10	1400 BTSSCU061604	72	32	12	1400 BTSSCU061605	72	37	12	54	16.75
1600	1400 BTSSCU071603	84	27	10	1400 BTSSCU071604	84	32	12	1400 BTSSCU071605	84	37	12	63	16.75
1600	1400 BTSSCU081603	96	27	10	1400 BTSSCU081604	96	32	12	1400 BTSSCU081605	96	37	12	72	16.75
1600	1400 BTSSCU091603	108	27	10	1400 BTSSCU091604	108	32	12	1400 BTSSCU091605	108	37	12	81	16.75
1600	1400 BTSSCU101603	120	27	10	1400 BTSSCU101604	120	32	12	1400 BTSSCU101605	120	37	12	90	16.75
1600	1400 BTSSCU111603	132	27	10	1400 BTSSCU111604	132	32	12	1400 BTSSCU111605	132	37	12	99	16.75
1600	1400 BTSSCU121603	144	27	10	1400 BTSSCU121604	144	32	12	1400 BTSSCU121605	144	37	12	108	16.75
2000	1400 BTSSCU062003	72	30	10	1400 BTSSCU062004	72	37	12	1400 BTSSCU062005	72	44	12	54	16.75
2000	1400 BTSSCU072003	84	30	10	1400 BTSSCU072004	84	37	12	1400 BTSSCU072005	84	44	12	63	16.75
2000	1400 BTSSCU082003	96	30	10	1400 BTSSCU082004	96	37	12	1400 BTSSCU082005	96	44	12	72	16.75
2000	1400 BTSSCU092003	108	30	10	1400 BTSSCU092004	108	37	12	1400 BTSSCU092005	108	44	12	81	16.75
2000	1400 BTSSCU102003	120	30	10	1400 BTSSCU102004	120	37	12	1400 BTSSCU102005	120	44	12	90	16.75
2000	1400 BTSSCU112003	132	30	10	1400 BTSSCU112004	132	37	12	1400 BTSSCU112005	132	44	12	99	16.75
2000	1400 BTSSCU122003	144	30	10	1400 BTSSCU122004	144	37	12	1400 BTSSCU122005	144	44	12	108	16.75
2500	1400 BTSSCU062503	72	30	10	1400 BTSSCU062504	72	37	12	1400 BTSSCU062505	72	44	12	54	16.75
2500	1400 BTSSCU072503	84	30	10	1400 BTSSCU072504	84	37	12	1400 BTSSCU072505	84	44	12	63	16.75
2500	1400 BTSSCU082503	96	30	10	1400 BTSSCU082504	96	37	12	1400 BTSSCU082505	96	44	12	72	16.75
2500	1400 BTSSCU092503	108	30	10	1400 BTSSCU092504	108	37	12	1400 BTSSCU092505	108	44	12	81	16.75
2500	1400 BTSSCU102503	120	30	10	1400 BTSSCU102504	120	37	12	1400 BTSSCU102505	120	44	12	90	16.75
2500	1400 BTSSCU112503	132	30	10	1400 BTSSCU112504	132	37	12	1400 BTSSCU112505	132	44	12	99	16.75
2500	1400 BTSSCU122503	144	30	10	1400 BTSSCU122504	144	37	12	1400 BTSSCU122505	144	44	12	108	16.75

Bus bar also available drilled and tapped 1/4 - 20 at 6" interval, add suffix 'DT' to the catalog number (ie. 1400 BTSSCU...DT)  
 ‡ For painted stainless steel, add suffix 'P' to the catalog number (ie. 1400 BTSSCU...P).

**Note :**

EXM lugs must be ordered separately.  
 See pages 238-239 for different types of lugs.

Data subject to change without notice.



p.583      p.477      p.624      p.636      p.593      p.238      p.239  
<http://www.exmweb.com>      1-800-363-2423      Fax : 450-979-4626





## Splitter blocks and lugs (for 1100 B&T, 1400 B&T)

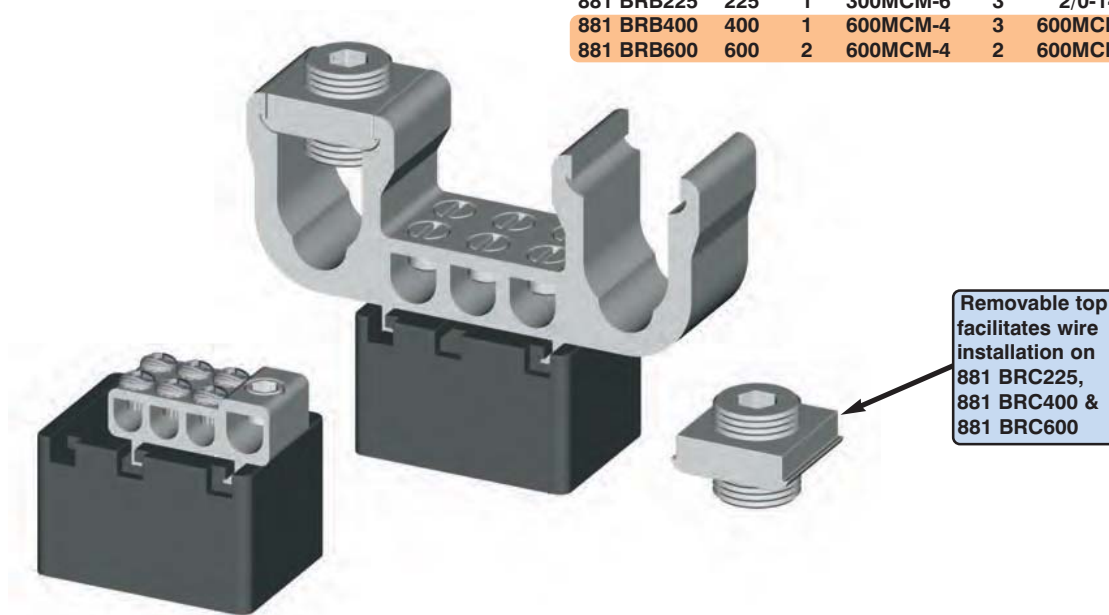
The **881 BRB** splitter blocks for boxes and the **881 BRC** splitter blocks for troughs are designed to mount on all our standard and custom troughs.

Insulation is provided by the polymeric insulator. The one piece body includes the main and branch lugs which can accommodate either copper or aluminum conductors. The design allows wires to be easily laid in place (881 BRC225, 881 BRC400 and 881 BRC600 only).

**C.S.A. approved.**

CATALOG NUMBER	MAX AMP. CU-AL	MAIN LUGS		BRANCH LUGS		SHIP WGT LBS.
		QTY.	WIRES	QTY.	WIRES	
881 BRC070	70	1	2-14	6	2-14	1
881 BRC125	125	1	1/0-14	6	2-14	1
881 BRC225	225	1	300MCM-6	6	2/0-14	1
881 BRC400	400	2	250MCM-1/0*	6	4/0-14	2
881 BRC600	600	4	250MCM-1/0†	6	4/0-14	3
		* or 1 X 600MCM-4		† 2 X 600MCM-4		

CATALOG NUMBER	MAX AMP. CU-AL	MAIN LUGS		BRANCH LUGS		SHIP WGT LBS.
		QTY.	WIRES	QTY.	WIRES	
881 BRB070	70	1	2-14	3	2-14	1
881 BRB125	125	1	2/0-14	3	2/0-14	1
881 BRB225	225	1	300MCM-6	3	2/0-14	1
881 BRB400	400	1	600MCM-4	3	600MCM-4	2
881 BRB600	600	2	600MCM-4	2	600MCM-4	3



## Bus bar lugs (for 1100 BT and 1400 BT)

### Aluminum Single Lugs

The **881 BBS** are designed to be used with aluminum or copper conductors. Single lugs are made from high strength, high conductive aluminum alloy 6061-T6, plated tin over copper, rated at 90 degrees Celsius.

**C.S.A. approved. \***

#### Note :

\* Maximum ampacities are based on the Canadian Electrical Code Part-1 for not more than three conductors in raceways or cables, based on an ambient temperature of 30 degrees Celsius and a maximum conductor temperature of 75 degrees Celsius (types RW75, TW75).



CATALOG NUMBER	WIRE RANGE	MAX. AMP. *	
		CU	AL
881 BBS0006	4-14	65	35
881 BBS0002	2-14	115	90
881 BBS0010	1/0-14	150	120
881 BBS0020	2/0-14	175	135
881 BBS0250	250-6	255	205
881 BBS0300	300-6	285	230
881 BBS0350	350-6	310	250
881 BBS0500	500-4	380	310
881 BBS0600	600-2	420	340
881 BBS0800	800-300	490	395
881 BBS1000	1000-500	545	445



## Bus bar lugs (for 1100 BT and 1400 BT)

CATALOG NUMBER	WIRE RANGE	MAX. AMP. *	
		CU	AL
881 BBD0010	1/0-14	300	240
881 BBD0020	2/0-14	350	270
881 BBD0250	250-6	510	410
881 BBD0350	350-6	620	500
881 BBD0500	500-4	760	620
881 BBD0600	600-2	840	680
881 BBD0800	800-300	980	790
881 BBD1000	1000-500	1090	890



### Aluminum Double Lugs

The 881 BBD are designed to be used with aluminum or copper conductors. Double lugs are made from high strength, high conductive aluminum alloy 6061-T6, plated tin over copper, rated at 90 degrees Celcius.

**C.S.A. approved. \***

CATALOG NUMBER	WIRE RANGE	MAX. AMP. *	
		CU	AL
881 BBT0010	1/0-14	450	360
881 BBT0020	2/0-14	525	405
881 BBT0250	250-6	765	615
881 BBT0350	350-6	930	750
881 BBT0500	500-4	1140	930
881 BBT0600	600-2	1260	1020
881 BBT0800	800-300	1470	1185
881 BBT1000	1000-500	1635	1335



### Aluminum Triple Lugs

The 881 BBT are designed to be used with aluminum or copper conductors. Triple lugs are made from high strength, high conductive aluminum alloy 6061-T6, plated tin over copper, rated at 90 degrees Celcius.

**C.S.A. approved. \***

CATALOG NUMBER	WIRE RANGE	MAX. AMP. *	
		CU	AL
881 BBQ0250	250-6	1020	820
881 BBQ0350	350-6	1240	1000
881 BBQ0500	500-4	1520	1240
881 BBQ0600	600-2	1680	1360
881 BBQ0800	800-300	1960	1580
881 BBQ1000	1000-500	2180	1780

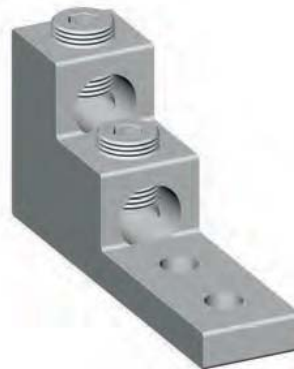


### Aluminum Quadruple Lugs

The 881 BBQ are designed to be used with aluminum or copper conductors. Quadruple lugs are made from high strength, high conductive aluminum alloy 6061-T6, plated tin over copper, rated at 90 degrees Celcius.

**C.S.A. approved. \***

CATALOG NUMBER	WIRES RANGE	QTY.	MAX. AMP. *	
			CU	AL
881 BPD0350	350-6	2	620	500
881 BPD0600	600-2	2	840	680
881 BPD0750	750-1/0	2	950	770
881 BPD0800	800-300	2	980	790
881 BPT0600	600-2	3	1260	1020
881 BPT0750	750-1/0	3	1425	1155
881 BPT0800	800-300	3	1470	1185
881 BPQ0600	600-2	4	1680	1360
881 BPQ0801	800-1/0	4	1900	1540
881 BPQ0800	800-300	4	1960	1580



### Aluminum Panel Board Lugs

The 881 BP are designed to be used with aluminum or copper conductors. Panel board lugs are made from high strength, high conductive aluminum alloy 6061-T6, plated tin over copper, rated at 90 degrees Celcius.

**C.S.A. approved. \***

#### Note :

\* Maximum ampacities are based on the Canadian Electrical Code Part-1 for not more than three conductors in raceways or cables, based on an ambient temperature of 30 degrees Celcius and a maximum conductor temperature of 75 degrees Celcius (types RW75, TW75).

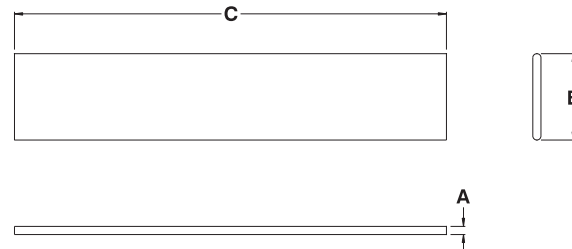
Data subject to change without notice.

## Aluminum bus bars

The **880 ALB** bus bars are made of aluminum and are used for electrical distribution.

Nine sizes of aluminum bus bars are available in ten different lengths.

They are used in the 1100 BT, 1400 BT and 1400 BTSS troughs.



CATALOG NUMBER	DIMENSIONS			SHIP WGHT LBS.
	A	B	C	
880 ALB2253	0.25	1	27	7
880 ALB2254	0.25	1	36	9
880 ALB2255	0.25	1	45	11
880 ALB2256	0.25	1	54	13
880 ALB2257	0.25	1	63	15
880 ALB2258	0.25	1	72	17
880 ALB2259	0.25	1	81	20
880 ALB4003	0.25	2.5	27	16
880 ALB4004	0.25	2.5	36	22
880 ALB4005	0.25	2.5	45	27
880 ALB4006	0.25	2.5	54	33
880 ALB4007	0.25	2.5	63	38
880 ALB4008	0.25	2.5	72	44
880 ALB4009	0.25	2.5	81	49
880 ALB40010	0.25	2.5	90	55
880 ALB6003	0.375	2.5	27	25
880 ALB6004	0.375	2.5	36	33
880 ALB6005	0.375	2.5	45	41
880 ALB6006	0.375	2.5	54	49
880 ALB6007	0.375	2.5	63	57
880 ALB6008	0.375	2.5	72	65
880 ALB6009	0.375	2.5	81	74
880 ALB60010	0.375	2.5	90	82
880 ALB60011	0.375	2.5	99	90
880 ALB60012	0.375	2.5	108	98
880 ALB8003	0.5	3	27	39
880 ALB8004	0.5	3	36	52
880 ALB8005	0.5	3	45	65
880 ALB8006	0.5	3	54	79
880 ALB8007	0.5	3	63	92
880 ALB8008	0.5	3	72	105
880 ALB8009	0.5	3	81	118
880 ALB80010	0.5	3	90	131
880 ALB80011	0.5	3	99	144
880 ALB80012	0.5	3	108	157
880 ALB10005	0.375	4.5	45	74
880 ALB10006	0.375	4.5	54	88

CATALOG NUMBER	DIMENSIONS			SHIP WGHT LBS.
	A	B	C	
880 ALB10007	0.375	4.5	63	103
880 ALB10008	0.375	4.5	72	118
880 ALB10009	0.375	4.5	81	133
880 ALB100010	0.375	4.5	90	147
880 ALB100011	0.375	4.5	99	162
880 ALB100012	0.375	4.5	108	177
880 ALB12005	0.5	4	45	87
880 ALB12006	0.5	4	54	105
880 ALB12007	0.5	4	63	122
880 ALB12008	0.5	4	72	140
880 ALB12009	0.5	4	81	157
880 ALB120010	0.5	4	90	175
880 ALB120011	0.5	4	99	192
880 ALB120012	0.5	4	108	210
880 ALB16005	0.5	6	45	131
880 ALB16006	0.5	6	54	157
880 ALB16007	0.5	6	63	183
880 ALB16008	0.5	6	72	210
880 ALB16009	0.5	6	81	236
880 ALB160010	0.5	6	90	262
880 ALB160011	0.5	6	99	288
880 ALB160012	0.5	6	108	314
880 ALB20006	0.75	5	54	196
880 ALB20007	0.75	5	63	229
880 ALB20008	0.75	5	72	262
880 ALB20009	0.75	5	81	295
880 ALB200010	0.75	5	90	327
880 ALB200011	0.75	5	99	360
880 ALB200012	0.75	5	108	393
880 ALB25006	0.75	6	54	236
880 ALB25007	0.75	6	63	275
880 ALB25008	0.75	6	72	314
880 ALB25009	0.75	6	81	354
880 ALB250010	0.75	6	90	393
880 ALB250011	0.75	6	99	432
880 ALB250012	0.75	6	108	471

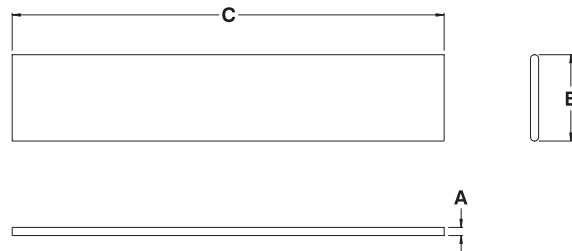
Data subject to change without notice.

## Copper bus bars

The **880 CUB** bus bars are made of copper and are used for electrical distribution.

Nine sizes of copper bus bars are available in ten different lengths. They are used in the 1100 BTCU,

1400 BTCU and 1400 BTSSCU troughs.



CATALOG NUMBER	DIMENSIONS			SHIP WGHT LBS.
	A	B	C	
880 CUB2253	0.125	1	27	10
880 CUB2254	0.125	1	36	14
880 CUB2255	0.125	1	45	18
880 CUB2256	0.125	1	54	22
880 CUB2257	0.125	1	63	25
880 CUB2258	0.125	1	72	29
880 CUB2259	0.125	1	81	33
880 CUB4003	0.188	1.5	27	25
880 CUB4004	0.188	1.5	36	33
880 CUB4005	0.188	1.5	45	41
880 CUB4006	0.188	1.5	54	49
880 CUB4007	0.188	1.5	63	58
880 CUB4008	0.188	1.5	72	66
880 CUB4009	0.188	1.5	81	74
880 CUB40010	0.188	1.5	90	82
880 CUB6003	0.25	2	27	44
880 CUB6004	0.25	2	36	58
880 CUB6005	0.25	2	45	73
880 CUB6006	0.25	2	54	87
880 CUB6007	0.25	2	63	102
880 CUB6008	0.25	2	72	117
880 CUB6009	0.25	2	81	131
880 CUB60010	0.25	2	90	146
880 CUB60011	0.25	2	99	160
880 CUB60012	0.25	2	108	175
880 CUB8003	0.25	3	27	66
880 CUB8004	0.25	3	36	87
880 CUB8005	0.25	3	45	109
880 CUB8006	0.25	3	54	131
880 CUB8007	0.25	3	63	153
880 CUB8008	0.25	3	72	175
880 CUB8009	0.25	3	81	197
880 CUB80010	0.25	3	90	219
880 CUB80011	0.25	3	99	240
880 CUB80012	0.25	3	108	262
880 CUB10005	0.25	4	45	146
880 CUB10006	0.25	4	54	175

CATALOG NUMBER	DIMENSIONS			SHIP WGHT LBS.
	A	B	C	
880 CUB10007	0.25	4	63	204
880 CUB10008	0.25	4	72	233
880 CUB10009	0.25	4	81	262
880 CUB100010	0.25	4	90	291
880 CUB100011	0.25	4	99	320
880 CUB100012	0.25	4	108	350
880 CUB12005	0.313	4	45	182
880 CUB12006	0.313	4	54	219
880 CUB12007	0.313	4	63	255
880 CUB12008	0.313	4	72	292
880 CUB12009	0.313	4	81	328
880 CUB120010	0.313	4	90	365
880 CUB120011	0.313	4	99	401
880 CUB120012	0.313	4	108	438
880 CUB16005	0.5	4	45	291
880 CUB16006	0.5	4	54	350
880 CUB16007	0.5	4	63	408
880 CUB16008	0.5	4	72	466
880 CUB16009	0.5	4	81	524
880 CUB160010	0.5	4	90	583
880 CUB160011	0.5	4	99	641
880 CUB160012	0.5	4	108	699
880 CUB20006	0.5	5	54	437
880 CUB20007	0.5	5	63	510
880 CUB20008	0.5	5	72	583
880 CUB20009	0.5	5	81	656
880 CUB200010	0.5	5	90	728
880 CUB200011	0.5	5	99	801
880 CUB200012	0.5	5	108	874
880 CUB25006	0.5	6	54	524
880 CUB25007	0.5	6	63	612
880 CUB25008	0.5	6	72	699
880 CUB25009	0.5	6	81	787
880 CUB250010	0.5	6	90	874
880 CUB250011	0.5	6	99	962
880 CUB250012	0.5	6	108	1049

Data subject to change without notice.



## Metering cabinet

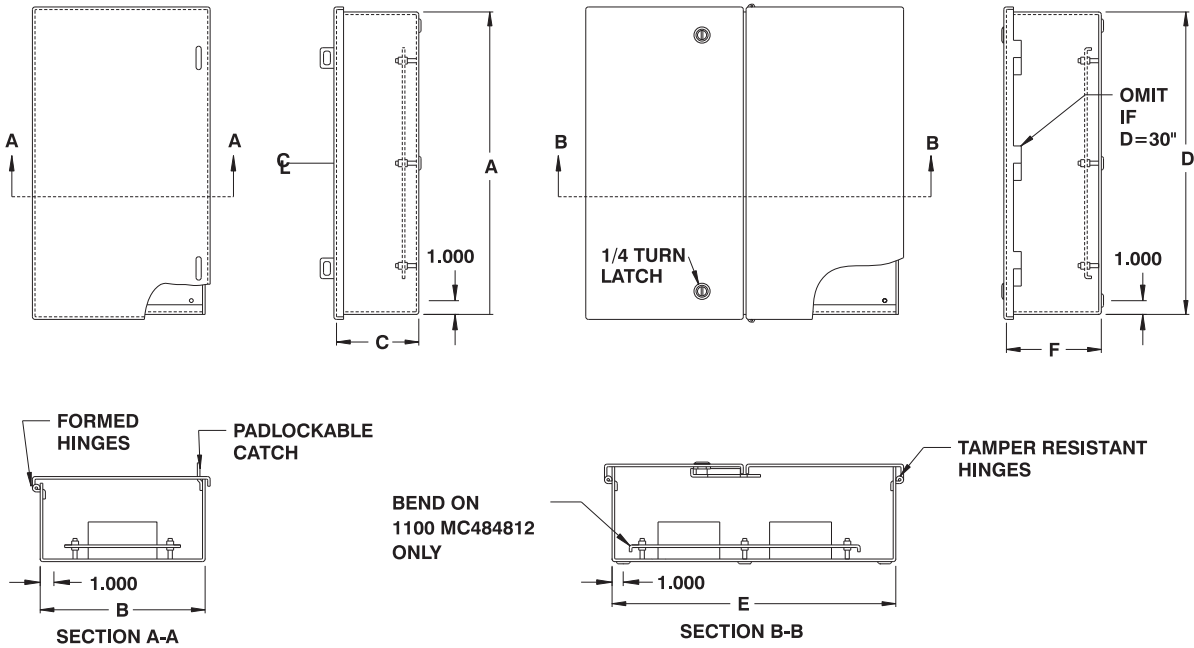
The 1100 MC metering cabinets are designed to house metering transformers or for junction boxes. They are made from 16 GA or 14 GA steel. Doors are hinged with a quarter turn lock and feature a pad-lock provision. There is an opening on the top of

the cabinet for meter connection. Metering cabinets come complete with removable inner back plates mounted on studs. Fixation is by means of holes in the back of the cabinet. Cabinets are finished with heat fused powder paint, electrostatical-

ly applied on a pretreated base. The box and panel are ANSI/ASA 61 gray.

**CSA Certified**  
**NEMA/EEMAC 1 / IP30**

Refer to p.727 to validate choice of substrate for the application



### Single door cabinet

CATALOG NUMBER	DIMENSIONS			SHIP WGHT LBS.
	A	B	C	
1100 MC202010	20	20	10	35
1100 MC271310	27	13	10	29
1100 MC271312	27	13	12	40
1100 MC302010	30	20	10	45

### Double door cabinet

CATALOG NUMBER	DIMENSIONS			SHIP WGHT LBS.
	D	E	F	
1100 MC303010	30	30	10	72
1100 MC303012	30	30	12	78
1100 MC363612	36	36	12	122
1100 MC484812	48	48	12	196

Data subject to change without notice.





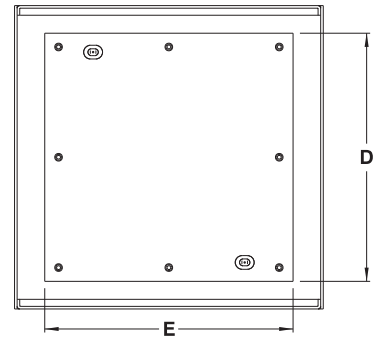
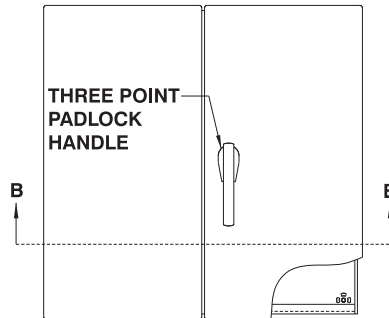
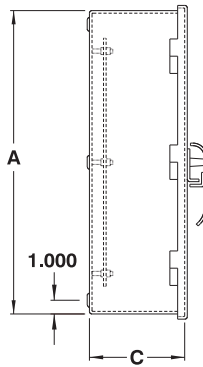
## Metering cabinet

The 1100 CC metering cabinets are used when the use of a transformer cabinet is forbidden. They are made from 14 GA steel. The hinged doors are closed with a three point vault type padlockable handle. The metering cabinets come complete with an

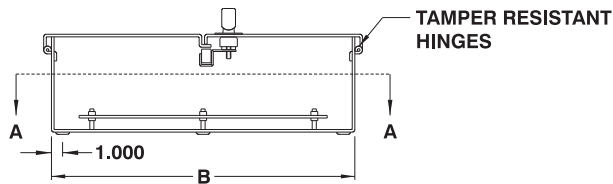
inner panel, which mounts on studs. Embossed mounting holes are provided on the back of the cabinet for installation. Cabinets are finished with heat fused powder paint, electrostatically applied on a pretreated base. The box and panel are ANSI/ASA 61

gray.  
**CSA Certified**  
**NEMA/EEMAC 1 / IP30**

**Refer to p.727 to validate choice of substrate for the application**



SECTION A-A



SECTION B-B

CATALOG NUMBER	DIMENSIONS					SHIP WGHT LBS.
	A	B	C	D	E	
1100 CC363612	36	36	12	32	32	125
1100 CC484812	48	48	12	44	44	199

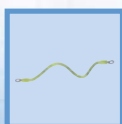


Data subject to change without notice.



p.478

<http://www.exmweb.com>



p.479



p.583



p.472

☎ 1-800-363-2423

Fax : 450-979-4626



[info@exmweb.com](mailto:info@exmweb.com)

## Metering cabinet for Hydro-Québec specifications

The 1100 MCHQ metering cabinets were designed by EXM for Hydro-Québec to house metering instruments. They are made from 16 GA or 14 GA steel.

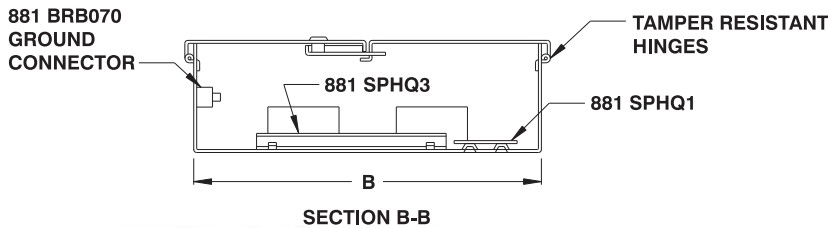
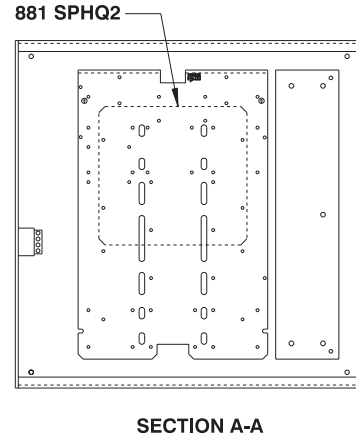
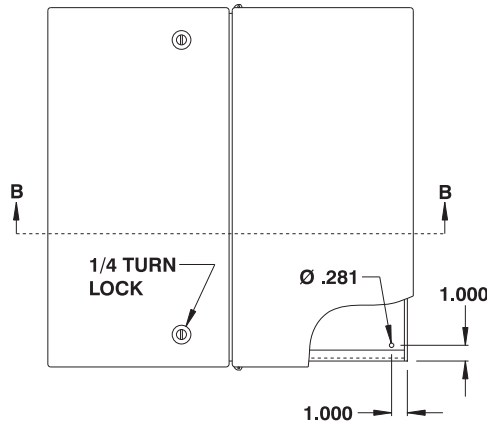
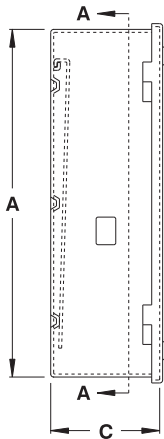
Three types of mounting panels are installed in each cabinet. These removable panels are made of powder coated steel. The panels are pre-punched to accommodate the metering instruments used by

Hydro-Québec. The larger cabinets have provisions to accommodate extra inner panels (purchased separately). A grounding splitter block is installed on the cabinet's left side. All 1100 MCHQ cabinets have double doors which are secured by a quarter-turn mechanisms and tamper-resistant hinges. There are two openings on top for meter connection. Cabinets are finished with heat

fused powder paint, electrostatically applied on a pretreated base. Box and the panel are ANSI/ASA 61 gray.

**CSA Certified**  
**NEMA/EEMAC 1 / IP30**

**Refer to p.727 to validate choice of substrate for the application**



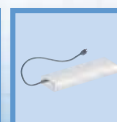
CATALOG NUMBER	DIMENSIONS			SHIP WGHT LBS.
	A	B	C	
1100 MCHQ303010	30	30	10	72

See following pages for other sizes

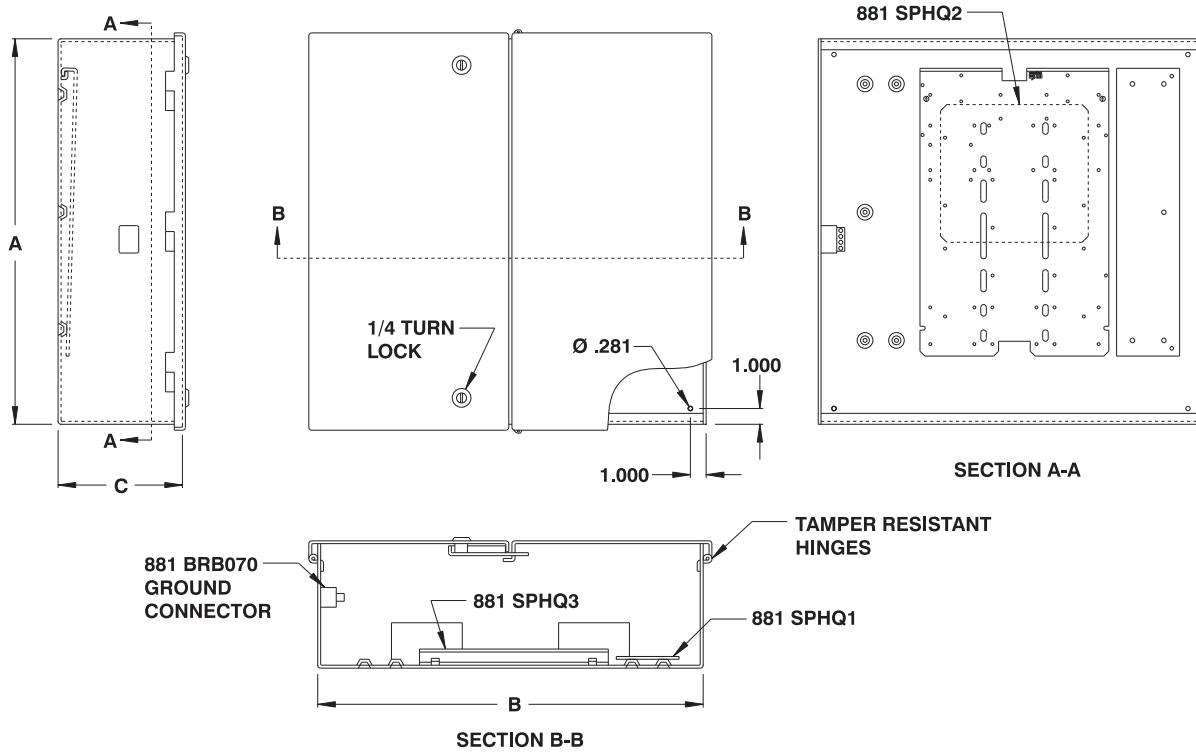
A total of three inner panels can be installed in a 1100 MCHQ303010 meter cabinet, all of which are included. Replacement panels can be ordered separately.

CATALOG NUMBER	DESCRIPTION
881 SPHQ1	Accessory plate
881 SPHQ2	Universal support current panel
881 SPHQ3	Universal support voltage panel

Data subject to change without notice.



## Metering cabinet for Hydro-Québec specifications



CATALOG NUMBER	DIMENSIONS			SHIP WGHT LBS.
	A	B	C	
1100 MCHQ363612	36	36	12	122

See following pages for other sizes.

A total of four inner panels can be installed in a 1100 MCHQ363612 meter cabinet, three of which are included. If required, an additional accessory plate can be ordered separately (881 SPHQ1).

CATALOG NUMBER	DESCRIPTION
881 SPHQ1	Accessory plate
881 SPHQ2	Universal support current panel
881 SPHQ3	Universal support voltage panel

Data subject to change without notice.



p.449  
<http://www.exmweb.com>



p.449



p.466



p.583



p.477

1-800-363-2423



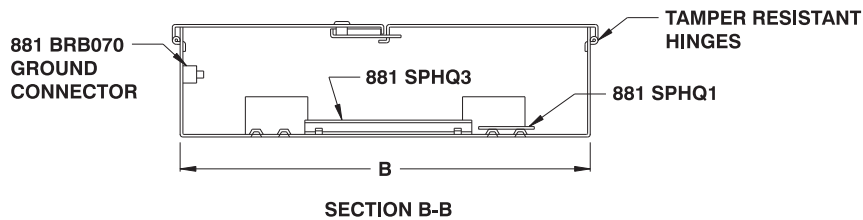
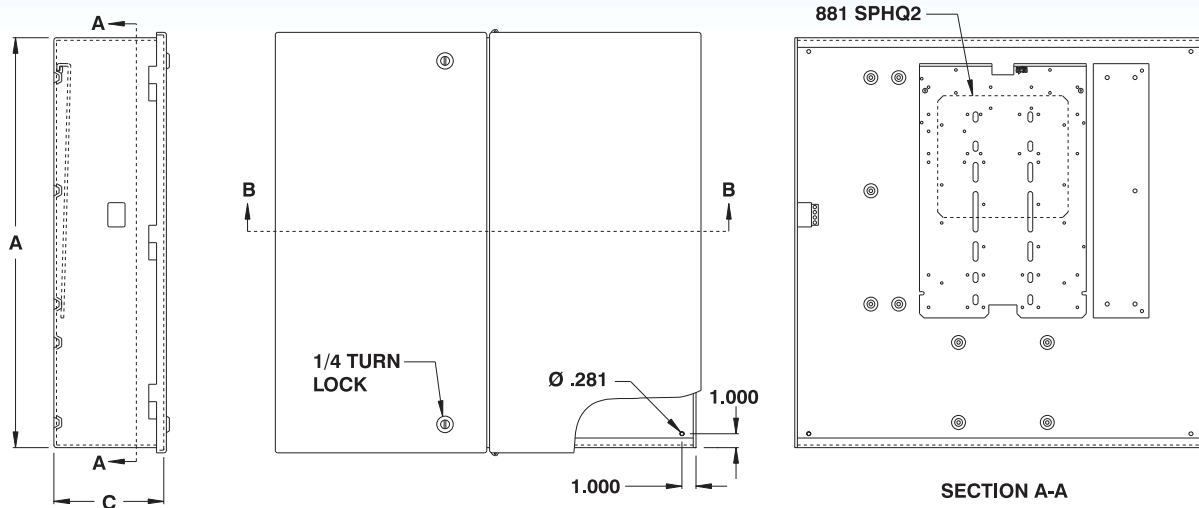
p.472

Fax : 450-979-4626



[info@exmweb.com](mailto:info@exmweb.com)

## Metering cabinet for Hydro-Québec specifications



CATALOG NUMBER	DIMENSIONS			SHIP WGHT LBS.
	A	B	C	
1100 MCHQ484812	48	48	12	196

See preceding pages for other sizes

A total of five inner panels can be installed in a 1100 MCHQ484812 meter cabinet, three of which are included. If required, one additional accessory plate (881 SPHQ1) and one additional universal support current panel (881 SPHQ2) can be ordered separately.

CATALOG NUMBER	DESCRIPTION
881 SPHQ1	Accessory plate
881 SPHQ2	Universal support current panel
881 SPHQ3	Universal support voltage panel

Data subject to change without notice.





## Weatherproof metering cabinet

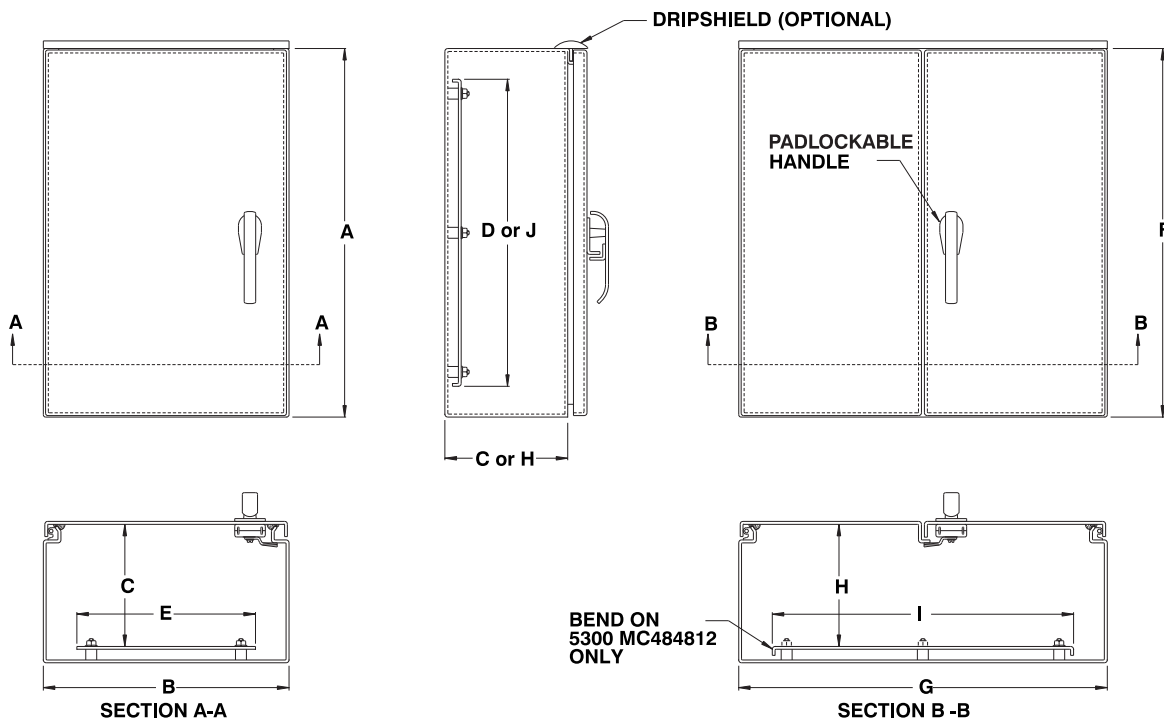
The 5300 MC weatherproof metering cabinets are specially designed for outdoor installation of metering transformers to protect against rain, sleet and snow. The 5300 MC are made from quality 14 GA steel, with corner seams tack welded. The opening has a curled lip around all sides to prevent dripping water from entering the enclosure when the door is open, it also increases rigidity. A high quality robotically

poured-in-place seamless gasket ensures a complete and durable weathertight seal. The captive pins of the concealed hinges can be pulled to remove the door. The doors are closed with a 3 point padlockable handle. Internal mounting holes are provided. Each enclosure comes complete with a 14 GA inner panel which mounts on M8 welded studs. Enclosures wider than 30" inclusively have double doors

while smaller enclosures have single doors. Enclosures and panels are finished with heat fused powder paint, electrostatically applied on a pretreated base. Box is ANSI/ASA 61 gray, panel is white (other colors available).

**CSA Certified / UL Listed  
NEMA/EEMAC 3 / IP64**

**Refer to p.727 to validate choice of substrate for the application**



CATALOG NUMBER	DIMENSIONS					SHIP WGHT LBS.
	A	B	C	D	E	
5300 MC202010	20	20	10	18	18	40
5300 MC271310	27	13	10	25	11	45
5300 MC302010	30	20	10	28	18	50

CATALOG NUMBER	DIMENSIONS					SHIP WGHT LBS.
	F	G	H	J	I	
5300 MC303010	30	30	10	28	28	76
5300 MC363612	36	36	12	34	34	133
5300 MC484812	48	48	12	46	46	205

Shown with optional 880 ESDS external drip shield, see p.474.

Data subject to change without notice.



p.490

<http://www.exmweb.com>



p.477



p.462



p.466

1-800-363-2423



p.583



p.526

Fax : 450-979-4626



p.472



[info@exmweb.com](mailto:info@exmweb.com)

## Current transformer cabinet

The 5300 CT current transformer cabinets are used indoors or outdoors to protect against rain, sleet and snow. The connections are for 400, up to 1200 Amperes 3 phase electrical service. Terminal blocks are supplied for each phase and for the neutral. The hardware to mount the current transformer (bar-style) is included. The 5300 CT484812 comes complete with a provision for a voltage transformer. The 5300 CT are made from quality 14 GA steel. The opening has a

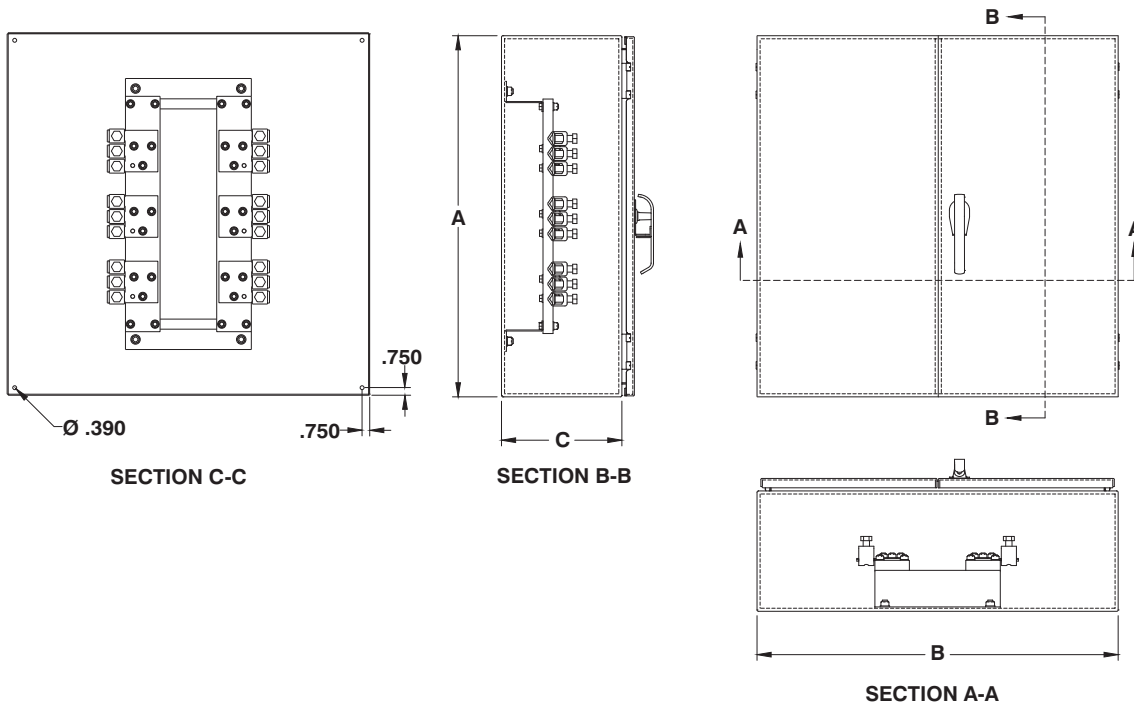
curled lip around all sides to prevent dripping water from entering the enclosure when the doors are open, it also increases rigidity. A high quality robotically poured-in-place seamless gasket ensures a complete and durable weather tight seal. The captive pins of the concealed hinges can be pulled to remove the doors. The doors are closed with a 3 point padlockable handle. Internal mounting holes are provided.

Enclosures and panels are finished

with heat fused powder paint, electrostatically applied on a pretreated base. Box ANSI/ASA 61 textured gray, panel is white (other colors available).

**CSA Certified / UL Listed  
NEMA/EEMAC 3 / IP64**

**Refer to p.727 to validate choice of substrate for the application**



CATALOG NUMBER	AMPACITY RATING	LUGS CU/AL PER PHASE		DIMENSION			SHIP WGHT LBS.
		QTY.	WIRES	A	B	C	
5300 CT363612	400-800	3	750MCM-1/0	36	36	12	134
5300 CT484812	800-1200	6	750MCM-1/0	48	48	12	209

Data subject to change without notice.



# NEMA 3/3R ENCLOSURES



## Weatherproof Junction Boxes

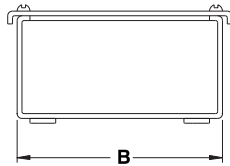
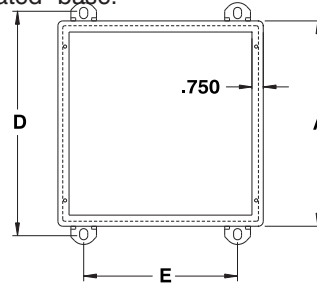
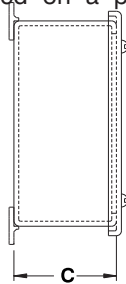
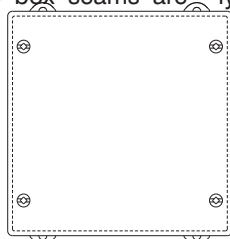
The 1300 DWPF are used as junction boxes in outdoor installations or indoors where dripping water is a problem. These enclosures are designed to protect equipment against rain, sleet and snow. Enclosures are made from 16 GA or 14 GA steel. The box seams are

continuously welded to prevent rain, sleet or snow from entering and the oil resistant high quality gasket ensures integrity. Four external mounting holes are provided. Enclosures are finished with heat fused powder paint, electrostatically applied on a pretreated base.

Box is ANSI/ASA 61 gray (other colors available).

**CSA Certified / UL Listed.**  
**NEMA/EEMAC 3 / IP64**

Refer to p.727 to validate choice of substrate for the application



CATALOG NUMBER	DIMENSIONS					SHIP WGHT LBS.
	A	B	C	D	E	
1300 DWPF040403	4	4	3	4.500	2	2
1300 DWPF060403	6	4	3	6.500	2	3
1300 DWPF060404	6	4	4	6.500	2	5
1300 DWPF060604	6	6	4	6.500	4	5
1300 DWPF080604	8	6	4	8.500	4	6
1300 DWPF080804	8	8	4	8.500	6	8
1300 DWPF081004	8	10	4	8.500	8	10
1300 DWPF100804	10	8	4	10.500	6	10
1300 DWPF101004	10	10	4	10.500	8	14
1300 DWPF120604	12	6	4	12.500	4	14
1300 DWPF121004	12	10	4	12.500	8	18
1300 DWPF121204	12	12	4	12.500	10	6
1300 DWPF060605	6	6	5	6.500	4	7
1300 DWPF080605	8	6	5	8.500	4	14
1300 DWPF101205	10	12	5	10.500	10	8
1300 DWPF060606	6	6	6	6.500	4	7
1300 DWPF080606	8	6	6	8.500	4	14
1300 DWPF080806	8	8	6	8.500	4	12
1300 DWPF100806	10	8	6	10.500	6	12
1300 DWPF101006	10	10	6	10.500	8	14
1300 DWPF121206	12	12	6	12.500	10	18
1300 DWPF121406	12	14	6	12.500	12	19
1300 DWPF140806	14	8	6	14.500	6	10
1300 DWPF141206	14	12	6	14.500	10	19
1300 DWPF141606	14	16	6	14.500	14	23
1300 DWPF161006	16	10	6	16.500	8	15
1300 DWPF161206	16	12	6	16.500	10	24
1300 DWPF161406	16	14	6	16.500	12	23
1300 DWPF161606	16	16	6	16.500	14	25
1300 DWPF181806	18	18	6	18.500	16	34
1300 DWPF241806	24	18	6	24.500	16	46
1300 DWPF242406	24	24	6	24.500	22	53
1300 DWPF121008	12	10	8	12.500	8	16
1300 DWPF141208	14	12	8	14.500	10	20
1300 DWPF161208	16	12	8	16.500	10	26
1300 DWPF161408	16	14	8	16.500	12	24
1300 DWPF242408	24	24	8	24.500	22	58
1300 DWPF303008	30	30	8	30.500	28	72
1300 DWPF161410	16	14	10	16.500	12	26
1300 DWPF242410	24	24	10	24.500	22	62
1300 DWPF242412	24	24	12	24.500	22	68
1300 DWPF363612	36	36	12	36.500	34	100

† For painted stainless steel, add suffix 'P' to the catalog number (i.e. : 1300DWPF...P)

‡ For stainless steel, add suffix 'SS' to the catalog number (i.e. : 1300 DWPF...SS)

Data subject to change without notice.





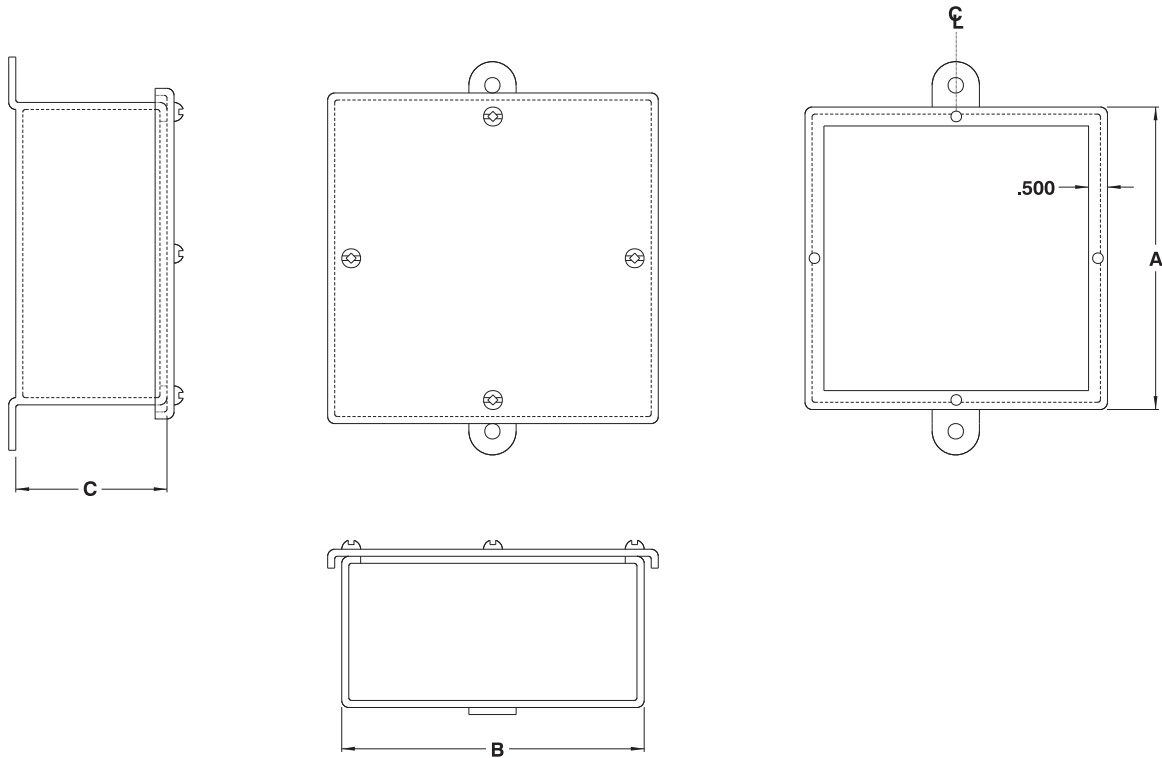
## Weatherproof aluminum junction boxes

The 1300 DWPAL are used as junction boxes in outdoor installations or indoors where dripping water is a problem. These enclosures are designed to protect equipment against rain, sleet and

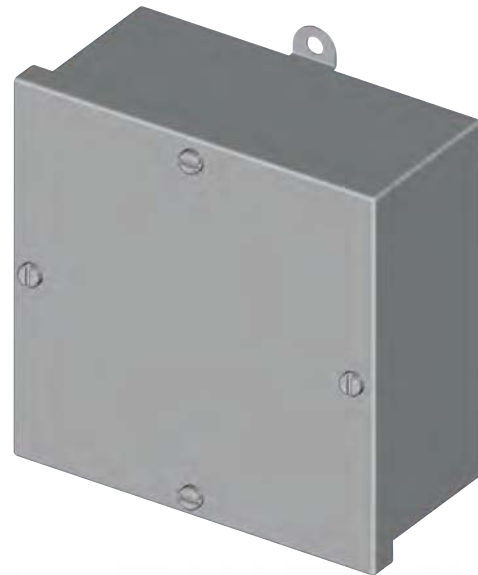
snow. Enclosures are made from 12 GA aluminum. The box seams are continuously welded to prevent rain, sleet or snow from entering and the oil resistant high quality gasket ensures integrity.

External mounting holes are provided. Boxes are natural aluminum finish.

**CSA Certified**  
**NEMA/EEMAC 3 / IP64**



CATALOG NUMBER	DIMENSIONS			SHIP WGHT LBS.
	A	B	C	
1300 DWPAL080804	8	8	4	2
1300 DWPAL101004	10	10	4	3
1300 DWPAL121204	12	12	4	3
1300 DWPAL080806	8	8	6	2
1300 DWPAL101006	10	10	6	3
1300 DWPAL121206	12	12	6	4
1300 DWPAL101008	10	10	8	6

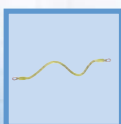


Data subject to change without notice.



p.478

<http://www.exmweb.com>



p.479

☎ 1-800-363-2423

Fax : 450-979-4626



[info@exmweb.com](mailto:info@exmweb.com)

## Weatherproof junction boxes

The 1300 are used as junction boxes in outdoor installations or indoors where dripping water is a problem. These enclosures are designed to protect equipment against rain, sleet and snow. Enclosures are made from 16 GA steel. The top of the enclosure

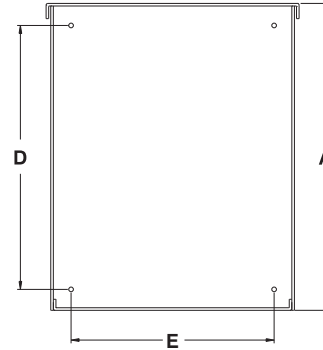
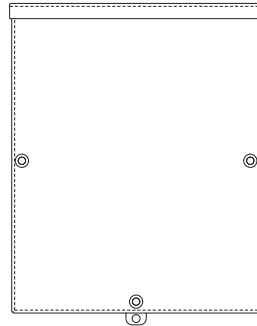
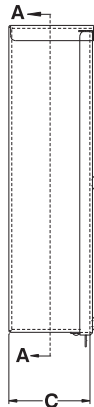
serves as a dripshield. The cover slips on and is fastened by screws. Four internal mounting holes are provided.

Enclosures are finished with heat fused powder paint, electrostatically applied on a pretreated base. Box is ANSI/ASA 61 gray (other col-

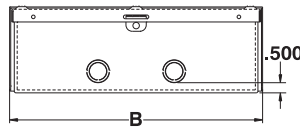
ors available).

**CSA Certified / UL Listed**  
**NEMA/EEMAC 3R / IP22**

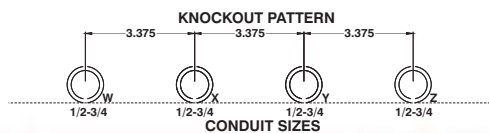
**Refer to p.727 to validate choice of substrate for the application**



SECTION A-A



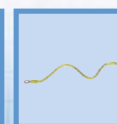
CATALOG NUMBER	DIMENSIONS					KNOCKOUT PATTERN	SHIP WGT LBS.
	A	B	C	D	E		
1300 060603	6	6	3	4	4	W-X	3
1300 060604	6	6	4	4	4	W-X	4
1300 080604	8	6	4	6	4	W-X	5
1300 080804	8	8	4	6	6	W-X	6
1300 100804	10	8	4	8	6	W-X	7
1300 101004	10	10	4	8	8	W-X	8
1300 120804	12	8	4	10	6	W-X	7
1300 121204	12	12	4	10	10	W-X	10
1300 151204	15	12	4	13	10	W-X	12
1300 080806	8	8	6	6	6	W-X	7
1300 100806	10	8	6	8	6	W-X	8
1300 101006	10	10	6	8	8	W-X	9
1300 120806	12	8	6	10	6	W-X	9
1300 121006	12	10	6	10	8	W-X	10
1300 121206	12	12	6	10	10	W-X	12
1300 151206	15	12	6	13	10	W-X	14
1300 181206	18	12	6	16	10	W-X	16
1300 181506	18	15	6	16	13	W-X	22
1300 181806	18	18	6	16	16	W-X-Y-Z	24
1300 241806	24	18	6	22	16	W-X-Y-Z	31



Data subject to change without notice.



p.478



p.479



p.472

## Small single door weatherproof enclosures

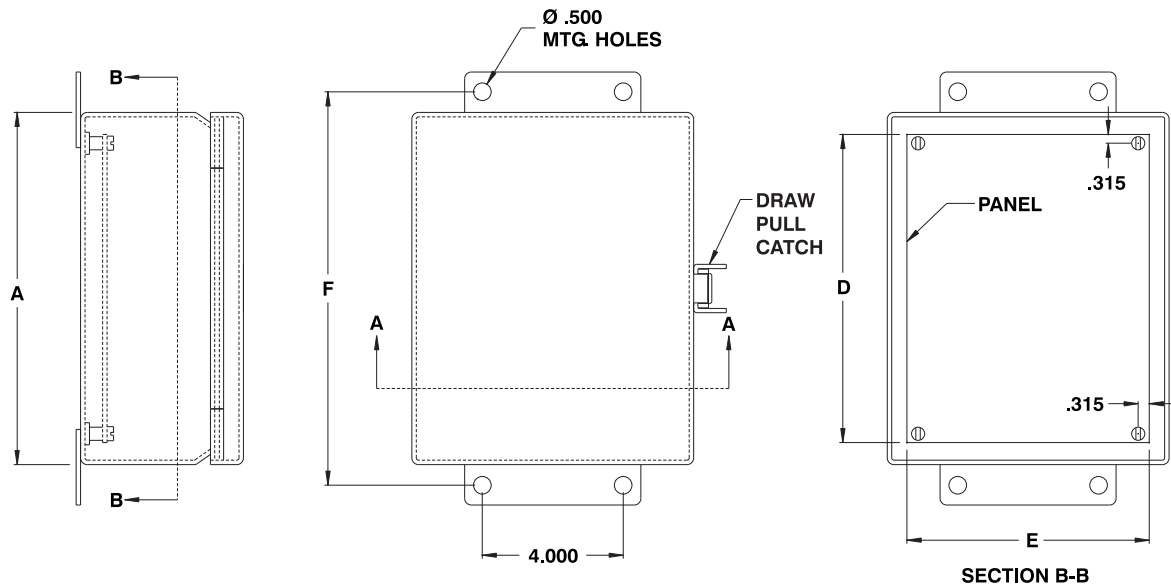
The 5300 ESCH are used in outdoor installations or indoors where dripping water is a problem. The 5300 ESCH are made from quality 16 GA steel, with corner seams continuously welded. The opening has a curled lip around all sides to prevent dripping water from entering the enclosure when the door is open, it also increases rigidity. A high quality robotically poured-in-place seamless gasket ensures a complete and durable water tight

seal. The enclosures feature die cast hinges, which are bound to the cover by an exclusive concealed hinge pin system. The covers are interchangeable and can be removed by unfastening the anti-vibration lock nuts. The doors are secured with padlockable draw pull catches. Each enclosure comes complete with a 14 GA inner panel which mounts on weld nuts. Four external mounting holes are provided. Enclosures and panels are fin-

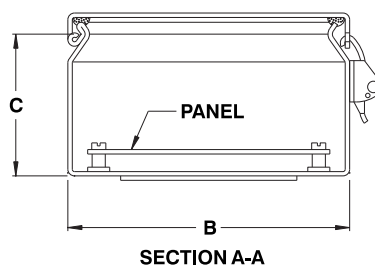
ished with heat fused powder paint, electrostatically applied on a pre-treated base. Box is ANSI/ASA 61 gray, panel is white (other colors available).

**CSA Certified / UL Listed  
NEMA/EEMAC 3 / IP64**

**Refer to p.727 to validate choice of substrate for the application**



Customize with



CATALOG NUMBER	DIMENSIONS						SHIP WGT LBS.
	A	B	C	D	E	F	
5300 ESCH060604	6	6	4	4.88	4.88	7.125	5
5300 ESCH080604	8	6	4	6.88	4.88	9.125	6
5300 ESCH080806	8	8	6	6.88	6.88	9.125	8
5300 ESCH100806	10	8	6	8.88	6.88	11.125	10
5300 ESCH121006	12	10	6	10.88	8.88	13.125	12
5300 ESCH121207	12	12	7	10.88	10.88	13.125	15

Data subject to change without notice.

## Large weatherproof enclosures

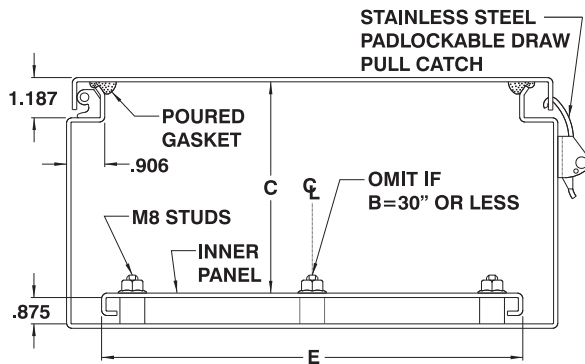
The 5300 ES large single door weatherproof enclosures are used as junction boxes or control boxes in outdoor installations or indoors where dripping water is a problem. These enclosures are designed to protect equipment against rain, sleet and snow. The 5300 ES are made from quality 14 GA or 16 GA steel, with corner seams continuously welded. The opening has a curled lip around all sides to prevent dripping water from entering the enclosure when the door is open,

it also increases rigidity. A high quality robotically poured-in-place seamless gasket ensures a complete and durable weather-tight seal. The enclosures feature die cast hinges, which are bound to the cover by an exclusive one piece concealed hinge. The cover can be removed by unfastening the anti-vibration lock screws. A padlockable stainless steel draw pull catch ensures positive closing. Internal mounting holes are provided (optional external wall mounting feet are available).

Each enclosure comes complete with a 12 GA inner panel which is double bent\* for maximum rigidity which mounts on M8 welded studs. Enclosures and panels are finished with heat fused powder paint, electrostatically applied on a pretreated base. Box is ANSI/ASA 61 gray, panel is white (other colors available).

**CSA Certified / UL Listed**  
**NEMA/EEMAC 3 / IP64**

Refer to p.727 to validate choice of substrate for the application



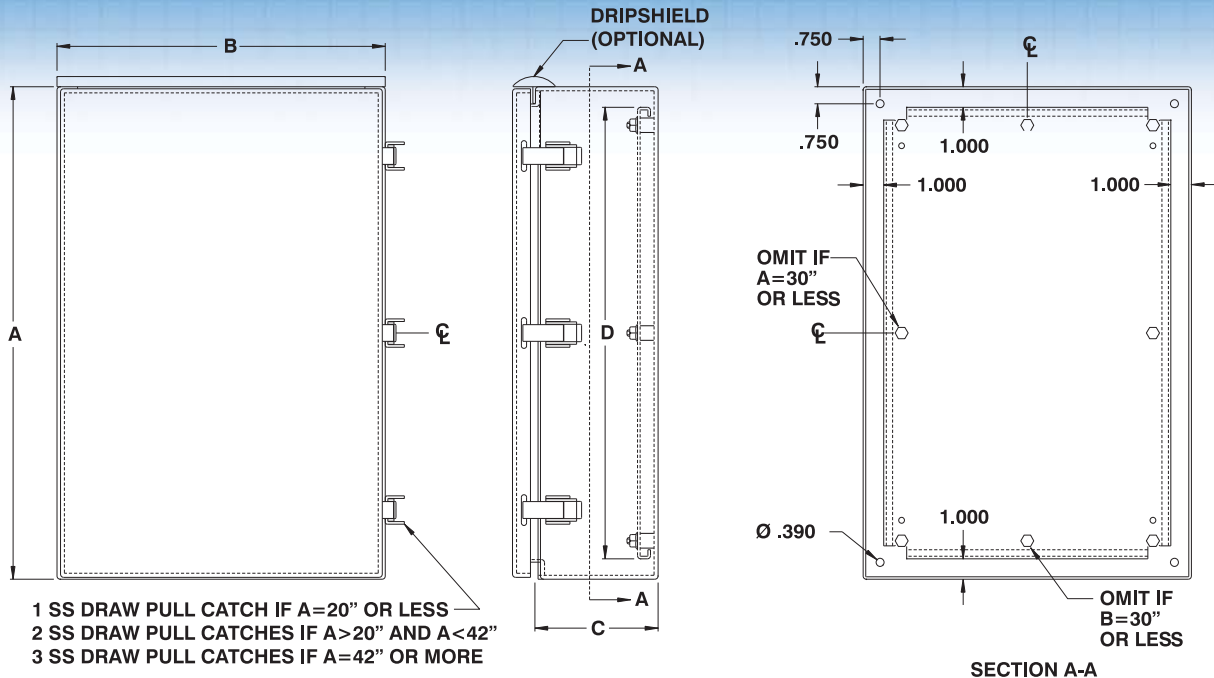
CATALOG NUMBER	DIMENSIONS					SHIP WGHT LBS.
	A	B	C	D	E	
5300 ES121206	12	12	6	10	10	19
5300 ES122406	12	24	6	10	22	35
5300 ES161206	16	12	6	14	10	24
5300 ES161606	16	16	6	14	14	31
5300 ES162006	16	20	6	14	18	37
5300 ES201206	20	12	6	18	10	29
5300 ES201606	20	16	6	18	14	37
5300 ES202006	20	20	6	18	18	45
5300 ES202406	20	24	6	18	22	53
5300 ES241206	24	12	6	22	10	35
5300 ES241606	24	16	6	22	14	44
5300 ES242006	24	20	6	22	18	53
5300 ES242406	24	24	6	22	22	62
5300 ES301606	30	16	6	28	14	53
5300 ES302006	30	20	6	28	18	65
5300 ES302406	30	24	6	28	22	76
5300 ES362406	36	24	6	34	22	90
5300 ES363006	36	30	6	34	28	109
5300 ES122408	12	24	8	10	22	38
5300 ES161208	16	12	8	14	10	27
5300 ES161608	16	16	8	14	14	34
5300 ES162008	16	20	8	14	18	41
5300 ES201208	20	12	8	18	10	33
5300 ES201608	20	16	8	18	14	41
5300 ES202008	20	20	8	18	18	49
5300 ES202408	20	24	8	18	22	57
5300 ES241208	24	12	8	22	10	38
5300 ES241608	24	16	8	22	14	48
5300 ES242008	24	20	8	22	18	57
5300 ES242408	24	24	8	22	22	67
5300 ES243008	24	30	8	22	28	81
5300 ES301208	30	12	8	28	10	46
5300 ES301608	30	16	8	28	14	58
5300 ES302008	30	20	8	28	18	70
5300 ES302408	30	24	8	28	22	81
5300 ES303008	30	30	8	28	28	98
5300 ES303608	30	36	8	28	34	116
5300 ES362408	36	24	8	34	22	95
5300 ES363008	36	30	8	34	28	116
5300 ES363608	36	36	8	34	34	136
5300 ES422408	42	24	8	40	22	110
5300 ES423008	42	30	8	40	28	133

Shown with optional 880 ESDS drip shield, see page 474.

Data subject to change without notice.







CATALOG NUMBER	DIMENSIONS					SHIP WGT LBS.	CATALOG NUMBER	DIMENSIONS					SHIP WGT LBS.
	A	B	C	D	E			A	B	C	D	E	
5300 ES423608	42	36	8	40	34	156	5300 ES363012	36	30	12	34	28	129
5300 ES482408	48	24	8	46	22	124	5300 ES363612	36	36	12	34	34	150
5300 ES483008	48	30	8	46	28	150	5300 ES422412	42	24	12	40	22	118
5300 ES483608	48	36	8	46	34	177	5300 ES423012	42	30	12	40	28	147
5300 ES603608	60	36	8	58	34	218	5300 ES423612	42	36	12	40	34	172
5300 ES161210	16	12	10	14	10	30	5300 ES482412	48	24	12	46	22	138
5300 ES201610	20	16	10	18	14	44	5300 ES483612	48	36	12	46	34	193
5300 ES202010	20	20	10	18	18	53	5300 ES602412	60	24	12	58	22	169
5300 ES241210	24	12	10	22	10	42	5300 ES603612	60	36	12	58	34	236
5300 ES242010	24	20	10	22	18	62	5300 ES723012	72	30	12	70	28	240
5300 ES242410	24	24	10	22	22	71	5300 ES723612	72	36	12	70	34	279
5300 ES302010	30	20	10	28	18	74	5300 ES242016	24	20	16	22	18	74
5300 ES302410	30	24	10	28	22	86	5300 ES242416	24	24	16	22	22	86
5300 ES362410	36	24	10	34	22	101	5300 ES302416	30	24	16	28	22	102
5300 ES363010	36	30	10	34	28	122	5300 ES362416	36	24	16	34	22	119
5300 ES423010	42	30	10	40	28	140	5300 ES363016	36	30	16	34	28	142
5300 ES423610	42	36	10	40	34	164	5300 ES423616	42	36	16	40	34	187
5300 ES483010	48	30	10	46	28	158	5300 ES483616	48	36	16	46	34	210
5300 ES483610	48	36	10	46	34	185	5300 ES603616	60	36	16	58	14	255
5300 ES603610	60	36	10	58	34	227	5300 ES723016	72	30	16	70	28	260
5300 ES201612	20	16	12	18	14	48	5300 ES723616	72	36	16	70	34	301
5300 ES202012	20	20	12	18	18	57	5300 ES302420	30	24	20	28	22	113
5300 ES202412	20	24	12	18	22	66	5300 ES363020	36	30	20	34	28	155
5300 ES242012	24	20	12	22	18	66	5300 ES483620	48	36	20	46	34	226
5300 ES242412	24	24	12	22	22	76	5300 ES603620	60	36	20	58	34	274
5300 ES302412	30	24	12	28	22	92	5300 ES723020	72	30	20	70	28	280
5300 ES303012	30	30	12	28	28	110	5300 ES302424	30	24	24	28	22	123
5300 ES362412	36	24	12	34	22	107	5300 ES723024	72	30	24	70	28	300

**Insulated box?** To have your enclosure insulated, add suffix "TH"

i.e.: 5300ES362412TH → Insulated steel enclosure

\* Only panels with sides 20" or more are double bent.  
 ‡ Only enclosures with depths 12" or less are continuously welded.

Data subject to change without notice.



p.473      p.624      p.636      p.476      p.618      p.593      p.472  
<http://www.exmweb.com>      1-800-363-2423      Fax : 450-979-4626



## Double door weatherproof enclosures

The 5300 ESDD large double door weatherproof enclosures are used as junction boxes or control boxes in outdoor installations or indoors where dripping water is a problem. These enclosures are designed to protect equipment against rain, sleet and snow. The 5300 ESDD are made from quality 14 GA steel, with corner seams continuously welded. The opening has a curled lip around all sides to prevent dripping water from entering the enclosure when the door is open, it also

increases rigidity. A high quality robotically poured-in-place seamless gasket ensures a complete and durable weathertight seal. The captive pins of the concealed hinges can be pulled to remove the door.

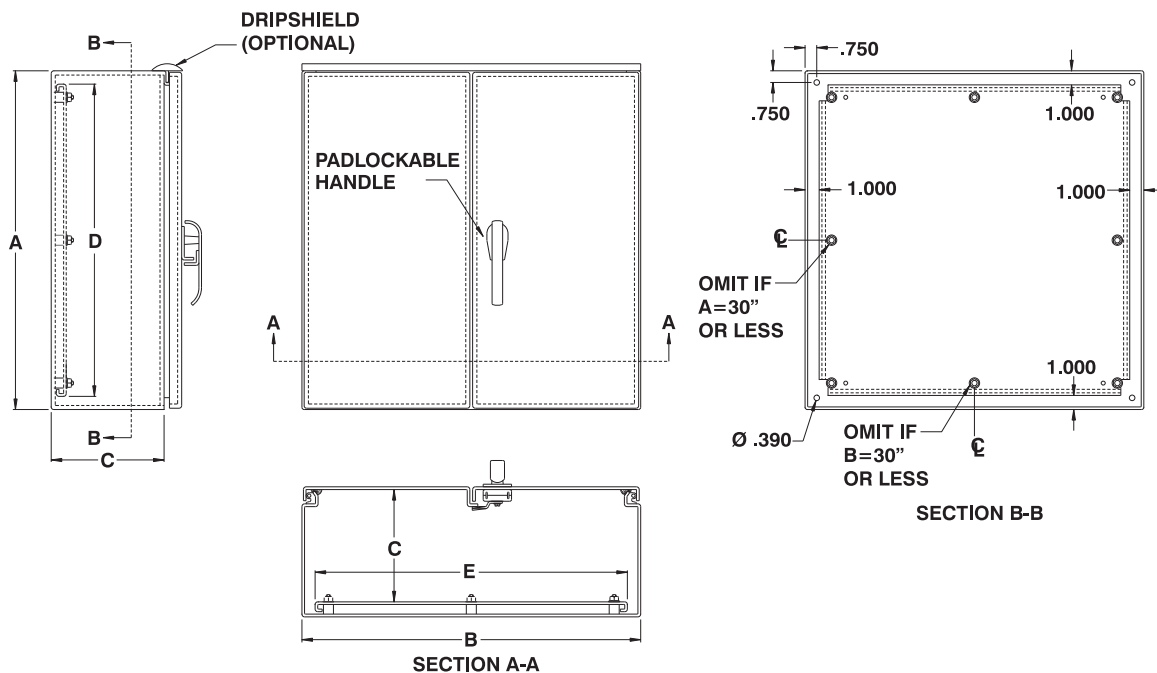
The handle on the left door is closed with a 3 point padlockable handle. Internal mounting holes are provided. Each enclosure comes complete with a 12 GA inner panel which is double bent for maximum rigidity and which

mounts on M8 welded studs.

Enclosures and panels are finished with heat fused powder paint, electrostatically applied on a pretreated base. Box is ANSI/ASA 61 gray, panel is white (other colors available).

**CSA Certified / UL Listed  
NEMA/EEMAC 3 / IP64**

**Refer to p.727 to validate choice of substrate for the application**



CATALOG NUMBER	DIMENSIONS					SHIP WGHT LBS.
	A	B	C	D	E	
5300 ESDD303012	30	30	12	28.000	28.000	120
5300 ESDD303612	30	36	12	28.000	34.000	140
5300 ESDD304212	30	42	12	28.000	40.000	160
5300 ESDD304812	30	48	12	28.000	46.000	180
5300 ESDD363012	36	30	12	34.000	28.000	140
5300 ESDD363612	36	36	12	34.000	34.000	160
5300 ESDD364212	36	42	12	34.000	40.000	180
5300 ESDD364812	36	48	12	34.000	46.000	200
5300 ESDD303016	30	30	16	28.000	28.000	130
5300 ESDD303616	30	36	16	28.000	34.000	150
5300 ESDD304216	30	42	16	28.000	40.000	170
5300 ESDD363016	36	30	16	34.000	28.000	150
5300 ESDD363616	36	36	16	34.000	34.000	170
5300 ESDD364216	36	42	16	34.000	40.000	190

‡ Only enclosures with depths 12" or less are continuously welded. Shown with optional 880 ESDD external drip shield, see p.474.

Data subject to change without notice.

**Insulated box?** To have your enclosure insulated, add suffix "TH"

i.e.: 5300ESDD364216TH → Insulated steel enclosure

## Weatherproof metering cabinet

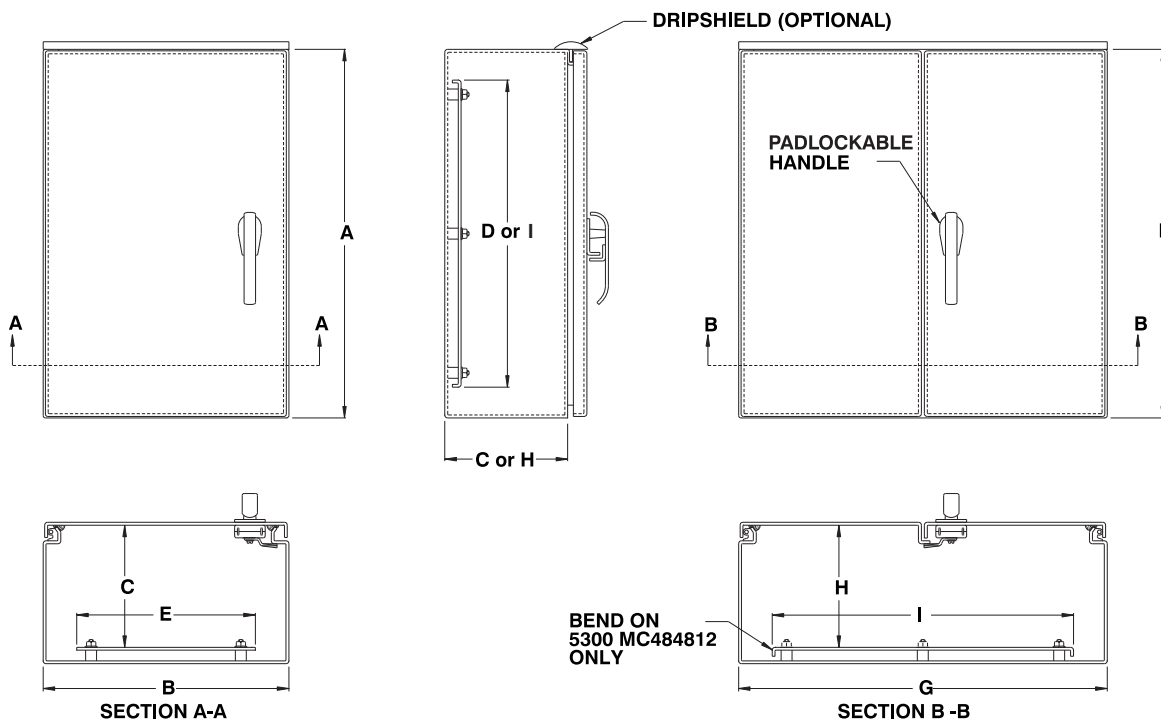
The 5300 MC weatherproof metering cabinets are specially designed for outdoor installation of metering transformers to protect against rain, sleet and snow. The 5300 MC are made from quality 14 GA steel, with corner seams tack welded. The opening has a curled lip around all sides to prevent dripping water from entering the enclosure when the door is open, it also increases rigidity. A high quality robotically

poured-in-place seamless gasket ensures a complete and durable weathertight seal. The captive pins of the concealed hinges can be pulled to remove the door. The doors are closed with a 3 point padlockable handle. Internal mounting holes are provided. Each enclosure comes complete with a 12 GA inner panel which mounts on M8 welded studs. Enclosures wider than 30" inclusively have double doors

while smaller enclosures have single doors. Enclosures and panels are finished with heat fused powder paint, electrostatically applied on a pretreated base. Box is ANSI/ASA 61 gray, panel is white (other colors available).

**CSA Certified / UL Listed  
NEMA/EEMAC 3 / IP64**

**Refer to p.727 to validate choice of substrate for the application**



CATALOG NUMBER	DIMENSIONS					SHIP WGHT LBS.
	A	B	C	D	E	
5300 MC202010	20	20	10	18	18	40
5300 MC271310	27	13	10	25	11	45
5300 MC302010	30	20	10	28	18	50

CATALOG NUMBER	DIMENSIONS					SHIP WGHT LBS.
	F	G	H	I	J	
5300 MC303010	30	30	10	28	28	76
5300 MC363612	36	36	12	34	34	133
5300 MC484812	48	48	12	46	46	205

Shown with optional 880 ESDS external drip shield, see p.474.



Data subject to change without notice.



p.492

<http://www.exmweb.com>



p.477



p.462



p.476



p.583



p.624

Fax : 450-979-4626



p.472



[info@exmweb.com](mailto:info@exmweb.com)

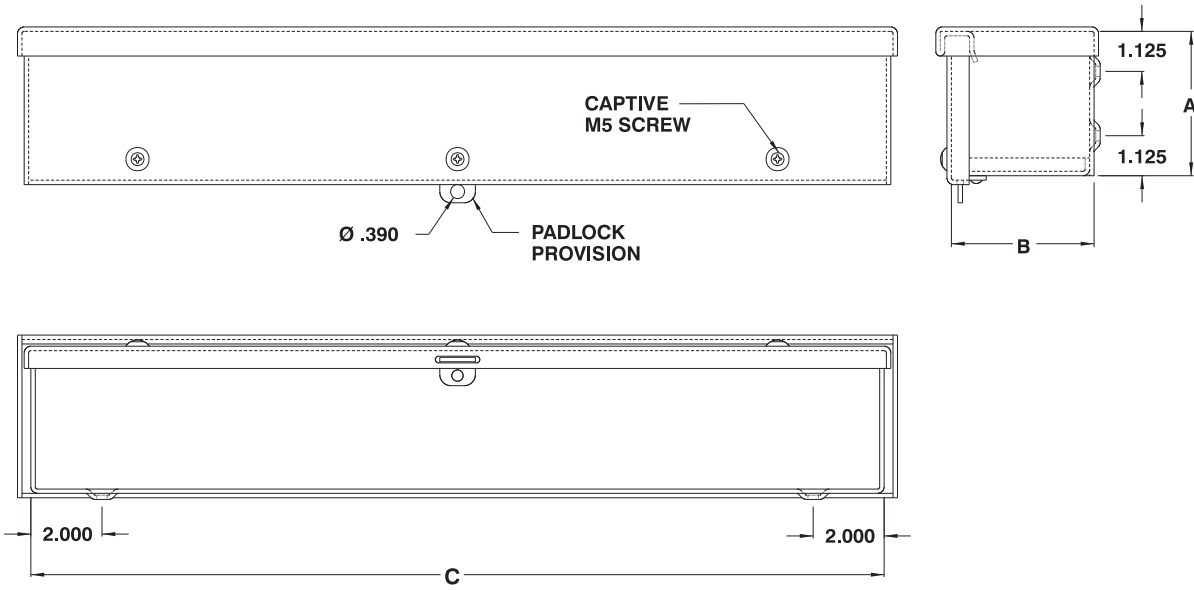
## Weatherproof wiring troughs

The 1300 CH are specially designed for outdoor wiring installations in order to protect against rain, sleet and snow. Boxes can also be used indoors to protect against dripping water.

The box and cover are made from 14 GA or 16 GA steel. Boxes have a padlock provision. Enclosures are finished with heat fused powder paint, electrostatically applied on a pretreated base. Box is ANSI/ASA

61 gray (other colors available).  
**CSA Certified / UL Listed**  
**NEMA/EEMAC 3R / IP22**

**Refer to p.727 to validate choice of substrate for the application**



CATALOG NUMBER	DIMENSIONS			SHIP WGHT LBS.
	A	B	C	
1300 CH040412	4	4	12	6
1300 CH040424	4	4	24	10
1300 CH040436	4	4	36	16
1300 CH040448	4	4	48	20
1300 CH040460	4	4	60	25
1300 CH060612	6	6	12	9
1300 CH060624	6	6	24	16
1300 CH060636	6	6	36	23
1300 CH060648	6	6	48	29
1300 CH060660	6	6	60	32
1300 CH060672	6	6	72	43
1300 CH080824	8	8	24	15
1300 CH080836	8	8	36	19
1300 CH080848	8	8	48	33
1300 CH080860	8	8	60	41
1300 CH121236	12	12	36	35
1300 CH121260	12	12	60	57

Data subject to change without notice.





**NEMA 12-13 ENCLOSURES**



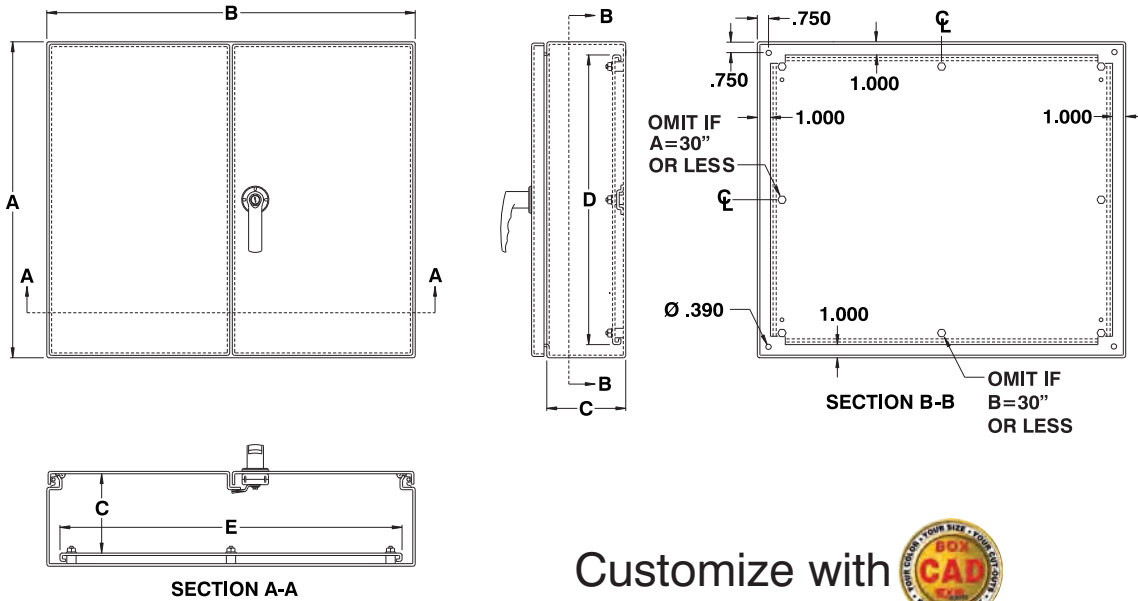
## Oil & dust tight double door enclosure

The 5500 ESDD wall mounted double door, oil and dust tight enclosures are used indoors for protection against dirt, dust and oil. The box and cover are made from quality 14 GA steel with all seams continuously welded. The opening has a curled lip around all sides and there is no center post.

The left hand door is flanged and the 3-point automotive type locking handle is on the right hand door. The captive pins of the concealed hinges can be easily pulled to remove the door. Wall mounting feet are optionally available. **Each enclosure comes complete with a 12 GA inner panel** which mounts on welded

M8 studs. Enclosures and panels are finished with heat fused powder paint, electrostatically applied on a pretreated base. Box is ANSI/ASA 61 gray, panel is white. **CSA Certified / UL Listed NEMA/EEMAC 12-13 / IP54**

Refer to p.727 to validate choice of substrate for the application



Customize with



CATALOG NUMBER	DIMENSIONS					SHIP WGT LBS.
	A	B	C	D	E	
5500 ESDD244208	24	42	8	22	40	117
5500 ESDD244808	24	48	8	22	46	130
5500 ESDD544208	54	42	8	52	40	272
5500 ESDD244210	24	42	10	22	40	150
5500 ESDD304210	30	42	10	28	40	152
5500 ESDD304810	30	48	10	28	46	168
5500 ESDD306010	30	60	10	28	58	203
5500 ESDD364212	36	42	12	34	40	220
5500 ESDD364812	36	48	12	34	46	242
5500 ESDD366012	36	60	12	34	58	292
5500 ESDD424212	42	42	12	40	40	197
5500 ESDD424812	42	48	12	40	46	216
5500 ESDD426012	42	60	12	40	58	349
5500 ESDD484812	48	48	12	46	46	225

Data subject to change without notice.

**Insulated box?** To have your enclosure insulated, add suffix "TH"

i.e.: 5500ESDD426012TH → Insulated steel enclosure

## Oil & dust tight double door stainless steel enclosure

The 5500 ESSDD wall mounted double door, oil and dust tight enclosures are used indoors for protection against dirt, dust and oil. The box and cover are made from quality 14 GA (Type 304) stainless steel with all seams continuously welded.

The opening has a curled lip around all sides and there is no center post. The left hand door is

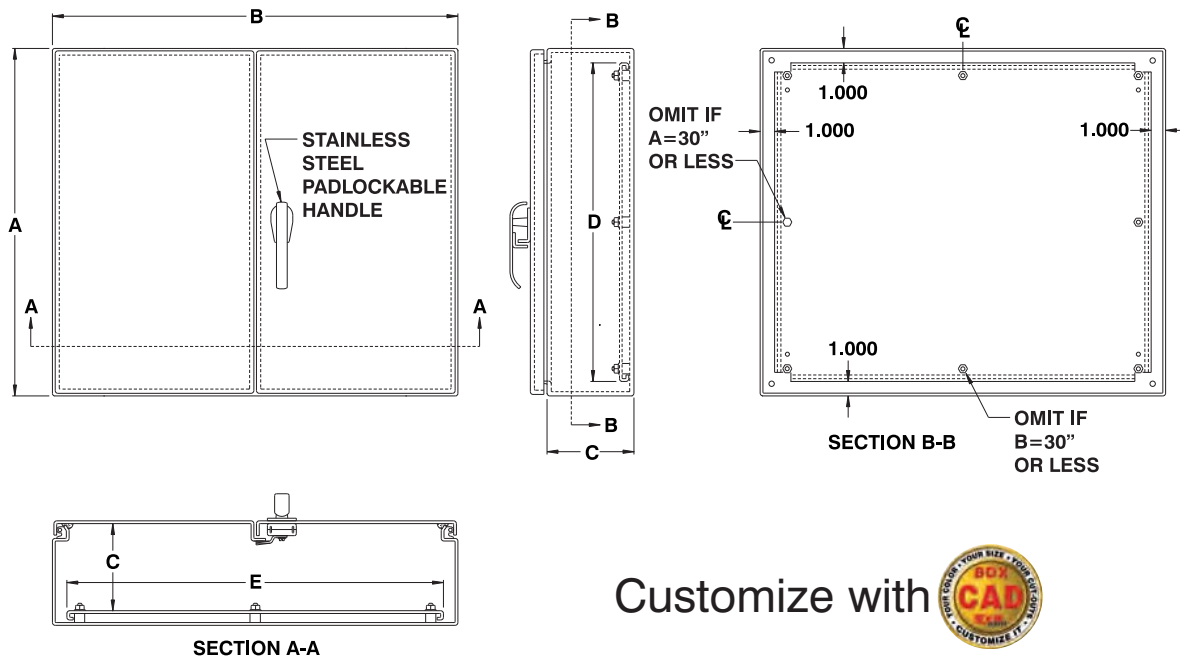
flanged and the 3-point automotive type locking handle is on the right hand door. The captive pins of the concealed hinges can be easily pulled to remove the door. Wall mounting feet are optionally available.

Each enclosure comes complete with a 12 GA inner panel which mounts on welded M8 studs. The enclosures' exterior

are unpainted and brushed smooth. The enclosures' interior and panels are finished with white heat fused powder paint, electrostatically applied on a pretreated base.

**CSA Certified / UL Listed  
NEMA/EEMAC 12-13 / IP54**

Refer to p.727 to validate choice of substrate for the application



Customize with



CATALOG NUMBER	DIMENSIONS					SHIP WGHT LBS.
	A	B	C	D	E	
5500 ESSDD244208	24	42	8	22	40	117
5500 ESSDD244808	24	48	8	22	46	130
5500 ESSDD544208	54	42	8	52	40	272
5500 ESSDD244210	24	42	10	22	40	150
5500 ESSDD304210	30	42	10	28	40	152
5500 ESSDD304810	30	48	10	28	46	168
5500 ESSDD306010	30	60	10	28	58	200
5500 ESSDD364212	36	42	12	34	40	220
5500 ESSDD364812	36	48	12	34	46	242
5500 ESSDD366012	36	60	12	34	58	292
5500 ESSDD424212	42	42	12	40	40	197
5500 ESSDD424812	42	48	12	40	46	216
5500 ESSDD426012	42	60	12	40	58	349
5500 ESSDD484812	48	48	12	46	46	225

\* For painted stainless steel, add suffix 'P' to the catalog number (i.e. : 5500 ESSDD...P)



Data subject to change without notice.

**Insulated box?** To have your enclosure insulated, add suffix "TH"

i.e.: 5500ESSDD364212TH → Insulated stainless steel enclosure



## Oil & dust tight double door enclosure

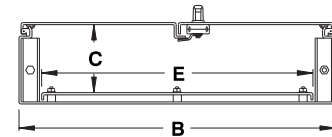
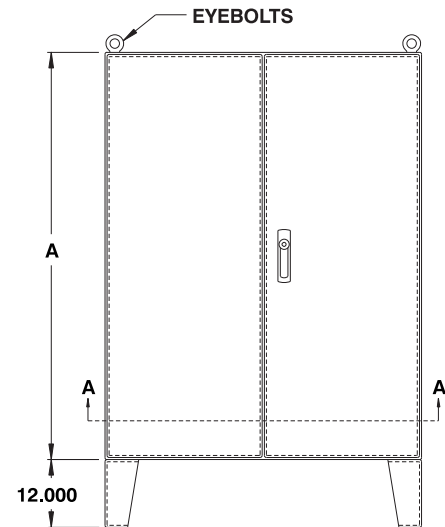
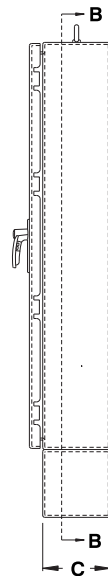
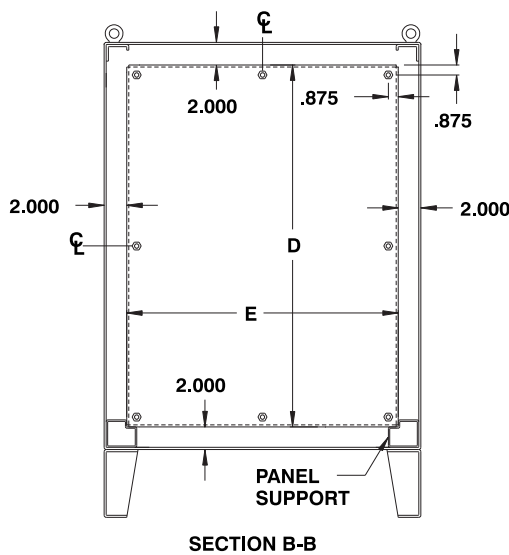
The 5500 DDS floor mounted double door, oil and dust tight enclosures are used indoors for protection against dirt, dust and oil. The box and cover are made from quality code gauge steel with all seams continuously welded. The opening has a curled lip around all sides and there is no center post. The left hand door is flanged and the 3-point automotive type locking

handle is on the right hand door. The captive pins of the concealed hinges can be easily pulled to remove the door. Floor mounting stands are provided and body stiffeners are installed on larger models. **Each enclosure comes complete with a painted white inner panel** which mounts on welded M10 studs. Enclosures and panels are finished with heat fused powder

paint, electrostatically applied on a pretreated base. Box is ANSI/ASA 61 gray.

**CSA Certified / UL Listed  
NEMA/EEMAC 12-13 / IP54**

Refer to p.727 to validate choice of substrate for the application



CATALOG NUMBER	DIMENSIONS					SHIP WGHT LBS.
	A	B	C	D	E	
5500 DDS604808	60	48	8	56	44	422
5500 DDS604810	60	48	10	56	44	433
5500 DDS606010	60	60	10	56	56	520
5500 DDS726010	72	60	10	68	56	608
5500 DDS727210	72	72	10	68	68	716
5500 DDS604812	60	48	12	56	44	463
5500 DDS606012	60	60	12	56	56	530
5500 DDS726012	72	60	12	68	56	633
5500 DDS727212	72	72	12	68	68	751
5500 DDS604816	60	48	16	56	44	523
5500 DDS606016	60	60	16	56	56	650
5500 DDS726016	72	60	16	68	56	740
5500 DDS727216	72	72	16	68	68	841
5500 DDS604820	60	48	20	56	44	589

Data subject to change without notice.





## Oil & dust tight double door stainless steel enclosure

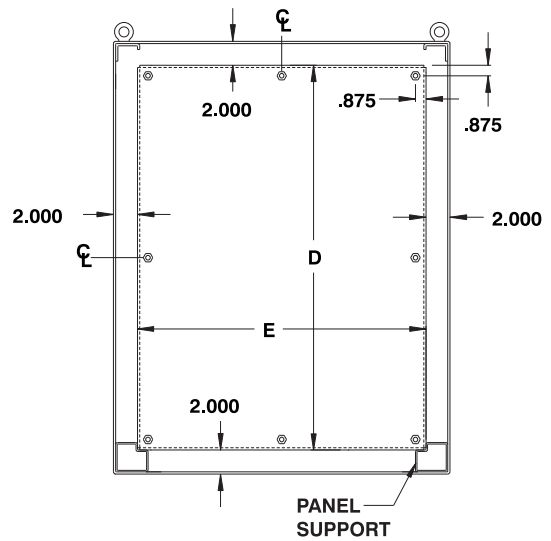
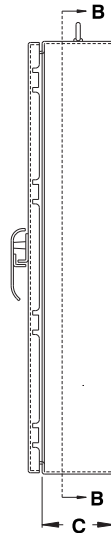
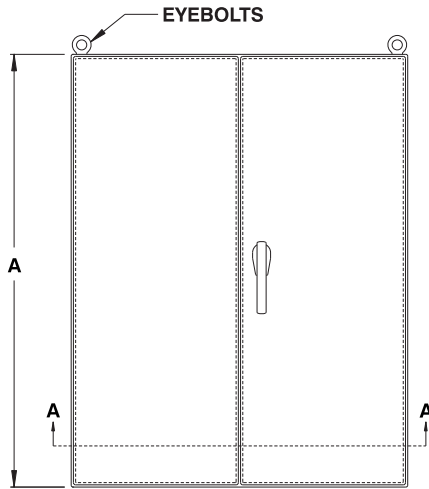
The 5500 SSDD floor mounted double door, oil and dust tight enclosures are used indoors for protection against dirt, dust and oil. The box and cover are made from quality code gauge (type 304) stainless steel with all seams continuously welded. The opening has a curled lip around all sides and there is no center post. The left hand door is flanged and

the 3-point automotive type locking handle is on the right hand door. The captive pins of the concealed hinges can be easily pulled to remove the door. Floor mounting stands are optional (885 MF). **Each enclosure comes complete with a painted white inner panel** which mounts on welded M10 studs. The enclosures' exterior are unpainted and brushed smooth. The interior

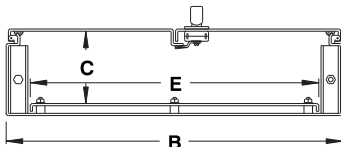
and panels are finished with heat fused powder paint, electrostatically applied on a pretreated base.

**CSA Certified / UL Listed  
NEMA/EEMAC 12-13 / IP54**

**Refer to p.727 to validate choice of substrate for the application**



SECTION B-B



SECTION A-A



CATALOG NUMBER	DIMENSIONS					SHIP WGHT LBS.
	A	B	C	D	E	
5500 SSDD604808	60	48	8	56	44	422
5500 SSDD604810	60	48	10	56	44	433
5500 SSDD606010	60	60	10	56	56	520
5500 SSDD726010	72	60	10	68	56	608
5500 SSDD727210	72	72	10	68	68	716
5500 SSDD604812	60	48	12	56	44	463
5500 SSDD606012	60	60	12	56	56	530
5500 SSDD726012	72	60	12	68	56	633
5500 SSDD727212	72	72	12	68	68	751
5500 SSDD604816	60	48	16	56	44	523
5500 SSDD606016	60	60	16	56	56	650
5500 SSDD726016	72	60	16	68	56	740
5500 SSDD727216	72	72	16	68	68	841
5500 SSDD604820	60	48	20	56	44	589

\* For painted stainless steel, add suffix 'P' to the catalog number (i.e. : 5500 SSDD...P)

Customize with



Data subject to change without notice.



p.492

<http://www.exmweb.com>



p.476



p.477



p.473

1-800-363-2423



p.583



p.593

Fax : 450-979-4626



p.461



[info@exmweb.com](mailto:info@exmweb.com)

## Oil & dust tight free standing single door enclosure

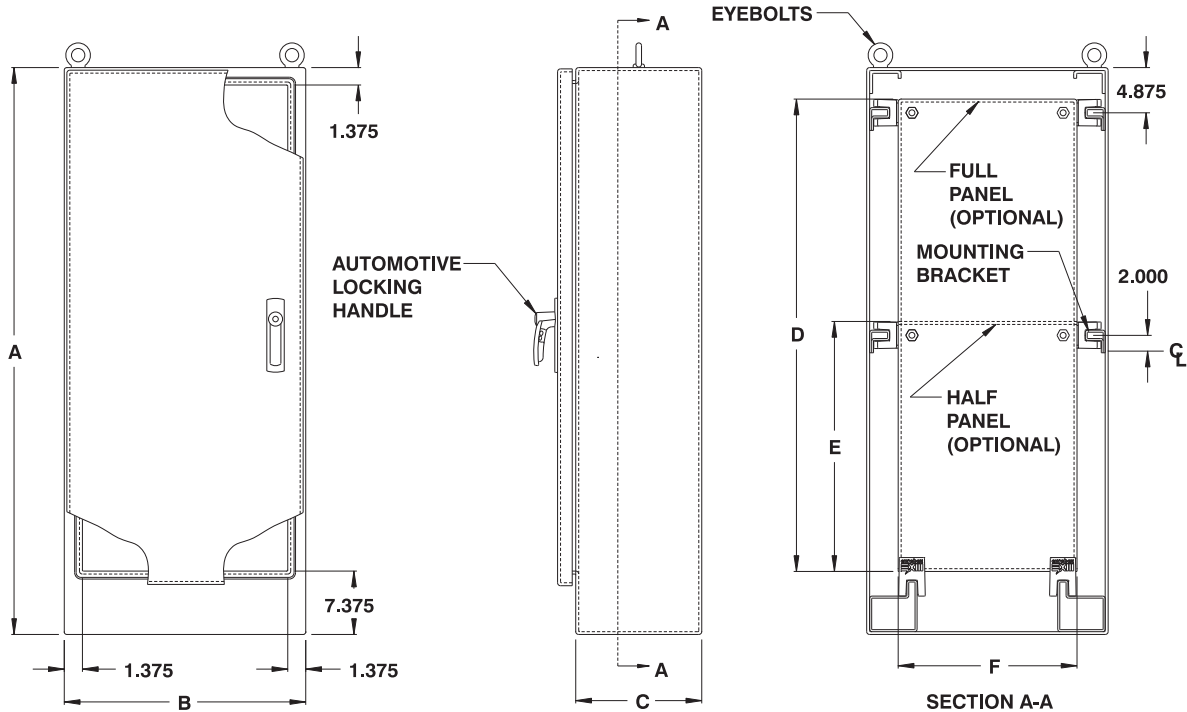
The 9500 oil & dust tight enclosures are used indoors for protection against dust, dirt or oil splashing. The 9500 are made from quality code gauge steel, with corner seams continuously welded. The opening has a curled lip around all sides to prevent dripping water from entering the enclosure when the door is open, it also increases rigidity. A high quality robotically poured-in-place seamless gasket

ensures a complete and durable oil & dust tight seal. The captive pins of the concealed hinges can be pulled to remove the door. An automotive locking handle ensures smooth, secure 3-point latching. Optional back panels can be mounted at any depth, using the three sets of rails welded on the sides of the cabinet. Side panels can also be ordered separately. A print pocket is provided. Double

door enclosures have stiffeners to the back. Enclosures and panels are finished with heat fused powder paint, electrostatically applied on a pretreated base. Box is ANSI/ASA 61 gray, panel is white (other colors available).

**CSA Certified / UL Listed  
NEMA/EEMAC 12-13 / IP54**

**Refer to p.727 to validate choice of substrate for the application**

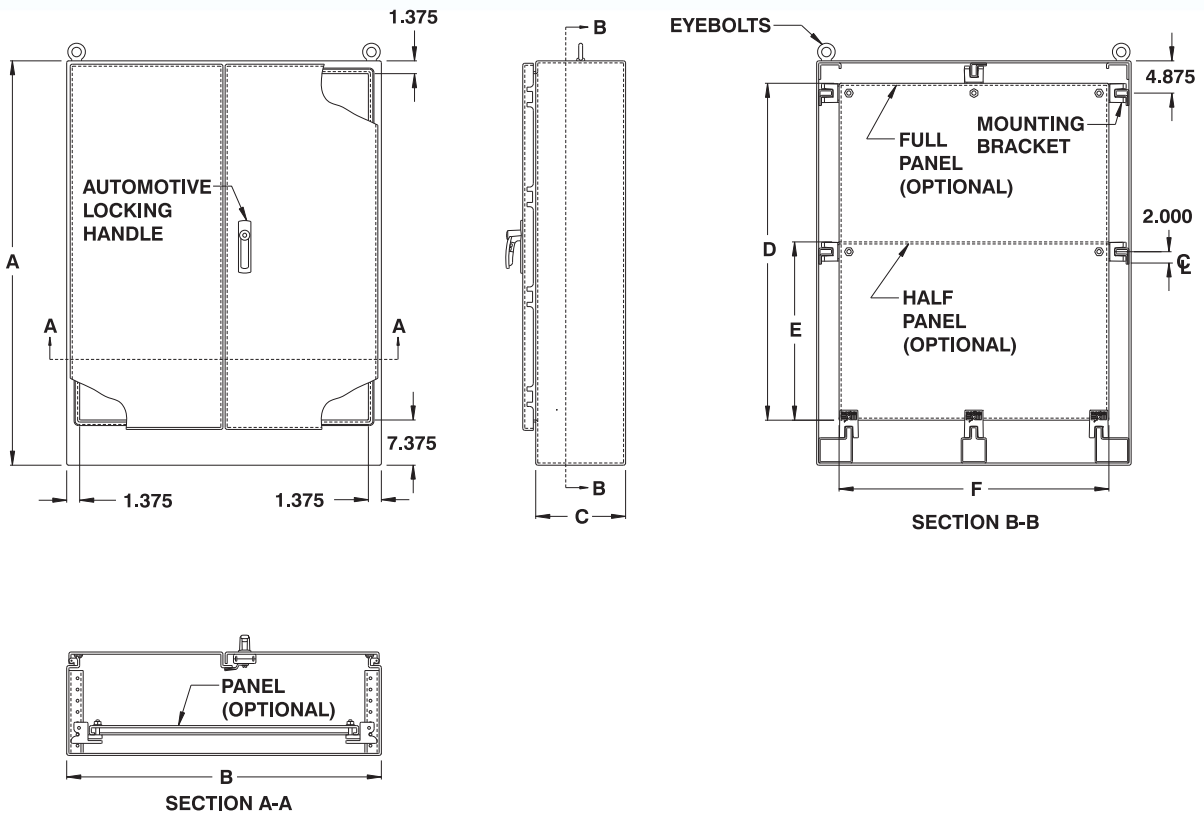


CATALOG NUMBER	DIMENSIONS						EQUIPMENT PANEL		SHIP WGT. LBS.
	A	B	C	D	E	F	FULL	HALF	
9500 602418	60	24	18	48	24.875	20	889 FP6024	889 HP6024	250
9500 722418	72	24	18	60	30.875	20	889 FP7224	889 HP7224	280
9500 723018	72	30	18	60	30.875	26	889 FP7230	889 HP7230	300
9500 723618	72	36	18	60	30.875	32	889 FP7236	889 HP7236	330
9500 902420	90	24	20	78	39.875	20	889 FP9024	889 HP9024	405
9500 903620	90	36	20	78	39.875	32	889 FP9036	889 HP9036	440
9500 603624	60	36	24	48	24.875	32	889 FP6036	889 HP6036	300
9500 722424	72	24	24	60	30.875	20	889 FP7224	889 HP7224	300
9500 723024	72	30	24	60	30.875	26	889 FP7230	889 HP7230	340
9500 723624	72	36	24	60	30.875	32	889 FP7236	889 HP7236	375
9500 903624	90	36	24	78	39.875	32	889 FP9036	889 HP9036	445
9500 722430	72	24	30	60	30.875	20	889 FP7224	889 HP7224	358
9500 723630	72	36	30	60	30.875	32	889 FP7236	889 HP7236	420
9500 722436	72	24	36	60	30.875	20	889 FP7224	889 HP7224	400
9500 723636	72	36	36	60	30.875	32	889 FP7236	889 HP7236	470
9500 903636	90	36	36	78	39.875	32	889 FP9036	889 HP9036	500

Data subject to change without notice.



Oil & dust tight free standing double door enclosure



CATALOG NUMBER	DIMENSIONS						EQUIPMENT PANEL		SHIP WGHT LBS.
	A	B	C	D	E	F	FULL	HALF	
9500 DD 604818	60	48	18	48	24.875	44	889 FP6048	889 HP6048	364
9500 DD 724818	72	48	18	60	30.875	44	889 FP7248	889 HP7248	500
9500 DD 726018	72	60	18	60	30.875	56	889 FP7260	889 HP7260	570
9500 DD 727218	72	72	18	60	30.875	68	889 FP7272	889 HP7272	650
9500 DD 904820	90	48	20	78	39.875	44	889 FP9048	889 HP9048	650
9500 DD 907220	90	72	20	78	39.875	68	889 FP9072	889 HP9072	780
9500 DD 724824	72	48	24	60	30.875	44	889 FP7248	889 HP7248	525
9500 DD 726024	72	60	24	60	30.875	56	889 FP7260	889 HP7260	640
9500 DD 727224	72	72	24	60	30.875	68	889 FP7272	889 HP7272	695
9500 DD 907224	90	72	24	78	39.875	68	889 FP9072	889 HP9072	825
9500 DD 726036	72	60	36	60	30.875	56	889 FP7260	889 HP7260	750
9500 DD 907236	90	72	36	78	39.875	68	889 FP9072	889 HP9072	990



Customize with



Data subject to change without notice.



## Dual access free standing single door enclosure

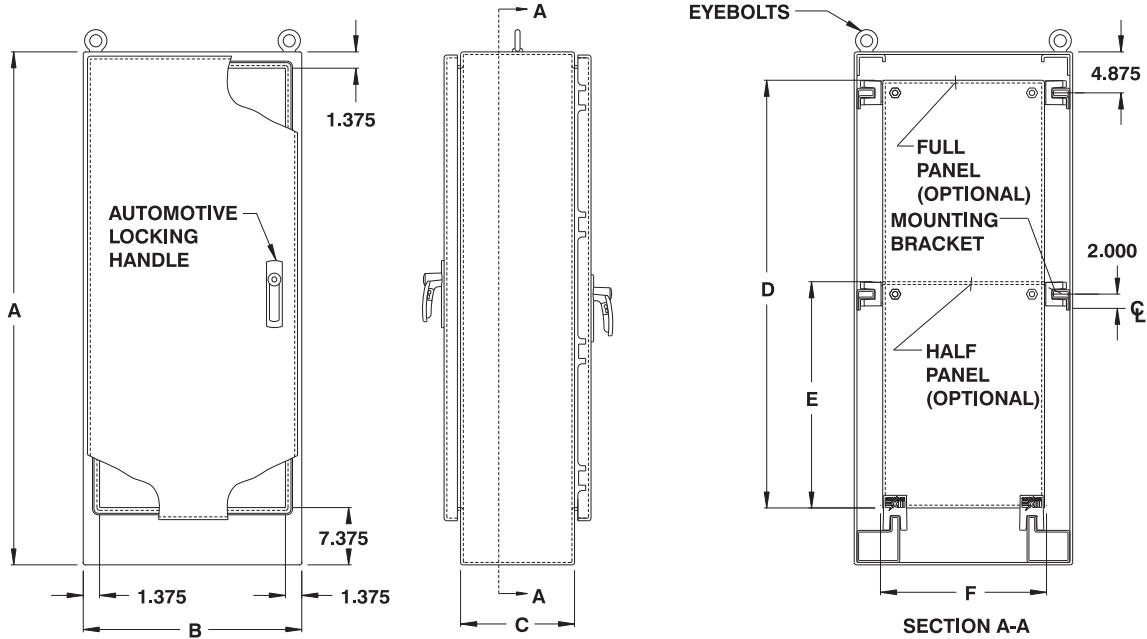
The 9500 DA oil & dust tight enclosures are used indoors for protection against dust, dirt or oil splashing. The 9500 DA are made from quality code gauge steel, with corner seams continuously welded. The opening has a curled lip around all sides to prevent dripping water from entering the enclosure when the door is open, it also increases rigidity. A high quality robotically poured-in-place seamless gasket ensures a complete

and durable oil & dust tight seal. There are doors on both sides of the cabinet. The captive pins of the concealed hinges can be pulled to remove the doors. An automotive locking handle ensures smooth, secure 3-point latching. Optional back panels can be mounted at any depth, using the three sets of rails welded on the sides of the cabinet. Side panels can also be ordered separately. A print pocket is provided. Enclosures and panels are finished

with heat fused powder paint, electrostatically applied on a pre-treated base. Box is ANSI/ASA 61 gray, panel is white (other colors available).

**CSA Certified / UL Listed  
NEMA/EEMAC 12-13 / IP54**

**Refer to p.727 to validate choice of substrate for the application**



CATALOG NUMBER	DIMENSIONS						EQUIPMENT PANEL		SHIP WGT LBS.
	A	B	C	D	E	F	FULL	HALF	
9500 DA722424	72	24	24	60	30.875	20	889 FP7224	889 HP7224	325
9500 DA723024	72	30	24	60	30.875	26	889 FP7230	889 HP7230	424
9500 DA723624	72	36	24	60	30.875	32	889 FP7236	889 HP7236	474
9500 DA903624	90	36	24	78	39.875	32	889 FP9036	889 HP9036	540
9500 DA722430	72	24	30	60	30.875	20	889 FP7224	889 HP7224	375
9500 DA722436	72	24	36	60	30.875	20	889 FP7224	889 HP7224	425
9500 DA723636	72	36	36	60	30.875	32	889 FP7236	889 HP7236	495
9500 DA903636	90	36	36	78	39.875	32	889 FP9036	889 HP9036	555

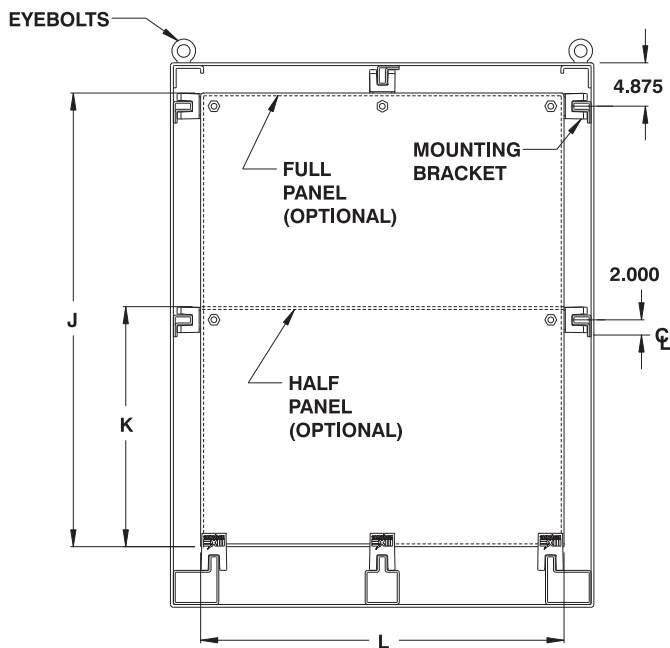
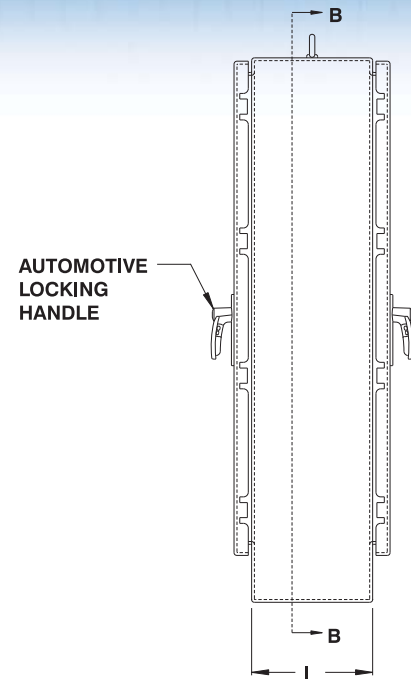
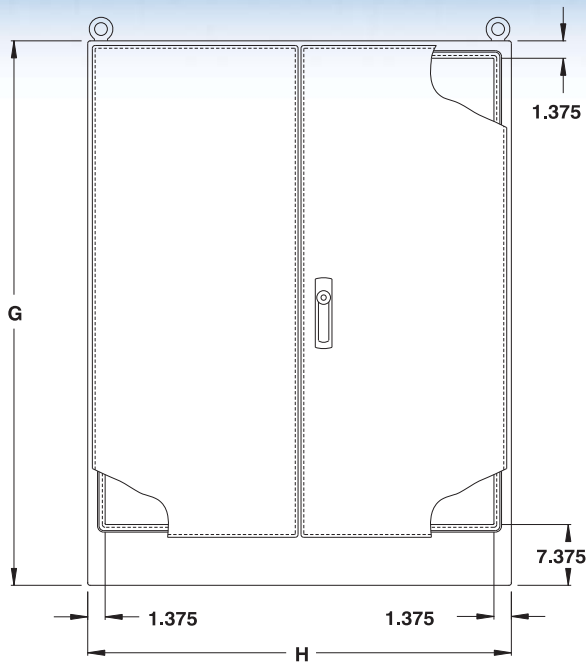
Data subject to change without notice.

Customize with





## Dual access free standing double door enclosure



SECTION B-B



CATALOG NUMBER	DIMENSIONS						EQUIPMENT PANEL		SHIP WGHT LBS.
	G	H	I	J	K	L	FULL	HALF	
9500 DADD724824	72	48	24	60	30.875	44	889 FP7248	889 HP7248	502
9500 DADD726024	72	60	24	60	30.875	56	889 FP7260	889 HP7260	595
9500 DADD727224	72	72	24	60	30.875	68	889 FP7272	889 HP7272	649
9500 DADD907224	90	72	24	78	39.875	68	889 FP9072	889 HP9072	767
9500 DADD726036	72	60	36	60	30.875	56	889 FP7260	889 HP7260	725

Data subject to change without notice.

Customize with



## Oil & dust tight multi-door enclosures

The 5500 MD multi-door, oil and dust tight enclosures are used indoors for protection against dirt, dust and oil. The boxes are made from quality code gauge steel, with all seams continuously welded. Body stiffeners are provided to increase rigidity. Sets of double doors and single doors are separated by center posts.

The double doors do not have a center post, but the left hand door is flanged and the oil tight padlockable handle is on the right hand door. The single doors also have padlockable handles and the hinges are on the left.

A high quality robotically poured-in-place gasket ensures a complete and durable oil and dust tight seal.

The heavy duty die cast hinges have captive hinge pins which permit 180° door opening.

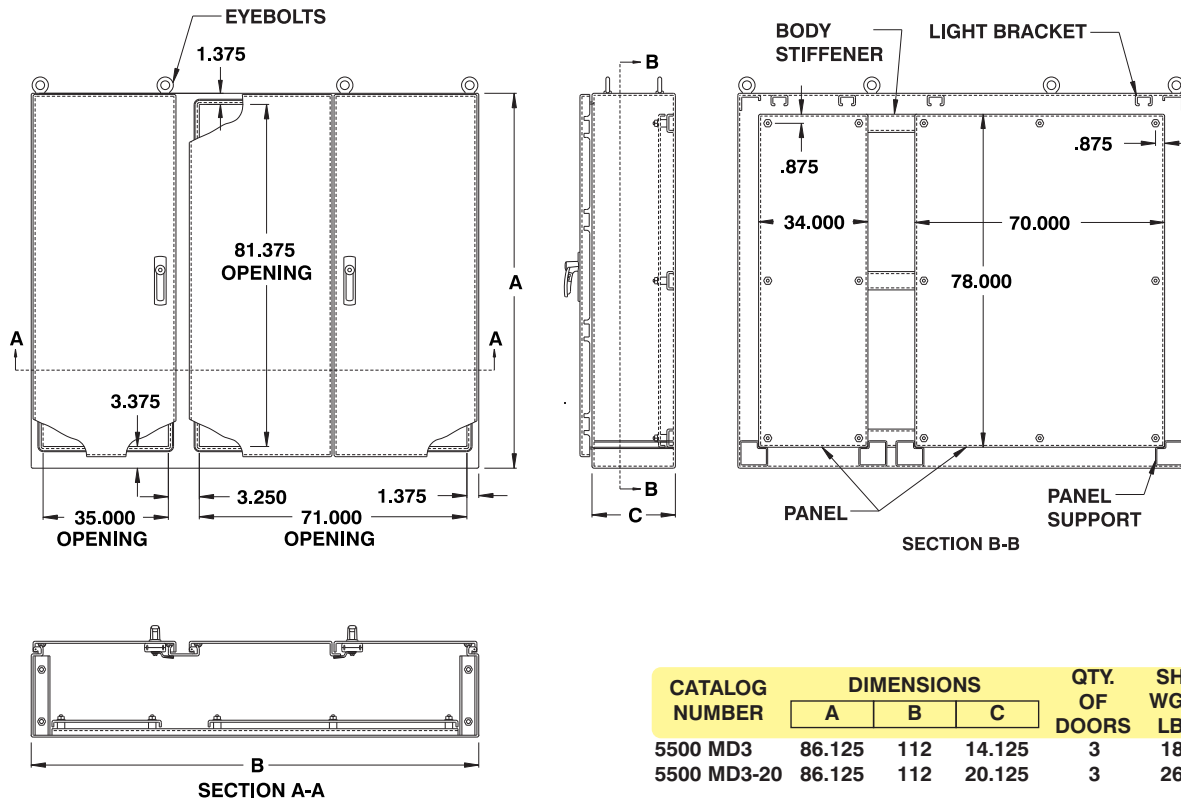
The three door enclosures have one set of double doors with a 78"X70" inner panel and one single door with a 78"X34" inner panel. The four door enclosures have two sets of double doors with two 78"X70" inner panels and one single door with a 78"X34" inner panel. An interlock is installed to ensure that the left hand doors (slaves) can only be opened if the right hand door (master) is open. The inner panels are made of painted white steel and mounts on M10 welded studs. Lifting eyebolts

and provisions for mounting lights are provided. The mechanical interlock mechanism uses the right hand door as the master and allows users to close the doors in any order. A print pocket is also provided.

Enclosures and panels are finished with heat fused powder paint, electrostatically applied on a pretreated base. Box is ANSI/ASA 61 gray.

**CSA Certified / UL Listed  
NEMA/EEMAC 12-13 / IP54**

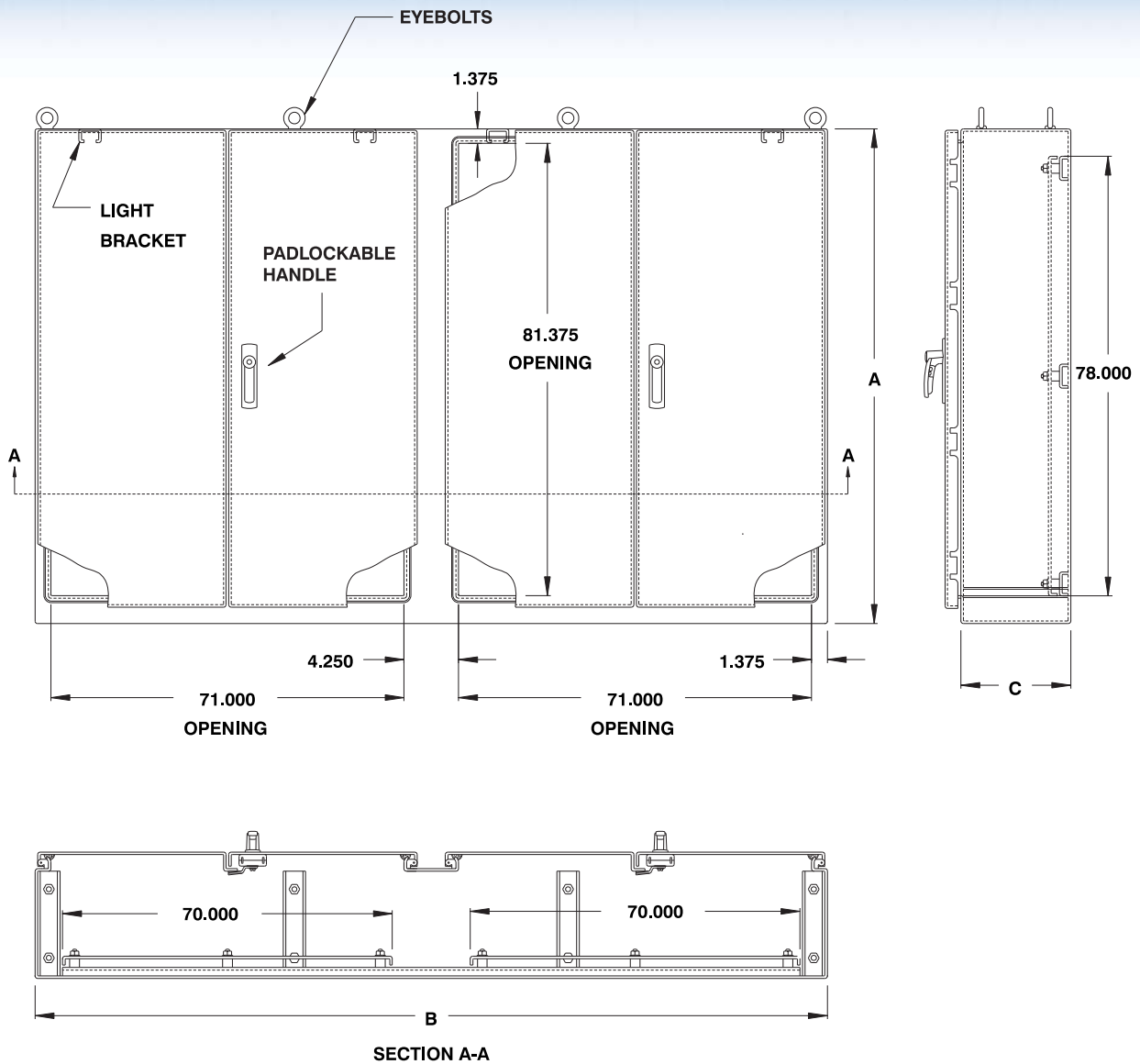
**Refer to p.727 to validate choice of substrate for the application**



Data subject to change without notice.



Oil & dust tight quad-door enclosures



CATALOG NUMBER	DIMENSIONS			QTY. OF DOORS	SHIP WGHT LBS.
	A	B	C		
5500 MD4	86.125	149	14.125	4	2270
5500 MD4-20	86.125	149	20.125	4	3240

Data subject to change without notice.



[p.492](#)    [p.489](#)    [p.476](#)    [p.583](#)    [p.473](#)    [p.593](#)    [p.472](#)  
<http://www.exmweb.com>    1-800-363-2423    Fax : 450-979-4626

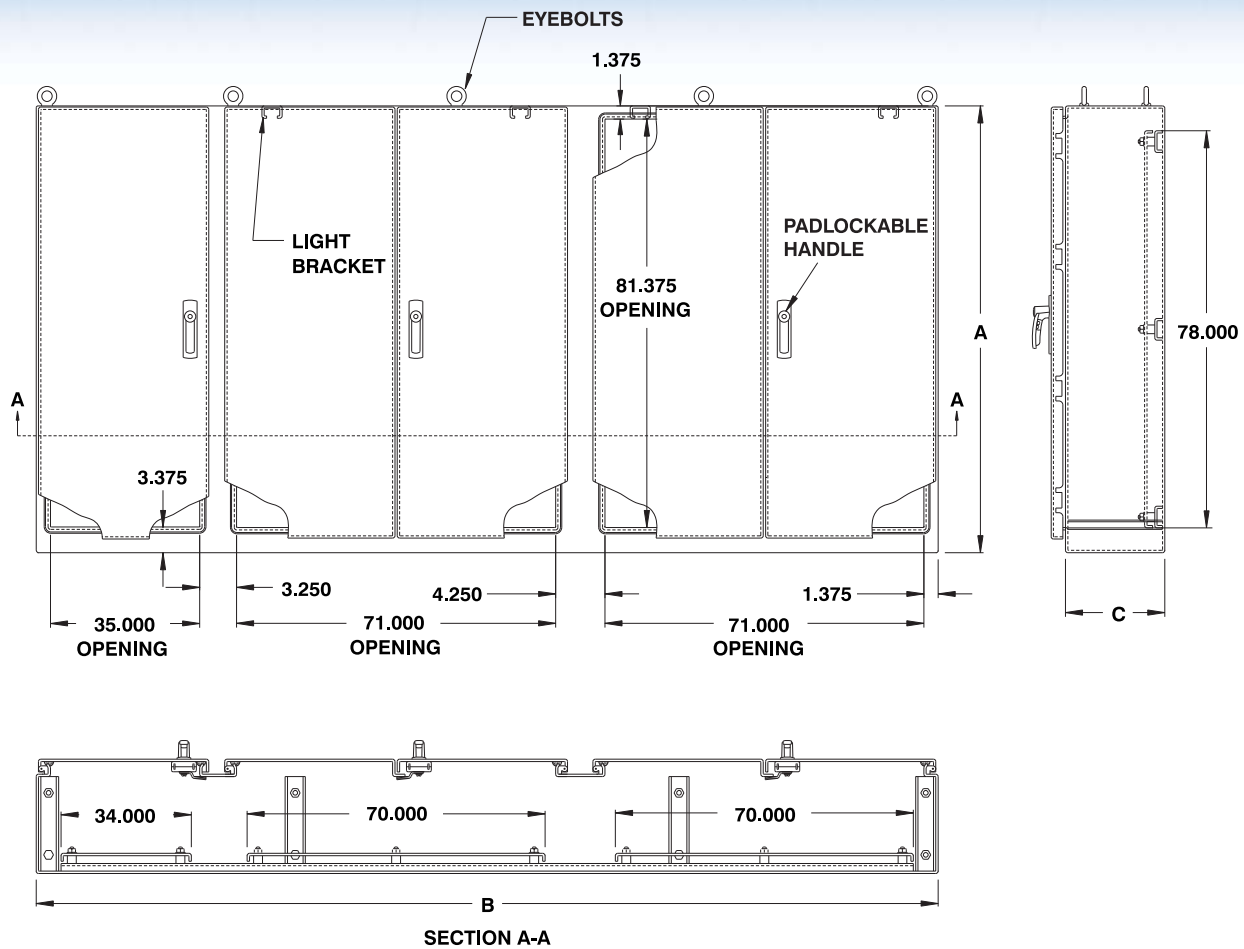


info@exmweb.com

# NEMA 12-13 ENCLOSURES

# 5500 MD5

## Oil & dust tight quintuple door enclosures



CATALOG NUMBER	DIMENSIONS			QTY. OF DOORS	SHIP WGHT LBS.
	A	B	C		
5500 MD5	86.125	187	14.125	5	2900
5500 MD5-20	86.125	187	20.125	5	4140

Data subject to change without notice.

270



<http://www.exmweb.com>



p.492



p.489



p.476



p.583



p.473



p.593



p.472

1-800-363-2423

Fax : 450-979-4626

[info@exmweb.com](mailto:info@exmweb.com)



# NEMA 4-12 ENCLOSURES



## JIC enclosures - Light duty

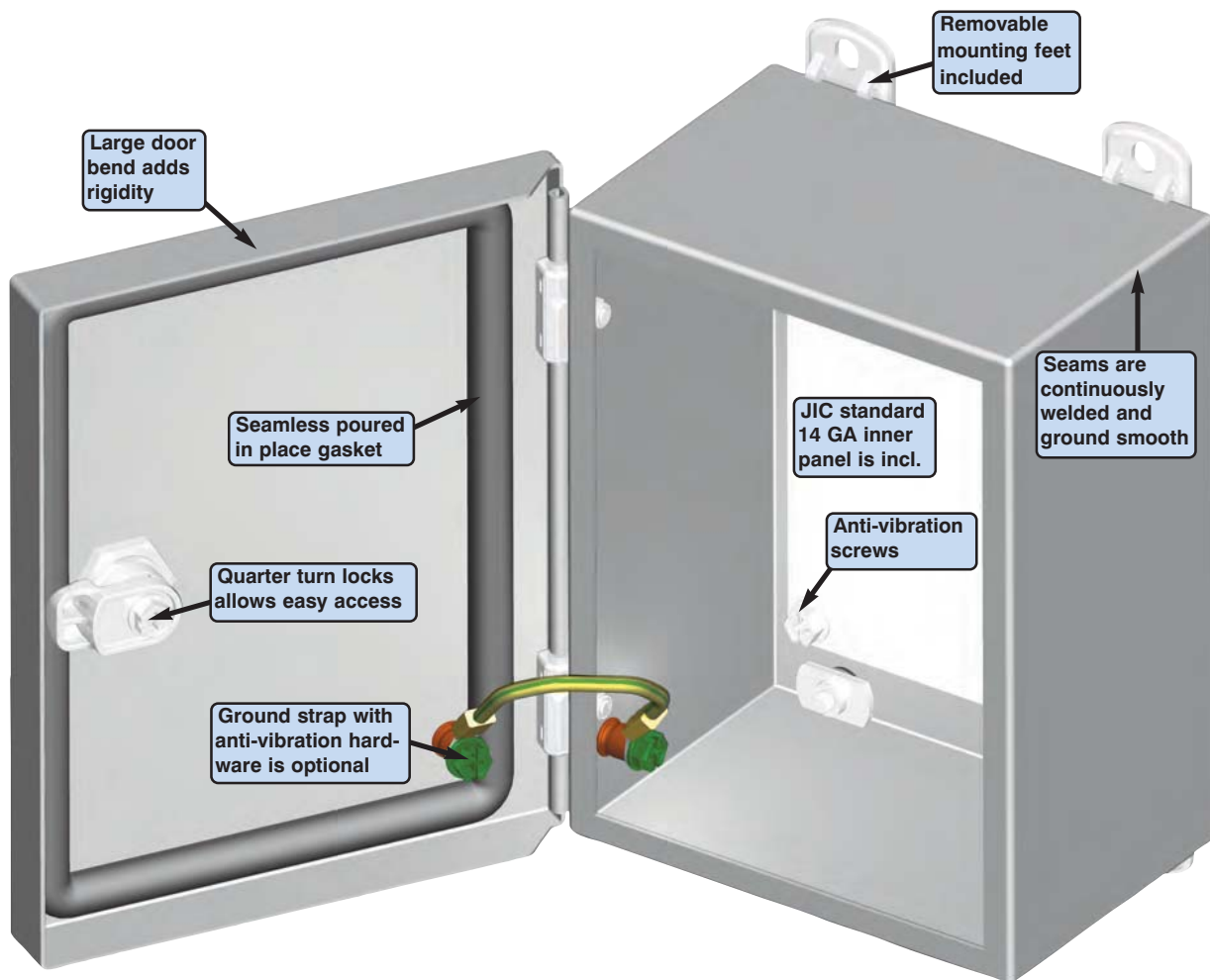
The 5412 CH are used indoors or outdoors to protect the enclosed controls from dust, dirt, oil and water splashing. The 5412 CH are made from quality code gauge steel, with corner seams continuously welded. The enclosures feature die cast hinges, which are bound to the cover by an exclusive concealed hinge pin system. The covers are interchangeable and can be removed by unfastening the nylon lock nuts. Enclosures are closed

with a ¼ turn lock that ensures tight, positive closing. A high quality robotically poured-in-place seamless gasket ensures a complete and durable water tight seal. Each enclosure comes **complete with a 14 GA inner panel** which mounts on weld nuts. The enclosure can be internally mounted or externally mounted using the included mounting feet. These feet have oblong holes to facilitate installation. Enclosures and panels are finished

with heat fused powder paint, electrostatically applied on a pretreated base. Box ANSI/ASA 61 textured gray, panel is white (other colors available).

**CSA Certified / UL Listed  
NEMA/EEMAC 4-12 / IP66**

**Refer to p.727 to validate choice of substrate for the application**

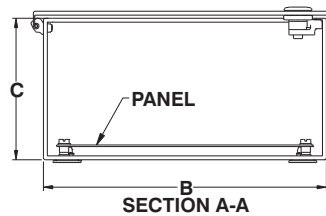
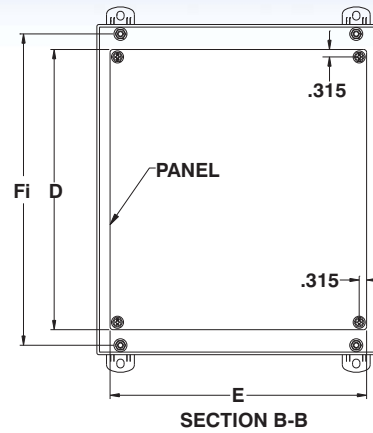
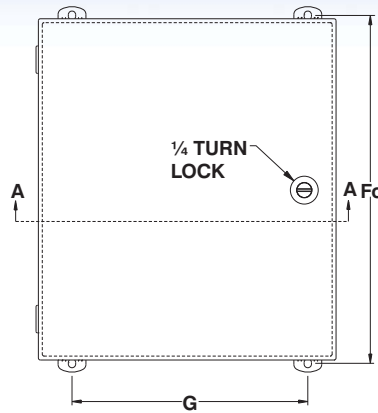
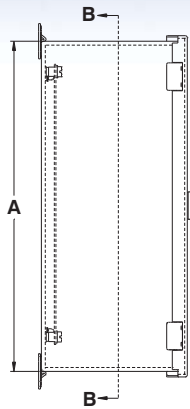


Customize with



Data subject to change without notice.





CATALOG NUMBER	DIMENSIONS								SHIP WGHT LBS.
	A	B	C	D	E	Fi	Fo	G	
5412 CH060604	6	6	4	4.88	4.88	5.312	6.75	4	4
5412 CH080604	8	6	4	6.88	4.88	7.312	8.75	4	4
5412 CH080804	8	8	4	6.88	6.88	7.312	8.75	4	4
5412 CH100804	10	8	4	8.88	6.88	9.312	10.75	6	7
5412 CH101004	10	10	4	8.88	8.88	9.312	10.75	8	8
5412 CH121004	12	10	4	10.88	8.88	11.31	12.75	8	9
5412 CH121204	12	12	4	10.88	10.88	11.31	12.75	10	11
5412 CH141204	14	12	4	12.88	10.88	13.31	14.75	10	12
5412 CH080606	8	6	6	6.88	4.88	7.312	8.75	4	5
5412 CH080806	8	8	6	6.88	6.88	7.312	8.75	6	7
5412 CH100806	10	8	6	8.88	6.88	9.312	10.75	6	8
5412 CH101006	10	10	6	8.88	8.88	9.312	10.75	8	9
5412 CH121006	12	10	6	10.88	8.88	11.31	12.75	8	11
5412 CH121206	12	12	6	10.88	10.88	11.31	12.75	10	12
5412 CH141206	14	12	6	12.88	10.88	13.31	14.75	10	14
5412 CH161206	16	12	6	14.88	10.88	15.31	16.75	10	16
5412 CH121208	12	12	8	10.88	10.88	11.31	12.75	10	14
5412 CH141208	14	12	8	12.88	10.88	13.31	14.75	10	16
5412 CH161208	16	12	8	14.88	10.88	15.31	16.75	10	17



Customize with



Data subject to change without notice.



p.618

p.624

p.636

p.593

p.472

<http://www.exmweb.com>

1-800-363-2423

Fax : 450-979-4626

[info@exmweb.com](mailto:info@exmweb.com)



## JIC enclosures

The 5412 ESCH are used indoors or outdoors to protect the enclosed controls from dust, dirt, oil and water splashing. The 5412 ESCH are made from quality 16 GA steel, with corner seams continuously welded.

The opening has a curled lip around all sides to prevent dripping water from entering the enclosure when the door is open, it also increases rigidity. A high quality robotically poured-in-place seamless gasket ensures a complete and durable water tight seal.

The enclosures feature die cast

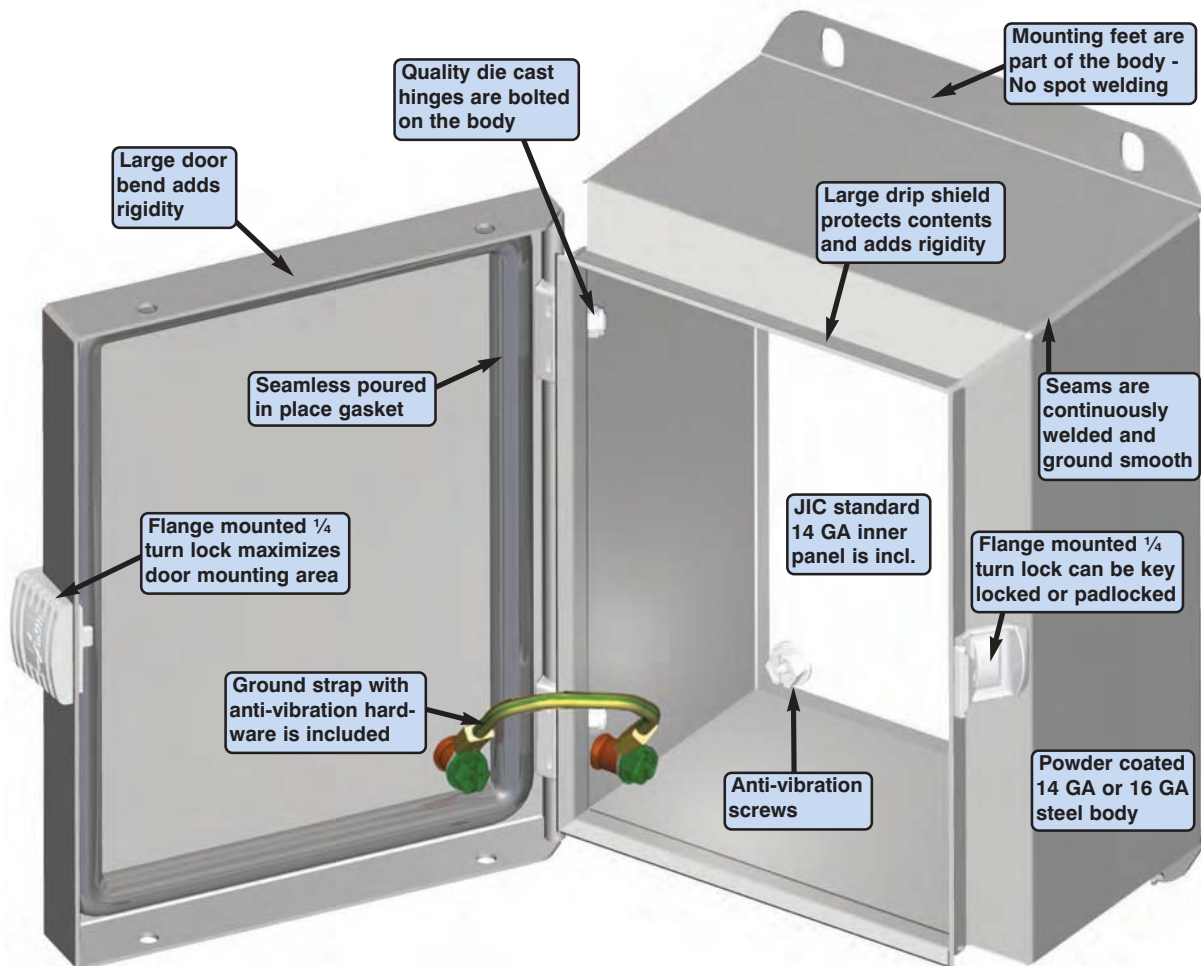
hinges, which are bound to the cover by an exclusive concealed hinge pin system. The covers are interchangeable and can be removed by unfastening the anti-vibration lock nuts.

EXM's exclusive flange-mounted ¼ turn locking system ensures positive closing while leaving a full workable mounting surface on the door. Each enclosure comes complete with a 14 GA inner panel which mounts on weld nuts. The four external wall-mounting holes are oblong to facilitate installation and the mounting feet are incorpo-

rated into the body of the enclosure. Enclosures and panels are finished with heat fused powder paint, electrostatically applied on a pretreated base. Box is ANSI/ASA 61 gray, panel is white (other colors available).

**CSA Certified / UL Listed  
NEMA/EEMAC 4-12 / IP66**

**Refer to p.727 to validate choice of substrate for the application**



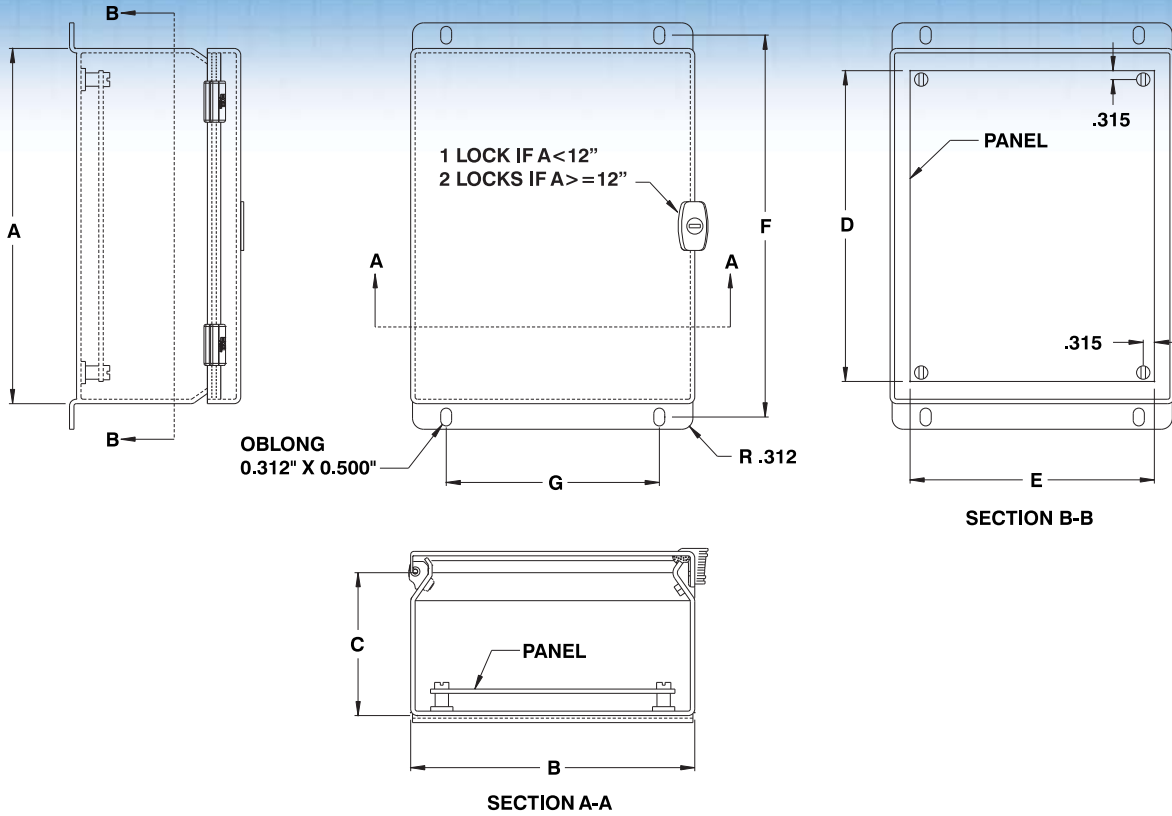
Customize with



Data subject to change without notice.







CATALOG NUMBER	DIMENSIONS							SHIP WT LBS.
	A	B	C	D	E	F	G	
5412 ESCH040403	4	4	3	No.Pan.	No.Pan.	4.75	2	2
5412 ESCH060403	6	4	3	4.88	2.88	6.75	2	3
5412 ESCH060404	6	4	4	4.88	2.88	6.75	2	4
5412 ESCH060604	6	6	4	4.88	4.88	6.75	4	5
5412 ESCH080604	8	6	4	6.88	4.88	8.75	4	6
5412 ESCH080804	8	8	4	6.88	6.88	8.75	6	8
5412 ESCH081004	8	10	4	6.88	8.88	8.75	8	10
5412 ESCH100804	10	8	4	8.88	6.88	10.75	6	10
5412 ESCH120604	12	6	4	10.88	4.88	12.75	4	8
5412 ESCH060605	6	6	5	4.88	4.88	6.75	4	6
5412 ESCH080605	8	6	5	6.88	4.88	8.75	4	7
5412 ESCH101005	10	10	5	8.88	8.88	10.75	8	14
5412 ESCH101205	10	12	5	8.88	10.88	10.75	10	16
5412 ESCH121005	12	10	5	10.88	8.88	12.75	8	16
5412 ESCH121205	12	12	5	10.88	10.88	12.75	10	18
5412 ESCH080606	8	6	6	6.88	4.88	8.75	4	7
5412 ESCH100806	10	8	6	8.88	6.88	10.75	6	12
5412 ESCH101006	10	10	6	8.88	8.88	10.75	8	14
5412 ESCH121206	12	12	6	10.88	10.88	12.75	10	18
5412 ESCH121406	12	14	6	10.88	12.88	12.75	12	19
5412 ESCH140806	14	8	6	12.88	6.88	14.75	6	10
5412 ESCH141206	14	12	6	12.88	10.88	14.75	10	19
5412 ESCH141606	14	16	6	12.88	14.88	14.75	14	23
5412 ESCH161006	16	10	6	14.88	8.88	16.75	8	19
5412 ESCH161206	16	12	6	14.88	10.88	16.75	10	21
5412 ESCH161406	16	14	6	14.88	12.88	16.75	12	23
5412 ESCH121008	12	10	8	10.88	8.88	12.75	8	16
5412 ESCH141208	14	12	8	12.88	10.88	14.75	10	20
5412 ESCH161208	16	12	8	14.88	10.88	16.75	10	25
5412 ESCH161408	16	14	8	14.88	12.88	16.75	12	26
5412 ESCH161410	16	14	10	14.88	12.88	16.75	12	27



Data subject to change without notice.



p.593

p.472

<http://www.exmweb.com>

Customize with



1-800-363-2423

Fax : 450-979-4626



info@exmweb.com

## JIC enclosures (light gray)

The 5412 ESCHB are used indoors or outdoors to protect the enclosed controls from dust, dirt, oil and water splashing. The 5412 ESCHB are made from quality 16 GA steel, with corner seams continuously welded.

The opening has a curled lip around all sides to prevent dripping water from entering the enclosure when the door is open, it also increases rigidity. A high quality robotically poured-in-place seamless gasket ensures a complete and durable water tight seal.

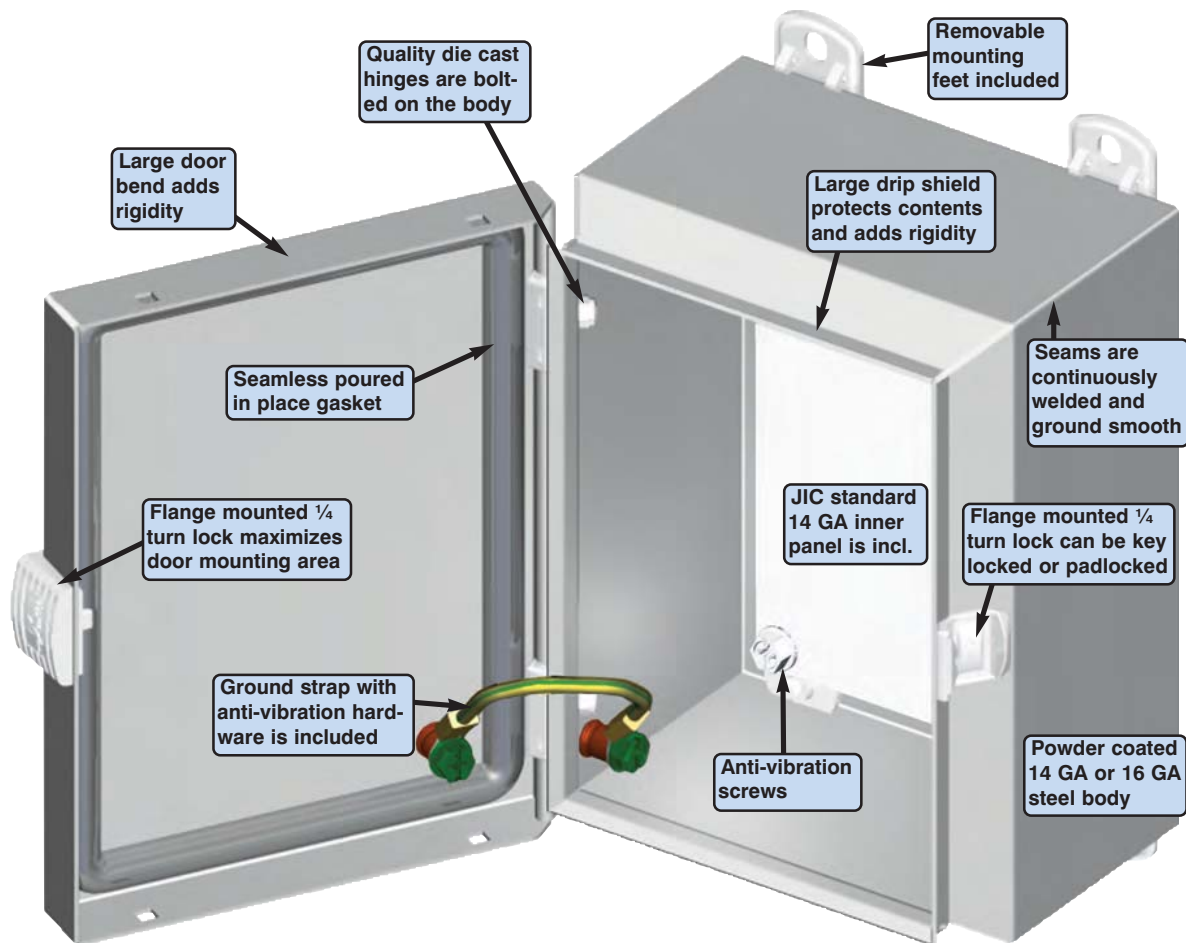
The enclosures feature die cast hinges, which are bound to the cover by an exclusive concealed hinge pin system. The covers are interchangeable and can be removed by unfastening the anti-vibration lock nuts.

**EXM's exclusive flange-mounted 1/4 turn locking system** ensures positive closing while leaving a full workable mounting surface on the door. Each enclosure comes **complete with a 14 GA inner panel** which mounts on weld nuts. The enclosure can be internally mounted or externally

mounted using the included wall mounting feet. These feet have oblong holes to facilitate installation. Enclosures and panels are finished with heat fused powder paint, electrostatically applied on a pretreated base. Box is RAL7035 textured light gray, panel is white (other colors available).

**CSA Certified / UL Listed  
NEMA/EEMAC 4-12 / IP66**

**Refer to p.727 to validate choice of substrate for the application**

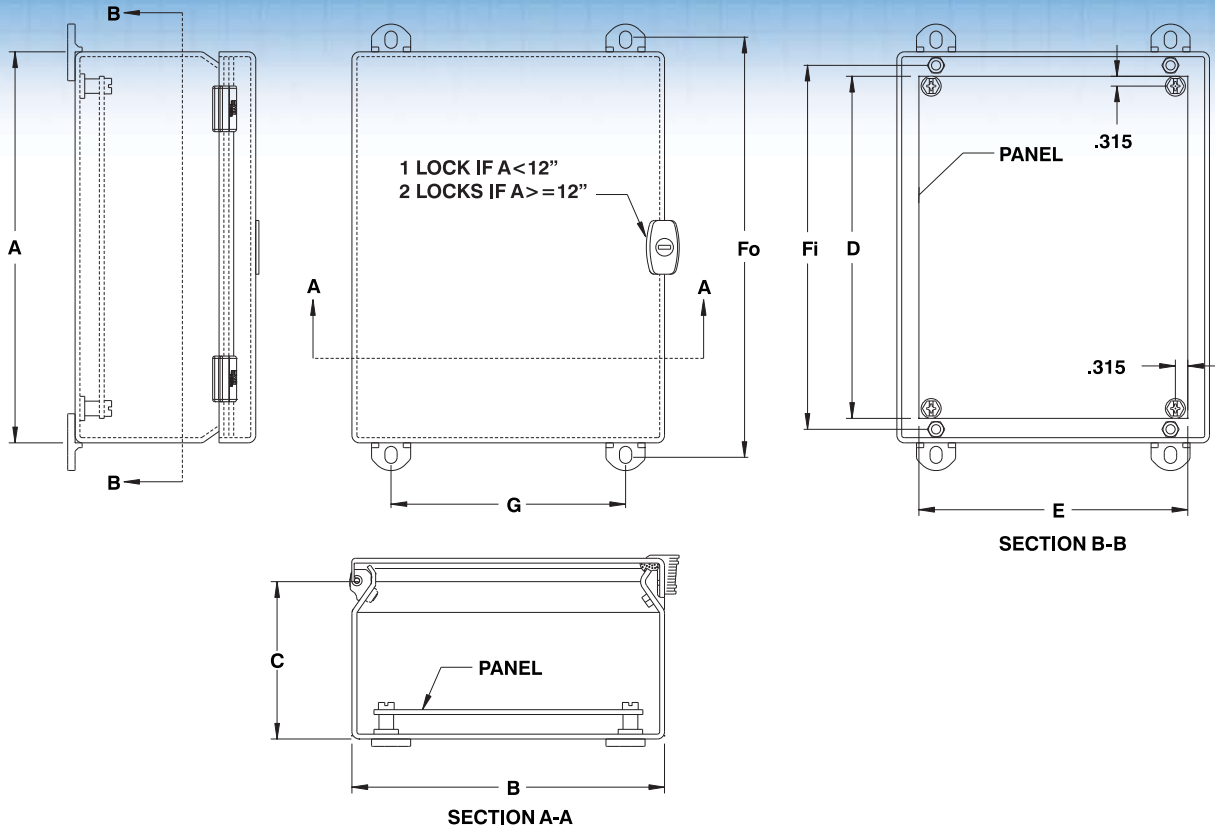


Customize with



Data subject to change without notice.





CATALOG NUMBER	DIMENSIONS								SHIP WGT LBS.
	A	B	C	D	E	Fo	Fi	G	
5412 ESCHB040403	4	4	3	No.Pan.	No.Pan.	4.75	3.312	2	2
5412 ESCHB060403	6	4	3	4.88	2.88	6.75	5.312	2	3
5412 ESCHB060404	6	4	4	4.88	2.88	6.75	5.312	2	4
5412 ESCHB060604	6	6	4	4.88	4.88	6.75	5.312	4	5
5412 ESCHB080604	8	6	4	6.88	4.88	8.75	7.312	4	6
5412 ESCHB080804	8	8	4	6.88	6.88	8.75	7.312	6	8
5412 ESCHB081004	8	10	4	6.88	8.88	8.75	7.312	8	10
5412 ESCHB100804	10	8	4	8.88	6.88	10.75	9.312	6	10
5412 ESCHB120604	12	6	4	10.88	4.88	12.75	11.312	4	8
5412 ESCHB060605	6	6	5	4.88	4.88	6.75	5.312	4	6
5412 ESCHB080605	8	6	5	6.88	4.88	8.75	7.312	4	7
5412 ESCHB101005	10	10	5	8.88	8.88	10.75	9.312	8	14
5412 ESCHB101205	10	12	5	8.88	10.88	10.75	9.312	10	16
5412 ESCHB121005	12	10	5	10.88	8.88	12.75	11.312	8	16
5412 ESCHB121205	12	12	5	10.88	10.88	12.75	11.312	10	18
5412 ESCHB080606	8	6	6	6.88	4.88	8.75	7.312	4	7
5412 ESCHB100806	10	8	6	8.88	6.88	10.75	9.312	6	12
5412 ESCHB101006	10	10	6	8.88	8.88	10.75	9.312	8	14
5412 ESCHB121206	12	12	6	10.88	10.88	12.75	11.312	10	18
5412 ESCHB121406	12	14	6	10.88	12.88	12.75	11.312	12	19
5412 ESCHB140806	14	8	6	12.88	6.88	14.75	13.312	6	10
5412 ESCHB141206	14	12	6	12.88	10.88	14.75	13.312	10	19
5412 ESCHB141606	14	16	6	12.88	14.88	14.75	13.312	14	23
5412 ESCHB161006	16	10	6	14.88	8.88	16.75	15.312	8	19
5412 ESCHB161206	16	12	6	14.88	10.88	16.75	15.312	10	21
5412 ESCHB161406	16	14	6	14.88	12.88	16.75	15.312	12	23
5412 ESCHB121008	12	10	8	10.88	8.88	12.75	11.312	8	16
5412 ESCHB141208	14	12	8	12.88	10.88	14.75	13.312	10	20
5412 ESCHB161208	16	12	8	14.88	10.88	16.75	15.312	10	25
5412 ESCHB161408	16	14	8	14.88	12.88	16.75	15.312	12	26
5412 ESCHB161410	16	14	10	14.88	12.88	16.75	15.312	12	27



Data subject to change without notice.



p.593

p.472

<http://www.exmweb.com>

Customize with



1-800-363-2423

Fax : 450-979-4626



info@exmweb.com

## JIC enclosures - Clear cover

The 5412 ESCHV are used indoors or outdoors to protect the enclosed controls from dust, dirt, oil and water splashing. The enclosure bodies are made of quality 16 GA steel, with corner seams continuously welded. The cover is made of clear polycarbonate. The opening has a curled lip around all sides to prevent dripping water from entering the enclosure when the door is open, it also increases rigidity. A high quality robotically poured-in-place seamless gasket ensures a complete and durable water tight

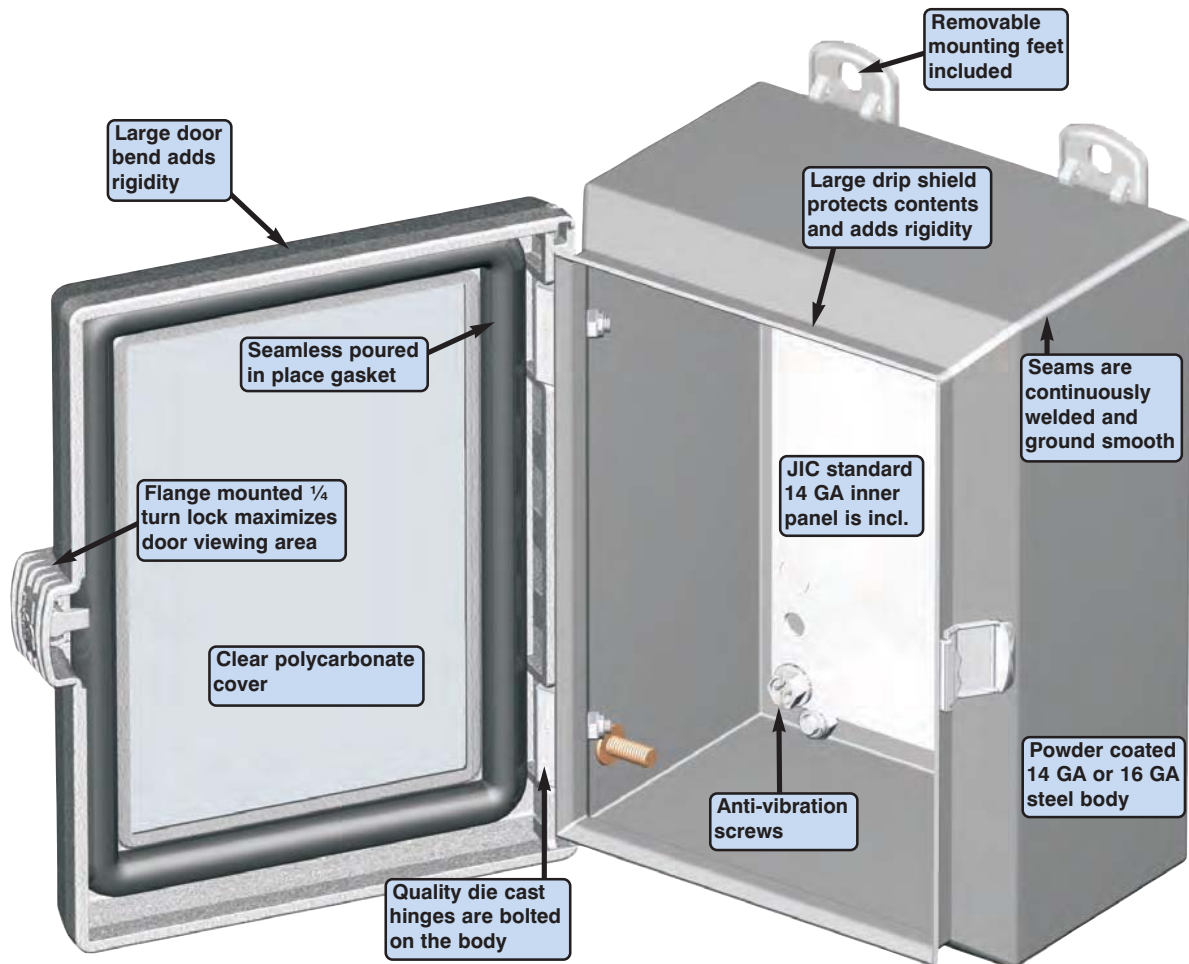
seal. The enclosures feature die cast hinges which are bound to the clear cover by a removable hinge pin.

EXM's exclusive flange-mounted ¼ turn locking system ensures positive closing while leaving a full clear viewing area on the door. Each enclosure comes complete with a 14 GA inner panel which mounts on weld nuts. The enclosure can be internally mounted or externally mounted using the included wall mounting feet. These feet have oblong holes to facilitate

installation. Enclosures and panels are finished with heat fused powder paint, electrostatically applied on a pretreated base. Box is ANSI/ASA 61 gray, panel is white (other colors available).

**CSA Certified / UL Listed  
NEMA/EEMAC 4-12 / IP66**

**Refer to p.727 to validate choice of substrate for the application**



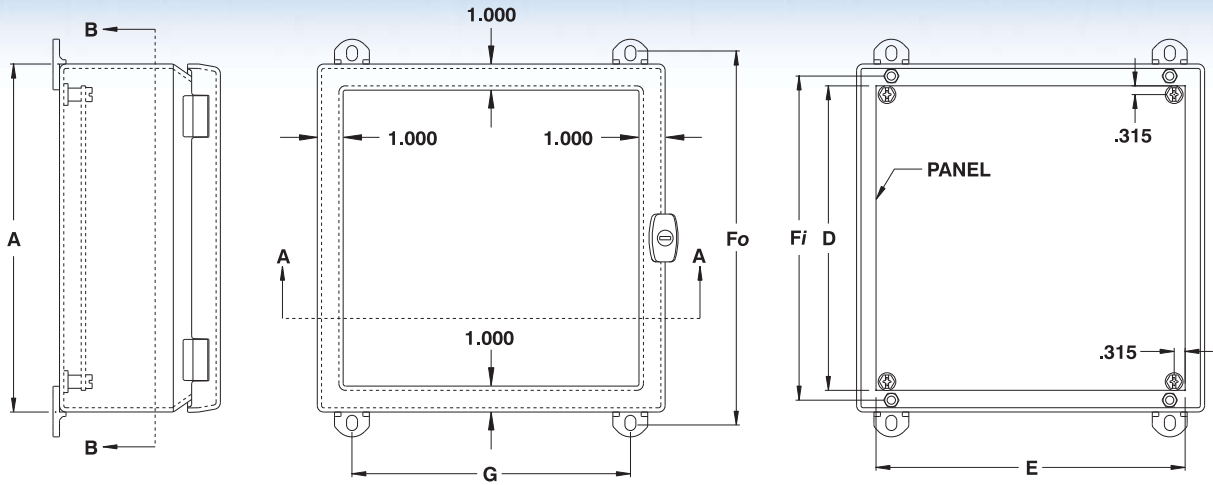
Customize with



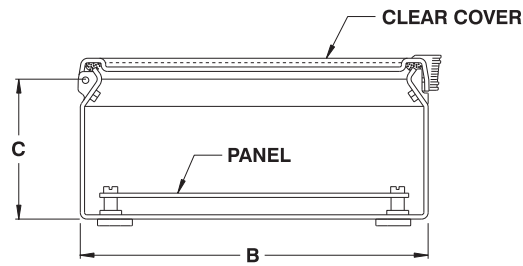
Data subject to change without notice.







SECTION B-B



SECTION A-A

CATALOG NUMBER	DIMENSIONS									SHIP WGHT LBS.
	A	B	C	D	E	Fo	Fi	G		
5412 ESCHV100804	10	8	4	2.88	6.88	10.75	9.312	6	8	
5412 ESCHV121205	12	12	5	10.88	10.88	12.75	11.312	10	18	
5412 ESCHV100806	10	8	6	2.88	6.88	10.75	9.312	6	10	
5412 ESCHV121206	12	12	6	10.88	10.88	12.75	11.312	10	18	
5412 ESCHV161206	16	12	6	14.88	10.88	16.75	15.312	10	19	
5412 ESCHV161208	16	12	8	14.88	10.88	16.75	15.312	10	20	



Customize with



Data subject to change without notice.



## Windowed JIC enclosures

The 5412 ESCHW are used indoors or outdoors to protect the enclosed controls from dust, dirt, oil and water splashing. The 5412 ESCHW are made from quality 16 GA steel, with corner seams continuously welded. The window is made of a 1/4" polycarbonate window. The opening has a curled lip around all sides to prevent dripping water from entering the enclosure when the door is open, it also increases rigidity. A high quality robotically poured-in-place seamless gasket ensures a complete and durable water tight seal.

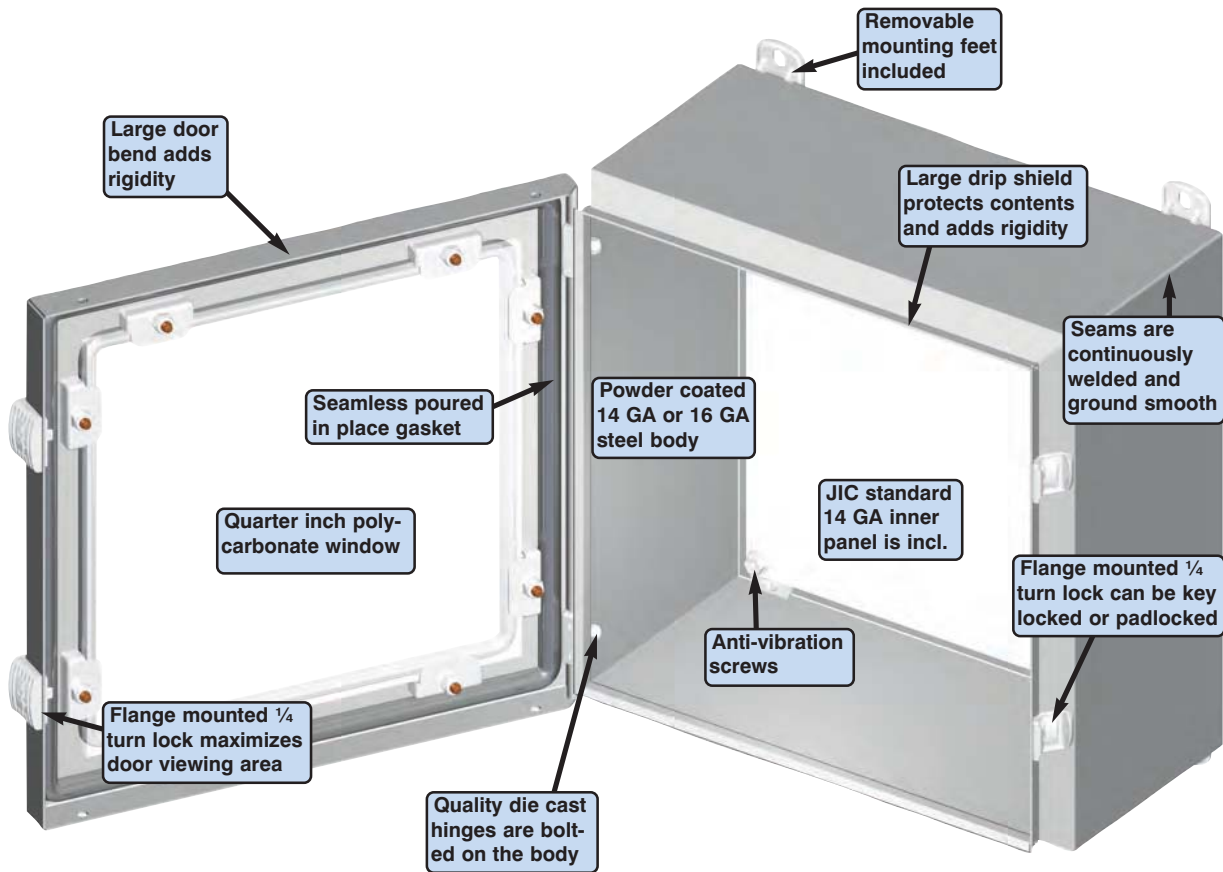
The enclosures feature die cast hinges, which are bound to the cover by an exclusive concealed hinge pin system. The covers are interchangeable and can be removed by unfastening the anti-vibration lock nuts.

EXM's exclusive flange-mounted 1/4 turn locking system ensures positive closing while leaving a full viewing area on the door. Each enclosure comes complete with a 14 GA inner panel which mounts on weld nuts. The enclosure can be internally mounted or externally mounted using the included wall

mounting feet. These feet have oblong holes to facilitate installation. Enclosures and panels are finished with heat fused powder paint, electrostatically applied on a pre-treated base. Box is ANSI/ASA 61 gray, panel is white (other colors available).

**CSA Certified / UL Listed  
NEMA/EEMAC 4-12 / IP66**

**Refer to p.727 to validate choice of substrate for the application**

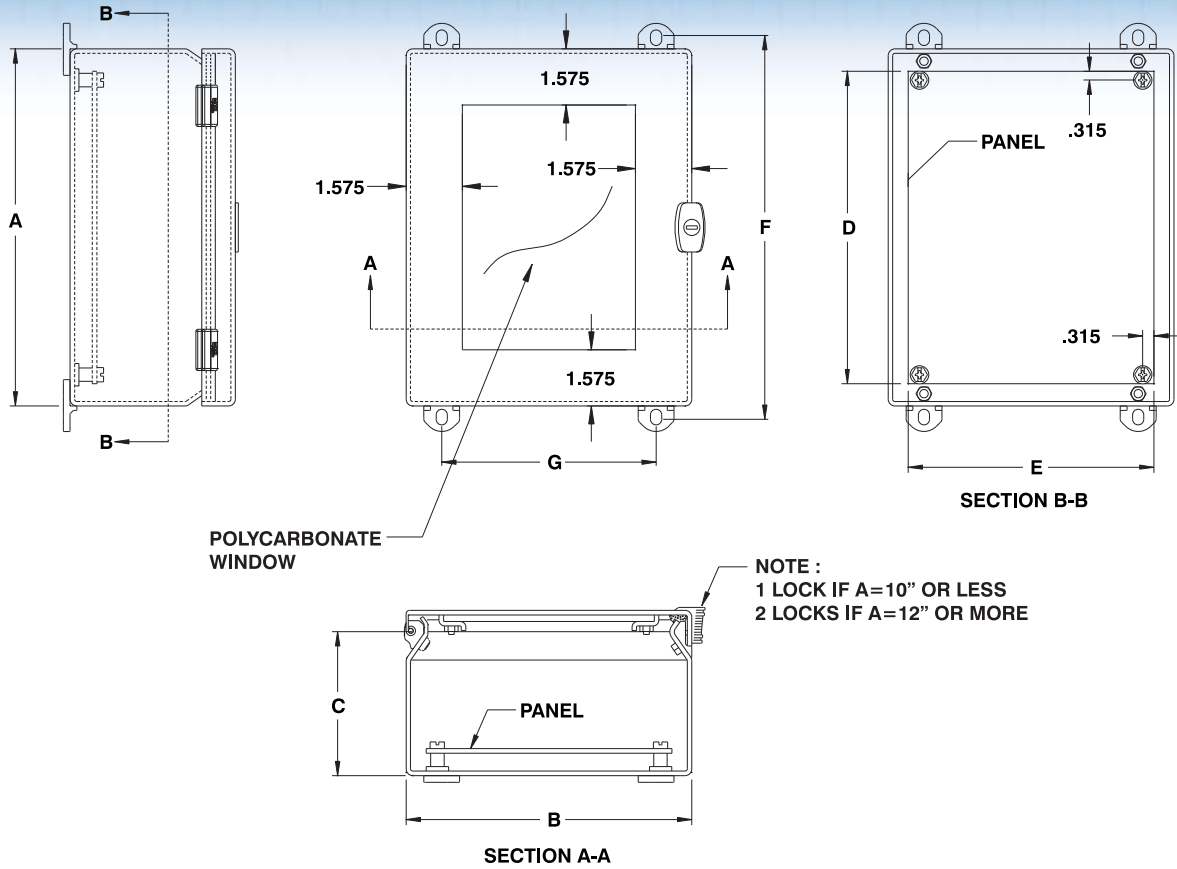


Customize with



Data subject to change without notice.






CATALOG NUMBER	DIMENSIONS							SHIP WGT LBS.
	A	B	C	D	E	F	G	
5412 ESCHW080804	8	8	4	6.88	6.88	8.75	6	8
5412 ESCHW081004	8	10	4	6.88	8.88	8.75	8	10
5412 ESCHW100804	10	8	4	8.88	6.88	10.75	6	10
5412 ESCHW101005	10	10	5	8.88	8.88	10.75	8	14
5412 ESCHW101205	10	12	5	8.88	10.88	10.75	10	16
5412 ESCHW121005	12	10	5	10.88	8.88	12.75	8	16
5412 ESCHW121205	12	12	5	10.88	10.88	12.75	10	18
5412 ESCHW100806	10	8	6	8.88	6.88	10.75	6	12
5412 ESCHW101006	10	10	6	8.88	8.88	10.75	8	14
5412 ESCHW121206	12	12	6	10.88	10.88	12.75	10	18
5412 ESCHW121406	12	14	6	10.88	12.88	12.75	12	19
5412 ESCHW140806	14	8	6	12.88	6.88	14.75	6	10
5412 ESCHW141206	14	12	6	12.88	10.88	14.75	10	19
5412 ESCHW141606	14	16	6	12.88	14.88	14.75	14	23
5412 ESCHW161006	16	10	6	14.88	8.88	16.75	8	19
5412 ESCHW161206	16	12	6	14.88	10.88	16.75	10	21
5412 ESCHW161406	16	14	6	14.88	12.88	16.75	12	23
5412 ESCHW121008	12	10	8	10.88	8.88	12.75	8	16
5412 ESCHW141208	14	12	8	12.88	10.88	14.75	10	20
5412 ESCHW161208	16	12	8	14.88	10.88	16.75	10	25
5412 ESCHW161408	16	14	8	14.88	12.88	16.75	12	26
5412 ESCHW161410	16	14	10	14.88	12.88	16.75	12	27



p.472

<http://www.exmweb.com>

Customize with 

1-800-363-2423

Fax : 450-979-4626



[info@exmweb.com](mailto:info@exmweb.com)

## Oil & dust tight screwed cover enclosure

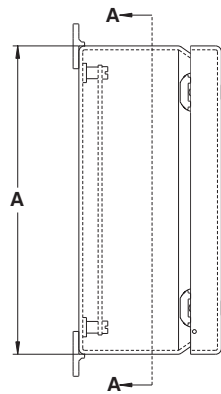
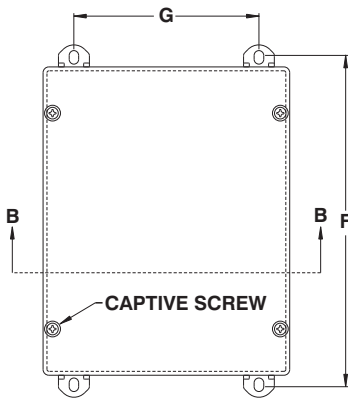
The 5412 ESSC screw cover oil and dust tight enclosures are used indoors or outdoors to protect the enclosed controls from dust, dirt, oil and water splashing. The box and cover are made from 16 GA steel with all seams continuously welded. The opening has a curled lip around all sides to prevent dripping water from entering the enclosure when the door is open, it also increases rigidity. A high quality

robotically poured-in-place seamless gasket ensures a complete and durable water tight seal. The enclosure can be internally mounted or externally mounted using the included wall mounting feet. These feet have oblong holes to facilitate installation. **Each enclosure comes complete with a 14 GA inner panel** which mounts on weld-nuts. Enclosures and panels are finished with heat fused powder

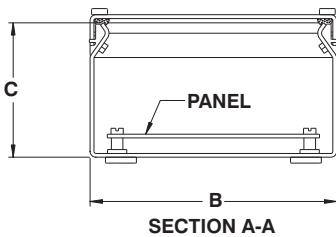
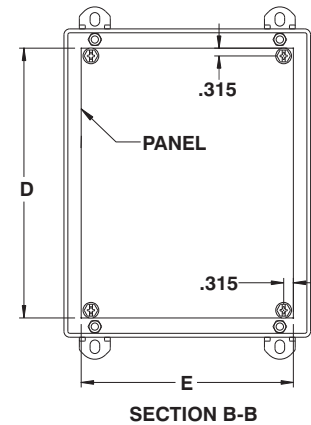
paint, electrostatically applied on a pretreated base. Box is ANSI/ASA 61 gray, panel is white (other colors available).

**CSA Certified / UL Listed  
NEMA/EEMAC 4-12 / IP66**

**Refer to p.727 to validate choice of substrate for the application**



NOTE: - TWO MOUNTING FEET  
IF B=4" OR LESS



CATALOG NUMBER	DIMENSIONS							SHIP WGT LBS.
	A	B	C	D	E	F	G	
5412 ESSC120202	12	2	2.312	No.Pan.	No.Pan.	12.750	----	3
5412 ESSC040403	4	4	3.312	No.Pan.	No.Pan.	4.750	----	2
5412 ESSC060403	6	4	3.312	4.880	2.880	6.750	----	3
5412 ESSC060404	6	4	4.312	4.880	2.880	6.750	----	4
5412 ESSC060604	6	6	4.312	4.880	4.880	6.750	4.000	5
5412 ESSC080604	8	6	4.312	6.880	4.880	8.750	4.000	6
5412 ESSC080804	8	8	4.312	6.880	6.880	8.750	6.000	8
5412 ESSC100804	10	8	4.312	8.880	6.880	10.750	6.000	9
5412 ESSC101004	10	10	4.312	8.880	8.880	10.750	8.000	10
5412 ESSC120404	12	4	4.312	10.880	2.880	12.750	----	6
5412 ESSC160404	16	4	4.312	14.880	2.880	16.750	----	6
5412 ESSC121005	12	10	5.312	10.880	8.880	12.750	8.000	13
5412 ESSC080606	8	6	6.312	8.880	4.880	8.750	4.000	7
5412 ESSC100806	10	8	6.312	8.880	6.880	10.750	6.000	10
5412 ESSC101006	10	10	6.312	8.880	8.880	10.750	8.000	11
5412 ESSC120606	12	6	6.312	10.880	4.880	12.750	4.000	9
5412 ESSC121206	12	12	6.312	10.880	10.880	12.750	10.000	15
5412 ESSC141206	14	12	6.312	12.880	10.880	14.750	10.000	19
5412 ESSC160606	16	6	6.312	14.880	4.880	16.750	4.000	11
5412 ESSC161406	16	14	6.312	14.880	12.880	16.750	12.000	23
5412 ESSC141208	14	12	8.312	12.880	10.880	14.750	10.000	20
5412 ESSC161410	16	14	10.312	14.880	12.880	16.750	12.000	25

Data subject to change without notice.



## Oil & dust tight lift off cover enclosures

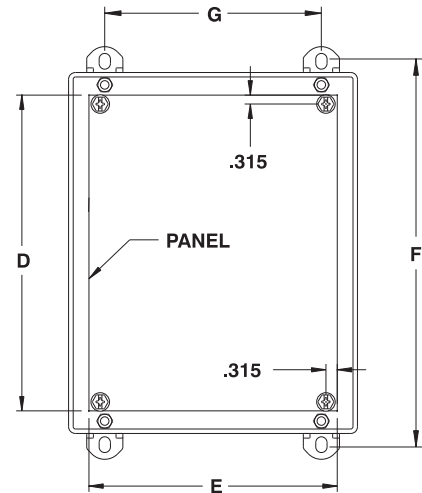
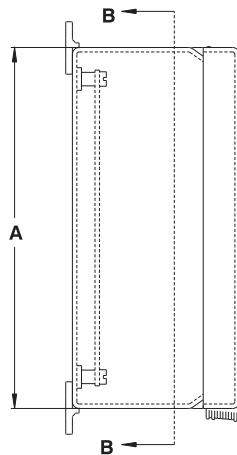
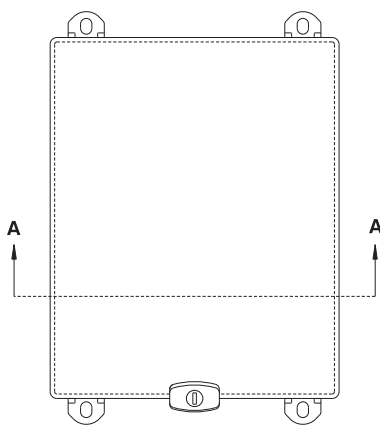
The 5412 ESLC lift off cover, water oil and dust tight enclosures are used indoors or outdoors, in areas where the enclosures may be subjected to hosing or to water coming from any direction. The box and cover are made from 16 GA steel with all seams continuously welded. A high quality robotically poured-in-place seamless gasket ensures a complete and durable water tight seal. The opening has a curled lip around all sides to pre-

vent dripping water from entering when the door is open, it also increases rigidity. A flange-mounted ¼ turn lock ensures positive closing while leaving a full workable mounting surface on the door. The enclosure can be internally mounted or externally mounted using the included wall mounting feet. These feet have oblong holes to facilitate installation. **Each enclosure comes complete with a 14 GA steel flat inner panel** which

mounts on welded nuts. Enclosures and panels are finished with heat fused powder paint, electrostatically applied on a pretreated base. Box is ANSI/ASA 61 gray, panel is white.

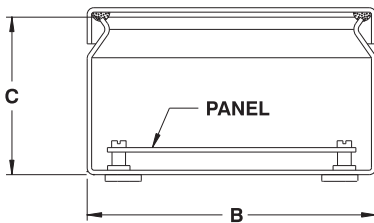
**CSA Certified / UL Listed  
NEMA/EEMAC 4-12 / IP66**

**Refer to p.727 to validate choice of substrate for the application**



SECTION B-B

NOTE : 1 LOCK IF B=10" OR LESS  
2 LOCKS IF B=12" OR MORE



SECTION A-A

CATALOG NUMBER	DIMENSIONS							SHIP WGHT LBS.
	A	B	C	D	E	F	G	
5412 ESLC040403	4	4	3	No.Pan.	No.Pan.	4.75	2	2
5412 ESLC060403	6	4	3	4.88	2.88	6.75	2	3
5412 ESLC060404	6	4	4	4.88	2.88	6.75	2	4
5412 ESLC060604	6	6	4	4.88	4.88	6.75	4	5
5412 ESLC080604	8	6	4	6.88	4.88	8.75	4	6
5412 ESLC100804	10	8	4	8.88	6.88	10.75	6	10
5412 ESLC121005	12	10	5	10.88	8.88	12.75	8	13
5412 ESLC141206	14	12	6	12.88	10.88	14.75	10	19
5412 ESLC161406	16	14	6	14.88	12.88	16.75	12	23
5412 ESLC141208	14	12	8	12.88	10.88	14.75	10	20
5412 ESLC161410	16	14	10	14.88	12.88	16.75	12	25



Data subject to change without notice.

Customize with



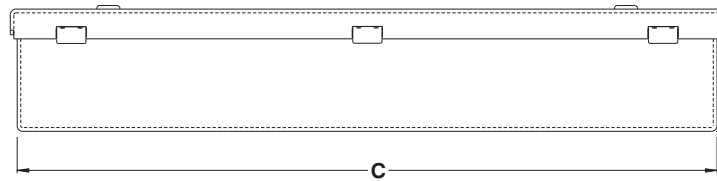
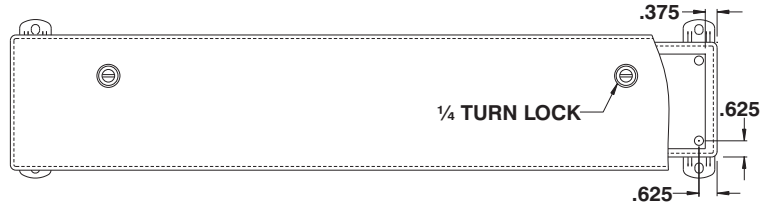
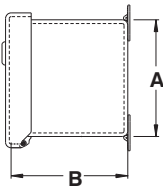
## Hinged cover wiring troughs

The 1412 CH hinged cover oil and dust tight troughs are used indoors to protect the enclosed controls from dust, dirt, oil and water splashing. The box and cover are made from 16 GA steel with all seams continuously welded. The opening has a flange around all sides which increases rigidity and ensures com-

plete contact with the oil resistant high quality seamless poured gasket. The door is secured by convenient 1/4 turn locks and can be opened over 180°. Internal mounting holes are provided and a wall mounting kit is supplied. Enclosures and panels are finished with heat fused powder paint, elec-

trostatically applied on a pretreated base. Box is ANSI/ASA 61 gray. **CSA Certified / UL Listed NEMA/EEMAC 4-12 / IP66**

**Refer to p.727 to validate choice of substrate for the application**



CATALOG NUMBER	DIMENSIONS			SHIP WGHT LBS.
	A	B	C	
1412 CH020212	2.5	2.5	12	3
1412 CH020218	2.5	2.5	18	5
1412 CH020224	2.5	2.5	24	6
1412 CH020230	2.5	2.5	30	9
1412 CH020236	2.5	2.5	36	10
1412 CH020248	2.5	2.5	48	13
1412 CH020260	2.5	2.5	60	16
1412 CH020272	2.5	2.5	72	19
1412 CH040412	4	4	12	6
1412 CH040418	4	4	18	8
1412 CH040424	4	4	24	10
1412 CH040430	4	4	30	13
1412 CH040436	4	4	36	16
1412 CH040448	4	4	48	20
1412 CH040460	4	4	60	25
1412 CH040472	4	4	72	30
1412 CH060524	6	5	24	12
1412 CH060536	6	5	36	18
1412 CH060548	6	5	48	23
1412 CH060560	6	5	60	29
1412 CH060572	6	5	72	34
1412 CH060612	6	6	12	9
1412 CH060618	6	6	18	12
1412 CH060624	6	6	24	16

CATALOG NUMBER	DIMENSIONS			SHIP WGHT LBS.
	A	B	C	
1412 CH060630	6	6	30	19
1412 CH060636	6	6	36	23
1412 CH060648	6	6	48	29
1412 CH060660	6	6	60	32
1412 CH060672	6	6	72	43
1412 CH080624	8	6	24	16
1412 CH080636	8	6	36	23
1412 CH080648	8	6	48	30
1412 CH080660	8	6	60	37
1412 CH080672	8	6	72	44
1412 CH080812	8	8	12	11
1412 CH080824	8	8	12	15
1412 CH080836	8	8	36	19
1412 CH080848	8	8	48	33
1412 CH080860	8	8	60	41
1412 CH110836	11	8	36	28
1412 CH110848	11	8	48	36
1412 CH110860	11	8	60	45
1412 CH110872	11	8	72	53
1412 CH121224	12	12	24	34
1412 CH121236	12	12	36	49
1412 CH121248	12	12	48	60
1412 CH121260	12	12	61	73

Data subject to change without notice.



## Hinged cover wiring troughs

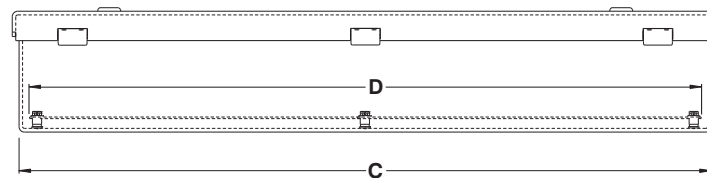
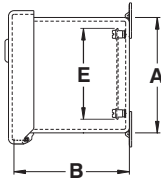
The 1412 CH...IP hinged cover oil and dust tight troughs with inner panel are used indoors to protect the enclosed controls from dust, dirt, oil and water splashing. The box and cover are made from 16 GA steel with all seams continuously welded. The opening has a flange around all sides which

increases rigidity and ensures complete contact with the oil resistant high quality seamless poured gasket. The door is secured by convenient ¼ turn locks and can be opened over 180°. Internal mounting holes are provided and a wall mounting kit is supplied. Enclosures and panels are finished

with heat fused powder paint, electrostatically applied on a pretreated base. Box is ANSI/ASA 61 gray.

**CSA Certified / UL Listed**  
**NEMA/EEMAC 4-12 / IP66**

**Refer to p.727 to validate choice of substrate for the application**



CATALOG NUMBER	DIMENSIONS					SHIP WGHT LBS.
	A	B	C	D	E	
1412 CH060524IP	6	5	24	21.88	2.88	12
1412 CH060536IP	6	5	36	33.88	2.88	18
1412 CH060548IP	6	5	48	45.88	2.88	23
1412 CH060560IP	6	5	60	57.88	2.88	29
1412 CH060572IP	6	5	72	69.88	2.88	34
1412 CH060612IP	6	6	12	9.88	4.88	8
1412 CH060618IP	6	6	18	15.88	4.88	12
1412 CH060624IP	6	6	24	21.88	4.88	15
1412 CH060630IP	6	6	30	27.88	4.88	19
1412 CH060636IP	6	6	36	33.88	4.88	22
1412 CH060648IP	6	6	48	45.88	4.88	29
1412 CH060660IP	6	6	60	57.88	4.88	36
1412 CH060672IP	6	6	72	69.88	4.88	42
1412 CH080624IP	8	6	24	21.88	3.88	16
1412 CH080636IP	8	6	36	33.88	3.88	23
1412 CH080648IP	8	6	48	45.88	3.88	30
1412 CH080660IP	8	6	60	57.88	3.88	37
1412 CH080672IP	8	6	72	69.88	3.88	44
1412 CH080812IP	8	8	12	9.88	6.88	12
1412 CH080824IP	8	8	24	21.88	6.88	21
1412 CH080836IP	8	8	36	33.88	6.88	30
1412 CH080848IP	8	8	48	45.88	6.88	38
1412 CH080860IP	8	8	60	57.88	6.88	47
1412 CH100636IP	11	8	36	33.88	4.88	28
1412 CH100648IP	11	8	48	45.88	4.88	36
1412 CH100660IP	11	8	60	57.88	4.88	45
1412 CH100672IP	11	8	72	69.88	4.88	53
1412 CH121224IP	12	12	24	21.88	10.88	32
1412 CH121236IP	12	12	36	33.88	10.88	46
1412 CH121248IP	12	12	48	45.88	10.88	59
1412 CH121260IP	12	12	60	57.88	10.88	72



Data subject to change without notice.



p.449      p.452      p.472

<http://www.exmweb.com>

1-800-363-2423

Fax : 450-979-4626

[info@exmweb.com](mailto:info@exmweb.com)

Customize with



## Water, oil & dust tight enclosures

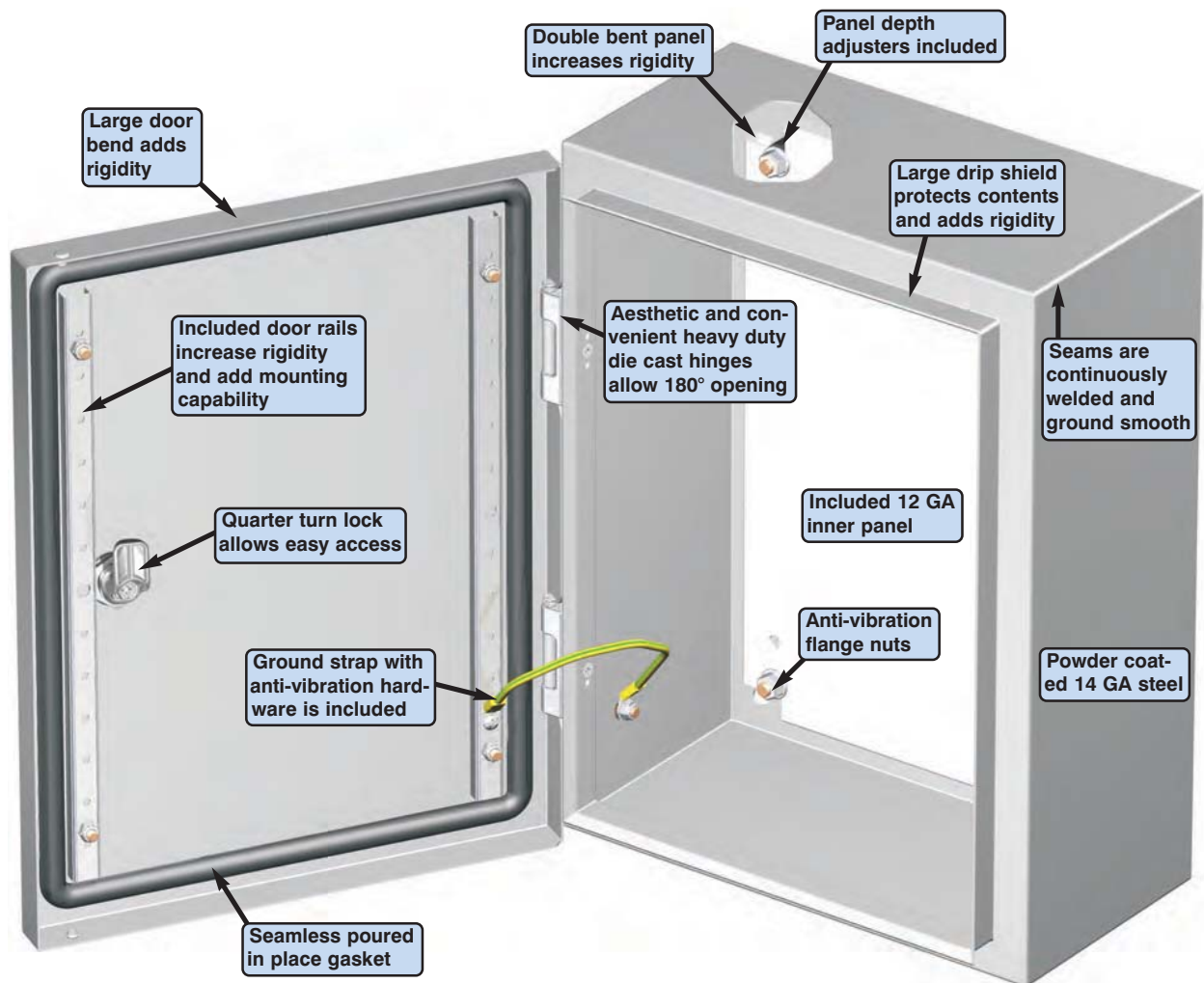
The 5412 ES water, oil & dust tight enclosures are used indoors or outdoors in areas where the enclosures may be subject to hosing or to water coming from any direction or for protection against dust, dirt or oil splashing. The 5412 ES are made from quality 14 GA or 16 GA steel, with corner seams continuously welded. The opening has a curled lip around all sides to prevent dripping water from entering the enclosure when the door is open,

it also increases rigidity. A high quality robotically poured-in-place seamless gasket ensures a complete and durable water tight seal. The pins of the concealed hinges can be pulled out to remove the door. A ¼ turn locking mechanism (or 3 point latch system on larger enclosures) ensures positive closing. Internal mounting holes are provided. Each enclosure comes **complete with a 12 GA inner panel** which is double

bent\* for maximum rigidity which mounts on M8 welded studs. Enclosures and panels are finished with heat fused powder paint, electrostatically applied on a pretreated base. Box is ANSI/ASA 61 gray, panel is white (other colors available).

**CSA Certified / UL Listed  
NEMA/EEMAC 4-12 / IP66**

Refer to p.727 to validate choice of substrate for the application



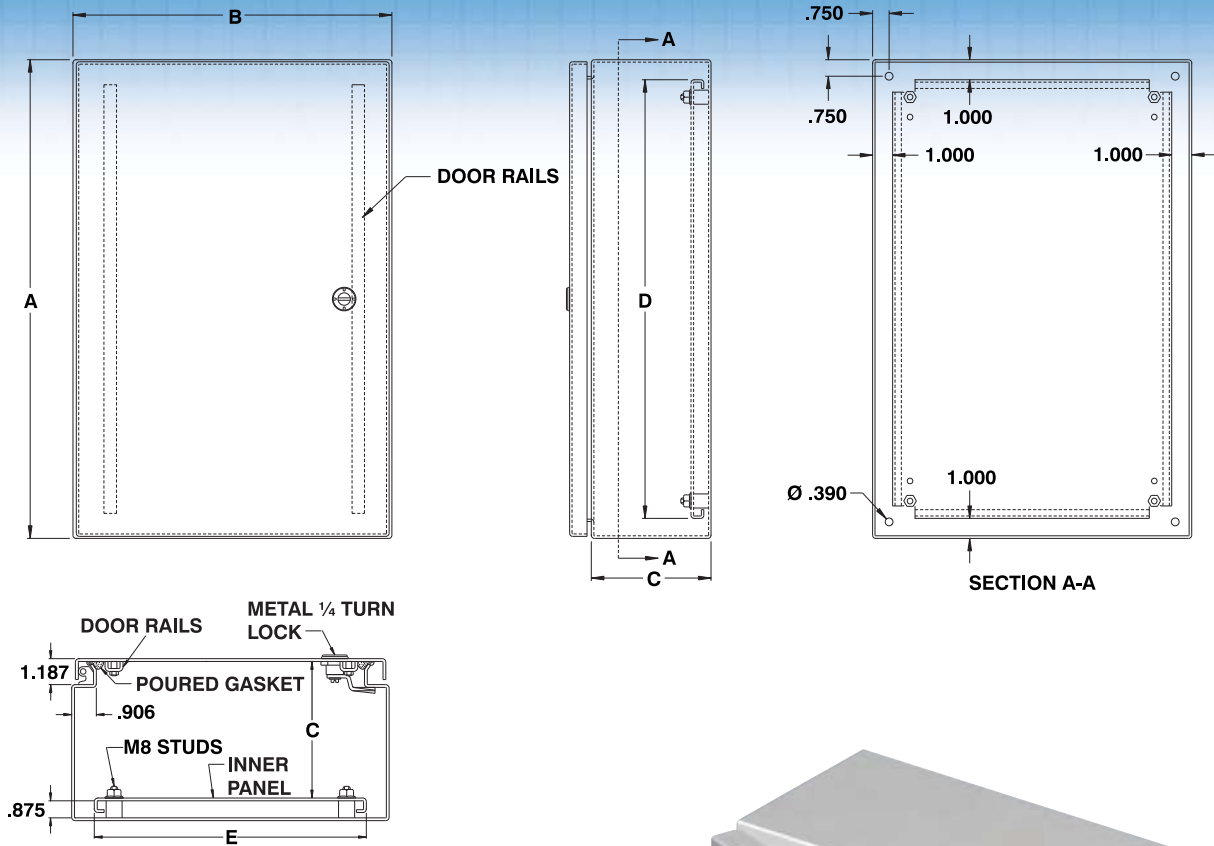
Customize with



Data subject to change without notice.








CATALOG NUMBER	DIMENSIONS					SHIP WGHT LBS.
	A	B	C	D	E	
5412 ES121206	12	12	6	10	10	19
5412 ES122406	12	24	6	10	22	35
5412 ES161206	16	12	6	14	10	24
5412 ES161606	16	16	6	14	14	31
5412 ES162006	16	20	6	14	18	37
5412 ES122408	12	24	8	10	22	38
5412 ES161208	16	12	8	14	10	27
5412 ES161608	16	16	8	14	14	34
5412 ES162008	16	20	8	14	18	41
5412 ES161210	16	12	10	14	10	30

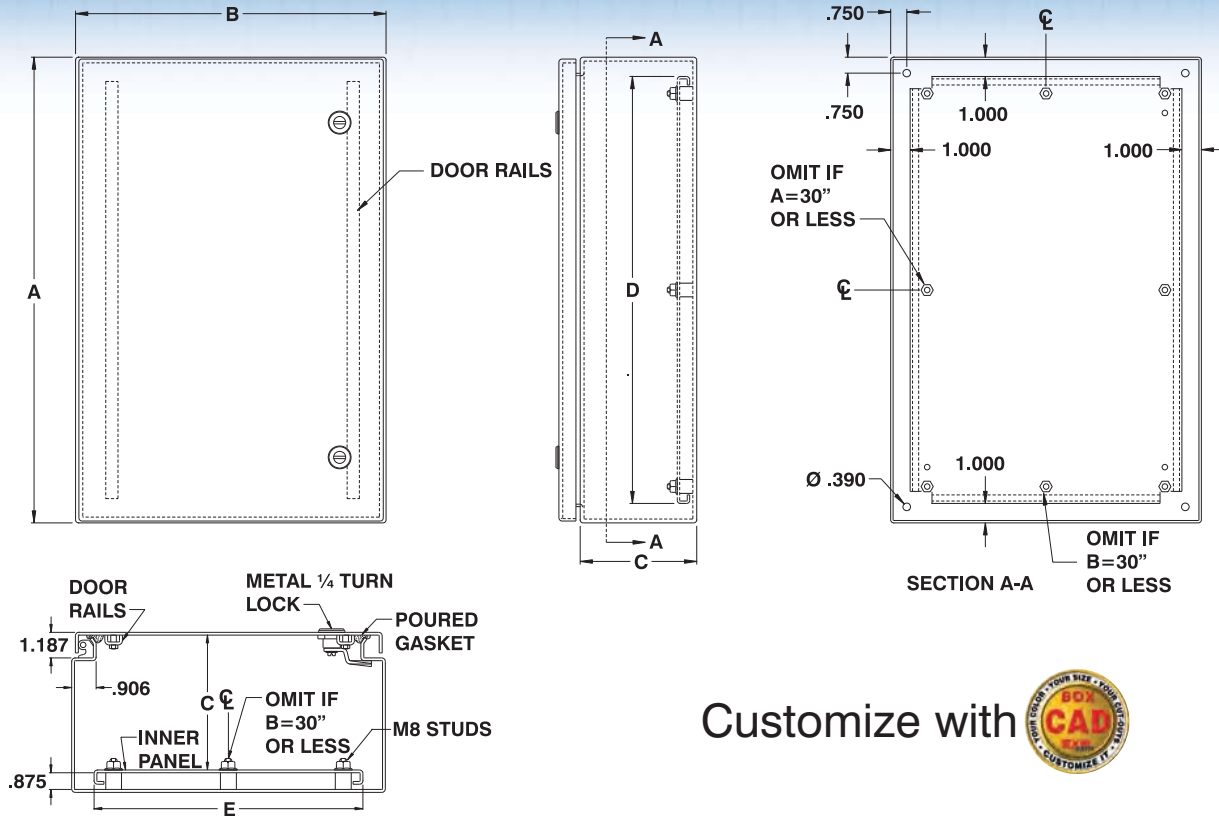
\* Only panels with sides 20" or more are double bent.

Customize with 

Data subject to change without notice.



[p.489](#)   [p.476](#)   [p.473](#)   [p.583](#)   [p.477](#)   [p.624](#)   [p.636](#)   [p.593](#)   [p.472](#)  
<http://www.exmweb.com>   1-800-363-2423   Fax : 450-979-4626   [info@exmweb.com](mailto:info@exmweb.com)



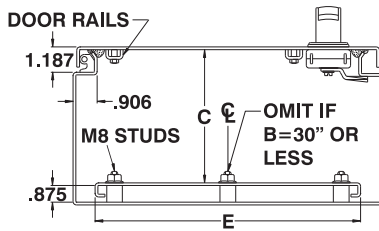
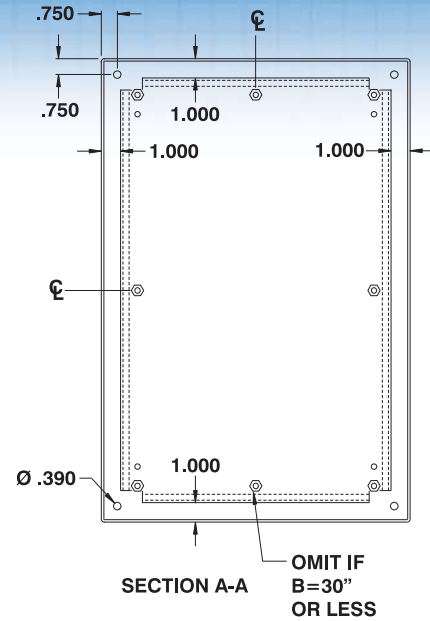
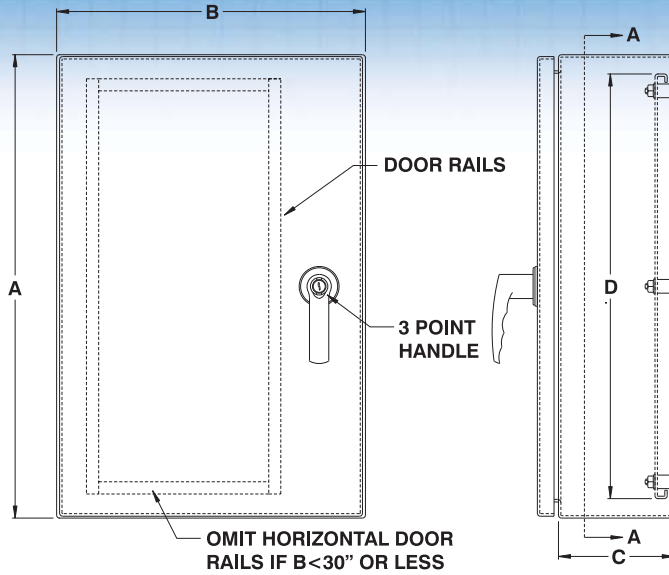
Customize with



CATALOG NUMBER	DIMENSIONS					SHIP WGHT LBS.
	A	B	C	D	E	
5412 ES201206	20	12	6	18	10	29
5412 ES201606	20	16	6	18	14	37
5412 ES202006	20	20	6	18	18	45
5412 ES202406	20	24	6	18	22	53
5412 ES241206	24	12	6	22	10	35
5412 ES241606	24	16	6	22	14	44
5412 ES242006	24	20	6	22	18	53
5412 ES242406	24	24	6	22	22	62
5412 ES301606	30	16	6	28	14	53
5412 ES302006	30	20	6	28	18	65
5412 ES302406	30	24	6	28	22	76
5412 ES362406	36	24	6	34	22	90
5412 ES363006	36	30	6	34	28	109
5412 ES201208	20	12	8	18	10	33
5412 ES201608	20	16	8	18	14	41
5412 ES202008	20	20	8	18	18	49
5412 ES202408	20	24	8	18	22	57
5412 ES241208	24	12	8	22	10	38
5412 ES241608	24	16	8	22	14	48
5412 ES242008	24	20	8	22	18	57
5412 ES242408	24	24	8	22	22	67
5412 ES243008	24	30	8	22	28	81
5412 ES301208	30	12	8	28	10	46
5412 ES301608	30	16	8	28	14	58
5412 ES302008	30	20	8	28	18	70
5412 ES302408	30	24	8	28	22	81
5412 ES303008	30	30	8	28	28	98
5412 ES303608	30	36	8	28	34	116
5412 ES362408	36	24	8	34	22	95
5412 ES363008	36	30	8	34	28	116

CATALOG NUMBER	DIMENSIONS					SHIP WGHT LBS.
	A	B	C	D	E	
5412 ES363608	36	36	8	34	34	136
5412 ES201610	20	16	10	18	14	44
5412 ES202010	20	20	10	18	18	53
5412 ES241210	24	12	10	22	10	42
5412 ES242010	24	20	10	22	18	62
5412 ES242410	24	24	10	22	22	71
5412 ES302010	30	20	10	28	18	74
5412 ES302410	30	24	10	28	22	86
5412 ES303010	30	30	10	28	28	100
5412 ES362410	36	24	10	34	22	101
5412 ES363010	36	30	10	34	28	122
5412 ES201612	20	16	12	18	14	48
5412 ES202012	20	20	12	18	18	57
5412 ES202412	20	24	12	18	22	66
5412 ES242012	24	20	12	22	18	66
5412 ES242412	24	24	12	22	22	76
5412 ES302412	30	24	12	28	22	92
5412 ES303012	30	30	12	28	28	110
5412 ES362412	36	24	12	34	22	107
5412 ES363012	36	30	12	34	28	129
5412 ES363612	36	36	12	34	34	150
5412 ES242016	24	20	16	22	18	74
5412 ES242416	24	24	16	22	22	86
5412 ES302416	30	24	16	28	22	102
5412 ES362416	36	24	16	34	22	119
5412 ES363016	36	30	16	34	28	142
5412 ES302420	30	24	20	28	22	113
5412 ES363020	36	30	20	34	28	155
5412 ES302424	30	24	24	28	22	123

Data subject to change without notice.



Customize with



CATALOG NUMBER	DIMENSIONS					SHIP WGHT LBS.
	A	B	C	D	E	
5412 ES422408	42	24	8	40	22	110
5412 ES423008	42	30	8	40	28	133
5412 ES423608	42	36	8	40	34	156
5412 ES482408	48	24	8	46	22	124
5412 ES483008	48	30	8	46	28	150
5412 ES483608	48	36	8	46	34	177
5412 ES603608	60	36	8	58	34	218
5412 ES423010	42	30	10	40	28	140
5412 ES423610	42	36	10	40	34	164
5412 ES483010	48	30	10	46	28	158
5412 ES483610	48	36	10	46	34	185
5412 ES603610	60	36	10	58	34	227
5412 ES422412	42	24	12	40	22	118
5412 ES423012	42	30	12	40	28	147
5412 ES423612	42	36	12	40	34	172
5412 ES482412	48	24	12	46	22	138
5412 ES483612	48	36	12	46	34	193
5412 ES602412	60	24	12	58	22	169
5412 ES603612	60	36	12	58	34	236
5412 ES723012	72	30	12	70	28	240
5412 ES723612	72	36	12	70	34	279
5412 ES423616	42	36	16	40	34	187
5412 ES483616	48	36	16	46	34	210
5412 ES603616	60	36	16	58	14	255
5412 ES723016	72	30	16	70	28	260
5412 ES723616	72	36	16	70	34	301
5412 ES483620	48	36	20	46	34	226
5412 ES603620	60	36	20	58	34	274
5412 ES723020	72	30	20	70	28	280
5412 ES723024	72	30	24	70	28	300



Data subject to change without notice.

## Water, oil & dust tight enclosures

The 5412 ESEL water, oil & dust tight enclosures are used indoors or outdoors in areas where the enclosures may be subject to hosing or to water coming from any direction or for protection against dust, dirt or oil splashing. The 5412 ESEL are made from quality 14 GA or 16 GA steel, with corner seams continuously welded. The opening has a curled lip around all sides to prevent dripping water from entering the enclosure when the door is open, it also increases rigidity. A high

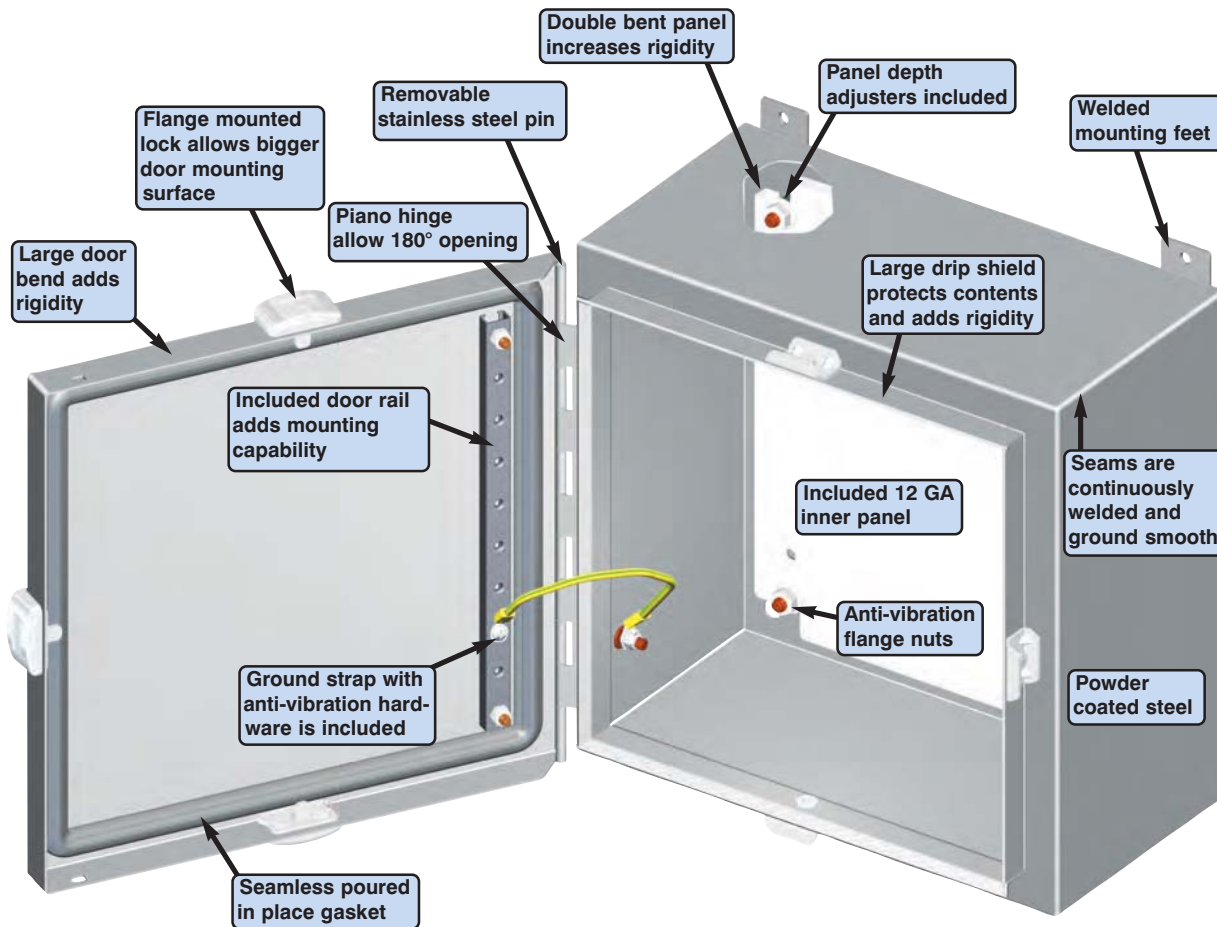
quality robotically poured-in-place seamless gasket ensures a complete and durable water tight seal. A full length piano hinge with stainless steel pin permits 180 degrees opening. The hinge pin can be pulled out to remove the door. The screw type external locks, on 3 sides of the enclosure, permits positive closing and bigger door instrument mounting area.

Each enclosure comes **complete with a 12 GA inner panel** which is double bent\* for maximum

rigidity and which mounts on M8 welded studs. Enclosures and panels are finished with heat fused powder paint, electrostatically applied on a pretreated base. Box is ANSI/ASA 61 gray, panel is white (other colors available).

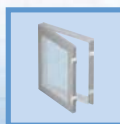
**CSA Certified / UL Listed  
NEMA/EEMAC 4-12 / IP66**

Refer to p.727 to validate choice of substrate for the application

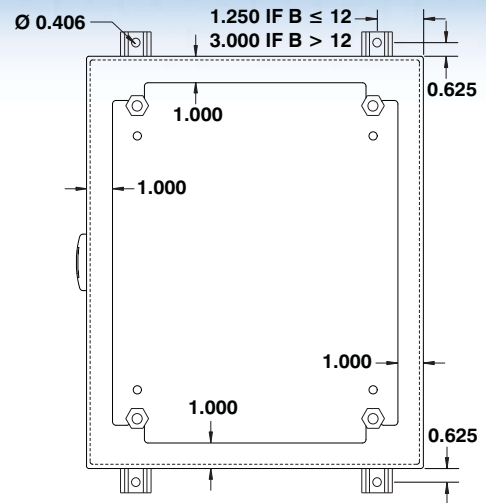
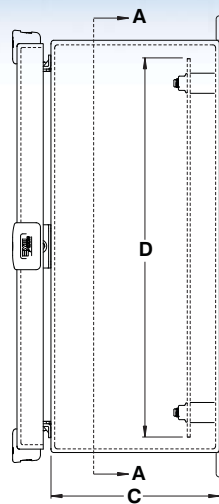
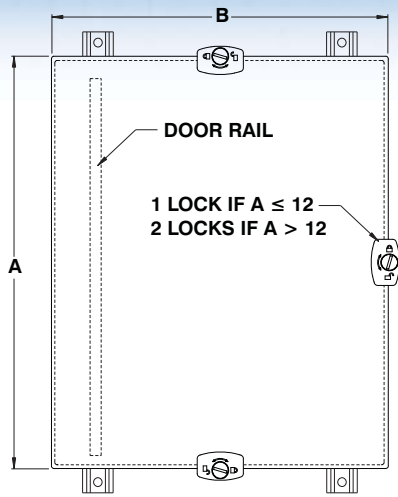


The 5412 ESEL -  
98 stock sizes available

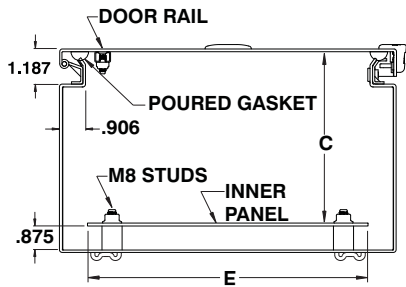
Data subject to  
change without  
notice.







SECTION A-A



CATALOG NUMBER	DIMENSIONS					SHIP WGHT LBS.
	A	B	C	D	E	
5412 ESEL121206	12	12	6	10	10	19
5412 ESEL122406	12	24	6	10	22	35
5412 ESEL161206	16	12	6	14	10	24
5412 ESEL161606	16	16	6	14	14	31
5412 ESEL162006	16	20	6	14	18	37
5412 ESEL122408	12	24	8	10	22	38
5412 ESEL161208	16	12	8	14	10	27
5412 ESEL161608	16	16	8	14	14	34
5412 ESEL162008	16	20	8	14	18	41
5412 ESEL161210	16	12	10	14	10	30

\* Only panels with sides 20" or more are double bent.



Data subject to change without notice.



p.583

<http://www.exmweb.com>



p.477



p.624



p.636



p.593



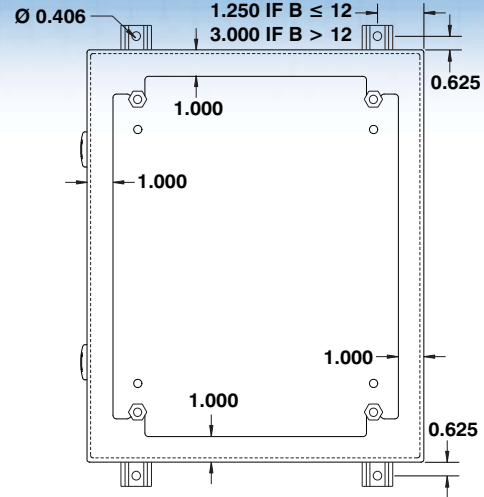
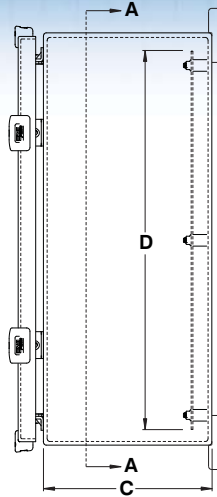
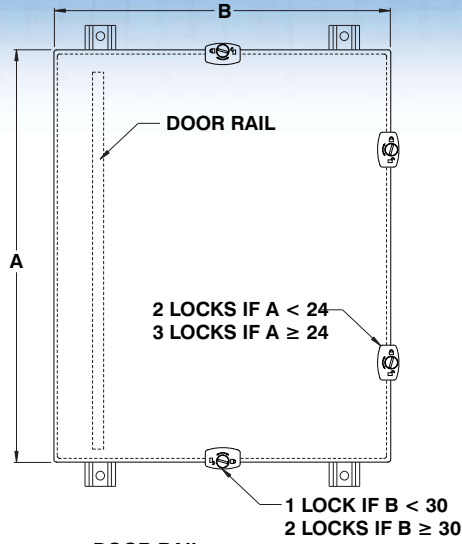
p.472

1-800-363-2423

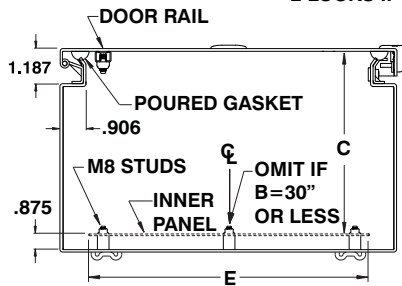
Fax : 450-979-4626



[info@exmweb.com](mailto:info@exmweb.com)



SECTION A-A



CATALOG NUMBER	DIMENSIONS					SHIP WGT LBS.
	A	B	C	D	E	
5412 ESEL201206	20	12	6	18	10	29
5412 ESEL201606	20	16	6	18	14	37
5412 ESEL202006	20	20	6	18	18	45
5412 ESEL202406	20	24	6	18	22	53
5412 ESEL241206	24	12	6	22	10	35
5412 ESEL241606	24	16	6	22	14	44
5412 ESEL242006	24	20	6	22	18	53
5412 ESEL242406	24	24	6	22	22	62
5412 ESEL301606	30	16	6	28	14	53
5412 ESEL302006	30	20	6	28	18	65
5412 ESEL302406	30	24	6	28	22	76
5412 ESEL362406	36	24	6	34	22	90
5412 ESEL363006	36	30	6	34	28	109
5412 ESEL201208	20	12	8	18	10	33
5412 ESEL201608	20	16	8	18	14	41
5412 ESEL202008	20	20	8	18	18	49
5412 ESEL202408	20	24	8	18	22	57
5412 ESEL241208	24	12	8	22	10	38
5412 ESEL241608	24	16	8	22	14	48
5412 ESEL242008	24	20	8	22	18	57
5412 ESEL242408	24	24	8	22	22	67
5412 ESEL243008	24	30	8	22	28	81
5412 ESEL301208	30	12	8	28	10	46
5412 ESEL301608	30	16	8	28	14	58
5412 ESEL302008	30	20	8	28	18	70
5412 ESEL302408	30	24	8	28	22	81
5412 ESEL303008	30	30	8	28	28	98
5412 ESEL303608	30	36	8	28	34	116
5412 ESEL362408	36	24	8	34	22	95
5412 ESEL363008	36	30	8	34	28	116

CATALOG NUMBER	DIMENSIONS					SHIP WGT LBS.
	A	B	C	D	E	
5412 ESEL363608	36	36	8	34	34	136
5412 ESEL201610	20	16	10	18	14	44
5412 ESEL202010	20	20	10	18	18	53
5412 ESEL241210	24	12	10	22	10	42
5412 ESEL242010	24	20	10	22	18	62
5412 ESEL242410	24	24	10	22	22	71
5412 ESEL302010	30	20	10	28	18	74
5412 ESEL302410	30	24	10	28	22	86
5412 ESEL303010	30	30	10	28	28	100
5412 ESEL362410	36	24	10	34	22	101
5412 ESEL363010	36	30	10	34	28	122
5412 ESEL201612	20	16	12	18	14	48
5412 ESEL202012	20	20	12	18	18	57
5412 ESEL202412	20	24	12	18	22	66
5412 ESEL242012	24	20	12	22	18	66
5412 ESEL242412	24	24	12	22	22	76
5412 ESEL302412	30	24	12	28	22	92
5412 ESEL303012	30	30	12	28	28	110
5412 ESEL362412	36	24	12	34	22	107
5412 ESEL363012	36	30	12	34	28	129
5412 ESEL363612	36	36	12	34	34	150
5412 ESEL242016	24	20	16	22	18	74
5412 ESEL242416	24	24	16	22	22	86
5412 ESEL302416	30	24	16	28	22	102
5412 ESEL362416	36	24	16	34	22	119
5412 ESEL363016	36	30	16	34	28	142
5412 ESEL302420	30	24	20	28	22	113
5412 ESEL363020	36	30	20	34	28	155
5412 ESEL302424	30	24	24	28	22	123

Data subject to change without notice.



p.489



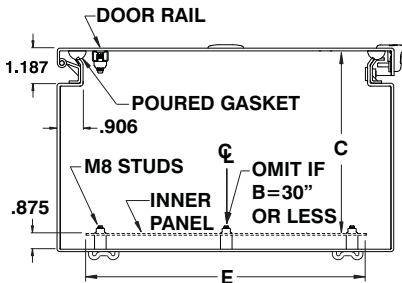
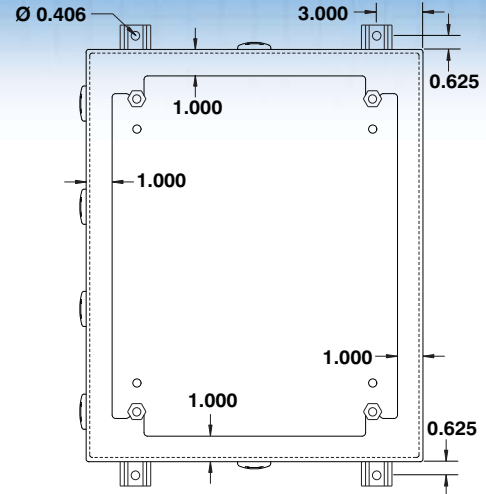
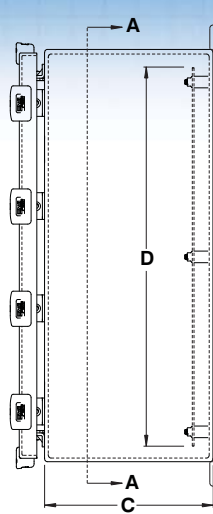
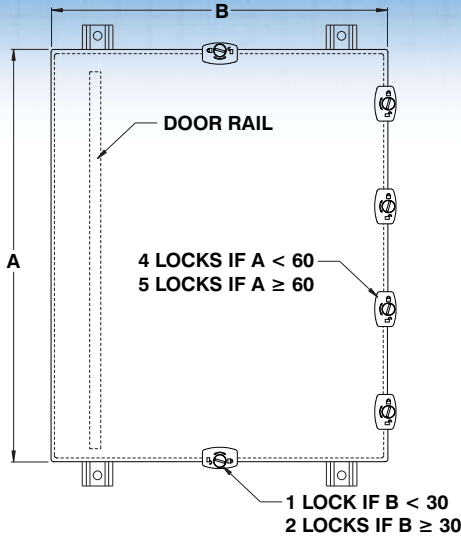
p.473



p.462



p.492



CATALOG NUMBER	DIMENSIONS					SHIP WGHT LBS.
	A	B	C	D	E	
5412 ESEL422408	42	24	8	40	22	110
5412 ESEL423008	42	30	8	40	28	133
5412 ESEL423608	42	36	8	40	34	156
5412 ESEL482408	48	24	8	46	22	124
5412 ESEL483008	48	30	8	46	28	150
5412 ESEL483608	48	36	8	46	34	177
5412 ESEL603608	60	36	8	58	34	218
5412 ESEL423010	42	30	10	40	28	140
5412 ESEL423610	42	36	10	40	34	164
5412 ESEL483010	48	30	10	46	28	158
5412 ESEL483610	48	36	10	46	34	185
5412 ESEL603610	60	36	10	58	34	227
5412 ESEL422412	42	24	12	40	22	118
5412 ESEL423012	42	30	12	40	28	147
5412 ESEL423612	42	36	12	40	34	172
5412 ESEL482412	48	24	12	46	22	138
5412 ESEL483612	48	36	12	46	34	193
5412 ESEL602412	60	24	12	58	22	169
5412 ESEL603612	60	36	12	58	34	236
5412 ESEL723012	72	30	12	70	28	240
5412 ESEL723612	72	36	12	70	34	279
5412 ESEL423616	42	36	16	40	34	187
5412 ESEL483616	48	36	16	46	34	210
5412 ESEL603616	60	36	16	58	14	255
5412 ESEL723016	72	30	16	70	28	260
5412 ESEL723616	72	36	16	70	34	301
5412 ESEL483620	48	36	20	46	34	226
5412 ESEL603620	60	36	20	58	34	274
5412 ESEL723020	72	30	20	70	28	280
5412 ESEL723024	72	30	24	70	28	300



Data subject to change without notice.

**Insulated box?** To have your enclosure insulated, add suffix "TH"

i.e.: 5412ESEL362412TH → Insulated steel enclosure



## Water, oil & dust tight enclosures

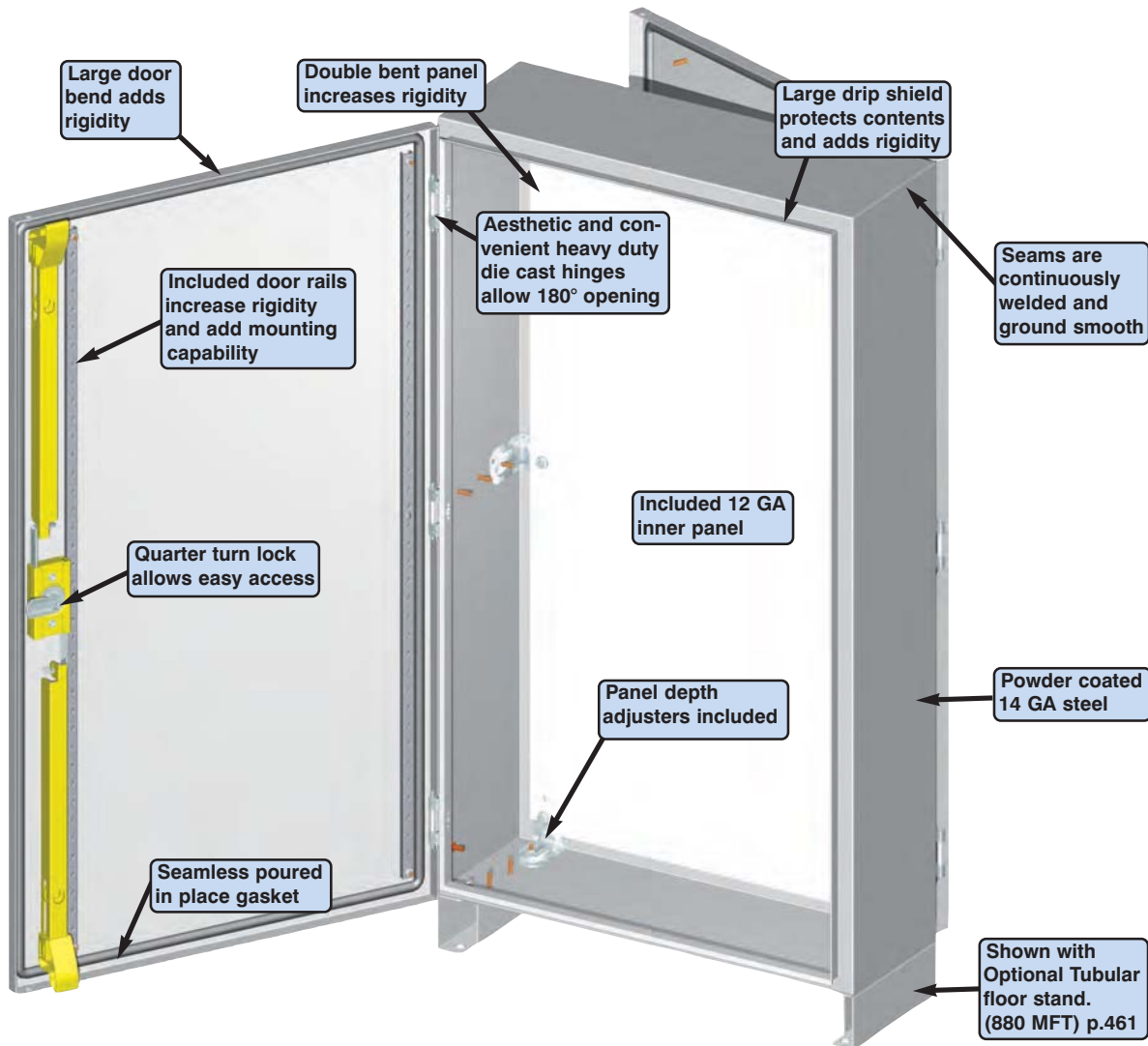
The 5412 ESDA water, oil & dust tight enclosures are used indoors or outdoors in areas where the enclosures may be subject to hosing or to water coming from any direction or for protection against dust, dirt or oil splashing. The 5412 ESDA are made from quality 14 GA steel, with corner seams continuously welded. The opening has a curled lip around all sides to prevent dripping water from entering the enclosure when the door is open, it also increases

rigidity. A high quality robotically poured-in-place seamless gasket ensures a complete and durable water tight seal. The captive pins of the concealed hinges can be pulled to remove the door. A 3 point handle latch system ensures positive closing of the front door. The rear door closes with ¼ turn locking mechanisms. Each enclosure comes **complete with a 12 GA inner panel** which is double bent\* for maximum rigidity and which mounts on

adjustable multiple depth locations. Enclosures and panels are finished with heat fused powder paint, electrostatically applied on a pretreated base. Box is ANSI/ASA 61 gray, panel is white (other colors available).

**CSA Certified / UL Listed  
NEMA/EEMAC 4-12 / IP66**

**Refer to p.727 to validate choice of substrate for the application**

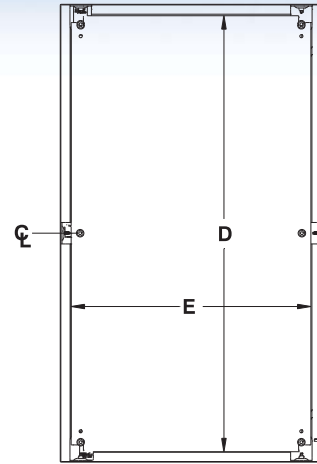
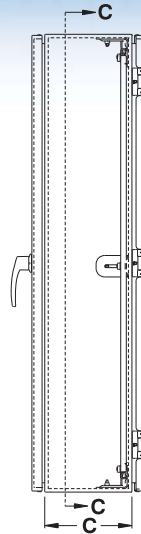
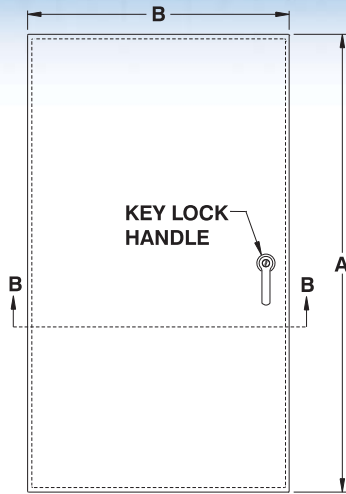


**The 5412 ESDA  
Another EXM innovation**

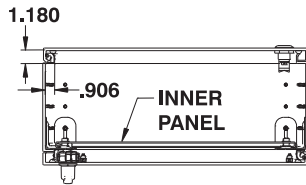
Data subject to change without notice.







SECTION C-C



SECTION B-B

CATALOG NUMBER	DIMENSIONS					SHIP WGHT LBS.
	A	B	C	D	E	
5412 ESDA422408	42	24	8	40	22	110
5412 ESDA423008	42	30	8	40	28	133
5412 ESDA423608	42	36	8	40	34	156
5412 ESDA482408	48	24	8	46	22	124
5412 ESDA483008	48	30	8	46	28	150
5412 ESDA483608	48	36	8	46	34	177
5412 ESDA603608	60	36	8	58	34	218
5412 ESDA423010	42	30	10	40	28	140
5412 ESDA423610	42	36	10	40	34	164
5412 ESDA483010	48	30	10	46	28	158
5412 ESDA483610	48	36	10	46	34	185
5412 ESDA603610	60	36	10	58	34	227
5412 ESDA422412	42	24	12	40	22	118
5412 ESDA423012	42	30	12	40	28	147
5412 ESDA423612	42	36	12	40	34	172
5412 ESDA482412	48	24	12	46	22	138
5412 ESDA483612	48	36	12	46	34	193
5412 ESDA602412	60	24	12	58	22	169
5412 ESDA603612	60	36	12	58	34	236
5412 ESDA723012	72	30	12	70	28	240
5412 ESDA723612	72	36	12	70	34	279
5412 ESDA423616	42	36	16	40	34	187
5412 ESDA483616	48	36	16	46	34	210
5412 ESDA603616	60	36	16	58	34	255
5412 ESDA723016	72	30	16	70	28	260
5412 ESDA723616	72	36	16	70	34	301
5412 ESDA483620	48	36	20	46	34	226
5412 ESDA603620	60	36	20	58	34	274
5412 ESDA723020	72	30	20	70	28	280
5412 ESDA723024	72	30	24	70	28	300



Data subject to change without notice.



p.489

p.476

p.461

p.461

p.449

<http://www.exmweb.com>

1-800-363-2423

Fax : 450-979-4626



info@exmweb.com

## Water, oil & dust tight windowed enclosures

The 5412 ESW water, oil & dust tight enclosures are used indoors or outdoors in areas where the enclosures may be subject to hosing or to water coming from any direction or for protection against dust, dirt or oil splashing. The 5412 ESW are made from quality 14 GA or 16 GA steel, with corner seams continuously welded. The window is made with self-extinguishing polycarbonate. The opening has a curled lip around all sides to prevent dripping water

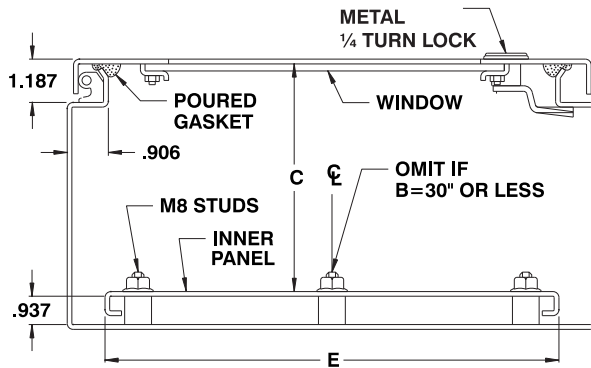
from entering the enclosure when the door is open, it also increases rigidity. A high quality robotically poured-in-place seamless gasket ensures a complete and durable water tight seal. The pins of the concealed hinges can be pulled out to remove the door.

A ¼ turn locking mechanism ensures positive closing. Internal mounting holes are provided. Each enclosure comes **complete with a 12 GA inner panel** which is double bent\* for maximum

rigidity and which mounts on M8 welded studs. Enclosures and panels are finished with heat fused powder paint, electrostatically applied on a pretreated base. Box is ANSI/ASA 61 gray, panel is white (other colors available).

**CSA Certified / UL Listed  
NEMA/EEMAC 4-12 / IP66**

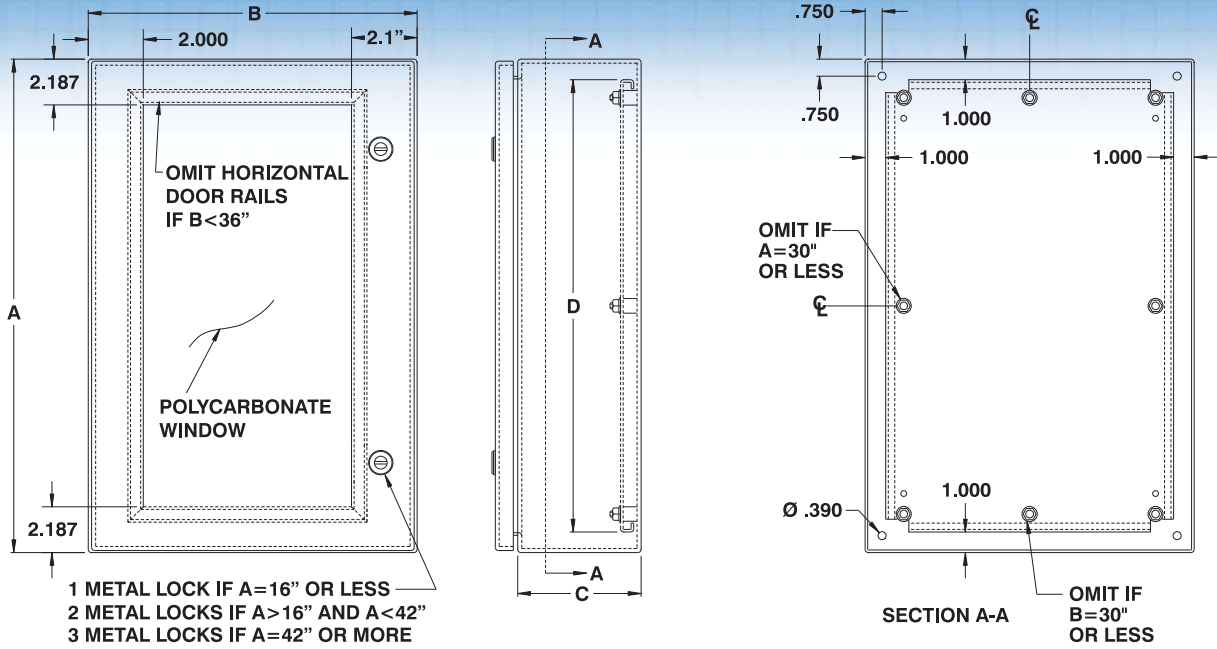
**Refer to p.727 to validate choice of substrate for the application**



CATALOG NUMBER	DIMENSIONS					SHIP WTG LBS.
	A	B	C	D	E	
5412 ESW121206	12	12	6	10	10	19
5412 ESW122406	12	24	6	10	22	35
5412 ESW161206	16	12	6	14	10	24
5412 ESW161606	16	16	6	14	14	31
5412 ESW162006	16	20	6	14	18	37
5412 ESW201206	20	12	6	18	10	29
5412 ESW201606	20	16	6	18	14	37
5412 ESW202006	20	20	6	18	18	45
5412 ESW202406	20	24	6	18	22	53
5412 ESW241206	24	12	6	22	10	35
5412 ESW241606	24	16	6	22	14	44
5412 ESW242006	24	20	6	22	18	53
5412 ESW242406	24	24	6	22	22	62
5412 ESW301606	30	16	6	28	14	53
5412 ESW302006	30	20	6	28	18	65
5412 ESW302406	30	24	6	28	22	76
5412 ESW362406	36	24	6	34	22	90
5412 ESW363006	36	30	6	34	28	109
5412 ESW122408	12	24	8	10	22	38
5412 ESW161208	16	12	8	14	10	27
5412 ESW161608	16	16	8	14	14	34
5412 ESW162008	16	20	8	14	18	41
5412 ESW201208	20	12	8	18	10	33
5412 ESW201608	20	16	8	18	14	41
5412 ESW202008	20	20	8	18	18	49
5412 ESW202408	20	24	8	18	22	57
5412 ESW241208	24	12	8	22	10	38
5412 ESW241608	24	16	8	22	14	48
5412 ESW242008	24	20	8	22	18	57
5412 ESW242408	24	24	8	22	22	67
5412 ESW243008	24	30	8	22	28	81
5412 ESW301208	30	12	8	28	10	46
5412 ESW301608	30	16	8	28	14	58
5412 ESW302008	30	20	8	28	18	70
5412 ESW302408	30	24	8	28	22	81
5412 ESW303008	30	30	8	28	28	98
5412 ESW303608	30	36	8	28	34	116
5412 ESW362408	36	24	8	34	22	95
5412 ESW363008	36	30	8	34	28	116
5412 ESW363608	36	36	8	34	34	136
5412 ESW422408	42	24	8	40	22	110
5412 ESW423008	42	30	8	40	28	133

Data subject to change without notice.





CATALOG NUMBER	DIMENSIONS					SHIP WGHT LBS.
	A	B	C	D	E	
5412 ESW423608	42	36	8	40	34	156
5412 ESW482408	48	24	8	46	22	124
5412 ESW483008	48	30	8	46	28	150
5412 ESW483608	48	36	8	46	34	177
5412 ESW603608	60	36	8	58	34	218
5412 ESW161210	16	12	10	14	10	30
5412 ESW201610	20	16	10	18	14	44
5412 ESW202010	20	20	10	18	18	53
5412 ESW241210	24	12	10	22	10	42
5412 ESW242010	24	20	10	22	18	62
5412 ESW242410	24	24	10	22	22	71
5412 ESW302010	30	20	10	28	18	74
5412 ESW302410	30	24	10	28	22	86
5412 ESW362410	36	24	10	34	22	101
5412 ESW363010	36	30	10	34	28	122
5412 ESW423010	42	30	10	40	28	140
5412 ESW423610	42	36	10	40	34	164
5412 ESW483010	48	30	10	46	28	158
5412 ESW483610	48	36	10	46	34	185
5412 ESW603610	60	36	10	58	34	227
5412 ESW201612	20	16	12	18	14	48
5412 ESW202012	20	20	12	18	18	57
5412 ESW202412	20	24	12	18	22	66
5412 ESW242012	24	20	12	22	18	66
5412 ESW242412	24	24	12	22	22	76
5412 ESW302412	30	24	12	28	22	92
5412 ESW303012	30	30	12	28	28	110
5412 ESW362412	36	24	12	34	22	107

CATALOG NUMBER	DIMENSIONS					SHIP WGHT LBS.
	A	B	C	D	E	
5412 ESW363012	36	30	12	34	28	129
5412 ESW363612	36	36	12	34	34	150
5412 ESW422412	42	24	12	40	22	118
5412 ESW423012	42	30	12	40	28	147
5412 ESW423612	42	36	12	40	34	172
5412 ESW482412	48	24	12	46	22	138
5412 ESW483612	48	36	12	46	34	193
5412 ESW602412	60	24	12	58	22	169
5412 ESW603612	60	36	12	58	34	236
5412 ESW723012	72	30	12	70	28	240
5412 ESW723612	72	36	12	70	34	279
5412 ESW242016	24	20	16	22	18	74
5412 ESW242416	24	24	16	22	22	86
5412 ESW302416	30	24	16	28	22	102
5412 ESW362416	36	24	16	34	22	119
5412 ESW363016	36	30	16	34	28	142
5412 ESW423616	42	36	16	40	34	187
5412 ESW483616	48	36	16	46	34	210
5412 ESW603616	60	36	16	58	14	255
5412 ESW723016	72	30	16	70	28	260
5412 ESW723616	72	36	16	70	34	301
5412 ESW302420	30	24	20	28	22	113
5412 ESW363020	36	30	20	34	28	155
5412 ESW483620	48	36	20	46	34	226
5412 ESW603620	60	36	20	58	34	274
5412 ESW723020	72	30	20	70	28	280
5412 ESW302424	30	24	24	28	22	123
5412 ESW723024	72	30	24	70	28	300

\* Only panels with sides 20" or more are double bent.

**Insulated box?** To have your enclosure insulated, add suffix "TH"

i.e.: 5412ESW362412TH → Insulated steel enclosure

Customize with



Data subject to change without notice.

## Oil & dust tight flush mount enclosures

The 5412 ESFM water, oil & dust tight enclosures are used indoors or outdoors in areas where the enclosures may be subject to hosing or to water coming from any direction or for protection against dust, dirt or oil splashing. The 5412 ESFM are made from quality 14 GA or 16 GA steel, with corner seams continuously welded. The opening has a curled lip around all sides to prevent dripping water from entering the enclosure when the door is open, it also increases rigidity. A

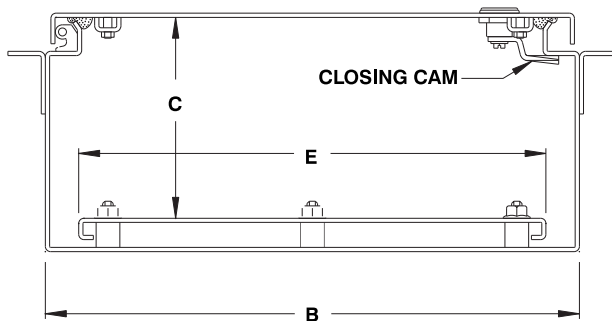
high quality robotically poured-in-place seamless gasket ensures a complete and durable water tight seal. The pins of the concealed hinges can be pulled out to remove the door. A ¼ turn locking mechanism (or 3 point latch system on greater enclosures) ensures positive closing.

External mounting holes are pierced on a 12 GA lip all around the box. Each enclosure comes **complete with a 12 GA inner panel** which is double bent\* for

maximum rigidity and which mounts on M8 welded studs. Enclosures and panels are finished with heat fused powder paint, electrostatically applied on a pretreated base. Box is ANSI/ASA 61 gray, panel is white (other colors available).

**CSA Certified / UL Listed  
NEMA/EEMAC 4-12 / IP66**

**Refer to p.727 to validate choice of substrate for the application**

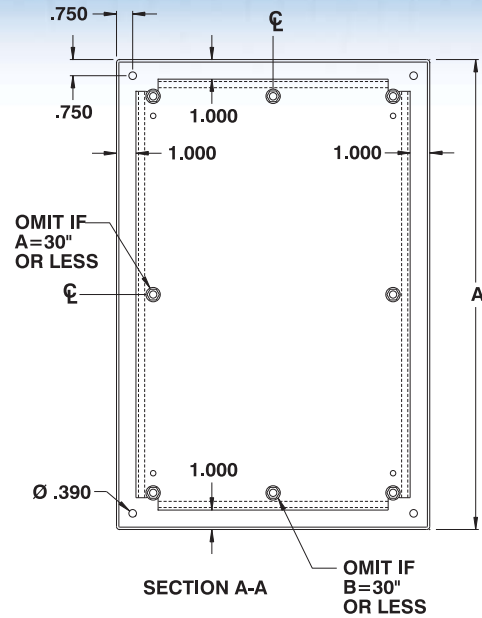
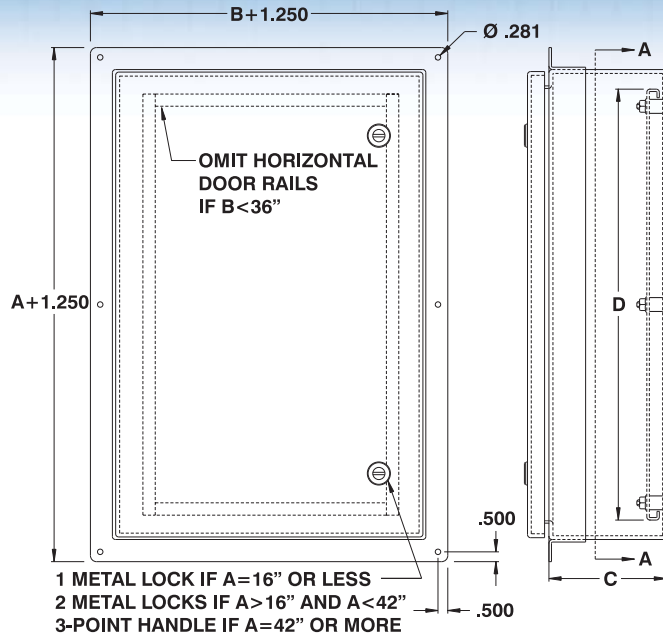


CATALOG NUMBER	DIMENSIONS					SHIP WGHT LBS.
	A	B	C	D	E	
5412 ESFM121206	12	12	6	10	10	19
5412 ESFM122406	12	24	6	10	22	35
5412 ESFM161206	16	12	6	14	10	24
5412 ESFM161606	16	16	6	14	14	31
5412 ESFM162006	16	20	6	14	18	37
5412 ESFM201206	20	12	6	18	10	29
5412 ESFM201606	20	16	6	18	14	37
5412 ESFM202006	20	20	6	18	18	45
5412 ESFM202406	20	24	6	18	22	53
5412 ESFM241206	24	12	6	22	10	35
5412 ESFM241606	24	16	6	22	14	44
5412 ESFM242006	24	20	6	22	18	53
5412 ESFM242406	24	24	6	22	22	62
5412 ESFM301606	30	16	6	28	14	53
5412 ESFM302006	30	20	6	28	18	65
5412 ESFM302406	30	24	6	28	22	76
5412 ESFM362406	36	24	6	34	22	90
5412 ESFM363006	36	30	6	34	28	109
5412 ESFM122408	12	24	8	10	22	38
5412 ESFM161208	16	12	8	14	10	27
5412 ESFM161608	16	16	8	14	14	34
5412 ESFM162008	16	20	8	14	18	41
5412 ESFM201208	20	12	8	18	10	33
5412 ESFM201608	20	16	8	18	14	41
5412 ESFM202008	20	20	8	18	18	49
5412 ESFM202408	20	24	8	18	22	57
5412 ESFM241208	24	12	8	22	10	38
5412 ESFM241608	24	16	8	22	14	48
5412 ESFM242008	24	20	8	22	18	57
5412 ESFM242408	24	24	8	22	22	67
5412 ESFM243008	24	30	8	22	28	81
5412 ESFM301208	30	12	8	28	10	46
5412 ESFM301608	30	16	8	28	14	58
5412 ESFM302008	30	20	8	28	18	70
5412 ESFM302408	30	24	8	28	22	81
5412 ESFM303008	30	30	8	28	28	98
5412 ESFM303608	30	36	8	28	34	116
5412 ESFM362408	36	24	8	34	22	95
5412 ESFM363008	36	30	8	34	28	116
5412 ESFM363608	36	36	8	34	34	136
5412 ESFM422408	42	24	8	40	22	110
5412 ESFM423008	42	30	8	40	28	133

Data subject to change without notice.







CATALOG NUMBER	DIMENSIONS					SHIP WGHT LBS.
	A	B	C	D	E	
5412 ESFM423608	42	36	8	40	34	156
5412 ESFM482408	48	24	8	46	22	124
5412 ESFM483008	48	30	8	46	28	150
5412 ESFM483608	48	36	8	46	34	177
5412 ESFM603608	60	36	8	58	34	218
5412 ESFM161210	16	12	10	14	10	30
5412 ESFM201610	20	16	10	18	14	44
5412 ESFM202010	20	20	10	18	18	53
5412 ESFM241210	24	12	10	22	10	42
5412 ESFM242010	24	20	10	22	18	62
5412 ESFM242410	24	24	10	22	22	71
5412 ESFM302010	30	20	10	28	18	74
5412 ESFM302410	30	24	10	28	22	86
5412 ESFM362410	36	24	10	34	22	101
5412 ESFM363010	36	30	10	34	28	122
5412 ESFM423010	42	30	10	40	28	140
5412 ESFM423610	42	36	10	40	34	164
5412 ESFM483010	48	30	10	46	28	158
5412 ESFM483610	48	36	10	46	34	185
5412 ESFM603610	60	36	10	58	34	227
5412 ESFM201612	20	16	12	18	14	48
5412 ESFM202012	20	20	12	18	18	57
5412 ESFM202412	20	24	12	18	22	66
5412 ESFM242012	24	20	12	22	18	66
5412 ESFM242412	24	24	12	22	22	76
5412 ESFM302412	30	24	12	28	22	92
5412 ESFM303012	30	30	12	28	28	110
5412 ESFM362412	36	24	12	34	22	107

CATALOG NUMBER	DIMENSIONS					SHIP WGHT LBS.
	A	B	C	D	E	
5412 ESFM363012	36	30	12	34	28	129
5412 ESFM363612	36	36	12	34	34	150
5412 ESFM422412	42	24	12	40	22	118
5412 ESFM423012	42	30	12	40	28	147
5412 ESFM423612	42	36	12	40	34	172
5412 ESFM482412	48	24	12	46	22	138
5412 ESFM483612	48	36	12	46	34	193
5412 ESFM602412	60	24	12	58	22	169
5412 ESFM603612	60	36	12	58	34	236
5412 ESFM723012	72	30	12	70	28	240
5412 ESFM723612	72	36	12	70	34	279
5412 ESFM242016	24	20	16	22	18	74
5412 ESFM242416	24	24	16	22	22	86
5412 ESFM302416	30	24	16	28	22	102
5412 ESFM362416	36	24	16	34	22	119
5412 ESFM363016	36	30	16	34	28	142
5412 ESFM423616	42	36	16	40	34	187
5412 ESFM483616	48	36	16	46	34	210
5412 ESFM603616	60	36	16	58	14	255
5412 ESFM723016	72	30	16	70	28	260
5412 ESFM723616	72	36	16	70	34	301
5412 ESFM302420	30	24	20	28	22	113
5412 ESFM363020	36	30	20	34	28	155
5412 ESFM483620	48	36	20	46	34	226
5412 ESFM603620	60	36	20	58	34	274
5412 ESFM723020	72	30	20	70	28	280
5412 ESFM302424	30	24	24	28	22	123
5412 ESFM723024	72	30	24	70	28	300

\* Only panels with sides 20" or more are double bent.

**Insulated box?** To have your enclosure insulated, add suffix "TH"

i.e.: 5412ESFM362412TH → Insulated steel enclosure

Data subject to change without notice.

Customize with



## Water, oil & dust tight buttable enclosures

The 5412 ESBU water, oil & dust tight enclosures are used indoors or outdoors in areas where the enclosures may be subject to hosing or to water coming from any direction or for protection against dust, dirt or oil splashing. The 5412 ESBU are made from quality 14 GA or 16 GA steel, with corner seams continuously welded. The opening has a curled lip around all sides to prevent dripping water from entering the enclosure when the door is open,

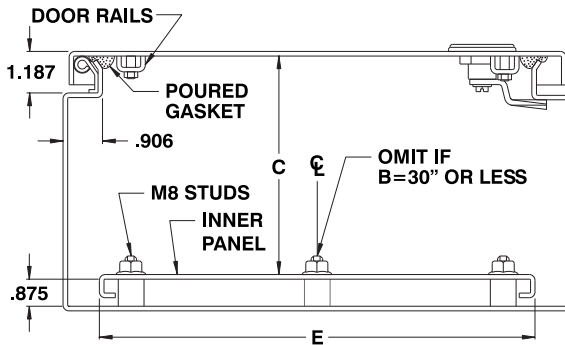
it also increases rigidity. A high quality robotically poured-in-place seamless gasket ensures a complete and durable water tight seal. **The hinges are arranged to allow the installation of rows of enclosures, side by side.**

A ¼ turn locking mechanism (or 3 point latch system on larger enclosures) ensures positive closing. Internal mounting holes are provided. Each enclosure comes **complete with a 12 GA inner panel** which is double

bent\* for maximum rigidity and which mounts on M8 welded studs. Enclosures and panels are finished with heat fused powder paint, electrostatically applied on a pretreated base. Box is ANSI/ASA 61 gray, panel is white (other colors available).

**CSA Certified / UL Listed  
NEMA/EEMAC 4-12 / IP66**

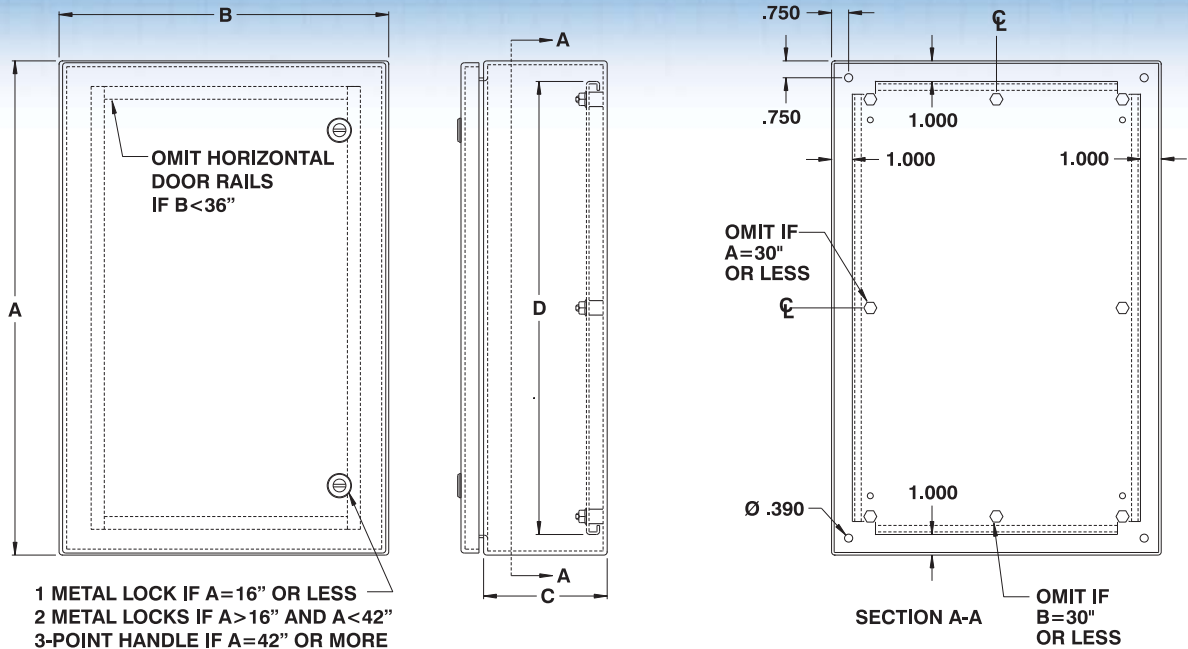
**Refer to p.727 to validate choice of substrate for the application**



CATALOG NUMBER	DIMENSIONS					SHIP WTGT LBS.
	A	B	C	D	E	
5412 ESBU121206	12	12	6	10	10	19
5412 ESBU122406	12	24	6	10	22	35
5412 ESBU161206	16	12	6	14	10	24
5412 ESBU161606	16	16	6	14	14	31
5412 ESBU162006	16	20	6	14	18	37
5412 ESBU201206	20	12	6	18	10	29
5412 ESBU201606	20	16	6	18	14	37
5412 ESBU202006	20	20	6	18	18	45
5412 ESBU202406	20	24	6	18	22	53
5412 ESBU241206	24	12	6	22	10	35
5412 ESBU241606	24	16	6	22	14	44
5412 ESBU242006	24	20	6	22	18	53
5412 ESBU242406	24	24	6	22	22	62
5412 ESBU301606	30	16	6	28	14	53
5412 ESBU302006	30	20	6	28	18	65
5412 ESBU302406	30	24	6	28	22	76
5412 ESBU362406	36	24	6	34	22	90
5412 ESBU363006	36	30	6	34	28	109
5412 ESBU122408	12	24	8	10	22	38
5412 ESBU161208	16	12	8	14	10	27
5412 ESBU161608	16	16	8	14	14	34
5412 ESBU162008	16	20	8	14	18	41
5412 ESBU201208	20	12	8	18	10	33
5412 ESBU201608	20	16	8	18	14	41
5412 ESBU202008	20	20	8	18	18	49
5412 ESBU202408	20	24	8	18	22	57
5412 ESBU241208	24	12	8	22	10	38
5412 ESBU241608	24	16	8	22	14	48
5412 ESBU242008	24	20	8	22	18	57
5412 ESBU242408	24	24	8	22	22	67
5412 ESBU243008	24	30	8	22	28	81
5412 ESBU301208	30	12	8	28	10	46
5412 ESBU301608	30	16	8	28	14	58
5412 ESBU302008	30	20	8	28	18	70
5412 ESBU302408	30	24	8	28	22	81
5412 ESBU303008	30	30	8	28	28	98
5412 ESBU303608	30	36	8	28	34	116
5412 ESBU362408	36	24	8	34	22	95
5412 ESBU363008	36	30	8	34	28	116
5412 ESBU363608	36	36	8	34	34	136
5412 ESBU422408	42	24	8	40	22	110
5412 ESBU423008	42	30	8	40	28	133

Data subject to change without notice.





CATALOG NUMBER	DIMENSIONS					SHIP WGHT LBS.
	A	B	C	D	E	
5412 ESBU423608	42	36	8	40	34	156
5412 ESBU482408	48	24	8	46	22	124
5412 ESBU483008	48	30	8	46	28	150
5412 ESBU483608	48	36	8	46	34	177
5412 ESBU603608	60	36	8	58	34	218
5412 ESBU161210	16	12	10	14	10	30
5412 ESBU201610	20	16	10	18	14	44
5412 ESBU202010	20	20	10	18	18	53
5412 ESBU241210	24	12	10	22	10	42
5412 ESBU242010	24	20	10	22	18	62
5412 ESBU242410	24	24	10	22	22	71
5412 ESBU302010	30	20	10	28	18	74
5412 ESBU302410	30	24	10	28	22	86
5412 ESBU362410	36	24	10	34	22	101
5412 ESBU363010	36	30	10	34	28	122
5412 ESBU423010	42	30	10	40	28	140
5412 ESBU423610	42	36	10	40	34	164
5412 ESBU483010	48	30	10	46	28	158
5412 ESBU483610	48	36	10	46	34	185
5412 ESBU603610	60	36	10	58	34	227
5412 ESBU201612	20	16	12	18	14	48
5412 ESBU202012	20	20	12	18	18	57
5412 ESBU202412	20	24	12	18	22	66
5412 ESBU242012	24	20	12	22	18	66
5412 ESBU242412	24	24	12	22	22	76
5412 ESBU302412	30	24	12	28	22	92
5412 ESBU303012	30	30	12	28	28	110
5412 ESBU362412	36	24	12	34	22	107

CATALOG NUMBER	DIMENSIONS					SHIP WGHT LBS.
	A	B	C	D	E	
5412 ESBU363012	36	30	12	34	28	129
5412 ESBU363612	36	36	12	34	34	150
5412 ESBU422412	42	24	12	40	22	118
5412 ESBU423012	42	30	12	40	28	147
5412 ESBU423612	42	36	12	40	34	172
5412 ESBU482412	48	24	12	46	22	138
5412 ESBU483612	48	36	12	46	34	193
5412 ESBU602412	60	24	12	58	22	169
5412 ESBU603612	60	36	12	58	34	236
5412 ESBU723012	72	30	12	70	28	240
5412 ESBU723612	72	36	12	70	34	279
5412 ESBU242016	24	20	16	22	18	74
5412 ESBU242416	24	24	16	22	22	86
5412 ESBU302416	30	24	16	28	22	102
5412 ESBU362416	36	24	16	34	22	119
5412 ESBU363016	36	30	16	34	28	142
5412 ESBU423616	42	36	16	40	34	187
5412 ESBU483616	48	36	16	46	34	210
5412 ESBU603616	60	36	16	58	14	255
5412 ESBU723016	72	30	16	70	28	260
5412 ESBU723616	72	36	16	70	34	301
5412 ESBU302420	30	24	20	28	22	113
5412 ESBU363020	36	30	20	34	28	155
5412 ESBU483620	48	36	20	46	34	226
5412 ESBU603620	60	36	20	58	34	274
5412 ESBU723020	72	30	20	70	28	280
5412 ESBU302424	30	24	24	28	22	123
5412 ESBU723024	72	30	24	70	28	300

\* Only panels with sides 20" or more are double bent.

**Insulated box?** To have your enclosure insulated, add suffix "TH"

i.e.: 5412ESBU362412TH → Insulated steel enclosure

Data subject to change without notice.

Customize with



## Water, oil & dust tight insulated enclosures

The 5412 ESTH insulated enclosures are used indoors or outdoors in areas where the enclosures may be subject to hosing or to water coming from any direction or for protection against dust, dirt or oil splashing. The 5412 ESTH are made from quality 14 GA or 16 GA steel, with corner seams continuously welded. **One layer of 0.75" foil faced R5 insulation, is installed over the inner surface of the enclosure body and door.**

The opening has a curled lip

around all sides to prevent dripping water from entering the enclosure when the door is open, it also increases rigidity. A high quality robotically poured-in-place seamless gasket ensures a complete and durable water tight seal. The pins of the concealed hinges can be pulled out to remove the door. A ¼ turn locking mechanism ensures positive closing. External mounting feet are provided.

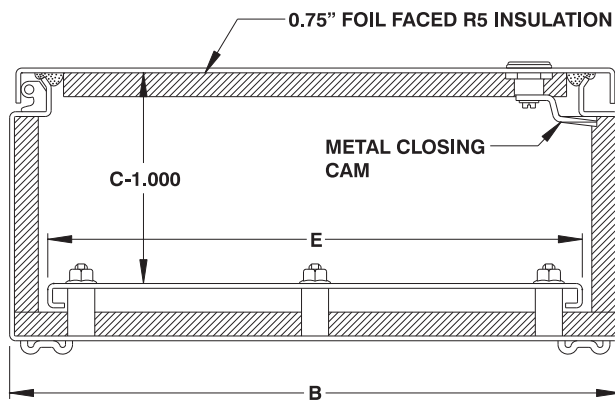
Each enclosure comes **complete with a 12 GA inner panel** which is

double bent\* for maximum rigidity and which mounts on M8 welded studs.

Enclosures and panels are finished with heat fused powder paint, electrostatically applied on a pretreated base. Box is ANSI/ASA 61 gray, panel is white.

**CSA Certified / UL Listed  
NEMA/EEMAC 4-12 / IP66**

**Refer to p.727 to validate choice of substrate for the application**

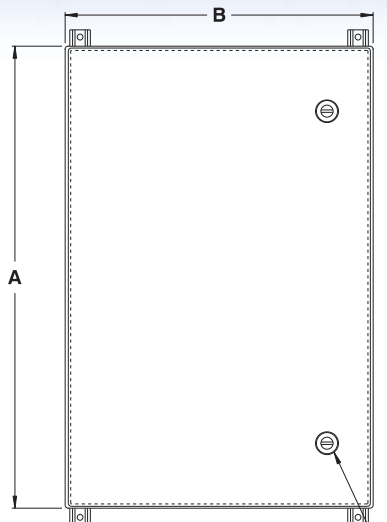


CATALOG NUMBER	DIMENSIONS					SHIP WTGT LBS.
	A	B	C	D	E	
5412 ESTH121206	12	12	6	10	10	19
5412 ESTH122406	12	24	6	10	22	35
5412 ESTH161206	16	12	6	14	10	24
5412 ESTH161606	16	16	6	14	14	31
5412 ESTH162006	16	20	6	14	18	37
5412 ESTH201206	20	12	6	18	10	29
5412 ESTH201606	20	16	6	18	14	37
5412 ESTH202006	20	20	6	18	18	45
5412 ESTH202406	20	24	6	18	22	53
5412 ESTH241206	24	12	6	22	10	35
5412 ESTH241606	24	16	6	22	14	44
5412 ESTH242006	24	20	6	22	18	53
5412 ESTH242406	24	24	6	22	22	62
5412 ESTH301606	30	16	6	28	14	53
5412 ESTH302006	30	20	6	28	18	65
5412 ESTH302406	30	24	6	28	22	76
5412 ESTH362406	36	24	6	34	22	90
5412 ESTH363006	36	30	6	34	28	109
5412 ESTH122408	12	24	8	10	22	38
5412 ESTH161208	16	12	8	14	10	27
5412 ESTH161608	16	16	8	14	14	34
5412 ESTH162008	16	20	8	14	18	41
5412 ESTH201208	20	12	8	18	10	33
5412 ESTH201608	20	16	8	18	14	41
5412 ESTH202008	20	20	8	18	18	49
5412 ESTH202408	20	24	8	18	22	57
5412 ESTH241208	24	12	8	22	10	38
5412 ESTH241608	24	16	8	22	14	48
5412 ESTH242008	24	20	8	22	18	57
5412 ESTH242408	24	24	8	22	22	67
5412 ESTH243008	24	30	8	22	28	81
5412 ESTH301208	30	12	8	28	10	46
5412 ESTH301608	30	16	8	28	14	58
5412 ESTH302008	30	20	8	28	18	70
5412 ESTH302408	30	24	8	28	22	81
5412 ESTH303008	30	30	8	28	28	98
5412 ESTH303608	30	36	8	28	34	116
5412 ESTH362408	36	24	8	34	22	95
5412 ESTH363008	36	30	8	34	28	116
5412 ESTH363608	36	36	8	34	34	136
5412 ESTH422408	42	24	8	40	22	110
5412 ESTH423008	42	30	8	40	28	133

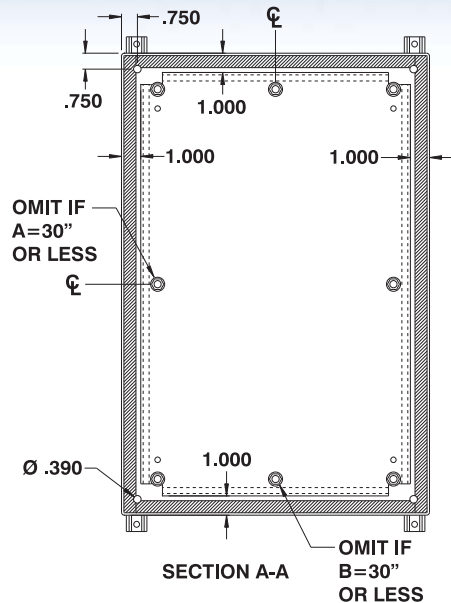
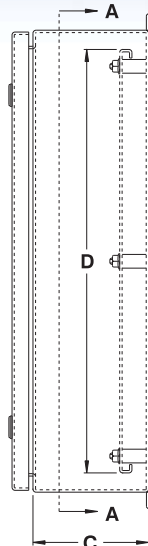
Data subject to change without notice.







1 METAL LOCK IF A=16" OR LESS  
 2 METAL LOCKS IF A>16" AND A<42"  
 3 METAL LOCKS IF A=42" OR MORE



CATALOG NUMBER	DIMENSIONS					SHIP WGHT LBS.
	A	B	C	D	E	
5412 ESTH423608	42	36	8	40	34	156
5412 ESTH482408	48	24	8	46	22	124
5412 ESTH483008	48	30	8	46	28	150
5412 ESTH483608	48	36	8	46	34	177
5412 ESTH603608	60	36	8	58	34	218
5412 ESTH161210	16	12	10	14	10	30
5412 ESTH201610	20	16	10	18	14	44
5412 ESTH202010	20	20	10	18	18	53
5412 ESTH241210	24	12	10	22	10	42
5412 ESTH242010	24	20	10	22	18	62
5412 ESTH242410	24	24	10	22	22	71
5412 ESTH302010	30	20	10	28	18	74
5412 ESTH302410	30	24	10	28	22	86
5412 ESTH362410	36	24	10	34	22	101
5412 ESTH363010	36	30	10	34	28	122
5412 ESTH423010	42	30	10	40	28	140
5412 ESTH423610	42	36	10	40	34	164
5412 ESTH483010	48	30	10	46	28	158
5412 ESTH483610	48	36	10	46	34	185
5412 ESTH603610	60	36	10	58	34	227
5412 ESTH201612	20	16	12	18	14	48
5412 ESTH202012	20	20	12	18	18	57
5412 ESTH202412	20	24	12	18	22	66
5412 ESTH242012	24	20	12	22	18	66
5412 ESTH242412	24	24	12	22	22	76
5412 ESTH302412	30	24	12	28	22	92
5412 ESTH303012	30	30	12	28	28	110
5412 ESTH362412	36	24	12	34	22	107

CATALOG NUMBER	DIMENSIONS					SHIP WGHT LBS.
	A	B	C	D	E	
5412 ESTH363012	36	30	12	34	28	129
5412 ESTH363612	36	36	12	34	34	150
5412 ESTH422412	42	24	12	40	22	118
5412 ESTH423012	42	30	12	40	28	147
5412 ESTH423612	42	36	12	40	34	172
5412 ESTH482412	48	24	12	46	22	138
5412 ESTH483612	48	36	12	46	34	193
5412 ESTH602412	60	24	12	58	22	169
5412 ESTH603612	60	36	12	58	34	236
5412 ESTH723012	72	30	12	70	28	240
5412 ESTH723612	72	36	12	70	34	279
5412 ESTH242016	24	20	16	22	18	74
5412 ESTH242416	24	24	16	22	22	86
5412 ESTH302416	30	24	16	28	22	102
5412 ESTH362416	36	24	16	34	22	119
5412 ESTH363016	36	30	16	34	28	142
5412 ESTH423616	42	36	16	40	34	187
5412 ESTH483616	48	36	16	46	34	210
5412 ESTH603616	60	36	16	58	14	255
5412 ESTH723016	72	30	16	70	28	260
5412 ESTH723616	72	36	16	70	34	301
5412 ESTH302420	30	24	20	28	22	113
5412 ESTH363020	36	30	20	34	28	155
5412 ESTH483620	48	36	20	46	34	226
5412 ESTH603620	60	36	20	58	34	274
5412 ESTH723020	72	30	20	70	28	280
5412 ESTH302424	30	24	24	28	22	123
5412 ESTH723024	72	30	24	70	28	300

\* Only panels with sides 20" or more are double bent.

Customize with



Data subject to change without notice.

## Water, oil & dust tight pressurization enclosures

The 5412 ESPR pressurization enclosures are in conjunction with a purging/pressurization system in hazardous locations as an alternative to NEMA 7 and 9 enclosures. They provide protection against dust, oil and jets of water coming from any direction. The 5412 ESPR are made from quality 14 GA or 16 GA steel, with corner seams continuously welded. The opening has a curled lip around all sides to prevent dripping water from entering the

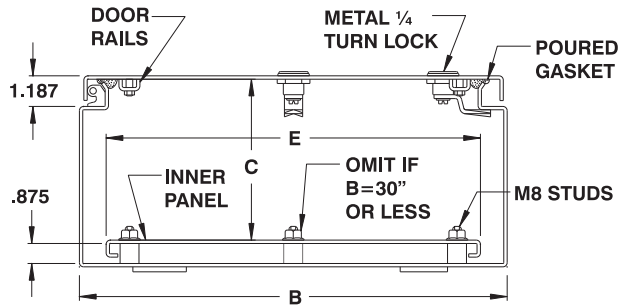
enclosure when the door is open, it also increases rigidity. A high quality robotically poured-in-place seamless gasket ensures a complete and durable water tight seal.

Special hinges, designed especially for use in pressurization enclosures, provide optimal protection. The door is secured by a series of quarter-turn locks. External mounting tabs are welded onto the back of the cabinet. Each enclosure comes **complete**

with a 12 GA inner panel which is double bent\* for maximum rigidity which mounts on M8 welded studs. Enclosures and panels are finished with heat fused powder paint, electrostatically applied on a pretreated base. Box is ANSI/ASA 61 gray, panel is white.

**CSA Certified / UL Listed  
NEMA/EEMAC 4-12 / IP66**

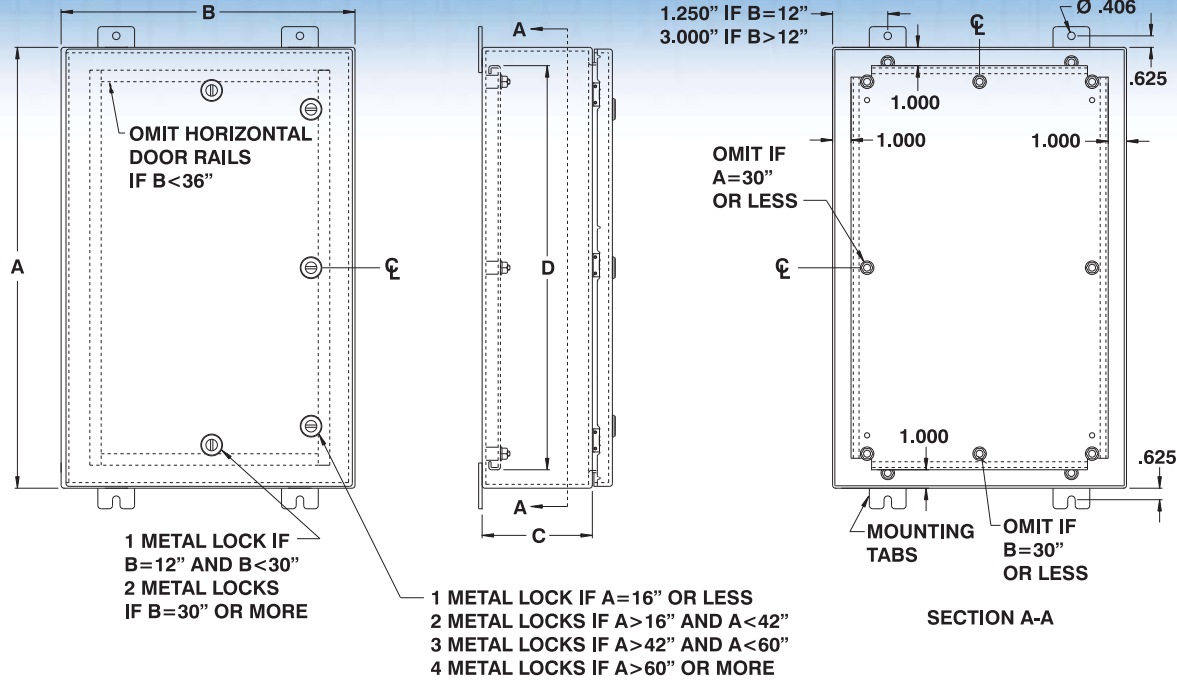
Refer to p.727 to validate choice of substrate for the application



CATALOG NUMBER	DIMENSIONS					SHIP WTGT LBS.
	A	B	C	D	E	
5412 ESPR121206	12	12	6	10	10	19
5412 ESPR122406	12	24	6	10	22	35
5412 ESPR161206	16	12	6	14	10	24
5412 ESPR161606	16	16	6	14	14	31
5412 ESPR162006	16	20	6	14	18	37
5412 ESPR201206	20	12	6	18	10	29
5412 ESPR201606	20	16	6	18	14	37
5412 ESPR202006	20	20	6	18	18	45
5412 ESPR202406	20	24	6	18	22	53
5412 ESPR241206	24	12	6	22	10	35
5412 ESPR241606	24	16	6	22	14	44
5412 ESPR242006	24	20	6	22	18	53
5412 ESPR242406	24	24	6	22	22	62
5412 ESPR301606	30	16	6	28	14	53
5412 ESPR302006	30	20	6	28	18	65
5412 ESPR302406	30	24	6	28	22	76
5412 ESPR362406	36	24	6	34	22	90
5412 ESPR363006	36	30	6	34	28	109
5412 ESPR122408	12	24	8	10	22	38
5412 ESPR161208	16	12	8	14	10	27
5412 ESPR161608	16	16	8	14	14	34
5412 ESPR162008	16	20	8	14	18	41
5412 ESPR201208	20	12	8	18	10	33
5412 ESPR201608	20	16	8	18	14	41
5412 ESPR202008	20	20	8	18	18	49
5412 ESPR202408	20	24	8	18	22	57
5412 ESPR241208	24	12	8	22	10	38
5412 ESPR241608	24	16	8	22	14	48
5412 ESPR242008	24	20	8	22	18	57
5412 ESPR242408	24	24	8	22	22	67
5412 ESPR243008	24	30	8	22	28	81
5412 ESPR301208	30	12	8	28	10	46
5412 ESPR301608	30	16	8	28	14	58
5412 ESPR302008	30	20	8	28	18	70
5412 ESPR302408	30	24	8	28	22	81
5412 ESPR303008	30	30	8	28	28	98
5412 ESPR303608	30	36	8	28	34	116
5412 ESPR362408	36	24	8	34	22	95
5412 ESPR363008	36	30	8	34	28	116
5412 ESPR363608	36	36	8	34	34	136
5412 ESPR422408	42	24	8	40	22	110
5412 ESPR423008	42	30	8	40	28	133

Data subject to change without notice.





CATALOG NUMBER	DIMENSIONS					SHIP WGT LBS.
	A	B	C	D	E	
5412 ESPR423608	42	36	8	40	34	156
5412 ESPR482408	48	24	8	46	22	124
5412 ESPR483008	48	30	8	46	28	150
5412 ESPR483608	48	36	8	46	34	177
5412 ESPR603608	60	36	8	58	34	218
5412 ESPR161210	16	12	10	14	10	30
5412 ESPR201610	20	16	10	18	14	44
5412 ESPR202010	20	20	10	18	18	53
5412 ESPR241210	24	12	10	22	10	42
5412 ESPR242010	24	20	10	22	18	62
5412 ESPR242410	24	24	10	22	22	71
5412 ESPR302010	30	20	10	28	18	74
5412 ESPR302410	30	24	10	28	22	86
5412 ESPR362410	36	24	10	34	22	101
5412 ESPR363010	36	30	10	34	28	122
5412 ESPR423010	42	30	10	40	28	140
5412 ESPR423610	42	36	10	40	34	164
5412 ESPR483010	48	30	10	46	28	158
5412 ESPR483610	48	36	10	46	34	185
5412 ESPR603610	60	36	10	58	34	227
5412 ESPR201612	20	16	12	18	14	48
5412 ESPR202012	20	20	12	18	18	57
5412 ESPR202412	20	24	12	18	22	66
5412 ESPR242012	24	20	12	22	18	66
5412 ESPR242412	24	24	12	22	22	76
5412 ESPR302412	30	24	12	28	22	92
5412 ESPR303012	30	30	12	28	28	110
5412 ESPR362412	36	24	12	34	22	107

CATALOG NUMBER	DIMENSIONS					SHIP WGT LBS.
	A	B	C	D	E	
5412 ESPR363012	36	30	12	34	28	129
5412 ESPR363612	36	36	12	34	34	150
5412 ESPR422412	42	24	12	40	22	118
5412 ESPR423012	42	30	12	40	28	147
5412 ESPR423612	42	36	12	40	34	172
5412 ESPR482412	48	24	12	46	22	138
5412 ESPR483612	48	36	12	46	34	193
5412 ESPR602412	60	24	12	58	22	169
5412 ESPR603612	60	36	12	58	34	236
5412 ESPR723012	72	30	12	70	28	240
5412 ESPR723612	72	36	12	70	34	279
5412 ESPR242016	24	20	16	22	18	74
5412 ESPR242416	24	24	16	22	22	86
5412 ESPR302416	30	24	16	28	22	102
5412 ESPR362416	36	24	16	34	22	119
5412 ESPR363016	36	30	16	34	28	142
5412 ESPR423616	42	36	16	40	34	187
5412 ESPR483616	48	36	16	46	34	210
5412 ESPR603616	60	36	16	58	14	255
5412 ESPR723016	72	30	16	70	28	260
5412 ESPR723616	72	36	16	70	34	301
5412 ESPR302420	30	24	20	28	22	113
5412 ESPR363020	36	30	20	34	28	155
5412 ESPR483620	48	36	20	46	34	226
5412 ESPR603620	60	36	20	58	34	274
5412 ESPR723020	72	30	20	70	28	280
5412 ESPR302424	30	24	24	28	22	123
5412 ESPR723024	72	30	24	70	28	300

\* Only panels with sides 20" or more are double bent.

**Insulated box?** To have your enclosure insulated, add suffix "TH"

i.e.: 5412ESPR362412TH → Insulated steel enclosure

Data subject to change without notice.

Customize with



## Water, oil & dust tight quarter turn cover enclosures

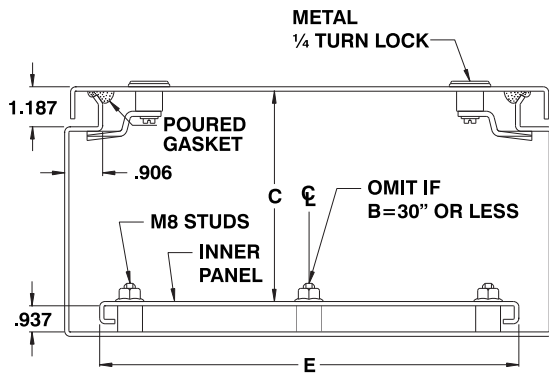
The 5412 ESQT water, oil & dust tight enclosures are used indoors or outdoors in areas where the enclosures may be subject to hosing or to water coming from any direction or for protection against dust, dirt or oil splashing. The 5412 ESQT are made from quality 14 GA or 16 GA steel, with corner seams continuously welded. The opening has a curled lip around all sides to prevent dripping water from entering the

enclosure when the cover has been removed, it also increases rigidity. A high quality robotically poured-in-place seamless gasket ensures a complete and durable water tight seal. Quarter turn locking mechanisms on all sides ensure positive closing. Internal mounting holes are provided. Each enclosure comes **complete with a 12 GA inner panel** which is double bent\* for maximum rigidity which mounts

on M8 welded studs. Enclosures and panels are finished with heat fused powder paint, electrostatically applied on a pretreated base. Box is ANSI/ASA 61 gray, panel is white (other colors available).

**CSA Certified / UL Listed  
NEMA/EEMAC 4-12 / IP66**

**Refer to p.727 to validate choice of substrate for the application**

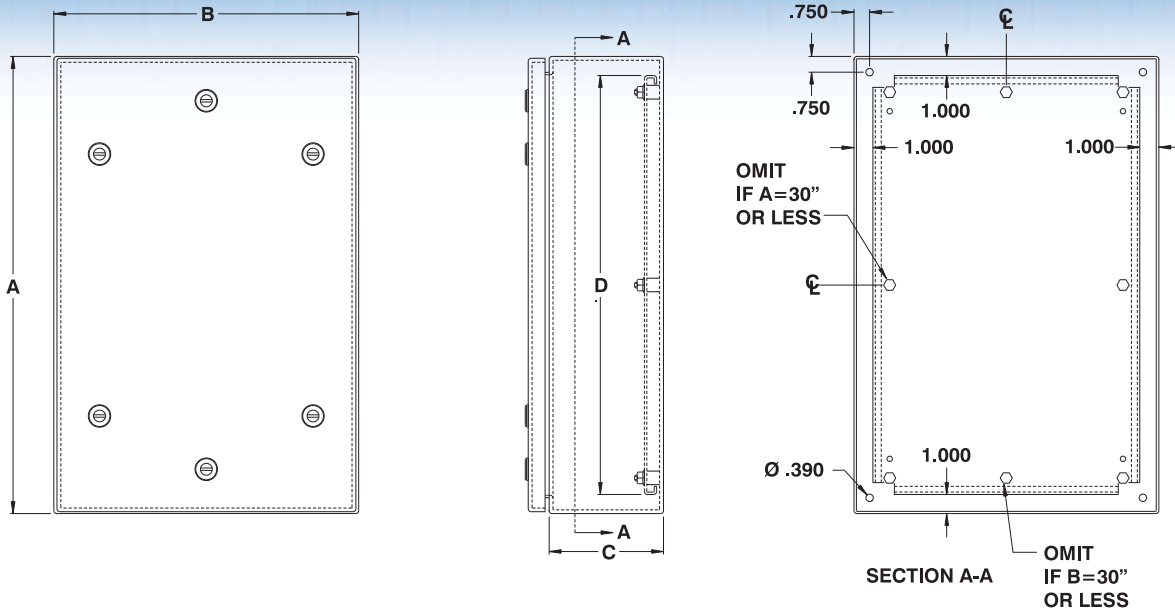


CATALOG NUMBER	DIMENSIONS					SHIP WT LBS.
	A	B	C	D	E	
5412 ESQT121206	12	12	6	10	10	19
5412 ESQT122406	12	24	6	10	22	35
5412 ESQT161206	16	12	6	14	10	24
5412 ESQT161606	16	16	6	14	14	31
5412 ESQT162006	16	20	6	14	18	37
5412 ESQT201206	20	12	6	18	10	29
5412 ESQT201606	20	16	6	18	14	37
5412 ESQT202006	20	20	6	18	18	45
5412 ESQT202406	20	24	6	18	22	53
5412 ESQT241206	24	12	6	22	10	35
5412 ESQT241606	24	16	6	22	14	44
5412 ESQT242006	24	20	6	22	18	53
5412 ESQT242406	24	24	6	22	22	62
5412 ESQT301606	30	16	6	28	14	53
5412 ESQT302006	30	20	6	28	18	65
5412 ESQT302406	30	24	6	28	22	76
5412 ESQT362406	36	24	6	34	22	90
5412 ESQT363006	36	30	6	34	28	109
5412 ESQT122408	12	24	8	10	22	38
5412 ESQT161208	16	12	8	14	10	27
5412 ESQT161608	16	16	8	14	14	34
5412 ESQT162008	16	20	8	14	18	41
5412 ESQT201208	20	12	8	18	10	33
5412 ESQT201608	20	16	8	18	14	41
5412 ESQT202008	20	20	8	18	18	49
5412 ESQT202408	20	24	8	18	22	57
5412 ESQT241208	24	12	8	22	10	38
5412 ESQT241608	24	16	8	22	14	48
5412 ESQT242008	24	20	8	22	18	57
5412 ESQT242408	24	24	8	22	22	67
5412 ESQT243008	24	30	8	22	28	81
5412 ESQT301208	30	12	8	28	10	46
5412 ESQT301608	30	16	8	28	14	58
5412 ESQT302008	30	20	8	28	18	70
5412 ESQT302408	30	24	8	28	22	81
5412 ESQT303008	30	30	8	28	28	98
5412 ESQT303608	30	36	8	28	34	116
5412 ESQT362408	36	24	8	34	22	95
5412 ESQT363008	36	30	8	34	28	116
5412 ESQT363608	36	36	8	34	34	136
5412 ESQT422408	42	24	8	40	22	110
5412 ESQT423008	42	30	8	40	28	133

Data subject to change without notice.







CATALOG NUMBER	DIMENSIONS					SHIP WGT LBS.
	A	B	C	D	E	
5412 ESQT423608	42	36	8	40	34	156
5412 ESQT482408	48	24	8	46	22	124
5412 ESQT483008	48	30	8	46	28	150
5412 ESQT483608	48	36	8	46	34	177
5412 ESQT603608	60	36	8	58	34	218
5412 ESQT161210	16	12	10	14	10	30
5412 ESQT201610	20	16	10	18	14	44
5412 ESQT202010	20	20	10	18	18	53
5412 ESQT241210	24	12	10	22	10	42
5412 ESQT242010	24	20	10	22	18	62
5412 ESQT242410	24	24	10	22	22	71
5412 ESQT302010	30	20	10	28	18	74
5412 ESQT302410	30	24	10	28	22	86
5412 ESQT362410	36	24	10	34	22	101
5412 ESQT363010	36	30	10	34	28	122
5412 ESQT423010	42	30	10	40	28	140
5412 ESQT423610	42	36	10	40	34	164
5412 ESQT483010	48	30	10	46	28	158
5412 ESQT483610	48	36	10	46	34	185
5412 ESQT603610	60	36	10	58	34	227
5412 ESQT201612	20	16	12	18	14	48
5412 ESQT202012	20	20	12	18	18	57
5412 ESQT202412	20	24	12	18	22	66
5412 ESQT242012	24	20	12	22	18	66
5412 ESQT242412	24	24	12	22	22	76
5412 ESQT302412	30	24	12	28	22	92
5412 ESQT303012	30	30	12	28	28	110
5412 ESQT362412	36	24	12	34	22	107

CATALOG NUMBER	DIMENSIONS					SHIP WGT LBS.
	A	B	C	D	E	
5412 ESQT363012	36	30	12	34	28	129
5412 ESQT363612	36	36	12	34	34	150
5412 ESQT422412	42	24	12	40	22	118
5412 ESQT423012	42	30	12	40	28	147
5412 ESQT423612	42	36	12	40	34	172
5412 ESQT482412	48	24	12	46	22	138
5412 ESQT483612	48	36	12	46	34	193
5412 ESQT602412	60	24	12	58	22	169
5412 ESQT603612	60	36	12	58	34	236
5412 ESQT723012	72	30	12	70	28	240
5412 ESQT723612	72	36	12	70	34	279
5412 ESQT242016	24	20	16	22	18	74
5412 ESQT242416	24	24	16	22	22	86
5412 ESQT302416	30	24	16	28	22	102
5412 ESQT362416	36	24	16	34	22	119
5412 ESQT363016	36	30	16	34	28	142
5412 ESQT423616	42	36	16	40	34	187
5412 ESQT483616	48	36	16	46	34	210
5412 ESQT603616	60	36	16	58	14	255
5412 ESQT723016	72	30	16	70	28	260
5412 ESQT723616	72	36	16	70	34	301
5412 ESQT302420	30	24	20	28	22	113
5412 ESQT363020	36	30	20	34	28	155
5412 ESQT483620	48	36	20	46	34	226
5412 ESQT603620	60	36	20	58	34	274
5412 ESQT723020	72	30	20	70	28	280
5412 ESQT302424	30	24	24	28	22	123
5412 ESQT723024	72	30	24	70	28	300

\* Only panels with sides 20" or more are double bent.

**Insulated box?** To have your enclosure insulated, add suffix "TH"

i.e.: 5412ESQT362412TH → Insulated steel enclosure

Data subject to change without notice.

Customize with



## Double gasketed water, oil & dust tight enclosures

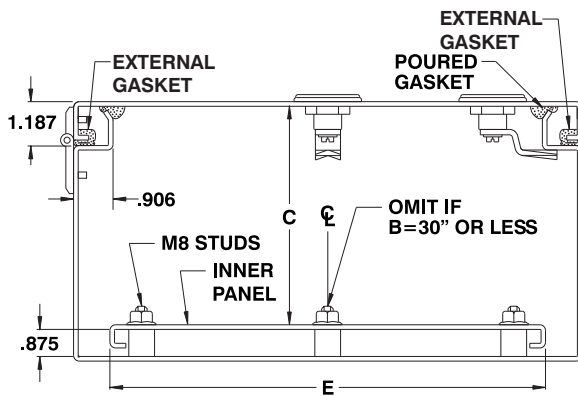
The 5412 ESDG double gasket, water, oil & dust tight enclosures are used outdoors or indoors in areas where the enclosures may be subject to hosing or to water coming from any direction or for protection against dust, dirt or oil splashing. The 5412 ESDG are made from quality 14 GA or 16 GA steel, with corner seams continuously welded. The opening has a curled lip around all sides to prevent dripping water from entering the enclosure when the cover has been opened, it

also increases rigidity. A double gasket system, consisting of an external gasket that acts as a front line barrier against liquids, works in conjunction with the internal high quality robotically poured-in-place seamless gasket to ensure a complete and durable water tight seal. Quarter turn locking mechanisms on all sides ensure positive closing. Internal mounting holes are provided. **Each enclosure comes complete with a 12 GA inner panel** which is double bent\* for

maximum rigidity which mounts on M8 welded studs. Enclosures and panels are finished with heat fused powder paint, electrostatically applied on a pretreated base. Box is ANSI/ASA 61 gray, panel is white (other colors available).

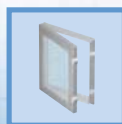
**CSA Certified / UL Listed  
NEMA/EEMAC 4-12 / IP66**

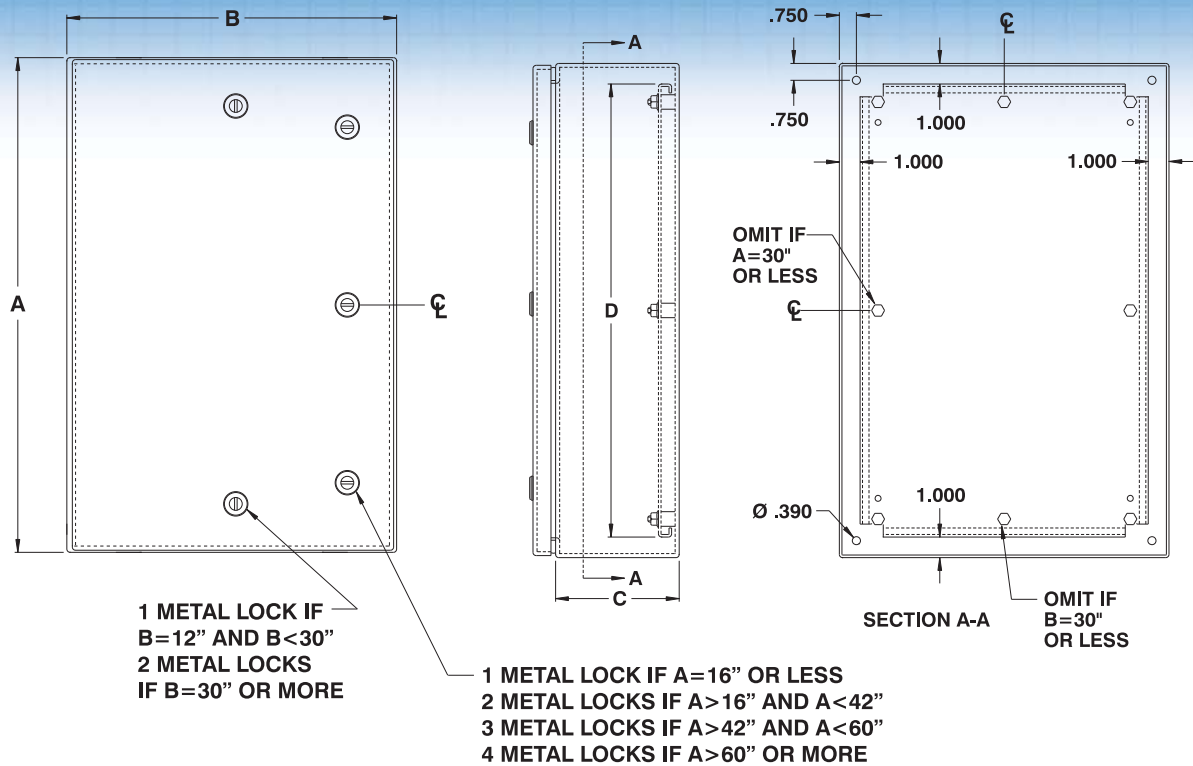
**Refer to p.727 to validate choice of substrate for the application**



CATALOG NUMBER	DIMENSIONS					SHIP WTG LBS.
	A	B	C	D	E	
5412 ESDG121206	12	12	6	10	10	19
5412 ESDG122406	12	24	6	10	22	35
5412 ESDG161206	16	12	6	14	10	24
5412 ESDG161606	16	16	6	14	14	31
5412 ESDG162006	16	20	6	14	18	37
5412 ESDG201206	20	12	6	18	10	29
5412 ESDG201606	20	16	6	18	14	37
5412 ESDG202006	20	20	6	18	18	45
5412 ESDG202406	20	24	6	18	22	53
5412 ESDG241206	24	12	6	22	10	35
5412 ESDG241606	24	16	6	22	14	44
5412 ESDG242006	24	20	6	22	18	53
5412 ESDG242406	24	24	6	22	22	62
5412 ESDG301606	30	16	6	28	14	53
5412 ESDG302006	30	20	6	28	18	65
5412 ESDG302406	30	24	6	28	22	76
5412 ESDG362406	36	24	6	34	22	90
5412 ESDG363006	36	30	6	34	28	109
5412 ESDG122408	12	24	8	10	22	38
5412 ESDG161208	16	12	8	14	10	27
5412 ESDG161608	16	16	8	14	14	34
5412 ESDG162008	16	20	8	14	18	41
5412 ESDG201208	20	12	8	18	10	33
5412 ESDG201608	20	16	8	18	14	41
5412 ESDG202008	20	20	8	18	18	49
5412 ESDG202408	20	24	8	18	22	57
5412 ESDG241208	24	12	8	22	10	38
5412 ESDG241608	24	16	8	22	14	48
5412 ESDG242008	24	20	8	22	18	57
5412 ESDG242408	24	24	8	22	22	67
5412 ESDG243008	24	30	8	22	28	81
5412 ESDG301208	30	12	8	28	10	46
5412 ESDG301608	30	16	8	28	14	58
5412 ESDG302008	30	20	8	28	18	70
5412 ESDG302408	30	24	8	28	22	81
5412 ESDG303008	30	30	8	28	28	98
5412 ESDG303608	30	36	8	28	34	116
5412 ESDG362408	36	24	8	34	22	95
5412 ESDG363008	36	30	8	34	28	116
5412 ESDG363608	36	36	8	34	34	136
5412 ESDG422408	42	24	8	40	22	110
5412 ESDG423008	42	30	8	40	28	133

Data subject to change without notice.





CATALOG NUMBER	DIMENSIONS					SHIP WGT LBS.
	A	B	C	D	E	
5412 ESDG423608	42	36	8	40	34	156
5412 ESDG482408	48	24	8	46	22	124
5412 ESDG483008	48	30	8	46	28	150
5412 ESDG483608	48	36	8	46	34	177
5412 ESDG603608	60	36	8	58	34	218
5412 ESDG161210	16	12	10	14	10	30
5412 ESDG201610	20	16	10	18	14	44
5412 ESDG202010	20	20	10	18	18	53
5412 ESDG241210	24	12	10	22	10	42
5412 ESDG242010	24	20	10	22	18	62
5412 ESDG242410	24	24	10	22	22	71
5412 ESDG302010	30	20	10	28	18	74
5412 ESDG302410	30	24	10	28	22	86
5412 ESDG362410	36	24	10	34	22	101
5412 ESDG363010	36	30	10	34	28	122
5412 ESDG423010	42	30	10	40	28	140
5412 ESDG423610	42	36	10	40	34	164
5412 ESDG483010	48	30	10	46	28	158
5412 ESDG483610	48	36	10	46	34	185
5412 ESDG603610	60	36	10	58	34	227
5412 ESDG201612	20	16	12	18	14	48
5412 ESDG202012	20	20	12	18	18	57
5412 ESDG202412	20	24	12	18	22	66
5412 ESDG242012	24	20	12	22	18	66
5412 ESDG242412	24	24	12	22	22	76
5412 ESDG302412	30	24	12	28	22	92
5412 ESDG303012	30	30	12	28	28	110
5412 ESDG362412	36	24	12	34	22	107

CATALOG NUMBER	DIMENSIONS					SHIP WGT LBS.
	A	B	C	D	E	
5412 ESDG363012	36	30	12	34	28	129
5412 ESDG363612	36	36	12	34	34	150
5412 ESDG422412	42	24	12	40	22	118
5412 ESDG423012	42	30	12	40	28	147
5412 ESDG423612	42	36	12	40	34	172
5412 ESDG482412	48	24	12	46	22	138
5412 ESDG483612	48	36	12	46	34	193
5412 ESDG602412	60	24	12	58	22	169
5412 ESDG603612	60	36	12	58	34	236
5412 ESDG723012	72	30	12	70	28	240
5412 ESDG723612	72	36	12	70	34	279
5412 ESDG242016	24	20	16	22	18	74
5412 ESDG242416	24	24	16	22	22	86
5412 ESDG302416	30	24	16	28	22	102
5412 ESDG362416	36	24	16	34	22	119
5412 ESDG363016	36	30	16	34	28	142
5412 ESDG423616	42	36	16	40	34	187
5412 ESDG483616	48	36	16	46	34	210
5412 ESDG603616	60	36	16	58	14	255
5412 ESDG723016	72	30	16	70	28	260
5412 ESDG723616	72	36	16	70	34	301
5412 ESDG302420	30	24	20	28	22	113
5412 ESDG363020	36	30	20	34	28	155
5412 ESDG483620	48	36	20	46	34	226
5412 ESDG603620	60	36	20	58	34	274
5412 ESDG723020	72	30	20	70	28	280
5412 ESDG302424	30	24	24	28	22	123
5412 ESDG723024	72	30	24	70	28	300

\* Only panels with sides 20" or more are double bent.

**Insulated box?** To have your enclosure insulated, add suffix "TH"

i.e.: 5412ESDG362412TH → Insulated steel enclosure

Data subject to change without notice.



p.583

<http://www.exmweb.com>



p.477



p.618



p.624

1-800-363-2423



p.636



p.593

Fax : 450-979-4626



p.472



[info@exmweb.com](mailto:info@exmweb.com)

## Heavy duty water, oil & dust tight enclosures

The 5412 ESHD water, oil & dust tight enclosures are used indoors or outdoors in areas where the enclosures may be subject to hosing or to water coming from any direction or for protection against dust, dirt or oil splashing. The 5412 ESHD are made from quality 12 GA steel, with corner seams continuously welded. The opening has a curled lip around all sides to prevent dripping water from entering the enclosure when the door is open, it also increases rigidity. The

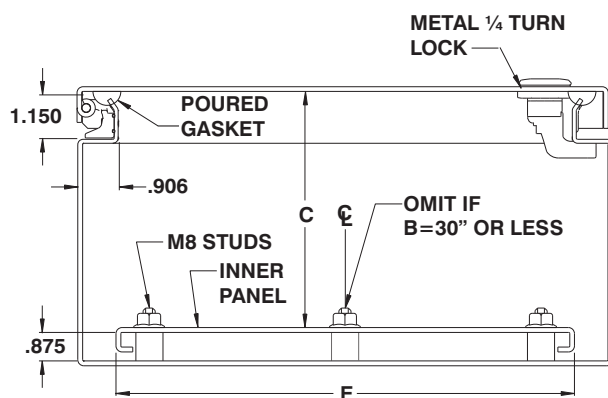
pins of the concealed hinges can be pulled out to remove the door. A high quality robotically poured-in-place seamless gasket ensures a complete and durable water tight seal.

A 1/4 turn locking mechanism (or 3 point latch system on larger enclosures) ensures positive closing. Internal mounting holes are provided. Each enclosure comes **complete with a 12 GA inner panel** which is double bent\* for maximum rigidity which mounts on M8 weld-

ed studs. Enclosures and panels are finished with heat fused powder paint, electrostatically applied on a pretreated base. Box is ANSI/ASA 61 gray, panel is white (other colors available).

**CSA Certified / UL Listed  
NEMA/EEMAC 4-12 / IP66**

**Refer to p.727 to validate choice of substrate for the application**

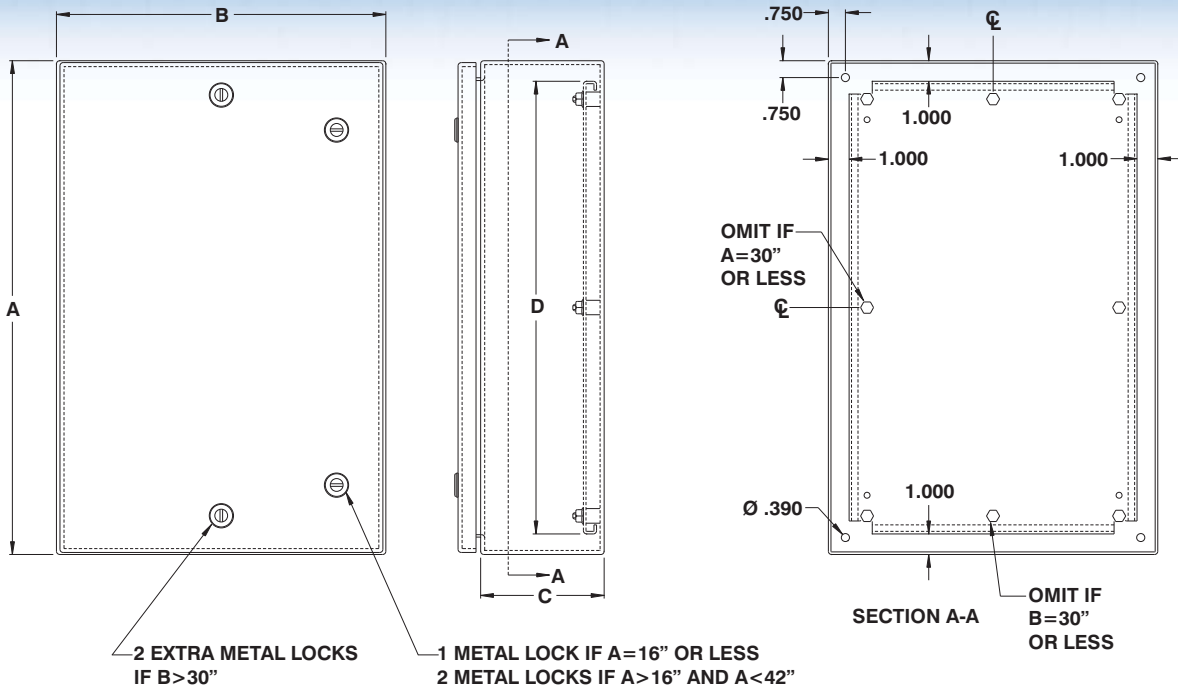


CATALOG NUMBER	DIMENSIONS					SHIP WTG LBS.
	A	B	C	D	E	
5412 ESHD121206	12	12	6	10	10	19
5412 ESHD122406	12	24	6	10	22	35
5412 ESHD161206	16	12	6	14	10	24
5412 ESHD161606	16	16	6	14	14	31
5412 ESHD162006	16	20	6	14	18	37
5412 ESHD201206	20	12	6	18	10	29
5412 ESHD201606	20	16	6	18	14	37
5412 ESHD202006	20	20	6	18	18	45
5412 ESHD202406	20	24	6	18	22	53
5412 ESHD241206	24	12	6	22	10	35
5412 ESHD241606	24	16	6	22	14	44
5412 ESHD242006	24	20	6	22	18	53
5412 ESHD242406	24	24	6	22	22	62
5412 ESHD301606	30	16	6	28	14	53
5412 ESHD302006	30	20	6	28	18	65
5412 ESHD302406	30	24	6	28	22	76
5412 ESHD362406	36	24	6	34	22	90
5412 ESHD363006	36	30	6	34	28	109
5412 ESHD122408	12	24	8	10	22	38
5412 ESHD161208	16	12	8	14	10	27
5412 ESHD161608	16	16	8	14	14	34
5412 ESHD162008	16	20	8	14	18	41
5412 ESHD201208	20	12	8	18	10	33
5412 ESHD201608	20	16	8	18	14	41
5412 ESHD202008	20	20	8	18	18	49
5412 ESHD202408	20	24	8	18	22	57
5412 ESHD241208	24	12	8	22	10	38
5412 ESHD241608	24	16	8	22	14	48
5412 ESHD242008	24	20	8	22	18	57
5412 ESHD242408	24	24	8	22	22	67
5412 ESHD243008	24	30	8	22	28	81
5412 ESHD301208	30	12	8	28	10	46
5412 ESHD301608	30	16	8	28	14	58
5412 ESHD302008	30	20	8	28	18	70
5412 ESHD302408	30	24	8	28	22	81
5412 ESHD303008	30	30	8	28	28	98
5412 ESHD303608	30	36	8	28	34	116
5412 ESHD362408	36	24	8	34	22	95
5412 ESHD363008	36	30	8	34	28	116
5412 ESHD363608	36	36	8	34	34	136

Data subject to change without notice.







CATALOG NUMBER	DIMENSIONS					SHIP WGHT LBS.
	A	B	C	D	E	
5412 ESHD161210	16	12	10	14	10	30
5412 ESHD201610	20	16	10	18	14	44
5412 ESHD202010	20	20	10	18	18	53
5412 ESHD241210	24	12	10	22	10	42
5412 ESHD242010	24	20	10	22	18	62
5412 ESHD242410	24	24	10	22	22	71
5412 ESHD302010	30	20	10	28	18	74
5412 ESHD302410	30	24	10	28	22	86
5412 ESHD362410	36	24	10	34	22	101
5412 ESHD363010	36	30	10	34	28	122
5412 ESHD201612	20	16	12	18	14	48
5412 ESHD202012	20	20	12	18	18	57
5412 ESHD202412	20	24	12	18	22	66
5412 ESHD242012	24	20	12	22	18	66

CATALOG NUMBER	DIMENSIONS					SHIP WGHT LBS.
	A	B	C	D	E	
5412 ESHD242412	24	24	12	22	22	76
5412 ESHD302412	30	24	12	28	22	92
5412 ESHD303012	30	30	12	28	28	110
5412 ESHD362412	36	24	12	34	22	107
5412 ESHD363012	36	30	12	34	28	129
5412 ESHD363612	36	36	12	34	34	150
5412 ESHD242016	24	20	16	22	18	74
5412 ESHD242416	24	24	16	22	22	86
5412 ESHD302416	30	24	16	28	22	102
5412 ESHD362416	36	24	16	34	22	119
5412 ESHD363016	36	30	16	34	28	142
5412 ESHD302420	30	24	20	28	22	113
5412 ESHD363020	36	30	20	34	28	155
5412 ESHD302424	30	24	24	28	22	123

\* Only panels with sides 20" or more are double bent.

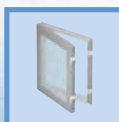
**Insulated box?** To have your enclosure insulated, add suffix "TH"

i.e.: 5412ESH362412TH → Insulated steel enclosure

Customize with



Data subject to change without notice.



p.489

<http://www.exmweb.com>



p.476



p.473



p.583

1-800-363-2423



p.477



p.624

Fax : 450-979-4626



p.636

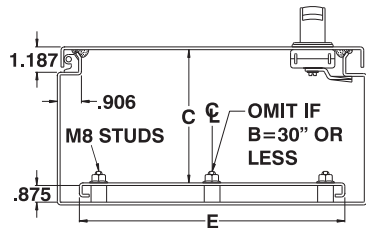
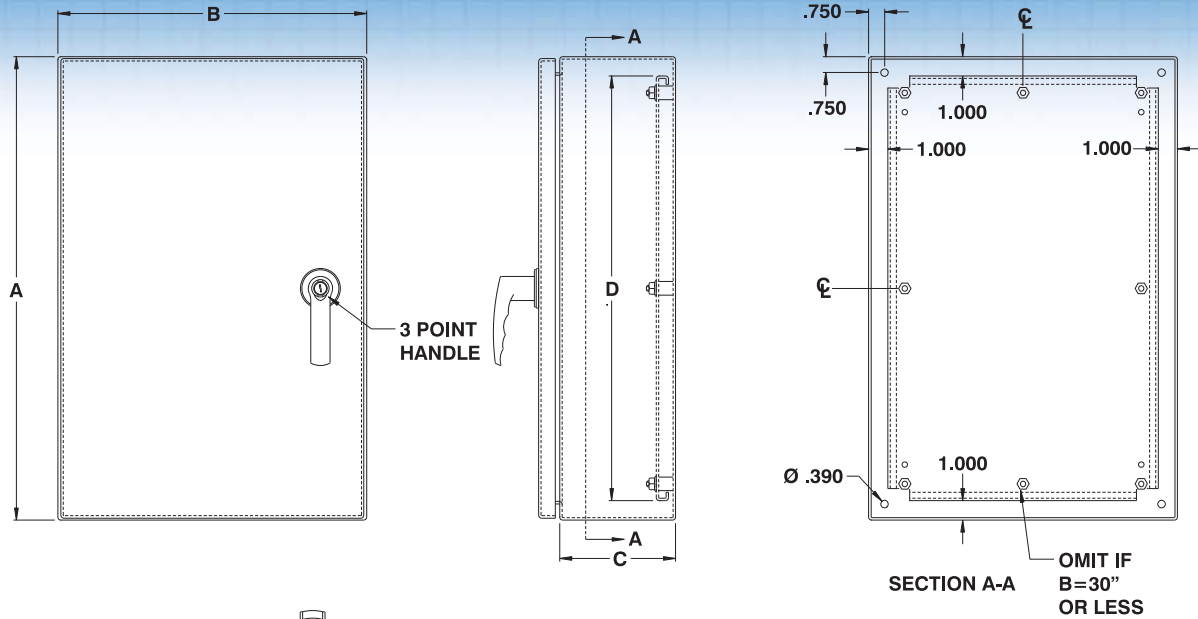


p.593



p.472

[info@exmweb.com](mailto:info@exmweb.com)



CATALOG NUMBER	DIMENSIONS					SHIP WGHT LBS.
	A	B	C	D	E	
5412 ESHD422408	42	24	8	40	22	110
5412 ESHD423008	42	30	8	40	28	133
5412 ESHD423608	42	36	8	40	34	156
5412 ESHD482408	48	24	8	46	22	124
5412 ESHD483008	48	30	8	46	28	150
5412 ESHD483608	48	36	8	46	34	177
5412 ESHD603608	60	36	8	58	34	218
5412 ESHD423010	42	30	10	40	28	140
5412 ESHD423610	42	36	10	40	34	164
5412 ESHD483010	48	30	10	46	28	158
5412 ESHD483610	48	36	10	46	34	185
5412 ESHD603610	60	36	10	58	34	227
5412 ESHD422412	42	24	12	40	22	118
5412 ESHD423012	42	30	12	40	28	147
5412 ESHD423612	42	36	12	40	34	172
5412 ESHD482412	48	24	12	46	22	138
5412 ESHD483612	48	36	12	46	34	193
5412 ESHD602412	60	24	12	58	22	169
5412 ESHD603612	60	36	12	58	34	236
5412 ESHD723012	72	30	12	70	28	240
5412 ESHD723612	72	36	12	70	34	279
5412 ESHD423616	42	36	16	40	34	187
5412 ESHD483616	48	36	16	46	34	210
5412 ESHD603616	60	36	16	58	14	255
5412 ESHD723016	72	30	16	70	28	260
5412 ESHD723616	72	36	16	70	34	301
5412 ESHD483620	48	36	20	46	34	226
5412 ESHD603620	60	36	20	58	34	274
5412 ESHD723020	72	30	20	70	28	280
5412 ESHD723024	72	30	24	70	28	300

Data subject to change without notice.

**Insulated box?** To have your enclosure insulated, add suffix "TH"

## Water, oil and dust tight double door enclosures

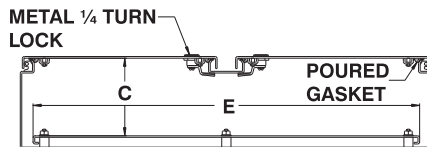
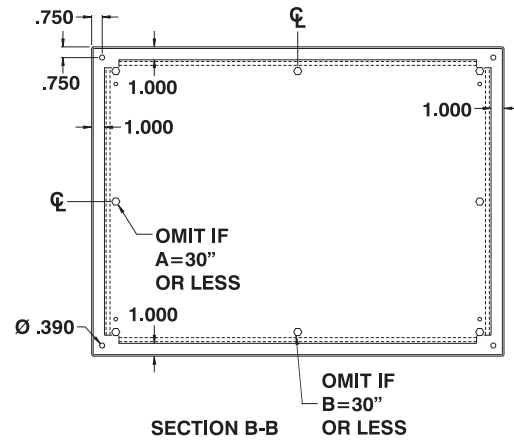
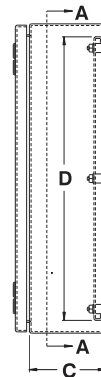
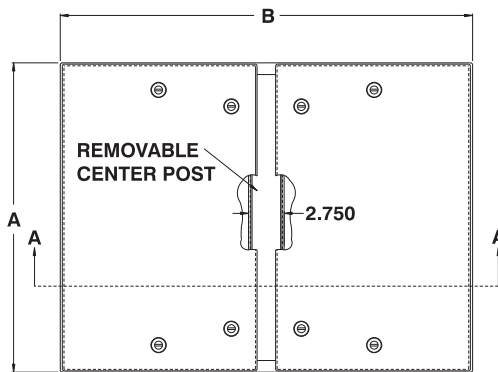
The 5412 ESDD water, oil & dust tight enclosures are used indoors or outdoors in areas where the enclosures may be subject to hosing or to water coming from any direction or for protection against dust, dirt or oil splashing. The 5412 ESDD are made from quality 14 GA steel, with corner seams continuously welded. The opening has a curled lip around all sides to prevent dripping water from entering the enclosure when

the doors are open, it also increases rigidity. A high quality robotically poured-in-place seamless gasket ensures a complete and durable water tight seal. The pins of the concealed hinges can be pulled out to remove the door. A ¼ turn locking mechanism ensures positive closing. Internal mounting holes are provided. Each enclosure comes **complete with a 12 GA inner panel** which is double bent\* for maximum

rigidity which mounts on M8 welded studs. Enclosures and panels are finished with heat fused powder paint, electrostatically applied on a pretreated base. Box is ANSI/ASA 61 gray, panel is white (other colors available).

**CSA Certified / UL Listed  
NEMA/EEMAC 4-12 / IP66**

**Refer to p.727 to validate choice of substrate for the application**



SECTION A-A

Customize with



CATALOG NUMBER	DIMENSIONS							SHIP WGHT LBS.
	A	B	C	D	E	F	G	
5412 ESDD244208	24	42	8	22	40	25.25	36	117
5412 ESDD244808	24	48	8	22	46	25.25	42	130
5412 ESDD544208	54	42	8	52	40	55.25	36	272
5412 ESDD244210	24	42	10	22	40	25.25	36	150
5412 ESDD304210	30	42	10	28	40	31.25	36	152
5412 ESDD304810	30	48	10	28	46	31.25	42	168
5412 ESDD306010	30	60	10	28	58	31.25	54	203
5412 ESDD364212	36	42	12	34	40	37.25	36	220
5412 ESDD364812	36	48	12	34	46	37.25	42	242
5412 ESDD366012	36	60	12	34	58	37.25	54	292
5412 ESDD424212	42	42	12	40	40	43.25	36	197
5412 ESDD424812	42	48	12	40	46	43.25	42	216
5412 ESDD426012	42	60	12	40	58	43.25	54	349
5412 ESDD484812	48	48	12	46	46	49.25	42	225



Data subject to change without notice.

**Insulated box?** To have your enclosure insulated, add suffix "TH"

i.e.: 5412ESDD364212TH → Insulated steel enclosure



## Water, oil & dust tight double door enclosures

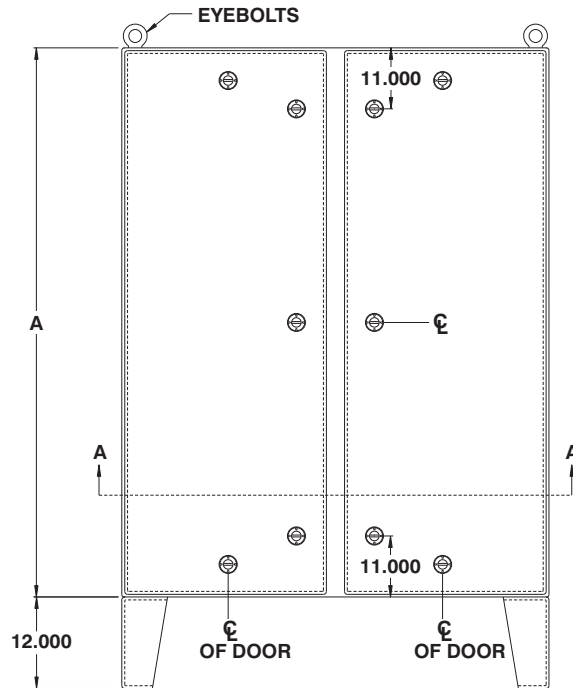
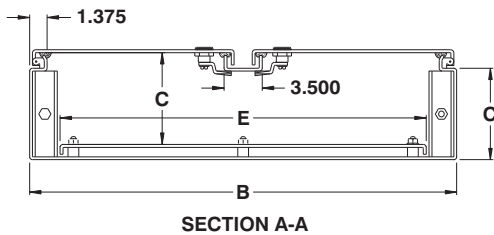
The 5412 DDS water, oil & dust tight double door enclosures are used indoors or outdoors in areas where the enclosures may be subject to hosing or to water coming from any direction or for protection against dust, dirt or oil splashing. The 5412 DDS are made from quality code gauge steel, with corner seams continuously welded. The center post is removable to facilitate the installation of the inner panel. The opening has a curled lip around all sides to prevent dripping water from entering the enclosure

when the door is open, it also increases rigidity. A high quality robotically poured-in-place seamless gasket ensures a complete and durable water tight seal. The pins of the concealed heavy duty die cast hinges can be pulled out to remove the door. A 1/4 turn locking mechanism ensures positive closing. Two 12" floor stands are welded to the cabinet. Body stiffeners are provided on larger models. Each enclosure comes complete with a painted white inner panel

which is double bent for maximum rigidity. A panel guide and support is provided to facilitate panel installation. A print pocket is provided. Enclosures and panels are finished with heat fused powder paint, electrostatically applied on a pretreated base. Box is ANSI/ASA 61 gray, panel is white (other colors available).

**CSA Certified / UL Listed  
NEMA/EEMAC 4-12 / IP66**

**Refer to p.727 to validate choice of substrate for the application**

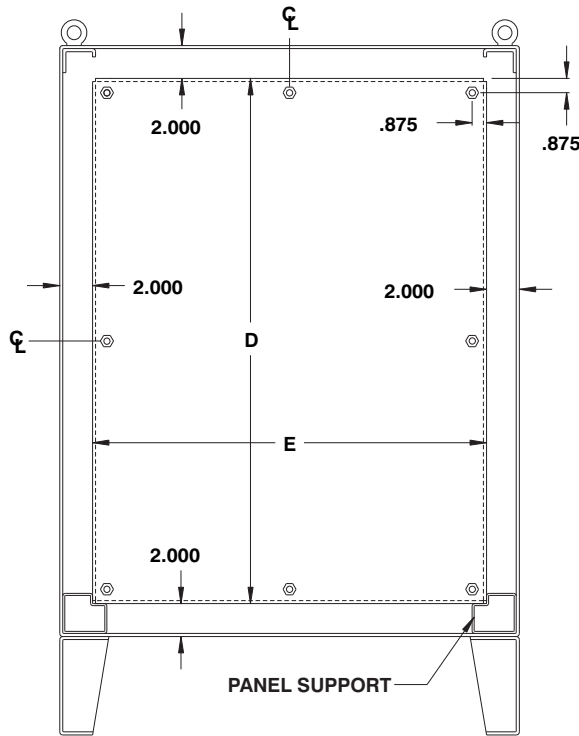
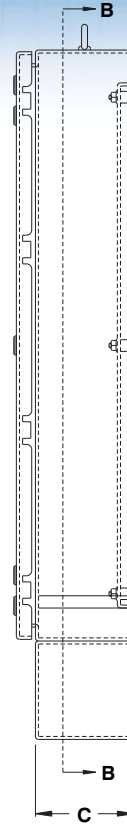
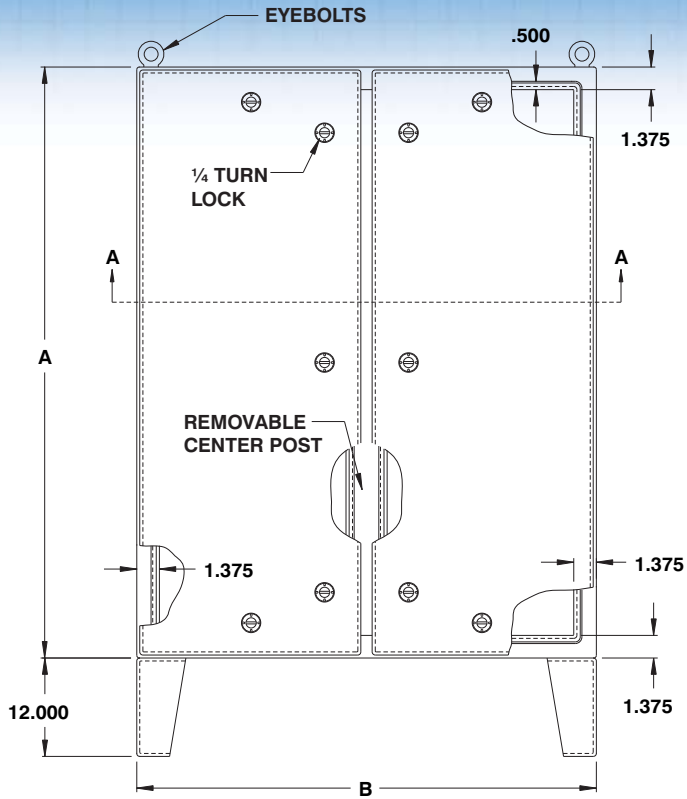


CATALOG NUMBER	DIMENSIONS					SHIP WGHT LBS.
	A	B	C	D	E	
5412 DDS604812	60	48	12	56	44	463
5412 DDS606012	60	60	12	56	56	530
5412 DDS726012	72	60	12	68	56	633
5412 DDS727212	72	72	12	68	68	751
5412 DDS727224	72	72	24	68	68	881

Data subject to change without notice.







Customize with



Data subject to change without notice.



[p.489](#) [p.476](#) [p.473](#) [p.583](#) [p.477](#) [p.624](#) [p.636](#) [p.593](#) [p.472](#)  
<http://www.exmweb.com> [1-800-363-2423](tel:1-800-363-2423) [Fax : 450-979-4626](tel:450-979-4626) [info@exmweb.com](mailto:info@exmweb.com)

## Oil, dust & water-tight free standing enclosures

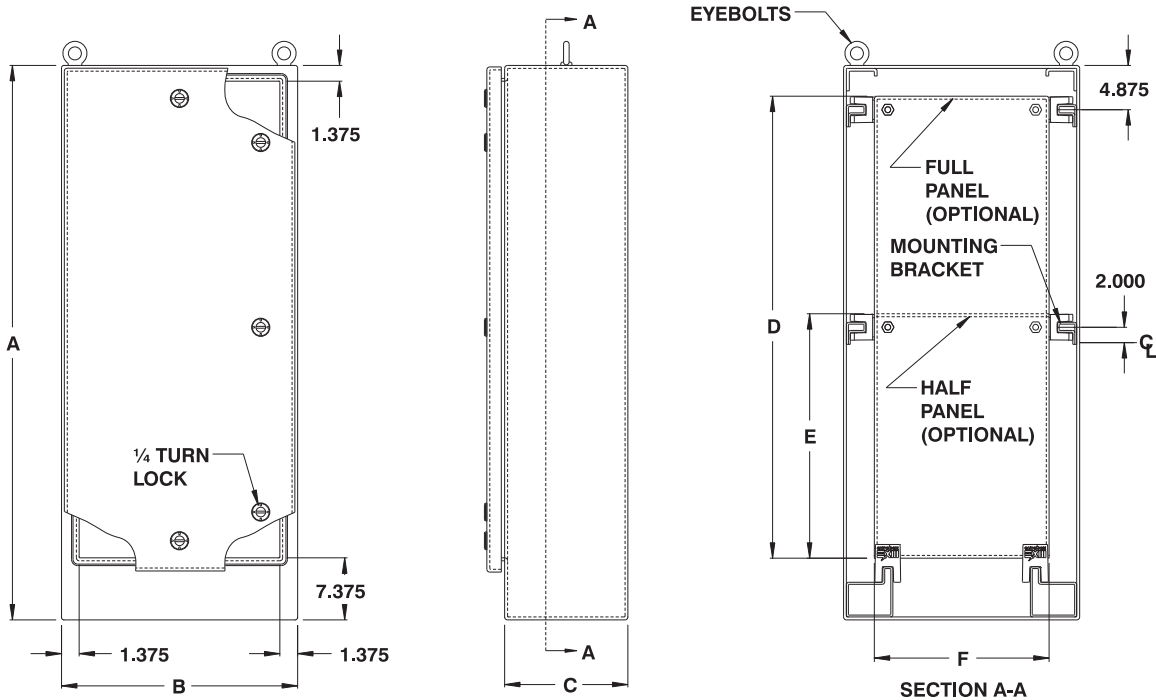
The 9412 water, oil & dust tight enclosures are used indoors or outdoors in areas where the enclosures may be subject to hosing or to water coming from any direction or for protection against dust, dirt or oil splashing. The 9412 are made from quality code gauge steel, with corner seams continuously welded. The opening has a curled lip around all sides to prevent dripping water from entering the enclosure when the door is open, it also

increases rigidity. A high quality robotically poured-in-place seamless gasket ensures a complete and durable water tight seal. The pins of the concealed hinges can be pulled out to remove the door. Quarter turn locking mechanisms on three sides of the door ensure positive closing. Optional back panels can be mounted at any depth, using the three sets of rails welded on the sides of the cabinet. Side panels can also be ordered sepa-

rately. A print pocket is provided. Enclosures and panels are finished with heat fused powder paint, electrostatically applied on a pretreated base. Box is ANSI/ASA 61 gray, panel is white (other colors available).

**CSA Certified / UL Listed  
NEMA/EEMAC 4-12 / IP66**

**Refer to p.727 to validate choice of substrate for the application**



CATALOG NUMBER	DIMENSIONS						EQUIPMENT PANEL		SHIP WGHT LBS.
	A	B	C	D	E	F	FULL	HALF	
9412 722418	72	24	18	60	30.875	20	889 FP7224	889 HP7224	258
9412 723024	72	30	24	60	30.875	26	889 FP7230	889 HP7230	347
9412 723624	72	36	24	60	30.875	32	889 FP7236	889 HP7236	383
9412 902420	90	24	20	78	39.875	20	889 FP9024	889 HP9024	355
9412 903624	90	36	24	78	39.875	32	889 FP9036	889 HP9036	390
9412 903636	90	36	36	78	39.875	32	889 FP9036	889 HP9036	443

Customize with



Data subject to change without notice.



**NEMA 4-4X ENCLOSURES**



## Stainless steel JIC enclosures

The 5412 ESSCH are used indoors or outdoors to protect the enclosed controls from dust, dirt, oil and water splashing. The 5412 ESSCH are made from quality 16 GA (Type 304) stainless steel, with corner seams continuously welded. The opening has a curled lip around all sides to prevent dripping water from entering the enclosure when the door is open, it also increases rigidity. A high quality robotically poured-in-place seamless gasket ensures a complete and durable water tight seal.

This enclosure features incorporat-

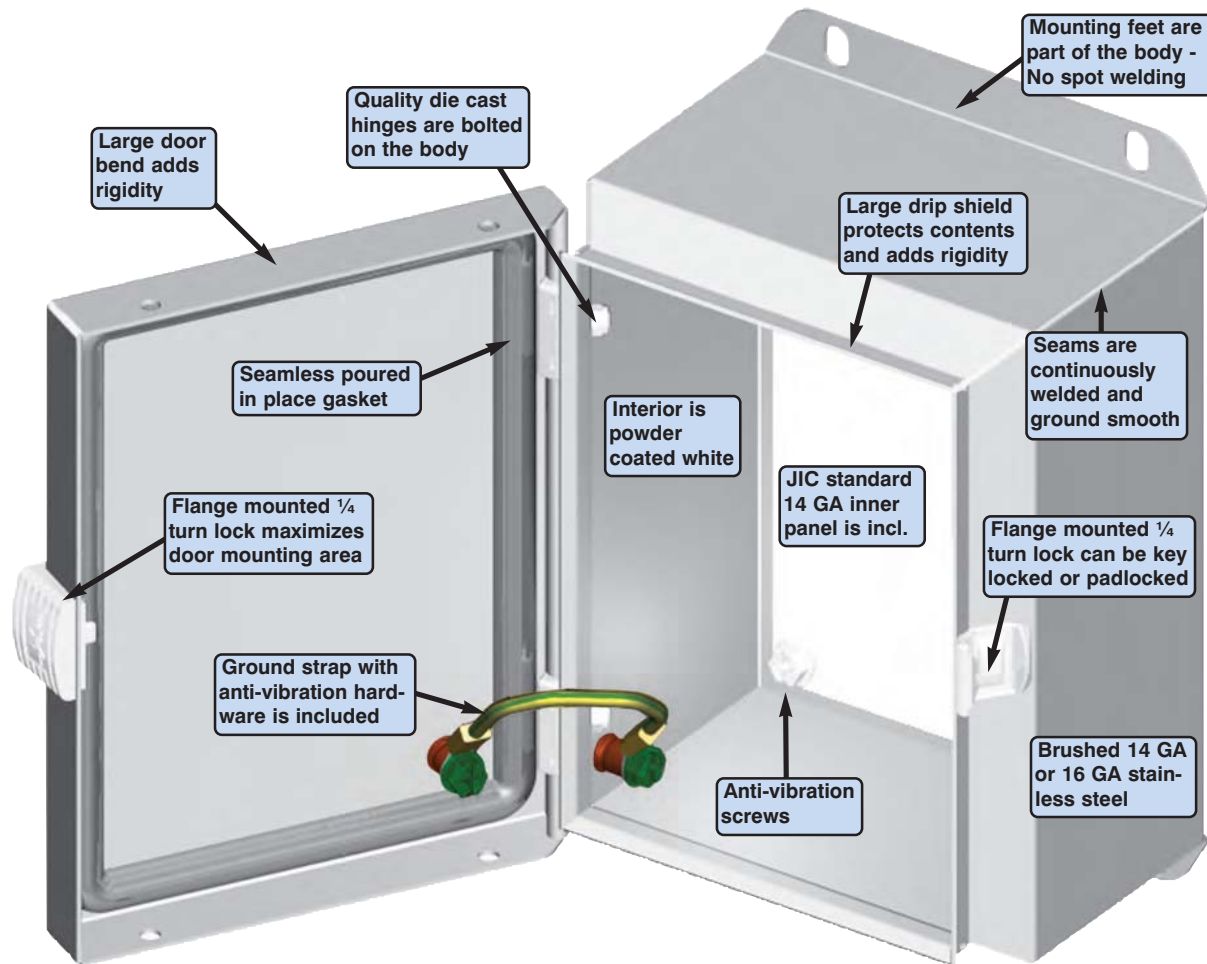
ed hinging, meaning that the hinge is a part of the box and part of the cover. This minimizes the amount of welding and allows the door to be easily removed by pulling out the full length mushroom head hinge pin. Very few JIC type enclosures offer this considerable advantage.

**EXM's exclusive flange-mounted ¼ turn locking system** ensures positive closing while leaving a full workable mounting surface on the door. Each enclosure comes **complete with a 14 GA inner panel** which mounts on weld nuts. The four external wall-mounting holes

are oblong to facilitate installation and the mounting feet are incorporated into the body of the enclosure. The enclosures' exterior are unpainted and brushed smooth. The enclosures' interior and panels are finished with white heat fused powder paint, electrostatically applied on a pretreated base.

**CSA Certified / UL Listed  
NEMA/EEMAC 4X / IP66**

**Refer to p.727 to validate choice of substrate for the application**



Customize with



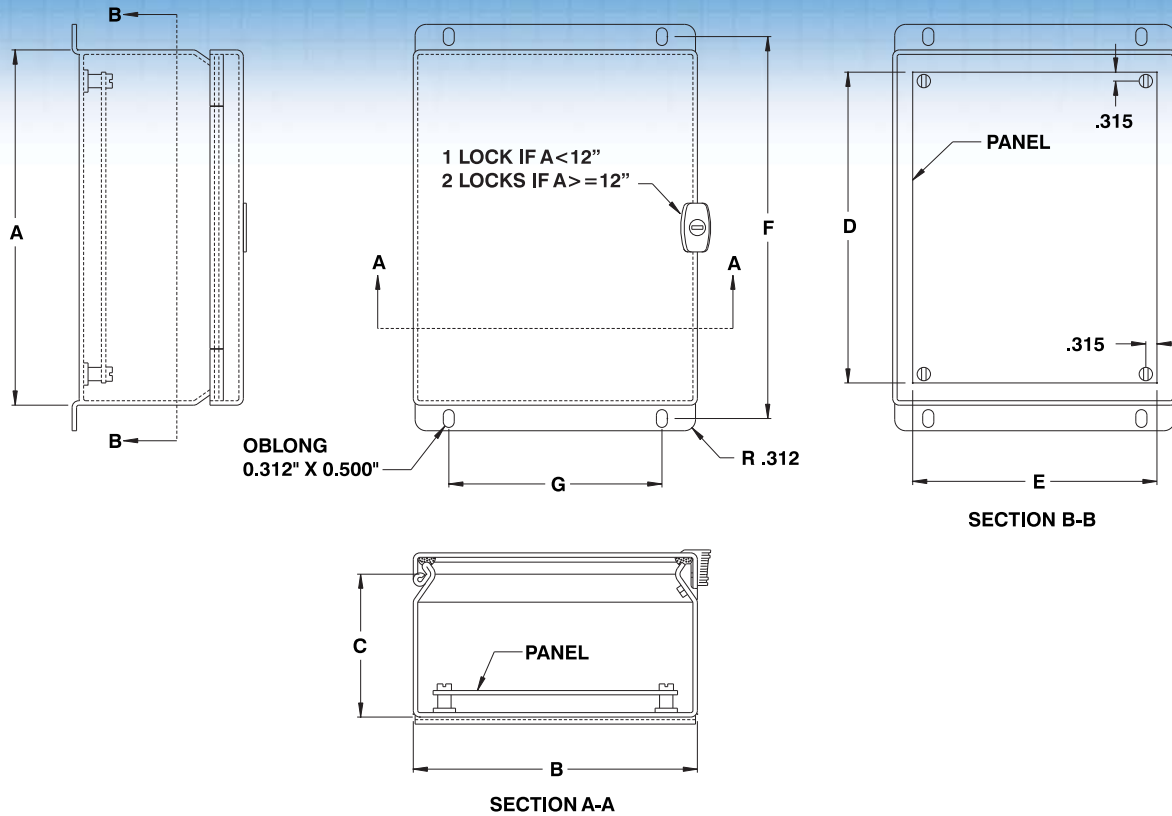
Data subject to change without notice.





# NEMA 4-4X ENCLOSURES

# 5412 ESSCH



CATALOG NUMBER	DIMENSIONS							SHIP WGT LBS.
	A	B	C	D	E	F	G	
5412 ESSCH040403	4	4	3	No.Pan.	No.Pan.	4.75	2	2
5412 ESSCH060403	6	4	3	4.88	2.88	6.75	2	3
5412 ESSCH060404	6	4	4	4.88	2.88	6.75	2	4
5412 ESSCH060604	6	6	4	4.88	4.88	6.75	4	5
5412 ESSCH080604	8	6	4	6.88	4.88	8.75	4	6
5412 ESSCH080804	8	8	4	6.88	6.88	8.75	6	8
5412 ESSCH081004	8	10	4	6.88	8.88	8.75	8	10
5412 ESSCH100804	10	8	4	8.88	6.88	10.75	6	10
5412 ESSCH120604	12	6	4	10.88	4.88	12.75	4	8
5412 ESSCH060605	6	6	5	4.88	4.88	6.75	4	6
5412 ESSCH080605	8	6	5	6.88	4.88	8.75	4	7
5412 ESSCH101005	10	10	5	8.88	8.88	10.75	8	14
5412 ESSCH101205	10	12	5	8.88	10.88	10.75	10	16
5412 ESSCH121005	12	10	5	10.88	8.88	12.75	8	16
5412 ESSCH121205	12	12	5	10.88	10.88	12.75	10	18
5412 ESSCH080606	8	6	6	6.88	4.88	8.75	4	7
5412 ESSCH100806	10	8	6	8.88	6.88	10.75	6	12
5412 ESSCH101006	10	10	6	8.88	8.88	10.75	8	14
5412 ESSCH121206	12	12	6	10.88	10.88	12.75	10	18
5412 ESSCH121406	12	14	6	10.88	12.88	12.75	12	19
5412 ESSCH140806	14	8	6	12.88	6.88	14.75	6	10
5412 ESSCH141206	14	12	6	12.88	10.88	14.75	10	19
5412 ESSCH141606	14	16	6	12.88	14.88	14.75	14	23
5412 ESSCH161006	16	10	6	14.88	8.88	16.75	8	19
5412 ESSCH161206	16	12	6	14.88	10.88	16.75	10	21
5412 ESSCH161406	16	14	6	14.88	12.88	16.75	12	23
5412 ESSCH121008	12	10	8	10.88	8.88	12.75	8	16
5412 ESSCH141208	14	12	8	12.88	10.88	14.75	10	20
5412 ESSCH161208	16	12	8	14.88	10.88	16.75	10	25
5412 ESSCH161408	16	14	8	14.88	12.88	16.75	12	26
5412 ESSCH161410	16	14	10	14.88	12.88	16.75	12	27



† Add suffix '6' to the catalog number for 316 stainless steel.  
ex. 5412 ESSCH1212066

Data subject to change without notice.

Customize with



## Painted stainless steel JIC enclosures

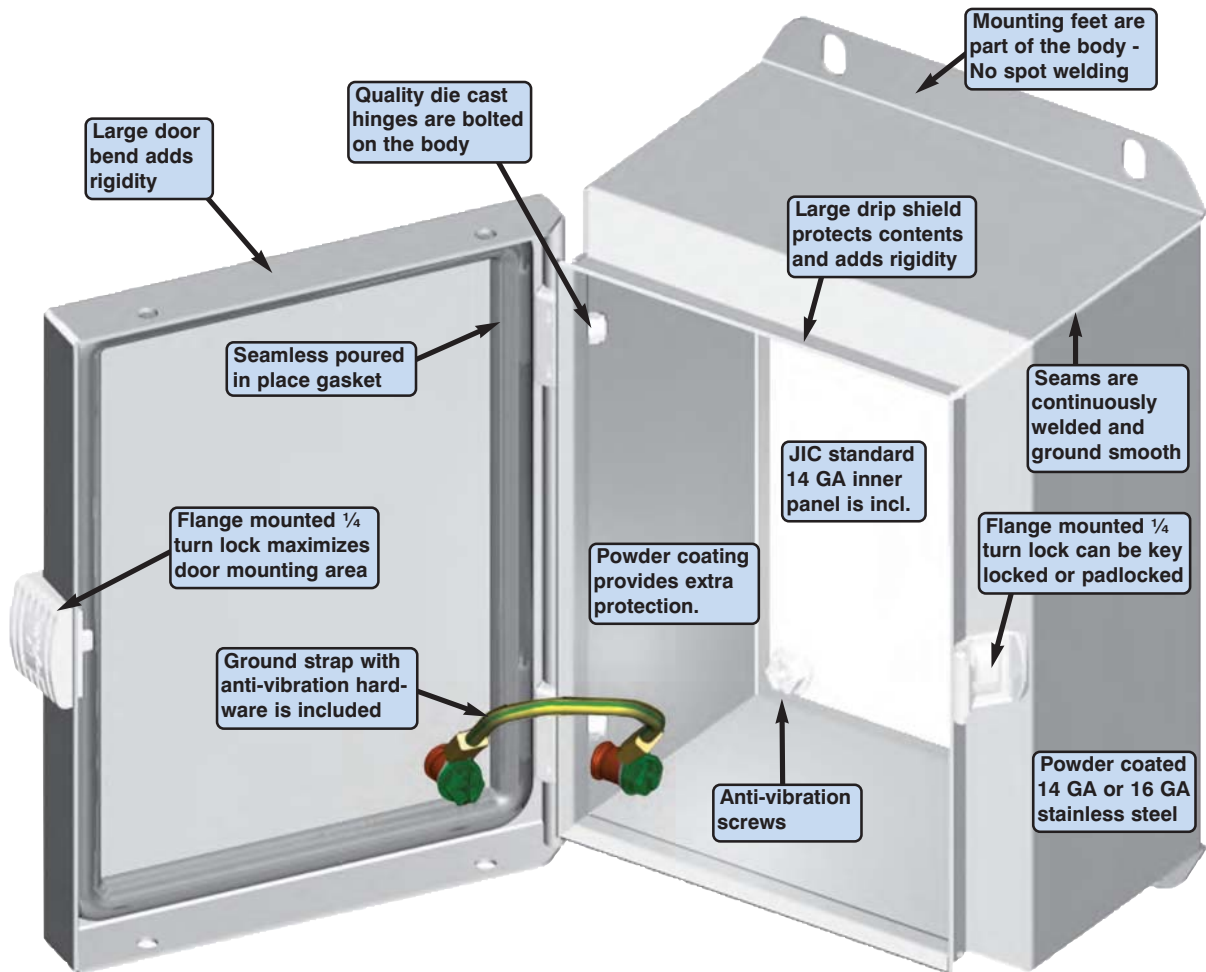
The 5412 ESSPCH are used indoors or outdoors to protect the enclosed controls from dust, dirt, oil and water splashing. The 5412 ESSPCH are made from quality 16 GA (Type 304) stainless steel, with corner seams continuously welded. The opening has a curled lip around all sides to prevent dripping water from entering the enclosure when the door is open, it also increases rigidity. A high quality robotically poured-in-place seamless gasket ensures a complete and durable water tight seal. This enclosure features incorporated

hinging, meaning that the hinge is a part of the box and part of the cover. This minimizes the amount of welding and allows the door to be easily removed by pulling out the full length mushroom head hinge pin. Very few JIC type enclosures offer this considerable advantage. **EXM's exclusive flange-mounted ¼ turn locking system** ensures positive closing while leaving a full workable mounting surface on the door. Each enclosure comes **complete with a 14 GA inner panel** which mounts on weld nuts. The four external wall-mounting holes

are oblong to facilitate installation and the mounting feet are incorporated into the body of the enclosure. The powder coating further protects the stainless steel against the elements. Enclosures and panels are finished with heat fused powder paint, electrostatically applied on a pretreated base. Box is ANSI/ASA 61 gray, panel is white (other colors available).

**CSA Certified / UL Listed  
NEMA/EEMAC 4X / IP66**

**Refer to p.727 to validate choice of substrate for the application**

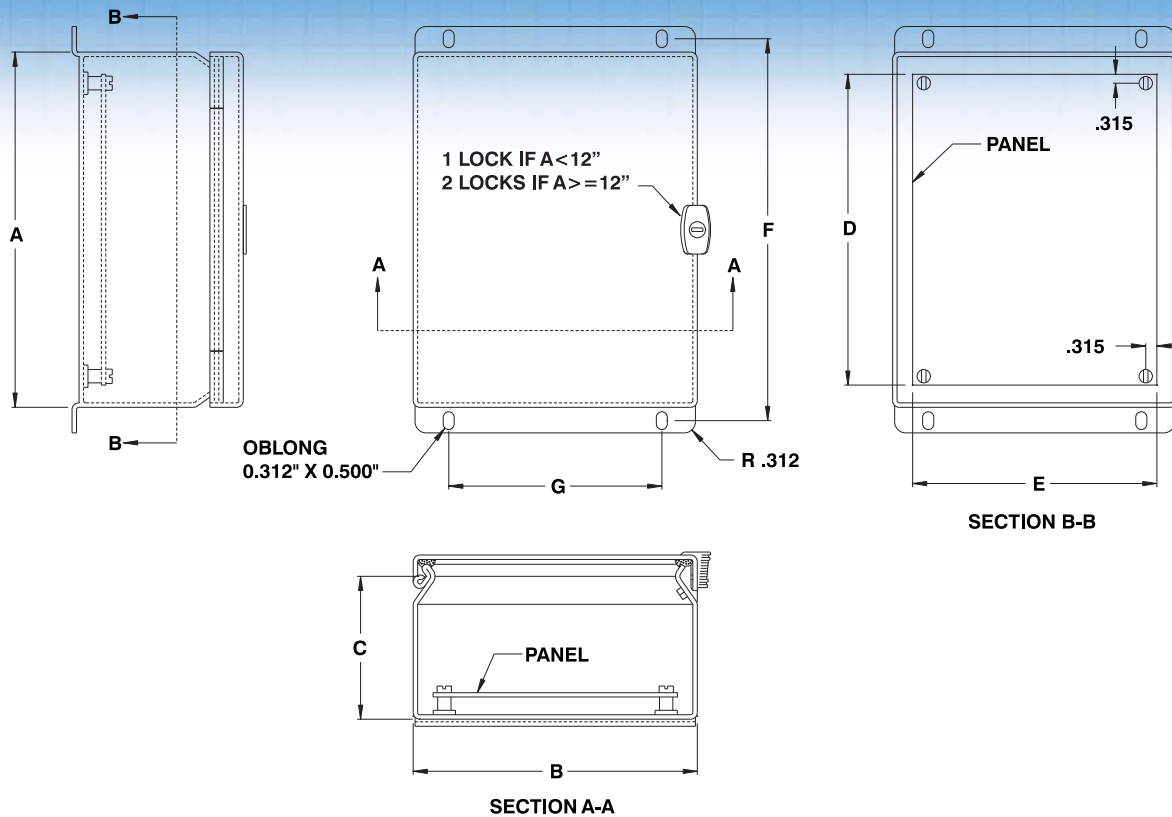


Customize with



Data subject to change without notice.





CATALOG NUMBER	DIMENSIONS							SHIP WGHT LBS.
	A	B	C	D	E	F	G	
5412 ESSPCH040403	4	4	3	No.Pan.	No.Pan.	4.75	2	2
5412 ESSPCH060403	6	4	3	4.88	2.88	6.75	2	3
5412 ESSPCH060404	6	4	4	4.88	2.88	6.75	2	4
5412 ESSPCH060604	6	6	4	4.88	4.88	6.75	4	5
5412 ESSPCH080604	8	6	4	6.88	4.88	8.75	4	6
5412 ESSPCH080804	8	8	4	6.88	6.88	8.75	6	8
5412 ESSPCH081004	8	10	4	6.88	8.88	8.75	8	10
5412 ESSPCH100804	10	8	4	8.88	6.88	10.75	6	10
5412 ESSPCH120604	12	6	4	10.88	4.88	12.75	4	8
5412 ESSPCH060605	6	6	5	4.88	4.88	6.75	4	6
5412 ESSPCH080605	8	6	5	6.88	4.88	8.75	4	7
5412 ESSPCH101005	10	10	5	8.88	8.88	10.75	8	14
5412 ESSPCH101205	10	12	5	8.88	10.88	10.75	10	16
5412 ESSPCH121005	12	10	5	10.88	8.88	12.75	8	16
5412 ESSPCH121205	12	12	5	10.88	10.88	12.75	10	18
5412 ESSPCH080606	8	6	6	6.88	4.88	8.75	4	7
5412 ESSPCH100806	10	8	6	8.88	6.88	10.75	6	12
5412 ESSPCH101006	10	10	6	8.88	8.88	10.75	8	14
5412 ESSPCH121206	12	12	6	10.88	10.88	12.75	10	18
5412 ESSPCH121406	12	14	6	10.88	12.88	12.75	12	19
5412 ESSPCH140806	14	8	6	12.88	6.88	14.75	6	10
5412 ESSPCH141206	14	12	6	12.88	10.88	14.75	10	19
5412 ESSPCH141606	14	16	6	12.88	14.88	14.75	14	23
5412 ESSPCH161006	16	10	6	14.88	8.88	16.75	8	19
5412 ESSPCH161206	16	12	6	14.88	10.88	16.75	10	21
5412 ESSPCH161406	16	14	6	14.88	12.88	16.75	12	23
5412 ESSPCH121008	12	10	8	10.88	8.88	12.75	8	16
5412 ESSPCH141208	14	12	8	12.88	10.88	14.75	10	20
5412 ESSPCH161208	16	12	8	14.88	10.88	16.75	10	25
5412 ESSPCH161408	16	14	8	14.88	12.88	16.75	12	26
5412 ESSPCH161410	16	14	10	14.88	12.88	16.75	12	27



† Add suffix '6' to the catalog number for 316 stainless steel.  
ex. 5412 ESSPCH1212066

Data subject to change without notice.

Customize with



## Aluminum JIC enclosures

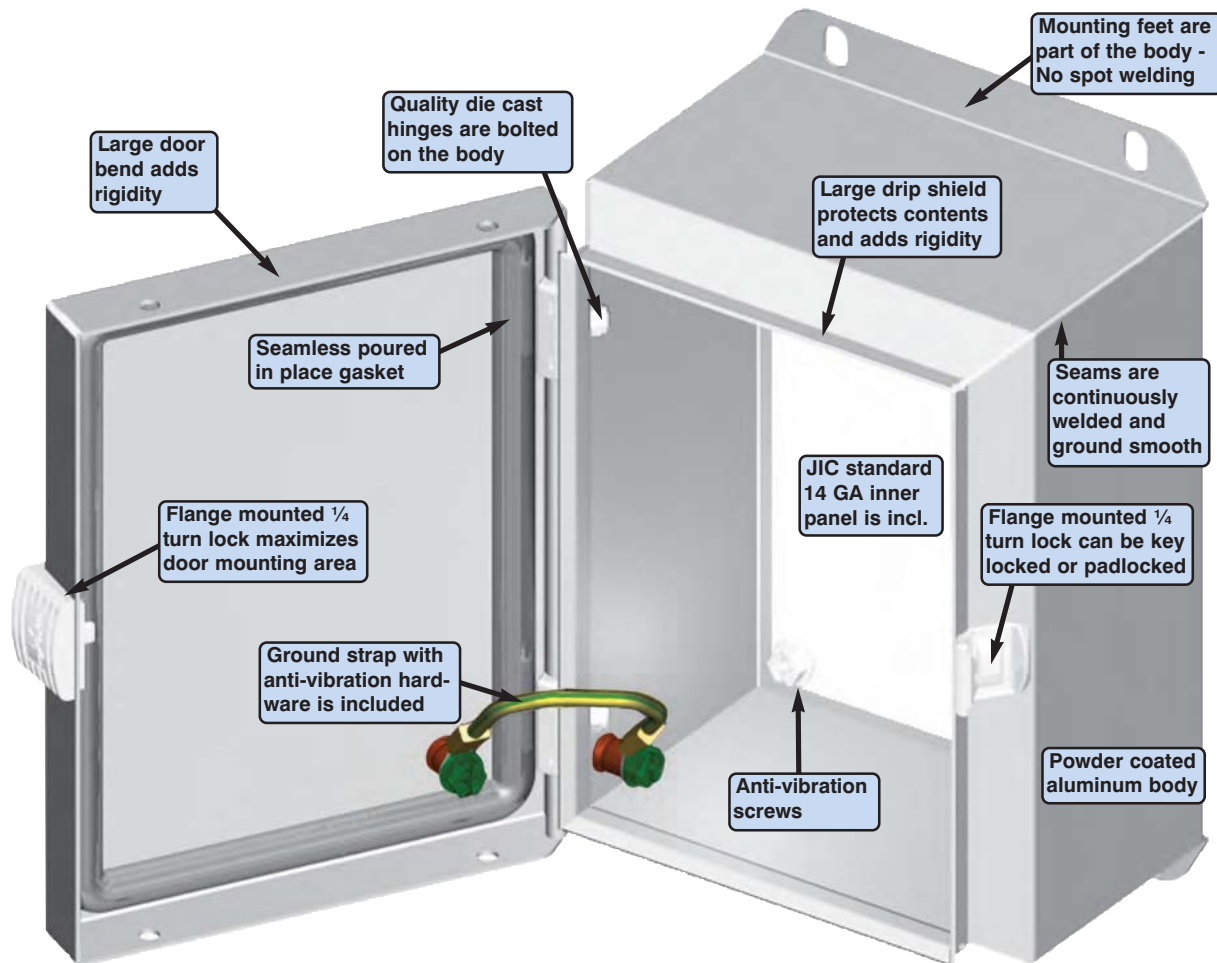
The 5412 EALCH are used indoors or outdoors to protect the enclosed controls from dust, dirt, oil and water splashing. The 5412 EALCH are made from quality 0.063" (Type 5052 H - 32) aluminum, with corner seams continuously welded. The opening has a curled lip around all sides to prevent dripping water from entering the enclosure when the door is open, it also increases rigidity. A high quality robotically poured-in-place seamless gasket ensures a complete and durable water tight seal. This enclosure features

incorporated hinging, meaning that the hinge is a part of the box and part of the cover. This minimizes the amount of welding and allows the door to be easily removed by pulling out the full length mushroom head hinge pin. Very few JIC type enclosures offer this considerable advantage. **EXM's exclusive flange-mounted ¼ turn locking system** ensures positive closing while leaving a full workable mounting surface on the door. Each enclosure comes **complete with a 14 GA inner panel** which mounts on

weld nuts. The four external wall-mounting holes are oblong to facilitate installation and the mounting feet are incorporated into the body of the enclosure. Enclosures and panels are finished with heat fused powder paint, electrostatically applied on a pretreated base. Box is ANSI/ASA 61 gray, panel is white (other colors available).

**CSA Certified / UL Listed  
NEMA/EEMAC 4X / IP66**

Refer to p.727 to validate choice of substrate for the application



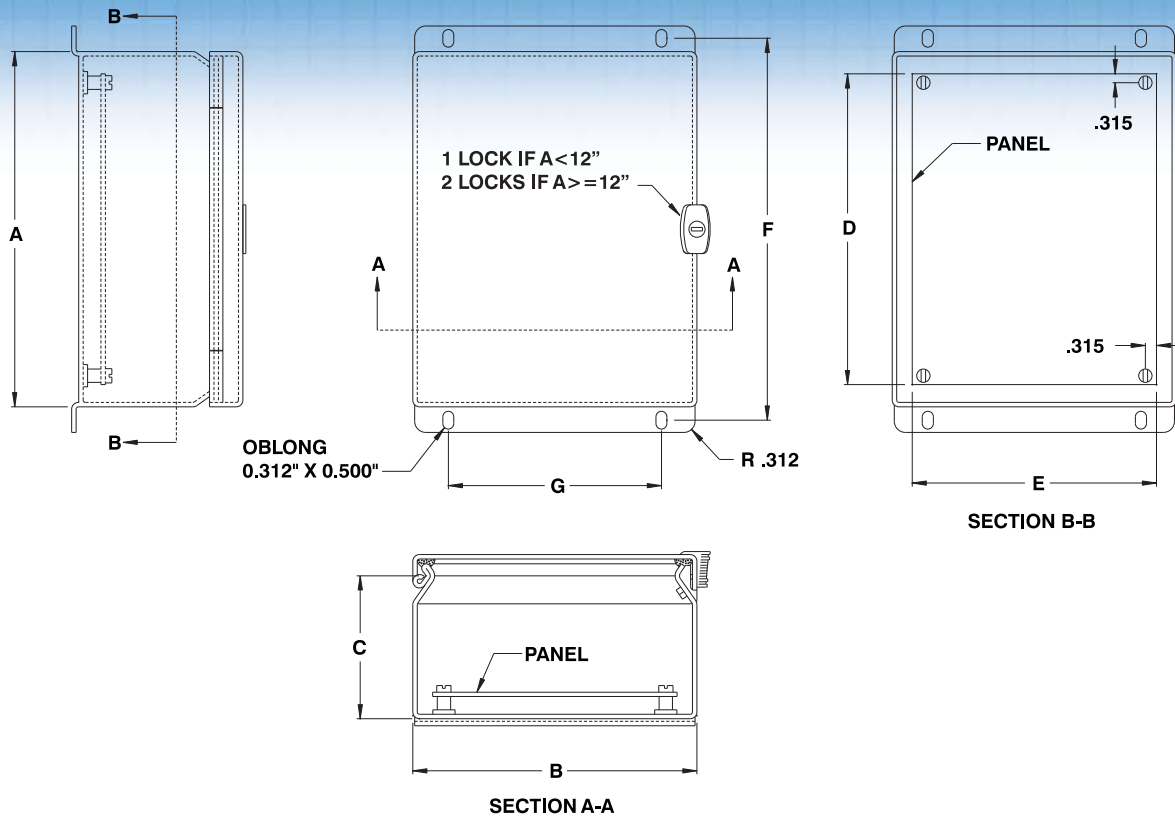
Customize with



Data subject to change without notice.







CATALOG NUMBER	DIMENSIONS							SHIP WGT LBS.
	A	B	C	D	E	F	G	
5412 EALCH040403	4	4	3	No.Pan.	No.Pan.	4.75	2	1
5412 EALCH060403	6	4	3	4.88	2.88	6.75	2	2
5412 EALCH060404	6	4	4	4.88	2.88	6.75	2	2
5412 EALCH060604	6	6	4	4.88	4.88	6.75	4	3
5412 EALCH080604	8	6	4	6.88	4.88	8.75	4	3
5412 EALCH080804	8	8	4	6.88	6.88	8.75	6	4
5412 EALCH081004	8	10	4	6.88	8.88	8.75	8	5
5412 EALCH100804	10	8	4	8.88	6.88	10.75	6	5
5412 EALCH120604	12	6	4	10.88	4.88	12.75	4	4
5412 EALCH060605	6	6	5	4.88	4.88	6.75	4	3
5412 EALCH080605	8	6	5	6.88	4.88	8.75	4	4
5412 EALCH101005	10	10	5	8.88	8.88	10.75	8	7
5412 EALCH101205	10	12	5	8.88	10.88	10.75	10	8
5412 EALCH121005	12	10	5	10.88	8.88	12.75	8	8
5412 EALCH121205	12	12	5	10.88	10.88	12.75	10	9
5412 EALCH080606	8	6	6	6.88	4.88	8.75	4	4
5412 EALCH100806	10	8	6	8.88	6.88	10.75	6	6
5412 EALCH101006	10	10	6	8.88	8.88	10.75	8	7
5412 EALCH121206	12	12	6	10.88	10.88	12.75	10	9
5412 EALCH121406	12	14	6	10.88	12.88	12.75	12	10
5412 EALCH140806	14	8	6	12.88	6.88	14.75	6	5
5412 EALCH141206	14	12	6	12.88	10.88	14.75	10	10
5412 EALCH141606	14	16	6	12.88	14.88	14.75	14	12
5412 EALCH161006	16	10	6	14.88	8.88	16.75	8	10
5412 EALCH161206	16	12	6	14.88	10.88	16.75	10	11
5412 EALCH161406	16	14	6	14.88	12.88	16.75	12	12
5412 EALCH121008	12	10	8	10.88	8.88	12.75	8	8
5412 EALCH141208	14	12	8	12.88	10.88	14.75	10	10
5412 EALCH161208	16	12	8	14.88	10.88	16.75	10	13
5412 EALCH161408	16	14	8	14.88	12.88	16.75	12	13
5412 EALCH161410	16	14	10	14.88	12.88	16.75	12	14



Data subject to change without notice.

Customize with



## Oil & dust tight lift off cover stainless steel enclosures

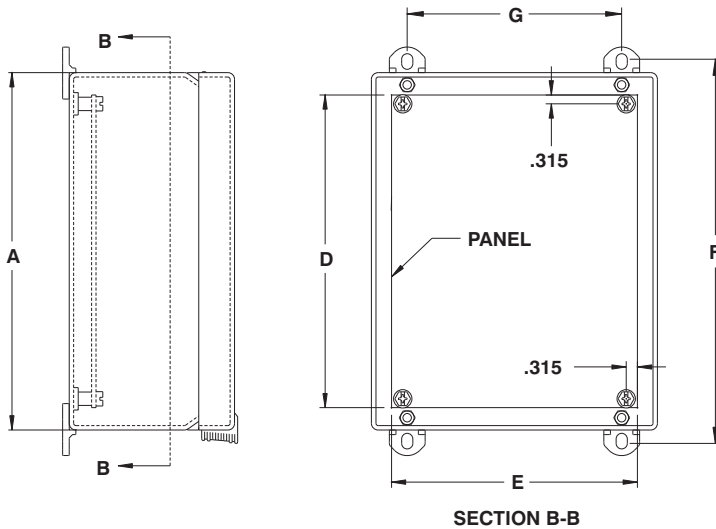
The 5412 ESSLC lift off cover, water oil and dust tight enclosures are used indoors or outdoors, in areas where a corrosion problem may exist or where the enclosures may be subjected to hosing or to water coming from any direction. The box and cover are made from 16 GA (Type 304) stainless steel with all seams continuously welded. A high quality robotically poured-in-place seamless gasket ensures a complete and durable

water tight seal. The opening has a curled lip around all sides to prevent dripping water from entering when the door is open, it also increases rigidity. A flange-mounted ¼ turn lock ensures positive closing while leaving a full workable mounting surface on the door. The enclosure can be internally mounted or externally mounted using the included die cast wall mounting feet. **Each enclosure comes complete with a 14 GA steel flat inner**

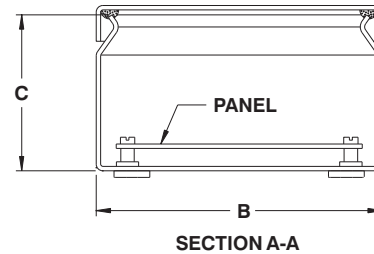
**panel** which mounts on welded nuts. The enclosures' exterior are unpainted and brushed smooth. The enclosures' interior and panels are finished with white heat fused powder paint, electrostatically applied on a pretreated base.

**CSA Certified / UL Listed  
NEMA/EEMAC 4X / IP66**

**Refer to p.727 to validate choice of substrate for the application**



**NOTE : 1 LOCK IF B=10" OR LESS  
2 LOCKS IF B=12" OR MORE**



CATALOG NUMBER	DIMENSIONS							SHIP WGHT LBS.
	A	B	C	D	E	F	G	
5412 ESSLC040403	4	4	3	No.Pan.	No.Pan.	4.75	2	2
5412 ESSLC060403	6	4	3	4.88	2.88	6.75	2	3
5412 ESSLC060404	6	4	4	4.88	2.88	6.75	2	4
5412 ESSLC060604	6	6	4	4.88	4.88	6.75	4	5
5412 ESSLC080604	8	6	4	6.88	4.88	8.75	4	6
5412 ESSLC100804	10	8	4	8.88	6.88	10.75	6	10
5412 ESSLC121005	12	10	5	10.88	8.88	12.75	8	13
5412 ESSLC141206	14	12	6	12.88	10.88	14.75	10	19
5412 ESSLC161406	16	14	6	14.88	12.88	16.75	12	23
5412 ESSLC141208	14	12	8	12.88	10.88	14.75	10	20
5412 ESSLC161410	16	14	10	14.88	12.88	16.75	12	25

Data subject to change without notice.



## Oil & dust tight lift off cover aluminium enclosures

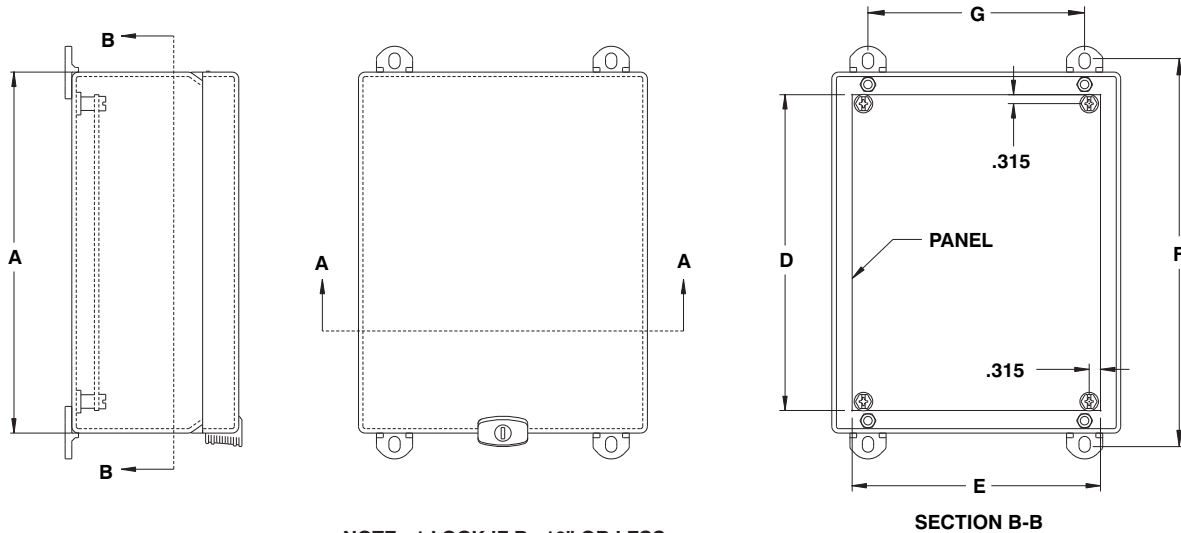
The 5412 EALLC lift off cover, water oil and dust tight enclosures are used indoors or outdoors, in areas where the enclosures may be subjected to hosing or to water coming from any direction. The box and cover are made from 0.080" (Type 5052 H -32) aluminium with all seams continuously welded. A high quality robotically poured-in-place seamless gasket ensures a complete and durable water tight

seal. The opening has a curled lip around all sides to prevent dripping water from entering when the door is open, it also increases rigidity. A flange-mounted ¼ turn lock ensures positive closing while leaving a full workable mounting surface on the door. The enclosure can be internally mounted or externally mounted using the included die cast wall mounting feet. **Each enclosure comes complete with a**

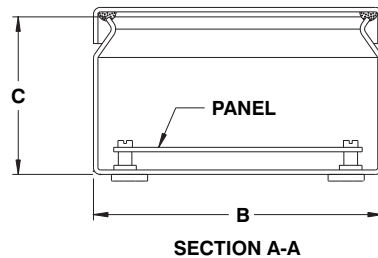
**14 GA steel flat inner panel** which mounts on welded nuts. Enclosures and panels are finished with heat fused powder paint, electrostatically applied on a pretreated base. Box is ANSI/ASA 61 gray, panel is white.

**CSA Certified / UL Listed  
NEMA/EEMAC 4X / IP66**

**Refer to p.727 to validate choice of substrate for the application**



NOTE : 1 LOCK IF B=10" OR LESS  
2 LOCKS IF B=10" OR MORE



CATALOG NUMBER	DIMENSIONS							SHIP WGHT LBS.
	A	B	C	D	E	F	G	
5412 EALLC040403	4	4	3	No.Pan.	No.Pan.	4.75	2	1
5412 EALLC060403	6	4	3	4.88	2.88	6.75	2	2
5412 EALLC060404	6	4	4	4.88	2.88	6.75	2	2
5412 EALLC060604	6	6	4	4.88	4.88	6.75	4	3
5412 EALLC080604	8	6	4	6.88	4.88	8.75	4	3
5412 EALLC100804	10	8	4	8.88	6.88	10.75	6	5
5412 EALLC121005	12	10	5	10.88	8.88	12.75	8	7
5412 EALLC141206	14	12	6	12.88	10.88	14.75	10	10
5412 EALLC161406	16	14	6	14.88	12.88	16.75	12	12
5412 EALLC141208	14	12	8	12.88	10.88	14.75	10	10
5412 EALLC161410	16	14	10	14.88	12.88	16.75	12	13

Data subject to change without notice.

Customize with



## Stainless steel screw cover enclosure

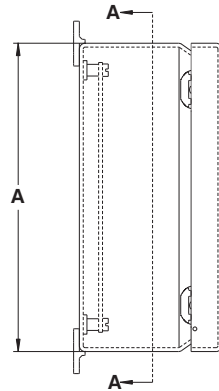
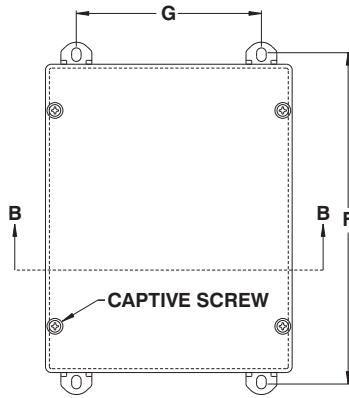
The 5412 ESSSC stainless steel screw cover enclosures are used indoors or outdoors to protect the enclosed controls from dust, dirt, oil and water splashing. The box and cover are made from 16 GA (Type 304) stainless steel with all seams continuously welded. The opening has a curled lip around all sides to prevent dripping water from entering the enclosure when the door is open, it also increases rigidity. A

high quality robotically poured-in-place seamless gasket ensures a complete and durable water tight seal. The enclosure can be internally mounted or externally mounted using the included die cast wall mounting feet. These feet have oblong holes to facilitate installation. **Each enclosure comes complete with a 14 GA inner panel** which mounts on weldnuts. The enclosures' exterior are unpainted

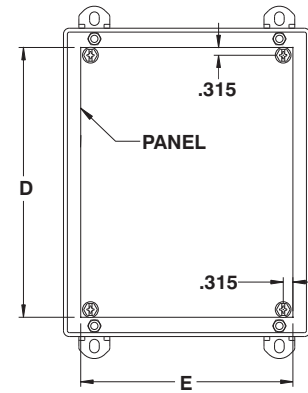
and brushed smooth. The enclosures' interior and panels are finished with white heat fused powder paint, electrostatically applied on a pretreated base.

**CSA Certified / UL Listed  
NEMA/EEMAC 4X / IP66**

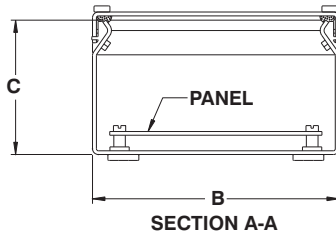
**Refer to p.727 to validate choice of substrate for the application**



NOTE: - TWO MOUNTING FEET IF B=4" OR LESS



SECTION B-B



SECTION A-A



CATALOG NUMBER	DIMENSIONS							SHIP WT LBS.
	A	B	C	D	E	F	G	
5412 ESSSC120202	12	2	2.312	No.Pan.	No.Pan.	12.750	----	3
5412 ESSSC040403	4	4	3.312	No.Pan.	No.Pan.	4.750	----	2
5412 ESSSC060403	6	4	3.312	4.880	2.880	6.750	----	3
5412 ESSSC060404	6	4	4.312	4.880	2.880	6.750	----	4
5412 ESSSC060604	6	6	4.312	4.880	4.880	6.750	4.000	5
5412 ESSSC080604	8	6	4.312	6.880	4.880	8.750	4.000	6
5412 ESSSC080804	8	8	4.312	6.880	6.880	8.750	6.000	8
5412 ESSSC100804	10	8	4.312	8.880	6.880	10.750	6.000	9
5412 ESSSC101004	10	10	4.312	8.880	8.880	10.750	8.000	10
5412 ESSSC120404	12	4	4.312	10.880	2.880	12.750	----	6
5412 ESSSC160404	16	4	4.312	14.880	2.880	16.750	----	6
5412 ESSSC121005	12	10	5.312	10.880	8.880	12.750	8.000	13
5412 ESSSC080606	8	6	6.312	8.880	4.880	8.750	4.000	7
5412 ESSSC100806	10	8	6.312	8.880	6.880	10.750	6.000	10
5412 ESSSC101006	10	10	6.312	8.880	8.880	10.750	8.000	11
5412 ESSSC120606	12	6	6.312	10.880	4.880	12.750	4.000	9
5412 ESSSC121206	12	12	6.312	10.880	10.880	12.750	10.000	15
5412 ESSSC141206	14	12	6.312	12.880	10.880	14.750	10.000	19
5412 ESSSC160606	16	6	6.312	14.880	4.880	16.750	4.000	11
5412 ESSSC161406	16	14	6.312	14.880	12.880	16.750	12.000	23
5412 ESSSC141208	14	12	8.312	12.880	10.880	14.750	10.000	20
5412 ESSSC161410	16	14	10.312	14.880	12.880	16.750	12.000	25

Data subject to change without notice.





## Aluminum screw cover enclosure

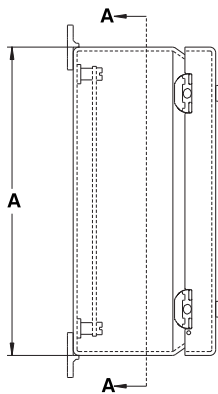
The 5412 EALSC aluminum screw cover enclosures are used indoors or outdoors to protect the enclosed controls from dust, dirt, oil and water splashing. The box and cover are made from type 5052 H-32 aluminum with all seams continuously welded. The opening has a curled lip around all sides to prevent dripping water from entering the enclosure when the door is open, it also increases rigidity. A high quality

robotically poured-in-place seamless gasket ensures a complete and durable water tight seal. The enclosure can be internally mounted or externally mounted using the included die cast wall mounting feet. These feet have oblong holes to facilitate installation. **Each enclosure comes complete with a 14 GA inner panel** which mounts on weldnuts. Enclosure and panels are finished with heat fused powder

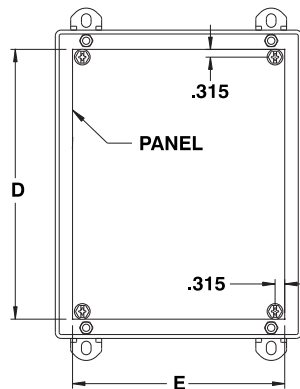
paint, electrostatically applied on a pretreated base. Box is ANSI/ASA 61 gray, panel is white (other colors also available).

**CSA Certified / UL Listed  
NEMA/EEMAC 4X / IP66**

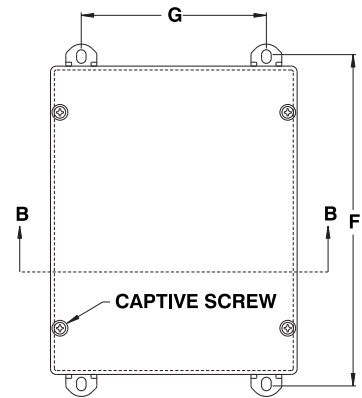
**Refer to p.727 to validate choice of substrate for the application**



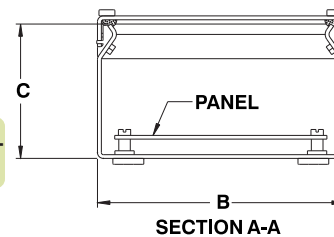
NOTE: - TWO MOUNTING FEET  
IF B=4" OR LESS



SECTION B-B



CATALOG NUMBER	DIMENSIONS							SHIP WGT LBS.
	A	B	C	D	E	F	G	
5412 EALSC120202	12	2	2.312	No.Pan.	No.Pan.	12.750	----	3
5412 EALSC040403	4	4	3.312	No.Pan.	No.Pan.	4.750	----	2
5412 EALSC060403	6	4	3.312	4.880	2.880	6.750	----	3
5412 EALSC060404	6	4	4.312	4.880	2.880	6.750	----	4
5412 EALSC060604	6	6	4.312	4.880	4.880	6.750	4.000	5
5412 EALSC080604	8	6	4.312	6.880	4.880	8.750	4.000	6
5412 EALSC080804	8	8	4.312	6.880	6.880	8.750	6.000	8
5412 EALSC100804	10	8	4.312	8.880	6.880	10.750	6.000	9
5412 EALSC101004	10	10	4.312	8.880	8.880	10.750	8.000	10
5412 EALSC120404	12	4	4.312	10.880	2.880	12.750	----	6
5412 EALSC160404	16	4	4.312	14.880	2.880	16.750	----	6
5412 EALSC121005	12	10	5.312	10.880	8.880	12.750	8.000	13
5412 EALSC080606	8	6	6.312	8.880	4.880	8.750	4.000	7
5412 EALSC100806	10	8	6.312	8.880	6.880	10.750	6.000	10
5412 EALSC101006	10	10	6.312	8.880	8.880	10.750	8.000	11
5412 EALSC120606	12	6	6.312	10.880	4.880	12.750	4.000	9
5412 EALSC121206	12	12	6.312	10.880	10.880	12.750	10.000	15
5412 EALSC141206	14	12	6.312	12.880	10.880	14.750	10.000	19
5412 EALSC160606	16	6	6.312	14.880	4.880	16.750	4.000	11
5412 EALSC161406	16	14	6.312	14.880	12.880	16.750	12.000	23
5412 EALSC141208	14	12	8.312	12.880	10.880	14.750	10.000	20
5412 EALSC161410	16	14	10.312	14.880	12.880	16.750	12.000	25



SECTION A-A



Data subject to change without notice.

Customize with



## Stainless steel hinged wiring troughs

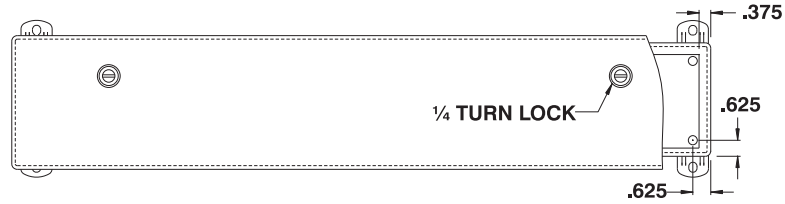
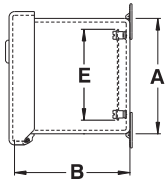
The 1412 CHSSP...IP stainless steel hinged cover oil and dust tight troughs with inner panel are used indoors to protect the enclosed controls from dust, dirt, oil and water splashing. The box and cover are made from 16 GA steel with all seams continuously welded. The opening has a flange

around all sides which increases rigidity and ensures complete contact with the oil resistant high quality seamless poured gasket. The door is secured by convenient 1/4 turn locks and can be opened over 180°. Internal mounting holes are provided and a wall mounting kit is supplied. Enclosures and panels

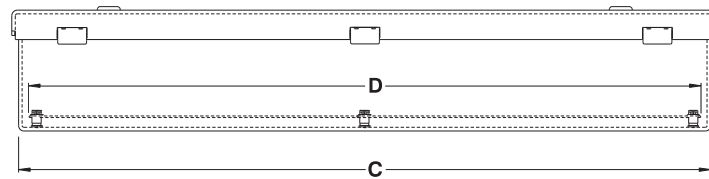
are finished with heat fused powder paint, electrostatically applied on a pretreated base. Box is ANSI/ASA 61 gray.

**CSA Certified / UL Listed  
NEMA/EEMAC 4X / IP66**

**Refer to p.727 to validate choice of substrate for the application**



## Customize with

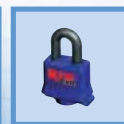


Data subject to change without notice.

CATALOG NUMBER	DIMENSIONS					SHIP WGHT LBS.
	A	B	C	D	E	
1412 CHSSP060424IP 6	4	24	21.88	2.88	12	
1412 CHSSP060436IP 6	4	36	33.88	2.88	18	
1412 CHSSP060448IP 6	4	48	45.88	2.88	23	
1412 CHSSP060460IP 6	4	60	57.88	2.88	29	
1412 CHSSP060472IP 6	4	72	69.88	2.88	34	
1412 CHSSP060612IP 6	6	12	9.88	4.88	8	
1412 CHSSP060618IP 6	6	18	15.88	4.88	12	
1412 CHSSP060624IP 6	6	24	21.88	4.88	15	
1412 CHSSP060630IP 6	6	30	27.88	4.88	19	
1412 CHSSP060636IP 6	6	36	33.88	4.88	22	
1412 CHSSP060648IP 6	6	48	45.88	4.88	29	
1412 CHSSP060660IP 6	6	60	57.88	4.88	36	
1412 CHSSP060672IP 6	6	72	69.88	4.88	42	
1412 CHSSP080524IP 8	5	24	21.88	3.88	16	
1412 CHSSP080536IP 8	5	36	33.88	3.88	23	
1412 CHSSP080548IP 8	5	48	45.88	3.88	30	
1412 CHSSP080560IP 8	5	60	57.88	3.88	37	
1412 CHSSP080572IP 8	5	72	69.88	3.88	44	
1412 CHSSP080812IP 8	8	12	9.88	6.88	12	
1412 CHSSP080824IP 8	8	24	21.88	6.88	21	
1412 CHSSP080836IP 8	8	36	33.88	6.88	30	
1412 CHSSP080848IP 8	8	48	45.88	6.88	38	
1412 CHSSP080860IP 8	8	60	57.88	6.88	47	
1412 CHSSP100636IP 10	6	36	33.88	4.88	28	
1412 CHSSP100648IP 10	6	48	45.88	4.88	36	
1412 CHSSP100660IP 10	6	60	57.88	4.88	45	
1412 CHSSP100672IP 10	6	72	69.88	4.88	53	
1412 CHSSP121224IP 12	12	24	21.88	10.88	32	
1412 CHSSP121236IP 12	12	36	33.88	10.88	46	
1412 CHSSP121248IP 12	12	48	45.88	10.88	59	
1412 CHSSP121260IP 12	12	60	57.88	10.88	72	



p.459



p.455



p.472

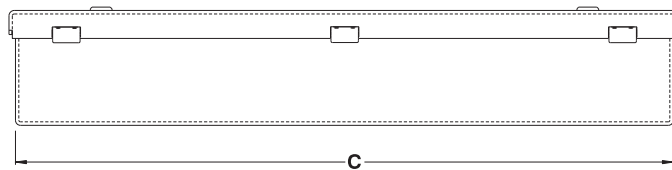
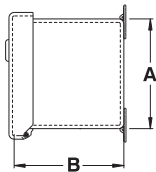
## Stainless steel hinged wiring troughs

The 1412 CHSS stainless steel hinged cover oil and dust tight troughs are used indoors or outdoors to protect the enclosed controls from dust, dirt, oil and water splashing. The box and cover are made from 16 GA (Type 304) stainless steel with all seams

continuously welded. The opening has a flange around all sides which increases rigidity and ensures complete contact with the oil resistant high quality seamless poured gasket. The door is secured by convenient ¼ turn locks and can be opened over

180°. Internal mounting holes are provided and a wall mounting kit is supplied. The enclosures are unpainted and brushed smooth.

**CSA Certified / UL Listed  
NEMA/EEMAC 4X / IP66**



CATALOG NUMBER	DIMENSIONS			SHIP WGHT LBS.
	A	B	C	
1412 CHSS020212	2.5	2.5	12	3
1412 CHSS020218	2.5	2.5	18	5
1412 CHSS020224	2.5	2.5	24	6
1412 CHSS020230	2.5	2.5	30	9
1412 CHSS020236	2.5	2.5	36	10
1412 CHSS020248	2.5	2.5	48	13
1412 CHSS020260	2.5	2.5	60	16
1412 CHSS020272	2.5	2.5	72	19
1412 CHSS040412	4	4	12	6
1412 CHSS040418	4	4	18	8
1412 CHSS040424	4	4	24	10
1412 CHSS040430	4	4	30	13
1412 CHSS040436	4	4	36	16
1412 CHSS040448	4	4	48	20
1412 CHSS040460	4	4	60	25
1412 CHSS040472	4	4	72	30
1412 CHSS060612	6	6	12	9
1412 CHSS060618	6	6	18	12
1412 CHSS060624	6	6	24	16
1412 CHSS060630	6	6	30	19
1412 CHSS060636	6	6	36	23
1412 CHSS060648	6	6	48	29
1412 CHSS060660	6	6	60	32
1412 CHSS060672	6	6	72	43
1412 CHSS080812	8	8	12	11
1412 CHSS080824	8	8	12	15
1412 CHSS080836	8	8	36	19
1412 CHSS080848	8	8	48	33
1412 CHSS080860	8	8	60	41
1412 CHSS121224	12	12	24	34
1412 CHSS121236	12	12	36	49
1412 CHSS121248	12	12	48	60
1412 CHSS121260	12	12	61	73



p.459

<http://www.exmweb.com>

Customize with



1-800-363-2423

Fax : 450-979-4626



[info@exmweb.com](mailto:info@exmweb.com)

Data subject to change without notice.

## Water, oil & dust tight stainless steel enclosures

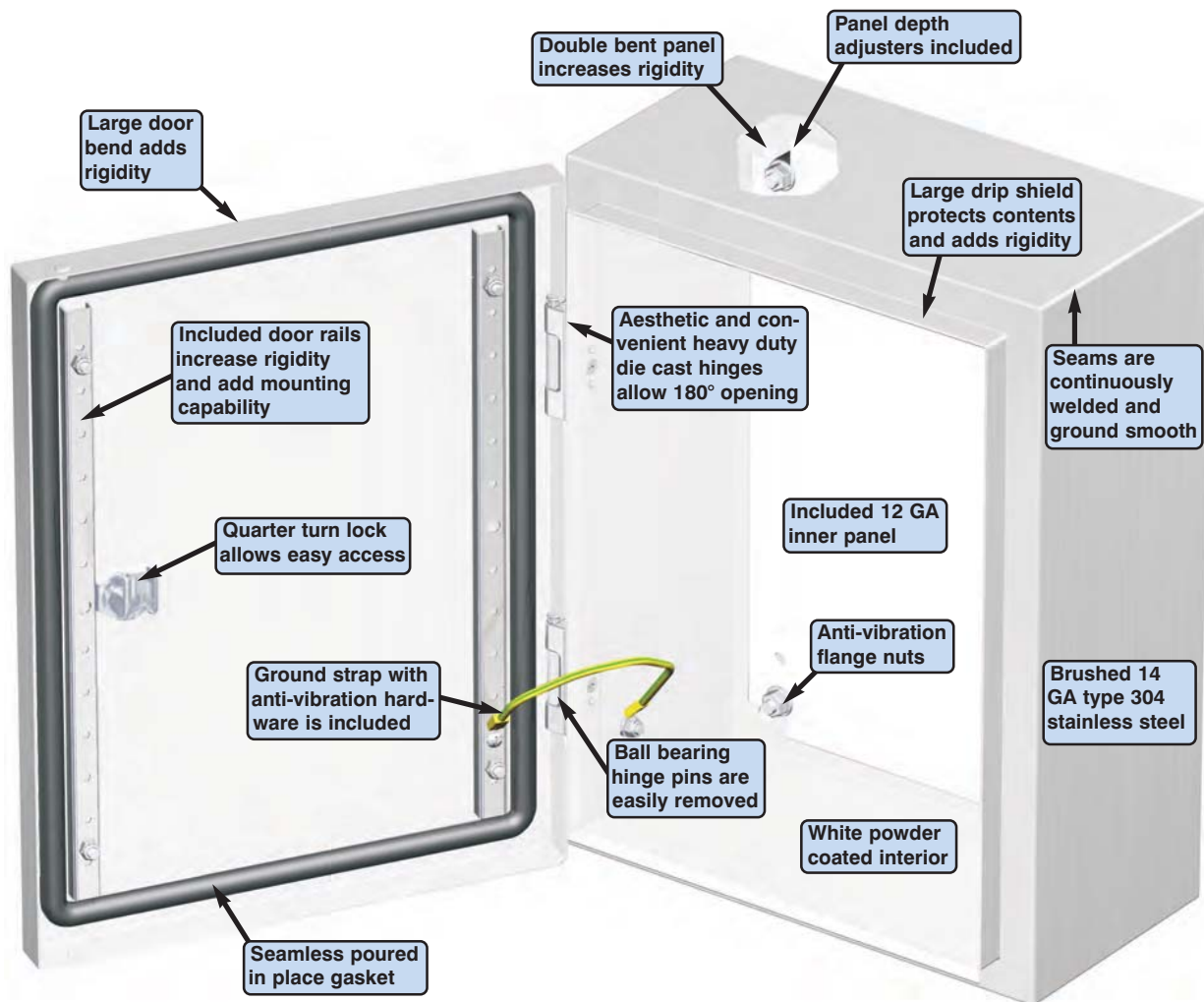
The 5412 ESS water, oil & dust tight enclosures are used indoors or outdoors in areas where a corrosion problem exists or where the enclosures may be subject to hosing or to water coming from any direction or for protection against dust, dirt or oil splashing. The 5412 ESS are made from quality 14 GA or 16 GA (Type 304) stainless steel, with corner seams continuously welded. The opening has a curled lip around all sides to prevent dripping water

from entering the enclosure when the door is open, it also increases rigidity. A high quality robotically poured-in-place seamless gasket ensures a complete and durable water tight seal. The pins of the concealed hinges can be pulled out to remove the door. A ¼ turn locking mechanism (or 3 point latch system on larger enclosures) ensures positive closing. Internal mounting holes are provided. Each enclosure comes **complete with a 12 GA inner panel**

**panel** which is double bent\* for maximum rigidity and mounts on M8 welded studs. The enclosures' exterior are unpainted and brushed smooth. The enclosures' interior and panels are finished with white heat fused powder paint, electrostatically applied on a pretreated base.

**CSA Certified / UL Listed  
NEMA/EEMAC 4X / IP66**

**Refer to p.727 to validate choice of substrate for the application**

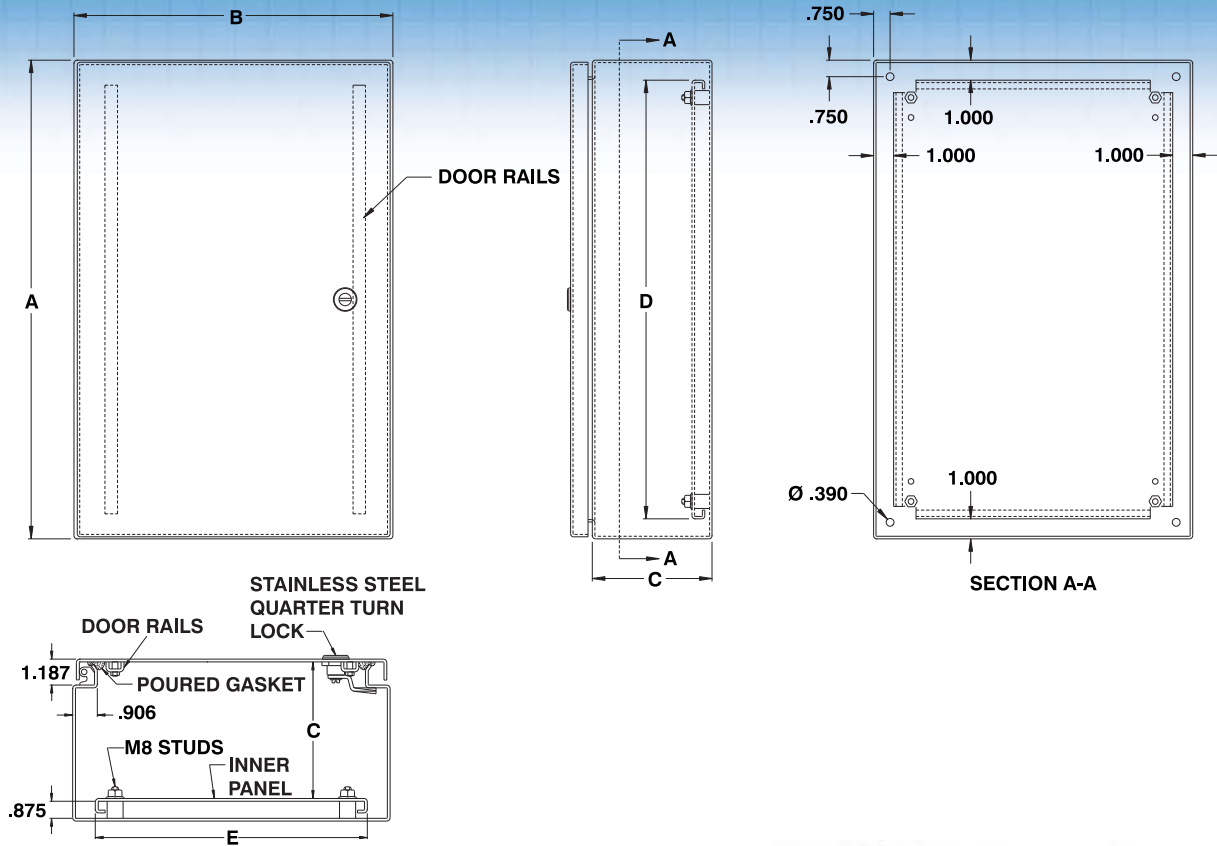


Customize with



Data subject to change without notice.





CATALOG NUMBER	DIMENSIONS					SHIP WGT. LBS.
	A	B	C	D	E	
5412 ESS121206	12	12	6	10	10	19
5412 ESS122406	12	24	6	10	22	35
5412 ESS161206	16	12	6	14	10	24
5412 ESS161606	16	16	6	14	14	31
5412 ESS162006	16	20	6	14	18	37
5412 ESS122408	12	24	8	10	22	38
5412 ESS161208	16	12	8	14	10	17
5412 ESS161608	16	16	8	14	14	34
5412 ESS162008	16	20	8	14	18	41
5412 ESS161210	16	12	10	14	10	30

† Add suffix '6' to the catalog number for 316 stainless steel.  
ex. 5412 ESS1212066

\* Only panels with sides 20" or more are double bent.



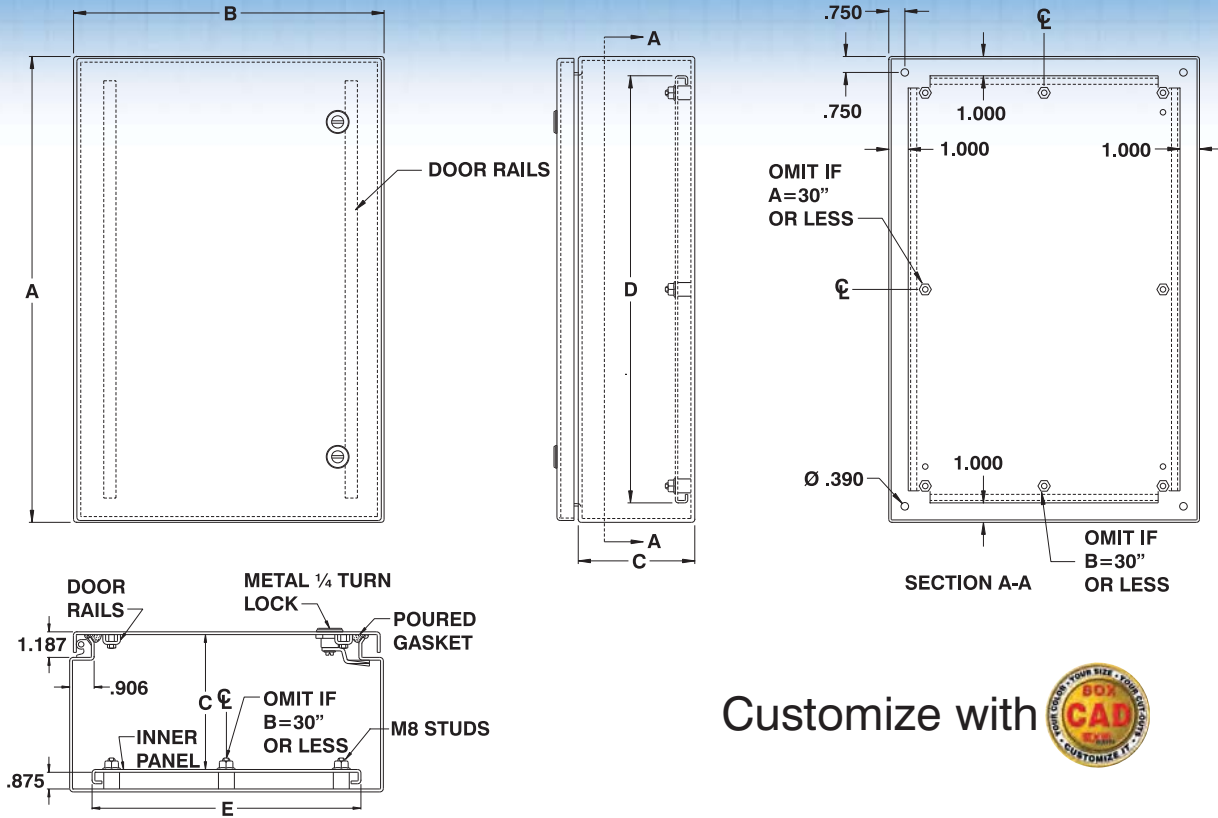
**Insulated box?** To have your enclosure insulated, add suffix "TH"

i.e.: 5412ESS362412TH → Insulated stainless steel enclosure

Data subject to change without notice.



p.490 p.476 p.473 p.583 p.477 p.624 p.636 p.609 p.472  
<http://www.exmweb.com> 1-800-363-2423 Fax : 450-979-4626 info@exmweb.com



Customize with

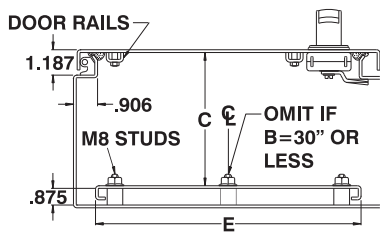
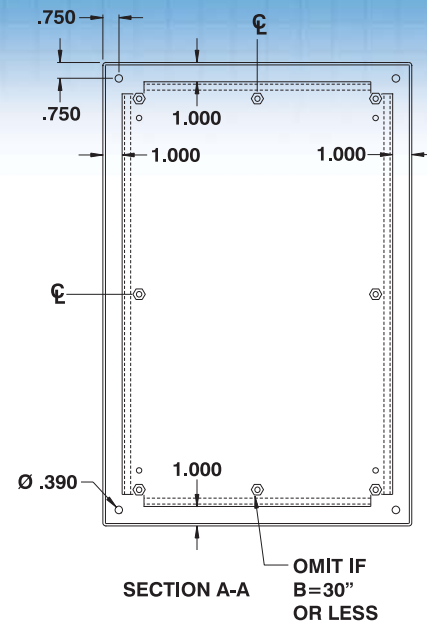
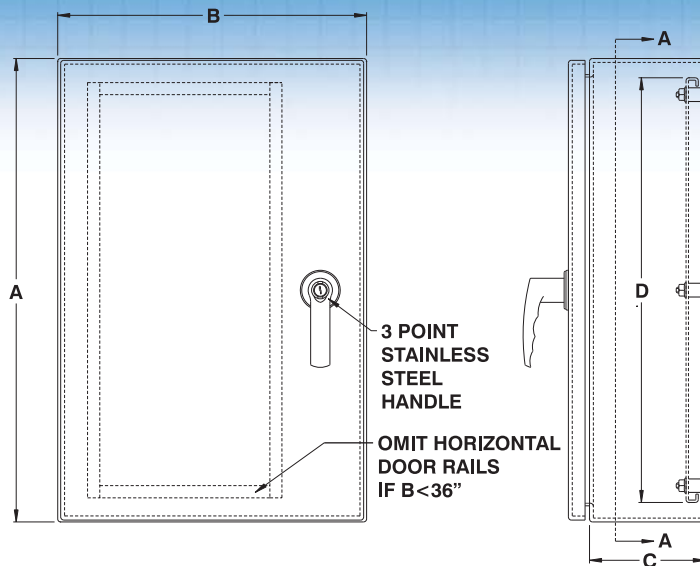


CATALOG NUMBER	DIMENSIONS					SHIP WGT LBS.	CATALOG NUMBER	DIMENSIONS					SHIP WGT LBS.
	A	B	C	D	E			A	B	C	D	E	
5412 ESS201206	20	12	6	18	10	29	5412 ESS363608	36	36	8	34	34	136
5412 ESS201606	20	16	6	18	14	37	5412 ESS201610	20	16	10	18	14	44
5412 ESS202006	20	20	6	18	18	45	5412 ESS202010	20	20	10	18	18	53
5412 ESS202406	20	24	6	18	22	53	5412 ESS241210	24	12	10	22	10	42
5412 ESS241206	24	12	6	22	10	35	5412 ESS242010	24	20	10	22	18	62
5412 ESS241606	24	16	6	22	14	44	5412 ESS242410	24	24	10	22	22	71
5412 ESS242006	24	20	6	22	18	53	5412 ESS302010	30	20	10	28	18	74
5412 ESS242406	24	24	6	22	22	62	5412 ESS302410	30	24	10	28	22	86
5412 ESS301606	30	16	6	28	14	53	5412 ESS303010	30	30	10	28	28	98
5412 ESS302006	30	20	6	28	18	65	5412 ESS362410	36	24	10	34	22	101
5412 ESS302406	30	24	6	28	22	76	5412 ESS363010	36	30	10	34	28	122
5412 ESS362406	36	24	6	34	22	90	5412 ESS201612	20	16	12	18	14	48
5412 ESS363006	36	30	6	34	28	109	5412 ESS202012	20	20	12	18	18	57
5412 ESS201208	20	12	8	18	10	33	5412 ESS202412	20	24	12	18	22	66
5412 ESS201608	20	16	8	18	14	41	5412 ESS242012	24	20	12	22	18	66
5412 ESS202008	20	20	8	18	18	49	5412 ESS242412	24	24	12	22	22	76
5412 ESS202408	20	24	8	18	22	57	5412 ESS302412	30	24	12	28	22	92
5412 ESS241208	24	12	8	22	10	38	5412 ESS303012	30	30	12	28	28	110
5412 ESS241608	24	16	8	22	14	48	5412 ESS362412	36	24	12	34	22	107
5412 ESS242008	24	20	8	22	18	57	5412 ESS363012	36	30	12	34	28	129
5412 ESS242408	24	24	8	22	22	67	5412 ESS363612	36	36	12	34	34	150
5412 ESS243008	24	30	8	22	28	81	5412 ESS242016	24	20	16	22	18	74
5412 ESS301208	30	12	8	28	10	46	5412 ESS242416	24	24	16	22	22	96
5412 ESS301608	30	16	8	28	14	58	5412 ESS302416	30	24	16	28	22	102
5412 ESS302008	30	20	8	28	18	70	5412 ESS362416	36	24	16	34	22	119
5412 ESS302408	30	24	8	28	22	81	5412 ESS363016	36	30	16	34	28	142
5412 ESS303008	30	30	8	28	28	98	5412 ESS302420	30	24	20	28	22	113
5412 ESS303608	30	36	8	28	34	116	5412 ESS363020	36	30	20	34	28	155
5412 ESS362408	36	24	8	34	22	95	5412 ESS302424	30	24	24	28	22	123
5412 ESS363008	36	30	8	34	28	116							

Data subject to change without notice.

† Add suffix '6' to the catalog number for 316 stainless steel. ex. 5412 ESS2424166  
 \* Only panels with sides 20" or more are double bent.





CATALOG NUMBER	DIMENSIONS					SHIP WGT LBS.
	A	B	C	D	E	
5412 ESS422408	42	24	8	40	22	110
5412 ESS423008	42	30	8	40	28	133
5412 ESS423608	42	36	8	40	34	156
5412 ESS482408	48	24	8	46	22	124
5412 ESS483008	48	30	8	46	28	150
5412 ESS483608	48	36	8	46	34	177
5412 ESS603608	60	36	8	58	34	218
5412 ESS423010	42	30	10	40	28	140
5412 ESS423610	42	36	10	40	34	164
5412 ESS483010	48	30	10	46	28	158
5412 ESS483610	48	36	10	46	34	185
5412 ESS603610	60	36	10	58	34	227
5412 ESS422412	42	24	12	40	22	118
5412 ESS423012	42	30	12	40	28	147
5412 ESS423612	42	36	12	40	34	172
5412 ESS482412	48	24	12	46	22	138
5412 ESS483612	48	36	12	46	34	193
5412 ESS602412	60	24	12	58	22	169
5412 ESS603612	60	36	12	58	34	236
5412 ESS723012	72	30	12	70	28	240
5412 ESS723612	72	36	12	70	34	279
5412 ESS423616	42	36	16	40	34	187
5412 ESS483616	48	36	16	46	34	210
5412 ESS603616	60	36	16	58	14	255
5412 ESS723016	72	30	16	70	28	260
5412 ESS723616	72	36	16	70	34	301
5412 ESS483620	48	36	20	46	34	226
5412 ESS603620	60	36	20	58	34	274
5412 ESS723020	72	30	20	70	28	280
5412 ESS723024	72	30	24	70	28	300

† Add suffix '6' to the catalog number for 316 stainless steel. ex. 5412 ESS4230086  
 \* Only panels with sides 20" or more are double bent.

Data subject to change without notice.

**Insulated box?** To have your enclosure insulated, add suffix "TH"

i.e.: 5412ESS362412TH → Insulated enclosure

## Water, oil & dust tight painted stainless steel enclosures

The 5412 ESSP water, oil & dust tight enclosures are used indoors or outdoors in areas where a corrosion problem exists or where the enclosures may be subject to hosing or to water coming from any direction or for protection against dust, dirt or oil splashing. The 5412 ESSP are made from quality 14 GA or 16 GA (Type 304) stainless steel, with corner seams continuously welded. The opening has a curled lip around all sides to prevent dripping water from entering the

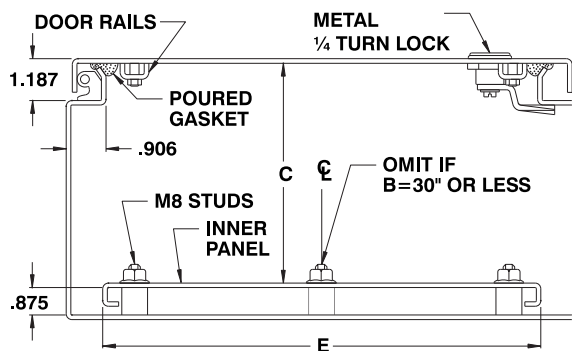
enclosure when the door is open, it also increases rigidity. A high quality robotically poured-in-place seamless gasket ensures a complete and durable water tight seal. The pins of the concealed hinges can be pulled out to remove the door.

A ¼ turn locking mechanism ensures positive closing. Internal mounting holes are provided. Each enclosure comes **complete with a 12 GA inner panel** which is double bent\* for maximum rigidity and mounts on M8 welded

studs. The powder coating further protects the stainless steel against the elements. Panels and enclosures are finished with heat fused powder paint, electrostatically applied on a pretreated base. Box is ANSI/ASA 61 gray, panel is white (other colors available).

**CSA Certified / UL Listed  
NEMA/EEMAC 4X / IP66**

**Refer to p.727 to validate choice of substrate for the application**

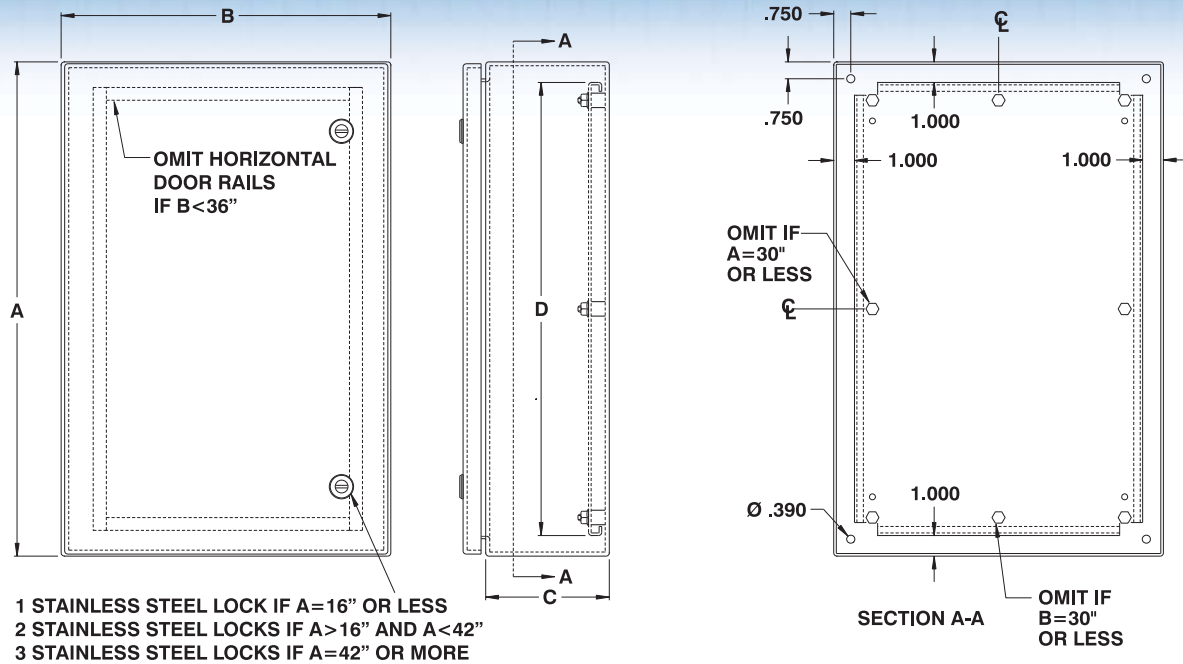


CATALOG NUMBER	DIMENSIONS					SHIP WTGT LBS.
	A	B	C	D	E	
5412 ESSP121206	12	12	6	10	10	19
5412 ESSP122406	12	24	6	10	22	35
5412 ESSP161206	16	12	6	14	10	24
5412 ESSP161606	16	16	6	14	14	31
5412 ESSP162006	16	20	6	14	18	37
5412 ESSP201206	20	12	6	18	10	29
5412 ESSP201606	20	16	6	18	14	37
5412 ESSP202006	20	20	6	18	18	45
5412 ESSP202406	20	24	6	18	22	53
5412 ESSP241206	24	12	6	22	10	35
5412 ESSP241606	24	16	6	22	14	44
5412 ESSP242006	24	20	6	22	18	53
5412 ESSP242406	24	24	6	22	22	62
5412 ESSP301606	30	16	6	28	14	53
5412 ESSP302006	30	20	6	28	18	65
5412 ESSP302406	30	24	6	28	22	76
5412 ESSP362406	36	24	6	34	22	90
5412 ESSP363006	36	30	6	34	28	109
5412 ESSP122408	12	24	8	10	22	38
5412 ESSP161208	16	12	8	14	10	27
5412 ESSP161608	16	16	8	14	14	34
5412 ESSP162008	16	20	8	14	18	41
5412 ESSP201208	20	12	8	18	10	33
5412 ESSP201608	20	16	8	18	14	41
5412 ESSP202008	20	20	8	18	18	49
5412 ESSP202408	20	24	8	18	22	57
5412 ESSP241208	24	12	8	22	10	38
5412 ESSP241608	24	16	8	22	14	48
5412 ESSP242008	24	20	8	22	18	57
5412 ESSP242408	24	24	8	22	22	67
5412 ESSP243008	24	30	8	22	28	81
5412 ESSP301208	30	12	8	28	10	46
5412 ESSP301608	30	16	8	28	14	58
5412 ESSP302008	30	20	8	28	18	70
5412 ESSP302408	30	24	8	28	22	81
5412 ESSP303008	30	30	8	28	28	98
5412 ESSP303608	30	36	8	28	34	116
5412 ESSP362408	36	24	8	34	22	95
5412 ESSP363008	36	30	8	34	28	116
5412 ESSP363608	36	36	8	34	34	136
5412 ESSP422408	42	24	8	40	22	110
5412 ESSP423008	42	30	8	40	28	133

Data subject to change without notice.







CATALOG NUMBER	DIMENSIONS					SHIP WGHT LBS.
	A	B	C	D	E	
5412 ESSP423608	42	36	8	40	34	156
5412 ESSP482408	48	24	8	46	22	124
5412 ESSP483008	48	30	8	46	28	150
5412 ESSP483608	48	36	8	46	34	177
5412 ESSP603608	60	36	8	58	34	218
5412 ESSP161210	16	12	10	14	10	30
5412 ESSP201610	20	16	10	18	14	44
5412 ESSP202010	20	20	10	18	18	53
5412 ESSP241210	24	12	10	22	10	42
5412 ESSP242010	24	20	10	22	18	62
5412 ESSP242410	24	24	10	22	22	71
5412 ESSP302010	30	20	10	28	18	74
5412 ESSP302410	30	24	10	28	22	86
5412 ESSP303010	30	30	10	28	28	100
5412 ESSP362410	36	24	10	34	22	101
5412 ESSP363010	36	30	10	34	28	122
5412 ESSP423010	42	30	10	40	28	140
5412 ESSP423610	42	36	10	40	34	164
5412 ESSP483010	48	30	10	46	28	158
5412 ESSP483610	48	36	10	46	34	185
5412 ESSP603610	60	36	10	58	34	227
5412 ESSP201612	20	16	12	18	14	48
5412 ESSP202012	20	20	12	18	18	57
5412 ESSP202412	20	24	12	18	22	66
5412 ESSP242012	24	20	12	22	18	66
5412 ESSP242412	24	24	12	22	22	76
5412 ESSP302412	30	24	12	28	22	92
5412 ESSP303012	30	30	12	28	28	110
5412 ESSP362412	36	24	12	34	22	107

CATALOG NUMBER	DIMENSIONS					SHIP WGHT LBS.
	A	B	C	D	E	
5412 ESSP363012	36	30	12	34	28	129
5412 ESSP363612	36	36	12	34	34	150
5412 ESSP422412	42	24	12	40	22	118
5412 ESSP423012	42	30	12	40	28	147
5412 ESSP423612	42	36	12	40	34	172
5412 ESSP482412	48	24	12	46	22	138
5412 ESSP483612	48	36	12	46	34	193
5412 ESSP602412	60	24	12	58	22	169
5412 ESSP603612	60	36	12	58	34	236
5412 ESSP723012	72	30	12	70	28	240
5412 ESSP723612	72	36	12	70	34	279
5412 ESSP242016	24	20	16	22	18	74
5412 ESSP242416	24	24	16	22	22	86
5412 ESSP302416	30	24	16	28	22	102
5412 ESSP362416	36	24	16	34	22	119
5412 ESSP363016	36	30	16	34	28	142
5412 ESSP423616	42	36	16	40	34	187
5412 ESSP483616	48	36	16	46	34	210
5412 ESSP603616	60	36	16	58	14	255
5412 ESSP723016	72	30	16	70	28	260
5412 ESSP723616	72	36	16	70	34	301
5412 ESSP302420	30	24	20	28	22	113
5412 ESSP363020	36	30	20	34	28	155
5412 ESSP483620	48	36	20	46	34	226
5412 ESSP603620	60	36	20	58	34	274
5412 ESSP723020	72	30	20	70	28	280
5412 ESSP302424	30	24	24	28	22	123
5412 ESSP723024	72	30	24	70	28	300

\* Only panels with sides 20" or more are double bent.  
 † For stainless steel type 316, add suffix '6' to the catalog number (ie. 5412 ESSP1612086).  
 ‡ For brushed stainless steel, see the 5412 ESS series on the preceding page.

**Insulated box?** To have your enclosure insulated, add suffix "TH"

i.e.: 5412ESSP362412TH → Insulated stainless steel enclosure

Data subject to change without notice.

## Water, oil & dust tight aluminium enclosures

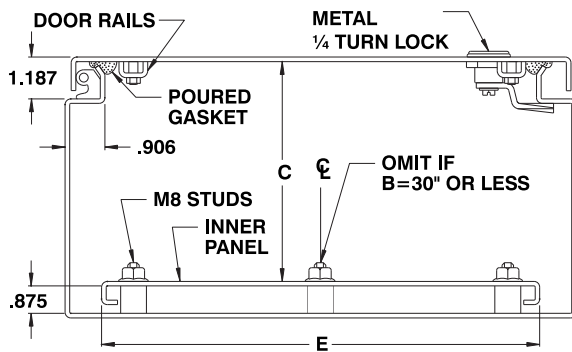
The 5412 EAL water, oil & dust tight enclosures are used indoors or outdoors in areas where a corrosion problem exists or where the enclosures may be subject to hosing or to water coming from any direction or for protection against dust, dirt or oil splashing. The 5412 EAL are made from quality 0.080" aluminum (Type 5052 H-32), with corner seams continuously welded. The opening has a curled lip around all sides to prevent dripping water from entering the enclosure when

the door is open, it also increases rigidity. A high quality robotically poured-in-place seamless gasket ensures a complete and durable water tight seal. The pins of the concealed hinges can be pulled out to remove the door. A ¼ turn locking mechanism (or 3 point latch system on larger enclosures) ensures positive closing. Internal mounting holes are provided. Each enclosure comes **complete with a 12 GA inner panel** and is double bent\* for maximum rigidity and

mounts on M8 welded studs. Enclosures and panels are finished with heat fused powder paint, electrostatically applied on a pretreated base. Box is ANSI/ASA 61 gray, panel is white (other colors available).

**CSA Certified / UL Listed  
NEMA/EEMAC 4X / IP66**

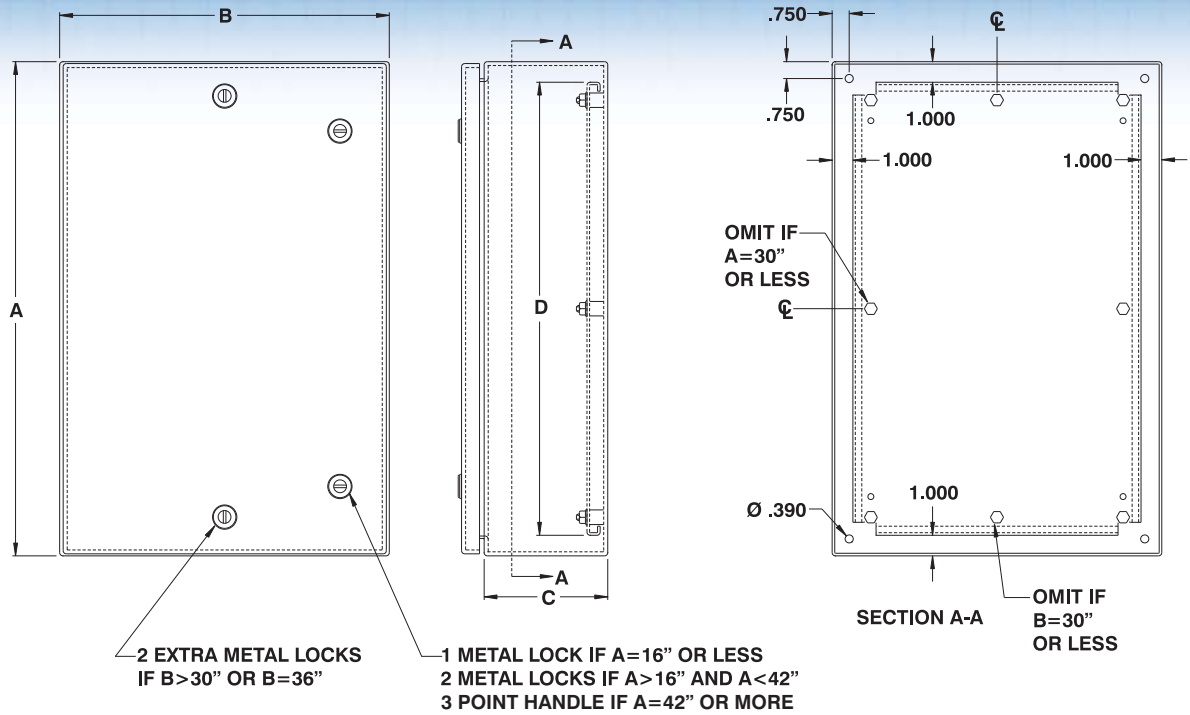
**Refer to p.727 to validate choice of substrate for the application**



CATALOG NUMBER	DIMENSIONS					SHIP WTGT LBS.
	A	B	C	D	E	
5412 EAL121206	12	12	6	10	10	10
5412 EAL122406	12	24	6	10	22	18
5412 EAL161206	16	12	6	14	10	12
5412 EAL161606	16	16	6	14	14	16
5412 EAL162006	16	20	6	14	18	19
5412 EAL201206	20	12	6	18	10	15
5412 EAL201606	20	16	6	18	14	19
5412 EAL202006	20	20	6	18	18	23
5412 EAL202406	20	24	6	18	22	27
5412 EAL241206	24	12	6	22	10	18
5412 EAL241606	24	16	6	22	14	22
5412 EAL242006	24	20	6	22	18	27
5412 EAL242406	24	24	6	22	22	31
5412 EAL301606	30	16	6	28	14	27
5412 EAL302006	30	20	6	28	18	33
5412 EAL302406	30	24	6	28	22	38
5412 EAL362406	36	24	6	34	22	45
5412 EAL363006	36	30	6	34	28	55
5412 EAL122408	12	24	8	10	22	19
5412 EAL161208	16	12	8	14	10	14
5412 EAL161608	16	16	8	14	14	17
5412 EAL162008	16	20	8	14	18	21
5412 EAL201208	20	12	8	18	10	17
5412 EAL201608	20	16	8	18	14	21
5412 EAL202008	20	20	8	18	18	25
5412 EAL202408	20	24	8	18	22	29
5412 EAL241208	24	12	8	22	10	19
5412 EAL241608	24	16	8	22	14	24
5412 EAL242008	24	20	8	22	18	29
5412 EAL242408	24	24	8	22	22	34
5412 EAL243008	24	30	8	22	28	41
5412 EAL301208	30	12	8	28	10	23
5412 EAL301608	30	16	8	28	14	29
5412 EAL302008	30	20	8	28	18	35
5412 EAL302408	30	24	8	28	22	41
5412 EAL303008	30	30	8	28	28	49
5412 EAL303608	30	36	8	28	34	58
5412 EAL362408	36	24	8	34	22	48
5412 EAL363008	36	30	8	34	28	58
5412 EAL363608	36	36	8	34	34	68
5412 EAL422408	42	24	8	40	22	55
5412 EAL423008	42	30	8	40	28	67
5412 EAL423608	42	36	8	40	34	78
5412 EAL482408	48	24	8	46	22	62
5412 EAL483008	48	30	8	46	28	75

Data subject to change without notice.





CATALOG NUMBER	DIMENSIONS					SHIP WGHT LBS.
	A	B	C	D	E	
5412 EAL483608	48	36	8	46	34	89
5412 EAL603608	60	36	8	58	34	109
5412 EAL161210	16	12	10	14	10	15
5412 EAL201610	20	16	10	18	14	22
5412 EAL202010	20	20	10	18	18	27
5412 EAL241210	24	12	10	22	10	21
5412 EAL242010	24	20	10	22	18	31
5412 EAL242410	24	24	10	22	22	36
5412 EAL302010	30	20	10	28	18	37
5412 EAL302410	30	24	10	28	22	43
5412 EAL362410	36	24	10	34	22	51
5412 EAL363010	36	30	10	34	28	61
5412 EAL423010	42	30	10	40	28	70
5412 EAL423610	42	36	10	40	34	82
5412 EAL483010	48	30	10	46	28	79
5412 EAL483610	48	36	10	46	34	93
5412 EAL603610	60	36	10	58	34	114
5412 EAL201612	20	16	12	18	14	24
5412 EAL202012	20	20	12	18	18	29
5412 EAL202412	20	24	12	18	22	33
5412 EAL242012	24	20	12	22	18	33
5412 EAL242412	24	24	12	22	22	38
5412 EAL302412	30	24	12	28	22	46
5412 EAL303012	30	30	12	28	28	55
5412 EAL362412	36	24	12	34	22	54
5412 EAL363012	36	30	12	34	28	65
5412 EAL363612	36	36	12	34	34	75

CATALOG NUMBER	DIMENSIONS					SHIP WGHT LBS.
	A	B	C	D	E	
5412 EAL422412	42	24	12	40	22	59
5412 EAL423012	42	30	12	40	28	74
5412 EAL423612	42	36	12	40	34	86
5412 EAL482412	48	24	12	46	22	69
5412 EAL483612	48	36	12	46	34	97
5412 EAL602412	60	24	12	58	22	85
5412 EAL603612	60	36	12	58	34	118
5412 EAL723012	72	30	12	70	28	120
5412 EAL723612	72	36	12	70	34	140
5412 EAL242016	24	20	16	22	18	37
5412 EAL242416	24	24	16	22	22	43
5412 EAL302416	30	24	16	28	22	51
5412 EAL362416	36	24	16	34	22	60
5412 EAL363016	36	30	16	34	28	71
5412 EAL423616	42	36	16	40	34	94
5412 EAL483616	48	36	16	46	34	105
5412 EAL603616	60	36	16	58	14	128
5412 EAL723016	72	30	16	70	28	130
5412 EAL723616	72	36	16	70	34	151
5412 EAL302420	30	24	20	28	22	57
5412 EAL363020	36	30	20	34	28	78
5412 EAL483620	48	36	20	46	34	113
5412 EAL603620	60	36	20	58	34	137
5412 EAL723020	72	30	20	70	28	140
5412 EAL302424	30	24	24	28	22	62
5412 EAL723024	72	30	24	70	28	150

\* Only panels with sides 20" or more are double bent.

**Insulated box?** To have your enclosure insulated, add suffix "TH"

i.e.: 5412EAL362412TH → Insulated aluminium enclosure

Data subject to change without notice.

Customize with



## Water, oil & dust tight stainless steel windowed enclosures

The 5412 ESSW water, oil & dust tight enclosures are used indoors or outdoors in areas where the enclosures may be subject to hosing or to water coming from any direction or for protection against dust, dirt or oil splashing. The 5412 ESSW are made from quality 14 GA or 16 GA (Type 304) stainless steel, with corner seams continuously welded.

The window is made with self-extinguishing polycarbonate. The opening has a curled lip around all sides

to prevent dripping water from entering the enclosure when the door is open, it also increases rigidity. A high quality robotically poured-in-place seamless gasket ensures a complete and durable water tight seal. The pins of the concealed hinges can be pulled out to remove the door.

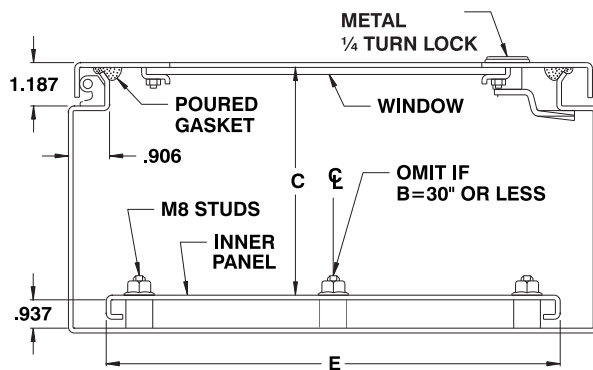
A ¼ turn locking mechanism ensures positive closing. Internal mounting holes are provided.

Each enclosure comes **complete with a 12 GA inner panel** which is

double bent\* for maximum rigidity and mounts on M8 welded studs. The enclosures' exterior are unpainted and brushed smooth. The enclosures' interior and panels are finished with white heat fused powder paint, electrostatically applied on a pretreated base.

**CSA Certified / UL Listed  
NEMA/EEMAC 4X / IP66**

**Refer to p.727 to validate choice of substrate for the application**

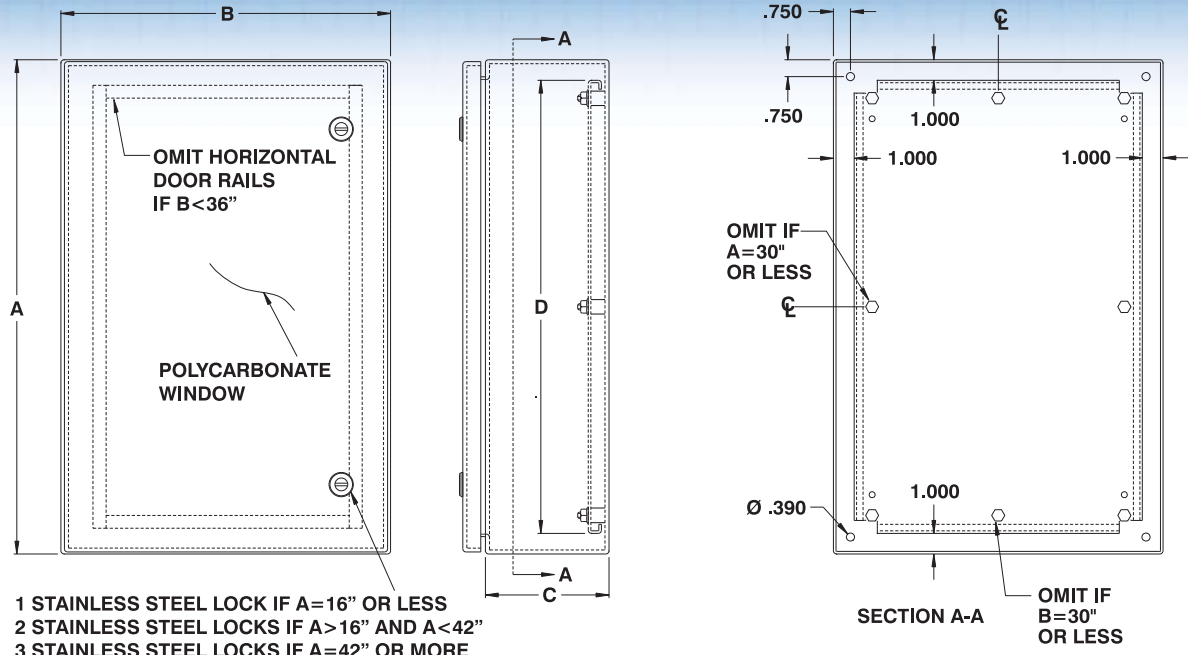


CATALOG NUMBER	DIMENSIONS					SHIP WGHT LBS.
	A	B	C	D	E	
5412 ESSW121206	12	12	6	10	10	19
5412 ESSW122406	12	24	6	10	22	35
5412 ESSW161206	16	12	6	14	10	24
5412 ESSW161606	16	16	6	14	14	31
5412 ESSW162006	16	20	6	14	18	37
5412 ESSW201206	20	12	6	18	10	29
5412 ESSW201606	20	16	6	18	14	37
5412 ESSW202006	20	20	6	18	18	45
5412 ESSW202406	20	24	6	18	22	53
5412 ESSW241206	24	12	6	22	10	35
5412 ESSW241606	24	16	6	22	14	44
5412 ESSW242006	24	20	6	22	18	53
5412 ESSW242406	24	24	6	22	22	62
5412 ESSW301606	30	16	6	28	14	53
5412 ESSW302006	30	20	6	28	18	65
5412 ESSW302406	30	24	6	28	22	76
5412 ESSW362406	36	24	6	34	22	90
5412 ESSW363006	36	30	6	34	28	109
5412 ESSW122408	12	24	8	10	22	38
5412 ESSW161208	16	12	8	14	10	27
5412 ESSW161608	16	16	8	14	14	34
5412 ESSW162008	16	20	8	14	18	41
5412 ESSW201208	20	12	8	18	10	33
5412 ESSW201608	20	16	8	18	14	41
5412 ESSW202008	20	20	8	18	18	49
5412 ESSW202408	20	24	8	18	22	57
5412 ESSW241208	24	12	8	22	10	38
5412 ESSW241608	24	16	8	22	14	48
5412 ESSW242008	24	20	8	22	18	57
5412 ESSW242408	24	24	8	22	22	67
5412 ESSW243008	24	30	8	22	28	81
5412 ESSW301208	30	12	8	28	10	46
5412 ESSW301608	30	16	8	28	14	58
5412 ESSW302008	30	20	8	28	18	70
5412 ESSW302408	30	24	8	28	22	81
5412 ESSW303008	30	30	8	28	28	98
5412 ESSW303608	30	36	8	28	34	116
5412 ESSW362408	36	24	8	34	22	95
5412 ESSW363008	36	30	8	34	28	116
5412 ESSW363608	36	36	8	34	34	136
5412 ESSW422408	42	24	8	40	22	110
5412 ESSW423008	42	30	8	40	28	133

Data subject to change without notice.







CATALOG NUMBER	DIMENSIONS					SHIP WGHT LBS.
	A	B	C	D	E	
5412 ESSW423608	42	36	8	40	34	156
5412 ESSW482408	48	24	8	46	22	124
5412 ESSW483008	48	30	8	46	28	150
5412 ESSW483608	48	36	8	46	34	177
5412 ESSW603608	60	36	8	58	34	218
5412 ESSW161210	16	12	10	14	10	30
5412 ESSW201610	20	16	10	18	14	44
5412 ESSW202010	20	20	10	18	18	53
5412 ESSW241210	24	12	10	22	10	42
5412 ESSW242010	24	20	10	22	18	62
5412 ESSW242410	24	24	10	22	22	71
5412 ESSW302010	30	20	10	28	18	74
5412 ESSW302410	30	24	10	28	22	86
5412 ESSW362410	36	24	10	34	22	101
5412 ESSW363010	36	30	10	34	28	122
5412 ESSW423010	42	30	10	40	28	140
5412 ESSW423610	42	36	10	40	34	164
5412 ESSW483010	48	30	10	46	28	158
5412 ESSW483610	48	36	10	46	34	185
5412 ESSW603610	60	36	10	58	34	227
5412 ESSW201612	20	16	12	18	14	48
5412 ESSW202012	20	20	12	18	18	57
5412 ESSW202412	20	24	12	18	22	66
5412 ESSW242012	24	20	12	22	18	66
5412 ESSW242412	24	24	12	22	22	76
5412 ESSW302412	30	24	12	28	22	92
5412 ESSW303012	30	30	12	28	28	110
5412 ESSW362412	36	24	12	34	22	107

CATALOG NUMBER	DIMENSIONS					SHIP WGHT LBS.
	A	B	C	D	E	
5412 ESSW363012	36	30	12	34	28	129
5412 ESSW363612	36	36	12	34	34	150
5412 ESSW422412	42	24	12	40	22	118
5412 ESSW423012	42	30	12	40	28	147
5412 ESSW423612	42	36	12	40	34	172
5412 ESSW482412	48	24	12	46	22	138
5412 ESSW483612	48	36	12	46	34	193
5412 ESSW602412	60	24	12	58	22	169
5412 ESSW603612	60	36	12	58	34	236
5412 ESSW723012	72	30	12	70	28	240
5412 ESSW723612	72	36	12	70	34	279
5412 ESSW242016	24	20	16	22	18	74
5412 ESSW242416	24	24	16	22	22	86
5412 ESSW302416	30	24	16	28	22	102
5412 ESSW362416	36	24	16	34	22	119
5412 ESSW363016	36	30	16	34	28	142
5412 ESSW423616	42	36	16	40	34	187
5412 ESSW483616	48	36	16	46	34	210
5412 ESSW603616	60	36	16	58	14	255
5412 ESSW723016	72	30	16	70	28	260
5412 ESSW723616	72	36	16	70	34	301
5412 ESSW302420	30	24	20	28	22	113
5412 ESSW363020	36	30	20	34	28	155
5412 ESSW483620	48	36	20	46	34	226
5412 ESSW603620	60	36	20	58	34	274
5412 ESSW723020	72	30	20	70	28	280
5412 ESSW302424	30	24	24	28	22	123
5412 ESSW723024	72	30	24	70	28	300

\* Only panels with sides 20" or more are double bent.

† For stainless steel type 316, add suffix '6' to the catalog number (ie. 5412 ESSW1612086).

**Insulated box?** To have your enclosure insulated, add suffix "TH"

i.e.: 5412ESSW362412TH → Insulated stainless steel enclosure

Data subject to change without notice.

Customize with



## Stainless steel quarter turn cover enclosures

The 5412 ESSQT water, oil & dust tight enclosures are used indoors or outdoors in areas where a corrosion problem exists or where the enclosures may be subject to hosing or to water coming from any direction or for protection against dust, dirt or oil splashing. The 5412 ESSQT are made from quality 14 GA or 16 GA (Type 304) stainless steel, with corner seams continuously welded. The opening has a curled lip around all sides to prevent

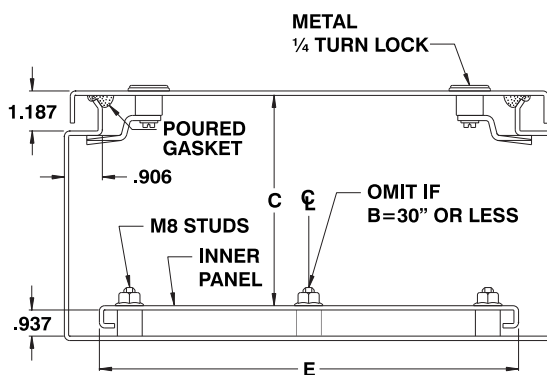
dripping water from entering the enclosure when the cover has been removed, it also increases rigidity. A high quality robotically poured-in-place seamless gasket ensures a complete and durable water tight seal.

Quarter turn locking mechanisms on all sides ensure positive closing. Internal mounting holes are provided. Each enclosure comes **complete with a 12 GA inner panel** which is double bent\* for maximum rigidity and mounts on

M8 welded studs. The enclosures' exterior are unpainted and brushed smooth. The enclosures' interior and panels are finished with white heat fused powder paint, electrostatically applied on a pretreated base.

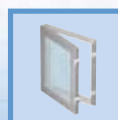
**CSA Certified / UL Listed**  
**NEMA/EEMAC 4X / IP66**

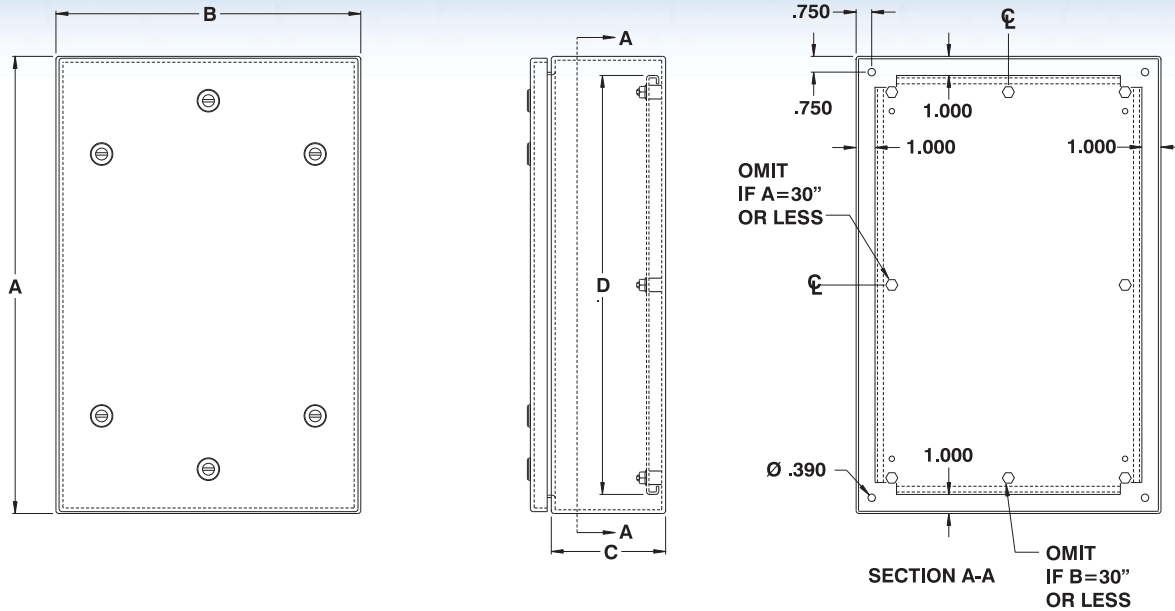
**Refer to p.727 to validate choice of substrate for the application**



CATALOG NUMBER	DIMENSIONS					SHIP WGHT LBS.
	A	B	C	D	E	
5412 ESSQT121206	12	12	6	10	10	19
5412 ESSQT122406	12	24	6	10	22	35
5412 ESSQT161206	16	12	6	14	10	24
5412 ESSQT161606	16	16	6	14	14	31
5412 ESSQT162006	16	20	6	14	18	37
5412 ESSQT201206	20	12	6	18	10	29
5412 ESSQT201606	20	16	6	18	14	37
5412 ESSQT202006	20	20	6	18	18	45
5412 ESSQT202406	20	24	6	18	22	53
5412 ESSQT241206	24	12	6	22	10	35
5412 ESSQT241606	24	16	6	22	14	44
5412 ESSQT242006	24	20	6	22	18	53
5412 ESSQT242406	24	24	6	22	22	62
5412 ESSQT301606	30	16	6	28	14	53
5412 ESSQT302006	30	20	6	28	18	65
5412 ESSQT302406	30	24	6	28	22	76
5412 ESSQT362406	36	24	6	34	22	90
5412 ESSQT363006	36	30	6	34	28	109
5412 ESSQT122408	12	24	8	10	22	38
5412 ESSQT161208	16	12	8	14	10	27
5412 ESSQT161608	16	16	8	14	14	34
5412 ESSQT162008	16	20	8	14	18	41
5412 ESSQT201208	20	12	8	18	10	33
5412 ESSQT201608	20	16	8	18	14	41
5412 ESSQT202008	20	20	8	18	18	49
5412 ESSQT202408	20	24	8	18	22	57
5412 ESSQT241208	24	12	8	22	10	38
5412 ESSQT241608	24	16	8	22	14	48
5412 ESSQT242008	24	20	8	22	18	57
5412 ESSQT242408	24	24	8	22	22	67
5412 ESSQT243008	24	30	8	22	28	81
5412 ESSQT301208	30	12	8	28	10	46
5412 ESSQT301608	30	16	8	28	14	58
5412 ESSQT302008	30	20	8	28	18	70
5412 ESSQT302408	30	24	8	28	22	81
5412 ESSQT303008	30	30	8	28	28	98
5412 ESSQT303608	30	36	8	28	34	116
5412 ESSQT362408	36	24	8	34	22	95
5412 ESSQT363008	36	30	8	34	28	116
5412 ESSQT363608	36	36	8	34	34	136
5412 ESSQT422408	42	24	8	40	22	110
5412 ESSQT423008	42	30	8	40	28	133

Data subject to change without notice.





CATALOG NUMBER	DIMENSIONS					SHIP WGHT LBS.	CATALOG NUMBER	DIMENSIONS					SHIP WGHT LBS.
	A	B	C	D	E			A	B	C	D	E	
5412 ESSQT423608	42	36	8	40	34	156	5412 ESSQT363012	36	30	12	34	28	129
5412 ESSQT482408	48	24	8	46	22	124	5412 ESSQT363612	36	36	12	34	34	150
5412 ESSQT483008	48	30	8	46	28	150	5412 ESSQT422412	42	24	12	40	22	118
5412 ESSQT483608	48	36	8	46	34	177	5412 ESSQT423012	42	30	12	40	28	147
5412 ESSQT603608	60	36	8	58	34	218	5412 ESSQT423612	42	36	12	40	34	172
5412 ESSQT161210	16	12	10	14	10	30	5412 ESSQT482412	48	24	12	46	22	138
5412 ESSQT201610	20	16	10	18	14	44	5412 ESSQT483612	48	36	12	46	34	193
5412 ESSQT202010	20	20	10	18	18	53	5412 ESSQT602412	60	24	12	58	22	169
5412 ESSQT241210	24	12	10	22	10	42	5412 ESSQT603612	60	36	12	58	34	236
5412 ESSQT242010	24	20	10	22	18	62	5412 ESSQT723012	72	30	12	70	28	240
5412 ESSQT242410	24	24	10	22	22	71	5412 ESSQT723612	72	36	12	70	34	279
5412 ESSQT302010	30	20	10	28	18	74	5412 ESSQT242016	24	20	16	22	18	74
5412 ESSQT302410	30	24	10	28	22	86	5412 ESSQT242416	24	24	16	22	22	86
5412 ESSQT362410	36	24	10	34	22	101	5412 ESSQT302416	30	24	16	28	22	102
5412 ESSQT363010	36	30	10	34	28	122	5412 ESSQT362416	36	24	16	34	22	119
5412 ESSQT423010	42	30	10	40	28	140	5412 ESSQT363016	36	30	16	34	28	142
5412 ESSQT423610	42	36	10	40	34	164	5412 ESSQT423616	42	36	16	40	34	187
5412 ESSQT483010	48	30	10	46	28	158	5412 ESSQT483616	48	36	16	46	34	210
5412 ESSQT483610	48	36	10	46	34	185	5412 ESSQT603616	60	36	16	58	14	255
5412 ESSQT603610	60	36	10	58	34	227	5412 ESSQT723016	72	30	16	70	28	260
5412 ESSQT201612	20	16	12	18	14	48	5412 ESSQT723616	72	36	16	70	34	301
5412 ESSQT202012	20	20	12	18	18	57	5412 ESSQT302420	30	24	20	28	22	113
5412 ESSQT202412	20	24	12	18	22	66	5412 ESSQT363020	36	30	20	34	28	155
5412 ESSQT242012	24	20	12	22	18	66	5412 ESSQT483620	48	36	20	46	34	226
5412 ESSQT242412	24	24	12	22	22	76	5412 ESSQT603620	60	36	20	58	34	274
5412 ESSQT302412	30	24	12	28	22	92	5412 ESSQT723020	72	30	20	70	28	280
5412 ESSQT303012	30	30	12	28	28	110	5412 ESSQT302424	30	24	24	28	22	123
5412 ESSQT362412	36	24	12	34	22	107	5412 ESSQT723024	72	30	24	70	28	300

\* Only panels with sides 20" or more are double bent.

† For stainless steel type 316, add suffix '6' to the catalog number (ie. 5412 ESSQT1612086).

**Insulated box?** To have your enclosure insulated, add suffix "TH"

i.e.: 5412ESSQT362412TH → Insulated stainless steel enclosure

Data subject to change without notice.

Customize with



## Aluminum quarter turn cover enclosures

The 5412 EALQT water, oil & dust tight enclosures are used indoors or outdoors in areas where a corrosion problem exists or where the enclosures may be subject to hosing or to water coming from any direction or for protection against dust, dirt or oil splashing. The 5412 EALQT are made from quality 0.080" aluminum (Type 5052 H-32), with corner seams continuously welded. The opening has a curled lip around all sides to prevent drip-

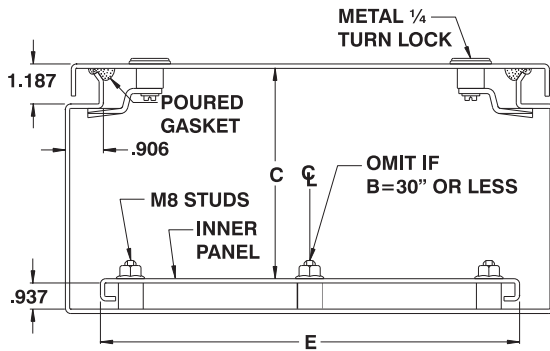
ping water from entering the enclosure when the cover has been removed, it also increases rigidity. A high quality robotically poured-in-place seamless gasket ensures a complete and durable water tight seal.

Quarter turn locking mechanisms on all sides ensure positive closing. Internal mounting holes are provided. Each enclosure comes **complete with a 12 GA inner panel** which is double bent\* for maximum rigidity and mounts on

M8 welded studs. Enclosures and panels are finished with heat fused powder paint, electrostatically applied on a pretreated base. Box is ANSI/ASA 61 gray, panel is white (other colors available).

**CSA Certified / UL Listed  
NEMA/EEMAC 4X / IP66**

**Refer to p.727 to validate choice of substrate for the application**

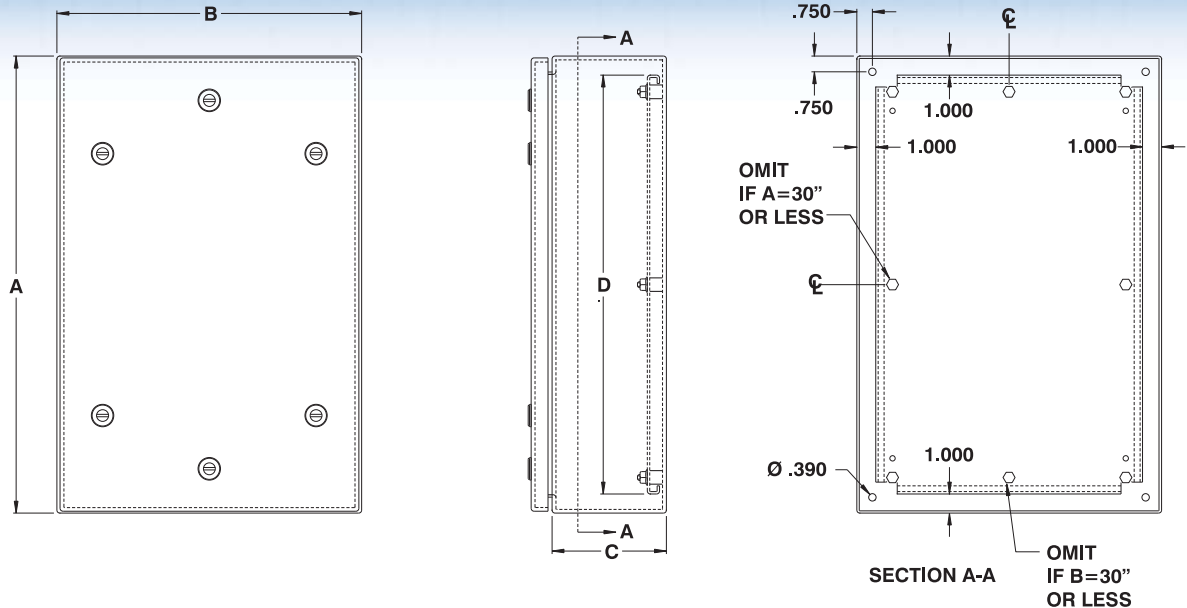


CATALOG NUMBER	DIMENSIONS					SHIP WGHT LBS.
	A	B	C	D	E	
5412 EALQT121206	12	12	6	10	10	10
5412 EALQT122406	12	24	6	10	22	18
5412 EALQT161206	16	12	6	14	10	12
5412 EALQT161606	16	16	6	14	14	16
5412 EALQT162006	16	20	6	14	18	19
5412 EALQT201206	20	12	6	18	10	15
5412 EALQT201606	20	16	6	18	14	19
5412 EALQT202006	20	20	6	18	18	23
5412 EALQT202406	20	24	6	18	22	27
5412 EALQT241206	24	12	6	22	10	18
5412 EALQT241606	24	16	6	22	14	22
5412 EALQT242006	24	20	6	22	18	27
5412 EALQT242406	24	24	6	22	22	31
5412 EALQT301606	30	16	6	28	14	27
5412 EALQT302006	30	20	6	28	18	33
5412 EALQT302406	30	24	6	28	22	38
5412 EALQT362406	36	24	6	34	22	45
5412 EALQT363006	36	30	6	34	28	55
5412 EALQT122408	12	24	8	10	22	19
5412 EALQT161208	16	12	8	14	10	14
5412 EALQT161608	16	16	8	14	14	17
5412 EALQT162008	16	20	8	14	18	21
5412 EALQT201208	20	12	8	18	10	17
5412 EALQT201608	20	16	8	18	14	21
5412 EALQT202008	20	20	8	18	18	25
5412 EALQT202408	20	24	8	18	22	29
5412 EALQT241208	24	12	8	22	10	19
5412 EALQT241608	24	16	8	22	14	24
5412 EALQT242008	24	20	8	22	18	29
5412 EALQT242408	24	24	8	22	22	34
5412 EALQT243008	24	30	8	22	28	41
5412 EALQT301208	30	12	8	28	10	23
5412 EALQT301608	30	16	8	28	14	29
5412 EALQT302008	30	20	8	28	18	35
5412 EALQT302408	30	24	8	28	22	41
5412 EALQT303008	30	30	8	28	28	49
5412 EALQT303608	30	36	8	28	34	58
5412 EALQT362408	36	24	8	34	22	48
5412 EALQT363008	36	30	8	34	28	58
5412 EALQT363608	36	36	8	34	34	68
5412 EALQT422408	42	24	8	40	22	55
5412 EALQT423008	42	30	8	40	28	67

Data subject to change without notice.







CATALOG NUMBER	DIMENSIONS					SHIP WGHT LBS.
	A	B	C	D	E	
5412 EALQT423608	42	36	8	40	34	78
5412 EALQT482408	48	24	8	46	22	62
5412 EALQT483008	48	30	8	46	28	75
5412 EALQT483608	48	36	8	46	34	89
5412 EALQT603608	60	36	8	58	34	109
5412 EALQT161210	16	12	10	14	10	15
5412 EALQT201610	20	16	10	18	14	22
5412 EALQT202010	20	20	10	18	18	27
5412 EALQT241210	24	12	10	22	10	21
5412 EALQT242010	24	20	10	22	18	31
5412 EALQT242410	24	24	10	22	22	36
5412 EALQT302010	30	20	10	28	18	37
5412 EALQT302410	30	24	10	28	22	43
5412 EALQT362410	36	24	10	34	22	51
5412 EALQT363010	36	30	10	34	28	61
5412 EALQT423010	42	30	10	40	28	70
5412 EALQT423610	42	36	10	40	34	82
5412 EALQT483010	48	30	10	46	28	79
5412 EALQT483610	48	36	10	46	34	93
5412 EALQT603610	60	36	10	58	34	114
5412 EALQT201612	20	16	12	18	14	24
5412 EALQT202012	20	20	12	18	18	29
5412 EALQT202412	20	24	12	18	22	33
5412 EALQT242012	24	20	12	22	18	33
5412 EALQT242412	24	24	12	22	22	38
5412 EALQT302412	30	24	12	28	22	46
5412 EALQT303012	30	30	12	28	28	55
5412 EALQT362412	36	24	12	34	22	54

CATALOG NUMBER	DIMENSIONS					SHIP WGHT LBS.
	A	B	C	D	E	
5412 EALQT363012	36	30	12	34	28	65
5412 EALQT363612	36	36	12	34	34	75
5412 EALQT422412	42	24	12	40	22	59
5412 EALQT423012	42	30	12	40	28	74
5412 EALQT423612	42	36	12	40	34	86
5412 EALQT482412	48	24	12	46	22	69
5412 EALQT483612	48	36	12	46	34	97
5412 EALQT602412	60	24	12	58	22	85
5412 EALQT603612	60	36	12	58	34	118
5412 EALQT723012	72	30	12	70	28	120
5412 EALQT723612	72	36	12	70	34	140
5412 EALQT242016	24	20	16	22	18	37
5412 EALQT242416	24	24	16	22	22	43
5412 EALQT302416	30	24	16	28	22	51
5412 EALQT362416	36	24	16	34	22	60
5412 EALQT363016	36	30	16	34	28	71
5412 EALQT423616	42	36	16	40	34	94
5412 EALQT483616	48	36	16	46	34	105
5412 EALQT603616	60	36	16	58	14	128
5412 EALQT723016	72	30	16	70	28	130
5412 EALQT723616	72	36	16	70	34	151
5412 EALQT302420	30	24	20	28	22	57
5412 EALQT363020	36	30	20	34	28	78
5412 EALQT483620	48	36	20	46	34	113
5412 EALQT603620	60	36	20	58	34	137
5412 EALQT723020	72	30	20	70	28	140
5412 EALQT302424	30	24	24	28	22	62
5412 EALQT723024	72	30	24	70	28	150

\* Only panels with sides 20" or more are double bent.

Data subject to change without notice.

Customize with



## Water, oil & dust tight stainless steel buttable enclosures

The 5412 ESSBU water, oil & dust tight enclosures are used indoors or outdoors in areas where a corrosion problem exists or where the enclosures may be subject to hoisting or to water coming from any direction or for protection against dust, dirt or oil splashing. The 5412 ESSBU are made from quality 14 GA or 16 GA (Type 304) stainless steel, with corner seams continuously welded. The opening has a curled lip around all sides to prevent dripping water from entering

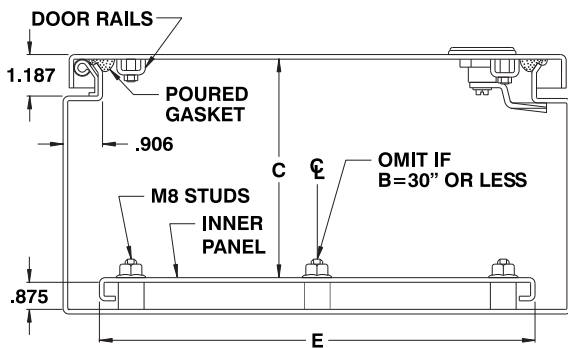
the enclosure when the door is open, it also increases rigidity. A high quality robotically poured-in-place seamless gasket ensures a complete and durable water tight seal. **The hinges are arranged to allow the installation of rows of enclosures, side by side.**

A ¼ turn locking mechanism (or 3 point latch system on larger enclosures) ensures positive closing. Internal mounting holes are provided. Each enclosure comes **complete with a 12 GA inner panel**

which is double bent\* for maximum rigidity and mounts on M8 welded studs. The enclosures' exterior are unpainted and brushed smooth. The enclosures' interior and panels are finished with white heat fused powder paint, electrostatically applied on a pretreated base.

**CSA Certified / UL Listed  
NEMA/EEMAC 4X / IP66**

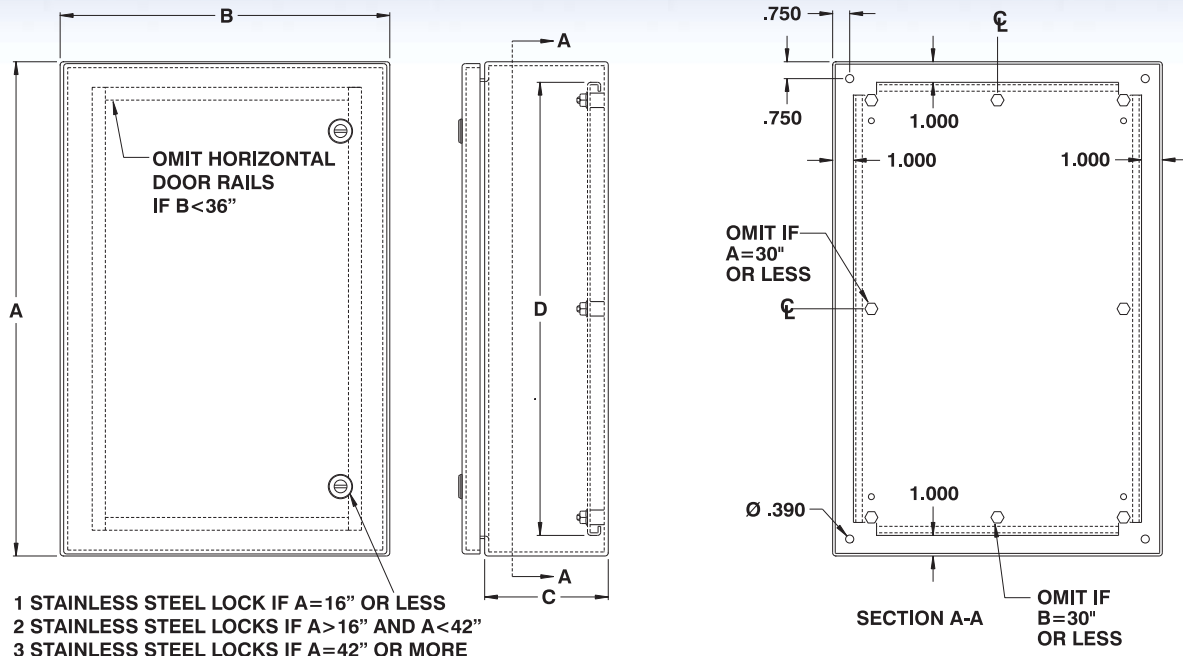
**Refer to p.727 to validate choice of substrate for the application**



CATALOG NUMBER	DIMENSIONS					SHIP WGT LBS.
	A	B	C	D	E	
5412 ESSBU121206	12	12	6	10	10	19
5412 ESSBU122406	12	24	6	10	22	35
5412 ESSBU161206	16	12	6	14	10	24
5412 ESSBU161606	16	16	6	14	14	31
5412 ESSBU162006	16	20	6	14	18	37
5412 ESSBU201206	20	12	6	18	10	29
5412 ESSBU201606	20	16	6	18	14	37
5412 ESSBU202006	20	20	6	18	18	45
5412 ESSBU202406	20	24	6	18	22	53
5412 ESSBU241206	24	12	6	22	10	35
5412 ESSBU241606	24	16	6	22	14	44
5412 ESSBU242006	24	20	6	22	18	53
5412 ESSBU242406	24	24	6	22	22	62
5412 ESSBU301606	30	16	6	28	14	53
5412 ESSBU302006	30	20	6	28	18	65
5412 ESSBU302406	30	24	6	28	22	76
5412 ESSBU362406	36	24	6	34	22	90
5412 ESSBU363006	36	30	6	34	28	109
5412 ESSBU122408	12	24	8	10	22	38
5412 ESSBU161208	16	12	8	14	10	27
5412 ESSBU161608	16	16	8	14	14	34
5412 ESSBU162008	16	20	8	14	18	41
5412 ESSBU201208	20	12	8	18	10	33
5412 ESSBU201608	20	16	8	18	14	41
5412 ESSBU202008	20	20	8	18	18	49
5412 ESSBU202408	20	24	8	18	22	57
5412 ESSBU241208	24	12	8	22	10	38
5412 ESSBU241608	24	16	8	22	14	48
5412 ESSBU242008	24	20	8	22	18	57
5412 ESSBU242408	24	24	8	22	22	67
5412 ESSBU243008	24	30	8	22	28	81
5412 ESSBU301208	30	12	8	28	10	46
5412 ESSBU301608	30	16	8	28	14	58
5412 ESSBU302008	30	20	8	28	18	70
5412 ESSBU302408	30	24	8	28	22	81
5412 ESSBU303008	30	30	8	28	28	98
5412 ESSBU303608	30	36	8	28	34	116
5412 ESSBU362408	36	24	8	34	22	95
5412 ESSBU363008	36	30	8	34	28	116
5412 ESSBU363608	36	36	8	34	34	136
5412 ESSBU422408	42	24	8	40	22	110
5412 ESSBU423008	42	30	8	40	28	133
5412 ESSBU423608	42	36	8	40	34	156
5412 ESSBU482408	48	24	8	46	22	124
5412 ESSBU483008	48	30	8	46	28	150

Data subject to change without notice.





CATALOG NUMBER	DIMENSIONS					SHIP WGHT LBS.
	A	B	C	D	E	
5412 ESSBU483608	48	36	8	46	34	177
5412 ESSBU603608	60	36	8	58	34	218
5412 ESSBU161210	16	12	10	14	10	30
5412 ESSBU201610	20	16	10	18	14	44
5412 ESSBU202010	20	20	10	18	18	53
5412 ESSBU241210	24	12	10	22	10	42
5412 ESSBU242010	24	20	10	22	18	62
5412 ESSBU242410	24	24	10	22	22	71
5412 ESSBU302010	30	20	10	28	18	74
5412 ESSBU302410	30	24	10	28	22	86
5412 ESSBU362410	36	24	10	34	22	101
5412 ESSBU363010	36	30	10	34	28	122
5412 ESSBU423010	42	30	10	40	28	140
5412 ESSBU423610	42	36	10	40	34	164
5412 ESSBU483010	48	30	10	46	28	158
5412 ESSBU483610	48	36	10	46	34	185
5412 ESSBU603610	60	36	10	58	34	227
5412 ESSBU201612	20	16	12	18	14	48
5412 ESSBU202012	20	20	12	18	18	57
5412 ESSBU202412	20	24	12	18	22	66
5412 ESSBU242012	24	20	12	22	18	66
5412 ESSBU242412	24	24	12	22	22	76
5412 ESSBU302412	30	24	12	28	22	92
5412 ESSBU303012	30	30	12	28	28	110
5412 ESSBU362412	36	24	12	34	22	107
5412 ESSBU363012	36	30	12	34	28	129
5412 ESSBU363612	36	36	12	34	34	150

CATALOG NUMBER	DIMENSIONS					SHIP WGHT LBS.
	A	B	C	D	E	
5412 ESSBU422412	42	24	12	40	22	118
5412 ESSBU423012	42	30	12	40	28	147
5412 ESSBU423612	42	36	12	40	34	172
5412 ESSBU482412	48	24	12	46	22	138
5412 ESSBU483612	48	36	12	46	34	193
5412 ESSBU602412	60	24	12	58	22	169
5412 ESSBU603612	60	36	12	58	34	236
5412 ESSBU723012	72	30	12	70	28	240
5412 ESSBU723612	72	36	12	70	34	279
5412 ESSBU242016	24	20	16	22	18	74
5412 ESSBU242416	24	24	16	22	22	86
5412 ESSBU302416	30	24	16	28	22	102
5412 ESSBU362416	36	24	16	34	22	119
5412 ESSBU363016	36	30	16	34	28	142
5412 ESSBU423616	42	36	16	40	34	187
5412 ESSBU483616	48	36	16	46	34	210
5412 ESSBU603616	60	36	16	58	14	255
5412 ESSBU723016	72	30	16	70	28	260
5412 ESSBU723616	72	36	16	70	34	301
5412 ESSBU302420	30	24	20	28	22	113
5412 ESSBU363020	36	30	20	34	28	155
5412 ESSBU483620	48	36	20	46	34	226
5412 ESSBU603620	60	36	20	58	34	274
5412 ESSBU723020	72	30	20	70	28	280
5412 ESSBU302424	30	24	24	28	22	123
5412 ESSBU723024	72	30	24	70	28	300

\* Only panels with sides 20" or more are double bent.

**Insulated box?** To have your enclosure insulated, add suffix "TH"

i.e.: 5412ESSBU362412TH → Insulated stainless steel enclosure

Data subject to change without notice.

Customize with



## Water, oil & dust tight aluminium buttable enclosures

The 5412 EALBU water, oil & dust tight enclosures are used indoors or outdoors in areas where a corrosion problem exists or where the enclosures may be subject to hoisting or to water coming from any direction or for protection against dust, dirt or oil splashing. The 5412 EALBU are made from quality 0.080" aluminum (Type 5052 H-32), with corner seams continuously welded. The opening has a curled lip around all sides to prevent dripping water from entering the enclosure

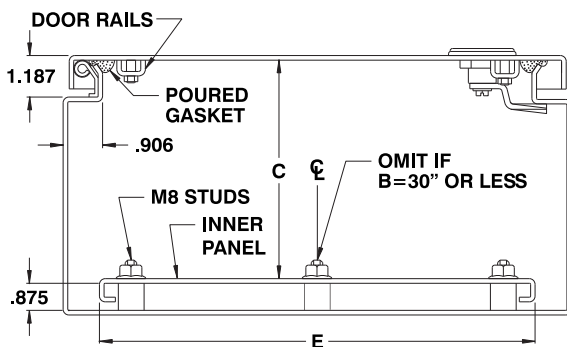
when the door is open, it also increases rigidity. A high quality robotically poured-in-place seamless gasket ensures a complete and durable water tight seal. **The hinges are arranged to allow the installation of rows of enclosures, side by side.**

A ¼ turn locking mechanism (or 3 point latch system on larger enclosures) ensures positive closing. Internal mounting holes are provided. Each enclosure comes **complete with a 12 GA inner panel**

which is double bent\* for maximum rigidity and mounts on M8 welded studs. Enclosures and panels are finished with heat fused powder paint, electrostatically applied on a pretreated base. Box is ANSI/ASA 61 gray, panel is white (other colors available).

**CSA Certified / UL Listed  
NEMA/EEMAC 4X / IP66**

**Refer to p.727 to validate choice of substrate for the application**

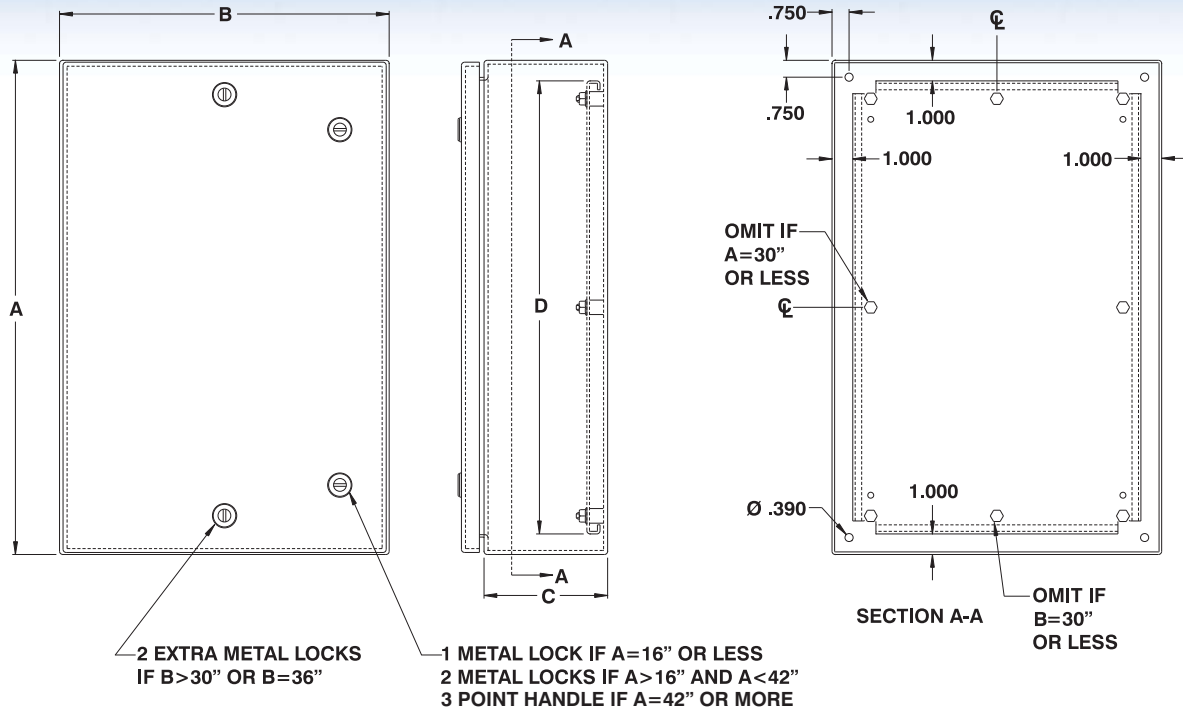


CATALOG NUMBER	DIMENSIONS					SHIP WTGT LBS.
	A	B	C	D	E	
5412 EALBU121206	12	12	6	10	10	10
5412 EALBU122406	12	24	6	10	22	18
5412 EALBU161206	16	12	6	14	10	12
5412 EALBU161606	16	16	6	14	14	16
5412 EALBU162006	16	20	6	14	18	19
5412 EALBU201206	20	12	6	18	10	15
5412 EALBU201606	20	16	6	18	14	19
5412 EALBU202006	20	20	6	18	18	23
5412 EALBU202406	20	24	6	18	22	27
5412 EALBU241206	24	12	6	22	10	18
5412 EALBU241606	24	16	6	22	14	22
5412 EALBU242006	24	20	6	22	18	27
5412 EALBU242406	24	24	6	22	22	31
5412 EALBU301606	30	16	6	28	14	27
5412 EALBU302006	30	20	6	28	18	33
5412 EALBU302406	30	24	6	28	22	38
5412 EALBU362406	36	24	6	34	22	45
5412 EALBU363006	36	30	6	34	28	55
5412 EALBU122408	12	24	8	10	22	19
5412 EALBU161208	16	12	8	14	10	14
5412 EALBU161608	16	16	8	14	14	17
5412 EALBU162008	16	20	8	14	18	21
5412 EALBU201208	20	12	8	18	10	17
5412 EALBU201608	20	16	8	18	14	21
5412 EALBU202008	20	20	8	18	18	25
5412 EALBU202408	20	24	8	18	22	29
5412 EALBU241208	24	12	8	22	10	19
5412 EALBU241608	24	16	8	22	14	24
5412 EALBU242008	24	20	8	22	18	29
5412 EALBU242408	24	24	8	22	22	34
5412 EALBU243008	24	30	8	22	28	41
5412 EALBU301208	30	12	8	28	10	23
5412 EALBU301608	30	16	8	28	14	29
5412 EALBU302008	30	20	8	28	18	35
5412 EALBU302408	30	24	8	28	22	41
5412 EALBU303008	30	30	8	28	28	49
5412 EALBU303608	30	36	8	28	34	58
5412 EALBU362408	36	24	8	34	22	48
5412 EALBU363008	36	30	8	34	28	58
5412 EALBU363608	36	36	8	34	34	68
5412 EALBU422408	42	24	8	40	22	55
5412 EALBU423008	42	30	8	40	28	67
5412 EALBU423608	42	36	8	40	34	78
5412 EALBU482408	48	24	8	46	22	62
5412 EALBU483008	48	30	8	46	28	75

Data subject to change without notice.







CATALOG NUMBER	DIMENSIONS					SHIP WGT LBS.
	A	B	C	D	E	
5412 EALBU483608	48	36	8	46	34	89
5412 EALBU603608	60	36	8	58	34	109
5412 EALBU161210	16	12	10	14	10	15
5412 EALBU201610	20	16	10	18	14	22
5412 EALBU202010	20	20	10	18	18	27
5412 EALBU241210	24	12	10	22	10	21
5412 EALBU242010	24	20	10	22	18	31
5412 EALBU242410	24	24	10	22	22	36
5412 EALBU302010	30	20	10	28	18	37
5412 EALBU302410	30	24	10	28	22	43
5412 EALBU362410	36	24	10	34	22	51
5412 EALBU363010	36	30	10	34	28	61
5412 EALBU423010	42	30	10	40	28	70
5412 EALBU423610	42	36	10	40	34	82
5412 EALBU483010	48	30	10	46	28	79
5412 EALBU483610	48	36	10	46	34	93
5412 EALBU603610	60	36	10	58	34	114
5412 EALBU201612	20	16	12	18	14	24
5412 EALBU202012	20	20	12	18	18	29
5412 EALBU202412	20	24	12	18	22	33
5412 EALBU242012	24	20	12	22	18	33
5412 EALBU242412	24	24	12	22	22	38
5412 EALBU302412	30	24	12	28	22	46
5412 EALBU303012	30	30	12	28	28	55
5412 EALBU362412	36	24	12	34	22	54
5412 EALBU363012	36	30	12	34	28	65
5412 EALBU363612	36	36	12	34	34	75

CATALOG NUMBER	DIMENSIONS					SHIP WGT LBS.
	A	B	C	D	E	
5412 EALBU422412	42	24	12	40	22	59
5412 EALBU423012	42	30	12	40	28	74
5412 EALBU423612	42	36	12	40	34	86
5412 EALBU482412	48	24	12	46	22	69
5412 EALBU483612	48	36	12	46	34	97
5412 EALBU602412	60	24	12	58	22	85
5412 EALBU603612	60	36	12	58	34	118
5412 EALBU723012	72	30	12	70	28	120
5412 EALBU723612	72	36	12	70	34	140
5412 EALBU242016	24	20	16	22	18	37
5412 EALBU242416	24	24	16	22	22	43
5412 EALBU302416	30	24	16	28	22	51
5412 EALBU362416	36	24	16	34	22	60
5412 EALBU363016	36	30	16	34	28	71
5412 EALBU423616	42	36	16	40	34	94
5412 EALBU483616	48	36	16	46	34	105
5412 EALBU603616	60	36	16	58	14	128
5412 EALBU723016	72	30	16	70	28	130
5412 EALBU723616	72	36	16	70	34	151
5412 EALBU302420	30	24	20	28	22	57
5412 EALBU363020	36	30	20	34	28	78
5412 EALBU483620	48	36	20	46	34	113
5412 EALBU603620	60	36	20	58	34	137
5412 EALBU723020	72	30	20	70	28	140
5412 EALBU302424	30	24	24	28	22	62
5412 EALBU723024	72	30	24	70	28	150

\* Only panels with sides 20" or more are double bent.

Data subject to change without notice.



[p.490](http://www.exmweb.com)   
 [p.476](http://www.exmweb.com)   
 p.473   
 p.583   
 p.477   
 p.624   
 p.636   
 p.609   
 p.472  
<http://www.exmweb.com>   
 1-800-363-2423   
 Fax : 450-979-4626   
 info@exmweb.com

## Stainless steel double door enclosures

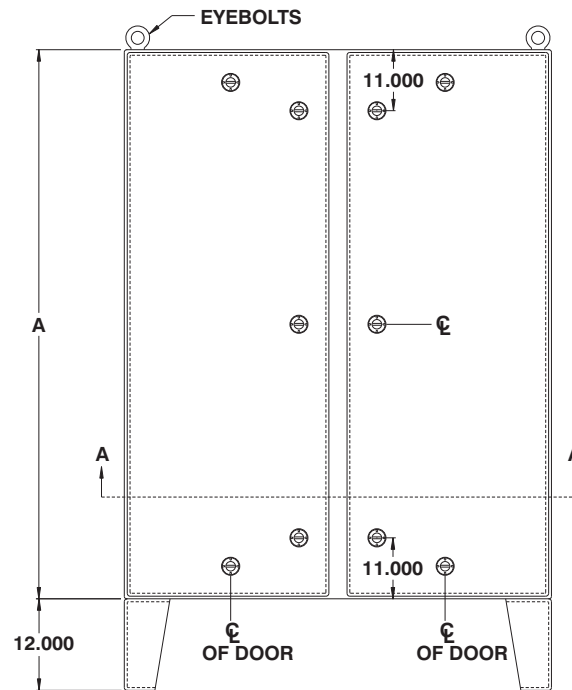
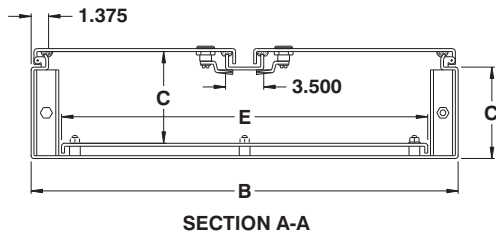
The 5412 SSDD water, oil & dust tight double door enclosures are used indoors or outdoors in areas where the enclosures may be subject to hosing or to water coming from any direction or where corrosion may be a problem. The 5412 SSDD are made from quality code gauge (type 304) stainless steel, with corner seams continuously welded. The center post is removable to facilitate the installation of the inner panel. The opening has a curled lip around all sides to prevent dripping water

from entering the enclosure when the door is open, it also increases rigidity. A high quality robotically poured-in-place seamless gasket ensures a complete and durable water tight seal. The pins of the concealed heavy duty die cast hinges can be pulled out to remove the door. A 1/4 turn locking mechanism ensures positive closing. Two 12" floor stands are welded to the cabinet. Each enclosure comes complete with a painted white inner panel which is double bent for maximum

rigidity. A panel guide and support is provided to facilitate panel installation. A print pocket is provided. The enclosures' exterior are unpainted and brushed smooth. The enclosures' interior and panels are finished with white heat fused powder paint, electrostatically applied on a pretreated base.

**CSA Certified / UL Listed  
NEMA/EEMAC 4X / IP66**

**Refer to p.727 to validate choice of substrate for the application**



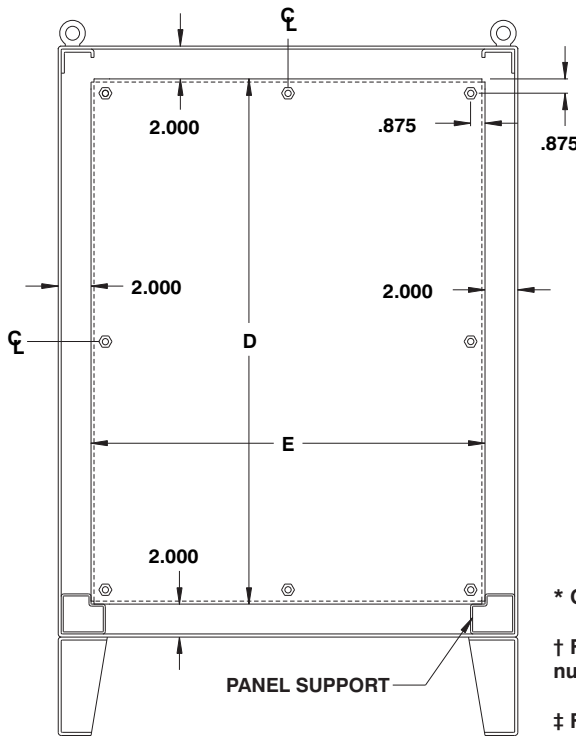
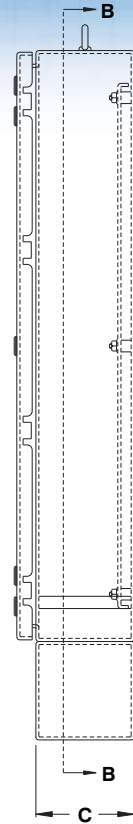
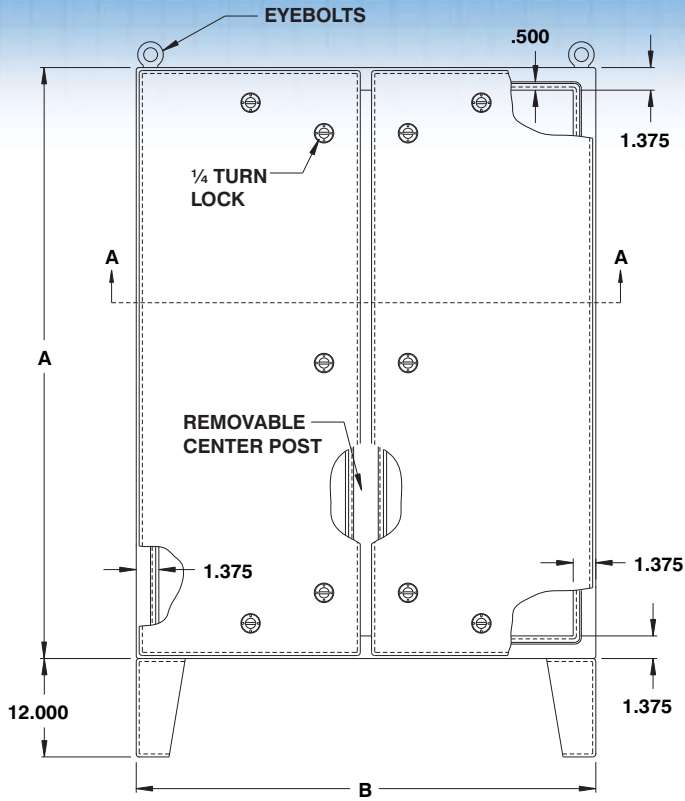
CATALOG NUMBER	DIMENSIONS					SHIP WGHT LBS.
	A	B	C	D	E	
5412 SSDD604812	60	48	12	56	44	463
5412 SSDD606012	60	60	12	56	56	530
5412 SSDD726012	72	60	12	68	56	633
5412 SSDD727212	72	72	12	68	68	751
5412 SSDD727224	72	72	24	68	68	881

Customize with



Data subject to change without notice.





SECTION B-B

Customize with

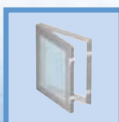


\* Only panels with sides 20" or more are double bent.

† For stainless steel type 316, add suffix '6' to the catalog number (ie. 5412 SSDD6048126).

‡ For painted stainless steel, add suffix 'P' to the catalog number (ie. 5412 SSDD604812P).

Data subject to change without notice.



p.490  
<http://www.exmweb.com>



p.476



p.473



p.583

1-800-363-2423



p.477



p.624

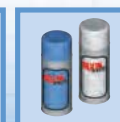
Fax : 450-979-4626



p.636



p.609



p.472

[info@exmweb.com](mailto:info@exmweb.com)

## Wall mounted double door stainless steel enclosures

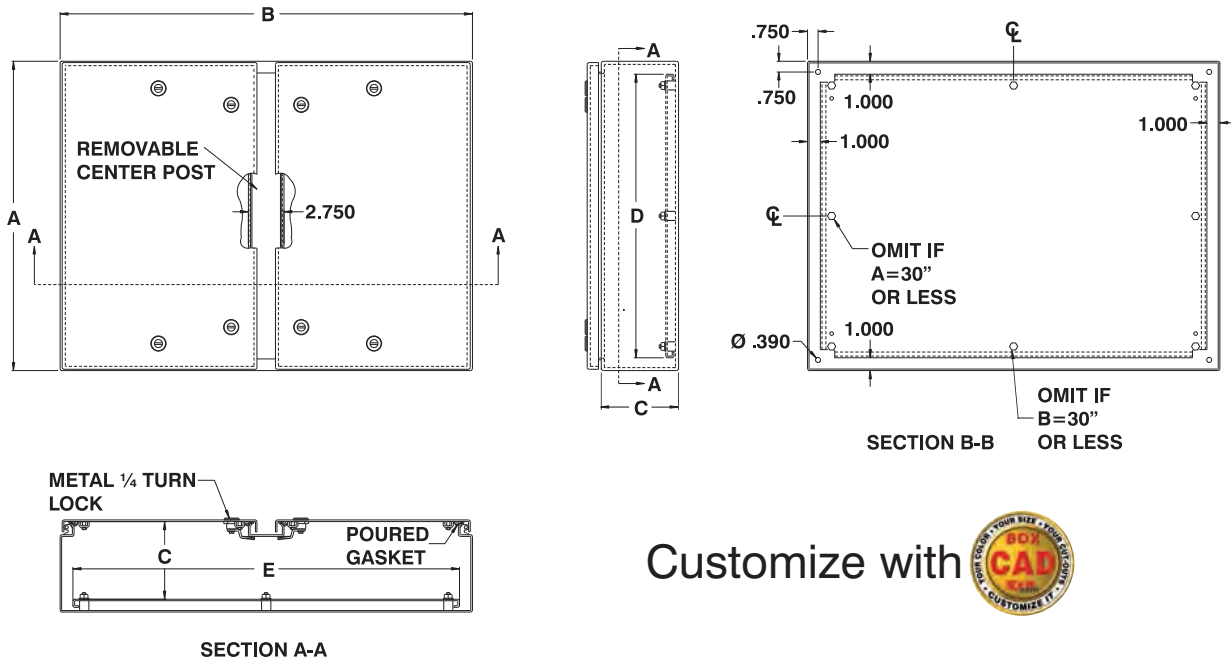
The 5412 ESSDD water, oil & dust tight enclosures are used indoors or outdoors in areas where a corrosion problem exists or where the enclosures may be subject to hosing or to water coming from any direction or for protection against dust, dirt or oil splashing. The 5412 ESSDD are made from quality 14 GA (Type 304) stainless steel, with corner seams continuously welded. The opening has a curled lip around all sides to prevent dripping water

from entering the enclosure when the doors are open, it also increases rigidity. A high quality robotically poured-in-place seamless gasket ensures a complete and durable water tight seal. The pins of the concealed hinges can be pulled out to remove the door. A ¼ turn locking mechanism ensures positive closing. Internal mounting holes are provided. Each enclosure comes **complete with a 12 GA inner panel** which is double bent\* for maximum

rigidity and mounts on M8 welded studs. The enclosures' exterior are unpainted and brushed smooth. The enclosures' interior and panels are finished with white heat fused powder paint, electrostatically applied on a pretreated base.

**CSA Certified / UL Listed  
NEMA/EEMAC 4X / IP66**

**Refer to p.727 to validate choice of substrate for the application**



Customize with



CATALOG NUMBER	DIMENSIONS								SHIP WGT LBS.
	A	B	C	D	E	F	G		
5412 ESSDD244208	24	42	8	22	40	25.25	36	117	
5412 ESSDD244808	24	48	8	22	46	25.25	42	130	
5412 ESSDD544208	54	42	8	52	40	55.25	36	272	
5412 ESSDD244210	24	42	10	22	40	25.25	36	150	
5412 ESSDD304210	30	42	10	28	40	31.25	36	152	
5412 ESSDD304810	30	48	10	28	46	31.25	42	168	
5412 ESSDD306010	30	60	10	28	58	31.25	54	203	
5412 ESSDD364212	36	42	12	34	40	37.25	36	220	
5412 ESSDD364812	36	48	12	34	46	37.25	42	242	
5412 ESSDD366012	36	60	12	34	58	37.25	54	292	
5412 ESSDD424212	42	42	12	40	40	43.25	36	197	
5412 ESSDD424812	42	48	12	40	46	43.25	42	216	
5412 ESSDD426012	42	60	12	40	58	43.25	54	349	
5412 ESSDD484812	48	48	12	46	46	49.25	42	225	

† For stainless steel type 316, add suffix '6' to the catalog number (ie. 5412 ESSDD2442086).

‡ For painted stainless steel, add suffix 'P' to the catalog number (ie. 5412 ESSDD544208P).



Data subject to change without notice.



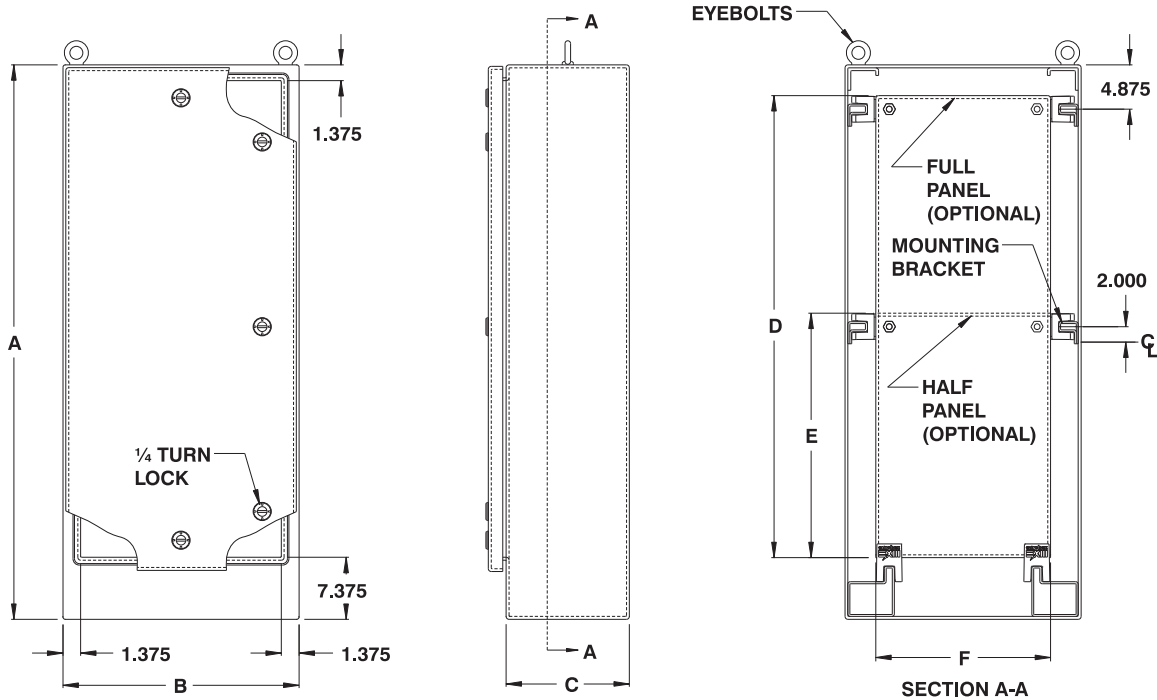
## Stainless steel free standing enclosure

The 9412 SS water, oil & dust tight enclosures are used indoors or outdoors in areas where the enclosures may be subject to hosing or to water coming from any direction or for protection against dust, dirt or oil splashing. The 9412 SS are made from quality code gauge (type 304) stainless steel, with corner seams continuously welded. The opening has a curled lip around all sides to prevent dripping water from entering the enclosure

when the door is open, it also increases rigidity. A high quality robotically poured-in-place seamless gasket ensures a complete and durable water tight seal. The pins of the concealed hinges can be pulled out to remove the door. Quarter turn locking mechanisms on three sides of the door ensure positive closing. Optional back panels can be mounted at any depth, using the three sets of rails welded on the sides of the cabinet. Side

panels can also be ordered separately. A print pocket is provided. The enclosures' exterior are unpainted and brushed smooth. The enclosures' interior and panels are finished with white heat fused powder paint, electrostatically applied on a pretreated base.  
**CSA Certified / UL Listed**  
**NEMA/EEMAC 4X / IP66**

**Refer to p.727 to validate choice of substrate for the application**



Customize with



CATALOG NUMBER	DIMENSIONS						EQUIPMENT PANEL		SHIP WGT LBS.
	A	B	C	D	E	F	FULL	HALF	
9412 SS722418	72	24	18	60	30.875	20	889 FP7224	889 HP7224	258
9412 SS723024	72	30	24	60	30.875	26	889 FP7230	889 HP7230	347
9412 SS723624	72	36	24	60	30.875	32	889 FP7236	889 HP7236	383
9412 SS902420	90	24	20	78	39.875	20	889 FP9024	889 HP9024	355
9412 SS903624	90	36	24	78	39.875	32	889 FP9036	889 HP9036	390
9412 SS903636	90	36	36	78	39.875	32	889 FP9036	889 HP9036	443

† For stainless steel type 316, add suffix '6' to the catalog number (ie. 9412 SS9036246).

‡ For painted stainless steel, add suffix 'P' to the catalog number (ie. 9412 SS722418P).



Data subject to change without notice.



p.471

p.473

p.476

p.583

p.490

p.454

p.459

<http://www.exmweb.com>

1-800-363-2423

Fax : 450-979-4626



[info@exmweb.com](mailto:info@exmweb.com)

## Standard stainless steel pushbutton enclosure

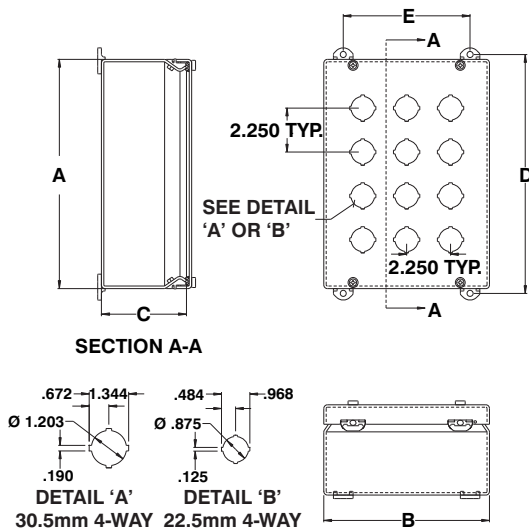
The 1400 SDSS oil and dust tight pushbutton enclosures are built to provide protection against corrosion, dirt, dust and oil, for all brands of oil tight pushbuttons, switches and pilot lights. The 1400 SDSS are made from quality 16 GA (type 304) stainless steel, with all seams continuously welded. A high quality seamless poured gasket ensures a complete and durable seal of the

enclosure. Cover screws thread into sealed wells and are captive. The enclosure can be internally mounted or externally mounted using the included die cast wall mounting feet. These feet have oblong holes to facilitate installation. Hole plugs (880 HP series) are available to seal unused holes. The 1400 SDSS is available with standard and miniature pushbutton

holes. The enclosures' exterior are unpainted and brushed smooth. The enclosures' interior is finished with white heat fused powder paint, electrostatically applied on a pre-treated base.

**CSA Certified / UL Listed  
NEMA/EEMAC 4X / IP66**

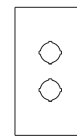
**Refer to p.727 to validate choice of substrate for the application**



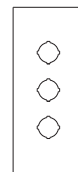
030302



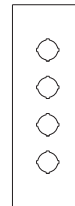
050302



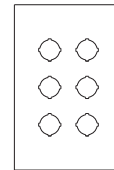
080302



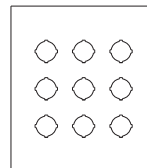
100302



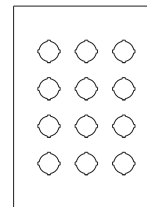
090603



090803



110803



CATALOG NUMBER	QTY. HOLES	DIMENSIONS					SHIP WGT LBS.
		A	B	C	D	E	
1400 SDSS030302	1	4.000	3.500	3.000	4.500	2.375	1
1400 SDSS050302	2	6.250	3.500	3.000	6.750	2.375	2
1400 SDSS080302	3	8.500	3.500	3.000	9.000	2.375	3
1400 SDSS100302	4	10.750	3.500	3.000	11.250	2.375	4
1400 SDSS090603	6	10.000	6.500	3.000	10.500	5.375	5
1400 SDSS090803	9	10.000	8.750	3.000	10.500	7.625	7
1400 SDSS110803	12	12.250	8.750	3.000	12.750	7.625	8

**Notes :**

\* For stainless steel Type 316, add suffix '6' to the catalog number (i.e. 1400 SDSS0303026).

† Enclosures are also available with 22.5mm pushbutton holes, add suffix 'MN' to the catalog number (i.e. 1400 SD030302MN).

‡ For painted stainless steel, add suffix 'P' to the catalog number (i.e. 1400 SDSS050302P).

Data subject to change without notice.

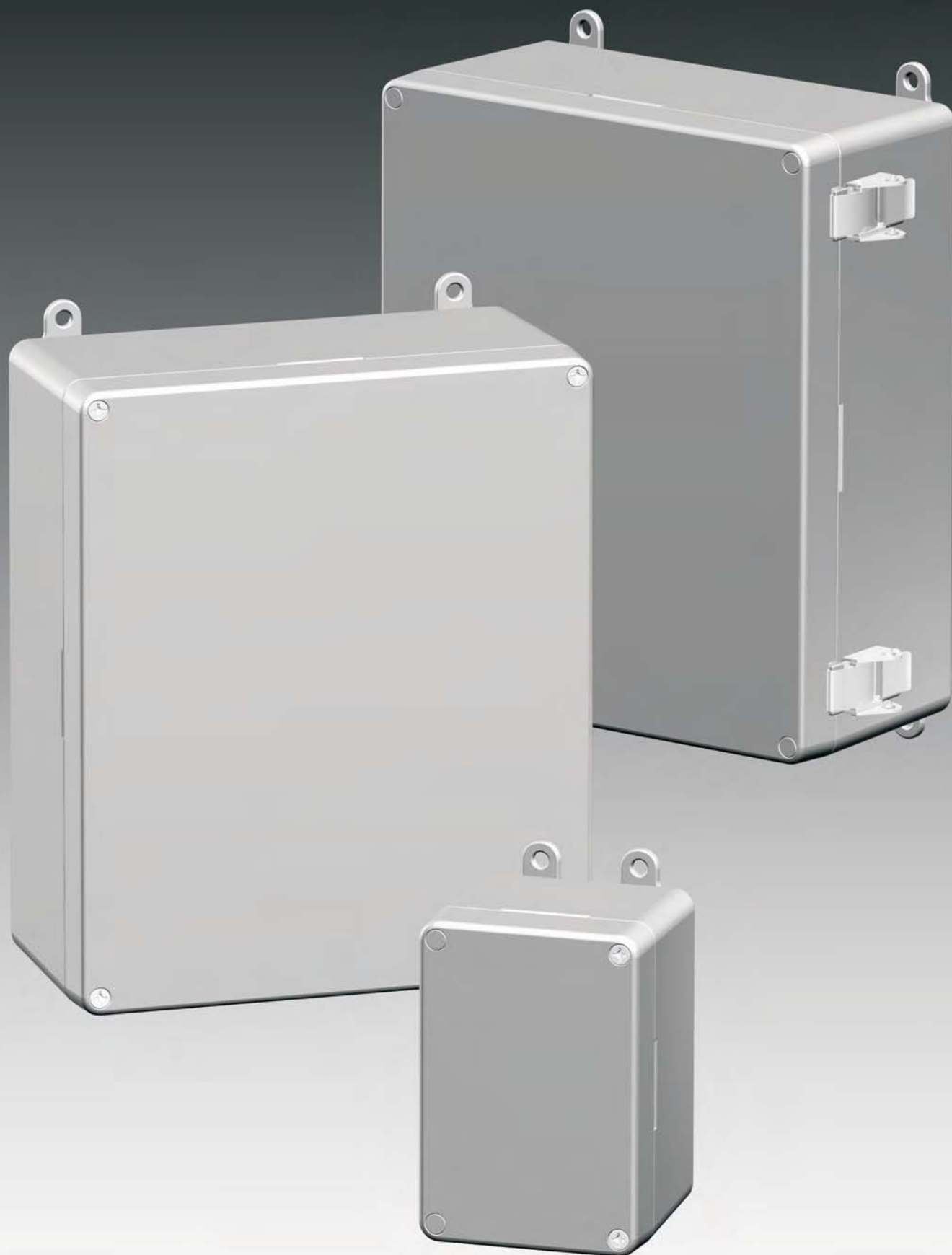


p.480



p.480

# **NEMA 4X-12 FIBERGLASS**



## Corrosion resistant fiberglass enclosures

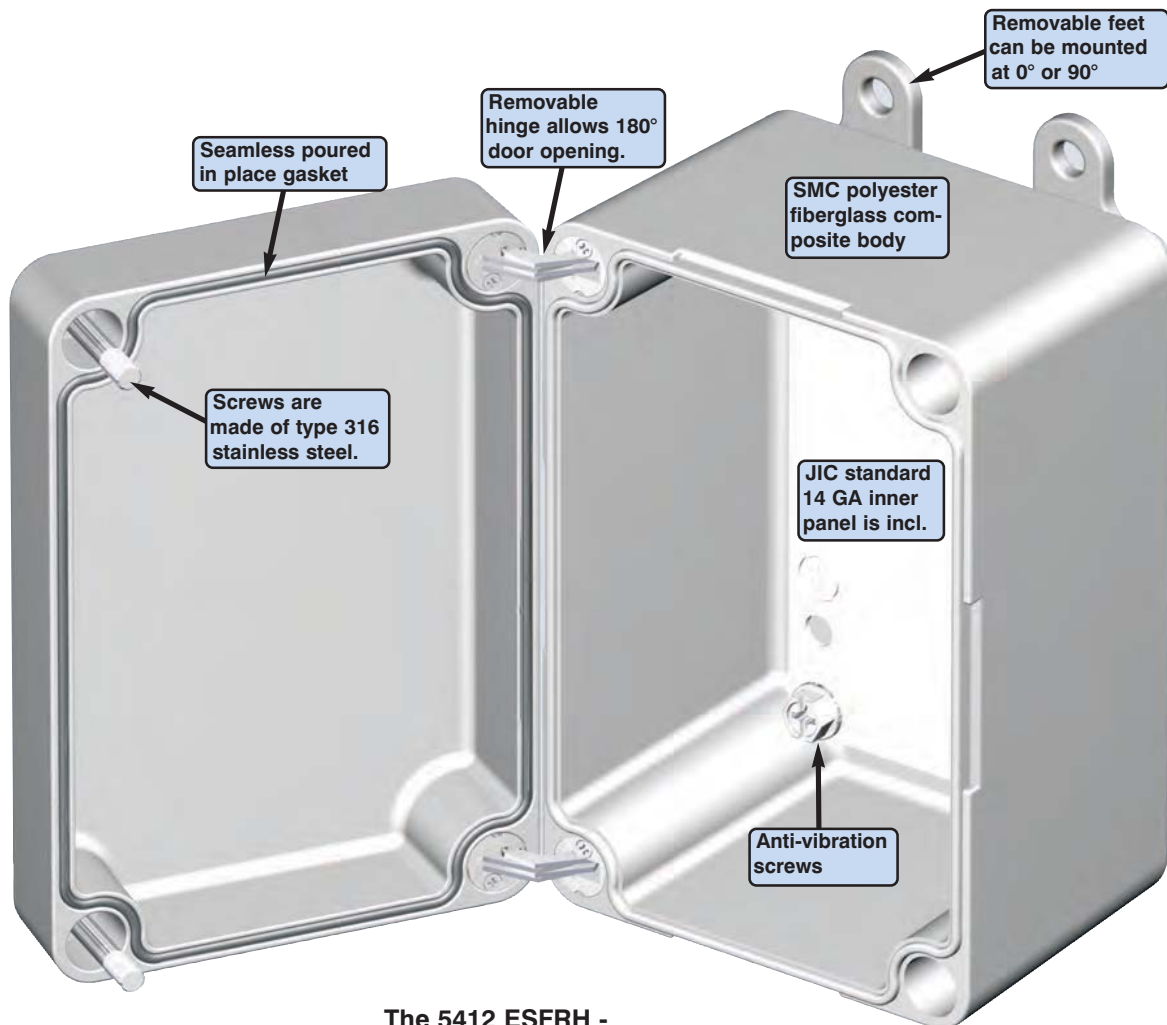
The 5412 ESFR series are suited for use indoors or outdoors where corrosion may be a problem, to protect the enclosed equipment from water coming from any direction, dust, dirt and oil. The 5412 ESFR series are made of SMC polyester fiberglass composite, aesthetically designed and produced exclusively by EXM. Fiberglass is the material of choice for numerous industrial applications. Its electrical, chemical and physical properties allow reinforced fiberglass to be used in many environments and for wide

ranging applications. Three fiberglass enclosure models are available : the 5412 ESFRS (Screw cover), the 5412 ESFRH (Hinged cover) and the 5412 ESFRQ (Quick release cover).

A quality robotically poured in place gasket ensures a complete NEMA 4X seal. The cover screws and quick release latches are made of stainless steel. The concealed hinges are removable and allow for 180° door opening. The hinges for the 5412 ESFRH can be placed on any side of the enclosure, and permit right, left,

top or bottom door opening. The mounting feet can be installed at 0° or 90°, to be used either at the top and bottom of the box or at its sides. 5412 ESFR series enclosures come with a JIC standard 14 GA white powder coated inner panel, which can be interchanged with the panels used in ESCH enclosures. Inner panels and mounting feet are secured by anti-vibration screws.

**CSA Certified / UL Listed  
NEMA/EEMAC 4X / IP66**

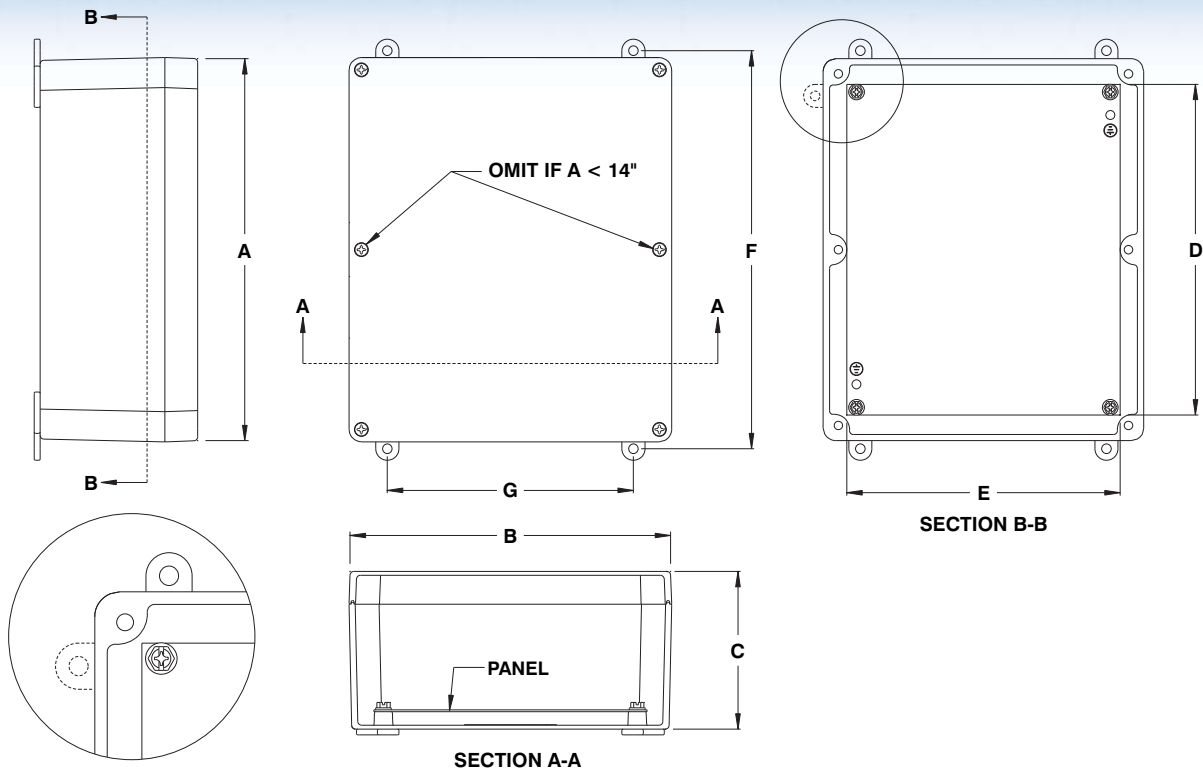


**The 5412 ESFRH -  
Available only from EXM**

Data subject to  
change without  
notice.



## Screw cover corrosion resistant fiberglass enclosures



CATALOG NUMBER	DIMENSIONS							SHIP WGT LBS.
	A	B	C	D	E	F	G	
5412 ESFRS040403	4.5	4.5	3.125	--	--	4.937	2	1
5412 ESFRS040604	4.5	6.5	4.125	2.88	4.88	4.937	4	2
5412 ESFRS060404	6.5	4.5	4.125	4.88	2.88	6.937	2	2
5412 ESFRS060604	6.5	6.5	4.125	4.88	4.88	6.937	4	2
5412 ESFRS060804	6.5	8.5	4.125	4.88	6.88	6.937	6	2
5412 ESFRS080604	8.5	6.5	4.125	6.88	4.88	8.937	4	2
5412 ESFRS080804	8.5	8.5	4.125	6.88	6.88	8.937	6	3
5412 ESFRS081004	8.5	10.5	4.125	6.88	8.88	8.937	8	4
5412 ESFRS100804	10.5	8.5	4.125	8.88	6.88	10.937	6	4
5412 ESFRS101205	10.5	12.5	5.125	8.88	10.88	10.937	10	7
5412 ESFRS121005	12.5	10.5	5.125	10.88	8.88	12.937	8	7
5412 ESFRS081006	8.5	10.5	6.125	6.88	8.88	8.937	8	6
5412 ESFRS100806	10.5	8.5	6.125	8.88	6.88	10.937	6	6
5412 ESFRS121206	12.5	12.5	6.125	10.88	10.88	12.937	10	10
5412 ESFRS121406	12.5	14.5	6.125	10.88	12.88	12.937	12	12
5412 ESFRS141206	14.5	12.5	6.125	12.88	10.88	14.937	10	12



Data subject to change without notice.



p.358

<http://www.exmweb.com>



p.358

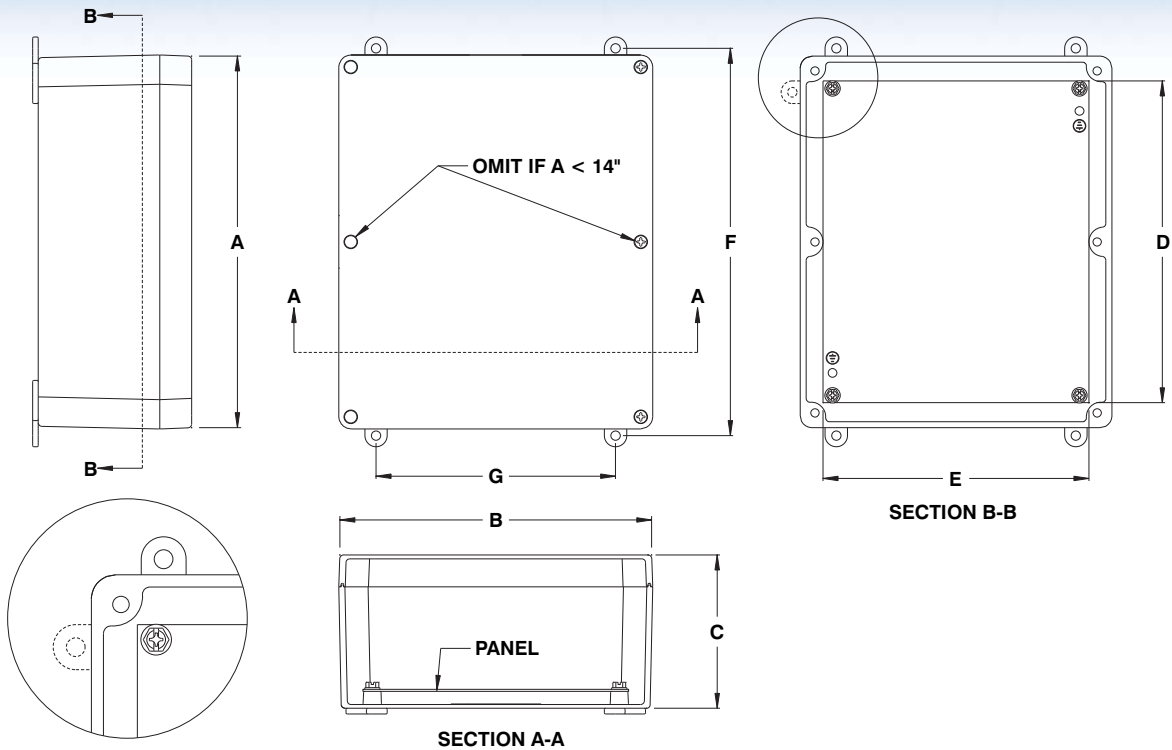
1-800-363-2423

Fax : 450-979-4626



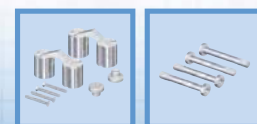
info@exmweb.com

## Hinged corrosion resistant fiberglass enclosures

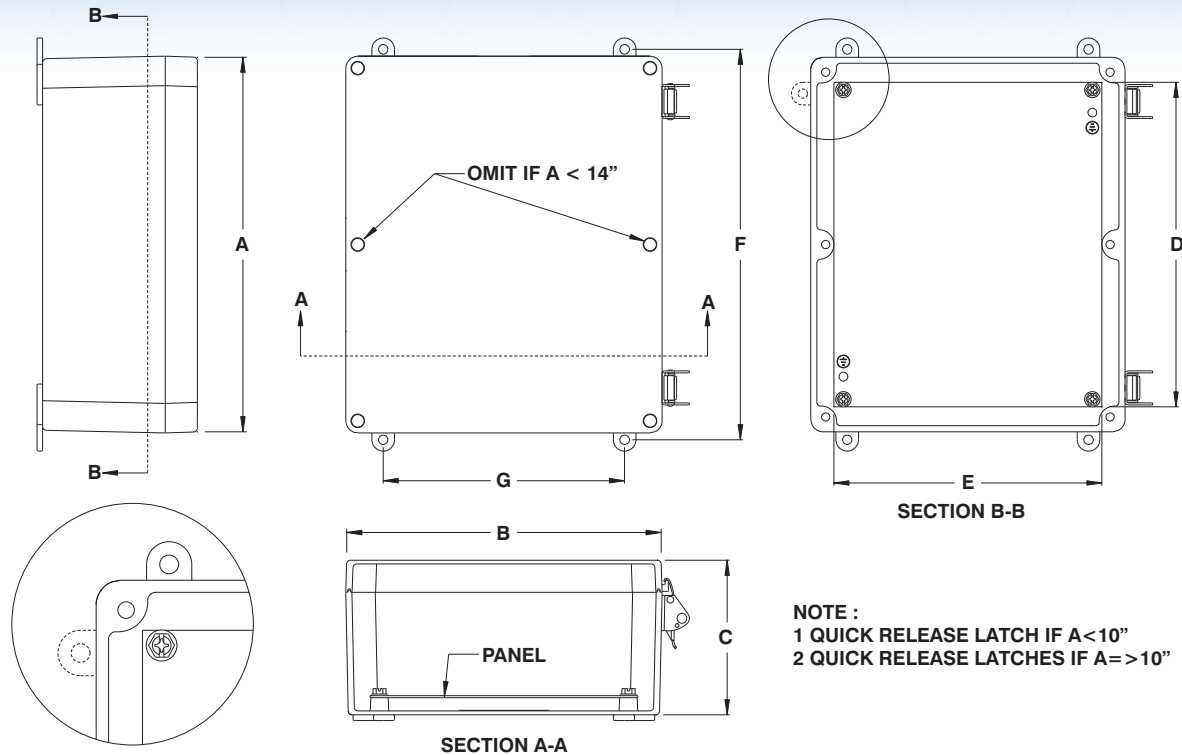


CATALOG NUMBER	DIMENSIONS							SHIP WGT LBS.
	A	B	C	D	E	F	G	
5412 ESRFH040403	4.5	4.5	3.125	--	--	4.937	2	1
5412 ESRFH040604	4.5	6.5	4.125	2.88	4.88	4.937	4	2
5412 ESRFH060404	6.5	4.5	4.125	4.88	2.88	6.937	2	2
5412 ESRFH060604	6.5	6.5	4.125	4.88	4.88	6.937	4	2
5412 ESRFH060804	6.5	8.5	4.125	4.88	6.88	6.937	6	2
5412 ESRFH080604	8.5	6.5	4.125	6.88	4.88	8.937	4	2
5412 ESRFH080804	8.5	8.5	4.125	6.88	6.88	8.937	6	3
5412 ESRFH081004	8.5	10.5	4.125	6.88	8.88	8.937	8	4
5412 ESRFH100804	10.5	8.5	4.125	8.88	6.88	10.937	6	4
5412 ESRFH101205	10.5	12.5	5.125	8.88	10.88	10.937	10	7
5412 ESRFH121005	12.5	10.5	5.125	10.88	8.88	12.937	8	7
5412 ESRFH081006	8.5	10.5	6.125	6.88	8.88	8.937	8	6
5412 ESRFH100806	10.5	8.5	6.125	8.88	6.88	10.937	6	6
5412 ESRFH121206	12.5	12.5	6.125	10.88	10.88	12.937	10	10
5412 ESRFH121406	12.5	14.5	6.125	10.88	12.88	12.937	12	12
5412 ESRFH141206	14.5	12.5	6.125	12.88	10.88	14.937	10	12

Data subject to change without notice.



## Quick release cover fiberglass enclosures



CATALOG NUMBER	DIMENSIONS							SHIP WGHT LBS.
	A	B	C	D	E	F	G	
5412 ESFRQ040403	4.5	4.5	3.125	--	--	4.937	2	1
5412 ESFRQ060404	6.5	4.5	4.125	4.88	2.88	6.937	2	2
5412 ESFRQ060604	6.5	6.5	4.125	4.88	4.88	6.937	4	2
5412 ESFRQ080604	8.5	6.5	4.125	6.88	4.88	8.937	4	2
5412 ESFRQ080804	8.5	8.5	4.125	6.88	6.88	8.937	6	3
5412 ESFRQ100804	10.5	8.5	4.125	8.88	6.88	10.937	6	4
5412 ESFRQ121005	12.5	10.5	5.125	10.88	8.88	12.937	8	7
5412 ESFRQ100806	10.5	8.5	6.125	8.88	6.88	10.937	6	6
5412 ESFRQ121206	12.5	12.5	6.125	10.88	10.88	12.937	10	10
5412 ESFRQ141206	14.5	12.5	6.125	12.88	10.88	14.937	10	12



Data subject to change without notice.



p.358

<http://www.exmweb.com>



p.358

☎ 1-800-363-2423

Fax : 450-979-4626



info@exmweb.com

Accessories for the 5412 ESFR series.

**880 FRS - Stainless steel screws**



Replacement screws for the 5412 ESFRS can be ordered. The screws are made of stainless steel and are ordered in packs of 12.

The hinges on the 5412 ESFRH can be removed and replaced by 880 FRS stainless steel screws. Therefore, EXM hinge cover fiberglass enclosures can be easily converted to screw cover enclosures, and vice versa.

**880 FRH - Hinges**



Replacement hinges for the 5412 ESFRH and 5412 ESFRQ can be ordered. The hinges are ordered in packs of 6.

The screws on the 5412 ESFRS can be removed and replaced by 880 FRH hinges. Therefore, EXM screw cover fiberglass enclosures can be easily converted to hinge cover enclosures, and vice versa.

Is fiberglass right for your application?

	Fiberglass	Powder coated carbon steel	Stainless steel type 304 / 316	Powder coated stainless steel	Aluminium
<b>Chemical resistance</b>					
<b>Solvents</b>					
<b>Alkalis</b>					
<b>Acids</b>					
<b>Physical resistance</b>					
<b>Physical strenght</b>					
<b>Corrosion resistance</b>					
<b>Comparative cost</b>					
<b>Comparative cost</b>					

**Green denotes recommended use    Yellow denotes satisfactory use    Red denotes limited use**

Data subject to change without notice.



# **EMC ENCLOSURES**



## EMI/RFI shielded JIC NEMA 4/12 enclosures

The 5412 ESCHE are used indoors or outdoors to protect the enclosed controls from dust, dirt, oil and water splashing. A special conductive gasket protects the contents against a certain degree of electromagnetic interference. The 5412 ESCHE are made from quality 16 GA steel, with corner seams continuously welded. The opening has a curled lip around all sides to prevent dripping water from entering the enclosure when the door is open, it also increases rigidity. This enclosure features incorporat-

ed hinging, meaning that the hinge is a part of the box and part of the cover. This minimizes the amount of welding and allows the door to be easily removed by pulling out the full length mushroom head hinge pin. Very few JIC type enclosures offer this considerable advantage.

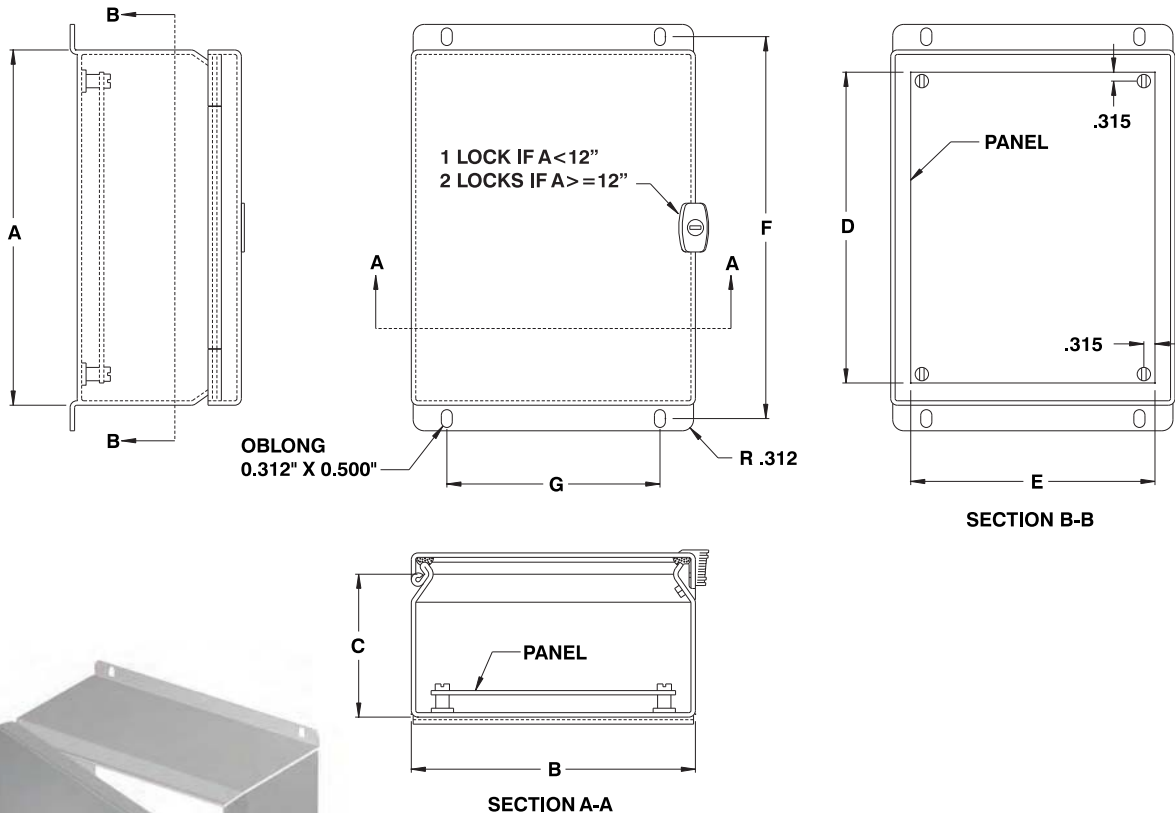
**EXM's exclusive flange-mounted ¼ turn locking system** ensures positive closing while leaving a full workable mounting surface on the door.

Each enclosure comes **complete with a 14 GA inner panel** which

which mounts on weld nuts. The four external wall-mounting holes are oblong to facilitate installation and the mounting feet are incorporated into the body of the enclosure. Enclosures and panels are finished with heat fused powder paint, electrostatically applied on a pretreated base. Box is ANSI/ASA 61 gray, panel is white (other colors available).

**NEMA/EEMAC 4-12 / IP66**

**Refer to p.727 to validate choice of substrate for the application**



CATALOG NUMBER	DIMENSIONS							SHIP WGHT LBS.
	A	B	C	D	E	F	G	
5412 ESCHE060403	6	4	3	4.88	2.88	6.75	2	3
5412 ESCHE060604	6	6	4	4.88	4.88	6.75	4	5
5412 ESCHE080604	8	6	4	6.88	4.88	8.75	4	6
5412 ESCHE100804	10	8	4	8.88	6.88	10.75	6	10
5412 ESCHE121005	12	10	5	10.88	8.88	12.75	8	16
5412 ESCHE141206	14	12	6	12.88	10.88	14.75	10	19
5412 ESCHE161406	16	14	6	14.88	12.88	16.75	12	23

Data subject to change without notice.



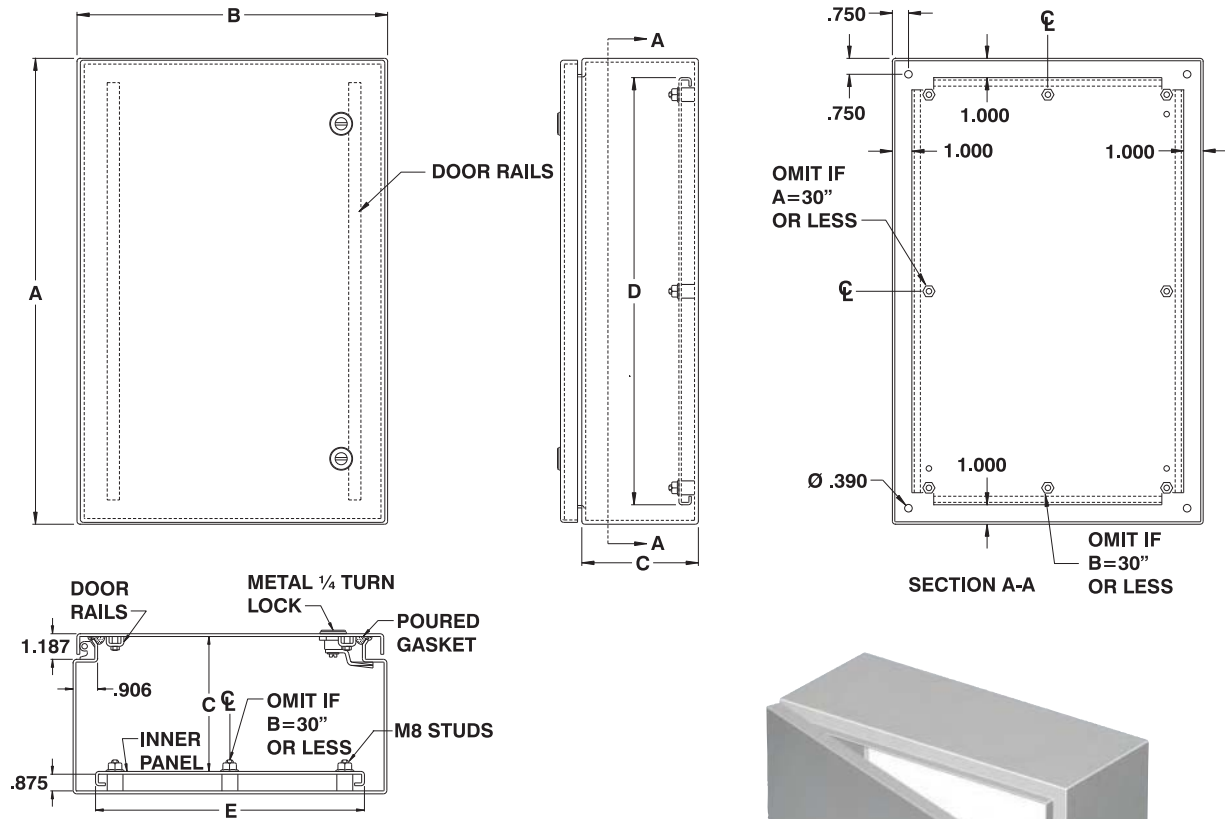
## EMI/RFI shielded NEMA 4/12 enclosures

The 5412 ESE water, oil & dust tight enclosures are used indoors or outdoors in areas where the enclosures may be subject to hosing or to water coming from any direction or for protection against dust, dirt or oil splashing. A special conductive gasket protects the contents against a certain degree of electromagnetic interference. The 5412 ESE are made from quality 14 GA or 16 GA steel, with cor-

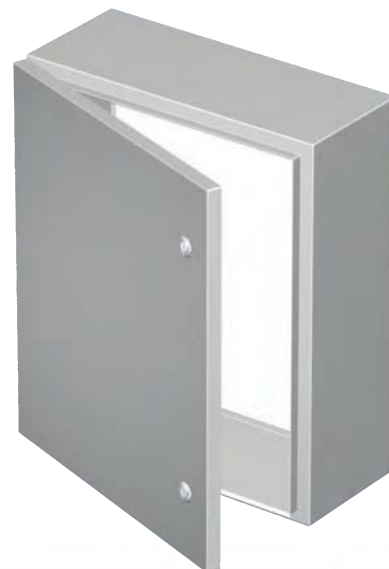
ner seams continuously welded. The opening has a curled lip around all sides to prevent dripping water from entering the enclosure when the door is open, it also increases rigidity. The pins of the concealed hinges can be pulled out to remove the door. A ¼ turn locking mechanism ensures positive closing. Internal mounting holes are provided. Each enclosure comes **complete with a**

**12 GA inner panel** which mounts on M8 welded studs. Enclosures and panels are finished with heat fused powder paint, electrostatically applied on a pretreated base. Box is ANSI/ASA 61 gray, panel is white (other colors available). **NEMA/EEMAC 4-12 / IP66**

**Refer to p.727 to validate choice of substrate for the application**



CATALOG NUMBER	DIMENSIONS					SHIP WGHT LBS.
	A	B	C	D	E	
5412 ESE121206	12	12	6	10	10	19
5412 ESE161206	16	12	6	14	10	24
5412 ESE161606	16	16	6	14	14	31
5412 ESE162006	16	20	6	14	18	37
5412 ESE201606	20	16	6	18	14	37
5412 ESE242006	24	20	6	22	18	53
5412 ESE242408	24	24	8	22	22	67
5412 ESE302408	30	24	8	28	22	81
5412 ESE363008	36	30	8	34	28	116
5412 ESE242412	24	24	12	22	22	76
5412 ESE362412	36	24	12	34	22	107



Data subject to change without notice.

**Insulated box?** To have your enclosure insulated, add suffix "TH"

i.e.: 5412ESE362412TH → Insulated steel enclosure



## EMI/RFI shielded stainless steel NEMA 4X/12 enclosures

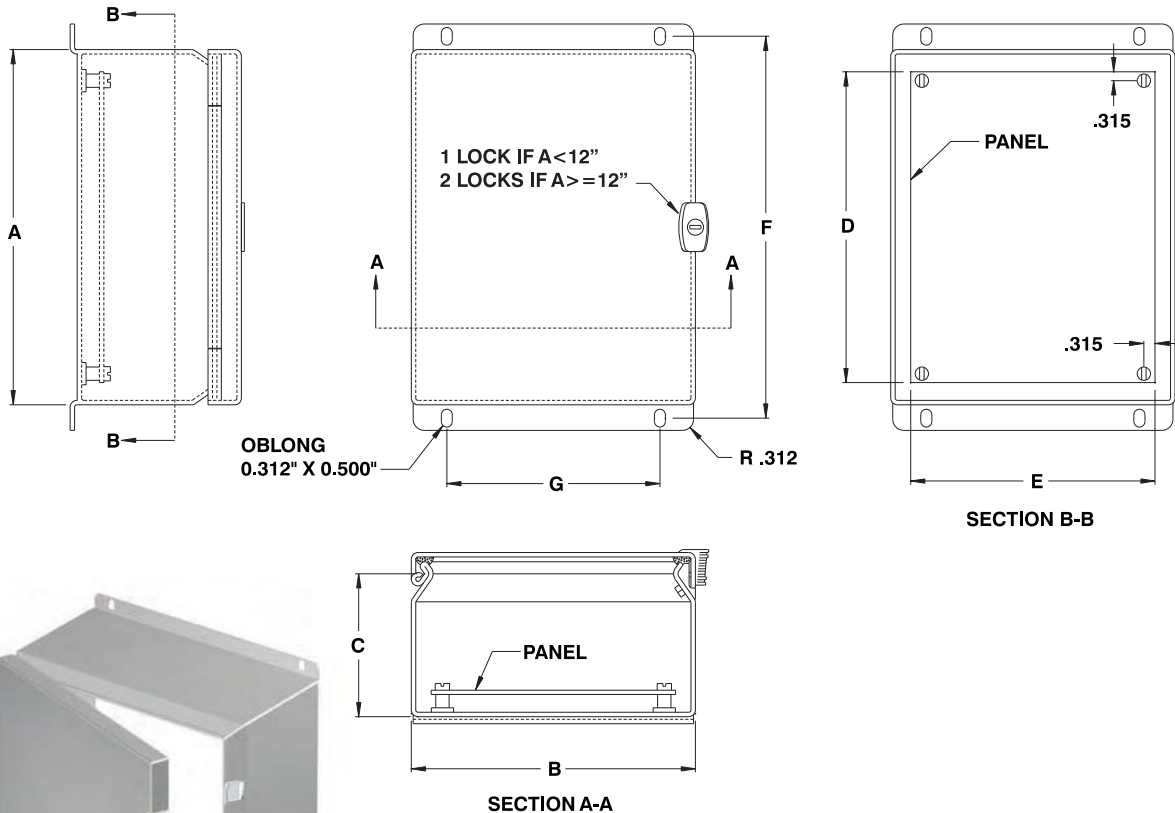
The 5412 ESSPCHE are used indoors or outdoors to protect the enclosed controls from dust, dirt, oil and water splashing. A special conductive gasket protects the contents against a certain degree of electromagnetic interference. The 5412 ESSPCHE are made from quality 16 GA (Type 304) stainless steel, with corner seams continuously welded. The opening has a curled lip around all sides to prevent dripping water from entering the enclosure when the door is open, it also increases rigidity. This

enclosure features incorporated hinging, meaning that the hinge is a part of the box and part of the cover. This minimizes the amount of welding and allows the door to be easily removed by pulling out the full length mushroom head hinge pin. **EXM's exclusive flange-mounted ¼ turn locking system** ensures positive closing while leaving a full workable mounting surface on the door. Each enclosure comes **complete with a 14 GA inner panel** which mounts on weld nuts. The four external wall-mounting holes are

oblong to facilitate installation and the mounting feet are incorporated into the body of the enclosure. The powder coating further protects the stainless steel against the elements. Enclosures and panels are finished with heat fused powder paint, electrostatically applied on a pretreated base. Box is ANSI/ASA 61 gray, panel is white (other colors available).

**NEMA/EEMAC 4X / IP66**

**Refer to p.727 to validate choice of substrate for the application**



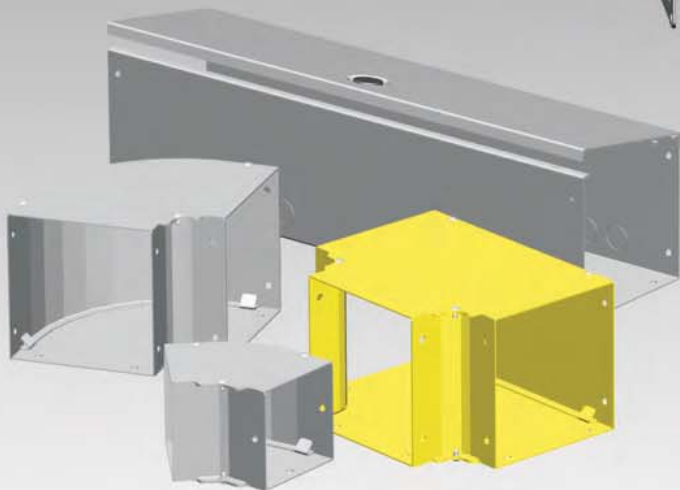
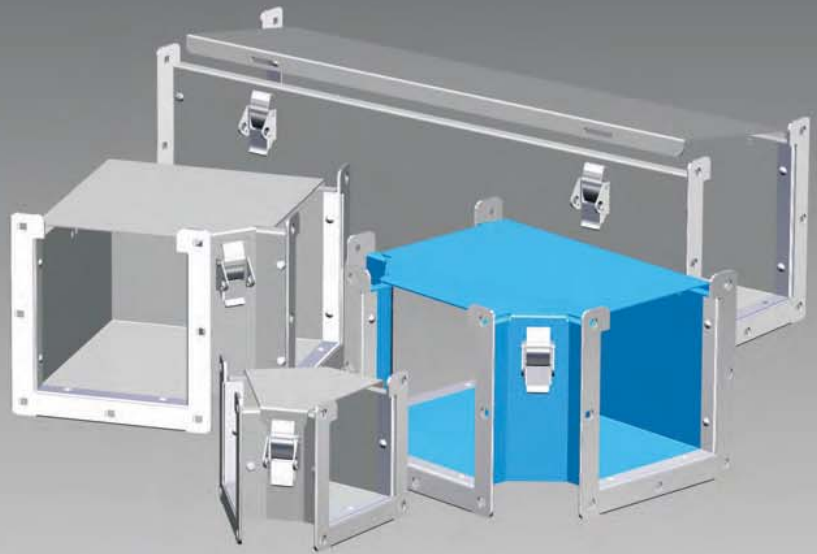
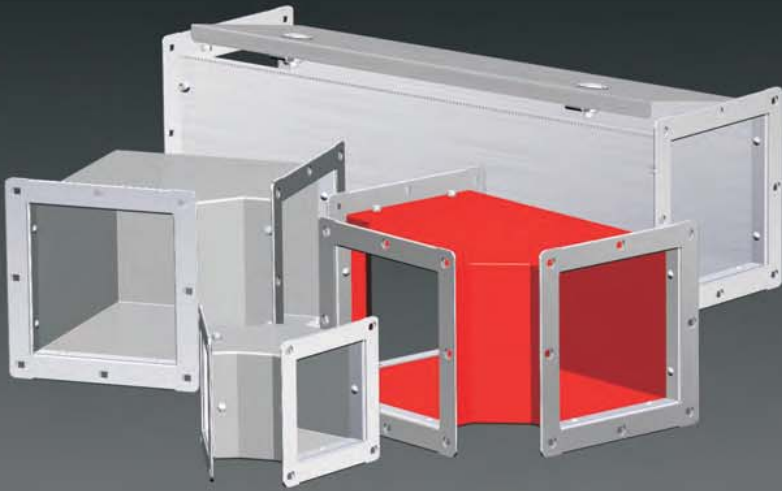
CATALOG NUMBER	DIMENSIONS							SHIP WGHT LBS.
	A	B	C	D	E	F	G	
5412 ESSPCHE060403	6	4	3	4.88	2.88	6.75	2	3
5412 ESSPCHE060604	6	6	4	4.88	4.88	6.75	4	5
5412 ESSPCHE080604	8	6	4	6.88	4.88	8.75	4	6
5412 ESSPCHE100804	10	8	4	8.88	6.88	10.75	6	10
5412 ESSPCHE121005	12	10	5	10.88	8.88	12.75	8	16
5412 ESSPCHE141206	14	12	6	12.88	10.88	14.75	10	19
5412 ESSPCHE161406	16	14	6	14.88	12.88	16.75	12	23

Data subject to change without notice.





# NEMA 1/12-13/4/4X WIREWAY



## Lay-in duct, hinged cover

The 1100 series lay-in ducts are made of code gauge steel and designed to permit fast and easy installation of multiple wire runs. The corners of components are aesthetically rounded. The hinged covers are secured by convenient quarter-turn locks which facilitate access to the contents of the components. Available without knockouts (add

suffix "N" to the catalog number. Knockouts are provided on two sides of the body. All accessories for a complete system such as 22½°, 45° and 90° elbows, crosses, T's, reducers, telescope fittings have removable covers. Joiner plates are linked by carriage bolts and anti-vibration nuts which can be installed using minimum tooling.

All of the painted components are finished with heat fused powder paint, electrostatically applied on a pretreated base. Finish is ANSI/ASA 61 gray. (other colors available)

**CSA Certified**  
**NEMA/EEMAC 1 / IP30**

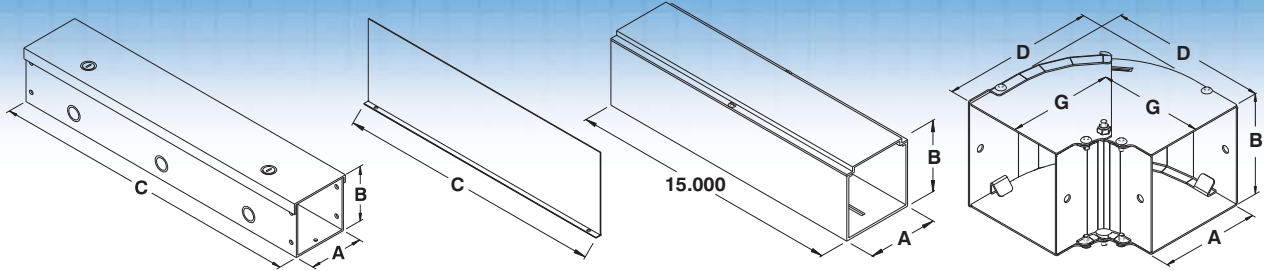
**Refer to p.727 to validate choice of substrate for the application**

DESCRIPTION	CATALOG NUMBER					
	2½" X 2½"	4" X 4"	6" X 6"	8" X 8"	10" X 10"	12" X 12"
Straight sections 12"	1100 SS2012	1100 SS4012	1100 SS6012	1100 SS8012	1100 SS10012	1100 SS12012
Straight sections 24"	1100 SS2024	1100 SS4024	1100 SS6024	1100 SS8024	1100 SS10024	1100 SS12024
Straight sections 36"	1100 SS2036	1100 SS4036	1100 SS6036	1100 SS8036	1100 SS10036	1100 SS12036
Straight sections 48"	1100 SS2048	1100 SS4048	1100 SS6048	1100 SS8048	1100 SS10048	1100 SS12048
Straight sections 60"	1100 SS2060	1100 SS4060	1100 SS6060	1100 SS8060	1100 SS10060	1100 SS12060
Straight sections 72"	1100 SS2072	1100 SS4072	1100 SS6072	1100 SS8072	1100 SS10072	1100 SS12072
Straight sections 120"	1100 SS2120	1100 SS4120	1100 SS6120	1100 SS8120	1100 SS10120	1100 SS12120
Screw on barrier 12"	1100 BA2012	1100 BA4012	1100 BA6012	1100 BA8012	1100 BA10012	1100 BA12012
Screw on barrier 24"	1100 BA2024	1100 BA4024	1100 BA6024	1100 BA8024	1100 BA10024	1100 BA12024
Screw on barrier 36"	1100 BA2036	1100 BA4036	1100 BA6036	1100 BA8036	1100 BA10036	1100 BA12036
Screw on barrier 48"	1100 BA2048	1100 BA4048	1100 BA6048	1100 BA8048	1100 BA10048	1100 BA12048
Screw on barrier 60"	1100 BA2060	1100 BA4060	1100 BA6060	1100 BA8060	1100 BA10060	1100 BA12060
Screw on barrier 72"	--	1100 BA4072	1100 BA6072	1100 BA8072	--	--
Screw on barrier 120"	1100 BA2120	1100 BA4120	1100 BA6120	1100 BA8120	1100 BA10120	1100 BA12120
Telescope fitting	1100 TL2068	1100 TL4068	1100 TL6068	1100 TL8068	1100 TL10068	1100 TL12068
Elbow 90 degrees	1100 EL2090	1100 EL4090	1100 EL6090	1100 EL8090	1100 EL10090	1100 EL12090
Elbow 45 degrees	1100 EL2045	1100 EL4045	1100 EL6045	1100 EL8045	1100 EL10045	1100 EL12045
Elbow 22½ degrees	1100 EL2022	1100 EL4022	1100 EL6022	1100 EL8022	1100 EL10022	1100 EL12022
Elbow adjustable 19° to 48°	1100 ELA2092	1100 ELA4092	1100 ELA6092	1100 ELA8092	1100 ELA10092	1100 ELA12092
Elbow adjustable 42° to 93°	1100 ELA2093	1100 ELA4093	1100 ELA6093	1100 ELA8093	1100 ELA10093	1100 ELA12093
Elbow sweep 90 degrees	1100 ES2091	1100 ES4091	1100 ES6091	1100 ES8091	--	--
Tee fitting	1100 TF2062	1100 TF4062	1100 TF6062	1100 TF8062	1100 TF10062	1100 TF12062
Cross fitting	1100 CF2063	1100 CF4063	1100 CF6063	1100 CF8063	1100 CF10063	1100 CF12063
Reducer 4"X4" to 2½"X2½"	--	1100 RD4402	--	--	--	--
Reducer 6"X6" to 4"X4"	--	--	1100 RD6604	--	--	--
Reducer 8"X8" to 6"X6"	--	--	--	1100 RD8806	--	--
Reducer 10"X10" to 8"X8"	--	--	--	--	1100 RD101008	--
Reducer 12"X12" to 8"X8"	--	--	--	--	--	1100 RD121208
Reducer 12"X12" to 10"X10"	--	--	--	--	--	1100 RD121210
Joiner (Coupling)	1100 JO2067	1100 JO4067	1100 JO6067	1100 JO8067	1100 JO10067	1100 JO12067
Bracket hanger	1100 HD2069	1100 HD4069	1100 HD6069	1100 HD8069	1100 HD10069	1100 HD12069
Drop hanger	1100 HD2069	1100 HD4069	1100 HD6069	1100 HD8069	1100 HD10069	1100 HD12069
Support hanger	1100 HS2070	1100 HS4070	1100 HS6070	1100 HS8070	1100 HS10070	1100 HS12070
Closing plate	1100 CP2065	1100 CP4065	1100 CP6065	1100 CP8065	1100 CP10065	1100 CP12065
Open adaptor/Box connector	1100 OA2071	1100 OA4071	1100 OA6071	1100 OA8071	1100 OA10071	1100 OA12071

Note: Available without knockouts, add suffix 'N' to catalogue number. (i.e. 1100SS2012N)



Data subject to change without notice.

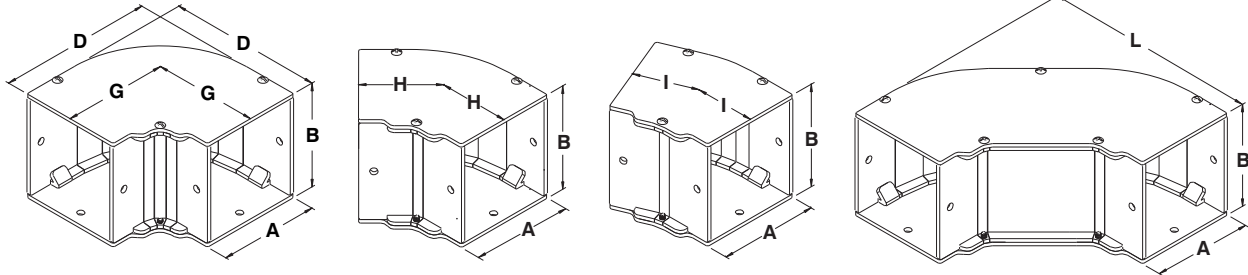


Straight section

Screw-on barrier

Telescope fitting

Adjustable elbow 19° to 48°  
& Adjustable elbow 42° to 93°

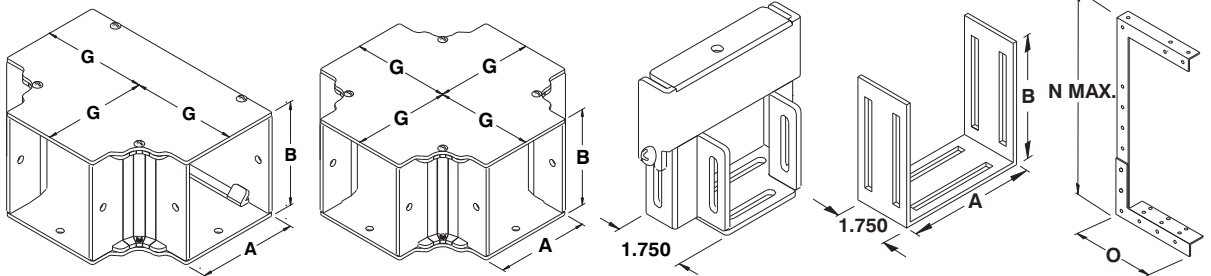


Elbow 90 degrees

Elbow 45 degrees

Elbow 22½ degrees

Elbow sweep 90 degrees



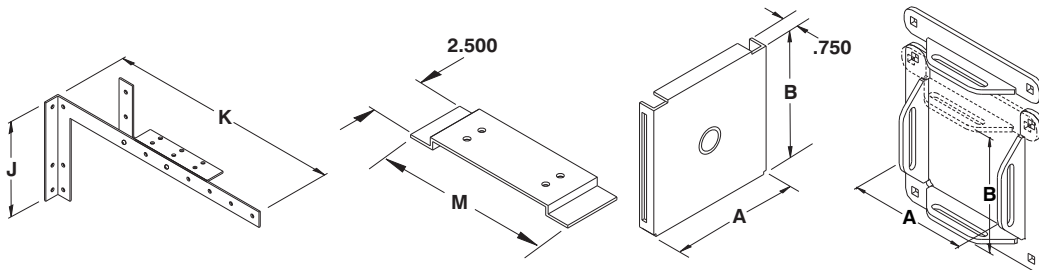
Tee fitting

Cross fitting

Reducer

Joiner plate

Drop Hanger



Bracket hanger

Support hanger

Closing plate

Open Adaptor

### DIMENSIONS

A	B	C	D	F	G	H	I	J	K	L	M	N	O
2.500	2.500	12-24-36-48-60-72-120	4.687	2.500	3.437	2.500	2.250	4.000	7.000	7.906	4.500	12.000	4.750
4.000	4.000	12-24-36-48-60-72-120	6.187	2.656	4.187	2.812	2.406	6.000	8.500	9.406	6.000	15.000	6.250
6.000	6.000	12-24-36-48-60-72-120	8.187	3.312	5.187	3.250	2.406	8.000	10.500	11.406	8.000	19.000	8.250
8.000	8.000	12-24-36-48-60-72-120	10.187	3.656	6.187	3.656	2.750	8.000	12.500	13.406	10.000	23.000	10.250
10.000	10.000	12-24-36-48-60-72-120	12.187	4.000	7.187	4.062	3.000	8.000	14.500	15.406	12.000	27.000	12.250
12.000	12.000	12-24-36-48-60-72-120	14.187	4.625	8.187	4.500	3.187	8.000	16.500	17.406	14.000	31.000	14.250

Data subject to change without notice.



## Lay-in duct, screwed cover

The 1100 series lay-in ducts are made of code gauge steel and designed to permit fast and easy installation of multiple wire runs. The corners of components are rounded. The covers are secured by screws. Knockouts are provided on two sides of the body. Also available without knockouts (add suffix "N" to

the catalog number). All accessories for a complete system such as 22½°, 45° and 90° elbows, crosses, T's, reducers, telescope fittings have removable covers. Joiner plates are linked by carriage bolts and anti-vibration nuts which can be installed using minimum tooling. All of the painted components are finished

with heat fused powder paint, electrostatically applied on a pretreated base. Finish is ANSI/ASA 61 gray. (other colors available)

**CSA Certified**  
**NEMA/EEMAC 1 / IP30**

**Refer to p.727 to validate choice of substrate for the application**

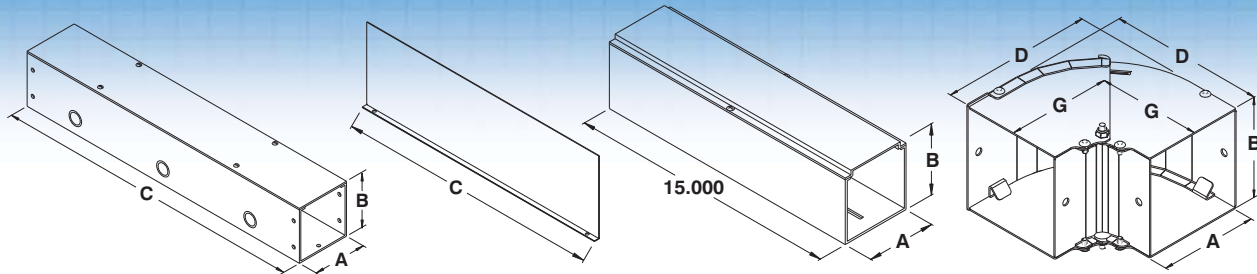
DESCRIPTION	CATALOG NUMBER					
	2½" X 2½"	4" X 4"	6" X 6"	8" X 8"	10" X 10"	12" X 12"
Straight sections 12"	1100 SS2012SC	1100 SS4012SC	1100 SS6012SC	1100 SS8012SC	1100 SS10012SC	1100 SS12012SC
Straight sections 24"	1100 SS2024SC	1100 SS4024SC	1100 SS6024SC	1100 SS8024SC	1100 SS10024SC	1100 SS12024SC
Straight sections 36"	1100 SS2036SC	1100 SS4036SC	1100 SS6036SC	1100 SS8036SC	1100 SS10036SC	1100 SS12036SC
Straight sections 48"	1100 SS2048SC	1100 SS4048SC	1100 SS6048SC	1100 SS8048SC	1100 SS10048SC	1100 SS12048SC
Straight sections 60"	1100 SS2060SC	1100 SS4060SC	1100 SS6060SC	1100 SS8060SC	1100 SS10060SC	1100 SS12060SC
Straight sections 72"	1100 SS2072SC	1100 SS4072SC	1100 SS6072SC	1100 SS8072SC	1100 SS10072SC	1100 SS12072SC
Straight sections 120"	1100 SS2120SC	1100 SS4120	1100 SS6120	1100 SS8120	1100 SS10120	1100 SS12120
Screw on barrier 12"	1100 BA2012	1100 BA4012	1100 BA6012	1100 BA8012	1100 BA10012	1100 BA12012
Screw on barrier 24"	1100 BA2024	1100 BA4024	1100 BA6024	1100 BA8024	1100 BA10024	1100 BA12024
Screw on barrier 36"	1100 BA2036	1100 BA4036	1100 BA6036	1100 BA8036	1100 BA10036	1100 BA12036
Screw on barrier 48"	1100 BA2048	1100 BA4048	1100 BA6048	1100 BA8048	1100 BA10048	1100 BA12048
Screw on barrier 60"	1100 BA2060	1100 BA4060	1100 BA6060	1100 BA8060	1100 BA10060	1100 BA12060
Screw on barrier 72"	--	1100 BA4072	1100 BA6072	1100 BA8072	--	--
Screw on barrier 120"	1100 BA2120	1100 BA4120	1100 BA6120	1100 BA8120	1100 BA10120	1100 BA12120
Telescope fitting	1100 TL2068	1100 TL4068	1100 TL6068	1100 TL8068	1100 TL10068	1100 TL12068
Elbow 90 degrees	1100 EL2090	1100 EL4090	1100 EL6090	1100 EL8090	1100 EL10090	1100 EL12090
Elbow 45 degrees	1100 EL2045	1100 EL4045	1100 EL6045	1100 EL8045	1100 EL10045	1100 EL12045
Elbow 22½ degrees	1100 EL2022	1100 EL4022	1100 EL6022	1100 EL8022	1100 EL10022	1100 EL12022
Elbow adjustable 19° to 48°	1100 ELA2092	1100 ELA4092	1100 ELA6092	1100 ELA8092	1100 ELA10092	1100 ELA12092
Elbow adjustable 42° to 93°	1100 ELA2093	1100 ELA4093	1100 ELA6093	1100 ELA8093	1100 ELA10093	1100 ELA12093
Elbow sweep 90 degrees	1100 ES2091	1100 ES4091	1100 ES6091	1100 ES8091	--	--
Tee fitting	1100 TF2062	1100 TF4062	1100 TF6062	1100 TF8062	1100 TF10062	1100 TF12062
Cross fitting	1100 CF2063	1100 CF4063	1100 CF6063	1100 CF8063	1100 CF10063	1100 CF12063
Reducer 4"X4" to 2½"X2½"	--	1100 RD4402	--	--	--	--
Reducer 6"X6" to 4"X4"	--	--	1100 RD6604	--	--	--
Reducer 8"X8" to 6"X6"	--	--	--	1100 RD8806	--	--
Reducer 10"X10" to 8"X8"	--	--	--	--	1100 RD101008	--
Reducer 12"X12" to 8"X8"	--	--	--	--	--	1100 RD121208
Reducer 12"X12" to 10"X10"	--	--	--	--	--	1100 RD121210
Joiner (Coupling)	1100 JO2067	1100 JO4067	1100 JO6067	1100 JO8067	1100 JO10067	1100 JO12067
Bracket hanger	1100 HD2069	1100 HD4069	1100 HD6069	1100 HD8069	1100 HD10069	1100 HD12069
Drop hanger	1100 HD2069	1100 HD4069	1100 HD6069	1100 HD8069	1100 HD10069	1100 HD12069
Support hanger	1100 HS2070	1100 HS4070	1100 HS6070	1100 HS8070	1100 HS10070	1100 HS12070
Closing plate	1100 CP2065	1100 CP4065	1100 CP6065	1100 CP8065	1100 CP10065	1100 CP12065
Open adaptor/Box connector	1100 OA2071	1100 OA4071	1100 OA6071	1100 OA8071	1100 OA10071	1100 OA12071



Data subject to change without notice.





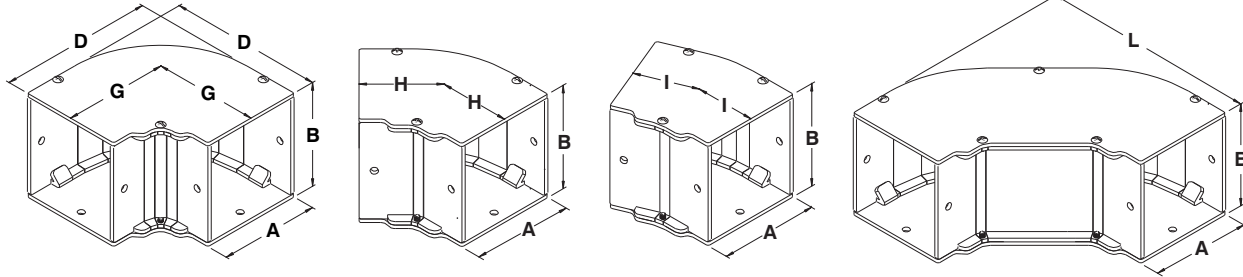


Straight section

Screw-on barrier

Telescope fitting

Adjustable elbow 19° to 48°  
& Adjustable elbow 42° to 93°

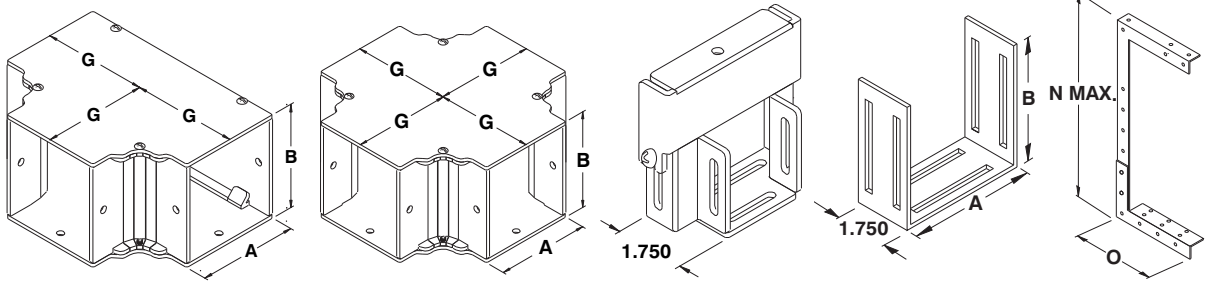


Elbow 90 degrees

Elbow 45 degrees

Elbow 22½ degrees

Elbow sweep 90 degrees



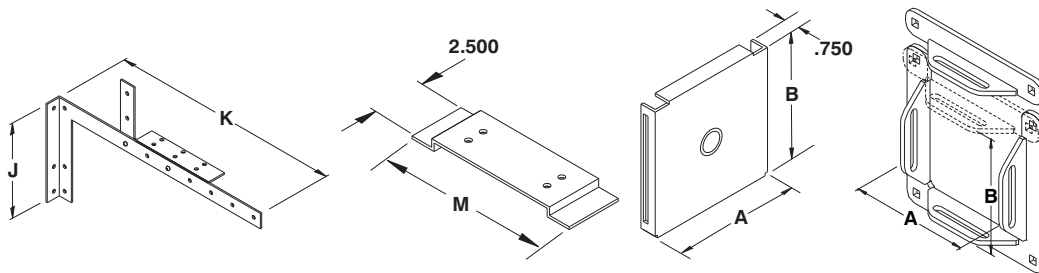
Tee fitting

Cross fitting

Reducer

Joiner plate

Drop Hanger



Bracket hanger

Support hanger

Closing plate

Open Adaptor

### DIMENSIONS

A	B	C	F	G	H	I	J	K	L	M	N	O
2.500	2.500	12-24-36-48-60-72-120	2.500	3.437	2.500	2.250	4.000	7.000	7.906	4.500	12.000	4.750
4.000	4.000	12-24-36-48-60-72-120	2.656	4.187	2.812	2.406	6.000	8.500	9.406	6.000	15.000	6.250
6.000	6.000	12-24-36-48-60-72-120	3.312	5.187	3.250	2.406	8.000	10.500	11.406	8.000	19.000	8.250
8.000	8.000	12-24-36-48-60-72-120	3.656	6.187	3.656	2.750	8.000	12.500	13.406	10.000	23.000	10.250
10.000	10.000	12-24-36-48-60-72-120	4.000	7.187	4.062	3.000	8.000	14.500	15.406	12.000	27.000	12.250
12.000	12.000	12-24-36-48-60-72-120	4.625	8.187	4.500	3.187	8.000	16.500	17.406	14.000	31.000	14.250

Data subject to change without notice.

## Oil and dust tight lay-in wireway

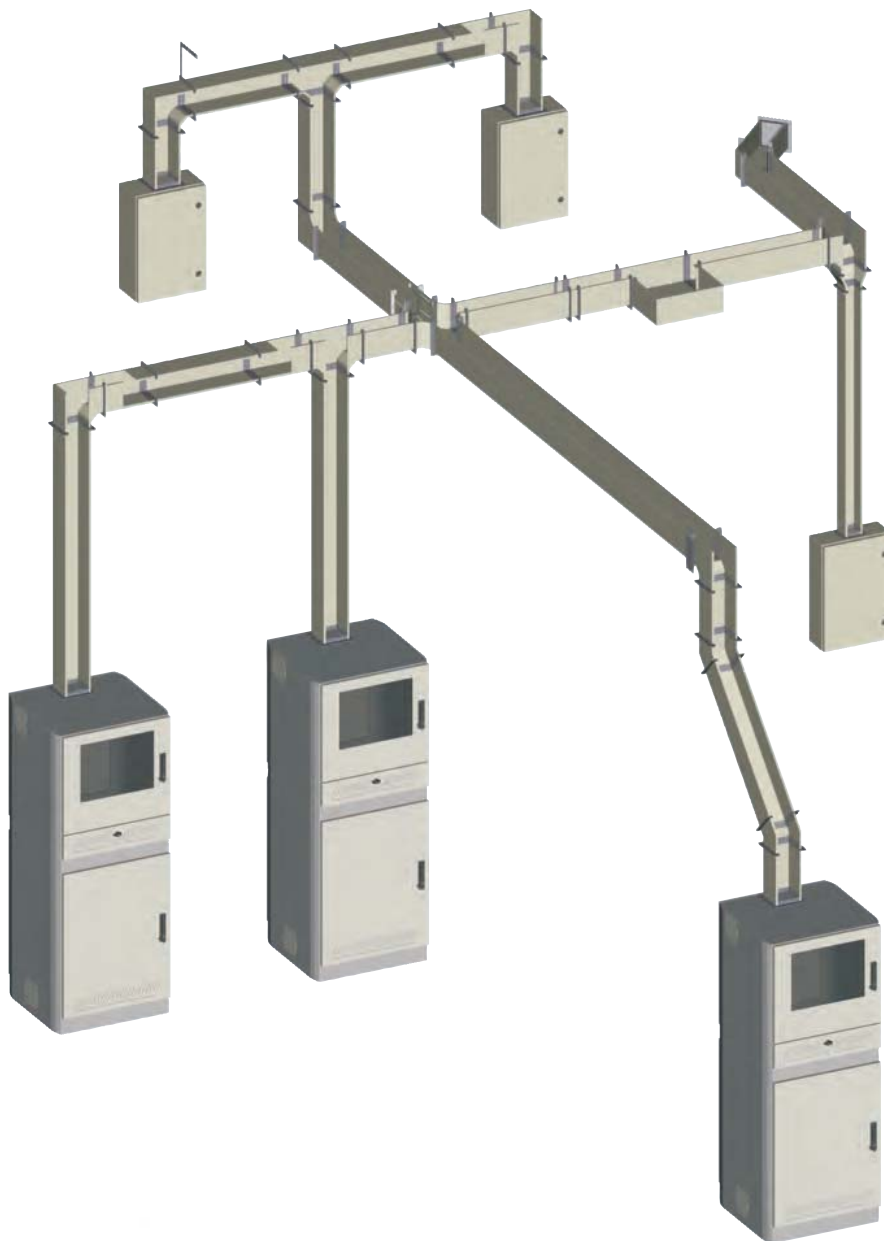
The 1500 series oil tight lay-in wireway is a complete system designed to permit fast and easy installation of multiple wire runs. All sections and accessories have one side completely open, permitting the lay-in of wires without the "pull through" problem. The throughs are screw-on and are made of 14 GA steel with end flanges. All

seams have been continuously welded. Covers are hinged and tight closing is assured by several quick release draw pull catches. The bolted flanges allow for minor length adjustments. A high quality seamless poured in place gasket is installed between the door and the trough and between the sections and the accessories to ensure

integrity. Components are finished with heat fused powder paint, electrostatically applied on a pretreated base. Finish is ANSI/ASA 61 gray.

**CSA Certified**  
**NEMA/EEMAC 12 / IP65**

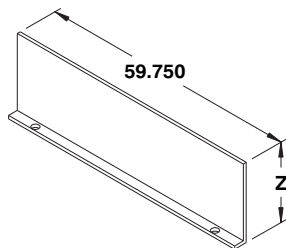
**Refer to p.727 to validate choice of substrate for the application**



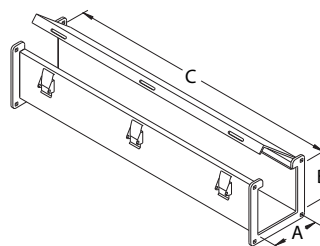
Data subject to change without notice.

## Oil and dust tight lay-in wireway

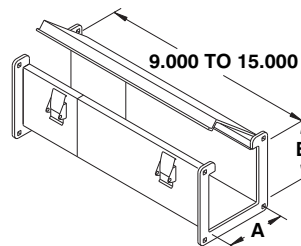
DESCRIPTION	JOINER PLATES QTY.	CATALOG NUMBER				
		2 1/2" X 2 1/2"	4" X 4"	6" X 6"	8" X 8"	12" X 6"
Straight sections 6"	1	1500 SS2006	1500 SS4006	1500 SS6006	1500 SS8006	1500 SS12006
Straight sections 12"	1	1500 SS2012	1500 SS4012	1500 SS6012	1500 SS8012	1500 SS12012
Straight sections 24"	1	1500 SS2024	1500 SS4024	1500 SS6024	1500 SS8024	1500 SS12024
Straight sections 36"	1	1500 SS2036	1500 SS4036	1500 SS6036	1500 SS8036	1500 SS12036
Straight sections 48"	1	1500 SS2048	1500 SS4048	1500 SS6048	1500 SS8048	1500 SS12048
Straight sections 60"	1	1500 SS2060	1500 SS4060	1500 SS6060	1500 SS8060	1500 SS12060
Straight sections 120"	1	1500 SS2120	1500 SS4120	1500 SS6120	1500 SS8120	1500 SS12120
Screw on barrier 60"	0	--	1500 BA4060	1500 BA6060	1500 BA8060	1500 BA12060
Cut off fitting	1	1500 CO2062	1500 CO4062	1500 CO6062	1500 CO8062	1500 CO12062
Nipple 1"	1	1500 NS2001	1500 NS4001	1500 NS6001	1500 NS8001	1500 NS12001
Nipple 2"	1	1500 NS2002	1500 NS4002	1500 NS6002	1500 NS8002	1500 NS12002
Nipple 3"	1	1500 NS2003	1500 NS4003	1500 NS6003	1500 NS8003	1500 NS12003
Telescope fitting	Special	1500 TL2068	1500 TL4068	1500 TL6068	1500 TL8068	1500 TL12068
Junction box	1	1500 JB2066	1500 JB4066	1500 JB6066	1500 JB8066	1500 JB12066
Elbow 90° top opening	1	1500 ET2090	1500 ET4090	1500 ET6090	1500 ET8090	1500 ET12090
Elbow 90° inside opening	1	1500 EI2091	1500 EI4091	1500 EI6091	1500 EI8091	1500 EI12091
Elbow 90° outside opening	1	1500 EO2092	1500 EO4092	1500 EO6092	1500 EO8092	1500 EO12092
Elbow 90° outside top opening	1	--	1500 OT4093	1500 OT6093	1500 OT8093	--
Elbow 45° top opening	1	1500 ET2045	1500 ET4045	1500 ET6045	1500 ET8045	1500 ET12045
Elbow 45° inside opening	1	1500 EI2046	1500 EI4046	1500 EI6046	1500 EI8046	1500 EI12046
Elbow 45° outside opening	1	1500 EO2047	1500 EO4047	1500 EO6047	1500 EO8047	1500 EO12047
Tee fitting top opening	2	1500 TT2063	1500 TT4063	1500 TT6063	1500 TT8063	1500 TT12063
Tee fitting outside opening	2	1500 TO2064	1500 TO4064	1500 TO6064	1500 TO8064	--
Cross fitting	3	1500 CF2065	1500 CF4065	1500 CF6065	1500 CF8065	1500 CF12065
Transposition clockwise 12"	1	1500 WS2074	1500 WS4074	1500 WS6074	1500 WS8074	--
Transposition counterclockwise 12"	1	1500 KS2075	1500 KS4075	1500 KS6075	1500 KS8075	--
Transposition clockwise 90° elbow	1	1500 WE2076	1500 WE4076	1500 WE6076	1500 WE8076	--
Transposition counterclockwise 90° elbow	1	1500 KE2077	1500 KE4077	1500 KE6077	1500 KE8077	--
Reducer 4"X4" to 2 1/2"X2 1/2"	0	--	1500 RD4402	--	--	--
Reducer 6"X6" to 4"X4"	0	--	--	1500 RD6604	--	--
Reducer 8"X8" to 6"X6"	0	--	--	--	1500 RD8806	--
Reducer 12"X6" to 4"X4"	0	--	--	--	--	1500 RD121204
Reducer 12"X6" to 6"X6"	0	--	--	--	--	1500 RD121206
Drop hanger	0	1500 DH2068	1500 DH4068	1500 DH6068	1500 DH8068	1500 DH12068
Bracket hanger	0	1500 BH2069	1500 BH4069	1500 BH6069	1500 BH8069	1500 BH12069
Joiner (Coupling)	0	1500 JP2071	1500 JP4071	1500 JP6071	1500 JP8071	1500 JP12071
Half joiner plate	0	1500 HP2078	1500 HP4078	1500 HP6078	1500 HP8078	1500 HP12078
Closing plate	Incorporated	1500 CP2070	1500 CP4070	1500 CP6070	1500 CP8070	1500 CP12070
Box connector	Incorporated	1500 BC2067	1500 BC4067	1500 BC6067	1500 BC8067	1500 BC12067
Flanges	0	1500 FL2073	1500 FL4073	1500 FL6073	1500 FL8073	1500 FL12073



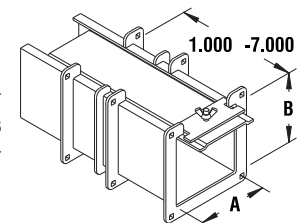
Barriers



Straight sections



Cut off fittings

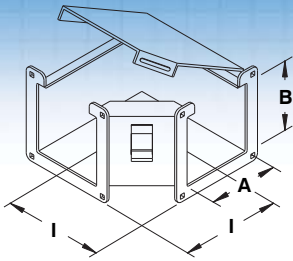


Telescope fittings

CATALOG NUMBER	DIMENSIONS Z
1500 BA4060	3.000
1500 BA6060	4.500
1500 BA8060	6.000



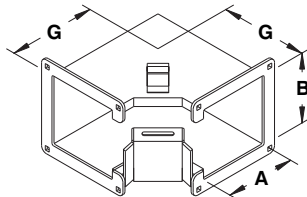
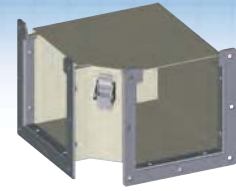
Data subject to change without notice.



## Elbow 90° top opening

CATALOG NUMBER	DIMENSIONS		
	A	B	I
1500 ET2090	2.500	2.500	4.250
1500 ET4090	4.000	4.000	5.000
1500 ET6090	6.000	6.000	6.000
1500 ET8090	8.000	8.000	7.000
1500 ET12090	12.000	6.000	9.000

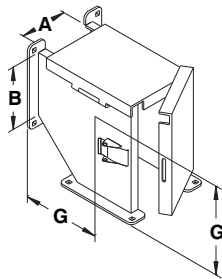
- Included :
- 1 Joiner plate
  - Joining gasket
  - Carriage bolts
  - Anti-vibration hardware
  - Assembled draw pull catch
  - Assembled bolted flanges



## Elbow 90° inside opening

CATALOG NUMBER	DIMENSIONS		
	A	B	G
1500 EI2091	2.500	2.500	4.250
1500 EI4091	4.000	4.000	5.000
1500 EI6091	6.000	6.000	6.000
1500 EI8091	8.000	8.000	7.000
1500 EI12091	12.000	6.000	6.000

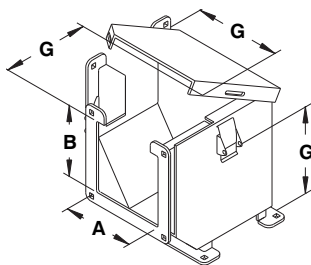
- Included :
- 1 Joiner plate
  - Joining gasket
  - Carriage bolts
  - Anti-vibration hardware
  - Assembled draw pull catch
  - Assembled bolted flanges



## Elbow 90° outside opening

CATALOG NUMBER	DIMENSIONS		
	A	B	G
1500 EO2092	2.500	2.500	4.250
1500 EO4092	4.000	4.000	5.000
1500 EO6092	6.000	6.000	6.000
1500 EO8092	8.000	8.000	7.000
1500 EO12092	12.000	6.000	6.000

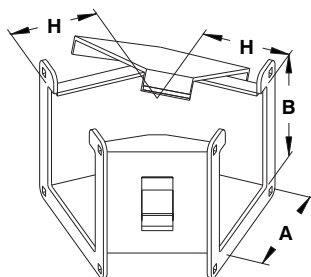
- Included :
- 1 Joiner plate
  - Joining gasket
  - Carriage bolts
  - Anti-vibration hardware
  - Assembled draw pull catch
  - Assembled bolted flanges



## Elbow 90° outside top opening

CATALOG NUMBER	DIMENSIONS		
	A	B	G
--	2.500	2.500	--
1500 OT4093	4.000	4.000	5.000
1500 OT6093	6.000	6.000	6.000
1500 OT8093	8.000	8.000	7.000
--	12.000	6.000	--

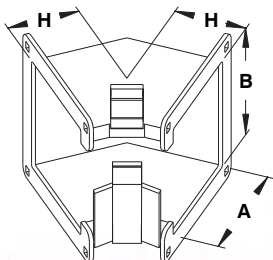
- Included :
- 1 Joiner plate
  - Joining gasket
  - Carriage bolts
  - Anti-vibration hardware
  - Assembled draw pull catch
  - Assembled bolted flanges



## Elbow 45° top opening

CATALOG NUMBER	DIMENSIONS		
	A	B	H
1500 ET2045	2.500	2.500	2.000
1500 ET4045	4.000	4.000	2.437
1500 ET6045	6.000	6.000	3.000
1500 ET8045	8.000	8.000	3.750
1500 ET12045	12.000	6.000	4.750

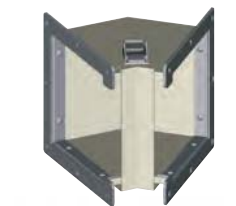
- Included :
- 1 Joiner plate
  - Joining gasket
  - Carriage bolts
  - Anti-vibration hardware
  - Assembled draw pull catch
  - Assembled bolted flanges



## Elbow 45° inside opening

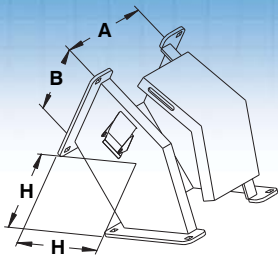
CATALOG NUMBER	DIMENSIONS		
	A	B	H
1500 EI2046	2.500	2.500	2.000
1500 EI4046	4.000	4.000	2.437
1500 EI6046	6.000	6.000	3.000
1500 EI8046	8.000	8.000	3.750
1500 EI12046	12.000	6.000	4.750

- Included :
- 1 Joiner plate
  - Joining gasket
  - Carriage bolts
  - Anti-vibration hardware
  - Assembled draw pull catch
  - Assembled bolted flanges



Data subject to change without notice.

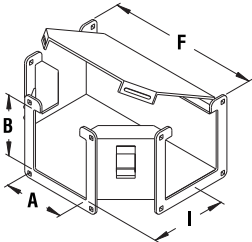




### Elbow 45° outside opening

CATALOG NUMBER	DIMENSIONS		
	A	B	H
1500 EO2047	2.500	2.500	2.000
1500 EO4047	4.000	4.000	5.000
1500 EO6047	6.000	6.000	6.000
1500 EO8047	8.000	8.000	7.000
1500 EO12047	12.000	6.000	6.000

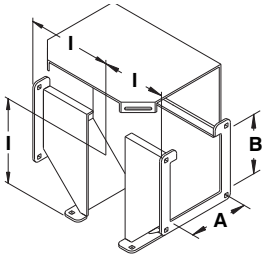
- Included :
- 1 Joiner plate
  - Joining gasket
  - Carriage bolts
  - Anti-vibration hardware
  - Assembled draw pull catch
  - Assembled bolted flanges



### Tee fitting top opening

CATALOG NUMBER	DIMENSIONS			
	A	B	F	I
1500 TT2063	2.500	2.500	8.500	4.250
1500 TT4063	4.000	4.000	10.000	5.000
1500 TT6063	6.000	6.000	12.000	6.000
1500 TT8063	8.000	8.000	14.000	7.000
1500 TT12063	12.000	6.000	18.000	9.000

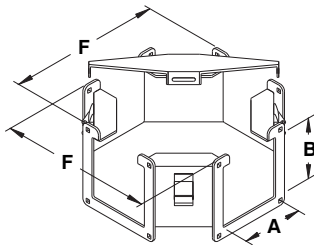
- Included :
- 2 Joiner plates
  - Joining gasket
  - Carriage bolts
  - Anti-vibration hardware
  - Assembled draw pull catch
  - Assembled bolted flanges



### Tee fitting outside opening

CATALOG NUMBER	DIMENSIONS		
	A	B	I
1500 TO2064	2.500	2.500	4.250
1500 TO4064	4.000	4.000	5.000
1500 TO6064	6.000	6.000	6.000
1500 TO8064	8.000	8.000	7.000

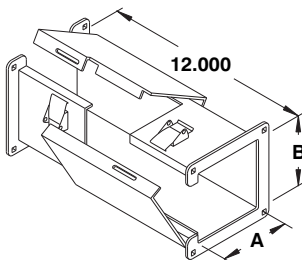
- Included :
- 2 Joiner plates
  - Joining gasket
  - Carriage bolts
  - Anti-vibration hardware
  - Assembled draw pull catch
  - Assembled bolted flanges



### Cross fitting

CATALOG NUMBER	DIMENSIONS		
	A	B	F
1500 CF2065	2.500	2.500	8.500
1500 CF4065	4.000	4.000	10.000
1500 CF6065	6.000	6.000	12.000
1500 CF8065	8.000	8.000	14.000
1500 CF12065	12.000	6.000	18.000

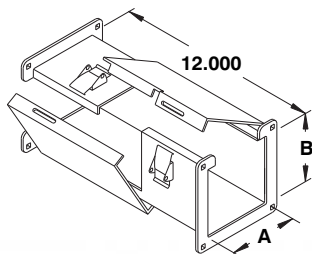
- Included :
- 3 Joiner plates
  - Joining gasket
  - Carriage bolts
  - Anti-vibration hardware
  - Assembled draw pull catch
  - Assembled bolted flanges



### Transposition clockwise 12°

CATALOG NUMBER	DIMENSIONS	
	A	B
1500 WS2074	2.500	2.500
1500 WS4074	4.000	4.000
1500 WS6074	6.000	6.000
1500 WS8074	8.000	8.000
--	12.000	6.000

- Included :
- 1 Joiner plate
  - Joining gasket
  - Carriage bolts
  - Anti-vibration hardware
  - Assembled draw pull catch
  - Assembled bolted flanges



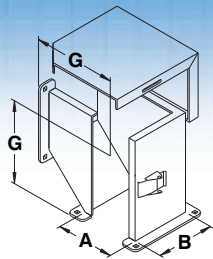
### Transposition counterclockwise 12°

CATALOG NUMBER	DIMENSIONS	
	A	B
1500 KS2075	2.500	2.500
1500 KS4075	4.000	4.000
1500 KS6075	6.000	6.000
1500 KS8075	8.000	8.000
--	12.000	6.000

- Included :
- 1 Joiner plate
  - Joining gasket
  - Carriage bolts
  - Anti-vibration hardware
  - Assembled draw pull catch
  - Assembled bolted flanges



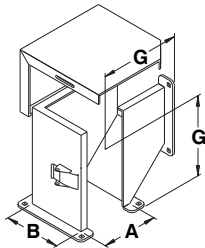
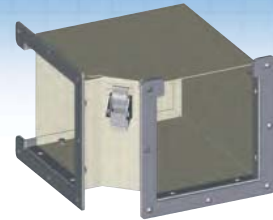
Data subject to change without notice.



### Transposition clockwise 90° elbow

CATALOG NUMBER	DIMENSIONS		
	A	B	G
1500 WE2076	2.500	2.500	4.250
1500 WE4076	4.000	4.000	5.000
1500 WE6076	6.000	6.000	6.000
1500 WE8076	8.000	8.000	7.000
--	12.000	6.000	--

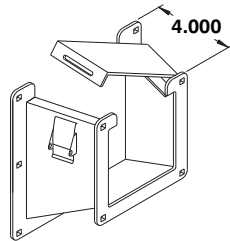
- Included :**
- 1 Joiner plate
  - Joining gasket
  - Carriage bolts
  - Anti-vibration hardware
  - Assembled draw pull catch
  - Assembled bolted flanges



### Transposition counterclockwise 90° elbow

CATALOG NUMBER	DIMENSIONS		
	A	B	G
1500 KE2077	2.500	2.500	4.250
1500 KE4077	4.000	4.000	5.000
1500 KE6077	6.000	6.000	6.000
1500 KE8077	8.000	8.000	7.000
--	12.000	6.000	--

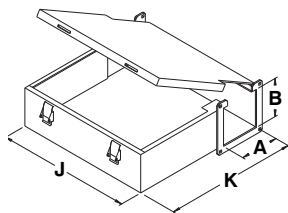
- Included :**
- 1 Joiner plate
  - Joining gasket
  - Carriage bolts
  - Anti-vibration hardware
  - Assembled draw pull catch
  - Assembled bolted flanges



### Reducer

CATALOG NUMBER	DIMENSIONS SIZES	
	1500 RD4402	4"X4" to 2½"X2½"
1500 RD6604	6"X6" to 4"X4"	
1500 RD8806	8"X8" to 6"X6"	
1500 RD121204	12"X6" to 4"X4"	
1500 RD121206	12"X6" to 6"X6"	

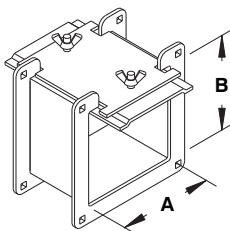
- Included :**
- 1 Joiner plate
  - Joining gasket
  - Carriage bolts
  - Anti-vibration hardware
  - Assembled draw pull catch
  - Assembled bolted flanges



### Junction Box

CATALOG NUMBER	DIMENSIONS			
	A	B	J	K
1500 JB2066	2.500	2.500	12.000	4.250
1500 JB4066	4.000	4.000	14.000	5.000
1500 JB6066	6.000	6.000	16.000	6.000
1500 JB8066	8.000	8.000	18.000	7.000
1500 JB12066	12.000	6.000	--	--

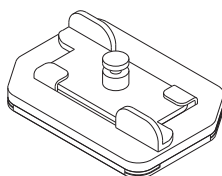
- Included :**
- 1 Joiner plate
  - Joining gasket
  - Carriage bolts
  - Anti-vibration hardware
  - Assembled draw pull catch
  - Assembled bolted flanges



### Nipple

DIMENSIONS		LENGHT		
A	B	1"	2"	3"
2.500	2.500	1500 NS2001	1500 NS2002	1500 NS2003
4.000	4.000	1500 NS4001	1500 NS4002	1500 NS4003
6.000	6.000	1500 NS6001	1500 NS6002	1500 NS6003
8.000	8.000	1500 NS8001	1500 NS8002	1500 NS8003
12.000	6.000	1500 NS12001	1500 NS12002	1500 NS12003

- Note :**
- Joiner plates are included with most components. Additional joiner plates must be ordered separately. All required hardware included.

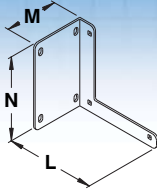


### Joiner plate

CATALOG NUMBER	DIMENSIONS	
	A	B
1500 JP2071	2.500	2.500
1500 JP4071	4.000	4.000
1500 JP6071	6.000	6.000
1500 JP8071	8.000	8.000
1500 JP12071	12.000	6.000



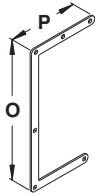
Data subject to change without notice.



## Bracket hanger

CATALOG NUMBER	DIMENSIONS		
	M	N	L
1500 BH2069	3.625	3.875	4.625
1500 BH4069	3.625	5.375	6.125
1500 BH6069	3.625	7.625	8.250
1500 BH8069	3.625	9.625	10.250
1500 BH12069	--	--	--

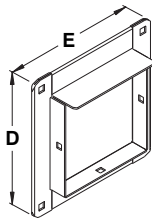
**Note :**  
Bracket hangers are usually used to attach wireway runs to a wall, floor or ceiling. If your application requires overhead beam mounting see hanger below.



## Drop hanger

CATALOG NUMBER	DIMENSIONS			
	A	B	O	P
1500 DH2068	2.500	2.500	9.250	4.500
1500 DH4068	4.000	4.000	11.750	6.000
1500 DH6068	6.000	6.000	15.520	8.125
1500 DH8068	8.000	8.000	20.562	12.125
1500 DH12068	12.000	6.000	--	--

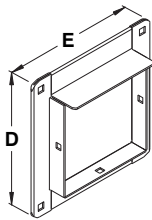
**Note :**  
Drop hangers are usually used to attach wireway runs to an overhead beam or to a ceiling. If you require wall or floor mounting, see hanger above.



## Closing plate

CATALOG NUMBER	DIMENSIONS			
	A	B	D	E
1500 CP2070	2.500	2.500	3.875	3.875
1500 CP4070	4.000	4.000	5.375	5.375
1500 CP6070	6.000	6.000	7.625	7.625
1500 CP8070	8.000	8.000	9.625	9.625
1500 CP12070	12.000	6.000	7.625	13.625

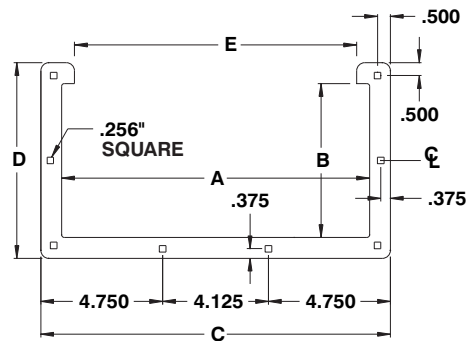
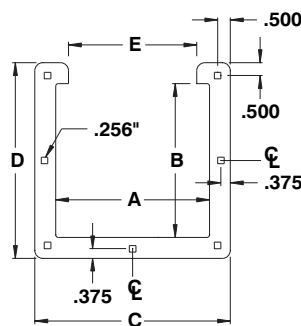
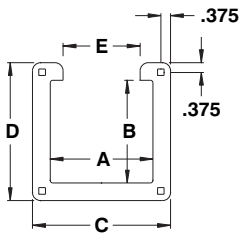
**Note :**  
These gasketed closing plates are installed after all wires are in place to ensure a complete seal of the wireway system.



## Box connector

CATALOG NUMBER	DIMENSIONS			
	A	B	D	E
1500 BC2067	2.500	2.500	3.875	3.875
1500 BC4067	4.000	4.000	5.375	5.375
1500 BC6067	6.000	6.000	7.625	7.625
1500 BC8067	8.000	8.000	9.625	9.625
1500 BC12067	12.000	6.000	7.625	13.625

**Note :**  
These gasket box connectors should be used in conjunction with EXM NEMA 12 enclosures to ensure a complete seal of the system.



CATALOG NUMBER	DIMENSIONS					NOTES
	A	B	C	D	E	
1500 FL2073	2.500	2.500	3.875	3.875	1.500	See Figure - 1
1500 FL4073	4.000	4.000	5.375	5.375	3.000	See Figure - 1
1500 FL6073	6.000	6.000	7.625	7.625	5.000	See Figure - 2
1500 FL8073	8.000	8.000	9.625	9.625	7.000	See Figure - 2
1500 FL12073	12.000	6.000	13.625	7.625	7.625	See Figure - 3

For NEMA 12 wireway accessories, including flexible fittings and swivel nipples, please see page 382.

Data subject to change without notice.



## Watertight pull through wireway

The 1412 series is a complete water tight wireway system which is used indoor or outdoors, in areas where the wireway may be subjected to hosing or to water coming from any direction. The troughs are screw-on and are made of code gauge steel with welded end flanges. All seams

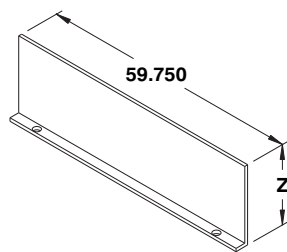
have been continuously welded. Covers are hinged and secure closing is assured by several quick release ¼ turn locks. A high quality seamless poured in place gasket is installed between the door and the trough and between the sections and the accessories to ensure integrity.

Components are finished with heat fused powder paint, electrostatically applied on a pretreated base. Finish is ANSI/ASA 61 gray.

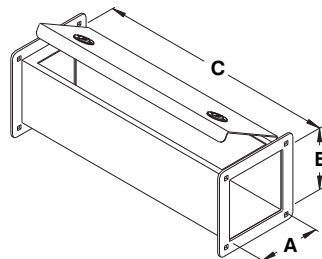
**CSA Certified**  
**NEMA/EEMAC 4-12 / IP66**

**Refer to p.727 to validate choice of substrate for the application**

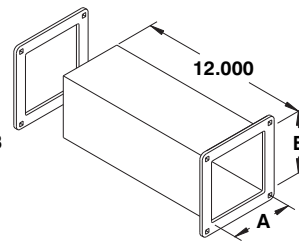
DESCRIPTION	CATALOG NUMBER			
	2½" X 2½"	4" X 4"	6" X 6"	8" X 8"
Straight sections 6"	1412 SS2006	1412 SS4006	1412 SS6006	1412 SS8006
Straight sections 12"	1412 SS2012	1412 SS4012	1412 SS6012	1412 SS8012
Straight sections 24"	1412 SS2024	1412 SS4024	1412 SS6024	1412 SS8024
Straight sections 36"	1412 SS2036	1412 SS4036	1412 SS6036	1412 SS8036
Straight sections 48"	1412 SS2048	1412 SS4048	1412 SS6048	1412 SS8048
Straight sections 60"	1412 SS2060	1412 SS4060	1412 SS6060	1412 SS8060
Straight sections 120"	1412 SS2120	1412 SS4120	1412 SS6120	1412 SS8120
Screw on barrier 60"	--	1412 BA4060	1412 BA6060	1412 BA8060
Cut off fitting	1412 CO2062	1412 CO4062	1412 CO6062	1412 CO8062
Nipple 1"	1412 NS2001	1412 NS4001	1412 NS6001	1412 NS8001
Nipple 2"	1412 NS2002	1412 NS4002	1412 NS6002	1412 NS8002
Nipple 3"	1412 NS2003	1412 NS4003	1412 NS6003	1412 NS8003
Swivel nipple	1412 SN2002	1412 SN4002	1412 SN6002	1412 SN8002
Flexible fitting	1412 FF2003	1412 FF4003	1412 FF6003	1412 FF8003
Telescope fitting	1412 TL2068	1412 TL4068	1412 TL6068	1412 TL8068
Elbow 90°	1412 EL2090	1412 EL4090	1412 EL6090	1412 EL8090
Elbow 45°	1412 EL2045	1412 EL4045	1412 EL6045	1412 EL8045
Elbow 22½°	1412 EL2022	1412 EL4022	1412 EL6022	1412 EL8022
Tee fitting	1412 TT2063	1412 TT4063	1412 TT6063	1412 TT8063
Cross fitting	1412 CF2065	1412 CF4065	1412 CF6065	1412 CF8065
Center reducer 4"X4" to 2½"X2½"	--	1412 RDC4402	--	--
Center reducer 6"X6" to 4"X4"	--	--	1412 RDC6604	--
Center reducer 8"X8" to 6"X6"	--	--	--	1412 RDC8806
Edge reducer 4"X4" to 2½"X2½"	--	1412 RDE4402	--	--
Edge reducer 6"X6" to 4"X4"	--	--	1412 RDE6604	--
Edge reducer 8"X8" to 6"X6"	--	--	--	1412 RDE8806
Drop hanger	1500 DH2068	1500 DH4068	1500 DH6068	1500 DH8068
Bracket hanger	1500 BH2069	1500 BH4069	1500 BH6069	1500 BH8069
Closing plate	1412 CP2070	1412 CP4070	1412 CP6070	1412 CP8070
Box connector	1412 BC2067	1412 BC4067	1412 BC6067	1412 BC8067



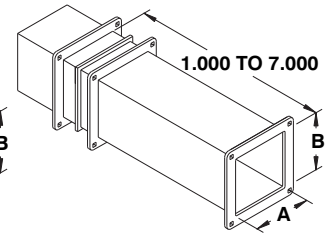
Barriers



Straight sections



Cut off fittings



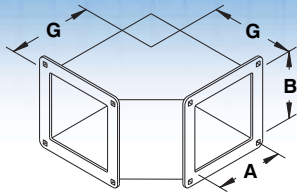
Telescope fittings

CATALOG NUMBER	DIMENSIONS Z
1412 BA4060	3.000
1412 BA6060	4.500
1412 BA8060	6.000



Data subject to change without notice.



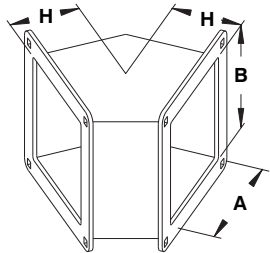
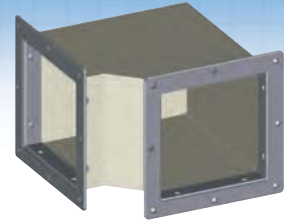


### Elbow 90°

CATALOG NUMBER	DIMENSIONS		
	A	B	G
1412 EL2090	2.500	2.500	4.250
1412 EL4090	4.000	4.000	5.000
1412 EL6090	6.000	6.000	6.000
1412 EL8090	8.000	8.000	7.000

#### Features :

- Joining gasket
- Carriage bolts
- Anti-vibration hardware
- Welded flanges
- Seamless welding
- Powder coating

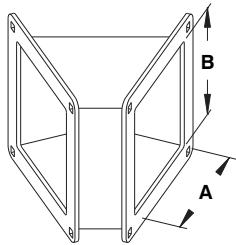


### Elbow 45°

CATALOG NUMBER	DIMENSIONS		
	A	B	H
1412 EL2045	2.500	2.500	2.000
1412 EL4045	4.000	4.000	2.437
1412 EL6045	6.000	6.000	3.000
1412 EL8045	8.000	8.000	3.750

#### Features :

- Joining gasket
- Carriage bolts
- Anti-vibration hardware
- Welded flanges
- Seamless welding
- Powder coating

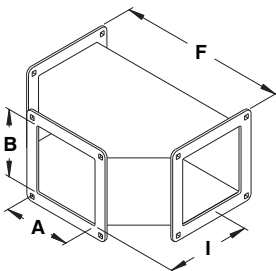


### Elbow 22½°

CATALOG NUMBER	DIMENSIONS	
	A	B
1412 EL2022	2.500	2.500
1412 EL4022	4.000	4.000
1412 EL6022	6.000	6.000
1412 EL8022	8.000	8.000

#### Features :

- Joining gasket
- Carriage bolts
- Anti-vibration hardware
- Welded flanges
- Seamless welding
- Powder coating

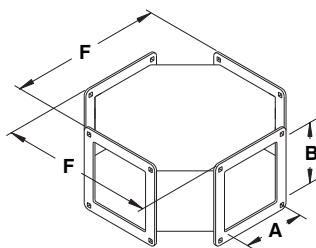


### Tee fitting

CATALOG NUMBER	DIMENSIONS			
	A	B	F	I
1412 TT2063	2.500	2.500	8.500	4.250
1412 TT4063	4.000	4.000	10.000	5.000
1412 TT6063	6.000	6.000	12.000	6.000
1412 TT8063	8.000	8.000	14.000	7.000

#### Features :

- Joining gasket
- Carriage bolts
- Anti-vibration hardware
- Welded flanges
- Seamless welding
- Powder coating

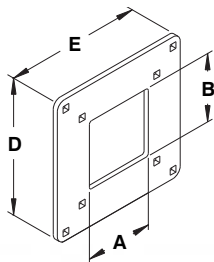


### Cross fitting

CATALOG NUMBER	DIMENSIONS		
	A	B	F
1412 CF2065	2.500	2.500	8.500
1412 CF4065	4.000	4.000	10.000
1412 CF6065	6.000	6.000	12.000
1412 CF8065	8.000	8.000	14.000

#### Features :

- Joining gasket
- Carriage bolts
- Anti-vibration hardware
- Welded flanges
- Seamless welding
- Powder coating



### Reducer - Center hole

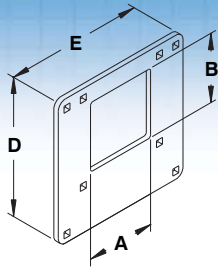
CATALOG NUMBER	DIMENSIONS			
	A	B	D	E
1412 RDC4402	2.500	2.500	4.000	4.000
1412 RDC6604	4.000	4.000	6.000	6.000
1412 RDC8806	6.000	6.000	8.000	8.000

#### Features :

- Joining gasket
- Carriage bolts
- Anti-vibration hardware
- Reducer with edge hole is also available, see model number 1412 RDE.



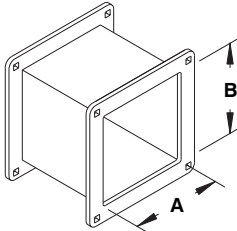
Data subject to change without notice.



## Reducer - Edge hole

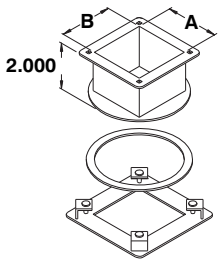
CATALOG NUMBER	DIMENSIONS			
	A	B	D	E
1412 RDE4402	2.500	2.500	4.000	4.000
1412 RDE6604	4.000	4.000	6.000	6.000
1412 RDE8806	6.000	6.000	8.000	8.000

- Features :
- Joining gasket
  - Carriage bolts
  - Anti-vibration hardware
  - Reducer with center hole is also available, see model 1412 RDC.



## Nipple (1", 2" and 3")

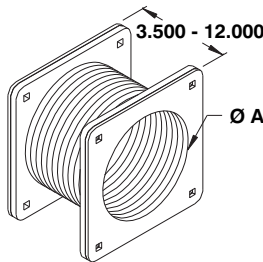
DIMENSIONS		LENGHT		
A	B	1"	2"	3"
2.500	2.500	1412 NS2001	1412 NS2002	1412 NS2003
4.000	4.000	1412 NS4001	1412 NS4002	1412 NS4003
6.000	6.000	1412 NS6001	1412 NS6002	1412 NS6003
8.000	8.000	1412 NS8001	1412 NS8002	1412 NS8003



## Swivel nipple (2")

CATALOG NUMBER	DIMENSIONS	
	A	B
1412 SN2002	2.500	2.500
1412 SN4002	4.000	4.000
1412 SN6002	6.000	6.000
1412 SN8002	8.000	8.000

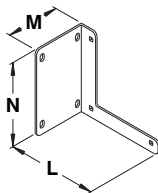
- Features :
- Joining gasket
  - Carriage bolts
  - Anti-vibration hardware
  - Powder coating



## Flexible fitting

CATALOG NUMBER	DIMENSIONS
	A
1412 FF2003	2.500
1412 FF4003	4.000
1412 FF6003	6.000
1412 FF8003	8.000

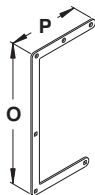
- Features :
- Joining gasket
  - Carriage bolts
  - Anti-vibration hardware



## Bracket hanger

CATALOG NUMBER	DIMENSIONS		
	M	N	L
1500 BH2069	3.625	3.875	4.625
1500 BH4069	3.625	5.375	6.125
1500 BH6069	3.625	7.625	8.250
1500 BH8069	3.625	9.625	10.250

- Note :
- Bracket hangers are used to attach wireway runs to a wall, floor or ceiling. If you require overhead beam mounting see hanger below.



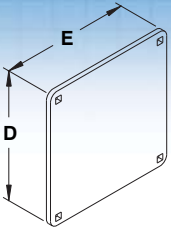
## Drop hanger

CATALOG NUMBER	DIMENSIONS			
	A	B	O	P
1500 DH2068	2.500	2.500	9.250	4.500
1500 DH4068	4.000	4.000	11.750	6.000
1500 DH6068	6.000	6.000	15.520	8.125
1500 DH8068	8.000	8.000	20.562	12.125

- Note :
- Drop hangers are used to attach wireway runs to an overhead beam. If you require wall or floor mounting, see hanger above.



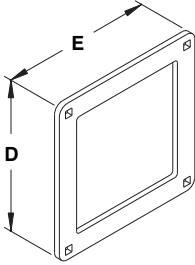
Data subject to change without notice.



### Closing plate

CATALOG NUMBER	DIMENSIONS			
	A	B	D	E
1412 CP2070	2.500	2.500	3.875	3.875
1412 CP4070	4.000	4.000	5.375	5.375
1412 CP6070	6.000	6.000	7.625	7.625
1412 CP8070	8.000	8.000	9.625	9.625

**Note :**  
These gasketed closing plates are installed after all wires are in place to ensure a complete seal of the wireway system.



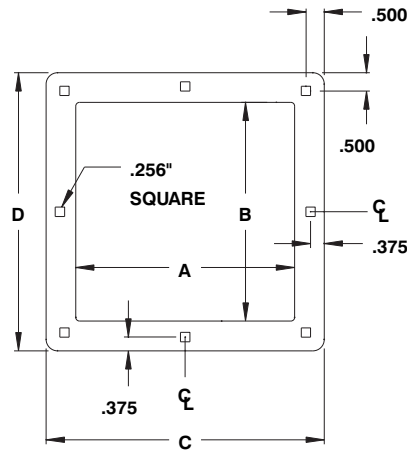
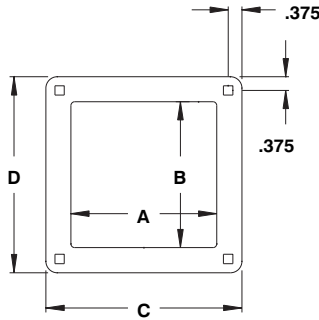
### Box connector

CATALOG NUMBER	DIMENSIONS			
	A	B	D	E
1412 BC2067	2.500	2.500	3.875	3.875
1412 BC4067	4.000	4.000	5.375	5.375
1412 BC6067	6.000	6.000	7.625	7.625
1412 BC8067	8.000	8.000	9.625	9.625

**Note :**  
These gasket box connectors should be used in conjunction with EXM NEMA 4 enclosures to ensure a complete seal of the system.



### Flange detail



Data subject to change without notice.

## Stainless steel watertight pull through wireway

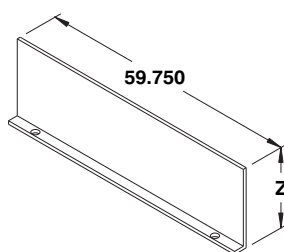
The 1412 X series is a complete water tight wireway system which is used indoor or outdoors, in areas where corrosion may be a problem or where the wireway may be subjected to hosing or to water coming from any direction. The throughs are screw-on and

are made of code gauge (Type 304) stainless steel with welded end flanges. All seams have been continuously welded. Covers are hinged and secure closing is assured by several quick release ¼ turn locks. A high quality seamless poured in

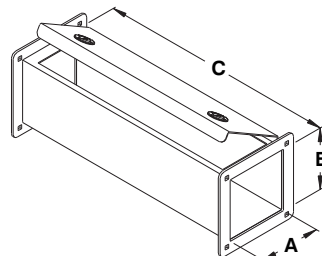
place gasket is installed between the door and the trough and between the sections and the accessories to ensure integrity. The enclosures' exterior are unpainted and brushed smooth.

**CSA Certified**  
**NEMA/EEMAC 4X / IP66**

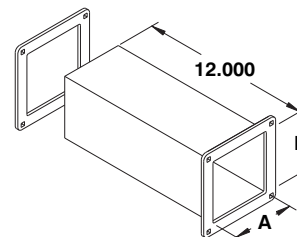
DESCRIPTION	CATALOG NUMBER			
	2½" X 2½"	4" X 4"	6" X 6"	8" X 8"
Straight sections 6"	1412 XSS2006	1412 XSS4006	1412 XSS6006	1412 XSS8006
Straight sections 12"	1412 XSS2012	1412 XSS4012	1412 XSS6012	1412 XSS8012
Straight sections 24"	1412 XSS2024	1412 XSS4024	1412 XSS6024	1412 XSS8024
Straight sections 36"	1412 XSS2036	1412 XSS4036	1412 XSS6036	1412 XSS8036
Straight sections 48"	1412 XSS2048	1412 XSS4048	1412 XSS6048	1412 XSS8048
Straight sections 60"	1412 XSS2060	1412 XSS4060	1412 XSS6060	1412 XSS8060
Straight sections 120"	1412 XSS2120	1412 XSS4120	1412 XSS6120	1412 XSS8120
Screw on barrier 60"	--	1412 BA4060	1412 BA6060	1412 BA8060
Cut off fitting	1412 XCO2062	1412 XCO4062	1412 XCO6062	1412 XCO8062
Nipple 1"	1412 XNS2001	1412 XNS4001	1412 XNS6001	1412 XNS8001
Nipple 2"	1412 XNS2002	1412 XNS4002	1412 XNS6002	1412 XNS8002
Nipple 3"	1412 XNS2003	1412 XNS4003	1412 XNS6003	1412 XNS8003
Swivel nipple	1412 XSN2002	1412 XSN4002	1412 XSN6002	1412 XSN8002
Flexible fitting	1412 XFF2003	1412 XFF4003	1412 XFF6003	1412 XFF8003
Telescope fitting	1412 XTL2068	1412 XTL4068	1412 XTL6068	1412 XTL8068
Elbow 90°	1412 XEL2090	1412 XEL4090	1412 XEL6090	1412 XEL8090
Elbow 45°	1412 XEL2045	1412 XEL4045	1412 XEL6045	1412 XEL8045
Elbow 22½°	1412 XEL2022	1412 XEL4022	1412 XEL6022	1412 XEL8022
Tee fitting	1412 XTT2063	1412 XTT4063	1412 XTT6063	1412 XTT8063
Cross fitting	1412 XCF2065	1412 XCF4065	1412 XCF6065	1412 XCF8065
Center reducer 4"X4" to 2½"X2½"	--	1412 XRDC4402	--	--
Center reducer 6"X6" to 4"X4"	--	--	1412 XRDC6604	--
Center reducer 8"X8" to 6"X6"	--	--	--	1412 XRDC8806
Edge reducer 4"X4" to 2½"X2½"	--	1412 XRDE4402	--	--
Edge reducer 6"X6" to 4"X4"	--	--	1412 XRDE6604	--
Edge reducer 8"X8" to 6"X6"	--	--	--	1412 XRDE8806
Drop hanger	1412 XDH2068	1412 XDH4068	1412 XDH6068	1412 XDH8068
Bracket hanger	1412 XBH2069	1412 XBH4069	1412 XBH6069	1412 XBH8069
Closing plate	1412 XCP2070	1412 XCP4070	1412 XCP6070	1412 XCP8070
Box connector	1412 XBC2067	1412 XBC4067	1412 XBC6067	1412 XBC8067



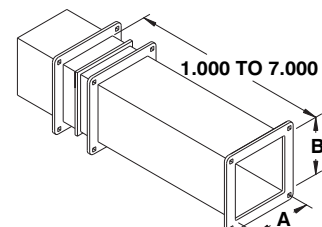
Barriers



Straight sections

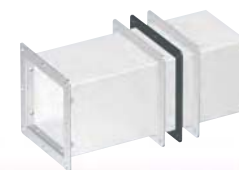


Cut off fittings



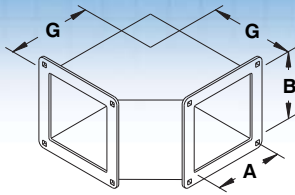
Telescope fittings

CATALOG NUMBER	DIMENSIONS Z
1412 XBA4060	3.000
1412 XBA6060	4.500
1412 XBA8060	6.000



Data subject to change without notice.

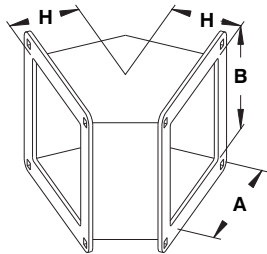




## Elbow 90°

CATALOG NUMBER	DIMENSIONS		
	A	B	G
1412 XEL2090	2.500	2.500	4.250
1412 XEL4090	4.000	4.000	5.000
1412 XEL6090	6.000	6.000	6.000
1412 XEL8090	8.000	8.000	7.000

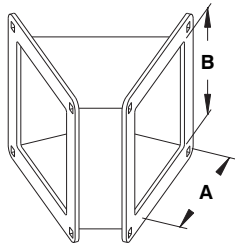
- Features :
- Joining gasket
  - Carriage bolts
  - Anti-vibration hardware
  - Welded flanges
  - Seamless welding
  - Stainless steel



## Elbow 45°

CATALOG NUMBER	DIMENSIONS		
	A	B	H
1412 XEL2045	2.500	2.500	2.000
1412 XEL4045	4.000	4.000	2.437
1412 XEL6045	6.000	6.000	3.000
1412 XEL8045	8.000	8.000	3.750

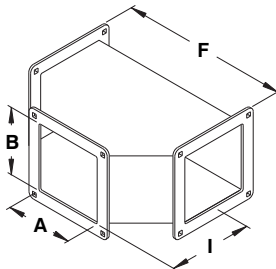
- Features :
- Joining gasket
  - Carriage bolts
  - Anti-vibration hardware
  - Welded flanges
  - Seamless welding
  - Stainless steel



## Elbow 22½°

CATALOG NUMBER	DIMENSIONS	
	A	B
1412 XEL2022	2.500	2.500
1412 XEL4022	4.000	4.000
1412 XEL6022	6.000	6.000
1412 XEL8022	8.000	8.000

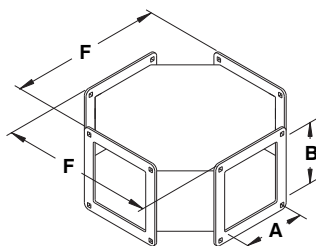
- Features :
- Joining gasket
  - Carriage bolts
  - Anti-vibration hardware
  - Welded flanges
  - Seamless welding
  - Stainless steel



## Tee fitting

CATALOG NUMBER	DIMENSIONS			
	A	B	F	I
1412 XTT2063	2.500	2.500	8.500	4.250
1412 XTT4063	4.000	4.000	10.000	5.000
1412 XTT6063	6.000	6.000	12.000	6.000
1412 XTT8063	8.000	8.000	14.000	7.000

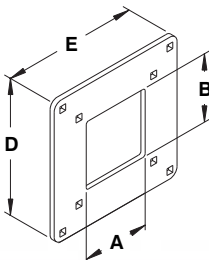
- Features :
- Joining gasket
  - Carriage bolts
  - Anti-vibration hardware
  - Welded flanges
  - Seamless welding
  - Stainless steel



## Cross fitting

CATALOG NUMBER	DIMENSIONS		
	A	B	F
1412 XCF2065	2.500	2.500	8.500
1412 XCF4065	4.000	4.000	10.000
1412 XCF6065	6.000	6.000	12.000
1412 XCF8065	8.000	8.000	14.000

- Features :
- Joining gasket
  - Carriage bolts
  - Anti-vibration hardware
  - Welded flanges
  - Seamless welding
  - Stainless steel



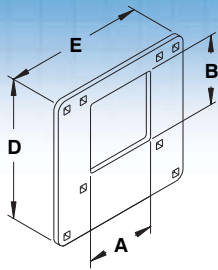
## Reducer - Center hole

CATALOG NUMBER	DIMENSIONS			
	A	B	D	E
1412 XRDC4402	2.500	2.500	4.000	4.000
1412 XRDC6604	4.000	4.000	6.000	6.000
1412 XRDC8806	6.000	6.000	8.000	8.000

- Features :
- Joining gasket
  - Carriage bolts
  - Anti-vibration hardware
  - Reducer with edge hole is also available, see model 1412 XRDE.



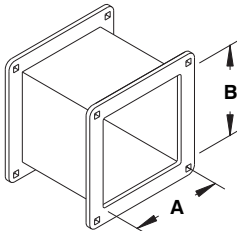
Data subject to change without notice.



## Reducer - Edge hole

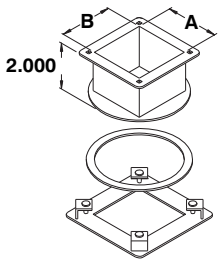
CATALOG NUMBER	DIMENSIONS			
	A	B	D	E
1412 XRDE4402	2.500	2.500	4.000	4.000
1412 XRDE6604	4.000	4.000	6.000	6.000
1412 XRDE8806	6.000	6.000	8.000	8.000

- Features :
- Joining gasket
  - Carriage bolts
  - Anti-vibration hardware
  - Reducer with center hole is also available, see model 1412 XRDC.



## Nipple (1", 2" and 3")

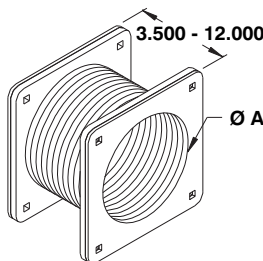
DIMENSIONS		LENGHT		
A	B	1"	2"	3"
2.500	2.500	1412 XNS2001	1412 XNS2002	1412 XNS2003
4.000	4.000	1412 XNS4001	1412 XNS4002	1412 XNS4003
6.000	6.000	1412 XNS6001	1412 XNS6002	1412 XNS6003
8.000	8.000	1412 XNS8001	1412 XNS8002	1412 XNS8003



## Swivel nipple (2")

CATALOG NUMBER	DIMENSIONS	
	A	B
1412 XSN2002	2.500	2.500
1412 XSN4002	4.000	4.000
1412 XSN6002	6.000	6.000
1412 XSN8002	8.000	8.000

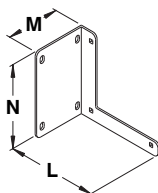
- Features :
- Joining gasket
  - Carriage bolts
  - Anti-vibration hardware
  - Stainless steel



## Flexible fitting

CATALOG NUMBER	DIMENSIONS
	A
1412 XFF2003	2.500
1412 XFF4003	4.000
1412 XFF6003	6.000
1412 XFF8003	8.000

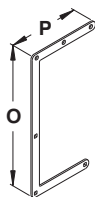
- Features :
- Joining gasket
  - Carriage bolts
  - Anti-vibration hardware



## Bracket hanger

CATALOG NUMBER	DIMENSIONS		
	M	N	L
1412 XBH2069	3.625	3.875	4.625
1412 XBH4069	3.625	5.375	6.125
1412 XBH6069	3.625	7.625	8.250
1412 XBH8069	3.625	9.625	10.250

Note :  
Bracket hangers are used to attach wireway runs to a wall, floor or ceiling. If you require overhead beam mounting see hanger below.



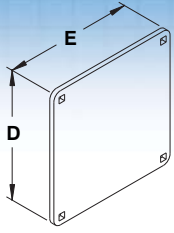
## Drop hanger

CATALOG NUMBER	DIMENSIONS			
	A	B	O	P
1412 XDH2068	2.500	2.500	9.250	4.500
1412 XDH4068	4.000	4.000	11.750	6.000
1412 XDH6068	6.000	6.000	15.520	8.125
1412 XDH8068	8.000	8.000	20.562	12.125

Note :  
Drop hangers are used to attach wireway runs to an overhead beam. If you require wall or floor mounting, see hanger above.



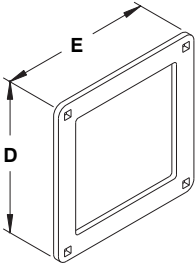
Data subject to change without notice.



### Closing plate

CATALOG NUMBER	DIMENSIONS			
	A	B	D	E
1412 XCP2070	2.500	2.500	3.875	3.875
1412 XCP4070	4.000	4.000	5.375	5.375
1412 XCP6070	6.000	6.000	7.625	7.625
1412 XCP8070	8.000	8.000	9.625	9.625

**Note :**  
These gasketed closing plates are installed after all wires are in place to ensure a complete seal of the wireway system.



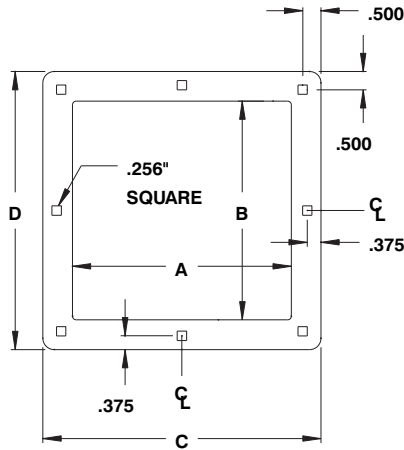
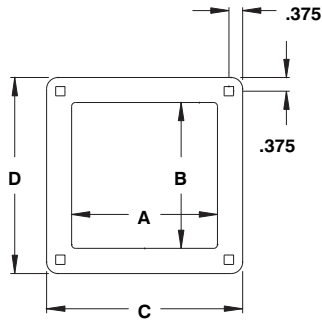
### Box connector

CATALOG NUMBER	DIMENSIONS			
	A	B	D	E
1412 XBC2067	2.500	2.500	3.875	3.875
1412 XBC4067	4.000	4.000	5.375	5.375
1412 XBC6067	6.000	6.000	7.625	7.625
1412 XBC8067	8.000	8.000	9.625	9.625

**Note :**  
These gasket box connectors should be used in conjunction with EXM NEMA 4X enclosures to ensure a complete seal of the system.

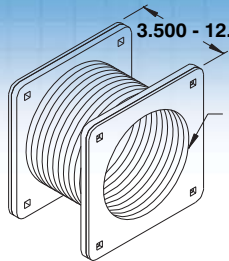


### Flange detail



Data subject to change without notice.

# NEMA 12-13 WIREWAY ACCESSORIES

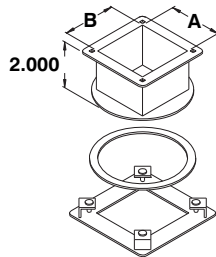


## Flexible fitting

CATALOG NUMBER	DIMENSIONS	
	A	
1412 FF2003	2.500	
1412 FF4003	4.000	
1412 FF6003	6.000	
1412 FF8003	8.000	

Features :

- Joining gasket
- Carriage bolts
- Anti-vibration hardware

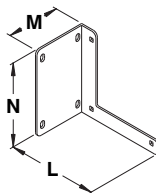


## Swivel nipple (2")

CATALOG NUMBER	DIMENSIONS	
	A	B
1412 SN2002	2.500	2.500
1412 SN4002	4.000	4.000
1412 SN6002	6.000	6.000
1412 SN8002	8.000	8.000

Features :

- Joining gasket
- Carriage bolts
- Anti-vibration hardware
- Powder coating

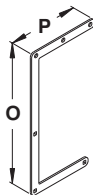


## Bracket hanger

CATALOG NUMBER	DIMENSIONS		
	M	N	L
1500 BH2069	3.625	3.875	4.625
1500 BH4069	3.625	5.375	6.125
1500 BH6069	3.625	7.625	8.250
1500 BH8069	3.625	9.625	10.250
1500 BH12069	--	--	--

Note :

Bracket hangers are usually used to attach wireway runs to a wall, floor or ceiling. If you require overhead beam mounting see hanger below.

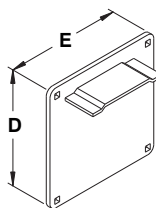


## Drop hanger

CATALOG NUMBER	DIMENSIONS			
	A	B	O	P
1500 DH2068	2.500	2.500	9.250	4.500
1500 DH4068	4.000	4.000	11.750	6.000
1500 DH6068	6.000	6.000	15.520	8.125
1500 DH8068	8.000	8.000	20.562	12.125
1500 DH12068	12.000	6.000	--	--

Note :

Drop hangers are used to attach wireway runs to an overhead beam. If you require wall or floor mounting, see hanger above.

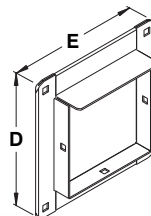


## Closing plate

CATALOG NUMBER	DIMENSIONS			
	A	B	D	E
1500 CP2070	2.500	2.500	3.875	3.875
1500 CP4070	4.000	4.000	5.375	5.375
1500 CP6070	6.000	6.000	7.625	7.625
1500 CP8070	8.000	8.000	9.625	9.625
1500 CP12070	12.000	6.000	7.625	13.625

Note :

These gasketed closing plates are installed after all wire are in place to ensure a complete seal of the wireway system.



## Box connector

CATALOG NUMBER	DIMENSIONS			
	A	B	D	E
1500 BC2067	2.500	2.500	3.875	3.875
1500 BC4067	4.000	4.000	5.375	5.375
1500 BC6067	6.000	6.000	7.625	7.625
1500 BC8067	8.000	8.000	9.625	9.625
1500 BC12067	12.000	6.000	7.625	13.625

Note :

These gasket box connectors should be used in conjunction with EXM enclosures to ensure a complete seal of the system.



Data subject to change without notice.



**NEMA 12-13 SAFETY DISCONNECT**



## Safety disconnect enclosures

The 5100 ESA right flange-mounted safety disconnect enclosures are used where the control installation does not demand a high degree of protection (such as watertight or dust tight), but where a quality enclosure is warranted. The 5100 ESA are made from quality 14 GA or 16 GA steel, with corner seams continuously welded. The opening has a curled lip around three sides to prevent drip-

ping water from entering the enclosure when the door is open, it also increases rigidity. The pins of the concealed hinges can be pulled out to remove the door. A ¼ turn locking mechanism interlocks with the switch to prevent opening the door when the power is live. Internal mounting holes are provided. Each enclosure comes complete with a 12 GA inner panel which is double bent † for maximum rigidity and

mounts on M8 welded studs. Enclosures and panels are finished with heat fused powder paint, electrostatically applied on a pretreated base. Box is ANSI/ASA 61 gray, panel is white.

**CSA Certified / UL Listed  
NEMA/EEMAC 1 / IP30**

**Refer to p.727 to validate choice of substrate for the application**

**If the 5100 ESA is to be used with a flange mounted disconnect switch or a circuit breaker, the following items must be ordered:**

### Ordering an Allen-Bradley 1494V Disconnect switch

- an operating mechanism with the disconnect switch 1494V
- an operating handle 1494V-H1
- a connecting rod 1494V-RA1 if the enclosure is 8" deep or 1494V-RA2 if the enclosure is 12" deep
- if required, a trailer fuse block kit 1494V, a fuse clip and line and load connectors.

### Circuit breaker

- a Westinghouse or General Electric circuit breaker.
- an operating mechanism 1494V
- an operating handle 1494V-H11
- a connecting rod 1494V-RA1 if the enclosure is 8" deep or 1494V-RA2 if the enclosure is 12" deep



### Ordering a Cutler Hammer Disconnect switch catalog C361

- an operating mechanism with the disconnect switch
- an operating handle (C361-H2 or H4)

### Circuit breaker operators catalog C371

- a Cutler hammer or Westinghouse circuit breaker
- an operating mechanism
- an operating handle

### Ordering a Square D Class 9422 Disconnect switch

- an operating mechanism with the disconnect switch class 9422
- an operating mechanism handle class 9422 Type A-1

### Circuit breaker

- a Square D circuit breaker
- an operating mechanism class 9422
- an operating mechanism handle class 9422 Type A-1

### Ordering a General Electric Disconnect switch

- a disconnect switch QMR or QMW
- a fuse clip kit if required
- a TDAI flange handle
- an operating mechanism, variable depth

### Circuit breakers

- a circuit breaker
- a TDAI flange handle
- an operating handle 1494V-H11
- an operating mechanism, variable depth

### Ordering an Asea Brown Boveri Disconnect switch

- a switch flange operated fuse if required
- a DSFHS-12 shaft
- a DSFHN-HS12 handle

### Circuit breaker

- a circuit breaker
- an operating mechanism
- a FHS-12 shaft
- a FHN-HS12 handle

### Ordering an I-TE Max-Flex™ Disconnect switch

- a basic right hand switch
- a fuse kit if required
- a handle FHOHS flange mounted
- an operator FHOSO6R
- a cable FHOECO36

### Circuit breaker

- a circuit breaker
- a set of pressure wire connectors
- a handle FHOH flange mounted
- an operating mechanism
- a standard cable 36"

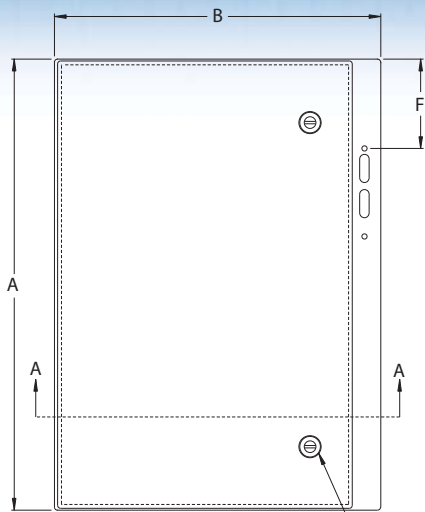
### Ordering a Westinghouse Disconnect switch

- a disconnect switch or circuit breaker type DS
- a yoke assembly and backplate
- a rod and brace assembly
- a pivot mechanism
- an operating handle

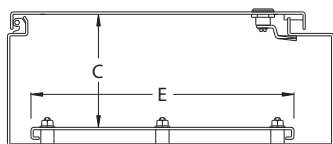
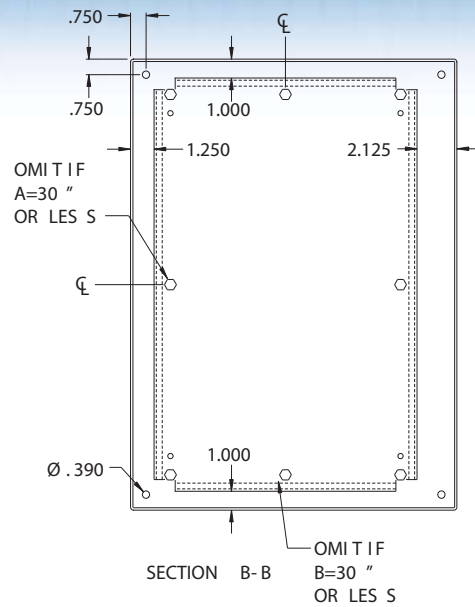
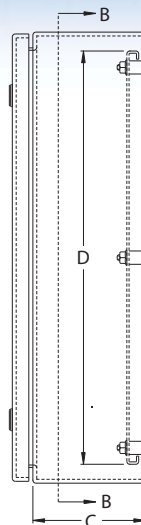
**Disconnect switches and operating mechanisms are not furnished with the enclosures.**

Data subject to change without notice.





1 MET AL LOCK IF A=16 " OR LES S  
 2 MET AL LOCKS IF A>16" AND A<42 "  
 3 POINT LATCH IF A=42 " OR MORE



SECTION A-A

† Only panels with sides 20" or more are double bent.

\* This enclosure will accept only the Allen-Bradley DS 200 and the DS 400 disconnect class.

CATALOG NUMBER	DIMENSIONS						SHIP WGT LBS.
	A	B	C	D	E	F	
5100 ESA202108	20	21.375	8	18	18	8.625	51
5100 ESA242108	24	21.375	8	22	18	8.625	61
5100 ESA242508	24	25.375	8	22	22	8.625	67
5100 ESA302108	30	21.375	8	28	18	8.625	74
5100 ESA302508	30	25.375	8	28	22	8.625	85
5100 ESA362508	36	25.375	8	34	22	8.625	100
5100 ESA363108	36	31.375	8	34	28	8.625	121
5100 ESA423108	42	31.375	8	40	28	8.625	137
5100 ESA423708	42	37.375	8	40	34	8.625	154
5100 ESA483708	48	37.375	8	46	34	8.625	172
5100 ESA603708	60	37.375	8	58	34	8.625	245
5100 ESA202110	20	21.375	10	18	18	8.625	55
5100 ESA242110	24	21.375	10	22	18	8.625	68
5100 ESA242510	24	25.375	10	22	22	8.625	75
5100 ESA302110	30	21.375	10	28	18	8.625	78
5100 ESA302510	30	25.375	10	28	22	8.625	90
5100 ESA362510	36	25.375	10	34	22	8.625	110
5100 ESA363110	36	31.375	10	34	28	8.625	126
5100 ESA423110	42	31.375	10	40	28	8.625	143
5100 ESA423710	42	37.375	10	40	34	8.625	193
5100 ESA483710	48	37.375	10	46	34	8.625	211
5100 ESA603710	60	37.375	10	58	34	8.625	250
5100 ESA302512	30	25.375	12	28	22	11.625	100
5100 ESA363112	36	31.375	12	34	28	11.625	130
5100 ESA423112	42	31.375	12	40	28	11.625	150
5100 ESA423712	42	37.375	12	40	34	11.625	200
5100 ESA483712	48	37.375	12	46	34	11.625	220
5100 ESA603712	60	37.375	12	58	34	11.625	257
5100 ESA363116	36	31.375	16	34	28	11.625	150
5100 ESA483716	48	37.375	16	46	34	11.625	232
5100 ESA603716	60	37.375	16	58	34	11.625	265
* 5100 ESAB603712	60	37.375	12	58	34	18.375	257

Data subject to change without notice.



## Safety disconnect enclosures

The 5100 ESY right flange-mounted safety disconnect enclosures are used where the control installation does not demand a high degree of protection (such as watertight or dust tight), but where a quality enclosure is warranted. The 5100 ESY are made from quality 14 GA or 16 GA steel, with corner seams continuously welded. The opening has a curled lip around three sides to prevent dripping water from entering the enclosure when the door is open, it also increases rigidity. The pins of the

concealed hinges can be pulled out to remove the door. The 5100 ESY features a convenient factory-installed door handle which interlocks with the disconnect switch and facilitates the installation of the enclosure, streamlines the ordering process and increases the ease of use of the enclosure. Enclosures higher than 42" are equipped with a 3 point locking mechanism while smaller enclosures come with a 2 point locking mechanism. Door stiffeners are also provided on larger models. Internal mounting holes

are provided. Each enclosure comes complete with a 12 GA inner panel which is double bent for maximum rigidity and mounts on M8 welded studs. Enclosures and panels are finished with heat fused powder paint, electrostatically applied on a pretreated base. Box is ANSI/ASA 61 gray, panel is white (other colors available).

**CSA Certified / UL Listed  
NEMA/EEMAC 1 / IP30**

**Refer to p.727 to validate choice of substrate for the application**

**If the 5100 ESY is to be used with a flange mounted disconnect switch or a circuit breaker, the following items must be ordered:**

### Ordering an Allen-Bradley 1494V Disconnect switch

- an operating mechanism with the disconnect switch 1494V
- an operating handle 1494V-H1
- a connecting rod 1494V-RA1 if the enclosure is 8" deep or 1494V-RA2 if the enclosure is 12" deep
- if required, a trailer fuse block kit 1494V, a fuse clip and line and load connectors.

### Circuit breaker

- a Westinghouse or General Electric circuit breaker.
- an operating mechanism 1494V
- an operating handle 1494V-H11
- a connecting rod 1494V-RA1 if the enclosure is 8" deep or 1494V-RA2 if the enclosure is 12" deep



### Ordering a Cutler Hammer Disconnect switch catalog C361

- an operating mechanism with the disconnect switch
- an operating handle (C361-H2 or H4)

### Circuit breaker operators catalog C371

- a Cutler hammer or Westinghouse circuit breaker
- an operating mechanism
- an operating handle

### Ordering a Square D Class 9422 Disconnect switch

- an operating mechanism with the disconnect switch class 9422
- an operating mechanism handle class 9422 Type A-1

### Circuit breaker

- a Square D circuit breaker
- an operating mechanism class 9422
- an operating mechanism handle class 9422 Type A-1

### Ordering a General Electric Disconnect switch

- a disconnect switch QMR or QMW
- a fuse clip kit if required
- a TDAI flange handle
- an operating mechanism, variable depth

### Circuit breakers

- a circuit breaker
- a TDAI flange handle
- an operating handle 1494V-H11
- an operating mechanism, variable depth

### Ordering an Asea Brown Boveri Disconnect switch

- a switch flange operated fuse if required
- a DSFHS-12 shaft
- a DSFHN-HS12 handle

### Circuit breaker

- a circuit breaker
- an operating mechanism
- a FHS-12 shaft
- a FHN-HS12 handle

### Ordering an I-TE Max-Flex™ Disconnect switch

- a basic right hand switch
- a fuse kit if required
- a handle FHOHS flange mounted
- an operator FHOSO6R
- a cable FHOECO36

### Circuit breaker

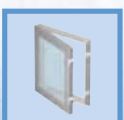
- a circuit breaker
- a set of pressure wire connectors
- a handle FHOH flange mounted
- an operating mechanism
- a standard cable 36"

### Ordering a Westinghouse Disconnect switch

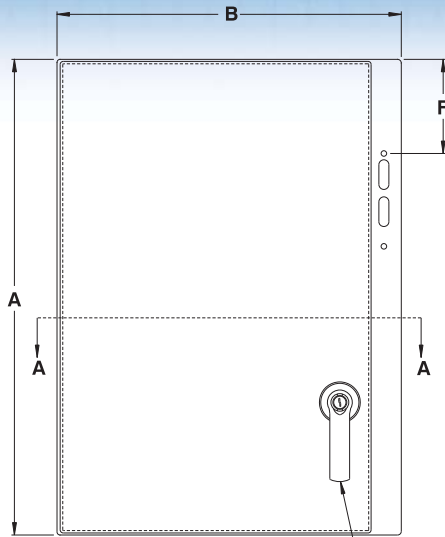
- a disconnect switch or circuit breaker type DS
- a yoke assembly and backplate
- a rod and brace assembly
- a pivot mechanism
- an operating handle

**Disconnect switches and operating mechanisms are not furnished with the enclosures.**

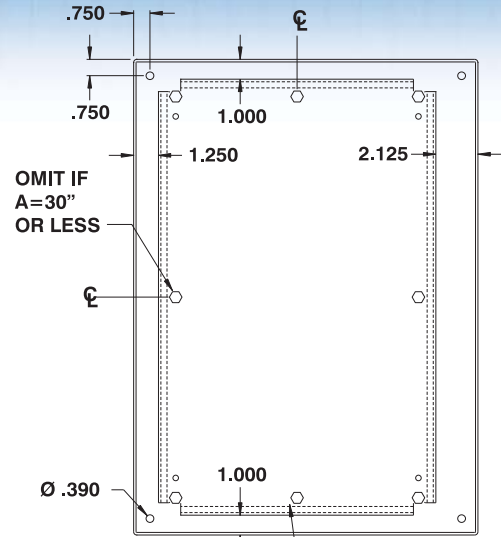
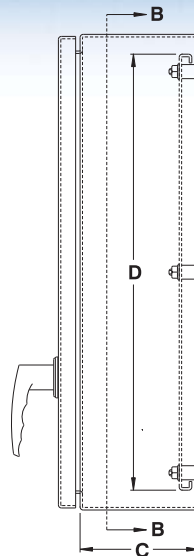
Data subject to change without notice.



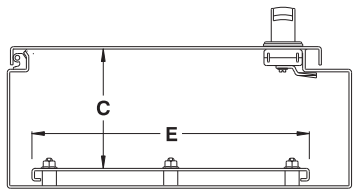




2 POINT LOCK IF A=36" OR LESS  
3 POINT LOCK IF A>36"



SECTION B-B  
OMIT IF B=30" OR LESS



SECTION A-A

† Only panels with sides 20" or more are double bent.

\* This enclosure will accept only the Allen-Bradley DS 200 and the DS 400 disconnect class.

CATALOG NUMBER	DIMENSIONS						SHIP WGT LBS.
	A	B	C	D	E	F	
5100 ESY202108	20	21.375	8	18	18	8.625	51
5100 ESY242108	24	21.375	8	22	18	8.625	61
5100 ESY242508	24	25.375	8	22	22	8.625	67
5100 ESY302108	30	21.375	8	28	18	8.625	74
5100 ESY302508	30	25.375	8	28	22	8.625	85
5100 ESY362508	36	25.375	8	34	22	8.625	100
5100 ESY363108	36	31.375	8	34	28	8.625	121
5100 ESY423108	42	31.375	8	40	28	8.625	137
5100 ESY423708	42	37.375	8	40	34	8.625	154
5100 ESY483708	48	37.375	8	46	34	8.625	172
5100 ESY603708	60	37.375	8	58	34	8.625	245
5100 ESY202110	20	21.375	10	18	18	8.625	55
5100 ESY242110	24	21.375	10	22	18	8.625	68
5100 ESY242510	24	25.375	10	22	22	8.625	75
5100 ESY302110	30	21.375	10	28	18	8.625	78
5100 ESY302510	30	25.375	10	28	22	8.625	90
5100 ESY362510	36	25.375	10	34	22	8.625	110
5100 ESY363110	36	31.375	10	34	28	8.625	126
5100 ESY423110	42	31.375	10	40	28	8.625	143
5100 ESY423710	42	37.375	10	40	34	8.625	193
5100 ESY483710	48	37.375	10	46	34	8.625	211
5100 ESY603710	60	37.375	10	58	34	8.625	250
5100 ESY302512	30	25.375	12	28	22	11.625	100
5100 ESY363112	36	31.375	12	34	28	11.625	130
5100 ESY423112	42	31.375	12	40	28	11.625	150
5100 ESY423712	42	37.375	12	40	34	11.625	200
5100 ESY483712	48	37.375	12	46	34	11.625	220
5100 ESY603712	60	37.375	12	58	34	11.625	257
5100 ESY363116	36	31.375	16	34	28	11.625	150
5100 ESY483716	48	37.375	16	46	34	11.625	232
5100 ESY603716	60	37.375	16	58	34	11.625	265
* 5100 ESYB603712	60	37.375	12	58	34	11.625	257

Data subject to change without notice.



p.477

<http://www.exmweb.com>



p.481



p.618



p.624

1-800-363-2423



p.636



p.593

Fax : 450-979-4626



p.472



[info@exmweb.com](mailto:info@exmweb.com)

## Watertight safety disconnect enclosures

The 5412 ESA right flange-mounted safety disconnect enclosures are used indoors or outdoors, where the enclosures may be subject to hosing or water coming from any direction or for protection against dirt, dust or oil. The 5412 ESA are made from quality 14 GA or 16 GA steel, with corner seams continuously welded. The opening has a curled lip around three sides to prevent dripping water from

entering the enclosure when the door is open, it also increases rigidity. The pins of the concealed hinges can be pulled out to remove the door. A ¼ turn locking mechanism interlocks with the switch to prevent opening the door when the power is live. Internal mounting holes are provided. Each enclosure comes complete with a 12 GA inner panel which is double bent for maximum rigidity and mounts on

M8 welded studs. Enclosures and panels are finished with heat fused powder paint, electrostatically applied on a pretreated base. Box is ANSI/ASA 61 gray, panel is white (other colors available).

**CSA Certified / UL Listed  
NEMA/EEMAC 4-12 / IP66**

**Refer to p.727 to validate choice of substrate for the application**

**If the 5412 ESA is to be used with a flange mounted disconnect switch or a circuit breaker, the following items must be ordered:**

### Ordering an Allen-Bradley 1494V Disconnect switch

- an operating mechanism with the disconnect switch 1494V
- an operating handle 1494V-H1
- a connecting rod 1494V-RA1 if the enclosure is 8" deep or 1494V-RA2 if the enclosure is 12" deep
- if required, a trailer fuse block kit 1494V, a fuse clip and line and load connectors.

### Circuit breaker

- a Westinghouse or General Electric circuit breaker.
- an operating mechanism 1494V
- an operating handle 1494V-H11
- a connecting rod 1494V-RA1 if the enclosure is 8" deep or 1494V-RA2 if the enclosure is 12" deep

### Ordering a Cutler Hammer Disconnect switch catalog C361

- an operating mechanism with the disconnect switch
- an operating handle (C361-H2 or H4)

### Circuit breaker operators catalog C371

- a Cutler hammer or Westinghouse circuit breaker
- an operating mechanism
- an operating handle

### Ordering an Asea Brown Boveri Disconnect switch

- a switch flange operated fuse if required
- a DSFHS-12 shaft
- a DSFHN-HS12 handle

### Circuit breaker

- a circuit breaker
- an operating mechanism
- a FHS-12 shaft
- a FHN-HS12 handle

### Ordering an I-TE Max-Flex™ Disconnect switch

- a basic right hand switch
- a fuse kit if required
- a handle FHOHS flange mounted
- an operator FHOSO6R
- a cable FHOECO36

### Circuit breaker

- a circuit breaker
- a set of pressure wire connectors
- a handle FHOH flange mounted
- an operating mechanism
- a standard cable 36"

### Ordering a Square D Class 9422 Disconnect switch

- an operating mechanism with the disconnect switch class 9422
- an operating mechanism handle class 9422 Type A-1

### Circuit breaker

- a Square D circuit breaker
- an operating mechanism class 9422
- an operating mechanism handle class 9422 Type A-1

### Ordering a General Electric Disconnect switch

- a disconnect switch QMR or QMW
- a fuse clip kit if required
- a TDAI flange handle
- an operating mechanism, variable depth

### Circuit breakers

- a circuit breaker
- a TDAI flange handle
- an operating handle 1494V-H11
- an operating mechanism, variable depth

### Ordering a Westinghouse Disconnect switch

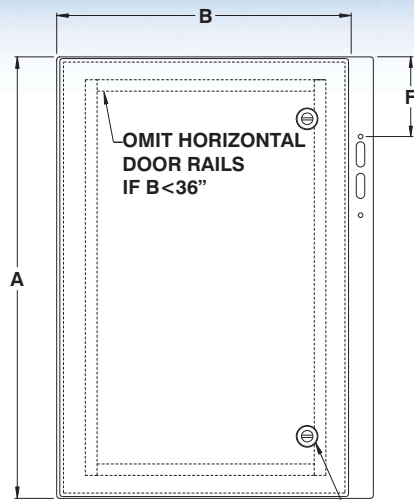
- a disconnect switch or circuit breaker type DS
- a yoke assembly and backplate
- a rod and brace assembly
- a pivot mechanism
- an operating handle

**Disconnect switches and operating mechanisms are not furnished with the enclosures.**

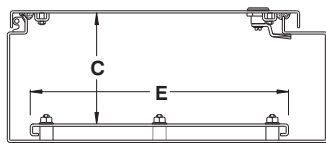
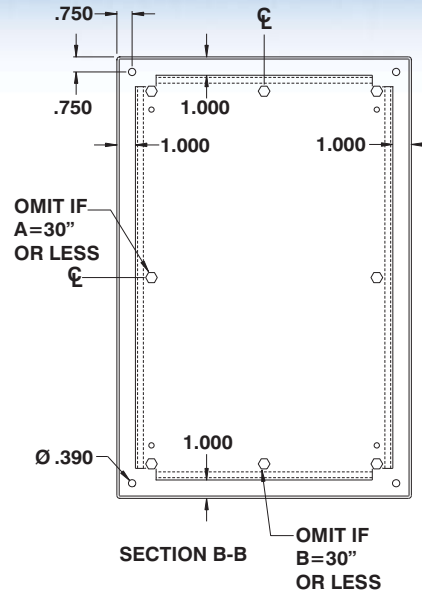
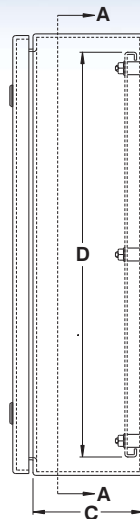


Data subject to change without notice.





1 METAL LOCK IF A=16" OR LESS  
 2 METAL LOCKS IF A>16" AND A<42"  
 3 METAL LOCKS IF A=42" OR MORE



SECTION A-A

† Only panels with sides 20" or more are double bent.

\* This enclosure will accept only the Allen-Bradley DS 200 and the DS 400 disconnect class.

CATALOG NUMBER	DIMENSIONS						SHIP WGT LBS.
	A	B	C	D	E	F	
5412 ESA202108	20	21.375	8	18	18	8.625	51
5412 ESA242108	24	21.375	8	22	18	8.625	61
5412 ESA242508	24	25.375	8	22	22	8.625	67
5412 ESA302108	30	21.375	8	28	18	8.625	74
5412 ESA302508	30	25.375	8	28	22	8.625	85
5412 ESA362508	36	25.375	8	34	22	8.625	100
5412 ESA363108	36	31.375	8	34	28	8.625	121
5412 ESA423108	42	31.375	8	40	28	8.625	137
5412 ESA423708	42	37.375	8	40	34	8.625	154
5412 ESA483708	48	37.375	8	46	34	8.625	172
5412 ESA603708	60	37.375	8	58	34	8.625	245
5412 ESA202110	20	21.375	10	18	18	8.625	55
5412 ESA242110	24	21.375	10	22	18	8.625	68
5412 ESA242510	24	25.375	10	22	22	8.625	75
5412 ESA302110	30	21.375	10	28	18	8.625	78
5412 ESA302510	30	25.375	10	28	22	8.625	90
5412 ESA362510	36	25.375	10	34	22	8.625	110
5412 ESA363110	36	31.375	10	34	28	8.625	126
5412 ESA423110	42	31.375	10	40	28	8.625	143
5412 ESA423710	42	37.375	10	40	34	8.625	193
5412 ESA483710	48	37.375	10	46	34	8.625	211
5412 ESA603710	60	37.375	10	58	34	8.625	250
5412 ESA302512	30	25.375	12	28	22	11.625	100
5412 ESA363112	36	31.375	12	34	28	11.625	130
5412 ESA423112	42	31.375	12	40	28	11.625	150
5412 ESA423712	42	37.375	12	40	34	11.625	200
5412 ESA483712	48	37.375	12	46	34	11.625	220
5412 ESA603712	60	37.375	12	58	34	11.625	257
5412 ESA363116	36	31.375	16	34	28	11.625	150
5412 ESA483716	48	37.375	16	46	34	11.625	232
5412 ESA603716	60	37.375	16	58	34	11.625	265
* 5412 ESAB603712	60	37.375	12	58	34	18.375	257

Data subject to change without notice.

**Insulated box?** To have your enclosure insulated, add suffix "TH"

i.e.: 5412ESA603716TH → Insulated steel enclosure

## Safety disconnect enclosures

The 5500 ESY right flange-mounted safety disconnect enclosures are used indoors for protection against dirt, dust and water splashing. The 5500 ESY are made from quality 14 GA or 16 GA steel, with corner seams continuously welded. The opening has a curled lip around three sides to prevent dripping water from entering the enclosure when the door is open, it also increases rigidity. The pins of the concealed hinges can be pulled out to remove the door. The 5500 ESY

features a convenient factory-installed door handle which interlocks with the disconnect switch and facilitates the installation of the enclosure, streamlines the ordering process and increases the ease of use of the enclosure. Enclosures higher than 42" are equipped with a 3 point locking mechanism while smaller enclosures come with a 2 point locking mechanism. Door stiffeners are also provided on larger models. Internal mounting holes are provided. Each enclosure

comes complete with a 12 GA inner panel which is double bent for maximum rigidity and mounts on M8 welded studs. Enclosures and panels are finished with heat fused powder paint, electrostatically applied on a pretreated base. Box is ANSI/ASA 61 gray, panel is white (other colors available).

**CSA Certified / UL Listed  
NEMA/EEMAC 12-13 / IP65**

**Refer to p.727 to validate choice of substrate for the application**

**If the 5500 ESY is to be used with a flange mounted disconnect switch or a circuit breaker, the following items must be ordered:**

### Ordering an Allen-Bradley 1494V Disconnect switch

- an operating mechanism with the disconnect switch 1494V
- an operating handle 1494V-H1
- a connecting rod 1494V-RA1 if the enclosure is 8" deep or 1494V-RA2 if the enclosure is 12" deep
- if required, a trailer fuse block kit 1494V, a fuse clip and line and load connectors.

### Circuit breaker

- a Westinghouse or General Electric circuit breaker.
- an operating mechanism 1494V
- an operating handle 1494V-H11
- a connecting rod 1494V-RA1 if the enclosure is 8" deep or 1494V-RA2 if the enclosure is 12" deep



### Ordering a Cutler Hammer Disconnect switch catalog C361

- an operating mechanism with the disconnect switch
- an operating handle (C361-H2 or H4)

### Circuit breaker operators catalog C371

- a Cutler hammer or Westinghouse circuit breaker
- an operating mechanism
- an operating handle

### Ordering a Square D Class 9422 Disconnect switch

- an operating mechanism with the disconnect switch class 9422
- an operating mechanism handle class 9422 Type A-1

### Circuit breaker

- a Square D circuit breaker
- an operating mechanism class 9422
- an operating mechanism handle class 9422 Type A-1

### Ordering a General Electric Disconnect switch

- a disconnect switch QMR or QMW
- a fuse clip kit if required
- a TDAI flange handle
- an operating mechanism, variable depth

### Circuit breakers

- a circuit breaker
- a TDAI flange handle
- an operating handle 1494V-H11
- an operating mechanism, variable depth

### Ordering an Asea Brown Boveri Disconnect switch

- a switch flange operated fuse if required

- a DSFHS-12 shaft
- a DSFHN-HS12 handle

### Circuit breaker

- a circuit breaker
- an operating mechanism
- a FHS-12 shaft
- a FHN-HS12 handle

### Ordering an I-TE Max-Flex™ Disconnect switch

- a basic right hand switch
- a fuse kit if required
- a handle FHOHS flange mounted
- an operator FHOSO6R
- a cable FHOECO36

### Circuit breaker

- a circuit breaker
- a set of pressure wire connectors
- a handle FHOH flange mounted
- an operating mechanism
- a standard cable 36"

### Ordering a Westinghouse Disconnect switch

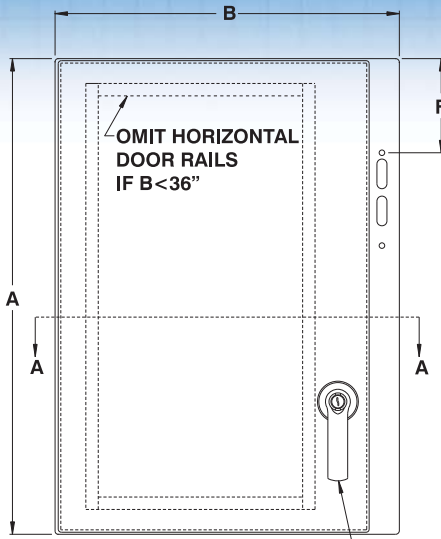
- a disconnect switch or circuit breaker type DS
- a yoke assembly and backplate
- a rod and brace assembly
- a pivot mechanism
- an operating handle

**Disconnect switches and operating mechanisms are not furnished with the enclosures.**

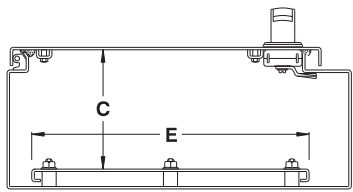
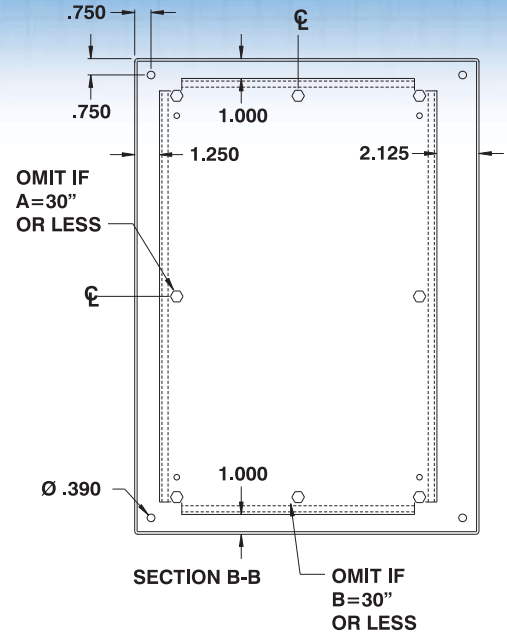
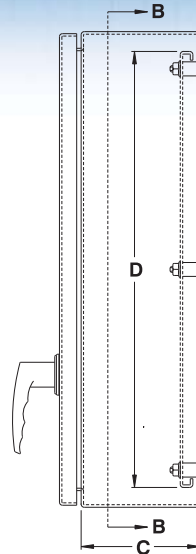
Data subject to change without notice.







2 POINT LOCK IF A=36" OR LESS  
3 POINT LOCK IF A>36"



SECTION A-A

† Only panels with sides 20" or more are double bent.

\* This enclosure will only accept the Allen-Bradley DS 200 and the DS 400 disconnect class.

CATALOG NUMBER	DIMENSIONS						SHIP WGT LBS.
	A	B	C	D	E	F	
5500 ESY202108	20	21.375	8	18	18	8.625	51
5500 ESY242108	24	21.375	8	22	18	8.625	61
5500 ESY242508	24	25.375	8	22	22	8.625	67
5500 ESY302108	30	21.375	8	28	18	8.625	74
5500 ESY302508	30	25.375	8	28	22	8.625	85
5500 ESY362508	36	25.375	8	34	22	8.625	100
5500 ESY363108	36	31.375	8	34	28	8.625	121
5500 ESY423108	42	31.375	8	40	28	8.625	137
5500 ESY423708	42	37.375	8	40	34	8.625	154
5500 ESY483708	48	37.375	8	46	34	8.625	172
5500 ESY603708	60	37.375	8	58	34	8.625	245
5500 ESY202110	20	21.375	10	18	18	8.625	55
5500 ESY242110	24	21.375	10	22	18	8.625	68
5500 ESY242510	24	25.375	10	22	22	8.625	75
5500 ESY302110	30	21.375	10	28	18	8.625	78
5500 ESY302510	30	25.375	10	28	22	8.625	90
5500 ESY362510	36	25.375	10	34	22	8.625	110
5500 ESY363110	36	31.375	10	34	28	8.625	126
5500 ESY423110	42	31.375	10	40	28	8.625	143
5500 ESY423710	42	37.375	10	40	34	8.625	143
5500 ESY483710	48	37.375	10	46	34	8.625	211
5500 ESY603710	60	37.375	10	58	34	8.625	250
5500 ESY302512	30	25.375	12	28	22	11.625	100
5500 ESY363112	36	31.375	12	34	28	11.625	130
5500 ESY423112	42	31.375	12	40	28	11.625	150
5500 ESY423712	42	37.375	12	40	34	11.625	200
5500 ESY483712	48	37.375	12	46	34	11.625	220
5500 ESY603712	60	37.375	12	58	34	11.625	257
5500 ESY363116	36	31.375	16	34	28	11.625	150
5500 ESY483716	48	37.375	16	46	34	11.625	232
5500 ESY603716	60	37.375	16	58	34	11.625	265
* 5500 ESYB603712	60	37.375	12	58	34	11.625	257

Data subject to change without notice.

**Insulated box?** To have your enclosure insulated, add suffix "TH"

i.e.: 5500ESY603716TH → Insulated steel enclosure



## Stainless steel watertight safety disconnect enclosures

The 5412 ESSA right flange-mounted safety disconnect enclosures are used indoors or outdoors, where the enclosures may be subject to hosing or water coming from any direction or for protection against dirt, dust or oil. The 5412 ESSA are made from quality 14 GA or 16 GA (type 304) stainless steel, with corner seams continuously welded. The opening has a curled lip around three sides to prevent dripping water from entering the

enclosure when the door is open, it also increases rigidity. The pins of the concealed hinges can be pulled out to remove the door.

A ¼ turn locking mechanism interlocks with the switch to prevent opening the door when the power is live. Internal mounting holes are provided. Each enclosure comes complete with a 12 GA inner panel which is double bent† for maximum rigidity and mounts on M8 welded studs.

The enclosures' exterior are unpainted and brushed smooth. The enclosures' interior and panels are finished with white heat fused powder paint, electrostatically applied on a pretreated base.

**CSA Certified / UL Listed  
NEMA/EEMAC 4X / IP66**

**Refer to p.727 to validate choice of substrate for the application**

**If the 5412 ESSA is to be used with a flange mounted disconnect switch or a circuit breaker, the following items must be ordered:**

### Ordering an Allen-Bradley 1494V Disconnect switch

- an operating mechanism with the disconnect switch 1494V
- an operating handle 1494V-H1
- a connecting rod 1494V-RA1 if the enclosure is 8" deep or 1494V-RA2 if the enclosure is 12" deep
- if required, a trailer fuse block kit 1494V, a fuse clip and line and load connectors.

### Circuit breaker

- a Westinghouse or General Electric circuit breaker.
- an operating mechanism 1494V
- an operating handle 1494V-H11
- a connecting rod 1494V-RA1 if the enclosure is 8" deep or 1494V-RA2 if the enclosure is 12" deep

### Ordering a Cutler Hammer Disconnect switch catalog C361

- an operating mechanism with the disconnect switch
- an operating handle (C361-H2 or H4)

### Circuit breaker operators catalog C371

- a Cutler hammer or Westinghouse circuit breaker
- an operating mechanism
- an operating handle

### Ordering a Square D Class 9422 Disconnect switch

- an operating mechanism with the disconnect switch class 9422
- an operating mechanism handle class 9422 Type A-1

### Circuit breaker

- a Square D circuit breaker
- an operating mechanism class 9422
- an operating mechanism handle class 9422 Type A-1

### Ordering a General Electric Disconnect switch

- a disconnect switch QMR or QMW
- a fuse clip kit if required
- a TDAI flange handle
- an operating mechanism, variable depth

### Circuit breakers

- a circuit breaker
- a TDAI flange handle
- an operating handle 1494V-H11
- an operating mechanism, variable depth

### Ordering an Asea Brown Boveri Disconnect switch

- a switch flange operated fuse if required
- a DSFHS-12 shaft
- a DSFHN-HS12 handle

### Circuit breaker

- a circuit breaker
- an operating mechanism
- a FHS-12 shaft
- a FHN-HS12 handle

### Ordering an I-T-E Max-Flex™ Disconnect switch

- a basic right hand switch
- a fuse kit if required
- a handle FHOHS flange mounted
- an operator FHOSO6R
- a cable FHOECO36

### Circuit breaker

- a circuit breaker
- a set of pressure wire connectors
- a handle FHOH flange mounted
- an operating mechanism
- a standard cable 36"

### Ordering a Westinghouse Disconnect switch

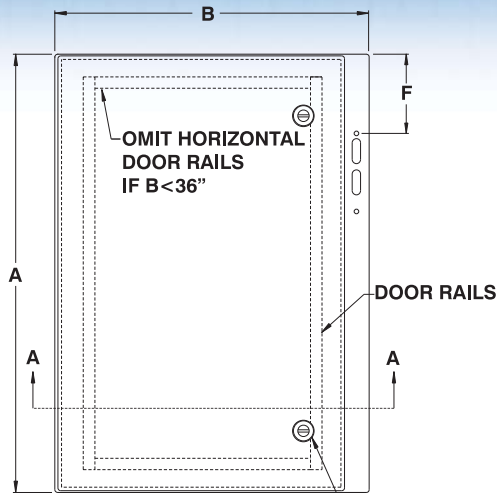
- a disconnect switch or circuit breaker type DS
- a yoke assembly and backplate
- a rod and brace assembly
- a pivot mechanism
- an operating handle

**Disconnect switches and operating mechanisms are not furnished with the enclosures.**

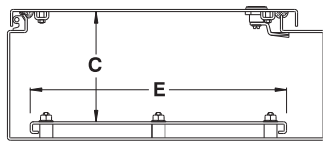
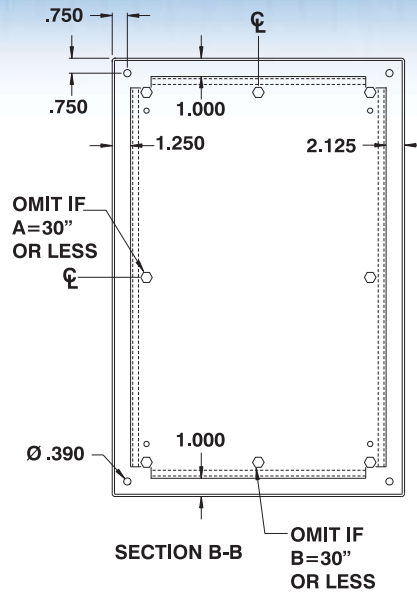
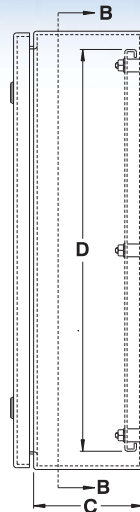


Data subject to change without notice.





- 1 STAINLESS STEEL LOCK IF A=16" OR LESS
- 2 STAINLESS STEEL LOCKS IF A>16" AND A<42"
- 3 STAINLESS STEEL LOCKS IF A=42" OR MORE



SECTION A-A

Note :  
For stainless steel type 316, add suffix '6'  
to the catalog number  
(i.e. 5500 ESSA4231126)

† Only panels with sides 20" or more are double bent.

\* This enclosure will only accept the Allen-Bradley DS 200 and the DS 400 disconnect class.

CATALOG NUMBER	DIMENSIONS						SHIP WGT LBS.
	A	B	C	D	E	F	
5412 ESSA202108	20	21.375	8	18	18	8.625	51
5412 ESSA242108	24	21.375	8	22	18	8.625	61
5412 ESSA242508	24	25.375	8	22	22	8.625	67
5412 ESSA302108	30	21.375	8	28	18	8.625	74
5412 ESSA302508	30	25.375	8	28	22	8.625	85
5412 ESSA362508	36	25.375	8	34	22	8.625	100
5412 ESSA363108	36	31.375	8	34	28	8.625	121
5412 ESSA423108	42	31.375	8	40	28	8.625	137
5412 ESSA423708	42	37.375	8	40	34	8.625	154
5412 ESSA483708	48	37.375	8	46	34	8.625	172
5412 ESSA603708	60	37.375	8	58	34	8.625	245
5412 ESSA202110	20	21.375	10	18	18	8.625	55
5412 ESSA242110	24	21.375	10	22	18	8.625	68
5412 ESSA242510	24	25.375	10	22	22	8.625	75
5412 ESSA302110	30	21.375	10	28	18	8.625	78
5412 ESSA302510	30	25.375	10	28	22	8.625	90
5412 ESSA362510	36	25.375	10	34	22	8.625	110
5412 ESSA363110	36	31.375	10	34	28	8.625	126
5412 ESSA423110	42	31.375	10	40	28	8.625	143
5412 ESSA423710	42	37.375	10	40	34	8.625	143
5412 ESSA483710	48	37.375	10	46	34	8.625	211
5412 ESSA603710	60	37.375	10	58	34	8.625	250
5412 ESSA302512	30	25.375	12	28	22	11.625	100
5412 ESSA363112	36	31.375	12	34	28	11.625	130
5412 ESSA423112	42	31.375	12	40	28	11.625	150
5412 ESSA423712	42	37.375	12	40	34	11.625	200
5412 ESSA483712	48	37.375	12	46	34	11.625	220
5412 ESSA603712	60	37.375	12	58	34	11.625	257
5412 ESSA363116	36	31.375	16	34	28	11.625	150
5412 ESSA483716	48	37.375	16	46	34	11.625	232
5412 ESSA603716	60	37.375	16	58	34	11.625	265
* 5412 ESSAB603712	60	37.375	12	58	34	18.375	257

Data subject to change without notice.

**Insulated box?** To have your enclosure insulated, add suffix "TH"

i.e.: 5412ESSA603716TH → Insulated stainless steel enclosure

## Stainless steel safety disconnect enclosures

The 5500 ESSY right flange-mounted safety disconnect enclosures are used indoors for protection against dirt, dust and water splashing. The 5500 ESSY are made from quality 14 GA or 16 GA (type 304) stainless steel, with corner seams continuously welded. The opening has a curled lip around three sides to prevent dripping water from entering the enclosure when the door is open, it also increases rigidity. The pins of the concealed hinges can be pulled out to remove the door.

The 5500 ESSY features a convenient factory-installed door handle which interlocks with the disconnect switch and facilitates the installation of the enclosure, streamlines the ordering process and increases the ease of use of the enclosure. Enclosures higher than 42" are equipped with a 3 point locking mechanism while smaller enclosures come with a 2 point locking mechanism. Door stiffeners are also provided on larger models. Internal mounting holes are provided. Each enclosure

comes complete with a 12 GA inner panel which is double bent† for maximum rigidity and mounts on M8 welded studs. The enclosures exterior are unpainted and brushed smooth. The enclosures' interior and panels are finished with white heat fused powder paint, electrostatically applied on a pretreated base.

**CSA Certified / UL Listed  
NEMA/EEMAC 12-13 / IP65**

**Refer to p.727 to validate choice of substrate for the application**

**If the 5500 ESSY is to be used with a flange mounted disconnect switch or a circuit breaker, the following items must be ordered:**

### Ordering an Allen-Bradley 1494V Disconnect switch

- an operating mechanism with the disconnect switch 1494V
- an operating handle 1494V-H1
- a connecting rod 1494V-RA1 if the enclosure is 8" deep or 1494V-RA2 if the enclosure is 12" deep
- if required, a trailer fuse block kit 1494V, a fuse clip and line and load connectors.

### Circuit breaker

- a Westinghouse or General Electric circuit breaker.
- an operating mechanism 1494V
- an operating handle 1494V-H11
- a connecting rod 1494V-RA1 if the enclosure is 8" deep or 1494V-RA2 if the enclosure is 12" deep

### Ordering a Cutler Hammer Disconnect switch catalog C361

- an operating mechanism with the disconnect switch
- an operating handle (C361-H2 or H4)

### Circuit breaker operators catalog C371

- a Cutler hammer or Westinghouse circuit breaker
- an operating mechanism
- an operating handle

### Ordering a Square D Class 9422 Disconnect switch

- an operating mechanism with the disconnect switch class 9422
- an operating mechanism handle class 9422 Type A-1

### Circuit breaker

- a Square D circuit breaker
- an operating mechanism class 9422
- an operating mechanism handle class 9422 Type A-1

### Ordering a General Electric Disconnect switch

- a disconnect switch QMR or QMW
- a fuse clip kit if required
- a TDAI flange handle
- an operating mechanism, variable depth

### Circuit breakers

- a circuit breaker
- a TDAI flange handle
- an operating handle 1494V-H11
- an operating mechanism, variable depth

### Ordering an Asea Brown Boveri Disconnect switch

- a switch flange operated fuse if required
- a DSFHS-12 shaft
- a DSFHN-HS12 handle

### Circuit breaker

- a circuit breaker
- an operating mechanism
- a FHS-12 shaft
- a FHN-HS12 handle

### Ordering an I-TE Max-Flex™ Disconnect switch

- a basic right hand switch
- a fuse kit if required
- a handle FHOHS flange mounted
- an operator FHOSO6R
- a cable FHOECO36

### Circuit breaker

- a circuit breaker
- a set of pressure wire connectors
- a handle FHOH flange mounted
- an operating mechanism
- a standard cable 36"

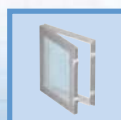
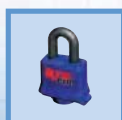
### Ordering a Westinghouse Disconnect switch

- a disconnect switch or circuit breaker type DS
- a yoke assembly and backplate
- a rod and brace assembly
- a pivot mechanism
- an operating handle

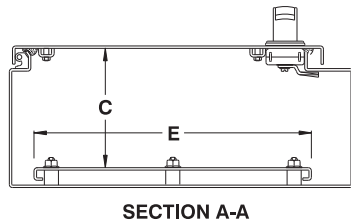
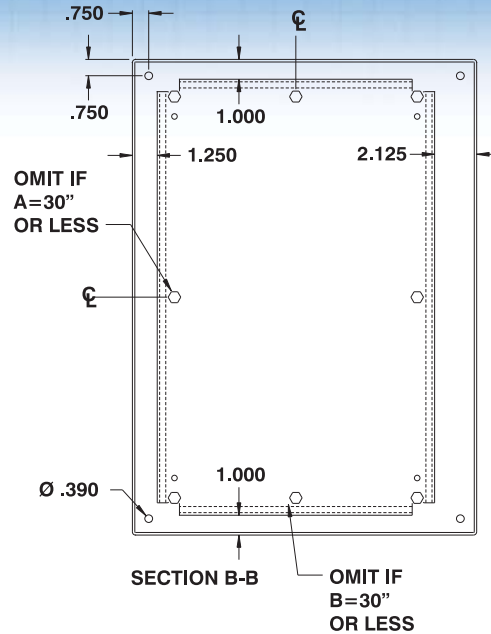
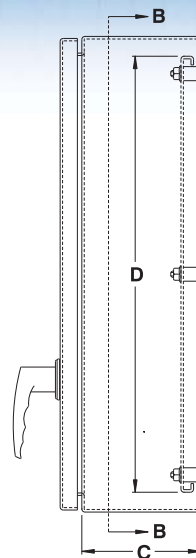
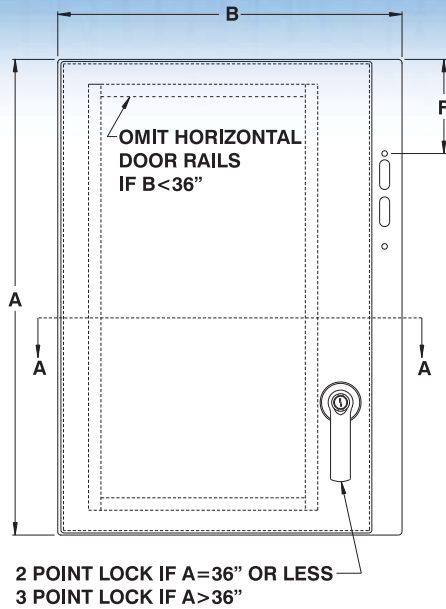
**Disconnect switches and operating mechanisms are not furnished with the enclosures.**



Data subject to change without notice.







**Note :**  
For stainless steel type 316, add suffix '6'  
to the catalog number  
(i.e. 5500 ESSY2021086)

† Only panels with sides 20" or more are  
double bent.

\* This enclosure will only accept the  
Allen-Bradley DS 200 and the DS 400  
disconnect class.

CATALOG NUMBER	DIMENSIONS						SHIP WTGT LBS.
	A	B	C	D	E	F	
5500 ESSY202108	20	21.375	8	18	18	8.625	51
5500 ESSY242108	24	21.375	8	22	18	8.625	61
5500 ESSY242508	24	25.375	8	22	22	8.625	67
5500 ESSY302108	30	21.375	8	28	18	8.625	74
5500 ESSY302508	30	25.375	8	28	22	8.625	85
5500 ESSY362508	36	25.375	8	34	22	8.625	100
5500 ESSY363108	36	31.375	8	34	28	8.625	121
5500 ESSY423108	42	31.375	8	40	28	8.625	137
5500 ESSY423708	42	37.375	8	40	34	8.625	154
5500 ESSY483708	48	37.375	8	46	34	8.625	172
5500 ESSY603708	60	37.375	8	58	34	8.625	245
5500 ESSY202110	20	21.375	10	18	18	8.625	55
5500 ESSY242110	24	21.375	10	22	18	8.625	68
5500 ESSY242510	24	25.375	10	22	22	8.625	75
5500 ESSY302110	30	21.375	10	28	18	8.625	78
5500 ESSY302510	30	25.375	10	28	22	8.625	90
5500 ESSY362510	36	25.375	10	34	22	8.625	110
5500 ESSY363110	36	31.375	10	34	28	8.625	126
5500 ESSY423110	42	31.375	10	40	28	8.625	143
5500 ESSY423710	42	37.375	10	40	34	8.625	143
5500 ESSY483710	48	37.375	10	46	34	8.625	211
5500 ESSY603710	60	37.375	10	58	34	8.625	250
5500 ESSY302512	30	25.375	12	28	22	11.625	100
5500 ESSY363112	36	31.375	12	34	28	11.625	130
5500 ESSY423112	42	31.375	12	40	28	11.625	150
5500 ESSY423712	42	37.375	12	40	34	11.625	200
5500 ESSY483712	48	37.375	12	46	34	11.625	220
5500 ESSY603712	60	37.375	12	58	34	11.625	257
5500 ESSY363116	36	31.375	16	34	28	11.625	150
5500 ESSY483716	48	37.375	16	46	34	11.625	232
5500 ESSY603716	60	37.375	16	58	34	11.625	265
*5500 ESSYB603712	60	37.375	12	58	34	11.625	257

Data subject to  
change without  
notice.

**Insulated box?** To have your enclosure insulated, add suffix "TH"

i.e.: 5500ESSY603716TH → Insulated stainless steel enclosure



## Double door enclosure for right flange mounted disconnect

The 5500 UFD oil and dust tight right flange mounted safety disconnect enclosures are used indoors for protection against dirt, dust, oil and water splashing. The 5500 UFD are made from quality code gauge steel with all seams continuously welded. The center post can be removed to facilitate the installation of the inner panel. The ball bearing pins of the concealed die cast hinges can be easily pulled out to remove the doors. Three point

automotive padlockable handles ensure positive closing on both doors. The new latching rod system interlocks with the disconnect handle and eliminates the need to purchase an adaptor. A door interlock is installed to ensure that the left door (slave) can only be opened if the right door (master) is open and the disconnect switch is powered off. Enclosures have 15" floor mounting feet installed. Door and body stiffeners are provided on larger

models. Each enclosure comes complete with a painted white steel inner panel which mounts on M10 welded studs. A print pocket is provided. Enclosures and panels are finished with heat fused powder paint, electrostatically applied on a pretreated base. Box is ANSI/ASA 61 gray. **CSA Certified / UL Listed NEMA/EEMAC 12-13 / IP65**

**Refer to p.727 to validate choice of substrate for the application**

**If the 5500 UFD is to be used with a flange mounted disconnect switch or a circuit breaker, the following items must be ordered:**

### Ordering an Allen-Bradley 1494V Disconnect switch

- an operating mechanism with the disconnect switch 1494V
- an operating handle 1494V-H1
- a connecting rod 1494V-RA1 if the enclosure is 8" deep or 1494V-RA2 if the enclosure is 12" deep
- if required, a trailer fuse block kit 1494V, a fuse clip and line and load connectors.

### Circuit breaker

- a Westinghouse or General Electric circuit breaker.
- an operating mechanism 1494V
- an operating handle 1494V-H11
- a connecting rod 1494V-RA1 if the enclosure is 8" deep or 1494V-RA2 if the enclosure is 12" deep



### Ordering a Cutler Hammer Disconnect switch catalog C361

- an operating mechanism with the disconnect switch
- an operating handle (C361-H2 or H4)

### Circuit breaker operators catalog C371

- a Cutler hammer or Westinghouse circuit breaker
- an operating mechanism
- an operating handle

### Ordering a Square D Class 9422 Disconnect switch

- an operating mechanism with the disconnect switch class 9422
- an operating mechanism handle class 9422 Type A-1

### Circuit breaker

- a Square D circuit breaker
- an operating mechanism class 9422
- an operating mechanism handle class 9422 Type A-1

### Ordering a General Electric Disconnect switch

- a disconnect switch QMR or QMW
- a fuse clip kit if required
- a TDAI flange handle
- an operating mechanism, variable depth

### Circuit breakers

- a circuit breaker
- a TDAI flange handle
- an operating handle 1494V-H11
- an operating mechanism, variable depth

### Ordering an Asea Brown Boveri Disconnect switch

- a switch flange operated fuse if required

- a DSFHS-12 shaft

- a DSFHN-HS12 handle

### Circuit breaker

- a circuit breaker
- an operating mechanism
- a FHS-12 shaft
- a FHN-HS12 handle

### Ordering an I-TE Max-Flex™ Disconnect switch

- a basic right hand switch
- a fuse kit if required
- a handle FHOHS flange mounted
- an operator FHOSO6R
- a cable FHOECO36

### Circuit breaker

- a circuit breaker
- a set of pressure wire connectors
- a handle FHOH flange mounted
- an operating mechanism
- a standard cable 36"

### Ordering a Westinghouse Disconnect switch

- a disconnect switch or circuit breaker type DS
- a yoke assembly and backplate
- a rod and brace assembly
- a pivot mechanism
- an operating handle

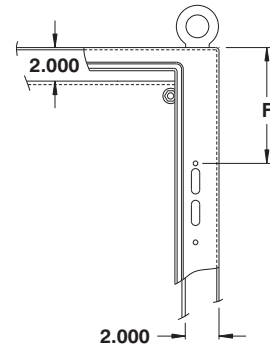
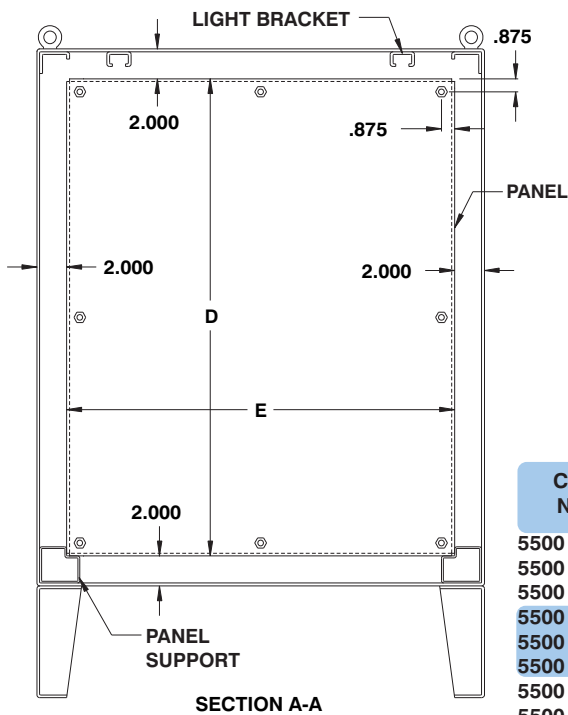
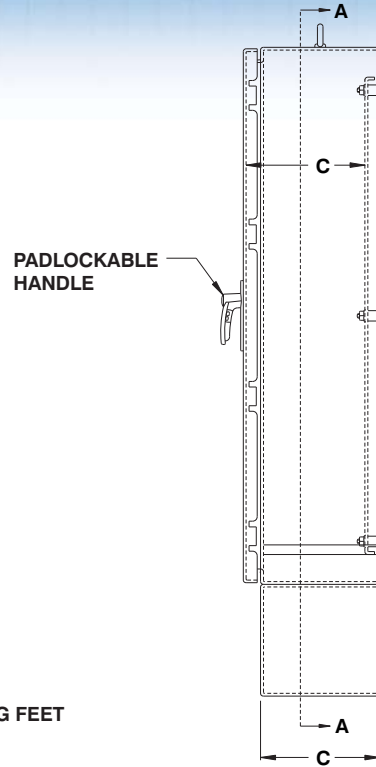
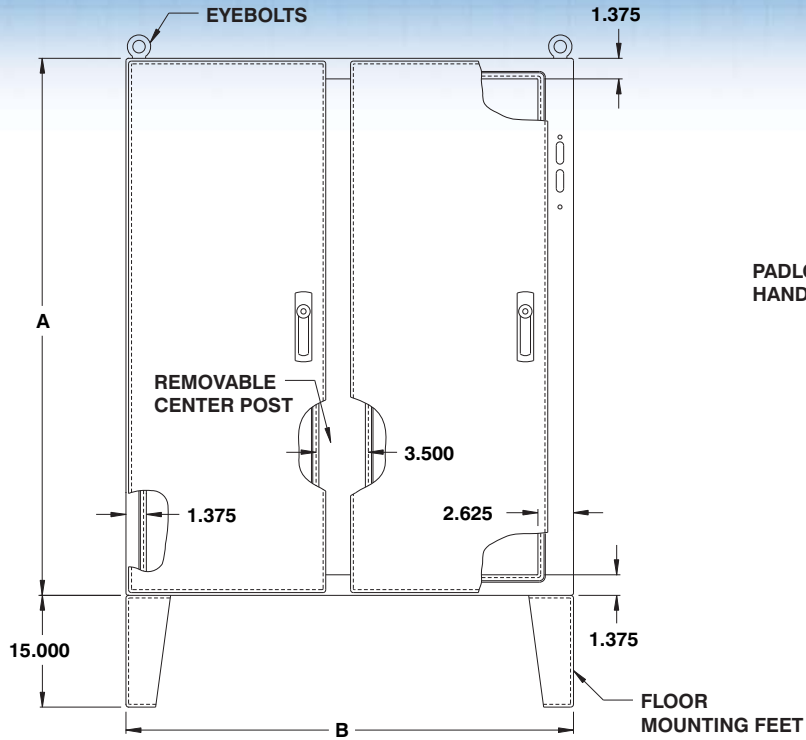
**Disconnect switches and operating mechanisms are not furnished with the enclosures.**

Data subject to change without notice.



# NEMA 12-13 SAFETY DISCONNECT

# 5500 UFD



CATALOG NUMBER	DIMENSIONS						SHIP WGHT LBS.
	A	B	C	D	E	F	
5500 UFD604912	60	49	12	56	44	7.875	547
5500 UFD606112	60	61	12	56	56	7.875	675
5500 UFD726112	72	61	12	68	56	13.875	794
5500 UFD727312	72	73	12	68	68	13.875	927
5500 UFD604918	60	49	18	56	44	7.875	608
5500 UFD606118	60	61	18	56	56	7.875	743
5500 UFD726118	72	61	18	68	56	13.875	867
5500 UFD727318	72	73	18	68	68	13.875	1000
5500 UFD604924	60	49	24	56	44	7.875	708
5500 UFD606124	60	61	24	56	56	7.875	836
5500 UFD727324	72	73	24	68	68	13.875	1088

\* For Allen Bradley Bulletin 1494F and 1494D disconnect switch piercings, add suffix 'AB' to the catalog number. (Example: 5500 UFD606118AB) Custom piercings are available upon request.

Data subject to change without notice.



p.618

p.624

p.636

p.593

p.472

<http://www.exmweb.com>

1-800-363-2423

Fax : 450-979-4626

[info@exmweb.com](mailto:info@exmweb.com)



## Stainless steel right flange mounted disconnect enclosure

The 5500 UFDSS oil and dust tight right flange mounted safety disconnect enclosures are used indoors for protection against dirt, dust, oil and water splashing. The 5500 UFDSS are made from quality code gauge (type 304) stainless steel with all seams continuously welded. The center post can be removed to facilitate the installation of the inner panel. The ball bearing pins of the concealed die cast hinges can be easily pulled out to remove the doors.

Three point padlockable handles ensure positive closing on both doors. The new latching rod system interlocks with the disconnect handle and eliminates the need to purchase an adaptor. A door interlock is installed to ensure that the left door (slave) can only be opened if the right door (master) is open and the disconnect switch is powered off. Enclosures have 15" floor mounting feet installed. Door and body stiffeners are provided on larger models. Each enclosure comes

complete with a painted white steel inner panel which mounts on M10 welded studs. A print pocket is provided. The enclosures' exterior are unpainted and brushed smooth. The enclosures' interior and panels are finished with heat fused powder paint, electrostatically applied on a pretreated base.

**CSA Certified / UL Listed  
NEMA/EEMAC 12-13 / IP65**

**Refer to p.727 to validate choice of substrate for the application**

**If the 5500 UFDSS is to be used with a flange mounted disconnect switch or a circuit breaker, the following items must be ordered:**

### Ordering an Allen-Bradley 1494V Disconnect switch

- an operating mechanism with the disconnect switch 1494V
- an operating handle 1494V-H1
- a connecting rod 1494V-RA1 if the enclosure is 8" deep or 1494V-RA2 if the enclosure is 12" deep
- if required, a trailer fuse block kit 1494V, a fuse clip and line and load connectors.

### Circuit breaker

- a Westinghouse or General Electric circuit breaker.
- an operating mechanism 1494V
- an operating handle 1494V-H11
- a connecting rod 1494V-RA1 if the enclosure is 8" deep or 1494V-RA2 if the enclosure is 12" deep

### Ordering a Cutler Hammer Disconnect switch catalog C361

- an operating mechanism with the disconnect switch
- an operating handle (C361-H2 or H4)

### Circuit breaker operators catalog C371

- a Cutler hammer or Westinghouse circuit breaker
- an operating mechanism
- an operating handle

### Ordering a Square D Class 9422 Disconnect switch

- an operating mechanism with the disconnect switch class 9422
- an operating mechanism handle class 9422 Type A-1

### Circuit breaker

- a Square D circuit breaker
- an operating mechanism class 9422
- an operating mechanism handle class 9422 Type A-1

### Ordering a General Electric Disconnectswitch

- a disconnect switch QMR or QMW
- a fuse clip kit if required
- a TDAI flange handle
- an operating mechanism, variable depth

### Circuit breakers

- a circuit breaker
- a TDAI flange handle
- an operating handle 1494V-H11
- an operating mechanism, variable depth

### Ordering an Asea Brown Boveri Disconnect switch

- a switch flange operated fuse if required
- a DSFHS-12 shaft
- a DSFHN-HS12 handle

### Circuit breaker

- a circuit breaker
- an operating mechanism
- a FHS-12 shaft
- a FHN-HS12 handle

### Ordering an I-T-E Max-Flex™ Disconnect switch

- a basic right hand switch
- a fuse kit if required
- a handle FHOHS flange mounted
- an operator FHOSO6R
- a cable FHOECO36

### Circuit breaker

- a circuit breaker
- a set of pressure wire connectors
- a handle FHOH flange mounted
- an operating mechanism
- a standard cable 36"

### Ordering a Westinghouse Disconnect switch

- a disconnect switch or circuit breaker type DS
- a yoke assembly and backplate
- a rod and brace assembly
- a pivot mechanism
- an operating handle

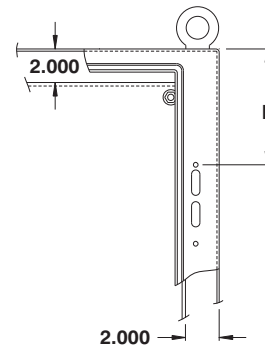
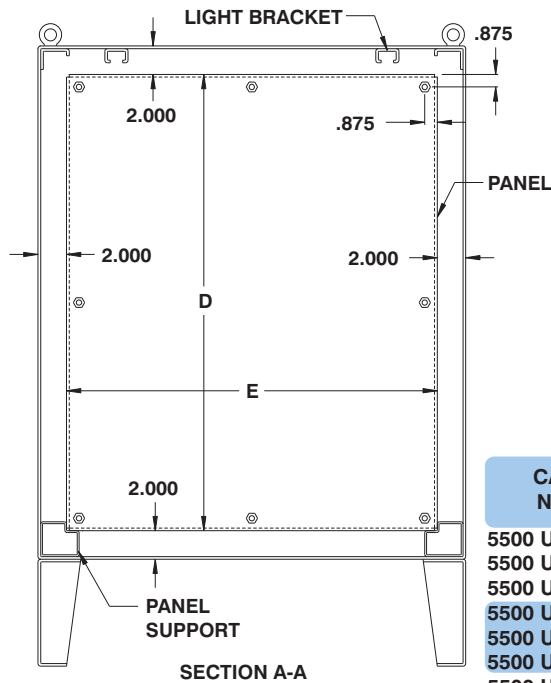
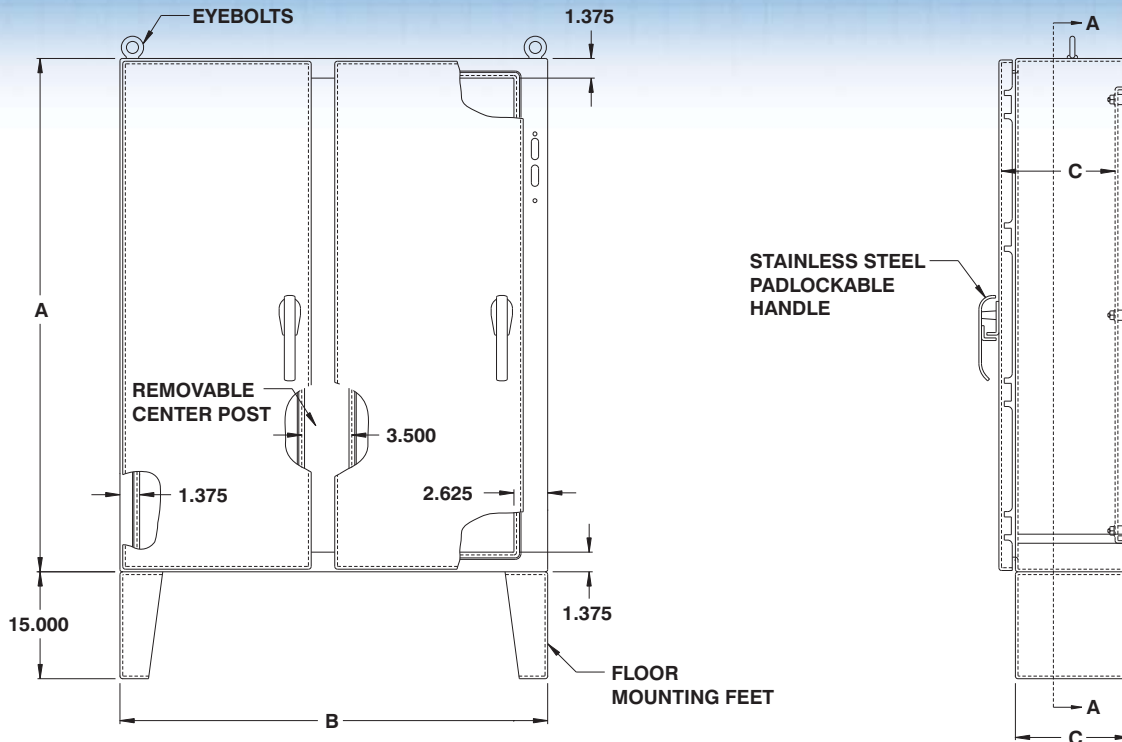
**Disconnect switches and operating mechanisms are not furnished with the enclosures.**



Data subject to change without notice.







CATALOG NUMBER	DIMENSIONS						SHIP WGHT LBS.
	A	B	C	D	E	F	
5500 UFDSS604912	60	49	12	56	44	7.875	547
5500 UFDSS606112	60	61	12	56	56	7.875	675
5500 UFDSS726112	72	61	12	68	56	13.875	794
5500 UFDSS727312	72	73	12	68	68	13.875	927
5500 UFDSS604918	60	49	18	56	44	7.875	608
5500 UFDSS606118	60	61	18	56	56	7.875	743
5500 UFDSS726118	72	61	18	68	56	13.875	867
5500 UFDSS727318	72	73	18	68	68	13.875	1007
5500 UFDSS727324	72	73	24	68	68	13.875	1088

\* For Allen Bradley Bulletin 1494F and 1494D disconnect switch piercings, add suffix 'AB' to the catalog number. (Example: 5500 UFDSS606118AB) Custom piercings are available upon request.

† For painted stainless steel, add suffix 'P' to the catalog number (i.e. : 5500 UFDSS...P)

Data subject to change without notice.



p.618

p.624

p.636

p.593

## Double door enclosure for center post mounted disconnect

The 5500 UCD oil and dust tight center post mounted safety disconnect enclosures are used indoors for protection against dirt, dust, oil and water splashing. The 5500 UCD are made from quality code gauge steel with all seams continuously welded. The center post can be removed to facilitate the installation of the inner panel. The ball bearing pins of the concealed die cast hinges can be easily pulled out to remove the doors. Three point automotive padlockable handles

ensure positive closing on both doors. The new latching rod system interlocks with the disconnect handle and eliminates the need to purchase an adaptor. A door interlock is installed to ensure that the right hand door (slave) can only be opened if the left hand door (master) is open and the disconnect switch is powered off. Enclosures have 15" floor mounting feet installed. Door and body stiffeners are provided on larger models. Each enclosure comes complete

with a painted white steel inner panel which mounts on M10 welded studs. A print pocket is provided. Enclosures and panels are finished with heat fused powder paint, electrostatically applied on a pre-treated base. Box is ANSI/ASA 61 gray.

**CSA Certified / UL Listed  
NEMA/EEMAC 12-13 / IP65**

**Refer to p.727 to validate choice of substrate for the application**

**If the 5500 UCD is to be used with a flange mounted disconnect switch or a circuit breaker, the following items must be ordered:**

### Ordering an Allen-Bradley 1494V Disconnect switch

- an operating mechanism with the disconnect switch 1494V
- an operating handle 1494V-H1
- a connecting rod 1494V-RA1 if the enclosure is 8" deep or 1494V-RA2 if the enclosure is 12" deep
- if required, a trailer fuse block kit 1494V, a fuse clip and line and load connectors.

### Circuit breaker

- a Westinghouse or General Electric circuit breaker.
- an operating mechanism 1494V
- an operating handle 1494V-H11
- a connecting rod 1494V-RA1 if the enclosure is 8" deep or 1494V-RA2 if the enclosure is 12" deep



### Ordering a Cutler Hammer Disconnect switch catalog C361

- an operating mechanism with the disconnect switch
- an operating handle (C361-H2 or H4)

### Circuit breaker operators catalog C371

- a Cutler hammer or Westinghouse circuit breaker
- an operating mechanism
- an operating handle

### Ordering a Square D Class 9422 Disconnect switch

- an operating mechanism with the disconnect switch class 9422
- an operating mechanism handle class 9422 Type A-1

### Circuit breaker

- a Square D circuit breaker
- an operating mechanism class 9422
- an operating mechanism handle class 9422 Type A-1

### Ordering a General Electric Disconnect switch

- a disconnect switch QMR or QMW
- a fuse clip kit if required
- a TDAI flange handle
- an operating mechanism, variable depth

### Circuit breakers

- a circuit breaker
- a TDAI flange handle
- an operating handle 1494V-H11
- an operating mechanism, variable depth

### Ordering an Asea Brown Boveri Disconnect switch

- a switch flange operated fuse if required
- a DSFHS-12 shaft
- a DSFHN-HS12 handle

### Circuit breaker

- a circuit breaker
- an operating mechanism
- a FHS-12 shaft
- a FHN-HS12 handle

### Ordering an I-T-E Max-Flex™ Disconnect switch

- a basic right hand switch
- a fuse kit if required
- a handle FHOHS flange mounted
- an operator FHOSO6R
- a cable FHOECO36

### Circuit breaker

- a circuit breaker
- a set of pressure wire connectors
- a handle FHOH flange mounted
- an operating mechanism
- a standard cable 36"

### Ordering a Westinghouse Disconnect switch

- a disconnect switch or circuit breaker type DS
- a yoke assembly and backplate
- a rod and brace assembly
- a pivot mechanism
- an operating handle

**Disconnect switches and operating mechanisms are not furnished with the enclosures.**

Data subject to change without notice.

400



<http://www.exmweb.com>



p.492



p.490



p.476



p.473



p.583



p.477



p.481

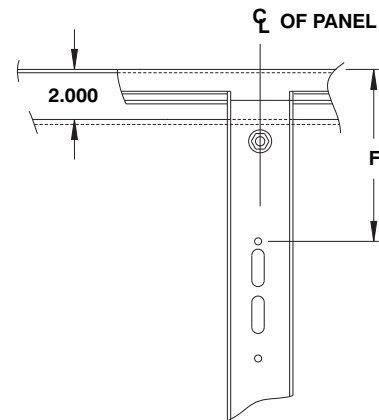
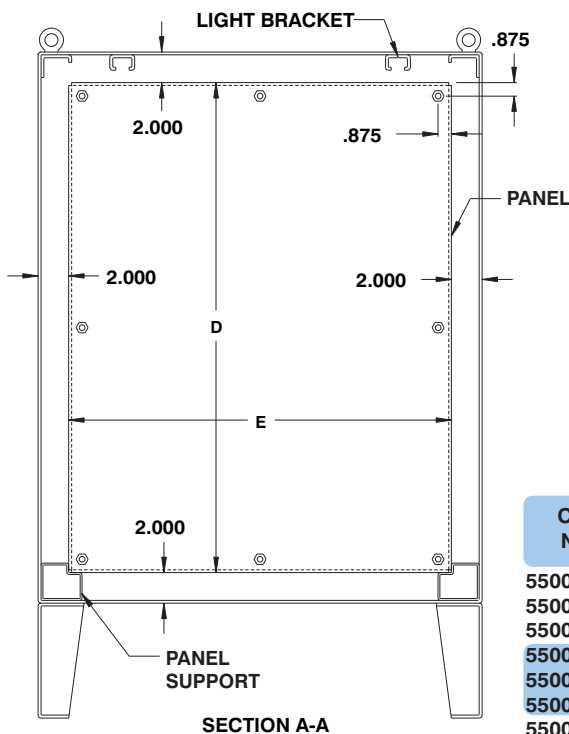
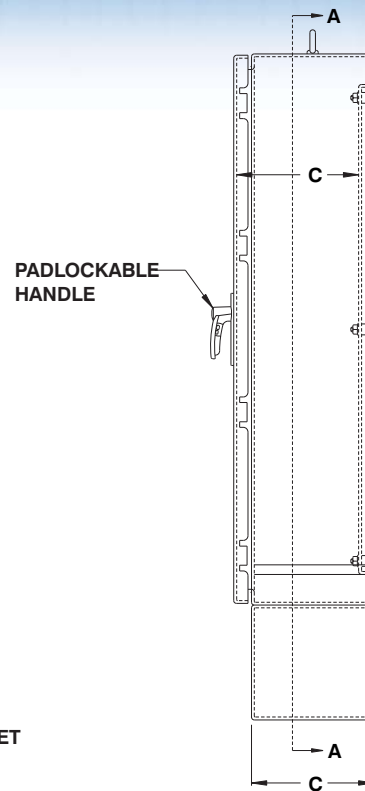
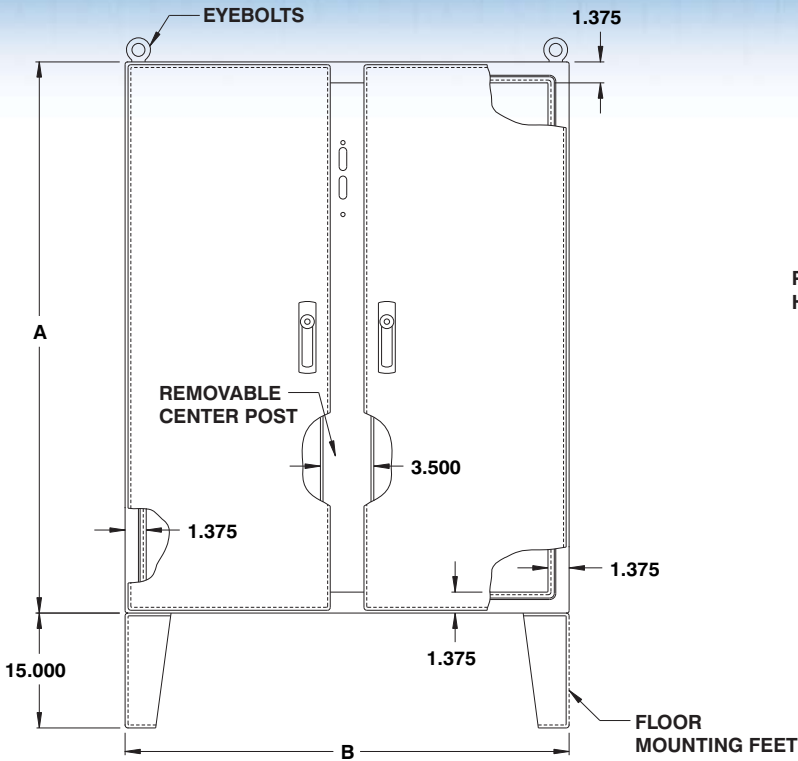
1-800-363-2423

Fax : 450-979-4626

[info@exmweb.com](mailto:info@exmweb.com)

# NEMA 12-13 SAFETY DISCONNECT

# 5500 UCD



CATALOG NUMBER	DIMENSIONS						SHIP WGHT LBS.
	A	B	C	D	E	F	
5500 UCD604812	60	48	12	56	44	7.875	540
5500 UCD606012	60	60	12	56	56	7.875	669
5500 UCD726012	72	60	12	68	56	13.875	787
5500 UCD727212	72	72	12	68	68	13.875	920
5500 UCD727218	72	72	18	68	68	13.875	1000
5500 UCD604824	60	48	24	56	44	7.875	701
5500 UCD606024	60	60	24	56	56	7.875	830

\* For Allen Bradley Bulletin 1494F and 1494D disconnect switch piercings, add suffix 'AB' to the catalog number. (Example: 5500 UCD606012AB) Custom piercings are available upon request.

Data subject to change without notice.



p.618

p.624

p.636

p.593

p.472

<http://www.exmweb.com>

1-800-363-2423

Fax : 450-979-4626

[info@exmweb.com](mailto:info@exmweb.com)



## Stainless steel center post mounted disconnect enclosures

The 5500 UCDSS oil and dust tight center post mounted safety disconnect enclosures are used indoors for protection against dirt, dust, oil and water splashing. The 5500 UCDSS are made from quality code gauge (type 304) stainless steel with all seams continuously welded. The center post can be removed to facilitate the installation of the inner panel. The ball bearing pins of the concealed die cast hinges can be easily pulled out to remove the doors. Three point padlockable

handles ensure positive closing on both doors. The new latching rod system interlocks with the disconnect handle and eliminates the need to purchase an adaptor. A door interlock is installed to ensure that the right hand door (slave) can only be opened if the left hand door (master) is open and the disconnect switch is powered off. Enclosures have 15" floor mounting feet installed. Door and body stiffeners are provided on larger models. Each enclosure comes complete

with a painted white steel inner panel which mounts on M10 welded studs. A print pocket is provided. The enclosures' exterior are unpainted and brushed smooth. The enclosures' interior and panels are finished with heat fused powder paint, electrostatically applied on a pre-treated base.

**CSA Certified / UL Listed  
NEMA/EEMAC 12-13 / IP65**

**Refer to p.727 to validate choice of substrate for the application**

**If the 5500 UCDSS is to be used with a flange mounted disconnect switch or a circuit breaker, the following items must be ordered:**

### Ordering an Allen-Bradley 1494V Disconnect switch

- an operating mechanism with the disconnect switch 1494V
- an operating handle 1494V-H1
- a connecting rod 1494V-RA1 if the enclosure is 8" deep or 1494V-RA2 if the enclosure is 12" deep
- if required, a trailer fuse block kit 1494V, a fuse clip and line and load connectors.

### Circuit breaker

- a Westinghouse or General Electric circuit breaker.
- an operating mechanism 1494V
- an operating handle 1494V-H11
- a connecting rod 1494V-RA1 if the enclosure is 8" deep or 1494V-RA2 if the enclosure is 12" deep

### Ordering a Cutler Hammer Disconnect switch catalog C361

- an operating mechanism with the disconnect switch
- an operating handle (C361-H2 or H4)

### Circuit breaker operators catalog C371

- a Cutler hammer or Westinghouse circuit breaker
- an operating mechanism
- an operating handle

### Ordering a Square D Class 9422 Disconnect switch

- an operating mechanism with the disconnect switch class 9422
- an operating mechanism handle class 9422 Type A-1

### Circuit breaker

- a Square D circuit breaker
- an operating mechanism class 9422
- an operating mechanism handle class 9422 Type A-1

### Ordering a General Electric Disconnect switch

- a disconnect switch QMR or QMW
- a fuse clip kit if required
- a TDAI flange handle
- an operating mechanism, variable depth

### Circuit breakers

- a circuit breaker
- a TDAI flange handle
- an operating handle 1494V-H11
- an operating mechanism, variable depth

### Ordering an Asea Brown Boveri Disconnect switch

- a switch flange operated fuse if required
- a DSFHS-12 shaft
- a DSFHN-HS12 handle

### Circuit breaker

- a circuit breaker
- an operating mechanism
- a FHS-12 shaft
- a FHN-HS12 handle

### Ordering an I-TE Max-Flex™ Disconnect switch

- a basic right hand switch
- a fuse kit if required
- a handle FHOHS flange mounted
- an operator FHOSO6R
- a cable FHOECO36

### Circuit breaker

- a circuit breaker
- a set of pressure wire connectors
- a handle FHOH flange mounted
- an operating mechanism
- a standard cable 36"

### Ordering a Westinghouse Disconnect switch

- a disconnect switch or circuit breaker type DS
- a yoke assembly and backplate
- a rod and brace assembly
- a pivot mechanism
- an operating handle

**Disconnect switches and operating mechanisms are not furnished with the enclosures.**



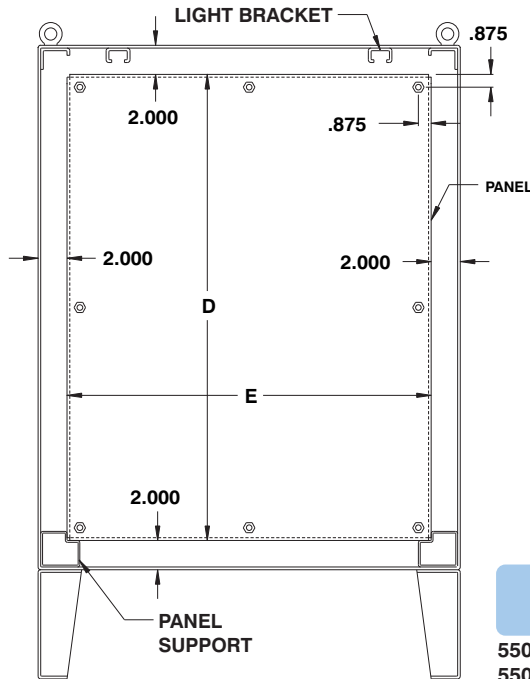
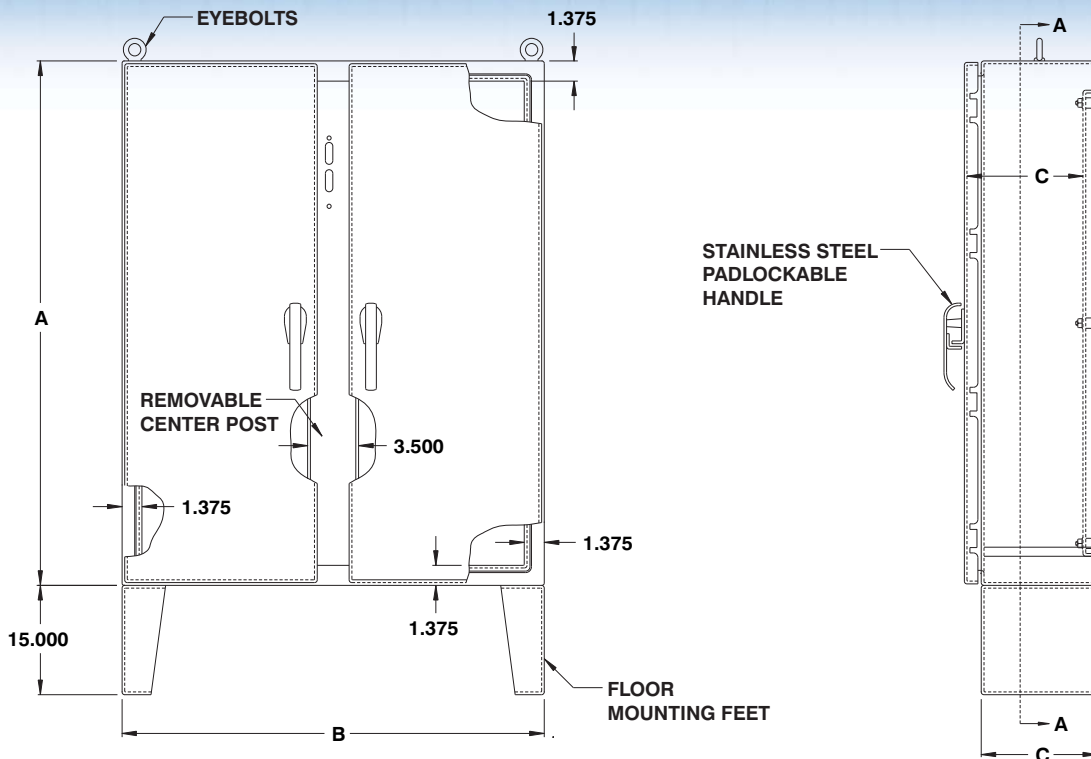
Data subject to change without notice.



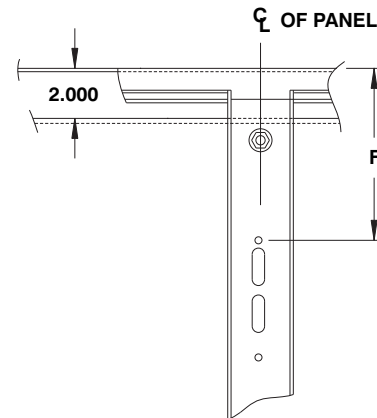


# NEMA 12-13 DISCONNECT

# 5500 UCDSS



SECTION A-A



CATALOG NUMBER	DIMENSIONS						SHIP WGHT LBS.
	A	B	C	D	E	F	
5500 UCDSS604812	60	48	12	56	44	7.875	540
5500 UCDSS606012	60	60	12	56	56	7.875	669
5500 UCDSS727212	72	72	12	68	68	13.875	920
5500 UCDSS727218	72	72	18	68	68	13.875	1000

\* For Allen Bradley Bulletin 1494F and 1494D disconnect switch piercings, add suffix 'AB' to the catalog number. (Example: 5500 UCDSS606012AB) Custom piercings are available upon request.

† For painted stainless steel, add suffix 'P' to the catalog number (i.e. : 5500 UFDSS...P)

Data subject to change without notice.



p.618

p.624

p.635

p.593

<http://www.exmweb.com>

1-800-363-2423

Fax : 450-979-4626



[info@exmweb.com](mailto:info@exmweb.com)

## Right flange mounted disconnect multi-door enclosure

The 9500 UxD oil and dust tight right flange mounted safety disconnect enclosures are used indoors for protection against dirt, dust, oil and water splashing. One, two or three door combinations are available. The 9500 UxD are made from quality code gauge steel with all seams continuously welded. Most center posts can be removed (refer to drawings) to facilitate the installation of the inner panel. The ball bearing pins of the concealed die cast hinges can be easily pulled out

to remove the doors. Three point automotive padlockable handles ensure positive closing on all doors. The new latching rod system interlocks with the disconnect handle and eliminates the need to purchase an adaptor. A door interlock is installed to ensure that the left hand door(s) (slave) can only be opened if the right hand door (master) is open and the disconnect switch is powered off. Door and body stiffeners are provided on larger models. Each enclosure comes complete

with a painted white steel inner panel which mount on M10 welded studs. A print pocket is provided. Enclosures and panels are finished with heat fused powder paint, electrostatically applied on a pretreated base. Box is ANSI/ASA 61 gray.

**CSA Certified / UL Listed  
NEMA/EEMAC 12-13 / IP65**

**Refer to p.727 to validate choice of substrate for the application**

**If the 9500 UxD is to be used with a flange mounted disconnect switch or a circuit breaker, the following items must be ordered:**

### Ordering an Allen-Bradley 1494V Disconnect switch

- an operating mechanism with the disconnect switch 1494V
- an operating handle 1494V-H1
- a connecting rod 1494V-RA1 if the enclosure is 8" deep or 1494V-RA2 if the enclosure is 12" deep
- if required, a trailer fuse block kit 1494V, a fuse clip and line and load connectors.

### Circuit breaker

- a Westinghouse or General Electric circuit breaker.
- an operating mechanism 1494V
- an operating handle 1494V-H11
- a connecting rod 1494V-RA1 if the enclosure is 8" deep or 1494V-RA2 if the enclosure is 12" deep

### Ordering a Cutler Hammer Disconnect switch catalog C361

- an operating mechanism with the disconnect switch
- an operating handle (C361-H2 or H4)

### Circuit breaker operators catalog C371

- a Cutler hammer or Westinghouse circuit breaker
- an operating mechanism
- an operating handle

### Ordering an Asea Brown Boveri Disconnect switch

- a switch flange operated fuse if required

- a DSFHS-12 shaft
- a DSFHN-HS12 handle

### Circuit breaker

- a circuit breaker
- an operating mechanism
- a FHS-12 shaft
- a FHN-HS12 handle

### Ordering a Square D Class 9422 Disconnect switch

- an operating mechanism with the disconnect switch class 9422
- an operating mechanism handle class 9422 Type A-1

### Circuit breaker

- a Square D circuit breaker
- an operating mechanism class 9422
- an operating mechanism handle class 9422 Type A-1

### Ordering an I-T-E Max-Flex™ Disconnect switch

- a basic right hand switch
- a fuse kit if required
- a handle FHOHS flange mounted
- an operator FHOSO6R
- a cable FHOECO36

### Circuit breaker

- a circuit breaker
- a set of pressure wire connectors
- a handle FHOH flange mounted
- an operating mechanism
- a standard cable 36"

### Ordering a General Electric Disconnect switch

- a disconnect switch QMR or QMW
- a fuse clip kit if required
- a TDAI flange handle
- an operating mechanism, variable depth

### Circuit breakers

- a circuit breaker
- a TDAI flange handle
- an operating handle 1494V-H11
- an operating mechanism, variable depth

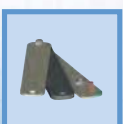
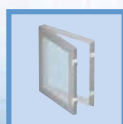
### Ordering a Westinghouse Disconnect switch

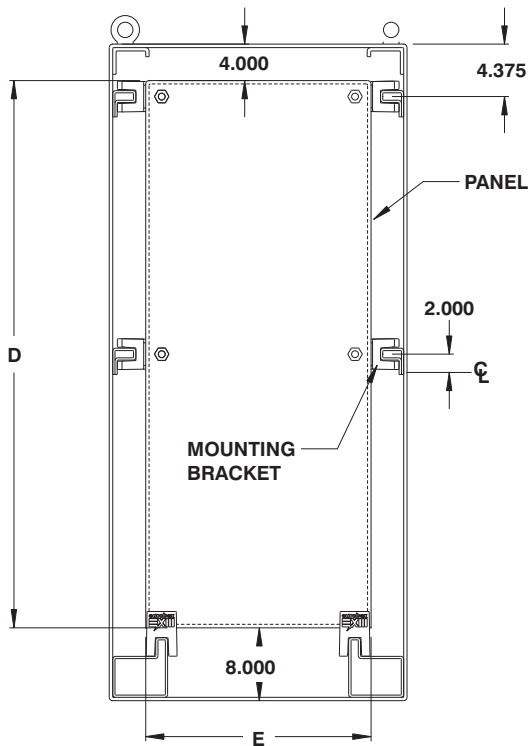
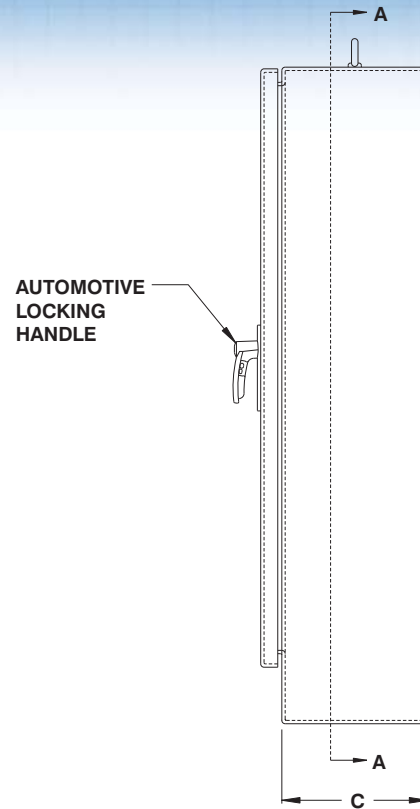
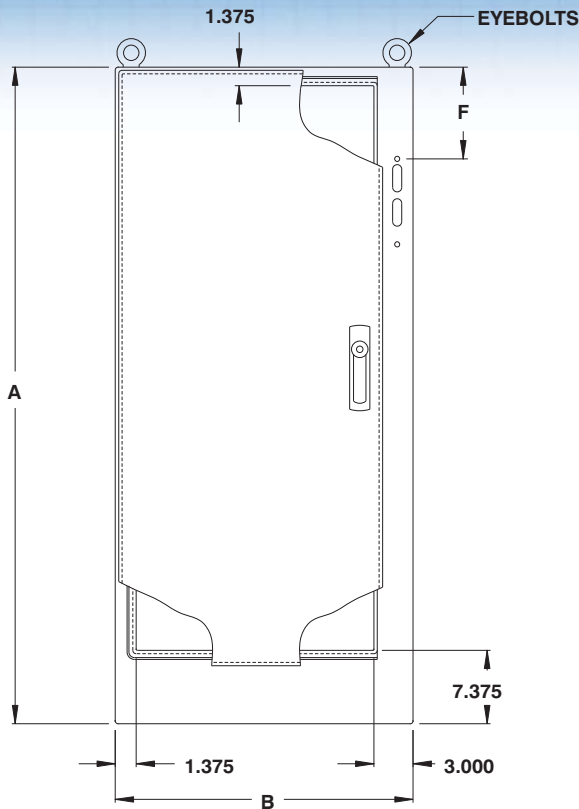
- a disconnect switch or circuit breaker type DS
- a yoke assembly and backplate
- a rod and brace assembly
- a pivot mechanism
- an operating handle

**Disconnect switches and operating mechanisms are not furnished with the enclosures.**



Data subject to change without notice.





SECTION A-A

CATALOG NUMBER	DIMENSIONS						SHIP WGHT LBS.
	A	B	C	D	E	F	
9500 U1D722818	72	27.5	18	60	21.750	11.875	426
9500 U1D723418	72	33.5	18	60	27.750	11.875	492
9500 U1D724018	72	39.5	18	60	33.750	11.875	558
9500 U1D844018	84	39.5	18	72	33.750	17.875	641
9500 U1D904018	90	39.5	18	78	33.750	20.875	707
9500 U1D904020	90	39.5	20	78	33.750	20.875	725
9500 U1D844024	84	39.5	24	72	33.750	17.875	689
9500 U1D904024	90	39.5	24	78	33.750	20.875	755

\* For Allen Bradley Bulletin 1494F and 1494D disconnect switch piercings, add suffix 'AB' to the catalog number.  
(Example: 9500 U1D723418AB)  
Custom piercings are available upon request.

Data subject to change without notice.



p.618

p.624

p.635

p.593

p.472

<http://www.exmweb.com>

1-800-363-2423

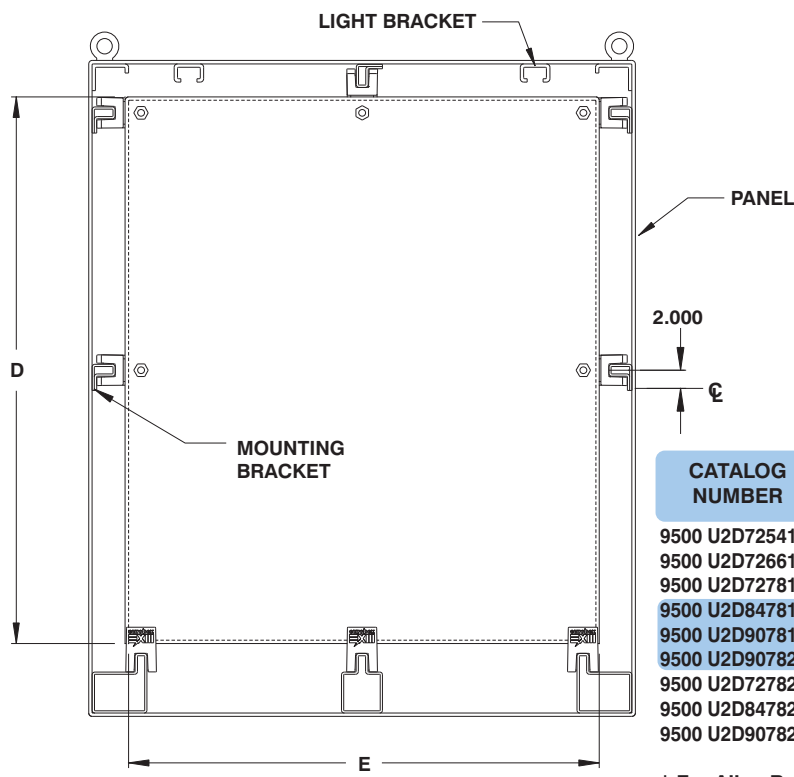
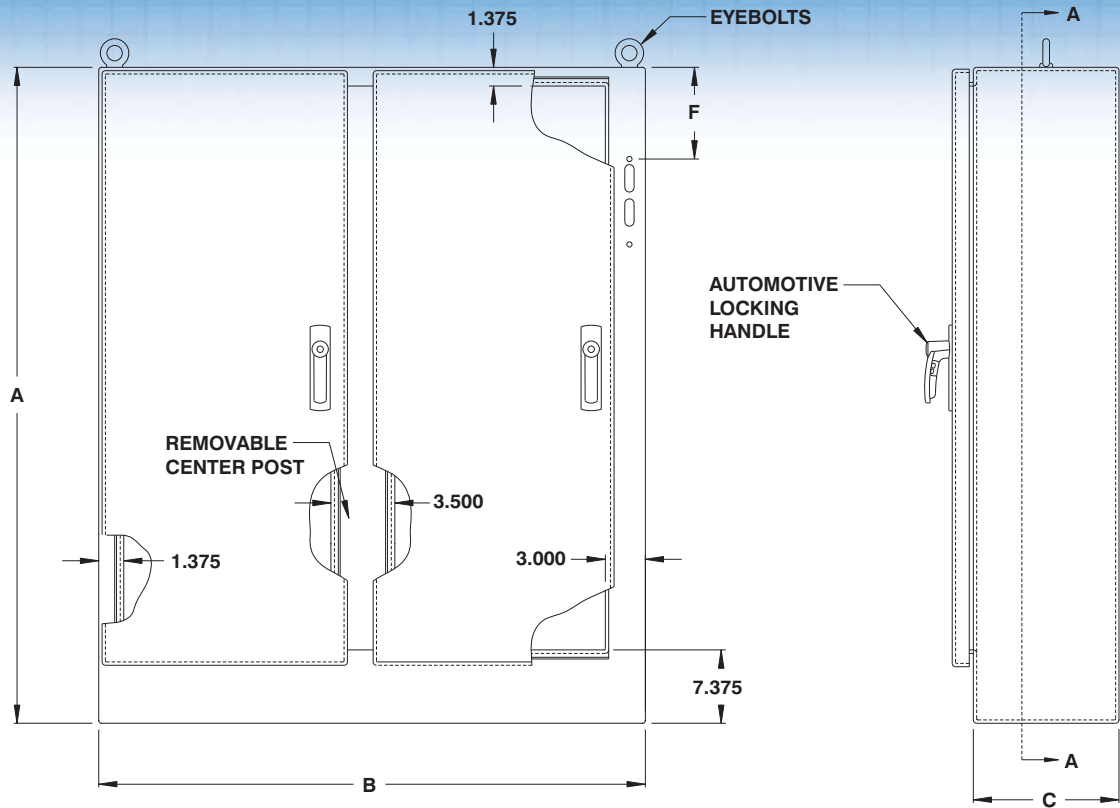
Fax : 450-979-4626



[info@exmweb.com](mailto:info@exmweb.com)

# NEMA 12-13 SAFETY DISCONNECT

## 9500 U2D



CATALOG NUMBER	DIMENSIONS						SHIP WGT LBS.
	A	B	C	D	E	F	
9500 U2D725418	72	53.750	18	60	48	11.875	742
9500 U2D726618	72	65.750	18	60	60	11.875	894
9500 U2D727818	72	77.750	18	60	72	11.875	1027
9500 U2D847818	84	77.750	18	72	72	17.875	1110
9500 U2D907818	90	77.750	18	78	72	20.875	1196
9500 U2D907820	90	77.750	20	78	72	20.875	1286
9500 U2D727824	72	77.750	24	60	72	11.875	1190
9500 U2D847824	84	77.750	24	72	72	17.875	1265
9500 U2D907824	90	77.750	24	78	72	20.875	1343

\* For Allen Bradley Bulletin 1494F and 1494D disconnect switch piercings, add suffix 'AB' to the catalog number. (Example: 9500 U2D725418AB)

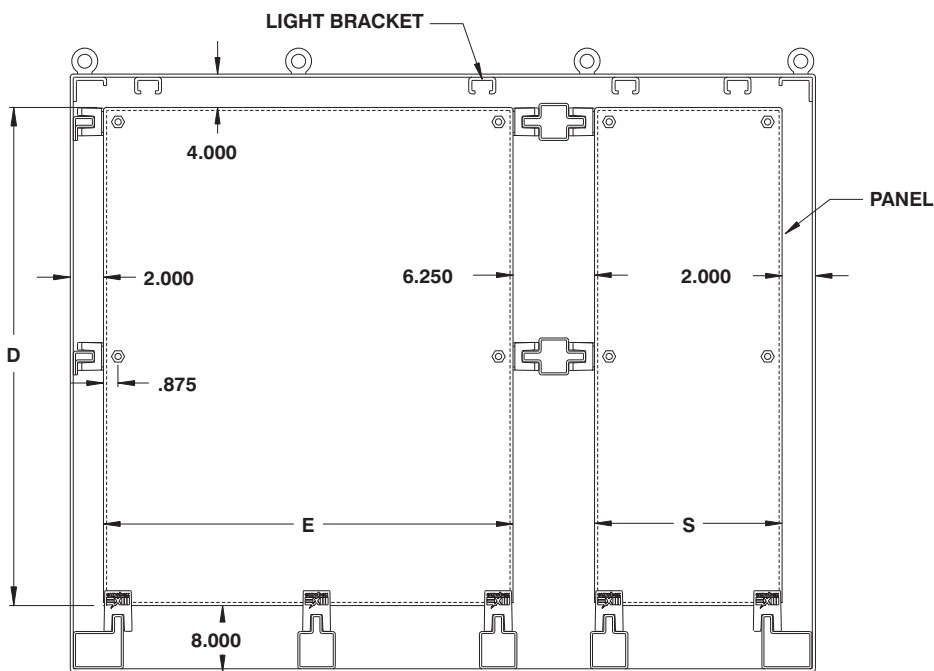
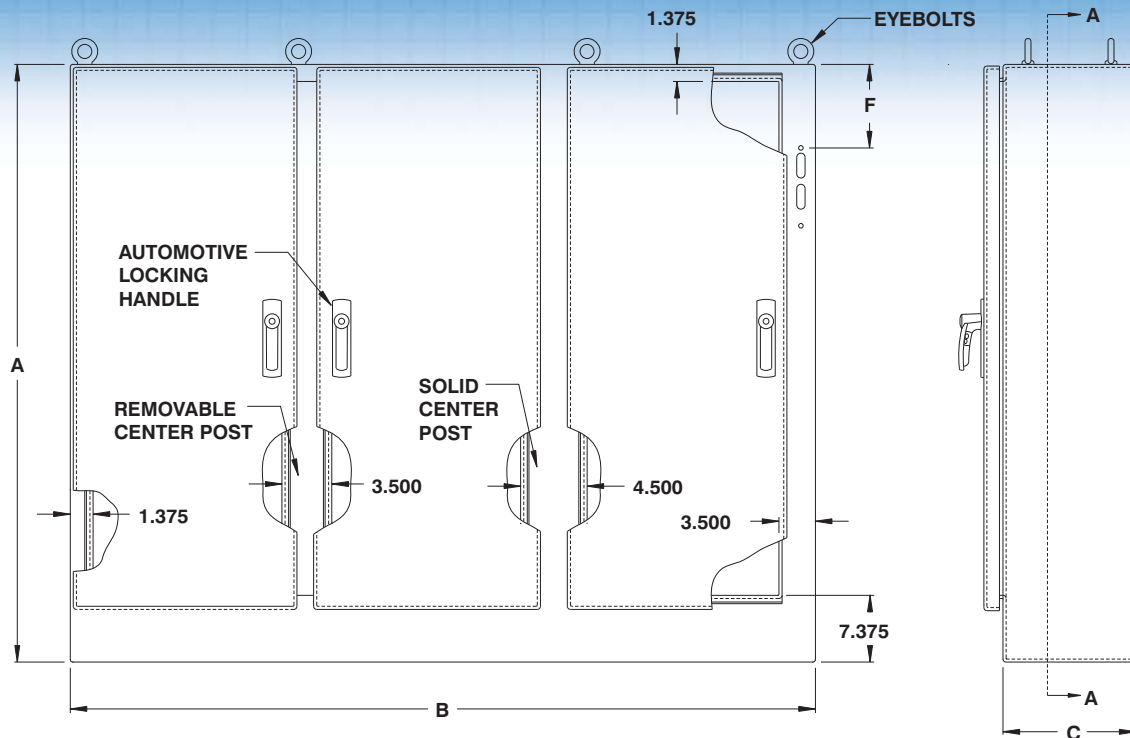
Data subject to change without notice.





# NEMA 12-13 SAFETY DISCONNECT

# 9500 U3D



SECTION A-A

\* For Allen Bradley Bulletin 1494F and 1494D disconnect switch piercings, add suffix 'AB' to the catalog number. (Example: 9500 U3D7210018AB)  
Custom piercings are available upon request.

CATALOG NUMBER	DIMENSIONS							SHIP WGT LBS.
	A	B	C	D	E	S	F	
9500 U3D7210018	72	99.500	18	60	60	27.750	11.875	1255
9500 U3D7211818	72	117.500	18	60	72	33.750	11.875	1483
9500 U3D8411818	84	117.500	18	72	72	33.750	17.875	1711
9500 U3D8411824	84	117.500	24	72	72	33.750	17.875	1826
9500 U3D9011824	90	117.500	24	78	72	33.750	20.875	1940

Data subject to change without notice.



p.618 <http://www.exmweb.com> p.624 p.635 p.593 p.472  
1-800-363-2423

Fax : 450-979-4626



info@exmweb.com

## Stainless steel multi-door disconnect enclosures

The 9500 UxDSS oil and dust tight right flange mounted safety disconnect enclosures are used indoors for protection against dirt, dust, oil and water splashing. One, two or three door combinations are available. The 9500 UxDSS are made from quality code gauge (type 304) stainless steel with all seams continuously welded. Most center posts can be removed (refer to drawings) to facilitate the installation of the inner panel. The ball bearing pins of the concealed die cast hinges can be

easily pulled out to remove the doors. Three point automotive padlockable handles ensure positive closing on all doors. The new latching rod system interlocks with the disconnect handle and eliminates the need to purchase an adaptor. A door interlock is installed to ensure that the left hand door(s) (slave) can only be opened if the right hand door (master) is open and the disconnect switch is powered off. Door and body stiffeners are provided on larger models.

Each enclosure comes complete with a painted white steel inner panel(s) which mount on M10 welded studs. A print pocket is provided. The enclosures' exterior are unpainted and brushed smooth. The enclosures' interior and panels are finished with heat fused powder paint, electrostatically applied on a pretreated base. **CSA Certified / UL Listed NEMA/EEMAC 12-13 / IP65**

**Refer to p.727 to validate choice of substrate for the application**

**If the 9500 UxDSS is to be used with a flange mounted disconnect switch or a circuit breaker, the following items must be ordered:**

### Ordering an Allen-Bradley 1494V Disconnect switch

- an operating mechanism with the disconnect switch 1494V
- an operating handle 1494V-H1
- a connecting rod 1494V-RA1 if the enclosure is 8" deep or 1494V-RA2 if the enclosure is 12" deep
- if required, a trailer fuse block kit 1494V, a fuse clip and line and load connectors.

### Circuit breaker

- a Westinghouse or General Electric circuit breaker.
- an operating mechanism 1494V
- an operating handle 1494V-H11
- a connecting rod 1494V-RA1 if the enclosure is 8" deep or 1494V-RA2 if the enclosure is 12" deep



### Ordering a Cutler Hammer Disconnect switch catalog C361

- an operating mechanism with the disconnect switch
- an operating handle (C361-H2 or H4)

### Circuit breaker operators catalog C371

- a Cutler hammer or Westinghouse circuit breaker
- an operating mechanism
- an operating handle

### Ordering a Square D Class 9422 Disconnect switch

- an operating mechanism with the disconnect switch class 9422
- an operating mechanism handle class 9422 Type A-1

### Circuit breaker

- a Square D circuit breaker
- an operating mechanism class 9422
- an operating mechanism handle class 9422 Type A-1

### Ordering a General Electric Disconnect switch

- a disconnect switch QMR or QMW
- a fuse clip kit if required
- a TDAI flange handle
- an operating mechanism, variable depth

### Circuit breakers

- a circuit breaker
- a TDAI flange handle
- an operating handle 1494V-H11
- an operating mechanism, variable depth

### Ordering an Asea Brown Boveri Disconnect switch

- a switch flange operated fuse if required

- a DSFHS-12 shaft
- a DSFHN-HS12 handle

### Circuit breaker

- a circuit breaker
- an operating mechanism
- a FHS-12 shaft
- a FHN-HS12 handle

### Ordering an I-T-E Max-Flex™ Disconnect switch

- a basic right hand switch
- a fuse kit if required
- a handle FHOHS flange mounted
- an operator FHOSO6R
- a cable FHOECO36

### Circuit breaker

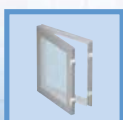
- a circuit breaker
- a set of pressure wire connectors
- a handle FHOH flange mounted
- an operating mechanism
- a standard cable 36"

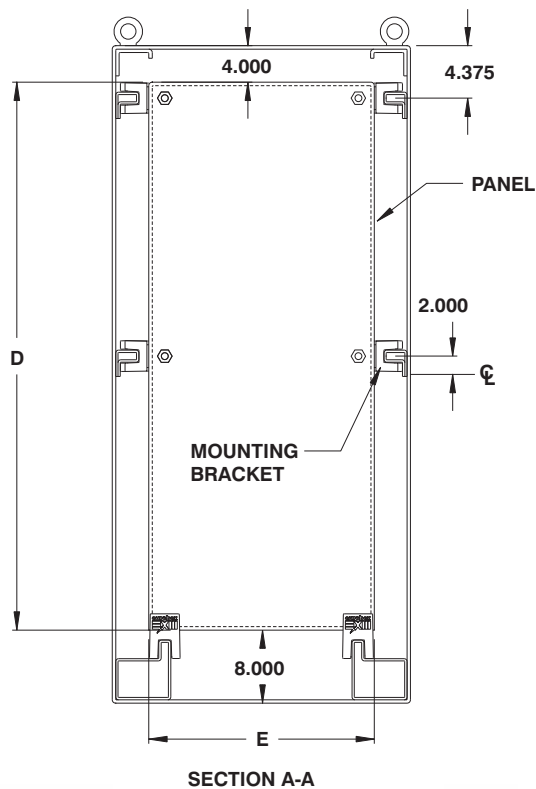
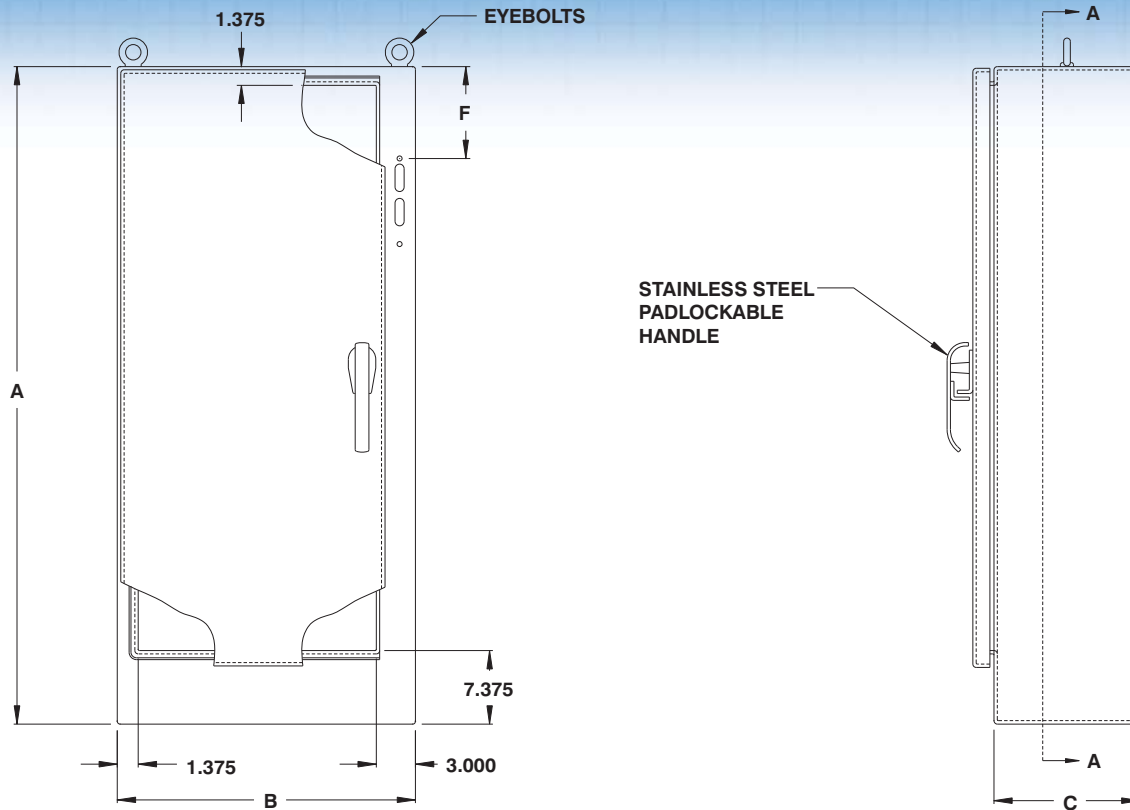
### Ordering a Westinghouse Disconnect switch

- a disconnect switch or circuit breaker type DS
- a yoke assembly and backplate
- a rod and brace assembly
- a pivot mechanism
- an operating handle

**Disconnect switches and operating mechanisms are not furnished with the enclosures.**

Data subject to change without notice.





CATALOG NUMBER	DIMENSIONS						SHIP WGHT LBS.
	A	B	C	D	E	F	
9500 U1DSS722818	72	27.5	18	60	21.75	11.875	426
9500 U1DSS723418	72	33.5	18	60	27.75	11.875	492
9500 U1DSS724018	72	39.5	18	60	33.75	11.875	558
9500 U1DSS844018	84	39.5	18	72	33.75	17.875	641
9500 U1DSS904018	90	39.5	18	78	33.75	20.875	707
9500 U1DSS904020	90	39.5	20	78	33.75	20.875	725
9500 U1DSS904024	90	39.5	24	78	33.75	20.875	755

\* For Allen Bradley Bulletin 1494F and 1494D disconnect switch piercings, add suffix 'AB' to the catalog number. (Example: 9500 U1DSS723418AB)

Custom piercings are available upon request.

† For stainless steel type 316, add suffix '6' to the catalog number (ie. 9500 U1DSS7228186).

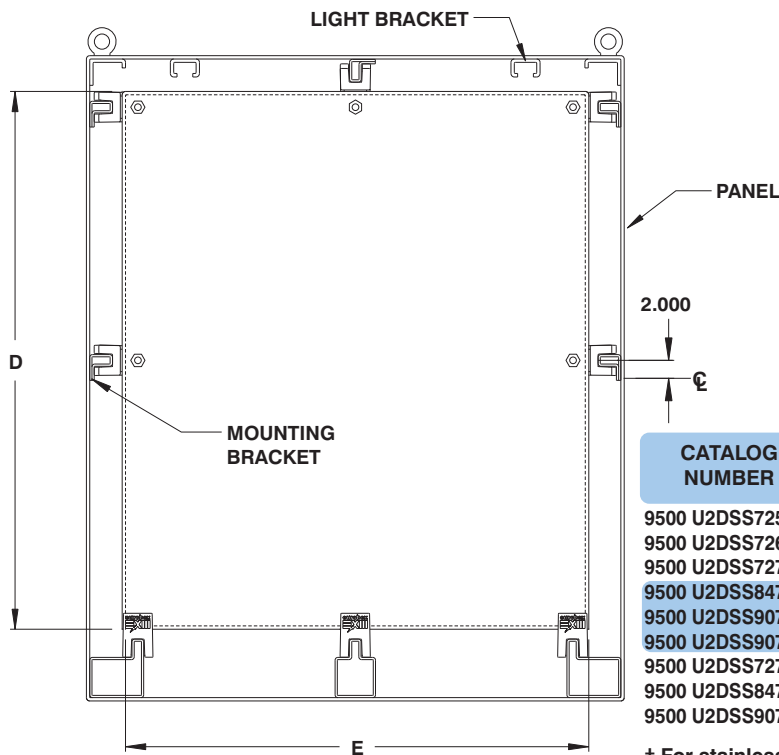
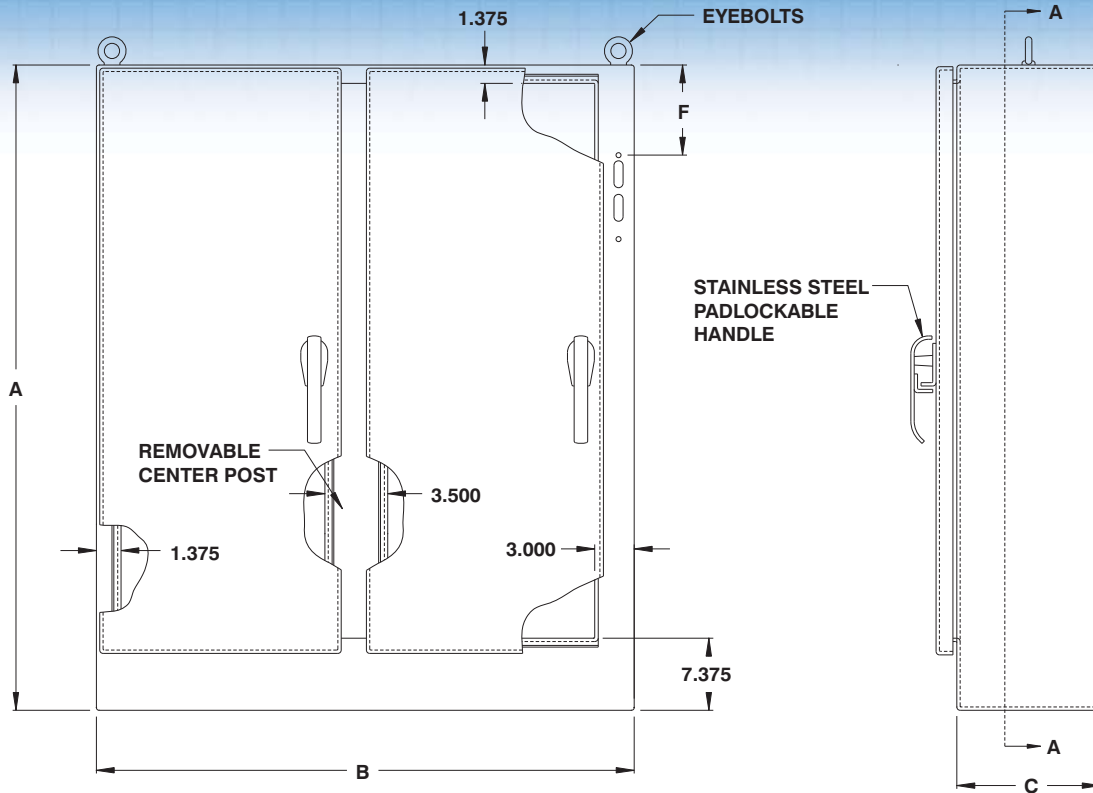
‡ For painted stainless steel, add suffix 'P' to the catalog number (ie. 9500 U1DSS...P).

Data subject to change without notice.



# NEMA 12-13 DISCONNECT

# 9500 U2DSS



SECTION A-A

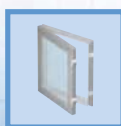
CATALOG NUMBER	DIMENSIONS						SHIP WGHT LBS.
	A	B	C	D	E	F	
9500 U2DSS725418	72	53.75	18	60	48	11.875	742
9500 U2DSS726618	72	65.75	18	60	60	11.875	894
9500 U2DSS727818	72	77.75	18	60	72	11.875	1027
9500 U2DSS847818	84	77.75	18	72	72	17.875	1110
9500 U2DSS907818	90	77.75	18	78	72	20.875	1196
9500 U2DSS907820	90	77.75	20	78	72	20.875	1286
9500 U2DSS727824	72	77.75	24	60	72	11.875	1190
9500 U2DSS847824	84	77.75	24	72	72	17.875	1265
9500 U2DSS907824	90	77.75	24	78	72	20.875	1343

† For stainless steel type 316, add suffix '6' to the catalog number (ie. 9500 U2DSS7254186).

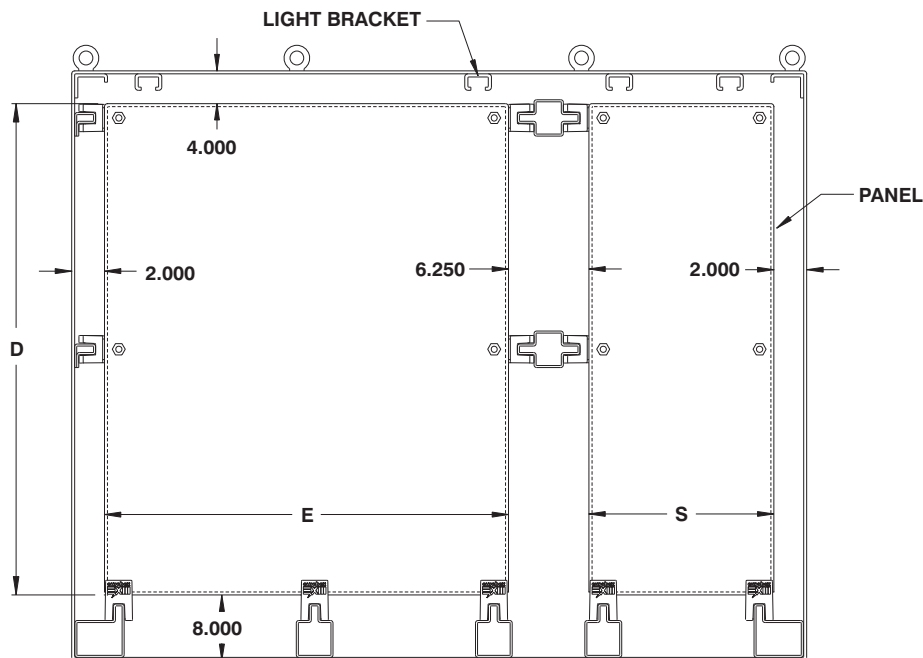
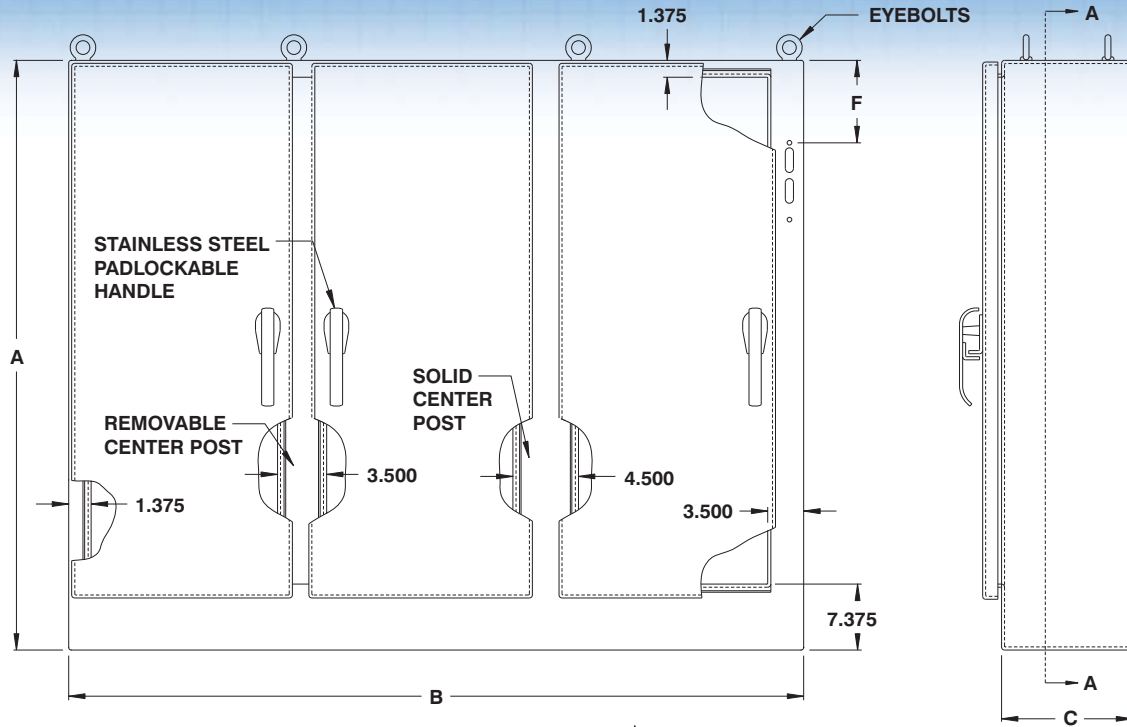
‡ For painted stainless steel, add suffix 'P' to the catalog number (ie. 9500 U2DSS725418P).

\* For Allen Bradley Bulletin 1494F and 1494D disconnect switch piercings, add suffix 'AB' to the catalog number.

Data subject to change without notice.







† For stainless steel type 316, add suffix '6' to the catalog number (ie. 9500 U3DSS72100186).

‡ For painted stainless steel, add suffix 'P' to the catalog number (ie. 9500 U3DSS721018P).

\* For Allen Bradley Bulletin 1494F and 1494D disconnect switch piercings, add suffix 'AB' to the catalog number. (ie. 9500 U3DSS7210018AB)

### SECTION A-A

CATALOG NUMBER	DIMENSIONS							SHIP WGHT LBS.
	A	B	C	D	E	S	F	
9500 U3DSS7210018	72	99.5	18	60	60	27.75	11.875	1255
9500 U3DSS7211818	72	117.5	18	60	72	33.75	11.875	1483
9500 U3DSS8411818	84	117.5	18	72	72	33.75	17.875	1711
9500 U3DSS8411824	84	117.5	24	72	72	33.75	17.875	1826
9500 U3DSS9011824	90	117.5	24	78	72	33.75	20.875	1940

Data subject to change without notice.



p.618

<http://www.exmweb.com>



p.624



p.635



p.593

1-800-363-2423

Fax : 450-979-4626



[info@exmweb.com](mailto:info@exmweb.com)

# SAFETY DISCONNECT INTERLOCK KIT

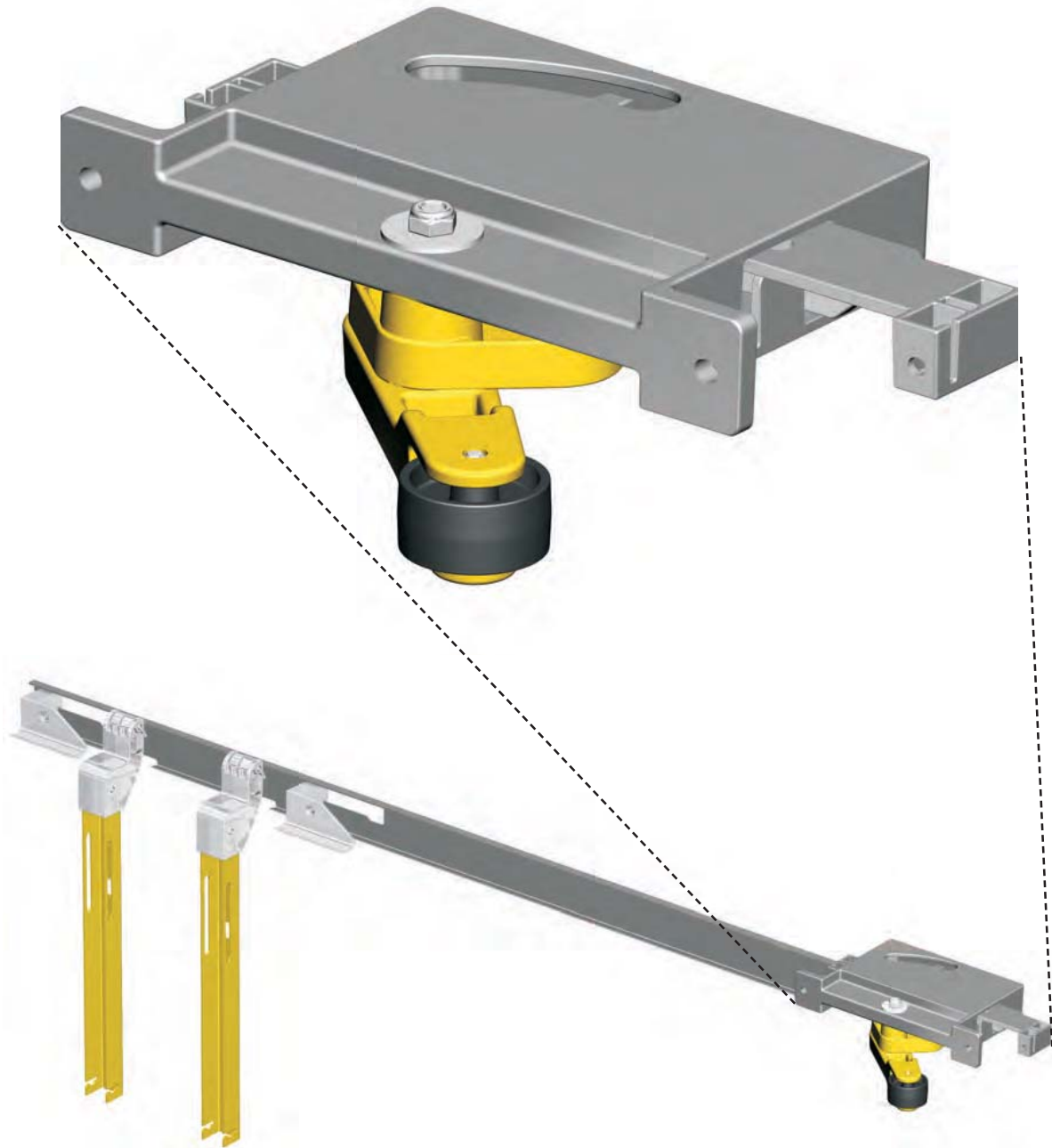
## Interlock kit for multi-door enclosures

The **880 INTM** interlock kits are used to interlock slave doors with the master door. The slave doors can only be opened when the master door is opened first. The master door can be any door of the cabinet arrangement.

The doors can be closed in any order. The kit comes complete with all mounting hardware and is ready to be installed. The 880 INTM is used with EXM MD3, UFD, U2D, U3D, DDS and SSDD multi-door enclosures.

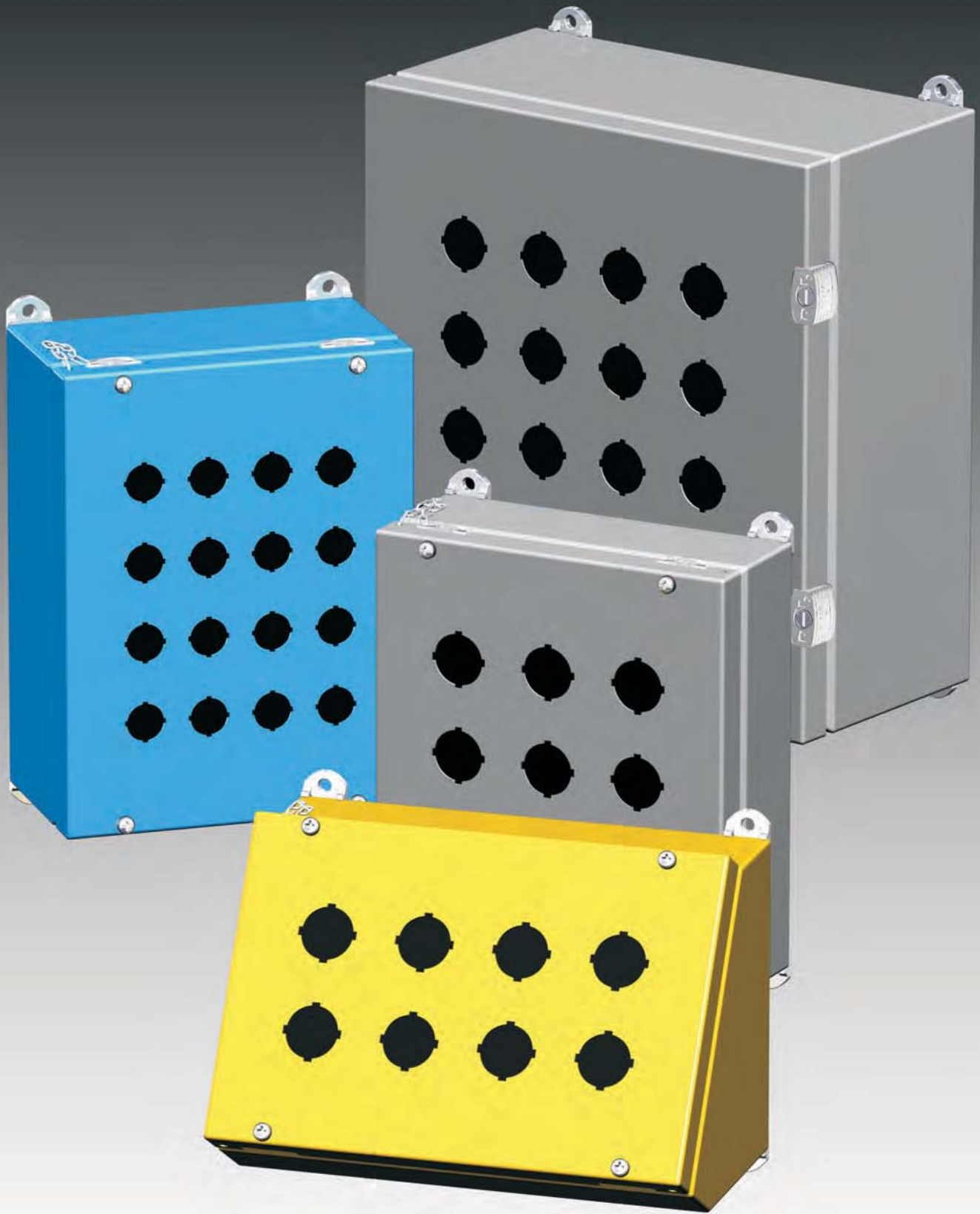
This interlock kit was designed and is produced exclusively by EXM.

**For ordering and installation instructions, please contact EXM at 1-800-363-2423.**



Data subject to  
change without  
notice.

# NEMA 12-13 PUSHBUTTONS



## Oil & dust tight standard pushbutton enclosures

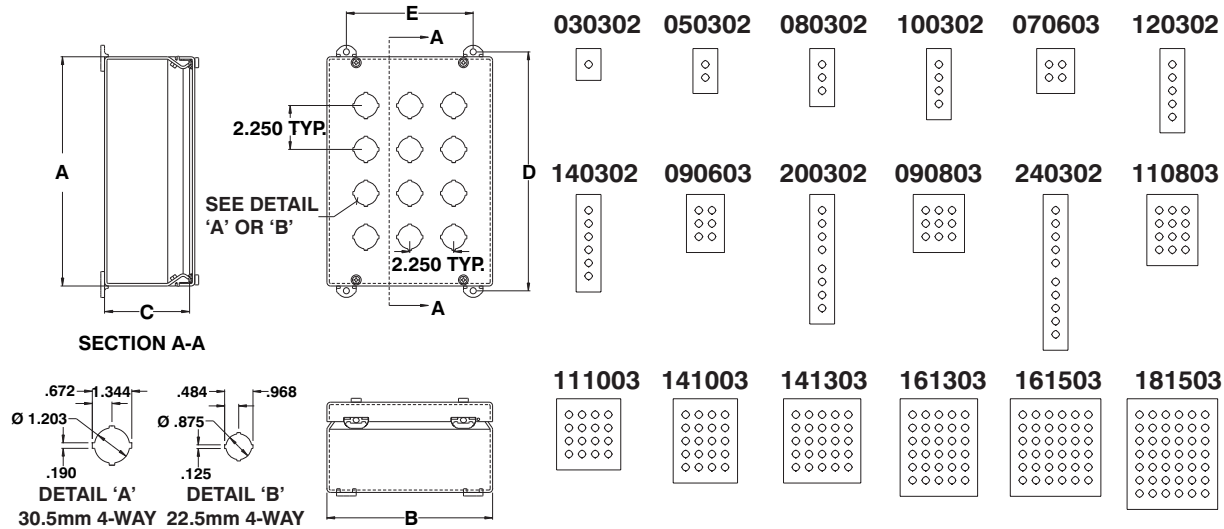
The 1500 SD - 1500 ED - 1500 EL - 1500 MN - 1500 SF - oil and dust tight pushbutton enclosures are built to provide protection against dirt, dust and oil, for all brands of oil tight pushbuttons, switches and pilot lights. There are 6 types of enclosures, which are listed on the following pages. The 1500 series enclosures are made from quality 16 GA steel, with all seams continuously welded. A high quality seam-

less poured gasket ensures a complete and durable seal of the enclosure. Cover screws thread into sealed wells and are captive. The enclosure can be internally mounted or externally mounted using the included die cast wall mounting feet. These feet have oblong holes to facilitate installation. Hole plugs (880 HP series) are available to seal unused holes. The 1500 SD, 1500 ED and 1500 SF are

also available with blank covers. The 1500 EL enclosures come with an interior panel. Enclosures are finished with heat fused powder paint, electrostatically applied on a pre-treated base. Boxes are ANSI/ASA 61 gray.

**CSA Certified / UL Listed  
NEMA/EEMAC 12-13 / IP65**

**Refer to p.727 to validate choice of substrate for the application**



CATALOG NUMBER	QTY. HOLES	DIMENSIONS					SHIP WGT LBS.
		A	B	C	D	E	
1500 SD030302	1	4.000	3.500	3.000	4.500	2.375	1
1500 SD050302	2	6.250	3.500	3.000	6.750	2.375	2
1500 SD080302	3	8.500	3.500	3.000	9.000	2.375	3
1500 SD100302	4	10.750	3.500	3.000	11.250	2.375	4
1500 SD070603	4	7.750	6.500	3.000	8.250	5.375	4
1500 SD120302	5	13.000	3.500	3.000	13.500	2.375	5
1500 SD140302	6	15.250	3.500	3.000	15.750	2.375	6
1500 SD090603	6	10.000	6.500	3.000	10.500	5.375	5
1500 SD200302	8	20.750	3.500	3.000	21.250	2.375	7
1500 SD090803	9	10.000	8.750	3.000	10.500	7.625	7
1500 SD240302	10	25.250	3.500	3.000	25.750	2.375	8
1500 SD110803	12	12.250	8.750	3.000	12.750	7.625	8
1500 SD111003	16	12.250	11.000	3.000	12.750	9.875	9
1500 SD141003	20	14.500	11.000	3.000	15.000	9.875	11
1500 SD141303	25	14.500	13.250	3.000	15.000	12.125	13
1500 SD161303	30	16.750	13.250	3.000	17.250	12.125	14
1500 SD161503	36	16.750	15.500	3.000	16.250	14.375	16
1500 SD181503	42	19.000	15.500	3.000	19.500	14.375	18

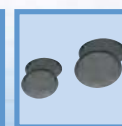
**Notes :**

- Enclosures are also available with blank covers, add suffix 'C' to the catalog number (i.e. 1500 SDC070603)
- Enclosures are also available with 22.5mm pushbutton holes, add suffix 'MN' to the catalog number (i.e. 1500 SD070603MN).

Data subject to change without notice.



p.480



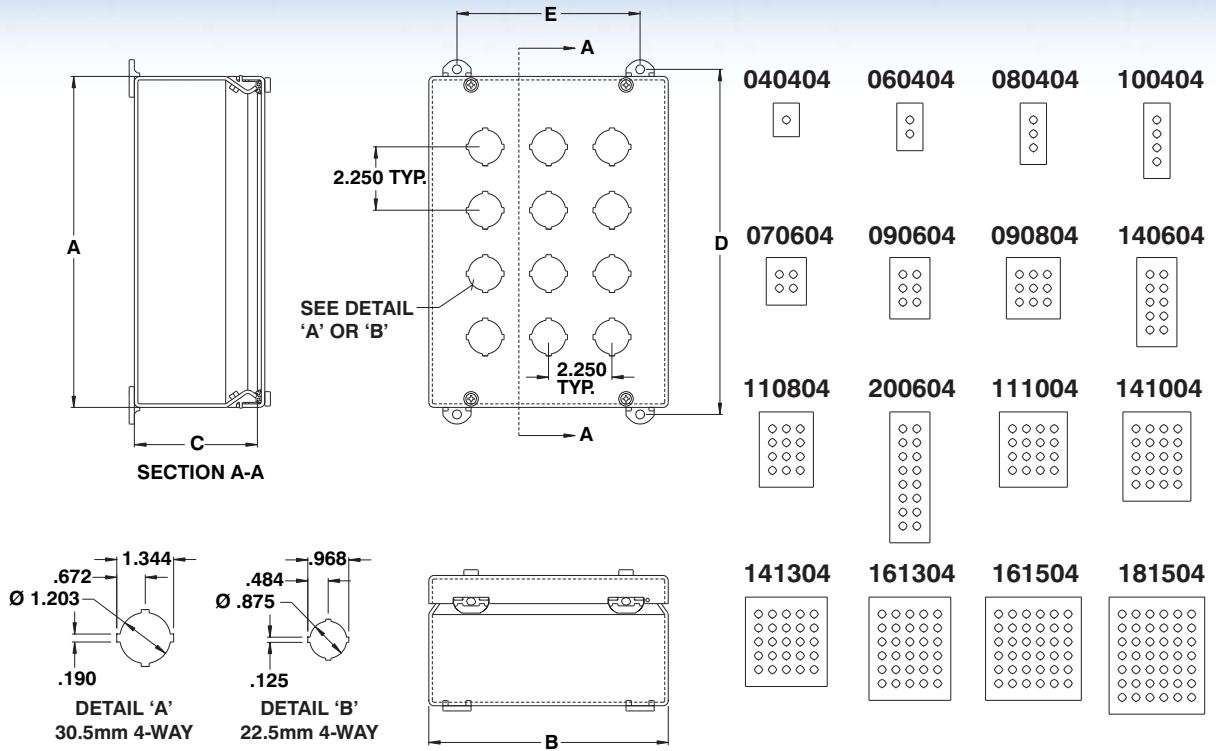
p.480



p.472



Oil & dust tight extra deep pushbutton enclosures



CATALOG NUMBER	QTY. HOLES	DIMENSIONS					SHIP WGT LBS.
		A	B	C	D	E	
1500 ED040404	1	4.500	4.250	4.750	5.000	2.875	3
1500 ED060404	2	6.500	4.250	4.750	7.000	2.875	4
1500 ED080404	3	8.500	4.250	4.750	9.000	2.875	5
1500 ED100404	4	10.500	4.250	4.750	11.000	2.875	6
1500 ED070604	4	7.750	6.500	4.750	8.250	5.125	5
1500 ED090604	6	10.000	6.500	4.750	10.500	5.125	6
1500 ED090804	9	10.000	8.750	4.750	10.500	7.375	7
1500 ED140604	10	14.500	6.500	4.750	15.000	5.125	9
1500 ED110804	12	12.250	8.750	4.750	12.750	7.375	9
1500 ED200604	16	21.250	6.500	4.750	21.750	5.125	10
1500 ED111004	16	12.250	11.000	4.750	12.750	9.625	10
1500 ED141004	20	14.500	11.000	4.750	15.000	9.625	13
1500 ED141304	25	14.500	13.250	4.750	15.000	11.875	14
1500 ED161304	30	16.750	13.250	4.750	17.250	11.875	15
1500 ED161504	36	16.750	15.500	4.750	17.250	14.125	16
1500 ED181504	42	18.750	15.500	4.750	19.250	14.125	18

**Notes :**

- Enclosures are also available with blank covers, add suffix 'C' to the catalog number (i.e. 1500 EDC080404)
- Enclosures are also available with 22.5mm pushbutton holes, add suffix 'MN' to the catalog number (i.e. 1500 ED080404MN).



p.480

p.480

p.472

<http://www.exmweb.com>

1-800-363-2423

Fax : 450-979-4626

[info@exmweb.com](mailto:info@exmweb.com)

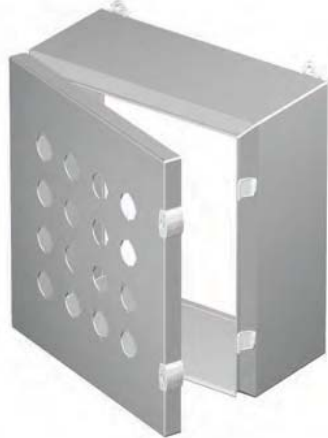
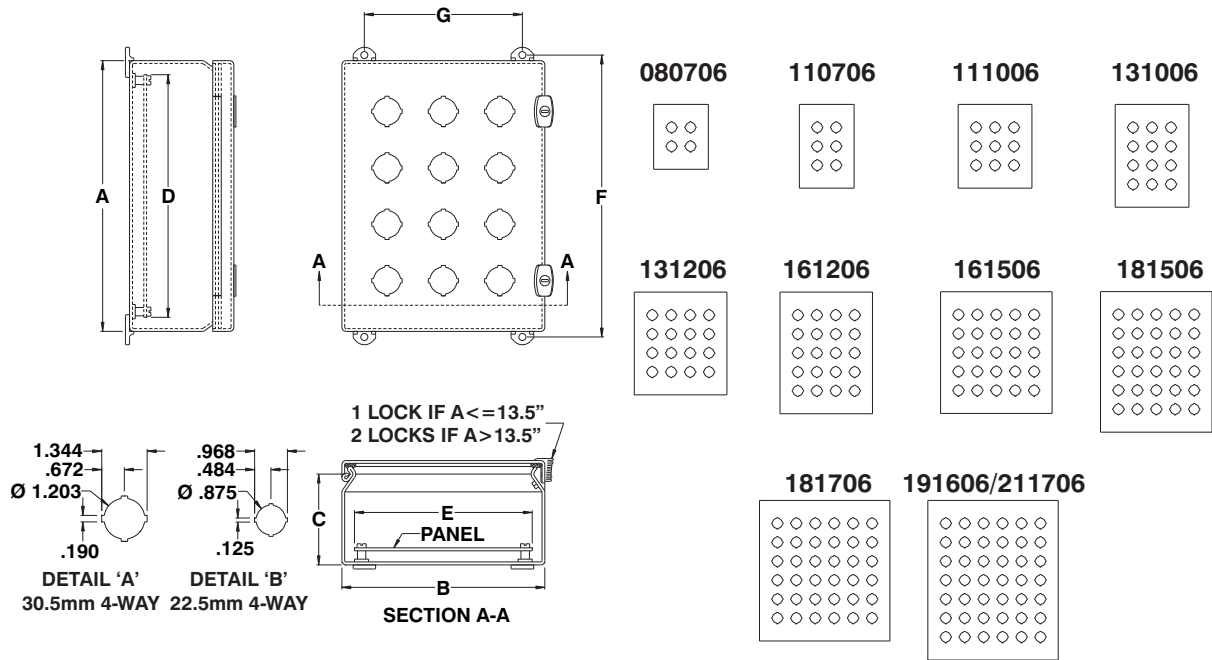


Data subject to change without notice.

# NEMA 12-13 PUSHBUTTONS

# 1500 EL

## Oil & dust tight extra large pushbutton enclosures



CATALOG NUMBER	QTY. HOLES	DIMENSIONS							SHIP WGHT LBS.
		A	B	C	D	E	F	G	
1500 EL080706	4	9.000	7.750	6.312	6.880	4.880	9.500	6.625	8
1500 EL110706	6	11.500	7.750	6.312	8.880	6.880	12.000	6.625	10
1500 EL111006	9	11.500	10.250	6.312	8.880	6.880	12.000	9.125	11
1500 EL131006	12	14.000	10.250	6.312	10.880	8.880	14.500	9.125	15
1500 EL131206	16	14.000	12.750	6.312	10.880	10.880	14.500	11.625	17
1500 EL161206	20	16.500	12.750	6.312	14.880	10.880	17.000	11.625	19
1500 EL161506	25	16.500	15.250	6.312	14.880	12.880	17.000	14.125	22
1500 EL181506	30	19.000	15.250	6.312	16.880	12.880	19.500	14.125	23
1500 EL181706	36	19.000	17.750	6.312	16.880	14.880	19.500	16.625	27
1500 EL191606	42	19.500	16.500	6.312	17.880	13.880	20.000	15.375	29
1500 EL211706	42	21.500	17.750	6.312	19.880	14.880	22.000	16.625	30

**Notes :**

- Enclosures are also available with 22.5mm pushbutton holes, add suffix 'MN' to the catalog number (i.e. 1500 EL131006MN).

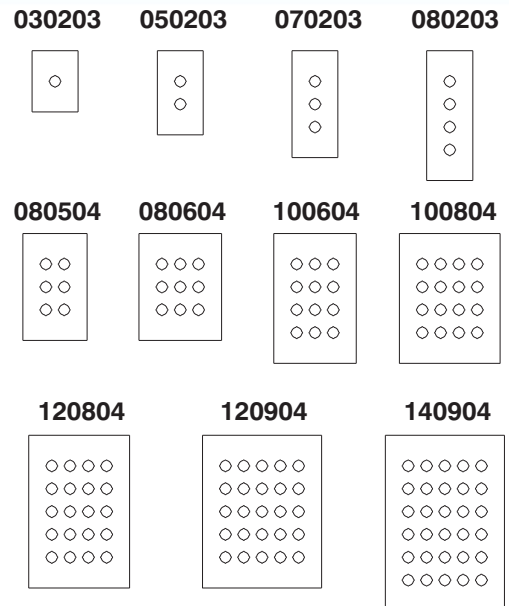
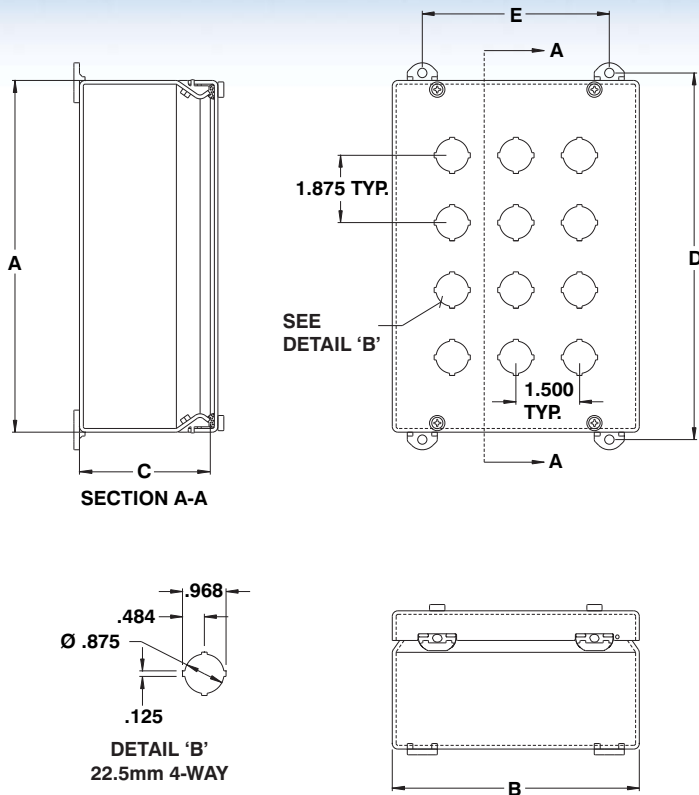
Data subject to change without notice.



# NEMA 12-13 PUSHBUTTONS

1500 MN

Oil & dust tight miniature pushbutton enclosures



CATALOG NUMBER	QTY. HOLES	DIMENSIONS					SHIP WGHT LBS.
		A	B	C	D	E	
1500 MN030203	1	3.750	3.000	3.500	4.250	1.625	1
1500 MN050203	2	5.625	3.000	3.500	6.125	1.625	8
1500 MN070203	3	7.500	3.000	3.500	8.000	1.625	3
1500 MN080203	4	9.375	3.000	3.500	9.875	1.625	4
1500 MN080504	6	9.000	5.250	4.250	9.500	3.875	5
1500 MN080604	9	9.000	6.750	4.250	9.500	5.375	6
1500 MN100604	12	10.875	6.750	4.250	11.375	5.375	6
1500 MN100804	16	10.875	8.250	4.250	11.375	6.875	7
1500 MN120804	20	12.750	8.250	4.250	13.250	6.875	8
1500 MN120904	25	12.750	9.750	4.250	13.250	6.875	9
1500 MN140904	30	14.625	9.750	4.250	15.125	8.375	10



Data subject to change without notice.



p.480

p.480

p.472

<http://www.exmweb.com>

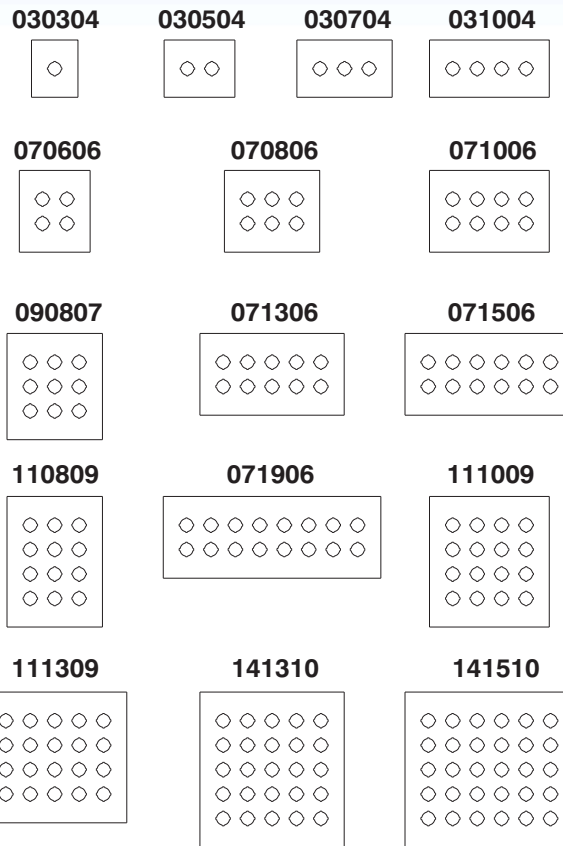
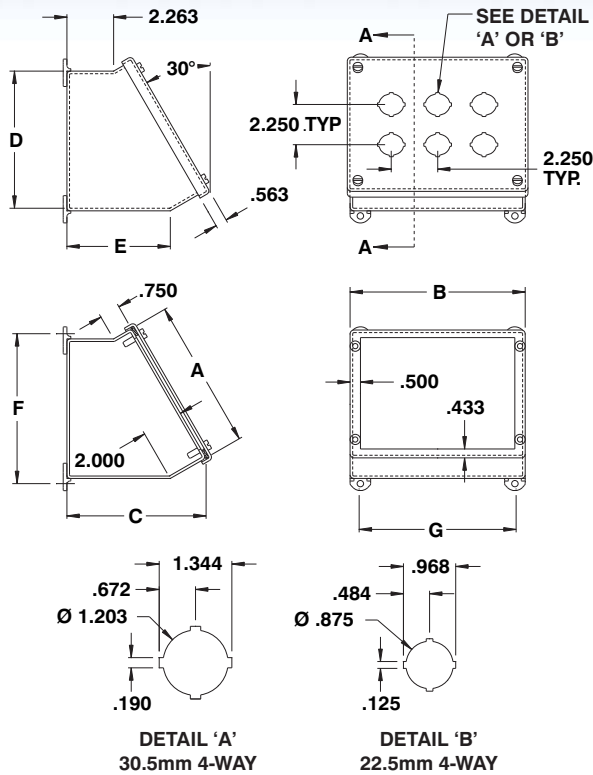
1-800-363-2423

Fax : 450-979-4626

[info@exmweb.com](mailto:info@exmweb.com)



## Oil & dust tight sloped front pushbutton enclosures



CATALOG NUMBER	QTY. HOLES	DIMENSIONS							SHIP WGHT LBS.
		A	B	C	D	E	F	G	
1500 SF030304	1	4.000	3.500	4.970	4.342	2.762	4.987	2.375	2
1500 SF030504	2	4.000	5.750	4.970	4.342	2.762	4.987	4.625	3
1500 SF030704	3	4.000	8.000	4.970	4.342	2.762	4.987	6.875	5
1500 SF031004	4	4.000	10.250	4.970	4.342	2.762	4.987	9.125	6
1500 SF070606	4	7.750	6.500	6.845	7.592	4.637	8.237	5.375	6
1500 SF070806	6	7.750	8.750	6.845	7.592	4.637	9.237	7.625	7
1500 SF071006	8	7.750	11.000	6.845	7.592	4.637	8.237	9.875	9
1500 SF090807	9	10.000	8.750	7.970	10.192	4.637	10.837	7.625	10
1500 SF071306	10	7.750	13.250	6.845	7.592	4.637	8.237	12.125	10
1500 SF071506	12	7.750	15.500	6.845	7.592	4.637	8.237	14.375	11
1500 SF110809	12	12.250	8.750	9.095	12.786	4.637	13.431	7.625	13
1500 SF071906	16	7.750	20.000	6.845	7.592	4.637	8.237	18.875	14
1500 SF111009	16	12.250	11.000	9.095	12.786	4.637	13.431	9.875	14
1500 SF111309	20	12.250	13.250	9.095	12.786	4.637	13.431	12.125	16
1500 SF141310	25	14.500	13.250	10.220	15.386	4.637	16.031	12.125	17
1500 SF141510	30	14.500	15.500	10.220	15.386	4.637	16.031	14.375	19

**Notes :**

- Enclosures are also available with blank covers, add suffix 'C' to the catalog number (i.e. 1500 SFC071306)
- Enclosures are also available with 22.5mm pushbutton holes, add suffix 'MN' to the catalog number (i.e. 1500 SF071306MN).

Data subject to change without notice.





## Standard stainless steel pushbutton enclosures

The 1400 SDSS oil and dust tight pushbutton enclosures are built to provide protection against corrosion, dirt, dust and oil, for all brands of oil tight pushbuttons, switches and pilot lights. The 1400 SDSS are made from quality 16 GA (type 304) stainless steel, with all seams continuously welded. A high quality seamless poured gasket ensures a complete and durable seal of the en-

closure. Cover screws thread into sealed wells and are captive. The enclosure can be internally mounted or externally mounted using the included die cast wall mounting feet. These feet have oblong holes to facilitate installation. Hole plugs (880 HP series) are available to seal unused holes. The 1400 SDSS is available with standard and miniature pushbutton holes. The enclosures' exte-

rior are unpainted and brushed smooth. The enclosures' interior is finished with white heat fused powder paint, electrostatically applied on a pretreated base.

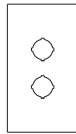
**CSA Certified / UL Listed  
NEMA/EEMAC 4X / IP66**

**Refer to p.727 to validate choice of substrate for the application**

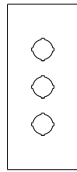
030302



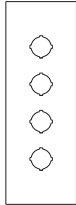
050302



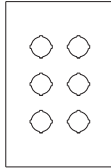
080302



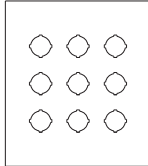
100302



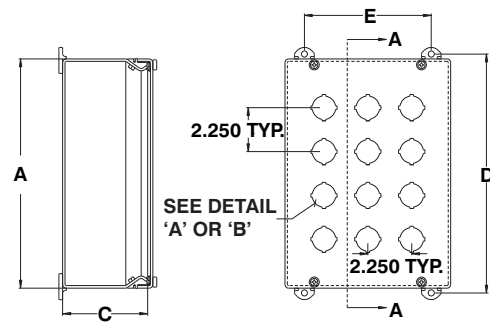
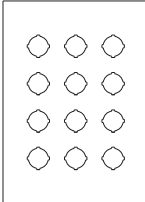
090603



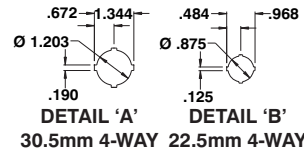
090803



110803



SECTION A-A



30.5mm 4-WAY 22.5mm 4-WAY



CATALOG NUMBER	QTY. HOLES	DIMENSIONS					SHIP WGHT LBS.
		A	B	C	D	E	
1400 SDSS030302	1	4.000	3.500	3.000	4.500	2.375	1
1400 SDSS050302	2	6.250	3.500	3.000	6.750	2.375	2
1400 SDSS080302	3	8.500	3.500	3.000	9.000	2.375	3
1400 SDSS100302	4	10.750	3.500	3.000	11.250	2.375	4
1400 SDSS090603	6	10.000	6.500	3.000	10.500	5.375	5
1400 SDSS090803	9	10.000	8.750	3.000	10.500	7.625	7
1400 SDSS110803	12	12.250	8.750	3.000	12.750	7.625	8

**Notes :**

- For stainless steel Type 316, add suffix '6' to the catalog number (i.e. 1400 SDSS0303026)
- Enclosures are also available with 22.5mm pushbutton holes, add suffix 'MN' to the catalog number (i.e. 1400 SD030302MN).
- For painted stainless steel, add suffix 'P' to the catalog number (i.e. 1400 SDSS...P).



p.480



p.480

# PUSHBUTTON HOLE PLUGS

## Metal pushbutton hole plugs

The 880 HP pushbutton hole plugs are made to cover the unused holes on the pushbutton enclosures. They are fixed with anti-vibration wing nylon locks. Plugs are available for several hole sizes in galvanized steel or stainless steel and come complete with a dust tight oil resistant gasket and installation hardware.

**CSA Certified / UL Listed**

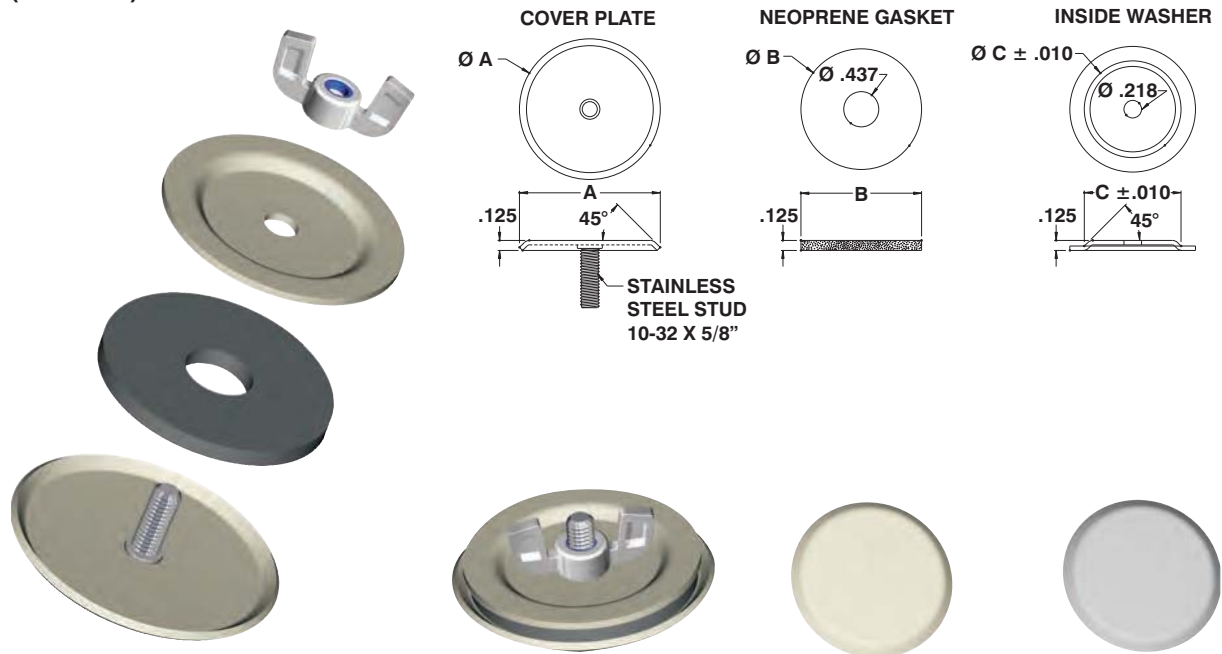
**NEMA/EEMAC 4 IP66**

**(Galvanized)**

**NEMA/EEMAC 4x IP66**

**(Stainless)**

CATALOG NUMBER		SPECIFICATIONS			
GALVANIZED	STAINLESS	HOLE PLUG	A	B	C
880 HP1	880 HP1SS	22.5mm pushbutton	1.218	0.968	0.875
880 HP0500	880 HP0500SS	1/2" conduit hole	1.375	1.125	0.875
880 HP0750	880 HP0750SS	3/4" conduit hole	1.562	1.312	1.062
880 HP2	880 HP2SS	30.5mm pushbutton	1.750	1.500	1.203
880 HP1000	880 HP1000SS	1" conduit hole	1.875	1.625	1.344
880 HP1250	880 HP1250SS	1 1/4" conduit hole	2.187	1.937	1.687
880 HP1500	880 HP1500SS	1 1/2" conduit hole	2.500	2.250	1.968
880 HP2000	880 HP2000SS	2" conduit hole	3.000	2.750	2.468
880 HP2500	---	2 1/2" conduit hole	3.500	3.250	3.000
880 HP3000	---	3" conduit hole	4.125	3.875	3.625
880 HP3500	---	3 1/2" conduit hole	4.625	4.375	4.125
880 HP4000	---	4" conduit hole	5.125	4.875	4.625



## Plastic plug buttons

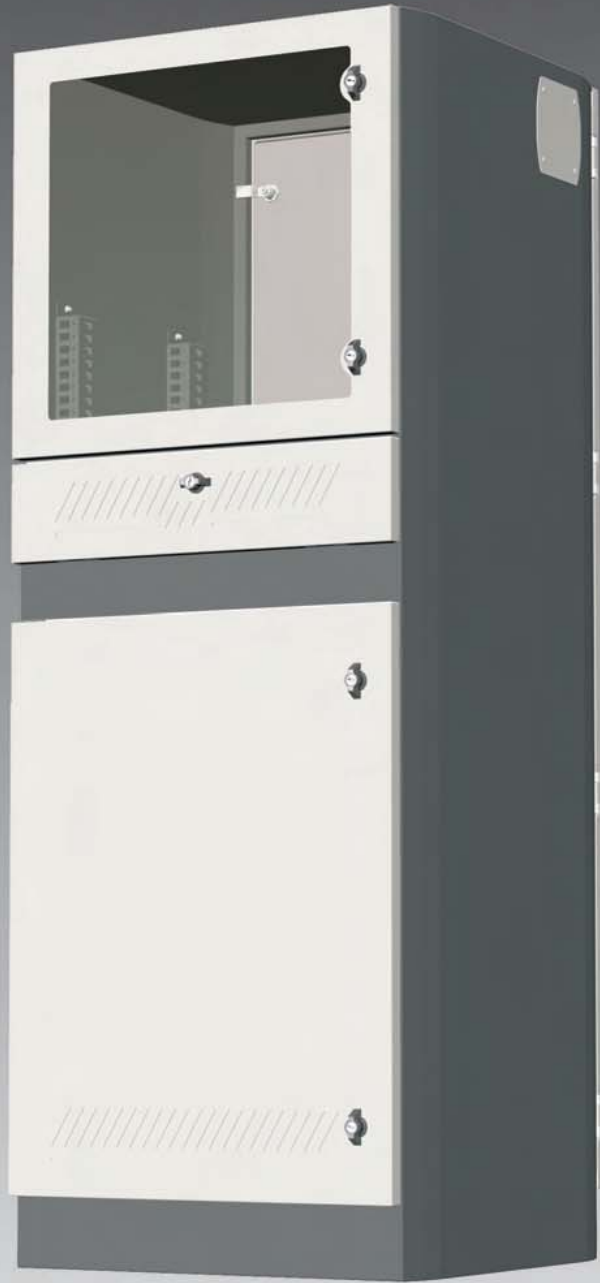
The 880 HPPL plastic plug buttons are made to cover the unused pushbutton holes on the pushbutton enclosures. Hole plugs are available for standard or miniature holes in black plastic.



CATALOG NUMBER	SPECIFICATION	SHIP WGHT LBS.
880 HP1PL	22.5mm pushbutton	1
880 HP2PL	30.5mm pushbutton	1
880 HP3PL	76.2mm pushbutton	1

Data subject to change without notice.

# NEMA 12-13 PC CABINET & CONSOLETS



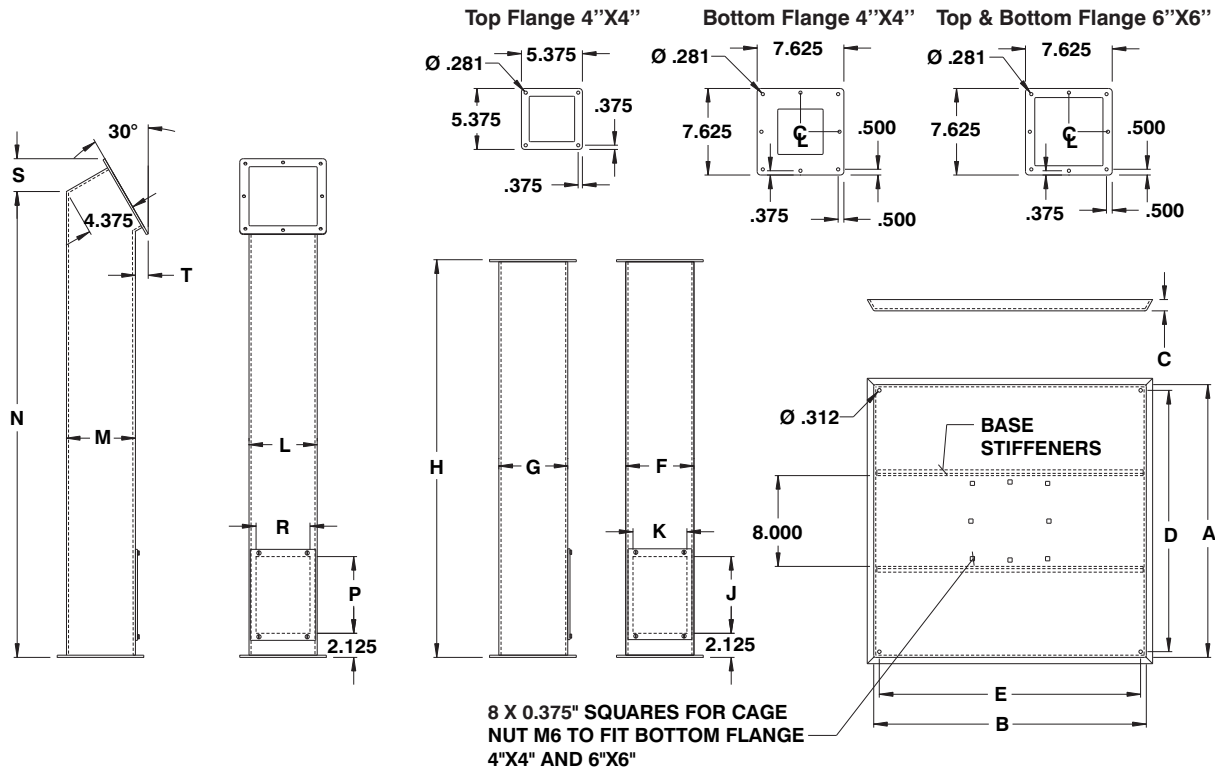
## Oil & dust tight straight pedestals, angled pedestals & bases

The 1500 PE straight pedestals, 1500 PEA angled pedestals and 1500 BA bases are used to floor mount 1500 CS/CSD/CSE consolets or other types of enclosures. Wiring can be pulled through the base or the pedestal column (a cutout must be made on the consolet). Wires can also be pulled

directly into the consolet. Inside flanges and sealing gaskets are provided. A high quality seamless poured gasket secures the access cover and the box connector. The pedestals are made from 14 GA steel and the base from 11 GA steel with reinforcements. Leveling screws and holes to bolt the

components to the floor are provided. Pedestals and bases are finished with heat fused powder paint, electrostatically applied on a pretreated base. Finish is ANSI/ASA 61 gray.

**Refer to p.727 to validate choice of substrate for the application**



CATALOG NUMBER	DIMENSIONS					SHIP WGHT LBS.
	A	B	C	D	E	
1500 BA181801	18	18	1.000	17.000	17.000	20
1500 BA242401	24	24	1.000	22.500	22.500	47

CATALOG NUMBER	DIMENSIONS					SHIP WGHT LBS.
	F	G	H	J	K	
1500 PE040435	4	4	35	6.000	2.750	18
1500 PE060635	6	6	35	6.750	4.750	24
1500 PE040448	4	4	48	6.000	2.750	26
1500 PE060648	6	6	48	6.750	7.750	32

CATALOG NUMBER	DIMENSIONS							SHIP WGHT LBS.
	L	M	N	P	R	S	T	
1500 PEA040441	4	4	41	6.000	2.750	2.750	2.062	20
1500 PEA060641	6	6	41	6.750	4.750	2.875	1.125	27

Data subject to change without notice.



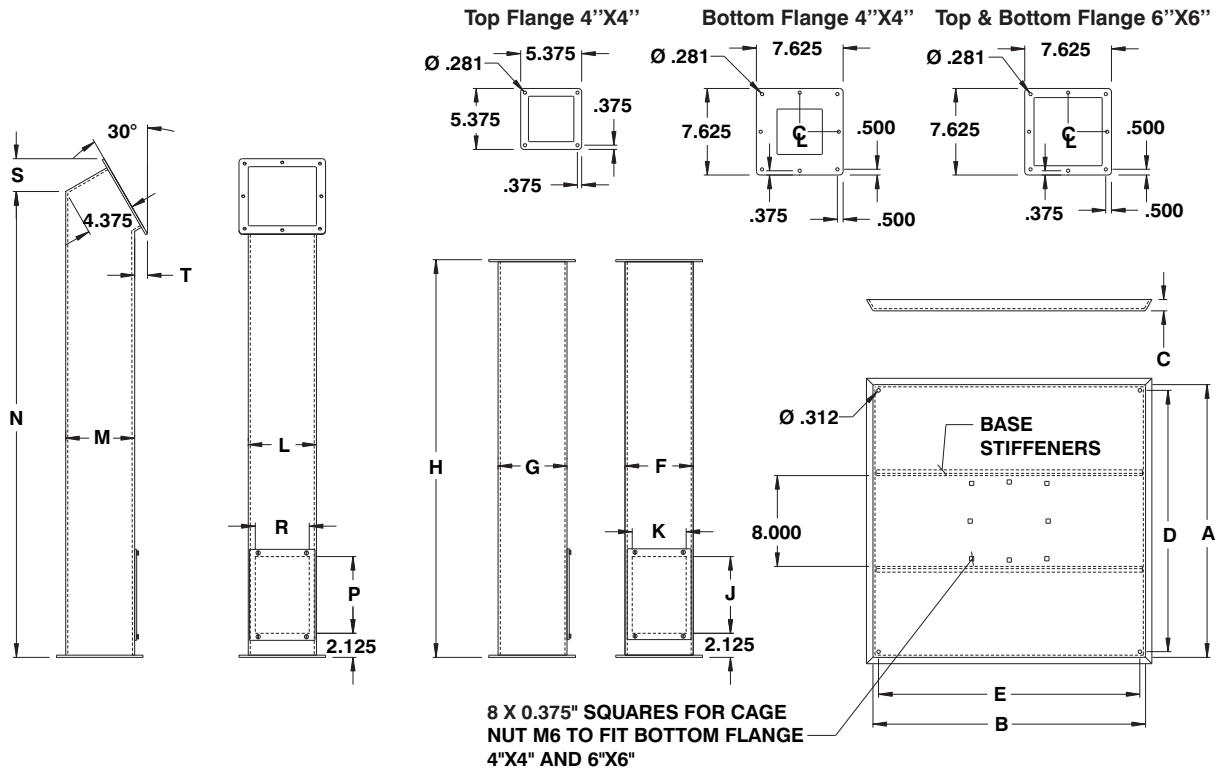


## Stainless steel straight pedestals, angled pedestals & bases

The 1500 PESS straight pedestals, 1500 PEASS angled pedestals and 1500 BASS bases are used to floor mount 1500 CSS consoles or other types of enclosures. Wiring can be pulled through the base or the pedestal column (a cutout must be made on the con-

solet). Wires can also be pulled directly into the console. Inside flanges and sealing gaskets are provided. A high quality seamless poured gasket secures the access cover and the box connector. The pedestals are made from 14 GA (type 304) stainless steel and

the base from 11 GA (type 304) stainless steel with reinforcements. Leveling screws and holes are provided. Pedestals and bases are unpainted and brushed smooth.



CATALOG NUMBER	DIMENSIONS					SHIP WGHT LBS.
	A	B	C	D	E	
1500 BASS181801	18	18	1.000	17.000	17.000	20
1500 BASS242401	24	24	1.000	22.500	22.500	47

CATALOG NUMBER	DIMENSIONS					SHIP WGHT LBS.
	F	G	H	J	K	
1500 PESS040435	4	4	35	6.000	2.750	18
1500 PESS060635	6	6	35	6.750	4.750	24

CATALOG NUMBER	DIMENSIONS							SHIP WGHT LBS.
	L	M	N	P	R	S	T	
1500 PEASS040441	4	4	41	6.000	2.750	2.750	2.062	20
1500 PEASS060641	6	6	41	6.750	4.750	2.875	1.125	27

‡ For painted stainless steel, add suffix 'P' to the catalog number (ie. 1500 PESS...P).

Data subject to change without notice.



## Oil and dust tight consolets - 35°

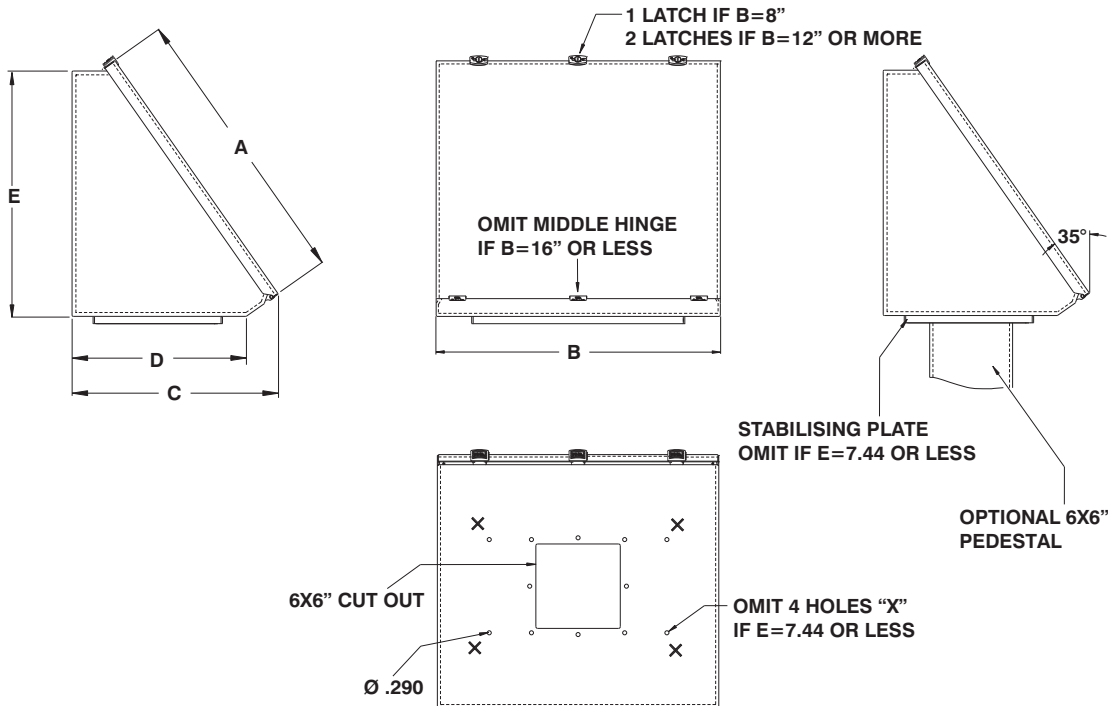
**The 1500 CSD (35° control surface)** oil and dust tight consolets with cable entry are used indoors to protect electrical equipment against dirt, dust, oil and water splashing. The 1500 CSD consolets are provided with mounting holes for the pedestals (1500 PE060635 or 1500 PEA060641, see page 422). On larger consolets a stabilising plate is provided to solidify the assembly of the pedestal. Consolets are made from 16 GA steel with all seams con-

tinuously welded. The consolets feature die cast hinges, which are bound to the cover by an exclusive concealed hinge pin system. The covers are interchangeable and can be removed by unfastening the anti-vibration lock nuts. Covers are secured with EXM's exclusive flange-mounted ¼ turn locks which ensure positive closing. (Padlockable locks and key locks are available.) A high quality seamless poured gasket is used to ensure the integrity of the enclosure.

Pedestals and bases, if required, must be ordered separately. Consolets are finished with ANSI/ASA 61 gray heat fused powder paint, electrostatically applied on a pretreated base (other colors available).

**CSA Certified / UL Listed**  
**NEMA/EEMAC 12-13 / IP65**  
**NEMA/EEMAC 4-12 / IP66 §**

**Refer to p.727 to validate choice of substrate for the application**



CATALOG NUMBER	DIMENSIONS					SHIP WGT LBS.
	A	B	C	D	E	
\$ 1500 CSD080807*	8	8	7.281	5.375	7.437	8
\$ 1500 CSD081207*	8	12	7.281	5.375	7.437	10
\$ 1500 CSD081607*	8	16	7.281	5.375	7.437	13
1500 CSD082007*	8	20	7.281	5.375	7.437	16
\$ 1500 CSD121209	12	12	9.562	7.687	10.718	15
\$ 1500 CSD121609	12	16	9.562	7.687	10.718	18
1500 CSD122009	12	20	9.562	7.687	10.718	22
1500 CSD122409	12	24	9.562	7.687	10.718	26
1500 CSD161611	16	16	11.875	9.968	14.000	22
1500 CSD162011	16	20	11.875	9.968	14.000	27
1500 CSD162411	16	24	11.875	9.968	14.000	32
1500 CSD163011	16	30	11.875	9.968	14.000	39
1500 CSD163611	16	36	11.875	9.968	14.000	45
1500 CSD202013	20	20	14.187	12.250	17.250	36
1500 CSD202413	20	24	14.187	12.250	17.250	42
1500 CSD203013	20	30	14.187	12.250	17.250	49

\* Without stabilising plate

Data subject to change without notice.



## Oil and dust tight consoles - 55°

The 1500 CSE (55° control surface) oil and dust tight consoles with cable entry are used indoors to protect electrical equipment against dirt, dust, oil and water splashing. The 1500 CSE consoles are provided with mounting holes for the pedestals (1500 PE060635 or 1500 PEA060641, see page 422). On larger consoles a stabilising plate is provided to solidify the assembly of the pedestal. Consoles are made from 16 GA steel with all seams continuously welded. The consoles fea-

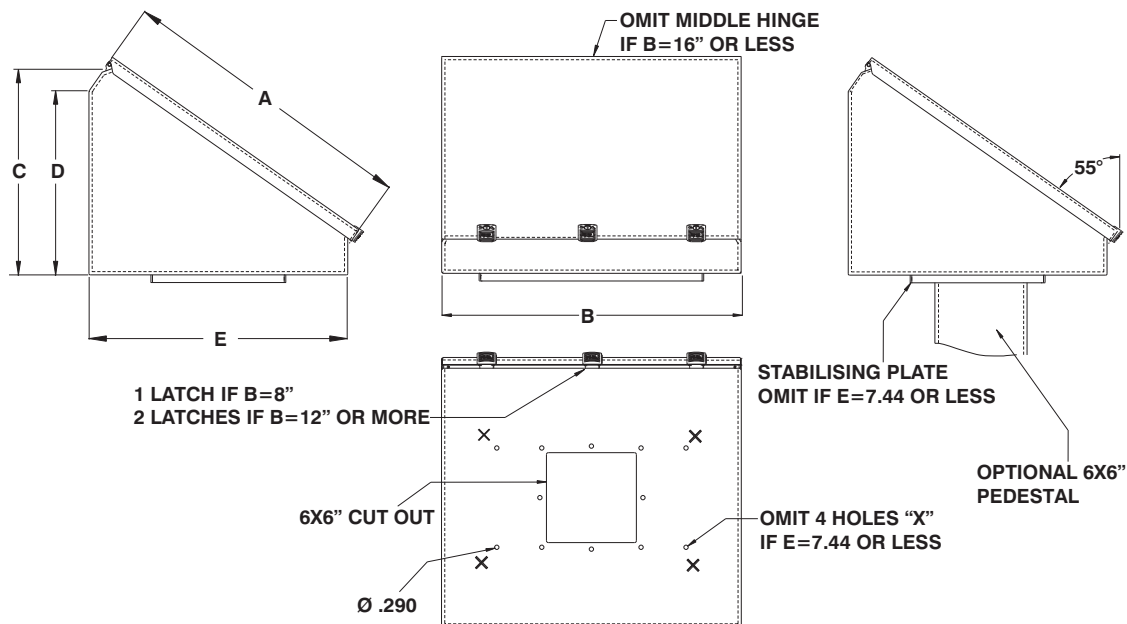
ture die cast hinges, which are bound to the cover by an exclusive concealed hinge pin system. The covers are interchangeable and can be removed by unfastening the anti-vibration lock nuts. Covers are secured with EXM's exclusive flange-mounted ¼ turn locks which ensure positive closing. (Padlockable locks and key locks are available.) A high quality seamless poured gasket is used to ensure the integrity of the enclosure. Pedestals and bases, if required, must be or-

dered separately.

Consoles are finished with ANSI/ASA 61 gray heat fused powder paint, electrostatically applied on a pretreated base (other colors available).

**CSA Certified / UL Listed**  
**NEMA/EEMAC 12-13 / IP65**  
**NEMA/EEMAC 4-12 / IP66 §**

**Refer to p.727 to validate choice of substrate for the application**



CATALOG NUMBER	DIMENSIONS					SHIP WGT LBS.
	A	B	C	D	E	
§ 1500 CSE080807*	8	8	7.281	5.375	7.437	8
§ 1500 CSE081207*	8	12	7.281	5.375	7.437	10
§ 1500 CSE081607*	8	16	7.281	5.375	7.437	13
1500 CSE082007*	8	20	7.281	5.375	7.437	16
§ 1500 CSE121209	12	12	9.562	7.687	10.718	15
§ 1500 CSE121609	12	16	9.562	7.687	10.718	18
1500 CSE122009	12	20	9.562	7.687	10.718	22
1500 CSE122409	12	24	9.562	7.687	10.718	26
1500 CSE161611	16	16	11.875	9.968	14.000	22
1500 CSE162011	16	20	11.875	9.968	14.000	27
1500 CSE162411	16	24	11.875	9.968	14.000	32
1500 CSE163011	16	30	11.875	9.968	14.000	39
1500 CSE163611	16	36	11.875	9.968	14.000	45
1500 CSE202013	20	20	14.187	12.250	17.250	36
1500 CSE202413	20	24	14.187	12.250	17.250	42
1500 CSE203013	20	30	14.187	12.250	17.250	49

\* Without stabilising plate



Data subject to change without notice.

Customize with



## Oil and dust tight consolets

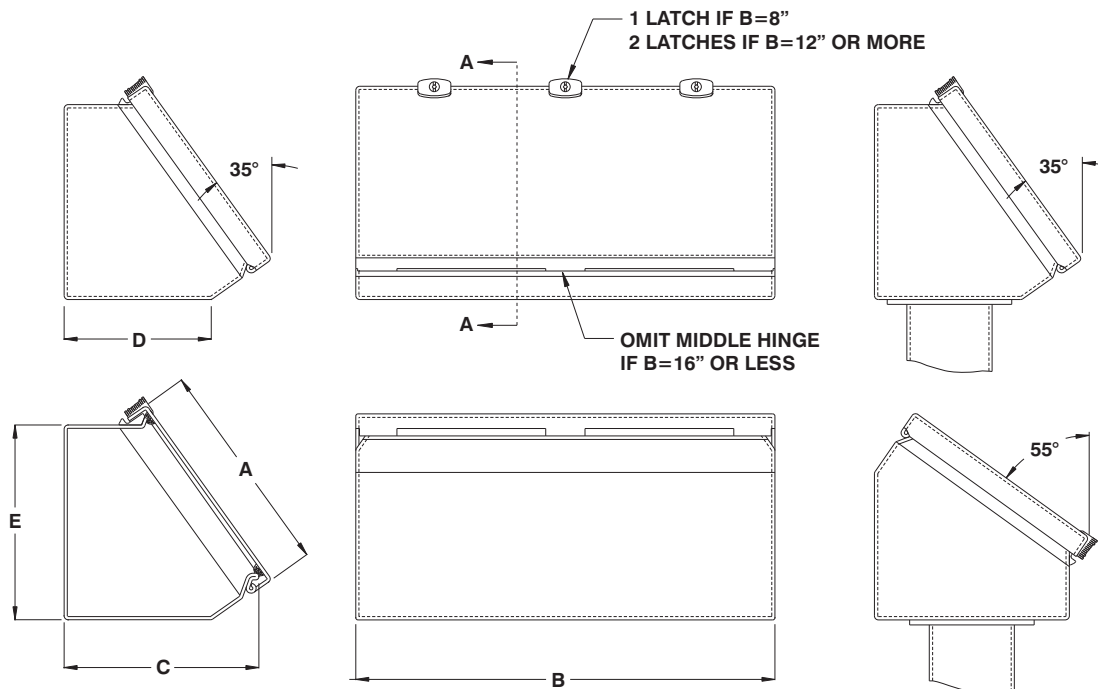
The 1500 CS oil and dust tight consolets are used indoors to protect electrical equipment against dirt, dust, oil and water splashing. The 1500 CS consolets can be mounted on pedestals (1500 PE, see page 416), desktops or machines with the choice of a control surface of 35° or 55°. Consolets are made from 16 GA steel with all seams continuously welded. The

cover has a continuous formed hinge. The door is secured by EXM's exclusive flange-mounted quarter-turn locks which ensure positive closing. (Note that pad-lockable locks and key locks are available.) A high quality seamless poured gasket is used to ensure the integrity of the enclosure. Pedestals and base, if required, must be ordered separately. Con-

solets are finished with heat fused powder paint, electrostatically applied on a pretreated base. Box is ANSI/ASA 61 gray.

**CSA Certified / UL Listed**  
**NEMA/EEMAC 12-13 / IP65**  
**NEMA/EEMAC 4-12 / IP66 §**

**Refer to p.727 to validate choice of substrate for the application**



CATALOG NUMBER	DIMENSIONS					SHIP WGHT LBS.
	A	B	C	D	E	
§ 1500 CS080807	8	8	7.281	5.375	7.437	8
§ 1500 CS081207	8	12	7.281	5.375	7.437	10
§ 1500 CS081607	8	16	7.281	5.375	7.437	13
1500 CS082007	8	20	7.281	5.375	7.437	16
§ 1500 CS121209	12	12	9.562	7.687	10.718	15
§ 1500 CS121609	12	16	9.562	7.687	10.718	18
1500 CS122009	12	20	9.562	7.687	10.718	22
1500 CS122409	12	24	9.562	7.687	10.718	26
1500 CS161611	16	16	11.875	9.968	14.000	22
1500 CS162011	16	20	11.875	9.968	14.000	27
1500 CS162411	16	24	11.875	9.968	14.000	32
1500 CS163011	16	30	11.875	9.968	14.000	39
1500 CS163611	16	36	11.875	9.968	14.000	45
1500 CS202013	20	20	14.187	12.250	17.250	36
1500 CS202413	20	24	14.187	12.250	17.250	42
1500 CS203013	20	30	14.187	12.250	17.250	49

Data subject to change without notice.





## Stainless steel consolets

The 1500 CSS stainless steel consolets are used to protect electrical equipment against dirt, dust, oil and water splashing. The 1500 CSS consolets can be mounted on pedestals (1500 PESS, see page 416), desktops or machines with the choice of a control surface of 35° or 55°. Consolets are made from 16 GA (Type 304) stainless steel with all seams continuously welded. The cover has a continuous formed

hinge. The door is secured by EXM's exclusive flange-mounted quarter-turn locks which ensure positive closing. These locks are also made of stainless steel.

A high quality seamless poured gasket is used to ensure the integrity of the enclosure.

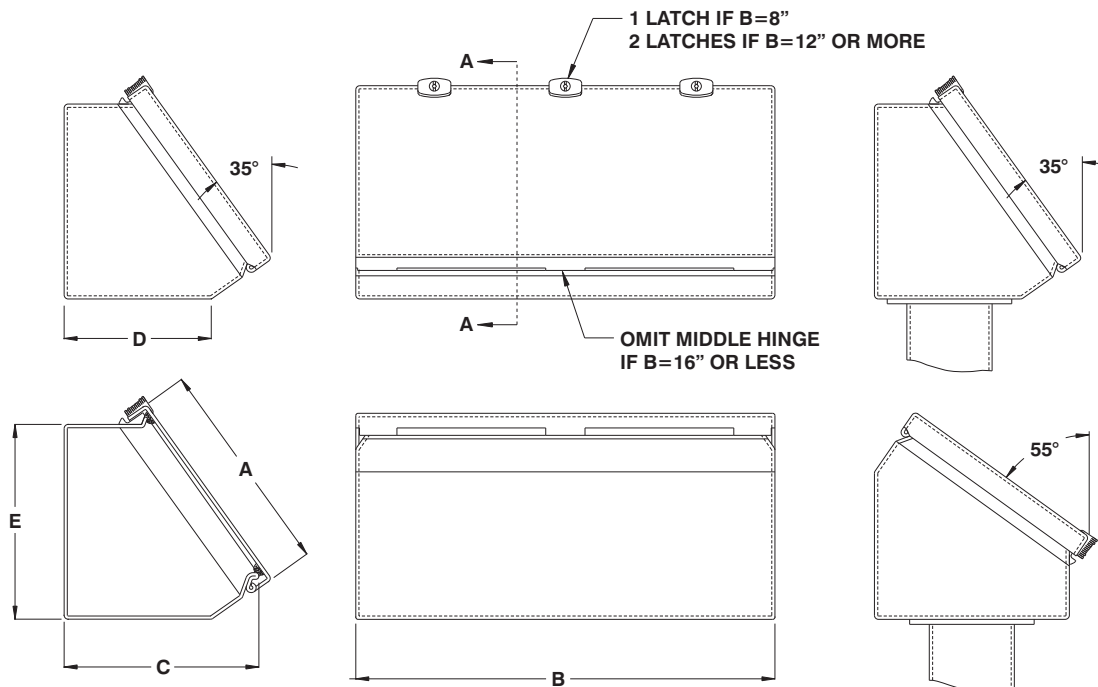
Pedestals and base, if required, must be ordered separately.

The consolets' exterior are unpainted and brushed smooth. The

consolets' interior are finished with white heat fused powder paint, electrostatically applied on a pretreated base.

**CSA Certified / UL Listed**  
**NEMA/EEMAC 12-13 / IP65**  
**NEMA/EEMAC 4-12 / IP66 §**

**Refer to p.727 to validate choice of substrate for the application**



CATALOG NUMBER	DIMENSIONS					SHIP WGHT LBS.
	A	B	C	D	E	
§ 1500 CSS080807	8	8	7.281	5.375	7.437	8
§ 1500 CSS081207	8	12	7.281	5.375	7.437	10
§ 1500 CSS081607	8	16	7.281	5.375	7.437	13
1500 CSS082007	8	20	7.281	5.375	7.437	16
§ 1500 CSS121209	12	12	9.562	7.687	10.718	15
§ 1500 CSS121609	12	16	9.562	7.687	10.718	18
1500 CSS122009	12	20	9.562	7.687	10.718	22
1500 CSS122409	12	24	9.562	7.687	10.718	26
1500 CSS161611	16	16	11.875	9.968	14.000	22
1500 CSS162011	16	20	11.875	9.968	14.000	27
1500 CSS162411	16	24	11.875	9.968	14.000	32
1500 CSS163011	16	30	11.875	9.968	14.000	39
1500 CSS163611	16	36	11.875	9.968	14.000	45
1500 CSS202013	20	20	14.187	12.250	17.250	36
1500 CSS202413	20	24	14.187	12.250	17.250	42
1500 CSS203013	20	30	14.187	12.250	17.250	49

‡ For painted stainless steel, add suffix 'P' to the catalog number (ie. 1500 CSS...P).



Data subject to change without notice.

Customize with



## Water, oil & dust tight consolet enclosures

The 5412 ESCS water, oil & dust tight enclosures are used indoors or outdoors in areas where the enclosures may be subject to hosing or to water coming from any direction or for protection against dust, dirt or oil splashing.

The 5412 ESCS have a sloped control surface above the door. They are made from quality 14 GA or 16 GA steel, with corner seams continuously welded. The opening has a curled lip around all sides to prevent dripping water from enter-

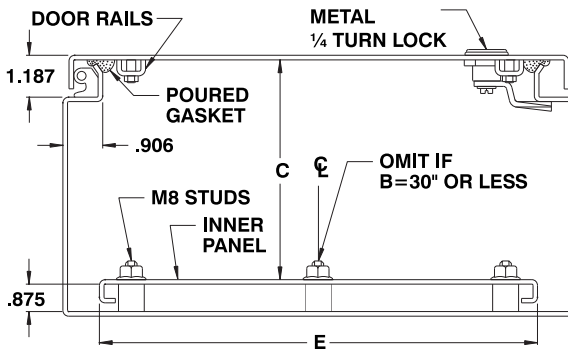
ing the enclosure when the door is open, it also increases rigidity. A high quality robotically poured-in-place seamless gasket ensures a complete and durable water tight seal. The pins of the concealed hinges can be pulled out to remove the door.

A 1/4 turn locking mechanism (or 3 point latch system on larger enclosures) ensures positive closing. Internal mounting holes are provided. Each enclosure comes complete with a 12 GA inner

panel which is double bent\* for maximum rigidity and mounts on M8 welded studs. Enclosures and panels are finished with heat fused powder paint, electrostatically applied on a pretreated base. Box is ANSI/ASA 61 gray, panel is white (other colors available).

**CSA Certified / UL Listed  
NEMA/EEMAC 4-12 / IP66**

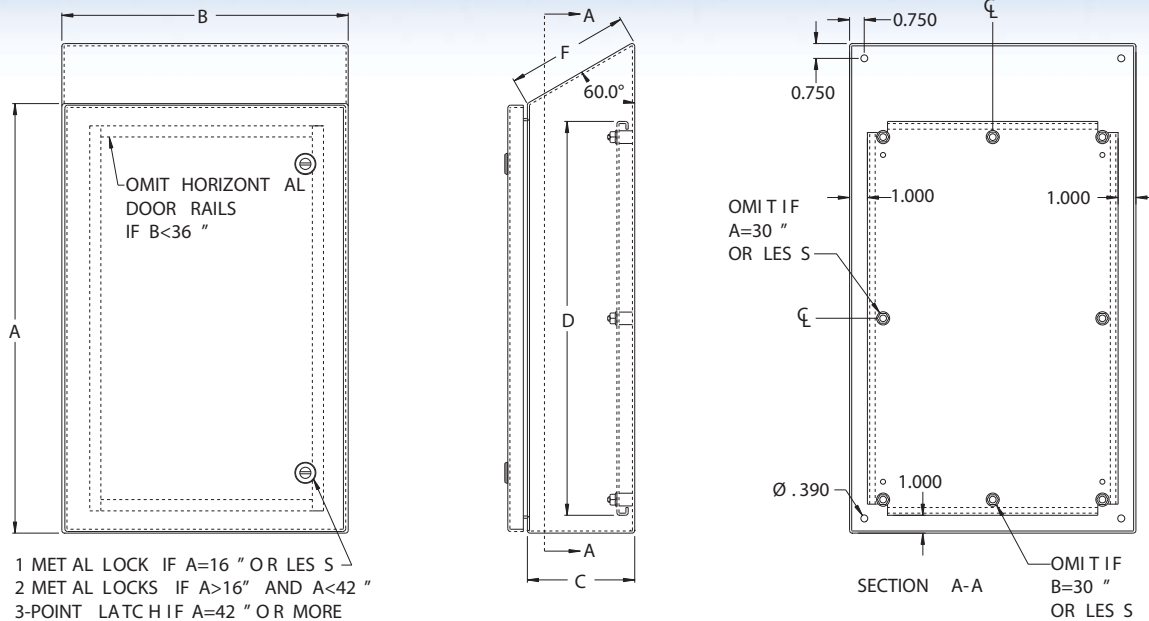
Refer to p.727 to validate choice of substrate for the application



CATALOG NUMBER	DIMENSIONS						SHIP WTGT LBS.
	A	B	C	D	E	F	
5412 ESCS241206	24	12	6	22	10	6.875	35
5412 ESCS241606	24	16	6	22	14	6.875	44
5412 ESCS242006	24	20	6	22	18	6.875	53
5412 ESCS242406	24	24	6	22	22	6.875	62
5412 ESCS301606	30	16	6	28	14	6.875	53
5412 ESCS302006	30	20	6	28	18	6.875	65
5412 ESCS302406	30	24	6	28	22	6.875	76
5412 ESCS362406	36	24	6	34	22	6.875	90
5412 ESCS363006	36	30	6	34	28	6.875	109
5412 ESCS241208	24	12	8	22	10	9.187	38
5412 ESCS241608	24	16	8	22	14	9.187	48
5412 ESCS242008	24	20	8	22	18	9.187	57
5412 ESCS242408	24	24	8	22	22	9.187	67
5412 ESCS243008	24	30	8	22	28	9.187	81
5412 ESCS301208	30	12	8	28	10	9.187	46
5412 ESCS301608	30	16	8	28	14	9.187	58
5412 ESCS302008	30	20	8	28	18	9.187	70
5412 ESCS302408	30	24	8	28	22	9.187	81
5412 ESCS303008	30	30	8	28	28	9.187	98
5412 ESCS303608	30	36	8	28	34	9.187	116
5412 ESCS362408	36	24	8	34	22	9.187	95
5412 ESCS363008	36	30	8	34	28	9.187	116
5412 ESCS363608	36	36	8	34	34	9.187	136
5412 ESCS422408	42	24	8	40	22	9.187	110
5412 ESCS423008	42	30	8	40	28	9.187	133
5412 ESCS423608	42	36	8	40	34	9.187	156
5412 ESCS241210	24	12	10	22	10	11.500	42
5412 ESCS242010	24	20	10	22	18	11.500	62
5412 ESCS242410	24	24	10	22	22	11.500	71
5412 ESCS302010	30	20	10	28	18	11.500	74
5412 ESCS302410	30	24	10	28	22	11.500	86
5412 ESCS362410	36	24	10	34	22	11.500	101
5412 ESCS363010	36	30	10	34	28	11.500	122
5412 ESCS423010	42	30	10	40	28	11.500	140
5412 ESCS423610	42	36	10	40	34	11.500	164
5412 ESCS242012	24	20	12	22	18	13.812	66
5412 ESCS242412	24	24	12	22	22	13.812	76
5412 ESCS302412	30	24	12	28	22	13.812	92
5412 ESCS303012	30	30	12	28	28	13.812	110
5412 ESCS362412	36	24	12	34	22	13.812	107
5412 ESCS363012	36	30	12	34	28	13.812	129
5412 ESCS363612	36	36	12	34	34	13.812	150

Data subject to change without notice.





CATALOG NUMBER	DIMENSIONS						SHIP WGHT LBS.
	A	B	C	D	E	F	
5412 ESCS422412	42	24	12	40	22	13.812	118
5412 ESCS423012	42	30	12	40	28	13.812	147
5412 ESCS423612	42	36	12	40	34	13.812	172
5412 ESCS242016	24	20	16	22	18	18.437	74
5412 ESCS242416	24	24	16	22	22	18.437	86
5412 ESCS302416	30	24	16	28	22	18.437	102

CATALOG NUMBER	DIMENSIONS						SHIP WGHT LBS.
	A	B	C	D	E	F	
5412 ESCS362416	36	24	16	34	22	18.437	119
5412 ESCS363016	36	30	16	34	28	18.437	142
5412 ESCS423616	42	36	16	40	34	18.437	187
5412 ESCS302420	30	24	20	28	22	23.062	113
5412 ESCS363020	36	30	20	34	28	23.062	155
5412 ESCS302424	30	24	24	28	22	27.687	123

\* Only panels with sides 20" or more are double bent.

**Insulated box?** To have your enclosure insulated, add suffix "TH"

i.e.: 5412ESCS362412TH → Insulated steel enclosure

Data subject to change without notice.



[p.476](#)    [p.473](#)    [p.583](#)    [p.477](#)    [p.618](#)    [p.624](#)    [p.635](#)    [p.593](#)    [p.472](#)  
<http://www.exmweb.com>    1-800-363-2423    Fax : 450-979-4626    [info@exmweb.com](mailto:info@exmweb.com)

## Oil & dust tight PC cabinet

The 2500 CA series oil and dust tight consoles are used to protect computers against oil and dust. These cabinets are made from 14 GA steel or from 14 GA (Type 304) stainless steel. The opening has a curled lip around all sides to increase rigidity and to ensure complete contact against the high quality seamless poured gasket. The door comes complete with a

1/4" lexan window. An interior screen shelf is provided. A rear door is provided to access the back of the computer. Cut-outs for filter fans are provided on each side of the console. The 2500 CAF includes a fixed keyboard shelf and the 2500 CAM includes a movable keyboard shelf with a sliding mouse pad. The consoles are finished with heat fused pow-

der paint, electrostatically applied on a pretreated base or in type #4 stainless steel finish. Box and shelf are RAL 7011 (sandtex dark gray), doors and plates are RAL 7035 (textured light gray).

**NEMA/EEMAC 12-13 / IP65**

**Refer to p.727 to validate choice of substrate for the application**

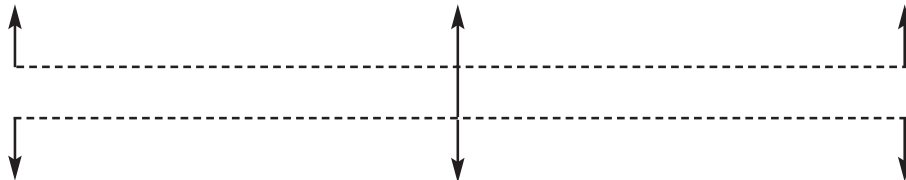
2500 CA



2500 CAF



2500 CAM



2500 PRI



2500 CPU



2500 PE

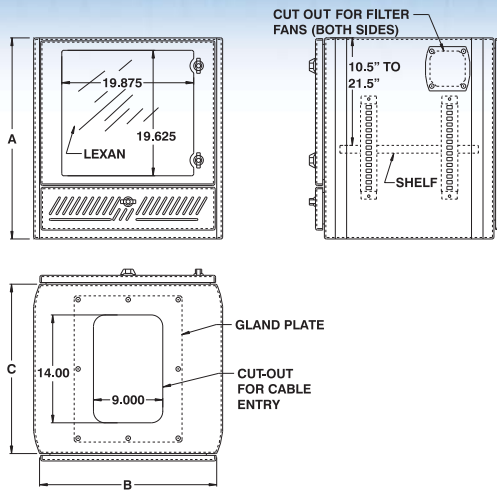
Data subject to change without notice.



# NEMA 12-13 PC CABINETS

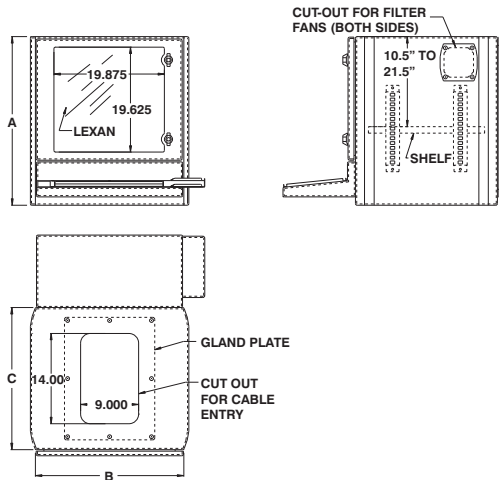
# 2500 CA/CAF/CAM

## Oil & dust tight PC cabinet



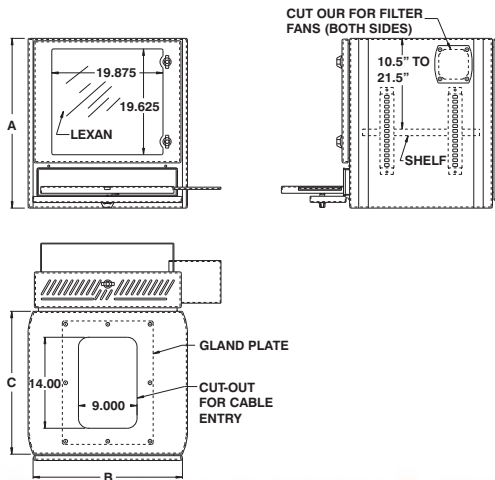
CATALOG NUMBER	DIMENSIONS			SHIP WGHT LBS.
	A	B	C	
2500 CA312524	31	25	24	64
2500 CA312524SS	31	25	24	64

## Oil & dust tight PC cabinet with fixed keyboard



CATALOG NUMBER	DIMENSIONS			SHIP WGHT LBS.
	A	B	C	
2500 CAF312524	31	25	24	64
2500 CAF312524SS	31	25	24	64

## Oil & dust tight PC cabinet with movable keyboard & pad



CATALOG NUMBER	DIMENSIONS			SHIP WGHT LBS.
	A	B	C	
2500 CAM312524	31	25	24	64
2500 CAM312524SS	31	25	24	64

Data subject to change without notice.



p.435  
<http://www.exmweb.com>



p.583



p.476



p.477

1-800-363-2423



p.624



p.635

Fax : 450-979-4626



p.593

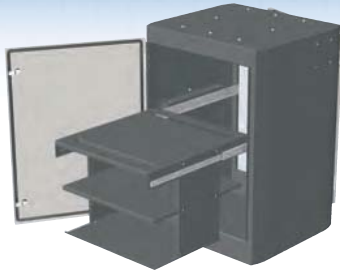


[info@exmweb.com](mailto:info@exmweb.com)

# NEMA 12-13 PC CABINETS

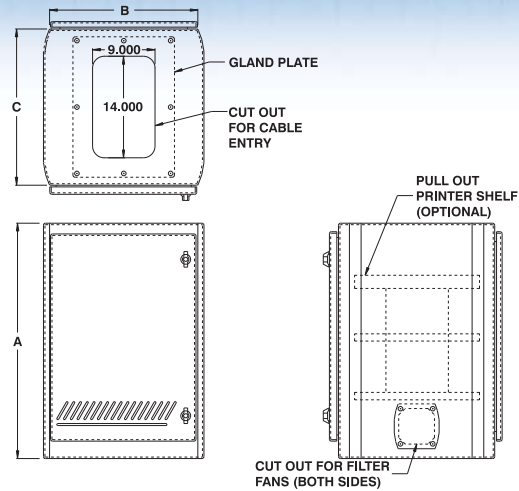
2500 PRI/CPU/PE

## Oil & dust tight PC cabinet base



Shown with optional printer shelf (2500 PRISH).

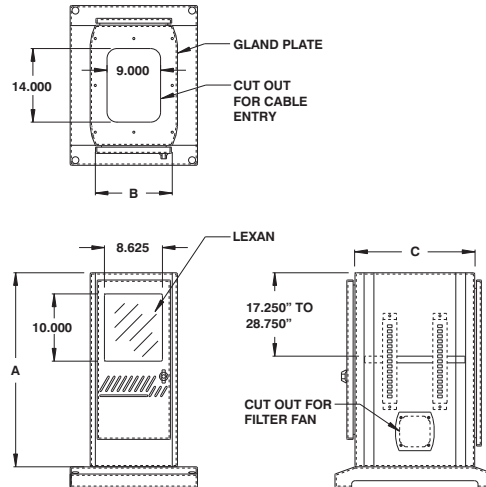
CATALOG NUMBER	DIMENSIONS			SHIP WGHT LBS.
	A	B	C	
2500 PRI392524	39	25	24	89
2500 PRI392524SS	39	25	24	89



## Oil & dust tight PC pedestal cabinet with shelf



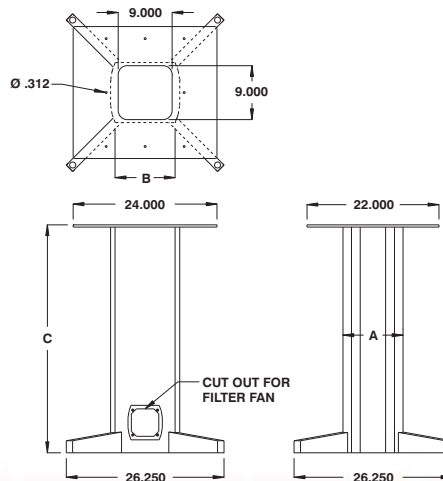
CATALOG NUMBER	DIMENSIONS			SHIP WGHT LBS.
	A	B	C	
2500 CPU381224	38	12	24	60
2500 CPU381224SS	38	12	24	60



## Oil & dust tight PC cabinet pedestal

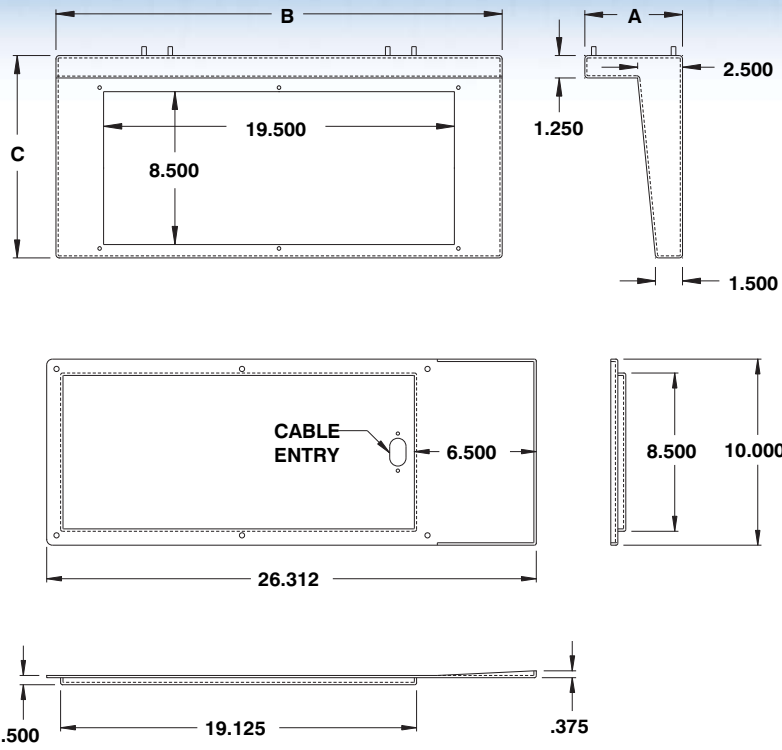


CATALOG NUMBER	DIMENSIONS			SHIP WGHT LBS.
	A	B	C	
2500 PE101038	10	10	38	39
2500 PE101038SS	10	10	38	39



Data subject to change without notice.

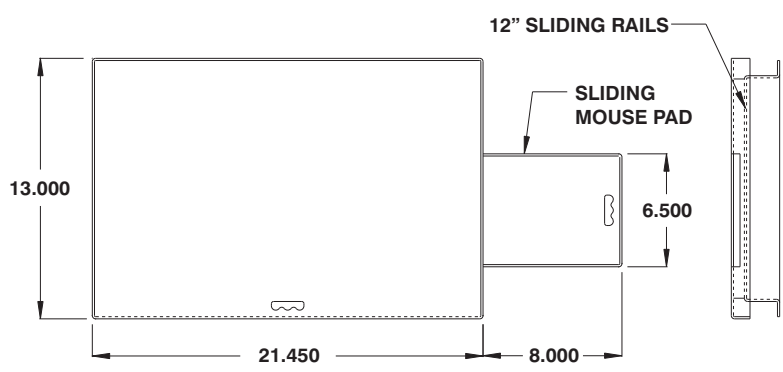
## Oil & dust tight PC keyboard adaptors for the 2500 CA



CATALOG NUMBER	MATERIAL	SHIP WGHT LBS.
2500 KF101	Steel	6
2500 KF101SS	Stainless steel	6



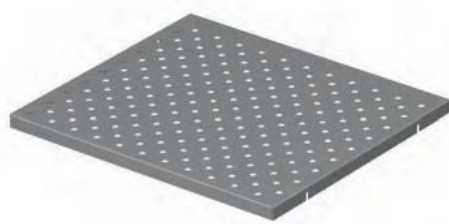
CATALOG NUMBER	MATERIAL	SHIP WGHT LBS.
2500 KF101MP	Steel	6
2500 KF101MPSS	Stainless steel	6



CATALOG NUMBER	MATERIAL	SHIP WGHT LBS.
2500 KM101	Steel	6
2500 KM101SS	Stainless steel	6

## Additional shelves for the 2500 CA and 2500 CPU

The 2500 MSH and 2500 CPUSH are additional shelves which are respectively made to fit the 2500 CA and 2500 CPU enclosures. Shelves are perforated and finished with heat fused powder paint, electrostatically applied on a pre-treated base.



Model #2500 MSH



Model #2500 CPUSH

Data subject to change without notice.

## Table cover plate for 2500 PRI, 2500 CPU and 2500 PE

The **2500 TA** is used as a table cover plate for 2500 PRI, 2500 CPU and 2500 PE pedestals. This accessory can be used to support an industrial grade computer

monitor or touch screen, or when the above mentioned consoles and pedestals are to be used as standalone units. These table plates are finished with heat fused

powder paint, electrostatically applied on a pretreated base or in type #4 stainless steel finish. Finish is RAL 7035 (textured light gray).



CATALOG NUMBER	MATERIAL	SHIP WGHT LBS.
2500 TA	Steel	10
2500 TASS	Stainless Steel	10

The 2500 TA can be used with the 2500 PRI, 2500 CPU and 2500 PE.

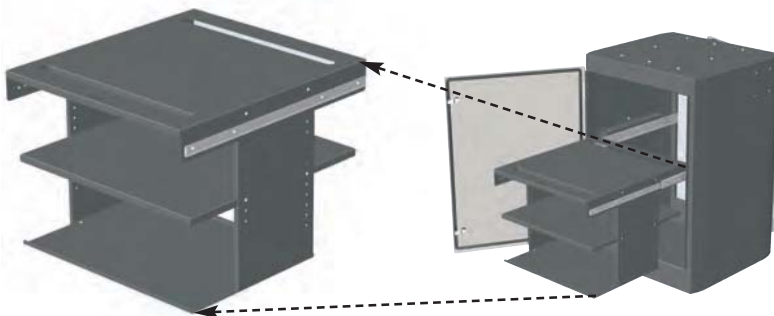


## Sliding shelves for the 2500 PRI

The **2500 PRISH** are sliding shelves for use with the 2500 PRI. The 2500 PRISH can be used to accommodate a printer and paper

or other equipment. These sliding shelves are finished with heat fused powder paint, electrostatically applied on a pretreated base

or in type #4 stainless steel finish. Finish is RAL 7035 (textured light gray).



CATALOG NUMBER	MATERIAL	SHIP WGHT LBS.
2500 PRISH	Steel	30
2500 PRISHSS	Stainless Steel	30

Data subject to change without notice.



## Oil and dust tight keyboard shelves

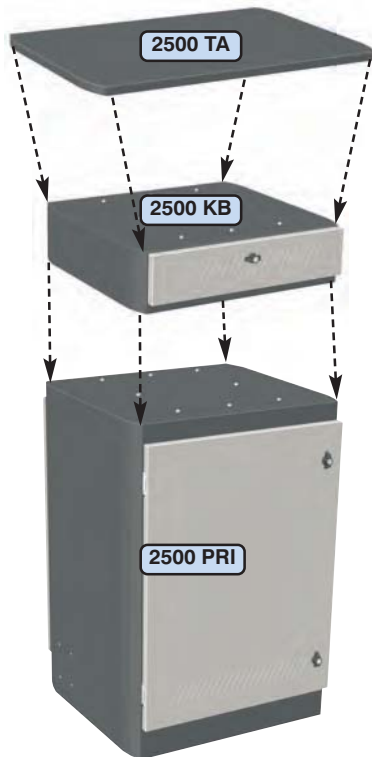
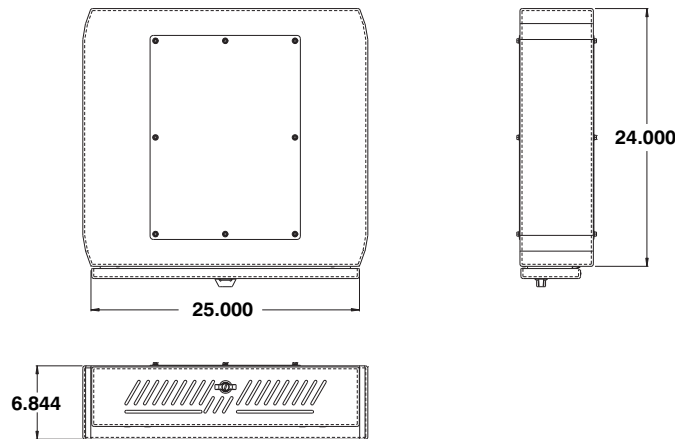
The 2500 KB keyboard shelves are used to protect electronic equipment from oil and dust. These units are made of 14 GA steel or 14 GA type 304 stainless steel. The opening has a curled lip around all sides to increase rigidity and to ensure a complete contact against the high quality seamless poured gasket. The 2500 KB can be used to support an industrial grade computer moni-

tor or touch screen and to house a keyboard or other electronic equipment. The 2500 KBF includes a fixed keyboard shelf and the 2500 KBM includes a movable keyboard shelf with a sliding mouse pad. The 2500 KB can be used in conjunction with the 2500 TA cover table plates for increased convenience. These units are finished with heat fused powder paint, electrostatically applied on a

pretreated base or in type #4 stainless steel finish. Box is RAL 7011 (sandtex dark gray), doors and plates are RAL 7035 (textured light gray).

**NEMA/EEMAC 12-13 / IP65**

**Refer to p.727 to validate choice of substrate for the application**



CATALOG NUMBER	MATERIAL	SHIP WGHT LBS.
2500 KB	Steel	18
2500 KBSS	Stainless Steel	18

CATALOG NUMBER	MATERIAL	SHIP WGHT LBS.
2500 KBF	Steel	20
2500 KBFSS	Stainless Steel	20

CATALOG NUMBER	MATERIAL	SHIP WGHT LBS.
2500 KBM	Steel	20
2500 KBMSS	Stainless Steel	20

Data subject to change without notice.

## Oil & dust tight PC cabinet

The 2500 PC series oil and dust tight consoles are used to protect computers against oil and dust. These cabinets are made from 14 GA steel or from 14 GA (Type 304) stainless steel. The opening has a curled lip around all sides to increase rigidity and to ensure complete contact against the high quality seamless poured gasket. The door comes complete with a

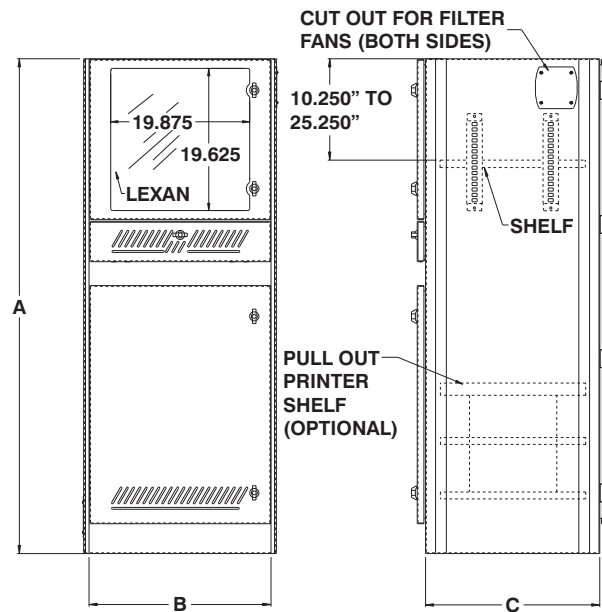
1/4" lexan window. An interior screen shelf is provided. A back plate is provided to access the back of the computer. Cut-outs for filter fans are provided on each side of the console. The 2500 PCF includes a fixed keyboard shelf and the 2500 PCM includes a movable keyboard shelf with a sliding mouse pad. The consoles are finished with

heat fused powder paint, electrostatically applied on a pretreated base or in type #4 stainless steel finish. Box and shelf are RAL 7011 (sandtex dark gray), doors and plates are RAL 7035 (textured light gray).

**NEMA/EEMAC 12-13 / IP65**

**Refer to p.727 to validate choice of substrate for the application**

2500 PC



CATALOG NUMBER	DIMENSIONS			SHIP WGT LBS.
	A	B	C	
2500 PC702524	70	25	24	144
2500 PC702524SS	70	25	24	144

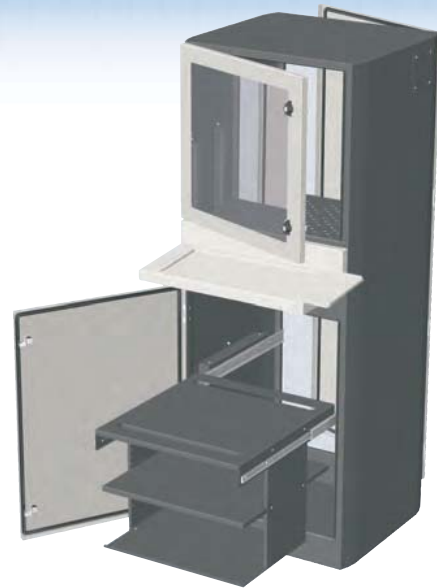
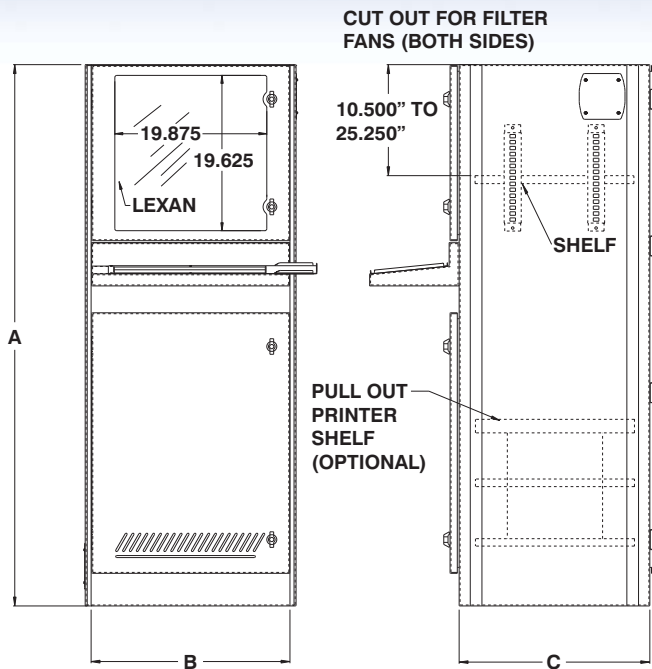
Data subject to change without notice.



# NEMA 12-13 PC CABINETS

2500 PCF/PCM

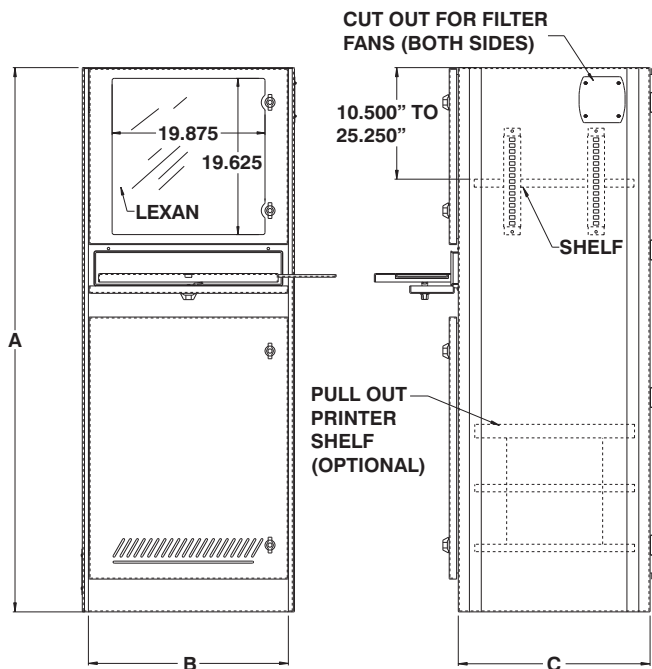
Oil & dust tight PC cabinet with fixed keyboard



Shown with optional sliding printer shelf (2500 PRISH).

CATALOG NUMBER	DIMENSIONS			SHIP WGHT LBS.
	A	B	C	
2500 PCF702524	70	25	24	150
2500 PCF702524SS	70	25	24	150

Oil & dust tight PC cabinet with movable keyboard & pad



Shown with optional sliding printer shelf (2500 PRISH).

CATALOG NUMBER	DIMENSIONS			SHIP WGHT LBS.
	A	B	C	
2500 PCM702524	70	25	24	150
2500 PCM702524SS	70	25	24	150

Data subject to change without notice.



p.583

<http://www.exmweb.com>



p.476



p.477



p.624



p.635



p.593

Fax : 450-979-4626



p.472



[info@exmweb.com](mailto:info@exmweb.com)

## Oil & dust tight PC cabinet with air conditioning

The 2500 IQ oil and dust tight consoles are used to protect computers against oil and dust. These cabinets are made from 14 GA steel. The opening has a curled lip around all sides to increase rigidity and to ensure complete contact against the high quality seamless poured gasket. The door comes complete with a 1/4" lexan window. An interior screen shelf is pro-

vided. A back plate is provided to access the back of the computer. Cut-outs for filter fans are provided on each side of the console. The 2500 IQ includes a movable keyboard shelf with a sliding mouse pad. The lower part of the cabinet is also equipped with a sliding printer shelf. A top mount closed loop air conditioner is installed and is available in strengths of 2500 and 4000 BTU.

The consoles are finished with heat fused powder paint, electrostatically applied on a pretreated base. Box and shelf are RAL 7011 (sandtex dark gray), doors and plates are RAL 7035 (textured light gray).

**NEMA/EEMAC 12-13 / IP65**

**Refer to p.727 to validate choice of substrate for the application**



CATALOG NUMBER	BTU/HOUR	NOMINAL			SHIP WGHT LBS.
		H	W	D	
2500 IQ2500	2500	70	25	24	235
2500 IQ4000	4000	70	25	24	245

Vertical mount air conditioners are also available upon request.

Data subject to change without notice.



# ACCESSORIES



# GENUINE EXM ACCESSORIES

Choose your EXM accessories



**Commercial  
Lock inserts**  
p.443



**Commercial  
Key & pad locks**  
p.444



**Commercial  
Door handles**  
p.444



**ESEL style  
Locks & inserts**  
p.446



**ESCH style  
Locks & inserts**  
p.445



**Industrial  
Lock & inserts**  
p.450



**Industrial  
Key & pad locks**  
p.451



**Industrial  
Door handles**  
p.452



**Industrial  
Lock accessories**  
p.451



**Individual cams,  
Inserts & housings**  
p.453



**Stainless steel  
Locks & inserts**  
p.455



**Stainless steel  
Key & pad locks**  
p.454



**Stainless steel  
Handles**  
p.454



**Cabinet  
Handles**  
p.456



**Electronic  
Lock devices**  
p.457



**Gear  
Boxes**  
p.458



**Mounting  
Feet & stands**  
p.462



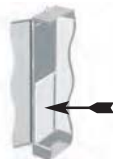
**Cabinet  
Doors**  
p.464



**Cabinet  
Panels**  
p.466



**Swing out  
Panels**  
p.470



**Side  
Panels**  
p.471



**Lights and  
Accessories**  
p.582



**Hinges and  
door accessories**  
p.475



**Door stop  
Kits**  
p.473

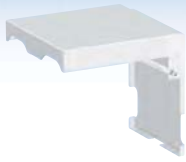


**External  
Drip shields**  
p.474

Data subject to  
change without  
notice.

# GENUINE EXM ACCESSORIES

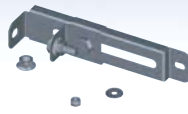
Choose your EXM accessories



**Folding Shelves**  
p.476



**Pole Mounting kits**  
p.476



**Inner panel Depth adjustor**  
p.476



**Print Pockets**  
p.477



**Castor Wheels**  
p.472



**Industrial Eye bolts**  
p.472



**Touch up Paint**  
p.472



**Grounding Accessories**  
p.478



**Hole Plugs**  
p.480



**Hardware Kits**  
p.482



**Gas spring Cylinders**  
p.473



**Self-adhesive Gasket tape**  
p.481



**DIN rails and Accessories**  
p.620



**Pressure Compensation**  
p.616



**Thermostats, Hygrostats**  
p.622



**Enclosure Heaters**  
p.633



**Louver plates, Filters**  
p.591



**Filter fans (Indoor use)**  
p.594



**Filter fans (Outdoor use)**  
p.609



**Top mounted Exhaust filters**  
p.605



**Gland plates instrument mount**  
p.486



**Gland plates Cable entry**  
p.488



**Window kits (Indoor use)**  
p.491



**Window kits (Outdoor use)**  
p.490



**Washdown Hood (Outdoor Use)**  
P. 592



Data subject to change without notice.

# COMMERCIAL DOOR LOCKS AND HANDLES

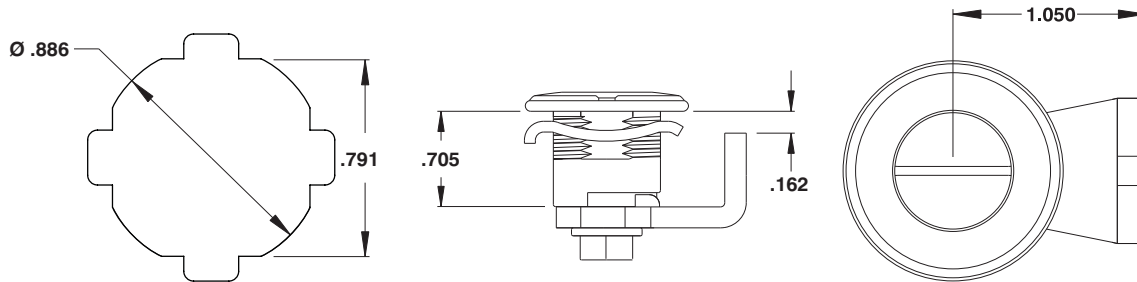
## Commercial door locks - 880 SCQCOM series

The 880 SCQCOM series door accessories were designed to fit EXM commercial enclosures. A full range of accessories are available to accommodate a variety of applications.

These accessories include :

- 14 types of lock inserts (p.437)
- Key lock, padlock and combination lock provisions (p.438)
- Operating handles (p.438)
- ¼ turn lock dust cap (p.438)

Locking mechanisms can be ordered as complete units or in parts. Parts include individual inserts, cams and housings. The SCQCOM series was designed for use with the 1100 series.



### Available accessories, amongst others :



**Lock inserts**  
p.443



**Key locks**  
p.444



**Combination locks**  
p.444



**Padlocks**  
p.444



**'L' handles**  
p.444



**'T' handles**  
p.444



**Wing handles**  
p.444



**Padlock wing**  
p.444



**Padlockable handle**  
p.444



**Dust cap**  
p.443

The 880 SCQCOM accessories are to be used with these enclosure series, amongst others :



**1100 CM**



**1100 E †**



**1100 TC**

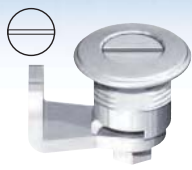
† These quarter-turn locks are only compatible with the rectangular dimensions of the 1100 E series. (see p.204)

Data subject to change without notice.



# COMMERCIAL DOOR LOCKS AND HANDLES

## Tool operated locking mechanisms, commercial



Slot 2 X 4mm lock

CATALOG # : 880 SCQCOM-SL  
 KEY NUMBER : None  
 Key included? : N/A  
 Material : Steel/Zinc Cast  
 For use with : 1100 CM, 1100 TC  
 1100 E (see p.204)



Square 6mm

CATALOG # : 880 SCQCOM-SQ6  
 KEY NUMBER : K-SQ6  
 Key included? : No  
 Material : Steel/Zinc Cast  
 For use with : 1100 CM, 1100 TC  
 1100 E (see p.204)



Square 7mm

CATALOG # : 880 SCQCOM-SQ7  
 KEY NUMBER : K-SQ7  
 Key included? : No  
 Material : Steel/Zinc Cast  
 For use with : 1100 CM, 1100 TC  
 1100 E (see p.204)



Square 8mm

CATALOG # : 880 SCQCOM-SQ8  
 KEY NUMBER : K-SQ8  
 Key included? : No  
 Material : Steel/Zinc Cast  
 For use with : 1100 CM, 1100 TC  
 1100 E (see p.204)



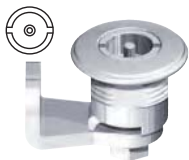
Triangular 7mm

CATALOG # : 880 SCQCOM-TR7  
 KEY NUMBER : K-TR7  
 Key included? : No  
 Material : Steel/Zinc Cast  
 For use with : 1100 CM, 1100 TC  
 1100 E (see p.204)



Triangular 8mm

CATALOG # : 880 SCQCOM-TR8  
 KEY NUMBER : K-TR8  
 Key included? : No  
 Material : Steel/Zinc Cast  
 For use with : 1100 CM, 1100 TC  
 1100 E (see p.204)



Double bit 3mm

CATALOG # : 880 SCQCOM-DB3  
 KEY NUMBER : K-DB3  
 Key included? : No  
 Material : Steel/Zinc Cast  
 For use with : 1100 CM, 1100 TC  
 1100 E (see p.204)



Double bit 5mm

CATALOG # : 880 SCQCOM-DB5  
 KEY NUMBER : K-DB5  
 Key included? : No  
 Material : Steel/Zinc Cast  
 For use with : 1100 CM, 1100 TC  
 1100 E (see p.204)



Hexagon 10mm

CATALOG # : 880 SCQCOM-HX  
 KEY NUMBER : K-HX  
 Key included? : No  
 Material : Steel/Zinc Cast  
 For use with : 1100 CM, 1100 TC  
 1100 E (see p.204)



Hexagon with pin

CATALOG # : 880 SCQCOM-HXP  
 KEY NUMBER : K-HXP  
 Key included? : No  
 Material : Steel/Zinc Cast  
 For use with : 1100 CM, 1100 TC  
 1100 E (see p.204)



Slot 2 X 4mm coinproof

CATALOG # : 880 SCQCOM-SLP  
 KEY NUMBER : None  
 Key included? : No  
 Material : Steel/Zinc Cast  
 For use with : 1100 CM, 1100 TC  
 1100 E (see p.204)



Crown type

CATALOG # : 880 SCQCOM-CW  
 KEY NUMBER : K-CW  
 Key included? : No  
 Material : Steel/Zinc Cast  
 For use with : 1100 CM, 1100 TC  
 1100 E (see p.204)



Daimler Benz type

CATALOG # : 880 SCQCOM-BZ  
 KEY NUMBER : K-BZ  
 Key included? : No  
 Material : Steel/Zinc Cast  
 For use with : 1100 CM, 1100 TC  
 1100 E (see p.204)



Anti-vibration double bit

CATALOG # : 880 SCQCOM-AV  
 KEY NUMBER : K-DB3  
 Key included? : No  
 Material : Steel/Zinc Cast  
 For use with : 1100 CM, 1100 TC  
 1100 E (see p.204)



1/4 turn lock dust cap

CATALOG # : 880 DDC  
 KEY NUMBER : None  
 Key included? : No  
 Material : Polyamide GF  
 For use with : ES series, 9412  
 ESA, 5412 ESDD...



Finger pull for 1/4 turn lock

CATALOG # : 880 DFP  
 KEY NUMBER : None  
 Key included? : No  
 Material : Polyamide GF  
 For use with : ES series, 9412  
 ESA, 5412 ESDD...

Items listed above are complete units. Individual parts (inserts, cams, housings) can be ordered. See page 453.

Data subject to change without notice.



# COMMERCIAL DOOR LOCKS AND HANDLES

## Commercial key locks, 1/4 turn locks and handles



### Universal padlock provisions

**CATALOG # :** 880 PLCHQ375  
**KEY NUMBER :** Use 880 PDLK375  
**Key included? :** No  
**Material :** Stainless steel  
**For use with :** ES series, 9412,CH series...



### Weatherproof padlock 3/8"

**CATALOG # :** 880 PDLK375  
**KEY NUMBER :** K-KL1  
**Key included? :** Yes  
**Material :** Steel/Plastic  
**For use with :** 880 PLESQ38  
 General purpose



### 1/4 turn polymer lock

**CATALOG # :** 880 SCQ1-SL  
**KEY NUMBER :** None  
**Key included? :** No  
**Material :** Polyamide GF  
**For use with :** 1100 E (with embossed covers)



### Long 1/4 turn polymer lock

**CATALOG # :** 880 SCQ1-SLL  
**KEY NUMBER :** None  
**Key included? :** No  
**Material :** Polyamide GF  
**For use with :** 1100 E (with square covers)



### 1/4 turn polymer lock

**CATALOG # :** 880 SCQ1-SLF  
**KEY NUMBER :** None  
**Key included? :** No  
**Material :** Polyamide GF  
**For use with :** 1100, 1100 W, 1100 E (flat covers)



### Key lock 'L' handle

**CATALOG # :** 880 SCQCOM-L  
**KEY NUMBER :** K-KL1  
**Key included? :** Yes  
**Material :** Zinc Cast  
**For use with :** 1100 CM, 1100 TC 1100 E



### Padlockable with key lock

**CATALOG # :** 880 SCQCOM-QLP  
**KEY NUMBER :** K-KL1  
**Key included? :** Yes  
**Material :** Zinc Cast  
**For use with :** 1100 CM, 1100 TC 1100 E



### 'L' handle non-locking

**CATALOG # :** 880 SCQCOM-LN  
**KEY NUMBER :** None  
**Key included? :** No  
**Material :** Polyamide GF/Zinc  
**For use with :** 1100 CM, 1100 TC 1100 E



### Padlockable with no key

**CATALOG # :** 880 SCQCOM-QLP  
**KEY NUMBER :** None  
**Key included? :** No  
**Material :** Zinc Cast  
**For use with :** 1100 CM, 1100 TC 1100 E



### Key lock

**CATALOG # :** 880 SCQCOM-K  
**KEY NUMBER :** K-KL1  
**Key included? :** Yes  
**Material :** Plated steel  
**For use with :** 1100 CM, 1100 TC 1100 E



### Combination lock

**CATALOG # :** 880 SCQCOM-NL  
**KEY NUMBER :** None  
**Key included? :** No  
**Material :** Plated steel  
**For use with :** 1100 CM, 1100 TC 1100 E



### Key lock wing handle

**CATALOG # :** 880 SCQCOM-WN  
**KEY NUMBER :** K-WN  
**Key included? :** Yes  
**Material :** Polyamide GF/Zinc  
**For use with :** 1100 CM, 1100 TC 1100 E



### Key lock 'T' handle

**CATALOG # :** 880 SCQCOM-T  
**KEY NUMBER :** K-T  
**Key included? :** Yes  
**Material :** Polyamide GF/Zinc  
**For use with :** 1100 CM, 1100 TC 1100 E



### Non-locking wing handle

**CATALOG # :** 880 SCQCOM-WNN  
**KEY NUMBER :** None  
**Key included? :** no  
**Material :** Polyamide GF/Zinc  
**For use with :** 1100 CM, 1100 TC 1100 E



### Double padlock wing

**CATALOG # :** 880 SCQCOM-WNP  
**KEY NUMBER :** Padlock  
**Key included? :** No  
**Material :** Polyamide GF/Zinc  
**For use with :** 1100 CM, 1100 TC 1100 E

Data subject to change without notice.

Items listed above are complete units. Individual parts (inserts, cams, housings) can be ordered. See page 453.

# FLANGE-MOUNTED LOCKS

## Door locks for ESCH series enclosures (1/4 turn lock)

The **880 SCQ2 series** door lock accessories are designed to fit ESCH series enclosures. A full range of accessories are available to accommodate a variety of applications.

These accessories include :

- Slot lock in zinc casting and stainless steel.
- Padlock provision in zinc casting and stainless steel.
- 3 insert types, key lock, knob

**A new mounting clip facilitates the installation and removal of the flange mounted 1/4 turn locks.**

This innovative lock design was engineered by EXM and is used only on EXM products.



### Slot lock

**CATALOG # :** 880 SCQ2S  
**KEY NUMBER :** None  
**Key included? :** N/A  
**Material :** Zinc casting  
**For use with :** ESCH series, 1500 CS, 880 HWK



### Stainless steel slot lock

**CATALOG # :** 880 SCQ3S  
**KEY NUMBER :** None  
**Key included? :** N/A  
**Material :** Stainless steel  
**For use with :** ESSCH series, EALCH series...



### Padlock

**Zinc cast # :** 880 SCQ2P  
**For use with :** ESCH series, 1500 CS, 880 HWK  
**Stainless steel # :** 880 SCQ3P  
**For use with :** ESSCH series, EALCH series...



### Wing knob

**CATALOG # :** 880 SCQ2WN  
**KEY NUMBER :** None  
**Key included? :** No tool required  
**Material :** Zinc casting  
**For use with :** ESCH series, 1500 CS, 880 HWK



### Key lock

**CATALOG # :** 880 SCQ2K  
**KEY NUMBER :** K-ESCHK  
**Key included? :** Yes  
**Material :** Zinc casting  
**For use with :** ESCH series, 1500 CS, 880 HWK



### Double bit lock

**CATALOG # :** 880 SCQ2DB  
**KEY NUMBER :** K-DB3  
**Key included? :** No  
**Material :** Zinc casting  
**For use with :** ESCH series, 1500 CS, 880 HWK



### Triangular lock

**CATALOG # :** 880 SCQ2TR  
**KEY NUMBER :** K-TR7  
**Key included? :** No  
**Material :** Zinc casting  
**For use with :** ESCH series, 1500 CS, 880 HWK



### Square lock

**CATALOG # :** 880 SCQ2SQ  
**KEY NUMBER :** K-SQ6  
**Key included? :** No  
**Material :** Zinc casting  
**For use with :** ESCH series, 1500 CS, 880 HWK

## Door locks for ESEL series enclosures (Screw type)

The **880 SCQ2ELS series** door lock accessories are designed to fit ESEL series enclosures. A full range of accessories are available to accommodate a variety of appli-

cations.

These accessories include :

- Slot lock in zinc casting and stainless steel.

**A new mounting clip facilitates**

**the installation and removal of the flange mounted screw type**

**locks.** This innovative lock design was engineered by EXM and is used only on EXM products.



### Slot lock

**CATALOG # :** 880 SCQ2ELS  
**KEY NUMBER :** None  
**Key included? :** N/A  
**Material :** Zinc casting  
**For use with :** ESEL series, 5412 ESEL



### Stainless steel slot lock

**CATALOG # :** 880 SCQ3ELS  
**KEY NUMBER :** None  
**Key included? :** N/A  
**Material :** Stainless steel  
**For use with :** ESEL series, 5412 ESEL

Data subject to change without notice.





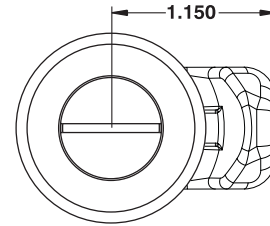
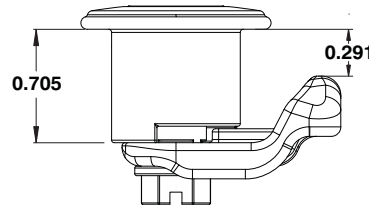
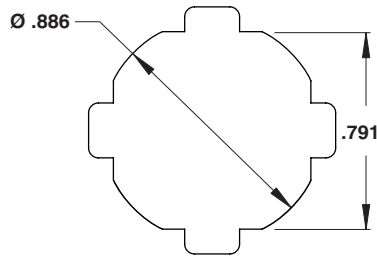
# CH SERIES DOOR LOCKS AND HANDLES

## Door locks - 880 SCQ4CH series

The **880 SCQ4CH** series door accessories were designed to fit EXM 'CH' style industrial enclosures. A full range of accessories are available to accommodate a variety of applications.

These accessories include :  
 - 14 types of lock inserts (p.447)  
 - Padlock provisions (p.446)  
 - Operating handles (p.446)  
 - 1/4 turn lock dust cap (p.447)...

Locking mechanisms can be ordered as complete units or in parts. Parts include individual inserts, cams and housings. For use with 1412 CH, 1412CH...IP, 5412CH.



## Key locks, 1/4 turn locks and door locks



### Key lock

**CATALOG # :** 880 SCQ4CH-K  
**KEY NUMBER :** K-KL1  
**Key included? :** Yes  
**Material :** Plated steel  
**For use with :** CH series, 1412 CH, 5412 CH



### Combination lock

**CATALOG # :** 880 SCQ4CH-NL  
**KEY NUMBER :** None  
**Key included? :** No  
**Material :** Plated steel  
**For use with :** CH series, 1412 CH, 5412 CH



### Universal padlock provisions

**CATALOG # :** 880 PLCHQ375  
**KEY NUMBER :** Use 880 PDLK375  
**Key included? :** No  
**Material :** Stainless steel  
**For use with :** ES series, 9412, CH series...



### Weatherproof padlock 3/8"

**CATALOG # :** 880 PDLK375  
**KEY NUMBER :** K-KL1  
**Key included? :** Yes  
**Material :** Steel/Plastic  
**For use with :** 880 PLESQ38  
 General purpose



### Key lock 'L' handle

**1 point lock :** 880 SCQ4CH-L  
**3 point lock :** 885 ESL2A  
**KEY NUMBER :** K-KL1  
**Key included? :** Yes  
**Material :** Zinc Cast  
**For use with :** CH series,



### Key lock 'T' handle

**CATALOG # :** 880 SCQ4CH-T  
**KEY NUMBER :** K-T  
**Key included? :** Yes  
**Material :** Polyamide GF/Zinc  
**For use with :** CH series, 1412 CH, 5412 CH



### 'L' handle non-locking

**CATALOG # :** 880 SCQ4CH-LN  
**KEY NUMBER :** None  
**Key included? :** No  
**Material :** Polyamide GF/Zinc  
**For use with :** CH series, 1412 CH, 5412 CH



### Key lock wing handle

**CATALOG # :** 880 SCQ4CH-WN  
**KEY NUMBER :** K-WN  
**Key included? :** Yes  
**Material :** Polyamide GF/Zinc  
**For use with :** CH series, 1412 CH, 5412 CH



### Padlockable with key lock

**CATALOG # :** 880 SCQ4CH-QLP  
**KEY NUMBER :** K-KL1  
**Key included? :** Yes  
**Material :** Zinc Cast  
**For use with :** 1100 CC, 5300 MC,



### Non-locking wing handle

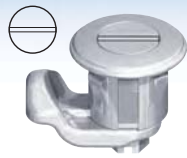
**CATALOG # :** 880 SCQCOM-WNN  
**KEY NUMBER :** None  
**Key included? :** no  
**Material :** Polyamide GF/Zinc  
**For use with :** 1100 CM, 1100 TC, 1100 E

Data subject to change without notice.



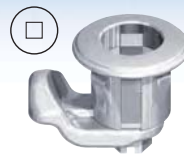
# CH SERIES DOOR LOCKS AND HANDLES

## Tool operated locking mechanisms, commercial



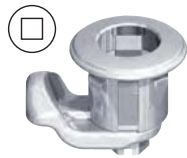
### Slot 2 X 4mm lock

CATALOG # : 880 SCQ4CH-SL  
 KEY NUMBER : None  
 Key included? : N/A  
 Material : Steel/Zinc Cast  
 For use with : CH series,  
 1412 CH, 5412 CH



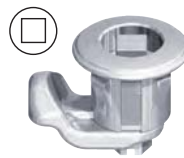
### Square 6mm

CATALOG # : 880 SCQ4CH-SQ6  
 KEY NUMBER : K-SQ6  
 Key included? : No  
 Material : Steel/Zinc Cast  
 For use with : CH series,  
 1412 CH, 5412 CH



### Square 7mm

CATALOG # : 880 SCQ4CH-SQ7  
 KEY NUMBER : K-SQ7  
 Key included? : No  
 Material : Steel/Zinc Cast  
 For use with : CH series,  
 1412 CH, 5412 CH



### Square 8mm

CATALOG # : 880 SCQ4CH-SQ8  
 KEY NUMBER : K-SQ8  
 Key included? : No  
 Material : Steel/Zinc Cast  
 For use with : CH series,  
 1412 CH, 5412 CH



### Triangular 7mm

CATALOG # : 880 SCQ4CH-TR7  
 KEY NUMBER : K-TR7  
 Key included? : No  
 Material : Steel/Zinc Cast  
 For use with : CH series,  
 1412 CH, 5412 CH



### Triangular 8mm

CATALOG # : 880 SCQ4CH-TR8  
 KEY NUMBER : K-TR8  
 Key included? : No  
 Material : Steel/Zinc Cast  
 For use with : CH series,  
 1412 CH, 5412 CH



### Double bit 3mm

CATALOG # : 880 SCQ4CH-DB3  
 KEY NUMBER : K-DB3  
 Key included? : No  
 Material : Steel/Zinc Cast  
 For use with : CH series,  
 1412 CH, 5412 CH



### Double bit 5mm

CATALOG # : 880 SCQ4CH-DB5  
 KEY NUMBER : K-DB5  
 Key included? : No  
 Material : Steel/Zinc Cast  
 For use with : CH series,  
 1412 CH, 5412 CH



### Hexagon 10mm

CATALOG # : 880 SCQ4CH-HX  
 KEY NUMBER : K-HX  
 Key included? : No  
 Material : Steel/Zinc Cast  
 For use with : CH series,  
 1412 CH, 5412 CH



### Hexagon with pin

CATALOG # : 880 SCQ4CH-HXP  
 KEY NUMBER : K-HXP  
 Key included? : No  
 Material : Steel/Zinc Cast  
 For use with : CH series,  
 1412 CH, 5412 CH



### Slot 2 X 4mm coinproof

CATALOG # : 880 SCQ4CH-SLP  
 KEY NUMBER : None  
 Key included? : No  
 Material : Steel/Zinc Cast  
 For use with : CH series,  
 1412 CH, 5412 CH



### Crown type

CATALOG # : 880 SCQ4CH-CW  
 KEY NUMBER : K-CW  
 Key included? : No  
 Material : Steel/Zinc Cast  
 For use with : CH series,  
 1412 CH, 5412 CH



### Daimler Benz type

CATALOG # : 880 SCQ4CH-BZ  
 KEY NUMBER : K-BZ  
 Key included? : No  
 Material : Steel/Zinc Cast  
 For use with : CH series,  
 1412 CH, 5412 CH



### Anti-vibration double bit

CATALOG # : 880 SCQ4CH-AV  
 KEY NUMBER : K-DB5  
 Key included? : No  
 Material : Steel/Zinc Cast  
 For use with : CH series,  
 1412 CH, 5412 CH



### 1/4 turn lock dust cap

CATALOG # : 880 DDC  
 KEY NUMBER : None  
 Key included? : No  
 Material : Polyamide GF  
 For use with : ES series, 9412  
 ESA, 5412 ESDD...



### Finger pull for 1/4 turn lock

CATALOG # : 880 DFP  
 KEY NUMBER : None  
 Key included? : No  
 Material : Polyamide GF  
 For use with : ES series, 9412  
 ESA, 5412 ESDD...

Items listed above are complete units. Individual parts (inserts, cams, housings) can be ordered. See page 453.

Data subject to  
 change without  
 notice.



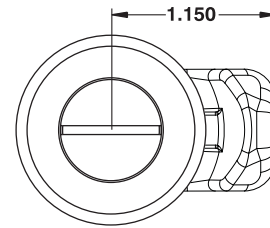
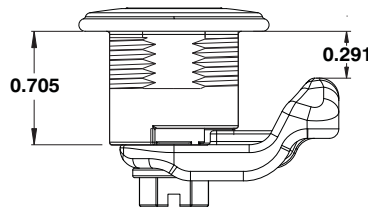
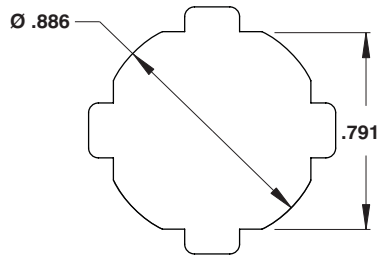
# CHSS SERIES DOOR LOCKS AND HANDLES

## Door locks - 880 SCQ4CHSS series

The **880 SCQ4CHSS** series door accessories were designed to fit EXM 'CH' style industrial enclosures. A full range of accessories are available to accommodate a variety of applications.

These accessories include :  
 - 14 types of lock inserts (p.449)  
 - Padlock provisions (p.448)  
 - Operating handles (p.448)  
 - 1/4 turn lock dust cap (p.449)...

Locking mechanisms can be ordered as complete units or in parts. Parts include individual inserts, cams and housings. For use with 1412 CH, 1412CH...IP, 5412CH.



## Key locks, pad locks and 1/4 turn locks



### Key lock

**CATALOG # :** 880 SCQ4CH-KSS  
**KEY NUMBER :** K-KL1  
**Key included? :** Yes  
**Material :** Plated steel  
**For use with :** CH series, 1412 CH, 5412 CH



### Combination lock

**CATALOG # :** 880 SCQ4CH-NLSS  
**KEY NUMBER :** None  
**Key included? :** No  
**Material :** Plated steel  
**For use with :** CH series, 1412 CH, 5412 CH



### Universal padlock provisions

**CATALOG # :** 880 PLCHQ375  
**KEY NUMBER :** Use 880 PDLK375  
**Key included? :** No  
**Material :** Stainless steel  
**For use with :** ES series, 9412, CH series...



### Weatherproof padlock 3/8"

**CATALOG # :** 880 PDLK375  
**KEY NUMBER :** K-KL1  
**Key included? :** Yes  
**Material :** Steel/Plastic  
**For use with :** 880 PLESQ38  
 General purpose

## Door handles



### Key lock 'L' handle

**1 point lock :** 880 SCQ4CH-LSS  
**3 point lock :** 885 ESL2A  
**KEY NUMBER :** K-KL1  
**Key included? :** Yes  
**Material :** Zinc Cast  
**For use with :** CH series,



### Key lock 'T' handle

**CATALOG # :** 880 SCQ4CH-TSS  
**KEY NUMBER :** K-T  
**Key included? :** Yes  
**Material :** Polyamide GF/Zinc  
**For use with :** CH series, 1412 CH, 5412 CH



### 'L' handle non-locking

**CATALOG # :** 880 SCQ4CH-LNSS  
**KEY NUMBER :** None  
**Key included? :** No  
**Material :** Polyamide GF/Zinc  
**For use with :** CH series, 1412 CH, 5412 CH



### 'T' handle non-locking

**CATALOG # :** 880 SCQ4CH-TNSS  
**KEY NUMBER :** K-WN  
**Key included? :** Yes  
**Material :** Polyamide GF/Zinc  
**For use with :** CH series, 1412 CH, 5412 CH

Data subject to change without notice.

# CHSS SERIES DOOR LOCKS AND HANDLES

## Tool operated locking mechanisms, commercial



### Slot 2 X 4mm lock

**CATALOG # :** 880 SCQ4CH-SLSS  
**KEY NUMBER :** None  
**Key included? :** N/A  
**Material :** Steel/Zinc Cast  
**For use with :** CH series,  
 1412 CH, 5412 CH



### Square 6mm

**CATALOG # :** 880 SCQ4CH-SQ6SS  
**KEY NUMBER :** K-SQ6  
**Key included? :** No  
**Material :** Steel/Zinc Cast  
**For use with :** CH series,  
 1412 CH, 5412 CH



### Square 7mm

**CATALOG # :** 880 SCQ4CH-SQ7SS  
**KEY NUMBER :** K-SQ7  
**Key included? :** No  
**Material :** Steel/Zinc Cast  
**For use with :** CH series,  
 1412 CH, 5412 CH



### Square 8mm

**CATALOG # :** 880 SCQ4CH-SQ8SS  
**KEY NUMBER :** K-SQ8  
**Key included? :** No  
**Material :** Steel/Zinc Cast  
**For use with :** CH series,  
 1412 CH, 5412 CH



### Triangular 7mm

**CATALOG # :** 880 SCQ4CH-TR7SS  
**KEY NUMBER :** K-TR7  
**Key included? :** No  
**Material :** Steel/Zinc Cast  
**For use with :** CH series,  
 1412 CH, 5412 CH



### Triangular 8mm

**CATALOG # :** 880 SCQ4CH-TR8SS  
**KEY NUMBER :** K-TR8  
**Key included? :** No  
**Material :** Steel/Zinc Cast  
**For use with :** CH series,  
 1412 CH, 5412 CH



### Double bit 3mm

**CATALOG # :** 880 SCQ4CH-DB3SS  
**KEY NUMBER :** K-DB3  
**Key included? :** No  
**Material :** Steel/Zinc Cast  
**For use with :** CH series,  
 1412 CH, 5412 CH



### Double bit 5mm

**CATALOG # :** 880 SCQ4CH-DB5SS  
**KEY NUMBER :** K-DB5  
**Key included? :** No  
**Material :** Steel/Zinc Cast  
**For use with :** CH series,  
 1412 CH, 5412 CH



### Hexagon 10mm

**CATALOG # :** 880 SCQ4CH-HXSS  
**KEY NUMBER :** K-HX  
**Key included? :** No  
**Material :** Steel/Zinc Cast  
**For use with :** CH series,  
 1412 CH, 5412 CH



### Hexagon with pin

**CATALOG # :** 880 SCQ4CH-HXPSS  
**KEY NUMBER :** K-HXP  
**Key included? :** No  
**Material :** Steel/Zinc Cast  
**For use with :** CH series,  
 1412 CH, 5412 CH



### Slot 2 X 4mm coinproof

**CATALOG # :** 880 SCQ4CH-SLPSS  
**KEY NUMBER :** None  
**Key included? :** No  
**Material :** Steel/Zinc Cast  
**For use with :** CH series,  
 1412 CH, 5412 CH



### Crown type

**CATALOG # :** 880 SCQ4CH-CWSS  
**KEY NUMBER :** K-CW  
**Key included? :** No  
**Material :** Steel/Zinc Cast  
**For use with :** CH series,  
 1412 CH, 5412 CH



### Daimler Benz type

**CATALOG # :** 880 SCQ4CH-BZSS  
**KEY NUMBER :** K-BZ  
**Key included? :** No  
**Material :** Steel/Zinc Cast  
**For use with :** CH series,  
 1412 CH, 5412 CH



### Anti-vibration double bit

**CATALOG # :** 880 SCQ4CH-AVSS  
**KEY NUMBER :** K-DB5  
**Key included? :** No  
**Material :** Steel/Zinc Cast  
**For use with :** CH series,  
 1412 CH, 5412 CH

Items listed above are complete units. Individual parts (inserts, cams, housings) can be ordered. See page 453.

Data subject to change without notice.





# ES SERIES DOOR LOCKS AND HANDLES

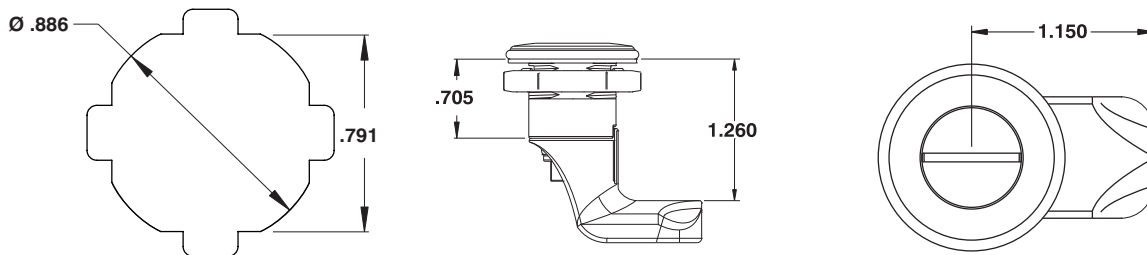
## Industrial door locks - 880 SCQ4 series

The 880 SCQ4 series door accessories were designed to fit EXM 'ES' style industrial enclosures. A full range of accessories are available to accommodate a variety of applications.

These accessories include :

- 14 types of lock inserts (p.451)
- Key lock, padlock and combination lock provisions (p.450)
- Operating handles (p.450)
- ¼ turn lock dust cap (p.451)...

Locking mechanisms can be ordered as complete units or in parts. Parts include individual inserts, cams and housings.



### Available accessories, amongst others :



**Lock inserts**  
p.451



**Key locks**  
p.452



**Combination locks**  
p.452



**Padlocks**  
p.452



**'L' handles**  
p.452



**'T' handles**  
p.452



**Wing handles**  
p.452



**Wing padlock**  
p.452



**Dust cap**  
p.451



**Meter Cab. handle**  
p.452

### The 880 SCQ4 accessories are to be used with these enclosure series, amongst others :



**5100 ES**  
**5412 ES**



**5100 ESDD**  
**5412 ESDD**



**5412 DDS**



**9412**



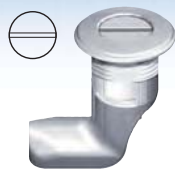
**5412 ESA**

Data subject to change without notice.



# ES SERIES DOOR LOCKS AND HANDLES

Tool operated locking mechanisms, industrial & standard



Slot 2 X 4mm lock

CATALOG # : 880 SCQ4-SL  
KEY NUMBER : None  
Key included? : N/A  
Material : Steel/Zinc Cast  
For use with : ES series, 9412  
ESA, 5412 ESDD...



Square 6mm

CATALOG # : 880 SCQ4-SQ6  
KEY NUMBER : K-SQ6  
Key included? : No  
Material : Steel/Zinc Cast  
For use with : ES series, 9412  
ESA, 5412 ESDD...



Square 7mm

CATALOG # : 880 SCQ4-SQ7  
KEY NUMBER : K-SQ7  
Key included? : No  
Material : Steel/Zinc Cast  
For use with : ES series, 9412  
ESA, 5412 ESDD...



Square 8mm

CATALOG # : 880 SCQ4-SQ8  
KEY NUMBER : K-SQ8  
Key included? : No  
Material : Steel/Zinc Cast  
For use with : ES series, 9412  
ESA, 5412 ESDD...



Triangular 7mm

CATALOG # : 880 SCQ4-TR7  
KEY NUMBER : K-TR7  
Key included? : No  
Material : Steel/Zinc Cast  
For use with : ES series, 9412  
ESA, 5412 ESDD...



Triangular 8mm

CATALOG # : 880 SCQ4-TR8  
KEY NUMBER : K-TR8  
Key included? : No  
Material : Steel/Zinc Cast  
For use with : ES series, 9412  
ESA, 5412 ESDD...



Double bit 3mm

CATALOG # : 880 SCQ4-DB3  
KEY NUMBER : K-DB3  
Key included? : No  
Material : Steel/Zinc Cast  
For use with : ES series, 9412  
ESA, 5412 ESDD...



Double bit 5mm

CATALOG # : 880 SCQ4-DB5  
KEY NUMBER : K-DB5  
Key included? : No  
Material : Steel/Zinc Cast  
For use with : ES series, 9412  
ESA, 5412 ESDD...



Hexagon 10mm

CATALOG # : 880 SCQ4-HX  
KEY NUMBER : K-HX  
Key included? : No  
Material : Steel/Zinc Cast  
For use with : ES series, 9412  
ESA, 5412 ESDD...



Hexagon with pin

CATALOG # : 880 SCQ4-HXP  
KEY NUMBER : K-HXP  
Key included? : No  
Material : Steel/Zinc Cast  
For use with : ES series, 9412  
ESA, 5412 ESDD...



Slot 2 X 4mm coinproof

CATALOG # : 880 SCQ4-SLP  
KEY NUMBER : None  
Key included? : No  
Material : Steel/Zinc Cast  
For use with : ES series, 9412  
ESA, 5412 ESDD...



Crown type

CATALOG # : 880 SCQ4-CW  
KEY NUMBER : K-CW  
Key included? : No  
Material : Steel/Zinc Cast  
For use with : ES series, 9412  
ESA, 5412 ESDD...

Adaptable  
to all



Slam lock

CATALOG # : 880 SCQ4-SLS  
KEY NUMBER : Adaptable to all  
Key included? : No  
Material : Steel/Zinc Cast  
For use with : ES series, 9412  
ESA, 5412 ESDD...



Anti-vibration double bit

CATALOG # : 880 SCQ4-AV  
KEY NUMBER : K-DB5  
Key included? : No  
Material : Steel/Zinc Cast  
For use with : ES series, 9412  
ESA, 5412 ESDD...



1/4 turn lock dust cap

CATALOG # : 880 DDC  
KEY NUMBER : None  
Key included? : No  
Material : Polyamide GF  
For use with : ES series, 9412  
ESA, 5412 ESDD...



Finger pull for 1/4 turn lock

CATALOG # : 880 DFP  
KEY NUMBER : None  
Key included? : No  
Material : Polyamide GF  
For use with : ES series, 9412  
ESA, 5412 ESDD...

Items listed above are complete units. Individual parts (inserts, cams, housings) can be ordered. See page 453.

Data subject to  
change without  
notice.



# ES SERIES DOOR LOCKS AND HANDLES

'ES' style key locks, pad locks and combination locks



## Key lock

CATALOG # : 880 SCQ4-K  
KEY NUMBER : K-KL1  
Key included? : Yes  
Material : Plated steel  
For use with : ES series, 9412  
ESA, 5412 ESDD...



## Combination lock

CATALOG # : 880 SCQ4-NL  
KEY NUMBER : None  
Key included? : No  
Material : Plated steel  
For use with : ES series, 9412  
ESA, 5412 ESDD...



## Universal padlock provisions

CATALOG # : 880 PLCHQ375  
KEY NUMBER : Use 880 PDLK375  
Key included? : No  
Material : Stainless steel  
For use with : ES series, 9412, CH series...



## Weatherproof padlock 3/8"

CATALOG # : 880 PDLK375  
KEY NUMBER : K-KL1  
Key included? : Yes  
Material : Steel/Plastic  
For use with : 880 PLESQ38  
General purpose



## General purpose padlock

CATALOG # : 880 PL  
KEY NUMBER : Use padlock  
Key included? : No  
Material : Plated steel  
For use with : ES series, 9412  
ESA, 5412 ESDD...



## Stainless steel padlock

CATALOG # : 880 PLSS  
KEY NUMBER : Use padlock  
Key included? : No  
Material : Stainless steel  
For use with : ES series, 9412  
ESA, 5412 ESDD...

## Industrial door handles



## Key lock 'L' handle

1 point lock : 880 SCQ4-L  
3 point lock : 885 ESL2A  
KEY NUMBER : K-KL1  
Key included? : Yes  
Material : Zinc Cast  
For use with : ES series, 9412



## Padlockable with key lock

CATALOG # : 880 SCQ4-QLP  
KEY NUMBER : K-KL1  
Key included? : Yes  
Material : Zinc Cast  
For use with : 1100 CC, 5300 MC,



## 'L' handle non-locking

CATALOG # : 880 SCQ4-LN  
KEY NUMBER : None  
Key included? : No  
Material : Polyamide GF/Zinc  
For use with : ES series, 9412  
ESA, 5412 ESDD...



## Padlockable with no key

CATALOG # : 880 SCQ4-QLPN  
KEY NUMBER : None  
Key included? : No  
Material : Zinc Cast  
For use with : ES series, 9412  
ESA, 5412 ESDD...



## Key lock wing handle

CATALOG # : 880 SCQ4-WN  
KEY NUMBER : K-WN  
Key included? : Yes  
Material : Polyamide GF/Zinc  
For use with : ES series, 9412  
ESA, 5412 ESDD...



## Key lock 'T' handle

CATALOG # : 880 SCQ4-T  
KEY NUMBER : K-T  
Key included? : Yes  
Material : Polyamide GF/Zinc  
For use with : ES series, 9412  
ESA, 5412 ESDD...



## Non-locking wing handle

CATALOG # : 880 SCQ4-WNN  
Material : Polyamide GF/Zinc  
For use with : ES series, 9412  
ESA, 5412 ESDD...



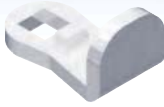
## Padlockable wing handle

CATALOG # : 880 SCQ4-WNP  
KEY NUMBER : Padlock  
Key included? : No  
Material : Polyamide GF/Zinc  
For use with : ES series, 9412  
ESA, 5412 ESDD...


Data subject to change without notice.

# CAMS AND INSERTS


## Parts for quarter turn locks - Cams, inserts, housings




**Commercial cam**  
**CATALOG # :** 880 SCQCOM-CAM  
**KEY NUMBER :** None  
**Key included? :** No  
**Material :** Steel  
**For use with :** Commercial and industrial boxes




**Industrial cam**  
**CATALOG # :** 880 SCQ4-CAM  
**KEY NUMBER :** None  
**Key included? :** No  
**Material :** Zinc Cast  
**For use with :** 5412 ESA, 5412 ESSA, 5412 ESE




**Cam for 'CH' enclosures**  
**CATALOG # :** 880 SCQ4-CAMCH  
**KEY NUMBER :** None  
**Key included? :** No  
**Material :** Zinc Cast  
**For use with :** 1500 CH, 1412 CH




**Industrial cam ('ESW')**  
**CATALOG # :** 880 SCQ4-CAMW  
**KEY NUMBER :** None  
**Key included? :** No  
**Material :** Zinc Cast  
**For use with :** 5412 ESW, 5412 ESSW




**Cam for 'CH' enclosures**  
**CATALOG # :** 880 SCQ4-CAMCHP  
**KEY NUMBER :** None  
**Key included? :** No  
**Material :** Zinc Cast  
**For use with :** 1500 CH, 1412 CH, 880 PLCHQ375



**Industrial cam ('ES' with padlock)**  
**CATALOG # :** 880 SCQ4-CAMWP  
**KEY NUMBER :** None  
**Key included? :** No  
**Material :** Zinc Cast  
**For use with :** 5412 ESW, 5412 ESSW, PLESQ375



**Cam for '1100E' enclosures**  
**CATALOG # :** 880 SCQ4-CAM-E  
**KEY NUMBER :** None  
**Key included? :** No  
**Material :** Zinc Cast  
**For use with :** 1100 E with recessed cover



**Industrial cam**  
**CATALOG # :** 889 SCQ4-CAM  
**KEY NUMBER :** None  
**Key included? :** No  
**Material :** Zinc Cast  
**For use with :** 9412 enclosures, 5500 DDS

DESCRIPTION	CATALOG NUMBERS FOR INDIVIDUAL INSERTS AND HOUSINGS		
	CHROME PLATED ZINC CAST	STAINLESS STEEL TYPE 304	STAINLESS STEEL TYPE 316
Slot 2 X 4 mm insert	880 ISL	880 ISLSS4	880 ISLSS6
Slot 1,2 X 3 insert	880 ISL2	--	--
Square 6 mm insert	880 ISQ6	880 ISQ6SS4	--
Square 7 mm insert	880 ISQ7	880 ISQ7SS4	880 ISQ7SS6
Square 8 mm insert	880 ISQ8	880 ISQ8SS4	880 ISQ8SS6
Square 8 mm slotted	880 ISQS	--	--
Triangular 7 mm insert	880 ITR7	880 ITR7SS4	880 ITR7SS6
Triangular 8 mm insert	880 ITR8	880 ITR8SS4	880 ITR8SS6
Triangular 9 mm insert	880 ITR9	--	--
Triangular 10 mm insert	80 ITR10	--	--
Double bit 3 mm insert	880 IDB3	880 IDB3SS4	880 IDB3SS6
Double bit 5 mm insert	880 IDB5	880 IDB5SS4	880 IDB5SS6
Hexagon 10 mm insert	880 IHX	--	--
Hexagon insert with pin	880 IHXP	880 IHXPSS4	--
Slot 2 X 4 mm coinproof	880 ISLP	--	--
Crown type insert	880 ICW	--	--
Daimler Benz insert	880 IBZ	--	--
Eastern Europe Ø13	880 IEE	880 IEES4	--
Fiat type insert	880 IFIAT	--	--
Lock housing	880 SCQH	880 SCQHSS	--

Other inserts, cams and housings available upon request. Call EXM at 1-800-363-2423 for more information.

Data subject to change without notice.





# ESS SERIES DOOR LOCKS AND HANDLES

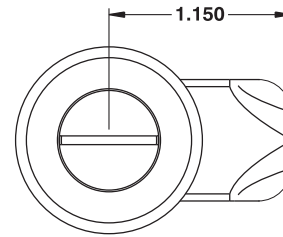
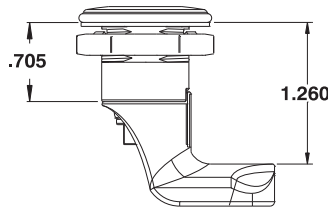
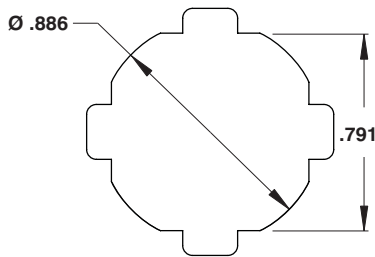
## Stainless steel industrial door locks - 880 SCQ4SS series

The 880 SCQ4SS series door accessories were designed to fit EXM 'ESS' style industrial enclosures. A full range of accessories are available to accommodate a variety of applications.

These accessories include :

- 7 types of lock inserts (p.455)
- Padlock provisions (p.454)
- Operating handles (p.454)
- ¼ turn lock dust cap (p.455)...

Locking mechanisms can be ordered as complete units or in parts. Parts include individual inserts, cams and housings. For use with 5412 ESS, 5412 ESSP, 5412 SSDD, 9412 SS, 5412 ESSA



## Stainless steel padlock provisions and key locks



### Universal padlock provisions

CATALOG # : 880 PLCHQ375  
 KEY NUMBER : Use 880 PDLK375  
 Key included? : No  
 Material : Stainless steel  
 For use with : ES series, 9412, CH series...



### Padlockable wing handle

CATALOG # : 880 SCQ4-WNPSS  
 KEY NUMBER : Padlock  
 Key included? : No  
 Material : Stainless steel  
 For use with : ESS series, ESSA 9412 SS, SSDD...



### Stainless steel padlock

CATALOG # : 880 PLSS  
 KEY NUMBER : Use padlock  
 Key included? : No  
 Material : Stainless steel  
 For use with : ESS series, ESSA 9412 SS, SSDD...



### Stainless steel key lock

CATALOG # : 880 SCQ4-KSS  
 KEY NUMBER : K-KSS  
 Key included? : Yes  
 Material : Stainless steel  
 For use with : ESS series, ESSA 9412 SS, SSDD...

## Stainless steel handles



### Key lock 'L' handle

CATALOG # : 880 SCQ4-LSS  
 KEY NUMBER : K-LSS  
 Key included? : Yes  
 Material : Stainless steel  
 For use with : ESS series, ESSA 9412 SS, SSDD...



### Key lock 'T' handle

CATALOG # : 880 SCQ4-TSS  
 KEY NUMBER : K-TSS  
 Key included? : Yes  
 Material : Stainless steel  
 For use with : ESS series, ESSA 9412 SS, SSDD...



### Non-locking 'L' handle

CATALOG # : 880 SCQ4-LNSS  
 KEY NUMBER : None  
 Key included? : No  
 Material : Stainless steel  
 For use with : ESS series, ESSA 9412 SS, SSDD...



### Non-locking 'T' handle

CATALOG # : 880 SCQ4-TNSS  
 KEY NUMBER : None  
 Key included? : No  
 Material : Stainless steel  
 For use with : ESS series, ESSA 9412 SS, SSDD...

Data subject to change without notice.



# ESS SERIES DOOR LOCKS AND HANDLES

Tool operated locking mechanisms, stainless steel



Slot 2 X 4mm lock, 304 SS

CATALOG # : 880 SCQ4-SLSS4  
 KEY NUMBER : None  
 Key included? : N/A  
 Material : Stainless steel 304  
 For use with : ESS series, ESSA,  
 9412 SS, ESSDD...



Slot 2 X 4mm lock, 316 SS

CATALOG # : 880 SCQ4-SLSS6  
 KEY NUMBER : None  
 Key included? : No  
 Material : Stainless steel 316  
 For use with : ESS series, ESSA,  
 9412 SS, ESSDD...



Square 7mm, 304 SS

CATALOG # : 880 SCQ4-SQ7SS4  
 KEY NUMBER : K-SQ7  
 Key included? : No  
 Material : Stainless steel 304  
 For use with : ESS series, ESSA,  
 9412 SS, ESSDD...



Square 7mm, 316 SS

CATALOG # : 880 SCQ4-SQ7SS6  
 KEY NUMBER : K-SQ7  
 Key included? : No  
 Material : Stainless steel 316  
 For use with : ESS series, ESSA,  
 9412 SS, ESSDD...



Square 8mm, 304 SS

CATALOG # : 880 SCQ4-SQ8SS4  
 KEY NUMBER : K-SQ8  
 Key included? : No  
 Material : Stainless steel 304  
 For use with : ESS series, ESSA,  
 9412 SS, ESSDD...



Square 8mm, 316 SS

CATALOG # : 880 SCQ4-SQ8SS6  
 KEY NUMBER : K-SQ8  
 Key included? : No  
 Material : Stainless steel 316  
 For use with : ESS series, ESSA,  
 9412 SS, ESSDD...



Triangular 7mm, 304 SS

CATALOG # : 880 SCQ4-TR7SS4  
 KEY NUMBER : K-TR7  
 Key included? : No  
 Material : Stainless steel 304  
 For use with : ESS series, ESSA,  
 9412 SS, ESSDD...



Triangular 7mm, 316 SS

CATALOG # : 880 SCQ4-TR7SS6  
 KEY NUMBER : K-TR7  
 Key included? : No  
 Material : Stainless steel 316  
 For use with : ESS series, ESSA,  
 9412 SS, ESSDD...



Triangular 8mm, 304 SS

CATALOG # : 880 SCQ4-TR8SS4  
 KEY NUMBER : K-TR8  
 Key included? : No  
 Material : Stainless steel 304  
 For use with : ESS series, ESSA,  
 9412 SS, ESSDD...



Triangular 8mm, 316 SS

CATALOG # : 880 SCQ4-TR8SS6  
 KEY NUMBER : K-TR8  
 Key included? : No  
 Material : Stainless steel 316  
 For use with : ESS series, ESSA,  
 9412 SS, ESSDD...



Double bit 3mm, 304 SS

CATALOG # : 880 SCQ4-DB3SS4  
 KEY NUMBER : K-DB3  
 Key included? : No  
 Material : Stainless steel 304  
 For use with : ESS series, ESSA,  
 9412 SS, ESSDD...



Double bit 3mm, 316 SS

CATALOG # : 880 SCQ4-DB3SS6  
 KEY NUMBER : K-DB3  
 Key included? : No  
 Material : Stainless steel 316  
 For use with : ESS series, ESSA,  
 9412 SS, ESSDD...



Double bit 5mm, 304 SS

CATALOG # : 880 SCQ4-DB5SS4  
 KEY NUMBER : K-DB5  
 Key included? : No  
 Material : Stainless steel 304  
 For use with : ESS series, ESSA,  
 9412 SS, ESSDD...



Double bit 5mm, 316 SS

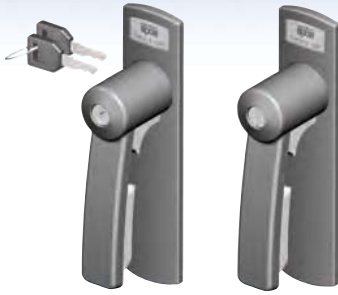
CATALOG # : 880 SCQ4-DB5SS6  
 KEY NUMBER : K-DB5  
 Key included? : No  
 Material : Stainless steel 316  
 For use with : ESS series, ESSA,  
 9412 SS, ESSDD...

Data subject to  
 change without  
 notice.



# CABINET HANDLES

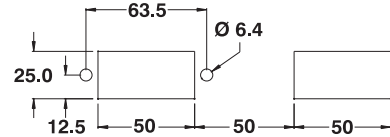
## Cabinet handles



The **880 APH** automotive padlockable handle was designed to fit most type 4-12 enclosures. The handle is available with a key insert or spring loaded defeater, requiring a tool in order to operate the mechanism for disconnect requirements. A unique padlock trigger ensures positive closing. The handle can incorporate your company logo. Finish is textured black.

CATALOG NUMBER	DESCRIPTION	SHIP WGHT LBS.
880 APH-K	Key lock	2
880 APH-D	Slotted defeater	2

Note : Trigger is designed to fit 1/4" and 5/16" padlocks.



The **885 ESL3** seal type door handle was designed to fit most type 4-12 enclosures. The handle is available with a key insert, a standard slot screw driver insert or a variety of other inserts. The 885 ESL3 are used when there is a need for a swivel handle with a seal provision. A protective dust cap is provided. Locks are rated NEMA Type 4. Finish is textured black.

CATALOG NUMBER	DESCRIPTION	SHIP WGHT LBS.
885 ESL3K	Key lock	1
885 ESL3S	Screw driver slot	1
885 ESL3SQ7	Square 7mm	1
885 ESL3SQ8	Square 8mm	1
885 ESL3TR7	Triangular 7mm	1
885 ESL3TR8	Triangular 8mm	1
885 ESL3DB3	Double bit 3mm	1
885 ESL3DB5	Double bit 5mm	1
885 ESL3B	Blank	1



The **885 ESL4** seal type handle was designed to fit most type 4-12 enclosures. The handle is available with a key insert, a standard slot screw driver insert or a variety of other inserts. The 885 ESL4 are used when there is a need for a swivel handle with a padlock provision. This handle accommodates a 1/4" padlock. Locks are rated NEMA Type 4. Finish is textured black.

CATALOG NUMBER	DESCRIPTION	SHIP WGHT LBS.
885 ESL4K	Key lock	1
885 ESL4S	Screw driver slot	1
885 ESL4SQ7	Square 7mm	1
885 ESL4SQ8	Square 8mm	1
885 ESL4TR7	Triangular 7mm	1
885 ESL4TR8	Triangular 8mm	1
885 ESL4DB3	Double bit 3mm	1
885 ESL4DB5	Double bit 5mm	1
885 ESL4B	Blank	1

In addition to the standard slot and key lock, these inserts are available for the 885 ESL3 and 885 ESL4



Square 8mm



Square 7mm



Triangular 8mm



Triangular 7mm



Double bit 5mm



Double bit 3mm

Other inserts available upon request.

## Double door internal handle



The **880 DDH** double door internal handle is designed to secure the flange door on a double door cabinet. This 2 point locking mechanism, prevents the flange door from opening inadvertently when the locking door is open. The handle is made from zinc casting and installs inside the flange door with latching rods (ordered separately, page 458).

CATALOG NUMBER	DESCRIPTION	SHIP WGHT LBS.
880 DDH	Blank	1

Data subject to change without notice.

# CABINET HANDLES, PULL DOWN HASPS



The **880 PH** padlockable handles are used for outdoor application. This sturdy handle is made of chrome plated steel or of stainless steel. Comes complete with installation hardware and gasket.

CATALOG NUMBER	DESCRIPTION	SHIP WGHT LBS.
880 PH	Chrome plated steel	1
880 PHSS	Stainless steel	1



The **886 ELKPX** electronic keypad system grants access to an enclosure upon entry of the correct code on the keypad. The handle can be used standalone, in electronic master-slave systems and remote access control systems.

**For detailed information on the E.line electromechanical lock system, please see page 140.**



The **886 ELIT** transponder handle is opened using transponder devices. The handle can be used standalone, in electronic master-slave systems and remote access control systems.

**For detailed information on the E.line electromechanical lock system, please see page 140.**

*Please see page 140 for details.*

## Pull down hasps



### Pull down padlock hasp

CATALOG # : 883 CM1SS  
 KEY NUMBER : Use padlock  
 Key included? : No  
 Material : Stainless steel  
 For use with : 5412 ESFRQ,  
 1500 SS



### SS Pull down padlock hasp

CATALOG # : 883 CM2SS  
 KEY NUMBER : Use padlock  
 Key included? : No  
 Material : Stainless steel  
 For use with : 5300 ES + 5300  
 ESCH



### SS Antivibration pull down hasp

CATALOG # : 883 CM1LSS  
 KEY NUMBER : Use padlock  
 Key included? : No  
 Material : Stainless steel  
 For use with : 5412 ESFRQ,  
 1500 SS



### SS Antivibration pull down hasp

CATALOG # : 883 CM2LSS  
 KEY NUMBER : Use padlock  
 Key included? : No  
 Material : Stainless steel  
 For use with : 5300 ES + 5300  
 ESCH

Data subject to change without notice.

# GEAR BOX AND LATCH RODS

## Gear boxes - Series 885 GBOX

The **885 GBOX-1** gear boxes are used with EXM door locks as three point latch locking mechanisms. Two versions of 885 GBOX exist, each corresponding to a particular EXM right hand door lock.



CATALOG NUMBER	FOR USE WITH	SHIP WGHT LBS.
885 GBOX-132	5412 ES	1
885 GBOX-136	5500 DDS, 9500	1

The **885 GBOX-2** gear boxes are used with EXM door locks as three point latch locking mechanisms. Two versions of 885 GBOX-2 exist, each corresponding to a particular EXM left hand door lock.



CATALOG NUMBER	FOR USE WITH	SHIP WGHT LBS.
885 GBOX-232	5412 ES	1
885 GBOX-236	5500 DDS, 9500	1

The **885 GBOX-3** gear boxes are used with EXM door locks as two or three point latch locking mechanisms. Two versions of 885 GBOX-3 exist, each corresponding to a particular EXM door lock.



CATALOG NUMBER	FOR USE WITH	SHIP WGHT LBS.
885 GBOX-332-2	5500 ESY, ESSY	1
885 GBOX-332-3	5500 ESY, ESSY	1

885 GBOX-332-2  
(2 point lock)

885 GBOX-332-3  
(3 point lock)

## Latching rods for 5500 and 9500 series

The **CBAR series** is used as part of a three point latching mechanism in the 5412, 5500 and 9500 series enclosures. The CBAR's can be used as replacement parts or to build a custom latching mechanism.



**881 CBAR** latching rods fit 5500 ESDD series cabinets and large 5412 ES cabinets (height >=42").

CATALOG NUMBER	FOR USE WITH	SHIP WGHT LBS.
881 CBAR24	24" height	1
881 CBAR30	30" height	1
881 CBAR36	36" height	2
881 CBAR42	42" height	3
881 CBAR48	48" height	3
881 CBAR54	54" height	3
881 CBAR60	60" height	3
881 CBAR72	72" height	3

**885 CBAR** latching rods fit 5500 DDS series cabinets.

CATALOG NUMBER	FOR USE WITH	SHIP WGHT LBS.
885 CBAR60	5500 DDS CABINETS 60" height	3
885 CBAR72	5500 DDS CABINETS 72" height	3

**889 CBAR** latching rods fit 9500 series cabinets.

CATALOG NUMBER	FOR USE WITH	SHIP WGHT LBS.
889 CBAR60	9500 CABINETS 60" height	3
889 CBAR72	9500 CABINETS 72" height	3
889 CBAR84	9500 CABINETS 84" height	3
889 CBAR90	9500 CABINETS 90" height	3

Data subject to change without notice.



# PROVISIONS

## Padlock provisions



### Universal padlock provisions

**CATALOG # :** 880 PLCHQ375  
**KEY NUMBER :** Use 880 PDLK375  
**Key included? :** No  
**Material :** Stainless steel  
**For use with :** ES series, 9412, CH series...



### General purpose padlock

**CATALOG # :** 880 PL1  
**KEY NUMBER :** Use padlock  
**Key included? :** No  
**Material :** Plated steel  
**For use with :** ES series, 9412 ESA, 5412 ESDD...



### Stainless steel padlock

**CATALOG # :** 880 PL1SS  
**KEY NUMBER :** Use padlock  
**Key included? :** No  
**Material :** Stainless steel  
**For use with :** ES series, 9412 ESA, 5412 ESDD...



### "CH" Padlock provision

**CATALOG # :** 880 PL2  
**KEY NUMBER :** Use padlock  
**Key included? :** No  
**Material :** Plated steel  
**For use with :** Enclosures with protruding covers (except 1100 E)



### "CHSS" Padlock provision

**CATALOG # :** 880 PL2SS  
**KEY NUMBER :** Use padlock  
**Key included? :** No  
**Material :** Stainless steel  
**For use with :** Enclosures with protruding covers (except 1100 E)



### "DD" Padlock provision

**CATALOG # :** 880 PLDD375  
**KEY NUMBER :** Use padlock  
**Key included? :** No  
**Material :** Plated steel  
**For use with :** Double door enclosures



### "DD" Key lock

**CATALOG # :** 880 PLDD-KL  
**KEY NUMBER :** K-KL1  
**Key included? :** Yes  
**Material :** Plated steel  
**For use with :** Double door enclosures



### Scissor Padlock provision

**CATALOG # :** 880 PL3  
**KEY NUMBER :** Use padlock  
**Key included? :** No  
**Material :** Plated steel  
**For use with :** Double door enclosures



### Scissor Padlock provision

**CATALOG # :** 880 PL3SS  
**KEY NUMBER :** Use padlock  
**Key included? :** No  
**Material :** Stainless steel  
**For use with :** Double door enclosures



### Padlockable wing handle

**CATALOG # :** 880 SCQ4-WNP  
**KEY NUMBER :** Padlock  
**Key included? :** No  
**Material :** Polyamide GF/Zinc  
**For use with :** ES series, 9412 ESA, 5412 ESDD...



### Padlockable wing handle

**CATALOG # :** 880 SCQ4-WNPSS  
**KEY NUMBER :** Padlock  
**Key included? :** No  
**Material :** Stainless steel  
**For use with :** ESS series, ESSA 9412 SS, SSDD...



### Padlockable handle

**CATALOG # :** 880 PH  
**KEY NUMBER :** Use padlock  
**Key included? :** No  
**Material :** Plated steel  
**For use with :** Outdoor use.



### Padlockable handle

**CATALOG # :** 880 PHSS  
**KEY NUMBER :** Use padlock  
**Key included? :** No  
**Material :** Stainless steel  
**For use with :** Outdoor use.



### Padlockable with no key

**CATALOG # :** 880 SCQ4-QLPN  
**KEY NUMBER :** None  
**Key included? :** No  
**Material :** Zinc Cast  
**For use with :** ES series, 9412 ESA, 5412 ESDD...



### Padlockable with key lock

**CATALOG # :** 880 SCQ4-QLP  
**KEY NUMBER :** K-KL1  
**Key included? :** Yes  
**Material :** Zinc Cast  
**For use with :** 1100 CC, 5300 MC,

\* For weatherproof padlock 3/8" (880 PDLK375) please refer to page 452.

Data subject to change without notice.

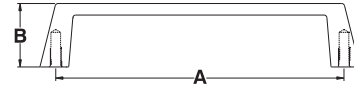
# BRIDGE HANDLES

## Light duty

The **880 HBL** are designed for vertical or horizontal use, to carry or pull enclosures or equipment. Made from zinc die cast, they are fastened with M4 screws. The 1100 IB enclosures have knockouts at 3.94" (100mm) to permit assembly of these handles.



CATALOG NUMBER	DIMENSIONS		FINISH	SHIP WT. LBS.
	A	B		
880 HBL100B	3.94	0.87	Black	1

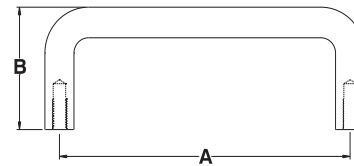


## Medium duty - Round

The **880 HBMR** are designed for vertical or horizontal use, to carry or pull enclosures or equipment. Made from aluminum, they are fastened with M5 screws. The 1100 IB enclosures have knockouts at 3.94" (100mm) to permit assembly of these handles.



CATALOG NUMBER	DIMENSIONS		FINISH	SHIP WT. LBS.
	A	B		
880 HBMR100A	3.94	1.57	Anodized	1

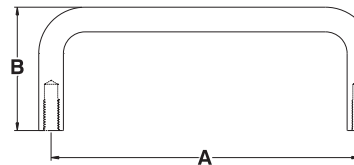


## Medium duty - Half round

The **880 HBMH** are designed for vertical or horizontal uses, to carry or pull enclosures or equipment. Made from aluminum, they are fastened with M5 screws. The 1100 IB enclosures have knockouts at 3.94" (100mm) to permit assembly of these handles.



CATALOG NUMBER	DIMENSIONS		FINISH	SHIP WT. LBS.
	A	B		
880 HBMH100A	3.94	1.26	Anodized	1

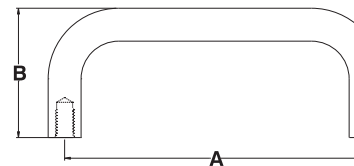


## Heavy duty - Ellipse

The **880 HBLE** are designed for vertical or horizontal uses, to carry or pull enclosures or equipment. Made from aluminum, they are fastened with M8 screws. Installation of these handles require drilling of two holes at 5.03 (128mm) center to center.



CATALOG NUMBER	DIMENSIONS		FINISH	SHIP WT. LBS.
	A	B		
880 HBLE128A	5.03	1.61	Anodized	1

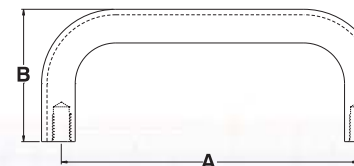


## Heavy duty - Kidney

The **880 HBLK** are designed for vertical or horizontal uses, to carry or pull enclosures or equipment. Made from aluminum, they are fastened with M8 screws. Installation of these handles require drilling of two holes at 5.03 (128mm) center to center.



CATALOG NUMBER	DIMENSIONS		FINISH	SHIP WT. LBS.
	A	B		
880 HBLK128A	5.03	1.67	Anodized	1



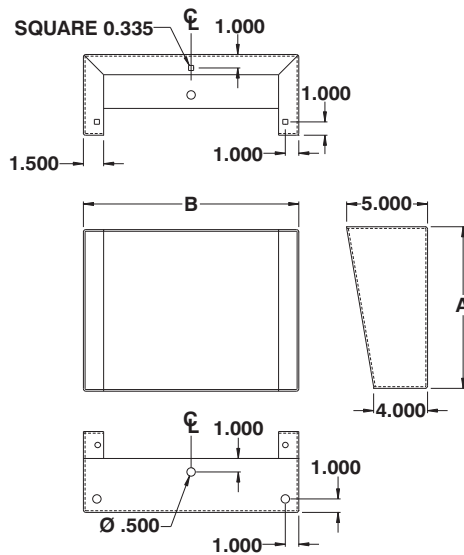
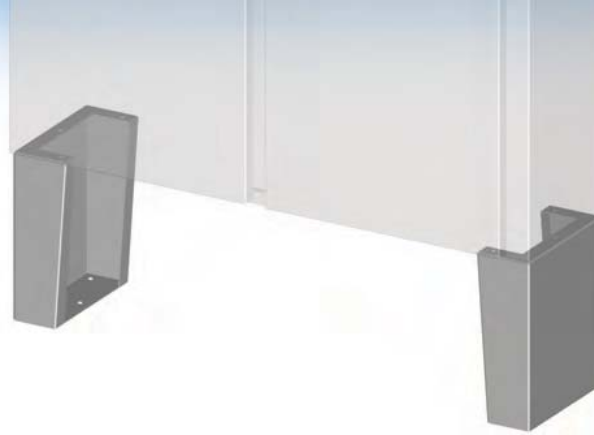
Data subject to change without notice.

# MOUNTING FEET AND FLOOR STANDS

## 5412 & 5500 series floor mounting stands

The 885 MF floor mounting stands are made standard in 14 GA steel, Light Duty† and Heavy Duty‡ are also available in 16 GA and 12 GA (see details below). Stands are predrilled for fixation to the floor and to the bottom of the ES, ESDD, DD, UCD families of enclosures. Kits come complete with all necessary hardware. Mounting feet are finished with heat fused powder paint, electrostatically applied on a pretreated base. Finish is ANSI/ASA 61 gray.

Refer to p.727 to validate choice of substrate for the application



CATALOG NUMBER	DIMENSIONS		SHIP WGHT LBS.	CATALOG NUMBER	DIMENSIONS		SHIP WGHT LBS.
	A	B			A	B	
885 MF0606	6	6	14	885 MF1516	15	16	37
885 MF0608	6	8	16	885 MF1518	15	18	40
885 MF0610	6	10	17	885 MF1520	15	20	44
885 MF0612	6	12	18	885 MF1524	15	24	45
885 MF0616	6	16	21	885 MF1806	18	6	28
885 MF0620	6	20	25	885 MF1808	18	8	32
885 MF0624	6	24	28	885 MF1810	18	10	36
885 MF1206	12	6	21	885 MF1812	18	12	41
885 MF1208	12	8	23	885 MF1816	18	16	47
885 MF1210	12	10	26	885 MF1820	18	20	49
885 MF1212	12	12	32	885 MF1824	18	24	51
885 MF1216	12	16	35	885 MF2406	24	6	38
885 MF1220	12	20	40	885 MF2408	24	8	40
885 MF1224	12	24	42	885 MF2410	24	10	45
885 MF1506	15	6	23	885 MF2412	24	12	50
885 MF1508	15	8	25	885 MF2416	24	16	58
885 MF1510	15	10	28	885 MF2420	24	20	65
885 MF1512	15	12	34	885 MF2424	24	24	70

† For Light Duty (16 GA) add 'LD' to the product family name (i.e.: 885 MFLD1212)

‡ For Heavy Duty (12GA) add 'HD' to the product family name (i.e.: 885 MFHD1212)

\* Add suffix 'SS' for stainless steel.

(i.e.: 885 MF1212SS or 885 MFLD1212SS or 885 MFHD1212SS)

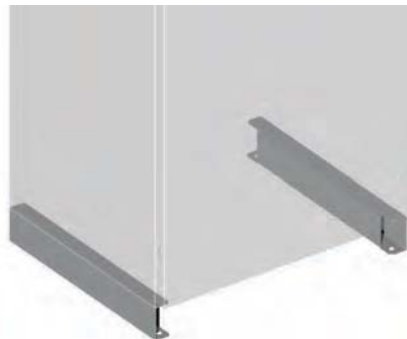
\*\* Add suffix 'SSP' for painted stainless steel

(i.e.: 885 MF1212SSP or 885 MFLD1212SSP or 885 MFHD1212SSP)

## Tubular floor stands

The 880 MFT tubular floor stands are used to elevate the enclosure 3" (76mm) from the floor and anchor it. It permits transport with suitable fork lift. Made from 12 GA steel and finished with ANSI/ASA 61 textured gray, heat fused powder paint, electrostatically applied on a pretreated base. Sold in pack of 2.

Refer to p.727 to validate choice of substrate for the application



CATALOG NUMBER	ENCLOSURE DEPTH	SHIP WGHT LBS.
880 MFT06	6	3
880 MFT08	8	5
880 MFT10	10	6
880 MFT12	12	7
880 MFT16	16	9
880 MFT20	20	12
880 MFT24	24	14

\* Add suffix 'SS' for stainless.

Data subject to change without notice.



# MOUNTING FEET AND BASE PLINTH

## Mounting feet for small and medium-sized enclosures



### JIC Wall mounting feet

CATALOG # : 885 ESCHMF  
 Four mounting feet & hardware incl.  
 Mounted vertically or horizontally.  
 Material : Zinc cast  
 For use with : ESCH series,  
 1100, ESSC...



### SS JIC Wall mounting feet

CATALOG # : 885 ESSCHMF  
 Four mounting feet & hardware incl.  
 Mounted vertically or horizontally.  
 Material : Stainless steel  
 For use with : ESSCH series,  
 ESSC...



### "CH" Wall mounting feet

CATALOG # : 885 CHMF  
 Four mounting feet & hardware incl.  
 Mounted vertically or horizontally.  
 Material : Plated steel  
 For use with : 1412 CH, CHP,  
 1412 B, 1412 T



### "CHSS" Wall mounting feet

CATALOG # : 885 CHSSMF  
 Four mounting feet & hardware incl.  
 Mounted vertically or horizontally.  
 Material : Stainless steel  
 For use with : 1412 CHSS, CHPSS,  
 1412 BSS, 1412 TSS



### 'ES' Wall mounting feet

CATALOG # : 885 ESMF1  
 Four mounting feet & hardware incl.  
 Mounted vertically or horizontally.  
 Material : Plated steel  
 For use with : ES series, ESDD,  
 5300 MC, ESA, ESY



### SS Wall mounting feet

CATALOG # : 885 ESMF2  
 Four mounting feet & hardware incl.  
 Mounted vertically or horizontally.  
 Material : Stainless steel  
 For use with : ESS series, ESSDD  
 ESSA, ESSY...



### Offset mounting feet 0.5"

CATALOG # : 885 ESOMF1  
 Four mounting feet & hardware incl.  
 Mounted vertically or horizontally.  
 Material : Plated steel  
 For use with : ES series, ESDD,  
 5300 MC, ESA, ESY



### SS offset mounting feet 0.5"

CATALOG # : 885 ESOMF2  
 Four mounting feet & hardware incl.  
 Mounted vertically or horizontally.  
 Material : Stainless steel  
 For use with : ESS series, ESSDD  
 ESSA, ESSY...



### Offset mounting feet 1.5"

CATALOG # : 885 ESOMF1A  
 Four mounting feet & hardware incl.  
 Mounted vertically or horizontally.  
 Material : Plated steel  
 For use with : ES series, ESDD,  
 5300 MC, ESA, ESY



### SS offset mounting feet 1.5"

CATALOG # : 885 ESOMF2A  
 Four mounting feet & hardware incl.  
 Mounted vertically or horizontally.  
 Material : Stainless steel  
 For use with : ESS series, ESSDD  
 ESSA, ESSY...



### 'ESFR' Wall mounting feet

CATALOG # : 885 ESFRMF  
 Four mounting feet & hardware incl.  
 Mounted vertically or horizontally.  
 Material : Plastic  
 For use with : ESFRS, ESFRH,  
 ESFRQ

## Plinths for metric consoles

The 886 PL...CO and ...MCO are used with the metric consoles. The plinths are made from code steel or stainless steel and are supplied with all the required installation hardware to attach them to the consoles.

Plinths are finished with heat fused powder paint, electrostatically applied on a pretreated base. Finish is RAL7011 sandtex dark gray.



Refer to p.727 to validate choice of substrate for the application

CATALOG NUMBER	DIMENSIONS WIDTH	DEPTH
886 PL0604CO	600	400
886 PL0804CO	800	400
886 PL1004CO	1000	400
886 PL1204CO	1200	400
886 PL0604MCO	600	400
886 PL0804MCO	800	400
886 PL1004MCO	1000	400
886 PL1204MCO	1200	400
886 PL1604MCO	1600	400
886 PL0605MCO	600	500
886 PL0805MCO	800	500
886 PL1005MCO	1000	500
886 PL1205MCO	1200	500
886 PL1605MCO	1600	500

\* Add suffix 'SS' for stainless.  
 Note: Dimensions are metric

Data subject to change without notice.



## Plinths for wall mounted enclosures (imperial)

The **880 PLES** plinths are used with the enclosures ES, ESDD and ESDA when a cable entry or floor mounting is required. The 880 PLES are used with imperial enclosures. The plinths are made

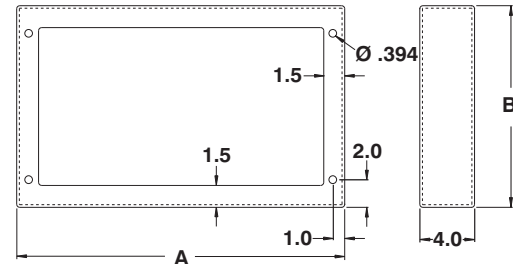
from 14 GA steel or stainless steel and are supplied with all the required installation hardware to attach them to the enclosure. Plinths are finished with heat fused powder paint, electrostatically

applied on a pretreated base. Finish is RAL7011 sandtex dark gray.

**Refer to p.727 to validate choice of substrate for the application**

CATALOG NUMBER	DIMENSIONS		SHIP WGHT LBS.	CATALOG NUMBER	DIMENSIONS		SHIP WGHT LBS.
	A	B			A	B	
880 PLES1206	12	6	6	880 PLES4810	48	10	19
880 PLES1606	16	6	7	880 PLES6010	60	10	23
880 PLES2006	20	6	8	880 PLES1612	16	12	9
880 PLES2406	24	6	10	880 PLES2012	20	12	10
880 PLES3006	30	6	12	880 PLES2412	24	12	12
880 PLES1208	12	8	6	880 PLES3012	30	12	14
880 PLES1608	16	8	8	880 PLES3612	36	12	16
880 PLES2008	20	8	9	880 PLES4212	42	12	18
880 PLES2408	24	8	10	880 PLES4812	48	12	19
880 PLES3008	30	8	12	880 PLES6012	60	12	23
880 PLES3608	36	8	14	880 PLES2016	20	16	12
880 PLES4208	42	8	16	880 PLES2416	24	16	13
880 PLES4808	48	8	18	880 PLES3016	30	16	15
880 PLES1210	12	10	7	880 PLES3616	36	16	17
880 PLES1610	16	10	8	880 PLES2420	24	20	14
880 PLES2010	20	10	10	880 PLES3020	30	20	16
880 PLES2410	24	10	11	880 PLES3620	36	20	18
880 PLES3010	30	10	13	880 PLES2424	24	24	16
880 PLES3610	36	10	15	880 PLES3024	30	24	18
880 PLES4210	42	10	17				

\* Add suffix 'SS' for stainless.  
Note: Dimensions are in inches



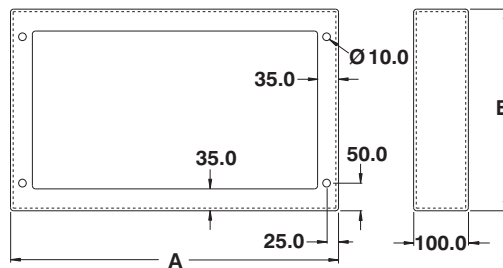
## Plinths for wall mounted enclosures (metric)

The **886 PLES** plinths are used with the enclosures ES and ESDD when cable entry or floor mounting is required. The 886 PLES are used with the metric sized enclosures. The plinths are made from 14 GA

steel or stainless steel and are supplied with all the required installation hardware to attach them to the enclosure. Plinths are finished with heat fused powder paint, electrostatically applied on a pretreated

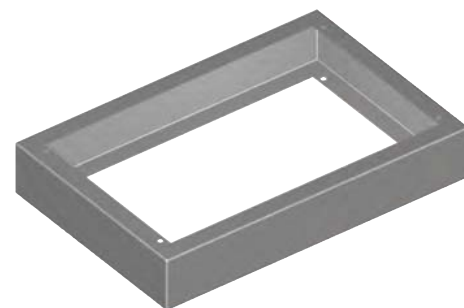
base. Finish is RAL7011 sandtex dark gray.

**Refer to p.727 to validate choice of substrate for the application**



CATALOG NUMBER	DIMENSIONS		SHIP WGHT LBS.	CATALOG NUMBER	DIMENSIONS		SHIP WGHT LBS.
	A	B			A	B	
886 PLES2015	200	150	4	886 PLES4025	400	250	8
886 PLES3015	300	150	6	886 PLES5025	500	250	10
886 PLES4015	400	150	7	886 PLES6025	600	250	11
886 PLES3020	300	200	6	886 PLES6030	600	300	11
886 PLES4020	400	200	8	886 PLES8030	800	300	14
886 PLES5020	500	200	9	886 PLES1030	1000	300	17
886 PLES6020	600	200	10	886 PLES4040	400	400	10
886 PLES1020	1000	200	15	886 PLES6040	600	400	13

\* Add suffix 'SS' for stainless.  
Note: Dimensions are metric



Data subject to change without notice.

# REPLACEMENT DOORS

## Replacement doors for ESCH enclosures

The **CHD Series** replacement doors were designed to fit our ESCH style enclosures.

The **881 CHD** are ANSI/ASA 61 gray and fit 5100 ESCH boxes.  
The **883 CHD** are ANSI/ASA 61

gray and fit 5300 ESCH boxes.

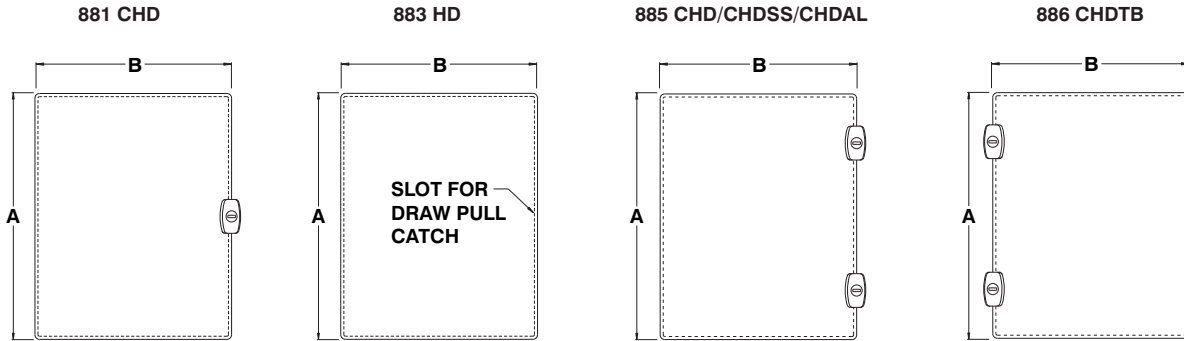
The **885 CHD** are ANSI/ASA 61 gray and fit 5412 ESCH.

The **885 CHDSS** are brushed stainless and fit the 5412 ESSCH.

The **885 CHDAL** are aluminum and fit 5412 EALCH boxes.

The **886 CHD** are RAL7035 gray and fit 5412 ESCHB boxes.

The **886 CHDTB** are RAL7035 light gray and fit 6412 ESCHTB boxes.



1 LOCK FOR ALL SIZES  
DOORS C/W RUBBER BUMPER

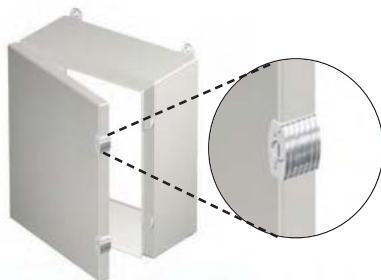
1 SLOT FOR ALL SIZES  
DOORS C/W Poured GASKET

1 LOCK IF A < 12"  
2 LOCKS IF A >= 12"  
DOORS C/W Poured GASKET

1 LOCK IF A < 305 mm  
2 LOCKS IF A >= 305 mm  
DOORS C/W Poured GASKET

NOMINAL		CATALOG NUMBER - DOORS FOR						NOMINAL METRIC DOORS *		
H	W	5100 ESCH	5300 ESCH	5412 ESCH	5412 ESSCH	5412 EALCH	5412 ESCHB	H	W	6412 ESCHTB
4	4	881 CHD0404	---	885 CHD0404	885 CHDSS0404	885 CHDAL0404	886 CHD0404	150	150	886 CHDTB1515
6	4	881 CHD0604	---	885 CHD0604	885 CHDSS0604	885 CHDAL0604	886 CHD0604	200	200	886 CHDTB2020
6	6	881 CHD0606	883 CHD0606	885 CHD0606	885 CHDSS0606	885 CHDAL0606	886 CHD0606	300	200	886 CHDTB3020
8	6	881 CHD0806	883 CHD0806	885 CHD0806	885 CHDSS0806	885 CHDAL0806	886 CHD0806	400	200	886 CHDTB4020
8	8	881 CHD0808	883 CHD0808	885 CHD0808	885 CHDSS0808	885 CHDAL0808	886 CHD0808	500	200	886 CHDTB5020
8	10	881 CHD0810	---	885 CHD0810	885 CHDSS0810	885 CHDAL0810	886 CHD0810	600	200	886 CHDTB6020
10	8	881 CHD1008	883 CHD1008	885 CHD1008	885 CHDSS1008	885 CHDAL1008	886 CHD1008	800	200	886 CHDTB8020
10	10	881 CHD1010	---	885 CHD1010	885 CHDSS1010	885 CHDAL1010	886 CHD1010	300	150	886 CHDTB3015
10	12	881 CHD1012	---	885 CHD1012	885 CHDSS1012	885 CHDAL1012	886 CHD1012	300	300	886 CHDTB3030
12	6	881 CHD1206	---	885 CHD1206	885 CHDSS1206	885 CHDAL1206	886 CHD1206	400	300	886 CHDTB4030
12	10	881 CHD1210	883 CHD1210	885 CHD1210	885 CHDSS1210	885 CHDAL1210	886 CHD1210	400	400	886 CHDTB4040
12	12	881 CHD1212	883 CHD1212	885 CHD1212	885 CHDSS1212	885 CHDAL1212	886 CHD1212	500	300	886 CHDTB5030
12	14	881 CHD1214	---	885 CHD1214	885 CHDSS1214	885 CHDAL1214	886 CHD1214	600	300	886 CHDTB6030
14	8	881 CHD1408	---	885 CHD1408	885 CHDSS1408	885 CHDAL1408	886 CHD1408	600	400	886 CHDTB6040
14	12	881 CHD1412	---	885 CHD1412	885 CHDSS1412	885 CHDAL1412	886 CHD1412	600	600	886 CHDTB6060
14	16	881 CHD1416	---	885 CHD1416	885 CHDSS1416	885 CHDAL1416	886 CHD1416	800	200	886 CHDTB8020
16	10	881 CHD1610	---	885 CHD1610	885 CHDSS1610	885 CHDAL1610	886 CHD1610	800	400	886 CHDTB8040
16	12	881 CHD1612	---	885 CHD1612	885 CHDSS1612	885 CHDAL1612	886 CHD1612	---	---	---
16	14	881 CHD1614	---	885 CHD1614	885 CHDSS1614	885 CHDAL1614	886 CHD1614	---	---	---

\* Metric doors are in millimeters



### Did you know?

EXM ESCH style enclosures feature exclusive flange-mounted quarter-turn locks. These locks are positioned to maximize the available instrument mounting surface on the door.

Data subject to change without notice.



# INNER PANELS

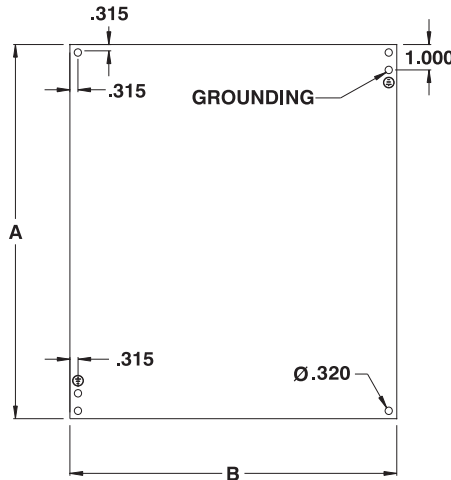
## JIC Inner panels - Series 880 SP

The **880 SP Series** replacement inner panels were designed to fit our ESCH, ESFR, ESSC and ESLC (see below for details) lines of enclosures. These lines come

complete with an inner panel, therefore an 880 SP is only ordered when a replacement or spare panel is required. The 880 SP are made of white powder

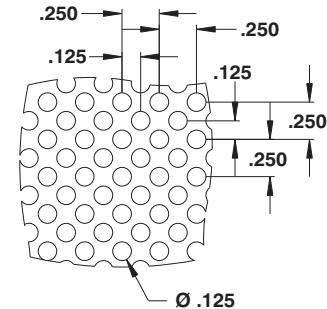
coated 14 GA steel. They are built in compliance with JIC standards and can be interchanged with most JIC inner panels from competing lines.

CATALOG NUMBER	DIMENSIONS		SHIP WGHT LBS.
	A	B	
880 SP0604	4.88	2.88	1
880 SP0606	4.88	4.88	1
880 SP0806	6.88	4.88	1
880 SP0808	6.88	6.88	1
880 SP1006	8.88	4.88	1
880 SP1008	8.88	6.88	2
880 SP1010	8.88	8.88	2
880 SP1204	10.88	2.88	2
880 SP1206	10.88	4.88	2
880 SP1208	10.88	6.88	2
880 SP1210	10.88	8.88	3
880 SP1212	10.88	10.88	3
880 SP1408	12.88	6.88	3
880 SP1412†	12.88	10.88	3
880 SP1512	13.88	10.88	4
880 SP1604	14.88	2.88	3
880 SP1606	14.88	4.88	3
880 SP1608	14.88	6.88	3
880 SP1610	14.88	8.88	4
880 SP1612	14.88	10.88	4
880 SP1614	14.88	12.88	4



For perforated panels, add suffix 'P' to the catalog number. (i.e. 880 SP1008P)

See perforation pattern below.



To order inner panels with specific material, add appropriate suffix to the catalog number.

\* For Aluminum :

Add suffix 'AL' to the catalog number (ie. 880 SP1008AL).

\* For Galvanized Steel :

Add suffix 'G' to the catalog number (ie. 880 SP1008G).

Note : For custom sizes and colors, please contact EXM.

\* For Stainless Steel:

Add suffix "S" to the catalog number (ie. 880 SP1008S)

The 880 SP inner panels are to be used with these enclosure lines, amongst others :



1100 (small)



5412 ESCH



5412 ESSCH



5412 ESFRS †



5412 ESFRH †



5412 ESFRQ †



1100 W (small)



5412 ESSC



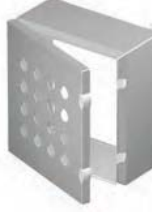
5412 ESLC



5100 ESCH



5300 ESCH



1500 EL

† For 14"x12" fiberglass enclosures, please order part number #880 SP1412FR.

Data subject to change without notice.



# INNER PANELS

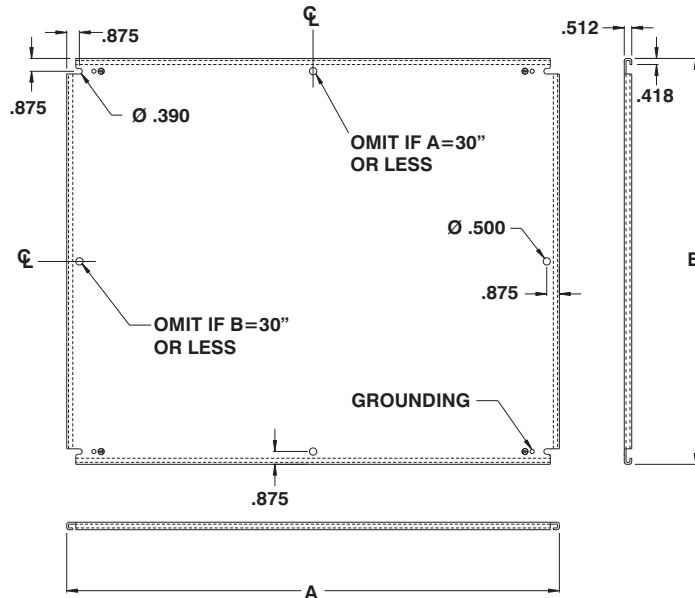
## 'ES' Inner panels - Series 881 SP

The 881 SP Series replacement inner panels were designed to fit our ES and ESDD (see below for details) lines of enclosures.

These lines come complete with an inner panel, therefore an 881 SP is only ordered when a replacement or spare panel is

required. The 881 SP are made of white powder coated 12 GA steel. Perforated panels are also available.

CATALOG NUMBER	DIMENSIONS		SHIP WGHT LBS.
	A	B	
881 SP1212	10	10	3
881 SP1612	14	10	4
881 SP1616	14	14	6
881 SP2012	18	10	5
881 SP2016	18	14	7
881 SP2020	18	18	9
881 SP2412	22	10	8
881 SP2416	22	14	10
881 SP2420	22	18	13
881 SP2424	22	22	16
881 SP3012	28	10	10
881 SP3016	28	14	13
881 SP3020	28	18	17
881 SP3024	28	22	20
881 SP3030	28	28	25
881 SP3624	34	22	24
881 SP3630	34	28	30
881 SP3636	34	34	36
881 SP4224	40	22	28
881 SP4230	40	28	35
881 SP4236	40	34	43
881 SP4242	40	40	50
881 SP4824	46	22	32
881 SP4830	46	28	40
881 SP4836	46	34	49
881 SP4842	46	40	57
881 SP4848	46	46	65
881 SP5442	54	42	67
881 SP6024	58	22	40
881 SP6030	58	28	51
881 SP6036	58	34	61
881 SP6042	58	40	71
881 SP7230	70	28	61
881 SP7236	70	34	73



To order inner panels with specific material, add appropriate suffix to the catalog number.

- \* For Aluminum :  
Add suffix 'AL' to the catalog number (ie. 881 SP4230AL).
- \* For Galvanized Steel :  
Add suffix 'G' to the catalog number (ie. 881 SP4230G).
- \* For Perforated Steel :  
Add suffix 'P' to the catalog number (ie. 881 SP4230P).
- \* For Stainless Steel:  
Add suffix "S" to the catalog number (ie. 880 SP4230S)

Note : For custom sizes and colors, please contact EXM.

The 881 SP inner panels are to be used with these enclosure lines, amongst others :



5412 ES



5412 ESW



5412 ESFM



5300 ES



5412 ESS



5100 ESDD



5500 ESDD



5500 ESSDD



5412 ESDD



5412 ESSDD

Data subject to change without notice.

# INNER PANELS

## 1100 and 1100 CIP Inner panels

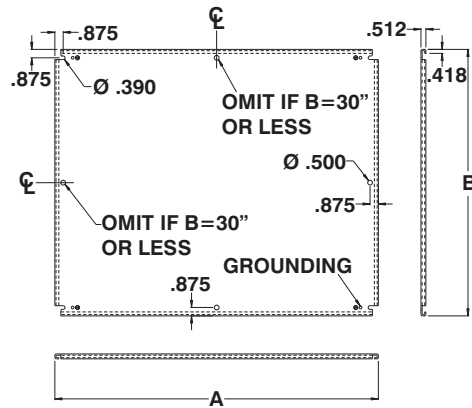
The **882 SP Series** replacement inner panels are designed to fit our 1100, 1100 W and 1100 CIP enclosures. They are also interchangeable with the ES and ESDD family of products. Panels

with the A or B dimension equal to 22" or bigger have been double bent for greater rigidity. Made from 14 GA steel and finished with white, heat fused powder paint electrostatically applied on

a pretreated base.

Panels are also available in **galvanized steel or aluminum**. **Contact EXM for details**  
Refer to p.727 to validate choice of substrate for the application

CATALOG NUMBER	DIMENSIONS		SHIP WGHT LBS.	CATALOG NUMBER	DIMENSIONS		SHIP WGHT LBS.
	A	B			A	B	
882 SP1212	10	10	2	882 SP3636	34	34	29
882 SP1612	14	10	3	882 SP4224	40	22	23
882 SP1616	14	14	5	882 SP4230	40	28	28
882 SP2012	18	10	4	882 SP4236	40	34	34
882 SP2016	18	14	6	882 SP4242	40	40	40
882 SP2020	18	18	8	882 SP4824	46	22	26
882 SP2412	22	10	6	882 SP4830	46	28	32
882 SP2416	22	14	8	882 SP4836	46	34	39
882 SP2420	22	18	11	882 SP4842	46	40	46
882 SP2424	22	22	13	882 SP4848	46	46	52
882 SP3012	28	10	8	882 SP5442	54	42	54
882 SP3016	28	14	11	882 SP6024	58	22	32
882 SP3020	28	18	13	882 SP6030	58	28	41
882 SP3024	28	22	16	882 SP6036	58	34	49
882 SP3030	28	28	20	882 SP6042	58	40	57
882 SP3624	34	22	19	882 SP7230	70	28	49
882 SP3630	34	28	24	882 SP7236	70	34	59



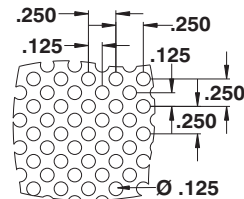
## Perforated Inner panels

The **881 SP...P Series** perforated inner panels are designed to fit our ES and ESDD family of products and are also compatible with the 1100, 1100 W and 1100 CIP enclosures. Panels with the A or B dimension equal to 22" or

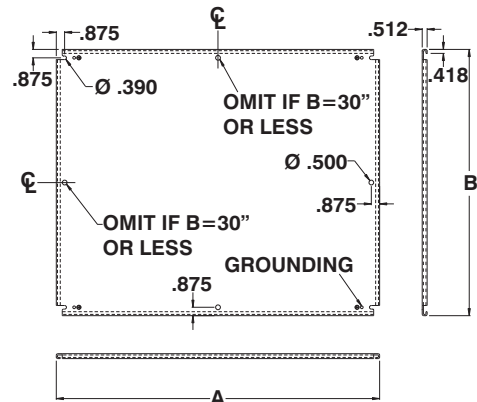
bigger have been double bent for greater rigidity. Made from 16 GA steel and finished with ASA-61 gray, heat fused powder paint electrostatically applied on a pretreated base.

Refer to p.727 to validate choice of substrate for the application

CATALOG NUMBER	DIMENSIONS		SHIP WGHT LBS.	CATALOG NUMBER	DIMENSIONS		SHIP WGHT LBS.
	A	B			A	B	
881 SP1212P	10	10	2	881 SP3636P	34	34	20
881 SP1612P	14	10	2	881 SP4224P	40	22	15
881 SP1616P	14	14	3	881 SP4230P	40	28	19
881 SP2012P	18	10	3	881 SP4236P	40	34	23
881 SP2016P	18	14	4	881 SP4242P	40	40	27
881 SP2020P	18	18	5	881 SP4824P	46	22	17
881 SP2412P	22	10	4	881 SP4830P	46	28	22
881 SP2416P	22	14	6	881 SP4836P	46	34	26
881 SP2420P	22	18	7	881 SP4842P	46	40	31
881 SP2424P	22	22	9	881 SP4848P	46	46	35
881 SP3012P	28	10	5	881 SP5442P	52	40	36
881 SP3016P	28	14	7	881 SP6024P	58	22	22
881 SP3020P	28	18	9	881 SP6030P	58	28	27
881 SP3024P	28	22	11	881 SP6036P	58	34	33
881 SP3030P	28	28	14	881 SP6042P	58	40	38
881 SP3624P	34	22	13	881 SP7230P	70	28	33
881 SP3630P	34	28	16	881 SP7236P	70	34	40



Perforation pattern.



Note : For custom sizes and colors, please contact EXM.

To order inner panels with specific material, add appropriate suffix to the catalog number.

\* For Aluminum :  
Add suffix 'AL' to the catalog number (ie. 881 SP4230PAL).

\* For Galvanized Steel :  
Add suffix 'G' to the catalog number (ie. 881 SP4230PG).

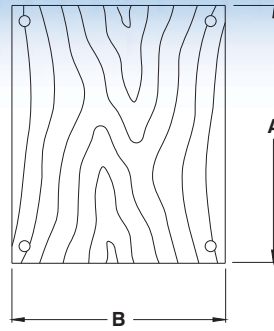
\* For Stainless Steel:  
Add suffix "S" to the catalog number (ie. 880 SP4230PS)

Data subject to change without notice.

# PANELS, SUPPORT, SUN SHIELD, RELAY RACKS

## Wood panels for metering or current cabinets

CATALOG NUMBER	DIMENSIONS	
	A	B
880 MCPW2020	16	16
880 MCPW2713	23	9
880 MCPW3020	26	16
880 MCPW3030	26	26
880 MCPW3636	32	32
880 MCPW4848	44	44



## Panel support

The 880 IPS are designed to support the interior panel on the ES and ESSD family of enclosures. Sold in pairs, the supports are mounted between the interior panel and the bottom of the enclosure to reduce the load applied to the interior panel mounting studs.



CATALOG NUMBER	SHIP WGHT LBS
880 IPS	1

## Sun shield for 'ES' style enclosures

CATALOG NUMBER	DIMENSIONS	
	WIDTH	DEPTH
880 ESSS1206	12	6
880 ESSS1606	16	6
880 ESSS2006	20	6
880 ESSS2406	24	6
880 ESSS3006	30	6
880 ESSS1208	12	8
880 ESSS1608	16	8
880 ESSS2008	20	8
880 ESSS2408	24	8
880 ESSS3008	30	8
880 ESSS3608	36	8
880 ESSS1210	12	10
880 ESSS1610	16	10
880 ESSS2010	20	10
880 ESSS2410	24	10
880 ESSS3010	30	10

CATALOG NUMBER	DIMENSIONS	
	WIDTH	DEPTH
880 ESSS3610	36	10
880 ESSS1612	16	12
880 ESSS2012	20	12
880 ESSS2412	24	12
880 ESSS3012	30	12
880 ESSS3612	36	12
880 ESSS2016	20	16
880 ESSS2416	24	16
880 ESSS3016	30	16
880 ESSS3616	36	16
880 ESSS2420	24	20
880 ESSS3020	30	20
880 ESSS3620	36	20
880 ESSS2424	24	24
880 ESSS3024	30	24



## Hinged relay racks

The 889 HRR hinged relay racks are well suited for electronics applications and are compatible with standard 19" and 24" racks and panels. They are designed to fit the 9000 series cabinet racks, are made from 12 GA steel and are fin-

ished with heat fused powder paint, electrostatically applied on a pre-treated base. Finish is ANSI/ASA 61 gray.

**Refer to p.727 to validate choice of substrate for the application**

CATALOG NUMBER	DIMENSIONS 19" RACK		SHIP WGHT LBS.
	HEIGHT	WIDTH	
889 HRR6024	60	24	41
889 HRR7224	72	24	46
889 HRR9024	90	24	51

CATALOG NUMBER	DIMENSIONS 24" RACK		SHIP WGHT LBS.
	HEIGHT	WIDTH	
889 HRR6030	60	30	46
889 HRR7230	72	30	51
889 HRR9030	90	30	56



Data subject to change without notice.

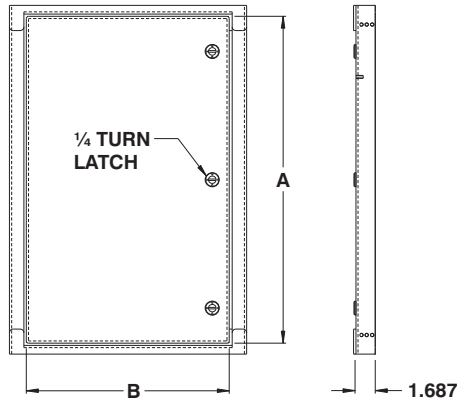


# SWING OUT PANELS

## Swing out panels for medium to large enclosures

The 880 SKWHD swing out panels for medium to large enclosures are made to be used with all single door enclosures 12" to 72" high. Kits can be mounted by piercing small holes on the sides of the enclosures and are mount-

ed with screws. All hardware and mounting instructions are included. Finish is ANSI/ASA 61 gray heat fused powder paint, electrostatically applied on a pretreated base.

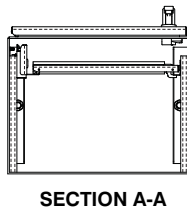
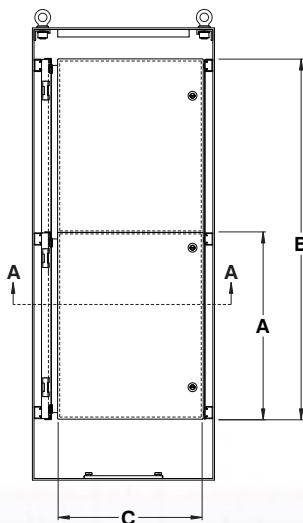


CATALOG NUMBER	DIMENSIONS		SHIP WGHT LBS.
	A	B	
880 SKWHD1212	9.500	9.000	2
880 SKWHD1224	9.500	21.000	7
880 SKWHD1612	13.500	9.000	4
880 SKWHD1616	13.500	13.000	6
880 SKWHD1620	13.500	17.000	7
880 SKWHD2012	17.500	9.000	6
880 SKWHD2016	17.500	13.000	7
880 SKWHD2020	17.500	17.000	9
880 SKWHD2024	17.500	21.000	13
880 SKWHD2412	21.500	9.000	7
880 SKWHD2416	21.500	13.000	9
880 SKWHD2420	21.500	17.000	13
880 SKWHD2424	21.500	21.000	15
880 SKWHD2430	21.500	27.000	19
880 SKWHD3012	27.500	9.000	14
880 SKWHD3016	27.500	13.000	15
880 SKWHD3020	27.500	17.000	16
880 SKWHD3024	27.500	21.000	19
880 SKWHD3030	27.500	27.000	24
880 SKWHD3036	27.500	33.000	20
880 SKWHD3624	33.500	21.000	24
880 SKWHD3630	33.500	27.000	30
880 SKWHD3636	33.500	33.000	37
880 SKWHD4224	39.500	21.000	28
880 SKWHD4230	39.500	27.000	35
880 SKWHD4236	39.500	33.000	43
880 SKWHD4824	45.500	21.000	32
880 SKWHD4830	45.500	27.000	40
880 SKWHD4836	45.500	33.000	49
880 SKWHD6036	57.500	33.000	61
880 SKWHD7230	69.500	27.000	70
880 SKWHD7236	69.500	33.000	32

## Swing out panels for free standing enclosures

The 889 SW swing out panels are made from mild steel. Panels are hinged continuously on one side and are secured with quarter turn latches. Panels mount easily on

channels provided in the cabinet. Finish is white heat fused powder paint, electrostatically applied on a pretreated base.



CATALOG NUMBER	DIMENSIONS HALF PANEL		SHIP WGHT LBS.
	A	C	
889 SWH6018	24.875	13.3	17
889 SWH6024	24.875	19.3	26
889 SWH7218	30.875	13.3	22
889 SWH7224	30.875	19.3	32
889 SWH7230	30.875	25.3	43
889 SWH7236	30.875	31.3	54
889 SWH9024	39.875	19.3	42
889 SWH9036	39.875	31.3	70

CATALOG NUMBER	DIMENSIONS FULL PANEL		SHIP WGHT LBS.
	B	C	
889 SWF6018	48	13.3	34
889 SWF6024	48	19.3	52
889 SWF7218	60	13.3	44
889 SWF7224	60	19.3	64
889 SWF7230	60	25.3	86
889 SWF7236	60	31.3	108
889 SWF9024	78	19.3	84
889 SWF9036	78	31.3	140

Data subject to change without notice.

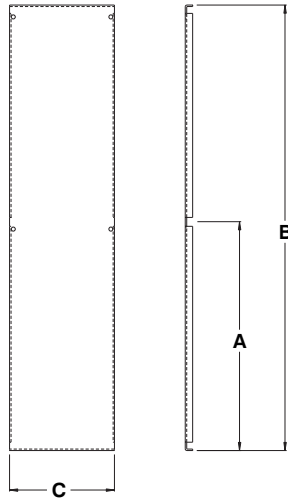


# SIDE PANELS

## Side panels for free standing enclosures

The 889 SP side panels are made from 11 GA steel and mount on channels provided in the cabinets. All full sized panels have a lip on height to increase rigidity.

Panels are finished with white heat fused powder paint, electrostatically applied on a pretreated base.



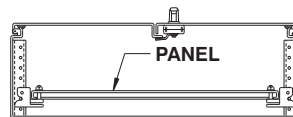
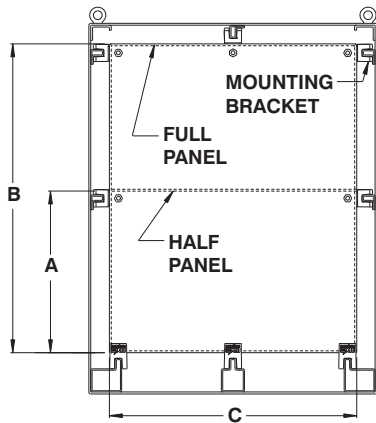
CATALOG NUMBER	DIMENSIONS HALF PANEL		SHIP WGHT LBS.
	A	C	
889 HSP6018	24	12.500	11
889 HSP6024	24	18.500	20
889 HSP7218	30	12.500	14
889 HSP7224	30	18.500	21
889 HSP7230	30	24.500	22
889 HSP7236	30	30.500	23
889 HSP9020	39	14.500	26
889 HSP9024	39	18.500	28
889 HSP9036	39	30.500	31

CATALOG NUMBER	DIMENSIONS FULL PANEL		SHIP WGHT LBS.
	B	C	
889 FSP6018	48	12.500	23
889 FSP6024	48	18.500	38
889 FSP7218	60	12.500	27
889 FSP7224	60	18.500	42
889 FSP7230	60	24.500	44
889 FSP7236	60	30.500	47
889 FSP9020	78	14.500	55
889 FSP9024	78	18.500	57
889 FSP9036	78	30.500	60

## Back panels for 9500 free standing enclosures

The 889 FP & HP back panels for the 9500 free standing single and double door enclosures are made from 12 GA steel and mount on brackets provided in the cabinets. All full sized panels have a lip in

order to increase rigidity. Panels are finished with white heat fused powder paint, electrostatically applied on a pretreated base.



CATALOG NUMBER	DIMENSIONS HALF PANEL		SHIP WGHT LBS.
	A	C	
889 HP6024	24.875	20	20
889 HP6036	24.875	32	28
889 HP6048	24.875	44	37
889 HP7224	30.875	20	23
889 HP7230	30.875	26	29
889 HP7236	30.875	32	34
889 HP7248	30.875	44	45
889 HP7260	30.875	56	56
889 HP7272	30.875	68	62
889 HP9024	39.875	20	28
889 HP9036	39.875	32	43
889 HP9048	39.875	44	57
889 HP9072	39.875	68	86

CATALOG NUMBER	DIMENSIONS FULL PANEL		SHIP WGHT LBS.
	B	C	
889 FP6024	48	20	37
889 FP6036	48	32	54
889 FP6048	48	44	72
889 FP7224	60	20	44
889 FP7230	60	26	55
889 FP7236	60	32	66
889 FP7248	60	44	88
889 FP7260	60	56	110
889 FP7272	60	68	132
889 FP9024	78	20	55
889 FP9036	78	32	84
889 FP9048	78	44	112
889 FP9072	78	68	169

Data subject to change without notice.



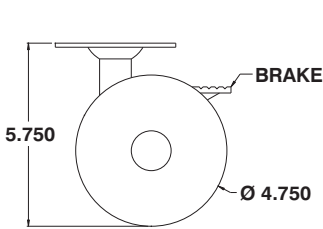
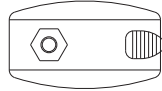
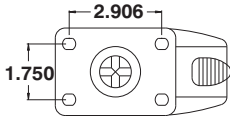
# CASTOR WHEELS, EYEBOLTS, PAINT

## Castor wheels - Series 880 C

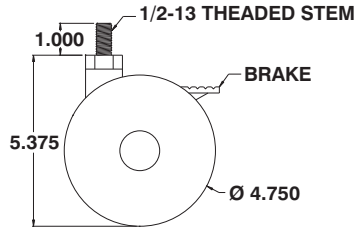
The **880 C** castor wheels can be mounted on a rack base. They are available with top plate (880 C100) or with threaded stem (880

C200). Castor wheels are available with or without brakes and have a load capacity of 250lbs.

CATALOG NUMBER	BRAKE ?	SHIP WGHT LBS.
880 C100	No	1
880 CB100	Yes	1
880 C200	No	1
880 CB200	Yes	1



TOP PLATE



THREADED STEM



## Lifting eyebolts - Series 880 EB

The **880 EB** are cast lifting eyebolts used to facilitate cabinet handling.

The **880 EBxSS** are made of stainless steel.

The eyebolts come complete with washers and nuts



CATALOG NUMBER	THREAD	PIECES	SHIP WGHT LBS.
880 EB14	M14	2	1
880 EB14SS	M14	2	1
880 EB12	M12	2	1
880 EB12SS	M12	2	1

## Touch up paint - Series 880 P

The **880 P** touch up spray paint cans are exact color match enamel paints in 12 oz. spray cans.



CATALOG NUMBER	COLOR	SHIP WGHT LBS.
880 PE	White	1
880 PTE	Textured white	1
880 PG	ANSI/ASA 61 Gray	1
880 PG2	ANSI/ASA 70 Gray	1
880 PTG	Textured gray	1
880 PG20	Textured red (RAL3002)	1
880 PY	Yellow	1
880 PO	Matadore orange	1
880 PV	Egg shell green	1
880 PTB	Textured blue	1
880 PTC	Beige (RAL7032)	1
880 PSC	Sandtex beige	1
880 PSG	Sandtex gray	1
880 PTD	Textured dark blue	1
880 PTK	Textured black	1
880 PGL	Mtrx gray (RAL7035)	1

Data subject to change without notice.

# DOOR ACCESSORIES

## Door stop kit for the ES enclosures, external mounting

The **886 DS2** door stop kits limit the opening of the doors on the ES family of products. Kits include mounting hardware and are available for external mounting on the top flange of the enclosure (886 DS2T and 886 DS2TSS) or the bottom (886 DS2B and 886 DS2BSS)



CATALOG NUMBER	LOCATIONS	SHIP WGHT LBS.
886 DS2B	Bottom	1
886 DS2T	Top	1
886 DS2BSS	Bottom (Stainless)	1
886 DS2TSS	Top (Stainless)	1

## Door stop kit for the ES enclosures, internal mounting

The **886 DS5** door stop kits limit the opening of the doors on the ES family of products. Kits include mounting hardware and are available for internal mounting on the top or bottom of the enclosure.



CATALOG NUMBER	LOCATIONS	SHIP WGHT LBS.
886 DS5	Top or bottom	1

## Door stop kit for the ES enclosures, gas spring

The **886 DS7** gas spring door stop kits limit the opening of the doors on the ES family of products. Kits include mounting hardware and are available for internal mounting on the top or bottom flange of the enclosure.



CATALOG NUMBER	LOCATIONS	SHIP WGHT LBS.
886 DS7	Top or bottom	1

## Door stop kit for large cabinets

The **886 DS6** door stop kits limit the opening of the doors on the large 5500 and 9500 cabinets. Kits include mounting hardware and are available for internal mounting on the top or bottom flange of the enclosure.



CATALOG NUMBER	LOCATIONS	SHIP WGHT LBS.
886 DS6	Top or bottom	1

## Door stop kit for Mtrx cabinets

The **886 DS4** door stop kits limit the opening of the single or double door bay Mtrx cabinets. Kits include mounting hardware and are available for internal mounting on the top or bottom flange of the enclosure.



CATALOG NUMBER	LOCATIONS	SHIP WGHT LBS.
886 DS4	Top or bottom	1

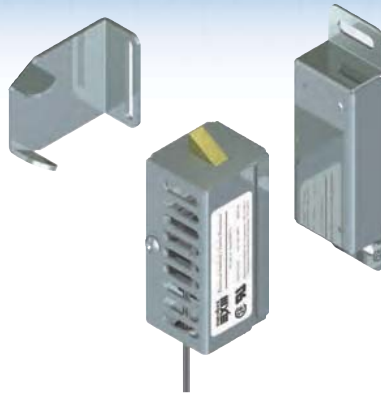
Data subject to change without notice.



# DOOR ACCESSORIES

## Electrical Interlock

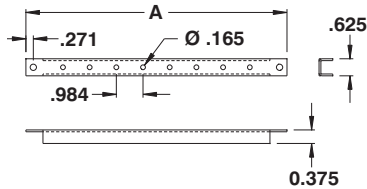
The **880 EI** electrical interlock is used to restrict access while equipment power is on. It is compatible with the ES family of products. Kit includes a disconnect device, mounting hardware and instructions.



CATALOG NUMBER	VOLTAGE	SHIP WGHT LBS.
880 EI115	115 V	1
880 EI230	230 V	1
880 EI460	460 V	1

## Horizontal door rails - Series 885 DR

The **885 DR** horizontal door rails are designed to bring versatility and increase mounting capacity for our ES style enclosures. Door rails are made of 16 GA steel and the finish is zinc plated.



CATALOG NUMBER	A	ENCLOSURE WIDTH	SHIP WGHT LBS.
885 DR12	8.562	12	1
885 DR16	12.562	16	1
885 DR20	16.562	20	1
885 DR24	20.562	24	1
885 DR30	26.562	30	1
885 DR36	32.562	36	2
* 885 DRL24	19.468	24	1
* 885 DRL30	25.468	30	1
* 885 DRL36	31.468	36	2

\* To be use with 3 point lock ES style enclosures

## External drip shield - Series 880 ESDS

The **880 ESDS** drip shields are used to further protect the contents of ES style enclosures from the elements. They are made of quality code gauge steel and come complete with all installation hardware.



CATALOG NUMBER	WIDTH	NUMBER OF HOLES	SHIP WGHT LBS.
880 ESDS12	12	2	1
880 ESDS16	16	2	1
880 ESDS20	20	2	2
880 ESDS24	24	2	2
880 ESDS30	30	3	3
880 ESDS36	36	3	3
880 ESDS42	42	3	3
880 ESDS48	48	3	3
880 ESDS60	60	4	5
880 ESDS72	72	4	6

Data subject to change without notice.



# DOOR ACCESSORIES

## Hinges ESCH

The **880 HESCH** hinges are used on the ESCH family enclosures. The hinges have an exclusive concealed hinge pin and attach to the enclosure with M5 hardware. Sold in packs of 2.



CATALOG NUMBER	MATERIAL	SHIP WGHT LBS.
880 HESCHZ	Zinc Cast	1
880 HESCH1SS	Stainless Steel	1

## Hinges CH

The **880 HCH** hinges are used on the CH enclosures family. The zinc cast hinges have an exclusive concealed hinge pin and attach to the enclosure with M5 hardware. Sold in packs of 2.



CATALOG NUMBER	MATERIAL	SHIP WGHT LBS.
880 HCH1Z	Zinc Cast	1

## Hinges ES - ESDD

The **880 HES** hinges are used on the ES and ESDD enclosures family (page iv and v). The 880 HES1Z and 880 HES1SS have retained sliding pins, the 880 HES2Z is a mono-block construction. Both attach to the enclosure with M6 hardware. Sold in packs of 2.



CATALOG NUMBER	MATERIAL	SHIP WGHT LBS.
880 HES1Z	Zinc Cast	1
880 HES2Z	Zinc Cast	1
880 HES1SS	Stainless Steel	1

## Hinges, free-standing cabinets

The **880 HFC** hinges are used on the freestanding cabinet family (page viii). These hinges have heavy duty 6.3mm pins and attach to the enclosure with M6 hardware. Sold in packs of 2.



CATALOG NUMBER	MATERIAL	SHIP WGHT LBS.
880 HFC1Z	Zinc Cast	1
880 HFC1SS	Stainless Steel	1

## Hinges, lay-in wireways and commercial enclosures

The **880 HLW** hinges are used on the freestanding cabinet family (page viii). The 880 HE1 are clip-on and made from plated spring steel, the 880 HLW1Z is made from zinc casting. Sold in packs of 10.



CATALOG NUMBER	LAY-IN NEMA TYPE	SHIP WGHT LBS.
880 HE1	1	1
880 HLW1Z	4-4X-12	1

Data subject to change without notice.



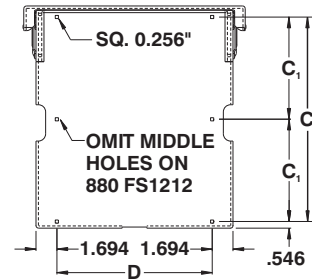
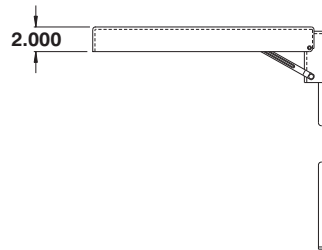
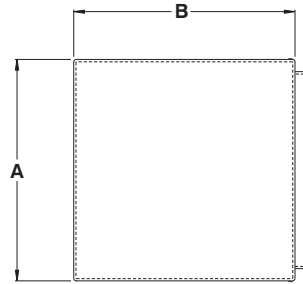
# SHELVES, POLE MOUNT, DEPTH ADJUSTER

## Folding shelves

The **880 FS** folding shelves are designed to support computer keyboards, monitors or other PC accessories. Can be installed on the inside or the outside surface of the cabinet. Locks in a horizontal position. Folds for easy hiding. Finish is white heat fused powder paint, electrostatically applied on a pretreated base.



CATALOG NUMBER	A	B	C <sub>1</sub>	C <sub>2</sub>	D	SHIP WGT LBS.
880 FS1212	12.000	12.000	---	10.625	6.625	10
880 FS1818	18.000	18.000	8.312	---	12.625	15



## Pole mounting kit

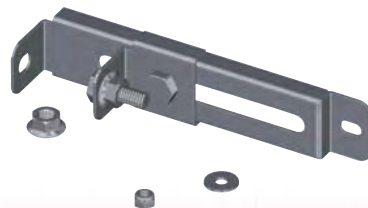
The **880 PM** pole mounting kit is used to mount 'ES' series enclosures to poles of different shapes and sizes. Kits include two mounting channels, two stainless steel straps for poles up to 12" in diameter and installation hardware.



CATALOG NUMBER	ENCLOSURE WIDTH
880 PM12	12
880 PM16	16
880 PM20	20
880 PM24	24
880 PM30	30
880 PM36	36

## Inner panel depth adjuster

The **885 IPDA** inner panel depth adjusters are used to permit adjustments to our inner panel depth on 'ES' style enclosures. Comes in packs of four. Finish is zinc plated.



CATALOG NUMBER	ENCLOSURE DEPTH	SHIP WGT LBS.
885 IPDA6	6	2
885 IPDA8	8	2
885 IPDA10	10	3
885 IPDA12	12	4

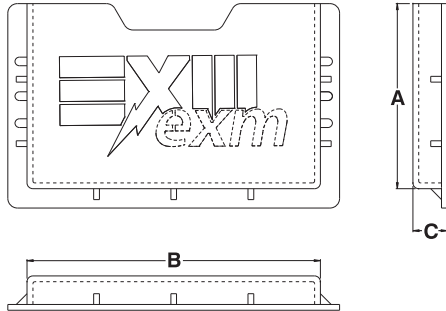
Data subject to change without notice.

# PRINT POCKETS

## Plastic print pockets - Series 880 PP/PPL

The 880 PP Print pockets are made in plastic and are installed using self adhesive backing or using the mounting holes provided for M6 studs. Finish is red.

CATALOG NUMBER	DIMENSIONS			SHIP WGHT LBS.
	A	B	C	
880 PP	6	9.5	1	1
880 PPL	12	12	1	1

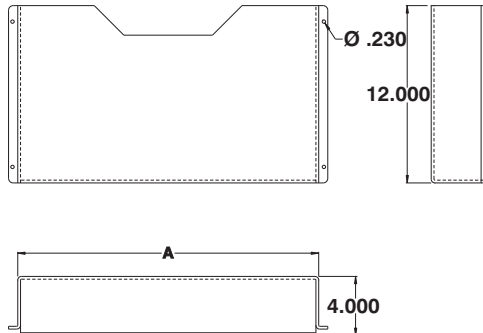


## Metal print pockets - Series 880 PPXL

The 880 PPXL Extra large metal print pockets are made of 14 GA steel and are installed on vertical rails. They are for use with ES enclosures. Finish is red heat fused powder paint, electrostatically applied on a pretreated base.

CATALOG NUMBER	DIMENSIONS	SHIP WGHT LBS.
	A	
880 PPXL24	20.375	8
880 PPXL30	26.375	10
880 PPXL36	32.375	12
* 880 PPXL24	18.206	7
* 880 PPXL30	24.206	9
* 880 PPXL36	30.206	11

\* To be use with 3 point lock ES style enclosures



## External print pocket - Series 880 PPEX

The 880 PPEX External print pockets with lid are made of 18 GA steel and can be installed on any outside enclosure surface. The print pockets will accommodate standard B size binders either vertically or horizontally. Knockouts are supplied to mount an optional padlockable pull down hasp. Finished with ANSI/ASA 61 gray heat fused powder paint, electrostatically applied on a pretreated base. (other colors available).



CATALOG NUMBER	DIMENSIONS		
	H	W	D
880 PPEXV	18	12	3.5
880 PPEXH	13	18	3.5

\* Add suffix 'SS' for stainless

Data subject to change without notice.

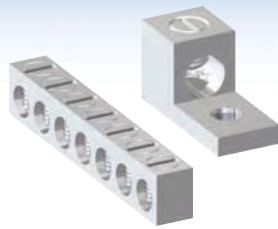


# GROUNDING ACCESSORIES

## Splitter trough grounding kits

The **881 GRC** are designed to be used with aluminum or copper conductors. Lugs are made from high strength, high conductive aluminum alloy. Kits come complete with installation hardware.

**C.S.A. approved.**



CATALOG NUMBER	MAX AMP. CU-AL	LUGS				SHIP WGHT LBS.
		QTY	WIRE RANGE	QTY	WIRE RANGE	
881 GRC200	200	7	2-14	-	-	1
881 GRC400	400	7	2-14	1	1/0-14	1
881 GRC600	600	7	2-14	1	300-6	1

## Splitter box grounding kits

The **881 GRB** are designed to be used with aluminum or copper conductors. Lugs are made from high strength, high conductive aluminum alloy. Kits come complete with installation hardware.

**C.S.A. approved.**



CATALOG NUMBER	MAX AMP. CU-AL	LUGS				SHIP WGHT LBS.
		QTY	WIRE RANGE	QTY	WIRE RANGE	
881 GRB200	200	4	2-14	-	-	1
881 GRB400	400	4	2-14	1	1/0-14	1
881 GRB600	600	4	2-14	1	300-6	1

## Junction box grounding kits

The **880 GC3** are designed to be used with aluminum or copper conductors. Lugs are made from high strength, high conductive aluminum alloy. Kits come complete with installation hardware. The 880 GC3 are sold in packs of 10)

**C.S.A. approved.**



CATALOG NUMBER	LUGS		SHIP WGHT LBS.
	QTY	WIRE RANGE	
880 GC3	4	2-14	1

## Grounding kits

The **880 GC2** grounding kits are designed for use with both aluminum and copper conductors, from 14 to 2 GA AWG. Lugs are constructed from high strength, high conductive aluminum alloy 606-T6 plated over copper, rated at 90°C. The 880 GC2 are sold in packs of 10.

**C.S.A. approved.**



CATALOG NUMBER	SHIP WGHT LBS.
880 GC2	1

Data subject to change without notice.



# GROUNDING ACCESSORIES

## Grounding wires

The **880 GC1** grounding wires are 8½" long, made of flexible stranded copper wire and are colored yellow with green stripes. The 880 GC1 have ring-tongue terminals and are used to ensure proper bonding of the door to the

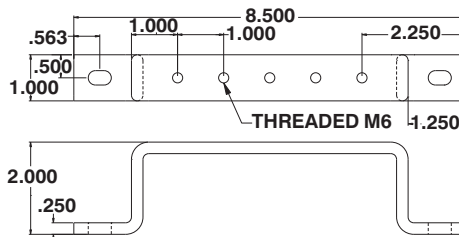
cabinet. Installation hardware, consisting of nuts, bolts and washers, is provided. The 880 GC1 are sold in packs of 10.

CATALOG NUMBER	SHIP WGHT LBS.
880 GC1	1

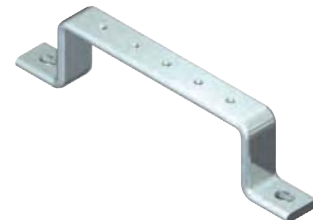


## Grounding bar

The **880 GRCB** are designed to permit installation of up to 5 grounding wires. Bars are threaded M6. If required, lugs are ordered separately (page 238). Kits come complete with installation hardware. The grounding bar is made of copper and is tin plated



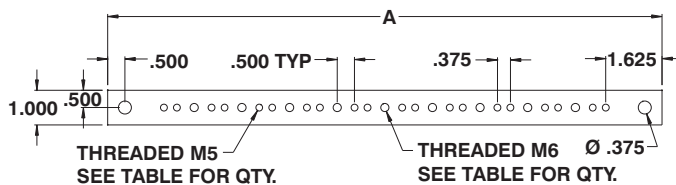
CATALOG NUMBER	SHIP WGHT LBS.
880 GRCB	2



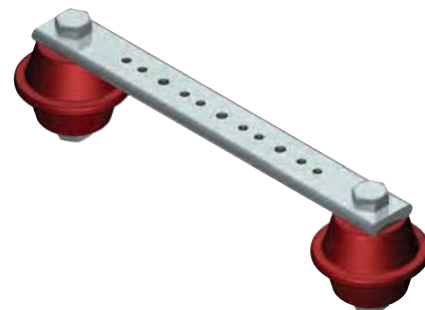
## Insulated grounding bars

The **880 GB** grounding bars come in three sizes, with indoor polyamide resin insulators. The grounding bar is made of copper and is tin plated

CATALOG NUMBER	SHIP WGHT LBS.		
	A	M5	M6
880 GB08	8	10	3
880 GB16	16	20	9
880 GB24	24	30	15

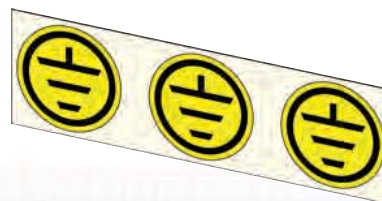


TOP VIEW WITHOUT INSULATOR



## Grounding stickers

The **880 GNDS01** grounding stickers are designed to indicate the area where grounding studs must be installed. They comes in a slip of 3 by 10 and are sold in packs of 100. Each have a radius of 18mm.



CATALOG NUMBER	SHIP WGHT LBS.
880 GNDS01	1

Data subject to change without notice.



# PUSHBUTTON HOLE PLUGS

## Metal pushbutton hole plugs

The **880 HP** pushbutton hole plugs are made to cover the unused holes on the pushbutton enclosures. They are fixed with an anti-vibration wing nylon lock. Plugs are available for several hole sizes in gray (ASA 61) powder painted steel or brushed #4 stainless steel and come complete with a dust tight oil resistant gasket and installation hardware.

**CSA Certified / UL Listed.**

**NEMA/EEMAC 4-12 IP66**

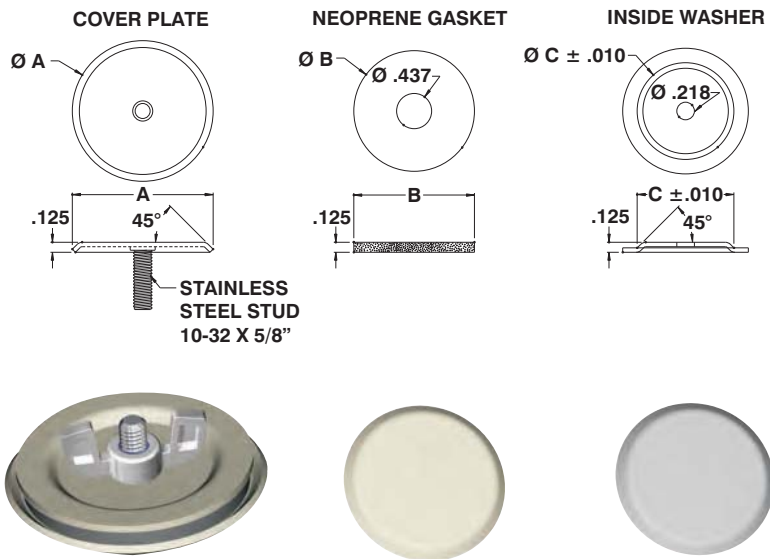
**(Galvanized)**

**NEMA/EEMAC 4X IP66**

**(Stainless steel)**



CATALOG NUMBER		SPECIFICATIONS			
STEEL	STAINLESS	HOLE PLUG	A	B	C
880 HP1	880 HP1SS	22.5mm pushbutton	1.218	0.968	0.875
880 HP0500	880 HP0500SS	1/2" conduit hole	1.375	1.125	0.875
880 HP0750	880 HP0750SS	3/4" conduit hole	1.562	1.312	1.062
880 HP2	880 HP2SS	30.5mm pushbutton	1.750	1.500	1.203
880 HP1000	880 HP1000SS	1" conduit hole	1.875	1.625	1.344
880 HP1250	880 HP1250SS	1 1/4" conduit hole	2.187	1.937	1.687
880 HP1500	880 HP1500SS	1 1/2" conduit hole	2.500	2.250	1.968
880 HP2000	880 HP2000SS	2" conduit hole	3.000	2.750	2.468
880 HP2500	---	2 1/2" conduit hole	3.500	3.250	3.000
880 HP3000	---	3" conduit hole	4.125	3.875	3.625
880 HP3500	---	3 1/2" conduit hole	4.625	4.375	4.125
880 HP4000	---	4" conduit hole	5.125	4.875	4.625



## Plastic plug buttons

The **880 HPPL** plastic plug buttons are made to cover the unused pushbutton holes on the pushbutton enclosures. Hole plugs are available for standard or miniature holes in black plastic.



CATALOG NUMBER	SPECIFICATION	SHIP WGHT LBS.
880 HP1PL	22.5mm pushbutton	1
880 HP2PL	30.5mm pushbutton	1
880 HP3PL	76.2mm pushbutton	1

## Anti-vibration wing nut

The **880 HDWN** anti-vibration wing nuts are designed to be used when particular types of M5 fasteners need to be tightened or loosened frequently without the use of tools. It has a nylon insert to capture the bolt or screw which provides a locking feature.



CATALOG NUMBER	THREAD	SHIP WGHT LBS.
880 HDWN	M5 (metric)	1

Data subject to change without notice.

# HARDWARE, GASKET

## Hardware kits

The 880 K hardware kits are used when additional parts are required to replace the hardware which was supplied with the enclosures.

These kits can be used in case of loss of the original kits or when the existing enclosures must be re-worked or upgraded or for any other purpose.

Most hardware kits include anti-vibration screws, nuts and bolts. This helps to ensure installation integrity, even in mobile applications.

CATALOG NUMBER	DESCRIPTION		
	FOR USE WITH	DESCRIPTION	PACKS OF
880 K00200	880 SP	Set of six M6 x 8 screws used to mount ESCH panels	20
880 K01310	881 SP	Set of two flange lock nuts M8 used to mount ES panels	20
880 K02700	1100, 5100 ES, 5100 ESCH...	Rubber bumpers	50
880 K03000	5100 ES	M10 plugs	50
880 K02810	1100 MC	Hardware kit for 1100 MC	10
880 K03100	1300 CH	Hardware kit for 1300 CH	10
880 K02910	5412 ESCH	Hardware kit for 5412 ESCH	10
880 K02940	5412 ESCHB	Hardware kit for 5412 ESCHB	10
880 K02930	5412 ESLC	Hardware kit for 5412 ESLC	10
880 K02900	5412 ESSC	Hardware kit for 5412 ESSC (old model)	10
880 K02920	5412 ESSC	Hardware kit for 5412 ESSC (new model)	10
880 K01800	5412 ES	Hardware kit for 5412 ES (includes ground strap)	10
880 K03400	5412 ESFRS	Hardware kit for 5412 ESFRS	10
880 K03300	5412 ESFRH	Hardware kit for 5412 ESFRH	10
880 K03500	5412 ESFRQ	Hardware kit for 5412 ESFRQ	10

## Closing plates for disconnect cutouts

The 880 ADCP1 are used to cover the disconnect cutout to preserve the integrity of the enclosure when a disconnect is not used. The closing plates are made from 11 GA steel and are supplied with all the required hardware. An oil resistant gasket is used to implement NEMA 12 standards.



CATALOG NUMBER	PRODUCTION MATERIAL	SHIP WGHT LBS.
880 ADCP1	Gray powder coated steel	1
880 ADCP1SS	Brushed stainless steel	1

## Gas spring cylinder

The 880 GS gas spring cylinders are available with two different pressure strengths. Two fixing brackets are included with each cylinder.



CATALOG NUMBER	STROKE			FORCE	SHIP WGHT LBS.
	STROKE	LENGTH	FORCE		
880 GS080	90mm	254mm	80N	1	
880 GS115	90mm	254mm	115N	1	

## Self-adhesive gasket tape

The 880 GA gasket tape is used as general purpose gasket and is ordered in lengths of 35 feet. Made of self-adhesive neoprene.



CATALOG NUMBER	THICKNESS	WIDTH	SHIP WGHT LBS.
	880 GA0750	0.2500"	
880 GA1000	0.2500"	1.000"	1


Data subject to change without notice.




# HARDWARE

## Hardware - Screws


### STEEL MACHINE SCREWS - PAN HEAD PHILLIPS DRIVE

	CATALOG #	THREAD	LENGTH	PACKS	FOR USE WITH
	880 HDM0632	6-32 UNC	3/8"	100	General purpose
880 HDM0832	8-32 UNC	3/8"	100	General purpose	
880 HDM1024	10-24 UNC	3/8"	100	General purpose	
880 HDM1032	10-32 UNF	3/8"	100	General purpose	
880 HDM1224	12-24 UNC	3/8"	100	General purpose	
880 HDM2520	1/4"-20 UNC	3/8"	100	General purpose	
880 HDM3118	5/16"-18 UNC	1"	50	General purpose	
880 HDM3816	3/8"-16 UNC	1"	50	General purpose	
880 HDMM04	M4 (metric)	12mm	100	General purpose	
880 HDMM0425	M4 (metric)	25mm	50	6500 MXD flange door	
880 HDMM05	M5 (metric)	12mm	100	General purpose	
880 HDMM06	M6 (metric)	12mm	100	General purpose	
880 HDMM08	M8 (metric)	25mm	50	6500 MXM mounting panel	
880 HDMM10	M10 (metric)	25mm	50	General purpose	


### STEEL MACHINE SCREWS - TRUSS HEAD PHILLIPS DRIVE

	CATALOG #	THREAD	LENGTH	PACKS	FOR USE WITH
	880 HDMTM0612	M6 (metric)	12mm	100	6500 MXR / 6500 MXC covers
880 HDMTM0625	M6 (metric)	25mm	50	6500 MXD flange door	


### STEEL MACHINE SCREWS - FLAT HEAD PHILLIPS DRIVE

	CATALOG #	THREAD	LENGTH	PACKS	FOR USE WITH
	880 HDMFM0616	M6 (metric)	16mm	50	6500 MXB base / 6500 MXD doors


### STEEL SELF TAPPING SCREWS - PAN HEAD PHILLIPS DRIVE

	CATALOG #	THREAD	LENGTH	PACKS	FOR USE WITH
	880 HDT04	#4 / .100 hole	1/2"	100	General purpose
880 HDT06	#6 / .116 hole	1/2"	100	General purpose	
880 HDT08	#8 / .136 hole	1/2"	100	6500 MXD door stiffeners and rails	
880 HDT081	#8 / .136 hole	1"	50	6500 MXD locking door handle	
880 HDT10	#10 / .152 hole	1/2"	100	6500 MXG grid rails	
880 HDT12	#12 / .177 hole	1/2"	100	General purpose	
880 HDT14	#14 / .199 hole	1/2"	100	6500 MX frame (M5 thread)	

### STEEL THREAD ROLLING SCREWS - THREAD CUTTING PHILLIPS DRIVE

	CATALOG #	THREAD	LENGTH	PACKS	FOR USE WITH
	880 HDTRM0610	M6 (metric)	10mm	100	General purpose

### STEEL HEX SOCKET CAP SCREWS


	CATALOG #	THREAD	LENGTH	PACKS	FOR USE WITH
	880 HDHXM0812	M8 (metric)	12mm	100	6500 MXM mounting panel


Data subject to change without notice.

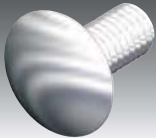


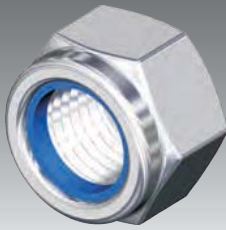
# HARDWARE


## Hardware - Nuts & Screws


TAMPER RESISTANT SCREWS						
	CATALOG #	THREAD	LENGTH	PACKS	DRIVE SIZE	MATERIAL
	880 HDTZS0512	M5 (metric)	12mm	10	T25	Steel zinc plated
	880 HDTZS0612	M6 (metric)	12mm	10	T30	Steel zinc plated
	880 HDTZS0625	M6 (metric)	25mm	10	T30	Steel zinc plated
	880 HDTSS0512	M5 (metric)	12mm	10	T25	Stainless steel
	880 HDTSS0612	M6 (metric)	12mm	10	T30	Stainless steel
	880 HDTSS0625	M6 (metric)	25mm	10	T30	Stainless steel

BITS FOR TAMPER RESISTANT SCREWS				
	CATALOG #	THREAD	PACKS	FOR USE WITH
	880 HDTBIT25	T25	1	Magnetic driver
	880 HDTBIT30	T30	1	Holder 880 HDDR
	880 HDDR	-	1	Magnetic driver holder

STEEL CARRIAGE BOLT - ROUND HEAD SQUARE NECK					
	CATALOG #	THREAD	LENGTH	PACKS	FOR USE WITH
	880 HDCM05	M5 (metric)	9mm	100	General purpose
	880 HDCM06	M6 (metric)	13mm	100	1500 lay-in ducts
	880 HDCM08	M8 (metric)	22mm	100	6500 MXJO joining brackets

STEEL HEX NUTS FOR MACHINE SCREWS - WITH NYLON LOCK				
	CATALOG #	THREAD	PACKS	FOR USE WITH
	880 HDN0632	6-32 UNC	100	General purpose
	880 HDN0832	8-32 UNC	100	General purpose
	880 HDN1024	10-24 UNC	100	General purpose
	880 HDN1032	10-32 UNF	100	General purpose
	880 HDN1224	12-24 UNC	100	General purpose
	880 HDN2520	1/4"-20 UNC	100	General purpose
	880 HDN3118	5/16"-18 UNC	100	General purpose
	880 HDN3816	3/8"-16 UNC	100	General purpose
	880 HDNM04	M4 (metric)	100	6500 MXD flange door
	880 HDNM05	M5 (metric)	100	5412 ESCH ground nut
	880 HDNM06	M6 (metric)	100	5412 ES / Mtrx ground nut
	880 HDNM08	M8 (metric)	100	6500 MXJO joining brackets
	880 HDNM10	M10 (metric)	100	9500 cabinets

STEEL FRONT INSERTED CLIP NUTS				
	CATALOG #	THREAD	PACKS	FOR USE WITH
	880 HDFM06	M6 (metric)	100	6500 MX frame / 6500 MXG grid rails
	880 HDFM08	M8 (metric)	100	6500 MX frame / 6500 MXG grid rails

STEEL STANDARD CAGE NUTS				
	CATALOG #	THREAD	PACKS	FOR USE WITH
	880 HDP2520	1/4"-20 UNC	100	6500 MXL rack angles
	880 HDP3118	5/16"-18 UNC	100	6500 MXG grid rails
	880 HDPM05	M5 (metric)	100	6500 MXL rack angles
	880 HDPM06	M6 (metric)	100	6500 MXL rack angles
	880 HDPM08	M8 (metric)	100	6500 MXG grid rails

Data subject to change without notice.



# NOTES

Data subject to  
change without  
notice.





## Flush, instrument mount gland plate

The 880 GPF and the 880 GPR are designed to be used as instrument mounting plates or cable entry plates. The instrument mounting plates (880 GPF and 880 GPR) permit standardization of the enclosures. Users can have the same enclosure with the same cut-out for the instrument plate. When different instrument cut-outs are required, the user can pierce the instrument plate or order them pre-cut from the factory, thus avoiding manipulation of the complete enclosure which can cause damage and is more

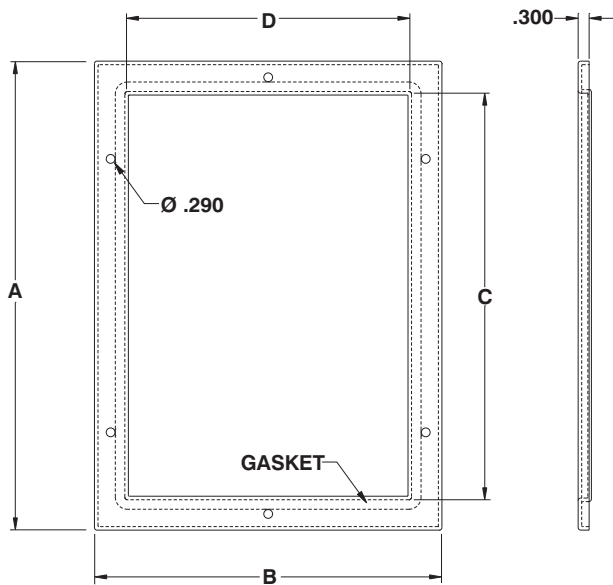
time consuming. The instrument panels can be used in conjunction with the NEMA 4 window kits (880 HWK, 880 HWKV, 880 HWKL, 880 HWKO, 880 HWKOB, 880 HWKOL), when the installation requires NEMA 4 protection but the instruments are not rated for NEMA 4. If the need is to install instruments that are deep, the recessed instrument plate available at 2" or 4" deep can be used. The extra deep window kit (880 HWKL) offers extra space for protruding knobs or pushbuttons.

Plates are made from 16 GA steel (also available in stainless steel) and are supplied with the required mounting hardware.

Plates are finished with ANSI/ASA 61 gray heat fused powder paint, electrostatically applied on a pre-treated base. (other colors available).

**C.S.A. certified / UL Listed  
NEMA/EEMAC 4-12 / IP66**

**Refer to p.727 to validate choice of substrate for the application**



Equipment not included, shown for reference.



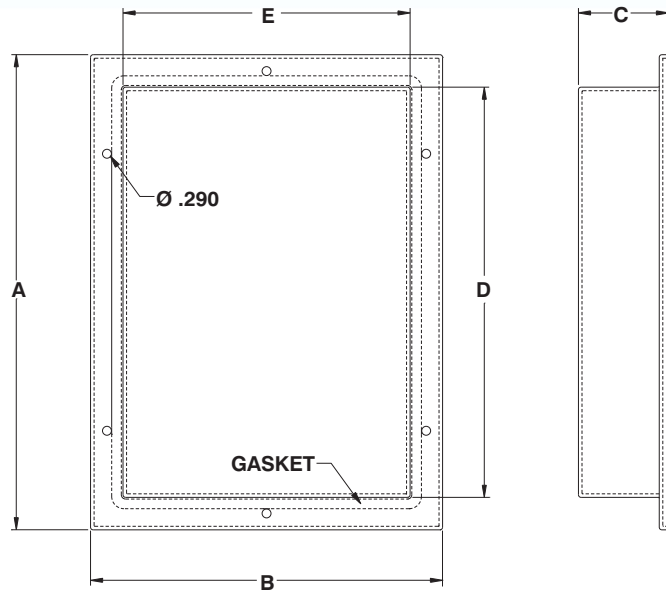
CATALOG NUMBER	OPTIONAL WINDOW KIT	DIMENSIONS				SHIP WGHT LBS.
		A	B	C	D	
880 GPF0808	880 HWK0808	8	8	5.25	5.25	2
880 GPF1008	880 HWK1008‡	10	8	7.25	5.25	2
880 GPF1212	880 HWK1212‡	12	12	9.25	9.25	3
880 GPF1214	880 HWKL121402	12	14	9.25	11.25	4
880 GPF1408	880 HWKL140802	14	8	11.25	5.25	3
880 GPF1612	880 HWK1612‡	16	12	13.25	9.25	4
880 GPF1812	880 HWKL181202	18	12	15.25	9.25	5
880 GPF2016	880 HWK2016	20	16	17.25	13.25	7
880 GPF2020	880 HWK2020	20	20	17.25	17.25	8
880 GPF2212	880 HWKL221202	22	12	19.25	9.25	6
880 GPF2216	880 HWKL221602	22	16	19.25	13.25	8
880 GPF2226	880 HWKL222602	22	26	19.25	23.25	12
880 GPF2420	880 HWK2420	24	20	21.25	17.25	10
880 GPF2820	880 HWKL282002	28	20	25.25	17.25	12
880 GPF3024	880 HWK3024	30	24	27.25	21.25	15
880 GPF3420	880 HWKL342002	34	20	31.25	17.25	14

‡Also compatible with the 880 HWKV window kits.

Data subject to change without notice.



## Recessed, instrument mount gland plate



Equipment not included, shown for reference.

CATALOG NUMBER	OPTIONAL WINDOW KIT	DIMENSIONS					SHIP WGHT LBS.
		A	B	C	D	E	
880 GPR080802	880 HWK0808	8	8	2	5.25	5.25	3
880 GPR100802	880 HWK1008‡	10	8	2	7.25	5.25	4
880 GPR121202	880 HWK1212‡	12	12	2	9.25	9.25	6
880 GPR121402	880 HWKL121402	12	14	2	9.25	11.25	6
880 GPR140802	880 HWKL140802	14	8	2	11.25	5.25	5
880 GPR161202	880 HWK1612‡	16	12	2	13.25	9.25	7
880 GPR181202	880 HWKL181202	18	12	2	15.25	9.25	8
880 GPR201602	880 HWK2016	20	16	2	17.25	13.25	10
880 GPR202002	880 HWK2020	20	20	2	17.25	17.25	12
880 GPR221202	880 HWKL221202	22	12	2	19.25	9.25	9
880 GPR221602	880 HWKL221602	22	16	2	19.25	13.25	11
880 GPR222602	880 HWKL222602	22	26	2	19.25	23.25	16
880 GPR242002	880 HWK2420	24	20	2	21.25	17.25	14
880 GPR282002	880 HWKL282002	28	20	2	25.25	17.25	16
880 GPR302402	880 HWK3024	30	24	2	27.25	21.25	19
880 GPR342002	880 HWKL342002	34	20	2	31.25	17.25	18
880 GPR080804	880 HWK0808	8	8	4	5.25	5.25	5
880 GPR100804	880 HWK1008‡	10	8	4	7.25	5.25	6
880 GPR121204	880 HWK1212‡	12	12	4	9.25	9.25	8
880 GPR121404	880 HWKL121404	12	14	4	9.25	11.25	9
880 GPR140804	880 HWKL140804	14	8	4	11.25	5.25	7
880 GPR161204	880 HWK1612‡	16	12	4	13.25	9.25	10
880 GPR181204	880 HWKL181204	18	12	4	15.25	9.25	10
880 GPR201604	880 HWK2016	20	16	4	17.25	13.25	13
880 GPR202004	880 HWK2020	20	20	4	17.25	17.25	15
880 GPR221204	880 HWKL221204	22	12	4	19.25	9.25	12
880 GPR221604	880 HWKL221604	22	16	4	19.25	13.25	14
880 GPR222604	880 HWKL222604	22	26	4	19.25	23.25	20
880 GPR242004	880 HWK2420	24	20	4	21.25	17.25	17
880 GPR282004	880 HWKL282004	28	20	4	25.25	17.25	20
880 GPR302404	880 HWK3024	30	24	4	27.25	21.25	23
880 GPR342004	880 HWKL342004	34	20	4	31.25	17.25	23

‡Also compatible with the 880 HWKV window kits.



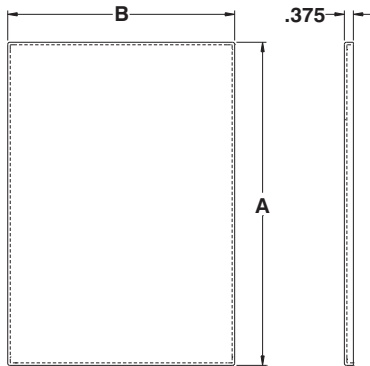
Data subject to change without notice.

# GLAND PLATES

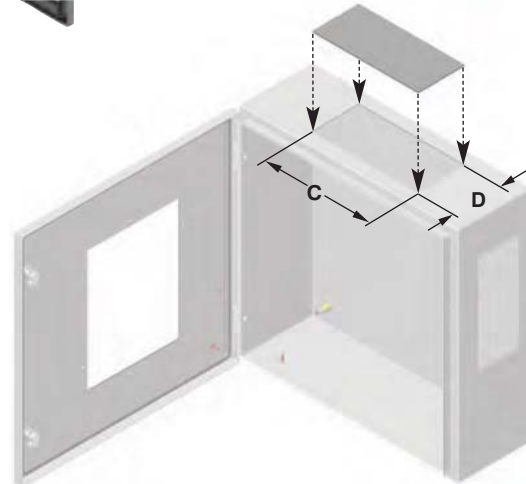
## Concealed access cable entry

The **880 GP** are designed to be used as cable entry plates. Gland plates come with concealed mounting hardware that doesn't permit access from outside the enclosure. Plates are finished with ANSI/ASA 61 gray heat fused powder paint, electrostatically applied on a pre-treated base. (other colors available).

**CSA Certified / UL Listed**  
**NEMA/EEMAC 4-12 / IP66**



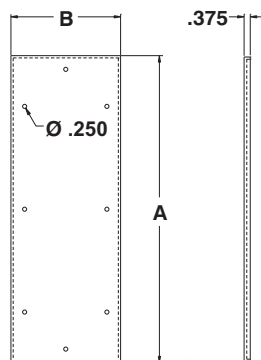
CATALOG NUMBER	DIMENSIONS				SHIP WGHT LBS.
	A	B	C	D	
880 GP1005	10.5	5.5	9	4	1
880 GP1007	10.5	7.5	9	6	2
880 GP1009	10.5	9.5	9	8	2
880 GP1011	10.5	11.5	9	10	2
880 GP1015	10.5	15.5	9	14	3
880 GP1805	18.5	5.5	17	4	2
880 GP1807	18.5	7.5	17	6	3
880 GP1809	18.5	9.5	17	8	3
880 GP1811	18.5	11.5	17	10	4
880 GP1815	18.5	15.5	17	14	5



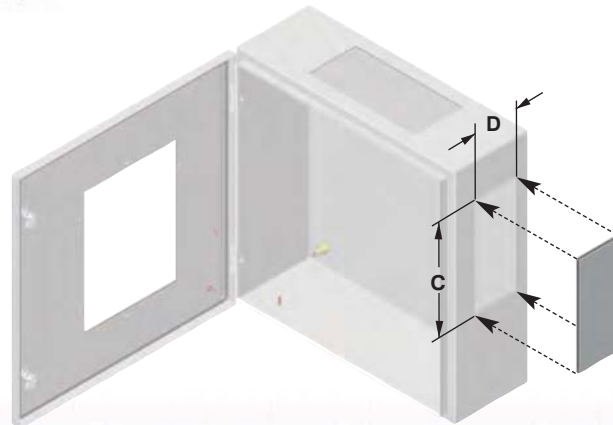
## Screw-on cable entry

The **880 GPS** are designed to be used as cable entry plates. Gland plates are retained with screws from the outside of the enclosure. Plates are finished with ANSI/ASA 61 gray heat fused powder paint, electrostatically applied on a pre-treated base. (other colors available).

**CSA Certified / UL Listed**  
**NEMA/EEMAC 4-12 / IP66**



CATALOG NUMBER	DIMENSIONS				SHIP WGHT LBS.
	A	B	C	D	
880 GPS1006	10.5	6.5	8	4	1
880 GPS1008	10.5	8.5	8	6	2
880 GPS1010	10.5	10.5	8	8	2
880 GPS1012	10.5	12.5	8	10	3
880 GPS1016	10.5	16.5	8	14	3
880 GPS1806	18.5	6.5	16	4	2
880 GPS1808	18.5	8.5	16	6	3
880 GPS1810	18.5	10.5	16	8	4
880 GPS1812	18.5	12.5	16	10	4
880 GPS1816	18.5	16.5	16	14	6



Data subject to change without notice.

# WINDOW KITS

## Indoor water, oil & dust tight clear view hinged window kits

The **880 HWKV** indoor usage clear view hinged window kits are made from 16 GA steel, with studs welded to permit easy installation by piercing a cut out on the enclosures. The cover is made of one piece self extinguishing clear polycarbonate. All mounting hardware

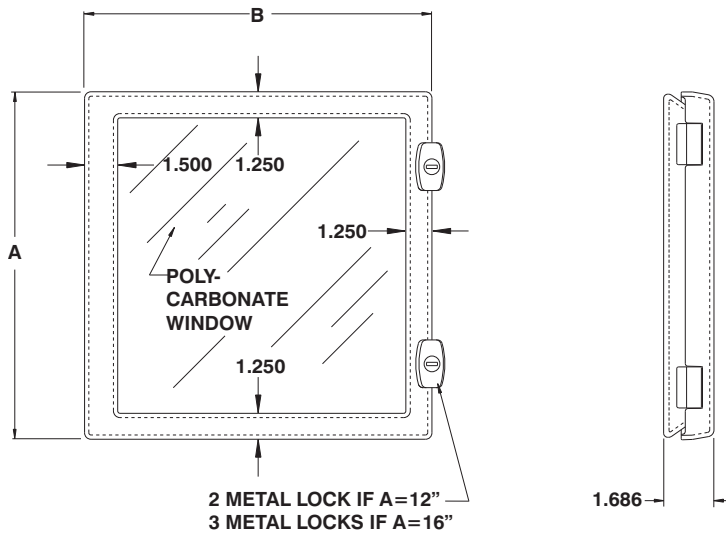
and instructions are supplied. Frames are finished with ANSI/ASA 61 gray, heat fused powder paint.

**C.S.A. certified / UL Listed  
NEMA/EEMAC 4-12 / IP66**

**Refer to p.727 to validate choice of substrate for the application**

CATALOG NUMBER	DIMENSIONS		SHIP WGHT LBS.
	A	B	
880 HWKV1008	10	8	2
880 HWKV1212	12	12	3
880 HWKV1612	16	12	4

\* Add suffix 'SS' for stainless steel.



## Outdoor water, oil & dust tight clear view hinged window kits

The **880 HWKOV** outdoor and indoor usage clear view hinged window kits are made from 16 GA steel, with studs welded to permit easy installation by piercing a cut out on the enclosures. The cover is made of one piece self extinguishing clear polycarbonate. All

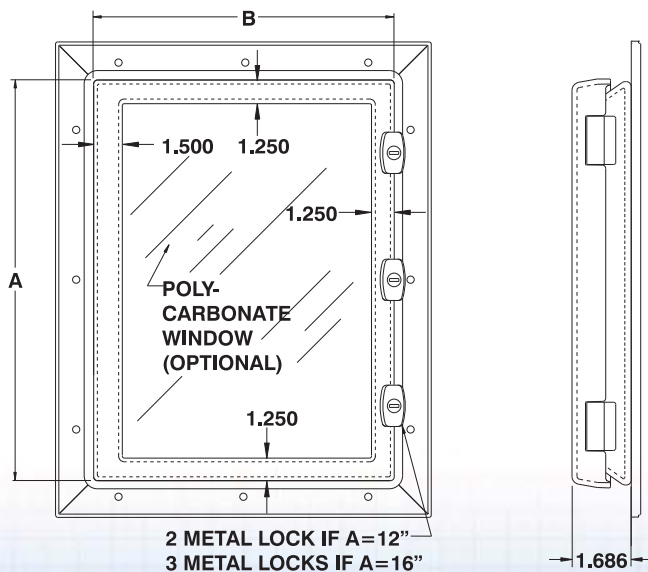
mounting hardware and instructions are supplied. Frames are finished with ANSI/ASA 61 gray, heat fused powder paint.

**C.S.A. certified / UL Listed  
NEMA/EEMAC 4-12 / IP66**

**Refer to p.727 to validate choice of substrate for the application**

CATALOG NUMBER	DIMENSIONS		SHIP WGHT LBS.
	A	B	
880 HWKOV1008	10	8	2
880 HWKOV1212	12	12	3
880 HWKOV1612	16	12	4

\* Add suffix 'SS' for stainless steel.



Data subject to change without notice.



# WINDOW KITS

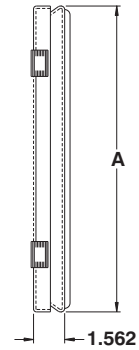
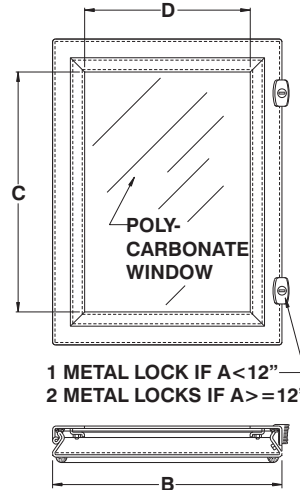
## Indoor hinged window kits

The 880 HWK indoor usage hinged window kits are made from 16 or 14 GA steel, with studs welded to permit easy installation by piercing a cut out on the enclosures. The window is made with self extinguishing polycarbonate, 1/4" thick. All mounting hardware and instructions are

supplied. Frames are finished with ANSI/ASA 61 gray heat fused powder paint. **C.S.A. certified / UL listed NEMA/EEMAC 4-12 / IP66** Refer to p.727 to validate choice of substrate for the application

CATALOG NUMBER	DIMENSIONS				SHIP WGHT LBS.
	A	B	C	D	
880 HWK0808	8	8	4.850	4.930	7
880 HWK1008	10	8	6.850	4.930	9
880 HWK1212	12	12	8.850	8.930	12
880 HWK1612	16	12	12.850	8.930	15
880 HWK2016	20	16	16.850	12.930	22
880 HWK2020	20	20	16.850	16.930	24
880 HWK2420	24	20	20.850	16.930	26

\* Add suffix 'SS' for a stainless steel frame.  
\* Add suffix 'B' for blank cover.



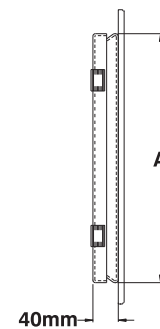
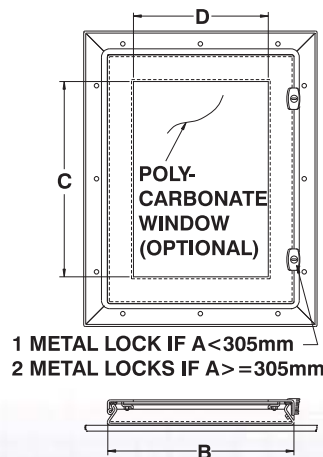
## Outdoor and indoor hinged window kits

The 880 HWKO outdoor and indoor usage, hinged window kits are made from 16 GA steel. Installation is made by piercing a cut out on the enclosures. The window is made with self extinguishing polycarbonate. All mounting hardware and instructions are supplied. The windows can be used in conjunction

with the flush (880 GPF) or recessed (880 GPR) gland plates. Frames are finished with ANSI/ASA 61 gray, heat fused powder paint. **C.S.A. certified / UL listed NEMA/EEMAC 4-12 / IP66** Refer to p.727 to validate choice of substrate for the application

CATALOG NUMBER	DIMENSIONS				SHIP WGHT LBS.
	A	B	C	D	
880 HWKO0808	8	8	3.625	3.625	7
880 HWKO1008	10	8	5.625	3.625	9
880 HWKO1212	12	12	7.625	7.625	12
880 HWKO1612	16	12	11.625	7.625	15
880 HWKO2016	20	16	15.625	11.625	22
880 HWKO2020	20	20	15.625	15.625	24
880 HWKO2420	24	20	19.625	15.625	26

\* Add suffix 'SS' for a stainless steel frame.  
\* Add suffix 'B' for blank cover.



Data subject to change without notice.



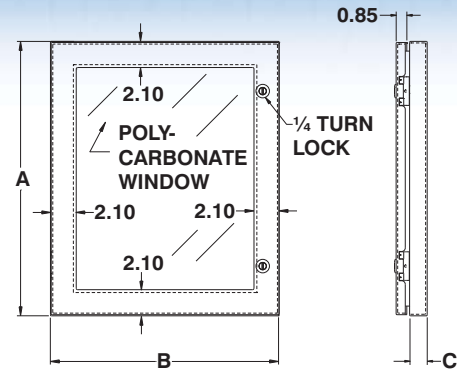
# WINDOW KITS

## Indoor large water, oil & dust tight hinged window kits

The 880 HWKL indoor usage-hinged window kits are made from 16 or 14 GA steel. Installation is made by piercing a cut out on the enclosures. The window is made with self-extinguishing polycarbonate. All mounting hardware and instructions are supplied. The windows can be used in conjunction with

the flush (880 GPF) or recessed (880 GPR) gland plates. Frames are finished with ANSI/ASA 61 gray, heat fused powder paint.

**C.S.A. certified / UL listed  
NEMA/EEMAC 4-12 / IP66  
Refer to p.727 to validate  
choice of substrate for the  
application**



CATALOG NUMBER	ENCLOSURE MINIMUM SIZE		DIMENSIONS			SHIP WGHT LBS.
	HEIGHT	WIDTH	A	B	C	
880 HWKL121402	14	18	12.19	14.56	2	8
880 HWKL140802	16	12	14.19	8.14	2	6
880 HWKL181202	20	16	18.19	12.14	2	9
880 HWKL221202	24	16	22.19	12.14	2	10
880 HWKL221602	24	20	22.19	16.14	2	15
880 HWKL222602	24	30	22.19	26.14	2	21
880 HWKL282002	30	24	28.19	20.14	2	21
880 HWKL342002	36	24	34.19	20.14	2	24
880 HWKL121404	14	18	12.19	14.56	4	10
880 HWKL140804	16	12	14.19	8.14	4	8
880 HWKL181204	20	16	18.19	12.14	4	11
880 HWKL221204	24	16	22.19	12.14	4	13
880 HWKL221604	24	20	22.19	16.14	4	18
880 HWKL222604	24	30	22.19	26.14	4	25
880 HWKL282004	30	24	28.19	20.14	4	25
880 HWKL342004	36	24	34.19	20.14	4	29

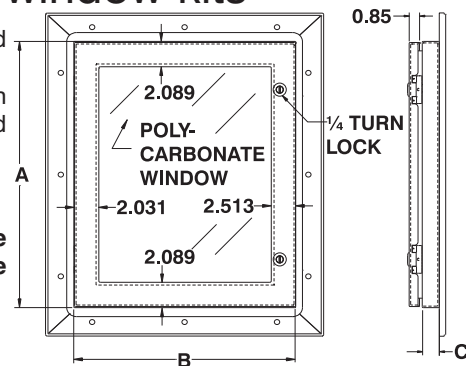
\* Add suffix 'SS' for stainless steel.  
\* Add suffix 'B' for blank cover.

## Outdoor and indoor large hinged window kits

The 880 HWKOL outdoor or indoor large hinged window kits are made from 16 or 14 GA steel. Installation is made by piercing a cut out on the enclosures. The window is made with self-extinguishing polycarbonate. All mounting hardware and instructions are supplied. The windows can be used in conjunction with the flush (880 GPF)

or recessed (880 GPR) gland plates. Frames are finished with ANSI/ASA 61 gray, heat fused powder paint.

**C.S.A. certified / UL listed  
NEMA/EEMAC 4-12 / IP66  
Refer to p.727 to validate  
choice of substrate for the  
application**



CATALOG NUMBER	ENCLOSURE MINIMUM SIZE		DIMENSIONS			SHIP WGHT LBS.
	HEIGHT	WIDTH	A	B	C	
880 HWKOL121402	14	18	12.19	14.56	2	8
880 HWKOL140802	16	12	14.19	8.14	2	6
880 HWKOL181202	20	16	18.19	12.14	2	9
880 HWKOL221202	24	16	22.19	12.14	2	10
880 HWKOL221602	24	20	22.19	16.14	2	15
880 HWKOL222602	24	30	22.19	26.14	2	21
880 HWKOL282002	30	24	28.19	20.14	2	21
880 HWKOL342002	36	24	34.19	20.14	2	24
880 HWKOL121404	14	18	12.19	14.56	4	10
880 HWKOL140804	16	12	14.19	8.14	4	8
880 HWKOL181204	20	16	18.19	12.14	4	11
880 HWKOL221204	24	16	22.19	12.14	4	13
880 HWKOL221604	24	20	22.19	16.14	4	18
880 HWKOL222604	24	30	22.19	26.14	4	25
880 HWKOL282004	30	24	28.19	20.14	4	25
880 HWKOL342004	36	24	34.19	20.14	4	29

\* Add suffix 'SS' for stainless steel.  
\* Add suffix 'B' for blank cover.

Data subject to change without notice.

# WINDOW KITS

## Steel frame window kit

The **880 WK** steel frame window kits are made from 16 or 14 GA steel with studs welded to permit easy installation by piercing a cut out on the enclosure. The window is self-extinguishing polycarbonate, 1/8" or 1/4" thick.

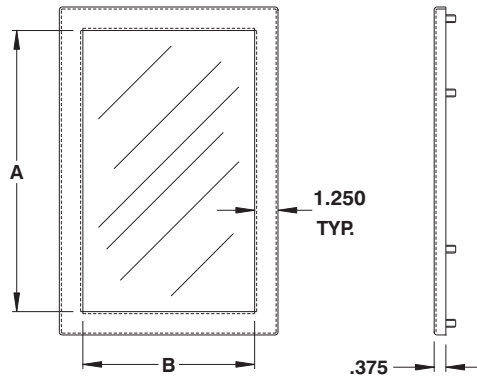
All mounting hardware is supplied. Frames are finished with gray heat fused powder paint, electrostatically applied on a pre-treated base. Finish is ANSI/ASA

61 gray.

**CSA Certified**

**NEMA/EEMAC 4-12 / IP66**

**Refer to p.727 to validate choice of substrate for the application**

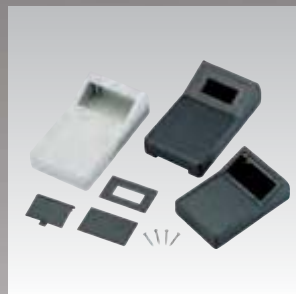
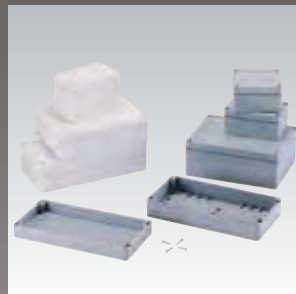
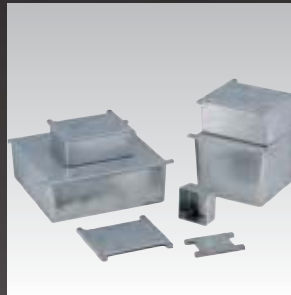
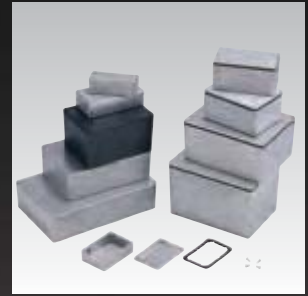


CATALOG NUMBER	DIMENSIONS		SHIP WGHT LBS.
	A	B	
880 WK0503	5.000	3.000	1
880 WK0905	9.000	5.500	2
880 WK1303	13.000	3.000	3
880 WK1305	13.000	5.000	4
880 WK1705	17.000	5.500	6
880 WK1711	17.000	11.000	7
880 WK2315	23.000	15.000	9
880 WK2919	29.000	19.000	12
880 WK3523	35.000	23.000	14

\* Add suffix 'SS' for stainless steel.

Data subject to change without notice.

# ELECTRONIC ENCLOSURES



IP67 die-cast aluminum boxes with dual conductive and continuous silicon gasket



- Material: aluminum alloy ADC-12 to Japan (JIS)
- Wall mounting holes and fixing screws are located outside of the sealing area for optimal protection
- M4 countersunk stainless screws are included for securing the cover and the body
- Continuous silicon gasket to meet IP67 rating of protection against water and dust
- Conductive gasket for perfect EMI shielding protection.
- Die-cast mounting bracket (ALMF-001) available. ALMF-001 can be used for wall mounting both the HQ0XX and G1XX series of aluminum enclosures

\* Light gray (LG), black (BK) powder coated aluminum enclosures as well as mounting brackets are available. To do so add the colour code at the end of the catalog number.

Ex: HQ001LG , HQ003BK , HQ005LG ,HQ007BK , ALMF-001LG

Data subject to  
change without  
notice.



## Natural aluminum box (without gasket)

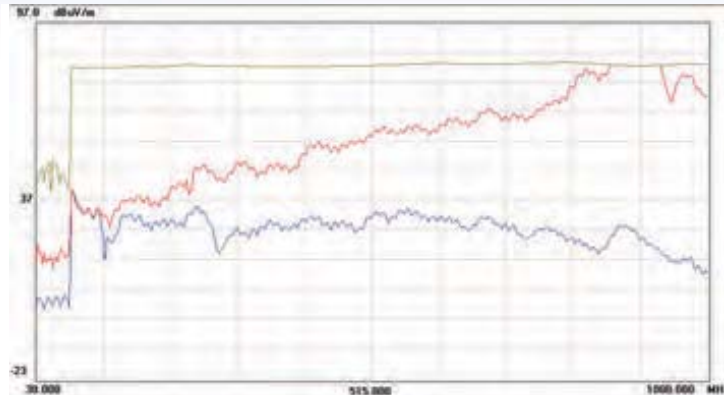
CATALOG NUMBER	EXTERNAL DIMENSION (mm)		
	Length	Width	Height
HQ001	96	96	45
HQ003	96	96	67
HQ005	192	96	45
HQ007	192	96	67
HQ009	274	173	66
HQ011	274	173	100
HQ013	150	100	50
HQ015	150	100	75
HQ017	200	150	50
HQ019	200	150	75

ALMF-001 Wall mounting bracket (for HQ0XX & G1XX series of boxes)

ALMF-001 (1 set) includes  
4 mounting brackets & 4  
M5 X 10 mm self-tapping screws

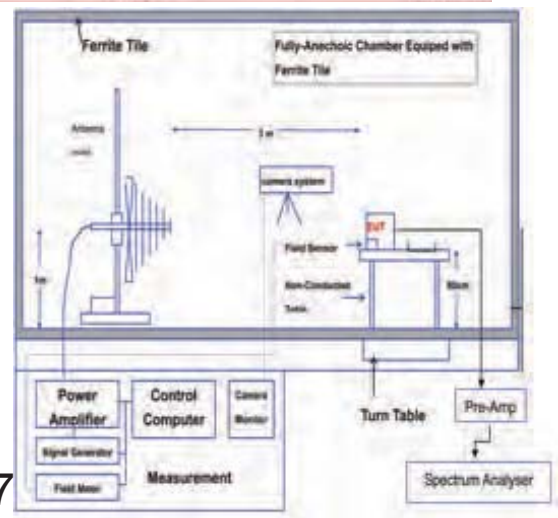
### Radiated Emission Measurement

Date : 2007/12/20



## (with silicon gasket) IP67

CATALOG NUMBER	EXTERNAL DIMENSION (mm)		
	Length	Width	Height
HQ001S	96	96	45
HQ003S	96	96	67
HQ005S	192	96	45
HQ007S	192	96	67
HQ009S	274	173	66
HQ011S	274	173	100
HQ013S	150	100	50
HQ015S	150	100	75
HQ017S	200	150	50
HQ019S	200	150	75

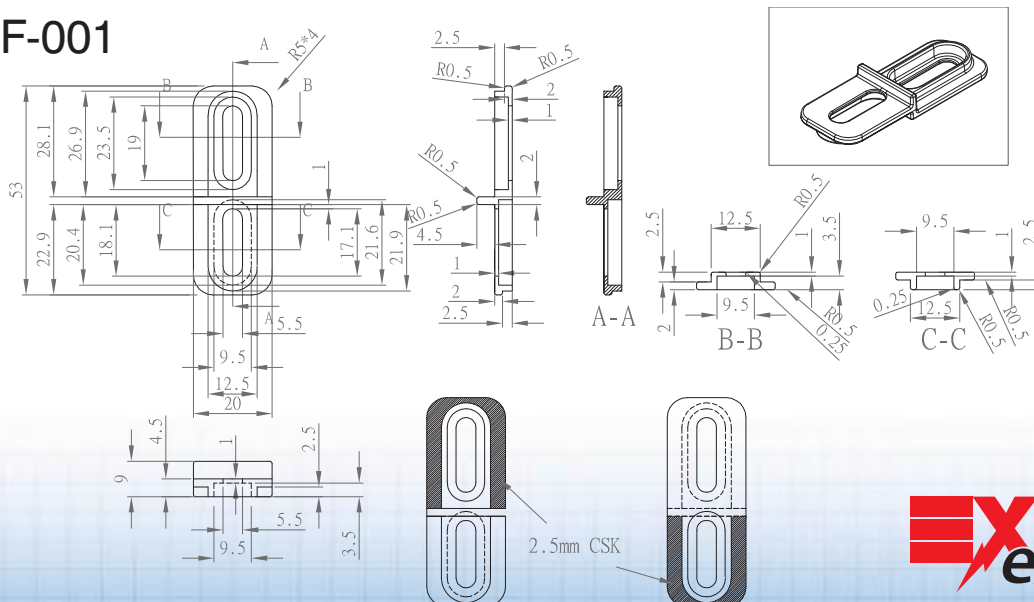


## (with silicon & shielded gasket) IP67

CATALOG NUMBER	EXTERNAL DIMENSION (mm)		
	Length	Width	Height
HQ001EMS	96	96	45
HQ003EMS	96	96	67
HQ005EMS	192	96	45
HQ007EMS	192	96	67
HQ009EMS	274	173	66

CATALOG NUMBER	EXTERNAL DIMENSION (mm)		
	Length	Width	Height
HQ011EMS	274	173	100
HQ013EMS	150	100	50
HQ015EMS	150	100	75
HQ017EMS	200	150	50
HQ019EMS	200	150	75

## ALMF-001

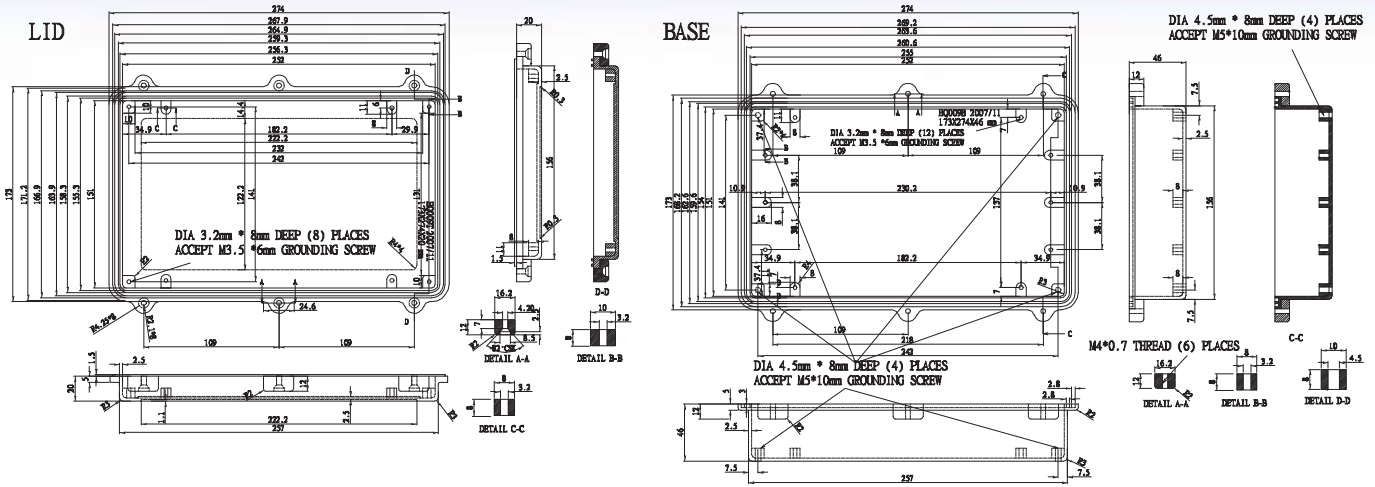


Data subject to change without notice.





## HQ009



### CATALOG NUMBER

### DESCRIPTION

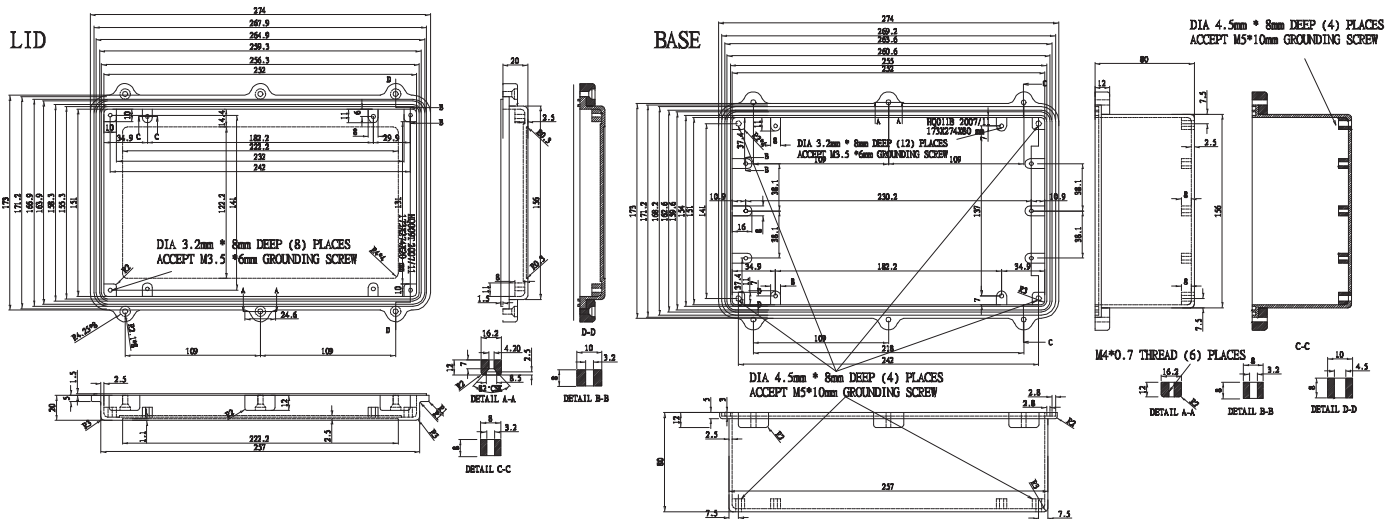
HQ009	Natural aluminum box (without gasket)
HQ009S	@@ IP67 Rating @@ (with silicon gasket)
HQ009EMS	@@ IP67 Rating @@ (with silicon & shielded gasket)

MATERIAL: ALUMINUM ALLOY #ADC-12

FINISH: NATURAL (NO SUFFIX)  
GRAY (SUFFIX -LG)  
BLACK (SUFFIX -BK)

- SIX(6) M4 x 20mm (0.787") LG. SCREWS SUPPLIED FOR ASSEMBLY OF COVER TO BODY.
- ALL HOLE DIAMETERS HAVE ±0.10mm TOLERANCE. ALL OTHER DIMENSIONS HAVE ±0.30 mm TOLERANCE.

## HQ011



### CATALOG NUMBER

### DESCRIPTION

HQ003	Natural aluminum box (without gasket)
HQ003S	@@ IP67 Rating @@ (with silicon gasket)
HQ003EMS	@@ IP67 Rating @@ (with silicon & shielded gasket)

MATERIAL: ALUMINUM ALLOY #ADC-12

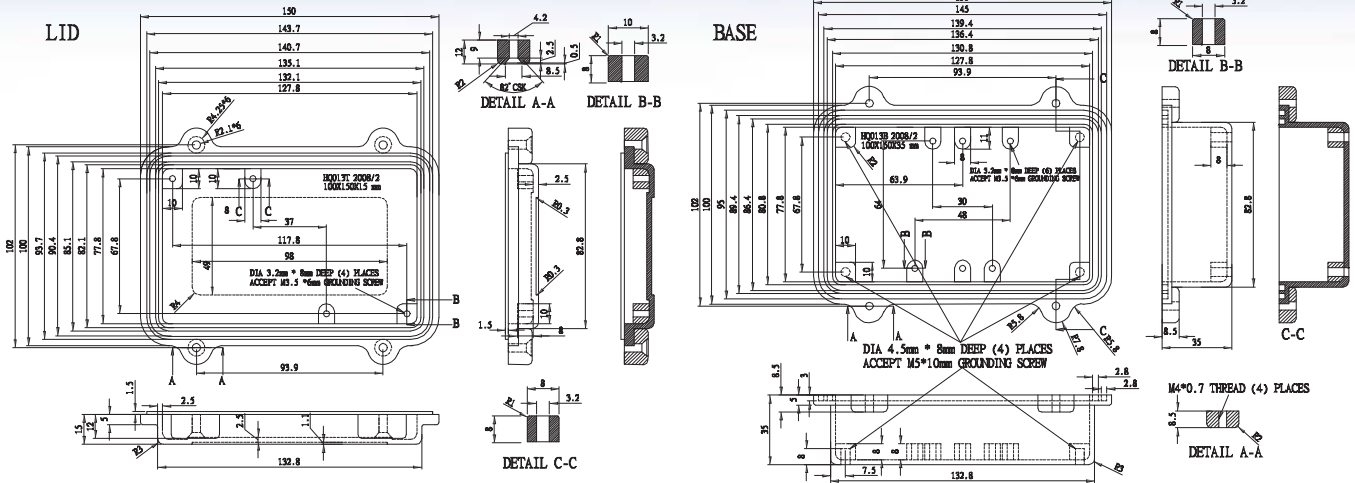
FINISH: NATURAL (NO SUFFIX)  
GRAY (SUFFIX -LG)  
BLACK (SUFFIX -BK)

- SIX(6) M4 x 20mm (0.787") LG. SCREWS SUPPLIED FOR ASSEMBLY OF COVER TO BODY.
- ALL HOLE DIAMETERS HAVE ±0.10mm TOLERANCE. ALL OTHER DIMENSIONS HAVE ±0.30 mm TOLERANCE.

Data subject to change without notice.



## HQ013

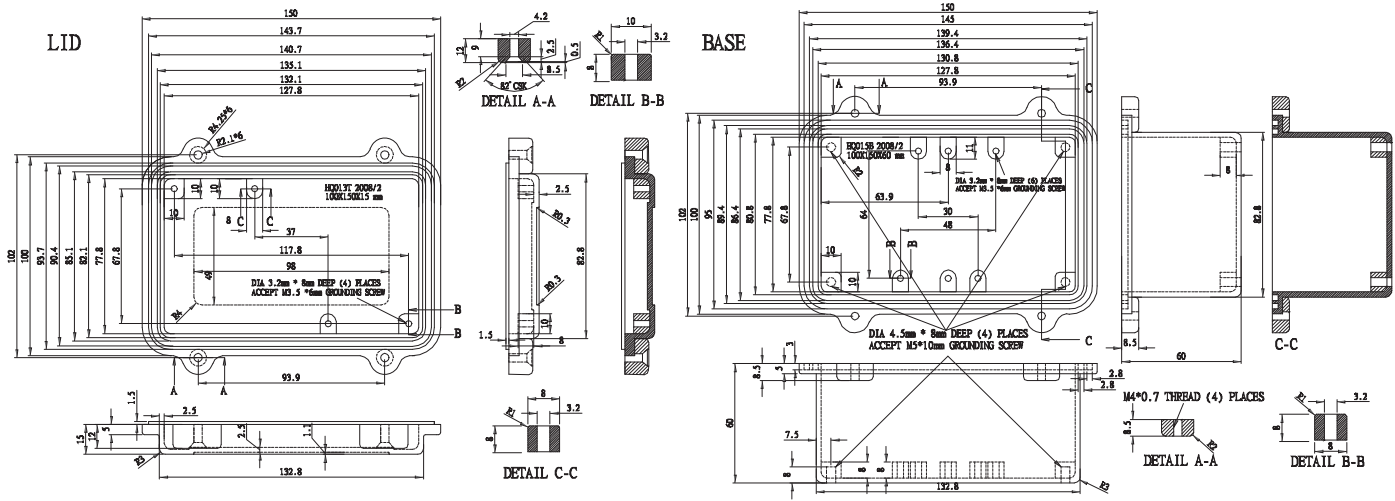


CATALOG NUMBER	DESCRIPTION
HQ013	Natural aluminum box (without gasket)
HQ013S	@@ IP67 Rating @@ (with silicon gasket)
HQ013EMS	@@ IP67 Rating @@ (with silicon & shielded gasket)

MATERIAL: ALUMINUM ALLOY #ADC-12  
 FINISH: NATURAL (NO SUFFIX)  
 GRAY (SUFFIX -LG)  
 BLACK (SUFFIX -BK)

1) FOUR (4) M4 x 20mm (0.787") LG. SCREWS SUPPLIED FOR ASSEMBLY OF COVER TO BODY.  
 2) ALL HOLE DIAMETERS HAVE ±0.10mm TOLERANCE.  
 ALL OTHER DIMENSIONS HAVE ±0.30 mm TOLERANCE

## HQ015



CATALOG NUMBER	DESCRIPTION
HQ015	Natural aluminum box (without gasket)
HQ015S	@@ IP67 Rating @@ (with silicon gasket)
HQ015EMS	@@ IP67 Rating @@ (with silicon & shielded gasket)

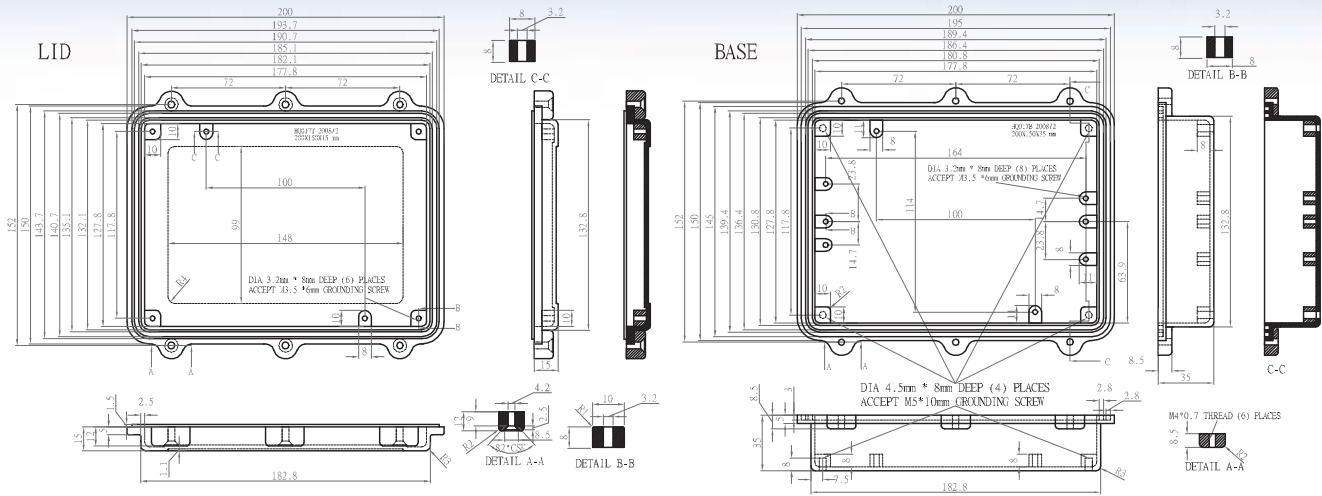
MATERIAL: ALUMINUM ALLOY #ADC-12  
 FINISH: NATURAL (NO SUFFIX)  
 GRAY (SUFFIX -LG)  
 BLACK (SUFFIX -BK)

1) FOUR (4) M4 x 20mm (0.787") LG. SCREWS SUPPLIED FOR ASSEMBLY OF COVER TO BODY.  
 2) ALL HOLE DIAMETERS HAVE ±0.10mm TOLERANCE.  
 ALL OTHER DIMENSIONS HAVE ±0.30 mm TOLERANCE

Data subject to change without notice.



## HQ017



**CATALOG NUMBER**

**DESCRIPTION**

**HQ017**

**Natural aluminum box (without gasket)**

**HQ017S**

**@@ IP67 Rating @@ (with silicon gasket)**

**HQ017EMS**

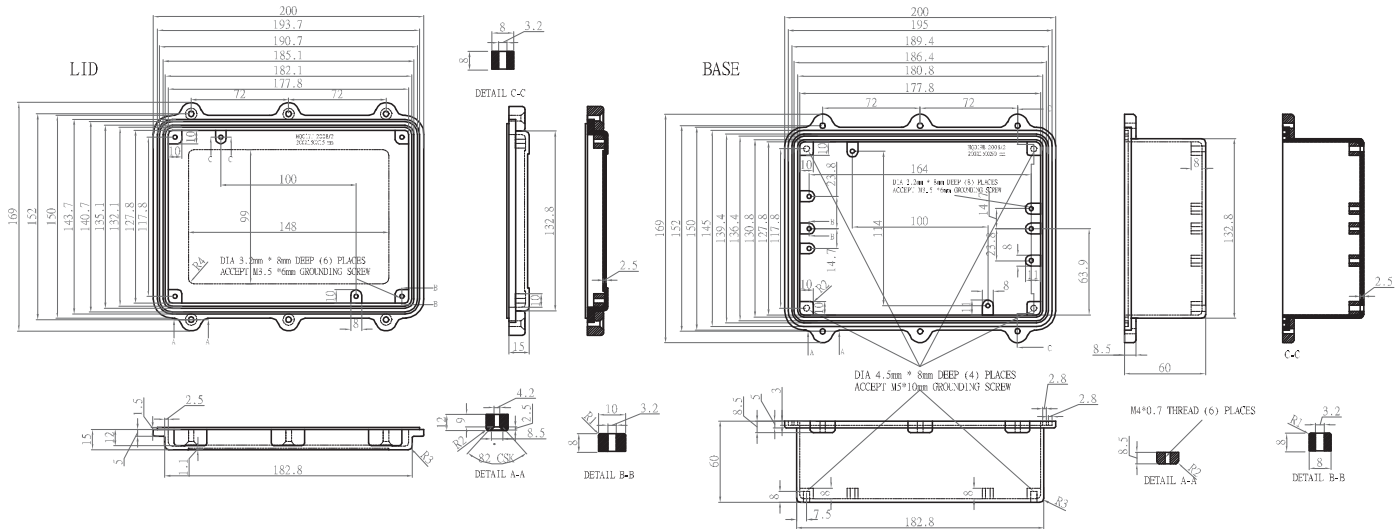
**@@ IP67 Rating @@ (with silicon & shielded gasket)**

**MATERIAL:** ALUMINUM ALLOY #ADC-12

**FINISH:** NATURAL (NO SUFFIX)  
GRAY (SUFFIX -LG)  
BLACK (SUFFIX -BK)

1) SIX (6) M4 x 20mm (0.787") LG. SCREWS SUPPLIED FOR ASSEMBLY OF COVER TO BODY.  
2) ALL HOLE DIAMETERS HAVE ±0.10mm TOLERANCE.  
ALL OTHER DIMENSIONS HAVE ±0.30 mm TOLERANCE

## HQ019



**CATALOG NUMBER**

**DESCRIPTION**

**HQ019**

**Natural aluminum box (without gasket)**

**HQ019S**

**@@ IP67 Rating @@ (with silicon gasket)**

**HQ019EMS**

**@@ IP67 Rating @@ (with silicon & shielded gasket)**

**MATERIAL:** ALUMINUM ALLOY #ADC-12

**FINISH:** NATURAL (NO SUFFIX)  
GRAY (SUFFIX -LG)  
BLACK (SUFFIX -BK)

1) SIX (6) M4 x 20mm (0.787") LG. SCREWS SUPPLIED FOR ASSEMBLY OF COVER TO BODY.  
2) ALL HOLE DIAMETERS HAVE ±0.10mm TOLERANCE.  
ALL OTHER DIMENSIONS HAVE ±0.30 mm TOLERANCE

Data subject to change without notice.

## Hand-held electronic enclosures



- Moulded in high-impact ABS plastic coloured grey and black
- Designed to accommodate two or four "AA" batteries as well as 9V.
- "G0310" - 2 AA battery contact kit can be ordered optionally
- "G0312" - 4 AA battery contact kit can be ordered optionally
- "G900B Clip" - black belt clip or "G900G Clip" - grey belt clip can be ordered optionally
- "G858(G)TS" or "G858(B)TS" - tilt stand can be selected as an option

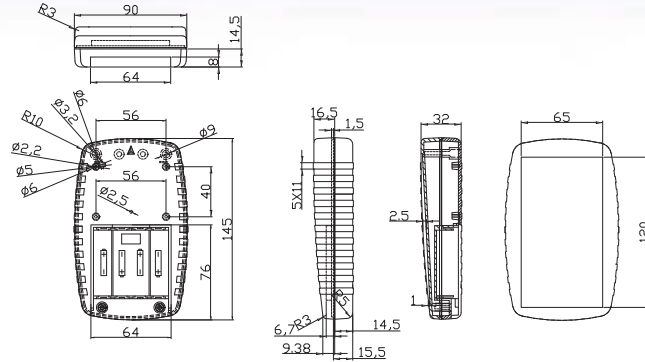
CATALOG NUMBER	COLOR	RECESSED DISPLAY AREA	BATTERY COMPARTMENT
G500G	GREY	120 X 65mm	NO
G500B	BLACK	120 X 65mm	NO
G500G(BC)	GREY	120 X 65mm	YES
G500B(BC)	BLACK	120 X 65mm	YES
G503G	GREY	140 X 70mm	NO
G503B	BLACK	140 X 70mm	NO
G503G(BC)	GREY	140 X 70mm	YES
G503B(BC)	BLACK	140 X 70mm	YES

CATALOG NUMBER	EXTERNAL DIMENSION (mm)		
	Length	Width	Height
G500G G500B	145.0	90.0	32.0
G503G G503B	170.0	112.0	35.0

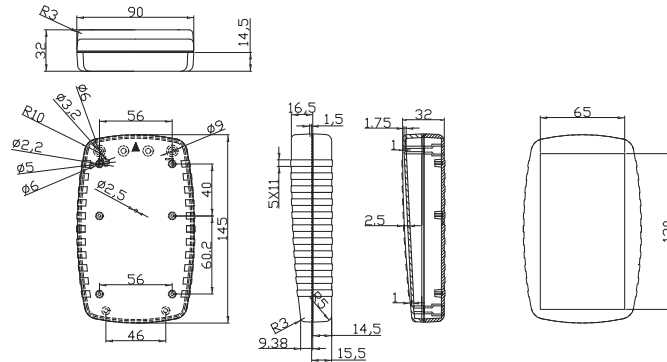
Data subject to change without notice.

Hand-held electronic enclosures

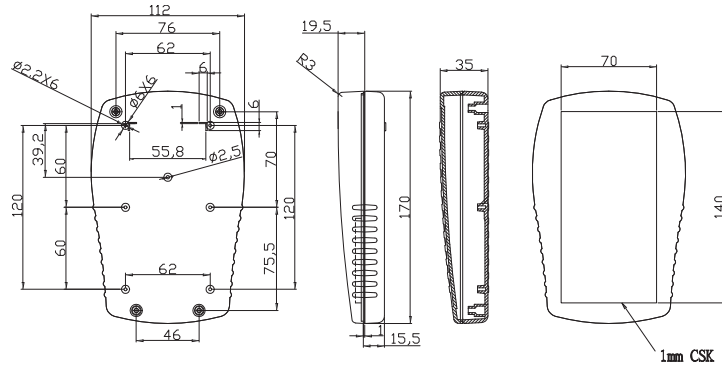
G500B(BC), G500G(BC)



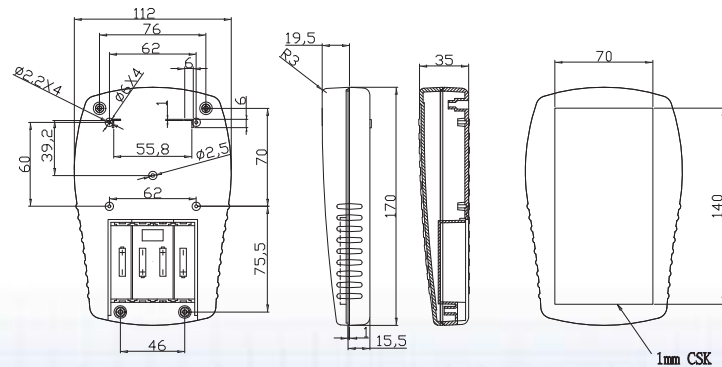
G500B, G500G



G503B, G503G



G503B(BC), G503G(BC)



Data subject to change without notice.



# ELECTRONIC ENCLOSURES G5XX Type B Series

## Hand-held electronic enclosures



- Material: High-impact UL94-HB ABS.
- Available in light gray and black
- Ideally suited for housing remote controls, medical devices, scientific instruments and communications equipment
- Recessed are in the top lid is ideally suited for membrane keypad use
- G517 and G528 models feature a battery compartment which is designed to accommodate two "AAA" batteries. The "GSN-42-1PP" - 2X battery holder with 150mm wires can be ordered optionally
- G519, G529 & G537 come complete with a battery compartment and are designed to accept either one "9V" or two "AA" batteries. "GSN-32-2P" is a compartment for 2 X "AA" batteries with 150mm of wire
- Flush panels ( IR Panel - "\$" ; "@" ; "% " ; "& " ) are available
- "G900B clip " - black belt clip or "G900G clip " - gray belt clip is also an optional item for G512 , G515 , G517 , G519 , G521 , G526 , G528 , G529 , G537 & G539 .

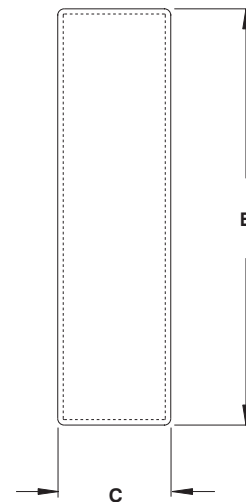
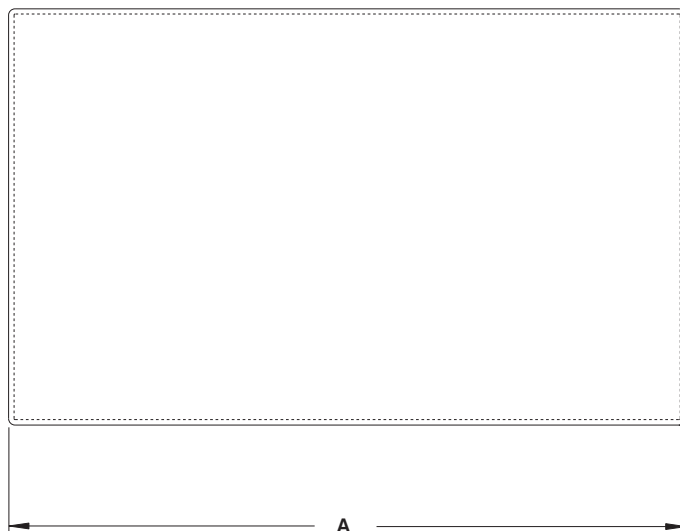
Data subject to  
change without  
notice.



# ELECTRONIC ENCLOSURES *G5XX Type B Series*

## Hand-held electronic enclosures

CATALOG NUMBER	EXTERNAL DIMENSION (mm)			DESCRIPTION
	A	B	C	
G512G-2\$	66.5	66.5	28	PLASTIC BOX ,GRAY , WITH 2 END PANELS-"\$"
G512B-2\$	66.5	66.5	28	PLASTIC BOX,BLACK, WITH 2 END PANELS-"\$"
G515G	66.5	66.5	28	PLASTIC BOX,GRAY
G515B	66.5	66.5	28	G515B 66.5 66.5 28 PLASTIC BOX,BLACK
G517G(BC)-1@	92	66.5	21	PLASTIC BOX, GRAY , WITH 1 END PANEL-"@" AND BATTERY COMP.
G517B(BC)-1@	92	66.5	21	PLASTIC BOX,BLACK , WITH 1 END PANEL-"@" AND BATTERY COMP.
G519G(BC)-1\$	92	66.5	28	PLASTIC BOX,GRAY , WITH 1 END PANEL-"\$" AND BATTERY COMP.
G519B(BC)-1\$	92	66.5	28	PLASTIC BOX,BLACK , WITH 1 END PANEL-"\$" AND BATTERY COMP.
G521G-2\$	92	66.5	28	PLASTIC BOX,GRAY , WITH 2 END PANELS-"\$"
G521B-2\$	92	66.5	28	PLASTIC BOX,BLACK , WITH 2 END PANELS-"\$"
G526G-2#	111.3	75	25.2	PLASTIC BOX,GRAY , WITH 2 END PANELS-"#"
G526B-2#	111.3	75	25.2	PLASTIC BOX,BLACK , WITH 2 END PANELS-"#"
G528G(BC)-1@	112	66.5	21	PLASTIC BOX, GRAY , WITH 1 END PANEL-"@" AND BATTERY COMP.
G528B(BC)-1@	112	66.5	21	PLASTIC BOX, BLACK , WITH 1 END PANEL-"@" AND BATTERY COMP.
G529G(BC)-1\$	112	66.5	28	PLASTIC BOX, GRAY , WITH 1 END PANEL-"\$" AND BATTERY COMP.
G529B(BC)-1\$	112	66.5	28	PLASTIC BOX, BLACK , WITH 1 END PANEL-"\$" AND BATTERY COMP.
G535G-2%	114	35.7	25.8	PLASTIC BOX, GRAY , WITH 2 END PANELS-"%"
G535B-2%	114	35.7	25.8	PLASTIC BOX, BLACK , WITH 2 END PANELS-"%"
G537G(BC)-1\$	140	66.5	28	PLASTIC BOX,GRAY , WITH 1 END PANEL-"\$" AND BATTERY COMP.
G537B(BC)-1\$	140	66.5	28	PLASTIC BOX,BLACK , WITH 1 END PANEL-"\$" AND BATTERY COMP.
G539G-2\$	140	66.5	28	PLASTIC BOX, GRAY , WITH 2 END PANELS-"\$"
G539B-2\$	140	66.5	28	PLASTIC BOX, BLACK , WITH 2 END PANELS-"\$"
IR PANEL- "\$"	61.2	22.9	1.6	IR PANEL FOR G512,G519,G521,G529,G537 USE
IR PANEL- "@"	61.2	15.7	1.6	IR PANEL FOR G517,G528 USE
IR PANEL- "#"	69.7	19.9	1.6	IR PANEL FOR G526 USE
IRPANEL- "%"	30.4	20.5	1.6	IR PANEL FOR G535 USE



Data subject to change without notice.

## Hand-held double injection plastic enclosures



- Moulded in high-impact ABS plastic, available in gray and black
- Moulded dark gray rubber sides for durability and grip
- Designed to accept 2 or 4 "AAA" batteries
- "G900B clip" - black belt clip and "G900G clip" - gray belt clip are available
- "G939TP" - red transparent panel is available as an option
- Recessed display are: 78 x 52 mm.

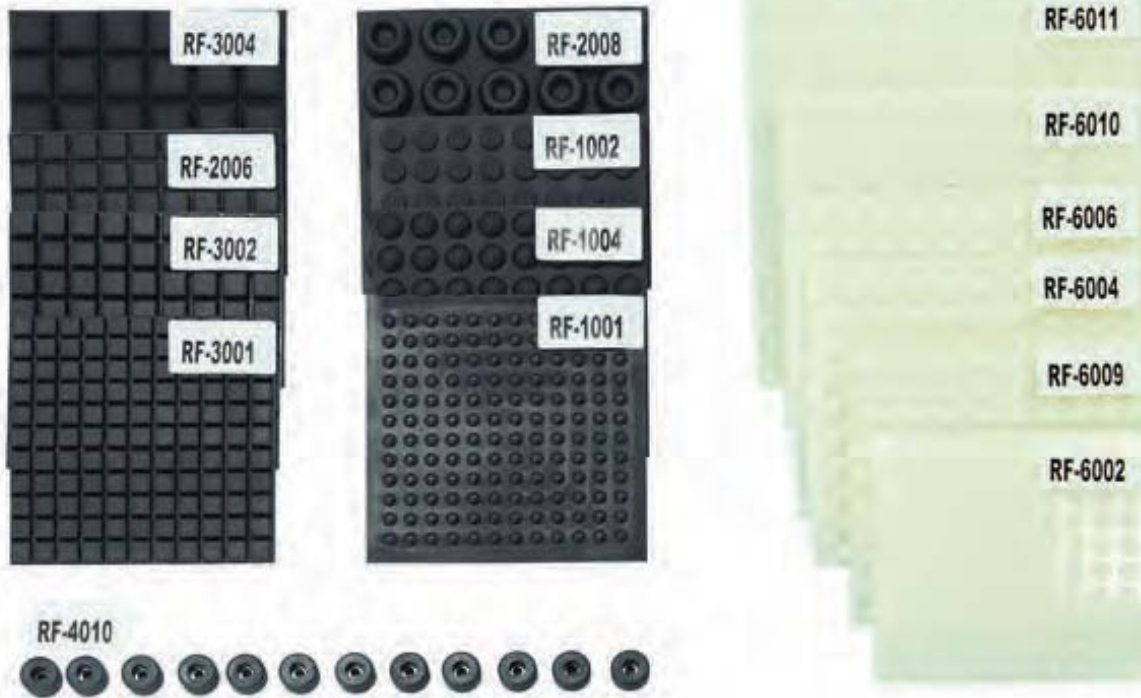
CATALOG NUMBER	COLOR	BATTERY COMPARTMENT
G808G	GRAY	NO
G808B	BLACK	NO
G808G(BC)	GRAY	YES
G808B(BC)	BLACK	YES
G808-2AAA	2 AAA BATTERY CONTACT KIT	
G808-4AAA	4 AAA BATTERY CONTACT KIT	

Data subject to change without notice.





## Rubber feet



- Self-adhesive
- Flat-round, square and round styles are available
- Rubber feet are black in color while PU are clear
- Designed to comply with RoHS standards

CATALOG NUMBER	MATERIAL	DESCRIPTION	EXTERNAL
RF-1001	RUBBER	ROUND HEMISPHERE STYLE	H:3.0mm D:6.0mm
RF-1002	RUBBER	FLAT-ROUND STYLE	H:3.0mm D:11.5mm
RF-1004	RUBBER	ROUND HEMISPHERE STYLE	H:5.0mm D:12.0mm
RF-2006	RUBBER	SQUARE STYLE	H:3.5mm W:13.0mm L:13.0mm
RF-2008	RUBBER	ROUND STYLE	H:10.0mm D:22.0mm
RF-3001	RUBBER	SQUARE STYLE	H:5.0mm W:10.0mm L:10.0mm
RF-3002	RUBBER	SQUARE STYLE	H:5.7mm W:12.5mm L:12.5mm
RF-3004	RUBBER	SQUARE STYLE	H:8.0mm W:20.0mm L:20.0mm
RF-4010	RUBBER	ROUND STYLE	H:10.0mm D:16.0mm
RF-6002	PU	ROUND HEMISPHERE STYLE	H:2.5mm D:8.0mm
RF-6004	PU	ROUND STYLE	H:5.6mm D:10.3mm
RF-6006	PU	ROUND HEMISPHERE STYLE	H:6.0mm D:11.7mm
RF-6009	PU	SQUARE STYLE	H:5.4mm W:12.4mm L:12.4mm
RF-6010	PU	ROUND HEMISPHERE STYLE	H:2.7mm D:15mm
RF-6011	PU	ROUND HEMISPHERE STYLE	H:3.2mm D:20.5mm

Data subject to change without notice.

## Rubber feet

RF-1001	RF-2006	RF-3002
RF-1002	RF-2008	RF-3004
RF-1004	RF-3001	RF-4010

MATERIAL: RUBBER ( SELF-ADHESIVE / WITH 3M GLUE ) ; COLOR: BLACK

RF-6002	RF-6006	RF-6010
RF-6004	RF-6009	RF-6011

MATERIAL: PU ( SELF-ADHESIVE / WITH 3M GLUE ) ; COLOR: CLEAR

Data subject to  
change without  
notice.

## Battery holders & clips



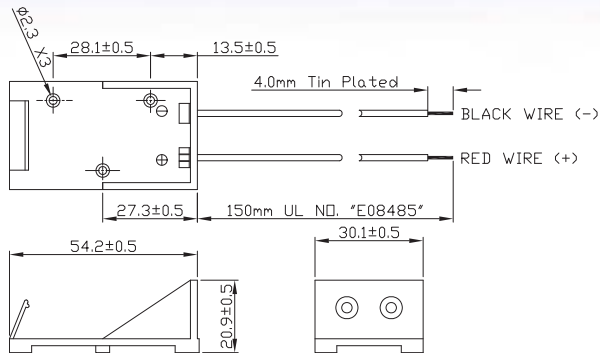
- Battery holders are moulded in polypropylene (PP) with UL approved AWG26 wiring
- 1 X "9V" , 2 X "AA" , 2 X "AAA" , 4 X "AA" & 4 X "AA" battery holders are available
- Side or middle wire entry of battery clip
- Designed to comply with RoHS standards

CATALOG NUMBER	DESCRIPTION
GSN-9V-1A	9V BATTERY HOLDER WITH 150MM OF WIRES
GSN-32-2PP	2 X AA BATTERY HOLDER WITH 150 MM OF WIRES
GSN-42-1PP	2 X AAA BATTERY HOLDER WITH 150 MM OF WIRES
GSN-34-2PP	4 X AA BATTERY HOLDER WITH 150 MM OF WIRES
GSN-44-1PP	4 X AAA BATTERY HOLDER WITH 150 MM OF WIRES
GSN-1	9V BATTERY CLIP WITH 150 MM OF WIRES < SIDE >
GSN-2	9V BATTERY CLIP WITH 150 MM OF WIRES < MIDDLE >

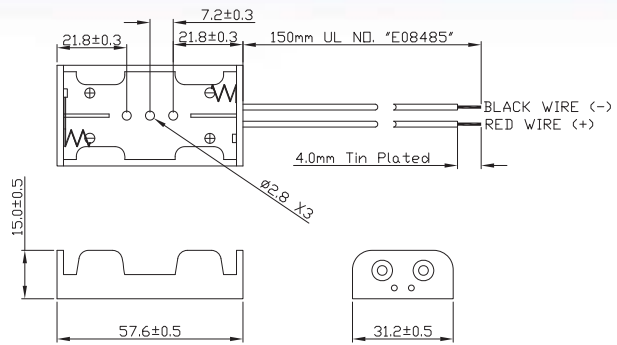
Data subject to change without notice.

## Battery holders & clips

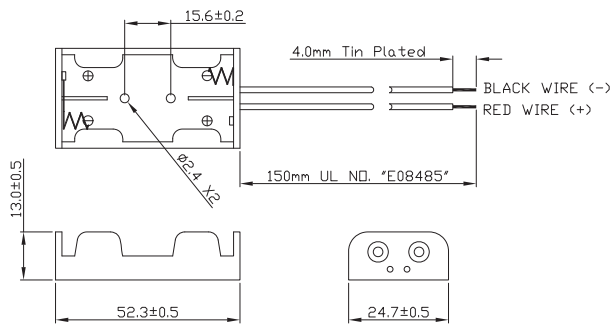
### GSN-9V-1A



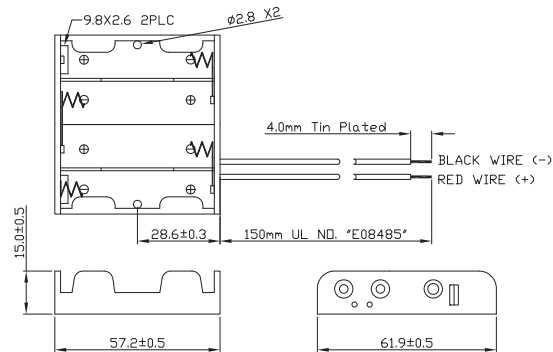
### GSN-32-2PP



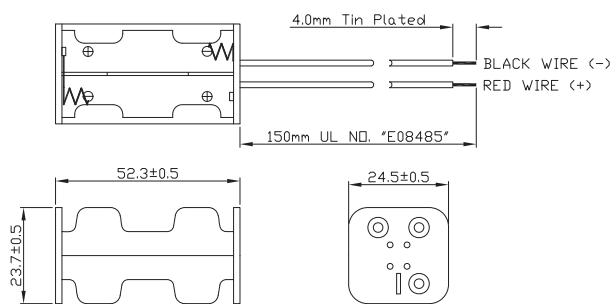
### GSN-42-1PP



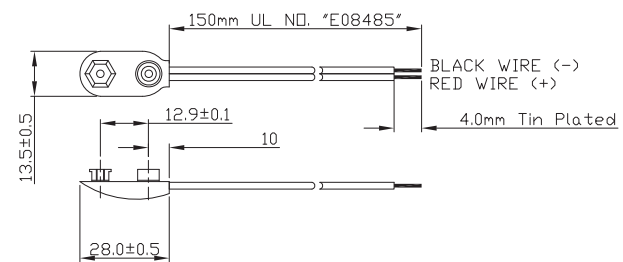
### GSN-34-2PP



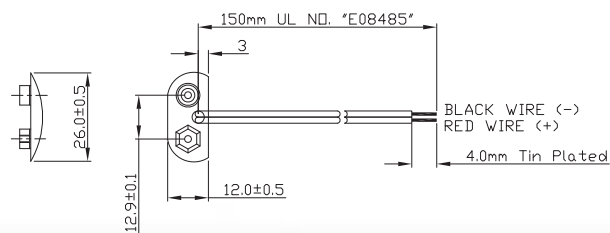
### GSN-44-1PP



### GSN-1



### GSN-2



Data subject to change without notice.



## Snap in plastic cases



- Material: high-impact UL 94-HB ABS
- Lid and base are moulded in light gray, front and end panels are moulded in dark gray
- Snap-in design to save time during product assembly
- 4 internal bosses are available for PCB assembly
- Ideally suited for desktop instrumentation, network and telecommunication devices
- Rubber feet < RF-1001 > for G1812 ,G1814 &G1816 are available
- Rubber feet < RF-6002 > for G1818 are available

CATALOG NUMBER	EXTERNAL DIMENSION (mm)		
	Length	Width	Height
G1812	105	41	25.20
G1814	130	76	30
G1816	155	92	29.5
G1818	200	121	40

Data subject to change without notice.



## Utility & USB boxes



- Material: polycarbonate (transparent) for G1901C
- Material: high-impact ANBS (UL94-HB) for G1901G and G1905
- Material: flame retardant ABS ( UL94-V0 ) for G1903, G1906, G1908 & G1910
- G1901G ( or G1901C ) is ideal for USB memory cards or wireless devices
- G1905 - Utility box with external mounting bracket
- G1903, G1906, G1908 & G1910 are ideal for electronic products

CATALOG NUMBER	EXTERNAL DIMENSION (mm)		
	Length	Width	Height
G1901G	71	23	8.7
G1901C	71	23	8.7
G1903	77	49	26.6
G1905	102	77	39.4
G1906	69.5	50.5	21
G1908	88.5	63	27.5
G1910	115	83	32

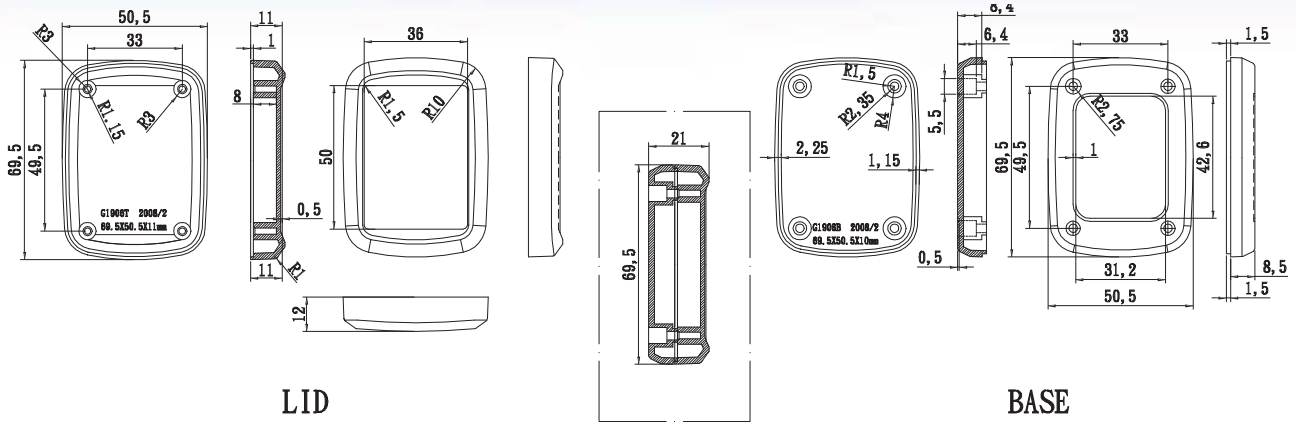
Data subject to change without notice.



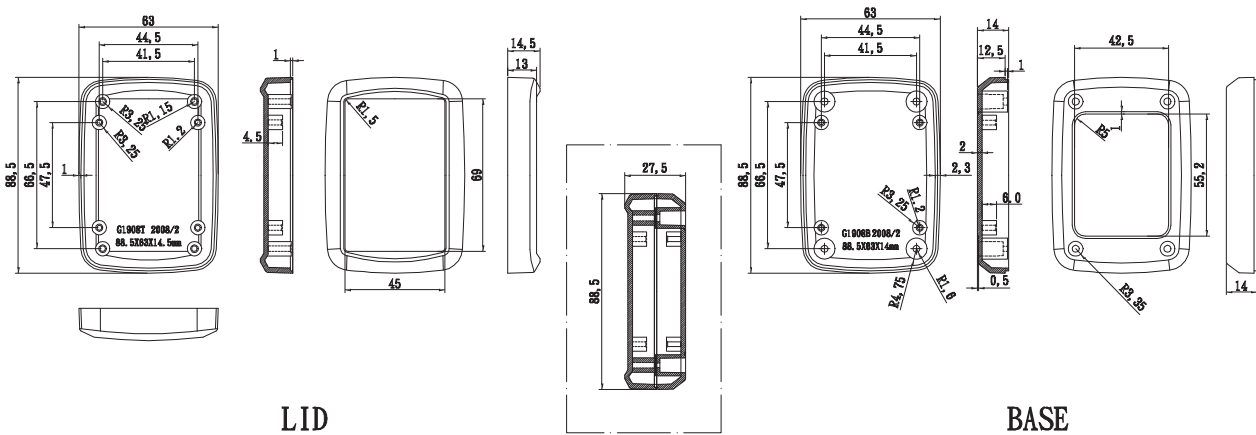


## Utility & USB boxes

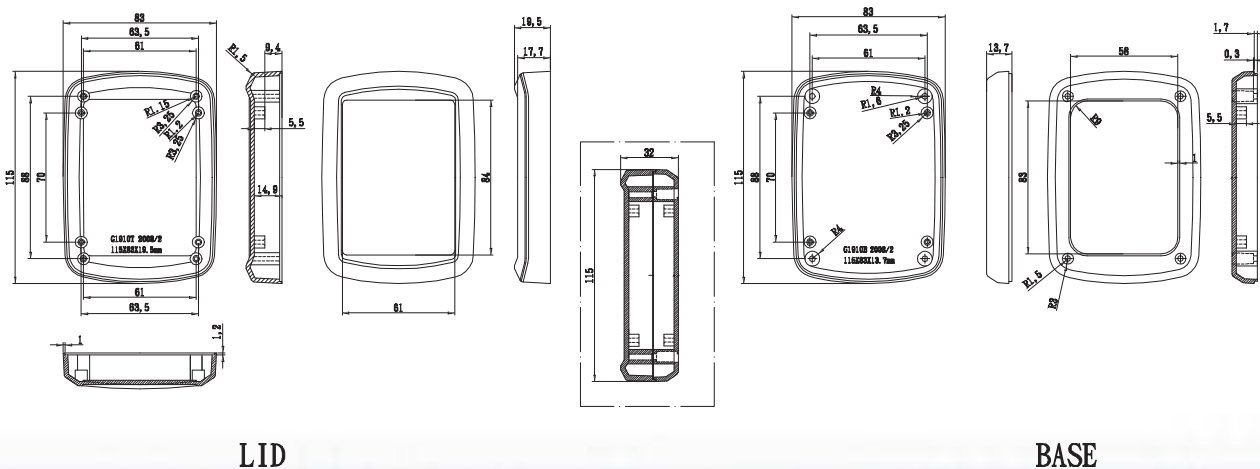
### G1906



### G1908



### G1910



Data subject to change without notice.



Snap-in plastic box with hinged cover



- Material: high impact UL94-HD ABS
- Available in light gray and black
- Snap-in design allows easy opening and closing without the use of tools
- Rubber cable entries can be easily cut to allow connections
- Internal bosses are available for PCB assembly
- Ideally used for indoor/outdoor telecommunication devices

CATALOG NUMBER	CABLE ENTRY	EXTERNAL DIMENSION (mm)		
		Length	Width	Height
GH001G	1WAY	91	79	45
GH001B		91	79	45
GH002G	2WAY	91	122	69
GH002B		91	122	69

Data subject to change without notice.



## Die-cast aluminum enclosures



- Material: aluminum alloy ADC-12
- Finish: natural aluminum color
- Tapped holes in the cover to easily secure the cover
- M3.5 countersink stainless screws are included to secure the cover and the body
- IP66 rating available when using the optional adhesive gasket

Light gray (LG) and black (BK) powder coated aluminum enclosures are available. To do so add the color code after the catalog number when ordering  
Ex: B011MFLG , B013BK , BS11LG ,BS13BK

Data subject to  
change without  
notice.

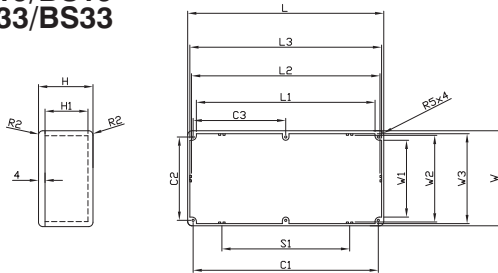


(with adhesive gasket) IP66

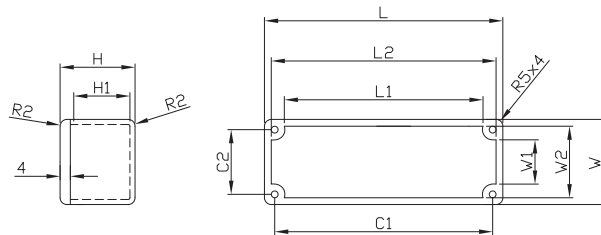
CATALOG NUMBER	EXTERNAL DIMENSION (mm)		
	Length	Width	Height
B011	224	146	55
B013	114	64	30
B015	114	64	55
B017	222	146	106
B019	275	175	65
B021	250	250	100
B023	120	100	35
B025	114	89	55
B027	171	121	55
B029	140	100	75
B031	80	55	25
B033	165	127	75
B035	60	55	30
B037	89	35	30
B039	171	121	106

CATALOG NUMBER	EXTERNAL DIMENSION (mm)		
	Length	Width	Height
BS11	224	146	55
BS13	114	64	30
BS15	114	64	55
BS17	222	146	106
BS19	275	175	65
BS21	250	250	100
BS23	120	100	35
BS25	114	89	55
BS27	171	121	55
BS29	140	100	75
BS31	80	55	25
BS33	165	127	75
BS35	60	55	30
BS37	89	35	30
BS39	171	121	106

**B019/BS19**  
**B033/BS33**



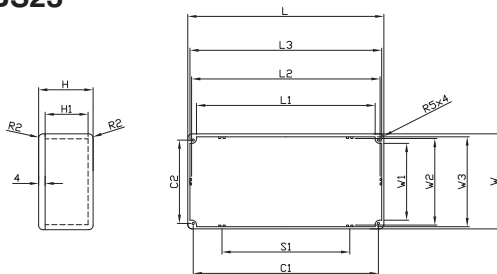
**B037/BS37**    **B025/BS25**  
**B013/BS13**    **B015/BS15**



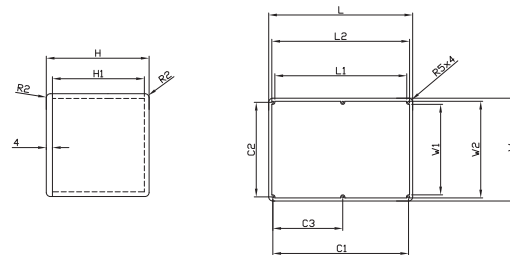
CATALOG NUMBER	L	W	H	C1	C2	S1	L1	L2	L3	W1	W2	W3	C3	H1
B019/BS19	275.0	175.0	65.5	264.1	164.0	132.2	258.2	267.3	271.2	157.4	166.2	170.8	132.1	58.6
B033/BS33	165.8	127.3	76.3	154.0	116.1	77.1	147.6	157.9	162.2	109.4	119.4	123.8	77.1	70.1

CATALOG NUMBER	L	W	H	C1	C2	L1	L2	W1	W2	H1
B037/BS37	89.1	35.0	30.3	79.3	25.3	72.8	85.9	18.7	31.9	24.8
B013/BS13	114.5	63.6	30.3	104.5	54.2	98.3	111.5	47.7	60.9	24.7
B025/BS25	114.7	89.7	55.1	104.4	79.6	98.4	111.5	73.0	86.2	49.3
B015/BS15	114.4	63.7	55.1	104.6	54.2	98.3	111.5	47.6	60.8	49.3

**B029/BS29**  
**B023/BS23**



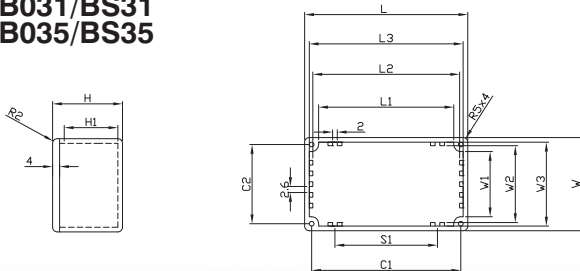
**B027/BS27**    **B011/BS11**  
**B039/BS39**    **B017/BS17**



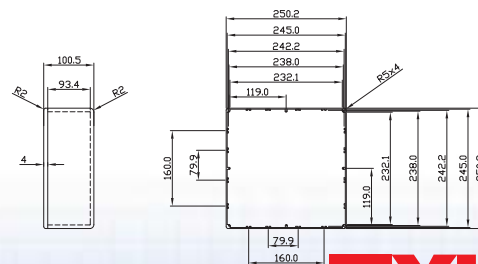
CATALOG NUMBER	L	W	H	C1	C2	S1	L1	L2	L3	W1	W2	W3	H1
B029/BS29	139.1	101.5	76.7	128.7	90.7	64.8	121.8	130.9	135.0	83.9	93.3	97.5	69.8
B023/BS23	119.9	100.0	35.7	108.5	88.4	50.1	101.9	112.2	116.5	81.8	91.9	96.1	29.2

CATALOG NUMBER	L	W	H	C1	C2	L1	L2	W1	W2	C3	H1
B027/BS27	171.9	120.9	55.0	160.4	109.3	153.9	168.1	102.9	117.0	80.3	49.0
B039/BS39	171.9	120.9	106.0	160.4	109.3	153.8	168.0	102.8	116.9	80.3	100.1
B011/BS11	222.1	145.9	55.9	211.7	135.4	205.0	218.7	129.0	141.8	105.8	49.2
B017/BS17	222.2	146.0	106.5	211.7	135.4	205.1	218.9	129.1	141.8	105.8	100.1

**B031/BS31**  
**B035/BS35**



**B021/BS21**



CATALOG NUMBER	L	W	H	C1	C2	S1	L1	L2	L3	W1	W2	W3	H1
B031/BS31	79.9	54.9	25.5	70.5	45.4	40.0	64.0	73.8	76.8	38.7	48.8	51.7	19.7
B035/BS35	60.0	54.9	30.0	50.6	45.4	30.0	43.8	54.0	56.9	38.9	48.8	51.8	24.6

Data subject to change without notice.



Flanged die-cast aluminum enclosures



- Material: aluminum alloy ADC-12
- Finish: natural aluminum color
- Tapped holes on the body to easily secure the cover
- M3.5 countersunk stainless steel screws are included to secure the cover and the body
- Mounting flange is designed on the bottom of the body to allow easy wall-mounting
- IP66 rating available when the box is used in conjunction with optional adhesive gasket

Light gray (LG) and black (BK) powder coated aluminum enclosures and mounting brackets are available. To do so add the color code after catalog number when ordering  
Ex: B011MFLG , B013MFBK , BS11MFLG , BS13MFBK

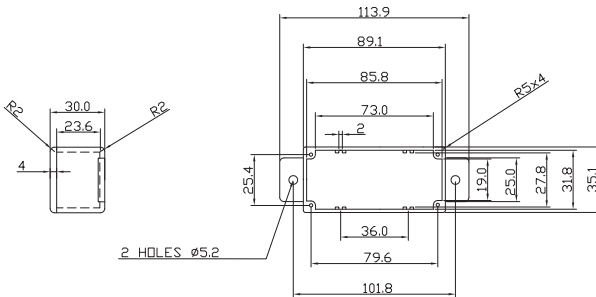
Data subject to  
change without  
notice.

(with adhesive gasket) IP66

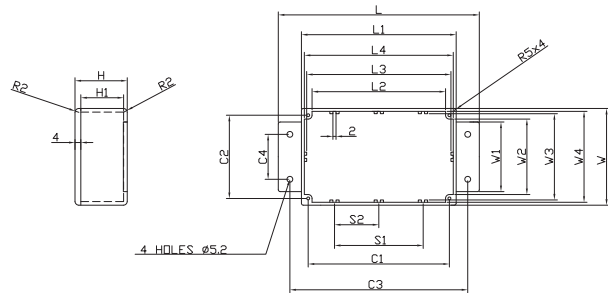
CATALOG NUMBER	EXTERNAL DIMENSION (mm)		
	Length	Width	Height
B011MF	222	146	55
B013MF	114	64	30
B015MF	114	64	55
B023MF	120	100	35
B025MF	114	90	55
B027MF	171	121	55
B029MF	140	100	75
B033MF	165	127	75
B037MF	89	35	30
B039MF	171	121	106

CATALOG NUMBER	EXTERNAL DIMENSION (mm)		
	Length	Width	Height
BS11MF	224	146	55
BS13MF	114	64	30
BS15MF	114	64	55
BS23MF	120	100	35
BS25MF	114	90	55
BS27MF	171	121	55
BS29MF	140	100	75
BS33MF	165	127	75
BS37MF	89	35	30
BS39MF	171	121	106

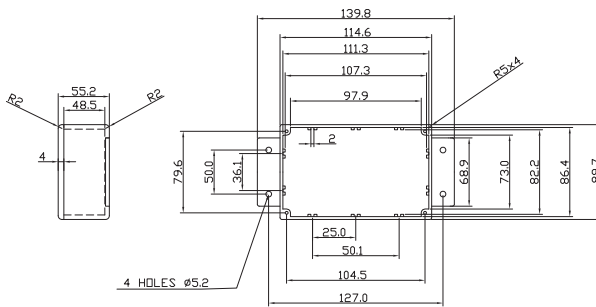
## B037MF/BS37MF



## B013MF/BS13MF B015MF/BS15MF



## B025MF/BS25MF

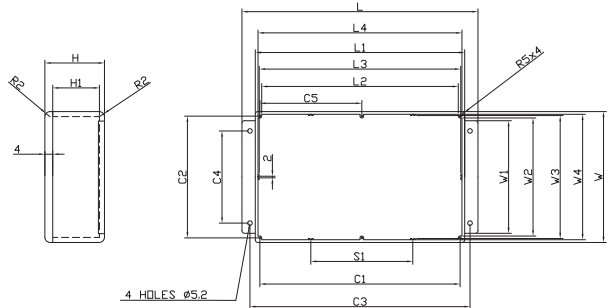


CATALOG NUMBER	L	L1	W	WI	H	C1	C2	C3	C4	S1	S2	L2	L3	L4	W2	W3	W4	HI
----------------	---	----	---	----	---	----	----	----	----	----	----	----	----	----	----	----	----	----

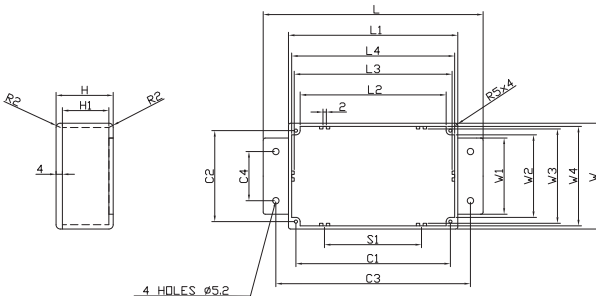
B013MF/BS13MF	139.7	114.6	63.8	44.7	30.0	104.5	54.2	127.0	30.0	60.1	30.0	98.1	107.3	111.4	47.6	56.6	60.6	24.4
B015MF/BS15MF	139.6	114.6	63.8	44.9	55.0	104.6	54.3	127.1	30.0	60.1	30.0	98.1	107.3	111.4	47.5	56.5	60.7	49.1

## B027MF/BS27MF B039MF/BS39MF

## B011MF/BS11MF B033MF/BS33MF



## B029MF/BS29MF B023MF/BS23MF



CATALOG NUMBER	L	L1	W	WI	H	C1	C2	C3	C4	S1	S2	L2	L3	L4	W2	W3	W4	HI
----------------	---	----	---	----	---	----	----	----	----	----	----	----	----	----	----	----	----	----

B027MF/BS27MF	201.7	171.9	121.2	100.1	55.3	160.6	109.5	189.0	80.0	80.0	154.2	163.6	168.9	103.1	112.4	117.8	80.3	48.4
B039MF/BS39MF	201.7	171.9	121.2	100.2	105.4	160.6	109.5	188.9	80.0	80.0	154.3	163.4	168.7	103.2	112.2	117.7	80.3	99.2
B011MF/BS11MF	252.0	222.3	146.1	117.7	55.5	211.7	136.6	238.0	98.0	100.1	205.9	213.7	218.6	129.2	137.8	142.0	105.8	48.9
B033MF/BS33MF	194.8	165.6	127.4	100.0	76.3	154.1	116.1	182.2	80.0	78.0	147.5	157.4	162.3	109.7	118.8	124.0	77.2	69.8

CATALOG NUMBER	L	L1	W	WI	H	C1	C2	C3	C4	S1	L2	L3	L4	W2	W3	W4	HI
----------------	---	----	---	----	---	----	----	----	----	----	----	----	----	----	----	----	----

B029MF/BS29MF	168.7	139.3	101.6	79.0	76.5	128.8	90.9	157.1	60.1	65.0	122.2	131.2	135.4	84.0	93.1	97.5	70.1
B023MF/BS23MF	149.8	120.1	100.2	80.0	36.6	108.2	88.3	137.0	60.0	45.2	101.8	112.2	116.5	81.9	91.7	95.9	28.8

Data subject to change without notice.



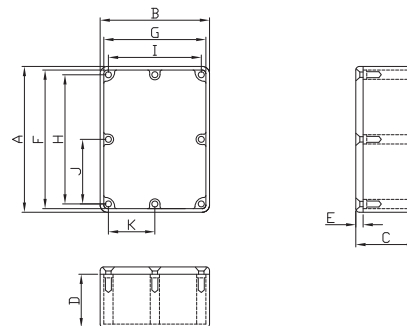
Multi-purpose, RFI/EMI shielded die-cast aluminum boxes



- Aluminum die-cast boxes moulded to 380 aluminum alloy (BS1490 LM24)
- Ideal for RF projects or for projects which are subject to harsh weather conditions
- Robust, light-weight and easy to machine
- Ideal for projects involving heat as the case itself makes an excellent heatsink

### APPLICATIONS

- INSTRUMENTATION
- METER CASES
- FILTER NETWORKS
- JUNCTION BOXES



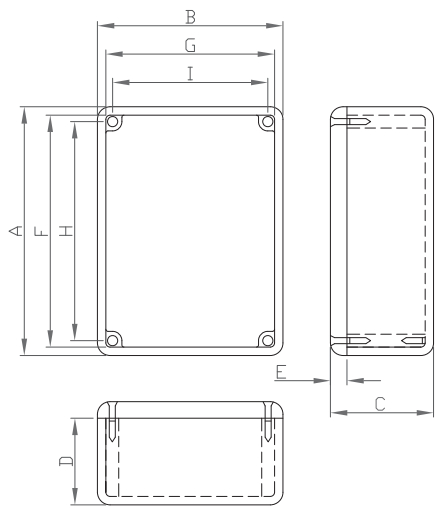
CATALOG NUMBER	DIMENSION IN (mm)										
	A	B	C	D	E	F	G	H	I	J	K
G0478	190.5	190.5	66.5	62.5	4.0	185.7	185.7	180.6	180.6	90.3	90.3

Data subject to change without notice.

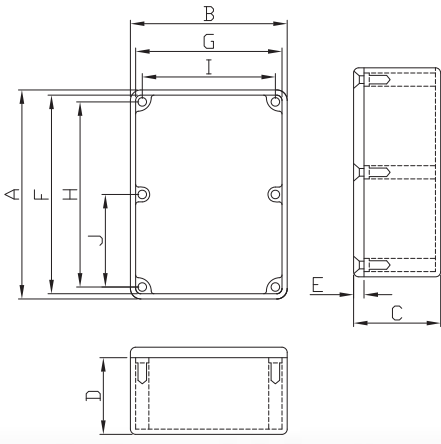


Multi-purpose, RFI/EMI shielded die-cast aluminum box

CATALOG NUMBER	EXTERNAL DIMENSION (mm)		
	Length	Width	Height
G0123	90	38	30
G0124	111	60	30
G0234	119	93.5	56.5
G0247	187	118	56.5
G0347	187	118	81.7
G0470	50.8	50.8	31.8
G0471	110	82.5	44.5
G0472	120.5	80	59.2
G0473	119	93.5	34
G0474	120.5	120.5	59.2
G0475	120.5	120.5	95.2
G0476	152.4	82.5	50.8
G0477	187	118	38
G0478	190.5	190.5	66.5
G0479	111	60	54



CATALOG NUMBER	DIMENSION IN (mm)								
	A	B	C	D	E	F	G	H	I
G0123	90.0	38.0	30.0	26.0	4.0	86.6	34.6	82.5	28.6
G0124	111.0	60.0	30.0	26.0	4.0	107.2	56.2	101.6	50.8
G0234	119.0	93.5	56.5	52.5	4.0	114.2	88.7	109.5	84.1
G0470	50.8	50.8	31.8	27.8	4.0	47.4	47.4	41.2	41.2
G0471	110.0	82.5	44.5	40.5	4.0	105.2	77.7	100.5	73.0
G0472	120.5	80.0	59.2	55.2	4.0	115.7	75.2	111.1	70.5
G0473	119.0	93.5	34.0	30.0	4.0	114.2	88.7	109.5	84.2
G0474	120.5	120.5	59.2	55.2	4.0	115.7	115.7	111.1	111.1
G0475	120.5	120.5	95.2	91.2	4.0	115.7	115.7	111.1	111.1
G0479	111.0	60.0	54.0	50.0	4.0	107.2	56.2	101.6	50.8



CATALOG NUMBER	DIMENSION IN (mm)									
	A	B	C	D	E	F	G	H	I	J
G0247	187.0	118.0	56.5	52.5	4.0	182.2	113.2	177.8	109.5	88.9
G0347	187.0	118.0	81.7	77.7	4.0	182.2	113.2	177.8	109.5	88.9
G0476	152.4	82.5	50.8	46.8	4.0	147.6	77.7	142.5	72.6	71.3
G0477	187.0	118.0	38.0	34.0	4.0	182.2	113.2	177.8	109.5	88.9

Data subject to change without notice.



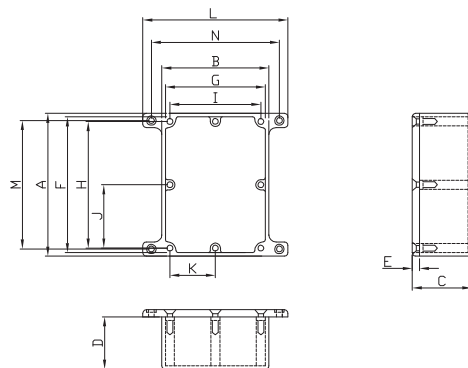
Multi-Purpose, RFI/EMI die-cast aluminum boxes with mounting flange



- Aluminum die-cast boxes moulded to 380 aluminum alloy (BS1490LM24)
- Ideal for RF projects or for projects which are subject to harsh weather conditions
- Robust, light-weight and easy to machine
- Ideal for projects involving heat as the case itself makes an excellent heatsink

### Applications

- Instrument
- Metering case
- Filter Networks
- Junction Boxes

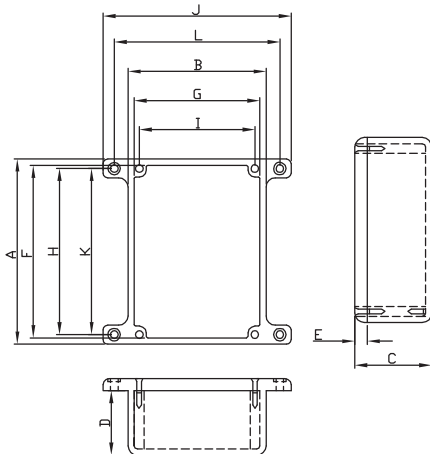


CATALOG NUMBER	DIMENSION IN (mm)													
	A	B	C	D	E	F	G	H	I	J	K	L	M	N
G0478F	190.5	190.5	66.5	62.5	4.0	185.7	185.7	180.6	180.6	90.3	90.3	215.5	180.9	202.5

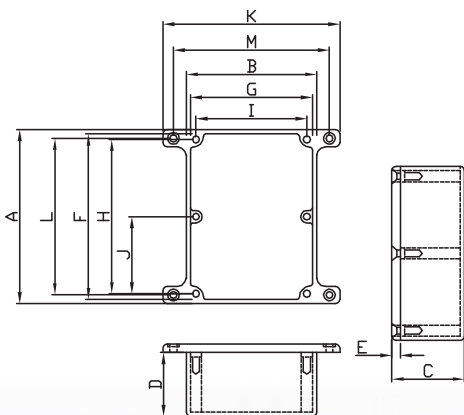
Data subject to change without notice.

Multi-purpose, RFI/EMI die-cast aluminum boxes with mounting flange

CATALOG NUMBER	EXTERNAL DIMENSION (mm)		
	Length	Width	Height
G0123F	90	38.0	30.0
G0124F	111.0	60.0	30.0
G0234F	119.0	93.5	56.5
G0247F	187.0	118.0	56.5
G0347F	187.0	118.0	81.7
G0470F	50.8	50.8	31.8
G0471F	110.0	82.5	44.5
G0472F	120.5	80.0	59.2
G0473F	119.0	93.5	34.0
G0474F	120.5	120.5	59.2
G0475F	120.5	120.5	95.2
G0476F	152.4	82.5	50.8
G0477F	187.0	118.0	38.0
G0478F	190.5	190.5	66.5
G0479F	111.0	60.0	54.0



CATALOG NUMBER	DETAILED DIMENSION IN (mm)											
	A	B	C	D	E	F	G	H	I	J	K	L
G0123F	90.0	38.0	30.0	26.0	4.0	86.0	34.0	82.0	28.0	63.1	82.8	50.0
G0124F	111.0	60.0	30.0	26.0	4.0	107.2	56.2	101.6	50.8	84.5	101.3	72.1
G0234F	119.0	93.5	56.5	52.5	4.0	114.2	88.7	109.5	84.2	118.5	105.6	104.7
G0470F	50.8	50.8	31.8	27.8	4.0	47.4	47.4	41.2	41.2	75.8	41.4	62.8
G0471F	110.0	82.5	44.5	40.5	4.0	105.2	77.7	100.5	73.0	107.5	100.7	94.7
G0472F	120.5	80.0	59.2	55.2	4.0	115.7	75.2	111.1	70.5	105.0	111.3	92.1
G0473F	119.0	93.5	34.0	30.0	4.0	114.2	88.7	109.5	84.2	118.5	105.6	104.7
G0474F	120.5	120.5	59.2	55.2	4.0	115.7	115.7	111.1	111.1	145.4	111.4	132.5
G0475F	120.5	120.5	95.2	91.2	4.0	115.7	115.7	111.1	111.1	145.4	111.4	132.5
G0479F	111.0	60.0	54.0	50.0	4.0	107.2	56.2	101.6	50.8	84.5	101.3	72.1



CATALOG NUMBER	DETAILED DIMENSION IN (mm)												
	A	B	C	D	E	F	G	H	I	J	K	L	M
G0247F	187.0	118.0	56.5	52.5	4.0	182.2	113.2	177.8	109.5	88.9	143.0	178.2	130.0
G0347F	187.0	118.0	81.7	77.7	4.0	182.2	113.2	177.8	109.5	88.9	143.0	178.2	130.0
G0476F	152.4	82.5	50.8	46.8	4.0	147.6	77.7	142.5	72.6	71.3	107.5	142.7	94.6
G0477F	187.0	118.0	38.0	34.0	4.0	182.2	113.2	177.8	109.5	88.9	143.0	178.2	130.0

Data subject to change without notice.

## Sealed die-cast aluminum enclosures



- Material: aluminum alloy ADC-12
- Finish: natural aluminum color
- Designed to meet IP65 and Nema 4 certifications through the use of a neoprene gasket with a universal tongue and groove seal system
- Wall mounting holes and lid fixing screws are outside the sealing area for optimal protection

CATALOG NUMBER	EXTERNAL DIMENSION (mm)		
	Length	Width	Height
G101	50.0	45.0	30.0
G102	90.0	36.0	30.0
G103	98.0	64.0	34.0
G104	64.0	58.0	35.0
G105	55.5	41.0	31.0
G106	115.0	65.0	30.0
G107	125.0	80.0	40.0
G108	125.0	80.0	57.0
G109	150.0	63.0	36.5
G110	79.6	74.0	52.0
G111	115.0	65.0	55.0
G112	102.5	52.5	25.5

CATALOG NUMBER	EXTERNAL DIMENSION (mm)		
	Length	Width	Height
G113	115.0	90.0	55.0
G115	148.0	108.0	75.0
G116	160.0	100.0	60.0
G117	160.0	100.0	81.0
G118	175.0	80.0	60.0
G120	171.0	121.0	55.0
G123	200.0	120.0	75.0
G124	222.0	146.0	55.0
G125	222.0	146.0	82.0
G137	120.5	120.5	101.5
G138	158.5	158.5	101.5
G155	260.0	160.0	90.5

\* Light gray or powder coated aluminum enclosures are available. To do order add the color code at the end of the catalog number.

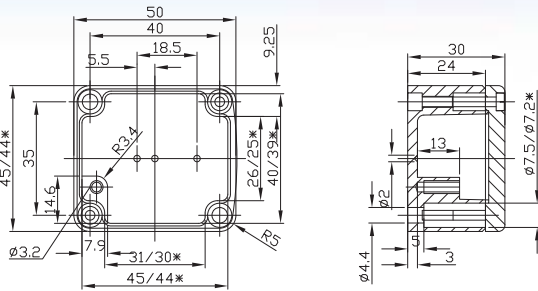
Ex: G124G, G102G, G105BK

Data subject to change without notice.

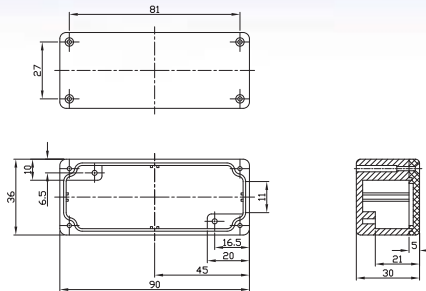


Sealed die-cast aluminum enclosures

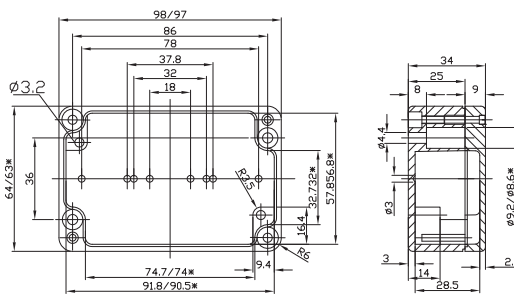
## G101



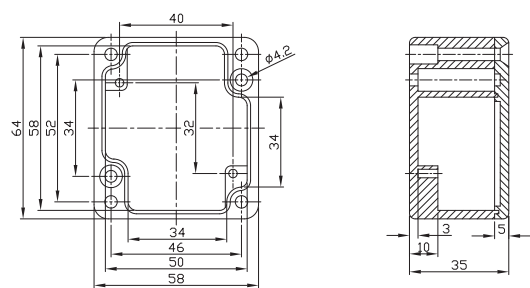
## G102



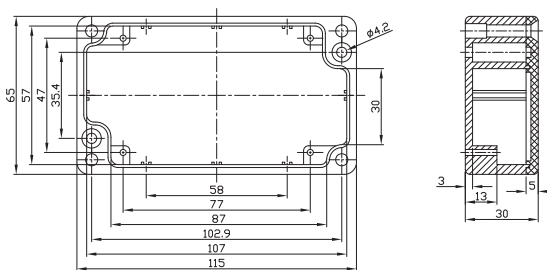
## G103



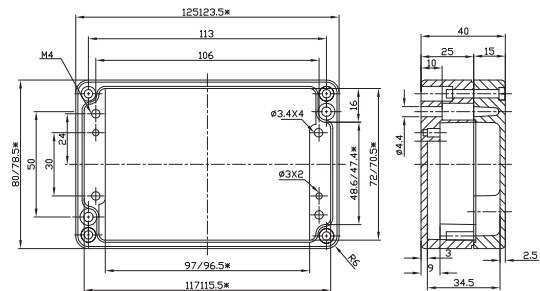
## G104



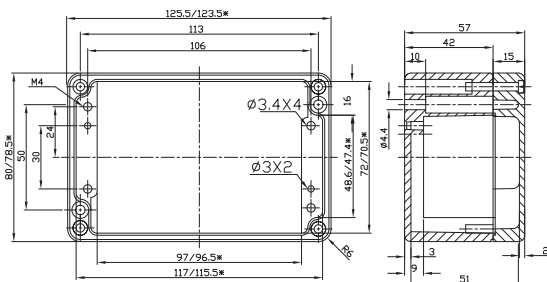
## G106



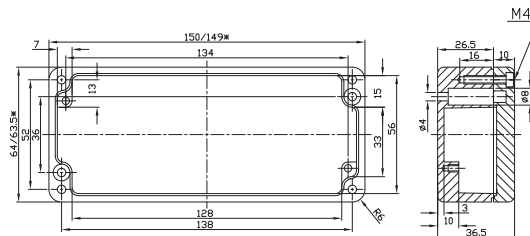
## G107



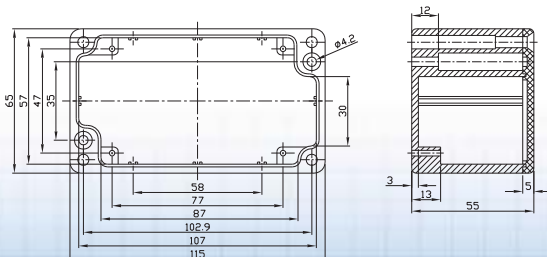
## G108



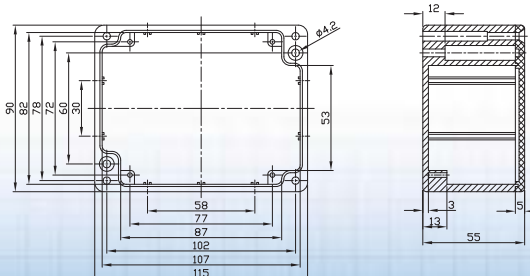
## G109



## G111



## G113



Data subject to change without notice.



## Sealed polycarbonate and ABS enclosures



Material: polycarbonate:  
Color: Light Gray  
Operating temperature: -40° to 120°  
Clear lid available upon request

Material: high impact ABS  
Color: Dark Gray  
Operating temperature: -20 to 80

- The lid and base incorporate a tongue and groove sealing system with a neoprene gasket
- Wall mounting holes and lid fixing screws are located outside of the sealing area to prevent the ingress of moisture and dust
- Designed to meet IP65 and NEMA 4 standards
- Available with clear or light gray lids
- Internal guide slots enable vertically mounted PCB assemblies
- Bosses on the internal base enable the fixing of PCBs horizontally or the connection of terminals into the threaded brass inserts

Data subject to  
change without  
notice.

Lid fixing screw are M4 stainless steel (non-magnetic) into threaded brass inserts

MATERIAL			
POLYCARBONATE		ABS	
LIGHT GRAY	CLEAR LID	DARK GRAY	
CATALOG NUMBER	CATALOG NUMBER	CATALOG NUMBER	EXTERNAL DIMENSION (mm)
G201	G201C	G302	64 × 58 × 35
G202	/	G303	184 × 36 × 35
G203	G203C	G304	115 × 65 × 40
G205	G205C	G308	115 × 65 × 55
G212	G212C	G311	115 × 90 × 55
G214	G214C	G313	171 × 121 × 55
G218	G218C	G317	222 × 146 × 55
G221	G221C	G331	115 × 90 × 80
G223	G223C	G340	171 × 121 × 80
G229	G229C	G346	195 × 80 × 55
G232	G232C	G353	222 × 146 × 75
G238	G238C	G378	265 × 185 × 95
G250	G250C	G362	52 × 50 × 35
G256	G256C	G366	82 × 80 × 55
G258	G258C	G368	160 × 80 × 55
G265	G265C	G369	160 × 80 × 85
G269	G269C	G373	200 × 120 × 75
G278	G278C	G386	120 × 120 × 60
G279	G279C	G387	120 × 120 × 90
G287	G287C	G396	160 × 160 × 60
G288	G288C	G399	160 × 160 × 90
G2018	G2018C	G3008	240 × 160 × 90
G2025	G2025C	G3019	240 × 160 × 120
G2029	G2029C	G3028	300 × 230 × 86
G2038	G2038C	G3031	300 × 230 × 111
G2058	G2058C	G3039	360 × 200 × 150

### Ordering information

Above stock numbers are for polycarbonate enclosures with light gray lids and include lid-fixing screws, brass inserts and neoprene gaskets.

Add C after the above stock numbers to order clear lids (ex. G3039C)

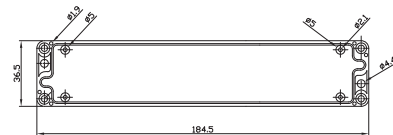
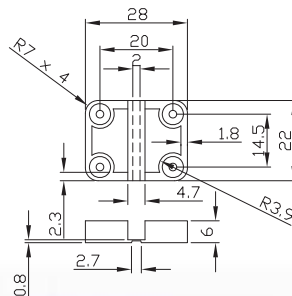
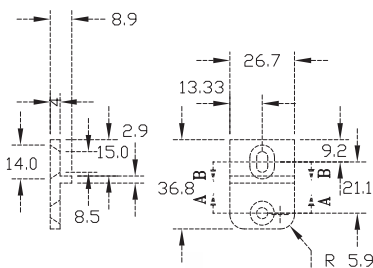
External mounting plate (4 pcs) made of ABS  
Stock no.:MF-001DG, MF-001LG  
(Dark gray color) (Light gray color)

External hinge kit (2 pcs)  
Made of thermoplastic  
STOCK NO. : EMP-001

MF-001DG/MF-001LG

EMP-001

G202/G303

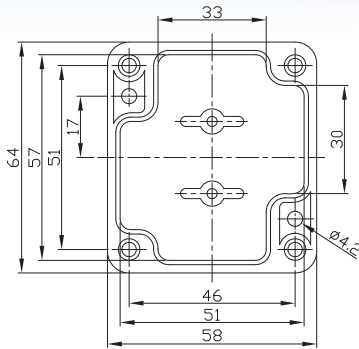


Data subject to change without notice.

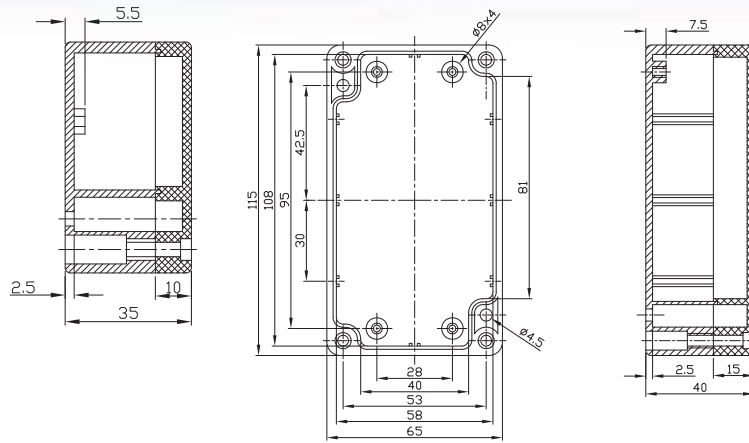


Sealed polycarbonate and ABS enclosures

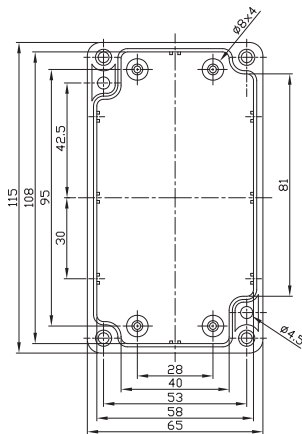
## G302/G201



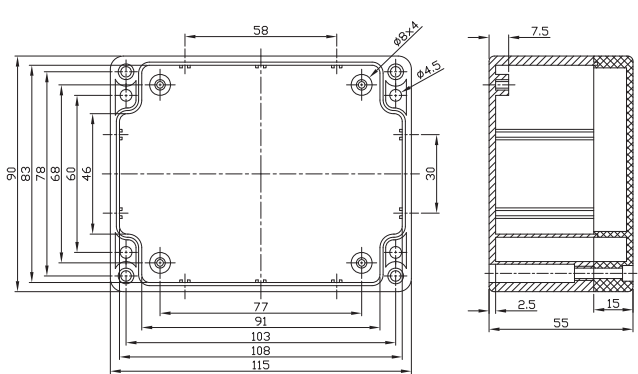
## G304/G203



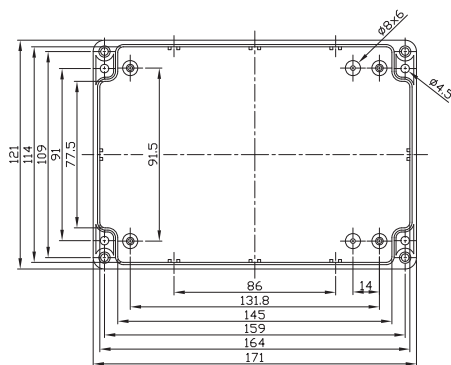
## G308/G205



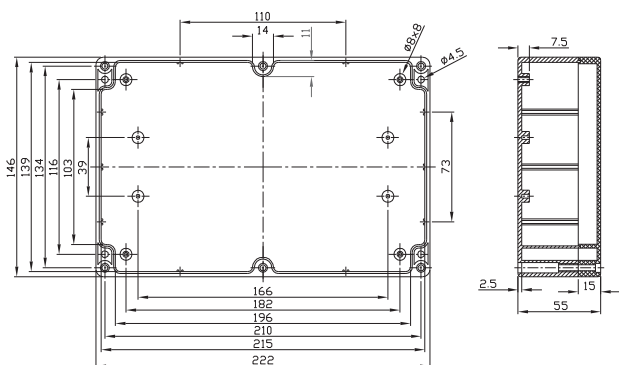
## G311/G212



## G313/G214



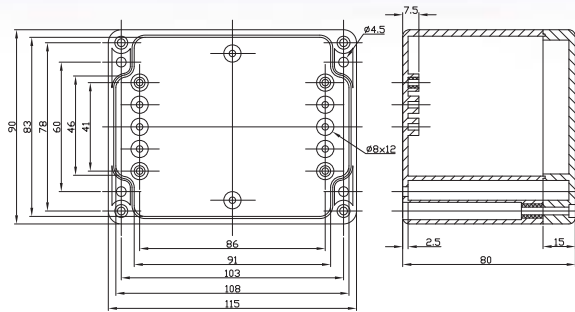
## G317/G218



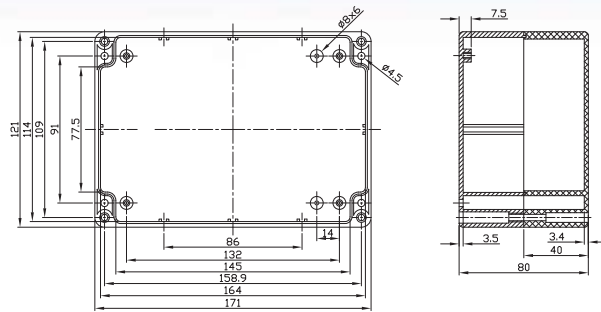
Data subject to change without notice.

Sealed polycarbonate and ABS enclosures

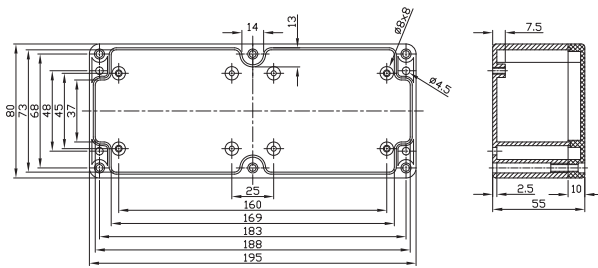
### G331/G221



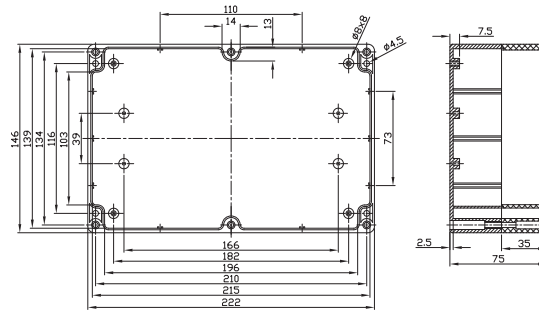
### G340/G223



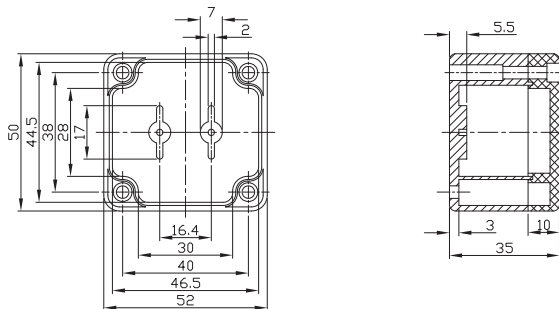
### G346/G229



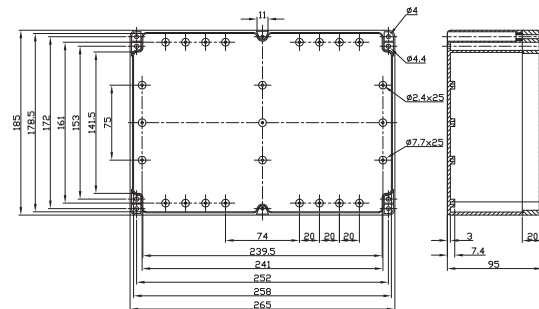
### G353/G232



### G362/G250



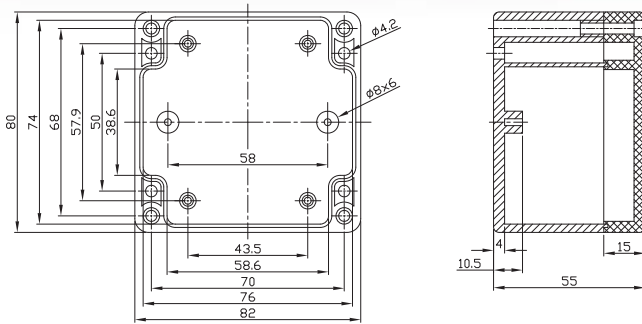
### G378/G238



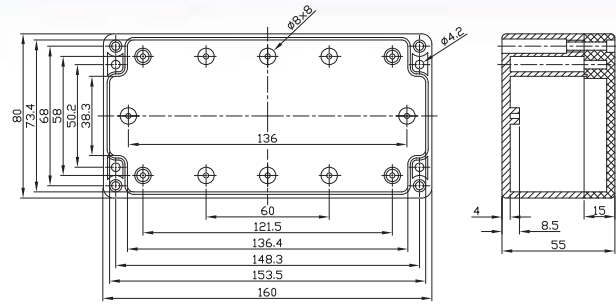
Data subject to change without notice.

Sealed polycarbonate and ABS enclosures

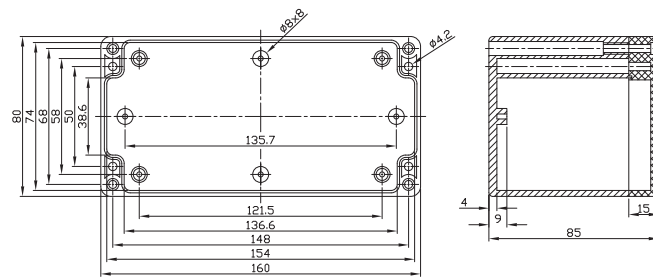
### G366/G256



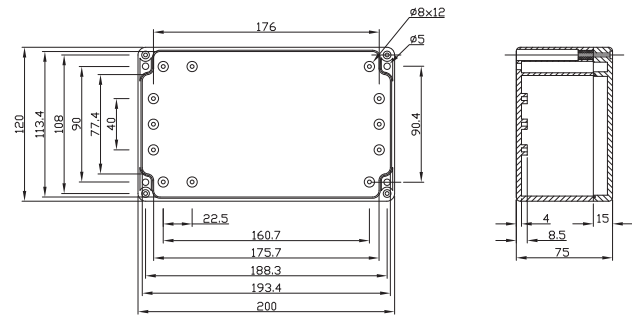
### G368/G258



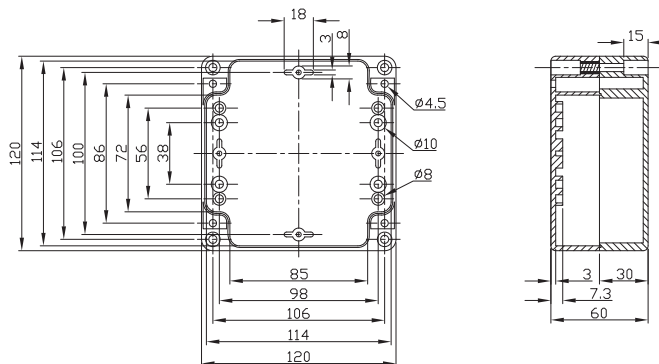
### G369/G265



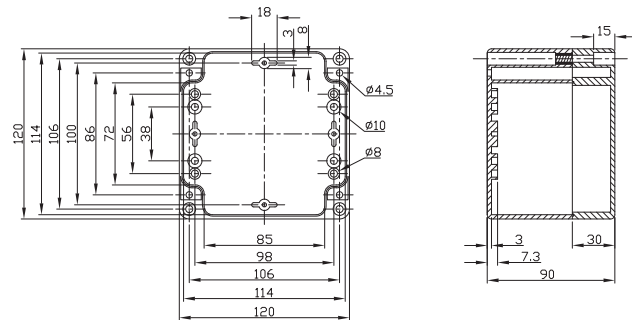
### G373/G269



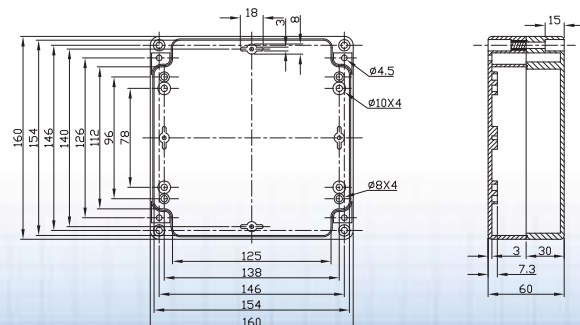
### G386/G278



### G386/G387/G279



### G396/G287

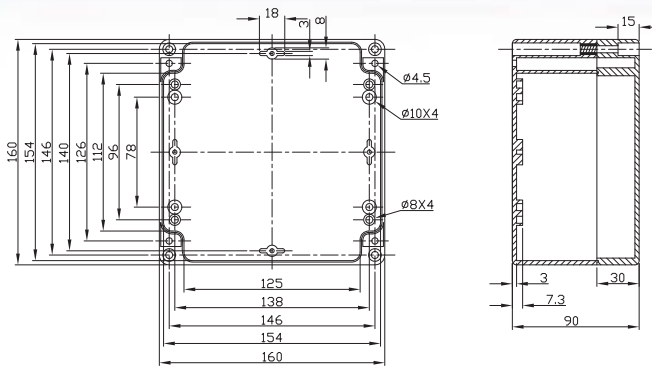


Data subject to change without notice.

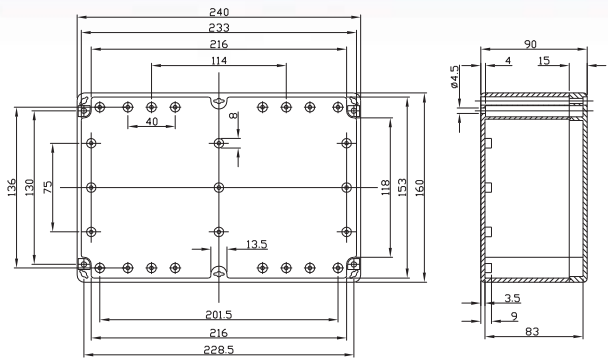


Sealed polycarbonate and ABS enclosures

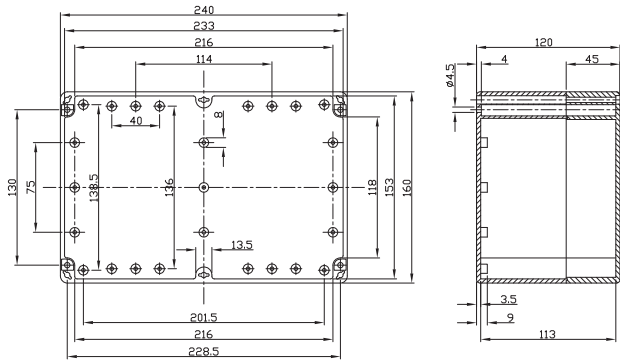
### G399/G288



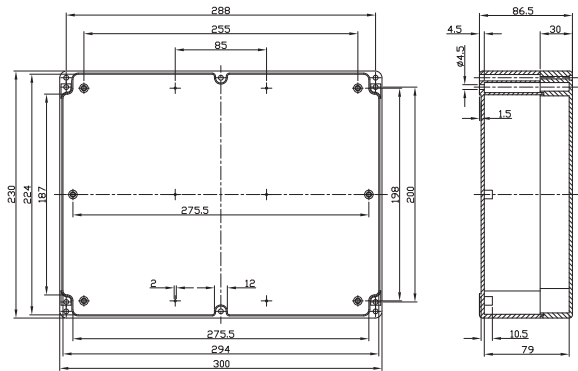
### G3008/G2018



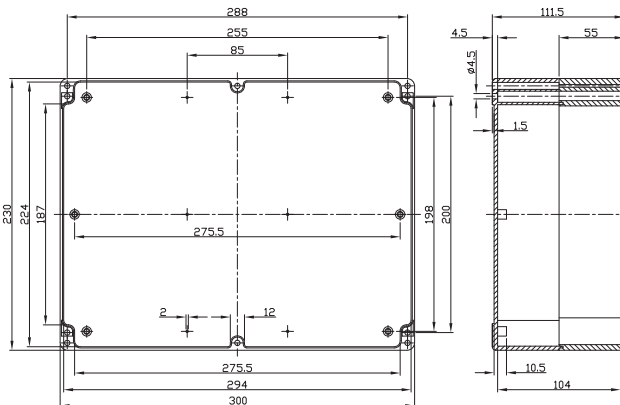
### G3019/G2025



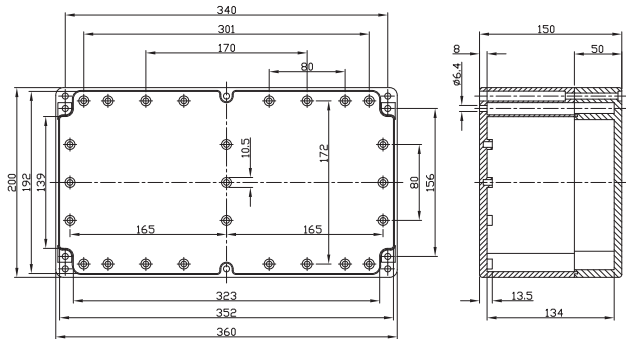
### G3028/G2029



### G3031/G2038



### G3039/G2058

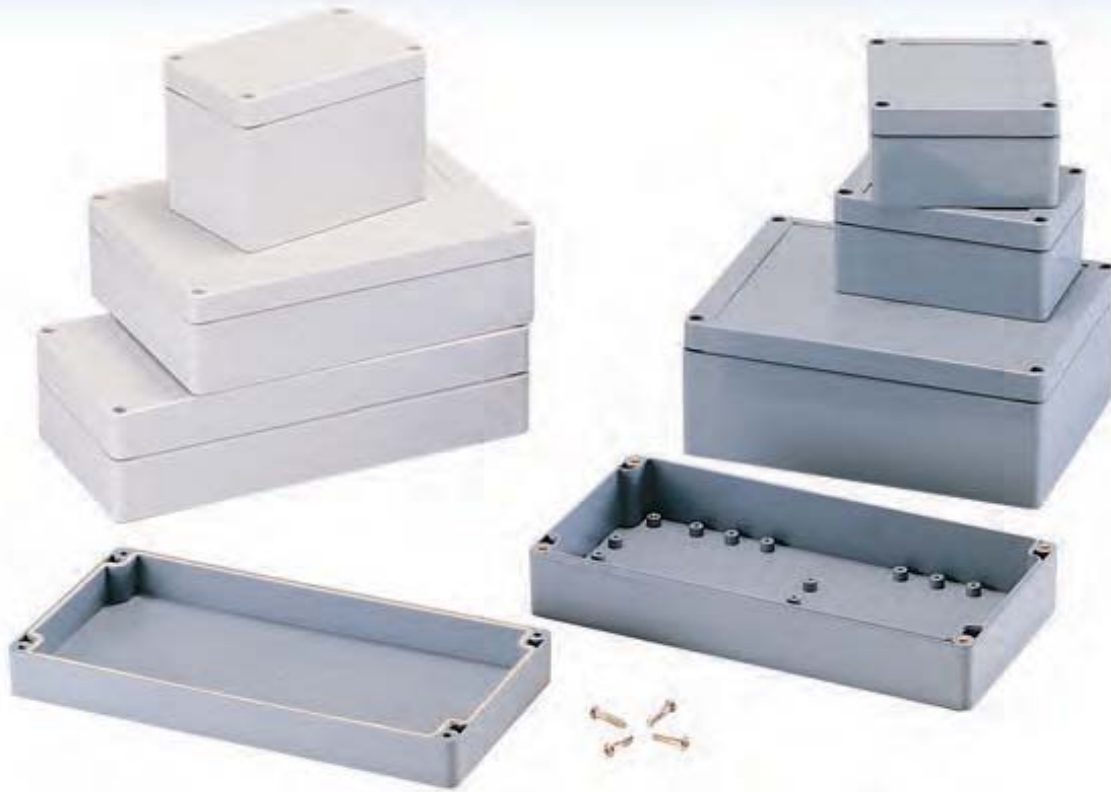


Data subject to change without notice.



# ELECTRONIC ENCLOSURES G21XX& 31XX Series

New design sealed polycarbonate and ABS plastic enclosures



- Designed to IP 65 and NEMA 4 specifications
- Wall mounting holes and cover attaching screws are located outside of the sealing area thus preventing the ingress of moisture and dust from entering the enclosure
- Internal bosses allow the mounting of PCBs horizontally or for the connection of terminals into the reared inserts
- Cover screws are M4 stainless steel, non magnetic and fasten into threaded
- Recessed are on cover for attaching membrane keyboard

## MATERIAL AND COLORS

1. Polycarbonate in light gray cover (or clear cover) with light gray body
2. ABS in dark gray cover and body

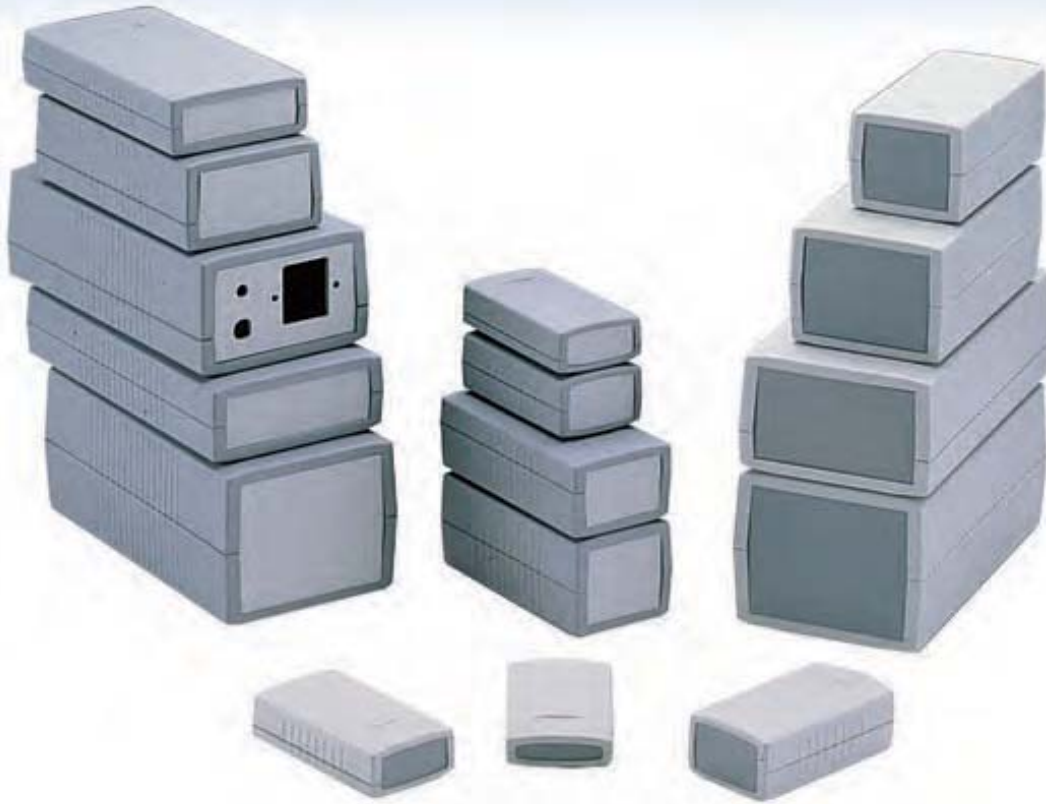
MATERIAL			
POLYCARBONATE		ABS	
COLOR			
LIGHT GRAY	CLEAR LID	DARK GRAY	EXTERNAL DIMENSION (mm)
G2100	G2100C	G3101	100 × 100 × 55
G2102	G2102C	G3103	100 × 100 × 90
G2104	G2104C	G3107	120 × 80 × 55
G2105	G2105C	G3109	120 × 80 × 85
G2111	G2111C	G3113	200 × 120 × 90
G2113	G2113C	G3118	240 × 120 × 60
G2117	G2117C	G3121	240 × 120 × 100
G2119	G2119C	G3122	200 × 150 × 55
G2120	G2120C	G3127	200 × 150 × 75
G2108	G2108C	G3130	353 × 1400 × 121.5
G2135	G2135C	G3125	190 × 190 × 55

Data subject to change without notice.





## Plastic molded enclosures



- Ideally suited for instrumentation and telecommunication equipment ranging from hand-held to desktop sizes
- Molded in high impact ABS which is flame retardant
- These molded plastic cases have a two part design with a tongue and groove joint between the top and bottom case with specially designed end panels of the same material. Optional aluminum panels are available as well
- IP54 of IEC 529
- The top and bottom case are lightly textured which provides a non-scratch surface and maintains the high quality finish
- Guide slots are provided for the vertical mounting of PCBs
- Bosses are provided for the horizontal mounting of PCBs
- Four M3 screws are countersunk in the base and threaded into brass inserts which firmly secure the lid and end panels

Data subject to  
change without  
notice.

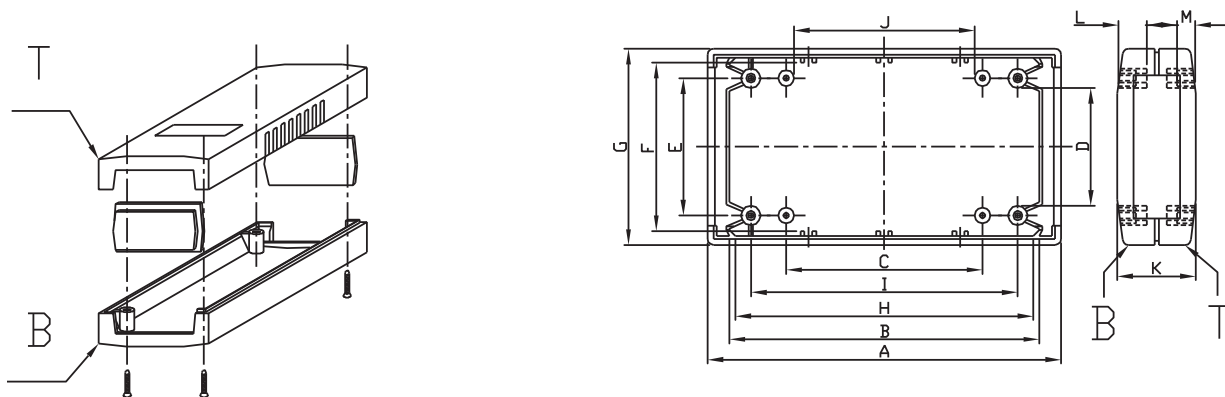
## Plastic molded enclosures

COLOR : LIGHT GRAY		COLOR : DARK GRAY		EXTERNAL DIMENSION (mm)
CATALOG NUM.	MATERIAL	CATALOG NUM.	MATERIAL	
G430	ABS	G401	ABS UL 94 V0	90 x 50 x 16
G431	ABS	G403	ABS UL 94 V0	90 x 50 x 24
G434	ABS	G404	ABS UL 94 V0	90 x 50 x 32
G436	ABS	G407	ABS UL 94 V0	120 x 60 x 30
G438	ABS	G410	ABS UL 94 V0	120 x 60 x 40
G440	ABS	G412	ABS UL 94 V0	120 x 60 x 50
G443	ABS	G413	ABS UL 94 V0	150 x 80 x 30
G445	ABS	G416	ABS UL 94 V0	150 x 80 x 45
G447	ABS	G418	ABS UL 94 V0	150 x 80 x 60
G452	ABS	G421	ABS UL 94 V0	190 x 100 x 40
G454	ABS	G422	ABS UL 94 V0	190 x 100 x 60
G459	ABS	G425	ABS UL 94 V0	190 x 100 x 80

### ORDERING INFORMATION

- The above catalog numbers are for cases moulded in high impact ABS which is flame retardant to ul94-v0 or high impact ABS material and supplied with four lid fixing screws and four rubber feet, (size range from 150 x 80 x 30 up to 190 x 100 x 80mm)
- The ABS case lid and base are moulded in light gray with end panels in dark gray
- The ABS UL94-V0 case lid and base are moulded in dark gray with end panels in light gray

## 400 Series



CATALOG NUM. / DIM.	G430	G431	G434	G436	G438	G440	G443	G445	G447	G452	G454	G459
	G401	G403	G404	G407	G410	G412	G413	G416	G418	G421	G422	G425
A	90	90	90	120	120	120	150	150	150	190	190	190
B	83	83	83	111	111	111	138	138	138	180	180	180
C	50	50	50	80	80	80	110	110	110	150	150	150
D	27.5	27.5	27.5	26	26	26	46	46	46	65	65	65
E	35	35	35	35	35	35	55	55	55	75	75	75
F	0.5	0.5	0.5	44	44	44	70	70	70	83	83	83
G	50	50	50	60	60	60	80	80	80	100	100	100
H	79.4	79.4	79.4	108	108	108	138	138	138	176	176	176
I	68	68	68	98	98	98	128	128	128	168	168	168
J	42.5	42.5	42.5	72	72	72	100	100	100	140	140	140
K	16	24	32	30	40	50	31	45	60	40	60	80

Data subject to change without notice.



## Desktop IP54 plastic cases



- Desktop ABS instrument cases with moulded PCB stand-offs, vertical card guides and brass inserts for frequent assembly/disassembly
- Both ABS material UL94-HB and UL94-V0 are available in different colors
- Four M3 screws and rubber feet are provided. (except G738, G738A, G706, G706A)

### PLASTIC MATERIAL

ABS UL 94-HB		ABS UL 94-V0		EXTERNAL DIMENSION (mm)		
CATALOG NUMBER	CATALOG NUMBER	CATALOG NUMBER	CATALOG NUMBER	Width	Length	Height
G738	G738A	G706	G706A	140.0	110.0	35.0
G747	G747A	G715	G715A	225.0	165.0	40.0
G748	G748A	G716	G716A	225.0	165.0	65.0
G749	G749A	G717	G717A	225.0	165.0	90.0
G750	G750A	G720	G720A	245.0	175.0	50.0
G751	G751A	G721	G721A	245.0	175.0	70.0
G752	G752A	G722	G722A	245.0	175.0	90.0
G753	G753A	G731	G731A	260.0	180.0	85.0
G754	G754A	G733	G733A	260.0	180.0	105.0
G758	G758A	G729	G729A	260.0	180.0	65.0
G758V	G758AV	G729V	G729AV	260.0	180.0	65.0
G756	G756A	G735	G735A	300.0	200.0	75.0
G756V	G756AV	G735V	G735AV	300.0	200.0	75.0

### NOTE:

- 1) G738 to G758 have light gray tops and bases with black panels made of abs UL94-HB.
- 2) G706 to G735 have dark gray tops and bases with light gray panels made of abs UL94-V0.
- 3) Catalog numbers with "A" at the end are cases with aluminum panels.
- 4) Catalog numbers with "V" at the end are cases with ventilation holes.

Data subject to change without notice.



## Plastic instrument cases



### FEATURES :

- Modern design case in matte finish surface for desktop instruments
- Top and base in light gray, front and panels in dark gray

### MATERIAL :

- High impact ABS of ul94-hb
- 4 screws and 4 rubber feet are included

### DIMENSION :

CATALOG NUMBER				CATALOG NUMBER
PLASTIC PANEL	Width	Length	Height	PLASTIC PANEL
G760	95	158	36	G760A
G761	95	158	47	G761A
G762	95	158	58	G762A
G763	156	180	36	G763A
G764	156	180	44	G764A
G765	156	180	52	G765A
G766	140	190	40	G766A
G767	140	190	60	G767A
G768	140	190	80	G768A
G769	200	280	40	G769A
G770	200	280	60	G770A
G771	200	280	80	G771A

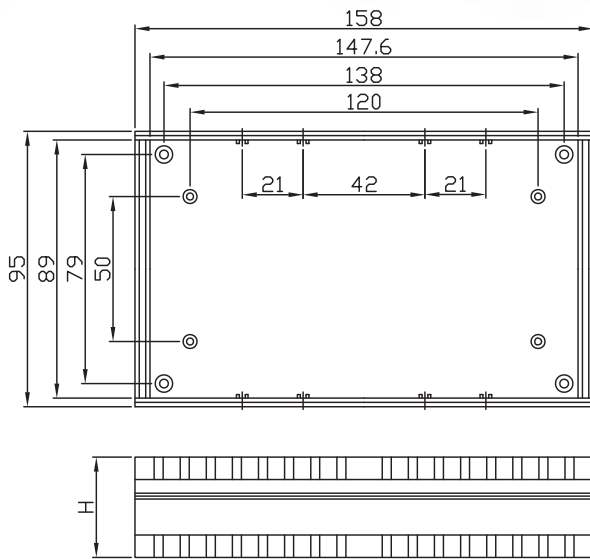
### NOTE :

- Other materials are also available upon request
- Aluminum end panel styles are also available. add "a" after catalog number for case with aluminum panels

Data subject to change without notice.

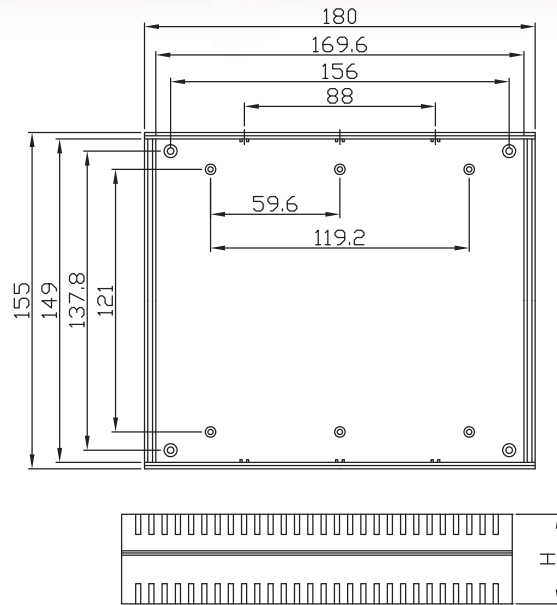
## Plastic instrument cases

### G760/G762



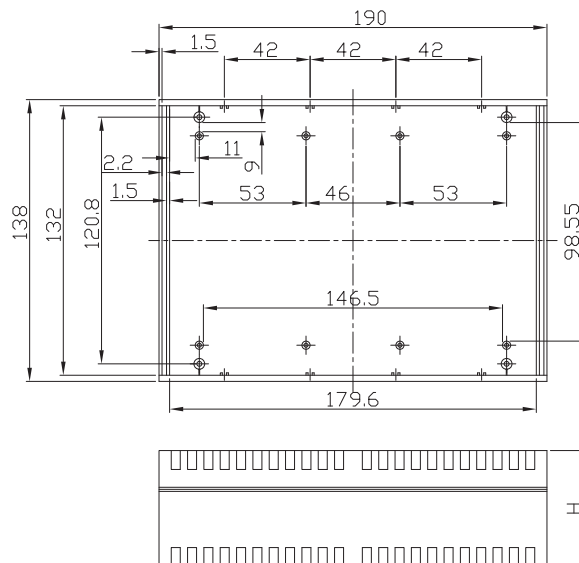
CATALOG NUMBER	Width(W)	Length(L)	Height(H)
G760	95	158	36
G761	95	158	47
G762	95	158	58

### G763/G765



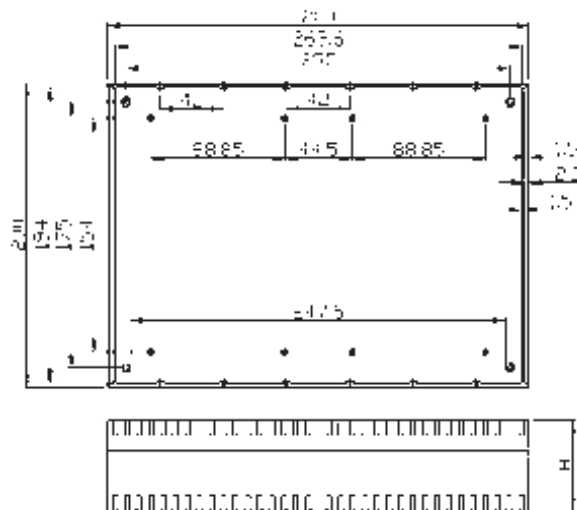
CATALOG NUMBER	Width(W)	Length(L)	Height(H)
G763	156	180	36
G764	156	180	44
G765	156	180	52

### G766/G768



CATALOG NUMBER	Width(W)	Length(L)	Height(H)
G766	140	190	40
G767	140	190	60
G768	140	190	80

### G769/G771



CATALOG NUMBER	Width(W)	Length(L)	Height(H)
G769	200	280	40
G770	200	280	60
G771	200	280	80

Data subject to change without notice.



## Snap-in plastic instrument enclosure



### DESIGN FEATURES.

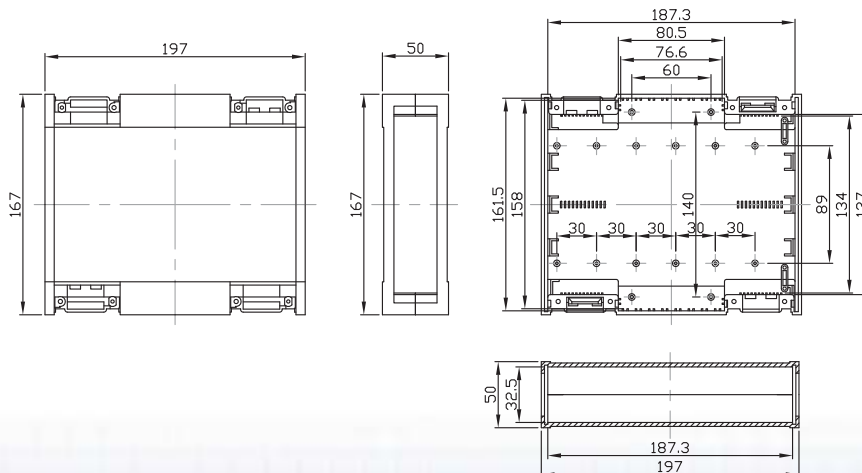
- Snap-in design for easy assembly while remaining securely tightened
- Top and bottom covers are moulded with high impact abs plastic material while the two end panels are made of aluminum
- Rubber foot and hardware are included

CATALOG NUMBER	EXTERNAL DIMENSION (mm)
----------------	-------------------------

G777

197 X 167 X 50

G777



Data subject to change without notice.



**Medium size hand-held plastic T-cases**

These new cases are ideal for test and measurement, data-loggers and other handheld instruments

- Robust and ergonomic high impact ABS cases
- Two colors are available in black and light gray
- Top and bottom parts incorporate a tongue and groove sealing system in order to achieve an ip65 rating. The gasket is available as a separate item.
- Available with a rear battery compartment which accepts a 9v 216 type or two AA batteries
- Removable tile stand, the enclosure can also be wall-mounted
- Available with open display window or solid front
- Case is held together by 4x3 screws which are supplied
- Recessed display area : 87.3 x 66.5mm
- Recessed keyboard area : 105.4 x 62.7mm
- Cutout area : 72.2 x 51.5mm

Data subject to  
change without  
notice.

## Medium size hand-held plastic T-cases

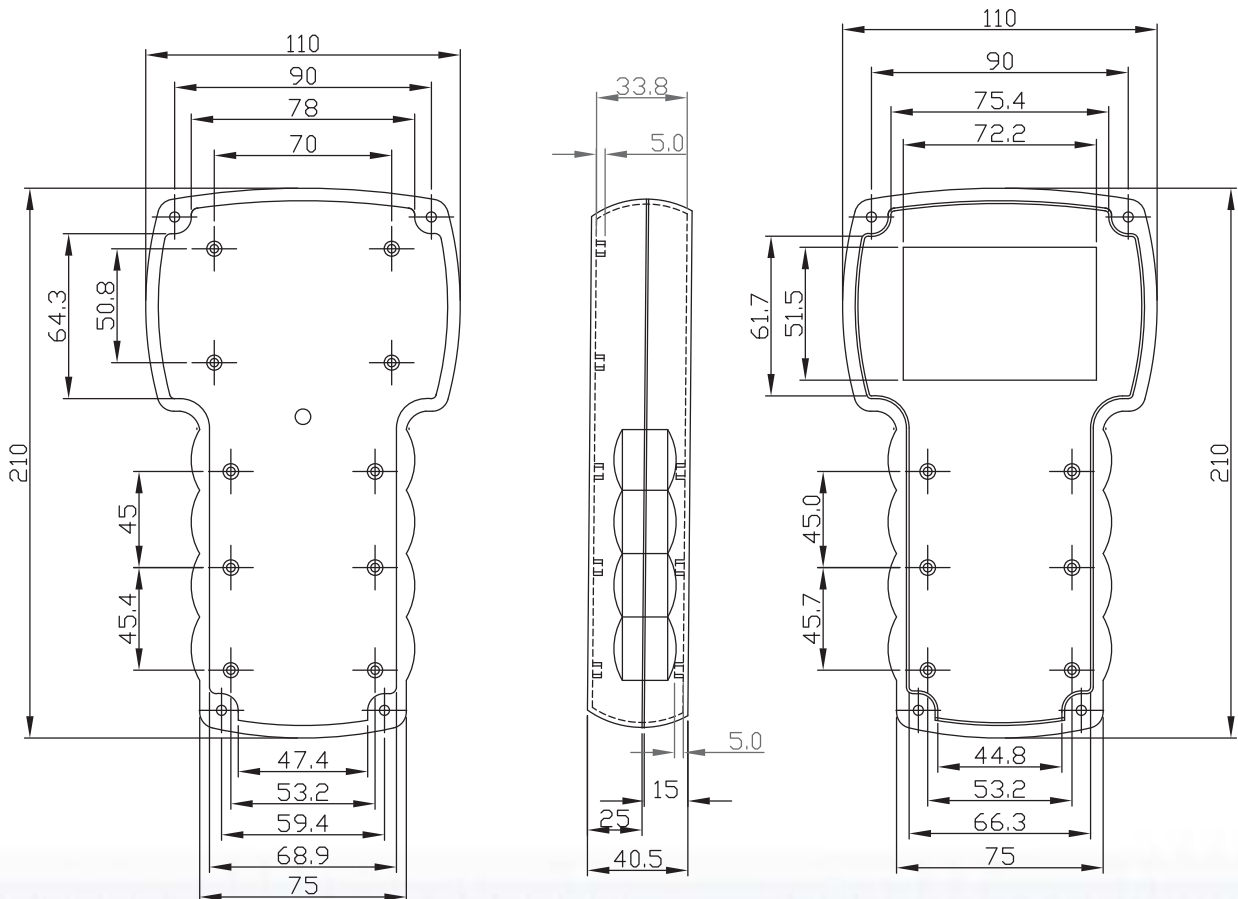
### DIMENSION :

CATALOG NUMBER	COLOR	DISPLAY AREA	BATTERY COMPARTMENT
G828G(O)	GRAY	CUTOUT	NO
G828G(O)BC	GRAY	CUTOUT	YES
G828G(S)	GRAY	SOLID	NO
G828G(S)BC	GRAY	SOLID	YES
G828B(O)	BLACK	CUTOUT	NO
G828B(O)BC	BLACK	CUTOUT	YES
G828B(S)	BLACK	SOLID	NO
G828B(S)BC	BLACK	SOLID	YES
G828GSKT	IP65 SEALING GASKET		

### EXTERNAL DIMENSION : IN mm

EXTERNAL DIMENSION (mm)	Length(L)	Width 1(D1)	Width 2(D)	Height(H)
	210	110	75	40.5

## G828



Data subject to change without notice.

## Hand-held plastic T-cases



Ideal for handheld instruments, they are available in either light gray or black and a tilting bail is supplied.

### FEATURES:

- Available with a solid display area or a cutout
- The top and bottom parts incorporate a tongue and groove sealing system which accommodates a gasket. The gasket is available as a separate item
- Available with a rear battery compartment which accepts a 9v 216 type or two AA batteries
- A durable and professional moulded tilting bail is available which also can be used for wall-mounting applications
- Available in black and light gray as standard. Customer color selection is available on indent
- Case is held together by 6 brass inserts in the lid and M3 screws
- Moulded in high-impact ABS
- Recessed display area : 116 x 81mm
- Recessed keyboard area : 118 x 81mm
- Cutout area : 101 x 45mm

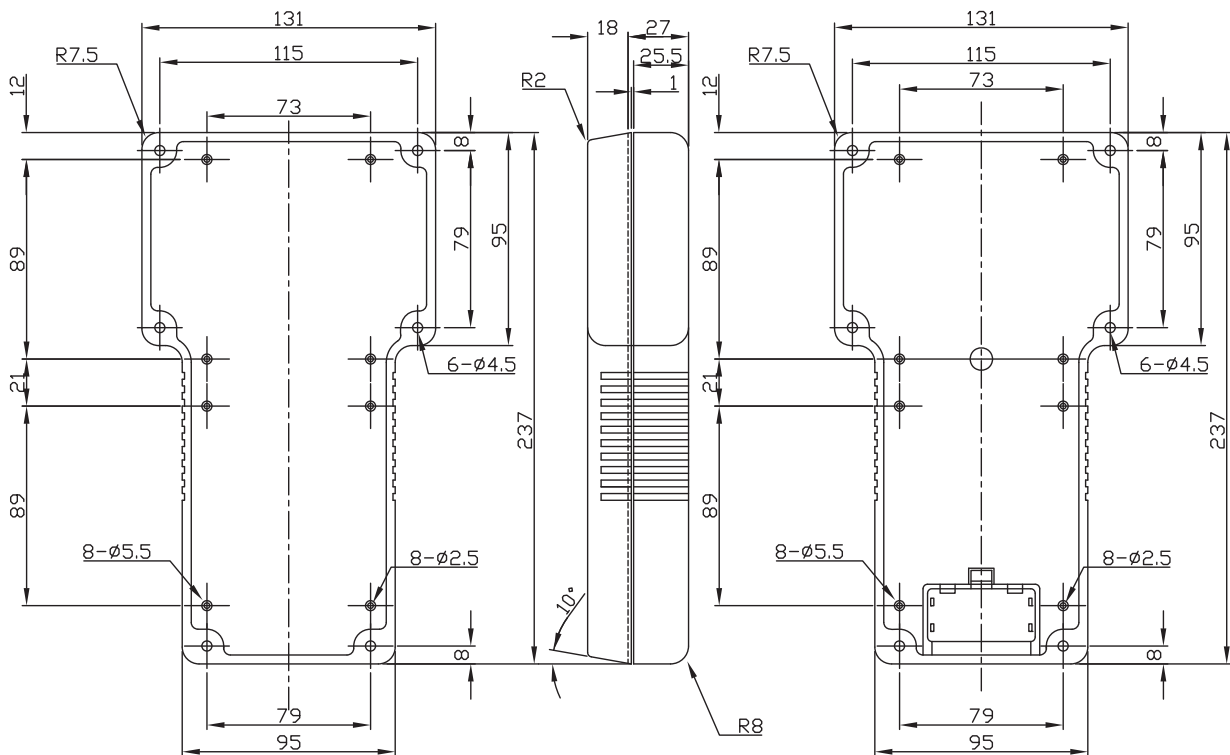
Data subject to  
change without  
notice.



## Hand-held plastic T-cases

CATALOG NUMBER	COLOR	DISPLAY AREA	BATTERY COMPARTMENT
G858G(O)	GRAY	CUTOUT	NO
G858G(O)BC	GRAY	CUTOUT	YES
G858G(S)	GRAY	SOLID	NO
G858G(S)BC	GRAY	SOLID	YES
G858B(O)	BLACK	CUTOUT	NO
G858B(O)BC	BLACK	CUTOUT	YES
G858B(S)	BLACK	SOLID	NO
G858B(S)BC	BLACK	SOLID	YES
G858GSKT	IP65 SEALING GASKET		

## G858



Data subject to change without notice.



## Hand-held electronic enclosures



### MATERIAL :

- Moulded in high-impact ABS plastic  
( UL94-V0 flame retardant material available upon request)

### APPLICATION :

- Consumer products
- Remote control
- Controller interface
- Field test kits
- Personal applications

### FEATURES :

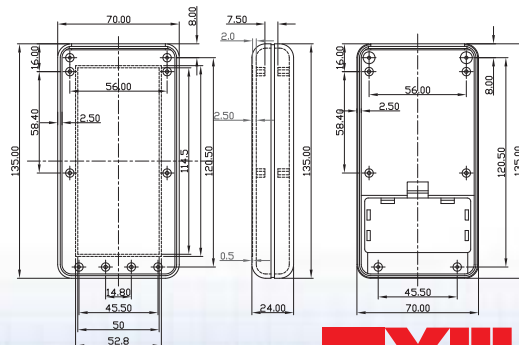
- Designed to accept either 9V or two "AA" batteries
- Available in light gray and black colors
- "AA" battery contact kits available upon request
- Transparent front panel available upon request, used for transmitting infra-red signals

### EXTERNAL DIMENSION :

- Width(W) x depth(D) x height(H)=135x70x24mm

CATALOG NUMBER	DESCRIPTION
G939G	HIGH IMPACT ABS GRAY
G939B	HIGH IMPACT ABS BLACK
G939GUL	UL -94V0 ABS GRAY
G939BUL	UL -94V0 ABS BLACK
G0310	"AA" BATTERY CONTACT KITS
G939TP	RED TRANSPARENT PANEL

### G939



Data subject to change without notice.



Medium size hand-held ABS enclosures



**MATERIAL :**

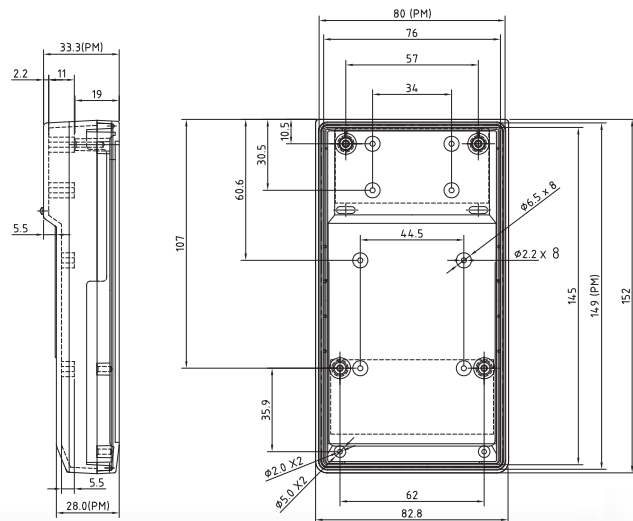
- Moulded in high-impact abs plastic
- Available in light gray and black colors

**APPLICATION :**

- Consumer product
- Remote control
- Controller interface
- Field test kits
- Personal application

CATALOG NUMBER	EXTERNAL DIMENSION (mm)		
	Length	Width	Height
G959G	152.0	82.8	33.3
G959B	152.0	82.8	33.3

## G959



Data subject to change without notice.



**Hand-held cases**

These cases are similar to a large multi-meter case. They are available in either light gray or black and include a battery compartment. A professional tilting bail is supplied as standard.

**FEATURES :**

- Available with either a solid display area or cutout
- The top and bottom parts incorporate a tongue and groove sealing system which accept gasketing. the gasket is available as a separate item
- Available with a battery compartment in the back which accepts a 9V 216 type or two AA batteries
- A durable and professional moulded tilting bail can also be used to wall mount the enclosures.
- Available in black and light gray as standard color. customer colors are available on indent
- Case is held together by 4 brass inserts in the lid and m3 screws which are supplied
- Moulded in high-impact ABS
- Upper recessed area : 115.5 x 85.5mm
- Cutout area : 71.5 x 35.0mm

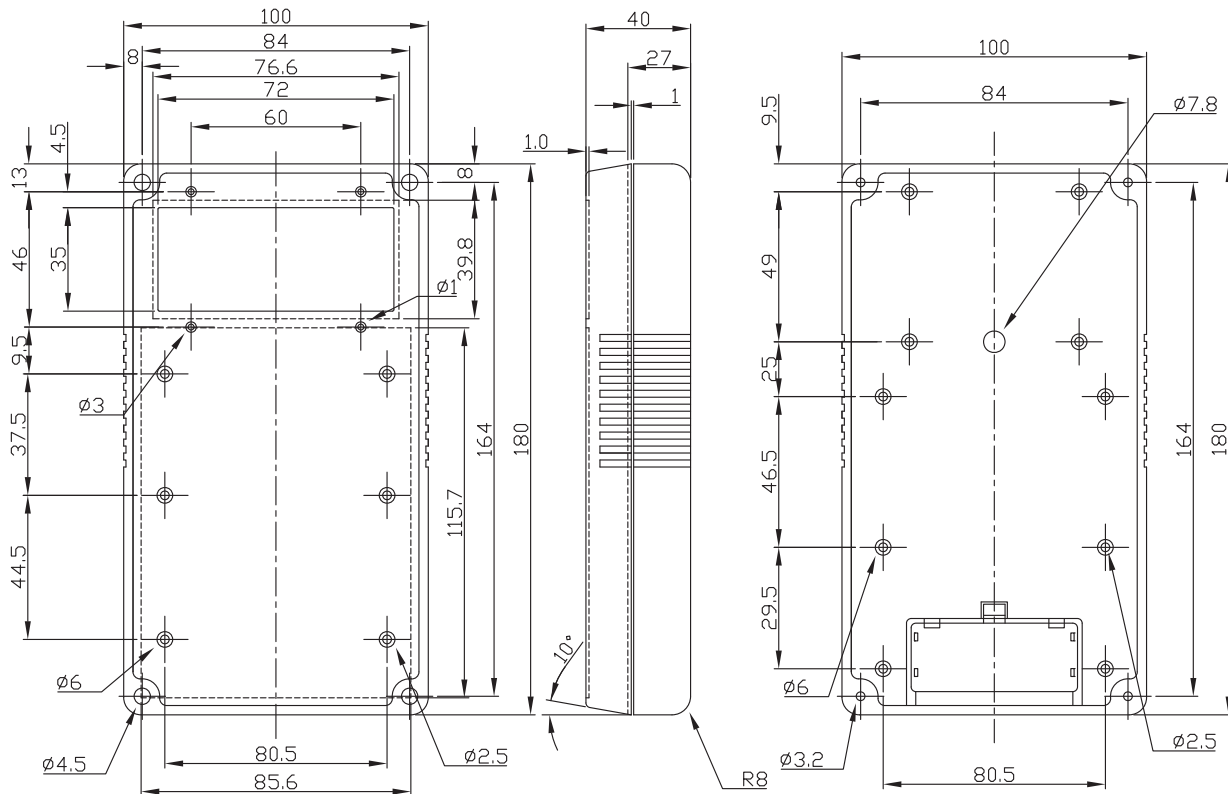
Data subject to  
change without  
notice.

## Hand-held cases

CATALOG NUMBER	COLOR	DISPLAY AREA
G968G(O)	GRAY	CUTOUT
G968G(S)	GRAY	SOLID
G968B(O)	BLACK	CUTOUT
G968B(S)	BLACK	SOLID
G968GSKT	IP65 SEALING GASKET	

NOTE : SUFFIX (W/O) BC IS FOR BOX WITHOUT BATTERY COMPARTMENT.

## G968



Data subject to change without notice.

## Large size hand-held plastic - cases



These large cases are ideal for test and measurement, data-loggers and other handheld instruments.

- Stylish, robust and ergonomic high-impact ABS case
- Two colors are available in black and light gray
- Available with an open display window or a solid front
- Recessed display area : 119.0 x 89.0mm
- Recessed keyboard area : 104.04/83.85 x 118.35mm

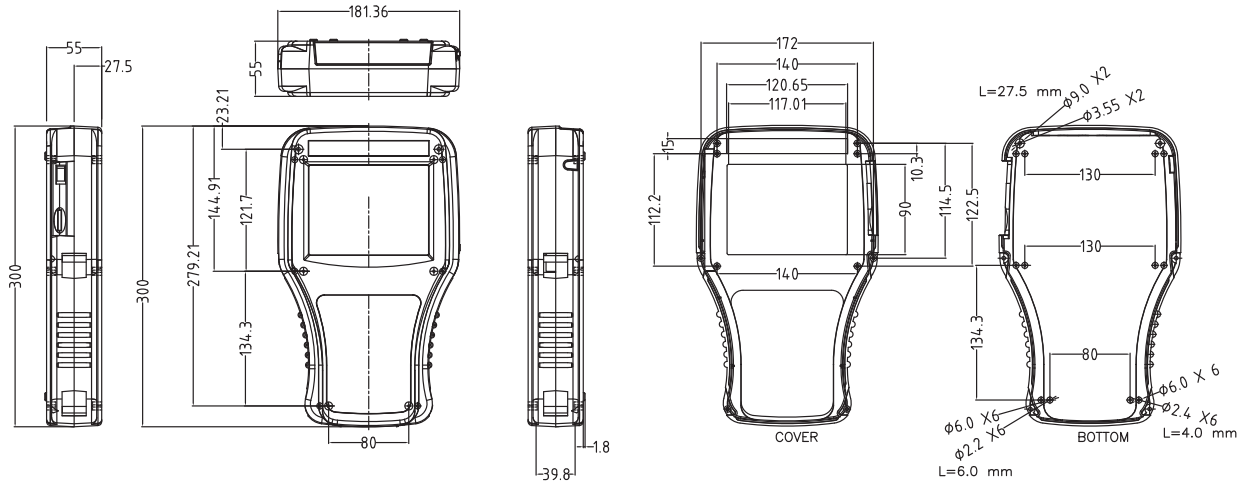
CATALOG NUMBER	COLOR	DISPLAY AREA	MATERIAL
G999G(O)	GRAY	CUTOUT	ABS
G999G(S)	GRAY	SOLID	ABS
G999B(O)	BLACK	CUTOUT	ABS
G999B(S)	BLACK	SOLID	ABS
G999CP	TRANSPARENT CLEAR	SOLID	PMMA

Data subject to change without notice.

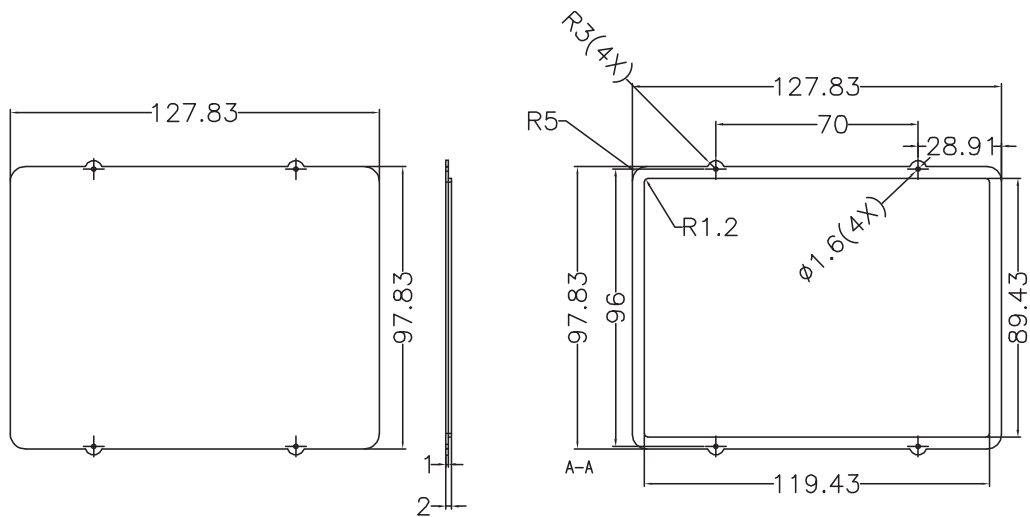
## Large size hand-held plastic - cases

CATALOG NUMBER	EXTERNAL DIMENSION (mm)		
	Length	Width	Height
G999	300.0	181.3	55.0
G999CP	127.83	97.83	2.0

### G999



### G999CP



Data subject to change without notice.



# ELECTRONIC ENCLOSURES G10XX Type A Series

## Utility boxes



### MATERIAL :

- Made of high-impact ABS plastic with continuous operating temperature of 70 degrees c
- Durable UL 94-v0 rating ABS is available upon request

### FEATURES :

- Light textured black finish
- Close-fitting interlocking lid
- External mounting brackets
- Cable outlets

CATALOG NUMBER	DIMENSION (MILLIMETER)				
	Width	X	Depth	X	Height
G1011	65.0	X	39.0	X	22.0
G1013	65.0	X	39.0	X	27.0
G1015	72.0	X	44.0	X	22.0
G1017	72.0	X	44.0	X	27.0
G1018	88.0	X	68.0	X	32.7
G1019	82.0	X	57.0	X	33.0

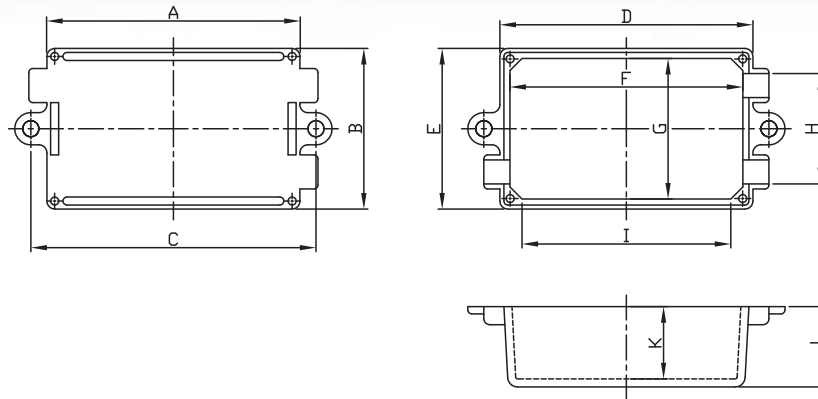
Data subject to change without notice.



# ELECTRONIC ENCLOSURES G10XX Type A Series

## Utility boxes

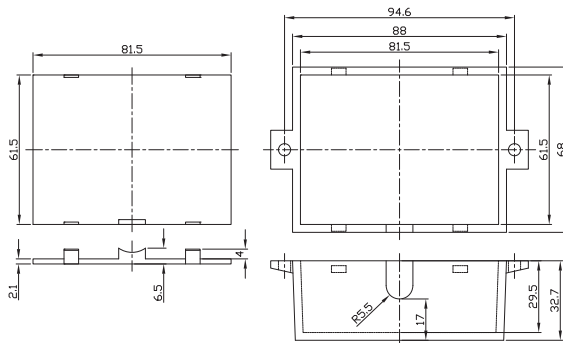
### G1011-G1017



CATALOG NUMBER	A	B	C	D	E	F	G	H	I	J	K
G1011	65.0	38.0	72.6	65.0	38.0	60.5	33.5	25.4	52.5	20.0	18.2
G1013	65.0	38.0	72.6	65.0	38.0	60.5	33.5	25.4	52.5	25.0	23.2
G1015	72.0	44.0	80.0	72.0	44.0	67.5	39.5	31.3	59.0	20.0	18.2
G1017	72.0	44.0	80.0	72.0	44.0	67.5	39.5	31.3	59.0	25.0	23.2

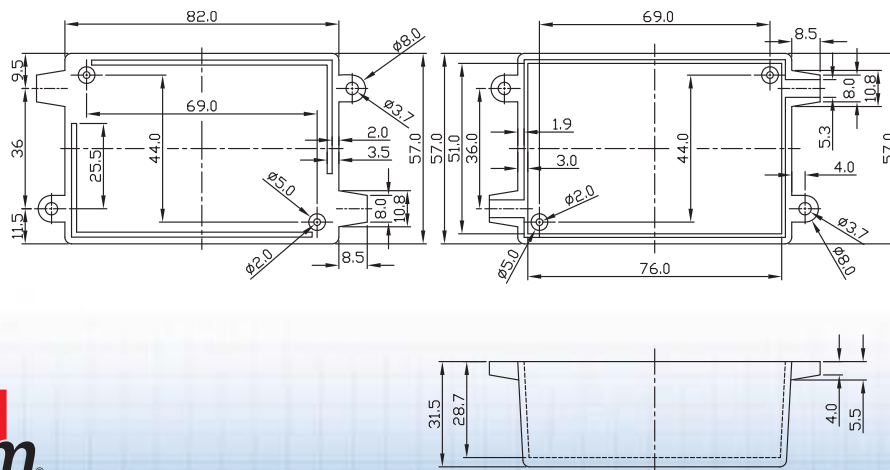
### G1018

Black plastic box with wall-mounting bracket and one hole for cable outlet.



CATALOG NUMBER	Length	Width	Height
G1018	88.0	68.0	32.7

### G1019



Data subject to change without notice.

# ELECTRONIC ENCLOSURES G10XX Type B Series

Super econ-plastic plastic project cases



## FEATURES :

- The special retaining rails can hold pcb horizontally and vertically
- Recessed grids on the inside of the lid allow users to easily make cutouts and central points

## MATERIAL :

- High impact abs plastic UL94-HB
- 4 screws and plugs are included

## DIMENSION :

CATALOG NUMBER	Width(mm)	Length(mm)	Height(mm)
G1020B	54.0	83.0	30.0
G1022B	68.0	130.0	44.0
G1024B	95.5	157.8	53.0
G1025B	113.0	197.4	63.0
G1020BF	54.0	108.5	30.0
G1022BF	68.0	156	44.0
G1024BF	95.5	185.7	53.0
G1025BF	113.0	225.0	63.0

COLOR : BLACK

NOTE : SPECIAL COLOR IS AVAILBLE ON REQUEST.

Data subject to  
change without  
notice.

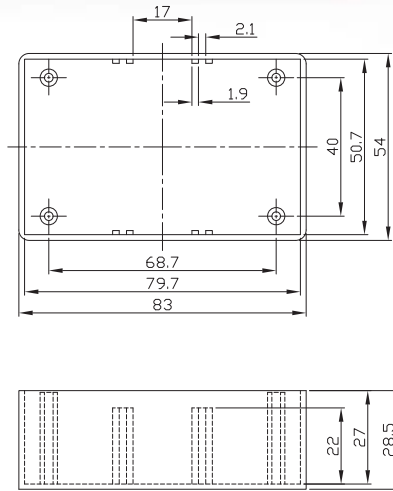


557

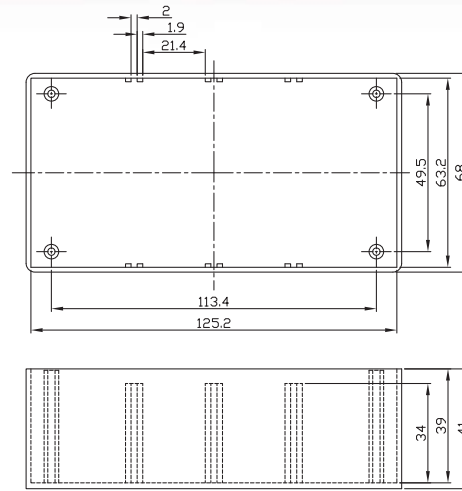
# ELECTRONIC ENCLOSURES G10XX Type B Series

Super econ-plastic plastic project cases

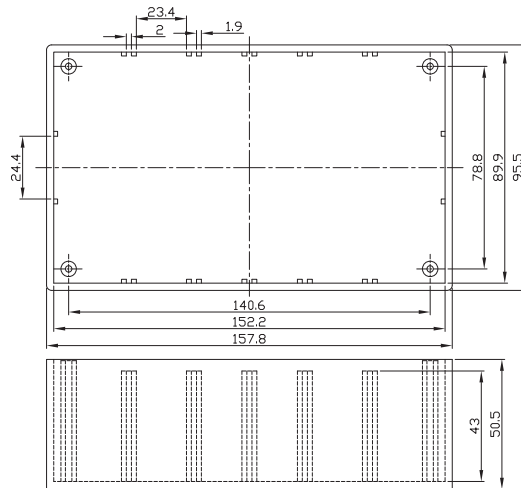
## G1020B



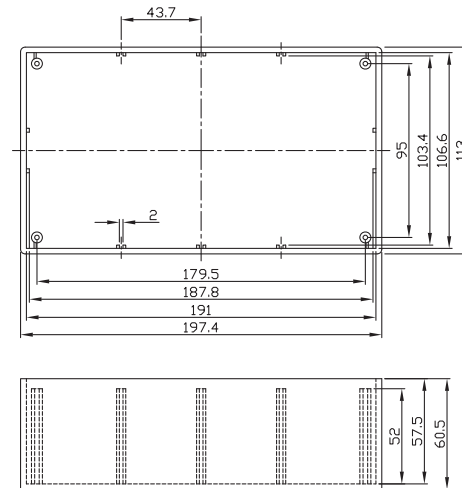
## G1022B



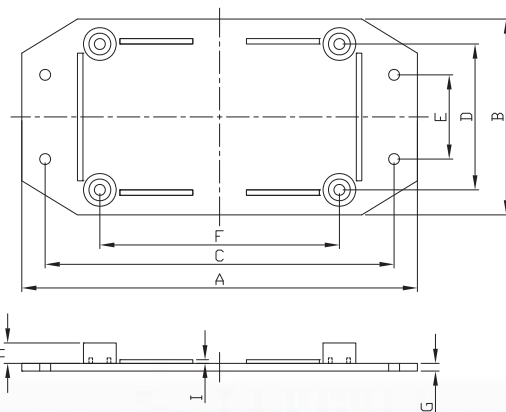
## G1024B



## G1025B



## G1020BF/G1022BF/G1024BF/G1025BF/



### DIMENSION (mm)

CATALOG NUMBER	A	B	C	D	E	F	G	H	I
G1020BF	108.5	54	95.7	40.0	23.1	65.7	2.1	3.5	1.0
G1022BF	156.0	68	143.1	49.5	30.4	113.2	2.6	3.5	1.0
G1024BF	185.7	95.5	171.0	78.8	55.0	140.6	2.6	3.5	1.0
G1025BF	225.0	113.2	221.0	95.0	60.1	179.5	2.8	3.5	1.0

REGARDING THE DIMENSION OF BASE.  
PLEASE REFER TO DRAWING OF G012X SERIES.

Data subject to change without notice.



# ELECTRONIC ENCLOSURES *G10XX Type C Series*

## Utility boxes



Utility boxes are the ultimate value in plastic utility boxes and are available in a variety of styles and sizes. Contact EXM for optional colors, materials, and customer modification.

- High-impact ABS, UL94-HB flammability rating
- Plastic cover and aluminium cover panel are available
- Card guides accept 1.6mm thick card
- Finish : black
- Black plastic cover and body for G1031B to G1039B

CATALOG NUMBER	Length(mm)	Width(mm)	Height(mm)	CATALOG NUMBER	Length(mm)	Width(mm)	Height(mm)
G1031B	64.0	44.0	32.0	G1031BA	64.0	44.0	29.9
G1032B	101.0	54.0	43.8	G1032BA	101.0	54.0	41.7
G1033B	129.0	64.0	44.0	G1033BA	129.0	64.0	41.9
G1034B	151.0	90.0	53.2	G1034BA	151.0	90.0	50.9
G1037B	189.0	113.0	66.6	G1037BA	189.0	113.0	63.9
G1039B	217.0	138.0	82.2	G1039BA	217.0	138.0	79.5

1.0 mm ALUMINUM PANEL AND PLASTIC BODY FOR G1031BA TO G1039BA.

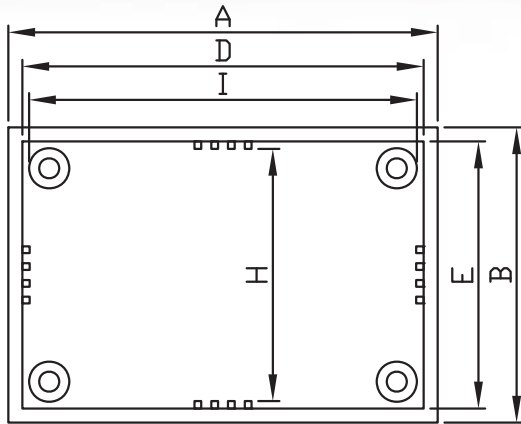
Data subject to change without notice.



# ELECTRONIC ENCLOSURES *G10XX Type C Series*

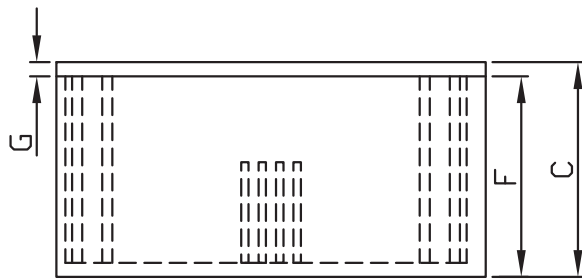
Utility boxes

## G1031-G1037

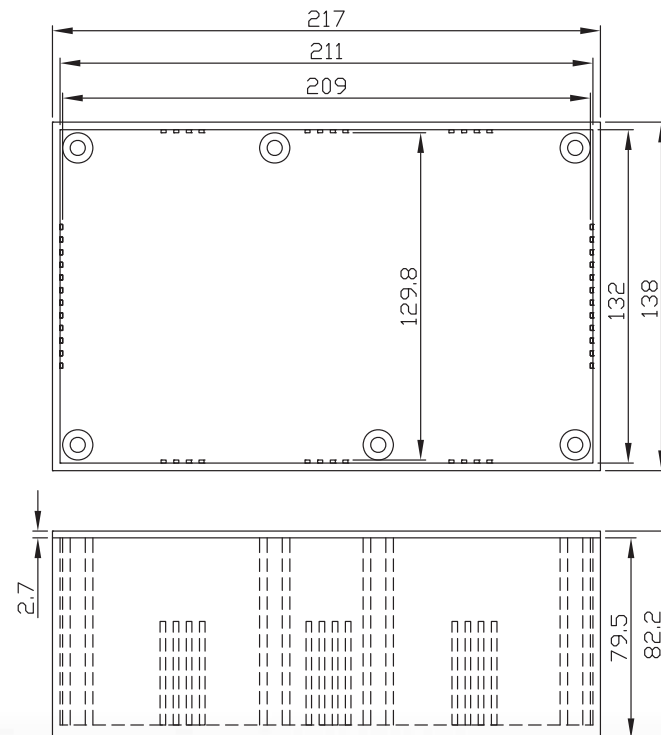


CATALOG NUMBER

CATALOG NUMBER	A	B	C	D	E	F	G	H	I
G1031B	64	44	32	59.8	39.8	29.9	2.1	37.6	57.9
G1032B	101	54	43.8	96.7	49.7	41.7	2.1	47.5	94.7
G1033B	129	64	44	123.8	58.8	41.9	2.1	56.6	121.8
G1034B	151	90	53.2	145	84	50.9	2.3	81.8	143
G1037B	189	113	66.6	184	108	63.9	2.7	105.8	182



## G1039



Data subject to change without notice.

# ELECTRONIC ENCLOSURES G10XX Type D Series

## Utility boxes



Utilibox is the ultimate value in plastic utility boxes and are available in 2 sizes.

### FEATURES :

- Moulded in impact resistant abs
- Card guides spaced at 20mm centers allow flexibility of component placement or creation of compartments for potting. guides accept 1.6mm thick cards
- Finish - black and gray are standard. Special colors are available upon request

CATALOG NUMBER	COLOR	EXTERNAL DIMENSION (mm)				
		Length	X	Width	X	Height
G1068G	GRAY	95	X	48	X	38
G1068B	BLACK	95	X	48	X	38
G1098G	GRAY	135	X	75	X	50
G1098B	BLACK	135	X	75	X	50

Data subject to  
change without  
notice.

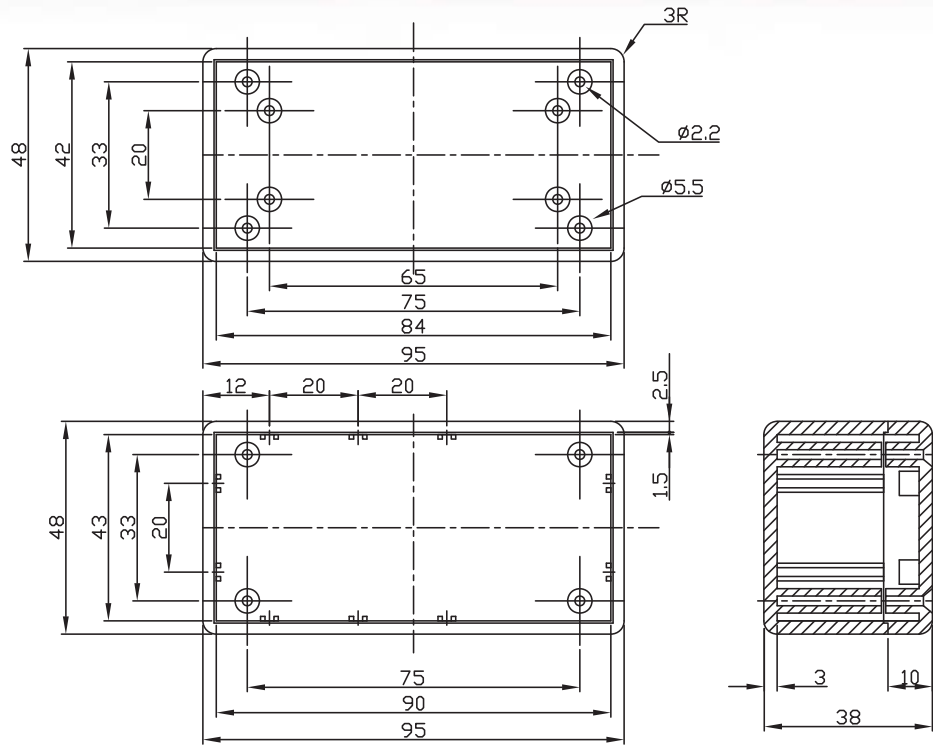


561

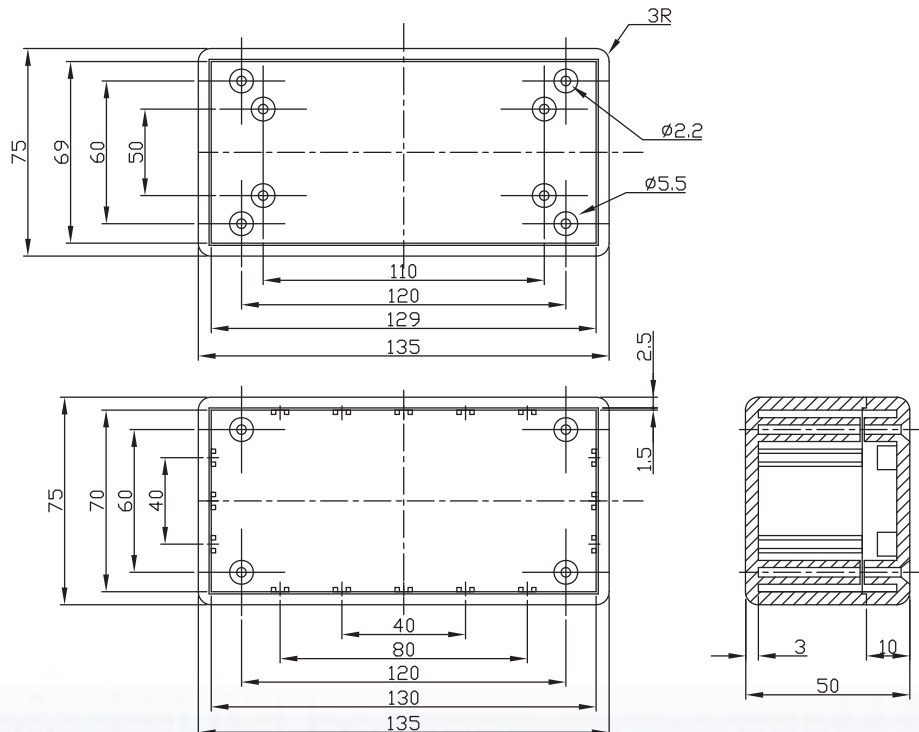
# ELECTRONIC ENCLOSURES G10XX Type D Series

Utility boxes

G1068/G



G1098/G



Data subject to change without notice.



# ELECTRONIC ENCLOSURES G11XX Type A Series

## Sloped hand-held enclosures



### FEATURES :

- Moulded in high impact abs plastic
- Ideal for keyboard, controllers, test instrument, computer accessories, remote actuators and controls
- G1189G(BC) and G1189B(BC) are available with a battery compartment

CATALOG NUMBER		Length	Width	Height
LIGHT GRAY	BLACK			
G1168G	G1168B	150.0	95.0	28.5/49.5
G1189G	G1189B	189.0	104.0	33.2/59.0
G1798G(BC)	G1189B(BC)	189.0	104.5	33.2/59.0

UNIT : IN MILLIMETER(mm)

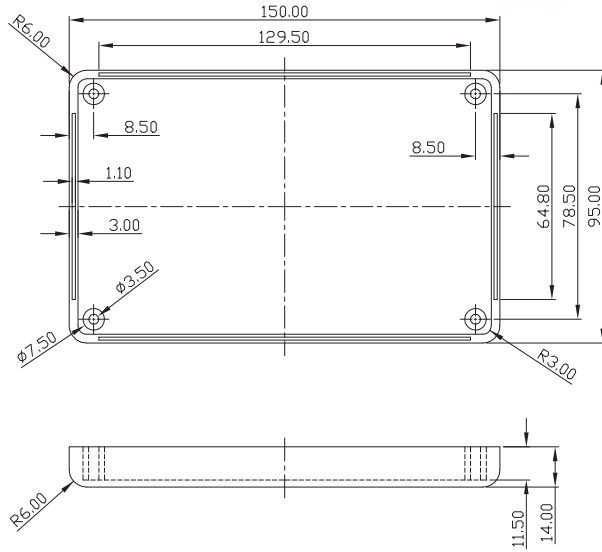
Data subject to  
change without  
notice.



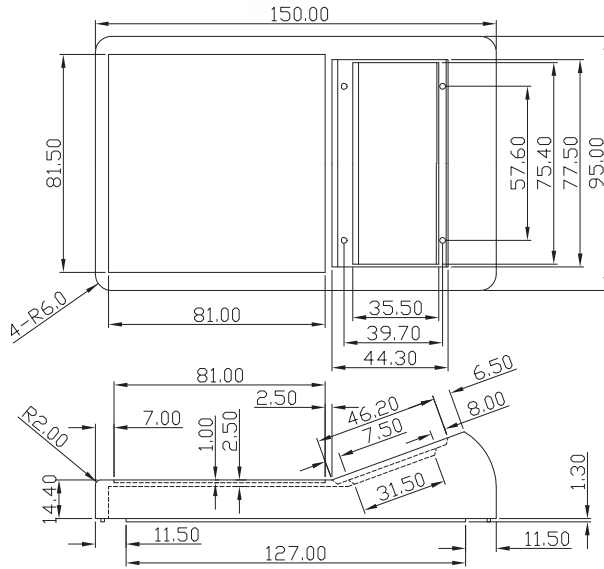
# ELECTRONIC ENCLOSURES G11XX Type A Series

## Sloped hand-held enclosures

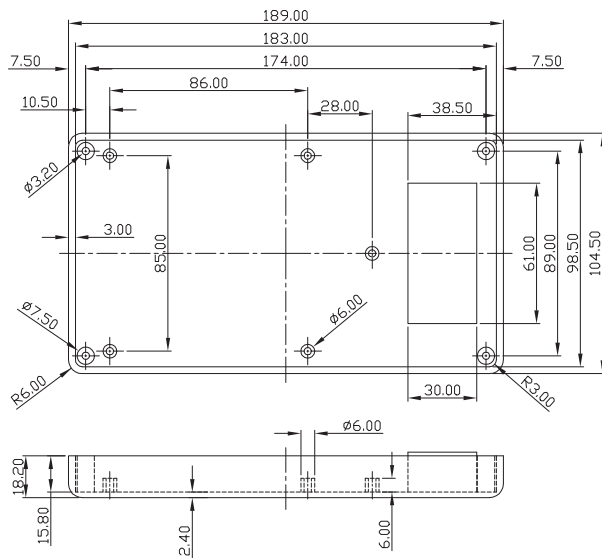
### G1168 BASE



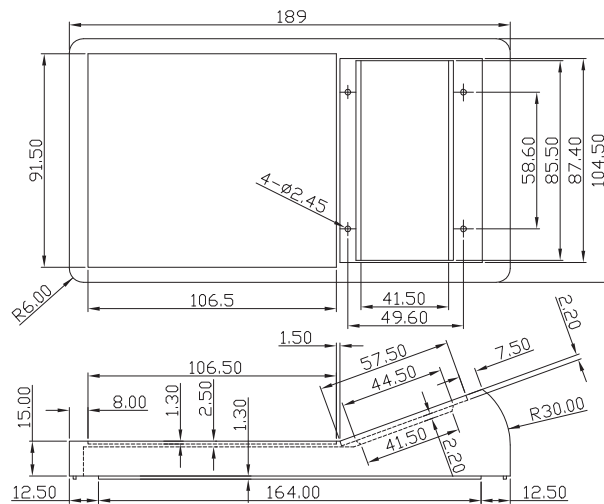
### G1168 TOP COVER



### G1089 BASE



### G1189 TOP COVER



Data subject to change without notice.

# ELECTRONIC ENCLOSURES G11XX Type B Series

## Keyboard enclosures



### MATERIAL :

- Moulded in high-impact ABS plastic.  
(UL94-V0 flame retardant material is available upon request. )

### APPLICATION :

- Test equipment
- Medical and scientific devices
- Scoreboard controllers
- Audio and video controllers
- Security systems
- Fax decoders/switch

CATALOG NUMBER	DESCRIPTION	EXTERNAL DIMENSION (mm)				
		Width	X	Depth	X	Height
G1183G	HIGH IMPACT ABS GRAY	189	X	134	X	32.0/54.6
G1183B	HIGH IMPACT ABS BLACK	189	X	134	X	32.0/54.6
G1183GUL	UL-94V0 ABS GRAY	189	X	134	X	32.0/54.6
G1183BUL	UL-94V0 ABS BLACK	189	X	134	X	32.0/54.6
G1188G	HIGH IMPACT ABS GRAY	184	X	189	X	32.0/55.0
G1188B	HIGH IMPACT ABS BLACK	134	X	189	X	32.0/55.0
G1188GUL	UL-94V0 ABS GRAY	184	X	189	X	32.0/55.0
G1188BUL	UL-94V0 ABS BLACK	134	X	189	X	32.0/55.0

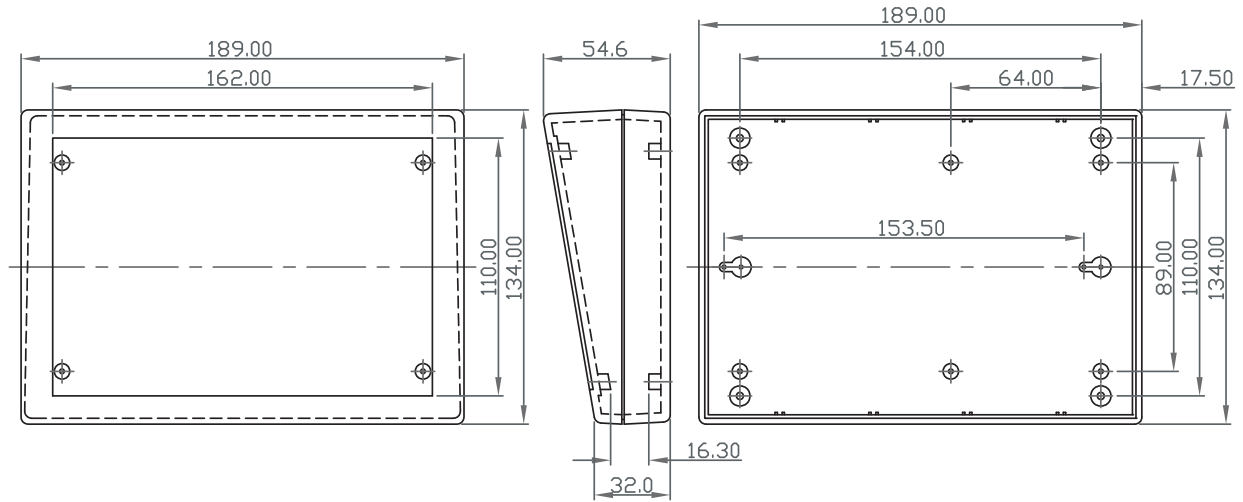
Data subject to  
change without  
notice.



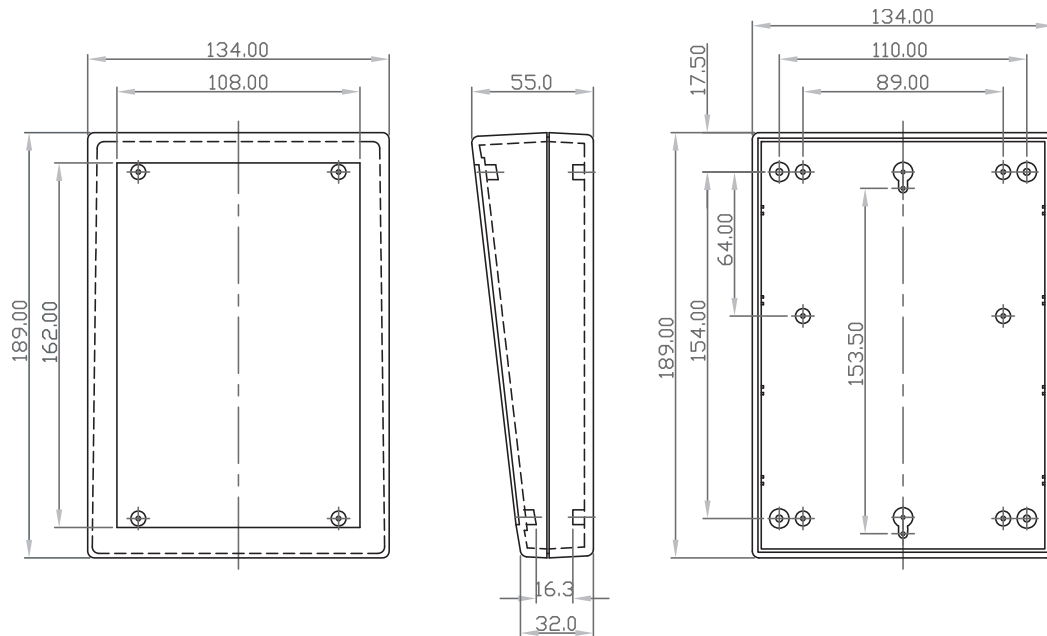
# ELECTRONIC ENCLOSURES G11XX Type B Series

## Keyboard enclosures

### G1183



### G1188



Data subject to  
change without  
notice.



## Plastic project boxes



### FEATURES :

- Moulded in high-impact ABS plastic
- Ideal for instrument, computer accessories, transmitter, remote actuators, audio and video controls and security systems
- Suffix B(BC) means black color box with battery compartment
- Rubber feet are included

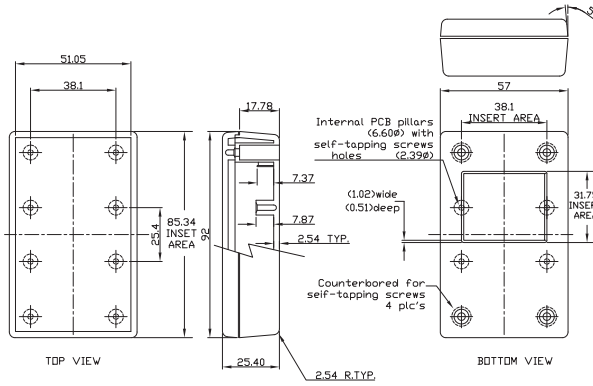
CATALOG NUMBER		Length	Width	Height
LIGHT GRAY	BLACK			
G1200G	G1200B	92.0	57.0	25.4
G1202G	G1202B	111.0	82.5	38.0
G1202G(BC)	G1202B(BC)	111.0	82.5	38.0
G1204G	G1204B	142.8	82.5	38.0
G1208G	G1208B	174.5	123.6	38.0
G1213G	G1213B	174.5	123.6	63.5

UNIT : IN MILLIMETER(mm)

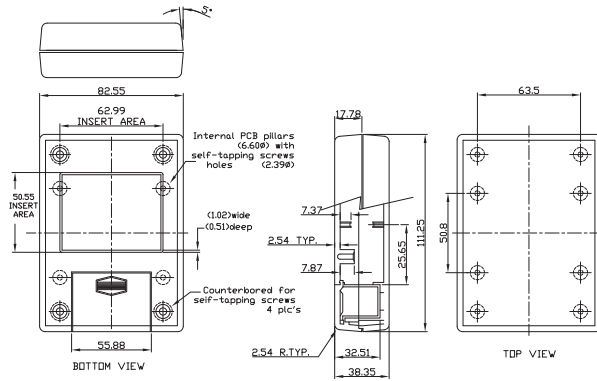
Data subject to change without notice.

## Plastic project boxes

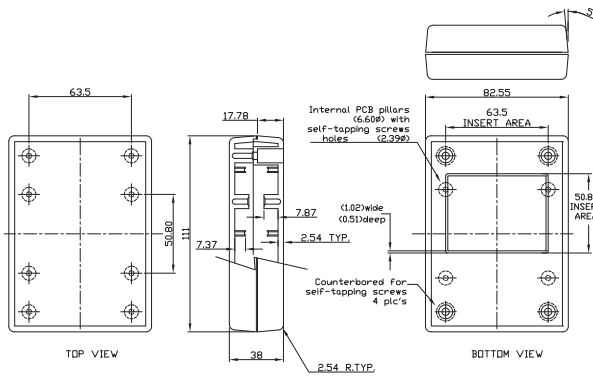
### G1200



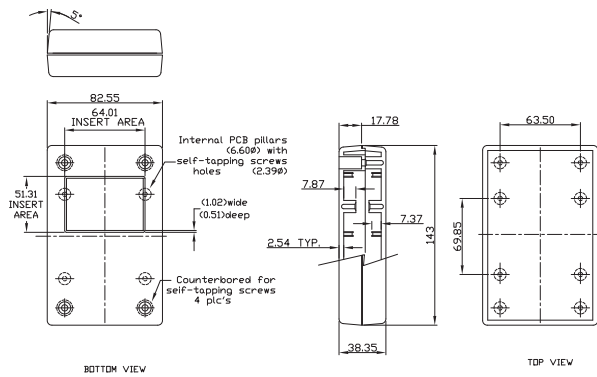
### G1202(BC)



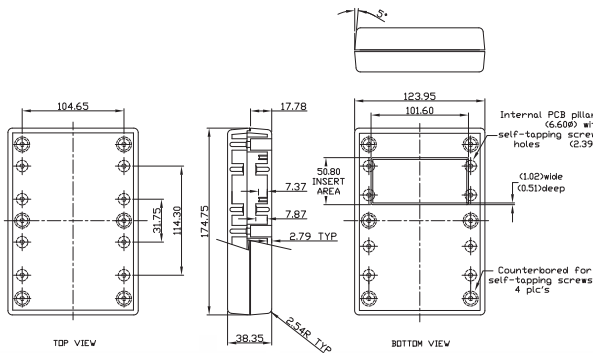
### G1202



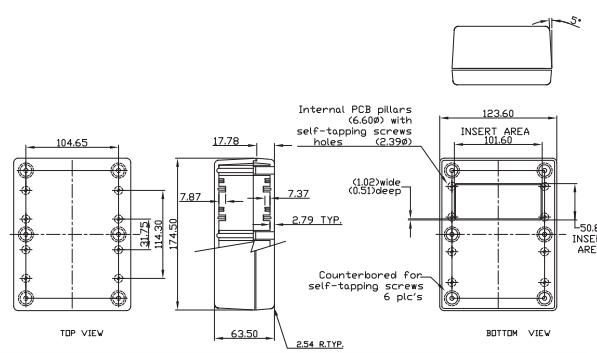
### G1204



### G1208



### G1213



Data subject to change without notice.

# ELECTRONIC ENCLOSURES G13XX Type A Series

## Controller enclosures

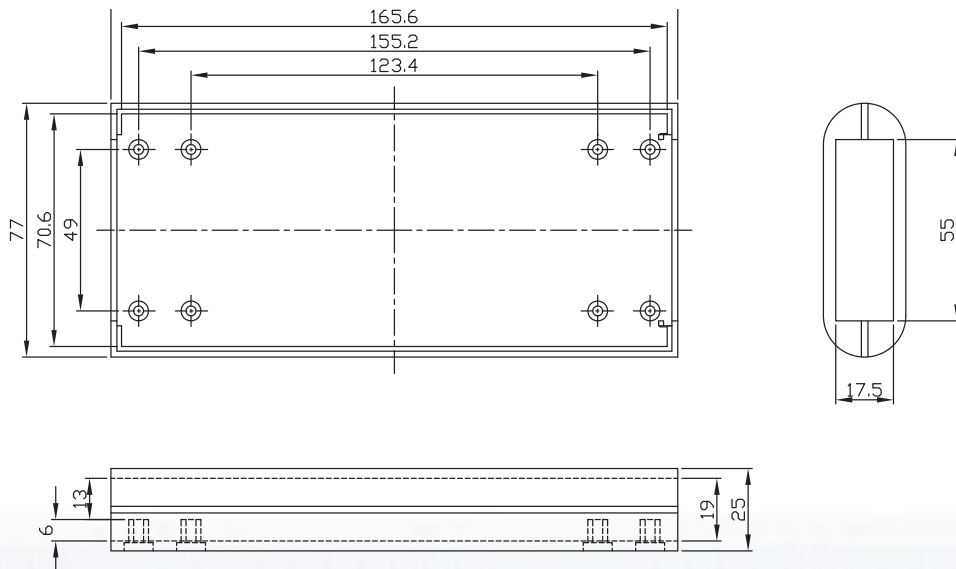


### FEATURES :

- Moulded in high impact abs plastic material
- Ideal for remote controllers, test instrument, computer accessories etc
- Light gray in color, enclosure includes top and bottom covers as well as two side panels

CATALOG NUMBER	EXTERNAL DIMENSION (mm)
G1389G	172mm x 77mm x 25mm

## G1389G



Data subject to change without notice.



# ELECTRONIC ENCLOSURES G13XX Type B Series

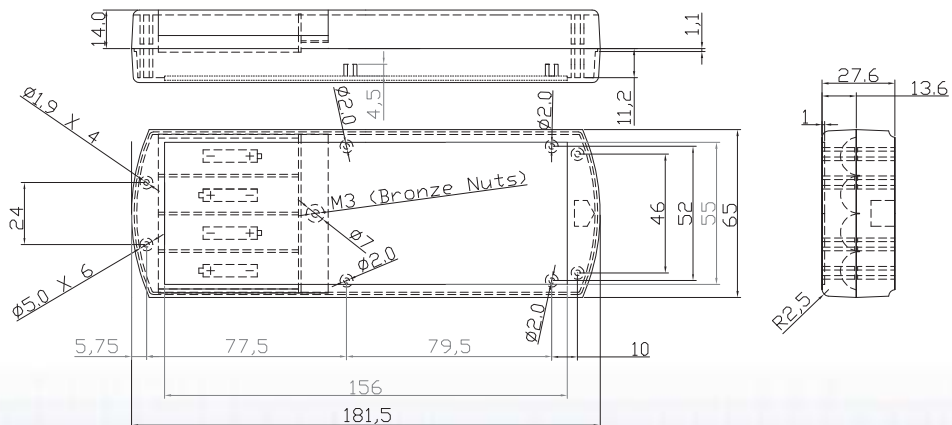
## Controller enclosures



- Moulded in high impact abs plastic
- Available in black and gray
- Ideal for remote controllers and testing equipment
- "G0312"-AA battery contact kit is also available

CATALOG NUMBER	EXTERNAL DIMENSION (mm)		
	Length	Width	Height
G1390B	220.6	79	27.6
G1390G	220.6	79	27.6
G0312	AA BATTERY CONTACT KIT		

### G1390



Data subject to change without notice.



## Key fob enclosures



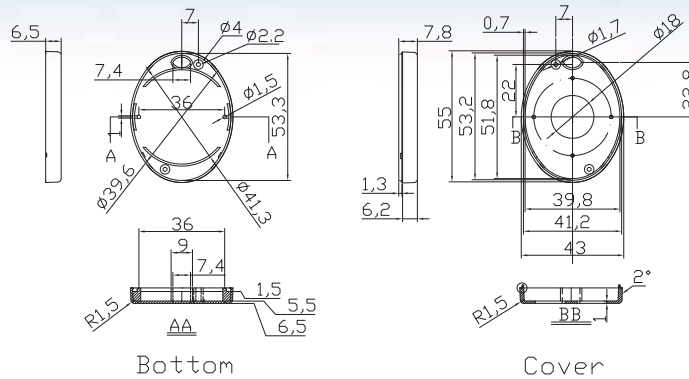
- Moulded in high impact abs plastic
- Ideal for wireless remote controls
- Gray and black color are available
- 2-4 buttons styles available

TYPE	CATALOG NUMBER		Length	Width	Height
	GRAY COLOR	BLACK COLOR			
0 BUTTON	G1402-0G	G1402-0B	55	43	13.4
2 BUTTON	G1402-2G	G1402-2B	55	43	13.4
3 BUTTON	G1402-3G	G1402-3B	55	43	13.4
4 BUTTON	G1402-4G	G1402-4B	55	43	13.4

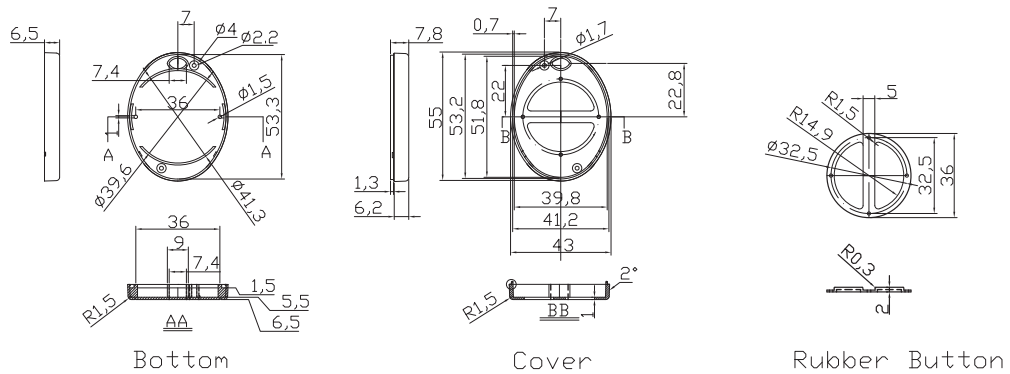
Data subject to change without notice.

## Key fob enclosure

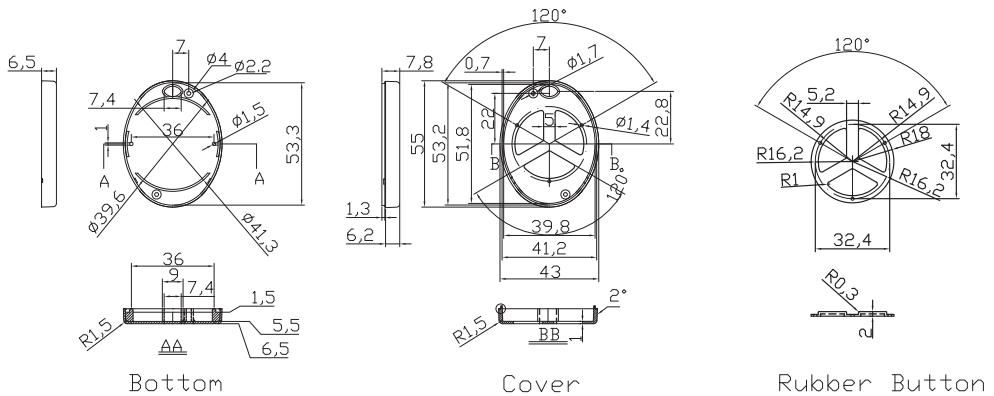
### G1402-0



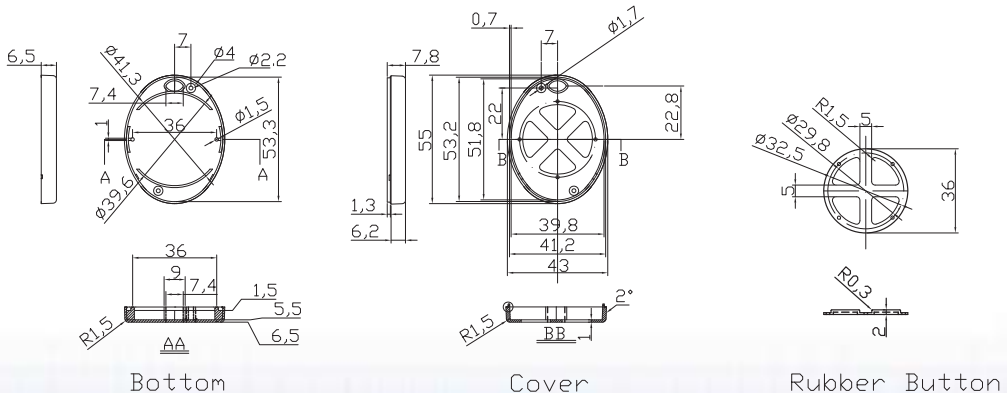
### G1402-2



### G1402-3



### G1402-4



Data subject to change without notice.

# ELECTRONIC ENCLOSURES G15XX Type A Series

## Pro-desk enclosure G1500



### MATERIAL :

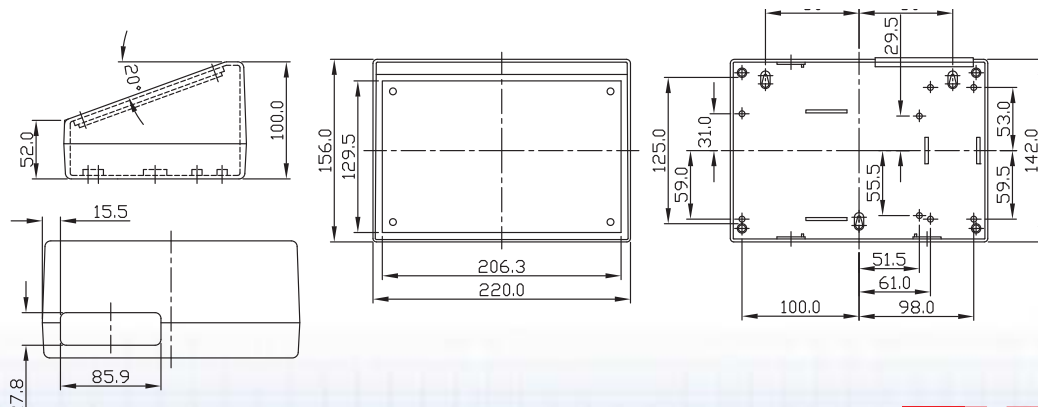
- High-impact ABS UL94-HB

### FEATURES :

- Features an aluminum front panel which is convenient for machining
- One plastic panel at the rear for cable grommets and plug entry
- 4 rubber feet are included

CATALOG NUMBER	Width	Depth	Height	Color
G1500	200	156	100/52	LIGHT GRAY

## G1500



Data subject to change without notice.



# ELECTRONIC ENCLOSURES *G15XX Type B Series*

## Pro-desk enclosure G1502



**MATERIAL :**

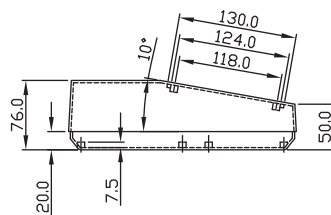
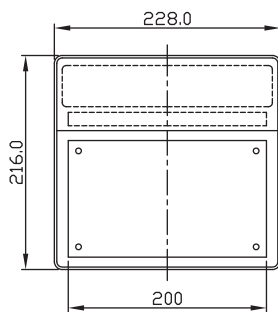
- High-impact ABS UL94-HB

**FEATURES :**

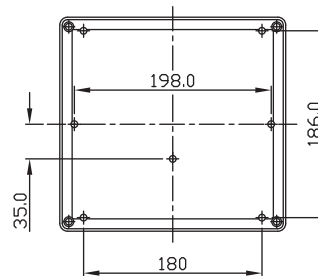
- Features an aluminum front panel which is convenient for machining
- Plastic panel at the rear for cable grommets and plug entry
- 4 rubber feet are included

CATALOG NUMBER	Width	Depth	Height	Color
G1502	228	216	76/50	LIGHT GRAY

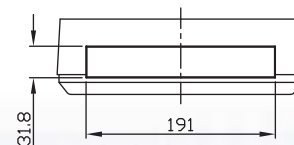
## G1502



Bottom part inside view



Back view



Data subject to change without notice.



# ELECTRONIC ENCLOSURES G15XX Type C Series

## Pro-desk enclosure G1507



### MATERIAL :

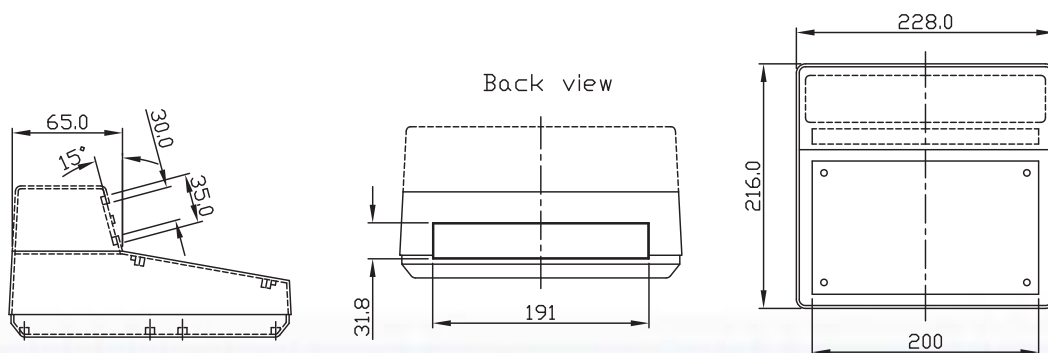
- High-impact ABS UL94-HB

### FEATURES :

- Same design as G1502 but with snap-in attachment
- For display window application
- Features an aluminum front panel which is convenient for machining
- Plastic panel at the rear of case for cable grommets and plug entry
- 4 rubber feet are included

CATALOG NUMBER	Width	Depth	Height	Color
G1507	228	216	126/50	LIGHT GRAY

## G1507



Data subject to change without notice.



**Tilt carrying handles****MATERIAL :**

- Nylon66 UL94-V2 and aluminum bar

**FEATURES :**

- Can be used as a handle or a tilt foot bar for instrument cases
- Strong snap-in mechanism with a circular rotation pitch of 30 degrees

**HOW TO ORDER :**

CATALOG NUMBER	DESCRIPTION
G1600W	W IS THE WIDTH OF THE CASE IN mm FOR EXAMPLE IS HANDLE FOR OUR PART NUMBER G758 OR G729
G1600140	HANDLE FOR G706, G736, G766, G767, G768
G1600225	HANDLE FOR G715, G716, G717, G747, G748, G749
G1600260	HANDLE FOR G729, G731, G733, G753, G754, G758
G1600095	HANDLE FOR G760, G761, G762
G1600156	HANDLE FOR G763, G764, G765
G1600200	HANDLE FOR G769, G770, G771
G1600245	HANDLE FOR G720, G721, G722, G750, G751, G752
G1600300	HANDLE FOR G735, G756

NOTE : Any desired width can be ordered for all instruments

Data subject to  
change without  
notice.

## 19" rack mount plastic enclosures

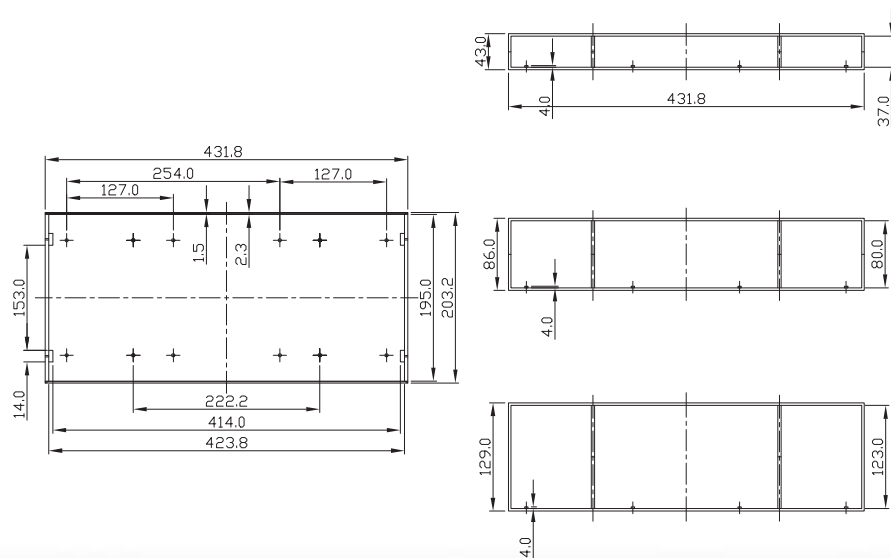


### DESIGN FEATURES

- Can be used for rack-mount or stand alone
- Moulded with high impact abs ul94-v0 plastic material
- Black (suffix BK) and light gray (suffix G) color are available

CATALOG NUMBER	DIMENSION(mm)				CATALOG NUMBER	DIMENSION(mm)					
	Length	x	Width	x		Height	Length	x	Width	x	Height
G17081UBK	431	x	203	x	43	G17081UG	431	x	203	x	43
G17082UBK	431	x	203	x	86	G17082UG	431	x	203	x	86
G17083UBK	431	x	203	x	129	G17083UG	431	x	203	x	129

## G1708



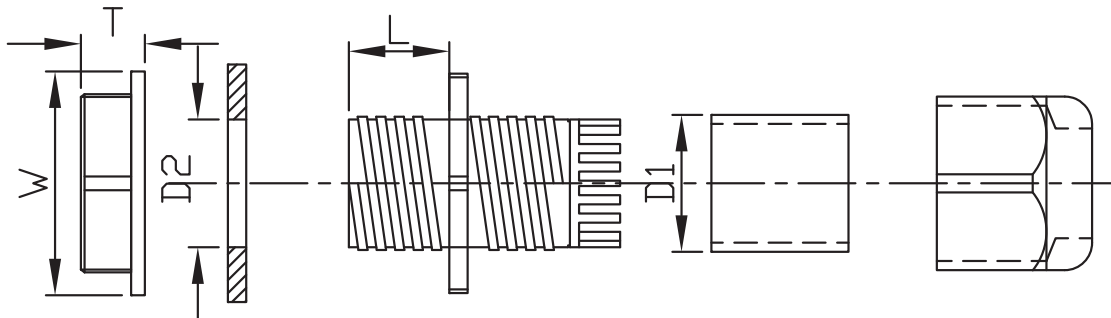
Data subject to change without notice.



## IP68 cable glands



Cable glands are made of nylon66 UL94-v2 to IP68 rating black color

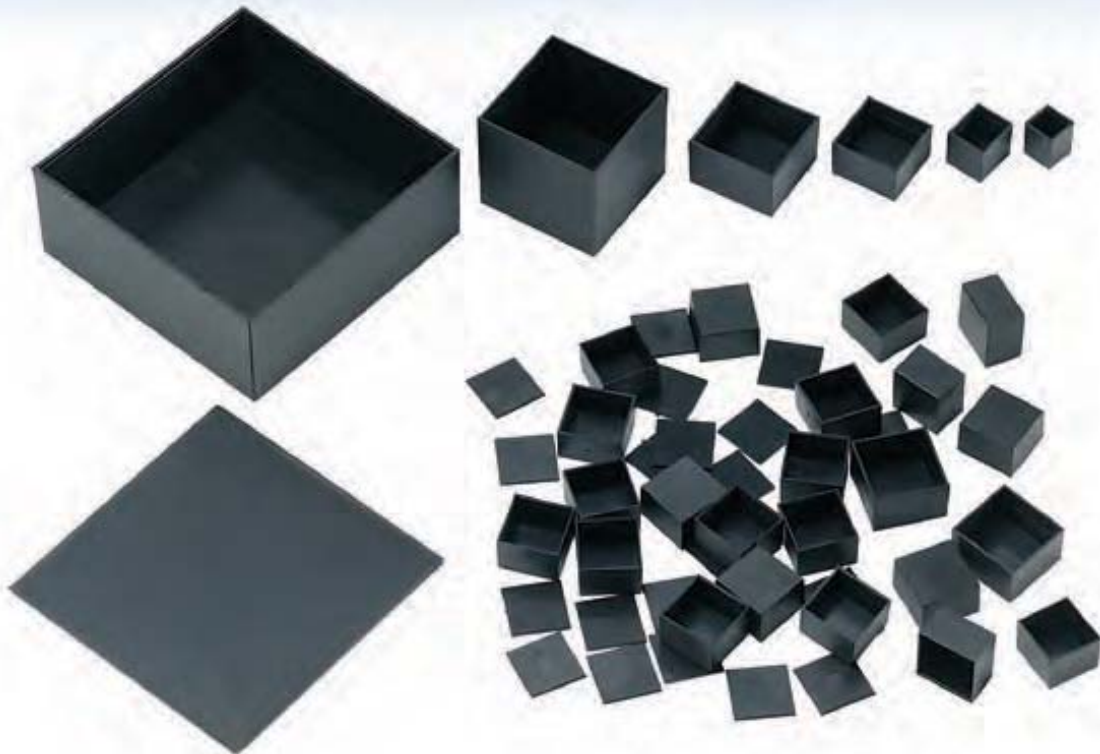


CATALOG NUMBER	D1	D2	L	T	W	FOR CABLES DIAMETER IN(mm)
PG7	8.0	12.9	8.0	5.3	21.0	3.0 - 4.3
PG9	10.35	15.29	8.2	5.1	23.4	4.0 - 6.4
PG11	13.2	18.9	8.2	5.2	26.6	5.0 - 7.5
PG13.5	15.2	20.2	9.43	6.2	29.5	6.0 - 11.0
PG16	17.45	22.6	9.7	6.35	33.1	10.0 - 13.0
PG21	22.1	28.6	10.8	7.3	39.1	13.0 - 17.0
PG29	29.43	36.8	11.0	8.0	50.1	18.0 - 24.0

Data subject to change without notice.



## Potting boxes



- Used for encapsulating electronic assemblies
- Material : ABS flammability rating is UL94-HB
- Suggested service temperature : -20 to +60 degrees c
- Finish : black

## STYLE A (TOP LIDS NOT AVAILABLE)

CATALOG NUMBER		EXTERNAL DIMENSION (mm)		
BOX	LID	L	W	H
G202013B	G202013L	20	20	13
G252515B	G252515L	25	25	15
G252525B	G252515L	25	25	25
G302015B	G302015L	30	20	15
G401316B	G401316L	40.5	13.5	16.5
G401325B	G401316L	40.5	13.5	25
G404013B	G404013L	40	40	13
G404020B	G404013L	40	40	20
G453015B	G453015L	45	30	15
G453025B	G453015L	45	30	25

Data subject to change without notice.

# ELECTRONIC ENCLOSURES

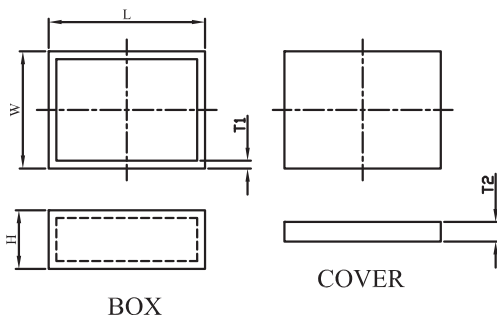
## Potting boxes

CATALOG NUMBER		EXTERNAL DIMENSION(mm)		
BOX	LID	L	W	H
G501315B	G501315L	50	13	15
G505015B	G505015L	50	50	15
G505025B	G505015L	50	50	25
G505050B	G505015L	50	50	50
G705020B	G705020L	70.5	50.5	20
G705035B	G705020L	70.5	50.5	35
G906020B	G906020L	90	60	20
G1005025B	G1005025L	100	50	25
G10010040B	G10010040L	100	100	40
G606050B	G606050L	60	60	50

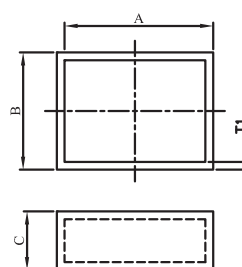
## STYLE B (TOP LIDS NOT AVAILABLE)

CATALOG NUMBER	EXTERNAL DIMENSION (mm)		
	A	B	C
G141411B	14	14	11.5
G171410B	17.3	14.8	10.5
G171415B	17.3	14.8	15.2
G181812B	18.4	18.4	13.5
G211317B	21	13	17.5
G222214B	22.3	22.3	14
G262635B	26	26	35
G282819B	28.7	28.7	19
G303050B	30	30	50
G323220B	32.3	32.3	20
G383826B	38.8	38.8	26.5
G383839B	38.8	38.8	39
G401020B	40	10	20
G464640B	46	46	40.5
G121215B	12	12	15
G212112B	21	21	12
G252515B	25	25	15
G382020B	38	20	20
G453016B	45.5	30.5	16
G673546B	67	35.5	46

### STYLE A



### STYLE B



Data subject to change without notice.

# ENVIRONMENT CONTROL



# LIGHTS & LIGHTING ACCESSORIES

## Enclosure lights - Series 880 LED

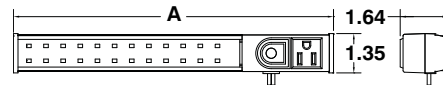
The **880 LED** are designed to illuminate the interiors of small to large enclosures with the very low power consumption that the LED lights provide. The light bars are motion activated using the built-in motion sensor that eliminates the need for a door switch. The time the LED lights stay on, without

movement, is adjustable at 3, 5 or 10 minutes. The light bars are made from extruded aluminum and feature an integrated 120/240 Volts, 11.5 Amps USA/Canada standard receptacle, so that electrical devices (e.g. power tools) can be easily plugged in when needed. A 5 foot cord with an

USA/Canada 120/240 Volts plug is provided. The LED bars come complete with a set of 2 mounting brackets (880 LEDB) that are easily clipped along the length of the LED bar and can be fixed to the enclosure with the included M5 screws or optional right angle mounting bracket.



CATALOG NUMBER	A	QTY LEDS	WATTS	SHIP WGHT LBS.
880 LED12	12"	24	3	8
880 LED18	18"	36	3	9
880 LED24	24"	48	6	10
880 LED36	36"	64	6	12



## LED bar mounting bracket

The **880 LEDB** mounting brackets are used for holding the 880 LED light in the enclosure. The light has grooves along the sides to receive the clipping brackets. The brackets can be fixed to the enclosure with the included M5 screws. (Sold in pairs)



CATALOG NUMBER	PIECES	SHIP WGHT LBS.
880 LEDB	2	1

## Right angle mounting bracket

The **880 LEDRB** are designed to fasten the 880 LED by its mounting brackets to any type of enclosures.

Sold in pairs and supplied with installation hardware.



CATALOG NUMBER	PIECES	SHIP WGHT LBS.
880 LEDRB	2	1

Data subject to change without notice.



# LIGHTS & LIGHTING ACCESSORIES

## Enclosure lights - Series 880 FLPW

The **880 FLPW** fluorescent light packages are designed to illuminate the interiors of small to large enclosures. They are provided with an on/off switch, a 115 V power outlet and an 8 foot cord without a plug. They are powered

by 120V voltage. The lighting packages mount on 1/4-20 bolts and are available in lengths of 18", 24", 36" and 48". The 880 FLPW can also be mounted using the optionally available magnet kit (880 FLM). A remote door switch

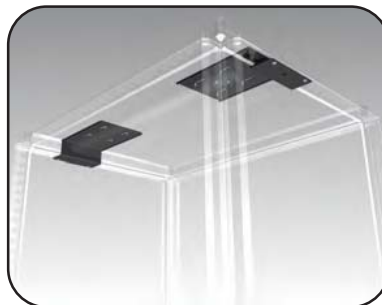
(88x FLRDS) can also be ordered separately to turn the light on and off as the door is opened and closed. Please note that the fluorescent light bulb is not included and must be ordered separately.



CATALOG NUMBER	LENGHT	SHIP WGHT LBS.
880 FLPW18	18"	8
880 FLPW24	24"	10
880 FLPW36	36"	16
880 FLPW48	48"	20

## Mtrx light mounting bracket

The **886 FLSB Mtrx light mounting bracket** is designed to fasten the 880 FLPW to the Mtrx and Streamline frames of various widths while retaining the capability of adjusting the position of the light in depth. Sheetmetal finished textured dark gray RAL7011. Supplied with all installation hardware.



CATALOG NUMBER	FIT IN CABINET WIDTH (mm)
886 FLSB06	600
886 FLSB07	700
886 FLSB08	800
886 FLSB10	1000
886 FLSB12	1200
886 FLSB16	1600

## Magnet kit for 880 FLPW - Series 880 FLM



CATALOG NUMBER	LENGHT	SHIP WGHT LBS.
880 FLM18	18"	3
880 FLM24	24"	4
880 FLM36	36"	5
880 FLM48	48"	6

Note : Magnet does not adhere to stainless steel.

Data subject to change without notice.

# LIGHTS & LIGHTING ACCESSORIES

## Remote door switch - Series FLRDS

The **FLRDS series remote door switch** can be applied in the ES family (881 FLRDS), in the Mtrx family (886 FLRDS), in the 5412 DDS cabinet and the 9000 series

cabinets (889 FLRDS). It is a cost effective solution to power on/off the light within an enclosure. The bracket is designed to operate on all Mtrx doors and side door, with

or without stiffeners. Consists of switch, steel bracket and hardware.



For use with 'ES' series enclosures:

CATALOG NUMBER	SHIP WGHT LBS.
881 FLRDS	1



For use with Mtrx modular cabinets:

CATALOG NUMBER	SHIP WGHT LBS.
886 FLRDS	1



For use with 'DDS' double door cabinets and 9000 series cabinets:

CATALOG NUMBER	SHIP WGHT LBS.
889 FLRDS	1

## Remote door switch - Series RDS

The **886 RDS remote door switch** is a robust solution to power on/off a light within an enclosure.

The switch is designed to operate on all Mtrx doors and side doors, with or without stiffeners.

Consists of switch, mounting bracket and hardware.



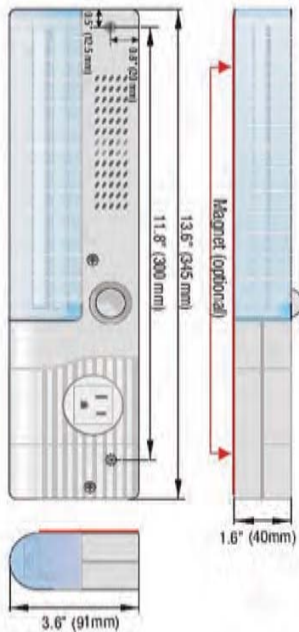
For use with Mtrx modular cabinets:

CATALOG NUMBER	SHIP WGHT LBS.
886 RDS	1

Data subject to change without notice.

# LIGHTS & LIGHTING ACCESSORIES

## Slimline Light



- **Compact design**
- **Electronic ballast**
- **Optional integrated receptacle**
- **Screw or magnet mount**
- **Long-life energy saving lamp**
- **On/off switch or motion sensor**

The SL 025 light was designed to fit in tight spaces in enclosures. It features an optional integrated receptacle so that electrical devices (e.g. power tools) can be easily plugged in when needed. The standard light can be screw mounted in a variety of positions, or the light can be fitted with an available magnet mount. The motion sensor version was designed to eliminate the need for a door switch.



### Technical Data

<b>Power consumption</b>	11W (~ 75W incandescent bulb)
<b>Luminosity</b>	900Lm
<b>Lamp type</b>	compact fluorescent, 2G7 base, electronic ballast
<b>Service life</b>	10,000 hrs.
<b>Switch (for light only)</b>	on/off switch or PIR motion sensor <sup>1)</sup>
<b>Connection</b>	3-pole terminal AWG 16 max. (1.5mm <sup>2</sup> ) with strain relief only (cable not included), clamping torque 0.8Nm max.
<b>Housing</b>	plastic, UL 94V-0, light grey
<b>Mounting</b>	M5 screws (not included), 11.8" (300mm) hole distance or optional attached magnet (see part nos. below)
<b>Operating temperature</b>	-4 to +122°F (-20 to +50°C)
<b>Storage temperature</b>	-49 to +158°F (-45 to +70°C)
<b>Dimensions</b>	13.6 x 3.6 x 1.6" (345 x 91 x 40mm)
<b>Weight</b>	approx. 0.9 lbs. (400g), 1.3 lbs (600g) with magnet
<b>Protection type</b>	IP20
<b>Note</b>	24VDC to 48VDC available upon request

<sup>1)</sup> The Passive Infrared (PIR) motion sensor detects the motion of the enclosure door being opened and automatically turns on the light. The sensor is factory pre-set to turn the light off 6 minutes after all motion ceases. The motion sensor does not detect movement through glass, allowing for installation in enclosures with glass doors.

Part No. with On/Off Switch	Part No. with Motion Sensor	Model	Operating Voltage	Receptacle	Rec. max. current	Protection class	Approvals
02520.0-00	02520.0-03	without magnet	230VAC, 50/60Hz	Germany/Russia	16.0A	I (grounded)	VDE
02520.1-00	02520.1-03	with magnet	230VAC, 50/60Hz	Germany/Russia	16.0A	I (grounded)	VDE
02521.0-00	02521.0-03	without magnet	230VAC, 50/60Hz	France/Poland	16.0A	I (grounded)	VDE
02521.1-00	02521.1-03	with magnet	230VAC, 50/60Hz	France/Poland	16.0A	I (grounded)	VDE
02522.0-00	02522.0-03	without magnet	230VAC, 50/60Hz	Switzerland	10.0A	I (grounded)	VDE
02522.1-00	02522.1-03	with magnet	230VAC, 50/60Hz	Switzerland	10.0A	I (grounded)	VDE
02523.0-00	02523.0-03	without magnet	230VAC, 50/60Hz	UK/Ireland	13.0A	I (grounded)	VDE
02523.1-00	02523.1-03	with magnet	230VAC, 50/60Hz	UK/Ireland	13.0A	I (grounded)	VDE
02524.0-01	02524.0-04	without magnet	120VAC, 50/60Hz	USA/Canada	15.0A	I (grounded)	UL File No. E234324
02524.1-01	02524.1-04	with magnet	120VAC, 50/60Hz	USA/Canada	15.0A	I (grounded)	UL File No. E234324
02527.0-00	02527.0-04	without magnet	230VAC, 50/60Hz	none	-	II (double insulated)	UL File No. E234324, VDE
02527.1-00	02527.1-04	with magnet	230VAC, 50/60Hz	none	-	II (double insulated)	UL File No. E234324, VDE
02527.0-10	02527.0-12	without magnet	120VAC, 50/60Hz	none	-	II (double insulated)	UL File No. E234324
02527.1-10	02527.1-12	with magnet	120VAC, 50/60Hz	none	-	II (double insulated)	UL File No. E234324

Data subject to change without notice.



# LIGHTS & LIGHTING ACCESSORIES

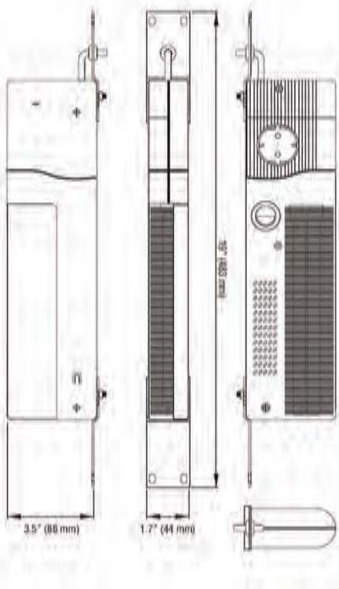
## 19" Rack-mount Slimline Light



- **Compact design**
- **Electronic ballast**
- **Optional integrated receptacle**
- **Long-life energy saving lamp**
- **On/off switch**

This SL 025 light is suitable for 19" rack mounting, e.g. for keyboards. Due to its flat design, the light only requires one rack unit in height ("1U"). Additionally, it is fitted with a reflector which serves as a glare shield, thereby illuminating the area below the light only.

The light also features an optional integrated receptacle, allowing for the use of additional electrical devices, such as power tools.



### Technical Data

<b>Power consumption</b>	11W (~ 75W incandescent bulb)
<b>Luminosity</b>	900Lm
<b>Lamp type</b>	compact fluorescent, 2G7 base, electronic ballast
<b>Service life</b>	10,000 hrs.
<b>Switch (for light only)</b>	on/off switch
<b>Connection</b>	3-pole terminal AWG 16 max. (1.5mm <sup>2</sup> ) with strain relief only (cable not included), clamping torque 0.8Nm max.
<b>Housing</b>	plastic, UL 94V-0, light grey
<b>Mounting</b>	max. M6 screws (not included)
<b>Mounting bracket</b>	aluminum, with cable bushing
<b>Operating temperature</b>	-4 to +122°F (-20 to +50°C)
<b>Storage temperature</b>	-49 to +158°F (-45 to +70°C)
<b>Dimensions</b>	lamp - 13.6 x 3.6 x 1.6" (345 x 91 x 40mm), total length - 19"
<b>Weight</b>	approx. 1.1 lbs. (500g)
<b>Protection type</b>	IP20
<b>Note</b>	24VDC to 48VDC available upon request

Part No.	Operating Voltage	Receptacle	Receptacle max. current	Protection class	Approvals
02520.0-02	230VAC, 50/60Hz	Germany/Russia	16.0A	I (grounded)	VDE
02521.0-02	230VAC, 50/60Hz	France/Poland	16.0A	I (grounded)	VDE
02522.0-02	230VAC, 50/60Hz	Switzerland	10.0A	I (grounded)	VDE
02523.0-02	230VAC, 50/60Hz	UK/Ireland	13.0A	I (grounded)	VDE
02524.0-05	120VAC, 50/60Hz	USA/Canada	15.0A	I (grounded)	UL File No. E234324
02527.0-02	230VAC, 50/60Hz	none	-	II (double insulated)	UL File No. E234324, VDE
02527.0-11	120VAC, 50/60Hz	none	-	II (double insulated)	UL File No. E234324

Data subject to change without notice.



# LIGHTS & LIGHTING ACCESSORIES

## Compact Enclosure Light

**Magnet or DIN rail mounting**

**Energy-saving lamp**

**Integrated receptacle**

**On/off switch**

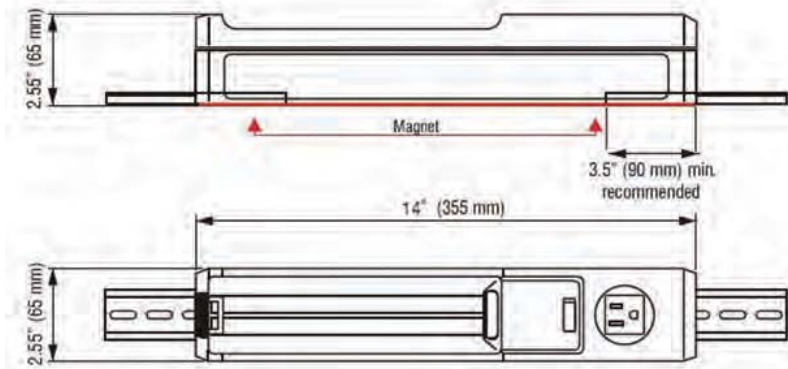


The compact KL 025 light was designed for use in industrial enclosures and control cabinets. A strong magnet allows simple and quick installation and flexibility for various mounting positions. The light also features an optional integrated receptacle so that electrical devices can easily be plugged in when needed.



### Technical Data

<b>Power consumption</b>	see table below
<b>Luminosity</b>	900 Lm
<b>Lamp type</b>	compact fluorescent, G23 base, electronic ballast
<b>Service life</b>	5,000 hrs.
<b>Switch</b>	on/off switch (for light only)
<b>Connection</b>	3-pole terminal AWG 14 max. (2.5mm <sup>2</sup> ) with strain relief only (cable not included), clamping torque 0.8Nm max.
<b>Housing</b>	plastic, light grey
<b>Mounting</b>	magnet mounting or on 35mm DIN rail, EN 60 715
<b>Operating temperature</b>	-4 to +122°F (-20 to +50°C)
<b>Storage temperature</b>	-49 to +158°F (-45 to +70°C)
<b>Dimensions</b>	13.98 x 2.56 x 2.76" (355 x 65 x 70mm)
<b>Weight</b>	approx. 2.2 lbs (1.0kg)
<b>Protection type</b>	IP20



Drawing shows mounting on two 7 inch long pieces of 35mm DIN rail.

Data subject to change without notice.

Part No.	Operating Voltage	Receptacle	Power consumption	Receptacle Max. Current	Protection class	Approvals
02500.0-14	230VAC, 50Hz	Germany	11W (~ 75W incandescent bulb)	16A	I (grounded)	VDE
02500.0-21	120VAC, 60Hz	none	9W (~ 60W incandescent bulb)	-	II (double insulated)	-
02505.9-02	120VAC, 60Hz	USA/Canada	9W (~ 60W incandescent bulb)	15A	I (grounded)	-

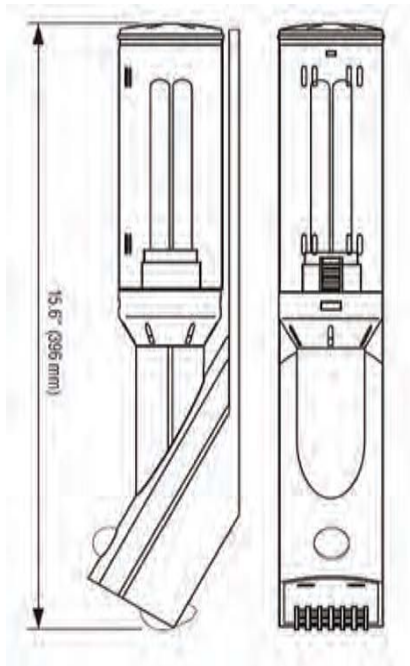


# LIGHTS & LIGHTING ACCESSORIES

## Dual Light



Light with on/off switch    Light with motion sensor



Data subject to change without notice.

### Versatile – base lamp or hand lamp

### Long-life energy saving lamp

### On/off switch or motion sensor

The DL 026 dual light is available with on/off switch or motion sensor (the motion sensor version was designed to eliminate the need for a door switch). The lamp is removable from its base and, with the use of an optional additional power cord, can be used as a hand lamp. This versatile light was also designed to include a variety of mounting options



### Technical Data

<b>Power consumption</b>	20W (~ 100W incandescent bulb)
<b>Luminosity</b>	1000Lm
<b>Lamp type</b>	compact fluorescent, E27 base, electronic ballast
<b>Service life</b>	10,000 hrs.
<b>Switch</b>	on/off push switch or PIR motion sensor <sup>1)</sup>
<b>Connection</b>	6-pole terminal, AWG 14 max (2.5 mm <sup>2</sup> ) - torque 0.5Nm max. for hard wiring of 1 light or 2 lights in parallel
<b>Housing</b>	plastic, UL 94V-0, light grey
<b>Standard mounting (included)</b>	screw mounting on 35mm DIN rail or sheet metal
<b>Optional mounting</b>	with self-adhesive or magnet mounting plates (see below)
<b>Mounting position</b>	variable
<b>Operating temperature</b>	-4 to +122°F (-20 to +50°C)
<b>Storage temperature</b>	-49 to +158°F (-45 to +70°C)
<b>Weight</b>	approx. 1.3 lbs. (600g)
<b>Protection class</b>	II (double insulated)
<b>Protection type</b>	IP20
<b>Accessories</b>	see below

<sup>1)</sup> The Passive Infrared (PIR) motion sensor detects the motion of the enclosure door being opened and automatically turns on the light. The sensor is factory pre-set to turn the light off 3 minutes after all motion ceases. The motion sensor does not detect movement through glass, allowing for installation in enclosures with glass doors.



- (1) Standard screw mounting to DIN rail
- (2) 2 self-adhesive (Part No. 09515.0-00) or magnet (Part No. 09516.0-00) mounting plates
- (3) Self-adhesive light holder with hook and 6 ft. power cord (230VAC - Part No. 03410.0-00, 120VAC - Part No. 03411.0-00). By using the holder/power cord kit, the light can be used as a hand lamp.

Part No.	Operating voltage	Switch type
02600.0-00	230VAC, 50/60Hz	on/off
02600.9-00	120VAC, 50/60Hz	on/off
02601.0-00	230VAC, 50/60Hz	motion sensor
02601.9-00	120VAC, 50/60Hz	motion sensor

# LIGHTS & LIGHTING ACCESSORIES

## Hand Lamp

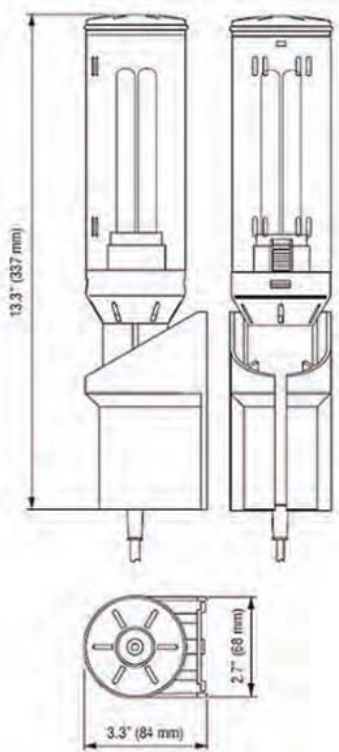
Long-life energy saving lamp

Wall-mount lamp holder



### Technical Data

Power consumption	20W (~ 100W incandescent bulb)
Luminosity	1000Lm
Lamp type	compact fluorescent, E27 base, electronic ballast
Service life	10,000 hrs.
Connection	integrated power cable (6 ft.) with US or Euro plug
Housing	plastic, UL 94V-0, light grey
Mounting	screws or self-adhesive mounting plate (included)
Mounting position	variable
Operating temperature	-4 to +122°F (-20 to +50°C)
Storage temperature	-49 to +158°F (-45 to +70°C)
Weight	approx. 1.3 lbs. (600g)
Protection class	II (double insulated)
Protection type	IP20



Data subject to change without notice.

Part No.	Operating voltage	Plug type
02610.0-00	230VAC, 50/60Hz	Euro
02610.9-00	120VAC, 50/60Hz	US



# ELECTRICAL RECEPTACLE

## Enclosure Receptacle



**Quick connections**

**Available with or without fuse**

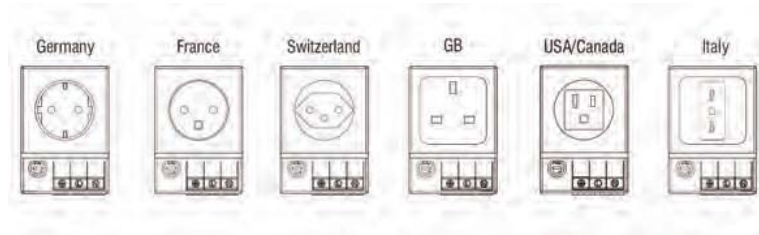
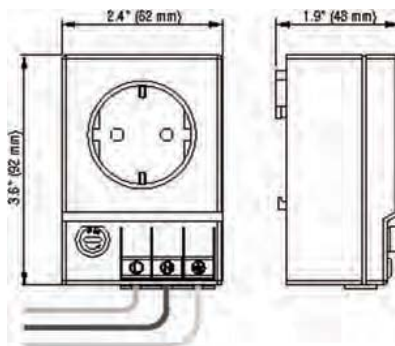
**DIN rail mountable**

The DIN rail mounted electrical receptacle can be quickly fitted and connected in enclosures allowing the use of auxiliary products such as hand lamps and power tools. The unit is available with and without fuse, and in many world outlet standards.



### Technical Data

<b>Connection</b>	3 cage clamps for solid and stranded wire AWG 20-14 (0.5-2.5mm <sup>2</sup> )
<b>Housing</b>	plastic, UL94 V-0, light grey
<b>Mounting</b>	clip for 35mm DIN rail, EN 60 715
<b>Mounting position</b>	vertical
<b>Operating / Storage temperature</b>	-49 to +158°F (-45 to 70°C)
<b>Dimensions</b>	3.6 x 2.4 x 1.9" (92 x 62 x 48mm)
<b>Weight</b>	approx. 7.1 oz. (200g)
<b>Protection class</b>	I (grounded)
<b>Protection type</b>	IP20



Part No.	Operating Voltage max.	Socket	Model	Nominal Current	Approvals
03500.0-00	250VAC	Germany/Russia	with fuse*	6.3A	-
03500.0-01	250VAC	Germany/Russia	without fuse	16.0A	-
03501.0-00	250VAC	France/Poland	with fuse*	6.3A	-
03501.0-01	250VAC	France/Poland	without fuse	16.0A	-
03502.0-00	250VAC	Switzerland	with fuse*	6.3A	-
03502.0-01	250VAC	Switzerland	without fuse	10.0A	-
03503.0-00	250VAC	UK/Ireland	with fuse*	6.3A	-
03503.0-01	250VAC	UK/Ireland	without fuse	13.0A	-
03504.0-00	125VAC	USA/Canada	with fuse*	6.3A	UL File No. E222026
03504.0-01	125VAC	USA/Canada	without fuse	15.0A	UL File No. E222026
03505.0-00	250VAC	Italy	with fuse*	6.3A	-
03505.0-01	250VAC	Italy	without fuse	16.0A	-

Data subject to change without notice.



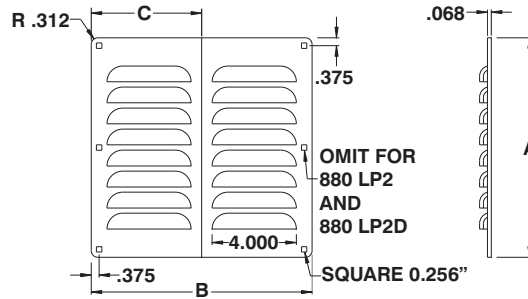
# LOUVER PLATES & FILTERS

## Steel louver plates

The **880 LP** steel louver plates are made from steel and are pre-punched with mounting holes. Louvers are 4" wide. Finish is ANSI/ASA 61 gray heat fused powder paint, electrostatically applied on a pretreated base.



CATALOG NUMBER	DIMENSIONS						SHIP WGHT LBS.
	A	B	C	D	E	No. Louv.	
880 LP2	5.500	--	5.50	4	4	4	1
880 LP3	10.437	--	5.50	8	4	8	1
880 LP4	15.312	--	5.50	12	4	12	2
880 LP2D	5.500	10.50	--	9	9	8	2
880 LP3D	10.437	10.50	--	8	9	16	2
880 LP4D	15.312	10.50	--	12	9	24	4

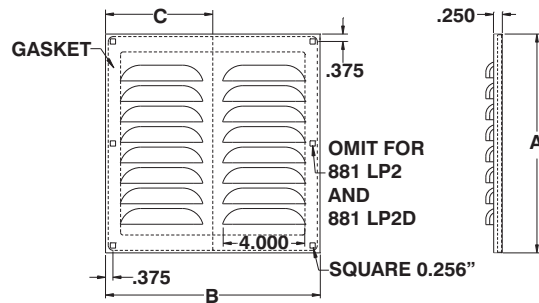


## Gasketed steel louver plates

The **881 LP** steel louver plates are made from steel and are pre-punched with mounting holes. Louvers are 4" wide. A high quality robotically poured-in-place seamless gasket ensures a complete and durable seal. Finish is ANSI/ASA 61 gray heat fused powder paint, electrostatically applied on a pretreated base.



CATALOG NUMBER	DIMENSIONS						SHIP WGHT LBS.
	A	B	C	D	E	No. Louv.	
881 LP2	5.500	--	5.50	4	4	4	1
881 LP3	10.437	--	5.50	8	4	8	1
881 LP4	15.312	--	5.50	12	4	12	2
881 LP2D	5.500	10.50	--	9	9	8	2
881 LP3D	10.437	10.50	--	8	9	16	2
881 LP4D	15.312	10.50	--	12	9	24	4

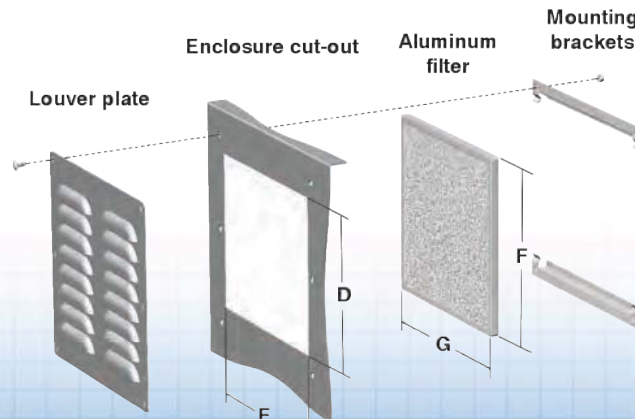


## Filters for louver plates

The **880 LPF** filters for louver plates are made from aluminum and provide good trapping of airborne impurities. Impurities are stored throughout the depth of the filter. Cleaning the filter with warm water regularly will keep it constant and reliable.



CATALOG NUMBER	DIMENSIONS		SHIP WGHT LBS.
	F	G	
880 LPF2	4.250	4.250	1
880 LPF3	9.250	4.250	1
880 LPF4	14.062	4.250	1
880 LPF2D	4.250	9.250	1
880 LPF3D	9.187	9.250	1
880 LPF4D	14.062	9.250	1



Data subject to change without notice.



# WASHDOWN HOODS

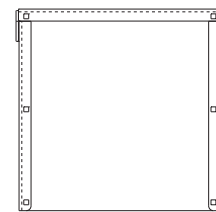
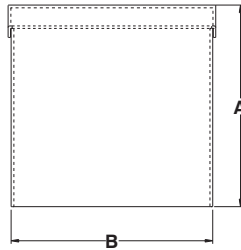
## Washdown hood for louver plates

The **880 LPH** are designed to protect the interior of the enclosure from incoming rain, snow or liquids that the ventilation system could pull in. Made from 18 GA steel or stainless steel (add suffix "SS") and pre-punched with mounting holes to accommodate the louver plates. Hoods are finished with ANSI/ASA 61 gray heat fused powder paint, electrostatically applied on a pretreated base. (other colors available).

CATALOG NUMBER	DIMENSIONS			LOUVER PLATES CATALOG NUMBER		SHIP WGHT LBS.
	A	B	C			
880 LPH2	5,5	5,5	4,5	880 LP2	881 LP2	3
880 LPH3	10,44	5,5	4,5	880 LP3	881 LP3	4
880 LPH4	15,31	5,5	4,5	880 LP4	881 LP4	5
880 LPH2D	5,5	10,5	4,5	880 LP2D	881 LP2D	3
880 LPH3D	10,44	10,5	4,5	880 LP3D	881 LP3D	5
880 LPH4D	15,31	10,5	4,5	880 LP4D	881 LP4D	7

\* Add suffix 'SS' for stainless

Please note : The dimensions are in inches



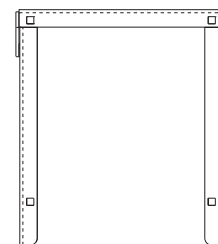
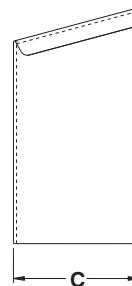
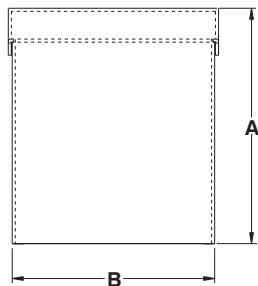
## Washdown hood for European style air grills

The **880 FPH** are designed to protect the interior of the enclosure from incoming rain, snow or liquids that the ventilation system could pull in. Made from 18 GA steel or stainless steel (add suffix "SS") and pre-punched with mounting holes to accommodate the European style air grills. Hoods are finished with RAL 7035 light gray heat fused powder paint, electrostatically applied on a pretreated base. (other colors available).

CATALOG NUMBER	DIMENSIONS			AIR GRILL SIZE		SHIP WGHT LBS.
	A	B	C	H	W	
880 FPH109	174	144	115	109	109	3
880 FPH150	215	185	115	150	150	4
880 FPH204	269	239	115	204	204	5
880 FPH250	315	285	115	250	250	6
880 FPH325	390	360	115	325	325	8

\* Add suffix 'SS' for stainless

Please note : The dimensions are metrics



Data subject to change without notice.

# FILTER FANS

## Small EMC filter fan - 109mm - 35m<sup>3</sup>/h

The **GKVE10 series** EMC filter fans provide electromagnetic protection to enclosures. In the range of 100Mhz to 1000Mhz, the

attenuation factor varies from 65db to 45db. This is achieved by inserting a fine mesh metallic net in the filter holder, by using special


EMI shielding gasket and conductive paint on the internal part of the unit.

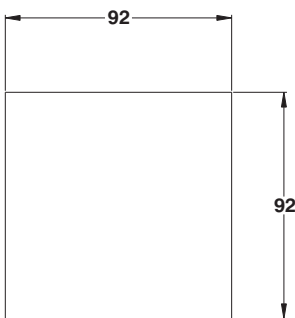
CATALOG NUMBER	VOLTAGE	AMPS (Inrush)	AIRFLOW DIRECTION	REPLACEMENT FILTER †	DIMENSIONS (H X W X D)	SHIPPING WEIGHT
GKVE1000222	AC 115V	0.14A	Intake or exhaust	880 FF109	109 x 109 x 59	2
GKVE1000220	AC 230V	0.10A	Intake or exhaust	880 FF109	109 x 109 x 59	2



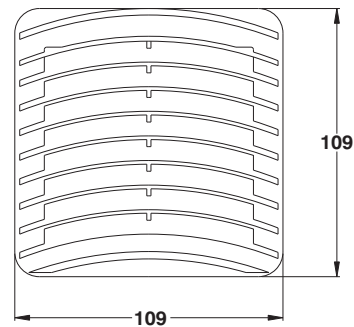
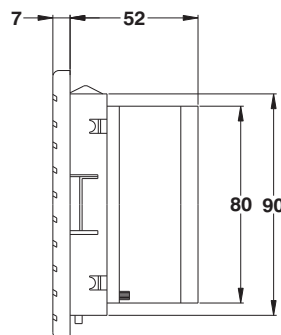
### Quick Features :

- Housing made of heat resistant ABS plastic (UL94 VO)
- Finish is RAL 7035
- EU4 filter quality grade, according to Eurovent 4/9
- 90% dedusting degree, according to Eurovent 4/9
- Ball bearing axial fans; 40,000 hours life time at 55°C ambient
- Electric connections via terminals
- Easy click-on installation, with or without screws

 E194444



CUT-OUT DRAWING



Data subject to change without notice.

# FILTER FANS

## Small EMC filter fan - 150mm - 67m<sup>3</sup>/h

The **GKVE15 series** EMC filter fans provide electromagnetic protection to enclosures. In the range of 100Mhz to 1000Mhz, the

attenuation factor varies from 65db to 45db. This is achieved by inserting a fine mesh metallic net in the filter holder, by using special


EMI shielding gasket and conductive paint on the internal part of the unit.

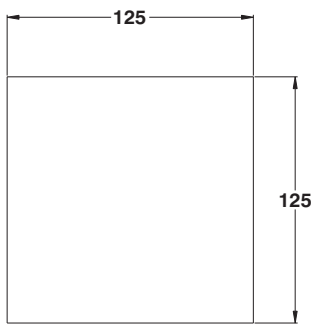
CATALOG NUMBER	VOLTAGE	AMPS (Inrush)	AIRFLOW DIRECTION	REPLACEMENT FILTER †	DIMENSIONS (H X W X D)	SHIPPING WEIGHT
GKVE1500222	AC 115V	0.26A	Intake or exhaust	880 FF150	150 x 150 x 59	3
GKVE1500220	AC 230V	0.14A	Intake or exhaust	880 FF150	150 x 150 x 59	3



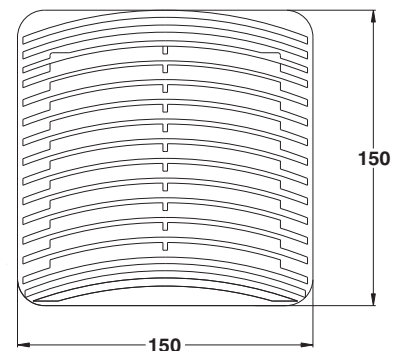
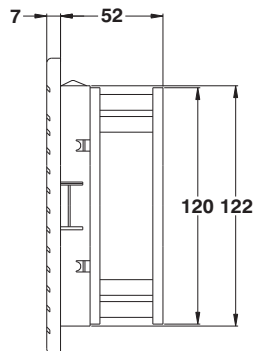
### Quick Features :

- Housing made of heat resistant ABS plastic (UL94 VO)
- Finish is RAL 7035
- EU4 filter quality grade, according to Eurovent 4/9
- 90% dedusting degree, according to Eurovent 4/9
- Ball bearing axial fans; 40,000 hours life time at 55°C ambient
- Electric connections via terminals
- Easy click-on installation, with or without screws

 E194444



CUT-OUT DRAWING



Data subject to change without notice.



# FILTER FANS

## Large EMC filter fan - 325mm - 500m<sup>3</sup>/h

The **GKVE30 series** EMC filter fans provide electromagnetic protection to enclosures. In the range of 100MHz to 1000MHz, the

attenuation factor varies from 65db to 45db. This is achieved by inserting a fine mesh metallic net in the filter holder, by using special

EMI shielding gasket and conductive paint on the internal part of the unit.

CATALOG NUMBER	VOLTAGE	AMPS (Inrush)	AIRFLOW DIRECTION	REPLACEMENT FILTER †	DIMENSIONS (H X W X D)	SHIPPING WEIGHT
GKVE3000222	AC 115V	0.42A	Intake only	880 FF325	325 x 325 x 148	5
GKVE3000220	AC 230V	0.25A	Intake only	880 FF325	325 x 325 x 148	5
GKVE30P0222	AC 115V	0.42A	Exhaust only	880 FF325	325 x 325 x 148	5
GKVE30P0220	AC 230V	0.25A	Exhaust only	880 FF325	325 x 325 x 148	5
GKVE30A2222U	AC 115V	1.42A	Intake only	880 FF325	325 x 325 x 140	5
GKVE30A2220U	AC 230V	0.52A	Intake only	880 FF325	325 x 325 x 140	5
GKVE30P2222U	AC 115V	1.37A	Exhaust only	880 FF325	325 x 325 x 140	5
GKVE30P2220U	AC 230V	0.52A	Exhaust only	880 FF325	325 x 325 x 140	5


## Large EMC filter fan - 325mm - 615m<sup>3</sup>/h

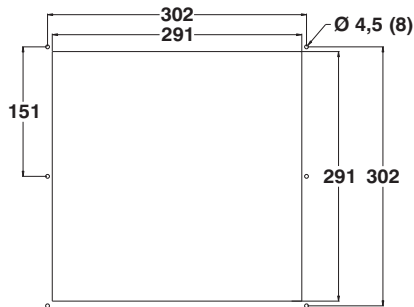
CATALOG NUMBER	VOLTAGE	AMPS (Inrush)	AIRFLOW DIRECTION	REPLACEMENT FILTER †	DIMENSIONS (H X W X D)	SHIPPING WEIGHT
GKVE30A1222U	AC 115V	0.60A	Intake only	880 FF325	325 x 325 x 114	5
GKVE30A1220U	AC 230V	0.30A	Intake only	880 FF325	325 x 325 x 114	5
GKVE30P1222U	AC 115V	0.68A	Exhaust only	880 FF325	325 x 325 x 114	5
GKVE30P1220U	AC 230V	0.34A	Exhaust only	880 FF325	325 x 325 x 114	5



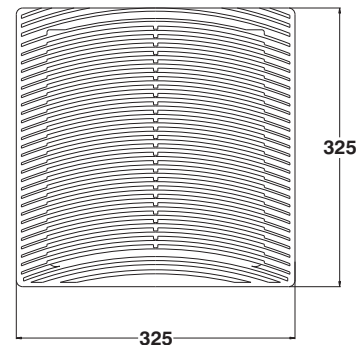
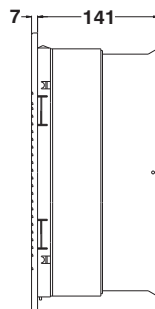
### Quick Features :

- Housing made of heat resistant ABS plastic (UL94 VO)
- Finish is RAL 7035
- EU4 filter quality grade, according to Eurovent 4/9
- 90% dedusting degree, according to Eurovent 4/9
- Ball bearing axial fans; 40,000 hours life time at 55°C ambient
- Electric connections via terminals
- Easy click-on installation, with or without screws

 US E194444



CUT-OUT DRAWING



Data subject to change without notice.

# FILTER FANS

## Small filter fan - 109mm

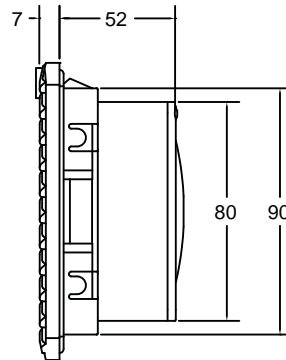
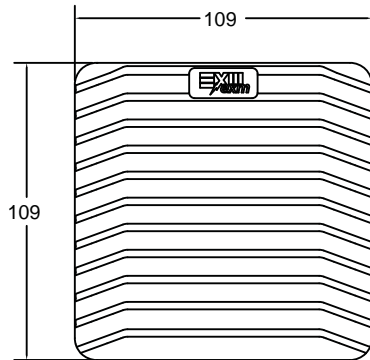


### Quick Features :

- Housing made of heat resistant ABS plastic (UL94 VO)
- Finish is RAL 7035
- EU4 filter quality grade, according to Eurovent 4/9
- 90% dedusting degree, according to Eurovent 4/9
- Electric connections via terminals
- Easy click-on installation

### Technical Data :

Dimensions (H x W x D) :	109mm X 109mm X 59mm
Phase \ Frequency :	1ph \ 50/60hz
Operating temperature :	-10°C-70°C
Noise level :	30 db
Airflow direction :	Bidirectional
Protection degree :	IP54 with standard EU4 filter (880 FF109)



Data subject to change without notice.

CATALOG NUMBER	VOLTAGE	AMPS (Inrush)	POWER (W)	AIRFLOW (M <sup>3</sup> /H) (CFM)		REPLACEMENT FILTER †	DIMENSIONS (H X W X D)	SHIPPING WEIGHT		
880 FP109-21-110	AC 115V	0.12A	13W	35	21	880 FF109	109 x 109 x 59	2	✓	✓
880 FP109-21-220	AC 230V	0.07A	13W	35	21	880 FF109	109 x 109 x 59	2	✓	✓

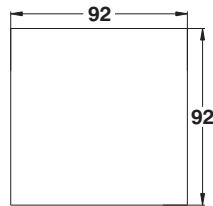
† Replacement filters are sold in packs of 10.

# FILTER FANS

## European styling air grills with filters

**880 GP** air filters grills are made of heat resistant ABS plastic (UL94 VO) and feature a 90% dedusting degree. The units have an IP54 protection degree. The kits come complete with filter, gaskets and installation hardware. Finish is RAL 7035.

CATALOG NUMBER	DIMENSIONS		REPLACEMENT FILTERS (PACK OF 10) 880 FF109	SHIP WGHT LBS. 1
	HEIGHT	WIDTH		
880 GP109	109mm	109mm		

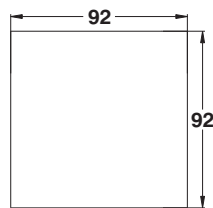


CUT-OUT DRAWING

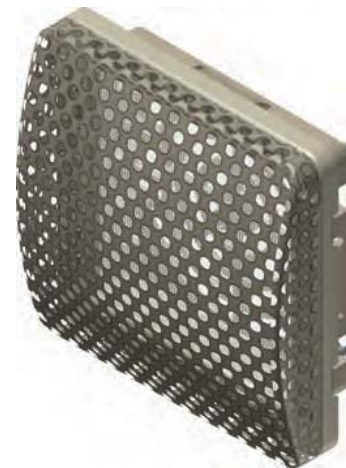


The **880 FM** air filters grills are made of perforated steel and feature a 90% dedusting degree. The units have an IP54 protection degree. The kits come complete with filter, gaskets and installation hardware. Finish is RAL 7035.

CATALOG NUMBER	DIMENSIONS		REPLACEMENT FILTERS (PACK OF 10) 880 FF109	SHIP WGHT LBS. 1
	HEIGHT	WIDTH		
880 FM109	109mm	109mm		



CUT-OUT DRAWING



Data subject to change without notice.

# FILTER FANS

## Small filter fan - 150mm

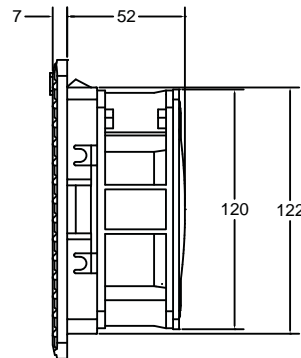
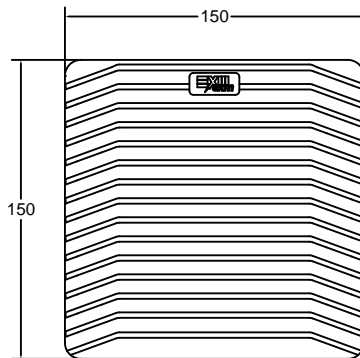


### Quick Features :

- Housing made of heat resistant ABS plastic (UL94 VO)
- Finish is RAL 7035
- EU4 filter quality grade, according to Eurovent 4/9
- 90% dedusting degree, according to Eurovent 4/9
- Electric connections via terminals
- Easy click-on installation

### Technical Data :

Dimensions (H x W x D) :	150mm X 150mm X 59mm
Phase \ Frequency :	1ph \ 50/60hz
Operating temperature :	-10°C-70°C
Noise level :	45 db
Airflow direction :	Bidirectional
Protection degree :	IP54 with standard EU4 filter (880 FF150)



CATALOG NUMBER	VOLTAGE	AMPS (Inrush)	POWER (W)	AIRFLOW (M <sup>3</sup> /H)	AIRFLOW (CFM)	REPLACEMENT FILTER †	DIMENSIONS (H X W X D)	SHIPPING WEIGHT		
880FP 150-54-110	AC 115V	0.12A	12.5W	91	54	880 FF150	150 x 150 x 59	3	✓	✓
880FP 150-54-220	AC 230V	0.07A	14W	90	53	880 FF150	150 x 150 x 59	3	✓	✓
880FP 150-80-110	AC 115V	0.21A	19W	135	80	880 FF150	150 x 150 x 59	3	✓	✓
880FP 150-80-220	AC 230V	0.10A	19W	132	78	880 FF150	150 x 150 x 59	3	✓	✓
880FP 150-117-110	AC 115V	0.26A	22W	198	117	880 FF150	150 x 150 x 59	3	✓	X
880FP 150-117-220	AC 230V	0.14A	22W	198	117	880 FF150	150 x 150 x 59	3	✓	X

† Replacement filters are sold in packs of 10.

Data subject to change without notice.

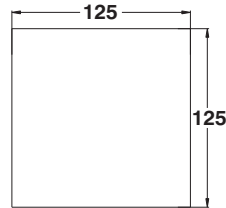


# FILTER FANS

## European styling air grills with filters

The **880 GP** air filters grills are made of heat resistant ABS plastic (UL94 VO) and feature a 90% dedusting degree. The units have an IP54 protection degree. The kits come complete with filter, gaskets and installation hardware. Finish is RAL 7035.

CATALOG NUMBER	DIMENSIONS		REPLACEMENT FILTERS (PACK OF 10)	SHIP WGHT LBS.
	HEIGHT	WIDTH		
880 GP150	150mm	150mm	880 FF150	1

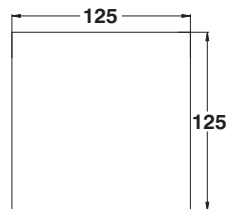


CUT-OUT DRAWING



The **880 FM** air filters grills are made of perforated steel and feature a 90% dedusting degree. The units have an IP54 protection degree. The kits come complete with filter, gaskets and installation hardware. Finish is RAL 7035.

CATALOG NUMBER	DIMENSIONS		REPLACEMENT FILTERS (PACK OF 10)	SHIP WGHT LBS.
	HEIGHT	WIDTH		
880 FM150	150mm	150mm	880 FF150	1



CUT-OUT DRAWING



Data subject to change without notice.

# FILTER FANS

## Large filter fan - 325mm

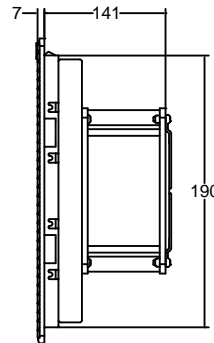
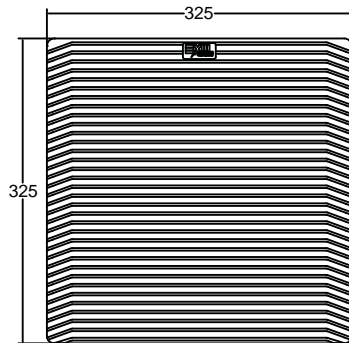


### Quick Features :

- Housing made of heat resistant ABS plastic (UL94 VO)
- Finish is RAL 7035
- EU4 filter quality grade, according to Eurovent 4/9
- 90% dedusting degree, according to Eurovent 4/9
- Electric connections via terminals
- Easy click-on installation, with or without screws

### Technical Data :

Dimensions (H x W x D) :	325mm X 325mm X 148mm
Phase \ Frequency :	1ph \ 50/60hz
Operating temperature :	-10°C-70°C
Noise level :	62 db
Airflow direction:	Unidirectional
Protection degree :	IP54 with standard EU4 filter (880 FF325)



CATALOG NUMBER	VOLTAGE	AMPS (Inrush)	POWER (W)	AIRFLOW (M <sup>3</sup> /H)	AIRFLOW (CFM)	REPLACEMENT FILTER †	DIMENSIONS (H X W X D)	SHIPPING WEIGHT		
880FP 325-239-115	AC 115V	0.22A	25W	406	239	880 FF325	325 x 325 x 148	5	✓	✓
880FP 325-239-220	AC 230V	0.11A	26W	406	239	880 FF325	325 x 325 x 148	5	✓	✓
880FP 325-335-115	AC 115V	0.27A	30W	569	335	880 FF325	325 x 325 x 148	5	✓	✓
880FP 325-335-220	AC 230V	0.15A	30W	569	335	880 FF325	325 x 325 x 148	5	✓	✓
880FP 325-425-115	AC 115V	0.23A	23W	850	500	880 FF325	325 x 325 x 148	5	✓	✓
880FP 325-425-220	AC 230V	0.15A	30W	850	500	880 FF325	325 x 325 x 148	5	✓	✓
880FP 325-585-115	AC 115V	0.65A	72W	1104	585	880 FF325	325 x 325 x 148	5	✓	✓
880FP 325-585-220	AC 230V	0.27A	60W	1104	585	880 FF325	325 x 325 x 148	5	✓	✓

† Replacement filters are sold in packs of 10.

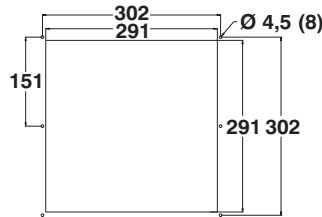
Data subject to change without notice.

# FILTER FANS

## European styling air grills with filters

**880 GP** air filters grills are made of heat resistant ABS plastic (UL94 VO) and feature a 90% dedusting degree. The units have an IP54 protection degree. The kits come complete with filter, gaskets and installation hardware. Finish is RAL 7035.

CATALOG NUMBER	DIMENSIONS		REPLACEMENT FILTERS (PACK OF 10)	SHIP WGHT LBS.
	HEIGHT	WIDTH		
880GP325	325mm	325mm	880 FF325	1

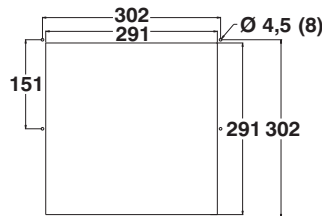


CUT-OUT DRAWING



The **880 FM** air filters grills are made of perforated steel and feature a 90% dedusting degree. The units have an IP54 protection degree. The kits come complete with filter, gaskets and installation hardware. Finish is RAL 7035.

CATALOG NUMBER	DIMENSIONS		REPLACEMENT FILTERS (PACK OF 10)	SHIP WGHT LBS.
	HEIGHT	WIDTH		
880 FM325	325mm	325mm	880 FF325	1



CUT-OUT DRAWING



Data subject to change without notice.

# FILTER FANS

## Small metal filter fan - 200mm - 178m<sup>3</sup>/h



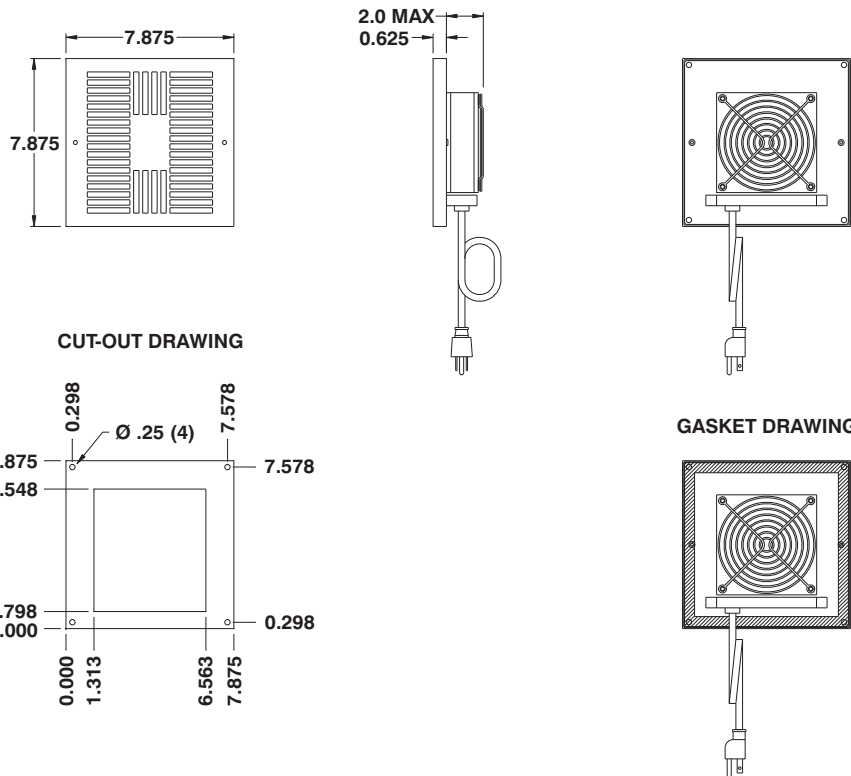
### Quick Features :

- Housing made of steel or stainless steel
- The steel fans are painted black (custom colors available)
- The stainless steel fans are brushed
- The kits include the filter fan and the exhaust filter
- For use in environments where humidity is not a concern
- Permanently lubricated, ball bearing axial fan
- Electrostatically charged polypropylene filter traps particles as small as 10 microns
- Electric connection via a power cord (included)

### Technical Data :

Dimensions (H x W x D) : 200mm X 200mm X 51mm (imperial sizes on drawing)  
 Max. operating temperature : 80°C  
 Free blowing air volume : 178m<sup>3</sup>/h  
 Protection degree : NEMA 1

**This filter fan may be used as a replacement for the discontinued KP40 (fan filter) / KFG40 (exhaust filter). However, the fan's dimensions and output differs from the KP40 / KFG40.**



Data subject to change without notice.

CATALOG NUMBER †	VOLTAGE	MAX. AMPS	AIRFLOW DIRECTION	REPLACEMENT FILTER INLET / EXHAUST	HOUSING MATERIAL	SHIPPING WEIGHT
IQ100FP-126	AC 115V	0.14A	Intake only	IFFIL / EFFIL	Painted steel	6
IQ100FP-236	AC 230V	0.09A	Intake only	IFFIL / EFFIL	Painted steel	6
IQ100FP-126-SC	AC 115V	0.14A	Intake only	IFFIL / EFFIL	Stainless steel	6
IQ100FP-236-SC	AC 230V	0.09A	Intake only	IFFIL / EFFIL	Stainless steel	6

† Part numbers include the filter fan and the exhaust filter.



# FILTER FANS

## Medium metal filter fan - 250mm - 400m<sup>3</sup>/h



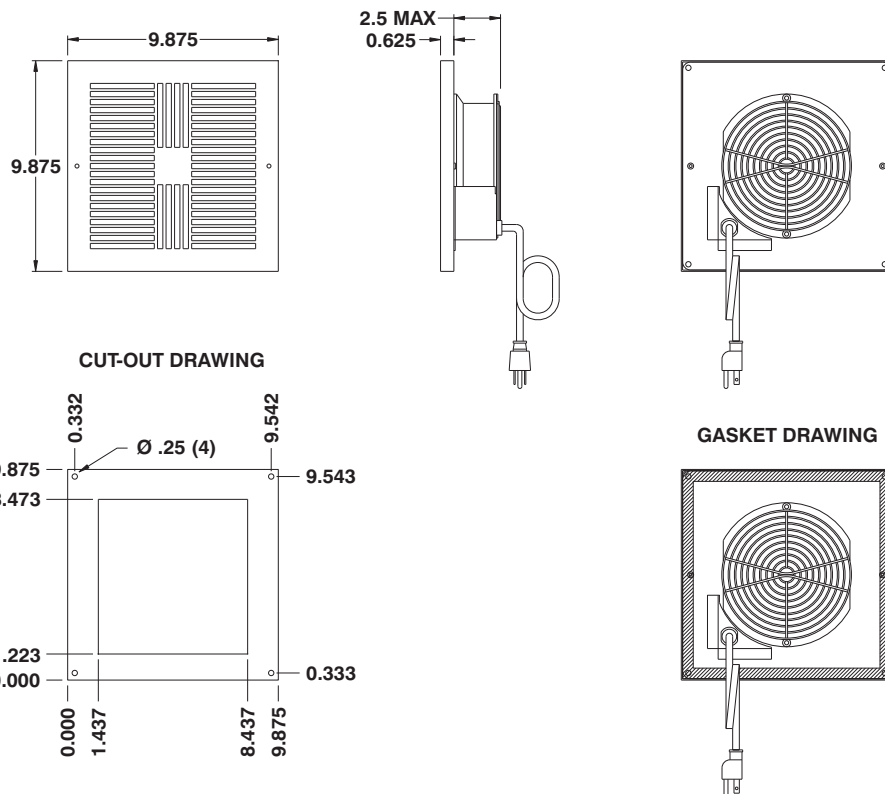
### Quick Features :

- Housing made of steel or stainless steel
- The steel fans are painted black (custom colors available)
- The stainless steel fans are brushed
- The kits include the filter fan and the exhaust filter
- For use in environments where humidity is not a concern
- Permanently lubricated, ball bearing axial fan
- Electrostatically charged polypropylene filter traps particles as small as 10 microns
- Electric connection via a power cord (included)

### Technical Data :

Dimensions (H x W x D) : 250mm X 250mm X 64mm (imperial sizes on drawing)  
 Max. operating temperature : 80°C  
 Free blowing air volume : 400m<sup>3</sup>/h  
 Protection degree : NEMA 1

**This filter fan may be used as a replacement for the discontinued KP60 (fan filter) / KFG60 (exhaust filter). However, the fan's dimensions and output differs from the KP60 / KFG60.**



CATALOG NUMBER †	VOLTAGE	MAX. AMPS	AIRFLOW DIRECTION	REPLACEMENT FILTER INLET / EXHAUST	HOUSING MATERIAL	SHIPPING WEIGHT
IQ200FP-126	AC 115V	0.35A	Intake only	IFFIL2 / EFFIL2	Painted steel	11
IQ200FP-236	AC 230V	0.17A	Intake only	IFFIL2 / EFFIL2	Painted steel	11
IQ200FP-126-SC	AC 115V	0.35A	Intake only	IFFIL2 / EFFIL2	Stainless steel	11
IQ200FP-236-SC	AC 230V	0.17A	Intake only	IFFIL2 / EFFIL2	Stainless steel	11

† Part numbers include the filter fan and the exhaust filter.

Data subject to change without notice.



# FILTER FANS

## Large metal filter fan - 340mm - 929m<sup>3</sup>/h



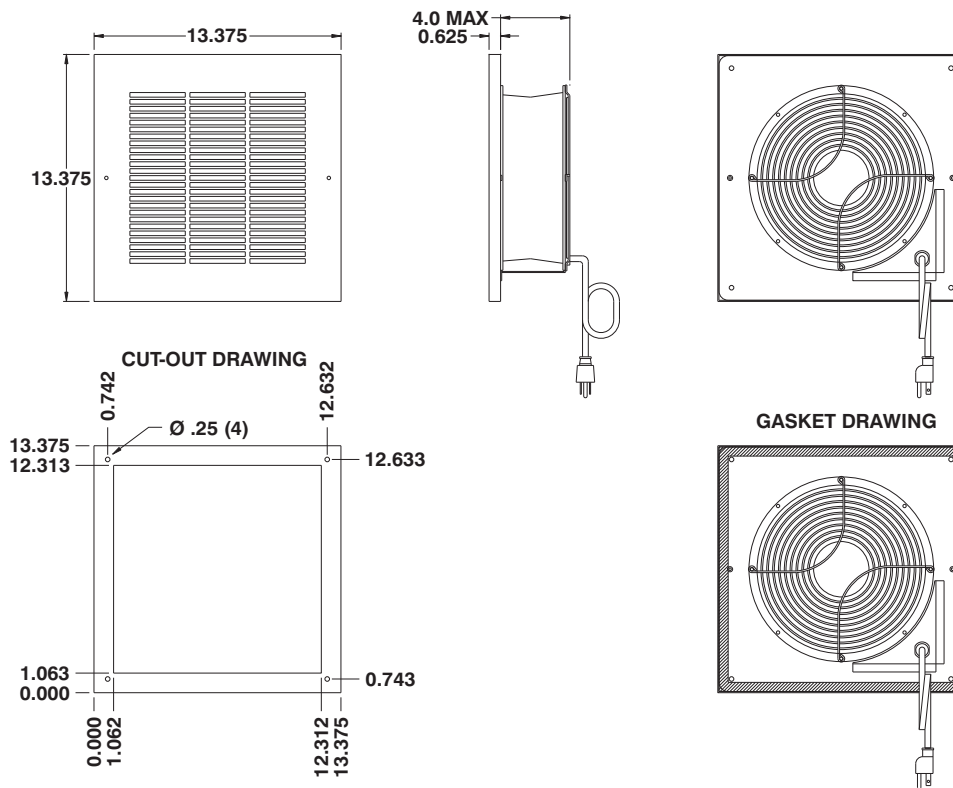
### Quick Features :

- Housing made of steel or stainless steel
- The steel fans are painted black (custom colors available)
- The stainless steel fans are brushed
- The kits include the filter fan and the exhaust filter
- For use in environments where humidity is not a concern
- Permanently lubricated, ball bearing axial fan
- Electrostatically charged polypropylene filter traps particles as small as 10 microns
- Electric connection via a power cord (included)

### Technical Data :

Dimensions (H x W x D) : 340mm X 340mm X 102mm (imperial sizes on drawing)  
 Max. operating temperature : 70°C  
 Free blowing air volume : 929m<sup>3</sup>/h  
 Protection degree : NEMA 1

**This filter fan may be used as a replacement for the discontinued KP100 (fan filter) / KFG100 (exhaust filter). However, the fan's dimensions and output differs from the KP100 / KFG100.**



Data subject to change without notice.

CATALOG NUMBER †	VOLTAGE	MAX. AMPS	AIRFLOW DIRECTION	REPLACEMENT FILTER INLET / EXHAUST	HOUSING MATERIAL	SHIPPING WEIGHT
IQ500FP-126	AC 115V	0.28A	Intake only	IFFIL5 / EFFIL5	Painted steel	15
IQ500FP-236	AC 230V	0.14A	Intake only	IFFIL5 / EFFIL5	Painted steel	15
IQ500FP-126-SC	AC 115V	0.28A	Intake only	IFFIL5 / EFFIL5	Stainless steel	15
IQ500FP-236-SC	AC 230V	0.14A	Intake only	IFFIL5 / EFFIL5	Stainless steel	15

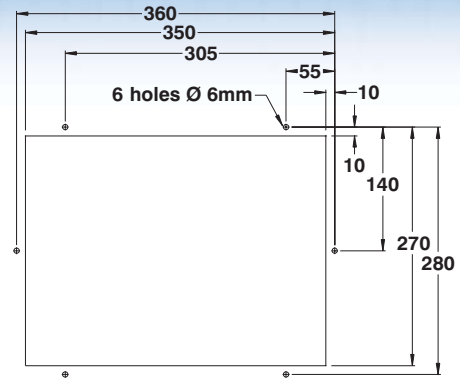
† Part numbers include the filter fan and the exhaust filter.

# FILTER FANS

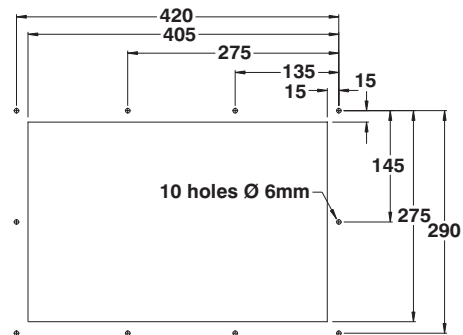
## Exhaust radial fans, top application

### Quick Features :

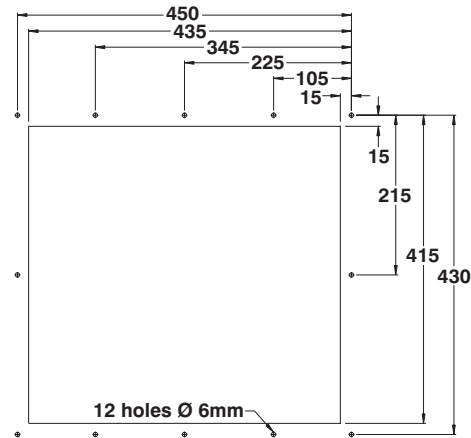
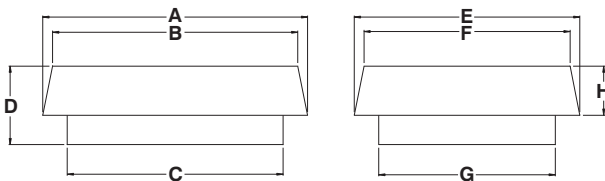
- Housing made of painted steel
- Finish is RAL 7035, Light gray
- Operating temp. : -20°C-55°C
- Protection degree : IP44
- CE



TB19000 & TB22000



TB25000



TB35000

CATALOG NUMBER	DIMENSIONS (mm)							
	A	B	C	D	E	F	G	H
TB19000220	460	420	380	108	380	340	300	60
TB19000222	460	420	380	108	380	340	300	60
TB22000220	460	420	380	108	380	340	300	60
TB22000222	460	420	380	108	380	340	300	60
TB25000220	540	500	440	160	400	360	320	100
TB35000220	600	540	480	300	550	490	470	190

CATALOG NUMBER	VOLTAGE/FREQUENCY	WATTAGE	AIR VOLUME	NOISE LEVEL	CORRESPONDING FILTERS	SHIPPING WEIGHT
TB19000220	230 / 50-60	80	575m <sup>3</sup> /h	62dB(A)	1 X GKF25	16
TB19000222	115 / 50-60	80	575m <sup>3</sup> /h	62dB(A)	1 X GKF25	16
TB22000220	230 / 50-60	85	860m <sup>3</sup> /h	70dB(A)	1 X GKF30	20
TB22000222	115 / 50-60	85	860m <sup>3</sup> /h	70dB(A)	1 X GKF30	20
TB25000220	230 / 50-60	155	1450m <sup>3</sup> /h	76dB(A)	2 X GKF30	27
TB35000220	230 / 50-60	170	2365m <sup>3</sup> /h	77dB(A)	6 X GKF30	47

Data subject to change without notice.



# VENTILATING

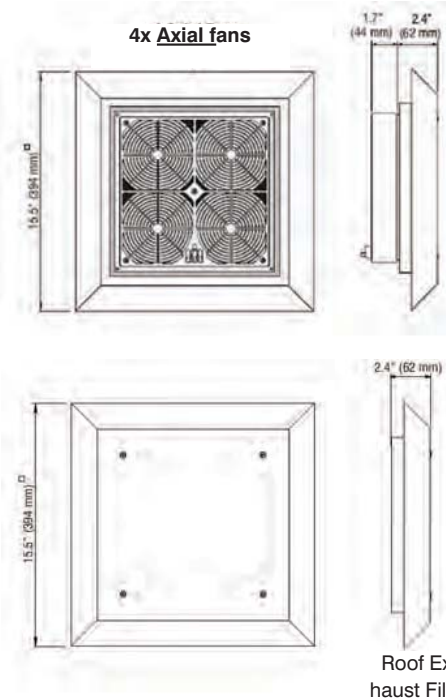
## Roof Filter Fan 237 cfm



Roof Filter Fan

- Very low noise**
- Minimal mounting depth**
- High air volume**
- Uniform air circulation**
- High reliability**
- Time-saving installation**

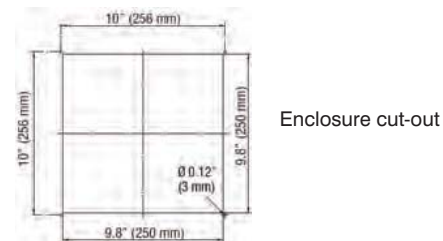
Roof filter fans and roof exhaust filters are used in enclosures from which warm air must be diverted due to increased heat development. The ready-to-connect and low-noise roof filter fan is used to expel warm air from within the enclosure. Alternatively, the roof exhaust filter provides passive ventilation. The RFF 018 series utilizes **four small axial fans** instead of one large one, improving reliability and maintaining continuous operations even if one of the fans should fail.



### Technical Data

<b>Axial fans, ball bearing</b>	service life min. 50,000h at 77°F (25°C) and 65% RH aluminum fan body, plastic rotor
<b>Connection (3-pole clamp)</b>	AWG 14 (2.5mm <sup>2</sup> ), clamping torque 0.8Nm max.
<b>Housing</b>	plastic, UL 94V-0 / lacquered steel sheet, light grey
<b>Filter mat</b>	G3 acc. to DIN EN 779, filtering degree 85%
<b>Filter material</b>	synthetic fiber with progressive construction, temperature resistant to 100°C, self-extinguishing class F1; moisture resistant to 100% RH, reusable - can be cleaned by washing or vacuuming
<b>Operating / Storage temperature</b>	49 to +158°F (-45 to +70°C)
<b>Protection class</b>	I (grounded)
<b>Protection type</b>	IP43 (with G3 filter mat) / IP33 (without filter mat)
<b>Approvals</b>	UL File No. E234324

**Important note:** For reasons of pressure compensation, the roof filter fan must always be operated in combination with another filter fan (e.g. Part No. 01803.0-00) or a passive intake filter (e.g. Part No. 11803.0-00).



### RFF 018 Roof Filter Fan

Part No.	Operating voltage	Air volume, free blowing (w/ G3 filter mat)	Air volume, free blowing (w/out filter mat)	Power consumption	Average noise level (DIN EN ISO 4871)	Mounting depth	Enclosure cut-out	Weight (approx.)
01850.0-00	230VAC, 50Hz <sup>1)</sup>	206 cfm (350m <sup>3</sup> /h)	294 cfm (500m <sup>3</sup> /h)	60W	55db (A)	1.7" (44mm)	9.8 x 9.8"	9.7 lbs. (4.40kg)
01851.0-00	120VAC, 60Hz	237 cfm (402m <sup>3</sup> /h)	338 cfm (575m <sup>3</sup> /h)	60W	55db (A)	1.7" (44mm)	9.8 x 9.8"	9.7 lbs. (4.40kg)

<sup>1)</sup> air volume increases by 15% when operating 230VAC filter fans at 60Hz

### REF 118 Roof Exit Filter

Part No.	Mounting depth	Enclosure cut-out	Weight (approx.)	Filter mat	Protection type
11850.0-00	none	9.8 x 9.8"	4.4 lbs. (2.0kg)	G3 acc. to DIN EN 779, filtering degree 85%	IP43 (w/ G3 filter mat)

### FM 086 Filter Mats

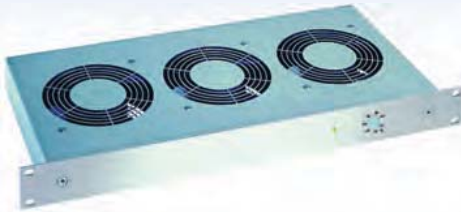
Filter mat	11.1 x 11.1" (282 x 282 mm)
G3 (1 packing unit = 3 pcs.)	Part No. 08613.0-00

Data subject to change without notice.



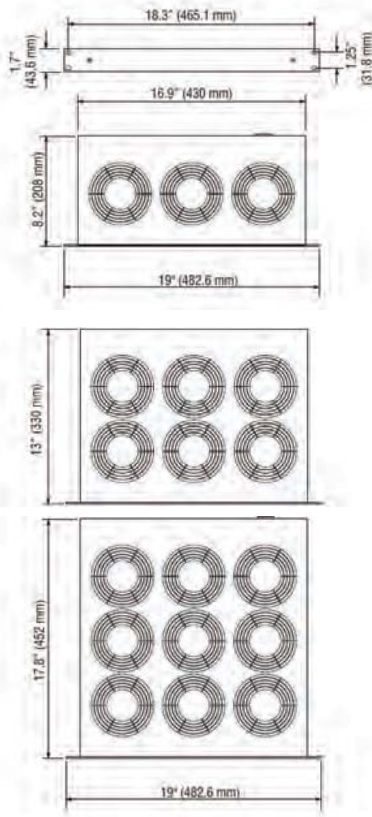
# VENTILATING

## 19" Fan Tray 286 - 1017 cfm



- **High air volume**
- **Long service life**
- **Easy installation and connection**
- **Function control light**
- **Optional integrated thermostat**

The LE 019 is a compact high performance fan tray for forced circulation of air in enclosures and for cooling of 19" rack mount applications. Natural convection is improved and the formation of hot zones is prevented. Also available with integrated thermostat (see photo).



### Technical Data

<b>Axial fans, ball bearing</b>	service life 50,000h at 25°C (65% RH) fan body aluminium, rotor plastic
<b>Material</b>	front panel aluminium, bright anodised casing steel sheet, electrogalvanized
<b>Optical indicator</b>	integrated in front panel
<b>Connection</b>	power inlet on rear of casing, plug included (no cable)
<b>Mounting position</b>	horizontal (direction of air upward)
<b>Operating / Storage temperature</b>	-45 to +70°C (-49 to +158°F)
<b>Protection type</b>	IP20
<b>Protection class</b>	I (grounded)
<b>Approvals</b>	UL File No. E234324

#### Note

The use of a thermostat, whether integrated or external, is recommended.

When using a fan tray with integrated thermostat, an additional thermostat (e.g. KT 011 Part No. 01141.0-00) may be used if it is desired to switch a signal device should the enclosure interior temperature rise above a set limit (e.g. in case of fan failure).

For models without integrated thermostat, the use of a dual thermostat (e.g. ZR 011 Part No. 01176.0-00) provides the same overheat protection, i.e. one thermostat to control the fan tray operation, one thermostat for a signal device.

Part No.	Model	# of fans	Operating voltage	Air flow, free blowing	Power consumption	Average noise level (DIN EN ISO 4871)	Speed (rpm <sup>1)</sup>	Static pressure	Weight (approx.)
01930.0-00	w/out thermostat	3	230VAC, 50Hz <sup>1)</sup>	286 cfm (486m <sup>3</sup> /h)	45W	55 db (A)	2600 min <sup>-1</sup> (50Hz)	74Pa	6.6 lbs. (3.00kg)
01930.1-00	w/ thermostat (0 to 60°C)	3	230VAC, 50Hz <sup>1)</sup>	286 cfm (486m <sup>3</sup> /h)	45W	55 db (A)	2600 min <sup>-1</sup> (50Hz)	74Pa	7.5 lbs. (3.40kg)
01931.0-00	w/out thermostat	3	120VAC, 60Hz	339 cfm (576m <sup>3</sup> /h)	45W	55 db (A)	2900 min <sup>-1</sup> (60Hz)	88Pa	6.6 lbs. (3.00kg)
01931.1-00	w/ thermostat (0 to 60°C)	3	120VAC, 60Hz	339 cfm (576m <sup>3</sup> /h)	45W	55 db (A)	2900 min <sup>-1</sup> (60Hz)	88Pa	7.5 lbs. (3.40kg)
01940.0-00	w/out thermostat	6	230VAC, 50Hz <sup>1)</sup>	572 cfm (972m <sup>3</sup> /h)	90W	57 db (A)	2600 min <sup>-1</sup> (50Hz)	74Pa	11.7 lbs. (5.30kg)
01940.1-00	w/ thermostat (0 to 60°C)	6	230VAC, 50Hz <sup>1)</sup>	572 cfm (972m <sup>3</sup> /h)	90W	57 db (A)	2600 min <sup>-1</sup> (50Hz)	74Pa	12.5 lbs. (5.70kg)
01941.0-00	w/out thermostat	6	120VAC, 60Hz	678 cfm (1152m <sup>3</sup> /h)	90W	57 db (A)	2900 min <sup>-1</sup> (60Hz)	88Pa	11.7 lbs. (5.30kg)
01941.1-00	w/ thermostat (0 to 60°C)	6	120VAC, 60Hz	678 cfm (1152m <sup>3</sup> /h)	90W	57 db (A)	2900 min <sup>-1</sup> (60Hz)	88Pa	12.5 lbs. (5.70kg)
01950.0-00	w/out thermostat	9	230VAC, 50Hz <sup>1)</sup>	858 cfm (1458m <sup>3</sup> /h)	135W	58 db (A)	2600 min <sup>-1</sup> (50Hz)	74Pa	17.2 lbs. (7.80kg)
01950.1-00	w/ thermostat (0 to 60°C)	9	230VAC, 50Hz <sup>1)</sup>	858 cfm (1458m <sup>3</sup> /h)	135W	58 db (A)	2600 min <sup>-1</sup> (50Hz)	74Pa	17.4 lbs. (7.90kg)
01951.0-00	w/out thermostat	9	120VAC, 60Hz	1017 cfm (1728m <sup>3</sup> /h)	135W	58 db (A)	2900 min <sup>-1</sup> (60Hz)	88Pa	17.2 lbs. (7.80kg)
01951.1-00	w/ thermostat (0 to 60°C)	9	120VAC, 60Hz	1017 cfm (1728m <sup>3</sup> /h)	135W	58 db (A)	2900 min <sup>-1</sup> (60Hz)	88Pa	17.4 lbs. (7.90kg)

<sup>1)</sup> air volume increases by 15% when operating 230VAC filter fans at 60Hz

Data subject to change without notice.

# FILTER FANS

## Washdown filter fan system (NEMA 4/4X)



### Quick Features :

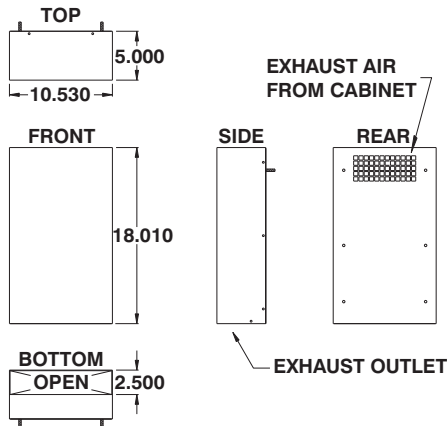
- Housing made of steel or stainless steel
- The steel fans are painted gray (custom colors available)
- The stainless steel fans are brushed
- The kits include the filter fan and the exhaust module
- For use in harsh environments, where the filter fan system may be subject to washdowns or for severe outdoor applications
- Electrostatically charged polypropylene filter traps particles as small as 10 microns
- Electric connection via a power cord (included)
- UL, cUL

### Technical Data :

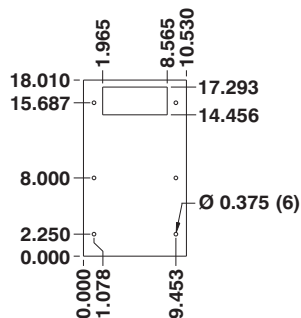
Dimensions (H x W x D) : 457mm X 267mm X 127mm (imperial sizes on drawing)  
 Max. operating temperature : 55°C  
 Free blowing air volume : 263m<sup>3</sup>/h  
 Protection degree : NEMA 4 (steel units) / NEMA 4X (stainless steel units)

**In order to ensure the system's integrity the supplied gasket must be properly installed, as shown below. This filter fan system should be used exclusively with NEMA 4 or NEMA 4X cabinets.**

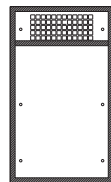
EXHAUST CABINET



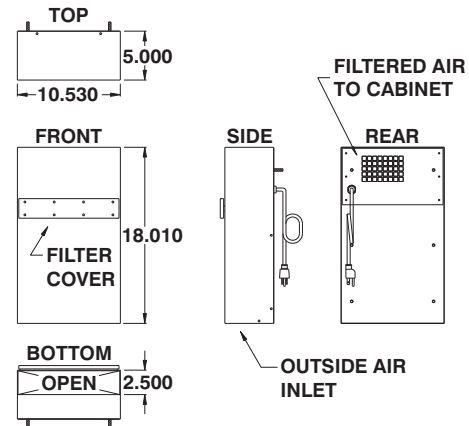
CUT OUT DRAWING



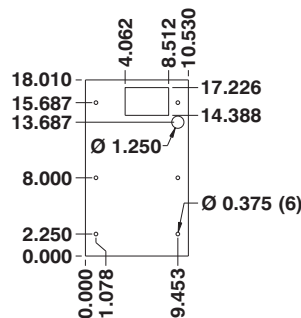
GASKET DRAWING



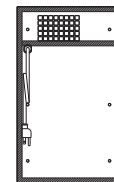
FILTER FAN INTAKE CABINET



CUT OUT DRAWING



GASKET DRAWING



Data subject to change without notice.

CATALOG NUMBER †	VOLTAGE	MAX. AMPS	AIRFLOW DIRECTION	REPLACEMENT FILTER	HOUSING MATERIAL	SHIPPING WEIGHT
IQ150FPW-126	AC 115V	1.90A	Intake only	WFIL	Painted steel	31
IQ150FPW-236	AC 230V	0.75A	Intake only	WFIL	Painted steel	31
IQ150FPW-126-SC	AC 115V	1.90A	Intake only	WFIL	Stainless steel	31
IQ150FPW-236-SC	AC 230V	0.75A	Intake only	WFIL	Stainless steel	31

† Part numbers include the filter fan and the exhaust filter.

# VENTILATING

## Multi-purpose Protective Cover



- Variety of uses
- Locking door
- High impact resistance
- Weather resistant

The access door on the multi-purpose protective cover is equipped with a lock enabling easy access while providing security from unauthorized persons. The cover utilizes a labyrinth seal for protection against dirt and moisture, and the unit is permanently attached to the enclosure from the inside.



### Application examples



Protection for ventilation openings (i.e. pressure compensation)



As a cover for thermostats and regulators



As a tamper-proof cover for electronic input devices



Protection for electronic locks and security system keypads



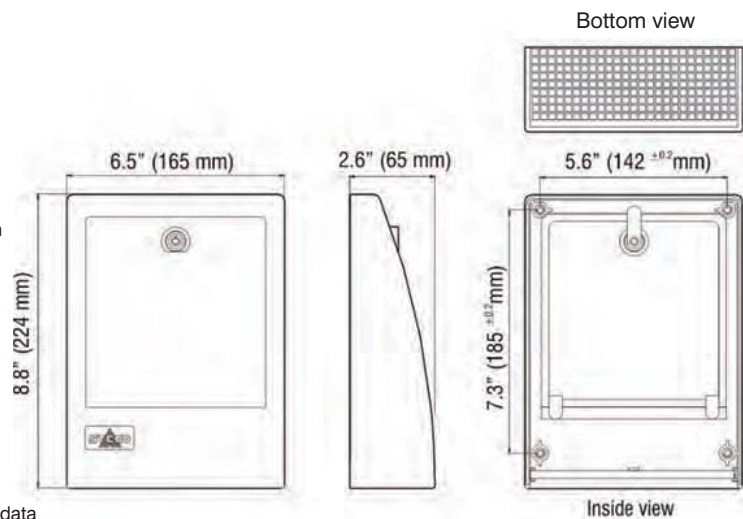
Protection for power outlets



Cover and protection for data interfaces

### Technical Data

<b>Housing</b>	High impact ASA plastic, light grey burning behavior according to UL 94H-B; high resistance to weather and UV light
<b>Operating / Storage temperature</b>	-49 to +158°F (-45 to +70°C)
<b>Dimensions</b>	8.8 x 6.5 x 2.6" (224 x 165 x 65mm)
<b>Protection type</b>	IP20



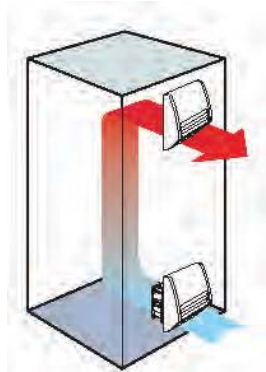
Data subject to change without notice.

<b>Part No.</b>	<b>Weight</b>
08611.0-00	approx. 0.9 lbs. (0.4kg)



# VENTILATING

## Filter Fan 14 - 69 cfm



Enclosure ventilation using a filter fan and exhaust filter

- **Very low noise**
- **Minimal mounting depth**
- **Functional design**
- **Time-saving installation**
- **Weather proof and UV resistant**

Filter fans are used to provide an optimum climate in enclosures. The interior temperature of an enclosure can be reduced by channelling cooler filtered outside air into the enclosure thus expelling heated internal air. The resulting air flow prevents formation of localized heat pockets and protects the electronic components from overheating. The plastic used for the hood of this filter fan series is highly weather proof, as well as impact and UV light resistant.



### Technical Data

<b>Axial fan, ball bearing</b>	service life min. 50,000h at 77°F (25°C) and 65% RH aluminum fan body, plastic rotor
<b>Connection</b>	2 wires w/ cage clamps, AWG 14 (2.5mm <sup>2</sup> ), length 4" (100mm)
<b>Housing (filter fan and exhaust filter)</b>	Plastic, UL 94V-0, light grey
<b>Hood (filter fan and exhaust filter)</b>	Plastic, UL 94V-0, light grey; weather proof and UV light resistant according to UL 746C (f1)
<b>Mounting frame</b>	with double-sided industrial adhesive for mounting to the outside of enclosure; certain operating circumstances may make the additional use of screws necessary; cut-out template included
<b>Filter media rating</b>	G4 acc. to DIN EN 779, filtering degree 94%
<b>Filter material</b>	synthetic fiber with progressive construction, temperature resistant to 212°F; self-extinguishing class F1; moisture resistant to 100% RH, reusable - can be cleaned by washing or vacuuming
<b>Operating / Storage temperature</b>	-49 to +158°F (-45 to +70°C)
<b>Protection class</b>	I (grounded)
<b>Protection type</b>	IP54*

\*Using fine filter media type F5 increases the protection type to IP55, but reduces the air volume

### Special features

- The **self-adhesive seal** of the mounting frame prevents dust and water from entering the cabinet.
- **Functional design** of the intake and exhaust fan hoods very effectively prevents direct infiltration of falling water and dust. The advantage is that the filter mat does not rapidly become contaminated with dirt and therefore does not need to be exchanged as often.
- The **air channelling** makes the filter fan particularly quiet in operation.
- All filter fan models are also available with **integrated airflow monitor**.
- The **direction of air flow can easily be switched** by reversing the axial fan.
- EMC versions and other voltages are available upon request.

Data subject to change without notice.

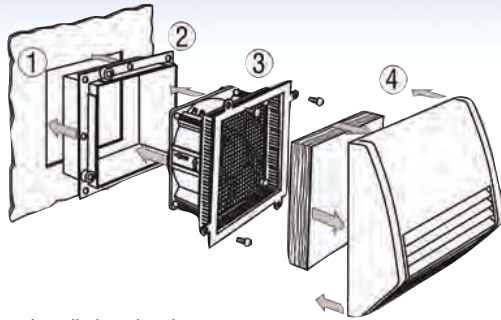
Part No.	Operating voltage	Air volume, free blowing	Air volume with exhaust filter	Power consumption	Average noise level (DIN EN ISO 4871)	Mounting depth	Enclosure cut-out	Weight (approx.)	Approvals (UL File)
01800.0-00	230VAC, 50Hz <sup>2)</sup>	12 cfm (21m <sup>3</sup> /h)	9 cfm (16m <sup>3</sup> /h)	13W	31dB (A)	1.8" (45mm)	3.8 x 3.8"	1.3 lbs. (0.60kg)	No. E234324, VDE
01800.0-01	120VAC, 60Hz	14 cfm (24m <sup>3</sup> /h)	11 cfm (18m <sup>3</sup> /h)	13W	31dB (A)	1.8" (45mm)	3.8 x 3.8"	1.3 lbs. (0.60kg)	No. E234324
01801.0-00	230VAC, 50Hz <sup>2)</sup>	32 cfm (55m <sup>3</sup> /h)	25 cfm (42m <sup>3</sup> /h)	15W	40dB (A)	2.3" (58mm)	4.9 x 4.9"	2.2 lbs. (1.0kg)	No. E234324, VDE
01801.0-01	120VAC, 60Hz	37 cfm (63m <sup>3</sup> /h)	28 cfm (48m <sup>3</sup> /h)	15W	40dB (A)	2.3" (58mm)	4.9 x 4.9"	2.2 lbs. (1.0kg)	No. E234324
01802.0-00	230VAC, 50Hz <sup>2)</sup>	60 cfm (102m <sup>3</sup> /h)	40 cfm (68m <sup>3</sup> /h)	15W	39dB (A)	3.4" (86mm)	6.9 x 6.9"	2.9 lbs. (1.30kg)	No. E234324, VDE
01802.0-01	120VAC, 60Hz	69 cfm (117m <sup>3</sup> /h)	46 cfm (78m <sup>3</sup> /h)	15W	39dB (A)	3.4" (86mm)	6.9 x 6.9"	2.9 lbs. (1.30kg)	No. E234324

<sup>2)</sup> air volume increases by 15% when operating 230VAC filter fans at 60Hz



# VENTILATING

## Filter Fan 14 - 69 cfm



Installation sketch

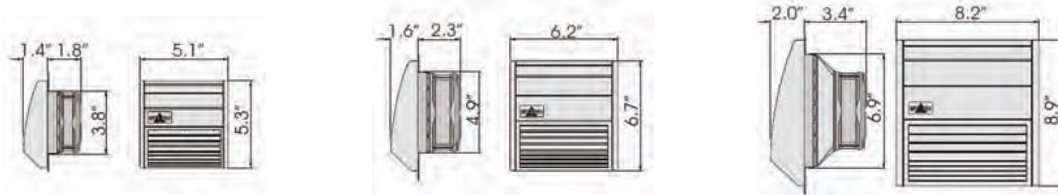
### Time-saving assembly and maintenance

EXM's filter fans are easily installed by one person **from outside** the cabinet.

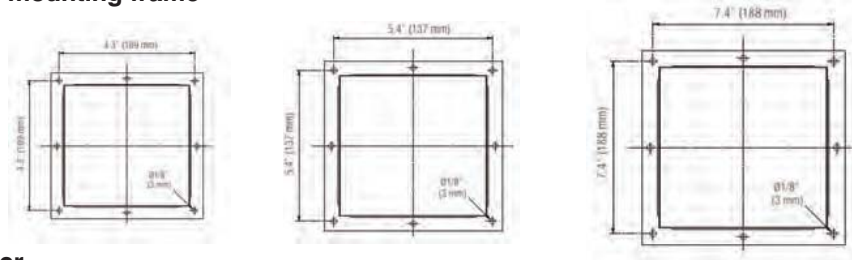
- 1.) Make cut-out in the cabinet wall. The cut edge of the cabinet opening should be free of dirt, filings and grease. A template for the enclosure cut-out is included with the filter fan.
- 2.) Remove protective film from the sealing strips on the mounting frame. Press mounting frame into the cabinet opening. The frame stays permanently in the cabinet.
- 3.) Electrically connect the axial fan using the cage clamp connectors. Push the unit into the mounting frame. Affix using screws if necessary.
- 4.) Insert the filter mat in the hood. Clip on. Finished.

To change the filter mat, simply remove the filter hood, insert the new mat and snap the hood back again. No tools are required. Maintenance of the fan can easily be performed without removing the mounting frame (2).

### Dimensional Drawing



### Drilling template for mounting frame



### EF 118 Exhaust Filter

Part No.	Mounting depth	Enclosure cut-out	Weight (approx.)	Filter mat	Protection type	Approvals
11800.0-00	0.6" (16mm)	3.8 x 3.8"	0.6 lbs. (0.30kg)	G4 acc. to DIN EN 779, filtering degree 94%	IP54*	UL File No. E234324
11801.0-00	0.6" (16mm)	4.9 x 4.9"	0.8 lbs. (0.40kg)	G4 acc. to DIN EN 779, filtering degree 94%	IP54*	UL File No. E234324
11802.0-00	0.6" (16mm)	6.9 x 6.9"	1.3 lbs. (0.60kg)	G4 acc. to DIN EN 779, filtering degree 94%	IP54*	UL File No. E234324

\*using fine filter mats type F5 increases the protection type to IP55, but reduces the air volume.

### FM 086 / FFM 086 Filter Mats

Filter mat	3.5 x 3.5" (89 x 89mm)	4.6 x 4.6" (118 x 118mm)	6.6 x 6.6" (168 x 168mm)
G4 (1 packing unit = 3 pcs.)	Part No. 08600.0-00	Part No. 08601.0-00	Part No. 08602.0-00
F5 (1 packing unit = 3 pcs.)	Part No. 08603.0-00	Part No. 08604.0-00	Part No. 08605.0-00

### FFLC 218 Filter Fan with Airflow Monitor (Normally Closed)



Airflow monitor integrated in finger guard of filter fan  
(Part No. 21800.0-00 shown)

For technical data regarding the integrated Airflow Monitor, please see LC 013/LCF 013 (Normally Closed, Normally Open)

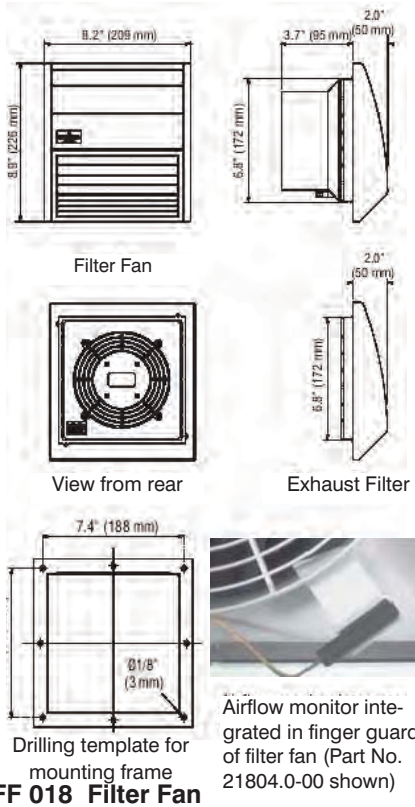
Part No.	Operating voltage	Air volume, free blowing	Air volume with exhaust filter	Power consumption	Average noise level (DIN EN ISO 4871)	Depth in enclosure	Enclosure cut-out	Weight (approx.)
21800.0-00	230VAC, 50Hz <sup>1)</sup>	12 cfm (21m <sup>3</sup> /h)	9 cfm (16m <sup>3</sup> /h)	13W	31dB (A)	1.8" (45mm)	3.8 x 3.8"	1.3 lbs. (0.60kg)
21800.0-01	120VAC, 60Hz	14 cfm (24m <sup>3</sup> /h)	11 cfm (18m <sup>3</sup> /h)	13W	31dB (A)	1.8" (45mm)	3.8 x 3.8"	1.3 lbs. (0.60kg)
21801.0-00	230VAC, 50Hz <sup>1)</sup>	32 cfm (55m <sup>3</sup> /h)	25 cfm (42m <sup>3</sup> /h)	15W	40dB (A)	2.3" (58mm)	4.9 x 4.9"	2.2 lbs. (1.0kg)
21801.0-01	120VAC, 60Hz	37 cfm (63m <sup>3</sup> /h)	28 cfm (48m <sup>3</sup> /h)	15W	40dB (A)	2.3" (58mm)	4.9 x 4.9"	2.2 lbs. (1.0kg)
21802.0-00	230VAC, 50Hz <sup>1)</sup>	60 cfm (102m <sup>3</sup> /h)	40 cfm (68m <sup>3</sup> /h)	15W	39dB (A)	3.4" (86mm)	6.9 x 6.9"	2.9 lbs. (1.30kg)
21802.0-01	120VAC, 60Hz	69 cfm (117m <sup>3</sup> /h)	46 cfm (78m <sup>3</sup> /h)	15W	39dB (A)	3.4" (86mm)	6.9 x 6.9"	2.9 lbs. (1.30kg)

<sup>1)</sup> air volume increases by 15% when operating 230VAC filter fans at 60Hz

Data subject to change without notice.

# VENTILATING

## Filter Fan 136 cfm



**FF 018 Filter Fan**

### High air volume

### Functional design

### Time-saving installation

### Weather proof and UV resistant

Filter fans are used to provide an optimum climate in enclosures. The interior temperature of an enclosure can be reduced by channelling cooler filtered outside air into the enclosure thus expelling heated internal air. The resulting air flow prevents formation of localized heat pockets and protects the electronic components from overheating. The plastic used for the hood of this filter fan series is highly weather proof, as well as impact and UV light resistant.



### Technical Data

<b>Axial fan, ball bearing</b>	service life min. 50,000h at 77°F (25°C) and 65% RH aluminum fan body, metal rotor
<b>Connection (3-pole clamp)</b>	AWG 14 (2.5mm <sup>2</sup> ), clamping torque 0.8Nm max.
<b>Housing (filter fan and exhaust filter)</b>	Plastic, UL 94V-0, light grey
<b>Hood (filter fan and exhaust filter)</b>	Plastic, UL 94V-0, light grey; weather proof and UV light resistant according to UL 746C (f1)
<b>Mounting frame</b>	with double-sided industrial adhesive for mounting to the outside of enclosure; certain operating circumstances may make the additional use of screws necessary; cut-out template included
<b>Filter media rating</b>	G4 acc. to DIN EN 779, filtering degree 94%
<b>Filter material</b>	synthetic fiber with progressive construction, temperature resistant to 212°F, self-extinguishing class F1; moisture resistant to 100% RH, reusable - can be cleaned by washing or vacuuming
<b>Operating / Storage temperature</b>	-49 to +158°F (-45 to +70°C)
<b>Protection class</b>	I (grounded)
<b>Protection type</b>	IP54*
*Using fine filter media type F5 increases the protection type to IP55, but reduces the air volume	

Part No.	Operating voltage	Air volume, free blowing	Air volume with exhaust filter	Power consumption	Average noise level (DIN EN ISO 4871)	Mounting depth	Enclosure cut-out	Weight (approx.)	Approvals (UL File)
01804.0-00	230VAC, 50Hz <sup>1)</sup>	118 cfm (200m <sup>3</sup> /h)	74 cfm (125m <sup>3</sup> /h)	45W	52dB (A)	3.7" (95mm)	6.9 x 6.9"	3.7 lbs. (1.70kg)	# E234324
01804.0-01	120VAC, 60Hz	136 cfm (230m <sup>3</sup> /h)	84 cfm (143m <sup>3</sup> /h)	39W	52dB (A)	3.7" (95mm)	6.9 x 6.9"	3.7 lbs. (1.70kg)	# E234324

<sup>1)</sup> air volume increases by 15% when operating 230VAC filter fans at 60Hz

### EF 118 Exhaust Filter

Part. No.	Mounting depth	Enclosure cut-out	Weight (approx.)	Filter mat	Protection type	Approvals (UL File)
11802.0-00	0.6" (16mm)	6.9 x 6.9"	1.3 lbs. (0.60kg)	G4 acc. to DIN EN 779, filtering degree 94%	IP54*	# E234324

\*using fine filter mats type F5 increases the protection type to IP55, but reduces the air volume.

### FM 086 / FFM 086 Filter Mats

Filter mat	6.6 x 6.6" (168 x 168mm)
G4 (1 packing unit = 3 pcs.)	Part No. 08602.0-00
F5 (1 packing unit = 3 pcs.)	Part No. 08605.0-00

### FFLC 218 Filter Fan with Airflow Monitor (Normally Closed)

For technical data regarding the integrated Airflow Monitor, see LC 013/LCF 013 data sheet

Part No.	Operating voltage	Air volume, free blowing	Air volume with exhaust filter	Power consumption	Average noise level (DIN EN ISO 4871)	Mounting depth	Enclosure cut-out	Weight (approx.)
21804.0-00	230VAC, 50Hz <sup>1)</sup>	118 cfm (200m <sup>3</sup> /h)	74 cfm (125m <sup>3</sup> /h)	45W	52dB (A)	3.7" (95mm)	6.9 x 6.9"	3.7 lbs. (1.70kg)
21804.0-01	120VAC, 60Hz	136 cfm (230m <sup>3</sup> /h)	84 cfm (143m <sup>3</sup> /h)	39W	52dB (A)	3.7" (95mm)	6.9 x 6.9"	3.7 lbs. (1.70kg)

<sup>1)</sup> air volume increases by 15% when operating 230VAC filter fans at 60Hz

Data subject to change without notice.

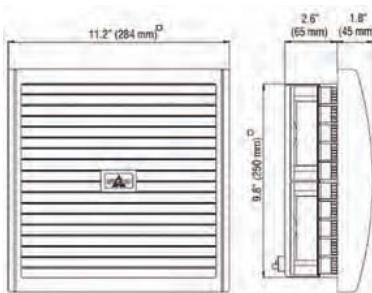
# VENTILATING

## Filter Fan 202 cfm



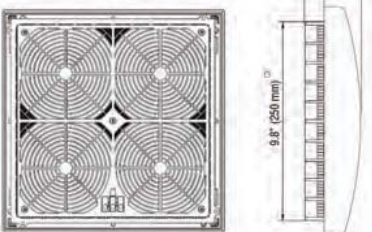
- Minimal mounting depth
- High air volume
- Functional design
- Time-saving installation
- Weather proof and UV resistant

Filter fans are used to provide an optimum climate in enclosures. The interior temperature of an enclosure can be reduced by channelling cooler filtered outside air into the enclosure thus expelling heated internal air. The resulting air flow prevents formation of localized heat pockets and protects the electronic components from overheating. **Four integrated axial fans** provide a particularly high and uniform air circulation which contributes to higher reliability. The plastic used for the hood of this filter fan series is highly weather proof and UV light resistant.



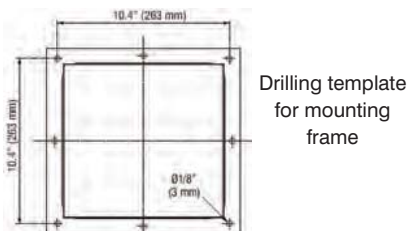
Filter fan

4x Axial fans



View from rear

Exhaust filter



Drilling template for mounting frame



### Technical Data

<b>Axial fan, ball bearing</b>	service life min. 50,000h at 77°F (25°C) and 65% RH aluminum fan body, plastic rotor
<b>Connection (3-pole clamp)</b>	AWG 14 (2.5mm <sup>2</sup> ), clamping torque 0.8Nm max.
<b>Housing (filter fan and exhaust filter)</b>	Plastic, UL 94V-0, light grey
<b>Hood (filter fan and exhaust filter)</b>	Plastic, UL 94V-0, light grey; weather proof and UV light resistant according to UL 746C (f1)
<b>Mounting frame</b>	with double-sided industrial adhesive for mounting to the outside of enclosure; certain operating circumstances may make the additional use of screws necessary; cut-out template included
<b>Filter media rating</b>	G4 acc. to DIN EN 779, filtering degree 94%
<b>Filter material</b>	synthetic fiber with progressive construction, temperature resistant to 212°F, self-extinguishing class F1; moisture resistant to 100% RH, reusable - can be cleaned by washing or vacuuming
<b>Operating / Storage temperature</b>	-49 to +158°F (-45 to +70°C)
<b>Protection class</b>	I (grounded)
<b>Protection type</b>	IP54*

\*Using fine filter media type F5 increases the protection type to IP55, but reduces the air volume

Note: EMC versions and other voltages are available upon request

### FF 018 Filter Fan

Part No.	Operating voltage	Air volume, free blowing	Air volume with exhaust filter	Power consumption	Average noise level (DIN EN ISO 4871)	Mounting depth	Enclosure cut-out	Weight (approx.)	Approvals (UL File)
01803.0-00	230VAC, 50Hz <sup>1)</sup>	177 cfm (300m <sup>3</sup> /h)	135 cfm (230m <sup>3</sup> /h)	60W	53dB (A)	2.6" (65mm)	9.8 x 9.8"	7.3 lbs. (3.30kg)	# E234324
01803.0-01	120VAC, 60Hz	202 cfm (345m <sup>3</sup> /h)	156 cfm (265m <sup>3</sup> /h)	60W	53dB (A)	2.6" (65mm)	9.8 x 9.8"	7.3 lbs. (3.30kg)	# E234324

<sup>1)</sup> air volume increases by 15% when operating 230VAC filter fans at 60Hz

### EF 118 Exhaust Filter

Part No.	Mounting depth	Enclosure cut-out	Weight (approx.)	Filter mat	Protection type
11803.0-00	0.9" (22mm)	9.8 x 9.8"	2.2 lbs. (1.0kg)	G4 acc. to DIN EN 779, filtering degree 94%	IP54*

\*using fine filter mats type F5 increases the protection type to IP55, but reduces the air volume.

### FM 086 / FFM 086 Filter Mats

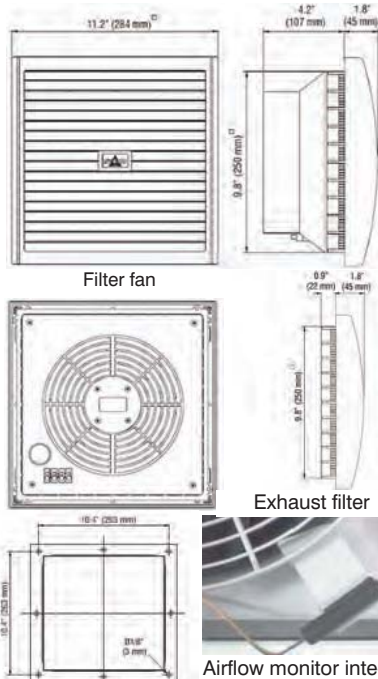
Filter mat	9.7 x 9.7" (247 x 247mm)
G4 (1 packing unit = 3 pcs.)	Part No. 08608.0-00
F5 (1 packing unit = 3 pcs.)	Part No. 08609.0-00

Data subject to change without notice.



# VENTILATING

## Filter Fan 373 cfm



Drilling template for mounting frame

### FF 018 Filter Fan

Part No.	Operating voltage	Air volume, free blowing	Air volume with exhaust filter	Power consumption	Average noise level (DIN EN ISO 4871)	Mounting depth	Enclosure cut-out	Weight (approx.)	Approvals (UL File)
01805.0-00	230VAC, 50Hz <sup>1)</sup>	324 cfm (550m <sup>3</sup> /h)	177 cfm (300m <sup>3</sup> /h)	64W	52dB (A)	4.2" (107mm)	9.8 x 9.8"	5.9 lbs. (2.70kg)	# E234324
01805.0-01	120VAC, 60Hz	373 cfm (633m <sup>3</sup> /h)	203 cfm (345m <sup>3</sup> /h)	85W	52dB (A)	4.2" (107mm)	9.8 x 9.8"	5.9 lbs. (2.70kg)	# E234324

<sup>1)</sup> air volume increases by 15% when operating 230VAC filter fans at 60Hz

### EF 118 Exhaust Filter

Part No.	Mounting depth	Enclosure cut-out	Weight (approx.)	Filter mat	Protection type
11803.0-00	0.9" (22mm)	9.8 x 9.8"	2.2 lbs. (1.0kg)	G4 acc. to DIN EN 779, filtering degree 94%	IP54*

\*using fine filter mats type F5 increases the protection type to IP55, but reduces the air volume.

### FM 086 / FFM 086 Filter Mats

Filter mat	9.7 x 9.7" (247 x 247mm)
G4 (1 packing unit = 3 pcs.)	Part No. 08608.0-00
F5 (1 packing unit = 3 pcs.)	Part No. 08609.0-00

### FFLC 218 Filter Fan with Airflow Monitor (Normally Closed)

For technical data regarding the integrated Airflow Monitor, see LC 013/LCF 013 data sheet

Part No.	Operating voltage	Air volume, free blowing	Air volume with exhaust filter	Power consumption	Average noise level (DIN EN ISO 4871)	Mounting depth	Enclosure cut-out	Weight (approx.)
21805.0-00	230VAC, 50Hz <sup>1)</sup>	324 cfm (550m <sup>3</sup> /h)	177 cfm (300m <sup>3</sup> /h)	64W	52dB (A)	4.2" (107mm)	9.8 x 9.8"	5.9 lbs. (2.70kg)
21805.0-01	120VAC, 60Hz	373 cfm (633m <sup>3</sup> /h)	203 cfm (345m <sup>3</sup> /h)	85W	52dB (A)	4.2" (107mm)	9.8 x 9.8"	5.9 lbs. (2.70kg)

<sup>1)</sup> air volume increases by 15% when operating 230VAC filter fans at 60Hz

- High air volume
- Functional design
- Time-saving installation
- Weather proof and UV resistant

Filter fans are used to provide an optimum climate in enclosures. The interior temperature of an enclosure can be reduced by channelling cooler filtered outside air into the enclosure thus expelling heated internal air. The resulting air flow prevents formation of localized heat pockets and protects the electronic components from overheating. The plastic used for the hood of this filter fan series is highly weather proof and UV light resistant.



### Technical Data

<b>Axial fan, ball bearing</b>	service life min. 50,000h at 77°F (25°C) and 65% RH aluminum fan body, metal rotor
<b>Connection (3-pole clamp)</b>	AWG 14 (2.5mm <sup>2</sup> ), clamping torque 0.8Nm max.
<b>Housing (filter fan and exhaust filter)</b>	Plastic, UL 94V-0, light grey
<b>Hood (filter fan and exhaust filter)</b>	Plastic, UL 94V-0, light grey; weather proof and UV light resistant according to UL 746C (f1)
<b>Mounting frame</b>	with double-sided industrial adhesive for mounting to the outside of enclosure; certain operating circumstances may make the additional use of screws necessary; cut-out template included
<b>Filter media rating</b>	G4 acc. to DIN EN 779, filtering degree 94%
<b>Filter material</b>	synthetic fiber with progressive construction, temperature resistant to 212°F, self-extinguishing class F1; moisture resistant to 100% RH, reusable - can be cleaned by washing or vacuuming
<b>Operating / Storage temperature</b>	-49 to +158°F (-45 to +70°C)
<b>Protection class</b>	I (grounded)
<b>Protection type</b>	IP54*
*Using fine filter media type F5 increases the protection type to IP55, but reduces the air volume	

Data subject to change without notice.



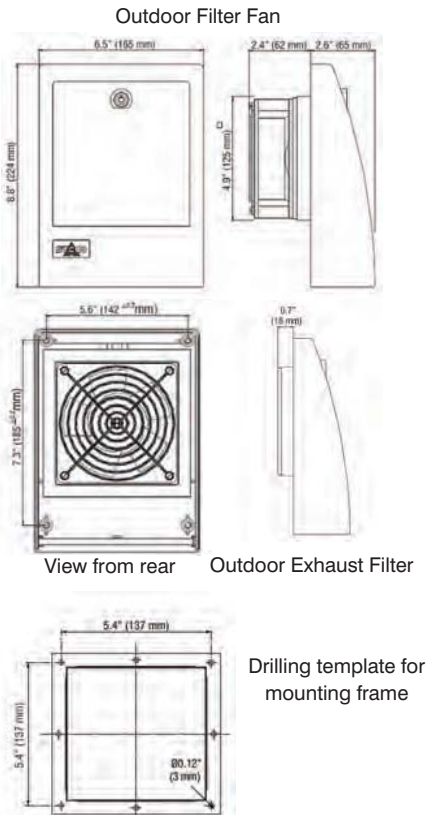
# VENTILATING

## Outdoor Filter Fan 14 cfm



- **Quick and easy filter change**
- **Lockable outer door**
- **Impact resistant**
- **Weather proof and UV resistant**

This filter fan can be used in outdoor enclosures where warm air has to be dissipated. To clean and exchange the filter mat, it is only necessary to open the lockable door of the outdoor hood eliminating the need to allow interior access to the enclosure. A protection type of IP55 is achieved due to the special design of the hood and the use of fine filter mats. The plastic casing is impact resistant, highly weather proof and resistant to UV light.



### Technical Data

<b>Axial fan, ball bearing</b>	service life min. 50,000h at 77°F (25°C) and 65% RH aluminum fan body, plastic rotor
<b>Connection</b> (2 wires w/ cage clamps)	AWG 14 (2.5mm <sup>2</sup> ), length 4" (100mm)
<b>Filter fan and exhaust filter housing</b>	high impact ASA plastic, light grey burning behavior according to UL 94H-B; high resistance to weather and UV light
<b>Mounting frame</b>	with double-sided industrial adhesive for mounting to the outside of enclosure; certain operating circumstances may make the additional use of screws necessary; cut-out template included
<b>Filter media rating</b>	F5 acc. to DIN EN 779, filtering degree 98%
<b>Filter material</b>	synthetic fiber with progressive construction, temperature resistant to 212°F, self-extinguishing class F1; moisture resistant to 100% RH
<b>Operating / Storage temperature</b>	-49 to +158°F (-45 to +70°C)
<b>Protection class</b>	I (grounded)
<b>Protection type</b>	IP55

Note: EMC version and other voltages are available upon request

The hood is attached permanently to the enclosure from the inside using provided screws. Filter mats can be easily changed from outside the enclosure through the lockable door in the hood.

### FF 018 Outdoor Filter Fan

Part No.	Operating voltage	Air volume, free blowing	Power consumption	Average noise level (DIN EN ISO 4871)	Mounting depth	Enclosure cut-out	Weight (approx.)	Approvals (UL File)
01821.0-00	230VAC, 50Hz <sup>1)</sup>	12 cfm (20m <sup>3</sup> /h)	15W	40dB (A)	2.4" (62mm)	4.9 x 4.9"	2.6 lbs. (1.20kg)	# E234324
01821.0-02	120VAC, 60Hz	14 cfm (23m <sup>3</sup> /h)	15W	40dB (A)	2.4" (62mm)	4.9 x 4.9"	2.6 lbs. (1.20kg)	# E234324

<sup>1)</sup> air volume increases by 15% when operating 230VAC filter fans at 60Hz

### EF 118 Exit Filter

Part No.	Mounting depth	Enclosure cut-out	Weight (approx.)	Filter mat	Protection type
11821.0-00	0.6" (16mm)	4.9 x 4.9"	1.6 lbs. (0.60kg)	F5 acc. to DIN EN 779, filtering degree 98%	IP55

### FFM 086 Filter Mats

Filter mat	4.6 x 4.6" (118 x 118mm)
F5 (1 packing unit = 3 pcs.)	Part No. 08604.0-00

Data subject to change without notice.

# PRESSURE CONTROL

## Pressure Compensation Device



**High degree of protection**

**Semipermeable membrane**

**Easy to install**

Pressure differentials in a hermetically sealed enclosure are a result of the heat generated by electrical and electronic components in the enclosure, as well as the fluctuation of the outside temperature. In the case of negative pressure or vacuum, for example, dust and humidity can be absorbed through the door seal and can enter the enclosure.

The DA 284 Pressure Compensation Device provides a protected enclosure environment for valuable and crucial components with a **UL 4X** rated degree of protection. A semipermeable membrane inside the device allows air and humidity to leave the enclosure. In the opposite direction, it only allows dry air into the enclosure while not allowing humidity and dust from the outside to enter.

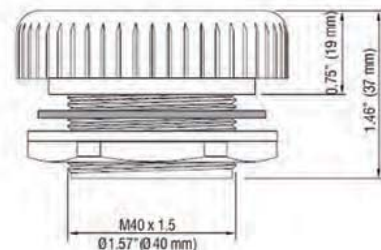
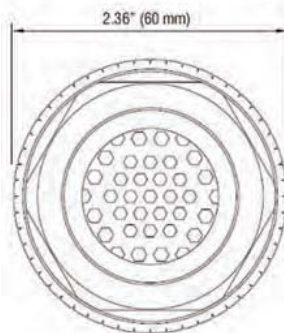


### Technical Data

<b>Mounting</b>	thread M40 x 1.5 with nut
<b>Depth in enclosure</b>	approx. 0.6" (16mm)
<b>Material</b>	plastic, PA66, light grey
<b>Sealing</b>	NBR gasket
<b>Filter</b>	semipermeable membrane
<b>Air permeability</b>	1200 liters/hr at a pressure difference of min. 70mbar
<b>Operating/storage temperature</b>	-49 to +158°F (-45 to 70°C)
<b>Dimensions</b>	Ø 2.36" x 1.46" (Ø 60 x 37mm)
<b>Protection type</b>	see below
<b>Agency approvals</b>	UL File No. 234342
<b>Environmental rating</b>	Type 1, 4 and 4X

### Installation

A hole with a diameter of 1.6 inches (40+0.5mm) is required for mounting. Make sure that the sealing gasket is placed on the outer side of the enclosure. For optimal pressure compensation, it is recommended to use two devices on opposite sides towards the top of the enclosure.



Data subject to change without notice.

Part No.	Protection type	1 packing unit	Weight (approx.)
28405.0-00	IP66 (EN 60529) / IPX9K (EN 40050-9)	2 pieces	3.2 oz. (90g)
28406.0-01	IP66 (EN 60529) / IPX9K (EN 40050-9)	1 piece	.14 oz. (4g)

# PRESSURE CONTROL

## Stainless Steel Pressure Compensation Device



**High degree of protection**

**Semipermeable membrane**

**Corrosion resistant**

**Easy to install**

Pressure differentials in a hermetically sealed enclosure are a result of the heat generated by electrical and electronic components in the enclosure, as well as the fluctuation of the outside temperature. In the case of negative pressure or vacuum, for example, dust and humidity can be absorbed through the door seal and can enter the enclosure.

The DA 284S **Stainless Steel** Pressure Compensation Device provides a protected enclosure environment for valuable and crucial components with an **IP66** rated degree of protection. A semipermeable membrane inside the device allows air and humidity to leave the enclosure. In the opposite direction, it only allows dry air into the enclosure while not allowing humidity and dust from the outside to enter.

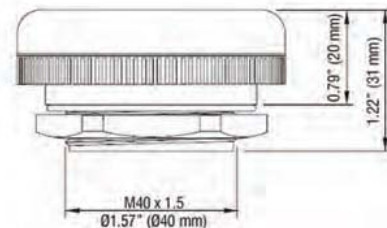
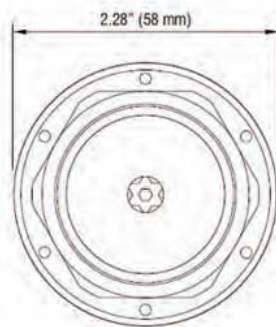


### Technical Data

<b>Mounting</b>	thread M40 x 1.5 with nut
<b>Depth in enclosure</b>	approx. 0.35" (9mm)
<b>Material</b>	stainless steel V2A (DIN 1.4404 / AISI 316L)
<b>Sealing</b>	NBR gasket
<b>Filter</b>	semipermeable membrane
<b>Air permeability</b>	1200 liters/hr at a pressure difference of min. 70mbar
<b>Operating/storage temperature</b>	-49 to +176°F (-45 to 80°C)
<b>Dimensions</b>	Ø 2.28" x 1.22" (Ø 58 x 31mm)
<b>Protection type</b>	see below

### Installation

A hole with a diameter of 1.6 inches (40+0.5mm) is required for mounting. Make sure that the sealing gasket is placed on the outer side of the enclosure. For optimal pressure compensation, it is recommended to use two devices on opposite sides towards the top of the enclosure.



Data subject to change without notice.

Part No.	Protection type	1 packing unit	Weight (approx.)
28401.0-00	IP66 (EN 60529) / IPX9K (EN 40050-9)	1 piece	5.6 oz. (160g)



# PRESSURE CONTROL

## Pressure Compensation Device

■ **High degree of protection (IP55)**

■ **Easy to install**



In a tightly closed enclosure, pressure differentials can occur during extreme temperature variations, such as day/night operation. When this occurs, the risk of dust and humidity being absorbed into the control panel increases dramatically. The specially designed pressure compensation plug DA 084 permits a controlled change in pressure and can be installed easily in any enclosure. The pressure compensation device is suitable for use in enclosures and electrical cabinets in accordance with DIN EN 62208.

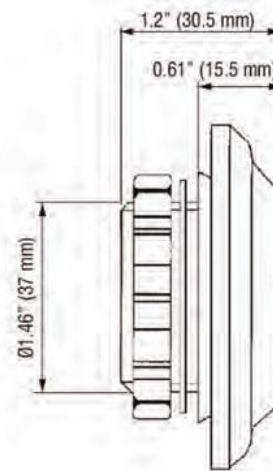
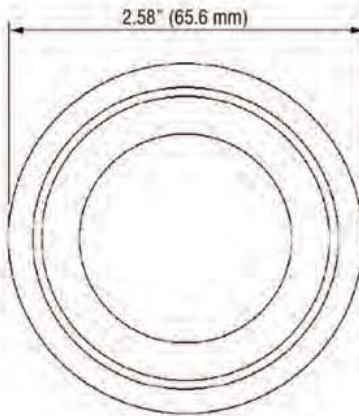


### Technical Data

Mounting	PG 29 thread with union nut
Material	plastic, UL 94V-0
Air Interface	Approx. 2.8 in <sup>2</sup> (7 cm <sup>2</sup> )
Operating/storage temperature	-49 to +158°F (-45 to 70°C)
Dimensions	Ø 2.58" x 1.2" (Ø 65.5 x 30.5mm)

### Installation

A hole with a diameter of 1.46" (37mm) is required for mounting. Make sure that the sealing gasket is placed on the outer side panel of the enclosure. For optimal pressure compensation, it is recommended to use two devices on opposite sides towards the top of the enclosures.



Data subject to change without notice.

Part No.	Protection type	Weight (approx.)
08400.9-01	IP55	1.1 oz. (31g)



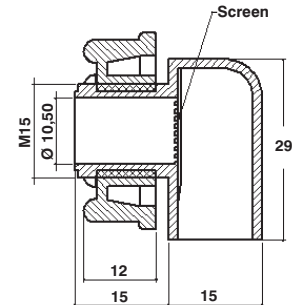
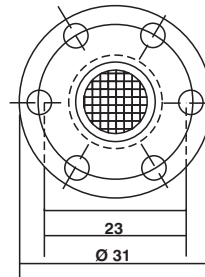
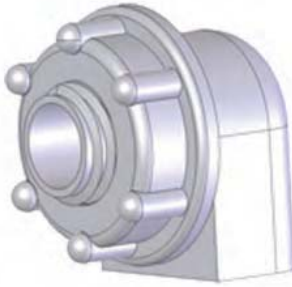
# PRESSURE CONTROL

## Aerators, pressure compensation for small enclosures

The **880 PR1** aerator, pressure compensation device allows change in enclosure pressure. This aerator is made from PA66 Nylon and is used on small enclosures. For better performance, the

aerators must be installed on opposing sides, one or more on the top and one or more on the bottom portion of the enclosure.

CATALOG NUMBER	PACKS	SHIP WGHT LBS.
880PR1	1	1

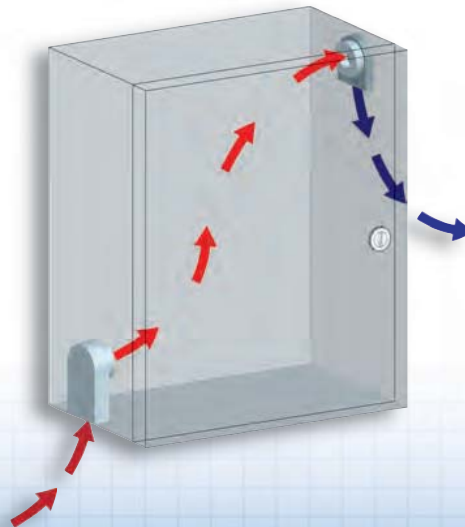
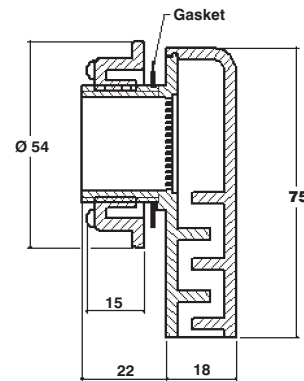
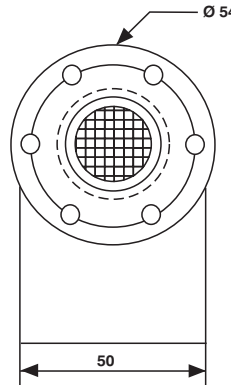


## Aerators, pressure compensation for larger enclosures

The **880 PR2** aerator, pressure compensation device allows change in enclosure pressure. This aerator is made from PA66 Nylon and is used on larger en-

losures. For better performance, the aerators must be installed on opposing sides, one or more on the top and one or more on the bottom portion of the enclosure.

CATALOG NUMBER	PACKS	SHIP WGHT LBS.
880PR2	1	1



Data subject to change without notice.



# ACCESSORIES

## FIX Self-adhesive Mounting Aid



FIX is a small aid specially designed to make mounting of smaller DIN rail mountable components easier. It can be used whenever the installation of a DIN rail is impractical, or when there is not enough space left in an enclosure.

Due to its industrial grade self-adhesive it can be installed much easier and quicker than a conventional DIN rail, without the effort of hole drilling and screw mounting. This is especially practical for subsequent changes or additions in an already equipped enclosure.

FIX can hold components up to 1.1 lbs in weight. Some of the many applications include the mounting of timing relays, series terminals, thermostats, cable channels and even small heaters. In addition, DIN rails can be mounted simply by using several FIX units.

If the weight of attached components exceeds the load limit, or if a more secure mounting is desired, (e.g. on rough surfaces), it can also be screw-mounted. All that is necessary to install FIX is a smooth and clean surface. The initial adhesive power is 40%, and after 24 hours, it has its full holding power of 1.1 lbs.



### Application examples



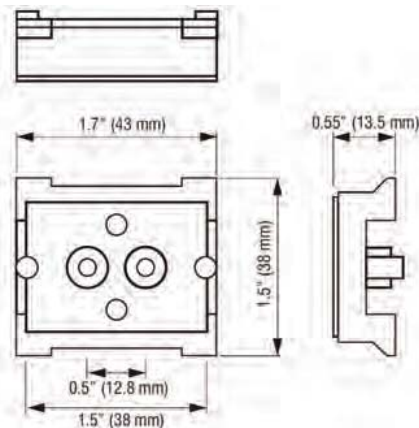
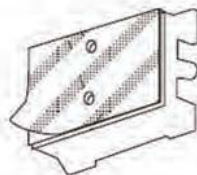
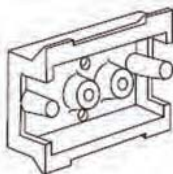
### Technical Data

<b>Load</b>	1.1 lbs. (500g) after a 24 hour waiting period*
<b>Mounting</b>	self-adhesive (non-aging, high-performance adhesive strip)
<b>Material</b>	plastic UL 94V-0, black
<b>Hole pattern</b>	0.5" distance, Ø 0.14" (12.8mm; Ø 3.6mm)
<b>Operating / Storage temperature</b>	-49 to +158°F (-45 to 70°C)
<b>Dimensions</b>	1.7 x 1.5 x 0.55" (43 x 38 x 14mm)

\*depending on the conditions of use (e.g. surface condition, size of the device to be mounted, etc.) higher loads were achieved.

### Installation

FIX can only be mounted on smooth surfaces, e.g. metals, lacquered surfaces and plastics (except polyethylene, polypropylene and rubber). The surfaces must be dry and free from dust, oil, separating agents and other contamination.



Part No.	1 packing unit	Weight (approx.)
09510.0-01	5 pieces	2.1 oz. (60g) total / 0.42 oz. (12g) per piece

\* fuse Ø 5 x 20 mm

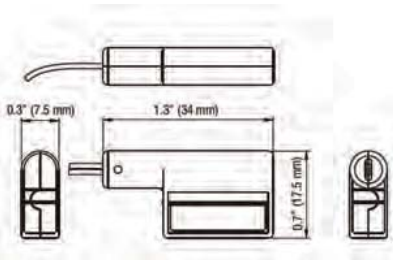
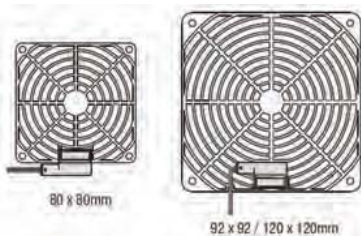
Data subject to change without notice.

# REGULATING AND MONITORING



## Application:

The LC 013 is used as a signal contact to monitor fans or filter fans. It can be connected to monitoring systems or can directly switch alarm devices, such as LED's or signal lamps. Loads with capacities exceeding the indicated switching capacity must be switched via a relay, e.g. electronic relay SM 010. The airflow monitor with NC contact closes upon loss of air movement, indicating fan failure (e.g. red signal lamp). The NO contact closes when fan is in operation and indicates fan is operating correctly.



- **Magnetic reed switch contact**
- **Wide range of application**
- **Small size**
- **Easy to install**

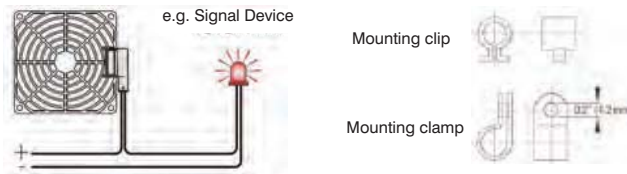
The airflow monitor is designed to indicate either the loss of air movement (NC) of any fan or that air flow is present (NO). The contact detects air movement regardless of direction of air. Its simple mechanical operation makes it a viable alternative to electronic monitoring systems.



## Technical Data

<b>Contact type</b>	reed / magnet contact
<b>Normally Closed (NC)</b>	switch contact open when air is flowing
<b>Normally Open (NO)</b>	switch contact closed when air is flowing
<b>Max. switching voltage</b>	NC: 240VDC (UL), 240V AC/DC (VDE) / NO: 60VDC
<b>Max. switching current</b>	NC: DC 500mA / NO: DC 170mA
<b>Max. switching capacity</b>	10W (resistive load)
<b>Switching threshold of airflow velocity</b>	> 8.2 ft/sec (2.5m/s) - hysteresis: approx. 3.3 ft/sec (1m/s)
<b>Max. airflow velocity</b>	165 ft/sec (50m/s)
<b>Contact resistance</b>	< 370mΩ (with wire)
<b>Max. air humidity</b>	70% RH (not condensing)
<b>Service life</b>	> 100,000 cycles
<b>Connection</b>	2 x single strand AWG 26, length 19.7" (500mm), tip of stranded wire stripped 5mm and tinned (NC: black, NO: blue)
<b>Housing</b>	plastic, UL 94HB, black
<b>Mounting</b>	mounting clamp or mounting clip, also available integrated in fingerguard (LCF 013) - see table
<b>Mounting position</b>	bidirectional tab perpendicular to airflow
<b>Operating temperature</b>	-4 to +122°F (-20 to +50°C)
<b>Storage temperature</b>	-4 to +176°F (-20 to +80°C)
<b>Protection type</b>	IP20
<b>Approvals</b>	UL File No. E250507, VDE

Note: The product of switching voltage and switching current must not exceed 10W. The max. voltage and max. current must not be exceeded, not even short-term (voltage/current peaks). The resulting voltage and current peaks of inductive or capacitive loads must be restricted by a contact protection circuit.



## Installation notes:

1. The airflow monitor must not be installed in the impact range of permanent magnets or ferrous metals in order to avoid possible interference problems.
2. A suitable distance from electromagnetic fields, e.g. generated by transformers, motors, etc., must be maintained in order to avoid possible interference problems. Interferences must be checked with an oscillograph and the mounting position of the airflow monitor should be adjusted if necessary.
3. Avoid installing the airflow monitors in areas where air pockets or turbulence can be expected.
4. Ambient air with a high dust content should be avoided.

As there are many different conditions of use, suitability of this product must be assessed by the end user in its final application.

Description	Part No. (NC)	Part No. (NO)	Dimensions	Weight (approx.)
LC 013 Airflow Monitor with mounting clamp and mounting clip	01300.0-00	01300.1-00	1.3 x 0.7 x 0.3" (34 x 17.5 x 7.5mm)	0.2 oz. (5g)
	01301.0-00	01301.1-00	3.15 x 3.46 x 0.4" (80 x 88 x 10.5mm)	0.7 oz. (20g)
LCF 013 Airflow Monitor integrated in plastic fingerguard	01302.0-00	01302.1-00	3.6 x 3.6 x 0.4" (92 x 92 x 10mm)	0.7 oz. (20g)
	01303.0-00	01303.1-00	4.7 x 4.7 x 0.4" (120 x 120 x 10mm)	1.1 oz. (30g)

Data subject to change without notice.



# REGULATING AND MONITORING

## Electronic Hygrostat



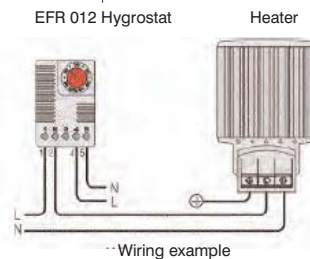
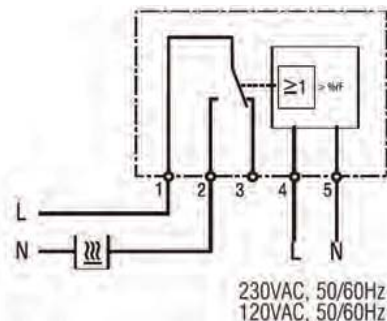
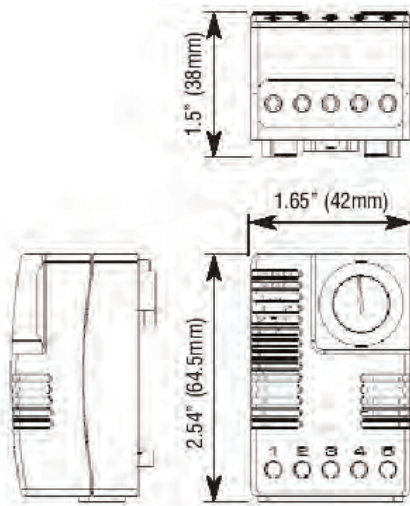
- Adjustable & pre-set relative humidity setpoints
- Compact design
- High switching capacity
- Optical function display (LED)
- DIN rail mountable

The EFR 012 electronic hygrostat senses the relative humidity in an enclosure and turns on a heater at the set point, helping prevent the formation of condensation in the enclosure. The integrated LED is lit when the connected device is in operation.



### Technical Data

<b>Switching difference</b>	5% RH ( $\pm 1\%$ tolerance) - at 77°F (25°C) and 50% RH
<b>Reaction time</b>	approx. 5 seconds
<b>Contact type</b>	SPDT / change-over contact (relay)
<b>Service life</b>	> 100,000 cycles
<b>Max. switching capacity (relay output)</b>	8A resistive / 1.6A inductive @ 120VAC 8A resistive / 1.6A inductive @ 240VAC 4A @ 24VDC
<b>EMC</b>	acc. to EN 55014-1-2, EN 61000-3-2, EN 61000-3-3
<b>Connection</b>	5-pole terminal, clamping torque 0.5Nm max.: solid wire - AWG 14 max. (2.5mm <sup>2</sup> ) stranded wire (with wire end ferrule) - AWG 16 max. (1.5mm <sup>2</sup> )
<b>Housing</b>	plastic, UL 94V-0, light grey
<b>Mounting</b>	clip for 35mm DIN rail, EN 60 715
<b>Mounting position</b>	vertical
<b>Operating temperature</b>	+32 to +140°F (0 to +60°C)
<b>Storage temperature</b>	-4 to +176°F (-20 to +80°C)
<b>Max. storage humidity</b>	90% RH (non-condensing)
<b>Dimensions</b>	2.54 x 1.65 x 1.5" (64.5 x 42 x 38mm)
<b>Weight</b>	approx. 2.3 oz. (65g)
<b>Protection type</b>	IP20



Data subject to change without notice.

Part No.	Operating voltage	Setting range	Approvals
01245.0-00	230VAC	40 to 90% RH	UL & VDE intended
01245.9-00	120VAC	65% RH pre-set	UL intended
01246.0-00	230VAC	40 to 90% RH	UL & VDE intended
01246.9-00	120VAC	65% RH pre-set	UL intended



# REGULATING AND MONITORING

## Electronic Hygrotherm



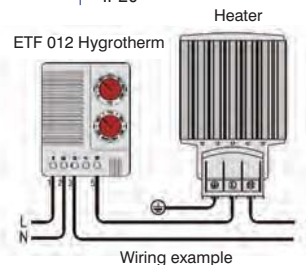
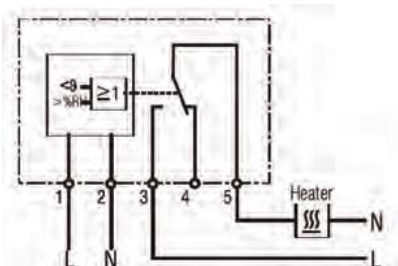
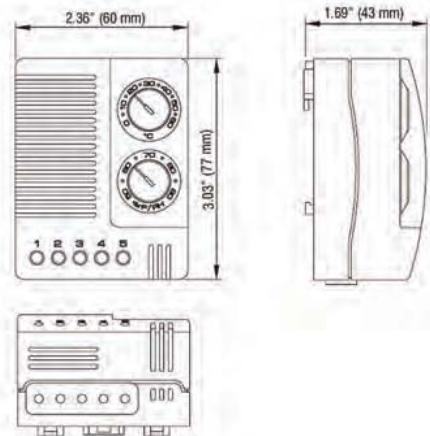
- **Efficient temperature & humidity control**
- **Wide adjustment ranges**
- **High switching capacity**
- **Optical function displays (LED)**
- **DIN rail mountable**

The ETF 012 senses the ambient temperature and relative air humidity. Depending on which contact combination is chosen, it then turns on or off a connected device if either the temperature is below, or the humidity above the set point. The integrated LED in each adjustment knob is lit when indicating the active function.



### Technical Data

Switching difference - temperature	3.6°F (2K) ± 1K tolerance - at 77°F (25°C) and 50% RH
Switching difference - humidity	4% RH ± 1% tolerance - at 77°F (25°C) and 50% RH
Response time - humidity	approx. 5 sec.
Contact type	SPDT / change-over contact (relay)
Contact resistance	< 10mΩ
Service life	NC: > 50,000 cycles NO: > 100,000 cycles
Max. switching capacity	NC: 6A resistive / 1A inductive @ 120VAC NO: 8A resistive / 1.6A inductive @ 120VAC NC: 6A resistive / 1A inductive @ 240VAC NO: 8A resistive / 1.6A inductive @ 240 VAC 4A @ 24VDC
EMC	acc. to EN 55014-1-2, EN 61000-3-2, EN 61000-3-3
Connection	5-pole terminal, clamping torque 0.5Nm max.: solid wire - AWG 14 max. (2.5mm <sup>2</sup> ) stranded wire (with wire end ferrule) - AWG 16 max. (1.5mm <sup>2</sup> )
Housing	plastic, UL 94V-0, light grey
Mounting	clip for 35mm DIN rail, EN 60 715
Mounting position	vertical
Operating temperature	+32 to +140°F (0 to +60°C)
Storage temperature	-4 to +176°F (-20 to +80°C)
Dimensions	3.0 x 2.4 x 1.7" (77 x 60 x 43mm)
Weight	approx. 7 oz. (200g)
Protection type	IP20



Part No.	Operating voltage	Setting range - temperature	Setting range - humidity	Approvals
01230.0-00	230VAC, 50/60Hz	0 to 60°C	50 to 90% RH	UL File No. E164102, VDE
01230.9-00	120VAC, 50/60Hz	32 to 140°F	50 to 90% RH	UL File No. E164102
01230.9-01	120VAC, 50/60Hz	0 to 60°C	50 to 90% RH	UL File No. E164102

Data subject to change without notice.



# REGULATING AND MONITORING

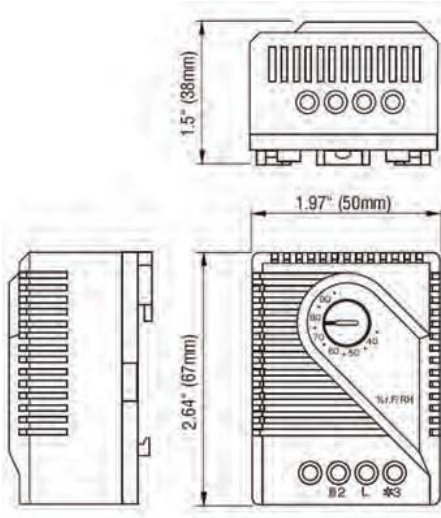
## Mechanical Hygrostat



- **Efficient condensation control**
- **Adjustable relative humidity range**
- **High switching capacity**
- **DIN rail mountable**

The MFR 012 electromechanical thermostat is designed to control the relative humidity inside enclosures. When connected to an enclosure heater (dehumidifier), it will energize the heater at the humidity set point in order to raise the dew point. This helps prevent damage and malfunction of electronic components caused by condensation and corrosion.<sup>1)</sup>

The MFR 012 can also be used to control cooling fans, warning lights or other devices.

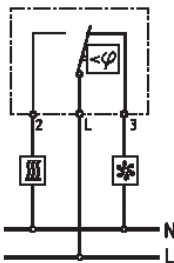


### Technical Data

<b>Switching difference</b>	4% RH ( $\pm$ 3% tolerance) - at 50% RH
<b>Permissible air velocity</b>	50 ft/sec (15m/s)
<b>Contact type</b>	SPDT / change-over contact
<b>Contact resistance</b>	< 10m $\Omega$
<b>Service life</b>	> 100,000 cycles
<b>Min. Switching capacity</b>	100mA @ AC/DC 20V
<b>Max. Switching capacity</b>	5A resistive / 1A inductive @ 250VAC
	DC 20W
<b>EMC</b>	acc. to EN 55014-1-2, EN 61000-3-2, EN 61000-3-3
<b>Connection</b>	3-pole terminal, clamping torque 0.5Nm max.: solid wire - AWG 14 max. (2.5mm <sup>2</sup> ) stranded wire (with wire end ferrule) - AWG 16 max. (1.5mm <sup>2</sup> )
<b>Housing</b>	plastic, UL 94V-0, light grey
<b>Mounting</b>	clip for 35mm DIN rail, EN 60 715
<b>Mounting position</b>	vertical
<b>Operating temperature</b>	+32 to +140°F (0 to +60°C)
<b>Storage temperature</b>	-4 to +176°F (-20 to +80°C)
<b>Dimensions</b>	2.64 x 1.97 x 1.5" (67 x 50 x 38mm)
<b>Weight</b>	approx. 2 oz. (60g)
<b>Protection type</b>	IP20
<b>Approvals</b>	UL File No. 164102

<sup>1)</sup> The critical relative humidity level for most components is 65%. Above 65% RH, condensation can form and cause malfunctions of electronic equipment. Long term, this can lead to corrosion and permanent damage of electronic components and systems.

Data subject to change without notice.



Enclosure heater



Filter fan, cooling equipment, signal device

Part No.	Setting range
01220.0-00	35 to 95% RH

# REGULATING AND MONITORING

## Tamperproof Thermostat



**Compact design**

**Fixed setpoints**

**Color coded modules**

**DIN rail mountable**

### Tamperproof (Pre-set) Thermostat FTO 011

NC / opens on temperature rise (red module housing) - for regulating heaters or for switching signal devices when temperature has fallen below the minimum value.

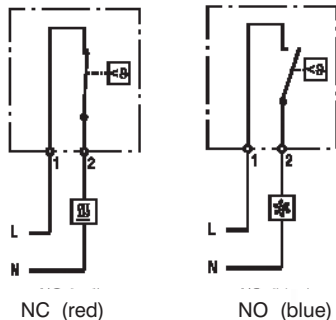
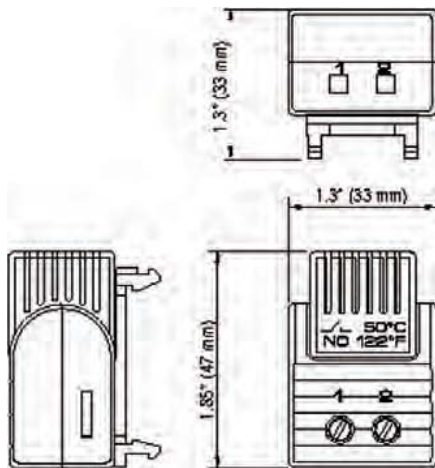
### Tamperproof (Pre-set) Thermostat FTS 011

NO / closes on temperature rise (blue module housing) - for regulating filter fans, heat exchangers, cooling devices or for switching signal devices when temperature limit has been exceeded.

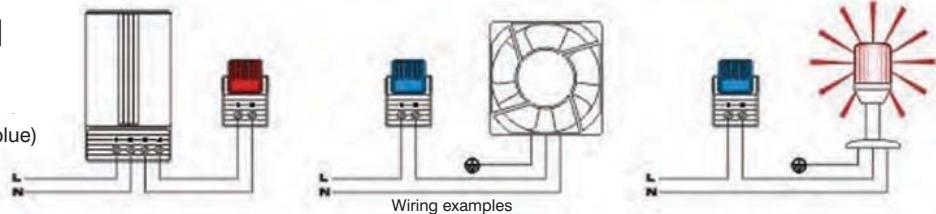


### Technical Data

Sensor element	thermostatic bimetal
Contact type	snap-action contact
Contact resistance	< 20mΩ
Service life	> 100,000 cycles
Max. switching capacity	10A resistive / 2A inductive @ 120VAC 5A resistive / 1.6A inductive @ 240VAC DC 30W
Max. inrush current	AC 10A
EMC	acc. to EN 55014-1-2, EN 61000-3-2, EN 61000-3-3
Connection	2-pole terminal for AWG 14 max. (2.5mm <sup>2</sup> ), torque 0.8Nm max.
Housing	plastic, UL 94V-0, light grey
Mounting	clip for 35mm DIN rail, EN 60 715
Mounting position	vertical
Operating temperature	-4 to +176°F (-20 to +80°C)
Storage temperature	-49 to +176°F (-45 to +80°C)
Dimensions	1.85 x 1.3 x 1.3" (47 x 33 x 33mm)
Weight	approx. 0.8 oz. (23g)
Protection type	IP20
Approvals	UL File No. E164102, VDE



Heater FTO 011 Thermostat FTS 011 Thermostat e.g. Fan FTS 011 Thermostat e.g. Signal Device



Part No.	Contact	Switch-off temperature	Switch-on temperature
01160.0-00	NC - open on rise	59°F / 15°C (± 9°F / 5K tolerance)	41°F / 5°C (± 9°F / 5K tolerance)
01160.0-01	NC - open on rise	77°F / 25°C (± 9°F / 5K tolerance)	59°F / 15°C (± 9°F / 5K tolerance)
		Switch-on temperature	Switch-off temperature
01161.0-00	NO - close on rise	122°F / 50°C (± 11°F / 6K tolerance)	104°F / 40°C (± 12.6°F / 7K tolerance)
01161.0-01	NO - close on rise	140°F / 60°C (± 11°F / 6K tolerance)	122°F / 50°C (± 12.6°F / 7K tolerance)
01161.0-02	NO - close on rise	95°F / 35°C (± 11°F / 6K tolerance)	77°F / 25°C (± 12.6°F / 7K tolerance)

Data subject to change without notice.





# REGULATING AND MONITORING

## Small Thermostat



- **Compact design**
- **Wide adjustment range**
- **Color coded temperature dials**
- **DIN rail mountable**

### Thermostat NC (normally closed)

Thermostat opens on temperature rise - for regulating heaters or for switching signal devices. Comes with **red** temperature dial.

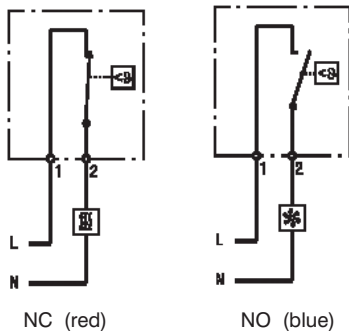
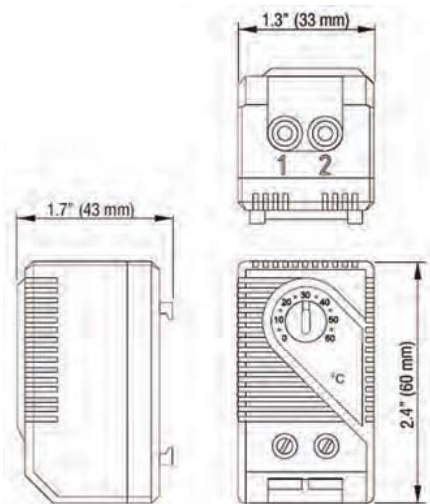
### Thermostat NO (normally open)

Thermostat closes on temperature rise - for regulating filter fans and heat exchangers or for switching signal devices. Comes with **blue** temperature dial.

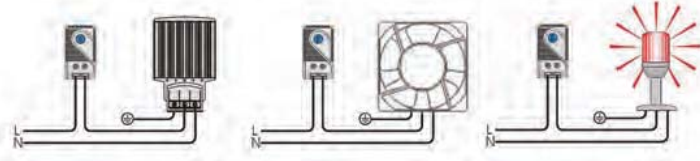


### Technical Data

Switching difference	12.6°F ± 7°F tolerance (7K ± 4K)
Sensor element	thermostatic bimetal
Contact type	snap-action contact
Contact resistance	< 10mΩ
Service life	> 100,000 cycles
Max. switching capacity	15A resistive / 2A inductive @ 120VAC 10A resistive / 2A inductive @ 250VAC
Minimum load	DC 30W
EMC	acc. to EN 55014-1-2, EN 61000-3-2, EN 61000-3-3
Connection	2-pole terminal, clamping torque 0.5Nm max.: solid wire - AWG 14 max. (2.5mm <sup>2</sup> ) stranded wire (with wire end ferrule) - AWG 16 (1.5mm <sup>2</sup> )
Housing	plastic, UL 94V-0, light grey
Mounting	clip for 35mm DIN rail, EN 60 715 (or for Exhaust Filter EF 118 Series)
Mounting position	vertical
Operating / Storage temperature	-49 to +176°F (-45 to +80°C)
Dimensions	2.4 x 1.3 x 1.7" (60 x 33 x 43mm)
Weight	approx. 1.4 oz. (40g)
Protection type	IP20



KT 011 Thermostat Heater      KT 011 Thermostat e.g. Fan      KT 011 Thermostat e.g. Signal Device



Wiring examples

Data subject to change without notice.

Setting range	Part No. (NC)	Part No. (NO)	Approvals
+32 to +140°F	01140.9-00	01141.9-00	UL File No. E164102, CSA
0 to +60°C	01146.9-00	01147.9-00	UL File No. E164102, CSA
-10 to +50°C	01142.0-00	N/A	UL File No. E164102, CSA, VDE
+10 to +70°C	N/A	01149.9-00	UL File No. E164102, CSA
-15 to +45°C	01157.0-00	01156.0-00	UL File No. E164102, CSA
+20 to +80°C	01159.0-00	01158.0-00	UL File No. E164102, CSA, VDE



# REGULATING AND MONITORING

## Tamperproof Dual Thermostat



■ **NC / NO or NO / NO in one unit**

■ **Fixed setpoints**

■ **Color coded modules**

■ **DIN rail mountable**

**Two thermostats in one housing:**

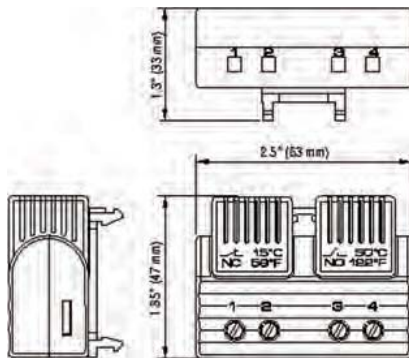
### Tamperproof (Pre-set) Thermostat - NC

Opens on temperature rise (**red** module housing) - for regulating heaters or for switching signal devices when temperature has fallen below the minimum value.

### Tamperproof (Pre-set) Thermostat - NO

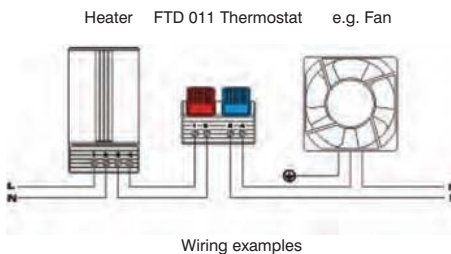
Closes on temperature rise (**blue** module housing) - for regulating filter fans, heat exchangers, cooling devices or for switching signal devices when temperature limit has been exceeded.

Heaters and cooling equipment can be switched independently from each other with a temperature offset as opposed to the usual SPDT/change-over contact.



### Technical Data

<b>Sensor element</b>	thermostatic bimetal
<b>Contact type</b>	snap-action contact
<b>Contact resistance</b>	< 20mΩ
<b>Service life</b>	> 100,000 cycles
<b>Max. switching capacity</b>	10A resistive / 2A inductive @ 120VAC 5A resistive / 1.6A inductive @ 240VAC
	DC 30W
<b>Max. inrush current</b>	AC 10A
<b>EMC</b>	acc. to EN 55014-1-2, EN 61000-3-2, EN 61000-3-3
<b>Connection</b>	4-pole terminal for AWG 14 max. (2.5mm <sup>2</sup> ), torque 0.8Nm max.
<b>Housing</b>	plastic according to UL 94V-0, light grey
<b>Mounting</b>	clip for 35mm DIN rail, EN 60 715
<b>Mounting position</b>	vertical
<b>Operating temperature</b>	-4 to +176°F (-20 to +80°C)
<b>Storage temperature</b>	-49 to +176°F (-45 to +80°C)
<b>Dimensions</b>	1.85 x 2.5 x 1.3" (47 x 63 x 33mm)
<b>Weight</b>	approx. 14.1 oz. (40g)
<b>Protection type</b>	IP20
<b>Approvals</b>	UL File No. E164102, VDE



Part No.	NC - open on rise		NO - close on rise	
	Switch-off temperature	Switch-on temperature	Switch-on temperature	Switch-off temperature
01163.0-00	59°F / 15°C (± 9°F / 5K tolerance)	41°F / 5°C (± 9°F / 5K tolerance)	122°F / 50°C (± 11°F / 6K tolerance)	104°F / 40°C (± 12.6°F / 7K tolerance)
01163.0-01	77°F / 25°C (± 9°F / 5K tolerance)	59°F / 15°C (± 9°F / 5K tolerance)	140°F / 60°C (± 11°F / 6K tolerance)	122°F / 50°C (± 12.6°F / 7K tolerance)
01163.0-02	59°F / 15°C (± 9°F / 5K tolerance)	41°F / 5°C (± 9°F / 5K tolerance)	95°F / 35°C (± 11°F / 6K tolerance)	77°F / 25°C (± 12.6°F / 7K tolerance)
01163.0-03	77°F / 25°C (± 9°F / 5K tolerance)	59°F / 15°C (± 9°F / 5K tolerance)	122°F / 50°C (± 11°F / 6K tolerance)	104°F / 40°C (± 12.6°F / 7K tolerance)
Part No.	NO - close on rise		NO - close on rise	
	Switch-on temperature	Switch-off temperature	Switch-on temperature	Switch-off temperature
01164.0-00	122°F / 50°C (± 11°F / 6K tolerance)	104°F / 40°C (± 12.6°F / 7K tolerance)	140°F / 60°C (± 11°F / 6K tolerance)	122°F / 50°C (± 12.6°F / 7K tolerance)

Data subject to change without notice.



# REGULATING AND MONITORING

## Dual Thermostat



- **NC / NO or NO / NO in one unit**
- **Separate adjustable temperatures**
- **Color coded temperature dials**
- **DIN rail mountable**

The ZR 011 houses two separate thermostats, allowing the independent control of heating and cooling or other equipment.

### Thermostat NC (normally closed):

Thermostat opens at temperature rise - for regulating heaters or for switching signal devices. Comes with **red** temperature dial.

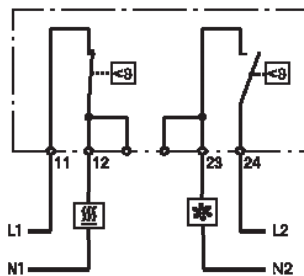
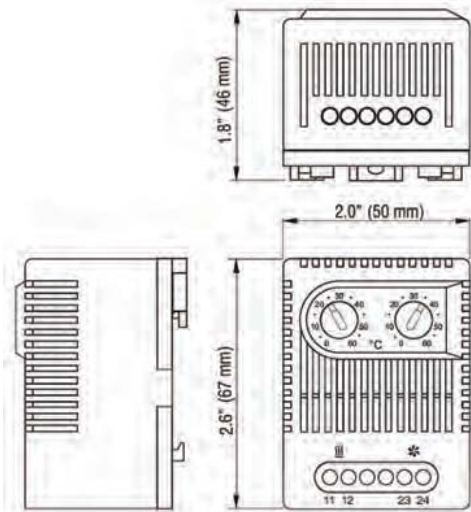
### Thermostat NO (normally open):

Thermostat closes at temperature rise - for regulating filter fans and heat exchangers or for switching signal devices. Comes with **blue** temperature dial.



### Technical Data

Switching difference	12.6°F ± 7°F tolerance (7K ± 4K tolerance)
Sensor element	thermostatic bimetal
Contact type	snap-action contact
Contact resistance	< 10mΩ
Service life	> 100,000 cycles
Max. switching capacity	NC: 10A resistive / 2A inductive at 250VAC NO: 5A resistive / 2A inductive @ 250VAC
EMC	DC 30W
EMC	acc. to EN 55014-1-2, EN 61000-3-2, EN 61000-3-3
Connection	4-pole terminal, clamping torque 0.5Nm max.: solid wire - AWG 14 max. (2.5mm <sup>2</sup> ) stranded wire (with wire end ferrule) - AWG 16 max. (1.5mm <sup>2</sup> )
Housing	plastic, UL 94V-0, light grey
Mounting	clip for 35mm DIN rail, EN 60 715
Mounting position	vertical
Operating / Storage temperature	-49 to +176°F (-45 to +80°C)
Dimensions	2.6 x 2.0 x 1.8" (67 x 50 x 46mm)
Weight	approx. 3.2 oz. (90g)
Protection type	IP20
Approvals	UL File No. E164102, CSA



Enclosure heater



Filter fan, cooling equipment, signal device

Data subject to change without notice.

Part No.	Setting Range		Setting Range	
	NC - open on rise	NO - close on rise	NO - close on rise	NO - close on rise
01172.0-00	0 to +60°C	0 to +60°C	0 to +60°C	0 to +60°C
01172.0-01	+32 to +140°F	+32 to +140°F	+32 to +140°F	+32 to +140°F
01175.0-00	-10 to +50°C	-10 to +50°C	+20 to +80°C	+20 to +80°C
01175.0-01	14 to +122°F	14 to +122°F	+68 to +176°F	+68 to +176°F
01176.0-00	0 to +60°C	0 to +60°C	0 to +60°C	0 to +60°C
01176.0-01	+32 to +140°F	+32 to +140°F	+32 to +140°F	+32 to +140°F

# REGULATING AND MONITORING

## Mechanical Thermostat



**Wide adjustment range**

**High switching capacity**

**SPDT (Change-over) contact**

**DIN rail mountable**

The FZK 011 mechanical thermostat is used for controlling heating and cooling equipment, filter fans or signal devices where a higher degree of sensing accuracy is required. An integrated resistor (RF) can be connected to improve the switch temperature difference.<sup>1)</sup>

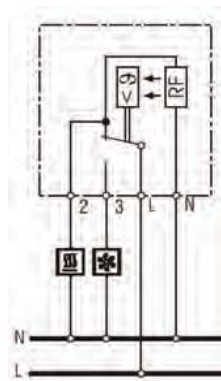
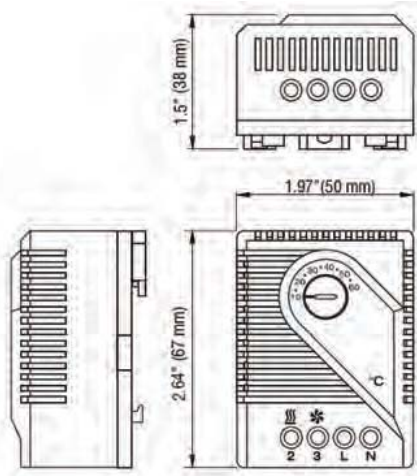
The thermostat registers the surrounding air and can switch both inductive and resistive loads via snap-action contact.



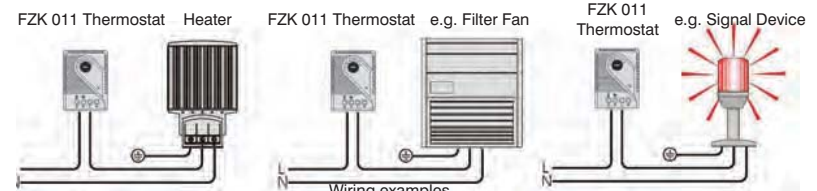
### Technical Data

<b>Switching difference</b>	approx. 7°F (4K), ± 2.7°F (1.5K) tolerance <sup>1)</sup>
<b>Sensor element</b>	thermostatic bimetal
<b>Contact type</b>	SPDT / change-over contact
<b>Contact resistance</b>	< 10mΩ
<b>Service life</b>	> 100,000 cycles
<b>Max. switching capacity, NC</b>	10A resistive / 4A inductive @ 120VAC 10A resistive / 4A inductive @ 250VAC DC 30W
<b>Max. switching capacity, NO</b>	5A resistive / 2A inductive @ 120VAC 5A resistive / 2A inductive @ 250VAC DC 30W
<b>EMC</b>	acc. to EN 55014-1-2, EN 61000-3-2, EN 61000-3-3
<b>Connection</b>	4-pole terminal, clamping torque 0.5Nm max.: solid wire - AWG 14 max. (2.5mm <sup>2</sup> ) stranded wire (with wire end ferrule) - AWG 16 max. (1.5mm <sup>2</sup> )
<b>Housing</b>	plastic, UL 94V-0, light grey
<b>Mounting</b>	clip for 35mm DIN rail, EN 60 715
<b>Mounting position</b>	vertical
<b>Operating temperature</b>	-4 to +176°F (-20 to +80°C)
<b>Storage temperature</b>	-49 to +176°F (-45 to +80°C)
<b>Dimensions</b>	2.64 x 1.97 x 1.5" (67 x 50 x 38mm)
<b>Weight</b>	approx. 3.5 oz. (100g)
<b>Protection type</b>	IP20

<sup>1)</sup> Connecting terminal "N" (RF heating resistor) causes the thermal feedback to work, reducing the switch temperature difference to approx. 1°F (0.5K).



Enclosure heater  
 Filter fan, cooling equipment, signal device



Part No.	Operating voltage <sup>2)</sup>	Setting range	Approvals
01170.0-00	230VAC	5 to 60°C	UL File No. E164102
01170.0-01	230VAC	40 to 140°F	UL File No. E164102
01170.9-00	120VAC	40 to 140°F	UL File No. E164102
01170.9-01	120VAC	5 to 60°C	UL File No. E164102

<sup>2)</sup> Voltage only needs to be specified if the optional use of the RF resistor is desired.

Data subject to change without notice.





# REGULATING AND MONITORING

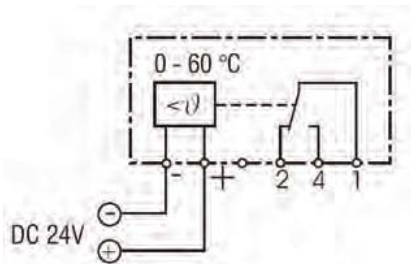
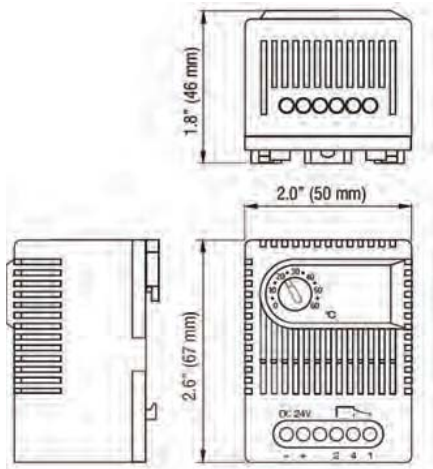
## Electronic Thermostat (24VDC)



- **16 Amp DC switching capacity**
- **Low hysteresis**
- **Wide adjustment range**
- **DIN rail mountable**

The ET 011 is an electronic thermostat for regulating high performance DC 24V equipment. Heating or cooling equipment, as well as signal devices, can be switched via the SPDT (change-over) contact.

A relatively small hysteresis sets the ET 011 Thermostat apart from less accurate mechanical thermostats.



### Technical Data

<b>Switching difference</b>	approx. 5.4°F (3K)
<b>Sensor element</b>	PTC
<b>Contact type</b>	SPDT / change-over contact
<b>Contact resistance</b>	< 10mΩ
<b>Service life</b>	> 100,000 cycles
<b>Max. switching capacity</b>	16A @ 28VDC
<b>EMC</b>	acc. to EN 55014-1-2, EN 61000-3-2, EN 61000-3-3
<b>Connection</b>	5-pole terminal, clamping torque 0.5Nm max.: solid wire - AWG 14 max. (2.5mm <sup>2</sup> ) stranded wire (with wire end ferrule) - AWG 16 max. (1.5mm <sup>2</sup> )
<b>Housing</b>	plastic, UL 94V-0, light grey
<b>Mounting</b>	clip for 35mm DIN rail, EN 60 715
<b>Mounting position</b>	vertical
<b>Operating temperature</b>	+32 to +140°F (0 to +60°C)
<b>Storage temperature</b>	-49 to +176°F (-45 to +80°C)
<b>Dimensions</b>	2.6 x 2.0 x 1.8" (67 x 50 x 46mm)
<b>Weight</b>	approx. 2.8 oz. (80g)
<b>Protection type</b>	IP20

ET 011 Thermostat

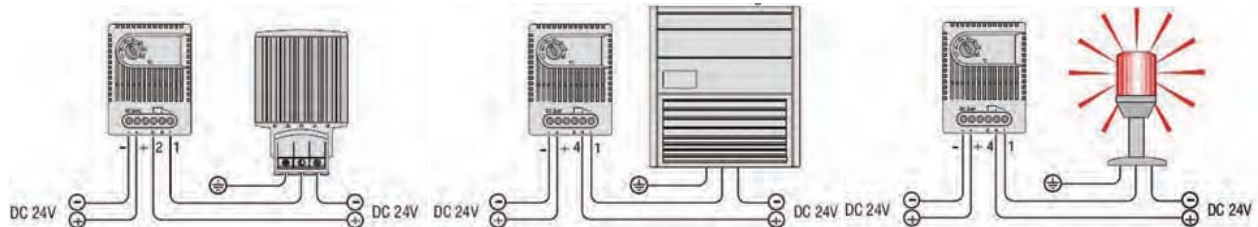
Heater

ET 011 Thermostat

e.g. Filter Fan

ET 011 Thermostat

e.g. Signal Device



Wiring examples

Part No.	Operating voltage	Setting range
01190.0-00	24VDC (20-28VDC)	0 to 60°C
01190.0-01	24VDC (20-28VDC)	32 to 140°F

Data subject to change without notice.



# REGULATING AND MONITORING

## Explosion-proof Thermostat



- **Compact design**
- **Fixed temperature setpoints**
- **High switching capacity**
- **DIN rail mountable**

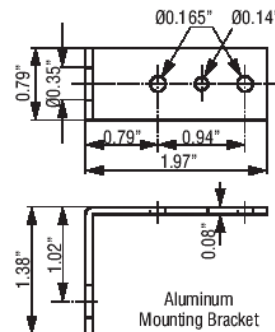
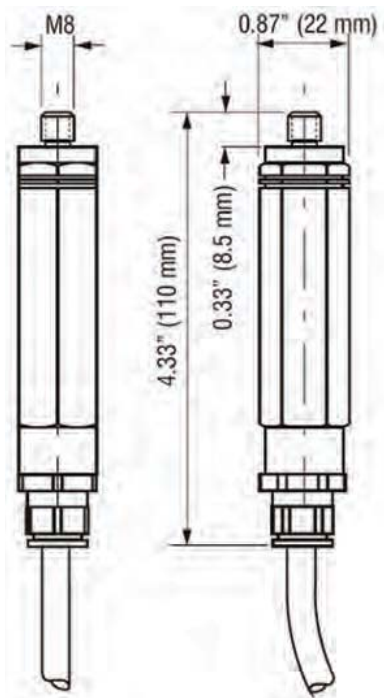
The design of the REx 011 thermostat ensures high accuracy, small switching difference (hysteresis) and a long service life.

Because of the high switching capacity of the thermostat, heaters can usually be directly connected and switched without the need for additional relays.



### Technical Data

<b>Explosion proof according to EN</b>	LCIE (Laboratoire Central des Industries Electriques)
<b>Conformity certificate</b>	01 ATEX 6074/02, LCIE N°06 ATEX Q8011, IECEx LCI 07. 0021
<b>Sensor element</b>	thermostatic bimetal
<b>Contact type</b>	opens on temperature rise
<b>Service life</b>	> 100,000 cycles
<b>Max. switching capacity</b>	4A resistive / 1A inductive @ 250VAC
<b>Connection</b>	Si HF - JZ 3 x AWG 18 (0.75mm <sup>2</sup> ), length 3.3 ft (1m)
<b>Housing</b>	aluminum, black anodized
<b>Mounting</b>	mounting bracket with M8 nut and clip for 35mm DIN rail
<b>Mounting position</b>	variable
<b>Operating temperature</b>	-4 to +104°F (-20 to +40°C)
<b>Storage temperature</b>	-49 to +158°F (-45 to +70°C)
<b>Weight</b>	approx. 7 oz. (200g)
<b>Protection class</b>	I (grounded)
<b>Protection type</b>	IP65



Part No.	Ex protection type	Switch-off temperature	Switching difference
01180.0-00	II 2 G D - EEx d IIC T6 IP6x T85°C	59°F ± 7°F tolerance (15°C ± 4K tolerance)	7°F ± 2°F tolerance (4K ± 1K tolerance)
01181.0-00	II 2 G D - EEx d IIC T6 IP6x T85°C	77°F ± 7°F tolerance (25°C ± 4K tolerance)	7°F ± 2°F tolerance (4K ± 1K tolerance)

Data subject to change without notice.



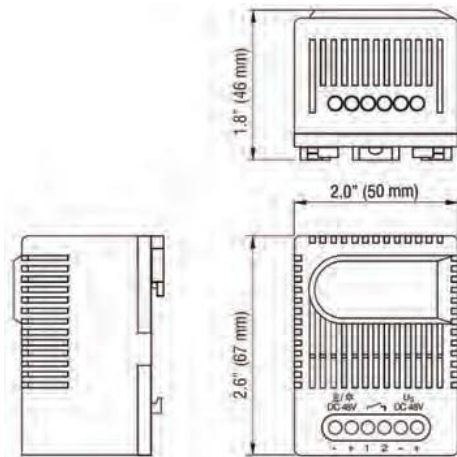
# REGULATING AND MONITORING

## Electronic Relay (24VDC & 48VDC)



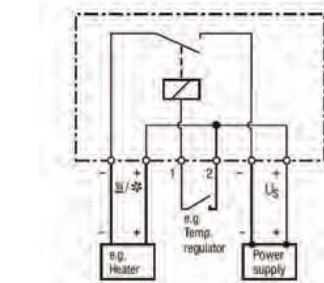
- 16 Amp DC switching capacity
- Variety of applications
- Compact design
- DIN rail mountable

The SM 010 Electronic Relay is used for switching high powered DC operated equipment, such as heaters, up to 16 amps. A separate conventional switch contact is used as controller (e.g. thermostat, hygrostat). The electronic relay is available in 24VDC and 48VDC versions.



### Technical Data

<b>Contact type</b>	NO - normally open (Relay/MOSFET)
<b>Contact resistance</b>	< 10mΩ
<b>Service life</b>	> 100,000 cycles
<b>EMC</b>	acc. to EN 55014-1-2, EN 61000-3-2, EN 61000-3-3
<b>Connection</b>	6-pole terminal, clamping torque 0.5Nm max.: solid wire - AWG 14 max. (2.5mm <sup>2</sup> ) stranded wire (with wire end ferrule) - AWG 16 (1.5mm <sup>2</sup> )
<b>Housing</b>	plastic, UL 94V-0, light grey
<b>Mounting</b>	clip for 35mm DIN rail, EN 60 715
<b>Mounting position</b>	vertical
<b>Operating / Storage temperature</b>	-49 to +158°F (-45 to +70°C)
<b>Dimensions</b>	2.6 x 2.0 x 1.8" (67 x 50 x 46mm)
<b>Weight</b>	approx. 3.0 oz. (85g)
<b>Protection type</b>	IP20
<b>Approvals</b>	VDE intended



Load, e.g. heater, cooling device with temperature limiter

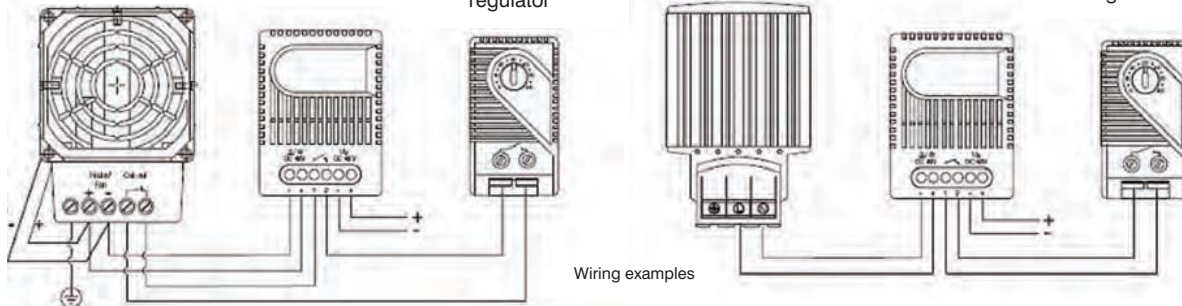
SM 010 Electronic relay

Control contact, e.g. thermostat, hygrostat, or pressure regulator

Load, e.g. heater, cooling device without temperature limiter

SM 010 Electronic relay

Control contact, e.g. thermostat, hygrostat, or pressure regulator



Wiring examples

Part No.	Operating voltage	Max. Switching capacity
01000.0-00	48VDC (38-56VDC)	16A @ 56VDC
01001.0-00	24VDC (20-28VDC)	16A @ 28VDC

Data subject to change without notice.

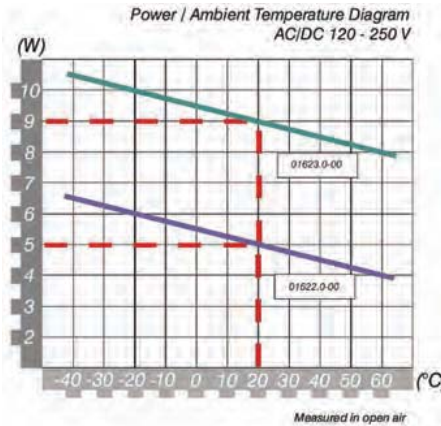
# HEATING

## PTC Heater 5 & 9W



- Compact size**
- Wide voltage range**
- Heating power adjusts to ambient temperature**
- Energy saving**

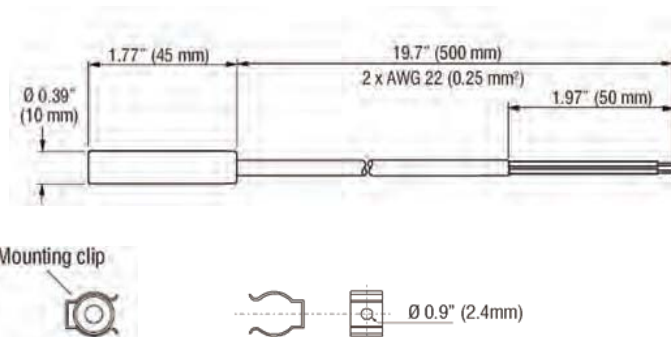
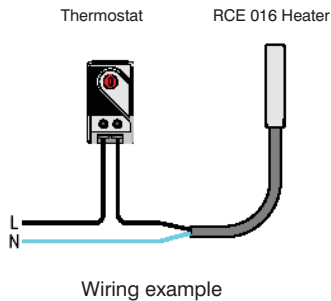
The RCE 016 small heaters have been designed to prevent condensation and to ensure a minimum operating temperature in small enclosures.



### Technical Data

Operating voltage*	see table below
Heating element	PTC resistor - temperature limiting
Heater body	aluminum, anodized
Insulation	PTFE / Kapton
Mounting	2 pressure clips included (mounting screws not included)
Mounting position	variable
Operating / Storage temperature	-49 to +158°F (-45 to +70°C)
Protection class	II (double insulated)
Protection type	IP32

\*Operating with voltages below 140V AC/DC reduces heating performance by approx. 10%.



Data subject to change without notice.

Part No.	Heating capacity <sup>1)</sup>	Operating voltage	Max. current (inrush)	Surface temperature (approx.) <sup>1)</sup>	Weight (approx.)	Approvals
01622.0-03	5W	AC/DC 120-250V	2.0A	329°F (165°C)	0.7 oz. (20g)	UL File No. E150057, VDE
01623.0-01	9W	AC/DC 120-250V	2.5A	347°F (175°C)	0.7 oz. (20g)	UL File No. E150057, VDE
01624.0-03	5W	AC/DC 12-30V	5.8A	284°F (140°C)	0.7 oz. (20g)	UL File No. E150057
01625.0-02	9W	AC/DC 12-30V	2.4A	360°F (182°C)	0.7 oz. (20g)	UL File No. E150057

<sup>1)</sup>at 68°F (20°C) ambient temperature





# HEATING

## PTC Heater 8 - 13W



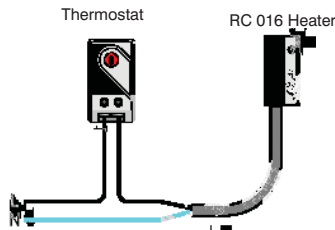
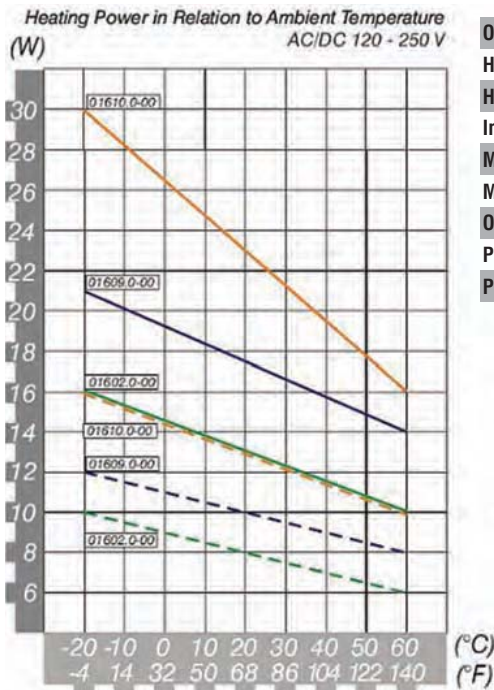
- Compact size**
- Wide voltage range**
- Heating power adjusts to ambient temperature**
- Energy saving**

The RC 016 small heaters are designed to prevent condensation and to ensure a minimum operating temperature in small enclosures.

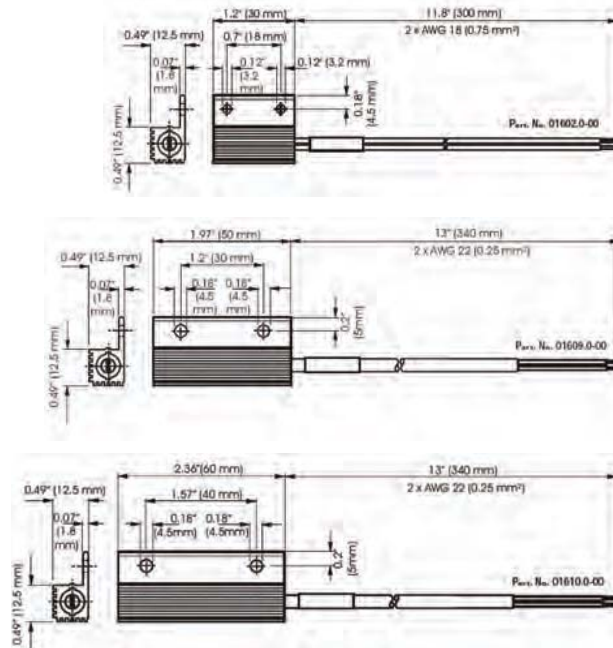


### Technical Data

Operating voltage	see table below
Heating element	PTC resistor - temperature limiting
Heater body	aluminum, anodized
Insulation	PTFE / Kapton
Mounting	screw (mounting screws not included)
Mounting position	variable
Operating / Storage temperature	-49 to +158°F (-45 to +70°C)
Protection class	II (double insulated)
Protection type	IP32



Wiring example



Part No.	Heating capacity <sup>1)</sup>	Operating voltage	Max. current (inrush)	Surface temperature (approx.) <sup>1)</sup>	Weight (approx.)	Approvals
01602-0-00	8W	AC/DC 120-240V	2.0A	302°F (150°C)	0.7 oz. (20g)	UL File No. E150057, VDE
01602-0-03	8W	AC/DC 12-30V	3.7A	273°F (134°C)	0.7 oz. (20g)	UL File No. E150057
01609-0-00	10W	AC/DC 120-240V	2.5A	311°F (155°C)	1.0 oz. (30g)	UL File No. E150057, VDE
01609-0-01	10W	AC/DC 12-30V	5.7A	270°F (132°C)	1.0 oz. (30g)	UL File No. E150057
01610-0-00	13W	AC/DC 120-240V	3.0A	338°F (170°C)	1.4 oz. (40g)	UL File No. E150057, VDE
01610-0-01	13W	AC/DC 12-30V	10.0A	298°F (148°C)	1.4 oz. (40g)	UL File No. E150057

<sup>1)</sup> at 68°F (20°C) ambient temperature

<sup>2)</sup> operating with voltages below 140V AC/DC reduces heating performance by approx. 10% (min. 110V, max 265V).

Data subject to change without notice.



# HEATING

## Touch-Safe Heater 10 & 20W



- Low surface temperature
- Compact size
- Wide voltage range
- Double insulated protection
- DIN rail mountable

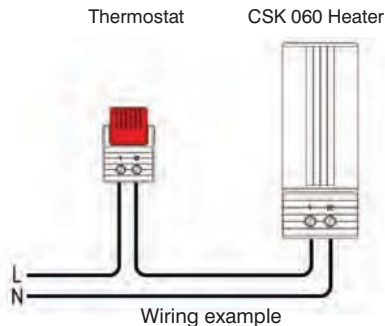
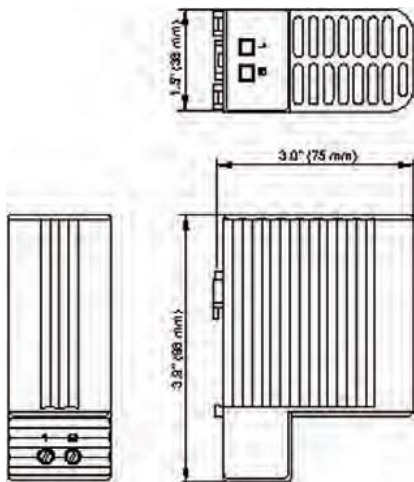
The CSK 060 is a touch-safe heater for use in enclosures. The design of the heater utilizes natural convection which results in a circulating current of warm air. The surface temperatures on the accessible side surfaces of the housing are minimized as a result of the heater design.



### Technical Data

Heating capacity	see table
Heating element	PTC resistor - temperature limiting
Surface temperature	< 176°F (80°C), except upper protective grill
Connection	4-pole terminal AWG 14 max (2.5mm <sup>2</sup> ), torque 0.8Nm max.
Mounting	clip for 35mm DIN rail, EN 60 715
Housing	plastic, UL 94V-0, black
Mounting position	vertical
Operating temperature	-4 to +158°F (-20 to +70°C)
Storage temperature	-49 to +158°F (-45 to +70°C)
Protection class	II (double insulated)
Protection type	IP20
Approvals	UL File No. E150057, VDE
Note	other voltages available upon request

\*Operating with voltages below 140VAC reduces heating performance by approx. 10%.



Data subject to change without notice.

Part No.	Heating capacity <sup>1)</sup>	Operating voltage	Max. current (inrush)	Dimensions	Weight (approx.)
06030.0-00	20W	AC/DC 120-240V	2.5A	3.9 x 3.0 x 1.5" (98 x 75 x 38mm)	10.6 oz. (300g)
06040.0-00	10W	AC/DC 120-240V	1.0A	3.9 x 3.0 x 1.5" (98 x 75 x 38mm)	7.1 oz. (200g)
06040.1-00	10W	AC/DC 12-30V	8A	3.9 x 3.0 x 1.5" (98 x 75 x 38mm)	7.1 oz. (200g)

<sup>1)</sup>at 68°F (20°C) ambient temperature



# HEATING

## PTC Heater 10 - 30W



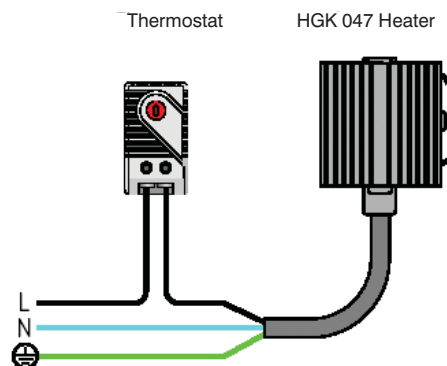
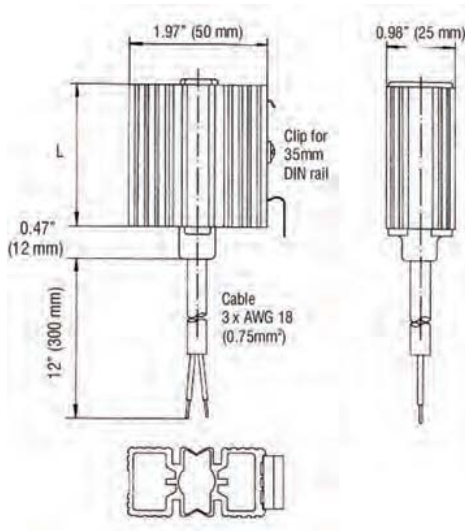
- **Compact size**
- **Wide voltage range**
- **Heating power adjusts to ambient temperature**
- **DIN rail mountable**

The HGK 047 heaters are used in enclosures to maintain minimum operating temperatures and to help prevent failure of electronic components caused by condensation and corrosion.



### Technical Data

Operating voltage	see table below
Heating element	PTC resistor - temperature limiting
Heater body	extruded aluminum profile, anodized
Connection	3 x AWG 20 (0.5mm <sup>2</sup> ), 12" (300mm) length
Mounting	clip for 35mm DIN rail, EN 60 715
Mounting position	vertical
Operating / Storage temperature	-49 to +158°F (-45 to +70°C)
Protection class	I (grounded)
Protection type	IP54



Wiring example

Part No.	Heating capacity <sup>1)</sup>	Operating voltage <sup>2)</sup>	Max. current (inrush)	Length (L)	Weight (approx.)	Approvals
04700.0-00	10W	AC/DC 140-240V	1.0A	1.97" (50mm)	3.5 oz. (100g)	VDE
04701.0-00	20W	AC/DC 140-240V	2.5A	2.36" (60mm)	7.1 oz. (200g)	VDE
04702.0-00	30W	AC/DC 140-240V	3.0A	2.76" (70mm)	7.1 oz. (200g)	VDE
04700.9-00	10W	AC/DC 110-120V	1.0A	1.97" (50mm)	3.5 oz. (100g)	UL File No. E150057
04701.9-00	20W	AC/DC 110-120V	1.5A	2.76" (70mm)	7.1 oz. (200g)	UL File No. E150057
04702.9-00	30W	AC/DC 110-120V	1.5A	3.94" (100mm)	7.1 oz. (200g)	UL File No. E150057

<sup>1)</sup> at 68°F (20°C) ambient temperature

<sup>2)</sup> operating with voltages below 140V AC/DC reduces heating performance by approx. 10% (min. 110V, max 265V).

Data subject to change without notice.

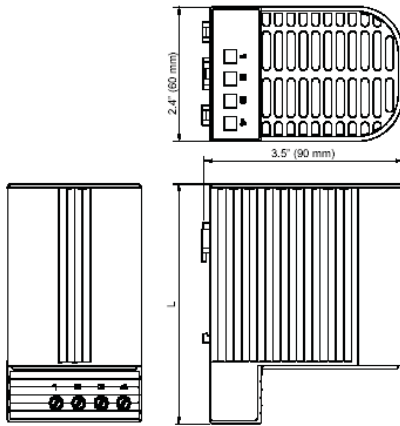
# HEATING

## Touch-Safe Heater 50 - 150W



- **Low surface temperature**
- **Compact size**
- **Wide voltage range**
- **Double insulated protection**
- **DIN rail mountable**

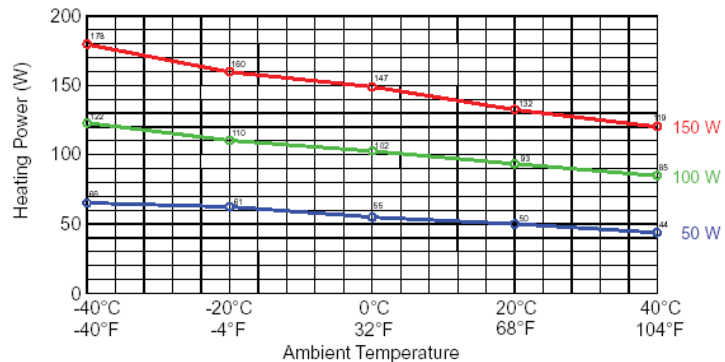
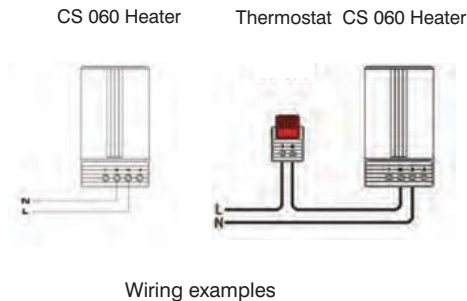
The CS 060 is a touch-safe heater for use in enclosures. The design of the heater utilizes natural convection which results in a circulating current of warm air. The surface temperatures on the accessible side surfaces of the housing are minimized as a result of the heater design. The CS 060 is also available in a version with a plug-in thermostat requiring no additional wiring (CSF 060).



### Technical Data

<b>Operating voltage</b>	120-240VAC* (min. 110V, max. 265V)
<b>Heating capacity</b>	see table
<b>Heating element</b>	PTC resistor - temperature limiting
<b>Surface temperature</b>	< 176°F (80°C), except upper protective grill
<b>Connection</b>	4-pole terminal AWG 14 max (2.5mm <sup>2</sup> ), torque 0.8Nm max.
<b>Housing</b>	plastic, UL 94V-0, black
<b>Mounting</b>	clip for 35mm DIN rail, EN 60 715
<b>Mounting position</b>	vertical
<b>Operating / Storage temperature</b>	-4 to +158°F (-20 to +70°C) / -49 to +158°F (-45 to +70°C)
<b>Protection class / Protection type</b>	II (double insulated) / IP20
<b>Approvals</b>	UL File No. E150057, VDE
<b>Note</b>	other voltages available upon request

\*Operating with voltages below 140V AC/DC reduces heating performance by approx. 10%.



Data subject to change without notice.

Part No.	Heating capacity <sup>1)</sup>	Max. current (inrush)	Air outlet temperature <sup>2)</sup>	Dimensions	Weight (approx.)
06000.0-00	50W	2.5A	187°F (86°C)	4.3 x 2.4 x 3.5" (110 x 60 x 90mm)	290g
06010.0-00	100W	4.5A	248°F (120°C)	4.3 x 2.4 x 3.5" (110 x 60 x 90mm)	300g
06020.0-00	150W	8A	293°F (145°C)	5.9 x 2.4 x 3.5" (150 x 60 x 90mm)	440g

<sup>1)</sup> see Heating capacity / Ambient temperature diagram

<sup>2)</sup> measured 2" (50mm) above protective grill

<sup>3)</sup> tolerance of ± 5K



# HEATING

## Touch-Safe Heater 50W - 150W



- **Low surface temperature**
- **Integrated thermostat**
- **Compact size**
- **Wide voltage range**
- **Double insulated protection**
- **DIN rail mountable**

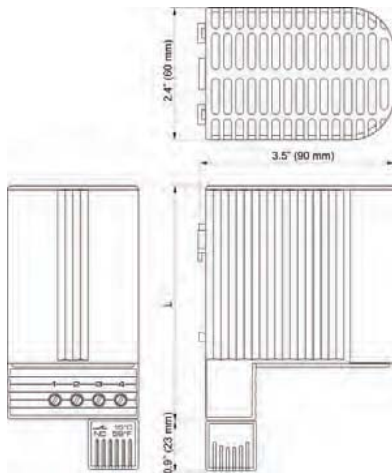
The CSF 060 is a touch-safe heater for use in enclosures. The design of the heater utilizes natural convection which results in a circulating current of warm air. The surface temperatures on the accessible side surfaces of the housing are minimized as a result of the heater design. This model with plug-in thermostat does not require additional wiring. The CSF 060 is also available in a version without thermostat (CS 060).



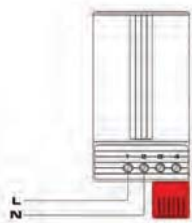
### Technical Data

<b>Operating voltage</b>	120-240VAC* (min. 110V, max. 265V)
<b>Heating capacity</b>	see table
<b>Heating element</b>	PTC resistor - temperature limiting
<b>Surface temperature</b>	< 176°F (80°C), except upper protective grill
<b>Connection</b>	4-pole terminal AWG 14 max (2.5mm <sup>2</sup> ), torque 0.8Nm max.
<b>Housing</b>	plastic, UL 94V-0, black
<b>Mounting</b>	clip for 35mm DIN rail, EN 60 715
<b>Mounting position</b>	vertical
<b>Operating / Storage temperature</b>	-4 to +158°F (-20 to +70°C) / -49 to +158°F (-45 to +70°C)
<b>Protection class</b>	II (double insulated)
<b>Protection type</b>	IP 20
<b>Approvals</b>	UL File No. E150057, VDE

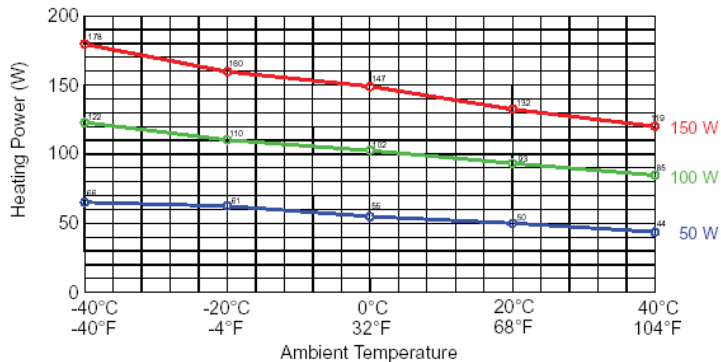
\*Operating with voltages below 140VAC reduces heating performance by approx. 10%.



CSF 060 Heater



Wiring example



Data subject to change without notice.

Part No.	Heating capacity <sup>1)</sup>	Max. current (inrush)	Air outlet temperature <sup>2)</sup>	Switch-off temperature <sup>3)</sup>	Switch-on temperature <sup>3)</sup>	Dimensions	Weight (approx.)
06001.0-00	50W	2.5A	187°F (86°C)	59°F (15°C)	41°F (5°C)	5.2 x 2.4 x 3.5" (133 x 60 x 90mm)	10.6 oz. (300g)
06002.0-00	50W	2.5A	187°F (86°C)	77°F (25°C)	59°F (15°C)	5.2 x 2.4 x 3.5" (133 x 60 x 90mm)	10.6 oz. (300g)
06011.0-00	100W	4.5A	248°F (120°C)	59°F (15°C)	41°F (5°C)	5.2 x 2.4 x 3.5" (133 x 60 x 90mm)	10.9 oz. (310g)
06012.0-00	100W	4.5A	248°F (120°C)	77°F (25°C)	59°F (15°C)	5.2 x 2.4 x 3.5" (133 x 60 x 90mm)	10.9 oz. (310g)
06021.0-00	150W	8.0A	293°F (145°C)	59°F (15°C)	41°F (5°C)	6.8 x 2.4 x 3.5" (173 x 60 x 90mm)	15.5 oz. (440g)
06022.0-00	150W	8.0A	293°F (145°C)	77°F (25°C)	59°F (15°C)	6.8 x 2.4 x 3.5" (173 x 60 x 90mm)	15.5 oz. (440g)

<sup>1)</sup> see Heating capacity / Ambient temperature diagram

<sup>2)</sup> measured 2" (50mm) above protective grill

<sup>3)</sup> tolerance of ± 5K



# HEATING

## PTC Heater 15 -150W

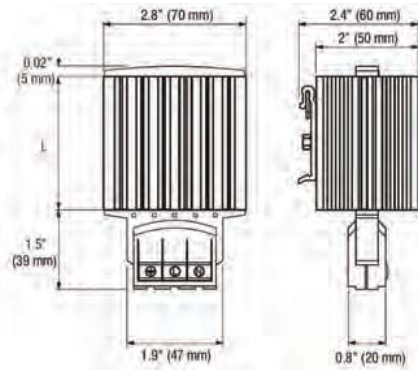


- **Compact size**
- **Wide voltage range**
- **Heating power adjusts to ambient temperature**
- **Cage clamp connectors for quick & easy wiring**
- **DIN rail mountable**

These heaters are used in enclosures where damage from condensation must be prevented, or where the temperature must be maintained above a minimum value. The aluminum profile heater body design has a chimney effect to distribute heat evenly. The cage clamp connectors save time and simplify installation.



### Technical Data

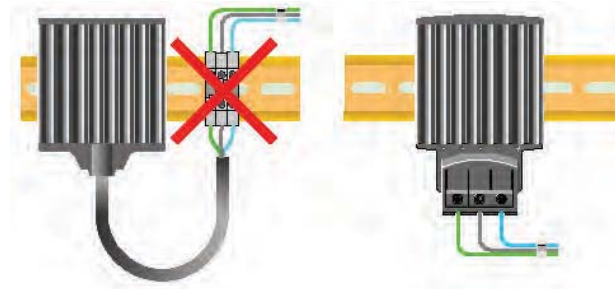


<b>Operating voltage</b>	120-240V AC/DC* (min. 110V, max. 265V)
<b>Heating element</b>	PTC resistor - temperature limiting
<b>Heater body</b>	extruded aluminum profile, anodized
<b>Connection</b>	3 cage clamps for solid wire AWG 20-14 (0.5-2.5mm <sup>2</sup> ), and stranded wire AWG 20-16 (0.5-1.5mm <sup>2</sup> ) with wire end ferrule
<b>Connection casing</b>	plastic, UL 94V-0, black
<b>Mounting</b>	clip for 35mm DIN rail, EN 60 715
<b>Mounting position</b>	vertical
<b>Operating / Storage temperature</b>	-49 to +158°F (-45 to +70°C)
<b>Protection class</b>	I (grounded)
<b>Protection type</b>	IP20
<b>Approvals</b>	UL File No. E150057, VDE

**Note**

other voltages available upon request

\*Operating with voltages below 140V AC/DC reduces heating performance by approx. 10%.



Part No.	Heating capacity <sup>1)</sup>	Max. current (inrush)	Length (L)	Weight (approx.)
14000.0-00	15W	1.5A	2.6" (65mm)	10.6 oz. (300g)
14001.0-00	30W	3.0A	2.6" (65mm)	10.6 oz. (300g)
14003.0-00	45W	3.5A	2.6" (65mm)	10.6 oz. (300g)
14005.0-00	60W	2.5A	5.5" (140mm)	14.1 oz. (400g)
14006.0-00	75W	4.0A	5.5" (140mm)	17.6 oz. (500g)
14007.0-00	100W	4.5A	5.5" (140mm)	17.6 oz. (500g)
14008.0-00	150W	9.0A	8.7" (220mm)	24.7 oz. (700g)

<sup>1)</sup>at 68°F (20°C) ambient temperature

Data subject to change without notice.



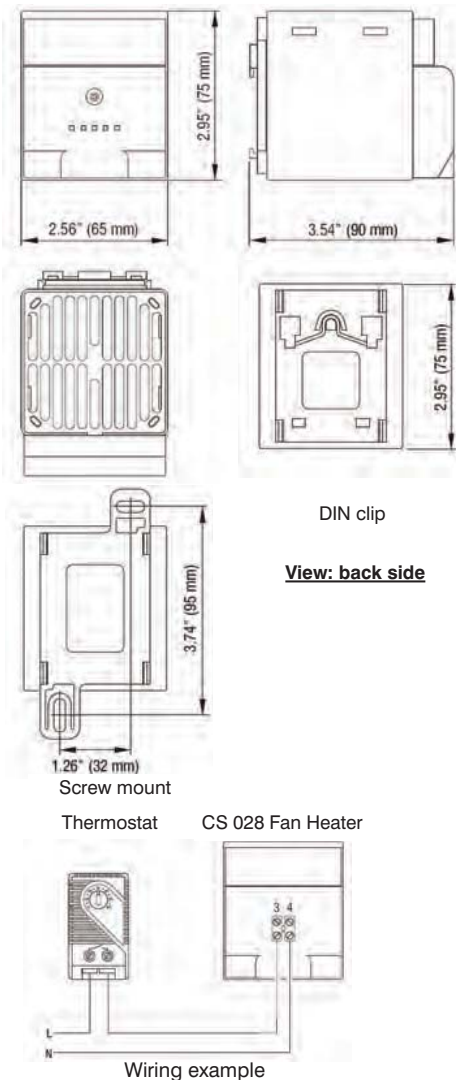
# HEATING

## Touch-Safe PTC Fan Heater 150W



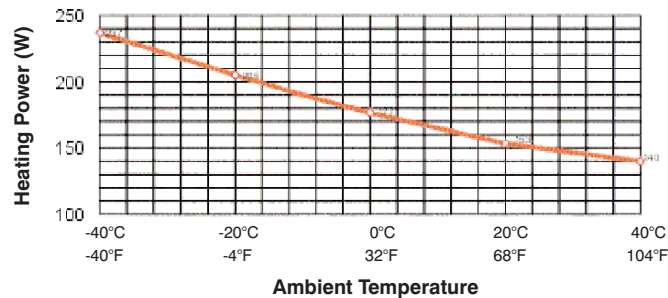
- **Compact size**
- **Quiet operation**
- **Heating power adjusts to ambient temperature**
- **DIN rail or screw mount available**

The CS 028 fan heater prevents formation of condensation and provides an evenly distributed interior air temperature in enclosures. The heater is connected using the internal terminal connectors. The surface temperatures on the accessible side surfaces of the housing are minimized as a result of the heater design. The CS 028's small size make it ideal for use in enclosures where space is at a premium.



### Technical Data

Heating element	PTC resistor - temperature limiting
Max. current (inrush)	2A @ 230VAC, 5A @ 120VAC
Surface temperature	max. 122°F (50°C) at housing, 212°F (100°C) at top grill; measured at 68°F (20°C) ambient temperature
Axial fan, ball bearing	service life 40,000h at 104°F (40°C)
Air flow, free blowing	approx. 8 cfm (13.8 m <sup>3</sup> /h)
Connection	2-pole terminal AWG 14 max. (2.5mm <sup>2</sup> ), torque 0.8Nm max.
Mounting	clip for 35mm DIN rail, EN 60 715 or screw mount
Housing	plastic, UL 94V-0, black
Weight	approx. 10.6 oz. (300g)
Mounting position	vertical
Operating / Storage temperature	-49 to +158°F (-45 to +70°C)
Protection class	II (double insulated)
Protection type	IP20
Note	other voltages available upon request



Data subject to change without notice.

Part No.	Heating capacity <sup>1)</sup>	Operating voltage	Dimensions	Mounting	Approvals
02800.0-00	150W	230VAC, 50/60Hz	2.95 x 2.56 x 3.54" (75 x 65 x 90mm)	DIN clip	UL submitted, VDE
02800.0-01	150W	230VAC, 50/60Hz	4.49 x 2.56 x 3.54" (114 x 65 x 90mm)	Screw mount	UL submitted, VDE
02800.9-00	150W	120VAC, 50/60Hz	2.95 x 2.56 x 3.54" (75 x 65 x 90mm)	DIN clip	UL submitted
02800.9-01	150W	120VAC, 50/60Hz	4.49 x 2.56 x 3.54" (114 x 65 x 90mm)	Screw mount	UL submitted

<sup>1)</sup> at 68°F (20°C) ambient temperature

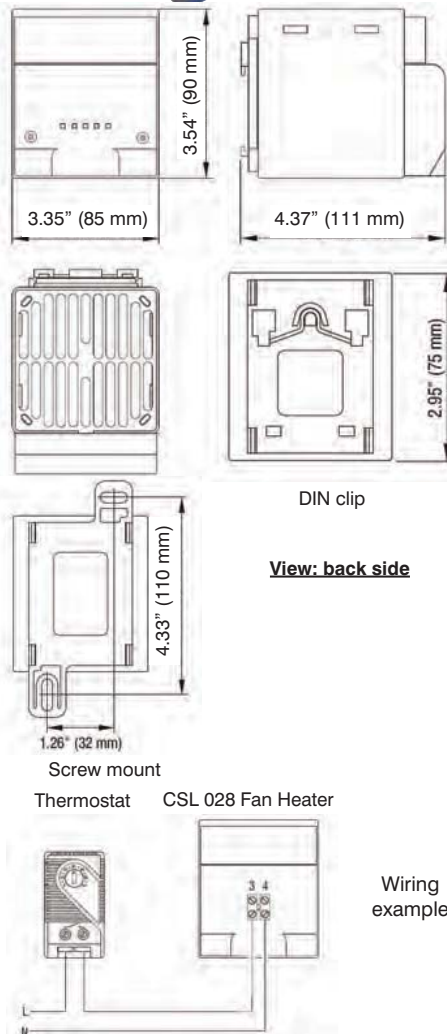
# HEATING

## Touch-safe PTC Fan Heater 250 & 400W



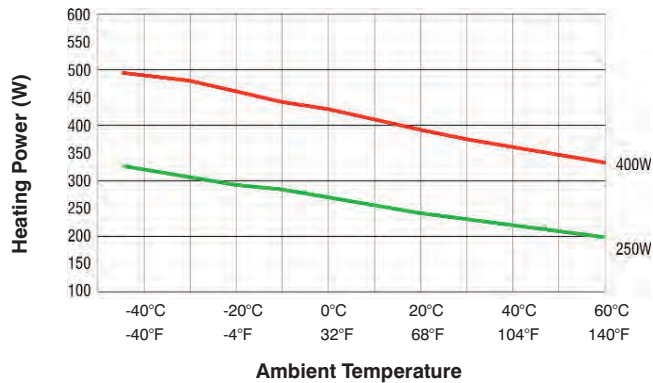
- Compact size**
- Quiet operation**
- Heating power adjusts to ambient temperature**
- DIN rail or screw mount available**

The CSL 028 fan heater prevents formation of condensation and provides an evenly distributed interior air temperature in enclosures. The heater is connected using the internal terminal connectors. The surface temperatures on the accessible side surfaces of the housing are minimized as a result of the heater design. The CSL 028's small size make it ideal for use in enclosures where space is at a premium.



### Technical Data

<b>Heating element</b>	PTC resistor - temperature limiting
<b>Surface temperature</b>	250W: max. 122°F (50°C) except upper protective grill 400W: max. 149°F (65°C) except upper protective grill measured at 68°F (20°C) ambient temperature
<b>Axial fan, ball bearing</b>	service life 40,000h at 104°F (40°C)
<b>Air flow, free blowing</b>	32 cfm (54 m³/h) at 120 VAC; 26 cfm (45 m³/h) at 230VAC
<b>Connection</b>	2-pole terminal AWG 14 max. (2.5mm²) with strain relief, screw torque 0.8Nm max.
<b>Mounting</b>	clip for 35mm DIN rail, EN 60 715 or screw mount
<b>Housing</b>	plastic, UL 94V-0, black
<b>Weight</b>	approx. 17.6 oz. (500g)
<b>Mounting position</b>	vertical
<b>Operating / Storage temperature</b>	-49 to +158°F (-45 to +70°C)
<b>Protection class</b>	II (double insulated)
<b>Protection type</b>	IP20



Thermostat CSL 028 Fan Heater

Wiring example

Part No.	Heating capacity <sup>1)</sup>	Operating voltage	Max. current (inrush)	Dimensions	Mounting	Approvals
02810.0-00	400W	230VAC, 50/60Hz	15A	3.54 x 3.35 x 4.37" (90 x 65 x 111mm)	DIN clip	UL submitted, VDE
02810.0-01	400W	230VAC, 50/60Hz	15A	5.08 x 3.35 x 4.37" (129 x 65 x 111mm)	Screw mount	UL submitted, VDE
02810.9-00	400W	120VAC, 50/60Hz	9A	3.54 x 3.35 x 4.37" (90 x 65 x 111mm)	DIN clip	UL submitted
02810.9-01	400W	120VAC, 50/60Hz	9A	5.08 x 3.35 x 4.37" (129 x 65 x 111mm)	Screw mount	UL submitted
02811.0-00	250W	230VAC, 50/60Hz	9A	3.54 x 3.35 x 4.37" (90 x 65 x 111mm)	DIN clip	UL submitted, VDE
02811.0-01	250W	230VAC, 50/60Hz	9A	5.08 x 3.35 x 4.37" (129 x 65 x 111mm)	Screw mount	UL submitted, VDE
02811.9-00	250W	120VAC, 50/60Hz	6A	3.54 x 3.35 x 4.37" (90 x 65 x 111mm)	DIN clip	UL submitted
02811.9-01	250W	120VAC, 50/60Hz	6A	5.08 x 3.35 x 4.37" (129 x 65 x 111mm)	Screw mount	UL submitted

<sup>1)</sup>at 68°F (20°C) ambient temperature

Data subject to change without notice.





# HEATING

## Fan Heater 100 - 400W



Shown: 100W - HVL 031 Fan Heater

- **Compact size**
- **Flat design**
- **Built-in overheat protection**
- **3-side DIN rail mountable**

The compact HVL 031 high-performance fan heater prevents formation of condensation and provides an evenly distributed interior air temperature in enclosures. For large OEM use, this fan heater can also be provided without the fan, in which case the OEM/customer must provide a fan which meets the minimum airflow requirements.

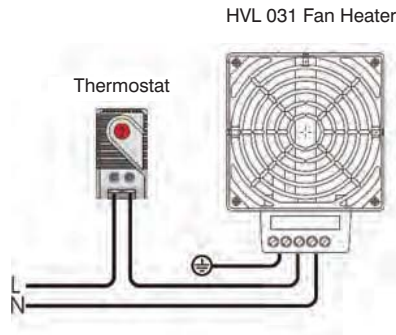
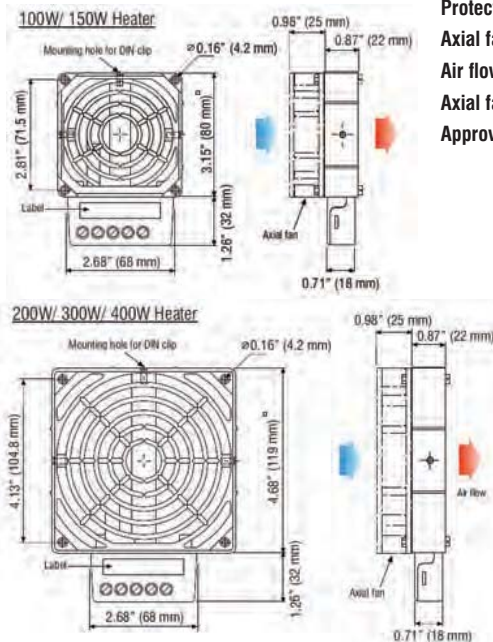


**Important!** Heater must be operated together with a fan. Operating without a fan creates the danger of overheating.



### Technical Data

<b>Heating element</b>	high performance cartridge
<b>Overheat protection</b>	built-in temperature limiter
<b>Heater body</b>	die-cast aluminum, glass bead finish
<b>Connection</b>	3-pole terminal AWG 14 max. (2.5mm <sup>2</sup> ), torque 0.8Nm max..
<b>Connection housing</b>	plastic, UL 94V-0, black
<b>Mounting</b>	clip for 35mm DIN rail, EN 60 715
<b>Mounting position</b>	horizontal
<b>Operating / Storage temperature</b>	-49 to +158°F (-45 to +70°C)
<b>Protection class / Protection type</b>	I (grounded) / IP20
<b>Axial fan, ball bearing</b>	service life 50,000h at 77°F (25°C)
<b>Air flow, free blowing</b>	see table below
<b>Axial fan connection</b>	2-pole terminal AWG 14 max. (2.5mm <sup>2</sup> ), terminals L2/N2
<b>Approvals</b>	UL File No. E187294 (all), VDE (230VAC only)



Data subject to change without notice.

Part No. - 120VAC	Part No. - 230VAC	Heating capacity	Min. airflow (free blowing)	Dimensions (as mounted)	Weight (approx.)
03102.9-00	03102.0-00	100W	20 cfm (35m <sup>3</sup> /h)	1.85 x 3.15 x 4.41" (47 x 80 x 112mm)	1.3 lbs. (600g)
03103.9-00	03103.0-00	150W	20 cfm (35m <sup>3</sup> /h)	1.85 x 3.15 x 4.41" (47 x 80 x 112mm)	1.3 lbs. (600g)
03113.9-00	03113.0-00	200W	63 cfm (108m <sup>3</sup> /h)	1.85 x 4.68 x 5.94" (47 x 119 x 151mm)	2.0 lbs. (900g)
03114.9-00	03114.0-00	300W	63 cfm (108m <sup>3</sup> /h)	1.85 x 4.68 x 5.94" (47 x 119 x 151mm)	2.0 lbs. (900g)
03115.9-00	03115.0-00	400W	63 cfm (108m <sup>3</sup> /h)	1.85 x 4.68 x 5.94" (47 x 119 x 151mm)	2.0 lbs. (900g)



# HEATING

## Fan Heater 250 & 400W



**Compact size**

**Built-in overheat protection**

**Long service life**

**DIN rail mountable**

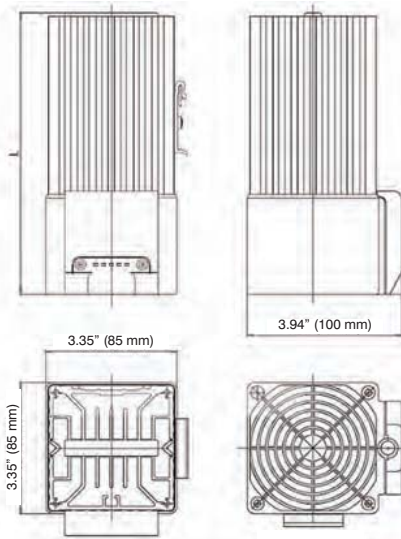
The compact HGL 046 fan heater prevents formation of condensation. The integrated high performance axial fan provides forced air circulation and so guarantees an even temperature in enclosures. The heater is wired using the internal terminal connectors.



### Technical Data

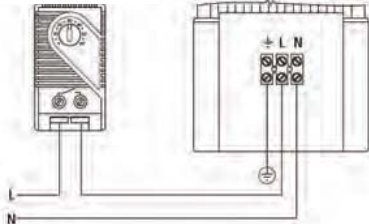
<b>Heating element</b>	resistance - micanite
<b>Overheat protection</b>	built-in temperature limiter
<b>Heater body</b>	extruded aluminum, anodized
<b>Surface temperature</b>	400W heater - max. 167°F (75°C)
<b>Axial fan, ball bearing</b>	service life 50,000h at 77°F (25°C)
<b>Air flow, free blowing</b>	AC: 26 cfm (45m³/h) - 50Hz; 32 cfm (54m³/h) - 60Hz DC: 32 cfm (54m³/h)
<b>Connection</b>	3-pole terminal AWG 16 max. (1.5mm²) with strain relief, clamping torque 0.8Nm max.
<b>Connection housing</b>	plastic, UL 94V-0, black
<b>Mounting</b>	clip for 35mm DIN rail, EN 60 715
<b>Mounting position</b>	vertical
<b>Operating / Storage temperature</b>	-49 to +158°F (-45 to +70°C)
<b>Protection class</b>	I (grounded)
<b>Protection type</b>	IP20

**Note:** In the case of **24VDC** and **48VDC**, the fan heater must be switched via a relay. For this application, the SM 010 Electronic Relay (Part No. 01000.0-00 or 01001.0-00) is recommended.



**Pilot contact**  
e.g. KT 011  
Thermostat

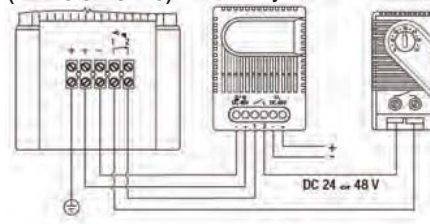
**Heater**  
Fan Heater HGL 046  
(120VAC or 230VAC)



**Heater**  
Fan Heater HGL 046  
(24VDC or 48VDC)

**SM 010  
Electronic  
relay**

**Pilot contact**  
e.g. KT 011 Thermostat



Part No.	Heating capacity	Operating voltage	Length (L)	Weight (approx.)	Approvals
04640.0-00	250W	230VAC, 50/60Hz	7.2" (182mm)	2.4 lbs. (1.1kg)	UL File No. E150057, VDE
04641.0-00	400W	230VAC, 50/60Hz	8.7" (222mm)	3.1 lbs. (1.4kg)	UL File No. E150057, VDE
04640.9-00	250W	120VAC, 50/60Hz	7.2" (182mm)	2.4 lbs. (1.1kg)	UL File No. E150057, VDE
04641.9-00	400W	120VAC, 50/60Hz	8.7" (222mm)	3.1 lbs. (1.4kg)	UL File No. E150057, VDE
04640.1-00	250W	24VDC	7.2" (182mm)	2.4 lbs. (1.1kg)	-
04640.2-00	250W	48VDC	7.2" (182mm)	2.4 lbs. (1.1kg)	-
04641.2-00	400W	48VDC	8.7" (222mm)	3.1 lbs. (1.4kg)	-

Data subject to change without notice.



# HEATING

## PTC Fan Heater 400 - 650W



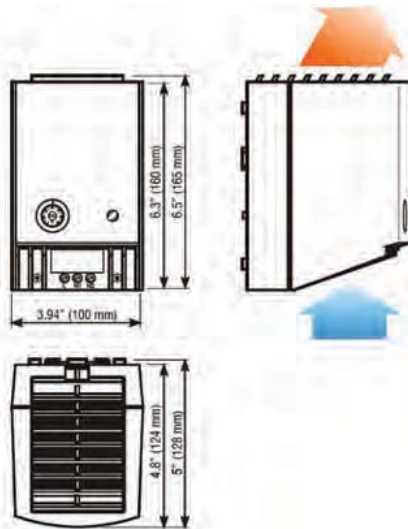
- Compact fan heater
- Heating power adjusts to ambient temperature
- Integrated adjustable thermostat
- Built-in overheat protection
- DIN rail mountable

Semiconductor fan heaters prevent the formation of condensation and ensure an even temperature in enclosures. The integrated thermostat is used to set the desired temperature.

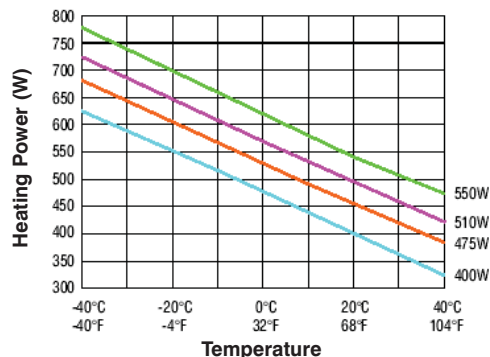


### Technical Data

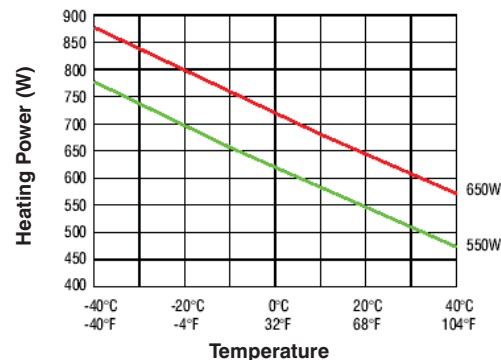
Heating element	PTC resistor - temperature limiting
Overheat protection	built-in temperature limiter
Axial fan, ball bearing	service life 50,000h at 77°F (25°C)
Air flow, free blowing	see table below
Connection	2-pole terminal AWG 14 max. (2.5mm <sup>2</sup> ), torque 0.8Nm max.
Housing	plastic, UL 94V-0, light grey
Function control light	LED
Mounting	clip for 35mm DIN rail, EN 60 715
Mounting position	vertical
Operating/Storage temperature	+32 to +140°F (0 to +60°C) / -49 to +158°F (-45 to +70°C)
Dimensions	6.5 x 3.94 x 5.0" (165 x 100 x 128mm)
Protection class	II (double insulated)
Protection type	IP20
Approvals	UL File No. E204590



Heating Power / Ambient Temperature (@ 50Hz)



Heating Power / Ambient Temperature (@ 60Hz)



Data subject to change without notice.

Part No.	Heating capacity <sup>1)</sup> (@ 50Hz)	Heating capacity <sup>1)</sup> (@ 60Hz)	Operating voltage	Max. current (inrush)	Air flow, free blowing	Thermostat setting range	Weight (approx.)
02700.0-00	475W	550W	220-240VAC	11.0A	20 cfm (35m <sup>3</sup> /h)	0 to 60°C	2.0 lbs. (0.9kg)
02701.0-00	550W	650W	220-240VAC	13.0A	26 cfm (45m <sup>3</sup> /h)	0 to 60°C	2.4 lbs. (1.10kg)
02700.9-00	400W	550W	100-120VAC	14.0A	20 cfm (35m <sup>3</sup> /h)	32 to 140°F	2.0 lbs. (0.9kg)
02701.9-00	510W	650W	100-120VAC	15.0A	26 cfm (45m <sup>3</sup> /h)	32 to 140°F	2.4 lbs. (1.10kg)

<sup>1)</sup>at 68°F (20°C) ambient temperature

# HEATING

## Foot-mount Fan Heater 950W



### Compact design

### Built-in overheat protection

### Integrated adjustable thermostat or fixed hygrostat

### Double insulated plastic housing

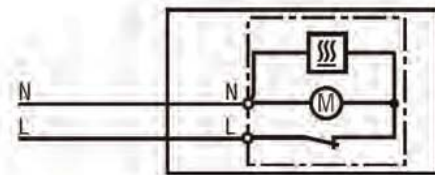
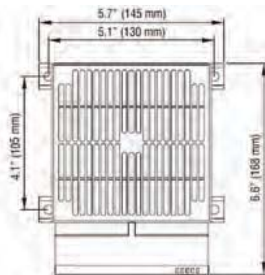
The compact CR 030 high performance fan heater prevents formation of condensation and provides an evenly distributed interior air temperature in enclosures. This fan heater is available with an integrated thermostat for temperature control or a pre-set hygrostat for humidity control. The CR 030 was designed as a stationary unit for the bottom of the enclosure. For panel or DIN rail mount, the CR 130 fan heater is recommended.



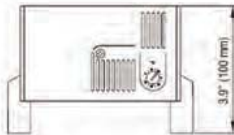
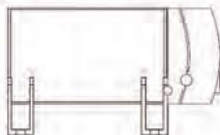
### Technical Data

Heating element	high performance cartridge
Overheat protection	built-in temperature limiter
Heater body	extruded aluminum
Axial fan, ball bearing	service life 50,000h at 77°F (25°C)
Air flow, free blowing	94 cfm (160m³/h)
Connection	2-pole terminal AWG 16 max. (1.5mm²) with strain relief, clamping torque 0.8Nm max.
Housing	plastic, UL 94V-0, black
Mounting	M5 screws (not included)
Mounting position	horizontal
Operating* / Storage temperature	-49 to +158°F (-45 to +70°C)
Dimensions	3.9 x 5.7 x 6.6" (100 x 145 x 168mm)
Weight	approx. 3.1 lbs. (1.4kg)
Protection class	II (double insulated)
Protection type	IP20

\* Operating temperature of heater with integrated hygrostat: +32 to +140°F (0 to +60°C)



Wiring diagram



Data subject to change without notice.

Part No.	Heating capacity	Operating voltage	Setting range	Approvals
03051.0-00	950W	230VAC, 50/60Hz	0 to 60°C	UL File No. E234324, VDE
03051.0-02	950W	230VAC, 50/60Hz	65% RH, factory-set	UL File No. E234324, VDE
03059.9-00	950W	120VAC, 50/60Hz	32 to 140°F	UL File No. E234324
03059.9-02	950W	120VAC, 50/60Hz	none (no integrated controls)	UL File No. E234324



# HEATING

## Panel-mount Fan Heater 950W



- **Compact design**
- **Built-in overheat protection**
- **Integrated adjustable thermostat or fixed hygrosat**
- **Double insulated plastic housing**
- **Panel or DIN rail mounting**

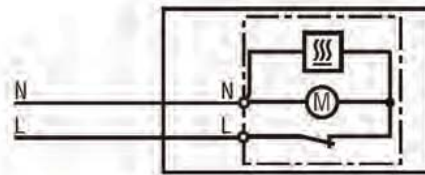
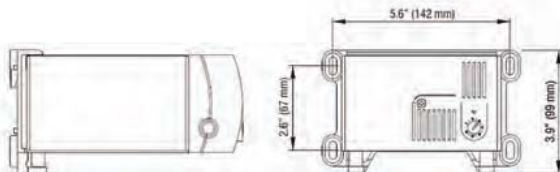
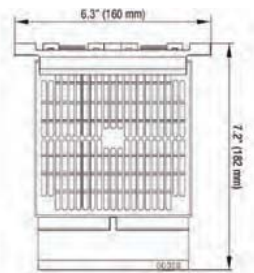
The compact CR 130 high performance fan heater prevents formation of condensation and provides an evenly distributed interior air temperature in enclosures. This fan heater is available with an integrated thermostat for temperature control or a pre-set hygrosat for humidity control. The CR 130 was designed as a stationary unit for panel or DIN rail mounting. For foot mounting on the bottom of an enclosure, the CR 030 fan heater is recommended.



### Technical Data

<p><b>Heating element</b>  <b>Overheat protection</b>  <b>Heater body</b>  <b>Axial fan, ball bearing</b>  <b>Air flow, free blowing</b>  <b>Connection</b></p> <p><b>Housing</b>  <b>Mounting</b>  <b>Mounting position</b>  <b>Operating*/Storage temperature</b>  <b>Dimensions</b>  <b>Weight</b>  <b>Protection class</b>  <b>Protection type</b></p>	<p>high performance cartridge                  built-in temperature limiter                  extruded aluminum                  service life 50,000h at 77°F (25°C)                  94 cfm (160m³/h)                  2-pole terminal AWG 16 max. (1.5mm²) with strain relief, clamping torque 0.8Nm max.                  plastic, UL 94V-0, black                  clip for 35mm DIN rail, EN 60 715 or M6 screws (not included)                  horizontal                  -49 to +158°F (-45 to +70°C)                  3.9 x 6.3 x 7.2" (99 x 160 x 182mm)                  approx. 3.1 lbs. (1.4kg)                  II (double insulated)                  IP20</p>
------------------------------------------------------------------------------------------------------------------------------------------------------------------------------------------------------------------------------------------------------------------------------------------------------------------------------------------------------------------------------------------------------------	-----------------------------------------------------------------------------------------------------------------------------------------------------------------------------------------------------------------------------------------------------------------------------------------------------------------------------------------------------------------------------------------------------------------------------------------------------------------------------------------------------------------------------------------------------------------------------------------------------------------------------------------------------------------------------------------------------------------------------------

\* Operating temperature of heater with integrated hygrosat: +32 to +140°F (0 to +60°C)



Wiring diagram

Data subject to change without notice.

Part No.	Heating capacity	Operating voltage	Setting range	Approvals
13051.0-00	950W	230VAC, 50/60Hz	0 to 60°C	UL File No. E234324, VDE
13051.0-02	950W	230VAC, 50/60Hz	65% RH, factory-set	UL File No. E234324, VDE
13059.9-00	950W	120VAC, 50/60Hz	32 to 140°F	UL File No. E234324
13059.9-02	950W	120VAC, 50/60Hz	none (no integrated controls)	UL File No. E234324



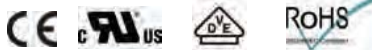
# HEATING

## Foot-mount Fan Heater 1200W



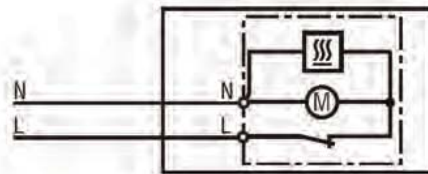
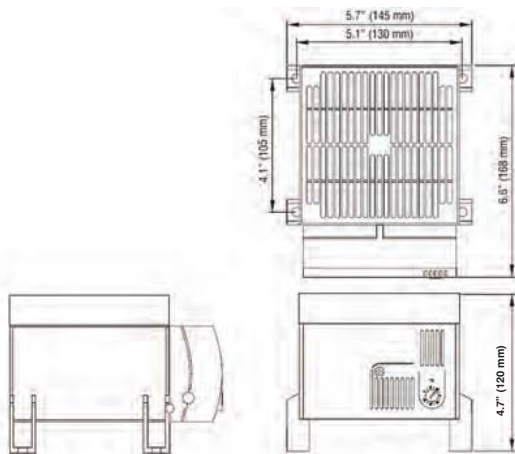
- **Compact design**
- **Built-in overheat protection**
- **Integrated adjustable thermostat (optional)**
- **Double insulated plastic housing**

The compact CS 030 high performance fan heater prevents formation of condensation and provides an evenly distributed interior air temperature in enclosures. This fan heater is available with an optional integrated thermostat for temperature control. The CS 030 was designed as a stationary unit for the bottom of the enclosure. For panel or DIN rail mount, the CS 130 fan heater is recommended.



### Technical Data

<p><b>Heating element</b></p> <p><b>Overheat protection</b></p> <p><b>Axial fan, ball bearing</b></p> <p><b>Air flow, free blowing</b></p> <p><b>Connection</b></p> <p><b>Housing</b></p> <p><b>Mounting</b></p> <p><b>Mounting position</b></p> <p><b>Operating / Storage temperature</b></p> <p><b>Dimensions</b></p> <p><b>Weight</b></p> <p><b>Protection class</b></p> <p><b>Protection type</b></p>	<p>PTC resistor - temperature limiting</p> <p>built-in temperature limiter</p> <p>service life 50,000h at 77°F (25°C)</p> <p>94 cfm (160m³/h)</p> <p>2-pole terminal AWG 16 max. (1.5mm²) with strain relief, clamping torque 0.8Nm max.</p> <p>plastic, UL 94V-0, black</p> <p>M5 screws (not included)</p> <p>horizontal</p> <p>-49 to +158°F (-45 to +70°C)</p> <p>4.7 x 5.7 x 6.6" (120 x 145 x 168mm)</p> <p>approx. 2.6 lbs. (1.2kg)</p> <p>II (double insulated)</p> <p>IP20</p>
--------------------------------------------------------------------------------------------------------------------------------------------------------------------------------------------------------------------------------------------------------------------------------------------------------------------------------------------------------------------------------------------------------------	-----------------------------------------------------------------------------------------------------------------------------------------------------------------------------------------------------------------------------------------------------------------------------------------------------------------------------------------------------------------------------------------------------------------------------------------------------------------------------------------



Wiring diagram

Data subject to change without notice.

Part No.	Heating capacity <sup>1)</sup>	Operating voltage	Max. current (inrush)	Setting range	Approvals
03060.0-00	1200W	230VAC, 50/60Hz	13.0A	0 to 60°C	UL File No. E150057, VDE
03060.0-01	1200W	230VAC, 50/60Hz	13.0A	none (no integrated controls)	UL File No. E150057, VDE
03060.9-00	1200W	120VAC, 50/60Hz	16.0A	32 to 140°F	UL File No. E150057
03060.9-01	1200W	120VAC, 50/60Hz	16.0A	none (no integrated controls)	UL File No. E150057

<sup>1)</sup>at 68°F (20°C) ambient temperature



# HEATING

## Panel-mount Fan Heater 1200W



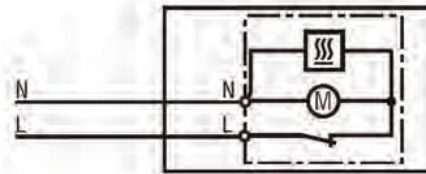
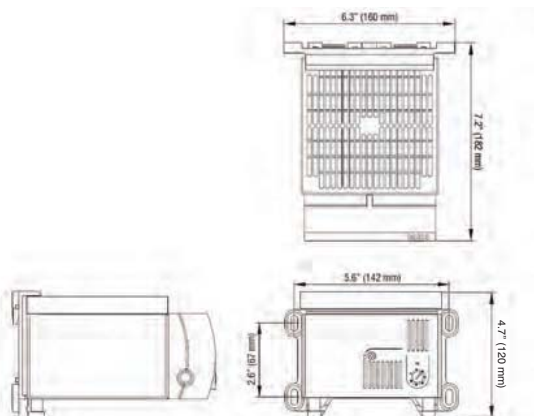
- **Compact design**
- **Built-in overheat protection**
- **Integrated adjustable thermostat (optional)**
- **Double insulated plastic housing**
- **Panel or DIN rail mounting**

The compact CS 130 high performance fan heater prevents formation of condensation and provides an evenly distributed interior air temperature in enclosures. This fan heater is available with an optional integrated thermostat for temperature control. The CS 130 was designed as a stationary unit for panel or DIN rail mounting. For foot mounting on the bottom of an enclosure, the CS 030 fan heater is recommended.



### Technical Data

<b>Heating element</b>	PTC resistor - temperature limiting
<b>Overheat protection</b>	built-in temperature limiter
<b>Axial fan, ball bearing</b>	service life 50,000h at 77°F (25°C)
<b>Air flow, free blowing</b>	94 cfm (160m <sup>3</sup> /h)
<b>Connection</b>	2-pole terminal AWG 16 max. (1.5mm <sup>2</sup> ) with strain relief, clamping torque 0.8Nm max.
<b>Housing</b>	plastic, UL 94V-0, black
<b>Mounting</b>	clip for 35mm DIN rail, EN 60 715 or M6 screws (not included)
<b>Mounting position</b>	horizontal
<b>Operating/Storage temperature</b>	-49 to +158°F (-45 to +70°C)
<b>Dimensions</b>	4.7 x 6.3 x 7.2" (120 x 160 x 182mm)
<b>Weight</b>	approx. 2.6 lbs. (1.2kg)
<b>Protection class</b>	II (double insulated)
<b>Protection type</b>	IP20



Wiring diagram

Data subject to change without notice.

Part No.	Heating capacity <sup>1)</sup>	Operating voltage	Max. current (inrush)	Setting range	Approvals
13060.0-00	1200W	230VAC, 50/60Hz	13.0A	0 to 60°C	UL File No. E150057, VDE
13060.0-01	1200W	230VAC, 50/60Hz	13.0A	none (no integrated controls)	UL File No. E150057, VDE
13060.9-00	1200W	120VAC, 50/60Hz	16.0A	32 to 140°F	UL File No. E150057
13060.9-01	1200W	120VAC, 50/60Hz	16.0A	none (no integrated controls)	UL File No. E150057

<sup>1)</sup> at 68°F (20°C) ambient temperature

# HEATING

## Explosion-proof Heater



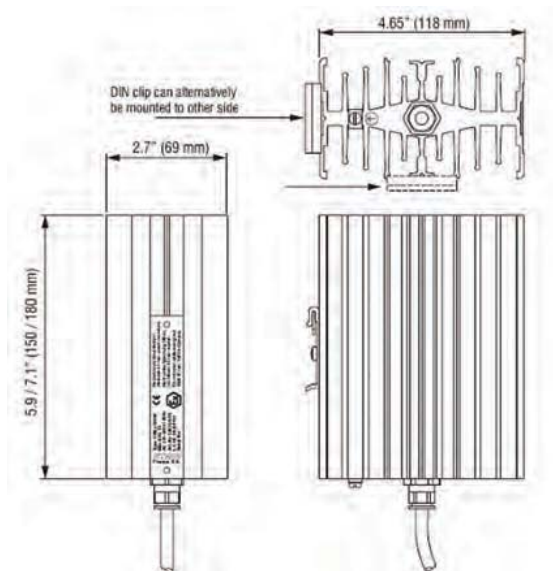
- Large convection surface
- Maintenance free
- DIN rail mountable

The CREx 020 convection heaters are used in areas with explosion hazard to maintain minimum operating temperatures to help prevent failure of electronic components caused by condensation and corrosion.



### Technical Data

<b>Explosion protection according to EN</b>	LCIE (Laboratoire Central des Industries Electriques)
<b>Conformity certificate</b>	01 ATEX 6073/03, LCIE N°06 ATEX Q8011, IECEx LCI 07. 0021
<b>Heating element</b>	high performance cartridge
<b>Heater body</b>	aluminum profile, black anodized
<b>Connection</b>	Si HF - JZ 3 x AWG 18 (0.75mm <sup>2</sup> ), length 3.3 ft (1m)
<b>Connection PE</b>	4mm <sup>2</sup>
<b>Mounting</b>	clip for 35mm DIN rail, EN 60 715
<b>Mounting position</b>	vertical
<b>Operating temperature</b>	--4 to +104°F (-20 to +40°C)
<b>Storage temperature</b>	-49 to +158°F (-45 to +70°C)
<b>Protection class</b>	I (grounded)
<b>Protection type</b>	IP65



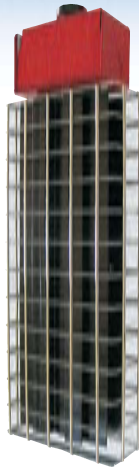
Data subject to change without notice.

Part No.	Operating voltage	Heating capacity	Ex protection type	Surface temperature	Length (L)	Weight (approx.)
02010.0-00	230-240VAC	50W	II 2 GD - EEx d IIC T5 IP6x T100°C	212°F (100°C)	5.9" (150mm)	2.9 lbs. (1.3kg)
02010.0-01	110-120VAC	50W	II 2 GD - EEx d IIC T5 IP6x T100°C	212°F (100°C)	5.9" (150mm)	2.9 lbs. (1.3kg)
02011.0-00	230-240VAC	100W	II 2 GD - EEx d IIC T4 IP6x T135°C	275°F (135°C)	7.1" (180mm)	3.3 lbs. (1.5kg)
02011.0-01	110-120VAC	100W	II 2 GD - EEx d IIC T4 IP6x T135°C	275°F (135°C)	7.1" (180mm)	3.3 lbs. (1.5kg)



# HEATING & COOLING INSTRUMENTS

## Large enclosure heater - Series PXFT



### Quick Features :

- Designed to maintain a suitable temperature inside enclosures
- All heaters have a built-in thermostat
- High surface aluminum heat emitter eliminates the need for a fan while providing low radiation and high convection heating.
- A movable bracket allows the heater to be floor or wall mounted with the terminal box located on the left, right, top or bottom side.
- Wire guards are provided with the PXFT-300, 400 and 600 watt heaters and optionally available with the 50, 125 and 200 W units.

### Technical Data :

Thermostat rating : 25A at 240V, S.P.S.T., adjustable from 0°C to 50°C (30-120°F)  
 Use environment : Not suitable for use outdoors, unprotected from the weather.  
 Moisture resistant heaters available upon request.

Surface temp. :  
 50W unit : ~100°C (212°F)  
 125W unit : ~170°C (338°F)  
 All other units : ~210°C (410°F)

CATALOG NUMBER	VOLTAGE	POWER (see note)	WIRE GUARD INCLUDED ?	DIMENSION 'L' (Length)	SHIPPING WEIGHT
PXFT050	120 V	50 W	No, optional	8 3/8"	3
PXFT125	120 V	125 W	No, optional	8 3/8"	3
PXFT200	120 V	200 W	No, optional	8 3/8"	3
PXFT300	120 V, 240 V	300 W	Yes	15"	4
PXFT400	120 V, 240 V	400 W	Yes	21 3/4"	6
PXFT600	120 V, 240 V	600 W	Yes	28 1/2"	8

## Determine the right heater size for your needs



### Wattage selection

The wattage requirement is determined from a consideration of the surface area, insulation properties of the enclosure, the temperature difference between the ambient and the enclosure and the heating power generated by existing components (e.g. transformer). The following formula can generally be used to calculate wattage requirements for uninsulated enclosures :

$$P_h = (A \times \Delta T \times k) - P_v$$

$P_h$  = Required heating power for your application in Watts (W)  
 $P_v$  = Heating power generated by existing components in Watts  
 $A$  = Exposed enclosure surface area in square meters (m<sup>2</sup>)  
 $\Delta T$  = Temperature differential between the desired minimum interior temperature and the lowest possible external temperature of the enclosure in Kelvin (K). 1.8°F = 1°C = 1K  
 $k$  = Heat transmission coefficient of the enclosure material used :

Painted steel : 5.5W/m<sup>2</sup>K  
 Stainless steel : 3.7W/m<sup>2</sup>K  
 Aluminum : 12W/m<sup>2</sup>K  
 Plastic : 3.5W/m<sup>2</sup>K

**For outdoor applications, it is recommended to double the heating power.**

This formula is supplied for reference purposes only. EXM offers no warranty, expressed nor implied, as to the application of this table in different environments, as the equipment may be subjected to conditions out of our control.

Data subject to change without notice.



# ENVIRONMENT CONTROL - AIR CONDITIONERS



## EXM IQ series air conditioner advantages

By listening to the demands of the electronics and electrical industries, EXM has developed modern closed-loop cooling systems to compliment today's highly engineered workstations.

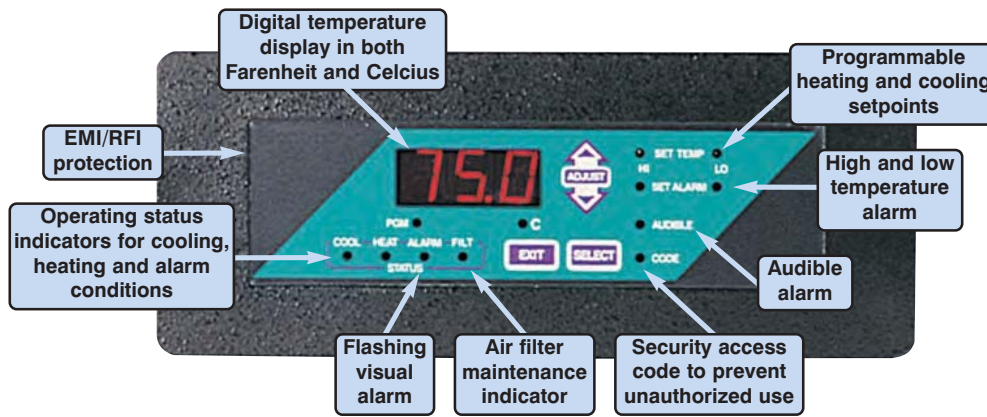
The IQ series design features include a rugged 16 GA welded steel, dent resistant cabinet construction (which is up to 45% lighter in weight, for easy installa-

tion). Features also include an increase in operating efficiency up to 35%, a space-saving aesthetic cabinet design, up to 40% thinner, saving valuable factory floor space.

**A multi-function programmable digital controller is also standard on every unit, at no extra cost.** Vertical mount air conditioners also include a standard, built-in condensate evaporator.

In addition, remote control readout and central computer control monitoring are optionally available for a more effective thermal management solution for monitoring electronic enclosure thermal conditions, even in those situations when visual readouts and audible alarms are not convenient to the operator.

**UL, cUL, CE.**



## Thermal Management Center – Optional

LCD Display, Ethernet Communications Link and All the Features of the Standard Digital Controller

### PLUS

- LCD Message Center
- Expanded Temperature and Alarm Ranges
- Improved Functionality
- Ethernet Communications Link - Optional



## Standard Cooling System Features



- Up to 35% more efficient
- Up to 40% savings in space
- Up to 45% lighter in weight

- CFC Free refrigeration system
- Rugged, lightweight, dent resistant welded steel cabinet construction
- Maintenance free permanently lubricated blowers
- Efficient, quiet, long lasting rotary compressor
- Built-in condensate evaporation package on vertical mount air conditioners.
- 100% factory tested
- Models available with top and bottom cold air discharge.
- Units available from 1000 to 20000 BTUH
- Vertical mount and top mount

### units available

- All EXM air conditioners use PermaCool™ electrostatic filter-media to keep dust and other industrial residues from clogging the condenser air passages. The filter material is a durable ¼" corrugated polypropylene media with 10 micron filtration which retains a low resistance to air-flow. The filter will withstand harsh factory environments and will not degrade over time. Simple washing or vacuuming is all that is necessary to maintain the filter media over an indefinite period of time.

Data subject to change without notice.

## Cooling system sizing calculation

The following calculations have been developed to determine the cooling requirements for standard uninsulated metal NEMA rated enclosures for indoor applications.

Determine your cooling requirements by completing the following calculations or contact your EXM sales representative at 1-800-363-2423 or e-mail [info@exmweb.com](mailto:info@exmweb.com).

**Please note:** This formula is supplied for reference purposes only. EXM offers no warranty, expressed nor implied, as to the application of this formula, as the equipment may be subjected to conditions out of our control.

### Sizing Parameters

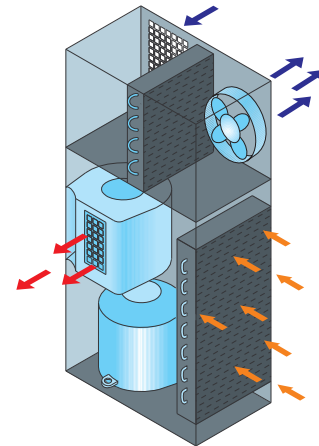
- Watts** = Heat energy produced by electronic equipment
- Surface area** = Surface area of the enclosure that will allow heat transfer (*in sq.ft.*)  

$$\frac{(H \times W) \times 2 + (H \times D) \times 2 + (W \times D) \times 2}{144 \text{ sq. in.}}$$
*\* Eliminates surface not allowing heat transfer*
- ΔT** = Difference between the maximum temperature outside the enclosure and the desired maximum temperature inside the enclosure.



### Calculations

- Step 1** = Determine the Internal Heat Dissipation of the enclosed equipment in BTU.  
**BTU per hour = Watts x 3.413**
- Step 2** = Determine External Heat Transfer.  
**BTU per hour = Surface Area x 1.25 x Δ T**
- Note** = The enclosure internal temperature must be at least 5°F higher than the ambient temperature to select a heat exchanger. This will result in a negative BTU per hour in step 2.
- Step 3** = Determine the Required Cooling Capacity in BTU per hour.  
**BTU per Hour = Sum of Step 1 and Step 2. x 1.1 Safety Factor**



**Air conditioner selection :** Determine the required cooling capacity in BTU per hour.  
**BTU per hour = (The sum of Step 1 and Step 2) x 1.1 safety factor**  
 Select the EXM air conditioner that meets or exceeds the cooling capacity in BTU per hour.

**Heat exchanger selection:** **Watts per °F = (The sum of Step 1 and Step 2) x 1.1 safety factor (Max. internal temp. - Max. outside temp.)x 3.413**  
 Select the heat exchanger that meets or exceeds the required cooling capacity in Watts per °F.

Data subject to change without notice.

For assistance, please call EXM at 1-800-363-2423.



## Vertical mount air conditioner - 1000 BTU

The IQ1000V vertical mount air conditioners are used to reduce heat accumulation within enclosures and maintain a safe operating temperature.

These units use closed-loop cooling technology, which removes heat without letting outside air into the sealed enclosure. All units feature a digital programmable temperature controller with an

alarm. The air conditioners feature a rugged 16 GA welded steel, dent resistant cabinet construction. The units have a space saving aesthetic cabinet design. A built-in condensate evaporation package is included. The units are powered by an efficient, quiet and long lasting rotary compressor, with a CFC-free refrigeration system. All units are factory test-

ed and are designed to mount on the side of an enclosure, while maintaining NEMA 12 integrity. Units are ANSI/ASA 61 gray or brushed stainless steel.

**UL / ULc Listed,  
NEMA/EEMAC 12 / IP54  
Steel units: NEMA 4 w/N4GK kit  
SS units: NEMA 4X w/N4GK kit**

### FEATURES

- Digital temperature controller with alarm
- Durable 16 gauge welded steel construction
- Also available in stainless steel
- Built in condensate evaporation package
- Easy pull-out filter
- Efficient, quiet and long lasting rotary compressor
- CFC-free refrigeration System
- Space saving aesthetic cabinet design
- 100% factory tested
- Designed to mount on side of enclosure while maintaining NEMA type 12, 4 or 4X integrity

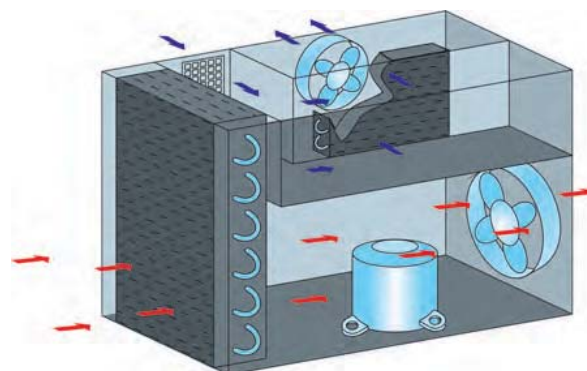


IQ 1000 V



IQ 1000 V SS

### AIR FLOW DIAGRAM



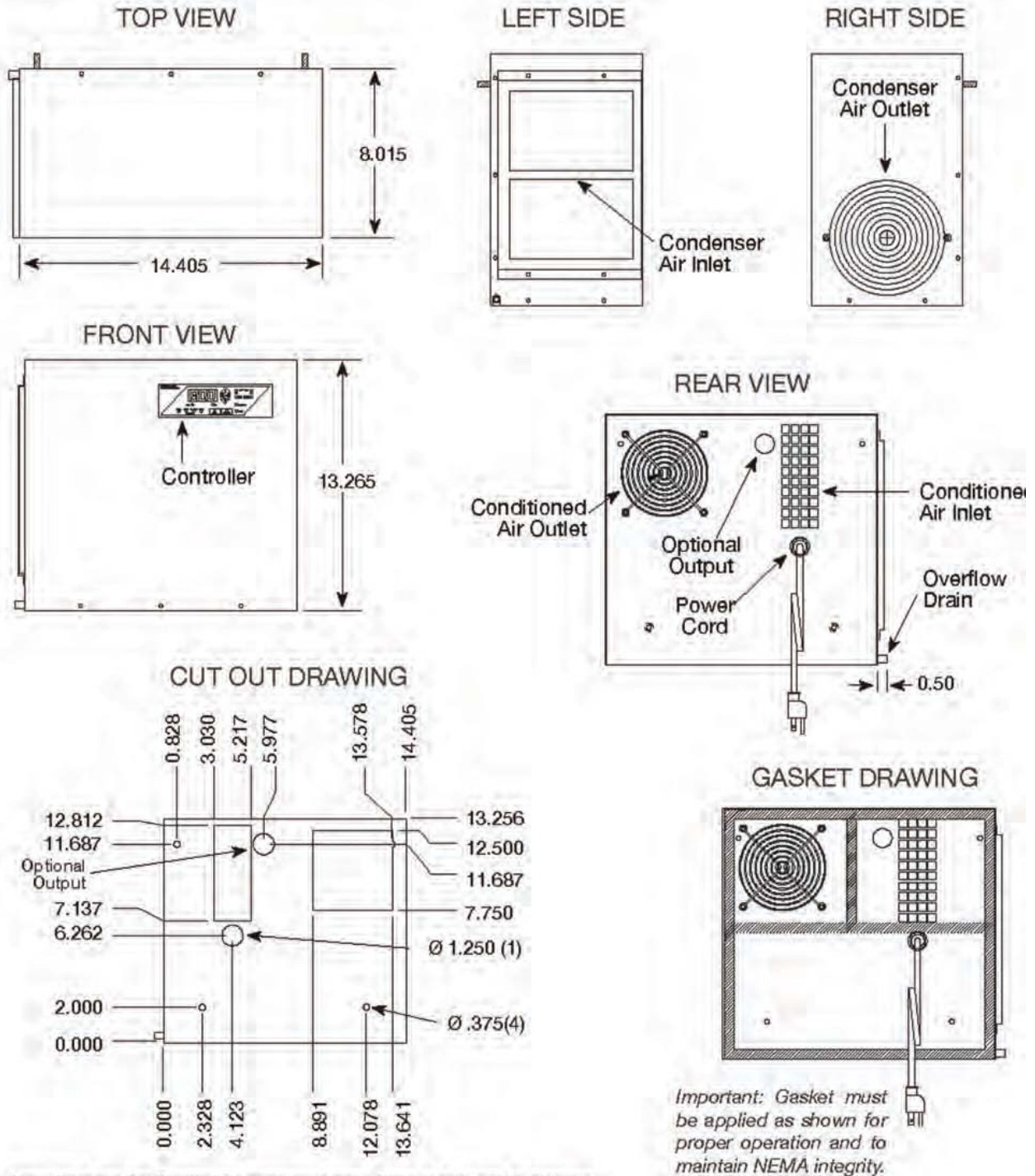
Data subject to change without notice.

Washdown Hoods	N4GK NEMA 4/4X Gasket Kit	Ambient Corrosive Package	External Alarms Audible & Visual	Heating & Low Ambient Packages	Remote IQ-X Controller	ICENET Remote Control Package
p.588	p.686	p.686	p.686	p.686	p.686	p.686
1-800-363-2423		Fax : 450-979-4626		info@exmweb.com		



## Vertical mount air conditioner - 1000 BTU

CATALOG NUMBER		BTU /HR	VOLTS /HZ	MAX. AMPS	MAX. TEMP	DIMENSIONS			SHIP WGHT LBS.
MILD STEEL	STAINLESS STEEL					H	W	D	
IQ1000V-126	IQ1000V-126-SS	1000	120/60	4.0	125°F	13.27	14.41	8.02	43
IQ1000V-236	IQ1000V-236-SS	1000	230/60	2.0	125°F	13.27	14.41	8.02	43
IQ1000V-236	IQ1000V-236-SS	1000	220/50	2.2	125°F	13.27	14.41	8.02	43



Drawings are for illustration purposes only. Data is subject to change.

Data subject to change without notice.

## Slim vertical mount air conditioner - 1200 to 1800 BTU

The **IQ1200VS** slim vertical mount air conditioners are used to reduce heat accumulation within enclosures and maintain a safe operating temperature.

These units use closed-loop cooling technology, which removes heat without letting outside air into the sealed enclosure. All units feature a digital programmable temperature controller with an

alarm. The air conditioners feature a rugged 16 GA welded steel, dent resistant cabinet construction. The units have a space saving aesthetic cabinet design. A built-in condensate evaporation package is included. The units are powered by an efficient, quiet and long lasting rotary compressor, with a CFC-free refrigeration system. All units

are factory tested and are designed to mount on the side of an enclosure, while maintaining NEMA 12 integrity. Units are ANSI/ASA 61 gray or brushed stainless steel.

**UL / ULc Listed,**

**NEMA/EEMAC 12 / IP54**

**Steel units: NEMA 4 w/N4GK kit**

**SS units: NEMA 4X w/N4GK kit**

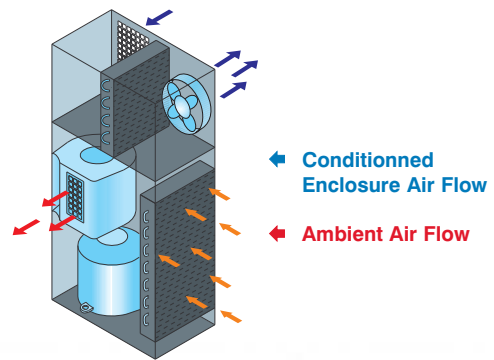
### FEATURES

- Digital temperature controller with alarm
- Durable 16 gauge welded steel construction
- Also available in stainless steel
- Built in condensate evaporation package
- Easy pull-out filter
- Efficient, quiet and long lasting rotary compressor
- CFC-free refrigeration System
- Space saving aesthetic cabinet design
- 100% factory tested
- Designed to mount on side of enclosure while maintaining NEMA type 12, 4 or 4X integrity



IQ 1200 VS  
IQ 1500 VS  
IQ 1800 VS

### AIR FLOW DIAGRAM

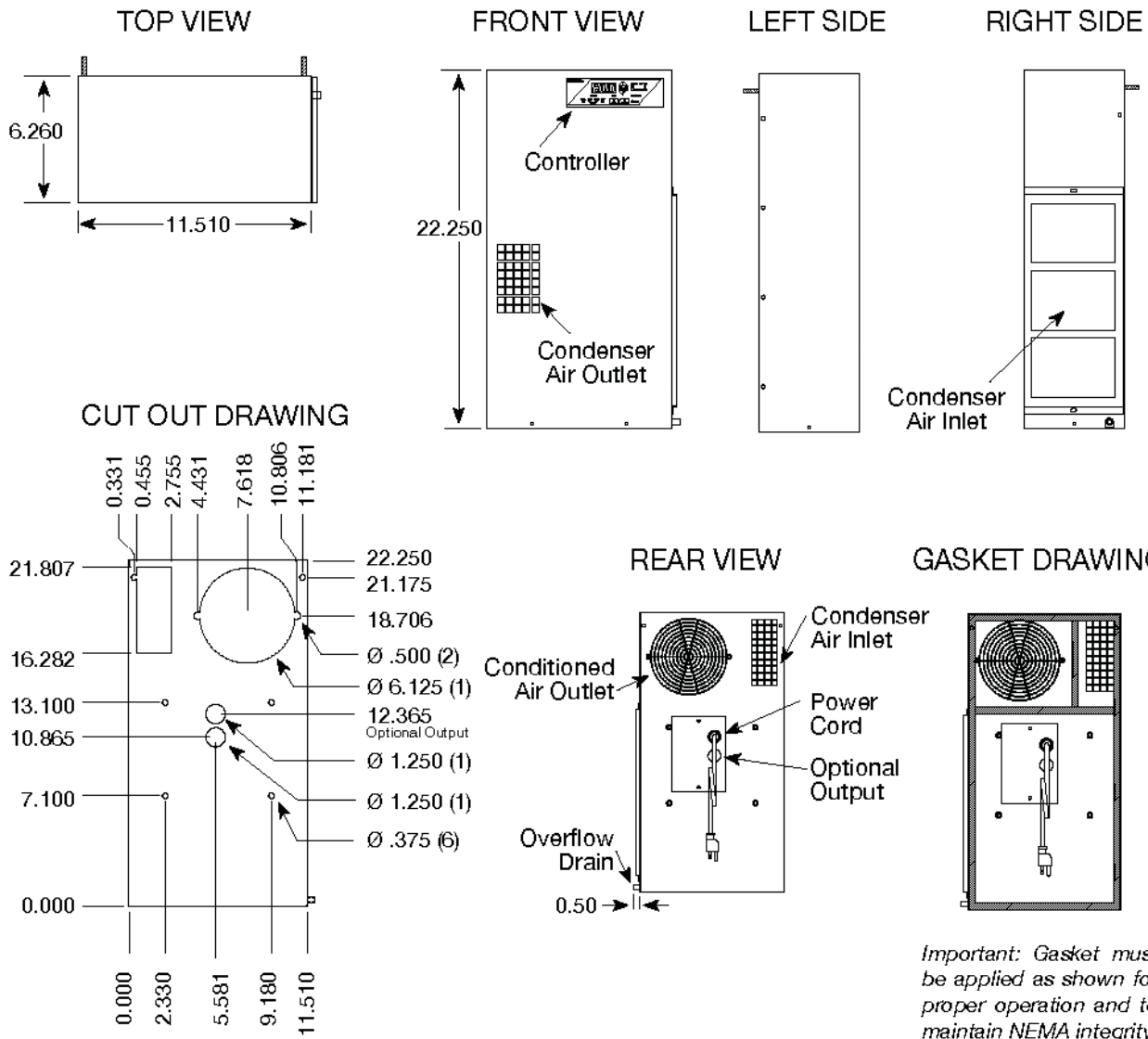


IQ 1200 VS SS  
IQ 1500 VS SS  
IQ 1800 VS SS

Data subject to change without notice.

## Slim vertical mount air conditioner - 1200 to 1800 BTU

CATALOG NUMBER		BTU /HR	VOLTS /HZ	MAX. AMPS	MAX. TEMP.	DIMENSIONS			SHIP WGT LBS.
MILD STEEL	STAINLESS STEEL					H	W	D	
IQ1200VS-126	IQ1200VS-126-SS	1200	120/60	4.5	125°F	22.25	11.51	6.26	42
IQ1200VS-236	IQ1200VS-236-SS	1200	230/60	2.3	125°F	22.25	11.51	6.26	42
IQ1200VS-236	IQ1200VS-236-SS	1200	220/50	2.6	125°F	22.25	11.51	6.26	42
IQ1500VS-126	IQ1500VS-126-SS	1500	120/60	4.7	125°F	22.25	11.51	6.26	42
IQ1500VS-236	IQ1500VS-236-SS	1500	230/60	2.4	125°F	22.25	11.51	6.26	42
IQ1500VS-236	IQ1500VS-236-SS	1500	220/50	2.8	125°F	22.25	11.51	6.26	42
IQ1800VS-126	IQ1800VS-126-SS	1800	120/60	5.2	125°F	22.25	11.51	6.26	42
IQ1800VS-236	IQ1800VS-236-SS	1800	230/60	2.6	125°F	22.25	11.51	6.26	42
IQ1800VS-236	IQ1800VS-236-SS	1800	220/50	3.0	125°F	22.25	11.51	6.26	42



*Important: Gasket must be applied as shown for proper operation and to maintain NEMA integrity.*

Data subject to change without notice.

*Drawings are for illustration purposes only. Data is subject to change.*



## Slim vertical mount air conditioner - 1200 to 1800 BTU

The **IQ1200VXS** slim vertical mount air conditioners are used to reduce heat accumulation within enclosures and maintain a safe operating temperature.

These units use closed-loop cooling technology, which removes heat without letting outside air into the sealed enclosure. All units feature a digital programmable temperature controller with an

alarm. The air conditioners feature a rugged 16 GA welded steel, dent resistant cabinet construction. The units have a space saving aesthetic cabinet design. A built-in condensate evaporation package is included. The units are powered by an efficient, quiet and long lasting rotary compressor, with a CFC-free refrigeration system. All units

are factory tested and are designed to mount on the side of an enclosure, while maintaining NEMA 12 integrity. Units are ANSI/ASA 61 gray or brushed stainless steel.

**UL / ULc Listed,**

**NEMA/EEMAC 12 / IP54**

**Steel units: NEMA 4 w/N4GK kit**

**SS units: NEMA 4X w/N4GK kit**

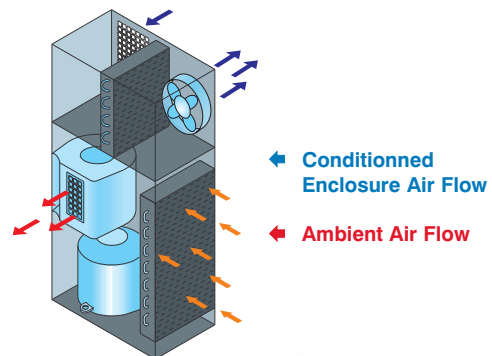
### FEATURES

- Digital temperature controller with alarm
- Durable 16 gauge welded steel construction
- Also available in stainless steel
- Built in condensate evaporation package
- Easy pull-out filter
- Efficient, quiet and long lasting rotary compressor
- CFC-free refrigeration System
- Space saving aesthetic cabinet design
- 100% factory tested
- Designed to mount on side of enclosure while maintaining NEMA type 12, 4 or 4X integrity



IQ 1200 VXS  
IQ 1500 VXS  
IQ 1800 VXS

### AIR FLOW DIAGRAM



IQ 1200 VXS SS  
IQ 1500 VXS SS  
IQ 1800 VXS SS

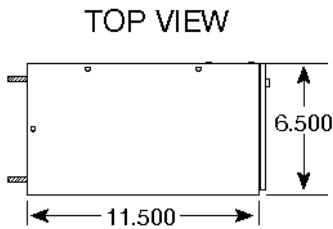
Data subject to change without notice.

<b>Washdown Hoods</b> p.588	<b>N4GK NEMA 4/4X Gasket Kit</b> p.686	<b>Ambient Corrosive Package</b> p.686	<b>External Alarms Audible &amp; Visual</b> p.686	<b>Heating &amp; Low Ambient Packages</b> p.686	<b>Remote IQ-X Controller</b> p.686	<b>ICENET Remote Control Package</b> p.686
1-800-363-2423			Fax : 450-979-4626		info@exmweb.com	

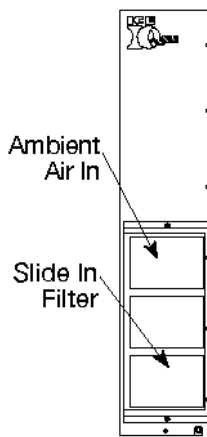


## Slim vertical mount air conditioner - 1200 to 1800 BTU

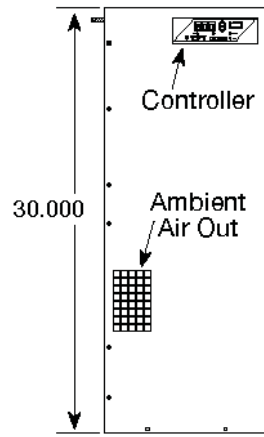
CATALOG NUMBER		BTU /HR	VOLTS /HZ	MAX. AMPS	MAX. TEMP.	DIMENSIONS			SHIP WGT LBS.									
MILD STEEL	STAINLESS STEEL					H	W	D										
IQ1200VXS-126	IQ1200VXS-126-SS	1200	120/60	4.5	125°F	30.00	6.50	11.50	45									
IQ1200VXS-236	IQ1200VXS-236-SS	1200	230/60	2.3	125°F	30.00	6.50	11.50	45									
IQ1200VXS-236	IQ1200VXS-236-SS	1200	220/50	2.6	125°F	30.00	6.50	11.50	45									
IQ1500VXS-126	IQ1500VXS-126-SS	1500	120/60	4.7	125°F	30.00	6.50	11.50	45									
IQ1500VXS-236	IQ1500VXS-236-SS	1500	230/60	2.4	125°F	30.00	6.50	11.50	45									
IQ1500VXS-236	IQ1500VXS-236-SS	1500	220/50	2.8	125°F	30.00	6.50	11.50	45									
IQ1800VXS-126	IQ1800VXS-126-SS	1800	120/60	5.2	125°F	30.00	6.50	11.50	45									
IQ1800VXS-236	IQ1800VXS-236-SS	1800	230/60	2.6	125°F	30.00	6.50	11.50 </tr <tr> <td>IQ1800VXS-236</td> <td>IQ1800VXS-236-SS</td> <td>1800</td> <td>220/50</td> <td>3.0</td> <td>125°F</td> <td>30.00</td> <td>6.50</td> <td>11.50</td> <td>45</td> </tr>	IQ1800VXS-236	IQ1800VXS-236-SS	1800	220/50	3.0	125°F	30.00	6.50	11.50	45
IQ1800VXS-236	IQ1800VXS-236-SS	1800	220/50	3.0	125°F	30.00	6.50	11.50	45									



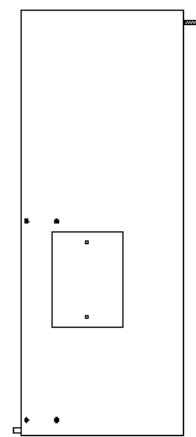
FRONT VIEW



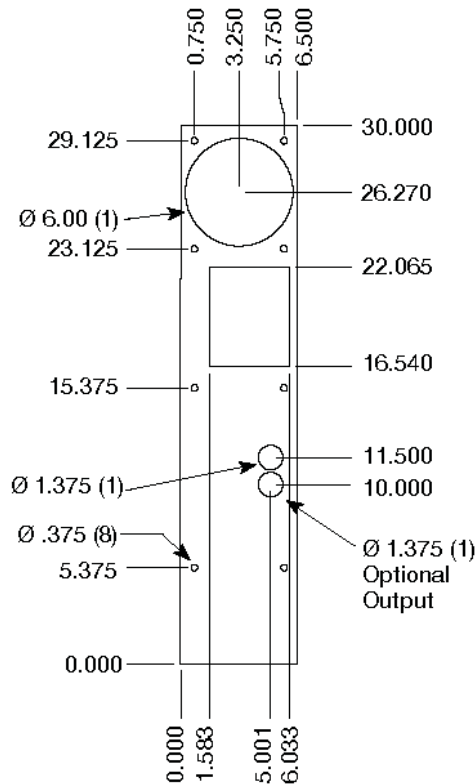
LEFT SIDE



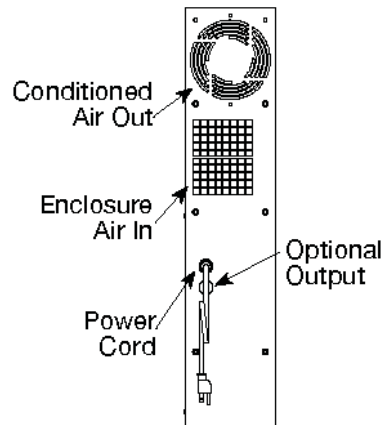
RIGHT SIDE



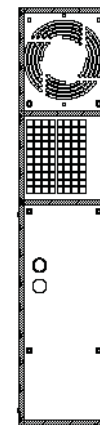
CUT OUT DRAWING



REAR VIEW



GASKET DRAWING



Drawings are for illustration purposes only. Data is subject to change.

Important: Gasket must be applied as shown for proper operation and to maintain NEMA integrity.

Data subject to change without notice.

## Vertical mount air conditioner - 2000 to 2400 BTU

The **IQ2000VXS** vertical mount air conditioners are used to reduce heat accumulation within enclosures and maintain a safe operating temperature.

These units use closed-loop cooling technology, which removes heat without letting outside air into the sealed enclosure. All units feature a digital programmable temperature controller with an

alarm. The air conditioners feature a rugged 16 GA welded steel, dent resistant cabinet construction. The units have a space saving aesthetic cabinet design. A built-in condensate evaporation package is included. The units are powered by an efficient, quiet and long lasting rotary compressor, with a CFC-free refrigeration system. All units are factory test-

ed and are designed to mount on the side of an enclosure, while maintaining NEMA 12 integrity. Units are ANSI/ASA 61 gray or brushed stainless steel.

**UL / ULc Listed,  
NEMA/EEMAC 12 / IP54  
Steel units: NEMA 4 w/N4GK kit  
SS units: NEMA 4X w/N4GK kit**

### FEATURES

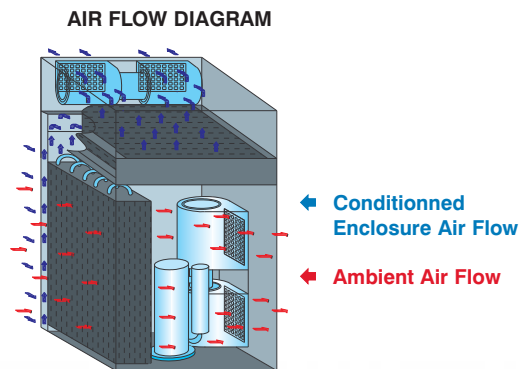
- Digital temperature controller with alarm
- Durable 16 gauge welded steel construction
- Also available in stainless steel
- Built in condensate evaporation package
- Easy pull-out filter
- Efficient, quiet and long lasting rotary compressor
- CFC-free refrigeration System
- Space saving aesthetic cabinet design
- 100% factory tested
- Designed to mount on side of enclosure while maintaining NEMA type 12, 4 or 4X integrity



IQ 2000 VXS  
IQ 2400 VXS



IQ 2000 VXS SS  
IQ 2400 VXS SS

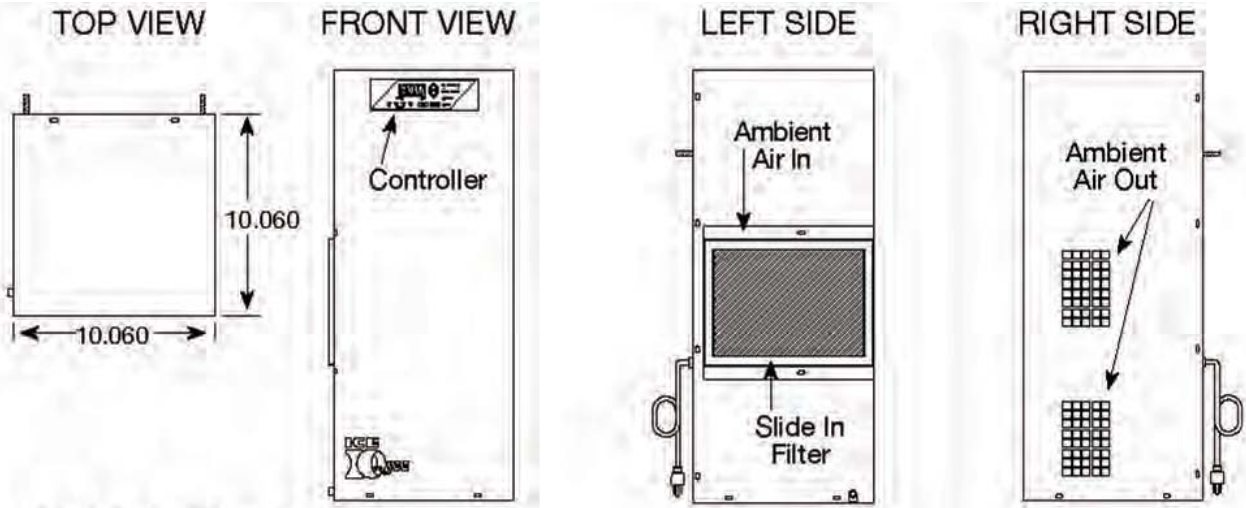


Data subject to change without notice.

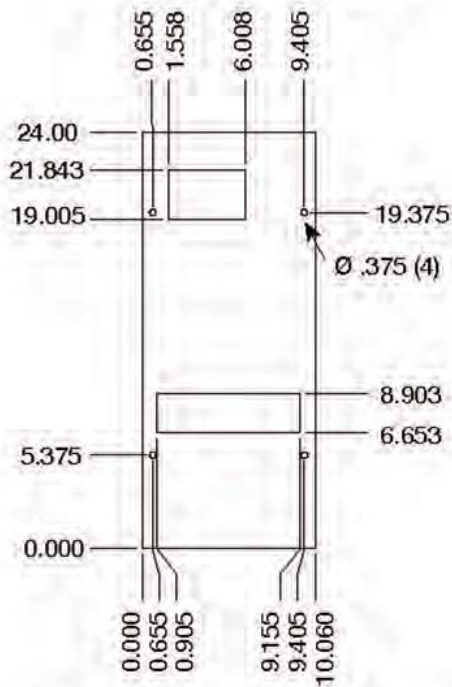
Washdown Hoods p.588	N4GK NEMA 4/4X Gasket Kit p.686	Ambient Corrosive Package p.686	External Alarms Audible & Visual p.686	Heating & Low Ambient Packages p.686	Remote IQ-X Controller p.686	ICENET Remote Control Package p.686
1-800-363-2423		Fax : 450-979-4626		info@exmweb.com		

## Vertical mount air conditioner - 2000 to 2400 BTU

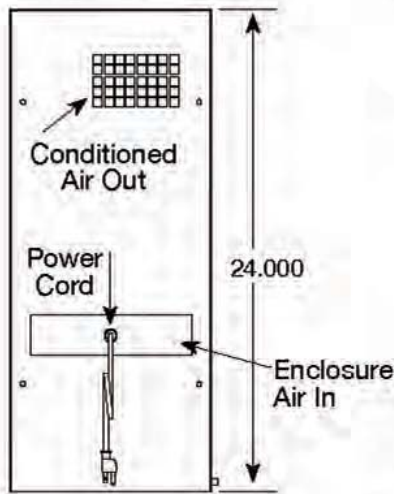
CATALOG NUMBER		BTU /HR	VOLTS /HZ	MAX. AMPS	MAX. TEMP.	DIMENSIONS			SHIP WGT LBS.
MILD STEEL	STAINLESS STEEL					H	W	D	
IQ2000VXS-126	IQ1200VXS-126-SS	2000	120/60	5.6	125°F	24.00	10.06	10.06	60
IQ2000VXS-236	IQ1200VXS-236-SS	2000	230/60	2.8	125°F	24.00	10.06	10.06	60
IQ2000VXS-236	IQ1200VXS-236-SS	2000	220/50	2.9	125°F	24.00	10.06	10.06	60
IQ2400VXS-126	IQ1500VXS-126-SS	2400	120/60	7.3	125°F	24.00	10.06	10.06	60
IQ2400VXS-236	IQ1500VXS-236-SS	2400	230/60	3.8	125°F	24.00	10.06	10.06	60
IQ2400VXS-236	IQ1500VXS-236-SS	2400	220/50	4.0	125°F	24.00	10.06	10.06	60



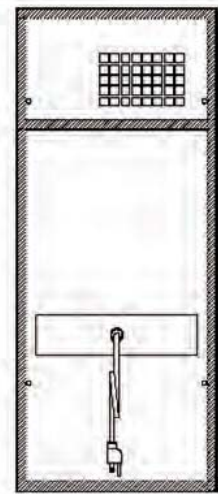
CUT OUT DRAWING



REAR VIEW



GASKET DRAWING



*Important: Gasket must be applied as shown for proper operation and to maintain NEMA integrity.*

*Drawings are for illustration purposes only. Data is subject to change.*

Data subject to change without notice.

## Slim vertical mount air conditioner - 2200 to 3000 BTU

The **IQ2200VS** slim vertical mount air conditioners are used to reduce heat accumulation within enclosures and maintain a safe operating temperature.

These units use closed-loop cooling technology, which removes heat without letting outside air into the sealed enclosure. All units feature a digital programmable temperature controller with an

alarm. The air conditioners feature a rugged 16 GA welded steel, dent resistant cabinet construction. The units have a space saving aesthetic cabinet design. A built-in condensate evaporation package is included. The units are powered by an efficient, quiet and long lasting rotary compressor, with a CFC-free refrigeration system. All units

are factory tested and are designed to mount on the side of an enclosure, while maintaining NEMA 12 integrity. Units are ANSI/ASA 61 gray or brushed stainless steel.

**UL / ULc Listed,**

**NEMA/EEMAC 12 / IP54**

**Steel units: NEMA 4 w/N4GK kit**

**SS units: NEMA 4X w/N4GK kit**

### FEATURES

- Digital temperature controller with alarm
- Durable 16 gauge welded steel construction
- Also available in stainless steel
- Built in condensate evaporation package
- Easy pull-out filter
- Efficient, quiet and long lasting rotary compressor
- CFC-free refrigeration System
- Space saving aesthetic cabinet design
- 100% factory tested
- Designed to mount on side of enclosure while maintaining NEMA type 12, 4 or 4X integrity

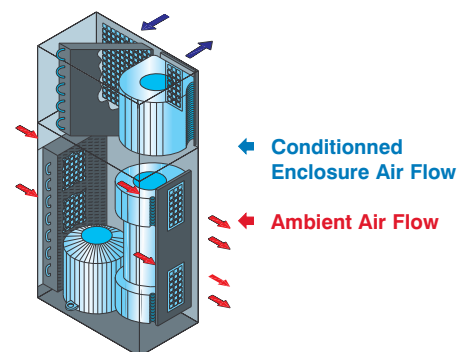


IQ 2200 VXS  
IQ 3000 VXS



IQ 2200 VXS SS  
IQ 3000 VXS SS

### AIR FLOW DIAGRAM



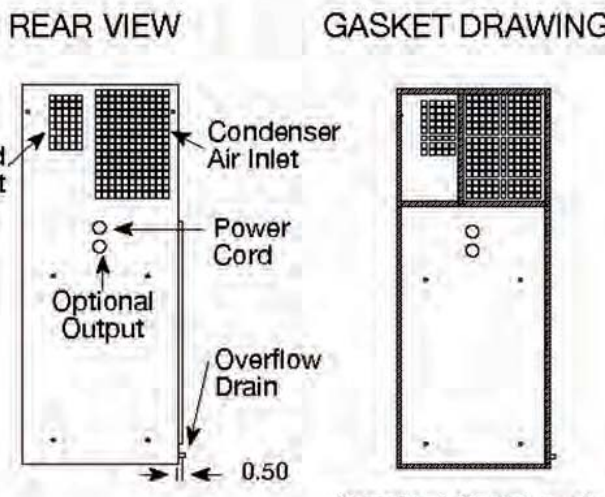
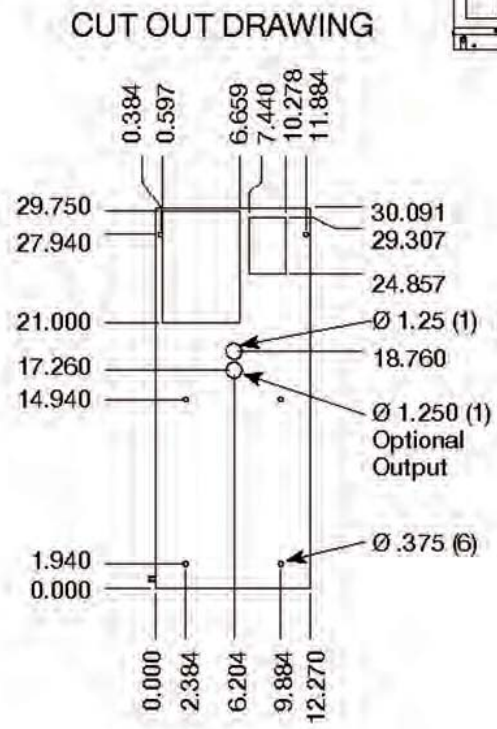
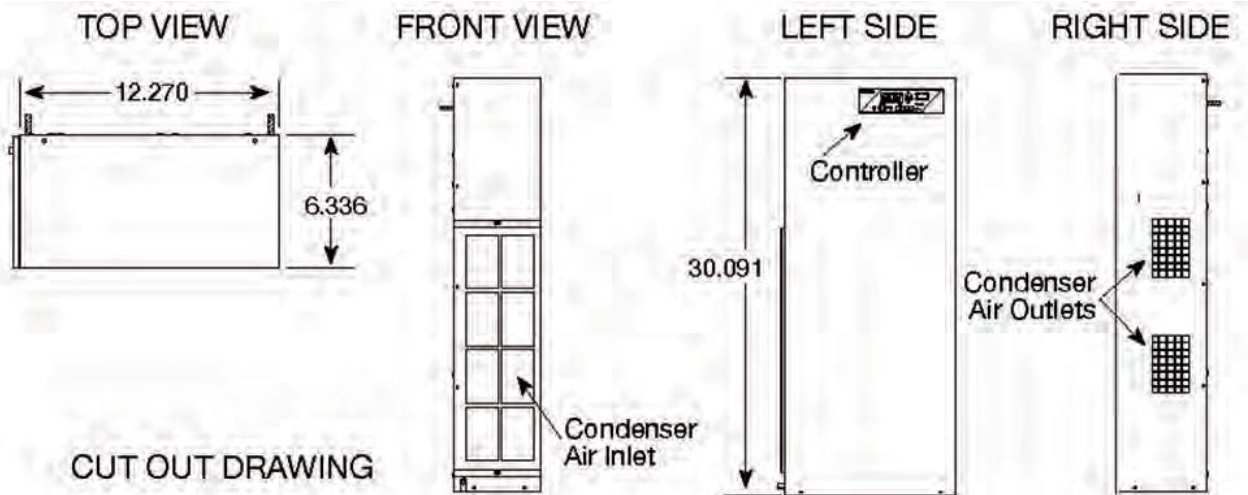
Data subject to change without notice.

<b>Washdown Hoods</b> p.588	<b>N4GK NEMA 4/4X Gasket Kit</b> p.686	<b>Ambient Corrosive Package</b> p.686	<b>External Alarms Audible &amp; Visual</b> p.686	<b>Heating &amp; Low Ambient Packages</b> p.686	<b>Remote IQ-X Controller</b> p.686	<b>ICENET Remote Control Package</b> p.686
1-800-363-2423      Fax : 450-979-4626      info@exmweb.com						



## Slim vertical mount air conditioner - 2200 to 3000 BTU

CATALOG NUMBER		BTU /HR	VOLTS /HZ	MAX. AMPS	MAX. TEMP.	DIMENSIONS			SHIP WGHT LBS.
MILD STEEL	STAINLESS STEEL					H	W	D	
IQ2200VS-126	IQ2200VS-126-SS	2200	120/60	6.0	125°F	30.09	12.27	6.34	55
IQ2200VS-236	IQ2200VS-236-SS	2200	230/60	2.9	125°F	30.09	12.27	6.34	55
IQ2200VS-236	IQ2200VS-236-SS	2200	220/50	3.0	125°F	30.09	12.27	6.34	55
IQ3000VS-126	IQ3000VS-126-SS	3000	120/60	8.1	125°F	30.09	12.27	6.34	55
IQ3000VS-236	IQ3000VS-236-SS	3000	230/60	3.9	125°F	30.09	12.27	6.34	55
IQ3000VS-236	IQ3000VS-236-SS	3000	220/50	4.2	125°F	30.09	12.27	6.34	55



*Important: Gasket must be applied as shown for proper operation and to maintain NEMA integrity.*

Data subject to change without notice.

*Drawings are for illustration purposes only. Data is subject to change.*



## Slim vertical mount air conditioner - 4000 BTU

The **IQ4000VS** slim vertical mount air conditioners are used to reduce heat accumulation within enclosures and maintain a safe operating temperature.

These units use closed-loop cooling technology, which removes heat without letting outside air into the sealed enclosure. All units feature a digital programmable temperature controller with an

alarm. The air conditioners feature a rugged 16 GA welded steel, dent resistant cabinet construction. The units have a space saving aesthetic cabinet design. A built-in condensate evaporation package is included. The units are powered by an efficient, quiet and long lasting rotary compressor, with a CFC-free refrigeration system. All units

are factory tested and are designed to mount on the side of an enclosure, while maintaining NEMA 12 integrity. Units are ANSI/ASA 61 gray or brushed stainless steel.

**UL / ULc Listed,**

**NEMA/EEMAC 12 / IP54**

**Steel units: NEMA 4 w/N4GK kit**

**SS units: NEMA 4X w/N4GK kit**

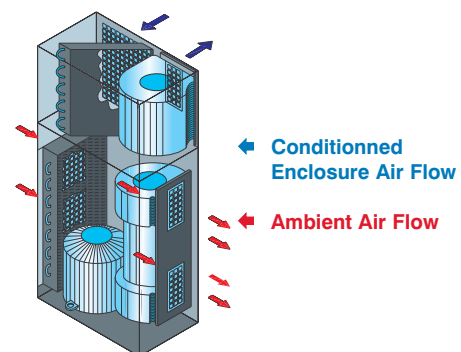
### FEATURES

- Digital temperature controller with alarm
- Durable 16 gauge welded steel construction
- Also available in stainless steel
- Built in condensate evaporation package
- Easy pull-out filter
- Efficient, quiet and long lasting rotary compressor
- CFC-free refrigeration System
- Space saving aesthetic cabinet design
- 100% factory tested
- Designed to mount on side of enclosure while maintaining NEMA type 12, 4 or 4X integrity



IQ 3800 VXS  
IQ 4000 VXS

### AIR FLOW DIAGRAM



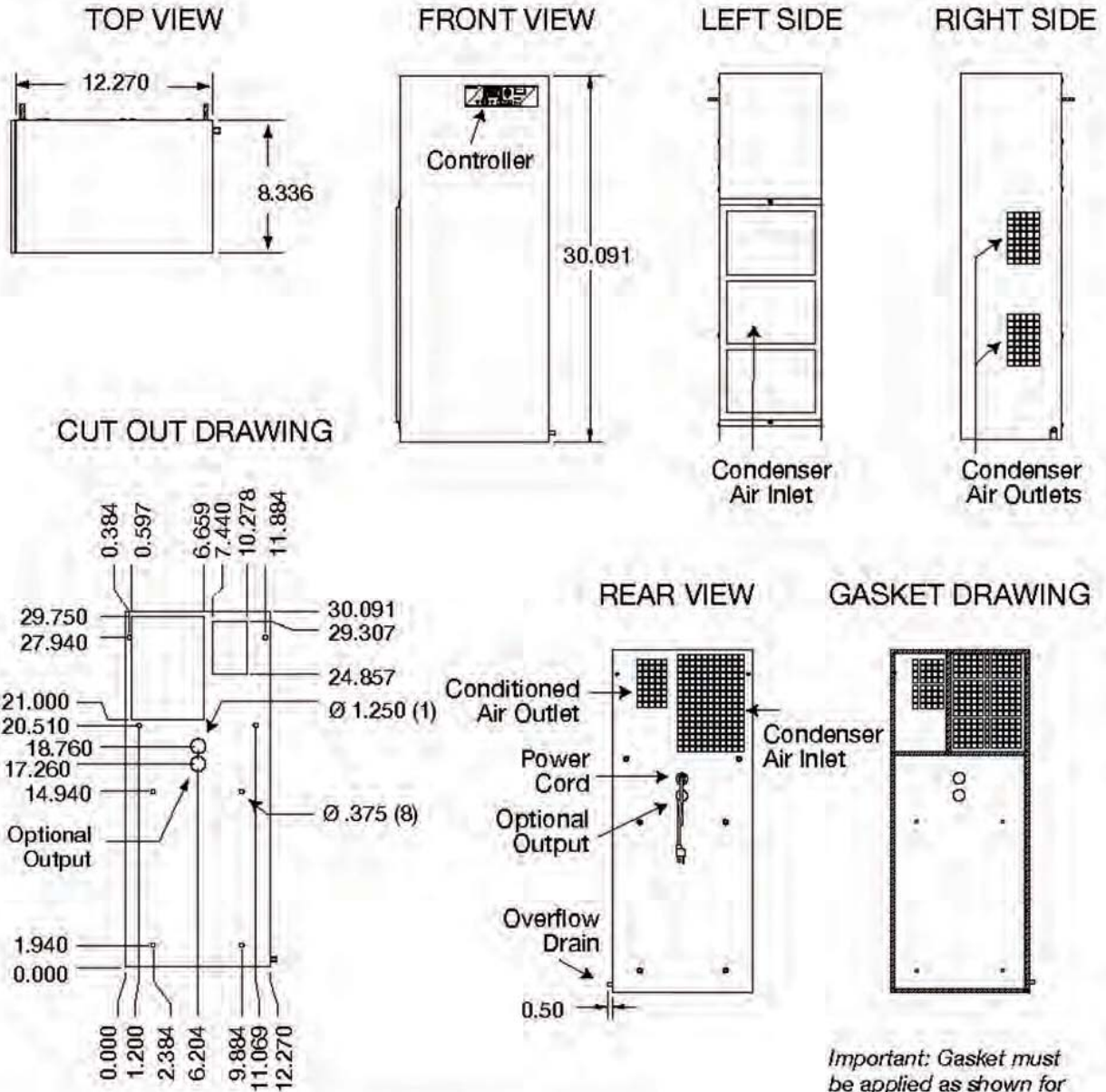
IQ 3800 VXS SS  
IQ 4000 VXS SS

Data subject to change without notice.

<b>Washdown Hoods</b> p.588	<b>N4GK NEMA 4/4X Gasket Kit</b> p.686	<b>Ambient Corrosive Package</b> p.686	<b>External Alarms Audible &amp; Visual</b> p.686	<b>Heating &amp; Low Ambient Packages</b> p.686	<b>Remote IQ-X Controller</b> p.686	<b>ICENET Remote Control Package</b> p.686
1-800-363-2423			Fax : 450-979-4626		info@exmweb.com	

## Slim vertical mount air conditioner - 4000 BTU

CATALOG NUMBER		BTU /HR	VOLTS /HZ	MAX. AMPS	MAX. TEMP.	DIMENSIONS			SHIP WGT LBS.
MILD STEEL	STAINLESS STEEL					H	W	D	
IQ4000VS-126	IQ4000VS-126-SS	4000	120/60	8.6	120°F	30.09	12.27	8.34	60
IQ4000VS-236	IQ4000VS-236-SS	4000	230/60	4.6	120°F	30.09	12.27	8.34	60
IQ4000VS-236	IQ4000VS-236-SS	4000	220/50	5.0	120°F	30.09	12.27	8.34	60



Drawings are for illustration purposes only. Data is subject to change.

*Important: Gasket must be applied as shown for proper operation and to maintain NEMA integrity.*

Data subject to change without notice.



## Vertical mount air conditioner - 2500 to 4500 BTU

The **IQ2500V** vertical mount air conditioners are used to reduce heat accumulation within enclosures and maintain a safe operating temperature.

These units use closed-loop cooling technology, which removes heat without letting outside air into the sealed enclosure. All units feature a digital programmable temperature controller with an

alarm. The air conditioners feature a rugged 16 GA welded steel, dent resistant cabinet construction. The units have a space saving aesthetic cabinet design. A built-in condensate evaporation package is included. The units are powered by an efficient, quiet and long lasting rotary compressor, with a CFC-free refrigeration system. All units are factory test-

ed and are designed to mount on the side of an enclosure, while maintaining NEMA 12 integrity. Units are ANSI/ASA 61 gray or brushed stainless steel.

**UL / ULc Listed,  
NEMA/EEMAC 12 / IP54  
Steel units: NEMA 4 w/N4GK kit  
SS units: NEMA 4X w/N4GK kit**

### FEATURES

- Digital temperature controller with alarm
- Durable 16 gauge welded steel construction
- Also available in stainless steel
- Built in condensate evaporation package
- Easy pull-out filter
- Efficient, quiet and long lasting rotary compressor
- CFC-free refrigeration System
- Space saving aesthetic cabinet design
- 100% factory tested
- Designed to mount on side of enclosure while maintaining NEMA type 12, 4 or 4X integrity

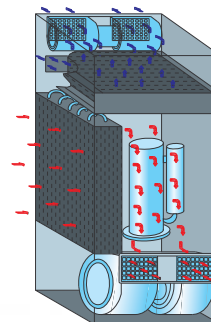


IQ 2500V  
IQ 3500V  
IQ 4000V  
IQ 5000V



IQ 2500V SS  
IQ 3500V SS  
IQ 4000V SS  
IQ 5000V SS

### AIR FLOW DIAGRAM



← Conditioned Enclosure Air Flow  
← Ambient Air Flow

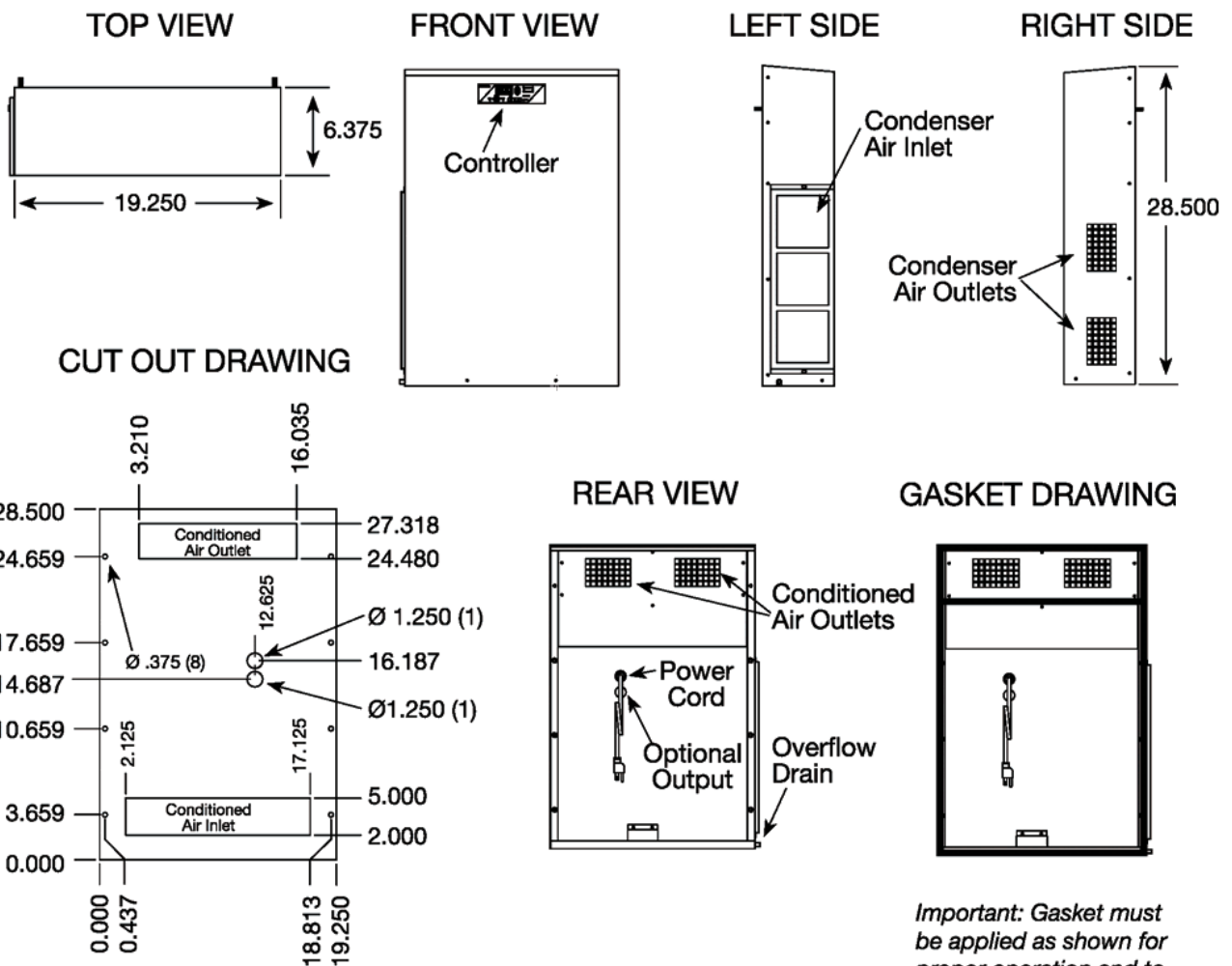
Data subject to change without notice.

Washdown Hoods p.588	N4GK NEMA 4/4X Gasket Kit p.686	Ambient Corrosive Package p.686	External Alarms Audible & Visual p.686	Heating & Low Ambient Packages p.686	Remote IQ-X Controller p.686	ICENET Remote Control Package p.686
-------------------------	------------------------------------	------------------------------------	-------------------------------------------	-----------------------------------------	---------------------------------	----------------------------------------



## Vertical mount air conditioner - 2500 to 4500 BTU

CATALOG NUMBER		BTU /HR	VOLTS /HZ	MAX. AMPS	MAX. TEMP	DIMENSIONS			SHIP WGHT LBS.
MILD STEEL	STAINLESS STEEL					H	W	D	
IQ2500V-126	IQ2500V-126-SS	2500	120/60	7.3	125°F	28.50	19.25	6.38	71
IQ2500V-236	IQ2500V-236-SS	2500	230/60	3.5	125°F	28.50	19.25	6.38	71
IQ2500V-236	IQ2500V-236-SS	2500	220/50	3.9	125°F	28.50	19.25	6.38	71
IQ3500V-126	IQ3500V-126-SS	3500	120/60	8.8	125°F	28.50	19.25	6.38	71
IQ3500V-236	IQ3500V-236-SS	3500	230/60	4.3	125°F	28.50	19.25	6.38	71
IQ3500V-236	IQ3500V-236-SS	3500	220/50	4.7	125°F	28.50	19.25	6.38	71
IQ4500V-126	IQ4500V-126-SS	4500	120/60	9.5	125°F	28.50	19.25	6.38	71
IQ4500V-236	IQ4500V-236-SS	4500	230/60	4.6	125°F	28.50	19.25	6.38	71
IQ4500V-236	IQ4500V-236-SS	4500	220/50	5.1	125°F	28.50	19.25	6.38	71



**Important: Gasket must be applied as shown for proper operation and to maintain NEMA integrity.**

Data subject to change without notice.

Drawings are for illustration purposes only. Data is subject to change.

## Vertical mount air conditioner - 4000 to 6000 BTU

The **IQ4000V16HA** vertical mount air conditioners are used to reduce heat accumulation within enclosures and maintain a safe operating temperature.

These units use closed-loop cooling technology, which removes heat without letting outside air into the sealed enclosure. All units feature a digital programmable temperature controller with an

alarm. The air conditioners feature a rugged 16 GA welded steel, dent resistant cabinet construction. The units have a space saving aesthetic cabinet design. A built-in condensate evaporation package is included. The units are powered by an efficient, quiet and long lasting rotary compressor, with a CFC-free refrigeration system. All units are factory test-

ed and are designed to mount on the side of an enclosure, while maintaining NEMA 12 integrity. Units are ANSI/ASA 61 gray or brushed stainless steel.

**UL / ULc Listed,  
NEMA/EEMAC 12 / IP54  
Steel units: NEMA 4 w/N4GK kit  
SS units: NEMA 4X w/N4GK kit**

### FEATURES

- Digital temperature controller with alarm
- Durable 16 gauge welded steel construction
- Also available in stainless steel
- Built in condensate evaporation package
- Easy pull-out filter
- Efficient, quiet and long lasting rotary compressor
- CFC-free refrigeration System
- Space saving aesthetic cabinet design
- 100% factory tested
- Designed to mount on side of enclosure while maintaining NEMA type 12, 4 or 4X integrity

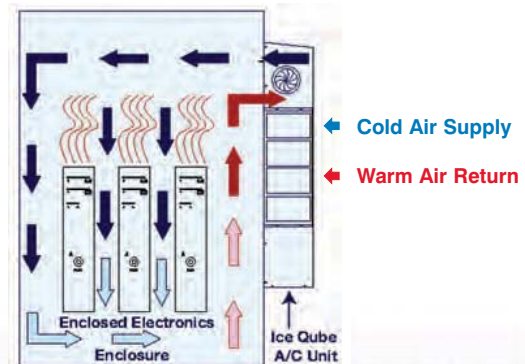


IQ 4000 V16 HA  
IQ 5000 V16  
IQ 6000 V16



IQ 4000 V16 HA SS  
IQ 5000 V16 SS  
IQ 6000 V16 SS

### AIR FLOW DIAGRAM



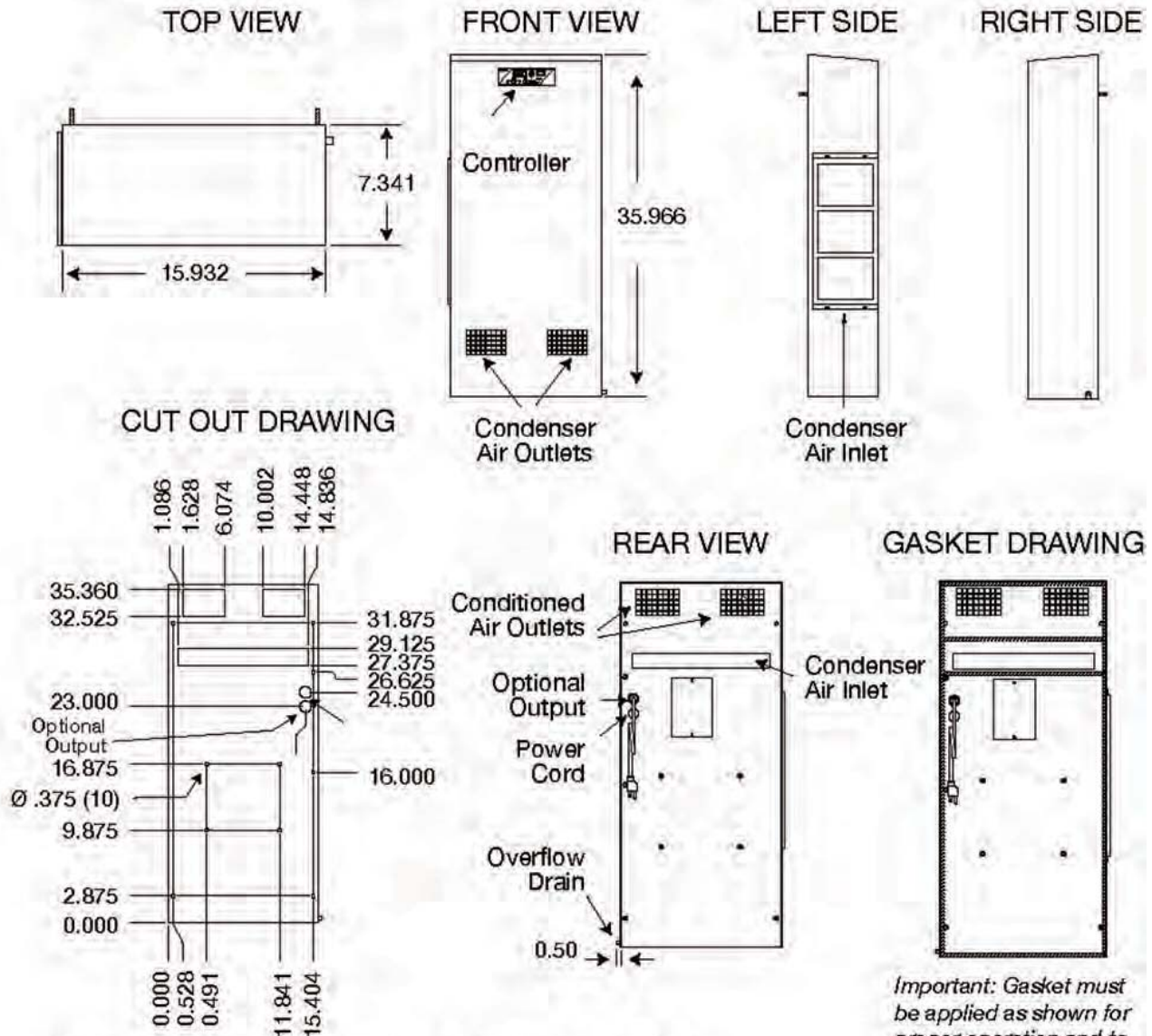
Data subject to change without notice.

Washdown Hoods p.588	N4GK NEMA 4/4X Gasket Kit p.686	Ambient Corrosive Package p.686	External Alarms Audible & Visual p.686	Heating & Low Ambient Packages p.686	Remote IQ-X Controller p.686	ICENET Remote Control Package p.686
-------------------------	------------------------------------	------------------------------------	-------------------------------------------	-----------------------------------------	---------------------------------	----------------------------------------

## Vertical mount air conditioner - 4000 to 6000 BTU

CATALOG NUMBER		BTU /HR	VOLTS /HZ	MAX. AMPS	MAX. TEMP.	DIMENSIONS			SHIP WGT LBS.
MILD STEEL	STAINLESS STEEL					H	W	D	
† IQ4000V16HA-126	IQ4000V16HA-126-SS	4000	120/60	9.4	135°F	35.97	15.93	7.34	75
† IQ4000V16HA-236	IQ4000V16HA-236-SS	4000	230/60	4.8	135°F	35.97	15.93	7.34	75
† IQ4000V16HA-236	IQ4000V16HA-236-SS	4000	220/50	5.2	135°F	35.97	15.93	7.34	75
IQ5000V16-126	IQ5000V16-126-SS	5000	120/60	9.1	125°F	35.97	15.93	7.34	80
IQ5000V16-236	IQ5000V16-236-SS	5000	230/60	4.6	125°F	35.97	15.93	7.34	80
IQ5000V16-236	IQ5000V16-236-SS	5000	220/50	4.3	125°F	35.97	15.93	7.34	80
IQ6000V16-126	IQ6000V16-126-SS	6000	120/60	10.5	125°F	35.97	15.93	7.34	80
IQ6000V16-236	IQ6000V16-236-SS	6000	230/60	4.7	125°F	35.97	15.93	7.34	80
IQ6000V16-236	IQ6000V16-236-SS	6000	220/50	5.0	125°F	35.97	15.93	7.34	80

† Denotes units which are designed for high ambient temperature applications.



Drawings are for illustration purposes only. Data is subject to change.

Important: Gasket must be applied as shown for proper operation and to maintain NEMA integrity.

Data subject to change without notice.



## Slim vertical mount air conditioner - 4000 to 6000 BTU

The **IQ5000VXS** vertical mount air conditioners are used to reduce heat accumulation within enclosures and maintain a safe operating temperature.

These units use closed-loop cooling technology, which removes heat without letting outside air into the sealed enclosure. All units feature a digital programmable temperature controller with an

alarm. The air conditioners feature a rugged 16 GA welded steel, dent resistant cabinet construction. The units have a space saving aesthetic cabinet design. A built-in condensate evaporation package is included. The units are powered by an efficient, quiet and long lasting rotary compressor, with a CFC-free refrigeration system. All units are factory test-

ed and are designed to mount on the side of an enclosure, while maintaining NEMA 12 integrity. Units are ANSI/ASA 61 gray or brushed stainless steel.

**UL / ULc Listed,**

**NEMA/EEMAC 12 / IP54**

**Steel units: NEMA 4 w/N4GK kit**

**SS units: NEMA 4X w/N4GK kit**

### FEATURES

- Digital temperature controller with alarm
- Durable 16 gauge welded steel construction
- Also available in stainless steel
- Built in condensate evaporation package
- Easy pull-out filter
- Efficient, quiet and long lasting rotary compressor
- CFC-free refrigeration System
- Space saving aesthetic cabinet design
- 100% factory tested
- Designed to mount on side of enclosure while maintaining NEMA type 12, 4 or 4X integrity

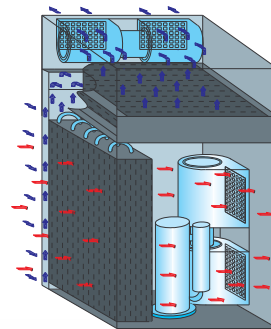


IQ 5000 VXS  
IQ 6000 VXS



IQ 5000 VXS SS  
IQ 6000 VXS SS

### AIR FLOW DIAGRAM



← Conditioned Enclosure Air Flow

← Ambient Air Flow

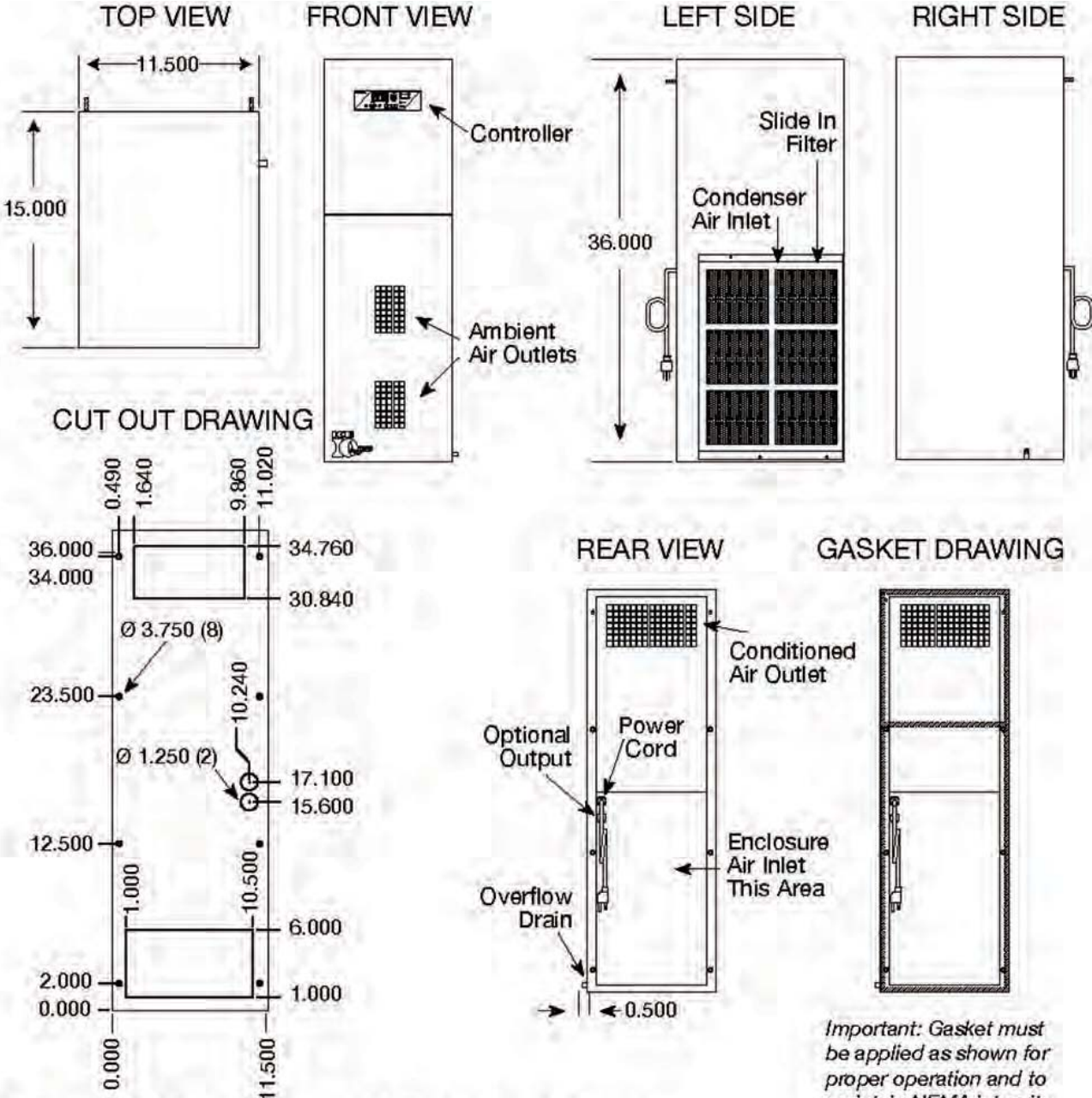
Data subject to change without notice.

Washdown Hoods p.588	N4GK NEMA 4/4X Gasket Kit p.686	Ambient Corrosive Package p.686	External Alarms Audible & Visual p.686	Heating & Low Ambient Packages p.686	Remote IQ-X Controller p.686	ICENET Remote Control Package p.686
1-800-363-2423			Fax : 450-979-4626		info@exmweb.com	



## Slim vertical mount air conditioner - 4000 to 6000 BTU

CATALOG NUMBER		BTU /HR	VOLTS /HZ	MAX. AMPS	MAX. TEMP.	DIMENSIONS			SHIP WGT LBS.
MILD STEEL	STAINLESS STEEL					H	W	D	
IQ4000VXS-126	IQ4000VXS-126-SS	4000	120/60	9.6	125°F	36.00	11.50	15.00	104
IQ4000VXS-236	IQ4000VXS-236-SS	4000	230/60	4.5	125°F	36.00	11.50	15.00	104
IQ4000VXS-236	IQ4000VXS-236-SS	4000	220/50	5.0	125°F	36.00	11.50	15.00	104
IQ5000VXS-126	IQ5000VXS-126-SS	5000	120/60	10	125°F	36.00	11.50	15.00	104
IQ5000VXS-236	IQ5000VXS-236-SS	5000	230/60	4.7	125°F	36.00	11.50	15.00	104
IQ5000VXS-236	IQ5000VXS-236-SS	5000	220/50	5.2	125°F	36.00	11.50	15.00	104
IQ6000VXS-126	IQ6000VXS-126-SS	6000	120/60	10.4	125°F	36.00	11.50	15.00	104
IQ6000VXS-236	IQ6000VXS-236-SS	6000	230/60	4.9	125°F	36.00	11.50	15.00	104
IQ6000VXS-236	IQ6000VXS-236-SS	6000	220/50	5.4	125°F	36.00	11.50	15.00	104



Drawings are for illustration purposes only. Data is subject to change.

*Important: Gasket must be applied as shown for proper operation and to maintain NEMA integrity.*

Data subject to change without notice.

## Slim vertical mount air conditioner - 5000 to 8000 BTU

The **IQ5000V16HA** slim vertical mount air conditioners are used to reduce heat accumulation within enclosures and maintain a safe operating temperature.

These units use closed-loop cooling technology, which removes heat without letting outside air into the sealed enclosure. All units feature a digital programmable temperature controller with an

alarm. The air conditioners feature a rugged 16 GA welded steel, dent resistant cabinet construction. The units have a space saving aesthetic cabinet design. A built-in condensate evaporation package is included. The units are powered by an efficient, quiet and long lasting rotary compressor, with a CFC-free refrigeration system. All units are factory test-

ed and are designed to mount on the side of an enclosure, while maintaining NEMA 12 integrity. Units are ANSI/ASA 61 gray or brushed stainless steel.

**UL / ULc Listed,  
NEMA/EEMAC 12 / IP54  
Steel units: NEMA 4 w/N4GK kit  
SS units: NEMA 4X w/N4GK kit**

### FEATURES

- Digital temperature controller with alarm
- Durable 16 gauge welded steel construction
- Also available in stainless steel
- Built in condensate evaporation package
- Easy pull-out filter
- Efficient, quiet and long lasting rotary compressor
- CFC-free refrigeration System
- Space saving aesthetic cabinet design
- 100% factory tested
- Designed to mount on side of enclosure while maintaining NEMA type 12, 4 or 4X integrity

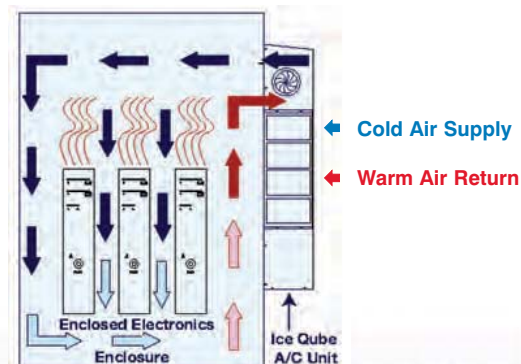


IQ 5000 V16 HA  
IQ 6000 V16 HA  
IQ 8000 V16



IQ 5000 V16 HA SS  
IQ 6000 V16 HA SS  
IQ 8000 V16 SS

### AIR FLOW DIAGRAM



Data subject to change without notice.

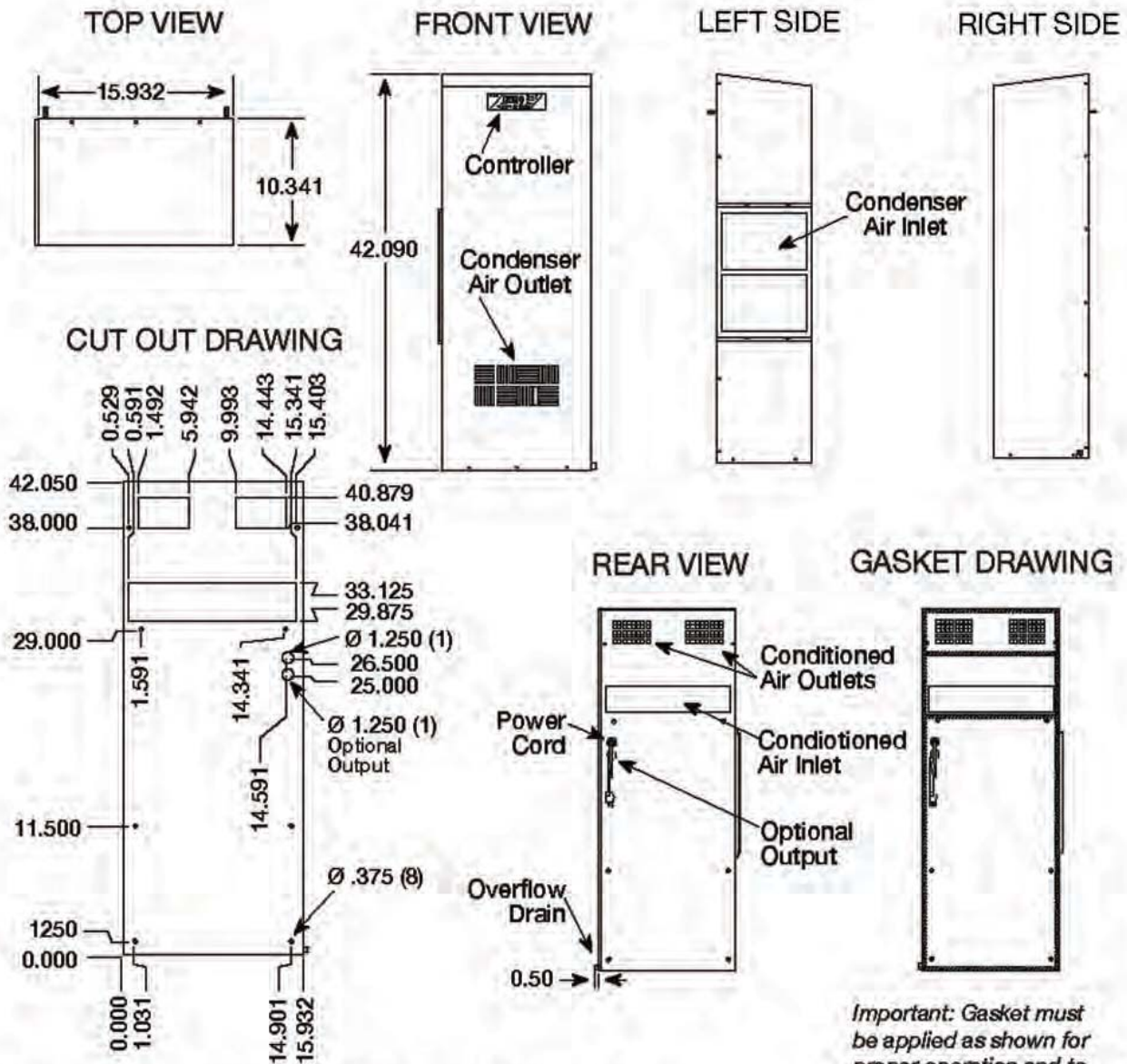
<b>Washdown Hoods</b> p.588	<b>N4GK NEMA 4/4X Gasket Kit</b> p.686	<b>Ambient Corrosive Package</b> p.686	<b>External Alarms Audible &amp; Visual</b> p.686	<b>Heating &amp; Low Ambient Packages</b> p.686	<b>Remote IQ-X Controller</b> p.686	<b>ICENET Remote Control Package</b> p.686
1-800-363-2423      Fax : 450-979-4626      info@exmweb.com						



## Slim vertical mount air conditioner - 5000 to 8000 BTU

CATALOG NUMBER		BTU /HR	VOLTS /HZ	MAX. AMPS	MAX. TEMP	DIMENSIONS			SHIP WGT LBS.
MILD STEEL	STAINLESS STEEL					H	W	D	
† IQ5000V16HA-126	IQ5000V16HA-126-SS	5000	120/60	10.1	135°F	42.09	15.93	10.34	103
† IQ5000V16HA-236	IQ5000V16HA-236-SS	5000	230/60	5.2	135°F	42.09	15.93	10.34	103
† IQ5000V16HA-236	IQ5000V16HA-236-SS	5000	220/50	5.7	135°F	42.09	15.93	10.34	103
† IQ6000V16HA-126	IQ6000V16-126-SS	6000	120/60	11.5	135°F	42.09	15.93	10.34	103
† IQ6000V16HA-236	IQ6000V16-236-SS	6000	230/60	5.8	135°F	42.09	15.93	10.34	103
† IQ6000V16HA-236	IQ6000V16-236-SS	6000	220/50	6.3	135°F	42.09	15.93	10.34	103
IQ8000V16-126	IQ8000V16-126-SS	8000	120/60	13.7	125°F	42.09	15.93	10.34	103
IQ8000V16-236	IQ8000V16-236-SS	8000	230/60	6.8	125°F	42.09	15.93	10.34	103
IQ8000V16-236	IQ8000V16-236-SS	8000	220/50	7.4	125°F	42.09	15.93	10.34	103

† Denotes units which are designed for high ambient temperature applications.



Drawings are for illustration purposes only. Data is subject to change.

Important: Gasket must be applied as shown for proper operation and to maintain NEMA integrity.

Data subject to change without notice.

## Slim vertical mount air conditioner - 8000 to 12000 BTU

The IQ8000VHA slim vertical mount air conditioners are used to reduce heat accumulation within enclosures and maintain a safe operating temperature.

These units use closed-loop cooling technology, which removes heat without letting outside air into the sealed enclosure. All units feature a digital programmable temperature controller with an

alarm. The air conditioners feature a rugged 16 GA welded steel, dent resistant cabinet construction. The units have a space saving aesthetic cabinet design. A built-in condensate evaporation package is included. The units are powered by an efficient, quiet and long lasting rotary compressor, with a CFC-free refrigeration system. All units are factory test-

ed and are designed to mount on the side of an enclosure, while maintaining NEMA 12 integrity. Units are ANSI/ASA 61 gray or brushed stainless steel.

**UL / ULc Listed,  
NEMA/EEMAC 12 / IP54  
Steel units: NEMA 4 w/N4GK kit  
SS units: NEMA 4X w/N4GK kit**

### FEATURES

- Digital temperature controller with alarm
- Durable 16 gauge welded steel construction
- Also available in stainless steel
- Built in condensate evaporation package
- Easy pull-out filter
- Efficient, quiet and long lasting rotary compressor
- CFC-free refrigeration System
- Space saving aesthetic cabinet design
- 100% factory tested
- Designed to mount on side of enclosure while maintaining NEMA type 12, 4 or 4X integrity

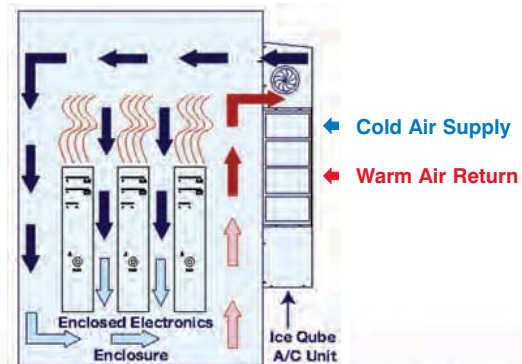


IQ 8000 VHA  
IQ 10000 V  
IQ 12000 V



IQ 8000 VHA SS  
IQ 10000 V SS  
IQ 12000 V SS

### AIR FLOW DIAGRAM



Data subject to change without notice.

Washdown Hoods	N4GK NEMA 4/4X Gasket Kit	Ambient Corrosive Package	External Alarms Audible & Visual	Heating & Low Ambient Packages	Remote IQ-X Controller	ICENET Remote Control Package
p.588	p.686	p.686	p.686	p.686	p.686	p.686
1-800-363-2423		Fax : 450-979-4626		info@exmweb.com		





## Vertical mount air conditioner - 17000 to 20000 BTU

The **IQ17000V** vertical mount air conditioners are used to reduce heat accumulation within enclosures and maintain a safe operating temperature.

These units use closed-loop cooling technology, which removes heat without letting outside air into the sealed enclosure. All units feature a digital programmable temperature controller with an

alarm. The air conditioners feature a rugged 16 GA welded steel, dent resistant cabinet construction. The units have a space saving aesthetic cabinet design. A built-in condensate evaporation package is included. The units are powered by an efficient, quiet and long lasting rotary compressor, with a CFC-free refrigeration system. All units are factory test-

ed and are designed to mount on the side of an enclosure, while maintaining NEMA 12 integrity. Units are ANSI/ASA 61 gray or brushed stainless steel.

**UL / ULc Listed,  
NEMA/EEMAC 12 / IP54  
Steel units: NEMA 4 w/N4GK kit  
SS units: NEMA 4X w/N4GK kit**

### FEATURES

- Digital temperature controller with alarm
- Durable 16 gauge welded steel construction
- Also available in stainless steel
- Built in condensate evaporation package
- Easy pull-out filter
- Efficient, quiet and long lasting rotary compressor
- CFC-free refrigeration System
- Space saving aesthetic cabinet design
- 100% factory tested
- Designed to mount on side of enclosure while maintaining NEMA type 12, 4 or 4X integrity

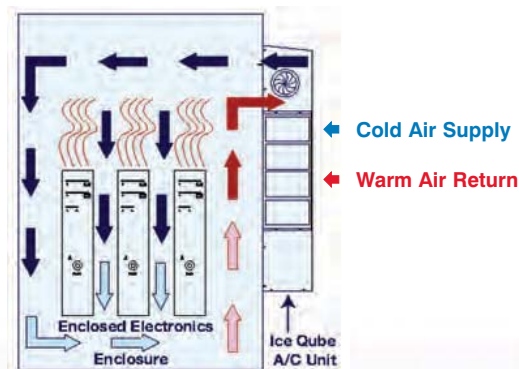


IQ 14000 V  
IQ 17000 V  
IQ 20000 V



IQ 14000 V SS  
IQ 17000 V SS  
IQ 20000 V SS

### AIR FLOW DIAGRAM



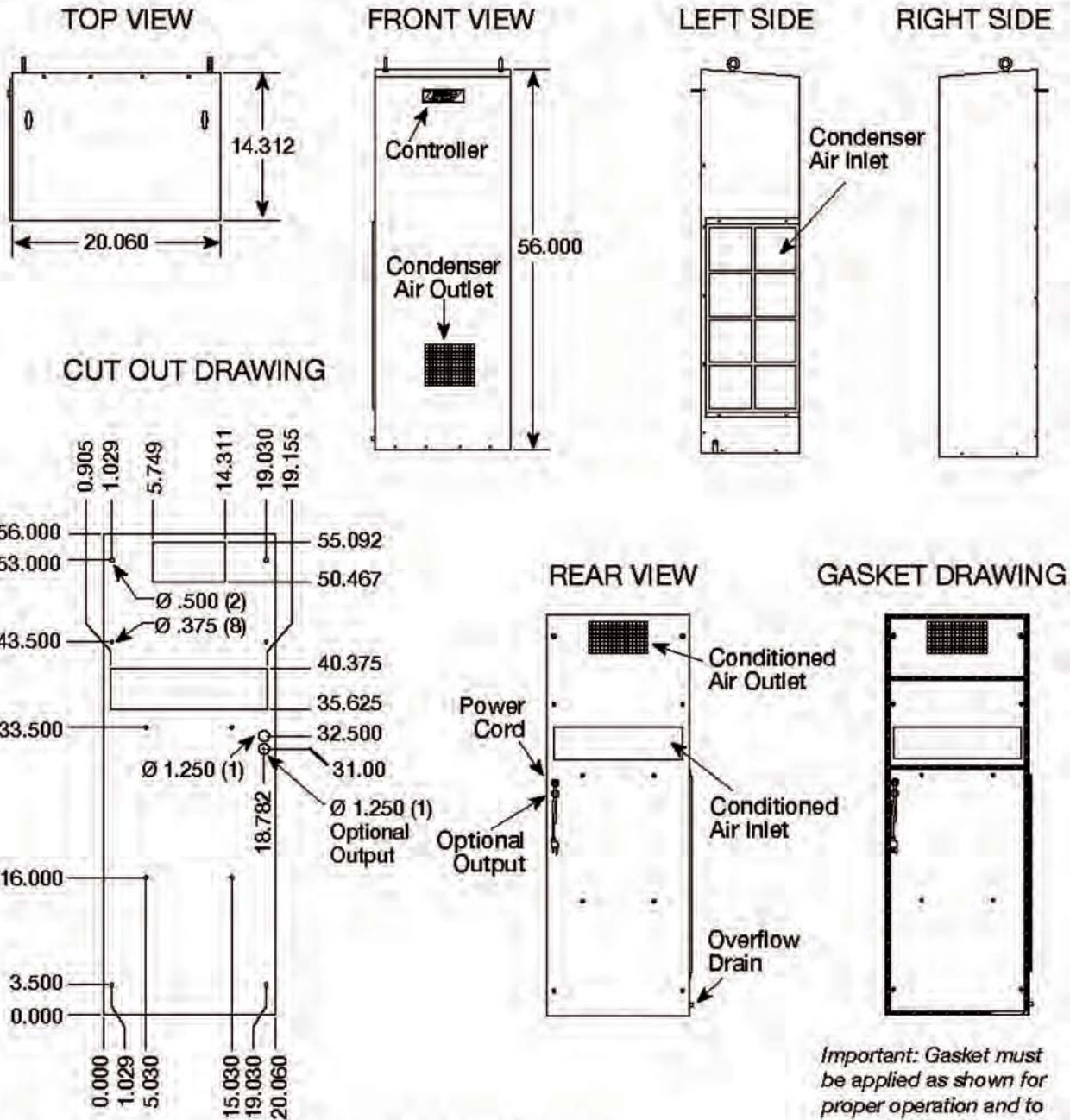
Data subject to change without notice.

Washdown Hoods p.588	N4GK NEMA 4/4X Gasket Kit p.686	Ambient Corrosive Package p.686	External Alarms Audible & Visual p.686	Heating & Low Ambient Packages p.686	Remote IQ-X Controller p.686	ICENET Remote Control Package p.686
1-800-363-2423      Fax : 450-979-4626      info@exmweb.com						



## Vertical mount air conditioner - 17000 to 20000 BTU

CATALOG NUMBER		BTU /HR	VOLTS /HZ	MAX. AMPS	MAX. TEMP	DIMENSIONS			SHIP WGHT LBS.
MILD STEEL	STAINLESS STEEL					H	W	D	
IQ17000V-236	IQ17000V-236-SS	17000	230/60	14.1	125°F	56.00	20.06	14.19	197
IQ17000V-236	IQ17000V-236-SS	17000	220/50	15.5	125°F	56.00	20.06	14.19	197
IQ20000V-236	IQ20000V-236-SS	20000	230/60	15.2	125°F	56.00	20.06	14.19	197
IQ20000V-236	IQ20000V-236-SS	20000	220/50	16.5	125°F	56.00	20.06	14.19	197



Drawings are for illustration purposes only. Data is subject to change.

*Important: Gasket must be applied as shown for proper operation and to maintain NEMA integrity.*

Data subject to change without notice.

## Top mount air conditioner - 2000 BTU

The IQ2000TXS slim top mount air conditioners are used to reduce heat accumulation within enclosures and maintain a safe operating temperature.

These units use closed-loop cooling technology, which removes heat without letting outside air into the sealed enclosure. All units feature a digital programma-

ble temperature controller with an alarm. The air conditioners feature a rugged 16 GA welded steel, dent resistant cabinet construction. The units have a space saving aesthetic cabinet design. The units are powered by an efficient, quiet and long lasting rotary compressor, with a CFC-free refrigeration system.

All units are factory tested and are designed to mount on the top of an enclosure, while maintaining NEMA 12 integrity. Units are ANSI/ASA 61 gray or brushed stainless steel.

**UL / ULc Listed**

**NEMA/EEMAC 12 / IP54**

**Steel units: NEMA 4 w/N4GK kit**

**SS units: NEMA 4X w/N4GK kit**

### FEATURES

- Digital temperature controller with alarm
- Durable 16 gauge welded steel construction
- Also available in stainless steel
- Easy pull-out filter
- Efficient, quiet and long lasting rotary compressor
- CFC-free refrigeration System
- Space saving aesthetic cabinet design
- 100% factory tested
- Designed to mount on side of enclosure while maintaining NEMA type 12, 4 or 4X integrity

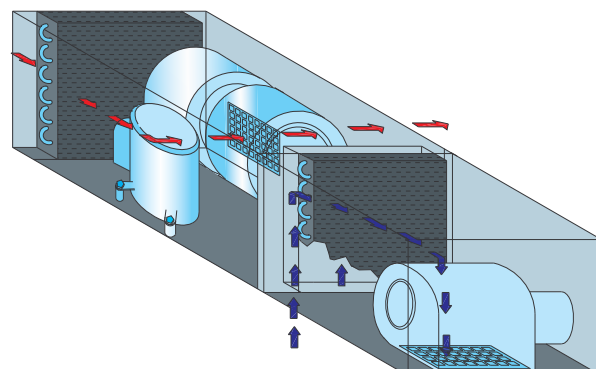


IQ 2000 TXS



IQ 2000 TXS SS

### AIR FLOW DIAGRAM



◆ Conditioned Enclosure Air Flow

◆ Ambient Air Flow

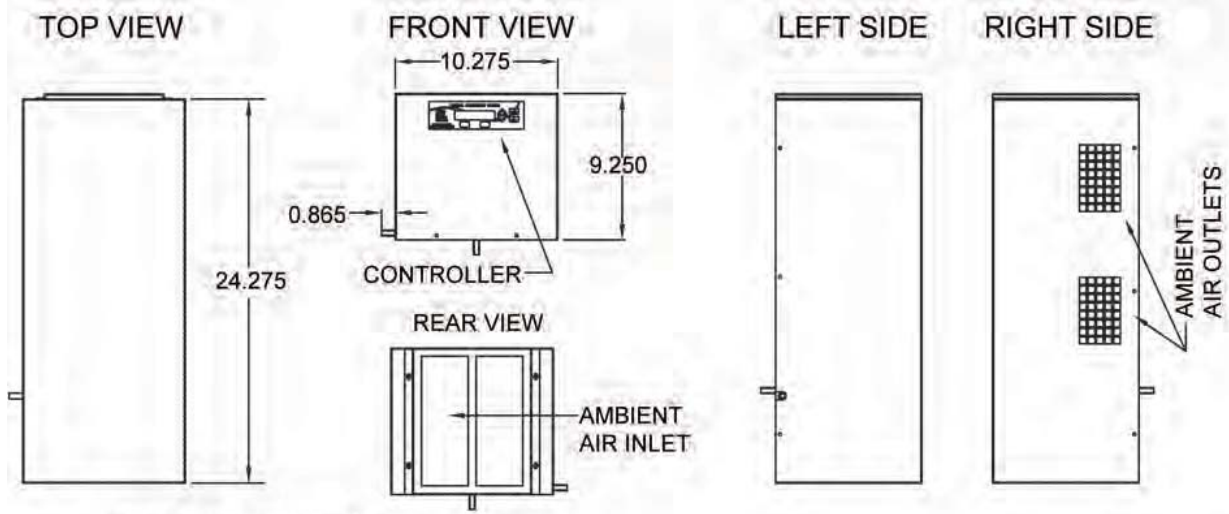
Data subject to change without notice.

Washdown Hoods p.588	N4GK NEMA 4/4X Gasket Kit p.686	Ambient Corrosive Package p.686	External Alarms Audible & Visual p.686	Heating & Low Ambient Packages p.686	Remote IQ-X Controller p.686	ICENET Remote Control Package p.686
1-800-363-2423		Fax : 450-979-4626		info@exmweb.com		

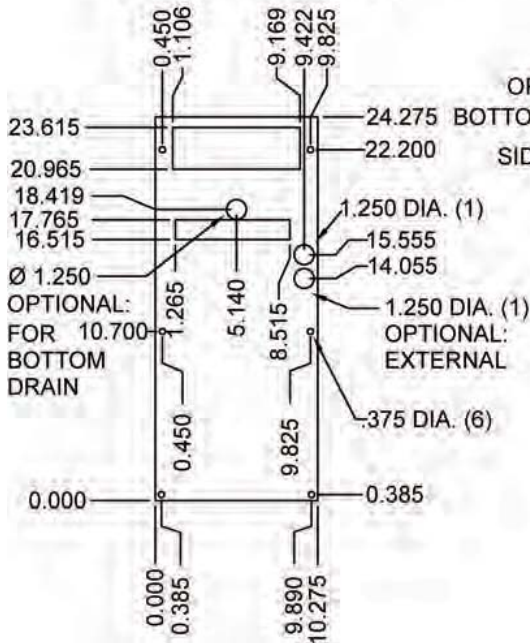


## Top mount air conditioner - 2000 to 2500 BTU

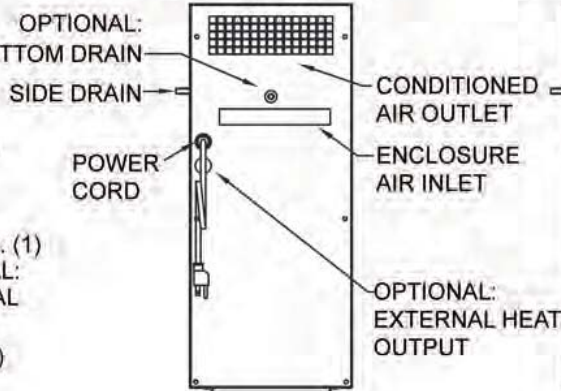
CATALOG NUMBER		BTU /HR	VOLTS /HZ	MAX. AMPS	MAX. TEMP	DIMENSIONS			SHIP WGHT LBS.
MILD STEEL	STAINLESS STEEL					H	W	D	
IQ2000TXS-126	IQ2000TXS-126-SS	2000	120/60	4.7	125°F	9.25	10.28	24.28	50
IQ2000TXS-236	IQ2000TXS-236-SS	2000	230/60	2.3	125°F	9.25	10.28	24.28	50
IQ2000TXS-236	IQ2000TXS-236-SS	2000	220/50	2.6	125°F	9.25	10.28	24.28	50
IQ2500TXS-126	IQ2500TXS-126-SS	2500	120/60	7.6	125°F	9.25	10.28	24.28	50
IQ2500TXS-236	IQ2500TXS-236-SS	2500	230/60	3.6	125°F	9.25	10.28	24.28	50
IQ2500TXS-236	IQ2500TXS-236-SS	2500	220/50	4.0	125°F	9.25	10.28	24.28	50



### CUTOUT DRAWING



### BOTTOM VIEW



### GASKET DRAWING



**Important:** Gasket must be applied as shown for proper operation and to maintain NEMA integrity.

Data subject to change without notice.

## Top mount air conditioner - 3000 to 4000 BTU

The IQ3000T top mount air conditioners are used to reduce heat accumulation within enclosures and maintain a safe operating temperature.

These units use closed-loop cooling technology, which removes heat without letting outside air into the sealed enclosure. All units feature a digital program-

ble temperature controller with an alarm. The air conditioners feature a rugged 16 GA welded steel, dent resistant cabinet construction. The units have a space saving aesthetic cabinet design. The units are powered by an efficient, quiet and long lasting rotary compressor, with a CFC-free refrigeration system.

All units are factory tested and are designed to mount on the top of an enclosure, while maintaining NEMA 12 integrity. Units are ANSI/ASA 61 gray or brushed stainless steel.

**UL / ULc Listed**

**NEMA/EEMAC 12 / IP54**

**Steel units: NEMA 4 w/N4GK kit**

**SS units: NEMA 4X w/N4GK kit**

### FEATURES

- Digital temperature controller with alarm
- Durable 16 gauge welded steel construction
- Also available in stainless steel
- Easy pull-out filter
- Efficient, quiet and long lasting rotary compressor
- CFC-free refrigeration System
- Space saving aesthetic cabinet design
- 100% factory tested
- Designed to mount on side of enclosure while maintaining NEMA type 12, 4 or 4X integrity

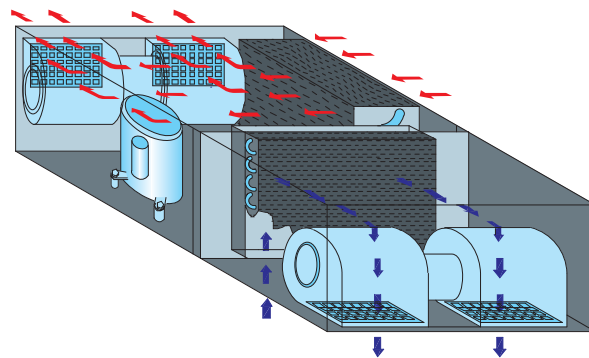


IQ 3000 T  
IQ 4000 T



IQ 3000 T SS  
IQ 4000 T SS

### AIR FLOW DIAGRAM



← Conditioned Enclosure Air Flow

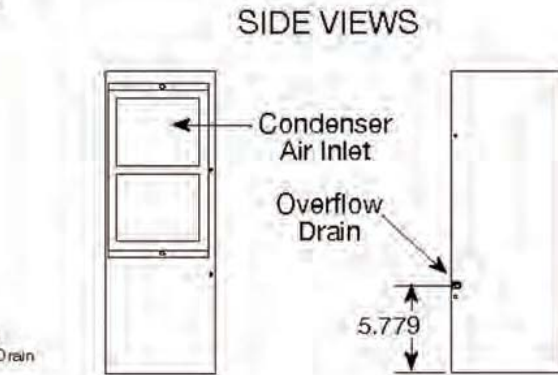
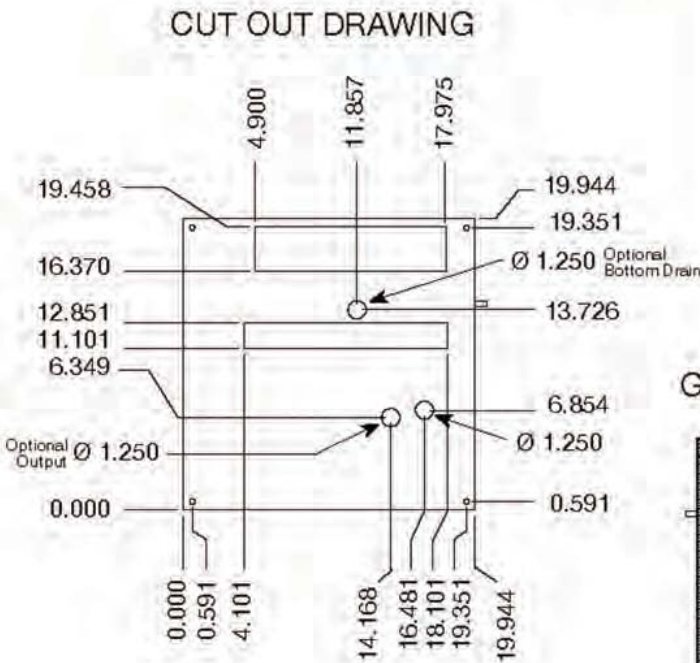
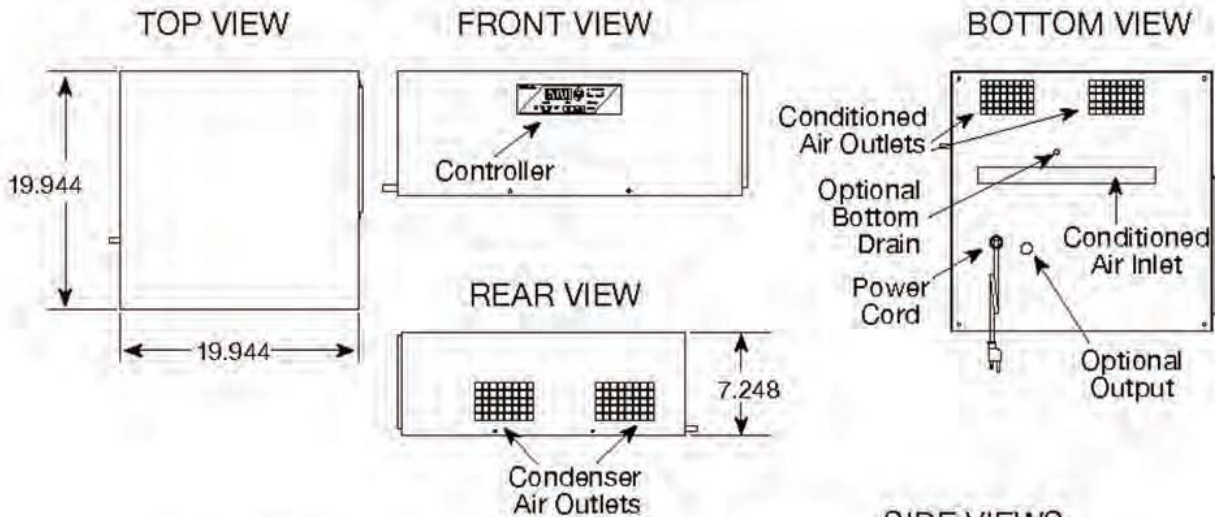
← Ambient Air Flow

Data subject to change without notice.

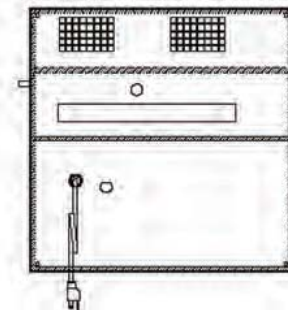
Washdown Hoods p.588	N4GK NEMA 4/4X Gasket Kit p.686	Ambient Corrosive Package p.686	External Alarms Audible & Visual p.686	Heating & Low Ambient Packages p.686	Remote IQ-X Controller p.686	ICENET Remote Control Package p.686
-------------------------	------------------------------------	------------------------------------	-------------------------------------------	-----------------------------------------	---------------------------------	----------------------------------------

## Top mount air conditioner - 3000 to 4000 BTU

CATALOG NUMBER		BTU /HR	VOLTS /HZ	MAX. AMPS	MAX. TEMP	DIMENSIONS			SHIP WGHT LBS.
MILD STEEL	STAINLESS STEEL					H	W	D	
IQ3000T-126	IQ3000T-126-SS	3000	120/60	8.3	125°F	12.06	19.94	19.94	75
IQ3000T-236	IQ3000T-236-SS	3000	230/60	4.3	125°F	12.06	19.94	19.94	75
IQ3000T-236	IQ3000T-236-SS	3000	220/50	4.8	125°F	12.06	19.94	19.94	75
IQ4000T-126	IQ4000T-126-SS	4000	120/60	8.5	125°F	12.06	19.94	19.94	75
IQ4000T-236	IQ4000T-236-SS	4000	230/60	4.5	125°F	12.06	19.94	19.94	75
IQ4000T-236	IQ4000T-236-SS	4000	220/50	5.0	125°F	12.06	19.94	19.94	75



### GASKET DRAWING



*Important: Gasket must be applied as shown for proper operation and to maintain NEMA integrity.*

Data subject to change without notice.

Drawings are for illustration purposes only. Data is subject to change.



## Top mount air conditioner - 5000 to 6000 BTU

The IQ5000T top mount air conditioners are used to reduce heat accumulation within enclosures and maintain a safe operating temperature.

These units use closed-loop cooling technology, which removes heat without letting outside air into the sealed enclosure. All units feature a digital program-

ble temperature controller with an alarm. The air conditioners feature a rugged 16 GA welded steel, dent resistant cabinet construction. The units have a space saving aesthetic cabinet design. The units are powered by an efficient, quiet and long lasting rotary compressor, with a CFC-free refrigeration system.

All units are factory tested and are designed to mount on the top of an enclosure, while maintaining NEMA 12 integrity. Units are ANSI/ASA 61 gray or brushed stainless steel.

**UL / ULc Listed**

**NEMA/EEMAC 12 / IP54**

**Steel units: NEMA 4 w/N4GK kit**

**SS units: NEMA 4X w/N4GK kit**

### FEATURES

- Digital temperature controller with alarm
- Durable 16 gauge welded steel construction
- Also available in stainless steel
- Easy pull-out filter
- Efficient, quiet and long lasting rotary compressor
- CFC-free refrigeration System
- Space saving aesthetic cabinet design
- 100% factory tested
- Designed to mount on side of enclosure while maintaining NEMA type 12, 4 or 4X integrity

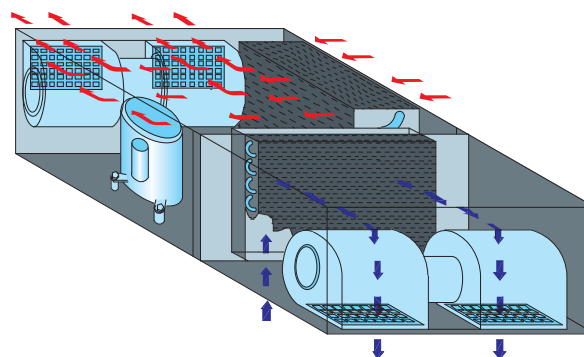


IQ 5000 T  
IQ 6000 T



IQ 5000 T SS  
IQ 6000 T SS

### AIR FLOW DIAGRAM



← Conditioned Enclosure Air Flow

← Ambient Air Flow

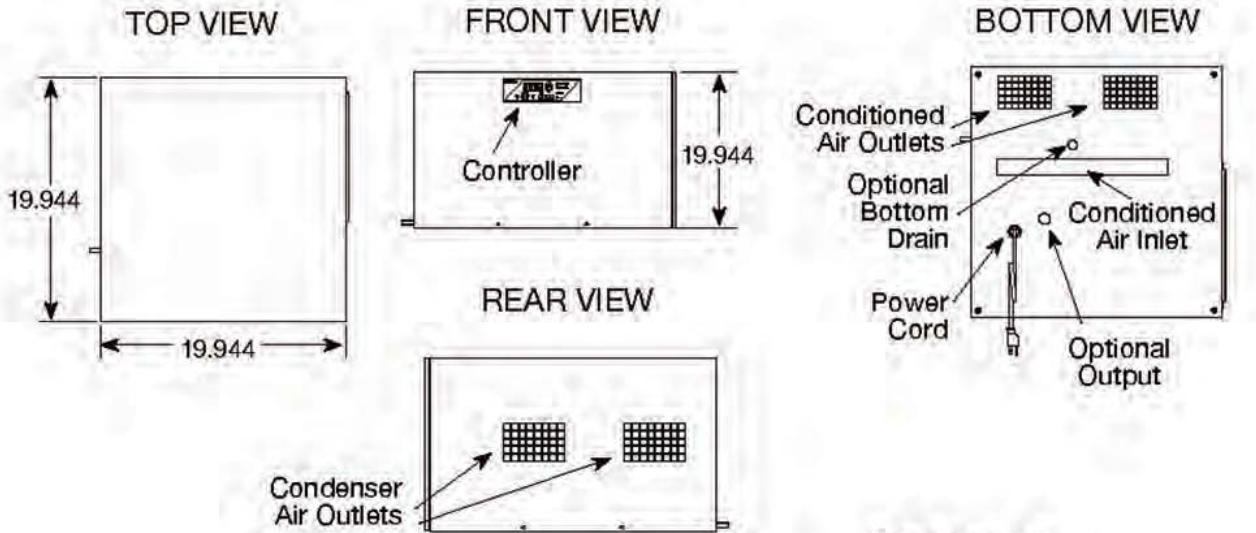
Data subject to change without notice.

Washdown Hoods p.588	N4GK NEMA 4/4X Gasket Kit p.686	Ambient Corrosive Package p.686	External Alarms Audible & Visual p.686	Heating & Low Ambient Packages p.686	Remote IQ-X Controller p.686	ICENET Remote Control Package p.686
-------------------------	------------------------------------	------------------------------------	-------------------------------------------	-----------------------------------------	---------------------------------	----------------------------------------

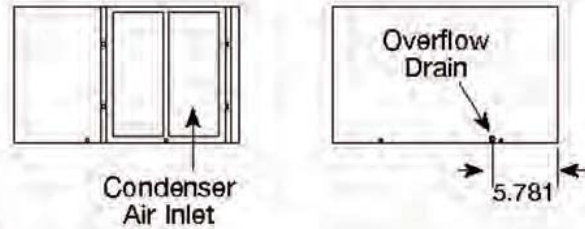


## Top mount air conditioner - 5000 to 6000 BTU

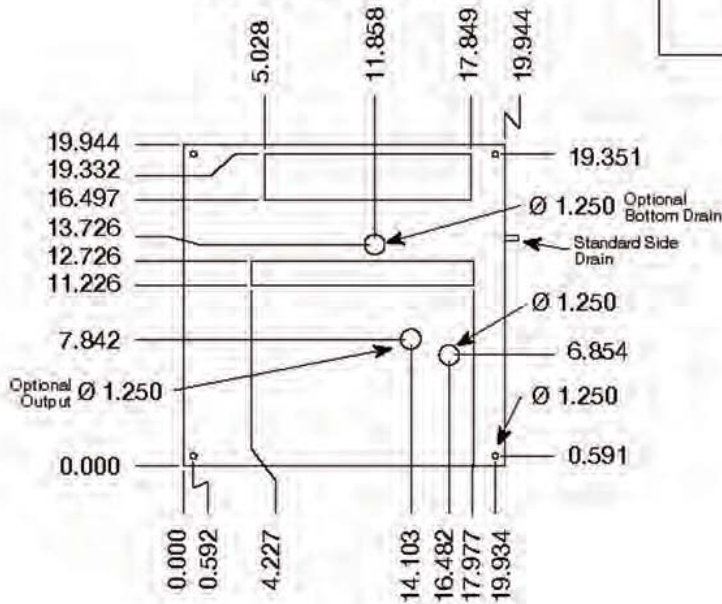
CATALOG NUMBER		BTU /HR	VOLTS /HZ	MAX. AMPS	MAX. TEMP	DIMENSIONS			SHIP WGT LBS.
MILD STEEL	STAINLESS STEEL					H	W	D	
IQ5000T-126	IQ5000T-126-SS	5000	120/60	8.9	125°F	12.06	19.94	19.94	75
IQ5000T-236	IQ5000T-236-SS	5000	230/60	4.5	125°F	12.06	19.94	19.94	75
IQ5000T-236	IQ5000T-236-SS	5000	220/50	5.0	125°F	12.06	19.94	19.94	75
IQ6000T-126	IQ6000T-126-SS	6000	120/60	10.3	125°F	12.06	19.94	19.94	75
IQ6000T-236	IQ6000T-236-SS	6000	230/60	5.2	125°F	12.06	19.94	19.94	75
IQ6000T-236	IQ6000T-236-SS	6000	220/50	5.7	125°F	12.06	19.94	19.94	75



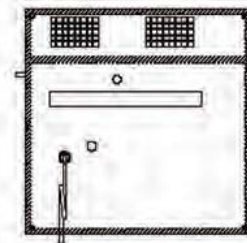
### SIDE VIEWS



### CUT OUT DRAWING



### GASKET DRAWING



*Important: Gasket must be applied as shown for proper operation and to maintain NEMA integrity.*

Drawings are for illustration purposes only. Data is subject to change.

Data subject to change without notice.

## Vertical and Top mount air conditioner - Hazardous duty

The IQ2200VSXP2 top and vertical mount hazardous duty air conditioners have been designed to provide a safe environment for your equipment by cooling and dehumidifying the enclosure which houses your equipment in an efficient, modern, aesthetically pleasing package requiring minimal maintenance. EXM offers models of hazardous duty cooling systems ranging in cooling capacity from 2,200 to 20,000

BTU per hour to provide air conditioning systems for many of your environmental needs. They are designed for standard and pressurized enclosure systems Class I, Division II, Groups B, C, and D for hazardous duty applications. The air conditioners feature a rugged 16 GA welded steel, dent resistant cabinet construction. The units have a space saving aesthetic cabinet design. The units are powered by an efficient,

quiet and long lasting ball bearing type fans.

All units are factory tested and are designed to mount on the top of an enclosure, while maintaining NEMA 12 integrity. Units are ANSI/ASA 61 gray or brushed stainless steel.

**UL / ULc Listed**

**NEMA/EEMAC 12 / IP54**

**Steel units: NEMA 4 w/N4GK kit**

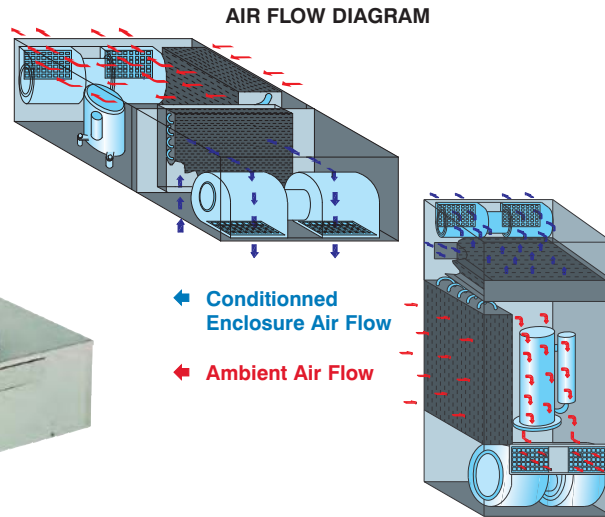
**SS units: NEMA 4X w/N4GK kit**



**VERTICAL MOUNT SLIM**



**TOP MOUNT**



CATALOG NUMBER		BTUH	120 Volt Max. Amps	230 Volt Max. Amps	DIMENSIONS			SHIP WGHT LBS.
MILD STEEL	STAINLESS STEEL				H	W	D	
IQ2500VXP2	IQ2500VXP2-SS	2500	7.3	3.5	28.50	19.25	6.38	91
IQ3500VXP2	IQ3500VXP2-SS	3500	8.8	4.3	28.50	19.25	6.38	91
IQ4500VXP2	IQ4500VXP2-SS	4500	9.5	4.6	28.50	19.25	6.38	91
IQ10000VXP2	IQ10000VXP2-SS	10000	15.1	7.9	52.09	17.65	10.34	155
IQ12000VXP2	IQ12000VXP2-SS	12000	19.6	9.8	52.09	17.65	10.34	155
IQ14000VXP2	IQ14000VXP2-SS	14000	N/A	11.4	56.00	20.00	14.19	215.5
IQ17000VXP2	IQ17000VXP2-SS	17000	N/A	15.5	56.00	20.00	14.19	196.5
IQ20000VXP2	IQ20000VXP2-SS	20000	N/A	17.4	56.00	20.00	14.19	217
IQ2200VSXP2	IQ2200VSXP2-SS	2200	6.6	3.3	30.10	12.27	6.34	75
IQ3000VSXP2	IQ3000VSXP2-SS	3000	6.9	3.4	30.10	12.27	6.34	75
IQ4000VSXP2	IQ4000VSXP2-SS	4000	8.3	4.2	30.10	12.27	6.34	84.5
IQ5000V16XP2	IQ5000V16XP2-SS	5000	8.8	4.2	35.94	15.94	7.35	105
IQ5000V16HAXP2*	IQ5000V16HAXP2-SS*	5000	13.7	6.6	42.09	15.93	10.34	125
IQ6000V16XP2	IQ6000V16XP2-SS	6000	9.5	4.3	35.97	15.93	7.34	1.5
IQ6000V16HAXP2*	IQ6000V16HAXP2-SS*	6000	15.6	7.0	42.09	15.93	10.34	125
IQ8000V16XP2	IQ8000V16XP2-SS	8000	13.7	6.8	42.10	15.94	10.35	137
IQ4000V16HAXP2*	IQ4000V16HAXP2-SS*	4000	8.2	3.9	35.97	15.93	7.34	105
IQ8000VHAXP2*	IQ8000VHAXP2-SS*	8000	14.7	7.8	52.09	17.65	10.34	159
IQ2000VXSXP2	IQ2000VXSXP2-SS	2000	6.6	3.4	24.00	10.00	10.00	80
IQ2400VXSXP2	IQ2400VXSXP2-SS	2400	7.1	3.5	24.00	10.00	10.00	80
IQ3000TXP2	IQ3000TXP2-SS	3000	7.6	3.8	12.06	19.94	19.94	95
IQ4000TXP2	IQ4000TXP2-SS	4000	8.2	4.1	12.06	19.94	19.94	95
IQ5000TXP2	IQ5000TXP2-SS	5000	8.3	4.2	12.06	19.94	19.94	95
IQ6000TXP2	IQ6000TXP2-SS	6000	9.5	4.8	12.06	19.94	19.94	95
IQ2000TXSXP2	IQ2000TXSXP2-SS	2000	N/A	2.3	9.25	10.28	24.28	70
IQ2500TXSXP2	IQ2500TXSXP2-SS	2500	7.6	3.6	9.25	10.28	24.28	70

Data subject to change without notice.



Washdown Hoods p.588	N4GK NEMA 4/4X Gasket Kit p.686	Ambient Corrosive Package p.686	External Alarms Audible & Visual p.686	Heating & Low Ambient Packages p.686	Remote IQ-X Controller p.686	ICENET Remote Control Package p.686
-------------------------	------------------------------------	------------------------------------	-------------------------------------------	-----------------------------------------	---------------------------------	----------------------------------------



# AIR CONDITIONER FILTERS

## PermaCool electrostatic ambient air filters

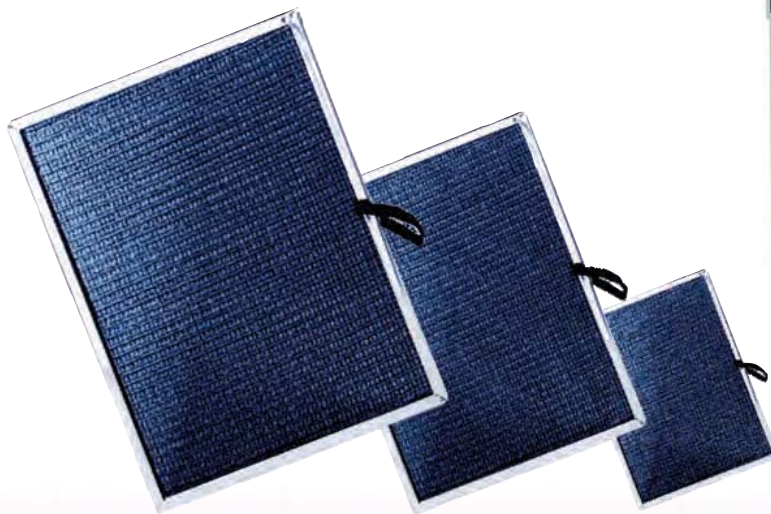
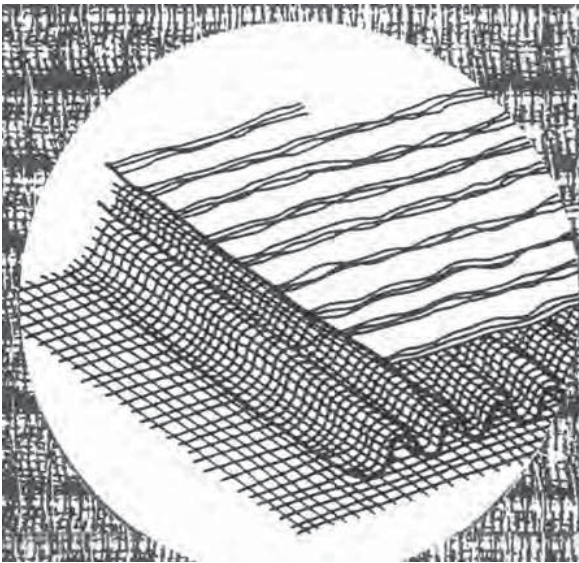
The **POF series** pull-out filters are used with the IQ series air conditioners.

EXM air conditioners use PermaCool electrostatic filter media to keep dust and other industrial residues from clogging the condenser cooling air passages. The filter media is a rigid

and durable ¼" corrugated polypropylene media with 10 micron filtration which maintains a low resistance to airflow. The filter media will withstand harsh factory environments and will not degrade over time. Simple washing or vacuuming is all that is necessary to maintain the filter media

over an indefinite period of time. PermaCool's dense, three layer, ¼" waffle weave configuration enhances its filtration abilities and creates a rigid electrostatic air filter. Unlike other media which may compress and restrict airflow, PermaCool retains its low resistance design.

### THREE LAYER, ¼" WAFFLE WEAVE CONFIGURATION



Data subject to change without notice.

## Heat exchanger - cross flow

The IQ3400HE-FX heat exchangers cross flow are designed to provide from 5.7 to 83 watts/°F of closed-loop heat removal capacity. A powerful fan is used to draw the heated air, created by the enclosed electronic equipment, over the heat-absorbing convoluted core. Utilizing thermal dynam-

ic principles, the heat is transferred to the ambient side of the core where heat is absorbed by the cooler ambient air stream. The conditioned air is then re-circulated into the equipment enclosure to repeat the heat absorbing process. The heat exchanger feature a

rugged 16 GA welded steel, dent resistant cabinet construction. All units are factory tested and are designed to mount on the side of an enclosure, while maintaining NEMA 12, 3R, 4 or 4X integrity. Units are ANSI/ASA 61 gray or brushed stainless steel.

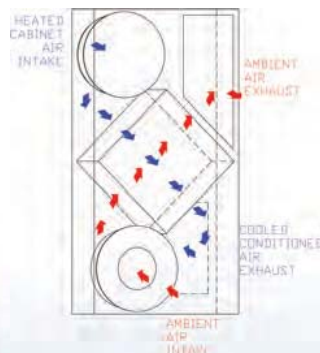
### FEATURES

- Durable 16 gauge welded steel construction
- Also available in stainless steel
- Space saving aesthetic cabinet design
- Efficient epoxy coated aluminum core providing excellent corrosion resistance
- Quiet, long lasting ball bearing type fan
- Designed to mount on side of enclosure while maintaining NEMA type 12, 3R, 4 or 4X

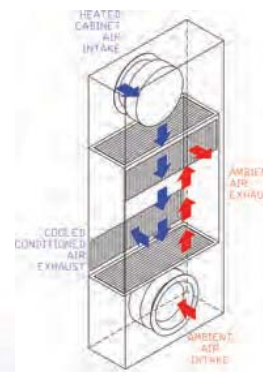


CATALOG NUMBER		WATTS /°F	VOLTS /HZ	MAX. AMPS	DIMENSIONS			SHIP WGHT LBS.
MILD STEEL	STAINLESS STEEL				H	W	D	
IQ3400HE-XF-126	IQ3400HE-XF-126-SS	28°F	120/60	1.26	35.42	17.82	8.03	54
IQ3400HE-XF-236	IQ3400HE-XF-236-SS	28°F	230/60	0.62	35.42	17.82	8.03	54
IQ3400HE-XF-236	IQ3400HE-XF-236-SS	28°F	220/50	0.68	35.42	17.82	8.03	54
IQ3400HE-XF-48	IQ3400HE-XF-48-SS	28°F	48VDC	1.91	35.42	17.82	8.03	54
IQ7400HE-XF-126	IQ7400HE-XF-126-SS	57°F	120/60	3.7	35.42	17.82	8.36	74
IQ7400HE-XF-236	IQ7400HE-XF-236-SS	57°F	230/60	1.8	35.42	17.82	8.36	74
IQ7400HE-XF-236	IQ7400HE-XF-236-SS	57°F	220/50	2.0	35.42	17.82	8.36	74
IQ7400HE-XF-48	IQ7400HE-XF-48-SS	57°F	48VDC	4.9	35.42	17.82	8.36	74

Data subject to change without notice.



XF - CROSS FLOW



CF - COUNTER FLOW



## Heat exchanger - counter flow

The IQ3400HE-FX heat exchangers counter flow are designed to provide from 5.7 to 83 watts/°F of closed-loop heat removal capacity. A powerful fan is used to draw the heated air, created by the enclosed electronic equipment, over the heat-absorbing convoluted core. Utilizing thermal dynam-

ic principles, the heat is transferred to the ambient side of the core where heat is absorbed by the cooler ambient air stream. The conditioned air is then re-circulated into the equipment enclosure to repeat the heat absorbing process. The heat exchanger feature a

rugged 16 GA welded steel, dent resistant cabinet construction. All units are factory tested and are designed to mount on the side of an enclosure, while maintaining NEMA 12, 3R, 4 or 4X integrity. Units are ANSI/ASA 61 gray or brushed stainless steel.

### FEATURES

- Durable 16 gauge welded steel construction
- Also available in stainless steel
- Space saving aesthetic cabinet design
- Efficient epoxy coated aluminum core providing excellent corrosion resistance
- Quiet, long lasting ball bearing type fan
- Designed to mount on side of enclosure while maintaining NEMA type 12, 3R, 4 or 4X



CATALOG NUMBER		WATTS /°F	VOLTS /HZ	MAX. AMPS	DIMENSIONS			SHIP WGHT LBS.
MILD STEEL	STAINLESS STEEL				H	W	D	
IQ700HE-CF-126	IQ700HE-CF-126-SS	5.7	120/60	0.24	14.50	7.18	4.00	10
IQ700HE-CF-236	IQ700HE-CF-236-SS	5.7	230/60	0.13	14.50	7.18	4.00	10
IQ700HE-CF-236	IQ700HE-CF-236-SS	5.7	220/50	0.14	14.50	7.18	4.00	10
IQ700HE-CF-48	IQ700HE-CF-48-SS	5.7	48VDC	0.25	14.50	7.18	4.00	10
IQ900HE-CF-126	IQ900HE-CF-126-SS	7.4	120/60	0.56	28.75	10.68	5.13	34
IQ900HE-CF-236	IQ900HE-CF-236-SS	7.4	230/60	0.36	28.75	10.68	5.13	34
IQ900HE-CF-236	IQ900HE-CF-236-SS	7.4	220/50	0.40	28.75	10.68	5.13	34
IQ900HE-CF-48	IQ900HE-CF-48-SS	7.4	48VDC	1.12	28.75	10.68	5.13	34
IQ1800HE-CF-126	IQ1800HE-CF-126-SS	14.7	120/60	1.10	35.18	10.68	5.13	35
IQ1800HE-CF-236	IQ1800HE-CF-236-SS	14.7	230/60	0.58	35.18	10.68	5.13	35
IQ1800HE-CF-236	IQ1800HE-CF-236-SS	14.7	220/50	0.64	35.18	10.68	5.13	35
IQ1800HE-CF-48	IQ1800HE-CF-48-SS	14.7	48VDC	2.35	35.18	10.68	5.13	35
IQ2200HE-CF-126	IQ2200HE-CF-126-SS	18	120/60	2.80	35.18	10.68	5.13	37
IQ2200HE-CF-236	IQ2200HE-CF-236-SS	18	230/60	0.96	35.18	10.68	5.13	37
IQ2200HE-CF-236	IQ2200HE-CF-236-SS	18	220/50	1.06	35.18	10.68	5.13	37
IQ2200HE-CF-48	IQ2200HE-CF-48-SS	18	48VDC	3.24	35.18	10.68	5.13	37
IQ6100HE-CF-126	IQ6100HE-CF-126-SS	47	120/60	3.70	39.99	17.18	6.03	60
IQ6100HE-CF-236	IQ6100HE-CF-236-SS	47	230/60	1.80	39.99	17.18	6.03	60
IQ6100HE-CF-236	IQ6100HE-CF-236-SS	47	220/50	2.00	39.99	17.18	6.03	60
IQ6100HE-CF-48	IQ6100HE-CF-48-SS	47	48VDC	4.9	39.99	17.18	6.03	60
IQ10000HE-CF-126	IQ10000HE-CF-126-SS	83	120/60	5.02	50.00	20.75	7.81	100
IQ10000HE-CF-236	IQ10000HE-CF-236-SS	83	230/60	1.52	50.00	20.75	7.81	100
IQ10000HE-CF-236	IQ10000HE-CF-236-SS	83	220/50	2.16	50.00	20.75	7.81	100
IQ10000HE-CF-48	IQ10000HE-CF-48-SS	83	48VDC	3.96	50.00	20.75	7.81	v

Data subject to change without notice.

# OPTIONS & ACCESSORIES

## Corrosive Package

Recommended for coastal areas or anywhere corrosives to copper or aluminum may be present in the atmosphere.

- *Ambient Corrosive Package – CP*
- *Total Corrosive Package – CP2*

## Alarm Output Signal

Wire output lead provides a dry contact signal when an alarm condition occurs. Contact may be NO, NC or both NO and NC.

- *Dry Contact-Normaly Open – X01*
- *Dry Contact-Normaly Closed – X02*
- *Dry Contact-Normaly Open/Closed – X03*

## NEMA 4 Gasket Kit

Maintains NEMA 4 or 4X seal at enclosure/air conditioner interface.

- *NEMA 4 Gasket Kit – N4GK*

## Low Ambient Options

Recommended for models used in atmosphere where ambient temperature may fall significantly below the enclosure temperature.

- *Crankcase Heater – CH*
- *Low Ambient Package – CH & By-pass Valve – LA*
- *High pressure Fan Cycling Switch on select Models*

## Metal Blower Wheels

Recommended for harsh environments.

- *BH 1300 Blower – MW1300-set*
- *BH 1400 Blower – MW1400-set*
- *BH 7800 Blower – MW7800-CW*



## External Heat Output

Electrical output used when a heater is required to maintain satisfactory temperature and humidity conditions. Output is driven by EXM's Controller.

*Fan Heater*  
Available 100 to 400 watts



*PTC Fan Heater*  
Available 400 to 650 watts



## Remote Controller Kit

May be located inside enclosure for additional security or located on accessible enclosure surface for more convenient display and control.

- *Controller Kit XC*



## Exhaust Diverter Boot

Recommended for environments where the warm air exhausted from air conditioner is undesired.

- *Vertical Application – EXB1*
- *90 degree application – EXB2*



## Condensate Management Equipment

Recommended for extremely humid environments where condensate dripping onto the floor is prohibited or undesired.

- *600 Watt Evaporator 120V – CEV3*
- *600 Watt Evaporator 230V – CEV4*



Data subject to change without notice.

# INDEX (TECHNICAL INFORMATION)

<i>STANDARDS AND CERTIFICATIONS</i>	<i>p.690</i>
<i>RATING REFERENCE SHEETS</i>	<i>p.694</i>
<i>CLASSIFICATION OF HAZARDOUS LOCATIONS</i>	<i>p.696</i>
<i>ARC FLASH CONSIDERATIONS</i>	<i>p.700</i>
<i>SEISMIC CONSIDERATION CAN. &amp; U.S.</i>	<i>p.703</i>
<i>SQUARING ENCLOSURES DURING MOUNTING</i>	<i>p.704</i>
<i>CONDUCTOR SIZES</i>	<i>p.706</i>
<i>TABLE OF WIRING SPACE ABOVE DISCONNECTING DEVICE</i>	<i>p.707</i>
<i>WIREWAYS / RACEWAYS REGULATION</i>	<i>p.711</i>
<i>- FILL TABLES LAY-IN &amp; FEED THROUGH TYPE 12 (CAN. )</i>	<i>p.712</i>
<i>- FILL TABLES LAY-IN &amp; FEED THROUGH TYPE 1 &amp; 4 (CAN.)</i>	<i>p.715</i>
<i>- FILL TABLES LAY-IN &amp; FEED THROUGH TYPE 12 (U.S.)</i>	<i>p.718</i>
<i>- FILL TABLES LAY-IN &amp; FEED THROUGH TYPE 1 &amp; 4 (U.S.)</i>	<i>p.722</i>
<i>POWDER PAINT COATINGS COLOR CHART</i>	<i>p.726</i>
<i>FIBERGLASS SMC TESTING REPORT</i>	<i>p.727</i>
<i>SELECTION OF MATERIAL FOR SPECIFIC APPLICATION</i>	<i>p.727</i>
<i>METRIC IMPERIAL CONVERSION TABLE</i>	<i>p.728</i>
<i>STANDARD GAUGE EQUIVALENCY</i>	<i>p.729</i>
<i>DETERMINE THE RIGHT HEATER SIZE FOR YOUR NEEDS</i>	<i>p.729</i>

Data subject to  
change without  
notice.



## Standards and certifications

CSA and UL adopt expanded Memorandum of Understanding and complete first phase of mutual component acceptance program on March 1, 2004.

This agreement, which is designed to assist manufacturers of electrical equipment in getting their products to Canadian and

U.S. markets more quickly, without redundant testing, was the result of several months of negotiation between UL and CSA.

Industrial control panels are included in the first Phase list of components. A complete listing can be obtained at the UL and

CSA web sites:

[www.ul.com/components](http://www.ul.com/components)

This Memorandum of Understanding has generated additional marking that will be appearing on electrical components. Below is a summary of the markings.

## UL certifications



### UL listed Mark

This is the most common UL mark. A product carrying this mark means UL has certified that it meets UL's safety requirements.

### Underwriters Laboratories Inc.

<http://www.ul.com>

333 Pfingsten Road,  
Northbrook, IL, 60062, USA



### C-UL Listing Mark

is applied to products for the Canadian market. This products with this mark have been evaluated to meet Canadian safety

requirements, which may be somewhat different from the U.S. safety requirements.



### C-UL-US Listed Mark

This mark indicates compliance with both Canadian and U.S. requirements. This Canadian /U.S. UL mark is optional, but UL

encourages its use for manufactures with products certified for both countries.

The Underwriters Laboratories (UL) independently test products in their laboratories to ensure compliance with standard. Furthermore, UL sends site

inspectors to our facilities to check our manufacturing process and to verify proper material specifications. The performance rating established by UL are simi-

lar to those of CSA and NEMA. See our rating reference sheet for details.

## CSA certifications



### For Canada

A CSA mark on its own, without indicators, means that the product is certified primarily for

the Canadian market to the applicable Canadian standards.



### For the US

A CSA mark with the indicator "US" means that the product is

certified for the U.S. market to the applicable U.S. standards.



### For the U.S. and Canada

A CSA mark with the indicators "C" and "US" means that the product is certified for both the

U.S. and Canadian markets, to the applicable U.S. and Canadian standards.

Data subject to change without notice.

**CSA International (CSA)** independently test products in their laboratories to ensure compliance with standards. Furthermore, CSA sends site inspectors to our facilities to

check our manufacturing process and to verify proper material specifications. The performance ratings established by CSA are similar to those of UL and NEMA. See our ratings reference sheet

for details.

### CSA International

<http://www.csa.ca>

178 Rexdale Boulevard  
Etobicoke, ON, M9W 1R3  
Canada



## Standards and certifications

### NEMA

NEMA provides a forum for the standardization of electrical equipment, enabling consumers to select from a range of safe,

effective, and compatible electrical products.

NEMA does not require independent testing and leaves compliance up to the manufacturer.

The performance ratings established by NEMA are similar to

those of UL and CSA. See our ratings reference sheet for details.

**National Electrical Manufacturers' Association**

<http://www.nema.org>

1300 North 17th Street  
Rosslyn, VA, 22209, USA

### EEMAC

EEMAC provides a forum for the standardization of electrical equipment, enabling consumers to select from a range of safe,

effective, and compatible electrical products.

EEMAC does not require independent testing and leaves compliance up to the manufacturer.

The performance ratings established by EEMAC are similar to

those of UL and CSA. See our ratings reference sheet for details.

**Electrical Equipment Manufacturers Advisory Council**

<http://www.electrofed.com>

5800 Explorer Drive, Unit 200  
Mississauga, ON, L4W 5K9

### IEC

The performance ratings established by IEC, known as IP rat-

ings, are different from those of NEMA, UL and CSA because of different testing conditions.

Therefore, IP ratings cannot be

exactly equated to NEMA ratings. See our ratings reference sheet for details.

**International Electrotechnical Commission (IEC)**

## CE and IEC Classifications



The CE Marking is a European Union (EU) compliance symbol. It is not a standard. The intent is for the CE Marking to be applied by the final equipment manufacturer to the end product, indicating that the product complies with all the European Directives and essential Harmonized standards.

The final equipment manufacturer is the one responsible for insuring compliance to all the applicable EU Directives and Harmonized standards.

A listing of Directives and associated Harmonized standards can be found at:

[www.newapproach.org](http://www.newapproach.org)

A directive in the European Community is a European law that is legally binding for every member state and is above the laws of the individual member

states. This new European legislation has created a uniform market within Europe. The goals of these legislations are primarily safety related, with the protection of the public and consumer being a primary concern. A further goal is the harmonization of related National regulations.

The Directives stress what is to be attained; how to attain it is left to the producers.

Empty enclosures for industrial control equipment are inactive components of the final assembly. By building their enclosures to the applicable Directives and applicable Harmonized standards, the manufacturer of the enclosures is eligible to receive a manufacturer's Declaration of Conformity. The certificate assists the final equipment manufacturer in obtaining the CE Marking.

The applicable European Directives and European standards that apply to enclosures are as listed below.

### Applicable European Directives

**2006/95/EC** Low Voltage Directive for electrical equipment within certain Voltage limits previous amended versions 72/23/EEC & 96/68/EEC

**2004/108/EC** EMC Directives relating to electromagnetic compatibility previous amended versions 89/336/EEC, 92/31/EEC, 93/68/EEC

**Note:** the EMC directive is only secondarily applicable since an empty enclosure does not produce electromagnetic interference.

**98/37/EC** Machinery Safety Directive

### Applicable European Standards

**EN 60529:1991** (IEC 529-1) degree of protection provided by enclosures (IP code)

**EN 60204-1:** 2006 Safety of Machinery (Electrical equipment of Machines)

Data subject to change without notice.



## Standards and certifications



The RoHS Directive stands for "the restriction of the use of certain hazardous substances in electrical and electronic equipment". This Directive bans the placing on the EU market of new electrical and electronic equipment containing more than

agreed levels of lead, cadmium, mercury, hexavalent chromium, polybrominated biphenyl (PBB) and polybrominated diphenyl ether (PBDE) flame retardants.

California has passed SB 20: Electronic Waste Recycling Act of 2003, or EWRA. This law prohibits the sale of electronic devices after January 1, 2007, that are prohibited from being sold under the EU RoHS directive, but across a

much narrower scope that includes LCDs, CRTs, and the like and only covers the four heavy metals restricted by RoHS. EWRA also has a restricted material disclosure requirement. Other US states and cities are debating whether to adopt similar laws, and there are several states that have mercury and PBDE bans already. Federal RoHS-like regulation in the US is unlikely in the near to medium term.



The CEA Mention refers to the CEA-310-E Mounting Flange standard defined by the Consumer Electronic Association;

it supersedes the EIA-310-D defined by the Electronic Industries Association. The configuration of specific items in this document is based upon a 19-inch rack design as defined in the CEA-310-E Standard. This design applies to the front internal

mounting surface within a Cabinet Enclosure or Rack that provides a mounting surface for Computer Servers, electrical equipment, structure guides, slide rails, and/or panels.



This new UL Recognized Component Mark, which became

effective April 1, 1998, may be used on components certified by UL to both Canadian and U.S. requirements. Although UL had not originally planned to introduce a combined Recognized Component Mark, the popularity

of the Canada/U.S. Listing and Classification Marks among clients with UL certifications for both Canada and the United States has led to the new Mark.

### Comparison Between NEMA Enclosures Type Numbers and IEC Enclosure Classification Designations

IEC Publication 60529 Classification of Degree of Protection Provided by Enclosures provides a system for specifying the enclosures of electrical equipment on the basis of the degree of protection provided by the enclosure. IEC 60529 does not specify degrees of protection against mechanical damage of equipment, risk of explosions, or conditions such as moisture (produced for example by condensation), corrosive vapors, fungus, or vermin. The NEMA Standard for Enclosures for Electrical Equipment does test for environmental

conditions such as corrosion, rust, icing, oil, and coolants. For this reason, and because the test and evaluations for other characteristics are not identical, the IEC Enclosure Classification Designations cannot be exactly equated with the NEMA type numbers.

The IEC designation consists of the letters IP followed by two numerals. The first characteristic numeral indicates the degree of protection provided by the enclosure with respect to persons and solid foreign objects entering the enclosure. The second character-

istic numeral indicates the degree of protection provided by the enclosure with respect to the harmful ingress of water.

Table A-1 provides an equivalent conversion from the NEMA enclosure Type number to the IEC Enclosure Classification Designations. The NEMA enclosure type numbers meet or exceed the test requirements for the associated IEC Classification; for this reason Table A-1 cannot be used to convert from IEC classifications to NEMA enclosure Type numbers.

Data subject to change without notice.

## Standards and certifications

**Table A-1**

CONVERSION OF NEMA ENCLOSURE TYPE RATINGS  
TO IEC 60529 ENCLOSURE CLASSIFICATION DESIGNATIONS ( IP )  
( Cannot Be Used to Convert IEC Classification Designations to NEMA Type Ratings )

IP FIRST CHARACTER	NEMA Enclosure type																IP SECOND CHARACTER					
	1		2		3,3X, 3S, 3SX		3R, 3RX		4, 4X		5		6		6P			12, 12K, 13				
IP0																					IP 0	
IP1																						IP 1
IP2																						IP 2
IP3																						IP 3
IP4																						IP 4
IP5																						IP 5
IP6																						IP 6
																						IP 7
																						IP 8
	A	B	A	B	A	B	A	B	A	B	A	B	A	B	A	B	A	B	A	B		

A = A shaded block in the "A" column indicates that the NEMA Enclosure Type exceeds the requirements for the respective IEC 60259 IP First Character Designation. The IP First Character Designation is the protection against access to hazardous parts and solid foreign objects. B = A shaded block in the "B" column indicates that the NEMA Enclosure Type exceeds the requirements for the respective IEC 60259 IP Second Character Designation. The IP Second Character Designation is the protection against ingress of water.

### EXAMPLE OF TABLE USE

An IEC IP 45 Enclosure Rating is specified. What NEMA Type Enclosure meet and exceed the IP 45 rating?

Referencing the first character, 4, in the IP rating and the row designated "IP4\_" in the leftmost column in the table; the blocks in Column "A" for NEMA Types 3, 3X, 3S, 3SX, 4, 4X, 5, 6, 6P, 12, 12K and 13 are shaded. These NEMA ratings meet and exceed the IEC protection requirements against access to hazardous parts and solid foreign objects.

Referencing the second character, 5, in the IP rating and the row designated "IP\_5" in the rightmost column in the table; the blocks in Column "B" for NEMA Types 3, 3X, 3S, 3SX, 4, 4X, 6, and 6P are shaded. These NEMA ratings meet and exceed the IEC requirements for protection against the ingress of water.

The absence of shading in Column "B" beneath the "NEMA" Enclosure Type 5: indicates that Type 5 does not meet the IP 45 protection requirements against ingress of water. Likewise the absence of shading in Column "B" for NEMA type 12, 12K and 13 enclosures indicates that these enclosures do not meet the IP 45 requirements for protection against the ingress of water.

Only Types 3, 3X, 3S, 3SX, 4, 4X, 6, and 6P have both Column "A" in the "IP4\_" row and Column "B" in the "IP\_5" row shaded and could be used in an IP45 application.

The NEMA Enclosure Type 3 not only meets the IP 45 Enclosure Rating, but also exceeds the IEC requirements because the NEMA Type requires an outdoor corrosion test; a gasket aging test; a dust test; an external icing test; and no water penetration in the rain test. Slight differences exist between the IEC and NEMA test methods, but the IEC rating permits the penetration of water if "it does not deposit on insulation parts, or reach live parts." The IEC rating does not require a corrosion test; gasket aging test; dust test or external icing test. Because the NEMA ratings include additional test requirements, this table cannot be used to select IP Designations for NEMA rating enclosure specifications.

IEC 60529 specifies that an enclosure shall only be designated with a stated degree of protection indicated by the first characteristic numeral if it also complies with all lower degrees of protection.

Furthermore IEC 60529 states that an enclosure shall only be designated with a degree of protection indicated by the second characteristic numeral if it also complies with all lower degrees of protection up to and including the second characteristic numeral 6.

An enclosure designated with a second characteristic numeral 7 or 8 only is considered unsuitable for exposure to water jets (designated by second characteristic numeral 5 or 6) and need not comply with requirements for numeral 5 or 6 unless it is dual coded. Since the IEC protection requirements become more stringent with increasing IP character value up through 6, once a NEMA Type rating meets the requirements for an Ip designation up through 6, it will also meet the requirements for all lower IP designations.

This is apparent from the shaded areas shown in the table.

The NEMA and IEC comparison section is a re-work of an article from the **National Electrical Manufacturers Association**.

Data subject to change without notice.

# TECHNICAL DATA

## Ratings reference sheet

<p><b>EEMAC/NEMA Type 1</b></p> <p><b>General Purpose - Indoor</b> Type 1 enclosures are intended for use indoors, primarily to prevent accidental contact with the enclosed equipment, in areas where unusual service conditions do not exist.</p>	<p><b>CSA Type 1</b></p> <p><b>General Purpose - Indoor</b> Protects against accidental contact with live parts.</p>	<p><b>UL 50 / UL 508 Type 1</b></p> <p><b>General Purpose - Indoor</b> Indoor use primarily to provide a degree of protection against contact with the enclosed equipment and against a limited amount of falling dirt.</p>	<p><b>IP20</b></p> <p><i>(approx. equivalent)</i> Protection against solid objects up to 12mm.</p>
<p><b>EEMAC/NEMA Type 3</b></p> <p><b>Dust tight, rain tight and sleet resistant - Outdoor</b> Type 3 enclosures are intended for use outdoors, to protect the enclosed equipment against wind-blown dust and water. They are not sleet (ice) proof.</p>	<p><b>CSA Type 3</b></p> <p><b>Dust tight, rain tight and sleet resistant - Outdoor</b> An enclosure for either indoor or outdoor use, constructed so as to provide a degree of protection against rain, snow and wind blown dust; undamaged by the external formation of ice on the enclosure.</p>	<p><b>UL 50 / UL 508 Type 3</b></p> <p><b>Dust tight, rain tight and sleet resistant - Outdoor</b> Outdoor use to provide a degree of protection against wind blown dust, rain and sleet; undamaged by the formation of ice on the enclosure.</p>	<p><b>IP64</b></p> <p><i>(approx. equivalent)</i> Total protection against dust and protection against spray or water from every direction.</p>
<p><b>EEMAC/NEMA Type 3R</b></p> <p><b>Rainproof and sleet resistant - Outdoor</b> Type 3R enclosures are intended for use outdoors, to protect against rain, and meet the requirements of UL 508 "Rainproof enclosures". They are not dust, snow nor sleet proof.</p>	<p><b>CSA Type 3R</b></p> <p><b>Rainproof and sleet resistant - Outdoor</b> An enclosure for either indoor or outdoor use, constructed so as to provide a degree of protection against rain and snow; undamaged by the external formation of ice on the enclosure.</p>	<p><b>UL 50 / UL 508 Type 3R</b></p> <p><b>Rainproof and sleet resistant - Outdoor</b> Outdoor use to provide a degree of protection against falling rain and sleet; undamaged by the formation of ice on the enclosure.</p>	<p><b>IP22</b></p> <p><i>(approx. equivalent)</i> Protection against solid objects over 12mm and against direct spray up to 15° from vertical.</p>

Data subject to change without notice.



# TECHNICAL DATA

## Ratings reference sheet

<p><b>EEMAC/NEMA Type 4</b></p> <p><b>Watertight and dust tight - Indoor and outdoor</b> Type 4 enclosures are intended for use indoors or outdoors, to protect the enclosed equipment against splashing water, seepage of water, and severe external condensation. They are sleet resistant but not sleet (ice) proof.</p>	<p><b>CSA Type 4</b></p> <p><b>Watertight and dust tight - Indoor and outdoor</b> An enclosure for either indoor or outdoor use, constructed so as to provide a degree of protection against rain, snow, windblown dust, splashing and hose directed water; undamaged by the external formation of ice on the enclosure.</p>	<p><b>UL 50 / UL 508 Type 4</b></p> <p><b>Watertight and dust tight - Indoor and outdoor</b> Indoor or outdoor use to provide a degree of protection against splashing water, windblown dust and rain, and hose directed water; undamaged by the formation of ice on the enclosure.</p>	<p><b>IP66</b></p> <p><i>(approx. equivalent)</i> Total protection against dust and protection against strong jets of water.</p>
<p><b>EEMAC/NEMA Type 4X</b></p> <p><b>Watertight and dust tight - Corrosion resistant - Indoor and outdoor</b> Type 4X enclosures have the same provisions as Type 4 enclosures and, in addition, are corrosion-resistant.</p>	<p><b>CSA Type 4X</b></p> <p><b>Watertight and dust tight - Indoor and outdoor</b> Type 4X enclosures have the same provisions as Type 4 enclosures and, in addition, are corrosion-resistant.</p>	<p><b>UL 50 / UL 508 Type 4</b></p> <p><b>Watertight and dust tight - Indoor and outdoor</b> Type 4X enclosures have the same provisions as Type 4 enclosures and, in addition, are corrosion-resistant.</p>	<p><b>IP66</b></p> <p><i>(approx. equivalent)</i> Total protection against dust and protection against strong jets of water.</p>
<p><b>EEMAC/NEMA Type 12</b></p> <p><b>Industrial use, dust tight and drip tight - Indoor</b> Type 12 enclosures are intended for use indoors, to protect the enclosed equipment against fibres, flyings, lint, dust and dirt, and light splashing, seepage, dripping and external condensation of non-corrosive liquids.</p>	<p><b>CSA Type 12</b></p> <p><b>Industrial use, dust tight and drip tight - Indoor</b> An enclosure for indoor use, constructed as so to provide a degree of protection against circulating dust, lint fibres and flyings; dripping and light splashing of non corrosive liquids; not provided with knockouts.</p>	<p><b>UL 50 / UL 508 Type 12</b></p> <p><b>Industrial use, dust tight and drip tight - Indoor</b> Indoor use to provide a degree of protection against dust, falling dirt, and dripping non-corrosive liquids.</p>	<p><b>IP55</b></p> <p><i>(approx. equivalent)</i> Protected against dust and protection against low pressure jets of water from every direction.</p>

Data subject to change without notice.



## Classification of hazardous locations

**Safety is always a consideration when using electrical equipment.**

The growth of complex industrial processes created a need for standards and certifications in potentially explosive environments. Today the various classifications of hazardous locations continue to evolve towards harmonized standards.



A hazardous area can be defined as " An area in which flammable substance in the form of gas, vapor, dust or fiber when mixed with the air, is present in such proportions that it can explode when in contact with an ignition source. This approach is used by the United States (Through the National Electrical Code. NEC). Canada (The Canadian Electrical code. CEC). Europe (CENELEC). And the rest of the world (International Electrical Code. IEC)

Hazardous locations are broken down into Divisions, Zones, Classes and Groups. This enables the manufacturer to specify exactly the type of hazardous location the product has been certified.

In both Canada and the United States The Hazardous Locations are divided into Classes.

**Class I** Hazardous due to the presence of flammable substances such as gases or vapors

**Class I I** Hazardous due to the presence of flammable substances such as dust or powders

**Class I I I** Hazardous due to the presence of flammable substances in a fiber or flyings

### Class 1

Hazardous Locations due to flammable substances such as Gases & Vapors ( Class 1 ) is handled differently by the various certification organizations. The rest of the world does not use class designations, but independent of how this area is designated, it is how this area is divided that makes the major difference.

**The United States** is generally using the Division Method on identifying the levels of Class I Locations that is:

**Division 1** Danger can be present during normal functioning, during repair or maintenance, or where a fault may cause the simultaneous failure of electrical equipment.

**Division 2** Combustible material is present but confined to a closed container or system, is normally vented or is in an area adjacent to a division 1 location.

**Europe** and other parts of the world are using the Zone Method to identify the levels of hazardous locations due to the presence of flammable substances such as gases and vapors. The United States does recognize the Zone Method as per article 505 of the NEC but there preference is the Division Method as per article 500 of the NEC.

**Canada** has been much more aggressive in the pursuit to harmonize to the international requirements and has thus opted to now use the Zone Method for all new installations.

**The IEC rules advanced the NEC logic to a new level.**

The IEC recognized the NEC divisions were based more on whether the hazard was present under either normal or abnormal conditions, instead of on the duration of the hazard.

Therefore the IEC established three divisions or Zones, that are based on how often the hazard is present rather than upon normal versus abnormal conditions.

The three Zones break the NEC's Division 1 into two distinct zones, one of which ( Zone 0 ) is for those locations that are the most hazardous because they remain hazardous for a long time. Separating Zone 0 from the remainder of what is Division 1 in the NEC system permits a more refined treatment of the hazards of the two zones. It restricts methods of protection in Zone 0 while permitting more relaxed method of protection in Zone 1 locations.

Temperature is also a factor. Equipment shall not be installed in an area where vapors and gases are present that have an ignition temperature less than the maximum external temperature of the equipment.



## Classification of hazardous locations

The Hazardous Location for Gases and Vapors can be summarized as per Table 1

**Table 1 :**  
**HAZARDOUS LOCATION CLASSIFICATIONS**

CLASSIFICATION	IEC, CENELEC NEC 505, NEW CEC INSTALLATION CODES	NEC 500, OLDER EXISTING CEC INSTALLATIONS CODES
<b>MATERIAL PRESENCE</b>		
Continuously Present	Zone 0	Division 1
Intermittently present	Zone 1	Division 1
Abnormally Present	Zone 2	Division 2
<b>APPARATUS GAS &amp; VAPORS</b>		
Acetylene	Group II C	Class I / Group A
Hydrogen	Group II B	Class I / Group B
Ethylene	Group II B	Class I / Group C
Propane	Group II A	Class I / Group D
Methane	Group I	N/A
<b>MAX SURFACE TEMPERATURE</b>		
450 C	T 1	T 1
300 C	T 2	T 2
280 C	—	T 2A
260 C	—	T 2B
230 C	—	T 2C
215 C	—	T 2D
200 C	T 3	T 3
180 C	—	T 3A
165 C	—	T 3B
160 C	—	T 3C
135 C	T 4	T 4
120 C	—	T 4A
100 C	T 5	T 5
85 C	T 6	T 6

Notes: 1) Group 1 of the IEC & Cenelec Codes is for mining ( underground locations ) This application does not fall within the scope of the NEC & CEC.

2) The NEC has 14 levels for surface temperature whereby the IEC & Cenelec has only 6.

### Class II & Class III

Hazardous Locations due to flammable substances such as dust or powders ( Class II ) and fibers. ( Class III ) is handled the same way in both Canada and the U.S.

by using the Class and Division method. The type of dust is also a factor.

The IEC uses the zone method, which is based on how often the

hazard is present. The type of dust or powder is not a consideration nor are fibers treated as a separate hazard.

The Hazardous Location for Dust, Powders and Fibers can be summarized as per Table 2

**Table 2 :**  
**HAZARDOUS LOCATION CLASSIFICATIONS**

CLASSIFICATION	IEC, CENELEC CODES	NEC 500, CEC CODES
<b>MATERIAL PRESENCE</b>		
Continuously Present	Zone 20	Division 1
Intermittently present	Zone 21	Division 1
Abnormally Present	Zone 22	Division 2
<b>APPARATUS DUST &amp; POWDERS</b>		
Metal	—	Class II / Group E
Coal	Group II	Class II / Group F
Grain	Zones 20,21,22	Class II / Group G
Fibers ( all )	—	Class III

Data subject to change without notice.



## Classification of hazardous locations

<p><b><u>Methods of Protection</u></b> There are generally three methods of protection that are used to reduce the risk of explosion.</p>	<p><b>Guidelines for using the most popular Methods of Hazardous Protection</b></p>		<p><b><u>Intrinsic Method</u></b> This method of protection has three levels. They are: " ia ", " ib ", " ic ". The " ia " being the highest level.</p>
<p><b><u>Prevention</u></b> This is a method that limits both the electrical and thermal energy to safe levels under both normal operation and fault conditions. Intrinsic safety is the most representative choice for this method.</p>	<p><b><u>The first step</u></b> is to know the classification of the hazardous area under consideration. Almost every type of area has already been classified by the various governing bodies.</p>	<p><b><u>The second step</u></b> is to choose the various types of equipment along with the method of protection that is suitable for the intended hazardous location.</p>	<p><b><u>" ia "</u></b> intrinsic safety system offers the highest level of protection of all other protection methods. It is the safest method of protection for Zone 0 applications. That is all applications whereby there is a continuous hazardous presence. Some applications of Division 1 fall into this category.</p>
<p><b><u>Segregation</u></b> This method attempts to physically separate or isolate the electrical parts or hot surfaces from the explosive mixture. This method includes several different techniques such as purge &amp; pressurization, Encapsulation, etc.</p>	<p>* Notice that every piece of equipment or method of protection that is available to increase the safety in a hazardous location should have an applicable certification indicating the Class, Group, Division or Zone to which the product has been certified to. If a product has been certified to a certain standard of protection it can then be used in any standard that requires a lesser degree of protection.</p>		<p><b><u>" ib "</u></b> intrinsic safety system offers protection for Zone 1 applications. That is all applications whereby there is intermittent hazardous presence. Some applications of Division 1 fall into this category.</p>
<p><b><u>Explosion containment</u></b> This is the only method that allows the explosion to occur, but confines it to a well defined area, thus avoiding it spreading to the surrounding atmosphere. Explosion-proof enclosures are based on this method. Example NEMA 7 type enclosures.</p>			<p><b><u>" ic "</u></b> intrinsic safety system offers protection for Zone 2 applications. That is all applications whereby it is abnormal for a hazard to be present. Applications of Division 2 fall into this category.</p>

Data subject to change without notice.



## Classification of hazardous locations

### Purge & Pressurization Method

North America has standardized on three levels of protection for Purge and Pressurization methods. They are Type X, Y & Z. The Type X offering the highest level of protection. The European standards have been revised to include three new protection methods of px, py, and pz. These methods are similar to the North American counterparts. Purge / Pressurization systems allow the use of general purpose enclosures in hazardous locations as an alternative to NEMA Type 7 or 9 enclosures or those rated for zone classification. The NFPA 496 recognizes these three type of purge systems for Class I locations where hazards are continually present: types X, Y, and Z.

**Type " X "** purging reduces the area classification inside the enclosure from Division 1 to non hazardous. Type X purging requires that if the enclosure pressure is lost, the electrical supply is automatically disconnected on loss of purge pressure and a re-purge is required before the electrical supply is restored. General purpose equipment can be operated within the protected enclosure. These type X systems could be applied in Class I Division 1, Zone 1 and Zone 21 applications.

**Type " Y "** purging reduces the area classification inside the enclosure from Division 1 to Division 2. Type Y purging does not require electrical supply disconnection upon loss of pressure but the equipment in the purged enclosure must be suitable for Division 2. The type Y systems could be applied in Class I Division 1, Zone 1 and Zone 21 applications.

**Type " Z "** purging reduces the

area classification inside the enclosure from Division 2 to non hazardous. Type Z purging, because of the lower level risk in Division 2, required only an indication of loss purged pressure. General purpose equipment can be operated within the protected enclosure. The type Z systems could be applied to Class I division 2, Zone 2 and Zone 22 applications.

### Notes:

1) There are strict guidelines regarding the sequence of operation that must be performed upon initial start up and subsequent restarting for each type of purge/pressurizing system.

2) All three types of purging are commercially available as pre-packaged kits.



### Explosion Containment

An Explosion Proof ( or Flame Proof, as classified in IEC and Cenelec standards ) device is an electrical device designed with an enclosure capable of withstanding, without damage, an explosion within it of a specific gas, fiber or dust. In addition, it prevents ignition of these same materials surrounding the enclosure by a spark or flame from the explosion within. The material used to build the explosion proof enclosure is generally metallic (aluminum, cast iron, welded

steel, etc.) Plastic or non metallic materials can be used for enclosures with a small internal volume of less than 3 cu. Dm.

**The NEC approach is to use NEMA rated enclosures.**

**NEMA 7** These enclosures are classified for Class I Division 1 applications.

**NEMA 9** These enclosures are constructed for indoor use in hazardous locations. They are classified for Class I , Division 1, Groups E, F, or G as defined by NFPA 70.

**The IEC and Cenelec follow a different approach.**

They follow the ATEX Directive 94/9/EC and the harmonized standard EN 60079-1. This standard applies to explosive atmospheres. It covers equipment protected by flameproof enclosures " d ".

Ex " d " An enclosure with this rating are for use in Zones 1 and Zone 2.

- A sample rating of **IEC** application would be Ex d IIC T6.

- A sample rating of **Cenelec** application would be EEx d IIC T6.

- **The Ex & Eex** indicate that it is explosion protected.

- **The " d "** indicates the method of protection, in the case it is by a flameproof enclosure.

- **The IIC** indicates the gas group, in this case it is Acetylene.

- **The T6** Indicates the maximum surface temperature which in this case is 85 C.

Data subject to change without notice.



## Arc Flash considerations

### DEFINITION

Arc Flash is a short circuit that flashes from one exposed live conductor to another, or to ground. The air immediately surrounding the short circuit can ionize. The resulting ionized air can create electrically conductive superheated plasma that can reach temperatures of 5000° F. The explosion takes less than one second and produces a brilliant flash, intense heat and a strong pressure blast.

### HOW AND WHEN DOES IT OCCUR

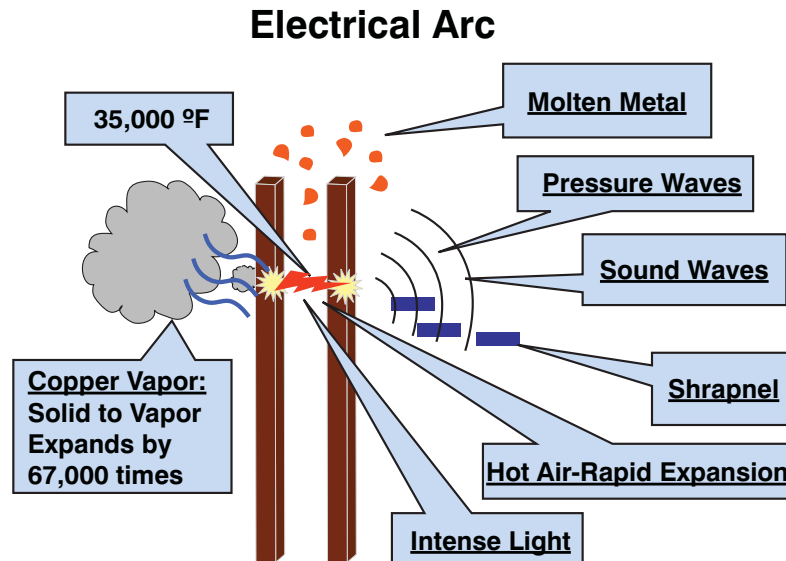
Arc Flash usually occurs while electrical equipment is being disconnected, inspected or serviced. It can be caused by a varieties of factors such as:

- 1) Accidental contact with live parts
- 2) Coming close to a high-amp source with a conductive object can cause the electricity, to flash over
- 3) Breaks or gaps in insulation or buildup on electrical terminals.
- 4) Dust, corrosion, presence of fumes, chemical vapors or other impurities that reduce the breakdown voltage of the air
- 5) Over voltage conditions
- 6) Equipment failure due to the use of substandard parts, improper installation, or even normal wear and tear
- 7) Sparks generated from racking in breakers, replacing fuses, or even from dropped tools

**Note:** Arc flash in a panel cannot occur once all electrical

power is disconnected. This is accomplished by disconnecting a remote disconnect that feed the panel, as the panel disconnect does not kill the power to the line side of the panel disconnect.

ing CSA Z462 Arc Flash Standard is under development and will become Canada's version of NFPA 70E when it is released in 2008.



### GENERAL BACKGROUND INFORMATION ON ARC FLASH

The frequency of accidents and serious injuries resulting from Arc Flash had become too serious to ignore. Since 2002 many organizations have been developing rules and regulations to deal with the potential dangers of Arc Flash. These organizations are :

National Fire Protection Association ( NFPA )

The Occupational Safety and Health Administration ( OSHA )  
The National Electrical Code ( NEC )

The Institute of Electric and Electronic Engineers ( IEEE )  
The NFPA 70E - 2004 which is a Standard for Electrical Safety in the Workplace has become the norm and it has been adopted by NEC & OSHA. The Canadian Standards Association's upcom-

The NFPA 70E Standard provides assistance in determining severity of potential exposure, planning safe work practices, and selecting personal protective equipment. The IEEE has developed Standard 1584 Guide for Performing Arc Flash Calculations. Arc Flash is defined as incident energy impressed on a surface, a certain distance from a source, generated during an electrical arc event and it is measured in calories per centimeter squared ( cal / cm<sup>2</sup> ) OSHA 29 CFR 1910.331-.335, Electrical Safety-Related Work Practices is the main defining requirements for protecting workers who may be exposed to electrical hazards. In enforcing worker safety procedures, OSHA cites the NFPA 70E standard as the "how to" source for compliance. OSHA is now citing and fining employers for failure to protect employees from the dangers of Arc Flash.

## Arc Flash considerations

### HAZARDOUS CATEGORIES OF ARC FLASH

The NFPA 70E 2004 edition "Standard for Electrical Safety Requirements for Employee Workplaces" has a reference : Table 130.7 (C) (9) (a). This table can be found on their website at [www.nfpa.org](http://www.nfpa.org). The table lists a number of typical electrical tasks at various voltage levels and recommends the category of Personal Protection Equipment (PPE) that should be worn.

#### Category 0

has minimal PPE and no minimum arc rating

#### Category 1

requires Fire Resistant shirts and pants, hard hat, Safety Glasses and leather gloves and shoes. The minimum arc rating is 4 cal/cm<sup>2</sup>

#### Category 2

requires all items of category 1 plus cotton underwear, Arc Rated Face shield and hearing protection. The minimum arc rating is 8 cal/cm<sup>2</sup>

#### Category 3

requires all items of category 2 plus fire resistant coveralls and a Flash Suit Hood. The minimum arc rating is 25 cal/cm<sup>2</sup>

#### Category 4

requires all items of category 3 except the Flash Suit must be a Full Flash Suit with Hood. The minimum arc rating is 40 cal/cm<sup>2</sup>

To put things in perspective:

An Arc Flash of 1.2 cal/cm<sup>2</sup> can produce second-degree burns. The NFPA requires that workers wear PPE when working at 50 Volts and more Arc Flash levels above 40 cal/cm<sup>2</sup> can be fatal and wearing proper PPE is now

mandatory. Arc Flash levels can go up to 100 cal/cm<sup>2</sup> and more

In general, arc flash incidents are highly improbable on systems operating at less than 208 volts phase to phase (120V to ground) when fed by less than a 125 KVA transformer. 120V does not provide sufficient energy to cause an arc flash hazard. Most 480V electrical services have sufficient capacity to cause an arc flash hazard. Medium-voltage equipment (above 600V) is higher energy and therefore a higher potential for arc flash hazard.

**WARNING**

**POTENTIAL  
ARC FLASH  
HAZARD**

Can shock, burn, or cause death

DANGER

Arc Flash and Shock Hazard  
Appropriate PPE Required

Flash Protection Boundary:	2.9 ft
Incident Energy:	23,3 Cal/cm <sup>2</sup>
Working Distance:	18 in
Required PPE Level:	1
Shock Hazard Voltage:	3450 VAC
Limited Approach:	10,0 ft
Restricted Approach:	2,2 ft
Prohibited Approach:	0,6 ft

### HOW TO DEAL WITH ARC FLASH

#### 1) Labeling

Protecting personnel against Arc Flash Hazards is a relatively new phenomenon. The rules and regulations are in a state of transition. At present the National Electrical Code (NEC) requires that electrical control panels that might generate arc flash carry a permanent label supplied by the panel builder, although the labeling requirement is the responsibility

of the employer, not the manufacturer or installer of the equipment. The wording or symbols on these labels at present are just a warning of a potential arc flash. Future labels will most likely require the category along with the PPE requirements. Sample Arc Flash Label Indicating Category 1. The category can be obtained by the NFPA typical tasks or by getting an arc flash analysis as listed below.

#### 2) Arc flash analysis

A critical element of compliance with electrical safety standards requires building owners and management to complete a flash hazard analysis on the facilities electrical distribution system. These engineering studies are quite complex and often require the services of outside personnel. The Analysis Should:

- Establish the Arc Flash Hazard risk category
- Determine the clothing and equipment to suit the risk category
- Identify what arc thermal performance value (ATPV) rating is necessary
- Select PPE that meets or exceeds the designated ATPV rating.

Data subject to change without notice.



## Arc Flash considerations

### HOW TO REDUCE THE RISK OF ARC FLASH

There are three key factors that determine the Arc Flash event on personnel. These factors are the quantity of fault current available in the system, the time fault until the arc flash is cleared and the distance an individual is from the arc. The main objective is to design and configure equipment in ways that minimize these factors and in turn reduce the Arc Flash Hazard.

#### 1) Fault Current

The fault current can be reduced by using current limiting devices such as grounding resistors or fuses. If the fault current is limited to 5 amps or less, then many ground faults self extinguish and do not continue into phase-to-phase faults.

#### 2) Arcing Time

Arcing time can be reduced by temporarily setting upstream protective devices to lower setpoints during maintenance periods or by employing zone interlocking.

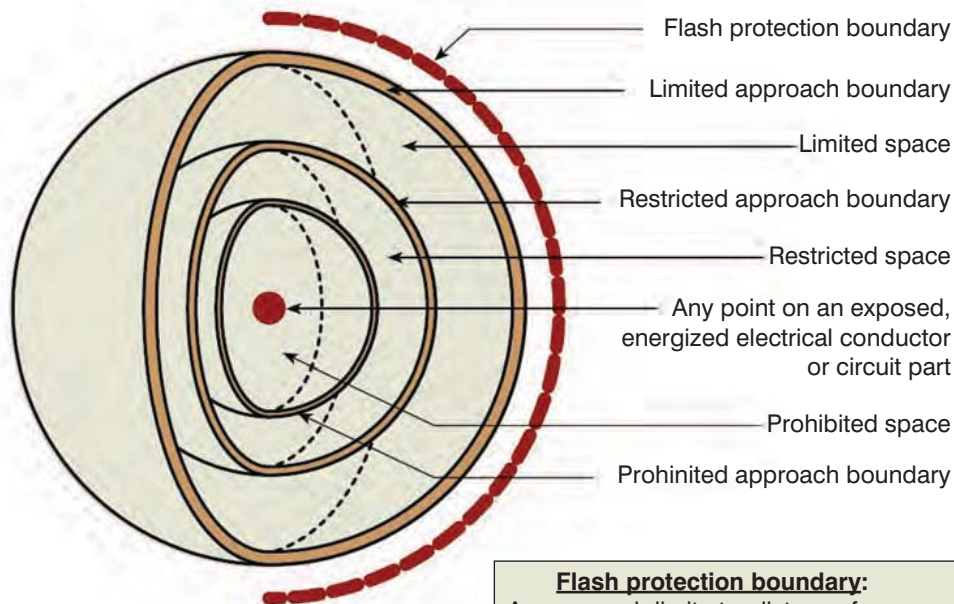
#### 3) Distance

The main objective is to be able to minimize the number of times one has to access a control panel during a time when power is still required to keep equipment running. Providing remote operators or plug -ins that can allow operators to change settings or monitor performance without opening the enclosure is one method. Robots are also being used to perform activities that are high risk for Arc Flash, such as racking breakers on a live electrical bus. Another consideration is to have the drawing pocket mounted on the outside of the panel. The distance

from an arc flash source within which an unprotected person has a 50% chance of receiving second degree burns is referred to as the "flash protection boundary". Those conducting flash hazard analyses must consider this boundary, and then must determine what PPE should be worn within the flash protection boundary.

### RESEARCH

There is ongoing research being done on the topic of Arc Flash by all organizations that are involved in improving electrical safety standards. Arc Flash is a relatively new topic and the standards that presently exist will most likely be reviewed and improved in the near future.



**Flash protection boundary:**  
An approach limit at a distance from exposed live parts within which a person could receive a second degree burn if an electric arc flash were to occur (NFPA 70E).

Source: NFPA 70E, Fig. A-1-2.4

Data subject to change without notice.



## Seismic consideration (Canada)

Although earthquakes can occur anywhere in the world, certain areas have a higher probability of experiencing damaging ground motion caused by earthquakes.

In areas where earthquakes are highly probable, enclosures can be provided with additional stiffening and hold-down bracing in order to meet various seismic ratings.

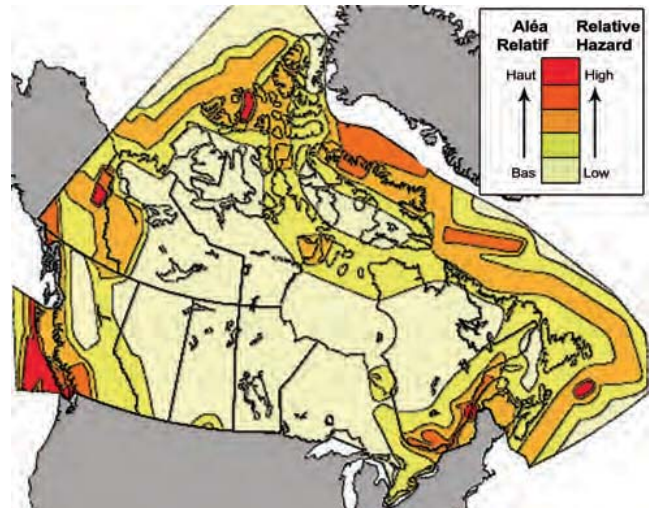
In order to assist in the necessity of providing features over and above our standard design, we have provided seismic information for North America.

A simplified version of the seismic hazard map of Canada is shown below. The 5 colors in the simplified map are not intended to represent building code zones, they merely show the relative hazard across the country.

In Canada the Natural Resources Canada no longer assign Zones to seismic hazard. Since 2005 they have provided site specific spectral and peak acceleration values for all locations in Canada. Information on the National Building Code of Canada (NBCC) seismic hazard maps can be found in

the earthquake hazard section of the website at:

[http://earthquakescanada.nrcan.gc.ca/hazard/index\\_e.php](http://earthquakescanada.nrcan.gc.ca/hazard/index_e.php)



## Seismic consideration (U.S.)

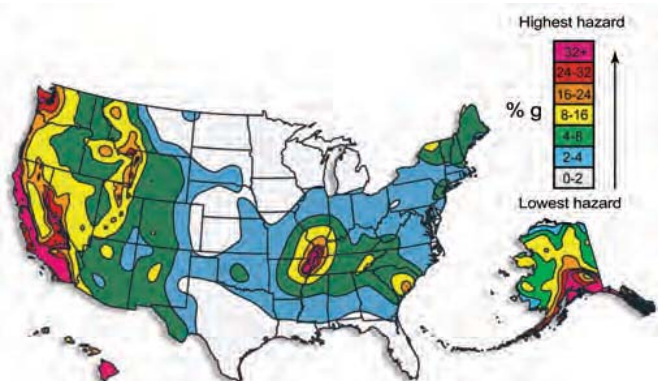
The U.S. Geological Survey (USGS) produces the National Seismic Hazards Maps. These maps are revised every 6 years or so to reflect newly published or thoroughly reviewed earthquake science and to keep pace with regular updates of the building code.

The latest update of this map was in 2008 and it supersedes all previous maps. A copy of this map is shown below.

Colors on this map show the levels of horizontal shaking that have a 2-100 chance of being exceeded in a 50 year period. Shaking is expressed as a percentage of g (g is the acceleration of a following object due to gravity). (Credit image courtesy of the U.S. Geological Survey). This USGS seismic map is the basis for seismic design provisions of building codes, insurance rate structures, earthquake loss studies, retrofit priorities, and land-use planning.

The web site for the USGS is:

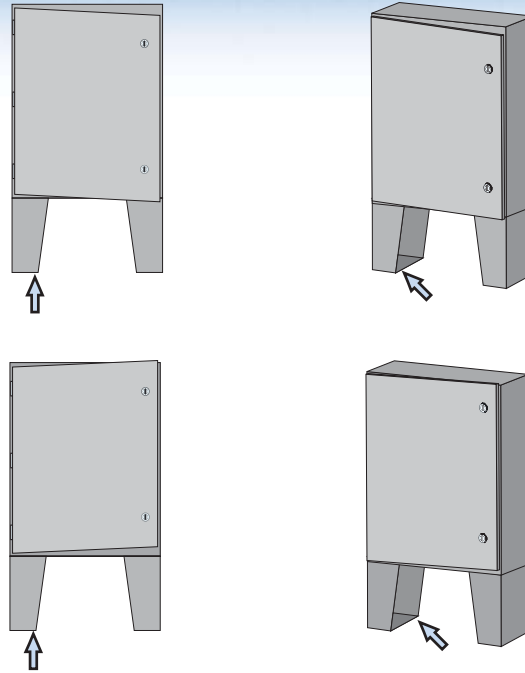
<http://earthquake.usgs.gov/research/hazmaps/>



Data subject to change without notice.

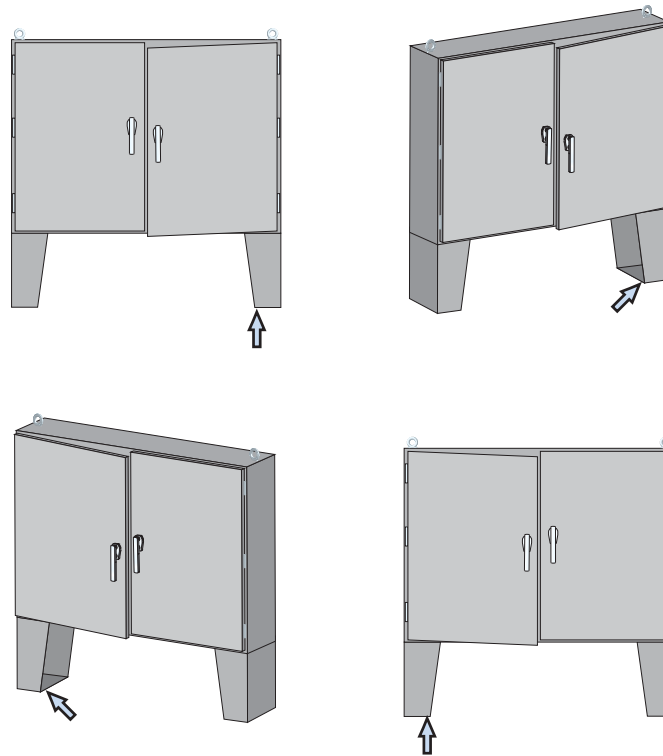
## Squaring floor mounting stands on single doors

The EXM wall mounted enclosures may be installed with floor stands on surfaces that need to be rigid and straight. After installation if the door doesn't line up with the box due to an uneven surface, spacers have to be applied according to the figures. When the door appears to drop, spacers must be applied to **the front of the floor stand on the hinged side**. For the contrary, the spacers must be applied to **the back of the floor stand on the hinged side**. The alignment of the door with the box is very important to maintain a good contact with the gasket and keep the integrity of the enclosure.



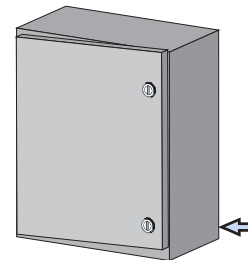
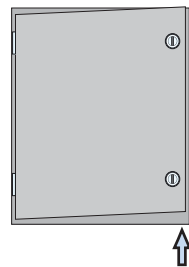
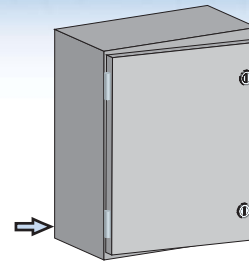
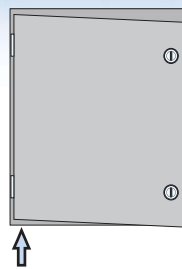
## Squaring floor mounting stands on double doors

The EXM double door wall mounted enclosures may be installed with floor stands on surfaces that need to be rigid and straight. After installation if the doors don't line up with the box due to an uneven surface, spacers have to be applied according to the figures. When the right door appears to drop, spacers must be applied to **the front of the floor stand on the right door side**. For the contrary, the spacers must be applied to **the front of the floor stand on the left door side**. The alignment of the door with the box is very important to maintain a good contact with the gasket and keep the integrity of the enclosure.



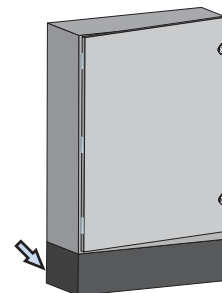
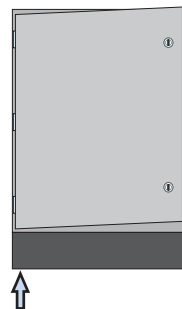
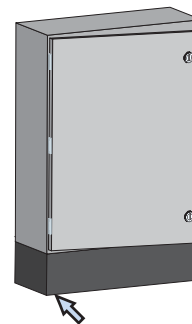
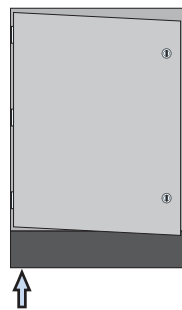
## Squaring wall mounted enclosures

The EXM wall mounted enclosures are manufactured to be installed on walls, struts or machine surfaces that need to be rigid and straight. After installation if the door doesn't line up with the box due to an uneven surface, spacers have to be applied according to the figures. When the door appears to drop, spacers must be applied to the back of the enclosure on the **bottom hinged side**. For the contrary, the spacers must be applied to the back of the enclosure on the **bottom lock side**. The alignment of the door with the box is very important to maintain a good contact with the gasket and keep the integrity of the enclosure.



## Squaring plinths




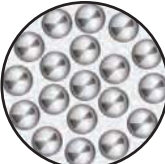

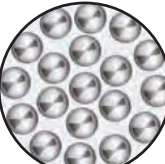






The EXM wall mounted enclosures may be installed with a plinth on surfaces that need to be rigid and straight. After installation if the door doesn't line up with the box due to an uneven surface, spacers have to be applied according to the figures. When the door appears to drop, spacers must be applied to the **front of the plinth on the hinged side**. For the contrary, the spacers must be applied to the **back of the plinth on the hinged side**. The alignment of the door with the box is very important to maintain a good contact with the gasket and keep the integrity of the enclosure.



Data subject to change without notice.

# TECHNICAL DATA

## Conductor sizes

Size		Amp Cu	Amp Al	Size		Amp Cu	Amp Al	Size		Amp Cu	Amp Al
Inches	AWG kc-mil			Inches	AWG kc-mil			Inches	AWG kc-mil		
0.0403"	18	—	—		250	255	205		700	460	375
0.0508"	16	—	—	(0.500")				(0.837")			
0.0641"	14	15	—		300	285	230		750	475	385
0.0808"	12	20	15	(0.548")				(0.866")			
0.102"	10	30	25		350	310	250		800	490	395
0.128"	8	45	30	(0.592")				(0.894")			
0.162"	6	65	50		400	335	270		900	520	425
0.204"	4	85	65	(0.632")				(0.949")			
0.229"	3	100	75		450	355	290		1000	545	445
0.258"	2	115	90	(0.671")				(1.000")			
0.289"	1	130	100		500	380	310				
0.325"	0	150	120	(0.707")							
0.365"	2/0	175	135		600	420	340				
0.410"	3/0	200	155	(0.775")							
0.460"	4/0	230	180								

Data subject to change without notice.

Amperage is based on three wires in one gutter with a maximum elevation of 23°C (75°F).



# TECHNICAL DATA

## Tables of wiring space above main disconnecting device

### Allen Bradley bulletin 1494V disconnect switches

Wire bend space above disconnect switch for catalog number

ENCLOSURE TYPE	AMP RATING	5100 ESY & ESA 5412 ESA & ESSA 5500 ESY & ESSY				5500 UFD & UFDSS 5500 UCD & UCDSS				9500 UXD 9500 UXDSS				6500 MXU		
		DEPTH		HEIGHT		HEIGHT		HEIGHT		HEIGHT		F=420mm				
		8" OR 10"	12" OR 16"	60"	72"	72"	84"	90"	K							
NUMBER	RATING	F	K	F	K	F	K	F	K	F	K	F	K	K		
DS30	30A	8.63	6.57	11.63	9.57	7.88	5.82	13.88	11.82	11.88	9.82	17.88	15.82	20.88	18.82	367
DS60	60A	8.63	5.81	11.63	8.81	7.88	5.06	13.88	11.06	11.88	9.06	17.88	15.06	20.88	18.06	348
DS100	100A	8.63	5.55	11.63	8.55	7.88	4.89	13.88	10.89	11.88	8.89	17.88	14.89	20.88	17.89	344
DS200	200A	8.63	—	11.63	8.10	7.88	—	13.88	10.35	11.88	8.35	17.88	14.35	20.88	17.35	330
DS400*	400A	8.63	—	11.63	—	7.88	—	13.88	—	11.88	—	17.88	10.11	20.88	13.11	222
DS600*	600A	8.63	—	11.63	—	7.88	—	13.88	—	11.88	—	17.88	10.11	20.88	13.11	222

\*These switches will only fit enclosures

5100 ESYB603712, 5100 ESAB603712, 5412 ESAB603712, 5412 ESSAB603712  
5500 ESYB603712, 5500 ESSYB603712

### Allen Bradley bulletin 1494V operators for circuit breakers

Wire bend space above disconnect switch for catalog number

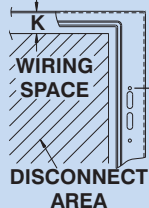
ENCLOSURE TYPE	AMP RATING	5100 ESY & ESA 5412 ESA & ESSA 5500 ESY & ESSY				5500 UFD & UFDSS 5500 UCD & UCDSS				9500 UXD 9500 UXDSS				6500 MXU		
		DEPTH		HEIGHT		HEIGHT		HEIGHT		HEIGHT		F=420mm				
		8" OR 10"	12" OR 16"	60"	72"	72"	84"	90"	K							
NUMBER	RATING	F	K	F	K	F	K	F	K	F	K	F	K	K		
M40	15A-150A	8.63	7.95	11.63	10.95	7.88	7.25	13.88	13.25	11.88	11.25	17.88	17.25	20.88	20.25	404
M50	70A-250A	8.63	—	11.63	10.55	7.88	6.80	13.88	12.80	11.88	10.80	17.88	16.80	20.88	19.80	392
M60	100A-400A	8.63	—	11.63	10.35	7.88	—	13.88	12.60	11.88	10.60	17.88	16.60	20.88	19.60	392

### Schneider Square D class 9422 variable depth operators - circuit breakers

Wire bend space above disconnect switch for catalog number

ENCLOSURE TYPE	AMP RATING	5100 ESY & ESA 5412 ESA & ESSA 5500 ESY & ESSY				5500 UFD & UFDSS 5500 UCD & UCDSS				9500 UXD 9500 UXDSS				6500 MXU		
		DEPTH		HEIGHT		HEIGHT		HEIGHT		HEIGHT		F=420mm				
		8" OR 10"	12" OR 16"	60"	72"	72"	84"	90"	K							
NUMBER	RATING	F	K	F	K	F	K	F	K	F	K	F	K	K		
RG-1	75A	8.63	7.43	11.63	10.43	7.88	6.68	13.88	12.68	11.88	10.68	17.88	16.88	20.88	19.68	389
RG-1	100A	8.63	7.43	11.63	10.43	7.88	6.68	13.88	12.68	11.88	10.68	17.88	16.88	20.88	19.68	389
RN-1	100A	8.63	7.63	11.63	10.63	7.88	6.88	13.88	12.88	11.88	10.88	17.88	16.88	20.88	19.88	389
RP-1	250A	8.63	8.30	11.63	11.30	7.88	7.55	13.88	13.55	11.88	11.55	17.88	17.55	20.88	20.55	411
RR-1	400A	8.63	—	11.63	7.00	7.88	—	13.88	9.25	11.88	—	17.88	13.25	20.88	16.25	301
RT-1	800A	8.63	—	11.63	—	7.88	—	13.88	—	11.88	—	17.88	13.10	20.88	16.10	298
RT-1	1000A	8.63	—	11.63	—	7.88	—	13.88	—	11.88	—	17.88	13.10	20.88	16.10	298

### Reference for the tables of wiring space above main disconnect device

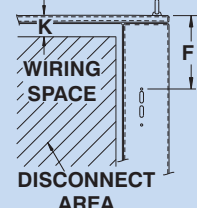


5100 ESY & ESA, 5412 ESA & ESSA  
5500 ESY, ESSY, UFD, UFDSS, UCD & UCDSS,  
9500 UXD, UXDSS

"K" is the wire bending space  
"F" is the distance from top of  
cabinet to switch mounting hole  
Note: All dimensions in inches

6500 MXU

"K" is the wire bending space  
"F" is the distance from top of  
cabinet to switch mounting hole  
Note: All dimensions in millimeters



Data subject to  
change without  
notice.



# TECHNICAL DATA

## Tables of wiring space above main disconnecting device

### Schneider Square D class 9422 variable depth disconnect switches

Wire bend space above disconnect switch for catalog number

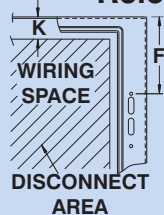
ENCLOSURE		5100 ESY & ESA 5412 ESA & ESSA 5500 ESY & ESSY				5500 UFD & UFDSS 5500 UCD & UCDSS				9500 UXD 9500 UXDSS				6500 MXU		
TYPE	AMP	DEPTH		HEIGHT		HEIGHT		HEIGHT		HEIGHT		HEIGHT		HEIGHT		
		8" OR 10"	12" OR 16"	60"	72"	72"	84"	90"	F=420mm							
NUMBER	RATING	F	K	F	K	F	K	F	K	F	K	F	K	K		
TCN-30	30A	8.63	7.49	11.63	10.49	7.875	6.74	13.88	12.74	11.88	10.74	17.88	16.74	20.88	19.74	391
TCF-30	30A	8.63	7.49	11.63	10.49	7.875	6.74	13.88	12.74	11.88	10.74	17.88	16.74	20.88	19.74	391
TCF-33	30A	8.63	7.49	11.63	10.49	7.875	6.74	13.88	12.74	11.88	10.74	17.88	16.74	20.88	19.74	391
TDN-60	60A	8.63	7.49	11.63	10.49	7.875	6.74	13.88	12.74	11.88	10.74	17.88	16.74	20.88	19.74	391
TDF-60	60A	8.63	7.49	11.63	10.49	7.875	6.74	13.88	12.74	11.88	10.74	17.88	16.74	20.88	19.74	391
TDF-63	60A	8.63	7.49	11.63	10.49	7.875	6.74	13.88	12.74	11.88	10.74	17.88	16.74	20.88	19.74	391
TEN-10	100A	8.63	7.35	11.63	10.35	7.875	6.60	13.88	12.60	11.88	10.60	17.88	16.60	20.88	19.60	387
TEF-10	100A	8.63	7.35	11.63	10.35	7.875	6.60	13.88	12.60	11.88	10.60	17.88	16.60	20.88	19.60	387
TEF-13	100A	8.63	7.35	11.63	10.35	7.875	6.60	13.88	12.60	11.88	10.60	17.88	16.60	20.88	19.60	387
TC-1	30A	8.63	6.64	11.63	9.64	7.875	5.89	13.88	11.89	11.88	9.89	17.88	15.89	20.88	18.89	369
TC-2	30A	8.63	6.64	11.63	9.64	7.875	5.89	13.88	11.89	11.88	9.89	17.88	15.89	20.88	18.89	369
TC-3	30A	8.63	6.64	11.63	9.64	7.875	5.89	13.88	11.89	11.88	9.89	17.88	15.89	20.88	18.89	369
TD-1	60A	8.63	7.51	11.63	10.51	7.875	6.76	13.88	12.76	11.88	10.76	17.88	16.76	20.88	19.76	391
TD-2	60A	8.63	7.51	11.63	10.51	7.875	6.76	13.88	12.76	11.88	10.76	17.88	16.76	20.88	19.76	391
TD-3	60A	8.63	7.51	11.63	10.51	7.875	6.76	13.88	12.76	11.88	10.76	17.88	16.76	20.88	19.76	391
TE-1	100A	8.63	—	11.63	10.23	7.875	6.48	13.88	12.48	11.88	10.48	17.88	16.48	20.88	19.48	384
TE-2	100A	8.63	—	11.63	10.23	7.875	6.48	13.88	12.48	11.88	10.48	17.88	16.48	20.88	19.48	384
TE-3	100A	8.63	—	11.63	10.23	7.875	6.48	13.88	12.48	11.88	10.48	17.88	16.48	20.88	19.48	384
TF-1	200A	8.63	—	11.63	8.85	7.875	5.10	13.88	11.10	11.88	9.10	17.88	15.10	20.88	18.10	349
TF-2	200A	8.63	—	11.63	8.85	7.875	5.10	13.88	11.10	11.88	9.10	17.88	15.10	20.88	18.10	349
TF-3	200A	8.63	—	11.63	8.85	7.875	5.10	13.88	11.10	11.88	9.10	17.88	15.10	20.88	18.10	349

### Eaton Cutler-Hammer C371 circuit breaker operators for C-H/Westinghouse circuit breakers

Wire bend space above circuit breaker

ENCLOSURE		5100 ESY & ESA 5412 ESA & ESSA 5500 ESY & ESSY				5500 UFD & UFDSS 5500 UCD & UCDSS				9500 UXD 9500 UXDSS				6500 MXU		
TYPE	AMP	DEPTH		HEIGHT		HEIGHT		HEIGHT		HEIGHT		HEIGHT		HEIGHT		
		8" OR 10"	12" OR 16"	60"	72"	72"	84"	90"	F=420mm							
NUMBER	RATING	F	K	F	K	F	K	F	K	F	K	F	K	K		
C371E	225A	8.625	8.35	11.625	11.35	7.875	7.60	13.875	13.60	11.875	11.60	17.875	17.60	20.875	20.60	411
C371E	150A	8.625	8.35	11.625	11.35	7.875	7.60	13.875	13.60	11.875	11.60	17.875	17.60	20.875	20.60	411
C371F	225A	8.625	—	11.625	15.17	7.875	11.42	13.875	17.42	11.875	—	17.875	21.42	20.875	—	510
C371F	400A	8.625	—	11.625	10.75	7.875	7.00	13.875	13.00	11.875	11.00	17.875	17.00	20.875	20.00	397
C371G	600A	8.625	—	11.625	9.15	7.875	—	13.875	11.40	11.875	9.40	17.875	15.40	20.875	18.40	357
C371K	800A	8.625	—	11.625	—	7.875	—	13.875	—	11.875	—	17.875	11.80	20.875	14.80	265
C371K	1200A	8.625	—	11.625	—	7.875	—	13.875	—	11.875	—	17.875	11.80	20.875	14.80	265

### Reference for the tables of wiring space above main disconnect device

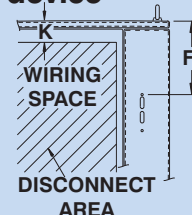


5100 ESY & ESA, 5412 ESA & ESSA  
5500 ESY, ESSY, UFD, UFDSS, UCD & UCDSS,  
9500 UXD, UXDSS

"K" is the wire bending space  
"F" is the distance from top of cabinet to switch mounting hole  
Note: All dimensions in inches

6500 MXU

"K" is the wire bending space  
"F" is the distance from top of cabinet to switch mounting hole  
Note: All dimensions in millimeters



Data subject to change without notice.

# TECHNICAL DATA

## Tables of wiring space above main disconnecting device

### Eaton Cutler-Hammer C361 disconnect switches

Wire bend space above disconnect switch for catalog number

ENCLOSURE		5100 ESY & ESA 5412 ESA & ESSA 5500 ESY & ESSY				5500 UFD & UFDSS 5500 UCD & UCDSS				9500 UXD 9500 UXDSS				6500 MXU		
TYPE	AMP	DEPTH		HEIGHT								HEIGHT		HEIGHT		
		8" OR 10"	12" OR 16"	60"		72"		72"		84"		90"		F=420mm		
NUMBER	RATING	F	K	F	K	F	K	F	K	F	K	F	K	K		
C361NC	30A	8.63	7.20	11.63	10.20	7.88	6.45	13.88	12.45	11.88	10.45	17.88	16.45	20.88	19.45	384
C361SC21	30A	8.63	7.20	11.63	10.20	7.88	6.45	13.88	12.45	11.88	10.45	17.88	16.45	20.88	19.45	384
C361SC61	30A	8.63	7.20	11.63	10.20	7.88	6.45	13.88	12.45	11.88	10.45	17.88	16.45	20.88	19.45	384
C361ND	60A	8.63	7.20	11.63	10.20	7.88	6.45	13.88	12.45	11.88	10.45	17.88	16.45	20.88	19.45	384
C361SD22	60A	8.63	7.20	11.63	10.20	7.88	6.45	13.88	12.45	11.88	10.45	17.88	16.45	20.88	19.45	384
C361SD62	60A	8.63	7.20	11.63	10.20	7.88	6.45	13.88	12.45	11.88	10.45	17.88	16.45	20.88	19.45	384
C361NE	100A	8.63	6.80	11.63	9.80	7.88	6.05	13.88	12.05	11.88	10.05	17.88	16.05	20.88	19.05	373
C361SE263	100A	8.63	6.80	11.63	9.80	7.88	6.05	13.88	12.05	11.88	10.05	17.88	16.05	20.88	19.05	373
*C361NF	200A	8.63	4.80	11.63	7.80	7.88	4.05	13.88	10.05	11.88	8.05	17.88	14.05	20.88	17.05	322
*C361SF264	200A	8.63	4.80	11.63	7.80	7.88	4.05	13.88	10.05	11.88	8.05	17.88	14.05	20.88	17.05	322

\*200 amp switch should be installed in an enclosure with an A dimension of 30" or more

### General Electric type STDA circuit breaker operators

Wire bend space above disconnect switch for catalog number

ENCLOSURE		5100 ESY & ESA 5412 ESA & ESSA 5500 ESY & ESSY				5500 UFD & UFDSS 5500 UCD & UCDSS				9500 UXD 9500 UXDSS				6500 MXU		
TYPE	AMP	DEPTH		HEIGHT								HEIGHT		HEIGHT		
		8" OR 10"	12" OR 16"	60"		72"		72"		84"		90"		F=420mm		
NUMBER	RATING	F	G	F	K	F	K	F	K	F	K	F	K	K		
SDOM1A	150A	8.63	7.85	11.63	10.85	7.88	7.16	13.88	13.16	11.88	11.16	17.88	17.16	20.88	20.16	402
SDOM3	250A	8.63	7.53	11.63	10.53	7.88	6.78	13.88	12.78	11.88	10.78	17.88	16.78	20.88	19.78	392
SDOM4	600A	8.63	—	11.63	—	7.88	—	13.88	9.15	11.88	—	17.88	13.15	20.88	16.15	299
TDOM1A-C	150A	8.63	7.97	11.63	10.97	7.88	7.22	13.88	13.22	11.88	11.22	17.88	17.22	20.88	20.22	403
TDOM1D	150A	8.63	6.60	11.63	9.60	7.88	5.85	13.88	11.85	11.88	9.85	17.88	15.85	20.88	18.85	368
TDOM3	225A	8.63	7.55	11.63	10.55	7.88	6.80	13.88	12.80	11.88	10.80	17.88	16.80	20.88	19.80	392
TDOM4	400A	8.63	—	11.63	9.65	7.88	—	13.88	11.90	11.88	9.90	17.88	15.90	20.88	18.90	369
TDOM4	600A	8.63	—	11.63	9.65	7.88	—	13.88	11.90	11.88	9.90	17.88	15.90	20.88	18.90	369
TDOM5	400A	8.63	—	11.63	9.65	7.88	—	13.88	11.90	11.88	9.90	17.88	15.90	20.88	18.90	369
TDOM6	225A	8.63	6.10	11.63	9.10	7.88	—	13.88	11.35	11.88	—	17.88	15.35	20.88	18.35	355
TDOM6	400A	8.63	—	11.63	7.73	7.88	—	13.88	9.98	11.88	—	17.88	13.98	20.88	16.98	320
TDOM6	800A-1200A	8.63	—	11.63	—	7.88	—	13.88	—	11.88	—	17.88	—	20.88	18.36	—
TDOM6	1200A	8.63	—	11.63	—	7.88	—	13.88	—	11.88	—	17.88	—	20.88	18.36	—
TDOM7	600A	8.63	—	11.63	—	7.88	—	13.88	—	11.88	—	17.88	12.22	20.88	15.22	276
TDOM7	800A	8.63	—	11.63	—	7.88	—	13.88	—	11.88	—	17.88	12.22	20.88	15.22	276
TDOM7	1200A	8.63	—	11.63	—	7.88	—	13.88	—	11.88	—	17.88	—	20.88	15.22	—

### General Electric type STDA disconnect switch operators

Wire bend space above disconnect switch

ENCLOSURE		5100 ESY & ESA 5412 ESA & ESSA 5500 ESY & ESSY				5500 UFD & UFDSS 5500 UCD & UCDSS				9500 UXD 9500 UXDSS				6500 MXU		
TYPE	AMP	DEPTH		HEIGHT								HEIGHT		HEIGHT		
		8" OR 10"	12" OR 16"	60"		72"		72"		84"		90"		F=420mm		
NUMBER	RATING	F	K	F	K	F	K	F	K	F	K	F	K	K		
TDOM1A	30A	8.63	9.12	11.63	12.12	7.88	8.37	13.88	14.37	11.88	12.37	17.88	18.37	20.88	21.37	432
TDOM1B	30A	8.63	9.12	11.63	12.12	7.88	8.37	13.88	14.37	11.88	12.37	17.88	18.37	20.88	21.37	432
TDOM1A	60A	8.63	9.12	11.63	12.12	7.88	8.37	13.88	14.37	11.88	12.37	17.88	18.37	20.88	21.37	432
TDOM1B	60A	8.63	9.12	11.63	12.12	7.88	8.37	13.88	14.37	11.88	12.37	17.88	18.37	20.88	21.37	432
TDOM1A	100A	8.63	9.12	11.63	12.12	7.88	8.37	13.88	14.37	11.88	12.37	17.88	18.37	20.88	21.37	432
TDOM1B	100A	8.63	9.12	11.63	12.12	7.88	8.37	13.88	14.37	11.88	12.37	17.88	18.37	20.88	21.37	432
TDOM2	200A	8.63	6.43	11.63	9.43	7.88	5.68	13.88	11.68	11.88	9.68	17.88	15.68	20.88	18.68	364

Data subject to change without notice.

# TECHNICAL DATA

## Tables of wiring space above main disconnecting device

**Westinghouse type AMT below-handle mechanism with variable or fixed pivot assemblies for disconnects switches**

Wire bend space above disconnect switch for catalog number

ENCLOSURE		5100 ESY & ESA 5412 ESA & ESSA 5500 ESY & ESSY				5500 UFD & UFDSS 5500 UCD & UCDSS				9500 UXD 9500 UXDSS				6500 MXU		
		DEPTH		DEPTH		HEIGHT		HEIGHT		HEIGHT		HEIGHT		HEIGHT		
		TYPE	AMP	8" OR 10"		12" OR 16"		60"		72"		72"		84"		90"
NUMBER	RATING	F	K	F	K	F	K	F	K	F	K	F	K	F	K	K
DS16U	30A	8.63	8.79	11.63	11.79	7.88	8.04	13.88	14.04	11.88	12.04	17.88	18.04	20.88	21.04	424
DS121R	30A	8.63	8.79	11.63	11.79	7.88	8.04	13.88	14.04	11.88	12.04	17.88	18.04	20.88	21.04	424
DS161R	30A	8.63	8.79	11.63	11.79	7.88	8.04	13.88	14.04	11.88	12.04	17.88	18.04	20.88	21.04	424
DS122	30A	8.63	8.79	11.63	11.79	7.88	8.04	13.88	14.04	11.88	12.04	17.88	18.04	20.88	21.04	424
DS162	30A	8.63	8.79	11.63	11.79	7.88	8.04	13.88	14.04	11.88	12.04	17.88	18.04	20.88	21.04	424
DS26U	60A	8.63	8.79	11.63	11.79	7.88	8.04	13.88	14.04	11.88	12.04	17.88	18.04	20.88	21.04	424
DS222R	60A	8.63	8.79	11.63	11.79	7.88	8.04	13.88	14.04	11.88	12.04	17.88	18.04	20.88	21.04	424
DS262R	60A	8.63	8.79	11.63	11.79	7.88	8.04	13.88	14.04	11.88	12.04	17.88	18.04	20.88	21.04	424
DS263	60A	8.63	8.79	11.63	11.79	7.88	8.04	13.88	14.04	11.88	12.04	17.88	18.04	20.88	21.04	424
DS36U	100A	8.63	8.79	11.63	11.79	7.88	8.04	13.88	14.04	11.88	12.04	17.88	18.04	20.88	21.04	424
DS363R	100A	8.63	8.79	11.63	11.79	7.88	8.04	13.88	14.04	11.88	12.04	17.88	18.04	20.88	21.04	424
DS364	100A	8.63	8.79	11.63	11.79	7.88	8.04	13.88	14.04	11.88	12.04	17.88	18.04	20.88	21.04	424
DS46U	200A	8.63	6.51	11.63	9.51	7.88	5.76	13.88	11.76	11.88	9.76	17.88	15.76	20.88	18.76	366
DS464R	200A	8.63	6.51	11.63	9.51	7.88	5.76	13.88	11.76	11.88	9.76	17.88	15.76	20.88	18.76	366
DS465	200A	8.63	6.51	11.63	9.51	7.88	5.76	13.88	11.76	11.88	9.76	17.88	15.76	20.88	18.76	366

**Westinghouse type AMT below-handle mechanism with variable or fixed pivot assemblies circuit breakers**

Wire bend space above disconnect switch for catalog number

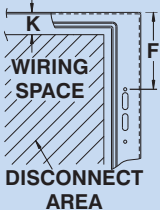
ENCLOSURE		5100 ESY & ESA 5412 ESA & ESSA 5500 ESY & ESSY				5500 UFD & UFDSS 5500 UCD & UCDSS				9500 UXD 9500 UXDSS				6500 MXU		
		DEPTH		DEPTH		HEIGHT		HEIGHT		HEIGHT		HEIGHT		HEIGHT		
		TYPE	AMP	8" OR 10"		12" OR 16"		60"		72"		72"		84"		90"
NUMBER	RATING	F	K	F	K	F	K	F	K	F	K	F	K	F	K	K
EB	100A	8.63	8.79	11.63	11.79	7.88	8.04	13.88	14.04	11.88	12.04	17.88	18.04	20.88	21.04	424
FB Tri-Pak	100A	8.63	8.79	11.63	11.79	7.88	8.04	13.88	14.04	11.88	12.04	17.88	18.04	20.88	21.04	424
* MCP(04)	150A	8.63	8.79	11.63	11.79	7.88	8.04	13.88	14.04	11.88	12.04	17.88	18.04	20.88	21.04	424
** F Frame	150A	8.63	8.79	11.63	11.79	7.88	8.04	13.88	14.04	11.88	12.04	17.88	18.04	20.88	21.04	424
** J Frame	250A	8.63	8.79	11.63	11.79	7.88	8.04	13.88	14.04	11.88	12.04	17.88	18.04	20.88	21.04	424
** K Frame	400A	8.63	—	11.63	—	7.88	8.04	13.88	14.04	11.88	12.04	17.88	18.04	20.88	21.04	424
LA.LAB.HLA.600A	600A	8.63	—	11.63	—	7.88	8.04	13.88	14.04	11.88	12.04	17.88	18.04	20.88	21.04	424
LC. HLC	600A	8.63	—	11.63	—	7.88	8.04	13.88	14.04	11.88	12.04	17.88	18.04	20.88	21.04	424
LA Tri-Pac	400A	8.63	—	11.63	—	7.88	8.04	13.88	14.04	11.88	12.04	17.88	18.04	20.88	21.04	424
MC. HMC.800A	800A	8.63	—	11.63	—	7.88	8.04	13.88	14.04	11.88	12.04	17.88	18.04	20.88	21.04	424
MA. HMA	800A	8.63	—	11.63	—	7.88	8.04	13.88	14.04	11.88	12.04	17.88	18.04	20.88	21.04	424
NC. HNC. NB. 1200A	1200A	8.63	—	11.63	—	7.88	8.04	13.88	14.04	11.88	12.04	17.88	18.04	20.88	21.04	424
HNB	1200A	8.63	—	11.63	—	7.88	8.04	13.88	14.04	11.88	12.04	17.88	18.04	20.88	21.04	424
NB Tri-Pac	800A	8.63	—	11.63	—	7.88	8.04	13.88	14.04	11.88	12.04	17.88	18.04	20.88	21.04	424

Note : Westinghouse items are sold through Eaton Cutler Hammer

\* MCP (04) Current limiter

\*\* F, J, and K Frame are from Series C

### Reference for the tables of wiring space above main disconnect device

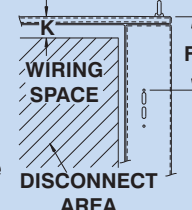


5100 ESY & ESA, 5412 ESA & ESSA  
5500 ESY, ESSY, UFD, UFDSS, UCD & UCDSS,  
9500 UXD, UXDSS

**"K" is the wire bending space**  
**"F" is the distance from top of cabinet to switch mounting hole**

Note: All dimensions in inches

6500 MXU



**"K" is the wire bending space**  
**"F" is the distance from top of cabinet to switch mounting hole**

Note: All dimensions in millimeters

Data subject to change without notice.



# TECHNICAL DATA

## Tables of wiring space above main disconnecting device

### ABB controls disconnect switches with flange-mounted operators

Wire bend space above disconnect switch for catalog number

ENCLOSURE		DEPTH				HEIGHT				HEIGHT				HEIGHT		
TYPE AMP		8" OR 10"		12" OR 16"		60"		72"		72"		84"		90"		F=420mm
NUMBER	RATING	F	K	F	K	F	K	F	K	F	K	F	K	F	K	K
OS30AJF30-F	30A	8.63	7.96	11.63	10.96	7.88	7.21	13.88	13.21	11.88	11.21	17.88	17.21	20.88	20.21	402
OS60JF30-F	60A	8.63	7.77	11.63	10.77	7.88	7.02	13.88	13.02	11.88	11.02	17.88	17.02	20.88	20.02	398
OS100JF30-F	100A	8.63	7.43	11.63	10.43	7.88	6.68	13.88	12.68	11.88	10.68	17.88	16.68	20.88	19.68	389

### ABB controls circuit breakers with flange mounted operators

Wire bend space above disconnect switch for catalog number

ENCLOSURE		DEPTH				HEIGHT				HEIGHT				HEIGHT		
TYPE AMP		8" OR 10"		12" OR 16"		60"		72"		72"		84"		90"		F=420mm
NUMBER	RATING	F	K	F	K	F	K	F	K	F	K	F	K	F	K	K
K2FHD-M	100A	8.63	7.25	11.63	10.25	7.88	6.50	13.88	12.50	11.88	10.50	17.88	16.50	20.88	19.50	384
K3FHD-M	100A-225A	8.63	—	11.63	5.55	7.88	—	13.88	7.80	11.88	5.80	17.88	11.80	20.88	14.80	265
K4FHD-M	250A	8.63	—	11.63	—	7.88	—	13.88	6.18	11.88	4.18	17.88	10.18	20.88	13.18	224
K5FHD-M	400A	8.63	—	11.63	—	7.88	—	13.88	6.18	11.88	—	17.88	10.18	20.88	13.18	224
K5FHD-M	600/800A	8.63	—	11.63	—	7.88	—	13.88	—	11.88	—	17.88	10.13	20.88	13.13	220

## Wireways/Raceways regulation and fill tables

CSA Limits the Fill and Type of Wires as per the following sections in the Canadian Electrical Code C22.1-06 Part 1 Edition 20

### Section 12-2104 Conductors in Wireways

(1) conductors used in wireways shall be the insulated types indicated in Table 19 as being suitable for use in raceways.

(2) except as permitted in subrule 4 wireways shall contain no more than 200 conductors and the aggregate cross-section area of the conductors and their insulation shall not exceed 20% of the interior cross-sectional area of the wireway

(3) no conductor larger than 500 kcmil copper and 750 kcmil aluminum shall be installed in any wireway

(4) wireways containing only signal and control conductors shall be permitted to contain any number of conductors, but the aggregate cross-sectional area of the

conductors and their insulation shall not exceed 40% of the cross-sectional area of the wireway

(5) the cross-sectional area for conductors in Subrules (2) & (4) shall be determined in accordance with Rule 12-1014 (4)

### Rule 12-1014 Subsection 4

The maximum number of conductors or multi conductor cables in one conduit shall be such that the conductors or cables and their coverings will not result in a greater conduit fill than that specified in Table 8 and in this determination

(a) the interior cross-sectional area of various sizes of conduit shall be those specified in Table 9

(b) not with standing the requirements of Item (a). the interior

resulting cross-section of raceways shall be permitted to be derived from their measured internal dimensions or from manufacturer's listed specifications

(c) the diameters and cross-sectional areas of single-conductors bare and insulated wires and multi-conductor cables shall be obtained by measurement: and

(d) not with standing the requirements of Item (c) the dimensions of single conductor wires shall be permitted to be obtained from Table 10 for the construction listed therein.

THE ABOVE ARE REPRINTS FROM CANADIAN ELECTRICAL CODE

Note: kcmil is the same as MCM

Data subject to change without notice.



# TECHNICAL DATA

## Wireways Fill Tables Lay-In and Feed-through type 12 (Based on the Canadian Electrical Code)

Wireway Size and Maximum Number of Conductors Allowed (areas shown are 20% of the full interior cross sectional area of the wireway)						
Conductor Size AWG-MCM	Area of Conductor (sq. In.)	2.5" x 2.5" (0.90 sq.in.)	4.0" x4.0" (2.63 sq.in.)	6.0" x 6.0" (6.33 sq.in.)	8.0" x 8.0" (11.63 sq.in.)	12.0" x 6.0" (13.1 sq.in.)
<b>Wire Types R90XLPE.RW75XLPE.RW90XLPE unjacketed 600 VOLTS</b>						
14	.014	64	168	200	200	200
12	.018	50	146	200	200	200
10	.024	38	110	200	200	200
8	.044	20	60	144	200	200
6	.059	15	45	107	197	200
4	.081	11	32	78	144	162
3	.096	9	27	66	121	136
2	.114	8	23	56	102	115
1	.154	6	17	41	76	85
1/0	.183	5	14	35	64	72
2/0	.220	4	12	29	53	60
3/0	.264	3	10	24	44	50
4/0	.320	3	8	20	36	41
250	.390	2	7	16	30	34
300	.454	2	6	14	26	29
350	.513	2	5	12	23	26
400	.578	2	5	11	20	23
450	.639	1	4	10	18	21
500	.698	1	4	9	17	19
*600	.871	1	3	7	13	15
*700	.992	—	3	6	12	13
*750	1.053	—	2	6	11	12
* Aluminum Wire only above 500 MCM						
<b>Wire Types R90XLPE.RW75XLPE.RW90XLPE. unjacketed 1000 VOLTS</b>						
14	.021	43	125	200	200	200
12	.026	35	101	200	200	200
10	.033	27	80	192	200	200
8	.044	20	60	144	200	200
6	.072	13	37	88	162	182
4	.097	9	27	65	120	135
3	.113	8	23	56	103	116
2	.133	7	20	48	87	98
1	.190	5	14	33	61	69
1/0	.223	4	12	28	52	59
2/0	.263	3	10	24	44	50
3/0	.312	3	8	20	37	42
4/0	.372	2	7	17	31	35
250	.447	2	6	14	26	29
300	.515	2	5	12	23	25
350	.578	2	5	11	20	23
400	.647	1	4	10	18	20
450	.711	1	4	9	16	18
500	.774	1	3	8	15	17
*600	.903	1	3	7	13	15
*700	1.027	—	3	6	11	13
*750	1.089	—	2	6	11	12
* Aluminum Wire only above 500 MCM						

Data subject to  
change without  
notice.

# TECHNICAL DATA

## Wireways Fill Tables Lay-In and Feed-through type 12 (Based on the Canadian Electrical Code)

Wireway Size and Maximum Number of Conductors Allowed (areas shown are 20% of the full interior cross sectional area of the wireway)						
Conductor Size AWG-MCM	Area of Conductor (sq. In.)	2.5" x 2.5" (0.90 sq.in.)	4.0" x 4.0" (2.63 sq.in.)	6.0" x 6.0" (6.33 sq.in.)	8.0" x 8.0" (11.63 sq.in.)	12.0" x 6.0" (13.1 sq.in.)
<b>Wire type R90XLPE.RW75XLPE.R90EP.RW75EP.RW90XLPE.RW90EP jacketed 600 Volts</b>						
14	.021	43	125	200	200	200
12	.026	35	101	200	200	200
10	.033	27	80	192	200	200
8	.055	16	48	115	200	200
6	.087	10	30	73	134	150
4	.114	8	23	56	102	115
3	.132	7	20	48	88	99
2	.153	6	17	41	76	86
1	.222	4	12	29	52	59
1/0	.258	3	10	25	45	51
2/0	.301	3	9	21	39	44
3/0	.353	3	7	18	33	37
4/0	.416	2	6	15	28	31
250	.547	2	5	12	21	24
300	.622	1	4	10	19	21
350	.691	1	4	9	17	19
400	.766	1	3	8	15	17
450	.836	1	3	8	14	16
500	.904	1	3	7	13	14
*600	1.099	1	2	6	11	12
*700	1.235	—	2	5	9	11
*750	1.302	—	2	5	9	10
* Aluminum Wire only above 500 MCM						
<b>Wire Types TWN75.T90 Nylon</b>						
14	.010	90	200	200	200	200
12	.013	69	200	200	200	200
10	.021	43	125	200	200	200
8	.037	24	71	171	200	200
6	.051	18	52	124	200	200
4	.083	11	32	76	140	158
3	.097	9	27	65	120	135
2	.116	8	23	55	100	112
1	.156	6	17	41	75	84
1/0	.186	5	14	34	63	70
2/0	.223	4	12	28	52	59
3/0	.268	3	10	24	43	49
4/0	.324	3	8	20	36	40
250	.396	2	7	16	29	33
300	.460	2	6	14	25	28
350	.520	2	5	12	22	25
400	.586	2	5	11	20	22
450	.647	1	4	10	18	20
500	.706	1	4	9	16	19
*600	—	—	—	—	—	—
*700	—	—	—	—	—	—
*750	—	—	—	—	—	—
* Aluminum Wire only above 500 MCM						

Data subject to  
change without  
notice.



# TECHNICAL DATA

## Wireways Fill Tables Lay-In and Feed-through type 12 (Based on the Canadian Electrical Code)

Wireway Size and Maximum Number of Conductors Allowed (areas shown are 20% of the full interior cross sectional area of the wireway)						
Conductor size AWG-MCM	Area of Conductor (sq. In.)	2.5" x 2.5" (0.90 sq.in.)	4.0" x 4.0" (2.63 sq.in.)	6.0" x 6.0" (6.33 sq.in.)	8.0" x 8.0" (11.63 sq.in.)	12.0" x 6.0" (13.1 sq.in.)
<b>Wire Types TW.TW75</b>						
14	.014	64	188	200	200	200
12	.018	50	146	200	200	200
10	.024	38	110	200	200	200
8	.044	20	60	144	200	200
6	.072	13	37	88	162	182
4	.097	9	27	65	120	135
3	.113	8	23	56	103	116
2	.133	7	20	48	87	98
1	.190	5	14	33	61	69
1/0	.223	4	12	28	52	59
2/0	.263	3	10	24	44	50
3/0	.312	3	8	20	37	42
4/0	.372	2	7	17	31	35
250	.459	2	6	14	25	29
300	.528	2	5	12	22	25
350	.592	2	4	11	20	22
400	.662	1	4	10	18	20
450	.726	1	4	9	16	18
500	.790	1	3	8	15	17
*600	.972	1	3	7	12	13
*700	1.101	—	2	6	11	12
*750	1.165	—	2	5	10	11
* Aluminum Wire only above 500 MCM						
<b>Wire Types TWU.TWU75.RWU90XLPE**</b>						
14	.029	31	91	200	200	200
12	.035	26	75	180	200	200
10	.043	21	61	147	200	200
8	.073	12	36	87	159	179
6	.093	10	28	68	125	141
4	.121	7	22	52	96	108
3	.139	6	19	46	84	94
2	.160	6	16	40	73	82
1	.214	4	12	30	54	61
1/0	.248	4	11	26	47	53
2/0	.291	3	9	22	40	45
3/0	.342	3	8	19	34	38
4/0	.407	2	6	16	29	32
250	.497	2	5	13	23	26
300	.565	2	5	11	21	23
350	.633	1	4	10	18	21
400	.705	1	4	9	16	19
450	.773	1	3	8	15	17
500	.838	1	3	8	14	16
*600	1.025	1	3	6	11	13
*700	1.156	—	2	5	10	11
*750	1.222	—	2	5	10	11
* Aluminum Wire Only Above 500 MCM						
** The RWU90XLPE is unjacketed						

Data subject to  
change without  
notice.



# TECHNICAL DATA

## Wireways Fill Tables Lay-In and Feed-through Type 1 & 4 (Based on the Canadian Electrical Code)

Wireway Size and Maximum Number of Conductors Allowed (areas shown are 20% of the full interior cross sectional area of the wireway)							
Conductor Size AWG-MCM	Area of Conductor (sq. In.)	2.5" x 2.5" (1.14 sq.in.)	4.0" x 4.0" (3.02 sq.in.)	6.0" x 6.0" (6.94 sq.in.)	8.0" x 8.0" (12.45 sq.in.)	10.0" x 10.0" (19.56 sq.in.)	12.0" x 12.0" (28.27 sq.in.)
<b>Wire Types R90XLPE.RW75XLPE.RW90XLPE unjacketed 600 VOLTS</b>							
14	.014	82	200	200	200	200	200
12	.018	63	168	200	200	200	200
10	.024	48	126	200	200	200	200
8	.044	26	69	158	200	200	200
6	.059	19	51	118	200	200	200
4	.081	14	37	86	154	200	200
3	.096	12	31	72	130	200	200
2	.114	8	26	61	109	172	200
1	.154	7	20	45	81	127	184
1/0	.183	6	17	38	68	107	154
2/0	.220	5	14	32	57	89	128
3/0	.264	4	11	26	47	74	107
4/0	.320	4	9	22	39	61	88
250	.390	3	8	18	32	50	72
300	.454	3	7	15	27	43	62
350	.513	2	6	14	24	38	55
400	.578	2	5	12	22	34	49
450	.639	2	5	11	19	31	44
500	.698	1	4	10	18	28	41
*600	.871	1	3	8	14	22	32
*700	.992	—	3	7	13	20	28
*750	1.053	—	3	6	12	19	27
* Aluminum Wire only above 500 MCM							
<b>Wire Types R90XLPE.RW75XLPE.RW90XLPE. unjacketed 1000 VOLTS</b>							
14	.021	54	144	200	200	200	200
12	.026	44	116	200	200	200	200
10	.033	35	92	200	200	200	200
8	.044	26	69	158	200	200	200
6	.072	16	42	96	173	200	200
4	.097	12	31	72	128	200	200
3	.113	10	27	61	110	173	200
2	.133	9	23	52	94	147	200
1	.190	6	16	37	66	103	149
1/0	.223	5	14	31	56	88	127
2/0	.263	4	11	26	47	74	107
3/0	.312	4	10	22	40	63	91
4/0	.372	3	8	19	33	53	76
250	.447	3	7	16	28	44	63
300	.515	2	6	13	24	38	55
350	.578	2	5	12	22	34	49
400	.647	2	5	11	19	30	44
450	.711	1	4	10	18	28	40
500	.774	1	4	9	16	25	37
*600	.903	1	3	8	14	22	31
*700	1.027	—	3	7	12	19	28
*750	1.089	—	3	6	11	18	26
* Aluminum Wire only above 500 MCM							
** The RWU90XLPE is unjacketed							

Data subject to change without notice.



# TECHNICAL DATA

## Wireways Fill Tables Lay-In and Feed-through Type 1 & 4 (Based on the Canadian Electrical Code)

Wireway Size and Maximum Number of Conductors Allowed (areas shown are 20% of the full interior cross sectional area of the wireway)							
Conductor Size AWG-MCM	Area of Conductor (sq. in.)	2.5" x 2.5" (1.14 sq.in.)	4.0" x 4.0" (3.02 sq.in.)	6.0" x 6.0" (6.94 sq.in.)	8.0" x 8.0" (12.45 sq.in.)	10.0" x 10.0" (19.56 sq.in.)	12.0" x 12.0" (28.27 sq.in.)
<b>Wire type R90XLPE.RW75XLPE.R90EP.RW75EP.RW90XLPE.RW90EP jacketed 600 Volts</b>							
14	.021	54	144	200	200	200	200
12	.026	44	116	200	200	200	200
10	.033	35	92	200	200	200	200
8	.055	21	55	122	200	200	200
6	.087	13	35	80	143	200	200
4	.114	10	26	61	109	172	200
3	.132	9	23	53	94	148	200
2	.153	7	20	45	81	128	185
1	.222	5	14	31	56	88	127
1/0	.258	4	12	27	48	76	110
2/0	.301	4	10	23	41	65	94
3/0	.353	3	9	20	35	55	80
4/0	.416	3	7	17	30	47	68
250	.547	2	6	13	23	36	52
300	.622	2	5	11	20	31	45
350	.691	2	4	10	18	28	41
400	.766	1	4	9	16	26	37
450	.836	1	4	8	15	23	34
500	.904	1	3	8	14	22	31
*600	1.099	1	3	6	11	18	26
*700	1.235	—	2	6	10	16	23
*750	1.302	—	2	5	9	15	22
* Aluminum Wire only above 500 MCM							
<b>Wire Types TWN75.T90 Nylon</b>							
14	.010	114	200	200	200	200	200
12	.013	88	200	200	200	200	200
10	.021	54	144	200	200	200	200
8	.037	31	82	187	200	200	200
6	.051	22	59	136	200	200	200
4	.083	14	36	84	150	200	200
3	.097	12	31	72	128	200	200
2	.116	10	26	60	107	169	200
1	.156	7	19	44	80	125	181
1/0	.186	6	16	37	67	105	152
2/0	.223	5	14	31	56	88	127
3/0	.268	4	11	26	46	73	105
4/0	.324	4	9	21	38	60	87
250	.396	3	8	18	31	49	71
300	.460	2	7	15	27	43	61
350	.520	2	6	13	24	38	54
400	.586	2	5	12	21	33	48
450	.647	2	5	11	19	30	44
500	.706	2	4	10	18	28	40
*600	—	—	—	—	—	—	—
*700	—	—	—	—	—	—	—
*750	—	—	—	—	—	—	—
* Aluminum Wire only above 500 MCM							
** The RWU90XLPE is unjacketed							

Data subject to change without notice.

# TECHNICAL DATA

## Wireways Fill Tables Lay-In and Feed-through Type 1 & 4 (Based on the Canadian Electrical Code)

Wireway Size and Maximum Number of Conductors Allowed (areas shown are 20% of the full interior cross sectional area of the wireway)							
Conductor Size AWG-MCM	Area of Conductor (sq. in.)	2.5" x 2.5" (1.14 sq.in.)	4.0" x4.0" (3.02 sq.in.)	6.0" x 6.0" (6.94 sq.in.)	8.0" x 8.0" (12.45 sq.in.)	10.0" x 10.0" (19.56 sq.in.)	12.0" x 12.0" (28.27 sq.in.)
<b>Wire Types TW.TW75</b>							
14	.014	82	200	200	200	200	200
12	.018	63	168	200	200	200	200
10	.024	48	126	200	200	200	200
8	.044	26	69	158	200	200	200
6	.072	16	42	96	173	200	200
4	.097	12	31	72	128	200	200
3	.113	10	27	61	110	173	200
2	.133	9	23	52	94	147	200
1	.190	6	16	37	66	103	148
1/0	.223	5	14	31	56	88	127
2/0	.263	4	11	26	47	74	107
3/0	.312	4	10	22	40	63	91
4/0	.372	3	9	19	33	53	76
250	.459	2	7	15	27	43	62
300	.528	2	6	13	24	37	54
350	.592	2	5	12	21	33	48
400	.662	2	5	10	19	30	43
450	.726	2	4	10	17	27	39
500	.790	1	4	9	16	25	36
*600	.972	1	3	7	13	20	29
*700	1.101	—	3	6	11	18	26
*750	1.165	—	2	6	11	17	24
* Aluminum Wire only above 500 MCM							
<b>Wire Types TWU.TWU75.RWU90XLPE**</b>							
14	.029	39	104	200	200	200	200
12	.035	33	86	198	200	200	200
10	.043	27	70	161	200	200	200
8	.073	16	41	95	170	200	200
6	.093	12	32	75	134	200	200
4	.121	9	25	57	103	162	200
3	.139	8	22	50	90	140	200
2	.160	7	19	43	78	122	177
1	.214	5	14	32	58	91	132
1/0	.248	5	12	28	50	79	114
2/0	.291	4	10	24	43	67	97
3/0	.342	3	9	20	36	57	83
4/0	.407	3	7	17	31	48	69
250	.497	2	6	14	25	39	59
300	.565	2	5	12	22	35	50
350	.633	2	5	11	20	31	45
400	.705	2	4	10	18	28	40
450	.773	1	4	9	16	25	37
500	.838	1	4	8	15	23	34
*600	1.025	1	3	7	12	19	28
*700	1.156	—	3	6	11	17	24
*750	1.222	—	2	6	10	16	23
* Aluminum Wire only above 500 MCM							
** The RWU90XLPE is unjacketed							

Data subject to change without notice.



# TECHNICAL DATA

## Wireways Fill Tables Lay-In and Feed-through Type 12 (Based on the National Electrical Code)

Wireway Size and Maximum Number of Conductors Allowed (areas shown are 20% of the full interior cross sectional area of the wireway)						
Conductor Size AWG-MCM	Area of Conductor (sq. in.)	2.5" x 2.5" (0.90 sq.in.)	4.0" x 4.0" (2.63 sq.in.)	6.0" x 6.0" (6.33 sq.in.)	8.0" x 8.0" (11.63 sq.in.)	12.0" x 6.0" (13.1 sq.in.)
<b>RFH-2 , FFH-2</b>						
18	0.0145	62	162	436	802	903
16	0.0172	52	152	368	676	761
<b>RHH, RHW, RHW-2</b>						
14	0.0293	30	89	216	396	447
12	0.0353	25	74	179	329	371
10	0.0437	20	55	133	266	299
8	0.0835	10	31	75	139	156
6	0.1041	8	25	60	111	125
4	0.1333	6	19	47	87	98
3	0.1521	5	17	41	76	86
2	0.1750	5	15	36	66	74
1	0.2660	3	9	23	43	49
1/0	0.3039	2	8	20	38	43
2/0	0.3505	2	7	18	33	37
3/0	0.4072	2	6	15	28	32
4/0	0.4754	1	5	13	24	27
250	0.6291	1	4	10	18	20
300	0.7088	1	3	8	16	18
350	0.7870	1	3	8	14	16
400	0.8626	1	3	7	13	15
500	1.0082	0	2	6	11	12
600	1.2135	0	2	5	9	10
700	1.3561	0	1	4	8	9
750	1.4272	0	1	4	8	9
800	1.4957	0	1	4	7	8
900	1.6377	0	1	3	7	7
1000	1.7719	0	1	3	6	7
1250	2.3479	0	1	2	4	5
1500	2.6938	0	0	2	4	4
1750	3.0357	0	0	2	3	4
2000	3.3719	0	0	1	3	3
<b>SF-2, SFF-2</b>						
18	0.0115	78	228	550	1011	1139
16	0.0139	64	189	455	836	942
14	0.0172	52	152	368	676	761
<b>SF-1, SFF-1</b>						
18	0.0065	138	404	973	1789	2015
<b>RFH-1, XF, XFF</b>						
18	0.0080	112	328	791	1453	1637
<b>TF, TFF, XF, XFF</b>						
16	0.0109	82	241	580	1066	1201
<b>TW,XF, XFF, THHW, THW, THW-2</b>						
14	0.0139	64	189	455	836	942
<b>TW, THHW, THW, THW-2</b>						
12	0.0181	49	145	349	642	723
10	0.0243	37	108	260	478	539
8	0.0437	20	60	144	266	299

Data subject to  
change without  
notice.



# TECHNICAL DATA

## Wireways Fill Tables Lay-In and Feed-through Type 12 (Based on the National Electrical Code)

Wireway Size and Maximum Number of Conductors Allowed (areas shown are 20% of the full interior cross sectional area of the wireway)						
Conductor Size AWG-MCM	Area of Conductor (sq. in.)	2.5" x 2.5" (0.90 sq.in.)	4.0" x 4.0" (2.63 sq.in.)	6.0" x 6.0" (6.33 sq.in.)	8.0" x 8.0" (11.63 sq.in.)	12.0" x 6.0" (13.1 sq.in.)
<b>RHH*, RHW*, RHW-2*, XF, XFF</b>						
14	0.0209	43	125	302	556	626
12	0.0260	34	101	243	447	503
10	0.0333	27	78	190	349	393
8	0.0556	16	47	113	209	235
<b>TW, THW, THHW, THW-2, RHH*, RHW*, RHW-2*</b>						
6	0.0726	12	36	87	160	180
4	0.0973	9	27	65	119	134
3	0.1134	7	23	55	102	115
2	0.1333	6	19	47	87	98
1	0.1901	4	13	33	61	68
1/0	0.2223	4	11	28	52	58
2/0	0.2624	3	10	24	44	49
3/0	0.3117	2	8	20	37	42
4/0	0.3718	2	7	17	31	35
250	0.4596	1	5	13	25	28
300	0.5281	1	4	11	22	24
350	0.5958	1	4	10	19	21
400	0.6619	1	3	9	17	19
500	0.7901	1	3	8	14	16
600	0.9729	0	2	6	11	13
700	1.1010	0	2	5	10	11
750	1.1652	0	2	5	9	11
800	1.2272	0	2	5	9	10
900	1.3561	0	1	4	8	9
1000	1.4784	0	1	4	7	8
1250	1.8602	0	1	3	6	7
1500	2.1695	0	1	2	5	6
1750	2.4773	0	1	2	4	5
2000	2.7818	0	0	2	4	4
<b>TFN, TFFN</b>						
18	0.0055	163	478	1150	2114	2381
16	0.0072	125	365	879	1615	1819
<b>THHN, THWN, THWN-2</b>						
14	0.0097	92	265	652	1198	1350
12	0.0133	67	197	475	874	984
10	0.0211	42	124	300	551	620
8	0.0366	24	71	172	317	357
6	0.0507	17	51	124	229	258
4	0.0824	10	31	76	141	158
3	0.0973	10	27	65	119	134
2	0.1158	7	22	54	100	113
1	0.1562	5	16	40	74	83
1/0	0.1855	4	14	34	62	70

The 2008 National Electrical Code limits wireways as follows

A wireway shall not contain more than 30 current-carrying conductors except when the ampacity has been adjusted to Table 310-15(b) 2 (a) The sum of the cross sectional area of all conductors shall not exceed 20% of the interior cross sectional area of the wireway.

Note section 14 of NTPA 79 allows 50% fill for industrial machine wireway.

\* Types RHH, RHW, and RHW-2 without outer covering

Data subject to  
change without  
notice.



# TECHNICAL DATA

## Wireways Fill Tables Lay-In and Feed-through Type 12 (Based on the National Electrical Code)

Wireway Size and Maximum Number of Conductors Allowed (areas shown are 20% of the full interior cross sectional area of the wireway)						
Conductor Size AWG-MCM	Area of Conductor (sq. in.)	2.5" x 2.5" (0.90 sq.in.)	4.0" x 4.0" (2.63 sq.in.)	6.0" x 6.0" (6.33 sq.in.)	8.0" x 8.0" (11.63 sq.in.)	12.0" x 6.0" (13.1 sq.in.)
<b>CONTINUED</b>						
2/0	0.2223	4	11	28	52	58
3/0	0.2679	3	9	23	43	48
4/0	0.3237	2	8	19	35	40
250	0.3970	2	6	15	29	32
300	0.4680	1	5	13	24	27
350	0.5242	1	5	12	22	24
400	0.5863	1	4	10	19	22
500	0.7073	1	3	8	16	18
600	0.8676	1	3	7	13	15
700	0.9887	0	2	6	11	13
750	1.0496	0	2	6	11	12
800	1.1085	0	2	5	10	11
900	1.2311	0	2	5	9	10
1000	1.3478	0	1	4	8	9
<b>PF, PGFF, PGF, PFF, PTF, PAF, PTFF, PAFF, TFE, FER, PFA, FEPB, PFAH .</b>						
18	0.0058	155	453	1086	2005	2258
16	0.0075	120	350	840	1550	1746
14	0.0100	90	263	630	1163	1310
12	0.0137	65	191	459	848	956
10	0.0191	47	137	329	608	685
8	0.0333	27	78	189	349	393
6	0.0468	19	56	134	248	279
4	0.0670	13	39	94	173	195
3	0.0804	11	32	78	144	162
2	0.0973	9	27	64	119	134
1	0.1399	6	18	45	83	93
1/0	0.1676	5	15	37	69	78
2/0	0.2027	5	12	31	57	64
3/0	0.2463	4	10	25	47	53
4/0	0.3000	3	8	21	38	43
<b>ZF, ZFF, Z</b>						
18	0.0045	200	584	1400	2584	2911
16	0.0061	147	431	1032	1906	2147
14	0.0083	120	316	759	1401	1578
12	0.0117	76	224	538	994	1119
10	0.0191	47	137	329	608	685
8	0.0302	29	87	208	385	433
6	0.0430	20	61	146	270	304
4	0.0625	14	42	100	186	209
3	0.0855	10	30	73	136	153
2	0.1029	8	25	61	113	127
1	0.1269	7	20	49	91	103
1/0	0.1676	5	15	37	69	78

Data subject to  
change without  
notice.

# TECHNICAL DATA

## Wireways Fill Tables Lay-In and Feed-through Type 12 (Based on the National Electrical Code)

Wireway Size and Maximum Number of Conductors Allowed (areas shown are 20% of the full interior cross sectional area of the wireway)						
Conductor Size AWG-MCM	Area of Conductor (sq. in.)	2.5" x 2.5" (0.90 sq.in.)	4.0" x 4.0" (2.63 sq.in.)	6.0" x 6.0" (6.33 sq.in.)	8.0" x 8.0" (11.63 sq.in.)	12.0" x 6.0" (13.1 sq.in.)
<b>ZF, ZFF, Z</b>						
2/0	0.2027	4	12	31	57	64
3/0	0.2463	3	10	25	47	53
4/0	0.3000	3	8	21	38	43
<b>XHHW, ZW, XHHW-2, XHW</b>						
14	0.0139	64	189	455	836	942
12	0.0181	49	145	349	642	723
10	0.0243	37	108	260	478	539
8	0.0437	20	60	144	266	299
6	0.0590	15	44	107	197	222
4	0.0814	11	32	77	142	160
3	0.0962	9	27	65	120	136
2	0.1146	7	22	55	101	114
1	0.1534	5	17	41	75	85
1/0	0.1825	4	14	34	63	71
2/0	0.2190	4	12	28	53	59
3/0	0.2642	3	9	23	44	49
4/0	0.3197	2	8	19	36	40
250	0.3904	2	6	16	29	33
300	0.4536	1	5	13	25	28
350	0.5166	1	5	12	22	25
400	0.5782	1	4	10	20	22
500	0.6984	1	3	9	16	18
600	0.8709	1	3	7	13	15
700	0.9923	0	2	6	11	13
750	1.0532	0	2	6	11	12
800	1.1122	0	2	5	10	11
900	1.2351	0	2	5	9	10
1000	1.3519	0	1	4	8	9
1250	1.7180	0	1	3	6	7
1500	2.0157	0	1	3	5	6
1750	2.3127	0	1	2	5	5
2000	2.6073	0	1	2	4	5
<b>KF-2, KFF-2</b>						
18	0.0031	290	848	2041	3751	4225
16	0.0044	204	597	1438	2643	2977
14	0.0064	140	410	989	1817	2046
12	0.0093	96	282	680	1250	1408
10	0.0139	64	189	455	836	942
<b>KF-1, KFF-1</b>						
18	0.0026	346	1011	2434	4473	5038
16	0.0037	243	710	1710	3143	3540
14	0.0055	163	478	1150	2114	2381
12	0.0083	108	316	762	1401	1578
10	0.0127	70	207	498	915	1031

The 2008 National Electrical Code limits wireways as follows

A wireway shall not contain more than 30 current-carrying conductors except when the ampacity has been adjusted to Table 310-15(b) 2 (a) The sum of the cross sectional area of all conductors shall not exceed 20% of the interior cross sectional area of the wireway.

Note section 14 of NTPA 79 allows 50% fill for industrial machine wireway.

\* Types RHH, RHW, and RHW-2 without outer covering

Data subject to  
change without  
notice.



# TECHNICAL DATA

## Wireways Fill Tables Lay-In and Feed-through Type 1 & 4 (Based on the National Electrical Code)

Wireway Size and Maximum Number of Conductors Allowed (areas shown are 20% of the full interior cross sectional area of the wireway)							
Conductor Size AWG-MCM	Area of Conductor (sq. In.)	2.5" x 2.5" (1.14 sq.in.)	4.0" x4.0" (3.02 sq.in.)	6.0" x 6.0" (6.94 sq.in.)	8.0" x 8.0" (12.45 sq.in.)	10.0" x 10.0" (19.56 sq.in.)	12.0" x 12.0" (28.27 sq.in.)
<b>RFH-2, FFH-2</b>							
18	0.0145	78	208	478	858	1348	1949
16	0.0172	66	175	403	723	1137	1643
<b>RHH, RHW, RHW-2</b>							
14	0.0293	38	103	236	424	667	964
12	0.0353	32	85	196	352	554	800
10	0.0437	26	69	158	284	447	646
8	0.0835	13	36	83	149	234	333
6	0.1041	10	29	66	119	187	271
4	0.1333	8	22	52	93	146	212
3	0.1521	7	19	45	81	128	185
2	0.1750	6	19	39	71	111	161
1	0.2660	4	11	26	46	73	106
1/0	0.3039	3	9	22	40	64	93
2/0	0.3505	3	8	19	35	55	80
3/0	0.4072	2	7	17	30	48	69
4/0	0.4754	2	6	14	26	41	59
250	0.6291	1	4	11	19	31	44
300	0.7088	1	4	9	17	27	39
350	0.7870	1	3	8	15	24	35
400	0.8626	1	3	8	14	22	32
500	1.0082	1	2	6	12	19	28
600	1.2135	1	2	5	10	16	23
700	1.3561	1	2	5	9	14	20
750	1.4272	0	2	4	8	13	19
800	1.4957	0	2	4	8	13	18
900	1.6377	0	1	4	7	11	17
1000	1.7719	0	1	3	7	11	15
1250	2.3479	0	1	2	5	8	12
1500	2.6938	0	1	2	4	7	10
1750	3.0357	0	0	2	4	6	9
2000	3.3719	0	0	2	3	5	8
<b>SF-2, SFF-2</b>							
18	0.0115	99	262	603	1082	1700	2458
16	0.0139	82	217	499	895	1407	2033
14	0.0172	66	175	403	723	1137	1643
<b>SF-1, SFF-1</b>							
18	0.0065	175	464	1067	1915	3009	4349
<b>RFH-1, XF, XFF</b>							
18	0.0080	142	377	867	1556	2445	3533
<b>TF, TFF, XF, XFF</b>							
16	0.0109	104	277	636	11421	1794	2593
<b>TW, XF, XFF, THHW, THW, THW-2</b>							
14	0.0139	82	217	499	895	1407	2033
<b>TW, THHW, THW, THW-2</b>							
12	0.0181	62	166	383	687	1080	1561
10	0.0243	46	124	285	512	804	1163
8	0.0437	26	69	158	284	447	646

Data subject to change without notice.



# TECHNICAL DATA

## Wireways Fill Tables Lay-In and Feed-through Type 1 & 4 (Based on the National Electrical Code)

Wireway Size and Maximum Number of Conductors Allowed (areas shown are 20% of the full interior cross sectional area of the wireway)							
Conductor Size AWG-MCM	Area of Conductor (sq. In.)	2.5" x 2.5" (1.14 sq.in.)	4.0" x4.0" (3.02 sq.in.)	6.0" x 6.0" (6.94 sq.in.)	8.0" x 8.0" (12.45 sq.in.)	10.0" x 10.0" (19.56 sq.in.)	12.0" x 12.0" (28.27 sq.in.)
<b>RHH*, RHW*, RHW-2*, XF, XFF</b>							
14	0.0209	54	144	332	595	935	1352
12	0.0260	43	116	266	478	752	1087
10	0.0333	34	90	208	373	587	848
8	0.0556	20	54	124	223	351	508
<b>TW, THW, THHW, THW-2, RHH*, RHW*, RHW-2*</b>							
6	0.0726	15	41	95	171	269	389
4	0.0973	11	31	71	127	201	290
3	0.1134	10	26	61	109	172	249
2	0.1333	8	22	52	93	146	212
1	0.1901	5	15	36	65	102	148
1/0	0.2223	5	13	31	56	87	127
2/0	0.2624	4	11	26	47	74	107
3/0	0.3117	3	9	22	39	62	90
4/0	0.3718	3	8	18	33	52	76
250	0.4596	2	6	15	27	42	61
300	0.5281	2	5	13	23	37	53
350	0.5958	1	5	11	20	32	47
400	0.6619	1	4	10	18	29	42
500	0.7901	1	3	8	15	24	35
600	0.9729	1	3	7	12	20	29
700	1.1010	1	2	6	11	17	25
750	1.1652	0	2	5	10	16	24
800	1.2272	0	2	5	10	15	23
900	1.3561	0	2	5	9	14	20
1000	1.4784	0	2	4	8	13	19
1250	1.8602	0	1	3	6	10	15
1500	2.1695	0	1	3	5	9	13
1750	2.4773	0	1	2	5	7	11
2000	2.7818	0	1	2	4	7	10
<b>TFN, TFFN</b>							
18	0.0055	207	549	1261	2263	3556	5140
16	0.0072	158	419	963	1729	2716	3926
<b>THHN, THWN, THWN-2</b>							
14	0.0097	117	311	715	1283	2016	2914
12	0.0133	85	227	521	936	1470	2125
10	0.0211	54	143	328	590	927	1339
8	0.0366	31	82	189	340	534	772
6	0.0507	22	59	136	245	355	557
4	0.0824	13	36	84	151	237	343
3	0.0973	11	31	71	127	201	290
2	0.1158	9	26	59	107	168	244
1	0.1562	7	19	44	79	127	180
1/0	0.1855	6	16	37	67	105	152

The 2008 National Electrical Code limits wireways as follows

A wireway shall not contain more than 30 current-carrying conductors except when the ampacity has been adjusted to Table 310-15(b) 2 (a)The sum of the cross sectional area of all conductors shall not exceed 20% of the interior cross sectional area of the wireway.

Note section 14 of NTPA 79 allows 50% fill for industrial machine wireway.

\* Types RHH, RHW, and RHW-2 without outer covering

Data subject to change without notice.



# TECHNICAL DATA

## Wireways Fill Tables Lay-In and Feed-through Type 1 & 4 (Based on the National Electrical Code)

Wireway Size and Maximum Number of Conductors Allowed (areas shown are 20% of the full interior cross sectional area of the wireway)							
Conductor Size AWG-MCM	Area of Conductor (sq. In.)	2.5" x 2.5" (1.14 sq.in.)	4.0" x4.0" (3.02 sq.in.)	6.0" x 6.0" (6.94 sq.in.)	8.0" x 8.0" (12.45 sq.in.)	10.0" x 10.0" (19.56 sq.in.)	12.0" x 12.0" (28.27 sq.in.)
<b>CONTINUED</b>							
2/0	0.2223	5	13	31	56	87	127
3/0	0.2679	3	11	25	46	73	105
4/0	0.3237	3	9	21	38	60	87
250	0.3970	2	7	17	31	49	71
300	0.4680	2	6	14	26	41	60
350	0.5242	2	5	13	23	37	53
400	0.5863	1	5	11	21	33	48
500	0.7073	1	4	9	17	27	39
600	0.8676	1	3	7	14	22	32
700	0.9887	1	3	7	12	19	28
750	1.0496	1	2	6	11	18	26
800	1.1085	1	2	6	11	17	25
900	1.2311	0	2	5	10	15	22
1000	1.3478	0	2	5	9	14	20
<b>PF, PGFF, PGF, PFF, PTF, PAF, PTF, PAFF, TFE, FEP, PFA, FEPB, PFAH .</b>							
18	0.0058	196	520	1196	2146	3372	4874
16	0.0075	152	402	925	1660	2608	3769
14	0.0100	114	302	694	1245	1956	2827
12	0.0137	83	220	506	908	1427	2063
10	0.0191	59	158	363	651	1024	1480
8	0.0333	34	90	208	373	587	848
6	0.0468	24	64	148	266	417	604
4	0.0670	17	45	103	185	291	421
3	0.0804	14	37	86	154	243	351
2	0.0973	11	31	71	127	201	290
1	0.1399	8	21	49	88	139	202
1/0	0.1676	6	18	41	74	116	168
2/0	0.2027	5	14	34	61	96	139
3/0	0.2463	4	12	28	50	79	114
4/0	0.3000	3	10	23	41	65	94
<b>XHHW, ZW, XHHW-2, XHW</b>							
18	0.0045	253	671	1542	2766	4346	6282
16	0.0061	186	495	1137	2040	3206	4634
14	0.0083	137	363	836	1500	2356	3406
12	0.0117	97	258	593	1064	1671	2416
10	0.0191	59	158	363	651	1024	1480
8	0.0302	37	100	229	412	647	936
6	0.0430	26	70	161	289	454	657
4	0.0625	18	48	111	199	308	452
3	0.0855	13	35	81	145	228	330
2	0.1029	11	29	67	120	190	274
1	0.1269	8	23	54	98	154	222
1/0	0.1676	6	18	41	74	116	168

Data subject to change without notice.

# TECHNICAL DATA

## Wireways Fill Tables Lay-In and Feed-through Type 1 & 4 (Based on the National Electrical Code)

Wireway Size and Maximum Number of Conductors Allowed (areas shown are 20% of the full interior cross sectional area of the wireway)							
Conductor Size AWG-MCM	Area of Conductor (sq. in.)	2.5" x 2.5" (1.14 sq.in.)	4.0" x 4.0" (3.02 sq.in.)	6.0" x 6.0" (6.94 sq.in.)	8.0" x 8.0" (12.45 sq.in.)	10.0" x 10.0" (19.56 sq.in.)	12.0" x 12.0" (28.27 sq.in.)
<b>XHHW, ZW, XHHW-2, XHW</b>							
2/0	0.2027	5	14	34	61	96	139
3/0	0.2463	4	12	28	50	79	114
4/0	0.3000	3	10	23	41	65	94
<b>XHHW, ZW, XHHW-2, XHW</b>							
14	0.0139	82	217	499	895	1407	2033
12	0.0181	62	166	383	687	1080	1561
10	0.0243	46	124	285	512	804	1163
8	0.0437	26	69	146	284	447	646
6	0.0590	19	51	117	211	331	479
4	0.0814	14	37	85	152	240	347
3	0.0962	11	31	72	129	203	293
2	0.1146	9	26	60	108	170	246
1	0.1534	7	19	45	81	127	184
1/0	0.1825	6	16	38	68	107	154
2/0	0.2190	5	13	31	56	89	129
3/0	0.2642	4	11	26	47	74	107
4/0	0.3197	3	9	21	38	61	88
250	0.3904	2	7	17	31	50	72
300	0.4536	2	6	15	27	42	62
350	0.5166	2	5	13	24	37	54
400	0.5782	1	5	12	21	33	48
500	0.6984	1	4	9	17	28	40
600	0.8709	1	3	7	14	22	32
700	0.9923	1	3	6	12	19	28
750	1.0532	1	2	6	11	18	26
800	1.1122	1	2	6	11	17	25
900	1.2351	0	2	5	10	15	22
1000	1.3519	0	2	5	9	14	20
1250	1.7180	0	1	4	7	11	16
1500	2.0157	0	1	3	6	9	14
1750	2.3127	0	1	3	5	8	12
2000	2.6073	0	1	2	4	7	10
<b>KF-2, KFF-2</b>							
18	0.0031	367	974	2238	4016	6309	9119
16	0.0044	259	686	1577	2829	4445	6425
14	0.0064	178	471	1084	1945	3056	4417
12	0.0093	122	324	746	1338	2103	3039
10	0.0139	82	217	499	895	1407	2033
<b>KF-1, KFF-1</b>							
18	0.0026	438	1161	2669	4788	7523	10873
16	0.0037	308	816	1875	3364	5286	7640
14	0.0055	207	549	1261	2263	3556	5140
12	0.0083	137	363	836	1500	2356	3406

The 2008 National Electrical Code limits wireways as follows

A wireway shall not contain more than 30 current-carrying conductors except when the ampacity has been adjusted to Table 310-15(b) 2 (a) The sum of the cross sectional area of all conductors shall not exceed 20% of the interior cross sectional area of the wireway.

Note section 14 of NTPA 79 allows 50% fill for industrial machine wireway.

\* Types RHH, RHW, and RHW-2 without outer covering

Data subject to  
change without  
notice.



# TECHNICAL DATA

## Modified powder paint coatings color chart

EXM uses heat fused PE series modified powder paint, electrostatically applied on a pretreated base. In this process, the paint particles are charged with static electricity and are sprayed on the enclosures which are grounded, this causes the particles to adhere evenly to the surface of the enclosure, eliminating the possibility of having paint runs. Curing temperature and time is

approximately 200°C for 20 minutes.

Enclosures can be customized using any color from the color chart below. The modified polyester finish was chosen because of its excellent life span in acidic atmospheres and for its ability to be repainted. The following types of top coatings can be applied over our modified polyester finish :

1. Acrylic Urethane (2 components)
2. Polyurethane (2 components)
3. Epoxies (2 components)
4. Alkyd, medium oil (linseed, soya)

We recommend the above types of top coating to achieve a high quality finish with good adhesion with no prior sanding or treatment.

**Fast dry short oil alkyds or chain stopped alkyds are not recommended.**

Color description	Color	Approximate RAL equivalent	Touch up spray paint #
White		RAL 9003	880 PE
Textured white		RAL 9003	880 PTE
ANSI/ASA 61 Grey		RAL 7042	880 PG
ANSI/ASA 70 Grey		RAL 7038	880 PG2
Textured gray		RAL 7042	880 PTG
Textured fire red		RAL 3002	880 PTR
Yellow		RAL 1023	880 PY
Matadore orange		RAL 2008	880 PO
Egg shell green		RAL 6011	880 PV
Textured blue		RAL 5015	880 PTB
Textured beige		RAL 7032	880 PTC
Textured light gray		RAL 7035	880 PGL
Sandtex brown		RAL 8019	880 PSB
Textured dark blue		RAL 5002	880 PTD
Textured black		RAL 9005	880 PTK

Test Items	Test Method	Available solvent based paint		Powder coatings			
		Melamine Alkyd	Acryl	Epoxy	Polyester	Acryl	Modified Polyester
Film Thickness	Electromagnetic micro-thickness gauge (u)	40	40	60	60	60	60
Hardness	Pencil Hardness	HB - F	H - 2H	2H - 3H	H	H - 2H	H
Gloss	Murakami's Gloss meter	90	90	90	90	90	90
Erichsen	Erichsen Test (mm)	6.5	5.0	7.0	7.0	7.0	7.0
Adhesive Tape test	NT - Cutter 10mm X 10mm Adhesive tape	100/100	100/100	100/100	100/100	100/100	100/100
Impact	DuPont Type	300gr / 50cm	300gr / 50cm	1kg / 50cm	1kg / 30cm	500gr / 30cm	1kg / 50cm
Resistance to Alkali	596 NaOH 20°C	Blister after 8 hours	After 48 hours no abnormal indication	After 3 months no abnormal indication	After 240 months no abnormal indication	After 1 months no abnormal indication	After 500 months no abnormal indication
Resistance to Acid	596 H <sub>2</sub> SO <sub>4</sub> 20°C	Blister after 48 hours	After 120 hours no abnormal indication	After 3 months no abnormal indication	After 3 months no abnormal indication	After 3 months no abnormal indication	After 3 months no abnormal indication
Resistance to Water	Tap water 20°C	After 168 hours no abnormal indication	After 240 hours no abnormal indication	After 12 months no abnormal indication	After 12 months no abnormal indication	After 12 months no abnormal indication	After 12 months no abnormal indication
Resistance to Moisture	100%-96% R.H. 54°C	Blister after 72 hours	After 168 hours no abnormal indication	After 1000 hours no abnormal indication	After 1000 hours no abnormal indication	After 500 hours no abnormal indication	After 1000 hours no abnormal indication
Resistance to Salt spray	596 NaCl 35°C	Small blister	After 168 hours no abnormal indication	After 1000 hours no abnormal indication	After 1000 hours 1 - 2mm	After 500 hours 1 - 3mm	After 1000 hours 1 - 3mm
Accelerated Weather	Standard type Weather-O-Meter	Yellowing with no other change after 500 hours.	Slight yellowing with no other change after 500 hours.	Yellowing & diminished gloss with no other change after 1000 hours	Slight diminishing of gloss with no other change after 1000 hours	After 1000 hours no abnormal indication	Slight yellowing with no other change after 1000 hours.

Data subject to change without notice.



# TECHNICAL DATA

## Fiberglass SMC Testing report

Items	Unit	Nominal Values	Method
Fiber Content	%	26~29	JIS K7052
Shrinkage	%	0.10~0.14	JIS K6911
Specific Gravity		1.79~1.84	ASTM D792
Impact Strenght (notched Izod)	kg-cm/cm <sup>2</sup>	45~60	ASTM D256
Tensile Strenght	kgf/cm <sup>2</sup>	380~520	ASTM D638
Flexural Strenght	kgf/cm <sup>2</sup>	800~1400	ASTM D790
Compressive Strenght	kgf/cm <sup>2</sup>	1000~1600	ASTM D695
Barcol Hardness		45~60	ASTM D2583
Heat Distortion Temp. (264psi)	°C	>200	ASTM D648
Flammability		V-0	UL-94

## Choose the right material for your application

	Fiberglass	Powder coated carbon steel	Stainless steel type 304 / 316	Powder coated stainless steel	Aluminium
<b>Chemical resistance</b>					
<b>Solvents</b>					
<b>Alkalis</b>					
<b>Acids</b>					
<b>Physical resistance</b>					
<b>Physical strenght</b>					
<b>Corrosion resistance</b>					
<b>Comparative cost</b>					
<b>Comparative cost</b>					
<b>Green denotes recommended use</b>		<b>Yellow denotes satisfactory use</b>		<b>Red denotes limited use</b>	

EXM Manufacturing Ltd. offers no warranty, expressed nor implied, as to the application of these tables in different environments, choosing material that possess satisfactory corrosion and chemical resistance is the responsibility of the customer as the enclosures may be subjected to conditions out of our control. Tests commissioned by EXM and performed according to expressed test methods.

Data subject to change without notice.



# TECHNICAL DATA

## Metric Imperial conversion tables

Metric	Imperial
1 mm	0.039 in.
10 mm	0.394 in.
80 mm	3.150 in.
100 mm	3.937 in.
120 mm	4.724 in.
150 mm	5.906 in.
200 mm	7.874 in.
250 mm	9.843 in.
300 mm	11.811 in.
400 mm	15.748 in.
500 mm	19.685 in.
600 mm	23.622 in.
700 mm	27.559 in.
800 mm	31.496 in.
900 mm	35.433 in.
1000 mm	39.370 in.
1200 mm	47.244 in.
1400 mm	55.118 in.
1500 mm	59.055 in.
1600 mm	62.992 in.
1 cm	0.394 in.
1 m	39.370 in.
1 m	3.281 feet
1 m	1.0936 yards
-273°C	-459°F
-20°C	-4°F
-10°C	14°F
0°C	32°F
10°C	50°F
22°C	72°F
30°C	86°F
37°C	99°F
50°C	122°F
80°C	176°F
100°C	212°F
1 sq. mm	0.00155 sq. in.
1 sq. cm	0.1550 sq. in.
1sq. m	10.7640 sq. feet
1 sq. m	1.196 sq. yards

Imperial	Metric
1 in.	25.4 mm
3 in.	76.2 mm
4 in.	101.6 mm
6 in.	152.4 mm
8 in.	203.2 mm
10 in.	254.0 mm
12 in.	304.8 mm
14 in.	355.6 mm
16 in.	406.4 mm
20 in.	508.0 mm
24 in.	609.6 mm
30 in.	762.0 mm
36 in.	914.4 mm
42 in.	1066.8 mm
48 in.	1219.2 mm
54 in.	1371.6 mm
60 in.	1524.0 mm
66 in.	1676.4 mm
72 in.	1828.8 mm
90 in.	2286.0 mm
1 in.	2.54 cm
1 foot	304.8 mm
1 foot	0.3048 m
1 yard	0.9144 m
-459°F	-273°C
-10°F	-23°C
0°F	-18°C
32°F	0°C
50°F	10°C
72°F	22°C
90°F	32°C
100°F	38°C
125°F	52°C
175°F	79°C
212°F	100°C
1 sq. in.	645.16 sq. mm
1 sq. in.	6.4516 sq. cm
1 sq. foot	929.03 sq. cm
1 sq. foot	0.0929 sq. m
1 sq. yard	0.836 sq. m

Data subject to change without notice.

# TECHNICAL DATA

## Standard gauge equivalency

Hot or cold rolled steel gauge	Equivalent thickness in inches	Equivalent thickness in millimeters
7 gauge	~ 0.179	~ 4.547
8 gauge	~ 0.164	~ 4.166
9 gauge	~ 0.150	~ 3.810
10 gauge	~ 0.134	~ 3.404
11 gauge	~ 0.120	~ 3.048
12 gauge	~ 0.105	~ 2.667
13 gauge	~ 0.090	~ 2.286
14 gauge	~ 0.075	~ 1.905
15 gauge	~ 0.067	~ 1.702
16 gauge	~ 0.060	~ 1.524
17 gauge	~ 0.054	~ 1.372
18 gauge	~ 0.048	~ 1.219
19 gauge	~ 0.042	~ 1.067
20 gauge	~ 0.036	~ 0.914
21 gauge	~ 0.033	~ 0.838
22 gauge	~ 0.030	~ 0.762

## Determine the right heater size for your needs



**For outdoor applications, it is recommended to double the heating power.**

This formula is supplied for reference purposes only. EXM offers no warranty, expressed nor implied, as to the application of this table in different environments, as the equipment may be subjected to conditions out of our control.

### Wattage selection

The wattage requirement is determined from a consideration of the surface area, insulation properties of the enclosure, the temperature difference between the ambient and the enclosure and the heating power generated by existing components (e.g. transformer). The following formula can generally be used to calculate wattage requirements for uninsulated enclosures :

$$P_h = (A \times \Delta T \times k) - P_v$$

$P_h$  = Required heating power for your application in Watts (W)

$P_v$  = Heating power generated by existing components in Watts

$A$  = Exposed enclosure surface area in square meters ( $m^2$ )

$\Delta T$  = Temperature differential between the desired minimum interior temperature and the lowest possible external temperature of the enclosure in Kelvin (K).  $1.8^\circ F = 1^\circ C = 1K$

$k$  = Heat transmission coefficient of the enclosure material used :

Painted steel :  $5.5W/m^2K$

Stainless steel :  $3.7W/m^2K$

Aluminum :  $12W/m^2K$

Plastic :  $3.5W/m^2K$

Data subject to change without notice.



## Understanding EXM's numbering system

**5412 ESCH060604**

a.    b.    c.    d.    e.    f.    g.

- a.** The first number indicates the product's category
- 1 denotes a small (usually commercial) enclosure
  - 2 denotes a PC cabinet or console
  - 5 denotes a larger industrial enclosure
  - 6 denotes a metric European styling enclosure or modular cabinet
  - 8 denotes an accessory
- b.** The next three numbers indicate the product's NEMA rating
- 100 denotes NEMA 1 (for use indoors)
  - 300 denotes NEMA 3/3R (for use outdoors, weatherproof)
  - 500 denotes NEMA 12/13 (for use indoors, oil and dust tight)
  - 412 denotes NEMA 4 or 4X (for use outdoors, water, oil and dust tight)
- c.** The first letters indicate the series type and material
- ES denotes a powder coated steel enclosure (EuroStyle)
  - ESS denotes a brushed stainless steel enclosure (EuroStyle)
  - ESSP denotes a powder coated stainless steel enclosure (EuroStyle)
  - EAL denotes a powder coated aluminum enclosure (EuroStyle)
  - Other codes identify other series types.
- d.** The next letters indicate the model type
- CH denotes a continuous hinge enclosure (JIC type)
  - SC denotes a screw cover enclosure
  - DD denotes a double door enclosure
  - LC denotes a lift off cover enclosure
  - W denotes a windowed enclosure
  - FM denotes a flush mount enclosure
  - TB denotes a metric terminal box
- e.** Indicates the height for most enclosures. (Indicates width for metric enclosures.)
- f.** Indicates the width for most enclosures. (Indicates height for metric enclosures.)
- g.** Indicates the depth of the enclosure.
- h.** Some model numbers have a suffix to indicate a particular characteristic.
- 6 denotes a stainless steel Type 316 enclosure (standard is type 304)
  - B indicates a type '2B' finish for stainless steel enclosures or indicates beige powder coating for painted enclosures.
  - P indicates a powder coated stainless steel for stainless steel enclosures.
  - N indicates an enclosure without knockouts
  - SC denotes a screw cover enclosure

Data subject to  
change without  
notice.

Some exceptions apply. Please contact EXM for details at 1-800-363-2423.



## TECHNICAL DATA

Yes, we do custom enclosures and modified standards



Our automated manufacturing process allows us to produce custom enclosures and modified standards to your specifications with pin point accuracy and minimum lead time.

### **EXM can produce modified standards within record time.**

Who says special enclosures have to be expensive? EXM custom orders are very competitively priced and can save you many labour hours.

EXM custom enclosures are manufactured with the same high quality standards as our stock products. Our modified standards and special products feature poured in place gaskets, superior hinging, quality bending and all of the features you've come to expect from EXM.

EXM is a complete solution. We can install a wide range of accessories to your specifications. Environment control products, special locks and inserts, lighting, windows, DIN rails and more can be factory installed.



Data subject to  
change without  
notice.



731

# TECHNICAL DATA

## EXM on the web



Visit our website at [www.exmweb.com](http://www.exmweb.com)  
for technical drawings, sales contacts, PDF files,  
updated information and more...

Data subject to  
change without  
notice.

## **POLICY**

### **EXM, we care...**

We guarantee that our products are free from defects in workmanship or material. We will replace or repair any EXM product which is deemed defective upon inspection by one of our technicians, within one year from the shipment date. This guarantee does not apply to products which were subject to abuse, mishandling, improper application, faulty installation or transport damage. We expressly disclaim any liability or guarantee except as provided by this statement.

We continually revise and improve our products. As a result the specifications contained in this catalog may be revised without notice. We suggest you contact us for current technical information if required.

We highly recommend that each user qualify the end use for each product purchased to ensure that the standards and rating are suitable for the final application. EXM will not be responsible for any application or installation of materials which exceed ratings for which they are certified.

The contents of this catalog are Copyright and may not be reproduced without the express written consent of EXM Manufacturing Ltd.

We stand behind all of our products, should you have any questions regarding the use of our products our sales and engineering staff will gladly answer your queries.

Please do not hesitate to write or call our sales office for further information.

**Thank you**

**Affix your sales representative's  
business card here.**

**EXM toll free number:  
1-800-363-2423**

