

Service
Service
Service



Service Manual



TABLE OF CONTENTS

	Page
Location of pc boards & Version variations	1-2
Technical Specifications	1-3
Measurement setup	1-4
Service Aids, Safety Instruction, etc.	1-5
Disassembly Instructions & Service positions	2
Diagnostic Software	3-1
Software version & upgrade	3-13
Set Wiring diagram	4-1
PSCAN HDMI Board	5
Front Board	6
AV Board	7
Module SD5.2 (S) XSA 4FL DV HDMI	8
Set Mechanical Exploded view & parts list	9
PSU Board (For Information only)	10



© Copyright 2004 Philips Consumer Electronics B.V. Eindhoven, The Netherlands
All rights reserved. No part of this publication may be reproduced, stored in a retrieval system or transmitted, in any form or by any means, electronic, mechanical, photocopying, or otherwise without the prior permission of Philips.

Published by BB0441 Service AV Systems Printed in The Netherlands Subject to modification



3139 785 30880

Version 1.0



PHILIPS

SPECIFICATIONS**GENERAL:**

Mains voltage : 220-240V for /00
 110-127V/220-240V for /69
 Mains frequency : 50/60Hz
 Power consumption : 25W
 < 1W at Standby
 Dimension centre unit : 435 x 79 x 315mm

AUDIO PERFORMANCE:

Output Voltage : 2.0Vrms
 Channel Unbalance (1kHz) : < 0.5dB
 Crosstalk (1kHz) : 115dB
 Crosstalk (20Hz-20kHz) : 100dB
 Freq. Response (20Hz-20kHz) : < 0.2dB
 THD (1kHz) : 95dB
 THD (20Hz-20kHz) : 90dB

AUDIO FORMAT:

MPEG : Compressed Digital
 Dolby Digital : 16, 20, 24 bits
 PCM : fs, 44.1, 48, 96 kHz
 MP3 (ISO 9660) : 96, 112, 128, 256 kbps & variable
 bit rate fs, 32, 44.1, 48 kHz

VIDEO PERFORMANCE:

Video Output ¹⁾ : 1.0V_{p-p}

S-Video Output ¹⁾

Y : 1.0V_{p-p}

C : 0.3V_{p-p}

Component Video Output ¹⁾

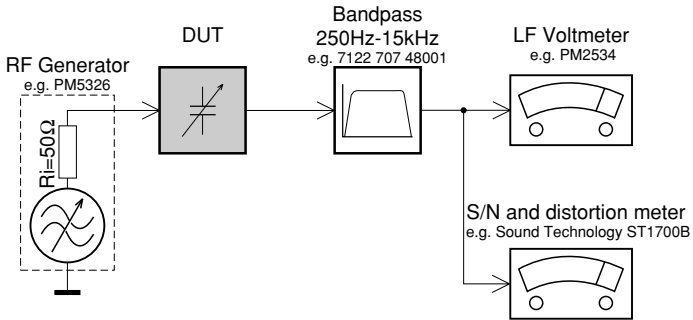
Y : 1.0V_{p-p}

PbPr : 0.7V_{p-p}

¹⁾ Output terminals to be terminated with 75Ω

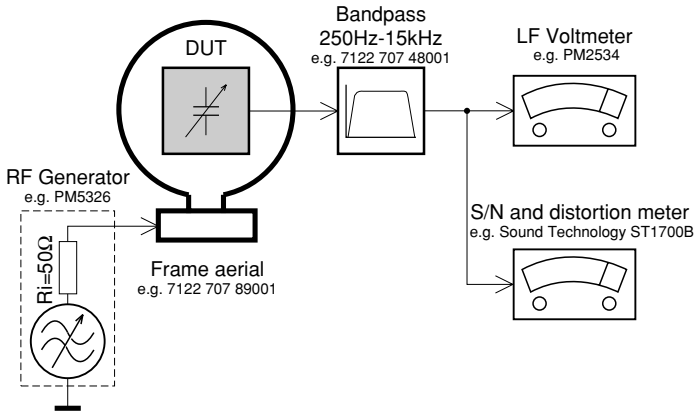
MEASUREMENT SETUP

Tuner FM



Use a bandpass filter to eliminate hum (50Hz, 100Hz) and disturbance from the pilotone (19kHz, 38kHz).

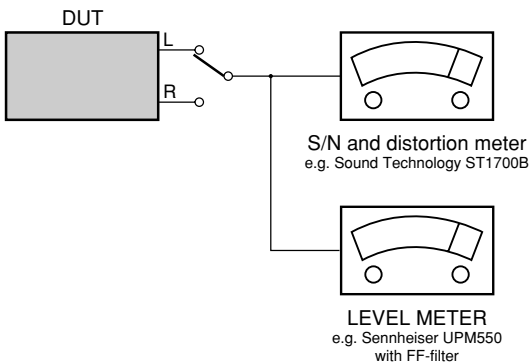
Tuner AM (MW,LW)



To avoid atmospheric interference all AM-measurements have to be carried out in a Faraday's cage.
Use a bandpass filter (or at least a high pass filter with 250Hz) to eliminate hum (50Hz, 100Hz).

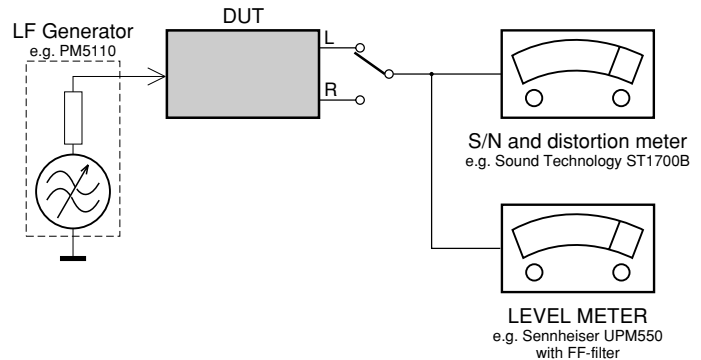
CD

Use Audio Signal Disc SBC429 4822 397 30184
(replaces test disc 3)



Recorder

Use Universal Test Cassette **CrO2** SBC419 4822 397 30069
or Universal Test Cassette **Fe** SBC420 4822 397 30071



SERVICE AIDS

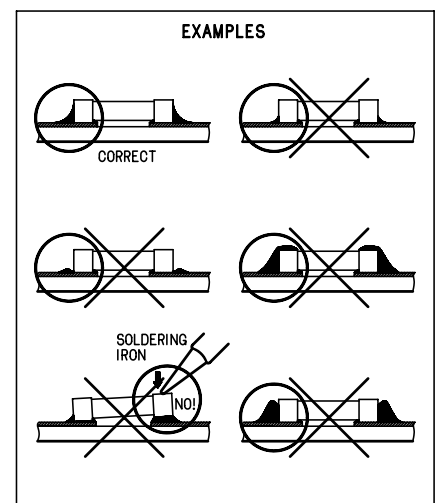
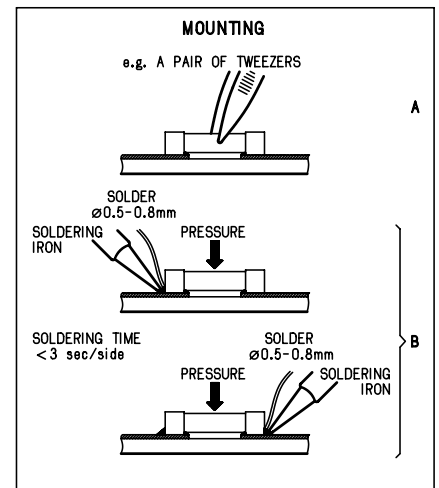
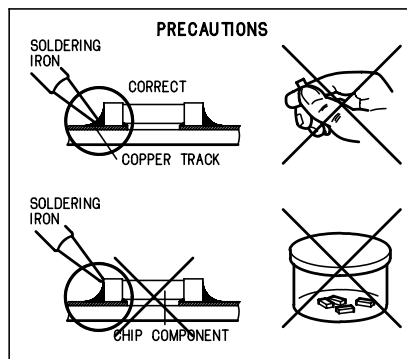
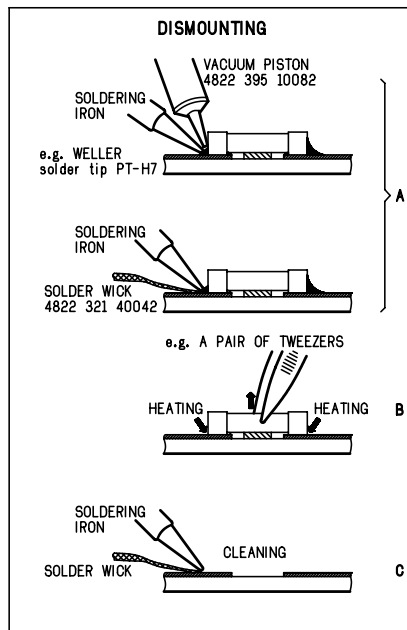
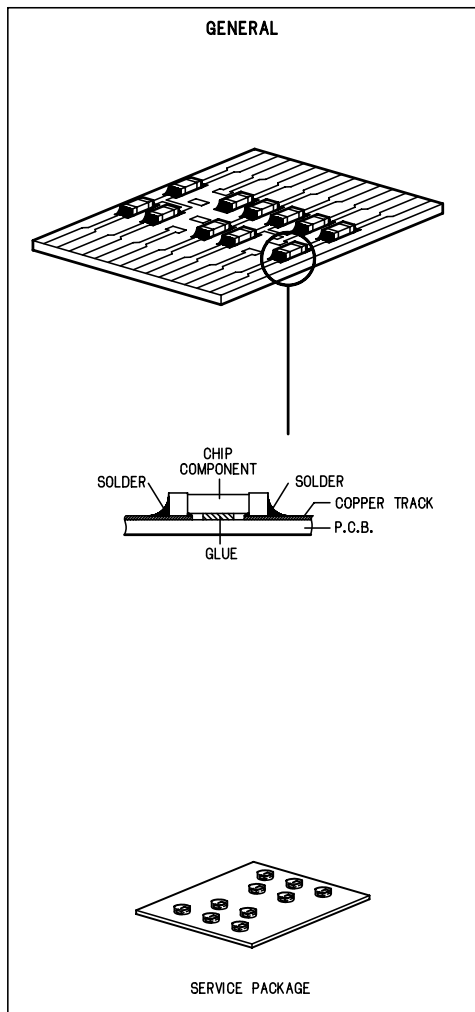
Service Tools:

Universal Torx driver holder	4822 395 91019
Torx bit T10 150mm	4822 395 50456
Torx driver set T6 - T20	4822 395 50145
Torx driver T10 extended	4822 395 50423

Compact Disc:

SBC426/426A Test disc 5 + 5A	4822 397 30096
SBC442 Audio Burn-in Test disc 1kHz	4822 397 30155
SBC429 Audio Signals disc	4822 397 30184
Dolby Pro-logic Test Disc	4822 395 10216

HANDLING CHIP COMPONENTS



(GB) WARNING

All ICs and many other semi-conductors are susceptible to electrostatic discharges (ESD). Careless handling during repair can reduce life drastically.

When repairing, make sure that you are connected with the same potential as the mass of the set via a wrist wrap with resistance. Keep components and tools also at this potential.

(F) ATTENTION

Tous les IC et beaucoup d'autres semi-conducteurs sont sensibles aux décharges statiques (ESD).

Leur longévité pourrait être considérablement écourtée par le fait qu'aucune précaution n'est prise à leur manipulation.

Lors de réparations, s'assurer de bien être relié au même potentiel que la masse de l'appareil et enfilez le bracelet serti d'une résistance de sécurité.

Veiller à ce que les composants ainsi que les outils que l'on utilise soient également à ce potentiel.

(D) WARNUNG

Alle ICs und viele andere Halbleiter sind empfindlich gegenüber elektrostatischen Entladungen (ESD).

Unvorsichtige Behandlung im Reparaturfall kann die Lebensdauer drastisch reduzieren.

Veranlassen Sie, dass Sie im Reparaturfall über ein Pulsarmband mit Widerstand verbunden sind mit dem gleichen Potential wie die Masse des Gerätes.

Bauteile und Hilfsmittel auch auf dieses gleiche Potential halten.

(NL) WAARSCHUWING

Alle IC's en vele andere halfgeleiders zijn gevoelig voor electrostatische ontladingen (ESD). Onzorgvuldig behandelen tijdens reparatie kan de levensduur drastisch doen verminderen.

Zorg ervoor dat u tijdens reparatie via een polsband met weerstand verbonden bent met hetzelfde potentiaal als de massa van het apparaat.

Houd componenten en hulpmiddelen ook op hetzelfde potentiaal.

(I) AVVERTIMENTO

Tutti IC e parecchi semi-conduttori sono sensibili alle scariche statiche (ESD).

La loro longevità potrebbe essere fortemente ridotta in caso di non osservazione della più grande cauzione alla loro manipolazione.

Durante le riparazioni occorre quindi essere collegato allo stesso potenziale che quello della massa dell'apparecchio tramite un braccialetto a resistenza.

Assicurarsi che i componenti e anche gli utensili con quali si lavora siano anche a questo potenziale.

(GB) ESD PROTECTION EQUIPMENT:

Complete Kit ESD3 (small tablemat, wristband, connection box, extension cable and earth cable) 4822 310 10671
Wristband tester 4822 344 13999

(GB)

Safety regulations require that the set be restored to its original condition and that parts which are identical with those specified, be used

Safety components are marked by the symbol \triangle .

(NL)

Veiligheidsbepalingen vereisen, dat het apparaat bij reparatie in zijn oorspronkelijke toestand wordt teruggebracht en dat onderdelen, identiek aan de gespecificeerde, worden toegepast.

De Veiligheidsonderdelen zijn aangeduid met het symbool \triangle .

(F)

Les normes de sécurité exigent que l'appareil soit remis à l'état d'origine et que soient utilisés les pièces de rechange identiques à celles spécifiées.

Less composants de sécurité sont marqués \triangle .

(D)

Bei jeder Reparatur sind die geltenden Sicherheitsvorschriften zu beachten. Der Originalzustand des Geräts darf nicht verändert werden; für Reparaturen sind Original-Ersatzteile zu verwenden.

Sicherheitsbauteile sind durch das Symbol \triangle markiert.

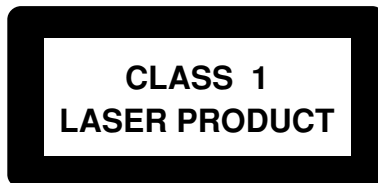
(I)

Le norme di sicurezza esigono che l'apparecchio venga rimesso nelle condizioni originali e che siano utilizzati i pezzi di ricambio identici a quelli specificati.

Componenti di sicurezza sono marcati con \triangle .

(GB)

After servicing and before returning set to customer perform a leakage current measurement test from all exposed metal parts to earth ground to assure no shock hazard exist. The leakage current must not exceed 0.5mA.

ESD**(GB) Warning !**

Invisible laser radiation when open.
Avoid direct exposure to beam.

(S) Varning !

Osynlig laserstrålning när apparaten är öppnad och spärren är urkopplad. Betrakta ej strålen.

(SF) Varoitus !

Avatussa laitteessa ja suoalukituksen ohitettaessa olet alltiina näkymättömälle laserisäteilylle. Älä katso säteeseen!

(DK) Advarse !

Usynlig laserstrålning ved åbning når sikkerhedsafbrydere er ude af funktion. Undgå udsættelse for strålning.

(F)

"Pour votre sécurité, ces documents doivent être utilisés par des spécialistes agréés, seuls habilités à réparer votre appareil en panne".

DISMANTLING INSTRUCTIONS

Dismantling of the DVD Loader

- 1) The tray can be manually open by inserting a screw driver and push the lever in the direction as shown in Figure 1 to unlock the tray before sliding it out.
- 2) Slide out the tray and remove the Cover Tray assembly (pos 113 + pos 115 + pos 117) as shown in Figure 2.
- 3) Loosen 7 screws to remove the Cover Top (pos 197).
 - 2 screw each on the left & right side
 - 3 screws on the rear
- 4) Loosen 4 screws D (see Figure 5) to remove the DVD Loader (pos 1003-0001).
- 5) Loosen 3 screws E (see Figure 5) to remove the Plate Shield (pos 191) from the DVD Loader.

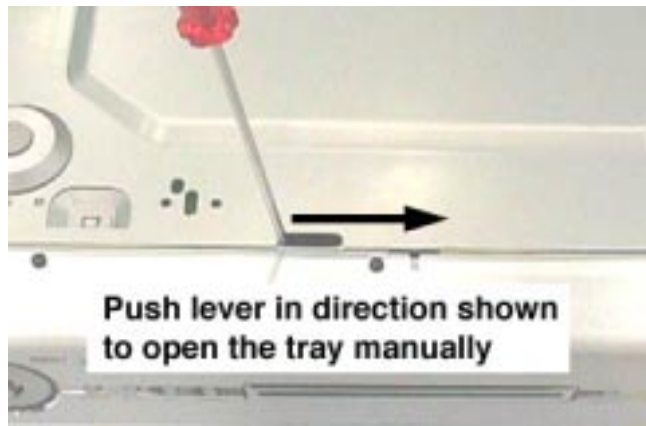


Figure 1

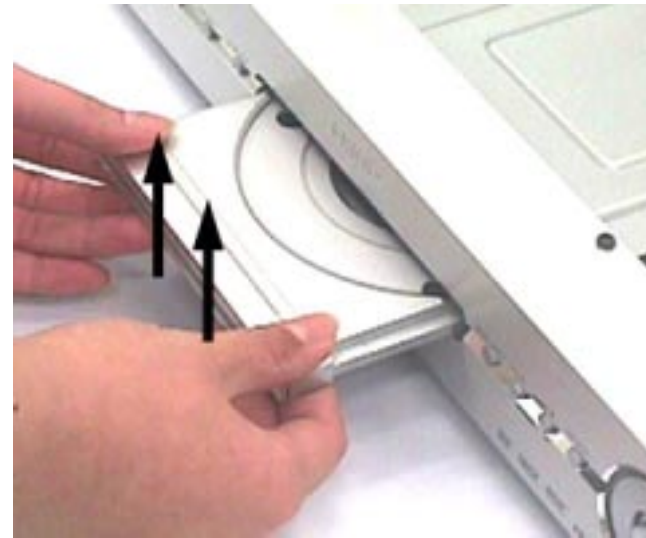


Figure 2

Dismantling of the PSCAN HDMI Board, AV Board, PSU Board and SD5.2 (S) XSA 4FL DV HDMI Board

- 1) Loosen 3 screws A (see Figure 3 & 4) to remove the PSCAN HDMI Board (pos 1006).
- 2) Loosen 7 screws B (see Figure 3) and uncatch C1 (see Figure 5) to remove the AV Board (pos 1002).
- 3) Loosen 2 screws G and uncatch 2 catches C2 (see Figure 5) to remove the PSU Board (pos 1004).
- 4) Loosen 4 screws F (see Figure 5) to remove the SD5.2 (S) XSA 4FL DV HDMI Board (pos 1003-1001).

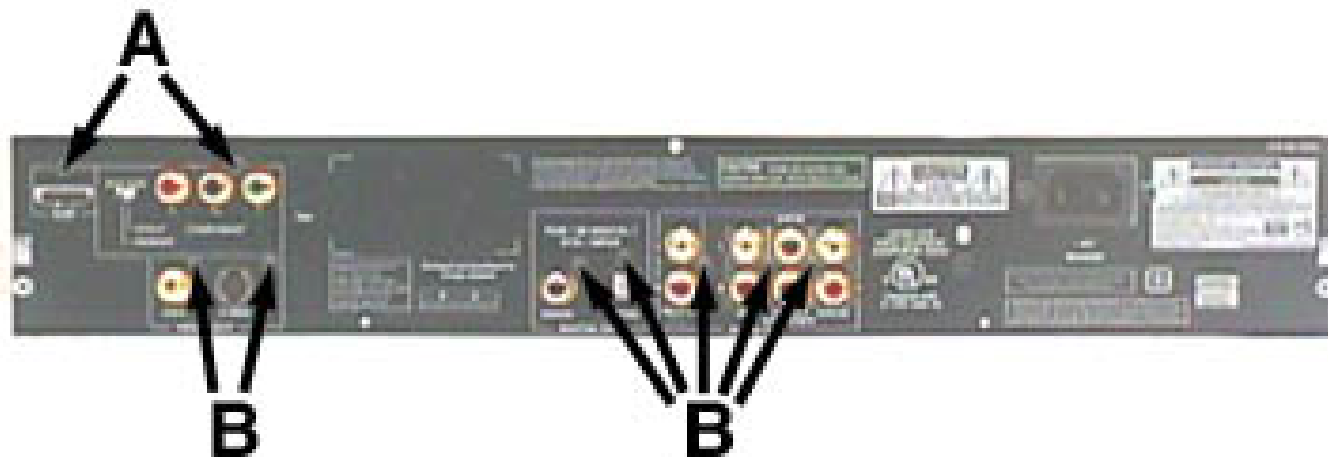


Figure 3

Figure 5

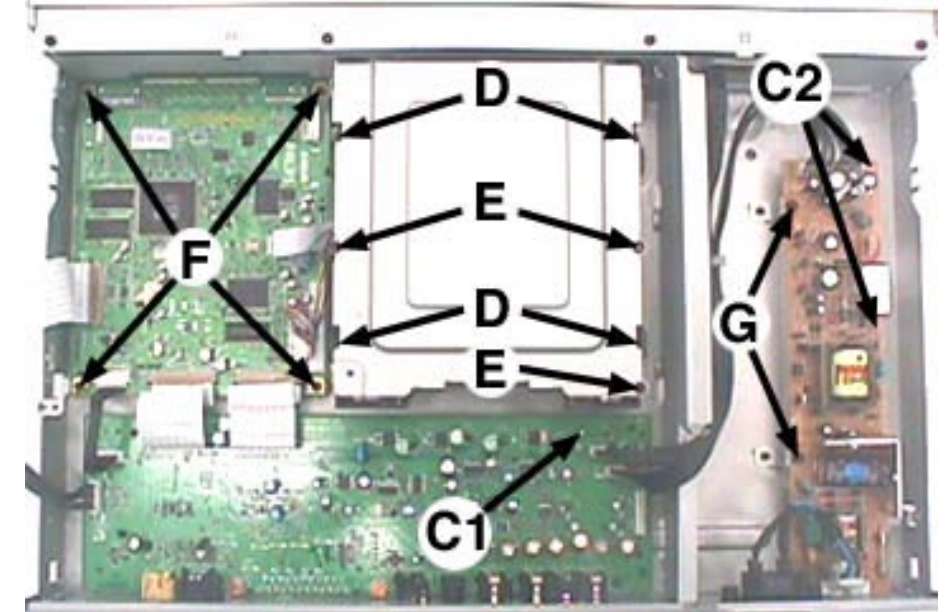


Figure 4



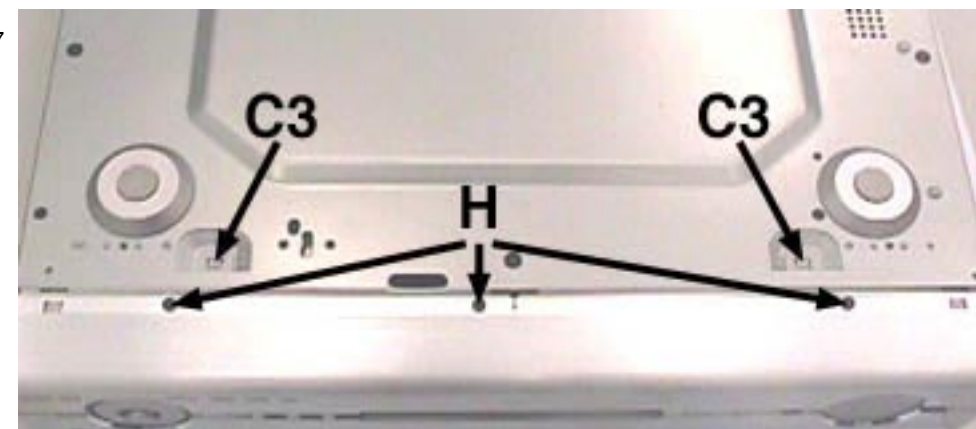
Detaching the Cabinet Front assembly

- 1) Loosen 7 screws H (see Figure 6 & 7) and uncatch 2 catches C3 (see Figure 7) to detach the Cabinet Front assembly from the Frame (pos 161) by sliding it out towards the front.
 - see Service position C

Figure 6

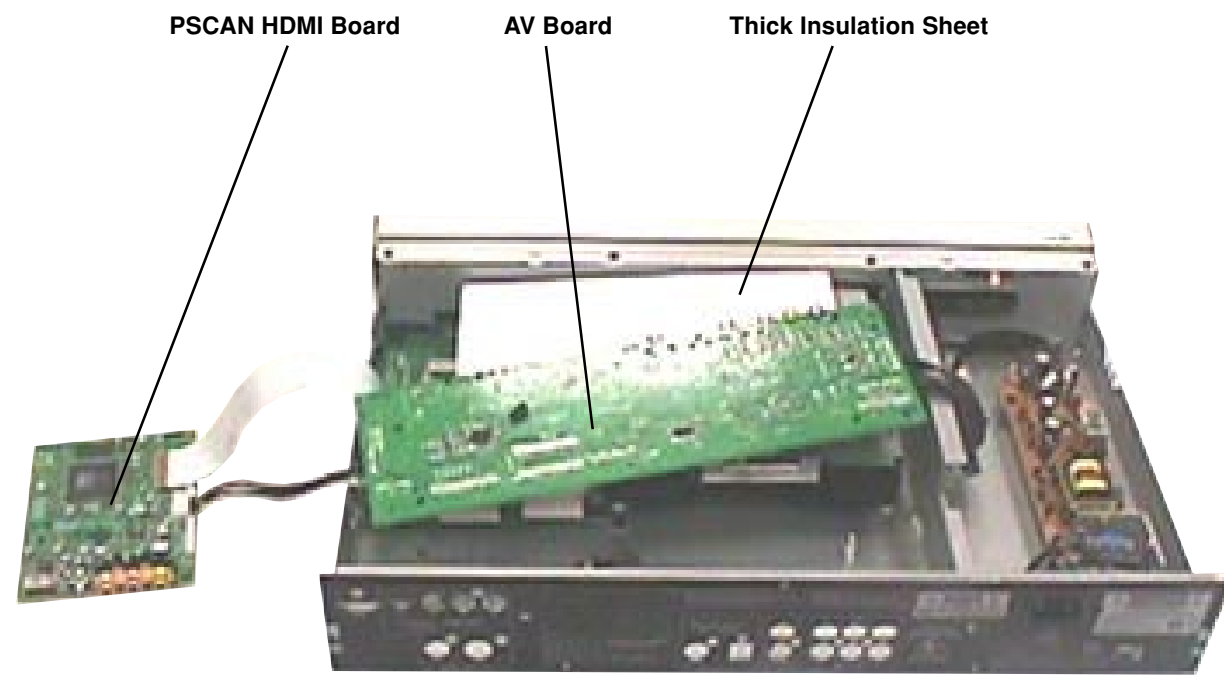


Figure 7

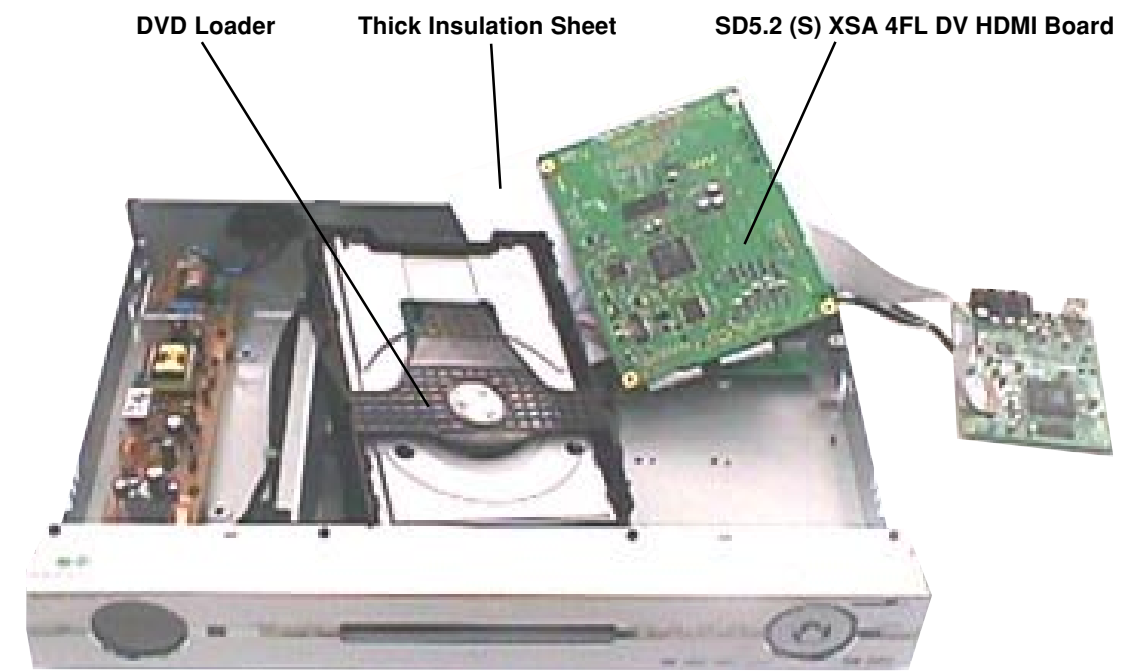


SERVICE POSITIONS

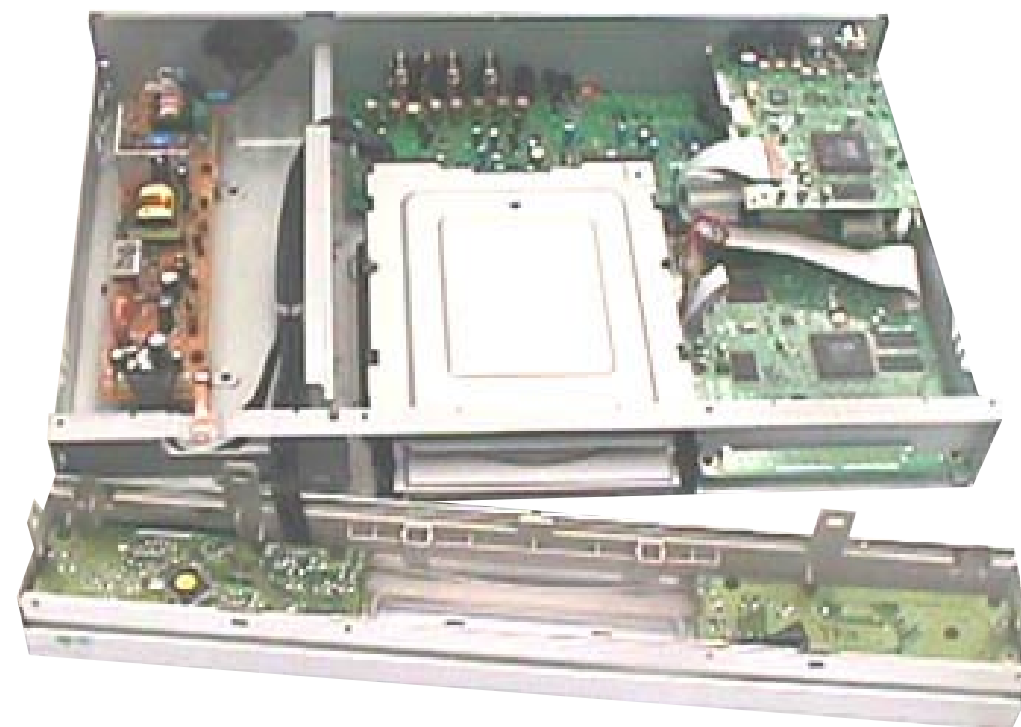
Service position A



Service position B



Service position C



Diagnostic Software

1. Definitions and Abbreviations

Definitions

Control PC	Automatic test equipment, part of the production control system in the factory, to control the execution of Diagnostic Nuclei in the DVD player.
Diagnostic Nucleus	Part of the Diagnostic Software. Each nucleus contains an atomic and software independent diagnostic test, testing a functional part of the DVD player hardware on component level.
Script	Part of the Diagnostic Software. Each script contains a sequence of Diagnostic Nuclei to be executed.
Service PC	PC used by a service- or repairman to communicate with the Diagnostic Software in the DVD player.

Abbreviations

BHDS	Basic Hardware Diagnostic Software
BDS	Basic Diagnostic Software
FDS	Full Diagnostic Software
HSI	Hardware Software Interface
OSD	On Screen Display
PWB	Printed Wire Board
RC	Remote Control
ZiVa5	the single-chip DVD backend processor from LSI Logic
SACD	Super Audio CD
SD5.2	Standard Design DVD-SACD Module – 5 th generation

2. Product Overview

The purpose of the DVD Diagnostic Software is to support the user (factory and service) in diagnosing the DVD player. The context of the diagnostic software consists of:

- Service PC, a personal computer with a terminal emulation program that emulates a simple ASCII terminal. The Service PC is connected to the RS232 port of the DVD player and is used for Level 2 / Second Line diagnostic mode. The Service PC is operated by a service personnel or repairman.
- Local Keyboard, input device of the DVD player hardware, used during power-on and during the execution of the Player Test Script.
- Test Pin, input device of the DVD player hardware, used during power-on.
- Local Display, output devices of the DVD player hardware, used by the Player Test Script and Dealer Test Script to output messages and test results.
- Control PC, a computer system in the factory connected to the RS232 port of the DVD player, used during Level 1 diagnostic mode to communicate with the Diagnostic Software (bi-directional).
- DVD Player Hardware, all the DVD player hardware which is subject to the Diagnostic Software.

The DVD has only one single RS232 port, implying that all interfaces using this port are mutually exclusive. The Full Diagnostic Software (FDS) is aimed to support service and repair and can present menus and receive commands via a Service PC.

The Diagnostic Software contains a large number of tiny Diagnostic Nuclei. Each nucleus contains an atomic and software independent diagnostic test, testing a functional part of the DVD player hardware on component level. Each Diagnostic Nucleus works directly on the DVD player hardware, no drivers will be used. Each Diagnostic Nucleus returns a Result indicating if and which error was detected (e.g. faulty SDRAM chip).

It is possible to combine these diagnostic nuclei in a Script to create a high level test like a player test, a script can be as simple as a sequence of executed Diagnostic Nuclei. The Diagnostic Software contains standard scripts for dealer and player test. Each script returns a Result indicating if and which error was detected (e.g. faulty module).

During power-on the Selector (part of the DVD boot sequence) will check the presence of certain triggers (signal on Test Pin, key combinations on local keyboard). Via the Selector the appropriate diagnostic mode will be activated:

Power-on condition	Activate diagnostic mode:		Short Description
	Name used in Factory	Name used in Service	
OPEN & PLAY key pressed	(Dealer Script)	Dealer test	Fully automatic stand-alone test without any user intervention resulting in one overall result: passed or not passed. No SDRAM tests are performed prior to DSW startup.
OPEN & STOP key pressed	Level 3 or Player test (Player Script)	First Line	Automatic test sequence with user intervention and use of screen/audio test device (i.e. a television set). The result will be an indication of which board is faulty. No SDRAM tests are performed prior to DSW startup.
Test pin active & 'C' character received from RS232 Port	Level 1 or Module test in production line	-	Externally (Control PC) controlled test sequence via a simple command line interface. Each command activates one Diagnostic Nucleus. SDRAM tests are performed prior to DSW startup.
Test pin active & 'M' character received from RS232 Port	Level 2 or Module test for repair	Second Line	Externally (Service PC) controlled test sequence via a simple menu driven interface. Each menu selection activates a Diagnostic Nucleus or a Standard Script. SDRAM tests are performed prior to DSW startup.

Note: Some players do not have a power-on key, in such cases, the player must be powered-on by connecting the power-cable.

The Selector, Command Handler and Menu Handler are the heart of the Diagnostic Software and will be referenced as the Diagnostic Engine in the context of this document. They form a framework in which Diagnostic Nuclei and standard Scripts can be added via a well-defined software interface. The actual contents of the Menu Handler are part of the FDS.

3. Product Functions

Dealer diagnostics (For I2C Master Modules only)

The dealer diagnostic mode can be activated by pushing the script activation keys during power-on. The script activation keys vary depending on the model used.

This test consists of running a predefined script (Dealer Test Script). The script controls the execution of a number of diagnostic tests. No external input is required during the execution of the script. During the execution a progress indicator will be displayed on the local display. At the end of the script one message is returned indicating if a failure in the DVD player is detected or not. The message will be displayed on the local display. No external test equipment is required.

<u>DVD Project/Model</u>	<u>Dealer Script mode activation key</u>
DVP900 – All series	Press and hold OPEN and PLAY key

First Line & Level 3 diagnostics (For I2C Master Modules only)

The First Line & Level 3 diagnostic mode can be activated by pushing the script activation keys during power-on. The script activation keys vary depending on the model used.

This test consists of running a predefined script (Player Test Script). The script controls the execution of a number of diagnostic nuclei. The first group of Diagnostic Nuclei in this script will check the local display and the local keyboard and will output the result on the local display before it continues with the remaining Diagnostic Nuclei of the script. The Diagnostic Nuclei for the readout of the error log and the Basic Engine will also be part of the predefined script. During execution of the script input from the local keyboard is required for confirmation of

certain steps. At the end of the script a message is returned indicating if a failure in one of the modules (Basic Engine, Digital PWB or Display PWB) is detected or not. The message will be displayed on the local display. The test will be done with a closed player and requires equipment for testing audio and video (e.g. a television set).

<u>DVD Project/Model</u>	<u>Player Script mode activation key</u>
DVP900– All series	Press and hold OPEN and STOP key

Level 1 diagnostics

The Level 1 diagnostic mode can be activated by making the test pin active (pull to 'L') during power-on and subsequently, sending a 'C' character to the RS232 port. The execution of Diagnostic Nuclei is under external control via a simple command line interface. There is no standard Level 1 Script embedded in the Diagnostic software. Each command activates one Diagnostic Nucleus. In case a Diagnostic Nucleus detects a failure it will try to give an indication via Result which component(s) or connection(s) is (are) failing. Result consists of an error number and an error string. These will be sent to the Control PC. The error string contains the textual equivalent of the error number extended with additional detailed error information. The required external test equipment will be part of the Control PC.

Second Line & Level 2 diagnostics

The Second Line & Level 2 diagnostic mode will be activated by making the test pin active during power-on and sending a 'M' character to the RS232 port. The execution of Diagnostic Nuclei is under external control via the terminal program on the Service PC with a simple menu driven interface. In case a Diagnostic Nucleus detects a failure it will try to give an indication via Result of which component(s) or connection(s) is(are) failing. Result consists of an error number and an error string. These will be sent to the service PC. The error string contains the textual equivalent of the error number extended with additional detailed error information. The required external test equipment will be part of the standard repair suite.

4. Functional Requirements

Diagnostic Engine

The diagnostic Engine consists of the following objects:

- Selector (partly implemented in the DVD boot sequence)
- Command Handler
- Menu Handler

The actual contents of the Menu Handler are part of the FDS.

Scripts

Each script controls the execution of Diagnostic Nuclei. There is no direct interaction from the script with the hardware. A script can be a sequence of Diagnostic Nuclei and can also contain branches and loops. Results of the execution of a Script are given back to the user. The Scripts will be embedded in the ROM of the DVD player and will be written in C-code as part of sources of the Diagnostic Software (there is no script interpreter).

The following script objects are defined for the Basic Diagnostic Software:

- Dealer Test Script
- Player Test Script

Diagnostic Nuclei

Each nucleus contains an atomic and independent diagnostic test, testing a functional part of the DVD player hardware on component level. Each Nucleus returns a result message to its caller. Some tests (e.g. generating a color bar) can only return an "OK" result. Internal communication will be done via a uniform interface between the diagnostic Engine, Scripts and the Diagnostic Nuclei.

The diagnostic Engine can only operate if a certain (minimal) set of hardware is functioning properly. To test this set of hardware, a set of basic diagnostic nuclei is embedded in the DVD player. Each basic diagnostic nucleus will only test that part of the hardware which is required for execution of the diagnostic Engine, e.g. a RAM test will only test that part of RAM that is used by the diagnostic engine. After the Diagnostic Engine is operational it is possible to do a full RAM diagnostic. All basic diagnostic nuclei start with prefix 'Basic'.

In the overview each Diagnostic Nucleus consists of a reference number, a reference name and remarks. Reference number and name are coupled and one of them is enough for unique identification.

Since this document caters to more than one SD module, and not all modules support the same set of test nuclei, a note is placed in the remarks of each test to indicate whether this applies to a specific module or not. Otherwise it is assumed that the test is supported by all platforms.

Basic Diagnostic Nuclei

<u>Ref. #</u>	<u>Reference Name</u>	<u>Remark</u>
1	BasicSpAcc	Serial port Access test/initialization
2	CompProInfo	Display processor specific info (LOR register, Chip Revision)

Processor and Peripherals

<u>Ref. #</u>	<u>Reference Name</u>	<u>Remark</u>
6	PapChksFl	Calculate and Verify Checksum FLASH
7a	PapUclkAclkCdda	External uClock A_CLK in CD-DA mode (SD5.2 only)
7b	PapUclkAclkDvd	External uClock A_CLK in DVD mode (SD5.2 only)
7c	PapUclkAclkDvd96	External uClock A_CLK in DVD (96kHz) mode (SD5.2 only)
8a	PapSgsAclkCdda	Internal PLL CLK in CD-DA mode
8b	PapSgsAclkDvd	Internal PLL CLK in DVD mode
8c	PapSgsAclkDvd96	Internal PLL CLK in DVD (96kHz) mode
10	PapFlashWrAcc	Tests Backend flash write access function
11	PapI2cNvram	I2C NVRAM access
12	PapI2cDisp	I2C / Sio Bus - Display PWB communications check
13	PapUdeEcho / PapAtapiEcho	UDE Echo (SD5.2) / ATAPI bus echo (SD5.12/SD5.31)
14	PapUdePass	Enter UDE Pass-through mode (SD5.2 only)
15	PapNvramWrR	NVRAM Write Read
62	PapChksSum	Show checksums stored in flash

Components

<u>Ref. #</u>	<u>Reference Name</u>	<u>Remark</u>
16	CompSdramWrR	SDRAM Write Read

Audio

<u>Ref. #</u>	<u>Reference Name</u>	<u>Remark</u>
18a	AudioDeemp0On	Audio Deemphasis 0 On
18b	AudioDeemp0Off	Audio Deemphasis 0 Off
18c	AudioDeemp1On	Audio Deemphasis 1 On
18d	AudioDeemp1Off	Audio Deemphasis 1 Off
18e	AudioDeemp0TristateOn	Audio Deemphasis 0 Tristate On
18f	AudioDeemp0TristateOff	Audio Deemphasis 0 Tristate Off
18g	AudioDeemp1TristateOn	Audio Deemphasis 1 Tristate On
18h	AudioDeemp1TristateOff	Audio Deemphasis 1 Tristate Off
19a	AudioMuteOn	Audio Mute On
19b	AudioMuteOff	Audio Mute Off
20a	AudioPinkNoiseOn	Audio Pinknoise On
20b	AudioPinkNoiseOff	Audio Pinknoise (or beep tone) Off
21a	AudioSineOn	Audio Sine signal On/Off
21b	AudioSineBurst	Audio Sine signal Burst

Video

<u>Ref. #</u>	<u>Reference Name</u>	<u>Remark</u>
22a	InitProgressiveBoard	Initialize Progressive Scan Board
23a	VideoColDencOnPAL	Colourbar (PAL) DENC On
23b	VideoColDencOff	Colourbar DENC/Digital Video Off
23c	VideoColDencOnNTSC	Colourbar (NTSC) DENC On
23d	AudioVideoHDMIon	Audio Video HDMI On
23e	AudioVideoHDMIoff	Audio Video HDMI Off
24a	VideoProgMPEGon	Progressive - Digital Video Colour bar ON (SD5.2 only)

24b	VideoYuvMPEGoN	Enhanced YUV - Digital Video Colour bar ON
25a	VideoScartLo	Scart Low (SD5.2 only)
25b	VideoScartMi	Scart Medium (SD5.2 only)
25c	VideoScartHi	Scart High (SD5.2 only)
54	VideoScartSwComm	Scart Switch communication (SD5.2 only)
55a	VideoScartSwDvd	Scart Switch Dvd (SD5.2 only)
55b	VideoScartSwPass	Scart Switch Pass-through (SD5.2 only)
57a	VideoScartPinLo	PIO-pins used for Scart-switching
57b	VideoScartPinMi	PIO-pins used for Scart-switching
57c	VideoScartPinHi	PIO-pins used for Scart-switching
61a	VideoColOutRGB	Enable Video Output to RGB
61b	VideoColOutYUV	Enable Video Output to YUV

DisplayPWB (slave processor)

<u>Ref. #</u>	<u>Reference Name</u>	<u>Remark</u>
26	DispVer	Version number (SD5.2 only)
27	DispKeyb	Keyboard (SD5.2 only)
28	DispRc	Remote Control (SD5.2 only)
29	DispLed	LEDs (SD5.2 only)
30a	DispDisplay	VFT Display test (SD5.2 only)
30b	DispLCDisplay	LCD display test (SD5.2 only)
30c	DispLCDBkLight	LCD Backlight test (SD5.2 only)
60	DispP50	P50 loopback test (SD5.2 only)

Log (error logging in NVRAM)

<u>Ref. #</u>	<u>Reference Name</u>	<u>Remark</u>
31	LogReadErr	Read last Errors
32	LogReadBits	Read errors Bits
33	LogReset	Reset

Miscellaneous

<u>Ref. #</u>	<u>Reference Name</u>	<u>Remark</u>
34	MiscReadConfig	Read Configuration area from NVRAM
35	MiscNvramReset	NVRAM Reset
36	MiscNvramMod	Modify NVRAM contents
46	MiscApplVer	Read version of application software
47a	MiscTrayOpenNr	Read the number of times the tray opened
47b	MiscPowerOnTime	Read the total time the player's power has been on
47c	MiscPlayTimeCddaVcd	Read the Playtime of CDDA and VCD discs
47d	MiscPlayTimeDvd	Read the Playtime of DVD discs

Basic Engine

<u>Ref. #</u>	<u>Reference Name</u>	<u>Remark</u>
37	BeVer	Version number
38a	BeFocusOn	Focus On
38b	BeFocusOff	Focus Off
39a	BeDiscmotorOn	Discmotor On
39b	BeDiscmotorOff	Discmotor Off
40a	BeRadialOn	Radial control On
40b	BeRadialOff	Radial control Off
41a	BeSledgeIn	Sledge Inwards
41b	BeSledgeOut	Sledge Outwards
42a	BeGroovesIn	jump Grooves to Inside
42b	BeGroovesMid	jump Grooves to Middle
42c	BeGroovesOut	jump Grooves to Outside
43a	BeTrayIn	Tray In
43b	BeTrayOut	Tray Out
44	BeReset	Reset Basic Engine
58a	LaserCdOn	CD Laser on

58b	LaserCdOff	CD Laser off
58c	LaserDvdOn	DVD Laser on
58d	LaserDvdOff	DVD Laser off

Furore IC

<u>Ref. #</u>	<u>Reference Name</u>	<u>Remark</u>
62	Furore_SdramWrR	Furore SDRAM Write Read test (SD5.2 only)
63	Furore_SdramWrRFast	Furore SDRAM interconnection test (SD5.2 only)
64	Furore_Id	Furore version ID check (SD5.2 only)
83	Furore_Reset	Furore reset (SD5.2 only)
84a	Furore_High	Sets Furore output pins DSD_PCM0-9 to high (SD5.2 only)
84b	Furore_Low	Sets Furore output pins DSD_PCM0-9 to low (SD5.2 only)

Audio DAC related

<u>Ref. #</u>	<u>Reference Name</u>	<u>Remark</u>
65	DAC_I2C	Resets DAC and check I2C communication with DAC (SD5.2 only)
66a	DAC_I2CEnable	Enable I2C communication to AV board (SD5.2 only)
66b	DAC_I2CDisable	Disable I2C communication to AV board (SD5.2 only)
67a	DAC_ClockInternal	Uses internal clock from monoboard for DAC (256fs) (SD5.2 only)
67b	DAC_ClockExternal	Uses external clock for DAC (384fs) (SD5.2 only)
68a	DAC_AudioPreMuteOn	Enable Audio Pre-mute pin (SD5.2 only)
68b	DAC_AudioPreMuteOff	Disable Audio Pre-mute pin (SD5.2 only)
69a	DAC_CenterOn	Enable Center on pin (SD5.2 only)
69b	DAC_CenterOff	Disable Center on pin (SD5.2 only)
79	DAC_Reset	Resets DAC (SD5.2 only)
80a	DAC_ModeCDDA	Sets DAC to CDDA mode (SD5.2 only)
80b	DAC_ModeDVD48	Sets DAC to DVD mode (48kHz) (SD5.2 only)
80c	DAC_ModeDVD96	Sets DAC to DVD mode (96kHz) (SD5.2 only)
80d	DAC_ModeDSD	Sets DAC to DSD mode (SD5.2 only)
81a	DAC_LowPowerStandbyOn	Enable Low Power Standby (SD5.2 only)
81b	DAC_LowPowerStandbyOff	Disable Low Power Standby (SD5.2 only)
82a	DAC_UpsamplingFreq192k	Sets Upsampling frequency to 192kHz (SD5.2 only)
82b	DAC_UpsamplingFreq96k	Sets Upsampling frequency to 96kHz (SD5.2 only)
82c	DAC_UpsamplingOn	Enable upsampling (SD5.2 only)
82d	DAC_UpsamplingOff	Disable upsampling (SD5.2 only)

Basic Engine - Special Diagnostics

<u>Ref. #</u>	<u>Reference Name</u>	<u>Remark</u>
70	BedReadFlashID	Read flash memory manufacturer and device ID
71	BedCalcRomChksum	Calculate ROM checksum

RS232

<u>Ref. #</u>	<u>Reference Name</u>	<u>Remark</u>
93a	Rs232cl2cCheck	RS232 I2C communication check
93b	Rs232TxRxCheck	RS232 transmit receive check
93c	Rs232cCtsRtsCheck	RS232 Cts Rts check
93d	Rs232clrPortCheck	RS232 port check
93e	Rs232cStbyCtrlCheck	RS232 standby control check

5. Description of Diagnostic Engine**Selector**

During initialization of the Diagnostic Software the Selector will first execute the required Basic Diagnostic Nuclei (nuclei of which the names start with the word "Basic") to ensure correct operation. In case one of the basic diagnostics fails an error code and message will be communicated to the outside world via the RS232. In case all basic diagnostics are passed successfully, the selector will activate the appropriate diagnostic mode.

Command Handler

The Command Handler handles all commands from the Control PC. Commands will be received as ASCII strings via the RS232 port. All commands received is interpreted by the Command Handler and only correct commands result in the execution of the matching Diagnostic Nucleus. Illegal commands result in an error message to the Control PC.

Menu Handler

The Menu Handler (part of the Full Diagnostic Software) handles all menus and selections to and from the Service PC. The interface consists of simple text menus with sub-menus. A menu selection results in the execution of the matching Diagnostic Nucleus. Only valid menu selections will be accepted.

6. Description of Script Objects***Dealer test (for I2C Master Modules Only)***

The Dealer Test Script object performs the Dealer test by executing a few Diagnostic Nucleus which do not need any user intervention and are meaningful on a stand alone DVD player. During the execution of the Dealer test a progress indicator will be displayed on the local display.

In general the Diagnostic Nuclei with a large test scope (i.e. testing many components at once) will be executed first.

When a Diagnostic Nucleus detects a fault a message indicating that the test is not passed will be displayed on the local display [ERROR] and the Dealer test will terminate. If all Diagnostic Nuclei are passed successfully a message indicating that the test is passed [PASS] will be displayed on the local display and the Dealer test will terminate. The only way to continue after termination is via a power down of the DVD player.

Player test (for I2C Master Modules Only)

The Player Test Script object performs the Player test by executing all available Diagnostic nuclei which are meaningful on a DVD player which is connected to audio/video test equipment (e.g. a television set). Some Diagnostic Nuclei require user intervention.

The first phase will check the following modules:

- Display PWB (communication, display, backlight, LEDs, keyboard, RC, P50)
- Basic Engine (communication, mechanical)
- Digital PWB (all components)

For each module all the available Diagnostic Nuclei which are meaningful for that module will be executed. Some Diagnostic Nuclei require user intervention. After all tests have been executed an indication will be given on the local display which module is most likely to be faulty. Also, the error code of the last detected error will be displayed. To continue, push the PLAY key on the local keyboard, the second phase will be entered automatically. The test of the module Display PWB consists of the Diagnostic Nuclei Papl2cDisp, DispDisplay, DisplCDisplay, DisplCDBkLight , DispLed, DispKeyb and DispRc and can be aborted at any moment by switching the power off.

The second phase is the read out of the error log and error bits from the NVRAM. Only a part of the information will be displayed on the local display at the time. With the keys: STOP key and OPEN/CLOSE (EJECT) key, it will be possible to walk through the whole error log and bits in a controlled way. The loop phase can be entered by pushing the PLAY key on the local keyboard.

The loop phase will check the following modules:

- Display PWB (communication)
- Basic Engine (communication)
- Digital PWB (all components)

For each module all the available Diagnostic Nuclei which are meaningful for that module will be executed. None of the Diagnostic Nuclei require any user intervention. After all tests have been executed an indication will be given on the local display which module is most likely to be faulty. Also, the error code of the last detected error will be displayed. A loop counter on the local display will be incremented and the loop phase will start all over again.

7. Description of Diagnostic Nucleus Objects

BasicSpAcc

This is a Basic Diagnostic Nucleus required for correct operation of the Diagnostic Software. Checks and initializes RS232 port and outputs a message that the Diagnostic software has been started.

CompProclInfo

Reads and display processor specific information. This platform specific function allows the user to read certain registers in the chip at runtime that would be helpful in getting info on the current chip used. For ZiVa5, the Latched-On-Reset register contents and the Chip Revision register contents are read and displayed.

PapChksFlash

Calculates and verifies the checksum of the backend FLASH or ROM. This includes the entire binary ROM image checksum.

PapUclkAclkCdda, PapUclkAclkDvd, PapUclkAclkDvd96 (for SD5.2 only)

Diagnostic Nucleus PapUclkAclkCdda switches clock A_CLK from the microclock to 16.93 MHz(CD_DA).
 Diagnostic Nucleus PapUclkAclkDvd switches clock A_CLK from the microclock to 18.43 MHz(DVD).
 Diagnostic Nucleus PapUclkAclkDvd96 switches clock A_CLK from the microclock to 36.86 MHz(DVD).
 Correct operation cannot be detected by the Diagnostic Software but must be checked with external equipment (e.g. a frequency counter).

Note: This nucleus will only work if the external clock is available on board.

PapSgsAclkCdda, PapSgsAclkDvd, PapSgsAclkDvd96

Diagnostic Nucleus PapSgsAclkCdda switches the PCM clock to 16.93MHz(CD_DA).
 Diagnostic Nucleus PapSgsAclkDvd switches the PCM clock to 18.43 MHz(DVD).
 Diagnostic Nucleus PapSgsAclkDvd96 switches the PCM clock to 36.86 MHz(DVD).

Correct operation cannot be detected by the Diagnostic Software but must be checked with external equipment (e.g. a frequency counter).

PapFlashWrAcc

Reads out the Flash ROM's Chip Identification Number. This nucleus tests the write access by writing a defined sequence of data to the FLASH chip, to be able to read the FLASH ID number.

PapI2cNvram

Checks the I2C interface with the NVRAM by reading from an arbitrary address.

PapI2cDisp (for SD5.2 only)

Checks the I2C or SIO bus interface with the slave processor on the display PWB with the echo command.

PapUDEEcho (SD5.2) / PapAtapiEcho (SD5.12/SD5.31)

Checks the UDE / ATAPI interface to the basic engine with an 'echo' command. This tests the hardware communications interface between the loader and the backend processor.

PapUDEPass (for SD5.2 only)

Switches the RS232 port and the UDE port in pass-through mode. The only way to exit this nucleus is via a power off of the DVD player.

PapNvramWrR

Non destructive pattern test (checker board) of **all** locations in the NVRAM. This Nucleus can detect stuck at faults and permanent coupling errors in the NVRAM chip.

VidPortOutAA, VidPortOut55 (for SD5.2 only)

Writes the value 0xAA to the Digital Video Interface port of the ZiVa5 ITU-656 ports.
 Writes the value 0x55 to the Digital Video Interface port of the ZiVa5 ITU-656 ports.

AudioMuteOn, AudioMuteOff

Diagnostic Nucleus AudioMuteOn switches the audio mute on.
Diagnostic Nucleus AudioMuteOff switches the audio mute off.

Correct operation cannot be detected by the Diagnostic Software but must be checked externally.

Note: The audio will be muted by the DAC.

AudioPinkNoiseOn, AudioPinkNoiseOff

Diagnostic Nucleus AudioPinkNoiseOn will generate a pink noise internally on the ZiVa5 chip, which will be passed to the DAC where it is converted to an analogue audio signal.

Diagnostic AudioPinkNoiseOff will switch off the pink noise generated with AudioPinkNoiseOn.

The signal will also be passed to the digital outputs. For a 6 channel player the signal must be available on all 6 analogue audio channels.

Correct operation cannot be detected by the Diagnostic Software but must be checked externally.

AudioSineOn, AudioSineBurst

Nucleus AudioSineOn will generate a sine signal of 1 kHz on the analogue output. The sine signal digital data are stored in the audio buffer in the SDRAM, passed through the audio decoder and without any further processing to the audio DAC where it is converted to an analogue audio signal.

The signal will also be passed to the digital outputs.

Correct operation cannot be detected by the Diagnostic Software but must be checked externally. The sine signal can be stopped by pressing the STOP key on the DVD player or by sending a '#' character via hyperterminal.

Nucleus AudioSineBurst will generate a sine signal of 1 kHz on the analogue output that lasts for about four seconds. The generation of the signal is the same as in AudioSineOn.

Correct operation cannot be detected by the Diagnostic Software but must be checked externally.

Note: In the player script the test AudioSineOn will be used.

VideoCoIDencOnPAL, VideoCoIDencOff, VideoCoIDencOnNTSC

Diagnostic Nucleus VideoCoIDencOnPAL enables colour bar (PAL format) in the DENC in the ZiVa5 chip.

Diagnostic Nucleus VideoCoIDencOff disables colour bar in the DENC and the digital video outputs in the ZiVa5 chip.

Diagnostic Nucleus VideoCoIDencOnNTSC enables colour bar (NTSC format) in the DENC in the ZiVa5 chip.

The signal must be simultaneously available on the RGB, Y/C and CVBS outputs. The RGB and CVBS signals will be present on the SCART, while the Y/C signal will only be available on the Y/C connector.

Correct operation cannot be detected by the Diagnostic Software but must be checked externally.

VideoProgMPEGon, VideoYuvMPEGon (for SD5.2 only)

VideoProgMPEGon outputs a colourbar pattern on the TV using the external progressive board connected to the DVD module.

VideoYuvMPEGon outputs a colourbar pattern on the TV using the external "enhanced-YUV" board connected to the DVD module.

VideoScartLo, VideoScartMi, VideoScartHi (for SD5.2 only)

VideoScartLo steers pin16 on the SCART connector with the value Low (0 to 2V)

VideoScartMi steers pin16 on the SCART connector with the value Medium (4.5 to 7V)

VideoScartHi steers pin16 on the SCART connector with the value High (9.5 to 12V).

Correct operation cannot be detected by the Diagnostic Software but must be checked externally.

DispVer (for SD5.2 only)

Gets the version number of the slave processor on the Display PWB.

DispKeyb (for SD5.2 only)

Checks that all keys will be pressed once (arbitrary sequence). Feed back will be given via the local display for each key that has been pressed.

DispRc (for SD5.2 only)

Displays Header, System and Command code for each received RC code on the local display.. The remote control test can be left by pressing the PLAY key on the local keyboard.

DispLed (for SD5.2 only)

Lights all local LEDs until the PLAY key on the local keyboard is pressed.

DispDisplay, DispLCDisplay, DispLCDBacklight (for SD5.2 only)

- For VFT-display only: Displays test patterns on the local display until the PLAY key on the local keyboard is pressed. Test patterns can be walked through by pressing the OPEN/CLOSE (EJECT) key (next pattern) .
- For LCD-display only: Displays test patterns on the local display until the PLAY key on the local keyboard is pressed. Test patterns can be walked through by pressing the OPEN/CLOSE (EJECT) key (next pattern) .
- For LCD-display only: Sets the backlight intensity to different levels (LOW – DIM – BRIGHT) until the PLAY key on the local keyboard is pressed. Test patterns can be walked through by pressing the OPEN/CLOSE (EJECT) key (next pattern) .

LogReadErr

Read error log from NVRAM and output the data as error numbers only.

LogReadBits

Read error bits from NVRAM and output the numbers of the error bits which are set. Each error bit will get a number, starting from 1 (bit 0 in first byte of error bit area) to N*8 (bit 7 in last byte of error bit area) where N is the number of bytes in the error bit area.

LogReset

Reset all error log and bits in the NVRAM.

MiscReadConfig

Read configuration area from NVRAM and output as raw data.

MiscNvramReset

Reset the whole NVRAM to zero.

MiscNvramMod

Read/Modify any location in NVRAM.

BeVer

Get version number of the Basic Engine / Loader used.

BeFocusOn, BeFocusOff

Diagnostic Nucleus BeFocusOn puts the laser of the BE into focus (focus loop).
Diagnostic Nucleus BeFocusOff switches the focus loop off.

BeDiscmotorOn, BeDiscmotorOff

Diagnostic Nuclei BeDiscmotorOn switches the disc motor (=spindle motor) on.
Diagnostic Nuclei BeDiscmotorOff switches the disc motor (=spindle motor) off.

BeRadialOn, BeRadialOff

Diagnostic Nuclei BeRadialOn closes the radial loop.
Diagnostic Nuclei BeRadialoff opens the radial loop.

BeSledgeln, BeSledgeOut

Diagnostic Nuclei BeSledgeln moves the sledge fully inwards.
Diagnostic Nuclei BeSledgeOut moves the sledge fully outwards.

BeGroovesIn, BeGroovesMid, BeGroovesOut

Diagnostic Nuclei BeGroovesIn lets the laser spot jump to the inside limit of the disc.

Diagnostic Nuclei BeGroovesMid lets the laser spot jump to the middle of the disc.

Diagnostic Nuclei BeGroovesOut lets the laser spot jump to the outside limit of the disc.

BeTrayIn, BeTrayOut

Diagnostic Nucleus BeTrayIn closes the disc tray.

Diagnostic Nucleus BeTrayOut opens the disc tray.

BeReset

Resets the Basic Engine.

MiscAppVer

Read the version of the application software from a fixed location in the NVRAM.

MiscTrayOpenNr, MiscPowerOnTime, MiscPlayTimeCddaVcd, MiscPlayTimeDvd

MiscTrayOpenNr reads the number of times the tray has opened

MiscPowerOnTime reads the total time the player has been powered on

MiscPlayTimeCddaVcd reads the total playtime of CDDA and VCD discs

MiscPlayTimeDvd reads the total playtime of DVD discs

VideoScartSwComm (for SD5.2 only)

VideoScartSwComm checks the I2C interface with the scart switch on the Audio/Video board.

VideoScartSwDvd, VideoScartSwPass (for SD5.2 only)

VideoScartSwDvd and VideoScartSwPass sets the scart switch IC on the Audio/Video board to give out DVD signal or pass-through the auxiliary Scart input.

VideoScartPinLo, VideoScartPinMi, VideoScartPinHi

VideoScartPinLo, VideoScartPinMi and VideoScartPinHi are used to toggle the PIO-pins that were used in DVDv2A to set the level of the Scart-pin 8. These PIO-pins may have a different meaning.

LaserCdOn, LaserCdOff, LaserDvdOn, LaserDvdOff

Diagnostic Nucleus LaserCdOn/LaserDvdOn puts the selected laser on.

Diagnostic Nucleus LaserCdOff/LaserDvdOff switches the laser off.

DispP50 (for SD5.2 only)

DispP50 performs a loop-back test on the P50 communication present on the front panel.

VideoColOutRGB, VideoColOutYUV

VideoColOutRGB and VideoColOutYUV nuclei configures the DENC on the ZiVa5 chip to output either RGB format or YUV format respectively.

PapChksSum

The PapChksSum nucleus displays the value of the binary image checksum stored in the backend flash.

FUORE_SdramWrR (for SD5.2 only)

Checks the SDRAM memory of the FUORE SDRAM. Checking is done with a data bus test, an address bus test and finally a device test.

FUORE_SdramWrRFast (for SD5.2 only)

Checks the lower and upper memory portion of the FUORE SDRAM. Checking is done faster compared to FUORE_SdramWrRLow, FUORE_SdramWrRHigh because the device test is skipped. Checking is done with a data bus test, and finally an address bus test.

FUORE_Id (for SD5.2 only)

This nucleus gets the revision ID of the FUORE chip.

DAC_I2C, DAC_I2Cenable, DAC_I2Cdisable (for SD5.2 only)

This nucleus checks the interface between the I2C controller on the ZiVa5 and the external DAC board.

DAC_ClockInternal, DAC_ClockExternal (for SD5.2 only)

These nuclei select the final clock input to the audio DAC.

- Internal clock means the PCM clock from the monoboard is used.
- External clock means the DSD clock on the AV board is used.

DAC_AudioPreMuteOn, DAC_AudioPreMuteOff (for SD5.2 only)

This nucleus selects Audio Pre-mute on/off.

DAC_CentreOn, DAC_CentreOff (for SD5.2 only)

This nucleus selects the centre on/off.

BedReadFlashID

Loads a special diagnostic firmware on the front engine which reads the Flash device and manufacturer's ID .

BedCalcRomChkSum

Loads a special diagnostic firmware on the front engine that calculates the checksum of the front engine ROM.

BedScratchTest

Loads a special diagnostic firmware on the front engine that checks the scratch detector circuit of the front engine.

DAC_Reset

This nucleus resets the DAC board.

DAC_ModeCDDA, DAC_ModeDVD48, DAC_ModeDVD96, DAC_ModeDSD (for SD5.2 only)

- DAC_ModeCDDA switches the DACs into CDDA mode.
- DAC_ModeDVD48 switches the DACs into DVD 48 kHz mode.
- DAC_ModeDVD96 switches the DACs into DVD 96 kHz mode.
- DAC_ModeDSD switches the DACs into DVD DSD mode.

DAC_LowPowerStandbyOn, DAC_LowPowerStandbyOff (for SD5.2 only)

DAC_LowPowerStandbyOn switches the Low power standby mode on, removing power supply to SCART switch IC.

DAC_LowPowerStandbyOff switches the Low power standby mode off, enabling power supply to SCART switch IC.

DAC_UpSamplingFreq192k, DAC_UpSamplingFreq96k, DAC_UpSamplingOn, DAC_UpSamplingOff (for SD5.2 only)

These nuclei select whether upsampling should be activated and at what frequency.

Furore_Reset (for SD5.2 only)

This nucleus resets the Furore IC.

Furore_High, Furore_Low (for SD5.2 only)

These nucleus sets the output lines DSD_PCM0-9 to either high or low.

Procedure to upgrade software

- 1) Power up the set.
- 2) Open tray by press "OPEN/CLOSE" button on the set or press and hold "STOP" button on the RC.
- 3) Place upgrade disc onto tray and close.
- 4) The set will response and display shows [READING] follow by [UPGRADING].
Caution: Do not press any buttons or interrupt the mains supply during the upgrading process, otherwise the set may become defective.
- 5) The whole process should not take more than 3 minutes.
- 6) Tray will open indicating that the upgrading process is completed. The set display will continue to show [UPGRADING].
- 7) Take out the upgrade disc from the tray and switch off the mains supply.
- 8) Power up the set again. Tray will close and go to standby automatically.
Note : If the set does not go to standby automatically, give it sufficient time (about 1 minute) to initialize NVM etc. then press "STANDBY" button to go to standby.

Procedure for check Software version

- 1) Power up the set.
- 2) Open tray by press "OPEN/CLOSE" button on the set or press and hold "STOP" button on the RC.
- 3) Press "DISC MENU" button on the RC.
- 4) The TV screen will shows:

Copyright(c)
PHILIPS 2002-03
SD5.2-9000S-XX

04Oct2004
17:34
YYYYYYYY
A1160-129
C3091-178
UDE28.0001.07
FE Ver:08

XX = **software version number**
YYYYYYYY = **slash version**

Reprogramming of DVD Version Matrix

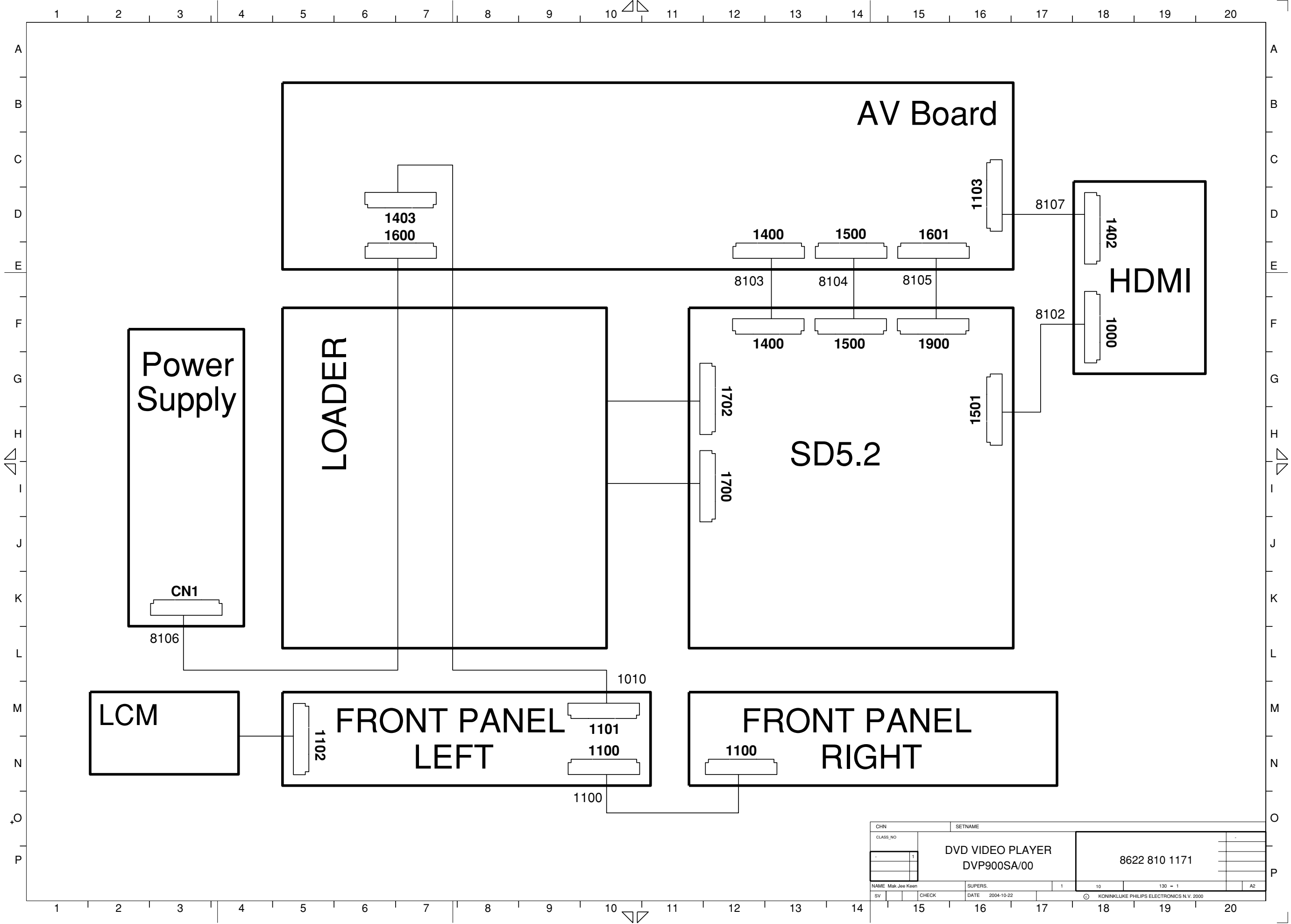
After repair, the customer setting and region code may be lost. Reprogramming will put the set back in the state in which it has left the factory, ie. with the default setting and the allowed region code.

Model	Region	Slash Version
DVP9000S/00	Europe	22201700
DVP9000S/69	AP	32301700

To reprogram do as follows:

- 1) Power up the set.
- 2) Press buttons <PLAY> <1> <5> <9> on the RC.
- 3) The set display shows [_ _ _ _ _].
- 4) Press now successively the following keys:
<2> <2> <2> <0> <1> <7> <0> <0> - for DVP9000S/00
<3> <2> <3> <0> <1> <7> <0> <0> - for DVP9000S/69
- 5) Press button <PLAY> again on the RC.
- 6) Wait for the set to reboot by itself (less than 1 minute) to confirm that the set has been reprogrammed.

SET WIRING DIAGRAM



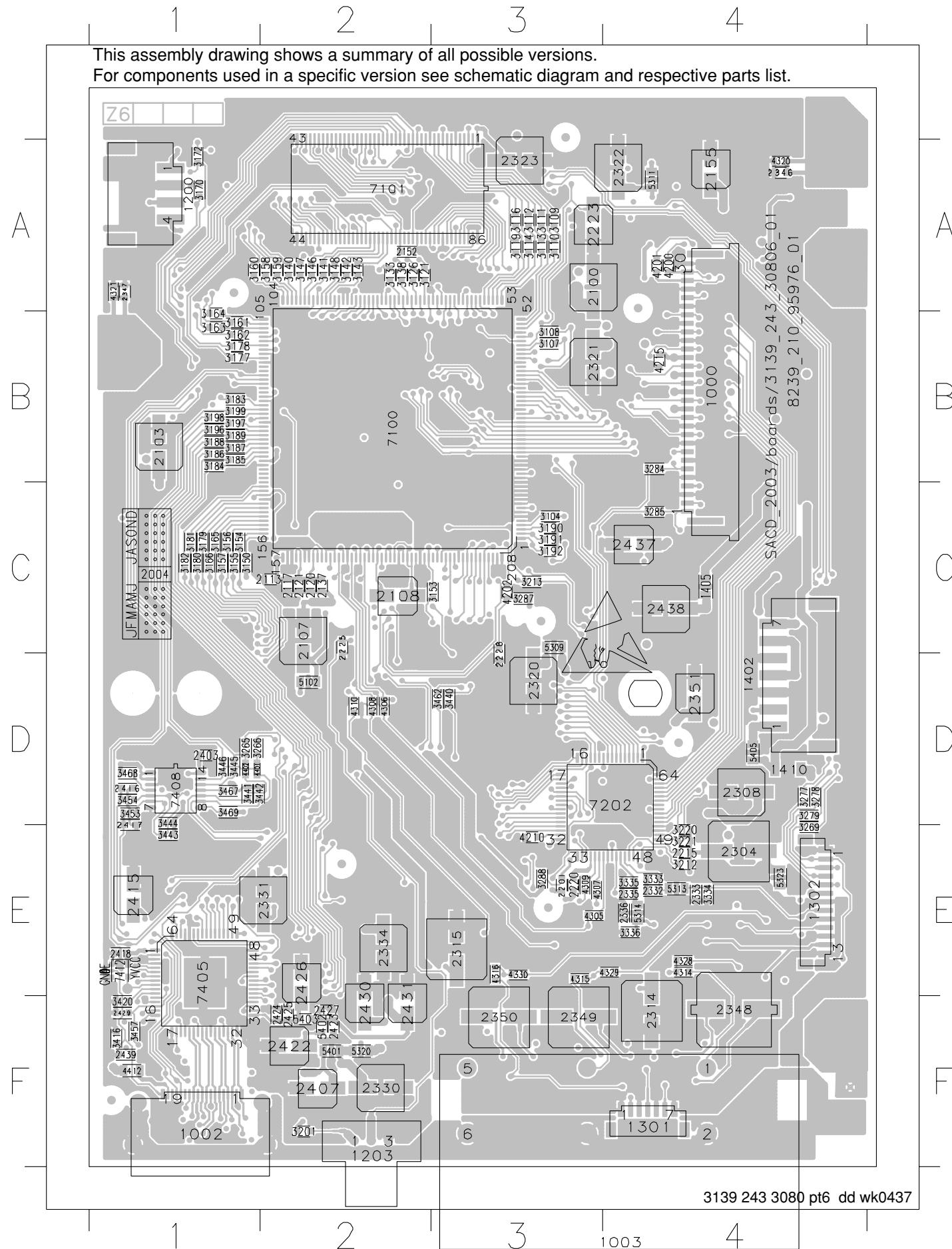
CHN		SETNAME	
CLASS_NO		DVD VIDEO PLAYER	
	1	DVP900SA/00	
NAME Mak Jee Keen		SUPERS.	1
SV	CHECK	DATE 2004-10-22	10 130 - 1
		© KONINKLIJKE PHILIPS ELECTRONICS N.V. 2000	
		8622 810 1171	
		AZ	

PSCAN HDMI BOARD

TABLE OF CONTENTS

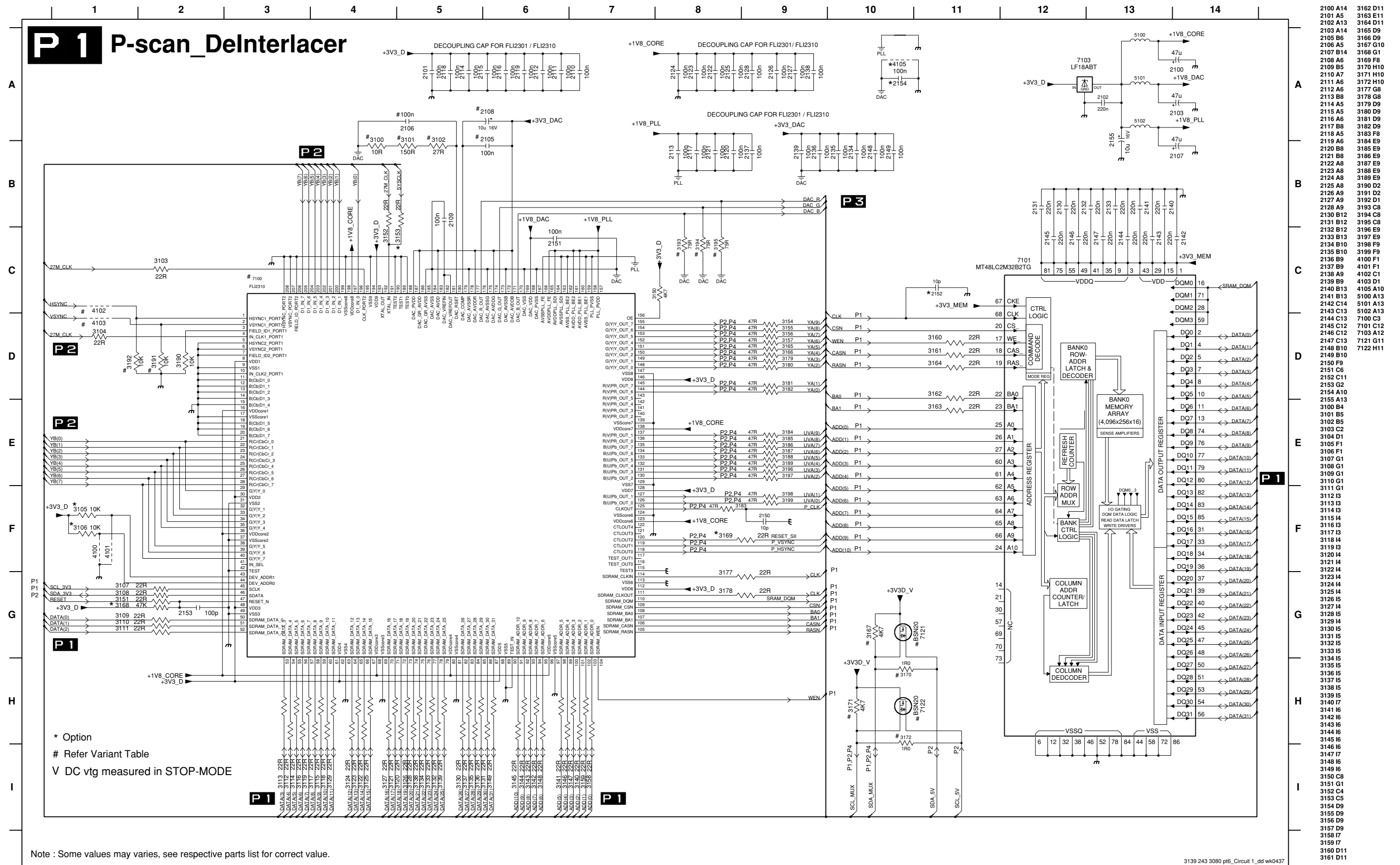
Top View Layout	5-2
Bottom View Layout	5-3
Circuit Diagram (Part 1)	5-4
Circuit Diagram (Part 2)	5-5
Circuit Diagram (Part 3)	5-6
Circuit Diagram (Part 4)	5-7
Electrical parts list	5-8

PSCAN HDMI BOARD - TOP VIEW LAYOUT



1000	B4	2437	C4	3201	F2	5320	F2
1002	F1	2438	C4	3212	E4	5323	E4
1200	A1	2439	F1	3213	C3	5401	F2
1203	F2	3104	C3	3220	E4	5402	F2
1301	F4	3107	B3	3221	E4	5403	F2
1302	E4	3108	B3	3265	D1	5405	D4
1402	D4	3109	A3	3266	D1	7100	B2
1405	C4	3110	A3	3269	E4	7101	A2
1410	D4	3111	A3	3277	D4	7202	D4
2100	A3	3112	A3	3278	D4	7405	E1
2103	B1	3113	A3	3279	D4	7408	D1
2107	C2	3114	A3	3284	B4	7412	E1
2108	C2	3116	A3	3285	C4		
2113	C2	3119	A3	3287	C3		
2117	C2	3121	A2	3288	E3		
2120	C2	3126	A2	3333	E4		
2121	C2	3133	A2	3334	E4		
2137	C2	3138	A2	3335	E4		
2152	A2	3140	A2	3336	E4		
2155	A4	3141	A2	3416	F1		
2201	E3	3142	A2	3420	F1		
2215	E4	3143	A2	3440	D3		
2220	E3	3146	A2	3441	D1		
2223	A3	3147	A2	3442	D1		
2225	C2	3148	A2	3443	E1		
2228	D3	3150	C1	3444	D1		
2304	E4	3153	C3	3445	D1		
2308	D4	3154	C1	3446	D1		
2314	F4	3155	C1	3453	D1		
2315	E3	3156	C1	3454	D1		
2320	D3	3157	C1	3457	F1		
2321	B3	3158	A2	3462	D3		
2322	A4	3159	A2	3467	D1		
2323	A3	3160	A1	3468	D1		
2330	F2	3161	B1	3469	D1		
2331	E2	3162	B1	4200	A4		
2332	E4	3163	B1	4201	A4		
2333	E4	3164	B1	4202	C3		
2334	E2	3165	C1	4210	E3		
2335	E4	3166	C1	4215	B4		
2336	E4	3170	A1	4305	E3		
2346	A4	3172	A1	4306	D2		
2347	A1	3177	B1	4307	E3		
2348	F4	3178	B1	4308	D2		
2349	F3	3179	C1	4309	E3		
2350	F3	3180	C1	4310	D2		
2351	D4	3181	C1	4314	E4		
2403	D1	3182	C1	4315	E3		
2407	F2	3183	B1	4316	E3		
2415	E1	3184	B1	4320	A4		
2416	D1	3185	B1	4321	A1		
2417	E1	3186	B1	4328	E4		
2418	E1	3187	B1	4329	E4		
2422	F2	3188	B1	4330	E3		
2423	F2	3189	B1	4401	D1		
2424	F2	3190	C3	4402	D1		
2425	F2	3191	C3	4412	F1		
2426	E2	3192	C3	5102	D2		
2427	F2	3196	B1	5309	C3		
2429	F1	3197	B1	5311	A4		
2430	F2	3198	B1	5313	E4		
2431	F2	3199	B1	5314	E4		

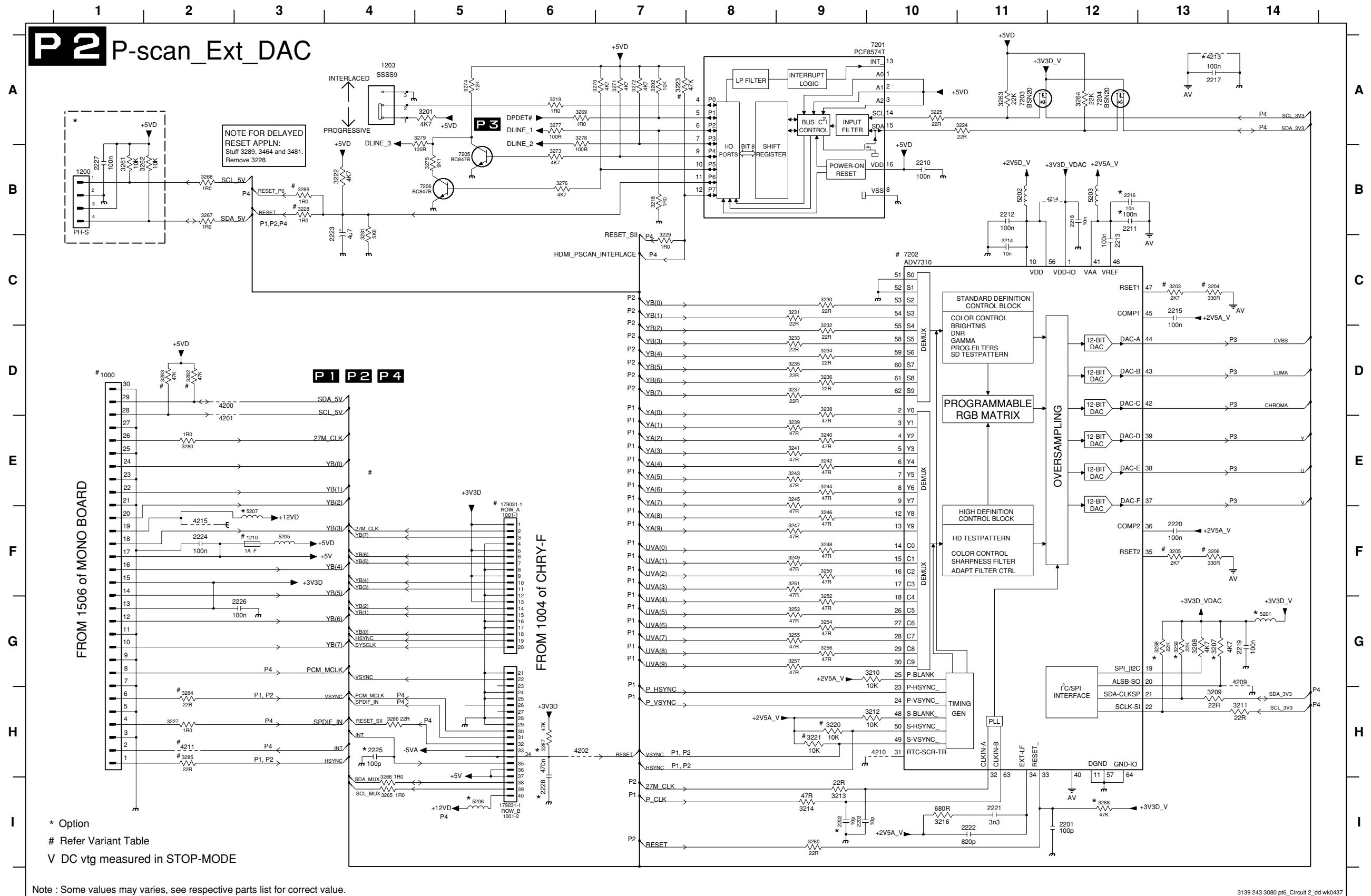
PSCAN HDMI BOARD - CIRCUIT DIAGRAM (PART 1)



2100 A14	3162 D11
2101 A5	3163 E11
2102 A13	3164 D11
2103 A14	3165 D9
2105 B6	3166 D9
2106 A5	3167 G10
2107 B14	3168 G1
2108 A6	3169 F8
2109 B5	3170 H10
2110 A7	3171 H10
2111 A6	3172 H10
2112 A6	3177 G8
2113 B8	3178 G8
2114 A5	3179 D9
2115 A5	3180 D9
2116 A6	3181 D9
2117 B8	3182 D9
2118 A5	3183 F8
2119 A6	3184 E9
2120 B8	3185 E9
2121 B8	3186 E9
2122 A8	3187 E9
2123 A8	3188 E9
2124 A8	3189 E9
2125 A8	3190 D2
2126 A9	3191 D2
2127 A9	3192 D1
2128 A9	3193 C8
2130 B12	3194 C8
2131 B12	3195 C8
2132 B12	3196 E9
2133 B13	3197 E9
2134 B10	3198 F9
2135 B10	3199 F9
2136 B9	4100 F1
2137 B9	4101 F1
2138 A9	4102 C1
2139 B9	4103 D1
2140 B13	4105 A10
2141 B13	5100 A13
2142 C14	5101 A13
2143 C14	5102 A13
2144 C13	7100 C3
2145 C12	7101 C12
2146 C12	7103 A12
2147 C13	7121 G11
2148 B10	7122 H11
2149 B10	
2150 F9	
2151 C6	
2152 C11	
2153 G2	
2154 A10	
2155 A13	
3100 B4	
3101 B5	
3102 B5	
3103 C2	
3104 D1	
3105 F1	
3106 F1	
3107 G1	
3108 G1	
3109 G1	
3110 G1	
3111 G1	
3112 I3	
3113 I3	
3114 I3	
3115 I4	
3116 I3	
3117 I3	
3118 I4	
3119 I3	
3120 I4	
3121 I4	
3122 I4	
3123 I4	
3124 I4	
3125 I5	
3126 I5	
3127 I4	
3128 I5	
3129 I4	
3130 I5	
3131 I5	
3132 I5	
3133 I5	
3134 I5	
3135 I5	
3136 I5	
3137 I5	
3138 I5	
3139 I5	
3140 I7	
3141 I6	
3142 I6	
3143 I6	
3144 I6	
3145 I6	
3146 I6	
3147 I7	
3148 I6	
3149 I6	
3150 C8	
3151 G1	
3152 C4	
3153 C5	
3154 D9	
3155 D9	
3156 D9	
3157 D9	
3158 I7	
3159 I7	
3160 D11	
3161 D11	

Ref Des	2105	2106	2108	3100	3101	3102	3171	3167	3170	3172	3191	3192	3193	3194	3195	4102	4103	7100	7121	7122
DVDR755	100n	100n	10u 16V	10R	150R	27R	NOT USED	NOT USED	1R0	1R0	10K	10K	75R	75R	75R	NOT USED	NOT USED	FLI2301	NOT USED	NOT USED
YDVS1500	NOT USED	NOT USED	NOT USED	NOT USED	NOT USED	NOT USED	4k7	4k7	NOT USED	NOT USED	10K	10K	NOT USED	NOT USED	NOT USED	NOT USED	NOT USED	FLI2310	NOT USED	NOT USED
YDVS2500	NOT USED	NOT USED	NOT USED	NOT USED	NOT USED	NOT USED	NOT USED	NOT USED	1R0	1R0	10K	10K	NOT USED	NOT USED	NOT USED	NOT USED	NOT USED	FLI2310	NOT USED	NOT USED
YDVC950	NOT USED	NOT USED	NOT USED	NOT USED	NOT USED	NOT USED	NOT USED	NOT USED	1R0	1R0	NOT USED	NOT USED	NOT USED	NOT USED	NOT USED	USED	USED	FLI2310	NOT USED	NOT USED

PSCAN HDMI BOARD - CIRCUIT DIAGRAM (PART 2)

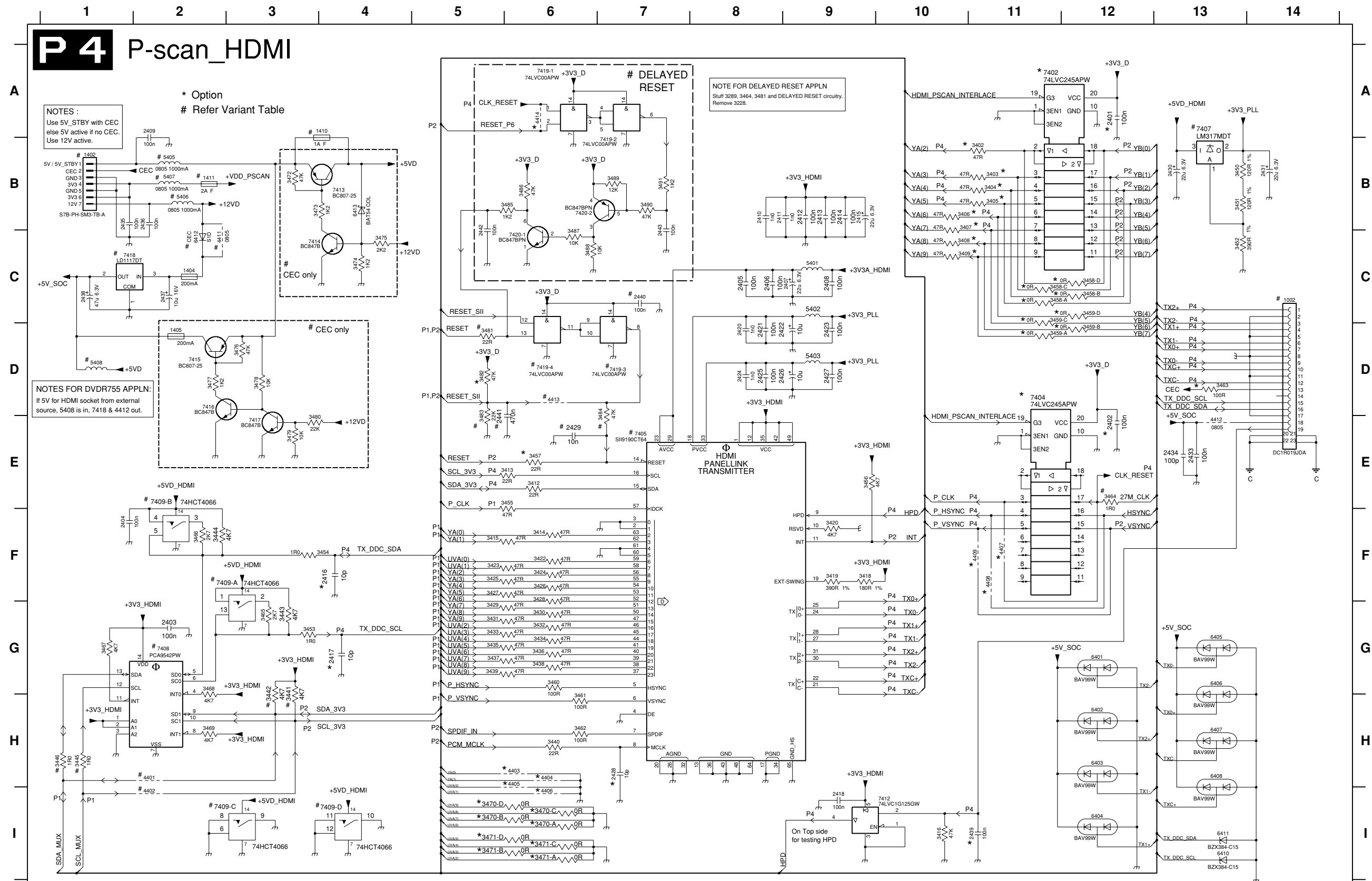


- 1000 D1
- 1001-1 F6
- 1001-2 I6
- 1200 B1
- 1203 A4
- 1210 F3
- 2201 I12
- 2202 I9
- 2203 I9
- 2210 B10
- 2211 B12
- 2212 B11
- 2213 G12
- 2214 C11
- 2215 C13
- 2216 B12
- 2217 A13
- 2218 B12
- 2219 G14
- 2220 F13
- 2221 H11
- 2222 H11
- 2223 B4
- 2224 F2
- 2225 H4
- 2226 G3
- 2227 B4
- 2228 I6
- 3201 A5
- 3202 A7
- 3203 C13
- 3204 C13
- 3205 F13
- 3206 F18
- 3207 F13
- 3208 G13
- 3209 H13
- 3210 G10
- 3211 H14
- 3212 H10
- 3213 I9
- 3214 H2
- 3216 I10
- 3218 B7
- 3219 A6
- 3220 H9
- 3221 H9
- 3222 B4
- 3223 A7
- 3224 A11
- 3225 A10
- 3227 H2
- 3228 B3
- 3229 C7
- 3230 C9
- 3231 C9
- 3232 D9
- 3233 D9
- 3234 D9
- 3235 D9
- 3236 D9
- 3237 D9
- 3238 D9
- 3239 E9
- 3240 E9
- 3241 E9
- 3242 E9
- 3243 E9
- 3244 E9
- 3245 E9
- 3246 F9
- 3247 F9
- 3248 F9
- 3249 F9
- 3250 F9
- 3251 F9
- 3252 G9
- 3253 G9
- 3254 G9
- 3255 G9
- 3256 G9
- 3257 G9
- 3258 G13
- 3259 G13
- 3260 I9
- 3261 B1
- 3262 B2
- 3263 A11
- 3264 A12
- 3265 I4
- 3266 I4
- 3267 B2
- 3268 B2
- 3269 A6
- 3270 A7
- 3271 A7
- 3272 A7
- 3273 B6
- 3274 A5
- 3275 B5
- 3276 B6
- 3277 A6
- 3278 A6
- 3279 A5
- 3280 E2
- 3281 B4
- 3282 D2
- 3283 D2
- 3284 H2
- 3285 H2
- 3286 H4
- 3287 H6
- 3288 I12
- 3289 B3
- 4200 D2
- 4201 E2
- 4202 H6
- 4209 G14
- 4210 H10
- 4211 H2
- 4213 A13
- 4214 B12
- 4215 F2
- 5201 G14
- 5202 B11
- 5203 B12
- 5205 F3
- 5206 I5
- 5207 F3
- 7201 A10
- 7202 C10
- 7203 A11
- 7204 A12
- 7205 B5
- 7206 B5

Variant	Ref Des	1000	1001	1210	IA0 Block	AV4 Block	7202	3203	3205	3204	3206	3282	3283	3284	3285	3220	3221	3223	3229	4211
DVDR755	NOT USED	USED	F 1A	NOT USED	NOT USED	NOT USED	NOT USED	NOT USED	NOT USED	NOT USED	NOT USED	NOT USED	NOT USED	NOT USED	NOT USED	USED	NOT USED	NOT USED	NOT USED	NOT USED
YDVS1500	USED	NOT USED	1206 0R	USED	USED	ADV7320	2K7	330R	USED	NOT USED	USED	NOT USED	NOT USED	NOT USED	NOT USED	4K7	NOT USED	NOT USED	NOT USED	NOT USED
YDVS2500	USED	NOT USED	1206 0R	USED	USED	ADV7310	2K7	330R	USED	NOT USED	USED	NOT USED	NOT USED	NOT USED	NOT USED	47K	USED	NOT USED	NOT USED	NOT USED
YDVC950	USED	NOT USED	1206 0R	USED	USED	ADV7300	1K5	22R	USED	NOT USED	NOT USED	NOT USED	NOT USED	NOT USED	NOT USED	47K	USED	NOT USED	NOT USED	NOT USED

Note : Some values may varies, see respective parts list for correct value.

PSCAN HDMI BOARD - CIRCUIT DIAGRAM (PART 4)



1002 C14	3468 G2
1402 B1	3469 H2
1404 C2	3470-A I6
1405 D2	3470-B I5
1410 A4	3470-C I6
1411 B2	3470-D I5
2401 E2	3471-A I6
2402 E12	3471-B I5
2403 G2	3471-C I6
2404 F1	3471-D I5
2405 C8	3472 B3
2406 C8	3473 B3
2407 C9	3474 C4
2408 C9	3475 C4
2409 A2	3476 D3
2410 B8	3477 D2
2411 B8	3478 D3
2412 B9	3479 E3
2413 B9	3480 E3
2414 B9	3481 D5
2415 B9	3482 D5
2416 F4	3483 E5
2417 G4	3484 D7
2418 I9	3485 B6
2420 D8	3486 B6
2421 D8	3487 C6
2422 D9	3488 C6
2423 D9	3489 B7
2424 D8	3490 B7
2425 D8	3491 B7
2426 D9	4401 H2
2427 D9	4402 I2
2428 H7	4403 H6
2429 E6	4404 H6
2430 B13	4405 H6
2431 B14	4406 I6
2433 E14	4407 F11
2434 E13	4408 F11
2435 B11	4409 F11
2436 B2	4411 C2
2437 C2	4412 E13
2438 C1	4413 D6
2439 I11	4414 A6
2440 C7	5401 C9
2441 E5	5402 C9
2442 C5	5403 D9
2443 C7	5405 B2
3402 B11	5406 B2
3403 B11	5407 B2
3404 B11	5408 D1
3405 B11	6401 G12
3406 B10	6402 H12
3407 B10	6403 H12
3408 C10	6404 H12
3409 C10	6405 G13
3412 E6	6406 H13
3413 E6	6407 H13
3414 F6	6408 H13
3415 F5	6410 I13
3416 I10	6411 I13
3418 F9	6412 C2
3419 F9	6413 B4
3420 F9	7402 A11
3422 F6	7404 D11
3423 F5	7405 E7
3424 F6	7407 A13
3425 F5	7408 G2
3426 F5	7409-A F2
3427 F5	7409-B E2
3428 F6	7409-C I4
3429 G5	7409-D I2
3430 G6	7412 I10
3431 G5	7413 B4
3432 G6	7414 C4
3433 G5	7415 D2
3434 G6	7416 D2
3435 G5	7417 E3
3436 G6	7418 C1
3437 G5	7419-1 A6
3438 G6	7419-2 B7
3439 G5	7419-3 B7
3440 H6	7419-4 D6
3441 G3	7420-1 C6
3442 G3	7420-2 B6
3443 G3	
3444 F1	
3445 H1	
3446 H1	
3450 B13	
3451 B13	
3452 C13	
3453 G3	
3454 F4	
3455 E5	
3456 E9	
3457 E6	
3458-A C11	
3458-B C12	
3458-C C11	
3458-D C12	
3459-A D11	
3459-B D12	
3459-C C11	
3459-D C12	
3460 G6	
3461 H6	
3462 H6	
3463 D13	
3464 E12	
3465 G3	
3466 F2	
3467 G1	

Note : Some values may varies, see respective parts list for correct value.

3139 243 3080 pt6_Circuit 4_dd wk0437

Ref Des	1002	7405	7407	7412	4401	4402	3441	3442	7402	7404	1402	5405	1404	5408	4412	1410	1411	3483	2441	3481	3484	2429	4413	7419	2440
Variant	7408	7409					3445	3446			5406	5407	4411	7418							22R	100P	USED		3464
DVDR755	USED	USED	NOT USED	NOT USED	NOT USED	NOT USED	NOT USED	NOT USED	NOT USED	NOT USED	NOT USED	NOT USED	NOT USED	NOT USED	NOT USED	NOT USED	NOT USED	NOT USED	NOT USED	NOT USED	NOT USED	NOT USED	NOT USED	NOT USED	NOT USED
YDVS1500	NOT USED	NOT USED	USED	NOT USED	NOT USED	NOT USED	NOT USED	NOT USED	NOT USED	NOT USED	NOT USED	NOT USED	NOT USED	NOT USED	NOT USED	NOT USED	NOT USED	22K	NOT USED	22R	NOT USED	NOT USED	NOT USED	USED	
YDVS2500	USED	USED	NOT USED	USED	NOT USED	NOT USED	USED	USED	NOT USED	USED	USED	NOT USED	USED	NOT USED	USED	F 1A	F 2A	22K	470n	22R	47K	10N	NOT USED	USED	
YDVC950	USED	USED	NOT USED	USED	NOT USED	NOT USED	USED	USED	NOT USED	USED	USED	NOT USED	USED	NOT USED	USED	F 1A	F 2A	22K	470n	22R	47K	10N	NOT USED	USED	

ELECTRICAL PARTS LIST - PSCAN HDMI BOARD**MISCELLANEOUS**

1000	2422 025 17451	FLEX CONNECTOR 30P
1002	2422 033 00505	SOCKET HDMI 19P
1003	2422 026 05191	CINCH SOCKET 3P (Y/Pb/Pr)
1203	2422 127 00557	SWITCH SLID 1P 2POS 12V 5MM (Scan Mode)
1210	4822 051 10008	0R 5% 0,25W
1310	4822 051 10008	0R 5% 0,25W
1404	2422 549 45815	RESETTABLE FUSE 200MA SMD0805
1410	2422 086 11102	FUSE SM F 1A 125V UL R
1411	2422 086 11103	FUSE SM F 2A 125V UL R

CAPACITORS

2100	4822 124 11131	47uF 6,3V
2103	4822 124 11131	47uF 6,3V
2107	4822 124 11131	47uF 6,3V
2155	4822 124 23002	10uF 16V
2223	2020 021 91729	4,7uF 20% 35V
2304	4822 124 81059	220uF 20% 4V
2308	4822 124 11131	47uF 6,3V
2314	4822 124 12095	100uF 20% 16V
2315	4822 124 12095	100uF 20% 16V
2320	4822 124 11131	47uF 6,3V
2321	4822 124 11131	47uF 6,3V
2322	4822 124 11131	47uF 6,3V
2323	4822 124 11131	47uF 6,3V
2330	4822 124 11131	47uF 6,3V
2331	4822 124 11131	47uF 6,3V
2334	4822 124 11131	47uF 6,3V
2348	2020 012 93795	470uF 20% 16V
2349	4822 124 81059	220uF 20% 4V
2350	4822 124 81059	220uF 20% 4V
2351	4822 124 23002	10uF 16V
2407	4822 124 23237	22uF 6,3V
2415	4822 124 23237	22uF 6,3V
2422	4822 124 23002	10uF 16V
2430	4822 124 23237	22uF 6,3V
2431	4822 124 23237	22uF 6,3V
2437	4822 124 23002	10uF 16V
2438	4822 124 11131	47uF 6,3V

RESISTORS

3314	4822 117 11151	△ 1R 5%
------	----------------	---------

COILS & FILTERS

4311	4822 157 10586	FXD IND SM 0805 2,2uH 10%
4312	4822 157 10586	FXD IND SM 0805 2,2uH 10%
4313	4822 157 10586	FXD IND SM 0805 2,2uH 10%
5100	4822 157 11716	FXD IND 0805 100MHz 30R
5101	4822 157 71206	FXD IND 0805 100MHz 600R
5102	4822 157 71206	FXD IND 0805 100MHz 600R

5202	4822 157 11716	FXD IND 0805 100MHz 30R
5203	4822 157 11716	FXD IND 0805 100MHz 30R
5205	4822 157 11716	FXD IND 0805 100MHz 30R
5300	4822 157 10977	FXD IND SM 0805 4,7uH 10%
5301	4822 157 11716	FXD IND 0805 100MHz 30R
5302	4822 157 11716	FXD IND 0805 100MHz 30R
5303	4822 157 11716	FXD IND 0805 100MHz 30R
5304	4822 157 11716	FXD IND 0805 100MHz 30R
5305	4822 157 10977	FXD IND SM 0805 4,7uH 10%
5307	4822 157 10977	FXD IND SM 0805 4,7uH 10%
5309	4822 157 71206	FXD IND 0805 100MHz 600R
5310	4822 157 11716	FXD IND 0805 100MHz 30R
5311	4822 157 71206	FXD IND 0805 100MHz 600R
5312	4822 157 11716	FXD IND 0805 100MHz 30R
5320	4822 157 11716	FXD IND 0805 100MHz 30R
5321	4822 157 11716	FXD IND 0805 100MHz 30R
5322	4822 157 11716	FXD IND 0805 100MHz 30R
5323	3198 018 31090	FXD IND SM 0805 10U 10%
5401	4822 157 11716	FXD IND 0805 100MHz 30R
5402	2422 549 43062	FXD IND 0603 100MHz 600R
5403	2422 549 43062	FXD IND 0603 100MHz 600R
5405	4822 157 11716	FXD IND 0805 100MHz 30R
5406	4822 157 11716	FXD IND 0805 100MHz 30R
5407	4822 157 11716	FXD IND 0805 100MHz 30R

DIODES

6401	4822 130 10328	BAV99W
6402	4822 130 10328	BAV99W
6403	4822 130 10328	BAV99W
6404	4822 130 10328	BAV99W
6405	4822 130 10328	BAV99W
6406	4822 130 10328	BAV99W
6407	4822 130 10328	BAV99W
6408	4822 130 10328	BAV99W

TRANSISTORS & INTEGRATED CIRCUITS

7100	9322 205 05671	IC SM FLI2310-LF-BD
7101	9322 166 71668	IC SM MT48LC2M32B2TG-6
7103	9322 179 78668	IC SM LF18ABDT
7201	5322 209 11578	IC SM PCF8574T
7202	9322 199 46671	IC SM ADV7310KST
7203	9965 000 04199	FET SIG SM BSN20
7204	9965 000 04199	FET SIG SM BSN20
7300	9322 142 88668	IC SM LF25CDT
7301	9322 167 49685	IC SM AD8061ART
7302	9322 167 49685	IC SM AD8061ART
7303	9322 167 49685	IC SM AD8061ART
7405	9322 208 99671	IC SM SII9190CTG64
7407	9322 124 43668	IC SM LM317MDT
7408	9352 640 68118	IC SM PCA9542PW
7409	9351 875 10118	IC SM 74HCT4066PW

ELECTRICAL PARTS LIST - PSCAN HDMI BOARD

7412	9352 687 20125	IC SM 74LVC1G125GW
7418	9322 202 58668	IC SM LD1117DT50

Note : Only the parts mentioned in this list are normal service spare parts.

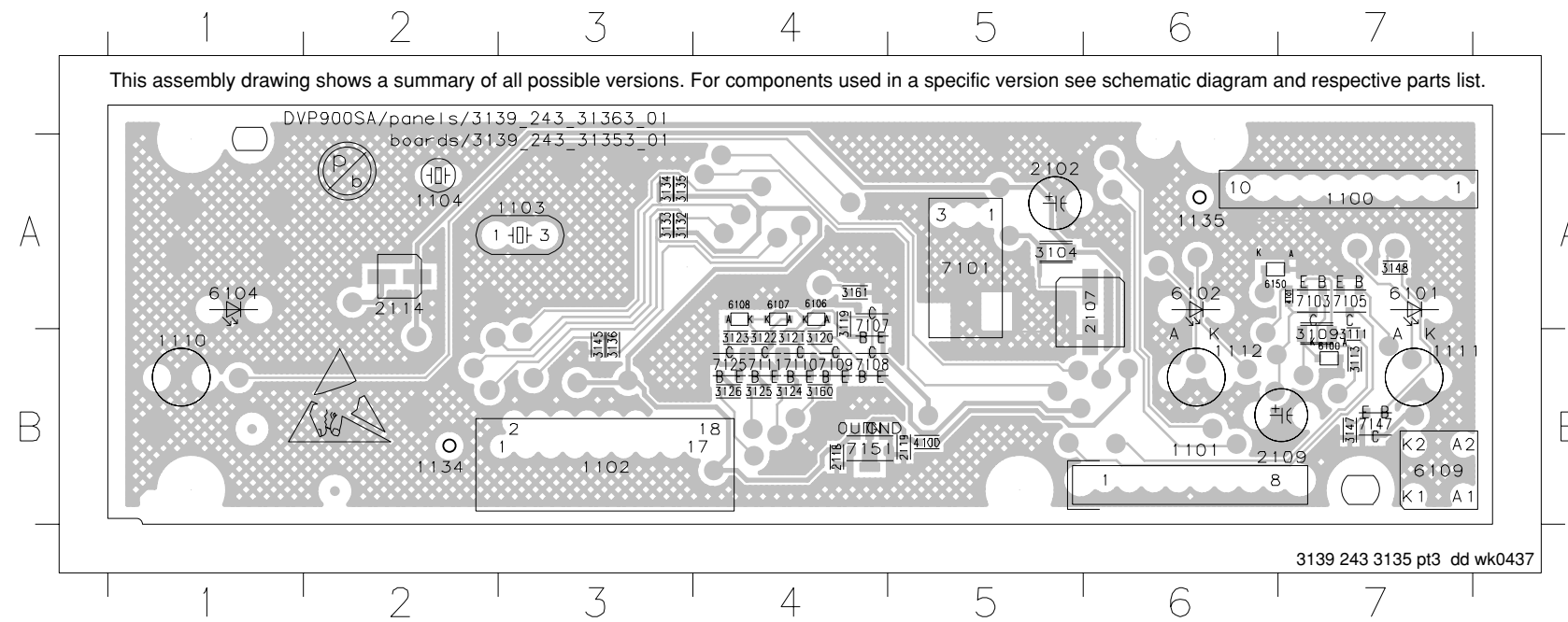
FRONT BOARD

TABLE OF CONTENTS

Front Left Board - Top & Bottom View Layout	6-2
Front Left Board - Circuit Diagram	6-3
Front Right Board - Top & Bottom View Layout	6-4
Front Right Board - Circuit Diagram	6-5
Electrical parts list	6-5

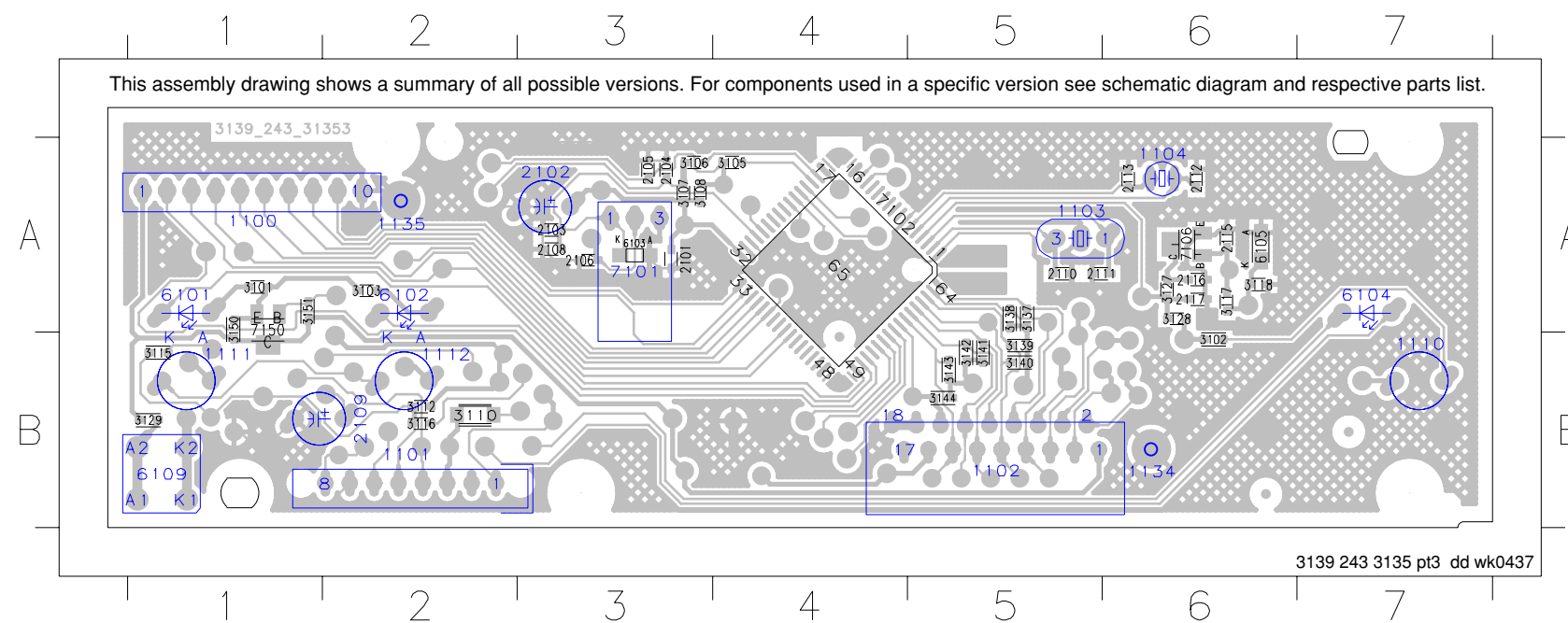
FRONT LEFT BOARD - TOP VIEW LAYOUT

1100 A7	1111 B7	2109 B7	3111 B7	3123 B4	3134 A3	3160 B4	6102 A6	6150 A6	7109 B4
1101 B6	1112 B6	2114 A2	3113 B7	3124 B4	3135 A3	3161 A4	6104 A1	7101 A5	7110 B4
1102 B3	1134 B2	2118 B4	3119 A4	3125 B4	3136 B3	4100 B5	6106 A4	7103 A7	7111 B4
1103 A3	1135 A6	2119 B5	3120 B4	3126 B4	3145 B3	4101 A7	6107 A4	7105 A7	7125 B4
1104 A2	2102 A5	3104 A5	3121 B4	3132 A3	3147 B7	6100 B7	6108 A4	7107 A4	7147 B7
1110 B1	2107 A6	3109 B7	3122 B4	3133 A3	3148 A7	6101 A7	6109 B7	7108 B4	7151 B4

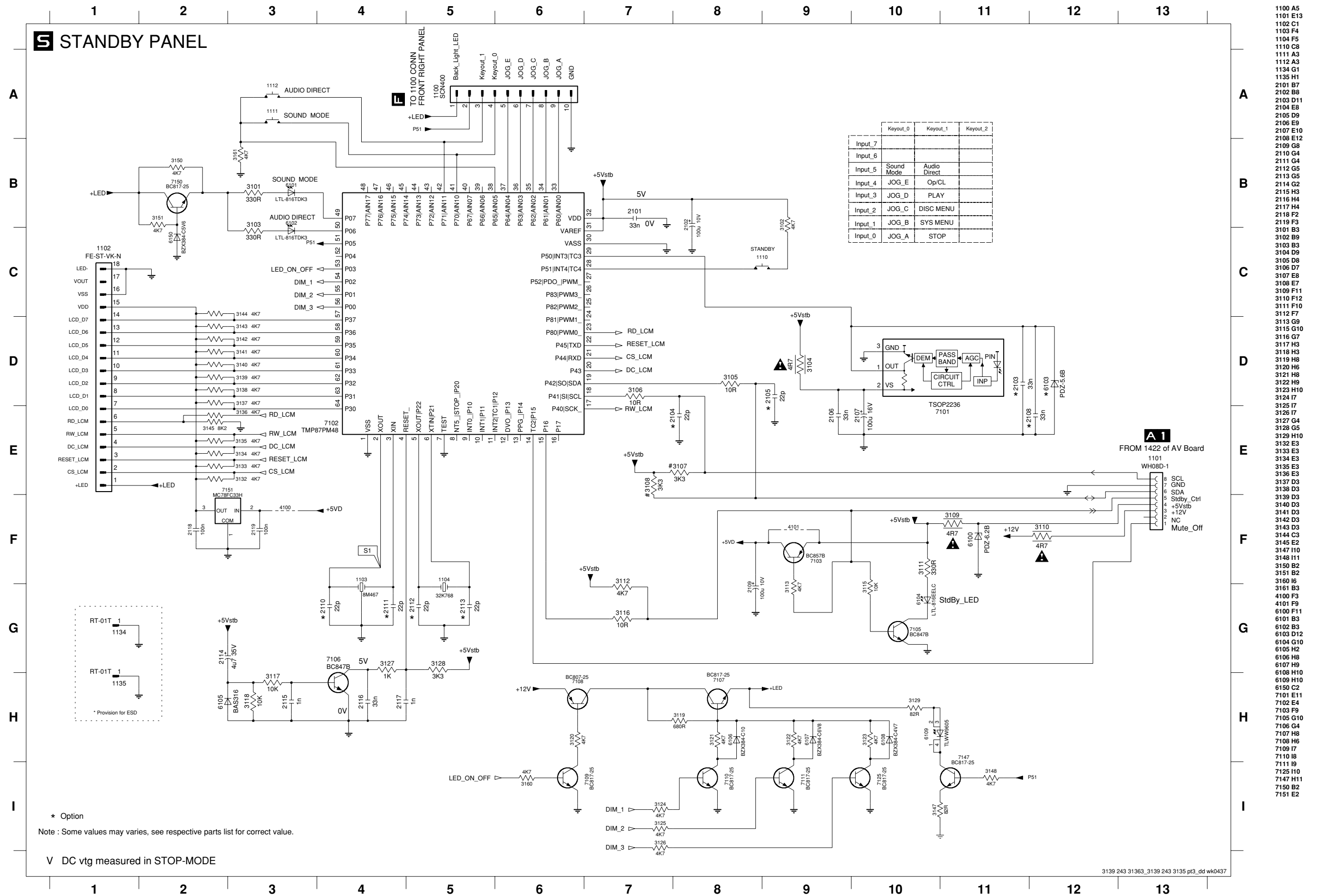


FRONT LEFT BOARD - BOTTOM VIEW LAYOUT

1100 A1	1102 B5	1104 A6	1111 B1	1134 B6	2102 A3	6101 A1	6104 A7	7101 A3		
1101 B2	1103 A5	1110 B7	1112 B2	1135 A2	2109 B2	6102 A2	6109 B1			
2101 A3	2106 A3	2112 A6	2117 A6	3105 A4	3110 B2	3117 A6	3129 B1	3140 B5	3144 B5	6105 A6
2103 A3	2108 A3	2113 A6	3101 A1	3106 A3	3112 B2	3118 A6	3137 A5	3141 B5	3150 A1	7102 A4
2104 A3	2110 A5	2115 A6	3102 B6	3107 A3	3115 B1	3127 A6	3138 A5	3142 B5	3151 A1	7106 A6
2105 A3	2111 A5	2116 A6	3103 A2	3108 A3	3116 B2	3128 A6	3139 B5	3143 B5	6103 A3	7150 A1



FRONT LEFT BOARD - CIRCUIT DIAGRAM



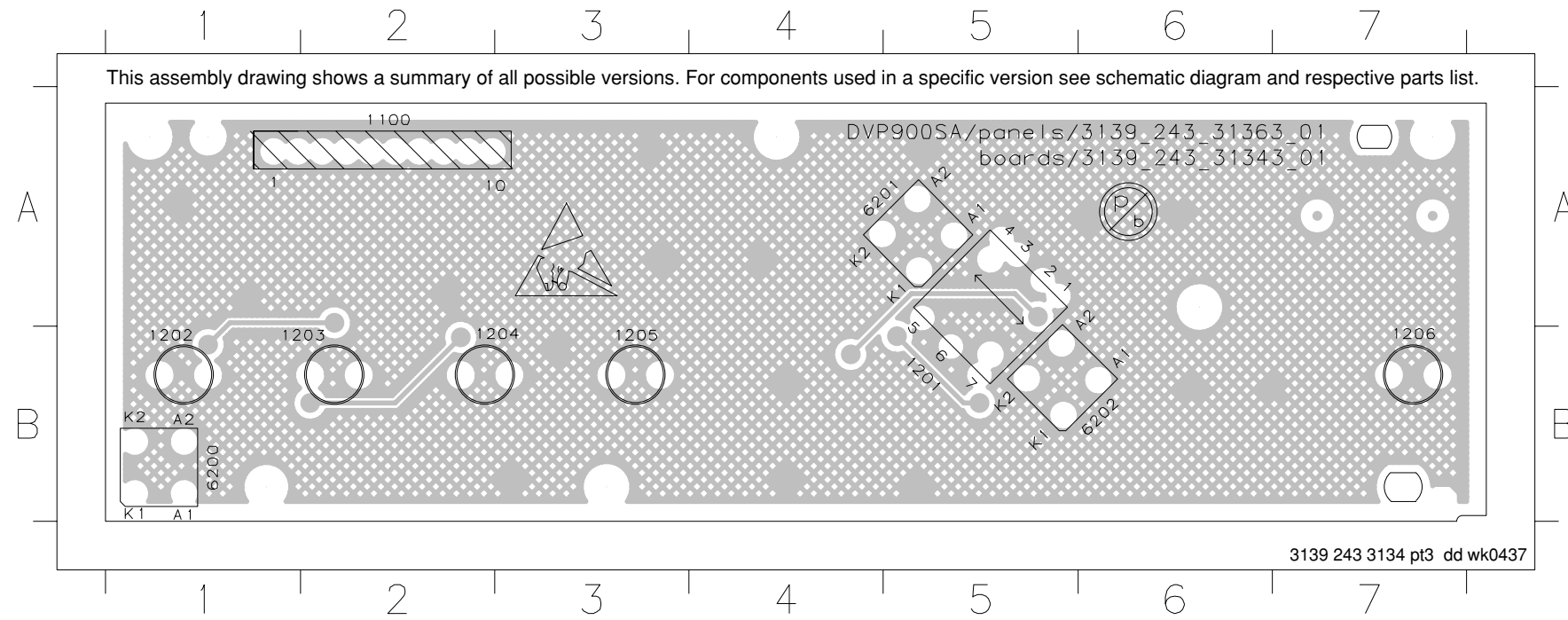
- 1100 A5
- 1101 E13
- 1102 C1
- 1103 F4
- 1104 F5
- 1110 C8
- 1111 A3
- 1112 A3
- 1134 G1
- 1135 H1
- 2101 B7
- 2102 B8
- 2103 D11
- 2104 E8
- 2105 D9
- 2106 E9
- 2107 E10
- 2108 E12
- 2109 G8
- 2110 G4
- 2111 G4
- 2112 G5
- 2113 G5
- 2114 G2
- 2115 H3
- 2116 H4
- 2117 H4
- 2118 F2
- 2119 F3
- 3101 B3
- 3102 B9
- 3103 B3
- 3104 D9
- 3105 D8
- 3106 D7
- 3107 E8
- 3108 E7
- 3109 F11
- 3110 F12
- 3111 F10
- 3112 F7
- 3113 G9
- 3115 G10
- 3116 G7
- 3117 H3
- 3118 H3
- 3119 H8
- 3120 H6
- 3121 H8
- 3122 H9
- 3123 H10
- 3124 I7
- 3125 I7
- 3126 I7
- 3127 G4
- 3128 G5
- 3129 H10
- 3132 E3
- 3133 E3
- 3134 E3
- 3135 E3
- 3136 E3
- 3137 D3
- 3138 D3
- 3139 D3
- 3140 D3
- 3141 D3
- 3142 D3
- 3143 D3
- 3144 C3
- 3145 E2
- 3147 H10
- 3148 H11
- 3150 B2
- 3151 B2
- 3160 I6
- 3161 B3
- 3162 B3
- 4100 F3
- 4101 F9
- 6100 F11
- 6101 B3
- 6102 B3
- 6103 D12
- 6104 G10
- 6105 H2
- 6106 H8
- 6107 H9
- 6108 H10
- 6109 H10
- 6150 C2
- 7101 E11
- 7102 E4
- 7103 F9
- 7105 G10
- 7106 G4
- 7107 H8
- 7108 H6
- 7109 I7
- 7110 I8
- 7111 I9
- 7125 H10
- 7147 H11
- 7150 B2
- 7151 E2

* Option
 Note : Some values may varies, see respective parts list for correct value.

V DC vtg measured in STOP-MODE

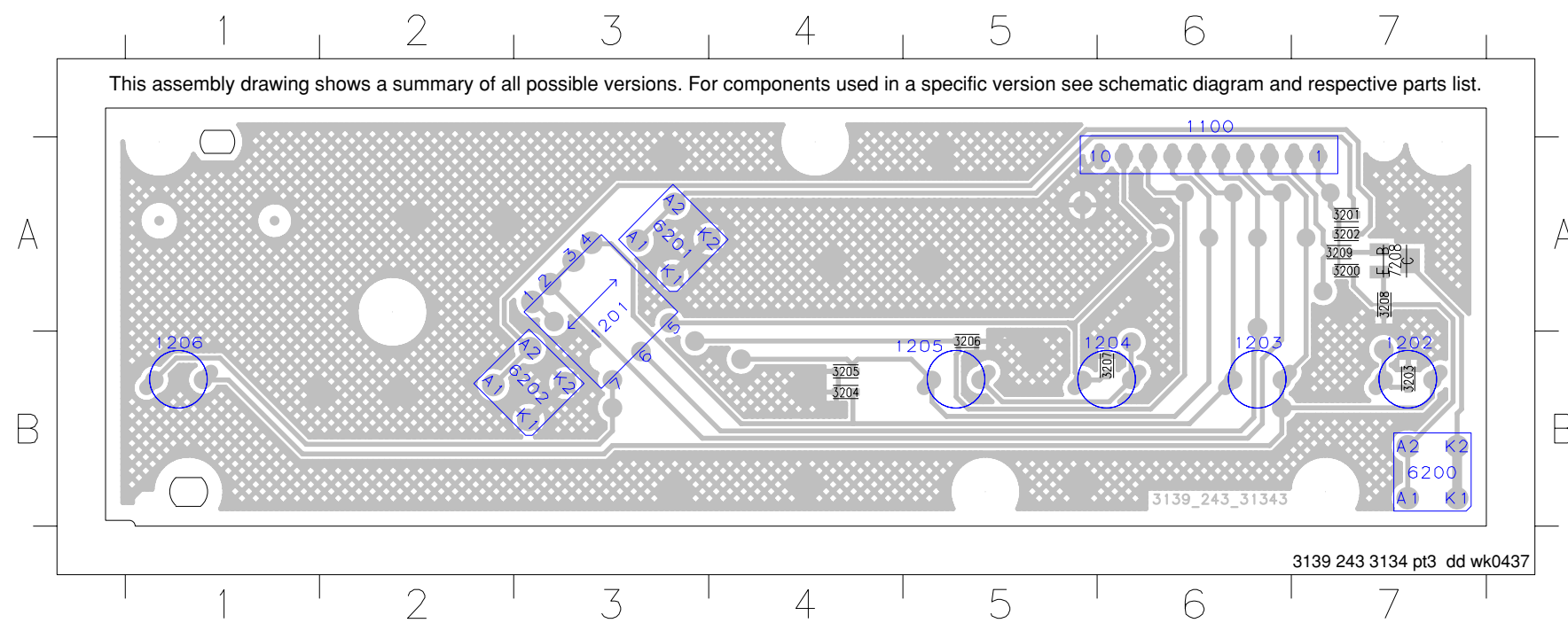
FRONT RIGHT BOARD - TOP VIEW LAYOUT

1100 A2 1201 B5 1202 B1 1203 B2 1204 B3 1205 B3 1206 B7 6200 B1 6201 A4 6202 B6

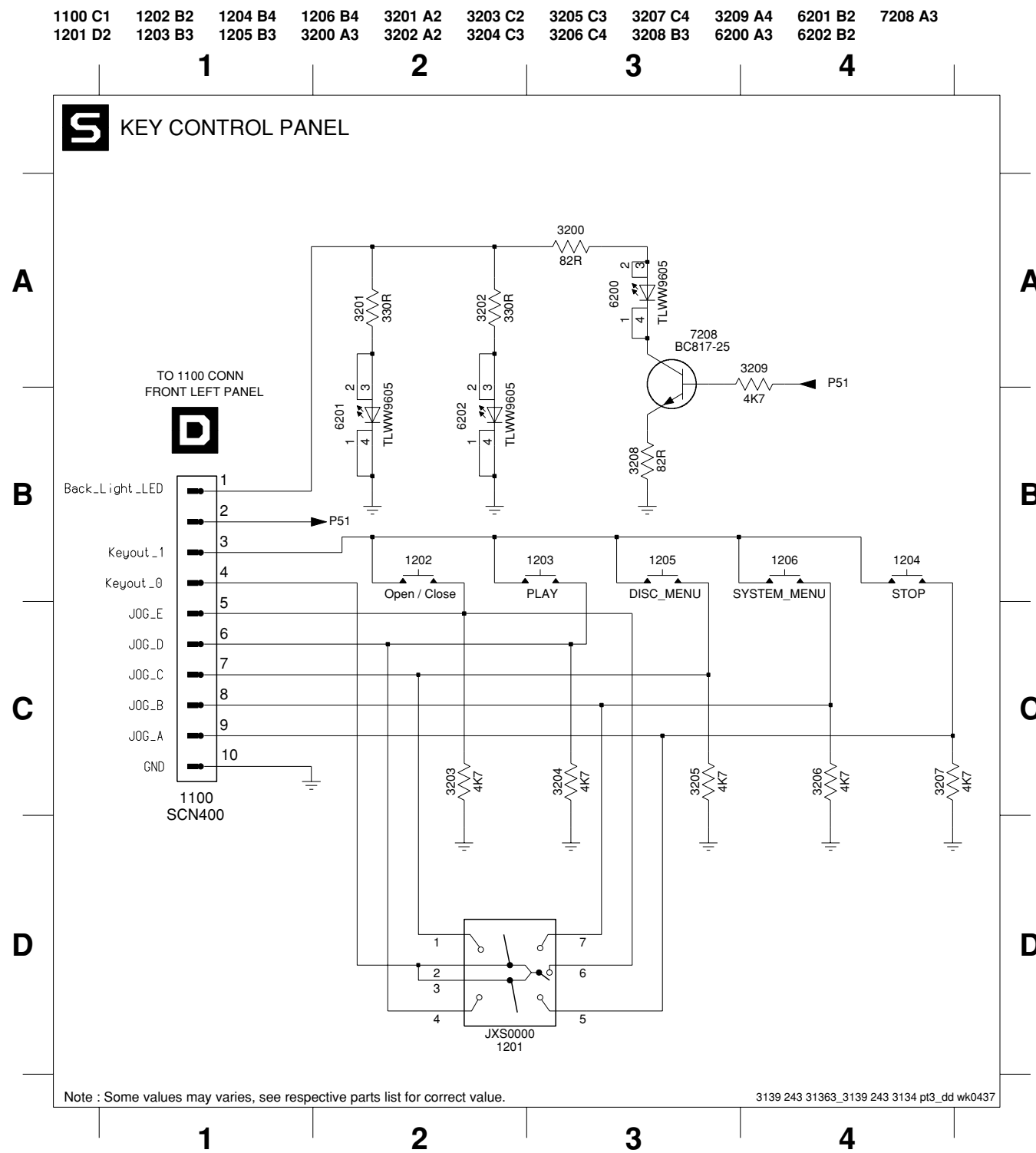


FRONT RIGHT BOARD - BOTTOM VIEW LAYOUT

1100 A6 1201 A3 1202 B7 1203 B6 1204 B6 1205 B5 1206 B1 6200 B7 6201 A3 6202 B3
3200 A7 3201 A7 3202 A7 3203 B7 3204 B4 3205 B4 3206 B5 3207 B6 3208 A7 3209 A7 7208 A7



FRONT RIGHT BOARD - CIRCUIT DIAGRAM



ELECTRICAL PARTS LIST - FRONT LEFT BOARD

MISCELLANEOUS

1001	3139 248 83821	PCBAS FRONT LEFT
1102	4822 265 11184	FLEX CONNECTOR 18P
1103	2422 540 98519	RES CER 8,467MHz
1104	4822 242 70938	RES XTL 32,768KHz
1110	4822 276 13775	TACT SWITCH
1111	4822 276 13775	TACT SWITCH
1112	4822 276 13775	TACT SWITCH

CAPACITORS

2107	4822 124 12095	100uF 20% 16V
2114	2020 021 91729	4,7uF 20% 35V

RESISTORS

3104	4822 117 11152	△ 4R7 5%
3109	4822 117 11152	△ 4R7 5%
3110	4822 117 11152	△ 4R7 5%

DIODES

6100	9340 548 54115	DIO REG SM PDZ6.2B
6101	9322 190 55676	LED VS LTL-816TDK3
6102	9322 190 55676	LED VS LTL-816TDK3
6104	9322 179 76676	LED VS LTL-816EELC
6105	4822 130 11397	DIO SIG SM BAS316
6106	4822 130 11551	DIO REG SM BZX384-C10
6107	4822 130 11416	DIO REG SM BZX384-C6V8
6108	4822 130 11148	DIO REG SM BZX384-C4V7
6109	9322 209 36667	LED VS TLWW9605
6150	3198 020 55680	DIO REG SM BZX384-C5V6

TRANSISTORS & INTEGRATED CIRCUITS

7101	9322 155 82667	IR RECEIVER TSOP2236YA1
7102	3139 240 50971	IC TMP87CM48DF
7103	4822 130 60373	BC857B
7105	5322 130 60159	BC847B
7106	5322 130 60159	BC847B
7107	4822 130 42804	BC817-25
7108	3198 010 43130	BC807-25
7109	4822 130 42804	BC817-25
7110	4822 130 42804	BC817-25
7111	4822 130 42804	BC817-25
7125	4822 130 42804	BC817-25
7147	4822 130 42804	BC817-25
7150	4822 130 42804	BC817-25
7151	9322 119 42685	IC SM MC78FC33H

Note : Only the parts mentioned in this list are normal service spare parts.

ELECTRICAL PARTS LIST - FRONT RIGHT BOARD

MISCELLANEOUS

1002	3139 248 83811	PCBAS FRONT RIGHT
1201	2422 129 17158	SWITCH TACT NAV 1P 5POS JXS0000
1202	4822 276 13775	TACT SWITCH
1203	4822 276 13775	TACT SWITCH
1204	4822 276 13775	TACT SWITCH
1205	4822 276 13775	TACT SWITCH
1206	4822 276 13775	TACT SWITCH

DIODES

6200	9322 209 36667	LED VS TLWW9605
6201	9322 209 36667	LED VS TLWW9605
6202	9322 209 36667	LED VS TLWW9605

TRANSISTORS & INTEGRATED CIRCUITS

7208	4822 130 42804	BC817-25
------	----------------	----------

Note : Only the parts mentioned in this list are normal service spare parts.

AV BOARD

BRIEF INTRODUCTION OF THE AV BOARD

The AV Board consists of the following features :

- A. VIDEO OUTPUT
 - CVBS
 - S-Video
 - Scart RGB (For Europe Model)

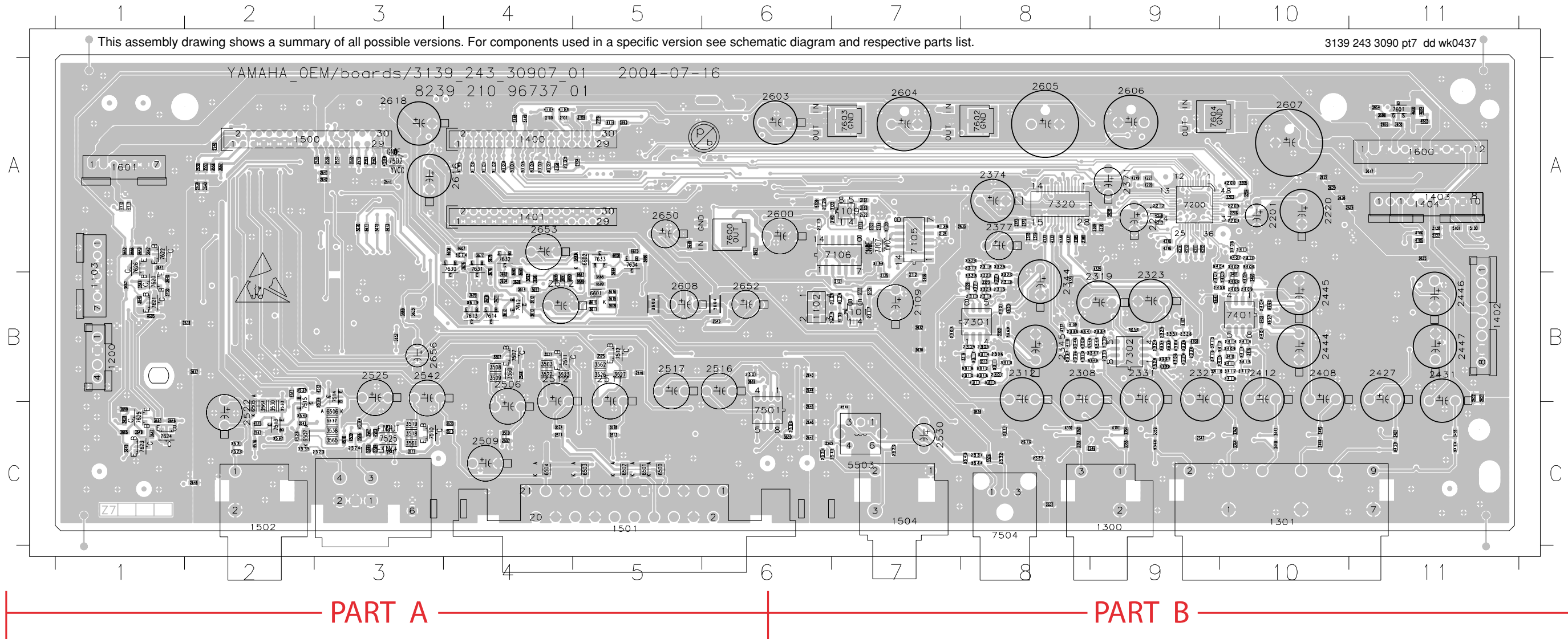
- B. AUDIO OUTPUT
 - 2 Channel / 6 Channel
 - Coaxial / Optical

TABLE OF CONTENTS

Brief Introduction of the AV Board	7-1
Top View Layout	7-2
Bottom View Layout	7-3
Top View Layout (Part A)	7-4
Circuit Diagram (Part 1)	7-5
Circuit Diagram (Part 2)	7-6
Top View Layout (Part B)	7-7
Bottom View Layout (Part A)	7-8
Circuit Diagram (Part 3)	7-9
Circuit Diagram (Part 4)	7-10
Bottom View Layout (Part B)	7-11
Circuit Diagram (Part 5)	7-12
Circuit Diagram (Part 6)	7-13
Circuit Diagram (Part 7)	7-14
Electrical parts list	7-15

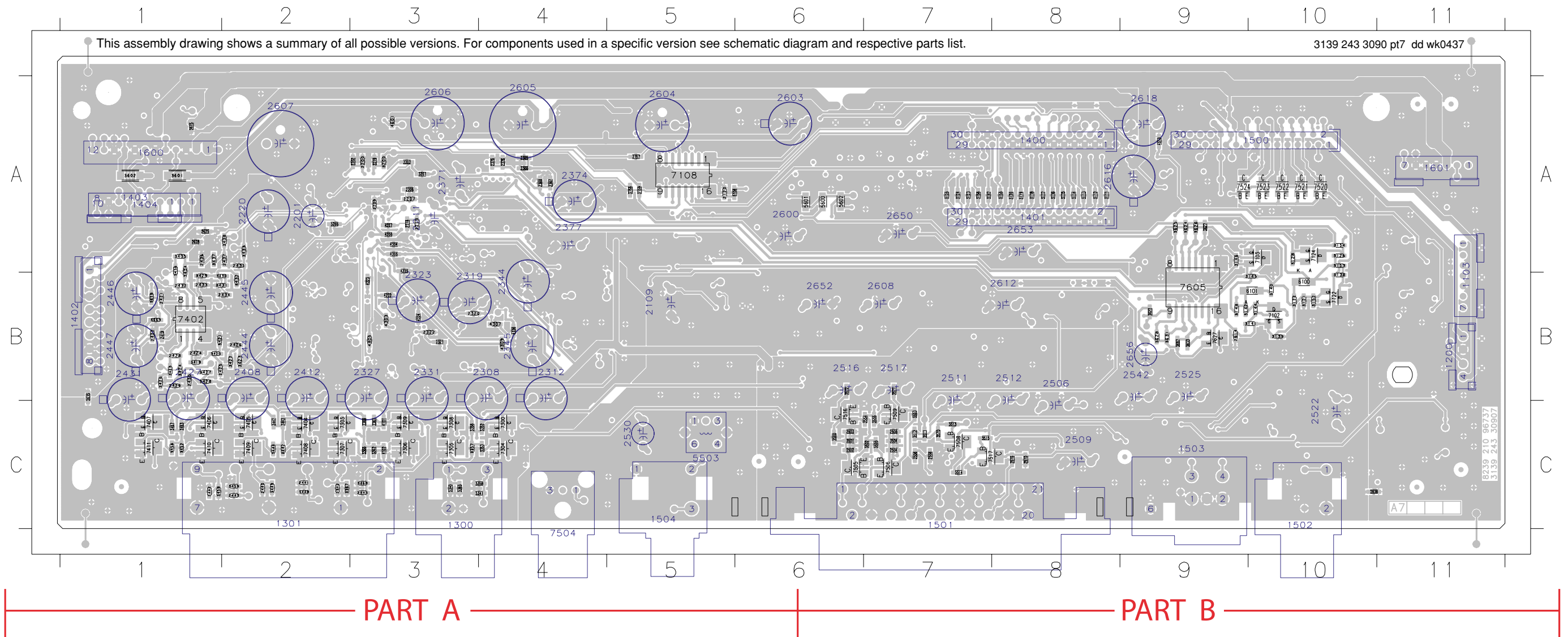
AV BOARD - TOP VIEW LAYOUT

1102 B6	2119 B7	2314 B8	2372 A8	2446 B11	2537 A3	2626 A10	3100 A4	3312 B8	3347 B9	3417 B10	3531 C2	3568 C3	3647 C1	3681 B5	4111 A1	4337 B8	6500 C5	7514 B3
1103 B1	2121 B7	2315 B8	2373 A8	2447 B11	2539 A2	2627 A10	3101 A4	3313 B8	3349 B9	3418 B9	3532 C2	3569 C3	3648 C1	3682 B4	4112 A1	4338 B8	6501 C5	7515 C2
1200 B1	2122 A7	2316 B8	2374 A8	2500 C6	2540 A2	2629 A10	3102 A4	3314 B8	3350 C8	3440 C10	3533 C2	3573 A3	3649 C1	3683 A5	4113 A7	4339 A3	6502 C5	7525 C3
1300 C9	2123 A7	2317 A8	2377 A8	2501 B6	2541 A3	2630 B7	3103 A4	3315 B8	3351 C8	3441 C10	3534 C3	3600 A11	3650 C1	3684 A5	4114 A5	4509 C3	6503 C5	7600 A6
1301 C10	2124 A7	2318 A8	2378 A8	2506 B4	2542 B3	2631 C8	3104 A4	3316 B8	3354 C9	3444 C10	3535 C2	3603 B5	3651 C1	3685 B5	4200 A10	4510 C3	6504 C4	7601 A11
1400 A4	2125 B7	2319 B9	2379 A8	2507 C4	2543 C3	2632 B7	3105 A4	3317 B8	3355 C9	3445 C10	3536 C3	3604 B6	3652 A1	3686 A5	4211 A9	4511 B2	6505 C2	7602 A8
1401 A4	2126 A6	2323 B9	2380 A8	2509 C4	2544 B4	2633 A8	3106 A4	3318 B8	3359 C9	3450 C11	3537 C3	3609 B5	3655 B8	3688 A11	4212 A9	4512 B3	6506 C3	7603 A7
1402 B11	2127 A11	2324 B9	2401 B10	2511 B5	2545 B6	2634 C8	3107 A4	3319 B8	3360 C9	3451 C11	3538 C3	3610 B5	3656 B9	3689 B5	4213 A9	4514 C7	6507 C2	7604 A9
1403 A11	2128 A11	2325 B9	2402 B10	2512 B4	2546 B5	2637 B2	3108 A4	3320 B8	3363 C10	3454 C11	3539 B2	3611 B5	3657 B10	3690 A4	4214 A9	4515 C2	6601 B5	7612 B4
1404 A11	2201 A10	2326 B9	2404 B10	2513 C5	2547 C2	2638 B2	3109 A5	3321 B8	3364 C10	3455 C11	3540 C2	3612 B4	3659 C6	3691 B4	4215 A9	4516 C2	6602 A5	7613 B4
1500 A2	2204 A10	2327 B9	2405 B10	2514 C4	2600 A6	2639 A2	3110 A5	3322 B8	3385 A8	3460 B10	3541 C2	3613 B4	3660 B8	3692 B4	4216 A9	4600 A11	7101 B7	7614 B4
1501 C5	2205 A10	2328 B9	2406 B9	2515 C4	2603 A6	2640 A2	3129 B7	3323 B8	3400 B10	3507 B4	3542 C7	3614 B4	3661 B9	3693 B4	4217 A9	4603 A11	7105 A7	7620 B1
1502 C2	2206 A10	2329 B9	2407 B9	2516 B6	2604 A7	2641 A3	3130 B7	3324 B8	3401 B10	3508 B4	3543 C8	3615 B5	3662 B10	3694 B4	4218 A9	4604 A11	7106 A7	7621 B1
1503 C3	2211 A9	2330 B9	2408 B10	2517 B5	2605 A8	2642 A3	3131 B7	3325 A8	3402 A10	3509 B4	3544 C8	3616 B5	3664 B6	3695 B4	4219 A9	4605 B1	7107 A7	7622 A1
1504 C7	2212 A9	2331 B9	2409 B10	2520 C2	2606 A9	2643 B6	3134 A7	3326 A8	3403 B10	3510 C4	3550 A3	3617 B4	3665 C1	3696 B4	4220 A9	4606 A5	7109 A7	7623 C1
1600 A11	2220 A10	2332 B9	2410 A10	2522 C2	2607 A10	2644 B6	3135 A7	3327 B8	3404 A9	3517 C3	3551 A3	3618 B4	3666 A1	3697 B4	4221 A9	4607 A4	7200 A9	7624 C1
1601 A1	2301 B8	2333 B9	2411 A10	2523 C3	2608 B5	2645 C6	3136 A7	3328 B8	3405 B10	3518 C3	3552 A3	3619 B4	3667 B1	3698 B4	4301 C9	4608 A4	7301 B8	7625 C1
2100 A4	2302 B8	2334 B9	2412 B10	2524 C3	2610 C8	2646 C6	3148 A4	3329 B8	3406 A10	3519 C3	3553 A2	3620 B4	3669 B3	3699 C1	4302 C8	4609 B5	7302 B9	7626 A1
2101 A4	2303 B7	2335 B8	2413 B10	2525 B3	2611 C8	2647 C6	3149 A4	3331 B9	3407 A10	3520 C4	3556 A2	3621 B4	3670 A3	3700 B1	4304 B9	4610 A5	7320 A8	7630 A4
2102 A4	2305 B8	2336 B8	2414 B10	2526 C2	2612 B4	2648 C2	3160 A7	3333 B9	3408 A10	3521 B4	3557 A2	3623 B3	3671 A3	4100 A4	4306 B9	5100 A11	7401 B10	7631 A4
2103 A4	2306 B8	2337 B8	2415 B9	2527 C8	2616 A4	2649 A5	3161 A7	3334 B9	3409 B10	3522 B4	3560 B4	3623 B3	3672 A3	4103 A4	4308 B8	5101 A11	7501 C6	7632 A4
2104 A5	2307 B8	2344 B8	2416 B9	2528 C6	2617 A11	2650 A5	3162 A7	3336 B9	3410 B10	3523 B4	3561 C3	3640 B1	3673 A3	4104 A4	4310 B8	5104 B7	7502 A3	7633 A5
2105 B7	2308 B8	2345 B8	2417 B10	2529 C7	2618 A3	2651 A6	3163 A5	3337 B9	3411 B10	3524 C4	3562 B5	3641 A1	3674 A4	4105 A11	4330 A8	5106 B7	7504 C8	7634 A5
2109 B7	2309 B8	2346 C9	2418 B10	2530 C7	2620 A9	2652 B6	3203 A10	3339 B9	3412 B10	3525 B5	3563 B4	3642 A1	3675 A4	4106 A11	4331 A8	5107 A7	7507 B4	
2112 B7	2310 B8	2347 C9	2427 B11	2531 C8	2621 B11	2653 A4	3204 A10	3341 B8	3413 B9	3526 B5	3564 C2	3643 A1	3676 A4	4107 B9	4332 A8	5109 A6	7510 C3	
2113 A6	2311 B8	2369 A9	2431 B11	2532 C8	2622 B11	2654 A11	3205 A10	3343 B8	3414 B10	3527 B5	3565 C3	3644 B1	3677 A4	4108 B9	4333 A8	5503 C7	7511 B4	
2114 A7	2312 B8	2370 A9	2444 B10	2535 A3	2623 A11	2655 A11	3310 B8	3344 B9	3415 B10	3528 C5	3566 C3	3645 B1	3678 A4	4109 B8	4334 B8	5504 C8	7512 B5	
2117 B7	2313 B8	2371 A9	2445 B10	2536 A3	2624 A11	2656 B3	3311 B8	3346 B8	3416 B10	3530 C2	3567 C3	3646 C1	3680 A4	4110 B8	4335 A9	5505 C6	7513 C2	

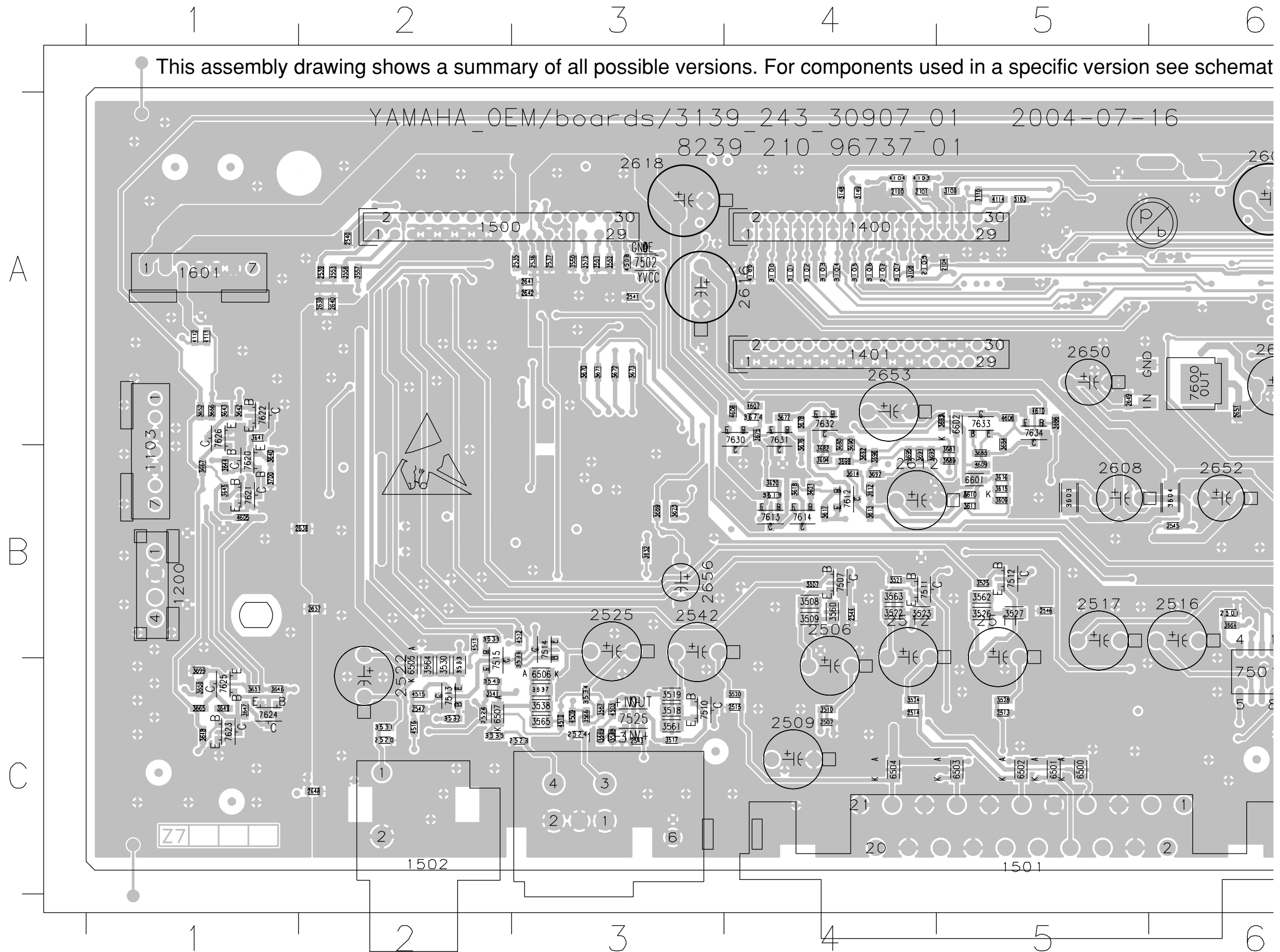


AV BOARD - BOTTOM VIEW LAYOUT

1103 B11	1400 A8	1404 A1	1503 C9	2109 B5	2308 B4	2327 B3	2371 A3	2412 B2	2445 B2	2509 C8	2517 B7	2542 B9	2605 A4	2612 B8	2652 B6	7504 C4			
1200 B11	1401 A8	1500 A10	1504 C5	2201 A2	2312 B4	2331 B3	2374 A4	2427 B1	2446 B1	2511 B7	2522 C10	2600 A6	2606 A3	2616 A8	2653 A8				
1300 C3	1402 B1	1501 C7	1600 A1	2211 A3	2319 B3	2344 B4	2377 A4	2431 B1	2447 B1	2512 B8	2525 B9	2603 A6	2607 A2	2618 A9	2656 B9				
1301 C2	1403 A1	1502 C10	1601 A11	2220 A2	2323 B3	2345 B4	2408 B2	2444 B2	2506 B8	2516 B6	2530 C5	2604 A5	2608 B7	2650 A7	5503 C5				
2120 A5	2340 C3	2422 B1	2437 A2	2615 A1	3118 A8	3140 B10	3156 A7	3358 C4	3423 B2	3435 A1	3456 C1	3512 C7	3622 B9	4102 C3	4309 B4	7108 A5	7404 C2	7516 C6	
2200 A3	2341 C4	2424 B1	2440 C2	2625 A1	3119 A8	3141 B10	3157 A5	3361 C3	3424 B1	3436 A1	3457 C1	3513 C7	3624 A9	4204 A3	4336 B4	7122 B10	7405 C2	7517 C7	
2202 A3	2342 C2	2425 B1	2441 C2	2628 A1	3120 A8	3142 B9	3158 A5	3362 C3	3425 B1	3437 A1	3458 C1	3514 C7	3625 A9	4205 A3	4513 A9	7124 A10	7406 C1	7520 A10	
2207 A3	2343 C3	2426 B2	2442 C1	2635 B1	3121 B10	3143 B9	3159 A5	3365 C3	3426 B1	3438 A2	3459 C2	3515 C7	3626 A9	4206 A3	4601 A3	7300 C4	7407 C1	7521 A10	
2208 A3	2365 A4	2428 B1	2443 C2	2636 C10	3122 B10	3144 B10	3200 A3	3366 C3	3427 B1	3442 C2	3500 C6	3516 C8	3627 A9	4207 A3	5108 A5	7303 C2	7408 C2	7522 A10	
2209 A3	2366 A4	2429 B1	2502 C6	3111 A8	3123 A7	3145 B10	3201 A3	3367 C2	3428 B1	3443 C2	3501 C6	3554 C7	3628 B9	4222 B3	5600 A6	7304 C4	7409 C2	7523 A10	
2213 A3	2367 A4	2430 B1	2503 C6	3112 A8	3124 A7	3146 A9	3202 A3	3368 C3	3429 B1	3446 C2	3502 C7	3555 C7	3631 B9	4223 B3	5601 A6	7305 C3	7410 C1	7524 A9	
2218 A3	2368 A4	2432 B1	2504 C7	3113 A8	3125 A7	3147 A7	3206 A2	3369 C3	3430 B2	3447 C2	3503 C7	3570 C7	3633 B9	4224 B3	5602 A6	7306 C3	7411 C1	7605 B9	
2219 A3	2375 A4	2433 B1	2505 C7	3114 A8	3126 A10	3152 B10	3352 C4	3419 B1	3431 B2	3448 C2	3504 C7	3571 B7	3658 B1	4225 A3	6100 B10	7307 C2	7505 C6	7627 B9	
2320 B3	2376 A4	2434 B2	2508 C7	3115 A8	3128 A10	3153 A10	3353 C4	3420 B1	3432 B2	3449 C2	3505 C7	3572 B6	3663 B1	4303 B3	6101 B10	7308 C3	7506 C7		
2321 B3	2419 B1	2435 A2	2510 C8	3116 A8	3138 B10	3154 A10	3356 C3	3421 B1	3433 A2	3452 C1	3506 C7	3601 A1	3687 B9	4305 B3	7102 B10	7309 C3	7508 C7		
2322 B3	2421 B1	2436 A1	2614 B9	3117 A8	3139 B10	3155 A8	3357 C3	3422 B2	3434 A1	3453 C1	3511 C7	3602 A1	4101 C3	4307 B4	7103 A10	7402 B1	7509 C7		

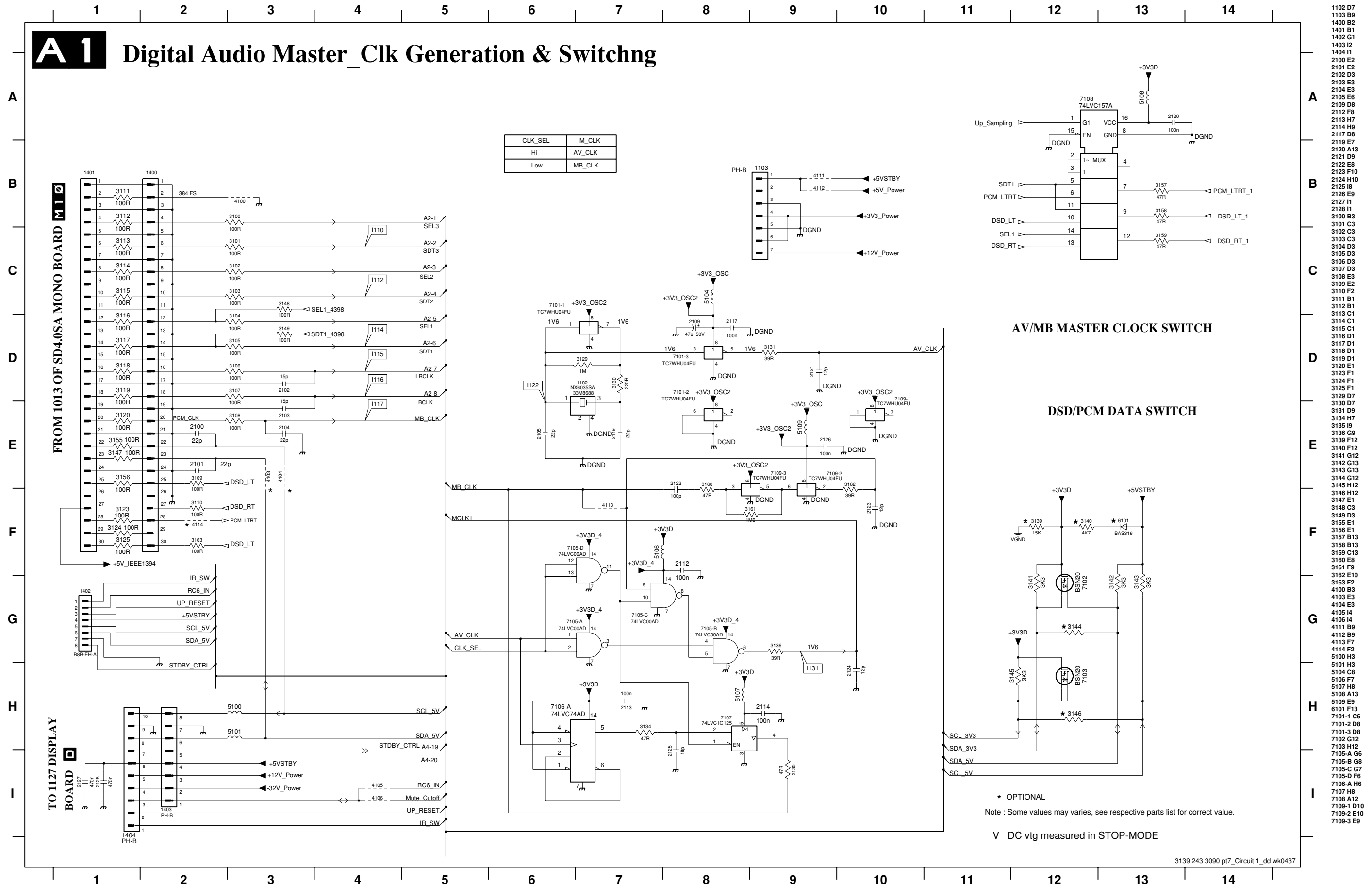


AV BOARD - TOP VIEW LAYOUT (PART A)



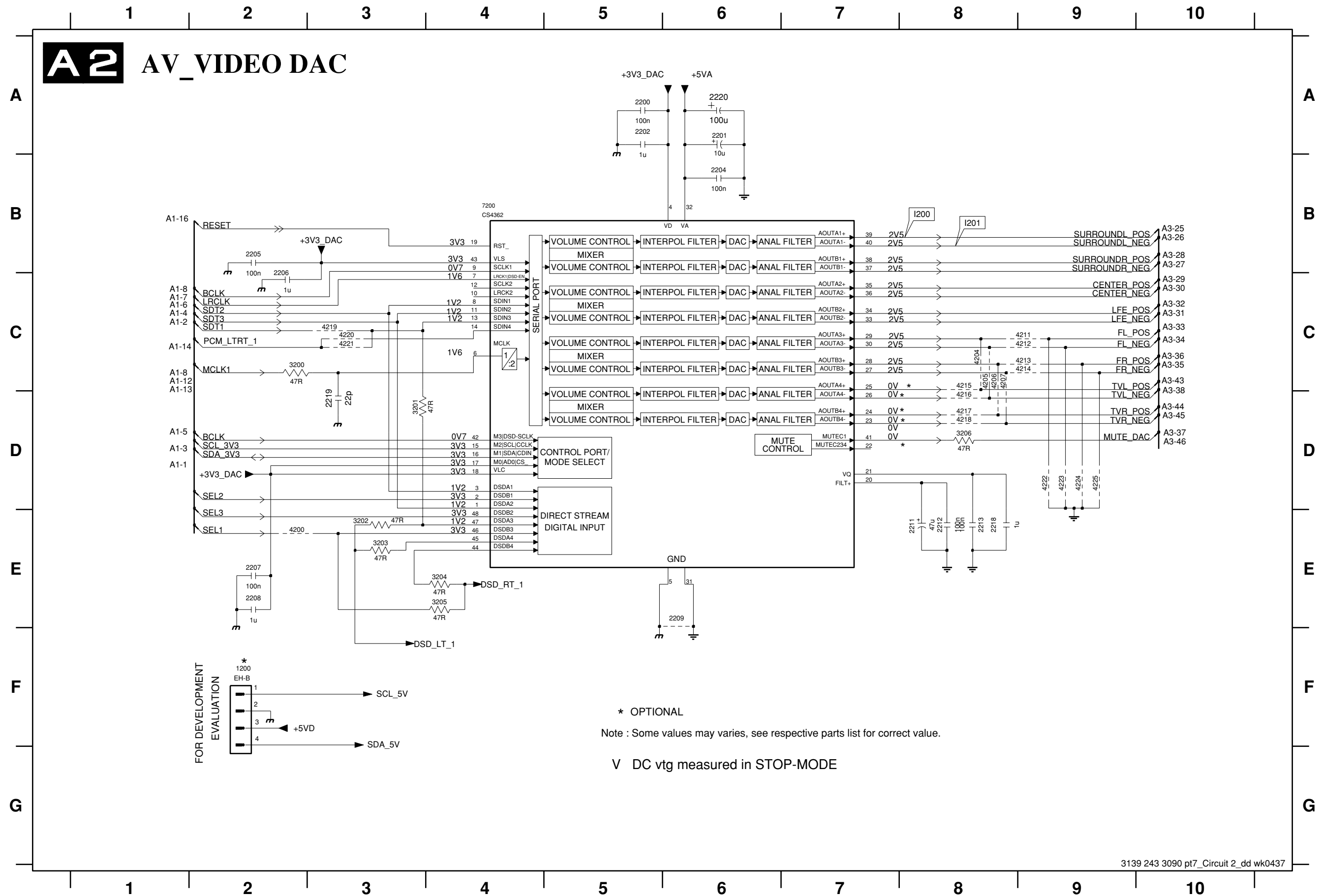
AV BOARD - CIRCUIT DIAGRAM (PART 1)

A1 Digital Audio Master_Clk Generation & Switching



- 1102 D7
- 1103 B9
- 1400 B2
- 1401 B1
- 1402 G1
- 1403 I2
- 1404 I1
- 2100 E2
- 2101 E2
- 2102 D3
- 2103 E3
- 2104 E3

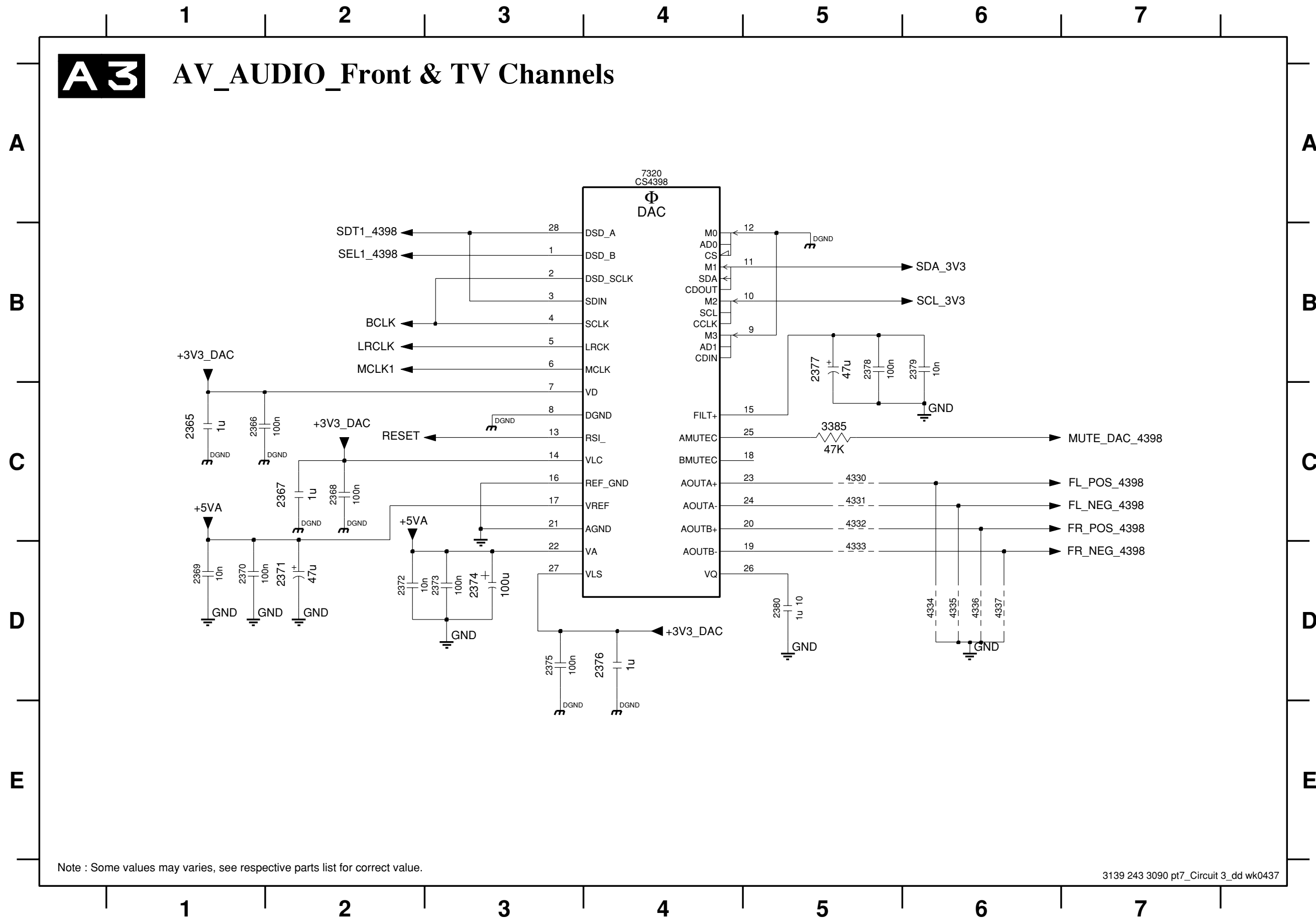
AV BOARD - CIRCUIT DIAGRAM (PART 2)



- 1200 F2
- 2200 A5
- 2201 A6
- 2202 A5
- 2204 B6
- 2205 B2
- 2206 C2
- 2207 E2
- 2208 E2
- 2209 E6
- 2211 E8
- 2212 E8
- 2213 E8
- 2218 E8
- 2219 D3
- 2220 A6
- 3200 C2
- 3201 D3
- 3202 E3
- 3203 E3
- 3204 E4
- 3205 E4
- 3206 D8
- 4200 E2
- 4204 C8
- 4205 C8
- 4206 C8
- 4207 C8
- 4211 C9
- 4212 C9
- 4213 C9
- 4214 C9
- 4215 C8
- 4216 D8
- 4217 D8
- 4218 D8
- 4219 C3
- 4220 C3
- 4221 C3
- 4222 D9
- 4223 D9
- 4224 D9
- 4225 D9
- 7200 B4

* OPTIONAL
 Note : Some values may varies, see respective parts list for correct value.
 V DC vtg measured in STOP-MODE

AV BOARD - CIRCUIT DIAGRAM (PART 3)



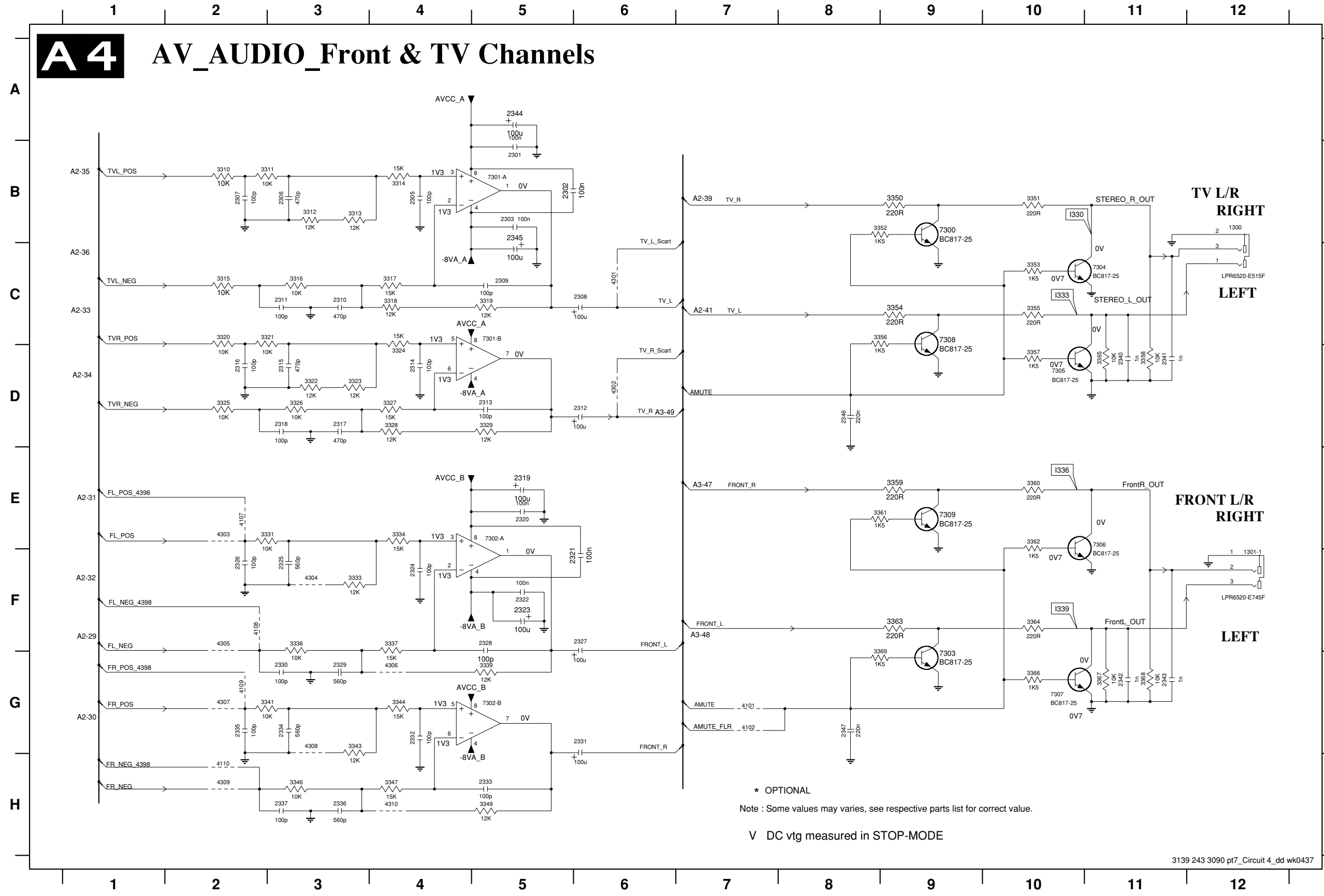
- 2365 C1
- 2366 C1
- 2367 C2
- 2368 C2
- 2369 D1
- 2370 D1
- 2371 D2
- 2372 D2
- 2373 D3
- 2374 D3
- 2375 D3
- 2376 D4
- 2377 B5
- 2378 B5
- 2379 B6
- 2380 D5
- 3385 C5
- 4330 C5
- 4331 C5
- 4332 C5
- 4333 D5
- 4334 D6
- 4335 D6
- 4336 D6
- 4337 D6
- 7320 A4

Note : Some values may varies, see respective parts list for correct value.

AV BOARD - CIRCUIT DIAGRAM (PART 4)

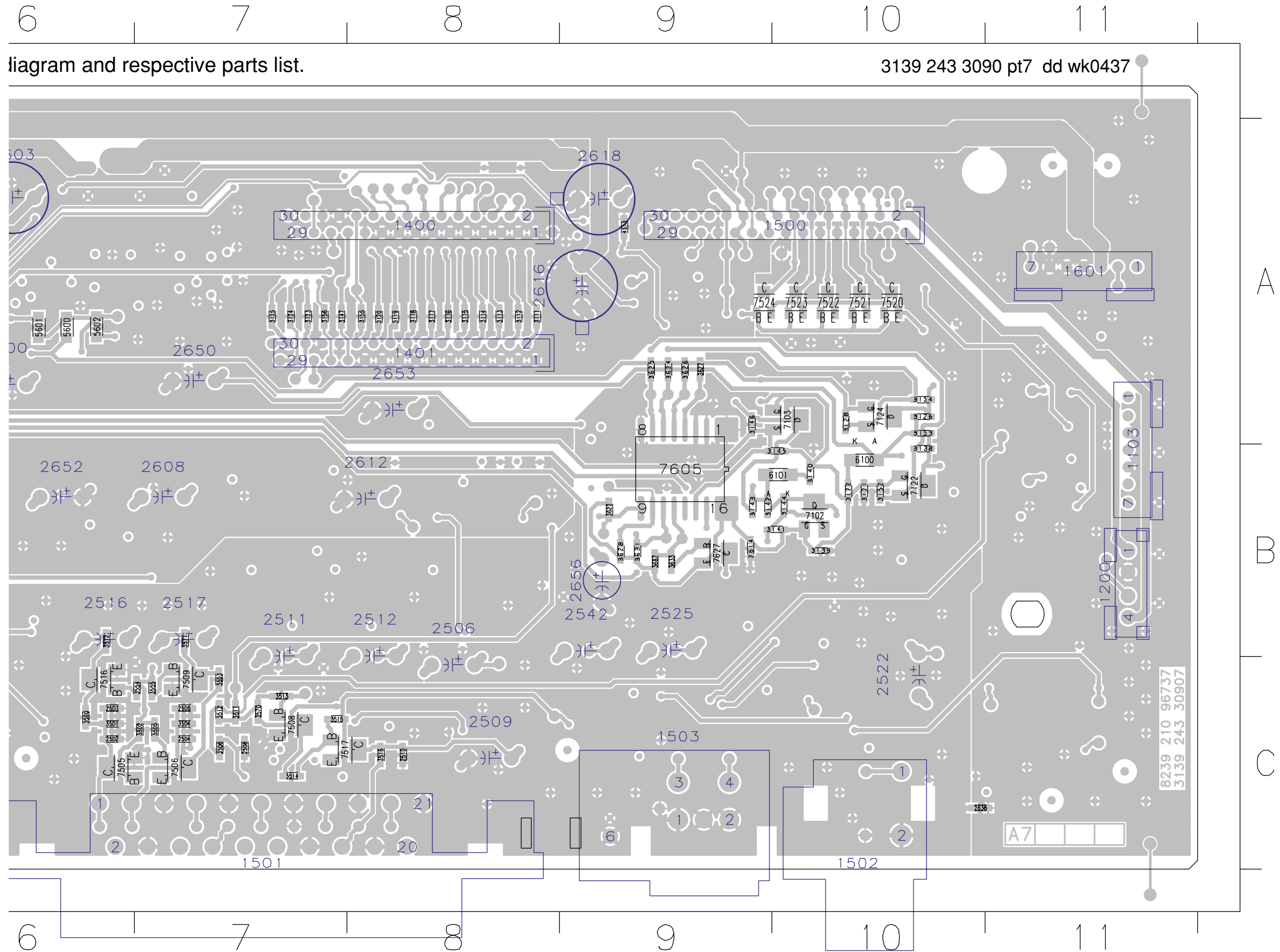
A4

AV_AUDIO_Front & TV Channels

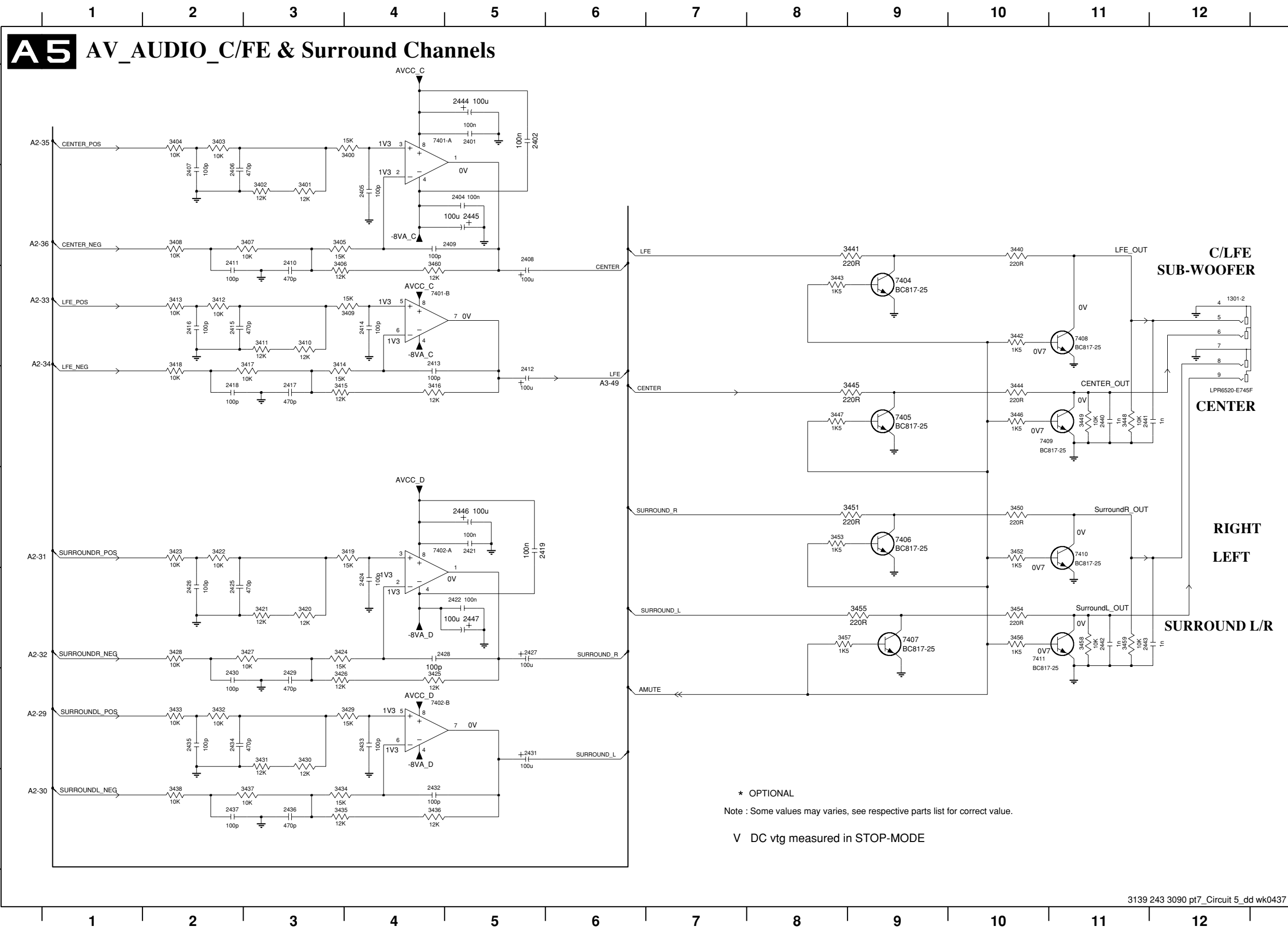


- 1300 B12
- 1301-1 F12
- 2301 B5
- 2302 B5
- 2303 B5
- 2305 B4
- 2306 B3
- 2307 B2
- 2308 C6
- 2309 C5
- 2310 C3
- 2311 C3
- 2312 D6
- 2313 D5
- 2314 D4
- 2315 D3
- 2316 D2
- 2317 D3
- 2318 D3
- 2319 E5
- 2320 E5
- 2321 F6
- 2322 F5
- 2323 F5
- 2324 F4
- 2325 F3
- 2326 F2
- 2327 F5
- 2328 F5
- 2329 G3
- 2330 G3
- 2331 G6
- 2332 G4
- 2333 H5
- 2334 G3
- 2335 G2
- 2336 H3
- 2337 H3
- 2340 D11
- 2341 D11
- 2342 G11
- 2343 G11
- 2344 A5
- 2345 B5
- 2346 D8
- 2347 G8
- 310 B2
- 311 B3
- 312 B3
- 313 B3
- 314 B4
- 315 C2
- 316 C3
- 317 C4
- 318 C4
- 319 C5
- 320 C2
- 321 C3
- 322 D3
- 323 D3
- 324 D4
- 325 D2
- 326 D3
- 327 D4
- 328 D4
- 329 D5
- 331 E3
- 333 F3
- 334 E4
- 336 F3
- 337 F4
- 339 G5
- 341 G3
- 343 G3
- 344 G4
- 346 H3
- 347 H4
- 349 H5
- 350 B9
- 351 B10
- 352 B9
- 353 C10
- 354 C9
- 355 C10
- 356 C9
- 357 D10
- 358 D11
- 359 E9
- 360 E10
- 361 E9
- 362 E10
- 363 F9
- 364 F10
- 365 D11
- 366 G10
- 367 G11
- 368 G11
- 369 G9
- 410 G7
- 4107 E2
- 4108 F2
- 4109 G2
- 4110 H2
- 4301 C6
- 4302 D6
- 4303 E2
- 4304 F3
- 4305 F2
- 4306 G4
- 4307 G2
- 4308 G3
- 4309 H2
- 4310 H4
- 7300 B9
- 7301-A B5
- 7301-B C5
- 7302-A E5
- 7302-B G5
- 7303 G9
- 7304 C11
- 7305 D10
- 7306 E11
- 7307 G10
- 7308 E9

AV BOARD - BOTTOM VIEW LAYOUT (PART B)

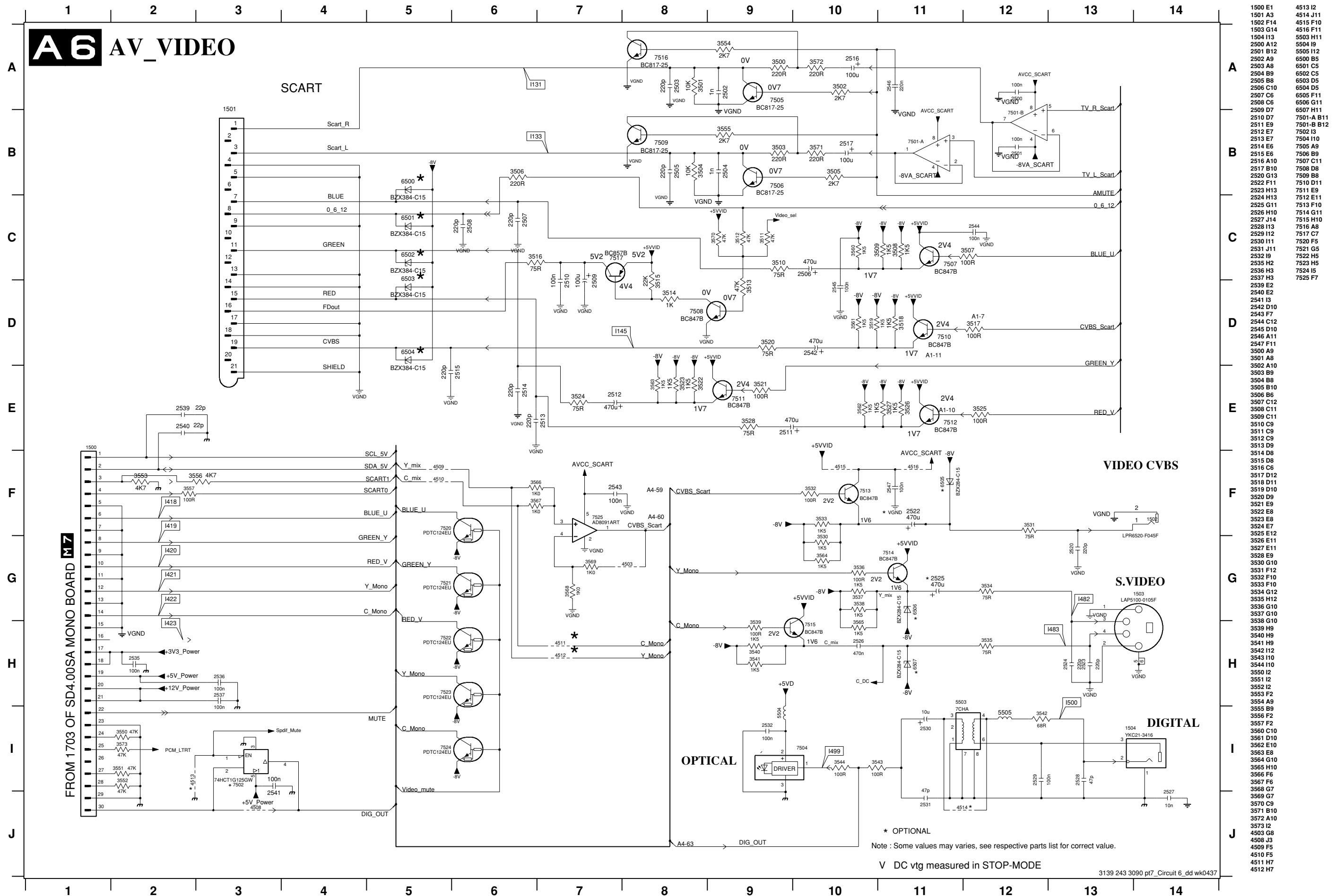


AV BOARD - CIRCUIT DIAGRAM (PART 5)

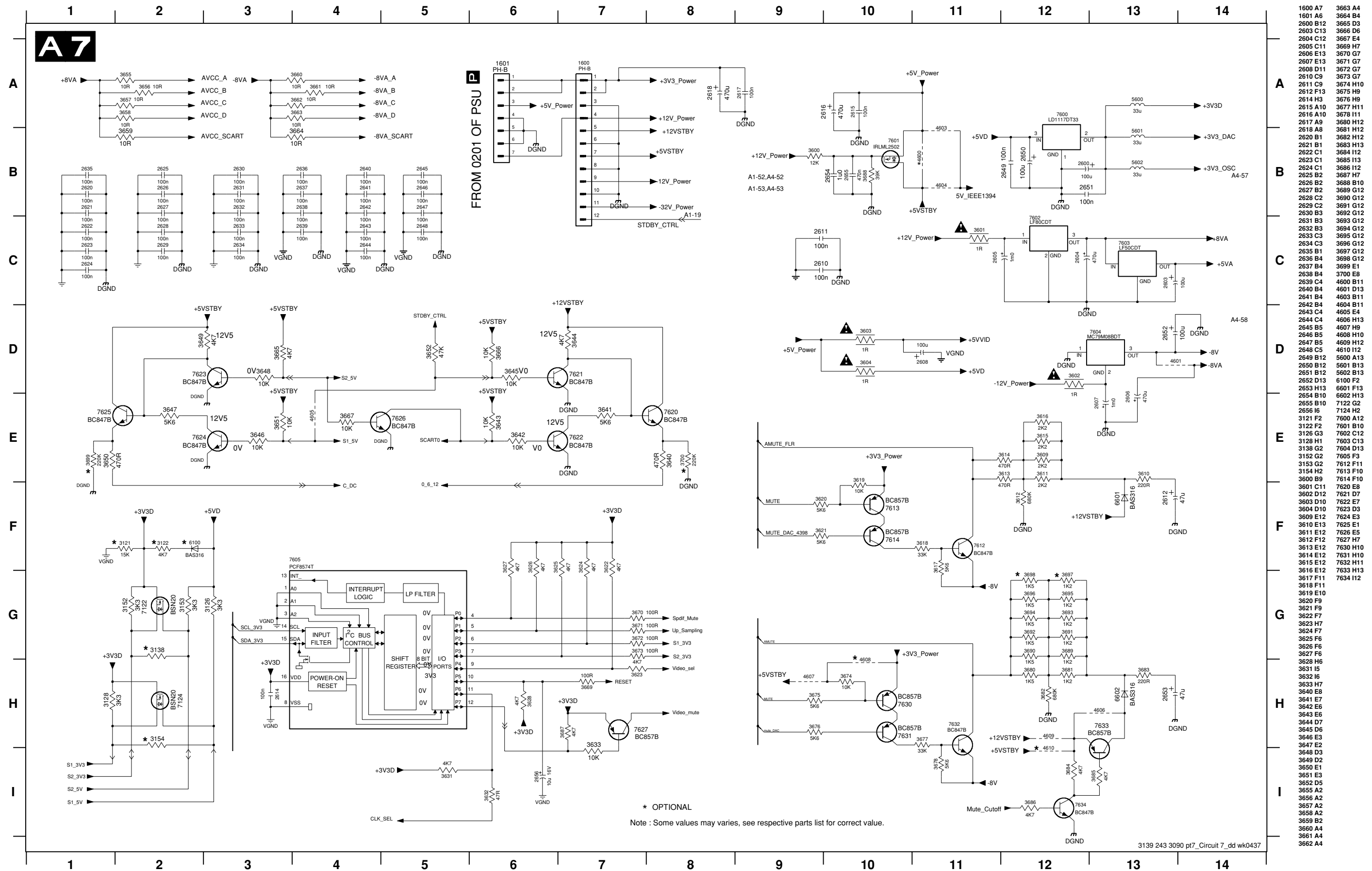


- 1301-2 C12
- 2401 A5
- 2402 A5
- 2404 B5
- 2405 B4
- 2406 B2
- 2407 B2
- 2408 B5
- 2409 B5
- 2410 B3
- 2411 B2
- 2412 D5
- 2413 C4
- 2414 C4
- 2415 C2
- 2416 C2
- 2417 D3
- 2418 D2
- 2419 E5
- 2421 E5
- 2422 F5
- 2424 F4
- 2425 F2
- 2426 F2
- 2427 F5
- 2428 F4
- 2429 G3
- 2430 G2
- 2431 G5
- 2432 H4
- 2433 G4
- 2434 G2
- 2435 G2
- 2436 H3
- 2437 H2
- 2440 D11
- 2441 D11
- 2442 F11
- 2443 F11
- 2444 A5
- 2445 B5
- 2446 E5
- 2447 F5
- 3400 A4
- 3401 B3
- 3402 B3
- 3403 A2
- 3404 A2
- 3405 B3
- 3406 C3
- 3407 B3
- 3408 B2
- 3409 C4
- 3410 C3
- 3411 C3
- 3412 C2
- 3413 C2
- 3414 D3
- 3415 D3
- 3416 D4
- 3417 D3
- 3418 D2
- 3419 E4
- 3420 F3
- 3421 F3
- 3422 E2
- 3423 E2
- 3424 F3
- 3425 G4
- 3426 G3
- 3427 F3
- 3428 F2
- 3429 G4
- 3430 G3
- 3431 G3
- 3432 G2
- 3433 G2
- 3434 H3
- 3435 H3
- 3436 H4
- 3437 H3
- 3438 H2
- 3440 B10
- 3441 B9
- 3442 C10
- 3443 C8
- 3444 D10
- 3445 D9
- 3446 D10
- 3447 D8
- 3448 D11
- 3449 D11
- 3450 E10
- 3451 E9
- 3452 E10
- 3453 E8
- 3454 F10
- 3455 F9
- 3456 F10
- 3457 F8
- 3458 F11
- 3459 F11
- 3460 C4
- 7401-B C4
- 7402-A E4
- 7402-B G4
- 7404 C9
- 7405 D9
- 7406 E9
- 7407 F9
- 7408 C11
- 7409 D10
- 7410 E11
- 7411 F10

AV BOARD - CIRCUIT DIAGRAM (PART 6)



AV BOARD - CIRCUIT DIAGRAM (PART 7)



ELECTRICAL PARTS LIST - AV BOARD**MISCELLANEOUS**

0004	3139 241 00071	SPRING SCART
0005	3139 241 00071	SPRING SCART
1102	2422 543 01297	RES XTL SM 33M8688 16P
1300	2422 026 05507	Cinch Socket 2P (2CH - L/R)
1301	2422 026 05505	Cinch Socket 6P (6CH - Main L/R, Center, Subwoofer, Surround L/R)
1400	2422 025 17433	Flex Connector 30P
1500	2422 025 17433	Flex Connector 30P
1501	2422 025 12352	Socket SCART 21P /00
1502	2422 026 05506	Cinch Socket 1P (Video)
1503	2422 026 05516	Socket MDIN 4P (S-Video)
1504	4822 267 31626	Cinch Socket 1P (Coaxial)

CAPACITORS

2308	2020 012 93792	100uF 20% 16V
2312	2020 012 93792	100uF 20% 16V
2319	4822 124 41584	100uF 20% 10V
2323	4822 124 41584	100uF 20% 10V
2327	2020 012 93792	100uF 20% 16V
2331	2020 012 93792	100uF 20% 16V
2344	4822 124 41584	100uF 20% 10V
2345	4822 124 41584	100uF 20% 10V
2374	2020 012 93792	100uF 20% 16V
2408	2020 012 93792	100uF 20% 16V
2412	2020 012 93792	100uF 20% 16V
2427	2020 012 93792	100uF 20% 16V
2431	2020 012 93792	100uF 20% 16V
2444	4822 124 41584	100uF 20% 10V
2445	4822 124 41584	100uF 20% 10V
2446	4822 124 41584	100uF 20% 10V
2447	4822 124 41584	100uF 20% 10V

RESISTORS

3601	4822 051 20008	0R JUMPER
3602	4822 051 20008	0R JUMPER
3603	4822 117 11151	△ 1R 5%
3604	4822 117 11151	△ 1R 5%

COILS & FILTERS

5100	4822 157 11499	IND FXD 0603 100MHz 60R
5101	4822 157 11499	IND FXD 0603 100MHz 60R
5104	2422 549 43062	IND FXD 0603 100MHz 600R
5106	2422 549 43062	IND FXD 0603 100MHz 600R
5107	2422 549 43062	IND FXD 0603 100MHz 600R
5108	2422 549 43062	IND FXD 0603 100MHz 600R
5109	2422 549 43062	IND FXD 0603 100MHz 600R
5503	4822 157 70601	IND VAR 7CHA 100uH 10%
5504	2422 549 43062	IND FXD 0603 100MHz 600R
5505	4822 157 11499	IND FXD 0603 100MHz 60R
5600	2422 535 94092	FXD IND SM 0805 33U 20%

5601	2422 535 94092	FXD IND SM 0805 33U 20%
5602	2422 535 94092	FXD IND SM 0805 33U 20%

DIODES

6500	4822 130 11522	BZX384-C15 /00
6501	4822 130 11522	BZX384-C15
6502	4822 130 11522	BZX384-C15 /00
6503	4822 130 11522	BZX384-C15 /00
6504	4822 130 11522	BZX384-C15 /00
6505	4822 130 11087	BZX284-C15
6506	4822 130 11087	BZX284-C15
6507	4822 130 11087	BZX284-C15
6601	4822 130 11397	BAS316
6602	4822 130 11397	BAS316

TRANSISTORS & INTEGRATED CIRCUITS

7101	9322 177 91685	IC SM TC7WHU04FU
7102	9965 000 04199	FET SIG SM BSN20
7103	9965 000 04199	FET SIG SM BSN20
7105	9352 499 60118	IC SM 74LVC00AD
7106	4822 209 17441	IC SM 74LVC74AD
7107	9352 687 20125	IC SM 74LVC1G125GW
7108	4822 209 17455	IC SM 74LVC157AD
7109	9322 177 91685	IC SM TC7WHU04FU
7122	9965 000 04199	FET SIG SM BSN200
7124	9965 000 04199	FET SIG SM BSN20
7200	9322 213 00671	IC SM CS4362-KQ-DX
7300	4822 130 42804	BC817-25
7301	9337 612 90668	IC SM NE5532AD
7301	9352 202 10118	IC SM NE5532AD8
7302	9322 067 00668	IC SM OP275GS
7303	4822 130 42804	BC817-25
7304	4822 130 42804	BC817-25
7305	4822 130 42804	BC817-25
7306	4822 130 42804	BC817-25
7307	4822 130 42804	BC817-25
7308	4822 130 42804	BC817-25
7309	4822 130 42804	BC817-25
7320	9322 198 54668	IC SM CS4398-CZ
7401	9322 067 00668	IC SM OP275GS
7402	9337 612 90668	IC SM NE5532AD
7402	9352 202 10118	IC SM NE5532AD8
7404	4822 130 42804	BC817-25
7405	4822 130 42804	BC817-25
7406	4822 130 42804	BC817-25
7407	4822 130 42804	BC817-25
7408	4822 130 42804	BC817-25
7409	4822 130 42804	BC817-25
7410	4822 130 42804	BC817-25
7411	4822 130 42804	BC817-25
7501	4822 209 30095	IC SM LM833D /00

ELECTRICAL PARTS LIST - AV BOARD

7502	9352 456 80115	IC SM 74HCT1G125GW
7504	9322 175 41687	SOC FIB OPT JFJ1000
7505	4822 130 42804	BC817-25 /00
7506	4822 130 42804	BC817-25 /00
7507	5322 130 60159	BC847B /00
7508	5322 130 60159	BC847B /00
7509	4822 130 42804	BC817-25 /00
7510	5322 130 60159	BC847B /00
7511	5322 130 60159	BC847B /00
7512	5322 130 60159	BC847B /00
7513	5322 130 60159	BC847B
7514	5322 130 60159	BC847B
7515	5322 130 60159	BC847B
7516	4822 130 42804	BC817-25 /00
7517	4822 130 60373	BC857B /00
7525	9322 200 00685	IC SM AD8091ART
7600	4822 209 17398	IC SM LD1117DT33
7601	9322 163 53685	FET POW SM IRLML2502
7602	9322 134 86668	IC SM LF80CDT
7603	9322 140 81668	IC SM LF50CDT
7604	9322 163 71668	IC SM MC79M08BDT
7605	5322 209 11578	IC SM PCF8574T
7612	5322 130 60159	BC847B
7613	4822 130 60373	BC857B
7614	4822 130 60373	BC857B
7620	5322 130 60159	BC847B /00
7621	5322 130 60159	BC847B /00
7622	5322 130 60159	BC847B /00
7623	5322 130 60159	BC847B
7624	5322 130 60159	BC847B
7625	5322 130 60159	BC847B
7626	5322 130 60159	BC847B /00
7627	4822 130 60373	BC857B
7630	4822 130 60373	BC857B
7631	4822 130 60373	BC857B
7632	5322 130 60159	BC847B

Note : Only the parts mentioned in this list are normal service spare parts.

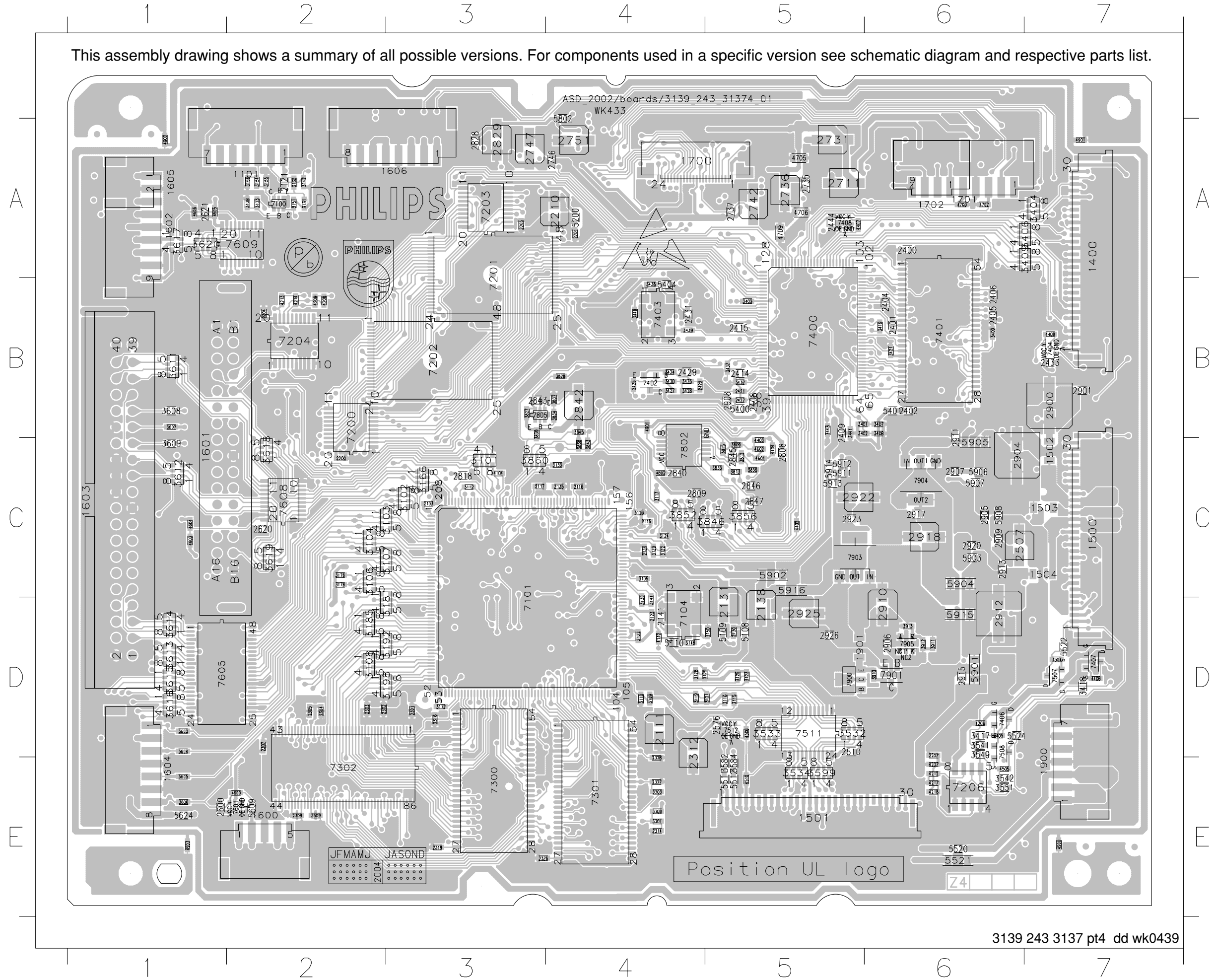
MODULE SD5.2 (S) XSA 4FL DV HDMI

TABLE OF CONTENTS

Top View Layout	8-2
Top & Bottom View Layout Mapping	8-3
Bottom View Layout	8-4
Circuit Diagram (Part 1)	8-5
Circuit Diagram (Part 2)	8-6
Circuit Diagram (Part 3)	8-7
Circuit Diagram (Part 4)	8-8
Circuit Diagram (Part 5)	8-9
Circuit Diagram (Part 6)	8-10
Circuit Diagram (Part 7)	8-11
Circuit Diagram (Part 8)	8-12
Circuit Diagram (Part 9)	8-13
Parts list	8-14

TOP VIEW LAYOUT

This assembly drawing shows a summary of all possible versions. For components used in a specific version see schematic diagram and respective parts list.



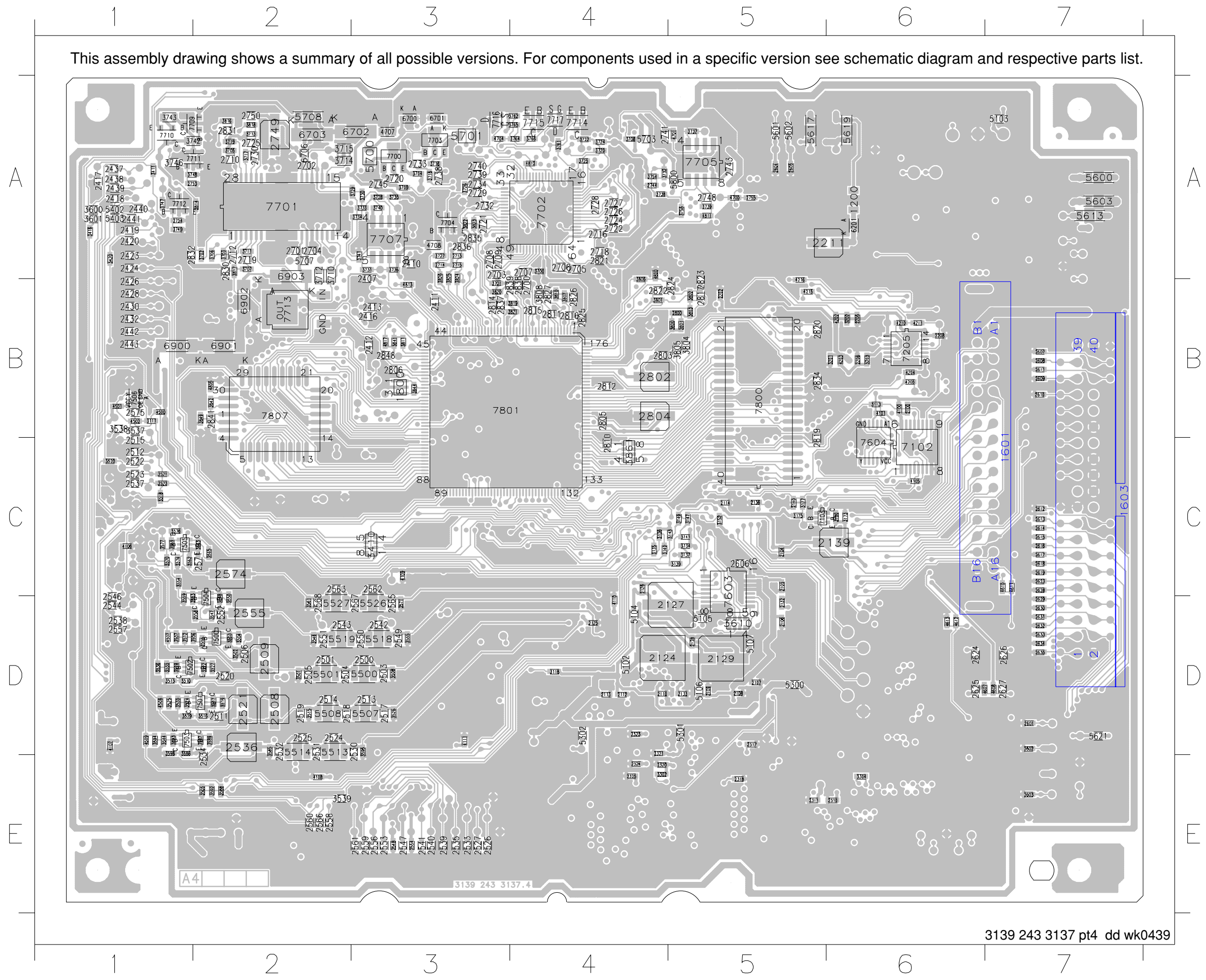
TOP VIEW LAYOUT MAPPING

1101 A2	2429 B4	3123 D5	3605 E1	4705 A5	7805 B3
1400 A7	2431 B4	3124 C4	3606 E1	4706 A5	7900 D5
1500 C7	2433 B7	3125 D5	3607 B1	4709 A5	7901 D6
1501 E5	2444 A5	3126 C4	3608 B1	4801 B4	7903 C5
1502 C7	2507 C6	3128 D4	3609 C1	4802 C4	7904 C6
1503 C7	2510 D5	3129 D4	3611 B1	4900 E7	7905 D6
1504 C7	2576 D5	3130 D4	3612 C1	4901 A7	
1600 E2	2600 E1	3131 A2	3613 D1	4902 A1	
1601 C1	2620 C2	3132 A2	3614 D1	4903 E1	
1602 A1	2621 A1	3133 A2	3615 D1	5108 D5	
1603 C1	2711 A5	3138 A2	3616 D1	5109 D5	
1604 E1	2731 A5	3142 A2	3617 A1	5110 D4	
1605 A1	2735 A5	3144 D4	3618 C2	5200 A4	
1606 A3	2736 A5	3148 D4	3619 C2	5400 B5	
1700 A4	2737 A5	3150 D5	3620 A1	5401 B6	
1701 A6	2742 A5	3151 A2	3809 C5	5404 B4	
1702 A6	2746 A4	3153 C4	3812 C5	5511 E5	
1900 E7	2747 A3	3154 A2	3813 C5	5512 E5	
1901 D5	2751 A4	3155 A2	3815 C5	5520 E6	
2103 C3	2808 C5	3156 A2	3827 B3	5521 E6	
2111 D4	2809 C4	3166 C3	3828 B4	5522 D7	
2115 C4	2818 C3	3172 D3	3833 C5	5524 D6	
2116 C4	2828 A3	3176 C2	3834 B4	5609 E2	
2117 C3	2829 A3	3178 C2	3835 C5	5624 E1	
2121 A2	2840 C4	3181 D3	3837 B4	5802 A4	
2122 D4	2842 B4	3185 D2	3838 C4	5901 D6	
2123 D4	2843 B3	3192 D3	3839 B3	5902 C5	
2130 D5	2845 C5	3198 D3	3843 C4	5903 C6	
2131 D5	2846 C5	3300 E4	3845 B4	5904 C6	
2134 C4	2847 C5	3301 E4	3846 C5	5905 C6	
2135 C4	2900 B7	3303 E4	3852 C4	5906 C6	
2138 D5	2901 B7	3400 B6	3856 C5	5907 C6	
2141 D4	2904 C6	3401 B5	3860 C3	5908 C6	
2200 C2	2905 C6	3402 B5	3910 D6	5911 C5	
2201 A4	2906 D6	3403 B5	3911 D6	5912 C5	
2203 A3	2907 C6	3404 A7	3912 D6	5913 C5	
2204 B2	2908 B5	3406 A7	3913 D6	5914 C5	
2207 D6	2909 C6	3407 B6	4104 C3	5915 D6	
2210 A4	2910 D6	3408 B6	4112 D4	5916 C5	
2301 D3	2911 B6	3409 A7	4206 D6	7100 A2	
2302 D2	2912 D6	3417 D6	4207 E6	7101 D3	
2303 D2	2913 C6	3418 D7	4208 B2	7104 D4	
2304 D2	2915 D6	3419 B6	4209 B2	7200 B2	
2305 D2	2917 C6	3421 B6	4212 E6	7201 A3	
2307 D2	2918 C6	3424 B4	4213 B2	7202 B3	
2308 E2	2920 C6	3425 B4	4214 B2	7203 A3	
2309 E2	2922 C5	3427 B4	4217 E6	7204 B2	
2312 D4	2923 C5	3428 B4	4218 E6	7206 E6	
2314 E4	2925 D5	3430 B4	4400 B7	7300 E3	
2316 D3	2926 D5	3432 B5	4402 C5	7301 E4	
2319 E3	3101 C3	3435 B4	4403 C5	7302 E2	
2326 E3	3102 C3	3437 B5	4404 C5	7400 B5	
2327 E4	3103 C3	3439 B4	4405 D6	7401 B6	
2328 E4	3104 C2	3440 B4	4406 D7	7402 B4	
2400 A6	3105 C4	3441 B5	4407 A5	7403 B4	
2401 B6	3106 C2	3443 B5	4504 D7	7404 B7	
2402 B6	3107 C3	3532 D5	4505 E6	7406 D6	
2404 B6	3108 D2	3533 D5	4506 D5	7407 D7	
2405 B6	3109 D4	3534 E5	4510 E5	7408 A5	
2406 B6	3110 D4	3541 D6	4600 E2	7507 D7	
2408 B5	3112 C3	3542 E6	4601 C5	7508 D6	
2409 B5	3115 D5	3549 D6	4602 C5	7511 D5	
2414 B5	3116 D5	3551 E6	4603 C1	7512 D5	
2415 B5	3117 C4	3582 E5	4604 C1	7601 E2	
2421 B5	3119 D4	3584 E5	4605 A1	7605 D1	
2422 B4	3120 C4	3599 E5	4606 A1	7608 C2	
2425 B4	3121 D5	3603 D1	4702 A6	7609 A2	
2427 B5	3122 C4	3604 D1	4703 A6	7802 C4	

BOTTOM VIEW LAYOUT MAPPING

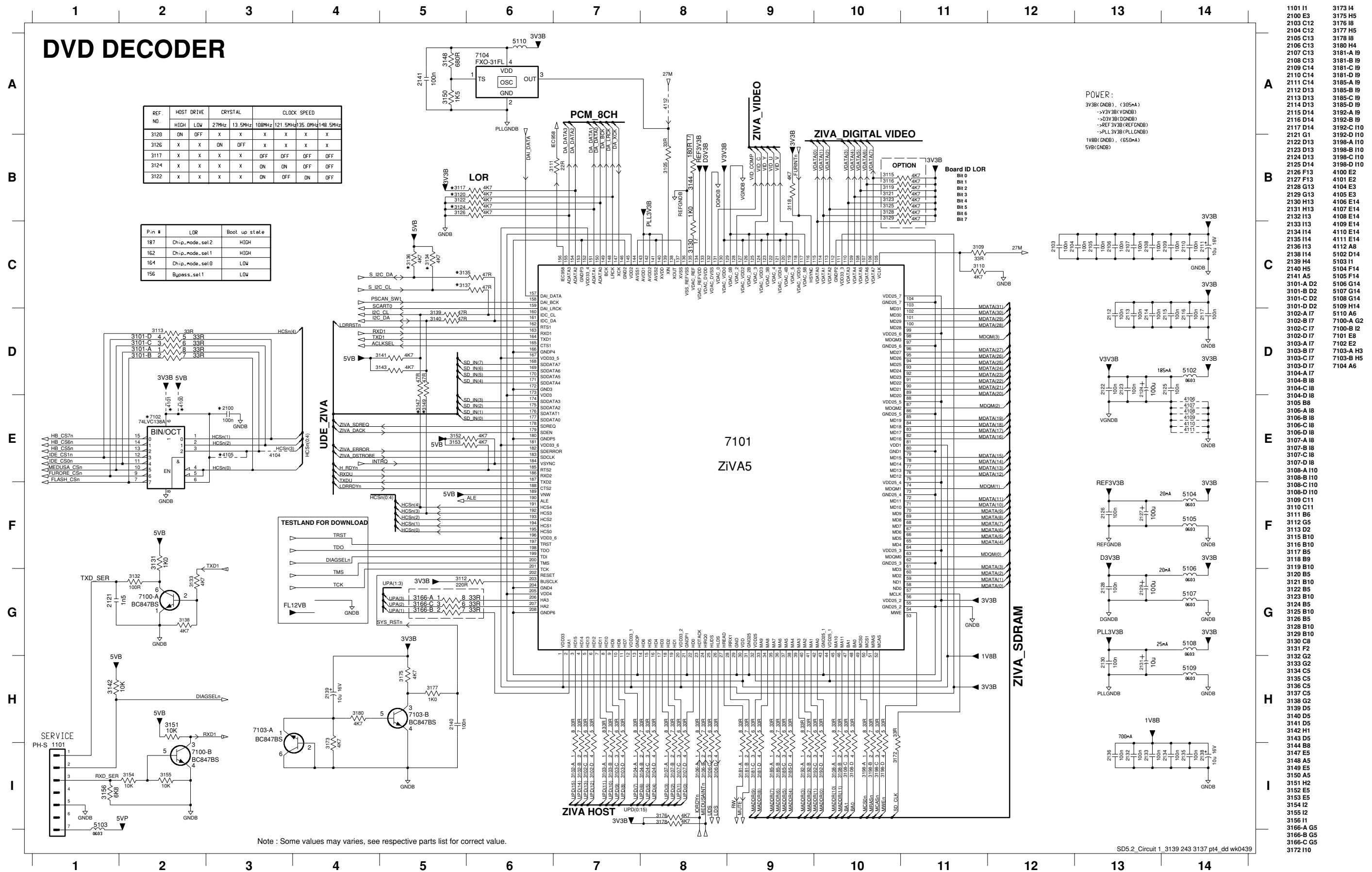
1200 A6	2509 D2	2612 C7	2803 B4	3512 D1	3712 A2	3861 C4	5619 A6
1800 B3	2511 D2	2613 C7	2804 B4	3513 D1	3713 A2	4100 B6	5621 D7
2100 B6	2512 C1	2614 C7	2805 B4	3515 D2	3714 A2	4101 B6	5700 A3
2104 C5	2513 D3	2615 C7	2806 B3	3516 D2	3715 A2	4105 C6	5701 A3
2105 C5	2514 D2	2616 C7	2810 C4	3517 D2	3716 A3	4106 C1	5703 A4
2106 D5	2515 C1	2617 C7	2811 B4	3518 C1	3717 A2	4107 D1	5706 A2
2107 D5	2517 D3	2618 C7	2812 B4	3519 D2	3718 A3	4108 E2	5707 A2
2108 D5	2518 D2	2619 C7	2814 B3	3520 C1	3719 A2	4109 C3	5708 A2
2109 D5	2519 D2	2623 C7	2815 B4	3521 C1	3720 A4	4110 D4	5800 A5
2110 D4	2520 D2	2624 D6	2816 B4	3522 D2	3722 A4	4111 D3	6201 A6
2112 D4	2521 D2	2625 D6	2817 B5	3523 C1	3724 A4	4202 B6	6700 A3
2113 D4	2522 C1	2626 D7	2819 C5	3524 D1	3725 A4	4203 B6	6701 A3
2114 C5	2523 C1	2627 D7	2820 B5	3525 D1	3726 A3	4204 B6	6702 A3
2124 D4	2524 D2	2628 C7	2821 A4	3526 D3	3727 A3	4205 B6	6703 A2
2125 D4	2525 D2	2629 D7	2822 B4	3527 D2	3728 A3	4210 B6	6900 B1
2126 C4	2526 E3	2630 D7	2823 B5	3528 D1	3729 A3	4211 B6	6901 B2
2127 D5	2527 E3	2631 D7	2824 B5	3529 D1	3730 A3	4215 B5	6902 B2
2128 D5	2530 D3	2632 D7	2825 B4	3530 D1	3731 A3	4216 B5	6903 A2
2129 D5	2531 D2	2633 D7	2826 B4	3535 D1	3732 A4	4500 B1	7102 C6
2132 D5	2532 D2	2634 D7	2827 B4	3536 D1	3733 A3	4501 B1	7103 C5
2133 D5	2533 E3	2635 D7	2830 A2	3537 B1	3734 A3	4502 B1	7205 B6
2136 C5	2534 E2	2700 B4	2831 A2	3538 B1	3735 A3	4507 D1	7500 D2
2139 C6	2535 E3	2701 A2	2832 A1	3539 E2	3736 A3	4508 D1	7501 D2
2140 C5	2536 D2	2702 A2	2834 B5	3544 D1	3737 A5	4509 D1	7502 D1
2202 B5	2537 C1	2703 A3	2835 A3	3546 D2	3738 A4	4607 D6	7503 D1
2205 B6	2538 D1	2704 A2	2836 A3	3547 D2	3739 A5	4608 D7	7504 D2
2206 B6	2539 E3	2705 A4	2837 B3	3548 D2	3740 A3	4610 C7	7505 C1
2208 B6	2540 E3	2706 A4	2838 B4	3550 D2	3741 A3	4611 C7	7506 B1
2211 A6	2541 E3	2707 A4	2839 B3	3553 D1	3742 A2	4612 D6	7603 C5
2310 E6	2542 D3	2708 A3	2841 B2	3554 C1	3743 A1	4613 D6	7604 C6
2311 E5	2543 D2	2709 A3	2848 B3	3555 D3	3746 A1	4700 A5	7700 A3
2317 D5	2544 D1	2710 A2	3111 B1	3558 D2	3747 A1	4701 A5	7701 A2
2318 E5	2546 D1	2712 A2	3113 B6	3559 D1	3748 A1	4704 A3	7702 A4
2320 E4	2547 E3	2713 A3	3118 D4	3561 D2	3749 A1	4707 A3	7703 A3
2321 D4	2548 E3	2714 A3	3134 C5	3562 C1	3754 A4	4708 A3	7704 A3
2323 D4	2549 D3	2715 A3	3135 C4	3563 C2	3755 A5	4800 A4	7705 A5
2324 E4	2550 D3	2716 A4	3136 C4	3565 C2	3761 A4	4805 B2	7707 A3
2325 E4	2551 D2	2718 A4	3137 C5	3569 C1	3762 A4	4811 A5	7709 A1
2407 A3	2552 D2	2719 A2	3139 C5	3570 C1	3764 A4	4812 A4	7710 A1
2410 A3	2553 E3	2720 A3	3140 C4	3571 D3	3765 A4	4813 B3	7711 A2
2411 B3	2554 E3	2721 A3	3141 C5	3574 C1	3766 A4	4817 B3	7712 A1
2412 B3	2555 D2	2722 A4	3143 C5	3576 C1	3800 B5	5102 D4	7713 B2
2413 B3	2556 E3	2724 A4	3147 C5	3577 C1	3801 B4	5103 A7	7714 A4
2416 B3	2557 D1	2725 A2	3149 C5	3585 D2	3802 B5	5104 D4	7715 A4
2417 A1	2558 E2	2726 A4	3152 C5	3586 D1	3803 B5	5105 D5	7716 A3
2418 A1	2559 E3	2727 A4	3173 C6	3587 D2	3804 B5	5106 D5	7717 A4
2419 A1	2560 E2	2728 A4	3175 C5	3588 E2	3805 B5	5107 D5	7800 B5
2420 A1	2561 E3	2729 A3	3177 C5	3589 D2	3806 B4	5300 D5	7801 B3
2423 A1	2562 C3	2730 A2	3180 C6	3592 E2	3807 B4	5301 D5	7807 B2
2424 A1	2563 C2	2732 A3	3201 B6	3593 D1	3808 B4	5302 D4	1601 C7
2426 B1	2565 D3	2733 A3	3202 B6	3594 D1	3810 B4	5402 A1	1603 C7
2428 B1	2566 E2	2734 A3	3203 B6	3595 D3	3811 B3	5403 A1	
2430 B1	2567 D3	2738 A3	3302 E4	3598 D1	3814 A2	5500 D3	
2432 B1	2568 D2	2739 A3	3304 E6	3600 A1	3816 A2	5501 D2	
2437 A1	2571 C2	2740 A3	3410 C3	3601 A1	3817 A2	5507 D3	
2438 A1	2574 C2	2741 A4	3411 A1	3610 D5	3818 A2	5508 D2	
2439 A1	2575 B1	2743 A5	3416 A1	3700 A4	3819 B4	5513 D2	
2440 A1	2601 D7	2744 A4	3420 A1	3701 B3	3820 B3	5514 D2	
2441 A1	2602 D7	2745 A3	3501 D2	3702 A2	3821 B4	5518 D3	
2442 B1	2603 E7	2748 A5	3502 D2	3703 A2	3822 A3	5519 D2	
2443 B1	2604 A5	2749 A2	3503 D2	3704 A3	3823 A3	5526 D3	
2500 D3	2605 A5	2750 A2	3504 D2	3705 A2	3824 A3	5527 D2	
2501 D2	2606 C5	2753 A1	3505 E2	3706 A2	3825 A3	5600 A7	
2503 D3	2607 B7	2754 A1	3506 D2	3707 A2	3826 A3	5601 A5	
2504 D2	2608 B7	2755 A5	3507 D1	3708 A4	3841 B3	5602 A5	
2505 D2	2609 B7	2800 B5	3508 D3	3709 A3	3842 B2	5603 A7	
2506 D2	2610 B7	2801 B5	3510 D1	3710 A2	3844 B3	5613 A7	
2508 D2	2611 B7	2802 B4	3511 D2	3711 A2	3849 B2	5617 A5	

BOTTOM VIEW LAYOUT



This assembly drawing shows a summary of all possible versions. For components used in a specific version see schematic diagram and respective parts list.

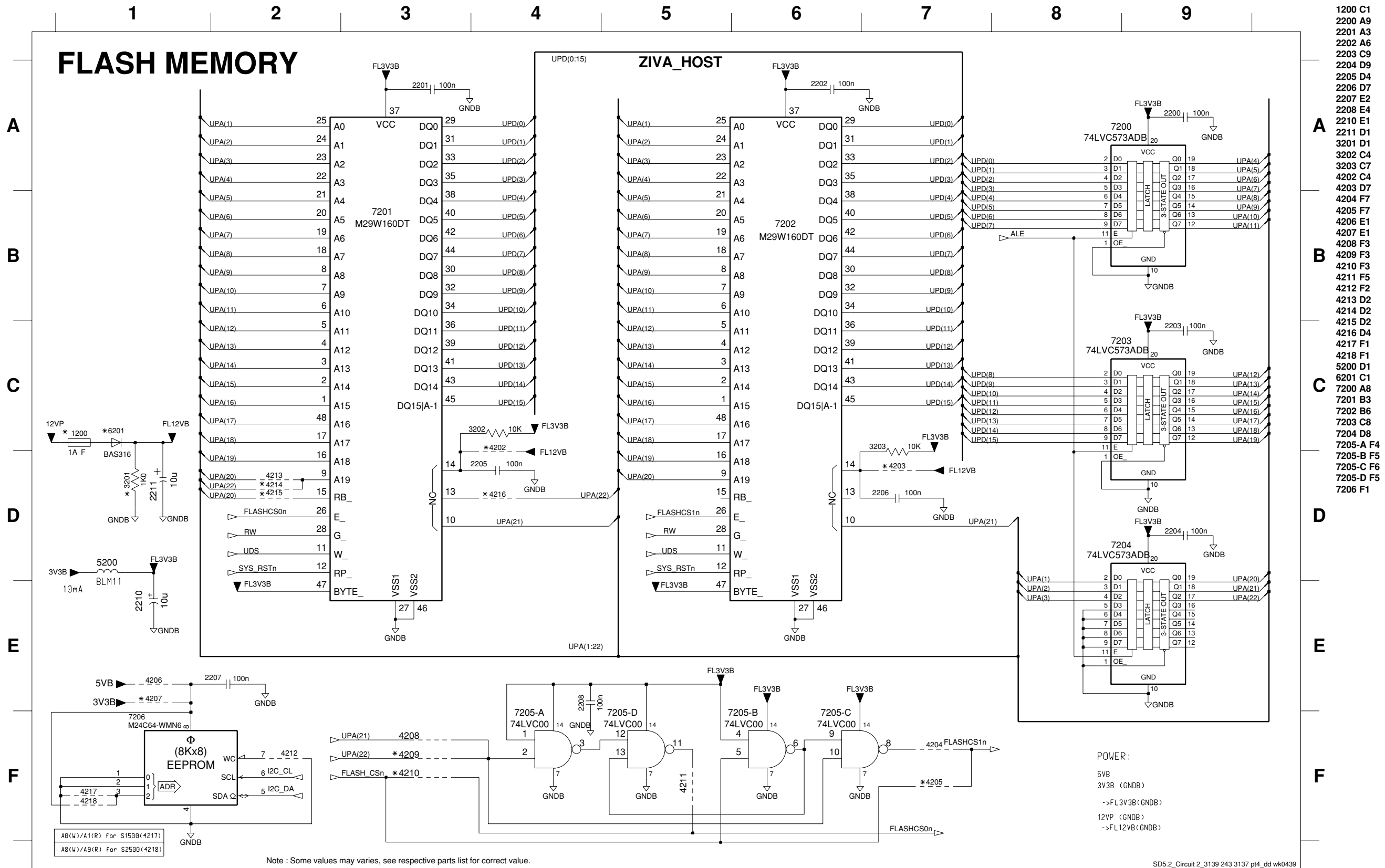
CIRCUIT DIAGRAM (PART 1)



Note : Some values may varies, see respective parts list for correct value.

- 1101 I1
- 2100 E3
- 2103 C12
- 2104 C12
- 2105 C12
- 2106 C13
- 2107 C13
- 2108 C13
- 2109 C14
- 2110 C14
- 2111 C14
- 2112 D13
- 2113 D13
- 2114 D13
- 2115 D14
- 2116 D14
- 2117 D14
- 2121 G1
- 2122 D13
- 2123 D13
- 2124 D13
- 2125 D14
- 2126 F11
- 2127 F13
- 2128 G13
- 2129 G13
- 2130 H13
- 2131 H13
- 2132 I13
- 2133 I13
- 2134 I14
- 2135 I14
- 2136 I13
- 2138 I14
- 2139 H4
- 2140 H5
- 2141 A5
- 3101-A D2
- 3101-B D2
- 3101-C D2
- 3101-D D2
- 3102-A I7
- 3102-B I7
- 3102-C I7
- 3102-D I7
- 3103-A I7
- 3103-B I7
- 3103-C I7
- 3103-D I7
- 3107-A I8
- 3107-B I8
- 3107-C I8
- 3107-D I8
- 3108-A I10
- 3108-B I10
- 3108-C I10
- 3108-D I10
- 3109 C11
- 3110 C11
- 3111 B6
- 3112 G5
- 3113 D2
- 3115 B10
- 3116 B10
- 3117 B5
- 3118 B9
- 3119 B10
- 3120 B5
- 3121 B10
- 3122 B5
- 3123 B10
- 3124 B5
- 3125 B5
- 3126 B5
- 3127 B10
- 3128 B10
- 3129 B10
- 3130 C8
- 3131 F2
- 3132 G2
- 3133 G2
- 3134 C5
- 3135 C5
- 3136 C5
- 3137 C5
- 3138 G2
- 3139 D5
- 3140 D5
- 3141 D5
- 3142 H1
- 3143 D5
- 3144 B8
- 3147 E5
- 3148 A1
- 3149 E5
- 3150 A5
- 3151 H2
- 3152 E5
- 3153 E5
- 3154 I2
- 3155 I2
- 3156 I1
- 3166-A G5
- 3166-B G5
- 3166-C G5
- 3172 I10

CIRCUIT DIAGRAM (PART 2)



- 1200 C1
- 2200 A9
- 2201 A3
- 2202 A6
- 2203 C9
- 2204 D9
- 2205 D4
- 2206 D7
- 2207 E2
- 2208 E4
- 2210 E1
- 2211 D1
- 3201 D1
- 3202 C4
- 3203 C7
- 4202 C4
- 4203 D7
- 4204 F7
- 4205 F7
- 4206 E1
- 4207 E1
- 4208 F3
- 4209 F3
- 4210 F3
- 4211 F5
- 4212 F2
- 4213 D2
- 4214 D2
- 4215 D2
- 4216 D4
- 4217 F1
- 4218 F1
- 5200 D1
- 6201 C1
- 7200 A8
- 7201 B3
- 7202 B6
- 7203 C8
- 7204 D8
- 7205-A F4
- 7205-B F5
- 7205-C F6
- 7205-D F5
- 7206 F1

Note : Some values may varies, see respective parts list for correct value.

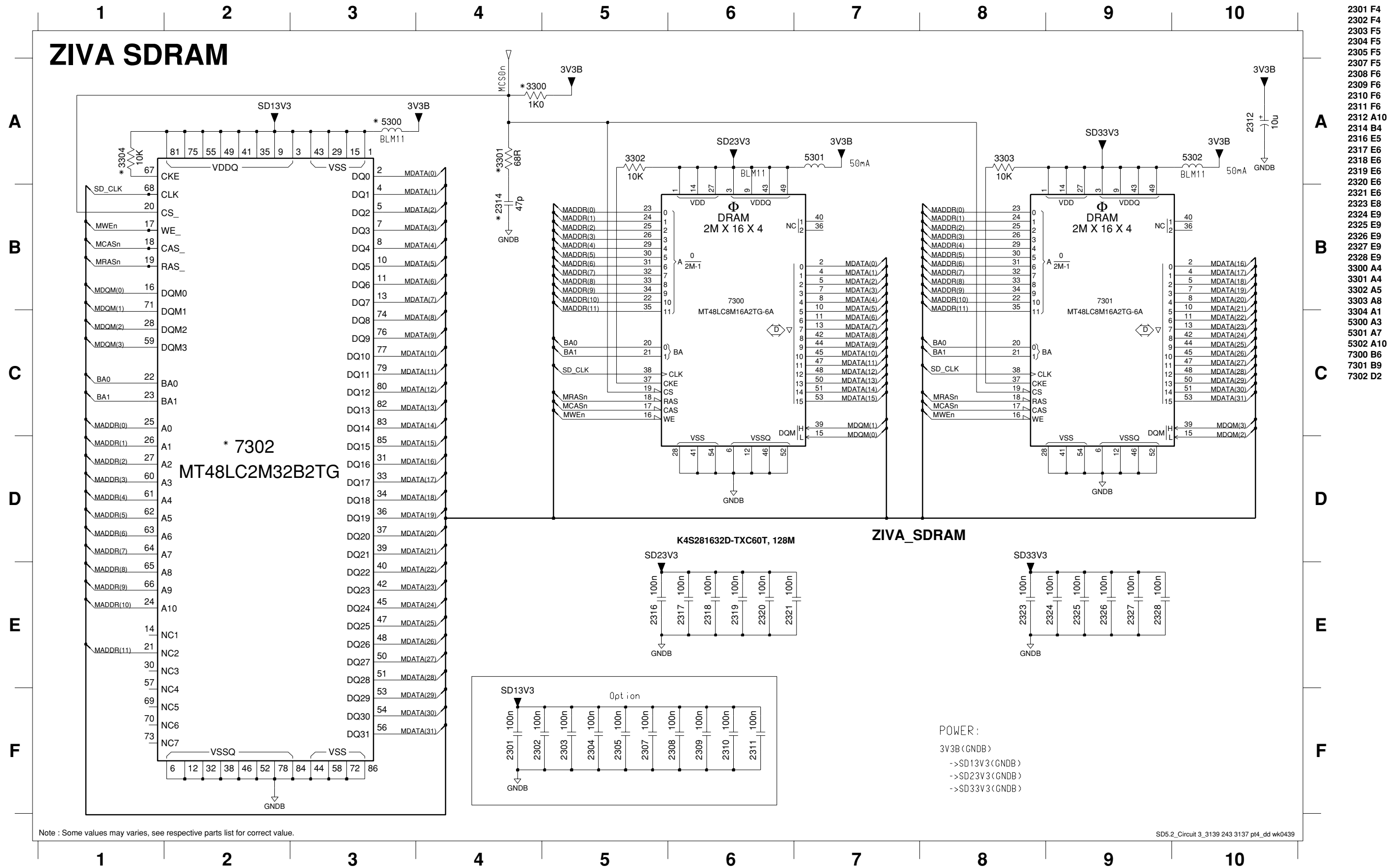
SD5.2_Circuit_2_3139 243 3137 pt4_dd wk0439

FLASH TYPE	16Mbits A(0:19)	32Mbits A(0:20)	64Mbits A(0:21)
ST	M29W160	M29W320	M29W641
MACRONIX	MX29LV160	MX29LV320	
Light	M29K016E	M29K032E	M29K064E

JUMPER	1 x 16Mb	1 x 32Mb	1 x 64Mb	1x64Mb LIGHT	2 x 16Mb	32Mb + 16Mb
4202	OFF	OFF	OFF	ON	OFF	OFF
4203	OFF	OFF	OFF	ON	OFF	OFF
4204	OFF	OFF	OFF	ON	OFF	OFF
4205	OFF	OFF	OFF	OFF	ON	OFF
4206	OFF	OFF	OFF	OFF	ON	OFF
4207	OFF	OFF	OFF	OFF	ON	OFF
4208	OFF	OFF	OFF	OFF	ON	OFF
4209	OFF	OFF	OFF	OFF	ON	OFF
4210	ON	ON	ON	ON	OFF	OFF
4211	OFF	OFF	OFF	OFF	ON	ON
4212	ON	ON	ON	ON	ON	ON
4213	ON	ON	ON	ON	ON	ON
4214	OFF	OFF	ON	OFF	OFF	OFF
4215	OFF	OFF	ON	OFF	OFF	OFF
4216	OFF	OFF	ON	OFF	OFF	OFF

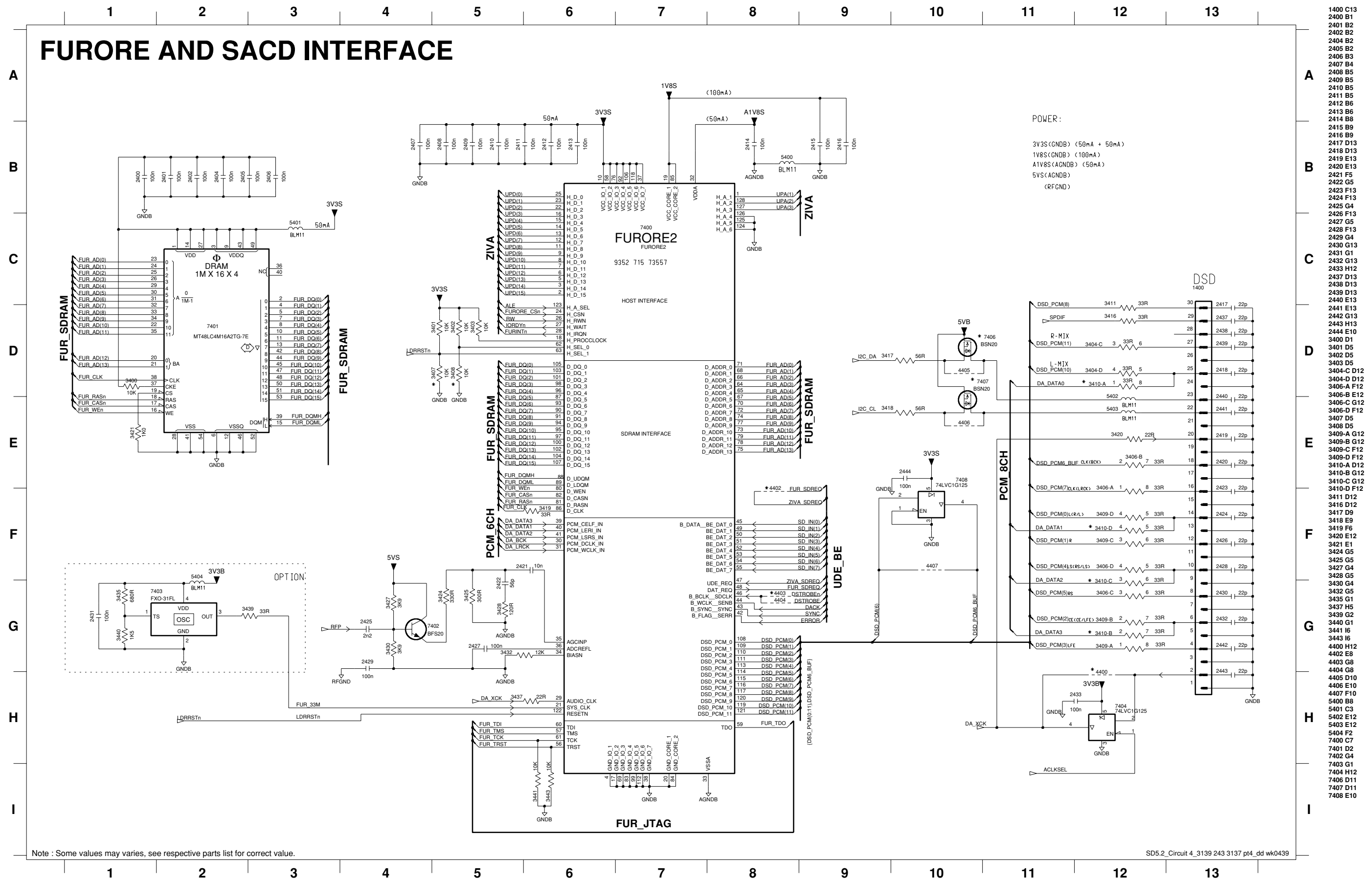
FLASH_CSn	UPA21/UPA22	FLASH_CS0n	FLASH_CS1n
1	x	1	1
0	0	0	1
0	1	1	0

CIRCUIT DIAGRAM (PART 3)



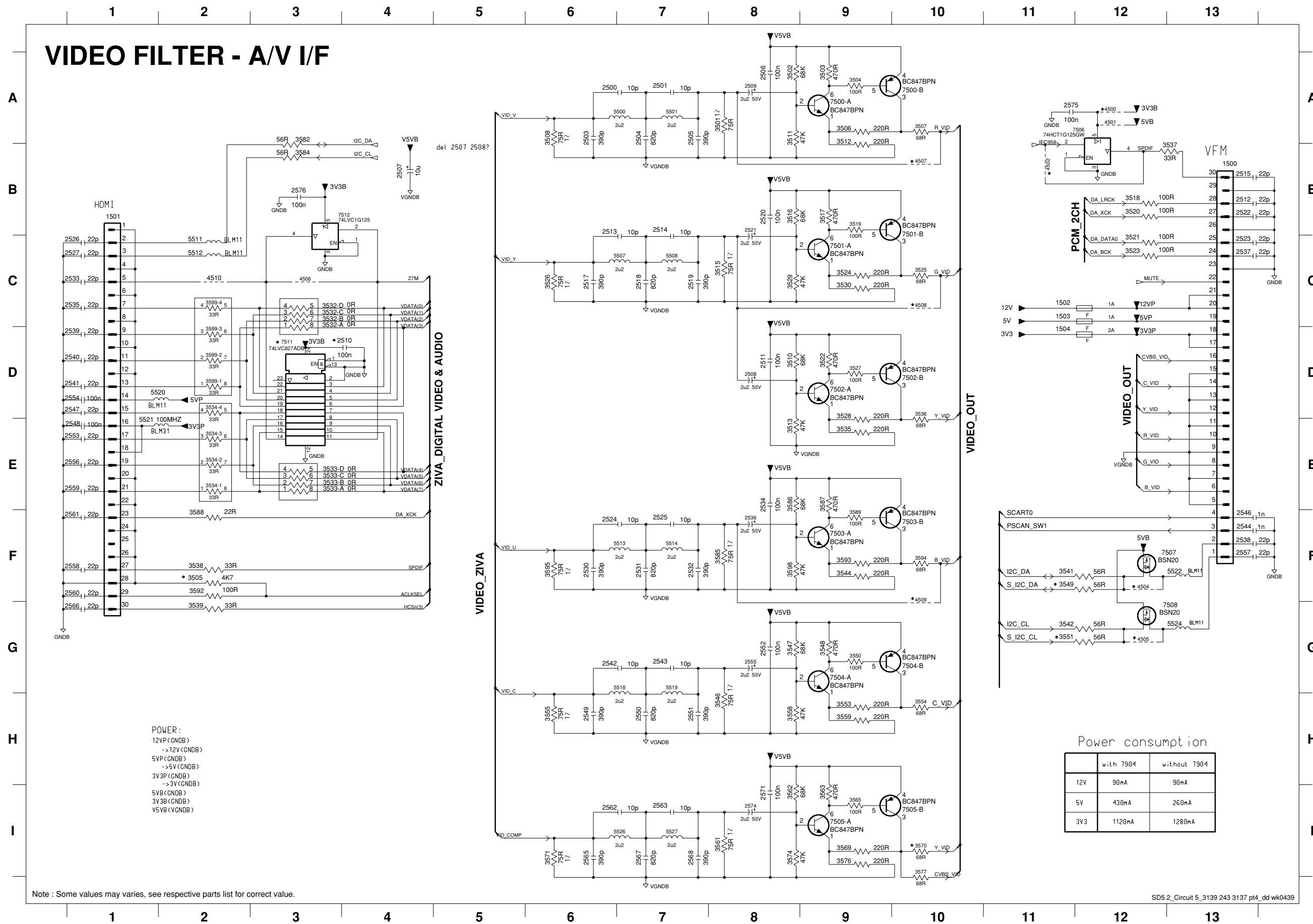
Note : Some values may varies, see respective parts list for correct value.

CIRCUIT DIAGRAM (PART 4)



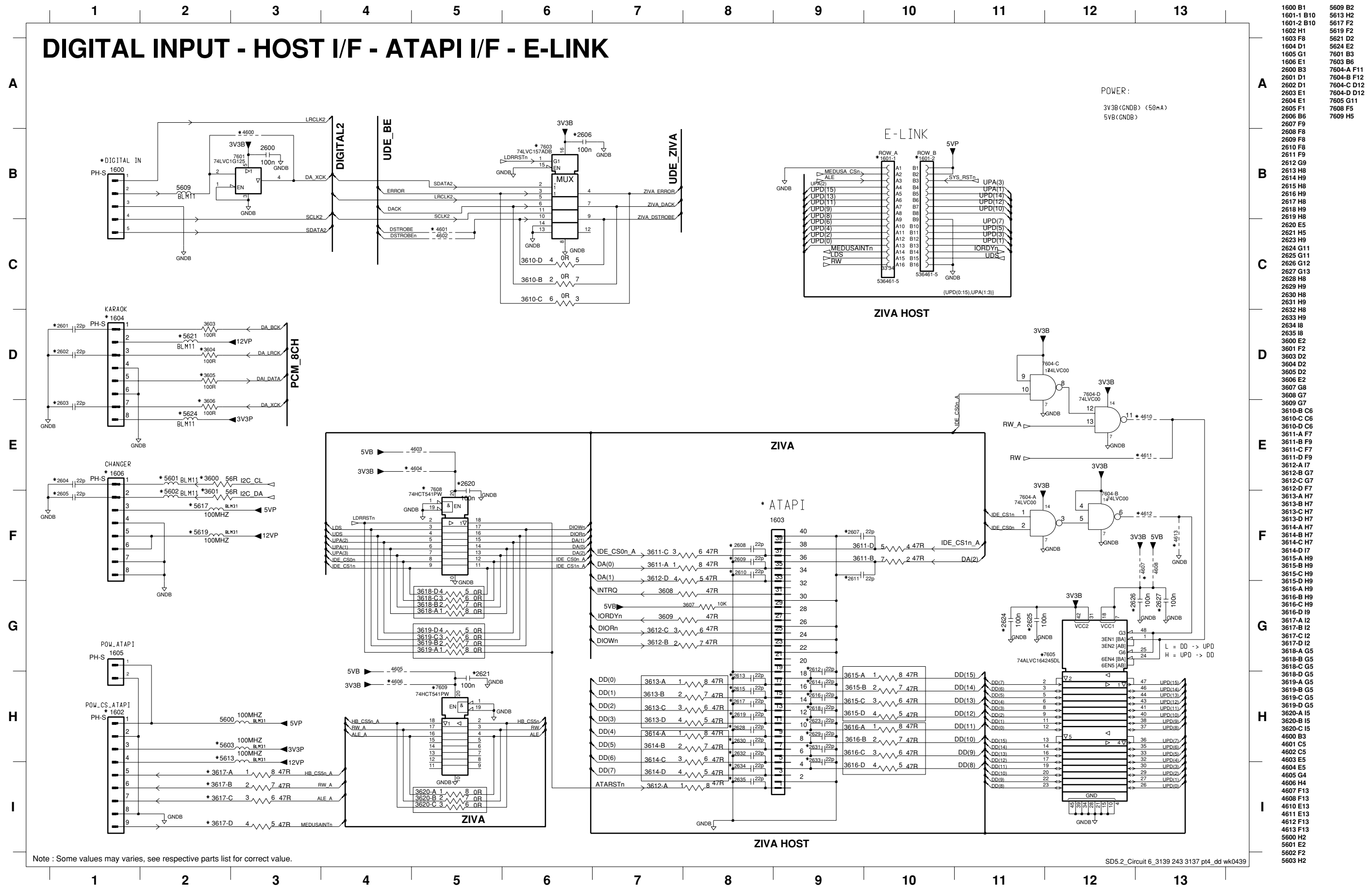
- 1400 C13
- 2400 B1
- 2401 B2
- 2402 B2
- 2404 B2
- 2405 B2
- 2406 B3
- 2407 B4
- 2408 B5
- 2409 B5
- 2410 B5
- 2411 B5
- 2412 B6
- 2413 B6
- 2414 B8
- 2415 B9
- 2416 B9
- 2417 D13
- 2418 D13
- 2419 E13
- 2420 E13
- 2421 F5
- 2422 G5
- 2423 F13
- 2424 F13
- 2425 G4
- 2426 F13
- 2427 G5
- 2428 F13
- 2429 G4
- 2430 G13
- 2431 G1
- 2432 G13
- 2433 H12
- 2437 D13
- 2438 D13
- 2439 D13
- 2440 E13
- 2441 E13
- 2442 G13
- 2443 H13
- 2444 E10
- 3400 D1
- 3401 D5
- 3402 D5
- 3403 D5
- 3404-C D12
- 3404-D F12
- 3406-A F12
- 3406-B E12
- 3406-C G12
- 3406-D F12
- 3407 D5
- 3408 D5
- 3409-A G12
- 3409-B G12
- 3409-C F12
- 3409-D F12
- 3410-A D12
- 3410-B G12
- 3410-C G12
- 3410-D F12
- 3411 D12
- 3416 D12
- 3417 D9
- 3418 E9
- 3419 F6
- 3420 E12
- 3421 E1
- 3424 G5
- 3425 G5
- 3427 G4
- 3428 G5
- 3430 G4
- 3432 G5
- 3435 G1
- 3437 H5
- 3439 G2
- 3440 G1
- 3441 I6
- 3443 I6
- 4400 H12
- 4402 E8
- 4403 G8
- 4404 G8
- 4405 D10
- 4406 E10
- 4407 F10
- 5400 B8
- 5401 C3
- 5402 E12
- 5403 E12
- 5404 F2
- 7400 C7
- 7401 D2
- 7402 G4
- 7403 G1
- 7404 H12
- 7406 D11
- 7407 D11
- 7408 E10

CIRCUIT DIAGRAM (PART 5)



- 1500 B13
- 1501 B1
- 1502 C11
- 1503 C11
- 1504 D11
- 2500 A6
- 2501 A7
- 2503 A6
- 2504 A7
- 2505 A7
- 2506 A8
- 2507 B4
- 2508 D8
- 2509 A8
- 2510 D4
- 2511 D8
- 2512 B13
- 2513 B6
- 2514 B7
- 2515 B13
- 2517 C6
- 2518 C7
- 2519 C7
- 2520 B8
- 2521 B8
- 2522 B13
- 2523 C13
- 2524 F6
- 2525 F7
- 2526 C1
- 2527 C1
- 2530 F6
- 2531 F7
- 2532 F7
- 2533 C1
- 2534 E8
- 2535 C1
- 2536 F8
- 2537 C13
- 2538 F8
- 2539 F13
- 2539 D1
- 2540 D1
- 2541 D1
- 2542 G6
- 2543 G7
- 2544 F13
- 2546 F13
- 2547 D1
- 2548 E1
- 2549 H6
- 2550 H7
- 2551 H7
- 2552 G6
- 2553 E1
- 2554 D1
- 2555 G8
- 2556 E1
- 2557 F13
- 2558 F1
- 2559 E1
- 2560 F1
- 2561 F1
- 2562 I6
- 2563 I7
- 2565 I6
- 2566 G1
- 2567 I7
- 2568 I7
- 2571 I8
- 2574 I8
- 2575 A11
- 2576 B3
- 3501 A8
- 3502 A8
- 3503 A9
- 3504 A9
- 3505 F2
- 3506 A9
- 3507 A10
- 3508 A6
- 3510 D8
- 3511 A8
- 3512 A9
- 3513 E8
- 3515 C8
- 3516 B8
- 3517 B9
- 3518 B12
- 3519 B9
- 3520 B12
- 3521 C12
- 3522 D9
- 3523 C12
- 3524 C9
- 3525 C10
- 3526 C6
- 3527 D9
- 3528 D9
- 3529 C8
- 3530 C9
- 3532-A D3
- 3532-B C3
- 3532-C C3
- 3532-D C3
- 3533-A E3
- 3533-B E3
- 3533-C E3
- 3533-D E3
- 3534-1 E2
- 3534-2 E2
- 3534-3 E2
- 3534-4 D2
- 3535 E9
- 3536 D10
- 3537 B13
- 3538 F2
- 3539 G2
- 3541 F11
- 3542 G11
- 3544 F9
- 3546 H8
- 3547 G8
- 3548 G9
- 3549 F11
- 3550 G9
- 3551 G11
- 3553 H9
- 3554 H10
- 3555 H6
- 3558 H8
- 3559 H9
- 3561 I8
- 3562 I8
- 3563 I9
- 3565 I9
- 3569 I9
- 3570 I10
- 3571 I6
- 3574 I8
- 3576 I9
- 3577 I10
- 3582 A3
- 3584 B3
- 3585 F8
- 3586 E8
- 3587 E9
- 3588 F2
- 3589 F9
- 3592 F2
- 3593 F9
- 3594 F10
- 3595 F6
- 3598 F8
- 3599-1 D2
- 3599-2 D2
- 3599-3 D2
- 3599-4 C2
- 4500 A12
- 4501 A12
- 4502 B11
- 4504 F12
- 4505 G12
- 4506 C3
- 4507 B10
- 4508 C10
- 4509 F10
- 4510 C2
- 4500 A7
- 4501 A7
- 4507 C7
- 4511 C2
- 4512 C2
- 4513 F7
- 4514 F7
- 4515 G7
- 4516 D1
- 4517 F13
- 4522 F13
- 4524 G13
- 4526 I7
- 4527 I7
- 7500-A A9
- 7500-B A10
- 7501-A C9
- 7501-B B10
- 7502-A D9
- 7502-B D10
- 7503-A F9
- 7503-B F10
- 7504-A G9
- 7504-B G10
- 7505-A I9
- 7505-B I10
- 7506 A12
- 7507 F13
- 7508 G13
- 7511 D3
- 7512 B3

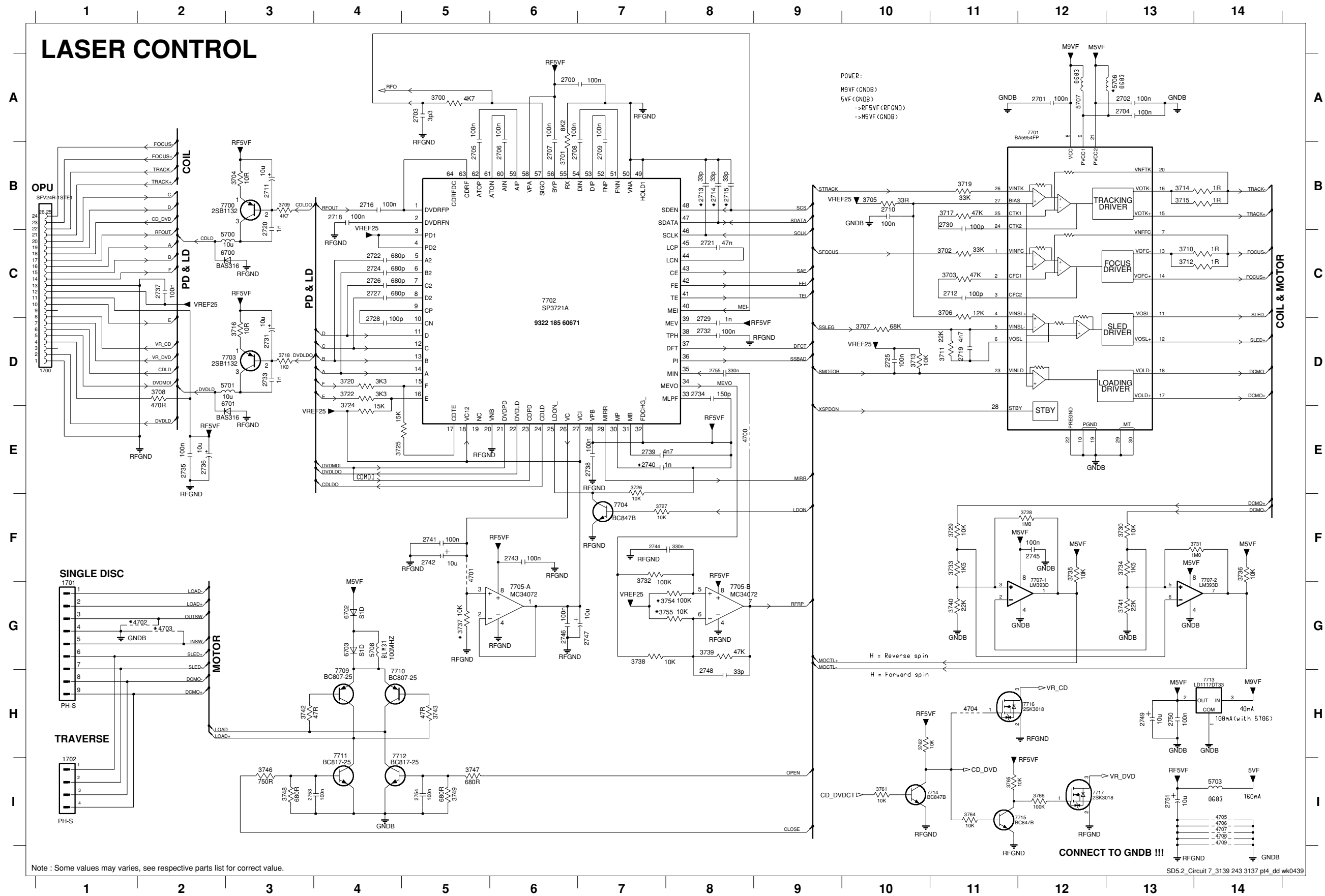
CIRCUIT DIAGRAM (PART 6)



- 1600 B1
- 1601-1 B10
- 1601-2 B10
- 1602 H1
- 1603 F8
- 1604 D1
- 1605 G1
- 1606 E1
- 2600 B3
- 2601 D1
- 2602 D1
- 2603 E1
- 2604 E1
- 2605 F1
- 2606 B6
- 2607 F9
- 2608 F8
- 2609 F8
- 2610 F8
- 2611 F9
- 2612 G9
- 2613 H8
- 2614 H9
- 2615 H8
- 2616 H9
- 2617 H8
- 2618 H9
- 2619 H8
- 2620 E5
- 2621 H5
- 2623 H9
- 2624 G11
- 2625 C11
- 2626 G12
- 2627 G13
- 2628 H8
- 2629 H9
- 2630 H8
- 2631 H9
- 2632 H8
- 2633 H9
- 2634 I8
- 2635 I8
- 3600 E2
- 3601 F2
- 3603 D2
- 3604 D2
- 3605 D2
- 3606 E2
- 3607 G8
- 3608 G7
- 3609 G7
- 3610-B C6
- 3610-C C6
- 3610-D C6
- 3611-A F7
- 3611-B F9
- 3611-C F7
- 3611-D F9
- 3612-A I7
- 3612-B G7
- 3612-C G7
- 3612-D F7
- 3613-A H7
- 3613-B H7
- 3613-C H7
- 3613-D H7
- 3614-A H7
- 3614-B H7
- 3614-C H7
- 3614-D I7
- 3615-A H9
- 3615-B H9
- 3615-C H9
- 3615-D H9
- 3616-A H9
- 3616-B H9
- 3616-C H9
- 3616-D H9
- 3617-A I2
- 3617-B I2
- 3617-C I2
- 3617-D I2
- 3618-A G5
- 3618-B G5
- 3618-C G5
- 3618-D G5
- 3619-A G5
- 3619-B G5
- 3619-C G5
- 3619-D G5
- 3620-A I5
- 3620-B I5
- 3620-C I5
- 4600 B3
- 4601 C5
- 4602 C5
- 4603 E5
- 4604 E5
- 4605 G4
- 4606 H4
- 4607 F13
- 4608 F13
- 4610 E13
- 4611 E13
- 4612 F13
- 4613 F13
- 5600 H2
- 5601 E2
- 5602 F2
- 5603 H2
- 5613 H2
- 5617 F2
- 5619 F2
- 5621 D2
- 5624 E2
- 7601 B3
- 7603 B6
- 7604-A F11
- 7604-B F12
- 7604-C D12
- 7604-D D12
- 7605 G11
- 7608 F5
- 7609 H5

Note : Some values may varies, see respective parts list for correct value.

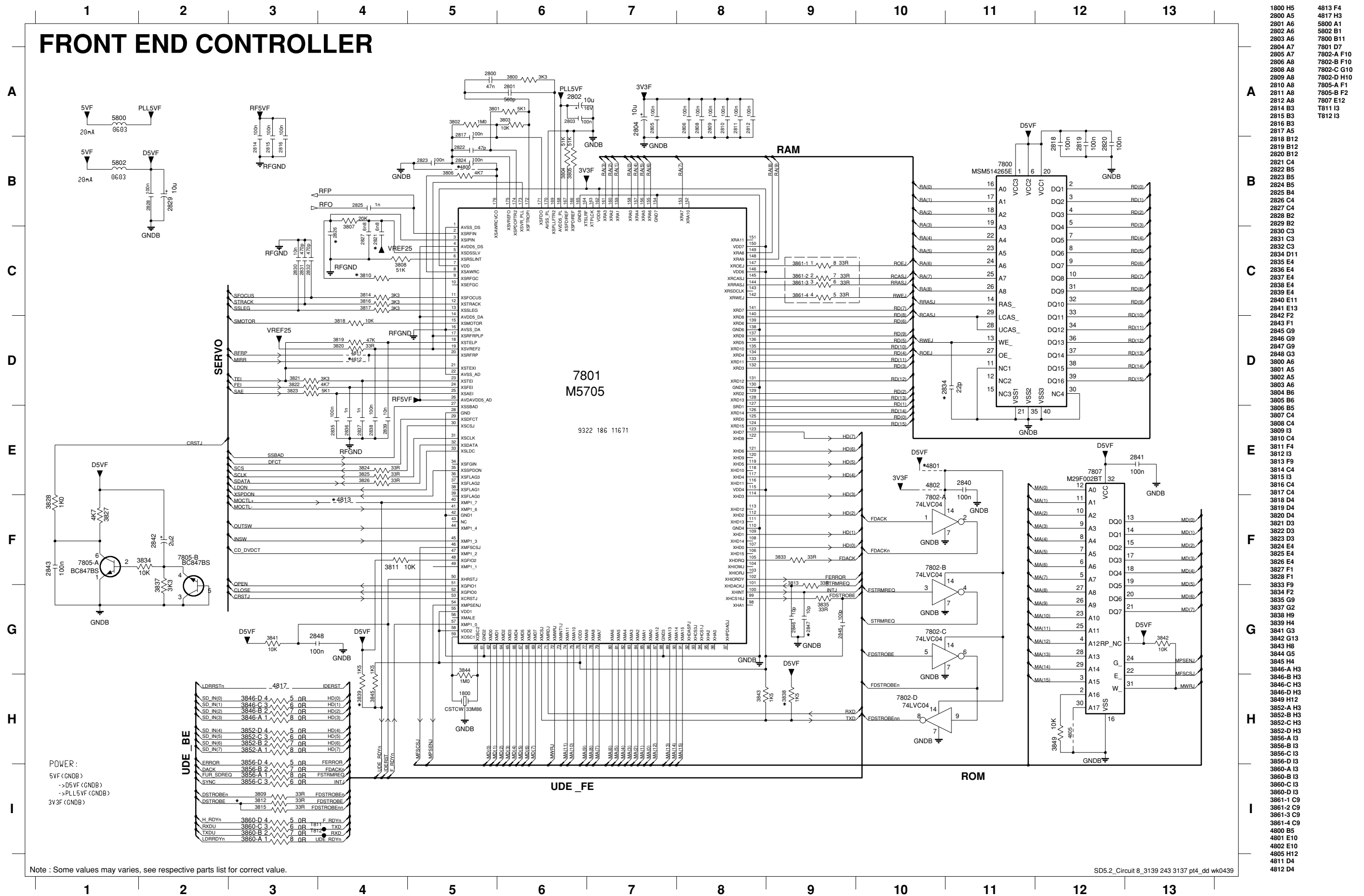
CIRCUIT DIAGRAM (PART 7)



- 1700 D1
- 1701 G1
- 1702 I1
- 2700 A6
- 2701 A12
- 2702 A13
- 2703 A5
- 2704 A13
- 2705 B5
- 2706 B6
- 2707 B6
- 2708 B6
- 2709 B7
- 2710 B10
- 2711 B3
- 2712 C11
- 2713 B8
- 2714 B8
- 2715 B8
- 2716 B4
- 2718 B4
- 2719 D11
- 2720 B3
- 2721 C8
- 2722 C4
- 2724 C4
- 2725 D10
- 2726 C4
- 2727 C4
- 2728 D4
- 2729 D8
- 2730 B11
- 2731 D3
- 2732 D8
- 2733 D3
- 2734 D8
- 2735 E2
- 2736 E2
- 2737 C2
- 2738 E7
- 2739 E7
- 2740 E7
- 2741 F5
- 2742 F5
- 2743 F6
- 2744 F7
- 2745 F12
- 2746 G6
- 2747 G7
- 2748 H8
- 2749 H13
- 2750 H13
- 2751 H3
- 2753 I3
- 2754 I5
- 2755 D8
- 3700 A5
- 3701 B6
- 3702 C11
- 3703 C11
- 3704 B3
- 3705 B10
- 3706 C11
- 3707 D10
- 3708 D2
- 3709 B3
- 3710 C13
- 3711 D11
- 3712 C13
- 3713 D10
- 3714 B13
- 3715 B13
- 3716 D3
- 3717 B11
- 3718 D3
- 3719 B11
- 3720 D4
- 3722 D4
- 3724 E4
- 3725 E4
- 3726 E7
- 3727 F7
- 3728 F12
- 3729 F11
- 3730 F13
- 3731 F14
- 3732 G7
- 3733 F11
- 3734 F13
- 3735 F12
- 3736 F14
- 3737 G5
- 3738 G7
- 3739 G8
- 3740 G11
- 3741 G13
- 3742 H3
- 3743 H5
- 3746 I3
- 3747 I5
- 3748 I5
- 3749 I5
- 3754 G8
- 3755 G8
- 3761 I10
- 3762 H10
- 3764 I11
- 3765 I11
- 3766 I12
- 4700 E8
- 4701 F5
- 4702 G2
- 4703 G2
- 4704 H11
- 4705 I14
- 4706 I14
- 4707 I14
- 4708 I14
- 4709 I14
- 5700 C3
- 5701 D3
- 5703 I4
- 5706 A13
- 5707 A12
- 5708 G4
- 6700 C3
- 6701 D3
- 6702 G4
- 6703 G4
- 7700 B3
- 7701 A12
- 7702 C6
- 7703 D3
- 7704 F7
- 7705-A G6
- 7705-B G8
- 7707-1 F12
- 7707-2 F14
- 7709 G4
- 7710 G5
- 7711 H4
- 7712 I5
- 7713 H14
- 7714 I0
- 7715 I1
- 7716 H12
- 7717 I12

Note : Some values may varies, see respective parts list for correct value.

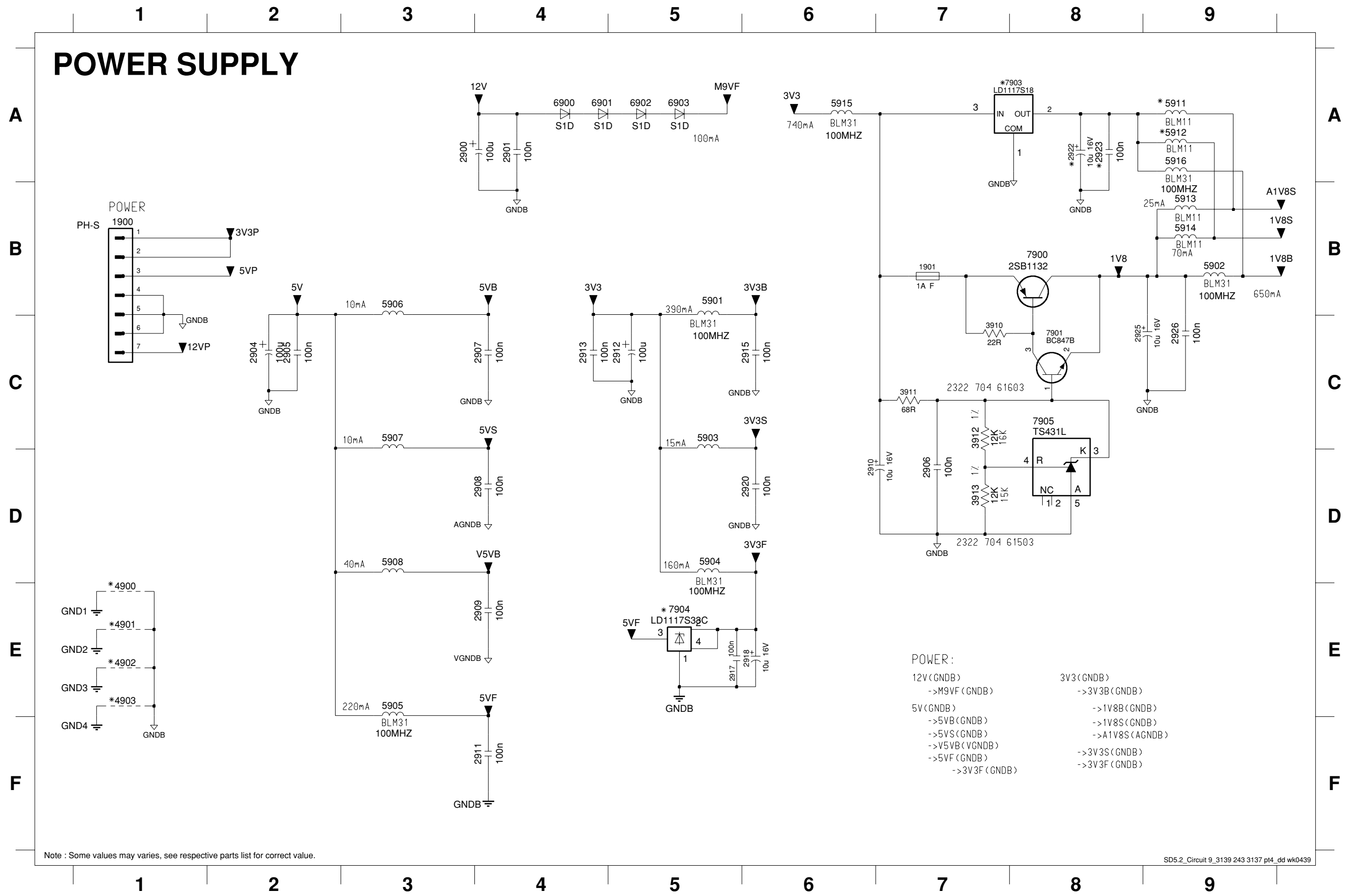
CIRCUIT DIAGRAM (PART 8)



Note : Some values may varies, see respective parts list for correct value.

CIRCUIT DIAGRAM (PART 9)

POWER SUPPLY



- 1900 B1
- 1901 B7
- 2900 A3
- 2901 A4
- 2904 C2
- 2905 C2
- 2906 D7
- 2907 C4
- 2908 D4
- 2909 E4
- 2910 D6
- 2911 F4
- 2912 C5
- 2913 C4
- 2915 C6
- 2917 E5
- 2918 E6
- 2920 D6
- 2922 A8
- 2923 A8
- 2925 C8
- 2926 C9
- 3910 C7
- 3911 C7
- 3912 C7
- 3913 D7
- 4900 E1
- 4901 E1
- 4902 E1
- 4903 E1
- 5901 B5
- 5902 B9
- 5903 C5
- 5904 D5
- 5905 E3
- 5906 B3
- 5907 C3
- 5908 D3
- 5911 A9
- 5912 A9
- 5913 B9
- 5914 B9
- 5915 A6
- 5916 A9
- 6900 A4
- 6901 A4
- 6902 A5
- 6903 A5
- 7900 B8
- 7901 C8
- 7903 A8
- 7904 E5
- 7905 C8

POWER :

12V (GNDB)	3V3 (GNDB)
->M9VF (GNDB)	->3V3B (GNDB)
5V (GNDB)	->1V8B (GNDB)
->5VB (GNDB)	->1V8S (GNDB)
->5VS (GNDB)	->A1V8S (AGNDB)
->V5VB (VGNDB)	->3V3S (GNDB)
->5VF (GNDB)	->3V3F (GNDB)
->3V3F (GNDB)	

Note : Some values may varies, see respective parts list for correct value.

PARTS LIST - MODULE SD5.2 (S) XSA 4FL DV HDMI

0001	3139 248 72052	LOADER A97SL ACTIMA SILVER
1001	3139 248 83641	PCBA SD5.2(S)XSA 4FL DV HDMI

Note : Only the parts mentioned in this list are normal service spare parts.

ELECTRICAL PARTS LIST - SD5.2 (S) XSA 4FL DV HDMI BOARD**MISCELLANEOUS**

1400	2422 025 17451	FLEX CONNECTOR 30P
1500	2422 025 17451	FLEX CONNECTOR 30P
1501	2422 025 17451	FLEX CONNECTOR 30P
1502	2422 086 11102	FUSE SM F 1A 125V UL R
1503	2422 086 11102	FUSE SM F 1A 125V UL R
1504	2422 086 11103	FUSE SM F 2A 125V UL R
1700	2422 025 17871	FLEX CONNECTOR 24P
1800	2422 540 98538	RES CER SM 33M86 CSTCW
1901	2422 086 11102	FUSE SM F 1A 125V UL R

CAPACITORS

2111	4822 124 23002	10uF 16V
2124	4822 124 12095	100uF 20% 16V
2127	4822 124 12095	100uF 20% 16V
2129	4822 124 12095	100uF 20% 16V
2131	4822 124 23002	10uF 16V
2138	4822 124 23002	10uF 16V
2139	4822 124 23002	10uF 16V
2210	4822 124 23002	10uF 16V
2312	4822 124 23002	10uF 16V
2507	4822 124 23002	10uF 16V
2508	3198 030 82280	2,2uF 20% 50V
2509	3198 030 82280	2,2uF 20% 50V
2521	3198 030 82280	2,2uF 20% 50V
2536	3198 030 82280	2,2uF 20% 50V
2555	3198 030 82280	2,2uF 20% 50V
2574	3198 030 82280	2,2uF 20% 50V
2711	4822 124 23002	10uF 16V
2731	4822 124 23002	10uF 16V
2736	4822 124 23002	10uF 16V
2742	4822 124 23002	10uF 16V
2747	4822 124 23002	10uF 16V
2751	4822 124 23002	10uF 16V
2802	4822 124 23002	10uF 16V
2804	4822 124 23002	10uF 16V
2829	4822 124 23002	10uF 16V
2842	3198 030 82280	2,2uF 20% 50V
2900	4822 124 12095	100uF 20% 16V
2904	4822 124 12095	100uF 20% 16V
2910	4822 124 23002	10uF 16V
2912	4822 124 12095	100uF 20% 16V
2918	4822 124 23002	10uF 16V
2925	4822 124 23002	10uF 16V

RESISTORS

3101	3198 031 13390	RST NETW 1206 4X 33R 5%
3102	3198 031 13390	RST NETW 1206 4X 33R 5%
3103	3198 031 13390	RST NETW 1206 4X 33R 5%
3104	3198 031 13390	RST NETW 1206 4X 33R 5%
3106	3198 031 13390	RST NETW 1206 4X 33R 5%
3107	3198 031 13390	RST NETW 1206 4X 33R 5%
3108	3198 031 13390	RST NETW 1206 4X 33R 5%
3166	3198 031 13390	RST NETW 1206 4X 33R 5%
3181	3198 031 13390	RST NETW 1206 4X 33R 5%
3185	3198 031 13390	RST NETW 1206 4X 33R 5%
3192	3198 031 13390	RST NETW 1206 4X 33R 5%
3198	3198 031 13390	RST NETW 1206 4X 33R 5%
3404	3198 031 13390	RST NETW 1206 4X 33R 5%
3406	3198 031 13390	RST NETW 1206 4X 33R 5%
3409	3198 031 13390	RST NETW 1206 4X 33R 5%
3532	2120 108 94059	RST NETW SMRAC164X Jumper
3533	2120 108 94059	RST NETW SMRAC164X Jumper
3534	3198 031 13390	RST NETW 1206 4X 33R 5%
3599	3198 031 13390	RST NETW 1206 4X 33R 5%
3610	2120 108 94059	RST NETW SMRAC164X Jumper
3846	2120 108 94059	RST NETW SMRAC164X Jumper
3852	2120 108 94059	RST NETW SMRAC164X Jumper
3856	2120 108 94059	RST NETW SMRAC164X Jumper
3860	2120 108 94059	RST NETW SMRAC164X Jumper
3861	3198 031 13390	RST NETW 1206 4X 33R 5%

COILS & FILTERS

5102	4822 157 11499	IND FXD 0603 100MHz 60R
5103	4822 157 11499	IND FXD 0603 100MHz 60R
5104	4822 157 11499	IND FXD 0603 100MHz 60R
5105	4822 157 11499	IND FXD 0603 100MHz 60R
5106	4822 157 11499	IND FXD 0603 100MHz 60R
5107	4822 157 11499	IND FXD 0603 100MHz 60R
5108	4822 157 11499	IND FXD 0603 100MHz 60R
5109	4822 157 11499	IND FXD 0603 100MHz 60R
5110	4822 157 11499	IND FXD 0603 100MHz 60R
5200	4822 157 11499	IND FXD 0603 100MHz 60R
5301	4822 157 11499	IND FXD 0603 100MHz 60R
5302	4822 157 11499	IND FXD 0603 100MHz 60R
5400	4822 157 11499	IND FXD 0603 100MHz 60R
5401	4822 157 11499	IND FXD 0603 100MHz 60R
5404	4822 157 11499	IND FXD 0603 100MHz 60R
5500	4822 157 70299	FXD IND SM 1210 2,2uH 5%

ELECTRICAL PARTS LIST - SD5.2 (S) XSA 4FL DV HDMI BOARD

5501	4822 157 70299	FXD IND SM 1210 2,2uH 5%	7300	9322 196 10668	IC SM MT48LC8M16A2TG-6A
5507	4822 157 70299	FXD IND SM 1210 2,2uH 5%	7300	9322 197 09668	IC SM K4S281632ET-TC60
5508	4822 157 70299	FXD IND SM 1210 2,2uH 5%	7301	9322 196 10668	IC SM MT48LC8M16A2TG-6A
5511	4822 157 11499	IND FXD 0603 100MHz 60R	7301	9322 197 09668	IC SM K4S281632ET-TC60
5512	4822 157 11499	IND FXD 0603 100MHz 60R	7400	9352 715 73557	IC SM SAA7329HL
5513	4822 157 70299	FXD IND SM 1210 2,2uH 5%	7401	9322 166 67668	IC SM MT48LC4M16A2TG-7E
5514	4822 157 70299	FXD IND SM 1210 2,2uH 5%	7401	9322 178 78668	IC SM K4S641632F-TC70
5518	4822 157 70299	FXD IND SM 1210 2,2uH 5%	7401	9322 207 32668	IC SM K4S641632H-TC60
5519	4822 157 70299	FXD IND SM 1210 2,2uH 5%	7402	5322 130 42718	TRA SIG SM BFS20
5522	4822 157 11499	IND FXD 0603 100MHz 60R	7403	2722 171 08744	OSC XTL SM 33MHz 15P FX0-31
5524	4822 157 11499	IND FXD 0603 100MHz 60R	7500	9340 425 30115	TRA SIG SM BC847BPN
5526	4822 157 70299	FXD IND SM 1210 2,2uH 5%	7501	9340 425 30115	TRA SIG SM BC847BPN
5527	4822 157 70299	FXD IND SM 1210 2,2uH 5%	7502	9340 425 30115	TRA SIG SM BC847BPN
5700	2422 536 00215	IND FXD SM 1008 10U 5%	7503	9340 425 30115	TRA SIG SM BC847BPN
5701	2422 536 00215	IND FXD SM 1008 10U 5%	7504	9340 425 30115	TRA SIG SM BC847BPN
5703	4822 157 11499	IND FXD 0603 100MHz 60R	7505	9340 425 30115	TRA SIG SM BC847BPN
5707	4822 157 11499	IND FXD 0603 100MHz 60R	7506	9352 687 20125	IC SM 74LVC1G125GW
5800	4822 157 11499	IND FXD 0603 100MHz 60R	7507	9965 000 04199	FET SIG SM BSN20
5802	4822 157 11499	IND FXD 0603 100MHz 60R	7508	9965 000 04199	FET SIG SM BSN20
5901	4822 157 11717	IND FXD 1206 100MHz 50R	7700	4822 130 11565	TRA POW SM 2SB1132
5902	4822 157 11717	IND FXD 1206 100MHz 50R	7701	9322 187 63668	IC SM BA5954FP
5903	4822 157 11499	IND FXD 0603 100MHz 60R	7702	9322 185 60671	IC SM SP3721AAA0PM
5904	4822 157 11717	IND FXD 1206 100MHz 50R	7703	4822 130 11565	TRA POW SM 2SB1132
5905	4822 157 11717	IND FXD 1206 100MHz 50R	7704	5322 130 60159	BC847B
5906	4822 157 11499	IND FXD 0603 100MHz 60R	7705	4822 209 32073	IC SM MC34072D
5907	4822 157 11499	IND FXD 0603 100MHz 60R	7707	5322 209 61472	IC SM LM393D
5908	4822 157 11499	IND FXD 0603 100MHz 60R	7709	3198 010 43130	BC807-25
5913	4822 157 11499	IND FXD 0603 100MHz 60R	7710	3198 010 43130	BC807-25
5914	4822 157 11499	IND FXD 0603 100MHz 60R	7711	4822 130 42804	BC817-25
5915	4822 157 11717	IND FXD 1206 100MHz 50R	7712	4822 130 42804	BC817-25
			7713	9322 202 58668	IC SM LD1117DT50
			7714	5322 130 60159	BC847B
			7715	5322 130 60159	BC847B
			7716	3141 018 51690	TRA SM 2SK3018
			7717	3141 018 51690	TRA SM 2SK3018
			7800	9322 174 02668	IC SM MSM514265C-60JS
			7801	9322 186 11671	IC SM M5705
			7802	9352 424 10118	IC SM 74LVC04ADB
			7805	9340 425 20115	TRA SIG SM BC847BS
			7807	9322 207 81668	IC SM M29F002BT-70K6
			7807	4822 816 10944	IC SM M29F002BT-70K1
			7900	4822 130 11565	TRA POW SM 2SB1132
			7901	5322 130 60159	BC847B
			7905	9322 146 75685	IC SM TS431IL
					Note : Only the parts mentioned in this list are normal service spare parts.

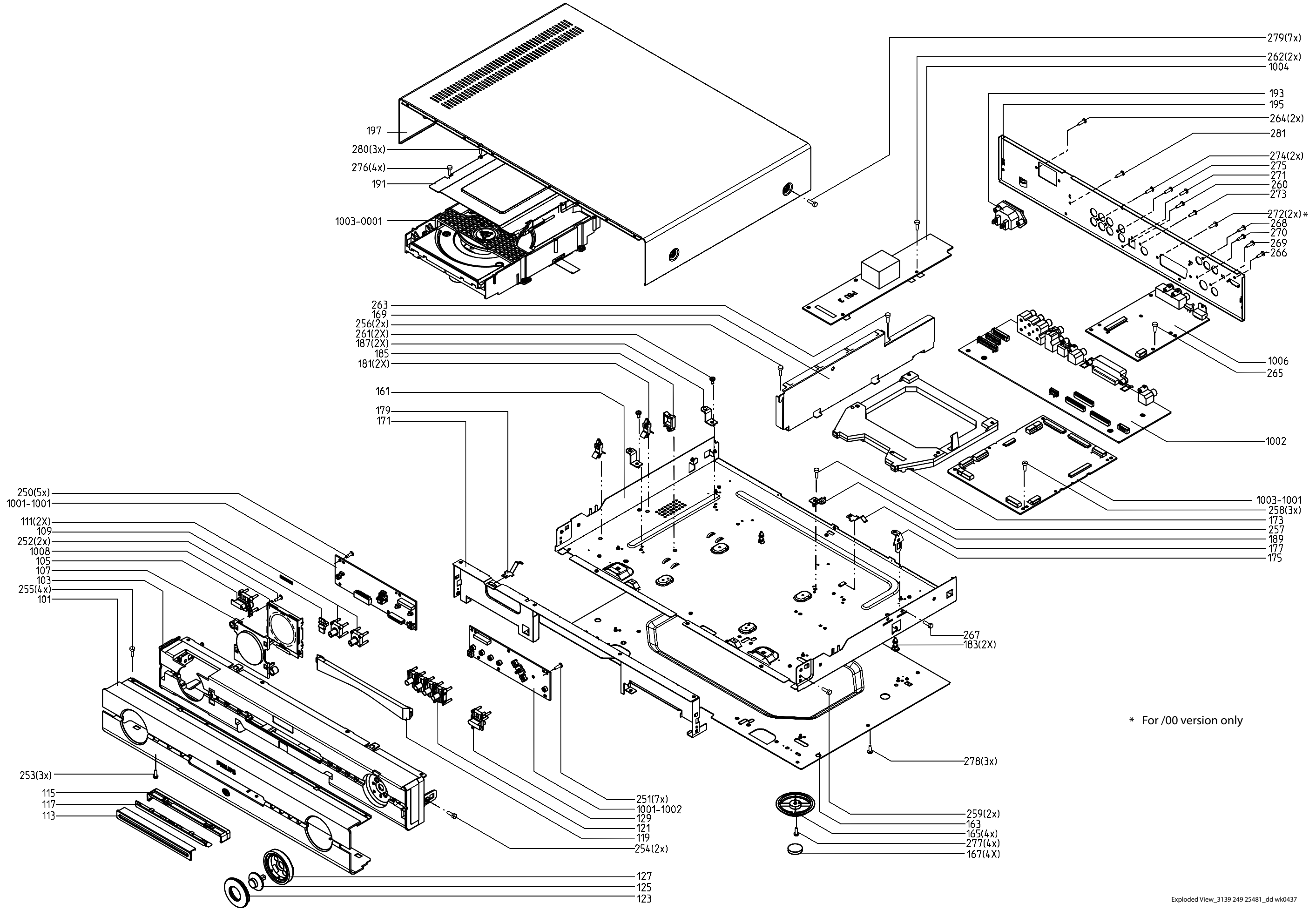
DIODES

6700	4822 130 11397	DIO SIG SM BAS316
6701	4822 130 11397	DIO SIG SM BAS316
6702	9322 128 69685	DIO REC SM S1D
6703	9322 128 69685	DIO REC SM S1D
6900	9322 128 69685	DIO REC SM S1D
6901	9322 128 69685	DIO REC SM S1D
6902	9322 128 69685	DIO REC SM S1D
6903	9322 128 69685	DIO REC SM S1D

TRANSISTORS & INTEGRATED CIRCUITS

7100	9340 425 20115	TRA SIG SM BC847BS
7101	9322 202 25671	IC SM ZIVA-5X-C2
7103	9340 425 20115	TRA SIG SM BC847BS
7104	2722 171 08709	OSC XTL SM 27MHz 20P FX0-31
7200	9352 190 10118	IC SM 74LVC573ADB
7201	9322 190 54668	IC SM M29W320DT-70N1
7201	9322 191 28668	IC SM M29W320DT-70N6
7203	9352 190 10118	IC SM 74LVC573ADB
7204	9352 190 10118	IC SM 74LVC573ADB
7206	9322 130 41668	IC SM M24C64-WMN6

SET MECHANICAL EXPLODED VIEW



* For /00 version only

MECHANICAL & ACCESSORIES PARTS LIST - MAIN UNIT**SCREW LISTS - MAIN UNIT**

0101	3139 241 60092	PANEL ORNAMENTAL AL	250	D3 x 10
0103	3139 244 05552	CABINET FRONT	251	D3 x 10
0105	3139 244 05541	BUTTON PWR STDBY CHROME	252	D3 x 10
0107	3139 244 05531	WINDOW DISPLAY	253	M3 x 6
0109	3139 244 05521	WINDOW IR	254	M3 x 6
0111	3139 244 05512	CAP AUD DIR/SOUND CHROME	255	M3 x 6
0113	3139 241 60081	COVER TRAY ORNAMENTAL AL	256	M3 x 6
0115	3139 244 05502	COVER TRAY	257	M3 x 6
0117	3139 244 05491	LIGHT BAR DVD TRAY	258	M3 x 6
0121	3139 244 05471	BUTTON SET CONTROL	259	M3 x 6
0123	3139 244 05461	COVER JOYSTICK FUNCTION	260	M3 x 6
0125	3139 244 05452	JOYSTICK FUNCTION	261	M3 x 6
0127	3139 244 05441	LIGHT RING FUNCTION	262	M3 x 6
0129	3139 244 05431	BUTTON MENU	263	M3 x 6
0165	9965 000 21117	PLASTIC FOOT	264	D3 x 10
0167	3103 304 74201	RUBBER FEET	265	M3 x 6
0173	3139 244 05561	BRACKET LOADER	266	M3 x 6
0177	3139 111 01470	SPRING GROUNDING	267	M3 x 6
0179	3139 111 01470	SPRING GROUNDING	268	D3 x 10
0181	2422 015 19105	SPACER LOCKING	269	D3 x 10
0183	3139 240 40061	SPACER - 8MM	270	D3 x 10
0185	2422 015 16892	SADDLE WIRE	271	D3 x 10
0193	2422 030 00408	MAINS SOCKET	272	D3 x 10 /00
0333	3139 248 72131	REMOTE CONTROL	273	D3 x 10
0336	2422 070 00005 Δ	MAINS CORD	274	D3 x 10
0338	2422 076 00304	CABLE CINCH 1M5 YE/RD/WH /69	275	D3 x 10
0340	3103 308 92610	CABLE AUDIO 2X2RCA MALE /69	276	M3 x 18
0341	4822 321 61579	VIDEO-CABLE /69	277	M3 x 6
0342	2422 076 00468 Δ	CABLE SCART 1M1 SCART 21P /00	278	M3 x 6
1001	3139 248 83591	PCBAS FRONT	279	M3 x 6
1002	3139 248 83491	PCBAS AV /00	280	D3 x 10
1002	3139 248 83481	PCBAS AV /69	281	M3 x 6
1004	3139 248 71951 Δ	MODULE PSU BIL PERF2003 WR HE		
1006	3139 248 82981	PCBAS PSCAN HDMI		
1008	3139 247 10921	LCM MODULE		
8102	3139 111 04261	FFC FOIL 30P/220/30P BD 1MMP		
8103	3139 241 00251	FFC FOIL 30P/080/30P BD 1MMP		
8104	3139 241 00251	FFC FOIL 30P/080/30P BD 1MMP		

Note : Only the parts mentioned in this list are normal service spare parts.

PSU BOARD

(For Information only)

It is not recommended for component repair on this board but to replace the board when it becomes defective.

Therefore no service parts list is published in this chapter.

The only service part available for replacement is:

Module PSU BIL PERF2003 WR HE 3139 248 71951

TABLE OF CONTENTS

Circuit Diagram 10-2

PSU BOARD - CIRCUIT DIAGRAM

