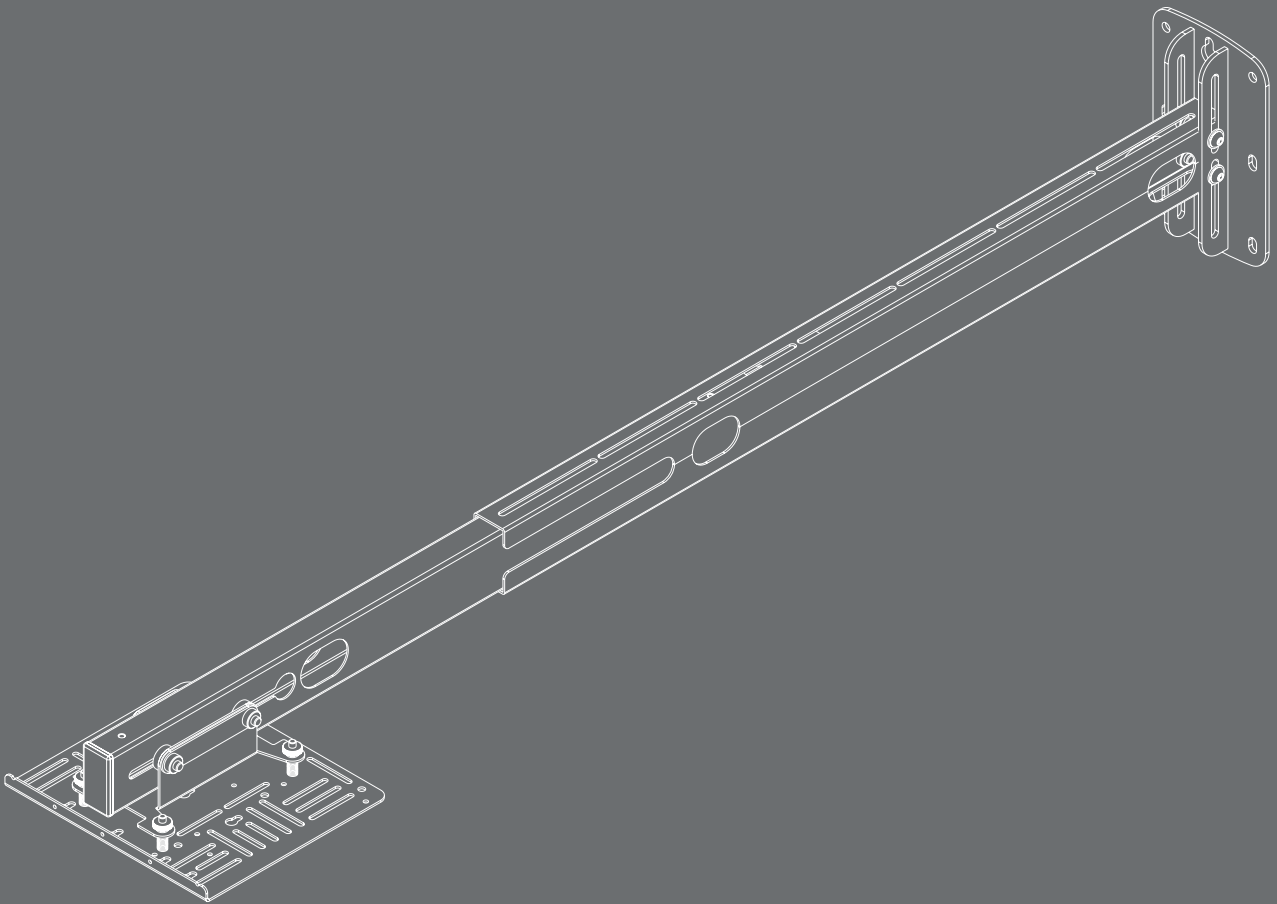


# Short throw projector wall mount












# Safety







Read these instructions carefully before installing your equipment

- Install the mount in a suitable location using fixings, which are appropriate for the wall material and structure
- Consult a qualified builder if you are in any doubt as to the structural integrity of the wall
- Use all available fixing points
- DO NOT attempt to alter or modify any part of the wall mount or its attachments
- DO NOT use if any parts are broken or appear to be damaged
- Tighten all bolts and fixings securely
- Only use fixing provided with this bracket
- DO NOT mount your projector near to sources of heat or moisture
- Always have a minimum of two persons to install the projector and the mount

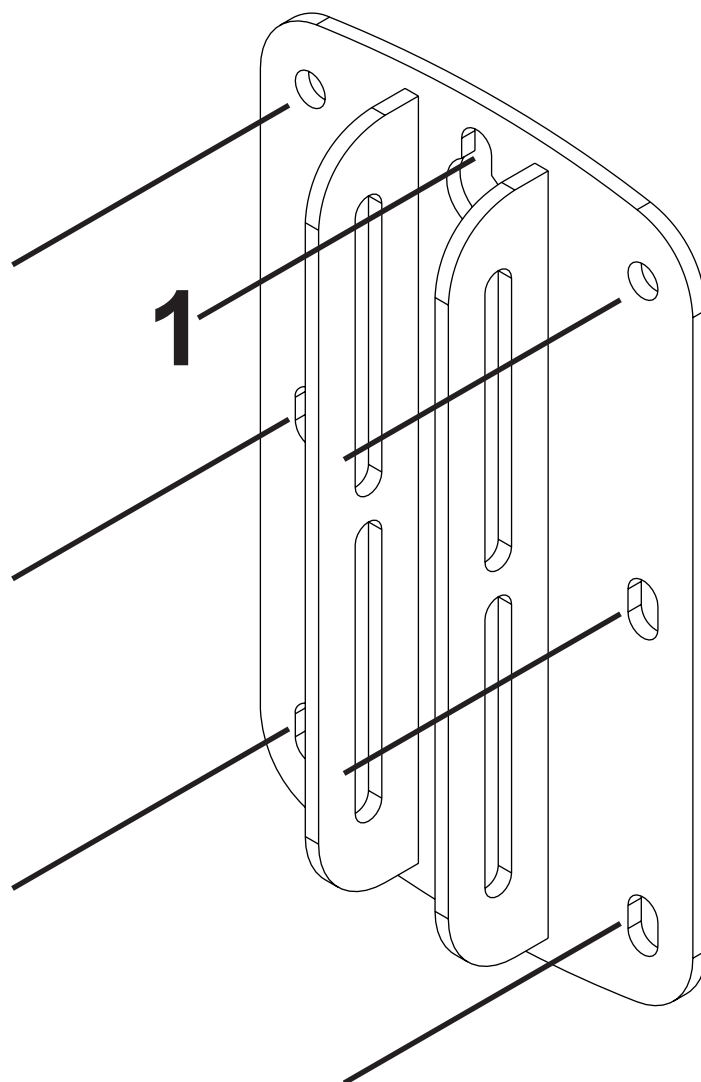
## Package Overview

	A - M8 x 16mm	<b>x4</b>
	B - M8 / M6	<b>x4/x3</b>
	C - M6 x 12mm	<b>x2</b>
	Optoma 212ST D - M3 x 20mm	<b>x3</b>
	Optoma 305ST, 306ST D - M4 x 20mm	
	E - Mounting Bobbin	<b>x3</b>
	F - 2.5mm Allen Key	
	G - M4 x 16mm	<b>x2</b>
	Also Required	

### Universal Projector Fixing Kit

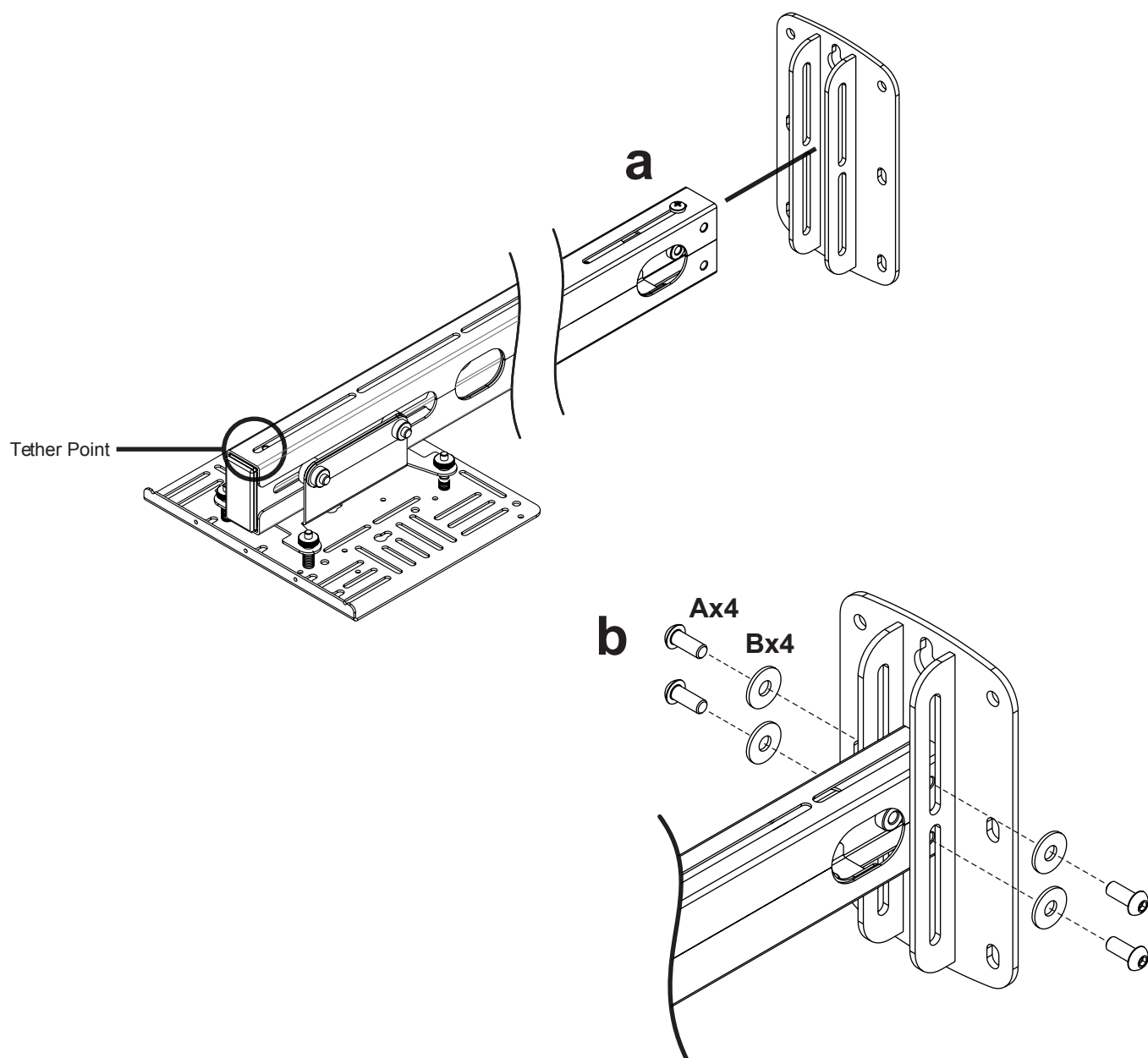
	H - M3 x 10mm I - M3 x 25mm J - M4 x 10mm K - M4 x 25mm L - M5 x 10mm M - M5 x 25mm N - M6 x 10mm O - M6 x 25mm	<b>x4</b>
	P - M3 Washer Q - M5 Washer R - M4 Washer S - M6 Washer	<b>x4</b>
	T - M5 x 15mm U - M5 x 15mm	<b>x4</b>
	V - Extension Arm	<b>x4</b>
	W - M5 x 10mm	<b>x4</b>
	Also Required	

## Step 1: Attach the wall plate to the wall



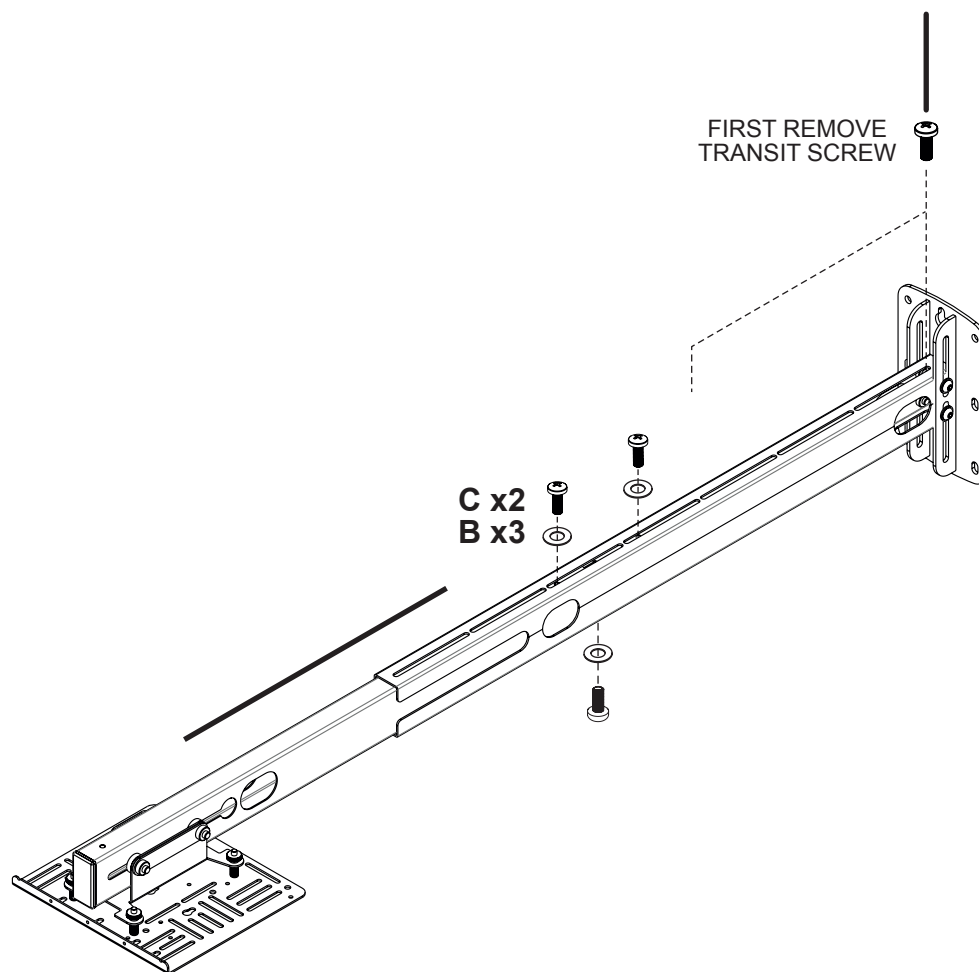
- For ease of installation mount the bracket on the wall using position **1** and mark other positions using a spirit level.
- Remove bracket and drill other positions
- Use fixings suitable for your type of wall construction
- Use all available fixing points
- If in any doubt of the suitability of the wall, its construction or what type of fixings to use, consult a qualified builder or installer

## Step 2: Attach the arm to the wall plate



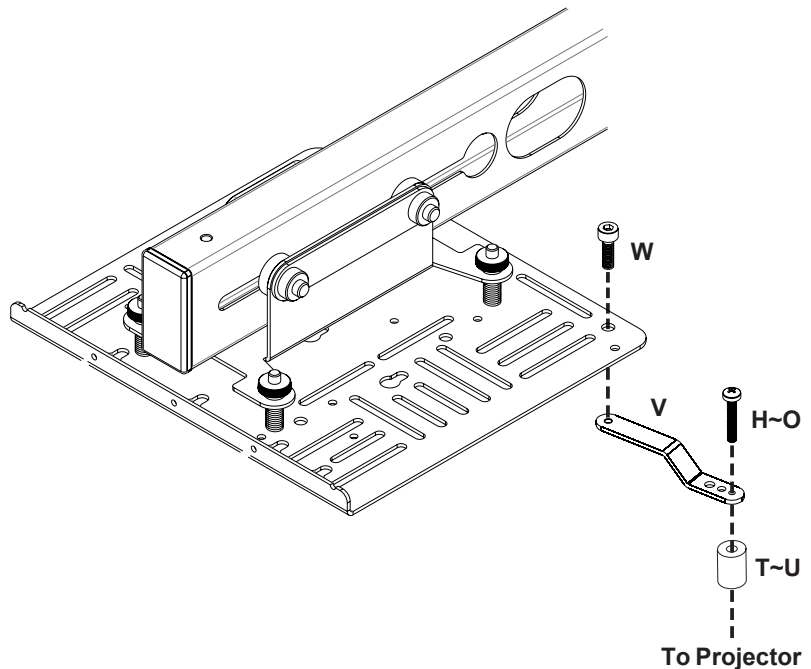
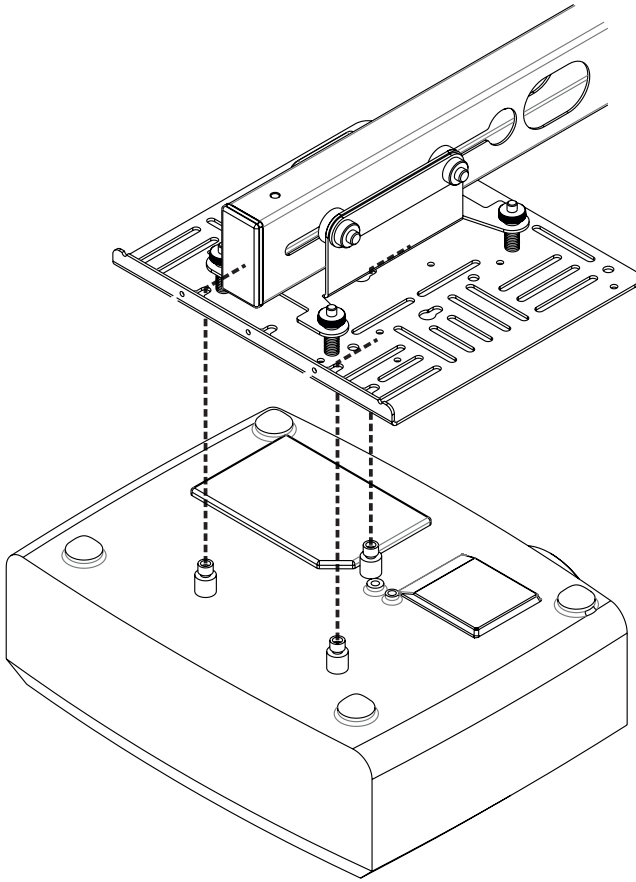
- Attach the arm to the wall plate at the required height - **Fig a**
- Insert **Ax4** (M4 x 10mm) screws and **Bx4** washers and tighten using allen key provided - **Fig b**

## Step 3: Adjust the length of the mount



- Remove transit screw
- Adjust the length of the arm to the desired position
- Insert **Cx2** (M6 x 12mm) screws and **Bx3** washers and tighten using a screwdriver

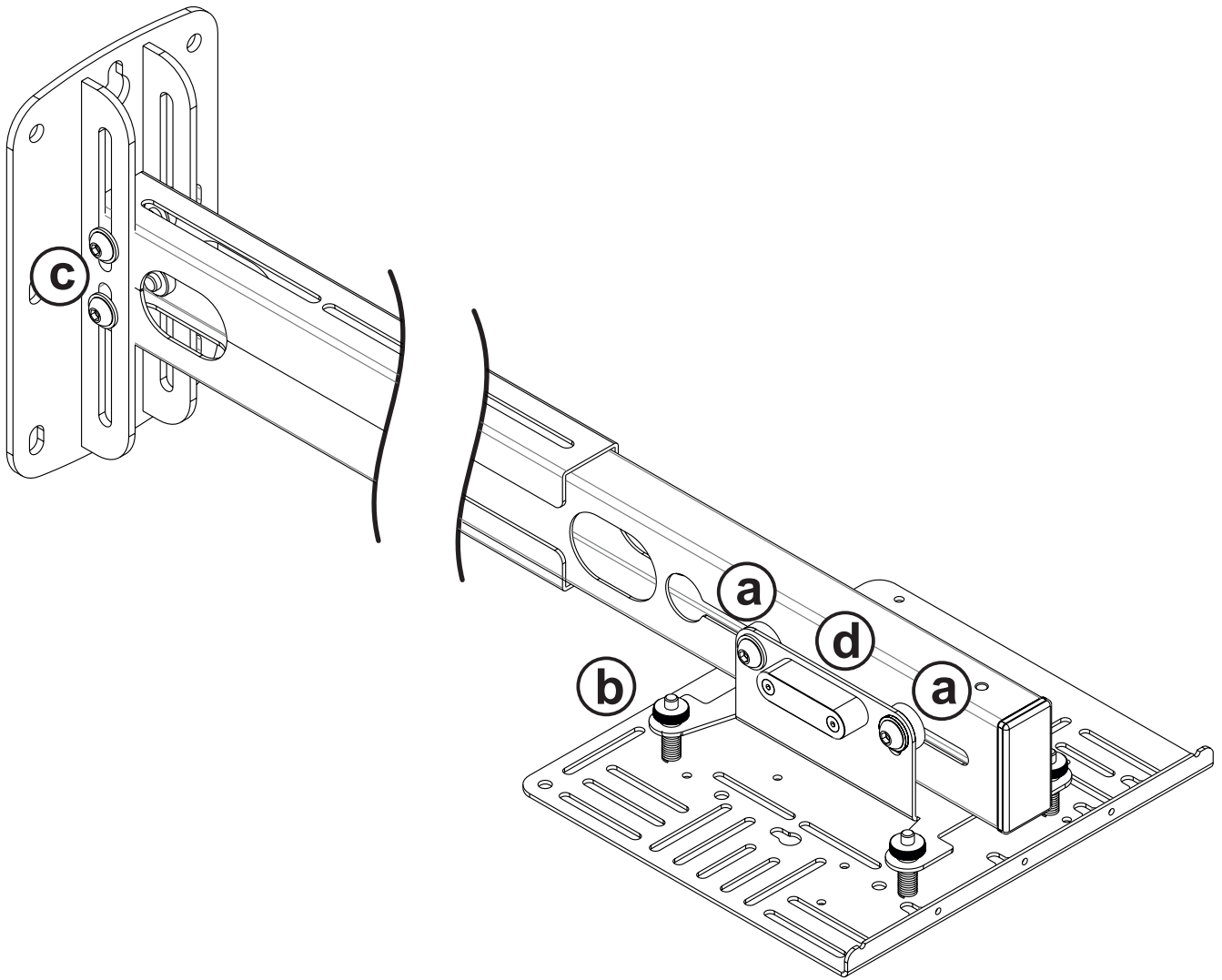
## Step 4: Attach projector to the mount



- For Optoma short throw projectors use the included accessories **D**, **E** and **G** depending on the model to fix the projector to the projector mounting plate.
- For all other projectors use the univsal projector fixing kit included. You may need to use the extension arms **V**.

**Note:** *The holes in the plate will line up with the holes on Optoma short throw projectors*

## Step 5: Adjusting the image



- The following adjustments (**a**, **b** and **c**) can be made to fine tune position to correct any discrepancy in the installation or mounted surface;
  - a** - To fine tune the length and tilt of the mount, loosen bolts, slide mount to required position and re-tighten bolts.
  - b** - To fine tune the level of the projector use the four adjustment thumb wheels on the spring loaded cradle. Do not fully unwind the thumb wheels.
  - c** - To fine tune height position of the projector, loosen the boom assembly screws and slide the projector to required position. Then re-tighten all four screws.
  - d** - The integrated level indicates that the mount arm is at 0°. This does not necessarily mean the projector is level with the screen so other adjustments may need to be made.

