

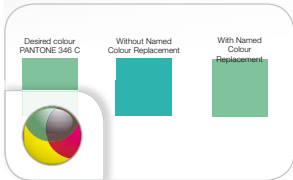
Lexmark C748 Family Colour laser printers



Vibrant colour printing for mid-size workgroups

The Lexmark C748 Family colour laser printers deliver high-quality colour printing and reliable performance. Easy-to-use features and solutions increase efficiency. Eco-friendly features make responsible printing easy.

Features to optimise your work



Easy brand matching
Consistently match branded colours and print marketing collateral in-house with Lexmark Named Colour Replacement.



Intuitive colour touch screen
Operate your printer with ease and confidence using the 4.3 inch (10.9 cm) colour touch screen that makes navigation smart and intuitive.



Convenient updates
Preview documents and change output settings such as two-sided printing directly at the device.



Flexible input capacity
With the optional 550-sheet drawers, specialty media drawer and 2,000-sheet high-capacity feeder, customise input options to meet your printing needs.



Optional hard disk
The optional hard disk increases productivity, reduces job waiting and includes on-printer form and file storage.



Use less energy
The instant warm-up fuser reduces energy consumption and delivers a time to first page as fast as 9 seconds in both black and colour.



Walk-up USB printing
The front USB port allows for convenient walk-up printing of PDFs and many printable image file formats.



Multiple media support
Ultra-reliable paper feeding supports diverse media, including card stock, vinyl labels, banners and more.

Lexmark C748 Family Overview



Robust high-quality colour

Rely on Lexmark C748 colour laser printers for the high-quality colour printing essential to business. Speed and reliability mean minimal waiting and few interruptions. You consistently and quickly receive vibrant documents.

- Match corporate colours on marketing collateral and brand-sensitive text and graphics with Lexmark Named Colour Replacement and PANTONE® calibration.
- The high-speed processor and Gigabit Ethernet networking mean fast data transfer and fast processing, even on complex colour documents.
- Print quickly at speeds up to 33 ppm and a time to first page as fast as 9 seconds in both black and colour.
- Lexmark high-yield cartridges let you print up to 12,000 pages per cartridge in black and 10,000 pages per cartridge in colour.¹



Productivity made easy

The combination of easy-to-use features and reliable performance means business processes are intuitive and you are productive. Increase efficiency with workflow-enhancing solutions and shortcuts designed to reduce unnecessary printing and simplify processes.

- The easy-to-use 4.3 inch (10.9 cm) colour touch screen provides audible feedback and tablet-like navigation to make device operation intuitive and simple.
- Expand input capacity with optional paper drawers that let you load multiple paper types and boost total input capacity up to 4,300 sheets.
- Create customised messages to provide helpful information such as helpdesk telephone numbers.
- Easily manage supplies through programmable alerts that automatically send reorder notifications.



Sustainable by design

Environmentally friendly printing and energy-saving features make it easy to print responsibly. Use fewer raw materials with features that reduce the number of pages printed and free cartridge return and recycling programmes.

- Use less electricity with Hibernate Mode, which reduces energy consumption to less than one watt and meets multiple energy management standards.
- Choose from multiple print settings that help reduce energy, paper and toner consumption using custom Eco-Settings.
- Cartridges are eligible for the Lexmark Cartridge Collection Program (LCCP), which offers a variety of free, easy return options designed for your business size and printing volume. For more information visit www.lexmark.com/recycle.²
- Reduce paper consumption by up to 50% and reduce your impact on the environment with two-sided printing.³

Lexmark C748 Family Ordering information

Compatible on the complete Lexmark C748 Family

Part #	Laser Toner/Print Cartridge
C746H1KG	C746, C748 Black High Yield Return Program Toner Cartridge
C748H1CG	C748 Cyan High Yield Return Program Toner Cartridge
C748H1MG	C748 Magenta High Yield Return Program Toner Cartridge
C748H1YG	C748 Yellow High Yield Return Program Toner Cartridge
C746A1CG	C746, C748 Cyan Return Program Toner Cartridge
C746A1MG	C746, C748 Magenta Return Program Toner Cartridge
C746A1YG	C746, C748 Yellow Return Program Toner Cartridge
C746H2KG	C746, C748 Black High Yield Toner Cartridge
C748H2CG	C748 Cyan High Yield Toner Cartridge
C748H2MG	C748 Magenta High Yield Toner Cartridge
C748H2YG	C748 Yellow High Yield Toner Cartridge
C746A2CG	C746, C748 Cyan Toner Cartridge
C746A2MG	C746, C748 Magenta Toner Cartridge
C746A2YG	C746, C748 Yellow Toner Cartridge
C734X77G	Waste Toner Box (25K)
C734X20G	Photoconductor Unit (20K)
C734X24G	Photoconductor Unit, 4-Pack (20K each)
Part #	Furniture
3052765	Swivel Cabinet

34T5114	C74x, X74x Caster Base
16C0379	T Low Profile Printer Stand
Part #	Memory Options
1025041	256MB DDR2-DRAM
1025042	512MB DDR2-DRAM
1025043	1024MB DDR2-DRAM
14F0245	256MB Flash Card
27X0014	160+ GB Hard Disk
Part #	Application Solutions
57X9000	Lexmark Print/Cryption Card
41H0198	C748 Card for IPDS
41H0199	C748 Card for PRESCRIBE Emulation
41H0197	C748 Forms and Bar Code Card
Part #	Connectivity
27X0030	MarkNet N8250 802.11b/g/n Wireless Print Server
1021294	USB (2 Meter) Cable
14F0000	Parallel 1284-B Interface Card
1021231	Parallel (10') Cable
14F0100	RS-232C Serial Interface Card
Part #	User Replaceable Parts
40X5168	Pick Tire

40X5152	Pick Tire, Specialty Media Drawer
40X8111	C74x, X74x Fuser Maintenance 220-240V
40X6401	Transfer Belt Maintenance Kit

Lexmark C748e

Part #	Model
41H0025	Lexmark C748e
Part #	Paper Handling
27S2100	550-Sheet Drawer
27S2400	2000-Sheet High Capacity Feeder
27S2650	550-Sheet Specialty Media Drawer
27S2190	4.8 inch (12.2 cm) Spacer
Part #	Extended Warranties
2355024P	C748 2-Years Total (1+1) Onsite Service
2355025P	C748 3-Years Total (1+2) Onsite Service
2355026P	C748 4-Years Total (1+3) Onsite Service
2355027P	C748 5-Years Total (1+4) Onsite Service
2355028P	C748 1-Year Onsite Service Renewal
Part #	NC
2355031	C748 Installation Service

In the box

Lexmark C748e colour laser printer, Up to 10,000*-page colour (CMY) toner cartridges, Up to 12,000*-page black toner cartridge, Photoconductor unit, Software and Documentation CD, Power cord(s), Setup guides (network and local attachment), Statement of limited warranty / guarantee, Lexmark Cartridge Collection Program information

*Average continuous black or continuous composite CMY declared cartridge yield in one-sided (simplex) mode up to this number of standard pages in accordance with ISO/IEC 19798.

Lexmark C748de

Part #	Model
41H0075	Lexmark C748de
Part #	Paper Handling
27S2100	550-Sheet Drawer
27S2400	2000-Sheet High Capacity Feeder
27S2650	550-Sheet Specialty Media Drawer
27S2190	4.8 inch (12.2 cm) Spacer
Part #	Extended Warranties
2355024P	C748 2-Years Total (1+1) Onsite Service
2355025P	C748 3-Years Total (1+2) Onsite Service
2355026P	C748 4-Years Total (1+3) Onsite Service
2355027P	C748 5-Years Total (1+4) Onsite Service
2355028P	C748 1-Year Onsite Service Renewal
Part #	NC
2355031	C748 Installation Service

In the box

Lexmark C748de colour laser printer, Up to 10,000*-page colour (CMY) toner cartridges, Up to 12,000*-page black toner cartridge, Photoconductor unit, Software and Documentation CD, Power cord(s), Setup guides (network and local attachment), Statement of limited warranty / guarantee, Lexmark Cartridge Collection Program information

*Average continuous black or continuous composite CMY declared cartridge yield in one-sided (simplex) mode up to this number of standard pages in accordance with ISO/IEC 19798.

Lexmark C748dte

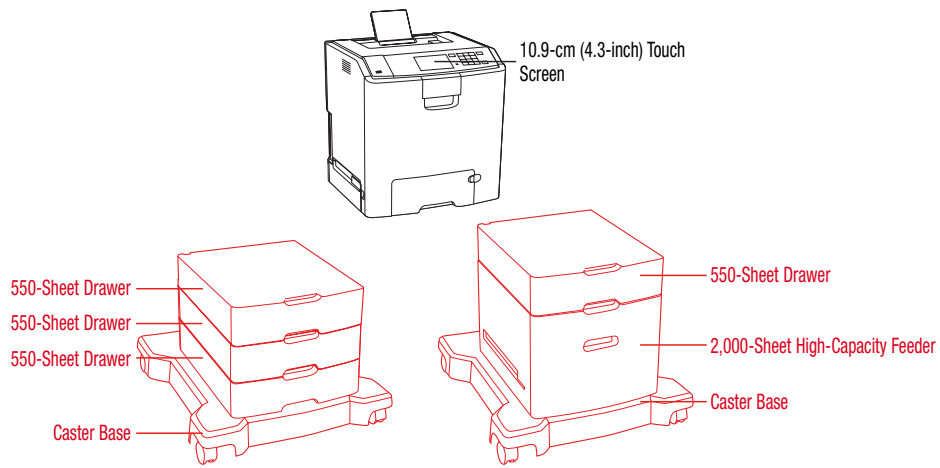
Part #	Model
41H0125	Lexmark C748dte
Part #	Paper Handling
27S2100	550-Sheet Drawer
27S2400	2000-Sheet High Capacity Feeder
27S2650	550-Sheet Specialty Media Drawer
27S2190	4.8 inch (12.2 cm) Spacer
Part #	Extended Warranties
2355024P	C748 2-Years Total (1+1) Onsite Service
2355025P	C748 3-Years Total (1+2) Onsite Service
2355026P	C748 4-Years Total (1+3) Onsite Service
2355027P	C748 5-Years Total (1+4) Onsite Service
2355028P	C748 1-Year Onsite Service Renewal
Part #	NC
2355031	C748 Installation Service

In the box

Lexmark C748dte colour laser printer, Includes 550-Sheet Drawer, Up to 10,000*-page colour (CMY) toner cartridges, Up to 12,000*-page black toner cartridge, Photoconductor unit, Software and Documentation CD, Power cord(s), Setup guides (network and local attachment), Statement of limited warranty / guarantee, Lexmark Cartridge Collection Program information

*Average continuous black or continuous composite CMY declared cartridge yield in one-sided (simplex) mode up to this number of standard pages in accordance with ISO/IEC 19798.

Lexmark C748 Family Product specifications



Standard
 Optional

Product specifications

	Lexmark C748e	Lexmark C748de	Lexmark C748dte
Printing			
Display	Lexmark e-Task 10.9 cm (4.3-inch) colour touch screen		
Print Speed: Up to	Black: 33 ppm / Colour: 33 ppm		
Time to First Page: As fast as	Black: 9 seconds / Colour: 9 seconds		
Print Resolution, Colour	4800 Colour Quality (2400 x 600 dpi), 1200 x 1200 dpi		
Processor	800 MHz		
Memory	Standard: 512 MB / Maximum: 1536 MB		
Hard Disk	Option available		
Recommended Monthly Page Volume ⁴	2500 - 10000 Pages		
Maximum Monthly Duty Cycle: Up to ⁵	100000 pages per month		
Supplies			
Supplies Yield	7,000 ¹ -page Colour (CMY) Toner Cartridges, 12,000 ¹ -page Black High Yield Toner Cartridge, Average continuous black or continuous composite CMY declared cartridge yield up to this number of standard pages in accordance with ISO/IEC 19798., 10,000 ¹ -page Colour High Yield Toner Cartridges (CMY)		
Cartridge(s) Shipping with Product	12,000 ¹ -page Black High Yield Return Program Toner Cartridge, 10,000 ¹ -page Colour (CMY) High Yield Return Program Toner Cartridges		
Paper Handling			
Paper Handling Standard	550-Sheet Input Tray, 300-Sheet Output Bin, 100-Sheet Multipurpose Feeder	550-Sheet Input Tray, 300-Sheet Output Bin, Integrated Duplex, 100-Sheet Multipurpose Feeder	550-Sheet Input Tray, Integrated Duplex, 300-Sheet Output Bin, 100-Sheet Multipurpose Feeder, 550-Sheet
Paper Handling Optional	550-Sheet Specialty Media Drawer, 2,000-Sheet High Capacity Feeder, 550-Sheet Drawer	550-Sheet Specialty Media Drawer, 2,000-Sheet High Capacity Feeder, 550-Sheet Drawer	550-Sheet Specialty Media Drawer, 550-Sheet Drawer, 2,000-Sheet High Capacity Feeder
Paper Input Capacity: Up to	Standard: 650 pages 75 gsm bond / Maximum: 4300 pages 75 gsm bond	Standard: 650 pages 75 gsm bond / Maximum: 4300 pages 75 gsm bond	Standard: 1200 pages 75 gsm bond / Maximum: 4300 pages 75 gsm bond
Paper Output Capacity: Up to	Standard: 300 pages 75 gsm bond / Maximum: 300 pages 75 gsm bond		
Media Types Supported	Refer to the Card Stock & Label Guide, Envelopes, Card Stock, Paper Labels, Vinyl Labels, Transparencies, Plain Paper		
Media Sizes Supported	A6, Legal, Folio, 10 Envelope, 7 3/4 Envelope, 9 Envelope, A4, A5, B5 Envelope, C5 Envelope, DL Envelope, B5, Executive, JIS-B5, Letter, Oficio, Universal, Statement		
General			
Standard Ports	Ethernet 10/100/1000 BaseTX (RJ-45), USB 2.0 Specification Hi-Speed Certified (Type B), Front USB 2.0 Specification Hi-Speed Certified port (Type A), Rear USB 2.0 Specification Hi-Speed Certified port (Type A)		
Optional Network Ports	Internal MarkNet™ N8250 802.11b/g/n Wireless		
Optional Local Ports	Parallel 1284-B Interface Card, Internal RS-232C serial		
Print Noise Level, Operating	55 dBA		
Product Guarantee	1-Year Onsite Service, Next Business Day		
ENERGY STAR	No	Yes	Yes
Specified Operating Environment	Altitude: 0 - 3048 Meters (10,000 Feet), Humidity: 8 to 80% Relative Humidity, Temperature: 16 to 32°C (60 to 90°F)		
Size (mm. - H x W x D) / Weight (kg)	455 x 435 x 400 mm / 25.6 kg	455 x 435 x 400 mm / 25.6 kg	582 x 435 x 545 mm / 30.1 kg

¹ Average continuous black or composite CMY declared cartridge yield in accordance with ISO/IEC 19798. ² Not available in all countries. ³ Not available on the C748e. ⁴ "Maximum Monthly Duty Cycle" is defined as the maximum number of pages a device could deliver in a month using a multishift operation. This metric provides a comparison of robustness in relation to other Lexmark printers and MFPS. ⁵ "Recommended Monthly Page Volume" is a range of pages that helps customers evaluate Lexmark's product offerings based on the average number of pages customers plan to print on the device each month. Lexmark recommends that the number of pages per month be within the stated range for optimum device performance, based on factors including: supplies replacement intervals, paper loading intervals, speed, and typical customer usage.



LEXMARK