



2022

PRICE SHEET
Polyethylene Fittings
for Gas & Water Under Pressure



EIOFIT

PRICE SHEET: ELOFIT ELOPRESS 2022 USA

REVISION: 02_January

ISSUE DATE: 2022 January 1ST

INTRODUCTION	
THE COMPANY	4
ACTIVITY	6
WHO WE ARE.....	7
GLOSSARY	8
LEGEND	9
1 POLYETHYLENE FITTINGS FOR GAS & WATER UNDER PRESSURE	11
ELECTROFUSION FITTINGS	
ELECTROFUSION COUPLER.....	12
ELECTROFUSION END CAP.....	18
ELECTROFUSION REDUCER.....	19
ELECTROFUSION ELBOW	20
ELECTROFUSION EQUAL TEE WITH SPIGOT END	21
ELECTROFUSION REPAIR SLEEVE.....	22
FLEX RESTRAINT MODULAR PIPE STOP	25
ELECTROFUSION TAPPING TEES	26
ELECTROFUSION BRANCH SADDLES	33
ELECTROFUSION REPAIR SADDLES.....	38
TOP LOAD BRANCH SADDLE WITH VALVE FULL BORE	39
ELECTROFUSION TRANSITION SADDLES.....	41
SOCKET FUSION FITTINGS	
SOCKET FUSION COUPLER.....	44
SOCKET FUSION TRANSITION COUPLER.....	45
SOCKET FUSION REDUCER.....	51
SOCKET FUSION TEE.....	52
SOCKET FUSION END CAP.....	55
SOCKET FUSION ELBOW	55
BUTT FUSION FITTINGS	
BUTT FUSION 90° ELBOW.....	58
BUTT FUSION 45° ELBOW.....	60
BUTT FUSION TEE	62
BUTT FUSION END CAP	64
BUTT FUSION REDUCING TEE	66
LONG SPIGOT WYE FITTING.....	82
BUTT FUSION REDUCER.....	83
BUTT FUSION SADDLE LONG SPIGOT	90
BUTT FUSION FLANGE ADAPTER	93
BUTT FUSION BEVELED FLANGE ADAPTER	97
BACKING RINGS	99
'MJ' ADAPTER - MECHANICAL JOINT ADAPTER	103
STIFFENERS AND MJ ACCESSORY KITS	107
WALL ANCHOR PLAIN-ENDS	108
VALVES	109
TRANSITION FITTINGS	110

2	EQUIPMENT & WELDING UNITS	117
	SCRAPER	118
	ALIGNMENT	120
	CLEANER	122
	DRILLING MACHINE	123
	WELDING UNITS	126
3	COMPRESSION FITTING	135
	TECHNICAL INFORMATIONS / ASSEMBLY INSTRUCTIONS	136
	COUPLER	137
	90° ELBOW	137
	FEMALE STRAIGHT ADAPTER	138
	MALE STRAIGHT ADAPTER	138
	END FITTING.....	139
	EQUAL TEE	139
	MALE THREADED	140
	TRANSITION COUPLER PE-PVC.....	140
	TRANSITION ELBOW 90° PE-PVC	141
	TRANSITION KIT	142
	EXAMPLE OF INSTALLATIONS	143
	STANDARD TERMS AND CONDITIONS	147



Nupi Americas has its roots in Italy through NUPI S.p.A. and GECO System S.p.A. – companies both founded in the early 1970s – that merged to become NUPIGECO S.p.A. in 2008. In October 2015, NUPIGECO S.p.A., changed its name to NUPI INDUSTRIE ITALIANE S.p.A.

NUPI INDUSTRIE ITALIANE and Nupi Americas together **develop and manufacture piping systems for use in industrial, sanitary (plumbing), HVAC, waterworks, gas and irrigation markets.** Relying on experience and constant growth, our companies have proven to be cutting edge manufacturers, ready to meet the needs of the market while also protecting the environment.

In 1995, following the completion of an extensive Research and Development program, we introduced a new range of **revolutionary piping systems specifically designed for petroleum, chemical and petrochemical applications.** Since then, two special piping systems made of **High Density Polyethylene (HDPE)** have been marketed worldwide: **SMARTFLEX for the downstream and OILTECH for the upstream.**

ELOFIT is the High Density Polyethylene system of electrofusion fittings and special components for the conveyance of water and gas under pressure. It is suitable for the conveyance and distribution of drinking water and alimentary fluids, fuel and inert gases and for water treatment plants, centralised irrigation and sewage systems, fire protection systems and pipe relining.

NIRON is a complete Polypropylene pipe and fitting system for the distribution of hot and cold water in plumbing and air conditioning systems, for the conveyance of drinking water and alimentary fluids, industrial plants and for the transport of compressed air and chemical substances.

The pipes and fittings that compose the NIRON range are manufactured using **Random Copolymer Polypropylene (PP-RCT), a plastic material with a special molecular structure ensuring high mechanical resistance and duration even at high temperatures and pressures.**



Production, Operations & Administration Center - NUPI AMERICAS INC. - Early Branch (SC)

More product ranges marketed by Nupi Americas are **ELOPRESS - a complete range of PP fittings for the distribution of drinking water and alimentary fluids. ELAMID - a complete piping system made of Polyamide 12 that satisfies high performance requirements in gas supply applications and SMARTCONDUIT - designed to contain electrical and communication cables in high groundwater or hydrocarbon- rich environments.**

Our trademarked systems are real **system solutions**, covering a wide range of applications, reducing costs, avoiding waste and increasing productivity. Thanks to their quality, these products have passed many different tests and have **obtained the most prestigious certificates** and listings, in line with the regulations of the five continents for the construction of water and gas networks and systems for the transport of fuels.

Producing better quality and being cost effective is the goal, which is made easier everyday by new technology.

Our companies are **continuously investing in research and development programs**, while strengthening our production systems. operated by a sophisticated technology that guarantees the highest quality of products. Our facilities use modern. state-of-the-art computer controlled production equipment and methods that **guarantee products of the highest quality together with continuous quality control systems.**

On these solid foundations NUPI INDUSTRIE ITALIANE and Nupi Americas demonstrate leadership throughout the thermoplastic piping industry.

Our customers can rely on the best quality materials and precise manufacture, obtained through completely automated production systems and continuous on-time deliveries, resulting in timely deliveries which allow planning to be done in real time.

Customer satisfaction is pursued through high quality products and the constant attention to our customers' needs and requirements and by means of an effective team of people in post-sales service. effective and precise technical assistance and intensive training of installers.

Nupi's All-Pro™ is a preinsulated system that is based on our advanced Niron PP-RCT piping systems. It is the newest addition to the growing range of products from Nupi Americas and Nupi Industrie Italiane.



Registered Office and Headquarters - Busto Arsizio (VA)



Production Facility - Castel Guelfo di Bologna (BO)



Production Facility - Imola (BO)

State of the Art Products for the transport of liquid and gaseous fluids using systems made of plastic material



- Sanitary systems
- Heating systems
- Water pipelines
- Gas pipelines
- Irrigation
- Transport of food fluids
- Air conditioning
- Cooling
- Industrial installations
- Petroleum industry
- Chemical industry
- Petrochemical industry

Our strengths

- Exports established in more than 70 countries on 5 continents
- Worldwide after-sales assistance
- Extensive R & D department
- Production of pipes and fittings from ½" to 40"
- Training center for each authorized distributor

HDPE ELECTROFUSION FITTINGS AND SPECIAL COMPONENTS FOR WATER AND GAS UNDER PRESSURE.

ELOFIT is a PEHD - High Density Polyethylene PE100 - **system** of fittings for electrofusion and butt-fusion, PE-metal transition fittings and special components for the conveyance of fluids under pressure.

ELOFIT fittings are manufactured and certified by the most prestigious international certification bodies. They comply with the provisions of the National Regulations for gas distribution networks and water for human consumption.

ELOFIT fittings are produced by injection molding or fabricated from High Density Polyethylene (PE100) and achieve outstanding performance in terms of:

- Resistance to corrosion
- Resistance to stray currents
- Resistance to impact
- Resistance to chemical agents
- Abrasion resistance
- Resistance to micro-organisms
- Non-toxicity
- Reliability for more than 50 years

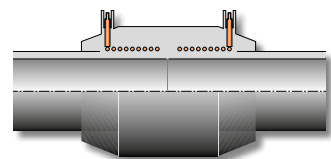
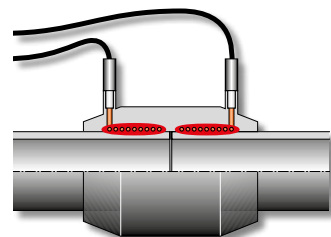
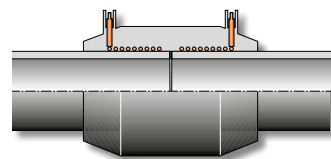
ELOFIT fittings are suitable for the conveyance and distribution of drinking water, alimentary fluids, gaseous fuels, industrial fluids, compatible chemicals, as well as for drainage and sewerage, wastewater treatment, irrigation, fire protection systems.

ELOFIT fittings are installed by electrofusion or butt fusion in pipelines with traditional laying or alternative techniques as pipe relining.

In the electrofusion fittings, the electrical resistors are steadily housed inside the PE layer and connected to external cable terminals.

When power is applied through a specific welding unit, PE Polyethylene 13 the current moves through the resistors and generates the heat needed to melt the PE. Energy is transmitted directly and exclusively to the surface at pipe-fitting interface, producing fusion welding of the two parts. Once cooled, the assembly is even, strong, safe and reliable.





The main features of **ELOFIT** fittings are high quality and reliability of the weld.



GLOSSARY

PE	<i>Polyethylene</i>
PP	<i>Polypropylene</i>
ND, OD	<i>Nominal Diameter/Outside Diameter - Pipe or fitting external diameter in inches</i>
e	<i>Wall thickness at any point around the circumference of a component rounded to the next greater 0,1mm</i>
Pfa/PR	<i>Standard pressure rate. The design capacity</i>
PSI	<i>Operation pressure recommended for general durability in handling and for use in typical water service installations</i>
MRS	<i>Mirnimum required strength of a pipe or fitting</i>
DR	<i>Standard Nominal Ratio: ratio of pipe outside diameter to wall thickness</i>
HDS	<i>Hydrostatic design stress ($HDS=HDB/DSF$)</i>
DSF	<i>Design safety coefficient</i>
HDB	<i>Hydrostatic design basis</i>
FSF	<i>Fluid safety coefficient</i>
TSF	<i>Temperature safety coefficient</i>

LEGEND

Code	Nupi Americas item code
ND, OD	Nominal Diameter/Outside Diameter - Pipe or fitting external diameter in inches
Max DR	It indicates the maximum value of weldability of the fitting on the pipe with the same DR or lower value
Pf Min SDR	Maximum drilling depth for tapping tees
Max Hole (∅)	For tapping tees it indicates the dimension of the drilled hole. For branch saddles it indicates the usable hole size as declared by Nupi americas
Pack	Quantity per box (*)
Q.ty pallet	Quantity per pallet (*)
Weight lb/p.	Item weight (lb)
Volume ft³ / p.	Item volume (ft ³)
	Factory Mutual (FM) Approval Products
	The brass used is SUITABLE for the trasportation of human consumption fluids
	The brass used is NOT SUITABLE for the trasportation of human consumption fluids
	The staniless steel used is SUITABLE for the trasportation of human consumption fluids

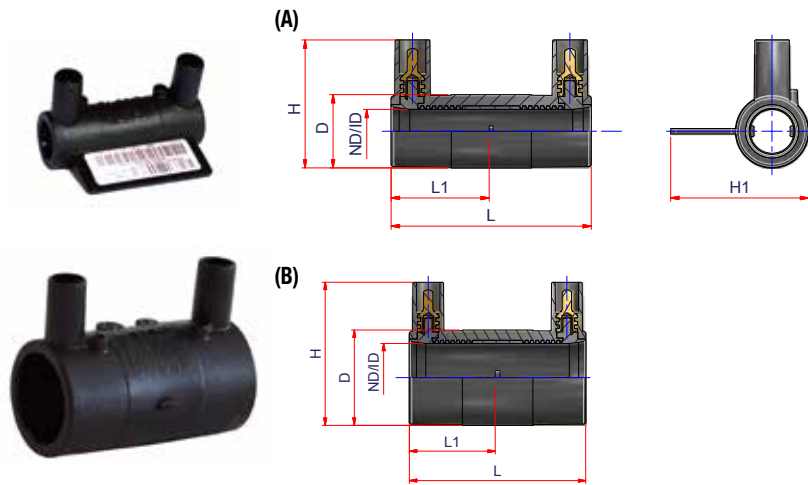
Note: We have made every attempt to report accuracy of the dimensions shown. However, we reserve the right to vary dimensions without notice, as the design of fittings change from time to time. Please consult the factory or your Niron representative for the most current dimensional information regarding the parts shown herein.

EloFIT

1

**POLYETHYLENE FITTINGS FOR GAS & WATER
UNDER PRESSURE**

ELECTROFUSION FITTINGS



ELECTROFUSION COUPLER

⁽¹⁾ Weldable on pipe DR 10 - 9 - 7

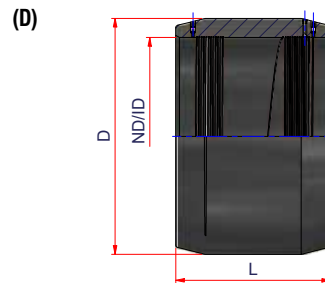
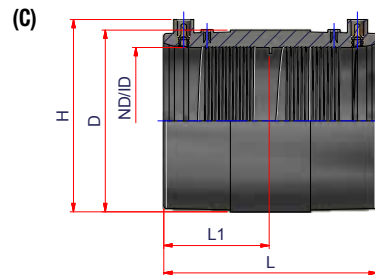
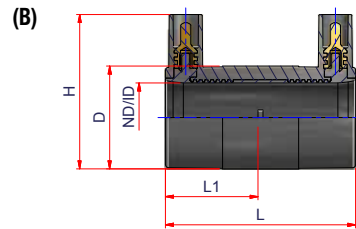
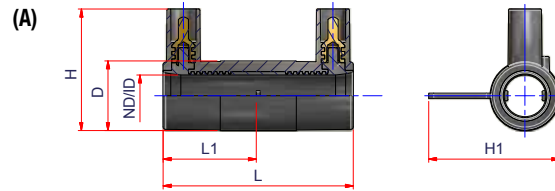
⁽²⁾ Weldable on pipe DR 12.5 - 11.5 - 11

Electrofusion coupler with removable stoppers

PE4710 230PSI SDR11 • CTS

Code	Type	Nominal Diameter ϕ (ND)	Pack.	Q.ty pallet	Weight lb/p.	Volume ft ³ /p.	ND (CTS)	ID	L1	L	D	H	H1	Price Each
12EIME012C ⁽¹⁾	A	½" CTS	150	4050	0.110	0.0099	½"	0.625	1.42	2.91	1.06	1.89	2.01	\$9.56
12EIME01C ⁽²⁾	B	1" CTS	40	2080	0.151	0.0166	1"	1.125	1.42	2.91	1.59	2.40	-	\$10.11

ELECTROFUSION FITTINGS



ELECTROFUSION COUPLER

⁽¹⁾ Weldable on pipe DR 11 - 7

⁽²⁾ Weldable on pipe DR 17 - 15.5 - 13.5 - 11

Electrofusion coupler with removable stoppers

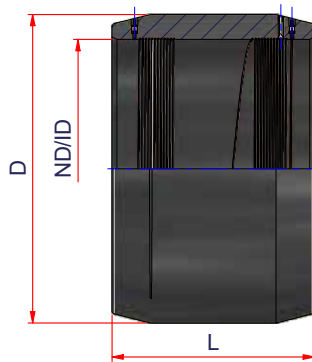
PE4710 230PSI SDR11 • IPS

Code	Type	Nominal Diameter ϕ (ND)	Pack.	Q.ty pallet	Weight lb/p.	Volume ft ³ /p.	ND (IPS)	ID	L1	L	D	H	H1		Price Each
12EIME012 ⁽¹⁾	A	½" IPS	120	3240	0.110	0.0070	½"	0.840	1.37	2.76	1.18	2.01	2.17		\$9.56
12EIME034 ⁽¹⁾	B	¾" IPS	100	2700	0.138	0.0127	¾"	1.050	1.44	2.95	1.59	2.40	-		\$9.56
12EIME01 ⁽¹⁾	B	1" IPS	80	2160	0.155	0.1501	1"	1.315	1.44	2.95	1.79	2.59	-		\$12.53
12EIME114 ⁽¹⁾	B	1" ¼ IPS	30	1560	0.257	0.0222	1" ¼	1.660	1.63	3.35	2.28	3.00	-		\$14.01
12EIME112 ⁽¹⁾	B	1" ½ IPS	40	1080	0.361	0.0318	1" ½	1.900	1.69	3.47	2.64	3.40	-		\$17.34
12EIME02 ⁽²⁾	B	2" IPS	30	810	0.578	0.0417	2"	2.375	1.89	3.86	3.07	3.83	-	245 PSI	\$16.94
12EIME03 ⁽²⁾	C	3" IPS	32	384	1.189	0.0883	3"	3.500	2.83	5.75	4.45	5.12	-	245 PSI	\$29.35
12EIME04 ⁽²⁾	C	4" IPS	22	264	1.529	0.1285	4"	4.500	3.11	6.30	5.51	6.09	-	245 PSI	\$45.23
12EIME05 ⁽²⁾	D	5" IPS	-	-	3.142	-	5"	5.625	-	6.89	6.85	-	-		\$108.83
12EIME06 ⁽²⁾	C	6" IPS	24	96	3.538	0.3178	6"	6.625	3.51	7.09	7.99	8.41	-	245 PSI	\$112.24
12EIME08 ⁽²⁾	C	8" IPS	44	44	9.130	0.7487	8"	8.625	4.17	8.35	10.71	10.80	-	245 PSI	\$150.25

All measures are in inches unless otherwise mentioned.

We reserve the right to vary dimensions without notice; check the web site for the updated dimensions.


ELECTROFUSION FITTINGS



ELECTROFUSION COUPLER

Weldable on pipe DR 17 - 15.5 - 13.5 - 11 - 9.3 - 9 - 7.3
With pre-heating bar code

PE4710 230PSI SDR11 • IPS

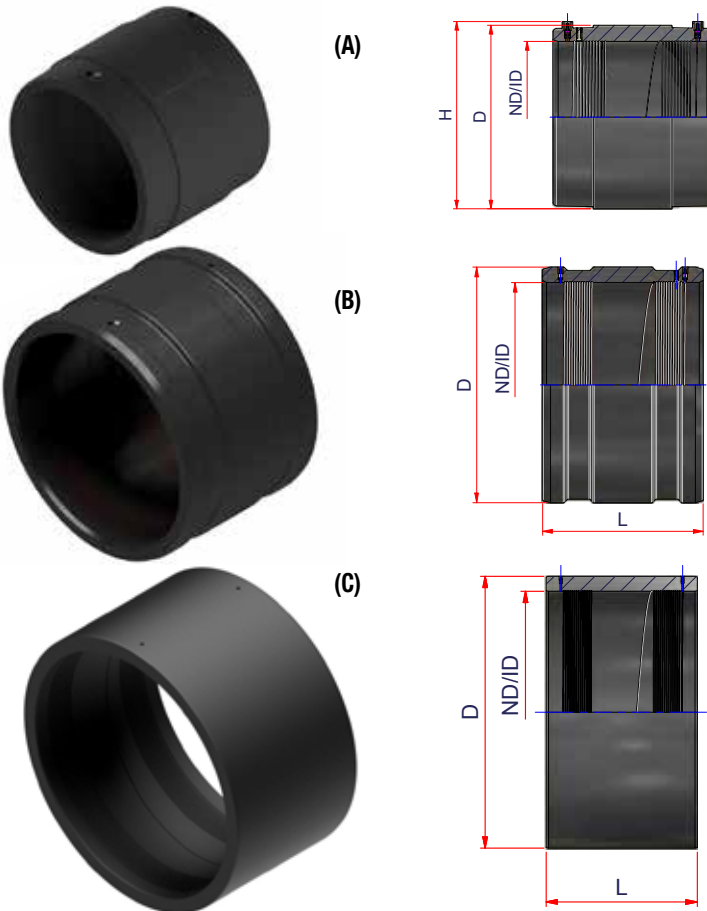
Code	Nominal Diameter ϕ (ND)	Pack.	Q.ty pallet	Weight lb/p.	Volume ft ³ /p.	ND (IPS)	ID	D	L		Price Each
12EIME10	10" IPS	21	21	15.295	1.6951	10"	10.750	13.31	10.63	245 PSI	\$285.96
12EIME12	12" IPS	18	18	25.784	2.3732	12"	12.750	15.35	11.81	180 PSI	\$433.35
12EIME14	14" IPS	12	12	36.422	3.9553	14"	14.000	16.73	11.81	180 PSI	\$588.82
12EIME16	16" IPS	9	9	44.733	3.9553	16"	16.000	18.98	12.40	180 PSI	\$719.58
12EIME18	18" IPS	6	6	65.267	5.9329	18"	18.000	21.34	13.39	180 PSI	\$1,081.34
12EIME20	20" IPS	4	4	75.900	8.8994	20"	20.000	23.70	14.96	180 PSI	\$1,272.77
12EIME22	22" IPS	3	3	111.467	10.6228	22"	22.000	26.38	15.75	180 PSI	\$1,771.76
12EIME24	24" IPS	3	3	108.900	5.9894	24"	24.000	28.43	16.38	180 PSI	\$2,159.05
12EIME28	28" IPS	1	1	-	-	28"	28.000	33.66	17.32	180 PSI	POA
12EIME30	30" IPS	1	1	-	-	30"	30.000	-	-	180 PSI	POA

PE4710 230PSI SDR11 • DIPS

With pre-heating bar code from $\phi 10"$

Code	Nominal Diameter ϕ (ND)	Pack.	Q.ty pallet	Weight lb/p.	Volume ft ³ /p.	ND (DIPS)	ID	D	L	Price Each
12EIMED04	4" DIPS	-	-	-	-	4"	4.800	-	-	\$80.70
12EIMED06	6" DIPS	-	-	4.884	-	6"	6.900	8.35	7.87	\$139.57
12EIMED08	8" DIPS	40	40	8.263	0.8168	8"	9.050	10.87	8.66	\$197.70
12EIMED10	10" DIPS	21	21	16.478	1.6951	10"	11.100	13.31	10.63	\$345.40
12EIMED12	12" DIPS	10	20	19.906	1.7968	12"	13.200	15.59	10.24	\$576.94
12EIMED14	14" DIPS	12	12	25.500	2.9665	14"	15.300	18.58	12.40	\$760.66
12EIMED16	16" DIPS	6	6	43.958	-	16"	17.400	20.71	13.58	\$1,074.25
12EIMED18	18" DIPS	6	6	58.700	-	18"	19.500	23.46	14.96	\$1,324.95
12EIMED20	20" DIPS	4	4	85.690	-	20"	21.600	25.59	15.75	\$1,744.30
12EIMED24	24" DIPS	3	3	125.950	-	24"	25.800	30.51	18.50	\$2,779.33

ELECTROFUSION FITTINGS



ELECTROFUSION COUPLER

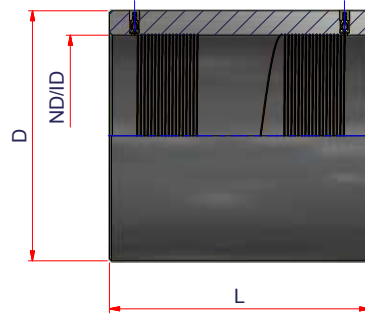
Weldable on pipe DR 21 - 17 - 15.5 - 13.5 - 11
With pre-heating bar code from ø10"

PE4710 160PSI SDR17 • IPS

Code	Type	Nominal Diameter ø (ND)	Pack.	Q.ty pallet	Weight lb/p.	Volume ft ³ /p.	ND (IPS)	ID	D	H	L	Price Each
12DIME08	A	8" IPS	44	44	8.300	0.8168	8"	8.625	10.51	10.74	9.11	\$123.37
12DIME10	B	10" IPS	32	32	11.170	1.1124	10"	10.750	13.07	-	10.63	\$257.23
12DIME12	B	12" IPS	24	24	9.770	1.4832	12"	12.750	14.80	-	11.22	\$377.95
12DIME14	B	14" IPS	-	-	-	-	14"	14.000	16.22	-	11.81	\$505.90
12DIME16	B	16" IPS	6	12	23.470	0.4979	16"	16.000	18.46	-	12.40	\$588.82
12DIME18	B	18" IPS	-	-	-	-	18"	18.000	20.71	-	13.39	\$1,048.87
12DIME20	B	20" IPS	-	-	-	-	20"	20.000	22.91	-	14.96	\$1,227.83
12DIME22	B	22" IPS	3	3	71.133	10.7358	22"	22.000	24.80	-	15.75	\$1,645.45
12DIME24	B	24" IPS	-	-	-	-	24"	24.000	27.72	-	16.38	\$2,013.79
12DIME28	C	28" IPS	1	2	124.500	17.9683	28"	28.000	31.50	-	18.90	POA
12DIME30	C	30" IPS	1	1	-	-	30"	30.000	33.86	-	17.32	POA
12DIME32	C	32" IPS	1	1	149.600	22.1776	32"	32.000	35.43	-	19.68	POA
12DIME36	C	36" IPS	-	-	-	-	36"	36.000	39.37	-	19.68	POA
12DIME40	C	40" IPS	-	-	-	-	40"	40.000	-	-	20.48	POA
12DIME42	C	42" IPS	-	-	-	-	42"	42.000	47.24	-	20.47	POA

All measures are in inches unless otherwise mentioned.
We reserve the right to vary dimensions without notice; check the web site for the updated dimensions.

ELECTROFUSION FITTINGS



ELECTROFUSION COUPLER

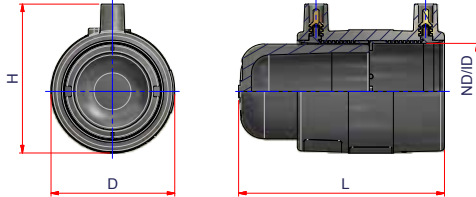
Weldable on pipe DR 7 - 9 - 11 - 17
With pre-heating bar code from $\varnothing 10''$

PE4710 380PSI SDR7 • IPS

Code	Nominal Diameter \varnothing (ND)	Pack.	Q.ty pallet	Weight lb/p.	Volume ft ³ /p.	ND (IPS)	ID	D	L	Price Each
12GIME06	6" IPS	30	60	9.900	0.5989	6"	6.625	8.66	9.45	\$192.60
12GIME08	8" IPS	33	33	15.867	0.9761	8"	8.625	10.98	11.02	\$353.10
12GIME10	10" IPS	12	12	29.700	2.6557	10"	10.750	13.86	12.99	\$808.35
12GIME12	12" IPS	10	10	32.670	3.1784	12"	12.750	16.53	12.99	\$1,317.92
12GIME14	14" IPS	-	-	55.506	5.3113	14"	14.000	18.11	13.39	\$2,326.72
12GIME16	16" IPS	-	-	73.700	8.9841	16"	16.000	20.70	15.75	\$3,187.00
12GIME18	18" IPS	-	-	-	-	18"	18.000	-	-	\$4,521.04
12GIME20	20" IPS	-	-	-	-	20"	20.000	25.87	16.38	\$5,112.78
12GIME24	24" IPS	-	-	142.780	-	24"	24.000	30.31	16.38	\$5,879.65



ELECTROFUSION FITTINGS



ELECTROFUSION END CAP

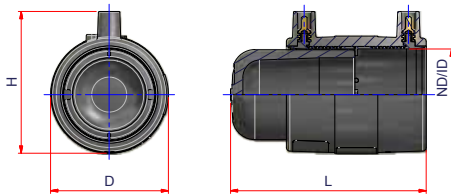
⁽¹⁾ Weldable on pipe DR 10 - 9 - 7

⁽²⁾ Weldable on pipe DR 12.5 - 11

Item composed by long spigot end cap + electrofusion coupler

PE4710 230PSI SDR11 • CTS

Code	Nominal Diameter ø (ND)	Pack.	Q.ty pallet	Weight lb/p.	Volume ft ³ /p.	ND (CTS)	ID	D	H	L	Price Each
12EICAL012C ⁽¹⁾	½" CTS	-	-	-	-	½"	0.625	1.06	1.89	3.66	\$12.93
12EICAL010C ⁽²⁾	1" CTS	-	-	-	-	1"	1.125	1.59	2.40	3.75	\$14.61



ELECTROFUSION END CAP

⁽¹⁾ Weldable on pipe DR 11 - 10

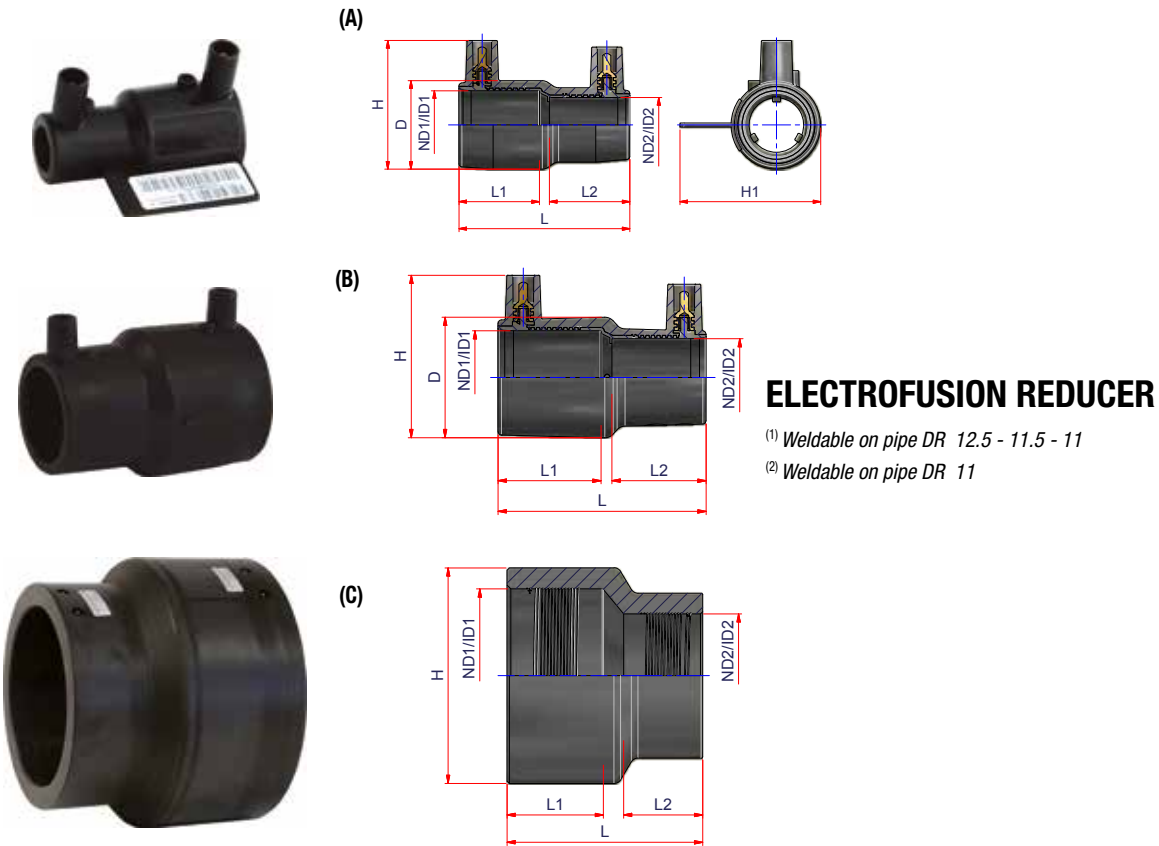
⁽²⁾ Weldable on pipe DR 17 - 15.5 - 13.5 - 11

Item composed by long spigot end cap + electrofusion coupler

PE4710 230PSI SDR11 • IPS

Code	Nominal Diameter ø (ND)	Pack.	Q.ty pallet	Weight lb/p.	Volume ft ³ /p.	ND (IPS)	ID	D	H	L	Price Each
12EICAL034 ⁽¹⁾	¾" IPS	-	-	-	-	¾"	1.050	1.59	2.40	3.50	\$14.05
12EICAL010 ⁽¹⁾	1" IPS	-	-	-	-	1"	1.315	1.79	2.40	3.75	\$14.61
12EICAL114 ⁽¹⁾	1¼" IPS	-	-	-	-	1¼"	1.660	2.16	2.91	4.23	\$18.54
12EICAL020 ⁽²⁾	2" IPS	-	-	-	-	2"	2.375	3.11	3.88	5.90	\$21.35
12EICAL030 ⁽²⁾	3" IPS	-	-	-	-	3"	3.500	4.45	5.04	7.04	\$46.06
12EICAL040 ⁽²⁾	4" IPS	-	-	-	-	4"	4.500	5.59	6.14	7.71	\$67.98
12EICAL060 ⁽²⁾	6" IPS	-	-	-	-	6"	6.625	8.03	8.42	9.29	\$150.55
12EICAL080 ⁽²⁾	8" IPS	-	-	-	-	8"	8.625	11.02	11.02	9.25	\$230.32

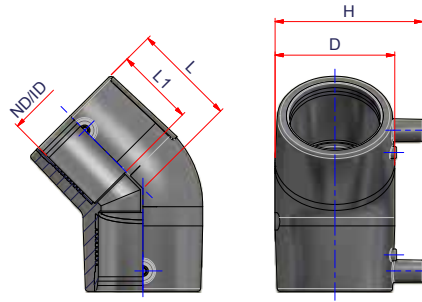
ELECTROFUSION FITTINGS



PE4710 230PSI SDR11 • IPS

Code	Type	Nominal Diameter ϕ (ND)	Pack.	Q.ty pallet	Weight lb/p.	Volume ft ³ /p.	ND1	ID1	L1	ND2	ID2	L2	D	L	H	H1	Price Each
12EIRDE034034C ⁽²⁾	A	¾"IPS x ¾"CTS	40	1920	0.184	0.0120	¾" IPS	1.050	1.57	¾" CTS	0.875	1.45	1.73	3.34	2.51	2.75	\$14.61
12EIRDE034012C ⁽²⁾	A	¾"IPS x ½"CTS	1	96	-	-	¾" IPS	1.050	1.57	½" CTS	0.625	1.45	1.69	3.34	2.51	2.54	\$12.93
12EIRDE034012 ⁽²⁾	A	¾"IPS x ½"IPS	20	1760	0.209	0.0145	¾" IPS	1.050	1.57	½" IPS	0.840	1.45	1.73	3.34	2.51	2.75	\$12.93
12EIRDE01C012C ⁽¹⁾	A	1"CTS x ½"CTS	-	-	-	-	1" CTS	1.125	1.57	½" CTS	0.625	1.45	1.69	3.34	2.51	2.75	\$12.93
12EIRDE01C034 ⁽¹⁾	A	1"CTS x ¾"IPS	20	1800	0.187	0.0191	1" CTS	1.125	1.57	¾" IPS	1.050	1.57	1.73	3.34	2.51	2.75	\$12.93
12EIRDE01034 ⁽²⁾	A	1"IPS x ¾"IPS	20	1920	0.182	0.0159	1" IPS	1.315	1.57	¾" IPS	1.050	1.57	1.73	3.34	2.51	2.75	\$12.93
12EIRDE114114C ⁽²⁾	B	1"¼IPS x 1"¼CTS	20	1800	0.215	0.0191	1"¼ IPS	1.660	1.85	1"¼ CTS	1.375	1.69	2.06	3.74	2.92	-	\$24.16
12EIRDE02112 ⁽²⁾	B	2"IPS x 1"½IPS	18	936	0.513	0.0371	2" IPS	2.375	2.24	1"½ IPS	1.900	2.00	3.18	4.72	3.93	-	\$51.29
12EIRDE02114 ⁽²⁾	B	2"IPS x 1"¼IPS	12	576	0.550	0.0494	2" IPS	2.375	2.24	1"¼ IPS	1.660	1.77	3.18	4.72	3.93	-	\$51.29
12EIRDE0302 ⁽²⁾	B	3"IPS x 2"IPS	30	360	1.115	0.0943	3" IPS	3.500	2.89	2" IPS	2.375	2.55	4.56	6.00	5.07	-	\$52.97
12EIRDE0402 ⁽²⁾	B	4"IPS x 2"IPS	24	288	1.366	0.1176	4" IPS	4.500	2.85	2" IPS	2.375	2.48	5.19	6.22	5.86	-	\$67.68
12EIRDE0403 ⁽²⁾	B	4"IPS x 3"IPS	24	288	1.338	0.1176	4" IPS	4.500	2.89	3" IPS	3.500	2.67	5.19	6.22	5.86	-	\$96.87
12EIRDE0604 ⁽²⁾	B	6"IPS x 4"IPS	10	120	3.256	0.2825	6" IPS	6.625	3.23	4" IPS	4.500	3.03	7.71	7.25	8.16	-	\$94.94
12EIRDE0806 ⁽²⁾	C	8"IPS x 6"IPS	-	-	-	-	8" IPS	8.625	4.88	6" IPS	6.625	4.06	-	10.04	10.94	-	\$255.60

ELECTROFUSION FITTINGS



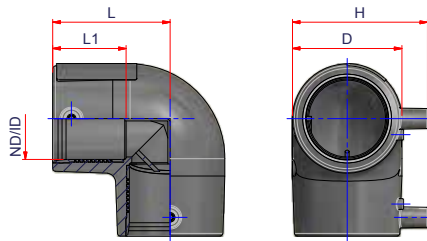
45° E/F ELBOW

Single wire

Weldable on pipe DR 17 - 15.5 - 13.5 - 11

PE4710 230PSI SDR11 • IPS

Code	Nominal Diameter ϕ (ND)	Pack.	Q.ty pallet	Weight lb/p.	Volume ft ³ /p.	ND (IPS)	ID	L1	D	L	H	Price Each
12EICEM02	2" IPS	20	540	0.726	0.0593	2"	2.375	2.12	3.30	2.77	3.39	\$50.56
12EICEM03	3" IPS	16	192	2.024	0.1766	3"	3.500	2.75	4.68	3.24	5.27	\$84.26
12EICEM04	4" IPS	-	-	-	-	4"	4.500	-	-	-	-	\$112.35
12EICEM06	6" IPS	-	-	-	-	6"	6.625	3.39	7.56	5.28	8.21	\$351.92
12EICEM08	8" IPS	-	-	-	-	8"	8.625	-	-	-	-	\$457.26
12EICEM10	10" IPS	-	-	-	-	10"	10.750	-	-	-	-	\$1,004.41



90° E/F ELBOW

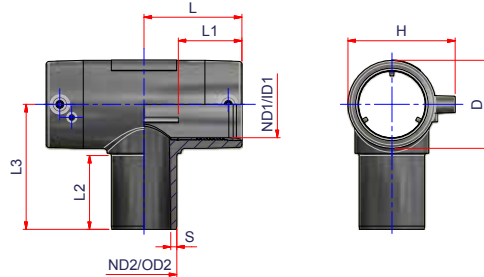
Single wire

Weldable on pipe DR 17 - 15.5 - 13.5 - 11

PE4710 230PSI SDR11 • IPS

Code	Nominal Diameter ϕ (ND)	Pack.	Q.ty pallet	Weight lb/p.	Volume ft ³ /p.	ND (IPS)	ID	L1	D	L	H	Price Each
12EIGEM02	2" IPS	20	540	0.814	0.0636	2"	2.375	2.16	3.23	3.46	4.00	\$50.56
12EIGEM03	3" IPS	14	168	2.451	0.2016	3"	3.500	2.75	4.70	4.80	5.28	\$84.26
12EIGEM04	4" IPS	-	-	-	-	4"	4.500	3.25	5.83	5.69	6.38	\$112.35
12EIGEM06	6" IPS	4	16	18.150	1.9070	6"	6.625	3.54	8.58	6.89	8.98	\$351.92
12EIGEM08	8" IPS	-	-	-	-	8"	8.625	-	-	-	-	\$457.26
12EIGEM10	10" IPS	-	-	-	-	10"	10.750	-	-	-	-	\$1,004.41

ELECTROFUSION FITTINGS



ELECTROFUSION EQUAL TEE WITH SPIGOT END

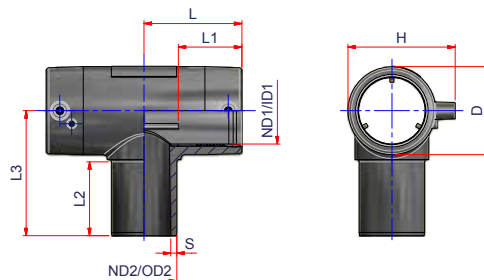
Single wire

⁽¹⁾ Weldable on pipe DR 10 - 9 - 7

⁽²⁾ Weldable on pipe DR 12.5 - 11.5 - 11

PE4710 230PSI SDR11 • CTS

Code	Nominal Diameter ϕ (ND)	Pack.	Q.ty pallet	Weight lb/p.	Volume ft ³ /p.	ND1 (CTS)	ID1	L1	ND2 (CTS)	OD2	S min	L2	L3	L	D	H	Price Each
12EITCE012C ⁽¹⁾	½" CTS	20	1920	0.176	0.0159	½"	0.625	1.55	½"	3.66	0.090	1.85	2.62	1.77	1.26	2.03	\$14.05
12EITCE01C ⁽²⁾	1" CTS	25	1200	-	-	1"	1.125	1.55	1"	3.75	0.101	1.97	2.95	2.16	1.73	2.52	\$14.05



ELECTROFUSION EQUAL TEE WITH SPIGOT END

Single wire

⁽¹⁾ Weldable on pipe DR 11

⁽²⁾ Weldable on pipe DR 17 - 15.5 - 13.5 - 11

PE4710 230PSI SDR11 • IPS

Code	Nominal Diameter ϕ (ND)	Pack.	Q.ty pallet	Weight lb/p.	Volume ft ³ /p.	ND1 (IPS)	ID1	L1	ND2 (IPS)	OD2	S min	L2	L3	L	D	H	Price Each
12EITCE114 ⁽¹⁾	1" ¼ IPS	15	720	0.381	0.0396	1"¼	1.660	1.77	1"¼	1.660	0.151	2.17	3.35	2.66	2.12	2.92	\$48.43
12EITCE02 ⁽¹⁾	2" IPS	25	300	1.038	0.1130	2"	2.375	2.30	2"	2.375	0.216	2.76	4.53	3.54	3.19	3.88	\$57.94
12EITCE03 ⁽²⁾	3" IPS	10	120	3.058	0.2825	3"	3.500	-	3"	3.500	0.318	3.30	5.90	4.80	4.65	5.49	\$114.67
12EITCE06 ⁽²⁾	6" IPS	-	-	-	-	6"	6.625	-	6"	6.625	0.602	-	-	-	-	-	\$370.00
12EITCE08 ⁽²⁾	8" IPS	-	-	-	-	8"	8.625	-	8"	8.625	0.785	-	-	-	-	-	\$511.19
12EITCE10 ⁽²⁾	10" IPS	-	-	-	-	10"	10.750	-	10"	10.750	0.977	-	-	-	-	-	\$1,150.46

All measures are in inches unless otherwise mentioned.

We reserve the right to vary dimensions without notice; check the web site for the updated dimensions.

ELECTROFUSION FITTINGS



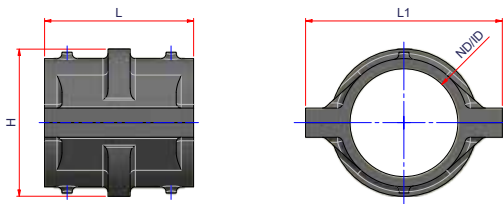
BUTT FUSION REPAIR SLEEVE

ELOFIT INCHES BUTT FUSION REPAIR SLEEVE (12EIBFRS) is a safety repair system to be used when, in service, butt-welding cannot be guaranteed, or to repair minor damages on pipe.

EIBFRS can be installed on pressurized pipe made out of PE4710, PE3408, PE2708 and PE2406.

EIBFRS must be installed on pipes without fluid leakage.

The maximum network pressure allowed to weld the EIBFRS on the pipe depends of the polyethylene grade and SDR of pipe.



Maximum operating pressure during the welding

CODE	Ø IPS	POLYETHYLENE GRADE	PRESSURE
12EIBFRS114	1"¼	PE4710 PE100 - SDR11/9/7	60 psi
12EIBFRS02	2"	PE3408 PE80 - SDR11/9/7	60 psi
12EIBFRS04	4"	PE4710 (PE 100-SDR11)	125 psi - 10 bar
12EIBFRS06	6"	PE2406/2708/3408/3608 (PE 80-SDR11)	60 psi - 5 bar
12EIBFRS08	8"	PE2406/2708/3408/3608 (PE80-SDR13.5)	60 psi - 5 bar
12EIBFRS12	12"	PE2406/2708/3408/3608 (PE80-SDR15.5)	14.5 psi - 1 bar
		PE80 (aldyl)	60 psi - 5 bar

PE4710 SDR11 • IPS

Code	Nominal Diameter Ø (ND)	Fusion range Max DR	Pack.	Q.ty pallet	Weight lb/p.	Volume ft³/p.	ND (IPS)	ID	L	L1	H	Price Each
12EIBFRS114	1"¼ IPS	see tables	1	90	4.400	0.3800	1"¼	1.660	9.25	7.19	4.20	\$917.47
12EIBFRS02	2" IPS	see tables	1	90	5.500	0.3800	2"	2.385	9.25	8.29	4.20	\$917.47
12EIBFRS04	4" IPS	see tables	1	52	5.500	0.6689	4"	4.500	8.76	9.84	6.57	\$1,068.63
12EIBFRS06	6" IPS	see tables	1	52	7.040	0,5925	6"	6.625	9.25	12.20	9.13	\$1,374.46
12EIBFRS08	8" IPS	see tables	1	27	17.930	1,2713	8"	8.625	9.45	15.25	11.50	\$2,595.42
12EIBFRS10	10" IPS	see tables	1				coming soon					\$3,118.69
12EIBFRS12	12" IPS	see tables	1	12	25.476	2,8252	12"	12.750	9.45	20.00	15.93	\$3,511.73

For the installation use the clamping system device (00KITSALDERP) and jumper cables (00KITCAVIERP) supplied on request (page 24).

Installation on pipes with max angle 1.5° and max misalignment 0.08".

ELECTROFUSION FITTINGS



180° VARIABLE LENGTH REPAIR SLEEVE

The **ELOFIT INCHES 180° VARIABLE LENGTH REPAIR SLEEVE (12EIVLRSxx180)** is a modular system of electrofusion shells that can be installed contiguously and welded on pipes that have notches, scrapes or damage along the axis.

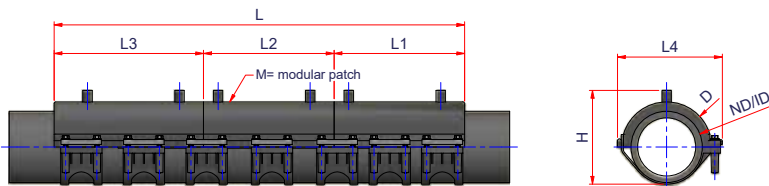
The standard assembly has 2 modules (**12EIVLRSxx180**); between them it is possible to add the necessary number of additional middle modules (**12EIVLRSxx180M** - also separately available).

Suitable to repair minor damages on pipe without fluid leakage.

The maximum network pressure allowed to weld the fitting on the pipe depends of the polyethylene grade and SDR of the pipe.

Maximum operating pressure during the welding

CODE	Ø IPS	POLYETHYLENE GRADE	PRESSURE
12EIVLRS114180	1"¼	PE4710 PE100 - SDR11/9/7	40 psi
		PE3408 PE80 - SDR11/9/7	40 psi
12EIVLRS02180	2"	PE2708/2406 - SDR 11/ 9/7	40 psi
		PE4710 PE100-SDR11	125 psi
12EIVLRS04180	4"	PE4710 PE100-SDR9.0/9.33	125 psi
		PE3608-3408-2708-2406/PE80-SDR11	60 psi
12EIVLRS06180	6"	PE3608-3408-2708-2406/PE80-SDR13.5	60 psi
		PE3608-3408-2708-2406/PE80-SDR15.5	14.5 psi
		PE3608-3408-2708-2406/PE80-SDR17/21	7.5 psi
		PE80 (aldyl)	60 psi



PE4710 SDR11 • IPS

Code	Nominal Diameter ø (ND)	Fusion range Max DR	Pack.	Weight lb/p.	Volume ft³/p.	ND (IPS)	ID	D	L	L1	L2	L3	L4	H	Notes	Price Each
12EIVLRS114180	1"¼ IPS	see tables	1+1	1.760	0.3800	1" ¼	1.660	2.30	16.14 (●)	8.66	-	7.48	3.31	2.61	T	\$610.48
12EIVLRS114180M	1"¼ IPS	see tables	1	0.614	0.1222	1" ¼	1.660	2.30	23.64 (◇)	8.66	7.51	7.48	3.31	2.61	M	\$306.98
12EIVLRS02180	2" IPS	see tables	1+1	-	-	2"	2.375	3.01	16.93 (●)	7.87	-	9.06	4.06	3.50	T	\$610.48
12EIVLRS02180M	2" IPS	see tables	1	-	-	2"	2.375	3.01	24.80 (◇)	7.87	7.87	9.06	4.06	3.50	M	\$306.98
12EIVLRS04180	4" IPS	see tables	1+1	4.840	0.5590	4"	4.500	5.67	17.58 (●)	9.37	-	8.22	6.60	5.91	T	\$763.97
12EIVLRS04180M	4" IPS	see tables	1	2.420	0.2758	4"	4.500	5.67	25.80 (◇)	9.37	8.22	8.22	6.60	5.91	M	\$458.15
12EIVLRS06180	6" IPS	see tables	1+1	5.000	-	6"	6.614	7.80	17.40 (●)	9.19	-	8.22	12.32	8.73	T	\$917.47
12EIVLRS06180M	6" IPS	see tables	1	3.000	-	6"	6.614	7.80	25.61 (◇)	9.19	8.22	8.22	12.32	8.73	M	\$610.48

(●) Length for installation of terminal fittings (2 pieces).

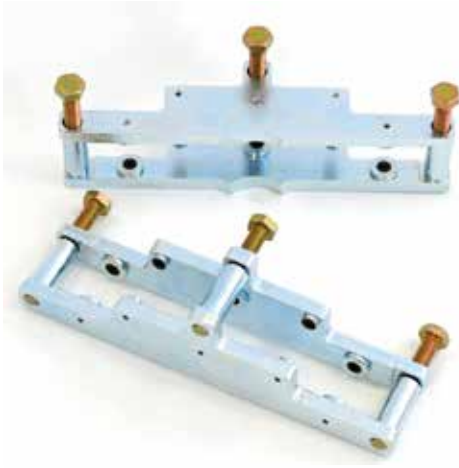
(◇) Length for installation of terminal fittings + modular patch (3 pieces). Other modular patches can be added depending of damage.

For the installation use a pair of triple cables (00KITCAVI3VIE) supplied on request (page 24).

T=TERMINAL FITTINGS M= MODULAR PATCH

ELECTROFUSION FITTINGS

A



B



C



TOOLS FOR REPAIR SLEEVES INSTALLATION

(for codes: 12EIBFRS and 12EIVLRSxx180)

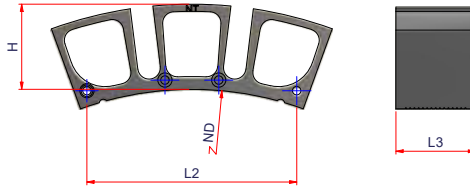
Code	Ref.	Description	Application	Price Each
00KITSALDERP	A	CLAMPING SYSTEM DEVICE	for 12EIBFRSxx	\$1,125.00
00KITCAVIERP	B	NR.1 LONG CABLE + NR.2 SHORT CABLES	for 12EIBFRSxx	\$240.00
00KITCAVI3VIE	C	NR. 1 RED TRIPLE CABLE + NR.1 BLACK TRIPLE CABLE	for 12EIVLRSxx180	\$1,125.00

ELECTROFUSION FITTINGS



FLEX RESTRAINT MODULAR PIPE STOP

Weldable on pipe DR 17 - 15.5 - 13.5 - 11 - 9.3 - 9 - 7.3 - 7

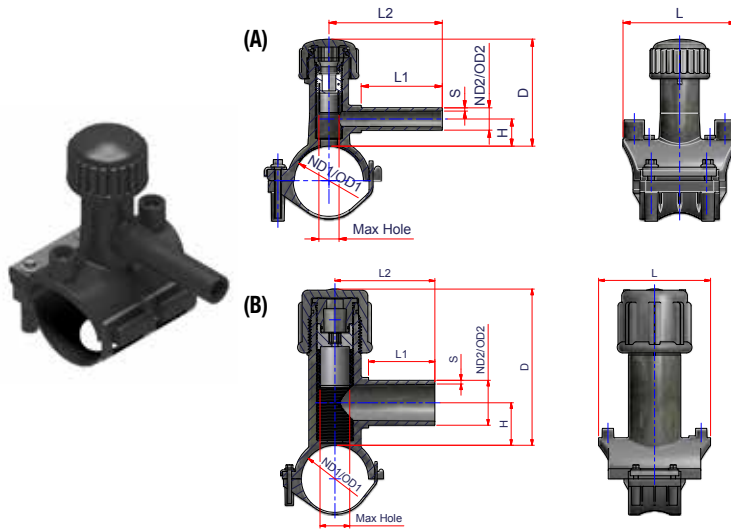


PE4710 230PSI SDR11 • CTS

Code	Nominal Diameter ϕ (ND)	Pack.	Q.ty pallet	Weight lb/p.	Volume ft ³ /p.	L2	L3	H	Price Each
12EFT03	10" \div 48"	-	-	0,484	-	5.83	2.20	2.36	\$62.19

Restraints nr needed for SDR	10"	12"	14"	16"	18"	20"	24"	28"	30"	32"	36"	42"	48"
SDR 9	3	4	4	5	7	8	11	15	18	20	25	34	44
SDR 11	2	3	4	5	6	7	10	13	15	17	21	29	37
SDR 17	2	2	3	3	4	5	7	9	10	11	14	19	25
Max # in circumference	5	6	7	8	9	10	12	14	15	16	18	21	25

ELECTROFUSION FITTINGS



TAPPING TEE WITH RIGID UNDERCLAMP

Weldable on pipe DR 17 - 15.5 - 13.5 - 11 - 9.3 - 9 - 7.3 - 7

(*PF (min DR) = Maximum Drilling Depth

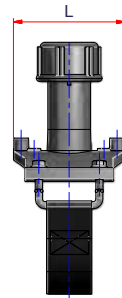
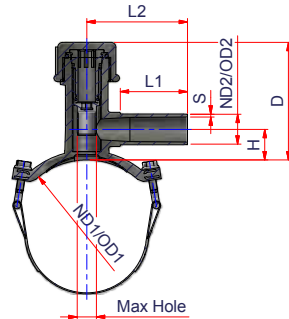
The same fittings is available with metric outlet upon request.

⬡ Hexagonal key for perforation (mm)

PE4710 230PSI SDR11 • IPSxIPS IPSxCTS

Code	Type	Nominal Diameter ϕ (ND1 x ND2)	Pack.	Q.ty pallet	Weight lb/p.	Volume ft ³ /p.	OD1	OD2	S	H	L1	L2	L	D	Max Hole	⬡	Price Each
12EIPRES11412C	A	1 1/4" IPS x 1/2" CTS	40	480	0.875	0.0706	1.660	0.625	0.104	0.90	2.75	3.94	3.94	3.74	0.71	10	\$28.49
12EIPRES0212C	A	2" IPS x 1/2" CTS	40	480	0.930	0.0706	2.375	0.625	0.104	0.98	2.79	3.94	3.94	3.74	0.71	10	\$25.01
12EIPRES0312C	A	3" IPS x 1/2" CTS	30	-	0.917	0.0943	3.500	0.625	0.104	0.87	2.13	3.94	3.94	3.95	0.71	10	\$26.75
12EIPRES0412C	A	4" IPS x 1/2" CTS	25	300	1.170	0.1130	4.500	0.625	0.104	0.87	2.87	3.94	3.94	3.95	0.71	10	\$29.66
12EIPRES0612C	A	6" IPS x 1/2" CTS	20	240	1.408	0.1413	6.625	0.625	0.104	1.00	2.87	3.94	3.94	4.33	0.71	10	\$36.05
12EIPRES11434	A	1 1/4" IPS x 3/4" IPS	30	360	0.761	0.0943	1.660	1.050	0.095	0.90	2.75	3.94	3.94	3.74	0.71	10	\$28.49
12EIPRES0234	A	2" IPS x 3/4" IPS	40	480	0.957	0.0706	2.375	1.050	0.095	0.98	2.79	3.94	3.94	3.74	0.71	10	\$25.01
12EIPRES0334	A	3" IPS x 3/4" IPS	30	360	0.942	0.0943	3.500	1.050	0.095	0.87	2.56	3.94	3.94	3.95	0.71	10	\$26.75
12EIPRES0434	A	4" IPS x 3/4" IPS	30	360	1.239	0.0943	4.500	1.050	0.095	0.87	2.85	3.94	3.94	3.95	0.71	10	\$29.66
12EIPRES0634	A	6" IPS x 3/4" IPS	-	-	-	-	6.625	1.050	0.095	1.00	2.85	3.94	3.94	4.33	0.71	10	\$36.05
12EIPRES11401C	A	1 1/4" IPS x 1" CTS	50	-	0.840	0.0565	1.660	1.125	0.101	0.90	2.75	3.94	3.94	3.74	0.71	10	\$28.49
12EIPRES0201C	A	2" IPS x 1" CTS	40	480	0.952	0.0706	2.375	1.125	0.101	0.94	2.79	3.94	3.94	3.74	0.71	10	\$25.01
12EIPRES0301C	A	3" IPS x 1" CTS	25	300	0.867	0.1130	3.500	1.125	0.101	0.87	2.56	3.94	3.94	3.95	0.71	10	\$26.75
12EIPRES0401C	A	4" IPS x 1" CTS	20	240	1.023	0.1413	4.500	1.125	0.101	0.87	2.95	3.94	3.94	3.95	0.71	10	\$29.66
12EIPRES0601C	A	6" IPS x 1" CTS	20	240	1.485	0.1413	6.625	1.125	0.101	1.00	2.75	3.94	3.94	4.33	0.71	10	\$36.05
12EIPRES11401	A	1 1/4" IPS x 1" IPS	40	480	0.825	0.0706	1.660	1.315	0.236	0.90	2.75	3.94	3.94	3.74	0.71	10	\$28.49
12EIPRES0201	A	2" IPS x 1" IPS	30	360	0.851	0.0943	2.375	1.315	0.236	0.94	2.70	3.94	3.94	3.74	0.71	10	\$25.01
12EIPRES0301	A	3" IPS x 1" IPS	30	360	0.997	0.0943	3.500	1.315	0.236	0.87	2.56	3.94	3.94	3.95	0.71	10	\$26.75
12EIPRES0401	A	4" IPS x 1" IPS	20	240	0.990	0.1413	4.500	1.315	0.236	0.87	2.75	3.94	3.94	3.95	0.71	10	\$29.66
12EIPRES0601	A	6" IPS x 1" IPS	20	240	1.496	0.1413	6.625	1.315	0.236	1.00	2.75	3.94	3.94	4.33	0.71	10	\$36.05
12EIPRES02114	B	2" IPS x 1 1/4" IPS	25	300	1.237	0.1130	2.375	1.660	0.151	1.26	2.75	3.94	4.68	5.04	0.90	10	\$35.37
12EIPRES0202	B	2" IPS x 2" IPS	20	240	2.140	0.1413	2.375	2.375	0.216	1.14	2.44	3.94	5.12	5.71	1.22	14	\$86.05
12EIPRES0302	B	3" IPS x 2" IPS	10	120	-	-	3.500	2.375	0.216	2.32	3.54	5.31	4.56	8.26	1.58	14	\$88.96
12EIPRES0402	B	4" IPS x 2" IPS	10	120	4.202	0.2825	4.500	2.375	0.216	2.32	3.54	5.31	4.56	8.26	1.58	14	\$94.78

ELECTROFUSION FITTINGS



TAPPING TEE WITH BELT

(1) Weldable on pipe DR 17 - 1-5.5 - 13.5 - 11 - 9.3 - 9 - 7.3 - 7

(2) Weldable on pipe DR 17 - 15.5 - 13.5 - 11 - 9.3 - 9

(3) Weldable on pipe DR 17 - 15.5 - 13.5 - 11

(*) PF (min DR) = Maximum Drilling Depth

The same fittings is available with metric outlet upon request.

⬡ Hexagonal key for perforation (mm)

PE4710 230PSI SDR11 • IPSxIPS IPSxCTS

Code	Nominal Diameter ϕ (ND1 x ND2)	Pack.	Q.ty pallet	Weight lb/p.	Volume ft ³ /p.	OD1	OD2	S	H	L1	L2	L	D	Max Hole	⬡	Price Each
12EIPRES0812C (1)	8" IPS x 1/2" CTS	10	120	3.124	0.2825	8.625	0.625	0.104	1.57	2.17	4.13	5.90	6.30	0.94	10	\$55.24
12EIPRES1012C (2)	10" IPS x 1/2" CTS	10	120	3.080	0.2825	10.750	0.625	0.104	1.57	2.17	4.13	5.90	6.30	0.94	10	\$70.93
12EIPRES1212C (3)	12" IPS x 1/2" CTS	8	96	3.149	0.3532	12.750	0.625	0.104	1.57	2.17	4.13	5.90	6.30	0.94	10	\$79.66
12EIPRES1212 (3)	12" IPS x 1/2" IPS	8	96	3.149	0.3532	12.750	0.840	0.076	1.57	2.17	4.13	5.90	6.30	0.94	10	\$79.66
12EIPRES0834 (1)	8" IPS x 3/4" IPS	10	120	3.080	0.2825	8.625	1.050	0.095	1.57	2.75	4.13	5.90	6.30	0.94	10	\$55.24
12EIPRES1034 (2)	10" IPS x 3/4" IPS	10	120	3.091	0.2825	10.750	1.050	0.095	1.57	2.75	4.13	5.90	6.30	0.94	10	\$70.93
12EIPRES1234 (3)	12" IPS x 3/4" IPS	10	120	3.091	0.2825	12.750	1.050	0.095	1.57	2.75	4.13	5.90	6.30	0.94	10	\$79.66
12EIPRES0801C (1)	8" IPS x 1" CTS	10	120	3.058	0.2825	8.625	1.125	0.101	1.57	2.75	4.13	5.90	6.30	0.94	10	\$55.24
12EIPRES1001C (2)	10" IPS x 1" CTS	10	120	3.091	0.2825	10.750	1.125	0.101	1.57	2.75	4.13	5.90	6.30	0.94	10	\$70.93
12EIPRES1201C (3)	12" IPS x 1" CTS	10	120	3.014	0.2825	12.750	1.125	0.101	1.57	2.75	4.13	5.90	6.30	0.94	10	\$79.66
12EIPRES0801 (1)	8" IPS x 1" IPS	10	120	2.948	0.2825	8.625	1.315	0.188	1.57	2.75	4.13	5.90	6.30	0.94	10	\$55.24
12EIPRES1001 (1)	10" IPS x 1" IPS	10	120	2.970	0.2825	10.750	1.315	0.188	1.57	2.75	4.13	5.90	6.30	0.94	10	\$70.93
12EIPRES1201 (3)	12" IPS x 1" IPS	10	120	3.014	0.2825	12.750	1.315	0.188	1.57	2.75	4.13	5.90	6.30	0.94	10	\$79.66
12EIPRES03114 (1)	3" IPS x 1 1/4" IPS	25	300	1.610	0.1130	3.500	1.660	0.151	1.18	2.75	4.13	5.90	4.88	0.87	10	\$37.21
12EIPRES04114 (1)	4" IPS x 1 1/4" IPS	25	300	1.641	0.1130	4.500	1.660	0.151	1.18	2.75	4.13	5.90	4.88	0.87	10	\$41.86
12EIPRES06114 (1)	6" IPS x 1 1/4" IPS	25	300	1.646	0.1130	6.625	1.660	0.151	1.18	2.75	4.13	5.90	4.88	0.87	10	\$44.78
12EIPRES08114 (1)	8" IPS x 1 1/4" IPS	10	120	3.080	0.2825	8.625	1.660	0.151	1.57	2.75	4.13	5.90	6.30	0.94	10	\$55.24
12EIPRES10114 (2)	10" IPS x 1 1/4" IPS	-	-	3.036	0.2825	10.750	1.660	0.151	1.57	2.75	4.13	5.90	6.30	0.94	10	\$70.93
12EIPRES12114 (3)	12" IPS x 1 1/4" IPS	10	120	3.058	0.2825	12.750	1.660	0.151	1.57	2.75	4.13	5.90	6.30	0.94	10	\$79.66
12EIPRES0602 (1)	6" IPS x 2" IPS	10	120	4.147	0.2825	6.625	2.375	0.216	2.32	3.54	5.28	5.90	8.26	1.58	14	\$101.17
12EIPRES0802 (1)	8" IPS x 2" IPS	6	72	4.822	0.4707	8.625	2.375	0.216	2.32	3.54	5.28	5.90	8.26	1.58	14	\$108.14
12EIPRES1002 (2)	10" IPS x 2" IPS	6	72	4.822	0.4707	10.750	2.375	0.216	2.32	3.54	5.28	5.90	8.26	1.58	14	\$111.63
12EIPRES1202 (3)	12" IPS x 2" IPS	6	72	4.877	0.4707	12.750	2.375	0.216	2.32	3.54	5.28	5.90	8.26	1.58	14	\$116.29

All measures are in inches unless otherwise mentioned.

We reserve the right to vary dimensions without notice; check the web site for the updated dimensions.

ELECTROFUSION FITTINGS



TORQUE WRENCH FOR TAPPING TEE CAP TIGHTENING

Code	Pack.	Weight lb/p.	EPRES Type	Price Each
00CHIAVE025	1	0.099	Small tapping tee cap	\$17.00
00CHIAVE032	1	0.088	Medium tapping tee cap	\$21.50
00CHIAVE040	1	0.118	2"X2" Tapping tee cap	\$22.20
00CHIAVE050	1	0.132	HVSPT wrench for big tapping tee cap	\$28.00

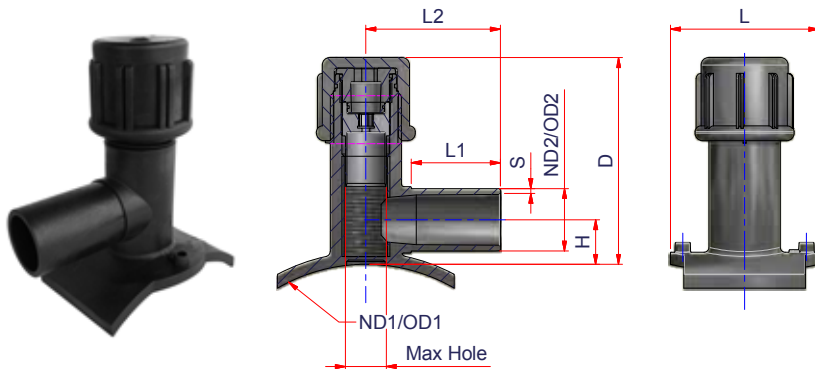
ELECTROFUSION FITTINGS



SPT & HVSPT TOOLS AND ACCESSORIES

Code	Nominal Size	ø Main	ø Outlet	Price Each
SPT/HVSPT Tapping tools				
00CIPRES10	SPT 10 mm Hex Tool	1¼" IPS	½" ÷ 1" CTS/IPS	\$76.75
		2" ÷ 4"	½" ÷ 1" CTS/IPS	
		3" ÷ 6"	1¼" IPS	
		6"	½" ÷ 1" CTS/IPS	
		2"	1¼" IPS	
		2"	2"	
8" ÷ 12"	½" ÷ 1¼" CTS/IPS			
00CIPRES14	SPT 14 mm Hex Tool	3" ÷ 12"	2"	\$108.14
SPT/HVSPT Pressure Test Equipment				
12ESPTTESTCAP	SPT Test Cap			\$76.75
12E114TESTCAP	1-¼" Outlet Test Cap			\$91.86
12E02TESTCAP	2" Outlet Test Cap			\$113.38
12E0202TESTCAP	2"x2" Test Cap			\$76.75
12ECON114NPTFF	Quick Connect ¼" NPT Female/female Quick Connector			\$46.51
12EHOSEASS	Hose Assembly			\$48.26

ELECTROFUSION FITTINGS



TOP LOAD TAPPING TEE

Important: use the positioner model 00IPOS01 for the installation!

PE4710 230PSI SDR11 • IPS x IPS

Code	Nominal Diameter ϕ (ND1 x ND2)	Pack.	Q.ty pallet	Weight lb/p.	Volume ft ³ /p.	OD1	OD2	S min	H	L1	L2	L	D	Max Hole	Price Each
12EIPRESTL142402	14" ÷ 24" IPS x 2" IPS	10	120	3.410	0.2825	14.000 ÷ 24.000	2.375	0.216	1.81	3.54	5.35	4.56	8.13	1.53	\$833.74

TECHNICAL NOTE:

Pipe OD	Max wall thickness to be pierced (DR min)
14"	11 TO 17
16"	11 TO 17
18"	11 TO 17
20"	11 TO 17
22"	11 TO 21
24"	11 TO 21

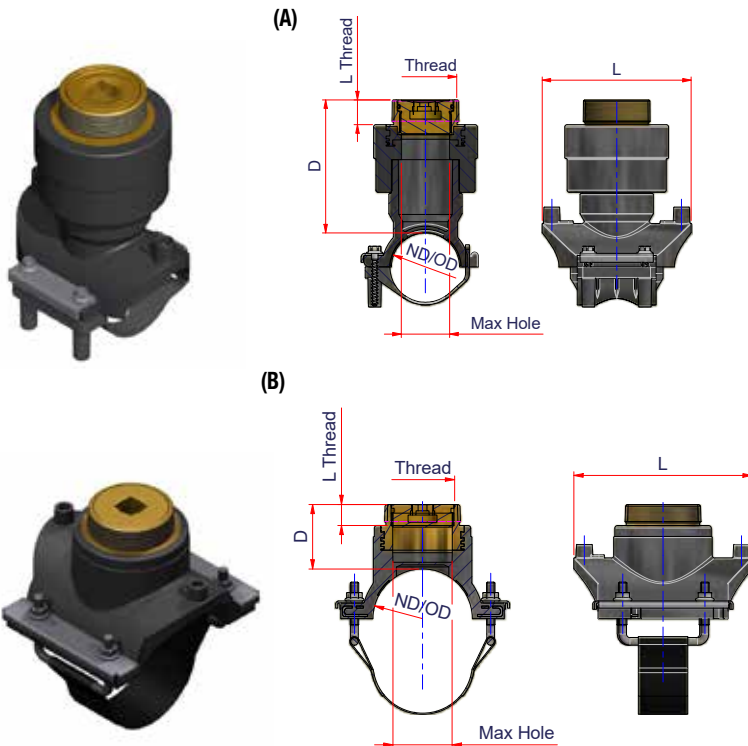


POSITIONER FOR TOP LOAD SADDLES

Positioner for saddles 12EICOL... and 12EIPRES... with ϕ 2" outlet

Code	Outlet	Imb. Pack.	Weight lb/p.	Volume ft ³ /p.	Price Each
00IPOS01	2"	1	7.040	0.2965	\$3,180.00

ELECTROFUSION FITTINGS



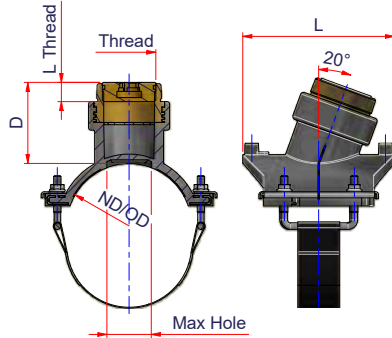
90° BALLOON SADDLE WITH BRASS THREADED OUTLET

Weldable on pipe DR 17 - 15.5 - 13.5 - 11 - 9.3 - 9 - 7.3 - 7
With brass female threaded outlet.

PE4710 230PSI SDR11 • IPS

Code	Type	Nominal Diameter ϕ (ND)	Pack.	Q.ty pallet	Weight lb/p.	Volume ft ³ /p.	ND (IPS)	OD	Thread	L Thread	D	L	Max Hole	Price Each
12EIPAL02	A	2" IPS	-	-	-	-	2"	2.375	2" NPT	0.87	4.64	5.20	1.69	\$275.59
12EIPAL03	B	3" IPS	5	135	4.180	0.2543	3"	3.500	2"½ NPT	0.79	2.40	6.69	2.12	\$275.59
12EIPAL04	B	4" IPS	8	216	4.285	0.1589	4"	4.500	2"½ NPT	0.79	3.31	6.69	2.12	\$275.59
12EIPAL06	B	6" IPS	8	216	4.180	0.1589	6"	6.625	2"½ NPT	0.79	3.31	6.69	2.12	\$275.59
12EIPAL08	B	8" IPS	4	108	5.198	0.3178	8"	8.625	2"½ NPT	0.79	3.31	7.87	2.12	\$275.59
12EIPAL10	B	10" IPS	-	-	-	-	10"	10.750	2"½ NPT	0.79	3.31	7.87	2.12	\$275.59
12EIPAL12	B	12" IPS	4	108	5.280	0.3182	12"	12.750	2"½ NPT	0.79	3.31	7.87	2.12	\$275.59

ELECTROFUSION FITTINGS



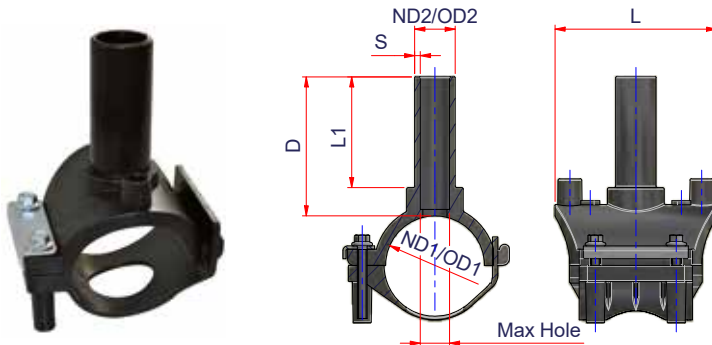
20° BALLOON SADDLE WITH BRASS THREADED OUTLET

*Weldable on pipe DR 17 - 15.5 - 13.5 - 11 - 9.3 - 9 - 7.3 - 7
With brass female threaded outlet.*

PE4710 230PSI SDR11 • IPS

Code	Nominal Diameter ϕ (ND)	Pack.	Q.ty pallet	Weight lb/p.	Volume ft ³ /p.	ND (IPS)	OD	Thread	L Thread	D	L	Max Hole	Price Each
12EIPAL2004	4" IPS	-	-	-	-	4"	4.500	2"½ NPT	0.79	3.31	6.69	2.12	\$306.98
12EIPAL2006	6" IPS	8	216	3.740	0.1589	6"	6.625	2"½ NPT	0.79	3.31	6.69	2.12	\$306.98
12EIPAL2008	8" IPS	6	72	5.317	0.4707	8"	8.625	2"½ NPT	0.79	3.31	7.87	2.12	\$306.98
12EIPAL2010	10" IPS	-	-	-	-	10"	10.750	2"½ NPT	0.79	3.31	7.87	2.12	\$306.98
12EIPAL2012	12" IPS	-	-	-	-	12"	12.750	2"½ NPT	0.79	3.31	7.87	2.12	\$306.98

ELECTROFUSION FITTINGS



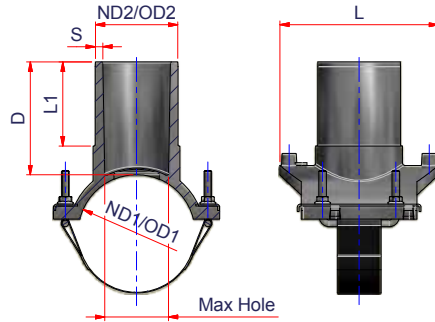
BRANCH SADDLE WITH RIDIG UNDERCLAMP

Weldable on pipe DR 17 - 15.5 - 13.5 - 11 - 9.3 - 9 - 7.3 - 7
The same fittings is available with metric outlet upon request.

PE4710 230PSI SDR11 • **IPSxCTS** **IPSxIPS**

Code	Nominal Diameter ϕ (ND1 x ND2)	Pack.	Q.ty pallet	Weight lb/p.	Volume ft ³ /p.	OD1	OD2	S min	L1	L	D	Max Hole		Price Each
12EICOL11412C	1" ¼ IPS x ½" CTS	60	720	0.581	0.0470	1.660	0.625	0.104	2.56	3.94	3.27	0.36		\$34.88
12EICOL11212C	1" ½ IPS x ½" CTS	60	720	0.581	0.0470	1.900	0.625	0.104	2.56	3.94	3.27	0.36		\$34.88
12EICOL0212C	2" IPS x ½" CTS	50	600	0.647	0.0565	2.375	0.625	0.104	2.56	3.94	3.27	0.36		\$34.88
12EICOL11434	1" ¼ IPS x ¾" IPS	60	720	0.586	0.0470	1.660	1.050	0.095	2.56	3.94	3.27	0.77		\$34.88
12EICOL11234	1" ½ IPS x ¾" IPS	60	720	0.586	0.0470	1.900	1.050	0.095	2.56	3.94	3.27	0.77		\$34.88
12EICOL0234	2" IPS x ¾" IPS	50	600	0.651	0.0565	2.375	1.050	0.095	2.56	3.94	3.27	0.77		\$34.88
12EICOL11401C	1" ¼ IPS x 1" CTS	60	720	0.595	0.0470	1.660	1.125	0.101	2.56	3.94	3.27	0.86		\$34.88
12EICOL11201C	1" ½ IPS x 1" CTS	60	720	0.595	0.0470	1.900	1.125	0.101	2.56	3.94	3.27	0.86		\$34.88
12EICOL0201C	2" IPS x 1" CTS	50	360	0.487	0.0565	2.375	1.125	0.101	2.56	3.94	3.27	0.86		\$34.88
12EICOL11401	1" ¼ IPS x 1" IPS	60	720	0.599	0.0470	1.660	1.315	0.120	2.56	3.94	3.27	1.02		\$34.88
12EICOL11201	1" ½ IPS x 1" IPS	60	720	0.599	0.0470	1.900	1.315	0.120	2.56	3.94	3.27	1.02		\$34.88
12EICOL0201	2" IPS x 1" IPS	50	600	0.662	0.0565	2.375	1.315	0.120	2.56	3.94	3.27	1.02		\$34.88
12EICOL02112	2" IPS x 1½" IPS	30	360	0.660	0.943	2.375	1.900	0.173	2.95	5.20	4.32	-		\$34.88
12EICOL0202	2" IPS x 2" IPS	30	360	0.733	0.0943	2.375	2.375	0.216	3.54	5.20	4.72	1.55	180 PSI	\$40.13
12EICOL0302	3" IPS x 2" IPS	25	300	0.880	0.1130	3.500	2.375	0.216	3.35	5.59	4.03	1.73	180 PSI	\$40.13
12EICOL0402	4" IPS x 2" IPS	20	360	0.946	0.1413	4.500	2.375	0.216	3.35	5.59	4.06	1.73	180 PSI	\$44.78

ELECTROFUSION FITTINGS



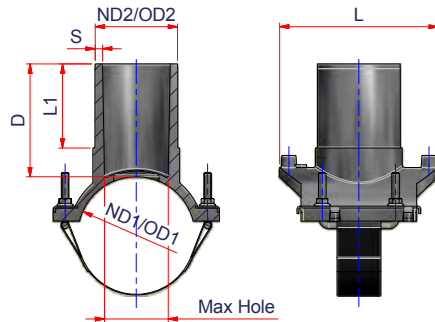
BRANCH SADDLE WITH BELT

Weldable on pipe DR 17 - 15.5 - 13.5 - 11 - 9.3 - 9 - 7.3 - 7
Available on request the same fitting with metric outlet!

PE4710 230PSI SDR11 • **IPSxCTS** **IPSxIPS**

Code	Nominal Diameter ϕ (ND1 x ND2)	Pack.	Q.ty pallet	Weight lb/p.	Volume ft ³ /p.	OD1	OD2	S min	L1	L	D	Max Hole	Price Each
12EICOL0312C	3" IPS x 1/2" CTS	30	360	0.986	0.0943	3.500	0.625	0.104	3.35	5.59	4.03	0.36	\$40.13
12EICOL0412C	4" IPS x 1/2" CTS	40	480	0.974	0.0706	4.500	0.625	0.104	3.35	5.59	4.03	0.36	\$46.51
12EICOL0612C	6" IPS x 1/2" CTS	30	360	1.027	0.0890	6.625	0.625	0.104	3.35	5.59	4.03	0.36	\$54.08
12EICOL0812C	8" IPS x 1/2" CTS	30	360	1.056	0.0890	8.625	0.625	0.104	3.35	5.59	4.03	0.36	\$70.93
12EICOL1012C	10" IPS x 1/2" CTS	30	360	1.030	0.0890	10.750	0.625	0.104	3.35	5.59	4.03	0.36	\$76.75
12EICOL1212C	12" IPS x 1/2" CTS	30	360	1.063	0.0890	12.750	0.625	0.104	3.35	5.59	4.03	0.36	\$83.15
12EICOL0334	3" IPS x 3/4" IPS	30	360	0.986	0.0943	3.500	1.050	0.095	3.35	5.59	4.03	0.77	\$40.13
12EICOL0434	4" IPS x 3/4" IPS	40	480	0.974	0.0706	4.500	1.050	0.095	3.35	5.59	4.03	0.77	\$46.51
12EICOL0634	6" IPS x 3/4" IPS	30	360	1.027	0.0890	6.625	1.050	0.095	3.35	5.59	4.03	0.77	\$54.08
12EICOL0834	8" IPS x 3/4" IPS	30	360	1.056	0.0890	8.625	1.050	0.095	3.35	5.59	4.03	0.77	\$70.93
12EICOL1034	10" IPS x 3/4" IPS	30	360	1.030	0.0890	10.750	1.050	0.095	3.35	5.59	4.03	0.77	\$76.75
12EICOL1234	12" IPS x 3/4" IPS	30	360	1.063	0.0890	12.750	1.050	0.095	3.35	5.59	4.03	0.77	\$83.15
12EICOL0301C	3" IPS x 1" CTS	30	360	1.001	0.0890	3.500	1.125	0.101	3.35	5.59	4.03	0.86	\$40.13
12EICOL0401C	4" IPS x 1" CTS	30	360	1.019	0.0890	4.500	1.125	0.101	3.35	5.59	4.03	0.86	\$46.51
12EICOL0601C	6" IPS x 1" CTS	30	360	1.038	0.0890	6.625	1.125	0.101	3.35	5.59	4.03	0.86	\$54.08
12EICOL0801C	8" IPS x 1" CTS	30	360	1.052	0.0890	8.625	1.125	0.101	3.35	5.59	4.03	0.86	\$70.93
12EICOL1001C	10" IPS x 1" CTS	30	360	1.063	0.0890	10.750	1.125	0.101	3.35	5.59	4.03	0.86	\$76.75
12EICOL1201C	12" IPS x 1" CTS	30	360	-	-	12.750	1.125	0.101	3.35	5.59	4.03	0.86	\$83.15
12EICOL0301	3" IPS x 1" IPS	30	360	1.001	0.0943	3.500	1.315	0.120	3.35	5.59	4.03	1.02	\$40.13
12EICOL0401	4" IPS x 1" IPS	30	360	0.986	0.0943	4.500	1.315	0.120	3.35	5.59	4.03	1.02	\$46.51
12EICOL0601	6" IPS x 1" IPS	30	360	1.038	0.0943	6.625	1.315	0.120	3.35	5.59	4.03	1.02	\$54.08
12EICOL0801	8" IPS x 1" IPS	30	360	1.052	0.0943	8.625	1.315	0.120	3.35	5.59	4.03	1.02	\$70.93
12EICOL1001	10" IPS x 1" IPS	30	360	1.063	0.0890	10.750	1.315	0.120	3.35	5.59	4.03	1.02	\$76.75
12EICOL1201	12" IPS x 1" IPS	30	360	1.078	0.0943	12.750	1.315	0.120	3.35	5.59	4.03	1.02	\$83.15
12EICOL03114	3" IPS x 1 1/4" IPS	30	360	1.019	0.0943	3.500	1.660	0.151	3.35	5.59	4.03	1.29	\$40.13
12EICOL04114	4" IPS x 1 1/4" IPS	30	360	-	0.0943	4.500	1.660	0.151	3.35	5.59	4.03	1.29	\$46.51
12EICOL06114	6" IPS x 1 1/4" IPS	30	360	1.049	0.0943	6.625	1.660	0.151	3.35	5.59	4.03	1.29	\$54.08
12EICOL08114	8" IPS x 1 1/4" IPS	30	360	-	0.0943	8.625	1.660	0.151	3.35	5.59	4.03	1.29	\$70.93
12EICOL10114	10" IPS x 1 1/4" IPS	30	360	-	0.0943	10.750	1.660	0.151	3.35	5.59	4.03	1.29	\$76.75
12EICOL12114	12" IPS x 1 1/4" IPS	30	360	-	0.0943	12.750	1.660	0.151	3.35	5.59	4.03	1.29	\$83.15

ELECTROFUSION FITTINGS

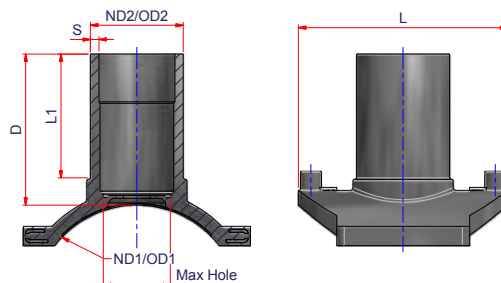


BRANCH SADDLE WITH BELT

Weldable on pipe DR DR 17 - 15.5 - 13.5 - 11 - 9.3 - 9 - 7.3 - 7
Available on request the same fitting with metric outlet!

PE4710 230PSI SDR11 • IPSxCTS IPSxIPS

Code	Nominal Diameter ϕ (ND1 x ND2)	Pack.	Q.ty pallet	Weight lb/p.	Volume ft ³ /p.	OD1	OD2	S min	L1	L	D	Max Hole		Price Each
12EICOL0602	6" IPS x 2" IPS	30	360	1.155	0.0943	6.625	2.375	0.216	3.35	5.59	4.03	1.73	180 PSI	\$54.08
12EICOL0802	8" IPS x 2" IPS	30	360	1.173	0.0943	8.625	2.375	0.216	3.35	5.59	4.03	1.73	180 PSI	\$66.28
12EICOL1002	10" IPS x 2" IPS	6	72	1.063	0.0890	10.750	2.375	0.216	3.35	5.59	4.03	1.73	180 PSI	\$76.75
12EICOL1202	12" IPS x 2" IPS	6	72	3.300	0.4707	12.750	2.375	0.216	3.35	5.59	4.03	1.73	180 PSI	\$83.15
12EICOL0303	3" IPS x 3" IPS	12	144	1.126	0.0890	3.500	3.500	0.318	3.96	6.69	5.16	2.70	180 PSI	\$173.84
12EICOL0403	4" IPS x 3" IPS	15	180	2.259	0.1882	4.500	3.500	0.318	3.54	6.69	4.64	2.70	180 PSI	\$173.84
12EICOL0603	6" IPS x 3" IPS	15	180	2.259	0.1776	6.625	3.500	0.318	3.54	6.69	4.64	2.70	180 PSI	\$198.84
12EICOL0803	8" IPS x 3" IPS	6	72	3.300	0.4441	8.625	3.500	0.318	3.94	7.87	4.92	2.70	180 PSI	\$208.15
12EICOL1003	10" IPS x 3" IPS	6	72	3.300	0.4441	10.750	3.500	0.318	3.94	7.87	4.92	2.70	180 PSI	\$220.93
12EICOL1203	12" IPS x 3" IPS	6	72	3.300	0.4441	12.750	3.500	0.318	3.94	7.87	4.92	2.70	180 PSI	\$238.37
12EICOL0404	4" IPS x 4" IPS	10	120	2.794	0.2825	4.500	4.500	0.409	3.74	6.85	5.63	2.76	180 PSI	\$210.47
12EICOL0604	6" IPS x 4" IPS	8	96	3.355	0.3332	6.625	4.500	0.409	3.94	7.87	5.12	3.46	180 PSI	\$238.37
12EICOL0804	8" IPS x 4" IPS	5	60	3.960	0.5330	8.625	4.500	0.409	3.84	7.87	5.05	3.46	180 PSI	\$256.98
12EICOL1004	10" IPS x 4" IPS	6	72	3.850	0.4441	10.750	4.500	0.409	3.84	7.87	5.05	3.46	180 PSI	\$293.03
12EICOL1204	12" IPS x 4" IPS	5	60	3.916	0.5330	12.750	4.500	0.409	3.84	7.87	5.05	3.46	180 PSI	\$334.89



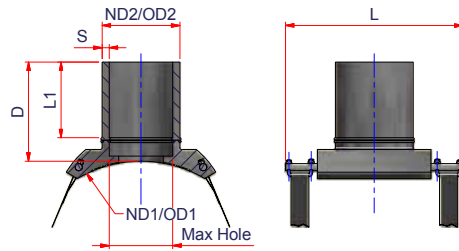
HIGH VOLUME TOP LOAD BRANCH SADDLE

Weldable on DR 17 - 15.5 - 13.5 - 11 - 9.3 - 9 - 7.3 - 7
Important: use the positioner model 00IPOS01 for the installation of TOP LOAD saddle.

PE4710 230PSI SDR11 • IPS x IPS

Code	Nominal Diameter ϕ (ND1 x ND2)	Pack.	Q.ty pallet	Weight lb/p.	Volume ft ³ /p.	OD1	OD2	S min	L1	L	D	Max Hole	Price Each
12EICOLTL142402	14"÷24" IPS x 2" IPS	30	360	0.735	0.0890	14.000 ÷ 24.000	2.375	0.216	3.35	5.59	4.03	1.53	\$116.29

ELECTROFUSION FITTINGS



HIGH VOLUME BRANCH SADDLE WITH BELTS

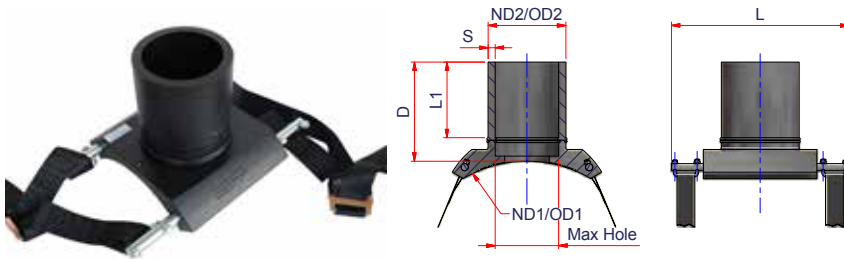
Weldable on pipe DR 17 - 15.5 - 13.5 - 11 - 9.3 - 9 - 7.3 - 7

PE4710 230PSI SDR11 • IPS x IPS

Code	Nominal Diameter ϕ (ND1 x ND2)	Pack.	Q.ty pallet	Weight lb/p.	Volume ft ³ /p.	OD1	OD2	S min	L1	L	D	Max Hole	FM APPROVED	Price Each
12EICOLTL0606	6" IPS x 6" IPS	2	24	14.850	1.4126	8.625	6.625	0.603	6.30	12.60	7.87	5.20	180 PSI	\$610.48
12EICOLTL0806	8" IPS x 6" IPS	2	24	14.850	1.4126	8.625	6.625	0.603	6.30	12.60	7.87	5.20	180 PSI	\$643.04
12EICOLTL1006	10" IPS x 6" IPS	2	24	13.200	1.4126	10.750	6.625	0.603	6.30	12.60	7.87	5.20	180 PSI	\$688.40
12EICOLTL1206	12" IPS x 6" IPS	2	24	14.300	1.4126	12.750	6.625	0.603	6.30	12.60	7.87	5.20	180 PSI	\$763.97
12EICOLTL1406	14" IPS x 6" IPS	2	24	14.300	1.4126	14.000	6.625	0.603	6.30	12.60	7.87	5.20	180 PSI	\$794.21
12EICOLTL1606	16" IPS x 6" IPS	2	24	13.750	1.4126	16.000	6.625	0.603	6.30	12.60	7.87	5.20	180 PSI	\$824.45
12EICOLTL1806	18" IPS x 6" IPS	2	24	14.850	1.4126	18.000	6.625	0.603	6.30	12.60	7.87	5.20	180 PSI	\$887.23
12EICOLTL2006	20" IPS x 6" IPS	2	24	13.750	1.4126	20.000	6.625	0.603	6.30	12.60	7.87	5.20	180 PSI	\$1,008.16
12EICOLTL2206	22" IPS x 6" IPS	2	24	13.750	1.4126	22.000	6.625	0.603	6.30	12.60	7.87	5.20	180 PSI	\$1,160.50
12EICOLTL2406	24" IPS x 6" IPS	2	24	14.080	1.4126	24.000	6.625	0.603	6.30	12.60	7.87	5.20	180 PSI	\$1,374.46
12EICOLTL2606	26" IPS x 6" IPS	2	24	-	-	26.000	6.625	0.603	6.30	12.60	7.87	5.20	180 PSI	\$1,450.04
12EICOLTL2806	28" IPS x 6" IPS	2	24	14.300	1.4126	28.000	6.625	0.603	6.30	12.60	7.87	5.20	180 PSI	\$1,526.78
12EICOLTL3006	30" IPS x 6" IPS	2	24	13.750	1.4126	30.000	6.625	0.603	6.30	12.60	7.87	5.20	180 PSI	\$1,680.27
12EICOLTL3206	32" IPS x 6" IPS	-	-	-	-	32.000	6.625	0.603	6.30	12.60	7.87	5.20	180 PSI	\$1,831.44
12EICOLTL3606	36" IPS x 6" IPS	2	24	17.600	1.4126	36.000	6.625	0.603	6.30	12.60	7.87	5.20	180 PSI	\$1,984.94
12EICOLTL4006	40" IPS x 6" IPS	2	24	17.600	1.4126	40.000	6.625	0.603	6.30	12.60	7.87	5.20	180 PSI	\$2,444.25
12EICOLTL4206	42" IPS x 6" IPS	2	24	17.600	1.4126	42.000	6.625	0.603	6.30	12.60	7.87	5.20	180 PSI	\$2,444.25
12EICOLTL4806	48" IPS x 6" IPS	-	-	-	-	48.000	6.625	0.603	6.30	12.60	7.87	5.20	180 PSI	\$4,883.85
12EICOLTL1008	10" IPS x 8" IPS	-	-	-	-	10.750	8.625	0.785	8.66	19.68	10.63	6.90	180 PSI	\$1,323.29
12EICOLTL1208	12" IPS x 8" IPS	1	8	28.512	2.6652	12.750	8.625	0.785	8.66	19.68	10.63	6.90	180 PSI	\$1,374.46
12EICOLTL1408	14" IPS x 8" IPS	-	-	-	-	14.000	8.625	0.785	8.66	19.68	10.63	6.90	180 PSI	\$1,526.78
12EICOLTL1608	16" IPS x 8" IPS	2	8	26.950	3.8140	16.000	8.625	0.785	8.66	19.68	10.63	6.90	180 PSI	\$1,526.78
12EICOLTL1808	18" IPS x 8" IPS	-	-	-	-	18.000	8.625	0.785	8.66	19.68	10.63	6.90	180 PSI	\$1,607.02

...

ELECTROFUSION FITTINGS



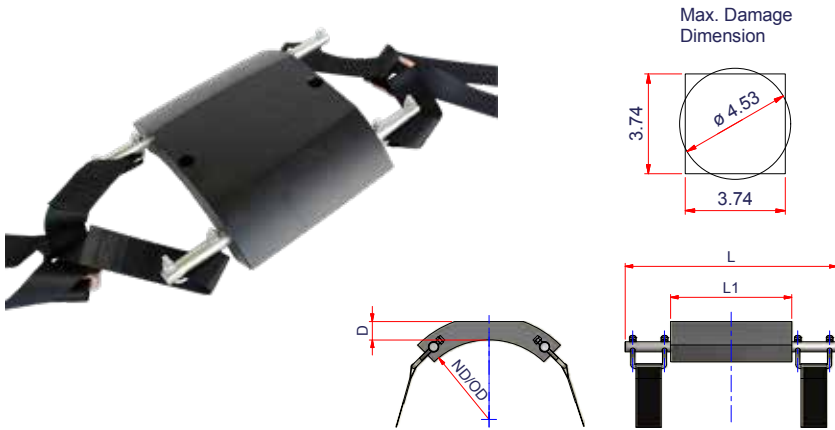
HIGH VOLUME BRANCH SADDLE WITH BELTS

Weldable on pipe DR 17 - 15.5 - 13.5 - 11 - 9.3 - 9 - 7.3 - 7

PE4710 230PSI SDR11 • IPS x IPS

Code	Nominal Diameter ϕ (ND1 x ND2)	Pack.	Q.ty pallet	Weight lb/p.	Volume ft ³ /p.	OD1	OD2	S min	L1	L	D	Max Hole	180 PSI	Price Each
12EICOLT2008	20" IPS x 8" IPS	-	-	-	-	20.000	8.625	0.785	8.66	19.68	10.63	6.90	180 PSI	\$1,795.40
12EICOLT2208	22" IPS x 8" IPS	-	-	-	-	22.000	8.625	0.785	8.66	19.68	10.63	6.90	180 PSI	\$1,984.94
12EICOLT2408	24" IPS x 8" IPS	2	8	25.300	3.8140	24.000	8.625	0.785	8.66	19.68	10.63	6.90	180 PSI	\$2,137.27
12EICOLT2808	28" IPS x 8" IPS	-	-	-	-	28.000	8.625	0.785	8.66	19.68	10.63	6.90	180 PSI	\$3,358.23
12EICOLT3008	30" IPS x 8" IPS	2	8	19.800	3.8140	30.000	8.625	0.785	8.66	19.68	10.63	6.90		\$3,590.79
12EICOLT3208	32" IPS x 8" IPS	-	-	-	-	32.000	8.625	0.785	8.66	19.68	10.63	6.90		\$3,779.18
12EICOLT3608	36" IPS x 8" IPS	-	-	-	-	36.000	8.625	0.785	8.66	19.68	10.63	6.90		\$4,157.09
12EICOLT4008	40" IPS x 8" IPS	-	-	-	-	40.000	8.625	0.785	8.66	19.68	10.63	6.90		\$4,724.55
12EICOLT4208	42" IPS x 8" IPS	-	-	-	-	42.000	8.625	0.785	8.66	19.68	10.63	6.90		\$5,495.50
12EICOLT5408	54" IPS x 8" IPS	-	-	-	-	54.000	8.625	0.785	8.66	19.68	10.63	6.90		\$6,105.98
12EICOLT6308	63" IPS x 8" IPS	-	-	-	-	63.000	8.625	0.785	8.66	19.68	10.63	6.90		\$6,716.46
12EICOLT2010	20" IPS x 10" IPS	-	-	-	-	20.000	10.750	0.978	6.70	26.80	11.00	8.60	180 PSI	\$7,747.89
12EICOLT2210	22" IPS x 10" IPS	-	-	-	-	22.000	10.750	0.978	6.70	26.80	11.00	8.60	180 PSI	\$8,125.80
12EICOLT2410	24" IPS x 10" IPS	-	-	-	-	24.000	10.750	0.978	6.70	26.80	11.00	8.60	180 PSI	\$8,503.72
12EICOLT2012	20" IPS x 12" IPS	-	-	-	-	20.000	12.750	1.160	7.00	26.80	11.30	10.00	180 PSI	\$7,747.89
12EICOLT2212	22" IPS x 12" IPS	-	-	-	-	22.000	12.750	1.160	7.00	26.80	11.30	10.00	180 PSI	\$8,125.80
12EICOLT2412	24" IPS x 12" IPS	-	-	-	-	24.000	12.750	1.160	7.00	26.80	11.30	10.00	180 PSI	\$8,503.72

ELECTROFUSION FITTINGS



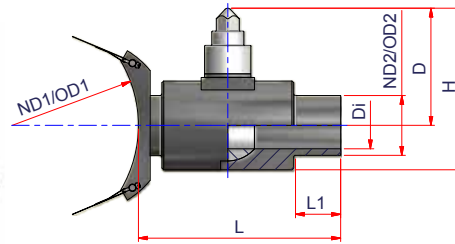
REPAIR SADDLE WITH BELTS FOR BIG SURFACES

Weldable on pipe DR 17 - 15.5 - 13.5 - 11 - 9.3 - 9 - 7.3 - 7
 Suitable to repair damages on pipes.
 Supplied with metal bars and belts for the installation.
 Upon request.

PE4710 230PSI SDR11 • IPS

Code	Nominal Diameter ϕ (ND)	Pack.	Q.ty pallet	Weight lb/p.	Volume ft ³ /p.	ND (IPS)	OD	D	L	L1	Price Each
12EIRIP12	12" IPS	5	60	-	-	12"	12.750	1.46	12.60	9.45	\$763.97
12EIRIP14	14" IPS	5	60	13.200	0.5330	14"	14.000	1.82	12.60	9.45	\$794.21
12EIRIP16	16" IPS	5	60	-	-	16"	16.000	1.82	12.60	9.45	\$824.45
12EIRIP18	18" IPS	5	60	-	-	18"	18.000	1.82	12.60	9.45	\$887.23
12EIRIP20	20" IPS	5	60	-	-	20"	20.000	1.82	12.60	9.45	\$1,008.16
12EIRIP22	22" IPS	5	60	-	-	22"	22.000	2.00	12.60	9.45	\$1,160.50
12EIRIP24	24" IPS	5	60	13.420	0.5330	24"	24.000	2.00	12.60	9.45	\$1,374.46
12EIRIP28	28" IPS	5	60	12.760	0.5330	28"	28.000	2.00	12.60	9.45	\$1,526.78
12EIRIP30	30" IPS	5	60	-	-	30"	30.000	2.00	12.60	9.45	\$1,680.27
12EIRIP32	32" IPS	5	60	-	-	32"	32.000	2.00	12.60	9.45	\$1,831.44
12EIRIP36	36" IPS	5	60	15.400	0.5330	36"	36.000	2.00	12.60	9.45	\$1,984.94
12EIRIP40	40" IPS	5	60	-	-	40"	40.000	2.00	12.60	9.45	\$2,441.93

ELECTROFUSION FITTINGS



TOP LOAD BRANCH SADDLE WITH VALVE FULL BORE

Weldable on pipe DR 17 - 15.5 - 13.5 - 11 - 9.3 - 9 - 7.3 - 7
Supplied with metal bars and belts for the installation.

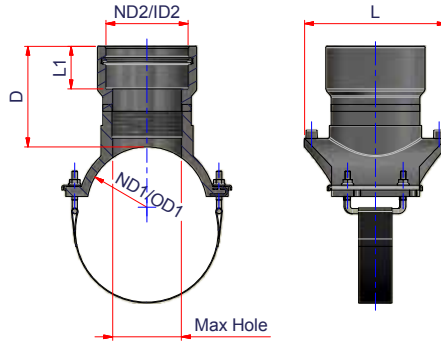
PE4710 230PSI SDR11 • IPS x IPS

Code	Nominal Diameter ϕ (ND1 x ND2)	Pack.	Q.ty pallet	Weight lb/p.	Volume ft ³ /p.	OD1	OD2	Di	D	H	L	L1	Price Each
12EICOLV0402	4" IPS x 2" IPS	-	-	-	-	4.500	2.375	1.85	6.40	9.10	24	3.60	POA
12EICOLV0602	6" IPS x 2" IPS	-	-	-	-	6.625	2.375	1.85	6.40	9.10	24	3.60	POA
12EICOLV0802	8" IPS x 2" IPS	-	-	-	-	8.625	2.375	1.85	6.40	9.10	24	3.60	POA
12EICOLV1002	10" IPS x 2" IPS	-	-	-	-	10.750	2.375	1.85	6.40	9.10	24	3.60	POA
12EICOLV1202	12" IPS x 2" IPS	-	-	-	-	12.750	2.375	1.85	6.40	9.10	24	3.60	POA
12EICOLV0403	4" IPS x 3" IPS	-	-	-	-	4.500	3.500	2.50	8.00	11.40	24	4.00	POA
12EICOLV0603	6" IPS x 3" IPS	-	-	-	-	6.625	3.500	2.50	8.00	11.40	24	4.00	POA
12EICOLV0803	8" IPS x 3" IPS	-	-	-	-	8.625	3.500	2.50	8.00	11.40	24	4.00	POA
12EICOLV1003	10" IPS x 3" IPS	-	-	-	-	10.750	3.500	2.50	8.00	11.40	24	4.00	POA
12EICOLV1203	12" IPS x 3" IPS	-	-	-	-	12.750	3.500	2.50	8.00	11.40	24	4.00	POA
12EICOLV0604	6" IPS x 4" IPS	-	-	-	-	6.625	4.500	3.62	10.40	15.00	24	4.50	POA
12EICOLV0804	8" IPS x 4" IPS	-	-	-	-	8.625	4.500	3.62	10.40	15.00	24	4.50	POA
12EICOLV1004	10" IPS x 4" IPS	-	-	-	-	10.750	4.500	3.62	10.40	15.00	24	4.50	POA
12EICOLV1204	12" IPS x 4" IPS	-	-	-	-	12.750	4.500	3.62	10.40	15.00	24	4.50	POA
12EICOLV0806	8" IPS x 6" IPS	-	-	-	-	6.625	6.625	5.20	12.60	18.60	24	5.00	POA
12EICOLV1006	10" IPS x 6" IPS	-	-	-	-	10.750	6.625	5.20	12.60	18.60	24	5.00	POA
12EICOLV1206	12" IPS x 6" IPS	-	-	-	-	12.750	6.625	5.20	12.60	18.60	24	5.00	POA
12EICOLV1406	14" IPS x 6" IPS	-	-	-	-	14.000	6.625	5.20	12.60	18.60	24	5.00	POA
12EICOLV1606	16" IPS x 6" IPS	-	-	-	-	16.000	6.625	5.20	12.60	18.60	24	5.00	POA
12EICOLV1806	18" IPS x 6" IPS	-	-	-	-	18.000	6.625	5.20	12.60	18.60	24	5.00	POA
12EICOLV2006	20" IPS x 6" IPS	-	-	-	-	20.000	6.625	5.20	12.60	18.60	24	5.00	POA
12EICOLV2206	22" IPS x 6" IPS	-	-	-	-	22.000	6.625	5.20	12.60	18.60	24	5.00	POA
12EICOLV2406	24" IPS x 6" IPS	-	-	-	-	24.000	6.625	5.20	12.60	18.60	24	5.00	POA
12EICOLV2606	26" IPS x 6" IPS	-	-	-	-	26.000	6.625	5.20	12.60	18.60	24	5.00	POA
12EICOLV2806	28" IPS x 6" IPS	-	-	-	-	28.000	6.625	5.20	12.60	18.60	24	5.00	POA
12EICOLV3006	30" IPS x 6" IPS	-	-	-	-	30.000	6.625	5.20	12.60	18.60	24	5.00	POA
12EICOLV3206	32" IPS x 6" IPS	-	-	-	-	32.000	6.625	5.20	12.60	18.60	24	5.00	POA
12EICOLV3606	36" IPS x 6" IPS	-	-	-	-	36.000	6.625	5.20	12.60	18.60	24	5.00	POA
12EICOLV4006	40" IPS x 6" IPS	-	-	-	-	40.000	6.625	5.20	12.60	18.60	24	5.00	POA

All measures are in inches unless otherwise mentioned.

We reserve the right to vary dimensions without notice; check the web site for the updated dimensions.

ELECTROFUSION FITTINGS



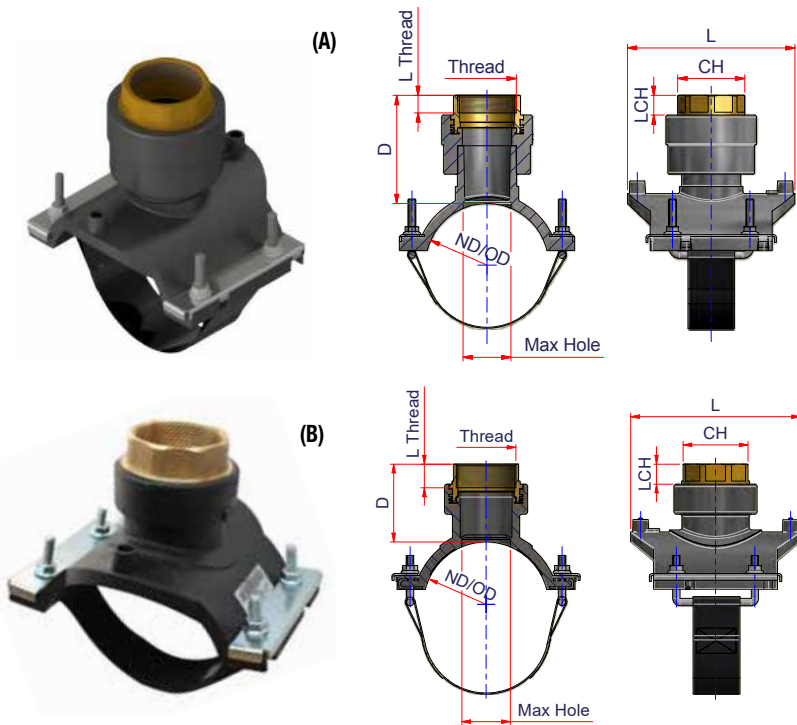
SEWAGE E/F BRANCH SADDLE WITH GASKET

Weldable on pipe DR 17 - 15.5 - 13.5 - 11 - 9.3 - 9 - 7.3 - 7

PE4710 230PSI SDR11 • IPS x IPS

Code	Nominal Diameter ϕ (ND1 x ND2)	Pack.	Q.ty pallet	Weight lb/p.	Volume ft ³ /p.	OD1	ID2	L1	L	D	Max Hole	Price Each
12EICOLS0604	6" IPS x 4" IPS	6	72	3.740	0.4441	6.625	4.500	2.36	7.87	5.59	3.54	\$306.98
12EICOLS0804	8" IPS x 4" IPS	-	-	-	-	8.625	4.500	2.36	7.87	5.59	3.54	\$343.41
12EICOLS1004	10" IPS x 4" IPS	-	-	-	-	10.750	4.500	2.36	7.87	5.59	3.54	\$427.91
12EICOLS1204	12" IPS x 4" IPS	-	-	-	-	12.750	4.500	2.36	7.87	5.59	3.54	\$488.39

ELECTROFUSION FITTINGS



PE/BRASS ELECTROFUSION TRANSITION SADDLE

Weldable on pipe DR 17 - 15.5 - 13.5 - 11 - 9.3 - 9 - 7.3 - 7

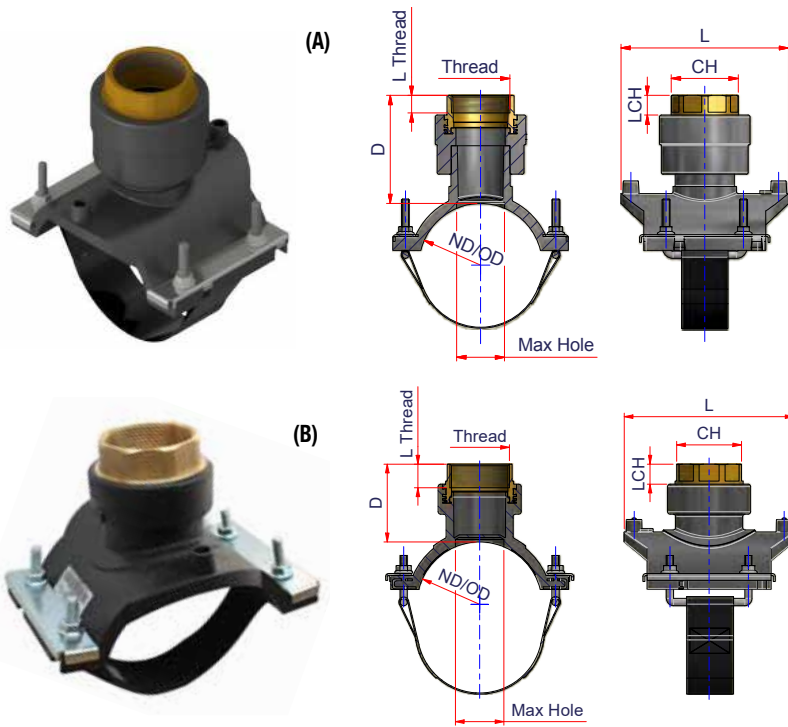
NOT SUITABLE FOR THE TRANSPORTATION OF HUMAN CONSUMPTION FLUIDS

PE4710 230PSI SDR11 • IPS

Code	Type	Nominal Diameter ϕ (ND)	Pack.	Q.ty pallet	Weight lb/p.	Volume ft ³ /p.	OD	Thread	L Thread	CH	LCH	L	D	Max Hole	Price Each
12EICOLF11434	A	1"¼ IPS x ¾" NPT	-	-	-	-	1.660	¾" NPT	0.53	1.18	0.43	5.59	2.35	0.70	\$54.08
12EICOLF0234	A	2" IPS x ¾" NPT	-	-	-	-	2.375	¾" NPT	0.53	1.18	0.43	5.59	2.35	0.70	\$54.08
12EICOLF0334	A	3" IPS x ¾" NPT	-	-	-	-	3.500	¾" NPT	0.53	1.18	0.43	5.59	2.35	0.70	\$54.08
12EICOLF0434	A	4" IPS x ¾" NPT	-	-	-	-	4.500	¾" NPT	0.53	1.18	0.43	5.59	2.35	0.70	\$62.79
12EICOLF0634	A	6" IPS x ¾" NPT	-	-	-	-	6.625	¾" NPT	0.53	1.18	0.43	5.59	2.35	0.70	\$73.26
12EICOLF0834	A	8" IPS x ¾" NPT	-	-	-	-	8.625	¾" NPT	0.53	1.18	0.43	5.59	2.35	0.70	\$85.47
12EICOLF1034	A	10" IPS x ¾" NPT	-	-	-	-	10.750	¾" NPT	0.53	1.18	0.43	5.59	2.35	0.70	\$93.03
12EICOLF1234	A	12" IPS x ¾" NPT	-	-	-	-	12.750	¾" NPT	0.53	1.18	0.43	5.59	2.35	0.70	\$101.17
12EICOLF11401	A	1"¼ IPS x 1" NPT	-	-	-	-	1.660	1" NPT	0.66	1.49	0.43	5.59	2.83	0.90	\$55.81
12EICOLF0201	A	2" IPS x 1" NPT	-	-	-	-	2.375	1" NPT	0.66	1.49	0.43	5.59	2.83	0.90	\$55.81
12EICOLF0301	B	3" IPS x 1" NPT	-	-	-	-	3.500	1" NPT	0.66	1.49	0.51	5.55	2.24	0.98	\$55.81
12EICOLF0401	B	4" IPS x 1" NPT	-	-	-	-	4.500	1" NPT	0.66	1.49	0.51	5.55	2.24	0.98	\$64.54
12EICOLF0601	B	6" IPS x 1" NPT	-	-	-	-	6.625	1" NPT	0.66	1.49	0.51	5.55	2.24	0.98	\$75.01
12EICOLF0801	B	8" IPS x 1" NPT	-	-	-	-	8.625	1" NPT	0.66	1.49	0.51	5.55	2.24	0.98	\$87.22
12EICOLF1001	B	10" IPS x 1" NPT	-	-	-	-	10.750	1" NPT	0.66	1.49	0.51	5.55	2.24	0.98	\$93.61
12EICOLF1201	B	12" IPS x 1" NPT	-	-	-	-	12.750	1" NPT	0.66	1.49	0.43	5.59	2.83	0.98	\$102.32

...

ELECTROFUSION FITTINGS



PE/BRASS ELECTROFUSION TRANSITION SADDLE

Weldable on pipe DR 17 - 15.5 - 13.5 - 11 - 9.3 - 9 - 7.3 - 7

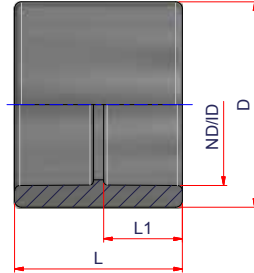
NOT SUITABLE FOR THE TRANSPORTATION OF HUMAN CONSUMPTION FLUIDS

PE4710 230PSI SDR11 • IPS

Code	Type	Nominal Diameter ϕ (ND)	Pack.	Q.ty pallet	Weight lb/p.	Volume ft ³ /p.	OD	Thread	L Thread	CH	LCH	L	D	Max Hole	Price Each
12EICOLF03114	A	3" IPS x 1" 1/4 NPT	-	-	-	-	3.500	1" 1/4 NPT	0.68	1.81	0.47	5.59	3.26	1.25	\$68.03
12EICOLF04114	A	4" IPS x 1" 1/4 NPT	-	-	-	-	4.500	1" 1/4 NPT	0.68	1.81	0.47	5.59	3.26	1.25	\$76.75
12EICOLF06114	A	6" IPS x 1" 1/4 NPT	-	-	-	-	6.625	1" 1/4 NPT	0.68	1.81	0.47	5.59	3.26	1.25	\$87.22
12EICOLF08114	A	8" IPS x 1" 1/4 NPT	-	-	-	-	8.625	1" 1/4 NPT	0.68	1.81	0.47	5.59	3.26	1.25	\$99.42
12EICOLF10114	A	10" IPS x 1" 1/4 NPT	-	-	-	-	10.750	1" 1/4 NPT	0.68	1.81	0.47	5.59	3.26	1.25	\$106.98
12EICOLF12114	A	12" IPS x 1" 1/4 NPT	-	-	-	-	12.750	1" 1/4 NPT	0.68	1.81	0.47	5.59	3.26	1.25	\$115.71
12EICOLF02112	A	2" IPS x 1" 1/2 NPT	-	-	-	-	2.375	1" 1/2 NPT	0.68	2.16	0.47	5.59	3.65	1.50	\$93.61
12EICOLF0202	B	2" IPS x 2" NPT	-	-	-	-	2.375	2" NPT	0.70	2.56	0.67	5.59	4.32	1.90	\$88.37
12EICOLF0302	B	3" IPS x 2" NPT	-	-	-	-	3.500	2" NPT	0.70	2.56	0.67	5.59	4.32	1.90	\$88.37
12EICOLF0402	B	4" IPS x 2" NPT	-	-	-	-	4.500	2" NPT	0.70	2.56	0.67	5.59	4.32	1.90	\$96.51
12EICOLF0602	B	6" IPS x 2" NPT	-	-	-	-	6.625	2" NPT	0.70	2.56	0.67	5.59	4.32	1.90	\$106.98
12EICOLF0802	B	8" IPS x 2" NPT	-	-	-	-	8.625	2" NPT	0.70	2.56	0.67	5.59	4.32	1.90	\$119.78
12EICOLF1002	B	10" IPS x 2" NPT	-	-	-	-	10.750	2" NPT	0.70	2.56	0.67	5.59	4.32	1.90	\$126.75
12EICOLF1202	B	12" IPS x 2" NPT	-	-	-	-	12.750	2" NPT	0.70	2.56	0.67	5.59	4.32	1.90	\$136.05



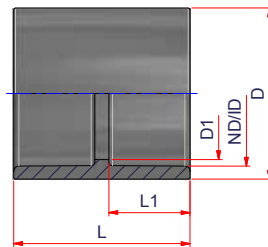
SOCKET FUSION FITTINGS



SOCKET FUSION COUPLER

PE4710 230PSI SDR11 • **IPS**

Code	Nominal Diameter ϕ (ND)	Pack.	Q.ty pallet	Weight lb/p.	Volume ft ³ /p.	ID	L1	D	L	Price Each
12EISC034	¾" IPS	450	12150	0.045	0.0020	1.050	0.83	1.38	1.81	\$1.99
12EISC01	1" IPS	320	8640	0.070	0.0033	1.315	0.79	1.77	1.69	\$2.21
12EISC114	1¼" IPS	400	4800	0.111	0.0067	1.660	0.91	2.21	1.89	\$2.44
12EISC112	1½" IPS	150	4050	0.107	0.0077	1.900	0.91	2.36	1.93	\$2.88
12EISC02	2" IPS	230	2760	0.124	0.0107	2.375	0.89	2.97	1.85	\$3.10

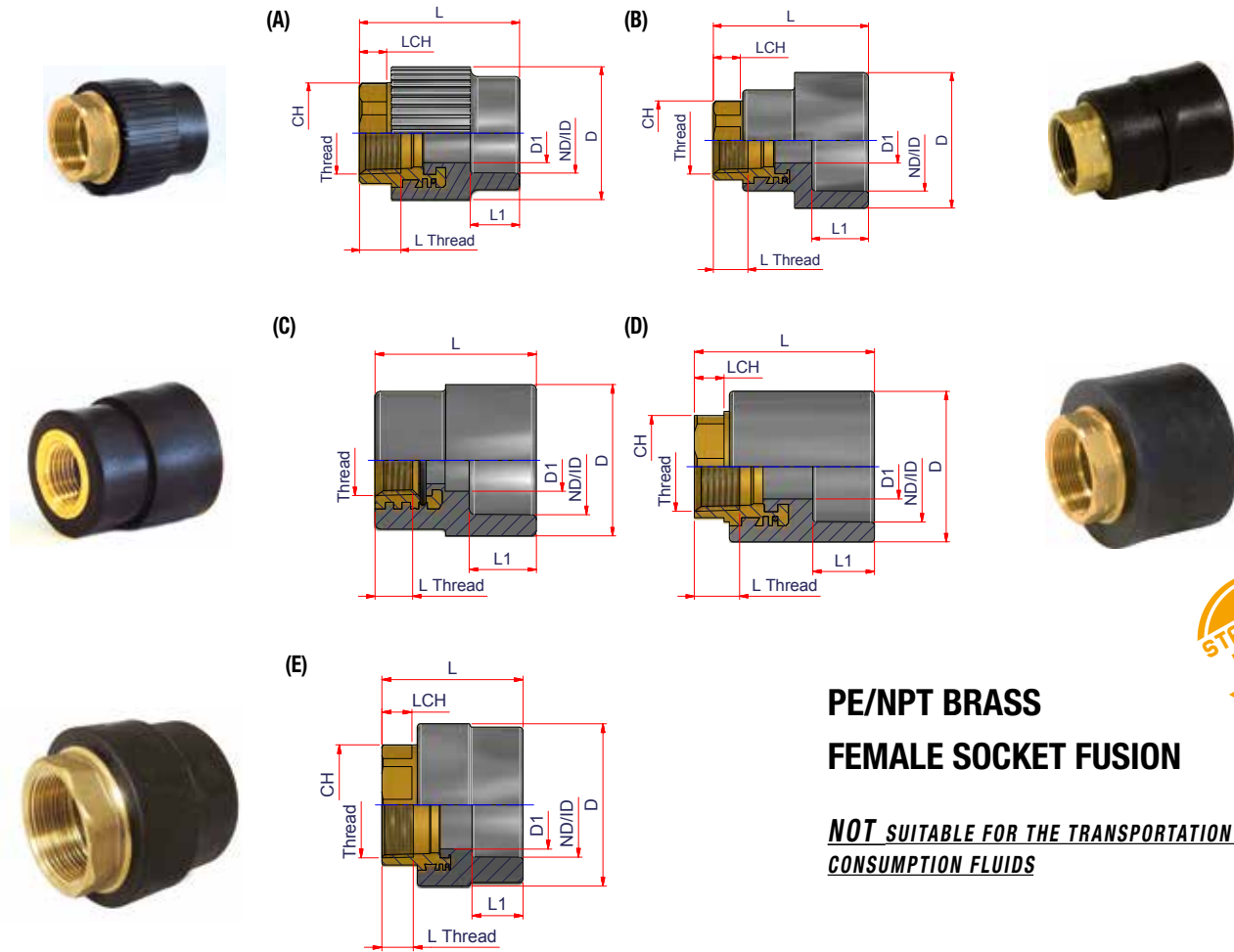


**GEOHERMAL
SOCKET FUSION COUPLER**

PE4710 • **IPS**

Code	Nominal Diameter ϕ (ND)	Pack.	Q.ty pallet	Weight lb/p.	Volume ft ³ /p.	ID	D1	L1	L	D	Price Each
12EISCG114	1¼" IPS	260	6240	0.068	0.0053	1.660	1.48	0.91	1.97	1.91	\$3.10

SOCKET FUSION FITTINGS



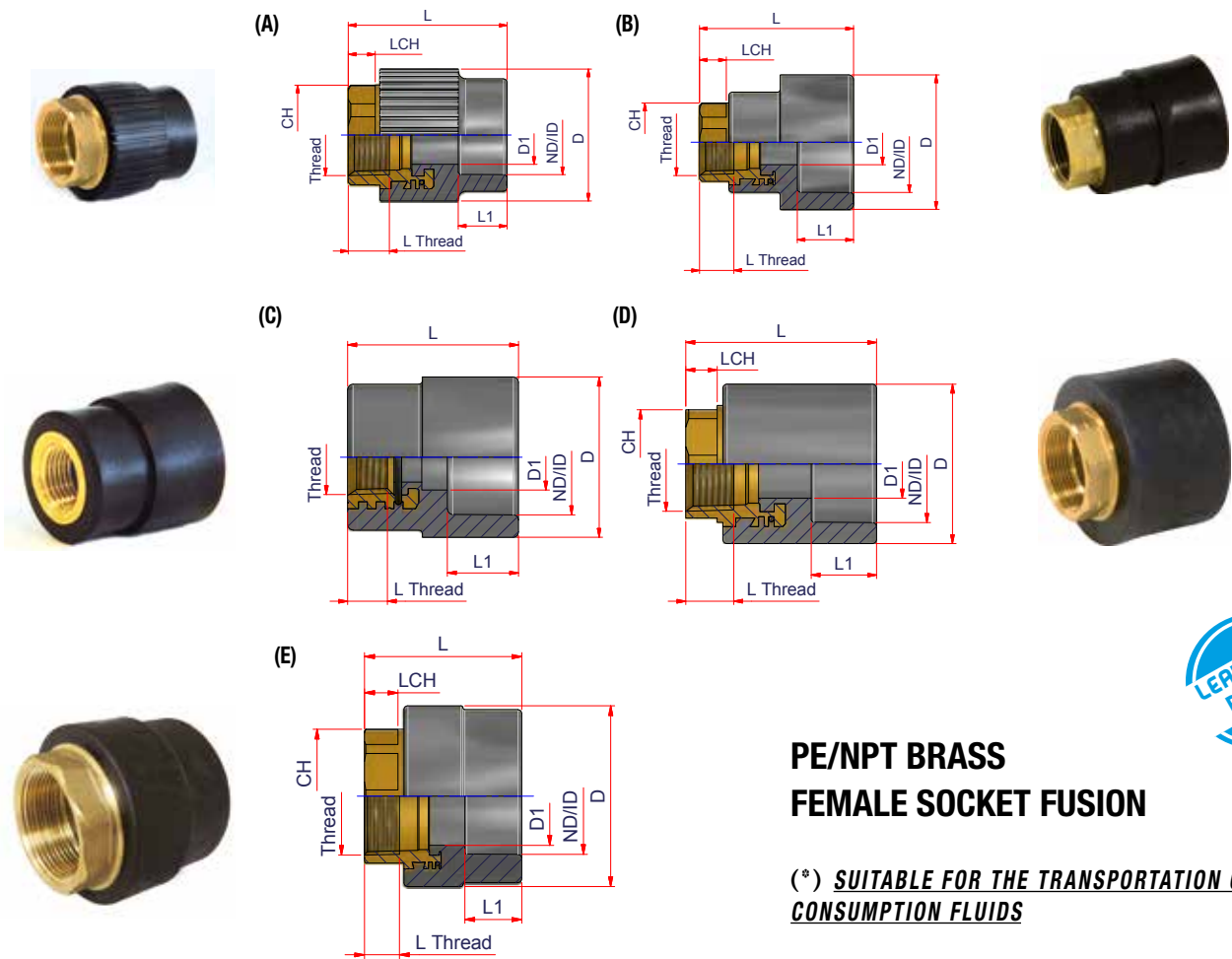
**PE/NPT BRASS
FEMALE SOCKET FUSION**

NOT SUITABLE FOR THE TRANSPORTATION OF HUMAN CONSUMPTION FLUIDS

PE4710 230PSI SDR11 • IPS

Code	Type	Nominal Diameter ϕ (NDxThread)	Pack.	Q.ty pallet	Weight lb/p.	Volume ft ³ /p.	ID	Thread	L Thread	L	L1	D	D1	CH	LCH	Price Each
12EIRFFS034034	A	¾" IPS x ¾" NPT	60	5400	0.275	0.0047	1.050	¾" NPT	0.53	2.28	0.67	1.65	0.73	1.18	0.43	\$14.40
12EIRFFS01034	B	1" IPS x ¾" NPT	50	4500	0.295	0.0057	1.315	¾" NPT	0.53	2.36	0.79	1.77	0.73	1.18	0.43	\$15.50
12EIRFFS0101	A	1" IPS x 1" NPT	32	2880	0.481	0.0087	1.315	1" NPT	0.66	2.56	0.79	2.13	0.95	1.50	0.43	\$30.45
12EIRFFS114034	B	1¼" IPS x ¾" NPT	35	3080	0.327	0.0080	1.660	¾" NPT	0.53	2.48	0.91	2.17	0.73	1.18	0.43	\$16.62
12EIRFFS01012	C	1" IPS x ½" NPT	75	6750	0.177	0.0037	1.315	½" NPT	0.51	1.89	0.79	1.77	0.73	-	-	\$12.19
12EIRFFS11401	D	1¼" IPS x 1" NPT	32	2880	0.526	0.0087	1.660	1" NPT	0.66	2.64	0.91	2.21	0.95	1.50	0.43	\$18.28
12EIRFFS114114	E	1¼" IPS x 1¼" NPT	20	1920	0.677	0.0160	1.660	1¼" NPT	0.68	2.72	0.91	2.56	1.30	1.81	0.47	\$33.22
12EIRFFS112112	E	1¼" IPS x 1½" NPT	18	1620	0.953	0.0153	1.900	1½" NPT	0.68	2.79	0.98	2.95	1.55	2.16	0.47	\$43.20
12EIRFFS02112	D	2" IPS x 1½" NPT	10	900	1.144	0.0277	2.375	1½" NPT	0.68	2.96	1.14	3.46	1.56	2.16	0.47	\$47.07
12EIRFFS0202	E	2" IPS x 2" NPT	10	900	1.344	0.0306	2.375	2" NPT	0.70	3.15	1.14	3.62	1.97	2.56	0.67	\$64.87

SOCKET FUSION FITTINGS



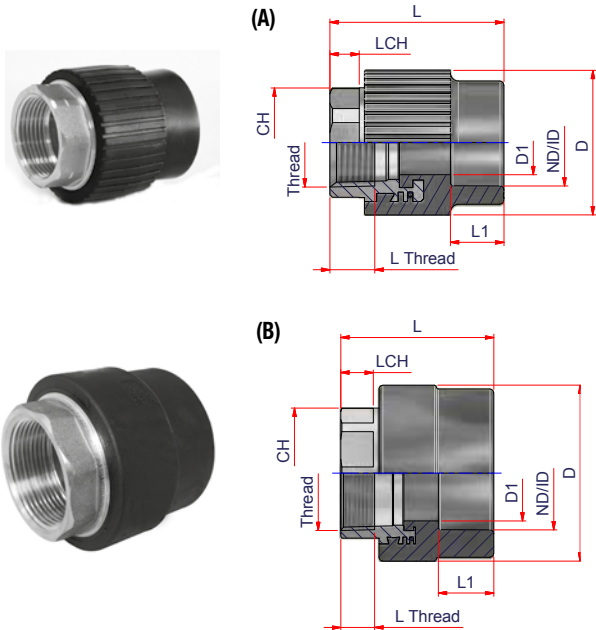
PE/NPT BRASS FEMALE SOCKET FUSION

() SUITABLE FOR THE TRANSPORTATION OF HUMAN CONSUMPTION FLUIDS*

PE4710 230PSI SDR11 • IPS

Code	Type	Nominal Diameter ϕ (NDxThread)	Pack.	Q.ty pallet	Weight lb/p.	Volume ft ³ /p.	ID	Thread	L Thread	L	L1	D	D1	CH	LCH	Price Each
12EIRFFS034034LF	A	3/4" IPS x 3/4" NPT	60	5400	0.275	0.0047	1.050	3/4" NPT	0.53	2.28	0.67	1.65	0.73	1.18	0.43	\$16.62
12EIRFFS01034LF	B	1" IPS x 3/4" NPT	50	4500	0.295	0.0057	1.315	3/4" NPT	0.53	2.36	0.79	1.77	0.73	1.18	0.43	\$17.72
12EIRFFS0101LF	A	1" IPS x 1" NPT	26	2340	0.481	0.0087	1.315	1" NPT	0.66	2.56	0.79	2.13	0.95	1.50	0.43	\$27.69
12EIRFFS114034LF	B	1 1/4" IPS x 3/4" NPT	35	3150	0.327	0.0080	1.660	3/4" NPT	0.53	2.48	0.91	2.17	0.73	1.18	0.43	\$32.67
12EIRFFS01012LF	C	1" IPS x 1/2" NPT	75	6750	0.177	0.0037	1.315	1/2" NPT	0.51	1.89	0.79	1.77	0.73	-	-	\$25.48
12EIRFFS11401LF	D	1 1/4" IPS x 1" NPT	32	2880	0.526	0.0087	1.660	1" NPT	0.66	2.64	0.91	2.21	0.95	1.50	0.43	\$28.79
12EIRFFS114114LF	E	1 1/4" IPS x 1 1/4" NPT	20	1800	0.677	0.0160	1.660	1 1/4" NPT	0.68	2.72	0.91	2.56	1.30	1.81	0.47	\$49.84
12EIRFFS112112LF	E	1 1/2" IPS x 1 1/2" NPT	18	1620	0.953	0.0153	1.900	1 1/2" NPT	0.68	2.79	0.98	2.95	1.55	2.16	0.47	\$66.45
12EIRFFS02112LF	D	2" IPS x 1 1/2" NPT	10	900	1.144	0.0277	2.375	1 1/2" NPT	0.68	2.96	1.14	3.46	1.56	2.16	0.47	\$77.52
12EIRFFS0202LF	E	2" IPS x 2" NPT	10	900	1.344	0.0306	2.375	2" NPT	0.70	3.15	1.14	3.62	1.97	2.56	0.67	\$88.60

SOCKET FUSION FITTINGS



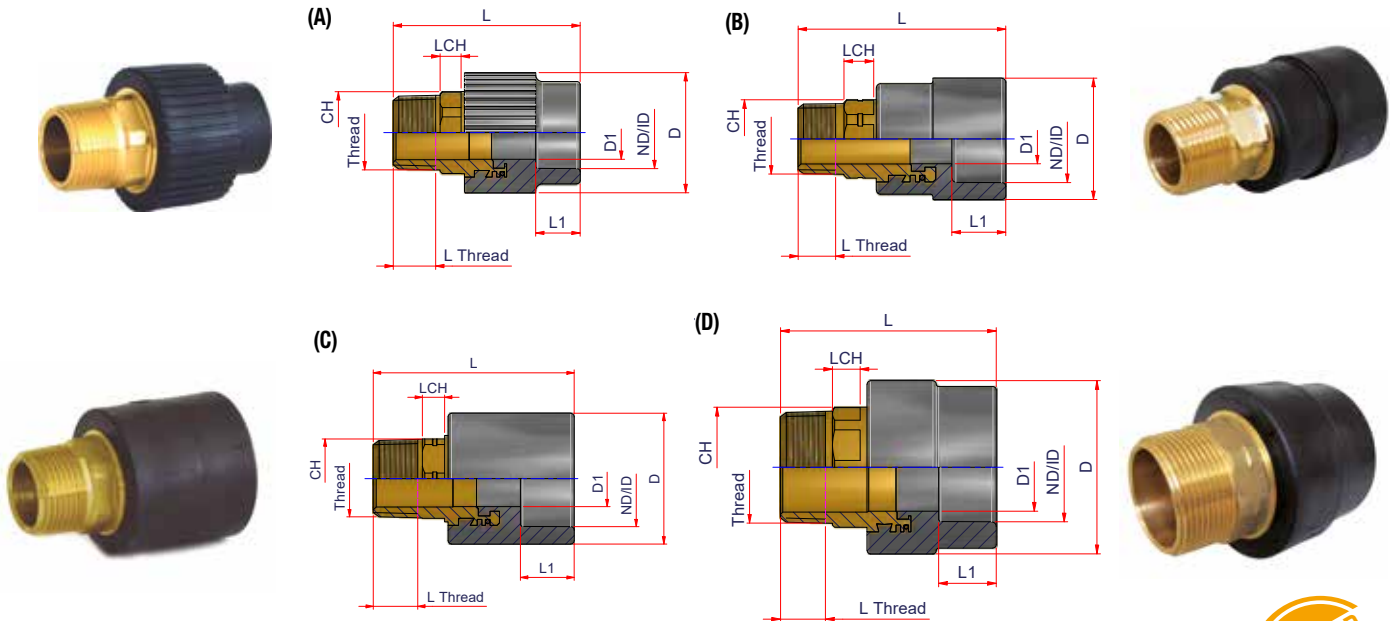
PE/NPT STAINLESS STEEL FEMALE SOCKET FUSION

*SUITABLE FOR THE TRANSPORTATION OF HUMAN
CONSUMPTION FLUIDS*

PE4710 230PSI SDR11 • IPS

Code	Type	Nominal Diameter ϕ (NDxThread)	Pack.	Q.ty pallet	Weight lb/p.	Volume ft ³ /p.	ID	Thread	L Thread	L	L1	D	D1	CH	LCH	Price Each
12EIRFFS0101SS	A	1" IPS x 1" NPT	32	2816	0.481	0.0087	1.315	1" NPT	0.66	2.56	0.79	2.13	0.95	1.50	0.43	POA
12EIRFFS114114SS	B	1"¼ IPS x 1"¼ NPT	20	1920	0.677	0.0160	1.660	1"¼ NPT	0.68	2.72	0.91	2.56	1.30	1.81	0.47	POA
12EIRFFS112112SS	B	1"½ IPS x 1"½ NPT	18	1584	0.953	0.0153	1.900	1"½ NPT	0.68	2.79	0.98	2.95	1.55	2.16	0.47	POA
12EIRFFS0202SS	B	2" IPS x 2" NPT	9	792	1.344	0.0306	2.375	2" NPT	0.70	3.15	1.14	3.62	1.97	2.56	0.67	POA

SOCKET FUSION FITTINGS



PE/NPT BRASS

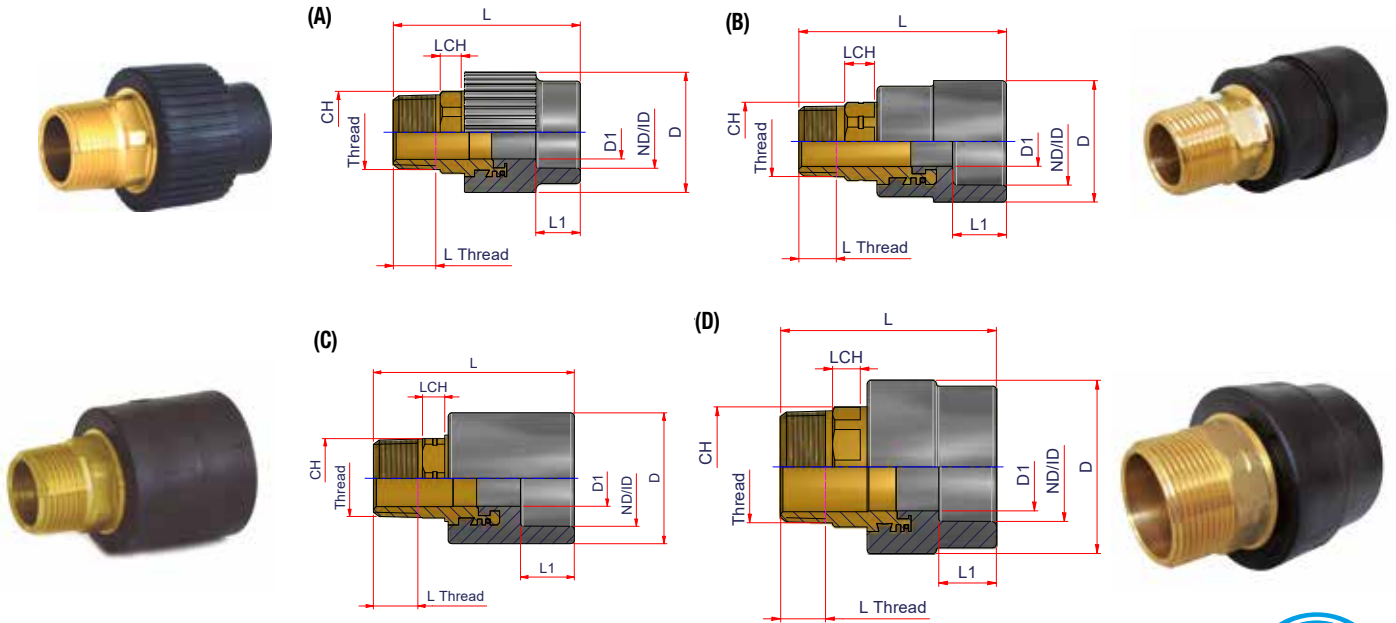
MALE SOCKET FUSION

NOT SUITABLE FOR THE TRANSPORTATION OF HUMAN CONSUMPTION FLUIDS

PE4710 230PSI SDR11 • IPS

Code	Type	Nominal Diameter \varnothing (NDxThread)	Pack.	Q.ty pallet	Weight lb/p.	Volume ft ³ /p.	ID	Thread	L Thread	L	L1	D	D1	CH	LCH	Price Each
12EIRFMS034034	A	¾" IPS x ¾" NPT	50	4500	0.275	0.0047	1.050	¾" NPT	0.54	2.95	0.67	1.65	0.73	1.06	0.43	\$14.40
12EIRFMS01034	B	1" IPS x ¾" NPT	50	4500	0.295	0.0057	1.315	¾" NPT	0.54	3.03	0.79	1.77	0.73	1.06	0.43	\$15.50
12EIRFMS0101	A	1" IPS x 1" NPT	26	2340	0.601	0.0107	1.315	1" NPT	0.68	3.31	0.79	2.12	0.94	1.34	0.37	\$22.15
12EIRFMS114034	B	1"½ IPS x ¾" NPT	30	2880	0.414	0.0100	1.660	¾" NPT	0.54	3.15	0.91	2.16	0.73	1.06	0.43	\$16.62
12EIRFMS11401	C	1"½ IPS x 1" NPT	30	2700	0.620	0.0093	1.660	1" NPT	0.68	3.39	0.91	2.21	0.94	1.34	0.37	\$18.28
12EIRFMS114114	D	1"½ IPS x 1" ¼ NPT	20	1800	0.386	0.0183	1.660	1"¼ NPT	0.71	3.58	0.91	2.56	1.30	1.65	0.47	\$28.24
12EIRFMS112112	D	1"½ IPS x 1"½ NPT	12	1080	0.295	0.0230	1.900	1"½ NPT	0.72	3.68	0.98	2.95	1.49	1.97	0.47	\$43.20
12EIRFMS0202	D	2" IPS x 2" NPT	9	810	1.815	0.0460	2.375	2" NPT	0.76	4.13	1.14	3.62	1.97	2.36	0.59	\$47.07

SOCKET FUSION FITTINGS



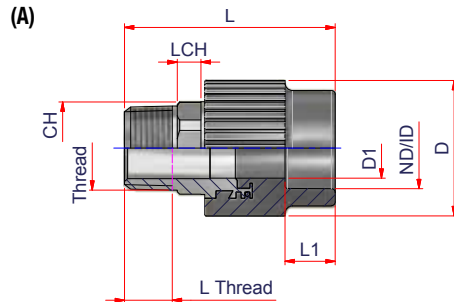
PE/NPT BRASS MALE SOCKET FUSION

(*)SUITABLE FOR THE TRANSPORTATION OF HUMAN CONSUMPTION FLUIDS

PE4710 230PSI SDR11 • IPS

Code	Type	Nominal Diameter ϕ (NDxThread)	Pack.	Q.ty pallet	Weight lb/p.	Volume ft ³ /p.	ID	Thread	L Thread	L	L1	D	D1	CH	LCH	Price Each
12EIRFMS034034LF	A	3/4" IPS x 3/4" NPT	50	4500	0.275	0.0047	1.050	3/4" NPT	0.54	2.95	0.67	1.65	0.73	1.06	0.43	\$17.72
12EIRFMS01034LF	B	1" IPS x 3/4" NPT	50	4500	0.295	0.0057	1.315	3/4" NPT	0.54	3.03	0.79	1.77	0.73	1.06	0.43	\$19.93
12EIRFMS0101LF	A	1" IPS x 1" NPT	26	2340	0.601	0.0107	1.315	1" NPT	0.68	3.31	0.79	2.12	0.94	1.34	0.37	\$27.69
12EIRFMS114034LF	B	1 1/4" IPS x 3/4" NPT	30	1560	0.414	0.0100	1.660	3/4" NPT	0.54	3.15	0.91	2.16	0.73	1.06	0.43	\$27.69
12EIRFMS11401LF	C	1 1/4" IPS x 1" NPT	30	2700	0.620	0.0093	1.660	1" NPT	0.68	3.39	0.91	2.21	0.94	1.34	0.37	\$27.69
12EIRFMS114114LF	D	1 1/4" IPS x 1 1/4" NPT	20	1800	0.386	0.0183	1.660	1 1/4" NPT	0.71	3.58	0.91	2.56	1.30	1.65	0.47	\$49.84
12EIRFMS112112LF	D	1 1/2" IPS x 1 1/2" NPT	12	1080	0.295	0.0230	1.900	1 1/2" NPT	0.72	3.68	0.98	2.95	1.49	1.97	0.47	\$66.45
12EIRFMS0202LF	D	2" IPS x 2" NPT	9	810	1.815	0.0460	2.375	2" NPT	0.76	4.13	1.14	3.62	1.97	2.36	0.59	\$88.60

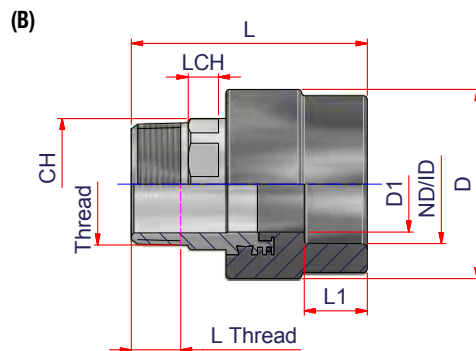
SOCKET FUSION FITTINGS



PE/NPT STAINLESS STEEL

MALE SOCKET FUSION

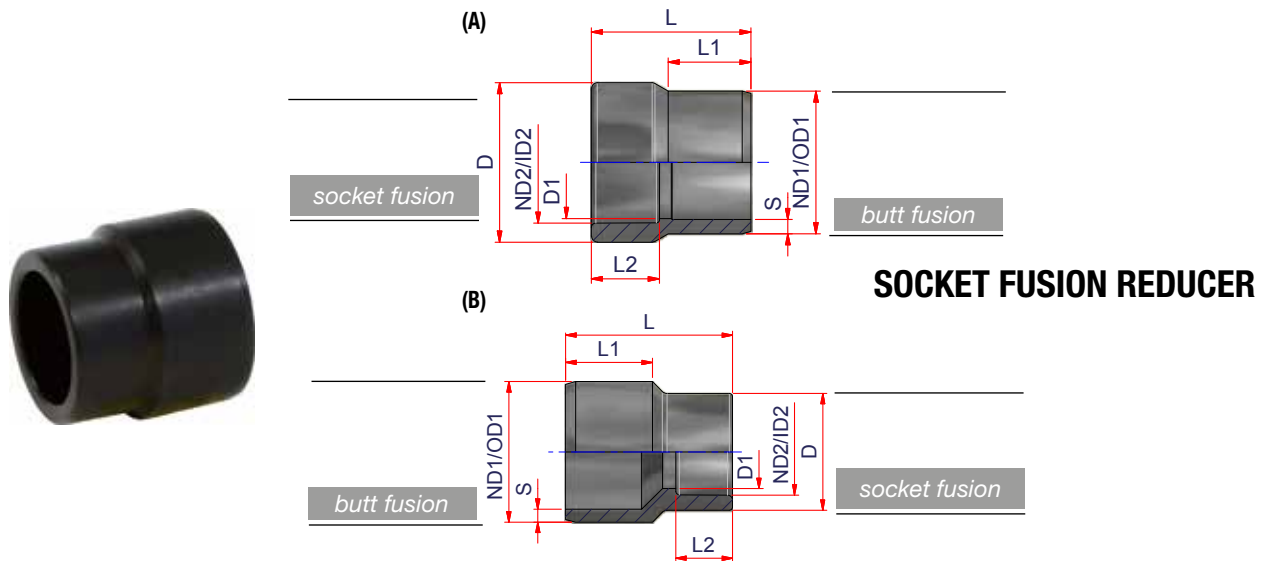
SUITABLE FOR THE TRANSPORTATION OF HUMAN CONSUMPTION FLUIDS



PE4710 230PSI SDR11 • IPS

Code	Type	Nominal Diameter ϕ (NDxThread)	Pack.	Q.ty pallet	Weight lb/p.	Volume ft ³ /p.	ID	Thread	L Thread	L	L1	D	D1	CH	LCH	Price Each
12EIRFMS0101SS	A	1" IPS x 1" NPT	26	2288	0.601	0.0107	1.315	1" NPT	0.68	3.31	0.79	2.12	0.94	1.34	0.37	POA
12EIRFMS114114SS	B	1"¼ IPS x 1" ¼ NPT	15	1320	0.386	0.0183	1.660	1"¼ NPT	0.71	3.58	0.91	2.56	1.30	1.65	0.47	POA
12EIRFMS112112SS	B	1"½ IPS x 1"½ NPT	12	1128	0.295	0.0230	1.900	1"½ NPT	0.72	3.68	0.98	2.95	1.49	1.97	0.47	POA
12EIRFMS0202SS	B	2" IPS x 2" NPT	6	528	1.815	0.0460	2.375	2" NPT	0.76	4.13	1.14	3.62	1.97	2.36	0.59	POA

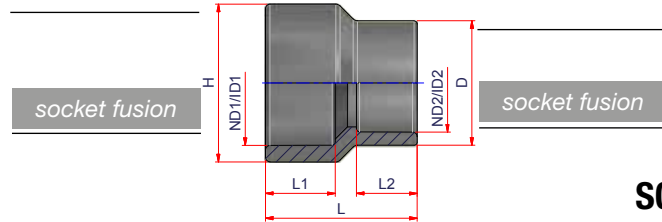
SOCKET FUSION FITTINGS



PE4710 230PSI SDR11 • IPS

Code	Type	Nominal Diameter ϕ (ND1 x ND2)	Pack.	Q.ty pallet	Weight lb/p.	Volume ft ³ /p.	OD1	S min	L1	ID2	L2	D1	L	D	Price Each
12EIRS114034	B	1"¼ IPS x ¾" IPS	150	7200	0.057	0.0037	1.660	0.151	1.02	1.050	0.67	0.87	1.97	1.38	\$4.43
12EIRS11401	A	1"¼ IPS x 1" IPS	300	8100	0.074	0.0057	1.660	0.151	1.02	1.315	0.79	1.10	1.97	1.78	\$4.43
12EIRS112034	B	1"½ IPS x ¾" IPS	144	6912	0.067	0.0040	1.900	0.173	1.10	1.050	0.67	0.91	2.05	1.34	\$4.99
12EIRS11201	B	1"½ IPS x 1" IPS	108	5616	0.075	0.0053	1.900	0.173	1.10	1.315	0.79	1.22	2.05	1.73	\$4.99
12EIRS112114	A	1"½ IPS x 1"¼ IPS	90	4320	0.094	0.0063	1.900	0.173	1.10	1.660	0.91	1.50	2.13	2.13	\$4.99
12EIRS02034	B	2" IPS x ¾" IPS	80	3840	0.121	0.0070	2.375	0.216	1.26	1.050	0.67	0.91	2.32	1.34	\$6.09
12EIRS0201	B	2" IPS x 1" IPS	80	4160	0.127	0.0070	2.375	0.216	1.26	1.315	0.79	1.22	2.32	1.73	\$6.09
12EIRS02114	B	2" IPS x 1"¼ IPS	60	2880	0.139	0.0093	2.375	0.216	1.26	1.660	0.91	1.50	2.32	2.13	\$6.09
12EIRS02112	A	2" IPS x 1"½ IPS	50	2600	0.163	0.0113	2.375	0.216	1.26	1.900	0.98	1.69	2.36	2.48	\$6.09

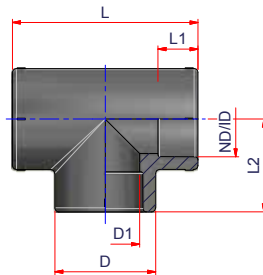
SOCKET FUSION FITTINGS



**SOCKET FUSION
FEMALE REDUCER**

PE4710 230PSI SDR11 • IPS

Code	Nominal Diameter ϕ (ND1 x ND2)	Pack.	Q.ty pallet	Weight lb/p.	Volume ft ³ /p.	ID1	ID2	L1	L2	L	D	H	Price Each
12EIRSC11401	1"½ IPS x 1" IPS	250	6750	0.075	0.0047	1.660	1.315	0.91	0.79	1.97	1.61	2.05	\$3.33
12EIRSC02114	2" IPS x 1"½ IPS	100	2700	0.174	0.0110	2.375	1.660	1.02	0.91	2.36	2.05	2.95	\$5.54

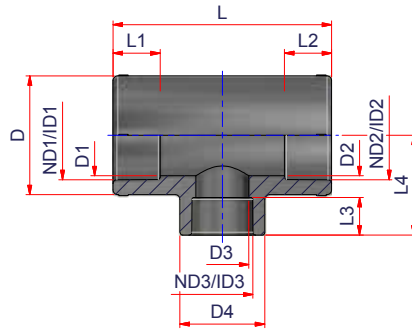


SOCKET FUSION TEE

PE4710 230PSI SDR11 • IPS

Code	Nominal Diameter ϕ (ND)	Pack.	Q.ty pallet	Weight lb/p.	Volume ft ³ /p.	ID	L1	D1	L	D	L2	Price Each
12EIST034	¾" IPS	200	5400	0.097	0.0053	1.050	0.67	0.87	2.91	1.38	1.45	\$3.33
12EIST01	1" IPS	100	2700	0.194	0.0120	1.315	0.79	1.10	3.39	1.77	1.69	\$4.43
12EIST114	1"½ IPS	130	1560	0.311	0.0207	1.660	0.91	1.42	3.86	2.16	1.93	\$6.09
12EIST112	1"½ IPS	40	1080	0.446	0.0300	1.900	0.98	1.69	4.57	2.48	2.28	\$9.97
12EIST02	2" IPS	50	6000	0.748	0.0533	2.375	1.02	2.13	5.20	3.07	2.60	\$12.73

SOCKET FUSION FITTINGS

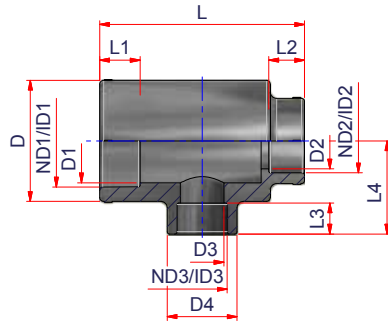


SOCKET FUSION REDUCED TEE

PE4710 230PSI SDR11 • IPS

Code	Nominal Diameter \emptyset (ND1 x ND2 x ND3)	Pack.	Q.ty pallet	Weight lb/p.	Volume ft ³ /p.	ID1	L1	D1	ID2	L2	D2	ID3	L3	D3	D4	L	L4	D	Price Each
12EISTR0101034	1" IPS x 1" IPS x 3/4" IPS	130	3510	0.167	0.0098	1.315	0.79	1.10	1.315	0.79	1.10	1.050	0.67	0.87	1.38	3.39	1.58	1.77	\$5.54
12EISTR114114034	1 1/4" IPS x 1 1/4" IPS x 3/4" IPS	150	1800	0.260	0.0177	1.660	0.91	1.42	1.660	0.91	1.42	1.050	0.67	0.87	1.38	3.86	1.69	2.16	\$5.54
12EISTR11411401	1 1/4" IPS x 1 1/4" IPS x 1" IPS	150	1800	0.285	0.0177	1.660	0.91	1.42	1.660	0.91	1.42	1.315	0.79	1.10	1.77	3.86	1.81	2.16	\$5.54
12EISTR112112034	1 1/2" IPS x 1 1/2" IPS x 3/4" IPS	20	960	0.402	0.0280	1.900	0.98	1.69	1.900	0.98	1.69	1.050	0.67	0.87	1.38	4.57	1.97	2.48	\$12.73
12EISTR11211201	1 1/2" IPS x 1 1/2" IPS x 1" IPS	50	1350	0.397	0.0240	1.900	0.98	1.69	1.900	0.98	1.69	1.315	0.79	1.10	1.78	4.57	2.09	2.48	\$12.73
12EISTR112112114	1 1/2" IPS x 1 1/2" IPS x 1 1/4" IPS	40	1080	0.418	0.0280	1.900	0.98	1.69	1.900	0.98	1.69	1.660	0.91	1.41	2.17	4.57	2.20	2.48	\$12.73
12EISTR0202034	2" IPS x 2" IPS x 3/4" IPS	60	720	0.616	0.0410	2.375	1.02	2.13	2.375	1.02	2.13	1.050	0.67	0.87	1.38	5.20	2.24	3.07	\$13.85
12EISTR020201	2" IPS x 2" IPS x 1" IPS	60	720	0.664	0.0443	2.375	1.02	2.13	2.375	1.02	2.13	1.315	0.79	1.10	1.78	5.20	2.36	3.07	\$13.85
12EISTR0202114	2" IPS x 2" IPS x 1 1/4" IPS	50	600	0.695	0.0533	2.375	1.02	2.13	2.375	1.02	2.13	1.660	0.91	1.42	2.17	5.20	2.48	3.07	\$13.85
12EISTR0202112	2" IPS x 2" IPS x 1 1/2" IPS	-	-	-	-	2.375	1.02	2.13	2.375	1.02	2.13	1.900	0.98	1.69	2.17	5.20	2.48	3.07	\$13.85

SOCKET FUSION FITTINGS

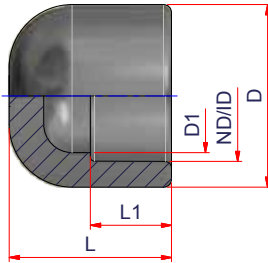


SOCKET FUSION REDUCED TEE

PE4710 230PSI SDR11 • **IPS**

Code	Nominal Diameter \varnothing (ND1 x ND2 x ND3)	Pack.	Q.ty pallet	Weight lb/p.	Volume ft ³ /p.	ID1	L1	D1	ID2	L2	D2	ID3	L3	D3	D4	L	L4	D	Price Each
12EISTR114034034	1"½ IPS x ¾" IPS x ¾" IPS	180	2160	0.265	0.0147	1.660	0.91	1.42	1.050	0.67	0.87	1.050	0.67	0.87	1.38	3.86	1.69	2.16	\$5.54
12EISTR1140101	1"½ IPS x 1" IPS x 1" IPS	150	1800	0.280	0.0177	1.660	0.91	1.42	1.315	0.79	1.10	1.315	0.79	1.10	1.77	3.86	1.81	2.16	\$5.54
12EISTR112114034	1"½ IPS x 1"½ IPS x ¾" IPS	50	1350	0.389	0.0280	1.900	0.98	1.69	1.660	0.91	1.42	1.050	0.67	0.87	1.38	4.57	1.97	2.48	\$12.73
12EISTR11211401	1"½ IPS x 1"½ IPS x 1" IPS	50	1350	0.392	0.0240	1.900	0.98	1.69	1.660	0.91	1.42	1.315	0.79	1.10	1.77	4.57	2.09	2.48	\$12.73
12EISTR112114114	1"½ IPS x 1"½ IPS x 1"½ IPS	45	1215	0.416	0.0267	1.900	0.98	1.69	1.660	0.91	1.42	1.660	0.91	1.42	2.16	4.57	2.20	2.48	\$12.73
12EISTRO2114034	2" IPS x 1"½ IPS x ¾" IPS	60	720	0.629	0.0443	2.375	1.02	2.13	1.660	0.91	1.42	1.050	0.67	0.87	1.38	5.20	2.24	3.07	\$13.85
12EISTRO211401	2" IPS x 1"½ IPS x 1" IPS	60	720	0.640	0.0443	2.375	1.02	2.13	1.660	0.91	1.42	1.315	0.79	1.10	1.77	5.20	2.36	3.07	\$13.85
12EISTRO2114114	2" IPS x 1"½ IPS x 1"½ IPS	60	720	0.664	0.0443	2.375	1.02	2.13	1.660	0.91	1.42	1.660	0.91	1.42	2.17	5.20	2.48	3.07	\$13.85
12EISTRO2112034	2" IPS x 1"½ IPS x ¾" IPS	60	720	0.651	0.0466	2.375	1.02	2.13	1.900	0.98	1.69	1.050	0.67	0.87	1.38	5.20	2.24	3.07	\$13.85
12EISTRO211201	2" IPS x 1"½ IPS x 1" IPS	70	840	0.682	0.0560	2.375	1.02	2.13	1.900	0.98	1.69	1.315	0.79	1.10	1.77	5.20	2.36	3.07	\$13.85
12EISTRO2112114	2" IPS x 1"½ IPS x 1"½ IPS	60	720	0.680	0.0443	2.375	1.02	2.13	1.900	0.98	1.69	1.660	0.91	1.42	2.17	5.20	2.48	3.07	\$13.85

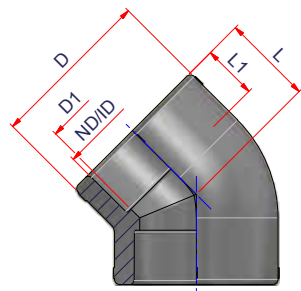
SOCKET FUSION FITTINGS



SOCKET FUSION END CAP

PE4710 230PSI SDR11 • IPS

Code	Nominal Diameter \varnothing (ND)	Pack.	Q.ty pallet	Weight lb/p.	Volume ft ³ /p.	ID	D1	L1	L	D	Price Each
12EISCAP034	¾" IPS	860	23220	0.033	0.0013	1.050	0.87	0.67	1.34	1.38	\$2.21
12EISCAP01	1" IPS	430	11610	0.071	0.0027	1.315	1.10	0.79	1.58	1.77	\$2.77
12EISCAP114	1¼" IPS	280	7560	0.096	0.0043	1.660	1.42	0.91	1.69	2.13	\$3.87
12EISCAP112	1½" IPS	-	-	-	-	1.900	1.69	0.98	-	-	\$4.17
12EISCAP02	2" IPS	130	3510	0.200	0.0093	2.375	2.19	0.91	1.77	2.97	\$4.43

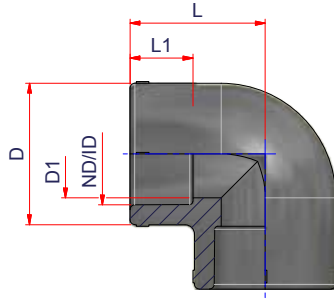


SOCKET FUSION 45° ELBOW

PE4710 230PSI SDR11 • IPS

Code	Nominal Diameter \varnothing (ND)	Pack.	Q.ty pallet	Weight lb/p.	Volume ft ³ /p.	ID	L1	L	D	D1	Price Each
12EISC4501	1" IPS	250	6750	0.129	0.0049	1.315	0.79	1.18	1.77	1.10	\$4.43
12EISC45114	1¼" IPS	140	3780	0.143	0.0093	1.660	0.91	1.29	2.09	1.42	\$6.64
12EISC45112	1½" IPS	-	-	-	-	1.900	0.98	1.29	-	-	\$8.39
12EISC4502	2" IPS	50	1350	0.384	0.0217	2.375	1.02	1.69	3.07	2.12	\$9.97

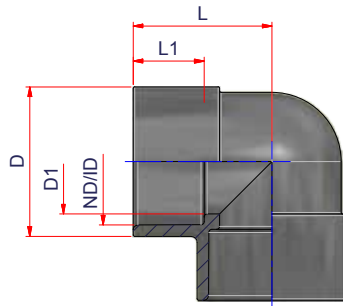
SOCKET FUSION FITTINGS



SOCKET FUSION 90° ELBOW

PE4710 230PSI SDR11 • IPS

Code	Nominal Diameter ϕ (ND)	Pack.	Q.ty pallet	Weight lb/p.	Volume ft ³ /p.	ID	L	L1	D	D1	Price Each
12EISG034	¾" IPS	320	8640	0.079	0.0040	1.050	1.46	0.67	1.38	0.86	\$2.77
12EISG01	1" IPS	150	4050	0.136	0.0077	1.315	1.69	0.79	1.77	1.10	\$2.77
12EISG114	1¼" IPS	200	2400	0.227	0.0133	1.660	1.93	0.91	2.16	1.41	\$3.33
12EISG112	1½" IPS	130	1560	0.363	0.0280	1.900	2.28	0.98	2.48	1.69	\$6.09
12EISG02	2" IPS	80	960	0.509	0.0333	2.375	2.60	1.02	2.99	2.12	\$9.42



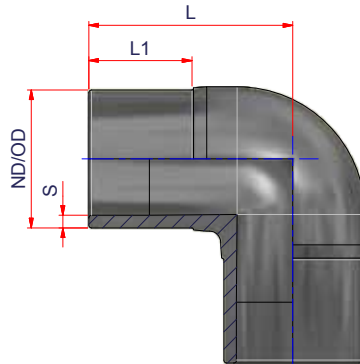
SOCKET FUSION 90° GEOTHERMAL ELBOW

PE4710 • IPS

Code	Nominal Diameter ϕ (ND)	Pack.	Q.ty pallet	Weight lb/p.	Volume ft ³ /p.	ID	L	L1	D	D1	Price Each
12EISGG114	1¼" IPS	250	3000	0.125	0.0107	1.660	1.77	0.90	1.91	1.34	\$4.43



BUTT FUSION FITTINGS




LONG SPIGOT 90° ELBOW

PE4710 160PSI SDR17 • IPS

Code	Nominal Diameter ϕ (ND)	Pack.	Q.ty pallet	Weight lb/p.	Volume ft ³ /p.	OD	Smin	L1	L	Price Each
12DIG02	2" IPS	50	600	0.470	0.0565	2.375	0.140	2.76	4.72	\$8.99
12DIG03	3" IPS	24	288	1.113	0.1165	3.500	0.206	3.54	5.85	\$19.26
12DIG04	4" IPS	30	120	2.713	0.2542	4.500	0.265	3.43	6.30	\$24.08
12DIG06	6" IPS	10	40	5.148	0.7628	6.625	0.390	4.72	8.94	\$66.34
12DIG08	8" IPS	12	24	12.722	1.4973	8.625	0.507	5.51	11.02	\$172.00
12DIG10	10" IPS	-	-	-	-	10.750	0.633	-	-	\$448.55

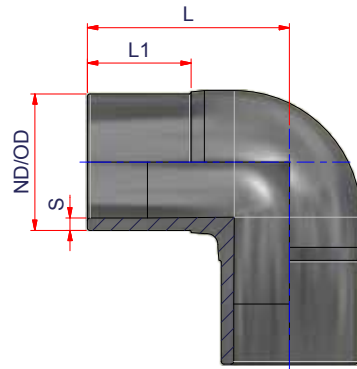
PE4710 230PSI SDR11 • IPS

Code	Nominal Diameter ϕ (ND)	Pack.	Q.ty pallet	Weight lb/p.	Volume ft ³ /p.	OD	S min	L1	L		Price Each
12EIG02	2" IPS	25	675	0.556	0.0509	2.375	0.216	2.76	4.72	180 PSI	\$9.31
12EIG03	3" IPS	24	288	1.503	0.1176	3.500	0.318	3.54	5.85	180 PSI	\$19.94
12EIG04	4" IPS	10	120	2.662	0.2832	4.500	0.409	3.43	6.30	180 PSI	\$27.87
12EIG06	6" IPS	10	40	6.978	0.7628	6.625	0.603	4.72	8.94	180 PSI	\$71.59
12EIG08	8" IPS	12	24	18.333	1.3278	8.625	0.785	5.51	11.02	180 PSI	\$190.88

PE4710 230PSI SDR11 • DIPS

Code	Nominal Diameter ϕ (ND)	Pack.	Q.ty pallet	Weight lb/p.	Volume ft ³ /p.	OD	Smin	L1	L	Price Each
12EIG04D	4" DIPS	8	96	3.513	0.3532	4.800	0.437	3.54	7.09	\$43.12
12EIG06D	6" DIPS	8	32	8.554	0.9535	6.900	0.628	4.72	9.06	\$79.33
12EIG08D	8" DIPS	12	24	17.635	1.4974	9.050	0.823	5.31	12.01	\$207.76

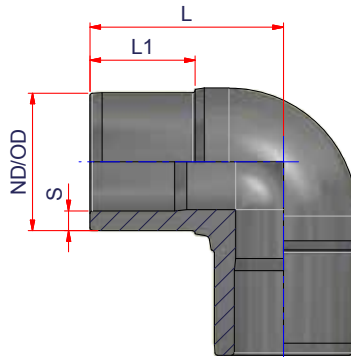
BUTT FUSION FITTINGS



LONG SPIGOT 90° ELBOW

PE4710 300PSI SDR9 • IPS

Code	Nominal Diameter ϕ (ND)	Pack.	Q.ty pallet	Weight lb/p.	Volume ft ³ /p.	OD	S min	L1	L	Price Each
12HIG02	2" IPS	50	600	0.814	0.0565	2.375	0.264	2.76	4.72	\$11.07
12HIG03	3" IPS	24	288	2.017	0.1179	3.500	0.389	3.54	5.85	\$24.88
12HIG04	4" IPS	15	180	3.520	0.1889	4.500	0.500	3.43	6.30	\$35.42
12HIG06	6" IPS	50	50	9.240	0.5650	6.625	0.736	4.72	8.94	\$93.08
12HIG08	8" IPS	12	24	19.945	1.4974	8.625	0.958	5.51	11.02	\$216.03

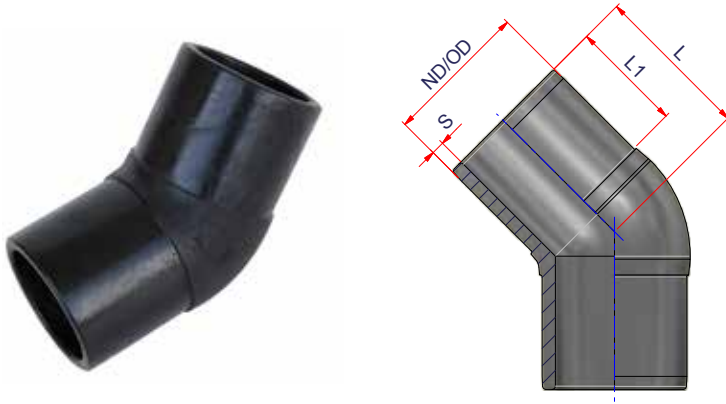


LONG SPIGOT 90° ELBOW

PE4710 340PSI SDR7 • IPS

Code	Nominal Diameter ϕ (ND)	Pack.	Q.ty pallet	Weight lb/p.	Volume ft ³ /p.	OD	S min	L1	L	Price Each
12GIG02	2" IPS	50	600	0.862	0.0565	2.375	0.343	2.76	4.72	\$20.55
12GIG03	3" IPS	24	288	2.209	0.1176	3.500	0.500	3.54	5.85	\$34.35
12GIG04	4" IPS	11	132	3.780	0.2567	4.500	0.643	3.43	6.30	\$48.69
12GIG06	6" IPS	10	40	10.149	0.7628	6.625	0.946	4.72	8.94	\$116.87
12GIG08	8" IPS	12	24	22.953	1.5539	8.625	1.232	5.51	11.02	\$257.87

BUTT FUSION FITTINGS




LONG SPIGOT 45° ELBOW

PE4710 160PSI SDR17 • IPS

Code	Nominal Diameter ϕ (ND)	Pack.	Q.ty pallet	Weight lb/p.	Volume ft ³ /p.	OD	Smin	L1	L	Price Each
12DIC02	2" IPS	70	840	0.350	0.0403	2.375	0.140	2.76	3.54	\$8.99
12DIC03	3" IPS	25	300	1.188	0.1130	3.500	0.206	3.54	4.72	\$19.15
12DIC04	4" IPS	40	160	1.870	0.1907	4.500	0.265	3.43	4.72	\$22.74
12DIC06	6" IPS	12	48	3.758	0.4609	6.625	0.390	4.13	6.30	\$66.34
12DIC08	8" IPS	15	30	12.760	0.8940	8.625	0.507	5.51	8.47	\$172.00
12DIC10	10" IPS	-	-	-	-	10.750	0.633	-	-	\$448.55

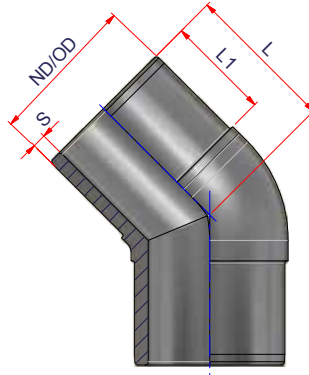
PE4710 230PSI SDR11 • IPS

Code	Nominal Diameter ϕ (ND)	Pack.	Q.ty pallet	Weight lb/p.	Volume ft ³ /p.	OD	S min	L1	L		Price Each
12EIC02	2" IPS	70	840	0.460	0.0403	2.375	0.216	2.76	3.54	180 PSI	\$8.77
12EIC03	3" IPS	25	300	1.302	0.1130	3.500	0.318	3.54	4.72	180 PSI	\$19.94
12EIC04	4" IPS	14	168	2.043	0.1907	4.500	0.409	3.43	4.72	180 PSI	\$27.87
12EIC06	6" IPS	39	78	5.662	0.4609	6.625	0.603	4.13	6.30	180 PSI	\$71.28
12EIC08	8" IPS	14	28	12.956	1.2833	8.625	0.785	5.51	8.47	180 PSI	\$178.42

PE4710 230PSI SDR11 • DIPS

Code	Nominal Diameter ϕ (ND)	Pack.	Q.ty pallet	Weight lb/p.	Volume ft ³ /p.	OD	Smin	L1	L	Price Each
12EIC04D	4" DIPS	12	144	2.530	0.2355	4.800	0.437	3.54	4.92	\$43.14
12EIC06D	6" DIPS	11	44	7.306	0.6939	6.900	0.628	4.33	7.09	\$79.33
12EIC08D	8" DIPS	14	28	13.072	1.2833	9.050	0.823	5.51	8.47	\$207.76

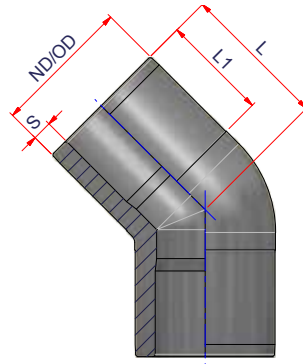
BUTT FUSION FITTINGS



LONG SPIGOT 45° ELBOW

PE4710 300PSI SDR9 • IPS

Code	Nominal Diameter ϕ (ND)	Pack.	Q.ty pallet	Weight lb/p.	Volume ft ³ /p.	OD	S min	L1	L	Price Each
12HIC02	2" IPS	30	810	0.605	0.0424	2.375	0.264	2.76	3.54	\$11.07
12HIC03	3" IPS	25	300	1.628	0.1130	3.500	0.389	3.54	4.72	\$24.88
12HIC04	4" IPS	15	180	2.567	0.1882	4.500	0.500	3.43	4.72	\$35.42
12HIC06	6" IPS	12	48	7.792	0.6357	6.625	0.736	4.13	6.30	\$90.09
12HIC08	8" IPS	14	28	17.032	1.2833	8.625	0.958	5.51	8.47	\$216.03

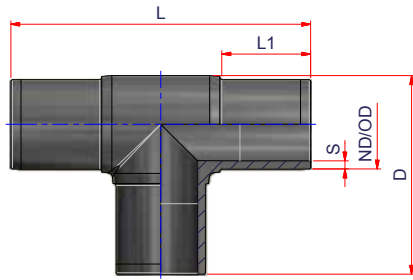


LONG SPIGOT 45° ELBOW

PE4710 340PSI SDR7 • IPS

Code	Nominal Diameter ϕ (ND)	Pack.	Q.ty pallet	Weight lb/p.	Volume ft ³ /p.	OD	S min	L1	L	Price Each
12GIC02	2" IPS	60	720	0.616	0.0470	2.375	0.343	2.76	3.54	\$20.55
12GIC03	3" IPS	24	288	0.634	0.1130	3.500	0.500	3.54	4.72	\$34.35
12GIC04	4" IPS	15	180	1.608	0.1907	4.500	0.643	3.43	4.72	\$48.69
12GIC06	6" IPS	12	48	7.150	0.6357	6.625	0.946	4.13	6.30	\$116.87
12GIC08	8" IPS	14	28	18.543	1.3317	8.625	1.232	5.51	8.47	\$257.87

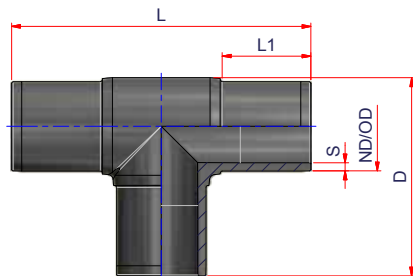
BUTT FUSION FITTINGS



LONG SPIGOT 90° TEE


PE4710 160PSI SDR17 • IPS

Code	Nominal Diameter ϕ (ND)	Pack.	Q.ty pallet	Weight lb/p.	Volume ft ³ /p.	OD	Smin	L1	L	D	Price Each
12DIT02	2" IPS	30	360	0.843	0.0943	2.375	0.140	2.76	9.45	6.07	\$11.77
12DIT03	3" IPS	15	180	1.980	0.1882	3.500	0.206	3.54	11.69	7.75	\$20.60
12DIT04	4" IPS	48	96	3.460	0.3072	4.500	0.265	3.43	12.60	8.70	\$31.89
12DIT06	6" IPS	7	28	6.930	1.0877	6.625	0.390	4.72	17.87	12.32	\$74.37
12DIT08	8" IPS	8	16	16.011	2.2460	8.625	0.507	5.51	22.05	15.61	\$191.66



LONG SPIGOT 90° TEE

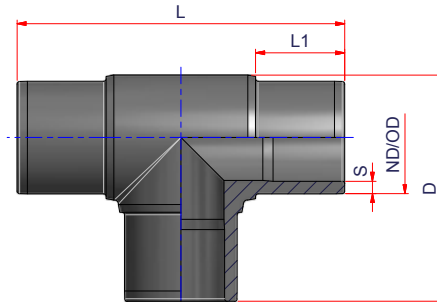
PE4710 230PSI SDR11 • IPS

Code	Nominal Diameter ϕ (ND)	Pack.	Q.ty pallet	Weight lb/p.	Volume ft ³ /p.	OD	S min	L1	L	D		Price Each
12EIT02	2" IPS	30	360	0.895	0.0943	2.375	0.216	2.76	9.45	6.07	180 PSI	\$12.60
12EIT03	3" IPS	15	180	2.053	0.1882	3.500	0.318	3.54	11.69	7.75	180 PSI	\$22.89
12EIT04	4" IPS	48	96	3.557	0.3072	4.500	0.409	3.43	12.60	8.70	180 PSI	\$36.17
12EIT06	6" IPS	40	40	10.228	0.7967	6.625	0.603	4.72	17.87	12.32	180 PSI	\$85.73
12EIT08	8" IPS	15	15	24.640	2.1246	8.625	0.787	5.51	22.05	15.61	180 PSI	\$202.39

PE4710 230PSI SDR11 • DIPS

Code	Nominal Diameter ϕ (ND)	Pack.	Q.ty pallet	Weight lb/p.	Volume ft ³ /p.	OD	Smin	L1	L	D	Price Each
12EIT04D	4" DIPS	7	84	4.556	0.4037	4.800	0.437	3.54	14.17	9.67	\$49.54
12EIT06D	6" DIPS	7	28	11.345	1.0898	6.900	0.628	4.73	18.10	12.68	\$79.33
12EIT08D	8" DIPS	8	16	23.379	2.2460	9.050	0.823	5.51	22.06	15.75	\$235.61

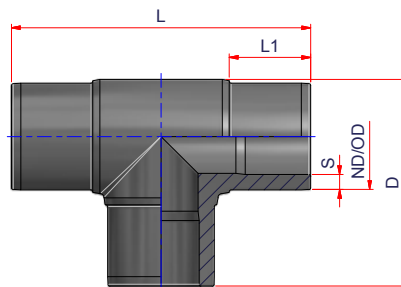
BUTT FUSION FITTINGS



LONG SPIGOT 90° TEE

PE4710 300PSI SDR9 • IPS

Code	Nominal Diameter ϕ (ND)	Pack.	Q.ty pallet	Weight lb/p.	Volume ft ³ /p.	OD	S min	L1	L	D	Price Each
12HIT02	2" IPS	-	-	-	-	2.375	0.264	2.79	9.45	6.07	\$15.30
12HIT03	3" IPS	16	192	2.888	0.1766	3.500	0.389	3.54	11.69	7.75	\$31.03
12HIT04	4" IPS	25	100	4.884	0.3051	4.500	0.500	3.43	12.60	8.70	\$51.57
12HIT06	6" IPS	40	40	14.163	0.7967	6.625	0.736	4.72	17.87	12.32	\$139.31
12HIT08	8" IPS	8	16	22.414	1.5934	8.614	0.961	5.51	20.87	14.82	\$271.78

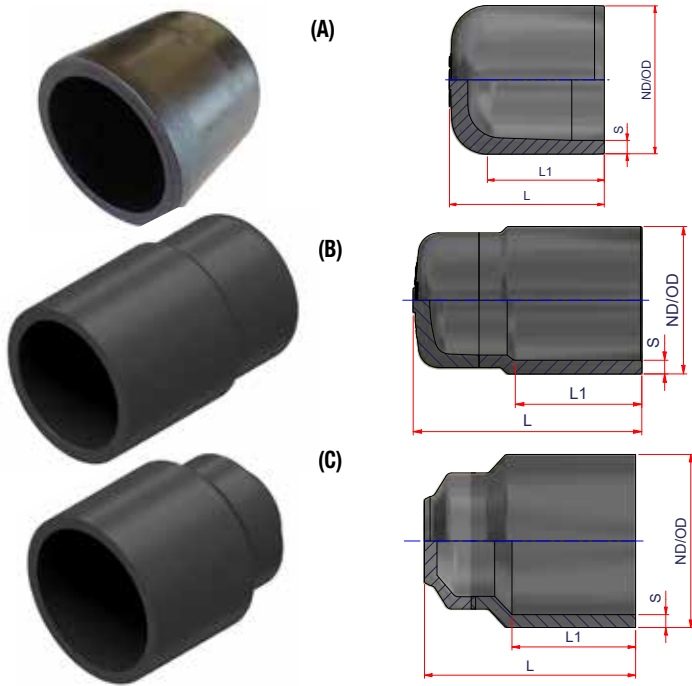


LONG SPIGOT 90° TEE

PE4710 340PSI SDR7 • IPS

Code	Nominal Diameter ϕ (ND)	Pack.	Q.ty pallet	Weight lb/p.	Volume ft ³ /p.	OD	S min	L1	L	D	Price Each
12GIT02	2" IPS	30	360	1.137	0.0943	2.370	0.343	2.76	9.45	6.07	\$21.27
12GIT03	3" IPS	16	192	3.094	0.1766	3.500	0.500	3.54	11.69	7.75	\$37.56
12GIT04	4" IPS	8	96	5.211	0.3532	4.500	0.643	3.43	12.60	8.70	\$59.05
12GIT06	6" IPS	24	48	14.179	0.7487	6.625	0.946	4.72	17.87	12.32	\$145.43
12GIT08	8" IPS	-	-	-	-	8.625	1.232	5.51	22.05	15.61	\$326.35

BUTT FUSION FITTINGS



LONG SPIGOT END CAP

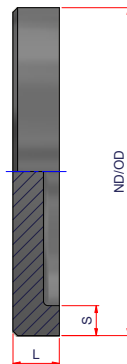
PE4710 230PSI SDR11 • **IPS**

Code	Type	Nominal Diameter ϕ (ND)	Pack.	Q.ty pallet	Weight lb/p.	Volume ft ³ /p.	OD	S min	L1	L	Price Each
12EICAL02	A	2" IPS	80	2160	0.217	0.0141	2.370	0.220	2.64	3.43	\$4.91
12EICAL03	A	3" IPS	30	810	0.605	0.0423	3.500	0.318	3.19	4.09	\$9.69
12EICAL04	A	4" IPS	40	480	1.124	0.0706	4.500	0.409	3.54	4.69	\$19.36
12EICAL06	A	6" IPS	14	168	2.791	0.1765	6.625	0.602	4.73	6.04	\$51.14
12EICAL08	B	8" IPS	36	72	8.873	0.5968	8.625	0.784	7.40	13.38	\$80.04
12EICAL10	B	10" IPS	5	20	1.238	1.5256	10.750	0.977	6.79	15.67	\$310.30
12EICAL12	C	12" IPS	-	-	-	-	12.750	1.159	9.50	17.37	\$347.75
12EICAL14	C	14" IPS	-	-	-	-	14.000	1.273	10.50	18.37	\$486.32
12EICAL16	C	16" IPS	-	-	-	-	16.000	1.455	12.00	19.87	\$735.09

PE4710 230PSI SDR11 • **DIPS**

Code	Type	Nominal Diameter ϕ (ND)	Pack.	Q.ty pallet	Weight lb/p.	Volume ft ³ /p.	OD	S min	L1	L	Price Each
12EICAL02D	A	2" DIPS	-	-	-	-	2.510	-	2.64	3.43	\$64.74
12EICAL03D	A	3" DIPS	-	-	-	-	3.960	0.360	3.19	4.09	\$80.45
12EICAL04D	A	4" DIPS	-	-	-	-	4.800	0.437	3.54	4.69	\$108.20
12EICAL06D	A	6" DIPS	-	-	-	-	6.900	0.628	4.73	6.04	\$200.63
12EICAL08D	B	8" DIPS	-	-	-	-	9.050	0.823	7.40	13.38	\$240.75
12EICAL1010D	B	10" DIPS	-	-	-	-	11.100	1.009	6.79	15.67	\$347.75
12EICAL012D	C	12" DIPS	-	-	-	-	13.200	1.200	9.50	17.37	\$408.42
12EICAL014D	C	14" DIPS	-	-	-	-	15.300	1.391	10.50	18.37	\$516.94
12EICAL016D	C	16" DIPS	-	-	-	-	17.400	1.582	12.00	19.87	\$776.29

BUTT FUSION FITTINGS



SHORT SPIGOT END CAP

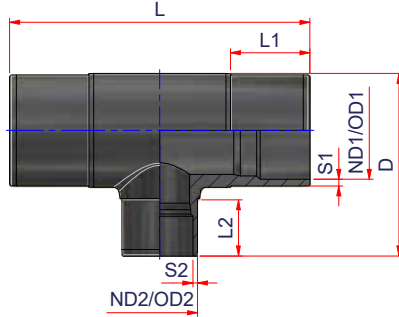
PE4710 230PSI SDR11 • **IPS**

Code	Nominal Diameter ϕ (ND)	Pack.	Q.ty pallet	Weight lb/p.	Volume ft ³ /p.	OD	S min	L	Price Each
12EICALC10	10" IPS	5	20	13.640	1.5256	10.750	0.977	3.15	\$326.35
12EICALC12	12" IPS	-	-	-	-	12.750	1.159	3.15	\$374.63
12EICALC14	14" IPS	-	-	-	-	14.000	1.273	3.15	\$481.67
12EICALC16	16" IPS	-	-	-	-	16.000	1.455	3.15	\$736.06
12EICALC18	18" IPS	-	-	-	-	18.000	1.058	3.15	\$909.50
12EICALC20	20" IPS	-	-	-	-	20.000	1.176	3.94	\$1,029.34
12EICALC24	24" IPS	-	-	-	-	24.000	1.412	3.94	\$1,595.37

PE4710 230PSI SDR11 • **DIPS**

Code	Nominal Diameter ϕ (ND)	Pack.	Q.ty pallet	Weight lb/p.	Volume ft ³ /p.	OD	S min	L	Price Each
12EICALC10D	10" DIPS	-	-	-	-	11.100	1.009	3.15	\$384.26
12EICALC12D	12" DIPS	-	-	-	-	13.200	1.200	3.15	\$424.79
12EICALC14D	14" DIPS	-	-	-	-	15.300	1.391	3.15	\$551.05
12EICALC16D	16" DIPS	-	-	-	-	17.400	1.582	3.15	\$845.30
12EICALC18D	18" DIPS	-	-	-	-	19.456	1.779	3.15	\$1,058.23
12EICALC20D	20" DIPS	-	-	-	-	21.598	1.968	3.94	\$1,184.65
12EICALC24D	24" DIPS	-	-	-	-	25.748	2.350	3.94	\$1,810.44

BUTT FUSION FITTINGS

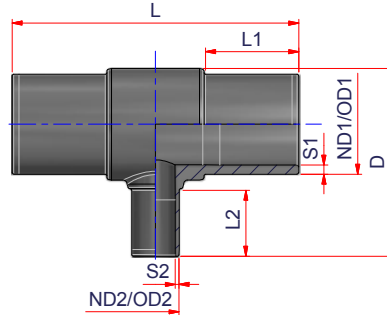


**LONG SPIGOT 90° REDUCING TEE
INJECTED - BEVELED ENDS**

PE4710 160PSI SDR17 • **IPS**

Code	Nominal Diameter \emptyset (ND1 x ND2)	Pack.	Q.ty pallet	Weight lb/p.	Volume ft ³ /p.	OD1	S1 min	L1	OD2	S2 min	L2	D	L	Price Each
12DITRS0301	3" IPS x 1" IPS	20	240	1.535	0.1159	3.500	0.206	3.31	1.315	-	2.36	6.56	10.00	\$29.96
12DITRS03114	3" IPS x 1"¼ IPS	20	240	1.562	0.1333	3.500	0.206	3.31	1.660	-	2.36	6.56	10.00	\$29.96
12DITRS0302	3" IPS x 2" IPS	20	240	1.650	0.1333	3.500	0.206	3.31	2.375	0.140	2.76	6.95	10.00	\$36.51
12DITRS04114	4" IPS x 1"¼ IPS	12	144	3.108	0.2222	4.500	0.265	3.43	1.660	-	2.17	7.32	12.60	\$44.94
12DITRS0402	4" IPS x 2" IPS	10	120	3.212	0.2665	4.500	0.265	3.43	2.375	0.140	2.76	7.84	12.60	\$53.50
12DITRS0403	4" IPS x 3" IPS	30	60	3.843	0.4916	4.500	0.265	3.43	3.500	0.206	3.35	8.43	12.60	\$55.64
12DITRS0602	6" IPS x 2" IPS	50	50	7.700	0.6357	6.625	0.390	4.72	2.375	0.140	2.76	9.80	17.87	\$144.56
12DITRS0603	6" IPS x 3" IPS	46	46	7.915	0.6536	6.625	0.390	4.72	3.500	0.206	3.31	10.47	17.87	\$144.56
12DITRS0604	6" IPS x 4" IPS	40	40	8.690	0.7516	6.625	0.390	4.72	4.500	0.265	3.43	10.87	17.87	\$149.96
12DITRS0803	8" IPS x 3" IPS	21	21	18.660	1.5175	8.625	0.507	5.51	3.500	0.206	3.36	13.05	22.05	\$235.40
12DITRS0804	8" IPS x 4" IPS	21	21	19.329	1.5175	8.625	0.507	5.51	4.500	0.265	3.43	13.13	22.05	\$266.43
12DITRS0806	8" IPS x 6" IPS	18	18	20.839	1.7703	8.625	0.507	5.51	6.625	0.390	4.72	14.43	22.05	\$292.11

BUTT FUSION FITTINGS

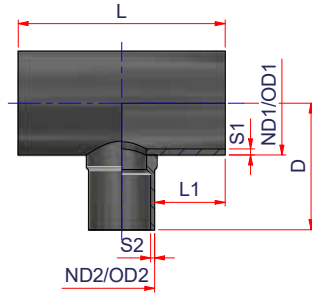


**LONG SPIGOT 90° REDUCING TEE
INJECTED**

PE4710 230PSI SDR11 • IPS

Code	Nominal Diameter \emptyset (ND1 x ND2)	Pack.	Q.ty pallet	Weight lb/p.	Volume ft ³ /p.	OD1	S1 min	L1	OD2	S2 min	L2	D	L	Price Each
12EITRS02034	2" IPS x ¾" IPS	40	480	0.729	0.0666	2.375	0.216	2.76	1.050	0.095	1.97	5.08	9.45	\$14.98
12EITRS0201	2" IPS x 1" IPS	40	480	0.737	0.0666	2.375	0.216	2.76	1.315	0.119	1.97	5.08	9.45	\$20.33
12EITRS02114	2" IPS x 1¼" IPS	45	540	0.733	0.0593	2.375	0.216	2.76	1.660	0.151	2.17	5.08	9.45	\$20.33
12EITRS0301	3" IPS x 1" IPS	20	240	1.535	0.1159	3.500	0.318	3.31	1.315	0.119	2.36	6.56	10.00	\$29.96
12EITRS03114	3" IPS x 1¼" IPS	20	240	1.562	0.1333	3.500	0.318	3.31	1.660	0.151	2.36	6.56	10.00	\$29.96
12EITRS0302	3" IPS x 2" IPS	20	240	1.650	0.1333	3.500	0.318	3.31	2.375	0.216	2.76	6.95	10.00	\$36.51
12EITRS04114	4" IPS x 1¼" IPS	12	144	3.108	0.2222	4.500	0.409	3.43	1.660	0.151	2.17	7.32	12.60	\$44.94
12EITRS0402	4" IPS x 2" IPS	10	120	3.212	0.2665	4.500	0.409	3.43	2.375	0.216	2.76	7.84	12.60	\$53.50
12EITRS0403	4" IPS x 3" IPS	9	243	3.843	0.4916	4.500	0.409	3.43	3.500	0.318	3.35	8.43	12.60	\$55.64
12EITRS0602	6" IPS x 2" IPS	48	48	8.256	0.6639	6.625	0.603	4.72	2.375	0.216	2.76	9.80	17.87	\$144.56
12EITRS0603	6" IPS x 3" IPS	40	40	8.118	0.7628	6.625	0.603	4.72	3.500	0.318	3.31	10.47	17.87	\$144.56
12EITRS0604	6" IPS x 4" IPS	40	40	8.690	0.7981	6.625	0.603	4.72	4.500	0.409	3.43	10.87	17.87	\$149.96
12EITRS0803	8" IPS x 3" IPS	9	18	21.215	1.9953	8.625	0.785	5.51	3.500	0.318	3.36	13.05	22.05	\$235.40
12EITRS0804	8" IPS x 4" IPS	21	21	21.215	1.9953	8.625	0.785	5.51	4.500	0.409	3.43	13.13	22.05	\$266.43
12EITRS0806	8" IPS x 6" IPS	18	18	20.839	1.7703	8.625	0.785	5.51	6.625	0.603	4.72	14.43	22.05	\$292.11

BUTT FUSION FITTINGS



BRANCH SADDLE REDUCING TEE FULLY PRESSURE RATED BEVELED ENDS

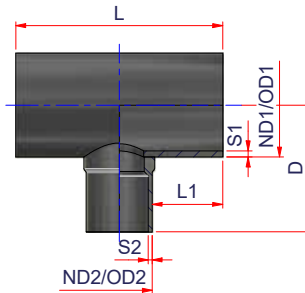
Fittings will be fully rated to SDR listed.
Beveled on ends where necessary.

PE4710 160PSI SDR17 • IPS - IPS

Code	Nominal Diameter ϕ (ND1 x ND2)	Pack.	Q.ty pallet	Weight lb/p.	Volume ft ³ /p.	OD1	S1 min	L1	OD2	S2 min	D	L	Price Each
12DITRA1002	10" IPS x 2" IPS	-	-	-	-	10.750	0.633	7.2	2.375	0.140	7.61	18.0	\$111.49
12DITRA1003	10" IPS x 3" IPS	-	-	-	-	10.750	0.633	6.7	3.500	0.206	8.61	18.0	\$229.14
12DITRA1004	10" IPS x 4" IPS	-	-	-	-	10.750	0.633	6.2	4.500	0.265	8.61	19.0	\$279.43
12DITRA1006	10" IPS x 6" IPS	-	-	-	-	10.750	0.633	6.2	6.625	0.390	9.73	21.0	\$405.18
12DITRA1008	10" IPS x 8" IPS	-	-	-	-	10.750	0.633	6.6	8.625	0.507	12.58	24.0	\$646.12
12DITRA1202	12" IPS x 2" IPS	-	-	-	-	12.750	0.750	8.2	2.375	0.140	8.61	20.0	\$196.51
12DITRA1203	12" IPS x 3" IPS	-	-	-	-	12.750	0.750	8.2	3.500	0.206	9.61	21.0	\$262.47
12DITRA1204	12" IPS x 4" IPS	-	-	-	-	12.750	0.750	8.2	4.500	0.265	9.61	23.0	\$318.00
12DITRA1206	12" IPS x 6" IPS	-	-	-	-	12.750	0.750	7.7	6.625	0.390	10.73	24.0	\$442.04
12DITRA1208	12" IPS x 8" IPS	-	-	-	-	12.750	0.750	8.6	8.625	0.507	13.58	28.0	\$690.55
12DITRA1210	12" IPS x 10" IPS	-	-	-	-	12.750	0.750	8.6	10.750	0.633		30.0	\$919.90
12DITRA1402	14" IPS x 2" IPS	-	-	-	-	14.000	0.824	8.2	2.375	0.140	9.61	20.0	\$221.76
12DITRA1403	14" IPS x 3" IPS	-	-	-	-	14.000	0.824	8.2	3.500	0.206	10.61	21.0	\$290.52
12DITRA1404	14" IPS x 4" IPS	-	-	-	-	14.000	0.824	8.2	4.500	0.265	10.61	23.0	\$350.48
12DITRA1406	14" IPS x 6" IPS	-	-	-	-	14.000	0.824	7.7	6.625	0.390	11.73	24.0	\$483.29
12DITRA1408	14" IPS x 8" IPS	-	-	-	-	14.000	0.824	8.6	8.625	0.507	14.58	28.0	\$756.33
12DITRA1410	14" IPS x 10" IPS	-	-	-	-	14.000	0.824	8.6	10.750	0.633		30.0	\$995.31
12DITRA1412	14" IPS x 12" IPS	-	-	-	-	14.000	0.824	8.5	12.750	0.750	16.08	32.0	\$1,135.72
12DITRA1602	16" IPS x 2" IPS	-	-	-	-	16.000	0.941	10.2	2.375	0.140	10.61	24.0	\$277.13
12DITRA1603	16" IPS x 3" IPS	-	-	-	-	16.000	0.941	9.7	3.500	0.206	11.61	24.0	\$341.30
12DITRA1604	16" IPS x 4" IPS	-	-	-	-	16.000	0.941	10.2	4.500	0.265	11.61	27.0	\$410.56
12DITRA1606	16" IPS x 6" IPS	-	-	-	-	16.000	0.941	10.2	6.625	0.390	12.73	29.0	\$551.26
12DITRA1608	16" IPS x 8" IPS	-	-	-	-	16.000	0.941	10.6	8.625	0.507	15.58	32.0	\$823.92
12DITRA1610	16" IPS x 10" IPS	-	-	-	-	16.000	0.941	10.6	10.750	0.633		34.0	\$1,065.88
12DITRA1612	16" IPS x 12" IPS	-	-	-	-	16.000	0.941	10.5	12.750	0.750	17.08	36.0	\$1,209.31

...

BUTT FUSION FITTINGS



BRANCH SADDLE REDUCING TEE FULLY PRESSURE RATED BEVELED ENDS

Fittings will be fully rated to SDR listed.
Beveled on ends where necessary.

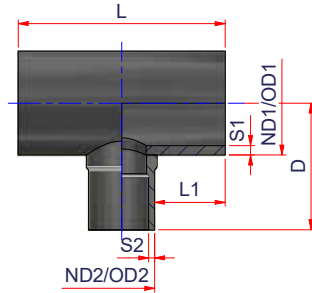
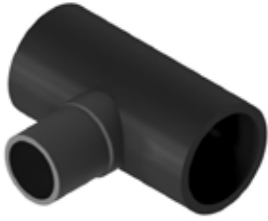
PE4710 160PSI SDR17 • IPS - IPS

Code	Nominal Diameter ϕ (ND1 x ND2)	Pack.	Q.ty pallet	Weight lb/p.	Volume ft ³ /p.	OD1	S1 min	L1	OD2	S2 min	D	L	Price Each
12DITRA1802	18" IPS x 2" IPS	-	-	-	-	18.000	1.058	10.2	2.375	0.140	11.61	24.0	\$317.54
12DITRA1803	18" IPS x 3" IPS	-	-	-	-	18.000	1.058	9.7	3.500	0.206	12.61	24.0	\$382.10
12DITRA1804	18" IPS x 4" IPS	-	-	-	-	18.000	1.058	10.2	4.500	0.265	12.61	27.0	\$456.46
12DITRA1806	18" IPS x 6" IPS	-	-	-	-	18.000	1.058	10.2	6.625	0.390	13.73	29.0	\$600.56
12DITRA1808	18" IPS x 8" IPS	-	-	-	-	18.000	1.058	10.6	8.625	0.507	16.58	32.0	\$878.31
12DITRA1810	18" IPS x 10" IPS	-	-	-	-	18.000	1.058	10.6	10.750	0.633		34.0	\$1,123.68
12DITRA1812	18" IPS x 12" IPS	-	-	-	-	18.000	1.058	10.5	12.750	0.750	18.08	36.0	\$1,272.63
12DITRA2002	20" IPS x 2" IPS	-	-	-	-	20.000	1.176	12.2	2.375	0.140	12.61	28.0	\$349.09
12DITRA2003	20" IPS x 3" IPS	-	-	-	-	20.000	1.176	12.2	3.500	0.206	13.61	29.0	\$477.67
12DITRA2004	20" IPS x 4" IPS	-	-	-	-	20.000	1.176	7.2	4.500	0.265	13.61	31.0	\$547.73
12DITRA2006	20" IPS x 6" IPS	-	-	-	-	20.000	1.176	12.2	6.625	0.390	14.73	33.0	\$695.63
12DITRA2008	20" IPS x 8" IPS	-	-	-	-	20.000	1.176	12.6	8.625	0.507	17.58	36.0	\$979.07
12DITRA2010	20" IPS x 10" IPS	-	-	-	-	20.000	1.176	12.6	10.750	0.633		38.0	\$1,121.25
12DITRA2012	20" IPS x 12" IPS	-	-	-	-	20.000	1.176	12.5	12.750	0.750	19.08	40.0	\$1,378.88
12DITRA2202	22" IPS x 2" IPS	-	-	-	-	22.000	1.294	12.2	2.375	0.140	13.61	28.0	\$460.28
12DITRA2203	22" IPS x 3" IPS	-	-	-	-	22.000	1.294	12.2	3.500	0.206	14.61	29.0	\$538.55
12DITRA2204	22" IPS x 4" IPS	-	-	-	-	22.000	1.294	7.2	4.500	0.265	14.61	31.0	\$547.97
12DITRA2206	22" IPS x 6" IPS	-	-	-	-	22.000	1.294	12.2	6.625	0.390	15.73	33.0	\$764.18
12DITRA2208	22" IPS x 8" IPS	-	-	-	-	22.000	1.294	12.6	8.625	0.507	18.58	36.0	\$1,054.67
12DITRA2210	22" IPS x 10" IPS	-	-	-	-	22.000	1.294	12.6	10.750	0.633		38.0	\$1,308.04
12DITRA2212	22" IPS x 12" IPS	-	-	-	-	22.000	1.294	12.5	12.750	0.750	20.09	40.0	\$1,464.99
12DITRA2402	24" IPS x 2" IPS	-	-	-	-	24.000	1.412	12.2	2.375	0.140	14.61	28.0	\$526.30
12DITRA2403	24" IPS x 3" IPS	-	-	-	-	24.000	1.412	12.2	3.500	0.206	15.61	29.0	\$605.25
12DITRA2404	24" IPS x 4" IPS	-	-	-	-	24.000	1.412	7.2	4.500	0.265	15.61	31.0	\$684.10
12DITRA2406	24" IPS x 6" IPS	-	-	-	-	24.000	1.412	12.2	6.625	0.390	16.73	33.0	\$840.81
12DITRA2408	24" IPS x 8" IPS	-	-	-	-	24.000	1.412	12.6	8.625	0.507	19.58	36.0	\$1,137.46
12DITRA2410	24" IPS x 10" IPS	-	-	-	-	24.000	1.412	12.6	10.750	0.633		38.0	\$1,395.41
12DITRA2412	24" IPS x 12" IPS	-	-	-	-	24.000	1.412	12.5	12.750	0.750	21.08	40.0	\$1,554.84

All measures are in inches unless otherwise mentioned.

We reserve the right to vary dimensions without notice; check the web site for the updated dimensions.

BUTT FUSION FITTINGS



BRANCH SADDLE REDUCING TEE FULLY PRESSURE RATED BEVELED ENDS

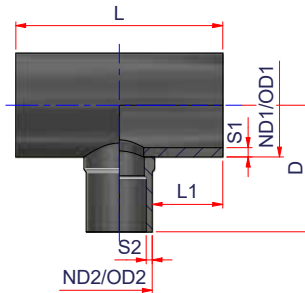
Fittings will be fully rated to SDR listed.
Beveled on ends where necessary.

PE4710 160PSI SDR17 • **DIPS - DIPS**

Code	Nominal Diameter ϕ (ND1 x ND2)	Pack.	Q.ty pallet	Weight lb/p.	Volume ft ³ /p.	OD1	S1 min	L1	OD2	S2 min	D	L	Price Each
12DITRA0604D	6" DIPS x 4" DIPS	-	-	-	-	6.900	0.406	6.2	4.800	0.283	6.61	19.0	\$258.32
12DITRA0804D	8" DIPS x 4" DIPS	-	-	-	-	9.050	0.533	6.2	4.800	0.283	7.61	19.0	\$274.62
12DITRA0806D	8" DIPS x 6" DIPS	-	-	-	-	9.050	0.533	6.2	6.900	0.406	8.73	21.0	\$398.09
12DITRA1004D	10" DIPS x 4" DIPS	-	-	-	-	11.100	0.653	6.2	4.800	0.283	8.61	19.0	\$294.22
12DITRA1006D	10" DIPS x 6" DIPS	-	-	-	-	11.100	0.653	6.2	6.900	0.406	9.73	21.0	\$419.78
12DITRA1008D	10" DIPS x 8" DIPS	-	-	-	-	11.100	0.653	6.2	9.050	0.533	12.58	24.0	\$669.84
12DITRA1204D	12" DIPS x 4" DIPS	-	-	-	-	13.200	0.777	8.2	4.800	0.283	9.61	23.0	\$335.89
12DITRA1206D	12" DIPS x 6" DIPS	-	-	-	-	13.200	0.777	7.7	6.900	0.406	10.73	24.0	\$459.64
12DITRA1208D	12" DIPS x 8" DIPS	-	-	-	-	13.200	0.777	8.2	9.050	0.533	13.58	28.0	\$717.86
12DITRA1210D	12" DIPS x 10" DIPS	-	-	-	-	13.200	0.777	8.6	11.100	0.653		30.0	\$944.86
12DITRA1404D	14" DIPS x 4" DIPS	-	-	-	-	15.300	0.900	8.2	4.800	0.283	10.61	23.0	\$383.54
12DITRA1406D	14" DIPS x 6" DIPS	-	-	-	-	15.300	0.900	7.7	6.900	0.406	11.73	24.0	\$516.72
12DITRA1408D	14" DIPS x 8" DIPS	-	-	-	-	15.300	0.900	8.2	9.050	0.533	14.58	28.0	\$802.13
12DITRA1410D	14" DIPS x 10" DIPS	-	-	-	-	15.300	0.900	8.1	11.100	0.653		30.0	\$1,040.06
12DITRA1412D	14" DIPS x 12" DIPS	-	-	-	-	15.300	0.900	8.4	13.200	0.777	16.08	32.0	\$1,187.56
12DITRA1604D	16" DIPS x 4" DIPS	-	-	-	-	17.400	1.024	10.2	4.800	0.283	11.61	27.0	\$453.27
12DITRA1606D	16" DIPS x 6" DIPS	-	-	-	-	17.400	1.024	10.2	6.900	0.406	12.73	29.0	\$595.74
12DITRA1608D	16" DIPS x 8" DIPS	-	-	-	-	17.400	1.024	10.2	9.050	0.533	15.58	32.0	\$880.45
12DITRA1610D	16" DIPS x 10" DIPS	-	-	-	-	17.400	1.024	10.1	11.100	0.653		34.0	\$1,121.81
12DITRA1612D	16" DIPS x 12" DIPS	-	-	-	-	17.400	1.024	10.4	13.200	0.777	17.08	36.0	\$1,272.77
12DITRA1804D	18" DIPS x 4" DIPS	-	-	-	-	18.500	1.147	10.2	4.800	0.283	12.61	27.0	\$521.63
12DITRA1806D	18" DIPS x 6" DIPS	-	-	-	-	18.500	1.147	10.2	6.900	0.406	13.73	29.0	\$651.92
12DITRA1808D	18" DIPS x 8" DIPS	-	-	-	-	18.500	1.147	10.2	9.050	0.533	16.58	32.0	\$942.42
12DITRA1810D	18" DIPS x 10" DIPS	-	-	-	-	18.500	1.147	10.1	11.100	0.653		34.0	\$1,187.67
12DITRA1812D	18" DIPS x 12" DIPS	-	-	-	-	18.500	1.147	10.4	13.200	0.777	18.08	36.0	\$1,342.50

...

BUTT FUSION FITTINGS



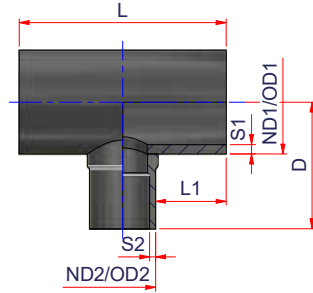
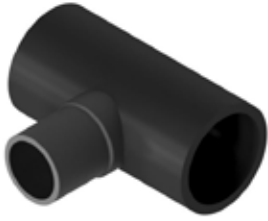
BRANCH SADDLE REDUCING TEE FULLY PRESSURE RATED BEVELED ENDS

Fittings will be fully rated to SDR listed.
Beveled on ends where necessary.

PE4710 160PSI SDR17 • DIPS - DIPS

Code	Nominal Diameter ϕ (ND1 x ND2)	Pack.	Q.ty pallet	Weight lb/p.	Volume ft ³ /p.	OD1	S1 min	L1	OD2	S2 min	D	L	Price Each
12DITRA2004D	20" DIPS x 4" DIPS	-	-	-	-	19.500	1.271	12.2	4.800	0.283	14.61	31.0	\$610.46
12DITRA2006D	20" DIPS x 6" DIPS	-	-	-	-	19.500	1.271	12.2	6.900	0.406	15.73	33.0	\$761.11
12DITRA2008D	20" DIPS x 8" DIPS	-	-	-	-	19.500	1.271	12.2	9.050	0.533	18.58	36.0	\$1,058.12
12DITRA2010D	20" DIPS x 10" DIPS	-	-	-	-	19.500	1.271	12.1	11.100	0.653		38.0	\$1,307.67
12DITRA2012D	20" DIPS x 12" DIPS	-	-	-	-	19.500	1.271	12.4	13.200	0.777	20.09	40.0	\$2,082.33
12DITRA2404D	24" DIPS x 4" DIPS	-	-	-	-	25.800	1.518	12.2	4.800	0.283	15.61	31.0	\$764.73
12DITRA2406D	24" DIPS x 6" DIPS	-	-	-	-	25.800	1.518	12.2	6.900	0.406	16.73	33.0	\$925.34
12DITRA2408D	24" DIPS x 8" DIPS	-	-	-	-	25.800	1.518	12.2	9.050	0.533	19.58	36.0	\$1,237.24
12DITRA2410D	24" DIPS x 10" DIPS	-	-	-	-	25.800	1.518	12.1	11.100	0.653		38.0	\$1,496.77
12DITRA2412D	24" DIPS x 12" DIPS	-	-	-	-	25.800	1.518	12.4	13.200	0.777	21.08	40.0	\$1,665.83

BUTT FUSION FITTINGS



BRANCH SADDLE REDUCING TEE FULLY PRESSURE RATED BEVELED ENDS

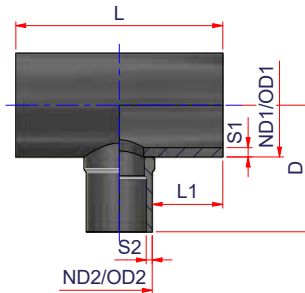
Fittings will be fully rated to SDR listed.
Beveled on ends where necessary.

PE4710 230PSI SDR11 • IPS - IPS

Code	Nominal Diameter ϕ (ND1 x ND2)	Pack.	Q.ty pallet	Weight lb/p.	Volume ft ³ /p.	OD1	S1 min	L1	OD2	S2 min	D	L	Price Each
12EITRA1002	10" IPS x 2" IPS	-	-	-	-	10.750	0.977	7.2	2.375	0.216	7.61	18.0	\$240.86
12EITRA1003	10" IPS x 3" IPS	-	-	-	-	10.750	0.977	6.7	3.500	0.318	8.61	18.0	\$267.56
12EITRA1004	10" IPS x 4" IPS	-	-	-	-	10.750	0.977	6.2	4.500	0.409	8.61	19.0	\$291.22
12EITRA1006	10" IPS x 6" IPS	-	-	-	-	10.750	0.977	6.2	6.625	0.603	9.73	21.0	\$419.44
12EITRA1008	10" IPS x 8" IPS	-	-	-	-	10.750	0.977	6.6	8.625	0.785	12.58	24.0	\$663.83
12EITRA1202	12" IPS x 2" IPS	-	-	-	-	12.750	1.159	8.2	2.375	0.216	8.61	20.0	\$212.52
12EITRA1203	12" IPS x 3" IPS	-	-	-	-	12.750	1.159	8.2	3.500	0.318	9.61	21.0	\$279.67
12EITRA1204	12" IPS x 4" IPS	-	-	-	-	12.750	1.159	8.2	4.500	0.409	9.61	23.0	\$337.23
12EITRA1206	12" IPS x 6" IPS	-	-	-	-	12.750	1.159	7.7	6.625	0.603	10.73	24.0	\$463.44
12EITRA1208	12" IPS x 8" IPS	-	-	-	-	12.750	1.159	8.6	8.625	0.785	13.58	28.0	\$716.87
12EITRA1210	12" IPS x 10" IPS	-	-	-	-	12.750	1.159	8.6	10.750	0.977		30.0	\$950.18
12EITRA1402	14" IPS x 2" IPS	-	-	-	-	14.000	1.273	8.2	2.375	0.216	9.61	20.0	\$240.43
12EITRA1403	14" IPS x 3" IPS	-	-	-	-	14.000	1.273	8.2	3.500	0.318	10.61	21.0	\$311.21
12EITRA1404	14" IPS x 4" IPS	-	-	-	-	14.000	1.273	8.2	4.500	0.409	10.61	23.0	\$373.43
12EITRA1406	14" IPS x 6" IPS	-	-	-	-	14.000	1.273	7.7	6.625	0.603	11.73	24.0	\$455.04
12EITRA1408	14" IPS x 8" IPS	-	-	-	-	14.000	1.273	8.6	8.625	0.785	14.58	28.0	\$787.15
12EITRA1410	14" IPS x 10" IPS	-	-	-	-	14.000	1.273	8.6	10.750	0.977		30.0	\$1,030.41
12EITRA1412	14" IPS x 12" IPS	-	-	-	-	14.000	1.273	8.5	12.750	1.159	16.08	32.0	\$1,174.33
12EITRA1602	16" IPS x 2" IPS	-	-	-	-	16.000	1.455	10.2	2.375	0.216	10.61	24.0	\$306.74
12EITRA1603	16" IPS x 3" IPS	-	-	-	-	16.000	1.455	9.7	3.500	0.318	11.61	24.0	\$371.69
12EITRA1604	16" IPS x 4" IPS	-	-	-	-	16.000	1.455	10.2	4.500	0.409	11.61	27.0	\$445.12
12EITRA1606	16" IPS x 6" IPS	-	-	-	-	16.000	1.455	10.2	6.625	0.603	12.73	29.0	\$589.68
12EITRA1608	16" IPS x 8" IPS	-	-	-	-	16.000	1.455	10.6	8.625	0.785	15.58	32.0	\$867.79
12EITRA1610	16" IPS x 10" IPS	-	-	-	-	16.000	1.455	10.6	10.750	0.977		34.0	\$1,114.11
12EITRA1612	16" IPS x 12" IPS	-	-	-	-	16.000	1.455	10.5	12.750	1.159	17.08	36.0	\$1,263.24

...

BUTT FUSION FITTINGS



BRANCH SADDLE REDUCING TEE FULLY PRESSURE RATED BEVELED ENDS

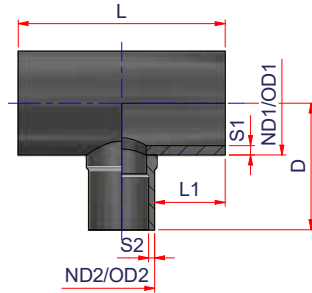
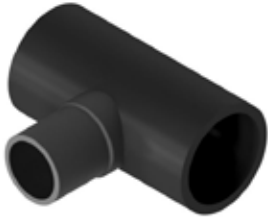
Fittings will be fully rated to SDR listed.
Beveled on ends where necessary.

PE4710 230PSI SDR11 • IPS - IPS

Code	Nominal Diameter ϕ (ND1 x ND2)	Pack.	Q.ty pallet	Weight lb/p.	Volume ft ³ /p.	OD1	S1 min	L1	OD2	S2 min	D	L	Price Each
12EITRA1802	18" IPS x 2" IPS	-	-	-	-	18.000	1.636	10.2	2.375	0.216	11.61	24.0	\$355.42
12EITRA1803	18" IPS x 3" IPS	-	-	-	-	18.000	1.636	9.7	3.500	0.318	12.61	24.0	\$420.35
12EITRA1804	18" IPS x 4" IPS	-	-	-	-	18.000	1.636	10.2	4.500	0.409	12.61	27.0	\$499.87
12EITRA1806	18" IPS x 6" IPS	-	-	-	-	18.000	1.636	10.2	6.625	0.603	13.73	29.0	\$648.49
12EITRA1808	18" IPS x 8" IPS	-	-	-	-	18.000	1.636	10.6	8.625	0.785	16.58	32.0	\$932.69
12EITRA1810	18" IPS x 10" IPS	-	-	-	-	18.000	1.636	10.6	10.750	0.977		34.0	\$1,183.58
12EITRA1812	18" IPS x 12" IPS	-	-	-	-	18.000	1.636	10.5	12.750	1.159	18.08	36.0	\$1,336.27
12EITRA2002	20" IPS x 2" IPS	-	-	-	-	20.000	1.818	12.2	2.375	0.216	12.61	28.0	\$457.55
12EITRA2003	20" IPS x 3" IPS	-	-	-	-	20.000	1.818	12.2	3.500	0.318	13.61	29.0	\$534.41
12EITRA2004	20" IPS x 4" IPS	-	-	-	-	20.000	1.818	7.2	4.500	0.409	13.61	31.0	\$608.80
12EITRA2006	20" IPS x 6" IPS	-	-	-	-	20.000	1.818	12.2	6.625	0.603	14.73	33.0	\$761.95
12EITRA2008	20" IPS x 8" IPS	-	-	-	-	20.000	1.818	12.6	8.625	0.785	17.58	36.0	\$1,052.95
12EITRA2010	20" IPS x 10" IPS	-	-	-	-	20.000	1.818	12.6	10.750	0.977		38.0	\$1,308.36
12EITRA2012	20" IPS x 12" IPS	-	-	-	-	20.000	1.818	12.5	12.750	1.159	19.08	40.0	\$1,465.04
12EITRA2202	22" IPS x 2" IPS	-	-	-	-	22.000	2.000	12.2	2.375	0.216	13.61	28.0	\$527.69
12EITRA2203	22" IPS x 3" IPS	-	-	-	-	22.000	2.000	12.2	3.500	0.318	14.61	29.0	\$607.06
12EITRA2204	22" IPS x 4" IPS	-	-	-	-	22.000	2.000	7.2	4.500	0.409	14.61	31.0	\$686.64
12EITRA2206	22" IPS x 6" IPS	-	-	-	-	22.000	2.000	12.2	6.625	0.603	15.73	33.0	\$844.63
12EITRA2208	22" IPS x 8" IPS	-	-	-	-	22.000	2.000	12.6	8.625	0.785	18.58	36.0	\$1,143.16
12EITRA2210	22" IPS x 10" IPS	-	-	-	-	22.000	2.000	12.6	10.750	0.977		38.0	\$1,401.70
12EITRA2212	22" IPS x 12" IPS	-	-	-	-	22.000	2.000	12.5	12.750	1.159	20.09	40.0	\$1,565.81
12EITRA2402	24" IPS x 2" IPS	-	-	-	-	24.000	2.182	12.2	2.375	0.216	14.61	28.0	\$604.52
12EITRA2403	24" IPS x 3" IPS	-	-	-	-	24.000	2.182	12.2	3.500	0.318	15.61	29.0	\$686.64
12EITRA2404	24" IPS x 4" IPS	-	-	-	-	24.000	2.182	7.2	4.500	0.409	15.61	31.0	\$771.52
12EITRA2406	24" IPS x 6" IPS	-	-	-	-	24.000	2.182	12.2	6.625	0.603	16.73	33.0	\$935.18
12EITRA2408	24" IPS x 8" IPS	-	-	-	-	24.000	2.182	12.6	8.625	0.785	19.58	36.0	\$1,241.92
12EITRA2410	24" IPS x 10" IPS	-	-	-	-	24.000	2.182	12.6	10.750	0.977		38.0	\$1,507.84
12EITRA2412	24" IPS x 12" IPS	-	-	-	-	24.000	2.182	12.5	12.750	1.159	21.08	40.0	\$1,675.57

All measures are in inches unless otherwise mentioned.
We reserve the right to vary dimensions without notice; check the web site for the updated dimensions.

BUTT FUSION FITTINGS



BRANCH SADDLE REDUCING TEE FULLY PRESSURE RATED BEVELED ENDS

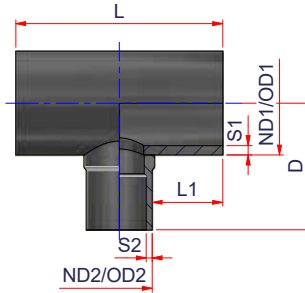
*Fittings will be fully rated to SDR listed.
Beveled on ends where necessary.*

PE4710 230PSI SDR11 • **DIPS - DIPS**

Code	Nominal Diameter ϕ (ND1 x ND2)	Pack.	Q.ty pallet	Weight lb/p.	Volume ft ³ /p.	OD1	S1 min	L1	OD2	S2 min	D	L	Price Each
12EITRA0604D	6" DIPS x 4" DIPS	-	-	-	-	6.900	0.628	6.2	4.800	0.437	6.61	19.0	\$289.32
12EITRA0804D	8" DIPS x 8" DIPS	-	-	-	-	9.050	0.823	6.2	4.800	0.437	7.61	19.0	\$307.57
12EITRA0806D	8" DIPS x 6" DIPS	-	-	-	-	9.050	0.823	6.2	6.900	0.628	8.73	21.0	\$445.87
12EITRA1004D	10" DIPS x 4" DIPS	-	-	-	-	11.100	1.009	6.2	4.800	0.437	8.61	19.0	\$329.53
12EITRA1006D	10" DIPS x 6" DIPS	-	-	-	-	11.100	1.009	6.2	6.900	0.628	9.73	21.0	\$470.16
12EITRA1008D	10" DIPS x 8" DIPS	-	-	-	-	11.100	1.009	6.2	9.050	0.823	12.58	24.0	\$750.22
12EITRA1204D	12" DIPS x 4" DIPS	-	-	-	-	13.200	1.200	8.2	4.800	0.437	9.61	23.0	\$376.20
12EITRA1206D	12" DIPS x 6" DIPS	-	-	-	-	13.200	1.200	7.7	6.900	0.628	10.73	24.0	\$514.80
12EITRA1208D	12" DIPS x 8" DIPS	-	-	-	-	13.200	1.200	8.2	9.050	0.823	13.58	28.0	\$804.01
12EITRA1210D	12" DIPS x 10" DIPS	-	-	-	-	13.200	1.200	8.6	11.100	1.009		30.0	\$1,058.25
12EITRA1404D	14" DIPS x 4" DIPS	-	-	-	-	15.300	1.391	8.2	4.800	0.437	10.61	23.0	\$429.56
12EITRA1406D	14" DIPS x 6" DIPS	-	-	-	-	15.300	1.391	7.7	6.900	0.628	11.73	24.0	\$578.73
12EITRA1408D	14" DIPS x 8" DIPS	-	-	-	-	15.300	1.391	8.2	9.050	0.823	14.58	28.0	\$898.38
12EITRA1410D	14" DIPS x 10" DIPS	-	-	-	-	15.300	1.391	8.1	11.100	1.009		30.0	\$1,164.87
12EITRA1412D	14" DIPS x 12" DIPS	-	-	-	-	15.300	1.391	8.4	13.200	1.200	16.08	32.0	\$1,330.06
12EITRA1604D	16" DIPS x 4" DIPS	-	-	-	-	17.400	1.582	10.2	4.800	0.437	11.61	28.0	\$507.66
12EITRA1606D	16" DIPS x 6" DIPS	-	-	-	-	17.400	1.582	10.2	6.900	0.628	12.73	29.0	\$667.23
12EITRA1608D	16" DIPS x 8" DIPS	-	-	-	-	17.400	1.582	10.2	9.050	0.823	15.58	32.0	\$986.10
12EITRA1610D	16" DIPS x 10" DIPS	-	-	-	-	17.400	1.582	10.1	11.100	1.009		34.0	\$1,256.43
12EITRA1612D	16" DIPS x 12" DIPS	-	-	-	-	17.400	1.582	10.4	13.200	1.200	17.08	36.0	\$1,425.50
12EITRA1804D	18" DIPS x 4" DIPS	-	-	-	-	18.500	1.636	10.2	4.800	0.437	12.61	27.0	\$584.22
12EITRA1806D	18" DIPS x 6" DIPS	-	-	-	-	18.500	1.636	10.2	6.900	0.628	13.73	29.0	\$730.15
12EITRA1808D	18" DIPS x 8" DIPS	-	-	-	-	18.500	1.636	10.2	9.050	0.823	16.58	32.0	\$1,055.51
12EITRA1810D	18" DIPS x 10" DIPS	-	-	-	-	18.500	1.636	10.1	11.100	1.009		34.0	\$1,330.19
12EITRA1812D	18" DIPS x 12" DIPS	-	-	-	-	18.500	1.636	10.4	13.200	1.200	18.08	36.0	\$1,503.60

...

BUTT FUSION FITTINGS



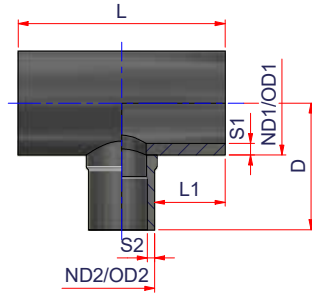
BRANCH SADDLE REDUCING TEE FULLY PRESSURE RATED BEVELED ENDS

*Fittings will be fully rated to SDR listed.
Beveled on ends where necessary.*

PE4710 230PSI SDR11 • DIPS - DIPS

Code	Nominal Diameter ϕ (ND1 x ND2)	Pack.	Q.ty pallet	Weight lb/p.	Volume ft ³ /p.	OD1	S1 min	L1	OD2	S2 min	D	L	Price Each
12EITRA2004D	20" DIPS x 4" DIPS	-	-	-	-	19.500	1.773	12.2	4.800	0.437	14.61	31.0	\$683.71
12EITRA2006D	20" DIPS x 6" DIPS	-	-	-	-	19.500	1.773	12.2	6.900	0.628	15.73	33.0	\$852.45
12EITRA2008D	20" DIPS x 8" DIPS	-	-	-	-	19.500	1.773	12.2	9.050	0.823	18.58	36.0	\$1,185.10
12EITRA2010D	20" DIPS x 10" DIPS	-	-	-	-	19.500	1.773	12.1	11.100	1.009		38.0	\$1,464.58
12EITRA2012D	20" DIPS x 12" DIPS	-	-	-	-	19.500	1.773	12.4	13.200	1.200	20.09	40.0	\$2,332.20
12EITRA2404D	24" DIPS x 4" DIPS	-	-	-	-	25.800	2.350	12.2	4.800	0.437	15.61	31.0	\$856.49
12EITRA2406D	24" DIPS x 6" DIPS	-	-	-	-	25.800	2.350	12.2	6.900	0.628	16.73	33.0	\$1,036.38
12EITRA2408D	24" DIPS x 8" DIPS	-	-	-	-	25.800	2.350	12.2	9.050	0.823	19.58	36.0	\$1,385.71
12EITRA2410D	24" DIPS x 10" DIPS	-	-	-	-	25.800	2.350	12.1	11.100	1.009		38.0	\$1,676.38
12EITRA2412D	24" DIPS x 12" DIPS	-	-	-	-	25.800	2.350	12.4	13.200	1.200	21.08	40.0	\$1,865.73

BUTT FUSION FITTINGS



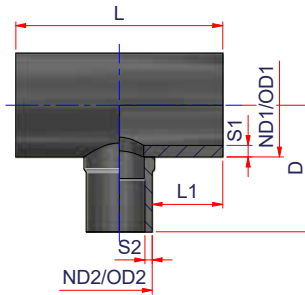
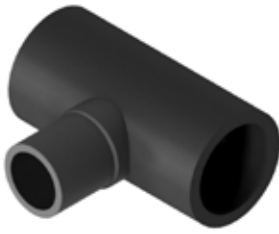
BRANCH SADDLE REDUCING TEE FULLY PRESSURE RATED BEVELED ENDS

Fittings will be fully rated to SDR listed.
Beveled on ends where necessary.

PE4710 300PSI SDR 9 • IPS - IPS

Code	Nominal Diameter \varnothing (ND1 x ND2)	Pack.	Q.ty pallet	Weight lb/p.	Volume ft ³ /p.	OD1	S1 min	L1	OD2	S2 min	D	L	Price Each
12HITRA0402	4" IPS x 2" IPS	-	-	-	-	4.500	0.500	7.2	2.375	0.264	4.61	18.0	\$140.81
12HITRA0403	4" IPS x 3" IPS	-	-	-	-	4.500	0.500	6.7	3.500	0.389	5.61	18.0	\$151.90
12HITRA0602	6" IPS x 2" IPS	-	-	-	-	6.625	0.736	7.2	2.375	0.264	5.61	18.0	\$155.93
12HITRA0603	6" IPS x 3" IPS	-	-	-	-	6.625	0.736	6.7	3.500	0.389	6.61	18.0	\$225.57
12HITRA0604	6" IPS x 4" IPS	-	-	-	-	6.625	0.736	6.7	4.500	0.500	6.61	19.0	\$278.63
12HITRA0802	8" IPS x 2" IPS	-	-	-	-	8.625	0.958	7.2	2.375	0.264	6.61	18.0	\$174.15
12HITRA0803	8" IPS x 3" IPS	-	-	-	-	8.625	0.958	6.7	3.500	0.389	7.61	18.0	\$243.90
12HITRA0804	8" IPS x 4" IPS	-	-	-	-	8.625	0.958	6.2	4.500	0.500	7.61	19.0	\$300.02
12HITRA0806	8" IPS x 6" IPS	-	-	-	-	8.625	0.958	6.2	6.625	0.736	8.73	21.0	\$440.89
12HITRA1002	10" IPS x 2" IPS	-	-	-	-	10.750	1.194	7.2	2.375	0.264	7.61	18.0	\$198.90
12HITRA1003	10" IPS x 3" IPS	-	-	-	-	10.750	1.194	6.7	3.500	0.389	8.61	18.0	\$267.38
12HITRA1004	10" IPS x 4" IPS	-	-	-	-	10.750	1.194	6.2	4.500	0.500	8.61	19.0	\$326.17
12HITRA1006	10" IPS x 6" IPS	-	-	-	-	10.750	1.194	6.2	6.625	0.736	9.73	21.0	\$470.01
12HITRA1008	10" IPS x 8" IPS	-	-	-	-	10.750	1.194	6.6	8.625	0.958	12.58	24.0	\$743.49
12HITRA1202	12" IPS x 2" IPS	-	-	-	-	12.750	1.417	8.2	2.375	0.264	8.61	20.0	\$238.02
12HITRA1203	12" IPS x 3" IPS	-	-	-	-	12.750	1.417	8.2	3.500	0.389	9.61	21.0	\$313.22
12HITRA1204	12" IPS x 4" IPS	-	-	-	-	12.750	1.417	8.2	4.500	0.500	9.61	23.0	\$377.70
12HITRA1206	12" IPS x 6" IPS	-	-	-	-	12.750	1.417	7.7	6.625	0.736	10.73	24.0	\$519.14
12HITRA1208	12" IPS x 8" IPS	-	-	-	-	12.750	1.417	8.6	8.625	0.958	13.58	28.0	\$802.90
12HITRA1210	12" IPS x 10" IPS	-	-	-	-	12.750	1.417	8.6	10.750	1.194		30.0	\$1,064.20
12HITRA1402	14" IPS x 2" IPS	-	-	-	-	14.000	1.556	8.2	2.375	0.264	9.61	20.0	\$269.28
12HITRA1403	14" IPS x 3" IPS	-	-	-	-	14.000	1.556	8.2	3.500	0.389	10.61	21.0	\$348.55
12HITRA1404	14" IPS x 4" IPS	-	-	-	-	14.000	1.556	8.2	4.500	0.500	10.61	23.0	\$418.24
12HITRA1406	14" IPS x 6" IPS	-	-	-	-	14.000	1.556	7.7	6.625	0.736	11.73	24.0	\$509.64
12HITRA1408	14" IPS x 8" IPS	-	-	-	-	14.000	1.556	8.6	8.625	0.958	14.58	28.0	\$881.44
12HITRA1410	14" IPS x 10" IPS	-	-	-	-	14.000	1.556	8.6	10.750	1.194		30.0	\$1,152.86
12HITRA1412	14" IPS x 12" IPS	-	-	-	-	14.000	1.556	8.5	12.750	1.417	16.08	32.0	\$1,315.24

BUTT FUSION FITTINGS



BRANCH SADDLE REDUCING TEE FULLY PRESSURE RATED BEVELED ENDS

Fittings will be fully rated to SDR listed.
Beveled on ends where necessary.

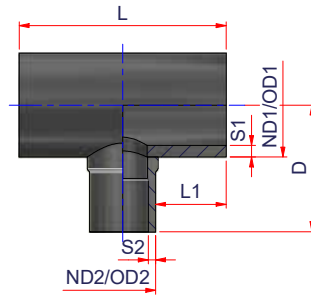
PE4710 300PSI SDR 9 • IPS - IPS

Code	Nominal Diameter ϕ (ND1 x ND2)	Pack.	Q.ty pallet	Weight lb/p.	Volume ft ³ /p.	OD1	S1 min	L1	OD2	S2 min	D	L	Price Each
12HITRA1602	16" IPS x 2" IPS	-	-	-	-	16.000	1.778	10.2	2.375	0.264	10.61	24.0	\$341.54
12HITRA1603	16" IPS x 3" IPS	-	-	-	-	16.000	1.778	9.7	3.500	0.389	11.61	24.0	\$413.45
12HITRA1604	16" IPS x 4" IPS	-	-	-	-	16.000	1.778	10.2	4.500	0.500	11.61	27.0	\$498.07
12HITRA1606	16" IPS x 6" IPS	-	-	-	-	16.000	1.778	10.2	6.625	0.736	12.73	29.0	\$660.45
12HITRA1608	16" IPS x 8" IPS	-	-	-	-	16.000	1.778	10.6	8.625	0.958	15.58	32.0	\$971.97
12HITRA1610	16" IPS x 10" IPS	-	-	-	-	16.000	1.778	10.6	10.750	1.194		34.0	\$1,248.40
12HITRA1612	16" IPS x 12" IPS	-	-	-	-	16.000	1.778	10.5	12.750	1.417	17.08	36.0	\$1,414.11
12HITRA1802	18" IPS x 2" IPS	-	-	-	-	18.000	2.000	10.2	2.375	0.264	11.61	24.0	\$395.47
12HITRA1803	18" IPS x 3" IPS	-	-	-	-	18.000	2.000	9.7	3.500	0.389	12.61	24.0	\$469.77
12HITRA1804	18" IPS x 4" IPS	-	-	-	-	18.000	2.000	10.2	4.500	0.500	12.61	27.0	\$557.48
12HITRA1806	18" IPS x 6" IPS	-	-	-	-	18.000	2.000	10.2	6.625	0.736	13.73	29.0	\$728.52
12HITRA1808	18" IPS x 8" IPS	-	-	-	-	18.000	2.000	10.6	8.625	0.958	16.58	32.0	\$1,044.61
12HITRA1810	18" IPS x 10" IPS	-	-	-	-	18.000	2.000	10.6	10.750	1.194		34.0	\$1,324.23
12HITRA1812	18" IPS x 12" IPS	-	-	-	-	18.000	2.000	10.5	12.750	1.417	18.08	36.0	\$1,495.04
12HITRA2002	20" IPS x 2" IPS	-	-	-	-	20.000	2.222	12.2	2.375	0.264	12.61	28.0	\$512.46
12HITRA2003	20" IPS x 3" IPS	-	-	-	-	20.000	2.222	12.2	3.500	0.389	13.61	29.0	\$598.54
12HITRA2004	20" IPS x 4" IPS	-	-	-	-	20.000	2.222	7.2	4.500	0.500	13.61	31.0	\$680.16
12HITRA2006	20" IPS x 6" IPS	-	-	-	-	20.000	2.222	12.2	6.625	0.736	14.73	33.0	\$853.45
12HITRA2008	20" IPS x 8" IPS	-	-	-	-	20.000	2.222	12.6	8.625	0.958	17.58	36.0	\$1,177.32
12HITRA2010	20" IPS x 10" IPS	-	-	-	-	20.000	2.222	12.6	10.750	1.194		38.0	\$1,465.34
12HITRA2012	20" IPS x 12" IPS	-	-	-	-	20.000	2.222	12.5	12.750	1.417	19.08	40.0	\$1,639.20
12HITRA2202	22" IPS x 2" IPS	-	-	-	-	22.000	2.444	12.2	2.375	2.375	13.61	28.0	\$589.94
12HITRA2203	22" IPS x 3" IPS	-	-	-	-	22.000	2.444	12.2	3.500	3.500	14.61	29.0	\$679.91
12HITRA2204	22" IPS x 4" IPS	-	-	-	-	22.000	2.444	7.2	4.500	4.500	14.61	31.0	\$768.91
12HITRA2206	22" IPS x 6" IPS	-	-	-	-	22.000	2.444	12.2	6.625	6.625	15.73	33.0	\$943.87
12HITRA2208	22" IPS x 8" IPS	-	-	-	-	22.000	2.444	12.6	8.625	8.625	18.58	36.0	\$1,280.12
12HITRA2210	22" IPS x 10" IPS	-	-	-	-	22.000	2.444	12.6	10.750	10.750		38.0	\$1,571.40
12HITRA2212	22" IPS x 12" IPS	-	-	-	-	22.000	2.444	12.5	12.750	12.750	20.09	40.0	\$1,753.72

All measures are in inches unless otherwise mentioned.

We reserve the right to vary dimensions without notice; check the web site for the updated dimensions.

BUTT FUSION FITTINGS



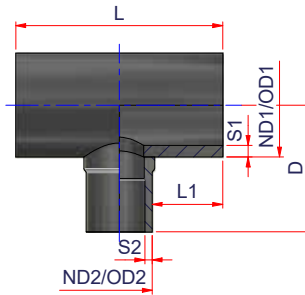
BRANCH SADDLE REDUCING TEE FULLY PRESSURE RATED BEVELED ENDS

*Fittings will be fully rated to SDR listed.
Beveled on ends where necessary.*

PE4710 300PSI SDR 9 • IPS - IPS

Code	Nominal Diameter \emptyset (ND1 x ND2)	Pack.	Q.ty pallet	Weight lb/p.	Volume ft ³ /p.	OD1	S1 min	L1	OD2	S2 min	D	L	Price Each
12HITRA2402	24" IPS x 2" IPS	-	-	-	-	24.000	2.670	12.2	2.375	0.264	14.61	28.0	\$674.10
12HITRA2403	24" IPS x 3" IPS	-	-	-	-	24.000	2.670	12.2	3.500	0.389	15.61	29.0	\$767.94
12HITRA2404	24" IPS x 4" IPS	-	-	-	-	24.000	2.670	7.2	4.500	0.500	15.61	31.0	\$863.22
12HITRA2406	24" IPS x 6" IPS	-	-	-	-	24.000	2.670	12.2	6.625	0.736	16.73	33.0	\$1,047.40
12HITRA2408	24" IPS x 8" IPS	-	-	-	-	24.000	2.670	12.6	8.625	0.958	19.58	36.0	\$1,390.95
12HITRA2410	24" IPS x 10" IPS	-	-	-	-	24.000	2.670	12.6	10.750	1.194		38.0	\$1,687.25
12HITRA2412	24" IPS x 12" IPS	-	-	-	-	24.000	2.670	12.5	12.750	1.417	21.08	40.0	\$1,875.61

BUTT FUSION FITTINGS



BRANCH SADDLE REDUCING TEE FULLY PRESSURE RATED BEVELED ENDS

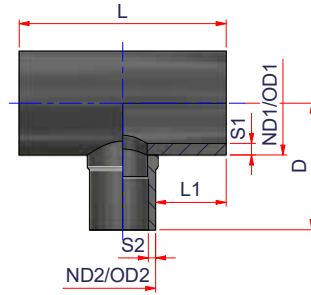
Fittings will be fully rated to SDR listed.
Beveled on ends where necessary.

PE4710 340PSI SDR 7 • IPS - IPS

Code	Nominal Diameter ϕ (ND1 x ND2)	Pack.	Q.ty pallet	Weight lb/p.	Volume ft ³ /p.	OD1	S1 min	L1	OD2	S2 min	D	L	Price Each
12GITRA0402	4" IPS x 2" IPS	-	-	-	-	4.500	0.643	7.2	2.375	0.339	4.61	18.0	\$176.00
12GITRA0403	4" IPS x 3" IPS	-	-	-	-	4.500	0.643	6.7	3.500	0.500	5.61	18.0	\$264.76
12GITRA0602	6" IPS x 2" IPS	-	-	-	-	6.625	0.949	7.2	2.375	0.339	5.61	18.0	\$194.92
12GITRA0603	6" IPS x 3" IPS	-	-	-	-	6.625	0.949	6.7	3.500	0.500	6.61	18.0	\$281.95
12GITRA0604	6" IPS x 4" IPS	-	-	-	-	6.625	0.949	6.7	4.500	0.643	6.61	19.0	\$348.27
12GITRA0802	8" IPS x 2" IPS	-	-	-	-	8.625	1.232	7.2	2.375	0.339	6.61	18.0	\$217.54
12GITRA0803	8" IPS x 3" IPS	-	-	-	-	8.625	1.232	6.7	3.500	0.500	7.61	18.0	\$304.88
12GITRA0804	8" IPS x 4" IPS	-	-	-	-	8.625	1.232	6.2	4.500	0.643	7.61	19.0	\$375.01
12GITRA0806	8" IPS x 6" IPS	-	-	-	-	8.625	1.232	6.2	6.625	0.946	8.73	21.0	\$551.10
12GITRA1002	10" IPS x 2" IPS	-	-	-	-	10.750	1.536	7.2	2.375	0.339	7.61	18.0	\$248.63
12GITRA1003	10" IPS x 3" IPS	-	-	-	-	10.750	1.536	6.7	3.500	0.500	8.61	18.0	\$334.24
12GITRA1004	10" IPS x 4" IPS	-	-	-	-	10.750	1.536	6.2	4.500	0.643	8.61	19.0	\$407.71
12GITRA1006	10" IPS x 6" IPS	-	-	-	-	10.750	1.536	6.2	6.625	0.946	9.73	21.0	\$587.52
12GITRA1008	10" IPS x 8" IPS	-	-	-	-	10.750	1.536	6.6	8.625	1.232	12.58	24.0	\$930.43
12GITRA1202	12" IPS x 2" IPS	-	-	-	-	12.750	1.821	8.2	2.375	0.339	8.61	20.0	\$297.52
12GITRA1203	12" IPS x 3" IPS	-	-	-	-	12.750	1.821	8.2	3.500	0.500	9.61	21.0	\$391.53
12GITRA1204	12" IPS x 4" IPS	-	-	-	-	12.750	1.821	8.2	4.500	0.643	9.61	23.0	\$472.13
12GITRA1206	12" IPS x 6" IPS	-	-	-	-	12.750	1.821	7.7	6.625	0.949	10.73	24.0	\$648.93
12GITRA1208	12" IPS x 8" IPS	-	-	-	-	12.750	1.821	8.6	8.625	1.232	13.58	28.0	\$1,003.62
12GITRA1210	12" IPS x 10" IPS	-	-	-	-	12.750	1.821	8.6	10.750	1.536		30.0	\$1,330.25
12GITRA1402	14" IPS x 2" IPS	-	-	-	-	14.000	2.000	8.2	2.375	0.339	9.61	20.0	\$336.59
12GITRA1403	14" IPS x 3" IPS	-	-	-	-	14.000	2.000	8.2	3.500	0.500	10.61	21.0	\$435.69
12GITRA1404	14" IPS x 4" IPS	-	-	-	-	14.000	2.000	8.2	4.500	0.643	10.61	23.0	\$522.80
12GITRA1406	14" IPS x 6" IPS	-	-	-	-	14.000	2.000	7.7	6.625	0.946	11.73	24.0	\$711.95
12GITRA1408	14" IPS x 8" IPS	-	-	-	-	14.000	2.000	8.6	8.625	1.232	14.58	28.0	\$1,101.81
12GITRA1410	14" IPS x 10" IPS	-	-	-	-	14.000	2.000	8.6	10.750	1.536		30.0	\$1,441.08
12GITRA1412	14" IPS x 12" IPS	-	-	-	-	14.000	2.000	8.5	12.750	1.821	16.08	32.0	\$1,644.04

All measures are in inches unless otherwise mentioned.
We reserve the right to vary dimensions without notice; check the web site for the updated dimensions.

BUTT FUSION FITTINGS



BRANCH SADDLE REDUCING TEE FULLY PRESSURE RATED BEVELED ENDS

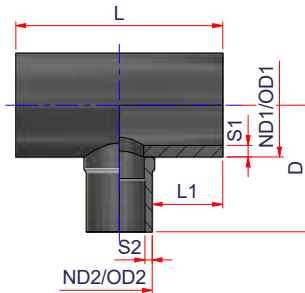
Fittings will be fully rated to SDR listed.
Beveled on ends where necessary.

PE4710 340PSI SDR 7 •

IPS - IPS

Code	Nominal Diameter ϕ (ND1 x ND2)	Pack.	Q.ty pallet	Weight lb/p.	Volume ft ³ /p.	OD1	S1 min	L1	OD2	S2 min	D	L	Price Each
12GITRA1602	16" IPS x 2" IPS	-	-	-	-	16.000	2.286	10.2	2.375	0.339	10.61	24.0	\$426.93
12GITRA1603	16" IPS x 3" IPS	-	-	-	-	16.000	2.286	9.7	3.500	0.500	11.61	24.0	\$516.81
12GITRA1604	16" IPS x 4" IPS	-	-	-	-	16.000	2.286	10.2	4.500	0.643	11.61	27.0	\$622.59
12GITRA1606	16" IPS x 6" IPS	-	-	-	-	16.000	2.286	10.2	6.625	0.946	12.73	29.0	\$825.56
12GITRA1608	16" IPS x 8" IPS	-	-	-	-	16.000	2.286	10.6	8.625	1.232	15.58	32.0	\$1,214.95
12GITRA1610	16" IPS x 10" IPS	-	-	-	-	16.000	2.286	10.6	10.750	1.536		34.0	\$1,560.50
12GITRA1612	16" IPS x 12" IPS	-	-	-	-	16.000	2.286	10.5	12.750	1.821	17.08	36.0	\$1,767.64
12GITRA1802	18" IPS x 2" IPS	-	-	-	-	18.000	2.571	10.2	2.375	0.339	11.61	24.0	\$494.34
12GITRA1803	18" IPS x 3" IPS	-	-	-	-	18.000	2.571	9.7	3.500	0.500	12.61	24.0	\$587.22
12GITRA1804	18" IPS x 4" IPS	-	-	-	-	18.000	2.571	10.2	4.500	0.643	12.61	27.0	\$696.85
12GITRA1806	18" IPS x 6" IPS	-	-	-	-	18.000	2.571	10.2	6.625	0.946	13.73	29.0	\$910.64
12GITRA1808	18" IPS x 8" IPS	-	-	-	-	18.000	2.571	10.6	8.625	1.232	16.58	32.0	\$1,305.75
12GITRA1810	18" IPS x 10" IPS	-	-	-	-	18.000	2.571	10.6	10.750	1.536		34.0	\$1,655.29
12GITRA1812	18" IPS x 12" IPS	-	-	-	-	18.000	2.571	10.5	12.750	1.821	18.08	36.0	\$1,868.76
12GITRA2002	20" IPS x 2" IPS	-	-	-	-	20.000	2.857	12.2	2.375	0.339	12.61	28.0	\$640.57
12GITRA2003	20" IPS x 3" IPS	-	-	-	-	20.000	2.857	12.2	3.500	0.500	13.61	29.0	\$748.18
12GITRA2004	20" IPS x 4" IPS	-	-	-	-	20.000	2.857	7.2	4.500	0.643	13.61	31.0	\$850.18
12GITRA2006	20" IPS x 6" IPS	-	-	-	-	20.000	2.857	12.2	6.625	0.946	14.73	33.0	\$1,066.81
12GITRA2008	20" IPS x 8" IPS	-	-	-	-	20.000	2.857	12.6	8.625	1.232	17.58	36.0	\$1,471.65
12GITRA2010	20" IPS x 10" IPS	-	-	-	-	20.000	2.857	12.6	10.750	1.536		38.0	\$1,831.67
12GITRA2012	20" IPS x 12" IPS	-	-	-	-	20.000	2.857	12.5	12.750	1.821	19.08	40.0	\$2,036.09
12GITRA2202	22" IPS x 2" IPS	-	-	-	-	22.000	3.143	12.2	2.375	0.339	13.61	28.0	\$737.43
12GITRA2203	22" IPS x 3" IPS	-	-	-	-	22.000	3.143	12.2	3.500	0.500	14.61	29.0	\$849.88
12GITRA2204	22" IPS x 4" IPS	-	-	-	-	22.000	3.143	7.2	4.500	0.643	14.61	31.0	\$968.33
12GITRA2206	22" IPS x 6" IPS	-	-	-	-	22.000	3.143	12.2	6.625	0.946	15.73	33.0	\$1,179.84
12GITRA2208	22" IPS x 8" IPS	-	-	-	-	22.000	3.143	12.6	8.625	1.232	18.58	36.0	\$1,600.14
12GITRA2210	22" IPS x 10" IPS	-	-	-	-	22.000	3.143	12.6	10.750	1.536		38.0	\$1,964.25
12GITRA2212	22" IPS x 12" IPS	-	-	-	-	22.000	3.143	12.5	12.750	1.821	20.09	40.0	\$2,192.14

BUTT FUSION FITTINGS



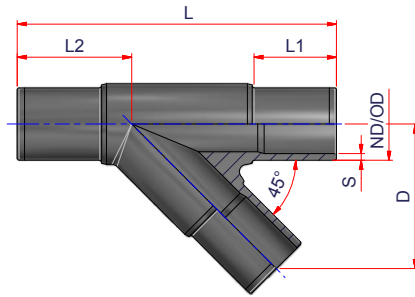
BRANCH SADDLE REDUCING TEE FULLY PRESSURE RATED BEVELED ENDS

*Fittings will be fully rated to SDR listed.
Beveled on ends where necessary.*

PE4710 340PSI SDR 7 • IPS - IPS

Code	Nominal Diameter ϕ (ND1 x ND2)	Pack.	Q.ty pallet	Weight lb/p.	Volume ft ³ /p.	OD1	S1 min	L1	OD2	S2 min	D	L	Price Each
12GITRA2402	24" IPS x 2" IPS	-	-	-	-	24.000	3.429	12.2	2.375	0.339	14.61	28.0	\$842.61
12GITRA2403	24" IPS x 3" IPS	-	-	-	-	24.000	3.429	12.2	3.500	0.500	15.61	29.0	\$959.92
12GITRA2404	24" IPS x 4" IPS	-	-	-	-	24.000	3.429	7.2	4.500	0.643	15.61	31.0	\$1,124.10
12GITRA2406	24" IPS x 6" IPS	-	-	-	-	24.000	3.429	12.2	6.625	0.946	16.73	33.0	\$1,309.25
12GITRA2408	24" IPS x 8" IPS	-	-	-	-	24.000	3.429	12.6	8.625	1.232	19.58	36.0	\$1,737.82
12GITRA2410	24" IPS x 10" IPS	-	-	-	-	24.000	3.429	12.6	10.750	1.536		38.0	\$2,098.28
12GITRA2412	24" IPS x 12" IPS	-	-	-	-	24.000	3.429	12.5	12.750	1.821	21.08	40.0	\$2,344.51

BUTT FUSION FITTINGS

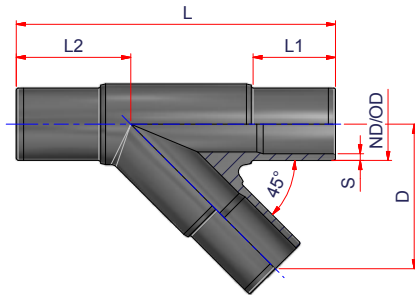


LONG SPIGOT WYE FITTING

Fittings will be fully rated to SDR listed.
Beveled on ends where necessary.

PE4710 160PSI SDR17 • IPS

Code	Nominal Diameter ϕ (ND)	Pack.	Q.ty pallet	Weight lb/p.	Volume ft ³ /p.	OD	S min	L1	L2	L	D	Price Each
12DIWYE03	3" IPS	10	40	-	-	3.500	0.206	10.83	6.69	24.57	12.61	\$115.03
12DIWYE04	4" IPS	12	24	-	-	4.500	0.265	13.72	6.75	28.51	15.28	\$147.13
12DIWYE06	6" IPS	14	-	-	-	6.625	0.390	17.72	6.93	34.45	19.38	\$270.18



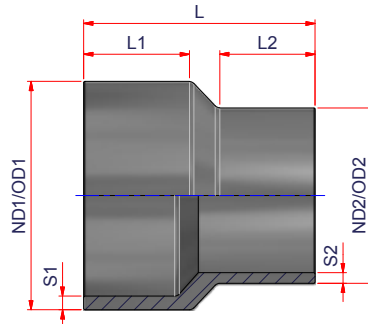
LONG SPIGOT WYE FITTING

Fittings will be fully rated to SDR listed.
Beveled on ends where necessary.

PE4710 230PSI SDR11 • IPS

Code	Nominal Diameter ϕ (ND)	Pack.	Q.ty pallet	Weight lb/p.	Volume ft ³ /p.	OD	S min	L1	L2	L	D	Price Each
12EIWYE02	2" IPS	25	300	1.153	0.1130	2.375	0.216	2.70	3.74	10.43	4.72	\$90.95
12EIWYE03	3" IPS	10	40	5.344	0.7628	3.500	0.319	10.83	6.69	24.57	12.61	\$115.03
12EIWYE04	4" IPS	12	24	10.069	1.4974	4.500	0.409	13.72	6.75	28.51	15.28	\$147.13
12EIWYE06	6" IPS	14	-	25.674	-	6.625	0.602	17.72	6.93	34.45	19.38	\$270.18

BUTT FUSION FITTINGS

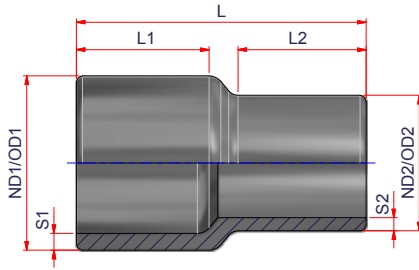


LONG SPIGOT REDUCER

PE4710 160PSI SDR17 • IPS - IPS

Code	Nominal Diameter ϕ (ND1 x ND2)	Pack.	Q.ty pallet	Weight lb/p.	Volume ft ³ /p.	OD1	S1 min	OD2	S2 min	L	L1	L2	Price Each
12DIR0302	3" IPS x 2" IPS	80	960	0.454	0.0353	3.500	0.206	2.375	0.140	6.06	2.84	2.60	\$13.64
12DIR0402	4" IPS x 2" IPS	-	-	0.819	-	4.500	0.265	2.375	0.140	7.87	3.96	3.01	\$18.46
12DIR0403	4" IPS x 3" IPS	30	360	0.975	0.0943	4.500	0.265	3.500	0.206	7.87	4.09	3.01	\$19.80
12DIR0603	6" IPS x 3" IPS	30	120	2.750	0.2543	6.625	0.390	3.500	0.206	8.07	4.02	2.83	\$43.87
12DIR0604	6" IPS x 4" IPS	-	-	1.969	-	6.625	0.390	4.500	0.265	8.46	4.00	3.53	\$42.80
12DIR0804	8" IPS x 4" IPS	-	-	-	-	8.625	0.507	4.500	0.265	10.83	5.90	3.53	\$87.21
12DIR0806	8" IPS x 6" IPS	-	-	5.060	-	8.625	0.507	6.625	0.390	11.42	5.98	4.45	\$76.51
12DIR1006	10" IPS x 6" IPS	-	-	-	-	10.750	0.632	6.625	0.390	11.81	5.98	4.45	\$155.25
12DIR1008	10" IPS x 8" IPS	-	-	8.140	-	10.750	0.632	8.625	0.507	12.01	5.98	5.00	\$110.21
12DIR1206	12" IPS x 6" IPS	-	-	-	-	12.750	0.750	6.625	0.390	13.62	6.54	4.72	\$165.85
12DIR1208	12" IPS x 8" IPS	-	-	11.828	-	12.750	0.750	8.625	0.507	13.40	6.51	5.51	\$172.27
12DIR1210	12" IPS x 10" IPS	-	-	12.220	-	12.750	0.750	10.750	0.632	13.46	6.50	5.98	\$153.01
12DIR1412	14" IPS x 12" IPS	-	-	-	-	14.000	0.824	12.750	0.750	-	-	-	\$256.80
12DIR1614	16" IPS x 14" IPS	-	-	-	-	16.000	0.941	14.000	0.824	-	-	-	\$326.35
12DIR1816	18" IPS x 16" IPS	-	-	-	-	18.000	1.058	16.000	0.941	-	-	-	\$401.25
12DIR2018	20" IPS x 18" IPS	-	-	-	-	20.000	1.176	18.000	1.058	-	-	-	\$643.07
12DIR2220	22" IPS x 20" IPS	-	-	-	-	22.000	1.294	20.000	1.176	-	-	-	\$700.85
12DIR2422	24" IPS x 22" IPS	-	-	-	-	24.000	1.412	22.000	1.294	-	-	-	\$728.67

BUTT FUSION FITTINGS



LONG SPIGOT REDUCER

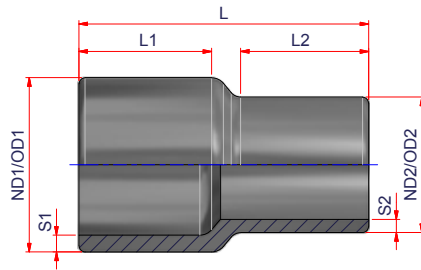
PE4710 230PSI SDR11 •

IPS - IPS

Code	Nominal Diameter \emptyset (ND1 x ND2)	Pack.	Q.ty pallet	Weight lb/p.	Volume ft ³ /p.	OD1	S1 min	OD2	S2 min	L	L1	L2	Price Each
12EIR11401	1"¼ IPS x 1" IPS	-	-	-	-	1.660	0.151	1.315	0.120	-	-	-	\$17.66
12EIR112114	1"½ IPS x 1"¼ IPS	48	2496	0.183	0.0124	1.900	0.173	1.660	0.151	4.92	2.36	2.17	\$10.70
12EIR02112	2" IPS x 1"½ IPS	30	1560	0.293	0.0198	2.375	0.216	1.900	0.173	5.71	2.76	2.36	\$11.77
12EIR0302	3" IPS x 2" IPS	80	960	0.646	0.0353	3.500	0.318	2.375	0.216	6.06	2.83	2.60	\$14.64
12EIR0402	4" IPS x 2" IPS	36	432	1.179	0.0777	4.500	0.409	2.375	0.216	7.87	3.96	3.01	\$19.46
12EIR0403	4" IPS x 3" IPS	36	432	1.375	0.0784	4.500	0.409	3.500	0.318	7.87	4.09	3.01	\$20.06
12EIR0603	6" IPS x 3" IPS	30	120	3.190	0.2543	6.625	0.603	3.500	0.318	8.07	4.02	2.83	\$44.73
12EIR0604	6" IPS x 4" IPS	35	140	2.954	0.2180	6.625	0.603	4.500	0.409	8.46	4.00	3.53	\$43.77
12EIR0804	8" IPS x 4" IPS	-	-	-	-	8.625	0.785	4.500	0.409	10.83	5.90	3.53	\$87.74
12EIR0806	8" IPS x 6" IPS	40	80	6.903	0.2497	8.625	0.785	6.625	0.603	11.42	5.98	4.45	\$77.04
12EIR1006	10" IPS x 6" IPS	-	-	10.183	-	10.750	0.977	6.625	0.603	11.81	5.98	4.45	\$159.56
12EIR1008	10" IPS x 8" IPS	-	-	11.660	-	10.750	0.977	8.625	0.785	12.01	5.98	4.50	\$111.45
12EIR1206	12" IPS x 6" IPS	-	-	15.147	-	12.750	1.159	6.625	0.603	13.62	6.54	4.72	\$168.10
12EIR1208	12" IPS x 8" IPS	28	56	15.880	0.6639	12.750	1.159	8.625	0.785	13.46	6.52	5.51	\$189.00
12EIR1210	12" IPS x 10" IPS	24	48	18.691	0.7487	12.750	1.159	10.750	0.977	13.46	6.52	5.98	\$155.15
12EIR1410	14" IPS x 10" IPS	-	-	21.529	-	14.000	1.273	10.750	0.977	14.37	6.50	5.98	\$411.95
12EIR1412	14" IPS x 12" IPS	-	-	23.080	-	14.000	1.273	12.750	1.159	13.98	6.50	6.50	\$276.00
12EIR1610	16" IPS x 10" IPS	-	-	-	-	16.000	1.455	10.750	0.977	-	-	-	\$738.30
12EIR1612	16" IPS x 12" IPS	15	30	29.040	1.1972	16.000	1.455	12.750	1.159	14.96	6.50	7.17	\$583.15
12EIR1614	16" IPS x 14" IPS	-	-	30.644	-	16.000	1.455	14.000	1.273	14.57	7.16	6.50	\$356.00
12EIR1810	18" IPS x 10" IPS	-	-	-	-	18.000	1.636	10.750	0.977	-	-	-	\$989.86
12EIR1812	18" IPS x 12" IPS	-	-	-	-	18.000	1.636	12.750	1.159	-	-	-	\$933.04
12EIR1814	18" IPS x 14" IPS	-	-	-	-	18.000	1.636	14.000	1.273	15.75	7.68	6.50	\$717.97
12EIR1816	18" IPS x 16" IPS	-	-	42.227	-	18.000	1.636	16.000	1.455	15.75	7.68	7.16	\$420.00

...

BUTT FUSION FITTINGS

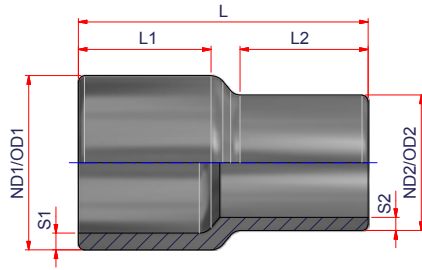


LONG SPIGOT REDUCER

PE4710 230PSI SDR11 • IPS - IPS

Code	Nominal Diameter ϕ (ND1 x ND2)	Pack.	Q.ty pallet	Weight lb/p.	Volume ft ³ /p.	OD1	S1 min	OD2	S2 min	L	L1	L2	Price Each
12EIR2010	20" IPS x 10" IPS	-	-	-	-	20.000	1.818	10.750	0.977	-	-	-	\$1,679.90
12EIR2012	20" IPS x 12" IPS	-	-	-	-	20.000	1.818	12.750	1.159	-	-	-	\$1,508.70
12EIR2014	20" IPS x 14" IPS	-	-	-	-	20.000	1.818	14.000	1.273	-	-	-	\$1,250.83
12EIR2016	20" IPS x 16" IPS	-	-	-	-	20.000	1.818	16.000	1.455	17.52	8.66	7.17	\$1,017.57
12EIR2018	20" IPS x 18" IPS	-	-	57.792	-	20.000	1.818	18.000	1.636	17.32	8.66	7.68	\$680.00
12EIR2218	22" IPS x 18" IPS	-	-	-	-	22.000	2.000	18.000	1.636	18.90	9.06	7.68	\$700.85
12EIR2220	22" IPS x 20" IPS	-	-	76.670	-	22.000	2.000	20.000	1.818	18.90	9.05	8.66	\$752.00
12EIR2410	24" IPS x 10" IPS	-	-	-	-	24.000	2.182	10.750	0.977	-	-	-	\$2,942.50
12EIR2412	24" IPS x 12" IPS	-	-	-	-	24.000	2.182	12.750	1.159	-	-	-	\$2,771.30
12EIR2414	24" IPS x 14" IPS	-	-	-	-	24.000	2.182	14.000	1.273	-	-	-	\$2,457.79
12EIR2416	24" IPS x 16" IPS	-	-	-	-	24.000	2.182	16.000	1.455	-	-	-	\$1,969.87
12EIR2418	24" IPS x 18" IPS	-	-	-	-	24.000	2.182	18.000	1.636	-	-	-	\$1,811.51
12EIR2420	24" IPS x 20" IPS	-	-	-	-	24.000	2.182	20.000	1.818	19.69	9.45	8.86	\$1,402.77
12EIR2422	24" IPS x 22" IPS	-	-	96.672	-	24.000	2.182	22.000	2.000	19.88	9.45	9.05	\$728.67

BUTT FUSION FITTINGS



LONG SPIGOT REDUCER

They can be tapered to too SDR17 if needed.

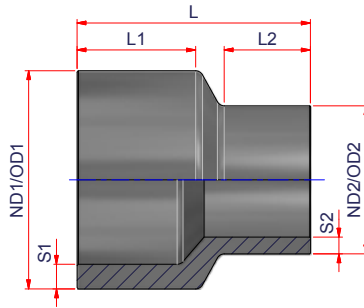
PE4710 230PSI SDR11 • DIPS - DIPS

Code	Nominal Diameter ϕ (ND1 x ND2)	Pack.	Q.ty pallet	Weight lb/p.	Volume ft ³ /p.	OD1	S1 min	OD2	S2 min	L	L1	L2	Price Each
12EIR0604D	6" DIPS x 4" DIPS	-	-	-	-	6.900	0.628	4.800	0.437	8.46	4.00	3.53	\$54.68
12EIR0804D	8" DIPS x 4" DIPS	-	-	-	-	9.050	0.823	4.800	0.437	10.83	5.90	3.53	\$106.04
12EIR0806D	8" DIPS x 6" DIPS	-	-	-	-	9.050	0.823	6.900	0.628	11.42	5.98	4.45	\$92.15
12EIR1006D	10" DIPS x 6" DIPS	-	-	-	-	11.100	1.009	6.900	0.628	11.81	5.98	4.45	\$181.69
12EIR1008D	10" DIPS x 8" DIPS	-	-	-	-	11.100	1.009	9.050	0.823	12.01	5.98	5.00	\$134.95
12EIR1206D	12" DIPS x 6" DIPS	-	-	-	-	13.200	1.200	6.900	0.628	13.62	6.54	4.72	\$212.86
12EIR1208D	12" DIPS x 8" DIPS	-	-	-	-	13.200	1.200	9.050	0.823	13.40	6.51	5.51	\$197.21
12EIR1210D	12" DIPS x 10" DIPS	-	-	-	-	13.200	1.200	11.100	1.009	13.46	6.50	5.98	\$179.93
12EIR1410D	14" DIPS x 10" DIPS	-	-	-	-	15.300	1.391	11.100	1.009	-	-	-	\$494.34
12EIR1412D	14" DIPS x 12" DIPS	-	-	-	-	15.300	1.391	13.200	1.200	13.98	6.50	6.50	\$310.30
12EIR1610D	16" DIPS x 10" DIPS	-	-	-	-	17.400	1.582	11.100	1.009	-	-	-	\$872.05
12EIR1612D	16" DIPS x 12" DIPS	-	-	-	-	17.400	1.582	13.200	1.200	-	-	-	\$690.15
12EIR1614D	16" DIPS x 14" DIPS	-	-	-	-	17.400	1.582	15.300	1.391	14.57	7.16	6.50	\$390.55
12EIR1810D	18" DIPS x 10" DIPS	-	-	-	-	18.500	1.636	11.100	1.009	-	-	-	\$1,204.39
12EIR1812D	18" DIPS x 12" DIPS	-	-	-	-	18.500	1.636	13.200	1.200	-	-	-	\$1,079.95
12EIR1814D	18" DIPS x 14" DIPS	-	-	-	-	18.500	1.636	15.300	1.391	-	-	-	\$867.77
12EIR1816D	18" DIPS x 16" DIPS	-	-	-	-	18.500	1.636	17.400	1.582	15.75	7.68	7.16	\$455.95
12EIR2010D	20" DIPS x 10" DIPS	-	-	-	-	19.500	1.773	11.100	1.009	-	-	-	\$2,000.90
12EIR2012D	20" DIPS x 12" DIPS	-	-	-	-	19.500	1.773	13.200	1.200	-	-	-	\$1,836.12
12EIR2014D	20" DIPS x 14" DIPS	-	-	-	-	19.500	1.773	15.300	1.391	-	-	-	\$1,274.37
12EIR2016D	20" DIPS x 16" DIPS	-	-	-	-	19.500	1.773	17.400	1.582	-	-	-	\$1,222.87
12EIR2018D	20" DIPS x 18" DIPS	-	-	-	-	19.500	1.773	18.500	1.636	17.32	8.66	7.68	\$771.47
12EIR2220D	22" DIPS x 20" DIPS	-	-	-	-	-	-	19.500	1.773	18.90	9.05	8.66	\$836.74
12EIR2410D	24" DIPS x 10" DIPS	-	-	-	-	25.800	2.350	11.100	1.009	-	-	-	\$3,489.27
12EIR2412D	24" DIPS x 12" DIPS	-	-	-	-	25.800	2.350	13.200	1.200	-	-	-	\$3,317.19
12EIR2414D	24" DIPS x 14" DIPS	-	-	-	-	25.800	2.350	15.300	1.391	-	-	-	\$2,923.24
12EIR2416D	24" DIPS x 16" DIPS	-	-	-	-	25.800	2.350	17.400	1.582	-	-	-	\$2,339.02
12EIR2418D	24" DIPS x 18" DIPS	-	-	-	-	25.800	2.350	18.500	1.636	-	-	-	\$2,886.86
12EIR2420D	24" DIPS x 20" DIPS	-	-	-	-	25.800	2.350	19.500	1.773	-	-	-	\$1,708.79
12EIR2422D	24" DIPS x 22" DIPS	-	-	-	-	25.800	2.350	-	-	19.88	9.45	9.05	\$876.46

All measures are in inches unless otherwise mentioned.

We reserve the right to vary dimensions without notice; check the web site for the updated dimensions.

BUTT FUSION FITTINGS

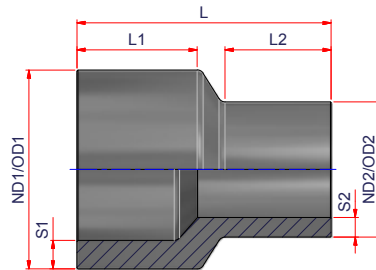


LONG SPIGOT REDUCER

PE4710 300PSI SDR9 • IPS - IPS

Code	Nominal Diameter ϕ (ND1 x ND2)	Pack.	Q.ty pallet	Weight lb/p.	Volume ft ³ /p.	OD1	S1 min	OD2	S2 min	L	L1	L2	Price Each
12HIR0302	3" IPS x 2" IPS	80	960	0.688	0.0353	3.500	0.389	2.375	0.264	6.06	2.84	2.60	\$17.01
12HIR0402	4" IPS x 2" IPS	-	-	1.332	-	4.500	0.500	2.375	0.264	7.87	3.96	3.01	\$24.61
12HIR0403	4" IPS x 3" IPS	25	300	1.487	0.1130	4.500	0.500	3.500	0.389	7.87	4.09	3.01	\$26.22
12HIR0604	6" IPS x 4" IPS	35	140	3.271	0.2180	6.625	0.736	4.500	0.500	8.46	4.00	3.53	\$50.29
12HIR0804	8" IPS x 4" IPS	-	-	-	-	8.625	0.958	4.500	0.500	-	-	-	\$108.18
12HIR0806	8" IPS x 6" IPS	9	36	8.360	0.8476	8.625	0.958	6.625	0.736	11.42	5.98	4.45	\$95.78
12HIR1006	10" IPS x 6" IPS	-	-	-	-	10.750	1.194	6.625	0.736	11.81	5.98	4.45	\$181.00
12HIR1008	10" IPS x 8" IPS	-	-	10.267	-	10.750	1.194	8.625	0.958	12.01	5.98	4.50	\$150.00
12HIR1206	12" IPS x 6" IPS	-	-	-	-	12.750	1.417	6.625	0.736	13.62	6.54	4.72	\$211.86
12HIR1208	12" IPS x 8" IPS	-	-	-	-	12.750	1.417	8.625	0.958	13.46	6.52	5.51	\$199.02
12HIR1210	12" IPS x 10" IPS	-	-	-	-	12.750	1.417	10.750	1.194	-	-	-	\$197.95

BUTT FUSION FITTINGS

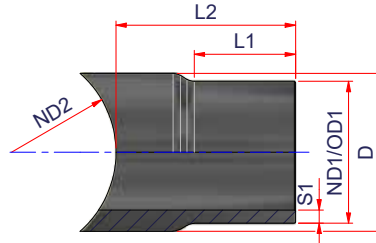


LONG SPIGOT REDUCER

PE4710 340PSI SDR7 • IPS - IPS

Code	Nominal Diameter ϕ (ND1 x ND2)	Pack.	Q.ty pallet	Weight lb/p.	Volume ft ³ /p.	OD1	S1 min	OD2	S2 min	L	L1	L2	Price Each
12GIR0302	3" IPS x 2" IPS	80	960	0.806	0.0353	3.500	0.500	2.375	0.339	6.06	2.84	2.60	\$18.08
12GIR0402	4" IPS x 2" IPS	102	408	1.641	0.0742	4.500	0.643	2.375	0.339	7.87	3.96	3.01	\$27.29
12GIR0403	4" IPS x 3" IPS	68	272	1.835	0.1130	4.500	0.643	3.500	0.500	7.87	4.09	3.01	\$27.29
12GIR0604	6" IPS x 4" IPS	30	120	3.958	0.2543	6.625	0.946	4.500	0.643	8.46	4.00	3.53	\$65.38
12GIR0806	8" IPS x 6" IPS	-	-	9.983	-	8.625	1.232	6.625	0.946	11.42	5.98	4.45	\$109.27
12GIR1006	10" IPS x 6" IPS	-	-	-	-	10.750	1.536	6.625	0.946	14.88	5.98	4.45	\$177.51
12GIR1008	10" IPS x 8" IPS	-	-	-	-	10.750	1.536	8.625	1.232	12.01	5.98	4.50	\$174.58
12GIR1208	12" IPS x 8" IPS	-	-	-	-	12.750	1.821	8.625	1.232	15.83	6.50	5.11	\$255.84
12GIR1210	12" IPS x 10" IPS	-	-	-	-	12.750	1.821	10.750	1.821	-	6.50	-	\$251.45

BUTT FUSION FITTINGS



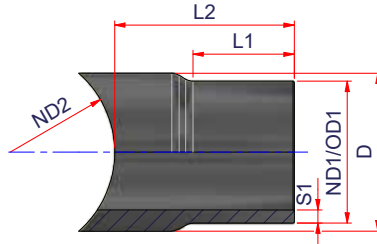
SADDLE LONG SPIGOT

PE4710 230PSI SDR11 • IPS - IPS

Code	Nominal Diameter ϕ (ND1 x ND2)	Pack.	Q.ty pallet	Weight lb/p.	Volume ft ³ /p.	ND1 (Outlet)	OD1	S1 min	ND2 (Main pipe)	L1	L2	D	Price Each
12EIGS0203	2" IPS x 3" IPS	-	-	-	-	2	2.375	0.216	3	4.13	5.28	2.64	\$29.43
12EIGS0204	2" IPS x 4" IPS	-	-	-	-	2	2.375	0.216	4	4.13	5.47	2.64	\$29.43
12EIGS0206	2" IPS x 6" IPS	-	-	-	-	2	2.375	0.216	6	4.13	5.57	2.64	\$29.43
12EIGS0208	2" IPS x 8" IPS	-	-	-	-	2	2.375	0.216	8	4.13	5.57	2.64	\$29.43
12EIGS0210	2" IPS x 10" IPS	-	-	-	-	2	2.375	0.216	10	4.13	5.57	2.64	\$29.43
12EIGS0212	2" IPS x 12" IPS	-	-	-	-	2	2.375	0.216	12	4.13	5.57	2.64	\$29.43
12EIGS0214	2" IPS x 14" IPS	-	-	-	-	2	2.375	0.216	14	4.13	5.57	2.64	\$35.31
12EIGS0216	2" IPS x 16" IPS	-	-	-	-	2	2.375	0.216	16	4.13	5.57	2.64	\$35.31
12EIGS0218	2" IPS x 18" IPS	-	-	-	-	2	2.375	0.216	18	4.13	5.57	2.64	\$35.31
12EIGS0220	2" IPS x 20" IPS	-	-	-	-	2	2.375	0.216	20	4.13	5.57	2.64	\$35.31
12EIGS0224	2" IPS x 24" IPS	-	-	-	-	2	2.375	0.216	24	4.13	5.57	2.64	\$35.31
12EIGS0304	3" IPS x 4" IPS	-	-	-	-	3	3.500	0.318	4	4.53	6.14	3.88	\$47.08
12EIGS0306	3" IPS x 6" IPS	-	-	-	-	3	3.500	0.318	6	4.53	6.14	3.88	\$47.08
12EIGS0308	3" IPS x 8" IPS	-	-	-	-	3	3.500	0.318	8	4.53	6.14	3.88	\$47.08
12EIGS0310	3" IPS x 10" IPS	-	-	-	-	3	3.500	0.318	10	4.53	6.14	3.88	\$47.08
12EIGS0312	3" IPS x 12" IPS	-	-	-	-	3	3.500	0.318	12	4.53	6.14	3.88	\$47.08
12EIGS0314	3" IPS x 14" IPS	-	-	-	-	3	3.500	0.318	14	4.53	6.14	3.88	\$55.91
12EIGS0316	3" IPS x 16" IPS	-	-	-	-	3	3.500	0.318	16	4.53	6.14	3.88	\$55.91
12EIGS0318	3" IPS x 18" IPS	-	-	-	-	3	3.500	0.318	18	4.53	6.14	3.88	\$55.91
12EIGS0320	3" IPS x 20" IPS	-	-	-	-	3	3.500	0.318	20	4.53	6.14	3.88	\$55.91
12EIGS0324	3" IPS x 24" IPS	-	-	-	-	3	3.500	0.318	24	4.53	6.14	3.88	\$55.91

...

BUTT FUSION FITTINGS



SADDLE LONG SPIGOT

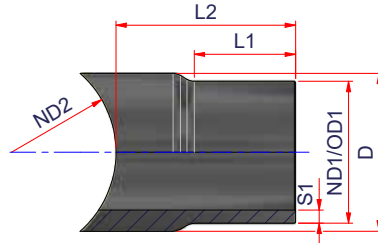
PE4710 230PSI SDR11 •

IPS - IPS

Code	Nominal Diameter ϕ (ND1 x ND2)	Pack.	Q.ty pallet	Weight lb/p.	Volume ft ³ /p.	ND1 (Outlet)	OD1	S1 min	ND2 (Main pipe)	L1	L2	D	Price Each
12EIGS0406	4" IPS x 6"IPS	-	-	-	-	4	4.500	0.409	6	5.32	6.71	4.80	\$64.74
12EIGS0408	4" IPS x 8"IPS	-	-	-	-	4	4.500	0.409	8	5.32	6.71	4.80	\$64.74
12EIGS0410	4" IPS x 10"IPS	-	-	-	-	4	4.500	0.409	10	5.32	6.71	4.80	\$64.74
12EIGS0412	4" IPS x 12"IPS	-	-	-	-	4	4.500	0.409	12	5.32	6.71	4.80	\$64.74
12EIGS0414	4" IPS x 14"IPS	-	-	-	-	4	4.500	0.409	14	5.32	6.71	4.80	\$76.51
12EIGS0416	4" IPS x 16"IPS	-	-	-	-	4	4.500	0.409	16	5.32	6.71	4.80	\$76.51
12EIGS0418	4" IPS x 18"IPS	-	-	-	-	4	4.500	0.409	18	5.32	6.71	4.80	\$76.51
12EIGS0420	4" IPS x 20"IPS	-	-	-	-	4	4.500	0.409	20	5.32	6.71	4.80	\$76.51
12EIGS0424	4" IPS x 24"IPS	-	-	-	-	4	4.500	0.409	24	5.32	6.71	4.80	\$76.51
12EIGS0608	6" IPS x 8"IPS	-	-	-	-	6	6.625	0.603	8	5.71	8.86	6.81	\$101.65
12EIGS0610	6" IPS x 10"IPS	-	-	-	-	6	6.625	0.603	10	5.71	7.42	6.81	\$101.65
12EIGS0612	6" IPS x 12"IPS	-	-	-	-	6	6.625	0.603	12	5.71	7.42	6.81	\$101.65
12EIGS0614	6" IPS x 14"IPS	-	-	-	-	6	6.625	0.603	14	5.71	7.42	6.81	\$123.05
12EIGS0616	6" IPS x 16"IPS	-	-	-	-	6	6.625	0.603	16	5.71	7.42	6.81	\$123.05
12EIGS0618	6" IPS x 18"IPS	-	-	-	-	6	6.625	0.603	18	5.71	7.42	6.81	\$123.05
12EIGS0620	6" IPS x 20"IPS	-	-	-	-	6	6.625	0.603	20	5.71	7.42	6.81	\$123.05
12EIGS0624	6" IPS x 24"IPS	-	-	-	-	6	6.625	0.603	24	5.71	7.42	6.81	\$123.05

...

BUTT FUSION FITTINGS

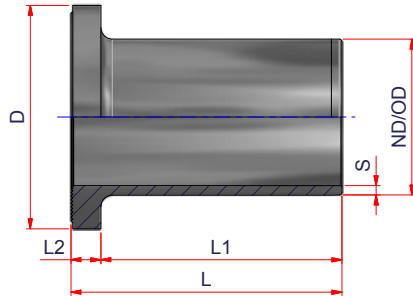


SADDLE LONG SPIGOT

PE4710 230PSI SDR11 • IPS - IPS

Code	Nominal Diameter ϕ (ND1 x ND2)	Pack.	Q.ty pallet	Weight lb/p.	Volume ft ³ /p.	ND1 (Outlet)	OD1	S1 min	ND2 (Main pipe)	L1	L2	D	Price Each
12EIGS0810	8" IPS x 10"IPS	-	-	-	-	8	8.625	0.785	10	5.91	7.83	9.00	\$181.90
12EIGS0812	8" IPS x 12"IPS	-	-	-	-	8	8.625	0.785	12	5.91	8.03	9.00	\$181.90
12EIGS0814	8" IPS x 14"IPS	-	-	-	-	8	8.625	0.785	14	5.91	8.03	9.00	\$210.79
12EIGS0816	8" IPS x 16"IPS	-	-	-	-	8	8.625	0.785	16	5.91	8.03	9.00	\$210.79
12EIGS0818	8" IPS x 18"IPS	-	-	-	-	8	8.625	0.785	18	5.91	8.03	9.00	\$210.79
12EIGS0820	8" IPS x 20"IPS	-	-	-	-	8	8.625	0.785	20	5.91	8.03	9.00	\$210.79
12EIGS0824	8" IPS x 24"IPS	-	-	-	-	8	8.625	0.785	24	5.91	8.03	9.00	\$210.79
12EIGS1012	10" IPS x 12"IPS	-	-	-	-	10	10.750	0.977	12	6.30	8.98	11.42	\$366.48
12EIGS1014	10" IPS x 14"IPS	-	-	-	-	10	10.750	0.977	14	6.30	8.98	11.42	\$366.48
12EIGS1016	10" IPS x 16"IPS	-	-	-	-	10	10.750	0.977	16	6.30	8.98	11.42	\$366.48
12EIGS1018	10" IPS x 18"IPS	-	-	-	-	10	10.750	0.977	18	6.30	8.98	11.42	\$366.48
12EIGS1020	10" IPS x 20"IPS	-	-	-	-	10	10.750	0.977	20	6.30	8.98	11.42	\$366.48
12EIGS1024	10" IPS x 24"IPS	-	-	-	-	10	10.750	0.977	24	6.30	8.98	11.42	\$366.48
12EIGS1214	12" IPS x 14"IPS	-	-	-	-	12	12.750	1.159	14	6.69	9.35	13.35	\$407.83
12EIGS1216	12" IPS x 16"IPS	-	-	-	-	12	12.750	1.159	16	6.69	9.35	13.35	\$407.83
12EIGS1218	12" IPS x 18"IPS	-	-	-	-	12	12.750	1.159	18	6.69	9.35	13.35	\$407.83
12EIGS1220	12" IPS x 20"IPS	-	-	-	-	12	12.750	1.159	20	6.69	9.35	13.35	\$407.83
12EIGS1224	12" IPS x 24"IPS	-	-	-	-	12	12.750	1.159	24	6.69	9.35	13.35	\$407.83

BUTT FUSION FITTINGS

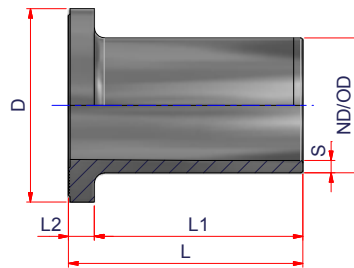


LONG SPIGOT STUB END

PE4710 160PSI SDR17 • IPS

Code	Nominal Diameter \varnothing (ND)	Pack.	Q.ty pallet	Weight lb/p.	Volume ft ³ /p.	OD	S min	L2	D (min)	L1	L	Price Each
12DICRT02	2" IPS	70	840	0.393	0.0530	2.375	0.140	0.39	3.94	5.63	6.02	\$12.31
12DICRT03	3" IPS	70	280	0.817	0.1091	3.500	0.206	0.63	5.00	5.39	6.02	\$17.66
12DICRT04	4" IPS	48	192	3.529	0.1589	4.500	0.265	0.75	6.02	5.28	6.02	\$20.87
12DICRT06	6" IPS	24	96	2.917	0.3320	6.606	0.390	0.83	8.58	6.97	7.84	\$36.38
12DICRT08	8" IPS	-	-	5.720	-	8.625	0.507	1.02	10.63	8.27	9.29	\$54.57
12DICRT10	10" IPS	-	-	8.053	-	10.750	0.633	1.38	12.52	7.64	9.02	\$80.25
12DICRT12	12" IPS	-	-	14.757	-	12.750	0.750	1.61	15.04	10.35	11.97	\$125.73
12DICRT14	14" IPS	-	-	18.609	-	14.000	0.824	1.67	17.01	10.28	11.95	\$240.75
12DICRT16	16" IPS	-	-	25.520	-	16.000	0.941	1.89	19.25	10.06	11.95	\$310.30
12DICRT18	18" IPS	-	-	27.717	-	18.000	1.059	2.03	19.88	9.92	11.95	\$358.45
12DICRT20	20" IPS	-	-	37.500	-	20.000	1.176	2.30	22.91	9.65	11.95	\$429.34
12DICRT22	22" IPS	-	-	-	-	22.000	1.294	2.52	25.20	9.43	12.00	\$464.38
12DICRT24	24" IPS	-	-	56.100	-	24.000	1.412	2.76	27.26	9.19	11.95	\$696.57
12DICRT26	26" IPS	-	-	68.200	-	26.000	1.530	2.54	29.72	10.24	12.78	\$797.15
12DICRT28	28" IPS	-	-	76.512	-	28.000	1.647	2.66	31.30	10.28	12.93	\$869.91
12DICRT30	30" IPS	-	-	91.402	-	30.000	1.765	2.78	33.94	10.32	13.09	\$922.88
12DICRT34	34" IPS			coming soon		34.000	2.000	3.03	38.03	11.08	14.11	POA
12DICRT36	36" IPS			coming soon		36.000	2.118	3.03	39.13	11.38	14.41	POA

BUTT FUSION FITTINGS



LONG SPIGOT STUB END

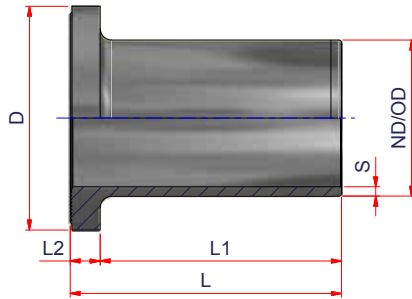
PE4710 230PSI SDR11 • IPS

Code	Nominal Diameter ø (ND)	Pack.	Q.ty pallet	Weight lb/p.	Volume ft ³ /p.	OD	S min	L2	D (min)	L1	L		Price Each
12EICRT02	2" IPS	75	900	0.475	0.0378	2.375	0.216	0.39	3.63	5.47	5.91	200 PSI	\$13.38
12EICRT03	3" IPS	70	280	0.911	0.1091	3.500	0.318	0.63	4.50	5.39	6.06	200 PSI	\$18.73
12EICRT04	4" IPS	48	576	1.581	-	4.500	0.409	0.75	5.81	5.28	6.06	200 PSI	\$24.08
12EICRT06	6" IPS	24	96	3.709	0.3178	6.625	0.603	0.83	8.58	6.65	7.52	200 PSI	\$37.56
12EICRT08	8" IPS	-	-	7.898	-	8.625	0.785	1.02	10.38	8.27	9.33	200 PSI	\$56.71
12EICRT10	10" IPS	-	-	11.660	-	10.750	0.977	1.38	12.50	7.64	9.06	200 PSI	\$79.07
12EICRT12	12" IPS	-	-	21.010	-	12.750	1.159	1.61	14.94	10.35	12.01	200 PSI	\$123.05
12EICRT14	14" IPS	-	-	25.749	-	14.000	1.273	1.67	16.75	10.28	12.01	200 PSI	\$225.77
12EICRT16	16" IPS	-	-	35.200	-	16.000	1.455	1.89	19.22	10.06	12.01	200 PSI	\$300.57
12EICRT18	18" IPS	-	-	41.800	-	18.000	1.636	2.03	19.88	9.92	12.01	200 PSI	\$352.03
12EICRT20	20" IPS	-	-	51.117	-	20.000	1.818	2.30	22.88	9.65	12.01	200 PSI	\$483.77
12EICRT22	22" IPS	-	-	-	-	22.000	2.000	2.52	25.20	9.43	12.01	200 PSI	\$501.94
12EICRT24	24" IPS	-	-	75.900	-	24.000	2.182	2.76	27.25	9.19	12.01	200 PSI	\$696.57
12EICRT26	26" IPS	-	-	-	-	26.000	2.364	3.00	29.50	9.74	12.83		\$797.15
12EICRT28	28" IPS	-	-	-	-	28.000	2.545	3.27	31.28	10.28	13.60		\$887.03
12EICRT30	30" IPS		coming soon			30.000	2.727	3.52	33.75	10.31	13.90		POA
12EICRT36	36" IPS		coming soon			36.000	3.273	4.15	39.06	11.38	15.59		POA

PE4710 230PSI SDR11 • DIPS

Code	Nominal Diameter ø (ND)	Pack.	Q.ty pallet	Weight lb/p.	Volume ft ³ /p.	OD	S min	L2	D (min)	L1	L	Price Each
12EICRT04D	4" DIPS	40	160	1.904	0.1907	4.800	0.437	0.59	5.81	6.06	6.65	\$36.49
12EICRT06D	6" DIPS	20	80	4.287	0.3814	6.900	0.628	0.79	7.94	7.17	7.95	\$52.43
12EICRT08D	8" DIPS	-	-	7.665	-	9.050	0.823	1.08	10.38	7.89	8.98	\$70.41
12EICRT10D	10" DIPS	-	-	11.046	-	11.100	1.009	1.30	12.50	7.68	8.98	\$135.89
12EICRT12D	12" DIPS	-	-	21.055	-	13.200	1.200	1.54	14.94	9.45	10.98	\$165.85
12EICRT14D	14" DIPS	-	-	25.749	-	15.300	1.391	1.77	16.75	9.19	10.97	\$292.11
12EICRT16D	16" DIPS	-	-	34.493	-	17.400	1.582	2.01	19.22	9.94	11.95	\$356.31
12EICRT18D	18" DIPS	-	-	42.647	-	18.500	1.636	2.30	21.38	8.66	11.02	\$481.50
12EICRT20D	20" DIPS	-	-	-	-	19.500	1.773	-	-	-	-	\$600.27
12EICRT24D	24" DIPS	-	-	-	-	25.800	2.350	-	-	-	-	\$823.90

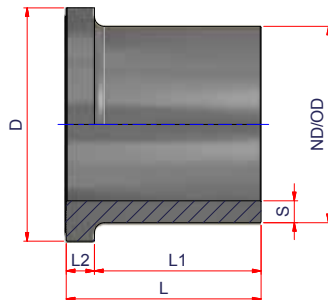
BUTT FUSION FITTINGS



LONG SPIGOT STUB END

PE4710 300PSI SDR9 • IPS

Code	Nominal Diameter ø (ND)	Pack.	Q.ty pallet	Weight lb/p.	Volume ft ³ /p.	OD	S min	L2	D (min)	L1	L	Price Each
12HICRT02	2" IPS	126	504	0.602	0.0604	2.375	0.264	0.39	3.63	5.63	6.06	\$17.66
12HICRT03	3" IPS	30	360	1.063	0.0943	3.500	0.389	0.63	4.50	5.39	6.06	\$20.33
12HICRT04	4" IPS	48	192	1.980	0.1589	4.500	0.500	0.71	6.02	5.63	6.38	\$26.64
12HICRT06	6" IPS	24	288	4.864	0.1165	6.625	0.736	1.04	7.94	6.91	7.99	\$48.15
12HICRT08	8" IPS	24	48	9.139	0.7487	8.625	0.958	1.26	10.63	8.03	9.33	\$79.18
12HICRT10	10" IPS	-	-	13.205	-	10.750	1.194	1.54	12.50	7.48	9.06	\$113.42
12HICRT12	12" IPS	-	-	24.996	-	12.750	1.417	1.89	15.04	10.08	12.01	\$165.85
12HICRT14	14" IPS	-	-	30.588	-	14.000	1.556	2.01	16.75	9.94	12.01	\$268.91
12HICRT16	16" IPS	-	-	41.800	-	16.000	1.778	2.28	19.25	9.67	12.01	\$352.03
12HICRT18	18" IPS	-	-	47.350	-	18.000	2.000	2.52	20.47	9.43	12.01	\$438.70
12HICRT20	20" IPS	-	-	62.024	-	20.000	2.222	2.91	23.23	9.04	12.01	\$524.30
12HICRT24	24" IPS	-	-	89.844	-	24.000	2.670	3.39	27.26	8.76	12.01	\$836.74

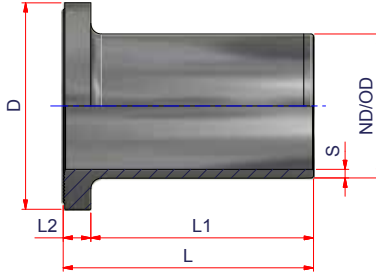


LONG SPIGOT STUB END

PE4710 300PSI SDR9 • DIPS


Code	Nominal Diameter ø (ND)	Pack.	Q.ty pallet	Weight lb/p.	Volume ft ³ /p.	OD	S min	L2	D (min)	L1	L	Price Each
12HICRT04D	4" DIPS	-	-	1.780	-	4.800	0.534	0.71	6.63	5.41	6.16	\$41.20
12HICRT06D	6" DIPS	-	-	4.864	-	6.900	0.767	1.02	8.63	6.93	7.99	\$63.13
12HICRT08D	8" DIPS	24	48	9.139	0.7487	9.050	1.006	1.30	10.75	7.68	9.02	\$82.29
12HICRT10D	10" DIPS	-	-	13.205	-	11.100	1.234	1.63	12.75	7.34	9.02	\$170.13
12HICRT12D	12" DIPS	-	-	24.996	-	13.200	1.467	1.89	15.00	9.09	11.02	\$193.67
12HICRT14D	14" DIPS	-	-	30.588	-	15.300	1.700	2.17	17.32	8.80	11.02	\$320.36
12HICRT16D	16" DIPS	-	-	41.049	-	17.400	1.934	2.52	20.00	9.43	12.01	\$419.57

BUTT FUSION FITTINGS

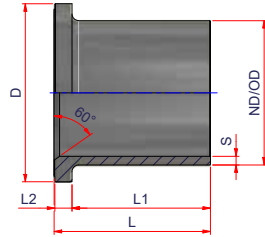


LONG SPIGOT STUB END

PE4710 340PSI SDR7 • IPS

Code	Nominal Diameter ϕ (ND)	Pack.	Q.ty pallet	Weight lb/p.	Volume ft ³ /p.	OD	S min	L2	D (min)	L1	L		Price Each
12GICRT02	2" IPS	70	840	0.633	0.0403	2.375	0.339	0.51	3.63	5.51	6.06	290 PSI	\$18.19
12GICRT03	3" IPS	42	504	1.231	0.0671	3.500	0.500	0.67	4.50	5.35	6.06	290 PSI	\$21.94
12GICRT04	4" IPS	40	160	2.197	0.1907	4.500	0.643	0.91	5.81	5.43	6.38	290 PSI	\$33.71
12GICRT06	6" IPS	24	96	5.867	0.3178	6.625	0.949	1.26	8.58	6.57	7.87	290 PSI	\$63.13
12GICRT08	8" IPS	-	-	10.340	-	8.625	1.232	1.65	10.38	7.64	9.33	290 PSI	\$101.86
12GICRT10	10" IPS	-	-	16.610	-	10.750	1.536	2.05	12.50	6.97	9.06	290 PSI	\$134.98
12GICRT12	12" IPS	-	-	30.264	-	12.750	1.821	2.32	14.94	9.67	12.01	290 PSI	\$187.36
12GICRT14	14" IPS	-	-	37.770	-	14.000	2.000	2.56	16.75	9.41	12.01	290 PSI	\$266.98
12GICRT16	16" IPS	-	-	50.026	-	16.000	2.286	2.91	19.22	9.04	12.01	290 PSI	\$387.34
12GICRT18	18" IPS	-	-	58.814	-	18.000	2.571	3.29	19.88	8.66	12.01	290 PSI	\$461.17
12GICRT20	20" IPS	-	-	81.374	-	20.000	2.857	3.66	22.88	9.07	12.80	290 PSI	\$600.27
12GICRT24	24" IPS	-	-	125.957	-	24.000	3.429	4.31	27.25	9.61	13.98	290 PSI	\$989.75

BUTT FUSION FITTINGS



LONG SPIGOT 60° BEVELED STUB END

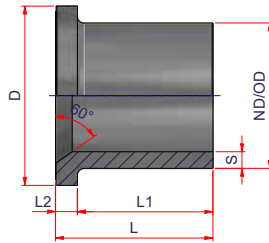
PE4710 160PSI SDR17 • IPS

Code	Nominal Diameter \varnothing (ND)	Pack.	Q.ty pallet	Weight lb/p.	Volume ft ³ /p.	OD	S min	L2	D (min)	L1	L	Price Each
12DICRTB02	2" IPS	-	-	-	-	2.375	0.140	0.39	3.63	5.63	6.06	\$16.69
12DICRTB03	3" IPS	-	-	-	-	3.500	0.206	0.63	4.50	5.39	6.06	\$23.11
12DICRTB04	4" IPS	-	-	-	-	4.500	0.265	0.75	5.81	5.28	6.06	\$27.61
12DICRTB06	6" IPS	-	-	2.967	-	6.625	0.390	0.98	7.94	6.97	7.99	\$50.72
12DICRTB08	8" IPS	-	-	5.346	-	8.625	0.507	1.02	10.38	8.27	9.33	\$76.66
12DICRTB10	10" IPS	-	-	8.028	-	10.750	0.632	1.38	12.50	7.64	9.06	\$109.31
12DICRTB12	12" IPS	-	-	14.790	-	12.750	0.750	1.61	14.94	10.35	12.01	\$176.04
12DICRTB14	14" IPS	-	-	-	-	14.000	0.824	1.67	16.75	10.28	12.01	\$291.31
12DICRTB16	16" IPS	-	-	25.396	-	16.000	0.941	1.89	19.22	10.06	12.01	\$375.46
12DICRTB18	18" IPS	-	-	-	-	18.000	1.059	2.03	19.88	9.92	12.01	\$442.55
12DICRTB20	20" IPS	-	-	37.171	-	20.000	1.176	2.30	22.88	9.65	12.01	\$523.77
12DICRTB22	22" IPS	-	-	-	-	22.000	1.294	2.52	25.20	9.43	12.00	\$562.61
12DICRTB24	24" IPS	-	-	54.285	-	24.000	1.412	2.76	27.25	9.19	12.01	\$836.73
12DICRTB26	26" IPS	-	-	-	-	26.000	1.529	2.50	29.50	9.74	12.83	\$963.96
12DICRTB28	28" IPS	-	-	-	-	28.000	1.647	2.66	31.28	10.28	12.99	\$1,286.46
12DICRTB30	30" IPS	-	-	-	-	30.000	1.765	2.76	33.75	10.31	13.15	\$1,361.79
12DICRTB36	36" IPS	-	-	-	-	36.000	2.118	3.03	39.06	11.38	13.47	POA

PE4710 230PSI SDR11 • IPS

Code	Nominal Diameter \varnothing (ND)	Pack.	Q.ty pallet	Weight lb/p.	Volume ft ³ /p.	OD	S min	L2	D	L1	L	Price Each
12EICRTB02	2" IPS	30	810	0.477	0.0400	2.375	0.216	0.39	3.63	5.47	5.91	\$16.69
12EICRTB03	3" IPS	70	280	1.006	0.1029	3.500	0.318	0.63	4.50	5.39	6.06	\$23.11
12EICRTB04	4" IPS	48	192	1.604	0.1499	4.500	0.409	0.75	5.81	5.28	6.06	\$27.61
12EICRTB06	6" IPS	48	96	4.263	0.3531	6.625	0.603	0.98	7.94	6.97	7.99	\$44.30
12EICRTB08	8" IPS	-	-	7.274	-	8.625	0.785	1.02	10.38	8.27	9.33	\$62.92
12EICRTB10	10" IPS	18	36	11.611	0.9418	10.750	0.977	1.38	12.50	7.64	9.06	\$100.15
12EICRTB12	12" IPS	18	36	21.267	0.9771	12.750	1.159	1.61	14.94	10.35	12.01	\$150.23
12EICRTB14	14" IPS	-	-	25.213	-	14.000	1.273	1.67	16.75	10.28	12.01	\$274.24
12EICRTB16	16" IPS	-	-	33.738	-	16.000	1.455	1.89	19.22	10.06	12.01	\$375.46
12EICRTB18	18" IPS	-	-	41.097	-	18.000	1.636	2.03	19.88	9.92	12.01	\$442.55
12EICRTB20	20" IPS	-	-	49.146	-	20.000	1.818	2.30	22.88	9.65	12.01	\$459.03
12EICRTB22	22" IPS	-	-	-	-	22.000	2.000	2.52	25.20	9.43	12.01	\$562.61
12EICRTB24	24" IPS	-	-	72.456	-	24.000	2.182	2.76	27.25	9.19	12.01	\$713.26
12EICRTB26	26" IPS	-	-	-	-	26.000	2.364	3.00	29.50	9.74	12.83	\$963.96

BUTT FUSION FITTINGS



LONG SPIGOT
60° BEVELED STUB END

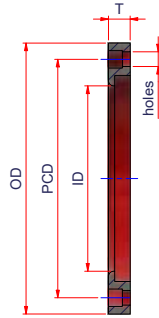
PE4710 300PSI SDR9 • IPS

Code	Nominal Diameter ϕ (ND)	Pack.	Q.ty pallet	Weight lb/p.	Volume ft ³ /p.	OD	S min	L2	D (min)	L1	L	Price Each
12HICRTB02	2" IPS	-	-	-	-	2.375	0.264	0.39	3.63	5.63	6.06	\$23.11
12HICRTB03	3" IPS	-	-	-	-	3.500	0.389	0.63	4.50	5.39	6.06	\$27.61
12HICRTB04	4" IPS	-	-	-	-	4.500	0.500	0.71	5.81	5.63	6.38	\$30.82
12HICRTB06	6" IPS	-	-	-	-	6.625	0.736	1.04	7.94	6.91	7.99	\$62.92
12HICRTB08	8" IPS	-	-	8.741	-	8.625	0.958	1.26	10.38	8.03	9.33	\$104.65
12HICRTB10	10" IPS	-	-	-	-	10.750	1.194	1.54	12.50	7.48	9.06	\$148.94
12HICRTB12	12" IPS	-	-	23.485	-	12.750	1.417	1.89	14.94	10.08	12.01	\$219.56
12HICRTB14	14" IPS	-	-	-	-	14.000	1.556	2.01	16.75	9.94	12.01	\$306.02
12HICRTB16	16" IPS	-	-	39.684	-	16.000	1.778	2.28	19.22	9.67	12.01	\$424.90
12HICRTB18	18" IPS	-	-	-	-	18.000	2.000	2.52	19.88	9.43	12.01	\$459.03
12HICRTB20	20" IPS	-	-	-	-	20.000	2.222	2.91	22.88	9.04	12.01	\$510.82
12HICRTB24	24" IPS	-	-	-	-	24.000	2.667	3.39	27.25	8.76	12.01	\$782.71

PE4710 340PSI SDR7 • IPS


Code	Nominal Diameter ϕ (ND)	Pack.	Q.ty pallet	Weight lb/p.	Volume ft ³ /p.	OD	S min	L2	D (min)	L1	L	Price Each
12GICRTB02	2" IPS	-	-	0.588	-	2.375	0.339	0.51	3.63	5.51	6.06	\$24.40
12GICRTB03	3" IPS	-	-	-	-	3.500	0.500	0.67	4.50	5.35	6.06	\$29.53
12GICRTB04	4" IPS	-	-	2.068	-	4.500	0.643	0.91	5.81	5.43	6.38	\$34.67
12GICRTB06	6" IPS	-	-	5.776	-	6.625	0.946	1.26	7.94	6.97	8.27	\$66.77
12GICRTB08	8" IPS	-	-	10.064	-	8.625	1.232	1.65	10.38	7.64	9.33	\$108.50
12GICRTB10	10" IPS	-	-	-	-	10.750	1.536	2.05	12.50	6.97	9.06	\$156.65
12GICRTB12	12" IPS	-	-	28.682	-	12.750	1.821	2.32	14.94	9.67	12.01	\$219.56
12GICRTB14	14" IPS	-	-	-	-	14.000	2.000	2.56	16.75	9.41	12.01	\$365.94
12GICRTB16	16" IPS	-	-	-	-	16.000	2.286	2.91	19.22	9.04	12.01	\$390.34
12GICRTB18	18" IPS	-	-	-	-	18.000	2.571	3.29	19.88	8.66	12.01	\$500.76
12GICRTB20	20" IPS	-	-	-	-	20.000	2.857	3.66	22.88	9.07	12.80	\$539.28
12GICRTB24	24" IPS	-	-	-	-	24.000	3.429	4.31	27.25	9.61	13.98	\$862.85

BUTT FUSION FITTINGS

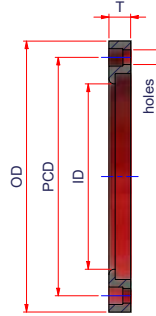


EPOXY COATED CONVOLUTED DUCTILE IRON RING ANSI/ASA 150

IPS

Code	SDR	ANSI 150# Hole Pattern	ND (IPS PE)	OD	ID	PCD	T	holes	n° holes		Price Each
00FLAVN027	7	2"	2"	6.00	2.46	4.75	0.75	0.75	4	290 PSI	\$9.32
00FLAVN037	7	3"	3"	7.50	3.60	6.00	0.94	0.75	4	290 PSI	\$14.98
00FLAVN047	7	4"	4"	9.00	4.6	7.50	0.94	0.75	8	290 PSI	\$20.50
00FLAVN0411	11	4"	4"	9.00	4.75	7.50	0.58	0.75	8	200 PSI	\$16.32
00FLAVN057	7	5"	5"	11.00	5.69	8.50	0.94	0.875	8		\$76.40
00FLAVN067	7	6"	6"	11.00	6.75	9.50	1.00	0.875	8	290 PSI	\$28.43
00FLAVN0611	11	6"	6"	11.00	6.88	9.50	0.63	0.875	8	200 PSI	\$20.77
00FLAVN087	7	8"	8"	13.50	8.75	11.75	1.13	0.875	8	290 PSI	\$40.66
00FLAVN0811	11	8"	8"	13.50	8.88	11.75	0.88	0.875	8	200 PSI	\$32.75
00FLAVN107	7	10"	10"	16.00	10.92	14.25	1.19	1.00	12	290 PSI	\$58.86
00FLAVN1011	11	10"	10"	16.00	11	14.25	1.00	1.00	12	200 PSI	\$49.22
00FLAVN127	7	12"	12"	19.00	12.92	17.00	1.40	1.00	12	290 PSI	\$93.89
00FLAVN1211	11	12"	12"	19.00	13.13	17.00	1.25	1.00	12	200 PSI	\$77.04
00FLAVN147	7	14"	14"	21.00	14.18	18.75	1.63	1.125	12	290 PSI	\$141.24
00FLAVN1411	11	14"	14"	21.00	14.38	18.75	1.38	1.125	12	200 PSI	\$121.77
00FLAVN167	7	16"	16"	23.50	16.19	21.25	1.80	1.125	16	290 PSI	\$204.57
00FLAVN1611	11	16"	16"	23.50	16.38	21.25	1.67	1.125	16	200 PSI	\$165.96
00FLAVN187	7	18"	18"	25.00	18.2	22.75	1.80	1.25	16	290 PSI	\$219.89
00FLAVN1811	11	18"	18"	25.00	18.38	22.75	1.69	1.25	16	200 PSI	\$171.34
00FLAVN207	7	20"	20"	27.50	20.38	25.00	2.13	1.25	20	290 PSI	\$240.94
00FLAVN2011	11	20"	20"	27.50	20.38	25.00	1.81	1.25	20	200 PSI	\$200.22
00FLAVN227	7	22"	22"	29.50	22.38	27.25	2.30	1.375	20		\$343.47
00FLAVN2211	11	22"	22"	29.50	22.38	27.50	2.00	1.375	20	200 PSI	\$343.47
00FLAVN249/11	9 - 11	24"	24"	32.00	24.38	29.50	2.13	1.375	20	200 PSI	\$361.13
00FLAVN309/11	9 - 11	30"	30"	38.75	30.38	36.00	2.68	1.375	28		\$494.88

BUTT FUSION FITTINGS

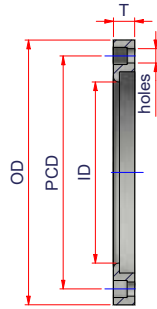


EPOXY COATED CONVOLUTED DUCTILE IRON RING ANSI/ASA 150

DIPS


Code	SDR	ANSI 150# Hole Pattern	ND (IPS PE)	OD	ID	PCD	T	holes	n° holes	Price Each
00FLAVN04D7	7	4"	4"	9	4.90	7.50	0.94	0.75	8	\$24.61
00FLAVN04D11	11	4"	4"	9	4.90	7.50	0.58	0.75	8	\$19.37
00FLAVN06D7	7	6"	6"	11	7.00	9.50	1.00	0.875	8	\$33.82
00FLAVN06D11	11	6"	6"	11	7.00	9.50	0.63	0.875	8	\$24.74
00FLAVN08D7	7	8"	8"	13.5	9.13	11.75	1.13	0.875	8	\$48.05
00FLAVN08D11	11	8"	8"	13.5	9.13	11.75	0.88	0.875	8	\$38.73
00FLAVN10D7	7	10"	10"	16	11.25	14.25	1.19	1.00	12	\$69.62
00FLAVN10D11	11	10"	10"	16	11.25	14.25	1.00	1.00	12	\$58.96
00FLAVN12D7	7	12"	12"	19	13.37	17.00	1.40	1.00	12	\$111.94
00FLAVN12D11	11	12"	12"	19	13.37	17.00	1.25	1.00	12	\$94.09
00FLAVN14D7	7	14"	14"	21	15.48	18.75	1.63	1.125	12	\$166.28
00FLAVN14D11	11	14"	14"	21	15.48	18.75	1.38	1.125	12	\$145.34
00FLAVN16D7	7	16"	16"	23.5	17.59	21.25	1.80	1.125	16	\$240.92
00FLAVN16D11	11	16"	16"	23.5	17.59	21.25	1.67	1.125	16	\$199.35
00FLAVN18D7	7	18"	18"	25	19.70	22.75	1.80	1.25	16	\$263.33
00FLAVN18D11	11	18"	18"	25	19.70	22.75	1.69	1.25	16	\$206.30
00FLAVN20D7	7	20"	20"	27.5	21.85	25.00	2.13	1.25	20	\$278.21
00FLAVN20D11	11	20"	20"	27.5	21.85	25.00	1.81	1.25	20	\$235.40
00FLAVN24D7	7	24"	24"	32	26.05	29.50	2.50	1.375	20	\$417.82
00FLAVN24D9	9	24"	24"	32	26.05	29.50	2.13	1.375	20	POA
00FLAVN24D11	11	24"	24"	32	26.05	29.50	2.13	1.375	20	POA

BUTT FUSION FITTINGS

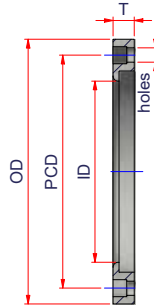


CONVOLUTED STAINLESS STEEL BACKING RING ANSI/ASA 150

IPS

Code	SDR	ANSI 150# Hole Pattern	ND (IPS PE)	OD	ID	PCD	T	holes	n° holes		Price Each
00FLAVN027SS	7	2"	2"	6.00	2.46	4.75	0.75	0.75	4	290 PSI	\$58.85
00FLAVN037SS	7	3"	3"	7.50	3.60	6.00	0.94	0.75	4	290 PSI	\$83.46
00FLAVN047SS	7	4"	4"	9.00	4.60	7.50	0.94	0.75	8	290 PSI	POA
00FLAVN0411SS	11	4"	4"	9.00	4.75	7.50	0.58	0.75	8	200 PSI	\$93.63
00FLAVN057SS	7	5"	5"	11.00	5.69	8.50	0.94	0.875	8		POA
00FLAVN067SS	7	6"	6"	11.00	6.75	9.50	1.00	0.875	8	290 PSI	POA
00FLAVN0611SS	11	6"	6"	11.00	6.88	9.50	0.63	0.875	8	200 PSI	\$133.75
00FLAVN087SS	7	8"	8"	13.50	8.75	11.75	1.13	0.875	8	290 PSI	POA
00FLAVN0811SS	11	8"	8"	13.50	8.88	11.75	0.88	0.875	8	200 PSI	\$227.38
00FLAVN107SS	7	10"	10"	16.00	10.92	14.25	1.19	1.00	12	290 PSI	POA
00FLAVN1011SS	11	10"	10"	16.00	11.00	14.25	1.00	1.00	12	200 PSI	\$374.50
00FLAVN127SS	7	12"	12"	19.00	12.92	17.00	1.40	1.00	12	290 PSI	POA
00FLAVN1211SS	11	12"	12"	19.00	13.13	17.00	1.25	1.00	12	200 PSI	\$668.75
00FLAVN147SS	7	14"	14"	21.00	14.18	18.75	1.63	1.125	12	290 PSI	POA
00FLAVN1411SS	11	14"	14"	21.00	14.38	18.75	1.38	1.125	12	200 PSI	\$799.83
00FLAVN167SS	7	16"	16"	23.50	16.19	21.25	1.80	1.125	16	290 PSI	POA
00FLAVN1611SS	11	16"	16"	23.50	16.38	21.25	1.67	1.125	16	200 PSI	\$1,404.38
00FLAVN187SS	7	18"	18"	25.00	18.20	22.75	1.80	1.25	16	290 PSI	POA
00FLAVN1811SS	11	18"	18"	25.00	18.38	22.75	1.69	1.25	16	200 PSI	\$1,634.43
00FLAVN207SS	7	20"	20"	27.50	20.38	25.00	2.13	1.25	20	290 PSI	POA
00FLAVN2011SS	11	20"	20"	27.50	20.38	25.00	1.81	1.25	20	200 PSI	\$1,899.25
00FLAVN227SS	7	22"	22"	29.50	22.38	27.25	2.30	1.375	20		POA
00FLAVN2211SS	11	22"	22"	29.50	22.38	27.50	2.00	1.375	20	200 PSI	POA
00FLAVN247SS	7	24"	24"	32.00	24.38	29.50	2.50	1.375	20		POA
00FLAVN249SS	9	24"	24"	32.00	24.38	29.50	2.13	1.375	20		POA
00FLAVN2411SS	11	24"	24"	32.00	24.38	29.50	2.13	1.375	20	200 PSI	\$2,469.03

BUTT FUSION FITTINGS

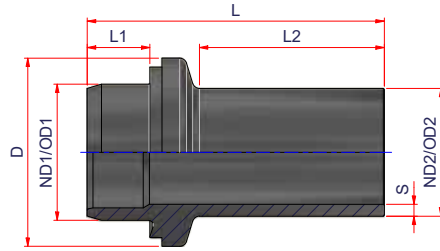


CONVOLUTED STAINLESS STEEL BACKING RING ANSI/ASA 150

DIPS

Code	SDR	ANSI 150# Hole Pattern	ND (IPS PE)	OD	ID	PCD	T	holes	n° holes	Price Each
00FLAVN04D7SS	7	4"	4"	9.00	4.90	7.50	0.94	0.75	8	POA
00FLAVN04D11SS	11	4"	4"	9.00	4.90	7.50	0.58	0.75	8	\$110.11
00FLAVN06D7SS	7	6"	6"	11.00	7.00	9.50	1.00	0.875	8	POA
00FLAVN06D11SS	11	6"	6"	11.00	7.00	9.50	0.63	0.875	8	\$157.34
00FLAVN08D7SS	7	8"	8"	13.50	9.13	11.75	1.13	0.875	8	POA
00FLAVN08D11SS	11	8"	8"	13.50	9.13	11.75	0.88	0.875	8	\$266.87
00FLAVN10D7SS	7	10"	10"	16.00	11.25	14.25	1.19	1.00	12	POA
00FLAVN10D11SS	11	10"	10"	16.00	11.25	14.25	1.00	1.00	12	\$440.05
00FLAVN12D7SS	7	12"	12"	19.00	13.37	17.00	1.40	1.00	12	POA
00FLAVN12D11SS	11	12"	12"	19.00	13.37	17.00	1.25	1.00	12	\$786.45
00FLAVN14D7SS	7	14"	14"	21.00	15.48	18.75	1.63	1.125	12	POA
00FLAVN14D11SS	11	14"	14"	21.00	15.48	18.75	1.38	1.125	12	\$939.46
00FLAVN16D7SS	7	16"	16"	23.50	17.59	21.25	1.80	1.125	16	POA
00FLAVN16D11SS	11	16"	16"	23.50	17.59	21.25	1.67	1.125	16	\$1,651.01
00FLAVN18D7SS	7	18"	18"	25.00	19.70	22.75	1.80	1.25	16	POA
00FLAVN18D11SS	11	18"	18"	25.00	19.70	22.75	1.69	1.25	16	\$1,921.72
00FLAVN20D7SS	7	20"	20"	27.50	21.85	25.00	2.13	1.25	20	POA
00FLAVN20D9SS	9	20"	20"	27.50	21.85	25.00	2.06	1.25	20	POA
00FLAVN20D11SS	11	20"	20"	27.50	21.85	25.00	1.81	1.25	20	\$2,234.16
00FLAVN24D7SS	7	24"	24"	32.00	26.05	29.50	2.50	1.375	20	POA
00FLAVN24D9SS	9	24"	24"	32.00	26.05	29.50	2.13	1.375	20	POA
00FLAVN24D11SS	11	24"	24"	32.00	26.05	29.50	2.13	1.375	20	\$2,932.87

BUTT FUSION FITTINGS



MJ ADAPTER

Supplied without stiffener sleeve

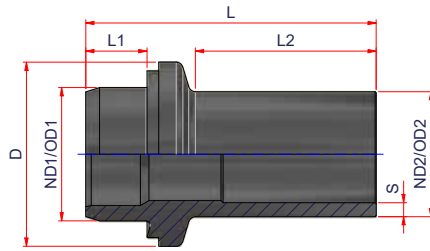
PE4710 230PSI SDR11 • DIPS - IPS

Code	Nominal Diameter ϕ (ND1 x ND2)	Pack.	Q.ty pallet	Weight lb/p.	Volume ft ³ /p.	OD1 (DIPS)	L1	OD2 (IPS)	S min	L2	D	L	Price Each
12EIMJ02	2" DIPS x 2" IPS	50	600	0.682	0.0565	2.510	1.93	2.375	0.216	5.07	3.49	7.97	\$88.28
12EIMJ03	3" DIPS x 3" IPS	14	168	1.650	0.2016	3.960	2.01	3.500	0.318	5.51	5.72	9.02	\$93.09
12EIMJ04	4" DIPS x 4" IPS	9	108	2.811	0.3140	4.800	2.21	4.500	0.409	6.51	6.63	10.46	\$97.50
12EIMJ06	6" DIPS x 6" IPS	6	72	5.865	0.4696	6.900	2.38	6.625	0.602	7.23	8.63	11.30	\$136.96
12EIMJ08	8" DIPS x 8" IPS	42	42	9.900	0.8476	9.050	2.38	8.625	0.784	7.66	10.75	12.07	\$180.83
12EIMJ10	10" DIPS x 10" IPS	-	-	17.380	-	11.100	2.25	10.750	0.977	9.03	13.25	13.55	\$230.16
12EIMJ12	12" DIPS x 12" IPS	-	-	23.540	-	13.200	1.73	12.750	1.159	8.52	15.43	12.93	\$234.33
12EIMJ14	14" DIPS x 14" IPS	-	-	26.180	-	15.300	1.73	14.000	1.273	7.28	16.98	11.49	\$668.75
12EIMJ16	16" DIPS x 16" IPS	-	-	35.860	-	17.400	1.73	16.000	1.455	7.35	19.98	12.28	\$770.57
12EIMJ18	18" DIPS x 18" IPS	-	-	-	-	19.456	1.73	17.925	1.636	8.33	21.57	13.34	\$921.73
12EIMJ20	20" DIPS x 20" IPS	-	-	-	-	21.551	1.73	19.921	1.818	8.33	23.62	13.64	\$1,231.57
12EIMJ24	24" DIPS x 24" IPS	-	-	94.600	-	25.748	1.73	23.897	2.182	8.33	27.95	14.09	\$1,704.51

PE4710 230PSI SDR11 • DIPS - DIPS

Code	Nominal Diameter ϕ (ND1 x ND2)	Pack.	Q.ty pallet	Weight lb/p.	Volume ft ³ /p.	OD1 (DIPS)	L1	OD2 (DIPS)	S min	L2	D	L	Price Each
12EIMJ03D	3" DIPS x 3" DIPS	-	-	-	-	3.960	2.01	3.960	0.360	5.57	5.72	9.02	\$95.23
12EIMJ04D	4" DIPS x 4" DIPS	20	80	2.860	0.3814	4.800	2.21	4.800	0.437	6.51	6.63	10.42	\$99.51
12EIMJ06D	6" DIPS x 6" DIPS	6	72	5.865	0.4696	6.900	2.38	6.900	0.628	7.23	8.63	11.27	\$131.61
12EIMJ08D	8" DIPS x 8" DIPS	-	-	10.340	-	9.050	2.38	9.050	0.823	7.66	10.75	12.01	\$140.17
12EIMJ10D	10" DIPS x 10" DIPS	-	-	17.820	-	11.100	2.25	11.100	1.009	9.03	13.25	13.50	\$234.87
12EIMJ12D	12" DIPS x 12" DIPS	-	-	24.200	-	13.200	1.73	13.200	1.200	8.52	15.35	12.85	\$247.17
12EIMJ14D	14" DIPS x 14" DIPS	-	-	27.500	-	15.300	1.73	15.300	1.391	7.39	16.98	11.98	\$681.16
12EIMJ16D	16" DIPS x 16" DIPS	-	-	37.840	-	17.400	1.73	17.400	1.582	7.40	19.98	11.97	\$780.16
12EIMJ18D	18" DIPS x 18" DIPS	-	-	-	-	19.456	1.73	19.417	1.773	8.33	21.57	13.11	\$939.46
12EIMJ20D	20" DIPS x 20" DIPS	-	-	-	-	21.598	1.73	21.511	1.964	8.33	23.62	13.40	\$1,241.47
12EIMJ24D	24" DIPS x 24" DIPS	-	-	-	-	25.748	2.36	25.688	2.346	8.33	27.95	14.43	\$1,792.25

BUTT FUSION FITTINGS



MJ ADAPTER

Supplied without stiffener sleeve

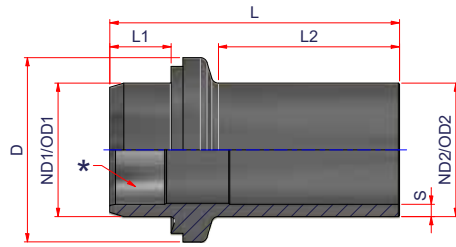
PE4710 300PSI SDR9 • DIPS - IPS

Code	Nominal Diameter ϕ (ND1 x ND2)	Pack.	Q.ty pallet	Weight lb/p.	Volume ft ³ /p.	OD1 (DIPS)	L1	OD2 (IPS)	S min	L2	D	L	Price Each
12HIMJ03	3" DIPS x 3" IPS	15	180	1.914	0.1882	3.960	2.01	3.500	0.389	5.51	5.72	9.181	\$102.19
12HIMJ04	4" DIPS x 4" IPS	9	108	3.177	0.3140	4.800	2.21	4.500	0.500	6.51	6.63	10.46	\$108.07
12HIMJ06	6" DIPS x 6" IPS	6	72	6.380	0.4697	6.900	2.38	6.625	0.736	7.23	8.63	11.31	\$148.20
12HIMJ08	8" DIPS x 8" IPS	-	-	12.100	-	9.050	2.38	8.625	0.958	7.66	10.75	12.07	\$184.52
12HIMJ10	10" DIPS x 10" IPS	-	-	20.240	-	11.100	2.25	10.750	1.194	9.03	13.25	13.55	\$242.68
12HIMJ12	12" DIPS x 12" IPS	-	-	28.600	-	13.200	1.73	12.750	1.417	8.52	15.43	12.93	\$306.02
12HIMJ14	14" DIPS x 14" IPS	-	-	35.200	-	15.300	2.13	14.000	1.556	7.34	16.98	11.89	\$674.10
12HIMJ16	16" DIPS x 16" IPS	-	-	47.520	-	17.400	1.73	16.000	1.778	7.44	19.98	12.21	\$775.75
12HIMJ18	18" DIPS x 18" IPS	-	-	-	-	19.456	1.73	17.925	2.000	8.35	21.57	13.36	\$934.11
12HIMJ20	20" DIPS x 20" IPS	-	-	-	-	21.551	2.36	19.921	2.222	8.33	24.01	14.88	\$1,241.47
12HIMJ24	24" DIPS x 24" IPS	-	-	-	-	25.748	2.36	23.897	2.667	8.33	29.95	15.35	\$1,723.50

PE4710 300PSI SDR9 • DIPS - DIPS

Code	Nominal Diameter ϕ (ND1 x ND2)	Pack.	Q.ty pallet	Weight lb/p.	Volume ft ³ /p.	OD1 (DIPS)	L1	OD2 (DIPS)	S min	L2	D	L	Price Each
12HIMJ03D	3" DIPS x 3" DIPS	15	180	2.068	0.1882	2.00	2.01	3.960	0.440	5.57	5.72	9.18	\$107.30
12HIMJ04D	4" DIPS x 4" DIPS	8	96	3.740	0.3531	4.800	2.21	4.800	0.534	6.51	5.63	10.41	\$113.47
12HIMJ06D	6" DIPS x 6" DIPS	6	72	6.965	0.4697	6.900	2.38	6.900	0.767	7.23	8.63	11.26	\$155.61
12HIMJ08D	8" DIPS x 8" DIPS	-	-	12.540	-	9.050	2.38	9.050	1.006	7.66	10.75	12.01	\$193.75
12HIMJ10D	10" DIPS x 10" DIPS	-	-	20.900	-	11.100	2.25	11.100	1.234	9.03	13.25	13.50	\$253.91
12HIMJ12D	12" DIPS x 12" DIPS	-	-	29.480	-	13.200	2.38	13.200	1.467	8.52	15.45	13.50	\$321.32
12HIMJ14D	14" DIPS x 14" DIPS	-	-	36.080	-	15.300	1.73	15.300	1.700	7.39	16.98	11.73	\$707.81
12HIMJ16D	16" DIPS x 16" DIPS	-	-	49.060	-	17.400	1.73	17.400	1.934	7.49	19.98	12.05	\$814.54
12HIMJ18D	18" DIPS x 18" DIPS	-	-	-	-	19.456	1.73	19.417	2.167	8.33	21.57	13.18	\$980.82
12HIMJ20D	20" DIPS x 20" DIPS	-	-	-	-	21.551	1.73	21.507	2.400	8.33	24.01	14.01	\$1,304.10
12HIMJ24D	24" DIPS x 24" DIPS	-	-	-	-	25.748	2.36	25.799	2.867	8.33	29.95	15.06	\$1,809.68

BUTT FUSION FITTINGS



MJ ADAPTER

Supplied **with** stiffener sleeve

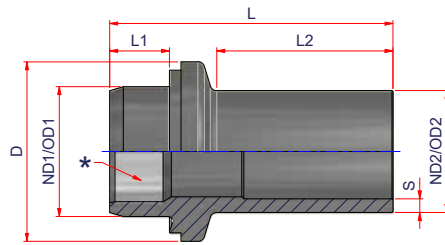
PE4710 230PSI SDR11 • DIPS - IPS

Code	Nominal Diameter ϕ (ND1 x ND2)	Pack.	Q.ty pallet	Weight lb/p.	Volume ft ³ /p.	OD1 (DIPS)	L1	OD2 (IPS)	S min	L2	D	L	Price Each
12EIMJ02SS	2" DIPS x 2" IPS	50	600	0.682	0.0565	2.510	1.93	2.375	0.216	5.07	3.49	7.97	\$96.30
12EIMJ03SS	3" DIPS x 3" IPS	-	-	-	-	3.960	2.01	3.500	0.318	5.51	5.72	9.02	\$124.87
12EIMJ04SS	4" DIPS x 4" IPS	-	-	2.640	-	4.800	2.21	4.500	0.409	6.51	6.63	10.46	\$134.18
12EIMJ06SS	6" DIPS x 6" IPS	-	-	5.500	-	6.900	2.38	6.625	0.602	7.23	8.63	11.30	\$177.19
12EIMJ08SS	8" DIPS x 8" IPS	-	-	9.900	-	9.050	2.38	8.625	0.784	7.66	10.75	12.07	\$229.19
12EIMJ10SS	10" DIPS x 10" IPS	-	-	17.380	-	11.100	2.25	10.750	0.977	9.03	13.25	13.55	\$281.95
12EIMJ12SS	12" DIPS x 12" IPS	-	-	23.540	-	13.200	1.73	12.750	1.159	8.52	15.43	12.93	\$294.73
12EIMJ14SS	14" DIPS x 14" IPS	-	-	26.180	-	15.300	1.73	14.000	1.273	7.28	16.98	11.49	\$728.78
12EIMJ16SS	16" DIPS x 16" IPS	-	-	35.860	-	17.400	1.73	16.000	1.455	7.35	19.98	12.28	\$855.73
12EIMJ18SS	18" DIPS x 18" IPS	-	-	-	-	19.456	1.73	17.925	1.636	8.33	21.57	13.34	\$1,061.65
12EIMJ20SS	20" DIPS x 20" IPS	-	-	-	-	21.551	1.73	19.921	1.818	8.33	23.62	13.64	\$1,375.65
12EIMJ24SS	24" DIPS x 24" IPS	-	-	-	-	25.748	1.73	23.897	2.182	8.33	27.95	14.09	\$1,863.08

PE4710 230PSI SDR11 • DIPS - DIPS

Code	Nominal Diameter ϕ (ND1 x ND2)	Pack.	Q.ty pallet	Weight lb/p.	Volume ft ³ /p.	OD1 (DIPS)	L1	OD2 (DIPS)	S min	L2	D	L	Price Each
12EIMJ03DSS	3" DIPS x 3" DIPS	-	-	-	-	3.960	2.01	3.960	0.360	5.57	5.72	9.02	\$127.01
12EIMJ04DSS	4" DIPS x 4" DIPS	-	-	2.860	-	4.800	2.21	4.800	0.437	6.51	6.63	10.42	\$136.21
12EIMJ06DSS	6" DIPS x 6" DIPS	-	-	5.940	-	6.900	2.38	6.900	0.628	7.23	8.63	11.27	\$171.84
12EIMJ08DSS	8" DIPS x 8" DIPS	-	-	10.340	-	9.050	2.38	9.050	0.823	7.66	10.75	12.01	\$217.95
12EIMJ10DSS	10" DIPS x 10" DIPS	-	-	17.820	-	11.100	2.25	11.100	1.009	9.03	13.25	13.50	\$286.65
12EIMJ12DSS	12" DIPS x 12" DIPS	-	-	24.200	-	13.200	1.73	13.200	1.200	8.52	15.35	12.85	\$307.57
12EIMJ14DSS	14" DIPS x 14" DIPS	-	-	27.500	-	15.300	1.73	15.300	1.391	7.39	16.98	11.98	\$741.19
12EIMJ16DSS	16" DIPS x 16" DIPS	-	-	37.840	-	17.400	1.73	17.400	1.582	7.40	19.98	11.97	\$865.33
12EIMJ18DSS	18" DIPS x 18" DIPS	-	-	-	-	19.456	1.73	19.417	1.773	8.33	21.57	13.11	\$1,079.42
12EIMJ20DSS	20" DIPS x 20" DIPS	-	-	-	-	21.598	1.73	21.511	1.964	8.33	23.62	13.40	\$1,385.54
12EIMJ24DSS	24" DIPS x 24" DIPS	-	-	-	-	25.748	2.36	25.688	2.346	8.33	27.95	14.43	\$1,950.82

BUTT FUSION FITTINGS



MJ ADAPTER

Supplied with stiffener sleeve

PE4710 300PSI SDR9 • DIPS - IPS

Code	Nominal Diameter ϕ (ND1 x ND2)	Pack.	Q.ty pallet	Weight lb/p.	Volume ft ³ /p.	OD1 (DIPS)	L1	OD2 (IPS)	S min	L2	D	L	Price Each
12HIMJ03SS	3" DIPS x 3" IPS	-	-	-	-	3.960	2.01	3.500	0.389	5.51	5.72	9.18	\$133.96
12HIMJ04SS	4" DIPS x 4" IPS	-	-	3.080	-	4.800	2.21	4.500	0.500	6.51	6.63	10.46	\$144.77
12HIMJ06SS	6" DIPS x 6" IPS	-	-	6.380	-	6.900	2.38	6.625	0.736	7.23	8.63	11.31	\$188.43
12HIMJ08SS	8" DIPS x 8" IPS	-	-	12.100	-	9.050	2.38	8.625	0.958	7.66	10.75	12.07	\$232.89
12HIMJ10SS	10" DIPS x 10" IPS	-	-	20.240	-	11.100	2.25	10.750	1.194	9.03	13.25	13.55	\$294.45
12HIMJ12SS	12" DIPS x 12" IPS	-	-	28.600	-	13.200	1.73	12.750	1.417	8.52	15.43	12.93	\$366.42
12HIMJ14SS	14" DIPS x 14" IPS	-	-	35.200	-	15.300	2.13	14.000	1.556	7.34	16.98	11.89	\$734.13
12HIMJ16SS	16" DIPS x 16" IPS	-	-	47.520	-	17.400	1.73	16.000	1.778	7.44	19.98	12.21	\$860.92
12HIMJ18SS	18" DIPS x 18" IPS	-	-	-	-	19.456	1.73	17.925	2.000	8.35	21.57	13.36	\$1,074.07
12HIMJ20SS	20" DIPS x 20" IPS	-	-	-	-	21.551	2.36	19.921	2.222	8.33	24.01	14.88	\$1,385.54
12HIMJ24SS	24" DIPS x 24" IPS	-	-	-	-	25.748	2.36	23.897	2.667	8.33	29.95	15.35	\$1,882.08

PE4710 300PSI SDR9 • DIPS - DIPS

Code	Nominal Diameter ϕ (ND1 x ND2)	Pack.	Q.ty pallet	Weight lb/p.	Volume ft ³ /p.	OD1 (DIPS)	L1	OD2 (DIPS)	S min	L2	D	L	Price Each
12HIMJ03DSS	3" DIPS x 3" DIPS	-	-	-	-	3.960	2.01	3.960	0.440	5.57	5.72	9.18	\$140.66
12HIMJ04DSS	4" DIPS x 4" DIPS	-	-	3.740	-	4.800	2.21	4.800	0.534	6.51	5.63	10.41	\$152.00
12HIMJ06DSS	6" DIPS x 6" DIPS	-	-	6.600	-	6.900	2.38	6.900	0.767	7.23	8.63	11.26	\$197.85
12HIMJ08DSS	8" DIPS x 8" DIPS	-	-	12.540	-	9.050	2.38	9.050	1.006	7.66	10.75	12.01	\$244.53
12HIMJ10DSS	10" DIPS x 10" DIPS	-	-	20.900	-	11.100	2.25	11.100	1.234	9.03	13.25	13.50	\$309.18
12HIMJ12DSS	12" DIPS x 12" DIPS	-	-	29.480	-	13.200	2.38	13.200	1.467	8.52	15.43	13.50	\$384.74
12HIMJ14DSS	14" DIPS x 14" DIPS	-	-	36.080	-	15.300	1.73	15.300	1.700	7.39	16.98	11.73	\$770.83
12HIMJ16DSS	16" DIPS x 16" DIPS	-	-	49.060	-	17.400	1.73	17.400	1.934	7.49	19.98	12.05	\$903.97
12HIMJ18DSS	18" DIPS x 18" DIPS	-	-	-	-	19.456	1.73	19.417	2.167	8.33	21.57	13.18	\$1,127.77
12HIMJ20DSS	20" DIPS x 20" DIPS	-	-	-	-	21.551	1.73	21.507	2.400	8.33	24.01	14.01	\$1,454.82
12HIMJ24DSS	24" DIPS x 24" DIPS	-	-	-	-	25.748	2.36	25.799	2.867	8.33	29.95	15.06	\$1,976.18

BUTT FUSION FITTINGS



STIFFENER SLEEVE

For 'MJ' flange adapter

for SDR11

Code	Nominal Diameter ø	Price Each
00SSR0311	3"	\$29.70
00SSR0411	4"	\$34.30
00SSR0611	6"	\$37.60
00SSR0811	8"	\$45.20
00SSR1011	10"	\$48.40
00SSR1211	12"	\$56.45
00SSR1411	14"	\$65.10
00SSR1611	16"	\$79.60
00SSR1811	18"	\$130.80
00SSR2011	20"	\$134.65
00SSR2411	24"	\$148.20

for SDR9

Code	Nominal Diameter ø	Price Each
00SSR0309	3"	\$29.70
00SSR0409	4"	\$34.30
00SSR0609	6"	\$37.60
00SSR0809	8"	\$45.20
00SSR1009	10"	\$48.40
00SSR1209	12"	\$56.45
00SSR1409	14"	\$65.10
00SSR1609	16"	\$79.60
00SSR1809	18"	\$130.80
00SSR2009	20"	\$134.65
00SSR2409	24"	\$148.20



MECHANICAL JOINT ACCESSORY SET

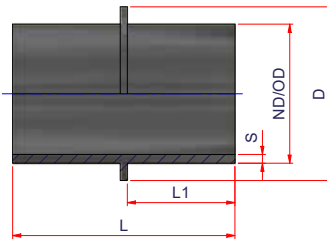
C153

Code	Nominal Size IPS	Holes (no.)	Bolts and nuts size	Torque	Price Each
12EIMJPACK03C153	3"	4	3/4x3-1/2	75-90	POA
12EIMJPACK04C153	4"	4	3/4x3-1/2	75-90	POA
12EIMJPACK06C153	6"	6	3/4x3-1/2	75-90	POA
12EIMJPACK08C153	8"	6	3/4x4	75-90	POA
12EIMJPACK10C153	10"	8	3/4x4	75-90	POA
12EIMJPACK12C153	12"	8	3/4x4	75-90	POA
12EIMJPACK14C153	14"	10	3/4x4-1/2	75-90	POA
12EIMJPACK16C153	16"	12	3/4x4-1/2	75-90	POA
12EIMJPACK18C153	18"	12	3/4x4-1/2	75-90	POA
12EIMJPACK20C153	20"	14	3/4x4-1/2	75-90	POA
12EIMJPACK24C153	24"	16	3/4x5	75-90	POA

C110

Code	Nominal Size IPS	Holes (no.)	Bolts and nuts size	Torque	Price Each
12EIMJPACK04C110	4"	4	3/4x3-1/2	75-90	POA
12EIMJPACK06C110	6"	6	3/4x3-1/2	75-90	POA
12EIMJPACK08C110	8"	6	3/4x4	75-90	POA
12EIMJPACK10C110	10"	8	3/4x4	75-90	POA
12EIMJPACK12C110	12"	8	3/4x4	75-90	POA
12EIMJPACK14C110	14"	10	3/4x4-1/2	75-90	POA
12EIMJPACK16C110	16"	12	3/4x4-1/2	75-90	POA
12EIMJPACK18C110	18"	12	3/4x4-1/2	75-90	POA
12EIMJPACK20C110	20"	14	3/4x4-1/2	75-90	POA
12EIMJPACK24C110	24"	16	3/4x5	75-90	POA

BUTT FUSION FITTINGS



WALL ANCHOR PLAIN-ENDS

PE4710 160PSI SDR17 • IPS

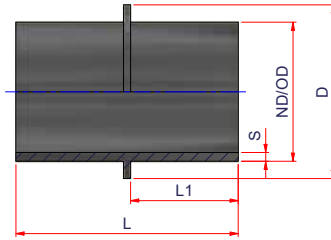
Code	Nominal Diameter ϕ (ND1 x ND2)	Pack.	Q.ty pallet	Weight lb/p.	Volume ft ³ /p.	OD	S min	L1	L	D	Price Each
12DIAP02	2" IPS	-	-	-	-	2.375	0.140	5.55	11.50	3.94	\$80.36
12DIAP04	4" IPS	-	-	-	-	4.500	0.265	5.18	11.11	6.00	\$120.38
12DIAP06	6" IPS	-	-	-	-	6.625	0.390	7.00	14.80	8.60	\$181.90
12DIAP08	8" IPS	-	-	-	-	8.625	0.507	8.27	17.56	10.63	\$259.48
12DIAP10	10" IPS	-	-	-	-	10.750	0.632	7.64	16.65	12.52	\$355.78
12DIAP12	12" IPS	-	-	-	-	12.750	0.750	10.35	22.32	15.00	\$462.78
12DIAP14	14" IPS	-	-	-	-	14.000	0.824	10.28	22.22	17.00	\$642.00
12DIAP16	16" IPS	-	-	-	-	16.000	0.941	10.06	22.01	19.25	\$750.18
12DIAP18	18" IPS	-	-	-	-	18.000	1.059	9.92	21.87	20.47	\$880.08
12DIAP20	20" IPS	-	-	-	-	20.000	1.176	9.65	21.59	23.74	\$936.25
12DIAP22	22" IPS	-	-	-	-	22.000	1.294	9.43	21.38	25.87	\$1,016.50
12DIAP24	24" IPS	-	-	-	-	24.000	1.412	9.19	21.14	28.11	\$1,030.41

PE4710 230PSI SDR11 • IPS

Code	Nominal Diameter ϕ (ND1 x ND2)	Pack.	Q.ty pallet	Weight lb/p.	Volume ft ³ /p.	OD	S min	L1	L	D	Price Each
12EIAP02	2" IPS	-	-	-	-	2.375	0.216	5.47	11.33	4.94	\$89.88
12EIAP04	4" IPS	-	-	-	-	4.500	0.409	5.10	11.00	6.00	\$129.47
12EIAP06	6" IPS	-	-	-	-	6.625	0.602	6.65	14.13	8.58	\$193.14
12EIAP08	8" IPS	-	-	-	-	8.625	0.784	8.27	17.56	10.63	\$270.82
12EIAP10	10" IPS	-	-	-	-	10.750	0.977	7.64	16.65	12.52	\$365.94
12EIAP12	12" IPS	-	-	-	-	12.750	1.159	10.39	22.36	15.00	\$480.53
12EIAP14	14" IPS	-	-	-	-	14.000	1.237	10.28	22.23	16.93	\$655.64
12EIAP16	16" IPS	-	-	-	-	16.000	1.455	10.06	22.01	19.25	\$770.57
12EIAP18	18" IPS	-	-	-	-	18.000	1.636	9.92	21.87	20.47	\$892.07
12EIAP20	20" IPS	-	-	-	-	20.000	1.818	9.65	21.60	23.23	\$942.68
12EIAP22	22" IPS	-	-	-	-	22.000	2.000	9.43	21.38	25.87	\$1,030.57
12EIAP24	24" IPS	-	-	-	-	24.000	2.182	9.19	21.14	27.26	\$1,039.08

All measures are in inches unless otherwise mentioned.
We reserve the right to vary dimensions without notice; check the web site for the updated dimensions.

BUTT FUSION FITTINGS



WALL ANCHOR PLAIN-ENDS

PE4710 300PSI SDR9 • IPS

Code	Nominal Diameter ϕ (ND1 x ND2)	Pack.	Q.ty pallet	Weight lb/p.	Volume ft ³ /p.	OD	S min	L1	L	D	Price Each
12HIAP02	2" IPS	-	-	-	-	2.375	0.264	5.63	11.65	4.00	\$99.86
12HIAP04	4" IPS	-	-	-	-	4.500	0.500	5.63	11.97	6.00	\$143.38
12HIAP06	6" IPS	-	-	-	-	6.625	0.736	7.00	14.86	8.58	\$214.59
12HIAP08	8" IPS	-	-	-	-	8.625	0.958	8.03	17.32	10.63	\$300.79
12HIAP10	10" IPS	-	-	-	-	10.750	1.194	7.48	16.50	12.52	\$406.60
12HIAP12	12" IPS	-	-	-	-	12.750	1.417	10.08	22.05	15.00	\$533.80
12HIAP14	14" IPS	-	-	-	-	14.000	1.556	10.05	21.89	17.00	\$711.77
12HIAP16	16" IPS	-	-	-	-	16.000	1.778	9.67	21.61	19.25	\$837.38
12HIAP18	18" IPS	-	-	-	-	18.000	2.000	9.43	21.40	20.47	\$968.81
12HIAP20	20" IPS	-	-	-	-	20.000	2.222	9.04	20.98	23.23	\$1,024.63
12HIAP22	22" IPS	-	-	-	-	22.000	2.444	8.63	20.39	25.00	\$1,119.22
12HIAP24	24" IPS	-	-	-	-	24.000	2.667	8.76	20.91	27.26	\$1,129.31

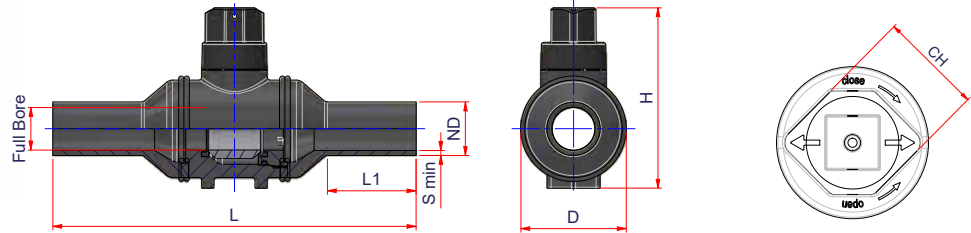
PE4710 340PSI SDR7 • IPS

Code	Nominal Diameter ϕ (ND1 x ND2)	Pack.	Q.ty pallet	Weight lb/p.	Volume ft ³ /p.	OD	S min	L1	L	D	Price Each
12GIAP02	2" IPS	-	-	-	-	2.375	0.339	5.51	11.54	3.94	\$108.16
12GIAP04	4" IPS	-	-	-	-	4.500	0.643	5.43	11.77	6.00	\$155.85
12GIAP06	6" IPS	-	-	-	-	6.625	0.946	6.57	14.41	8.58	\$232.61
12GIAP08	8" IPS	-	-	-	-	8.625	1.232	7.64	16.93	10.63	\$326.81
12GIAP10	10" IPS	-	-	-	-	10.750	1.536	7.01	16.02	12.52	\$441.95
12GIAP12	12" IPS	-	-	-	-	12.750	1.821	9.67	21.63	15.00	\$579.19
12GIAP14	14" IPS	-	-	-	-	14.000	2.000	9.41	21.38	16.93	\$773.42
12GIAP16	16" IPS	-	-	-	-	16.000	2.286	9.04	21.00	19.25	\$909.50
12GIAP18	18" IPS	-	-	-	-	18.000	2.571	8.66	20.61	19.92	\$1,052.55
12GIAP20	20" IPS	-	-	-	-	20.000	2.857	9.07	21.81	23.74	\$1,112.80
12GIAP22	22" IPS	-	-	-	-	22.000	3.143	9.03	22.00	25.00	\$1,216.69
12GIAP24	24" IPS	-	-	-	-	24.000	3.429	9.61	23.52	27.26	\$1,227.83

VALVES



VALVE FOR UNDERGROUND APPLICATION

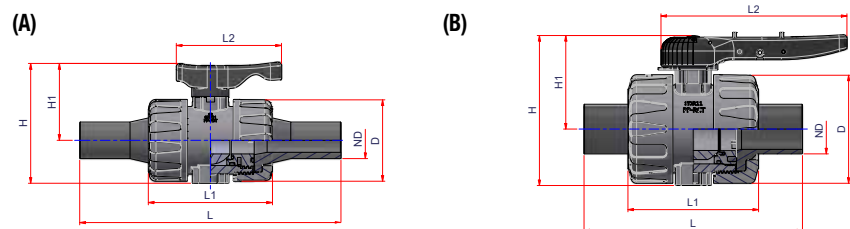


PE4710 230PSI SDR11

Code	Nominal Diameter ϕ (ND)	Weight lb/p.	Volume ft ³ /p.	OD	S min	L1	L	D	H	CH	Notes	Price Each
12EIVS01CTS	1" CTS	1.025	0.0804	1.125	0.101	2.48	2.95	10.94	5.12	2"	Full Bore	\$65.00
12EIVS01	1" IPS	1.025	0.0804	1.315	0.120	2.48	2.95	10.94	5.12	2"	Full Bore	\$65.00
12EIVS114CTS	1"¼ CTS	3.858	0.3231	1.375	0.121	4.33	3.15	16.14	7.99	2"	Full Bore	\$125.00
12EIVS114	1"¼ IPS	3.858	0.3231	1.660	0.151	4.33	3.15	16.14	7.99	2"	Full Bore	\$125.00
12EIVS112	1"½ IPS	3.858	0.3231	1.900	1.073	4.33	3.54	16.14	7.99	2"	Full Bore	\$125.00
12EIVS02	2" IPS	4.101	0.3231	2.375	0.216	4.33	3.94	16.14	7.99	2"	Full Bore	\$125.00
12EIVS03	3" IPS	14.991	0.8701	3.500	0.318	6.30	5.91	21.50	11.10	2"	Full Bore	\$310.00
12EIVS04	4" IPS	15.653	0.8701	4.500	0.409	6.30	6.10	21.50	11.10	2"	Full Bore	\$410.00



PPR TRUE UNION BALL VALVE PE SPIGOT ENDS

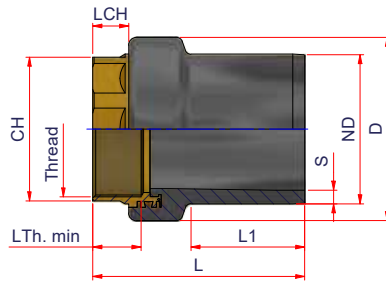


SDR11

Code	Type	Nominal Diameter ϕ (ND)	Body Type	Carton Qty	Weight lb/p.	Volume ft ³ /p.	D	L1	L2	L	H1	H	Price Each
27NRSPPRCTS34PE	A	¾" IPS	1"	1	0.749	0.0629	2.82	4.29	3.64	9.25	2.70	4.17	\$82.50
27NRSPPRCTS1PE	A	1" IPS	1"	1	0.751	0.0614	2.82	4.29	3.64	9.02	2.70	4.17	\$94.60
27NRSPPRCTS114PE	A	1"¼ IPS	1"	1	0.822	0.0726	2.82	4.29	3.64	10.67	2.70	4.17	\$146.30
27NRSPPRCTS112PE	A	1"½ IPS	2"	1	2.978	0.2270	4.80	6.04	5.28	12.00	4.33	6.81	\$174.90
27NRSPPRCTS2PE	A	2" IPS	2"	1	3.108	0.2569	4.80	6.04	5.28	13.58	4.33	6.81	\$225.20
27NRSPPRCTS212PE	A	2"½ IPS	2"	1	3.346	0.2561	4.80	6.04	5.28	13.54	4.33	6.81	\$281.60
27NRSPPRCTS3PE	B	3" IPS	2"	1	12.147	0.7766	7.80	9.37	13.35	15.67	6.93	10.98	\$1,018.60
27NRSPPRCTS4PE	B	3"½ IPS	2"	1	12.831	0.8039	7.80	9.37	13.35	16.22	6.93	10.98	\$1,018.60

All measures are in inches unless otherwise mentioned.
We reserve the right to vary dimensions without notice; check the web site for the updated dimensions.

TRANSITION FITTINGS



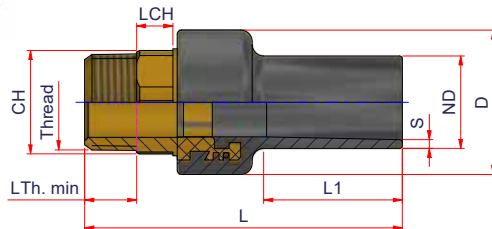
PE/NPT BRASS FEMALE LONG SPIGOT

NOT SUITABLE FOR THE TRANSPORTATION OF HUMAN CONSUMPTION FLUIDS

Category 1

PE4710 230PSI SDR11 • IPS

Code	Nominal Diameter ϕ (NDxThread)	Pack.	Q.ty pallet	Weight lb/p.	Volume ft ³ /p.	OD1	S min	Thread	L Thread	L1	L	D	CH	LCH	Price Each
12EIRFF1163112NPT	2" IPS x 1"½ NPT	-	-	-	-	2.375	0.216	1"½ NPT	0.68	2.72	4.64	2.79	2.16	0.59	\$55.25
12EIRFF11632NPT	2" IPS x 2" NPT	-	-	-	-	2.375	0.216	2" NPT	0.93	2.72	4.80	3.31	2.56	0.79	\$51.36
12EIRFF11903NPT	3" IPS x 3" NPT	-	-	-	-	3.500	0.318	3" NPT	1.31	3.43	6.02	4.69	3.74	0.94	\$69.54
12EIRFF111104NPT	4" IPS x 4" NPT	-	-	-	-	4.500	0.409	4" NPT	1.55	3.35	5.31	6.02	4.72	1.18	\$83.57



PE/NPT BRASS MALE LONG SPIGOT

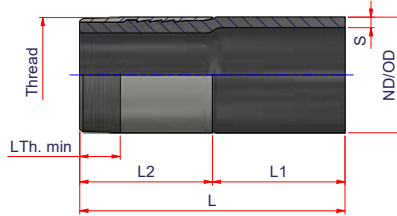
NOT SUITABLE FOR THE TRANSPORTATION OF HUMAN CONSUMPTION FLUIDS

Category 1

PE4710 230PSI SDR11 • IPS

Code	Nominal Diameter ϕ (NDxThread)	Pack.	Q.ty pallet	Weight lb/p.	Volume ft ³ /p.	OD1	S min	Thread	L Thread	L1	L	D	CH	LCH	Price Each
12EIRFM1163112NPT	2" IPS x 1"½ NPT	-	-	-	-	2.375	0.216	1"½ NPT	0.75	3.27	2.72	5.63	1.97	0.59	\$63.68
12EIRFM11632NPT	2" IPS x 2" NPT	-	-	-	-	2.375	0.216	2" NPT	0.92	3.27	2.72	5.79	2.36	0.71	\$67.41
12EIRFM11903NPT	3" IPS x 3" NPT	-	-	-	-	3.500	0.318	3" NPT	1.17	4.65	3.43	7.20	3.54	0.91	\$88.26
12EIRFM111104NPT	4" IPS x 4" NPT	-	-	-	-	4.500	0.409	4" NPT	1.41	6.02	3.35	7.95	4.53	1.18	\$104.06

TRANSITION FITTINGS



PE/STEEL MALE THREADED ZINC COATED TRANSITION FITTINGS

Category 3

PE4710 230PSI SDR11 • IPS

Code	Nominal Diameter ϕ (NDxThread)	Pack.	Q.ty pallet	Weight lb/p.	Volume ft ³ /p.	OD	S min	Thread	L Thread	L1	L2	L	Price Each
12EIRPEAFM0101NPT	1" IPS x 1"NPT	-	-	-	-	1.315	0.120	1" NPT	0.75	3.90	2.00	5.90	\$20.08
12EIRPEAFM114114NPT	1"½ IPS x 1"¼ NPT	-	-	-	-	1.660	0.151	1"¼ NPT	0.75	5.70	2.60	8.30	\$22.28
12EIRPEAFM112112NPT	1"½ IPS x 1"½ NPT	-	-	-	-	1.900	0.173	1"½ NPT	0.75	5.70	2.60	8.30	\$23.23
12EIRPEAFM0202NPT	2" IPS x 2" NPT	-	-	-	-	2.375	0.216	2" NPT	0.94	5.30	3.50	8.90	\$25.54
12EIRPEAFM0303NPT	3" IPS x 3" NPT	-	-	-	-	3.500	0.318	3" NPT	1.22	4.60	4.00	8.70	\$39.29
12EIRPEAFM0404NPT	4" IPS x 4" NPT	-	-	-	-	4.500	0.409	4" NPT	1.34	8.60	4.00	12.60	\$52.16

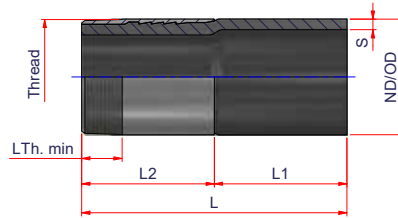
PE4710 300PSI SDR9 • IPS

Code	Nominal Diameter ϕ (NDxThread)	Pack.	Q.ty pallet	Weight lb/p.	Volume ft ³ /p.	OD	S min	Thread	L Thread	L1	L2	L	Price Each
12HIRPEAFM0101NPT	1" IPS x 1"NPT	-	-	-	-	1.315	0.146	1" NPT	0.75	3.90	2.00	5.90	\$20.20
12HIRPEAFM114114NPT	1"½ IPS x 1"¼ NPT	-	-	-	-	1.660	0.184	1"¼ NPT	0.75	5.70	2.60	8.30	\$22.51
12HIRPEAFM112112NPT	1"½ IPS x 1"½ NPT	-	-	-	-	1.900	0.211	1"½ NPT	0.75	5.70	2.60	8.30	\$25.00
12HIRPEAFM0202NPT	2" IPS x 2" NPT	-	-	-	-	2.375	0.264	2" NPT	0.94	5.30	3.50	8.90	\$26.64
12HIRPEAFM0303NPT	3" IPS x 3" NPT	-	-	-	-	3.500	0.389	3" NPT	1.22	4.60	4.00	8.70	\$41.47
12HIRPEAFM0404NPT	4" IPS x 4" NPT	-	-	-	-	4.500	0.500	4" NPT	1.34	8.60	4.00	12.60	\$59.88

PE4710 340PSI SDR7 • IPS

Code	Nominal Diameter ϕ (NDxThread)	Pack.	Q.ty pallet	Weight lb/p.	Volume ft ³ /p.	OD	S min	Thread	L Thread	L1	L2	L	Price Each
12GIRPEAFM0101NPT	1" IPS x 1"NPT	-	-	-	-	1.315	0.188	1" NPT	0.75	3.90	2.00	5.90	\$20.34
12GIRPEAFM114114NPT	1"½ IPS x 1"¼ NPT	-	-	-	-	1.660	0.237	1"¼ NPT	0.75	5.70	2.60	8.30	\$22.77
12GIRPEAFM112112NPT	1"½ IPS x 1"½ NPT	-	-	-	-	1.900	0.271	1"½ NPT	0.75	5.70	2.60	8.30	\$26.00
12GIRPEAFM0202NPT	2" IPS x 2" NPT	-	-	-	-	2.375	0.339	2" NPT	0.94	5.30	3.50	8.90	\$27.07
12GIRPEAFM0303NPT	3" IPS x 3" NPT	-	-	-	-	3.500	0.500	3" NPT	1.22	4.60	4.00	8.70	\$41.73
12GIRPEAFM0404NPT	4" IPS x 4" NPT	-	-	-	-	4.500	0.643	4" NPT	1.34	8.60	4.00	12.60	\$61.01

TRANSITION FITTINGS



PE/STAINLESS STEEL MALE THREADED TRANSITION FITTINGS

Category 3

PE4710 230PSI SDR11 • IPS

Code	Nominal Diameter ϕ (NDxThread)	Pack.	Q.ty pallet	Weight lb/p.	Volume ft ³ /p.	OD	S min	Thread	L Thread	L1	L2	L	Price Each
12EIRPEAFM0101SSNPT	1" IPS x 1"NPT	-	-	-	-	1.315	0.120	1" NPT	0.75	3.90	2.00	5.90	\$24.61
12EIRPEAFM114114SSNPT	1 1/4" IPS x 1 1/4" NPT	-	-	-	-	1.660	0.151	1 1/4" NPT	0.75	5.70	2.60	8.30	\$29.29
12EIRPEAFM112112SSNPT	1 1/2" IPS x 1 1/2" NPT	-	-	-	-	1.900	0.173	1 1/2" NPT	0.75	5.70	2.60	8.30	\$32.59
12EIRPEAFM0202SSNPT	2" IPS x 2" NPT	-	-	-	-	2.375	0.216	2" NPT	0.94	5.30	3.50	8.90	\$34.18
12EIRPEAFM0303SSNPT	3" IPS x 3" NPT	-	-	-	-	3.500	0.318	3" NPT	1.22	4.60	4.00	8.70	\$71.87
12EIRPEAFM0404SSNPT	4" IPS x 4" NPT	-	-	-	-	4.500	0.409	4" NPT	1.34	8.60	4.00	12.60	\$102.51

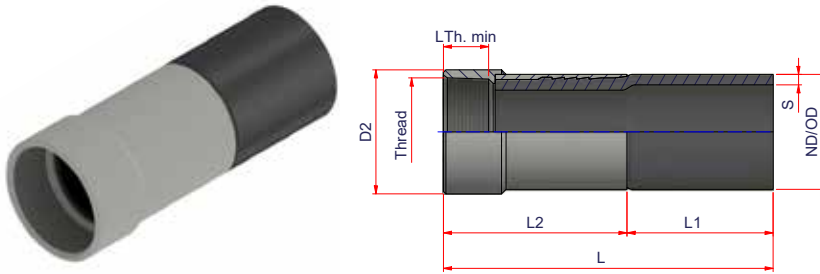
PE4710 300PSI SDR9 • IPS

Code	Nominal Diameter ϕ (NDxThread)	Pack.	Q.ty pallet	Weight lb/p.	Volume ft ³ /p.	OD	S min	Thread	L Thread	L1	L2	L	Price Each
12HIRPEAFM0101SSNPT	1" IPS x 1"NPT	-	-	-	-	1.315	0.146	1" NPT	0.75	3.90	2.00	5.90	\$26.10
12HIRPEAFM114114SSNPT	1 1/4" IPS x 1 1/4" NPT	-	-	-	-	1.660	0.184	1 1/4" NPT	0.75	5.70	2.60	8.30	\$31.68
12HIRPEAFM112112SSNPT	1 1/2" IPS x 1 1/2" NPT	-	-	-	-	1.900	0.211	1 1/2" NPT	0.75	5.70	2.60	8.30	\$37.00
12HIRPEAFM0202SSNPT	2" IPS x 2" NPT	-	-	-	-	2.375	0.264	2" NPT	0.94	5.30	3.50	8.90	\$40.25
12HIRPEAFM0303SSNPT	3" IPS x 3" NPT	-	-	-	-	3.500	0.389	3" NPT	1.22	4.60	4.00	8.70	\$72.97
12HIRPEAFM0404SSNPT	4" IPS x 4" NPT	-	-	-	-	4.500	0.500	4" NPT	1.34	8.60	4.00	12.60	\$110.23

PE4710 340PSI SDR7 • IPS

Code	Nominal Diameter ϕ (NDxThread)	Pack.	Q.ty pallet	Weight lb/p.	Volume ft ³ /p.	OD	S min	Thread	L Thread	L1	L2	L	Price Each
12GIRPEAFM0101SSNPT	1" IPS x 1"NPT	-	-	-	-	1.315	0.188	1" NPT	0.75	3.90	2.00	5.90	\$26.70
12GIRPEAFM114114SSNPT	1 1/4" IPS x 1 1/4" NPT	-	-	-	-	1.660	0.237	1 1/4" NPT	0.75	5.70	2.60	8.30	\$32.47
12GIRPEAFM112112SSNPT	1 1/2" IPS x 1 1/2" NPT	-	-	-	-	1.900	0.271	1 1/2" NPT	0.75	5.70	2.60	8.30	\$37.00
12GIRPEAFM0202SSNPT	2" IPS x 2" NPT	-	-	-	-	2.375	0.339	2" NPT	0.94	5.30	3.50	8.90	\$40.86
12GIRPEAFM0303SSNPT	3" IPS x 3" NPT	-	-	-	-	3.500	0.500	3" NPT	1.22	4.60	4.00	8.70	\$74.05
12GIRPEAFM0404SSNPT	4" IPS x 4" NPT	-	-	-	-	4.500	0.643	4" NPT	1.34	8.60	4.00	12.60	\$111.35

TRANSITION FITTINGS



PE/STEEL FEMALE THREADED ZINC COATED TRANSITION FITTINGS

Category 3

PE4710 230PSI SDR11 • IPS

Code	Nominal Diameter ϕ (NDxThread)	Pack.	Q.ty pallet	Weight lb/p.	Volume ft ³ /p.	OD	S min	L1	Thread	L Thread	D2	L2	L	Price Each
12EIRPEAFF0101NPT	1" IPS x 1" NPT	-	-	-	-	1.315	0.120	3.90	1" NPT	0.66	1.50	3.00	6.90	\$22.93
12EIRPEAFF114114NPT	1"½ IPS x 1"½ NPT	-	-	-	-	1.660	0.151	5.70	1"½ NPT	0.68	1.90	3.60	9.30	\$50.73
12EIRPEAFF112112NPT	1"½ IPS x 1"½ NPT	-	-	-	-	1.900	0.173	5.70	1"½ NPT	0.68	2.11	3.60	9.30	\$54.72
12EIRPEAFF0202NPT	2" IPS x 2" NPT	-	-	-	-	2.375	0.216	5.31	2" NPT	0.70	2.62	4.72	10.04	\$55.95
12EIRPEAFF0303NPT	3" IPS x 3" NPT	-	-	-	-	3.500	0.318	4.50	3" NPT	1.02	3.74	5.51	10.00	\$94.99
12EIRPEAFF0404NPT	4" IPS x 4" NPT	-	-	-	-	4.500	0.409	8.60	4" NPT	1.09	4.76	5.75	14.30	\$119.98

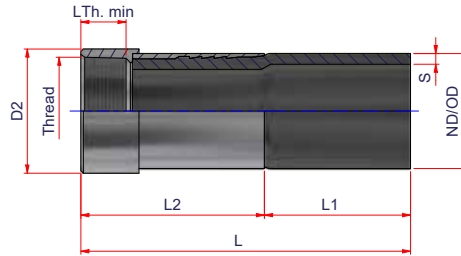
PE4710 300PSI SDR9 • IPS

Code	Nominal Diameter ϕ (NDxThread)	Pack.	Q.ty pallet	Weight lb/p.	Volume ft ³ /p.	OD	S min	L1	Thread	L Thread	D2	L2	L	Price Each
12HIRPEAFF0101NPT	1" IPS x 1" NPT	-	-	-	-	1.315	0.146	3.90	1" NPT	0.66	1.50	3.00	6.90	\$23.05
12HIRPEAFF114114NPT	1"½ IPS x 1"½ NPT	-	-	-	-	1.660	0.184	5.70	1"½ NPT	0.68	1.90	3.60	9.30	\$51.01
12HIRPEAFF112112NPT	1"½ IPS x 1"½ NPT	-	-	-	-	1.900	0.211	5.70	1"½ NPT	0.68	2.11	3.60	9.30	\$55.50
12HIRPEAFF0202NPT	2" IPS x 2" NPT	-	-	-	-	2.375	0.264	5.31	2" NPT	0.70	2.62	4.72	10.04	\$56.67
12HIRPEAFF0303NPT	3" IPS x 3" NPT	-	-	-	-	3.500	0.389	4.50	3" NPT	1.02	3.74	5.51	10.00	\$98.09
12HIRPEAFF0404NPT	4" IPS x 4" NPT	-	-	-	-	4.500	0.500	8.60	4" NPT	1.09	4.76	5.75	14.30	\$123.23

PE4710 340PSI SDR7 • IPS

Code	Nominal Diameter ϕ (NDxThread)	Pack.	Q.ty pallet	Weight lb/p.	Volume ft ³ /p.	OD	S min	L1	Thread	L Thread	D2	L2	L	Price Each
12GIRPEAFF0101NPT	1" IPS x 1" NPT	-	-	-	-	1.315	0.188	3.90	1" NPT	0.66	1.50	3.00	6.90	\$23.35
12GIRPEAFF114114NPT	1"½ IPS x 1"½ NPT	-	-	-	-	1.660	0.237	5.70	1"½ NPT	0.68	1.90	3.60	9.30	\$51.88
12GIRPEAFF112112NPT	1"½ IPS x 1"½ NPT	-	-	-	-	1.900	0.271	5.70	1"½ NPT	0.68	2.11	3.60	9.30	\$56.50
12GIRPEAFF0202NPT	2" IPS x 2" NPT	-	-	-	-	2.375	0.339	5.31	2" NPT	0.70	2.62	4.72	10.04	\$57.11
12GIRPEAFF0303NPT	3" IPS x 3" NPT	-	-	-	-	3.500	0.500	4.50	3" NPT	1.02	3.74	5.51	10.00	\$100.12
12GIRPEAFF0404NPT	4" IPS x 4" NPT	-	-	-	-	4.500	0.643	8.60	4" NPT	1.09	4.76	5.75	14.30	\$125.37

TRANSITION FITTINGS



PE/STAINLESS STEEL FEMALE THREADED TRANSITION FITTINGS

Category 3

PE4710 230PSI SDR11 • IPS

Code	Nominal Diameter ϕ (NDxThread)	Pack.	Q.ty pallet	Weight lb/p.	Volume ft ³ /p.	OD	S min	L1	Thread	L Thread	D2	L2	L	Price Each
12EIRPEAFF0101SSNPT	1" IPS x 1" NPT	-	-	-	-	1.315	0.120	3.90	1" NPT	0.66	1.50	3.00	6.90	\$42.14
12EIRPEAFF114114SSNPT	1"¼ IPS x 1"¼ NPT	-	-	-	-	1.660	0.151	5.70	1"¼ NPT	0.68	1.90	3.60	9.30	\$67.98
12EIRPEAFF112112SSNPT	1"½ IPS x 1"½ NPT	-	-	-	-	1.900	0.173	5.70	1"½ NPT	0.68	2.11	3.60	9.30	\$73.28
12EIRPEAFF0202SSNPT	2" IPS x 2" NPT	-	-	-	-	2.375	0.216	5.31	2" NPT	0.70	2.62	4.72	10.04	\$85.97
12EIRPEAFF0303SSNPT	3" IPS x 3" NPT	-	-	-	-	3.500	0.318	4.50	3" NPT	1.02	3.74	5.51	10.00	\$167.88
12EIRPEAFF0404SSNPT	4" IPS x 4" NPT	-	-	-	-	4.500	0.409	8.60	4" NPT	1.09	4.76	5.75	14.30	\$240.89

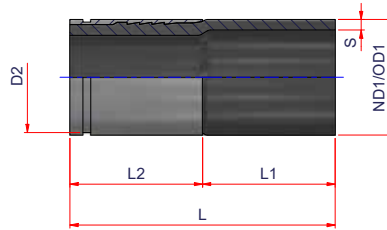
PE4710 300PSI SDR9 • IPS

Code	Nominal Diameter ϕ (NDxThread)	Pack.	Q.ty pallet	Weight lb/p.	Volume ft ³ /p.	OD	S min	L1	Thread	L Thread	D2	L2	L	Price Each
12HIRPEAFF0101SSNPT	1" IPS x 1" NPT	-	-	-	-	1.315	0.146	3.90	1" NPT	0.66	1.50	3.00	6.90	\$43.17
12HIRPEAFF114114SSNPT	1"¼ IPS x 1"¼ NPT	-	-	-	-	1.660	0.184	5.70	1"¼ NPT	0.68	1.90	3.60	9.30	\$68.18
12HIRPEAFF112112SSNPT	1"½ IPS x 1"½ NPT	-	-	-	-	1.900	0.211	5.70	1"½ NPT	0.68	2.11	3.60	9.30	\$79.00
12HIRPEAFF0202SSNPT	2" IPS x 2" NPT	-	-	-	-	2.375	0.264	5.31	2" NPT	0.70	2.62	4.72	10.04	\$86.51
12HIRPEAFF0303SSNPT	3" IPS x 3" NPT	-	-	-	-	3.500	0.389	4.50	3" NPT	1.02	3.74	5.51	10.00	\$169.39
12HIRPEAFF0404SSNPT	4" IPS x 4" NPT	-	-	-	-	4.500	0.500	8.60	4" NPT	1.09	4.76	5.75	14.30	\$243.66

PE4710 340PSI SDR7 • IPS

Code	Nominal Diameter ϕ (NDxThread)	Pack.	Q.ty pallet	Weight lb/p.	Volume ft ³ /p.	OD	S min	L1	Thread	L Thread	D2	L2	L	Price Each
12GIRPEAFF0101SSNPT	1" IPS x 1" NPT	-	-	-	-	1.315	0.188	3.90	1" NPT	0.66	1.50	3.00	6.90	\$43.80
12GIRPEAFF114114SSNPT	1"¼ IPS x 1"¼ NPT	-	-	-	-	1.660	0.237	5.70	1"¼ NPT	0.68	1.90	3.60	9.30	\$68.88
12GIRPEAFF112112SSNPT	1"½ IPS x 1"½ NPT	-	-	-	-	1.900	0.271	5.70	1"½ NPT	0.68	2.11	3.60	9.30	\$79.00
12GIRPEAFF0202SSNPT	2" IPS x 2" NPT	-	-	-	-	2.375	0.339	5.31	2" NPT	0.70	2.62	4.72	10.04	\$86.85
12GIRPEAFF0303SSNPT	3" IPS x 3" NPT	-	-	-	-	3.500	0.500	4.50	3" NPT	1.02	3.74	5.51	10.00	\$170.53
12GIRPEAFF0404SSNPT	4" IPS x 4" NPT	-	-	-	-	4.500	0.643	8.60	4" NPT	1.09	4.76	5.75	14.30	\$245.57

TRANSITION FITTINGS



PE/STEEL VICTAULIC TRANSITION FITTING GALVANIZED

Category 3

PE4710 160PSI SDR17 • IPS

Code	Nominal Diameter ϕ (NDxD2)	Pack.	Q.ty pallet	Weight lb/p.	Volume ft ³ /p.	OD	S min	D2	L1	L2	L	Price Each
12DIRPEAV0606	6" IPS x 6"	-	-	-	-	6.625	0.390	6"	8.00	5.00	13.00	\$123.50
12DIRPEAV0808	8" IPS x 8"	-	-	-	-	8.625	0.507	8"	9.00	6.00	15.00	\$156.35

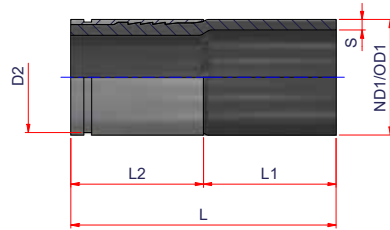
PE4710 230PSI SDR11 • IPS

Code	Nominal Diameter ϕ (NDxD2)	Pack.	Q.ty pallet	Weight lb/p.	Volume ft ³ /p.	OD	S min	D2	L1	L2	L	Price Each
12EIRPEAV0101	1" IPS x 1"	-	-	-	-	1.315	0.120	1"	3.90	2.44	6.34	\$24.61
12EIRPEAV114114	1 ¹ / ₄ " IPS x 1 ¹ / ₄ "	-	-	-	-	1.660	0.151	1 1/4"	5.70	2.99	8.69	\$29.29
12EIRPEAV0112112	1 ¹ / ₂ " IPS x 1 ¹ / ₂ "	-	-	-	-	1.900	0.173	1 1/2"	5.70	2.99	8.69	\$32.59
12EIRPEAV0202	2" IPS x 2"	-	-	-	-	2.375	0.216	2"	5.30	3.54	8.84	\$38.65
12EIRPEAV0303	3" IPS x 3"	-	-	-	-	3.500	0.318	3"	4.60	4.02	8.62	\$39.59
12EIRPEAV0404	4" IPS x 4"	-	-	-	-	4.500	0.409	4"	8.60	4.02	12.62	\$48.35
12EIRPEAV0606	6" IPS x 6"	-	-	-	-	6.625	0.602	6"	8.00	5.00	13.00	\$108.84
12EIRPEAV0808	8" IPS x 8"	-	-	-	-	8.625	0.784	8"	9.00	6.00	15.00	\$191.42

PE4710 300PSI SDR9 • IPS

Code	Nominal Diameter ϕ (NDxThread)	Pack.	Q.ty pallet	Weight lb/p.	Volume ft ³ /p.	OD	S min	D2	L1	L2	L	Price Each
12HIRPEAV0101	1" IPS x 1"	-	-	-	-	1.315	0.146	1"	3.90	2.44	6.34	\$26.10
12HIRPEAV114114	1 ¹ / ₄ " IPS x 1 ¹ / ₄ "	-	-	-	-	1.660	0.184	1 1/4"	5.70	2.99	8.69	\$31.68
12HIRPEAV0112112	1 ¹ / ₂ " IPS x 1 ¹ / ₂ "	-	-	-	-	1.900	0.211	1 1/2"	5.70	2.99	8.69	\$37.00
12HIRPEAV0202	2" IPS x 2"	-	-	-	-	2.375	0.264	2"	5.30	3.54	8.84	\$38.62
12HIRPEAV0303	3" IPS x 3"	-	-	-	-	3.500	0.389	3"	4.60	4.02	8.62	\$40.93
12HIRPEAV0404	4" IPS x 4"	-	-	-	-	4.500	0.500	4"	8.60	4.02	12.62	\$50.51
12HIRPEAV0606	6" IPS x 6"	-	-	-	-	6.625	0.736	6"	8.00	5.00	13.00	\$115.78
12HIRPEAV0808	8" IPS x 8"	-	-	-	-	8.625	0.958	8"	9.00	6.00	15.00	\$191.42

TRANSITION FITTINGS



PE/STEEL VICTAULIC TRANSITION FITTING GALVANIZED

Category 3

PE4710 340PSI SDR7 • **IPS**

Code	Nominal Diameter ϕ (NDxD2)	Pack.	Q.ty pallet	Weight lb/p.	Volume ft ³ /p.	OD	S min	D2	L1	L2	L	Price Each
12GIRPEAV0101	1" IPS x 1"	-	-	-	-	1.315	0.188	1"	3.90	2.44	6.34	\$26.70
12GIRPEAV114114	1 ³ / ₄ " IPS x 1 ¹ / ₄ "	-	-	-	-	1.660	0.237	1 1/4"	5.70	2.99	8.69	\$32.47
12GIRPEAV0112112	1 ¹ / ₂ " IPS x 1 ¹ / ₂ "	-	-	-	-	1.900	0.271	1 1/2"	5.70	2.99	8.69	\$37.00
12GIRPEAV0202	2" IPS x 2"	-	-	-	-	2.375	0.339	2"	5.30	3.54	8.84	\$38.65
12GIRPEAV0303	3" IPS x 3"	-	-	-	-	3.500	0.500	3"	4.60	4.02	8.62	\$41.90
12GIRPEAV0404	4" IPS x 4"	-	-	-	-	4.500	0.643	4"	8.60	4.02	12.62	\$52.87
12GIRPEAV0606	6" IPS x 6"	-	-	-	-	6.625	0.946	6"	8.00	5.00	13.00	\$112.46
12GIRPEAV0808	8" IPS x 8"	-	-	-	-	8.625	1.232	8"	9.00	6.00	15.00	\$197.10

2

EQUIPMENT & WELDING UNITS

EQUIPMENT

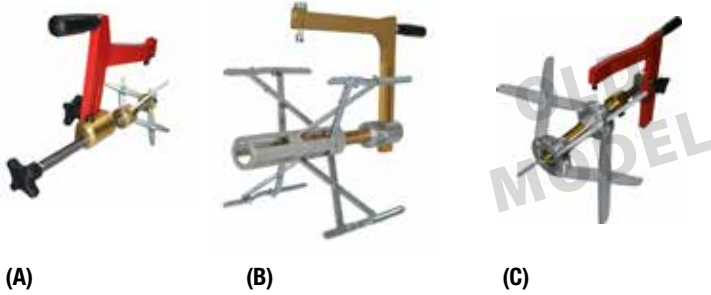
SCRAPERS

The scraper is the most important tool for the operator in charge of the welding procedure. Scraping the oxidized PE layer away from the external surface of the pipe is extremely important. The scraper can be positioned on pipes or on male butt welding fittings. The scraping depth is about 0,2 mm and the width is larger than the welding area of the maximum diameter.



HAND SCRAPER

Code	Pack.	Weight lb./p.	Volume ft³/p.	Price Each
00RAM1	10	0.308	0.1716	\$51.00



REVOLVING SCRAPER

Code	Type	Size	Pack.	Weight lb./p.	Volume ft³/p.	Price Each
00RAT1A	A	2 ½" ÷ 6"	1	10.560	0.8596	\$1,310.00
00RAT2A	B	8" ÷ 16"	1	18.480	0.9256	\$2,278.00
00RAT2A (OLD Model)	C					no longer available
SPARE BLADES FOR SCRAPERS						
50LAMARAT1A2A	for 00RAT1A and 00RAT2A (OLD Model Type C)					\$185.63
00RATRITLR	for 00RAT2A (NEW Model)					\$185.63

EQUIPMENT



(A)

(B)

(C)

REVOLVING SCRAPER

Code	Ø	Pack.	Weight lb./p.	Volume m ³ /p.	Price Each
00RAT1RIT (A)	1 ½" ÷ 6"	1	12.430	0.3904	\$3,256.25
00RAT2RIT (B)	1 ½" ÷ 12"	1	20.240	1.0965	\$3,937.50
00RAT3RIT (C)	14" ÷ 32"	1	58.520	5.7351	\$11,250.00
SPARE BLADES FOR REVOLVING SCRAPER					
00RATRITLR	<i>for all models</i>	1	0.170		\$185.63



(A)



(B)

ROTARY SCRAPER

The rotary scraper is designed for universal peeling at the pipe end for electrofusion couplings and tees, elbows and electrofusion saddle.

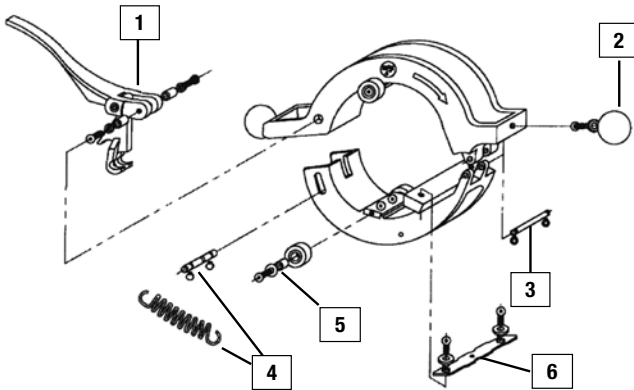
Code	Ø	Pack.	Weight lb./p.	Price Each
00RAT0612 (A)	1 ½" ÷ 6"	1	16.000	\$9,675.00
00RAT10 (B)	10" ÷ 32"	1	16.720	\$14,625.00

EQUIPMENT



ROTARY SCRAPER

Code	Nominal Size IPS	Weight lb./p.	Price Each
12EMS0114	1 1/4"	2.420	\$753.28
12EMS02	2"	2.120	\$813.20
12EMS03	3"	3.000	\$830.32
12EMS04	4"	3.400	\$851.72
12EMS06	6"	5.160	\$1,007.94
12EMS08	8"	6.180	\$1,136.34
12EMS01140	1 1/4" - 2" Insert Stiffener	-	\$60.99



Spare Parts nr.	Code	Nominal Size IPS	Price Each	Spare Parts nr.	Code	Nominal Size IPS	Price Each	Code	Nominal Size IPS	Price Each
1	LATCH ASSEMBLY KIT			4	SPRING KITS			WHEEL BLOCK		
	12ELATCHK11402	1 1/4" - 2"	\$156.22		12ESPRING11402	1 1/4" - 2"	\$33.17	12EBLOCK114	1 1/4"	\$48.15
	12ELATCHK0304	3" - 4"	\$156.22		12ESPRING0308	3" - 8"	\$34.24	12EBLOCK02	2"	\$41.73
	12ELATCHK0608	6" - 8"	\$156.22	5	WHEEL KIT			12EBLOCK03	3"	\$48.15
	12ELATCHKIT (*)		\$17.66		12EWHEELK11402	1 1/4" - 2"	\$28.89	12EBLOCK04	4"	\$44.94
2	KNOB ASSEMBLY KIT				12EWHEELK0304	3" - 4"	\$28.89	12EBLOCK06	6"	\$71.69
	12EKNOBK11402	1 1/4" - 2"	\$33.17		12EWHEELK06	6"	\$36.38	12EBLOCK08	8"	\$48.15
	12EKNOBK03	3"	\$33.17		12EWHEELK08	8"	\$52.43			
	12EKNOBK0308	3" - 8"	\$83.46	6	SPARE BLADES					
	12EKNOBK04	4"	\$35.31		12EBLADE1140203	1 1/4" - 2" - 3"	\$72.76			
	12EKNOBK0608	6" - 8"	\$46.01		12EBLADE02	2"	\$72.76			
3	MAIN HINGE KIT				12EBLADE04	4"	\$88.81			
	12EMHINGE11404	1 1/4" - 4"	\$21.94		12EBLADE0608	6" - 8"	\$104.86			
	12EMINGHE0608	6" - 8"	\$23.01							

(*) Handle/frame bushing kit (2 bushings + 2 screws)

EQUIPMENT



ALIGNER WITH BELTS

Available in three different dimensional ranges up to diameters 2", 8" and 16".
Every tool has four locking points and a swivel joining part to perform all angles.

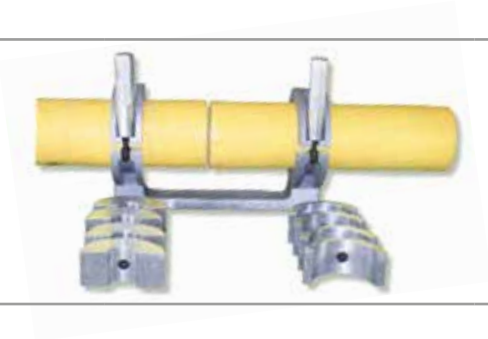
Code	Nominal Size IPS	Pack.	Weight lb./p.	Volume ft ³ /p.	Price Each
00ALL063/4	½" - 2"	1	10.560	0.5933	\$900.00
00ALL225/4	1"½ - 8"	1	45.760	2.2693	\$1,575.00
00ALL315/4	10" - 16"	1	191.400	11.9188	\$7,875.00



SERVICE TUBING ALIGNMENT CLAMPS

Code	Nominal Size IPS	Pack.	Price Each
TUBING CLAMPS			
12EPIPECLM12C	½" CTS	1	\$294.25
12EPIPECLM12I	½" IPS	1	\$294.25
12EPIPECLM34I	¾" IPS	1	\$294.25
12EPIPECLM1C	1" CTS	1	\$294.25
12EPIPECLM1I	1" IPS	1	\$294.25
COMBINATION CLAMPS			
12ECLM34I12C12C	¾" IPS x ½" CTS x ½" CTS	1	\$361.66
12ECLM34I12C12I	¾" IPS x ½" CTS x ½" IPS	1	\$361.66
REDUCER CLAMPS			
12ERDCLM34I12C	¾" IPS x ½" CTS	1	\$294.25
12ERDCLM1C34I1	1" CTS x ¾" IPS	1	\$294.25
12ERDCLM1I34I	1" IPS x ¾" IPS	1	\$294.25
12ERDCLM1C12C	1" CTS x ½" CTS	1	\$273.92
12ERDCLM1I1C	1" IPS x 1" CTS	1	\$273.92

EQUIPMENT



MAIN SIZE ALIGNMENT CLAMPS

Code	Nominal Size IPS	Pack.	Weight lb./p.	Price Each
12ECLAMP02	2" IPS Clamp	1	2.992	\$671.96
12ESHELLS114	1"¼ Shells	1	2.992	\$166.92
12EHANDLE04	Hex Handle Assembly for 4" Clamp	1	-	\$142.31
12EHANDLE08	Hex Handle Assembly for 8" Clamp	1	-	\$163.71
12ECLAMPREPCK	2" Clamp Repair Kit	1	-	\$132.68
12ECLAMPSH114	1"¼ Shells	1	-	\$184.04
12ECLAMPSH02	2" Shells	1	-	\$203.30
12ECLAMPSH03	3" Shells	1	-	\$203.30
12ECLAMPSH04	4" IPS Clamp	1	-	\$749.00
12ECLAMPSH0608	6" Shells for 8" IPS	1	-	\$492.20
12ECLAMPSH08	8" IPS Clamp	1	-	\$1,291.49



ALIGNER FOR 6" IPS

Aligner for butt fusion repair sleeve 6" IPS with reduction until 4".

Code	Nominal Size IPS	Pack.	Weight lb./p.	Price Each
00ALBFRS6	6"-5"-4"	1	41.360	\$2,800.00
00REDBFRS4	REDUCING 6" - 4" IPS			\$620.00



CLEANER FOR PE, PP, PVDF, PB

Code	Description	Pack.	Weight lb./p.	Volume ft ³ /p.	Price Each
00LID1	1000 ml bottle	12	2.200	0.6862	\$67.00

EQUIPMENT



PIPE DRILLING MACHINE FOR NETWORKS UNDER PRESSURE

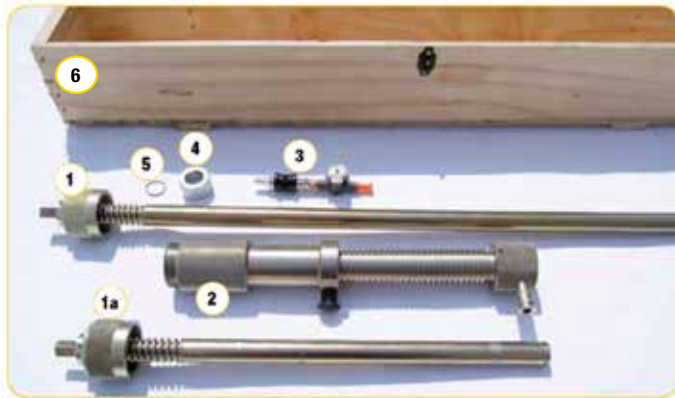
The drilling machine for high volume branch saddles has special sealed chambers to easily drill both pipes conveying gas or water under pressure and sewage pipes.

Thanks to interchangeable cutters (code 00FFxxx) and adapters (code 00FAxxx) it is possible to drill main pipelines from 3" to 40" with service lines from 2" to 6".

The basic machine is composed of:

1. Long shaft to drill under pressure and non-pressured lines
- 1a. Short shaft for non-pressured drilling
2. Body with threaded shaft, vent valve and safety lock
3. Pressure gauge with valve for pressure measuring and depressurizing
4. Ring nut for cutter holding
5. Seeger ring

Ratchet wrench, milling cutters and adapter are available separately.



WATCH OUR VIDEO INSTRUCTIONS ON OUR CHANNEL



Code	Description	Nominal Size (Pipelines) IPS	Nominal Size (Service line) IPS	Weight lb./p.	Volume ft ³ /p.	Price Each
00FP	COMPLETE MACHINE	3" ÷ 40"	2" ÷ 6"	30.800	0.4863	\$9,700.00
ACCESSORIES (not included)						
00KPS	SAFETY KIT FOR DRILLING MACHINE (7)					\$311.00
00FPWRENCH	WRENCH 3/4" USAG 237-D					\$838.00
00KP212NPT	KIT FOR BRASS OUTLET FITTING (for item 12EIPAL..)					\$1,600.00
SPARE PARTS						
00FPSHAFTL	LONG SHAFT TO DRILL UNDER PRESSURE AND NON-PRESSURED LINES (1)					\$2,262.00
00FPSHAFT55	55" LONG SHAFT TO DRILL UNDER PRESSURE AND NON-PRESSURED LINES (1b)					\$2,625.00
00FPSHAFTS	SHORT SHAFT TO DRILL UNDER PRESSURE AND NON-PRESSURED LINES (1a)					\$2,000.00
00FPGUAGE	PRESSURE GAUGE WITH VALVE FOR PRESSURE MEASURING AND DEPRESSURIZING (3)					\$504.00
00FPNUT	RING NUT (4)					\$99.00
00KITORFP	O'RING KIT (2 ea. SEEGER RING & ELASTIC PLUGS, UPPUER O'RING) (5)					\$38.25
00FPBOX1	TRANSPORTING BOX (6)					\$2,010.00

EQUIPMENT



ADAPTER FOR DRILLING MACHINE

Code	Nominal Size (Service line) IPS	Pack.	Weight lb./p.	Price Each
00IFA02	2"	1	3.960	\$2,010.00
00IFA03	3"	1	7.920	\$2,663.00
00IFA04	4"	1	9.240	\$2,900.00
00IFA06	6"	1	10.120	\$3,740.00
00IFA08	8"	1	-	\$6,000.00



DRILLING CUTTER FOR DRILLING MACHINE

Code	Nominal Size (Service line) IPS	Drilling hole \emptyset	Pack.	Price Each
00FF0632	2"	1.75"	1	\$927.00
00FF0903	3"	2.75"	1	\$1,150.00
00FF1104	4"	2.75"	1	\$1,310.00
00FF1606	6"	4.72"	1	\$1,960.00
00FF20008	8"	6.00"	1	\$3,650.00



Nupi welding APP



USB PORT



Electrofusion welding



Manufactured and Commercialized by:
NUPI Industrie Italiane
www.nupiindustrieitaliane.com - Info@nupinet.com



WELDING UNITS

MULTIFUNCTION WELDING UNIT INCORPORATED IN PELICAN CASE WITH BARCODE SCANNER LIGHT VERSION



Incorporated in the most innovative waterproof case (PELI). The case is watertight, waterproof, sand-proof, dust proof and able to withstand harsh environments and shocks. It is certified to withstand temperature rating from -28 to +194 °F and is in fact the ideal means of transportation for sensitive devices.

TECHNICAL CHARACTERISTICS:

Conforms with CE requirements. Conforms with UNI 10566 – MULTIFUNCTION type
Barcode reader conforming with ISO 13950 and manual setting of time and voltage
Illuminated display with 4 lines, 20 characters each
Memory for 10.000 welding cycles
8 Memories with 500 parameters each for pressure tests
Fitting working range up to 40 Amp. maximum peak
Ambient temperature sensor
Power supply: 115V E 50Hz/60Hz
Maximum power: 1500 VA
Minimum power supply: 3 Kw
Output voltage: from 5 to 42 V
Power cable: L= 13.1 ft
Welding cable: L= 13.1 ft
Connectors - ø4 mm (art. 00S8305) with adaptors for ø4.7 mm (00S8203)
Dimensions: 20"x 16"x H 8"
Weight: 35 lb
Degree of protection: IP 54
Working temperature: from 0° to + 131°F

BASIC EQUIPMENT SUPPLIED WITH THE WELDING UNIT:

- User's handbook on hardware support and quick guide on paper
- USB key (2GB) to download data (welding report and pressure test)
- Shipping box integrated
- Barcode scanner
- Adapters with ø4,7 mm pins

ADDITIONAL EQUIPMENT AND SPARES:

- 00SENS: Pressure test unit

Code	Voltage	Nominal Size (Service line) IPS	Pack.	Weight lb./p.	Volume ft³/p.	Price Each
00E9001LP/110	110V	COUPLERS ½" ÷ 6" SADDLES ALL SIZES	1	35.000	1.4814	\$4,800.00

WELDING UNITS

MULTIFUNCTION WELDING UNIT INCORPORATED IN PELICAN CASE WITH BARCODE SCANNER



Incorporated in the most innovative waterproof case (PELI). The case is watertight, waterproof, sand-proof, dust proof and able to withstand harsh environments and shocks. It is certified to withstand temperature rating from -28 to +194 °F and is in fact the ideal mean of transportation for sensitive devices.

TECHNICAL CHARACTERISTICS:

Conforms with CE requirements. Conforms with UNI 10566 – MULTIFUNCTION type
Barcode reader conforming with ISO 13950 and manual setting of time and voltage
Illuminated display with 4 lines, 20 characters each
Memory for 10.000 welding cycles
8 Memories with 500 parameters each for pressure tests
Fitting working range up to 70 Amp. maximum peak
Ambient temperature sensor
Power supply: 230V - 115V 50Hz/60Hz
Maximum power: 2000 VA
Minimum power supply: 4 Kw
Output voltage: from 5 to 42 V
Power cable: L= 13.1 ft
Welding cable: L= 13.1 ft
Connectors - ø4 mm (art. 00S8305) with adaptors for ø4.7 mm (00S8203)
Dimensions: 23.78"x 18.33"x 12.08"
Weight: 44 lb
Degree of protection: IP 54
Working temperature: from 0° to + 131°F

BASIC EQUIPMENT SUPPLIED WITH THE WELDING UNIT:

- User's handbook on hardware support and quick guide on paper
- USB key (2GB) to download data (welding report and pressure test)
- Shipping box integrated
- Barcode scanner
- Adapters with ø4,7 mm pins

ADDITIONAL EQUIPMENT AND SPARES:

- 00SENS: Pressure test unit

Code	Voltage	Nominal Size (Service line) IPS	Pack.	Weight lb./p.	Volume ft³/p.	Price Each
00E9001P/110	110V	COUPLERS ½" ÷ 16" SADDLES ALL SIZES	1	44.000	3.0471	\$7,600.00
00E9001P/230	230V	COUPLERS ½" ÷ 16" SADDLES ALL SIZES	1	44.000	3.0471	\$7,600.00

WELDING UNITS



Nupi Welding Cloud



MULTIFUNCTION - *SMART* - WELDING UNIT INCORPORATED IN PELICAN CASE *LIGHT VERSION*

The new welding unit as the SMARTWELD associated with the APP 'Nupi Welding Cloud' allows a 360° management of all information related to the construction site, the weld itself, the traceability of the products installed, the mapping using GPS tracking as well all testing activities later. Incorporated in the most innovative waterproof case (PEL). The case is watertight, waterproof, sand-proof, dust proof and able to with stand harsh environments and shocks. It is certified to withstand temperature rating from -28 to +194 °F and is in fact the ideal mean of transportation for sensitive devices.

TECHNICAL CHARACTERISTICS:

Conforms with CE requirements. Conforms with UNI 10566 – MULTIFUNCTION type
Barcode reader conforming with ISO 13950 and manual setting of time and voltage
Illuminated display with 4 lines, 20 characters each
Memory for 10.000 welding cycles
8 Memories with 500 parameters each for pressure tests
Fitting working range up to 40 Amp. maximum peak
Ambient temperature sensor
Power supply: 115V - 50Hz/60Hz
Maximum power: 1500 VA
Minimum power supply: 3 Kw
Output voltage: from 5 to 42 V
Power cable: L= 13.1 ft
Welding cable: L= 13.1 ft
Connectors - ø4 mm (art. 00S8305) with adaptors for ø4.7 mm (00S8203)
Dimensions: 20"x 16"x H 8"
Weight: 35 lb
Degree of protection: IP 54
Working temperature: from 0° to + 131°F

BASIC EQUIPMENT SUPPLIED WITH THE WELDING UNIT:

- User's handbook on hardware support and quick guide on paper
- USB key (2GB) to download data (welding report and pressure test)
- Shipping box integrated
- Barcode scanner
- Adapters with ø4,7 mm pins

ADDITIONAL EQUIPMENT AND SPARES:

- 00SENS: Pressure test unit

Code	Voltage	Nominal Size (Service line) IPS	Pack.	Weight lb./p.	Volume ft³/p.	Price Each
00SMARTWELDL/110	110V	COUPLERS ½" ÷ 6" SADDLES ALL SIZE	1	35.000	1.4814	\$5,900.00

WELDING UNITS



Nupi Welding Cloud



BASIC EQUIPMENT SUPPLIED WITH THE WELDING UNIT:

- User's handbook on hardware support and quick guide on paper
- USB key (2GB) to download data (welding report and pressure test)
- Shipping box integrated
- Barcode scanner
- Adapters with $\varnothing 4,7$ mm pins

ADDITIONAL EQUIPMENT AND SPARES:

- 00SENS: Pressure test unit

MULTIFUNCTION - *SMART* - WELDING UNIT INCORPORATED IN PELICAN CASE

The new welding unit as the SMARTWELD associated with the APP 'Nupi Welding Cloud' allows a 360° management of all information related to the construction site, the weld itself, the traceability of the products installed, the mapping using GPS tracking as well all testing activities later. Incorporated in the most innovative waterproof case (PELI). The case is watertight, waterproof, sand-proof, dust proof and able to with stand harsh environments and shocks. It is certified to withstand temperature rating from -28 to +194 °F and is in fact the ideal mean of trasportation for sensitive devices.

TECHNICAL CHARACTERISTICS:

Conforms with CE requirements. Conforms with UNI 10566 – MULTIFUNCTION type
Barcode reader conforming with ISO 13950 and manual setting of time and voltage
Illuminated display with 4 lines, 20 characters each
Memory for 10.000 welding cycles
8 Memories with 500 parameters each for pressure tests
Fitting working range up to 70 Amp. maximum peak
Ambient temperature sensor
Power supply: 115V - 50Hz/60Hz
Maximum power: 2000 VA
Minimum power supply: 4 Kw
Output voltage: from 5 to 42 V
Power cable: L= 13.1 ft
Welding cable: L= 13.1 ft
Connectors - $\varnothing 4$ mm (art. 00S8305) with adaptors for $\varnothing 4.7$ mm (00S8203)
Dimensions: 23.78"x 18.33"x H 12.08"
Weight: 44 lb
Degree of protection: IP 54
Working temperature: from 0° to + 131°F

Code	Voltage	Nominal Size (Service line) IPS	Pack.	Weight lb./p.	Volume ft³/p.	Price Each
00SMARTWELD/110	110V	COUPLERS ½" ÷ 16" SADDLES ALL SIZE	1	44.000	3.0471	\$8,500.00
00SMARTWELD/230	230V	COUPLERS ½" ÷ 16" SADDLES ALL SIZE	1	44.000	3.0471	\$8,500.00

WELDING UNITS

AUTOMATIC MULTIFUNCTION WELDING UNIT WITH BARCODE SCANNER



TECHNICAL CHARACTERISTICS:

Conforms with CE requirements. Conforms with UNI 10566 – MULTIFUNCTION type
Barcode reader conforming with ISO 13950 and manual setting of time and voltage
Illuminated display with 4 lines, 20 characters each
Memory for 10.000 welding cycles
8 Memories with 500 parameters each for pressure tests
Fitting working range up to 100 Amp. maximum peak
Ambient temperature sensor
Power supply: 115V - 50Hz/60Hz
Maximum power: 2500 VA
Output voltage: from 5 to 42 V
Power cable: L= 13.1 ft
Welding cable: L= 13.1 ft
Connectors - \varnothing 4 mm (art. 00S8305) with adaptors for \varnothing 4.7 mm (00S8203)
Dimensions: 13"x 18"x H 8"
Weight: 55.44 lb
Degree of protection: IP 54
Working temperature: from 0° to + 131°F

BASIC EQUIPMENT SUPPLIED WITH THE WELDING UNIT

- User's handbook on hardware support and quick guide on paper
- USB key (2GB) to download data (welding report and pressure test)
- Shipping box
- Scanner for barcode input
- Adapters with \varnothing 4,7 mm pins

ADDITIONAL EQUIPMENT

- 00GPS: Global Positioning System
- 00SENS: Pressure test unit

Code	Voltage	Nominal Size (Service line) IPS	Pack.	Weight lb./p.	Volume ft ³ /p.	Price Each
00E9001/110	110V	½" - 24"	1	55.440	0.1872	\$6,500.00
00E9001/230	230V	½" - 24"	1	55.440	0.1872	\$6,500.00

WELDING UNITS

AUTOMATIC MULTIFUNCTION WELDING UNIT WITH BARCODE SCANNER LIGHT VERSION



BASIC EQUIPMENT SUPPLIED WITH THE WELDING UNIT:

- User's handbook on hardware support and quick guide on paper
- USB key (2GB) to download data (welding report and pressure test)
- Shipping box
- Barcode scanner
- Adapters with $\varnothing 4,7$ mm pins

ADDITIONAL EQUIPMENT AND SPARES:

- OOSENS: Pressure test unit

TECHNICAL CHARACTERISTICS:

Conforms with CE requirements. Conforms with UNI 10566 – MULTIFUNCTION type
Barcode reader conforming with ISO 13950 and manual setting of time and voltage
Illuminated display with 4 lines, 20 characters each
Memory for 10.000 welding cycles
8 Memories with 500 parameters each for pressure tests
Fitting working range up to 40 Amp. maximum peak
Ambient temperature sensor
Power supply: 115V - 50Hz/60Hz
Maximum power: 1000 VA
Output voltage: from 5 to 42 V
Power cable: L= 13.1 ft
Welding cable: L= 13.1 ft
Connectors - $\varnothing 4$ mm (art. 00S8305) with adaptors for $\varnothing 4.7$ mm (00S8203)
Dimensions: 11"x 12"x H 6"
Weight: 29 lb
Degree of protection: IP 54
Working temperature: from 0° to + 131°F

Code	Voltage	Nominal Size (Service line) IPS	Pack.	Weight lb./p.	Volume ft ³ /p.	Price Each
00E9001L/110	110V	COUPLERS ½" ÷ 6" SADDLES ALL SIZE	1	29.000	0.4583	\$4,200.00

WELDING UNITS



AUTOMATIC MULTIFUNCTION WELDING UNIT WITH BARCODE SCANNER *SUPER LIGHT VERSION*

TECHNICAL CHARACTERISTICS:

Conforms with CE requirements. Conforms with UNI 10566 – MULTIFUNCTION type
Barcode reader conforming with ISO 13950 and manual setting of time and voltage
Illuminated display with 4 lines, 20 characters each
Fitting working range up to 20 Amp. maximum peak
Ambient temperature sensor
Power supply: 115V - 50Hz/60Hz
Maximum power: 500 VA
Output voltage: from 5 to 42 V
Power cable: L= 13.1 ft
Welding cable: L= 13.1 ft
Connectors - $\varnothing 4$ mm (art. 00S8305) with adaptors for $\varnothing 4.7$ mm (00S8203)
Dimensions: 8.2"x 4.5"x H 7"
Weight: 16 lb
Degree of protection: IP 54
Working temperature: from 0° to + 131°F

BASIC EQUIPMENT SUPPLIED WITH THE WELDING UNIT

- User's handbook on hardware support and quick guide on paper
- Barcoe scanner
- Adapters with $\varnothing 4,7$ mm pins

ADDITIONAL EQUIPMENT

- 00BCSCAN: Barcode scanner

Code	Voltage	Nominal Size (Service line) IPS	Pack.	Weight lb./p.	Volume ft ³ /p.	Price Each
00E9001SL/110	110V	COUPLERS $\frac{1}{2}$ " \div 2" SADDLES WITH OUTLET $\frac{1}{2}$ " \div 2"	1	16.00	0.1412	\$3,700.00

WELDING UNITS - ADDITIONAL EQUIPMENT AND SPARE PARTS

(A)



PAIR OF PINS

(B)



(C)



Code	TYPE	Nominal Size	Pack.		Price Each
00S8305	A	4 mm Female	1+1	Connectors	\$120.00
00S8203	B	4 mm M x 4.7 mm F	1+1	Adapters	\$120.00
00S8306		4 mm Female	1+1	Adapters for Super Light Welding Unit	\$120.00
00S8202	B	4.7 mm M x 4 mm F	1+1	Adapters	\$120.00
00CONN44L	C	4 mm Female Long	1+1	Adapters for preinsulated fittings	\$120.00



BARCODE SCANNER

Barcode reading system

Code	Pack.	Price Each
00BCSCAN	1	\$363.40

EIOPRESS

3

COMPRESSION FITTINGS

TECHNICAL INFORMATION

THE MATERIAL:

- ◇ BODY IN BLACK PP
- ◇ NUT IN LIGHT BLUE ACETAL COPOLYMER POM
- ◇ GASKET IN NBR 70 SHORE
- ◇ SPLIT RING IN WHITE POLYACETAL

FIELD OF USE: PE100, PE80, PE63, PE40, PE32 PIPES

INTERNATIONAL STANDARD: ACCORDING TO ISO 14236-2000

ASSEMBLY INSTRUCTIONS

Cut the pipe with the pipe cutter, chamfer and clean the pipe before installation!

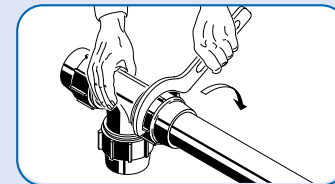
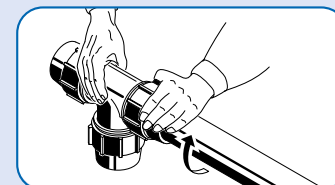
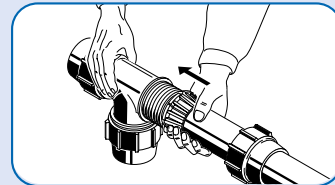
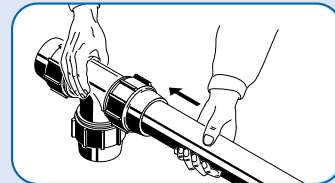
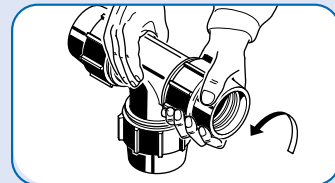
Unscrew the nut and the split ring. Put the pipe through the nut and the split ring- with the conic part facing the nut.

Insert the pipe into the body until bottoms out.

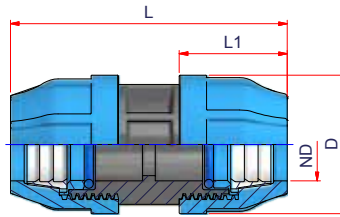
Slide the split ring until it reaches the body of the fitting.

Tighten the nut on the body of the fitting.

Use a wrench to completely tighten the nut.

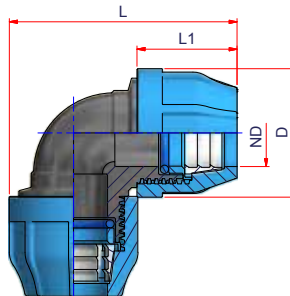


COMPRESSION FITTINGS



COUPLER

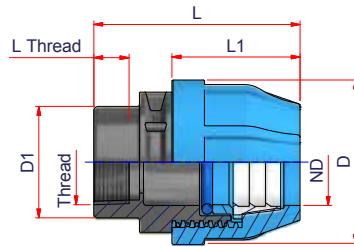
Code	Nominal Size IPS	Pack.	Q.ty pallet	Weight lb/p.	Volume ft ³ /p.	ND (IPS)	D	L1	L	Price Each
10KIMAN34	¾"	35	1820	0.314	0.0191	¾"	2.09	1.77	4.45	\$9.63
10KIMAN01	1"	20	1040	0.495	0.0335	1"	2.57	2.09	5.35	\$12.31
10KIMAN114	1¼"	12	624	0.880	0.0558	1¼"	3.19	2.48	6.38	\$19.26
10KIMAN02	2"	23	276	1.970	0.1229	2"	4.41	3.30	8.43	\$35.85



90° ELBOW

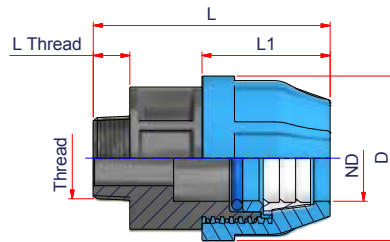
Code	Nominal Size IPS	Pack.	Q.ty pallet	Weight lb/p.	Volume ft ³ /p.	ND (IPS)	D	L1	L	Price Each
10KIG34	¾"	30	1560	0.301	0.0222	¾"	2.09	1.77	3.90	\$9.10
10KIG01	1"	20	1040	0.506	0.0335	1"	2.57	2.09	4.67	\$13.91
10KIG114	1¼"	8	416	0.880	0.0837	1¼"	3.19	2.48	5.65	\$17.66
10KIG02	2"	19	228	2.142	0.1487	2"	4.41	3.30	7.94	\$42.80

COMPRESSION FITTINGS



FEMALE STRAIGHT ADAPTER

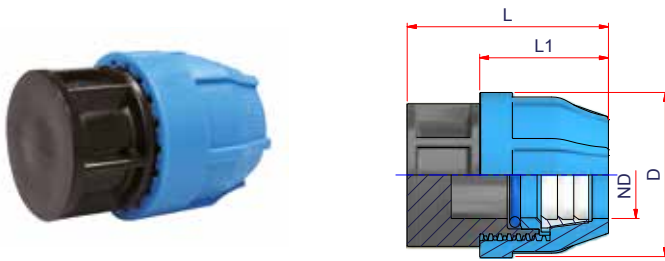
Code	Nominal Size IPS x NPT	Pack.	Q.ty pallet	Weight lb/p.	Volume ft ³ /p.	ND (IPS)	Thread	L Thread	D1	D	L1	L	Price Each
10KIRFF3434NPT	¾" x ¾" NPT	30	2700	0.161	0.0127	¾"	¾" NPT	0.62	1.49	2.09	1.77	3.12	\$10.70
10KIRFF0101NPT	1" x 1" NPT	35	1820	0.277	0.0191	1"	1" NPT	0.68	1.77	2.57	2.09	3.46	\$9.10
10KIRFF114114NPT	1"¼ x 1"¼ NPT	20	1040	0.462	0.0335	1"¼	1"¼ NPT	0.88	2.16	3.19	2.48	4.02	\$12.31
10KIRFF0202NPT	2" x 2" NPT	32	384	1.258	0.0883	2"	2" NPT	0.72	2.98	4.41	3.30	5.74	\$26.22



MALE STRAIGHT ADAPTER

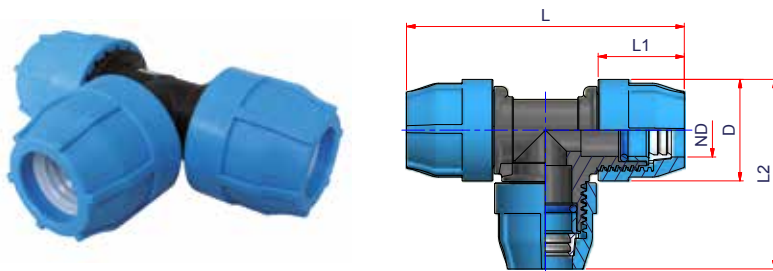
Code	Nominal Size IPS	Pack.	Q.ty pallet	Weight lb/p.	Volume ft ³ /p.	ND (IPS)	Thread	L Thread	D	L1	L	Price Each
10KIRFM3434NPT	¾" x ¾" NPT	30	2700	0.183	0.0127	¾"	¾" NPT	0.55	2.09	1.77	3.20	\$6.96
10KIRFM0101NPT	1" x 1" NPT	35	1820	0.280	0.0191	1"	1" NPT	0.75	2.57	2.09	4.02	\$9.10
10KIRFM114114NPT	1"¼ x 1"¼ NPT	18	936	0.495	0.0370	1"¼	1"¼ NPT	0.71	3.19	2.48	4.61	\$11.77
10KIRFM0202NPT	2" x 2" NPT	32	384	1.213	0.0883	2"	2" NPT	1.01	4.41	3.30	5.33	\$23.01

COMPRESSION FITTINGS



END FITTING

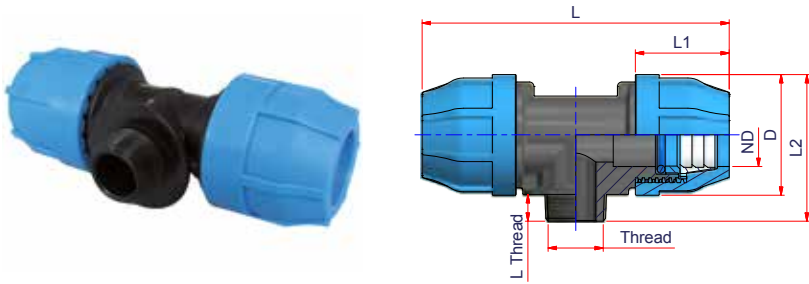
Code	Nominal Size IPS	Pack.	Q.ty pallet	Weight lb/p.	Volume ft ³ /p.	ND (IPS)	D	L1	L	Price Each
10KITAPPO34	¾"	30	2880	0.205	0.0106	¾"	2.09	1.77	2.64	\$6.96
10KITAPPO1	1"	40	2080	0.256	0.0166	1"	2.57	2.09	3.27	\$10.70
10KITAPPO114	1¼"	12	1056	0.477	0.0244	1¼"	3.19	2.48	3.90	\$13.91
10KITAPPO2	2"	15	405	2.694	0.0848	2"	4.41	3.30	5.05	\$34.78



EQUAL TEE

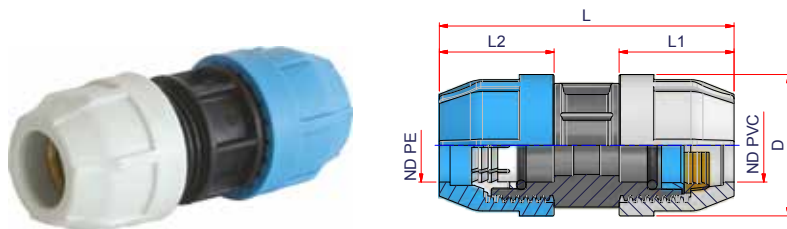
Code	Nominal Size IPS	Pack.	Q.ty pallet	Weight lb/p.	Volume ft ³ /p.	ND (IPS)	D	L1	L2	L	Price Each
10KIT34	¾"	20	1040	0.429	0.0335	¾"	2.09	1.77	3.90	5.70	\$13.38
10KIT1	1"	10	520	0.880	0.0667	1"	2.57	2.09	4.68	6.77	\$17.66
10KIT114	1¼"	6	288	1.393	0.0989	1¼"	3.19	2.48	5.67	8.11	\$23.01
10KIT2	2"	13	156	3.114	0.2172	2"	4.41	3.30	8.07	10.89	\$56.71

COMPRESSION FITTINGS



MALE TEE THREADED

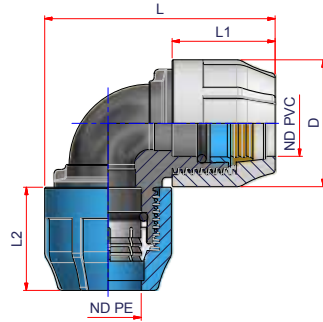
Code	Nominal Size IPS	Pack.	Q.ty pallet	Weight lb/p.	Volume ft ³ /p.	ND (IPS)	Thread	L Thread	D	L1	L2	L	Price Each
10KITM3434NPT	¾"	-	-	-	-	¾"	¾" NPT	0.55	2.09	1.77	2.64	5.71	\$13.38
10KITM11NPT	1"	-	-	-	-	1"	1" NPT	0.75	2.57	2.09	3.27	6.78	\$20.33
10KITM114114NPT	1"¼	-	-	-	-	1"¼	1"¼ NPT	0.71	3.19	2.48	3.88	8.11	\$23.01
10KITM0202NPT	2"	-	-	-	-	2"	2" NPT	1.01	4.41	3.30	5.42	10.89	\$52.43



TRANSITION COUPLER PE-PVC

Code	Nominal Size IPS	Pack.	Q.ty pallet	Weight lb/p.	Volume ft ³ /p.	ND PE (IPS)	D	L1	ND PVC (IPS)	L2	L	Price Each
10KIMAN3434PVC	¾" - ¾"	25	1300	0.418	0.0268	¾"	2.09	1.77	¾"	1.77	3.87	\$11.77
10KIMAN0101PVC	1" - 1"	20	960	0.561	0.0297	1"	2.57	2.09	1"	2.09	4.67	\$13.38
10KIMAN114114PVC	1"¼ - 1"¼	12	576	1.045	0.0494	1"¼	3.19	2.48	1"¼	2.48	5.15	\$23.01
10KIMAN0202PVC	2" - 2"	5	260	2.244	0.1338	2"	4.41	3.30	2"	3.30	8.43	\$96.84

COMPRESSION FITTINGS



TRANSITION ELBOW 90° PE-PVC

Code	Nominal Size IPS	Pack.	Q.ty pallet	Weight lb/p.	Volume ft ³ /p.	ND PE (IPS)	D	L1	ND PVC (IPS)	L2	L	Price Each
10KIG3434PVC	¾" - ¾"	20	1040	0.479	0.0335	¾"	2.09	1.77	¾"	1.77	3.90	\$11.77
10KIG0101PVC	1" - 1"	18	864	0.587	0.0328	1"	2.57	2.09	1"	2.09	4.67	\$13.38
10KIG114114PVC	1¼" - 1¼"	9	432	1.149	0.0657	1¼"	3.19	2.48	1¼"	2.48	5.65	\$25.68
10KIG0202PVC	2" - 2"	-	-	-	-	2"	4.41	3.30	2"	3.30	7.94	\$96.84

TRANSITION KIT



CONVERSION KIT PE-PVC 3/4"

Code	Nominal Size IPS	Price Each
10KITPVC34	3/4"	\$11.77



CONVERSION KIT PE-PVC 1"

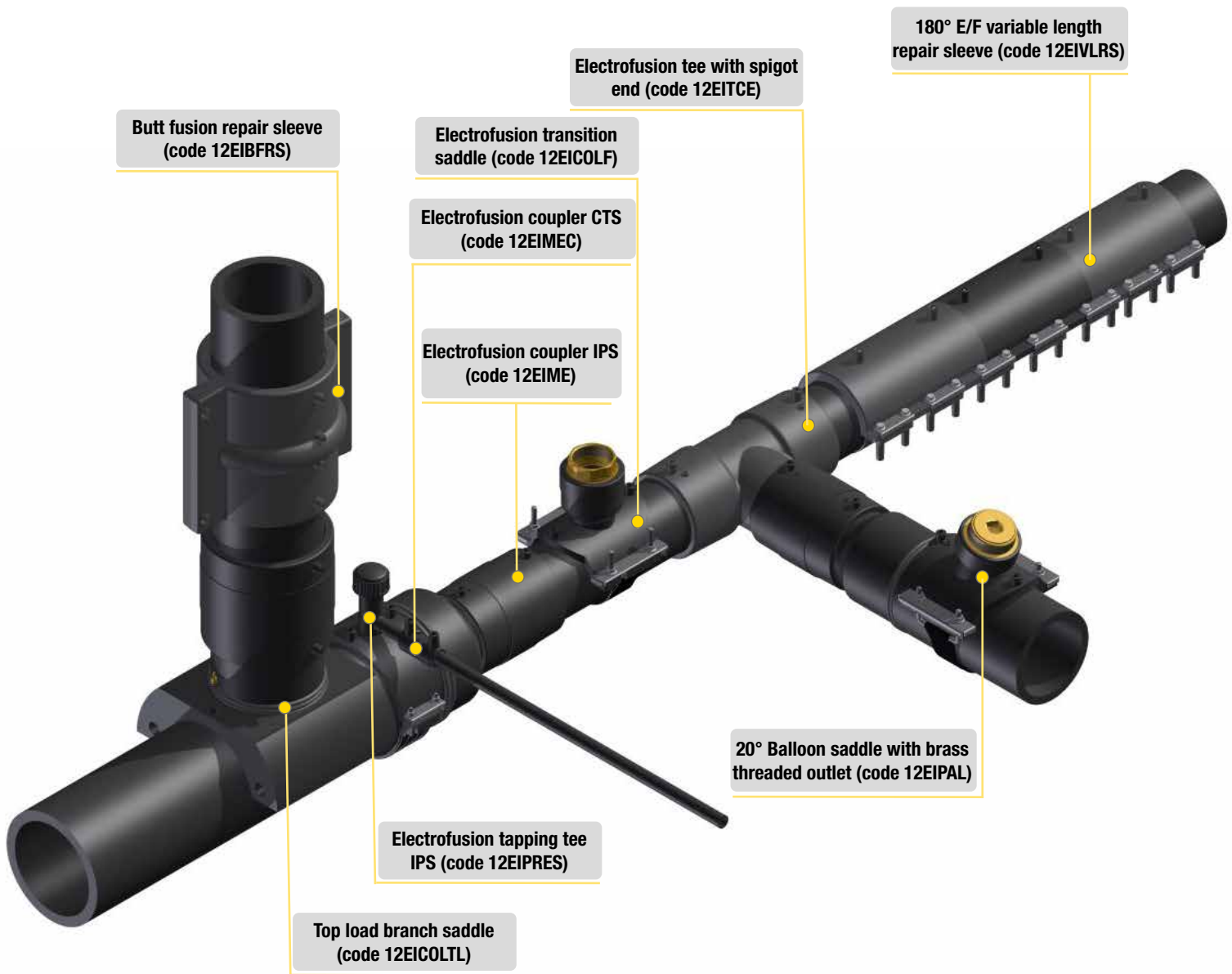
Code	Nominal Size IPS	Price Each
10KITPVC1	1"	\$11.77



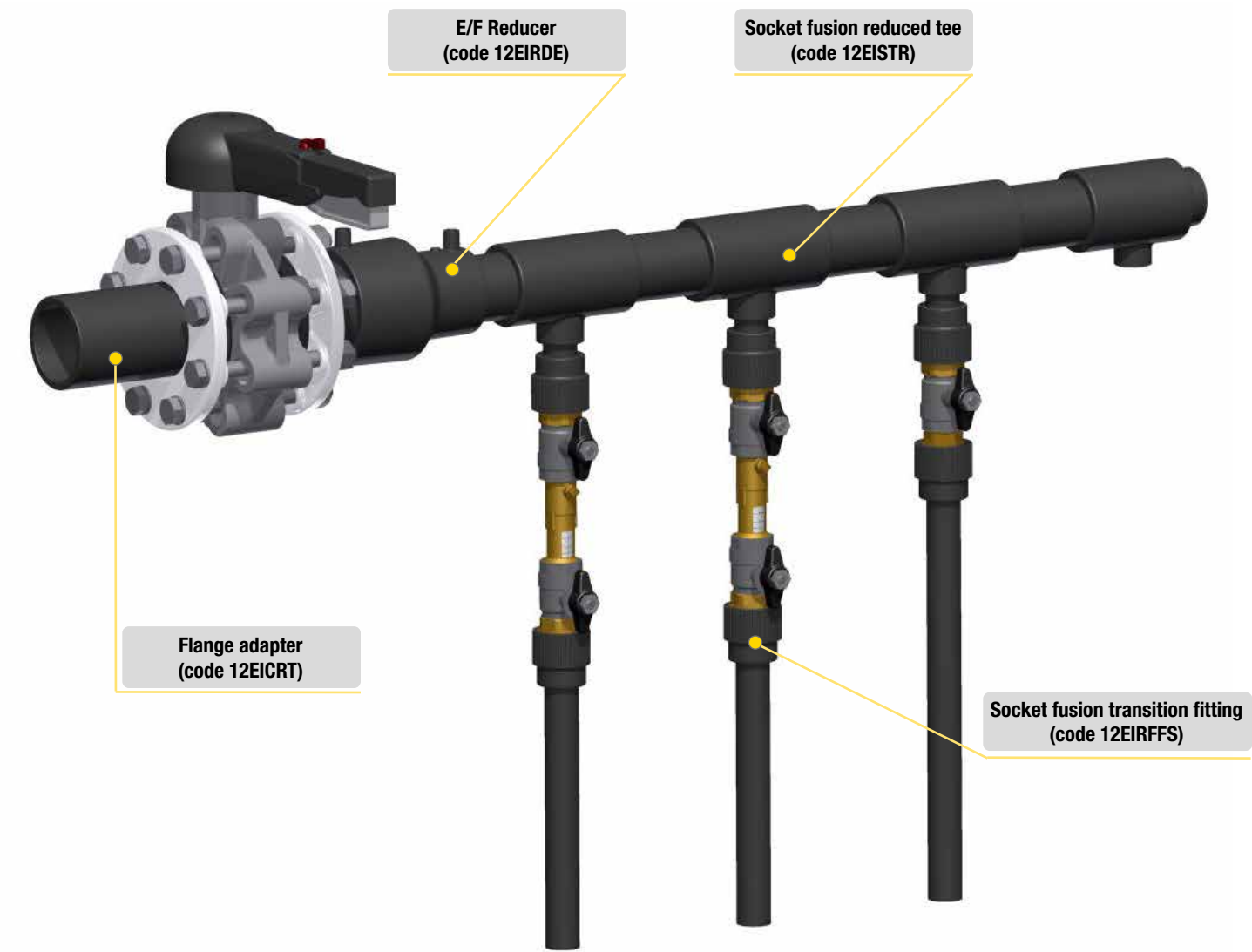
CONVERSION KIT PE-PVC 1 1/4"

Code	Nominal Size IPS	Price Each
10KITPVC114	1 1/4"	\$17.66
10KITPVC2	2"	\$62.06

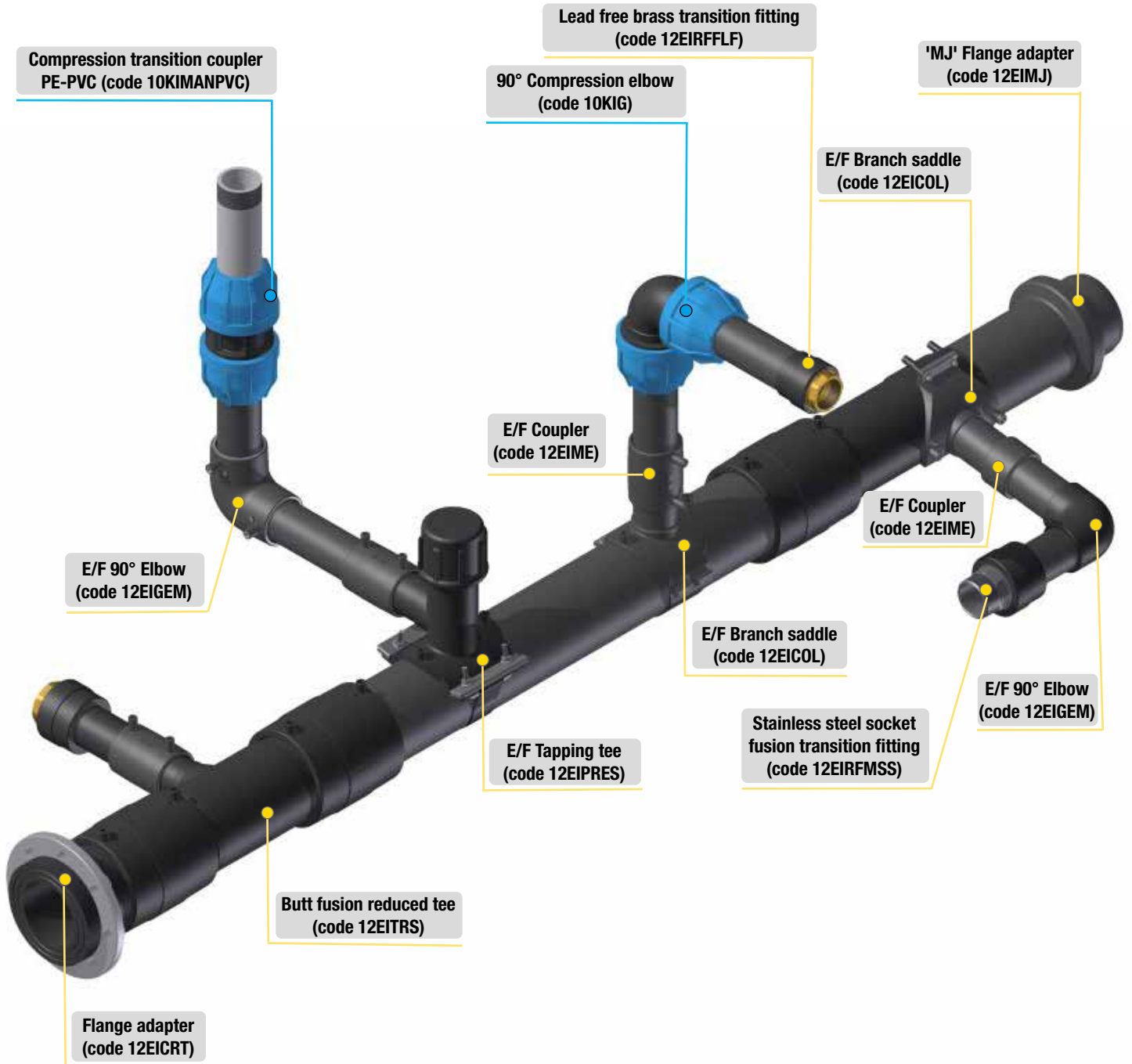
EXAMPLE OF INSTALLATIONS



EXAMPLE OF INSTALLATIONS



EXAMPLE OF INSTALLATIONS



FREIGHT CONDITIONS: Elofit orders are shipped F.O.B. Shipping Point. Once the material leaves our dock it becomes the property and responsibility of the consignee. If freight is lost, or damaged, all freight claims must be filed by the consignee. When shipping to a job site, freight will be third party billed. CUSTOMERS WILL HAVE ONE WEEK FROM THE DATE OF RECEIPT OF AN ORDER TO REPORT LOST, MISSING OR DAMAGED MATERIALS FROM THE SHIPMENT.

FULL FREIGHT ALLOWANCE: To meet the full freight allowance, Elofit orders must be for immediate complete shipment to one location within the contiguous United States or Canada. Each shipment for a project will be subject to the freight term stated below based on the amount of the follow-up order (i.e. the amount is not cumulative if follow-up orders are placed for the same project). Shipments to Alaska, Puerto Rico, Hawaii or for export are not freight allowed, except for the mainland portion of the freight. For shipments to Alaska, Hawaii, Puerto Rico or for export, the freight allowances shown below, for qualified items, are for shipment to East Coast, Gulf Coast or West Coast Ports only. Orders greater than \$50,000 net, involving pipe, will be freight allowed.

The above freight terms do not apply to air freight shipments or expedited shipments. Air freight shipments and expedited forms of delivery will be negotiated and agreed to in each circumstance. Customers may alternatively arrange for their own transportation, or may arrange for the freight to be billed to a third party account by specifying this on the purchase order. Next day air orders must be received by 2:00 p.m. EST to be accepted for next day service.

The minimum accepted net order amount shall be \$100 in all circumstances. For orders placed that are less than \$100, the net value of the order shall be increased by an amount so that the total order will be billed at \$100 plus the applicable amount for shipping percentage based on \$100 net order value. The customer will have 24 hours after notice of order confirmation to increase the amount or type of parts being ordered to be greater than or equal to \$100 to avoid the paying the surcharge.

PAYMENT TERMS: All invoices are due net 30 days from the date of the invoice, with all Past Due accounts subject to a service charge of 1.5% per month.

RETURN POLICY: All orders are non-returnable and non-cancellable.

ORDER ACCEPTANCE: No price list, literature, catalogue, website or other material describing our products is to be construed as an offer to sell same. Orders are subject to acceptance by us at our offices in Early Branch, SC. Your order, when shipped by us, shall be the complete contract between us, subject to, and incorporating therein, the terms and conditions, herein set forth, and any provisions or terms contained in the order submitted to us that are not consistent with our terms and conditions shall not be valid. Prices and discounts contained in any of our price lists or posted on our website are subject to change without notice.

LIMITED WARRANTY: Nupi Americas warrants that products sold by it which are included in its Elofit Piping System shall be of good materials and workmanship and free from functional defects for a period of thirty (30) years from the date of sale, excepting valves, gaskets and o-rings; products other than pipes and fittings shall be of good materials and workmanship and free from functional defects for a period of one (1) year from the date of sale; provided that such products are properly installed in accordance with the specifications and published instructions of Nupi Americas by qualified installers who have been trained and certified by Nupi Americas or its authorized representatives. These respective warranties shall become immediately null and void if the products to which they apply due to any of the following: (i) are employed in applications not recommended by Nupi Americas; (ii) are installed by anyone other than an installer trained and certified by Nupi Americas or its authorized representatives; (iii) were installed in a manner which fails to comply with written installation instructions of Nupi Americas; (iv) were installed in a manner that does not comply with common installation or use practices and existing building and plumbing codes and legal requirements; (v) was not at all times used in a manner consistent with its intended use; (vi) was not at all times used in installations and environments acceptable to its material and design specifications; (vii) was modified, altered or repaired by anyone other than the Seller; (viii) was not properly subjected to and passed common testing

methods (including pressure the testing recommendations of Nupi Americas and the authority having local jurisdiction) immediately after the product's installation and before the product is put into service. In the event of a system malfunction or leak caused by defective Nupi Americas' warranted materials (and not by incorrect installation, incorrect handling procedures or by jobsite or installation damage), a reasonable amount will be allowed for repair materials and repair labor as long as the amount is pre-approved by Nupi Americas. In order to qualify for a warranty remedy described in the previous sentence, you must contact Nupi Americas in advance and receive a written authorization for this remedy from an authorized Nupi Americas' representative. Repair materials, repair labor and freight expenses not authorized in writing in advance by Nupi Americas in this way will not be compensated. Note that Nupi Americas limits its warranty to its piping, valves and accessories, fittings, insulation, jacketing and field connections that are properly made in accordance with the written instructions of Nupi Americas by an installer who is trained and certified by Nupi Americas or its authorized representatives, subject to the other limitations described above.

Evidence of tampering, mishandling, misuse or abuse, neglect, accidental damage, freeze damage or unauthorized repairs that cause damage to Nupi Americas' warranted products will void any warranty coverage for those particular products.

Nupi Americas provides a complete preinsulated pipe system offering so that it is possible to complete an installation with Nupi Americas' products. However, it is possible that other manufacturers' will be interconnected to the Elofit preinsulated pipe system in any given installation. The Elofit product in the given installation will continue to be covered under this warranty. In a combined system, Nupi Americas will be responsible only for proven defects in material or workmanship in the Nupi Americas products. Products manufactured by another company should be reported to that manufacturer for its warranty response.

These limited warranties are in lieu of all other warranties, express or implied, including, without limitation, those concerning merchantability or fitness for a particular purpose. These limited warranties are also in lieu of any other possible liabilities of Nupi Americas, whether alleged to have arisen by agreement or by operation of law, respecting the sale, installation, use or function of Nupi Americas' products, including, without limitation, claims of negligence, gross negligence, strict liability or any other tort.

LIMITATION OF LIABILITY: If a claim arises as the result of a product defect, Nupi Americas shall cover losses caused to third parties for property damages and bodily injury or incidental damages in those situations where Nupi America's Liability Insurance Policy provides coverage for such losses, up to the coverage amounts provided in such policy and subject to all of the terms, conditions and exclusions of such policy (Policy ITCANY05134 Issued by ACE European Group, Ltd., A Chubb Company).

No person is authorized by Nupi Americas to accept for it any other liability of any kind in connection with the sale or use of products sold and/or marketed by it.

All requests and notices under this Warranty shall be directed to: Nupi Americas. Attn: Customer Service 314 Commerce Parkway, Early Branch, SC 29916; Tel: 803-398-3579. Fax: 803-398-3639

SHIPPING DATES – DELAYS – SHORTAGE CLAIMS: Promises of shipping dates are estimates, and as such, cannot be guaranteed. Nupi Americas will not be liable for any delay in a delivery. Any claims for shipping errors, shortages or defects must be made to Nupi Americas within 24 hours of receipt of the goods. Buyer shall be required to make timely payment to seller of any amount which is undisputed, or not subject to such claims.

TAXES: Any sales or manufacturers' taxes are to be paid by the buyer, including those imposed under any future statutes.



Nupi Americas, Inc.

314 Commerce Parkway
Early Branch - SC 29916 - U.S.A.
ph. +1 803-398-3579
fax: +1 803 398 3639

info@nupiamericas.com
www.nupiamericas.com

