

RX Series

Soundproof rack solutions



EATON

Powering Business Worldwide



We make what matters work.*



At Eaton, we believe that power is a fundamental part of just about everything people do. That's why we're dedicated to helping our customers find new ways to manage electrical, hydraulic and mechanical power more efficiently, safely and sustainably. To improve people's lives, the communities where we live and work, and the planet our future generations depend upon. Because this is what really matters. And we're here to make sure it works.

To learn more go to: Eaton.com/whatmatters

EATON

Powering Business Worldwide

We make what matters work.

Our capabilities

Small, hyper scale or in between, we bring innovation to your data center

Every day the world becomes increasingly reliant on big data. Whether it's connecting regional data centers, supporting vast transactional networks, or providing services to multiple clients, you can benefit from a partner who understands the demands and nuances of your specific IT environment. Regardless of the size of the environment, Eaton delivers the thought leadership and innovation to create IT systems with exceptional reliability and agility that are tailored to your unique needs.



Small Business

IT must provide application availability and support cloud-based architecture, virtualization, consolidation and emerging technologies. Eaton has a variety of products and services to help you keep your IT systems running efficiently without interruption.



Medium / Large Enterprise

With zero tolerance for risk, IT managers demand reliability and assurance of redundant systems. Data centers must continuously stay in step with the latest technologies and aligned with business strategies. Regardless of your data center's lifecycle – from design/build, commissioning, operation or expansion/ contraction through decommissioning – you can get the most out of your existing data center with the least risk and cost.



Multi-tenant / Colocation

Faced with the challenge of having to accommodate different business models and solve for unpredictable power and cooling needs, uninterrupted service is everything. Avoiding downtime is critical. And the ability to scale up or down on demand, and faster time to market is crucial. Flexible, modular solutions with state-of-the-art power reliability, efficiency and control help you meet your tenants' needs and maximize your ROI.



Hyper scale

In today's environment of big data and cloud computing, exponentially increasing volumes of data and demand for different applications must be accommodated quickly and cost-effectively. Growth can't outpace capacity. High performance computing and higher density architecture call for innovative solutions from an expert partner who can help you deploy them efficiently and reliably.

Contents

Our capabilities	3
RX series	5
Standard specification	6
IP54 upgrade	9
Cable management systems	10
Cable management accessories	11
Rack shelving	14
General accessories	17
Air management	19
Rack intelligence	21
Intelligent infrastructure for data centers	
Intelligent infrastructure for IT rooms and data centers	22
Power protection	23
Power distribution	24

Why choose Eaton's RX Series class-leading sound-proof rack?

Class-Leading Sound Reduction and Cooling performance

The RX Series 42U cabinet effectively removes up to **31dBA (99.9%)** of IT noise and, with its intelligently controlled EC fans, enables the removal of up to a staggering **12kW of heat load** in a 42U height cabinet. That means that the RX Series is both whisper-quiet and equipment-friendly.

Removes the need for a dedicated network room or data closet;

- Saves the cost of constructing and / or maintaining a dedicated IT room
- Saves the space associated with a dedicated IT room
- Best in class sound reduction; Removes **31dBA (99.9%)** of IT noise, allowing installation within an office environment.
- Fast & easy deployment; just wheel it in to any office space.
- Flexible; if moving office just unplug, relocate, and plug-in!

Intelligence as standard, at NO extra cost;

- Remotely access real-time data displaying the status of your RX Series rack; Saves the cost and time of visiting multiple sites
- Receive email alerts, advising you when things go outside your chosen pre-determined settings

Equipment Friendly;

- Class leading heat removal; up to a staggering 12kW!

Provides a safe, secure, well ventilated & resilient hosting environment for IT infrastructure



12U x 720W x 1,265D



24U x 720W x 1,265D



42U x 720W x 1,265D



31dBA

IT noise reduction
Independently tested



12kW

Heat load removal



M2M

Connected and controlled

Eaton's RX Series soundproofed IT rack is an intelligent, quick, safe and secure way to house IT equipment within a noise sensitive environment. Available in popular 12U, 24U & 42U heights the RX Series is, in essence, a rapidly deployed well-equipped server room in a box.

Class-Leading Sound Reduction and Cooling performance

The RX Series 42U cabinet effectively removes up to **31dBA (99.9%)** of IT noise and, with its intelligently controlled EC fans, enables the removal of up to a staggering **12kW of heat load** in a 42U height cabinet. That means that the RX Series is both whisper-quiet and equipment-friendly.



Intelligence as standard

The Eaton RX Series enclosure is supplied with built-in sensors and management software which allows data to be remotely accessed from multiple devices and servers. In turn, this provides **real time** status, alarms, alerts and defined reports.

Environmental monitoring

A standard feature with the Eaton RX Series is the built in environmental monitoring. Whether it be temperature, EC fan speeds or security, the Intelligent Management System 'IMS' will allow remote monitoring, device and sensor management – all displayed on the free integral graphical user interface.

Security

Hardware and information security is a top priority, and the RX Series allows an immediate security upgrade by mounting security cameras internally to the front and rear of the cabinet. The IMS will record and store the information and if required will provide you with real time alerts of cabinet entry to view and download via remote access online.

For additional security the RX Series can be upgraded with a complete access system including electronic door locking etc.



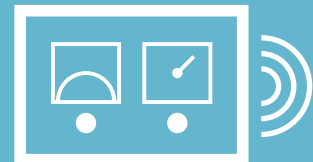
31dBA

IT noise reduction
Independently tested



12kW

Heat load removal



M2M

Connected and controlled

Standard specification



RX Series Floor Standing Cabinets;
Available in 3 heights of 12U, 24U and 42U, all are 780mm wide and 1200mm deep (over the doors).

Cooling is effectively and efficiently controlled and managed by the use of temperature sensors and variable speed fan controls which manage the 2 EC fans fitted within the rear doors.

Standard racks include:

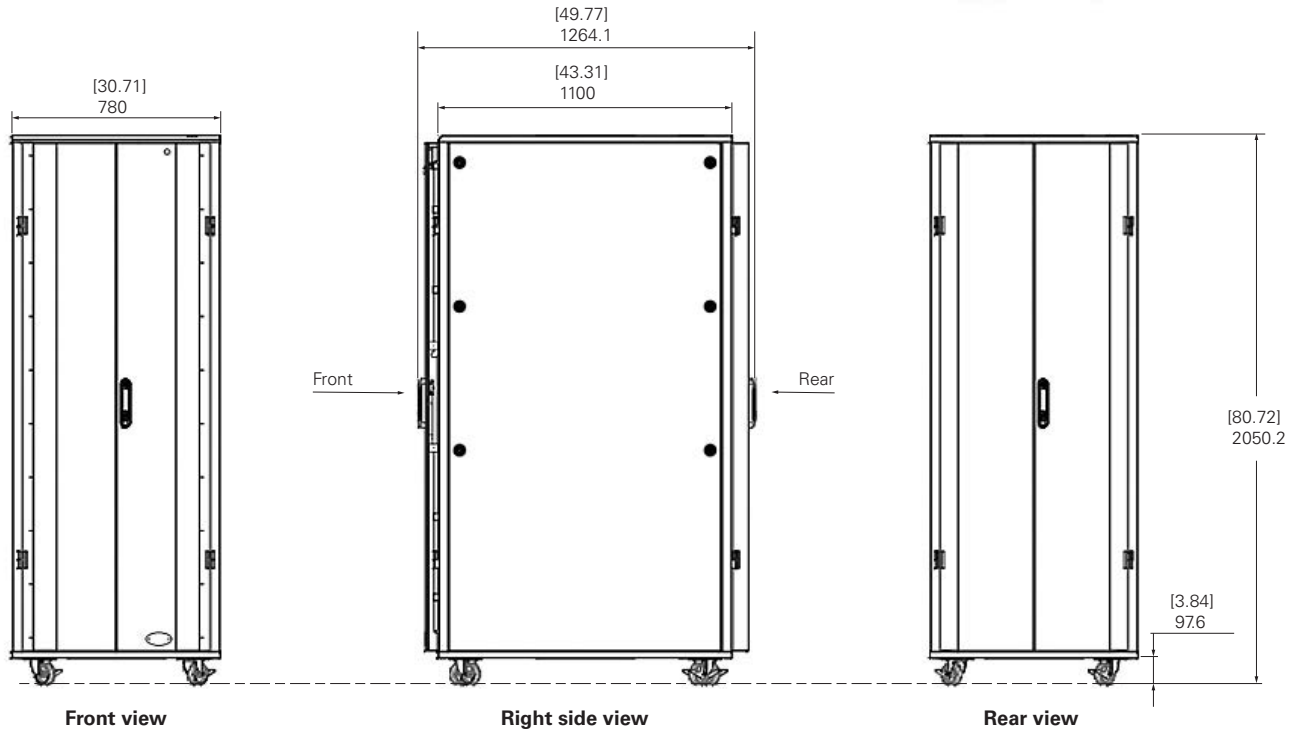
- Wardrobe style front doors
- Wardrobe style rear doors with one EC fan in each door, each fan has a temperature sensor and speed controller
- Fully adjustable 19" mounting rails front and rear
- Built-in environmental monitoring (IMS) system with 32GB memory, accessible via the free integral graphical user interface
 - Temperature
 - Power
 - EC Fan Speed
 - Security
- Soundproof cable entry system
- 6 cable entry points via removable gland plates, 3 bottom, 3 top
- Load Bearing castors and jacking feet
- Earth kit (fitted)
- 6 way IEC horizontal Flex PDU with UK & Schuko power leads
- Colour; Black
- 2 year standard warranty

Compatibility

Part code	Description	Compatibility			
		RX Series 12U	RX Series 24U	RX Series 42U	Universal
RXA12712PSBC1E	RX Series 12Ux780Wx1200D Acoustic, Castors & Jacking Feet	•			
RXA24712PSBC1E	RX Series 24Ux780Wx1200D Acoustic, Castors & Jacking Feet		•		
RXA42712PSBC1E	RX Series 42Ux780Wx1200D Acoustic, Castors & Jacking Feet			•	

RX Series

Soundproof rack solution



Rack height	12U	24U	42U
Width & depth (mm)	780x 1200	780 x 1200	780 x 1200
Physical	RXA12712PSBC1E	RXA24712PSBC1E	RXA42712PSBC1E
Height (castors fitted)	716mm	1250mm	2050mm
Height (without castors fitted)	620mm	1152mm	1954mm
Width		780mm	
Depth (without doors fitted)		1100mm	
Depth (with doors fitted, over handles)		1265mm	
Usable internal depth		825mm	
Load capacity (on std castors)		500kg	
Load capacity (without castors)		1000kg	
Weight of assembled rack (with sides & Doors)	133kg	194kg	313kg
Heat Load Stability (up to)	7.2kW	12kW	12kW
Maximum Power Consumption		Up to 1 Amp	
Maximum attenuation performance		31dBA	
Rail mounting width	482.6mm (19 inch) fully compliant with EIA-310-E		
Rail mounting (factory-set back from inside of front doors)		100mm	
Rail mounting depth (factory set, between rails)		700mm	
Sides	Removable side panels		
Colour	Black RAL9005		
Regulatory approvals & standards	EIA-310-E, IEC / EN 60950, IEC / EN 60297, IEC 529		
Protection class	IP44–when configured with doors and side panels		

IP54 Upgrade



RX Series reticulated polyester filter fitted to front doors.

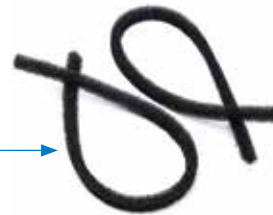
The RX Series sound proof rack is also available with an upgrade to IP54 rating (**available as a factory-fit option only**). All RX Series racks are IP44 rated as standard, and this upgrade is a point of order factory-fit option only.

The upgrade to IP54 rating is ideal for;

- Offices in industrial areas
- Dusty environments
- Laboratories
- Schools
- Where sensitive equipment is installed



Cable entry system with IP gasket



Removable IP filter

The reticulated polyester volumetric RX Series filter works effectively and efficiently to filter incoming cooling air. As the filter starts to 'load' the efficiency increases further, reaching its peak before it has to be replaced or cleaned (in warm soapy water, and dried before re-fitting). This cleaning is only recommended once in it's service life.

Please note; this product will have an extended lead time.

Note: Filters to be replaced at appropriate time intervals, dependant on environmental conditions.

Part code	Description	Compatibility			
		RX Series 12U	RX Series 24U	RX Series 42U	Universal
RXI12712PSBC1E	RX Series with IP54 Upgrade 12U Factory fit only	•			
RXI24712PSBC1E	RX Series with IP54 Upgrade 24U Factory fit only		•		
RXI42712PSBC1E	RX Series with IP54 Upgrade 42U Factory fit only			•	

Cable management systems



Cable entry points in the RX Series rack have been designed to retain the soundproof integrity of the enclosure. The rack boasts 3 cable entry points in the top and 3 in the bottom of the rack.



Specially designed to retain sound-proof integrity and IP rating.



The universal cable entry system can be mounted to the top and the base with the box being mounted internally or externally to the cabinet.

Cable tray



Ensure best cabling practice with our 200mm cable tray, designed to fit in line with the top and bottom side cable entry posts.

Cable entry



Each rack is supplied with 1 Cable Entry System as standard. Additional pieces can be ordered separately.

Cable finger management



Ideal for laying up and dressing cables, ensuring an adequate bend radius for all category cables. Saves time too.

Part code	Description	Compatibility			
		RX Series	RX Series	RX Series	Universal
		12U	24U	42U	
RXRCESB	RX Series Retrofit Cable Entry System (1pcs).	•	•	•	
RX12CTK200B	RX Series 12Ux200mm Wide Cable Tray Kit (1pcs)	•			
RX24CTK200B	RX Series 24Ux200mm Wide Cable Tray Kit (1pcs)		•		
RX42CTK200B	RX Series 42Ux200mm Wide Cable Tray Kit (1pcs)			•	
RX12URCMFKB	RX Series 12U Vertical Cable Manager Fingers (pair)	•			
RX24URCMFKB	RX Series 24U Vertical Cable Manager Fingers (pair)		•		
RX42URCMFKB	RX Series 42U Vertical Cable Manager Fingers (pair)			•	
RX12URCMFKWDB	RX Series 12U Vertical Cable Manager Fingers with Doors (pair)	•			
RX24URCMFKWDB	RX Series 24U Vertical Cable Manager Fingers with Doors (pair)		•		
RX42URCMFKWDB	RX Series 42U Vertical Cable Manager Fingers with Doors (pair)			•	

Cable management accessories

9U active equipment cable manager

These 9U cable managers secure to the 19-inch mounting rails. The fingers on the managers are designed to segregate and support the incoming cables, allowing data and power cables to be segregated whilst at the same time promoting bend radius control.

Features / Benefits

- Best suited to 800mm wide rack platforms
- Universal mount to EIA 310 compliant rails
- Finger spacing aligns to rack Us
- Promotes cable bend radius control
- 115mm Deep



Compatibility

Part code	Description	Compatibility			
		RX Series 12U	RX Series 24U	RX Series 42U	Universal
ETN-9UECM	9U Active Equipment Cable Manager (1pcs)	•	•	•	•

19-inch cable strain relief bars

These bars mount across the aperture of any EIA 310 compliant 19-inch rails. They allow cables to be adequately supported, avoiding placing strain on the cable terminations and connections.

Features / Benefits:

- Universal mount to EIA 310 compliant rails
- Promotes cable bend radius control
- Multiple depths allow for transitioning of cable to different areas
- Finished black



Compatibility

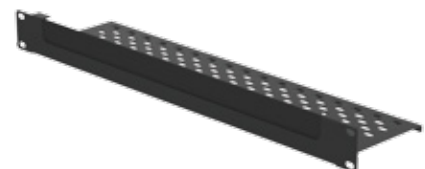
Part code	Description	Compatibility			
		RX Series 12U	RX Series 24U	RX Series 42U	Universal
ETN-CMRB19022U	2U Cable Strain Relief Bar 50mm Deep (1pcs)	•	•	•	•
ETN-CMRB19042U	2U Cable Strain Relief Bar 100mm Deep (1pcs)	•	•	•	•
ETN-CMRB19062U	2U Cable Strain Relief Bar 150mm Deep (1pcs)	•	•	•	•
ETN-CMRB19082U	2U Cable Strain Relief Bar 200mm Deep (1pcs)	•	•	•	•

19-inch cable entry & support panel

These 1U panels combine cable through and cable support features. The open edge brush entry allows the panels to be retrofitted after cabling. The brush helps seal around the cables promoting air management and system efficiency. The pierced support tray allows cable to be secured and supported, reducing strain on connections.

Features / Benefits:

- Universal mount to EIA 310 compliant rails
- Pierced tray allows cables to be supported and tied
- Promotes cable bend radius control
- Finished black



Compatibility

Part code	Description	Compatibility			
		RX Series 12U	RX Series 24U	RX Series 42U	Universal
ETN-BSP1UB	1U Cable Entry & Support Panel (1pcs)	•	•	•	•

Cable pass through 19-inch blanking panels

Available in 1U and 2U height options, these cable through panels allow cables to be passed through the 19-inch aperture without compromising in-rack air management.



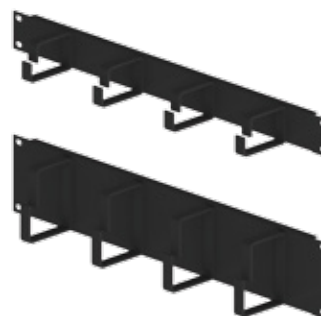
Features / Benefits

- Universal mount to all square pierced EIA 310 compliant rails
- Cable through feature with brush seal

Part code	Description	Compatibility			
		RX Series	RX Series	RX Series	Universal
		12U	24U	42U	
ETN-OBSP1	Blanking Panel 19" Cable Brush Strip 1U	•	•	•	•
ETN-OBSP2	Blanking Panel 19" Cable Brush Strip 2U	•	•	•	•

19-inch horizontal cable managers

Available in 1U and 2U panel heights, these cable management panels are the industry default to the management of patch cabling. Configured with four rings per panel the 1U version is designed to managed 24 cables and the 2U version 48 cables.



Features / Benefits:

- Universal mount to EIA 310 compliant rails
- Open rings allow easy management of cables
- Cable ring depth: 70mm
- Finished black
- Supplied with cage nuts and screws for rack mounting

Part code	Description	Compatibility			
		RX Series	RX Series	RX Series	Universal
		12U	24U	42U	
ETN-JRP1	1U Horizontal Cable Manager (1pcs)	•	•	•	•
ETN-JRP2	2U Horizontal Cable Manager (1pcs)	•	•	•	•

High density 19-inch horizontal managers

Horizontal cable managers are available in heights of 1U, 2U & 3U. The depth of the unit allows for higher density cabling. Units allow cable transitions across the rack space, front to rear through the 19-inch aperture and above and below the managers to adjacent devices or patch panels.



Features / Benefits:

- Universal mount to EIA 310 compliant rails
- Promotes cable bend radius control
- Clip-on hinged covers hide cable tails
- Unit depth: 145mm
- Finished black

Part code	Description	Compatibility			
		RX Series	RX Series	RX Series	Universal
		12U	24U	42U	
RESB87019S1FB	1U High Density Horizontal Cable Manager (1pcs)	•	•	•	•
RESB87019S2FB	2U High Density Horizontal Cable Manager (1pcs)	•	•	•	•
RESB87019S3FB	3U High Density Horizontal Cable Manager (1pcs)	•	•	•	•

Plastic cable rings

Available in two sizes these plastic rings provide cable management capabilities in multiple locations. Each hoop can be screw fixed into position using M6 screws.

Mounting positions include: Features / Benefits

- Front of 19-inch rails
- Side of 19-inch rails
- Clip locking facility allows easy management of cables with secure closure
- ETN-CTS cable hoop external dimensions: approximately 90mm x 55mm x 29mm
- ETN-CTL cable hoop external dimensions: approximately 127mm x 70mm x 29mm
- Finished light grey



Part code	Description	Compatibility			
		RX Series	RX Series	RX Series	Universal
		12U	24U	42U	
ETN-CTS	Cable ring - small plastic (1pcs)	•	•	•	•
ETN-CTL	Cable Ring – large plastic (1pcs)	•	•	•	•
ETN-UCTFK	Fixing kit - screws, washers & cage nuts (10 pcs)	•	•	•	•

Velcro® tie wraps

These Velcro tie wraps are available in two lengths to suit varying cable volumes. Ideal for safely bundling cables and securing to various structures on or inside a rack, these re-useable ties are ideal for use with cable trays, cable baskets, side support channels, vertical high density cable channels, horizontal cable ring managers, high density horizontal cable managers as well as other applications.

Features / Benefits:

- Can be used in many applications
- Helps avoid damage to cables and promotes tidy cabling structures
- Helps promote rack hygiene and promote efficient thermal operation
- Finished black Promotes cable bend radius control
- Multiple depths allow for transitioning of cable to different areas
- Finished black.



Part code	Description	Compatibility			
		RX Series	RX Series	RX Series	Universal
		12U	24U	42U	
ETN-BX45V8	Velcro tie wrap 200mm x 13mm (50pcs)	•	•	•	•
ETN-BX45V11	Velcro tie wrap 280mm x 13mm (50pcs)	•	•	•	•

Velcro buckle straps

These Velcro buckle straps are available in two lengths to suit varying cable volumes. Ideal for safely bundling cables and screw fixing to various structures on or inside a rack these re-useable ties are ideal for use with 19-inch mounting rails and other structures with secure screw mounting points.

Features / Benefits:

- Can be used in many applications
- Helps avoid damage to cables and promotes tidy cabling structures
- Helps promote rack hygiene and promote efficient thermal operation
- Finished black



Part code	Description	Compatibility			
		RX Series	RX Series	RX Series	Universal
		12U	24U	42U	
ETN-CMVCKL	Velcro buckle straps 230mm x 13mm (10pcs)	•	•	•	•
ETN-CMVCKL12	Velcro buckle straps 300mm x 13mm (10pcs)	•	•	•	•

Rack shelving



A 1U, 2U & 3U
19-inch mounted
cantilever shelves



B Standard duty &
heavy duty 19-inch
mounted fixed
adjustable shelves



C Standard duty
19-inch mounted
sliding shelves
- adjustable
mounting depth



D Heavy duty 19-inch
mounted sliding
shelves - adjustable
mounting depth



Rack image used for representation only, and does not reflect layout of RX Series acoustic racks.

Our range of shelves are fully compatible with any EIA 310 compliant rack configured with 19-inch mounting rails.

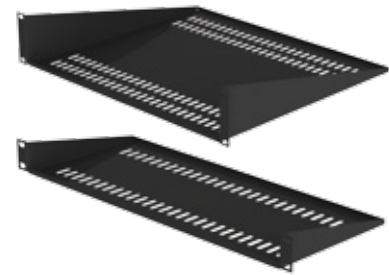
Order code	Description	Load rating	Min depth	Max depth
ETN-MS19B	Shelf - 19" Cantilever 1U x 190mm Deep	35kg	190	n/a
ETN-MS40B	Shelf - 19" Cantilever 2U x 400mm Deep	35kg	400	n/a
ETN-MS403B	Shelf - 19" Cantilever 3U x 400mm Deep	35kg	400	n/a
ETN-SDFAS1U45B	Shelf - 19" Std Duty Fixed Adjustable 1U x 450D	100kg	450	750
ETN-HDFAS1U45B	Shelf - 19" Heavy Duty Fixed Adjustable 1U x 450D	250kg	450	750
ETN-HDFAS1U65B	Shelf - 19" Heavy Duty Fixed Adjustable 1U x 650D	250kg	650	950
ETN-LDATSV45B	Shelf - 19" Standard Duty Sliding 450D	50kg	455	749
ETN-LDATSV55B	Shelf - 19" Standard Duty Sliding 550D	50kg	555	812
ETN-LDATSV70B	Shelf - 19" Standard Duty Sliding 700D	50kg	705	940
ETN-QRTSV45B	Shelf - 19" Heavy Duty Sliding 450D	125kg	363	513
ETN-QRTSV60B	Shelf - 19" Heavy Duty Sliding 600D	125kg	513	663
ETN-QRTSV75B	Shelf - 19" Heavy Duty Sliding 750D	125kg	663	813

Cantilever shelves

These shelves are designed to mount into any EIA310 compliant 19-inch rack. They can be used to support non rack mounted IT components such as monitors and modems. Perforated mounting surface provides tie down points.

Features / Benefits

- Universal mount to EIA310 component rails
- Load capacity 35kg evenly distributed (2 point mounting)
- Finished black
- Supplied with fixings and mounting instructions



Part code	Description
ETN-MS19B	Shelf—19" Cantilever 1U x 190mm Deep
ETN-MS40B	Shelf—19" Cantilever 2U x 400mm Deep
ETN-MS403B	Shelf—19" Cantilever 3U x 400mm Deep

Compatibility

RX Series	RX Series	RX Series	Universal
12U	24U	42U	
•	•	•	•
•	•	•	•
•	•	•	•

Standard duty fixed adjustable shelves

These shelves are designed to mount into any EIA310 compliant 19-inch rack. They can be used to support non rack mounted IT components such as monitors and modems. Perforated mounting surface provides tie down points.

Features / Benefits:

- Universal mount to EIA310 component rails
- Load capacity 100kg evenly distributed (4 point mounting)
- Usable depth 450mm– Mounting rail centres 450-750mm
- Finished black
- Supplied with fixings and mounting instructions



Part code	Description
ETN-SDFAS1U45B	Shelf—19" Std Duty fixed Adjustable 1U x 450D

Compatibility

RX Series	RX Series	RX Series	Universal
12U	24U	42U	
•	•	•	•

Heavy duty fixed adjustable shelves

These shelves are designed to mount into any EIA310 compliant 19-inch rack. They can be used to support non rack mounted IT components such as monitors and modems. Perforated mounting surface provides tie down points.

Features / Benefits:

- Universal mount to EIA310 component rails
- Load capacity 250kg evenly distributed (4 point mounting)
- Usable depth 450mm - Mounting rail centres 450-750mm
- Usable depth 650mm - Mounting rail centres 650-950mm
- Finished black
- Supplied with fixings and mounting instructions



Part code	Description
ETN-HDFAS1U45B	Shelf—19" Heavy Duty fixed Adjustable 1U x 450D
ETN-HDFAS1U65B	Shelf—19" Heavy Duty fixed Adjustable 1U x 650D

Compatibility

RX Series	RX Series	RX Series	Universal
12U	24U	42U	
•	•	•	•
•	•	•	•

Standard duty sliding shelves

These shelves are designed to mount into any EIA310 compliant 19-inch rack. They can be used to support non rack mounted IT components such as monitors and modems. Perforated mounting surface provides tie down points.

Features / Benefits

- Universal mount to EIA310 component rails
- Load capacity 50kg evenly distributed (4 point mounting)
- Finished black
- Supplied with fixings and mounting instructions



Compatibility

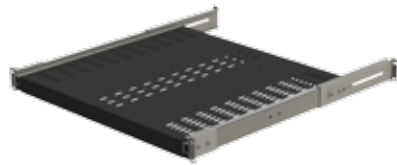
Part code	Description	Compatibility			
		RX Series 12U	RX Series 24U	RX Series 42U	Universal
ETN-LDATSV45B	Shelf—19" Standard Duty Sliding 1U x 450D	•	•	•	•
ETN-LDATSV55B	Shelf—19" Standard Duty Sliding 1U x 550D	•	•	•	•
ETN-LDATSV70B	Shelf—19" Standard Duty Sliding 1U x 700D	•	•	•	•

Heavy duty sliding shelves

These shelves are designed to mount into any EIA310 compliant 19-inch rack. They can be used to support non rack mounted IT components such as monitors and modems. Perforated mounting surface provides tie down points.

Features / Benefits:

- Universal mount to EIA310 component rails
- Load capacity 125kg evenly distributed (4 point mounting)
- Finished black
- Supplied with fixings and mounting instructions



Compatibility

Part code	Description	Compatibility			
		RX Series 12U	RX Series 24U	RX Series 42U	Universal
ETN-QRTSV45B	Shelf—19" Heavy Duty Sliding 1U x 450D	•	•	•	•
ETN-QRTSV60B	Shelf—19" Heavy Duty Sliding 1U x 600D	•	•	•	•
ETN-QRTSV75B	Shelf—19" Heavy Duty Sliding 1U x 750D	•	•	•	•

General Accessories

Eaton offers a range of accessories which provide users with the opportunity to optimise the rack and room environment according to installation demands and budget constraints. Some of these accessories can be used on other rack platforms (denoted 'Universal').

Load spreader

The load spreader aids weight dispersion of the RX Series rack and is suitable for spreading the load on wooden or chipboard flooring for example. The steel load spreader includes relief holes which enable fixing to a floor without any bolt heads obstructing the rack's wheels, thus allowing for easy movement.

Non-stock item, available on a lead-time.



Part code	Description
RXL712SB	RX Series Floor Load Spreader 1pcs

Compatibility			
RX Series	RX Series	RX Series	Universal
12U	24U	42U	
•	•	•	

Plinth kit

Each plinth kit comprises of 4x 100mm plinth (skirting) panels with fixings.

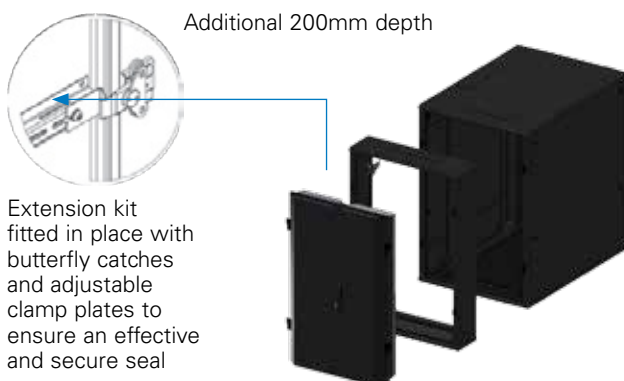


Part code	Description
RXPA712B	RX Series Plinth Kit 780Wx1200D 1 pcs

Compatibility			
RX Series	RX Series	RX Series	Universal
12U	24U	42U	
•	•	•	

Extra depth extension kit

This kit adds an **extra 200mm depth** to the RX Series rack in order to accommodate equipment that requires a deeper rack than the standard 825mm usable rail depth of the RX Series. This rear-mounted extension kit is easily retrofitted and will not have an adverse effect on the performance of the cabinet.



Part code	Description
RXREF12U200B	RX Series Rear Extension Frame 12U 200mm
RXREF24U200B	RX Series Rear Extension Frame 24U 200mm
RXREF42U200B	RX Series Rear Extension Frame 42U 200mm

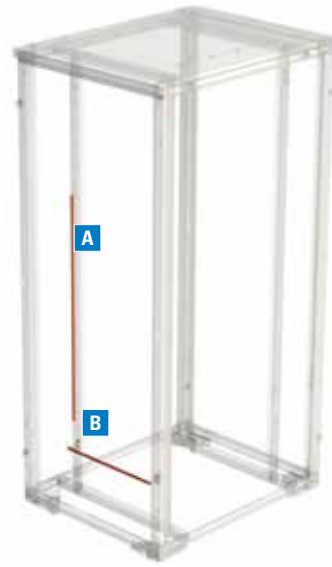
Compatibility			
RX Series	RX Series	RX Series	Universal
12U	24U	42U	
•			
	•		
		•	

Universal Rack Earth Bar Kits

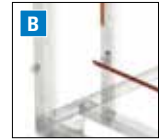
Eaton's 19-inch mounted earth bar kits can be fitted at any EIA 310 compliant rack. It takes up 1U of equipment mounting space and can easily be positioned in any available slot. Importantly our design ensures that the earth bar is isolated from the rack allowing the building clean earth to be directly connected. Connecting the equipment mounted in the rack to the earth bar ensure earth continuity and optimal operation of the infrastructure, particularly important with higher performance cabling systems.

Features / Benefits:

- Universal mount to all EIA 310 compliant rails
- Earth bars fitted with insulated mounts isolating earth bar from mounting point
- Minimum 25 individual earth points (19-inch Earth Bar)
- Supplied complete with all applicable fixings for square pierced 19-inch rails
- Optional earth bar clamps are available (packs of 20)



Vertical Earth Bar Assembly



19-Inch Earth Bar Assembly



Optional Earth Bar Clamps

Compatibility

Part code	Description	Compatibility			
		RX Series 12U	RX Series 24U	RX Series 42U	Universal
ETN-U19EBK	Universal Rack 19" Earth Bar Kit (1pcs)	•	•	•	•
ETN-EBK1	Earth Bar Kit 1000mm (1pcs)	•	•	•	•
ETN-EBIM	Earth Bar Isolation Mounts (2pcs)	•	•	•	•
ETN-EBL20	Earth Bar Clamps (20pcs)	•	•	•	•

Baying kit

Kit enabling the baying together of the RX Series racks.



Compatibility

Part code	Description	Compatibility			
		RX Series 12U	RX Series 24U	RX Series 42U	Universal
RXBTKB	RX Series Baying Kit 1pcs	•	•	•	

Dust filter kit

Removable foam filter to prevent dust entering the RX Series rack. Filters are easily fitted and serviced. To ensure continued effectiveness, it is recommended that the filters are replaced every 12-18 months.



Compatibility

Part code	Description	Compatibility			
		RX Series 12U	RX Series 24U	RX Series 42U	Universal
RXDDF12U	RX Series door Dust Filter Kit 12U	•			
RXDDF24U	RX Series door Dust Filter Kit 24U		•		
RXDDF42U	RX Series door Dust Filter Kit 42U			•	

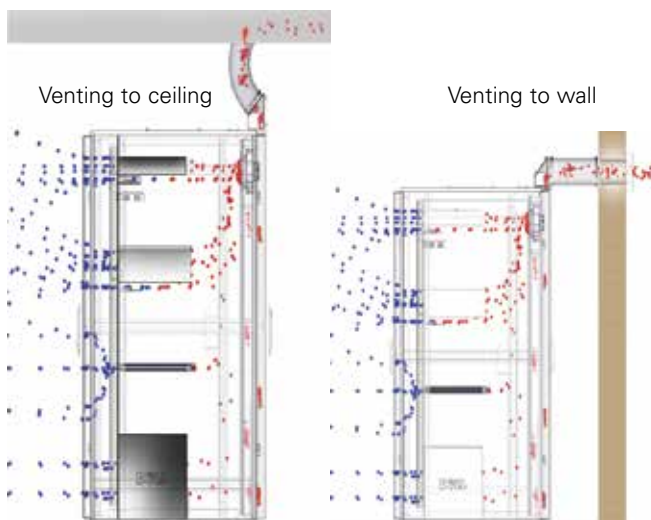
Air Management



Air Ducting Kit

This kit enables hot exhaust air from the RX Series rack to be directed outside the room or building, thus keeping the room cool and protecting the ambient temperature. Kit supplied complete with 10 metres of 150mm flexible ducting.

- Save money, energy and power consumption on existing room air conditioning
- Divert and recycle waste hot air providing free heating to other rooms
- Helps prevent hardware and software failures
- Helps prevent any unnecessary downtime
- Access to rear of cabinet and door opening is not affected when the ducting kit is utilised
- Can be retro-fitted to the 24U and 42U RX Series cabinet ***
- Can be directed to exhaust through wall, window or ceiling plenum



Part code	Description	Compatibility			
		RX Series	RX Series	RX Series	Universal
		12U	24U	42U	
RXDAXB	RX Series Directional Air Exhaust kit		•	•	
RXDAXY	RX Series DAX Y Piece		•	•	
RXDAXLDUCTF	RX Series DAX Long round Female Duct 150x600mm		•	•	
RXDAXDSSPIGOT	RX Series DAX Double Sided spigots		•	•	
RXDAXSSOUT	RX Series DAX SS Outlets with flaps		•	•	
RXDAXHC60170	RX Series DAX Hose Clips 60-170mm		•	•	

*** 12U ducting; POINT OF ORDER OPTION ONLY, NOT RETROFITTABLE.

Clip-in tool-less 19-inch blanking panels

Designed to be used in any 19-inch compliant rack, these simple clip-in panels are available in a range of U heights and pack quantities. Quick and easy to deploy, these panels simply snap into position without the need for any tools.

19-inch blanking panels help avoid the mixing and recirculation of air in the rack space.

Features / Benefits

- Clip-in tool-less installation
- Universal 19-inch compliant
- Eaton branded



Part code	Description	Compatibility			
		RX Series	RX Series	RX Series	Universal
		12U	24U	42U	
ETN-PBP1U10	19" Blanking Panel—Clip-on Plastic 1U (10pcs)	•	•	•	•
ETN-PBP1U100	19" Blanking Panel—Clip-on Plastic 1U (100pcs)	•	•	•	•
ETN-PBP2U10	19" Blanking Panel—Clip-on Plastic 2U (10pcs)	•	•	•	•
ETN-PBP2U100	19" Blanking Panel—Clip-on Plastic 2U (100pcs)	•	•	•	•
ETN-PBP8U10	19" Blanking Panel—Clip-on Plastic 8U (10pcs)	•	•	•	•
ETN-PBP8U100	19" Blanking Panel—Clip-on Plastic 8U (100pcs)	•	•	•	•

PlenaFill® Tear Off 19-inch Blanking Panels

Each sheet comprises of 27 off 1U tear-off blanking panels manufactured from UL-VO, class 94 fire retardant plastic. Users can simply tear the panel to the desired U height allowing simple and easy adaption to individual installation requirements.

Features / Benefits:

- Universal mount to all square pierced EIA 310 compliant rails
- Tear to unit height to suit application
- Quick fit mounting allowing fitting in seconds
- Fully re-usable
- Low weight



Part code	Description	Compatibility			
		RX Series	RX Series	RX Series	Universal
		12U	24U	42U	
ETN-PFBP27U1	19" Blanking Panel—27U Tear Off PlenaFill (1pcs)	•	•	•	•
ETN-CBLPF-BR	19" Blanking Panel—Snap Rivets Square Hole PlenaFill (50pcs)(1pcs)	•	•	•	•
ETN-PFBP27U10	19" Blanking Panel—27U Tear Off PlenaFill Panels (10pcs)	•	•	•	•

Adjustable plain steel 19-inch blanking panels

Available in a two height configurations, these sliding blanking panels are adjustable in height. Manufactured from painted mild steel these panels secure quickly to square pierced 19-inch mounting rails.

Features / Benefits

- Universal mount to all square pierced EIA 310 compliant rails
- Fast tool-less 1/4 turn mounting
- Simple sliding height adjustment



Part code	Description	Compatibility			
		RX Series	RX Series	RX Series	Universal
		12U	24U	42U	
SBP712USQ	19" Blanking Panel—Adjustable Height Steel Panel 7U to 12U	•	•	•	•
SBP1222USQ	19" Blanking Panel—Adjustable Height Steel Panel 12U to 22U	•	•	•	•

Anti-recirculation foam

These foam pieces (8 pieces, supplied in a mixture of various sizes) are used to seal the gaps between different equipment sizes etc. The appropriate use of these helps to avoid air recirculation.

Part code	Description	Compatibility			
		RX Series	RX Series	RX Series	Universal
		12U	24U	42U	
RXARFS	RX Series Anti-recirculation foam set, 8 pieces various sizes.	•	•	•	

Rack intelligence

The RX Series rack is supplied already-equipped with the Intelligent Management System which includes fan controllers and environmental monitoring and an internal 32GB memory. There is also a range of additional monitoring and security upgrades available;

Multiple sensors and memory upgrades

Temperature sensors give you the ability to monitor in real-time anywhere from inside the rack. Other types of sensors are also available to suit the RX Series rack.



Part code	Description	Compatibility			
		RX Series	RX Series	RX Series	Universal
		12U	24U	42U	
RXTEMP	RX Series Temperature Sensor	•	•	•	
RXDCON	RX Series Door Contact Sensor	•	•	•	
RXCAM	RX Series Camera Motion Sensing	•	•	•	
RXMEM64	RX Series 64GB Total Memory Upgrade ENGINEER RETROFIT ONLY	•	•	•	
RXMEM128	RX Series 128GB Total Memory Upgrade ENGINEER RETROFIT ONLY	•	•	•	
RXMEM256	RX Series 256GB Total Memory Upgrade ENGINEER RETROFIT ONLY	•	•	•	
RXIMS4WFC	RX Series IMS 4 port with Fan control (std. OE fit)	•	•	•	

Intelligent infrastructure for IT rooms and data centers



By complimenting Eaton IT racks with other products from Eaton's wide product portfolio, you can build a complete physical infrastructure for your IT rooms and data centers as well as monitor and manage it from your virtualization dashboard.

Ensure power protection of your IT equipment with Eaton rack based UPSs. Organize power distribution to individual IT appliances through intelligent rack power distribution units and monitor your entire power infrastructure through your existing virtualization dashboard by simply plugging in Eaton's power management software. The software will also help trigger pre-defined disaster recovery policies in case of power and environmental events.



Power protection

To protect your IT equipment installed in the IT rack, Eaton offers a range of highly effective Energy Star qualified rack-based UPS solutions. In combination with Eaton's Intelligent Power Software, Eaton UPSs can be monitored and managed from your virtualization dashboard – initiating disaster recovery policies in the event of an alarm.



Eaton 5PX UPS 1500-3000 VA

The Eaton 5PX Rack/Tower UPS provides line-interactive backup power and scalable runtimes for servers, storage systems, VoIP gear and network equipment.

Eaton 9PX UPS 1000-3000W

The Eaton 9PX UPS (1000-3000 W) provides advanced protection for small & medium datacenters, IT rooms and Infrastructure. Delivering double conversion protection and being the first in its class to provide Unity power factor (VA=W).

Eaton 9PX UPS 5-22 kVA

The Eaton 9PX UPS (5-22 kVA) provides energy-efficient power protection for small & medium data centers, IT rooms and infrastructure. Delivering double conversion protection with 40% less energy usage and 28% more power. 9PX is the perfect UPS for IT and Facility managers who are concerned by energy cost and are looking for next generation power protection solutions.



Power distribution

While a UPS protects your IT application, power distribution takes care that the power from the UPS is distributed between IT appliances you have in your rack. The next generation of Eaton advanced rack PDUs (ePDU G3) incorporate monitoring and management capabilities. In addition to distributing power from the UPS to your IT appliances safely and efficiently, modern distribution units will enable you to monitor and measure power consumption in an IT rack, remotely shut down power during an outage and help initiate disaster recovery policies.



Eaton ePDU G3 basic

Models available in 0U and 1U

Designed for reliable and cost effective power distribution, the ePDU G3 Basic models feature Eaton's patented IEC outlet grip plug retention, color-coded outlet sections, a low-profile form factor and a high operating temperature. 0U models include both rear and side button mounting systems as well as Eaton's patented variable mounting system.



Eaton ePDU G3 in-line metered and dual

Add metering to upgrade basic PDUs

ePDU G3 In-Line Metered models allow existing basic PDUs to be upgraded to include IEC class 1 billing grade metering and can be mounted either horizontally in the rack or vertically on the 0U space. Models include IEC Class 1 ($\pm 1\%$) billing grade accuracy, an advanced hot-swap meter with LCD pixel display showing V, W, A and kWh and the ability to daisy chain 8 ePDUs to share the same network connection and IP address.



Eaton ePDU G3 metered input

Models available in 0U, 1U and 2U

ePDU G3 Metered Input models allow metering to the branch and phase level for effective load balancing, with no switching. Models include IEC Class 1 ($\pm 1\%$) billing grade accuracy, an advanced hot-swap meter with LCD pixel display showing V, W, A and kWh, and the ability to daisy chain 8 ePDUs to share the same network connection and IP address.





Eaton ePDU G3 metered outlet

Meter the input, branch, individual outlets & IT equipment across A and B feed

ePDU G3 Metered Outlet models allow device level metering over multiple power feeds and includes kWh, peak power and current draw. Analyze and understand the consumption of individual devices powered over A and B feeds and view available power. Metered Outlet units have no switching. They include IEC Class 1 ($\pm 1\%$) billing grade accuracy, an advanced hot-swap meter with LCD pixel display showing V, W, A and kWh, and the ability to daisy chain 8 ePDUs to share the same network connection and IP address.



Eaton ePDU G3 switched

Switch outlets & IT equipment across A and B feed + meter the input and branch circuits

ePDU G3 Switched models allow lights-out control of devices including switching devices powered across multiple ePDUs. They include IEC Class 1 ($\pm 1\%$) billing grade accuracy, an advanced hot-swap meter with LCD pixel display showing V, W, A and kWh and the ability to daisy chain 8 ePDUs to share the same network connection and IP address.



Eaton ePDU G3 managed

Switch and meter outlets & IT equipment across A and B feed:

Combines both Switched and Metered Outlet functionality together in one ePDU

ePDU G3 Managed models allow complete lights-out control and metering of devices including devices that are powered across multiple ePDUs. They include IEC Class 1 ($\pm 1\%$) billing grade accuracy, an advanced hot-swap meter with LCD pixel display showing V, W, A and kWh and the ability to daisy chain 8 ePDUs to share the same network connection and IP address.



Eaton ATS 16 & ATS 30

The Eaton ATS offers an affordable solution for customers willing to add power redundancy to networking equipment like switches and routers. This automatic transfer switch will power them from two different sources. Should one power source fail, the alternate one will switch over with no interruption to the connected equipment. Eaton ATS can be connected to multiple devices at the same time while saving the cost of expensive redundant power supplies.



Powering Business Worldwide

Eaton
EMEA Headquarters
Route de la Longeraie 7
1110 Morges, Switzerland
Eaton.eu

© 2018 Eaton
All Rights Reserved
Publication No. BR159013EN / CSSC-961
March 2018

Eaton is a registered trademark.
All other trademarks are property
of their respective owners.