

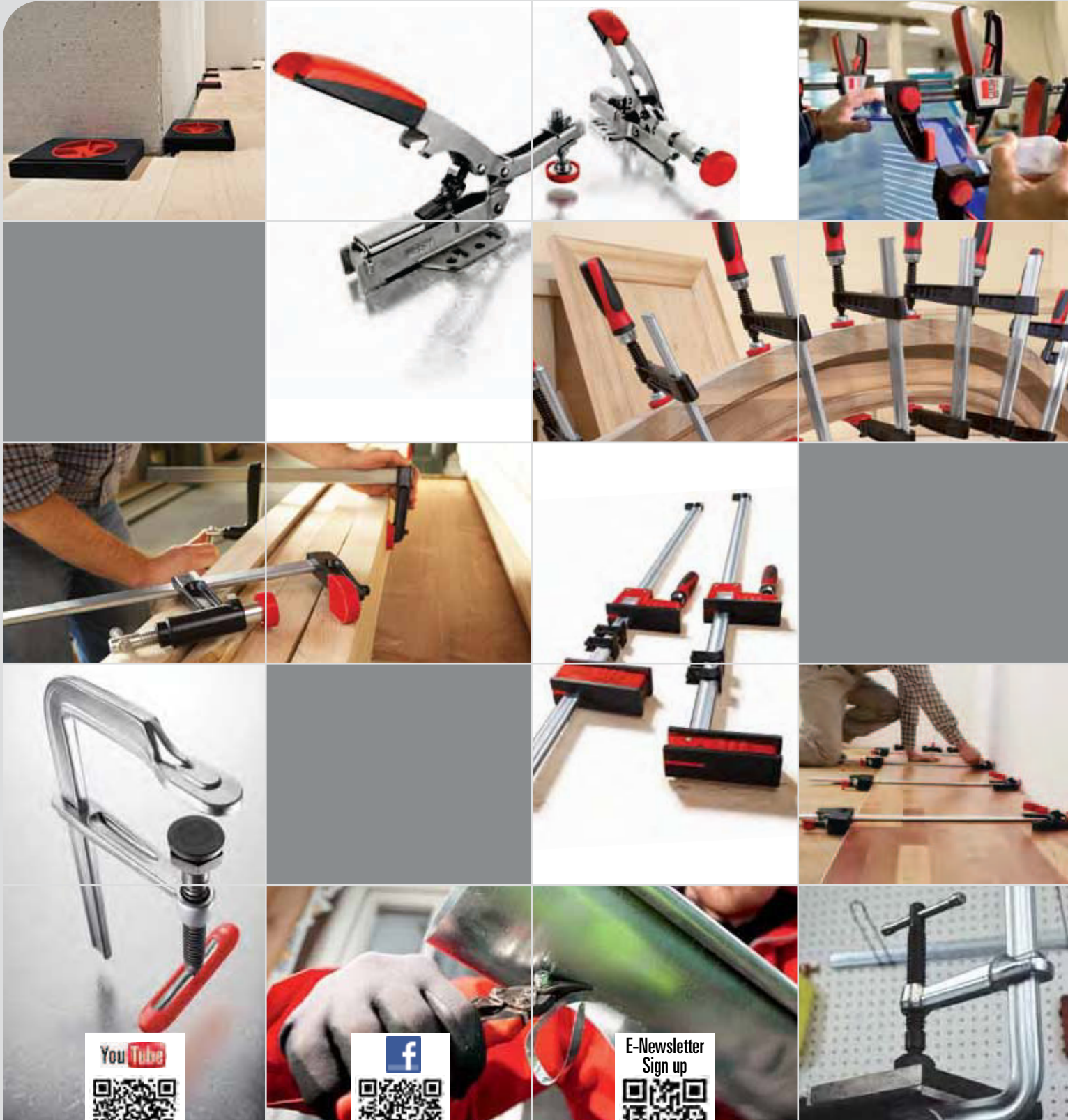
BESSEY® clamping and cutting technology

Complete catalogue 2012/2013

Effective July 1 2012.



Simply better.



www.besseytools.com

Table of contents

1-2 High-performance all-steel clamps

Medium duty (1800-S)
Regular duty (2400S)
Regular duty (DT2400S) deep throat version
Heavy duty (4800S)
Extra heavy duty (7200S)
Extra high pressure (8500HPC)
Service parts



13-14 Parallel clamps

K Body® REVO™
Vario K Body® REVO™
K Body® REVO™ JR
UniKlamp®, large surface case clamp
Service parts & accessories



23 Strap clamps

Variable angle (VAS)
Vario corner clips (VAC)
Ratchet tie down, base (BAN)



3-5 Shop floor all-steel clamps

Light to medium duty (MMS, 660-S, 1200-S)
Medium duty (SGL)
Regular duty (SQ)
Heavy duty (STB)
Service parts
Light duty (J18)
Regular duty (2400J)
Heavy duty (4800J)
KombiKlamp™
OMEGA bend clamps (RSC)



15-17 Malleable cast bar clamps

Light duty (TG & TGJ) series
Medium duty (TG & TGJ) series
Heavy duty (TGK) series
Deep reach (CDS) with flat rail
TC series with flat rail
NEW Malleable cast (TG)
Service parts
General clamp kit BGP (10 piece)
Small TG kit BTB30 (30 piece)
Small TG kit BTB30A (30 piece with display)
Service parts



24 Clamping angles and miters

Angle clamps (WS)
Corner clamp (WS)



25 Pipe clamps

Pipe clamp, H style (BPC)
Pipe clamp, traditional style (PC)



6 Rapid-Action lever clamps & claw clamp

Lever clamps
Claw clamp (CL)



18 Rapid Action clamps and lever clamps

Rapid Action clamps
Lever clamps



26 Floor tools

AV2 Spacer
Flooring clamps
Flooring strap clamps
DIY Flooring kit
PRO Flooring kit



7 classiX® all-steel bar clamps

classiX® - Standard pad
classiX® - Heavy duty pad



19-21 One-handed, light duty & clutch style clamps

EZS clamps
EZS combo
Light duty, zinc die cast (LM)
Light duty, zinc die cast, step over (LMU)
KliKlamp®, light duty lever clamp
Clutch style (GSCC)
Clutch style (DHBC) with double jaw
PowerGrip (PG) heavy duty one-hand clamp
DuoKlamp®, large surface one handed clamp
DuoKlamp® Combo kit
DuoKlamp®, accessory, DKX DuoKlamp® Extender



27 Seaming tools

Extra large solid surface seaming tool (PS)
Solid surface seaming tool (PS)



8 Clamping angles and miters

Angle clamp (WSM)
Multi-angle vise clamp (WVS, 3-in-1 angle clamp)



9-12 Toggle Clamps

Horizontal toggle clamp
Inline toggle clamp
Service parts



22 Edge clamps

Edge clamp, one hand (EKT)
Edge clamp (KF2-4)
3-way edge clamp, light duty (EC)
Spindle clamps



28-29 Spring clamps

VarioClippix® (XV) variable spring clamps
VarioClippix® (XV) variable spring clamp, double jaw
Clippix® needle nose plastic spring clamps (XCL)
Clippix® (XC) premium plastic spring clamps
Clippix® (XC) econo plastic spring clamps
Plastic spring clamp set
Ratcheting spring clamps, deep reach (XCRU)
Ratcheting spring clamp set (XCR)
Steel spring clamps (XM)



30

Grip pliers

SuperGrips™ with profiled rail (SG)
 SuperGrips™ pipe clamp (SG)
 SuperGrips™ deep reach clamp (SG)

31-32

C-clamps

540 series ductile alloy
 Regular duty (CDF)
 Regular duty (CDFCHV), copper spindle, Hi-Vis
 Heavy duty (100 Series)
 Heavy service (HS Series)
 Light duty (CM), malleable cast
 Quick release (QRCC)
 Double head (DHCC)

33-34

Hold down products

RiteHite (Model L)
 RiteHite (Model S)
 Jig & fixture clamp (FC)
 Hold down table clamp
 Claw machine clamp (MCL)

35-36

BAS clamps

BAS-U matic clamp with open fixing hole
 BAS-C compact clamp with open fixing hole
 BAS-CB compact clamp with closed mounting hole
 Base unit BASO
 BASKN wrench with T-bar

37-38

Vises

Multi-purpose vise
 Heavy duty workshop vises
 Homeowners bench vise
 Drill press vise
 Light duty clamp-on vise
 Vacuum base vise
 Multi-purpose vise jaws
 Light duty wood vise
 Service parts

39-40

Industrial magnets

Magnetic squares (WMS)
 Double magnetic square (WMS)
 Multi-angle square (WMS)
 Arrowhead magnetic square (WMS)
 "Chunky" magnetic square (CMS)
 "Big Daddy" magnetic square (BDMS)
 Magnetic ground clamps (MGC)
 Mag Pick-Up (MPU)
 MagStick (MS)
 MagWand (MW)
 MagSweep (MSP)

41

Other clamps

Portable mini-vise (S)
 Table mount clamp (TK)
 Wood handscrew clamps (HS)
 Panel carrier (KF)
 T-bar sash clamps
 T-bar sash clamps (TB)
 T-bar sash clamps (TB) accessories

42-47

Snips & knives

Multi-use snip, compact aviation (D15A)
 Aviation snips (D16)
 Special hard cutting snips (D29SS)
 Offset snips, optimized (D29ASS)
 Offset, extra hard, high tolerance (D27AH)
 Long-nose, multi-purpose (D22AL)
 Safety strap cutter (D123)
 Super nibbler (D24)
 MultiSnip - Straight (D47, D48)
 MultiSnip - Offset (D48A)
 Cable cutter (D49)
 Combinox (D50)
 MultiSnip master (D51)
 SuperPower snips - Straight blade (DSPS)
 SuperPower snips - Offset blade (DSPC)
 DMT multi-function tool
 Double blade folding tool
 Folding utility knife - Aluminum handle
 Folding utility knife - Wood handle
 Folding utility knife - ABS comfort grip handle
 Folding utility knife set - ABS comfort grip handle

48-49

Industrial fluids & compounds

Lab-metal®
 Hi-Temp Lab-metal®
 Lab-solvent
 Heat block
 Spatter release
 Stick-Kut™ lubricating stick wax
 Relton dark thread cutting oil
 Relton light thread cutting oil
 Rel-Saw band saw fluid
 Relton OPTION 1® cutting fluid
 Relton A-9® aluminum cutting fluid
 Relton Air-Flo air tool oil
 Relton Rapid Tap® cutting fluid

50

Specialty products

Torque multipliers (X4)
 Anti-Backlash torque multiplier

51

Reco induction bearing heaters

Induction bearing heaters
 Cross bars for bearing heaters
 Cone style bearing heaters
 Raising blocks
 Pyrometer/Thermometer

52-54

Index

High performance all-steel bar clamps

High performance all-steel bar clamps

High performance bar clamps from BESSEY® represent the peak of the all-steel bar clamp category. Made in Germany, the high performance series delivers uncompromising quality, patented features, durability and real-world productivity to make it a must-have tool in today's modern workshop.



2400S Video



Features and benefits at a glance:

1 Patented rail profile

The patented rail profile offers greater stability, enhanced clamping force and 20% more clamping force per spindle turn, for quicker set-up times (1800-S and 2400S Series).

2 BESSEY® MorPad

The MorPad is designed to reduce friction at the point of contact; which can lower applied clamping force. Using a BESSEY® product with the MorPad extends tool life and, at full clamping potential.

3 Hardened spindle

The heat-treated, high carbon Acme threaded spindle is manufactured to offer high load capacity, durability and spatter resistance.

4 Size engineered tommy bar

The ergonomic, high-strength sliding pin T-Handle is sized according to the clamp's capability. BESSEY® Grip comes standard with 1800-S/2400S.

5 Drop forged sliding arm

The u-shaped sliding arm transfers clamping force evenly across the surface of the forged piece. This improves power transmission, stability and results in a longer lasting tool.



A. Medium duty all-steel bar clamp (1800-S Series)

BESSEY's fast acting all-steel bar clamps are the workhorse of many professional shops. These clamps can be set up an estimated 9X faster than a c-clamp. One can quickly move the sliding arm to the point of application, tighten the handle and be ready to work in seconds! Comes with: Patented rail profile, MorPad, ergonomic BESSEY® grip.

	Throat Depth	Clamping Capacity	Clamping Force	Approx. Weight
1800-S8	4-3/4"	8"	1980 lbs	4.00 lbs
1800-S12	4-3/4"	12"	1980 lbs	4.75 lbs
1800-S18	4-3/4"	18"	1980 lbs	5.75 lbs
1800-S24	4-3/4"	24"	1980 lbs	6.25 lbs



B. Regular duty all-steel bar clamp (2400S Series)

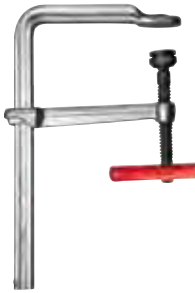
A top-selling tool for BESSEY®, the 2400S Series has the uncompromising quality and features of the 1800-S Series but, it offers greater throat depth, clamping force and a wider range of clamping capacity. Comes with: Patented rail profile, MorPad, ergonomic BESSEY® grip.

	Throat Depth	Clamping Capacity	Clamping Force	Approx. Weight
2400S-8	5 1/2"	10"	2800 lbs	5.50 lbs
2400S-12	5 1/2"	12"	2800 lbs	6.80 lbs
2400S-16	5 1/2"	16"	2800 lbs	7.15 lbs
2400S-20	5 1/2"	20"	2800 lbs	7.50 lbs
2400S-24	5 1/2"	24"	2800 lbs	7.85 lbs
2400S-36	5 1/2"	36"	2800 lbs	10.75 lbs
2400S-48	5 1/2"	48"	2800 lbs	12.30 lbs
2400S-60	5 1/2"	60"	2800 lbs	14.25 lbs

C. Regular duty clamp, deep throat version (DT2400S Series)

This series has an extended throat depth of 8 In for that extra reach that is sometimes needed. Comes with: Standard rail profile, MorPad, ergonomic BESSEY® grip.

	Throat Depth	Clamping Capacity	Clamping Force	Approx. Weight
DT 2400-12	8"	12"	1770 lbs	7.50 lbs
DT 2400-24	8"	24"	1770 lbs	10.00 lbs



D. Heavy duty all-steel bar clamps (4800S Series)

With nearly twice the clamp force capacity of the 2400S Series and available clamp lengths up to 60", the 4800S series is a top selling industrial tool at BESSEY. The spindle has a 19 mm hexagonal head to assist in tightening (torque of 70Nm or less). Comes with: Standard rail profile, MorPad.

	Throat Depth	Clamping Capacity	Clamping Force	Approx. Weight
4800S-12	7"	12"	4880 lbs	12.00 lbs
4800S-18	7"	18"	4880 lbs	14.50 lbs
4800S-24	7"	24"	4880 lbs	16.00 lbs
4800S-36	7"	36"	4880 lbs	20.00 lbs
4800S-48	7"	48"	4880 lbs	22.00 lbs
4800S-60	7"	60"	4880 lbs	28.00 lbs



E. Extra heavy duty all-steel bar clamps (7200 Series)

'Robust' would hardly begin to describe these highly capable clamps which are designed for extra heavy industrial applications. The spindle has a 36 mm hexagonal head to assist in tightening (torque of 100 Nm or less). Comes with: Standard rail profile, specially designed MorPad.

	Throat Depth	Clamping Capacity	Clamping Force	Approx. Weight
7200S-12	8"	12"	7770 lbs	24.00 lbs
7200S-18	8"	18"	7770 lbs	28.00 lbs
7200S-36	8"	36"	7770 lbs	38.00 lbs



F. Extra high pressure all-steel bar clamp (8500HPC)

This clamp has a narrower throat depth which enables a much higher clamping force than a comparably sized clamp with a larger throat depth. Comes with: Standard rail profile, MorPad.

	Throat Depth	Clamping Capacity	Clamping Force	Approx. Weight
8500HPC-14	4"	14"	8500 lbs	11.00 lbs



H. Service part, handle, spindle, MorPad and pin assembly

3100398 1200/1800 Spindle (.700" Dia.)

3100399 2400 Spindle (.775" Dia.)

3100400 4800/8500 Spindle (.850" Dia.)

3100401 7200 Spindle (.925 Dia.)

I. Variable angle device

VAD Fits up to 2400 series

J. Service part, sliding arm

3000159 Arm only for old style 1800

3007855 Arm only for new style 1800

3001411 Arm only for old style 2400S

3007822 Arm only for new style 2400S

3001412 Arm only for 4800S (Previously 4800A)

3001413 Arm only for 7200S (Special order only)

3005120 Arm only for 8500HPC-14 (Special order only)

3100579 Nut & lock ring for 7200 Series

K. Service part, wedges for 7200/8500

3000689 For 7200 series

3005122 For 8500 series (Special order only)

BESSEY® clamp service parts

A range of service parts are available for the clamps listed on these pages.

G. Service part, MorPads

3100736 12/18/24/4800 Series

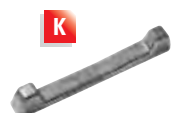
3100737 7200 Series (Previously 7200P)

3101192 Rough face -12/18/24/4800 Series

3101193 V Groove - 12/18/24/4800 Series



Ball-in-socket technology means greatly extended clamp life and, at full pressure ... by BESSEY®. Patented.



Shop floor all-steel bar clamps



Shop floor all-steel bar clamps

Made in Germany, the Shop Floor series of clamps offers a unique value proposition to the professional. Its mid-range pricing offers the highest quality and value but, does not come with all the enhanced features of the High-Performance product offering.

Features and benefits at a glance:

1 Patented rail profile

The patented rail profile offers greater stability, enhanced clamping force and 20% more clamping force per spindle turn, for quicker set-up times (for 660 & 1200 Series models).

2 Standard pads and heavy duty pads

The standard swivel pads and heavy duty pads are tried-and-true contact surfaces for use with your Shop Floor clamps. Field replaceable (see Page 4).

3 Hardened spindle

The heat-treated, high carbon Acme threaded spindle offers high load capacity, durability and spatter resistance.

4 Size engineered tommy bar

The high-strength sliding pin T-Handle is sized according to the clamp's capability.

5 Drop forged sliding arm

The u-shaped sliding arm transfers clamping force evenly across the surface of the forged piece. This improves power transmission, stability and results in a longer lasting tool (For 660 & 1200 Series models).



A. Light duty all-steel bar clamp (MMS Series)

Sometimes the right tool has nothing to do with size. The MMS clamps are easy to use, quick to adjust and offer great value. At 400 lbs of clamping force they still offer a high level of performance despite their small stature. Comes with: Standard rail profile, standard crimped on swivel pads.

	Throat Depth	Clamping Capacity	Clamping Force	Approx. Weight
MMS-4	2-1/4"	4"	400 lbs	0.55 lbs
MMS-8	2-1/4"	8"	400 lbs	0.70 lbs
MMS-12	2-1/4"	12"	400 lbs	0.80 lbs



B. Light to medium duty all-steel bar clamp (660-S and 1200-S Series)

Premium features and value make this series of clamps ever more popular. The 660-S and 1200-S are unique in the BESSEY Shop Floor series in that they have the upgraded rail profile and force optimized sliding arm like the 2400 & 1800 Series. Comes with: Patented rail profile, replaceable swivel pads.

	Throat Depth	Clamping Capacity	Clamping Force	Approx. Weight
660-S8	4"	8"	726 lbs	1.85 lbs
660-S12	4"	12"	726 lbs	2.15 lbs
660-S18	4"	18"	726 lbs	2.75 lbs
1200-S8	5-1/2"	8"	1320 lbs	3.75 lbs
1200-S12	5-1/2"	12"	1320 lbs	4.25 lbs
1200-S18	4-3/4"	18"	1320 lbs	4.75 lbs
1200-S24	4-3/4"	24"	1320 lbs	5.25 lbs



E-Newsletter Sign up



Bar clamps for industrial application



C. Medium duty all-steel bar clamp (SGL Series)

Only a few short years ago the standard profiled rail and heavy duty pad of the SGL Series would have represented the top of the all-steel bar clamp world. The product is produced in Germany from cold-drawn German steel, just like the rest of the Shop Floor and High Performance Series. Comes with: Standard rail profile, heavy duty pad.

	Throat Depth	Clamping Capacity	Clamping Force	Approx. Weight
SGL-8	4-3/4"	8"	1800 lbs	4.00 lbs
SGL-12	4-3/4"	12"	1800 lbs	4.75 lbs
SGL-18	4-3/4"	18"	1800 lbs	5.75 lbs
SGL-24	4-3/4"	24"	1800 lbs	6.25 lbs



D. Regular duty all-steel bar clamp (SQ Series)

This series is a top selling product for BESSEY®. Like the 2400S Series it offers a great mixture of size and strength and...like the SGL Series, it represents what would have been the top of the bar clamp market only a few short years ago. Comes with: Standard rail profile, heavy duty pad.

	Throat Depth	Clamping Capacity	Clamping Force	Approx. Weight
SQ-4*	4-3/4"	6"	1330 lbs	2.50 lbs
SQ-8	5-1/2"	8"	2660 lbs	5.50 lbs
SQ-12	5-1/2"	12"	2660 lbs	6.30 lbs
SQ-16	5-1/2"	16"	2660 lbs	7.00 lbs
SQ-20	5-1/2"	20"	2660 lbs	7.30 lbs
SQ-24	5-1/2"	24"	2660 lbs	8.00 lbs

*SQ-4 has a standard pad.



E. Heavy duty all-steel bar clamp (STB Series)

The STB heavy duty bar clamp offers heavy-duty value. German produced classic profiled rails, hardened spindles (with 19 mm hex head) and sizes up to 36" makes this a real-world solution for heavy duty applications on a tighter budget. Comes with: Standard rail profile, crimped on swivel pad.

	Throat Depth	Clamping Capacity	Clamping Force	Approx. Weight
STB-12	7"	12"	4880 lbs	12.00 lbs
STB-18	7"	18"	4880 lbs	14.95 lbs
STB-24	7"	24"	4880 lbs	16.00 lbs
STB-36	7"	36"	4880 lbs	20.00 lbs



G. Service part, standard pad

- 3101339** MMS (4 pc) (must be manually crimped on)
- 3101180** GS16K, GS12-8K (4 pc)
- 3101183** RSC-8, 660S, J18, GS16-12K, GS25K, GS20K (4 pc)
- 3101188** 1200, RSC-12, 18 & 24, SQ, SGL (pre 2008), SG30VAD, GS30K

H. Accessory, BESSEY® Grip handles

- 3006727** RSC-8, 660S, SQ-4
- 3006786** RSC-12, 18 & 24, 1200, SQ, SGL, SG30VAD

I. Service part, screw and pad assembly

- 3100398** 1200/SGL Screw (.700" Dia.)
- 3100399** SQ, GSL, GSM (.775" Dia. replacement screw)
- 3100400** STB (.850" Dia. replacement screw)

J. Service part, spindle

- 3100119** GS12-8K, GS16K
- 3100120** GS20K, GS16-12K, GS25K, 660S
- 3100121** GS30K, 1200S
- 3101012** MMS

K. Variable angle device

- VAD** Fits up to SQ series

L. Service part, sliding arm

- 3000157** Arm only for old style 1200 (pre 2009)
- 3008019** Arm only for new style 1200 (post 2009)

BESSEY® clamp service parts

A range of service parts are available for the clamps listed on these pages.

F. Service part, replacement for heavy duty pad

- 3100736** 1200, SGL, SQ, STB, GSL and GSM Series
- 3101192** Rough face - 1200, SGL, SQ, GSL and GSM Series
- 3101193** V Groove - 1200, SGL, SQ, GSL and GSM Series



Ball-in-socket technology means greatly extended clamp life and, at full pressure ... by BESSEY®. Patented.



Shop floor clamps



A. J Series Step-Over clamps

The J Series clamps are a total lifesaver in the workshop! Not everything in the shop is flat and this clamp offers a solution to clear obstructions and maintain clamping pressure. Available with a standard swivel pad or MorPad. Ergonomic grip is standard on the 2400J series.

	Throat Depth	Clamping Capacity	Clamping Force	Rail Step-Over Up to	Approx. Weight
Light duty (J18) Standard Pad					
J18-8	4-3/4"	10"	880 lbs	2-1/4"	3.20 lbs
Regular duty (2400J) with MorPad & grip					
2400J-12	5-1/2"	12"	2660 lbs	4"	8.00 lbs
Heavy duty (4800J) with MorPad					
4800J-20	7"	20"	4880 lbs	6"	18.00 lbs



E-Newsletter Sign up



J-series Video



B. Multi-Purpose KombiKlamm™

The KombiKlamm™ has great features that make it very versatile. It is set up to clamp, spread, hold irregular shaped objects and even comes with an ergonomic grip. Made in Germany, the clamp is set at a price point to make it a serious consideration for the active shop.

	Throat Depth	Clamping Capacity	Clamping Force	Approx. Weight
SG30VAD	4-3/4"	*12"	2600 lbs	6.00 lbs

* 11 inch capacity with VAD in place.



C. OMEGA bend clamps (RSC Series)

Thanks to the patented OMEGA bend this clamp maintains its positive clamping pressure longer under heavy vibration than a conventional clamp. It is durable, lightweight and easy to use.

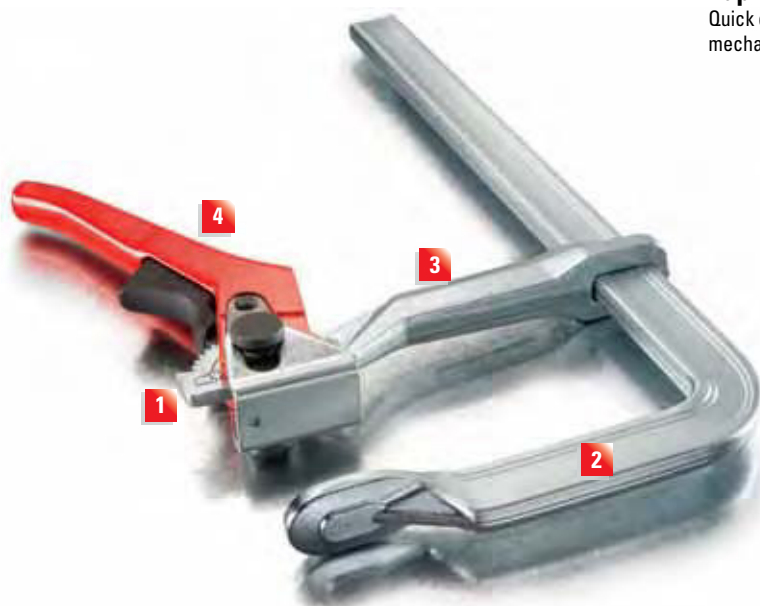
	Throat Depth	Clamping Capacity	Clamping Force	Approx. Weight
RSC-8	4"	8"	770 lbs	1.90 lbs
RSC-12	5-1/2"	12"	1100 lbs	4.15 lbs
RSC-18	4-3/4"	18"	1100 lbs	4.90 lbs
RSC-24	4-3/4"	24"	1100 lbs	5.40 lbs

Rapid-Action lever clamps & claw clamp



Rapid-Action lever clamps

Quick on, quick off! Secure vibration-resistant clamping with a rapid action ratchet mechanism. Position and reposition your workpiece quickly and securely.



Features and benefits at a glance:

- 1 Secure ratchet mechanism**
The ratchet mechanism ensures rapid, vibration-resistant clamping. Hardened cam at the end of the lever ensures a long service life.
- 2 Extremely sturdy**
Torsion-resistant, fixed bracket and pressure plate are produced and tempered in one piece for maximum tensile strength and sturdiness.
- 3 Forged Sliding Arm**
Forged sliding-arm is made from tempered, drop-forged steel for long service life.
- 4 Extremely Sturdy Handle**
Ergonomically shaped powder-coated clamping lever and plastic-coated release for comfort and power.
- 5 Trigger protection**
Trigger protection means fewer pinched fingers.

A. All-steel lever bar clamps

Quick on, quick off! Secure vibration-resistant clamping with a rapid action ratchet mechanism. Position and reposition your workpiece quickly and securely. The torsion-resistant, fixed bracket and pressure plate is produced and tempered in one piece for maximum tensile strength and sturdiness.

	Throat Depth	Clamping Capacity	Clamping Force	Approx. Weight
LC4	2-3/8"	4"	400 lbs	1.1 lbs
LC8	4"	8"	660 lbs	2.50 lbs
LC12	5-1/2"	12"	1200 lbs	5.00 lbs
LC20	4-3/4"	20"	1200 lbs	5.75 lbs
LC31 NEW	4-3/4"	31"	1200 lbs	7.90 lbs
1800L12	5-1/2"	10"	1800 lbs	7.00 lbs



B. Claw clamp (CL)

A welder's versatile clamp or spreader. The spindle mechanism is on the back side of the sliding arm so that it is out of the work area. The V-grooved pressure plate is made of high grade cast iron and swivels up to 30°.

	Throat Depth	Clamping Capacity	Clamping Force	Approx. Weight
CL-24	4"	24"	1775 lbs	7.15 lbs
CLS-Shoe				0.75 lbs



*Part number CL-24 will change in the Fall 2012 to CL12, UPC Code 7 88502 20110 0 and will get a 4-3/4" throat depth instead of 4".

classiX® all-steel bar clamps



classiX® all-steel bar clamps

The classiX line of clamps represents an extension of BESSEY's clamping and steel manufacturing skills to overseas production. The goal of this extension is to produce an opening price point offering that also embodies the stringent quality requirements of BESSEY®.

Features and benefits at a glance:

1 Choices

The classiX line is an abbreviated range of the most popular global clamp performance characteristics. A variety of throat depths, pad/swivel styles and clamping capacities provide professionals with a choice that makes sense for real-world applications.

2 Quality

Internationally sourced components coordinated by BESSEY® quality control and engineering departments ensure great prices and great quality.

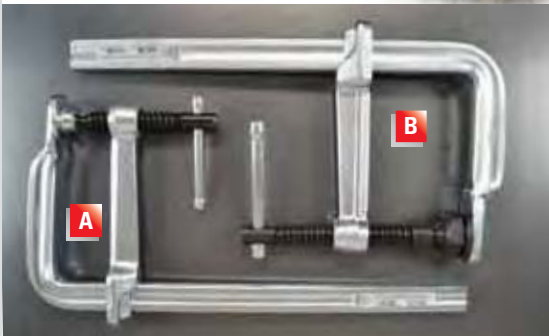
3 Standard pads and heavy duty pads

The standard swivel pads and heavy duty pads are tried and true contact surfaces for use with your classiX clamps. Field replaceable (see Page 4).

4 Hardened spindle

Heat-treated, high carbon Acme threaded spindle is manufactured to offer high load capacity, durability and spatter resistance.

classiX®
Video



A. classiX® - Standard pad

A range of clamp sizes and performance characteristics with a crimped-on contact pad.

	Throat Depth	Clamping Capacity	Clamping Force	Approx. Weight
GS12-8K	3-1/8"	4"	550 lbs	0.5 lbs
GS16K	3-1/8"	6"	550 lbs	0.6 lbs
GS20K	4"	8"	880 lbs	1.8 lbs
GS16-12K	4-3/4"	6"	1000 lbs	2.0 lbs
GS25K	4-3/4"	10"	1000 lbs	2.5 lbs
GS30K	5-1/2"	12"	1200 lbs	4.3 lbs
GS60K	4-3/4"	24"	1200 lbs	5.1 lbs



B. classiX® - Heavy duty pad

Designed for heavier applications, the classiX® line with heavy duty pads comes with classic rail profiles and a range of clamp openings that will meet most day to day needs.

	Throat Depth	Clamping Capacity	Clamping Force	Approx. Weight
GSL30	4-3/4"	12"	1880 lbs	5.0 lbs
GSL60	4-3/4"	24"	1880 lbs	6.5 lbs
GSM20	4-3/4"	7-1/2"	2660 lbs	5.2 lbs
GSM25	5-1/2"	9"	2660 lbs	6.0 lbs
GSM30	5-1/2"	12"	2660 lbs	7.0 lbs
GSM40	5-1/2"	16"	2660 lbs	7.5 lbs
GSM50	5-1/2"	20"	2660 lbs	7.7 lbs
GSM60	5-1/2"	24"	2660 lbs	8.0 lbs



Clamping angles and miters

The metal angle clamps from BESSEY® were specifically designed for work holding in a welding or steel fabrication setting. These are tough and versatile tools that are made to simplify the work process and last in demanding fabrication settings.

Features and benefits at a glance:

1 Right angle clamping

The angle clamps have been developed for a wide range of applications but, most especially for aligning materials at 90 degrees for welding.

2 Work pieces of different thickness

The copper spindle passes through an articulated bearing that then attaches to a swivel based face. In use, the jaw face will automatically adjust to different thickness work pieces to align them at a 90 degree angle. Aligning work in preparation for further activity has never been so easy.

3 Open work area

In addition to the heavy duty construction, the metal angle vises are produced in such a way as to allow passage of t-joints and for easy access to final fastening.

4 Stable and solid

The high quality cast-iron construction is produced with wide bases and broad hold down areas to fasten the angle clamp safely.



A. Angle clamps (WSM)

Joining two pieces of metal at an exact 90 degree angle has never been easier thanks to the BESSEY® angle clamp. Let the clamp do the work while you do the welding. Even pieces of different thicknesses are no match for this clamp.

	Jaw Height	Capacity for both sides	Max. Passage for Mitres	Approx. Weight
WSM-9	1-3/8"	7"	3-1/2"	8.10 lbs
WSM-12	2-3/8"	9-1/2"	4-3/4"	16.55 lbs



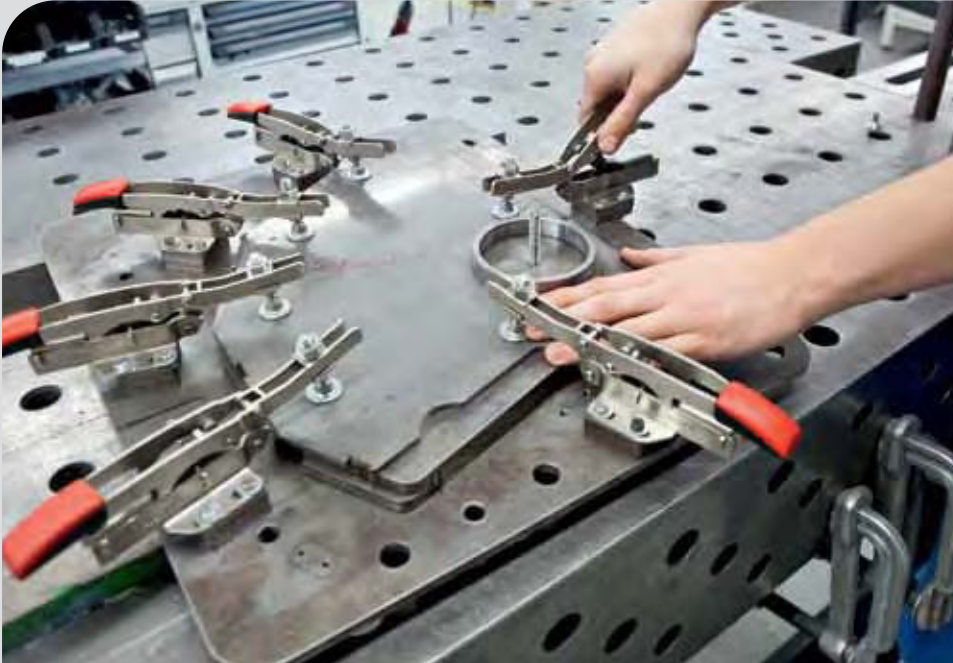
B. Multi-angle vise clamp (WVS, 3-in-1 angle clamp)

The BESSEY® WVS-4 allows an unusually versatile range of clamping positions. The two individual vises are mounted to a base plate and rotate freely. This allows angle clamping from 5 to 180 degrees and the added flexibility of using the smaller vises independently. Terrific value.

	Jaw Height	Clamping Capacity	Range of Angle	Approx. Weight
WVS-4	1-3/8"	4-3/8"	5° to 180°	23.00 lbs



Auto-Adjust Toggle Clamps for Rapid Clamping



The power to be in position fast!

The Auto-Adjust Toggle Clamp series from BESSEY® brings significant and positive innovation to the toggle clamp market. First, clamping force can be adjusted within a range of 25-550 lbs of pressure with the turn of an integrated pressure screw. Second, the clamp will auto-adjust to varying work piece heights without significant change in applied clamping force. Third, the holding capacity of the BESSEY® toggle clamp series is quite high, close to 700 lbs of holding capacity. The combination of these features presents a strong argument for cost-savings, enhanced productivity and greater workplace

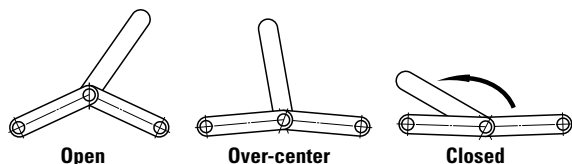
safety. How? BESSEY toggle clamps can replace a broad range of competitive toggle clamp styles when a range of clamping force and capacity is required. This means lower tool inventories and enhanced set-up time. The clamps are also perceived to be safer for real-world applications where variations in work piece height can lead to applied clamping force being too high or too low (with the resulting safety hazards these conditions present). Ideal for job-shop operations or short-run set-ups; the BESSEY® Auto-Adjust Toggle Clamps add value to any operation. BESSEY®. Simply better.



General Information

Toggle-clamp principles:

All toggle clamps operate on the same basic principle. There are a series of fixed lengths and pivots that form a linkage that can stretch or compress to apply clamping force. One end is anchored (and pivoting); the other parts of the linkage pivot from this initial anchored point to apply clamping force. As the levers and pivots extend from a contracted position they approach the fully-extended position. This is the point at which they will realize their maximum clamping force. This position is not a stable position for clamping as it does not allow for vibration or load changes. To lock a toggle clamp linkage, the levers must be pivoted past the fully-aligned position and into a stable and locked position against an end point stop. This locked position is commonly referred to as the “over-center” position and cannot be reversed without the linkages being moved.



Holding capacity versus clamping force:

- Clamping Force: The amount of force the clamp applies to the work piece when closed and locked. The clamping force depends on the relative position of the clamp’s components and on work piece variation
- The holding capacity is the optimized and maximum force that the clamp can sustain in its closed and locked position without permanent yielding and/or damage to the clamp’s components. Holding capacity is measured when the clamp is in its over-center condition. A clamp’s rated holding capacity should never be exceeded.

Toggle Clamp Safety:

- Toggle clamps should engage firmly. Too tight can result in tool failure or operator injury while too loose can result in a work piece coming unclamped.
- Most clamps are metallic and will conduct electricity and heat – take precautions
- Repetitive actions can lead to fatigue and related problems – take precautions
- Do not expose toggle clamps to heat in excess of 140 F – corrosion resistance and handle functionality is impaired.
- Metal components should not be exposed to temperatures beyond 200 F
- Composite handles are resistant to salt solutions and alkalis but should not be exposed to phenols, acids or oxidizing agents
- Do not strike, or lift with, toggle clamps.
- Do not use secondary tools to augment applied clamping force
- Failure to use common sense and/or follow these guidelines will void warranties and increase the chance for failure or injury. Always wear protective gear.

Choosing a Toggle Clamp:

Choosing a specific toggle clamp is a multi-step process:

1. Select the appropriate clamp action, base style, bar style
2. Review the size, shape and consistency of parts to be clamped
3. Determine the tool clamping forces and holding capacity that is required
4. Consider the frequency, duration and cycle time of the operation
5. Decide upon the number of clamps to use.

Determining tool specifications and designing a set-up is a complex issue and should be the responsibility of a qualified fixture designer/engineer.

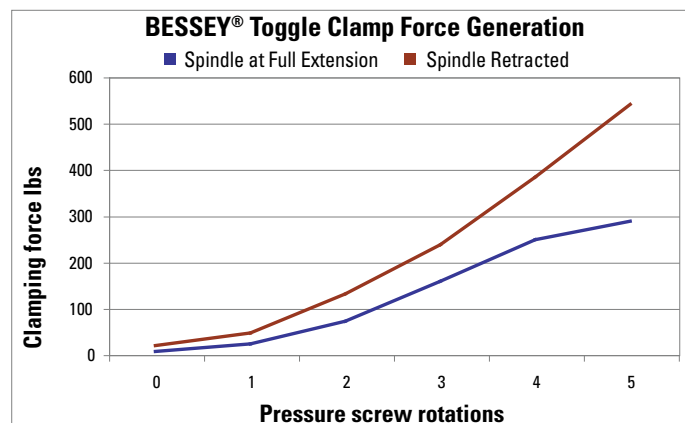
Construction:

BESSEY® Auto-Adjust Toggle Clamps are made with the finest materials. Steel content is typically 1035 or 1045 steel and hardened completely through. The large and ergonomic handles are a combination of polypropylene and thermo-plastic and resistant to heat. Nickel plating is the standard coating unless otherwise indicated. Base hole diameters are designed for M6 or 1/4 In. fasteners. The InLine plunger thread and spindle threads, are M8.

Clamping Force Range:

The BESSEY® Auto-Adjust Toggle Clamps will adjust automatically to variations in work piece height once the clamping force has been set. The integrated pressure screw has a range of clamping force (25-550 lbs nominal) that should be considered. Counter-clockwise rotation of the pressure screw increases clamping force and clockwise rotation decreases clamping force. Spindle location (at base or tip) can also affect clamping force. A visual representation at 30 mm clamp height is included in the chart below.

For more information email info@besseytools.com or call 1-800-828-1004

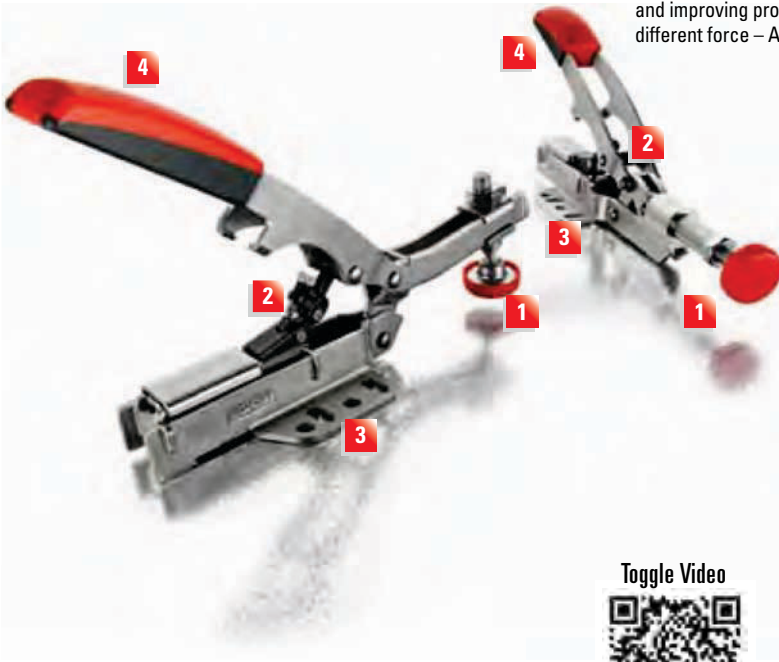


Clamping height set at 30 mm. Pressure screw set initially to lowest clamp force (0) and, with one full rotation for each measurement point.

Auto-Adjust Toggle Clamp for Rapid Clamping

Auto-Adjust Toggle Clamp for Rapid Clamping

This truly versatile clamp is ideal for short runs, quick set-ups, consolidating part numbers and improving processes. Choose one clamp for a variety of applications – Different heights, different force – All from the same clamp.



Features and benefits at a glance:

1 Auto-Adjust

The BESSEY Auto-Adjust Toggle Clamp automatically adjusts to variations in work piece dimensions while maintaining constant clamping force. No more time-consuming manual adjustment of the spindle height to maintain safe and correct clamping force. The removable non-marring plastic cap is included on the 7/8" diameter pads.

2 Adjustable Clamping Force

The integrated clamping force adjustment screw can be used to create an actually applied clamping force from 25 to 550 lbs. (max holding capacity 700 lbs.) One BESSEY® Auto-Adjust Toggle Clamp can replace a range of competitive clamps.

3 Adaptable Base Plate

The large (2 1/4" by 2 1/2") flanged base is designed for use with 1/4" or M6 fasteners. Mounting holes are sized & spaced for easy mounting and versatility.

4 Extra large handle

The large 1" x 2 1/8" handle offers greater user comfort and ease of operation.

Toggle Video



A. Horizontal toggle clamps

Until now you always had to adjust your toggle clamp to the thickness of your workpiece...not any more! The BESSEY® toggle clamp has an auto-adjust feature that once set, conforms to the material size while maintaining constant clamping pressure. Why struggle with a regular toggle? Save time and effort and add the BESSEY® auto-adjust toggle clamp to your workshop.

	Opening	Clamping Force Range	Holding Capacity	Approx. Weight
STC-HH50	1-9/16"	25-550 lbs*	700 lbs	0.77 lbs
STC-HH70	2-3/8"	25-550 lbs*	700 lbs	0.86 lbs

* Variable and dependent on spindle settings, pressure screw setting, force applied etc. Some small spindle adjustments may be required to achieve maximum clamping opening.



B. Inline toggle clamp

High quality construction made by German engineering puts the BESSEY® auto-adjust toggle clamp in a league of its own. Adjustable in many ways, you can replace a range of competitive clamps with one of BESSEY's models.

	Opening	Clamping Force Range	Holding Capacity	Approx. Weight
STC-IHH25	13/16"	25-550 lbs*	700 lbs	0.86 lbs

* Variable and dependent on spindle settings, pressure screw setting, force applied etc. Some small spindle adjustments may be required to achieve maximum clamping opening.

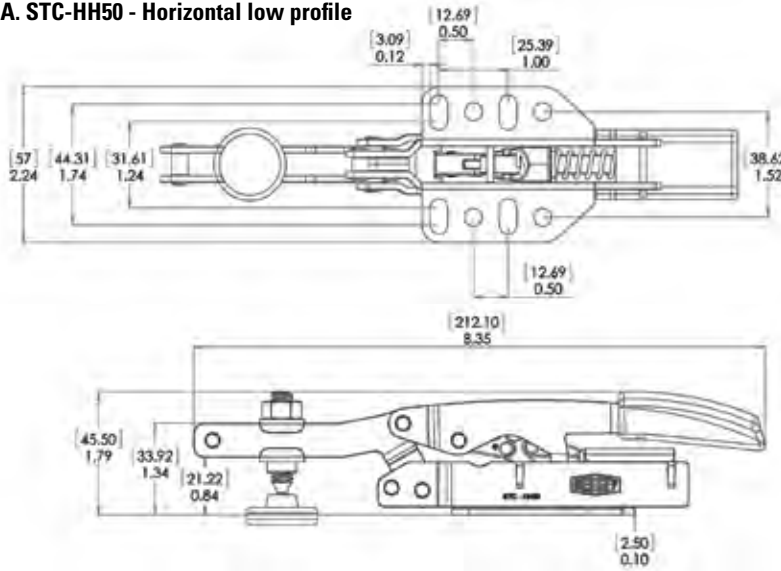
E-Newsletter Sign up



C. Service part

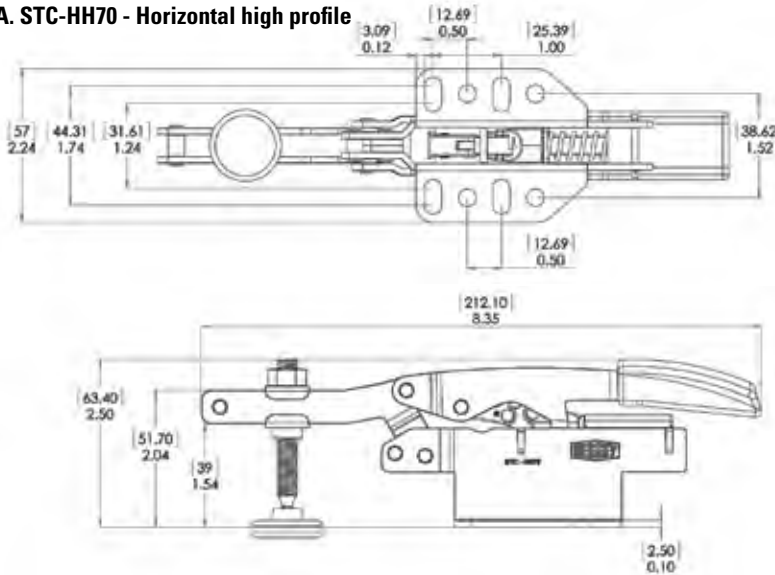
- 3101588 Spindle set, STC-HH70
- 3101589 Spindle set, STC-HH50/IHH25

A. STC-HH50 - Horizontal low profile



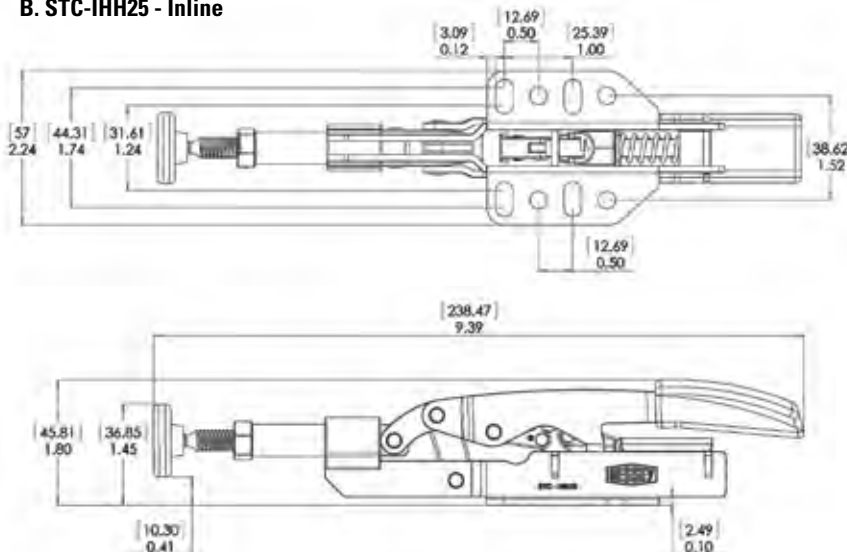
- Same settings, same clamping force, same clamp ... different heights
- In the clamped position the handle is horizontal
- Turn the pressure screw counter-clockwise to increase pressure and, clockwise to decrease (See chart page 10)
- Easy access mounting holes are optimized to 1/4" fasteners (M6)

A. STC-HH70 - Horizontal high profile



- Replace a range of competitive clamps with each BESSEY® model
- Spindle thread is M8
- Nut size is .540" (14 mm)
- Pad diameter is 7/8"

B. STC-IHH25 - In-line



- High quality construction
- Plunger thread is M8
- Plunger diameter is .465"
- Snap off plastic cap is standard on all models

Powerful parallel clamping at its best

Powerful parallel clamping at its best

BESSEY® invented the parallel clamp and continues to innovate within the category to meet the needs of the serious woodworker. Whether the requirements are in a production setting or in the shop of the home woodworker there is always a need for a powerful and parallel BESSEY® product.

Features and benefits at a glance:

1 Parallel clamping surface with jaw protection pads

These are arguably the most powerful and most parallel clamps in the world. The three large removable (if you want to clean or replace them) pressure caps are resistant to glue, paint and solvents.

2 Large 2K composite handle

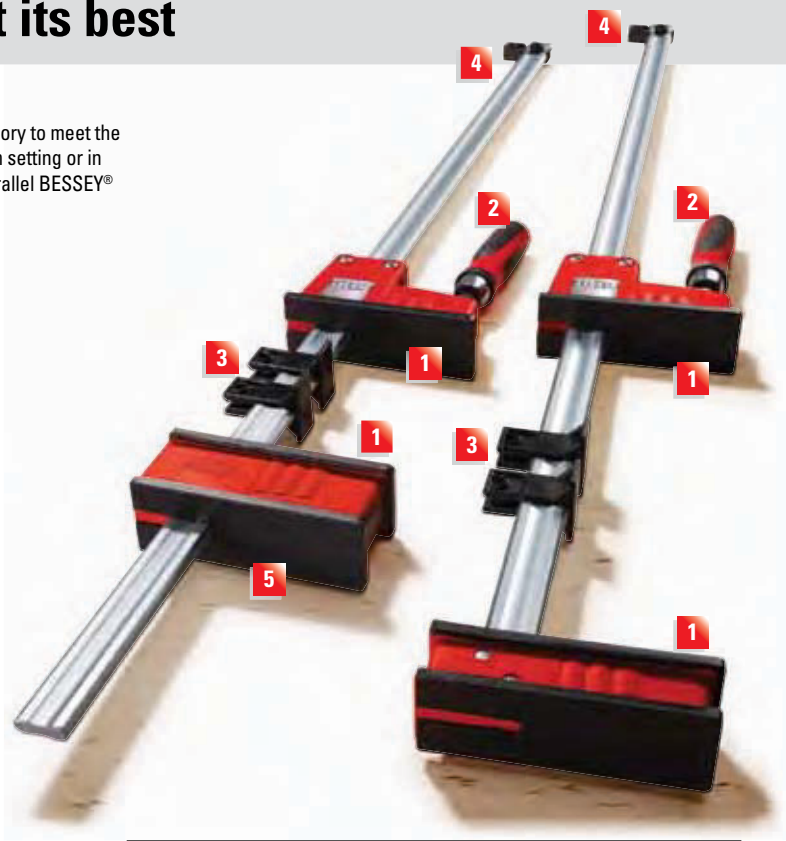
High quality 2K composite handle with soft plastic insert for comfort while working.

3 Rail protection pieces

The rail protection pieces (made from impact resistant polyamide) prevent glue dripping on to the rail. With TK-6 table clamps you can easily fasten the rail protection pieces to a work surface.

4 Removable end-clip

End-clip ensures clamp sits parallel to work surface and is removable to reverse sliding arm for use as spreader. These clips can also be attached to a work surface with TK-6 table clamps.



A. K Body® REVO™, parallel clamps

Jaws clamp at an accurate 90 degree angle; arguably the most powerful parallel clamp in the world. A clamping force of 1500 lbs with large handles and clamping surface. Many replacement parts available.

K Body® REVO™ Extender Kits

	Includes	Weight
KRX2440	2 x KR3.524 (24" K Body® REVO™) 2 x KR3.540 (40" K Body® REVO™) 2 x K Body® Extenders	28 lbs
KRX2450	2 x KR3.524 (24" K Body® REVO™) 2 x KR3.550 (50" K Body® REVO™) 2 x K Body® Extenders	29 lbs

K Body® REVO™ Framing Kits

	Includes	Weight
KRK2440	2 x KR3.524 (24" K Body® REVO™) 2 x KR3.540 (40" K Body® REVO™) 1 set of KP BLOCKS (4 blocks/set)	26 lbs
KRK2450	2 x KR3.524 (24" K Body® REVO™) 2 x KR3.540 (50" K Body® REVO™) 1 set of KP BLOCKS (4 blocks/set)	27 lbs



	Throat Depth	Clamping Capacity	Clamping Force	Approx. Weight
KR3.512	3-3/4"	12"	1500 lbs	4.50 lbs
KR3.518	3-3/4"	18"	1500 lbs	5.00 lbs
KR3.524	3-3/4"	24"	1500 lbs	5.50 lbs
KR3.531	3-3/4"	31"	1500 lbs	6.50 lbs
KR3.540	3-3/4"	40"	1500 lbs	7.30 lbs
KR3.550	3-3/4"	50"	1500 lbs	8.00 lbs
KR3.560	3-3/4"	60"	1500 lbs	9.30 lbs
KR3.582	3-3/4"	82"	1500 lbs	11.50 lbs
KR3.598	3-3/4"	98"	1500 lbs	13.50 lbs

B. Vario K Body® REVO™, variable jaw parallel clamp

Same great clamp as the K Body® REVO™ but with a moveable 'fixed' jaw. Now you can optimize your clamping set-up with a push of a button and the 'fixed' jaw can be moved where you want it.

	Throat Depth	Clamping Capacity	Clamping Force	Approx. Weight
KRV-40	3-3/4"	40"	1500 lbs	8.55 lbs
KRV-60	3-3/4"	60"	1500 lbs	9.44 lbs
KRV-78	3-3/4"	78"	1500 lbs	12.22 lbs
KRV-98	3-3/4"	98"	1500 lbs	14.00 lbs

K Body® REVO™ Video



Vario K Body® REVO™ Video



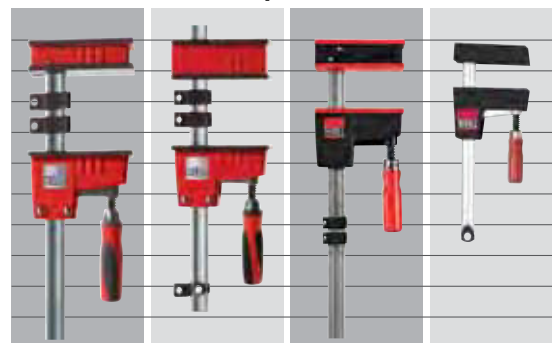
K Body® REVO™ JR
Video



UniKlamp®
Video



Size Comparison Chart



Features and benefits at a glance:

5 The Moveable 'Fixed' Jaw

For the first time ever, BESSEY® offers the opportunity to adjust both jaws to optimize clamping set-up. With the push of a button the 'fixed' jaw can be moved to where you want it.

6 Wood handle

Ergonomically shaped wood handle.

C. K Body® REVO™ JR parallel clamps

The new K BODY® REVO JR is a mid-sized version of what made the full-sized REVO parallel clamp so great. Parallel jaws, good power and a lighter relative weight, combined with a very competitive price point, has made this clamp a success.

	Throat Depth	Clamping Capacity	Clamping Force	Approx. Weight
KRJR-12	3-1/4"	12"	900 lbs	2.50 lbs
KRJR-18	3-1/4"	18"	900 lbs	2.80 lbs
KRJR-24	3-1/4"	24"	900 lbs	3.10 lbs
KRJR-36	3-1/4"	36"	900 lbs	3.70 lbs
KRJR-50	3-1/4"	50"	900 lbs	4.50 lbs

D. UniKlamp® case clamp

This light duty universal case clamp is an ideal tool for many jobs around the shop. Lower clamping pressures spread over a wider surface are gentler on delicate work surfaces and, the light weight means less fatigue during glue-ups.

	Throat Depth	Clamping Capacity	Clamping Force	Approx. Weight
UK3.006	3-1/8"	6"	330 lbs	1.40 lbs
UK3.012	3-1/8"	12"	330 lbs	1.60 lbs
UK3.024	3-1/8"	24"	330 lbs	1.90 lbs



E. Moveable Fixed Jaw (for KR & KRJV)

KR-VO Replacement variable jaw, throat depth of 3-3/4"

F. Sliding Jaw (for KR & KRJV)

KR-J2K Replacement sliding jaw, throat depth of 3-3/4"

G. Jaw Pads (for KR & KRJV)

KR-JP Replacement jaw pads, 2 jaw pads per set

H. End Clip (for KR & KRJV)

KR-EC Replacement rail end, 1/set

I. Rail Protection Pieces (for KR & KRJV)

KR-RPP Replacement rail protection pieces, 2/set

J. 2K Handle (for KR & KRJV)

3101370 Replacement 2K handle

K. Table Mount Clamp (TK) (for KR & KRJV)

TK-6 Accessory, holds KR & KRJV to work surface

L. Jaw Adaptor (for KR & KRJV)

KR-AS Accessory, slides onto the jaws of the KR & KRJV units, the pivoting jaws clamp or spread to irregular angles from -15° to +15°

M. Extender (for KR & KRJV)

KBX20 Accessory, connects two KR or KRJV clamps

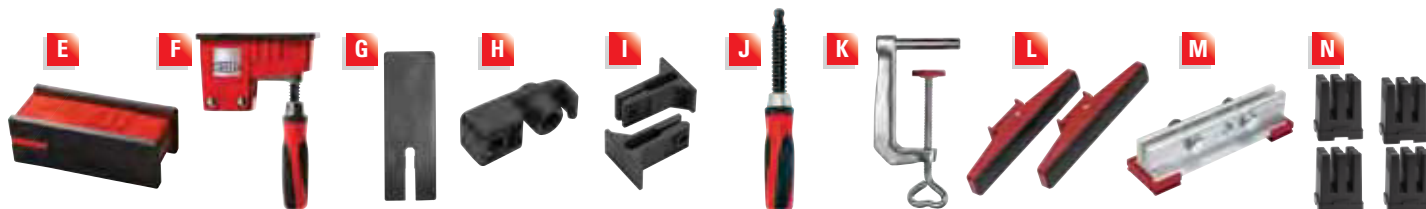
N. KP Blocks (4 per set) (for KR & KRJV)

KP Accessory, quick set up for raised panel doors, frames, etc.

KP Block Adaptor Accessory, attaches to bottom of KP Blocks

BESSEY® K Body® REVO™ & Vario K Body® REVO™ service parts & accessories

A range of service parts are available for the clamps listed on these pages.

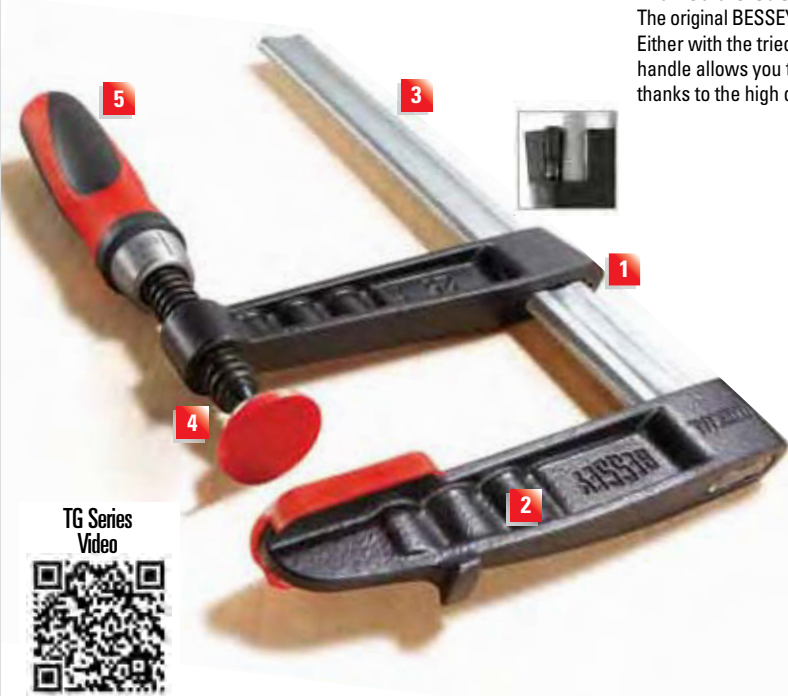


Malleable cast bar clamps

BESSEY® quality, durability and strength

Malleable cast bar clamps

The original BESSEY® malleable cast iron bar clamp is available in two different designs. Either with the tried-and-true wooden handle, or with the modern BESSEY® 2K handle. The 2K handle allows you to complete tasks more effectively and with less hand fatigue. This is possible thanks to the high quality 2K composite handle with a comfort insert.



Features and benefits at a glance:

1 Integrated anti-slip system

Maximum safety is available with the integrated anti-slip system. A set screw that is molded into the sliding arm interlocks with the serration on the rail to prevent the clamp from slipping.

2 Reinforced malleable cast iron jaw and sliding arm

Corrugated malleable cast iron fixed jaw and sliding arm generate powerful, rigid clamping. Top jaw is press fitted to the rail.

3 High quality profiled rail

The BESSEY® profiled rail from our own German steel plant has been optimized for clamps. The profile acts as a reliable reinforcement against torsional forces, while the serration on six faces additionally prevents the clamp from slipping.

4 BESSEY® smooth running spindle

The smooth running spindle with Acme thread allows for more clamping with less effort. Replaceable pressure plates can be easily changed without tools.

5 BESSEY® comfort

With the TG series you have the choice of the tried-and-true wooden handle or the 2K composite handle with a comfort insert.

A. Light duty (TG & TGJ) with 2K handle or wood handle

Choose your handle, the 2K or wood! The rail's hourglass profile contributes to the TG series's ability to resist flex. Even the light duty version is a tough tool built with the quality you expect from BESSEY®.

2K Handle	Throat Depth	Clamping Capacity	Clamping Force	Approx. Weight	Wood Handle
TGJ2.506+2K	2-1/2"	6"	600 lbs	1.50 lbs	TGJ2.506
TGJ2.512+2k	2-1/2"	12"	600 lbs	2.00 lbs	TGJ2.512
TGJ2.518+2k	2-1/2"	18"	600 lbs	2.30 lbs	TGJ2.518
TGJ2.524+2k	2-1/2"	24"	600 lbs	2.50 lbs	TGJ2.524
TGJ2.530+2k	2-1/2"	30"	600 lbs	3.00 lbs	TGJ2.530
TGJ2.536+2k	2-1/2"	36"	600 lbs	3.50 lbs	TGJ2.536
TG4.008+2k	4"	8"	880 lbs	2.50 lbs	TG4.008
TG4.012+2k	4"	12"	880 lbs	2.80 lbs	TG4.012
TG4.016+2k	4"	16"	880 lbs	3.00 lbs	TG4.016
TG4.024+2k	4"	24"	880 lbs	3.50 lbs	TG4.024

B. Medium duty (TG) with 2K handle or wood handle

Choose your handle and load up on pressure, durability and versatility. With a total of six serrated edges, the TG & TGJ are capable of withstanding a lot of pressure without slipping.

2K Handle	Throat Depth	Clamping Capacity	Clamping Force	Approx. Weight	Wood Handle
TG4.512+2K	4-1/2"	12"	1000 lbs	3.30 lbs	TG4.512
TG4.518+2k	4-1/2"	18"	1000 lbs	4.05 lbs	TG4.518
TG4.524+2k	4-1/2"	24"	1000 lbs	4.80 lbs	TG4.524
TG4.530+2k	4-1/2"	30"	1000 lbs	5.55 lbs	TG4.530
TG4.540+2k	4-1/2"	40"	1000 lbs	6.30 lbs	TG4.540
TG5.512+2k	5-1/2"	12"	1320 lbs	5.00 lbs	TG5.512
TG5.518+2k	5-1/2"	18"	1320 lbs	5.65 lbs	TG5.518
TG5.524+2k	5-1/2"	24"	1320 lbs	6.30 lbs	TG5.524
TG7.016+2k	7"	16"	1320 lbs	6.00 lbs	TG7.016
TG7.024+2k	7"	24"	1320 lbs	7.00 lbs	TG7.024
TG7.048+2k	7"	48"	1320 lbs	10.00 lbs	TG7.048



Malleable cast bar clamps



C. Heavy duty (TGK) with 2K handle

More clamp force than most of us will ever need, the TGK delivers more than you expect. High-end quality throughout. The 2K composite handle with comfort insert is standard.

	Throat Depth	Clamping Capacity	Clamping Force	Approx. Weight
TGK4.516+2K	4-1/2"	16"	1540 lbs	6.00 lbs
TGK4.524+2K	4-1/2"	24"	1540 lbs	7.00 lbs
TGK4.540+2K	4-1/2"	40"	1540 lbs	9.00 lbs
TGK4.550+2K	4-1/2"	50"	1540 lbs	10.50 lbs
TGK4.579+2K	4-1/2"	79"	1540 lbs	14.50 lbs



D. Deep reach (CDS) with flat rail

Need some extra reach? The CDS offers a throat depth of up to 20" when you need that extra deep reach. The large flat rail is serrated to prevent slipping. Comes with: Flat rail profile, standard pad, and plastic cap.

	Throat Depth	Clamping Capacity	Clamping Force	Approx. Weight
CDS24-10 WP	10"	24"	1550 lbs	12.50 lbs
CDS24-12 WP	12"	24"	1550 lbs	14.50 lbs
CDS24-20 WP	20"	24"	990 lbs	20.50 lbs



TC Series Video



E-Newsletter Sign up



E. Malleable cast (TC) with flat rail

Flat rails are an economical alternative - German quality at an appealing price for industrial application. Comes with: Ergonomically shaped wood handle, standard pad, and plastic cap.

	Throat Depth	Clamping Capacity	Clamping Force	Approx. Weight
TC4.008	4"	12"	800 lbs	2.85 lbs
TC4.512	4-1/2"	12"	950 lbs	3.36 lbs
TC5.512	5-1/2"	12"	1200 lbs	5.25 lbs
TC7.016	7"	16"	1200 lbs	6.25 lbs



F. NEW Malleable cast (TG) with Tommy Bar and profiled rail

Top selling TG Series products with T-Bar handle with rounded ends for simple transfer of force when clamping.

	Throat Depth	Clamping Capacity	Clamping Force	Approx. Weight
TG3.006+TB (TG16K)	3"	6"	700 lbs	1.75 lbs
TG4.008+TB (TG20K)	4"	8"	880 lbs	2.50 lbs
TG4.510+TB (TG25K)	4-1/2"	10"	1000 lbs	3.00 lbs
TG5.512+TB (TG30K)	5-1/2"	12"	1320 lbs	5.00 lbs
TG4.518+TB (TG40S12K)	4-1/2"	18"	1000 lbs	4.05 lbs
TG4.524+TB (TG60S12K)	4-1/2"	24"	1000 lbs	4.80 lbs



BESSEY® clamp service parts

A range of service parts are available for the clamps listed on these pages.

G. Service part, plastic replacement caps

3101392	TGJ2.5 (set of 10)
3101394	TG4.0 (set of 10)
3101395	TG4.5 (set of 10)
3101396	TGK, TG5.5, TG7.0 (set of 10)

H. Service part, standard pad

3101180	TGJ2.5 (4 pc)
3101183	TG4.0, TG4.5 (4 pc)
3101188	TG5.5, TG7.0, TGK4.5 (4 pc)



Malleable cast bar clamp kits



A. General clamp kit BGP (10 piece)

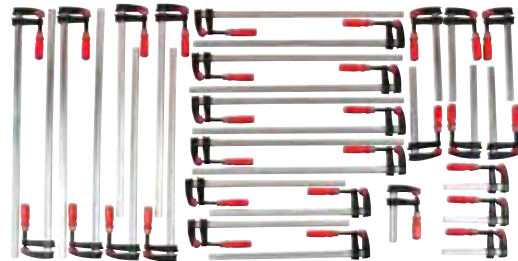
A selection of top selling multi purpose clamps.



	Kit Includes	Approx. Weight
BGP	2 x TGJ2.506 (6" malleable cast bar clamp) 2 x TG4.008 (8" malleable cast bar clamp) 2 x LM2.004 (4" zinc die cast bar clamp) 2 x PC34 (3/4" pipe clamp) 2 x XM5 (2" metal spring clamp)	17.00 lbs

B. Small TG kit BTB30 (30 piece)

A selection of top selling smaller malleable cast clamps.



	Kit Includes	Approx. Weight
BTB30	4 x TGJ2.506 (6" malleable cast bar clamp) 6 x TGJ2.512 (12" malleable cast bar clamp) 4 x TGJ2.518 (18" malleable cast bar clamp) 8 x TGJ2.524 (24" malleable cast bar clamp) 4 x TGJ2.530 (30" malleable cast bar clamp) 4 x TGJ2.536 (36" malleable cast bar clamp)	38.00 lbs

C. Small TG kit BTB30A (30 piece with display)

A selection of top selling smaller malleable cast clamps.



	Kit Includes	Approx. Weight
BTB30A	4 x TGJ2.506+2K (6" malleable cast bar clamp) 6 x TGJ2.512+2K (12" malleable cast bar clamp) 4 x TGJ2.518+2K (18" malleable cast bar clamp) 8 x TGJ2.524+2K (24" malleable cast bar clamp) 4 x TGJ2.530+2K (30" malleable cast bar clamp) 4 x TGJ2.536+2K (36" malleable cast bar clamp) 1 x A Frame Display (Sturdy, mobile display)	38.00 lbs

BESSEY® clamp service parts

A range of service parts are available for the clamps listed on these pages.

D. Service part, plastic replacement caps

3101392 TGJ2.5 (set of 10)

3101394 TG4.0 (set of 10)

E. Service part, standard pad

3101180 TGJ2.5 (4 pc)

3101183 TG4.0 (4 pc)



Rapid Action clamps and lever clamps

Rapid Action clamps and lever clamps

The BESSEY® Rapid Action clamps offer an interesting combination of features and benefits in a single clamp. Very quick set-up times, robust contact surfaces and a heavy duty rail combine to produce an offering that allows for speed and strength.

Features and benefits at a glance:

1 Double spindle mechanism

The unusual internal mechanism means that the clamping bolt will move twice as far per handle turn as a normal ACME threaded spindle.

2 Guided clamping bolts

The clamping bolt and the pressure plate are manufactured from a single piece with no seams for debris to enter and degrade performance. The clamping bolt is guided firmly in the barrel so that the bolt resists buckling.

3 Anti-slip mechanism

The hardened set screw meshes with the serrations on the rail. As greater force is applied the more the set screw will engage with the rail, avoiding clamp slippage.

4 German steel

Drawn from BESSEY's own mills, the robust rail is serrated on one side to mesh with the anti-slip mechanism.



A. Rapid Action clamps

Something NEW from BESSEY®, the Rapid Action clamp offers strength and speed to help you get your project done faster. A must have for every workshop.

	Throat Depth	Clamping Capacity	Clamping Force	Approx. Weight
PZ4.012 (PZ30S10K)	4"	12"	1320 lbs	3.75 lbs
PZ4.024 (PZ360S10K)	4"	24"	1320 lbs	5.00 lbs
PZ4.036 (PZ100S10K)	4"	36"	1320 lbs	6.80 lbs
PZ6.012 (PZ30S15K)	6"	12"	1620 lbs	5.30 lbs
PZ6.024 (PZ60S15K)	6"	24"	1620 lbs	6.80 lbs
PZ6.036 (PZ100S15K)	6"	36"	1620 lbs	8.80 lbs

E-Newsletter Sign up



B. Lever clamps

Secure your workpiece with this rapid-action lever clamp. The ratchet mechanism ensures your clamp won't move when vibration is present. Equipped with a large tilting pressure place for a sturdy grip.

	Throat Depth	Clamping Capacity	Clamping Force	Approx. Weight
LC4	2-3/8"	4"	400 lbs	1.10 lbs
LC8	4"	8"	660 lbs	2.50 lbs
LC12	5-1/2"	12"	1200 lbs	5.00 lbs
LC20	4-3/4"	20"	1200 lbs	5.75 lbs
LC31 NEW	4-3/4"	31"	1200 lbs	7.90 lbs
1800L12	5-1/2"	10"	1800 lbs	7.00 lbs



One handed, light duty & clutch style clamps

One-handed clamping or spreading



EZS clamp one-handed clamping or spreading

Here's another industry-leading clamp from BESSEY®. Built with internal components that reflect German engineering with a high level of design and manufacture. The EZS clamp is user-friendly, dependable, and competitively priced for a solid value for any woodworker.

Features and benefits at a glance:

1 Powerful technology

The extremely sophisticated technology makes it possible - single-handed clamping and spreading of workpieces with up to 445 lb clamping force.

2 Intelligent release mechanism

Thanks to the intelligent release mechanism, the upper section can be quickly converted from clamping to spreading.

3 Handle behind the rail

The ergonomically shaped 2-component plastic handle with pump handle is positioned behind the rail, enabling a powerful grip.

4 Soft pressure caps

Soft pressure caps optimize material protection and secure clamping.

5 Internal components that ...

Reflect German engineering ... heavy duty for sure!

EZS
Video



A. EZS clamps

The EZS One Hand Clamp by BESSEY® offers a revitalized approach to the one hand clamp market. What makes it so new and fresh is that it has been engineered from the start to offer clean design lines, comfortable handles, 445 lbs of clamp force and the ability to transition smoothly from clamping to spreading.

	Throat Depth	Clamping Capacity	Clamping Force	Approx. Weight
EZS15-8	3-1/2"	6"	445 lbs	1.2 lbs
EZS30-8	3-1/2"	12"	445 lbs	1.8 lbs
EZS45-8	3-1/2"	18"	445 lbs	2.0 lbs
EZS60-8	3-1/2"	24"	445 lbs	2.3 lbs
EZS90-8	3-1/2"	36"	445 lbs	2.5 lbs

B. EZS Combo

Includes
2 x EZS15-8
2 x EZS30-8
2 x EZS45-8

11.00 lbs



C. Light duty, zinc die cast (LM)

Small, light weight and made of quality durable material. Comes with a plastic cap on pressure pad.



	Throat Depth	Clamping Capacity	Clamping Force	Approx. Weight
LM2.004	2"	4"	330 lbs	0.55 lbs
LM2.006	2"	6"	330 lbs	0.62 lbs
LM2.008	2"	8"	330 lbs	0.68 lbs
LM2.012	2"	12"	330 lbs	0.81 lbs
LM3.006	3"	6"	330 lbs	1.19 lbs
LM3.012	3"	12"	330 lbs	1.40 lbs
LM3.024	3"	24"	330 lbs	2.50 lbs

One handed, light duty & clutch style clamps



D. Light duty, zinc die cast, step over (LMU)

Small, light weight and made of quality durable material. The U shaped bar helps to clamp over small obstructions and apply the clamping force where you need it. Comes with two plastic pressure caps.

	Throat Depth	Clamping Capacity	Clamping Force	Approx. Weight
LMU2.004	2"	4"	330 lbs	0.55 lbs
LMU2.006	2"	6"	330 lbs	0.62 lbs
LMU2.008	2"	8"	330 lbs	0.68 lbs



LMU Video



KliKlamp® Video



E. KliKlamp®, light duty lever clamp

A perfect tool for your workshop! The sturdy fixed and sliding arms are made of lightweight magnesium that make it fast and easy to secure. The ratchet mechanism is vibration resistant and holds firm to your workpiece.

	Throat Depth	Clamping Capacity	Clamping Force	Approx. Weight
KLI3.004	3"	4"	260 lbs	0.70 lbs
KLI3.008	3"	8"	260 lbs	0.80 lbs
KLI3.012	3"	12"	260 lbs	1.00 lbs
KLI3.016 (KLI40) NEW	3"	16"	260 lbs	1.20 lbs



E-Newsletter Sign up



F. Clutch style (GSCC)

The jaws are made of powder coated, malleable cast iron. The 2 piece slip clutch plates keep the jaw sturdy and in place. Comes with non-marring pads on the top and bottom jaws. Wood handle is standard.

	Throat Depth	Clamping Capacity	Clamping Force	Approx. Weight
GSCC2.506	2-1/2"	6"	600 lbs	0.66 lbs
GSCC2.512	2-1/2"	12"	600 lbs	0.77 lbs
GSCC2.518	2-1/2"	18"	600 lbs	0.92 lbs
GSCC2.524	2-1/2"	24"	600 lbs	1.00 lbs
GSCC2.530	2-1/2"	30"	600 lbs	1.20 lbs
GSCC2.536	2-1/2"	36"	600 lbs	1.33 lbs
GSCC3.512	3-1/2"	12"	1000 lbs	1.25 lbs
GSCC3.518	3-1/2"	18"	1000 lbs	1.38 lbs
GSCC3.524	3-1/2"	24"	1000 lbs	1.55 lbs
GSCC5.012	5"	12"	1200 lbs	2.08 lbs
GSCC5.018	5"	18"	1200 lbs	2.25 lbs
GSCC5.024	5"	24"	1200 lbs	2.50 lbs



One handed, light duty & clutch style clamps



A. Clutch style (DHBC) with double jaw

The double jaw clamp can do things that other clamps just can't do. Very useful on corner glue ups and where pressure needs to be dispersed for delicate work. Made of powder coated, ductile cast iron jaws and a two piece slip clutch plate for a strong hold.

	Throat Depth	Clamping Capacity	Clamping Force	Approx. Weight
DHBC-12	3-1/2"	12"	400 lbs	2.20 lbs
DHBC-24	3-1/2"	24"	400 lbs	2.80 lbs
DHBC-36	3-1/2"	36"	400 lbs	3.40 lbs



B. PowerGrip (PG) heavy duty one-hand clamp

A truly one-handed clamp that is easy to use. To preadjust the jaw use the easy slide button to position the jaw quickly; then squeeze the handle to hold the clamp in place; then simply turn the BESSEY handle to apply the full pressure. Comes with: Removable soft pressure caps.

	Throat Depth	Clamping Capacity	Clamping Force	Approx. Weight
PG12	4"	12"	1000 lbs	2.40 lbs
PG24	4"	24"	1000 lbs	3.50 lbs



C. DuoKlamps®, large surface one handed clamp

Now you can clamp or spread with a turn of a button, no tools necessary with the intelligent release mechanism. The jaws are designed to resist flex and are capable of withstanding up to 260 lbs of clamping force. The soft pressure caps slide off easily and prevent marring of the wood by distributing pressure over a greater area.

	Throat Depth	Clamping Capacity	Clamping Force	Approx. Weight
DU016-8	3-1/4"	6"	260 lbs	1.13 lbs
DU030-8	3-1/4"	12"	260 lbs	1.35 lbs
DU045-8	3-1/4"	18"	260 lbs	1.60 lbs
DU065-8	3-1/4"	24"	260 lbs	1.91 lbs

D. DuoKlamps® Combo	Kit Includes	Approx. Weight
	2 x DU016-8 2 x DU030-8 2 x DU045-8	7.60 lbs



E. DuoKlamps® accessory, DKX DuoKlamps® Extender

Simplify clamping up longer projects with the unique DuoKlamps® Extender. It fits right into the rail of the DuoKlamps® and its jaws hold it firmly in place. The DuoKlamps® Extender is a reliable alternative to buying long clamps for that extra long reach.

	Opening Capacity	Spreading Capacity	Pressure Capacity	Approx. Weight
DKX	6 - 65"	7.5 - 70"	260 lbs	3.50 lbs

* Does not include DuoKlamps®. Sold separately.

Edge clamps

Edge clamps

Tired of the frustration that comes with installing edging! BESSEY® has applied its quality engineering and manufacturing to its edge clamps and made the woodworkers life a little easier. The quality you can expect only from BESSEY®.

Features and benefits at a glance:

1 Unique twin spindle

Outer spindle acts on the clamping jaws – inner spindle applies pressure to the front edge. Impact resistant plastic handle for one-handed use.

2 Large jaws

Two large non-slip, opposing, gentle jaws for positive grip.

3 Swivel pressure plate

The large pressure plate swivels to apply pressure on demand. Removable protective cap.

4 Light aluminum housing

Lightweight, corrosion-resistant aluminum housing designed for high static stress load for convenient, one-handed edge clamp EKT.



A. One hand edge clamp (EKT)

The lightweight construction makes the EKT a perfect tool to secure edge banding with just one hand. Try one!

	Throat Depth	Clamping Capacity	Clamping Force	Approx. Weight
EKT-55	3"	2-1/8"	500 lbs	2.00 lbs

B. Edge clamp (KF2-4)

For a quick one hand operation. Non-slip rubber lining for a sure grip. Comes with: Ergonomic wood handle.

	Throat Depth	Clamping Capacity	Approx. Weight
KF2	3"	1/2" - 2"	1.68 lbs
KF4	4.3"	1/2" - 3"	3.48 lbs
KF4 Pads	Replacement pads (2 pack)		

C. Light duty 3-way edge clamp (EC)

The simplest in design, the 3-way edge clamp is lightweight and perfect for those basic edging projects. Adjustable three ways to allow you to align the centre jaw in the right place to apply your pressure.

	Throat Depth	Clamping Capacity	Clamping Force	Approx. Weight
B-EC3	2-1/2"	2-1/2"	300 lbs	0.95 lbs

D. Spindle clamps

Can be used with a bar clamp with rails up to a 1/2" thick. Now you can do your glue-ups and apply the edge banding at the same time. Choice of single or double spindle design. Comes with: Ergonomic wood handle.

	Description	Approx. Weight
KT5-1CP	1 spindle	0.75 lbs
KF5-2	2 spindles	1.30 lbs



Strap clamps



Strap clamps

Some projects defy a simple clamping solution... chair legs, odd angles, really long glue-ups. The strap clamp can surround the project and apply pressure evenly to most corners with the help of the practical Vario Corner Clips.

Features and benefits at a glance:

1 The strap is drawn in on both sides

Strap draws simultaneously from both sides ensuring pressure is applied equally on all corners without distortion.

2 Integrated coiling mechanisms

Integrated rewind mechanism is operated with a crank handle which eliminates tangling and damage to the strap.

3 Practical Vario corners

Vario clip corners with twin-tilting pressure pads auto-adjust from 60° to 180° for easy assembly of most multi-angle projects.

4 Extremely resistant

The special woven polyester band provides high resistance to tearing, and a clamping range of 23 ft. The steel wire loop opens quickly and simply to adjust or release glue-up.

Variable Angle Strap Clamp Video



A



A. Variable angle strap clamp (VAS)

A high quality strap clamp that places even pressure on mitre joints. Applies a positive and even pressure on all the joints, perfect for clamping square, round, rectangular or irregular shapes. Comes with 4 pivoting Vario corners.

	Clamping Capacity	Range of Angle	Approx. Weight
VAS-23	Up to 23 feet	60° to 180°	1.40 lbs



B



B. Vario corner clips (VAC)

With twin-tilting pressure pads the vario corner clips are a great accessory to the Variable Angle Clamp (VAS-23). The corner clips auto adjust to pressure with a range of angle of 60° to 180°.

	Package Includes	Range of Angle	Approx. Weight
VAC-6	6 corner clips per package	60° to 180°	0.26 lbs



C

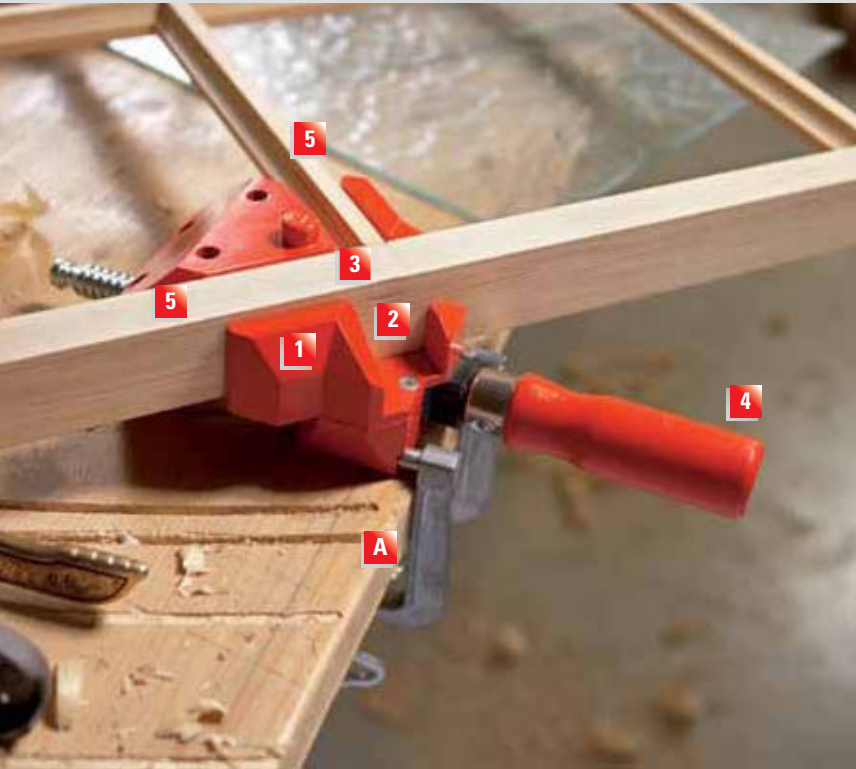


C. Ratchet tie-down, base (BAN)

The ratchet mechanism makes clamping of awkward and irregular shaped objects easy.

	Strap Length	Strap Width	Clamping Force	Approx. Weight
BANR400	13"	0.95"	up to 400 lbs	0.75 lbs

Clamping angles and miters



Clamping angles and miters

The angle clamps from BESSEY® were specifically designed for clearance of dowels, screws or staples while gluing. These are tough and versatile tools that are made to simplify the work process and last in a real-world wood shop.

Features and benefits at a glance:

- 1 Sturdy frame**
Die-cast jaws are plastic coated to protect work.
- 2 Versatility**
Designed for clearance of dowels, screws or staples while gluing.
- 3. Right angle clamping**
Holds and aligns material at 90° angle.
- 4. Wood handle**
Ergonomically shaped wood handle.
- 5. Adjustable**
Adjust automatically to wood thickness.

A. Note: TK-6 Table mount clamp in picture is sold separately.

Angle Clamp
Video



A. Angle clamps (WS)

Ideal for clearance of dowels, screw or staples while gluing. It holds and aligns material at 90° angles and even adjust automatically to wood thickness. Use the TK-6 Table mount clamp to hold it in place (sold separately).

	Maximum Clamping Capacity	Max. Passage for Mitres	Approx. Weight
WS-3	Both sides-max 4" thick	1-1/8"	2.40 lbs
WS-6	Both sides-max 8" thick	2-7/16"	5.25 lbs



B. Corner clamp (WS)

An economical alternative for fixed 90° angle for miter or butt joints. Use the mounting holes to fix the corner clamp to a your work surface. Can be adjusted to various sized work pieces with the 2 spindles. Made for light duty clamping.

	Clamping Capacity	Angle	Approx. Weight
WS-1	Up to 2-3/4" per side	90°	0.50 lbs



Pipe clamps

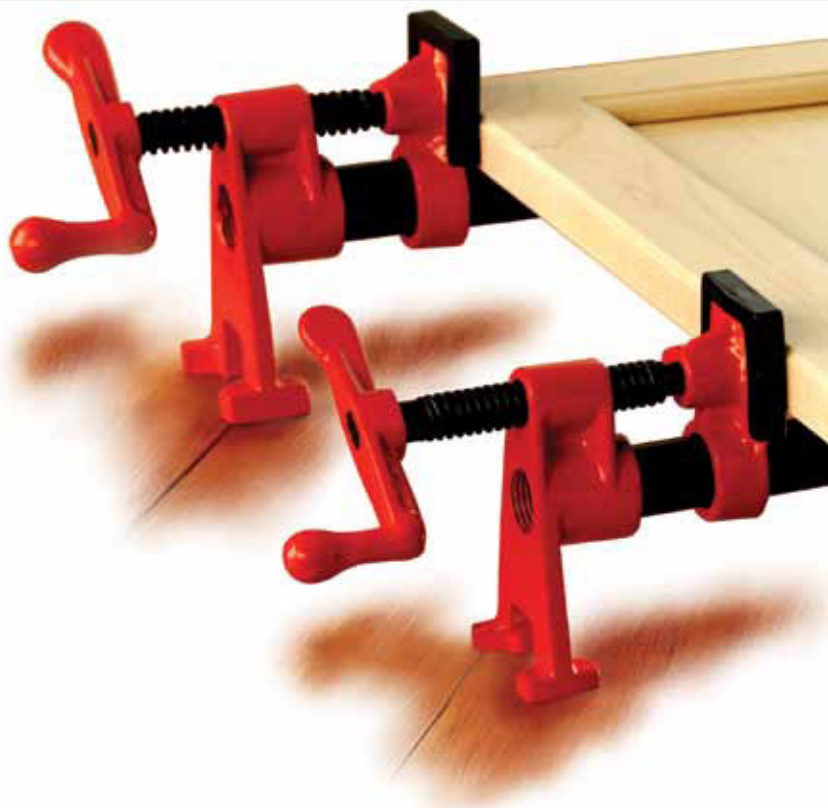
Pipe clamps

Commonly used in woodworking applications for edge gluing of multiple pieces. The versatility of the reach comes from the ability to use a variety of lengths of pipe to suit your needs.

Features and benefits at a glance:

- 1 H shape foot assembly**
"H" shape foot assembly stabilizes clamp in two dimensions giving dual-axis stability.
- 2 Extra high base**
Extra high base provides industry leading clearance from the work surface.
- 3. Cast jaws**
Cast jaws for durability.
- 4. Smooth spindle**
Smooth action spindle.

H Style Pipe
Clamp Video



A. Pipe clamp, H style (BPC)

Extra high base offers clearance you need between the handle and your work surface. An economical alternative to the bar clamp. The clamping capacity is virtually limitless, determined by the length of pipe you choose to use.



	Black Pipe Diameter	Approx. Weight
BPC-H34	3/4"	3.05 lbs
BPC-H12	1/2"	2.05 lbs



B. Pipe clamp, traditional style (PC)

The traditional pipe clamp features ACME threaded spindle and multiple clutch plates. Easy to assemble and a staple item for many workshops. A deep reach version is also available in the traditional style pipe clamp.

	Black Pipe Diameter	Approx. Weight
PC34	3/4"	2.40 lbs
PC12	1/2"	1.65 lbs
PC34-DR	3/4"	2.15 lbs

AV2 Spacer

For laying solid wood, and laminate flooring without any wedges. Insert between the wall and the first row of flooring. Use the NEW BESSEY® Floor Spacer for a fast and simple set up.

Features and benefits at a glance:

1 Clever dial

Set-up is fast and simple. Insert between the wall and the first row of flooring, the distance to the wall can be set by turning the red dial. To remove, just rotate the dial to release the pressure.

2 Wide contact and support surface

Simply put, the pressure points on the wall and the flooring are avoided. There is no danger of the aid slipping or tilting – as can happen with wedges or blocks.

3. Exact millimetre scale

Wall surface irregularities of 5 to 20 mm can be compensated for easily. The exact distance required for spacing can be readily seen on the millimetre scale.

4. "Robust" in the size of a business card

Manufactured from impact and break resistant, glass fibre reinforced polyamide, the spacer is light and tough and should last for years.



AV2 Video

A. AV2 Spacer (Set of 4)

Simply insert between the wall and the first row of flooring. Adjustable to compensate for wall irregularities and removal is a quick turn of the dial to release pressure.

	Opening Range	Jaw Width	Approx. Weight
AV2	5-20 mm	89 mm	0.44 lbs



B. Flooring Clamps

Simply insert between the wall and the first row of flooring. Adjustable to compensate for wall irregularities and removal is a quick turn of the dial to release pressure.

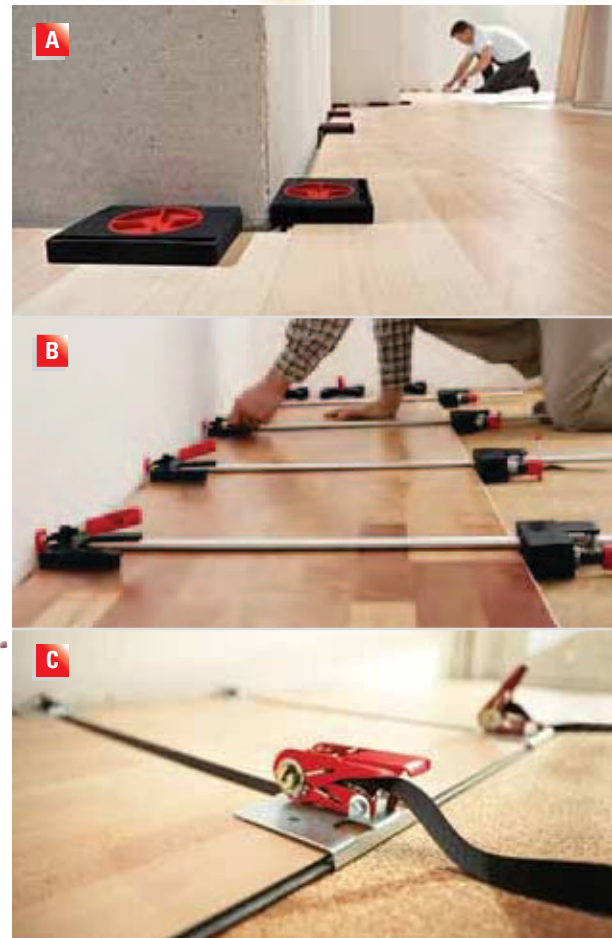
	Opening Range	Jaw Width	Approx. Weight
PVA	30 mm	130 mm	1.03 lbs
PVZ65	650 mm	130 mm	5.72 lbs



C. Flooring Strap Clamps (SVH)

Perfect for laying parquet, plank and laminate flooring. Strap is 157" long.

	Strap Length	Clamp Plate Width	Clamping Force	Approx. Weight
SVH400 NEW	157"	4-3/4"	220 lbs	1.65 lbs
SVH400XL	300"	4-3/4"	220 lbs	1.80 lbs



D. Flooring Kits

	Contains	Approx. Weight
DIY Flooring Kit	4 x PVA, 2 x SVH400, 1 set of 4 x AV2, 1 BESSEY® promo bag	10.00 lbs
PRO Flooring Kit	4 x PVA, 2 x PVZ65, 4 x SVH400, 2 sets of 4 x AV2, 1 BESSEY® promo bag	24.50 lbs



Seaming tools

Seaming tools

Getting the perfect seam can be a real challenge for the best of us, particularly when we don't have the right tools to do the job. See why the BESSEY® PS units can do the job for you:

Features and benefits at a glance:

- 1 Vacuum cups**
Twin vacuum cups secure the PS units to any smooth, non-porous material or solid surface such as granite, marble, corian, plastic or glass.
- 2 Vacuum operating button**
Activates and locks the vacuum seal on the work surface. (Not on PS55)
- 3. Steel spindle**
Smoothly draws the seams together with just the right pressure.
- 4. Guide rails**
Create a solid, rigid frame for supporting vacuum cups.



A. Extra large solid surface seaming tool (PS)

Twin vacuum cups for clamping non-porous, solid surface material such as granite, marble, corian, plastic or glass.

	Clamping Capacity	Cup Diameter	Clamping Force	Approx. Weight
PS130	3-1/8"	8-1/4"	265 lbs	9 lbs

B. Solid surface seaming tool (PS)

Twin vacuum cups for clamping non-porous, solid surface material such as granite, marble, corian, plastic or glass. The levelling toggles ensure smooth surface joint, reduces grinding, sanding and finishing.



	Clamping Capacity	Cup Diameter	Clamping Force	Approx. Weight
PS55	2-1/8"	4.72"	48 lbs	3.80 lbs

Spring clamps

For flexible, featherlight clamping



VarioClippix® spring clamps

The VarioClippix® spring clamps from BESSEY® are not your typical spring clamps... Take a closer look! The unique design allows you to adjust the sliding jaws for a greater clamping capacity. Try one for yourself!

Features and benefits at a glance:

1 Sliding clamping arm

Rapid-action, polyamide, sliding top jaw infinitely adjusts to fit the project... the clamping capacity of a 4" spring clamp with the comfort of a 2" clamp.

2 Ergonomic 2-component handle

Soft, anti-slip two component handle for comfort.

3. Softpads

Soft-touch pads protect sensitive workpieces and eliminate marring of work.



Clippix®
Video



VarioClippix® (XV) variable spring clamps

A unique design that allows you to adjust one sliding jaw or both, offering a much larger clamping capacity than a regular spring clamp.

	Throat Depth	Clamping Capacity	Approx. Weight
A. Variable spring clamp			
XV3-50	1-1/2"	2-1/8"	0.19 lbs
XV5-100	2"	4"	0.40 lbs
B. Variable spring clamp, double jaw			
XV5-170	2"	6-1/2"	0.45 lbs



C. Clippix® plastic spring clamps

Choose from a long tapered nose for those hard to reach spaces or a premium spring clamp for those light duty jobs. Both made with an ergonomic 2-component handle, and lightweight polyamide jaws.

	Throat Depth	Clamping Capacity	Approx. Weight
Needle nose plastic spring clamps (XCL)			
XCL2	2"	2"	0.4 lbs
XCL2-Set (2xXCL2)	2"	2"	0.8 lbs
XCL5	4"	3"	0.7 lbs
Premium plastic spring clamps (XC)			
XC1	3/4"	3/4"	0.02 lbs
XC2	1-1/8"	1"	0.04 lbs
XC3	1-1/2"	1-3/4"	0.11 lbs
XC5	1-15/16"	2"	0.26 lbs
XC7	2-3/4"	3"	0.46 lbs



Spring clamps



A. Clippix® (XC) plastic spring clamps

A light duty plastic spring clamp that is perfect for the home or shop.

	Throat Depth	Clamping Capacity	Approx. Weight
Econo spring clamp			
XC1-2	3/4"	3/4"	0.02 lbs
XC2-2	1-1/8"	1"	0.04 lbs
XC5-2	1-15/16"	2"	0.26 lbs
XC7-2	2-3/4"	3"	0.46 lbs



B. Plastic spring clamp set

XC-14PC

Includes:

2 x 3" clamps
2 x 2" clamps
4 x 1" clamps
6 x 3/4" clamps

2.06 lbs



C. Ratcheting spring clamps, deep reach (XCRU)

Built with a heavy duty resin construction and has a deep reach for those hard to reach places. Features a ratcheting mechanism for quick action and a quick release. Pivoting jaws for a snug fit.

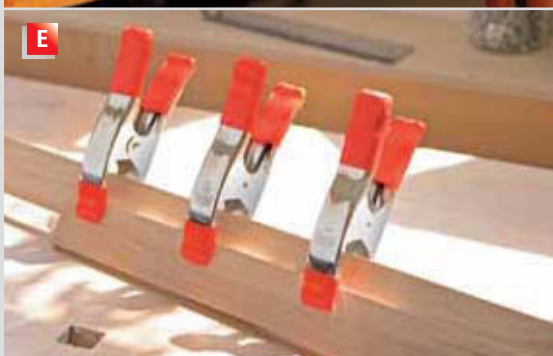
	Throat Depth	Clamping Capacity	Approx. Weight
XCRU3	2"	2"	0.50 lbs
XCRU5	4"	4"	0.75 lbs



D. Ratcheting spring clamp set (XCR)

Built with a heavy duty resin construction and a ratcheting mechanism for quick action, quick release. Pivoting jaws for a snug fit.

	Includes	Approx. Weight
XCR-4PC	4 x 2" clamps	2.20 lbs



E. Steel spring clamps (XM)

Made with vinyl tips to prevent marring and vinyl handles for a non-slip grip. Features a heavy duty spring for a tight fit and nickel plating to prevent corrosion.

	Throat Depth	Clamping Capacity	Approx. Weight
XM3	1-1/4"	1"	0.17 lbs
XM5	2-1/4"	2"	0.40 lbs
XM7	3-5/16"	3"	0.80 lbs
XM10	5"	4"	1.00 lbs
No pads, no tips			
XM3-NPT	1-1/4"	1"	0.17 lbs
XM5-NPT	2-1/4"	2"	0.40 lbs
XM7-NPT	3-5/16"	3"	0.80 lbs



SuperGrips™ Grip pliers



SuperGrips™ grip pliers

Lock it into place with a BESSEY® SuperGrip™ plier. Let the clamp do the holding while you do the work. Adjustable in so many ways, a must have in your shop!

Features and benefits at a glance:

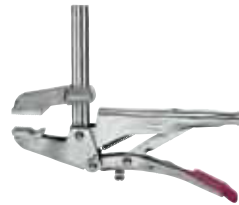
- 1 Adjustable top handle**
Adjustable screw/lock nut (on top handle) adjusts clamping force.
- 2 Adjustable bottom handle**
Adjustable screw/lock nut (on lower lever) adjusts jaw angle (up to 7°) for clamping tapered parts.
- 3. Adjustable sliding arm**
Infinitely adjustable jaw for a quick parallel clamp.
- 4. Sturdy rail**
Cold drawn, profiled steel rail.



A. SuperGrips™ with profiled rail (SG)

It's a grip plier and clamp all in one tool, just a quick adjustment for a fast and easy set-up.

	Throat Opening	Jaw Force	Clamping Force	Approx. Weight
SG4	2-1/2"	4"	440 lbs	2.50 lbs
SG8	2-1/2"	8"	440 lbs	2.70 lbs
SG Pads (pair)		Replaceable pads		0.10 lbs



B. SuperGrips™ pipe clamp (SG)

The innovative shape of the cradle jaw aligns and holds pipe firmly in place.

	Throat Opening	Jaw Force	Clamping Force	Approx. Weight
SG24-PC	2-3/4"	4-1/2"	310 lbs	2.75 lbs



C. SuperGrips™ deep reach clamp

The deep reach jaws can easily clamp over angle iron, channel iron and other obstacles.

	Throat Opening	Jaw Force	Clamping Force	Approx. Weight
SG5-DR	3"	4-1/2"	310 lbs	2.75 lbs



C-clamps

C-clamps

C-clamps are used for many trades and if you're going to use a C-clamp why not use the best! BESSEY® has a wide array of C-clamps to choose from, ranging from light duty to heavy service.

Features and benefits at a glance:

1 International offering

A globally sourced platform of products

2 Choices

Tremendous range of pressures, capacities and applications

3 Clamping force

Clamping force offerings from 400 to 40 000 lbs

CDF C-clamp
Video



A. 540 series ductile alloy C-clamps

The 540 series C-clamps are made of high tensile ductile alloy casting which provides excellent strength in a cast clamp. The black oxide spindle resists corrosion.

	Throat Depth	Clamping Capacity	Clamping Force	Approx. Weight
540-2-1/2	1 3/4"	0-2 1/2"	1100 lbs	1.20 lbs
540-3	1 7/8"	0-3"	1800 lbs	1.60 lbs
540-4	2-1/16"	0-4"	2150 lbs	2.23 lbs
540-5	2 1/2"	0-5"	2250 lbs	2.69 lbs
540-6	2 3/4"	0-6"	2450 lbs	3.20 lbs
540-8	3 1/4"	0-8"	2750 lbs	4.74 lbs
540-10	3 5/8"	0-10"	2850 lbs	7.56 lbs
540-12	3 3/8"	0-12"	2850 lbs	8.18 lbs
540-14	3 3/4"	0-14"	2850 lbs	8.93 lbs



B. Regular duty (CDF & CDFCHV) extra deep throat C-clamps

Two types to choose from. Either in a black frame with a black oxide spindle that resist corrosion, or with a HiVis frame with a copper spindle. Both have a ball-in-swivel pad and powder coated frame.



Black Frame	Throat Depth	Clamping Capacity	Clamping Force	Approx. Weight	HiVis
CDF402	2"	0-2"	3,500 lbs	1.40 lbs	CDF402CHV
CDF403	2 3/8"	0-3"	3,500 lbs	1.90 lbs	CDF403CHV
CDF404	2 3/4"	0-4"	6,200 lbs	3.50 lbs	CDF404CHV
CDF406	3 5/8"	0-6"	6,900 lbs	5.40 lbs	CDF406CHV
CDF408	4 1/2"	0-8"	6,900 lbs	7.90 lbs	CDF408CHV
CDF410	5 3/8"	0-10"	8,000 lbs	11.60 lbs	CDF410CHV
CDF412	5 3/4"	0-12"	9,300 lbs	14.10 lbs	CDF412CHV



C-clamps



C. Heavy duty (100 Series) C-clamps

Designed specifically for heavy duty applications. Square head on the T-handle.

	Throat Depth	Nominal Clamping Capacity	Clamping Force	Approx. Weight
B-102	1 1/2"	0-2"	7,500 lbs	1.50 lbs
B-103	2"	0-3"	8,750 lbs	2.65 lbs
B-104	2 1/4"	0-3 1/2"	10,000 lbs	4.15 lbs
B-106	2 1/2"	2-5 1/2"	11,250 lbs	6.00 lbs
B-108	2 5/8"	4-7 1/2"	12,500 lbs	7.80 lbs
B-110	2 3/4"	6-9 1/2"	13,750 lbs	8.70 lbs
B-112	2 7/8"	8-11 1/2"	15,000 lbs	12.10 lbs



D. Heavy service (HS Series) (Fully closing)

The toughest of the C-clamps with a clamping pressure of up to 40,000 lbs. Square head on the T-handle.

	Throat Depth	Nominal Clamping Capacity	Clamping Force	Approx. Weight
B-HS0	1 1/16"	0-3/4"	2,800 lbs	0.33 lbs
B-HS1	1 3/32"	0-1 3/8"	5,600 lbs	1.00 lbs
B-HS1.5	1 7/16"	0-1 3/4"	8,750 lbs	1.80 lbs
B-HS2	1 7/8"	0-2 3/8"	12,500 lbs	4.50 lbs
B-HS3	2 5/16"	0-3 3/16"	16,250 lbs	7.10 lbs
B-HS4	2 3/4"	0-4 1/2"	20,000 lbs	11.00 lbs
B-HS5	3 1/16"	0-5 1/4"	23,800 lbs	14.90 lbs
B-HS6	3 3/8"	0-6 3/8"	27,500 lbs	19.30 lbs
B-HS8	3 5/8"	0-8 1/4"	31,250 lbs	27.50 lbs
B-HS10	3 15/16"	0-10 1/4"	35,000 lbs	40.10 lbs
B-HS12	4 1/4"	0-12 3/8"	40,000 lbs	47.80 lbs



E. Light duty drop forged C-clamps

A general purpose C-clamps that has a range of openings and clamping force. A galvanized finish for models CM10-CM30, and a black powder coated finish for models CM40-CM80.

	Throat Depth	Clamping Capacity	Clamping Force	Approx. Weight
CM34DR	4 1/2"	0-3"	500 lbs	1.50 lbs
CM10	1"	0-1"	400 lbs	0.25 lbs
CM15	1 1/2"	0-1 1/2"	400 lbs	0.30 lbs
CM20	1 1/2"	0-2"	400 lbs	0.40 lbs
CM22	1 3/8"	0-2 1/2"	600 lbs	0.45 lbs
CM30	1 3/4"	0-3"	800 lbs	0.90 lbs
CM40	3 1/4"	0-4"	1,200 lbs	1.80 lbs
CM50	3 1/4"	0-5"	1,200 lbs	2.40 lbs
CM60	3 1/2"	0-6"	1,200 lbs	2.70 lbs
CM80	4"	0-8"	1,200 lbs	3.75 lbs



F. Quick release (QRCC) C-clamps

A malleable cast-iron frame that is powder coated to resist corrosion, ideal for DIY. Use the quick release button for rapid opening and closing. Chrome plated spindle and swivel pad.

	Throat Depth	Clamping Capacity	Clamping Force	Approx. Weight
QRCC3	1 3/4"	0-3 1/2"	1,200 lbs	1.87 lbs
QRCC4	2 1/4"	0-4 3/8"	1,200 lbs	2.37 lbs
QRCC6	3 7/8"	0-6 3/8"	1,200 lbs	4.07 lbs



G. Double head (DHCC) C-clamps

Provides twin top pressure points for light duty clamping applications. The ideal tool for hobbies, crafts and light trades.

	Throat Depth	Clamping Capacity	Clamping Force	Approx. Weight
DHCC-4	2 1/4"	0-4"	1,200 lbs	1.60 lbs
DHCC-6	2 7/8"	0-6"	1,200 lbs	3.00 lbs



Hold Down Clamps

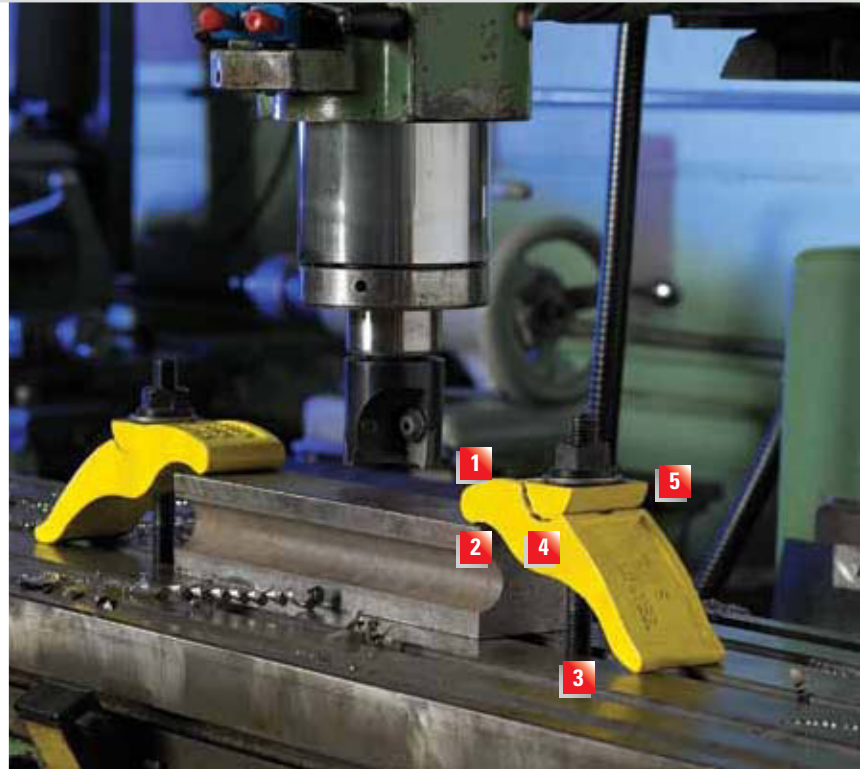
RiteHite

RiteHite Hold Down Products

A quick and easy set-up, ready for your T-slot table. A value-priced hold down alternative with the great BESSEY® quality you expect.

Features and benefits at a glance:

- 1. Single component design**
Self-positioning, single component design for a quick set-up.
- 2. Workpieces of different thicknesses**
Wide clamping range. Adjustments up to 5".
- 3. T-slot table ready**
For T-slot hold down tables in machine shop applications.
- 4. Sturdy frame**
Strong, ductile iron body, strength you can depend on.
- 5. Swivel rocker**
Swivel rocker attached to body allows the clamp to self-align on the work piece.



E-Newsletter
Sign up



A. RiteHite Long Reach (Model L)

Use the BESSEY® RiteHite to hold your workpiece in place with the simple self-positioning, single component design. Its made of strong, ductile iron, for use on a T-slot hold down table in a machine shop. It even has a swivel rocker attached to the body to prevent loss. Use the L series for a longer throw.

	Bolt Size	Max Clamping Height	Nominal Dimensions	Recommended Load Limit	Max Torque	Approx. Weight
375L	3/8"	1 1/4"	3 3/4 x 1 1/8 x 1 1/4	7,000 lbs	43 LB-FT	0.56 lbs
500L	1/2"	2 1/2"	5 3/4 x 1 7/16 x 1 1/2	8,800 lbs	73 LB-FT	1.50 lbs
625L	5/8"	3 1/2"	6 3/4 x 1 3/4 x 1 5/8	14,500 lbs	163 LB-FT	2.62 lbs
750L	3/4"	5"	9 x 2 1/8 x 2 1/4	19,000 lbs	237 LB-FT	5.00 lbs
1000L	1"	5"	11 1/8 x 2 7/8 x 3 3/8	51,000 lbs	850 LB-FT	12.25 lbs



B. RiteHite Standard Reach (Model S)

The S series, slightly smaller than its counterpart but with the strength you can depend on.

	Bolt Size	Max Clamping Height	Nominal Dimensions	Recommended Load Limit	Max Torque	Approx. Weight
376S	3/8"	1"	3 x 1 1/8 x 1 1/4	8,800 lbs	55 LB-FT	0.50 lbs
501S	1/2"	1 3/4"	4 1/4 x 1 7/16 x 1 1/2	13,200 lbs	110 LB-FT	1.10 lbs
626S	5/8"	2 3/4"	5 1/2 x 1 3/4 x 1 5/8	19,000 lbs	213 LB-FT	2.12 lbs
751S	3/4"	3 1/2"	7 x 2 1/8 x 2 1/4	27,600 lbs	345 LB-FT	4.20 lbs
1001S	1"	3"	9 x 2 7/8 x 3 3/8	67,000 lbs	1,116 LB-FT	10.25 lbs

RiteHite charts are for general guidelines only. Specific values may vary depending on but not limited to bolt size and strength, condition, size and pitch of threads, coefficient of friction between parts and other variable factors.

Hold Down Clamps

Specialty All Steel Clamps



A. Jig & fixture (FC)

A full rotation of 360° for easy work-piece removal. The pressure plate swivels up to 35° and the bushing O/D is 1¹³/₁₆" , and can fit a table thickness of 1/2" to 1-1/2". Bushing can be set to be freely rotating, fixed or quick release position by adjusting or removing bottom plate.

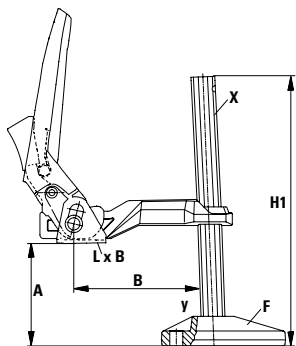
	Throat Depth	Clamping Capacity	Clamping Force	Approx. Weight
FC24-8	140 mm/5.50"	200 mm/8.00"	2660 lbs	6.50 lbs



B. Hold down table clamp

Vibration proof, ratchet action for rapid clamping. Pressure pad self-adjusts on the workpiece. Drop forged steel clamping arm. Mounting hole accepts 5/8" bolts.

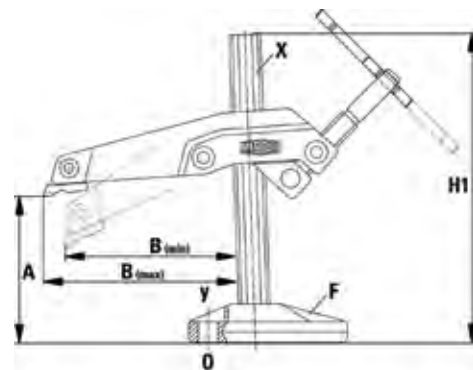
	Clamping Height Max.	Throat Depth	Rail Profile	Fixing Hole	Approx. Weight
2400HD-10	240 mm/ 9.50"	140 mm/ 5.50"	30 x 15 mm/ 1.18" x 0.60"	16.5 mm/ 0.65"	7.85 lbs



C. Claw machine clamp (MCL)

A cantilever jaw for clamping in tight spaces with the screw positioned outside of work area. Use for drilling and light milling work. Full rotation outside of the work area. Mounting hole accepts 5/8" bolts.

	Clamping Height Max.	Throat Depth	Rail Profile	Fixing Hole	Approx. Weight
MCL8	200 mm/ 8"	123-140 mm/ 4.75" - 5.50"	28 x 11 mm/ 1.10" x 0.43"	16.5 mm/ 0.65"	7.85 lbs



* May 2012 change to enhanced profile with slightly narrower throat depth of 120 mm (4-3/4") versus original 140 mm (5-1/2").

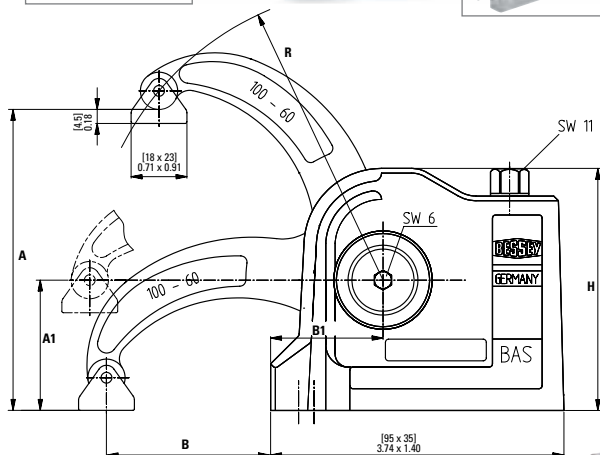
Table of dimensions, 2400HD, MCL-8

BESSEY® Product #	Opening Max A	Throat Depth B	Base Height H1	Pressure Plate Dimensions L x B	Foot "F" Length	Foot "F" Width	Foot "F" Height	Foot "F" Distance to the rail - Y	Rail Profile X	Fixing Hole O	Clamping Force
	mm/inches	mm/inches	mm/inches	mm/inches	mm/inches	mm/inches	mm/inches	mm/inches	mm/inches	mm/inches	Pounds
2400HD-10	240/9.50	140/5.50	320/12.60	48 x 31/ 1.88 x 1.22	135/5.31	49/1.93	33/1.30	42/1.65	30 x 15/ 1.18 x 0.59	16.5/0.65	2220
MCL8	200/8.00	123-140/ 4.75-5.50	265/10.43	25 x 35/ 0.98 x 1.38	135/5.31	48/1.89	33/1.30	42/1.65	28 x 11/ 1.10 x 0.43	16.5/0.65	1450

BAS Clamps

BAS machine table clamps

An incredibly compact design, both in height and surface, with a heavy duty clamping pressure, puts the BAS clamps above the competition. Try one for yourself!



Features and benefits at a glance:

1 Housing is heat-treated CrMo

BAS clamps are approx. 30% smaller than the competitors while maintaining the same clamping force. The self-locking worm gear unit exerts up to 3600 lbs of clamping force.

2 Clamping arms with aluminum pressure pads

Smooth and efficient with optimum weight distribution. The short and long clamping arms are equipped with a swivelling aluminum pressure pad. A polyamide seal protects the interior against dirt.

3 Open or closed mounting holes

Clamp and unclamp quickly with open hole models. In closed versions, the screw, nut and clamp form a unit. All BAS clamps are easily fastened and released – thanks to the T bar wrench (BASKN) with an integrated ball head.

4 Automatic clamp and release system (BAS-U only)

The BAS-U matic clamp automatically fastens to, and releases from the work table. Press the release button on the back side to release the clamp from the table.

5 Space saving and adjustable

All BAS models feature a compact design in height and in surface. Clamping height can be increased with the BESSEY® BASO base unit, but care must be taken to provide precise workpiece contact surfaces.

A. BAS-U matic clamp with open fixing hole

The only BAS clamp with a time-saving automatic clamping and release button. Simply press the release button on the back side to release. Mounting hole open for M10 / M12.

	Opening Max.	Throat Depth	Clamping Force	Clamping Arm Length
BAS-U9-4	90 mm/3.54"	47 mm/1.85"	3600 lbs.	75 mm/2.95"
BAS-U10-6	100 mm/3.93"	67 mm/2.64"	2700 lbs.	94 mm/3.70"

B. BAS-C compact clamp with open fixing hole

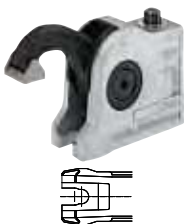
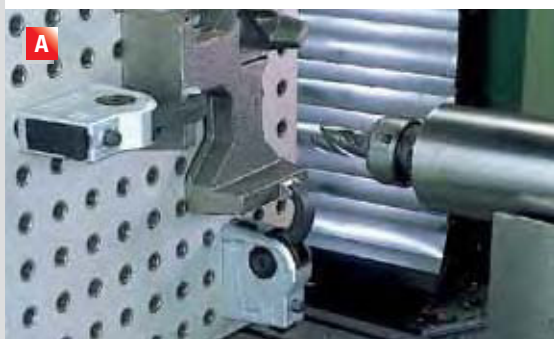
A space saving compact design with the same great clamping force as the other BAS models. Mounting hole open for M10 / M12.

	Opening Max.	Throat Depth	Clamping Force	Clamping Arm Length
BAS-C9-4	88 mm/3.46"	40 mm/1.57"	3600 lbs.	75 mm/2.95"
BAS-C10-6	97 mm/3.82"	60 mm/2.36"	2700 lbs.	94 mm/3.70"

C. BAS-CB compact clamp with closed mounting hole

A space saving compact design with the same great clamping force as the other BAS models. Mounting hole closed for M10 / M12.

	Opening Max.	Throat Depth	Clamping Force	Clamping Arm Length
BAS-CB9-4	88 mm/3.46"	40 mm/1.57"	3600 lbs.	75 mm/2.95"
BAS-CB10-6	97 mm/3.82"	60 mm/2.36"	2700 lbs.	94 mm/3.70"



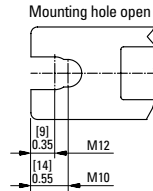
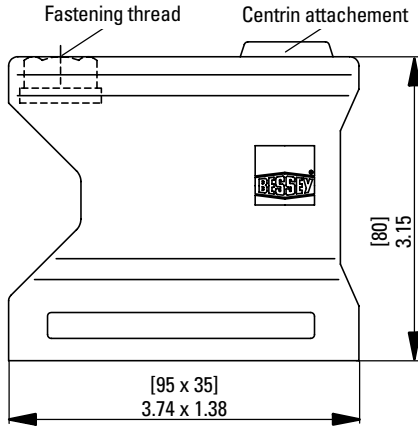
Machine table clamps



A. Base unit BASO

Need more height? Use the BASO base unit to add an extra 80 mm's. Stackable up to 10 units. Suitable for all BESSEY® BAS clamps. Mounting hole open for M10 / M12, and includes socket head screw.

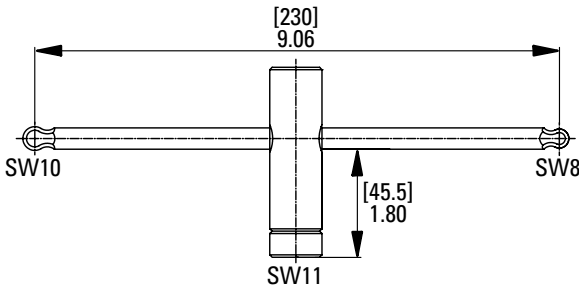
BASO **Opening Max.** **Fastening Thread**
 80 mm/3.15" M10



B. BASKN wrench with T-bar

T bar wrench with adjustment tool for M10/M12 socket head screws. Suitable for all BESSEY® BAS clamps.

BASKN **Width across flats, allen key** **Width across flats, ball head** **Tommy bar length**
 SW11 SW8-SW10 230 mm/9.06"



E-Newsletter Sign up



Table of dimensions BAS

BESSEY® Product #	Opening Max A	Opening opt. A1	Throat Depth B	Distance B1	Clamping Arm R	Housing Height H	Clamping Force Max. N
	mm/inches	mm/inches	mm/inches	mm/inches	mm/inches	mm/inches	Pounds
BAS-U9-4	90/3.54	45/1.77	47/1.85	28/1.10	75/2.95	81/3.19	3600
BAS-U10-6	100/3.94	45/ 1.77	67/2.64	28/1.10	94/3.70	81/ 3.19	2700
BAS-C9-4	88/3.46	42/1.65	40/1.57	36.5/1.44	75/2.95	78/3.07	3600
BAS-C10-6	97/3.82	42/1.65	60/2.36	36.5/1.44	94/ 3.70	78/ 3.07	2700
BAS-CB9-4	88/3.46	42/1.65	40/1.57	36.5/1.44	75/ 2.95	78/ 3.07	3600
BAS-CB10-6	97/3.82	42/1.65	60/2.36	36.5/1.44	94/ 3.70	78/ 3.07	2700
BASO	80/3.15	-	-	-	-	80/3.15	-

Vises

Vises

Similar to clamps, vises are like another pair of hands in the shop. They hold your work securely so that you can saw, grind or drill with both hands. BESSEY® vises have been chosen and offered with an eye for durability and functionality.

Features and benefits at a glance:

1. Choices

A range of products from light duty to heavy duty.

2. Made for everyday work

Robust design.

3. Robust construction

Strong 30,000 psi grey cast iron construction.



A. Multi-purpose vise

Simply bolt this vise to the top surface of your bench and lock your workpiece in place with the heavy duty jaws. The base swivels 360° with 3 mounting holes and 2 lockdowns. Pipes are no problem with the serrated jaws that rotate 360°. Made with a cast iron body for durability. Built-in anvil.

	Jaw Width	Jaw Opening	Throat Depth	Pipe Capacity	Approx. Weight
BV-MPV5	5"	5"	3"	2"	43 lbs



B. Heavy duty workshop vises

Simply bolt this vise to the top surface of your bench and lock your workpiece in place with the heavy duty serrated jaws. The base swivels 360° with 3 mounting holes and 2 lockdowns. Built-in anvil.

	Jaw Width	Jaw Opening	Throat Depth	Approx. Weight
BV-HD40	4"	4"	2"	17 lbs
BV-HD60	6"	6"	3"	44 lbs



C. Homeowners bench vise

The base swivels 270° with 4 mounting holes and 1 lockdowns. Made with a cast iron body for durability. Built-in anvil.

	Jaw Width	Jaw Opening	Throat Depth	Pipe Capacity	Approx. Weight
BV-HW45	4-1/2"	4-1/2"	1-3/4"	1"	11 lbs

D. Drill press vise

Malleable cast iron body with a powder coated finish. Machined spindle. A grooved jaw provides a firm secure grip. The holes are elongated for easy fastening onto a drill press or work surface.

	Jaw Width	Jaw Opening	Throat Depth	Approx. Weight
BV-DP40	4"	4-1/2"	1-1/8"	11 lbs



E. Light duty clamp-on vise

When bench space is at a premium this vise is the perfect answer. Completely portable and ideal for light duty work. This clamp attaches to surfaces up to 1.5" thick. Cast in pipe jaws, serrated jaw faces, and double steel guide bars.

	Jaw Width	Jaw Opening	Throat Depth	Pipe Capacity	Approx. Weight
BV-C030	3"	3"	1-1/2"	3/4"	5 lbs



F. Vacuum base vise

This portable hobbyist vise attaches securely to any non-porous surface and, by releasing the locking ring can rotate and swivel and, be re-locked. Comes with non-slip rubber pads for vise jaws.

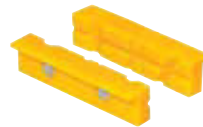
	Jaw Width	Jaw Opening	Approx. Weight
BV-VB	2-3/4"	2-3/4"	4.50 lbs



G. Multi-purpose vise jaws

Designed to fit any 3-6" vise jaw. The magnetic back helps to keep it into place. Works great for holding wood, metal & tubing.

	Jaw Width	Approx. Weight
BV-NVJ	5-1/2"	0.50 lbs



H. Light duty wood vise

This is a versatile vise for home or work. Jaws are pre-drilled for attaching wood facing. For light duty work, made with a cast iron body.

	Jaw Width	Jaw Opening	Throat Depth	Approx. Weight
BV-WV65	6"	6"	2-5/8"	8.50 lbs

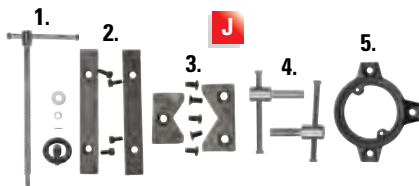


I. BESSEY® vise service parts

A range of service parts are available for the vises listed on these pages.

J. BV-MPV5 service parts

- 9050001 Spindle, casting nut, washer, screw and spring pin
- 9050002 A set of jaw inserts and 4 screws
- 9050003 A set of pipe jaw inserts and 5 screws
- 9050004 Locking screws
- 9050005 Swivel base



K. BV-HD60 service parts

- 9060001 Spindle, spring, washer and spring pin
- 9060002 A set of jaw inserts and 4 screws
- 9060003 A set of pipe jaw inserts and 5 screws
- 9060004 Locking screws
- 9060005 Swivel base

L. BV-HD40 service parts

- 9040001 Spindle, spring, washer and spring pin
- 9040002 A set of jaw inserts and 4 screws
- 9040003 A set of locking screws
- 9040004 Two part swivel base
- 9040005 Casting nut, washer and screw

M. BV-HW45 service parts

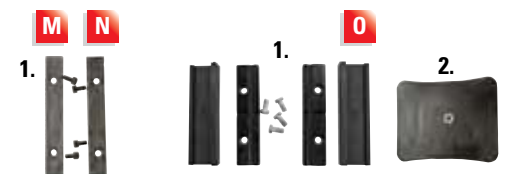
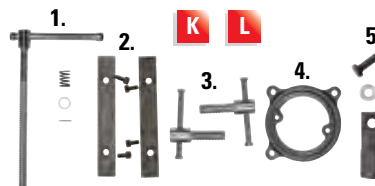
- 9045001 Vise jaws with screws

N. BV-DP40 service parts

- 9044001 Vise jaws with screws

O. BV-VB service parts

- 9000001 Vise jaws and jaw covers with screws
- 9000002 Rubberized base with washer and cotter pin



Industrial Magnets

Industrial Magnets

Something so simple but so versatile! Use one in your workshop to hold steel parts while you do the welding. Speed up your production time with BESSEY®'s easy to set up and remove magnetic squares.

Features and benefits at a glance:

1 Quality

Quality magnets for fast, simple set-ups

2 Flexibility

Often referred to as "an extra set of hands"

3 Variety

The wide variety of BESSEY® industrial magnets will offer most metal workers an option that fits their needs

4 Speed

A simple fast set-up and removal to help increase productivity while you work.

BESSEY® YouTube Channel



Magnet Video



A. Magnetic squares (WMS)

Simple magnets to hold work at set angles.

	Pull	Nominal Dimensions	Pre-set Angles	Approx. Weight
WMS-1	66 lbs	3 3/4" x 4 3/8" x 3/4"	90/45°	1.10 lbs
WMS-3	48.5 lbs	3 3/8" x 3 3/8" x 5/8"	90/45°	0.70 lbs
WMS-5	112 lbs	3 3/4" x 4 3/8" x 3/4"	90/45°	1.35 lbs

B. Double magnetic square (WMS)

The double magnets are joined at a pivot point and can hold at any angle.

	Pull	Nominal Dimensions	Pre-set Angles	Approx. Weight
WMS-4	2 x 48.5 lbs	6 1/8" x 3 3/8" x 5/8"	0 to 180°	1.30 lbs

C. Multi-angle magnetic square (WMS)

This is a quality magnetic multi-angle square for a fast, simple set-up.

	Pull	Nominal Dimensions	Pre-set Angles	Approx. Weight
WMS-6	35 lbs	4" x 2 1/2" x 9/16"	30/45/75/90°	0.62 lbs

D. Arrowhead magnetic square (WMS)

This is a quality magnetic multi-angle square for a fast, simple set-up.

	Pull	Nominal Dimensions	Pre-set Angles	Approx. Weight
WMS-7	41 lbs	4 3/4" x 3 1/4" x 9/16"	90/45°	0.76 lbs

E. "Chunky" magnetic square (CMS)

Release your magnet with the convenient T-handle.

	Pull	Nominal Dimensions	Pre-set Angles	Approx. Weight
CMS-1	100 lbs	3 3/4" x 4 3/8" x 1 5/8"	90/45°	2.70 lbs



F

F. "Big Daddy" magnetic square (BDMS)

A quality magnetic square with a convenient T-handle for a quick release.

	Pull	Nominal Dimensions	Pre-set Angles	Approx. Weight
BDMS-1	100 lbs	8" x 8" x 1 5/8"	90/45°	7.70 lbs



G

G. Magnetic ground clamps (MGC)

Ground clamps only need base surface metal for clamping.

	Pull	Nominal Dimensions	Amps	Approx. Weight
MGC-1	55 lbs	3 1/2" x 2"	250	1.75 lbs
MGC-2	55 lbs	3 1/2" x 2"	800	1.85 lbs



H

I

H. Mag Pick-Up (MPU)

Magnetic disc on 35" tubular shaft for picking up small metal parts – also useful during clean-up.

	Description	Approx. Weight
MPU-1	Magnetic disc on 35" tubular shaft	1.35 lbs



I. MagStick (MS)

The MagStick is a 5 1/2" "pen-sized" pocket magnet that extends to 26" to pick-up hard to reach small metal objects.

	Description	Approx. Weight
MS-1	Magnet on 26" telescopic shaft, pocket clip	0.16 lbs



J

J. MagWand (MW)

Can collect up to 12 lbs of swarf in a pass for a cleaner safer welding and machine shop. It rolls easily over industrial work surfaces and dumps waste by simply pulling and sliding the magnetic insert.

	Description	Approx. Weight
MW-1	15 1/2" length	1.70 lbs



K

K. MagSweep (MSP)

The MagSweep is a rolling shop-floor magnet on wheels that makes clean up quick and easy.

	Description	Approx. Weight
MSP-24	24" swath	45.00 lbs



Other Clamps



A. Portable Mini-Vise Clamp

The BESSEY® Portable Mini Vise Clamp is ideal for holding round, rectangular and odd shaped objects. It has non-marring glue resistant jaws, and can be clamped to work surface with the TK-6 table clamps. TK-6 clamps included with S-10.

	Jaw Width	Clamping Capacity	Approx. Weight
S-10	3 5/8"	4"	1.80 lb
TK-6	Holds vise clamps to flat work surface		

B. Table mount clamp (TK)

Holds your BESSEY® clamps to the edge of a work table to secure your workpiece.

Works with...

TK-6 Fits WS-3, WS-6, S-10, and K Body® REVOTM (KR & KRV)

C. Wood handscrew clamps (HS)

It's just the clamp you need for gluing; adjustable jaws for a strong grip or delicate for those small projects. The oiled maple jaws won't damage or slip on your workpiece. The wood handscrew clamp is held together by cold-drawn, carbon-steel spindles and swivel nuts. Large handles for comfort and torque.

	Jaw Length	Clamping Capacity	Throat Depth	Spindle Diameter	Approx. Weight
HS-6	6"	3"	3"	5/16"	1.00 lbs
HS-8	8"	5"	4"	7/16"	1.25 lbs
LHS-10	10"	7"	6"	7/16"	2.24 lbs
HS-12	12"	9 1/4"	6"	7/16"	4.00 lbs

D. Panel carrier (KF)

Safely transport panels with the BESSEY® panel carrier. The jaws have a high-friction rubber coating that can withstand up to 150 lbs of carrying weight.

	Opening	Approx. Weight
KFP	1/2" - 2.5"	2.2 lbs

E. T-bar sash clamps

Fast-easy adjusting moveable jaw – simply slide to work and place lock pin in perforated rail. Built with a rugged construction – cast iron jaw, and steel rail.

	Clamp Face	Clamping Capacity	Clamping Force	Approx. Weight
BT-36	3.2" x 1.9"	39"	3990 lbs	18.00 lbs
BT-96	3.2" x 1.9"	98"	3330 lbs	32.00 lbs
BT-120	3.2" x 1.9"	120"	2660 lbs	40.00 lbs

(While quantities last.)

F. T-bar sash clamps (TB)

	Clamp Face	Clamping Capacity	Clamping Force	Approx. Weight
TB100	2.6" x 1.7"	39"	3150 lbs	18.00 lbs
TB150	2.6" x 1.7"	59"	2600 lbs	23.00 lbs
TB250	2.6" x 1.7"	98"	2100 lbs	33.00 lbs

G. BESSEY® TB clamp service parts (Special order)

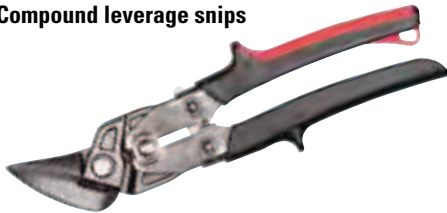
3006042	Pressure jaw
3006040	Screw guide
3100920	Clamping jaw
3101405	Screw set



Traditional tin snips



Compound leverage snips



Ideal snips



Continuous, straight and curved cuts, right



Continuous, straight and curved cuts, left

Outline cutting snips



Short, straight and narrow curved cuts, right



Short, straight and narrow curved cuts, left

Straight cutting snips



Straight and curved cuts, large radius in both left and right directions



Short, straight cuts, notch

Left cutting snips



Right cutting snips



1. Types

Traditional tin snips

Edges and handle are traditionally forged into one unit. The force required for cutting is determined by the ratio of edge length to the handle length.

Compound leverage snips

The cutting heads and handles are made separately and are both hinged. When they're attached to each other, this double hinged (double fulcrumed) assembly greatly increases the leverage, requiring less physical effort.

2. Models

Ideal snips

These multi-purpose snips can cut through a metal sheet (straight-cut) as well as cut large and small contours or radii (outline-cut). It doesn't matter whether you're cutting at the edge (edge cut) or at the centre of a sheet. You can naturally use ideal snips for notching-operations.

Outline cutting snips

Best suited for fine and narrow radius cuts near the edges of a metal sheet. You can use the delicately shaped edge of these snips to cut extremely narrow shapes or curves without any problem.

Straight cutting snips

Ideal for cutting a metal sheet at the centre and/or near the edges. You can use long edges of this tool to cross-cut and notch large metal sheets quickly and precisely with less effort.

3. Right cutting or left cutting snips.

What's the difference?

Right cutting snips are designed so that they can cut right radii, a curve from left to right easily. Left cutting snips are the best for radius cuts from right to left.

The common perception is that, right cutting snips are for right-handers, and left cutting snips for left-handers. This is not true. If a right-handed person is cutting a radius from left to right, using right cutting snips (radius from left to right), you have to cut outwards from your wrist. With left cutting snips, (radius is then from right to left) you can cut inwards from your wrist. This is considerably more ergonomic. Try it out once!

4. Grades

The service life of cutting edges depends directly on the grade of steel used and the processing. High-performance snips with case-hardened HSS – edges fulfill the most stringent requirements regarding service life and cutting performance. Cutter heads of the HSS-Tin grade are additionally coated with extremely hard titanium nitride that reduces wear and tear. Other cutting materials, namely special high quality steel, quality steel and standard quality steel, are available depending on the application and the frequency of use.

Grades of blade steel	min. HRC	Durability	Approx. Tensile Strength of Blade PSI	Max. Sheet thickness at tensile strength of:		
				58 000 PSI Mild Carbon Steel	116 000 PSI Hard Carbon Steel	159 000 PSI Very Hard Stainless
HSS D27AH	64	++++	370,000	1.5 mm/16 ga	1.2 mm/18 ga	0.6 mm/25 ga
Special High Grade Steel D29SS; D29ASS; D123S	60	+++	320,000	1.5 mm/16 ga	1.2 mm/18 ga	/
High Grade Steel D22A; D27; D-SPC; D-SPS	58	++	300,000	1.5 mm/16 ga	1.2 mm/18 ga	/
Standard Quality Steel	54	+	266,000	1.2 mm/18 ga	0.8 mm/22 ga	/

D15A compact aviation snip

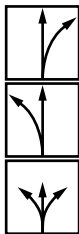


Rapid-Action Lever Clamps

Quick on, quick off! Secure vibration-resistant clamping with a rapid action ratchet mechanism. Position and reposition your workpiece quickly and securely.

Features and benefits at a glance:

- 1 100% Power, 75% of the size**
The D15A Compact Aviation Snip has all the power of a full size aviation snip but, is 25% smaller. This makes the whole snip more manoeuvrable to get into even the most cramped spaces.
- 2 Extremely compact cutting head**
Extremely compact cutting head for great manoeuvrability, cutting the narrowest radii. The "Ideal" design allows the surface being cut to slide past beneath your fingers and reduces chance of injury.
- 3 Practical locking mechanism**
The practical locking mechanism allows one to open & close with one hand and limits the maximum opening of the snip.
- 4 Compound leverage**
Compound leverage considerably reduces effort required, improving productivity while reducing hand fatigue.
- 5 Ergonomic handle**
Ergonomic handles keeps hand from slipping.



A. Multi-use snip, compact aviation snip (D15A)

For long continuous, straight and curved cuts. A compact design for a high performance with minimum effort.

	Overall Length	Blade Length	Cutting Capacity <small>(Regular metal)</small>	Approx. Weight
D15A-BE	7 3/16"	13/16"	18 gauge	0.44 lbs
D15AL-BE	7 3/16"	13/16"	18 gauge	0.44 lbs
D15S-BE	7 3/16"	13/16"	18 gauge	0.44 lbs
D15-SET	Includes: 1 x D15S-BE, 1 x D15A-BE, 1 x D15AL-BE in a nylon pouch			

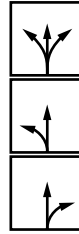


D15 Snip compared to a full size aviation snip.

B. Aviation snips (D16)

High grade steel cutting blades with micro-serrations for slip proof cutting. HRC up to 59.

	Overall Length	Blade Length	Cutting Capacity <small>(Regular metal)</small>	Approx. Weight
D16S-BE	9 1/2"	1 3/4"	18 gauge	1.25 lbs
D16L-BE	9 1/2"	1 9/16"	18 gauge	1.25 lbs
D16-BE	9 1/2"	1 9/16"	18 gauge	1.25 lbs
D16-SET	Includes: 1 x D16S-BE, 1 x D16L-BE, 1 x D16-BE in a nylon pouch			



C. Special hard cutting snips (D29SS)

High grade steel cutting blades with micro-serrations for slip proof cutting. Right or left cutting versions available. HRC up to 61.

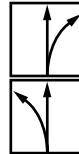
	Overall Length	Blade Length	Cutting Capacity <small>(Regular metal)</small>	Approx. Weight
D29SS-BE	10 1/4"	1 9/16"	18 gauge	1.25 lbs
D29SSL-BE	10 1/4"	1 9/16"	18 gauge	1.25 lbs



D. Offset snips, optimized (D29ASS-2)

High grade steel cutting blades with compact cutting head. Use 25% less effort with the optimized leverage. Right or left cutting versions available. HRC up to 61.

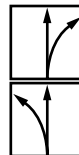
	Overall Length	Blade Length	Cutting Capacity <small>(Regular metal)</small>	Approx. Weight
D29ASS-2	10 1/4"	1 5/16"	18 gauge	1.25 lbs
D29ASSL-2	10 1/4"	1 5/16"	18 gauge	1.25 lbs



E. Offset extra hard, high tolerance snip (D27AH)

Made for long continuous, straight and curved cuts. Case-hardened, high-speed steel edges. Right or left cutting versions available. HRC up to 68.

	Overall Length	Blade Length	Cutting Capacity <small>(Regular metal)</small>	Approx. Weight
D27AH-BE	10 1/4"	1 5/16"	18 gauge	1.25 lbs
D27AHL-BE	10 1/4"	1 5/16"	18 gauge	1.25 lbs



F. Long-nose, multi-purpose snip (D22AL)

High grade steel, extra long cutting blades designed for continuous cuts and large radius cuts. Angled cutter heads keep hands free from work Available in left cutting version only. HRC up to 59.

	Overall Length	Blade Length	Cutting Capacity <small>(Regular metal)</small>	Approx. Weight
D22AL-BE	11"	2 1/2"	18 gauge	1.25 lbs



Snips & knives



A

A. Safety strap cutter (D123)

Holds banding tightly during cutting to prevent the banding from springing up. Can cut steel straps up to 32 x 1 mm (1 1/4 x 1/32) with one hand. The ergonomic handle and the compound leverage offers comfort and ease of use.



	Overall Length	Blade Length	Approx. Weight
D123S-SB	10 1/4"	1 1/2"	1.3 lbs



B

B. Super nibbler (D24)

Distortion free cuts of up to 1.2 mm thick in normal sheet metal. Capable of cutting a 2" (50 mm) hole but requires a starting hole of 8.5 mm. Features an integrated chip-separator for cleanly cut notches.



	Overall Length	Blade Length	Approx. Weight
D24-SB	10 1/2"	N/A	1.0 lbs



C

C. MultiSnips

Made for everyday light duty use with a stainless steel blade. The spring opens cutter automatically and it features a thumb operated lock.



	Overall Length	Blade Length	Approx. Weight
Straight Blade (D47, D48)			
D47	5 1/2"	1 1/4"	0.13 lbs
D48	7 3/4"	1 5/8"	0.25 lbs
Offset Blade (D48A)			
D48A	7 1/2"	1 3/8"	0.25 lbs



D

D. Cable cutter (D49)

Used for cutting multi-core cable with diameters up to 10 mm (3/8"). Stainless steel blade.



	Overall Length	Blade Length	Approx. Weight
D49	6 1/2"	N/A	0.25 lbs



E

E. Combinix (D50)

The stainless steel blade cuts a wide range of material, and is notched for wire stripping. The spring opens cutter automatically with a thumb operated lock. Ergonomic handle with soft-insert.



	Overall Length	Blade Length	Approx. Weight
D50	7 1/2"	1 3/8"	0.25 lbs

F. MultiSnip master (D51)

The stainless steel cutter edge cuts a wide range of material. The angled cutter head keeps your hands safely free from work. The handle is made of robust fibreglass-reinforced plastic with soft-insert.

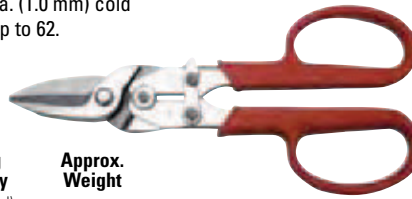
	Overall Length	Blade Length	Approx. Weight
D51A	9 1/4"	2"	0.25 lbs



G. SuperPower snips

The compound SuperPower snips need 50% less hand force than ordinary American pattern tin snips. Cuts up to 19 ga. (1.0 mm) cold rolled steel or 25 ga. (0.6 mm) stainless steel. HRC up to 62.

	Overall Length	Blade Length	Cutting Capacity (Regular metal)	Approx. Weight
Straight blade (DSPS)				
D-SPS8	8 1/2"	1 3/4"	18 gauge	0.75 lbs
D-SPS11	11 1/2"	2 1/4"	18 gauge	1.25 lbs
Offset blade (DSPC)				
D-SPC8	8 1/2"	1 3/4"	18 gauge	0.75 lbs
D-SPC11	11 1/2"	2 1/4"	18 gauge	1.25 lbs



Snips Video



E-Newsletter Sign up



H. DMT multi-function tool

1 multi tool with 7 options: Shears, blade, saw, file, Phillips head screwdriver and large and small slotted screwdriver. It can also cut leather, rope, vinyl, thin cable, cord, thin plastic, paper, etc. Includes a belt pouch for handy storage.

	Handle Length	Cutting Edge Length	Total Length	Approx. Weight
DMT	4"	2 1/8"	7"	0.66 lbs



Snips & knives



A

A. Double blade folding tool

It needs just a short push on the metal release lever to unlock the knife so it can be safely folded. Features a folding stainless steel blade with serrated cut, a quick blade change mechanism, and a comfortable aluminum handle with rubber inlays.



	Handle Length	Cutting Edge Length	Blade Length	Approx. Weight
DBKAH-2B	3 3/4"	3"	1"	0.37 lbs



B

Folding utility knives

These knives include folding and locking blades with belt-clip. Uses standard blades that are easy to change with the quick blade exchange mechanism. Spring blade release.



	Overall Length	Blade Length	Approx. Weight
B. Aluminum handle			
D-BKAH	6 1/4"	2 1/4"	0.30 lbs



C

C. Wood handle			
D-BKWH	6 1/4"	2 1/4"	0.30 lbs



D

D. ABS comfort grip handle			
D-BKPH	6 1/4"	2 1/4"	0.40 lbs



E

E. Folding utility knife set - ABS comfort grip handle

Comes with 4 types of blades: normal, scoring, linoleum, and rug. Convenient case for storage. Size of case - 2 3/8" H x 6 3/4" W x 4 3/8" D.



	Overall Length	Blade Length	Approx. Weight
D-BKPH Set	6 1/4"	2 1/4"	0.70 lbs



Industrial fluids & compounds



A. Lab-metal

The original ready-to-use metal putty, can be drilled, tapped, ground, milled, chisselled, sanded, etc. To build up, apply in thin layers, allow to dry and repeat. Drying time for 1/8" = 3-4 hours.

	Unit/Container	Approx. Weight/Case
LM-06	6 oz / 170 g	6.00 lbs
LM-12	12 oz / 340 g	13.00 lbs
LM-24	24 oz / 680 g	23.00 lbs
LM-48	48 oz / 1.4 g	42.00 lbs



B. Hi-Temp Lab-metal

The original ready-to-use metal putty, can be drilled, tapped, ground, milled, chisselled, sanded, etc. To build up, apply in thin layers, allow to dry and repeat. Dry for 24 hours then cure at 425° for 1 hour.

	Unit/Container	Approx. Weight/Case
HT-14	14 oz / 397 g	15.00 lbs
HT-24	24 oz / 680 g	23.00 lbs



C. Lab-solvent

Surface-prep for regular and Hi-Temp Lab-metal. Thins Lab-Metal for brushing or spraying and leaves no film.

	Unit/Container	Approx. Weight/Case
LS-16	16 oz / 473 g	16.00 lbs
LS-128	1 gal / 3.8 L	19.00 lbs



D. Heat block

Surface-prep for regular and Hi-Temp Lab-metal. Thins Lab-Metal for brushing or spraying and leaves no film.

	Unit/Container	Approx. Weight/Case
HB-PNT	1 pint / .47 L	5.00 lbs



E. Spatter release

The water based version is non-toxic and biodegradable, safe for use outdoors. It is paint freindly with no silicones, non-flammable CO₂ propellant and contains no CFC's or trichloroethylene.

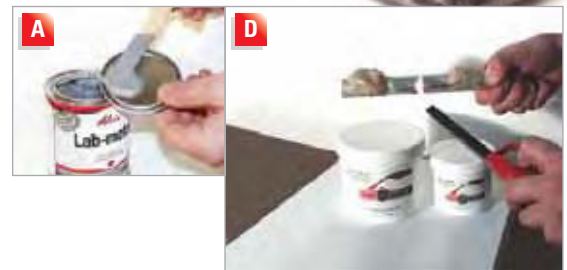
	Unit/Container	Description	Approx. Weight/Case
16300-16	16 oz / 473 ml	Water based	16.00 lbs
1620-16	16 oz / 473 ml	Solvent based	19.00 lbs



F. Stick-Kut™ lubricating stick wax

Used for grinding wheels, sanding belts and saw blades. Eliminates heat build up and belt loading - extends wheel life.

	Unit/Container	Approx. Weight/Case
15-SK	15 oz stick	12.00 lbs



BESSEY® YouTube Channel





¹Relton fluids and compounds are available for sale but only in Canada.

²Available as a special order only, Non-stock.



A. Relton dark thread cutting oil

It reduces friction for a longer tool life with a clean burr-free thread. It forms a tough film for use on a wide variety of materials.

	Unit/Container	Approx. Weight
TC014-01G ¹²	4 x 1 US gal/3.785L	36.00 lbs/case
TC014-05G ¹²	5 US gal/18.925L	45.00 lbs/each



B. Relton light thread cutting oil

Reduce friction for a longer tool life with a clean burr-free thread. It forms a tough film for use on a wide variety of materials.

	Unit/Container	Approx. Weight
TC016-01G ¹²	4 x 1 US gal/3.785L	36.00 lbs/case
TC016-05G ¹²	5 US gal/18.925L	45.00 lbs/each



C. Relton Rel-Saw band saw fluid

Improve your blade life, and reduce machine wear with the Relton Rel-Saw band fluid. It contains rust and corrosion inhibitors.

	Unit/Container	Approx. Weight
01G-RS ¹²	4 x 1 US gal/3.785L	38.00 lbs/case
05G-RS ¹²	5 US gal/18.925L	45.00 lbs/each



D. Relton OPTION 1[®] cutting fluid

An environmentally friendly cutting fluid that has no chlorine, no sulfur, a non-toxic formula that's safe to use. Water based; Non-WHMIS.

	Unit/Container	Approx. Weight
OPT114 ¹	24 x 4 oz/118 ml	7.40 lbs/case
OPT455 ¹	12 x 16 oz/473 ml	14.80 lbs/case
OPT4 ¹	4 x 1 US gal/3.785L	36.10 lbs/case
OPT20 ¹	5 US gal/18.925L	47.00 lbs/each
OPT205 ¹²	55 US gal/205L	500.00 lbs/each



E. Relton A-9[®] aluminum cutting fluid

Specifically for aluminum to be used for tapping, drilling, boring, milling, turning, broaching, reaming and sawing. Non-WHMIS - environmentally friendly. May be used on other metals.

	Unit/Container	Approx. Weight
A9114 ¹	24 x 4 oz/118 ml	9.00 lbs/case
A9455 ¹	12 x 16 oz/473 ml	16.00 lbs/case
A94 ¹	4 x 1 US gal/3.785L	33.00 lbs/case
A920 ¹	5 US gal/18.925L	42.00 lbs/each
A9205 ¹²	55 US gal/205L	450.00 lbs/each



F. Relton Air-Flo air tool oil

Improve your blade life, and reduce machine wear with the Relton Rel-Saw band fluid. It contains rust and corrosion inhibitors.

	Unit/Container	Approx. Weight
AF-PNT ¹²	12 x 1 pint/473 ml	13.50 lbs/case
AF-01G ¹²	4 x 1 US gal/3.785L	36.00 lbs/case



G. Relton Rapid Tap[®] cutting fluid

Leaves a fine machined finish even on tough materials such as aluminum, beryllium, brass, bronze, cast iron, copper, inconel, magnesium, molybdenum, stainless steel, and stellite. No 1,1,1 Trichloroethane – ozone friendly, non-toxic, and non-flammable; non-WHMIS.

	Unit/Container	Approx. Weight
RT114 ¹	24 x 4 oz/118 ml	11.00 lbs/case
RT455 ¹	12 x 16 oz/455 ml	17.00 lbs/case
RT4 ¹	4 x 1 US gal/3.785L	42.00 lbs/case
RT20 ¹	5 US gal/18.925L	45.00 lbs/each
RTA9205 ¹²	55 US gal/205L	500.00 lbs/each

Specialty products



A. Torque multipliers (X4)

The geared head offers 4X the power of an ordinary wrench alone, and requires no air or electricity. You can use it with a torque wrench when precision is required (always calibrate to be sure). X4 units can be stacked for higher power. Up to 12,000 ft. lbs. of torque.

	Input Capacity Foot/Pounds	Output Capacity Foot/Pounds	Input Drive	Output Drive	Ratio LB:FT	Approx. Weight
JM-750	250	1,000	1/2"	3/4"	4:1	7.00 lbs
JM-1000	500	2,000	3/4"	1"	4:1	14.00 lbs
JM-1200¹	209	3,000	3/4"	1-1/2"	14:3:1	30.00 lbs
JM-1500¹	923	4,000	1"	1-1/2"	4:33:1	30.00 lbs
JM-2000¹	1739	8,000	1"	1-1/2"	4:6:1	47.00 lbs
JM-2500¹	2000	12,000	1"	2-1/2"	6:1	73.00 lbs

¹Available as a special order only, Non-stock.



B. Anti-Backlash torque multiplier

Limits risk of "spring back" when extender bar is used. Coupled with larger model – makes the entire system anti-backlash.

	Input Capacity Foot/Pounds	Output Capacity Foot/Pounds	Input Drive	Output Drive	Ratio LB:FT	Approx. Weight
JM-1000-R¹	500	2,000	3/4"	1"	4:1	15.00 lbs

¹Available as a special order only, Non-stock.



Bearing heaters



Model SC110D (110V or 220V)

- Bearing capacity: 4" x 11" O.D. (14" OD with optional raising blocks)
- Computer chip monitors and stabilizes temperature
- Display panel (pre-set times, temperatures) & auto shut off

Model SC110V (110V or 220V)

- Bearing capacity: 4" x 11" O.D. (14" OD with optional raising blocks)

Model BC (220V, or 440V or 550V)

- Bearing capacity: 7 1/2" x 22" O.D. (32" OD with optional raising blocks)

Model BC Special (110V or 220V)

- Bearing capacity: 11 1/2" x 22" O.D. (32" OD with optional raising blocks)

- All Bearing heaters are single phase 60 hz units
- 50 hz versions available as special request

SC 110D



SC 110V



BCS 550



A. Induction bearing heaters

Extend bearing life and cut operating cost by eliminating hammering and pounding to cold-mount bearings. Works on bearings, sprockets, gears, couplings and sleeves. Demagnetizes bearings – easy to use, ready in minutes.

	Voltage	Standard Cross Bars	Optional Cross Bars	Approx. Weight
SC 110D	110V (17 amp)	3/4", 2"	1/2"* , 1-1/4"	56.00 lbs
SC 110V	110V (17 amp)	3/4", 2"	1/2"* , 1-1/4"	52.00 lbs
SC 220V	220V (9 amp)	3/4", 2"	1/2"* , 1-1/4"	52.00 lbs
BC 220V	220V (30 amp)	1-1/4", 3"	3/4", 1", 2"	200.00 lbs
BC 440V	440V (20 amp)	1-1/4", 3"	3/4", 1", 2"	200.00 lbs
BC 550V	550V (20 amp)	1-1/4", 3"	3/4", 1", 2"	200.00 lbs
BCS 220	220V (30 amp)	1-1/4", 3"	1"* , 2"	235.00 lbs
BCS 440	440V (20 amp)	1-1/4", 3"	1"* , 2"	235.00 lbs
BCS 550	550V (20 amp)	1-1/4", 3"	1"* , 2"	235.00 lbs

*Only available in the USA.

WARNING: Do NOT operate an induction heater if you wear a heart pace-maker. The strong magnetic field emitted by the heater may affect operation of such devices.

B. Raising blocks for SC, BC, BSC models

Increases the maximum size of bearing that can be heated.

	Fits model	Height	Width	Approx. Weight
SCRB	SC	2 3/8"	2 5/8"	7.50
BCRB	BC, BCS	5"	3 5/8"	31.00

C. Pyrometer/Thermometer

Multi-purpose measuring device for bearings, gears, etc. Has a digital readout from -200°C (-328°F) to +1372°C (+1999°F). Probe max rated for 650°C (1200°F).

	Description	Approx. Weight
HH11B	Pyrometer/Thermometer w/probe & flex cord	2.00



GCS 34534

GCS 38534



GCST 5518

GCST 3480



D. Cross bars for SC, BC, BSC bearing heater models

	Fits model #		Fits model #
SC 1/2"*	SC	BCS 1"*1	BC Special
SC 3/4"*1	SC	BCS 1 1/4"	BC Special
SC 1 1/4"	SC	BCS 2"*1	BC Special
SC 2"	SC	BCS 3"*1	BC Special
BC 3/4"	BC	SC on/off	On/Off switch for SC
BC 1"	BC	BC on/off	On/Off switch for BC
BC 1 1/4"	BC		
BC 2"	BC		
BC 3"	BC		

*Only available in the USA.

**Available as a special order only.

E. Cone style bearing heaters

	Bearing I.D. Range	Watts	Width	Height	Approx. Weight
GCS 38534*	3/8" - 5 3/4"	725	9"	10"	4.77
GCS 34534*	3/4" - 5 3/4"	725	9"	10"	4.77
GCST 3480**	3/4" - 8"	725	12"	10"	5.99
GCST 5518**	5 1/2" - 18"	1450	23"	19"	17.13

*Includes 250°F temperature indicator crayon.

**Automatic temperature regulation preset at 250°F.

Index



Catalog Number	UPC	Page Number	Catalog Number	UPC	Page Number	Catalog Number	UPC	Page Number
01G-RS	7 85401 94128 1	49	3005122	7 88502 00939 3	2	B-106	7 88502 02065 7	32
05G-RS	7 85401 94640 8	49	3006040	7 88502 20127 8	41	B-108	7 88502 02066 4	32
15-SK	7 85401 08015 7	48	3006042	7 88502 20126 1	41	B-110	7 88502 02067 1	32
375L	7 88502 14100 0	33	3006727	7 88502 20101 8	4	B-112	7 88502 02068 8	32
376S	7 88502 14101 7	33	3006786	7 88502 20102 5	4	B-EC3	0 91162 00818 8	22
500L	7 88502 14110 9	33	3007822	7 88502 00893 8	2	B-HS0	7 88502 02071 8	32
501S	7 88502 14111 6	33	3007855	7 88502 20104 9	2	B-HS1	7 88502 02072 5	32
540-2-1/2	7 88502 20054 7	31	3008019	7 88502 20103 2	4	B-HS1.5	7 88502 02073 2	32
540-3	7 88502 20055 4	31	3100119	7 88502 20105 6	4	B-HS2	7 88502 02074 9	32
540-4	7 88502 20056 1	31	3100120	7 88502 20106 3	4	B-HS3	7 88502 02075 6	32
540-5	7 88502 20061 5	31	3100121	7 88502 20107 0	4	B-HS4	7 88502 02076 3	32
540-6	7 88502 20057 8	31	3100398	7 88502 00547 0	2,4	B-HS5	7 88502 02077 0	32
540-8	7 88502 20058 5	31	3100399	7 88502 00548 7	2,4	B-HS6	7 88502 02078 7	32
540-10	7 88502 20059 2	31	3100400	7 88502 00549 4	2,4	B-HS8	7 88502 02079 4	32
540-12	7 88502 20060 8	31	3100401	7 88502 00550 0	2	B-HS10	7 88502 02080 0	32
540-14	7 88502 20062 7	31	3100579	7 88502 00940 9	2	B-HS12	7 88502 02081 7	32
625L	7 88502 14120 8	33	3100736	7 88502 00920 1	2,4	BANR400	0 91162 00063 2	23
626S	7 88502 14121 5	33	3100737	7 88502 00924 9	2	BAS-C9-4	7 88502 00870 9	35
660-S8	7 88502 20012 7	3	3100920	7 88502 20128 5	41	BAS-C10-6	7 88502 00871 6	35
660-S12	7 88502 20013 4	3	3101012	7 88502 20108 7	4	BAS-CB9-4	7 88502 00873 0	35
660-S18	7 88502 20014 1	3	3101180	7 88502 00752 8	4,16,17	BAS-CB10-6	7 88502 00874 7	35
750L	7 88502 14130 7	33	3101183	7 88502 00751 1	4,16,17	BAS-U9-4	7 88502 00880 8	35
751S	7 88502 14131 4	33	3101188	7 88502 00750 4	4,16	BAS-U10-6	7 88502 00881 5	35
1000L	7 88502 14140 6	33	3101192	7 88502 00921 8	2,4	BASKN	7 88502 00877 8	36
1001S	7 88502 14141 3	33	3101193	7 88502 00922 5	2,4	BASO	7 88502 00876 1	36
1200-S8	7 88502 20032 5	3	3101339	7 88502 20109 4	4	BC 1"	7 88502 16056 8	51
1200-S12	7 88502 20015 8	3	3101370	0 91162 00644 3	14	BC 1-1/4"	7 88502 16057 5	51
1200-S18	7 88502 20016 5	3	3101392	7 88502 20097 4	16,17	BC 2"	7 88502 16058 2	51
1200-S24	7 88502 20017 2	3	3101394	7 88502 20098 1	16,17	BC 3"	7 88502 16059 9	51
1620-16	7 88502 06201 5	48	3101395	7 88502 20099 8	16	BC 3/4"	7 88502 16055 1	51
1800-S8	7 88502 20000 4	1	3101396	7 88502 20100 1	16	BC 220V	7 88502 16000 1	51
1800-S12	7 88502 20001 1	1	3101405	7 88502 20129 2	41	BC 440V	7 88502 16010 0	51
1800-S18	7 88502 20002 8	1	3101588	7 88502 20112 4	11	BC 550V	7 88502 16020 9	51
1800-S24	7 88502 20003 5	1	3101589	7 88502 20114 8	11	BC on/off	7 88502 16291 3	51
1800L12	7 88502 00986 7	5,18	9000001	0 91162 00857 7	38	BCRB	7 88502 16050 6	51
2400HD-10	7 88502 00995 9	34	9000002	0 91162 00858 4	38	BCS 1"	7 88502 16155 8	51
2400J-12	7 88502 19032 9	5	9040001	0 91162 00850 8	38	BCS 1-1/4"	7 88502 16156 5	51
2400S-8	7 88502 00801 3	1	9040002	0 91162 00851 5	38	BCS 2"	7 88502 16157 2	51
2400S-12	7 88502 00803 7	1	9040003	0 91162 00852 2	38	BCS 3"	7 88502 16158 9	51
2400S-16	7 88502 00807 5	1	9040004	0 91162 00853 9	38	BCS 220	7 88502 16100 8	51
2400S-20	7 88502 00804 4	1	9040005	0 91162 00854 6	38	BCS 440	7 88502 16110 7	51
2400S-24	7 88502 00808 2	1	9044001	0 91162 00856 0	38	BCS 550	7 88502 16120 6	51
2400S-36	7 88502 00809 9	1	9045001	0 91162 00855 3	38	BDM5-1	7 88502 09030 8	40
2400S-48	7 88502 00815 0	1	9050001	0 91162 00840 9	38	BGP	0 91162 69012 3	17
2400S-60	7 88502 00806 8	1	9050002	0 91162 00841 6	38	BPC-H12	0 91162 00943 7	25
4800J-20	7 88502 19043 5	5	9050003	0 91162 00842 3	38	BPC-H34	0 91162 00942 0	25
4800S-12	7 88502 00810 5	2	9050004	0 91162 00843 0	38	BT-36	7 88502 01300 0	41
4800S-18	7 88502 00818 1	2	9050005	0 91162 00844 7	38	BT-96	7 88502 01302 4	41
4800S-24	7 88502 00819 8	2	9060001	0 91162 00845 4	38	BT-120	7 88502 01303 1	41
4800S-36	7 88502 00823 5	2	9060002	0 91162 00846 1	38	BTB30	0 91162 69000 0	17
4800S-48	7 88502 00813 6	2	9060003	0 91162 00847 8	38	BTB30A	0 11962 69016 1	17
4800S-60	7 88502 00814 3	2	9060004	0 91162 00848 5	38	BV-CO30	0 91162 00836 2	38
7200S-12	7 88502 00820 4	2	9060005	0 91162 00849 2	38	BV-DP40	0 91162 00837 9	38
7200S-18	7 88502 00824 2	2	A94	7 85401 20128 6	49	BV-HD40	0 91162 00831 7	37
7200S-36	7 88502 00825 9	2	A920	7 85401 20640 3	49	BV-HD60	0 91162 00832 4	37
8500HPC-14	7 88502 00852 5	2	A9114	7 85401 20004 3	49	BV-HW45	0 91162 00834 8	37
16300-16	7 88502 06200 8	48	A9205	7 85401 27040 4	49	BV-MPV5	0 91162 00833 1	37
3000157	7 88502 00910 2	4	A9455	7 85401 20016 6	49	BV-NVJ	0 91162 00839 3	38
3000159	7 88502 00911 9	2	AF-01G	7 85401 80128 8	49	BV-VB	0 91162 00835 5	38
3000689	7 88502 00938 6	2	AF-PNT	7 85401 80016 8	49	BV-WV65	0 91162 00838 6	38
3001411	7 88502 00912 6	2	AV-2	0 91162 00139 4	26	CDF402	7 88502 01460 1	31
3001412	7 88502 00914 0	2	B-102	7 88502 02062 6	32	CDF402CHV	7 88502 01497 7	31
3001413	7 88502 00917 1	2	B-103	7 88502 02063 3	32	CDF403	7 88502 01461 8	31
3005120	7 88502 00919 5	2	B-104	7 88502 02064 0	32	CDF403CHV	7 88502 01498 4	31

Index

Catalog Number	UPC	Page Number	Catalog Number	UPC	Page Number	Catalog Number	UPC	Page Number
CDF404	7 88502 01462 5	31	DKX	0 91162 00088 5	21	KF2	0 91162 00104 2	22
CDF404CHV	7 88502 01499 1	31	DMT	7 88502 20092 9	46	KF4	0 91162 00105 9	22
CDF406	7 88502 01463 2	31	DT 2400-12	7 88502 00816 7	2	KF4 Pads	0 91162 00106 6	22
CDF406CHV	7 88502 01501 1	31	DT 2400-24	7 88502 00817 4	2	KFP	0 91162 00107 3	41
CDF408	7 88502 01464 9	31	DU016-8	0 91162 00044 1	21	KLI3.004	0 91162 00990 1	20
CDF408CHV	7 88502 01502 8	31	DU030-8	0 91162 00045 8	21	KLI3.008	0 91162 00991 8	20
CDF410	7 88502 01465 6	31	DU045-8	0 91162 00046 5	21	KLI3.012	0 91162 00992 5	20
CDF410CHV	7 88502 01503 5	31	DU065-8	0 91162 00047 2	21	KLI3.016 (KLI40)	7 88502 20131 5	20
CDF412	7 88502 01466 3	31	DuoKlamp® Combo	0 91162 00061 8	21	KP Block adaptor	0 91162 00664 1	14
CDF412CHV	7 88502 01504 2	31	EKT-55	0 91162 00679 5	22	KP	0 91162 00665 8	14
CDS24-10 WP	7 88502 00952 2	16	EZS15-8	7 88502 20021 9	19	KR3.512	0 91162 00624 5	13
CDS24-12 WP	7 88502 00953 9	16	EZS30-8	7 88502 20022 6	19	KR3.518	0 91162 00635 1	13
CDS24-20 WP	7 88502 00954 6	16	EZS45-8	7 88502 20023 3	19	KR3.524	0 91162 00625 2	13
CL-24	7 88502 00833 4	6	EZS60-8	7 88502 20024 0	19	KR3.531	0 91162 00626 9	13
CLS-Shoe	7 88502 00830 3	6	EZS90-8	7 88502 20053 0	19	KR3.540	0 91162 00627 6	13
CM10	0 91162 00026 7	32	EZS Combo	7 88502 20063 9	19	KR3.550	0 91162 00628 3	13
CM15	0 91162 00028 1	32	FC24-8	7 88502 00990 4	34	KR3.560	0 91162 00629 0	13
CM20	0 91162 00029 8	32	GCS 38534	7 88502 17000 0	51	KR3.582	0 91162 00630 6	13
CM22	0 91162 00030 4	32	GCS 34534	7 88502 17001 7	51	KR3.598	0 91162 00631 3	13
CM30	0 91162 00032 8	32	GCST 3480	7 88502 17002 4	51	KR-AS	0 91162 00642 9	14
CM34DR	0 91162 00038 0	32	GCST 5518	7 88502 17003 1	51	KR-EC	0 91162 00663 4	14
CM40	0 91162 00033 5	32	GS12-8K	7 88502 20090 5	7	KR-J2K	0 91162 00136 3	14
CM50	0 91162 00034 2	32	GS16-12K	7 88502 20091 2	7	KR-JP	0 91162 00639 9	14
CM60	0 91162 00035 9	32	GS16K	7 88502 20070 7	7	KR-RPP	0 91162 00641 2	14
CM80	0 91162 00036 6	32	GS20K	7 88502 20071 4	7	KR-VO	0 91162 00650 4	14
CMS-1	7 88502 09040 7	40	GS25K	7 88502 20072 1	7	KRJR-12	0 91162 00140 0	14
D15A-BE	7 88502 01131 0	43	GS30K	7 88502 20073 8	7	KRJR-18	0 91162 00141 7	14
D15AL-BE	7 88502 01132 7	43	GS60K	7 88502 20075 2	7	KRJR-24	0 91162 00142 4	14
D15S-BE	7 88502 01133 4	43	GSCC2.506	0 91162 00959 8	20	KRJR-36	0 91162 00143 1	14
D15-SET	7 88502 01136 5	43	GSCC2.512	0 91162 00960 4	20	KRJR-50	0 91162 00144 8	14
D16-BE	7 88502 01174 7	44	GSCC2.518	0 91162 00961 1	20	KRK2440	0 91162 00633 7	13
D16L-BE	7 88502 01175 4	44	GSCC2.524	0 91162 00962 8	20	KRK2450	0 91162 00634 4	13
D16S-BE	7 88502 01173 0	44	GSCC2.530	0 91162 00963 5	20	KRV-40	0 91162 00646 7	13
D16-SET	7 88502 01135 8	44	GSCC2.536	0 91162 00964 2	20	KRV-60	0 91162 00647 4	13
D22AL-BE	7 88502 01111 2	44	GSCC3.512	0 91162 00966 6	20	KRV-78	0 91162 00648 1	13
D24-SB	7 88502 01124 2	45	GSCC3.518	0 91162 00967 3	20	KRV-98	0 91162 00649 8	13
D27AH-BE	7 88502 01151 8	44	GSCC3.524	0 91162 00968 0	20	KRX2440	0 91162 00619 1	13
D27AHL-BE	7 88502 01150 1	44	GSCC5.012	0 91162 00972 7	20	KRX2450	0 91162 00620 7	13
D29ASS-2	7 88502 01169 3	44	GSCC5.018	0 91162 00973 4	20	KT5-1CP	0 91162 00675 7	22
D29ASSL-2	7 88502 01170 9	44	GSCC5.024	0 91162 00974 1	20	KT5-2	0 91162 00676 4	22
D29SS-BE	7 88502 01154 9	44	GSL30	7 88502 20078 3	7	LC4	7 88502 20051 6	6,18
D29SSL-BE	7 88502 01166 2	44	GSL60	7 88502 20079 0	7	LC8	7 88502 20004 2	6,18
D47	7 88502 01103 7	45	GSM20	7 88502 20089 9	7	LC12	7 88502 20006 6	6,18
D48A	0 91162 01100 3	45	GSM25	7 88502 20080 6	7	LC20	7 88502 20007 3	6,18
D48	7 88502 01104 4	45	GSM30	7 88502 20081 3	7	LC31	7 88502 20130 8	6,18
D49	7 88502 01105 1	45	GSM40	7 88502 20082 0	7	LHS-10	0 91162 00824 9	41
D50	7 88502 01108 2	45	GSM50	7 88502 20083 7	7	LM-06	7 88502 14700 2	48
D51A	7 88502 00468 8	46	GSM60	7 88502 20084 4	7	LM-12	7 88502 14701 9	48
D123S-SB	7 88502 01123 5	45	HB-PNT	7 88502 14787 3	48	LM-24	7 88502 14702 6	48
D-BKAH	0 91162 00953 6	47	HH-11B		51	LM-48	7 88502 14703 3	48
D-BKAH-2B	0 11962 00982 6	47	HS-6	0 91162 00822 5	41	LM2.004	0 91162 01300 7	19
D-BKPH	0 91162 00954 3	47	HS-8	0 91162 00823 2	41	LM2.006	0 91162 01301 4	19
D-BKPH Set	0 91162 00977 2	47	HS-12	0 91162 00825 6	41	LM2.008	0 91162 01302 1	19
D-BKWH	0 91162 00955 0	47	HT-14	7 88502 14720 0	48	LM2.012	0 91162 01303 8	19
D-SPC8	7 88502 00552 4	46	HT-24	7 88502 14721 7	48	LM3.006	0 91162 01304 5	19
D-SPC11	7 88502 00553 1	46	J18-8	7 88502 19030 5	5	LM3.012	0 91162 01306 9	19
D-SPS8	7 88502 00555 5	46	JM-750	7 88502 18800 5	50	LM3.024	0 91162 01317 5	19
D-SPS11	7 88502 00556 2	46	JM-1000	7 88502 18810 4	50	LMU2.004	0 91162 01324 3	20
DHBC-12	0 91162 00930 7	21	JM-1000-R	7 88502 18860 9	50	LMU2.006	0 91162 01325 0	20
DHBC-24	0 91162 00931 4	21	JM-1200	7 88502 18820 3	50	LMU2.008	0 91162 01326 7	20
DHBC-36	0 91162 00932 1	21	JM-1500	7 88502 18830 2	50	LS-16	7 88502 14730 9	48
DHCC-4	0 91162 00933 8	32	JM-2000	7 88502 18840 1	50	LS-128	7 88502 14731 6	48
DHCC-6	0 91162 00934 5	32	JM-2500	7 88502 18850 0	50	MCL8	7 88502 20111 7	34
DIY Flooring Kit	0 91162 02008 1	26	KBX20	0 91162 00810 2	14	MGC-1	7 88502 09050 6	40

Index



Catalog Number	UPC	Page Number	Catalog Number	UPC	Page Number	Catalog Number	UPC	Page Number
MGC-2	7 88502 09060 5	40	SQ-16	7 88502 01371 0	4	TGJ2.518+2K	0 91162 00902 4	15
MMS-4	7 88502 00998 0	3	SQ-20	7 88502 01375 8	4	TGJ2.524	0 91162 00604 7	15
MMS-8	7 88502 00999 7	3	SQ-24	7 88502 01372 7	4	TGJ2.524+2K	0 91162 00903 1	15
MMS-12	7 88502 00996 6	3	STB-12	7 88502 19060 2	4	TGJ2.530	0 91162 00605 4	15
MPU-1	7 88502 09088 9	40	STB-18	7 88502 19062 6	4	TGJ2.530+2K	0 91162 00904 8	15
MS-1	7 88502 09082 7	40	STB-24	7 88502 19061 9	4	TGJ2.536	0 91162 00606 1	15
MSP-24	7 88502 09080 3	40	STB-36	7 88502 19066 4	4	TGJ2.536+2K	0 91162 00905 5	15
MW-1	7 88502 09070 4	40	STC-HH50	7 88502 20093 6	11	TGK4.516+2K	0 91162 00925 3	16
OPT4	7 85401 40128 0	49	STC-HH70	7 88502 20094 3	11	TGK4.524+2K	0 91162 00926 0	16
OPT20	7 85401 40640 7	49	STC-IHH25	7 88502 20095 0	11	TGK4.540+2K	0 91162 00927 7	16
OPT114	7 85401 40004 7	49	SVH400	0 91162 02012 8	26	TGK4.550+2K	0 91162 00928 4	16
OPT205	7 85401 47040 8	49	SVH400XL	0 91162 02014 2	26	TGK4.579+2K	0 91162 00929 1	16
OPT455	7 85401 40016 0	49	TB100	7 88502 20123 0	41	TK-6	0 91162 05502 1	14,41
PC12	0 91162 01055 6	25	TB150	7 88502 20124 7	41	UK3.006	0 91162 00668 9	14
PC34	0 91162 01050 1	25	TB250	7 88502 20125 4	41	UK3.012	0 91162 00669 6	14
PC34-DR	0 91162 00039 7	25	TC4.008	0 91162 00777 8	16	UK3.024	0 91162 00671 9	14
PG12	0 91162 02101 9	21	TC4.512	0 91162 00780 8	16	VAC-6	0 91162 00570 5	23
PG24	0 91162 02102 6	21	TC5.512	0 91162 00783 9	16	VAD	7 88502 00730 6	2,4
PRO Flooring Kit	0 91162 02009 8	26	TC7.016	0 91162 00785 3	16	VAS-23	0 91162 00556 9	23
PS55	0 91162 02020 3	27	TCO14-01G	7 85401 50128 7	49	WMS-1	7 88502 09000 1	39
PS130	0 91162 00099 1	27	TCO14-05G	7 85401 50640 4	49	WMS-3	7 88502 09020 9	39
PVA	0 91162 01900 9	26	TCO16-01G	7 85401 60128 4	49	WMS-4	7 88502 09025 4	39
PVZ65	0 91162 01910 8	26	TCO16-05G	7 85401 60640 1	49	WMS-5	7 88502 09027 8	39
PZ4.012	7 88502 20119 3	18	TG3.006+TB (TG16K)	7 88502 20115 5	16	WMS-6	7 88502 09028 4	39
PZ4.024	7 88502 20120 9	18	TG4.008	0 91162 00704 4	15	WMS-7	7 88502 00029 1	39
PZ4.036	7 88502 20134 6	18	TG4.008+2K	0 91162 00906 2	15	WS-1	0 91162 00040 3	24
PZ6.012	7 88502 20121 6	18	TG4.008+TB (TG20K)	7 88502 20116 2	16	WS-3	0 91162 00501 9	24
PZ6.024	7 88502 20122 3	18	TG4.012	0 91162 00751 8	15	WS-6	0 91162 00502 6	24
PZ6.036	7 88502 20135 3	18	TG4.012+2K	0 91162 00907 9	15	WSM-9	7 88502 00840 2	8
QRCC3	0 91162 00944 4	32	TG4.016	0 91162 00752 5	15	WSM-12	7 88502 00841 9	8
QRCC4	0 91162 00945 1	32	TG4.016+2K	0 91162 00908 6	15	WVS-4	7 88502 00836 5	8
QRCC6	0 91162 00952 9	32	TG4.024	0 91162 00753 2	15	XC-14PC	0 91162 00939 0	29
RSC-8	7 88502 00700 9	5	TG4.024+2K	0 91162 00909 3	15	XC1	0 91162 00054 0	28
RSC-12	7 88502 00701 6	5	TG4.510+TB (TG25K)	7 88502 20117 9	16	XC1-2	0 91162 00090 8	29
RSC-18	7 88502 00702 3	5	TG4.512	0 91162 00703 7	15	XC2	0 91162 00050 2	28
RSC-24	7 88502 00703 0	5	TG4.512+2K	0 91162 00910 9	15	XC2-2	0 91162 00091 5	29
RT4	7 88502 07520 6	49	TG4.518	0 91162 00754 9	15	XC3	0 91162 00051 9	28
RT20	7 88502 07525 1	49	TG4.518+2K	0 91162 00911 6	15	XC5	0 91162 00052 6	28
RT114	7 88502 07510 7	49	TG4.518+TB (TG40S12K)	7 88502 20132 2	16	XC5-2	0 91162 00062 5	29
RT205	7 88502 07530 5	49	TG4.524	0 91162 00757 0	15	XC7	0 91162 00053 3	28
RT455	7 88502 07515 2	49	TG4.524+2K	0 91162 00912 3	15	XC7-2	0 91162 00092 2	29
S-10	0 91162 05501 4	41	TG4.524+TB (TG60S12K)	7 88502 20133 9	16	XCL2	0 91162 00068 7	28
SC 1/2"	7 88502 16255 5	51	TG4.530	0 91162 00758 7	15	XCL2-Set	0 91162 00069 4	28
SC 1-1/4"	7 88502 16257 9	51	TG4.530+2K	0 91162 00913 0	15	XL5	0 91162 00070 0	28
SC 2"	7 88502 16258 6	51	TG4.540	0 91162 00759 4	15	XCR-4PC	0 91162 00937 6	29
SC 3/4"	7 88502 16256 2	51	TG4.540+2K	0 91162 00914 7	15	XCRU3	0 91162 00058 8	29
SC 110D	7 88502 16201 1	51	TG5.512	0 91162 00706 8	15	XCRU5	0 91162 00059 5	29
SC 110V	7 88502 16200 5	51	TG5.512+2K	0 91162 00915 4	15	XM3	0 91162 01001 3	29
SC 220V	7 88502 16202 9	51	TG5.512+TB (TG30K)	7 88502 20118 6	16	XM3-NPT	0 11962 01013 6	29
SC on/off	7 88502 16290 6	51	TG5.518	0 91162 00760 0	15	XM5	0 91162 01002 0	29
SCRB	7 88502 16250 0	51	TG5.518+2K	0 91162 00916 1	15	XM5-NPT	0 11962 01014 3	29
SG4	0 91162 15200 6	30	TG5.524	0 91162 00763 1	15	XM7	0 91162 01003 7	29
SG8	0 91162 05201 3	30	TG5.524+2K	0 91162 00917 8	15	XM7-NPT	0 11962 01016 7	29
SG5-DR	7 88502 05213 9	30	TG7.016	0 91162 00707 5	15	XM10	0 91162 01004 4	29
SG24-PC	7 88502 05216 0	30	TG7.016+2K	0 91162 00920 8	15	XV3-50	0 91162 00048 9	28
SG30VAD	7 88502 00545 6	5	TG7.024	0 91162 00767 9	15	XV5-100	0 91162 00049 6	28
SG Pads (Pair)	7 88502 05281 8	30	TG7.024+2K	0 91162 00921 5	15	XV5-170	0 91162 00073 1	28
SGL-8	7 88502 29470 6	4	TG7.048	0 91162 00770 9	15			
SGL-12	7 88502 29474 4	4	TG7.048+2K	0 91162 00924 6	15			
SGL-18	7 88502 29478 2	4	TGJ2.506	0 91162 00601 6	15			
SGL-24	7 88502 29480 5	4	TGJ2.506+2K	0 91162 00900 0	15			
SQ-4	7 88502 01350 5	4	TGJ2.512	0 91162 00602 3	15			
SQ-8	7 88502 01360 4	4	TGJ2.512+2K	0 91162 00901 7	15			
SQ-12	7 88502 01370 3	4	TGJ2.518	0 91162 00603 0	15			



1. BESSEY® General Cautions & Warnings

PRICING: Retail prices of our products can change at any time as they are impacted by a wide range of business factors (including transportation, staffing, local /regional taxes and other overhead expenses). Your distributor incurs these expenses in doing business in your community.

PRODUCT INFORMATION: BESSEY® Tools North America reserves the right to alter technical and physical specifications at any time. Some product specifications may vary from region to region to meet the requirements of the international marketplace. Errors and omissions excepted, BESSEY® believes that to the best of its knowledge the product illustrations and descriptions provided in the current BESSEY® catalog are accurate. However, such descriptions and illustrations are for the sole purpose of identification, and do not express or imply any warranty or condition that the products are merchantable or fit for a particular purpose or that the products will necessarily conform to the illustrations or descriptions. The customer is solely responsible for reliance on, or use of, any information, and for the use or application of any product. BESSEY® expressly disclaims any liability for direct, indirect, consequential or incidental damages in all events. In addition, all claims for damages, losses and causes of action shall be limited to the purchase price paid for the products in question. Note: "Clamping Force" is an estimation (nominal info.)

CAUTION: Clamping tools are not suitable for lifting, pulling or transporting. Improper use may lead to personal injuries or material damages. Clamping tools should only be clamped manually and without the use of any auxiliary tools or other devices. Please also see website for further information.

CAUTION: Cutting Technology

Always wear appropriate protection including goggles and gloves while working. Sheared parts may injure workers and bystanders. Disconnect the power supply while working on electrical devices to avoid the risk of electric shock. Always ensure the cutting direction while using snips, knives and cutters is away from your body. Only use original replacement parts whenever required. Tools should only be used manually without using any auxiliary tools. Improper use may lead to personal injuries, material damages, personal injuries or even death. Please also see website for further information.



2. BESSEY® Terms and Conditions - Distributor

PRICING: All prices, sizes and product specifications are subject to change without notice. Orders accepted only at price in effect at date of shipment.

QUOTATIONS: Quotations expire thirty days from date issued unless otherwise specified in writing.

FREIGHT TERMS: All prices are F.O.B. (BESSEY® US). Prepaid shipping is based on minimum invoice values and, are subject to change without notice. Please contact BESSEY® Tools North America for this information. All prepaid orders are shipped by ground transportation and using a provider of BESSEY®'s choice. If customers request another carrier, or another method of delivery, they must provide their own billing information in advance. Shipping errors must be reported within 10 days of product receipt.

TERMS OF PAYMENT: All orders are subject to BESSEY®'s credit approval and are due and payable thirty days (net) from the shipment date. Past due accounts are subject to interest at 1.5% per month (18% per annum).

RETURN GOODS: Products returned for credit will not be accepted. Goods are not returnable unless permission has previously been received in writing from our office. Returned goods are subject to the following conditions:

1. Incoming transportation charges, if not prepaid, will be deducted from credit memorandum.
2. All material returned must be found by BESSEY®, upon arrival, to be in first class saleable condition. If not, the cost of putting it in such condition will be deducted from any credit memorandum.
3. A restocking charge of 20% plus an additional 2% per each month elapsed since date of purchase, of the original invoice cost, will be deducted from any credit memorandum.
4. Products returned must be current products in the BESSEY® product offering.



3. BESSEY® Tools North America Warranty Policy

BESSEY® brand clamping products are warranted under a Limited Lifetime program. We warranty that the products will be free from defects in material and workmanship for the life of the tool or we will replace, refund or repair it; provided that this warranty does not cover any damage caused by abuse, misuse, improper handling, negligence, alteration or normal wear and tear. Other tools including but not limited to snips, c-clamps, some specialty clamps, magnets, vises, bearing heaters and pyrometers are guaranteed for 1 year. For all products, BESSEY® Tools North America reserves the right to refuse either a repair or a replacement.

BESSEY® Tools North America makes no other warranties, express or implied, with respect to the tools or their suitability for specific applications. BESSEY® Tools North America neither assumes, nor authorizes any person to assume for it, any other warranty, or obligation express or implied. For a more detailed listing of Terms, Conditions and Warranty please contact BESSEY® Tools North America direct and toll-free at 1.800.828.1004.

BESSEY® Tools North America will, at its sole discretion, define if a product submitted for warranty evaluation is eligible for a warranty return and then, if eligible, offer to repair, refund or replace any defective product. To initiate such a claim, please call and request a return authorization number then, return all parts of the broken tool(s) plus a written warranty evaluation request (with contact information) in a freight prepaid format to BESSEY® Tools North America.

This warranty gives you specific legal rights. Please note: you may also have other rights, which could vary depending upon state, federal and provincial law.

For more information, email info@besseytools.com or call 1-800-828-1004.

4. Return Procedures

RETURN GOODS – Purchased direct from a Tool Distributor: Please initiate returns of any sort with the distributor where the tool was purchased.

RETURN GOODS – Purchased direct from BESSEY® Tools: Products purchased directly from BESSEY® which are returned for credit (only permitted if incorrectly shipped or if the product is found to be defective upon receipt), warranty or repair will not be accepted unless permission has previously been received in writing from our office. Please contact BESSEY® at info@besseytools.com to initiate a return. You may be asked for invoice numbers, packing slips or proof of delivery; please have this information ready.

Returned goods are subject to the following conditions:

1. Incoming transportation charges, if not prepaid, will be deducted from credit memorandum.
2. All material returned must be found by BESSEY®, upon arrival, to be in first class saleable condition. If not, the cost of putting it in such condition will be deducted from any credit memorandum.
3. A restocking charge of 20% plus an additional 2% per each month elapsed since date of purchase, of the original invoice cost, will be deducted from any credit memorandum.
4. Products returned must be current products in the BESSEY® product offering



5. Calprop Statement (North America)

Proposition 65 (formally titled "The Safe Drinking Water and Toxic Enforcement Act of 1986") is a California law that has been in effect since 1986 to promote clean drinking water and keep toxic substances that cause cancer and birth defects out of consumer products. It is administered by Cal/EPA's California Office of Environmental Health Hazard Assessment (OEHHA). Proposition 65 regulates substances listed by California as causing cancer or birth defects or other reproductive harm in two ways. The first regulatory arm of Proposition 65 prohibits businesses from knowingly discharging listed substances into drinking water sources, or onto land where the substances can pass into drinking water sources. The second regulatory arm of Proposition 65 prohibits businesses from knowingly exposing individuals to listed substances without providing a clear and reasonable warning.

BESSEY® branded products do not, to the best of our knowledge, expose individuals to harmful substances as listed by the Cal Prop 65 Legislation.



6. Contact Us

BESSEY® Tools North America
 Tel: 1 519 621 7240
 Fax: 1 519 621 3442
 Toll free Customer Line: 1 800 828 1004

We welcome your feedback, and are happy to assist with your questions.



7. Downloads - See www.besseytools.com

SALES SHEETS

Produced over the years and continuously updated the BESSEY® sales sheets are a great snapshot of the tool, how it works and its vital statistics. Available as a PDF for easy downloads and for quick reading.



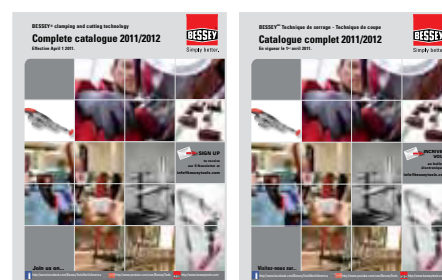
CATALOGUE IMAGES

We quite often get requests for images to put into catalogs, articles and even for reference in working drawings in the field. Compiled into one handy location for your reference.



BESSEY® PRESENTATIONS

CATALOGUES VIDEOS





Simply better.



BESSEY® Tools North America
Telephone: 800.828.1004

www.besseytools.com

Join us on...

 <http://www.facebook.com/BesseyToolsNorthAmerica>

 <http://twitter.com/BesseyTools>

 <http://www.youtube.com/user/BesseyTools>

 <http://www.besseytools.com/>



Sign up to receive our E-Newsletter at info@besseytools.com