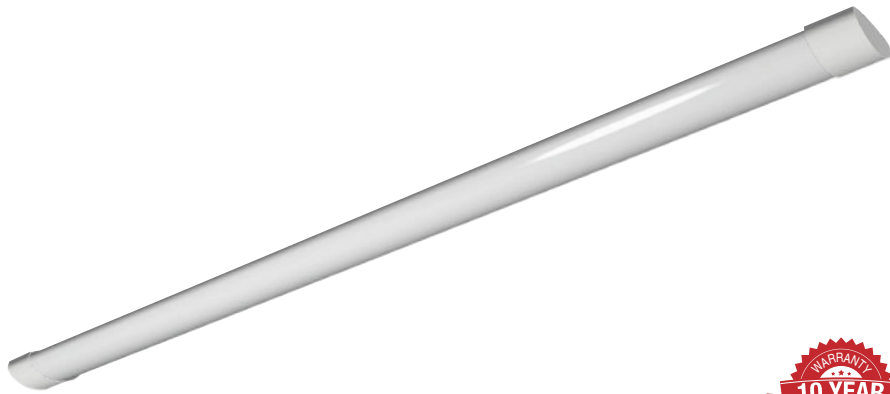


## PJF2

### LED Linear Strip



#### Key Features

- Available in 2 ft. or 4 ft. models.
- >161,000 hours L70 calculated life.
- Suspended or surface mounted.
- Designed to facilitate easier installations.

#### Electrical

- 120VAC input.
- Operating temperature: -30°C to 40°C (-22°F to 104°F)

#### Mounting

- Ready to be suspended with wire ropes or surface mounted with snap joints.

#### Construction

- Housing is constructed from steel in a standard white finish.
- Lens is frosted acrylic for uniform light distribution that's glare-free.
- End caps are high-impact injection molded PMMA material.

#### Optics

- Industry-leading LEDs in 3500K, 4000K, or 5000K CCT (minimum 80 CRI).
- Lumen Maintenance: >161,000 hours (L70) <sup>1</sup>

#### Warranty

- Backed by National LED's industry-leading Ten-Year Warranty.

Project

Date

Catalog Number

Type

#### Product Performance Summary

Lumen Output	Up to 6,440 lumens
Efficacy	Up to 150 LPW
CRI	≥ 80 CRI
Available CCT	3500K, 4000K, or 5000K
Warranty	Ten-Year Warranty

#### Product Overview

Utilizing patented LED technology, the PJF2 is a low-profile linear solution that offers outstanding value and energy efficiency without compromising illumination. Designed for versatility, the PJF2 provides best-in-class performance for virtually any indoor lighting need. It's ideal for lighting up manufacturing, commercial, warehouse, retail, or other display applications.

#### Product Applications

- Educational Facilities
- Convenience Stores
- Office Spaces
- Hallways/Corridors
- Industrial/Warehouse
- Mall/Retail Areas
- Health Care Facilities
- Commercial Spaces

#### Product Certifications/Approvals

- ETL Listed for US & Canada.
- Complies with UL1598 and CSA 22.2
- DLC Premium Listed.
- Suitable for indoor damp Locations
- RoHS Compliant



#### Ordering Information

Example: PJF2-1-4-UNVL-35-50

Series	Variant	Size	Input Voltage	Power	CCT	Battery Back-Up
PJF2	1 Standard	2 2 ft.	UNVL 120-277V	15 <sup>2</sup> 15W	35 3500K	Blank No Battery Back-Up
		4 4 ft.		35 35W	40 4000K	
				46 46W	50 5000K	

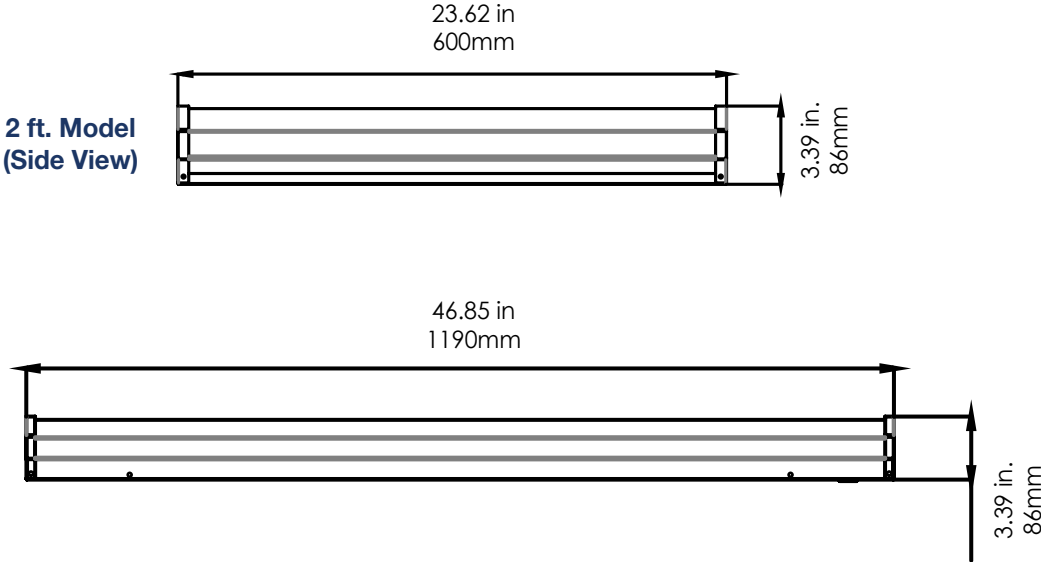
1. National LED product 'Lifetimes' refer only to the LED light engine, not the power source, and are based on the Illuminating Engineering Society's TM21 Projected Lumen Maintenance methodology at a 25° C / 77° F ambient temperature. The lifetimes are solely meant to be a guide for expected LED degradation and not a warranty or predictive of their actual life, which can be affected by ambient temperatures and other factors.

2. Only available with 2 ft. option.  
3. Only available with 4 ft. option.

## LED Linear Strip

### Dimensions

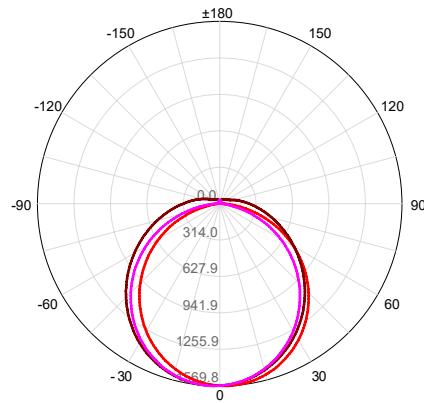
---



### Performance Data

#### Luminaire Photometric Data

Model Number	<b>PJF2-1-4-UNVL-35-XX-X</b>
Issue Date	<b>03/12/2020</b>
IESNA	<b>LM-63-2002</b>
Lamp	<b>LED</b>
Total Input Watts	<b>35</b>
Total Lumens	<b>5,075</b>
Efficacy	<b>145 LPW</b>
Spacing Criterion	<b>0°-180° = 1.70   90°-270° = 1.44</b>



Model	System Level Power	Delivered Lumens	Efficacy	CCT	L70 Calculate Life	L85 Calculate Life
PJF2-1-2-UNVL-15-35-X	15W	2,175	145 LPW	3500K	161,000 Hours	75,000 Hours
PJF2-1-2-UNVL-15-40-X	15W	2,250	150 LPW	4000K	161,000 Hours	75,000 Hours
PJF2-1-2-UNVL-15-50-X	15W	2,250	150 LPW	5000K	161,000 Hours	75,000 Hours
PJF2-1-4-UNVL-35-35-X	35W	4,900	140 LPW	3500K	161,000 Hours	75,000 Hours
PJF2-1-4-UNVL-35-40-X	35W	5,075	145 LPW	4000K	161,000 Hours	75,000 Hours
PJF2-1-4-UNVL-35-50-X	35W	5,075	145 LPW	5000K	161,000 Hours	75,000 Hours
PJF2-1-4-UNVL-46-35-X	46W	6,348	138 LPW	3500K	161,000 Hours	75,000 Hours
PJF2-1-4-UNVL-46-40-X	46W	6,440	140 LPW	4000K	161,000 Hours	75,000 Hours
PJF2-1-4-UNVL-46-50-X	46W	6,440	140 LPW	5000K	161,000 Hours	75,000 Hours

### Accessories



**OPTION B**  
**PJF2 Shown With An**  
**Integrated Emergency**  
**Battery Back-Up**