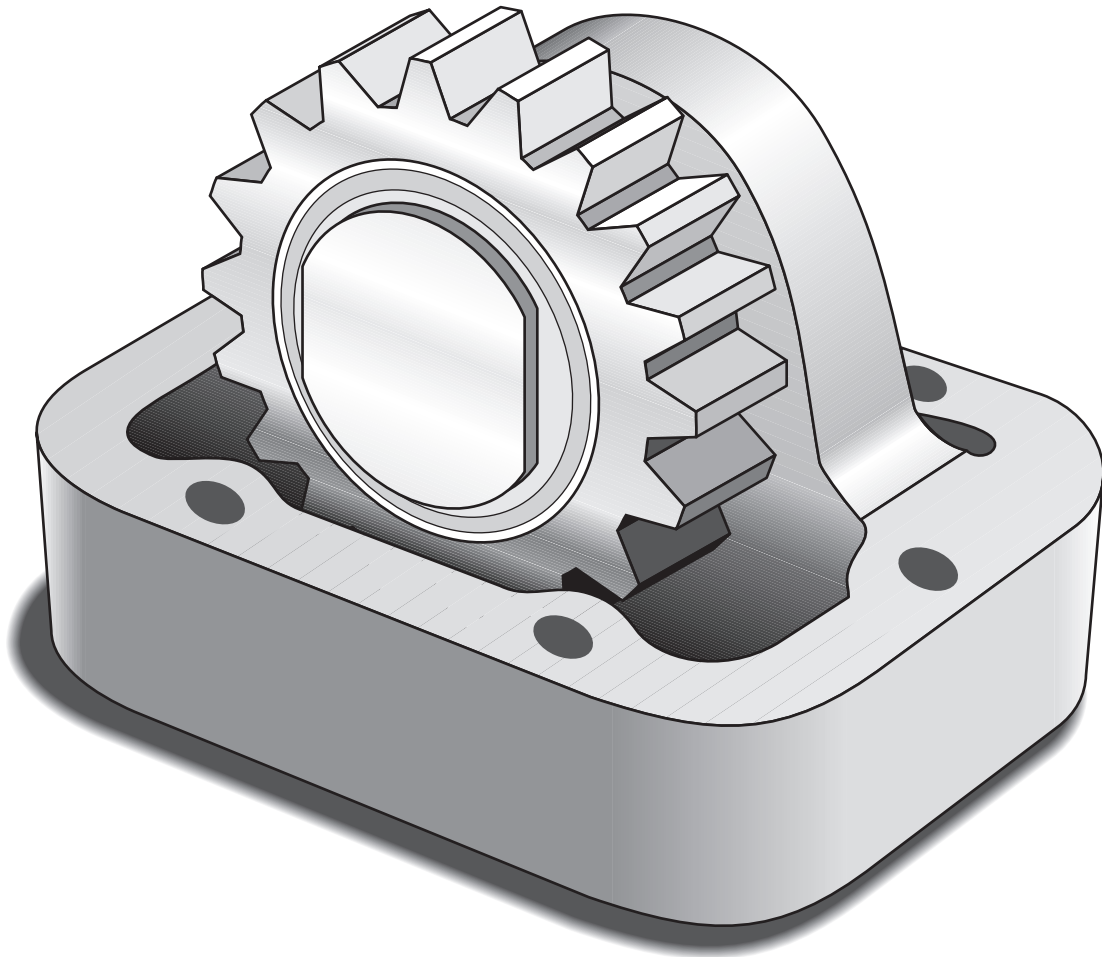




ADAPTER GEAR ASSEMBLIES

PARTS LIST AND SERVICE MANUAL



Adapter Gear Assemblies are normally used to reverse rotation of the PTO output shaft and to clear mounting obstructions. Standard adapters will move the PTO outward from the transmission approximately three inches. Adapters often reduce horsepower ratings and service life.

MOUNTING KIT AND GASKET PACK LIST

| MOUNTING KIT | | | MOUNTING KIT | | | MOUNTING KIT | | | GASKET PACK | | |
|-----------------|----------|------------------|-----------------|----------|------------------|-----------------|----------|-------------------|-----------------|----------|-------------------------|
| Qty | Item | Description | Qty | Item | Description | Qty | Item | Description | Qty | Item | Description |
| 20MKM100 | | | 20MK0108 | | | 20MK8808 | | | 52MK1000 | | |
| 4 | 19T35333 | Metric Cap Screw | 1 | 19M38100 | Socket Cap Screw | 7 | 19M44138 | Cap Screw | 2 | 13M35091 | .010 Gasket |
| 2 | 19T37014 | Metric Cap Screw | 5 | 20M38150 | Stud | 1 | 20M44200 | Stud | 2 | 13M35092 | .020 Gasket |
| 6 | 21T35200 | Seal Washer | 20MK0109 | | | 8 | 21ML4375 | Lock Washer | 52MK1004 | | |
| 20MKM106 | | | 1 | 19T35716 | S. H. Cap Screw | 1 | 22MX4420 | Hex Nut | 1 | 13M35151 | .010 Gasket |
| 2 | 19T35453 | Metric Cap Screw | 5 | 19T38266 | Cap Screw | 20TK4074 | | | 2 | 13M15152 | .020 Gasket |
| 4 | 20M39045 | 40mm Stud | 20MK6600 | | | 6 | 20T37990 | 1.50" Stud | 52MK1006 | | |
| 2 | 21T35200 | Seal Washer | 6 | 19M10002 | Hex Cap Screw | 6 | 22T39282 | Spirallock Nut | 2 | 13M35198 | .010 Gasket |
| 4 | 22T39282 | Spirallock Nut | 20MK6605 | | | 1 | IN99-06 | Instruction Sheet | 1 | 13T25199 | .020 Gasket |
| 20MKM111 | | | 6 | 20M38200 | Stud | 20TK4468 | | | 52MK1007 | | |
| 4 | 19T35914 | Metric Cap Screw | 6 | 22T39282 | Spirallock Nut | 4 | 21T38722 | Washer | 1 | 13M35091 | .010 Gasket |
| 2 | 19T35915 | Metric Cap Screw | 20MK6613 | | | 4 | 19T38753 | Metric Cap Screw | 1 | 13M35092 | .020 Gasket |
| 20MKM113 | | | 6 | 20M38300 | Stud | 1 | 49T38112 | Loctite | 2 | 13T35169 | .010 Gasket |
| 5 | 20M39040 | Metric Stud | 6 | 22T39282 | Spirallock Nut | 1 | I2547 | Instruction Card | 1 | 13T35170 | .020 Gasket |
| 1 | 19T35778 | Metric Cap Screw | 20MK6615 | | | 20TK4617 | | | 52MK1008 | | |
| 5 | 22T39282 | Spirallock Nut | 6 | 20M38325 | Stud | 6 | 19T35778 | Metric Cap Screw | 2 | 13M10010 | .010 Gasket |
| 20MKM200 | | | 6 | 22T39282 | Spirallock Nut | 1 | MC9906 | Instruction Card | 2 | 13M10020 | .020 Gasket |
| 8 | 19M1035M | Metric Cap Screw | 20MK6616 | | | 1 | 13T38145 | Anaerobic Sealant | 52MK4464 | | |
| 8 | 21ML10MM | Lock Washer | 6 | 20M38338 | Stud | 20TK4714 | | | 6 | 13M35091 | .010 Gasket |
| 20MK0102 | | | 6 | 22T39282 | Spirallock Nut | 6 | 19T39991 | Metric Cap Screw | 6 | 13M35092 | .020 Gasket |
| 5 | 19M10002 | Hex Cap Screw | 20MK6617 | | | 1 | MC9905 | Instruction Card | 52MK4710 | | |
| 1 | 19M38100 | Socket Cap Screw | 6 | 20M38338 | Stud | 1 | 49T38112 | Loctite | 2 | 13M35091 | .010 Gasket |
| | | | 6 | 22T39282 | Spirallock Nut | | | | 2 | 13M35092 | .020 Gasket |
| | | | | | | | | | 1 | 13T39945 | Gasket-Eaton 4305309 |

ADAPTER GEAR ASSEMBLIES

FIGURE 1 SOLID BODY — SINGLE GEAR

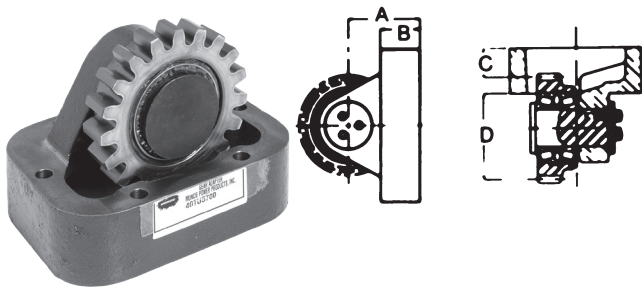
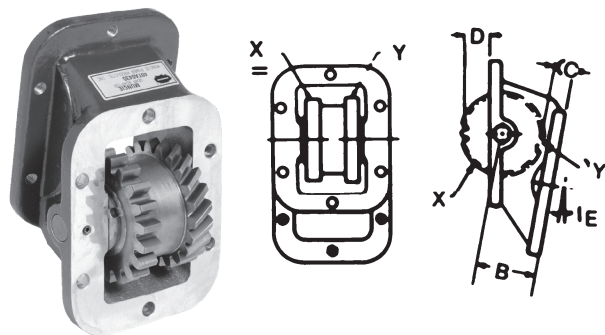


FIGURE 2 ANGULAR OFFSET



ADAPTER GEAR ASSEMBLIES

FIGURE 3

ANGULAR

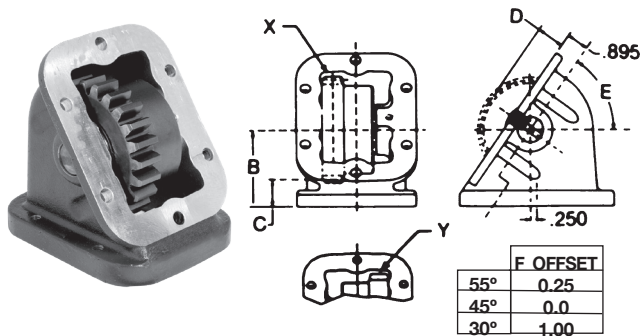


FIGURE 4

8-BOLT TO 6-BOLT

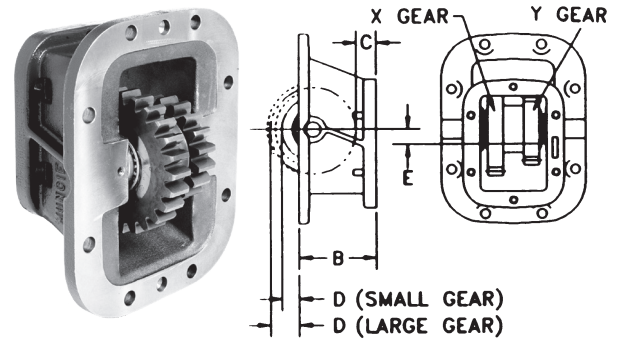


FIGURE 5 FLANGED BODY SINGLE GEAR

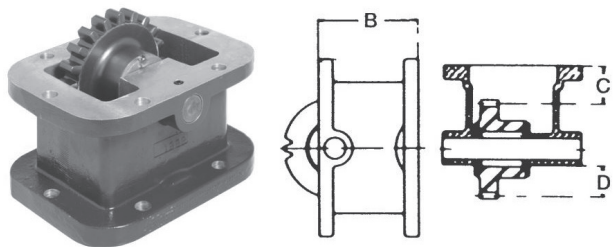


FIGURE 6

HORIZONTAL OFFSET

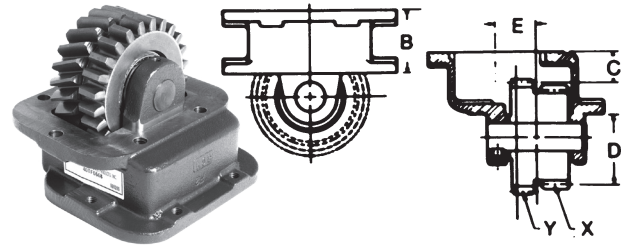


FIGURE 7

NISSAN ADAPTER

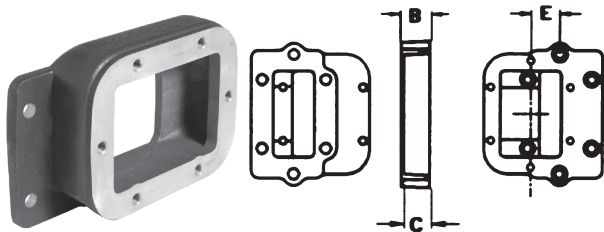


FIGURE 8

VERTICAL OFFSET

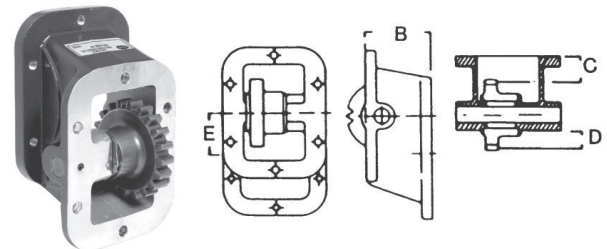


FIGURE 9 6-BOLT MACK ADAPTER

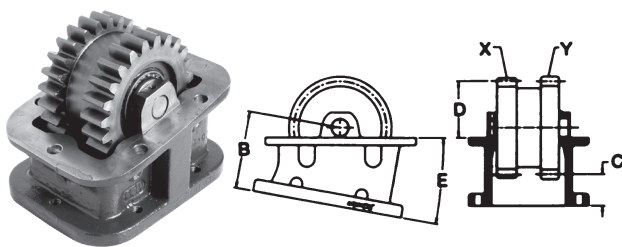
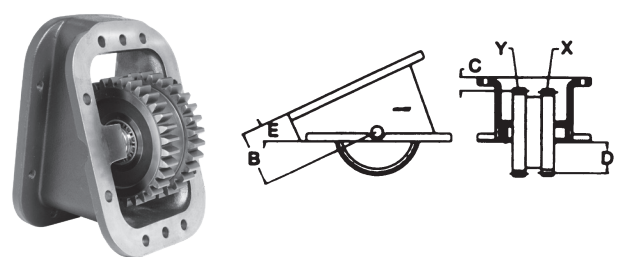


FIGURE 10

8-BOLT MACK ADAPTER



Footnotes: (see page 4)

- 1 Shipped with 23M60062S to be used on PTO side of adapter.
- 2 Requires 23M60032S sold separately.
- 3 Includes stud kit to mount adapter.
- 4 The "C" dimension does not reflect the idler shaft offset. This adapter is designed for a standard mount PTO.
- 5 Derate PTO application by 30% when using this adapter. Do not use this adapter for continuous duty applications.

6 Adapter is single gear design.

7 Adapter is not designated for PTO use! Use to reposition Eaton Inertia Brake only!

ADAPTER GEAR ASSEMBLIES DIMENSIONAL DATA

| MODEL NO. | FIG. | FOOTNOTE | GEAR DATA | | DIMENSIONS | | | | |
|-----------|------|----------|-----------|-------|------------|--------------|--------------|--------------|---------------|
| | | | APPL. | TEETH | A | B | C | D | |
| 40TU6800 | 1 | | | U68 | 22 | 2.917 (74.1) | 1.651 (41.9) | 1.084 (27.5) | 3.099 (78.7) |
| 40TM6500 | 1 | 1 | | M65 | 24 | 2.917 (74.1) | 1.651 (41.9) | 1.065 (27.1) | 3.118 (79.2) |
| 40TA0541 | 5 | 3, 5 | | U68 | 20 | — | 3.315 (84.2) | 1.085 (27.6) | 5.046 (128.2) |

| MODEL NO. | FIG. | FOOTNOTE | LOCA. | APPL. | TEETH | B | C | D | E |
|---------------|------|---------------|--------|-------|-------|--------------|--------------|-----------------------------|--------------|
| 40TA0810 | 8 | 2, 3, 4, 5 | — | U68 | 20 | 2.825 (71.8) | .642 (16.3) | 1.148 (29.2) | 1.750 (44.5) |
| 40TI8410-1/-2 | 2 | 3, 4, 6 | Y | I84 | 28 | 2.307 (58.6) | .653 (16.6) | 1.136 (28.9) | 10° |
| 40TU6810-1/-2 | 2 | 2, 3, 4, 5, 6 | X or Y | U68 | 20 | 2.307 (58.6) | .682 (17.3) | 1.147 (29.1) | 10° |
| 40TZ9210-1/-2 | 2 | 3, 4, 5, 6 | X or Y | Z92 | 22 | 2.307 (58.6) | .835 (21.2) | .954 (24.2) | 10° |
| 40TZ9968-1 | 2 | 3, 4, 5, 7 | X | Z99 | 31 | 2.307 (58.6) | .682 (17.3) | 1.253 (31.8) | 10° |
| | | | Y | U68 | 20 | | | | |
| 49TZ1068-2 | 2 | 3, 4, 5, 9 | X or Y | A68 | 27 | 2.842 (72.2) | 0.875 (22.2) | 1.125 (28.6) | 30° |
| 40TU6830-1 | 2 | 3, 4 | X | U68 | 23 | 2.83 (71.9) | 0.914 (23.2) | 1.088 (27.6) | 30° |
| 40TA6830-2 | 2 | 3, 4 | Y | A68 | 27 | 2.842 (72.2) | 0.875 (22.2) | 1.12 (28.4) | 30° |
| 40TU6845-1 | 3 | 3, 4 | X | U68 | 24 | 3.082 (78.3) | 1.085 (27.6) | 1.105 (28.1) | 45° |
| 40TA6855-1/2 | 3 | 3, 4 | X | A68 | 28 | 3.034 (77.1) | 0.995 (25.3) | 1.144 (29.1) | 55° |
| 40TF6855-1 | 3 | 3, 4, 6 | X | U68 | 24 | 3.071 (78.0) | 1.072 (27.2) | 1.395 (35.4) .812 (20.6) | 55° |
| | | | Y | F68 | 25 | | | | |
| 40TU6855-1 | 3 | 3, 4 | X | U68 | 24 | 3.071 (78.0) | 1.072 (27.2) | 1.105 (28.1) | 55° |
| 40TU6855-2 | 3 | 3, 4 | Y | U68 | 24 | 3.071 (78.0) | 1.072 (27.2) | 1.105 (28.1) | 55° |
| 40TU6886-1 | 4 | 3, 4 | X | U68 | 25 | 3.76 (95.5) | 1.027 (26.1) | 1.395 (35.4) .812 (20.6) | .71 (18.0) |
| | | | Y | U68 | 18 | | | | |
| 40TU6886-2 | 4 | 3, 4 | X | U68 | 18 | 3.76 (95.5) | 1.027 (26.1) | .812 (20.6) 1.395 (35.4) | .71 (18.0) |
| | | | Y | U68 | 25 | | | | |
| 40TF6168 | 6 | 3 | X | F61 | 19 | 2.235 (56.8) | 1.085 (27.6) | 2.630 (66.8) | 1.435 (36.4) |
| | | | Y | U68 | 24 | | | | |
| 40TF6668 | 6 | 3 | X | F66 | 23 | 2.235 (56.8) | 1.085 (27.6) | 2.76 (70.1) | 1.435 (36.4) |
| | | | Y | U68 | 24 | | | | |
| 40TF8368 | 6 | 3 | X | F83 | 26 | 2.235 (56.8) | 1.085 (27.6) | 2.571 (65.3) | 1.435 (36.4) |
| | | | Y | U68 | 24 | | | | |
| 40TS7168 | 6 | 3 | X | S71 | 25 | 2.235 (56.8) | 1.085 (27.6) | 2.762 (70.2) | 1.435 (36.4) |
| | | | Y | U68 | 24 | | | | |
| 40TS7368 | 6 | 3 | X | S73 | 24 | 2.235 (56.8) | 1.085 (27.6) | 2.715 (69.0) | 1.435 (36.4) |
| | | | Y | U68 | 24 | | | | |
| 29TK3863 | 7 | 3 | — | — | — | 1.430 (36.3) | 1.085 (27.6) | — | 1.500 (38.1) |
| 29TK3954 | 7 | 3 | — | — | — | 1.983 (50.4) | 1.085 (27.6) | — | 0.416 (10.6) |
| 40TM6616-1 | 9 | 3 | X | M66 | 25 | 3.201 (81.3) | 1.285 (32.6) | 2.322 (59.0) | 10° |
| | | | Y | S68 | 23 | | | | |
| 40TM6628-2 | 10 | 3 | X | M66 | 33 | 3.416 (86.8) | 0.830 (21.1) | 1.933 (49.1) | 25° |
| | | | Y | U68 | 31 | | | | |

ASSEMBLIES CONSIST OF ALL ITEMS LISTED

| ADAPTER GEAR ASS'Y | ADAPTER GEAR | ADAPTER BODY | BEARING | BEARING SPACER | IDLER SHAFT | IDLER SHAFT PLUG | THRUST WASHER | PIN OR SCREW | STUD KIT | GASKET PACKET | SPACER (a) |
|--------------------|--------------|--------------|---------------|---|-------------|------------------|------------------------------|--------------------------------------|--------------------------|------------------------------|-------------------------|
| 40TA0541# | 05T32736 | 41T34627 | (2) 10T24335 | — | 09T36897 | (2) 12T36899 | (2) 21T21760 | 26T24874 | 20MK6600 | 52MK1000 | |
| 40TA0810# | 05T32736 | 41T24754 | (2) 10T24335 | — | 09T36897 | (2) 12T36899 | (1) 21T21760 (1) 21T25986 | 26T24874 | 20MK0102 | 52MK1000 | |
| 40TA6830-1&2 | 05T39988 | 41T39989 | (2) 10T43181 | 18T39335* Through 18T39351* | 09T39326 | (2) 12T35577 | — | 19T35609 | 20TK4714 | 52TK4464 | 23M60125SX |
| 40TA6855-1 | 05T39290 | 41T39293 | (2) 10T43181' | 18T35428* 18T35429* 18T35430* | 09T35576 | (2) 12T35577 | — | 19T35609 | 20TK4842 | 52MK1000 | |
| 40TA6855-2 | 05T39290 | 41T41082 | (2) 10T43181 | 18T39335* Through 18T39351* | 09T35576 | (2) 12T35577 | — | 19T35609 (2) 24T35458 | 20TK4842 | 52MK1000 | 23M60165S |
| 40TF6168 | 05T37026 | 41T35415 | (2) 10T43181 | 18T35428* 18T35429* 18T35430* | 09T35424 | — | — | 19T35443 (2) 24T35458 | 20MK6615 | 52TK4494 | |
| 40TF6368 | 05T37011 | 41T35415 | (2) 10T43181 | 18T35428* 18T35429* 18T35430* | 09T35424 | — | — | 19T35443 (2) 24T35458 | 20MK6617 | 52TK4494 | |
| 40TF6668 | 05T38704 | 41T35415 | (2) 10T43181 | 18T35428* 18T35429* 18T35430* | 09T35424 | — | — | 19T35443 (2) 24T35458 | 20MK6616 | 52TK4464 | 23M61500X 23M60140SX |
| 40TF6855-1&2 | 05T39850 | 41T39993 | (2) 10T43181 | 18T39335* Through 18T39351* | 09T39326 | (2) 12T35577 | — | 19T35609 (2) 24T35458 | 20MK0108 | 52TK4710 | |
| 40TF7068 | 05T40298 | 41T35415 | (2) 10T43181 | (2) 18T35428* 18T35429* 18T35430* | 09T35424 | — | — | 19T35443 (2) 24T35458 | 20TK4866 | 52TK4464 | 23M62000X 23M60140SX |
| 40TF8368 | 05T35425 | 41T35415 | (2) 10T43181 | 18T35428* 18T35429* 18T35430* | 09T35424 | — | — | 19T35443 (2) 24T35458 | 20MKM106 | 52MK1000 | |
| 40TF8430-1&2 | 05T39443 | 41T39445 | (2) 10T43181 | 18T39335* Through 18T39351* | 09T39326 | (2) 12T35577 | — | 19T35609 (2) 24T35458 26T37992 | 20TK4617 | See Stud Kit Instructions | |
| 40TI7568-1# | 05T36149 | 41T36148 | (2) 10T35776 | 18T35781* 18T35782* 18T35783* | 09T36168 | — | — | 19T36082 | 20MKM200 | 52MK1008 | |
| 40TI8000 | 05T35191 | 41T35188 | 10T33290** | — | 09T35193 | 15T35192 | — | (3) 19T37084 | 20MKM100 | 52MK1006 | |
| 40TI8410-1&2 | 05T37327 | 41T37093 | (2) 10T35776 | 18T35781* 18T35782* 18T35782* | 09T37323 | (2) 12T36899 | — | 19T34789 | 20TK4074 | 52TK4464 | (2) 23M60032SX |
| 40TM6500 | 05T94231# | 41T94228 | 10T33290** | — | 09T94232 | 15T33271 | — | (3) 19T33296 | 52TK4464 (1) 28T21513 | | 23M60062SX |
| 40TM6616-1 | 05T36809 | 41T36810 | (2) 10T35776 | 18T35781* Through 18T38731* | 09T36840 | — | — | 19T36846 | 20MK6603 | 52TK4464 | 23M601655X |
| 40TM6628-2 | 05T36844 | 41T36841 | (2) 10T35776 | 18T35781* Through 18T38731* | 09T36845 | (2) 12T35774 | — | 19T34789 | 20MK8801 | 52MK1004 | |
| 40TN7910-1&2 | 05T37023 | 41T37093 | (2) 10T35776 | 18T35781* Through 19T38731* | 09T37323 | (2) 12T36899 | — | 19T34789 | 20MK0102 | 52MK1000 | |
| 40TS7168 | 05T37745 | 41T35415 | (2) 10T43181 | 18T35428* 18T35429* 18T35430* | 09T35424 | — | — | 19T35443 (2) 24T35458 | 20MK6613 | 52TK4464 | 23M61000X 23M60350X |
| 40TS7368 | 05T37917 | 41T35415 | (2) 10T43181 | 18T35428* 18T35429* 18T35430* | 09T35424 | — | — | 19T35443 (2) 24T35458 | 20MK6613 | 52TK4464 | 23M61000X 23M60350X |

* Shim – Usage is required **Includes: (2) bearings, (1) inner spacer, (2) races, (1) outer spacer #Requires purchase of bearing when services (a) Spacer is included with adapter

ASSEMBLIES CONSIST OF ALL ITEMS LISTED

| ADAPTER GEAR ASS'Y | ADAPTER GEAR | ADAPTER BODY | BEARING | BEARING SPACER | IDLER SHAFT | IDLER SHAFT PLUG | THRUST WASHER | PIN OR SCREW | STUD KIT | GASKET PACKET | SPACER (a) |
|--------------------|--------------|--------------|--------------|-------------------------------------|-------------|------------------|---------------|------------------------------|--------------|---------------|------------|
| 40TU5700 | 05T94230# | 41T94228 | 10T33290** | | 09T94232 | 15T33271 | | (3) 19T33296 (1) 28T21513 | | 52TK4464 | 23M60062SX |
| 40TU6800 | 05T94229# | 41T94228 | 10T33290** | | 09T94232 | 15T33271 | | (3) 19T33296 (1) 28T21513 | | 52TK4464 | |
| 40TU6810-1&2 | 05T35100 | 41T28476 | (2) 10T31207 | 18T39368 | 09T36897 | (2) 12T36899 | (2) 21T21760 | 26T24874 | 20MK0102 | 52MK1000 | |
| 40TU6830-1 | 05T42913 | 41T42911 | (2) 10T43181 | 18T39335-18T39351 | 09T39326 | (2) 12T35577 | | | 20TK6003 | 52TK5391 | 23M60062SX |
| 40TU6845-1 | 05T35575 | 41T40287 | (2) 10T43181 | 18T39335* Through 18T39351* | 09T35576 | (2) 12T35577 | | 19T35609 (2) 24T35458 | 20MK0109 | 52MK1001 | |
| 40TU6855-1 | 05T35575 | 41T35579 | (2) 10T43181 | 18T35428* 18T35429* 18T35430* | 09T35576 | (2) 12T35577 | | 19T35609 (2) 24T35458 | 20MK0108 | 52MK1000 | |
| 40TU6855-2 | 05T35575 | 41T35960 | (2) 10T43181 | 18T35428* 18T35429* 18T35430* | 09T35576 | (2) 12T35577 | | 19T35609 (2) 24T35458 | 20MK0108 | 52MK1000 | |
| 40TU6886-1&2 | 05T36070 | 41T36069 | | 18T35781* Through 18T38731* | 09T36071 | (2) 12T35774 | | 19T36082 | 20MK8808 | 52MK1004 | |
| 40TZ9055-1 | 05T39489 | 41T35579 | (2) 10T43181 | 18T35428* 18T35429* 18T35430* | 09T35576 | (2) 12T35577 | | 19T35609 (2) 24T35458 | 20MK010B | 52MK1000 | |
| 40TZ9055-2 | 05T39489 | 41T35960 | (2) 10T43181 | 18T35428* 18T35429* 18T35430* | 09T35576 | (2) 12T35577 | | 19T35609 (2) 24T35458 | 20MK0108 | 52MK1000 | |
| 40TZ9210-1&2 | 05T37762 | 41T37093 | (2) 10T35776 | 18T35781* 18T35782* 18T35783* | 09T37323 | (2) 12T36889 | | 19T34789 | 20MK0102 | 52MK1000 | |
| 29TK3863 | — | 29T35732 | — | — | — | — | — | — | 20MKM111 | (2) 13T35745 | |
| 29TK3954 | — | 41T37217 | — | — | — | — | — | — | (6) 19137727 | (2) 13137218 | |

* Shim – Usage is required **Includes: (2) bearings, (1) inner spacer, (2) races, (1) outer spacer #Requires purchase of bearing when services (a) Spacer is included with adapter



Adapter Plate

ADAPTER PLATES AND ASSEMBLIES

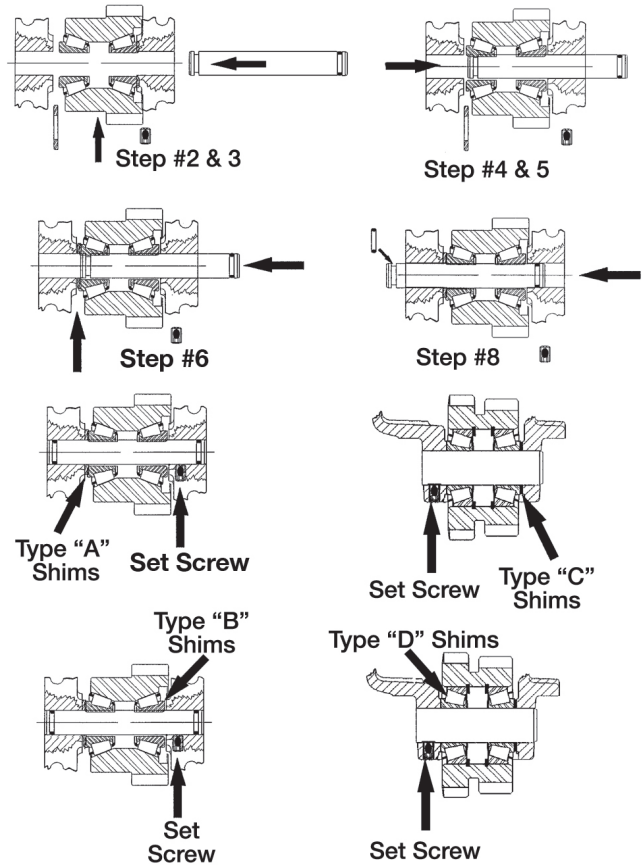
ADAPTER PLATES are used to convert an SAE 8-Bolt aperture to an SAE 6-Bolt aperture

STUD KIT AND GASKET PACK LIST

| KIT | PLATE | GASKET PACK | | | STUD KIT | | |
|-----------------|----------|-------------|----------|-------------|----------|----------|-------------|
| | | Qty | Item | Description | Qty | Item | Description |
| 52MK1004 | | | | | | | |
| 29MK8248 | 29M0246 | 2 | 13M25151 | .010 Gasket | 8 | 19M44112 | Cap Screw |
| | | 2 | 13M35152 | .020 Gasket | 8 | 21ML4375 | Lock Washer |
| 52MK1004 | | | | | | | |
| 29MK8375 | 29M80375 | 2 | 13M35151 | .010 Gasket | 8 | 19M44138 | Cap Screw |
| | | 2 | 13M35152 | .020 Gasket | 8 | 21ML4375 | Lock Washer |
| 52MK1004 | | | | | | | |
| 29MK8460 | 29M80460 | 2 | 13M35151 | .010 Gasket | 8 | 19M44138 | Cap Screw |
| | | 2 | 13M35152 | .020 Gasket | 8 | 21ML4375 | Lock Washer |

TAPERED BEARING ASSEMBLY INSTRUCTIONS

- Lubricate bearings and races with lithium based bearing grease.
- Place the input bearing into the input gear and slide this group into the housing to line up the idler shaft.
- Install the shaft from the set screw side of housing. Align the set screw hole in the shaft with the hole in the housing. If the shaft has O-Ring grooves, then install (1) O-Ring on the set screw end of the shaft.
- Press or tap idler shaft into housing and through both bearing races.
- Press or tap the idler shaft in the reverse direction so that it is flush with the bearing in this assembly.
- The proper shim is selected by hand installation of shims of increasing thickness until a shim can not be installed easily by hand. Use the next thinner shim **do not tap** the shim into place.
- For Type "A" and "B" adapters, the proper pre-load of the tapered bearing is to be .002" loose to .006" loose. Type "A" and "B" adapters use only (1) shim. For Type "C" and "D" adapters, the proper pre-load of the tapered bearing is to be .000" to .005" loose. Type "C" and "B" adapters use multiple shims.
- If the shaft is O-Ring type, then press the shaft through the housing so that the O-Ring groove is exposed and install the second O-Ring.
- Press or tap the idler shaft into position and install the set screw.



Note: Shim locations as listed above.

| SHIM | NOM. | TOL. | COLOR CODE | ADAPTER TYPE A |
|----------|------|-----------|------------|---|
| 18T35783 | .114 | .112/.115 | White | 40T17569-1, 40T17668-1, 40T18410-2, 40TM6616-1, 40TM6628-2, 40TN7910-*, 40TU6886-*, 40TZ9210-*, 40TF6855-1 ¹ , 40TF8430- ^{*1} |
| 18T35782 | .119 | .117/.120 | Yellow | |
| 18T35781 | .124 | .112/.125 | Alum. | |

| SHIM | NOM. | TOL. | COLOR CODE | ADAPTER TYPE B |
|----------|------|-----------|------------|---|
| 18T35783 | .114 | .112/.115 | White | 40T17568-1, 40T17668-1, 40T18410-2, 40TF8430- ^{*1} |
| 18T35782 | .119 | .117/.120 | Yellow | |
| 18T35781 | .124 | .112/.125 | Alum. | |

| SHIM | TOL. | COLOR CODE | ADAPTER TYPE C |
|----------|-------------|------------|--------------------|
| 18T35428 | .0045/.0055 | Blue | 40TF6368, 40TF6668 |
| 18T35429 | .0140/.0160 | White | |
| 18T35430 | .0280/.0320 | Clear. | |

| SHIM | TOL. | COLOR CODE | ADAPTER TYPE D |
|----------|-------------|------------|--|
| 18T35428 | .0045/.0055 | Blue | 40TC9468, 40TF6168, 40TS6368, 40TS6468, 40TS7168, 40TS7368, 40TU6855-*, 40TW9655-1, 40TA6855-1 |
| 18T35429 | .0140/.0160 | White | |
| 18T35430 | .0280/.0320 | Clear. | |

OBSOLETE ADAPTER GEAR ASSEMBLY FIGURES

FIGURE 11

SINGLE GEAR OFFSET

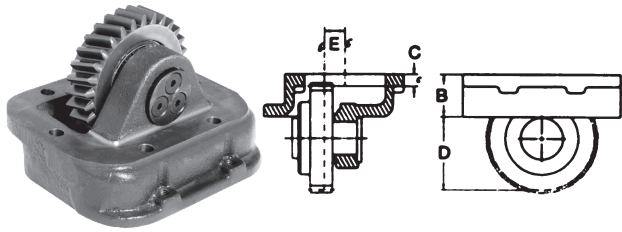
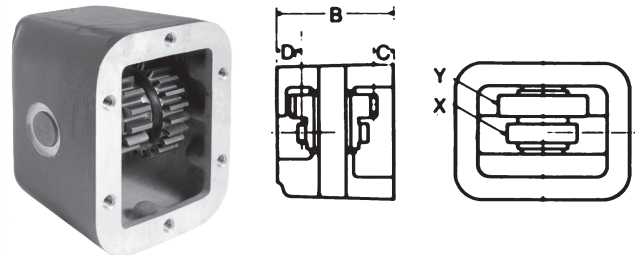


FIGURE 12

NISSAN ADAPTER



Footnotes: (see page 9)

- 1 Shipped with 23M60062S to be used on PTO side of adapter.
- 2 Requires 23M60032S sold separately.
- 3 Includes stud kit to mount adapter.
- 4 The "C" dimension does not reflect the idler shaft offset. This adapter is designed for a standard mount PTO.
- 5 Derate PTO application by 30% when using this adapter. Do not use this adapter for continuous duty applications.
- 6 Adapter is single gear design.
- 7 Adapter is not designated for PTO use! Use to reposition Eaton Inertia Brake only!

OBSOLETE ADAPTER GEAR ASSEMBLIES DIMENSIONAL DATA

| MODEL NO. | FIG. | FOOTNOTE | GEAR DATA | | DIMENSIONS | | | |
|-----------|------|----------|-----------|-------|--------------|---------------|--------------|---------------|
| | | | APPL. | TEETH | A | B | C | D |
| 40TU5700 | 1 | 1 | U57 | 19 | 2.917 (74.1) | 1.651 (41.9) | 1.017 (25.8) | 3.166 (80.4) |
| 40TA0346# | 1 | 5 | U57 | 22 | 3.255 (82.7) | 1.106 (28.1) | 1.055 (26.8) | 4.349 (110.5) |
| 40TA0403# | 1 | 5 | U68 | 24 | 3.085 (78.4) | 0.936 (23.8) | 1.085 (27.6) | 4.149 (105.4) |
| 40TF8500 | 1 | 1 | F85 | 39 | 3.383 (85.9) | 0.1617 (15.7) | 1.102 (28.0) | 5.046 (128.2) |

| MODEL NO. | FIG. | FOOTNOTE | LOCA. | APPL. | TEETH | B | C | D | E |
|---------------|------|------------|--------|-------|-------|---------------|--------------|---------------|--------------|
| 40TA0435# | 2 | 3, 4, 5 | X | N81 | 22 | 2.307 (58.6) | .682 (17.3) | 1.108 (28.1) | 10° |
| | | | Y | U68 | 20 | | | | |
| 40TG7368-1 | 2 | 3, 4, 5 | X | G73 | 22 | 2.307 (58.6) | .682 (17.3) | 1.253 (31.8) | 10° |
| | | | Y | U68 | 20 | | | | |
| 40TG7368-2 | 2 | 3, 4, 5 | X | U68 | 20 | 2.307 (58.6) | .682 (17.3) | 1.253 (31.8) | 10° |
| | | | Y | G73 | 22 | | | | |
| 40TM6568-1 | 2 | 2, 3, 4, 5 | X | M65 | 22 | 2.307 (58.6) | .682 (17.3) | 1.180 (31.0) | 10° |
| | | | Y | G73 | 20 | | | | |
| 40TM6568-2 | 2 | 2, 3, 4, 5 | X | U68 | 20 | 2.307 (58.6) | .682 (17.3) | 1.180 (30.0) | 10° |
| | | | Y | M65 | 22 | | | | |
| 40TN7910-1/-2 | 2 | 3, 4, 6 | X or Y | N79 | 23 | 2.307 (58.6) | .634 (16.1) | 1.155 (29.3) | 10° |
| 40TZ9968-1 | 2 | 3, 4, 5, 7 | X | Z99 | 31 | 2.307 (58.6) | .682 (17.3) | 1.253 (31.8) | 10° |
| | | | Y | U68 | 18 | | | | |
| 40TZ9968-2 | 2 | 3, 4, 5, 7 | X | U68 | 20 | 2.307 (58.6) | .682 (17.3) | 1.253 (31.8) | 10° |
| | | | Y | Z99 | 31 | | | | |
| 40TZ1068-1 | 2 | 3, 4, 5 | X | Z10 | 31 | 2.307 (58.6) | .682 (17.3) | 1.175 (29.8) | 10° |
| | | | Y | U68 | 20 | | | | |
| 40TZ1068-2 | 2 | 3, 4, 5 | X | U68 | 20 | 2.307 (58.6) | .682 (17.3) | 1.175 (29.8) | 10° |
| | | | Y | Z10 | 31 | | | | |
| 40TF8430-1/2 | 3 | 3, 4, 5 | X | F84 | 27 | 2.929 (74.4) | 1.007 (25.6) | 1.081 (27.5) | 30° |
| 40TW9655-1 | 3 | 3, 4 | X | W96 | 36 | 3.071 (78.0) | 1.056 (26.8) | 1.121 (28.5) | 55° |
| 40TN6380 | 12 | 3, 5 | X | N63 | 14 | 4.250 (108.0) | .715 (18.2) | -.933 (-23.7) | - |
| | | | Y | U80 | 24 | | | | |
| 40TC9468 | 6 | 3 | X | C94 | 29 | 2.235 (56.8) | 1.085 (27.6) | 2.551 (64.8) | 1.435 (36.4) |
| | | | Y | U68 | 24 | | | | |
| 40TF6368 | 6 | 3 | X | F63 | 22 | 2.235 (56.8) | 1.085 (27.6) | 2.718 (69.0) | 1.435 (36.4) |
| | | | Y | U68 | 24 | | | | |
| 40TN9200 | 11 | 3 | X | N92 | 36 | 1.749 (44.4) | .499 (12.7) | 2.982 (75.7) | .843 (21.4) |

OBSOLETEED ADAPTER GEAR ASSEMBLIES

| ADAPTER GEAR ASS'Y | ADAPTER GEAR | ADAPTER BODY | BEARING | BEARING SPACER | IDLER SHAFT | IDLER SHAFT PLUG | THRUST WASHER | PIN OR SCREW | STUD KIT | GASKET PACKET | SPACER (a) |
|--------------------|--------------|--------------|------------------------------|-------------------------------------|-------------|------------------|------------------------------|--------------------------|----------|---------------|------------|
| 40TA0346# | 05T33588 | 41T34791 | (2) 10T29709 | — | 09T33589 | — | (2) 21T27221 | 26T24766 | — | 52MK1000 | |
| 40TA0403# | 05T33585 | 41T34625 | (2) 10T29709 | — | 09T33589 | — | (2) 21T27221 | 26T24766 | — | 52MK1000 | |
| 40TA0435# | 05T33815 | 41T28476 | (2) 10T31207 | 18T39368 | 09T36897 | (2)12T36899 | (2) 21T21760 | 26T24874 | 20MK0102 | 52MK1000 | |
| 40TA0541# | 05T32736 | 41T34627 | (2) 10T24335 | — | 09T36897 | (2)12T36899 | (1) 21T21760 | 26T24874 | 20MK6600 | 52MK1000 | |
| 40TA0810# | 05T32736 | 41T24754 | (2) 10T24335 | — | 09T36897 | (2)12T36899 | (2) 21T21760 (1) 21T25986 | 26T24874 | 20MK0101 | 52MK1000 | |
| 40TC9468 | 05T37121 | 41T35415 | (2) 10T43181 | 18T35428* 18T35429* 18T35430* | 09T35424 | — | — | 19T35443 (2) 24T35458 | 20TK6610 | 52TK4494 | |
| 40TF1155-1 | 05T36108 | 41T35579 | (2) 10T43181 | 18T35428* 18T35429* 18T35430* | 09T35576 | (2)12T35577 | — | 19T35609 (2) 24T35458 | 20TK0108 | 52MK1000 | |
| 40TF8500 | 05T35368 | 41T35367 | (2) 10T35369 (2) 10T35370 | 18T35373* 18T35374* 18T35375* | — | — | 21T35371 | 19T35372 | 20MK6605 | 52MK1000 | |
| 40TG7368-1&2 | 05T35020 | 41T28476 | (2)10T31207 | 18T39368 | 09T36897 | (2)12T36899 | (2) 21T21760 | 26T24874 | 20MK0102 | 52MK1006 | |
| 40T17268# | 05T35010 | 41T35016 | (2)10T29709 | 18T35013 | 09T36898 | (2)12T36900 | (2) 21T35014 | 26T24874 | 20MKM200 | 52MK1008 | |
| 40T17368# | 05T35011 | 41T35016 | (2)10T29709 | 18T35013 | 09T36898 | (2)12T36900 | (2) 21T35014 | 26T24874 | 20MKM200 | 52MK1008 | |
| 40T17468# | 05T35638 | 41T35016 | (2)10T29709 | 18T35013 | 09T36898 | (2)12T36900 | (2) 21T35014 | 26T24874 | 20MKM200 | 52MK1008 | |
| 40T17668-1# | 05T36150 | 41T36148 | (2)10T35776 | 18T35781* 18T35782* 18T35782* | 09T36168 | — | — | 19T36082 | 20TKM200 | 52ML1008 | |
| 40TM6568-1&2 | 05T37007 | 41T28476 | (2)10T31207 | 18T39368 | 09T26897 | (2)12T36899 | (2) 21T21760 | 26T24874 | 20MK0102 | 52MK1000 | |
| 40TN6380 | 05T35171 | 41T35106 | (2)10T29709 | — | 09T37001 | (2)12T36900 | (2) 21T27221 | 26T24874 | 20TK4468 | 52MK1007 | |



A Member of the Interpump Group

SP93-03 (Rev. 09-23)

201 East Jackson Street, Muncie, Indiana 47305
800-367-7867 • Fax: 765-284-6991 • info@munciepower.com

Specifications are subject to change without notice. Visit www.munciepower.com
for warranties and literature. All rights reserved. © Muncie Power Products, Inc. (2009)