



# SQ-80-LED Series

ALL LED THERMOPLASTIC EMERGENCY LIGHT



PROJECT: \_\_\_\_\_  
 FIXTURE TYPE: \_\_\_\_\_  
 LOCATION: \_\_\_\_\_  
 CONTACT/PHONE: \_\_\_\_\_

## PRODUCT DESCRIPTION

The SQ-80-LED Series thermoplastic LED Emergency Lights offer contemporary aesthetics, quick installation and premium options such as LED lamps, High Output and Self-Diagnostic versions in an economical package.

## PRODUCT SPECIFICATIONS

### CONSTRUCTION

Injection molded, engineering-grade, UV-stable thermoplastic • UL94V-0 flame rating • Impact, scratch, fade and corrosion-resistant • Snap-fit housing and mounting plate • Universal mounting plate with quick-connect feature reduces installation labor • White or black textured finish.

### ELECTRICAL

Dual 120/277 voltage standard. Optional multi-tap 208/220/240 voltage available • Rated for use in damp locations • Solid state charging and switching • Brownout protection • Battery low voltage disconnect • Overload and short circuit protection • AC power indicator and test switch.

### LAMPS

Long life, energy saving LED lamps • 1W (8 LEDs x 0.125 watt) per head

### HEADS

Includes two 1W white LED lighting heads • Contemporary square head design • High performance chrome-plated metallized reflector and plastic lens for optimal light distribution • Adjustable LED lamp heads provide optimal center-to-center spacing. High-lumen option available for increased center-to-center spacing

### BATTERY

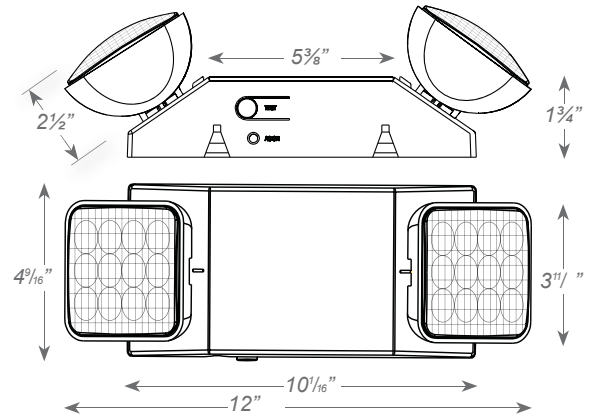
Maintenance-free 3.6V sealed NiCad battery • Standard battery will operate fixture for a minimum of 90 minutes in the event of a power outage • High Output (REM Option) version will operate the fixture plus 2 remote heads for a minimum of 90 minutes.

### CODE COMPLIANCE

UL924 • UL Listed for damp locations (0°C – 50°C) • NFPA 101 Life Safety Code compliant • NEC and OSHA compliant • Meets the State of Minnesota energy efficiency requirements.

### WARRANTY

5-year warranty. Product specifications subject to change without notice.



### ENGINEERING DATA

Input Voltage	Max. Amps	Max. Watts
120	0.04	2.0
277	0.02	2.0

## INSTALLATION

### MOUNTING

Suitable for wall or ceiling mounting • Surface mount via easy connect back plate, which fits most standard junction boxes and snaps into place making internal electrical connections • Top and side knockout for conduit applications.



## ORDERING INFORMATION

model	housing color	options	accessories
SQ-80-LED	W = White B = Black	SD = Self Diagnostics REM <sup>1</sup> = Remote Capable HL <sup>2</sup> = High Lumen Heads (1.5W) SV <sup>3</sup> = 208/220/240 Volt, 50/60Hz	VRS3 = Polycarbonate Vandal Shield WG5 = Wire Guard

### Notes

<sup>1</sup>Additional capacity to run up to (2) RLED remote heads (see below)

<sup>2</sup>12-LED (1.5W) per head provides increased center-to-center spacing

<sup>3</sup>Not available on units with SD option

Ordering Example SQ-80-LED-W-SD



# SQ-80-LED Series

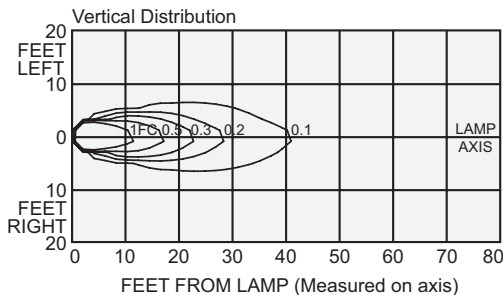
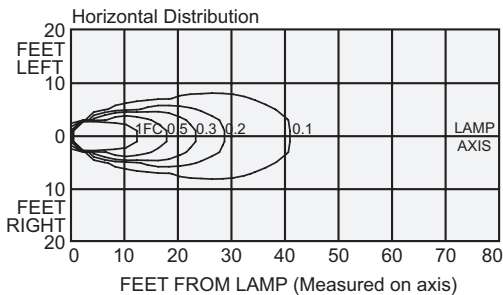
ALL LED THERMOPLASTIC EMERGENCY LIGHT



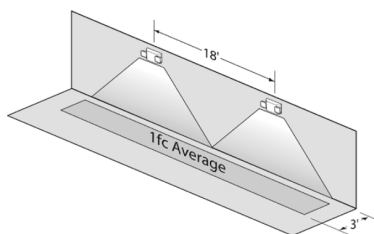
PROJECT: \_\_\_\_\_  
 FIXTURE TYPE: \_\_\_\_\_  
 LOCATION: \_\_\_\_\_  
 CONTACT/PHONE: \_\_\_\_\_

## PHOTOMETRICS

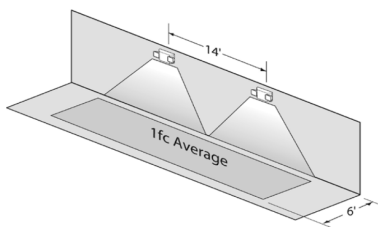
### Luminaire SQ-80-LED (Single Head LED EM)



Using multiple units mounted at a typical 7.5' delivers 18' center-to-center spacing on a 3' wide egress path.



Using multiple units mounted at a typical 7.5' delivers 14' center-to-center spacing on a 6' wide egress path.



## BATTERY DATA

- NiCad battery warranted for five full years with an additional 5 years prorated warranty

Type	Battery Voltage	Shelf Life <sup>1</sup>	Expected Life <sup>1</sup>	Temperature Range <sup>2</sup>
NiCad (std.)	3.6V, 900mA	3 years	8-10 years	32°F-100°F
NiCad (REM)	3.6V, 1800mA	3 years	8-10 years	32°F-100°F

<sup>1</sup> At 77°F

<sup>2</sup> To obtain rated life and capacity.

## LED REMOTE HEADS (ORDER SEPERATELY)

- Each lamp contains 12 long-life, efficient ultra-bright white LED's
- Available in Single or Double head configurations
- Indoor or Outdoor ratings available

MODEL	DESCRIPTION
ASRLED-1	Single LED Remote Indoor
ASRLED-2	Double LED Remote Indoor
ASRLED-1-SD	Single LED Remote Indoor (Units w/ SD Option)
ASRLED-2-SD	Double LED Remote Indoor (Units w/ SD Option)
ASRLED-1-WP	Single LED Remote Outdoor
ASRLED-2-WP	Double LED Remote Outdoor
ASRLED-1-WP-SD	Single LED Remote Outdoor (Units w/ SD Option)
ASRLED-2-WP-SD	Double LED Remote Outdoor (Units w/ SD Option)

### OUTDOOR REMOTE HEADS



### INDOOR REMOTE HEADS

