



**HC FORKLIFT AMERICA CORPORATION**

**Company address:**  
10405-A Granite Street Charlotte,  
NC 28273

Toll Free: 888-652-8395  
Phone: 980-888-8335  
Fax: 980-888-8336

america@hcforklift.com  
www.hcforkliftamerica.com



Follow us on  
Facebook



Follow us on  
YouTube



Follow us on  
WeChat

2019 VERSION 2/COPYRIGHT 2019/05

HANGCHA GROUP CO., LTD. reserves the right to make any changes without notice concerning colors, equipment, or specifications detailed in this brochure, or to discontinue individual models. The colors of trucks, delivered may differ slightly from those in brochures.



## X Series Four-wheel Electric Cushion Tire Truck

with capacities of 3,000 to 6,500lbs

*The World of Hangcha*



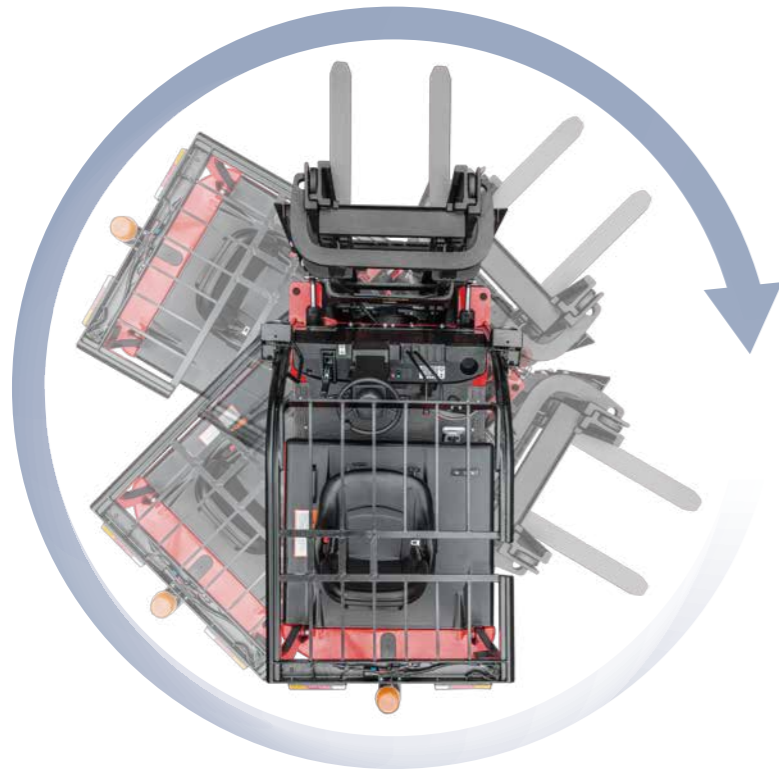
# X SERIES 4-WHEEL ELECTRIC CUSHION

## APPEARANCE

The entire truck is small and flexible, with compact design. The orthodrome, streamline, and surface modeling that are popular in the world are applied, rendering elegant and aesthetic appearance, and stronger streamlining.

## HIGH EFFICIENCY

- / Several speed modes are provided to accommodate different working conditions.
- / High-power oil pump motor and large displacement gear pump are applied to increase lifting and lowering speed, and improve working efficiency.
- / Regenerative braking system can save electric energy effectively and increase hours of use for single battery charging.



*With small turning radius, the truck can be operated in narrow aisle.*





## EASY MAINTENANCE

- / Tool-free removal of baseplate enables easy service and maintenance of various systems.
- / Brake fluid can be added very conveniently by opening the shield cover and oil tank cover.



### Easy battery replacement

The battery compartment is equipped with a side battery removal assembly for easy removal and replacement.



Innovative dual-door structure, with one door at left side and right side of the truck respectively, enables easy maintenance of oil pump motor, oil pump, and electric control of the truck, with good waterproof and dustproof performance.

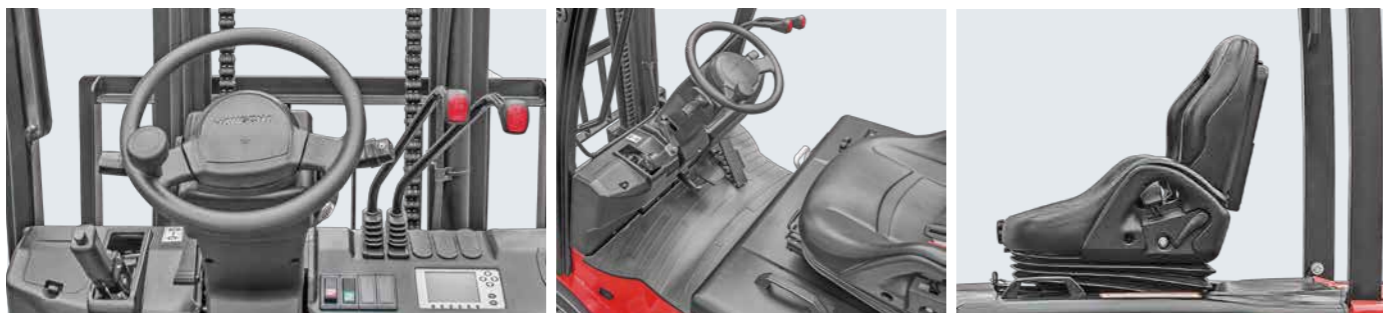


## COMFORT

- / With steering wheel that is designed based on ergonomics with dip angle adjustable, and the driver seat that can be adjusted within 5.9° forward and backward, the operator can choose the best driving position.
- / The integral rubber & plastic pedal pad allows the operator to get on and off the truck comfortably and safely.
- / The LCD color monitor Electrical Forklift display allows the operator to easily and efficiently control the machine. The monitor provides information about speed level, steer angle & travel direction, battery discharge indicator, hour meter & working mode. The operator can select various performance modes to meet all working conditions.
- / Silent, low-vibration, and comfortable seat offers the operator a comfortable working environment.



Advanced LCD Monitor



## ADVANCEMENT

- / Motor controller, contactor, battery socket, and other main electric elements are all well known brands.
- / Efficient running control system of high-frequency MOSFET integrated controller guarantees smooth and accurate control on running and lifting, and superior speed regulation performance, with regenerative braking, reverse braking, anti-slipping on slope and other functions.



Easy access to brake fluid reservoir



# SAFETY



*On-demand power steering for smooth, responsive operation while isolating vibration and shock.*



Rear handle with horn offers higher safety when the operator is reversing the truck.



The operator presence sensing(OPS) system will cut off all actions of the mast and running actions of the truck to increase safety when operator leaves the seat.

### Fork safety features

When the forks are being lowered, a lowering control valve maintains the controlled speed. The lowering safety valve prevents forks from dropping down in case of sudden damage of hydraulic line.

Electronic and hydraulic overload protection device.



### Strong overhead guard

Exceeding EEC and ANSI regulations, the overhead guard offers great protection combined with excellent all around visibility.



### Excellent visibility for safe operation

Optimized lift cylinder arrangement provides operator with wider visibility. Full-view rear view mirror provides wider rear view, safer for operation.



### Safety lamps

LED headlamps and grouped lamps can offer better visibility for the operators under various conditions.



## STANDARD SPECIFICATION

- / 4 pre-set performance modes (Super、Power、Economy、SPE)
- / LED headlamp, direction indication lamp, LED rear combination lamp
- / DC-DC converter
- / Back-up beeper
- / Dual-spool multi-way valve
- / Load sensing, on-demand AC controlled hydraulic power steering
- / Smooth cushion tires
- / Full-view rear view mirror
- / 27.2" battery compartment(3000 - 3500 lb)
- / 30.5" battery compartment(4000 - 5000 lb)
- / 34.3" battery compartment(5000 - 6500 lb)
- / Duplex wide-view mast
- / AC traction motor
- / AC pump motor
- / Strobe light

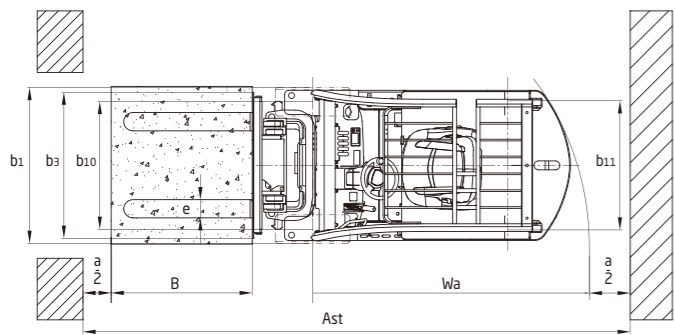
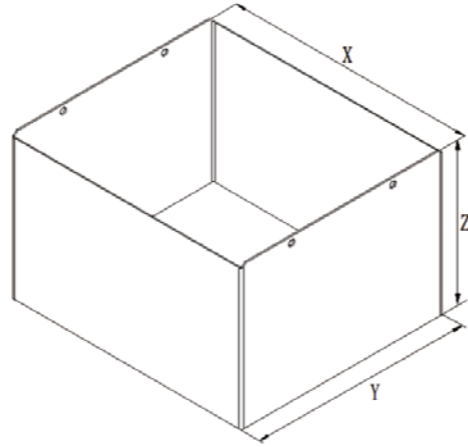
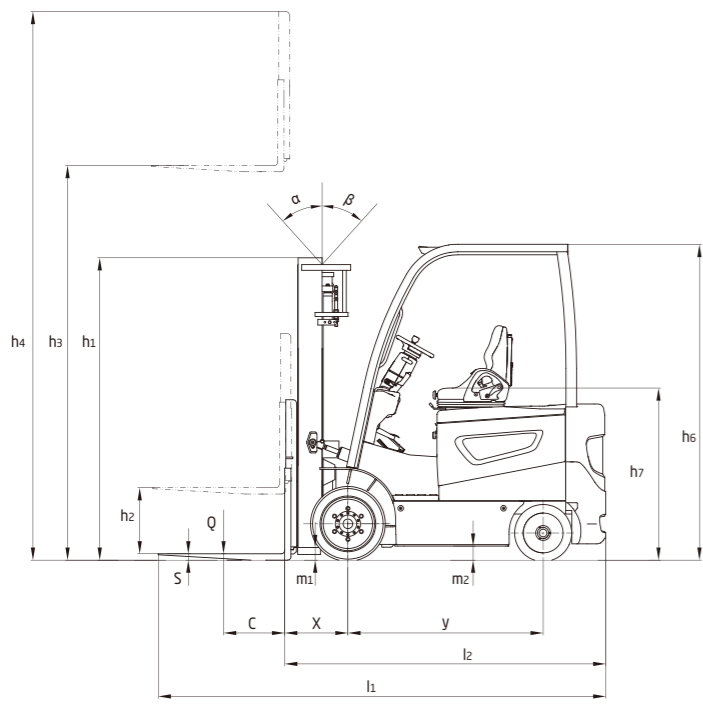
## OPTIONS

- / Cold storage model
- / Blue light
- / Battery charger
- / Fire extinguisher
- / Finger Tip Control
- / 12 Volt power supply
- / Battery side extraction
- / Traction tires
- / Non-marking tires
- / Wide-view full free lift duplex mast
- / Wide-view full free lift triplex mast
- / Fork of other lengths
- / Sideshifter
- / Other accessories
- / Drive In Rack Overhead Guard
- / Full suspension seat
- / OPS / Operator presence sensing system OPS
- / Rear assist grip with horn button

# X Series 3,000~6,500lb 4-Wheel Electric Cushion Tire Truck Specification

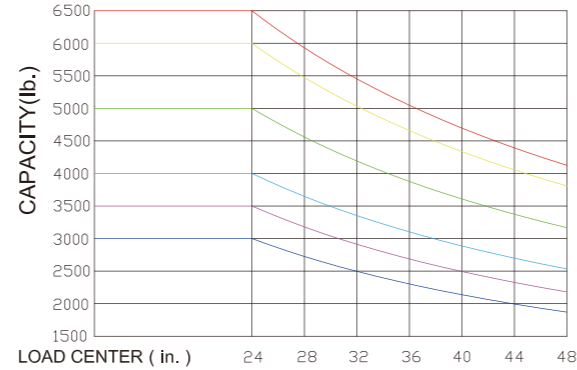
		HANGCHA GROUP CO.,LTD.																														
Characteristics	1.1	Manufacturer																														
	1.2	Model	CPD15-XD2-C			CPD18-XD2-C			CPD20-XD2-C			CPD25-XD2-C			CPD25-XLD2-C			CPD30-XD2-C			CPD32-XD2-C											
	1.3	Power Type: Electric, Gas, Diesel, LPG	volts	Electric(36V)	Electric(48V)	Electric(36V)	Electric(48V)	Electric(36V)	Electric(48V)	Electric(36V)	Electric(48V)	Electric(36V)	Electric(48V)	Electric(36V)	Electric(48V)	Electric(36V)	Electric(48V)	Electric(36V)	Electric(48V)	Electric(36V)	Electric(48V)											
	1.4	Operation Type	Rider seated			Rider seated			Sit down			Sit down			Sit down			Sit down			Sit down											
	1.5	Load capacity/rated load	Q	lb(kg)	3000(1350)			3500(1570)			4000(1810)			5000(2270)			5000(2270)			6000(2720)			6500(2950)									
	1.6	Load centre	c	in(mm)	24(600)			24(600)			24(600)			24(600)			24(600)			24(600)			24(600)									
	1.7	Load distance, centre of drive axle to fork	x	in(mm)	15.4(391)			15.4(391)			16.8(427)			16.8(427)			16.8(427)			17.7(450)			17.7(450)									
	1.8	Wheelbase	y	in(mm)	48(1220)			48(1220)			51(1295)			51(1295)			54.7(1390)			54.7(1390)			54.7(1390)									
Weight	2.1	Service weight		lb(kg)	6920(3140)			7190(3260)			8928(4050)			9634(4370)			9745(4420)			10695(4850)			11100(5040)									
	2.2	Front axle load, laden		lb(kg)	1340(610)			1430(650)			11404(5173)			13126(5954)			13000(5900)			15212(6900)			15830(7180)									
	2.3	Rear axle load, unladen		lb(kg)	8550(3880)			9210(4180)			1933(877)			2019(916)			1810(820)			2094(950)			2340(1060)									
	2.4	Front axle load, laden		lb(kg)	2840(1290)			2910(1320)			3725(1690)			3540(1606)			3820(1735)			4079(1850)			3960(1795)									
	2.5	Rear axle load, unladen		lb(kg)	4090(1850)			4280(1940)			5202(2360)			6093(2764)			5480(2485)			6614(3000)			7165(3250)									
Tyres	3.1	Tyres type	Cushion			Cushion			Cushion			Cushion			Cushion			Cushion			Cushion											
	3.2	Tyre size, front	18x6x12 -1/8			18x6x12 -1/8			21x7x15			21x7x15			21x7x15			21x8x15			21x8x15											
	3.3	Tyre size, rear	14x5x10			14x5x10			16x5x10-1/2			16x5x10-1/2			16x5x10-1/2			16x5x10-1/2			16x5x10-1/2											
	3.4	Number of wheels, front / rear(x=drive)	2x/2			2x/2			2x/2			2x/2			2x/2			2x/2			2x/2											
	3.5	Track width, front	b <sub>10</sub>	in(mm)	31.9(810)			31.9(810)			35(890)			35(890)			35(890)			35.8(910)			35.8(910)									
	3.6	Track width, rear	b <sub>11</sub>	in(mm)	33.7(855)			33.7(855)			36.2(920)			36.2(920)			36.2(920)			36.2(920)			36.2(920)									
Dimensions	4.1	Tilt of mast/fork carriage forward/backward	α/β	(°)	6/8			6/8			6/8			6/8			6/8			6/8			6/8									
	4.2	Height, mast lowered	h <sub>1</sub>	in(mm)	77.3(1963.5)			77.3(1963.5)			77.6(1970)			77.6(1970)			77.6(1970)			77.6(1970)			77.6(1970)									
	4.3	Height, mast extended	h <sub>4</sub>	in(mm)	155.7(3955)			155.7(3955)			159.3(4045)			159.3(4045)			159.3(4045)			163.2(4145)			163.2(4145)									
	4.4	Free lift	h <sub>2</sub>	in(mm)	5.3(135)			5.3(135)			5.5(140)			5.5(140)			5.5(140)			5.3(135)			5.3(135)									
	4.5	Lift	h <sub>3</sub>	in(mm)	118.1(3000)			118.1(3000)			118.1(3000)			118.1(3000)			118.1(3000)			118.1(3000)			118.1(3000)									
	4.6	Overhead guard height	h <sub>6</sub>	in(mm)	87.6(2225)			87.6(2225)			88.6(2250)			88.6(2250)			88.6(2250)			88.6(2250)			88.6(2250)									
	4.7	Overall length	l <sub>1</sub>	in(mm)	112.2(2849)			112.2(2849)			125.6(3192)			127(3226)			129.4(3287)			132.1(3356)			132.9(3376)									
	4.8	Length to fork face	l <sub>2</sub>	in(mm)	75.9(1929)			75.9(1929)			83.5(2122)			84.8(2156)			87.2(2217)			90(2286)			91.2(2316)									
	4.9	Overall width	b <sub>1</sub>	in(mm)	38(964)			38(964)			42.1(1070)			42.1(1070)			42.1(1070)			43.8(1113)			43.8(1113)									
	4.10	Fork dimensions	s×e×l	in(mm)	1.4×3.9×36.2(35/100/920)			1.4×3.9×36.2(35/100/920)			1.6×5×42(40/125/1070)			1.6×5×42(40/125/1070)			1.6×5×42(40/125/1070)			1.8×5×42(45/125/1070)			1.8×5×42(45/125/1070)									
	4.11	Carriage DIN 15 173, class/type AB				IIA			IIA			IIA			IIA			IIA			IIIA			IIIA								
	4.12	Carriage width	b <sub>3</sub>	in(mm)	35.4(900)			35.4(900)			40.9(1038)			40.9(1038)			40.9(1038)			43.3(1100)			43.3(1100)									
	4.13	Ground clearance, with load, below mast	m <sub>1</sub>	in(mm)	3.3(83.5)			3.3(83.5)			3.5(90)			3.5(90)			3.5(90)			3.5(90)			3.5(90)									
	4.14	Ground clearance, center of wheelbase	m <sub>2</sub>	in(mm)	3.4(86)			3.4(86)			3.9(100)			3.9(100)			3.9(100)			3.9(100)			3.9(100)									
	4.15	Aisle width for pallets 1000 x 1200 crossways	Ast	in(mm)	130(3300)			130(3300)			137.6(3495)			137.6(3495)			141.9(3605)			142.5(3620)			143.3(3640)									
	4.16	Aisle width for pallets 800 x 1200 lengthways	Ast	in(mm)	137.8(3500)			137.8(3500)			145.5(3695)			145.5(3695)			149.8(3805)			150.4(3820)			151.2(3840)									
	4.17	Turning radius, outside	Wa	in(mm)	67.3(1710)			67.3(1710)			72.8(1850)			72.8(1850)			77.2(1960)			77.6(1970)			78.7(2000)									
Performance data	5.1	Travel speed, laden/unladen		mph (km/h)	9.0(14.5)/9.3(15)		10.9(17.5)/11.2(18)		8.7(14)/8.3(15)		10.6(17)/11.2(18)		9.6(15.5)/10.9(17.5)		11.5(18.5)/11.5(18.5)		9.6(15.5)/10.9(17.5)		11.5(18.5)/11.5(18.5)		9.6(14.5)/10.6(17.0)		11.2(18)/11.5(18.5)		9.0(14.5)/10.6(17.0)		11.2(18)/11.5(18.5)					
	5.2	Lift speed, laden/unladen		fpm (mm/s)	61(310)/110(560)		85(430)/142(720)		61(310)/110(560)		81(410)/142(720)		66.9(340)/106.3(540)		88.6(450)/129.9(660)		59.1(300)/106.3(540)		78.7(400)/129.9(660)		59.1(300)/106.3(540)		78.7(400)/129.9(660)		53.1(270)/96.5(490)		69(350)/116.1(590)		47.2(240)/90.1(460)		65(330)/116.1(590)	
	5.3	Lowering speed, laden/unladen		fpm (mm/s)	98(500)/108(550)		98(500)/108(550)		98.4(500)/98.4(500)		98.4(500)/98.4(500)		98.4(500)/98.4(500)		98.4(500)/98.4(500)		98.4(500)/98.4(500)		98.4(500)/98.4(500)		98.4(500)/98.4(500)		98.4(500)/98.4(500)		98.4(500)/98.4(500)		98.4(500)/98.4(500)		98.4(500)/98.4(500)			
	5.4	Max. Drawbar pull, laden/unladen		lbf(N)	2100(9350)/1710(7600)		2080(9250)/1680(7460)		3316(14750)/2142(9530)		3290(14640)/2010(8950)		3290(14640)/2560(11380)		3160(14070)/2350(10440)		3160(14070)/2270(10100)															
	5.5	Max. gradeability, laden/unladen		%	20/21		20/21		23/25		23/25		19/21		21/24		17/20															
	5.6	Service brake, operation / control				Foot / Hydraulic			Foot / Hydraulic			Pedal / Hydraulic			Pedal / Hydraulic			Pedal / Hydraulic			Pedal / Hydraulic			Pedal / Hydraulic								
	5.7	Parking brake, operation / control				Hand / Mechanical			Hand / Mechanical			Hand / Mechanical			Hand / Mechanical			Hand / Mechanical			Hand / Mechanical			Hand / Mechanical								
	5.8	Steering, type				Hydraulic			Hydraulic			Hydraulic			Hydraulic			Hydraulic			Hydraulic			Hydraulic								
Drive	6.1	Traction motor, 60 minute rating		HP (kw)	14.8(11)		14.8(11)		24.1(18)		24.1(18)		24.1(18)		24.1(18)		24.1(18)		24.1(18)		24.1(18)		24.1(18)		24.1(18)		24.1(18)					
	6.2	Pump motor, 15 minute rating		HP (kw)	18.4(13.7)		18.4(13.7)		24.1(18)		24.1(18)		24.1(18)		24.1(18)		24.1(18)		24.1(18)		24.1(18)		24.1(18)		24.1(18)		24.1(18)					
	6.3	Battery voltage		volts	36		48		36		48		36		48		36		48		36		48		36		48					
	6.4	Battery capacity, minimum		Ah/6 hr. rate	630		510		630		510		1020		765		1020		765		1190		850		1190		850					
	6.5	Battery capacity, maximum		Ah/6 hr. rate	800		600		800		600		1320		990		1320		990		1540		1100		1540		1100					
	6.6	Battery weight, minimum		lb(kg)	1940(880)		1940(880)		2400(1088)		2400(1088)		2400(1088)		3000(1360)		3000(1360)		3000(1360)		3000(1360)		3000(1360)		3000(1360)		3000(1360)					
	6.7	Battery weight, maximum		lb(kg)	2145(970)		2145(970)		3154(1431)		3154(1431)		3154(1431)		3555(1613)		3555(1613)		3555(1613)		3555(1613)		3555(1613)		3555(1613)		3555(1613)					
Other	7.1	Motor control				MOSFET AC			MOSFET AC			MOSFET AC			MOSFET AC			MOSFET AC			MOSFET AC			MOSFET AC								
	7.2	Working pressure for attachments		psi (bar)	2280(157)		2280(157)		2698(181)		2698(181)		2698(181)		2698(181)		2698(181)		2698(181)		2698(181)		2698(181)		2698(181)		2698(181)					

NOTE: Most values shown in this publication are rounded. Therefore, direct conversion between metric and English or Imperial may be slightly different from those shown. The performance of machines is affected by the condition of the vehicle and how it is equipped as well as the nature and condition of the operating area. If these specifications are critical or if your needs exceed the specifications shown here, discuss the proposed application with your authorized dealer.



$A_{st} = B + W_a + x + a$   
 B: Load Length a: Clearance (7.9inch)

Load curve



## Battery and compartment size

Model		CPD15-XD2-C	CPD18-XD2-C	CPD20-XD2-C	CPD25-XD2-C	CPD20/25-XLD2-C	CPD30-XD2-C	CPD32-XD2-C
Voltage	V	36/48			36/48		36/48	
Capacity	Ah(max)	800/600			1320/990		1540/1100	
	Ah(min)	630/510			1020/765		1190/850	
Battery Compartment	"X" Max.	878(34.57)			980(38.58)		980(38.58)	
	"Y" Max.	680(26.77)			766(30.16)		861(33.90)	
	"Z" Max.	605(23.82)			605(23.82)		605(23.82)	
Batt.Wt.	Maximum	970(2145)			1431(3154)		1613(3555)	
	Minimum	880(1940)			1088(2400)		1360(3000)	

## 4,000/5,000lb X series mast: (cushion)

Type	Model	Lifting height	Overall height				Free lifting height		Front Overhang	Tilting range		Capacity		
			Lowered	Extended		With backrest	Without backrest	Forward		Backward	Load capacity at 24 in (600mm)			
				With backrest	Without backrest						4000lb	5000lb	5000lb LW	
Duplex wide view mast	XC25M200	78.7(2000)	57.9(1470)	119.9(3046)	105.9(2692)	5.5(140)	5.5(140)	16.8(427)	6	8	4000(1810)	5000(2270)	5000(2270)	
	XC25M250	98.4(2500)	67.7(1720)	139.6(3546)	125.6(3192)	5.5(140)	5.5(140)	16.8(427)	6	8	4000(1810)	5000(2270)	5000(2270)	
	XC25M270	106.3(2700)	71.7(1820)	147.5(3746)	133.5(3392)	5.5(140)	5.5(140)	16.8(427)	6	8	4000(1810)	5000(2270)	5000(2270)	
	XC25M300	118.1(3000)	77.6(1970)	159.3(4046)	145.3(3692)	5.5(140)	5.5(140)	16.8(427)	6	8	4000(1810)	5000(2270)	5000(2270)	
	XC25M330	129.9(3300)	83.5(2120)	171.1(4346)	157.1(3992)	5.5(140)	5.5(140)	16.8(427)	6	8	4000(1810)	5000(2270)	5000(2270)	
	XC25M350	137.8(3500)	87.4(2220)	179(4546)	165(4192)	5.5(140)	5.5(140)	16.8(427)	6	8	4000(1810)	5000(2270)	5000(2270)	
	XC25M360	141.7(3600)	91.3(2320)	182.9(4646)	168.9(4292)	5.5(140)	5.5(140)	16.8(427)	6	8	4000(1810)	5000(2270)	5000(2270)	
	XC25M370	145.7(3700)	93.3(2370)	186.9(4746)	172.9(4392)	5.5(140)	5.5(140)	16.8(427)	6	8	4000(1810)	5000(2270)	5000(2270)	
	XC25M400	157.5(4000)	101.2(2570)	198.7(5046)	184.7(4692)	5.5(140)	5.5(140)	16.8(427)	6	8	4000(1810)	5000(2270)	5000(2270)	
	XC25M430	169.3(4300)	107.1(2720)	210.5(5346)	196.5(4992)	5.5(140)	5.5(140)	16.8(427)	6	6	4000(1810)	5000(2270)	5000(2270)	
	XC25M450	177.2(4500)	111(2820)	218.3(5546)	204.4(5192)	5.5(140)	5.5(140)	16.8(427)	6	6	3920(1780)	4910(2230)	4910(2230)	
	XC25M480	189(4800)	116.9(2970)	230.2(5846)	216.2(5492)	5.5(140)	5.5(140)	16.8(427)	6	6	3810(1730)	4760(2160)	4760(2160)	
XC25M500	196.9(5000)	120.9(3070)	238(6046)	224(5692)	5.5(140)	5.5(140)	16.8(427)	6	6	3670(1665)	4580(2080)	4580(2080)		
Duplex full-free lifting mast	XC25U200	78.7(2000)	57.8(1470)	119.9(3046)	103.2(2622)	5.6(142)	33.3(848)	16.8(427)	6	8	4000(1810)	5000(2270)	5000(2270)	
	XC25U250	98.4(2500)	67.7(1720)	139.6(3546)	122.9(3122)	26.5(674)	43.2(1098)	16.8(427)	6	8	4000(1810)	5000(2270)	5000(2270)	
	XC25U270	106.3(2700)	71.6(1820)	147.5(3746)	130.7(3322)	30.4(774)	47.1(1198)	16.8(427)	6	8	4000(1810)	5000(2270)	5000(2270)	
	XC25U300	118.1(3000)	77.5(1970)	159.3(4046)	142.5(3622)	36.3(924)	53(1348)	16.8(427)	6	8	4000(1810)	5000(2270)	5000(2270)	
	XC25U330	129.9(3300)	83.4(2120)	171.1(4346)	154.4(3922)	42.2(1074)	58.9(1498)	16.8(427)	6	8	4000(1810)	5000(2270)	5000(2270)	
	XC25U350	137.8(3500)	87.4(2220)	179(4546)	162.2(4122)	46.2(1174)	62.9(1598)	16.8(427)	6	8	4000(1810)	5000(2270)	5000(2270)	
	XC25U360	141.7(3600)	87.4(2220)	182.9(4646)	166.2(4222)	48.1(1224)	64.8(1648)	16.8(427)	6	8	4000(1810)	5000(2270)	5000(2270)	
	XC25U370	145.7(3700)	91.3(2320)	186.9(4746)	170.1(4322)	50.1(1274)	66.8(1698)	16.8(427)	6	8	4000(1810)	5000(2270)	5000(2270)	
	XC25U400	157.5(4000)	99.2(2520)	198.7(5046)	181.9(4622)	58(1474)	74.7(1898)	16.8(427)	6	8	4000(1810)	5000(2270)	5000(2270)	
	XC25N400	157.5(4000)	73.6(1870)	198.7(5046)	181.9(4622)	32.4(824)	49.1(1248)	16.9(431)	6	6	4000(1810)	5000(2270)	5000(2270)	
	XC25N430	169.3(4300)	77.5(1970)	210.5(5346)	193.7(4922)	36.3(924)	53(1348)	16.9(431)	6	6	4000(1810)	5000(2270)	5000(2270)	
	XC25N450	177.2(4500)	79.5(2020)	218.3(5546)	201.6(5122)	38.8(974)	55(1398)	16.9(431)	6	6	3900(1770)	4890(2220)	4890(2220)	
XC25N480	189(4800)	83.4(2120)	230.2(5846)	213.4(5422)	42.2(1074)	58.9(1498)	16.9(431)	6	6	3790(1720)	4740(2150)	4740(2150)		
XC25N500	196.9(5000)	86.4(2195)	238(6046)	221.3(5622)	45.2(1149)	61.9(1573)	16.9(431)	3	6	3640(1655)	4540(2060)	4540(2060)		
XC25N550	216.5(5500)	93.3(2370)	257.7(6546)	241(6122)	52.1(1324)	68.8(1748)	16.9(431)	3	6	3240(1470)	4050(1840)	4050(1840)		
XC25N600	236.2(6000)	101.1(2570)	277.4(7046)	260.7(6622)	60(1524)	76.6(1948)	16.9(431)	3	6	2240(1020)	3000(1360)	3000(1360)		

With hang on sideshifter minus 400lb(200kg),with integral sideshifter minus 200lb(100kg).

## 3,000/3,500lb X series mast: (cushion)

Type	Model	Lifting height	Overall height				Free lifting height		Front Overhang	Tilting range		Capacity	
			Lowered	Extended		With backrest	Without backrest	Forward		Backward	Load capacity at 24 in (600mm)		
				With backrest	Without backrest						3000lb	3500lb	
Duplex wide view mast	XC15M200	78.7(2000)	57.6(1463.5)	116.3(2955)	99.7(2533)	5.3(135)	5.3(135)	15.4(391)	6	6	3000(1350)	3500(1570)	
	XC15M250	98.4(2500)	67.5(1713.5)	136(3455)	119.4(3033)	5.3(135)	5.3(135)	15.4(391)	6	8	3000(1350)	3500(1570)	
	XC15M270	106.3(2700)	71.4(1813.5)	143.9(3655)	127.3(3233)	5.3(135)	5.3(135)	15.4(391)	6	8	3000(1350)	3500(1570)	
	XC15M300	118.1(3000)	77.3(1963.5)	155.7(3955)	139.1(3533)	5.3(135)	5.3(135)	15.4(391)	6	8	3000(1350)	3500(1570)	
	XC15M330	129.9(3300)	83.2(2113.5)	167.5(4255)	150.9(3833)	5.3(135)	5.3(135)	15.4(391)	6	8	3000(1350)	3500(1570)	
	XC15M350	137.8(3500)	87.1(2213.5)	175.4(4455)	158.8(4033)	5.3(135)	5.3(135)	15.4(391)	6	8	3000(1350)	3500(1570)	
	XC15M360	141.7(3600)	91.1(2313.5)	179.3(4555)	162.7(4133)	5.3(135)	5.3(135)	15.4(391)	6	8	3000(1350)	3500(1570)	
	XC15M370	145.7(3700)	93.1(2363.5)	183.3(4655)	166.7(4233)	5.3(135)	5.3(135)	15.4(391)	6	8	3000(1350)	3500(1570)	
	XC15M400	157.5(4000)	100.9(2563.5)	195.1(4955)	178.5(4533)	5.3(135)	5.3(135)	15.4(391)	6	8	3000(1350)	3500(1570)	
	XC15M430	169.3(4300)	106.8(2713.5)	206.9(5255)	190.3(4833)	5.3(135)	5.3(135)	15.4(391)	6	6	3000(1350)	3500(1570)	
	XC15M450	177.2(4500)	110.8(2813.5)	214.8(5455)	198.1(5033)	5.3(135)	5.3(135)	15.4(391)	6	6	2860(1300)	3260(1480)	
	XC15M480	189(4800)	116.7(2963.5)	226.6(5755)	210(5333)	5.3(135)	5.3(135)	15.4(391)	6	6	2690(1220)	3080(1400)	
XC15M500	196.9(5000)	120.6(3063.5)	234.4(5955)	217.8(5533)	5.3(135)	5.3(135)	15.4(391)	6	6	2420(1100)	2860(1300)		
Duplex full-free lifting mast	XC15U200	78.7(2000)	57.6(1463.5)	115.9(2945)	99.8(2535)	20.4(518.5)	36.6(928.5)	15.4(391)	6	6	3000(1350)	3500(1570)	
	XC15U250	98.4(2500)	67.5(1713.5)	135.6(3445)	119.5(3035)	30.3(768.5)	46.4(1178.5)	15.4(391)	6	8	3000(1350)	3500(1570)	
	XC15U270	106.3(2700)	71.4(1813.5)	143.5(3645)	127.4(3235)	34.2(868.5)	50.3(1278.5)	15.4(391)	6	8	3000(1350)	3500(1570)	
	XC15U300	118.1(3000)	77.3(1963.5)	155.3(3945)	139.2(3535)	40.1(1018.5)	56.2(1428.5)	15.4(391)	6	8	3000(1350)	3500(1570)	
	XC15U330	129.9(3300)	83.2(2113.5)	167.1(4245)	151(3835)	46(1168.5)	62.1(1578.5)	15.4(391)	6	8	3000(1350)	3500(1570)	
	XC15U350	137.8(3500)	87.1(2213.5)	175(4445)	158.9(4035)	49.9(1268.5)	66.1(1678.5)	15.4(391)	6	8	3000(1350)	3500(1570)	
	XC15U360	141.7(3600)	89.1(2263.5)	178.9(4545)	162.8(4135)	51.9(1318.5)	68.1(1728.5)	15.4(391)	6	8	3000(1350)	3500(1570)	
	XC15U370	145.7(3700)	91.1(2313.5)	182.9(4645)	166.7(4235)	53.9(1368.5)	70(1778.5)	15.4(391)	6	8	3000(1350)	3500(1570)	
	XC15U400	157.5(4000)	99(2513.5)	194.7(4945)	178.5(4535)	61.8(1568.5)	77.9(1978.5)	15.4(391)	6	8	3000(1350)	3500(1570)	
	XC15N400	157.5(4000)	73.4(1863.5)	195.1(4955)	179.1(4550)	36.2(918.5)	52.1(1323.5)	15.7(399)	6	6	3000(1350)	3500(1570)	
	XC15N430	169.3(4300)	77.3(1963.5)	206.9(5255)	190.9(4850)	40.1(1018.5)	56(1423.5)	15.7(399)	6	6	2820(1280)	3300(1500)	
	XC15N450	177.2(4500)	79.3(2013.5)	214.8(5455)	198.8(5050)	42.1(1068.5)	58(1473.5)	15.7(399)	6	6	2640(1200)	3130(1420	