

# SERVICE MANUAL

---

MINIDISC PLAYER

BASIC MD MECHANISM: BZG-8 A

---

- This Service Manual is the “Revision Publishing” and replaces “Simple Manual” of AM-HX100 <AHK>, (S/M Code No. 09-015-446-0T2).

# SPECIFICATIONS

**Main unit**  
**Playback system** MiniDisc digital audio system  
**Encoding methods** ATRAC, ATRAC 3 LP2, ATRAC 3 LP4  
**Laser pickup** Semiconductor laser  
**Sampling Frequency** 44.1kHz  
**Number of channels** Stereo: 2 channels  
 Monaural: 1 channel  
**D/A converter** 1-bit  
**Frequency response** 40 – 20,000 Hz ± 4dB  
 20 – 20,000 Hz ± 1dB (10 kohms)  
**Wow and Flutter** Below measurable limit  
 (± 0.001 % W.PEAK)  
**Output** Phone jack  
**Maximum output level** 8 mW + 8 mW (16 ohms)  
**Power requirements** DC 1.2 V using the supplied Ni-MH  
 rechargeable battery  
 DC 1.5 V using an LR6 (size AA) dry  
 cell battery  
 AC house current using the supplied AC  
 adaptor and charger

**Battery life** POWER SAVE switch set to ON  
 (approx. hours)

	SP	LP2	LP4
Rechargeable battery	29	38	45
LR6 (size AA) alkaline battery	40	72	75
Rechargeable battery and LR6 alkaline battery	75	107	125

POWER SAVE switch set to OFF  
 (approx. hours)

	SP	LP2	LP4
Rechargeable battery	22	24	27
LR6 (size AA) alkaline battery	31	40	43
Rechargeable battery and LR6 alkaline battery	55	66	68

**Maximum outside dimensions** Approx. 71.1 (W) X 12.6 (H) X 77.2 (D) mm  
 (excluding projecting parts and controls)  
**Weight** Approx. 56g, excluding batteries

**<AC adaptor AC-D401 K>**

**Rated voltage** AC 230 V, 50 Hz

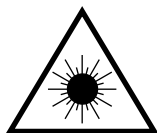
- Design and specifications are subject to change without notice.

## PROTECTION OF EYES FROM LASER BEAM DURING SERVICING

This set employs laser. Therefore, be sure to follow carefully the instructions below when servicing.

### WARNING!!

WHEN SERVICING, DO NOT APPROACH THE LASER EXIT WITH THE EYE TOO CLOSELY. IN CASE IT IS NECESSARY TO CONFIRM LASER BEAM EMISSION. BE SURE TO OBSERVE FROM A DISTANCE OF MORE THAN 30cm FROM THE SURFACE OF THE OBJECTIVE LENS ON THE OPTICAL PICK-UP BLOCK.



- Caution: Invisible laser radiation when open and interlocks defeated avoid exposure to beam.
- Advarsel: Usynlig laserstråling ved åbning, når sikkerhedsafbrydere er ude af funktion. Undgå udsættelse for stråling.

### VAROITUS!

Laitteen Käyttäminen muulla kuin tässä käyttöohjeessa mainitulla tavalla saattaa altistaa käyttäjän turvallisuusluokan 1 ylittävälle näkymättömälle lasersäteilylle.

### WARNING!

Om apparaten används på annat sätt än vad som specificeras i denna bruksanvisning, kan användaren utsättas för osynlig laserstrålning, som överskrider gränsen för laserklass 1.

### CAUTION

Use of controls or adjustments or performance of procedures other than those specified herein may result in hazardous radiation exposure.

### ATTENTION

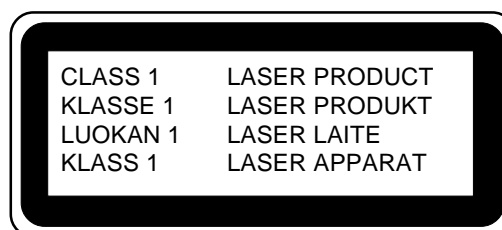
L'utilisation de commandes, réglages ou procédures autres que ceux spécifiés peut entraîner une dangereuse exposition aux radiations.

### ADVARSEL

Usynlig laserstråling ved åbning, når sikkerhedsafbrydere er ude af funktion. Undgå udsættelse for stråling.

This Compact Disc player is classified as a CLASS 1 LASER product.

The CLASS 1 LASER PRODUCT label is located on the rear exterior.

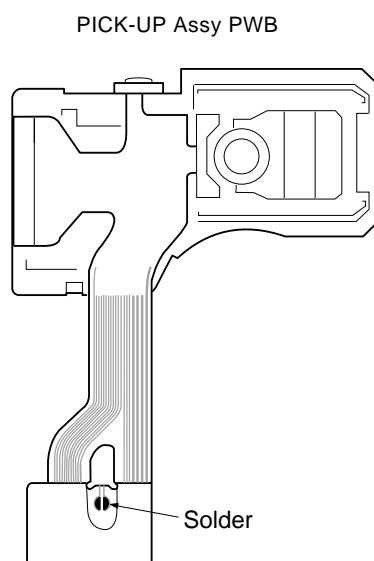


## Precaution to replace Optical block

### (KMS-330A)

Body or clothes electrostatic potential could ruin laser diode in the optical block. Be sure ground body and workbench, and use care the clothes do not touch the diode.

- 1) After the connection, remove solder shown in right figure.



## DISASSEMBLY INSTRUCTIONS

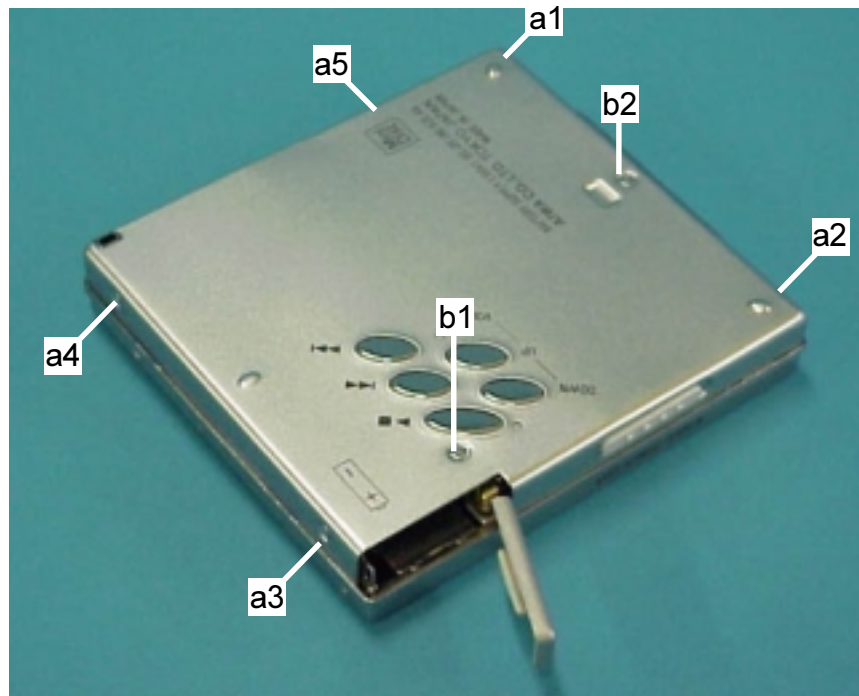
Removing only the PANEL, BOT can make the service position.

### 1. How to remove PANEL, BOT

(1) Remove the 5 screws a1-a5 (1.4-1.8) and the 2 screws b1,b2 (1.4-1.4).

(2) Take out PANEL, BOT.

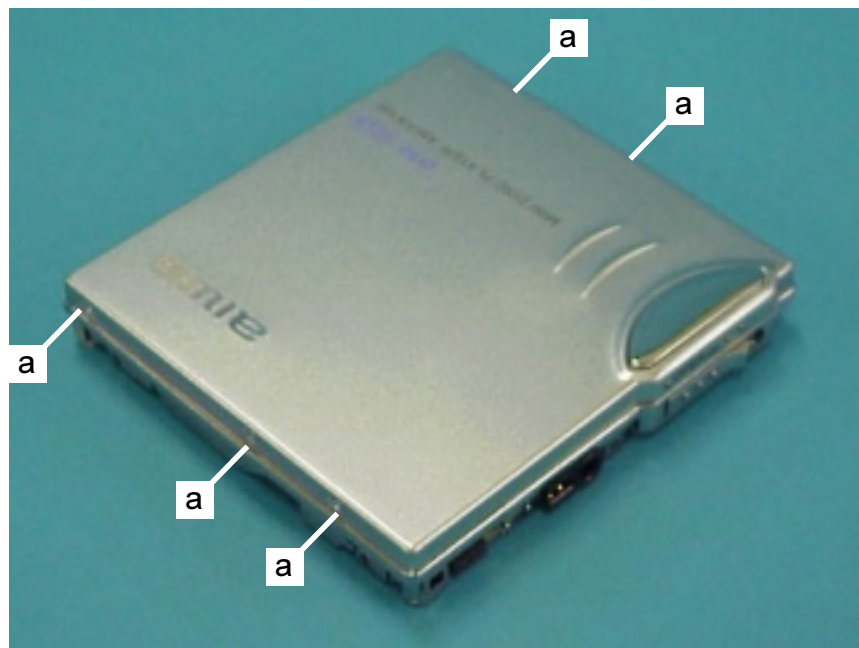
\* When assembling, put the PANEL, BOT from HP JACK side with care for strap hole and HOLD SW. Install the screws from 1 to 5 as shown in the diagram.



### 2. How to remove PANEL, TOP

(1) Remove the 5 screws (a).

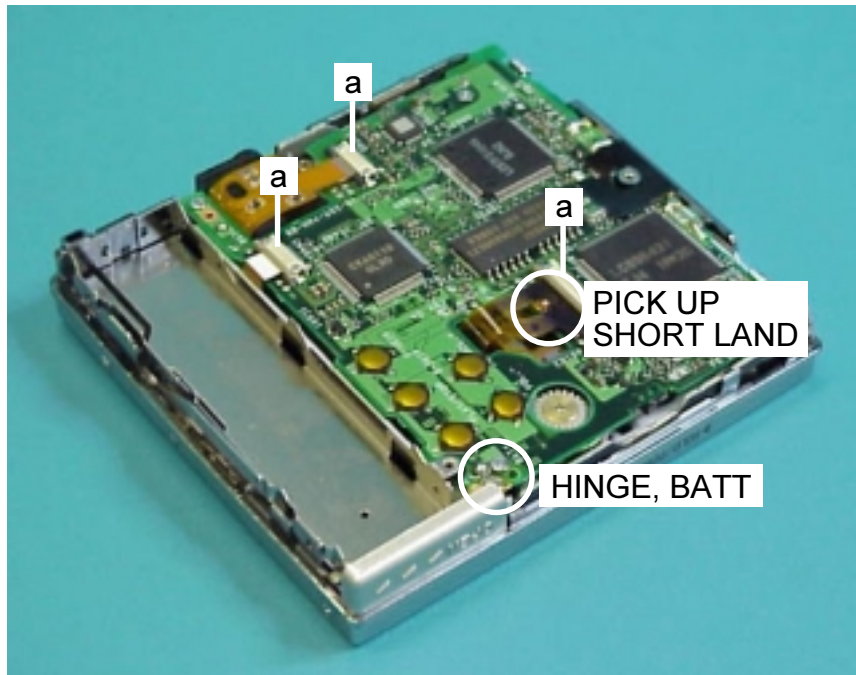
(2) Remove PANEL, TOP.



### 3. How to remove HLDR, BATT/PWB, MAIN

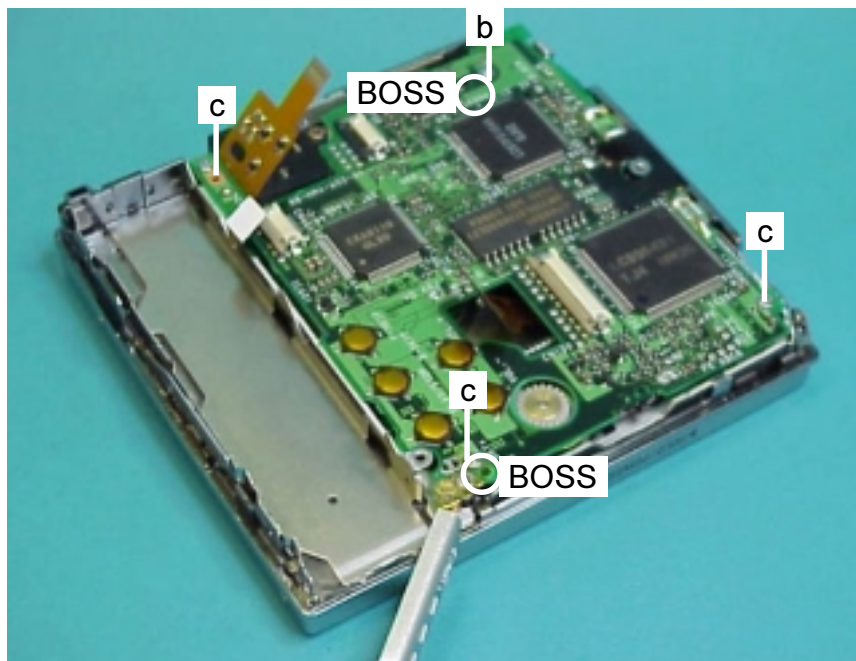
(1) Short the PICKUP Shortland.

(2) Remove the solders of HINGE, BATT and disconnect the 3 connectors (a).



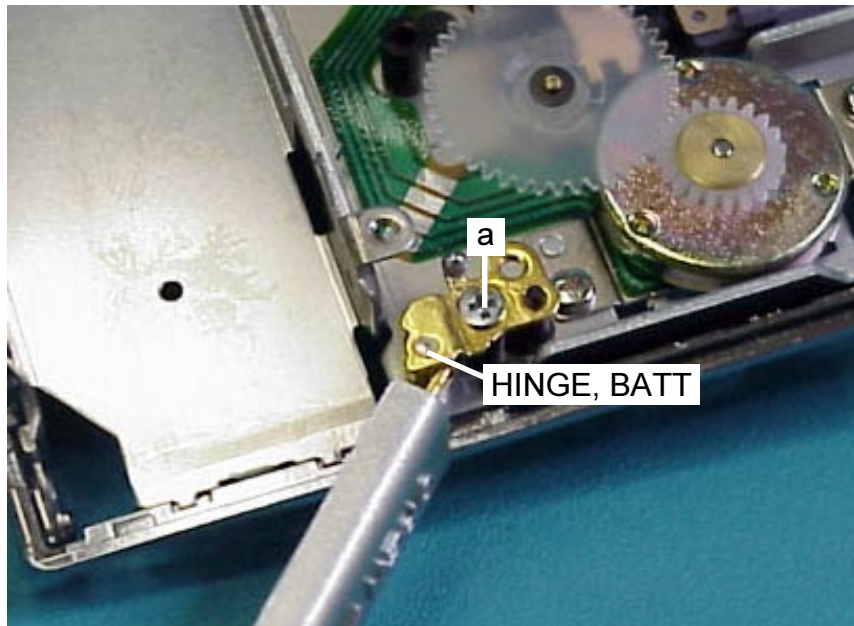
(3) Remove the screw at b, 3 screws at c and then take out PWB, MAIN.

\* Check that the 2 BOSS are inside the circuit board when assembling. Tighten the screw at b first.



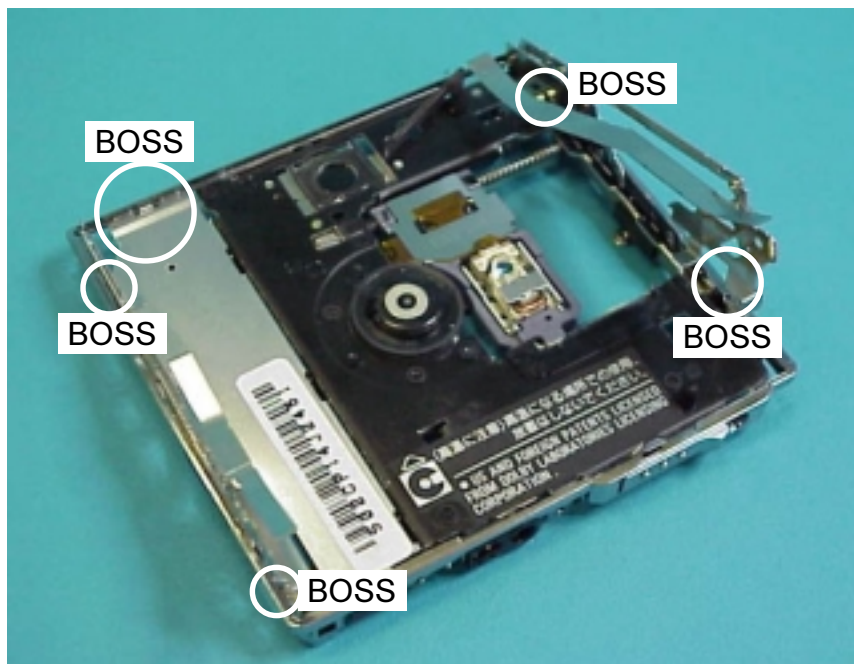
#### 4. How to remove the mechanism and FRAME, CENTER

(1) Remove the screw a and the HINGE, BATT.



(2) Remove the 5 BOSS and take out the mechanism.

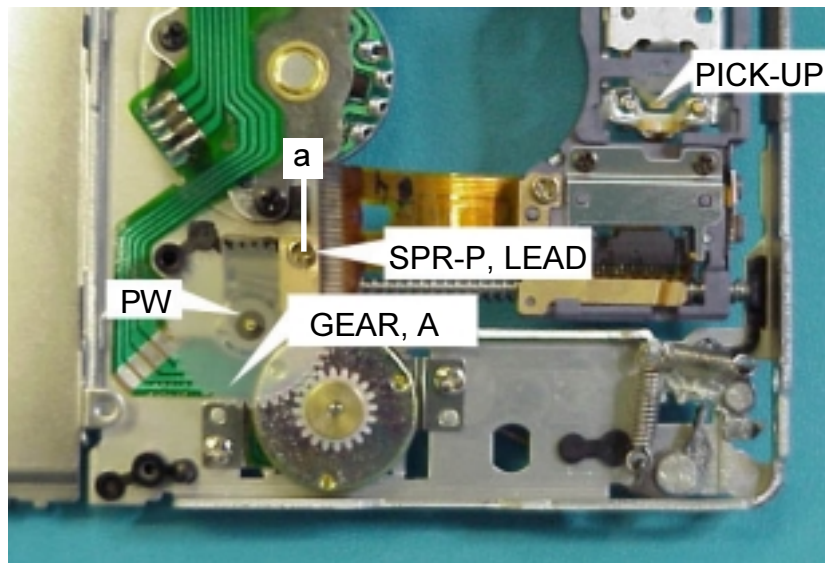
\* When assembling, make sure that all the BOSS are fixed.





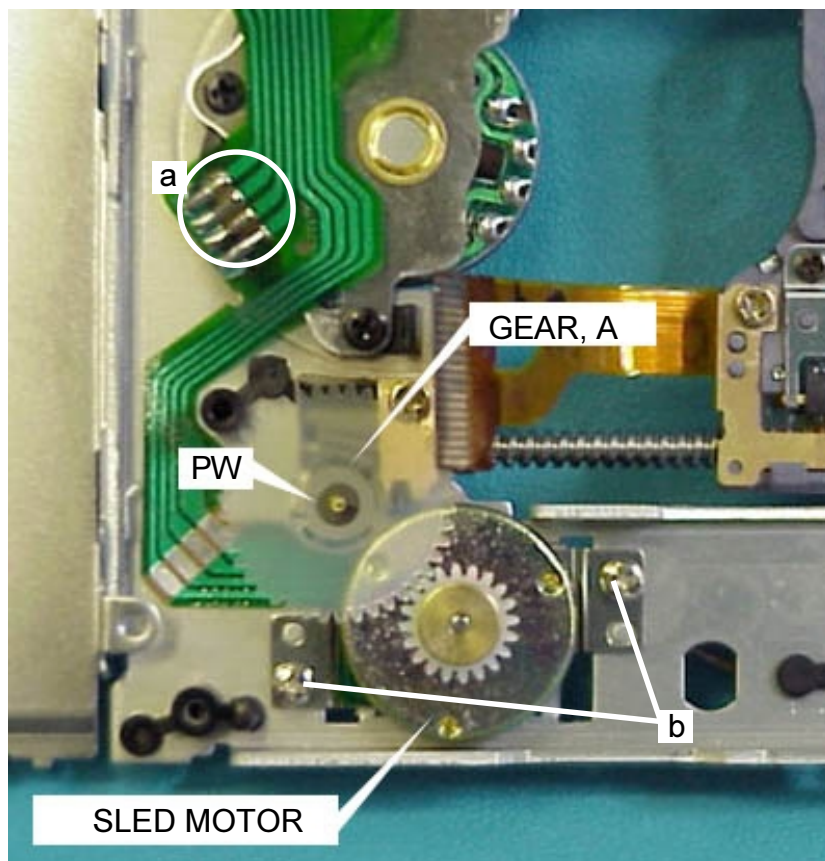
## 5. How to remove PICK-UP

- (1) Remove the poly washer PW and then GEAR, A.
- (2) Remove the screw a, and the SPR-P, LEAD.
- (3) Remove the shaft and PICK-UP together.



## 6. How to remove the SLED MOTOR

- (1) Remove the poly washer PW and then GEAR, A.
- (2) Remove the solder fixed at a.
- (3) Remove the 2 screws at b and the SLED MOTOR.

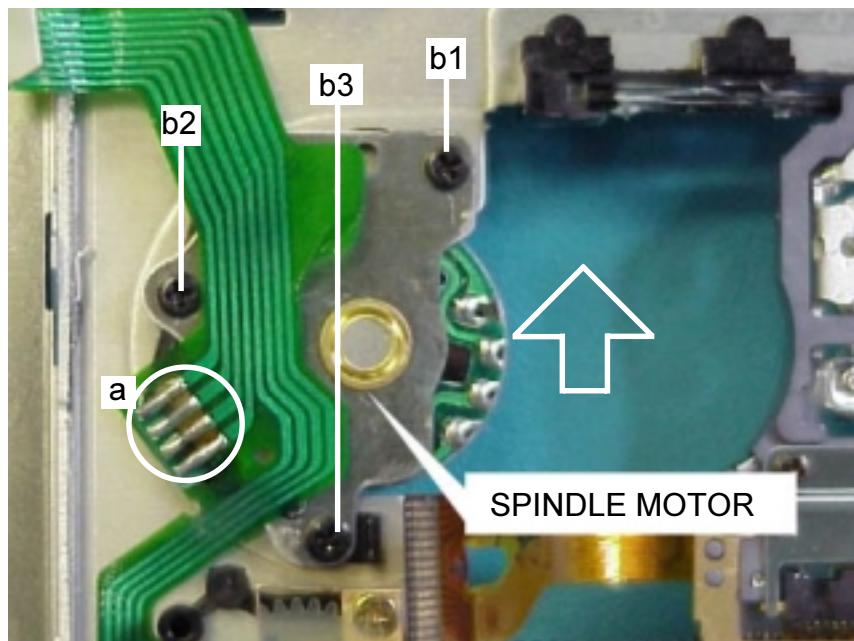


## 7. How to remove the SPINDLE MOTOR

(1) Remove the solder fixed at a.

(2) Remove the 3 screws at b1, b2 and b3 and SPINDLE MOTOR.

\* Follow the direction of the arrow to tighten the screws from b1 onwards to install the SPINDLE MOTOR.





# ELECTRICAL MAIN PARTS LIST

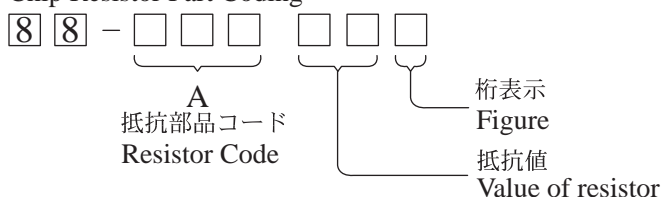
REF. NO.	PART NO.	KANRI NO.	DESCRIPTION	REF. NO.	PART NO.	KANRI NO.	DESCRIPTION
<b>IC</b>				C203	87-A10-758-080		C-CAP,V 3300P-50 K B
	87-A22-099-080		C-IC,LA9607T	C204	87-A10-671-080		C-CAP,V 0.022-16 K B
	87-A21-835-010		C-IC,LC896431	C206	87-A10-770-080		C-CAP,V 0.1-10 K B
	87-A21-526-010		C-IC,GM71VLS17403CTL-1	C208	87-A10-770-080		C-CAP,V 0.1-10 K B
	8B-HM4-603-010		C-IC,LC875164A-5V90	C209	87-A10-770-080		C-CAP,V 0.1-10 K B
	87-A22-051-040		C-IC,AK93C55BH				
	87-A21-038-040		C-IC,NJU7014R-TE2	C212	87-A11-049-080		C-CAP,U 1-6.3 K B
	87-A21-842-010		C-IC,CXA8110TQ	C213	87-A10-556-080		C-CAP,V 2200P-50 K B
	87-A22-057-080		C-IC,S-8328E20MC	C216	87-A10-770-080		C-CAP,V 0.1-10 K B
	87-A20-861-040		C-IC,S-80808ANNP	C300	87-A11-049-080		C-CAP,U 1-6.3 K B
	87-A21-566-040		C-IC,S-80820ANNP	C301	87-A10-561-080		C-CAP,V 0.01-16 K B
	87-017-596-080		C-IC,NJM2107F	C302	87-A10-561-080		C-CAP,V 0.01-16 K B
	87-A21-914-040		C-IC,XC6368B102MR	C303	87-A10-561-080		C-CAP,V 0.01-16 K B
	87-A21-341-040		C-IC,TA2131FL	C304	87-A10-561-080		C-CAP,V 0.01-16 K B
	87-A21-445-040		C-IC,TC7W66FK	C305	87-A11-170-080		C-CAP,S 4.7-6.3 K B
	87-A21-357-040		C-IC,AK4352VT	C306	87-A10-561-080		C-CAP,V 0.01-16 K B
				C307	87-A10-554-080		C-CAP,V 1000P-50 K B
				C308	87-A10-770-080		C-CAP,V 0.1-10 K B
				C400	87-A11-049-080		C-CAP,U 1-6.3 K B
				C401	87-A11-049-080		C-CAP,U 1-6.3 K B
				C402	87-A10-561-080		C-CAP,V 0.01-16 K B
<b>TRANSISTOR</b>				C403	87-A10-561-080		C-CAP,V 0.01-16 K B
	87-026-645-080		C-TR,DTC144EE	C404	87-A10-561-080		C-CAP,V 0.01-16 K B
	87-A30-147-080		C-TR,2SA1832GR	C405	87-A11-049-080		C-CAP,U 1-6.3 K B
	89-115-884-080		CHIP -TRANSISTOR 2SA1588Y	C406	87-A10-353-080		C-CAP,U0.22-10KB
	87-026-644-080		C-TR,DTA144EE	C407	87-A10-353-080		C-CAP,U0.22-10KB
	87-A30-604-080		C-FET,FDG311N				
	87-A30-261-080		C-FET,FDC633N	C408	87-A11-170-080		C-CAP,S 4.7-6.3 K B
	87-A30-606-080		C-FET,SSM6J06FU	C409	87-A10-591-080		C-CAP,TN 47-6.3 M F95-BCASE
	89-332-654-080		C-TR,2SC3265Y	C410	87-A10-902-080		C-CAP,U 0.47-10 K B
	87-A30-605-080		C-FET,SSM3K05FU	C411	87-A10-559-080		C-CAP,V 6800P-25 K B
	87-A30-634-080		C-FET,SSM3J05FU	C417	87-A11-170-080		C-CAP,S 4.7-6.3 K B
	87-026-524-080		C-TR,HN1C03FUB				
				C600	87-A11-806-080		C-CAP,TN 47U-6.3 M PSLB
<b>DIODE</b>				C601	87-A10-557-080		C-CAP,V 3300P-25 K B
	87-017-850-080		C-DIODE,DAP222	C602	87-A11-806-080		C-CAP,TN 47U-6.3 M PSLB
	87-A40-687-080		C-DIODE,M1FH3	C603	87-A10-770-080		C-CAP,V 0.1-10 K B
	87-A40-124-080		C-DIODE,RB501V-40	C604	87-A10-770-080		C-CAP,V 0.1-10 K B
				C606	87-A11-170-080		C-CAP,S 4.7-6.3 K B
				C607	87-A11-049-080		C-CAP,U 1-6.3 K B
				C608	87-A11-751-080		C-CAP,TN 22U-4 M P
				C609	87-A10-539-080		C-CAP,V 47P-50 J CH
				C610	87-A10-663-080		C-CAP,V 270P-25 J CH
				C611	87-A11-049-080		C-CAP,U 1-6.3 K B
				C613	87-A11-049-080		C-CAP,U 1-6.3 K B
				C614	87-A10-561-080		C-CAP,V 0.01-16 K B
				C701	87-A10-770-080		C-CAP,V 0.1-10 K B
				C702	87-A10-543-080		C-CAP,V 100P-50 J CH
				C703	87-A10-543-080		C-CAP,V 100P-50 J CH
				C704	87-A10-543-080		C-CAP,V 100P-50 J CH
				C705	87-A10-543-080		C-CAP,V 100P-50 J CH
				C706	87-A11-049-080		C-CAP,U 1-6.3 K B
				C707	87-A11-170-080		C-CAP,S 4.7-6.3 K B
				C708	87-A11-170-080		C-CAP,S 4.7-6.3 K B
				C709	87-A11-058-080		C-CAP,U 0.22-10 K B
				C710	87-A11-058-080		C-CAP,U 0.22-10 K B
				C711	87-A11-049-080		C-CAP,U 1-6.3 K B
				C712	87-A11-049-080		C-CAP,U 1-6.3 K B
				C713	87-A11-170-080		C-CAP,S 4.7-6.3 K B
				C715	87-A11-318-080		C-CAP,TN 220U-2.5 SVB2
				C716	87-A11-318-080		C-CAP,TN 220U-2.5 SVB2
				C717	87-A11-049-080		C-CAP,U 1-6.3 K B
				C720	87-A11-058-080		C-CAP,U 0.22-10 K B
				C721	87-A10-770-080		C-CAP,V 0.1-10 K B
				C722	87-A11-170-080		C-CAP,S 4.7-6.3 K B
				C723	87-A10-770-080		C-CAP,V 0.1-10 K B
				C724	87-A11-049-080		C-CAP,U 1-6.3 K B
				C725	87-A10-770-080		C-CAP,V 0.1-10 K B
				C726	87-A10-770-080		C-CAP,V 0.1-10 K B
				C728	87-A10-770-080		C-CAP,V 0.1-10 K B
				C729	87-A11-049-080		C-CAP,U 1-6.3 K B
				C750	87-016-449-080		C-CAP,TN 10-4 M S
				C751	87-A10-770-080		C-CAP,V 0.1-10 K B
<b>MAIN C.B</b>							
C101	87-A10-770-080		C-CAP,V 0.1-10 K B				
C102	87-A10-765-080		C-CAP,V 0.033-10 K B				
C103	87-A10-766-080		C-CAP,V 0.047-10 K B				
C104	87-A10-765-080		C-CAP,V 0.033-10 K B				
C105	87-A10-765-080		C-CAP,V 0.033-10 K B				
C106	87-A10-765-080		C-CAP,V 0.033-10 K B				
C107	87-A10-765-080		C-CAP,V 0.033-10 K B				
C108	87-A10-531-080		C-CAP,V 10P-50 D CH				
C109	87-A10-524-080		C-CAP,V 3.0P-50 C CH				
C110	87-A11-170-080		C-CAP,S 4.7-6.3 K B				
C111	87-A10-561-080		C-CAP,V 0.01-16 K B				
C112	87-A10-561-080		C-CAP,V 0.01-16 K B				
C113	87-A10-770-080		C-CAP,V 0.1-10 K B				
C114	87-A10-770-080		C-CAP,V 0.1-10 K B				
C115	87-A10-556-080		C-CAP,V 2200P-50 K B				
C116	87-A11-049-080		C-CAP,U 1-6.3 K B				
C117	87-A11-049-080		C-CAP,U 1-6.3 K B				
C118	87-A11-050-080		C-CAP,TN 47U-4 M F95 A				
C119	87-A11-049-080		C-CAP,U 1-6.3 K B				
C120	87-A10-770-080		C-CAP,V 0.1-10 K B				
C121	87-A11-170-080		C-CAP,S 4.7-6.3 K B				
C122	87-A10-561-080		C-CAP,V 0.01-16 K B				
C123	87-A10-554-080		C-CAP,V 1000P-50 K B				
C124	87-A10-554-080		C-CAP,V 1000P-50 K B				
C125	87-A10-770-080		C-CAP,V 0.1-10 K B				
C126	87-A11-058-080		C-CAP,U 0.22-10 K B				
C127	87-A11-049-080		C-CAP,U 1-6.3 K B				
C200	87-A10-770-080		C-CAP,V 0.1-10 K B				
C201	87-A11-170-080		C-CAP,S 4.7-6.3 K B				
C202	87-A10-770-080		C-CAP,V 0.1-10 K B				

REF. NO.	PART NO.	KANRI NO.	DESCRIPTION	REF. NO.	PART NO.	KANRI NO.	DESCRIPTION
C752	87-A11-170-080		C-CAP,S 4.7-6.3 K B	R616	87-A01-015-080		C-RES,V 560K-1/16W F
C753	87-A11-170-080		C-CAP,S 4.7-6.3 K B	R629	87-A01-013-080		C-RES,M/F V 220K-1/16W D
CN100	87-A61-315-080		C-CONN,20P H XF2L-2035	R630	87-A01-012-080		C-RES,M/F V 34K-1/16W D
CN401	87-A61-316-080		C-CONN,8P H XF2L-0835	R701	87-A91-879-080		C-F-BEAD, BK1608TS102
CN700	87-A61-317-080		C-CONN,8P H XF2L-0825	R702	87-A91-879-080		C-F-BEAD, BK1608TS102
D300	87-A40-556-080		C-LED,CL-270HR RED	R716	87-A91-879-080		C-F-BEAD, BK1608TS102
L100	87-A50-360-080		C-COIL, 47UH K NLF252018	R717	87-A91-878-080		C-F-BEAD, BK1608HS241
L101	87-003-245-080		C-COIL,2125 22UH K MLF2012	R718	87-A91-878-080		C-F-BEAD, BK1608HS241
L200	87-003-245-080		C-COIL,2125 22UH K MLF2012	R719	87-A91-878-080		C-F-BEAD, BK1608HS241
L300	87-005-769-080		C-COIL,2125 100UH K MLF2012	R723	87-A91-879-080		C-F-BEAD, BK1608TS102
L400	87-A50-475-080		C-COIL, 10UH K NLF201614	S300	87-A91-436-080		C-SW,PUSH 2-1-1 SPVE3.8
L401	87-A50-475-080		C-COIL, 10UH K NLF201614	S301	87-A92-166-080		C-SW,SL 1-1-2 HSW4512-31
L402	87-A50-475-080		C-COIL, 10UH K NLF201614	S302	87-A91-979-080		C-SW,TACT SOT-152HST
L403	87-A50-475-080		C-COIL, 10UH K NLF201614	S303	87-A91-979-080		C-SW,TACT SOT-152HST
L404	87-A50-537-080		C-COIL, 100UH C4-K3L	S304	87-A91-979-080		C-SW,TACT SOT-152HST
L405	87-003-245-080		C-COIL,2125 22UH K MLF2012	S305	87-A91-979-080		C-SW,TACT SOT-152HST
L600	87-A50-324-080		C-COIL,47UH C4-K3L	S306	87-A91-979-080		C-SW,TACT SOT-152HST
L601	87-A50-012-080		C-COIL,100UH LQH3C	X200	87-A70-343-080		C-VIB,CER 16.934MHZ CSTCE
L701	87-005-769-080		C-COIL,2125 100UH K MLF2012	X300	87-A70-212-080		C-VIB,3.00MHZ PBRC-B
L750	87-003-245-080		C-COIL,2015 22UH K MLF2012				
△ PR600	87-A91-769-080		C-PROTECTOR,0.75A ERY32SB075	FLEX JACK C.B			
△ PR601	87-A91-769-080		C-PROTECTOR,0.75A ERY32SB075				
R224	87-A92-239-080		C-F-BEAD, BLM10A102SG	J700	8A-HM5-602-110		PWB,FLEX JACK
R305	87-A00-756-080		C-RES,V 10K-1/16W F	J700	87-A60-682-010		JACK,3.5 ST 7P
R306	87-A00-759-080		C-RES,V 27K-1/16W F				
R331	87-A00-757-080		C-RES,V 12K-1/16W F				
R332	87-A00-758-080		C-RES,V 22K-1/16W F				
R334	87-A00-760-080		C-RES,V 68K-1/16W F				
R335	87-A00-755-080		C-RES,V 6.8K-1/16W F				
R615	87-A01-014-080		C-RES,V 330K-1/16W F				

チップ抵抗部品コード/CHIP RESISTOR PART CODE

チップ抵抗部品コードの成り立ち

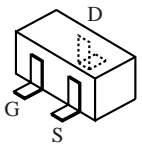
Chip Resistor Part Coding



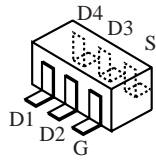
チップ抵抗  
Chip resistor

容量 Wattage	種類 Type	許容誤差 Tolerance	記号 Symbol	寸法/Dimensions (mm)			抵抗コード : A Resistor Code : A	
				外形/Form	L	W		t
1/16W	1005	± 5%	CJ		1.0	0.5	0.35	104
1/16W	1608	± 5%	CJ		1.6	0.8	0.45	108
1/10W	2125	± 5%	CJ		2	1.25	0.45	118
1/8W	3216	± 5%	CJ		3.2	1.6	0.55	128

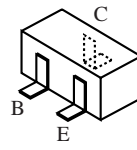
# TRANSISTOR ILLUSTRATION



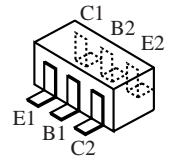
SSM3J05FU  
SSM3K05FU



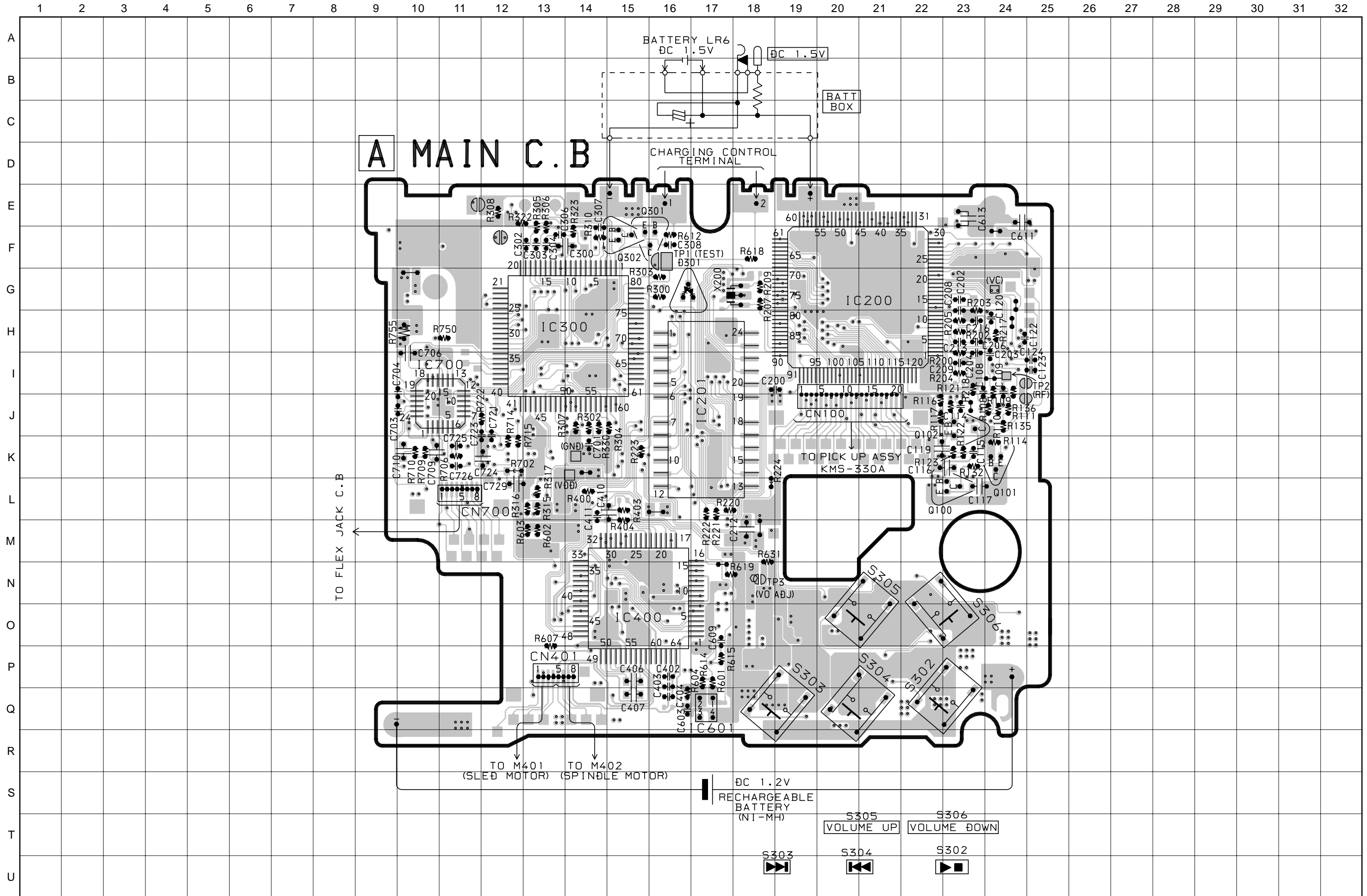
FDC633N  
FDG311N  
SSM6J06FU



2SA1588Y  
2SA1832GR  
2SC3265Y  
DTA144EE  
DTC144EE



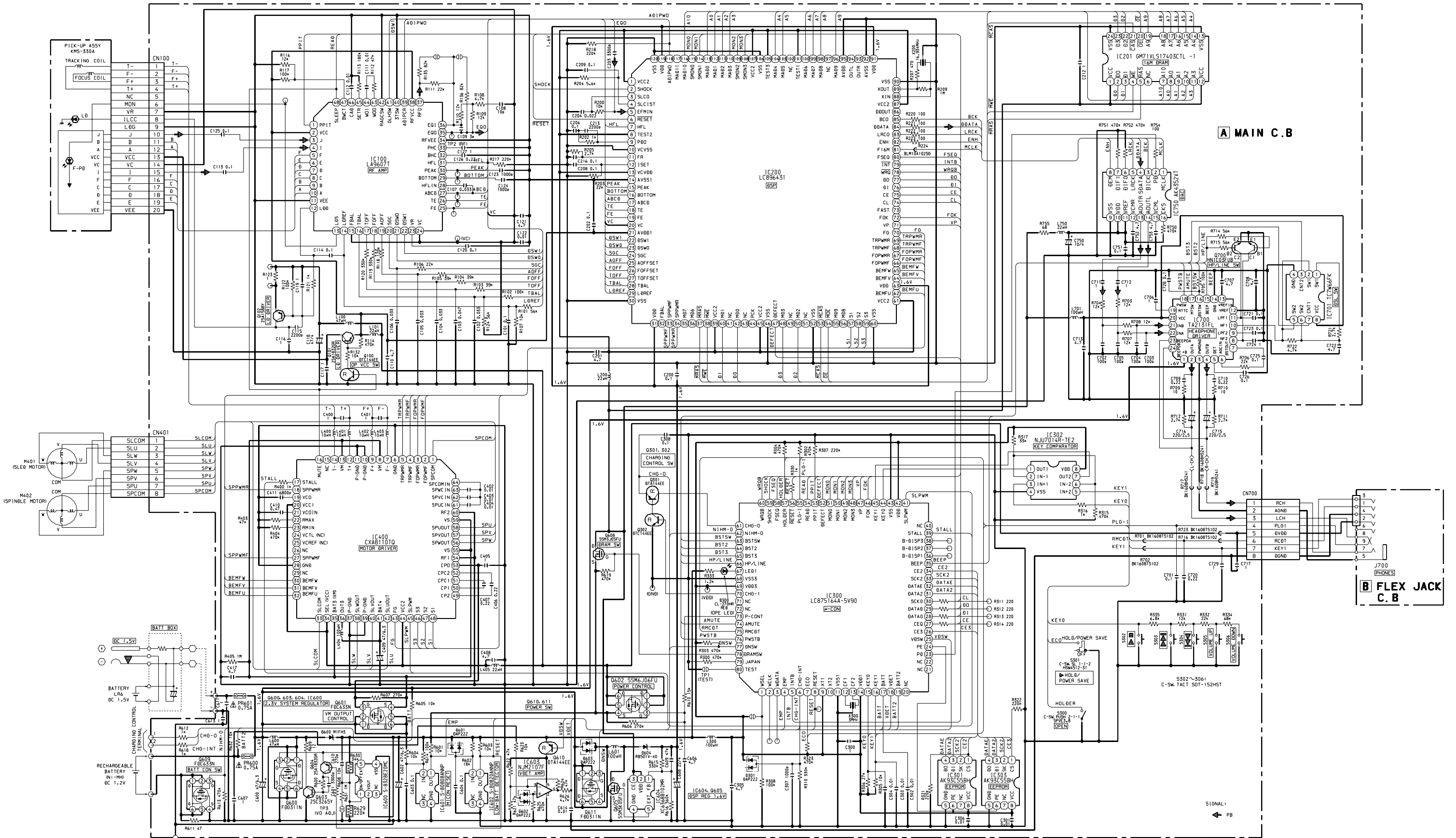
HN1C03FUB



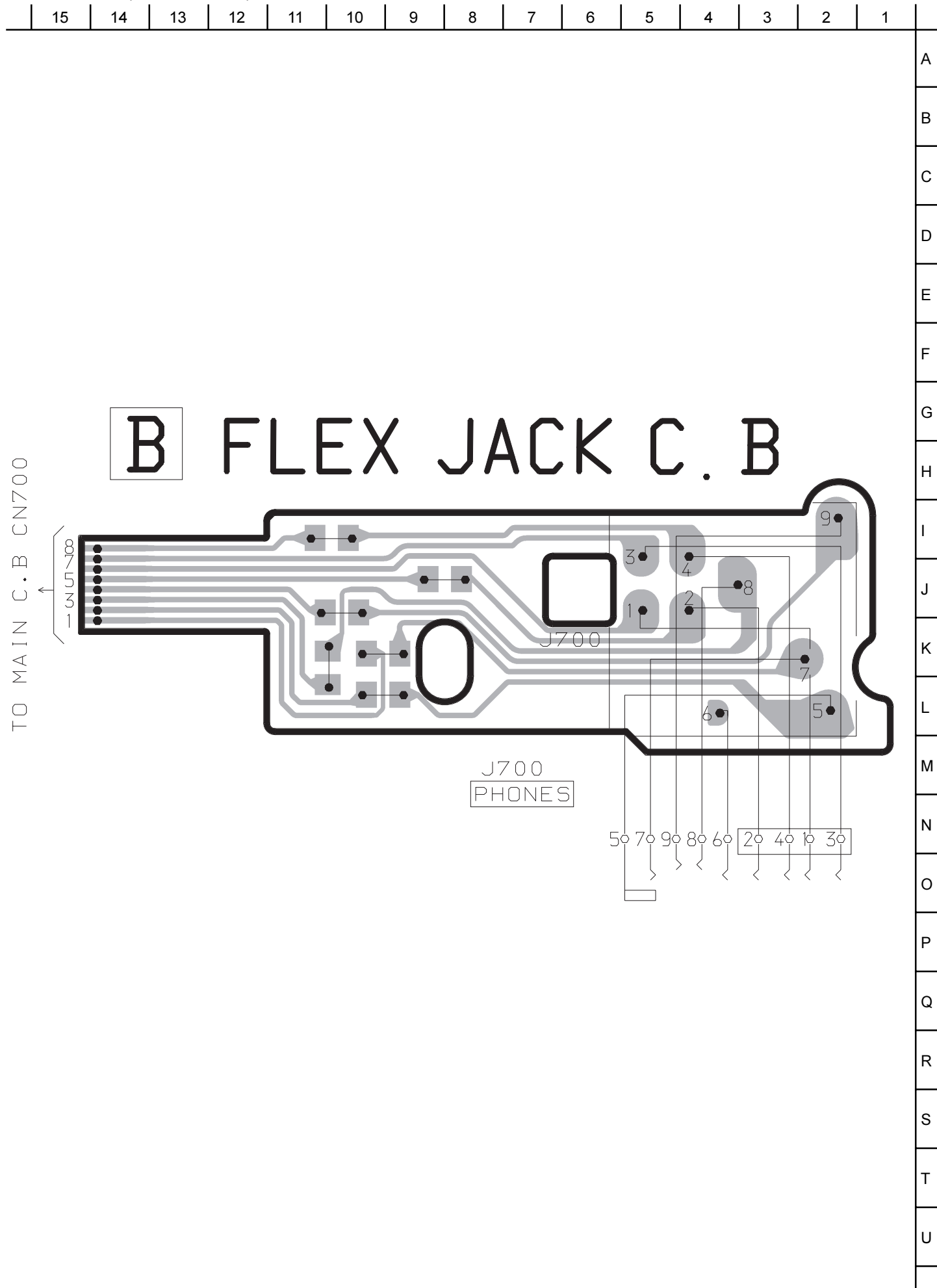




SCHEMATIC DIAGRAM (MAIN / FLEX JACK)

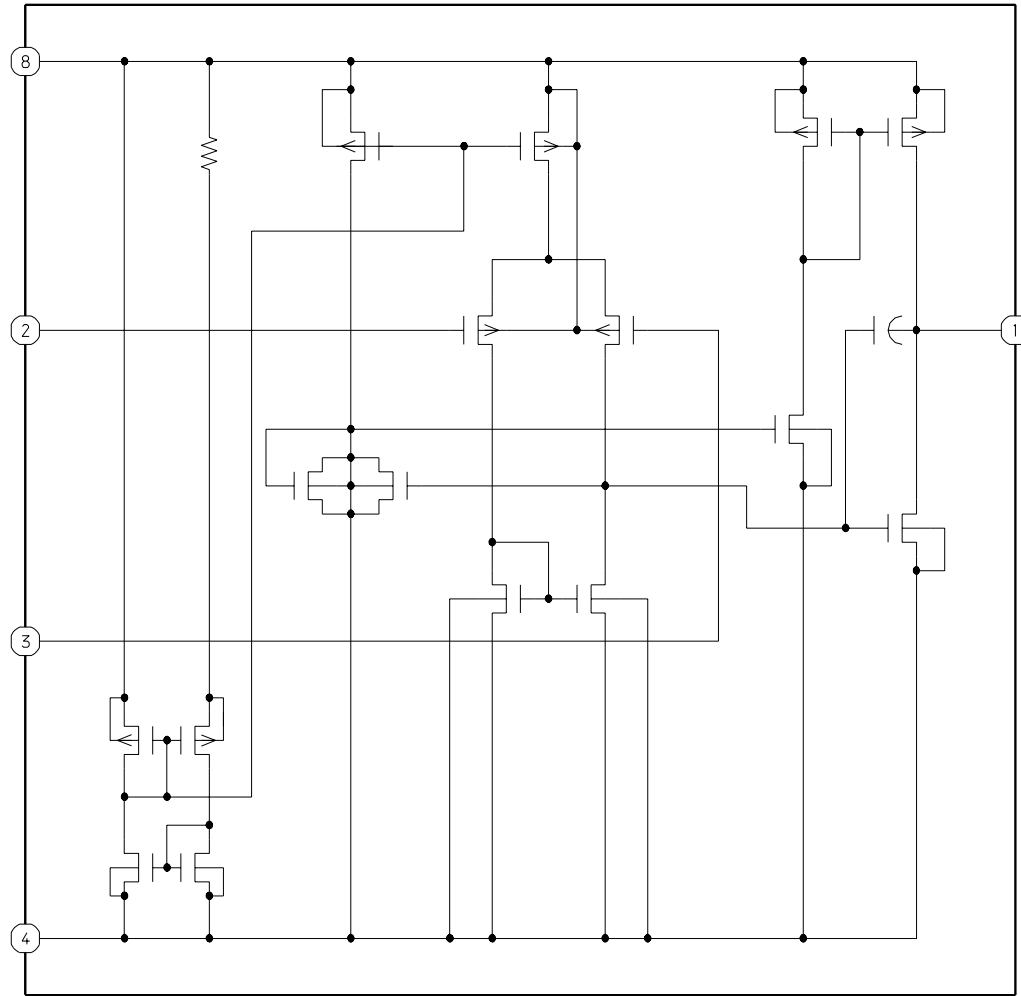


WIRING - 2 (FLEX JACK)

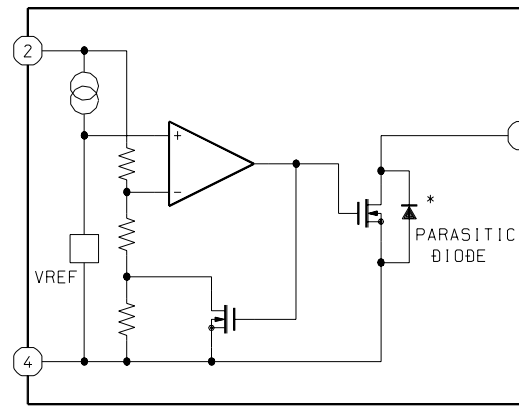


# IC BLOCK DIAGRAM

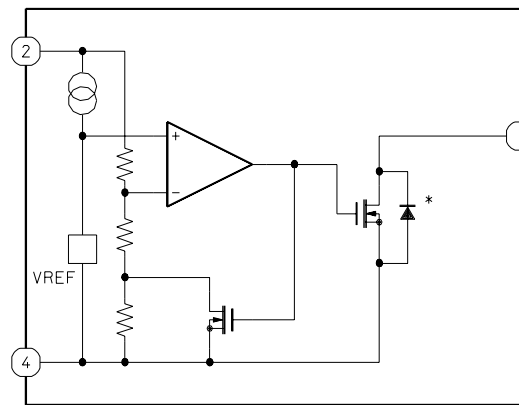
IC, NJU7014R-TE2



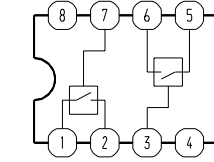
IC, S-80808ANNP



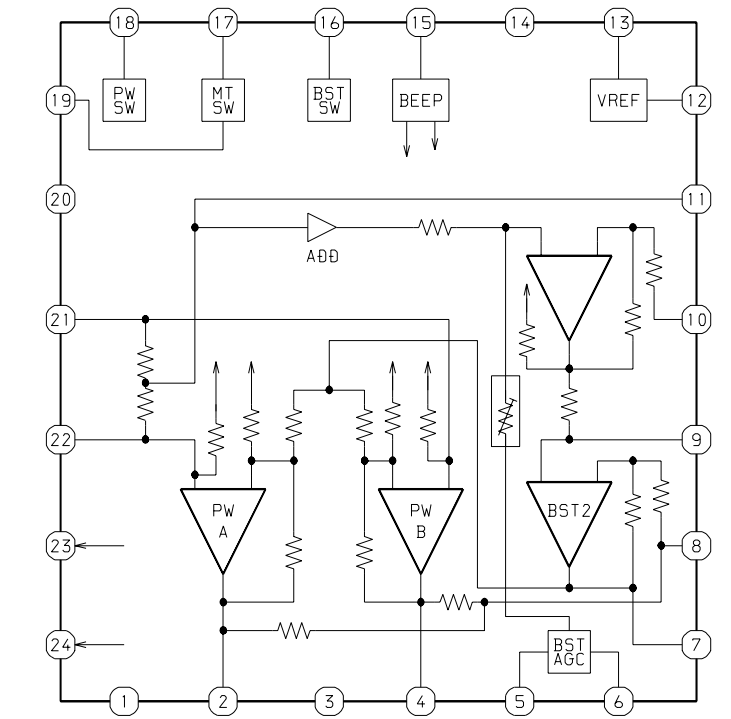
IC, S-80820ANNP



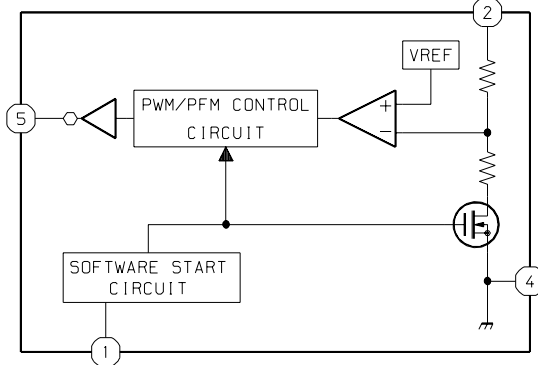
IC, TC7W66FK



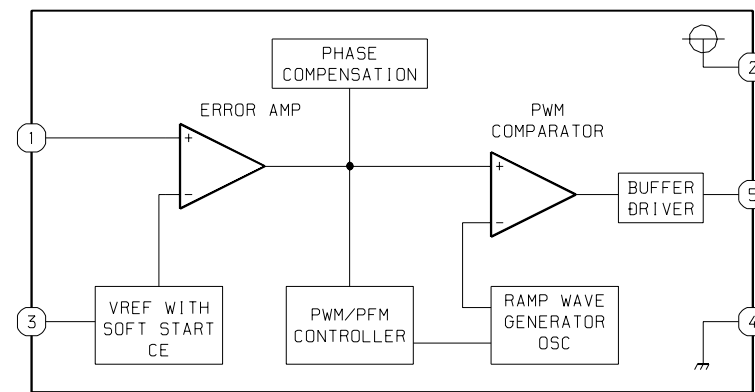
IC, TA2131FL



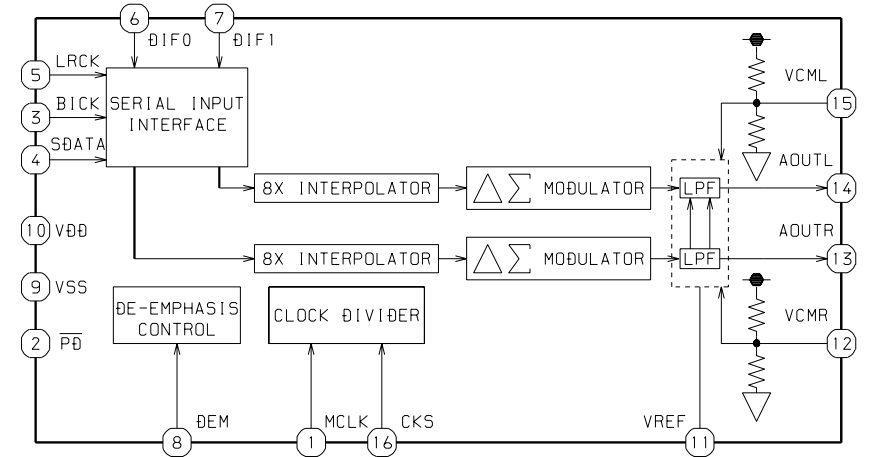
IC, S-8328E20MC



IC, XC6368B102MR



IC, AK4352VT



## IC DESCRIPTION

IC, LC875164A-5V90

Pin No.	Pin Name	I/O	Description
1	WSEL	O	Select signal terminal for writing flash memory (Normally "L" output).
2	WCLK	O	CLOCK terminal for writing flash memory (Normally "L" output). (Not used)
3	WDATA	O	DATA I/O terminal for writing flash memory (Normally "L" output). (Not used)
4	EMP	I	Electricity reduction interrupt input.
5	INTB	I	Interrupt request input from LC896431.
6	CHG-INT	I	Interrupt request input from battery charge stand loading cast (both edges).
7	ECO	I	Energy saving mode switch (interrupt feature possible).
8	RESET	I	Reset micro computer.
9	XT1	—	Connected to VDD.
10	XT2	—	Not used.
11	VSS1	—	Connected to GND.
12, 13	CF1, CF2	—	3MHz clock.
14	VDD1	—	Connected to VDD.
15	KEY0	I	Main unit KEY A/D input.
16	KEY1	I	Remote control KEY A/D input.
17	BATT	I	Power voltage A/D input.
18	VDET	I	For detecting $\Delta V$ during charging.
19	BATT2	I	Charged battery voltage A/D input.
20 ~ 22	NC	—	Not connected.
23	PD	O	External DAC power down control.
24	PE	O	EEPROM error writing prevention port ("L"= disable write).
25	VDSW	O	ON/OFF control output for $\Delta V$ detection amplifier. "L" turns ON. "H" turns OFF.
26	CE3	O	Chip select signal output of EEPROM (IC303).
27	CEQ	O	Chip select signal of LC896431.
28	DATA0	O	Serial data output to LC896431.
29	DATAD	I	Serial data input from LC896431.
30	SCK0	O	Serial clock output to LC896431.
31	DATA2	O	Serial data output to EEPROM.
32	DATAE	I	Serial data input from EEPROM.
33	SCK2	O	Serial clock output to EEPROM.
34	CE2	O	Chip select signal output of EEPROM (IC301).
35	BEEP	O	BEEP signal output.
36	B-DISP1	O	Battery remaining output 1. (Not used)
37	B-DISP2	O	Battery remaining output 2. (Not used)
38	B-DISP3	O	Battery remaining output 3. (Not used)
39	STALL	O	Power supply control output of motor driver.
40	NC	—	Not connected.
41	SLPWM	O	PWM output for VM control of motor driver.
42	VDD	—	Connected to VDD.
43	VSS	—	Connected to GND.
44	KEY0	I	Standby cancel signal input by the main unit KEY.
45	KEY1	I	Standby cancel signal input by remote control KEY.

Pin No.	Pin Name	I/O	Description
46	FOK	I	FOK signal input.
47	VP	I	VP (CLV servo lock check) signal input.
48	MON3	I	Monitor 3 signal input from LC896431.
49	MON2	I	Monitor 2 signal input from LC896431.
50	MON1	I	Monitor 1 signal input from LC896431.
51	MON0	I	Monitor 0 signal input from LC896431.
52	DEFECT	I	DEFECT signal input.
53	PPIT	I	PPIT signal input.
54	READ	O	Output "H" when reading data.
55	PLG-I	I	Insertion detection signal input of head phone jack ("L": inserted).
56	RESET	O	LC896431 reset signal output.
57	HOLDER	I	Holder OPEN ("H")/CLOSE ("L") signal input & standby release.
58	FSEQ	I	FSEQ signal input of LC896431.
59	SHOCK	I	SHOCK detection of LC896431.
60	WRQB	I	Signal input from LC896431.
61	CHG-O	O	Battery charge stand control output.
62	NIHM-O	O	Battery charge output.
63	BSTSW	O	Head phone amplifier bus boost ON/OFF switch (BST on with "H").
64	BST2	O	DSL 3 STEP switch output.
65	BST3	O	DSL 3 STEP switch output.
66	HP/LINE	O	Head phone amplifier/line switch output.
67	LED1	O	Operation LED control signal output (LED on with "H").
68	VSS3	—	Connected to GND.
69	VDD3	—	Connected to VDD.
70	CHG-1	O	Battery charge stand LED control output.
71, 72	NC	—	Not connected.
73	P-CONT	O	System power supply control ("L": turn on the power supply).
74	AMUTE	O	AUDIO MUTE signal output ("H": turn on MUTE).
75	RMCDT	O	Serial data output to liquid crystal remote controller.
76	PWSTB	O	Standby signal output of headphone driver ("L": standby).
77	DNSW	O	"L" when BATT is above 1.8V. "H" when CHGINT = "L".
78	DRAMSW	O	Power supply control output of DRAM ("L": turn on the power supply of DRAM).
79	JAPAN	I	Domestic/Overseas version switch input ("H": domestic).
80	TEST	I	Test mode/Main mode switch input ("L": test mode).



Pin No.	Pin Name	I/O	Description
1	VCC2	—	Power supply output.
2	SHOCK	O	SHOCK/RFNG output terminal.
3	SLCO	O	Slice level output terminal of HF signal.
4	SLCIST	I	Bias resistance terminal of slice level adjustment amplifier.
5	EFMIN	I	HF signal input terminal.
6	$\overline{\text{RESET}}$	I	System Reset.
7	HFL	I	Track detection signal input terminal.
8	TEST2	I	Test input terminal. (Connected to VCC)
9	PDO	O	Electric current charging pump output terminal of VCEC.
10	VCVSS	—	Ground terminal for VCEC.
11	FR	I	Bias resistance terminal of VCEC oscillation frequency.
12	ISSET	I	Bias resistance terminal of VCEC electric current charging pump.
13	VCVDD	—	Power supply terminal for VCEC.
14	AVSS1	—	Ground terminal for digital servo.
15	PEAK	I	PEAK signal input terminal.
16	BOTTOM	I	BOTTOM signal input terminal.
17	ABCD	I	Main beam light amount of signal input terminal.
18	TE	I	Tracking error signal input.
19	FE	I	Focus error signal input terminal.
20	VC	I	Intermediate electric potential input terminal.
21	AVDD1	—	Power supply terminal for digital servo.
22	DSW1	O	Disc mode switch output.
23	DSW0	O	Disc mode switch output.
24	SGC	O	AGC control signal output terminal.
25	AOFFSET	O	ABCD offset control signal output terminal.
26	FOFFSET	O	Focus offset control signal output terminal.
27	TOFFSET	O	Tracking offset control signal output terminal.
28	TBAL	O	Tracking balance control signal output terminal.
29	LDREF	O	Laser control signal output.
30	VSS	—	Ground terminal.
31	VDD	—	Internal power supply terminal.
32	FBAL	O	Focus balance control signal output terminal. (Not used)
33	SPPWMF	O	Spindle PWM output.
34	SPPWMR	O	Spindle PWM output.
35	MD7	I/O	Data input and output terminal to DRAM. (Not used)
36	MD6		
37	$\overline{\text{MRAS}}$	I/O	Data input and output terminal to DRAM.
38	$\overline{\text{MWE}}$	I/O	Data input and output terminal to DRAM.
39	VCC2	—	Power supply terminal.
40	MD1	I/O	Data input and output terminal to DRAM.
41	NC	O	Not connected.
42	MD0	I/O	Data input and output terminal to DRAM.

Pin No.	Pin Name	I/O	Description
43	NC	I/O	Not connected.
44	PCK	O	VCEC system clock signal output terminal. (Not used)
45	VCC2	—	Power supply terminal.
46	VSS	—	Ground terminal.
47	DEFECT	I/O	Defect signal input and output terminal.
48	MD3	I/O	Data input and output terminal to DRAM.
49	NC	I/O	Not connected.
50	MD2	I/O	Data input and output terminal to DRAM.
51	NC	I/O	Not connected.
52	VSS	—	Ground terminal.
53	$\overline{\text{MCAS}}$	O	Data input and signal output terminal to DRAM.
54	$\overline{\text{MOE}}$	O	Data input and signal output terminal to DRAM.
55	MD9	O	Data input and signal output terminal to DRAM. (Not used)
56	MD8		
57 ~ 59	S1 ~ S3	O	Sled PWM output terminal.
60	VSS	—	Ground terminal.
61	VCC2	—	Power supply terminal.
62	BEMFU	I/O	Sled control signal input and output terminal.
63	VDD	—	Internal power supply terminal.
64	BEMFV	I	Sled control signal input terminal.
65	BEMFW		
66	FOPWMF	O	Focus PWM output terminal.
67	FOPWMR	O	Focus PWM output terminal.
68	TRPWMF	O	Tracking PWM output terminal.
69	TRPWMR	O	Tracking PWM output terminal.
70	FG	I	Speed pulse input terminal.
71	VP	O	LCV servo lock recognition output.
72	FOK	O	Focus OK signal output terminal.
73	FAST	O	FAST signal output terminal. (Not used)
74	CL	I	Data transfer clock input terminal for CPU interface.
75	CE	I	Chip enable signal input terminal for CPU interface.
76	DI	I	Data input terminal for CPU interface.
77	DO	O	Data output terminal for CPU interface.
78	$\overline{\text{WRQ}}$	O	Interrupt signal output terminal for CPU interface.
79	$\overline{\text{INT}}$	O	Interrupt signal output terminal for CPU interface.
80	FSEQ	O	Frame period detection signal output.
81	F16M	I	16.934 MHz input terminal.
82	ENH	O	De-emphasis indicator output.
83	LRCO	O	LR clock output.
84	DDATA	O	Expanded audio data output.
85	BCO	O	Bit clock output.
86	DDOUT	O	Digital audio output. (Not used)

Pin No.	Pin Name	I/O	Description
87	VCC2	—	Power supply terminal.
88	XIN	I	16.934 MHz oscillator circuit input.
89	XOUT	O	16.934 MHz oscillator circuit output.
90	VSS	—	Ground terminal.
91	VDD	—	Internal power supply terminal.
92	AVSS	O	1 bit DAC ground.
93	OUTR	O	1 bit DAC Right channel output. (Not used)
94	OUTL	O	1 bit DAC left channel output. (Not used)
95	AVDD	O	1 bit DAC power supply.
96	MAD9	O	DRAM address output.
97	NC	I/O	Not connected.
98	MAD8	O	Address output terminal to DRAM.
99	MAD7	O	Address output terminal to DRAM.
100	MAD6	O	Address output terminal to DRAM.
101	TEST1	I	Test input terminal. (Connected to VCC)
102	NC	I/O	Not connected.
103	MAD5	O	Address output terminal to DRAM.
104	MAD4	O	Address output signal to DRAM.
105	TEST3	I	Test input terminal. (Connected to VCC)
106	VSS	—	Ground terminal.
107	VCC2	—	Power supply terminal.
108	SMON3	O	Monitor signal output.
109	SMON2	O	Monitor signal output.
110	MAD3	O	Address output terminal to DRAM.
111	MAD2	O	Address output terminal to DRAM.
112	MAD1	O	Address output terminal to DRAM.
113	MAD0	O	Address output terminal to DRAM.
114	SMON1	O	Monitor signal output.
115	SMON0	O	Monitor signal output.
116	MAD10	O	Address output terminal to DRAM.
117	MAD11	O	Address output terminal to DRAM. (Not used)
118	ADIPWO	I	Wobble signal input terminal.
119	VDD	—	Internal power supply terminal.
120	VSS	—	Ground terminal.

Pin No.	Pin Name	I/O	Description
1	PPIT	O	Pit/group identification signal output. Hi= pit, Lo= group.
2	VCC	—	Power supply pin of matrix system.
3	J	I	Photo diode connection pin of pickup. Form RF signal with I pin.
4	I	I	Photo diode connection pin of pickup. Form RF signal with J pin.
5	F	I	Photo diode connection pin of pickup. Form TE signal with E pin.
6	E	I	Photo diode connection pin of pickup. Form TE signal with F pin.
7	D	I	Photo diode connection pin of pickup. It forms FE signal, ABCD signal, and WOO signal.
8	C	I	
9	B	I	
10	A	I	
11	VEE	—	Ground pin of matrix system.
12	LDD	O	APC circuit output pin.
13	LDS	I	APC circuit input pin.
14	LDREF	I	Input pin for laser power setting.
15	FBAL	I	F balance adjustment pin. (Connected to VC)
16	TBAL	I	EF balance adjustment pin.
17	TOFF	I	Offset adjustment pin of TE signal.
18	FOFF	I	Offset adjustment pin of FE signal.
19	AOFF	I	Offset adjustment pin of ABCD signal.
20	SGC	I	VCA gain control pin.
21	DSW0	I	Disc mode setting pin. Hi= Disc with low reflectance, Lo= Disc with high reflectance. Laser OFF when DSW0 and DSW1 are Lo.
22	DSW1	I	Disc mode setting pin. Hi= Track in pit line, Lo= Track in group. Laser OFF when DSW0 and DSW1 are Lo.
23	VR	—	By-pass capacitor connection pin for 1/2 VCC.
24	VC	O	1/2 VCC output pin.
25	FE	O	Focus error signal output pin.
26	TE	O	Tracking error signal output pin.
27	ABCD	O	Main beam light amount signal output pin.
28	HFLIN	I	HEL signal forming pin in group mode.
29	BOTTOM	O	Bottom signal output pin of RF signal.
30	PEAK	O	Peak signal output pin of RF signal.
31	HFL	O	HFL signal (track ON/OFF) output pin.
32	BHC	—	Connected to VEE via capacitor.
33	PHC	—	Connected to VEE via capacitor.
34	RFVEE	—	Ground pin of RF system. (Connected to VEE)
35	EQO	O	RF equalizer output pin.
36	EQI	I	RF equalizer input pin.
37	RFO	O	RF signal output pin.
38	RFVCC	—	Power supply pin of RF system. (Connected to VCC)
39	ADIPCR	O	ADIP carrier signal output pin.

Pin No.	Pin Name	I/O	Description
40	3TSW	—	RF3T filter switch pin for focus balance. 3TSW= 3T extraction with Hi. (Connected to VEE)
41	GLHSW	—	RF, servo system gain 6dB down switch pin in ROM. GLHSW= 6dB down with Hi.
42	RAGCSW	—	RFAGC ON/OFF switch pin. RFAGC= Lo: AGC on, RFAGC= Hi : AGC off. (Connected to VEE).
43	WOO	O	Wobble signal output pin.
44	WOI	I	Wobble signal input pin.
45	SETR	I	Band pass filter setting pin.
46	CAD	—	Capacitor connection pin of wobble signal for DC cut.
47	BWCT	I	Band pass filter switch pin of wobble signal.
48	SLEEP	I	Sleep mode. SLEEP= Hi; Power ON, SLEEP= Lo; Power OFF.



IC, CXA8110TQ

Pin No.	Pin Name	I/O	Description
1	SPCOM	I	Spindle motor common voltage detection terminal.
2	FOPWMF	I	H bridge 1 forward input terminal.
3	FOPWMR	I	H bridge 1 reverse input terminal.
4	TRPWMF	I	H bridge 2 forward input terminal.
5	TRPWMR	I	H bridge 2 reverse input terminal.
6	GND	—	GND terminal of MOS circuit part.
7	F –	O	H bridge 1 reverse output terminal.
8	VM	—	H bridge 1 output part power supply terminal.
9	F +	O	H bridge 1 forward output terminal.
10, 11	P – GND	—	Individual output part GND terminal.
12	T +	O	H bridge 2 forward output terminal.
13	VM	—	H bridge 2 output part power supply terminal.
14	T –	O	H bridge 2 reverse output terminal.
15, 26, 29	NC	—	Not connected.
16	MUTE	—	H bridge 1, 2 and 3 phase sled, half bridge mute terminal.
17	STALL	—	Start/stop terminal.
18	SPPWMR	—	Brake terminal
19	VCO	—	VCO oscillation frequency setup terminal.
20	VCC1	—	Power supply terminal for all except output part.
21	VCOIN	—	VCO oscillation frequency control terminal.
22	RMAX	—	VCO highest oscillation frequency setup terminal.
23	RMIN	—	VCO lowest oscillation frequency setup terminal.
24	VCTL (NC)	—	Speed control terminal. (Not used)
25	VCREF (NC)	—	Speed control standard voltage terminal. (Not used)
27	SPPWMF	I	PWM signal input terminal.
28	GND	—	GND terminal of bipolar circuit part.
30	BEMFW	O	Sled motor comparator output terminal.
31	BEMFV		
32	BEMFU		
33	SLCOM	I	Sled motor common voltage detection terminal.
34	SEL (VCC)	—	Digital input/analog input switch terminal. (Connected to VCC)
35	BAT3 (VM)	—	Sled motor PWM part power supply terminal. (Connected to VM)
36	OUT3	O	Sled motor PWM part output terminal. (Connected to BAT4 through an inductor)
37	P – GND	—	Sled motor PWM part GND terminal.
38	SLWOUT	O	Sled motor power output terminal.
39	P – GND	—	Sled motor output phase GND terminal.
40	SLVOUT	O	Sled motor power supply output terminal.
41	BAT4	—	Sled motor output part power supply terminal.
42	SLUOUT	O	Sled motor power supply output terminal.
43	FG	O	FG pulse output terminal.
44	VCC2	—	Power supply terminal for all except output part. (Connected to VCC)

Pin No.	Pin Name	I/O	Description
45	SLPWM	I	Sled motor PWM input terminal.
46	S3	I	Sled motor decoder input terminal 3.
47	S2	I	Sled motor decoder input terminal 2.
48	S1	I	Sled motor decoder input terminal 1.
49	CP2	—	Connecting terminal to 2nd phase capacitor of charge pump.
50	CP1	—	Connecting terminal to 1st phase capacitor of charge pump.
51	CPC1		
52	CPC2	—	Connecting terminal to 2nd phase capacitor of charge pump.
53	CPO	—	Connecting terminal to last phase capacitor of charge pump.
54	RF1	I	Spindle motor electric current detection terminal. (Connected to GND)
55, 59	VS	—	Spindle motor drive power supply terminal. (Connected to VM)
56	SPWOUT	O	Spindle motor power supply output terminal.
57	SPVOUT		
58	SPUOUT		
60	RF2	I	Spindle motor electric current detection terminal. (Connected to GND)
61	SPUCIN	I	Spindle motor counter electromotive voltage detection terminal.
62	SPVCIN		
63	SPWCIN		
64	SPCOMIN		

# MD TEST MODE

## Test Mode

The operations are displayed by LCD of the remote controller. The keys of the main unit and remote controller can control shifts between operations.

- \* TEST MODE will ignore any abnormalities during operation. Plug off the power supply once any abnormalities are detected.
- \* HOLD switch of the remote controller will function in TEST MODE.

## Test Mode

1. How to activate and cancel Test Mode
  - (1) How to activate  
Turn ON the power supply (set batteries) while pressing “VOL –” keys of both the main unit and remote controller. Once Test Mode is activated, LCD will all light up and EL backlight will be turned ON. Then it displays “Engineer MODE”.
  - (2) How to cancel  
Turn off the power supply to cancel Test Mode.

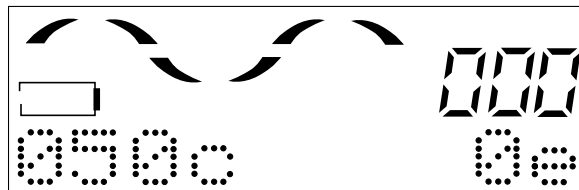


LCD Display when Test Mode is activated

## 2. TEST MODE operations

There are 0~13 (00~0d) Test Modes, which are in the order of playback operations. These modes may be selected using VOL+/- keys, while they can be started or stopped by pressing PLAY key. If a Test Mode is selected, a data will be displayed in “\$XXXX”.

\* The values displayed in “\$XXXX” are just IC internal data and their numerical values are of no significance (except for that of No. 0, 13). If any abnormalities were detected during the operation, it displays “Failed”.



Example of Mode Display

No.	LCD Display		Contents
0	00	050c Xe	ALL SV ON (EEPROM data)
1	01	VC \$XXXX	VC offset
2	02	ABCD \$XXXX	ABCD input offset
3	03	FE \$XXXX	Focus Error offset
4	04	TE \$XXXX	Tracking Error offset
5	05	FOCUS CHK	Focus search (Focus servo OFF) Spindle Rough Servo
6	06	FOCUS SRCH FOCUS ON!	Focus search, Spindle rough servo Focus servo ON during DISC IN
7	07	Laser \$XX	Laser power adjustment value
8	08	ABCD G \$XX	ABCD AGC
9	09	EF \$XXXX	Traverse adjustment value
10	0A	FG \$XXXX	Focus Gain adjustment value
11	0B	TG \$XXXX	Tracking Gain adjustment value
12	0C	FB \$XXXX	Focus Bias adjustment value
13	0D	050c Xe	ALL SERVO ON (Operate all of 1-12)

(1) Checking Laser Power

Laser Power can be checked in Mode No. 7.

The display will repeat the string of OFF → PIT Laser Power → GRV Laser Power → OFF every time DISP/SEARCH key of the remote controller is pressed.

\* Laser will not be luminescent.

• LCD Display

PIT Laser Power "LDPP \$XX"

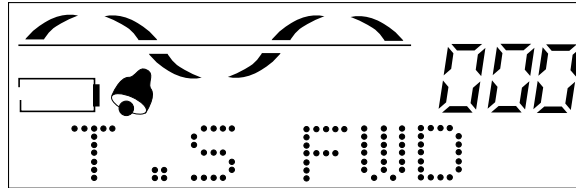
GRV Laser Power "LDPG \$XX"

(2) Checking Sled Operation

Sled operation can be checked between Mode No. 0,5~12.

Press F-SKIP to shift the pick-up towards the external circumference.

Press B-SKIP to shift the pick-up towards the internal circumference.

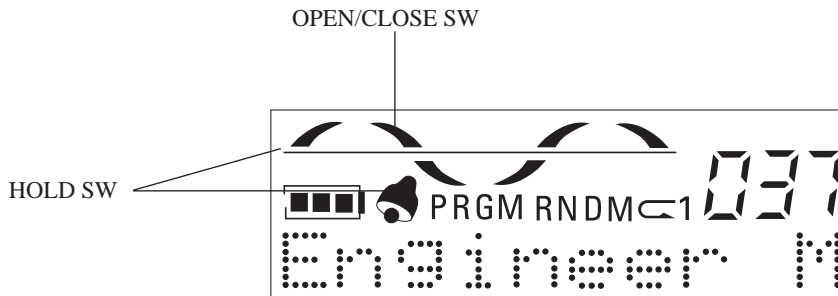


(3) Checking Switch Operation

OPEN/CLOSE SW and HOLD SW on a disc holder can be checked on LCD of the remote controller.

• Light up when the disc holder is closed.

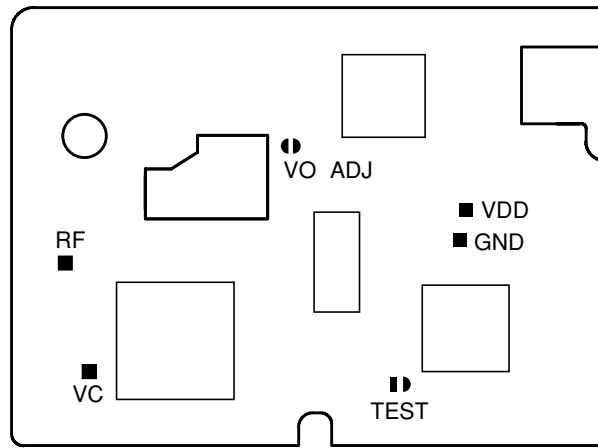
• Alarm mark will light up when HOLD SW on the main unit is turned ON. It does not display HOLD SW of the remote controller.



# ADJUSTMENT

## 1. Adjustment Mode

Operations in Adjustment Mode can be checked on the LCD of the remote controller.



MAIN circuit board Test Points

### (1) Preparation

Disc to be used

- PIT disc (pre-mastered disc): TEST DISC (TGYS1 or TDYS-1)
- GRV disc (MO disc): SONY MDW-74 (fully recorded)

Measuring device

- Digital Multimeter
- Direct current regulation power supply (REGULATED DC POWER SUPPLY)
- Oscilloscope

### (2) Note

- If a disc had any stains or scars on, the adjustment may not be completed.
- Always place the main unit with its cassette cover upward for adjustment.
- Do not make any manual adjustment.
- If the adjustment is incomplete, it displays "NO ADJ" during normal operation.

### (3) Prohibitions

Do not press DSL key of the remote controller. If it was pressed, the mode will change to factory shipment mode.

If any data is changed in this mode, the unit will not be able to function normally.

If accidentally change into this mode, initialize EEPROM and re-do all the adjustments.

## 2. Adjustment Procedure

### (1) How to activate adjustment mode

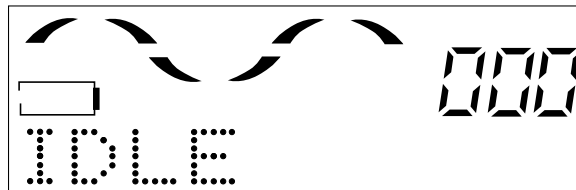
Turn ON the power (set 1.30V batteries terminal) while shorting TEST of the main circuit board. Once adjustment mode is activated, LCD will all light up and EL backlight will be turned ON. Then it displays "Manufacture MODE".



- (2) Using the multimeter, measure the DC voltage between VDD-GND of the test point.  
Check that the voltage between VDD-GND is more than 2.3V.  
If it has not reached 2.3V, short the VO ADJ. of the test point with the solder.

### (3) EEPROM Initialization

Press the "DISPLAY" key. "EP INT OK" appears on the display.  
Press "PLAY/STOP" key to display "IDLE".



### (4) PIT disc (TEST DISC: TGYS1 or TDYS-1)

Press "F-SKIP" and "B-SKIP" keys to shift the pick-up towards the centre.  
Insert the disc and press "PLAY/STOP" key. (Make sure the top panel is upward)  
LCD of the remote controller will be displayed "AUTO ADJ H" first, then "COMPLETE".  
Press "PLAY/STOP" key again to display "IDLE".

\* If it displayed "Failed" during adjustment, it means that some abnormalities are detected and the operation is terminated.

### (5) GRV disc (SONY MDW-74)

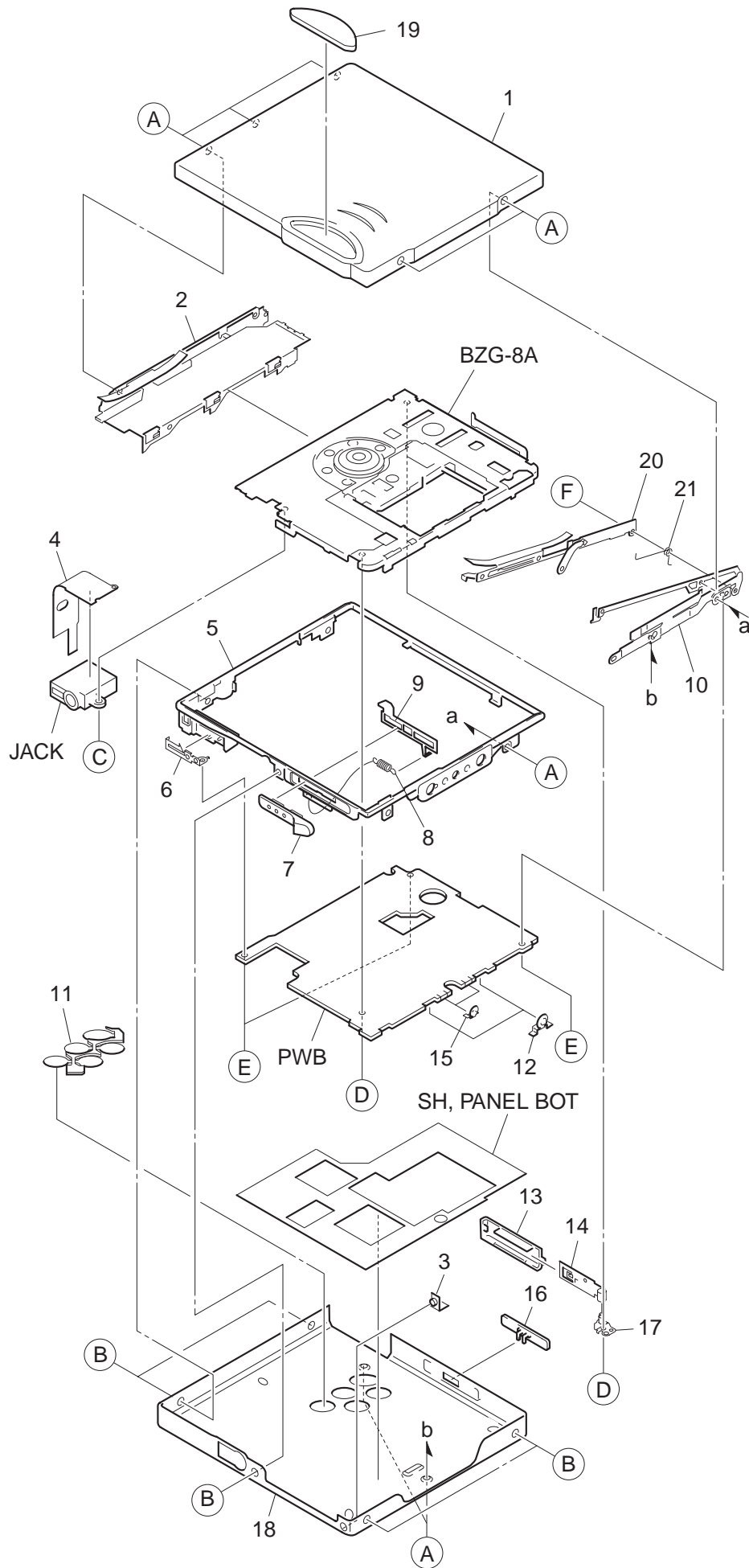
Insert the disc and press "PLAY" key. (Check the facing direction of the set)  
LCD of the remote controller will be displayed "AUTO ADJ L" first, then "COMPLETE".  
Press "PLAY/STOP" key again to display "IDLE".

\* If it displayed "Failed" during adjustment, it means that some abnormalities are detected and the operation is terminated.

### (6) Checking RF Level and Error Rate

TEST DISC: Insert TGYS1 or TDYS-1.  
Press "—" key, display "032c 00e" and playback.  
Make sure if the error rate is below "50e".  
Check the RF waveform (TP3) with an oscilloscope and it is within the  $1.0 \pm 0.2V$  p-p.  
Press "PLAY/STOP" key to display "IDLE".  
Press "+" key of the remote controller. Display "600c 00e" and playback.  
Make sure if the error rate is below "60e".

MECHANICAL EXPLODED VIEW 1 / 1



# MECHANICAL PARTS LIST 1 / 1

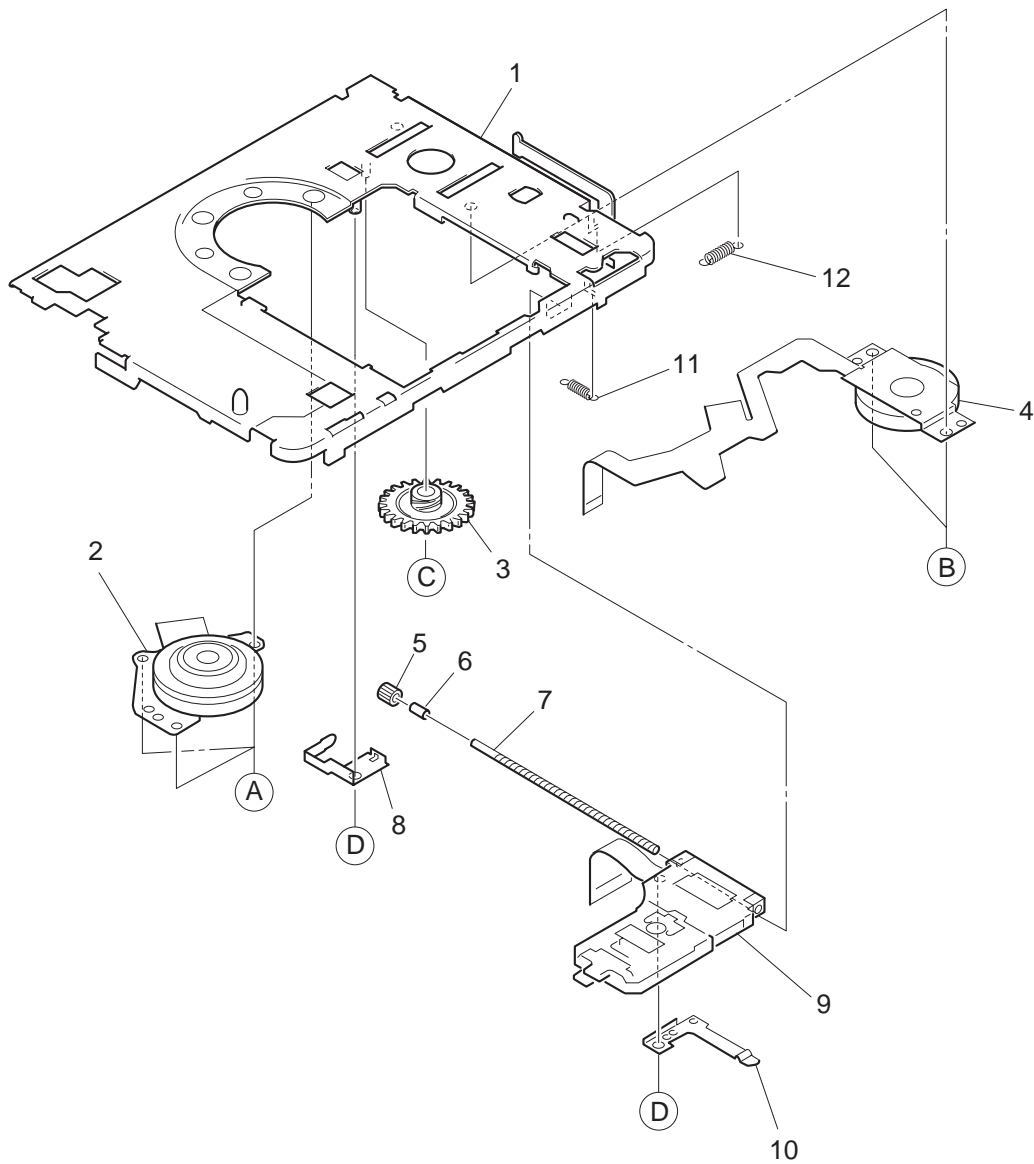
REF. NO.	PART NO.	KANRI NO.	DESCRIPTION
1	8B-HM4-001-110		PANEL ASSY, TOP<AHK1S>
1	8B-HM4-018-110		PANEL ASSY, TOP L<AHK1L>
2	8B-HM4-205-010		BOX ASSY, BATT
3	8B-HM4-009-010		LENS, OPE
4	8A-HM5-602-110		PWB, FLEX JACK
5	8B-HM4-004-010		FRAME, CENTER
6	8A-HM5-216-010		BAT-CONTACT, -
7	8B-HM4-007-010		KNOB, SL EJECT
8	8A-HM3-217-110		SPR-E, EJECT
9	8B-HM4-209-010		PLATE, EJECT
10	8B-HM4-201-010		FRAME ASSY, R
11	8B-HM4-006-010		KEY, CONT MAIN
12	8B-HM4-212-010		BAT-CONTACT, EX
13	8B-HM4-005-010		LID, BATT<AHK1S>
13	8B-HM4-021-010		LID, BATT L<AHK1L>
14	8A-HM5-210-010		HINGE ASSY, BATT
15	8B-HM4-213-010		BAT-CONTACT, DIST
16	8B-HM4-008-010		KNOB, SL HOLD<AHK1S>
16	8B-HM4-022-010		KNOB, SL HOLD L<AHK1L>
17	8A-HM5-213-010		BAT-CONTACT ASSY, +
18	8B-HM4-003-010		PANEL, BOT<AHK1S>
18	8B-HM4-020-010		PANEL, BOT L<AHK1L>
19	8B-HM4-010-010		PLATE, DECO<AHK1S>
19	8B-HM4-012-010		PLATE, DECO C<AHK1L>
20	8B-ZG8-228-010		HLDR ASSY, CTRG R
21	8B-HM4-210-110		SPR-T, OPEN
A	87-HM1-243-010		S-SCREW, 1.4-1.4CRNL
B	8A-HM5-221-010		S-SCREW, 1.4-1.8 CR N
C	8A-HM3-233-010		S-SCREW, +1.4-3.5 N
D	8A-HM3-222-010		S-SCREW, +1.4-3.0 CR
E	87-078-186-010		SCRW-SR, 1.4-1.8 CR L
F	87-B10-152-010		W-P, 0.83-2.0-0.25 C

## COLOR NAME TABLE

Basic color symbol	Color	Basic color symbol	Color	Basic color symbol	Color
B	Black	C	Cream	D	Orange
G	Green	H	Gray	L	Blue
LT	Transparent Blue	N	Gold	P	Pink
R	Red	S	Silver	ST	Titan Silver
T	Brown	V	Violet	W	White
WT	Transparent White	Y	Yellow	YT	Transparent Yellow
LM	Metallic Blue	LL	Light Blue	GT	Transparent Green
LD	Dark Blue	DT	Transparent Orange	GM	Metallic Green
YM	Metallic Yellow	DM	Metallic Orange	PT	Transparent Pink
LA	Aqua Blue	GL	Light Green	HT	Transparent Gray
HM	Metallic Gray	NH	Champagne Gold	M	Wood Pattern



# MD MECHANISM EXPLODED VIEW 1 / 1



# MD MECHANISM PARTS LIST 1 / 1

REF. NO.	PART NO.	KANRI NO.	DESCRIPTION
1	8B-ZG8-223-010		CHAS ASSY, MECHA
2	87-A91-488-010		MOT, MX-2263
3	8A-ZGF-208-010		GEAR, A
4	M8-ZZS-294-000		ZZS-2 C
5	8A-ZGF-209-010		GEAR, B
6	8Z-ZG5-217-010		BRG, 1.1-2-2
7	8A-ZGF-210-010		SHAFT, LEAD
8	8A-ZGF-212-010		SPR-P, LEAD
9	87-A91-718-110		PICKUP, KMS-330A
10	8Z-ZG5-219-010		SPR-P, RACK 2
11	8B-ZG8-238-010		SPR-E, LOCK
12	8B-ZG8-237-010		SPR-E, EJECT
A	88-ZG6-224-010		S-SCREW, VBT+1.4-3
B	8A-ZGF-220-010		S-SCREW, V+1.4-1.2
C	87-067-569-010		POLY WASHER 0.83-2.5-0.25
D	8Z-ZG5-223-010		S-SCREW, VBT+1.4-2

## ACCESSORIES / PACKAGE LIST

REF. NO.	PART NO.	KANRI NO.	DESCRIPTION
1	8B-HM4-902-110		IB, HK(ECH)
2	87-B30-507-010		BAT, MHB-901EX-SO
3	87-B30-221-010		CASE, BATTERY
4	87-B30-450-010		HEADPHONE, HP-M056A (S)
5	8B-HM4-953-010		BOX, BAT ASSY BHM-4<AHK1S>
5	8B-HM4-955-010		BOX, BAT ASSY BHM-4 L<AHK1L>
6	8B-HM4-952-010		RC UNIT, RC-HX100
7	8A-HM6-954-110		CLIP, RC-CL33
8	8B-HM4-954-010		BAG, CARRING BHM-4
⚠ 9	87-B30-144-010		AC ADAPTOR, AC-D401K NC
⚠ 10	8B-HM4-957-010		CHARGER, RB-M05 HX100 EX

**アイワ株式会社** 〒110-8710 東京都台東区池之端1-2-11 ☎03(3827)3111 (代表)  
**AIWA CO.,LTD.** 2-11, IKENOHATA 1-CHOME, TAITO-KU, TOKYO 110, JAPAN TEL:03 (3827) 3111



**AM-HX100**

AHK

# SERVICE MANUAL

---

MINIDISC PLAYER

BASIC MD MECHANISM : BZG-8 A

---

- Replace this Service manual with "Revision Publishing" when it is issued.

**aiwa**

S/M Code No. 09-015-446-0T2

SIMPLE

DATA

# PARTS LIST

! =  $\Delta$  SAFTY PARTS  
 C = Components marked

All components used on this model at the production line are shown in this service manual.

However, please note that not all components will be available as spare parts for after-sales service.

Components marked S and O are designated as spare parts for service and will be stocked at the spare parts centers.

Components marked X and R are not designated as spare parts for after sales service, and will not be stocked at the spare parts centers.

K NO. = Only use Japanese.

! C	UNIT NAME	REF NO.	PARTS CODE	K NO.	DESCRIPTION	SUFFIX	MODEL NAME
!	O ACCESSORY		87-B30-144-010	2M	AC ADAPTOR, AC-D401K NC	AHK1L	AM-HX100
!	O ACCESSORY		87-B30-144-010	2M	AC ADAPTOR, AC-D401K NC	AHK1S	AM-HX100
	O ACCESSORY		87-B30-221-010	1B	CASE, BATTERY	AHK1L	AM-HX100
	O ACCESSORY		87-B30-221-010	1B	CASE, BATTERY	AHK1S	AM-HX100
	O ACCESSORY		87-B30-450-010	2A	HEADPHONE, HP-M056A (S)	AHK1L	AM-HX100
	O ACCESSORY		87-B30-450-010	2A	HEADPHONE, HP-M056A (S)	AHK1S	AM-HX100
	O ACCESSORY		87-B30-459-010	2M	BAT, MHB-901AY	AHK1L	AM-HX100
	O ACCESSORY		87-B30-459-010	2M	BAT, MHB-901AY	AHK1S	AM-HX100
	O ACCESSORY		8A-HM6-954-110	1B	CLIP, RC-CL33	AHK1L	AM-HX100
	O ACCESSORY		8A-HM6-954-110	1B	CLIP, RC-CL33	AHK1S	AM-HX100
	O ACCESSORY		8B-HM4-951-010	2P	CHARGER, RB-M05 HX100	AHK1L	AM-HX100
	O ACCESSORY		8B-HM4-951-010	2P	CHARGER, RB-M05 HX100	AHK1S	AM-HX100
	O ACCESSORY		8B-HM4-952-010	2C	RC UNIT, RC-HX100	AHK1L	AM-HX100
	O ACCESSORY		8B-HM4-952-010	2C	RC UNIT, RC-HX100	AHK1S	AM-HX100
	O ACCESSORY		8B-HM4-953-010	1E	BOX, BAT ASSY BHM-4	AHK1L	AM-HX100
	O ACCESSORY		8B-HM4-954-010	--	BAG, CARRING BHM-4	AHK1L	AM-HX100
	O ACCESSORY		8B-HM4-954-010	--	BAG, CARRING BHM-4	AHK1S	AM-HX100
	O ACCESSORY		8B-HM4-955-010	1E	BOX, BAT ASSY BHM-4 L	AHK1L	AM-HX100
	X ASSY		86-HK4-230-010	0E	SH, JACK 5P	AHK1L	AM-HX100
	X ASSY		86-HK4-230-010	0E	SH, JACK 5P	AHK1S	AM-HX100
	O ASSY		8A-HM5-602-110	1D	PWB, FLEX JACK	AHK1L	AM-HX100
	O ASSY		8A-HM5-602-110	1D	PWB, FLEX JACK	AHK1S	AM-HX100
	O ASSY	J 0700	87-A60-682-010	1B	JACK, 3.5 ST 7P	AHK1L	AM-HX100
	O ASSY	J 0700	87-A60-682-010	1B	JACK, 3.5 ST 7P	AHK1S	AM-HX100
	O AUDIO	C 0702	87-A10-543-080	0E	C-CAP, V 100P-50 J CH	AHK1L	AM-HX100
	O AUDIO	C 0702	87-A10-543-080	0E	C-CAP, V 100P-50 J CH	AHK1S	AM-HX100
	O AUDIO	C 0703	87-A10-543-080	0E	C-CAP, V 100P-50 J CH	AHK1L	AM-HX100
	O AUDIO	C 0703	87-A10-543-080	0E	C-CAP, V 100P-50 J CH	AHK1S	AM-HX100
	O AUDIO	C 0704	87-A10-543-080	0E	C-CAP, V 100P-50 J CH	AHK1L	AM-HX100
	O AUDIO	C 0704	87-A10-543-080	0E	C-CAP, V 100P-50 J CH	AHK1S	AM-HX100
	O AUDIO	C 0705	87-A10-543-080	0E	C-CAP, V 100P-50 J CH	AHK1L	AM-HX100
	O AUDIO	C 0705	87-A10-543-080	0E	C-CAP, V 100P-50 J CH	AHK1S	AM-HX100
	O AUDIO	C 0706	87-A11-049-080	0E	C-CAP, U 1-6.3 K B	AHK1L	AM-HX100
	O AUDIO	C 0706	87-A11-049-080	0E	C-CAP, U 1-6.3 K B	AHK1S	AM-HX100
	O AUDIO	C 0707	87-A11-170-080	1A	C-CAP, S 4.7-6.3 K B	AHK1L	AM-HX100
	O AUDIO	C 0707	87-A11-170-080	1A	C-CAP, S 4.7-6.3 K B	AHK1S	AM-HX100
	O AUDIO	C 0708	87-A11-170-080	1A	C-CAP, S 4.7-6.3 K B	AHK1L	AM-HX100
	O AUDIO	C 0708	87-A11-170-080	1A	C-CAP, S 4.7-6.3 K B	AHK1S	AM-HX100
	O AUDIO	C 0709	87-A11-058-080	0E	C-CAP, U 0.22-10 K B	AHK1L	AM-HX100
	O AUDIO	C 0709	87-A11-058-080	0E	C-CAP, U 0.22-10 K B	AHK1S	AM-HX100
	O AUDIO	C 0710	87-A11-058-080	0E	C-CAP, U 0.22-10 K B	AHK1L	AM-HX100
	O AUDIO	C 0710	87-A11-058-080	0E	C-CAP, U 0.22-10 K B	AHK1S	AM-HX100
	O AUDIO	C 0711	87-A11-049-080	0E	C-CAP, U 1-6.3 K B	AHK1L	AM-HX100
	O AUDIO	C 0711	87-A11-049-080	0E	C-CAP, U 1-6.3 K B	AHK1S	AM-HX100
	O AUDIO	C 0712	87-A11-049-080	0E	C-CAP, U 1-6.3 K B	AHK1L	AM-HX100
	O AUDIO	C 0712	87-A11-049-080	0E	C-CAP, U 1-6.3 K B	AHK1S	AM-HX100
	O AUDIO	C 0713	87-A11-170-080	1A	C-CAP, S 4.7-6.3 K B	AHK1L	AM-HX100
	O AUDIO	C 0713	87-A11-170-080	1A	C-CAP, S 4.7-6.3 K B	AHK1S	AM-HX100
	O AUDIO	C 0715	87-A11-318-080	1B	C-CAP, TN 220U-2.5 SVB2	AHK1L	AM-HX100
	O AUDIO	C 0715	87-A11-318-080	1B	C-CAP, TN 220U-2.5 SVB2	AHK1S	AM-HX100
	O AUDIO	C 0716	87-A11-318-080	1B	C-CAP, TN 220U-2.5 SVB2	AHK1L	AM-HX100
	O AUDIO	C 0716	87-A11-318-080	1B	C-CAP, TN 220U-2.5 SVB2	AHK1S	AM-HX100
	O AUDIO	C 0717	87-A11-049-080	0E	C-CAP, U 1-6.3 K B	AHK1L	AM-HX100
	O AUDIO	C 0717	87-A11-049-080	0E	C-CAP, U 1-6.3 K B	AHK1S	AM-HX100
	O AUDIO	C 0720	87-A11-058-080	0E	C-CAP, U 0.22-10 K B	AHK1L	AM-HX100
	O AUDIO	C 0720	87-A11-058-080	0E	C-CAP, U 0.22-10 K B	AHK1S	AM-HX100
	O AUDIO	C 0721	87-A10-770-080	0E	C-CAP, V 0.1-10 K B	AHK1L	AM-HX100
	O AUDIO	C 0721	87-A10-770-080	0E	C-CAP, V 0.1-10 K B	AHK1S	AM-HX100
	O AUDIO	C 0722	87-A11-170-080	1A	C-CAP, S 4.7-6.3 K B	AHK1L	AM-HX100
	O AUDIO	C 0722	87-A11-170-080	1A	C-CAP, S 4.7-6.3 K B	AHK1S	AM-HX100
	O AUDIO	C 0723	87-A10-770-080	0E	C-CAP, V 0.1-10 K B	AHK1L	AM-HX100
	O AUDIO	C 0723	87-A10-770-080	0E	C-CAP, V 0.1-10 K B	AHK1S	AM-HX100
	O AUDIO	C 0724	87-A11-049-080	0E	C-CAP, U 1-6.3 K B	AHK1L	AM-HX100
	O AUDIO	C 0724	87-A11-049-080	0E	C-CAP, U 1-6.3 K B	AHK1S	AM-HX100
	O AUDIO	C 0725	87-A10-770-080	0E	C-CAP, V 0.1-10 K B	AHK1L	AM-HX100
	O AUDIO	C 0725	87-A10-770-080	0E	C-CAP, V 0.1-10 K B	AHK1S	AM-HX100
	O AUDIO	C 0726	87-A10-770-080	0E	C-CAP, V 0.1-10 K B	AHK1L	AM-HX100
	O AUDIO	C 0726	87-A10-770-080	0E	C-CAP, V 0.1-10 K B	AHK1S	AM-HX100
	O AUDIO	C 0728	87-A10-770-080	0E	C-CAP, V 0.1-10 K B	AHK1L	AM-HX100
	O AUDIO	C 0728	87-A10-770-080	0E	C-CAP, V 0.1-10 K B	AHK1S	AM-HX100

# PARTS LIST

! =  $\Delta$  SAFTY PARTS  
 C = Components marked

All components used on this model at the production line are shown in this service manual.

However, please note that not all components will be available as spare parts for after-sales service.

Components marked S and O are designated as spare parts for service and will be stocked at the spare parts centers.

Components marked X and R are not designated as spare parts for after sales service, and will not be stocked at the spare parts centers.

K NO. = Only use Japanese.

! C	UNIT NAME	REF NO.	PARTS CODE	K NO.	DESCRIPTION	SUFFIX	MODEL NAME
O	AUDIO	C 0729	87-A11-049-080	0E	C-CAP,U 1-6.3 K B	AHK1L	AM-HX100
O	AUDIO	C 0729	87-A11-049-080	0E	C-CAP,U 1-6.3 K B	AHK1S	AM-HX100
O	AUDIO	C 0750	87-016-449-080	1A	C-CAP,TN 10-4 M S	AHK1L	AM-HX100
O	AUDIO	C 0750	87-016-449-080	1A	C-CAP,TN 10-4 M S	AHK1S	AM-HX100
O	AUDIO	C 0751	87-A10-770-080	0E	C-CAP,V 0.1-10 K B	AHK1L	AM-HX100
O	AUDIO	C 0751	87-A10-770-080	0E	C-CAP,V 0.1-10 K B	AHK1S	AM-HX100
O	AUDIO	C 0752	87-A11-170-080	1A	C-CAP,S 4.7-6.3 K B	AHK1L	AM-HX100
O	AUDIO	C 0752	87-A11-170-080	1A	C-CAP,S 4.7-6.3 K B	AHK1S	AM-HX100
O	AUDIO	C 0753	87-A11-170-080	1A	C-CAP,S 4.7-6.3 K B	AHK1L	AM-HX100
O	AUDIO	C 0753	87-A11-170-080	1A	C-CAP,S 4.7-6.3 K B	AHK1S	AM-HX100
O	AUDIO	CN 0700	87-A61-317-080	1A	C-CONN,8P H XF2L-0825	AHK1L	AM-HX100
O	AUDIO	CN 0700	87-A61-317-080	1A	C-CONN,8P H XF2L-0825	AHK1S	AM-HX100
S	AUDIO	IC 0700	87-A21-341-040	1D	C-IC,TA2131FL	AHK1L	AM-HX100
S	AUDIO	IC 0700	87-A21-341-040	1D	C-IC,TA2131FL	AHK1S	AM-HX100
S	AUDIO	IC 0701	87-A21-445-040	1B	C-IC,TC7W66FK	AHK1L	AM-HX100
S	AUDIO	IC 0701	87-A21-445-040	1B	C-IC,TC7W66FK	AHK1S	AM-HX100
S	AUDIO	IC 0750	87-A21-357-040	1E	C-IC,AK4352VT	AHK1L	AM-HX100
S	AUDIO	IC 0750	87-A21-357-040	1E	C-IC,AK4352VT	AHK1S	AM-HX100
O	AUDIO	L 0701	87-005-769-080	1A	C-COIL,2125 100UH K MLF2012	AHK1L	AM-HX100
O	AUDIO	L 0701	87-005-769-080	1A	C-COIL,2125 100UH K MLF2012	AHK1S	AM-HX100
O	AUDIO	L 0750	87-003-245-080	0E	C-COIL,2125 22UH K MLF2012	AHK1L	AM-HX100
O	AUDIO	L 0750	87-003-245-080	0E	C-COIL,2125 22UH K MLF2012	AHK1S	AM-HX100
S	AUDIO	Q 0700	87-026-524-080	1A	C-TR,HN1C03FUB	AHK1L	AM-HX100
S	AUDIO	Q 0700	87-026-524-080	1A	C-TR,HN1C03FUB	AHK1S	AM-HX100
O	AUDIO	R 0701	87-A91-879-080	0E	C-F-BEAD, BK1608TS102	AHK1L	AM-HX100
O	AUDIO	R 0701	87-A91-879-080	0E	C-F-BEAD, BK1608TS102	AHK1S	AM-HX100
O	AUDIO	R 0702	87-A91-879-080	0E	C-F-BEAD, BK1608TS102	AHK1L	AM-HX100
O	AUDIO	R 0702	87-A91-879-080	0E	C-F-BEAD, BK1608TS102	AHK1S	AM-HX100
X	AUDIO	R 0703	88-104-123-080	0E	C-RES,V 12K-1/16W J	AHK1L	AM-HX100
X	AUDIO	R 0703	88-104-123-080	0E	C-RES,V 12K-1/16W J	AHK1S	AM-HX100
X	AUDIO	R 0704	88-104-123-080	0E	C-RES,V 12K-1/16W J	AHK1L	AM-HX100
X	AUDIO	R 0704	88-104-123-080	0E	C-RES,V 12K-1/16W J	AHK1S	AM-HX100
X	AUDIO	R 0705	88-104-104-080	0E	C-RES,V 100K-1/16W J	AHK1L	AM-HX100
X	AUDIO	R 0705	88-104-104-080	0E	C-RES,V 100K-1/16W J	AHK1S	AM-HX100
X	AUDIO	R 0706	88-104-223-080	0E	C-RES,V 22K-1/16W J	AHK1L	AM-HX100
X	AUDIO	R 0706	88-104-223-080	0E	C-RES,V 22K-1/16W J	AHK1S	AM-HX100
X	AUDIO	R 0707	88-104-123-080	0E	C-RES,V 12K-1/16W J	AHK1L	AM-HX100
X	AUDIO	R 0707	88-104-123-080	0E	C-RES,V 12K-1/16W J	AHK1S	AM-HX100
X	AUDIO	R 0708	88-104-123-080	0E	C-RES,V 12K-1/16W J	AHK1L	AM-HX100
X	AUDIO	R 0708	88-104-123-080	0E	C-RES,V 12K-1/16W J	AHK1S	AM-HX100
X	AUDIO	R 0709	88-104-100-080	0E	C-RES,V 10-1/16W J	AHK1L	AM-HX100
X	AUDIO	R 0709	88-104-100-080	0E	C-RES,V 10-1/16W J	AHK1S	AM-HX100
X	AUDIO	R 0710	88-104-100-080	0E	C-RES,V 10-1/16W J	AHK1L	AM-HX100
X	AUDIO	R 0710	88-104-100-080	0E	C-RES,V 10-1/16W J	AHK1S	AM-HX100
X	AUDIO	R 0711	88-104-272-080	0E	C-RES,V 2.7K-1/16W J	AHK1L	AM-HX100
X	AUDIO	R 0711	88-104-272-080	0E	C-RES,V 2.7K-1/16W J	AHK1S	AM-HX100
X	AUDIO	R 0712	88-104-272-080	0E	C-RES,V 2.7K-1/16W J	AHK1L	AM-HX100
X	AUDIO	R 0712	88-104-272-080	0E	C-RES,V 2.7K-1/16W J	AHK1S	AM-HX100
X	AUDIO	R 0714	88-104-563-080	0E	C-RES,V 56K-1/16W J	AHK1L	AM-HX100
X	AUDIO	R 0714	88-104-563-080	0E	C-RES,V 56K-1/16W J	AHK1S	AM-HX100
X	AUDIO	R 0715	88-104-563-080	0E	C-RES,V 56K-1/16W J	AHK1L	AM-HX100
X	AUDIO	R 0715	88-104-563-080	0E	C-RES,V 56K-1/16W J	AHK1S	AM-HX100
O	AUDIO	R 0716	87-A91-879-080	0E	C-F-BEAD, BK1608TS102	AHK1L	AM-HX100
O	AUDIO	R 0716	87-A91-879-080	0E	C-F-BEAD, BK1608TS102	AHK1S	AM-HX100
O	AUDIO	R 0717	87-A91-878-080	0E	C-F-BEAD, BK1608HS241	AHK1L	AM-HX100
O	AUDIO	R 0717	87-A91-878-080	0E	C-F-BEAD, BK1608HS241	AHK1S	AM-HX100
O	AUDIO	R 0718	87-A91-878-080	0E	C-F-BEAD, BK1608HS241	AHK1L	AM-HX100
O	AUDIO	R 0718	87-A91-878-080	0E	C-F-BEAD, BK1608HS241	AHK1S	AM-HX100
O	AUDIO	R 0719	87-A91-878-080	0E	C-F-BEAD, BK1608HS241	AHK1L	AM-HX100
O	AUDIO	R 0719	87-A91-878-080	0E	C-F-BEAD, BK1608HS241	AHK1S	AM-HX100
X	AUDIO	R 0720	88-104-000-080	0E	C-JUMPER,V	AHK1L	AM-HX100
X	AUDIO	R 0720	88-104-000-080	0E	C-JUMPER,V	AHK1S	AM-HX100
X	AUDIO	R 0721	88-104-272-080	0E	C-RES,V 2.7K-1/16W J	AHK1L	AM-HX100
X	AUDIO	R 0721	88-104-272-080	0E	C-RES,V 2.7K-1/16W J	AHK1S	AM-HX100
X	AUDIO	R 0722	88-104-472-080	0E	C-RES,V 4.7K-1/16W J	AHK1L	AM-HX100
X	AUDIO	R 0722	88-104-472-080	0E	C-RES,V 4.7K-1/16W J	AHK1S	AM-HX100
O	AUDIO	R 0723	87-A91-879-080	0E	C-F-BEAD, BK1608TS102	AHK1L	AM-HX100
O	AUDIO	R 0723	87-A91-879-080	0E	C-F-BEAD, BK1608TS102	AHK1S	AM-HX100
X	AUDIO	R 0750	88-104-474-080	0E	C-RES,V 470K-1/16W J	AHK1L	AM-HX100
X	AUDIO	R 0750	88-104-474-080	0E	C-RES,V 470K-1/16W J	AHK1S	AM-HX100

# PARTS LIST

! =  $\Delta$  SAFTY PARTS  
 C = Components marked

All components used on this model at the production line are shown in this service manual.

However, please note that not all components will be available as spare parts for after-sales service.

Components marked S and O are designated as spare parts for service and will be stocked at the spare parts centers.

Components marked X and R are not designated as spare parts for after sales service, and will not be stocked at the spare parts centers.

K NO. = Only use Japanese.

! C	UNIT NAME	REF NO.	PARTS CODE	K NO.	DESCRIPTION	SUFFIX	MODEL NAME
X	AUDIO	R	0751 88-104-474-080	0E	C-RES,V 470K-1/16W J	AHK1L	AM-HX100
X	AUDIO	R	0751 88-104-474-080	0E	C-RES,V 470K-1/16W J	AHK1S	AM-HX100
X	AUDIO	R	0752 88-104-474-080	0E	C-RES,V 470K-1/16W J	AHK1L	AM-HX100
X	AUDIO	R	0752 88-104-474-080	0E	C-RES,V 470K-1/16W J	AHK1S	AM-HX100
X	AUDIO	R	0753 88-108-000-080	0E	C-JUMPER,U	AHK1L	AM-HX100
X	AUDIO	R	0753 88-108-000-080	0E	C-JUMPER,U	AHK1S	AM-HX100
X	AUDIO	R	0754 88-104-101-080	0E	C-RES,V 100-1/16W J	AHK1L	AM-HX100
X	AUDIO	R	0754 88-104-101-080	0E	C-RES,V 100-1/16W J	AHK1S	AM-HX100
X	AUDIO	R	0755 88-108-680-080	0E	C-RES,U 68-1/16W J	AHK1L	AM-HX100
X	AUDIO	R	0755 88-108-680-080	0E	C-RES,U 68-1/16W J	AHK1S	AM-HX100
O	CABINET		8B-HM4-001-010	--	PANEL ASSY, TOP	AHK1S	AM-HX100
X	CABINET		8B-HM4-002-010	--	PANEL, TOP	AHK1S	AM-HX100
O	CABINET		8B-HM4-003-010	--	PANEL, BOT	AHK1S	AM-HX100
O	CABINET		8B-HM4-004-010	1E	FRAME, CENTER	AHK1L	AM-HX100
O	CABINET		8B-HM4-004-010	1E	FRAME, CENTER	AHK1S	AM-HX100
O	CABINET		8B-HM4-005-010	0E	LID, BATT	AHK1S	AM-HX100
O	CABINET		8B-HM4-018-010	--	PANEL ASSY, TOP L	AHK1L	AM-HX100
X	CABINET		8B-HM4-019-010	--	PANEL, TOP L	AHK1L	AM-HX100
O	CABINET		8B-HM4-020-010	--	PANEL, BOT L	AHK1L	AM-HX100
O	CABINET		8B-HM4-021-010	0E	LID, BATT L	AHK1L	AM-HX100
O	CABINET	*	8B-HM4-009-010	0E	LENS, OPE	AHK1L	AM-HX100
O	CABINET	*	8B-HM4-009-010	0E	LENS, OPE	AHK1S	AM-HX100
X	CABINET	*	8B-HM4-211-010	--	HLD, LOCK	AHK1L	AM-HX100
X	CABINET	*	8B-HM4-211-010	--	HLD, LOCK	AHK1S	AM-HX100
O	DRIVER	C	0400 87-A11-049-080	0E	C-CAP,U 1-6.3 K B	AHK1L	AM-HX100
O	DRIVER	C	0400 87-A11-049-080	0E	C-CAP,U 1-6.3 K B	AHK1S	AM-HX100
O	DRIVER	C	0401 87-A11-049-080	0E	C-CAP,U 1-6.3 K B	AHK1L	AM-HX100
O	DRIVER	C	0401 87-A11-049-080	0E	C-CAP,U 1-6.3 K B	AHK1S	AM-HX100
O	DRIVER	C	0402 87-A10-561-080	0E	C-CAP,V 0.01-16 K B	AHK1L	AM-HX100
O	DRIVER	C	0402 87-A10-561-080	0E	C-CAP,V 0.01-16 K B	AHK1S	AM-HX100
O	DRIVER	C	0403 87-A10-561-080	0E	C-CAP,V 0.01-16 K B	AHK1L	AM-HX100
O	DRIVER	C	0403 87-A10-561-080	0E	C-CAP,V 0.01-16 K B	AHK1S	AM-HX100
O	DRIVER	C	0404 87-A10-561-080	0E	C-CAP,V 0.01-16 K B	AHK1L	AM-HX100
O	DRIVER	C	0404 87-A10-561-080	0E	C-CAP,V 0.01-16 K B	AHK1S	AM-HX100
O	DRIVER	C	0405 87-A11-049-080	0E	C-CAP,U 1-6.3 K B	AHK1L	AM-HX100
O	DRIVER	C	0405 87-A11-049-080	0E	C-CAP,U 1-6.3 K B	AHK1S	AM-HX100
O	DRIVER	C	0406 87-A10-353-080	0E	C-CAP,U 0.22-10 K B	AHK1L	AM-HX100
O	DRIVER	C	0406 87-A10-353-080	0E	C-CAP,U 0.22-10 K B	AHK1S	AM-HX100
O	DRIVER	C	0407 87-A10-353-080	0E	C-CAP,U 0.22-10 K B	AHK1L	AM-HX100
O	DRIVER	C	0407 87-A10-353-080	0E	C-CAP,U 0.22-10 K B	AHK1S	AM-HX100
O	DRIVER	C	0408 87-A11-170-080	1A	C-CAP,S 4.7-6.3 K B	AHK1L	AM-HX100
O	DRIVER	C	0408 87-A11-170-080	1A	C-CAP,S 4.7-6.3 K B	AHK1S	AM-HX100
O	DRIVER	C	0409 87-A10-591-080	1B	C-CAP,TN 47-6.3 M F95-BCASE	AHK1L	AM-HX100
O	DRIVER	C	0409 87-A10-591-080	1B	C-CAP,TN 47-6.3 M F95-BCASE	AHK1S	AM-HX100
O	DRIVER	C	0410 87-A10-902-080	0E	C-CAP,U 0.47-10 K B	AHK1L	AM-HX100
O	DRIVER	C	0410 87-A10-902-080	0E	C-CAP,U 0.47-10 K B	AHK1S	AM-HX100
O	DRIVER	C	0411 87-A10-559-080	0E	C-CAP,V 6800P-25 K B	AHK1L	AM-HX100
O	DRIVER	C	0411 87-A10-559-080	0E	C-CAP,V 6800P-25 K B	AHK1S	AM-HX100
O	DRIVER	C	0417 87-A11-170-080	1A	C-CAP,S 4.7-6.3 K B	AHK1L	AM-HX100
O	DRIVER	C	0417 87-A11-170-080	1A	C-CAP,S 4.7-6.3 K B	AHK1S	AM-HX100
O	DRIVER	CN	0401 87-A61-316-080	1A	C-CONN,8P H XF2L-0835	AHK1L	AM-HX100
O	DRIVER	CN	0401 87-A61-316-080	1A	C-CONN,8P H XF2L-0835	AHK1S	AM-HX100
S	DRIVER	IC	0400 87-A21-842-010	2M	C-IC,CXA8110TQ	AHK1L	AM-HX100
S	DRIVER	IC	0400 87-A21-842-010	2M	C-IC,CXA8110TQ	AHK1S	AM-HX100
O	DRIVER	L	0400 87-A50-475-080	0E	C-COIL, 10UH K NLF201614	AHK1L	AM-HX100
O	DRIVER	L	0400 87-A50-475-080	0E	C-COIL, 10UH K NLF201614	AHK1S	AM-HX100
O	DRIVER	L	0401 87-A50-475-080	0E	C-COIL, 10UH K NLF201614	AHK1L	AM-HX100
O	DRIVER	L	0401 87-A50-475-080	0E	C-COIL, 10UH K NLF201614	AHK1S	AM-HX100
O	DRIVER	L	0402 87-A50-475-080	0E	C-COIL, 10UH K NLF201614	AHK1L	AM-HX100
O	DRIVER	L	0402 87-A50-475-080	0E	C-COIL, 10UH K NLF201614	AHK1S	AM-HX100
O	DRIVER	L	0403 87-A50-475-080	0E	C-COIL, 10UH K NLF201614	AHK1L	AM-HX100
O	DRIVER	L	0403 87-A50-475-080	0E	C-COIL, 10UH K NLF201614	AHK1S	AM-HX100
O	DRIVER	L	0404 87-A50-537-080	1A	C-COIL, 100UH C4-K3L	AHK1L	AM-HX100
O	DRIVER	L	0404 87-A50-537-080	1A	C-COIL, 100UH C4-K3L	AHK1S	AM-HX100
O	DRIVER	L	0405 87-003-245-080	0E	C-COIL,2125 22UH K MLF2012	AHK1L	AM-HX100
O	DRIVER	L	0405 87-003-245-080	0E	C-COIL,2125 22UH K MLF2012	AHK1S	AM-HX100
X	DRIVER	R	0400 88-104-102-080	0E	C-RES,V 1K-1/16W J	AHK1L	AM-HX100
X	DRIVER	R	0400 88-104-102-080	0E	C-RES,V 1K-1/16W J	AHK1S	AM-HX100
X	DRIVER	R	0403 88-104-473-080	0E	C-RES,V 47K-1/16W J	AHK1L	AM-HX100
X	DRIVER	R	0403 88-104-473-080	0E	C-RES,V 47K-1/16W J	AHK1S	AM-HX100

# PARTS LIST

! =  $\Delta$  SAFTY PARTS  
 C = Components marked

All components used on this model at the production line are shown in this service manual.

However, please note that not all components will be available as spare parts for after-sales service.

Components marked S and O are designated as spare parts for service and will be stocked at the spare parts centers.

Components marked X and R are not designated as spare parts for after sales service, and will not be stocked at the spare parts centers.

K NO. = Only use Japanese.

! C	UNIT NAME	REF NO.	PARTS CODE	K NO.	DESCRIPTION	SUFFIX	MODEL NAME
X	DRIVER	R 0404	88-104-474-080	0E	C-RES,V 470K-1/16W J	AHK1L	AM-HX100
X	DRIVER	R 0404	88-104-474-080	0E	C-RES,V 470K-1/16W J	AHK1S	AM-HX100
X	DRIVER	R 0405	88-104-105-080	0E	C-RES,V 1M-1/16W J	AHK1L	AM-HX100
X	DRIVER	R 0405	88-104-105-080	0E	C-RES,V 1M-1/16W J	AHK1S	AM-HX100
X	DRIVER	R 0406	88-104-000-080	0E	C-JUMPER,V	AHK1L	AM-HX100
X	DRIVER	R 0406	88-104-000-080	0E	C-JUMPER,V	AHK1S	AM-HX100
O	DSP	C 0200	87-A10-770-080	0E	C-CAP,V 0.1-10 K B	AHK1L	AM-HX100
O	DSP	C 0200	87-A10-770-080	0E	C-CAP,V 0.1-10 K B	AHK1S	AM-HX100
O	DSP	C 0201	87-A11-170-080	1A	C-CAP,S 4.7-6.3 K B	AHK1L	AM-HX100
O	DSP	C 0201	87-A11-170-080	1A	C-CAP,S 4.7-6.3 K B	AHK1S	AM-HX100
O	DSP	C 0202	87-A10-770-080	0E	C-CAP,V 0.1-10 K B	AHK1L	AM-HX100
O	DSP	C 0202	87-A10-770-080	0E	C-CAP,V 0.1-10 K B	AHK1S	AM-HX100
O	DSP	C 0203	87-A10-758-080	0E	C-CAP,V 3300P-50 K B	AHK1L	AM-HX100
O	DSP	C 0203	87-A10-758-080	0E	C-CAP,V 3300P-50 K B	AHK1S	AM-HX100
O	DSP	C 0204	87-A10-671-080	0E	C-CAP,V 0.022-16 K B	AHK1L	AM-HX100
O	DSP	C 0204	87-A10-671-080	0E	C-CAP,V 0.022-16 K B	AHK1S	AM-HX100
O	DSP	C 0206	87-A10-770-080	0E	C-CAP,V 0.1-10 K B	AHK1L	AM-HX100
O	DSP	C 0206	87-A10-770-080	0E	C-CAP,V 0.1-10 K B	AHK1S	AM-HX100
O	DSP	C 0208	87-A10-770-080	0E	C-CAP,V 0.1-10 K B	AHK1L	AM-HX100
O	DSP	C 0208	87-A10-770-080	0E	C-CAP,V 0.1-10 K B	AHK1S	AM-HX100
O	DSP	C 0209	87-A10-770-080	0E	C-CAP,V 0.1-10 K B	AHK1L	AM-HX100
O	DSP	C 0209	87-A10-770-080	0E	C-CAP,V 0.1-10 K B	AHK1S	AM-HX100
O	DSP	C 0212	87-A11-049-080	0E	C-CAP,U 1-6.3 K B	AHK1L	AM-HX100
O	DSP	C 0212	87-A11-049-080	0E	C-CAP,U 1-6.3 K B	AHK1S	AM-HX100
O	DSP	C 0213	87-A10-556-080	0E	C-CAP,V 2200P-50 K B	AHK1L	AM-HX100
O	DSP	C 0213	87-A10-556-080	0E	C-CAP,V 2200P-50 K B	AHK1S	AM-HX100
O	DSP	C 0216	87-A10-770-080	0E	C-CAP,V 0.1-10 K B	AHK1L	AM-HX100
O	DSP	C 0216	87-A10-770-080	0E	C-CAP,V 0.1-10 K B	AHK1S	AM-HX100
S	DSP	IC 0200	87-A21-835-010	2C	C-IC,LC896431	AHK1L	AM-HX100
S	DSP	IC 0200	87-A21-835-010	2C	C-IC,LC896431	AHK1S	AM-HX100
S	DSP	IC 0201	87-A21-526-010	2P	C-IC,GM71VLS17403CTL-1	AHK1L	AM-HX100
S	DSP	IC 0201	87-A21-526-010	2P	C-IC,GM71VLS17403CTL-1	AHK1S	AM-HX100
O	DSP	L 0200	87-003-245-080	0E	C-COIL,2125 22UH K MLF2012	AHK1L	AM-HX100
O	DSP	L 0200	87-003-245-080	0E	C-COIL,2125 22UH K MLF2012	AHK1S	AM-HX100
X	DSP	R 0200	88-104-103-080	0E	C-RES,V 10K-1/16W J	AHK1L	AM-HX100
X	DSP	R 0200	88-104-103-080	0E	C-RES,V 10K-1/16W J	AHK1S	AM-HX100
X	DSP	R 0202	88-104-102-080	0E	C-RES,V 1K-1/16W J	AHK1L	AM-HX100
X	DSP	R 0202	88-104-102-080	0E	C-RES,V 1K-1/16W J	AHK1S	AM-HX100
X	DSP	R 0203	88-104-223-080	0E	C-RES,V 22K-1/16W J	AHK1L	AM-HX100
X	DSP	R 0203	88-104-223-080	0E	C-RES,V 22K-1/16W J	AHK1S	AM-HX100
X	DSP	R 0204	88-104-562-080	0E	C-RES,V 5.6K-1/16W J	AHK1L	AM-HX100
X	DSP	R 0204	88-104-562-080	0E	C-RES,V 5.6K-1/16W J	AHK1S	AM-HX100
X	DSP	R 0205	88-104-272-080	0E	C-RES,V 2.7K-1/16W J	AHK1L	AM-HX100
X	DSP	R 0205	88-104-272-080	0E	C-RES,V 2.7K-1/16W J	AHK1S	AM-HX100
X	DSP	R 0207	88-104-471-080	0E	C-RES,V 470-1/16W J	AHK1L	AM-HX100
X	DSP	R 0207	88-104-471-080	0E	C-RES,V 470-1/16W J	AHK1S	AM-HX100
X	DSP	R 0209	88-104-105-080	0E	C-RES,V 1M-1/16W J	AHK1L	AM-HX100
X	DSP	R 0209	88-104-105-080	0E	C-RES,V 1M-1/16W J	AHK1S	AM-HX100
X	DSP	R 0214	88-108-000-080	0E	C-JUMPER,U	AHK1L	AM-HX100
X	DSP	R 0214	88-108-000-080	0E	C-JUMPER,U	AHK1S	AM-HX100
X	DSP	R 0217	88-104-224-080	0E	C-RES,V 220K-1/16W J	AHK1L	AM-HX100
X	DSP	R 0217	88-104-224-080	0E	C-RES,V 220K-1/16W J	AHK1S	AM-HX100
X	DSP	R 0218	88-104-224-080	0E	C-RES,V 220K-1/16W J	AHK1L	AM-HX100
X	DSP	R 0218	88-104-224-080	0E	C-RES,V 220K-1/16W J	AHK1S	AM-HX100
X	DSP	R 0220	88-104-101-080	0E	C-RES,V 100-1/16W J	AHK1L	AM-HX100
X	DSP	R 0220	88-104-101-080	0E	C-RES,V 100-1/16W J	AHK1S	AM-HX100
X	DSP	R 0221	88-104-101-080	0E	C-RES,V 100-1/16W J	AHK1L	AM-HX100
X	DSP	R 0221	88-104-101-080	0E	C-RES,V 100-1/16W J	AHK1S	AM-HX100
X	DSP	R 0222	88-104-101-080	0E	C-RES,V 100-1/16W J	AHK1L	AM-HX100
X	DSP	R 0222	88-104-101-080	0E	C-RES,V 100-1/16W J	AHK1S	AM-HX100
X	DSP	R 0223	88-104-101-080	0E	C-RES,V 100-1/16W J	AHK1L	AM-HX100
X	DSP	R 0223	88-104-101-080	0E	C-RES,V 100-1/16W J	AHK1S	AM-HX100
O	DSP	R 0224	87-A92-239-080	0E	C-F-BEAD, BLM10A102SG	AHK1L	AM-HX100
O	DSP	R 0224	87-A92-239-080	0E	C-F-BEAD, BLM10A102SG	AHK1S	AM-HX100
O	DSP	X 0200	87-A70-343-080	1B	C-VIB,CER 16.934MHZ CSTCE	AHK1L	AM-HX100
O	DSP	X 0200	87-A70-343-080	1B	C-VIB,CER 16.934MHZ CSTCE	AHK1S	AM-HX100
O	KNOB		8B-HM4-006-010	1C	KEY,CONT MAIN	AHK1L	AM-HX100
O	KNOB		8B-HM4-006-010	1C	KEY,CONT MAIN	AHK1S	AM-HX100
O	KNOB		8B-HM4-007-010	1B	KNOB,SL EJECT	AHK1L	AM-HX100
O	KNOB		8B-HM4-007-010	1B	KNOB,SL EJECT	AHK1S	AM-HX100



# PARTS LIST

! =  $\Delta$  SAFTY PARTS  
 C = Components marked

All components used on this model at the production line are shown in this service manual.

However, please note that not all components will be available as spare parts for after-sales service.

Components marked S and O are designated as spare parts for service and will be stocked at the spare parts centers.

Components marked X and R are not designated as spare parts for after sales service, and will not be stocked at the spare parts centers.

K NO. = Only use Japanese.

! C	UNIT NAME	REF NO.	PARTS CODE	K NO.	DESCRIPTION	SUFFIX	MODEL NAME
O	KNOB		8B-HM4-008-010	0E	KNOB, SL HOLD	AHK1S	AM-HX100
O	KNOB		8B-HM4-022-010	0E	KNOB, SL HOLD L	AHK1L	AM-HX100
X	LBL, POP		8B-HM4-971-010	--	LBL, POP AHK	AHK1L	AM-HX100
X	LBL, POP		8B-HM4-971-010	--	LBL, POP AHK	AHK1S	AM-HX100
X	MD MECHA		M8-BZG-890-000	--	BZG-8 A	AHK1L	AM-HX100
X	MD MECHA		M8-BZG-890-000	--	BZG-8 A	AHK1S	AM-HX100
O	OTHERS		87-B10-152-010	0E	W-P, 0.83-2.0-0.25 C	AHK1L	AM-HX100
O	OTHERS		87-B10-152-010	0E	W-P, 0.83-2.0-0.25 C	AHK1S	AM-HX100
O	OTHERS		8A-HM3-217-110	0E	SPR-E, EJECT	AHK1L	AM-HX100
O	OTHERS		8A-HM3-217-110	0E	SPR-E, EJECT	AHK1S	AM-HX100
O	OTHERS		8A-HM5-210-010	1A	HINGE ASSY, BATT	AHK1L	AM-HX100
O	OTHERS		8A-HM5-210-010	1A	HINGE ASSY, BATT	AHK1S	AM-HX100
X	OTHERS		8A-HM5-211-010	--	HINGE, BATT	AHK1L	AM-HX100
X	OTHERS		8A-HM5-211-010	--	HINGE, BATT	AHK1S	AM-HX100
X	OTHERS		8A-HM5-212-010	--	LEVER, BATT	AHK1L	AM-HX100
X	OTHERS		8A-HM5-212-010	--	LEVER, BATT	AHK1S	AM-HX100
O	OTHERS		8A-HM5-213-010	1A	BAT-CONTACT ASSY, +	AHK1L	AM-HX100
O	OTHERS		8A-HM5-213-010	1A	BAT-CONTACT ASSY, +	AHK1S	AM-HX100
X	OTHERS		8A-HM5-214-010	--	BAT-CONTACT, +	AHK1L	AM-HX100
X	OTHERS		8A-HM5-214-010	--	BAT-CONTACT, +	AHK1S	AM-HX100
X	OTHERS		8A-HM5-215-010	--	SHAFT, CALKING +	AHK1L	AM-HX100
X	OTHERS		8A-HM5-215-010	--	SHAFT, CALKING +	AHK1S	AM-HX100
O	OTHERS		8A-HM5-216-010	0E	BAT-CONTACT, -	AHK1L	AM-HX100
O	OTHERS		8A-HM5-216-010	0E	BAT-CONTACT, -	AHK1S	AM-HX100
X	OTHERS		8A-HM5-219-010	0E	CUSH-S, BATT -	AHK1L	AM-HX100
X	OTHERS		8A-HM5-219-010	0E	CUSH-S, BATT -	AHK1S	AM-HX100
X	OTHERS		8A-HM5-223-010	0E	CUSH-R, JACK	AHK1L	AM-HX100
X	OTHERS		8A-HM5-223-010	0E	CUSH-R, JACK	AHK1S	AM-HX100
X	OTHERS		8A-HM5-224-010	0E	SH, PROT JACK	AHK1L	AM-HX100
X	OTHERS		8A-HM5-224-010	0E	SH, PROT JACK	AHK1S	AM-HX100
O	OTHERS		8B-HM4-201-010	--	FRAME ASSY, R	AHK1L	AM-HX100
O	OTHERS		8B-HM4-201-010	--	FRAME ASSY, R	AHK1S	AM-HX100
X	OTHERS		8B-HM4-202-010	--	FRAME, R	AHK1L	AM-HX100
X	OTHERS		8B-HM4-202-010	--	FRAME, R	AHK1S	AM-HX100
X	OTHERS		8B-HM4-203-010	--	ARM, R	AHK1L	AM-HX100
X	OTHERS		8B-HM4-203-010	--	ARM, R	AHK1S	AM-HX100
X	OTHERS		8B-HM4-204-010	--	SHAFT, CALKING R	AHK1L	AM-HX100
X	OTHERS		8B-HM4-204-010	--	SHAFT, CALKING R	AHK1S	AM-HX100
O	OTHERS		8B-HM4-205-010	--	BOX ASSY, BATT	AHK1L	AM-HX100
O	OTHERS		8B-HM4-205-010	--	BOX ASSY, BATT	AHK1S	AM-HX100
X	OTHERS		8B-HM4-206-010	--	BOX, BATT	AHK1L	AM-HX100
X	OTHERS		8B-HM4-206-010	--	BOX, BATT	AHK1S	AM-HX100
X	OTHERS		8B-HM4-207-010	--	ARM, L	AHK1L	AM-HX100
X	OTHERS		8B-HM4-207-010	--	ARM, L	AHK1S	AM-HX100
X	OTHERS		8B-HM4-208-010	--	SHAFT, CALKING L	AHK1L	AM-HX100
X	OTHERS		8B-HM4-208-010	--	SHAFT, CALKING L	AHK1S	AM-HX100
O	OTHERS		8B-HM4-210-010	0E	SPR-T, OPEN	AHK1L	AM-HX100
O	OTHERS		8B-HM4-210-010	0E	SPR-T, OPEN	AHK1S	AM-HX100
O	OTHERS		8B-HM4-212-010	0E	BAT-CONTACT, EX	AHK1L	AM-HX100
O	OTHERS		8B-HM4-212-010	0E	BAT-CONTACT, EX	AHK1S	AM-HX100
O	OTHERS		8B-HM4-213-010	0E	BAT-CONTACT, DIST	AHK1L	AM-HX100
O	OTHERS		8B-HM4-213-010	0E	BAT-CONTACT, DIST	AHK1S	AM-HX100
X	OTHERS		8B-HM4-216-010	--	SHAFT, SLIDE	AHK1L	AM-HX100
X	OTHERS		8B-HM4-216-010	--	SHAFT, SLIDE	AHK1S	AM-HX100
X	OTHERS		8B-HM4-221-010	--	LEVER, L	AHK1L	AM-HX100
X	OTHERS		8B-HM4-221-010	--	LEVER, L	AHK1S	AM-HX100
X	OTHERS		8B-HM4-222-010	--	SHAFT, LEVER L	AHK1L	AM-HX100
X	OTHERS		8B-HM4-222-010	--	SHAFT, LEVER L	AHK1S	AM-HX100
X	OTHERS		8B-HM4-223-010	--	SH, LEVER L	AHK1L	AM-HX100
X	OTHERS		8B-HM4-223-010	--	SH, LEVER L	AHK1S	AM-HX100
X	OTHERS		8B-ZG8-232-010	--	SHAFT, PIVOT	AHK1L	AM-HX100
X	OTHERS		8B-ZG8-232-010	--	SHAFT, PIVOT	AHK1S	AM-HX100
X	OTHERS		8B-ZG8-233-010	--	SHAFT, LINK	AHK1L	AM-HX100
X	OTHERS		8B-ZG8-233-010	--	SHAFT, LINK	AHK1S	AM-HX100
X	OTHERS		8B-ZG8-236-010	--	SPR-P, L	AHK1L	AM-HX100
X	OTHERS		8B-ZG8-236-010	--	SPR-P, L	AHK1S	AM-HX100
X	OTHERS		8B-ZG8-239-010	--	PLATE ASSY, LINK	AHK1L	AM-HX100
X	OTHERS		8B-ZG8-239-010	--	PLATE ASSY, LINK	AHK1S	AM-HX100
X	OTHERS		8B-ZG8-240-010	--	SPR-P, R2	AHK1L	AM-HX100
X	OTHERS		8B-ZG8-240-010	--	SPR-P, R2	AHK1S	AM-HX100

# PARTS LIST

! =  $\Delta$  SAFTY PARTS  
 C = Components marked

All components used on this model at the production line are shown in this service manual.

However, please note that not all components will be available as spare parts for after-sales service.

Components marked S and O are designated as spare parts for service and will be stocked at the spare parts centers.

Components marked X and R are not designated as spare parts for after sales service, and will not be stocked at the spare parts centers.

K NO. = Only use Japanese.

! C	UNIT NAME	REF NO.	PARTS CODE	K NO.	DESCRIPTION	SUFFIX	MODEL NAME
X	OTHERS	*	8A-HM5-231-010	0E	CUSH-R, SPC JACK	AHK1L	AM-HX100
X	OTHERS	*	8A-HM5-231-010	0E	CUSH-R, SPC JACK	AHK1S	AM-HX100
X	OTHERS	*	8B-HM3-206-110	0E	SH, BATT EX	AHK1L	AM-HX100
X	OTHERS	*	8B-HM3-206-110	0E	SH, BATT EX	AHK1L	AM-HX100
X	OTHERS	*	8B-HM3-206-110	0E	SH, BATT EX	AHK1S	AM-HX100
X	OTHERS	*	8B-HM3-206-110	0E	SH, BATT EX	AHK1S	AM-HX100
X	OTHERS	*	8B-HM3-206-110	0E	SH, BATT EX	AHK1S	AM-HX100
O	OTHERS	*	8B-HM4-209-010	--	PLATE,EJECT	AHK1L	AM-HX100
O	OTHERS	*	8B-HM4-209-010	--	PLATE,EJECT	AHK1S	AM-HX100
X	OTHERS	*	8B-HM4-214-010	0E	SH,PANEL BOT	AHK1L	AM-HX100
X	OTHERS	*	8B-HM4-214-010	0E	SH,PANEL BOT	AHK1S	AM-HX100
X	OTHERS	*	8B-HM4-215-010	--	PLATE,SLIDE	AHK1L	AM-HX100
X	OTHERS	*	8B-HM4-215-010	--	PLATE,SLIDE	AHK1S	AM-HX100
X	OTHERS	*	8B-HM4-217-010	0E	SH, ADH DECO	AHK1L	AM-HX100
X	OTHERS	*	8B-HM4-217-010	0E	SH, ADH DECO	AHK1S	AM-HX100
X	OTHERS	*	8B-HM4-218-010	0E	SH,GEAR A	AHK1L	AM-HX100
X	OTHERS	*	8B-HM4-218-010	0E	SH,GEAR A	AHK1S	AM-HX100
X	OTHERS	*	8B-HM4-219-010	0E	SH,BATT DIST	AHK1L	AM-HX100
X	OTHERS	*	8B-HM4-219-010	0E	SH,BATT DIST	AHK1S	AM-HX100
O	OTHERS	*	8B-ZG8-228-010	--	HLDR ASSY,CTRG R	AHK1L	AM-HX100
O	OTHERS	*	8B-ZG8-228-010	--	HLDR ASSY,CTRG R	AHK1S	AM-HX100
X	OTHERS	*	8B-ZG8-229-010	--	HLDR,CTRG R	AHK1L	AM-HX100
X	OTHERS	*	8B-ZG8-229-010	--	HLDR,CTRG R	AHK1S	AM-HX100
X	OTHERS	*	8B-ZG8-230-010	--	PLATE,LINK	AHK1L	AM-HX100
X	OTHERS	*	8B-ZG8-230-010	--	PLATE,LINK	AHK1S	AM-HX100
X	OTHERS	*	8B-ZG8-234-010	--	HLDR ASSY,CTRG L	AHK1L	AM-HX100
X	OTHERS	*	8B-ZG8-234-010	--	HLDR ASSY,CTRG L	AHK1S	AM-HX100
X	OTHERS	*	8B-ZG8-235-010	--	HLDR,CTRG L	AHK1L	AM-HX100
X	OTHERS	*	8B-ZG8-235-010	--	HLDR,CTRG L	AHK1S	AM-HX100
X	PACKING	*	87-056-868-010	0E	LBL,COLOR M BLU	AHK1L	AM-HX100
X	PACKING	*	87-B40-456-010	0E	BAG,PV 0.025-110-190	AHK1L	AM-HX100
X	PACKING	*	87-B40-456-010	0E	BAG,PV 0.025-110-190	AHK1S	AM-HX100
X	PACKING	*	8B-HM4-855-010	--	CTN,PRINTED AHK1S	AHK1L	AM-HX100
X	PACKING	*	8B-HM4-855-010	--	CTN,PRINTED AHK1S	AHK1S	AM-HX100
X	PACKING	*	8B-HM4-856-010	--	CTN,OUTER AHK1 S	AHK1L	AM-HX100
X	PACKING	*	8B-HM4-857-010	--	CUSHION,AHK1S	AHK1L	AM-HX100
X	PACKING	*	8B-HM4-857-010	--	CUSHION,AHK1S	AHK1S	AM-HX100
X	PACKING	*	8B-HM4-858-010	--	CTN,OUTER AHK1 L	AHK1L	AM-HX100
!	X PLATE	*	87-057-961-010	0E	LBL,CAUTION TRIANGLE	AHK1L	AM-HX100
!	X PLATE	*	87-057-961-010	0E	LBL,CAUTION TRIANGLE	AHK1S	AM-HX100
X	PLATE	*	87-B40-154-010	0E	LBL,BAR-CODE CU	AHK1L	AM-HX100
X	PLATE	*	87-B40-154-010	0E	LBL,BAR-CODE CU	AHK1S	AM-HX100
X	PLATE	*	87-B40-281-010	0E	LBL,BAR-CODE A 35X8	AHK1L	AM-HX100
X	PLATE	*	87-B40-281-010	0E	LBL,BAR-CODE A 35X8	AHK1S	AM-HX100
X	PLATE	*	87-B40-297-010	0E	LBL,CAUTION EFSD	AHK1L	AM-HX100
X	PLATE	*	87-B40-297-010	0E	LBL,CAUTION EFSD	AHK1S	AM-HX100
X	PLATE	*	8A-HM5-026-010	0E	LBL,SPEC EX	AHK1L	AM-HX100
X	PLATE	*	8A-HM5-026-010	0E	LBL,SPEC EX	AHK1S	AM-HX100
O	PLATE	*	8B-HM4-010-010	1B	PLATE,DECO	AHK1S	AM-HX100
O	PLATE	*	8B-HM4-012-010	1B	PLATE,DECO C	AHK1L	AM-HX100
O	POWER SUPPLY	C	0600 87-A11-806-080	1B	C-CAP,TN 47U-6.3 M PSLB	AHK1L	AM-HX100
O	POWER SUPPLY	C	0600 87-A11-806-080	1B	C-CAP,TN 47U-6.3 M PSLB	AHK1S	AM-HX100
O	POWER SUPPLY	C	0601 87-A10-557-080	0E	C-CAP,V 3300P-25 K B	AHK1L	AM-HX100
O	POWER SUPPLY	C	0601 87-A10-557-080	0E	C-CAP,V 3300P-25 K B	AHK1S	AM-HX100
O	POWER SUPPLY	C	0602 87-A11-806-080	1B	C-CAP,TN 47U-6.3 M PSLB	AHK1L	AM-HX100
O	POWER SUPPLY	C	0602 87-A11-806-080	1B	C-CAP,TN 47U-6.3 M PSLB	AHK1S	AM-HX100
O	POWER SUPPLY	C	0603 87-A10-770-080	0E	C-CAP,V 0.1-10 K B	AHK1L	AM-HX100
O	POWER SUPPLY	C	0603 87-A10-770-080	0E	C-CAP,V 0.1-10 K B	AHK1S	AM-HX100
O	POWER SUPPLY	C	0604 87-A10-770-080	0E	C-CAP,V 0.1-10 K B	AHK1L	AM-HX100
O	POWER SUPPLY	C	0604 87-A10-770-080	0E	C-CAP,V 0.1-10 K B	AHK1S	AM-HX100
O	POWER SUPPLY	C	0606 87-A11-170-080	1A	C-CAP,S 4.7-6.3 K B	AHK1L	AM-HX100
O	POWER SUPPLY	C	0606 87-A11-170-080	1A	C-CAP,S 4.7-6.3 K B	AHK1S	AM-HX100
O	POWER SUPPLY	C	0607 87-A11-049-080	0E	C-CAP,U 1-6.3 K B	AHK1L	AM-HX100
O	POWER SUPPLY	C	0607 87-A11-049-080	0E	C-CAP,U 1-6.3 K B	AHK1S	AM-HX100
O	POWER SUPPLY	C	0608 87-A11-751-080	1A	C-CAP,TN 22U-4 M P	AHK1L	AM-HX100
O	POWER SUPPLY	C	0608 87-A11-751-080	1A	C-CAP,TN 22U-4 M P	AHK1S	AM-HX100
O	POWER SUPPLY	C	0609 87-A10-539-080	0E	C-CAP,V 47P-50 J CH	AHK1L	AM-HX100
O	POWER SUPPLY	C	0609 87-A10-539-080	0E	C-CAP,V 47P-50 J CH	AHK1S	AM-HX100
O	POWER SUPPLY	C	0610 87-A10-663-080	0E	C-CAP,V 270P-25 J CH	AHK1L	AM-HX100
O	POWER SUPPLY	C	0610 87-A10-663-080	0E	C-CAP,V 270P-25 J CH	AHK1S	AM-HX100
O	POWER SUPPLY	C	0611 87-A11-049-080	0E	C-CAP,U 1-6.3 K B	AHK1L	AM-HX100
O	POWER SUPPLY	C	0611 87-A11-049-080	0E	C-CAP,U 1-6.3 K B	AHK1S	AM-HX100

# PARTS LIST

! =  $\Delta$  SAFTY PARTS  
 C = Components marked

All components used on this model at the production line are shown in this service manual.

However, please note that not all components will be available as spare parts for after-sales service.

Components marked S and O are designated as spare parts for service and will be stocked at the spare parts centers.

Components marked X and R are not designated as spare parts for after sales service, and will not be stocked at the spare parts centers.

K NO. = Only use Japanese.

! C	UNIT NAME	REF NO.	PARTS CODE	K NO.	DESCRIPTION	SUFFIX	MODEL NAME
O	POWER SUPPLY	C 0611	87-A11-049-080	0E	C-CAP,U 1-6.3 K B	AHK1S	AM-HX100
O	POWER SUPPLY	C 0613	87-A11-049-080	0E	C-CAP,U 1-6.3 K B	AHK1L	AM-HX100
O	POWER SUPPLY	C 0613	87-A11-049-080	0E	C-CAP,U 1-6.3 K B	AHK1S	AM-HX100
O	POWER SUPPLY	C 0614	87-A10-561-080	0E	C-CAP,V 0.01-16 K B	AHK1L	AM-HX100
O	POWER SUPPLY	C 0614	87-A10-561-080	0E	C-CAP,V 0.01-16 K B	AHK1S	AM-HX100
S	POWER SUPPLY	D 0600	87-A40-687-080	0E	C-DIODE,M1FH3	AHK1L	AM-HX100
S	POWER SUPPLY	D 0600	87-A40-687-080	0E	C-DIODE,M1FH3	AHK1S	AM-HX100
O	POWER SUPPLY	D 0601	87-017-850-040	0E	C-DIODE,DAP222	AHK1L	AM-HX100
O	POWER SUPPLY	D 0601	87-017-850-040	0E	C-DIODE,DAP222	AHK1S	AM-HX100
O	POWER SUPPLY	D 0602	87-017-850-040	0E	C-DIODE,DAP222	AHK1L	AM-HX100
O	POWER SUPPLY	D 0602	87-017-850-040	0E	C-DIODE,DAP222	AHK1S	AM-HX100
O	POWER SUPPLY	D 0603	87-017-850-040	0E	C-DIODE,DAP222	AHK1L	AM-HX100
O	POWER SUPPLY	D 0603	87-017-850-040	0E	C-DIODE,DAP222	AHK1S	AM-HX100
S	POWER SUPPLY	D 0604	87-A40-124-080	0E	C-DIODE,RB501V-40	AHK1L	AM-HX100
S	POWER SUPPLY	D 0604	87-A40-124-080	0E	C-DIODE,RB501V-40	AHK1S	AM-HX100
S	POWER SUPPLY	IC 0600	87-A22-057-080	1B	C-IC,S-8328E20MC	AHK1L	AM-HX100
S	POWER SUPPLY	IC 0600	87-A22-057-080	1B	C-IC,S-8328E20MC	AHK1S	AM-HX100
S	POWER SUPPLY	IC 0601	87-A20-861-040	1A	C-IC,S-80808ANNP	AHK1L	AM-HX100
S	POWER SUPPLY	IC 0601	87-A20-861-040	1A	C-IC,S-80808ANNP	AHK1S	AM-HX100
S	POWER SUPPLY	IC 0602	87-A21-566-040	1A	C-IC,S-80820ANNP	AHK1L	AM-HX100
S	POWER SUPPLY	IC 0602	87-A21-566-040	1A	C-IC,S-80820ANNP	AHK1S	AM-HX100
S	POWER SUPPLY	IC 0603	87-017-596-080	1A	C-IC,NJM2107F	AHK1L	AM-HX100
S	POWER SUPPLY	IC 0603	87-017-596-080	1A	C-IC,NJM2107F	AHK1S	AM-HX100
S	POWER SUPPLY	IC 0604	87-A21-914-040	1B	C-IC,XC6368B102MR	AHK1L	AM-HX100
S	POWER SUPPLY	IC 0604	87-A21-914-040	1B	C-IC,XC6368B102MR	AHK1S	AM-HX100
O	POWER SUPPLY	L 0600	87-A50-324-080	1A	C-COIL,47UH C4-K3L	AHK1L	AM-HX100
O	POWER SUPPLY	L 0600	87-A50-324-080	1A	C-COIL,47UH C4-K3L	AHK1S	AM-HX100
O	POWER SUPPLY	L 0601	87-A50-012-080	0E	C-COIL, 100UH LQH3C	AHK1L	AM-HX100
O	POWER SUPPLY	L 0601	87-A50-012-080	0E	C-COIL, 100UH LQH3C	AHK1S	AM-HX100
O	POWER SUPPLY	PR 0600	87-A91-769-080	1A	C-PROTECTOR,0.75A ERY32SB075	AHK1L	AM-HX100
O	POWER SUPPLY	PR 0600	87-A91-769-080	1A	C-PROTECTOR,0.75A ERY32SB075	AHK1S	AM-HX100
O	POWER SUPPLY	PR 0601	87-A91-769-080	1A	C-PROTECTOR,0.75A ERY32SB075	AHK1L	AM-HX100
O	POWER SUPPLY	PR 0601	87-A91-769-080	1A	C-PROTECTOR,0.75A ERY32SB075	AHK1S	AM-HX100
S	POWER SUPPLY	Q 0600	87-A30-604-080	1A	C-FET,FDG311N	AHK1L	AM-HX100
S	POWER SUPPLY	Q 0600	87-A30-604-080	1A	C-FET,FDG311N	AHK1S	AM-HX100
S	POWER SUPPLY	Q 0601	87-A30-261-080	1B	C-FET,FDC633N	AHK1L	AM-HX100
S	POWER SUPPLY	Q 0601	87-A30-261-080	1B	C-FET,FDC633N	AHK1S	AM-HX100
S	POWER SUPPLY	Q 0602	87-A30-606-080	1A	C-FET,SSM6J06FU	AHK1L	AM-HX100
S	POWER SUPPLY	Q 0602	87-A30-606-080	1A	C-FET,SSM6J06FU	AHK1S	AM-HX100
S	POWER SUPPLY	Q 0603	89-332-654-080	0E	C-TR,2SC3265Y	AHK1L	AM-HX100
S	POWER SUPPLY	Q 0603	89-332-654-080	0E	C-TR,2SC3265Y	AHK1S	AM-HX100
S	POWER SUPPLY	Q 0604	87-A30-147-080	0E	C-TR,2SA1832GR	AHK1L	AM-HX100
S	POWER SUPPLY	Q 0604	87-A30-147-080	0E	C-TR,2SA1832GR	AHK1S	AM-HX100
S	POWER SUPPLY	Q 0605	87-A30-605-080	0E	C-FET,SSM3K05FU	AHK1L	AM-HX100
S	POWER SUPPLY	Q 0605	87-A30-605-080	0E	C-FET,SSM3K05FU	AHK1S	AM-HX100
S	POWER SUPPLY	Q 0608	87-A30-634-080	0E	C-FET,SSM3J05FU	AHK1L	AM-HX100
S	POWER SUPPLY	Q 0608	87-A30-634-080	0E	C-FET,SSM3J05FU	AHK1S	AM-HX100
S	POWER SUPPLY	Q 0609	87-A30-261-080	1B	C-FET,FDC633N	AHK1L	AM-HX100
S	POWER SUPPLY	Q 0609	87-A30-261-080	1B	C-FET,FDC633N	AHK1S	AM-HX100
S	POWER SUPPLY	Q 0610	87-026-644-080	0E	C-TR,DTA144EE	AHK1L	AM-HX100
S	POWER SUPPLY	Q 0610	87-026-644-080	0E	C-TR,DTA144EE	AHK1S	AM-HX100
S	POWER SUPPLY	Q 0611	87-A30-604-080	1A	C-FET,FDG311N	AHK1L	AM-HX100
S	POWER SUPPLY	Q 0611	87-A30-604-080	1A	C-FET,FDG311N	AHK1S	AM-HX100
X	POWER SUPPLY	R 0600	88-104-102-080	0E	C-RES,V 1K-1/16W J	AHK1L	AM-HX100
X	POWER SUPPLY	R 0600	88-104-102-080	0E	C-RES,V 1K-1/16W J	AHK1S	AM-HX100
X	POWER SUPPLY	R 0601	88-104-103-080	0E	C-RES,V 10K-1/16W J	AHK1L	AM-HX100
X	POWER SUPPLY	R 0601	88-104-103-080	0E	C-RES,V 10K-1/16W J	AHK1S	AM-HX100
X	POWER SUPPLY	R 0602	88-104-183-080	0E	C-RES,V 18K-1/16W J	AHK1L	AM-HX100
X	POWER SUPPLY	R 0602	88-104-183-080	0E	C-RES,V 18K-1/16W J	AHK1S	AM-HX100
X	POWER SUPPLY	R 0603	88-104-103-080	0E	C-RES,V 10K-1/16W J	AHK1L	AM-HX100
X	POWER SUPPLY	R 0603	88-104-103-080	0E	C-RES,V 10K-1/16W J	AHK1S	AM-HX100
X	POWER SUPPLY	R 0604	88-104-103-080	0E	C-RES,V 10K-1/16W J	AHK1L	AM-HX100
X	POWER SUPPLY	R 0604	88-104-103-080	0E	C-RES,V 10K-1/16W J	AHK1S	AM-HX100
X	POWER SUPPLY	R 0605	88-104-103-080	0E	C-RES,V 10K-1/16W J	AHK1L	AM-HX100
X	POWER SUPPLY	R 0605	88-104-103-080	0E	C-RES,V 10K-1/16W J	AHK1S	AM-HX100
X	POWER SUPPLY	R 0606	88-104-274-080	0E	C-RES,V 270K-1/16W J	AHK1L	AM-HX100
X	POWER SUPPLY	R 0606	88-104-274-080	0E	C-RES,V 270K-1/16W J	AHK1S	AM-HX100
X	POWER SUPPLY	R 0607	88-104-274-080	0E	C-RES,V 270K-1/16W J	AHK1L	AM-HX100
X	POWER SUPPLY	R 0607	88-104-274-080	0E	C-RES,V 270K-1/16W J	AHK1S	AM-HX100
X	POWER SUPPLY	R 0608	88-104-103-080	0E	C-RES,V 10K-1/16W J	AHK1L	AM-HX100
X	POWER SUPPLY	R 0608	88-104-103-080	0E	C-RES,V 10K-1/16W J	AHK1S	AM-HX100

# PARTS LIST

! =  $\Delta$  SAFTY PARTS  
 C = Components marked

All components used on this model at the production line are shown in this service manual.

However, please note that not all components will be available as spare parts for after-sales service.

Components marked S and O are designated as spare parts for service and will be stocked at the spare parts centers.

Components marked X and R are not designated as spare parts for after sales service, and will not be stocked at the spare parts centers.

K NO. = Only use Japanese.

! C	UNIT NAME	REF NO.	PARTS CODE	K NO.	DESCRIPTION	SUFFIX	MODEL NAME
X	POWER SUPPLY	R 0608	88-104-103-080	0E	C-RES,V 10K-1/16W J	AHK1S	AM-HX100
X	POWER SUPPLY	R 0609	88-118-120-080	0E	C-RES,S 12-1/10W J	AHK1L	AM-HX100
X	POWER SUPPLY	R 0609	88-118-120-080	0E	C-RES,S 12-1/10W J	AHK1S	AM-HX100
X	POWER SUPPLY	R 0610	88-104-153-080	0E	C-RES,V 15K-1/16W J	AHK1L	AM-HX100
X	POWER SUPPLY	R 0610	88-104-153-080	0E	C-RES,V 15K-1/16W J	AHK1S	AM-HX100
X	POWER SUPPLY	R 0611	88-108-470-080	0E	C-RES,U 47-1/16W J	AHK1L	AM-HX100
X	POWER SUPPLY	R 0611	88-108-470-080	0E	C-RES,U 47-1/16W J	AHK1S	AM-HX100
X	POWER SUPPLY	R 0612	88-104-102-080	0E	C-RES,V 1K-1/16W J	AHK1L	AM-HX100
X	POWER SUPPLY	R 0612	88-104-102-080	0E	C-RES,V 1K-1/16W J	AHK1S	AM-HX100
X	POWER SUPPLY	R 0613	88-104-474-080	0E	C-RES,V 470K-1/16W J	AHK1L	AM-HX100
X	POWER SUPPLY	R 0613	88-104-474-080	0E	C-RES,V 470K-1/16W J	AHK1S	AM-HX100
X	POWER SUPPLY	R 0614	88-104-104-080	0E	C-RES,V 100K-1/16W J	AHK1L	AM-HX100
X	POWER SUPPLY	R 0614	88-104-104-080	0E	C-RES,V 100K-1/16W J	AHK1S	AM-HX100
O	POWER SUPPLY	R 0615	87-A01-014-080	0E	C-RES,V 330K-1/16W F	AHK1L	AM-HX100
O	POWER SUPPLY	R 0615	87-A01-014-080	0E	C-RES,V 330K-1/16W F	AHK1S	AM-HX100
O	POWER SUPPLY	R 0616	87-A01-015-080	0E	C-RES,V 560K-1/16W F	AHK1L	AM-HX100
O	POWER SUPPLY	R 0616	87-A01-015-080	0E	C-RES,V 560K-1/16W F	AHK1S	AM-HX100
X	POWER SUPPLY	R 0617	88-104-000-080	0E	C-JUMPER,V	AHK1L	AM-HX100
X	POWER SUPPLY	R 0617	88-104-000-080	0E	C-JUMPER,V	AHK1S	AM-HX100
X	POWER SUPPLY	R 0618	88-104-102-080	0E	C-RES,V 1K-1/16W J	AHK1L	AM-HX100
X	POWER SUPPLY	R 0618	88-104-102-080	0E	C-RES,V 1K-1/16W J	AHK1S	AM-HX100
X	POWER SUPPLY	R 0619	88-104-474-080	0E	C-RES,V 470K-1/16W J	AHK1L	AM-HX100
X	POWER SUPPLY	R 0619	88-104-474-080	0E	C-RES,V 470K-1/16W J	AHK1S	AM-HX100
X	POWER SUPPLY	R 0620	88-104-000-080	0E	C-JUMPER,V	AHK1L	AM-HX100
X	POWER SUPPLY	R 0620	88-104-000-080	0E	C-JUMPER,V	AHK1S	AM-HX100
X	POWER SUPPLY	R 0621	88-104-473-080	0E	C-RES,V 47K-1/16W J	AHK1L	AM-HX100
X	POWER SUPPLY	R 0621	88-104-473-080	0E	C-RES,V 47K-1/16W J	AHK1S	AM-HX100
X	POWER SUPPLY	R 0622	88-104-473-080	0E	C-RES,V 47K-1/16W J	AHK1L	AM-HX100
X	POWER SUPPLY	R 0622	88-104-473-080	0E	C-RES,V 47K-1/16W J	AHK1S	AM-HX100
X	POWER SUPPLY	R 0623	88-104-103-080	0E	C-RES,V 10K-1/16W J	AHK1L	AM-HX100
X	POWER SUPPLY	R 0623	88-104-103-080	0E	C-RES,V 10K-1/16W J	AHK1S	AM-HX100
X	POWER SUPPLY	R 0624	88-104-473-080	0E	C-RES,V 47K-1/16W J	AHK1L	AM-HX100
X	POWER SUPPLY	R 0624	88-104-473-080	0E	C-RES,V 47K-1/16W J	AHK1S	AM-HX100
X	POWER SUPPLY	R 0625	88-104-474-080	0E	C-RES,V 470K-1/16W J	AHK1L	AM-HX100
X	POWER SUPPLY	R 0625	88-104-474-080	0E	C-RES,V 470K-1/16W J	AHK1S	AM-HX100
X	POWER SUPPLY	R 0626	88-104-472-080	0E	C-RES,V 4.7K-1/16W J	AHK1L	AM-HX100
X	POWER SUPPLY	R 0626	88-104-472-080	0E	C-RES,V 4.7K-1/16W J	AHK1S	AM-HX100
O	POWER SUPPLY	R 0629	87-A01-013-080	0E	C-RES,M/F V 220K-1/16W D	AHK1L	AM-HX100
O	POWER SUPPLY	R 0629	87-A01-013-080	0E	C-RES,M/F V 220K-1/16W D	AHK1S	AM-HX100
O	POWER SUPPLY	R 0630	87-A01-012-080	0E	C-RES,M/F V 34K-1/16W D	AHK1L	AM-HX100
O	POWER SUPPLY	R 0630	87-A01-012-080	0E	C-RES,M/F V 34K-1/16W D	AHK1S	AM-HX100
X	POWER SUPPLY	R 0631	88-104-105-080	0E	C-RES,V 1M-1/16W J	AHK1L	AM-HX100
X	POWER SUPPLY	R 0631	88-104-105-080	0E	C-RES,V 1M-1/16W J	AHK1S	AM-HX100
X	POWER SUPPLY	R 0632	88-104-103-080	0E	C-RES,V 10K-1/16W J	AHK1L	AM-HX100
X	POWER SUPPLY	R 0632	88-104-103-080	0E	C-RES,V 10K-1/16W J	AHK1S	AM-HX100
X	PRINTED MATTERS		87-B50-078-010	0E	LIST,FACILITY(S)-0007	AHK1L	AM-HX100
X	PRINTED MATTERS		87-B50-078-010	0E	LIST,FACILITY(S)-0007	AHK1S	AM-HX100
O	PRINTED MATTERS		8B-HM4-902-010	--	IB,HK(ECH)	AHK1L	AM-HX100
O	PRINTED MATTERS		8B-HM4-902-010	--	IB,HK(ECH)	AHK1S	AM-HX100
X	PWB,MAIN	*	8B-HM4-602-010	2A	PWB,MAIN 2M	AHK1L	AM-HX100
X	PWB,MAIN	*	8B-HM4-602-010	2A	PWB,MAIN 2M	AHK1S	AM-HX100
O	RF	C 0101	87-A10-770-080	0E	C-CAP,V 0.1-10 K B	AHK1L	AM-HX100
O	RF	C 0101	87-A10-770-080	0E	C-CAP,V 0.1-10 K B	AHK1S	AM-HX100
O	RF	C 0102	87-A10-765-080	0E	C-CAP,V 0.033-10 K B	AHK1L	AM-HX100
O	RF	C 0102	87-A10-765-080	0E	C-CAP,V 0.033-10 K B	AHK1S	AM-HX100
O	RF	C 0103	87-A10-766-080	0E	C-CAP,V 0.047-10 K B	AHK1L	AM-HX100
O	RF	C 0103	87-A10-766-080	0E	C-CAP,V 0.047-10 K B	AHK1S	AM-HX100
O	RF	C 0104	87-A10-765-080	0E	C-CAP,V 0.033-10 K B	AHK1L	AM-HX100
O	RF	C 0104	87-A10-765-080	0E	C-CAP,V 0.033-10 K B	AHK1S	AM-HX100
O	RF	C 0105	87-A10-765-080	0E	C-CAP,V 0.033-10 K B	AHK1L	AM-HX100
O	RF	C 0105	87-A10-765-080	0E	C-CAP,V 0.033-10 K B	AHK1S	AM-HX100
O	RF	C 0106	87-A10-765-080	0E	C-CAP,V 0.033-10 K B	AHK1L	AM-HX100
O	RF	C 0106	87-A10-765-080	0E	C-CAP,V 0.033-10 K B	AHK1S	AM-HX100
O	RF	C 0107	87-A10-765-080	0E	C-CAP,V 0.033-10 K B	AHK1L	AM-HX100
O	RF	C 0107	87-A10-765-080	0E	C-CAP,V 0.033-10 K B	AHK1S	AM-HX100
O	RF	C 0108	87-A10-531-080	0E	C-CAP,V 10P-50 D CH	AHK1L	AM-HX100
O	RF	C 0108	87-A10-531-080	0E	C-CAP,V 10P-50 D CH	AHK1S	AM-HX100
O	RF	C 0109	87-A10-524-080	0E	C-CAP,V 3.0P-50 C CJ	AHK1L	AM-HX100
O	RF	C 0109	87-A10-524-080	0E	C-CAP,V 3.0P-50 C CJ	AHK1S	AM-HX100
O	RF	C 0110	87-A11-170-080	1A	C-CAP,S 4.7-6.3 K B	AHK1L	AM-HX100
O	RF	C 0110	87-A11-170-080	1A	C-CAP,S 4.7-6.3 K B	AHK1S	AM-HX100

# PARTS LIST

! =  $\Delta$  SAFTY PARTS  
 C = Components marked

All components used on this model at the production line are shown in this service manual.

However, please note that not all components will be available as spare parts for after-sales service.

Components marked S and O are designated as spare parts for service and will be stocked at the spare parts centers.

Components marked X and R are not designated as spare parts for after sales service, and will not be stocked at the spare parts centers.

K NO. = Only use Japanese.

! C	UNIT NAME	REF NO.	PARTS CODE	K NO.	DESCRIPTION	SUFFIX	MODEL NAME
O RF		C 0110	87-A11-170-080	1A	C-CAP,S 4.7-6.3 K B	AHK1S	AM-HX100
O RF		C 0111	87-A10-561-080	0E	C-CAP,V 0.01-16 K B	AHK1L	AM-HX100
O RF		C 0111	87-A10-561-080	0E	C-CAP,V 0.01-16 K B	AHK1S	AM-HX100
O RF		C 0112	87-A10-561-080	0E	C-CAP,V 0.01-16 K B	AHK1L	AM-HX100
O RF		C 0112	87-A10-561-080	0E	C-CAP,V 0.01-16 K B	AHK1S	AM-HX100
O RF		C 0113	87-A10-770-080	0E	C-CAP,V 0.1-10 K B	AHK1L	AM-HX100
O RF		C 0113	87-A10-770-080	0E	C-CAP,V 0.1-10 K B	AHK1S	AM-HX100
O RF		C 0114	87-A10-770-080	0E	C-CAP,V 0.1-10 K B	AHK1L	AM-HX100
O RF		C 0114	87-A10-770-080	0E	C-CAP,V 0.1-10 K B	AHK1S	AM-HX100
O RF		C 0115	87-A10-556-080	0E	C-CAP,V 2200P-50 K B	AHK1L	AM-HX100
O RF		C 0115	87-A10-556-080	0E	C-CAP,V 2200P-50 K B	AHK1S	AM-HX100
O RF		C 0116	87-A11-049-080	0E	C-CAP,U 1-6.3 K B	AHK1L	AM-HX100
O RF		C 0116	87-A11-049-080	0E	C-CAP,U 1-6.3 K B	AHK1S	AM-HX100
O RF		C 0117	87-A11-049-080	0E	C-CAP,U 1-6.3 K B	AHK1L	AM-HX100
O RF		C 0117	87-A11-049-080	0E	C-CAP,U 1-6.3 K B	AHK1S	AM-HX100
O RF		C 0118	87-A11-050-080	1A	C-CAP,TN 47U-4 M F95 A	AHK1L	AM-HX100
O RF		C 0118	87-A11-050-080	1A	C-CAP,TN 47U-4 M F95 A	AHK1S	AM-HX100
O RF		C 0119	87-A11-049-080	0E	C-CAP,U 1-6.3 K B	AHK1L	AM-HX100
O RF		C 0119	87-A11-049-080	0E	C-CAP,U 1-6.3 K B	AHK1S	AM-HX100
O RF		C 0120	87-A10-770-080	0E	C-CAP,V 0.1-10 K B	AHK1L	AM-HX100
O RF		C 0120	87-A10-770-080	0E	C-CAP,V 0.1-10 K B	AHK1S	AM-HX100
O RF		C 0121	87-A11-170-080	1A	C-CAP,S 4.7-6.3 K B	AHK1L	AM-HX100
O RF		C 0121	87-A11-170-080	1A	C-CAP,S 4.7-6.3 K B	AHK1S	AM-HX100
O RF		C 0122	87-A10-561-080	0E	C-CAP,V 0.01-16 K B	AHK1L	AM-HX100
O RF		C 0122	87-A10-561-080	0E	C-CAP,V 0.01-16 K B	AHK1S	AM-HX100
O RF		C 0123	87-A10-554-080	0E	C-CAP,V 1000P-50 K B	AHK1L	AM-HX100
O RF		C 0123	87-A10-554-080	0E	C-CAP,V 1000P-50 K B	AHK1S	AM-HX100
O RF		C 0124	87-A10-554-080	0E	C-CAP,V 1000P-50 K B	AHK1L	AM-HX100
O RF		C 0124	87-A10-554-080	0E	C-CAP,V 1000P-50 K B	AHK1S	AM-HX100
O RF		C 0125	87-A10-770-080	0E	C-CAP,V 0.1-10 K B	AHK1L	AM-HX100
O RF		C 0125	87-A10-770-080	0E	C-CAP,V 0.1-10 K B	AHK1S	AM-HX100
O RF		C 0126	87-A11-058-080	0E	C-CAP,U 0.22-10 K B	AHK1L	AM-HX100
O RF		C 0126	87-A11-058-080	0E	C-CAP,U 0.22-10 K B	AHK1S	AM-HX100
O RF		C 0127	87-A11-049-080	0E	C-CAP,U 1-6.3 K B	AHK1L	AM-HX100
O RF		C 0127	87-A11-049-080	0E	C-CAP,U 1-6.3 K B	AHK1S	AM-HX100
O RF		CN 0100	87-A61-315-080	1B	C-CONN,20P H XF2L-2035	AHK1L	AM-HX100
O RF		CN 0100	87-A61-315-080	1B	C-CONN,20P H XF2L-2035	AHK1S	AM-HX100
S RF		IC 0100	87-A22-099-080	2A	C-IC,LA9607T	AHK1L	AM-HX100
S RF		IC 0100	87-A22-099-080	2A	C-IC,LA9607T	AHK1S	AM-HX100
O RF		L 0100	87-A50-360-080	0E	C-COIL, 47UH K NLFC252018	AHK1L	AM-HX100
O RF		L 0100	87-A50-360-080	0E	C-COIL, 47UH K NLFC252018	AHK1S	AM-HX100
O RF		L 0101	87-003-245-080	0E	C-COIL,2125 22UH K MLF2012	AHK1L	AM-HX100
O RF		L 0101	87-003-245-080	0E	C-COIL,2125 22UH K MLF2012	AHK1S	AM-HX100
S RF		Q 0100	87-026-645-080	0E	C-TR,DTC144EE	AHK1L	AM-HX100
S RF		Q 0100	87-026-645-080	0E	C-TR,DTC144EE	AHK1S	AM-HX100
S RF		Q 0101	87-A30-147-080	0E	C-TR,2SA1832GR	AHK1L	AM-HX100
S RF		Q 0101	87-A30-147-080	0E	C-TR,2SA1832GR	AHK1S	AM-HX100
S RF		Q 0102	89-115-884-080	0E	C-TR,2SA1588Y	AHK1L	AM-HX100
S RF		Q 0102	89-115-884-080	0E	C-TR,2SA1588Y	AHK1S	AM-HX100
X RF		R 0101	88-104-563-080	0E	C-RES,V 56K-1/16W J	AHK1L	AM-HX100
X RF		R 0101	88-104-563-080	0E	C-RES,V 56K-1/16W J	AHK1S	AM-HX100
X RF		R 0102	88-104-104-080	0E	C-RES,V 100K-1/16W J	AHK1L	AM-HX100
X RF		R 0102	88-104-104-080	0E	C-RES,V 100K-1/16W J	AHK1S	AM-HX100
X RF		R 0103	88-104-393-080	0E	C-RES,V 39K-1/16W J	AHK1L	AM-HX100
X RF		R 0103	88-104-393-080	0E	C-RES,V 39K-1/16W J	AHK1S	AM-HX100
X RF		R 0104	88-104-393-080	0E	C-RES,V 39K-1/16W J	AHK1L	AM-HX100
X RF		R 0104	88-104-393-080	0E	C-RES,V 39K-1/16W J	AHK1S	AM-HX100
X RF		R 0105	88-104-393-080	0E	C-RES,V 39K-1/16W J	AHK1L	AM-HX100
X RF		R 0105	88-104-393-080	0E	C-RES,V 39K-1/16W J	AHK1S	AM-HX100
X RF		R 0106	88-104-223-080	0E	C-RES,V 22K-1/16W J	AHK1L	AM-HX100
X RF		R 0106	88-104-223-080	0E	C-RES,V 22K-1/16W J	AHK1S	AM-HX100
X RF		R 0107	88-104-103-080	0E	C-RES,V 10K-1/16W J	AHK1L	AM-HX100
X RF		R 0107	88-104-103-080	0E	C-RES,V 10K-1/16W J	AHK1S	AM-HX100
X RF		R 0108	88-104-472-080	0E	C-RES,V 4.7K-1/16W J	AHK1L	AM-HX100
X RF		R 0108	88-104-472-080	0E	C-RES,V 4.7K-1/16W J	AHK1S	AM-HX100
X RF		R 0109	88-104-123-080	0E	C-RES,V 12K-1/16W J	AHK1L	AM-HX100
X RF		R 0109	88-104-123-080	0E	C-RES,V 12K-1/16W J	AHK1S	AM-HX100
X RF		R 0110	88-104-123-080	0E	C-RES,V 12K-1/16W J	AHK1L	AM-HX100
X RF		R 0110	88-104-123-080	0E	C-RES,V 12K-1/16W J	AHK1S	AM-HX100
X RF		R 0111	88-104-223-080	0E	C-RES,V 22K-1/16W J	AHK1L	AM-HX100
X RF		R 0111	88-104-223-080	0E	C-RES,V 22K-1/16W J	AHK1S	AM-HX100



# PARTS LIST

! =  $\Delta$  SAFTY PARTS  
 C = Components marked

All components used on this model at the production line are shown in this service manual.

However, please note that not all components will be available as spare parts for after-sales service.

Components marked S and O are designated as spare parts for service and will be stocked at the spare parts centers.

Components marked X and R are not designated as spare parts for after sales service, and will not be stocked at the spare parts centers.

K NO. = Only use Japanese.

! C	UNIT NAME	REF NO.	PARTS CODE	K NO.	DESCRIPTION	SUFFIX	MODEL NAME
X RF		R 0111	88-104-223-080	0E	C-RES,V 22K-1/16W J	AHK1S	AM-HX100
X RF		R 0112	88-104-473-080	0E	C-RES,V 47K-1/16W J	AHK1L	AM-HX100
X RF		R 0112	88-104-473-080	0E	C-RES,V 47K-1/16W J	AHK1S	AM-HX100
X RF		R 0113	88-104-184-080	0E	C-RES,V 180K-1/16W J	AHK1L	AM-HX100
X RF		R 0113	88-104-184-080	0E	C-RES,V 180K-1/16W J	AHK1S	AM-HX100
X RF		R 0114	88-104-474-080	0E	C-RES,V 470K-1/16W J	AHK1L	AM-HX100
X RF		R 0114	88-104-474-080	0E	C-RES,V 470K-1/16W J	AHK1S	AM-HX100
X RF		R 0115	88-104-000-080	0E	C-JUMPER,V	AHK1L	AM-HX100
X RF		R 0115	88-104-000-080	0E	C-JUMPER,V	AHK1S	AM-HX100
X RF		R 0116	88-104-123-080	0E	C-RES,V 12K-1/16W J	AHK1L	AM-HX100
X RF		R 0116	88-104-123-080	0E	C-RES,V 12K-1/16W J	AHK1S	AM-HX100
X RF		R 0117	88-104-104-080	0E	C-RES,V 100K-1/16W J	AHK1L	AM-HX100
X RF		R 0117	88-104-104-080	0E	C-RES,V 100K-1/16W J	AHK1S	AM-HX100
X RF		R 0118	88-104-124-080	0E	C-RES,V 120K-1/16W J	AHK1L	AM-HX100
X RF		R 0118	88-104-124-080	0E	C-RES,V 120K-1/16W J	AHK1S	AM-HX100
X RF		R 0119	88-104-334-080	0E	C-RES,V 330K-1/16W J	AHK1L	AM-HX100
X RF		R 0119	88-104-334-080	0E	C-RES,V 330K-1/16W J	AHK1S	AM-HX100
X RF		R 0120	88-104-334-080	0E	C-RES,V 330K-1/16W J	AHK1L	AM-HX100
X RF		R 0120	88-104-334-080	0E	C-RES,V 330K-1/16W J	AHK1S	AM-HX100
X RF		R 0121	88-104-102-080	0E	C-RES,V 1K-1/16W J	AHK1L	AM-HX100
X RF		R 0121	88-104-102-080	0E	C-RES,V 1K-1/16W J	AHK1S	AM-HX100
X RF		R 0122	88-104-104-080	0E	C-RES,V 100K-1/16W J	AHK1L	AM-HX100
X RF		R 0122	88-104-104-080	0E	C-RES,V 100K-1/16W J	AHK1S	AM-HX100
X RF		R 0123	88-104-109-080	0E	C-RES,V 1-1/16W J	AHK1L	AM-HX100
X RF		R 0123	88-104-109-080	0E	C-RES,V 1-1/16W J	AHK1S	AM-HX100
X RF		R 0124	88-104-563-080	0E	C-RES,V 56K-1/16W J	AHK1L	AM-HX100
X RF		R 0124	88-104-563-080	0E	C-RES,V 56K-1/16W J	AHK1S	AM-HX100
X RF		R 0129	88-104-000-080	0E	C-JUMPER,V	AHK1L	AM-HX100
X RF		R 0129	88-104-000-080	0E	C-JUMPER,V	AHK1S	AM-HX100
X RF		R 0130	88-104-000-080	0E	C-JUMPER,V	AHK1L	AM-HX100
X RF		R 0130	88-104-000-080	0E	C-JUMPER,V	AHK1S	AM-HX100
X RF		R 0132	88-104-103-080	0E	C-RES,V 10K-1/16W J	AHK1L	AM-HX100
X RF		R 0132	88-104-103-080	0E	C-RES,V 10K-1/16W J	AHK1S	AM-HX100
X RF		R 0134	88-104-000-080	0E	C-JUMPER,V	AHK1L	AM-HX100
X RF		R 0134	88-104-000-080	0E	C-JUMPER,V	AHK1S	AM-HX100
X RF		R 0135	88-104-823-080	0E	C-RES,V 82K-1/16W J	AHK1L	AM-HX100
X RF		R 0135	88-104-823-080	0E	C-RES,V 82K-1/16W J	AHK1S	AM-HX100
X RF		R 0136	88-104-823-080	0E	C-RES,V 82K-1/16W J	AHK1L	AM-HX100
X RF		R 0136	88-104-823-080	0E	C-RES,V 82K-1/16W J	AHK1S	AM-HX100
O SCREW			87-078-186-010	0E	S-SCREW,SR+1.4-1.8 SWCH/CR L	AHK1L	AM-HX100
O SCREW			87-078-186-010	0E	S-SCREW,SR+1.4-1.8 SWCH/CR L	AHK1S	AM-HX100
O SCREW			87-HM1-243-010	0E	S-SCREW,1.4-1.4CRNL	AHK1L	AM-HX100
O SCREW			87-HM1-243-010	0E	S-SCREW,1.4-1.4CRNL	AHK1S	AM-HX100
O SCREW			8A-HM3-233-010	0E	S-SCREW,+1.4-3.5 N	AHK1L	AM-HX100
O SCREW			8A-HM3-233-010	0E	S-SCREW,+1.4-3.5 N	AHK1S	AM-HX100
O SCREW			8A-HM5-221-010	0E	S-SCREW,1.4-1.8 CR N	AHK1L	AM-HX100
O SCREW			8A-HM5-221-010	0E	S-SCREW,1.4-1.8 CR N	AHK1S	AM-HX100
O SCREW		*	8A-HM3-222-010	0E	S-SCREW,+1.4-3.0 CR	AHK1L	AM-HX100
O SCREW		*	8A-HM3-222-010	0E	S-SCREW,+1.4-3.0 CR	AHK1S	AM-HX100
O SCREW		*	8A-HM3-222-010	0E	S-SCREW,+1.4-3.0 CR	AHK1L	AM-HX100
O SCREW		*	8A-HM3-222-010	0E	S-SCREW,+1.4-3.0 CR	AHK1S	AM-HX100
O SYSTEM CONTROL		C 0300	87-A11-049-080	0E	C-CAP,U 1-6.3 K B	AHK1L	AM-HX100
O SYSTEM CONTROL		C 0300	87-A11-049-080	0E	C-CAP,U 1-6.3 K B	AHK1S	AM-HX100
O SYSTEM CONTROL		C 0301	87-A10-561-080	0E	C-CAP,V 0.01-16 K B	AHK1L	AM-HX100
O SYSTEM CONTROL		C 0301	87-A10-561-080	0E	C-CAP,V 0.01-16 K B	AHK1S	AM-HX100
O SYSTEM CONTROL		C 0302	87-A10-561-080	0E	C-CAP,V 0.01-16 K B	AHK1L	AM-HX100
O SYSTEM CONTROL		C 0302	87-A10-561-080	0E	C-CAP,V 0.01-16 K B	AHK1S	AM-HX100
O SYSTEM CONTROL		C 0303	87-A10-561-080	0E	C-CAP,V 0.01-16 K B	AHK1L	AM-HX100
O SYSTEM CONTROL		C 0303	87-A10-561-080	0E	C-CAP,V 0.01-16 K B	AHK1S	AM-HX100
O SYSTEM CONTROL		C 0304	87-A10-561-080	0E	C-CAP,V 0.01-16 K B	AHK1L	AM-HX100
O SYSTEM CONTROL		C 0304	87-A10-561-080	0E	C-CAP,V 0.01-16 K B	AHK1S	AM-HX100
O SYSTEM CONTROL		C 0305	87-A11-170-080	1A	C-CAP,S 4.7-6.3 K B	AHK1L	AM-HX100
O SYSTEM CONTROL		C 0305	87-A11-170-080	1A	C-CAP,S 4.7-6.3 K B	AHK1S	AM-HX100
O SYSTEM CONTROL		C 0306	87-A10-561-080	0E	C-CAP,V 0.01-16 K B	AHK1L	AM-HX100
O SYSTEM CONTROL		C 0306	87-A10-561-080	0E	C-CAP,V 0.01-16 K B	AHK1S	AM-HX100
O SYSTEM CONTROL		C 0307	87-A10-554-080	0E	C-CAP,V 1000P-50 K B	AHK1L	AM-HX100
O SYSTEM CONTROL		C 0307	87-A10-554-080	0E	C-CAP,V 1000P-50 K B	AHK1S	AM-HX100
O SYSTEM CONTROL		C 0308	87-A10-770-080	0E	C-CAP,V 0.1-10 K B	AHK1L	AM-HX100
O SYSTEM CONTROL		C 0308	87-A10-770-080	0E	C-CAP,V 0.1-10 K B	AHK1S	AM-HX100
O SYSTEM CONTROL		C 0701	87-A10-770-080	0E	C-CAP,V 0.1-10 K B	AHK1L	AM-HX100

# PARTS LIST

! =  $\Delta$  SAFTY PARTS  
 C = Components marked

All components used on this model at the production line are shown in this service manual.

However, please note that not all components will be available as spare parts for after-sales service.

Components marked S and O are designated as spare parts for service and will be stocked at the spare parts centers.

Components marked X and R are not designated as spare parts for after sales service, and will not be stocked at the spare parts centers.

K NO. = Only use Japanese.

! C	UNIT NAME	REF NO.	PARTS CODE	K NO.	DESCRIPTION	SUFFIX	MODEL NAME
O	SYSTEM CONTROL	C 0701	87-A10-770-080	0E	C-CAP,V 0.1-10 K B	AHK1S	AM-HX100
O	SYSTEM CONTROL	D 0300	87-A40-556-080	0E	C-LED,CL-270HR RED	AHK1L	AM-HX100
O	SYSTEM CONTROL	D 0300	87-A40-556-080	0E	C-LED,CL-270HR RED	AHK1S	AM-HX100
O	SYSTEM CONTROL	D 0301	87-017-850-040	0E	C-DIODE,DAP222	AHK1L	AM-HX100
O	SYSTEM CONTROL	D 0301	87-017-850-040	0E	C-DIODE,DAP222	AHK1S	AM-HX100
S	SYSTEM CONTROL	IC 0300	8B-HM4-603-010	2A	C-IC,LC875164A-5V90	AHK1L	AM-HX100
S	SYSTEM CONTROL	IC 0300	8B-HM4-603-010	2A	C-IC,LC875164A-5V90	AHK1S	AM-HX100
S	SYSTEM CONTROL	IC 0301	87-A22-051-040	1B	C-IC,AK93C55BH	AHK1L	AM-HX100
S	SYSTEM CONTROL	IC 0301	87-A22-051-040	1B	C-IC,AK93C55BH	AHK1S	AM-HX100
S	SYSTEM CONTROL	IC 0302	87-A21-038-040	1B	C-IC,NJU7014R-TE2	AHK1L	AM-HX100
S	SYSTEM CONTROL	IC 0302	87-A21-038-040	1B	C-IC,NJU7014R-TE2	AHK1S	AM-HX100
S	SYSTEM CONTROL	IC 0303	87-A22-051-040	1B	C-IC,AK93C55BH	AHK1L	AM-HX100
S	SYSTEM CONTROL	IC 0303	87-A22-051-040	1B	C-IC,AK93C55BH	AHK1S	AM-HX100
O	SYSTEM CONTROL	L 0300	87-005-769-080	1A	C-COIL,2125 100UH K MLF2012	AHK1L	AM-HX100
O	SYSTEM CONTROL	L 0300	87-005-769-080	1A	C-COIL,2125 100UH K MLF2012	AHK1S	AM-HX100
S	SYSTEM CONTROL	Q 0301	87-026-644-080	0E	C-TR,DTA144EE	AHK1L	AM-HX100
S	SYSTEM CONTROL	Q 0301	87-026-644-080	0E	C-TR,DTA144EE	AHK1S	AM-HX100
S	SYSTEM CONTROL	Q 0302	87-026-645-080	0E	C-TR,DTC144EE	AHK1L	AM-HX100
S	SYSTEM CONTROL	Q 0302	87-026-645-080	0E	C-TR,DTC144EE	AHK1S	AM-HX100
X	SYSTEM CONTROL	R 0300	88-104-474-080	0E	C-RES,V 470K-1/16W J	AHK1L	AM-HX100
X	SYSTEM CONTROL	R 0300	88-104-474-080	0E	C-RES,V 470K-1/16W J	AHK1S	AM-HX100
X	SYSTEM CONTROL	R 0302	88-104-474-080	0E	C-RES,V 470K-1/16W J	AHK1L	AM-HX100
X	SYSTEM CONTROL	R 0302	88-104-474-080	0E	C-RES,V 470K-1/16W J	AHK1S	AM-HX100
X	SYSTEM CONTROL	R 0303	88-104-474-080	0E	C-RES,V 470K-1/16W J	AHK1L	AM-HX100
X	SYSTEM CONTROL	R 0303	88-104-474-080	0E	C-RES,V 470K-1/16W J	AHK1S	AM-HX100
X	SYSTEM CONTROL	R 0304	88-104-474-080	0E	C-RES,V 470K-1/16W J	AHK1L	AM-HX100
X	SYSTEM CONTROL	R 0304	88-104-474-080	0E	C-RES,V 470K-1/16W J	AHK1S	AM-HX100
O	SYSTEM CONTROL	R 0305	87-A00-756-080	--	C-RES,V 10K-1/16W F	AHK1L	AM-HX100
O	SYSTEM CONTROL	R 0305	87-A00-756-080	--	C-RES,V 10K-1/16W F	AHK1S	AM-HX100
O	SYSTEM CONTROL	R 0306	87-A00-759-080	--	C-RES,V 27K-1/16W F	AHK1L	AM-HX100
O	SYSTEM CONTROL	R 0306	87-A00-759-080	--	C-RES,V 27K-1/16W F	AHK1S	AM-HX100
X	SYSTEM CONTROL	R 0307	88-104-224-080	0E	C-RES,V 220K-1/16W J	AHK1L	AM-HX100
X	SYSTEM CONTROL	R 0307	88-104-224-080	0E	C-RES,V 220K-1/16W J	AHK1S	AM-HX100
X	SYSTEM CONTROL	R 0308	88-104-104-080	0E	C-RES,V 100K-1/16W J	AHK1L	AM-HX100
X	SYSTEM CONTROL	R 0308	88-104-104-080	0E	C-RES,V 100K-1/16W J	AHK1S	AM-HX100
X	SYSTEM CONTROL	R 0309	88-104-000-080	0E	C-JUMPER,V	AHK1L	AM-HX100
X	SYSTEM CONTROL	R 0309	88-104-000-080	0E	C-JUMPER,V	AHK1S	AM-HX100
X	SYSTEM CONTROL	R 0310	88-104-334-080	0E	C-RES,V 330K-1/16W J	AHK1L	AM-HX100
X	SYSTEM CONTROL	R 0310	88-104-334-080	0E	C-RES,V 330K-1/16W J	AHK1S	AM-HX100
X	SYSTEM CONTROL	R 0311	88-104-221-080	0E	C-RES,V 220-1/16W J	AHK1L	AM-HX100
X	SYSTEM CONTROL	R 0311	88-104-221-080	0E	C-RES,V 220-1/16W J	AHK1S	AM-HX100
X	SYSTEM CONTROL	R 0312	88-104-221-080	0E	C-RES,V 220-1/16W J	AHK1L	AM-HX100
X	SYSTEM CONTROL	R 0312	88-104-221-080	0E	C-RES,V 220-1/16W J	AHK1S	AM-HX100
X	SYSTEM CONTROL	R 0313	88-104-221-080	0E	C-RES,V 220-1/16W J	AHK1L	AM-HX100
X	SYSTEM CONTROL	R 0313	88-104-221-080	0E	C-RES,V 220-1/16W J	AHK1S	AM-HX100
X	SYSTEM CONTROL	R 0314	88-104-221-080	0E	C-RES,V 220-1/16W J	AHK1L	AM-HX100
X	SYSTEM CONTROL	R 0314	88-104-221-080	0E	C-RES,V 220-1/16W J	AHK1S	AM-HX100
X	SYSTEM CONTROL	R 0315	88-104-474-080	0E	C-RES,V 470K-1/16W J	AHK1L	AM-HX100
X	SYSTEM CONTROL	R 0315	88-104-474-080	0E	C-RES,V 470K-1/16W J	AHK1S	AM-HX100
X	SYSTEM CONTROL	R 0316	88-104-102-080	0E	C-RES,V 1K-1/16W J	AHK1L	AM-HX100
X	SYSTEM CONTROL	R 0316	88-104-102-080	0E	C-RES,V 1K-1/16W J	AHK1S	AM-HX100
X	SYSTEM CONTROL	R 0317	88-104-333-080	0E	C-RES,V 33K-1/16W J	AHK1L	AM-HX100
X	SYSTEM CONTROL	R 0317	88-104-333-080	0E	C-RES,V 33K-1/16W J	AHK1S	AM-HX100
X	SYSTEM CONTROL	R 0321	88-104-224-080	0E	C-RES,V 220K-1/16W J	AHK1L	AM-HX100
X	SYSTEM CONTROL	R 0321	88-104-224-080	0E	C-RES,V 220K-1/16W J	AHK1S	AM-HX100
X	SYSTEM CONTROL	R 0322	88-104-224-080	0E	C-RES,V 220K-1/16W J	AHK1L	AM-HX100
X	SYSTEM CONTROL	R 0322	88-104-224-080	0E	C-RES,V 220K-1/16W J	AHK1S	AM-HX100
X	SYSTEM CONTROL	R 0323	88-104-474-080	0E	C-RES,V 470K-1/16W J	AHK1L	AM-HX100
X	SYSTEM CONTROL	R 0323	88-104-474-080	0E	C-RES,V 470K-1/16W J	AHK1S	AM-HX100
X	SYSTEM CONTROL	R 0325	88-108-000-080	0E	C-JUMPER,U	AHK1L	AM-HX100
X	SYSTEM CONTROL	R 0325	88-108-000-080	0E	C-JUMPER,U	AHK1S	AM-HX100
X	SYSTEM CONTROL	R 0330	88-104-102-080	0E	C-RES,V 1K-1/16W J	AHK1L	AM-HX100
X	SYSTEM CONTROL	R 0330	88-104-102-080	0E	C-RES,V 1K-1/16W J	AHK1S	AM-HX100
O	SYSTEM CONTROL	R 0331	87-A00-757-080	--	C-RES,V 12K-1/16W F	AHK1L	AM-HX100
O	SYSTEM CONTROL	R 0331	87-A00-757-080	--	C-RES,V 12K-1/16W F	AHK1S	AM-HX100
O	SYSTEM CONTROL	R 0332	87-A00-758-080	--	C-RES,V 22K-1/16W F	AHK1L	AM-HX100
O	SYSTEM CONTROL	R 0332	87-A00-758-080	--	C-RES,V 22K-1/16W F	AHK1S	AM-HX100
X	SYSTEM CONTROL	R 0333	88-104-122-080	0E	C-RES,V 1.2K-1/16W J	AHK1L	AM-HX100
X	SYSTEM CONTROL	R 0333	88-104-122-080	0E	C-RES,V 1.2K-1/16W J	AHK1S	AM-HX100
O	SYSTEM CONTROL	R 0334	87-A00-760-080	--	C-RES,V 68K-1/16W F	AHK1L	AM-HX100

# PARTS LIST

- ! =  $\Delta$  SAFTY PARTS  
 C = Components marked

All components used on this model at the production line are shown in this service manual.

However, please note that not all components will be available as spare parts for after-sales service.

Components marked S and O are designated as spare parts for service and will be stocked at the spare parts centers.

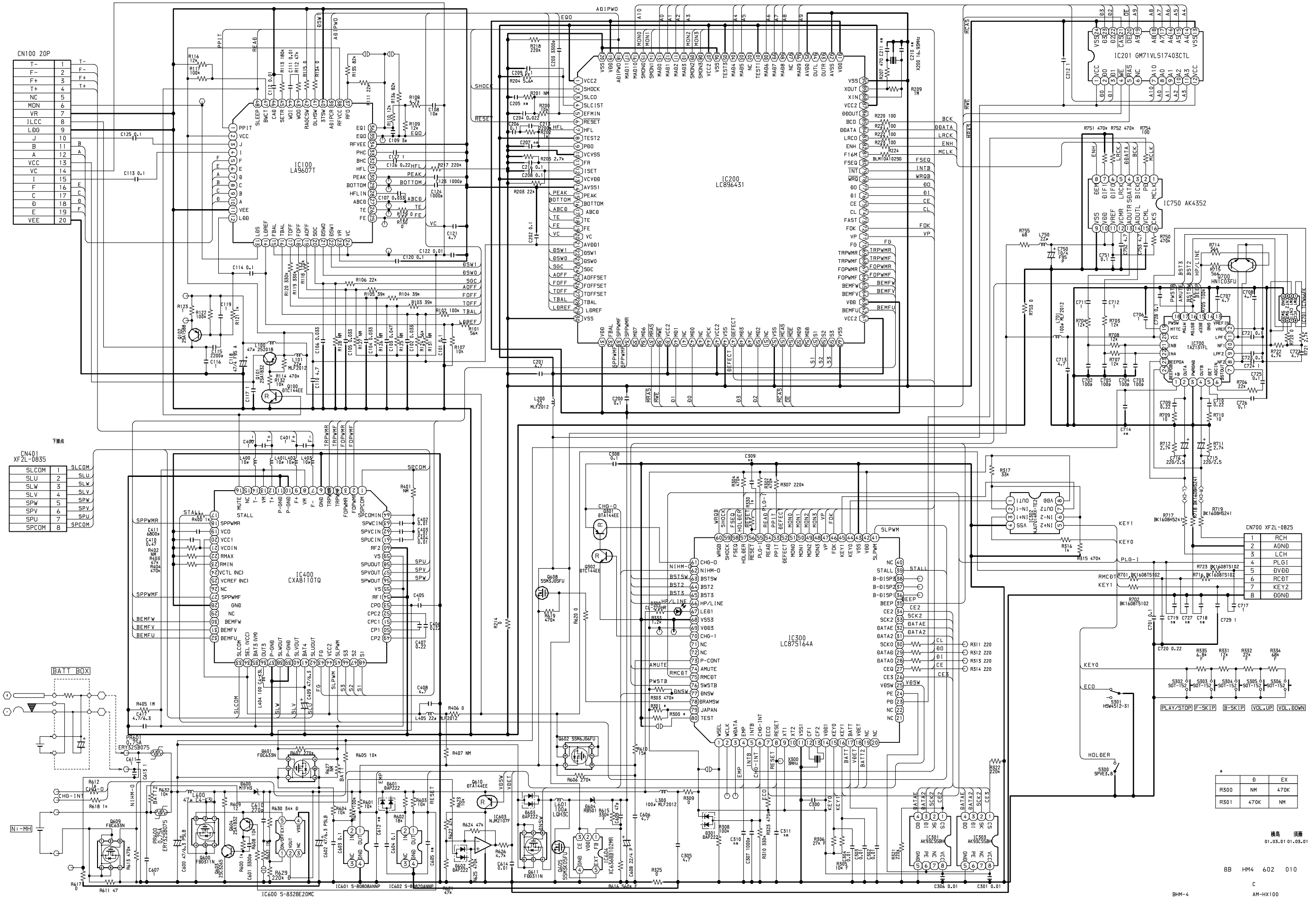
Components marked X and R are not designated as spare parts for after sales service, and will not be stocked at the spare parts centers.

K NO. = Only use Japanese.

! C	UNIT NAME	REF NO.	PARTS CODE	K NO.	DESCRIPTION	SUFFIX	MODEL NAME
O	SYSTEM CONTROL	R 0334	87-A00-760-080	--	C-RES, V 68K-1/16W F	AHK1S	AM-HX100
O	SYSTEM CONTROL	R 0335	87-A00-755-080	--	C-RES, V 6.8K-1/16W F	AHK1L	AM-HX100
O	SYSTEM CONTROL	R 0335	87-A00-755-080	--	C-RES, V 6.8K-1/16W F	AHK1S	AM-HX100
O	SYSTEM CONTROL	S 0300	87-A91-436-080	1A	C-SW, PUSH 2-1-1 SPVE3.8	AHK1L	AM-HX100
O	SYSTEM CONTROL	S 0300	87-A91-436-080	1A	C-SW, PUSH 2-1-1 SPVE3.8	AHK1S	AM-HX100
O	SYSTEM CONTROL	S 0301	87-A92-166-080	1A	C-SW, SL 1-1-2 HSW4512-31	AHK1L	AM-HX100
O	SYSTEM CONTROL	S 0301	87-A92-166-080	1A	C-SW, SL 1-1-2 HSW4512-31	AHK1S	AM-HX100
O	SYSTEM CONTROL	S 0302	87-A91-979-080	0E	C-SW, TACT SOT-152HST	AHK1L	AM-HX100
O	SYSTEM CONTROL	S 0302	87-A91-979-080	0E	C-SW, TACT SOT-152HST	AHK1S	AM-HX100
O	SYSTEM CONTROL	S 0303	87-A91-979-080	0E	C-SW, TACT SOT-152HST	AHK1L	AM-HX100
O	SYSTEM CONTROL	S 0303	87-A91-979-080	0E	C-SW, TACT SOT-152HST	AHK1S	AM-HX100
O	SYSTEM CONTROL	S 0304	87-A91-979-080	0E	C-SW, TACT SOT-152HST	AHK1L	AM-HX100
O	SYSTEM CONTROL	S 0304	87-A91-979-080	0E	C-SW, TACT SOT-152HST	AHK1S	AM-HX100
O	SYSTEM CONTROL	S 0305	87-A91-979-080	0E	C-SW, TACT SOT-152HST	AHK1L	AM-HX100
O	SYSTEM CONTROL	S 0305	87-A91-979-080	0E	C-SW, TACT SOT-152HST	AHK1S	AM-HX100
O	SYSTEM CONTROL	S 0306	87-A91-979-080	0E	C-SW, TACT SOT-152HST	AHK1L	AM-HX100
O	SYSTEM CONTROL	S 0306	87-A91-979-080	0E	C-SW, TACT SOT-152HST	AHK1S	AM-HX100
O	SYSTEM CONTROL	X 0300	87-A70-212-080	1B	C-VIB, 3.00MHZ PBRC-B	AHK1L	AM-HX100
O	SYSTEM CONTROL	X 0300	87-A70-212-080	1B	C-VIB, 3.00MHZ PBRC-B	AHK1S	AM-HX100



SCHEMATIC DIAGRAM - 1 (MAIN)



R500	NM	470K
R501	470K	NM

01.03.01.01.05.01

BB HM4 602 010  
C AM-HX100

B-BHM-4MAIN-01 (P1)

**アイワ株式会社** 〒110-8710 東京都台東区池之端1-2-11 ☎03(3827)3111 (代表)  
**AIWA CO.,LTD.** 2-11, IKENOHATA 1-CHOME, TAITO-KU, TOKYO 110, JAPAN TEL:03 (3827) 3111