



M18 CBS125

SERVICE PARTS DIAGRAM

TTI Model Number: 018 105 016, 017, 026

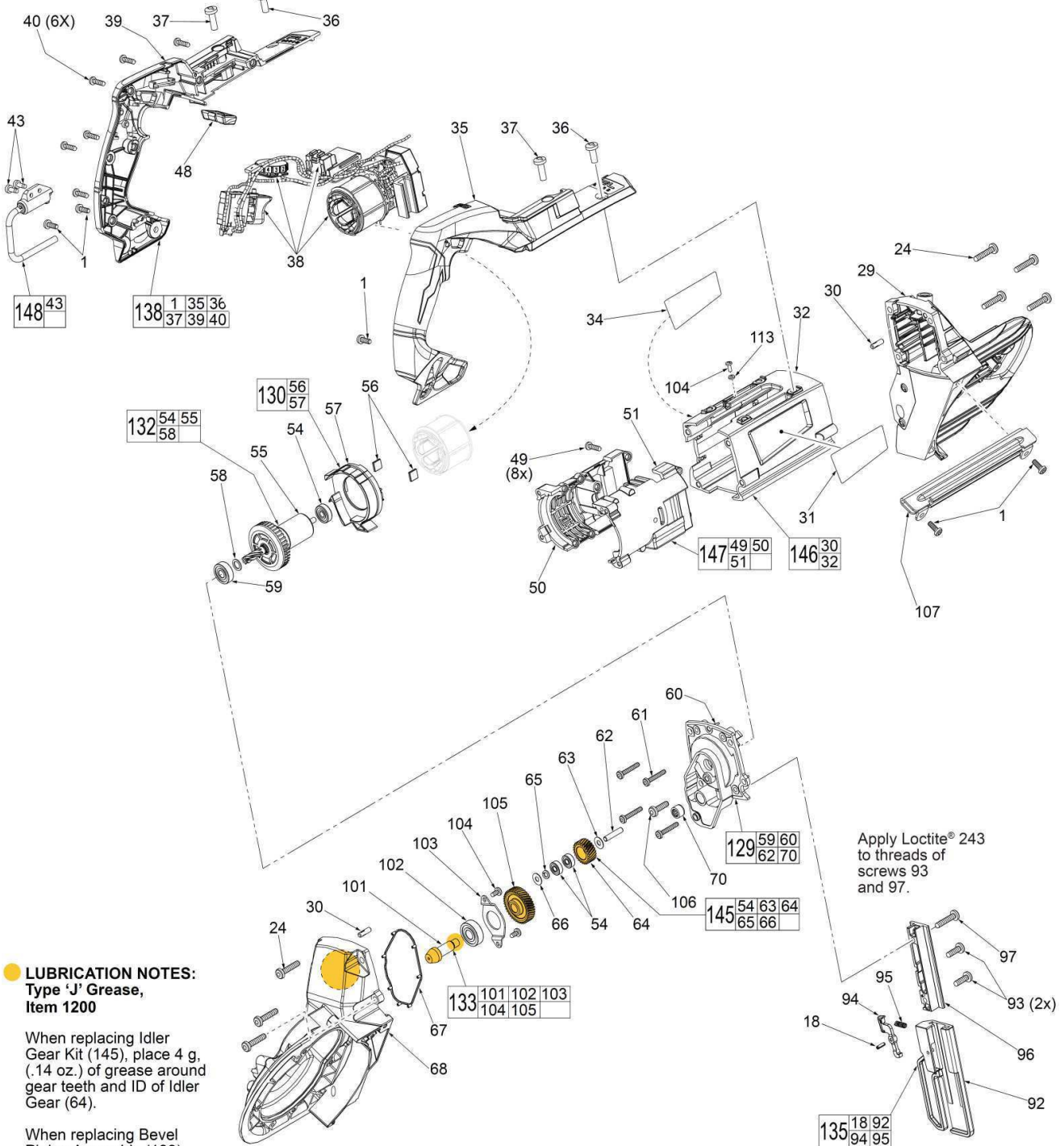
M18 FUEL™ DEEP CUT BANDSAW

Bulletin Date:

Mar-20

Starting Serial Number:

VERSION A - C2015



LUBRICATION NOTES:
Type 'J' Grease,
Item 1200

When replacing Idler Gear Kit (145), place 4 g, (.14 oz.) of grease around gear teeth and ID of Idler Gear (64).

When replacing Bevel Pinion Assembly (133), place 3.8 g, (.13 oz.) grease around Helical Gear (105). Coat teeth and end of Bevel Pinion (101).

Place a heavy coating of grease in the bevel pinion bore of Gearcase (68).





M18 CBS125

SERVICE PARTS DIAGRAM

TTI Model Number: 018 105 016, 017, 026

M18 FUEL™ DEEP CUT BANDSAW

Bulletin Date:

Mar-20

Starting Serial Number:

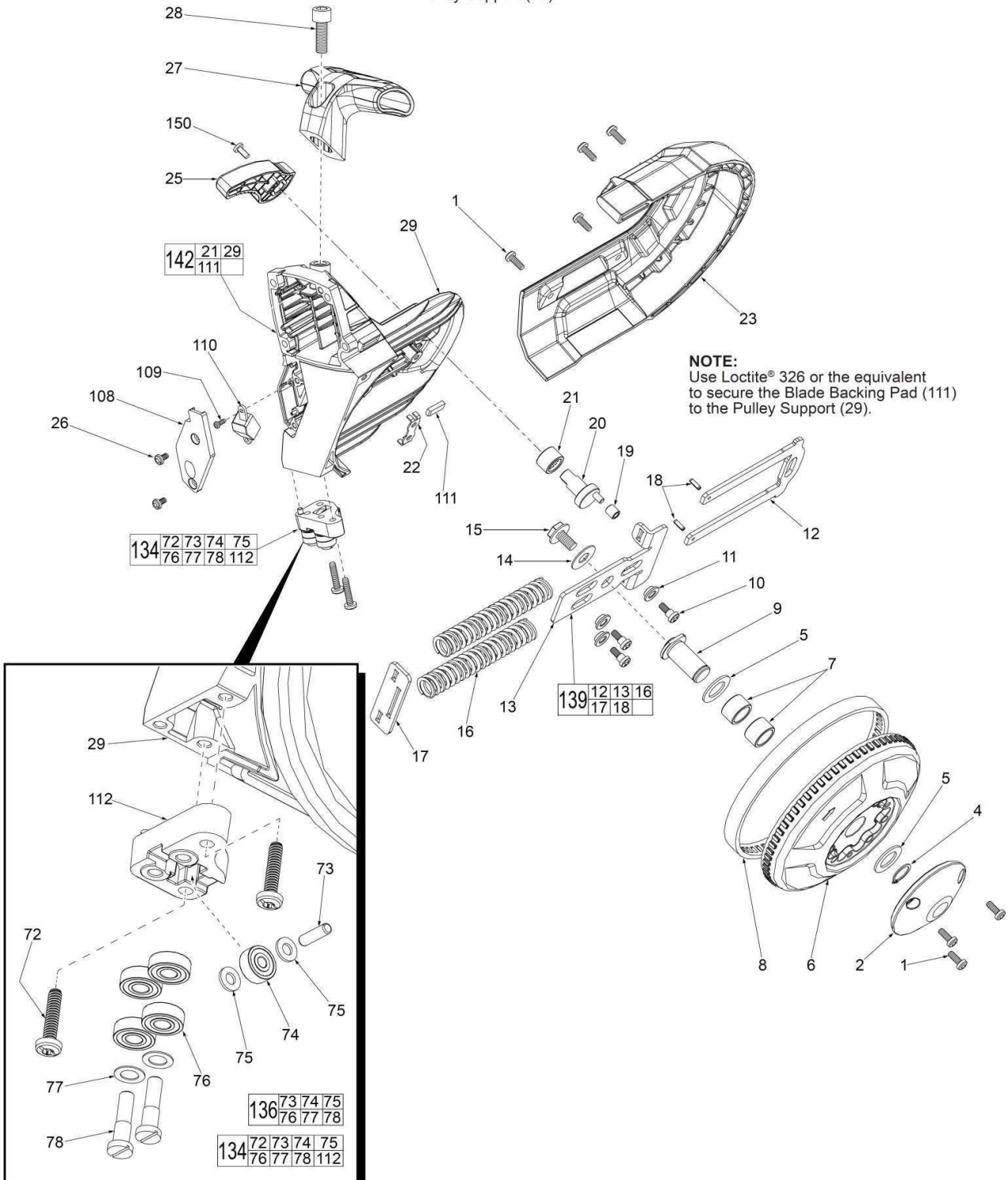
VERSION A - C2015

00 0

EXAMPLE: Component Parts (Small #) Are Included When Ordering The Assembly (Large #).

NOTE: Use Loctite® 243 or the equivalent to the threads of Screw (28) prior to installing T-Handle (27) onto Pulley Support (29).

NOTE: Use Loctite® 326 or the equivalent to secure the Blade Backing Pad (111) to the Pulley Support (29).





M18 CBS125

SERVICE PARTS DIAGRAM

TTI Model Number: 018 105 016, 017, 026

M18 FUEL™ DEEP CUT BANDSAW

Bulletin Date:

Mar-20

Starting Serial Number:

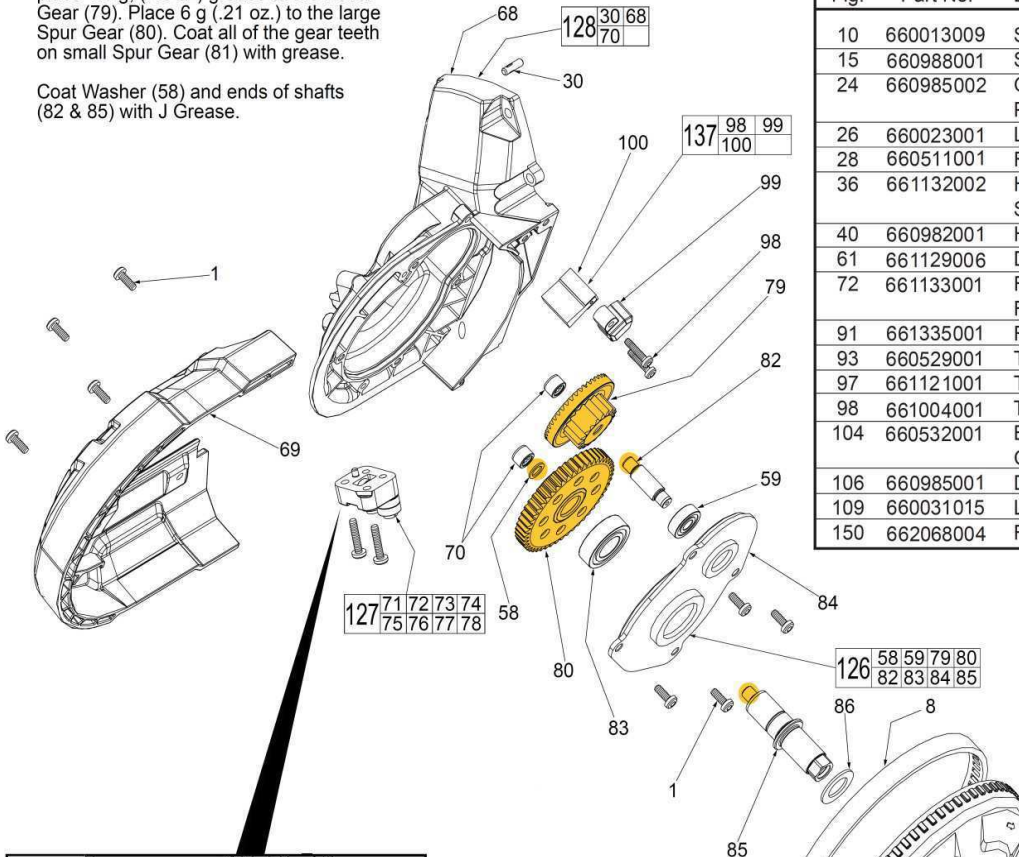
VERSION A - C2015

LUBRICATION NOTES:
Type 'J' Grease, Item 1200

When installing Gearcase Cover Kit (126), place 4.8 g. (.16 oz) grease to the Bevel Gear (79). Place 6 g (.21 oz.) to the large Spur Gear (80). Coat all of the gear teeth on small Spur Gear (81) with grease.

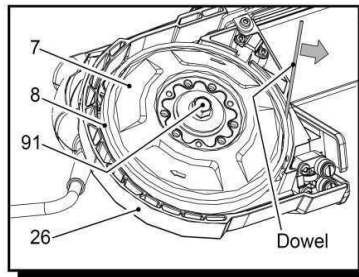
Coat Washer (58) and ends of shafts (82 & 85) with J Grease.

SCREW TORQUE CHART			
Fig.	Part No.	Location	Torque (Nm)
10	660013009	Support Plate	4.07
15	660988001	Support Plate	11.75
24	660985002	Gearcase Pulley Support	4.29
26	660023001	LED Cover	2.49
28	660511001	Front T-Handle	9.38
36	661132002	Handle Cover Support Handle	4.41
40	660982001	Handle Cover	1.92
61	661129006	Diaphragm	1.81
72	661133001	Front Roller Block Rear Roller Block	4.41
91	661335001	Rear Pulley	35.26
93	660529001	T-Block	2.15
97	661121001	T-Block	2.15
98	661004001	Tire Cleaning Brush Cover	2.49
104	660532001	Bearing Plate Ground Terminal	1.92
106	660985001	Diaphragm	4.29
109	660031015	LED Assembly	0.68
150	662068004	Release Lever	2.49

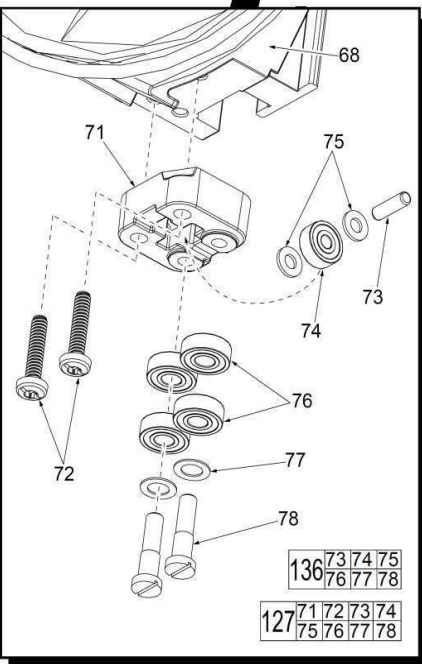


LUBRICATION NOTES:
Type 'Y' Grease, Item 1201
Lightly coat both sides of Washers (89) and Clutch Plates (88) with Y Grease.

To properly tighten hex head screw (91), use a wooden dowel or a nylon rod in the opening between the rear pulley (7) and gearcase (26). Be careful not to damage pulley tire (8). Apply enough pressure to prevent rear pulley from turning. Torque hex head screw (91) to 35.26 Nm. **Service Tool 61-30-6232** can be ordered to secure rear pulley to tighten hex hd. screw.



NOTE:
312 in./lbs.
or 35.26 Nm.



Use screws (1) to temporarily attach service tool to rear pulley. Hold tool and tightened hex head screw (91) to 35.26 Nm.





M18 CBS125

SERVICE PARTS LIST

TTI Model Number: 018 105 016, 017, 026

M18 FUEL™ DEEP CUT BANDSAW

Bulletin Date:

Mar-20

Starting Serial Number:

VERSION A - C2015

ITEM	PART NUMBER	PART DESCRIPTION	QTY (PCS)
1	660997001	10-24 X 1/2" SCREW	23
2	522082001	PULLEY COVER	2
4	692132001	SNAP RING	1
5	560015001	WASHER	2
6	641690003	FRONT PULLEY	1
7	692128001	SLEEVE BEARING	2
8	560013001	PULLEY TIRE	2
9	621153001	FRONT PULLEY SHAFT	1
10	660013009	SHOULDER SCREW	3
11	692762001	TENSION BUSHING	3
12	-	DRIVER PLATE	1
13	-	SUPPORT PLATE	1
14	632021001	WASHER	1
15	660988001	5/16-18 X 9/16" SCREW	1
16	692595001	BLADE TENSION SPRING	2
17	633384001	CONTACT PLATE	1
18	672978001	COILED PIN	3
19	692761001	CAM BUSHING	1
20	621158001	CAM SHAFT	1
21	694102001	NEEDLE BEARING	1
22	633936001	WEAR PLATE	1
23	522320001	FRONT PULLEY SHROUD	1
24	660985002	12-24 X 1" SCREW	7
25	522089002	TENSION RELEASE LEVER	1
26	660023001	8-32 X .38" SCREW	2
27	526560001	FRONT T-HANDLE	1
28	660511001	3/8"-16 X 1" SCREW	1
29	641685005	PULLEY SUPPORT	1
30	692121001	PIN	2
31	941046979	SERVICE NAMEPLATE	1
32	-	OUTER MOTOR HOUSING	1
34	351424001	LOGO PLATE	1
35	351421001	SUPPORT HANDLE	1
36	661132002	1/4-20 X .625" SCREW	2
37	661158002	1/4-20 X .75" SCREW	2
38	202891002	ELECTRONICS ASSEMBLY	1
39	-	HANDLE COVER	1
40	660982001	8-16 X 5/8" SCREW	6
43	661233001	M4 X 12MM SCREW	2
48	526423001	LOCK-OFF BUTTON	1
49	660024030	M4 X 16 SCREW	8
50	-	MOTOR HOUSING COVER	1



M18 CBS125

SERVICE PARTS LIST

TTI Model Number: 018 105 016, 017, 026

M18 FUEL™ DEEP CUT BANDSAW

Bulletin Date:

Mar-20

Starting Serial Number:

VERSION A - C2015

ITEM	PART NUMBER	PART DESCRIPTION	QTY (PCS)
51	-	MOTOR HOUSING SUPPORT	1
54	681366001	BALL BEARING	3
55	298075002	ROTOR	1
56	562623001	RUBBER BLOCK	2
57	526420001	BAFFLE	1
58	632876001	WASHER	2
59	681461001	BALL BEARING	2
60	641684003	DIAPHRAGM	1
61	661129006	8-16 X 1" SCREW	4
62	671598002	PIN	1
63	670060001	WASHER	1
64	611214002	IDLER GEAR	1
65	680863003	SPRING WASHER	1
66	633386001	WASHER	1
67	562619001	SEAL GASKET	1
68	641681004	GEARCASE	1
69	522319001	REAR PULLEY SHROUD	1
70	680727001	NEEDLE BEARING	3
71	641687001	REAR ROLLER BLOCK	1
72	661133001	10-24 X 7/8" SCREW	4
73	672278001	PIN	2
74	681339001	BALL BEARING	2
75	632716001	WASHER	4
76	681431001	BALL BEARING	8
77	632717001	WASHER	4
78	661170001	12-24 X .96" SCREW	4
79	611217003	BEVEL GEAR	1
80	612132001	SPUR GEAR	1
82	621151001	SHAFT	1
83	681474001	BALL BEARING	1
84	641682001	GEARCASE COVER	1
85	621152001	SPINDLE	1
86	635046001	WASHER	1
87	641652002	REAR PULLEY	1
88	633387001	CLUTCH PLATE	2
89	633388001	CLUTCH WASHER	2
90	633390003	DISC SPRING	1
91	661335001	3/8"-16 X 5/8" SCREW	1
92	641692001	SHOE BUMPER	1
93	660529001	10-32 X 5/8" SCREW	2
94	641660001	RELEASE BUTTON	1
95	692642001	LEVER RELEASE SPRING	1



M18 CBS125

SERVICE PARTS LIST

TTI Model Number: 018 105 016, 017, 026

M18 FUEL™ DEEP CUT BANDSAW

Bulletin Date:

Mar-20

Starting Serial Number:

VERSION A - C2015

ITEM	PART NUMBER	PART DESCRIPTION	QTY (PCS)
96	641659003	T-BLOCK	1
97	661121001	10-32 X 1" SCREW	1
98	661004001	8-32 X 3/4" SCREW	2
99	522318001	TIRE CLEANING BRUSH COVER	1
100	902493001	TIRE CLEANING BRUSH	1
101	611945003	BEVEL PINION	1
102	681372001	BALL BEARING	1
103	633385001	BEARING PLATE	1
104	660532001	8-32 X .313" SCREW	3
105	611215001	HELICAL GEAR	1
106	660985001	12-24 X 3/4" SCREW	1
107	633391002	BLADE GUARD	1
108	522078001	LED COVER	1
109	660031015	M3 X 8MM SCREW	1
110	290139043	LED ASSEMBLY	1
111	692157001	BLADE BACKING PAD	1
112	641686001	FRONT ROLLER BLOCK	1
113	680866003	WASHER	1
126	201797004	GEARCASE COVER KIT	1
127	201341005	REAR GUIDE ROLLER KIT	1
128	201348005	GEARCASE TOP ASSEMBLY	1
129	200881004	DIAPHRAGM KIT	1
130	201798003	FAN BAFFLE KIT	1
132	202890002	SERVICE ROTOR KIT	1
133	201375005	BEVEL PINION ASSEMBLY	1
134	201337004	FRONT GUIDE ROLLER KIT	1
135	201810002	SHOE BUMPER KIT	1
136	201371001	GUIDE ROLLER KIT	1
137	201811002	TIRE CLEARING BRUSH KIT	1
138	202895002	HANDLE ASSEMBLY KIT	1
139	201333005	TENSIONING MECHANISM ASSEMBLY	1
142	201809004	PULLEY SUPPORT KIT	1
145	201915002	IDLER GEAR KIT	1
146	202894002	OUTER MOTOR HOUSING ASSEMBLY	1
147	202892002	MOTOR CAGE KIT	1
148	202893002	HANG HOOK ASSEMBLY	1
149	204552009	CARRY CASE (NEW)	1
149	306628003	CARRY CASE (OLD)	1
150	662068004	8-32 X .48" SCREW	1
1200	-	TYPE J GREASE	1
1201	-	TYPE Y GREASE	1
2000	61-30-6232	SERVICE TOOL	1



M18 CBS125

SERVICE INSTRUCTION

TTI Model Number: 018 105 016, 017, 026

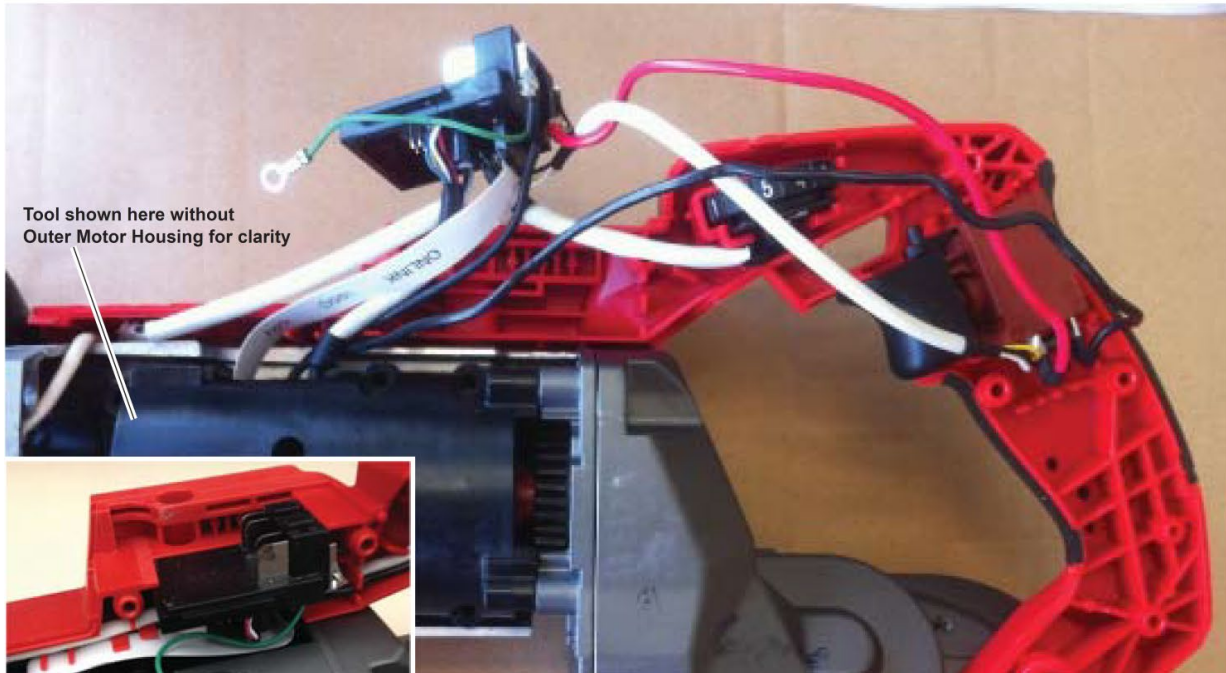
M18 FUEL™ DEEP CUT BANDSAW

Bulletin Date:

Mar-20

Starting Serial Number:

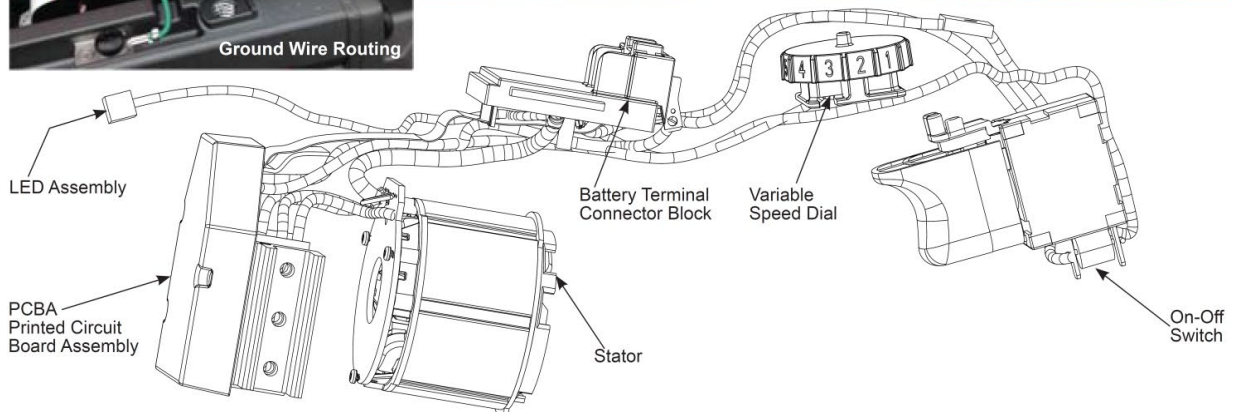
VERSION A - C2015



Tool shown here without Outer Motor Housing for clarity

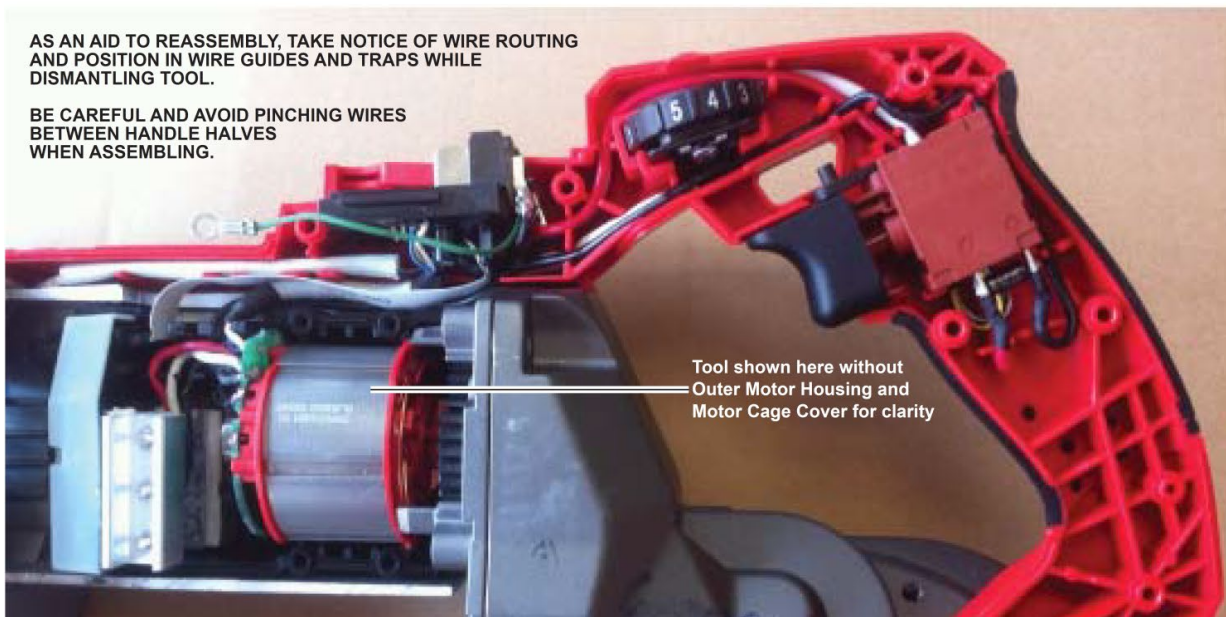


Ground Wire Routing



AS AN AID TO REASSEMBLY, TAKE NOTICE OF WIRE ROUTING AND POSITION IN WIRE GUIDES AND TRAPS WHILE DISMANTLING TOOL.

BE CAREFUL AND AVOID PINCHING WIRES BETWEEN HANDLE HALVES WHEN ASSEMBLING.



Tool shown here without Outer Motor Housing and Motor Cage Cover for clarity