

# Jam Nut USB 2.0 Receptacle

TX Series • MIL-DTL-38999 Series III Style Connectors



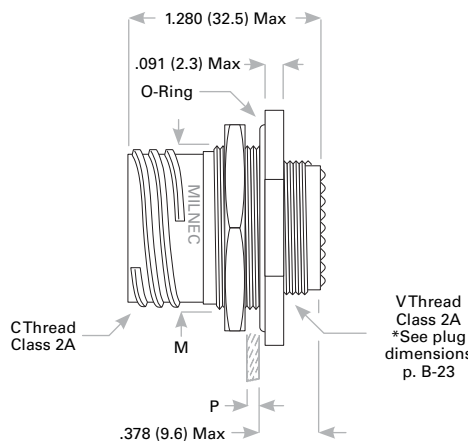
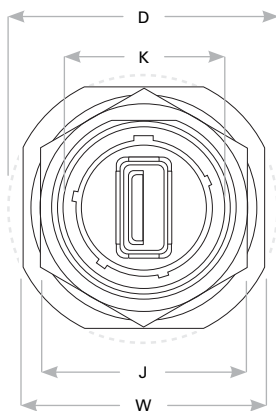
## IP67 Rated USB-A 2.0 Ruggedized Receptacle

Transform a standard USB-A cord into a ruggedized USB 2.0 receptacle. When mated with matching TX06U plug or when covered with matched cover (TXCR-15), receptacle is environmentally rated to IP67 against moisture, dust, and debris. Receptacle may be kitted with matching cover, as well as improved strain relief, or environmentally sealed shrink boots for mil environments, military, or aerospace applications.

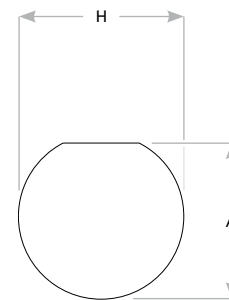
## Receptacle Dimensions

Shell Size	Military Shell Size	W	D	K	J	C Thread Class 2A	M	P Max Rear Panel*	H	A
15	D	1.500 (38.1)	1.636 (41.6)	1.134 (28.8)	1.312 (33.3)	1.0000-0.1P-0.3L-TS	1.084 (27.5)	.125 (3.2)	1.135 (28.8)	1.085 (27.6)

Dimensions are in inches (mm). \* Max panel thickness will ensure proper coupling clearance.



V Thread Class 2A  
\*See plug dimensions p. B-23



Panel Cutout

## Matching Accessories

**Protective Cover:** TXCR-15WJ (olive drab cadmium)  
TXCR-15NJ (electroless nickel)

## Specifications

**Fire Retardant/Low Smoke:** UL94 V0 & NF F 16 101 & 16 102  
**Coupling Cycles:** 500 (min)  
**Humidity:** 21 Days, 109°F (43°C), 98% Humidity  
**Temperature Range:** 185°F (85°C) — -40°F (-40°C)  
**Shock & Vibration Resistant:** Yes

## TX07U - N - K2 - 02

- 1 **BASIC PART NUMBER**  
TX07U Jam nut receptacle with USB 2.0 Feed-Thru Insert with data rate up to 480 Mbps for High-Speed USB IP67 Rated (when mated or sealed)
- 2 **MATERIAL & FINISH**  
N Aluminum, electroless nickel  
48 hr Salt Spray Rating, RoHS compliant  
W Aluminum, olive drab cadmium  
500 hr Salt Spray Rating
- 3 **OPTIONAL BACKSHELL KIT (OMIT FOR NONE)**  
B2 Straight strain relief (self-locking), p. B-33  
K2 Boot adapter, p. B-47, & straight shrink boot, p. B-45
- 4 **OPTIONAL ACCESSORY KIT (OMIT FOR NONE)**  
02 Protective cover with jam nut ring attachment

**Note:** No special tooling required for assembly.  
See TX Series catalog for optional backshells and accessories.