



SPECIALTY HAULAGE SOLUTIONS FOR CONSTRUCTION AND MINING



MTT-MEGA RIGID FRAME TRUCK TANK



APPLICATIONS FOR KOMATSU®



MEGA CORP.®
700 Osuna Rd. N.E. • Albuquerque, NM 87113 • 1-800-345-8889 • 505-345-2661 • Fax 505-345-6190
www.megacorpinc.com
9-2012 All Rights Reserved.



SPECIALTY HAULAGE SOLUTIONS FOR CONSTRUCTION AND MINING



For over 35 years, Mega Corp. has been manufacturing premium products for specialty haulage use in construction and mining applications around the world. From water tanks and coal haulers to specialty dumper bodies and equipment trailers, Mega has developed a reputation for building quality products and providing outstanding product support. Part of our support includes the sale and distribution of component parts and systems for Mega products as well as for competitive brands which are also available through our website @ www.megacorpinc.com.

You may also find our parts catalog and online ordering on our website @ <http://www.megacorpinc.com/parts/main.asp>

If you need assistance you can contact us toll free in the U.S. at 1.800.345.8889 or go to our contacts page at the end of this publication to reach any of our Mega sales representatives.

We look forward to serving you!

Jim Kunz
President

Table of Contents

MTT/MWT-MEGA RIGID FRAME TRUCK TANK	3
MEGA Anti-Surge Stabilization System (M.A.S.S.)	4
MEGA STANDARD FEATURES	5-11
MEGA Spray System	5
M4 Water Pump	5
MEGA Spray System Cab Control.....	6
MEGA Spray Heads.....	7
MEGA Hydraulic Spray Head.....	7
MEGA Pneumatic Spray Head.....	7
Rear Spray Bar.....	7
Spray Capability	8
MEGA Digital Spray System.....	9
Fill Port	10
Access To Tank	10
Safety Grate.....	10
Ladder & Safety Rails	10
MTT TECHNICAL MANUAL	11
LED Lighting & Utility Lights.....	11
Fall Protection Tie Off Points.....	11
Direct Pin Mounting	11
Flexible Front Mounting.....	11
Mud Flaps.....	11
MEGA OPTIONAL FEATURES	12-17
MEGA Water Cannon	12
MEGA Hydraulic Water Cannon	12
MEGA Electric Water Cannon	12
MEGA Foam Agent Fire Suppression System	12
MEGA Nozzles.....	13
Tank Dump Options.....	14
Spray Head Valve Options	14
Intermittent Spray Package.....	15
Hoist Cylinder Compatible.....	15
Hose Reel	16
Conical Fill Port.....	16
Splash Guard	16
Rock Ejectors	16
Corrosion Resistant Options	17
Tank Interior.....	17
TANK DIMENSIONS	18-21
MTT9 HD325 TANK Dimensions.....	18
MTT13 HD465 TANK Dimensions.....	19
MTT20 HD785 TANK Dimensions.....	20
MTT52 830E TANK Dimensions	21
MEGA CONTACTS	22
MEGA WARRANTY	23

MTT-Mega Rigid Frame Truck Tank

Genuine Mega Design- The Most Effective and Most Durable Water Tank In The Market Today

MTT-Mega Rigid Frame Truck Tank water tank kits are designed for conversion of off-highway type, rigid frame, dump truck chassis with carrying capacities between 40 and 320 tons into water hauling and distribution machines for dust and fire suppression. The MTT kit requires a dealer/customer supplied truck chassis. Factory installation and testing is available on some models. Field installation assistance by factory trained Product Support personnel is also available.

The MTT model is designed to fit a customer specified and provided tractor chassis. MTT tank models can be factory installed and tested at our facility but are generally shipped in kit form for field installation at either the customer shop facility or on the work site.

Mega tanks are constructed with high quality materials and are thoroughly inspected both during and after the manufacturing process to ensure the best tank spray system in the market today. Every tank kit includes full manuals for installation, operation, service and parts.

Mega maintains complete stocks of repair and replacement parts and components available for immediate shipment. We also offer support parts kits for every model of tank we make.

Your Mega tank is fully supported and maintained by a fully dedicated Product Support and Technical Communication staff available 24 hours per day, 365 days per year, via phone, and e-mail. Our website offers complete parts breakdown and parts availability for hundreds of our most common service items. Emergency parts ordering is available after normal business hours via our Product Support team.

Available Mega MTT Water Tanks For KOMATSU® Applications

MEGA MODEL	TANK SIZE	CHASSIS CONFIGURATION	MEGA MODEL	TANK SIZE	CHASSIS CONFIGURATION
MTT9	9,000 Gallons (34,065 Liters)	HD325	MTT30	30,000 Gallons (113,550 Liters)	HD1500
MTT13	13,000 Gallons (49,205 Liters)	HD465	MTT42	42,000 Gallons (158,970 Liters)	730E
MTT15	15,000 Gallons (56,775 Liters)	HD605	MTT52	52,000 Gallons (196,820 Liters)	830E
MTT20	20,000 Gallons (75,700 Liters)	HD785			

Available for all models of each configuration.



MASS-Mega's Anti Surge System

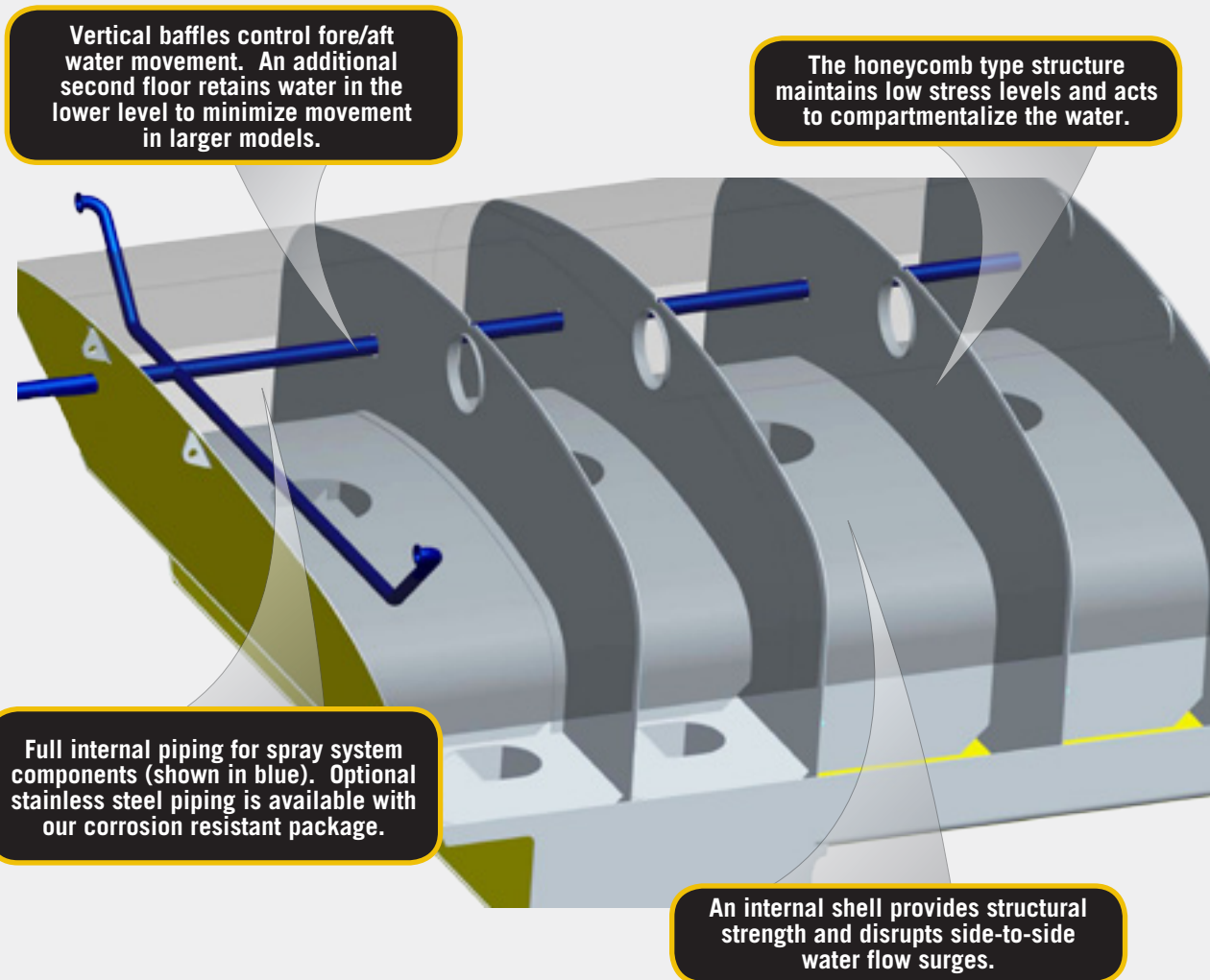
WHILE TANKS MAY LOOK SIMILAR ON THE OUTSIDE – IT'S WHAT'S INSIDE THAT COUNTS!

MEGA Anti-Surge Stabilization System (M.A.S.S.)

The Mega Anti Surge System (MASS) tank baffling design begins with a heavy duty spine that supports the rear pivot mounting. Line boring the rear pivot mounts ensures accurate direct pin installation of the tank. Heavy high strength steels in critical areas ensure long failure free life of the tank.

Proper loading of the chassis frame ensures load stability, good machine handling, and long frame life of the chassis. Front spring type tie down mounts

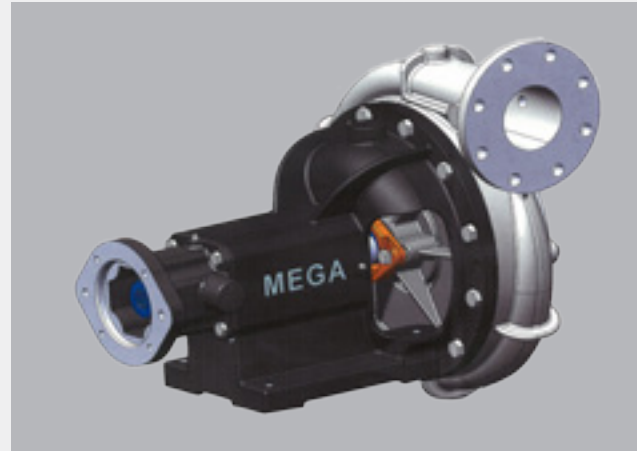
and sturdy, adjustable body pads ensure that the chassis is properly loaded and balanced. The compartment style baffling built on top of the strong spine foundation controls the effects of surging water. Fully welded baffling, properly located and shaped baffles, and tightly controlled quality ensure that your Mega tank is the strongest, most stable, longest lasting tank available today.



Mega Spray System

The Mega spray system begins with our high performance M4 water pump. Capable of over 100 psi (689kPa) or over 1000 gpm (3785 lpm). This pump can satisfy the water spraying needs of any size water tank. Our pump features a heavy shaft and dual bearing set for long life, standard stainless steel impeller for corrosion and abrasion resistance, and special features for ease of service and maintenance such as lifting lugs, jacking points, rope packing shaft seal, and a complete service and repair manual.

The Mega M4 waterpump is also available in an optional corrosion resistant model that utilizes completely stainless steel water ways to withstand the harshest waters encountered in mining and construction.



Mega M4 Water Pump

Water Pump Activation

The water pump is actuated and operated with the chassis' hydraulic hoist pump and valve system. When the water pump is turned on at the in-cab control, the hoist valve is actuated sending hydraulic oil to the water pump drive motor. Mega spray controls ensure proper integration with your tractor's hoist valve and ECM.

Return oil from the water pump drive motor drains into the tractor oil filtration and cooling system. Mega pump control systems include water pump soft start and shut down to ensure long pump and drive motor life.



Please refer to the Mega M4 brochure for complete product configuration and application details available on our website at www.megacorpinc.com.





Spray System Cab Control

The *Mega in-cab spray control* module provides independent control of each spray head, water valves and selected options of your Mega water tank. Included in the cab control module is our LED water level gauge display. Our control module is built for rugged use in the harshest environments of mining and construction.

Spray Control System: Electro - Hydraulic

For the most demanding mining environments, and for tractors without a pneumatic system we provide our hydraulic spray control system. The cab control operates our proprietary hydraulic solenoid spray control module that individually actuates all spray heads and water valves on board.

The solenoid module is housed in a weather tight steel housing (also available in optional stainless steel with our corrosion resistant package). All wiring/cabling is sealed against the elements by using high quality cables and water proof connectors. Spray system oil is filtered within the solenoid module housing. Mega fully supports these systems with spare parts and full time Product Support.



Spray Control System: Electro - Pneumatic

For tankers with available pneumatic systems, the water spray system can be controlled with the Mega electro-pneumatic spray control system. Individual spray heads and water control valves are actuated with regulated and filtered air pressure delivered by our solenoid control system. All wiring/cabling is sealed against the elements by using high quality cables and water proof connectors. Mega fully supports these systems with spare parts and full time Product Support.

Water Level Gauges

There are two LED type water level gauges standard on MTT units with electro-hydraulic spray control systems. One on the cab control and one on the solenoid control housing on the front bulkhead of the tank for easy viewing during tank filling. Both are reading water level from an electronic sensor mounted on the bottom of the front bulkhead of the tank.



MEGA SPRAY SYSTEM
 kits are available for application to older
 and/or competitive models.
 Call TODAY for more information!



Mega Digital Spray Control System

Most Mega water products are now available with the new Mega Digital Spray Control System*. This system will be standard on larger products and an option on smaller, more price sensitive, machines. The base machine replaces the original Mega cab control with a new operator interface and digital control system. Along with the base Digital Spray Control System, Mega is offering an optional accessory that allows

the operator to automatically control the amount of water applied to road surfaces based on ground speed. This system works with the existing Mega spray system hardware – water pumps, hydraulic motors, spray heads and electro-hydraulic controls. The system is available for use with most Mega water products and offers the following additional benefits over the base system:



GPS Speed Sensing

The system uses GPS data to determine speed. The GPS system is universal – there is no special application-specific engineering required and the system is not vulnerable to contamination like radar-based systems.



Self-Contained

The system does not require connections to other vehicle systems to determine speed. Because it is self-contained, it is easy to adapt to a wide variety of machine applications.



Automatic Water Consumption Reduction

The spray control system utilizes a PWM (pulse width modulation) strategy to automatically limit the amount of water consumed based on vehicle speed while maintaining road dust control coverage. Utilizing the PWM strategy avoids the addition of complex and costly variable flow hydraulic systems and the resulting impact on machine reliability.



Automatic Shut-off

The system automatically shuts off the flow of water as the vehicle comes to a stop to prevent puddling. Spraying automatically resumes as the machine begins to move again.



Fail-Safe

In the event the system loses its GPS speed signal or otherwise malfunctions, the system reverts to manual mode and allows the machine to continue operating with full capability in the original, manual mode until repairs can be made – no need to immediately down the machine.



Versatility

The system is adaptable to most Mega water equipment and can be easily added in the field to machines originally equipped with the base system described above. The control system can be retrofitted to many older models of water distribution equipment equipped with Mega spray systems without replacing any hardware. And, the entire system can be used with competitive water tanks as well.



Reliability

The system utilizes the same Mega water pump, hydraulic motors, spray heads and electro-hydraulic controls. There are no complex modifications to the vehicle's hydraulic systems or powertrain – in fact these interfaces do not change at all. The same durable Mega spray system components are maintained with all of the same parts supply, technical support and documentation.

* Patent pending.

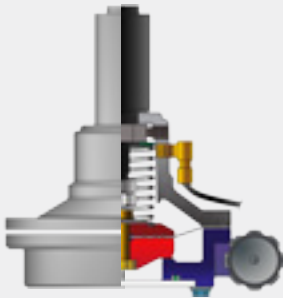


Mega Spray Head Valves



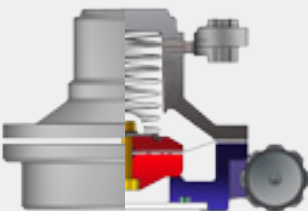
Mega developed and patented its spray head valves in 1976 and has continually improved them since. Each Genuine Mega spray head valve is fully adjustable for fan volume, width, and direction. Spray patterns over 90 feet (27 meters) wide are normal even with our smaller tanks. Precision water application is a simple matter of proper selection of spray head valve settings and the number of spray head valves activated. Optional intermittent spray allows for wet-dry patch spray application.

Our spray head valves are available in both pneumatic and hydraulic actuated models. Standard Mega spray head valves are constructed of a high quality aluminum alloy metal. We offer optional anodizing and hardening as well as stainless steel options to better resist corrosion and abrasion of harsh waters often found in mining environments. Request our spray head valve repair and service manual for complete step by step service and rebuild instructions by calling our parts department at 1-800-345-8889 or visit our website at www.megacorpinc.com.



Mega Hydraulic Spray Head Valves

The Mega hydraulic spray head valve utilizes a custom made high quality heavy duty double acting hydraulic cylinder to open and close the valve portion of the spray head. This spray head valve is suitable for any heavy equipment prime mover and requires a hydraulic solenoid spray control system.



Mega Pneumatic Spray Head Valves

The Mega pneumatic spray head valve uses air pressure produced by the prime mover pneumatic system to actuate the spray head valve via electro-pneumatic solenoid spray system or manual air type pneumatic air valve switch control. Air pressure into the spray head valve closes the spray head. Release of air pressure from inside the top cavity of the spray head allows it to fully open.

Rear Spray Bar

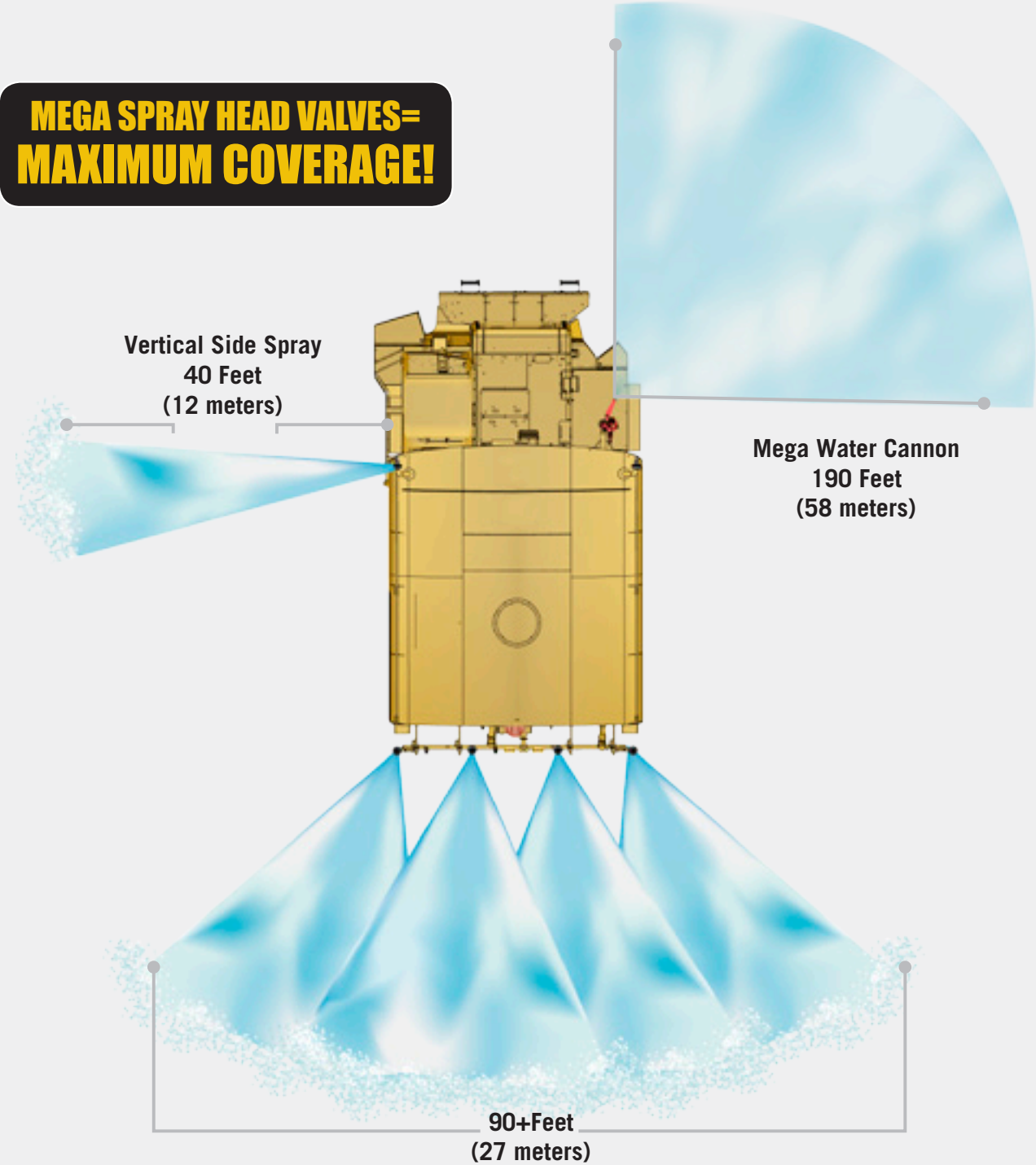
The standard spray bar on the rear of the tank features two or more Genuine Mega Spray head valves. The rear spray bar is constructed of four inch diameter pipe and covers the entire width of the rear of the tank. The standard rear spray bar is constructed of regular carbon steel pipe. Optional stainless steel spray bars and spray heads are available in our corrosion resistant package.



Spray Capability

One fully-adjustable Genuine Mega Spray head valve powered by the Mega M4 water pump will soak a path over 60 feet wide. The center spray head on the rear spray bar is the most often used spray head. Additional water can be applied by activating either of the two standard outboard spray heads of

the rear spray bar which can be adjusted for both direction and angle of spray. Maximum spray width is over 90 feet and because of the high flow output of the M4 pump, 4 spray heads are easily operated simultaneously.





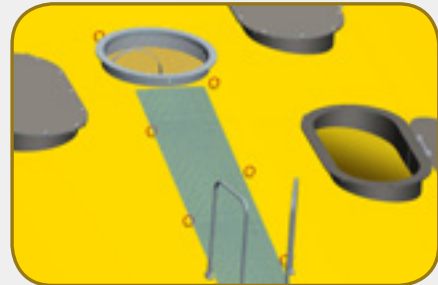
Standard Features

All Mega tanks are fully abrasive blasted prior to application of heavy anti-corrosive prime paint then top coated with customer choice of one color. Tank color is most often matched to the tractor color. Custom coatings and graphics are available upon request.



Fill Port and Walkway

The standard fill port is 36 inches in diameter and located on the top center line of the tank. A steel tread grip walkway extends from the access ladder on the front bulkhead to the fill port. Supplemental fill ports with bolt on lids are available upon request and are included on our tanks of 30,000 gallons (113,500 liters) and larger.



Internal access to the interior of the tank is gained through the fill port. Supplementary tank interior access ports are included on tanks of 30,000 gallons (113,550 liters) and larger. Banded internal access ports allows for inspection of tank interior compartments.



Safety Grate

A bolt in trash screen safety grate is included in the main fill port. Conical shaped fill ports, custom locations, and custom design fill ports are available as optional equipment.



Ladder and Hand Rails

All Mega tanks include access ladders from the truck deck to the top of the tank. Our standard ladder features tread grip rungs for a sure footed grip and hand rails at the top of the ladder for ease of access to the top of the tank. Optional customized safety railing is available upon request to meet your exact requirements.



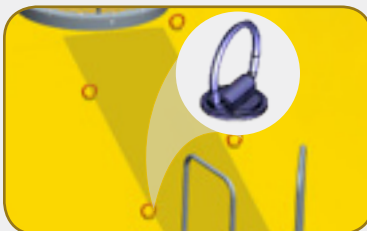
Technical Manuals

Each Mega MTT water tank kit includes a technical manual which includes the Operators, Maintenance, Parts, Service and Kit Installation Guide/Instructions as well as service drawings and schematics. Extra sets of manuals can be purchased. Some of manuals are available for download in the Product Support section on the Mega website at www.megacorpinc.com.



LED Lighting & Utility Lights

All clearance, stop, and tail lighting on Mega tanks are LED type for long life and low maintenance. Two high intensity utility lights are included on the rear bulkhead of the tank beneath the water shedders.



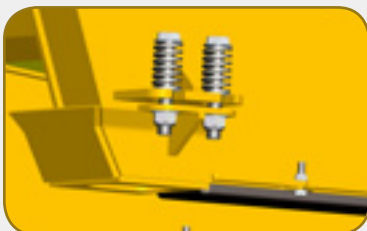
Fall Protection Tie Off Points

All Mega MTT models include fall protection tie off points. Optional custom fall protection tie off points are available and quoted upon request.



Direct Pin Mounting With Line-Bored Holes

Mega MTT tanks pin directly to the rear pivot mounts of the truck chassis. New pivot pins and shims are supplied with the tank. Mounting holes are line bored after welding-no field welding is necessary.



Flexible Front Mounting

The truck chassis is allowed to flex beneath the spring type front mounting tie downs. Body guides may be added to in some models.



Mud Flaps

MTT tanks are equipped standard with mud flaps in front and behind of the drive tires.





Optional Features

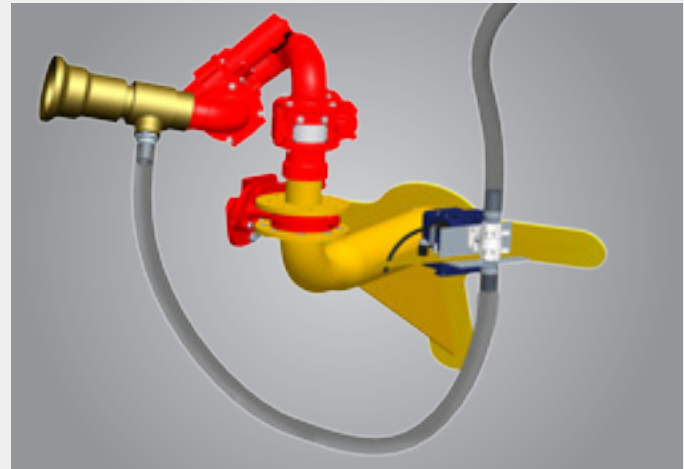
Custom options available upon request.



Mega Water Cannon

Mega water cannons are designed for the severe duty environments of mining and construction. All Mega Water Cannons feature 2.5 inch (64mm) diameter stainless steel waterways and a unique permanently lubricated, swivel joint design.

Mega Water Cannons are available in both electric drive (12 or 24 volt) and electro-hydraulic drive (24 volt only) models. We also offer a manually operated Mega Water Cannon suitable for both stationary and mobile applications. Kit options are available for the hydraulic and electric Mega Water Cannons which are tank mounted with in-cab controls.



Genuine Mega Water Cannon
(Shown with Butterfly Valve & Nozzle)



Mega Hydraulic Water Cannon

Hydraulic drive motors provide the highest durability and very smooth travel. Our water cannon solenoid control module is dependable and easily serviced. Adding an adjustable nozzle is as easy as connecting the nozzle and control lines.

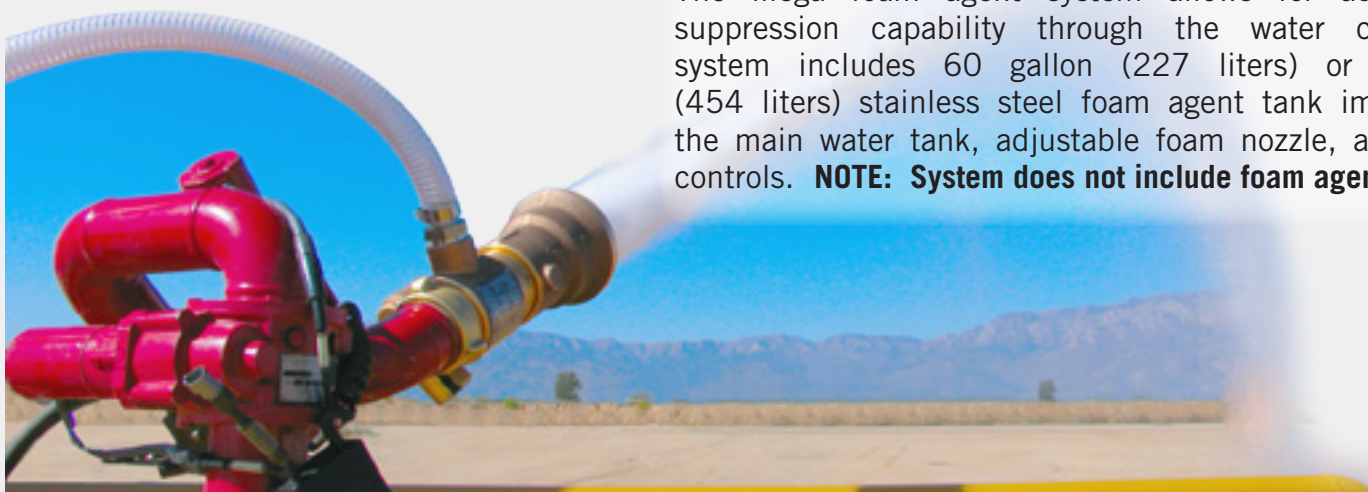


Mega Electric Water Cannon

Mega Electric Drive Water Cannon Motors allows this water cannon to be used on nearly any tank with an available 12 or 24 volt power supply. This monitor allows for a wide selection of nozzles and provides very smooth travel.

Foam Agent Fire Suppression System

The Mega foam agent system allows for additional fire suppression capability through the water cannon. The system includes 60 gallon (227 liters) or 120 gallon (454 liters) stainless steel foam agent tank imbedded into the main water tank, adjustable foam nozzle, and actuation controls. **NOTE: System does not include foam agent.**



Nozzles For Specialty Mega Water Cannon

Hydraulically Adjustable Nozzles For Hydraulic Drive Mega Water Cannon.



305875

Fog To Stream

- Hydraulic Adjustment
- Variable Fog Pattern
- 150 feet stream reach



305876

Fog To Stream With Foam Education

- Hydraulic Adjustment
- Variable Fog Pattern
- 150 feet stream reach
- Adjustable fog pattern with foam (1, 3 and 6% proportioning)
- System does not include foam agent
- Requires foam agent system

Electrically Adjustable Nozzles For Mega Electric Drive Water Cannon.



305151

Fan To Stream

- 140 feet reach
- Adjustable fan pattern



305150

Fog To Stream

- 165 feet reach
- Adjustable fog pattern



305149

Foam Education

- 150 feet reach
- Adjustable fog pattern with foam (1, 3 and 6% proportioning)
- System does not include foam agent
- Requires foam agent system



300656

Manual Adjustable Hydraulic Nozzle With Foam Education

- Manually adjustable fog pattern
- Foam education (1, 3 and 6% proportioning)
- 150 feet stream reach
- Adjustable fog pattern with foam (1, 3 and 6% proportioning)
- System does not include foam agent
- Requires foam agent system



Optional Features

Custom options available upon request.



Tank Dump Options



Dump Bar

A **dump bar** (sometimes called a “drip” or “dribble bar”) is a horizontally arranged 4 inch diameter carbon steel pipe that is drilled along its bottom center line with a row of holes. The dump bar can be either pressurized or non-pressurized. Pressurized dump bars spray penetrating jets of water directly onto the ground surface the width of the tank.

Non pressurized dump bars are gravity fed directly from the bottom of the water tank. An advantage of this tool is that water can be applied for dust suppression even in the event that the water pump is out of service.



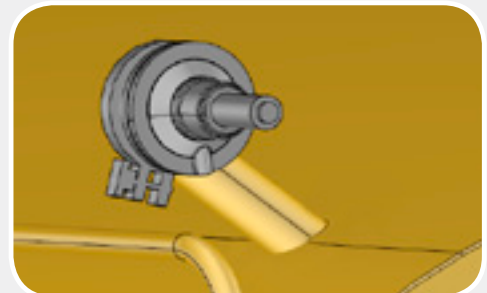
Dump valve – Remote operation

The quick dump option is a large drain located at the bottom rear of the tank. This option is available either manually or hydraulically actuated and in 5 inch (127mm) or 8 inch (203mm) diameters. 5 inch valve available for MTTT9 to MTT15 models and 8 inch valve available for MTT and larger models.

Spray Head Valve Options

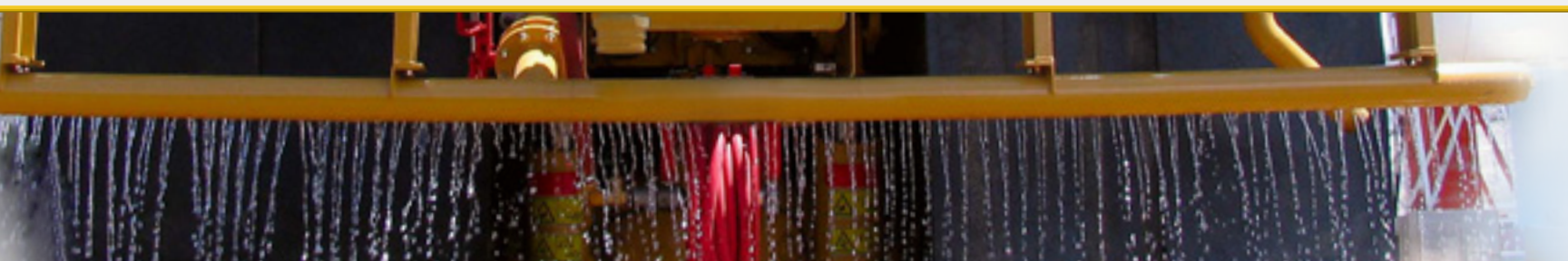
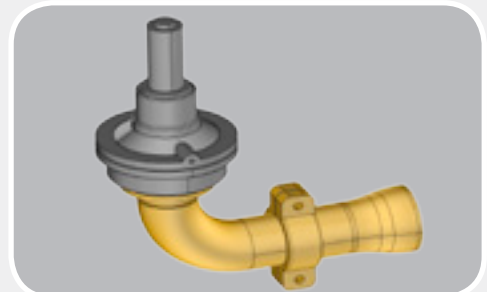
Vertical Side Spray

Two spray heads mounted on the front quadrant of the tank with internal piping for spraying vertical fans of water. This spray is suitable for spraying hill sides, piles, and berms.



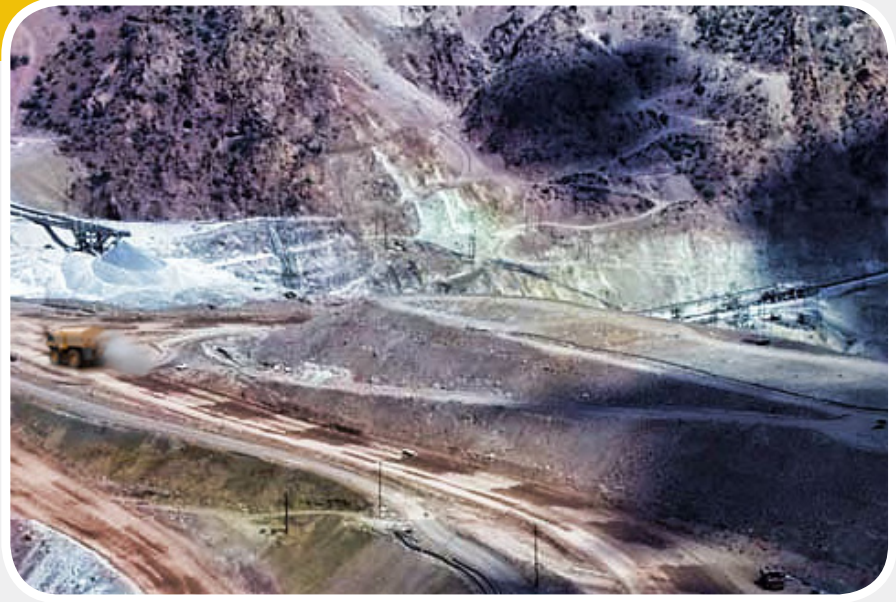
Swivel Couplings on Rear Spray Bar

The standard Mega MTT rear spray bar incorporates four Genuine Mega spray head valves. Each spray head rotates 360 degrees horizontally to adjust water spray fan direction. Optional swivels on each spray head allows for vertical spray direction adjustment.



Intermittent Spray Package

Intermittent spray is a spray control option on the cab control console that allows for independent spray-on and spray-off timing when wet/dry patch watering is desired. When activated the intermittent spray control will automatically actuate any spray head that is turned on.



Hoist Cylinder Compatibility

Hoist compatibility allows the tank to be raised for service access to the drive train and hydraulic components. Mega will provide upper hoist cylinder pins. Some options such as hose reel, suction loading, etc. may require removal to raise tank to full hoist cylinder extension.

NOTE: Tank must only be raised when empty.



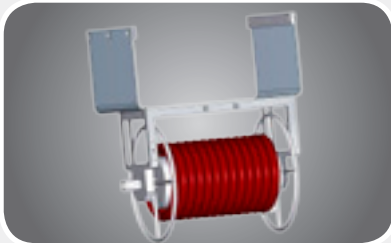


Optional Features

Custom options available upon request.

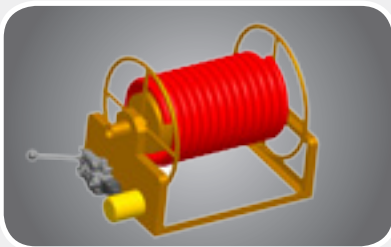


Other Optional Features



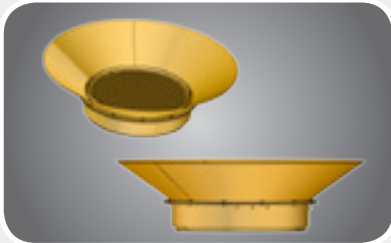
Hose Reel - Manual Rewind

Hose reels installed on Mega MTT models include high quality rubber water hose rated to 120 psi (827 kPa) and an adjustable fog to stream nozzle. Manual rewind reels are rim wind type and available with either 1.0 (25mm) or 1.5 inch (38mm) diameter hose in either 50 feet (15m) or 100 feet (30m) lengths.



Hose Reel - Hydraulic Rewind

The hydraulic hose reel features a hydraulic drive power rewind reel and is available with a 1.5 inch (38mm) diameter hose in either 50 (15m) or 100 feet (30m) lengths.



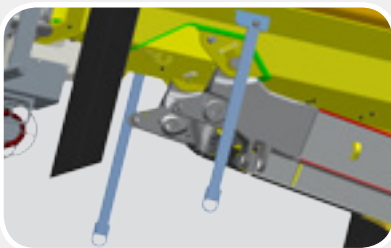
Conical Fill Port

The Mega conical fill port is a funnel shaped from a 60 inch (1524mm) diameter to 36 inch (914mm) diameter standing 24 inches (610mm) tall. This allows for easier location of the water fill pipe sock over the main fill port of the tank.



Splash Guard

The splash guard is designed to inhibit water from splashing onto the tractor deck and cab area. This feature is located near the front edge of the tank and stands 8 inches (203mm) above the top surface of the tank.

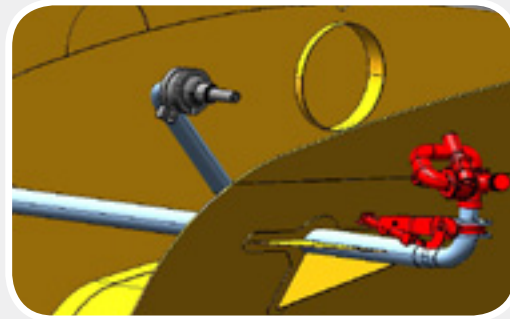


Rock Ejectors

Properly located brackets and ejector bars to eject rocks stuck between the rear dual tires.

Corrosion Resistant Options

Corrosion resistant package upgrade includes:



This package is suitable for severe environments where corrosive waters are sprayed. The package consists of:

- Stainless steel and anodized or hardened spray heads on the rear spray bar.
- Corrosion resistant Mega M4 water pump with stainless steel waterways.
- Stainless steel spray bar.
- Stainless steel water lines.
- Stainless steel solenoid control module enclosure mounted on front bulkhead of tank

Tank Interior Corrosion Resistance



Epoxy Tank Lining

Interior is blasted and fully coated with two part epoxy, engineered for immersion service in tanks.



Moisture Cure Urethane Tank Lining

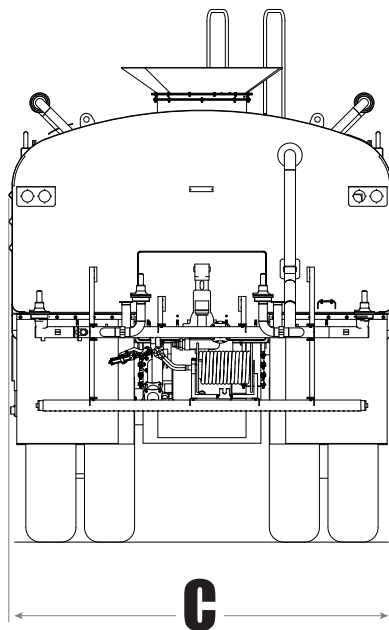
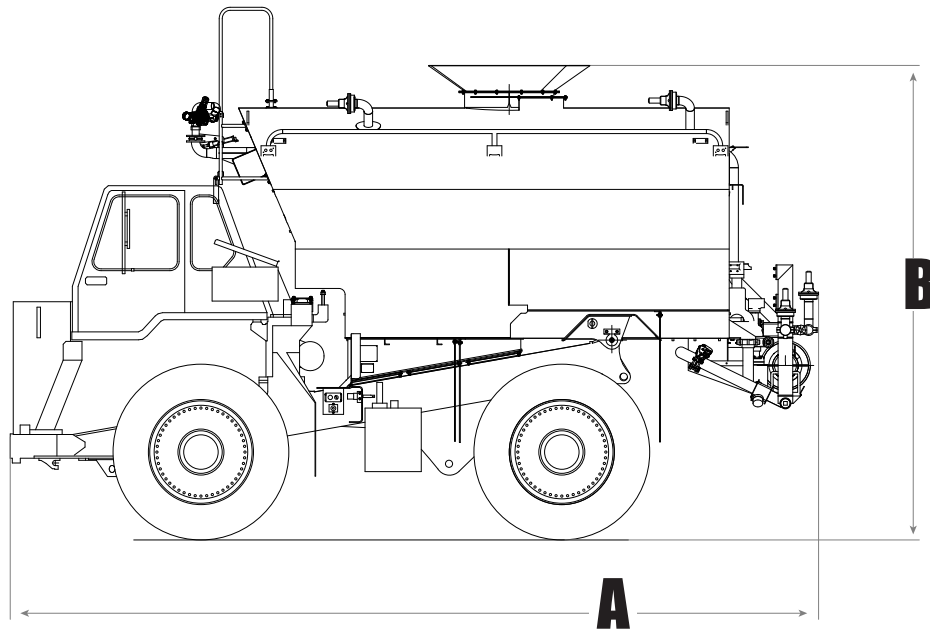
Tank interior is blasted and fully coated with an aluminum filled moisture cure urethane coating.

NOTE: Coating data sheet and MSDS available upon request.

MTT9 HD325

MTT9		HD325 Rigid Frame Truck Tank MTT9 – 9,000 gallons (34,0645 Liters)	
A	Overall Length	330.67 in	8,399.08 mm
B	Overall Height	217.79 in	5,531.81 mm
C	Overall Width	158.04 in	4,014.11 mm
	Tank Kit Weight	19,600 lbs	8,890 kg
	Tank Only Overall Length	260.15 in	6,608 mm
	Tank Only Overall Height	130.88 in	3,324 mm
	Tank Only Overall Width	144.12 in	3,661 mm

All weights and dimensions are subject to change.



MTT13

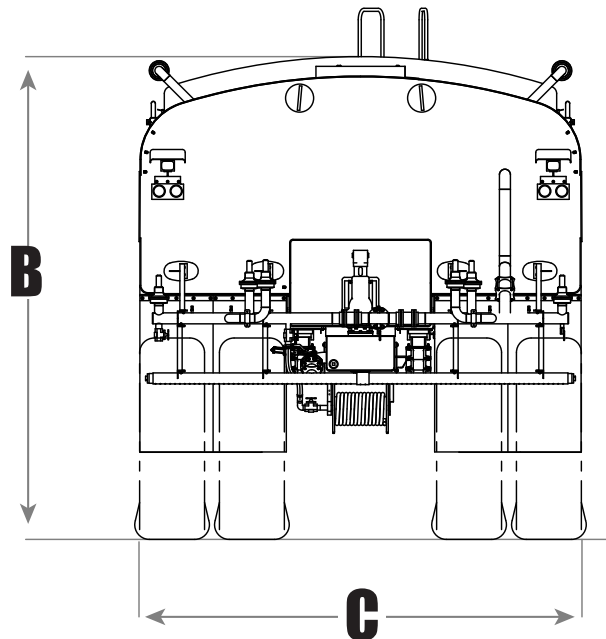
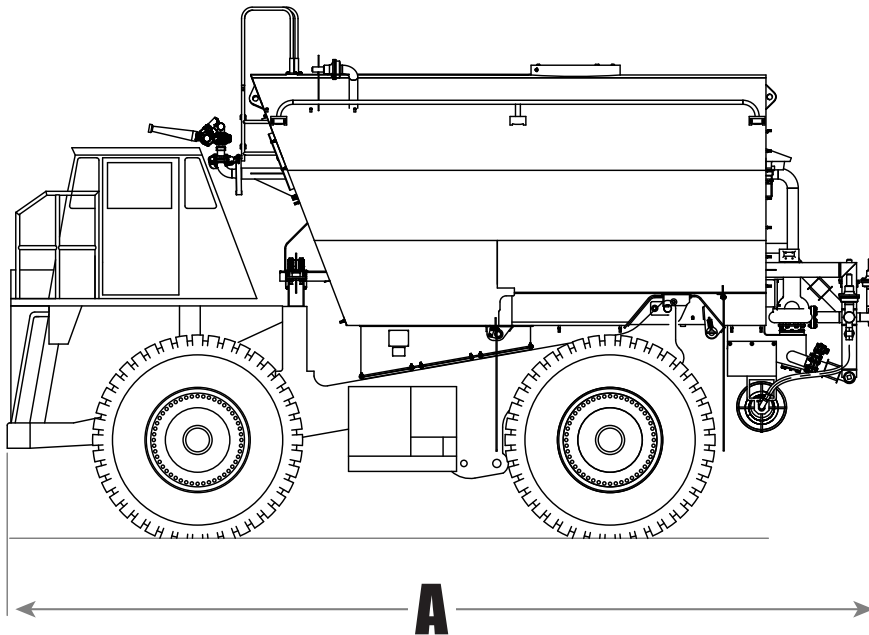


**HD465 Rigid Frame Truck Tank
MTT13 – 13,000 gallons
(49,205 Liters)**



A	Overall Length	357.97 in	9,092.53 mm
B	Overall Height	217.60 in	5,527.14 mm
C	Overall Width	181.50 in	4,610.10 mm
	Tank Kit Weight	34,100 lbs	15,468 kg
	Tank Only Overall Length	279.39 in	7,097 mm
	Tank Only Overall Height	133.38 in	3,388 mm
	Tank Only Overall Width	181.24 in	4,604 mm

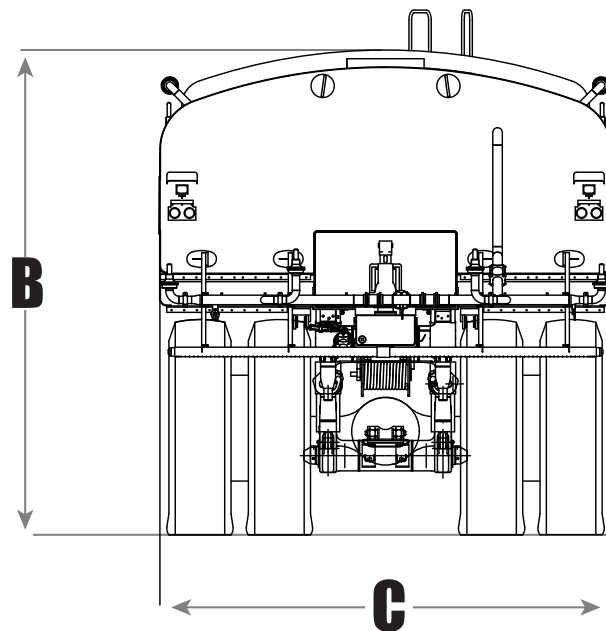
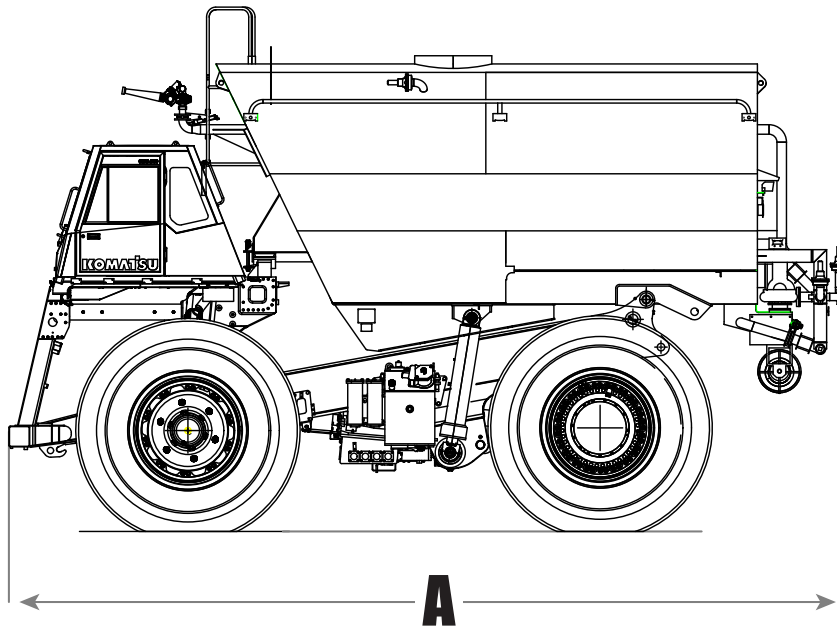
All weights and dimensions are subject to change.



MTT20 HD785

MTT20		HD785 Rigid Frame Truck Tank MTT20 – 20,000 gallons (75,700 Liters)	
A	Overall Length	396.89 in	10,080.92 mm
B	Overall Height	248.13 in	6,302.57 mm
C	Overall Width	213.50 in	5,422.90 mm
	Tank Kit Weight	43,577 lbs	19,766 kg
	Tank Only Overall Length	324.81 in	8,250 mm
	Tank Only Overall Height	141.36 in	3,591 mm
	Tank Only Overall Width	214.51 in	5,449 mm

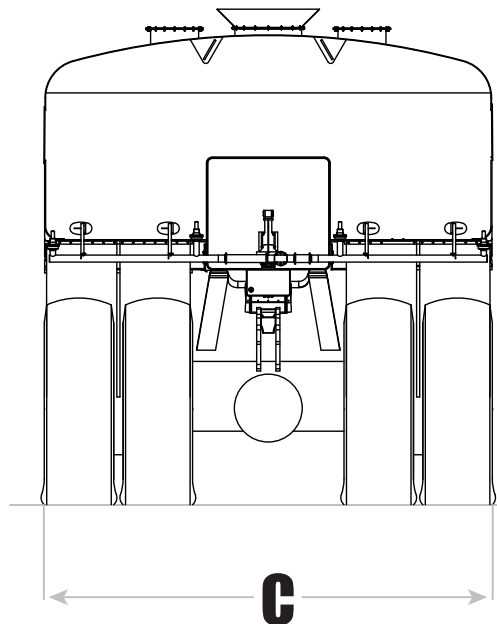
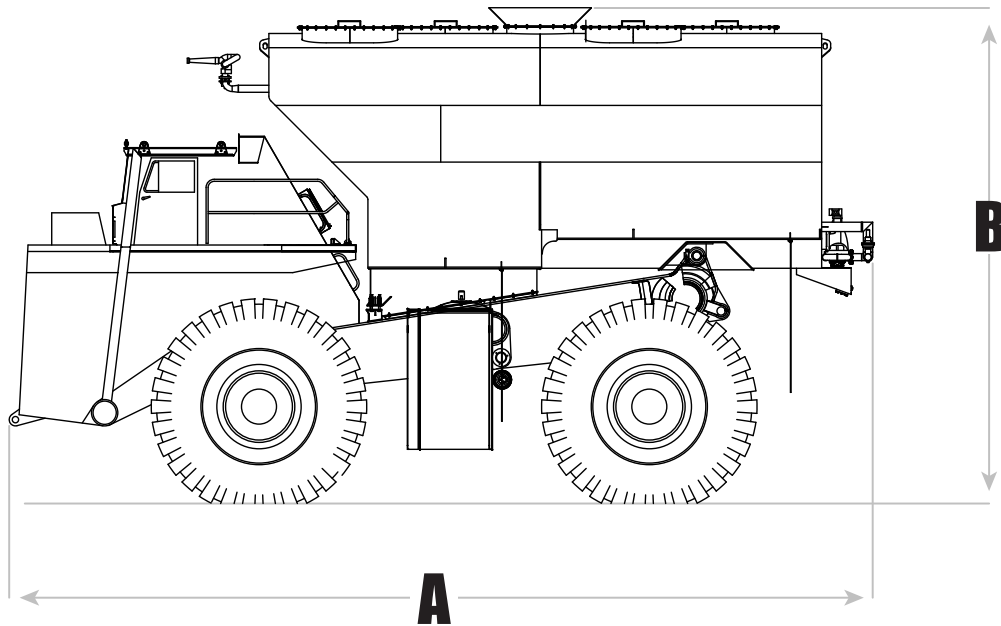
All weights and dimensions are subject to change.

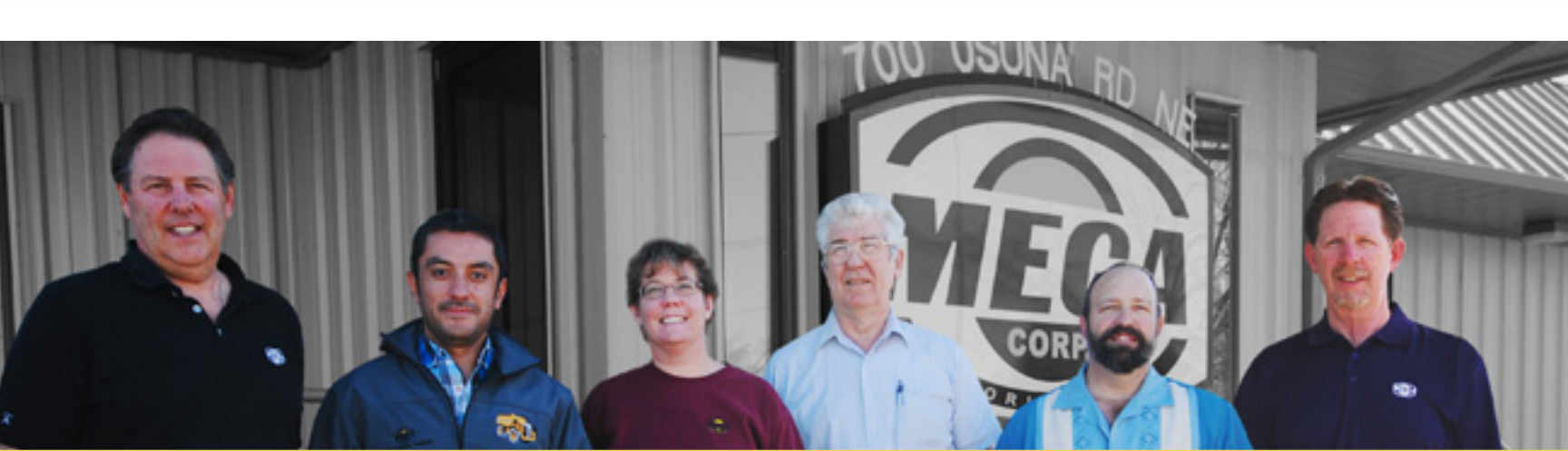


MTT52		830E Rigid Frame Truck Tank MTT52 – 52,000 gallons (196,820 Liters)	
A	Overall Length	553.08 in	14,048 mm
B	Overall Height	317.39 in	8,062 mm
C	Overall Width	287.50 in	7,302 mm
	Tank Kit Weight	111,300 lbs	50,485 kg
	Tank Only Overall Length	388.69 in	9,873 mm
	Tank Only Overall Height	190.01 in	4,826 mm
	Tank Only Overall Width	287.50 in	7,303 mm



All weights and dimensions are subject to change.





MEET YOUR MEGA SALES TEAM!

*PLEASE CONTACT US WITH
ANY INQUIRIES OR QUESTIONS.*



Claudio Córdova M.
Independent Sales Representative
Latin America
ccordova@megacorpinc.cl
011-56996476128



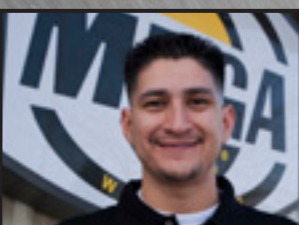
Norm Redenshek
Product Support Manager
Regional Sales Manager
nredenshek@megacorpinc.com
505-341-6987



Paul Dornberger
Independent Sales Representative-
Europe/Africa/Middle East
pdornberger@megacorpinc.com
+41 22 751 0020



David Holly
Product Support Technician
dholly@megacorpinc.com
505-341-6990



Miguel Galaviz
Parts Sales
mgalaviz@megacorpinc.com
505-341-6986



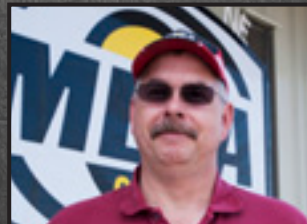
Jeff Linn
Director-Sales, Marketing
& Product Support
jlinn@megacorpinc.com
505-345-2661



John Stubbs
Parts Sales Manager
Regional Sales Manager
jstubbs@megacorpinc.com
505-259-5975



Jennifer Gockley
Sales Administrator
jgockley@megacorpinc.com
505-341-6998



Bill Taylor
Product Support Sales Representative
btaylor@megacorpinc.com
505-341-6988



Jose Barraza
Parts Sales
jbarraza@megacorpinc.com
505-341-6969



Warranty Coverage For Your Mega Equipment

Protecting your investment.



Mega provides a full one year warranty, unlimited hours against defects in materials and workmanship.



STANDARD WARRANTY POLICY

Effective With Deliveries to the First User On or After March 1, 2006



Mega Corp. warrants its products against defects in material and workmanship for a period of twelve months from the time the unit is first placed into service unless stated otherwise below.

Mega Corp. does not warrant malfunctions and failures resulting from misuse, negligence, alteration, accident, or lack of performance of regular maintenance services, nor does it include the replacement of maintenance items made in connection with normal maintenance services. In addition, travel mileage, travel labor, or related travel expenses (such as meals or lodging) will not be covered.

Mega Corp. requires the customer/owner to complete the In-Service report and return it to Mega Corp. within 30 (thirty) days from the date the machine is placed into service. In addition, in-service must begin no later than 1 year from receipt of the machine unless otherwise stated in the sales contract.

This warranty becomes null and void when the product is disassembled, welded-up, or in any way materially altered without prior written approval from Mega Corp.

Items replaced under this warranty become the property of Mega Corp. All items replaced must be returned to Mega Corp., freight pre-paid.

Responsibilities

Mega Corp. Responsibilities

If a defect in material or workmanship is found during the warranty period, Mega Corp. will:

- Provide (at Mega Corp.'s discretion) new, remanufactured or Mega Corp.-approved repaired parts or assembled components needed to correct the defect.
- Replace lubricating oil, filters, anti-freeze and other items made unusable by the defect.
- Provide reasonable or customary labor needed to correct the defect, including labor for removal and installation when necessary to make the repair.

User/Customer Responsibilities

The user/customer is responsible for:

- Contacting Mega Corp. for authorization prior to the repair.
- Providing Proof of the Delivery Date (via the In-Service Report) to Mega Corp.
- The cost associated with transporting the product or warranty item to the place of repair.
- Costs to investigate complaints, unless the problem is caused by a defect in Mega Corp. materials or workmanship.
- Labor costs except as stated under "Mega Corp. Responsibilities".
- Premium or overtime labor costs.
- Local taxes, if applicable.
- Giving timely notice of a warrantable failure and promptly making the product available for repair.
- Performance of required maintenance and items replaced due to normal wear.
- Allowing Mega Corp. access to any electronically stored data relevant to the warranted product's application.

Special Coverage Limitations

Structural Failure

Structural failures are described as:

Cracking in weld or base metal of structure not caused by damage or abuse.
Water leaks from tanks due to cracking or weld defect.

Kits For Field Installation

Mega products provided in kit form are designed for Field assembly/installation and are covered under the terms of this warranty with the following provisions:

Installation - Mega Corp. will provide a basic set of drawings for use with installation of products delivered in kit form. These drawings are intended to assist the dealer / customer with installation. Mega Corp. Product Support may be contacted for additional assistance if required. Charges may apply for this service.

Parts - Mega Corp. guarantees that all Mega supplied parts required for Field installation will be in the Field installation parts kit. There may be parts that are expected to be supplied by the customer to complete installation. Mega Corp.-supplied parts will be detailed on the installation drawings. Packing lists are supplied with all kits. The customer is responsible for notifying Mega Corp. of missing or damaged parts upon receipt. Signed copies of the packing lists confirming receipt of all parts must be returned to Mega Corp. within 14 days of receipt of parts to maintain this coverage.



CHECK US OUT ON THE WEB @
WWW.MEGACORPINC.COM

ONLINE PARTS ORDERING IS NOW AVAILABLE!



In response to customer requests, Mega has added online ordering capability to our website. Customers can browse through approximately 700 of our most commonly-ordered parts and place orders using both PO's and credit cards.

Customers will need to register on-line to access this service. Pricing on the web, including any applicable discounts and shipping, will be the same as if the order were placed via telephone. Along with parts ordering, Mega has refreshed the look and functionality of the website to improve its use. Check us out at: www.megacorpinc.com.



Order Parts!



Illustrated Parts Breakdowns!



Set up your account TODAY!



© 2012 Mega All rights reserved.

For more information please visit us on the web at www.megacorpinc.com

MEGA and its respective logos as well as corporate and product identity used herein, are trademarks of Mega and may not be used without permission.

MEGA retains all copyrights in any text, graphic images, and content owned by MEGA and hereby authorizes you to electronically copy documents published herein solely for the purpose of transmitting or viewing the information.

You may not mirror, modify or otherwise alter any files for rebroadcast, or print the information contained therein, without written permission from MEGA

Materials and specifications are subject to change without notice. Featured machines in photos may include additional equipment. See your dealer for available options.