

MODIFICATION

State of Maine**Master Agreement****Effective Date:** 02/11/19**Expiration Date:** 01/31/21**Master Agreement Description:** Sit-Stand Desktop Workstations, Monitor Kits & Installation**Buyer Information**

Debbie Jacques 207-624-7890 ext. DEBBIE.JACQUES@MAINE.GOV

Issuer Information

DEBBIE JACQUES 207-624-7890 ext. DEBBIE.JACQUES@MAINE.GOV

Requestor Information

Debbie Jacques 207-624-7890 ext. DEBBIE.JACQUES@MAINE.GOV

Authorized Departments

ALL

Vendor Information**Vendor Line #:** 1**Vendor ID**

VC1000094897

Vendor Name

W B MASON CO INC

Alias/DBA**Vendor Address Information**

106 PINETREE INDUSTRIAL PKWY

PORTLAND, ME 04102

US

Vendor Contact Information

Zack Crouanas

207-712-0703 ext. 8146

Zack.Crouanas@wbmason.com

Commodity Information

Vendor Line #: 1

Vendor Name: W B MASON CO INC

Commodity Line #: 1

Commodity Code: 42500

Commodity Description: Sit-Stand Desktop Workstations, Monitor Kits & Installation

Commodity Specifications:

Commodity Extended Description: Master Agreement for Sit-Stand Desktop Workstations, Monitor Kits & Installation.

Contract Period: 2/11/2019 - 1/31/2021. All Specifications, Instructions, Terms and Conditions are attached and made a part of this Master Agreement..

Quantity

0.00000

UOM

Unit Price

\$0.00

Delivery Days

10

Free on Board

FOB Dest, Freight Prepaid

Contract Amount

\$0.00

Service Start Date

Service End Date

Catalog Name

WB Mason Ergotron

Discount

0.0000 %

Discount Start Date

02/11/19

Discount End Date

01/31/21

STATE OF MAINE
DEPARTMENT OF ADMINISTRATIVE AND FINANCIAL SERVICES
BUREAU OF BUSINESS MANAGEMENT
DIVISION OF PROCUREMENT SERVICES

MA # 18P 19012400000000000087

**Master Agreement for Sit-Stand Desktop Workstations, Monitor Kits
and Installation**

DETAILED SPECIFICATIONS

Commodity: Sit-Stand Desktop Workstations – WorkFit by Ergotron

Scope: To establish a Master Agreement (MA) for Sit-Stand Desktop Workstations, Monitor Kits, and Installation

Contract Period: Following the initial term of the contract, the Division may opt to renew the contract for two renewal – one 2-year period and one 1-year period, subject to continued availability of funding and satisfactory delivery/performance.

The term of the contract, is defined as follows:

Period	Start Date	End Date
Initial Period of Performance	2/11/2019	1/31/2021
Renewal Period #1	2/1/2021	1/31/2023
Renewal Period #2	2/1/2023	1/31/2024

General Specifications:

Tabletop (Desktop) ergonomic sit-stand workstations.

Workstation is to ship fully assembled, no mounting or clamping required.

Workstation must be extremely stable and solid.

Workstation should fit most surfaces 24” deep or larger.

Height Adjustment of 15” to 20” depending on the model.

Must easily and effortlessly lift straight up and down, staying within the footprint of the desktop, and minimizing intrusion into the workspace.

Large work surface to keep notes, papers, etc. in full view while working.

Keyboard tray that moves in tandem with the work surface.

Monitor Kits for single and dual monitor mounts.

Minimum Five-year warranty.

Models:

Ergotron WorkFit Corner

Fits flush against any 90-degree cub or office corner desk.

Color: Black

Surface Dimensions 36" x 23.6"

Keyboard Tray Dimensions 36" x 14.5"

Weight Capacity 35 lbs.

Ergotron WorkFit TL

Fits most surfaces 24" deep or larger.

Colors: Black, White

Surface Dimensions: 37.5" x 23"

Keyboard Tray Dimensions: 27.5" x 11"

Weight Capacity: 40 lbs.

Ergotron WorkFit T

Fits most surfaces 24" deep or larger.

Colors: Black, White

Surface Dimensions: 35" x 23"

Keyboard Tray Dimensions: 24.75" x 9.25"

Weight Capacity: 35 lbs.

Ergotron Workfit TX

Vertical Height Adjustment of 17" plus 3" keyboard adjustment.

Height adjustable, back-tilt keyboard that sits below the work surface.

Color: Black

Surface Dimensions: 32" x 27"

Keyboard Tray Dimensions: 28" x 8"

Weight Capacity 40 lbs.

WorkFit Monitor Kits

Single Monitor Kit

Dual Monitor Kit

Colors: Black, White

Price: Prices include all transportation fully prepaid by the vendor and shall remain firm for the duration of the contract. However, decreases should be passed along to the State. Any reduction in price may occur anytime during the contract period. The reduced price shall apply on all shipments made on or after the date the reduction price becomes effective.

The State reserves the right to seek additional discounts from the contractor, or to contract separately for single purchase for a particular State project or other immediate use if, in the judgment of the Division of Procurement Services, the quantity required is sufficiently large to enable the State to realize a cost savings over and above the published contract prices, whether or not such a savings actually occurs.

NOTE: Bid prices are to include all delivery and installation charges.

Delivery and Installation: To be delivered/shipped to various locations throughout the State of Maine. Prices are to be FOB delivered (shipping charges are to be included in the quoted price). Prompt delivery is required. The Contractor **MUST** inspect all merchandise thoroughly before delivery to State Agencies. Inspection will not release contractor of the responsibility for faulty workmanship and any faulty item or component part will be repaired or replaced by the vendor.

The Contractor will be responsible for the delivery of material in first class condition at the point of delivery, and in accordance with good commercial practice.

The Contractor must deliver merchandise free of charge to any location within the State, install the workstation and accessories, and instruct the user in its operation. Any boxes, tags, or packing materials will be removed from the premises and disposed of by the contractor.

Order Method: Delivery Orders (DO) will be created in AdvantageME for all orders against the Master Agreement (MA) unless the State of Maine Procurement Card is used for payment. Delivery Orders will be e-mailed by the using agency to the Vendor as a PDF file.

If a State of Maine Procurement Card (P-Card) is used for payment, a DO will NOT be issued, and agency will use an alternate method of ordering (email, telephone, etc.). Agency will call vendor with procurement card information.

Invoicing: Vendor is to invoice each agency individually per shipment. Vendor is to reference the Delivery Order (DO) number on all invoices.

Report: It is the responsibility of the vendor to produce a monthly report. The Division of Procurement Services will require the vendor to submit a quarterly report for what was purchased during that quarter. The agency must be listed as well as a description of the product, quantity purchased, and the dollar amount. Quarterly Reports are due April 1, July 1, October 1, and January 1.

Procurement Card: State policy requires vendors to accept the State of Maine Procurement Card as a form of payment, with very rare exceptions. Your company will be required to accept these cards. The pricing offered to the State of Maine shall be the final cost to the State of Maine regardless of payment method. No surcharge or other compensation will be allowed. The State of Maine reserves the right to reject your bid if you are unwilling to accept this condition.

Cancellation Clause: The Director of the Division of Procurement Services reserves the right to cancel this contract with a thirty (30) day written notice, or cancel immediately due to non-compliance with terms & conditions of contract.

TERMS AND CONDITIONS FOR RFQ AND CONTRACT

PART I GENERAL INFORMATION ON RFQs

A. Purpose and Background

The State of Maine (“State”) Department of Administrative and Financial Services (“Department”), Bureau of Business Management (“Bureau”), Division of Procurement Services (“Division”) acts as the purchasing agent on behalf of all Executive Departments and other agencies within State Government. For this competitive Request for Quotations (RFQ) process, the Division is acting on behalf of the Requesting Department listed on the cover page. The Division and the Requesting Department seek quotations (also referred to as “bids” or “responses” herein) to provide the goods/services as defined above in Section 1 of this document. This document provides instructions for submitting quotations, the procedure and criteria by which the Bidder(s) will be selected, and the contractual terms which will govern the relationship between the State and the awarded Bidder(s). Following Bidder selection and upon reaching a mutual agreement, the State and the selected Bidder will enter into a contract – taking the form of a State of Maine Master Agreement or Buyer Purchase Order (all generally referred to as “contract” herein), as applicable.

B. General Provisions

1. Issuance of this RFQ does not commit the Division or the Requesting Department to issue an award or to pay expenses incurred by a Bidder in the preparation of a response to this RFQ. This includes attendance at personal interviews or other meetings and software or system demonstrations, where applicable.
2. All responses to this RFQ should adhere to the instructions and format requirements outlined in this RFQ and all written supplements and amendments (such as the Division’s answers to the Bidders’ questions submitted through the VSS), as issued by the Division. Responses are to follow the format and respond to all questions and instructions specified above in the “Submitting a Quotation” section of this RFQ.
3. Bidders shall take careful note that in evaluating a quotation submitted in response to this RFQ, the Department may consider materials provided in the quotation, information obtained through interviews/presentations (if any), and internal information of previous contract history between the Division and the Bidder (if any). The Division also reserves the right to consider other reliable references and publicly available information available in evaluating a Bidder’s experience and capabilities, if needed. All responses to this RFQ shall be considered to be authorized to legally bind the Bidder, and if selected for award, shall contain or be considered to contain a statement that the quotation and the pricing contained therein will remain valid and binding for a period of at least 180 days from the date and time of the bid opening.
4. The RFQ and the selected Bidder’s quotation, including all appendices or attachments, may be incorporated in the final contract.
5. Following announcement of an award decision, all submissions in response to this RFQ will be considered public records available for public inspection pursuant to the State of Maine Freedom of Access Act (FOAA) (1 M.R.S. §§ 401 et seq.).
<http://www.mainelegislature.org/legis/statutes/1/title1sec401.html>
6. The Division, at its sole discretion, reserves the right to recognize and waive minor informalities and irregularities found in quotations received in response to this RFQ.

7. The Division reserves the right to authorize other State Departments to use the contract(s) resulting from this RFQ, if it is deemed to be beneficial for the State to do so.
8. All applicable laws, whether or not herein contained, shall be included by this reference. It shall be Bidder's responsibility to determine the applicability and requirements of any such laws and to abide by them.

C. Eligibility to Submit Bids

Public agencies, private for-profit companies, and non-profit companies and institutions are invited to submit bids in response to State of Maine Requests for Quotations.

D. Delivery Terms

For the purchase of goods, the Division and selected Bidder will decide upon a delivery date in accordance with the State's requirements and the terms offered in the Bidder's quotation. *Unless stated otherwise in Section 1 of this RFQ, all deliveries are expected with shipping terms of "Free on Board (FOB) – Destination"*. The State intends for this to mean that all goods shall be priced in the bid response to include shipping charges, if any, to the State's desired location. The "FOB – Destination" shipping term is also intended to mean that the State shall not bear any responsibility for the goods in question until the State takes possession of them at the destination point of delivery.

E. Alternate Bids and Approved Equals

When, in bid forms and specifications, an article or material is identified by using a trade name and catalog number of a manufacturer or vendor, the term "or approved equal," if not inserted with the identification, is implied. Any Bidder that seeks to propose an alternate item from what is specified in this RFQ should refer to State of Maine Statute 5 MRSA §1825-B, for "Bids, awards and contracts", found here: <http://www.mainelegislature.org/legis/statutes/5/title5sec1825-B.html>

F. Appeal of Contract Awards

Any person aggrieved by the award decision that results from this RFQ may appeal the decision to the Director of the Bureau of General Services in the manner prescribed in 5 MRSA § 1825-E and 18-554 Code of Maine Rules, Chapter 120 (found here: <http://www.maine.gov/purchases/policies/120.shtml>). The appeal must be in writing and filed with the Director of the Bureau of General Services, 9 State House Station, Augusta, Maine, 04333-0009 within 15 calendar days of receipt of notification of contract award.

If this RFQ results in the creation of a pre-qualified or pre-approved list of vendors, then the appeal procedures mentioned above are available upon the original determination of that vendor list, but not during subsequent competitive procedures involving only the pre-qualified or pre-approved list participants.

PART II CONTRACT ADMINISTRATION AND CONDITIONS

A. Contract Document

The successful Bidder will be required to execute a contract in the form of a State of Maine Buyer Purchase Order, Contract Agreement to Purchase Services or State of Maine Master Agreement.

The Standard Terms and Conditions used with the aforementioned contract types may be found on the Division of Procurement Services' website at the following link:

http://www.maine.gov/purchases/info/forms/BPO_General_Terms.doc

In the event that the State of Maine's Standard Terms and Conditions or RFQ provisions do not otherwise cover contractual scenarios that are specific to the goods or services being purchased under this RFQ, then the State is willing to consider a Bidder's standard terms and conditions. Consideration or use of a Bidder's standard terms and conditions shall only occur under the general agreement that in the event of a conflict, the State of Maine's Standard Terms and Conditions and RFQ provisions shall take precedence.

Other forms and contract documents commonly used by the State can be found on the Division of Procurement Services' website at the following link:

<http://www.maine.gov/purchases/info/forms.shtml>

B. Independent Capacity

In providing services and performing under the contract, the successful Bidder shall act independently and not as an agent of the State of Maine.

C. Payments and Other Provisions

The State anticipates paying the selected Bidder for goods and services received, on the basis of net 30 payment terms, upon the receipt of an accurate and acceptable invoice. An invoice will be considered accurate and acceptable if it contains a reference to the State of Maine contract number, contains correct pricing information relative to the contract, and provides any required supporting documents, as applicable, and any other specific and agreed-upon requirements listed within the contract that results from this RFQ.

The State of Maine reserves the right to pay for goods purchased through this solicitation by any of several available means, which include but may not be limited to check, EFT, and/or procurement card. Bidders are advised that state statute precludes sellers from imposing a surcharge on credit or debit card purchases (text follows):

“9-A MRS §8-303 (2): A seller in a sales transaction may not impose a surcharge on a cardholder who elects to use a credit card or debit card in lieu of payment by cash, check or similar means.”

Appendix A

**STATE OF MAINE
DEPARTMENT OF ADMINISTRATIVE AND FINANCIAL SERVICES
DIVISION OF PROCUREMENT SERVICES**

BID COVER PAGE and DEBARMENT FORM

Bidder's Organization Name: WB Mason Company		
Chief Executive – Name/Title: Leo Meehan - CEO		
Tel: 888-926-2766	Fax: 877-329-9669	E-mail: brian.olas@wbmason.com
Headquarters Street Address: 59 Centre Street		
Headquarters City/State/Zip: Brockton MA 02301		
<i>(provide information requested below if different from above)</i>		
Lead Point of Contact for Bid – Name/Title: Brian Olas – Sales Executive		
Tel: 508-436-8146	Fax: 877-329-9669	E- mail:brian.olas@wbmason.com
Street Address: 106 Pinetree Industrial Parkway		
City/State/Zip: Portland ME 04102		

By signing below Bidder affirms:

- Their bid complies with all requirements of this RFQ;
- This bid and the pricing structure contained herein will remain firm for a period of 180 days from the date and time of the bid opening;
- That no personnel currently employed by the Department or any other State agency participated, either directly or indirectly, in any activities relating to the preparation of the Bidder's proposal;
- That no attempt has been made or will be made by the Bidder to induce any other person or firm to submit or not to submit a proposal; and
- The undersigned is authorized to enter into contractual obligations on behalf of the above-named organization.

Name: Brian Olas	Title: Sales Executive
Authorized Signature: Brian Olas	Date: 1/16/2019

Debarment, Performance, and Non-Collusion Certification

By signing this document, I certify to the best of my knowledge and belief that the aforementioned organization, its principals, and any subcontractors named in this proposal:

- a Are not presently debarred, suspended, proposed for debarment, and declared ineligible or voluntarily excluded from bidding or working on contracts issued by any governmental agency.*
- b Have not within three years of submitting the proposal for this contract been convicted of or had a civil judgment rendered against them for:

 - i fraud or a criminal offense in connection with obtaining, attempting to obtain, or performing a federal, state or local government transaction or contract.*
 - ii violating Federal or State antitrust statutes or committing embezzlement, theft, forgery, bribery, falsification or destruction of records, making false statements, or receiving stolen property;*
 - iii are not presently indicted for or otherwise criminally or civilly charged by a governmental entity (Federal, State or Local) with commission of any of the offenses enumerated in paragraph (b) of this certification; and*
 - iv have not within a three (3) year period preceding this proposal had one or more federal, state or local government transactions terminated for cause or default.**
- c Have not entered into a prior understanding, agreement, or connection with any corporation, firm, or person submitting a response for the same materials, supplies, equipment, or services and this proposal is in all respects fair and without collusion or fraud. The above mentioned entities understand and agree that collusive bidding is a violation of state and federal law and can result in fines, prison sentences, and civil damage awards.*

- Failure to provide this certification may result in the disqualification of the Bidder’s proposal, at the discretion of the Department.**

To the best of my knowledge all information provided in the enclosed proposal, both programmatic and financial, is complete and accurate at the time of submission.

Name: Brian Olas	Title: Sales Executive
Authorized Signature: Brian Olas	Date: 1/16/2019

Appendix E

**STATE OF MAINE
DEPARTMENT OF ADMINISTRATIVE AND FINANCIAL SERVICES
DIVISION OF PROCUREMENT SERVICES**

**MUNICIPALITY POLITICAL SUBDIVISION and SCHOOL DISTRICT PARTICIPATION
CERTIFICATION**

RFQ # 18P 1901040000000000199

Master Agreement for Sit-Stand Desktop Workstations, Monitor Kits and Installation

The Division of Procurement Services is committed to providing purchasing opportunities for **municipalities, political subdivisions and school districts** in Maine by allowing them access, through our vendors, to our contract pricing. A bidder's willingness to extend contract pricing to these entities will be taken into consideration in making awards.

Will you accept orders from political subdivisions and school districts in Maine at the prices quoted?

Yes

Yes, with conditions as follows:

No

Name of Company:

WB Mason Company_____

Address:

**106 Pinetree Industrial Parkway Portland ME
04102**_____

Signature: Brian Olas_____

Date:

1/16/2019_____



WORKFIT™

by **ergotron**®

WorkFit Corner

- Notched worksurface fits flush against any 90-degree cube or office corner desk to make the most of previously unusable space
- Easily modifies an existing corner cube or office space without the cost of expensive professional installers
- Wide worksurface keeps notes, three-ring binders and papers in full view while working
- Largest keyboard tray of any WorkFit fits a variety of keyboard and mouse options
- Extremely stable and solid platform fits surfaces as shallow as 24" (61 cm)
- Ships fully assembled with out-of-the-box installation that gets you standing faster
- Tested and guaranteed with a full five-year warranty



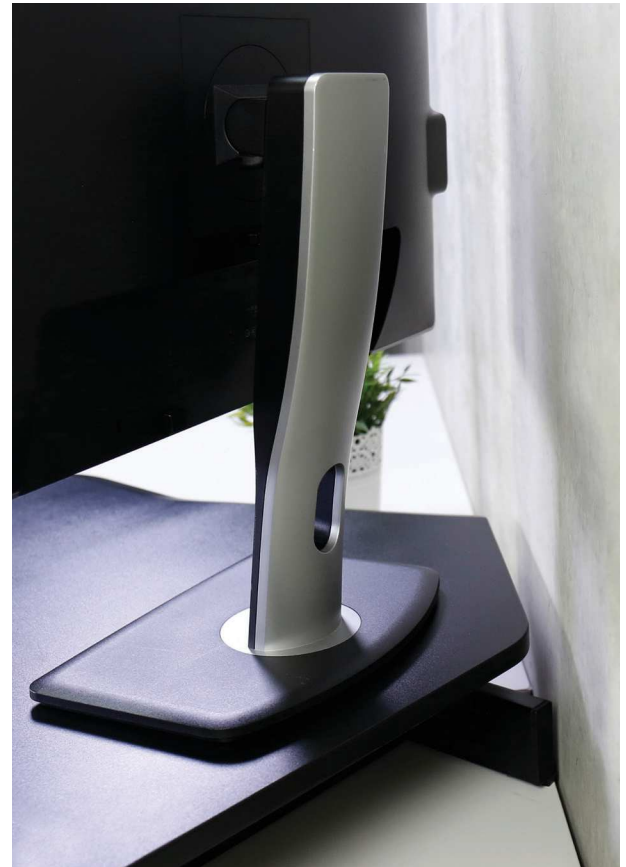
IMPROVE YOUR CORNER VIEW

Designed with the corner in mind, the WorkFit Corner Standing Desk Converter offers 15 inches (38 cm) of easy vertical adjustment so you can work sitting or standing without bumping into cube or office walls. The WorkFit Corner sits flush to any cube or office corner thanks to a large notched worksurface that fits single and dual monitors. Get more from your corner configuration by using up dusty corner space and taking advantage of more worksurface on both sides of your sit-stand workstation.

BENEFITS



WorkFit Corner



ADD AN ACCESSORY MONITOR MOUNT KIT TO PROVIDE INDEPENDENT SCREEN ADJUSTMENT AND CLEAR MORE WORKSURFACE SPACE.



WorkFit Corner

Part #	33-468-921
Color	Black
Weight Capacity	35 lbs (15,9 kg)
Lift	15" (38 cm) Max. worksurface height 20" (50,8 cm)
Worksurface Dimensions	36" x 23.6" (91,4 x 60 cm) Maximum width 44" (110 cm)
Keyboard Tray Dimensions	36" x 14.5" (91 x 37 cm) 7.8" (19,8 cm) depth at ends
Product Weight	57.5 lbs (26,1 kg)
Shipping Weight	76 lbs (34,5 kg)
Shipping Dimensions	47.7" x 36" x 9.5" (121,3 x 91,4 x 24,1 cm)
Warranty	5 years

Download additional resources at ergotron.com.

For more information:

NORTH AMERICA: 800.888.8458 / +1.651.681.7600 / sales@ergotron.com

EMEA: +31.33.45.45.600 / info.eu@ergotron.com

APAC: apaccustomerservice@ergotron.com

OEM: info@oem.ergotron.com

© Ergotron, Inc. 01.03.2019

Literature made in the U.S.A.

Content subject to change.

Ergotron devices are not intended to cure, treat, mitigate or prevent any disease.

Patent information available at www.ergotron.com/patents.

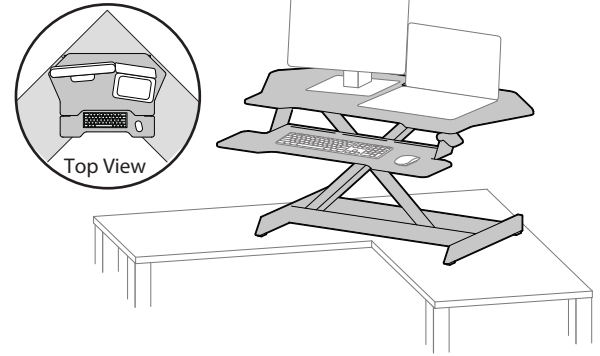
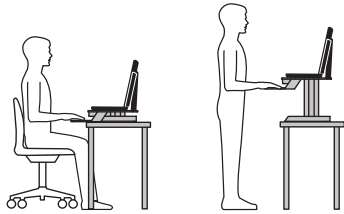
WorkFit is a registered trademark of Ergotron in the U.S.A. and China.



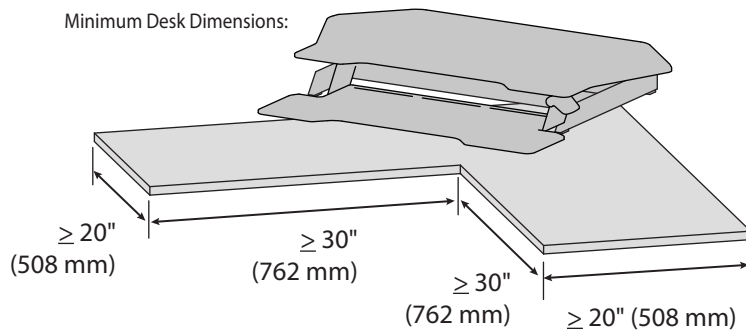


Dimensional Illustrations

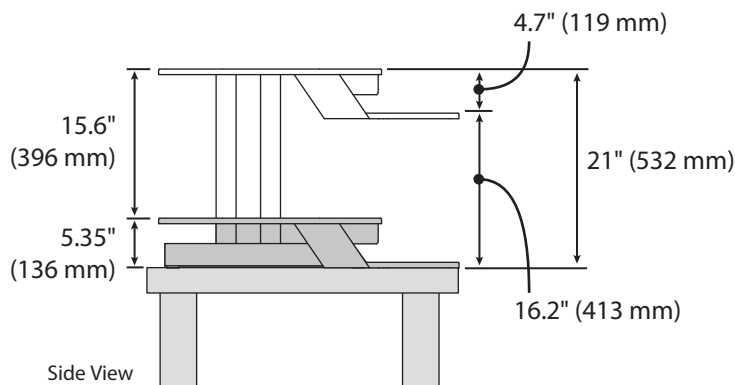
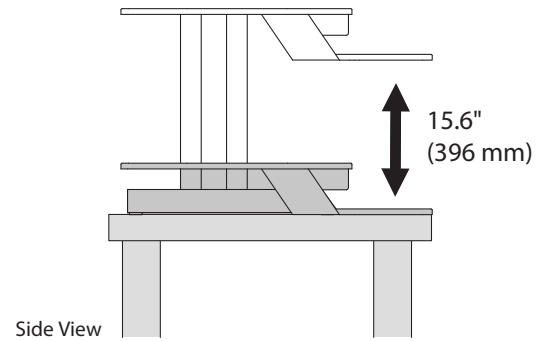
WorkFit™ Corner Standing Desk Converter



DIMENSIONS



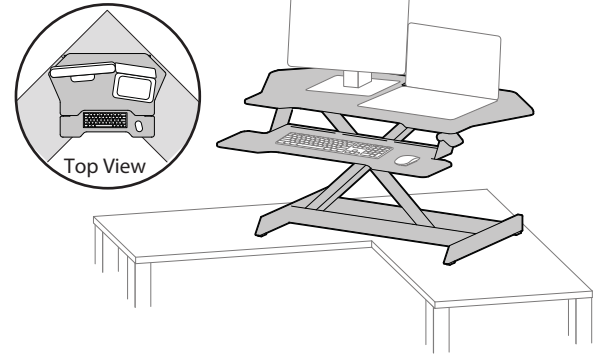
RANGE OF MOTION



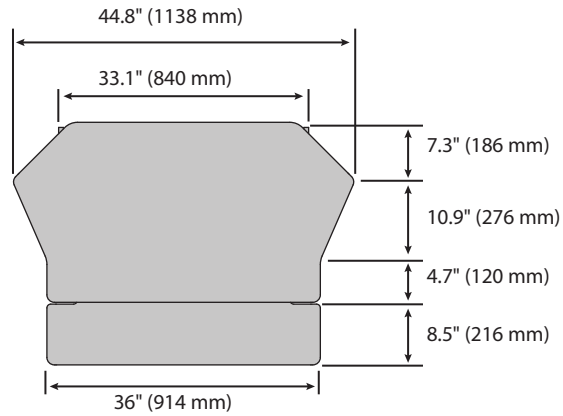
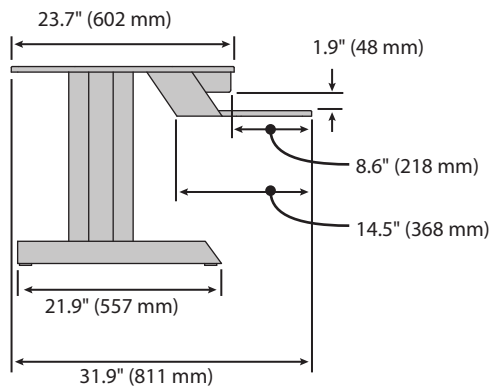
© 2018 Ergotron, Inc. rev. 12/11/2018 DIM-WFCorner **Content is subject to change without notification**

Americas Sales and Corporate Headquarter	EMEA Sale	APAC Sale	Worldwide OEM Sales
St. Paul, MN USA (800) 888-8458 +1-651-681-7600 www.ergotron.com sales@ergotron.com	Amersfoort, The Netherlands +31 33 45 45 600 www.ergotron.com info.eu@ergotron.com	Tokyo, Japan www.ergotron.com apaccustomerservice@ergotron.com	www.ergotron.com info.oem@ergotron.com

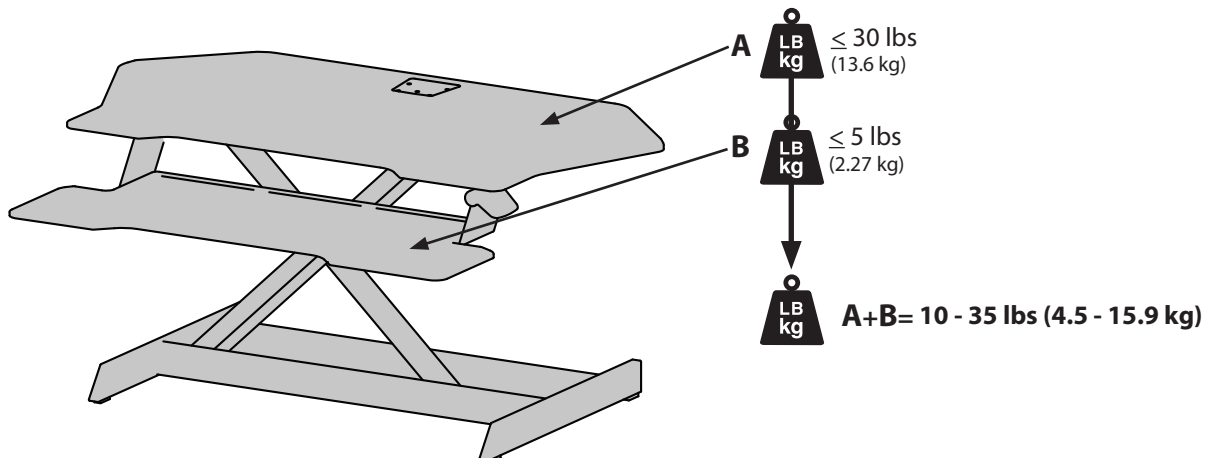
WorkFit™ Corner Standing Desk Converter



DIMENSIONS



WEIGHT CAPACITY



© 2018 Ergotron, Inc. rev. 12/11/2018 DIM-WFCorner **Content is subject to change without notification**

Americas Sales and Corporate Headquarter	EMEA Sale	APAC Sale	Worldwide OEM Sales
St. Paul, MN USA (800) 888-8458 +1-651-681-7600 www.ergotron.com sales@ergotron.com	Amersfoort, The Netherlands +31 33 45 45 600 www.ergotron.com info.eu@ergotron.com	Tokyo, Japan www.ergotron.com apaccustomerservice@ergotron.com	www.ergotron.com info.oem@ergotron.com



WORKFIT™

by ergotron®

WorkFit-T & WorkFit-TL Sit-Stand Workstation

For Computer Users

- Enjoy standing or sitting as you work, switching positions whenever you choose. This work style encourages healthy movement throughout the day
- Easily and simultaneously lift LCD screens to proper height for unsurpassed ergonomic comfort

For IT and Facilities Staff

- IT deployment friendly—convert most work areas into a productive and complete computer workstation in minutes
- Flexible, open-architecture design is scalable for future computer equipment

For HR and Company Cost Savings

- Promote wellness in the daily work routine
- Provide standing work platforms for employees without having to buy expensive height-adjustable chairs



INVIGORATE YOUR WORKDAY WITH THIS ULTRA SIMPLE
AND FLEXIBLE SIT-STAND DESKTOP WORKSTATION!

This ultra simple standing desk solution quickly converts a tabletop into a healthy sit-stand workstation. Simply place the WorkFit-T on an open surface and you're ready to work!

WorkFit-T and WorkFit-TL save space because they move straight up and down, always staying within the footprint of your desktop. The platform is extremely stable throughout its range of motion—one can freely lean on it while working without worry about tip or height-drop.

Five-year warranty: tested and guaranteed!

BENEFITS



WorkFit-T & WorkFit-TL



- Stable workstation sits right on top of most surfaces 24" (61 cm) deep or larger; no mounting or clamping required
- System easily lifts straight up and down to minimize intrusion into the workspace
- Ships fully assembled – no tool adjustments needed – making it easy to retrofit existing spaces
- Provides 15" (38 cm) of easy height adjustment
- Counterbalancing mechanism uses Constant Force™ technology to facilitate quick height adjustment; patent pending
- Set one or two monitors or a monitor and laptop directly onto the worksurface; optional monitor kits sold separately
- Supports 10–35 lbs (4,5–15,9 kg) of external weight
- Keyboard moves in tandem with the worksurface and is positioned 4.5" (11,4 cm) below it



LX ARM GROMMET MOUNTING KIT
FOR WORKFIT-T 98-017



WORKFIT MONITOR KITS
(SOLD SEPARATELY)



LCD & LAPTOP KIT
97-907 (BLACK)
97-933-062 (WHITE)



DUAL MONITOR KIT
97-904 (BLACK)
97-934-062 (WHITE)



SINGLE LD MONITOR KIT
97-905 (BLACK)
97-935-062 (WHITE)



SINGLE HD MONITOR KIT
97-906 (BLACK)
97-936-062 (WHITE)



	WorkFit-T	WorkFit-TL
Part # (color)	33-397-085 (black) 33-397-062 (white) (North America / EMEA)	33-406-085 (black) 33-406-062 (white) 33-418-085 (black) TAA Compliant (North America)
Weight Capacity	10–35 lbs (4,5–15,9 kg)	10–40 lbs (4,5–18 kg)
Lift	15" (38 cm)	15" (38 cm)
Worksurface Dimensions	35" W x 23" D (88,9 x 58,6 cm)	37.5" W x 23" D (95 x 58,6 cm)
Keyboard Dimensions	24.75" W x 9.25" D (62,9 x 23,5 cm)	27.5" W x 11" D (69 x 28 cm)
Shipping Dimensions	38.5" x 28" x 8.5" (87,8 x 71,1 x 21,6 cm)	42" x 33.5" x 8.25" (107 x 85 x 21 cm)
Shipping Weight	58.5 lbs (26,5 kg)	62 lbs (28,2 kg)
Warranty	5 years	5 years

Download additional resources at ergotron.com.

For more information:

NORTH AMERICA: 800.888.8458 / +1.651.681.7600 / sales@ergotron.com

EMEA: +31.33.45.45.600 / info.eu@ergotron.com

APAC: apaccustomerservice@ergotron.com

OEM: info@oem.ergotron.com

© Ergotron, Inc. 01.03.2019

Literature made in the U.S.A.

Content subject to change.

Ergotron devices are not intended to cure, treat, mitigate or prevent any disease.

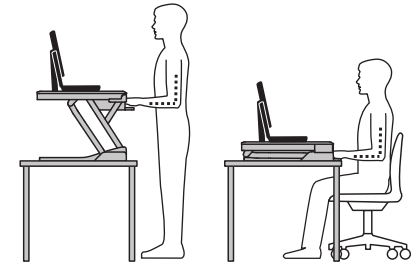
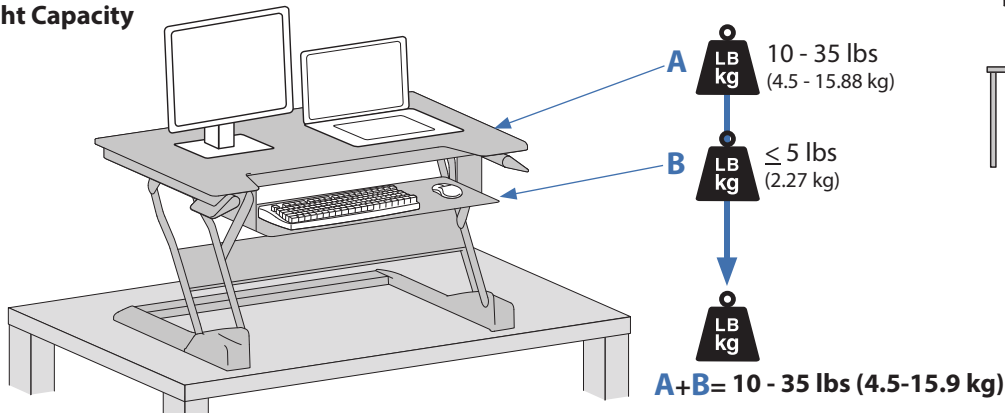
Patent information available at www.ergotron.com/patents.

WorkFit is a registered trademark of Ergotron in the U.S.A. and China.

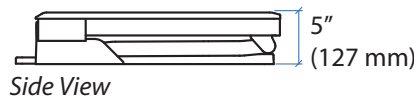
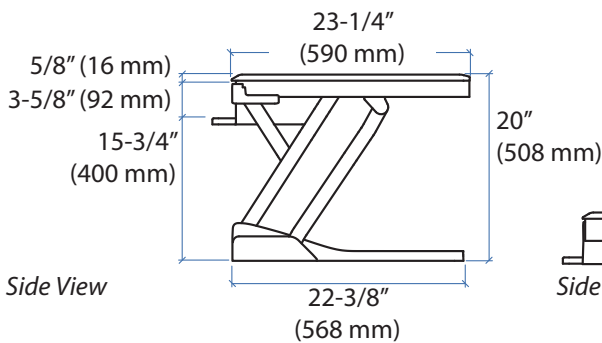
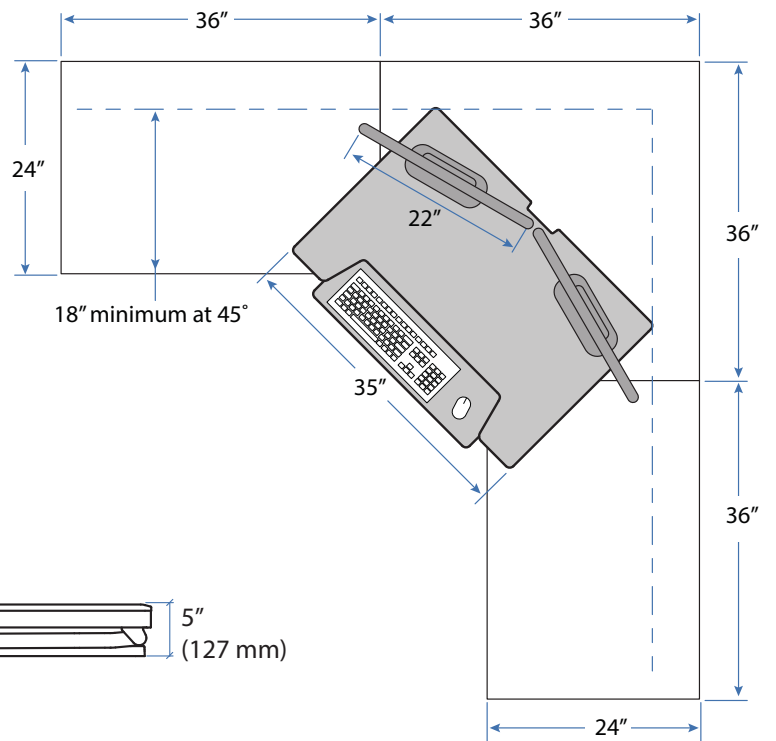
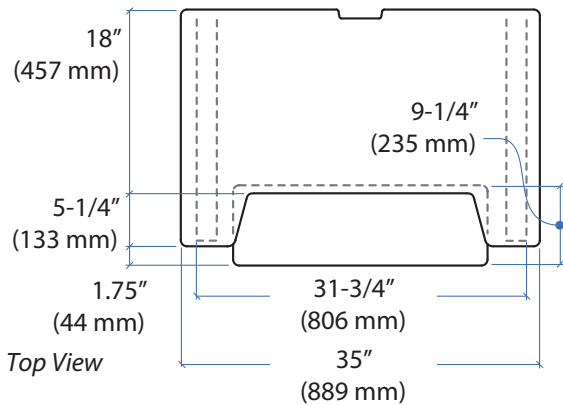
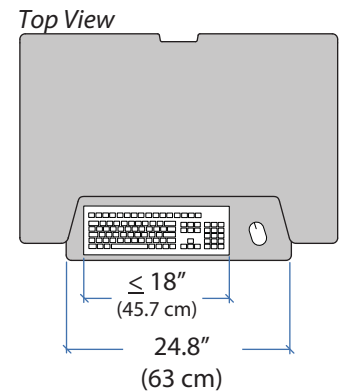
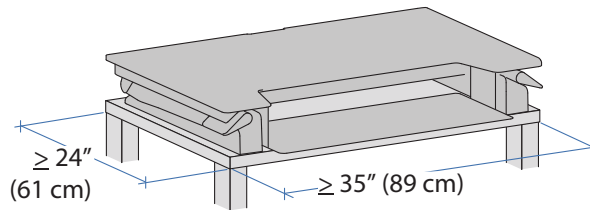
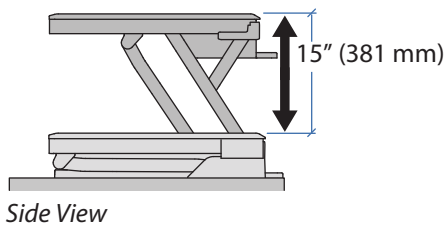


WorkFit-T, Sit-Stand Desktop Workstation

Weight Capacity



Dimensions



Shown on a 90° corner work surface.
Top View

© 2014 Ergotron, Inc. rev. 12/08/16 DIM-WFT Content is subject to change without notification

Americas Sales and Corporate Headquarters

St. Paul, MN USA
(800) 888-8458
+1-651-681-7600
www.ergotron.com
sales@ergotron.com

EMEA Sales

Amersfoort, The Netherlands
+31 33 45 45 600
www.ergotron.com
info.eu@ergotron.com

APAC Sales

Tokyo, Japan
www.ergotron.com
apaccustomerservice@ergotron.com

Worldwide OEM Sales

www.ergotron.com
info.oem@ergotron.com



WORKFIT™

by ergotron®

WorkFit-T & WorkFit-TL Sit-Stand Workstation

For Computer Users

- Enjoy standing or sitting as you work, switching positions whenever you choose. This work style encourages healthy movement throughout the day
- Easily and simultaneously lift LCD screens to proper height for unsurpassed ergonomic comfort

For IT and Facilities Staff

- IT deployment friendly—convert most work areas into a productive and complete computer workstation in minutes
- Flexible, open-architecture design is scalable for future computer equipment

For HR and Company Cost Savings

- Promote wellness in the daily work routine
- Provide standing work platforms for employees without having to buy expensive height-adjustable chairs



INVIGORATE YOUR WORKDAY WITH THIS ULTRA SIMPLE
AND FLEXIBLE SIT-STAND DESKTOP WORKSTATION!

This ultra simple standing desk solution quickly converts a tabletop into a healthy sit-stand workstation. Simply place the WorkFit-T on an open surface and you're ready to work!

WorkFit-T and WorkFit-TL save space because they move straight up and down, always staying within the footprint of your desktop. The platform is extremely stable throughout its range of motion—one can freely lean on it while working without worry about tip or height-drop.

Five-year warranty: tested and guaranteed!

BENEFITS



WorkFit-T & WorkFit-TL



- Stable workstation sits right on top of most surfaces 24" (61 cm) deep or larger; no mounting or clamping required
- System easily lifts straight up and down to minimize intrusion into the workspace
- Ships fully assembled – no tool adjustments needed – making it easy to retrofit existing spaces
- Provides 15" (38 cm) of easy height adjustment
- Counterbalancing mechanism uses Constant Force™ technology to facilitate quick height adjustment; patent pending
- Set one or two monitors or a monitor and laptop directly onto the worksurface; optional monitor kits sold separately
- Supports 10–35 lbs (4,5–15,9 kg) of external weight
- Keyboard moves in tandem with the worksurface and is positioned 4.5" (11,4 cm) below it



LX ARM GROMMET MOUNTING KIT
FOR WORKFIT-T 98-017



WORKFIT MONITOR KITS
(SOLD SEPARATELY)



LCD & LAPTOP KIT
97-907 (BLACK)
97-933-062 (WHITE)



DUAL MONITOR KIT
97-904 (BLACK)
97-934-062 (WHITE)



SINGLE LD MONITOR KIT
97-905 (BLACK)
97-935-062 (WHITE)



SINGLE HD MONITOR KIT
97-906 (BLACK)
97-936-062 (WHITE)



	WorkFit-T	WorkFit-TL
Part # (color)	33-397-085 (black) 33-397-062 (white) (North America / EMEA)	33-406-085 (black) 33-406-062 (white) 33-418-085 (black) TAA Compliant (North America)
Weight Capacity	10–35 lbs (4,5–15,9 kg)	10–40 lbs (4,5–18 kg)
Lift	15" (38 cm)	15" (38 cm)
Worksurface Dimensions	35" W x 23" D (88,9 x 58,6 cm)	37.5" W x 23" D (95 x 58,6 cm)
Keyboard Dimensions	24.75" W x 9.25" D (62,9 x 23,5 cm)	27.5" W x 11" D (69 x 28 cm)
Shipping Dimensions	38.5" x 28" x 8.5" (87,8 x 71,1 x 21,6 cm)	42" x 33.5" x 8.25" (107 x 85 x 21 cm)
Shipping Weight	58.5 lbs (26,5 kg)	62 lbs (28,2 kg)
Warranty	5 years	5 years

Download additional resources at ergotron.com.

For more information:

NORTH AMERICA: 800.888.8458 / +1.651.681.7600 / sales@ergotron.com

EMEA: +31.33.45.45.600 / info.eu@ergotron.com

APAC: apaccustomerservice@ergotron.com

OEM: info@oem.ergotron.com

© Ergotron, Inc. 01.03.2019

Literature made in the U.S.A.

Content subject to change.

Ergotron devices are not intended to cure, treat, mitigate or prevent any disease.

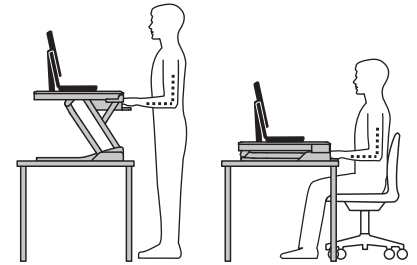
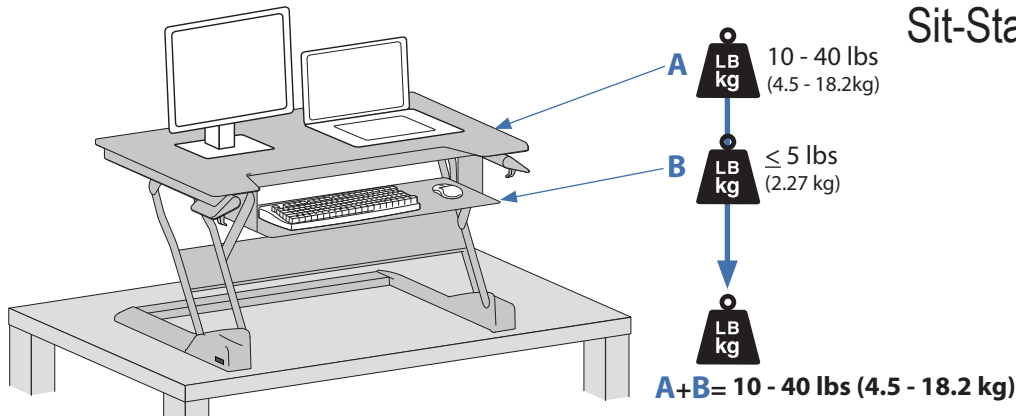
Patent information available at www.ergotron.com/patents.

WorkFit is a registered trademark of Ergotron in the U.S.A. and China.

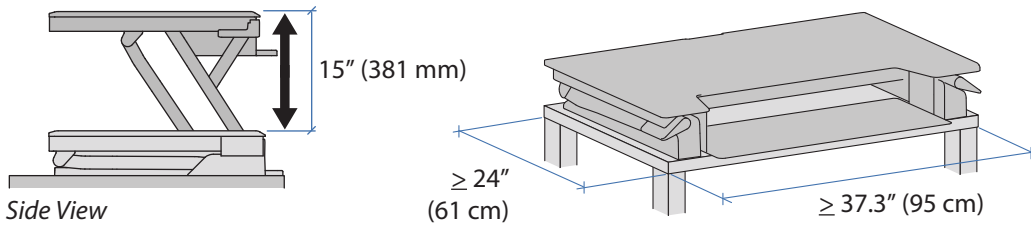


WorkFit-TL

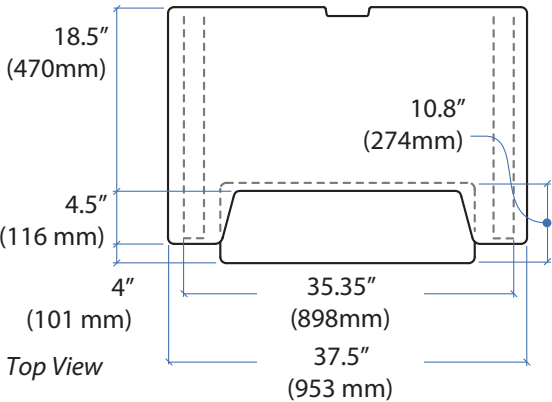
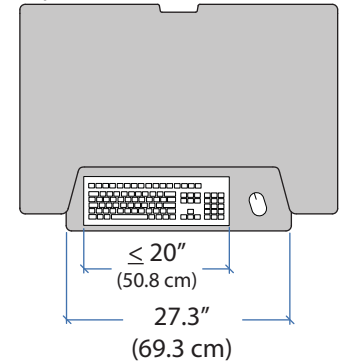
Sit-Stand Desktop Workstation



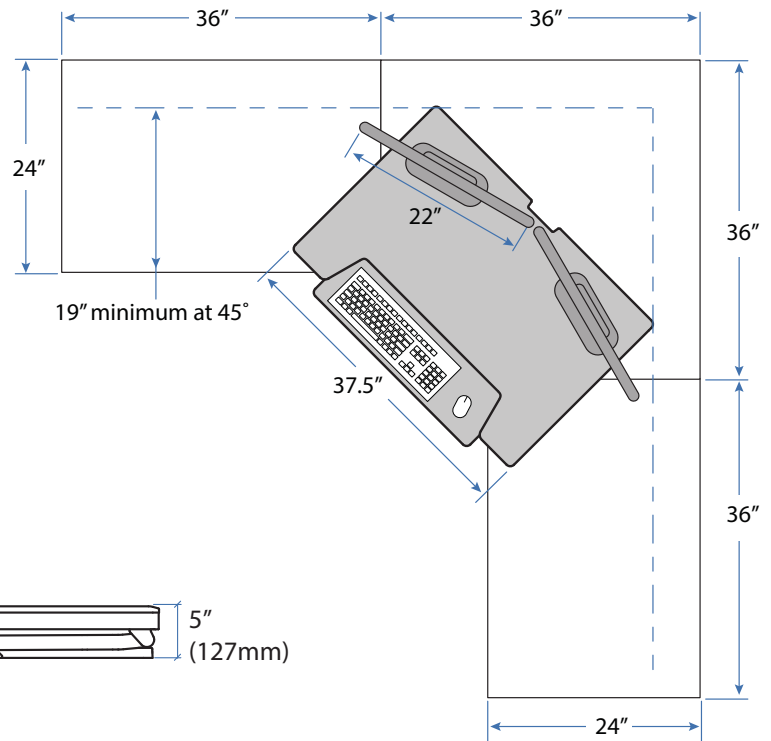
Dimensions



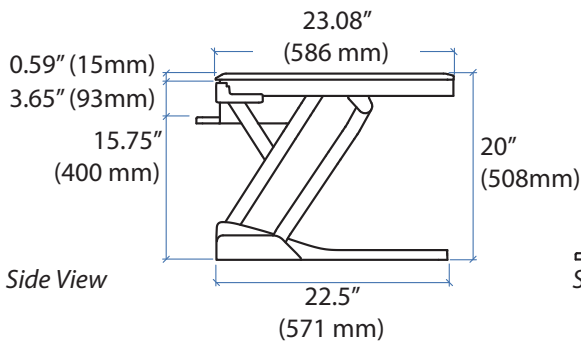
Top View



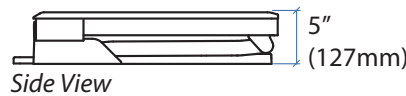
Top View



Shown on a 90° corner work surface. Top View



Side View



Side View

© 2015 Ergotron, Inc. rev. 12/11/18 DIM-WorkFit-TL Content is subject to change without notification

Americas Sales and Corporate Headquarters

St. Paul, MN USA
 (800) 888-8458
 +1-651-681-7600
 www.ergotron.com
 sales@ergotron.com

EMEA Sales

Amersfoort, The Netherlands
 +31 33 45 45 600
 www.ergotron.com
 info.eu@ergotron.com

APAC Sales

Tokyo, Japan
 www.ergotron.com
 japansupport@ergotron.com

Worldwide OEM Sales

www.ergotron.com
 info.oem@ergotron.com



WORKFIT™

by ergotron®

WorkFit-TX

- Delivers leading ergonomics sitting or standing with 17" (43,2 cm) of vertical height adjustment, plus 3" (6,2 cm) of keyboard adjustment
- Thoughtful, ultra-low design offers a sleek look and ergonomic fit for a wide range of users
- Large worksurface keeps office essentials nearby
- Drop-down tray places your keyboard at the most comfortable ergonomic position
- Offers infinite height adjustment points from an easy-to-find handle with no clicking
- Personalize your fit with multiple monitor riser locations and keyboard height and position
- Ships fully assembled with out-of-the-box installation that gets you standing faster
- Tested and guaranteed with a full five-year warranty



THE NEW STANDARD. FITS MORE PEOPLE.

Designed to offer advanced ergonomics out-of-the box, the WorkFit-TX Standing Desk Converter serves up a full 20" (50,8 cm) range of sit-stand motion to give you more flexibility and feel-goodness. The X-shaped lift folds down within inches of your desk for a sleek resting spot that's three inches below our competitors. It fits more users with an extremely low profile that keeps the right monitor to keyboard tray spacing. With a height-adjustable, back tilt keyboard that sits below the worksurface, this ultra-low sit-stand workstation offers the best of both worlds—leading ergonomics sitting and standing.

BENEFITS



WorkFit-TX



Delivers leading ergonomics sitting or standing with 17" (43,2 cm) of vertical height adjustment, plus 3" (6,2 cm) of independent keyboard adjustment



Add an accessory monitor mount kit to provide independent screen adjustment and clear more workspace space.

Premium ergonomics any way you work



KEYBOARD TRAY RAISES AND LOWERS 3" (6,2 CM)



ULTRA-LOW PROFILE COMBINED WITH HEIGHT-ADJUSTABLE KEYBOARD TRAY CREATES A COMFORTABLE FIT

INFINITE, CLICK-FREE HEIGHT ADJUSTMENT



Part # (color)	33-467-921 (black)
Weight Capacity	10–40 lbs (4,5–18,2 kg)
Lift	17" (43,2 cm)
Worksurface Dimensions	32" x 27" (81 x 68,5 cm)
Keyboard Tray Dimensions	28" x 8" (71 x 20 cm)
Product Weight	58.5 lbs (26,6 kg)
Shipping Weight	76 lbs (34,5 kg)
Shipping Dimensions	37.5" x 40" x 8" (95,3 x 101,6 x 20,3 cm)
Warranty	5 years

ERGONOMIC KEYBOARD TRAY TILTS BACKWARD 10°

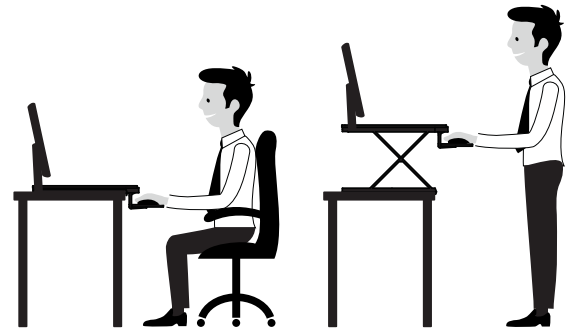
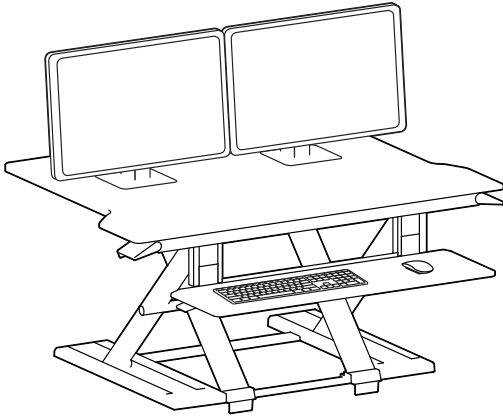


Download additional resources at ergotron.com.
 For more information:
 NORTH AMERICA: 800.888.8458 / +1.651.681.7600 / sales@ergotron.com
 EMEA: +31.33.45.45.600 / info.eu@ergotron.com
 APAC: apaccustomerservice@ergotron.com
 OEM: info@oem.ergotron.com

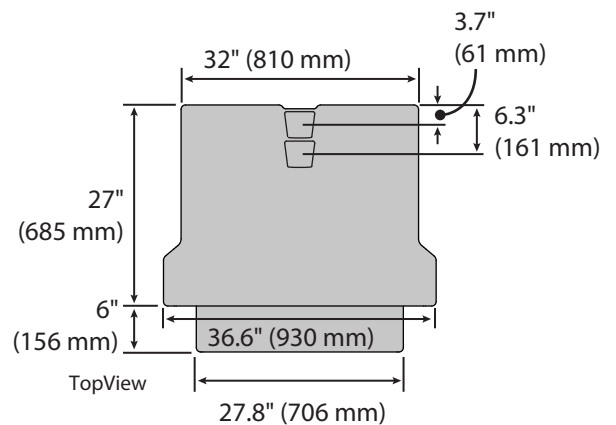
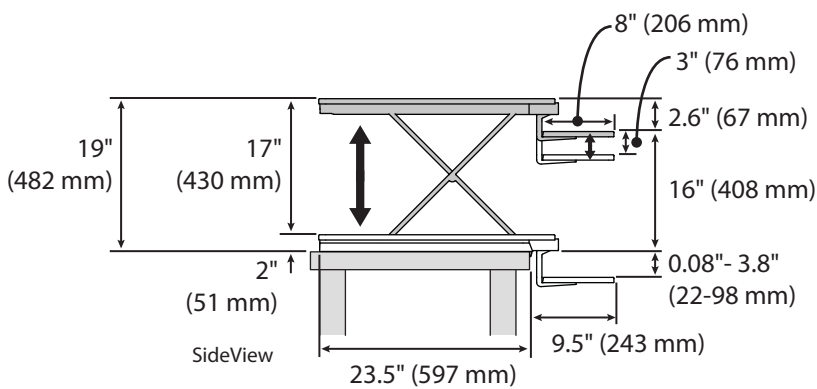
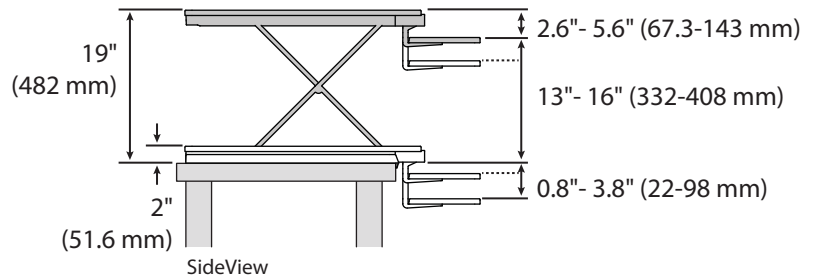
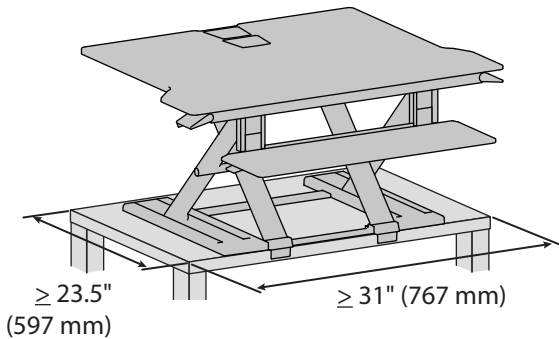
© Ergotron, Inc. 01.03.2019
 Literature made in the U.S.A.
 Content subject to change.
 Ergotron devices are not intended to cure, treat, mitigate or prevent any disease.
 Patent information available at www.ergotron.com/patents.
 WorkFit is a registered trademark of Ergotron in the U.S.A. and China.



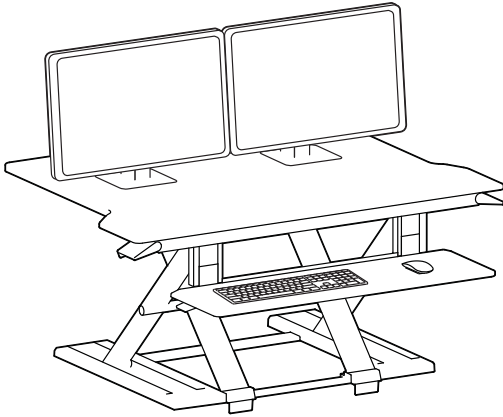
WorkFit™-TX Standing Desk Converter



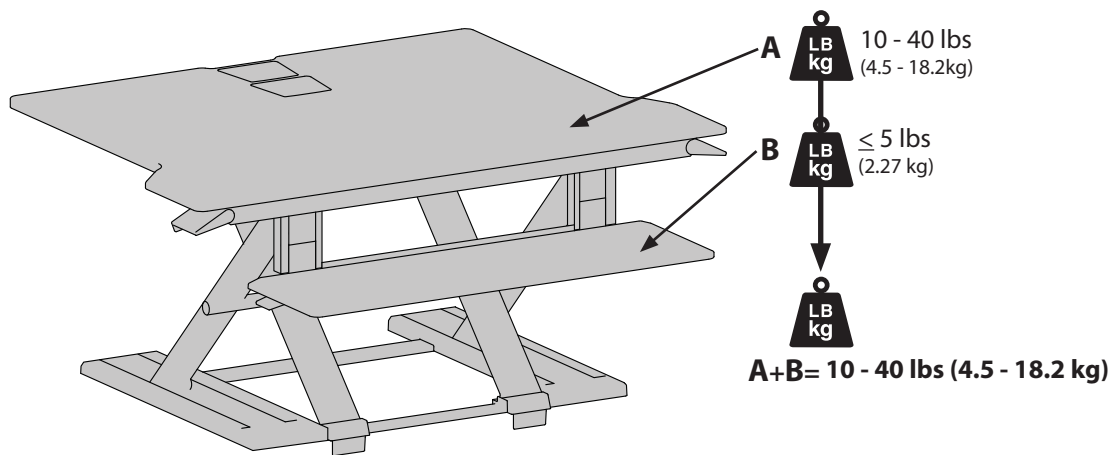
DIMENSIONS



WorkFit™-TX Standing Desk Converter



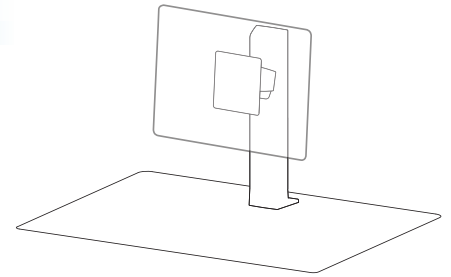
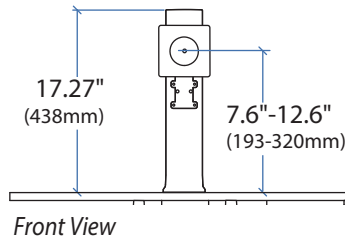
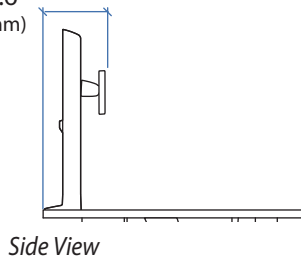
WEIGHT CAPACITY



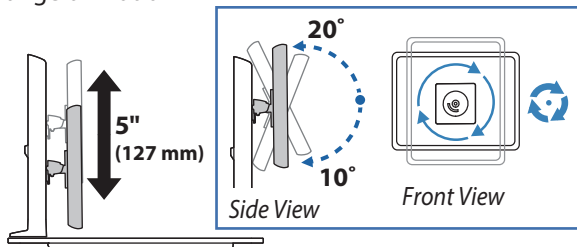
WorkFit Single LD Monitor Kit

Dimensions

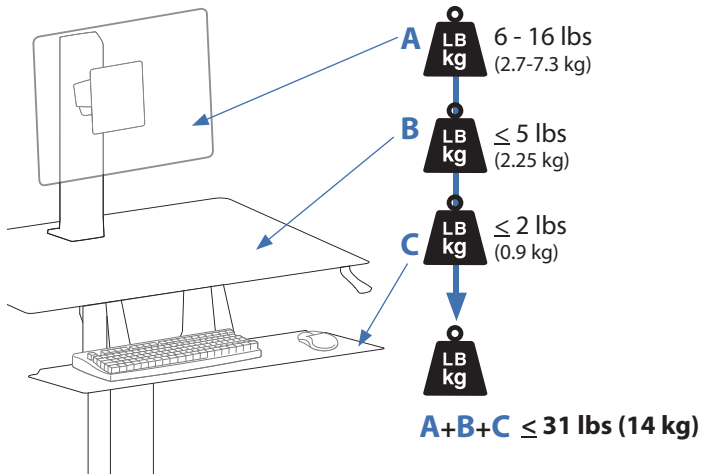
7.6"
(193mm)



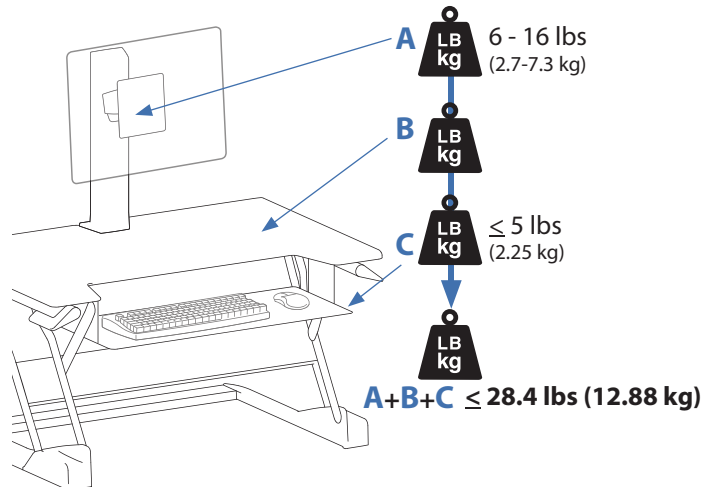
Range of Motion



WorkFit-PD



WorkFit-T



© 2014 Ergotron, Inc. rev. 10/06/2014 DIM-WFRiserLD Content is subject to change without notification

Americas Sales and Corporate Headquarters

St. Paul, MN USA
(800) 888-8458
+1-651-681-7600
www.ergotron.com
sales@ergotron.com

EMEA Sales

Amersfoort, The Netherlands
+31 33 45 45 600
www.ergotron.com
info.eu@ergotron.com

APAC Sale

Tokyo, Japan
www.ergotron.com
apaccustomerservice@ergotron.com

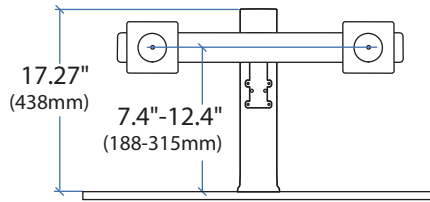
Worldwide OEM Sales

www.ergotron.com
info.oem@ergotron.com

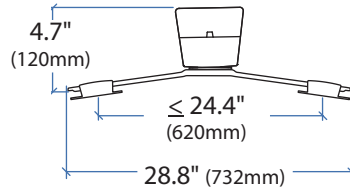


WorkFit Dual Monitor Kit

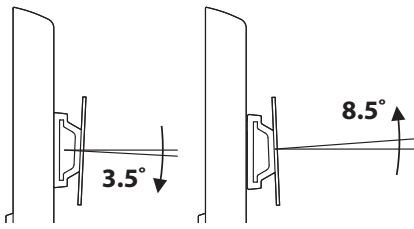
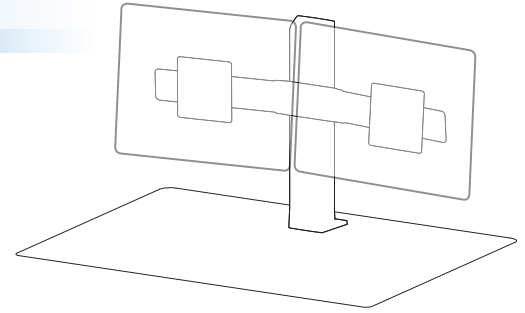
Dimensions



Front View

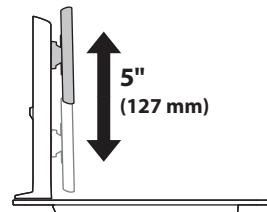


Top View

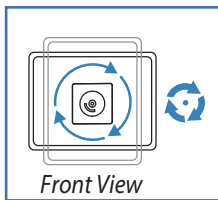


Side View

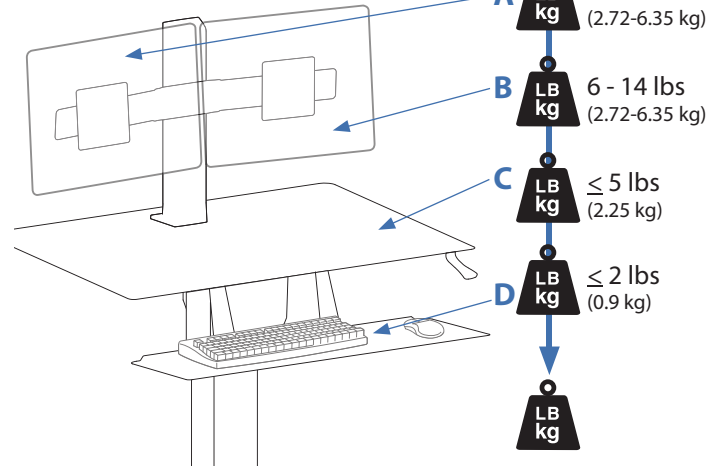
Range of Motion



Side View

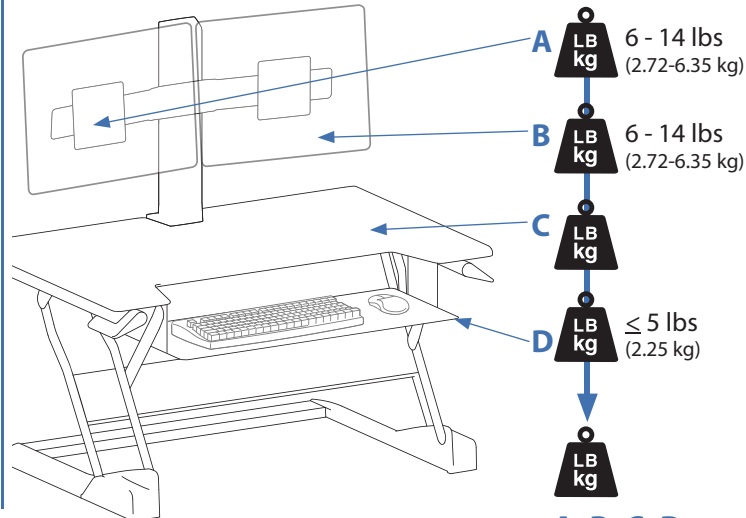


WorkFit-PD



$$A+B+C+D \leq 31 \text{ lbs (14 kg)}$$

WorkFit-T



$$A+B+C+D \leq 25.3 \text{ lbs (11.48 kg)}$$

© 2014 Ergotron, Inc. rev. 10/06/2014 DIM-WFRiserDual Content is subject to change without notification

Americas Sales and Corporate Headquarters

St. Paul, MN USA
(800) 888-8458
+1-651-681-7600
www.ergotron.com
sales@ergotron.com

EMEA Sales

Amersfoort, The Netherlands
+31 33 45 45 600
www.ergotron.com
info.eu@ergotron.com

APAC Sale

Tokyo, Japan
www.ergotron.com
apaccustomerservice@ergotron.com

Worldwide OEM Sales

www.ergotron.com
info.oem@ergotron.com

