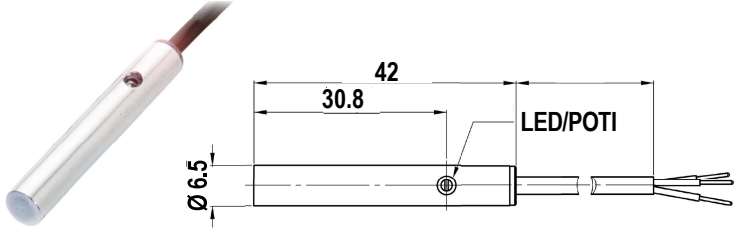


PROXIMITY CAPACITIVE SENSORS

Housing Diameter: \varnothing 6.5 mm

Sensing distance Sn: 0.1...1.5 mm +/- 10%

Part Number:
LCC-6.5/42-1.5-F-P-NO
LCC-6.5/42-1.5-F-P-NC
LCC-6.5/42-1.5-F-N-NO
LCC-6.5/42-1.5-F-N-NC
flush mount

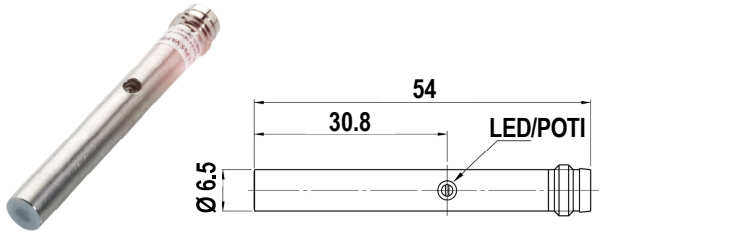


Dimensions are in mm.

Material Data:
Housing: Stainless steel
Sensing face: PTFE
Connection: 2m PUR cable, 3x26AWG

Sensing distance Sn: 0.1...1.5 mm +/- 10%

Part Number:
LCCQ-6.5/54-1.5-F-P-NO
LCCQ-6.5/54-1.5-F-P-NC
LCCQ-6.5/54-1.5-F-N-NO
LCCQ-6.5/54-1.5-F-N-NC
flush mount

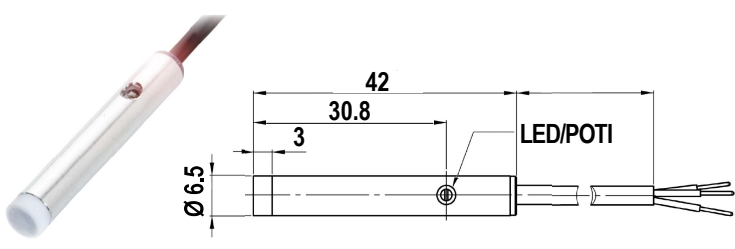


Dimensions are in mm.

Material Data:
Housing: Stainless steel
Sensing face: PTFE
Connection: M8 connector, 3-pin

Sensing distance Sn: 0.1...3 mm +/- 10%

Part Number:
LCC-6.5/42-3-NF-P-NO
LCC-6.5/42-3-NF-P-NC
LCC-6.5/42-3-NF-N-NO
LCC-6.5/42-3-NF-N-NC
non-flush mount

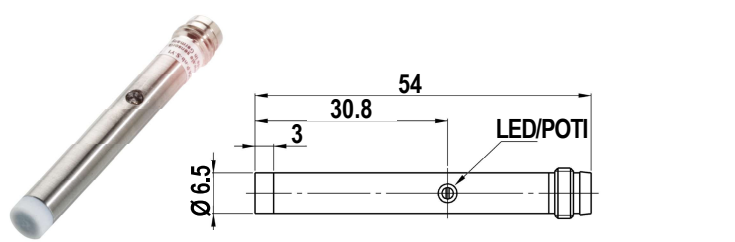


Dimensions are in mm.

Material Data:
Housing: Stainless steel
Sensing face: PTFE
Connection: 2m PUR cable, 3x26AWG

Sensing distance Sn: 0.1...3 mm +/- 10%

Part Number:
LCCQ-6.5/54-3-NF-P-NO
LCCQ-6.5/54-3-NF-P-NC
LCCQ-6.5/54-3-NF-N-NO
LCCQ-6.5/54-3-NF-N-NC
non-flush mount



Dimensions are in mm.

Material Data:
Housing: Stainless steel
Sensing face: PTFE
Connection: M8 connector, 3-pin

These sensors share the following technical specifications:		Wiring and Mounting Info	
Supply voltage U_s	11 ... 30 V DC	Switching distance adjustable	Yes
Voltage drop U_d at I_o	≤ 2 V	Ambient temperature T_a	-10...+70°C
Rated insulation voltage U_i	75 V DC	Switching frequency	100 Hz
Output current max.	50 mA	Output function indicator	Yellow LED
No-load supply current I_o max.	≤ 10 mA	Degree of protection as per IEC 60529	IP 65
Polarity reversal protected	Yes	Hysteresis H max. (% of Sr)	15.0 %
Short-circuit protected	Yes	Approval/Conformity	CE / cULus

Design and technical details subject to change


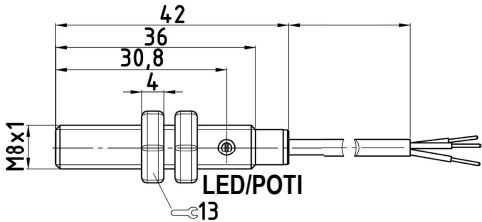
Locon Sensor Systems, Inc.

PROXIMITY CAPACITIVE SENSORS

Housing Diameter: **M8 x 1**

Sensing distance Sn: 0.1...1.5 mm +/- 10%

Part Number:
LCC-M8/42-1.5-F-P-NO
LCC-M8/42-1.5-F-P-NC
LCC-M8/42-1.5-F-N-NO
LCC-M8/42-1.5-F-N-NC
flush mount


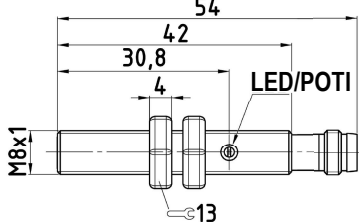



Dimensions are in mm.

Material Data:
Housing: Stainless steel
Sensing face: PTFE
Connection: 2m PUR cable, 3x26AWG

Sensing distance Sn: 0.1...1.5 mm +/- 10%

Part Number:
LCCQ-M8/54-1.5-F-P-NO
LCCQ-M8/54-1.5-F-P-NC
LCCQ-M8/54-1.5-F-N-NO
LCCQ-M8/54-1.5-F-N-NC
flush mount


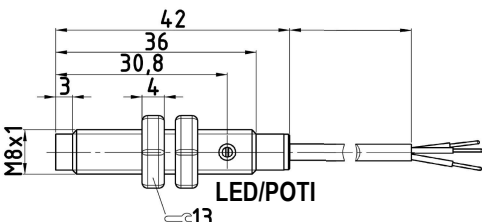



Dimensions are in mm.

Material Data:
Housing: Stainless steel
Sensing face: PTFE
Connection: M8 connector, 3-pin

Sensing distance Sn: 0.1...3 mm +/- 10%

Part Number:
LCC-M8/42-3-NF-P-NO
LCC-M8/42-3-NF-P-NC
LCC-M8/42-3-NF-N-NO
LCC-M8/42-3-NF-N-NC
non-flush mount


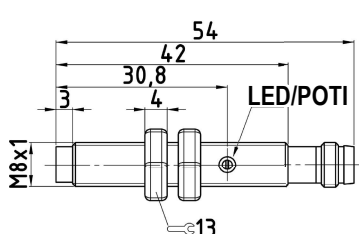



Dimensions are in mm.

Material Data:
Housing: Stainless steel
Sensing face: PTFE
Connection: 2m PUR cable, 3x26AWG

Sensing distance Sn: 0.1...3 mm +/- 10%

Part Number:
LCCQ-M8/54-3-NF-P-NO
LCCQ-M8/54-3-NF-P-NC
LCCQ-M8/54-3-NF-N-NO
LCCQ-M8/54-3-NF-N-NC
non-flush mount

Dimensions are in mm.

Material Data:
Housing: Stainless steel
Sensing face: PTFE
Connection: M8 connector, 3-pin

These sensors share the following technical specifications:		Wiring and Mounting Info	
Supply voltage U_s	11 ... 30 V DC	Switching distance adjustable	Yes
Voltage drop U_d at I_o	≤ 2 V	Ambient temperature T_a	-10...+70°C
Rated insulation voltage U_i	75 V DC	Switching frequency	100 Hz
Output current max.	50 mA	Output function indicator	Yellow LED
No-load supply current I_o max.	≤ 10 mA	Degree of protection as per IEC 60529	IP 65
Polarity reversal protected	Yes	Hysteresis H max. (% of Sr)	15.0 %
Short-circuit protected	Yes	Approval/Conformity	CE / cULus

Design and technical details subject to change

Locon Sensor Systems, Inc.

PROXIMITY CAPACITIVE SENSORS

Housing Diameter: \varnothing 10 mm & M12 x1



Sensing distance Sn: 1...4 mm +/- 10%

Part Number:
LCC-10/50-4-F-P-NO
LCC-10/50-4-F-P-NC
LCC-10/50-4-F-N-NO
LCC-10/50-4-F-N-NC
flush mount

Dimensions are in mm.

Material Data:
Housing: Stainless steel
Sensing face: PTFE
Connection: 2m PUR cable, 3x26AWG

Sensing distance Sn: 1...4 mm +/- 10%

Part Number:
LCC-M12/50-4-F-P-NO
LCC-M12/50-4-F-P-NC
LCC-M12/50-4-F-N-NO
LCC-M12/50-4-F-N-NC
flush mount

Dimensions are in mm.

Material Data:
Housing: Stainless steel
Sensing face: PTFE
Connection: 2m PUR cable, 3x26AWG

These sensors share the following technical specifications:

Wiring and Mounting Info

Supply voltage U_B	12 ... 35 V DC	Sensitivity Switching distance adjustable	Yes
Voltage drop U_d at I_e	$\leq 0.8V$	Ambient temperature T_a	-30...+70°C
Rated insulation voltage U_i	75 V DC	Switching frequency	100 Hz
Output current max.	200 mA	Output function indicator	Yellow LED
No-load supply current I_o max.	≤ 10 mA	Degree of protection as per IEC 60529	IP 65
Polarity reversal protected	Yes	Hysteresis H max. (% of Sr)	15.0 %
Short-circuit protected	Yes	Approval/Conformity	CE / cULus

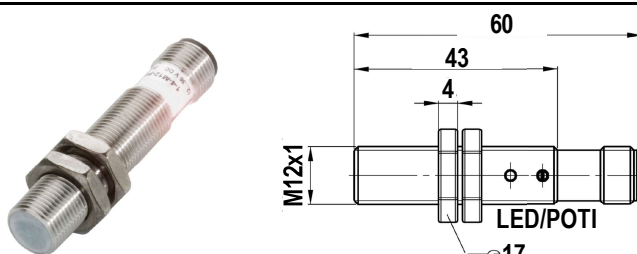
Design and technical details subject to change

Locon Sensor Systems, Inc.

Toll-Free: 800-356-2661 · Phone: 419-740-8445 · Fax: 216-359-0077 · E-mail: sales@locon.net · Website: www.locon.net

PROXIMITY CAPACITIVE SENSORS

Housing Diameter: **M12 x 1**

Sensing distance Sn: 1...4 mm +/- 10%							
<table border="1" style="width: 100%; border-collapse: collapse;"> <tr><td style="padding: 2px;">Part Number:</td></tr> <tr><td style="padding: 2px;">LCCQ-M12/60-4-F-P-NO</td></tr> <tr><td style="padding: 2px;">LCCQ-M12/60-4-F-P-NC</td></tr> <tr><td style="padding: 2px;">LCCQ-M12/60-4-F-N-NO</td></tr> <tr><td style="padding: 2px;">LCCQ-M12/60-4-F-N-NC</td></tr> <tr><td style="padding: 2px; text-align: center;">flush mount</td></tr> </table>	Part Number:	LCCQ-M12/60-4-F-P-NO	LCCQ-M12/60-4-F-P-NC	LCCQ-M12/60-4-F-N-NO	LCCQ-M12/60-4-F-N-NC	flush mount	
Part Number:							
LCCQ-M12/60-4-F-P-NO							
LCCQ-M12/60-4-F-P-NC							
LCCQ-M12/60-4-F-N-NO							
LCCQ-M12/60-4-F-N-NC							
flush mount							
Dimensions are in mm.							
<table border="1" style="width: 100%; border-collapse: collapse;"> <tr><td colspan="2" style="padding: 2px;">Material Data:</td></tr> <tr><td style="padding: 2px;">Housing: Stainless steel</td></tr> <tr><td style="padding: 2px;">Sensing face: PTFE</td></tr> <tr><td style="padding: 2px;">Connection: M12 connector, 4-pin</td></tr> </table>		Material Data:		Housing: Stainless steel	Sensing face: PTFE	Connection: M12 connector, 4-pin	
Material Data:							
Housing: Stainless steel							
Sensing face: PTFE							
Connection: M12 connector, 4-pin							

These sensors share the following technical specifications:

Wiring and Mounting Info

Supply voltage U_B	12 ... 35 V DC	Switching distance adjustable	Yes
Voltage drop U_d at I_e	$\leq 1,5$ V	Ambient temperature T_a	-30...+70°C
Rated insulation voltage U_i	75 V DC	Switching frequency	100 Hz
Output current max.	200 mA	Output function indicator	Yellow LED
No-load supply current I_o max.	≤ 10 mA	Degree of protection as per IEC 60529	IP 65
Polarity reversal protected	Yes	Hysteresis H max. (% of Sr)	15.0 %
Short-circuit protected	Yes	Approval/Conformity	CE / cULus

Design and technical details subject to change

Locon Sensor Systems, Inc.