



Pump Specifications

Copper-Fin[®]

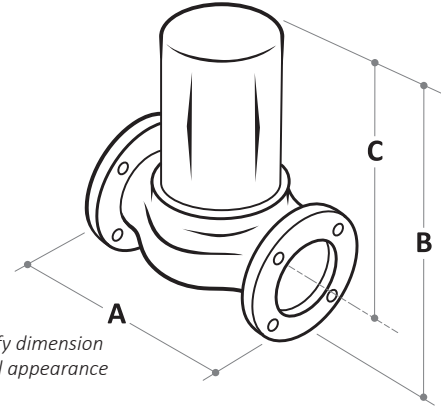


Illustration is to clarify dimension locations only. Actual appearance of pump will differ.

Appliance Pump Data

MODEL NO.	PART NUMBER	HP	FLANGE SIZE	PUMP MAT'L	VENDOR / PRODUCT SERIES	A" WIDTH	B" DEPTH	C" C/L FLANGE TO BACK
CB 0497-0747	100133612	1/4	2"	Cast Iron	Armstrong/LS45	10	15.75	12.5
CW 0497-0747	100133610	1/4	2"	All Bronze	Armstrong/LS45	10	15.75	12.5
CB 0987-2067	100133603	1/2	2-1/2"	Cast Iron	Armstrong/2B1050	11.5	19.5	16
CW 0987-2067	100133601	1/2	2-1/2"	All Bronze	Armstrong/2B1050	11.5	19.5	16

NOTICE: Pump sizing and flow requirements are based on max. of 45 ft. of straight piping, (6) 90° elbows, (2) unions, (2) ball valves, and (1) cold water inlet.

System Temperature Rise Charts: WATER HEATER - CW Models

MODEL	TEMPERATURE RISE	WATER FLOW RATE
497	15°F	55 GPM
647	19°F	55 GPM
747	22°F	55 GPM
987	18°F	90 GPM
1257	23°F	90 GPM
1437	26°F	90 GPM
1797	32°F	90 GPM
2067	37°F	90 GPM

System Temperature Rise Chart: BOILER - CB Models (Based on Input in btu/hr)

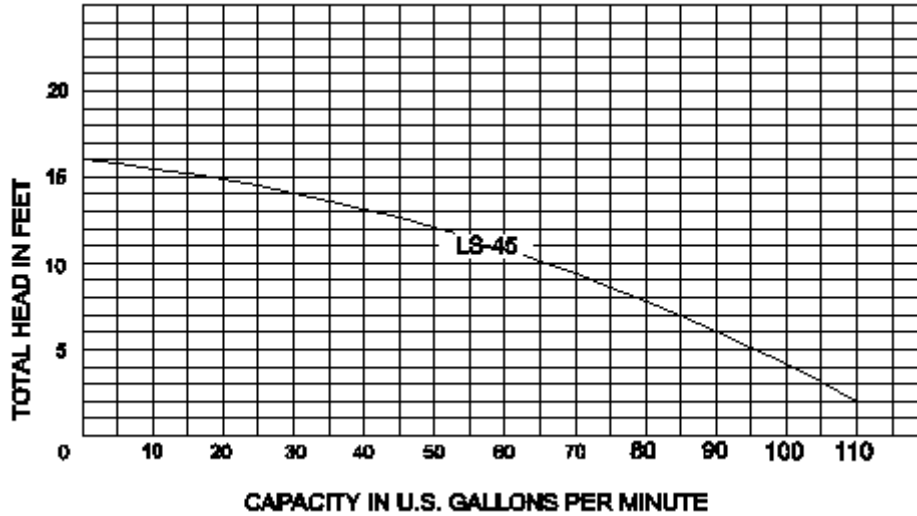
BTU/HR INPUT	BTU/HR OUTPUT	20°F ΔT		30°F ΔT		40°F ΔT		50°F ΔT		60°F ΔT	
		GPM	Ft/HD	GPM	Ft/HD	GPM	Ft/HD	GPM	Ft/HD	GPM	Ft/HD
495,000	400,950	40	4.0	27	1.6	20	0.6	16	0.6	13	0.6
645,000	522,450	52	5.1	35	3.0	26	1.2	21	0.8	17	0.6
745,000	603,450	60	*	40	4.0	30	1.6	24	1.2	20	0.7
985,000	831,600	80	5.2	53	2.4	40	1.4	32	1.0	27	0.8
1,255,000	1,058,000	102+	*	68	4.3	51	2.3	41	1.6	34	1.1
1,435,000	1,209,000	116+	*	78	6.0	58	3.7	47	2.2	39	1.7
1,795,000	1,512,000	146+	*	97+	*	73	6.2	58	4.2	49	2.4
2,065,000	1,738,800	168+	*	112+	*	84	8.7	67	6.0	56	4.5

+ These flow rates exceed recommended flow rates of boiler. If these system temperature rises are used, an external piping bypass must be installed.

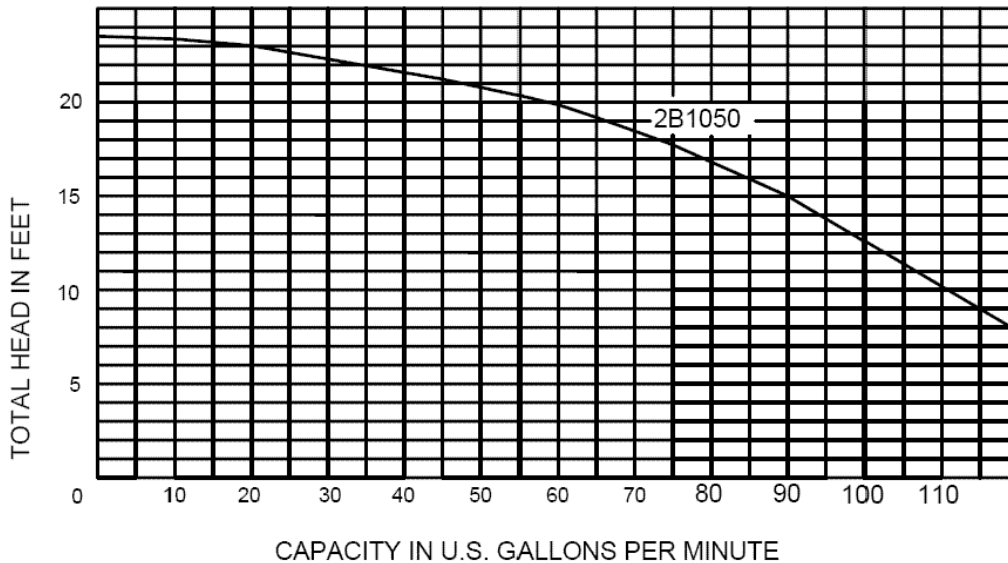
* These foot head calculations exceed the maximum allowable flow rate of the boiler. Requires Cupro-Nickel heat exchanger.

PUMP CURVE INFORMATION IS BASED ON A SINGLE WATER HEATER PIPED TO A SINGLE STORAGE TANK INSTALLATION.

STANDARD PUMP FOR MODEL NUMBER(S)	PUMP PART NUMBER	PUMP MAT'L	VOLTS	AMP DRAW	MAXIMUM FLOW RATE	BASED ON MIN PIPE DIAMETER:
CB 0497 - CB 0747	100133612	Cast Iron	115	5.8 A	55 GPM	2"
CW 0497 - CW 0747	100133610	All Bronze	115	5.8 A	55 GPM	2"



STANDARD PUMP FOR MODEL NUMBER(S)	PUMP PART NUMBER	PUMP MAT'L	VOLTS	AMP DRAW	MAXIMUM FLOW RATE	BASED ON MIN PIPE DIAMETER:
CB 0987 - CB 2067	100133603	Cast Iron	115/230V	7.4 A	90 GPM	2"
CW 0987 - CW 2067	100133601	All Bronze	115/230V	7.4 A	90 GPM	2"



Read the Installation and Operation Manual.

Please contact the factory if the planned system exceeds the pump capacity in flow and/or head loss and for details about upsized pumps with Cupro-Nickel Heat Exchanger option in domestic water systems.