

RBI®

RELIABLE. BOLD. INNOVATIVE.



TORUS®

Boiler & Water Heater Manual

Installation and Operation Instructions

Stainless Steel Water Tube Gas Boilers (WB) & Water Heaters (WW)

Models 1250, 1500, 2000, 2500, 3000 & 4000

Also read and follow:
HeatNet Control Manual



WARNING This manual is intended only for use by a qualified heating installer/technician. Read and follow this manual, all supplements and related instructional information provided with the boiler. Install, start and service the boiler only in the sequence and methods given in these instructions. Failure to do so can result in severe personal injury, death or substantial property damage.

WARNING **Do not use the boiler/water heater during construction.** Construction dust and particulate, particularly drywall dust, will cause contamination of the burner, resulting in possible severe personal injury, death or substantial property damage. The boiler can only be operated with a dust-free air supply. Follow the instruction manual procedures to duct air to the boiler air intake. If the boiler has been contaminated by operation with contaminated air, follow the instruction manual guidelines to clean, repair or replace the boiler if necessary.

CAUTION Affix these instructions near to the boiler/water heater. Instruct the building owner to retain the instructions for future use by a qualified service technician, and to follow all guidelines in the User's Information Manual.

WARNING If the information in this manual is not followed exactly, a fire or explosion may result causing property, personal injury or loss of life.

Do not store or use gasoline or other flammable vapors and liquids in the vicinity of this or any other appliance.

WHAT TO DO IF YOU SMELL GAS:

- Do not try to light any appliance.
- Do not touch any electrical switch. Do not use any phone in your building.
- Immediately call your gas supplier from a phone outside of the building. Follow the gas supplier's instructions.
- If you cannot reach your gas supplier, call the fire department.

Installation and service must be performed by a qualified installer, service agency or the gas supplier.

WARNING Assurez-vous de bien suivre les instructions données dans cette notice pour réduire au minimum le risque d'incendie ou d'explosion ou pour éviter tout dommage matériel, toute blessure ou la mort

Ne pas entreposer ni utiliser d'essence ou ni d'autres vapeurs ou liquides inflammables à proximité de cet appareil ou de tout autre appareil.

QUE FAIRE SI VOUS SENTEZ UNE ODEUR DE GAZ:

- Ne pas tenter d'allumer d'appareil.
- Ne touchez à aucun interrupteur; ne pas vous servir des téléphones se trouvant dans le bâtiment.
- Appelez immédiatement votre fournisseur de gaz depuis un voisin. Suivez les intructions du fournisseur.
- Si vous ne pouvez rejoindre le fournisseur, appelez le service des incendies.

L'installation et l'entretien doivent être assurés par un installateur ou un service d'entretien qualifié ou par le fournisseur de gaz.

WARNING Failure to properly vent this unit can cause excessive amounts of carbon monoxide resulting in severe personal injury or death!

CAUTION Do not use automotive anti-freeze in the boiler waterways. If the use of anti-freeze is necessary an anti-freeze specifically formulated for hydronic heating systems must be used or damage to the boiler may occur voiding the warranty!

DESIGNED AND TESTED ACCORDING TO A.S.M.E. BOILER AND PRESSURE VESSEL CODE, SECTION IV FOR A MAXIMUM ALLOWABLE WORKING PRESSURE OF 160 PSI, 1103 kPa WATER.

INSTALLER, THESE INSTRUCTIONS TO BE AFFIXED ADJACENT TO THE BOILER / WATER HEATER.

CONSUMER, RETAIN THESE INSTRUCTIONS FOR FUTURE REFERENCE PURPOSES.

CONTENTS

Before Your Start page 2
Ratings & Capacities page 3
Location page 3
Combustion Air & Ventilation page 3
Venting Guidelines..... page 5
Common Vent Systems page 15
General Piping Requirements page 20
Heating System Piping page 21
Domestic Water Supply Piping page 24
Condensate Piping page 26
Gas Supply Piping page 26
Electrical Wiring..... page 27
Boiler Operation..... page 28
Operating Instructions page 28
Sequence of Operation..... page 31
Checking & Adjustment page 31
Ignition Troubleshooting page 33
Diagnostics page 34
Maintenance page 35
Pressure Switches..... page 36
Wiring page 37
Repair Parts..... page 38
Start-Up page 46
Mass Code page 48
Warranty page 49

BEFORE YOU START

This manual covers the application, installation, operation and maintenance of a Torus series boiler/ water heater.

To obtain the safe, dependable, efficient operation and long life for which this boiler was designed, these instructions must be read, understood and followed.

The Torus series boiler/water heater series has been design certified by CSA for use with natural gas under the latest revision of ANSI-Z21.10.3/CSA 4.3, Gas Water Heaters, ANSI-Z21.13/CSA 4.9, Gas-Fired Low Pressure Steam and Hot Water Boilers. Each unit has been constructed and hydrostatically tested for a maximum working pressure of 160 psi, 1103 kPa, in accordance with Section IV of the A.S.M.E. Boiler and Pressure Vessel Code.

All aspects of the boiler/water heater installation must conform to the requirements of the authority having jurisdiction, or, in the absence of such requirements, to the National Fuel Gas Code, ANSI Z223.1/NFPA 54-latest revision. Where required by the authority having jurisdiction, the installation must conform to the Standard for Controls and Safety Devices for Automatically Fired Boilers, ANSI/ASME CSD-1.

In Canada, the installation must be in accordance with the requirements of CSA B149.1 or .2, Installation Code for Gas Burning Appliances and Equipment.

If installed in the Commonwealth of Massachusetts, you **MUST FOLLOW** the additional instructions contained in RBI's instruction sheet MACODE-3. Which is located in the back of this manual.

The owner should maintain a record of all service work performed with the date and a description of the work done. Include the name of the service organization for future reference.

For sales and technical assistance please call the RBI Manufacturer's Representative at 877-316-5074.

Please have the model and serial number from the equipment available.

RATINGS & CAPACITIES

Before installing the Torus series boiler check the rating plate to ensure that the unit has been sized properly for the job. Also ensure that the unit has been set up for the type of gas available at the installation site. Other important considerations are the availability of an adequate electrical supply, fresh air for combustion and a suitable vent system.

BOILER/WATER HEATER LOCATION

1. Locate the boiler/water heater in an area that provides good access to the unit. Servicing may require the removal of jacket panels. Allow the minimum clearances between adjacent construction and the boiler as listed in Table 1.

NOTICE Service clearances are not mandatory, but are recommended to ensure ease of service should it be required.

Table 1 - Clearances

	Clearance to Combustibles		Service Clearance	
	in	mm	in	mm
Top	6	153	30	762
Back	6	153	24	610
Left Side	6	153	24	610
Right Side	6	153	24	610
Front	6	153	36	914
Flue	6	153		

2. An optimum site will be level, central to the piping system, close to a chimney or outside wall and have adequate fresh air for combustion. Ensure that the unit is level from front to back and from side to side. Use metal shims if leveling is required. Electrical and electronic components must be protected from exposure to water during operation and maintenance. DO NOT install this boiler/water heater in a location that would subject any of the gas ignition and other electronic components to direct contact with water or excessive moisture during operation or servicing.
3. Ensure that the floor is structurally sound and will support the weight of the boiler/water heater.

NOTICE The Torus may be installed directly on combustible flooring, but never on carpeting.

4. Locate the boiler/water heater in an area that will prevent water damage to adjacent construction should a leak occur or during routine maintenance.
5. **DO NOT** place this boiler/water heater in a location that would restrict the introduction of combustion air into the unit or subject it to a negative pressure, see the "COMBUSTION AIR & VENTILATION" and "GENERAL VENTING GUIDLINES".
6. **NEVER** place this boiler/water heater in a location that would subject it to temperatures at or near freezing.

WARNING Never store combustible materials, gasoline or any product containing flammable vapors or liquids in the vicinity of the boiler. Failure to comply with this warning can result in an explosion or fire causing extensive property damage, severe personal injury or death!

COMBUSTION AIR & VENTILATION

WARNING This boiler/water heater must be supplied with combustion air in accordance with Section 9.3, Air for Combustion & Ventilation, of the latest revision of the National Fuel Gas Code, ANSI Z223.1/NFPA 54 and all applicable local building codes. Canadian installations must comply with CSAB149.1 or .2 Installation Code for Gas Burning Appliances and Equipment, or applicable provisions of the local building codes. Failure to provide adequate combustion air for this boiler/water heater can result in excessive levels of carbon monoxide which can result in severe personal injury or death!

To operate properly and safely this boiler/water heater requires a continuous supply of air for combustion. **NEVER** store objects on or around the boiler!

CAUTION Combustion air contaminated with fluorocarbons or other halogenated compounds such as cleaning solvents and refrigerants will result in the formation of acids in the combustion chamber. These acids will cause premature failure of the boiler voiding the warranty!

CAUTION If the boiler/water heater is operated while the building is under construction it must be protected from wood, concrete, sheet rock and other types of dust. Failure to properly protect the unit from construction dust will damage the unit voiding the warranty!

Buildings will require the installation of a fresh air duct or other means of providing make-up air if the intake air option isn't used. Any building utilizing other gas burning appliances, a fireplace, wood stove or any type of exhaust fan must be checked for adequate combustion air when all of these devices are in operation at one time. Sizing of an outside air duct must be done to meet the requirements of all such devices.

WARNING Never operate the Torus in an environment subjected to a negative pressure. Failure to comply with this warning can result in excessive levels of carbon monoxide causing severe personal injury or death!

All Air From Inside The Building

If the boiler/water heater is to be located in a confined space the minimum clearances listed in Table 1 must be maintained between it and any combustible construction. When installed in a confined space without the intake air option two permanent openings communicating with an additional room(s) are required. The combined volume of these spaces must have sufficient volume to meet the criteria for an unconfined space. The total air requirements of all gas utilization equipment, fireplaces, wood stoves or any type of exhaust fan must be considered when making this determination. Each opening must have a minimum free area of **1 in²/1000 Btu/hr, 2200 mm²/kW** based on the total input rating of ALL gas utilization equipment in the confined area. Each opening must be no less than **100 in², 64,516 mm²** in size. The upper opening must be within **12 in, 300 mm** of, but not less than **3 in, 80 mm** from, the top of the enclosure. The bottom opening must be within **12 in, 300 mm** of, but not less than **3 in, 80 mm** from, the bottom of the enclosure.

All Air From Outside The Building

When installed in a confined space without the intake air option two permanent openings communicating directly with, or by ducts to, the outdoors or spaces that freely communicate with the outdoors must be present. The upper opening must be within **12 in, 300 mm** of, but not less than **3 in, 80 mm** from, the top of the enclosure. The bottom opening must be within **12 in, 300 mm** of, but not less than **3 in, 80 mm** from, the bottom of the enclosure.

Where directly communicating with the outdoors or communicating with the outdoors through vertical ducts, each opening shall have a minimum free area of **1 in²/4000 Btu/hr, 550 mm²/kW** of the total input rating of all of the equipment in the enclosure.

Where communicating with the outdoors through horizontal ducts, each opening shall have a minimum free area of **1 in²/2000 Btu/hr, 1100 mm²/kW** of the total input rating of all of the equipment in the enclosure.

When ducts are used, they must have the same cross-sectional area as the free area of the opening to which they connect.

Table 2 - Make-up Air Duct Sizing

Input (MBH)	Required Cross Sectional Duct Area					
	1/4 in, 6.4 mm Wire Screen		Metal Louvers		Wooden Louvers	
	in ²	cm ²	in ²	cm ²	in ²	cm ²
1250	313	2019	416	2684	1250	8065
1500	375	2419	500	3226	1500	9677
2000	500	3226	667	4303	2000	12903
2500	635	4031	833	5382	2500	16127
3000	750	4838	1000	6452	3000	19354
4000	1000	6452	1334	8592	4000	25808

When calculating the free area necessary to meet the make-up air requirements of the enclosure, consideration must be given to the blockage effects of louvers, grills and screens.

Screens must have a minimum mesh size of **1/4 in, 6.4 mm**. If the free area through a louver or grill is not known ducts should be sized per Table 2.

Direct Intake Air Option - General

This configuration provides combustion air directly to the boiler/water heater air intake using a dedicated pipe when using the direct vent option. Combustion air can be drawn in horizontally through an outside wall or vertically through the roof, see Figures 2, 3, 4 & 5. It must be sized per Table 3.

Single wall galvanized smoke pipe, single wall aluminum pipe, flexible aluminum pipe, PVC or CPVC pipe can be used for the intake air pipe.

Table 3 - Intake Air Pipe Sizing

Model Size	Pipe Diameter	
	in	Length
1250	6	80'
	8	160'
1500	6	80'
	8	160'
2000	8	160'
2500	10	160'
3000	10	160'
4000	12	160'

NOTICE All joints in metal intake air systems must be secured using corrosion resistant fasteners and sealed using a suitable Silicone caulk. If PVC or CPVC is used, the joints must be cleaned with a suitable solvent and connected using a solvent based PVC cement. The intake air system **MUST** be supported by the building structure not the boiler.

Direct Intake Air Option - Vertical

The maximum equivalent length for the vertical intake air pipe is *based on Table 4*. Each 90° mitered elbow and the intake air cap are equal to **10 ft, 3.3 m** of straight pipe. If 90° long sweep elbows are installed use the manufacturers recommended equivalent length.

A listed, nonrestrictive intake air cap must be used. The intake air cap must terminate as shown in Figure 4. The penetration point in the roof must be properly flashed and sealed.

Direct Intake Air Option - Horizontal

The maximum equivalent length for the horizontal intake air pipe is *based on Table 4*. Each 90° mitered elbow and the intake air terminal are equal to **10 ft, 3.3 m** of straight pipe. If 90° long sweep elbows are installed use the manufacturers recommended equivalent length.

Horizontal runs that exceed **5 ft, 1.5 m** must be supported at **3 ft, 0.98 m** intervals with overhead hangers. The intake air terminal must terminate as shown in Figures 2, 3 or 5.

GENERAL VENTING GUIDELINES

WARNING The vent installation must be in accordance with Part 7, Venting of Equipment, of the National Fuel Gas Code, ANSI Z223.1/NFPA 54-latest revision or applicable provisions of the local building codes. Canadian installations must comply with CSA B149.1 or .2 Installation Code. See Figure A for added clarity. Improper venting can result in excessive levels of carbon monoxide which can result in severe personal injury or death! Boiler/Water Heater shall not be connected to a chimney flue serving a separate appliance, designed to burn solid fuel.

All vent systems must be fully supported by the building structure and not by the boiler. Appropriate thimbles and fire-stops must be used where required.

WARNING Improper installation of common positive pressure vent systems can result in excessive levels of carbon monoxide which can cause severe personal injury or death!

NOTICE For Category II and IV appliances the vent shall not terminate:

- 1) over public walkways; or
- 2) near soffit vents or crawl spaces or other areas where condensate or vapor could create a nuisance or hazard or cause property damage; or
- 3) where condensate vapor could cause damage or could be detrimental to the operation of regulators, relief valves, or other equipment.

NOTICE A barometric damper or blast gate as required, must be installed if a Category II vertical vent system produces a negative draft in excess of **0.10 in, 2.5 mm WC** at the flue outlet. Size the vent system per local codes and the vent pipe manufactures requirements, using generally accepted engineering practices.

NOTICE For instructions utilizing the non-metallic vent option, see Addendum (TR-PVS-IOM) for PVC/CPVC and (TR-CVS-IOM/TR-DVS-IOM) for Polypropylene.

VENT SYSTEM OPTIONS

The Torus may be vented the following ways:

- 1) **Direct Vent (individual venting only) (page 11 & 12)** - Positive Pressure, Category IV uses a stainless steel vent system certified to UL 1738 for installations in the United States, and a stainless steel vent system certified to ULC S636 for installations in Canada. Combustion air is piped from the outdoors to the blower inlet.
- 2) **Side Wall Vent (individual venting only) (page 13)** - Positive Pressure, Category IV uses a stainless steel vent system certified to UL 1738 for installations in the United States, and a stainless steel vent system certified to ULC S636 for installations in Canada. Combustion air is obtained from the space in which the unit is installed.

WARNING To ensure proper operation, boilers/water heaters that are sidewall vented and use room air must not be fired less than 33% input.

- 3) **Vertical Vent (individual venting only) (page 13)** - Positive Pressure, Category IV uses a stainless steel vent system certified to UL 1738 for installations in the United States, and a stainless steel vent system certified to ULC S636 for installations in Canada. Combustion air is obtained from the space in which the unit is installed.

- 4) **Vertical Vent (individual venting only) (page 14)**
 - Negative Pressure, Category II uses stainless steel vent system certified to UL 1738 for installations in the United States, and a stainless steel vent system certified to ULC S636 for installation in Canada. Combustion air is obtained from the space in which the unit is installed.
- 5) **Common Vent (page 10) - Negative Pressure, Category II** uses a stainless steel vent system certified to UL 1738 for installations in the United States, and a stainless steel vent system certified to ULC S636 for installations in Canada.

NOTICE Abnormal wind patterns may effect overall performance.

WARNING Use (Table 4) for the maximum Category (IV) equivalent vent length and the equivalent length per fitting. Table 4 - “Category IV Equivalent Length per Fitting” chart is meant as a guideline for preliminary sizing. If vent length approaches 75% of maximum length listed, an engineered vent system calculation must be performed. Consult factory.

Table 4 - Category IV Maximum Equivalent Vent Length & Equivalent Length per Fitting

Model/Outlet Diameter	K*	1250		1500		2000	2500	3000	4000
		6"	8"	6"	8"	8"	10"	10"	12"
Maximum Equivalent Length (Category IV)		80'	160'	80'	160'	160'	160'	160'	160'
Standard Tee	1.25	25 ft	30 ft	25 ft	30 ft	35 ft	40 ft	40 ft	45 ft
Boot Tee	0.65	15 ft	15 ft	15 ft	15 ft	15 ft	20 ft	20 ft	25 ft
Cap - Low Res (UL)	0.50	10 ft	15 ft	10 ft	15 ft	15 ft	15 ft	15 ft	20 ft
45° w/Bird Screen	0.40	10 ft	10 ft	10 ft	10 ft	10 ft	15 ft	15 ft	15 ft
Elbow - 90°	0.38	10 ft	10 ft	10 ft	10 ft	10 ft	15 ft	15 ft	15 ft
Elbow - 45°	0.15	5 ft	5 ft	5 ft	5 ft	5 ft	7 ft	7 ft	7 ft

*Equivalent lengths based on K factors and (5X) pipe diameters straight length between fittings.

WARNING The RBI Torus is supplied with a factory installed DuraVent FastNSeal flue outlet adapter. A manufacturers supplied stainless steel transition piece must be used when installed with different vent systems. Do not mix vent systems of different manufacturers. Use only listed manufacturers (Table X), terminations (Table Y), and transition adapters (Table Z). The chimney systems manufacturer's installation instructions must be followed.

DIRECT VENT POSITIVE PRESSURE, CATEGORY IV

In this configuration the boiler/water heater blower is used to push the flue products to the outdoors while drawing combustion air from the outdoors. The INTAKE AIR OPTION instructions under the COMBUSTION AIR & VENTILATION SECTION must be followed!

Horizontal Direct Vent Systems - Figures 2 & 3

The vent materials used in positive pressure vent systems must be certified to UL 1738 for installations in the United States, ULC S636 for installations in Canada.

To maximize the performance of single wall sheet metal vent systems locate 90° elbows as far from the boiler as possible and from one another. For best results, horizontal vent systems should be as short and straight as possible.

The vent system must be both gas and water tight. All seams and joints in metal pipes must be joined and sealed in accordance with the vent system manufacturer's instructions.

When horizontal vent runs exceed **5 ft, 1.5m** they must be supported at **3 ft, 0.98 m** intervals with overhead hangers. If any part of a single wall metal vent system passes through an unheated space it must be insulated with insulation rated for **400°F, 212°C**.

Horizontal vent systems shall terminate at least **4 ft, 1.3 m** below, **4 ft, 1.3 m** horizontally from or **1 ft, 0.23 m** above any door, window or gravity air inlet into any building. It must not terminate less than **4 ft, 1.3 m** horizontally from, and in no case above or below, unless a **4 ft, 1.3 m** horizontal distance is maintained, from electric meters, gas meters, regulators and relief equipment and not less than **7 ft, 2.3 m** above adjacent public walkway. The bottom of the vent terminal(s) shall be located at least **5 ft, 1.5 m** above the air intake terminal(s) unless there is a **5 ft, 1.5 m** distance between them.

Avoid terminal locations likely to be affected by winds, snowdrifts, people and pets. Protect building materials and vegetation from degradation caused by the flue gases.

When running horizontal combustion air and venting for single or multiple units, exhaust and combustion air terminals must be installed on the same plane (outside wall) in order to prevent pressure differences due to prevailing winds. In cold climates, double-wall or insulated inlet pipe recommended to prevent condensation.

Vertical Direct Vent Systems - see Figure 4

The vent materials used in positive pressure vent systems must be certified to UL 1738 for installations in the United States, ULC S636 for installations in Canada.

If any part of a single wall metal vent system passes through an unheated space it must be insulated with insulation rated for **400°F, 204°C**. Structural penetrations must be made using approved fire-stops.

The top of a vertical vent system must extend at least **5½ ft, 1.8 m** above the roof surface that it passes through, **4 ft, 1.3 m** above the intake air cap, see Figure 4. In addition the vent system must conform to the dimensions shown in Figure 4. The penetration point in the roof must be properly flashed and sealed.

The vent system must be gas tight. All seams and joints in metal pipes must be joined and sealed in accordance with the vent system manufacturer's instructions.

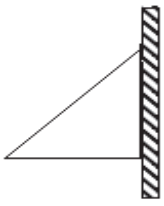
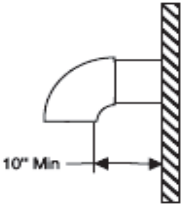
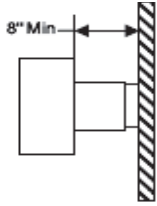
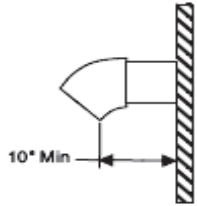
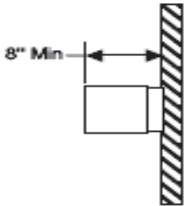
Combination Direct Vent Systems - see Figure 5

The boiler can be vented vertically with the intake air piped horizontally through an outside wall. Follow the instructions in the INTAKE AIR OPTION - HORIZONTAL GUIDELINES on page 5. Also follow the general instructions in the COMBUSTION AIR & VENTILATION and GENERAL VENTING GUIDELINES sections.

Table X- Approved Stainless Steel Vent Manufacturers (CAT II/IV)

Make	Model
DuraVent	FasNSeal Vent
M&G DuraVent	DuraSeal Vent
Heatfab	Saf-T Vent
Metal-Fab	CORR/GUARD
Security Chimneys	Secure Seal
Schebler Chimney Systems	e Vent
VAN-PACKER	CS
Z-Flex	Z-Vent
Jeremias	DWGV/SWGV
ICC	VIC

Table Y- Approved Intake/Exhaust Terminations (CAT IV - Sidewall/Horizontal Direct Vent)

Exhaust Termination Hood	Exhaust 90 deg	Exhaust Tee	Exhaust 45 deg	Exhaust Straight
				

*with bird screen

Table Z- Approved Manufacturers Stainless Steel Boiler Transition Adapters (CAT II/IV)

Model Size	M&G DuraVent (DuraSeal)		ICC		Metal-Fab	
	Transition Adapter	Flue	Transition Adapter	Flue	Transition Adapter	Flue
1250/1500/2000	DS8FFNSAU	DS DSD	HM-8AC	VIC-SW VIC-DW	8FCSLCA	Corr/Guard
2500/3000	DS10FFNSAU		HM-10AC HM-10AC		10FCSPKA2	
4000	DS12FFNSAU DSD12FFNSAUK		HM-12AC HM-12DSDA		12FCSLCA	

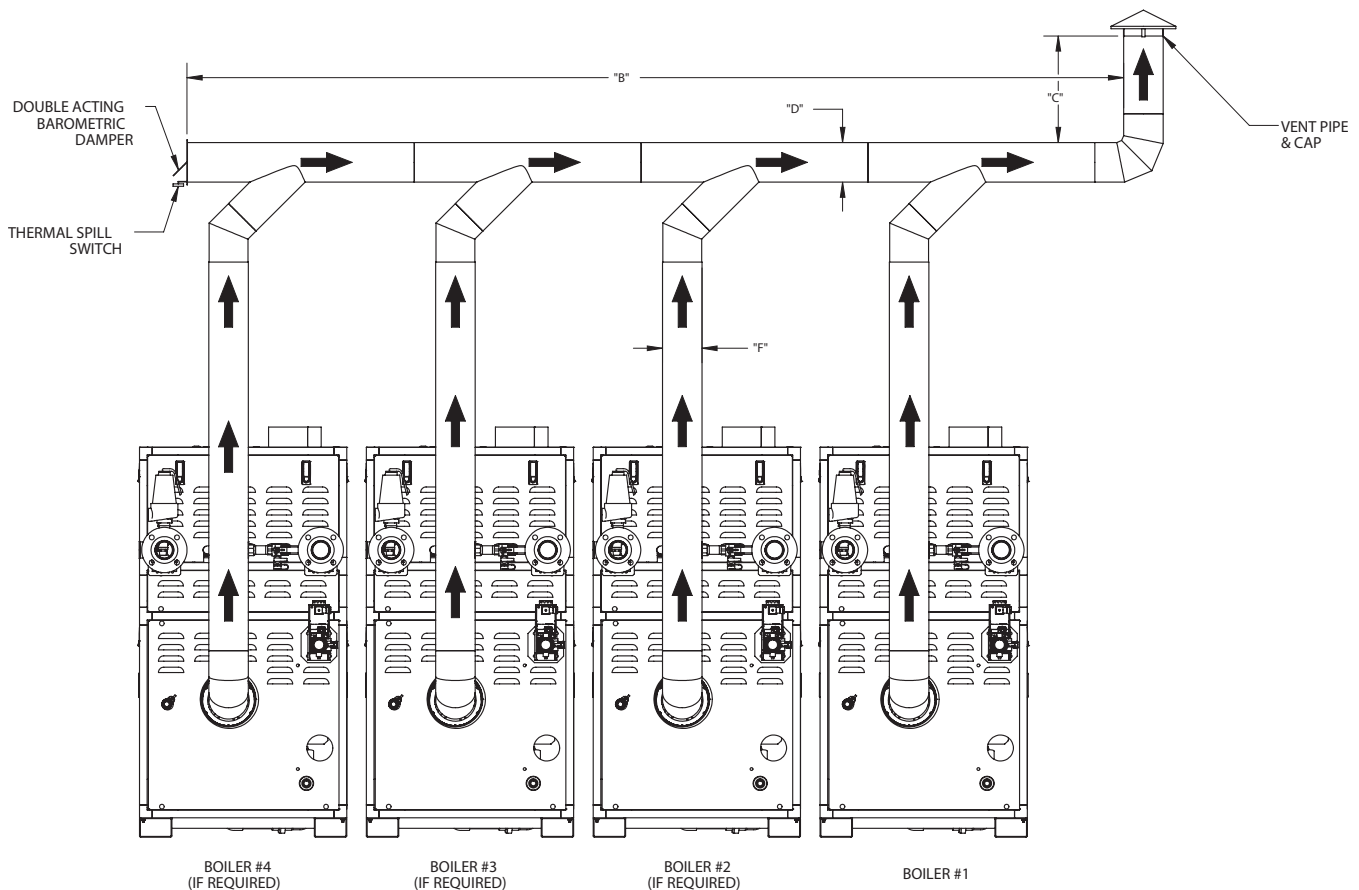
Model Size	Heatfab (Saf-T Vent)		Security Chimneys (Secure Seal)		Jeremias		RBI
	Transition Adapter	Flue	Transition Adapter	Flue	Transition Adapter	Flue	Exhaust Termination
1250/1500/2000	9801MAD	EZ/GC CI Plus	SS8FFNSAU SSD8FFNSAUK	SS SSD	SWG8-R CIS	DWGV SWG V	09-0113
2500/3000	91001MAD		SS10FFNSAU SSD10FFNSAUK		SWG10-R CIS		09-0115
4000	91201MAD		SS12FFNSAU SSD12FFNSAUK		SWG12-R CIS		09-0116

Model Size	VAN-PACKER		Z-Flex		Schebler Chimney Systems (e-Vent)	
	Transition Adapter	Flue	Transition Adapter	Flue	Transition Adapter	Flue
1250/1500/2000	C08VLSL/M	CS	2SVSAFNS08	Z-Flex	ESW-UNAK-08R EVD-UNAK-08R	ESW EVD
2500/3000	C10VLSL/M		2SVSAFNS10		ESW-UNAK-10R EVD-UNAK-10R	
4000	C12VLSL/M		2SVSAFNS12		ESW-UNAK-12R EVD-UNAK-12R	

*Factory Installed

WARNING The RBI Torus is supplied with a factory installed DuraVent FastNSeal flue outlet adapter. A manufacturers supplied stainless steel transition piece must be used when installed with different vent systems. Do not mix vent systems of different manufacturers. Use only listed manufacturers (Table X), terminations (Table Y), and transition adapters (Table Z). The chimney systems manufacturer's installation instructions must be followed.

Figure 1 - Multiple Boiler Common Venting



RIOM-0301_A

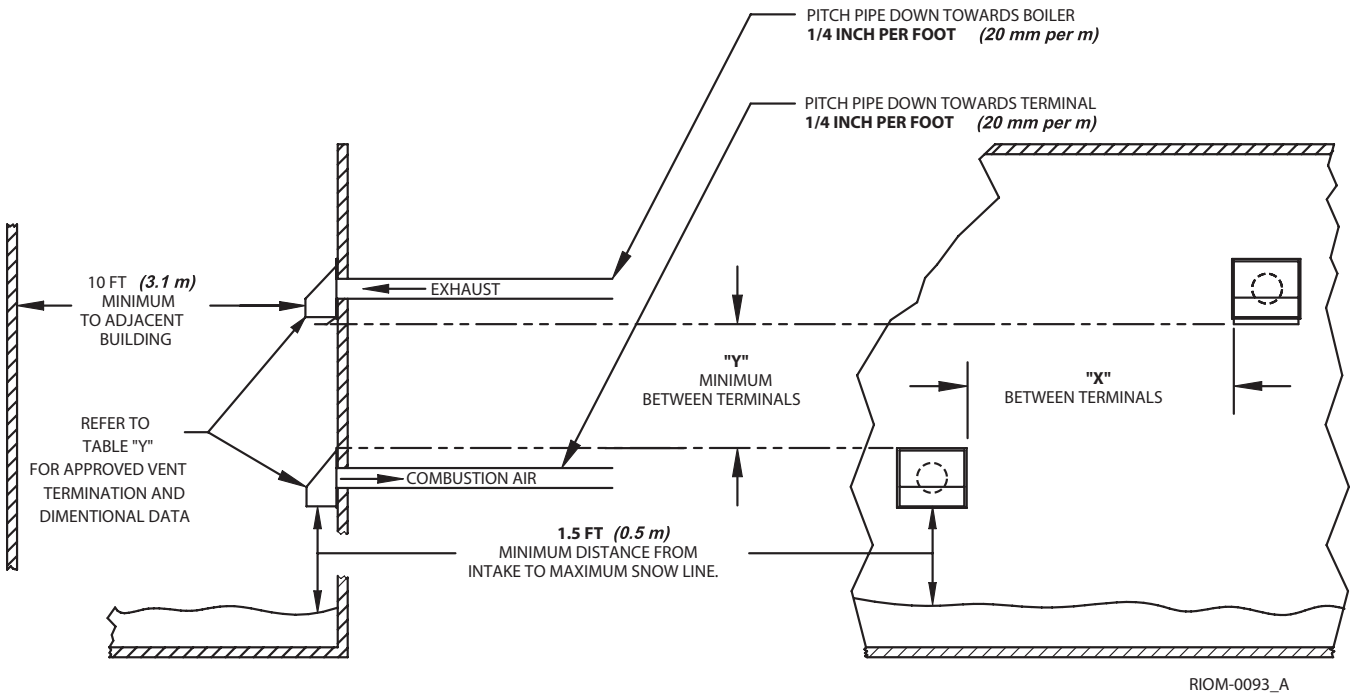
VERTICAL CHIMNEY VENTING - Vertical venting - multiple boiler/water heater installations:

WARNING It is recommended that the boiler/water heater nearest the vertical chimney be fired first when the horizontal distance exceeds 50% of the vertical distance. Refer to the HeatNet manual on how to select the lead boiler.

When sized for a (CAT II) configuration, a negative pressure of 0.02 to 0.10 inches WC is required in each boiler/water heater riser when all boilers/water heaters are operating at full input. A barometer damper must be installed as illustrated. [Exception: if the vent system is designed using accepted engineering practices, and the design calculations prove there is no need for barometric dampers, the barometric dampers may be omitted.] When required by applicable codes, install a thermal spill switch on each barometric damper.

1. Connect each boiler/water heater riser to the common vent with a Y connection or Boot T only.
2. Install an approved vent cap at each vent termination.
3. Dimensions:
 - B = breeching length
 - C = chimney height
 - D = breeching diameter
 - F = riser diameter
 - (No smaller than the dimension given in Table 4, page 6.)
4. Multi-story, common venting systems shall be in accordance with the National Fuel Gas Code, ANSI Z223.1/NFPA 54 and/ or the CSA B149.1, Natural Gas and Propane Installation Code (Current Editions), local codes and vent manufacturer's installation instructions. Size the chimney and breeching using generally accepted engineering practices. (Consult factory for vertical heights beyond 60 ft.)

Figure 2 - Horizontal Air Intake and Venting for a Single Direct Vent System



WARNING: When running horizontal combustion air and venting for single or multiple units, exhaust and combustion air terminals must be installed on the same plane (outside wall) in order to prevent pressure differences due to prevailing winds. In cold climates, double-wall or insulated inlet pipe recommended to prevent condensation.

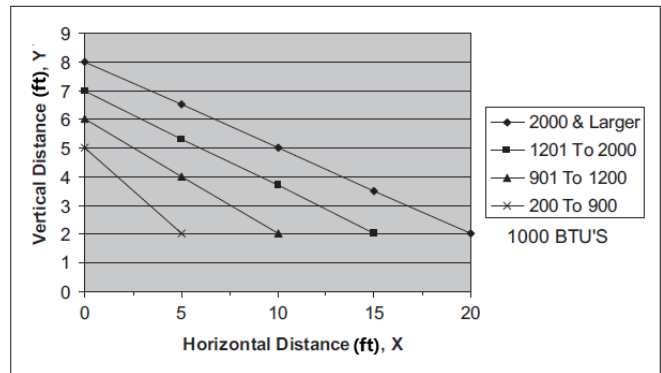


Figure 3 - Horizontal Air Intake and Venting for Multiple Direct Vent Systems

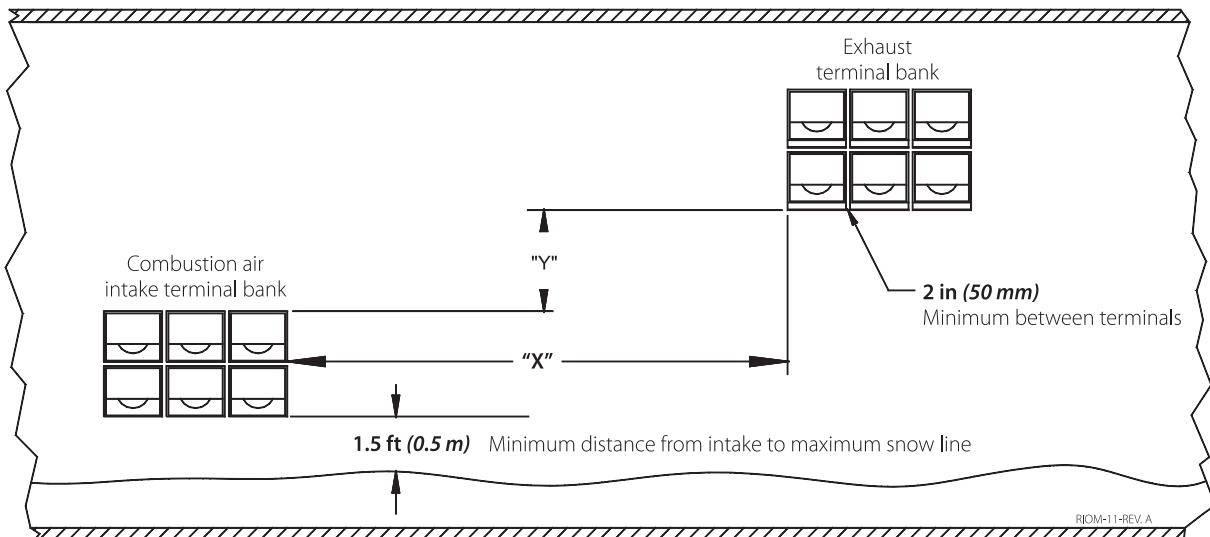


Figure 4 - Vertical Air Intake and Venting for Direct Vent System

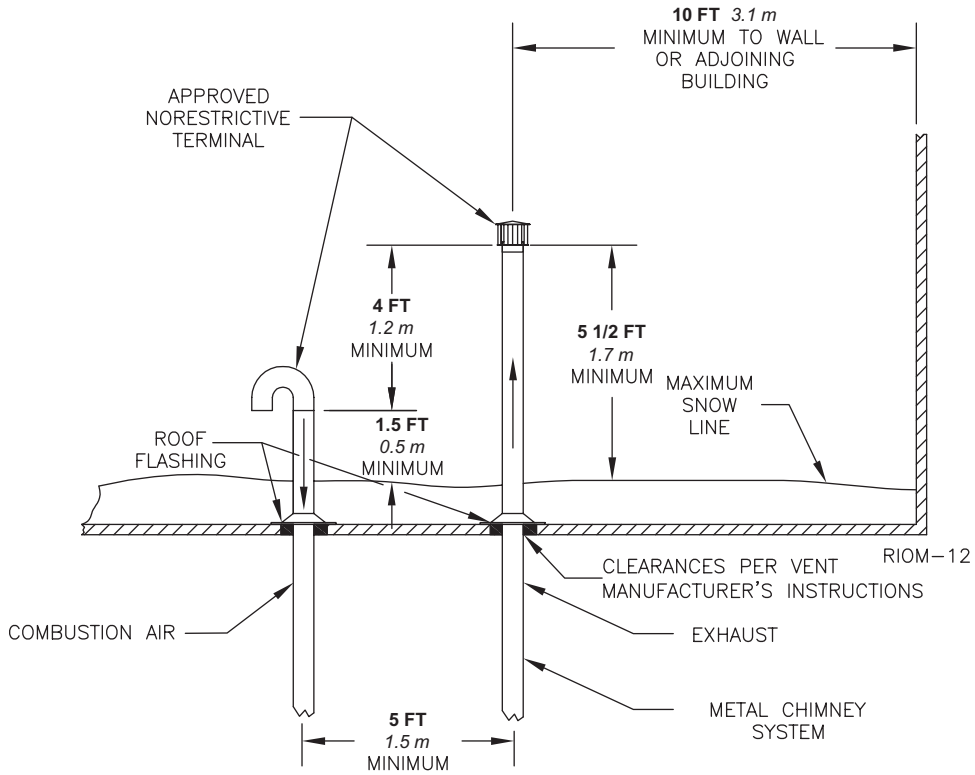
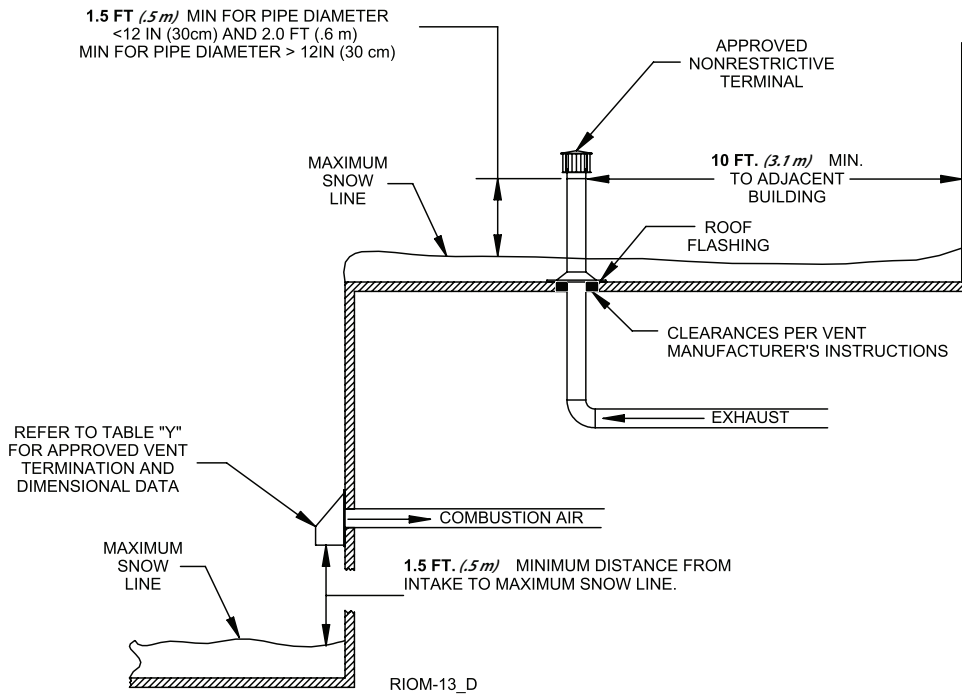


Figure 5 - Combination Direct Vent Systems



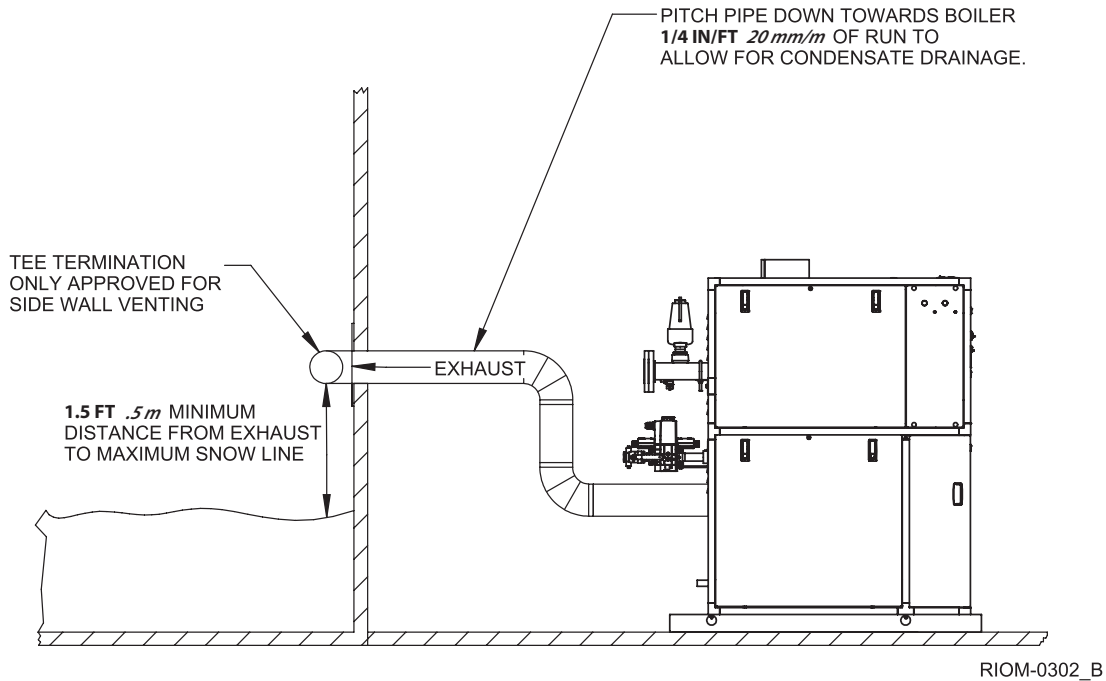
SIDE WALL VENT POSITIVE PRESSURE, CATEGORY IV

In this configuration the boiler/water heater blower is used to push the flue products horizontally to the outdoors, see Figure 6.

WARNING To ensure proper operation, boilers/water heaters that are vented sidewall and use room air must not exceed a 6:1 turndown.

The air for combustion is taken from the space in which the unit is installed. The applicable instructions under the COMBUSTION AIR & VENTILATION SECTION must be followed! The vent guidelines under the HORIZONTAL DIRECT VENT SYSTEMS section must also be followed.

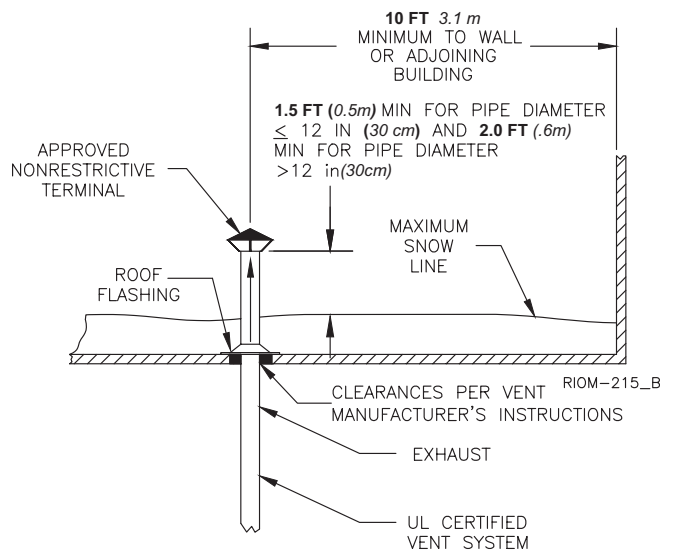
Figure 6 - Side Wall Venting



VERTICAL VENT (Recommended) POSITIVE PRESSURE - CATEGORY IV

In this configuration the boiler/water heater blower is used to push the flue products vertically to the outdoors, see Figure 7. The air for combustion is taken from the space in which the unit is installed. The applicable instructions under the COMBUSTION AIR & VENTILATION SECTION must be followed! The vent guidelines under the VERTICAL DIRECT VENT SYSTEMS section must also be followed.

Figure 7 - Vertical Positive Pressure Venting



VERTICAL VENT (Optional) NEGATIVE PRESSURE - CATEGORY II

The Torus is listed as a Category II appliance when vented vertically into a listed metal AL294C S.S. chimney system, Figure 8. The chimney system must provide a negative pressure of **0.02 to 0.10 in, 0.51 to 2.5 mm WC** at the boiler/water heater flue collar with the unit running.

NOTICE When using a listed metal chimney system the chimney system manufacturer's instructions must be followed.

WARNING Multiple boiler/water heater vent systems must be designed and verified by a qualified professional and stack manufacturer. The vent system must prevent backflow of exhaust gas through idle boilers.

When more than one appliance is connected to the same chimney system the system must be large enough to safely vent the combined output of all of the appliances.

Table 5 lists the minimum riser sizes required for the Torus boiler/water heater.

WARNING If an appliance using any type of a mechanical draft system operating under positive pressure is connected to a chimney flue, never connect any other appliances to this flue. Doing so can result in excessive levels of carbon monoxide which can cause severe personal injury or death!

Table 5 - Minimum Riser Connection, Negative Pressure

Model Size	Breach & Flue Diameter	
	in	mm
1250	10	254
1500	10	254
2000	10	254
2500	12	305
3000	12	305
4000	14	356

NOTICE Vent system must be sized per an engineered system.

Vent Connections

Locate the boiler/water heater as close to the chimney system as possible. Use the shortest, straightest vent connector possible for the installation. If horizontal runs exceed **5 ft, 1.5 m** they must be supported at **3 ft, 0.9 m** intervals with overhead hangers. Use the appropriate vent connector of the same diameter as the flue collar to connect the boiler/water heater to a listed metal chimney system. Follow the chimney system manufacturer's instructions for proper assembly.

The vent system should be sloped up toward the chimney at a minimum rate of **1/4 in/ft, 2 cm/m**.

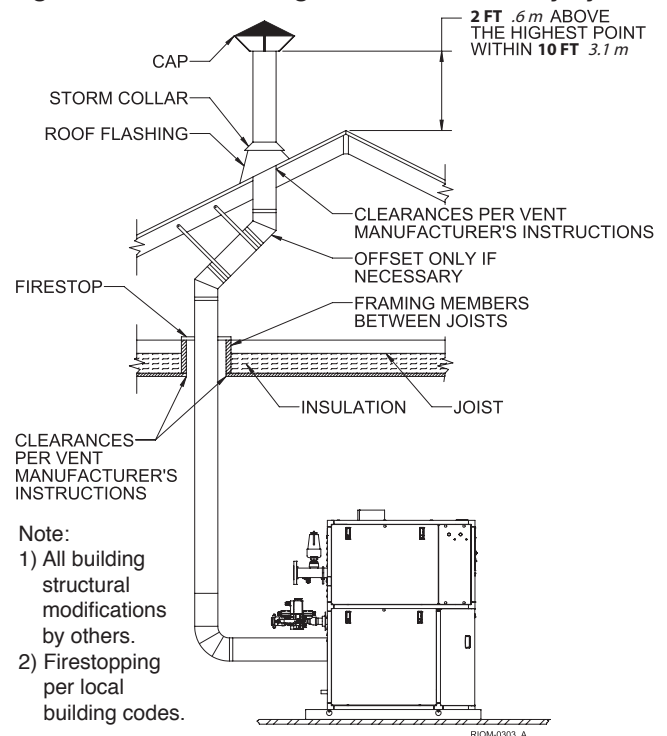
Always provide a minimum clearance of **6 in, 152 mm** between single wall vent pipe and any combustible materials.

WARNING Failure to maintain minimum clearances between vent connectors and any combustible material can result in a fire causing extensive property damage, severe personal injury or death!

Exit cones are favorable when used to increase the velocity of the flue gas exiting the stack and, may also help, in cold climates, to reduce ice build-up. Exit cone terminations must be supplied by others, installed per manufacturer's instructions, and meet local and federal code.



Figure 8 - Vertical Venting with a Metal Chimney System



EXISTING COMMON VENT SYSTEMS

If an existing boiler/water heater is removed from a common venting system, the common venting system may then be too large for the proper venting of the remaining appliances connected to it. At the time of removal of an existing boiler/water heater, the following steps shall be followed with each appliance remaining connected to the common venting system placed in operation, while the other appliances remaining connected to the common venting system are not in operation.

Au moment du retrait d'une chaudière existante, les mesures suivantes doivent être prises pour chaque appareil toujours raccordé au système d'évacuation commun et qui fonctionne alors que d'autres appareils toujours raccordés au système d'évacuation ne fonctionnent pas: système d'évacuation

- a) Seal any unused openings in the common venting system.

Sceller toutes les ouvertures non utilisées du système d'évacuation.

- b) Visually inspect the venting system for proper size and horizontal pitch and determine there is no blockage or restriction, leakage, corrosion and other deficiencies which could cause an unsafe condition.

Inspecter de façon visuelle le système d'évacuation pour déterminer la grosseur et l'inclinaison horizontale qui conviennent et s'assurer que le système est exempt d'obstruction, d'étranglement de fuite, de corrosion et autres défaillances qui pourraient présenter des risques.

- c) Insofar as is practical, close all building doors and windows and all doors between the space in which the appliances remaining connected to the common venting system are located and other spaces of the building. Turn on clothes dryers and any appliance not connected to the common venting system. Turn on any exhaust fans, such as range hoods and bathroom exhaust, so they will operate at maximum speed. Do not operate a summer exhaust fan for a boiler installation. Close fireplace dampers.

Dans la mesure du possible, fermer toutes les portes et les fenêtres du bâtiment et toutes les portes entre l'espace où les appareils toujours raccordés du système d'évacuation sont installés et les autres espaces du bâtiment. Mettre en marche les sècheuses, tous les appareils non raccordés au système d'évacuation commun et tous les ventilateurs d'extraction comme les hottes de cuisinière et les ventilateurs des salles de bain. S'assurer que ces ventilateurs fonctionnent à la vitesse maximale. Ne pas faire fonctionner les ventilateurs d'été. Fermer les registres des cheminées.

- d) Place in operation the appliance being inspected. Follow the lighting instructions. Adjust thermostat so appliance will operate continuously.

Mettre l'appareil inspecté en marche. Suivre les instructions d'allumage. Régler le thermostat de façon que l'appareil fonctionne de façon continue.

- e) After it has been determined that each appliance remaining connected to the common venting system properly vents when tested as outlined above, return doors, windows, exhaust fans, fireplace dampers and any other gas-burning appliance to their previous condition of use.

Une fois qu'il a été déterminé, selon la méthode indiquée ci-dessus, que chaque appareil raccordé au système d'évacuation est mis à l'air libre de façon adéquate. Remettre les portes et les fenêtres, les ventilateurs, les registres de cheminées et les appareils au gaz à leur position originale.

- f) Any improper operation of the common venting system should be corrected so the installation conforms with the National Fuel Gas Code, ANSI Z223.1/NFPA 54. When resizing any portion of the common venting system, the common venting system should be resized to approach the minimum size as determined using the appropriate tables in Appendix F in the National Fuel Gas Code, ANSI Z223.1/ NFPA 54 and or CSA B149 Installation Codes.

Tout mauvais fonctionnement du système d'évacuation commun devrait être corrigé de façon que l'installation soit conforme au National Fuel Gas Code, ANSI Z223.1/NFPA 54 et (ou) aux codes d'installation CSA-B149. Si la grosseur d'une section du système d'évacuation doit être modifiée, le système devrait être modifié pour respecter les valeurs minimales des tableaux pertinents de l'appendice F du National Fuel Gas Code, ANSI Z223.1/NFPA 54 et (ou) des codes d'installation CSA-B149.

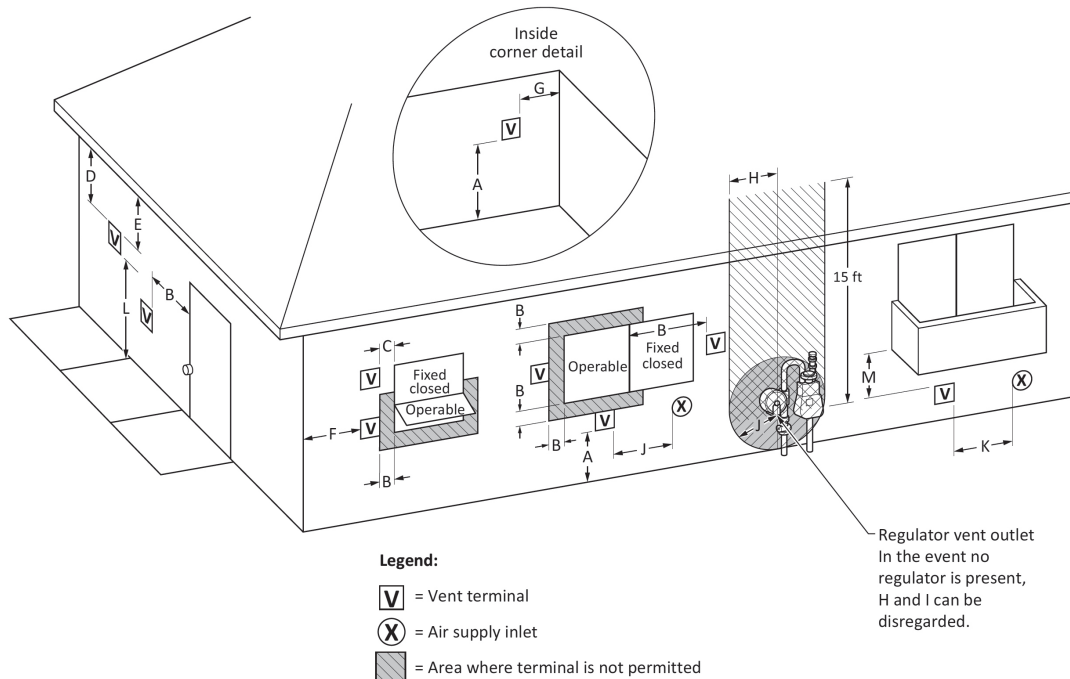


Figure A - Direct Vent Terminal Clearances

		Canadian Installations¹	US Installations²
A =	Clearance above grade, veranda, porch, deck, or balcony	12 in (30 cm)	12 in (30 cm)
B =	Clearance to window or door that may be opened	6 in (15 cm) for appliances ≤ 10,000 Btuh (3 kW); 12 in (30 cm) for appliances > 10,000 Btuh (3 kW) and ≤ 100,000 Btuh (30 kW); 36 in (91 cm) for appliances > 100,000 Btuh (30 kW)	6 in (15 cm) for appliances ≤ 10,000 Btuh (3 kW); 9 in (23 cm) for appliances > 10,000 Btuh (3 kW) and ≤ 50,000 Btuh (15 kW); 12 in (30 cm) for appliances > 50,000 Btuh (15 kW)
C =	Clearance to permanently closed window	Per local installation codes	
D =	Vertical clearance to ventilated soffit located above the terminal within a horizontal distance of 2 ft (61 cm) from the center line of the terminal.		
E =	Clearance to unventilated soffit		
F =	Clearance to outside corner		
G =	Clearance to inside corner		
H =	Clearance to each side of center line extended above meter / regulator assembly	3 ft (91 cm) within a height of 15 ft (4.6m)	
I =	Clearance to service regulator vent outlet	3 ft (91 cm)	
J =	Clearance to nonmechanical air supply inlet to building or the combustion air inlet to any other appliance	6 in (15 cm) for appliances ≤ 10,000 Btuh (3kW); 12 in (30 cm) for appliances > 10,000 Btuh (3 kW) and ≤ 100,000 Btuh (30 kW); 36 in (91 cm) for appliances > 100,000 Btuh (30 kW)	6 in (15 cm) for appliances ≤ 10,000 Btuh (3kW); 9 in (23 cm) for appliances > 10,000 Btuh (3 kW) and ≤ 50,000 Btuh (15 kW); 12 in (30 cm) for appliances > 50,000 Btuh (15 kW)

Figure A - Direct Vent Terminal Clearances - Concluded

K =	Clearance to a mechanical air supply inlet	6 ft (1.83 m)	3 ft (91 cm) above if within 10 ft (3 m) horizontally
L =	Clearance above paved sidewalk or paved driveway located on public property	7 ft (2.13 m)†	Vents for Category II and IV appliances cannot be located above public walkways or other areas where condensate or vapor can cause a nuisance or hazard
M =	Clearance under veranda, porch, deck, or balcony	12 in (30 cm)‡	Per local installation codes
†	A vent shall not terminate directly above a sidewalk or paved driveway that is located between two single family dwellings and serves both dwellings.		
‡	Permitted only if veranda, porch, deck, or balcony is fully open on a minimum of two sides beneath the floor.		
NOTES:			
1)	In accordance with the current CSA B149.1, Natural Gas and Propane Installation Code		
2)	In accordance with the current ANSI Z223.1/NFPA 54, National Fuel Gas Code		
3)	If locally adopted installation codes specify clearances different than those illustrated, then the most stringent clearances must prevail.		

Figure A - Other Than Direct Vent Terminal Clearances

		Canadian Installations¹	US Installations²
A =	Clearance above grade, veranda, porch, deck, or balcony	12 in (30 cm)	12 in (30 cm)
B =	Clearance to window or door that may be opened	6 in (15 cm) for appliances ≤ 10,000 Btuh (3 kW); 12 in (30 cm) for appliances > 10,000 Btuh (3 kW) and ≤ 100,000 Btuh (30 kW); 36 in (91 cm) for appliances > 100,000 Btuh (30 kW)	4 ft (1.2 m) below or to side of opening; 1 ft (300 mm) above opening
C =	Clearance to permanently closed window	Per local installation codes	
D =	Vertical clearance to ventilated soffit located above the terminal within a horizontal distance of 2 ft (61 cm) from the center line of the terminal		
E =	Clearance to unventilated soffit		
F =	Clearance to outside corner		
G =	Clearance to inside corner		
H =	Clearance to each side of center line extended above meter/regulator assembly	3 ft (91 cm) within a height of 15 ft (4.6m)	
I =	Clearance to service regulator vent outlet	3 ft (91 cm)	
J =	Clearance to nonmechanical air supply inlet to building or the combustion air inlet to any other appliance	6 in (15 cm) for appliances ≤ 10,000 Btuh (3kW); 12 in (30 cm) for appliances > 10,000 Btuh (3 kW) and ≤ 100,000 Btuh (30 kW); 36 in (91 cm) for appliances > 100,000 Btuh (30 kW)	4 ft (1.2 m) below or to side of opening; 1 ft (300 mm) above opening

Figure A - Other Than Direct Vent Terminal Clearances - Concluded

K =	Clearance to a mechanical air supply inlet	6 ft (1.83 m)	3 ft (91 cm) above if within 10 ft (3 m) horizontally
L =	Clearance above paved sidewalk or paved driveway located on public property	7 ft (2.13 m)†	Vents for Category II and IV appliances cannot be located above public walkways or other areas where condensate or vapor can cause a nuisance or hazard
M =	Clearance under veranda, porch, deck, or balcony	12 in (30 cm)‡	Per local installation codes
†	A vent shall not terminate directly above a sidewalk or paved driveway that is located between two single family dwellings and serves both dwellings.		
‡	Permitted only if veranda, porch, deck, or balcony is fully open on a minimum of two sides beneath the floor.		
NOTES:			
1)	In accordance with the current CSA B149.1, Natural Gas and Propane Installation Code		
2)	In accordance with the current ANSI Z223.1/NFPA 54, National Fuel Gas Code		
3)	If locally adopted installation codes specify clearances different than those illustrated, then the most stringent clearances must prevail.		

OUTDOOR VENTING

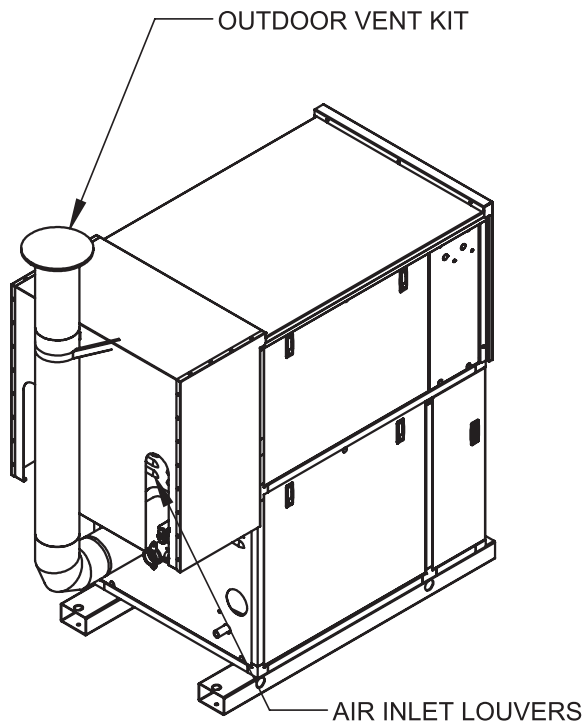
When installed outdoors the Torus Line must be fitted with the factory supplied outdoor hood, air intake adapter with filter and exhaust terminal, see Figure 7. Multiple units must be spaced per Figure 8.

The boiler/heater must be at least **2 ft, .62 m** from any door, window or gravity air inlet into any building and at least **3 ft, 1 m** from any overhang unless local codes dictate differently.

Avoid locations where wind deflection off of adjacent walls, buildings or shrubbery might cause a downdraft. The unit(s) should be located at least 3 ft, 1 m from structures. Outdoor installations are not recommended in areas where the danger of snow blockage exists.

CAUTION Do not place the boiler/water heater in a location that would subject it to runoff from adjacent buildings or damage may occur voiding the warranty!

Figure 7 - Outdoor Venting



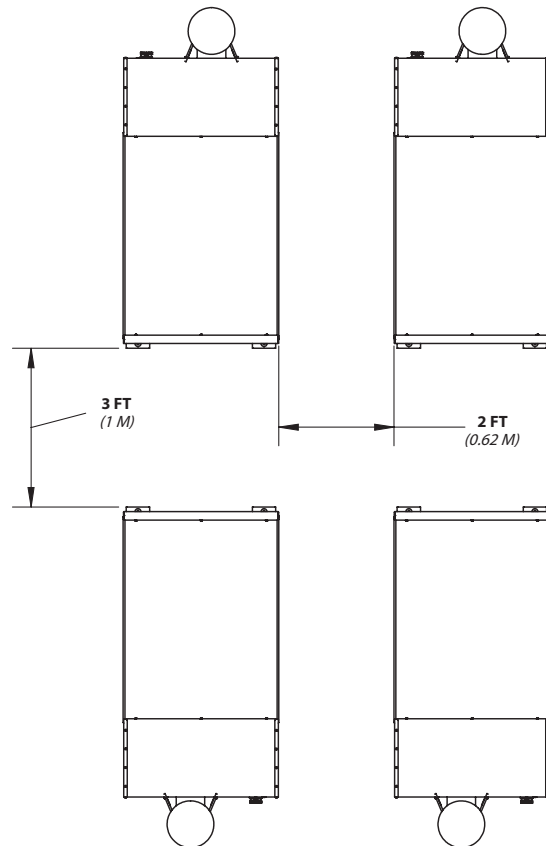
RIOM-0320_A

Outdoor Installations

WARNING The Torus Boiler/Water Heater is certified for outside installations in a temperate climate not subject to freezing temperatures.

1. The condensate traps located under the secondary heat exchanger and the vent pipe must be wrapped with heat tape to ensure the traps never drop below 32°F.
2. The vent pipe must be insulated to prevent freezing of condensate in the pipe.
3. The boiler and system must be filled with a propylene glycol/water antifreeze mixture not to exceed 50% glycol by volume.
4. All water piping exposed to low temperatures must be insulated.

Figure 8 - Multiple Outdoor Units



RIOM-0320_A

GENERAL PIPING REQUIREMENTS

CAUTION Improper piping of this boiler/water heater will void the manufacturer’s warranty and can cause boiler/water heater failure resulting in flooding and extensive property damage!

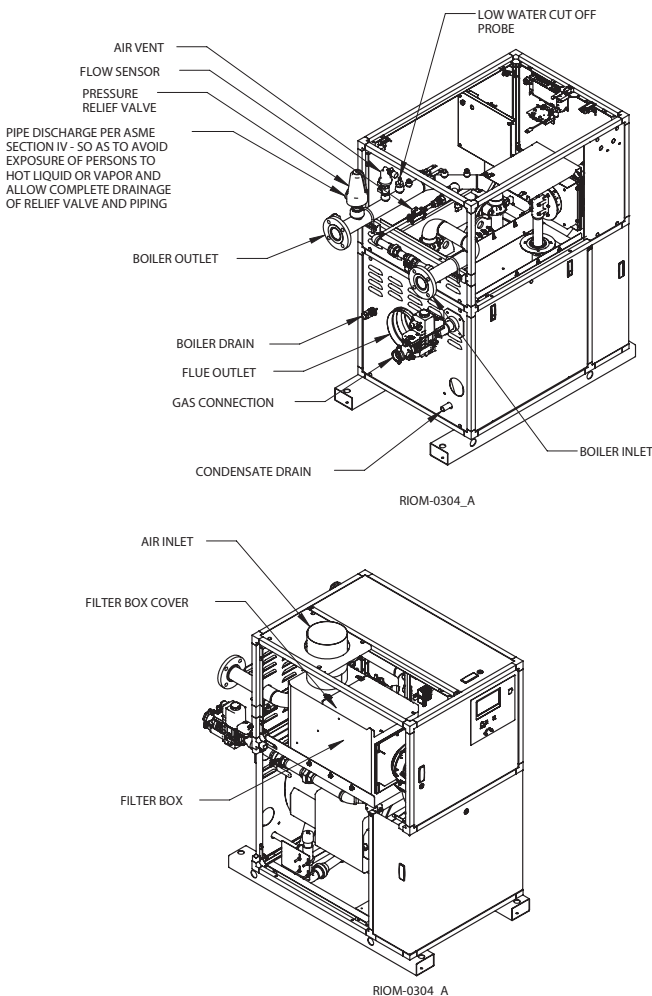
NOTICE Shut off valves and unions should be installed at the inlet and outlet connections of the boiler/water heater to provide for isolation of the unit should servicing be necessary.

Relief Valve

Pipe the discharge of the pressure relief valve as shown in Figure 9. Mount on rear section or vertically on supply nipple.

CAUTION Never install any type of valve between the boiler/water heater and the relief valve or an explosion causing extensive property damage, severe personal injury or death may occur!

Figure 9 - Torus Water Tube Piping



Freeze Protection

Installations in areas where the danger of freezing exists are not recommended unless proper freeze protection is provided. The following precautions **MUST** be observed:

1. A continuous flow of water through the unit **MUST** be maintained! The pump responsible for flow through the boiler must run continuously!
2. A propylene glycol/water mixture suitable for the minimum temperature that the unit will be exposed to must be used. The pump must be capable of producing a minimum of 15% more flow and overcoming a 20% increase in head loss. Domestic water systems must be isolated from the boiler by the use of a heat exchanger or other approved method.
3. If the unit must be shut off for any reason the electric, gas and water supplies **MUST** be shut off and the unit and its pump completely drained.

Flow Sensor

The factory mounted SIKA flow sensor, as shown in Figure 9, is wired to prevent the boiler/water heater from firing unless there's adequate water flow, Table 6, through the unit.

NOTICE The SIKA flow sensor sends information to the HeatNet control and displays the water flow information in (gpm). The minimum flow settings are fully adjustable. The boiler will not operate if the (gpm) falls below the minimum value. If the system is using Glycol the % of glycol mixture must be entered. The SIKA Flow sensor is limited to **194°F**, 90°C water temperature, 145 psi operating pressure and a 50% glycol mixture. If the return water temperature rises above **194°F**, 90°C the boiler will shut down. For applications outside these requirements, please consult Manufacturer. Reference the HeatNet IOM for menu instructions.

Air Vent

The factory mounted air vent, as shown in Figure 9, is installed to automatically purge unwanted air from the boiler allowing the system to run more effectively.

NOTICE Please note that after installing in a new system or retrofitting an old, close the isolation valve installed upstream of the Air Vent prior to filling the system with water. Once the system has been properly filled open the Air Vent isolation valve for automatic operation. If this is not done, it is entirely possible that the internal float mechanism will become clogged open, causing the air vent to leak.

Table 6 - Temperature Rise Table

Model Size	Water Flow Rates (GPM)	
	Full/Min Input	Full Input
	Min (gpm)	Max (gpm)
1250	40.2	160.9
1500	48.3	193.1
2000	64.3	257.3
2500	81.3	325.1
3000	97.5	390.2
4000	130.1	520.2

Verify system pipe sizing allows for flow velocity requirements.

Table 6a - Temperature Rise Table

Model	15 Deg f (Delta t)				20 Deg f (Delta t)*			
	(gpm)		Drop (ft)		(gpm)		Drop (ft)	
	GPM	L/s	Ft	kPa	GPM	L/s	Ft	kPa
1250	160.9	10.2	27.3	81.7	120.7	7.6	15.4	45.9
1500	193.1	12.2	27.5	82.1	144.8	9.1	16.4	49.0
2000	257.3	16.2	33.6	100.3	193.0	12.2	20.1	60.1
2500	325.1	20.5	24.5	73.2	243.8	15.4	16.2	48.3
3000	390.2	24.6	32.1	95.9	292.6	18.5	21.0	62.7
4000	520.2	32.8	33.1	99.0	390.2	24.6	19.9	59.6
Model	30 Deg f (Delta t)*				40 Deg f (Delta t)*			
	(gpm)		Drop (ft)		(gpm)		Drop (ft)	
	GPM	L/s	Ft	kPa	GPM	L/s	Ft	kPa
1250	80.4	5.1	7.3	21.7	60.3	3.8	4.7	13.9
1500	96.5	6.1	8.1	24.2	72.4	4.6	5.0	14.9
2000	128.7	8.1	9.9	29.7	96.5	6.1	6.1	18.2
2500	162.6	10.3	9.2	27.4	121.9	7.7	6.2	18.4
3000	195.1	12.3	11.8	35.3	146.3	9.2	7.9	23.7
4000	260.1	16.4	10.1	30.2	195.1	12.3	6.5	19.3
Model	50 Deg f (Delta t)				60 Deg f (Delta t)			
	(gpm)		Drop (ft)		(gpm)		Drop (ft)	
	GPM	L/s	Ft	kPa	GPM	L/s	Ft	kPa
1250	48.3	3.0	3.6	10.7	40.2	2.5	3.0	9.1
1500	57.9	3.7	3.5	10.4	48.3	3.0	2.6	7.8
2000	77.2	4.9	4.2	12.5	64.3	4.1	3.1	9.2
2500	97.5	6.2	4.5	13.5	81.3	5.1	3.5	10.4
3000	117.0	7.4	5.8	17.4	97.5	6.2	4.5	13.5
4000	156.1	9.8	4.7	14.0	130.1	8.2	3.7	10.9

Verify system pipe sizing allows for flow velocity requirements.
*Recommended (Delta T) temperature rise.

NOTICE In order to maintain boiler capacity, increase flow rates approximately (10%) and pump head (25%) for mixtures up to 50% glycol.

NOTICE Use the following equation to determine the boiler derate capacity when adjustments aren't made. (2012 ASHRAE Systems Handbook)

$$qw = 500 * Q * (p/pw) * Cp * \Delta T$$

Where

qw = Total heat transfer rate, BTU/h
 p = fluid density, lb/ft³
 Cp = specific heat of fluid, Btu/lb °F
 Q = flow rate, gpm
 pw = density of water at 60°F, lb/ft³
 ΔT = temperature difference, °F

HEATING SYSTEM PIPING

General Piping Requirements

All heating system piping must be installed by a qualified technician in accordance with the latest revision of the ANSI/ASME Boiler and Pressure Vessel Code, Section IV.

Where required, the piping must comply with ANSI/ASME CSD-1, Standard for Controls and Safety Devices for Automatically Fired Boilers.

All applicable local codes and ordinances must also be followed. A minimum clearance of **1in, 25 mm** must be maintained between heating system pipes and all combustible construction. All heating system piping must be supported by suitable hangers, not the boiler. The thermal expansion of the system must be considered when supporting the system. A minimum system pressure of **20 psig, 138 kPa** must be maintained at boiler operating conditions. For glycol systems, a minimum system pressure of **30 psig, 207 kPa** must be maintained at boiler operating conditions.

NOTICE When equipped with a boiler pressure transducer, pressure will be monitored closely for increased protection. A warning and/or alarm will be detected when conditions fall below the following parameters:

- Warning (boiler water) - pressure < 18 psi
- Warning (boiler water/glycol mix) - pressure < 28 psi
- Alarm - pressure < 15 psi

Boiler /Water Heater Piping Connections

The supply and return connections should be sized to suit the system, see Table 7.

Table 7 - Supply & Return Pipe Connection

Model Size	Supply Size	Return Size
1250	2 1/2" NPT	2 1/2" NPT
1500	2 1/2" NPT	2 1/2" NPT
2000	2 1/2" NPT	2 1/2" NPT
2500	4" NPT	4" NPT
3000	4" NPT	4" NPT
4000	4" NPT	4" NPT

CAUTION System Cleaning & Flushing: Prior to commissioning the boiler(s), the piping/system must be cleaned and flushed to prevent contaminants from settling back into the boiler and fouling the heat exchanger.

Isolate the boiler from the system prior to the cleaning process. Fill the system with water, add the cleaning solution and follow the solution manufacturer's instructions. Once clean, refill the system with clean water as specified in the Water Treatment section.

Water Treatment

This boiler was designed to operate in a closed loop heating system. System fill water must not contain more than 500 ppm Total Dissolved Solids, less than 150 ppm chloride concentration and no greater than 200 ppm Water Hardness. Suspended solids such as Magnetite, Iron Oxides must be flushed from the system prior to commissioning the boiler(s). The PH level must be within the 6.5-8.5 range. Where required, the system must be protected by the addition of a corrosion inhibitor per the chemical supplier's instructions.

For systems requiring glycol for freeze protection use a glycol/water mix that prevents foaming. Air entrapped within foam significantly decreases heat transfer and can result in damage to the heat exchanger. Products such as DOWFROST, DOWTHERM, UCARTHERM or an equivalent product must be used to ensure proper protection to the boiler.

The water used for dilution of concentrated heat transfer fluids must be distilled, de-ionized, or equivalently clean as stated above. De-ionized water by itself can be aggressive towards many metals, but is perfectly safe when used for dilution of DOWFROST, DOWTHERM or UCARTHERM as specified by the manufacturer.

FAILURE TO ENSURE PROPER WATER QUALITY CAN RESULT IN DAMAGE TO THE BOILER(S) VOIDING THE WARRANTY.

Water Meter

Make-up water introduced into a closed system due to system leaks can negatively affect the long term reliability of the heating system resulting in abnormal boiler water quality. It is recommended that a water meter be installed in the system make-up line. If make-up is recorded, the leaks must be found and repaired.

Pump Requirements

This boiler requires a continuous minimum water flow for proper operation. The system pump must be sized to overcome the head loss of the boiler and the heating system in order to achieve the required temperature rise. Table 6a provides the heat exchanger pressure drop and temperature rise figures. If the system contains hydronic antifreeze this must be considered when sizing the pump. The temperature rise across the boiler must never exceed 60°F, 15.5°C.

Low Water Cutoff

Each boiler comes equipped with a factory installed low water cutoff.

Expansion Tank & Air Separator

An expansion tank or other means to control thermal expansion must be installed in the heating system. It is recommended the expansion tank is installed close to the suction side of the pump. Coalescing style air separators are strongly recommended in Variable Speed

Systems where velocities can vary and maybe too slow for conventional type air separators. Failure to follow these guidelines will result in poor system performance with minimal air removal and may void the factory warranty.

Reverse Return Piping

Consideration of system thermal mass, minimum system load & system flow must be based on the relationship between the boiler minimum output and the system's ability to absorb the energy. Insure at least a ten (10) minute boiler run cycle at minimum system load. Systems using multiple boilers can also be installed using a reverse return system, Figure 11.

Primary/Secondary Piping

Although acceptable, the system is not as cost effective as reverse return piping. Figure 12 shows a typical primary/secondary piping system. A dedicated pump is used to maintain a constant water flow through the boiler. Flow must be properly accounted for in the design of primary/secondary systems. In order to prevent boiler(s) short cycling the system flow must be equal to or higher than the boiler(s) local flow. Systems using multiple boilers can be installed using a primary/secondary manifold system, Figure 13.

Piping For Use With Cooling Units

The boiler, when used in connection with a refrigeration system, must be installed so the chilled medium is piped in parallel with the boiler. Appropriate valves must be used to prevent the chilled water from entering the boiler.

When a boiler is connected to a heating coil that may be exposed to refrigerated air from an air handling device, the piping system must be equipped with flow-control valves or some other automatic means of preventing gravity circulation of the boiler water during the cooling cycle.

NOTICE It is essential that following boiler shut off, the boiler pump continue to operate for approximately (5) minutes to dissipate the heat away from the heat exchanger.

Figure 10 - Typical Single Boiler Piping
(Circulator pump **must** be sized for minimum water flow rate of boiler, including system pressure drop)

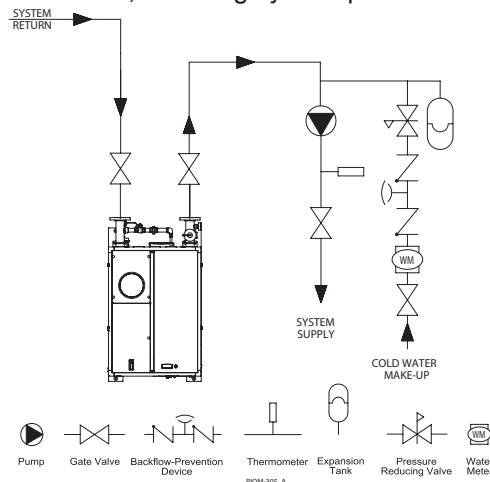
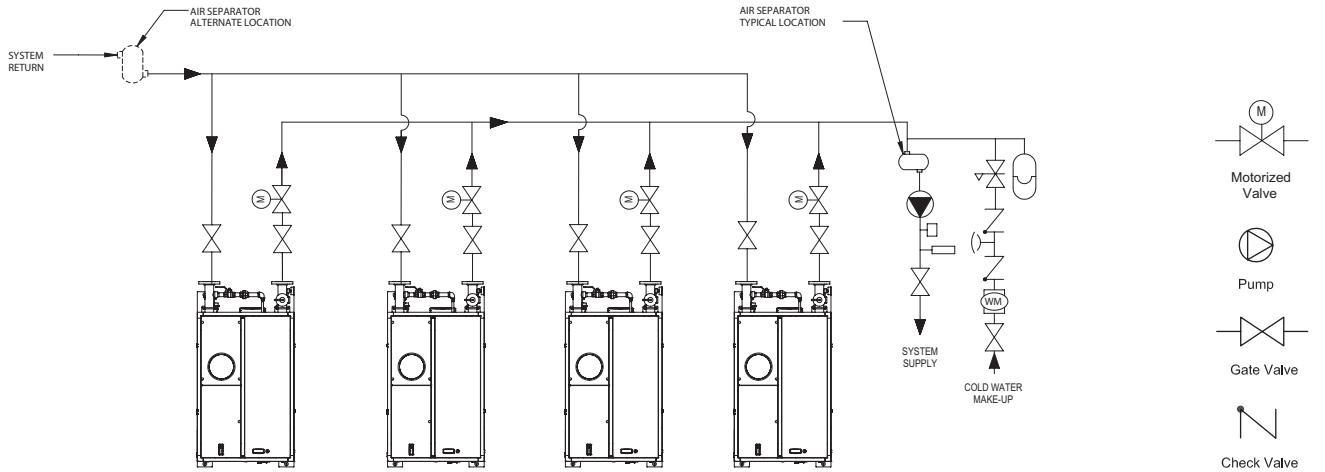


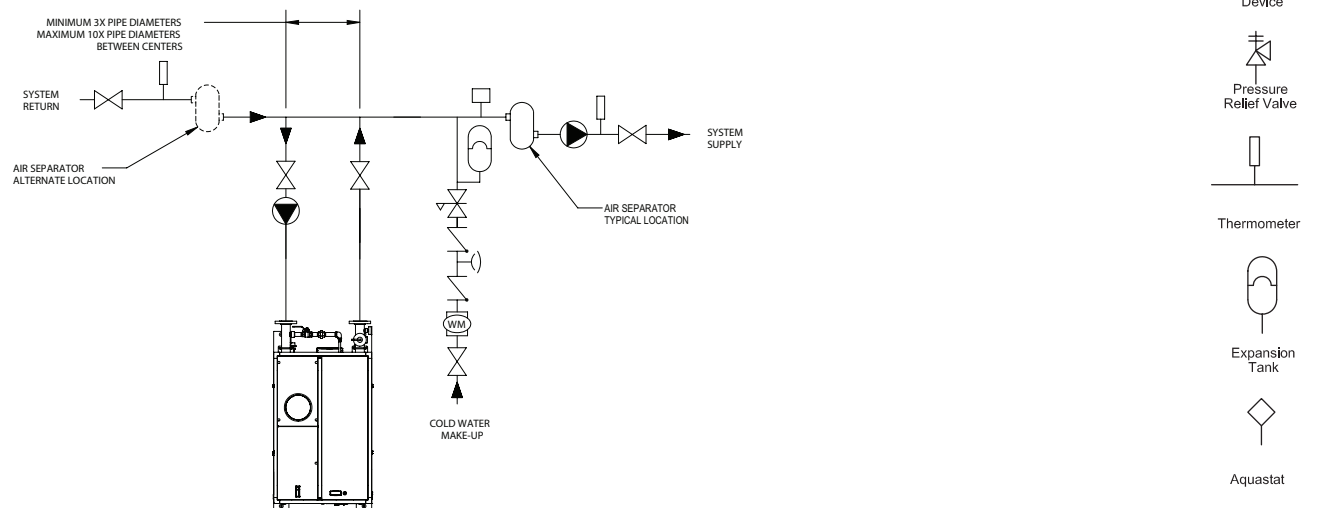
Figure 11 - Typical Multiple Boiler Reverse Return Piping

(Careful consideration as to minimum boiler and system water flow rates must be taken. Please consult our local manufactures representative for assistance.)



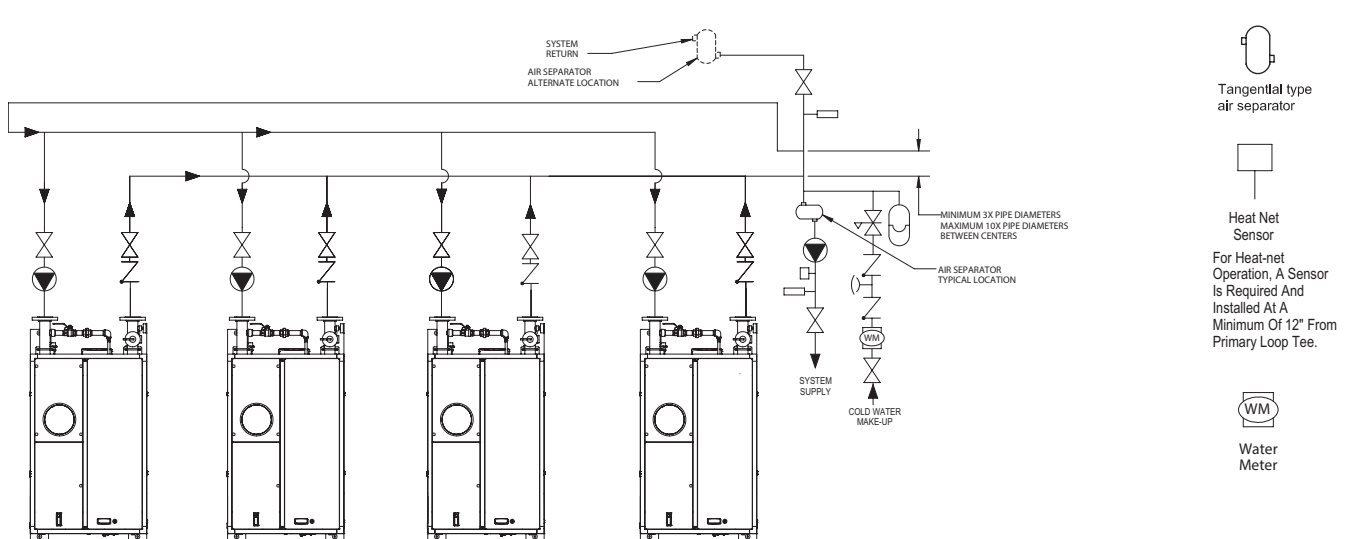
NOTE: Not all system valves may be shown. Consult local codes for additional system components which may be necessary. For HeatNet operation, a sensor is required and installed at a minimum of 12" from primary loop tee.

Figure 12 - Typical Single Boiler Primary/Secondary Piping



NOTE: Not all system valves may be shown. Consult local codes for additional system components which may be necessary. For HeatNet operation, a sensor is required and installed at a minimum of 12" from primary loop tee.

Figure 13 - Typical Multiple Boiler Primary/Secondary Piping



NOTE: Not all system valves may be shown. Consult local codes for additional system components which may be necessary. For HeatNet operation, a sensor is required and installed at a minimum of 12" from primary loop tee.

DOMESTIC WATER SUPPLY PIPING

CAUTION Proper controls must be used to prevent water supplied for domestic use from exceeding **130°F, 54°C** or a scald injury will occur! When higher water temperatures are required for appliances such as a dishwasher, a mixing valve or some other tempering means must be installed. Households with small children may require water temperatures less than **120°F, 49°C**. Local codes must be complied with!

General Piping Requirements

The Piping and components connected to the water heater must be suitable for use with potable water. The water heater must not be connected to any heating system piping or components previously used with a non-potable water heating appliance. No toxic chemicals, such as those used for boiler treatment, are to be introduced into the potable water used for space heating.

Potable Water Heating

If a hot water storage tank is used in the system it must be equipped with a temperature and pressure relief valve that complies with ANSI Z21.22 or CAN-4.4 and CAN-4.6. The storage tank must be located as close to the boiler as possible to prevent excessive head loss which will reduce flow. Two typical water heating systems are shown in Figures 14 & 15.

Thermostatic Mixing Valve- Water Above 140°F, 60°C

Water can be stored at temperatures above **140°F, 60°C** provided that a thermostatically controlled mixing valve is used to temper the hot water to an acceptable temperature before it's supplied for domestic use. The mixing valve **MUST** be set to prevent a scald injury from occurring, see the caution against scalding above. Storage of water for domestic use above **140°F, 60°C** will provide an increased quantity of tempered water and help prevent the growth of water born bacteria.

Potable Water & Space Heating

WARNING The following must comply when this water heater is used for both potable water and space heating applications.

1. Follow the "General Piping Requirements" Section of this page.
2. The water heater must not be used in space heating applications only.
3. When the system requires water for space heating at temperatures greater than 140°F, 60°C a means such as a mixing valve shall be installed to temper the water in order to reduce scalding.

Water Chemistry

The required temperature rise across the primary heat exchanger is based on water having a hardness between 4 and 12 grains per gallon with a level of dissolved solids not exceeding 350 ppm. Water having a hardness less than 4 grains can cause excessive corrosion of the heat exchanger. Water that has a hardness greater than 12 grains per gallon and/or a level of dissolved solids exceeding 350 ppm will require a larger circulating pump and temperature rise. Water hardness greater than 15 grains per gallon will require a water softner system.

RBI water heaters are designed to run scale free. Due to the extreme variables of water conditions world wide it is necessary to consider pH values and water hardness in relationship to scaling. It is crucial to consider these two variables when making pump selections. Scale free operation can be achieved when properly following the guidelines in (Table 8). In some areas of the country additional precautions must be observed due to unusual characteristics of the local water supply. Call the nearest RBI representative for details.

Table 8

Water Heater Min Flow Rates							
pH Level	6.5-8.5						
Water Hardness	Normal (4 to 12) gpg			Hard (12-15) gpg			
	Model	GPM	Delta-t	Drop (ft)	GPM	Delta-t	Drop (ft)
	1250	99	24.5	10.5	132	18.4	18.3
	1500	110	26.5	10.1	147	19.8	16.8
	2000	138	28.1	11.2	183	21.2	18.3
	2500	214	22.7	13.4	285	17	20.2
	3000	214	27.5	13.4	285	20.6	20.2
	4000	280	28.0	11.4	372	21.1	18.4

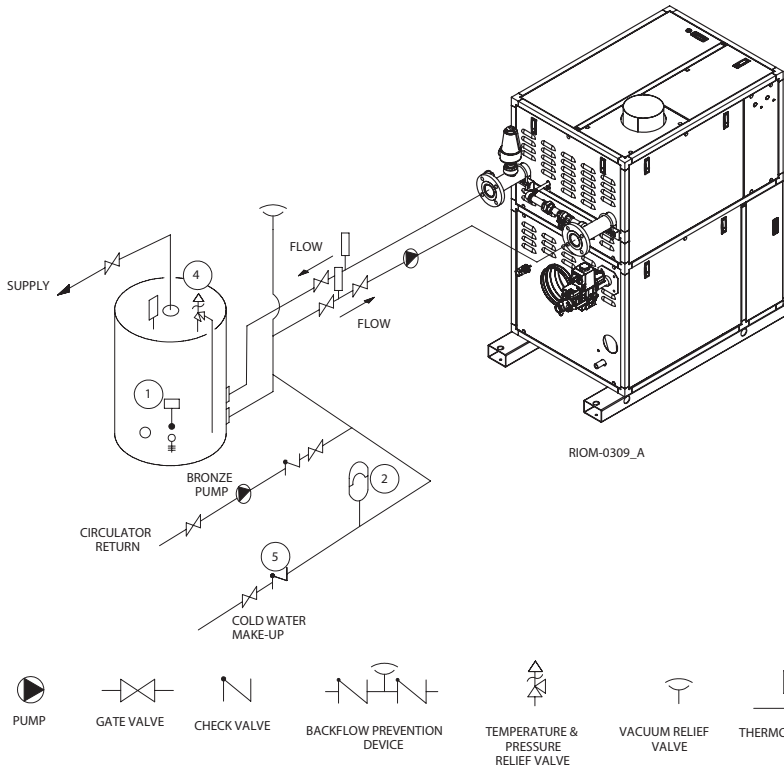
Expansion Tank

An expansion tank or other means to control thermal expansion must be installed in the water heating system if back flow prevention devices are installed.

Pump Requirements

This low-mass water heater requires a continuous minimum water flow for proper operation. When making pump selections, proper velocity through the water heater must be maintained for efficient operation and long life. If the temperature rise is too high, the flow rate is too low. Scaling and softening of the primary heat exchanger will occur. **The temperature rise across the primary heat exchanger must never exceed the flow rates listed in Table 8.**

Figure 14 - Typical Single Boiler with Direct Storage Tank Piping



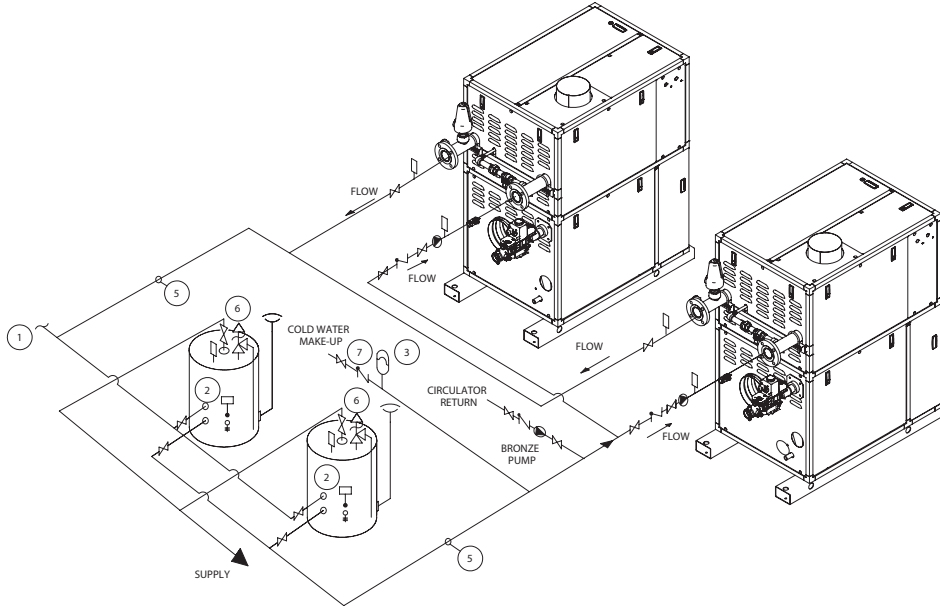
NOTES:

1. LOCATE HEATNET SENSOR WITH WELL IN LOWER 1/3 OF TANK. INSTALL SENSOR WITH HEAT SENSING COMPOUND.
2. THERMAL EXPANSION TANK MAY BE REQUIRED, CHECK LOCAL CODES.
3. CAUTION: MEASURE WATER HARDNESS AND PH AT JOB SITE. THIS MUST BE MEASURED BEFORE SELECTING PUMP.
4. HOT WATER TANKS SHOULD BE EQUIPPED WITH A COMBINATION TEMPERATURE & PRESSURE RELIEF VALVE. VALVE SHALL DISCHARGE TO A SAFE PLACE WITH AN AIR GAP. REFER TO LOCAL CODES.
5. MA CODE REQUIRES A 1/8 IN HOLE IN CHECK VALVE TO COMPENSATE FOR THERMAL EXPANSION.
6. CONTRACTOR SHALL VERIFY, WITH AUTHORITY HAVING JURISDICTION, FOR THE REQUIREMENTS OF AN ACID NEUTRALIZATION KIT.
7. A THERMOSTATIC MIXING VALVE MAY BE REQUIRED AT THE OUTLET OF THE TANK IN ORDER TO LIMIT THE MIXED WATER TO A DESIRABLE TEMPERATURE HELPING TO PREVENT SCALDING AND INJURY. CONSULT LOCAL CODES.

NOTICE: THESE DRAWINGS SHOW SUGGESTED PIPING CONFIGURATION, VALVING AND ARE DIAGRAMMATIC. CHECK WITH LOCAL CODES AND ORDINANCES FOR SPECIFIC REQUIREMENTS.



Figure 15 - Typical Multiple Boiler with Direct Storage Tank Piping



NOTES:

1. OPTIONAL COLD WATER MAKE UP AND RECIRCULATION LINE LOCATION.
2. LOCATE HEATNET SENSOR WITH WELL IN LOWER 1/3 OF TANK. INSTALL SENSOR WITH HEAT SENSING COMPOUND. FOR MULTIPLE TANKS, SELF-BALANCING REVERSE-RETURN SYSTEMS, A SINGLE HEATNET SENSOR IS APPLIED.
3. THERMAL EXPANSION TANK MAY BE REQUIRED, CHECK LOCAL CODES.
4. CAUTION: TEST WATER HARDNESS AND PH AT JOB SITE. THIS MUST BE MEASURED BEFORE SELECTING PUMP.
5. COMMON PIPING MUST BE SIZED FOR MAXIMUM COMBINED HEATER FLOW.
6. HOT WATER TANKS SHOULD BE EQUIPPED WITH A COMBINATION TEMPERATURE & PRESSURE RELIEF VALVE. VALVE SHALL DISCHARGE TO A SAFE PLACE WITH AN AIR GAP. REFER TO LOCAL CODES.
7. MA CODE REQUIRES A 1/8 IN HOLE IN CHECK VALVE TO COMPENSATE FOR THERMAL EXPANSION.
8. CONTRACTOR SHALL VERIFY, WITH AUTHORITY HAVING JURISDICTION, FOR THE REQUIREMENTS OF AN ACID NEUTRALIZATION KIT.
9. A THERMOSTATIC MIXING VALVE MAY BE REQUIRED AT THE OUTLET OF THE TANK IN ORDER TO LIMIT THE MIXED WATER TO A DESIRABLE TEMPERATURE HELPING TO PREVENT SCALDING AND INJURY. CONSULT LOCAL CODES.

NOTICE: THESE DRAWINGS SHOW SUGGESTED PIPING CONFIGURATION, VALVING AND ARE DIAGRAMMATIC. CHECK WITH LOCAL CODES AND ORDINANCES FOR SPECIFIC REQUIREMENTS.



CONDENSATE PIPING

The condensate trap provided with the boiler/water heater must be attached to the bottom pan and piped to a suitable floor drain (consult local code) or condensate pump. If a condensate neutralization device is required by local code, it must be positioned prior to boiler room drain. Fill the condensate trap with water, check and maintain water level in trap during operation prior to start-up.

GAS SUPPLY PIPING

WARNING Check the boiler/water heater rating plate to make sure that the boiler is for the type of gas that will be used. If it isn't, do not connect the boiler to the gas supply. Failure to comply with this warning can result in extensive property damage, severe personal injury or death!

The Torus comes from the factory ready to be piped to the gas supply. If for any reason the boiler/water heater is not for the type of gas available at the installation site, call your RBI representative to resolve the problem.

Do not size the gas supply line nominal iron pipe size based only on the boiler gas inlet connection size. The gas supply line (feed) to the boiler gas inlet connection must be designed per an engineered method and utilizing (Table 9) to ensure that the gas supply piping is sized properly. Do not neglect the pressure drop due to pipe fittings. (Table 9) should be used in conjunction with (Table 10) to ensure that the gas supply piping has the capacity to meet the demand. If more than one appliance is supplied by the same supply pipe, the piping must be sized based on the maximum possible demand.

Figure 16 - Torus Series Condensate Drain

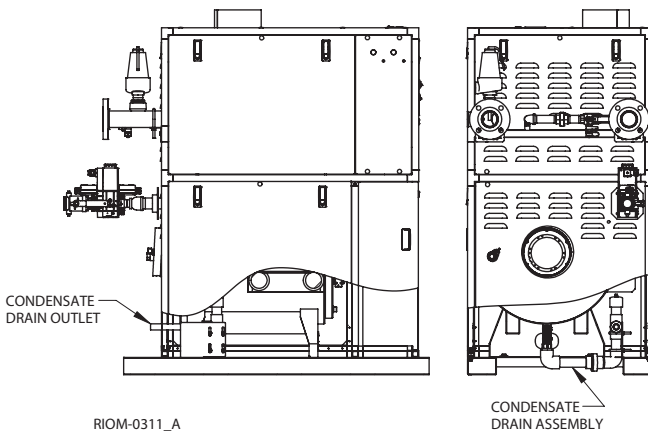


Figure 17 depicts the proper way to connect the boiler to the gas supply piping. The manual shut-off valve **MUST** be installed in the supply piping. It should be installed **5 ft, 1 m** above the floor where required by local codes. Provide a sediment trap at the bottom of the vertical section of the gas supply pipe upstream of the gas controls.

A ground joint union should be installed between the boiler/water heater gas controls and the supply piping. Each of these items are needed to ensure long life and ease of servicing. Always use a pipe sealant that is suitable for use with the type of gas (NG/LP) being used.

Table 9 - Gas Pipe Capacity

Maximum pipe capacity in ft ³ /hr based on 0.60 specific gravity gas at a pressure of 0.5 psig or less and a 0.3" WC pressure drop.									
Nominal Iron Pipe Size	Pipe length in feet								
	10	20	30	40	50	60	80	100	150
Maximum gas volume of pipe (ft ³ /hr)									
1 1/2"	1600	1100	890	760	670	610	530	460	380
2"	3050	2100	1650	1450	1270	1150	990	870	710
2 1/2"	4800	3300	2700	2300	2000	1850	1600	1400	1130
3"	8500	5900	4700	4100	3600	3250	2800	2500	2000
4"	17,500	12,000	9700	8300	7400	6800	5800	5100	4100
5"	31,700	21,800	17,500	15,000	13,300	12,000	10,300	9110	7320
6"	51,300	35,300	28,300	24,200	21,500	19,500	16,700	14,800	11,900

Note: Multiply the gas volume by 0.62 for propane flow capacity in ft³/hr. Multiply the propane flow capacity by 2500 Btu/ft³ to determine the propane Btu/hr capacity for a given pipe size and length.

Table 10 - Equivalent Pipe Length Chart

Nominal Iron Pipe Size	Type of pipe fitting			
	90° Elbow	Tee ¹	Gas Valve ²	Gas Cock ²
Equivalent pipe length, (ft)				
1 1/2"	4.0	8.0	0.9	2.3
2"	5.2	10.3	1.2	3.0
2 1/2"	6.2	12.3	1.4	3.5
3"	7.7	15.3	1.8	4.5
4"	10.1	20.2	2.4	6.0
5"	12.6	25.2	2.9	7.3
6"	15.2	30.4	3.5	13.4

Notes: 1. For flow through branch.
2. For flow at full open.

NOTICE A lockup style regulator, supplied by others, must be installed, see Figure 17, if gas pressure exceeds (14 in WC). The regulator, when installed as shown, must be installed at a distance of at least 10 pipe diameters from the boiler main gas valve. All boilers are calibrated and factory test fired at (7 in ± 1.0) WC.

NOTICE A minimum of (3 in WC) and maximum of (14 in WC) must be maintained to the inlet of the boiler/water heater gas train not to exceed a maximum of (1 in WC) drop when firing from minimum input to full load of the gas supply line and all the appliances running.

CAUTION Always use a wrench on the gas valve body when making gas connections to it. Never over-tighten the piping entering the gas valve body or gas valve failure may result!

Safe lighting and other performance criteria were met with the gas manifold and control assembly provided on the boiler/water heater. All gas connections **MUST** be leak tested before putting the boiler into operation.

CAUTION Never use an open flame to test for gas leaks. Always use an approved leak detection method. Failure to comply with this warning can cause extensive property damage, severe personal injury or death!

NOTICE Gas train must be isolated when purging the gas line prior to commissioning the boiler.

WARNING Corrosion of the gas train components with debris and cutting oils can reduce reliable operation which can have a negative effect on the operation & manufacturers warranty of the Dungs gas valve. The factory supplied Dungs MBC modulation gas valve, see Figure 17, incorporates an internal filter that must be inspected and changed at required intervals. Reference the Dungs MBC Installation Instructions - 264541 for detailed instructions. Combined with clean gas pipes and good plumbing practices (such as installing a drip leg), should adequately protect the MBC valve seat, regulator and internal orifices from clogging or damage. However, site conditions might warrant an additional filter. This should be installed upstream of the appliance gas regulator to the unit.

Whenever the gas supply piping is pressure tested the boiler gas controls must be protected. If the test pressure is equal to, or less than **1/2 psig, 3.5 kPa** isolate the boiler by closing its' manual shut off valve, see Figure 17. If the test pressure is greater than, or equal to **1/2 psig, 3.5 kPa**, disconnect the boiler and its individual shut-off valve.

ELECTRICAL WIRING

Electrical Power Connections

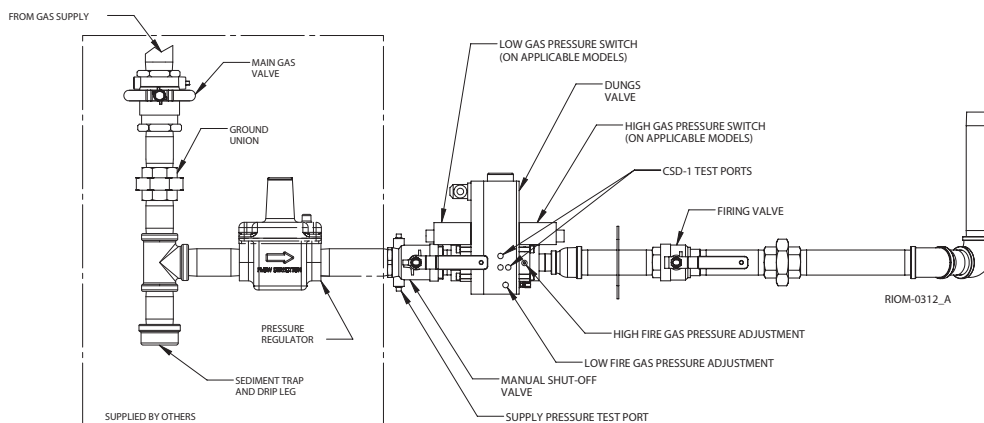
CAUTION Label all wires prior to disconnection when servicing controls. Wiring errors can cause improper and dangerous operation! Verify proper operation after servicing.

ATTENTION. Au moment de l'entretien des commandes, étiquetez tous les fils avant de les débrancher. Des erreurs de câblage peuvent entraîner un fonctionnement inadéquat et dangereux. S'assurer que l'appareil fonctionne adéquatement une fois l'entretien terminé.

The electrical connections to this boiler/water heater must be made in accordance with all applicable local codes and the latest revision of the National Electrical Code, ANSI/NFPA-70. Installation should also conform with CSA C22.1 Canadian Electrical Code Part I if installed in Canada. A separate circuit breaker must be installed per boiler - (if required, the optional local pump FLA must be incorporated and sized accordingly). A properly rated shut-off switch should be located at the boiler. The boiler must be grounded in accordance with the authority having jurisdiction, or if none, the latest revision of the National Electrical Code, ANSI/NFPA-70.

Refer to the wiring diagram supplied with the boiler for proper wiring connections and boiler full load amperage (FLA).

Figure 17 - Gas Supply Piping



BOILER/WATER HEATER OPERATION

WARNING Before proceeding read and fully understand the instructions contained in this manual. Do not attempt to operate this boiler if it has not been installed in accordance with the guidelines set forth in this manual. Failure to comply with this warning can result in extensive property damage, severe personal injury or death!

Should overheating occur or the gas supply fail to shut off, turn off the manual gas control valve to the appliance. **Do Not interrupt water flow through the boiler/water heater.**

En cas de surchauffe ou si l'alimentation en gaz ne s'arrête pas, fermez manuellement le robinet d'arrêt de l'admission de gaz.

Hydronic Heating Boilers (Fill System)

Open the make-up water valve and slowly fill the boiler and all of the radiation with water. Ensure that all bleed and drain valves are closed.

Adjust the make-up water pressure regulator so a minimum **5 psig, 82.7 kPa** system pressure is maintained at the highest point in the system piping. A minimum system pressure of **20 psig, 138 kPa** must be maintained at boiler operating conditions. A minimum system pressure of **30 psig, 207 kPa** fill pressure is required, at boiler operating conditions, on glycol mixtures within a closed loop.

Open the system bleed and drain valves, one at a time, to purge the air trapped in the heating system piping.

With the boiler off, run the system pump for at least 30 minutes and bleed the system piping using the bleed valves. If strainers are used in the system piping the make-up water valve should be closed and the strainers checked and cleaned.

The system expansion tank should be checked to ensure that tank air pressure equals cold static fill pressure.

Start the boiler as described in the OPERATING INSTRUCTIONS below. Run the boiler for at least an hour. The system pump(s) and all radiation units must be operated during this time. Ensure that the make-up water valve is open.

Shut the boiler off and open the bleed valves to purge the air trapped in the heating system piping. Close the make-up water valve and check and clean the strainers and make-up water pressure reducing valve.

Open the make-up water valve and adjust the system pressure if necessary.

The system should be checked and bled after three days of operation.

OPERATING INSTRUCTIONS

FOR YOUR SAFETY READ BEFORE OPERATING. ONLY QUALIFIED LICENSED SERVICE TECHNICIANS SHALL START, TROUBLESHOOT, AND SERVICE THIS APPLIANCE WITH APPROVED COMBUSTION ANALYZER.

POUR VOTRE SÉCURITÉ LISEZ AVANT DE METTRE EN MARCHÉ

A. This appliance is equipped with an ignition device which automatically lights the burner. Do not try to light the burner by hand.

Cet appareil est muni d'un dispositif d'allumage qui allume automatiquement la veilleuse. Ne tentez pas d'allumer la veilleuse manuellement.

B. BEFORE OPERATING smell all around the appliance area for gas. Be sure to smell next to the floor because some gas is heavier than air and will settle on the floor.

WHAT TO DO IF YOU SMELL GAS

- Do not try to light any appliance.
- Do not touch any electric switch; do not use any phone in your building.
- Immediately call your gas supplier from a phone outside of the building. Follow the gas suppliers instructions.
- If you cannot reach your gas supplier, call the fire department.

AVANT DE FAIRE FONCTIONNER, reniflez tout autour de l'appareil pour détecter une odeur de gaz. Reniflez près du plancher, car certains gaz sont plus lourds que l'air et peuvent s'accumuler au niveau du sol.

QUE FAIRE SI VOUS SENTEZ UNE ODEUR DE GAZ:

- Ne pas tenter d'allumer d'appareil.
- Ne touchez à aucun interrupteur; ne pas vous servir des téléphones se trouvant dans le bâtiment.
- Appelez immédiatement votre fournisseur de gaz depuis un voisin. Suivez les instructions du fournisseur.
- Si vous ne pouvez rejoindre le fournisseur, appelez le service de incendies.

C. Do not use this appliance if any part has been under water. Immediately call a qualified service technician to inspect the appliance and to replace any part of the control system and any gas control that has been under water.

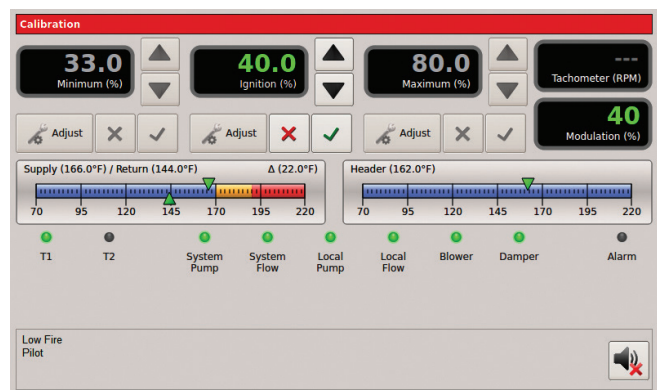
N'utilisez pas cet appareil s'il a été plongé dans l'eau, même partiellement. Faites inspecter l'appareil par un technicien qualifié et remplacez toute partie du système de contrôle et toute commande qui ont été plongés dans l'eau.

Operating Instructions

1. STOP! Read the safety information above. If, at any time, the appliance will not operate properly, follow the instructions "TO TURN OFF GAS TO APPLIANCE" and call your service technician or gas supplier.
2. Set the operating control to off and disable any outside (BMS) call for heat.
3. Turn off all electric power to the appliance.
4. Remove the front cover.
5. Close manual main shut-off valves 1 and 2, Figure 17.
6. Purge the gas piping up to the manual valve ahead of the main gas control of air. When the bleeding is complete, check all gas joints up to the gas valve for leaks.
7. Wait five (5) minutes to clear out any gas.
8. Install a fitting at the supply test port and connect a manometer having a minimum range of **20 in, 508 mm WC** to it, Figure 17. Connect both sides of a manometer or pressure gauge to the manometer pressure taps (differential pressure barbed connections) on the pressure test manifold located inside the upper control panel, Figure 18.
9. See the "Gas Supply Piping" section for the required static and run gas pressure.
10. Open the manual main shut-off valves 1 and 2, Figure 17. Follow the same procedure for multiple gas train configurations (Dual Fuel).
11. Place the "Remote/Local" switch to Remote.
12. Turn the power switch on the front of the boiler to "on". It will light up when the power is on. If all interlocks are properly closed, the display will say "Standby", Figure 18.
13. Slide the HeatNet controls low fire switch (on the HeatNet control board) to the low fire position.
14. The boiler will begin the start sequence.

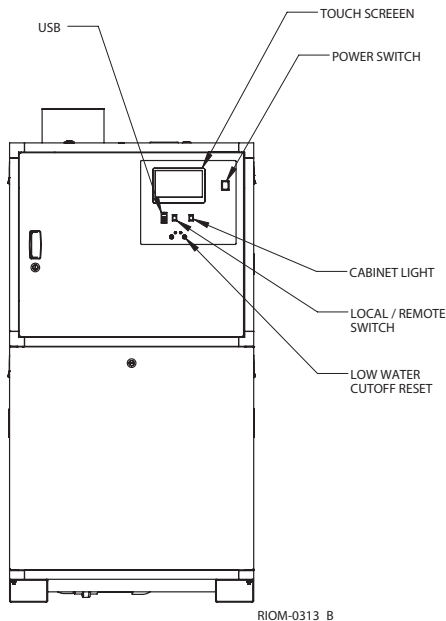
15. When the main display reads "MAIN IGNITION", the burner will light at the "Ignition (%)" shown on the display. In the event the boiler doesn't light the burner will recycle 3 times prior to an ignition lockout. For CSD-1 models, the burner will lockout after one failed ignition try. Non CSD-1 models will require a power cycle to reset the Fenwal control. CSD-1 models utilize a ignition lockout reset switch, Figure 18.
16. To adjust the IGNITION value as shown in the display, place the 'S2' Calibration switch located on the 3.0 HeatNet board to the 'CAL' position. A reload message will be displayed then the calibrate screen. Press the 'Adjust' button under the Ignition (%) setting. The percentage value will turn green and the boiler will ramp to the ignition setting. Set the Blower speed, using the arrow keys, to provide the desired rate for ignition. When the adjustment is satisfactory, press the check key to save the setting.

NOTICE The Calibration (Min % & Max %) represents the mapped signal sent to the blower and doesn't reflect the (modulation %) as indicated on the HeatNet Screen.



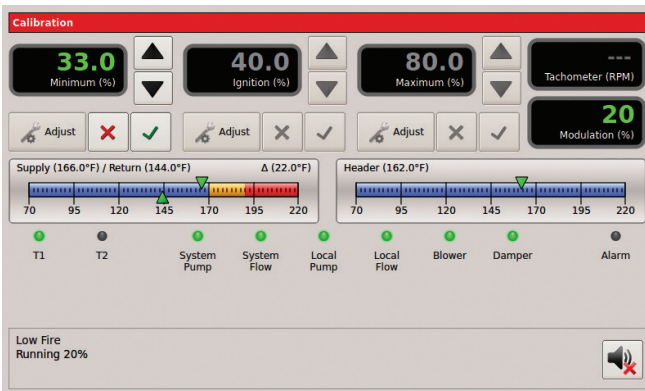
17. Setting the Min % and Low Fire Combustion values: The boiler will cycle and achieve low fire status. Allow low fire to settle out for a few minutes and observe the combustion reading.

Figure 18 - Control Panel Components



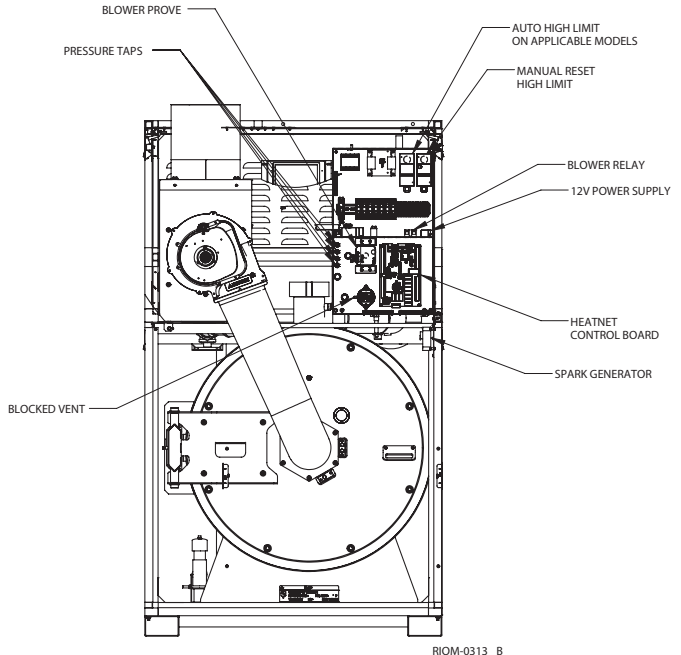
RIOM-0313_B

- a. Verify the 'S2' - Calibration switch located on the 3.0 HeatNet board is in the 'CAL' position.



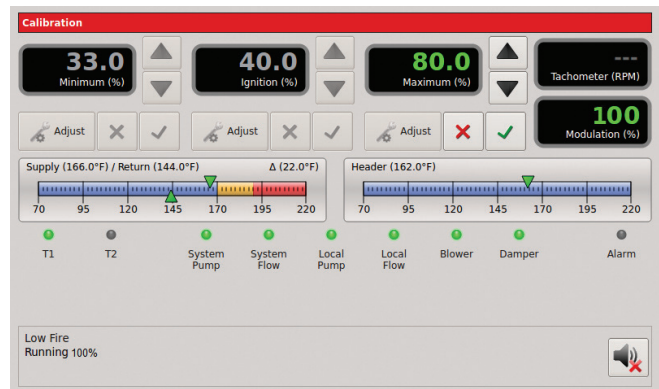
- b. Press the 'Adjust' button under the Minimum (%) setting. The percentage value will turn green. Adjust the minimum value (%), using the arrow keys, to achieve the required combustion - CO₂/O₂, (Table 11), and pressure – delta p, (Table 12), at low fire based on the desired turn down.
- c. Adjust low fire 02-CO₂ by opening the low fire adjustment door located on the forward facing side of the main gas valve, (Figure 17). Inserting an allen wrench and rotating the allen screw clock-wise will increase the CO₂ and lower the O₂; rotating counter clock-wise will decrease the CO₂ and increase the O₂.
- d. When the adjustment is satisfactory, press the check key to save the setting.

18. Setting the Max VFD and High Fire Combustion values: Remove the demand from the Fenwel control by disabling the low fire switch allowing the boiler to stop.



RIOM-0313_B

- a. Verify the 'S2' - Calibration switch located on the 3.0 HeatNet board is in the 'CAL' position. While in Standby (no call for heat on inputs), the Max % percentage may be preset, before firing the boiler. Press the 'Adjust' button under the Maximum (%) setting and set this value to a lower input value (50%). This will allow for manual input control during the high fire set up process (18b.). When the adjustment is satisfactory press the check key to save the setting.



- b. Using the low fire switch on the HeatNet board create a minimum input demand. The boiler will cycle to low fire position. Press the 'Adjust' button under the Maximum (%) setting. Boiler input will modulate to the previously set (50%) input. The percentage value will turn green indicating that it can be changed. Adjust the maximum value (%), using the arrow keys, to achieve the required combustion – CO₂/O₂ (Table 11), and pressure – delta p, (Table 12).
- c. The high fire trim adjustment is located on the outlet flange, (Figure 17), of the gas valve.

- d. When the adjustment is satisfactory press the check key to save the setting. When complete, place the 'S2' switch back to the 'NORM' position.
- e. Allow the boiler to settle into min input and observe combustion and pressure-delta p readings to ensure the boiler is operating correctly. Make any required adjustments. When complete disable the low fire hold switch.
- f. Follow the instructions in the HeatNet Control manual to allow adjustments required for high altitude installations.

Measure flame current

1. With the boiler operating at low fire, measure the flame current.
2. Attach microammeter leads to the flame current test pins of the Fenwal ignition module as in Figure 19.
3. The flame current should be approximately 6 microamps, and never less than 1 microamp.
4. If flame current is too low, check the ignition electrode/flame rod assembly following the instructions in the Checking, Adjustment & Operation section of this manual.

SEQUENCE OF OPERATION

NO DEMAND

Standby

1. The boiler is idle with no interlocks in the fault condition.

DEMAND

Pre-Purge

1. The blower operates at purge RPM. The water flow interlock must 'make' within 15 seconds after the demand signal is initiated.
2. The HeatNet Control starts a 10 second purge delay once the air prove switch contacts close.

Main Run % Input

1. The main gas valve opens.
2. The ignition transformer is de-energized after 6 seconds of ignition.
3. The blower stays at the minimum input setting for 3 seconds then operates at demand % input. See the calibration section in the "Torus Series Control-IOM" to enter the calibration menus.

NO DEMAND

Post-Purge

1. The main gas valve closes.
2. The blower operates at purge RPM for 10 seconds.
3. The boiler is idle with no interlocks in the fault condition.

CHECKING, ADJUSTMENT & OPERATION

Spark Gap

The gap has to be measured and adjusted with the igniter removed from the boiler. Observe the trial for ignition to confirm that the spark is strong and continuous. If not, allow the electrodes to cool. Check and adjust the spark gap as shown in Figure 19a. Electrode tips should face slightly downward.

Figure 19 - Fenwal Ignition Module

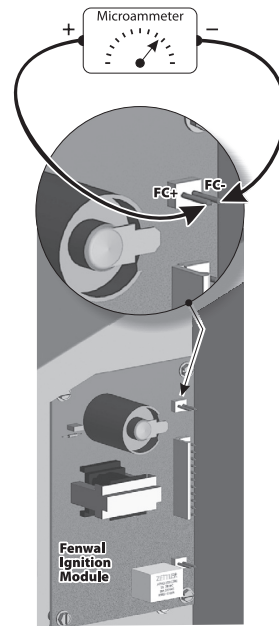


Figure 19a - Spark Gap

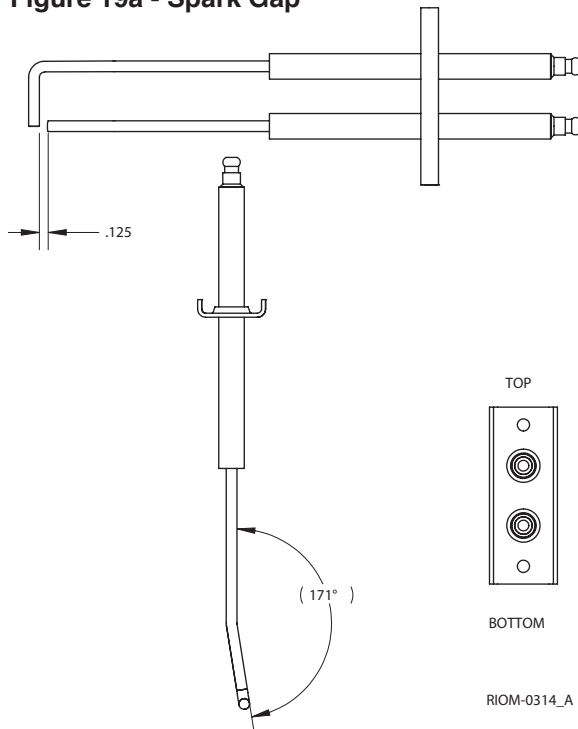


Table 11 - Combustion Settings

Torus Series Whirlwind BlueJet Burner w/Gas Orifice Slide Trim**						
Inlet Air Temp.	CO ₂ %				O ₂ %	
	NG		LPG		Low Fire	High Fire
	Low Fire	High Fire	Low Fire	High Fire		
-40°F	7.2	8.0	8.4	9.4	8.3	6.9
-30°F	7.3	8.1	8.5	9.5	8.1	6.7
-20°F	7.4	8.2	8.7	9.6	7.9	6.5
-10°F	7.5	8.3	8.8	9.7	7.8	6.4
0°F	7.6	8.4	8.9	9.8	7.6	6.2
10°F	7.7	8.5	9.0	9.9	7.4	6.1
20°F	7.8	8.6	9.2	10.1	7.2	5.9
30°F	7.9	8.7	9.3	10.2	7.1	5.7
40°F	8.0	8.8	9.4	10.3	6.9	5.5
50°F	8.1	8.9	9.5	10.5	6.7	5.3
60°F	8.2	9.0	9.6	10.6	6.5	5.2
70°F	8.3	9.1	9.7	10.7	6.4	5.0
80°F	8.4	9.2	9.8	10.8	6.2	4.8
90°F	8.5	9.3	9.9	10.9	6.1	4.7
100°F	8.6	9.4	10.1	11.0	5.9	4.5

**Located on outlet flange of gas valve. (Figure 17)

Due to job conditions, deviation from specified may be required – allow ± (0.2)% range adjustment.

Note: When units are installed with direct sealed combustion air, during periods of time with low outdoor temperature, it is possible for the room air to condense and possibly form frost on the air handling components of the boiler. Refer to: (2015 ASHRAE Cold-Climate Buildings Design Guide).

Table 12 - Input Parameters

*High Fire - Pressure Signal (P)

Firing Rate	1250		1500		2000		2500		3000		4000	
	(Delta P - W.C.)		(Delta P - W.C.)		(Delta P - W.C.)		(Delta P - W.C.)		(Delta P - W.C.)		(Delta P - W.C.)	
Fuel	NG	LP	NG	LP	NG	LP	NG	LP	NG	LP	NG	LP
100%	8.20	8.10	6.90	6.90	9.10	9.10	4.80	4.80	6.30	6.30	6.80	6.10

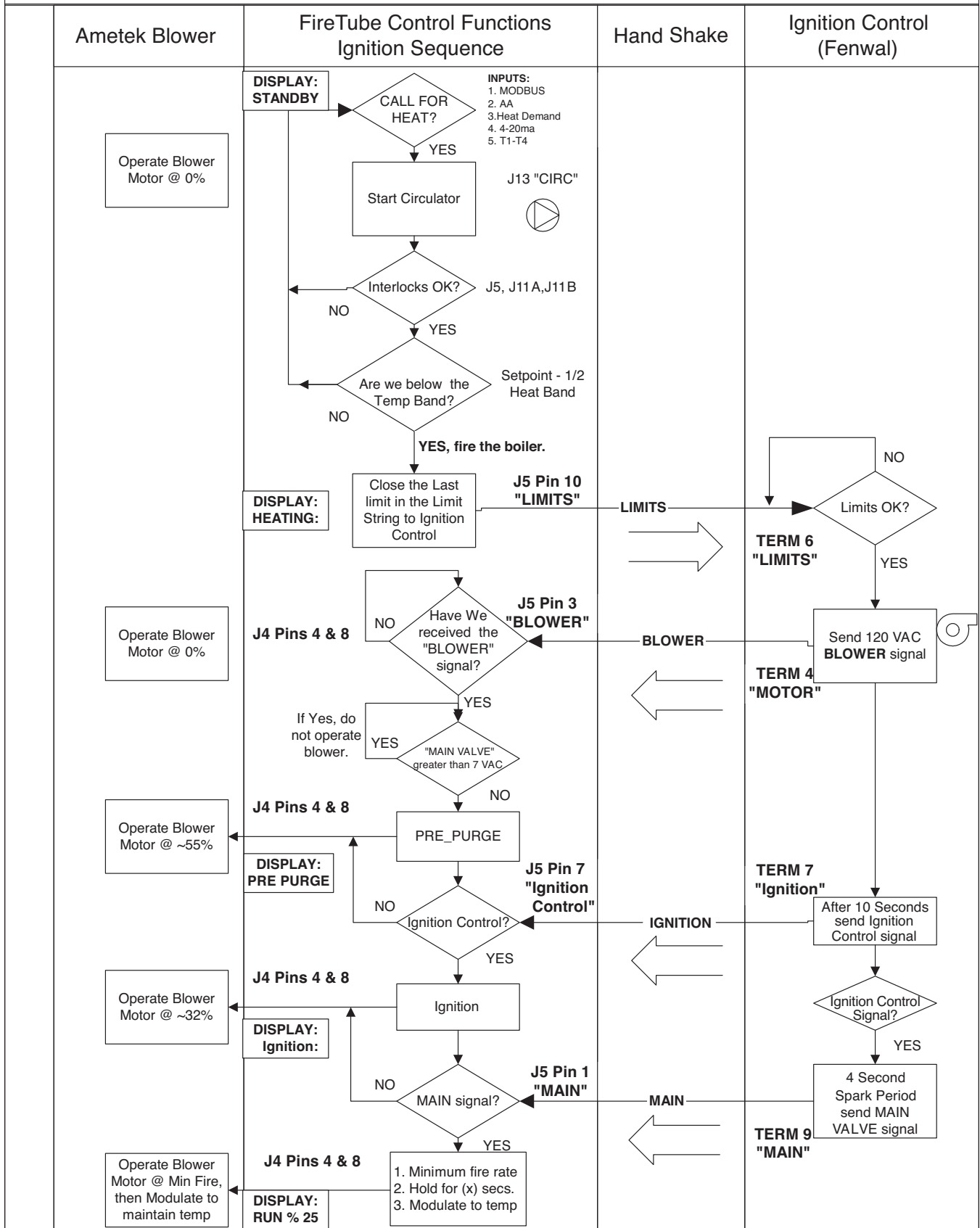
*Low Fire - Pressure Signal (P)

Firing Rate	1250		1500		2000		2500		3000		4000	
	(Delta P - W.C.)		(Delta P - W.C.)		(Delta P - W.C.)		(Delta P - W.C.)		(Delta P - W.C.)		(Delta P - W.C.)	
Fuel	NG	LP	NG	LP	NG	LP	NG	LP	NG	LP	NG	LP
6:1	0.50	0.50	0.50	0.50	0.65	0.70	0.50	0.50	0.50	0.50	0.50	0.60
8:1	0.40	0.40	0.40	0.40	0.50	0.40	0.30	0.40	0.40	0.40	0.40	0.40
10:1	0.30	N/A	0.30	N/A	0.35	N/A	N/A	N/A	0.30	N/A	N/A	N/A

To determine signal in mm WC, multiply signal pressure by 25.4.

*See Factory Combustion label for Dual Fuel signal pressure.

Torus Series "HeatNet Control" Troubleshooting (Firing the Torus Boiler/Water Heater)



Ignition Safety

To test the ignition safety shutoff device, close the manual shutoff valve 1 (Figure 17) in the gas supply line. Within 5 seconds of main burner flame extinction, the main gas valve solenoid should close. The control board will lockout and display “LOW GAS PRESSURE”. Open the manual shutoff valve in the gas supply line and reset the control board by toggling the power switch.

To confirm the input of the unit follow the instructions in the INPUT RATE section below.

Input Rate, Natural Gas

1. Turn off all other gas appliances that use the same gas meter as the boiler.
2. Call your gas supplier and ask for the heating value of the gas (Btu per cu/ft).
3. Start the boiler and let it run for 15 minutes.
4. With the boiler operation clock the time that it takes to burn 10 cu/ft of gas at full fire.
5. Insert the heating value and the time, in seconds, into the formula below.
6. $\text{Input} = 10 / \text{seconds (Btu per cu/ft)}(3600)$.
7. If the computed rate exceeds the desired input follow section “operating instructions” to make the appropriate adjustments.

CAUTION Never increase the input to the boiler above that for which it is rated. Doing so can cause premature failure of the boiler!

Low Water Cutoff

Ensure that the low water cutoff device(s) function properly.

Test in accordance with the manufacturer’s instructions included with the device(s).

DIAGNOSTICS

The Torus has a display that indicates the sequence of operation, Figure 18. The display will also list faults should the unit fail to operate. An explanation of each fault is listed below.

STANDBY: Indicates that power is being supplied to the unit and there is no call for heat.

STANDBY OPERATING LIMIT: Indicates that the operating limit if used is open.

Fenwal “flashing”: Indicates that there is a call for heat and the Fenwal is locked out.

STANDBY START DEMAND: Indicates that there is a call for heat and the Fenwal is not functioning or is locked out.

STANDBY WATER LIMIT: Indicates that either the high limit, low water cut off, or both are open without a call for heat.

LOCKOUT WATER LIMIT: Indicates that either the high limit, low water cut off, or both are open with a call for heat.

STANDBY GAS PRESSURE: Indicates that the low gas pressure switch or the high gas pressure switch if used is open without a call for heat.

LOCKOUT GAS PRESSURE: Indicates that the low gas pressure switch or the high gas pressure switch if used is open with a call for heat.

WAITING FOR FLOW: Indicates that minimum flow hasn't been achieved.

FAULT INSUFFICIENT FLOW: Indicates that inadequate flow is present.

LWCO LOCKOUT: Indicates low or no water in the boiler.

MAINTENANCE

WARNING Disconnect electrical power and close the manual gas shut off valve before performing maintenance or severe personal injury may result!

CAUTION Servicing, inspection and adjustment must be done by a trained technician in accordance with all applicable local and national codes. Improper servicing or adjustment can damage the boiler!

The boiler/water heater must be inspected at least once a year and before each heating season. Make sure that combustion readings and air box pressures are taken on each boiler/water heater and match the desired emissions outlined under the specification in the Installation Manual — adjust as necessary. Accessing the burner compartment isn't necessary during normal maintenance unless combustion values or air box pressures don't meet specification.

CAUTION Improper burner servicing can result in premature burner failure voiding the warranty!

Burner Removal & Inspection

WARNING Wear a tightly fitted dust mask when servicing the burner and gently handle the burner and its gasket to prevent inhalation of airborne fibers.

NOTICE Do not attempt to remove the burner without having a burner gasket kit on hand.

Heat Exchanger Cleaning

In the unlikely event that the heat exchanger becomes blocked consult the factory for the proper cleaning procedure.

Air Intake & Vent System

Thoroughly inspect the air intake and vent systems for any signs of blockage, corrosion or leakage and periodically clean screen in the vent terminal (where applicable). Immediately replace any unsound vent system piping. Inspect the air filter and replace when required.

Controls

Use the BOILER OPERATION and CHECKING AND ADJUSTMENT sections of this manual for reference.

1. Check the operating controls for proper operation.
2. The probe on a probe low water cut off must be removed, cleaned and inspected at least once a year. Ensure that the low water cutoffs operate properly. If not, replace them.

3. The flow sensor isolation valves must be open in order for proper operation.

NOTICE In the unlikely event that the SIKA flow sensor requires cleaning, in order to flush the flow sensor, close the ball valve installed upstream of the flow sensor, connect a hose to the drain fitting provided and open the drain valve. Drain approximately a gallon of water to properly flush the flow sensor. The drain is then closed and the upstream valve reopened.

4. The relief valve should not weep or discharge water at normal system pressure— this may be due to thermal expansion in a closed water supply system. If it does contact a qualified service technician to have it inspected. **NEVER** plug or try to clean or repair the relief valve! If the valve fails to operate properly, have it replaced!

5. The aquastat high limit controls the maximum water temperature in the boiler/water heater. It is adjustable from **100°F, 38°C** to **210°F, 99°C**. If the water temperature reaches the set temperature before the demand for heat has been met, the aquastat high limit should shut the boiler/water heater off. The water temperature should never exceed the maximum set point of **210°F, 99°C**. The aquastat high limit cannot be repaired. If it fails to function properly replace it.

6. Visually check the main burner flames to ensure proper operation, see Figure 20.

WARNING Visual flame appearance with proper combustion will have a red and blue striped appearance at low fire and flecked areas of red with a majority of blue across the metal mesh burner at high fire. Areas of deep red indicate an infrared condition requiring a combustion adjustment to reduce CO₂ levels.

Figure 20 - Main Burner Flame

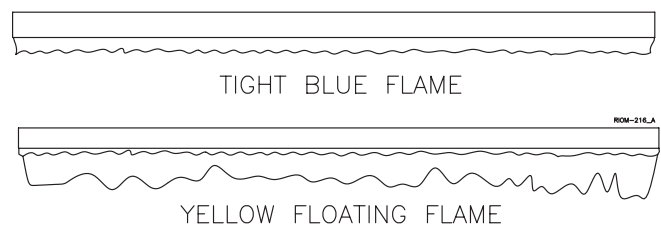


Figure 21 - Pressure Switches

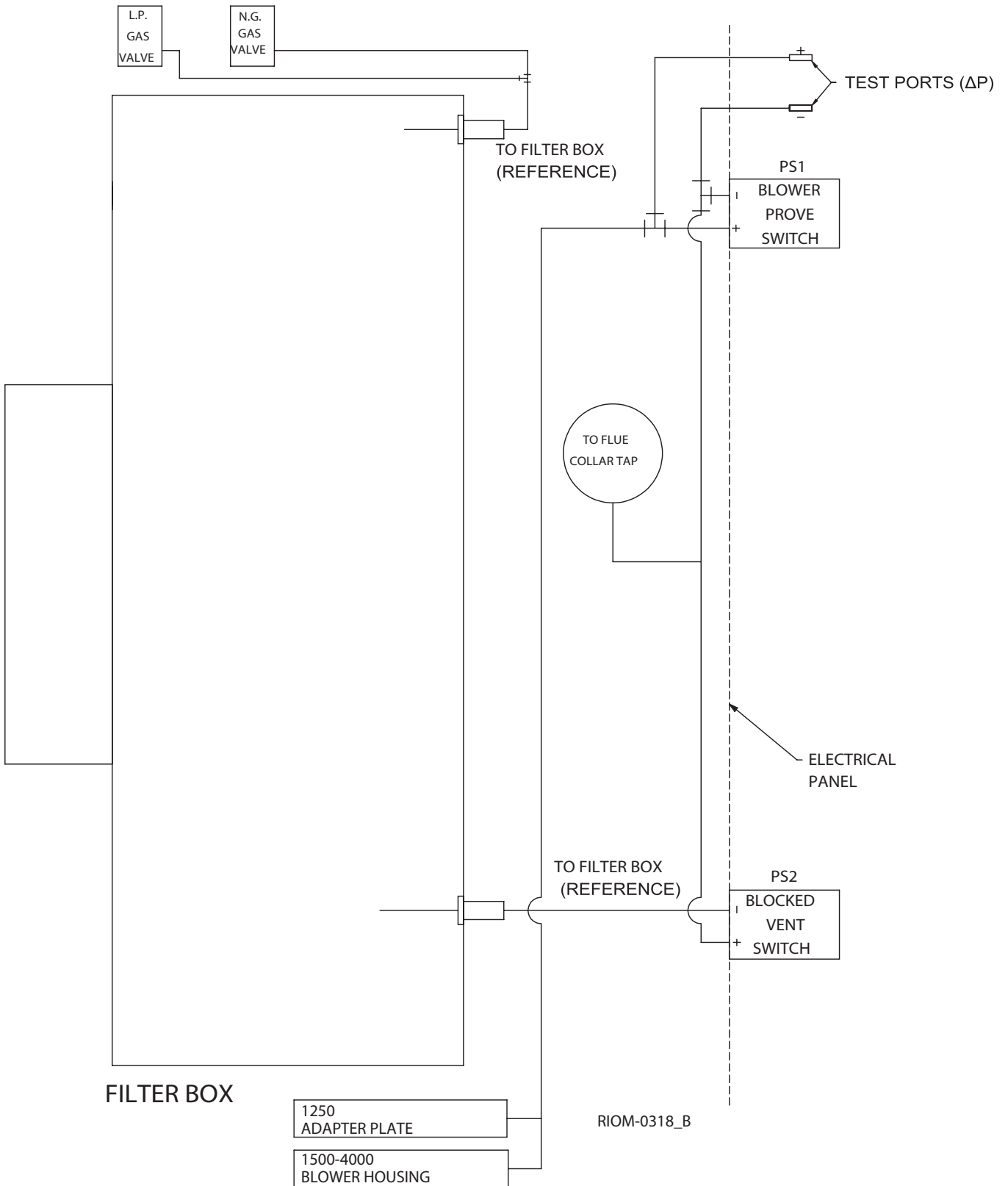


Figure 23 - Relays, Interlocks and Boiler Status

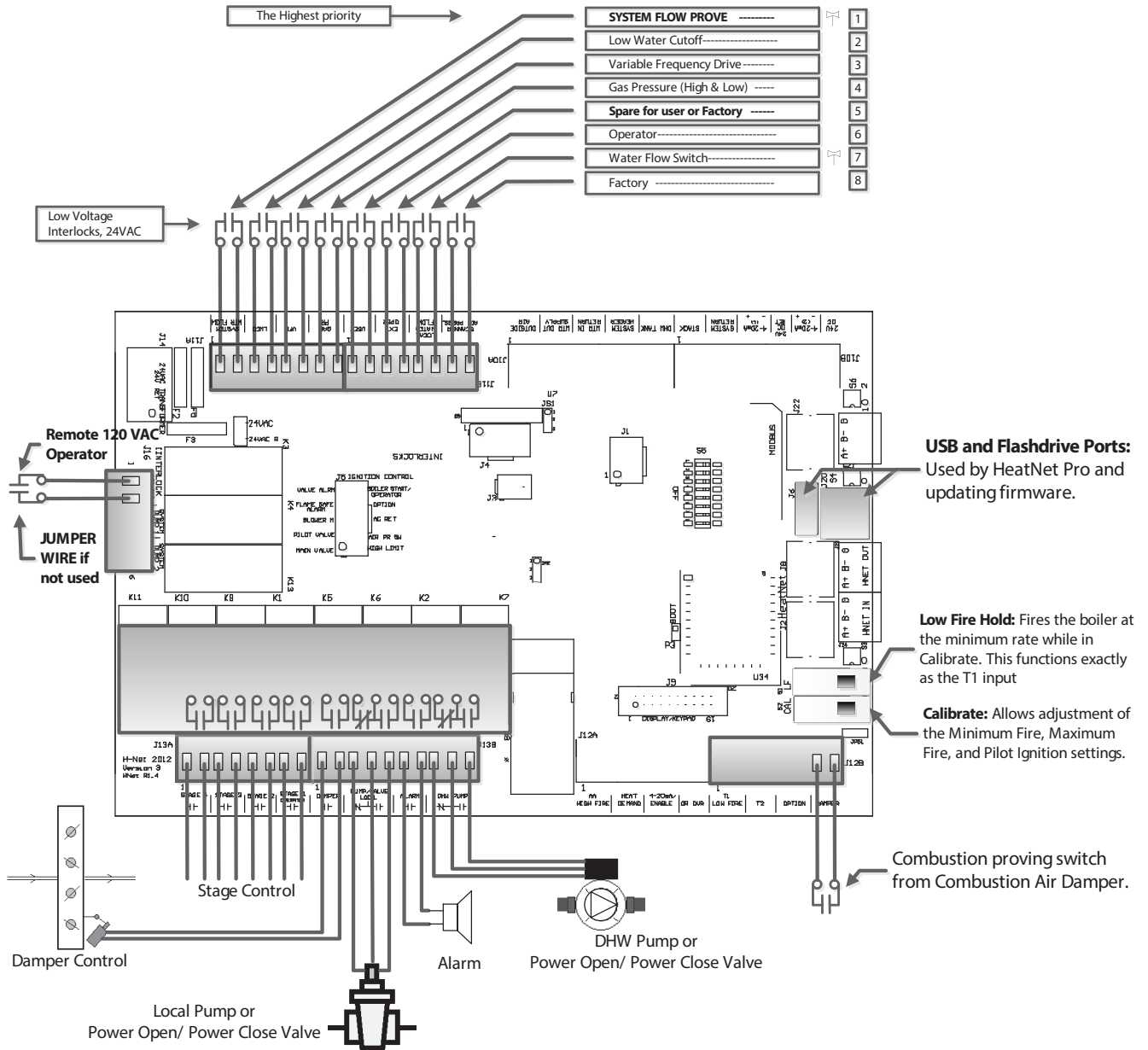
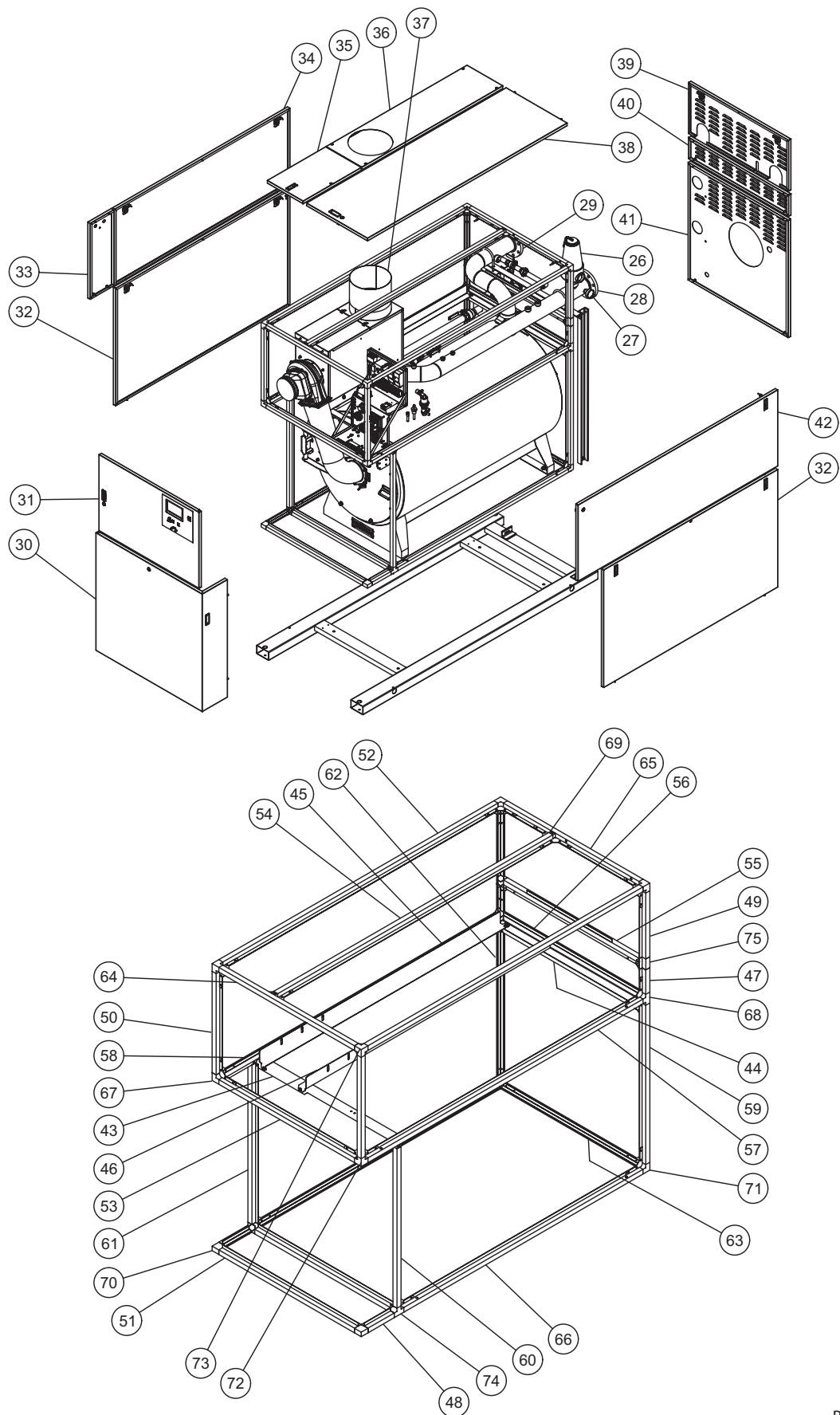
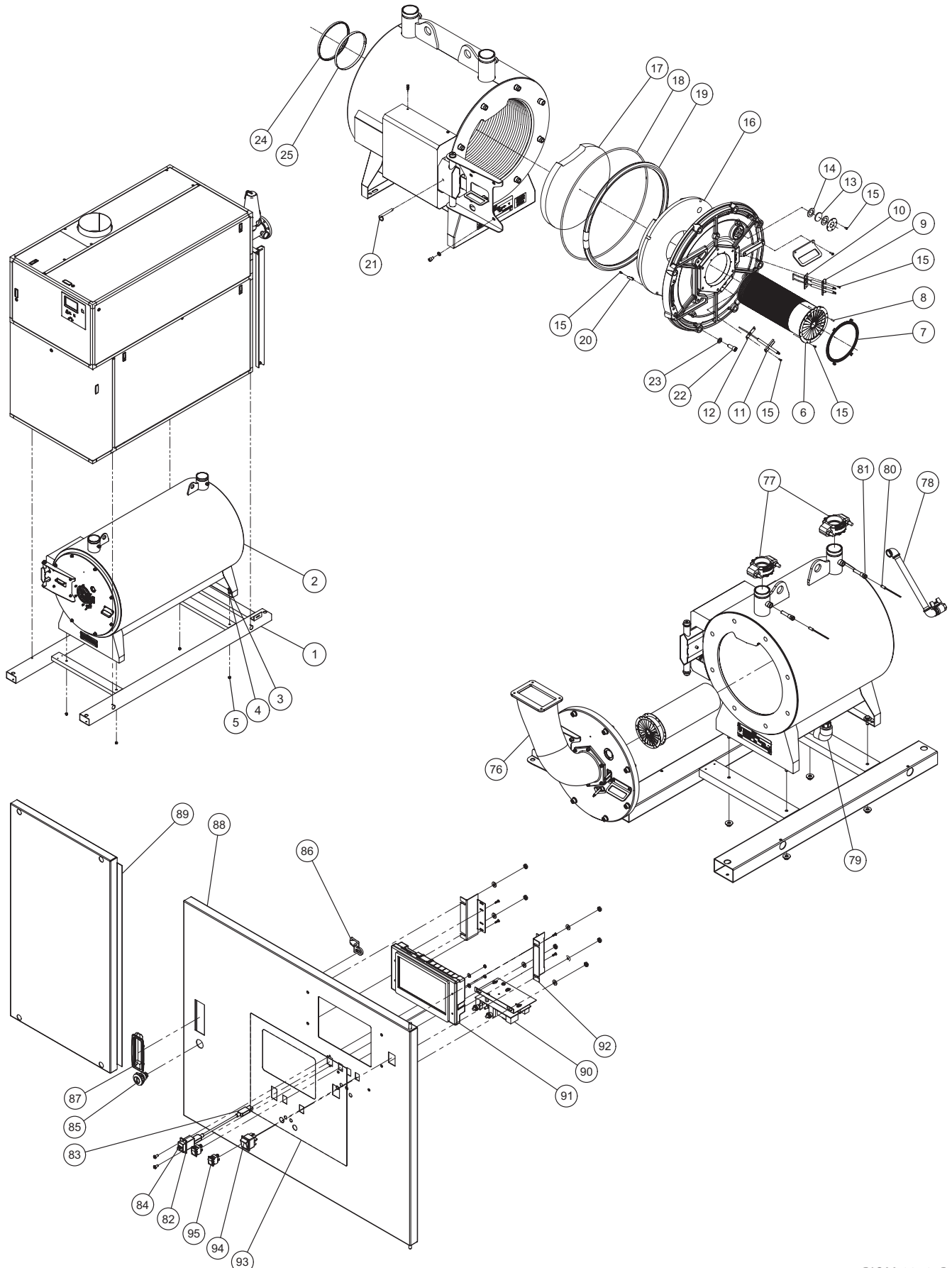
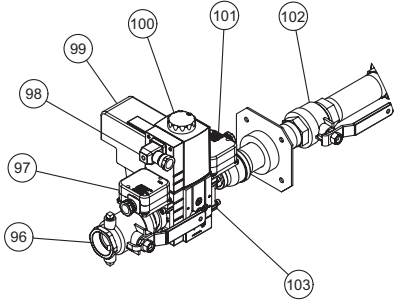


Figure 24 - Exploded View and Replacement Parts

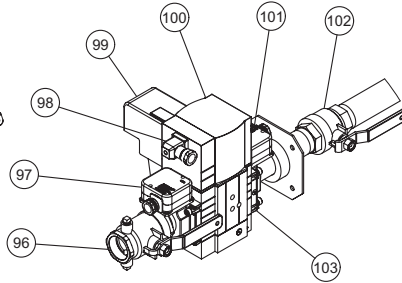




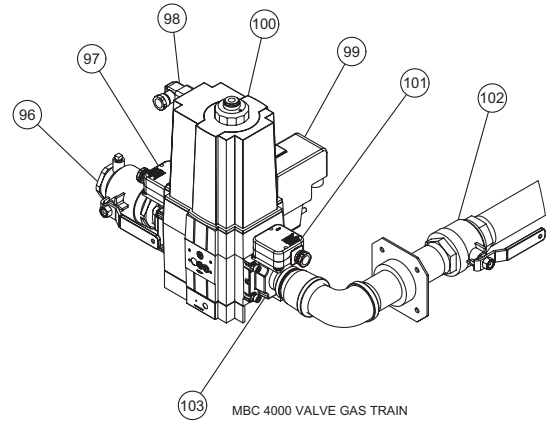
Torus Stainless Steel Condensing Boilers & Water Heaters – Installation Manual



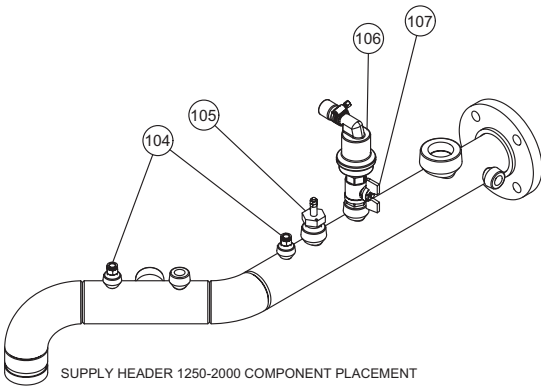
MBC 1000 VALVE GAS TRAIN



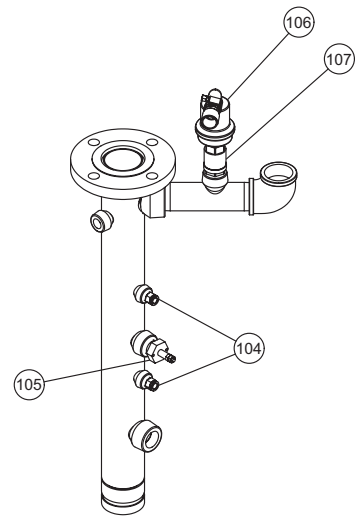
MBC 2500 VALVE GAS TRAIN



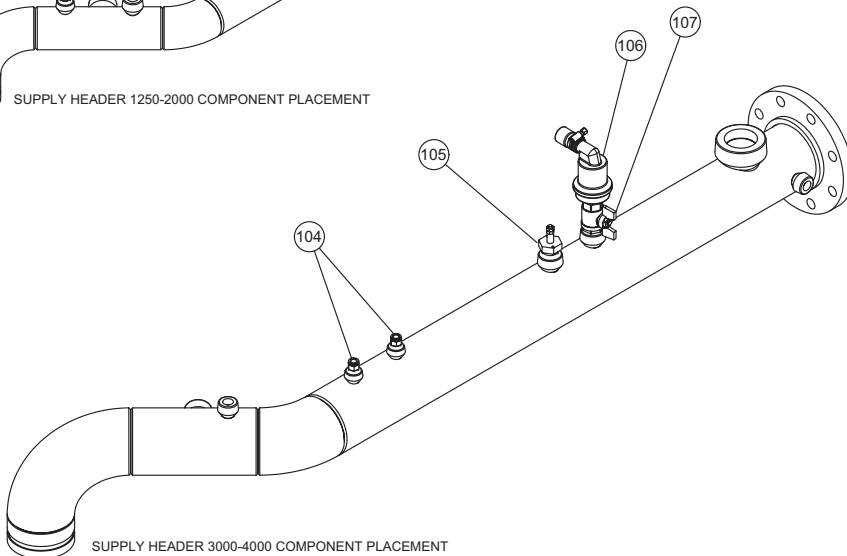
MBC 4000 VALVE GAS TRAIN



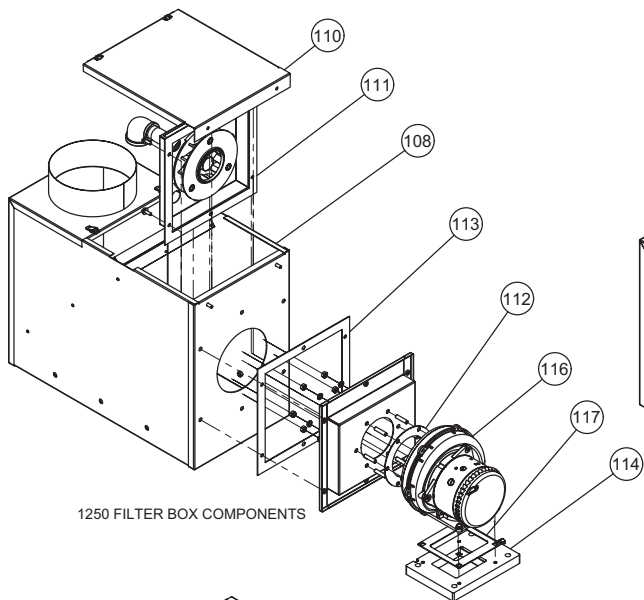
SUPPLY HEADER 1250-2000 COMPONENT PLACEMENT



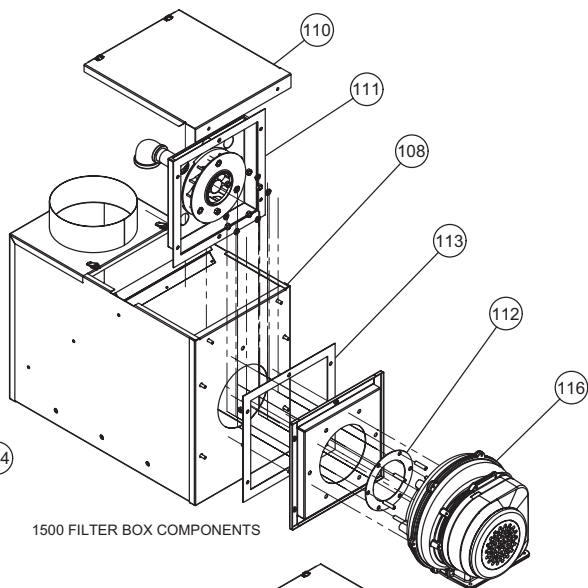
VERTICAL SUPPLY HEADER 1250-4000 COMPONENT PLACEMENT



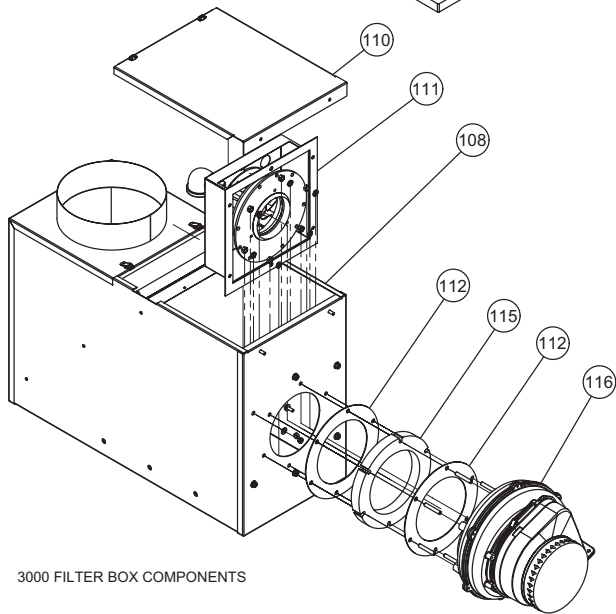
SUPPLY HEADER 3000-4000 COMPONENT PLACEMENT



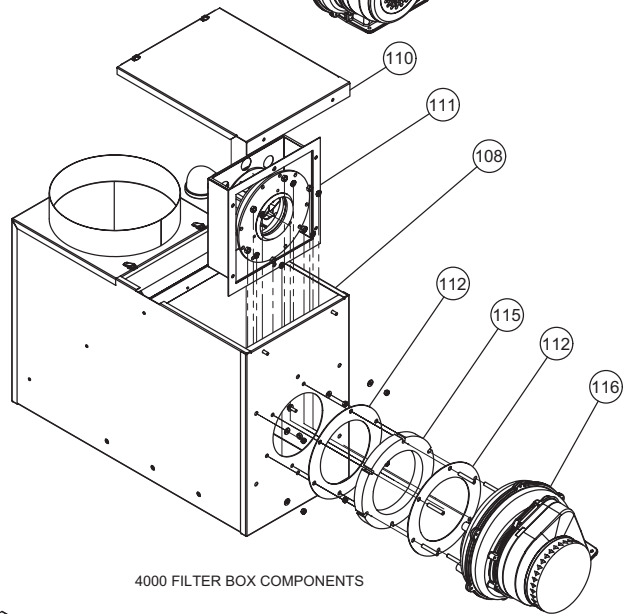
1250 FILTER BOX COMPONENTS



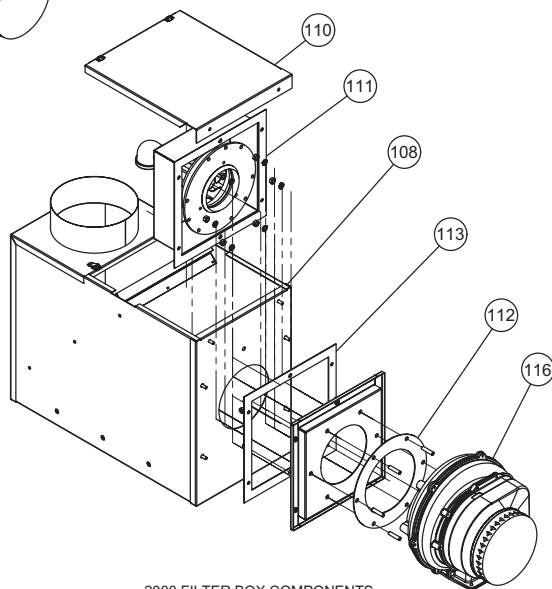
1500 FILTER BOX COMPONENTS



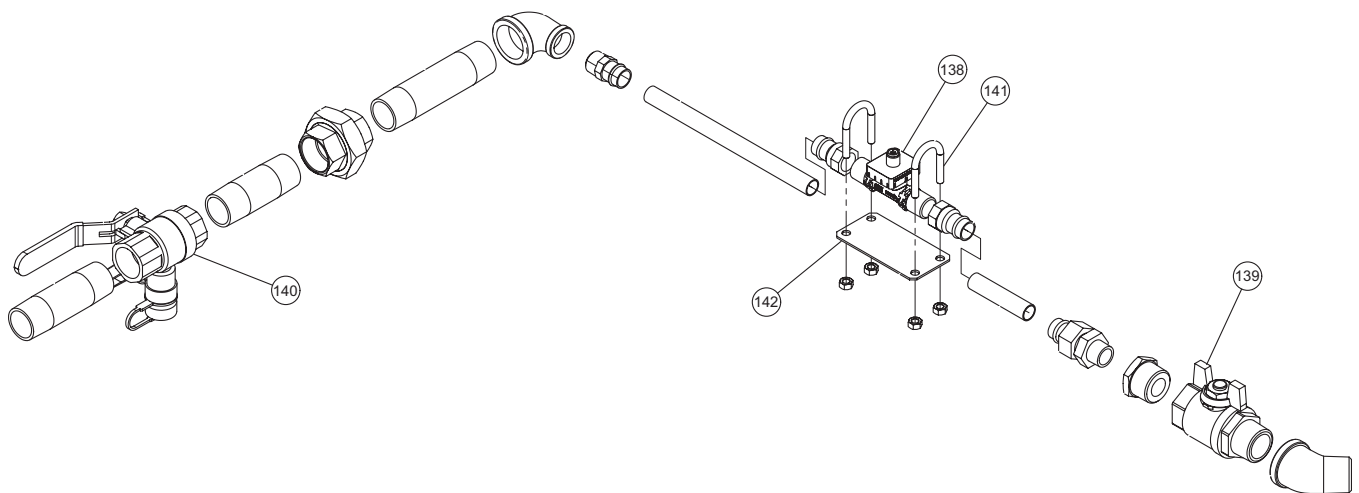
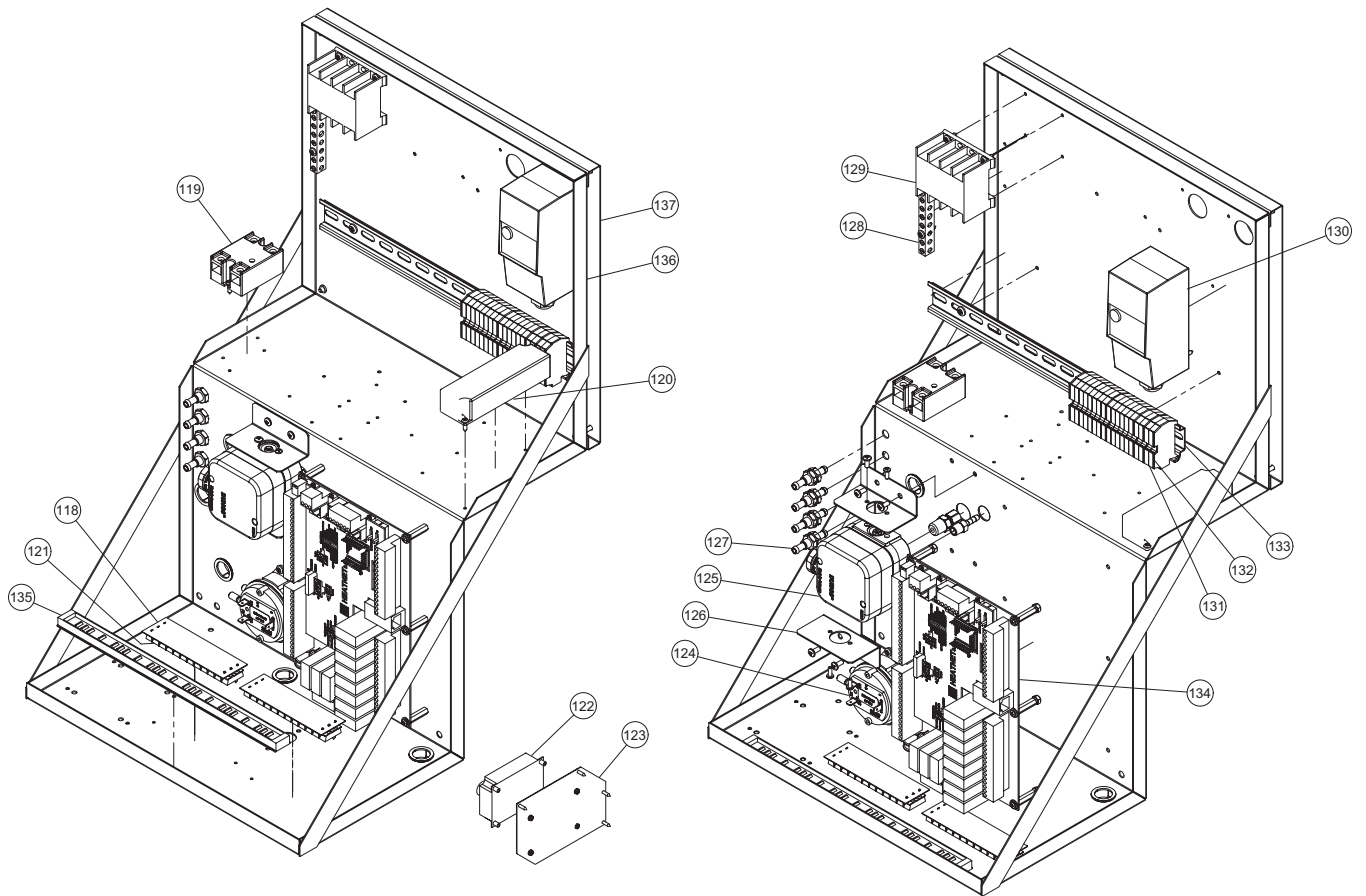
3000 FILTER BOX COMPONENTS



4000 FILTER BOX COMPONENTS



2000 FILTER BOX COMPONENTS



Torus Stainless Steel Condensing Boilers & Water Heaters – Installation Manual

Torus Parts List

Ref #	Name of Part	Part No.	Model Size with Quantities Below					
			1250	1500	2000	2500	3000	4000
1	Weldment, Base Frame	74-1013-001	1					
		74-1013-002		1				
		74-1013-003			1			
		74-1013-004				1	1	
		74-1013-005						1
2	Assembly, Heat Exchanger, WB(Burner included)	74-1003-001	1					
		74-1003-002		1				
		74-1003-003			1			
		74-1003-004				1	1	
		74-1003-005						1
	Assembly, Heat Exchanger, WW(Burner included)	74-1004-001	1					
		74-1004-002		1				
		74-1004-003			1			
		74-1004-004				1	1	
		74-1004-005						1
3	Hex Head Cap Screw, 1/2-13 X 1-1/4"	57-0133-011						
4	Flat Washer, 1/2"	57-0573-015						
5	Hex Nut, 1/2-13	57-0498						
6	Burner	22-0016-001	1					
		22-0016-002		1				
		22-0016-003			1			
		22-0016-004				1	1	
		22-0016-005						1
7	Gasket, Burner	22-0015-001	1	1	1			
		22-0015-002				1	1	1
8	Pin, Burner	22-0002-001						
9	Electrode, Ignition	22-0009-001	1	1	1	1	1	
10	Gasket, Ignition Electrode	22-0011-001	1	1	1	1	1	
11	Electrode, Ionisation	22-0010-001	1	1	1	1	1	
12	Gasket, Ionisation Electrode	22-0012-001	1	1	1	1	1	
13	Sight Glass	22-0007-001	1	1	1	1	1	
14	Gasket, Sight Glass	22-0008-001	2	2	2	2	2	
15	Socket Head Screw, M4X0.7mm X 8mm	57-1455-006	18	18	18	18	18	
16	Insulation, Burner Door	22-0006-001	1	1	1			
		22-0006-002				1	1	1
17	Insulation, Deflector	22-0005-001	1	1	1			
		22-0005-002				1	1	1
18	O-Ring Gasket, Burner Door	22-0013-001	1	1	1	1	1	
		22-0013-002				1	1	1
19	Gasket, Fiber Glass Braid	22-0014-001	1	1	1	1	1	
		22-0014-002				1	1	1
20	Clip, Burner Door Insulation	22-0001-001	4	4	4	4	4	
21	Pin, Trolley	22-0003-001						
22	Socket Head Screw, M14X2 X 35mm	57-1479-017	8	8	8	8	8	
23	Flat Washer, M14	57-1101-012	8	8	8	8	8	
		22-0004-001	1	1	1	1	1	
24	Gasket, Flue Exit, 8"	22-0004-002				1	1	
		22-0004-003					1	
		22-0017-001	1	1	1			
25	Clamp, Flue Exit, 10"	22-0017-002				1	1	
		22-0017-003					1	
		13-0002	1	1	1			
26	Pressure Relief Valve, 50# (WB)	13-0026				1	1	
		13-0080	1	1			1	
		13-0091			1			
		13-0076				1	1	
27	T&P Gauge Duplex 0-230PSI (WB/WW)	13-0305	1	1	1	1	1	
		13-0308	1	1	1	1	1	
		74-1008-001	1					
28	Weldment, Supply Header, WB	74-1008-002		1				
		74-1008-003			1			
		74-1008-004				1	1	
		74-1008-005						
		74-1010-001	1	1	1			
		74-1010-002				1	1	
		74-1018-001	1					
		74-1018-002		1				
		74-1018-003			1			
		74-1018-004				1	1	
		74-1018-005						
		74-1020-001	1	1	1			
		74-1020-002				1	1	
		74-1009-001	1	1	1			
		74-1009-002				1	1	
29	Weldment, Return Header, WB	74-1011-001	1	1	1			
		74-1011-002				1	1	
		74-1019-001	1	1	1			
		74-1019-002				1	1	
		74-1021-001	1	1	1			
30	Assembly, Lower Front Jacket Panel, WB & WW	74-1021-002				1	1	
		75-0559-001	1	1	1			
		75-0559-002				1	1	
		75-0557-001	1	1	1			
		75-0557-002				1	1	
31	Assembly, Front Door, WB & WW	75-0561-001	1	1	1			
		75-0561-002				1	1	
		75-0561-003		1				
		75-0561-004			1			
		75-0561-005				1	1	
32	Assembly, Lower LH & RH Jacket Panel	03-4743-016	1	1	1			
		03-4743-017				1	1	
33	Panel, Electrical Jacket	75-0561-006	1	1	1			
		75-0561-007		1				
		75-0561-008			1			
		75-0561-009				1	1	
		75-0561-010						
34	Assembly, Upper LH Jacket Panel	75-0502-006	1	1	1			
		75-0502-007				1	1	
35	Panel, Air Intake Jacket	03-4740-001	1					
		03-4740-004		1				
		03-4740-007			1			
		03-4740-010				1	1	
		03-4740-013						
36	Collar Extension, 8"	03-4734-001	1	1	1			
		03-4734-002				1	1	
		03-4734-003						
37	Collar Extension, 10"	75-0502-001	1					
		75-0502-002		1				
		75-0502-003			1			
		75-0502-004				1	1	
		75-0502-005						
38	Assembly, Top RH Jacket Panel	75-0502-001	1					
		75-0502-002		1				
		75-0502-003			1			
		75-0502-004				1	1	
		75-0502-005						
	Assembly, Top RH Jacket Panel (Vertical Option)		1					
				1				
					1			
						1	1	

Torus Stainless Steel Condensing Boilers & Water Heaters – Installation Manual

Model Size with Quantities Below

Ref #	Name of Part	Part No.	1250	1500	2000	2500	3000	4000
39	Assembly, Rear Supply & Return Jacket Panel	75-0563-001	1	1	1			
	Assembly, Upper Rear Jacket Panel (Vertical Option)	75-0563-002				1	1	1
40	Assembly, Center Rear Jacket Panel	75-0563-003	1	1	1			
		75-0563-004				1	1	1
41	Panel, Lower Rear Jacket	03-4744-004	1	1	1			
		03-4744-009				1	1	1
42	Assembly, Upper RH Jacket Panel	03-4744-001	1	1	1			
		03-4744-005				1	1	1
43	Bracket, Front Filter Box	03-4744-006						1
		75-0561-011	1					
44	Bracket, Rear Filter Box	75-0561-012		1				
		75-0561-013			1			
45	Bracket, LH Filter Box	75-0561-014				1	1	1
		75-0561-015						1
46	Bracket, RH Filter Box	03-4713-001	1	1	1			
		03-4713-002				1	1	1
47	Profile, Corner, P130-25 x 4-15/16"	03-4713-003	1	1	1			
	Profile, Corner, P130-25 x 6-3/16"	03-4713-004				1	1	1
48	Profile, Corner, P130-25 x 7-11/16"	03-4713-005	1	1	1			
	Profile, Corner, P130-25 x 15-1/32"	03-4713-006				1	1	1
49	Profile, Corner, P130-25 x 16-5/8"	03-4713-007	1	1	1			
	Profile, Corner, P130-25 x 22-23/32"	03-4713-008				1	1	1
50	Profile, Corner, P130-25 x 25-9/16"	03-4713-009	1	1	1			
	Profile, Corner, P130-25 x 28-1/16"	03-4713-010				1	1	1
51	Profile, Corner, P130-25 x 39-9/16"	03-4713-011	1	1	1			
	Profile, Corner, P130-25 x 40-11/16"	03-4713-012				1	1	1
52	Profile, Corner, P130-25 x 45-7/16"	03-4713-013	1	1	1			
	Profile, Corner, P130-25 x 53-9/16"	03-4713-014				1	1	1
53	Profile, Omega, P230-25 x 28-1/16"	03-4713-015	1	1	1			
	Profile, Omega, P230-25 x 39-9/16"	03-4713-016				1	1	1
54	Profile, Omega, P230-25 x 40-11/16"	03-4713-017	1	1	1			
	Profile, Omega, P230-25 x 45-7/16"	03-4713-018				1	1	1
55	Profile, Omega, P230-25 x 53-9/16"	03-4713-019	1	1	1			
	Profile, Omega, P230-25 x 64"	03-4713-020				1	1	1
56	Profile, Omega, P230-25 x 80-1/4", modified-001	03-4713-021	1	1	1			
	Profile, Omega, P230-25 x 80-1/4", modified-002	03-4713-022				1	1	1
57	Profile, Omega, P230-25 x 80-1/4", modified-003	03-4713-023	1	1	1			
	Profile, Omega, P230-25 x 80-1/4", modified-004	03-4713-024				1	1	1
58	Profile, Omega, P230-25 x 80-1/4", modified-005	03-4713-025	1	1	1			
	Profile, Omega, P230-25 x 80-1/4", modified-006	03-4713-026				1	1	1
59	Profile, Omega, P230-25 x 80-1/4", modified-007	03-4713-027	1	1	1			
	Profile, Omega, P230-25 x 80-1/4", modified-008	03-4713-028				1	1	1
60	Profile, Omega, P230-25 x 80-1/4", modified-009	03-4713-029	1	1	1			
	Profile, Omega, P230-25 x 80-1/4", modified-010	03-4713-030				1	1	1
61	Profile, Omega, P230-25 x 80-1/4", modified-011	03-4713-031	1	1	1			
	Profile, Omega, P230-25 x 80-1/4", modified-012	03-4713-032				1	1	1
62	Profile, Omega, P230-25 x 80-1/4", modified-013	03-4713-033	1	1	1			
	Profile, Omega, P230-25 x 80-1/4", modified-014	03-4713-034				1	1	1
63	Profile, Omega, P230-25 x 80-1/4", modified-015	03-4713-035	1	1	1			
	Profile, Omega, P230-25 x 80-1/4", modified-016	03-4713-036				1	1	1
64	Profile, Omega, P230-25 x 80-1/4", modified-017	03-4713-037	1	1	1			
	Profile, Omega, P230-25 x 80-1/4", modified-018	03-4713-038				1	1	1
65	Profile, Omega, P230-25 x 80-1/4", modified-019	03-4713-039	1	1	1			
	Profile, Omega, P230-25 x 80-1/4", modified-020	03-4713-040				1	1	1
66	Profile, Omega, P230-25 x 80-1/4", modified-021	03-4713-041	1	1	1			
	Profile, Omega, P230-25 x 80-1/4", modified-022	03-4713-042				1	1	1
67	Profile, Omega, P230-25 x 80-1/4", modified-023	03-4713-043	1	1	1			
	Profile, Omega, P230-25 x 80-1/4", modified-024	03-4713-044				1	1	1
68	Profile, Omega, P230-25 x 80-1/4", modified-025	03-4713-045	1	1	1			
	Profile, Omega, P230-25 x 80-1/4", modified-026	03-4713-046				1	1	1
69	Profile, Omega, P230-25 x 80-1/4", modified-027	03-4713-047	1	1	1			
	Profile, Omega, P230-25 x 80-1/4", modified-028	03-4713-048				1	1	1
70	Profile, Omega, P230-25 x 80-1/4", modified-029	03-4713-049	1	1	1			
	Profile, Omega, P230-25 x 80-1/4", modified-030	03-4713-050				1	1	1
71	Profile, Omega, P230-25 x 80-1/4", modified-031	03-4713-051	1	1	1			
	Profile, Omega, P230-25 x 80-1/4", modified-032	03-4713-052				1	1	1
72	Profile, Omega, P230-25 x 80-1/4", modified-033	03-4713-053	1	1	1			
	Profile, Omega, P230-25 x 80-1/4", modified-034	03-4713-054				1	1	1
73	Profile, Omega, P230-25 x 80-1/4", modified-035	03-4713-055	1	1	1			
	Profile, Omega, P230-25 x 80-1/4", modified-036	03-4713-056				1	1	1
74	Profile, Omega, P230-25 x 80-1/4", modified-037	03-4713-057	1	1	1			
	Profile, Omega, P230-25 x 80-1/4", modified-038	03-4713-058				1	1	1
75	Profile, Omega, P230-25 x 80-1/4", modified-039	03-4713-059	1	1	1			
	Profile, Omega, P230-25 x 80-1/4", modified-040	03-4713-060				1	1	1
NS	3/4" PVC Foam Gasket (per ft. / per roll 50')	06-0151	50	50	50	50	50	50
	Casting, Blower to HX Door Adapter	01-0214-001	1	1	1			
76	Coupling, 2 1/2"	01-0214-002				1	1	1
	Coupling, 4"	53-6404-005	2	2	2			
77	Assembly, Drain	53-6404-007				2	2	2
	Assembly, Condensate Piping	75-0539-001	1	1	1			
78	10K Temperature Sensor	75-0546-001	1	1	1			
	High Limit Well, 3/8" NPT x 3" Long	75-0546-002				1	1	1
79	USB Socket	14-0325	2	2	2			
	USB Cable	13-0104	2	2	2			
80	USB Socket Cap	44-0064	1	1	1			
	Latch, 1/4 Turn	44-0065	1	1	1			
81	Cam, 1/4 Turn Latch	44-0066	1	1	1			
	Pull Handle	20-0042	1	1	1			
82	Weldment, Front Door Panel	20-0043	1	1	1			
	Weldment, RH Front Door Panel	20-0044	1	1	1			
83	Panel, LH Front Door	74-1022-001	1	1	1			
	LWCO Board	74-1022-002				1	1	1
84	Touch Screen Display	03-4741-003	1	1	1			
	Bracket, Touch screen Display	14-0258	1	1	1			
85	Overlay for Touch Screen Display	40-0091-002	1	1	1			
		03-4719-001	2	2	2			
93		82-0756-001	1	1	1			

Torus Stainless Steel Condensing Boilers & Water Heaters – Installation Manual

Model Size with Quantities Below

Ref #	Name of Part	Part No.	1250	1500	2000	2500	3000	4000
94	Rocker Switch, Red	48-0013	1	1	1	1	1	1
95	Rocker Switch, Green	48-0016	2	2	2	2	2	2
96	"A" Valve, 1 1/2"	11-0467	1	1	1	1	1	1
	"A" Valve, 2"	11-0454						1
97	Low Gas Pressure Switch	11-0422	1	1	1	1	1	1
98	Gas Valve Connector	11-0220	1	1	1	1	1	1
99	Valve Proving System	11-0412	1	1	1	1	1	1
100	Gas Valve MBC-SE 1000	11-0230	1					
	Gas Valve MBC-SE 2500	11-0227						
	Gas Valve MBC 4000	11-0218						1
101	High Gas Pressure Switch	11-0421	1	1	1	1	1	1
102	Firing Valve, 1 1/2"	11-0458	1	1	1	1	1	1
	Firing Valve, 2"	11-0459						1
103	Flange, Adjustable Shutter, 1" NPT	11-0228	1					
	Flange, Adjustable Shutter, 1 1/2" NPT	11-0229		1	1	1	1	1
104	High Limit Well, 3/8" NPT x 3" Long	13-0104	2	2	2	2	2	2
105	LWCO Probe	14-0275	1	1	1	1	1	1
106	Air Vent	13-0352-001	1	1	1	1	1	1
107	Ball Valve, T-Handle, 3/4" NPT	11-0471-002	1	1	1	1	1	1
108	Weldment, Filter Box	74-1006-001	1	1				
		74-1006-002				1	1	
		74-1006-003						1
110	Panel, Filter Box Cover	03-4706-001	1	1	1			
		03-4706-002				1	1	1
111	Assembly, HT Air & Gas Mixing Box, NG	75-0514-001	1	1				
		75-0514-002			1			
		75-0514-003				1	1	
		75-0514-004						1
NS	Panel, HT Air & Gas Mixing Box, NG	03-4737-001	1	1				
		03-4737-002			1			
		03-4737-003				1	1	
		03-4737-004						1
NS	Gasket, Air & Gas Mixing Box	06-0214-001	1	1	1	1	1	1
NS	Kit, Swirl Plate	11-0658-001	1	1				
		11-0659-001			1			
		11-0659-002				1	1	
		11-0659-003						1
112	Gasket, Blower Inlet	06-0210-001	1	1				
		06-0210-002			1	2	2	2
113	Gasket, Air & Gas Mixing Box	06-0214-001	1	1	1			
114	Assembly, Blower Adapter	75-0515-001	1	1				
115	Spacer, Blower	04-0762-001				1	1	1
116	Blower, 120V 1ph	12-0032-001	1					
	Blower, 120V 1ph	12-0034-001		1				
	Blower, 208-240V 1ph	12-0033-001			1			
	Blower, 208-240V 3ph	12-0026-001				1	1	
	Blower, 208-240V 3ph	12-0029-001						1
	Blower, 460-575V 3ph	12-0030-001			1	1	1	1
117	Gasket, Blower Outlet	06-0213-001	1					
NS	Gasket, Blower Outlet	06-0209	1	1	1	1	1	1
NS	Combustion Air Filter	09-0495-001	1	1	1			
		09-0495-002				1	1	1
NS	Grommet Plate, NG	03-4712-001	1	1	1	1	1	1
		03-4712-002						1
NS	Gasket, Grommet Plate	06-0219-001	1	1	1	1	1	1
NS	Grommet, NG	06-0072	1	1	1	1	1	1
		06-0073						1
118	Terminal Block Cover, 10P	42-0192-009	2	2	2	2	2	2
119	Solid State Relay, 20A, 1PH	15-0137	1	1				
	Solid State Relay, 25A, 3PH	15-0142-001	1	1	1	1	1	1
120	Power Supply, 120VAC Primary, 12VDC Secondary	15-0352	1	1	1	1	1	1
121	Terminal Block 300V, 30A	48-0156	2	2	2	2	2	2
122	Ignition Control Module, Fenwal	16-0063-001	1	1	1	1	1	1
123	Bracket, Ignition Module	03-4750-001	1	1	1	1	1	1
124	Pressure control, 4.00" WC	14-0070	1	1	1	1	1	1
125	Pressure control, 0.30" WC	14-0071	1	1	1	1	1	1
126	Bracket, Pressure Switch	03-4571-001	2	2	2	2	2	2
127	Fitting, Thru Wall, 3/16" Hose	55-0152	4	4	4	4	4	4
128	Ground Bar, 600V, 6P	48-0446	1	1	1	1	1	1
129	Distribution Block, 600 VAC, 115A, 4P	48-0177-004	1	1	1	1	1	1
NS	Cover, Distribution Block	48-0184-004	1	1	1	1	1	1
130	High Limit, Manual Reset	14-0127	1	1	1	1	1	1
NS	High Limit, Auto Reset	14-0115						1
NS	High Limit, 350F, THERM-O-DISC	14-0129-001	1	1	1	1	1	1
131	Terminal Block, Screwless Feed, 600V, 30A	48-0178-002	18	18	18	18	18	18
132	Cover, Screwless Feed Terminal Block	48-0182-001	5	5	5	5	5	5
NS	End Bracket, Screwless Feed Terminal Block	48-0185-001	2	2	2	2	2	2
NS	Jumper, Screwless Feed Terminal Block	48-0181-002	1	1	1	1	1	1
133	Din Rail	48-0356-1363	1	1	1	1	1	1
134	HeatNet Board, V3.0, Full, SATA	40-0092	1	1	1	1	1	1
135	LED Light, 12V	48-0458	1	1	1	1	1	1
NS	Circuit Breaker(CSD-1 only)	15-0401-001	1	1	1	1	1	1
136	Weldment, Electrical Panel	74-1005-001	1	1	1	1	1	1
137	Shield, Electrical Panel	03-4717-001	1	1	1	1	1	1
NS	Wire Harness, Display	40-0115-001	1	1	1	1	1	1
NS	Wire Harness, Blower Motor & Flow Sensor	40-0401-001	1	1	1	1	1	1
NS	Wire Harness, Ignition Control Module	40-0403-003	1	1	1	1	1	1
NS	Wire Harness, 120 & 24VAC to J14	40-0405-005	1	1	1	1	1	1
NS	Wire Harness, SSR to Blower Motor Power	40-0406-003	1	1	1	1	1	1
NS	Wire Harness, Operator to Electrical Panel	40-0408-003	1	1	1	1	1	1
NS	Wire Harness, J4 to J1 Flow Sensor	40-0415-003	1	1	1	1	1	1
NS	Wire Harness, Gas Valve to Ignition Control	40-0418-001	1	1	1	1	1	1
NS	Wire Harness, Ign Control H.V. Out to Spark Electrode	40-0419-001	1	1	1			
		40-0419-002				1	1	1
NS	Wire Harness, Ign Control B.GND to Ground Electrode	40-0419-003	1	1	1			
		40-0419-004				1	1	1
NS	Wire Harness, Ign Control S1 to Flame Sense Electrode	40-0419-005	1	1	1			
		40-0419-006				1	1	1
138	Flow Sensor	14-0330-002	1	1	1	1	1	1
139	Ball Valve, T-Handle, 1" NPT	11-0471-003	1	1	1	1	1	1
140	Ball Valve, 1" NPT, w/ Hose Drain	13-0252-009	1	1	1	1	1	1
141	Plate, Flow Sensor	03-4725-001	1	1	1	1	1	1
142	U-Bolt, 1/4-20 X 1/2" Pipe	57-2102-005	2	2	2	2	2	2

START-UP REPORT

DATE:	JOB NAME:
TECHNICIAN:	LOCATION:
COMPANY:	MODEL:
PHONE NUMBER:	SERIAL #:

PRE-STARTUP CHECK LIST

- | | |
|--|--|
| <input type="checkbox"/> NO VISIBLE DAMAGE TO UNIT | <input type="checkbox"/> INLET AIR FILTER INSTALLED AND CLEAN |
| <input type="checkbox"/> PIPING PROPERLY CONNECTED | <input type="checkbox"/> PROPER SERVICE CLEARANCES PROVIDED |
| <input type="checkbox"/> BOILER CIRCULATOR WIRED | <input type="checkbox"/> PUMP RUNNING, HEAT EXCHANGER FULL |
| <input type="checkbox"/> VENT/STACK CONNECTED | <input type="checkbox"/> GAS LINES PURGED, NO LEAKS, NO MISSING TEST PLUGS |

BOILER START UP SEQUENCE

Note: Locate the S2 Calibration Switch and low fire hold switch in the bottom-right of the electrical panel on the main HeatNet board. Also locate the manometer pressure taps (Figures 17 &18).

1. Check spark gap and flame rod position: (follow section "Checking, Adjustment & Operation").
2. Perform pre-start up checks and set up: (follow section "Operating Instructions"; Steps 1-10).
3. Disable any external call for heat and toggle the remote/local switch to REMOTE.
4. Ignition and low fire adjustment: Toggle the LOW FIRE switch to cycle the boiler to low fire ignition (follow section "Operating Instructions"; Steps 11-16).
5. Check flame current: (follow section "Measure Flame Current").
6. Set min % and low fire combustion values: (follow section "Operating Instructions"; Step 17).
7. Record combustion and Delta P at low fire.
8. Set max % and high fire combustion values; (follow section "Operating Instructions"; Step 18).
9. Record combustion and Delta P at high firing rate.
10. Check all combustion results using a calibrated flue gas analyzer.
11. Release the LOW FIRE switch to place boiler in standby.

NOTICE

In addition to completing the Torus Series start-up report, complete the control set-up information in the rear of the HeatNet manual.

COMBUSTION ANALYSIS	MINIMUM FIRING RATE	100% FIRING RATE
GAS INLET PRESSURE (WC)	INCHES WC	INCHES WC
CO ₂	%	%
O ₂	%	%
CO (PPM)	PPM	PPM
NET STACK TEMPERATURE	°F	°F
AIR BOX DIFFERENTIAL (DELTA P - WC)	INCHES WC	INCHES WC

SAFETY TEST CHECKLIST

- | | | |
|--|--------------------------------------|--|
| <input type="checkbox"/> FLOW SWITCHES (By Others) | <input type="checkbox"/> AIR SWITCH | <input type="checkbox"/> FLAME SAFEGUARD |
| <input type="checkbox"/> LOW WATER CUT-OFF | <input type="checkbox"/> HIGH LIMITS | |

COMMISSIONING THE BOILER

<input type="checkbox"/> UNIT CYCLED MINIMUM OF 15 TIMES <input type="checkbox"/> CUSTOMER INSTRUCTED <input type="checkbox"/> ALL COVERS REPLACED <input type="checkbox"/> CUSTOMER GIVEN MANUAL <input type="checkbox"/> TARGET TEMPERATURE SET PER CUSTOMER COMMISSIONED BY: _____ <div style="text-align: right; margin-right: 100px;">(SIGNATURE)</div> DATE: _____	THE DELTA T BETWEEN THE HEATER INLET AND OUTLET IS CRITICAL TO PROPER FLOW. BEFORE YOU LEAVE THE JOB-SITE, YOU MUST RECORD THE DELTA T. THIS READING SHOULD NOT EXCEED 100°F, 55°C, NOR BE LOWER THAN 20°F, 11.1°C. DELTA T = <input style="width: 100px; height: 20px;" type="text"/>
---	---

ADDITIONAL NOTES AND COMMENTS

NOTICE!

Commonwealth of Massachusetts Installation Requirements

(a) For all side wall horizontally vented gas fueled equipment installed in every dwelling, building or structure used in whole or in part for residential purposes, including those owned or operated by the commonwealth and where the side wall exhaust vent termination is less than seven (7) feet above finished grade, in the area of the venting, including but not limited to decks and porches, the following requirements shall be satisfied:

1. **INSTALLATION OF CARBON MONOXIDE DETECTORS.**
At the time of installation of the side wall horizontal vented gas fueled equipment, the installing plumber or gasfitter shall observe that a hard wired carbon monoxide detector with an alarm and battery back-up is installed on the floor level where the gas equipment is to be installed. In addition, the installing plumber or gasfitter shall observe that a battery operated or hard wired carbon monoxide detector with an alarm is installed on each additional level of the dwelling, building or structure served by the side wall horizontal vented gas fueled equipment. It shall be the responsibility of the property owner to secure the services of qualified licensed professionals for the installation of hard wired carbon monoxide detectors.
 - a. In the event that the side wall horizontally vented gas fueled equipment is installed in a crawl space or an attic, the hard wired carbon monoxide detector with alarm and battery back-up may be installed on the next adjacent floor level.
 - b. In the event that the requirements of this subdivision can not be met at the time of completion of installation, the owner shall have a period of thirty (30) days to comply with the above requirements; provided, however, that during said thirty (30) day period, a battery operated carbon monoxide detector with an alarm shall be installed.
2. **APPROVED CARBON MONOXIDE DETECTORS.** Each carbon monoxide detector as required in accordance with the above provisions shall comply with NFPA 720 and be ANSI/UL 2034 listed and IAS certified.
3. **SIGNAGE.** A metal or plastic identification plate shall be permanently mounted to the exterior of the building at a minimum height of eight (8) feet above grade directly in line with the exhaust vent terminal for the horizontally vented gas fueled heating appliance or equipment. The sign shall read, in print size no less than one-half (1/2) inch in size, "GAS VENT DIRECTLY BELOW. KEEP CLEAR OF ALL OBSTRUCTIONS".
4. **INSPECTION.** The state or local gas inspector of the side wall horizontally vented gas fueled equipment shall not approve the installation unless, upon inspection, the inspector observes carbon monoxide detectors and signage installed in accordance with the provisions of 248 CMR 5.08(2)(a)1 through 4.

WARNING Improper venting can result in excessive levels of carbon monoxide which can cause severe personal injury or death!

In the Commonwealth of Massachusetts, the installation must be performed by a licensed plumber or gas fitter.

(b) Exemptions

The following equipment is exempt from 248 CMR 5.08(2)(a) 1 through 4:

1. The equipment listed in Chapter 10 entitled "Equipment Not Required To Be Vented" in the most current edition of NFPA 54 as adopted by the Board; and
2. Product Approved side wall horizontally vented gas fueled equipment installed in a room or structure separate from the dwelling, building or structure used in whole or in part for residential purposes.

(c) MANUFACTURER REQUIREMENTS - GAS EQUIPMENT VENTING SYSTEM PROVIDED.

When the manufacturer of Product Approved side wall horizontally vented gas equipment provides a venting system design or venting system components with the equipment, the instructions provided by the manufacturer for installation of the equipment and the venting system shall include:

1. Detailed instructions for the installation of the venting system design or the venting system components; and
2. A complete parts list for the venting system design or venting system.

(d) MANUFACTURER REQUIREMENTS – GAS EQUIPMENT VENTING SYSTEM NOT PROVIDED.

When the manufacturer of a Product Approved side wall horizontally vented gas fueled equipment does not provide the parts for venting the flue gases, but identifies "special venting systems", the following requirements shall be satisfied by the manufacturer:

1. The referenced "special venting system" instructions shall be included with the appliance or equipment installation instructions; and
2. The "special venting systems" shall be Product Approved by the Board, and the instructions for that system shall include a parts list and detailed installation instructions.

(e) A copy of all installation instructions for all Product Approved side wall horizontally vented gas fueled equipment, all venting instructions, all parts lists for venting instructions, and/or all venting design instructions shall remain with the appliance or equipment at the completion of the installation.

WARNING Improper venting can result in excessive levels of carbon monoxide which can cause severe personal injury or death!

Torus Series Boilers/Water Heaters Limited Warranty

The “Manufacturer” warrants to the original owner at the original installation site that the heat exchanger of the Industrial, Commercial, and other Non-Residential Use Boiler (the “Product”) will be free from defects in material or workmanship for ten (10) years from the date of installation. Additional twenty one (21) year thermal shock warranty on heat exchanger. If upon examination by the Manufacturer the Product is shown to have a defect in material or workmanship during the warranty period, the Manufacturer will repair or replace, at its option, that part of the Product which is shown to be defective. All other RBI supplied Boiler parts and replacement heat exchangers are warranted against defects in material and workmanship for one (1) year from date of installation or 18 months from date of shipment from RBI. This boiler is designed to operate in a closed loop heating system. System fill water must not contain more than 500 ppm Dissolved Solids, less than 150 ppm Chloride concentration and no greater than 200 ppm Water Hardness. Suspended solids such as Magnetite, Iron Oxides must be flushed from the system prior to commissioning the boiler(s). The PH level must be within the 6.5-8.5 range. Where required, the system must be protected by the addition of a corrosion inhibitor per the chemical supplier’s instructions.

The “Manufacturer” warrants to the original owner at the original installation site that the heat exchanger of the Industrial, Commercial, and other Non-Residential Use Water Heater (the “Product”) will be free from defects in material or workmanship for five (5) years from the date of installation. Additional twenty one (21) year thermal warranty on heat exchanger. If upon examination by the Manufacturer the Product is shown to have a defect in material or workmanship during the warranty period, the Manufacturer will repair or replace, at its option, that part of the Product which is shown to be defective. All other RBI supplied Water Heater parts are warranted against defects in material and workmanship for one (1) year from date of installation or 18 months from date of shipment from RBI. This Water Heater is designed to operate scale free maintaining a water hardness between 4 and 12 grains per gallon with a level of dissolved solids not exceeding 350 ppm. Water having a hardness less than 4 grains can cause excessive corrosion of the heat exchanger. Water that has a hardness greater than 12 grains per gallon and/or a level of dissolved solids exceeding 350 ppm will require a larger circulating pump and temperature rise. Water hardness greater than 15 grains per gallon will require a water softener system. (See Installation Instructions for proper pump performance.) Excessive water hardness causing a lime build-up in the heat exchanger tubes is not a fault of the equipment and is not covered under the manufacturer’s warranty.

This limited warranty does not apply:

- (a) if the Product has been subjected to misuse or neglect, has been accidentally or intentionally damaged, has not been installed, maintained or operated in accordance with the furnished written instructions, or has been altered or modified in any way.

These include but not limited to:

- Chemical corrosion, no corrosive chemical (freon, dry cleaning chemicals, degreasing liquids, chlorine or any chemicals that produce hydrochloric acid) can be present in the boiler room as it rapidly destroys the heating equipment and voids the warranty.
- (b) to any expenses, including labor or material, incurred during removal or reinstallation of the Product or parts thereof.
 - (c) to damage as a result of settlement, distortion, collapse, or cracking of any foundation area, beams or pipes surrounding the Product.
 - (d) to any workmanship of any installer of the Product; or to Products installed outside the continental United States or Canada.

This limited warranty is conditional upon:

- (a) shipment, to the Manufacturer, of that part of the Product thought to be defective. Goods can only be returned with prior written approval from the Manufacturer. All returns must be freight prepaid.
- (b) determination in the reasonable opinion of the Manufacturer that there exists a defect in material or workmanship.

Repair or replacement of any part under this Limited Warranty shall not extend the duration of the warranty with respect to such repaired or replaced part beyond the stated warranty period.

THIS LIMITED WARRANTY IS IN LIEU OF ALL OTHER WARRANTIES, EITHER EXPRESS OR IMPLIED, AND ALL SUCH OTHER WARRANTIES, INCLUDING WITHOUT LIMITATION IMPLIED WARRANTIES OF MERCHANTABILITY OR FITNESS FOR A PARTICULAR PURPOSE, ARE HEREBY DISCLAIMED AND EXCLUDED FROM THIS LIMITED WARRANTY. IN NO EVENT SHALL THE MANUFACTURER BE LIABLE IN ANY WAY FOR ANY CONSEQUENTIAL, SPECIAL, OR INCIDENTAL DAMAGES OF ANY NATURE WHATSOEVER, OR FOR ANY AMOUNTS IN EXCESS OF THE SELLING PRICE OF THE PRODUCT OR ANY PARTS THEREOF FOUND TO BE DEFECTIVE. THIS LIMITED WARRANTY GIVES THE ORIGINAL OWNER OF THE PRODUCT SPECIFIC LEGAL RIGHTS. YOU MAY ALSO HAVE OTHER RIGHTS WHICH MAY VARY BY EACH JURISDICTION.



260 North Elm Street
Westfield, MA 01085
Phone: (833) 265-5371

7555 Tranmere Drive
■ Mississauga, Ontario L5S 1L4 Canada
Phone: (905) 670-5888

www.rbiwaterheaters.com

