

ENLIGHT™ ROOFTOP UNITS

APPLICATION FLEXIBILITY, INTELLIGENT OPERATION



ROOFTOP SERIES

ENLIGHT™ HIGH-EFFICIENCY ROOFTOP
UNITS FROM LENNOX COMMERCIAL



THE
ENLIGHT™
ROOFTOP SERIES
DELIVERS
ON ALL FRONTS.



/ At Lennox, we're committed to building innovative products that save energy and reduce operating expenses. Enlight high-efficiency rooftop units feature the Lennox® CORE Control System with a mobile service app, optional wireless sensors and a built-in wireless gateway, offering the lowest total cost of ownership. Plus, extensive CTO options maximize performance and flexibility for every need. With designs that are not only sustainable, but also the most service-friendly in the industry, the Enlight family is a big part of a brighter future.

APPLICATION FLEXIBILITY AND INTELLIGENT OPERATION

ENLIGHT

Enlight™ rooftop units are powered by the Lennox® CORE Control System and create a bright future through their highly energy-efficient and environmentally sustainable design. Comprehensive configurations meet a wide range of applications, making it the most flexible product line Lennox has to offer.

- 1 Isolated Compressor Compartment
- 2 Independent Refrigeration Circuits
- 3 Hinged Access Panels
- 4 DirectPlus™ Blower System
- 5 Accessible Heating Compartment
- 6 Tool-less Filter Access
- 7 Lennox® CORE Control System
- 8 Variable Speed Outdoor Fans



APPLICATION FLEXIBILITY

The Enlight™ lineup gives you the flexibility to choose exactly the right configuration for your application.

- **Comprehensive product line** consisting of 3-25 ton gas-electric and electric-electric, and 2-20 ton heat pump and dual fuel heat pump models makes Enlight™ your go to brand
- **Configure to order options** tailor the unit to your application requirements reducing installation time



ENGINEERED INTELLIGENCE

The Enlight™ family was engineered to minimize environmental impact through exceptional efficiency and a sustainable design.

- **Energy-saving efficiency ratings** of up to 17.8 SEER, 17.0 IEER, and 13.3 EER which qualifies for energy rebates and incentives, making it easier for your organization to meet your financial and sustainability goals
- **Environ™ Coil System**** contains up to 52% less refrigerant and is up to 59% lighter than traditional coil systems reducing the overall environmental impact
- **Standard MSAV® supply fan technology** can provide up to 75% fan power savings* while improving comfort



SUSTAINABLE BY DESIGN

The Lennox® CORE Control System delivers connected service, open integration, reliable performance, and efficiency optimization to empower all parts of your organization.

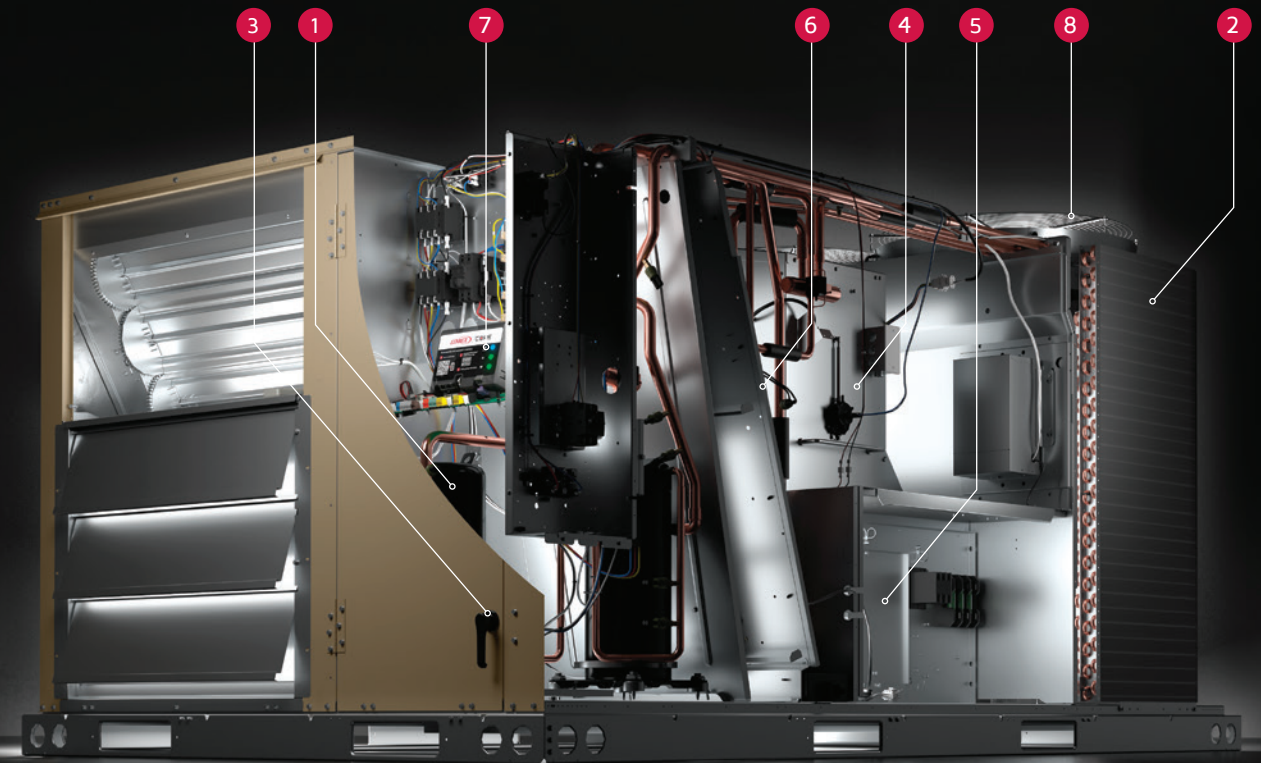
- **Lennox® CORE Unit Controller** optimizes unit operation in real-time by processing advanced sensor inputs, maximizing energy efficiency and space comfort
- **Mobile App Interface** provides intuitive guided setup, reports, and parameter adjustment to optimize unit operation
- **Open integration and control** with standard BACnet® IP & MS/TP, LonTalk®, thermostats, and wireless sensors allows freedom of choice and custom monitoring and control



SIMPLE SERVICE

Enlight™ rooftop units maximize efficiency of maintenance and service operations, reducing operational costs, and minimizing downtime.

- **Mobile app interface** integrates diagnostic, test, and troubleshooting functionalities, reducing install times over traditional built-in interfaces
- **Direct drive blower** standard up to 12.5 tons eliminates traditional belt drive maintenance and service costs
- **The Simple Service System™** offers tool-less filter access, slide-out blower, isolated compressor compartment, and accessible heating compartment which further reduce service time



Heat Pump model shown

ENLIGHT™ HIGHLIGHTS

3- to 25-ton gas/electric and electric/electric units • 2- to 20-ton heat pump and dual-fuel units

Up to 17.8 SEER, 17.0 IEER, and 13.3 EER	Lennox® CORE Control System revolutionizes the service experience with guided setup, detailed reports and actionable alerts	MSAV® supply fan technology achieves up to 75% fan power savings	Environ™ coil system maximizes reliability and sustainability*	Improved comfort with the Humiditrol® dehumidification system*	Extensive factory options and accessories are available
------------------------------------------	-----------------------------------------------------------------------------------------------------------------------------	------------------------------------------------------------------	----------------------------------------------------------------	----------------------------------------------------------------	---------------------------------------------------------

*Available on gas/electric and electric/electric models only.

*At 55% airflow when compared to full load. **Available on Gas/Electric and Electric/Electric models only.



Standard on Model L™ and Enlight™ Rooftop Units

Providing exceptional performance and efficiency, the Lennox® CORE Control System utilizes optional wireless sensors, a mobile service app, and a built-in wireless gateway to deliver the lowest cost of ownership.

THE LENNOX® CORE SERVICE APP MAKES SERVICE SIMPLE

The Lennox® CORE Service App replaces a traditional built-in user interface on the CORE Unit Controller and provides guided setup for install, test and balance, and network integration. Reports that detail runtimes and service history can be exported from the app. The app also facilitates seamless commissioning of wireless sensors and sensor networks compatible with the CORE Control System.



CONNECTED SERVICE

The Lennox® CORE Control System and wireless mobile service app make setup and service faster than ever before.

- Guided Setup with progress indicators, detailed help, and exportable summaries drives simple and trouble-free setup
- Wireless mobile service app makes setup and service faster than ever before
- Enhanced Test Functionality provides real-time sensor readings, trending, and reports that enable easy troubleshooting
- Multiple Device Support for Android and iOS phones and tablets lets you experience the Lennox® CORE Service App on multiple devices



RELIABLE PERFORMANCE

The Lennox® CORE Control System provides key performance indicators and drives unit components simply and reliably.

- Intelligent operation optimizes comfort and unit reliability without complex configuration, saving time and delivering results
- Integrated wireless gateway provides a secure connection to optional wireless zone sensors and the Lennox® CORE Service App
- Configurable backup modes maintain unit operation and comfort during construction or external building control downtime



OPEN INTEGRATION

The Lennox® CORE Unit Controller empowers customers to choose their building controls, allowing simple or tailored operation.

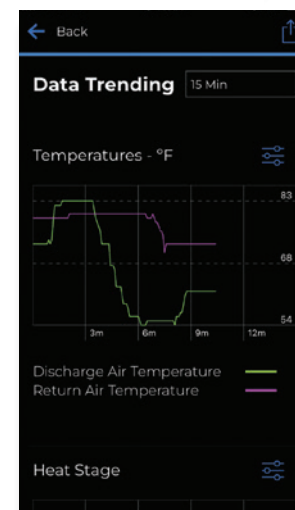
- Multi-protocol Support including standard BACnet® IP & MS/TP allows custom monitoring and control, and backwards compatibility
- Wireless Sensor Support with no additional gateways reduces installation costs for retrofits and new installations
- Device Encryption and Firmware Validation are engineered to Federal Information Processing Standard 140-2 guidelines



EFFICIENCY OPTIMIZATION

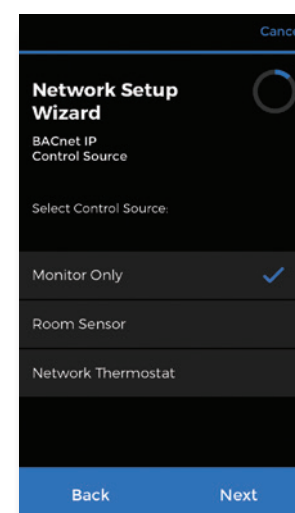
The Lennox® CORE Unit Controller optimizes unit operation in real-time, maximizing energy efficiency and space comfort.

- Standard sensor package monitors key performance indicators of both the air and refrigeration systems to dynamically adjust system operation
- System diagnostics track efficiency and indicate specific component failures
- Configuration parameters drive tailored sequences of operation and make the CORE Unit Controller the most flexible Lennox has to offer



REAL-TIME DATA READOUTS

Enhanced test functionality provides real-time sensor readings, trending and reports that enable easy troubleshooting.



GUIDED SETUP

Guided setup with progress indicators, detailed help and exportable summaries drives simple and trouble-free setup, reducing commissioning times over similar systems.

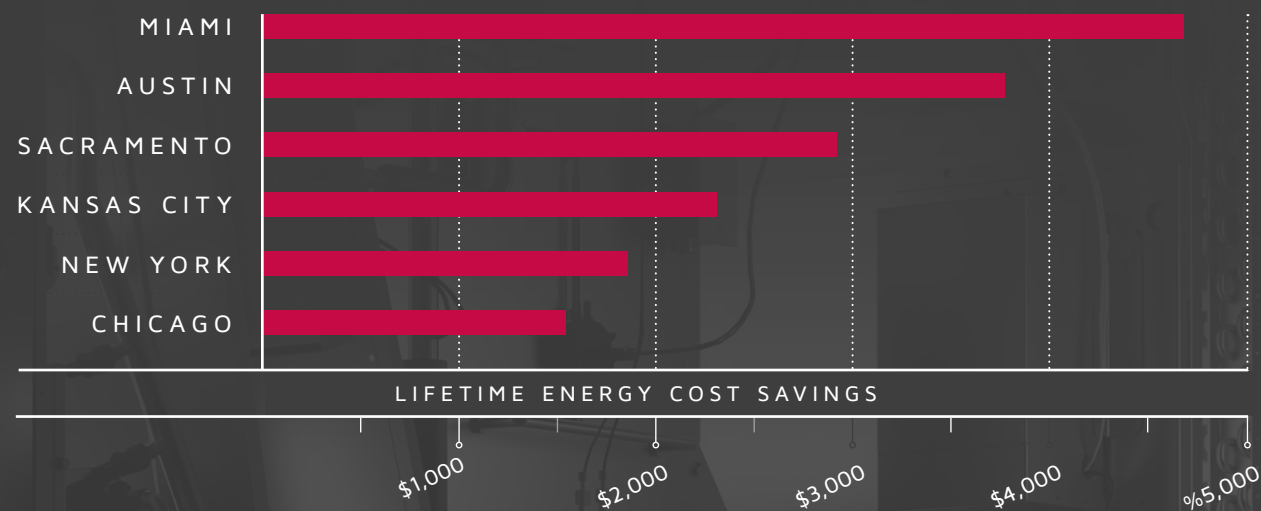


EFFICIENT BY DESIGN

Each Enlight™ rooftop unit is engineered with features designed to keep maintenance low and performance high.

- Environ™ coil system maximizes reliability and sustainability
- Helps buildings qualify for the most LEED® points

3-TON EXAMPLE SAVINGS*



38%

Enlight™ rooftop units exceed the latest U.S. Department of Energy minimum standards by as much as 38%, providing dramatic energy savings and year-round comfort. Plus, a variety of enhancements are available for even greater performance.

- 15-Year Limited Warranty** on stainless steel gas heat exchanger
- 10-Year Limited Warranty** on aluminized gas heat exchanger
- 5-Year Limited Warranty** on compressor
- 3-Year Limited Warranty** on Lennox® CORE unit controller
- 3-Year Limited Warranty** on Environ coil system
- 1-Year Limited Warranty** on covered components

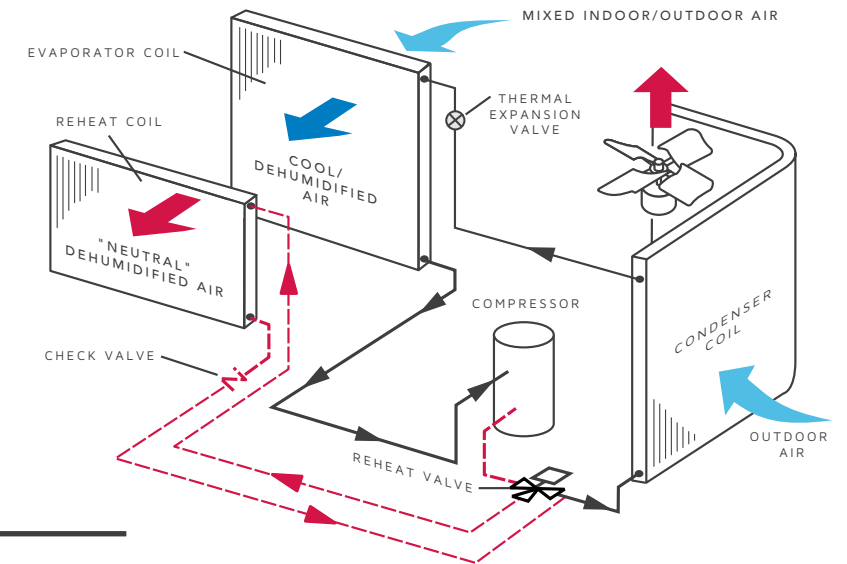
* Calculations based on Lennox' Total Cost of Ownership™ calculator, comparing 3-ton 17.8 SEER (13.3 EER) unit to a 3-ton 13 SEER (10.7 EER) unit at a retail facility (under 25,000 square feet) and a 10:00 a.m. to 10:00 p.m. operating schedule. Lifetime energy cost savings are calculated by multiplying annual energy costs by 15 years. Actual savings may vary depending on system settings, equipment maintenance, local weather, construction, installation of equipment, duct system, hours of operation, local fuel rates and other factors. This information is intended as an example for comparison purposes only.

** See warranty certificate for actual details.

INDUSTRY LEADING TECHNOLOGIES

PATENTED DEHUMIDIFICATION TECHNOLOGIES

An optional Humiditrol® dehumidification system removes moisture based on humidity requirements, not temperature, for a more comfortable indoor environment.

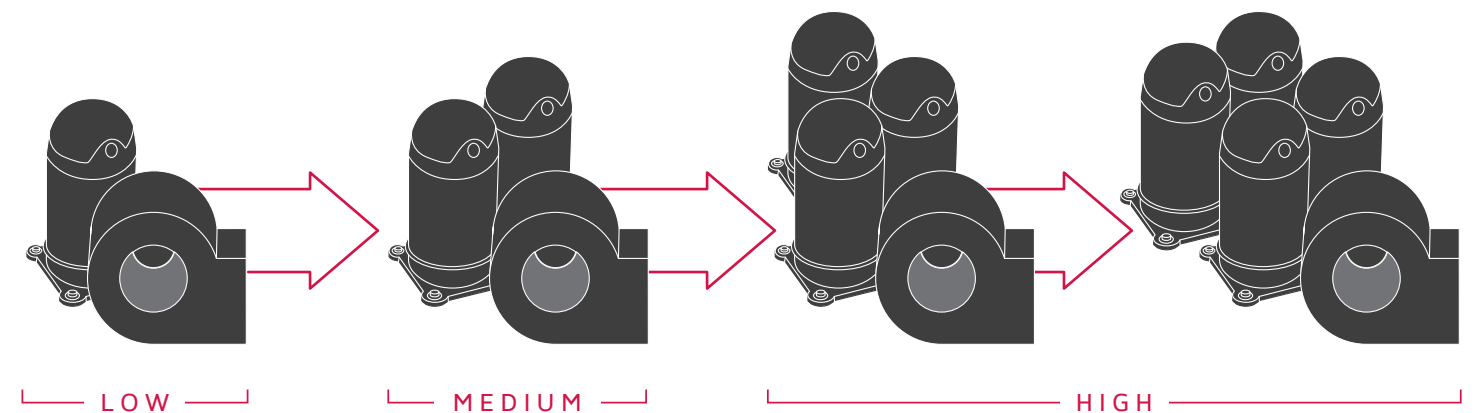


MSAV® TECHNOLOGY

MSAV® provides significant year-round savings and lower monthly utility costs without compromising on comfort. With up to seven different airflow settings, the MSAV supply fan can easily adjust its speed in response to changing weather conditions, allowing the unit to operate at optimum efficiency.



- MSAV comes as standard on Enlight rooftop units
- Reduced energy consumption: Up to 75% supply fan power savings*
- Improved part-load efficiency: Up to 21% IEEER improvement**
- Improved indoor comfort: Up to 29% better moisture removal**



* At 67% airflow when compared to full load.

** At 55% airflow when compared to full load

ENLIGHT™ ROOFTOP UNIT OPTIONS & ACCESSORIES

		ENLIGHT™	
COOLING			
Metering device		TXV	
Indoor Coil Freeze Protection		Standard	
High-pressure switch		Standard	
Low-pressure switch		Standard	
Filter driers		Standard	
Corrosion protection		Factory	
Condensate drain trap		Field	
Drain pan overflow switch		Factory, Field	
HEATING			
Bottom gas piping kit		Field	
Low-temp vestibule heater		Field	
LPG/Propane conversion kit		Field	
Stainless steel heat exchanger		Factory	
BLOWER/SUPPLY AIR			
MSAV® (Multi-Stage Air Volume)		Standard	
VAV (Variable Air Volume)		Factory	
VFD bypass for MSAV		Factory	
CABINET			
Hinged panels		Standard	
Coil/Hail guards		Factory, Field	
CONTROLS			
Lennox® CORE control system		Standard	
Blower proving switch		Factory, Field	
Dirty filter switch		Factory, Field	
BACnet® IP and MS/TP		Standard	
LonTalk® gateway		Factory, Field	
INDOOR AIR QUALITY			
High-efficiency filters		Factory, Field	
UVC light		Field	
Humiditrol® dehumidification system		Factory	
Demand control ventilation ready		Standard	
ELECTRICAL			
HACR circuit breakers		Factory	
Phase/voltage detection		Factory (2-6 Ton), Standard (6.5-25 Ton)	
Disconnect switch		Factory, Field	
GFI service outlet		Factory, Field	
OUTDOOR AIR CONTROLS			
High-performance economizer		Factory, Field	
Differential enthalpy control		Factory, Field	
Sensible control		Factory, Field	
Single enthalpy control		Factory, Field	
Global control		Factory, Field	
Barometric relief dampers		Factory, Field	
Motorized outdoor air damper		Factory, Field	
Manual outdoor air damper		Field	
Power exhaust		Factory, Field	
Fresh-air tempering		Factory, Field	

ENLIGHT™ HIGH-EFFICIENCY ROOFTOP UNIT PERFORMANCE SPECIFICATIONS

			COOLING DATA		GAS HEATING INPUTS (KBTUH)				PHYSICAL DATA	
TYPE	NOMINAL TONNAGE	MODEL	EER	SEER (SEER2*) OR IEER	LOW	STD.	MED.	HIGH	DIMENSIONS H X W X L [INCHES]	BASE WT. [LBS.]
GAS/ELECTRIC	3	LGT036H4E	13.3 (13.0)	17.8 (16.8)	N/A	65	108	N/A	47 x 47 x 86	630
	4	LGT048H4E	12.8 (12.1)	17.6 (17.3)	N/A	65	108	150	47 x 47 x 86	629
	5	LGT060H4E	12.7 (12.0)	17.1 (16.3)	N/A	65	108	150	47 x 47 x 86	630
	6	LGT072H4E	12.2	17.0	N/A	65	108	150	47 x 47 x 86	630
	7.5	LGT092H4(E,P)	12.3	15.7 MSAV 14.6 VAV	N/A	130	180	240	47 x 61 x 102	1,168
	8.5	LGT102H4(E,P)	12.1	15.7 MSAV 14.6 VAV	N/A	130	180	240	47 x 61 x 102	1,175
	10	LGT120H4(E,P)	12.1	15.5 MSAV 14.6 VAV	N/A	130	180	240	47 x 61 x 102	1,210
	12.5	LGT150H4(E,P)	10.8	14.6 MSAV 14.0 VAV	N/A	130	180	240	47 x 61 x 102	1,226
	13	LGT156H4(M,V)	12.0	15.5 MSAV 15.0 VAV	169	260	360	N/A	55 x 92 x 104	2,014
	15	LGT180H4(M,V)	12.0	15.0	169	260	360	480	55 x 92 x 133	2,128
	17.5	LGT210H4(M,V)	12.0	16.0 MSAV 15.5 VAV	169	260	360	480	55 x 92 x 133	2,569
	20	LGT240H4(M,V)	12.0	15.7 MSAV 15.2 VAV	N/A	260	360	480	55 x 92 x 133	2,601
25	LGT300S4(M,V)	10.3	14.5 MSAV 14.0 VAV	N/A	260	360	480	55 x 92 x 133	2,651	
					ELECTRIC HEAT SIZES - [KW]					
ELECTRIC/ELECTRIC	3	LCT036H4E	13.3 (13.0)	17.8 (16.9)	7.5, 15				47 x 47 x 86	594
	4	LCT048H4E	12.8 (12.1)	17.6 (17.3)	7.5, 15				47 x 47 x 86	593
	5	LCT060H4E	12.7 (12.0)	17.1 (16.3)	7.5, 15, 22.5				47 x 47 x 86	594
	6	LCT072H4E	12.2	17.0	7.5, 15, 22.5, 30				47 x 47 x 86	594
	7.5	LCT092H4(E,P)	12.5	15.7 MSAV 14.8 VAV	7.5, 15, 22.5, 30, 45				47 x 61 x 102	1,120
	8.5	LCT102H4(E,P)	12.3	15.7 MSAV 14.8 VAV	7.5, 15, 22.5, 30, 45				47 x 61 x 102	1,127
	10	LCT120H4(E,P)	12.3	15.5 MSAV 14.8 VAV	15, 22.5, 30, 45, 60				47 x 61 x 102	1,162
	12.5	LCT150H4(E,P)	11.0	14.6 MSAV 14.2 VAV	15, 22.5, 30, 45, 60				47 x 61 x 102	1,178
	13	LCT156H4(M,V)	12.0	15.7 MSAV 15.2 VAV	15, 30, 45, 60				55 x 92 x 104	1,864
	15	LCT180H4(M,V)	12.0	15.2	15, 30, 45, 60				55 x 92 x 133	1,978
	17.5	LCT210H4(M,V)	12.0	16.2 MSAV 15.7 VAV	15, 30, 45, 60, 90				55 x 92 x 133	2,424
	20	LCT240H4(M,V)	12.0	15.9 MSAV 15.4 VAV	15, 30, 45, 60, 90				55 x 92 x 133	2,456
25	LCT300S4(M,V)	10.5	14.5 MSAV 14.0 VAV	15, 30, 45, 60, 90				55 x 92 x 133	2,506	
			COOLING DATA		HEATING PERFORMANCE				PHYSICAL DATA	
TYPE	NOMINAL TONNAGE	MODEL	EER (EER2*)	SEER (SEER2*) OR IEER	HSPF (HSPF2*)	COP 47°F	COP 17°F	ELECTRIC HEAT [KW]	DIMENSIONS H X W X L [INCHES]	BASE WT. [LBS.]
HEAT PUMP	2	LHT024H4E	(11.4)	(15.4)	N/A	N/A	N/A	5 - 10	47 x 47 x 86	646
	3	LHT036H4E	12.3 (11.4)	16.1 (15.2)	N/A	3.7	2.3	7.5 - 15	47 x 47 x 86	645
	4	LHT048H4E	12.8 (12.0)	16.1 (15.6)	N/A	3.9	2.4	7.5 - 22.5	47 x 47 x 86	641
	5	LHT060H4E	12.2 (11.4)	16.1 (15.2)	N/A	3.7	2.3	7.5 - 22.5	47 x 47 x 86	686
	6.5	LHT078H4E	12.4	16.5	N/A	3.5	2.25	7.5 - 30	47 x 61 x 102	1,073
	7.5	LHT092H4E	12.1	16.0	N/A	3.5	2.25	7.5 - 45	47 x 61 x 102	1,073
	8.5	LHT102H4E	12.1	15.5	N/A	3.5	2.25	7.5 - 45	47 x 61 x 102	1,075
	10	LHT122H4E	12.1	15.5	N/A	3.5	2.25	15 - 60	47 x 61 x 125	1,216
	12.5	LHT150H4E	11.0	14.3	169	3.4	2.1	15 - 60	47 x 61 x 125	1,216
	13	LHT156H4M	12.1	15.7	169	3.4	2.1	15 - 60	55 x 92 x 133	2,198
15	LHT180H4M	11.1	15.5	169	3.4	2.1	15 - 60	55 x 92 x 133	2,226	
20	LHT240H4M	11.1	15.5	N/A	3.4	2.1	15 - 90	55 x 92 x 133	2,268	
DUAL FUEL HEAT PUMP	2	LDT024H4E	(11.4)	(15.4)	(7.3)	N/A	N/A	65	47 x 47 x 86	675
	3	LDT036H4E	12.3 (11.4)	16.1 (15.2)	8.5 (7.2)	3.7	2.3	65, 108	47 x 47 x 86	674
	4	LDT048H4E	12.8 (12.0)	16.1 (15.6)	8.5 (7.2)	3.9	2.4	65, 108, 150	47 x 47 x 86	670
	5	LDT060H4E	12.2 (11.4)	16.1 (15.2)	8.5 (7.2)	3.7	2.3	65, 108, 150	47 x 47 x 86	715
	6.5	LDT078H4E	12.2	16.5	N/A	3.5	2.25	130, 180	47 x 61 x 102	1,121
	7.5	LDT092H4E	11.9	16.0	N/A	3.5	2.25	130, 180, 240	47 x 61 x 102	1,121
	8.5	LDT102H4E	11.9	15.5	N/A	3.5	2.25	130, 180, 240	47 x 61 x 102	1,123
	10	LDT122H4E	11.9	15.5	N/A	3.5	2.25	130, 180, 240	47 x 61 x 125	1,264
	12.5	LDT150H4E	10.8	14.3	N/A	3.4	2.1	130, 180, 240	47 x 61 x 125	1,264
	13	LDT156H4M	11.9	15.5	N/A	3.4	2.1	260, 360	55 x 92 x 133	2,348
	15	LDT180H4M	10.9	15.3	N/A	3.4	2.1	260, 360, 480	55 x 92 x 133	2,376
	20	LDT240H4M	10.9	15.3	N/A	3.4	2.1	260, 360, 480	55 x 92 x 133	2,418

*EER2, SEER2, AND HSPF2 - 1PH PRODUCT ONLY

BE A PART OF THE ROOFTOP
REVOLUTION
BY CONTACTING YOUR
SALES
REPRESENTATIVE
TODAY

To view the full commercial product lineup,
visit lennoxcommercial.com

