



FIVE REASONS TO MIGRATE TO NEXT-GENERATION SRX300 FIREWALLS

Extending security across all points of the network to safeguard users, applications, and infrastructure

Challenge

Customers using outdated, end-of-life firewalls are putting themselves at tremendous risk for falling prey to a potential cyber attack, threatening the entire organization.

Solution

By migrating to the latest SRX300 line of Services Gateways from Juniper, organizations can effectively position themselves to protect their business from the most sophisticated attacks.

Benefits

- Identify and block threats in real time with advanced security
- Consolidate security and networking into a single platform
- Simplify security operations to respond faster to detected breaches
- Minimize disruptions to security operations

The never-ending reports about security breaches make cybersecurity impossible to ignore. The World Economic Forum calls cyber attacks a risk of our increasing cyber dependency and considers the threat of a massive data breach or theft to be among the top five challenges facing us today.¹ Organizations must prepare themselves to detect, isolate, and respond to these cyber threats before costly data breaches and compliance violations threaten their business.

The Challenge

In an era of mobile, cloud, and the Internet of Things (IoT), the old tried-and-true perimeter security model is simply not sufficient to protect your business. Not only are cyber threats growing increasingly sophisticated and evolving quickly, the attack surface has expanded significantly. Legacy security infrastructure can't handle the network speeds and evasive threats that are becoming commonplace today. Aging solutions such as outdated firewalls not only compound the problem, but their complexity and time-consuming maintenance requirements can drain the security team's operational efficiency by distracting valuable talent, creating gaps that criminals, nation-states, and other attackers can exploit.

The Juniper Networks Migration Path for Legacy Firewalls

Organizations employing legacy firewalls can easily migrate to Juniper Networks® SRX300 line of Services Gateways to gain comprehensive, simplified security. Customers can choose from a variety of models—including the SRX300, SRX320, SRX340, and SRX345—for advanced security, networking, SD-WAN, and LTE backup, all in a single platform. Ideal for branch and distributed enterprise locations, SRX Series Services Gateways bundles simplify the migration path, allowing you to quickly and easily upgrade your network and deploy the most comprehensive firewalls with advanced threat capabilities while investing in Juniper's expertise and security processes.

Five Reasons to Migrate to SRX300 Next-Generation Firewalls

Obsolete and outdated firewalls increase security risk. Upgrading to the latest SRX300 Services Gateway improves an organization's security posture. Here are five reasons to migrate to the latest SRX300 to enjoy the benefits of powerful protection for your distributed enterprise.

¹The Global Risks Report: 2018, World Economic Forum, http://www3.weforum.org/docs/WEF_GRR18_Report.pdf

- 1. Advanced cybersecurity, simplified.** The SRX300 acts as a key enforcement point for Juniper's connected security platform, which simplifies operations while protecting users, applications, and infrastructure. Working with Juniper Sky™ Advanced Threat Prevention, the SRX300 provides advanced detection of hard-to-catch malware, such as ransomware, ensuring that your cyber defenses continually adapt to evolving risk conditions. Automated policy management and enforcement use network and threat data to update policies and deploy unified enforcement across your infrastructure.
- 2. Real-time threat prevention.** Integrating the SRX300 Services Gateway with Juniper Sky ATP gives your organization another layer of protection, extending defenses by detecting and stopping never-before-seen malware before it hits its target. Using machine learning, Juniper Sky ATP employs real-time information from the cloud to continuously analyze Web and e-mail files for ransomware and other evasive threats. Integration with Juniper Sky ATP enables the SRX300 firewalls to deliver deep inspection, inline blocking, and actionable alerts.
- 3. Enhanced security performance while preserving operational expertise.** The SRX300 line provides the most powerful security for distributed enterprises in the market today. By migrating to the latest next-generation platforms, your organization can preserve your existing Juniper security operational expertise while taking advantage of the higher performance and more powerful capabilities of the latest version of Juniper Networks Junos® operating system. Network and security teams don't have to learn how to configure and manage a new network OS, increasing IT operational efficiency and freeing up valuable time and resources for business innovation.
- 4. Distributed enterprise deployments.** Organizations need a single platform that includes both security and SD-WAN capabilities for distributed and branch locations, along with features such as Zero Touch Provisioning (ZTP), application-based routing, and quality of experience (QoE).
- 5. Secure Routing.** To support the widest variety of WAN connectivity, the SRX300 line of Services Gateways supports on-board fiber optic ports, Media Access Control Security (MACsec) ports, and LTE wireless backup, ensuring you can meet the needs of the different connection options for distributed enterprise and branch locations.

Choosing the Right SRX300 Firewall

The SRX300 line of Services Gateways has been designed to meet any organization's varying needs in distributed enterprises. Current customers employing legacy Juniper firewalls can deploy the following SRX300 line models and upgrade to the latest next-generation firewall technology. For instance:

- If you currently use the SSG-5 or SRX100, you might consider migrating to the SRX300.
- If you currently use the SSG-20 or SRX210/SRX220, you might consider migrating to the SRX320.
- If you currently use the SSG-140 or SRX240, you might consider migrating to the SRX340 or SRX345.

Ideal for securing small branch or retail offices, the SRX300 line consolidates security, routing, SD-WAN, and WAN connectivity in a small desktop device. The SRX320 provides secure connectivity for small distributed enterprise branch offices, offering security, routing, SD-WAN, and WAN connectivity in a small desktop device that includes optional Power over Ethernet Plus (PoE+) ports. To securely connect midsize distributed enterprise branch offices, the SRX340 consolidates security, routing, SD-WAN, and WAN connectivity in a 1 U form factor. Supporting optional unified threat management (UTM) security capabilities and LTE wireless backup, the SRX340 provides the advanced security and WAN connectivity backup for any distributed location. Best suited for midsize to large distributed enterprise branch offices, the SRX345 Services Gateway consolidates security, routing, SD-WAN, and WAN connectivity in a 1 U form factor and support up to 5 Gbps firewall and 800 Mbps IPsec VPN.



SRX300



SRX320



SRX340



SRX345

Summary—Simplify and Strengthen Cybersecurity

Cybersecurity is growing more complex by the day. No organization can trust old, outdated firewalls to defend against breaches and data theft. With Juniper’s connected security platform and the SRX300 line of Services Gateways, you can dramatically improve and simplify your security posture, streamlining the integration of best-fit protections into your ecosystem to protect your organization efficiently and effectively.

Next Steps

Learn more about SRX300 line of next-generation firewalls by visiting www.juniper.net/us/en/products-services/security/srx-series/srx300/.

For more information on SRX300 migration bundles, please contact your Juniper Networks representative.

About Juniper Networks

Juniper Networks brings simplicity to networking with products, solutions and services that connect the world. Through engineering innovation, we remove the constraints and complexities of networking in the cloud era to solve the toughest challenges our customers and partners face daily. At Juniper Networks, we believe that the network is a resource for sharing knowledge and human advancement that changes the world. We are committed to imagining groundbreaking ways to deliver automated, scalable and secure networks to move at the speed of business.

Corporate and Sales Headquarters

Juniper Networks, Inc.
1133 Innovation Way
Sunnyvale, CA 94089 USA

Phone: 888.JUNIPER (888.586.4737)
or +1.408.745.2000

Fax: +1.408.745.2100

www.juniper.net

APAC and EMEA Headquarters

Juniper Networks International B.V.
Boeing Avenue 240
1119 PZ Schiphol-Rijk

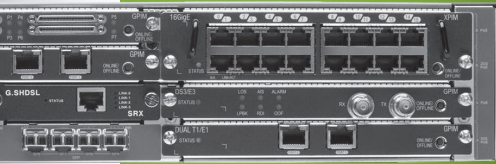
Amsterdam, The Netherlands

Phone: +31.0.207.125.700

Fax: +31.0.207.125.701

JUNIPER NETWORKS | Engineering
Simplicity





SRX SERIES SERVICES GATEWAYS FOR THE BRANCH

Product Overview

SRX Series Services Gateways for the branch are next-generation security gateways that provide essential capabilities that connect, secure, and manage workforce locations sized from handfuls to hundreds of users. By consolidating fast, highly available switching, routing, security, and next generation firewall capabilities in a single device, enterprises can protect their resources as well as economically deliver new services, safe connectivity, and a satisfying end-user experience. All SRX Series Services Gateways, including products scaled for Enterprise branch, Enterprise edge, and Data Center applications, are powered by Junos OS—the proven operating system that provides unmatched consistency, better performance with services, and superior infrastructure protection at a lower total cost of ownership.

Product Description

The Juniper Networks® SRX Series Services Gateways for the branch combine next generation firewall and unified threat management (UTM) services with routing and switching in a single, high-performance, cost-effective network device.

- SRX Series for the branch runs Juniper Networks Junos® operating system, the proven OS that is used by core Internet routers in all of the top 100 service providers around the world. The rigorously tested carrier-class routing features of IPv4/IPv6, OSPF, BGP, and multicast have been proven in over 15 years of worldwide deployments.
- SRX Series for the branch provides perimeter security, content security, application visibility, tracking and policy enforcement, user role-based control, threat intelligence through integration with Juniper Networks Spotlight Secure*, and network-wide threat visibility and control. Using zones and policies, network administrators can configure and deploy branch SRX Series gateways quickly and securely. Policy-based VPNs support more complex security architectures that require dynamic addressing and split tunneling. The SRX Series also includes wizards for firewall, IPsec VPN, Network Address Translation (NAT), and initial setup to simplify configurations out of the box.
- For content security, SRX Series for the branch offers a complete suite of next generation firewall, unified threat management (UTM) and threat intelligence services consisting of: intrusion prevention system (IPS), application security (AppSecure), user role-based firewall controls, on-box and cloud-based antivirus, antispam, and enhanced Web filtering to protect your network from the latest content-borne threats. Integrated threat intelligence via Spotlight Secure offers adaptive threat protection against command and control (C&C) related botnets and policy enforcement based on GeoIP and attacker fingerprinting technology (the latter for Web application protection)—all of which are based on Juniper provided feeds. Customers may also leverage their own custom and third-party feeds for protection from advanced malware and other threats. The branch SRX Series integrates with other Juniper security products to deliver enterprise-wide unified access control (UAC) and adaptive threat management.
- SRX Series for the branch are secure routers that bring high performance and proven deployment capabilities to enterprises that need to build a worldwide network of thousands of sites. The wide variety of options allow configuration of performance, functionality, and price scaled to support from a handful to thousands of users. Ethernet, serial, T1/E1, DS3/E3, xDSL, Wi-Fi, and 3G/4G LTE wireless are all available options for WAN or Internet connectivity to securely link your sites. Multiple form factors allow you to make cost-effective choices for mission-critical deployments. Managing the network is easy using the proven Junos OS command-line interface (CLI), scripting capabilities, a simple-to-use Web-based GUI, or Juniper Networks Junos® Space Security Director for centralized management.

*Available on SRX550 and higher devices

Architecture and Key Components

Key Hardware Features of the Branch SRX Series Products

Product	Description
SRX100 Services Gateway	<ul style="list-style-type: none"> Eight 10/100 Ethernet LAN ports and 1 USB port (support for 3G USB) Full UTM¹; antivirus¹, antispam¹, enhanced Web filtering¹, and content filtering Intrusion prevention system¹, AppSecure¹ 2 GB DRAM, 2 GB flash default
SRX110 Services Gateway	<ul style="list-style-type: none"> VDSL/ADSL2+ and Ethernet WAN interfaces Eight 10/100 Ethernet LAN ports and two USB port (support for 3G USB) Full UTM¹; antivirus¹, antispam¹, enhanced Web filtering¹, intrusion prevention system¹, AppSecure¹ Unified Access Control (UAC) and content filtering 2 GB DRAM, 2 GB CF default
SRX210 Services Gateway	<ul style="list-style-type: none"> Two 10/100/1000 Ethernet and 6 10/100 Ethernet LAN ports, 1 Mini-PIM slot, and 2 USB ports (support for 3G USB) Factory option of 4 dynamic Power over Ethernet (PoE) ports 802.3af Support for T1/E1, serial, ADSL2/2+, VDSL, G.SHDSL, and Ethernet small form-factor pluggable transceiver (SFP) Content Security Accelerator hardware for faster performance of IPS and ExpressAV (with high memory version) Full UTM¹; antivirus¹, antispam¹, enhanced Web filtering¹, and content filtering Intrusion prevention system¹, User role-based firewall, and AppSecure¹ 2 GB DRAM, 2 GB flash default
SRX220 Services Gateway	<ul style="list-style-type: none"> Eight 10/100/1000 Ethernet LAN ports, 2 Mini-PIM slots Factory option of 8 PoE ports; PoE+ 802.3at, backwards compatible with 802.3af Support for T1/E1, serial, ADSL2/2+, VDSL, G.SHDSL, and Ethernet SFP Content Security Accelerator hardware for faster performance of IPS and ExpressAV Full UTM¹; antivirus¹, antispam¹, enhanced Web filtering¹, and content filtering Intrusion prevention system¹, User role-based firewall and AppSecure¹ 2 GB DRAM, 2 GB CF default
SRX240 Services Gateway	<ul style="list-style-type: none"> 16 10/100/1000 Ethernet LAN ports, 4 Mini-PIM slots Factory option of 16 PoE ports; PoE+ 802.3at, backwards compatible with 802.3af Support for T1/E1, serial, ADSL2/2+, VDSL, G.SHDSL, and Ethernet SFP Content Security Accelerator hardware for faster performance of IPS and ExpressAV Full UTM¹; antivirus¹, antispam¹, enhanced Web filtering¹, and content filtering Intrusion prevention system¹, AppSecure¹
SRX550 Services Gateway	<ul style="list-style-type: none"> Ten fixed Ethernet ports (6 10/100/1000 copper, 4 SFP), 2 Mini-PIM slots, 6 GPIM slots or multiple GPIM and XPIM combinations Support for T1/E1, serial, ADSL2/2+, VDSL, G.SHDSL, DS3/E3, Gigabit Ethernet ports; supports up to 52 Ethernet ports including SFP; 40 switch ports with optional PoE including 802.3at, PoE+, backwards compatible with 802.3af (or 50 non-PoE 10/100/1000 copper ports) Content Security Accelerator hardware for faster performance of IPS and ExpressAV Full UTM¹; antivirus¹, antispam¹, enhanced Web filtering¹, and content filtering Intrusion prevention system¹, User role-based firewall, and AppSecure¹ Threat intelligence for protection from command and control (C&C) botnets, Web application threats, and advanced malware, and policy enforcement based on GeoIP data 2 GB DRAM default, 2 GB compact flash default (SRX550) 4 GB DRAM default, 8 GB compact flash default (SRX550 High Memory) Optional redundant AC power; standard AC power supply that is PoE-ready; PoE power up to 250 watts single power supply or 500 watts dual power supply
SRX650 Services Gateway	<ul style="list-style-type: none"> Four fixed ports 10/100/1000 Ethernet LAN ports, 8 GPIM slots or multiple GPIM and XPIM combinations Support for T1, E1, DS3/E3, Ethernet ports; supports up to 52 Ethernet ports including SFP; 48 switch ports with optional PoE including 802.3at, PoE+, backwards compatible with 802.3af (or 52 non-PoE 10/100/1000 copper ports) Content Security Accelerator hardware for faster performance of IPS and ExpressAV Full UTM¹; antivirus¹, antispam¹, enhanced Web filtering¹, and content filtering Intrusion prevention system¹, User role-based firewall, and AppSecure¹ Threat intelligence for protection from command and control (C&C) botnets, Web application threats, and advanced malware, and policy enforcement based on GeoIP data Modular Services and Routing Engine; future internal failover and hot-swap 2 GB DRAM default, 2 GB compact flash default, external compact flash slot for additional storage Optional redundant AC power; standard AC power supply that is PoE-ready; PoE power up to 250 watts single power supply or 500 watts dual power supply

Network Deployments

The SRX Series Services Gateways for the branch are deployed at remote, branch and Enterprise edge locations in the network to provide all-in-one secure WAN connectivity, and connection to local PCs and servers via integrated Ethernet switching.

¹ Unified Threat Management—antivirus, antispam, Web filtering, AppSecure, and IPS require a subscription license option to use the feature. UTM is not supported on the low memory version. Please see the ordering section for options. Content Filtering and UAC are part of the base software with no additional license.

Features and Benefits

Next Generation Firewall

SRX Series Services Gateways deliver next generation firewall protection with application awareness and extensive user role-based control options plus best-of-breed UTM to protect and

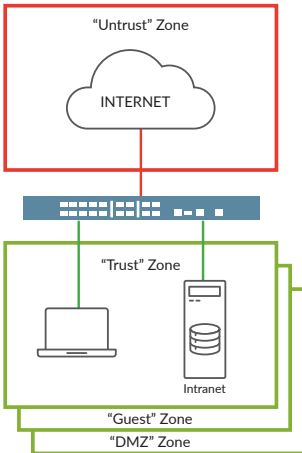


Figure 1: Firewalls, zones, and policies

control your business assets. Next generation firewalls are able to perform full packet inspection and can apply security policies based on layer 7 information. This means you can create security policies based on the application running across your network, the user who is receiving or sending network traffic or the content that is traveling across your network to protect your environment against threats, manage how your network bandwidth is allocated, and control who has access to what.

AppSecure

AppSecure is a suite of application security capabilities for Juniper Networks SRX Series services Gateways that identifies applications for greater visibility, enforcement, control, and protection of the network.

Intrusion Prevention

The intrusion prevention system (IPS) understands application behaviors and weaknesses to prevent application-borne security threats that are difficult to detect and stop.

Unified Threat Management (UTM)

SRX Series can include comprehensive content security against malware, viruses, phishing attacks, intrusions, spam and other threats with unified threat management (UTM). Get a best-of-breed solution with anti-virus, anti-spam, web filtering and content filtering at a great value by easily adding these services to your SRX Series Services Gateway. Cloud-based and on-box solutions are both available.

User Firewall

Juniper offers a range of user role-based firewall control solutions that support dynamic security policies. User role-based firewall capabilities are integrated with the SRX Series Services Gateways for standard next generation firewall controls. More extensive, scalable, granular access controls for creating dynamic policies are available through the integration of SRX with a Juniper Unified Access Control solution.

Adaptive Threat Intelligence

To address the evolving threat landscape that has made it imperative to integrate external threat intelligence into the firewall for thwarting advanced malware and other threats, some SRX Series Services Gateways include threat intelligence via integration with Spotlight Secure. The Spotlight Secure threat intelligence platform aggregates threat feeds from multiple sources to deliver open, consolidated, actionable intelligence to SRX Series Services Gateways across the organization for policy enforcement. These sources include Juniper threat feeds, third party threat feeds and threat detection technologies that the customer can deploy.

Administrators are able to define enforcement policies from all feeds via a single, centralized management point, Junos Space Security Director.

Secure Routing

Many organizations use both a router and a firewall/VPN at their network edge to fulfill their networking and security needs. For many organizations, the SRX Series for the branch can fulfill both roles with one solution. Juniper built best-in-class routing, switching and firewall capabilities into one product.

SRX Series for the branch checks the traffic to see if it is legitimate and permissible, and only forwards it on when it is. This reduces the load on the network, allocates bandwidth for all other mission-critical applications, and secures the network from malicious users.

The main purpose of a secure router is to provide firewall protection and apply policies. The firewall (zone) functionality inspects traffic flows and state to ensure that originating and returning information in a session is expected and permitted for a particular zone. The security policy determines if the session can originate in one zone and traverse to another zone. Due to the architecture, SRX Series receives packets from a wide variety of clients and servers and keeps track of every session, of every application, and of every user. This allows the enterprise to make sure that only legitimate traffic is on its network and that traffic is flowing in the expected direction.

High Availability

Junos Services Redundancy Protocol (JSRP) is a core feature of the SRX Series for the branch. JSRP enables a pair of SRX Series systems to be easily integrated into a high availability network architecture, with redundant physical connections between the systems and the adjacent network switches. With link redundancy, Juniper Networks can address many common causes of system failures, such as a physical port going bad or a cable getting disconnected, to ensure that a connection is available without having to fail over the entire system. This is consistent with a typical active/standby nature of routing resiliency protocols.

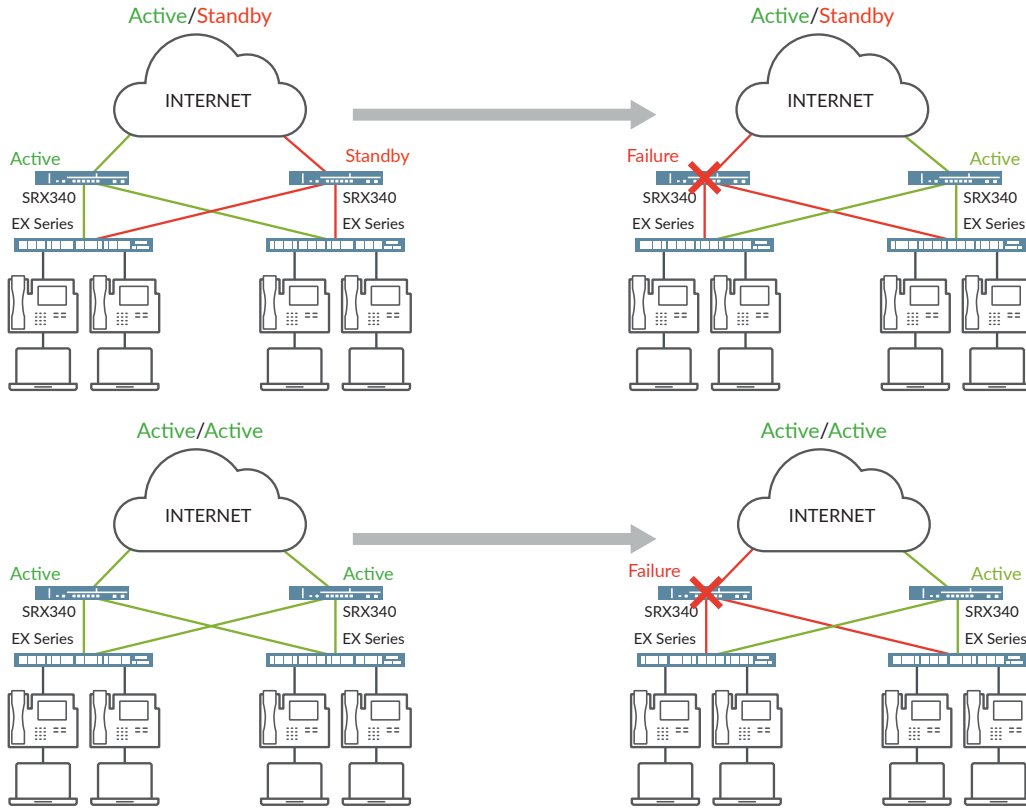


Figure 2: High availability

When SRX Series Services Gateways for the branch are configured as an active/active HA pair, traffic and configuration is mirrored automatically to provide active firewall and VPN session maintenance in case of a failure. The branch SRX Series synchronizes both configuration and runtime information. As a result, during failover, synchronization of the following information is shared: connection/session state and flow information, IPSec security associations, Network Address Translation (NAT) traffic, address book information, configuration changes, and more. In contrast to the typical router active/standby resiliency protocols such as Virtual Router Redundancy Protocol (VRRP), all dynamic flow and session information is lost and must be reestablished in the event of a failover. Some or all network sessions will have to restart depending on the convergence time of the links or nodes. By maintaining state, not only is the session preserved, but security is kept intact. In an unstable network, this active/active configuration also mitigates link flapping affecting session performance.

Session-Based Forwarding Without the Performance Hit

In order to optimize the throughput and latency of the combined router and firewall, Junos OS implements session-based forwarding, an innovation that combines the session state information of a traditional firewall and the next-hop forwarding of a classic router into a single operation. With Junos OS, a session that is permitted by the forwarding policy is added to

the forwarding table along with a pointer to the next-hop route. Established sessions have a single table lookup to verify that the session has been permitted and to find the next hop. This efficient algorithm improves throughput and lowers latency for session traffic when compared with a classic router that performs multiple table lookups to verify session information and then to find a next-hop route.

Figure 3 shows the session-based forwarding algorithm. When a new session is established, the session-based architecture within Junos OS verifies that the session is allowed by the forwarding policies. If the session is allowed, Junos OS will look up the next-hop route in the routing table. It then inserts the session and the next-hop route into the session and forwarding table and forwards the packet. Subsequent packets for the established session require a single table lookup in the session and forwarding table, and are forwarded to the egress interface.

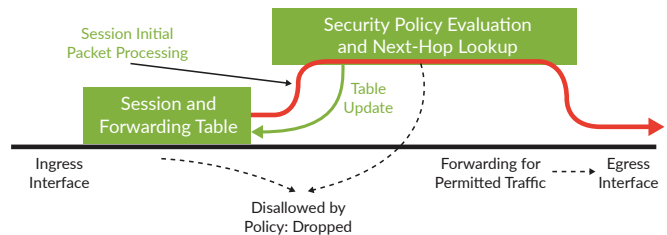


Figure 3: Session-based forwarding algorithm

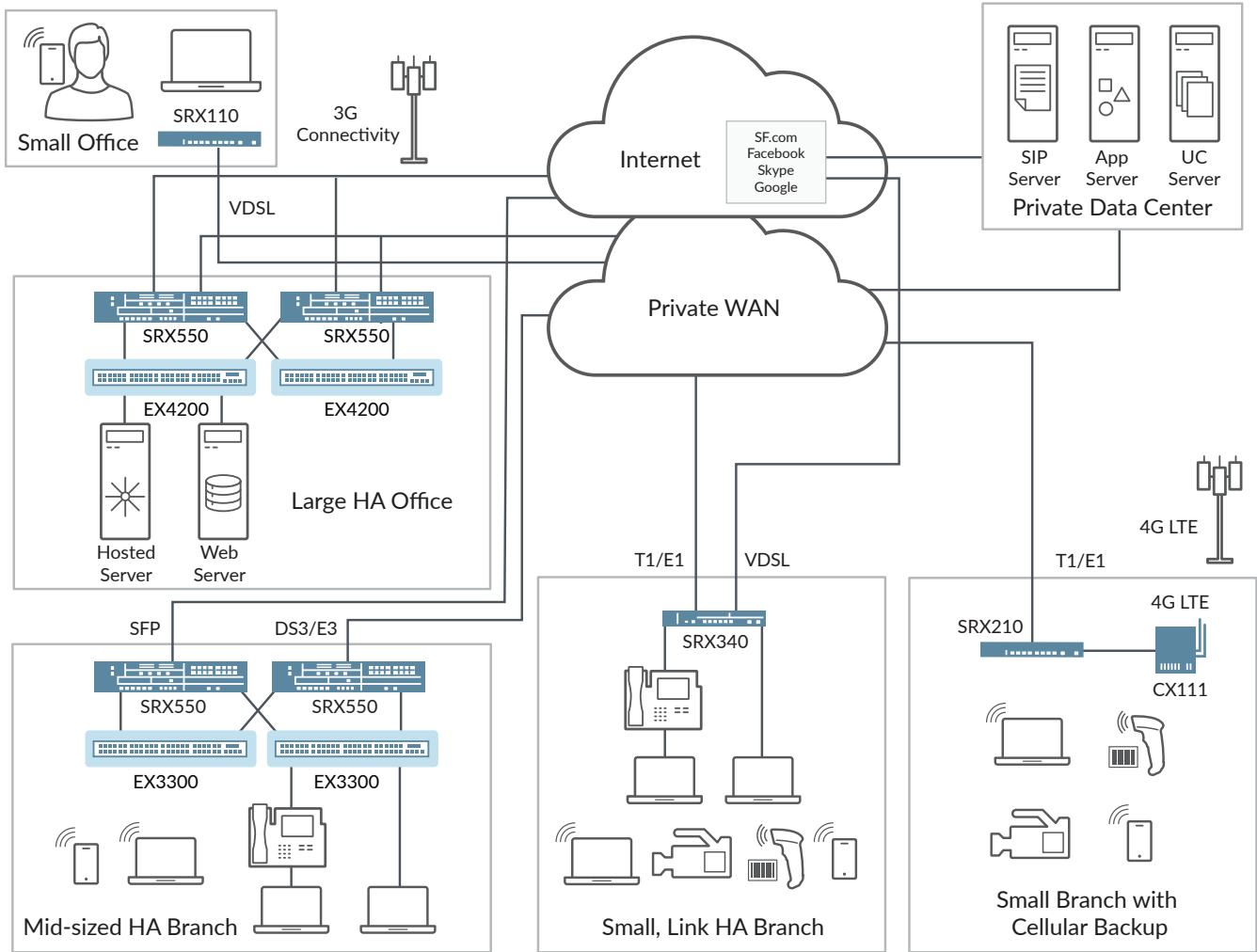


Figure 4: The distributed enterprise



Specifications

Protocols

- IPv4, IPv6, ISO Connectionless Network Service (CLNS)

Routing and Multicast

- Static routes
- RIPv2 +v1
- OSPF/OSPFv3
- BGP
- BGP Router Reflector¹
- IS-IS
- Multicast (Internet Group Management Protocol (IGMPv1/2/3), PIM-SM/DM/SSM, Session Description Protocol (SDP), Distance Vector Multicast Routing Protocol (DVMRP), source-specific, Multicast inside IPsec tunnel), MSDP
- MPLS (RSVP, LDP, Circuit Cross-connect (CCC), Translational Cross-connect (TCC), Layer 2 VPN (VPLS), Layer 3 VPN, VPLS, NGMVPN)

IP Address Management

- Static
- DHCP, PPPoE client
- Internal DHCP server, DHCP Relay

Address Translation

- Source NAT with Port Address Translation (PAT)
- Static NAT
- Destination NAT with PAT
- Persistent NAT, NAT64

Encapsulations

- Ethernet (MAC and VLAN tagged)
- Point-to-Point Protocol (PPP) (synchronous)
 - Multilink Point-to-Point Protocol (MLPPP)
- Frame Relay
 - Multilink Frame Relay (MLFR) (FRF.15, FRF.16), FRF.12, LFI
- High-Level Data Link Control (HDLC)
- Serial (RS-232, RS-449, X.21, V.35, EIA-530)
- 802.1q VLAN support
- Point-to-Point Protocol over Ethernet (PPPoE)

L2 Switching²

- 802.1Q, 802.1D, RSTP, MSTP, 802.3ad (LACP)
- 802.1x, LLDP, 802.1ad (Q-in-Q), IGMP Snooping
- Layer 2 switching with high availability

Traffic Management Quality of Service (QoS)

- 802.1p, DSCP, EXP
- Marking, policing, and shaping
- Class-based queuing with prioritization
- Weighted random early detection (WRED)

- Queuing based on VLAN, data-link connection identifier (DLCI), interface, bundles, or multi-field (MF) filters
- Guaranteed bandwidth
- Maximum bandwidth
- Ingress traffic policing
- Priority-bandwidth utilization
- DiffServ marking
- Virtual channels

Security

Firewall

- Firewall, zones, screens, policies
- Stateful firewall, stateless filters
- Network attack detection
- Screens denial of service (DoS) and provides distributed denial of service (DDoS) protection (anomaly-based)
- Prevent replay attack; Anti-Replay
- Unified Access Control
 - TCP reassembly for fragmented packet protection
 - Brute force attack mitigation
 - SYN cookie protection
 - Zone-based IP spoofing
 - Malformed packet protection

NGFW/UTM³

- Intrusion Prevention System (IPS)
 - Protocol anomaly detection
 - Stateful protocol signatures
 - Intrusion prevention system (IPS) attack pattern obfuscation
 - User role-based policies
- Customer signatures creation
- Multiple times a week and emergency updates
- AppSecure
 - AppTrack (application visibility and tracking)
 - AppFirewall (policy enforcement by application name)
 - Custom signatures
 - AppQoS (network traffic prioritization and bandwidth management)
 - Dynamic signature updates
 - User-based application policy enforcement
- Antivirus
 - Express AV (stream-based AV, not available on SRX100 and SRX110)
 - File-based antivirus
 - Signature database
 - Protocols scanned: POP3, HTTP, SMTP, IMAP, FTP
 - Antispyware

¹ BGP Route Reflector supported on SRX550 and SRX650. See ordering section for more information.

² As of Junos 15.1X49-D40, the SRX550 High Memory unit does not support xSTP, LLDP, 802.1x, Q-in-Q, IGMP Snooping and L2 switching with HA

³ Unified Threat Management - antivirus, antispam, Web filtering, AppSecure, and IPS require individual subscription license. UTM is not supported on the low memory version. Please see the ordering section for options.

- Anti-adware
- Antikeylogger
- Cloud-based antivirus
- Antispam
- Integrated enhanced Web filtering
 - Category granularity (90+ categories)
 - Real time threat score
- Redirect Web filtering
- Content Security Accelerator in SRX210 high memory, SRX220, SRX240, SRX550, and SRX650⁴
- ExpressAV option in SRX210 high memory, SRX220 high memory, SRX240, SRX550, and SRX650⁴
- Content filtering
 - Based on MIME type, file extension, and protocol commands

VPN

- Auto VPN (Zero Touch Hub)
- Tunnels (GRE, IP-IP, IPsec)
- IPsec, Data Encryption Standard (DES) (56-bit), triple Data Encryption Standard (3DES) (168-bit), Advanced Encryption Standard (AES) (128-bit+) encryption
- Message Digest 5 (MD5), SHA-1, SHA-128, SHA-256 authentication
- Junos Pulse Dynamic VPN client; browser-based remote access feature requiring a license
- IPv4 and IPv6 VPN
- Multi-Proxy ID for site-to-site VPN

Multimedia Transport

- Compressed Real-Time Transport Protocol (CRTP)

High Availability

- VRRP
- JSRP
- Stateful failover and dual box clustering
- SRX550/SRX650:
 - Redundant power (optional)
 - GPIM hot swap
 - Future internal failover and SRE hot swap (OIR) on SRX650
- Backup link via 3G/4G LTE wireless or other WAN
- Active/active—L3 mode⁵
- Active/passive—L3 mode⁵
- Configuration synchronization⁵
- Session synchronization for firewall and VPN⁵
- Session failover for routing change⁵
- Device failure detection⁵
- Link failure detection⁵
- IP Monitoring with route and interface failover

IPv6

- OSPFv3
- RIPng
- IPv6 Multicast Listener Discovery (MLD)
- BGP
- ISIS

Wireless

- CX111 Cellular 3G/4G/LTE Broadband Data Bridge supported on all branch SRX Series devices
- 3G USB modem support for SRX100, SRX110, and SRX210

SLA, Measurement, and Monitoring

- Real-time performance monitoring (RPM)
- Sessions, packets, and bandwidth usage
- Juniper J-Flow monitoring and accounting services
- IP Monitoring

Logging

- Syslog
- Traceroute
- Extensive control- and data-plane structured and unstructured syslog

Administration

- Juniper Networks Network and Security Manager support (NSM)
- Juniper Networks Junos Space Security Director support
- Juniper Networks STRM Series Security Threat Response Managers support
- Juniper Networks Advanced Insight Solutions support
- External administrator database (RADIUS, LDAP, SecureID)
- Auto-configuration
- Configuration rollback
- Rescue configuration with button
- Commit confirm for changes
- Auto-record for diagnostics
- Software upgrades (USB upgrade option)
- Juniper Networks J-Web
- Command-line interface
- Smart image download

Certifications

- NEBS Compliance for SRX240, SRX650⁶
- Department of Defense (DoD) Certification for SRX Series Services Gateways, including testing and certification by the Department of Defense Joint Interoperability Test Command (JITC) for interoperability with DoD networks and addition of the SRX Series Services Gateways to the Unified Capabilities Approved Product List (UC APL)

⁴ Unified Threat Management – antivirus, antispam, Web filtering, AppSecure and IPS require individual subscription license. UTM is not supported on the low memory version. Please see the ordering section for options.

⁵ SRX100B installed with 1 GB DRAM, with 512 MB accessible. Optional upgrade to 1 GB DRAM is available with purchase of memory software license key.

⁶ Coming soon for SRX110 and SRX550.

Product Comparison

	SRX100	SRX110	SRX210	SRX220	SRX240	SRX550	SRX650
Maximum Performance and Capacity							
Junos OS version tested	Junos OS 12.1X44-D15	Junos OS 12.1X44-D15	Junos OS 12.1X44-D15	Junos OS 12.1X44-D15	Junos OS 11.4R5	Junos OS 12.1/15.1 ⁷	Junos OS 11.4R5
Firewall performance (large packets)	700 Mbps	700 Mbps	850 Mbps	950 Mbps	1.8 Gbps	7 Gbps	7 Gbps
Firewall performance (IMIX)	200 Mbps	200 Mbps	250 Mbps	300 Mbps	600 Mbps	2 Gbps	2.5 Gbps
Firewall + routing PPS (64 Byte)	70 Kpps	70 Kpps	95 Kpps	125 Kpps	200 Kpps	700 Kpps	850 Kpps
Firewall performance ⁸ (HTTP)	100 Mbps	100 Mbps	290 Mbps	350 Mbps	830 Mbps	2 Gbps	2 Gbps
IPsec VPN throughput (large packets)	65 Mbps	65 Mbps	85 Mbps	100 Mbps	300 Mbps	1.0 Gbps	1.5 Gbps
IPsec VPN tunnels	128	128	256	512	1,000	2,000	3,000
AppSecure firewall throughput ⁸	90 Mbps	90 Mbps	250 Mbps	300 Mbps	750 Mbps	2.0 Gbps	1.9 Gbps
IPS (intrusion prevention system)	75 Mbps ⁹	75 Mbps	65 Mbps	80 Mbps	230 Mbps	800 Mbps	1 Gbps
Antivirus	25 Mbps (Sophos AV)	25 Mbps (Sophos AV)	30 Mbps (Sophos AV)	35 Mbps (Sophos AV)	85 Mbps (Sophos AV)	300 Mbps (Sophos AV)	350 Mbps (Sophos AV)
Connections per second	1,800	1,800	2,200	2,800	8,500	27,000	35,000
Maximum concurrent sessions	32 K ⁷	32 K ⁷	64 K ⁷	96 K ⁷	256 K ⁷	375 K	512 K
DRAM options	2 GB DRAM	2 GB DRAM	2 GB DRAM	2 GB DRAM	2 GB DRAM	2 GB/4 GB ⁷ DRAM	2 GB DRAM
Maximum security policies	384	384	512	2,048	4,096	8,000	8,192
Maximum users supported	Unrestricted	Unrestricted	Unrestricted	Unrestricted	Unrestricted	Unrestricted	Unrestricted
Network Connectivity							
Fixed I/O	8 x 10/100	8 x 10/100 VDSL/ADSL2+ WAN (Annex A or B)	2 x 10/100/1000 BASE-T + 6 x 10/100	8 x 10/100/1000 BASE-T	16 x 10/100/1000 BASE-T	6 x 10/100/1000 BASE-T + 4 SFP	4 x 10/100/1000 BASE-T
I/O slots	N/A	N/A	1 x SRX Series Mini-PIM	2 x SRX Series Mini-PIM	4 x SRX Series Mini-PIM	2 x SRX Series Mini-PIM, 6 x GPIM or multiple GPIM and XPIM combinations	8 x GPIM or multiple GPIM and XPIM combinations
Services and Routing Engine slots	No	No	No	No	No	No	2 ¹⁰
WAN/LAN interface options	N/A	N/A	See ordering information	See ordering information	See ordering information	See ordering information	See ordering information
Maximum number of PoE ports (PoE optional on some SRX Series models)	N/A	N/A	Up to 4 ports of 802.3af/at with maximum 50 W	Up to 8 ports of 802.3af/at with maximum 120 W	Up to 16 ports of 802.3af/at with maximum 150 W	Up to 40 ports of 802.3af/at with maximum 247 W	Up to 48 ports of 802.3af/at with maximum 247 W
USB	1	2	2	2	2	2	2 per SRE

⁷ Based on 2 GbE memory models, which require Junos OS 12.1X44-D15 (exception: Junos OS 11.4R5 for SRX240 only).

⁸ Throughput numbers based on HTTP traffic with 44 kilobyte transaction size.

⁹ Use software based IPS engine which has higher performance and less capacity

¹⁰ SRX650 supports a single Services and Routing Engine (SRE) as of software release 11.4.

	SRX100	SRX110	SRX210	SRX220	SRX240	SRX550	SRX650
Routing							
Routing (Packet Mode) PPS	100 Kpps	100 Kpps	150 Kpps	200 Kpps	300 Kpps	1000 Kpps	1000 Kpps
BGP instances	5	5	10	16	20	56	64
BGP peers	8	8	16	16	32	192	256
BGP routes	8 K	8 K	16 K	32 K	600 K	712 K	800 K
OSPF instances	4	4	10	16	20	56	64
OSPF routes	8 K	8 K	16 K	32 K	200 K	200 K	200 K
RIP v1 / v2 instances	4	4	10	16	20	56	64
RIP v2 routes	8 K	8 K	16 K	32 K	32 K	32 K	32 K
Static routes	8 K	8 K	16 K	32 K	100 K	100 K	100 K
Source-based routing	Yes	Yes	Yes	Yes	Yes	Yes	Yes
Policy-based routing	Yes	Yes	Yes	Yes	Yes	Yes	Yes
Equal-cost multipath (ECMP)	Yes	Yes	Yes	Yes	Yes	Yes	Yes
Reverse path forwarding (RPF)	Yes	Yes	Yes	Yes	Yes	Yes	Yes
IPsec VPN							
Concurrent VPN tunnels	128	128	256	512	1,000	2,000	3,000
Tunnel interfaces	10	10	64	64	128	456	512
DES (56-bit), 3DES (168-bit) and AES (256-bit)	Yes	Yes	Yes	Yes	Yes	Yes	Yes
MD-5, SHA-1 and SHA-2 authentication	Yes	Yes	Yes	Yes	Yes	Yes	Yes
Manual key, Internet Key Exchange (IKE v1+v2), public key infrastructure (PKI) (X.509)	Yes	Yes	Yes	Yes	Yes	Yes	Yes
Perfect forward secrecy (DH Groups)	1, 2, 5	1, 2, 5	1, 2, 5	1, 2, 5	1, 2, 5	1, 2, 5	1, 2, 5
Prevent replay attack	Yes	Yes	Yes	Yes	Yes	Yes	Yes
Dynamic remote access VPN	Yes	Yes	Yes	Yes	Yes	Yes	Yes
IPsec NAT traversal	Yes	Yes	Yes	Yes	Yes	Yes	Yes
Redundant VPN gateways	Yes	Yes	Yes	Yes	Yes	Yes	Yes
Number of remote access users	25 users	25 users	50 users	150 users	250 users	500 users	500 users
User Authentication and Access Control							
Third-party user authentication	RADIUS, RSA SecureID, LDAP	RADIUS, RSA SecureID, LDAP	RADIUS, RSA SecureID, LDAP	RADIUS, RSA SecureID, LDAP	RADIUS, RSA SecureID, LDAP	RADIUS, RSA SecureID, LDAP	RADIUS, RSA SecureID, LDAP
RADIUS accounting	Yes	Yes	Yes	Yes	Yes	Yes	Yes
XAUTH VPN, Web-based, 802.X authentication	Yes	Yes	Yes	Yes	Yes	Yes	Yes
PKI certificate requests (PKCS 7 and PKCS 10)	Yes	Yes	Yes	Yes	Yes	Yes	Yes
Certificate Authorities supported	Yes	Yes	Yes	Yes	Yes	Yes	Yes
Virtualization							
Maximum number of security zones	10	10	12	24	64	96	128
Maximum number of virtual routers	3	3	10	15	64	128	128
Maximum number of VLANs	16	16	64	128	2,000	3,967	3,967

	SRX100	SRX110	SRX210	SRX220	SRX240	SRX550	SRX650
Encapsulations							
PPP/MLPPP	N/A	N/A	Yes	Yes	Yes	Yes	Yes
PPPoE	Yes	Yes	Yes	Yes	Yes	Yes	Yes
PPPoA	N/A	Yes	Yes	Yes	Yes	Yes	Yes
MLPPP maximum physical interfaces	N/A	N/A	1	2	4	12	12
Frame Relay	N/A	N/A	Yes	Yes	Yes	Yes	Yes
MLFR (FRF .15, FRF .16)	N/A	N/A	Yes	Yes	Yes	Yes	Yes
MLFR maximum physical interfaces	N/A	N/A	1	2	4	12	12
HDLC	N/A	N/A	Yes	Yes	Yes	Yes	Yes
Wireless							
CX111 3G /4G LTE Bridge support	Yes	Yes	Yes	Yes	Yes	Yes	Yes
Junos/SRX Series management of CX111	Yes	Yes	Yes	Yes	Yes	Yes	Yes
Flash and Memory							
Memory (DRAM)	2 GB (SRX100H2)	2 GB (SRX110H2)	2 GB (SRX210HE2)	2 GB (SRX220H2)	2 GB (SRX240H2)	2 GB/4 GB ¹¹	2 GB (SRX650)
Memory slots	Fixed memory	Fixed memory	Fixed memory	Fixed memory	Fixed memory	2 DIMM	4 DIMM
Flash memory	2 GB	2 GB CF, externally accessible	2 GB	2 GB CF, externally accessible	2 GB	2 GB/8 GB ¹¹ CF internal	2 GB CF internal on SRE, external slot empty, up to 2 GB CF supported
USB port for external storage	Yes	Yes	Yes	Yes	Yes	Yes	Yes
Dimensions and Power							
Dimensions (W x H x D)	8.5 x 1.4 x 5.8 in (21.6 x 3.6 x 14.7 cm)	11.02 x 1.72 x 8.385 in (28 x 4.37 x 21.3 cm)	11.02 x 1.73 x 7.12 in (28.0 x 4.4 x 18.1 cm)	14.31 x 1.73 x 7.11 in (36.3 x 4.4 x 18.1 cm)	17.5 x 1.75 x 15.1 in (44.4 x 4.4 x 38.5 cm)	17.5 x 3.5 x 18.2 in (44.4 x 8.8 x 46.2 cm)	17.5 x 3.5 x 18.2 in (44.4 x 8.8 x 46.2 cm)
Weight (device and power supply)	2.5 lb (1.1 kg)	6.7 lb (3.06 kg)	3.3 lb (1.5 kg) non-PoE / 4.4 lb (2 kg) PoE No interface modules	3.43 lb (1.56 kg) non-PoE No interface modules	For LM and HM-AC: 11.2 lb (5.1 kg) For HM - DC: 12.56 lb (5.7 kg) / 12.3 lb (5.6 kg) PoE No interface modules	21.96 lb (9.96 kg) No interface modules 1 power supply	24.9 lb (11.3 kg) No interface modules 1 power supply
Rack-mountable	Yes, 1 RU	Yes, 1 RU	Yes, 1 RU	Yes, 1 RU	Yes, 1 RU	Yes, 2 RU	Yes, 2 RU
Power supply (AC)	100-240 VAC, 30 W	100-240 VAC, 60 W	100-240 VAC, 60 W non-PoE/ 150 W PoE	100-240 VAC, 60 W non-PoE / 200 W PoE	150 W for LM and HM 190 W for HM with DC 360 W for PoE	100-240 VAC, single 645 W or dual 645 W	100-240 VAC, single 645 W or dual 645 W
Maximum PoE power	N/A	N/A	50 W	120 W	150 W	247 W redundant, or 494 W non-redundant	247 W redundant, or 494 W non-redundant

¹¹ 7: 4 GB DRAM and 8 GB CF is default on the SRX550 High Memory SKUs

	SRX100	SRX110	SRX210	SRX220	SRX240	SRX550	SRX650
Average power consumption	10 W	24 W	28 W, 84 W (PoE)	28 W	SRX240H2 - 74 W SRX240H2-DC - 72 W SRX240H2- PoE- 86 W	85 W	122 W
Input frequency	50-60 Hz	50-60 Hz	50-60 Hz	50-60 Hz	50-60 Hz	50-60 Hz	50-60 Hz
Maximum current consumption	0.25 A @ 100 VAC	1.75 A @ 100 VAC	0.44 A @ 100 VAC, 1.13 A @ 100 VAC (PoE)	0.44 A @ 100 VAC	1.1 A @ 100 VAC, 3.0 A @ 100 VAC (PoE)	7.5 A @ 100 VAC with single PSU with PoE, 10.5 A @ 100 VAC with dual PSU with PoE	5.3 A @ 100 VAC with single PSU with PoE, 8.3 A @ 100 VAC with dual PSU with PoE
Maximum inrush current	60 A	70 A	80 A, 60 A for PoE	80 A	40 A, 45 A for PoE	45 A for ½ cycle	45 A for ½ cycle
Average heat dissipation	35 BTU/hr	81 BTU/hr	95 BTU/hr (SRX210HE2) 116 BTU/hr (SRX210HE2- PoE)	104 BTU/hour (SRX220H2)	253 BTU/hr (SRX240H2) 246 BTU/hr (SRX240H2-DC) 294 BTU/hr (SRX40H2- PoE)	238 BTU/hr	319 BTU/hr
Maximum heat dissipation	80 BTU/hr	99 BTU/hr	126 BTU/hr (SRX210HE2) 157 BTU/hr (SRX210HE2- PoE)	126 BTU/hour (SRX220H2)	427 BTU/hr (SRX240H2) 409 BTU/hr (SRX240H2- DC) 560 BTU/hr (SRX240H2- PoE)	1,449 BTU/hr	699 BTU/hr
Redundant power supply (hot swappable)	No	No	No	No	No	Yes (up to maximum capacity of single PSU)	Yes (up to maximum capacity of single PSU)
Acoustic noise level (Per ISO 7779 Standard)	0 dB (fanless)	0 dB (fanless)	29.1 dB	51.1 dB	70.0 dB	51.8 dB	60.9 dB

Environment

Operational temperature	32° to 104° F (0° to 40° C)	32° to 104° F (0° to 40° C)	32° to 104° F (0° to 40° C)	32° to 104° F (0° to 40° C)	32° to 104° F (0° to 40° C)	32° to 104° F (0° to 40° C)	32° to 104° F (0° to 40° C)
Nonoperational temperature	4° to 158° F, (-20° to 70° C)	4° to 158° F, (-20° to 70° C)	4° to 158° F, (-20° to 70° C)	4° to 158° F, (-20° to 70° C)	-40° to 158° F, (-40° to 70° C)	4° to 158° F, (-20° to 70° C)	4° to 158° F, (-20° to 70° C)
Humidity (operating)	10% to 90% noncondensing						
Humidity (nonoperating)	5% to 95% noncondensing						
Mean time between failures (Telcordia model)	24.8 years	24.8 years	14.03 years (SRX210HE2) 10.26 years (SRX210HE2- PoE)	13.46 years (SRX220H2) 11.06 years (SRX220H2- PoE)	11.63 years (SRX240H2) 9.92 years (SRX240H2- PoE)	9.6 years with redundant power	9.6 years with redundant power

	SRX100	SRX110	SRX210	SRX220	SRX240	SRX550	SRX650
--	--------	--------	--------	--------	--------	--------	--------

Certifications and Network Homologation

USA

Safety certifications	UL 60950-1	UL 60950-1	UL 60950-1	UL 60950-1	UL 60950-1	UL 60950-1	UL 60950-1
EMC certifications	FCC Class B	FCC Class B	FCC Class B ¹	FCC Class A	FCC Class A	FCC Class A	FCC Class A
Network homologation	TIA-968	TIA-968	TIA-968	TIA-968	TIA-968	TIA-966	TIA-966

Canada

Safety certifications	CSA 60950-1	CSA 60950-1	CSA 60950-1	CSA 60950-1	CSA 60950-1	CSA 60950-1	CSA 60950-1
EMC certifications	ICES class B	ICES class B	ICES class B ¹	ICES Class A	ICES class A	ICES class A	ICES class A
Network homologation	CS-03	CS-03	CS-03	CS-03	CS-03	CS-03	CS-03

Australia

Safety certifications	AS / NZS 60950-1	AS / NZS 60950-1	AS / NZS 60950-1	AS / NZS 60950-1	AS / NZS 60950-1	AS / NZS 60950-1	AS / NZS 60950-1
EMC certifications	AS / NZS CISPR22 Class B	AS / NZS CISPR22 Class B	AS / NZS CISPR22 Class B ¹	AS / NZS CISPR22 Class A	AS / NZS CISPR22 Class A	AS / NZS CISPR22 Class A	AS / NZS CISPR22 Class A
Network homologation	AS / ACIF S 002, S 016, S 043.1, S043.2	AS / ACIF S 002, S 016, S 043.1, S043.2	AS / ACIF S 002, S 016, S 043.1, S043.2	AS / ACIF S 002, S 016, S 043.1, S043.2	AS / ACIF S 002, S 016, S 043.1, S043.2	AS / ACIF S 016	AS / ACIF S 016

New Zealand

Safety certifications	AS / NZS 60950-1	AS / NZS 60950-1	AS / NZS 60950-1	AS / NZS 60950-1	AS / NZS 60950-1	AS / NZS 60950-1	AS / NZS 60950-1
EMC certifications	AS / NZS CISPR22 Class B	AS / NZS CISPR22 Class B	AS / NZS CISPR22 Class B ¹	AS / NZS CISPR22 Class A	AS / NZS CISPR22 Class A	AS / NZS CISPR22 Class A	AS / NZS CISPR22 Class A
Network homologation	PTC 217, PTC 273	PTC 217, PTC 273	PTC 217, PTC 273	PTC 217, PTC 273	PTC 217, PTC 273	PTC 217	PTC 217

Japan

Safety certifications	Comply safety certifications (UL/CUL/CSA) by CB Scheme						
EMC certifications	VCCI Class B	VCCI Class B	VCCI Class B ¹	VCCI Class A	VCCI Class A	VCCI Class A	VCCI Class A

European Union

Safety certifications	EN 60950-1	EN 60950-1	EN 60950-1	EN 60950-1	EN 60950-1	EN 60950-1	EN 60950-1
EMC certifications	EN 55022 Class B, EN 300 386	EN 55022 Class B, EN 300 386	EN 55022 Class B ¹² , EN 300 386	EN 55022 Class A, EN 300 386	EN 55022 Class A, EN 300 386	EN 55022 Class A, EN 300 386	EN 55022 Class A, EN 300 386
Network homologation	CTR 12/13, CTR 21, DoC	CTR 12/13, CTR 21, DoC	CTR 12/13, CTR 21, DoC	CTR 12/13, CTR 21, DoC	CTR 12/13, CTR 21, DoC	CTR 12/13, DoC	CTR 12/13, DoC

Software Certifications

NIST FIPS-140-2 Level 2	Yes	Yes	Yes	Yes	Yes	In Progress	Yes
ISO Common Criteria NDPP+TFFW EP	Yes	Yes	Yes	Yes	Yes	Yes	Yes
USGv6	Yes	Yes	Yes	Yes	Yes	Yes	Yes

¹²SRX210H-POE is class A.

Interface Modules Compatibility Matrix

Component	Description	SRX100	SRX110	SRX210	SRX220	SRX240	SRX550	SRX650
SRX-GP-16GE	16-port 10/100/1000BASE-T XPIM	X	X	X	X	X	✓ ¹³	✓
SRX-GP-16GE-POE	16-port 10/100/1000BASE-T PoE XPIM	X	X	X	X	X	✓	✓
SRX-GP-24GE	24-port 10/100/1000BASE-T XPIM, includes 4 SFP slots	X	X	X	X	X	✓ ¹³	✓
SRX-GP-24GE-POE	24-port 10/100/1000BASE-T PoE XPIM, includes 4 SFP slots	X	X	X	X	X	✓ ¹³	✓
SRX-GP-8SFP	8-port GbE copper, fiber SFP XPIM	X	X	X	X	X	✓	✓
SRX-GP-DUAL-T1-E1	Dual T1/E1 GPIM	X	X	X	X	X	✓	✓
SRX-GP-QUAD-T1-E1	Quad T1/E1 GPIM	X	X	X	X	X	✓	✓
SRX-GP-1DS3-E3	1-port clear channel DS3/E3 GPIM single GPIM slot	X	X	X	X	X	✓	✓
SRX-GP-8SERIAL	Eight-port Sync Serial GPIM	X	X	X	X	X	✓ ¹³	✓
SRX-MP-1SERIAL	1-port Sync Serial Mini-PIM	X	X	✓	✓	✓	✓ ¹³	X
SRX-MP-1ADSL2-A	1-port ADSL2+ Mini-PIM supporting ADSL/ADSL2/ADSL2+ Annex A	X	X	✓	✓	✓	✓ ¹³	X
SRX-MP-1ADSL2-B	1-port ADSL2+ Mini-PIM supporting ADSL/ADSL2/ADSL2+ Annex B	X	X	✓	✓	✓	✓ ¹³	X
SRX-MP-1VDSL2-A	1-port VDSL2 Mini-PIM supporting Annex A, with fallback to ADSL2/ADSL2+	X	X	✓	✓	✓	✓ ¹³	X
SRX-MP-8GSHDSL	8-wire (4-pair) G.SHDSL Mini-PIM	X	X	✓	✓	✓	✓ ¹³	X
SRX-MP-1SFP-GE	1-port SFP Mini-PIM	X	X	✓	✓	✓	✓ ¹³	X
SRX-MP-1T1E1	1-port T1 or E1 Mini-PIM	X	X	✓	✓	✓	✓ ¹³	X
SRX-MP-1T1E1-R	1-port T1 or E1 Mini-PIM (ROHS version)	X	X	X	X	X	✓ ¹⁴	X
SRX-MP-1VDSL2-R	1-port VDSL2 Mini-PIM supporting Annex A, with fallback to ADSL2/ADSL2+ (ROHS version)	X	X	X	X	X	✓ ¹⁴	X
SRX-MP-1SERIAL-R	1-port Sync Serial Mini-PIM (ROHS version)	X	X	X	X	X	✓ ¹⁴	X

¹³ Not supported on the SRX550 High Memory

¹⁴ Only supported on the SRX550 High Memory

Juniper Networks Services and Support

Juniper Networks is the leader in performance-enabling services that are designed to accelerate, extend, and optimize your high-performance network. Our services allow you to maximize operational efficiency while reducing costs and minimizing risk, achieving a faster time to value for your network. Juniper Networks ensures operational excellence by optimizing the network to maintain required levels of performance, reliability, and availability. For more details, please visit www.juniper.net/us/en/products-services.

Automated Support and Prevention

Juniper's Automated Support and Prevention consists of an ecosystem of tools, applications, and systems targeted towards simplifying and streamlining operations, delivering operational efficiency, reducing downtime, and increasing your network's ROI running Juniper Networks Junos operating system. Automated Support and Prevention brings operational efficiency by automating several time-consuming tasks such as incident management, inventory management, proactive bug notification and on-demand EOL/EOS/EOE reports. The Junos Space Service Now and Service Insight service automation tools are standard entitlements of all Juniper Care contracts.

Ordering Information

Model Number	Description
SRX650 Base System	
SRX650-BASE-SRE6-645AP	SRX650 Services Gateway with SRE 6, 645 W AC PoE PSU; includes 4 onboard 10/100/1000BASE-T ports, 2 GB DRAM, 2 GB CF, 247 W PoE power, fan tray, power cord and rack-mount kit
SRX650-BASE-SRE6-645DP	SRX650 Services Gateway with SRE 6, 645 W DC PoE PSU; includes 4 onboard 10/100/1000BASE-T ports, 2 GB DRAM, 2 GB CF, 247 W PoE power, fan tray, power cord and rack-mount kit
SRX650B-SRE6-645AP-TAA	Trade Agreement Act-compliant SRX650 Services Gateway with SRE 6, 645 W AC PoE PSU; includes 4 onboard 10/100/1000BASE-T ports, 2 GB DRAM, 2 GB CF, 247 W PoE power, fan tray, power cord and rack-mount kit

SRX650 Power Supplies and Accessories

SRX600-PWR-645AC-POE	Spare 645 W AC PoE power supply unit for SRX650, SRX550 systems—one is included in SRX650, SRX550 base system (SRX650-BASE-SRE6-645AP, SRX550-645AP)
SRX600-PWR-645DC-POE	645 W DC source power supply for SRX550 and SRX650; provides 397 W system power @ 12 V and 248 W PoE power @ 50 VDC; works with 43-56 VDC input—no power cord
SRX600-SRE6H	Spare SRE6-H for SRX650—one is included in SRX650 base system (SRX650-BASE-SRE6-645AP)
SRX650-CHAS	SRX650 chassis including fan tray—no system processor (SRE) and no power supply unit
SRX650-FAN-01	Spare SRX650 fan tray, one is included in SRX650 chassis spare (SRX650-CHAS), and included in SRX650 base system (SRX650-BASE-SRE6-645AP)
SRX650-FILT-01	Not included in SRX650 chassis spare (SRX650-CHAS), and not included in SRX650 base system (SRX650-BASE-SRE6-645AP)—optional, as this is not required for normal operations, but recommended for dusty environments

SRX650 Additional Software Feature Licenses

SRX650-K-AV	One year subscription for Juniper-Kaspersky antivirus updates on SRX650
SRX650-S-AV	One year subscription for Juniper-Sophos antivirus updates on SRX650
SRX650-IDP	One year subscription for IDP updates on SRX650
SRX650-S2-AS	One year subscription for Juniper-Sophos antispam updates on SRX650
SRX650-W-WF	One year subscription for Juniper-Websense Web filtering updates on SRX650
SRX650-SMB4-CS	One year security subscription for enterprise—includes Kaspersky AV, enhanced WF, Sophos AS, AppSecure and IDP on SRX650
SRX650-S-SMB4-CS	One year security subscription for enterprise—includes Sophos AV, enhanced WF, Sophos AS, AppSecure and IDP on SRX650
SRX650-K-AV-3	Three year subscription for Juniper-Kaspersky AV updates on SRX650
SRX650-S-AV-3	Three year subscription for Juniper-Sophos AV updates on SRX650
SRX650-IDP-3	Three year subscription for IDP updates on SRX650
SRX650-S2-AS-3	Three year subscription for Juniper-Sophos antispam updates on SRX650
SRX650-W-WF-3	Three year subscription for Juniper-Websense Web filtering updates on SRX650

Model Number	Description
SRX650-SMB4-CS-3	Three year security subscription for enterprise—includes Kaspersky AV, enhanced WF, Sophos AS, AppSecure and IDP on SRX650
SRX650-S-SMB4-CS-3	Three year security subscription for enterprise—includes Sophos AV, enhanced WF, Sophos AS, AppSecure and IDP on SRX650
SRX-BGP-ADV-LTU	Advanced BGP License for SRX650 only
SRX650-K-AV-5	Five year subscription for Juniper-Kaspersky AV updates on SRX650
SRX650-S-AV-5	Five year subscription for Juniper-Sophos AV updates on SRX650
SRX650-IDP-5	Five year license for IDP updates for SRX650
SRX650-W-WF-5	Five year subscription for Juniper-Websense Web filtering updates on SRX650
SRX650-SMB4-CS-5	Five year security subscription for enterprise—includes Kaspersky AV, enhanced WF, Sophos AS, AppSecure and IDP on SRX650
SRX650-S-SMB4-CS-5	Five year security subscription for enterprise—includes Sophos AV, enhanced WF, Sophos AS, AppSecure and IDP on SRX650
SRX-RAC-5-LTU	Dynamic VPN Client: 5 simultaneous users for SRX100, SRX110, SRX210, SRX220, SRX240, SRX550, and SRX650
SRX-RAC-10-LTU	Dynamic VPN Client: 10 simultaneous users for SRX100, SRX110, SRX210, SRX220, SRX240, SRX550, and SRX650
SRX-RAC-25-LTU	Dynamic VPN Client: 25 simultaneous users for SRX100, SRX110, SRX210, SRX220, SRX240, SRX550, and SRX650
SRX-RAC-50-LTU	Dynamic VPN Client: 50 simultaneous users for SRX210, SRX220, SRX240, SRX550, and SRX650 only
SRX-RAC-100-LTU	Dynamic VPN Client: 100 simultaneous users for SRX220, SRX240, SRX550, and SRX650 only
SRX-RAC-150-LTU	Dynamic VPN Client: 150 simultaneous users for SRX220, SRX240, SRX550, and SRX650 only
SRX-RAC-250-LTU	Dynamic VPN Client: 250 simultaneous users for SRX240, SRX550, and SRX650 only
SRX-RAC-500-LTU	Dynamic VPN Client: 500 simultaneous users for SRX550 and SRX650 only
SRX650-APPSEC-A-1	One year subscription for Application Security and IPS updates for SRX650
SRX650-APPSEC-A-3	Three year subscription for Application Security and IPS updates for SRX650
SRX650-APPSEC-A-5	Five year subscription for Application Security and IPS updates for SRX650

SRX550 Base System

SRX550-645AP-M	SRX550 Services Gateway with 4 GB DRAM and 8 GB CF, 2 RU height, 6 GPIM slots, 2 Mini-PIM slots, 6 10/100/1000BASE-T ports, 4GbE SFP ports, dual PS slots, fans; ships with one 645 watt AC power supply with 247 W PoE power (power cord and rack-mount kit included)
SRX550-645DP-M	SRX550 Services Gateway with 4 GB DRAM and 8 GB CF, 2 RU height, 6 GPIM slots, 2 Mini-PIM slots, 6 10/100/1000BASE-T ports, 4GbE SFP ports, dual PS slots, fans; ships with one 645 watt DC power supply with 247 W PoE power (no power cord or rack-mount kit included)

Model Number	Description
SRX550-645AP	SRX550 Services Gateway, 2 RU height, 6 GPIM slots, 2 Mini-PIM slots, 6 10/100/1000BASE-T ports, 4GbE SFP ports, dual PS slots, fans; ships with one 645 watt AC power supply with 247 W PoE power (power cord and rack-mount kit included)
SRX550-645DP	SRX550 Services Gateway, 2 RU height, 6 GPIM slots, 2 Mini-PIM slots, 6 10/100/1000BASE-T ports, 4GbE SFP ports, dual PS slots, fans; ships with one 645 watt DC power supply with 247 W PoE power (no power cord and rack-mount kit Included)

SRX550 Power Supplies and Accessories

SRX600-PWR-645AC-POE	Spare 645 W AC PoE power supply unit for SRX550 and SRX650 systems—one is included in SRX550 and SRX650 base systems (SRX650-BASE-SRE6-645AP, SRX550-645AC)
SRX600-PWR-645DC-POE	645 W DC source power supply for SRX550, SRX650 provides 397 W system power @ 12 V and 248 W PoE power @ 50 VDC; works with 43-56 VDC input—no power cord
SRX550-CHAS	SRX550 Services Gateway, 2 RU height, 6 GPIM slots, 2 Mini-PIM slots, 6 10/100/1000BASE-T ports, 4 GbE SFP ports, dual PS slots, fans (power supply not included)
SRX550-FILT-01	Not included in SRX550 systems, optional, as this is not required for normal operations, but recommended for dusty environments

SRX550 Additional Software Feature Licenses

SRX550-K-AV	One year subscription for Juniper-Kaspersky antivirus updates on SRX550
SRX550-S-AV	One year subscription for Juniper-Sophos antivirus updates on SRX550
SRX550-IDP	One year subscription for IDP updates on SRX550
SRX550-S2-AS	One year subscription for Juniper-Sophos antispam updates on SRX550
SRX550-W-WF	One year subscription for Juniper-Websense Web filtering updates on SRX550
SRX550-SMB4-CS	One year security subscription for enterprise—includes Kaspersky AV, enhanced WF, Sophos AS, AppSecure and IDP on SRX550
SRX550-S-SMB4-CS	One year security subscription for enterprise—includes Sophos AV, enhanced WF, Sophos AS, AppSecure and IDP on SRX550
SRX550-K-AV-3	Three year subscription for Juniper-Kaspersky AV updates on SRX550
SRX550-S-AV-3	Three year subscription for Juniper-Sophos AV updates on SRX550
SRX550-IDP-3	Three year subscription for IDP updates on SRX550
SRX550-S2-AS-3	Three year subscription for Juniper-Sophos antispam updates on SRX550
SRX550-W-WF-3	Three year subscription for Juniper-Websense Web filtering updates on SRX550
SRX550-SMB4-CS-3	Three year security subscription for enterprise—includes Kaspersky AV, enhanced WF, Sophos AS, AppSecure and IDP on SRX550
SRX550-S-SMB4-CS-3	Three year security subscription for enterprise—includes Sophos AV, enhanced WF, Sophos AS, AppSecure and IDP on SRX550
SRX550-K-AV-5	Five year subscription for Juniper-Kaspersky AV updates on SRX550
SRX550-S-AV-5	Five year subscription for Juniper-Sophos AV updates on SRX550
SRX550-IDP-5	Five year license for IDP updates for SRX550

Model Number	Description
SRX550-W-WF-5	Five year subscription for Juniper-Websense Web filtering updates on SRX550
SRX550-SMB4-CS-5	Five year security subscription for enterprise—includes Kaspersky AV, enhanced WF, Sophos AS, AppSecure and IDP on SRX550
SRX550-S-SMB4-CS-5	Five year security subscription for enterprise—includes Sophos AV, enhanced WF, Sophos AS, AppSecure and IDP on SRX550
SRX-RAC-5-LTU	Dynamic VPN Client: 5 simultaneous users for SRX100, SRX110, SRX210, SRX220, SRX240, SRX550, and SRX650
SRX-RAC-10-LTU	Dynamic VPN Client: 10 simultaneous users for SRX100, SRX110, SRX210, SRX220, SRX240, SRX550, and SRX650
SRX-RAC-25-LTU	Dynamic VPN Client: 25 simultaneous users for SRX100, SRX110, SRX210, SRX220, SRX240, SRX550, and SRX650
SRX-RAC-50-LTU	Dynamic VPN Client: 50 simultaneous users for SRX210, SRX220, SRX240, SRX550, and SRX650 only
SRX-RAC-100-LTU	Dynamic VPN Client: 100 simultaneous users for SRX220, SRX240, SRX550, and SRX650 only
SRX-RAC-150-LTU	Dynamic VPN Client: 150 simultaneous users for SRX220, SRX240, SRX550, and SRX650 only
SRX-RAC-250-LTU	Dynamic VPN Client: 250 simultaneous users for SRX240, SRX550, and SRX650 only
SRX-RAC-500-LTU	Dynamic VPN Client: 500 simultaneous users for SRX550 and SRX650 only
SRX550-APPSEC-A-1	One year subscription for Application Security and IPS updates for SRX550
SRX550-APPSEC-A-3	Three year subscription for Application Security and IPS updates for SRX550
SRX550-APPSEC-A-5	Five year subscription for Application Security and IPS updates for SRX550

SRX240 Base System

SRX240H2	SRX240 Services Gateway with 16 x GbE ports, 4x mini-PIM slots, and high memory (2 GB DRAM, 2 GB Flash); integrated power supply with power cord, and 19" rack mount kit included
SRX240H2-POE	SRX240 Services Gateway with 16 x GbE ports, 4x mini-PIM slots, and high memory (2 GB RAM, 2 GB Flash), with 16 ports PoE (150 W); integrated power supply with power cord, and 19" rack mount kit included
SRX240H2-DC	SRX240 Services Gateway with 16 x GbE ports, 4x mini-PIM slots, and high memory (2 GB RAM, 2 GB Flash); integrated -48 V DC power supply with 19" rack mount kit included
SRX240-RMK	SRX240 rack-mount kit for 19 in rack (holds one unit)
SRX240H-TAA	Trade Agreement Act-compliant SRX240 Services Gateway with 16 GbE ports, 4 Mini-PIM slots, and high memory (1 GB RAM, 1 GB Flash)
SRX240H-POE-TAA	Trade Agreement Act-compliant SRX240 Services Gateway with 16 GbE ports, 4 Mini-PIM slots, and high memory (1 GB RAM, 1 GB Flash), with 16 ports PoE (150 W)

SRX240 Additional Software Feature Licenses

SRX240-K-AV	One year subscription for Juniper-Kaspersky antivirus updates on SRX240
SRX240-S-AV	One year subscription for Juniper-Sophos antivirus updates on SRX240
SRX240-IDP	One year subscription for IDP updates on SRX240

Model Number	Description
SRX240-S2-AS	One year subscription for Juniper-Sophos antispam updates on SRX240
SRX240-W-WF	One year subscription for Juniper-WebSense Web filtering updates on SRX240
SRX240-SMB4-CS	One year security subscription for enterprise—includes Kaspersky AV, enhanced WF, Sophos AS, AppSecure and IDP on SRX240
SRX240-S-SMB4-CS	One year security subscription for enterprise—includes Sophos AV, enhanced WF, Sophos AS, AppSecure and IDP on SRX240
SRX240-K-AV-3	Three year subscription for Juniper-Kaspersky antivirus updates on SRX240
SRX240-S-AV-3	Three year subscription for Juniper-Sophos antivirus updates on SRX240
SRX240-IDP-3	Three year subscription for IDP updates on SRX240
SRX240-S2-AS-3	Three year subscription for Juniper-Sophos antispam updates on SRX240
SRX240-W-WF-3	Three year subscription for Juniper-WebSense Web filtering updates on SRX240
SRX240-SMB4-CS-3	Three year security subscription for enterprise—includes Kaspersky AV, enhanced WF, Sophos AS, AppSecure and IDP on SRX240
SRX240-S-SMB4-CS-3	Three year security subscription for enterprise—includes Sophos AV, enhanced WF, Sophos AS, AppSecure and IDP on SRX240
SRX240-K-AV-5	Five year subscription for Juniper-Kaspersky antivirus updates on SRX240
SRX240-S-AV-5	Five year subscription for Juniper-Sophos antivirus updates on SRX240
SRX240-IDP-5	Five year subscription for IDP updates on SRX240
SRX240-S2-AS-5	Five year subscription for Juniper-Sophos antispam updates on SRX240
SRX240-W-WF-5	Five year subscription for Juniper-WebSense Web filtering updates on SRX240
SRX240-SMB4-CS-5	Five year security subscription for enterprise—includes Kaspersky AV, enhanced WF, Sophos AS, AppSecure and IDP on SRX240
SRX240-S-SMB4-CS-5	Five year security subscription for enterprise—includes Sophos AV, enhanced WF, Sophos AS, AppSecure and IDP on SRX240
SRX240-S2-AS-5	Five year subscription for Juniper-Sophos antispam updates on SRX240
SRX240-W-WF-5	Five year subscription for Juniper-WebSense Web filtering updates on SRX240
SRX240-SMB2-CS-5	Five year security subscription for enterprise—includes Kaspersky antivirus, Web filtering, Sophos antispam, and IDP on SRX240
SRX240-S-SMB-CS-5	Five year security subscription for enterprise—includes Sophos antivirus, Web filtering, Sophos antispam and IPS on SRX240
SRX-RAC-5-LTU	Dynamic VPN Client: 5 simultaneous users for SRX100, SRX110, SRX210, SRX220, SRX240, SRX550, and SRX650
SRX-RAC-10-LTU	Dynamic VPN Client: 10 simultaneous users for SRX100, SRX110, SRX210, SRX220, SRX240, SRX550, and SRX650
SRX-RAC-25-LTU	Dynamic VPN Client: 25 simultaneous users for SRX100, SRX110, SRX210, SRX220, SRX240, SRX550, and SRX650
SRX-RAC-50-LTU	Dynamic VPN Client: 50 simultaneous users for SRX210, SRX22, SRX240, SRX550 and SRX650 only

Model Number	Description
SRX-RAC-100-LTU	Dynamic VPN Client: 100 simultaneous users for SRX220, SRX240, SRX550, and SRX650 only
SRX-RAC-150-LTU	Dynamic VPN Client: 150 simultaneous users for SRX220, SRX240, SRX550, and SRX650 only
SRX-RAC-250-LTU	Dynamic VPN Client: 250 simultaneous users for SRX240, SRX550, and SRX650 only
SRX240-APPSEC-A-1	One year subscription for Application Security and IPS updates for SRX240
SRX240-APPSEC-A-3	Three year subscription for Application Security and IPS updates for SRX240
SRX240-APPSEC-A-5	Five year subscription for Application Security and IPS updates for SRX240

SRX220 Base System

SRX220H2	SRX220 Services Gateway with 8 GbE ports, 2 Mini-PIM slots, and high memory (2 GB RAM, 2 GB Flash)—external power supply and cord included
SRX220H2-POE	SRX220 Services Gateway with 8 GbE ports, 2 Mini-PIM slots, and high memory (2 GB RAM, 2 GB Flash), with 8 ports PoE (120 W)*
SRX220-RMK	SRX220 rack-mount kit for 19 in rack (holds one unit)
SRX220-WALL-KIT	SRX220 wall mount kit (holds one unit)
SRX220-PWR-60W*	Spare SRX220 switching power supply, 60 W (non-POE)

SRX220 Additional Software Feature Licenses

SRX220-K-AV	One year subscription for Juniper-Kaspersky antivirus updates on SRX220
SRX220-S-AV	One year subscription for Juniper-Sophos antivirus updates on SRX220
SRX220-IDP	One year subscription for IDP updates on SRX220
SRX220-S2-AS	One year subscription for Juniper-Sophos antispam updates on SRX220
SRX220-W-WF	One year subscription for Juniper-WebSense Web filtering updates on SRX220
SRX220-SMB4-CS	One year security subscription for enterprise—includes Kaspersky AV, enhanced WF, Sophos AS, AppSecure and IDP on SRX220
SRX220-S-SMB4-CS	One year security subscription for enterprise—includes Sophos AV, enhanced WF, Sophos AS, AppSecure and IDP on SRX220
SRX220-K-AV-3	Three year subscription for Juniper-Kaspersky antivirus updates on SRX220
SRX220-S-AV-3	Three year subscription for Juniper-Sophos antivirus updates on SRX220
SRX220-IDP-3	Three year subscription for IDP updates on SRX220
SRX220-S2-AS-3	Three year subscription for Juniper-Sophos antispam updates on SRX220
SRX220-W-WF-3	Three year subscription for Juniper-WebSense Web filtering updates on SRX220
SRX220-SMB4-CS-3	Three year security subscription for enterprise—includes Kaspersky AV, enhanced WF, Sophos AS, AppSecure and IDP on SRX220
SRX220-S-SMB4-CS-3	Three year security subscription for enterprise—includes Sophos AV, enhanced WF, Sophos AS, AppSecure and IDP on SRX220
SRX220-K-AV-5	Five year subscription for Juniper-Kaspersky antivirus updates on SRX220
SRX220-S-AV-5	Five year subscription for Juniper-Sophos antivirus updates on SRX220

*See price list for country-specific power cord model numbers.

Model Number	Description
SRX220-IDP-5	Five year subscription for IDP updates on SRX220
SRX220-W-WF-5	Five year subscription for Juniper-WebSense Web filtering updates on SRX220
SRX220-SMB4-CS-5	Five year security subscription for enterprise—includes Kaspersky AV, enhanced WF, Sophos AS, AppSecure and IDP on SRX220
SRX220-S-SMB4-CS-5	Five year security subscription for enterprise—includes Sophos AV, enhanced WF, Sophos AS, AppSecure and IDP on SRX220
SRX-RAC-5-LTU	Dynamic VPN Client: 5 simultaneous users for SRX100, SRX110, SRX210, SRX220, SRX240, SRX550, and SRX650
SRX-RAC-10-LTU	Dynamic VPN Client: 10 simultaneous users for SRX100, SRX110, SRX210, SRX220, SRX240, SRX550, and SRX650
SRX-RAC-25-LTU	Dynamic VPN Client: 25 simultaneous users for SRX100, SRX110, SRX210, SRX220, SRX240, SRX550, and SRX650
SRX-RAC-50-LTU	Dynamic VPN Client: 50 simultaneous users for SRX210, SRX220, SRX240, SRX550, and SRX650
SRX-RAC-100-LTU	Dynamic VPN Client: 100 simultaneous users for SRX220, SRX240, SRX550, and SRX650
SRX-RAC-150-LTU	Dynamic VPN Client: 150 simultaneous users for SRX220, SRX240, SRX550, and SRX650
SRX220-APPSEC-A-1	One year subscription for Application Security and IPS updates for SRX220
SRX220-APPSEC-A-3	Three year subscription for Application Security and IPS updates for SRX220
SRX220-APPSEC-A-5	Five year subscription for Application Security and IPS updates for SRX220

SRX210 Base System

SRX210HE2	SRX210 Services Gateway with 2 GbE+ 6 Fast Ethernet ports, 1 Mini-PIM slot, 1 ExpressCard slot and high memory (2 GB RAM, 2 GB Flash)
SRX210HE2-POE	SRX210 Services Gateway with 2 GbE + 6 Fast Ethernet ports, 1 Mini-PIM slot, 1 ExpressCard slot and high memory (2 GB RAM, 2 GB Flash), with 4 ports PoE (50 W)

SRX210 Additional Hardware

SRX210-DESK-STAND	SRX210 desk top stand (holds one unit)
SRX210-RMK	SRX210 rack-mount kit for 19 in rack (holds one unit)
SRX210-WALL-KIT	SRX210 wall mount kit (holds one unit)
SRX210-PWR-60W-*	Spare SRX210 switching power supply, 60 W (non-PoE)
SRX210-PWR-150W-*	Spare SRX210 switching power supply, 150 W (PoE)

SRX210 Additional Software Feature Licenses

SRX210-K-AV	One year subscription for Juniper-Kaspersky antivirus updates on SRX210
SRX210-S-AV	One year subscription for Juniper-Sophos antivirus updates on SRX210
SRX210-IDP	One year subscription for IDP updates on SRX210
SRX210-S2-AS	One year subscription for Juniper-Sophos antispy updates on SRX210
SRX210-W-WF	One year subscription for Juniper-WebSense Web filtering updates on SRX210
SRX210-SMB4-CS	One year security subscription for enterprise—includes Kaspersky AV, enhanced WF, Sophos AS, AppSecure and IDP on SRX210
SRX210-S-SMB4-CS	One year security subscription for enterprise—includes Sophos AV, enhanced WF, Sophos AS, AppSecure and IDP on SRX210

*See price list for country-specific power cord model numbers.

Model Number	Description
SRX210-K-AV-3	Three year subscription for Juniper-Kaspersky antivirus updates on SRX210
SRX210-S-AV-3	Three year subscription for Juniper-Sophos antivirus updates on SRX210
SRX210-IDP-3	Three year subscription for IDP updates on SRX210
SRX210-S2-AS-3	Three year subscription for Juniper-Sophos antispy updates on SRX210
SRX210-W-WF-3	Three year subscription for Juniper-WebSense Web filtering updates on SRX210
SRX210-SMB4-CS-3	Three year security subscription for enterprise—includes Kaspersky AV, enhanced WF, Sophos AS, AppSecure and IDP on SRX210
SRX210-S-SMB4-CS-3	Three year security subscription for enterprise—includes Sophos AV, enhanced WF, Sophos AS, AppSecure and IDP on SRX210
SRX210-K-AV-5	Five year subscription for Juniper-Kaspersky antivirus updates on SRX210
SRX210-S-AV-5	Five year subscription for Juniper-Sophos antivirus updates on SRX210
SRX210-IDP-5	Five year subscription for IDP updates on SRX210
SRX210-S2-AS-5	Five year subscription for Juniper-Sophos antispy updates on SRX210
SRX210-W-WF-5	Five year subscription for Juniper-WebSense Web filtering updates on SRX210
SRX210-SMB4-CS-5	Five year security subscription for enterprise—includes Kaspersky AV, enhanced WF, Sophos AS, AppSecure and IDP on SRX210
SRX210-S-SMB4-CS-5	Five year security subscription for enterprise—includes Sophos AV, enhanced WF, Sophos AS, AppSecure and IDP on SRX210
SRX-RAC-5-LTU	Dynamic VPN Client: 5 simultaneous users for SRX100, SRX110, SRX210, SRX220, SRX240, SRX550, and SRX650
SRX-RAC-10-LTU	Dynamic VPN Client: 10 simultaneous users for SRX100, SRX110, SRX210, SRX220, SRX240, SRX550, and SRX650
SRX-RAC-25-LTU	Dynamic VPN Client: 25 simultaneous users for SRX100, SRX110, SRX210, SRX220, SRX240, SRX550, and SRX650
SRX-RAC-50-LTU	Dynamic VPN Client: 50 simultaneous users for SRX210, SRX220, SRX240, SRX550, and SRX650 only
SRX210-APPSEC-A-1	One year subscription for Application Security and IPS updates for SRX210
SRX210-APPSEC-A-3	Three year subscription for Application Security and IPS updates for SRX210
SRX210-APPSEC-A-5	Five year subscription for Application Security and IPS updates for SRX210

Small Form Factor Pluggable (SFP) Transceivers

SRX-SFP-1GE-LH	SFP 1000BASE-LH Optical Transceiver
SRX-SFP-1GE-LX	SFP 1000BASE-LX Optical Transceiver
SRX-SFP-1GE-SX	SFP 1000BASE-SX Optical Transceiver
SRX-SFP-1GE-T	SFP 1000BASE-T Copper Transceiver
SRX-SFP-FE-FX	SFP 100BASE-FX Optical Transceiver
SRX-MP-1SFP-GE	Single-port SFP Mini-PIM
SRX-GP-8SFP	8-port GbE copper, fiber SFP XPIM

Model Number	Description
SRX110 Base System	
SRX110H2-VA	SRX110 Services Gateway with 8xFE ports, 2 GB RAM and Flash, 1-port VDSL2/ADSL2+ over POTS, USB port for cellular modem connectivity, and external PS and cord included
SRX110H2-VB	SRX110 Services Gateway with 8xFE ports, 2 GB RAM and Flash, 1-port VDSL2/ADSL2+ over ISDN BRI. USB port for cellular modem connectivity, and external PS and cord included

SRX110 Additional Hardware

SRX110-DESK-STAND	SRX110 desktop stand; holds one unit
SRX110-RMK	SRX110 rack-mount kit; holds one unit
SRX110-WALL-KIT	SRX110 wall mount kit; holds one unit

SRX100 Base System

SRX100H2	SRX100 Services Gateway with 8xFE ports and high memory (2 GB RAM, 2 GB Flash)
----------	--

SRX100 Additional Hardware

SRX100-PWR-30W-*	Spare SRX100 switching power supply, 30 W (non-PoE)
SRX-100-RMK	SRX100 19" rack-mount kit (holds two units)
SRX100-WALL-KIT	SRX100 wall mount kit (holds one unit)
SRX100-DESK-STAND	SRX100 desk stand (holds one unit)

SRX100/SRX110 Dynamic VPN Client

SRX-RAC-5-LTU	5 simultaneous users for SRX100, SRX110, SRX210, SRX220, SRX240, SRX550, and SRX650
SRX-RAC-10-LTU	10 simultaneous users for SRX100, SRX110, SRX210, SRX220, SRX240, SRX550, and SRX650
SRX-RAC-25-LTU	25 simultaneous users for SRX100, SRX110, SRX210, SRX220, SRX240, SRX550, and SRX650

SRX100/SRX110 Additional Software Feature Licenses **

SRX1XX-K-AV	One year subscription for Juniper-Kaspersky AV updates
SRX1XX-K-AV-3	Three year subscription for Juniper-Kaspersky AV updates
SRX1XX-K-AV-5	Five year subscription for Juniper-Kaspersky AV updates
SRX1XX-S-AV	One year subscription for Juniper-Sophos AV updates
SRX1XX-S-AV-3	Three year subscription for Juniper-Sophos AV updates
SRX1XX-S-AV-5	Five year subscription for Juniper-Sophos AV updates
SRX1XX-S2-AS	One year subscription for Juniper-Sophos antispam updates
SRX1XX-S2-AS-3	Three year subscription for Juniper-Sophos antispam updates
SRX1XX-S2-AS-5	Five year subscription for Juniper-Sophos antispam updates
SRX1XX-W-EWF	One year subscription for Juniper-Websense enhanced Web filtering updates
SRX1XX-W-EWF-3	Three year subscription for Juniper-Websense enhanced Web filtering updates
SRX1XX-W-EWF-5	Five year subscription for Juniper-Websense enhanced Web filtering updates

Model Number	Description
SRX1XX-SMB4-CS	One year security subscription for enterprise—includes Kaspersky AV, enhanced WF, Sophos AS, AppSecure and IDP
SRX1XX-SMB4-CS-3	Three year security subscription for Kaspersky AV, enhanced WF, Sophos AS, AppSecure and IDP
SRX1XX-SMB4-CS-5	Five year security subscription for enterprise—includes Kaspersky AV, enhanced WF, Sophos AS, AppSecure and IDP
SRX1XX-S-SMB4-CS	One year security subscription for enterprise—includes Sophos AV, enhanced WF, Sophos AS, AppSecure, AppSecure and IDP
SRX1XX-S-SMB4-CS-3	Three year security subscription for enterprise—includes Sophos AV, enhanced WF, Sophos AS, AppSecure and IDP
SRX1XX-S-SMB4-CS-5	Five year security subscription for enterprise—includes Sophos AV, enhanced WF, Sophos AS, AppSecure and IDP
SRX1XX-IDP	One year license for IDP updates
SRX1XX-IDP-3	Three year license for IDP updates
SRX1XX-IDP-5	Five year license for IDP updates
SRX1XX-K-AV-3-R	Three year renewal subscription for Juniper-Kaspersky AV updates
SRX1XX-K-AV-5-R	Five year renewal subscription for Juniper-Kaspersky AV updates
SRX1XX-K-AV-R	One year renewal subscription for Juniper-Kaspersky AV updates
SRX1XX-S-AV-3-R	Three year renewal subscription for Juniper-Sophos AV updates
SRX1XX-S-AV-5-R	Five year renewal subscription for Juniper-Sophos AV updates
SRX1XX-S-AV-R	One year renewal subscription for Juniper-Sophos AV updates
SRX1XX-S2-AS-3-R	Three year renewal subscription for Juniper-Sophos antispam updates
SRX1XX-S2-AS-5-R	Five year renewal subscription for Juniper-Sophos antispam updates
SRX1XX-S2-AS-R	One year renewal subscription for Juniper-Sophos antispam updates
SRX1XX-W-EWF-3-R	Three year renewal subscription for Juniper-enhanced Websense enhanced Web filtering updates
SRX1XX-W-EWF-5-R	Five year renewal subscription for Juniper-enhanced Websense enhanced Web filtering updates
SRX1XX-W-EWF-R	One year renewal subscription for Juniper-enhanced Websense enhanced Web filtering updates
SRX1XX-SMB4-CS-R	One year renewal security subscription for enterprise—includes Kaspersky AV, enhanced WF, Sophos AS, AppSecure and IDP
SRX1XX-SMB4-CS-3-R	Three year renewal security subscription for enterprise—includes Kaspersky AV, enhanced WF, Sophos AS, AppSecure and IDP
SRX1XX-SMB4-CS-5-R	Five year renewal security subscription for enterprise—includes Kaspersky AV, enhanced WF, Sophos AS, AppSecure and IDP
SRX1XX-S-SMB4-CS-R	One year renewal security subscription for enterprise—includes Sophos AV, enhanced WF, Sophos AS, AppSecure and IDP
SRX1XX-S-SMB4-CS-3-R	Three year renewal security subscription for enterprise—includes Sophos AV, enhanced WF, Sophos AS, AppSecure and IDP

*See price list for country-specific power cord model numbers.

Model Number	Description
SRX1XX-S-SMB4-CS-5-R	Five year renewal security subscription for enterprise—includes Sophos AV, enhanced WF, Sophos AS, AppSecure and IDP
SRX1XX-IDP-R	One year renewal subscription for IDP Signature service
SRX1XX-IDP-3-R	Three year renewal subscription for IDP Signature service
SRX1XX-IDP-5-R	Five year renewal subscription for IDP Signature service
SRX100-APPSEC-A-1	One year subscription for Application Security and IPS updates for SRX100
SRX100-APPSEC-A-3	Three year subscription for Application Security and IPS updates for SRX100
SRX100-APPSEC-A-5	Five year subscription for Application Security and IPS updates for SRX100

About Juniper Networks

Juniper Networks challenges the status quo with products, solutions and services that transform the economics of networking. Our team co-innovates with customers and partners to deliver automated, scalable and secure networks with agility, performance and value. Additional information can be found at [Juniper Networks](#) or connect with Juniper on [Twitter](#) and [Facebook](#).

Corporate and Sales Headquarters

Juniper Networks, Inc.
1133 Innovation Way
Sunnyvale, CA 94089 USA

Phone: 888.JUNIPER (888.586.4737)

or +1.408.745.2000

www.juniper.net

APAC and EMEA Headquarters

Juniper Networks International B.V.

Boeing Avenue 240

1119 PZ Schiphol-Rijk

Amsterdam, The Netherlands

Phone: +31.0.207.125.700

JUNIPER
NETWORKS | Engineering
Simplicity



Copyright 2018 Juniper Networks, Inc. All rights reserved. Juniper Networks, the Juniper Networks logo, Juniper, and Junos are registered trademarks of Juniper Networks, Inc. in the United States and other countries. All other trademarks, service marks, registered marks, or registered service marks are the property of their respective owners. Juniper Networks assumes no responsibility for any inaccuracies in this document. Juniper Networks reserves the right to change, modify, transfer, or otherwise revise this publication without notice.