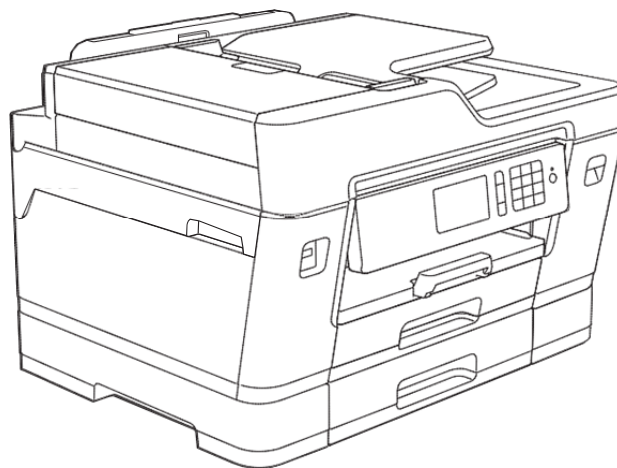




## Brother Inkjet MFC **PARTS REFERENCE LIST**

**MODELS:MFC-J3530DW/J3930DW/  
J6530DW/J6535DW/  
J6730DW/  
J6930DW/J6935DW**



---

Read this list thoroughly before maintenance work.  
Keep this list in a convenient place for quick and easy reference at all times.

---

August 2016  
PL-FAX237  
8CH1\*  
Ver.8

# NOTE FOR USING THIS PARTS REFERENCE LIST

1. In the case of ordering parts, it is necessary to mention the following items;

- (1) Code
- (2) Q'ty
- (3) Description

Note: Orders without Parts Code or Tool No. cannot be accepted.

< Example >

	(1) CODE	(2) Q'TY	(3) DESCRIPTION	
REF.NO.	CODE	Q'TY	DESCRIPTION	REMARK

2. Design-changed parts :

If any of the parts code is changed in this Parts List, one of the following symbols is indicated in the REMARK column.

- CHG(chg) : The parts code is changed to a new one in this Parts List.
- ADD(add) : The parts code is newly added in this Parts List.
- DEL(del) : The parts code is deleted in this Parts List.

Symbol in capital letters indicates the latest parts change information in the page.

- 3. Parts change will be informed by the Parts change information.
- 4. Parts are subject to change in design without prior notice.

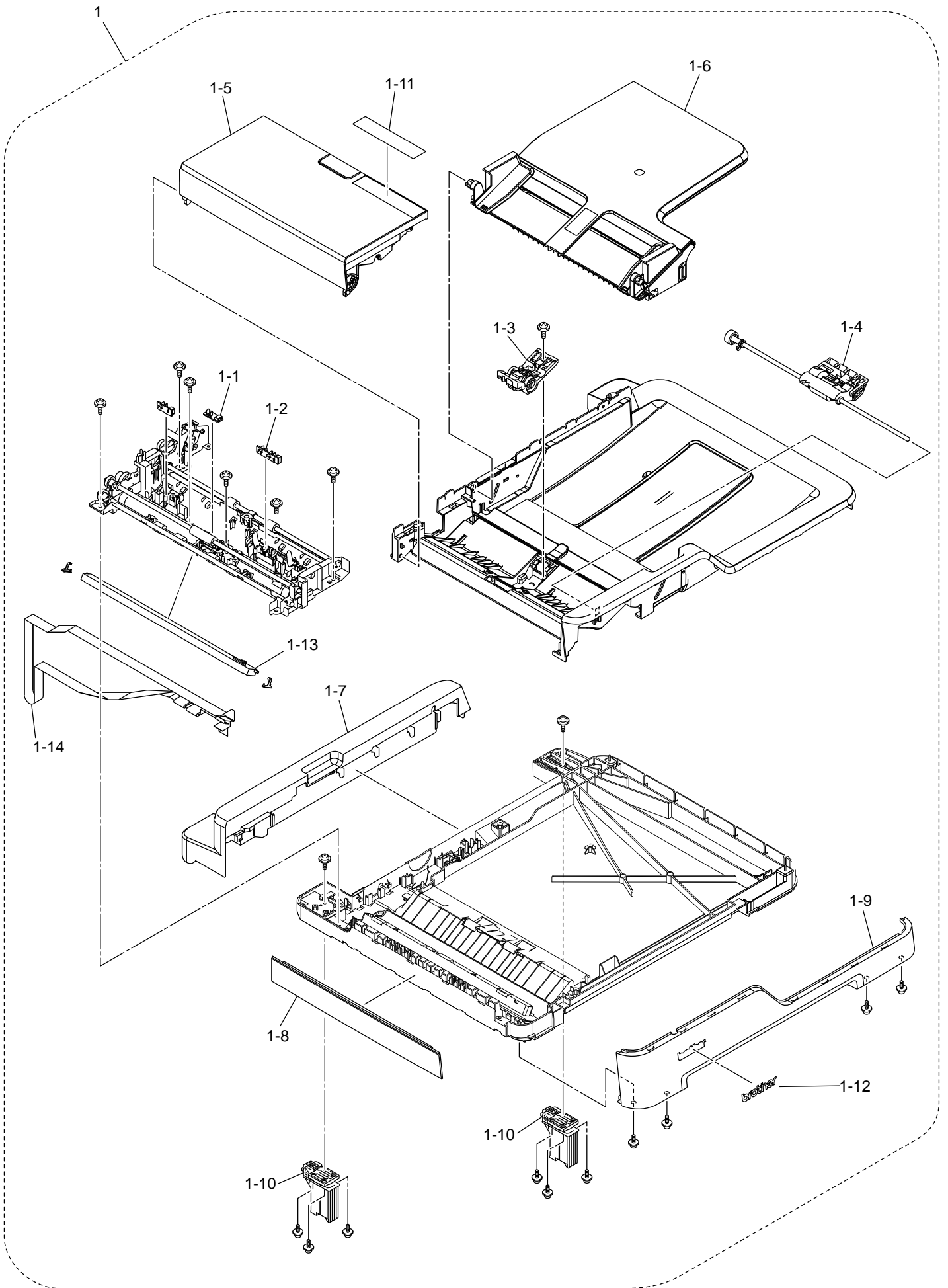
## COUNTRIES AND AREAS

US ----- U.S.A.	FRA/BEL/NLD ----- FRANCE/BELGIUM/NETHERLANDS
CAN ----- CANADA	OCE ----- OCEANIA(AUSTRALIA/NEW ZEALAND)
GER ----- GERMANY	PND ----- PAN-NORDIC
UK ----- UNITED KINGDOM	(NORWAY/FINLAND/DENMARK/SWEDEN)
CHE ----- SWITZERLAND	ITA/IBR ----- ITALY/IBERIA
CHN ----- CHINA	(ITALY/SPAIN/PORUGUESE)
TWN ----- TAIWAN	MYS ----- MALAYSIA
SAF ----- SOUTH AFRICA	CEE ----- CEE GENERAL
HK ----- HONG KONG	
IDN ----- INDONESIA	
THA ----- THAILAND	
ARG ----- ARGENTINA	
CHL ----- CHILE	
GUL ----- GULF	
BRA ----- BRAZIL	
KOR ----- KOREA	
RUS ----- RUSSIA	

# CONTENTS

1.	<u>ADF</u> .....	1
2.	<u>DOCUMENT SCANNER</u> .....	3
3.	<u>CARTRIDGE CASE</u> .....	5
4.	<u>ENGINE</u> .....	7
5.	<u>HEAD</u> .....	9
6.	<u>PAPER TRAY</u> .....	11
7.	<u>MP TRAY</u> .....	13
8.	<u>COVERS &amp; LABELS</u> .....	15
9.	<u>PANEL</u> .....	17
10.	<u>PCB</u> .....	19
11.	<u>ACCESSORIES</u> .....	21
12.	<u>PRINTED MATERIALS</u> .....	24
13.	<u>PACKING MATERIALS</u> .....	27
14.	<u>OTHERS</u> .....	29
15.	<u>LOWER TRAY</u> .....	31

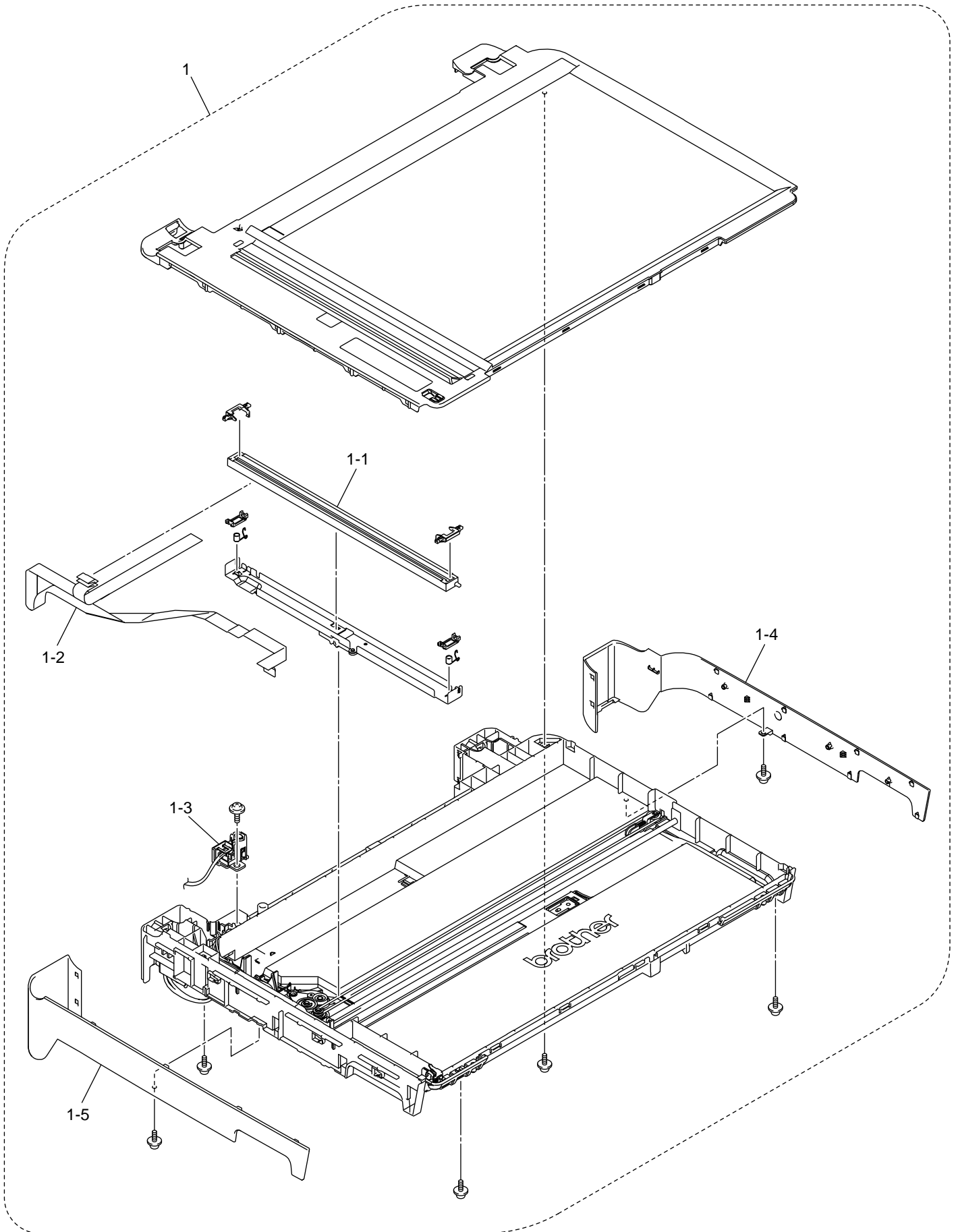
1. ADF



## 1. ADF

REF No.	CODE	Q'TY	DESCRIPTION	MODEL	SPEC	REMARKS
1	D00G4A001	1	ADF UNIT SP	MFC-J3530DW/J6530DW/J6730DW		
1	D00G4C001	1	ADF UNIT SP	MFC-J3930DW/J6930DW		
1	D00G4E001	1	ADF UNIT SP	MFC-J6535DW		
1	D00GL2001	1	ADF UNIT SP	MFC-J6935DW		
1-1	LG6753001	1	DOCUMENT SCANNING POSITION SENSOR PCB			
1-2	LT2519001	1	ADF DOCUMENT DETECTION SENSOR/ ADF DOCUMENT WIDTH SENSOR PCB			
1-3	D00DW5001	1	ADF SEPARATION PAD HOLDER ASSY			
1-4	D002BK001	1	DOCUMENT SEPARATION ROLLER ASSY			
1-5	D002DK001	1	ADF COVER	MFC-J3530DW/J3930DW/J6530DW/ J6730DW/J6930DW		
1-5	D006R9001	1	ADF COVER	MFC-J6535DW/J6935DW		
1-6	D00FUD001	1	ADF DOCUMENT SUPPORT SP	MFC-J3530DW/J3930DW/J6530DW/ J6730DW/J6930DW		
1-6	D00FUG001	1	ADF DOCUMENT SUPPORT SP	MFC-J6535DW/J6935DW		
1-7	D002E2001	1	ADF REAR COVER	MFC-J3530DW/J3930DW/J6530DW/ J6730DW/J6930DW		
1-7	D002E2002	1	ADF REAR COVER	MFC-J6535DW/J6935DW		
1-8	D003VF001	1	ADF SIDE COVER	MFC-J3530DW/J3930DW/J6530DW/ J6730DW/J6930DW		
1-8	D003VF002	1	ADF SIDE COVER	MFC-J6535DW/J6935DW		
1-9	D004UG001	1	ADF FRONT COVER	MFC-J3530DW/J3930DW/J6530DW/ J6730DW/J6930DW		
1-9	D006RD001	1	ADF FRONT COVER	MFC-J6535DW/J6935DW		
1-10	D002E3001	2	ADF HINGE			
1-11	D004NK001	1	ADF SIZE LABEL	MFC-J3530DW/J3930DW/J6530DW/ J6730DW/J6930DW		
1-11	D006KL001	1	ADF SIZE LABEL	MFC-J6535DW/J6935DW		
1-12	LX1347001	1	EMBLEM BROTHER	MFC-J3530DW/J3930DW/J6530DW/ J6730DW/J6930DW		
1-12	LX1347007	1	EMBLEM BROTHER	MFC-J6535DW/J6935DW		
1-13	D002RG001	1	SECOND SIDE CIS UNIT	MFC-J3930DW/J6930DW/J6935DW		
1-14	D002B5001	1	SECOND SIDE CIS FLAT CABLE	MFC-J3930DW/J6930DW/J6935DW		

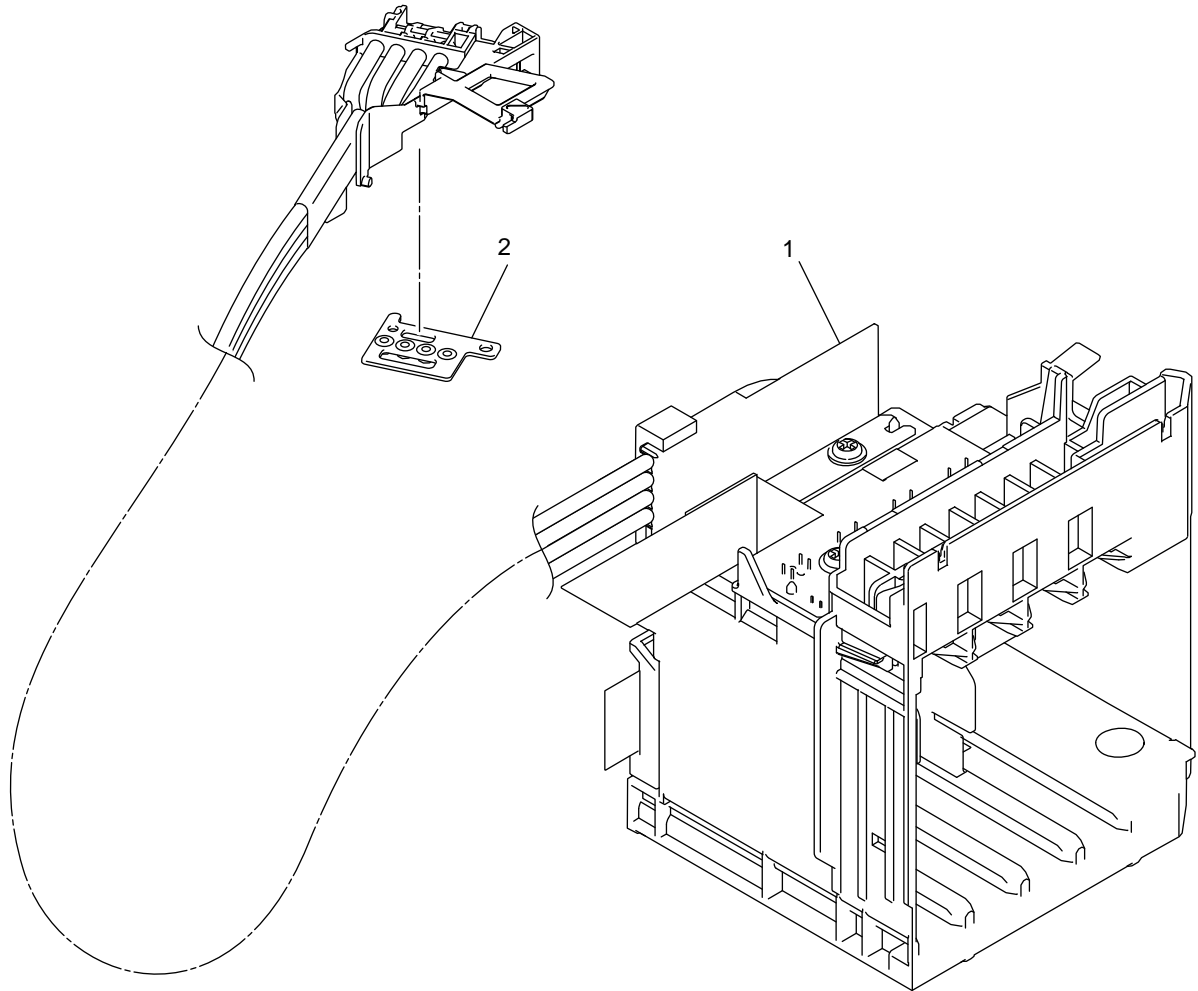
## 2. DOCUMENT SCANNER



2. DOCUMENT SCANNER

REF No.	CODE	Q'TY	DESCRIPTION	MODEL	SPEC	REMARKS
1	D00G4H001	1	DOCUMENT SCANNER UNIT SP	MFC-J3530DW/J6530DW/J6730DW		
1	D00G4J001	1	DOCUMENT SCANNER UNIT SP	MFC-J3930DW/J6930DW		
1	D00G4L001	1	DOCUMENT SCANNER UNIT SP	MFC-J6535DW		
1	D00GL1001	1	DOCUMENT SCANNER UNIT SP	MFC-J6935DW		
1-1	D002RG001	1	FIRST SIDE CIS UNIT			
1-2	D002RL001	1	FIRST SIDE CIS FLAT CABLE			
1-3	D00682001	1	DOCUMENT COVER SENSOR	MFC-J3530DW/J6530DW/J6730DW		
1-3	D004UD001	1	DOCUMENT COVER SENSOR	MFC-J3930DW/J6535DW/J6930DW/ J6935DW		
1-4	D003DR001	1	DOCUMENT SCANNER SIDE COVER R	MFC-J3530DW/J3930DW/J6530DW/ J6730DW/J6930DW		
1-4	D003DR002	1	DOCUMENT SCANNER SIDE COVER R	MFC-J6535DW/J6935DW		
1-5	D003DS001	1	DOCUMENT SCANNER SIDE COVER L	MFC-J3530DW/J3930DW/J6530DW/ J6730DW/J6930DW		
1-5	D003DS002	1	DOCUMENT SCANNER SIDE COVER L	MFC-J6535DW/J6935DW		

### 3. CARTRIDGE CASE

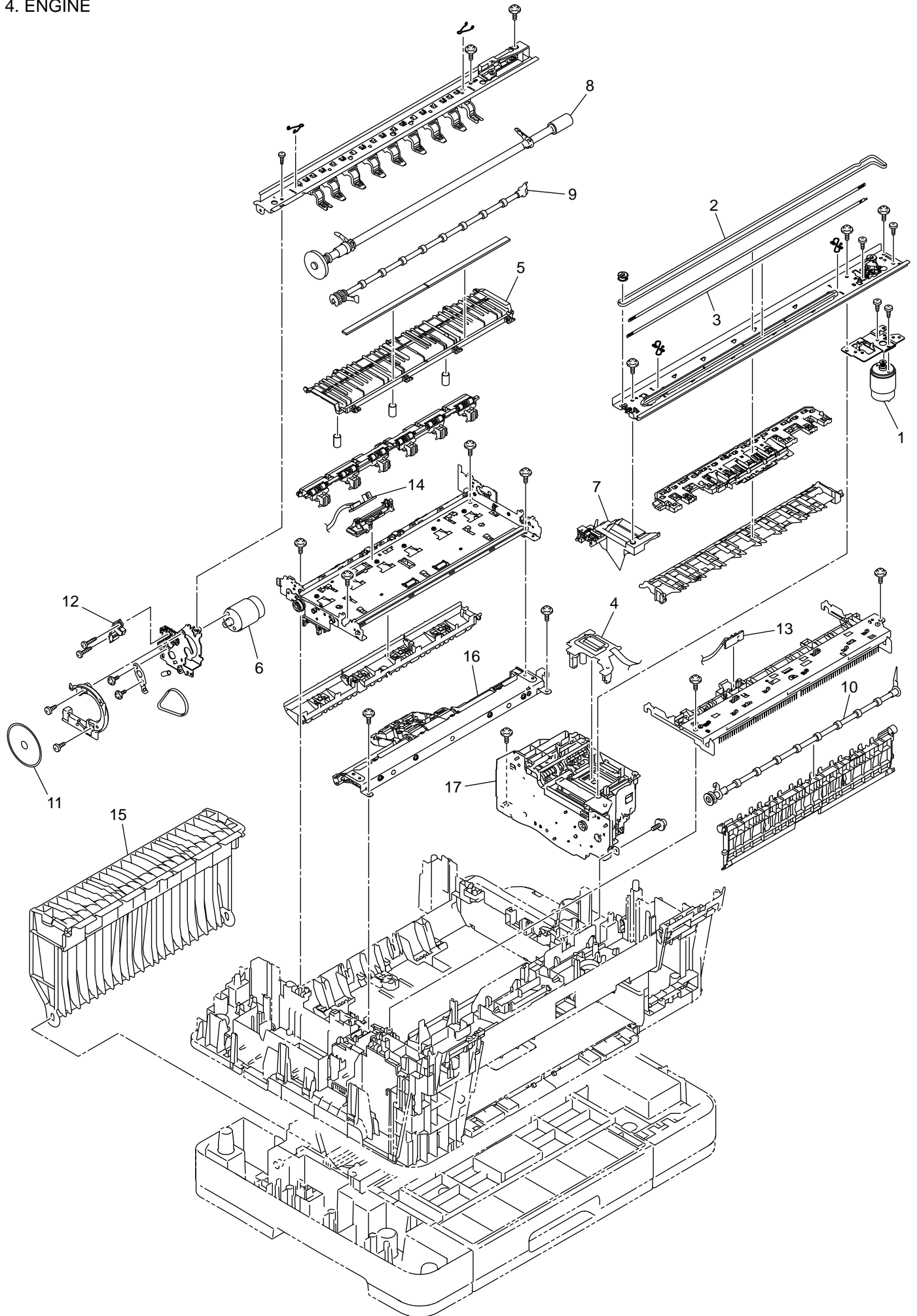




### 3. CARTRIDGE CASE

REF No.	CODE	Q'TY	DESCRIPTION	MODEL	SPEC
1	D00FUB001	1	INK REFILL ASSY (SP)	MFC-J3530DW/J3930DW/J6530DW/ J6730DW/J6930DW	US/CAN/GER/UK/CHE/ TWN/SAF/HK/IDN/THA/ ARG/CHL/GUL/KOR/RUS/ FRA/BEL/NLD/OCE/PND/ ITA/IBR/MYS/CEE CHN
1	D00MCE001	1	INK REFILL ASSY (SP)	MFC-J3530DW/J3930DW	
1	D00FUC001	1	INK REFILL ASSY (SP)	MFC-J6535DW/J6935DW	
2	D00G5S001	1	HEAD JOINT RUBBER SP		

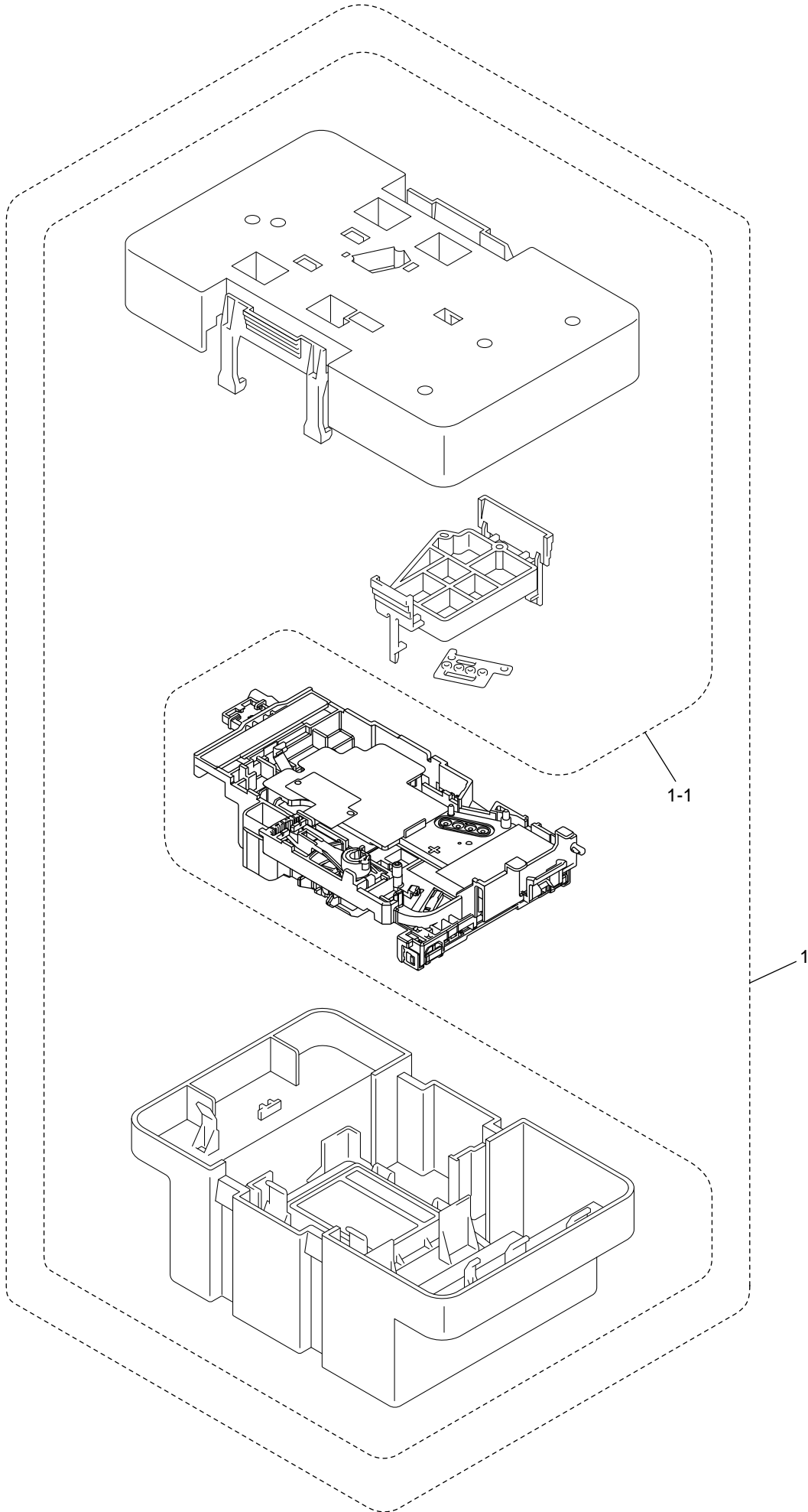
# 4. ENGINE



4. ENGINE

REF No.	CODE	Q'TY	DESCRIPTION	MODEL	SPEC	REMARKS
1	D002DL001	1	CARRIAGE MOTOR			
2	D002E4001	1	CR TIMING BELT			
3	D002EN001	1	CR ENCODER STRIP			
4	D00F0N001	1	CARRIAGE PCB ASSY (SP)			
5	D001ZC001	1	PLATEN			
6	D00FCV001	1	PAPER FEED MOTOR			
7	D002C8001	1	FLUSHING BASE			
8	D002C9001	1	PAPER FEED ROLLER			
9	D002CF001	1	PAPER EJECTION ROLLER			
10	D002CR001	1	SWITCHBACK ROLLER			
11	D001ZU001	1	PF ENCODER DISK			
12	LT1509002	1	PF ENCODER SENSOR PCB			
13	D002P4001	1	SWITCHBACK SENSOR PCB			
14	D002P5001	1	REGISTRATION SENSOR PCB			
15	D003JH001	1	JAM CLEAR COVER	MFC-J3530DW/J6530DW		
15	D002B9001	1	JAM CLEAR COVER	MFC-J3930DW/J6730DW/J6930DW		
15	D003JH002	1	JAM CLEAR COVER	MFC-J6535DW		
15	D002B9002	1	JAM CLEAR COVER	MFC-J6935DW		
16	D002BA001	1	PAPER FEED ARM FRAME ASSY	EXCEPT FOR MFC-J6935DW		
16	D00531001	1	PAPER FEED ARM FRAME ASSY	MFC-J6935DW		
17	D00F0T001	1	MAINTENANCE UNIT (SP)	MFC-J3530DW/J6530DW/J6730DW		
17	D00F0P001	1	MAINTENANCE UNIT (SP)	MFC-J3930DW/J6535DW/J6930DW/ J6935DW		

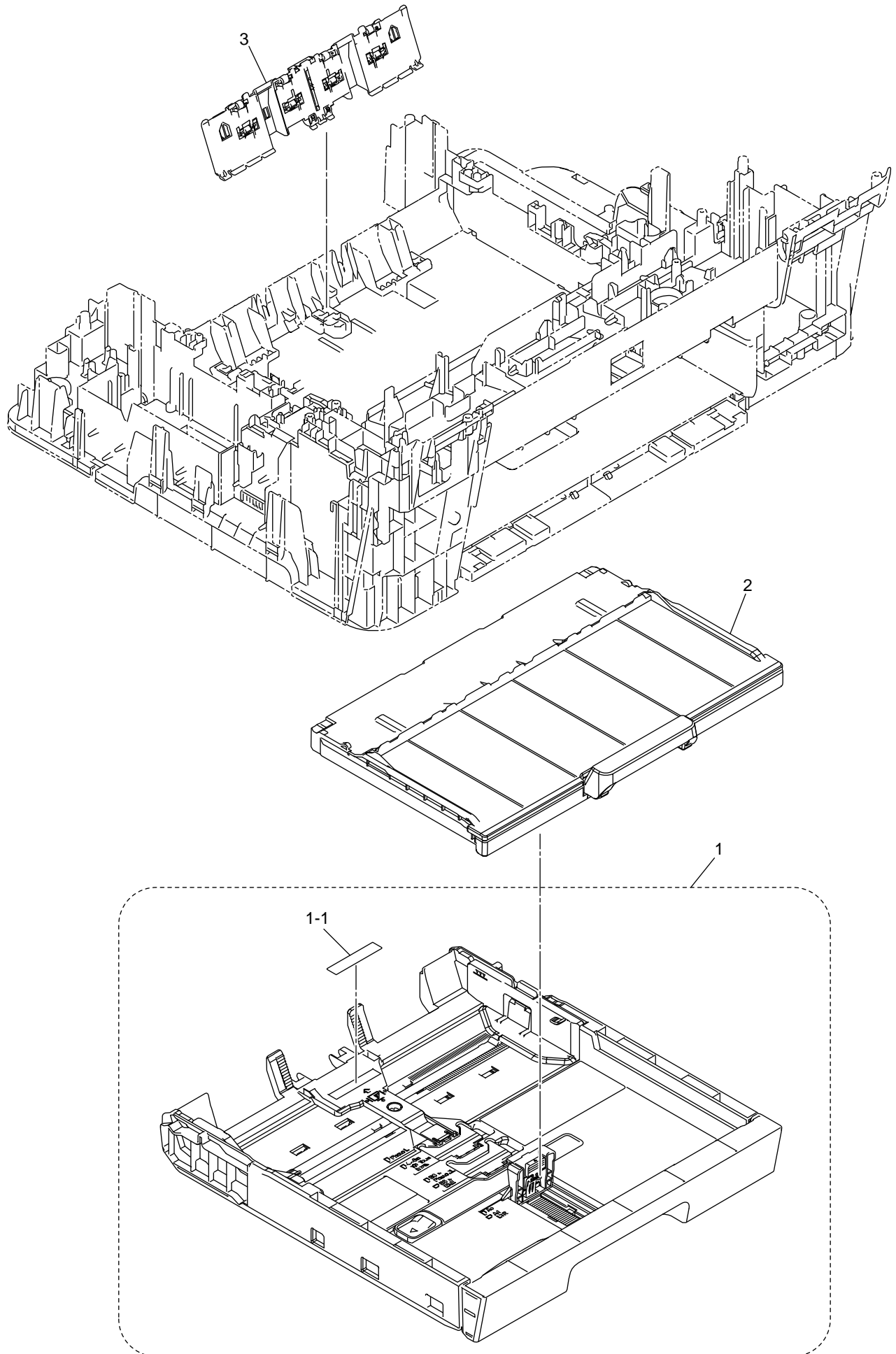
5. HEAD



5. HEAD

REF No.	CODE	Q'TY	DESCRIPTION	MODEL	SPEC	REMARKS
1	D006S7001	1	HEAD/CARRIAGE UNIT (SP)			
1-1	D006VP001	1	PROTECTOR SUPPLY ASSY			

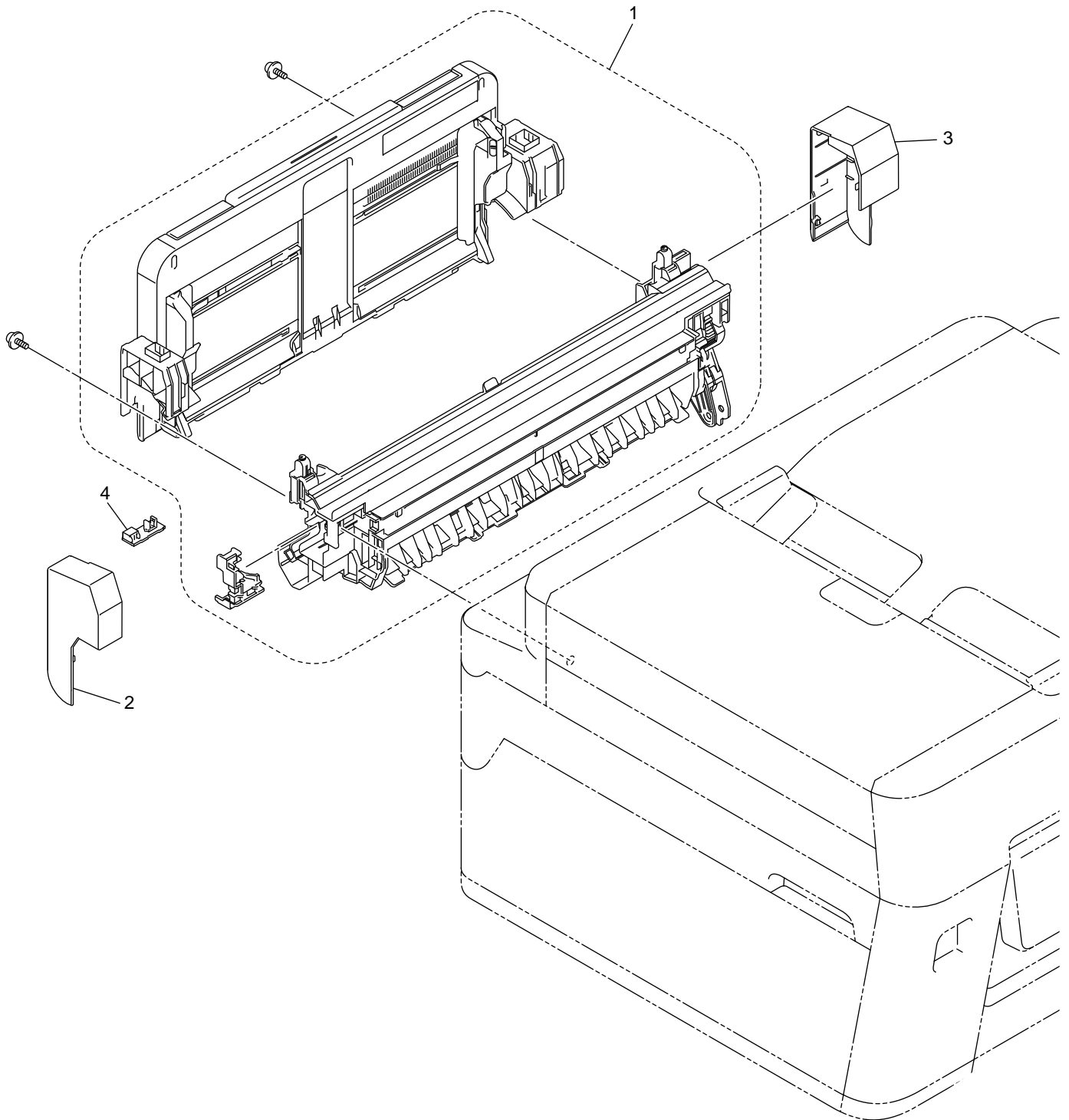
## 6. PAPER TRAY



6. PAPER TRAY

REF No.	CODE	Q'TY	DESCRIPTION	MODEL	SPEC	REMARKS
1	D002AU001	1	PAPER TRAY ASSY #1	MFC-J3530DW/J6530DW		
1	D009NW001	1	PAPER TRAY ASSY #1	MFC-J3930DW/J6730DW/J6930DW		
1	D002AU002	1	PAPER TRAY ASSY #1	MFC-J6535DW		
1	D009NW002	1	PAPER TRAY ASSY #1	MFC-J6935DW		
1-1	LED275001	1	T1 BASE PAD			
2	D002CU001	1	EXIT TRAY ASSY	MFC-J3530DW/J3930DW/J6530DW/ J6730DW/J6930DW		
2	D002CU002	1	EXIT TRAY ASSY	MFC-J6535DW/J6935DW		
3	LET495001	1	T1 BANK ASSY			

## 7. MP TRAY

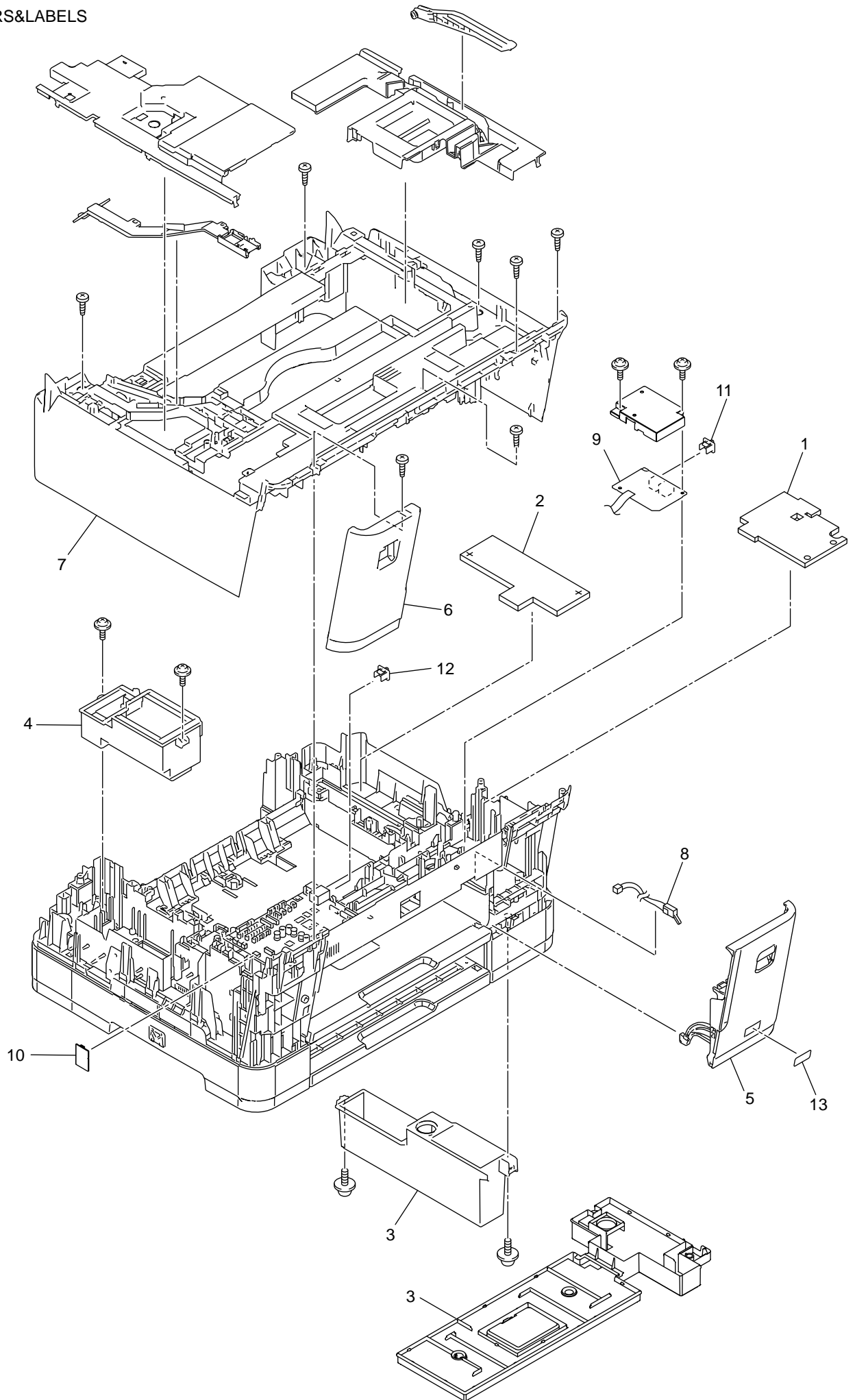




7. MP TRAY

REF No.	CODE	Q'TY	DESCRIPTION	MODEL	SPEC	REMARKS
1	D004WY001	1	MANUAL PAPER TRAY ASSY	MFC-J3530DW/J6530DW/J6730DW		
1	D0029E001	1	MP TRAY ASSY	MFC-J3930DW/J6930DW		
1	D009XX001	1	MP TRAY ASSY	MFC-J6535DW/J6935DW		
2	D002A6001	1	MP SIDE COVER L	MFC-J3530DW/J3930DW/J6530DW/ J6730DW/J6930DW		
2	D002A6002	1	MP SIDE COVER L	MFC-J6535DW/J6935DW		
3	D002A7001	1	MP SIDE COVER R	MFC-J3530DW/J3930DW/J6530DW/ J6730DW/J6930DW		
3	D002A7002	1	MP SIDE COVER R	MFC-J6535DW/J6935DW		
4	D002P5001	1	MP PAPER DETECTION SENSOR PCB	MFC-J3930DW/J6535DW/J6930DW/ J6935DW		

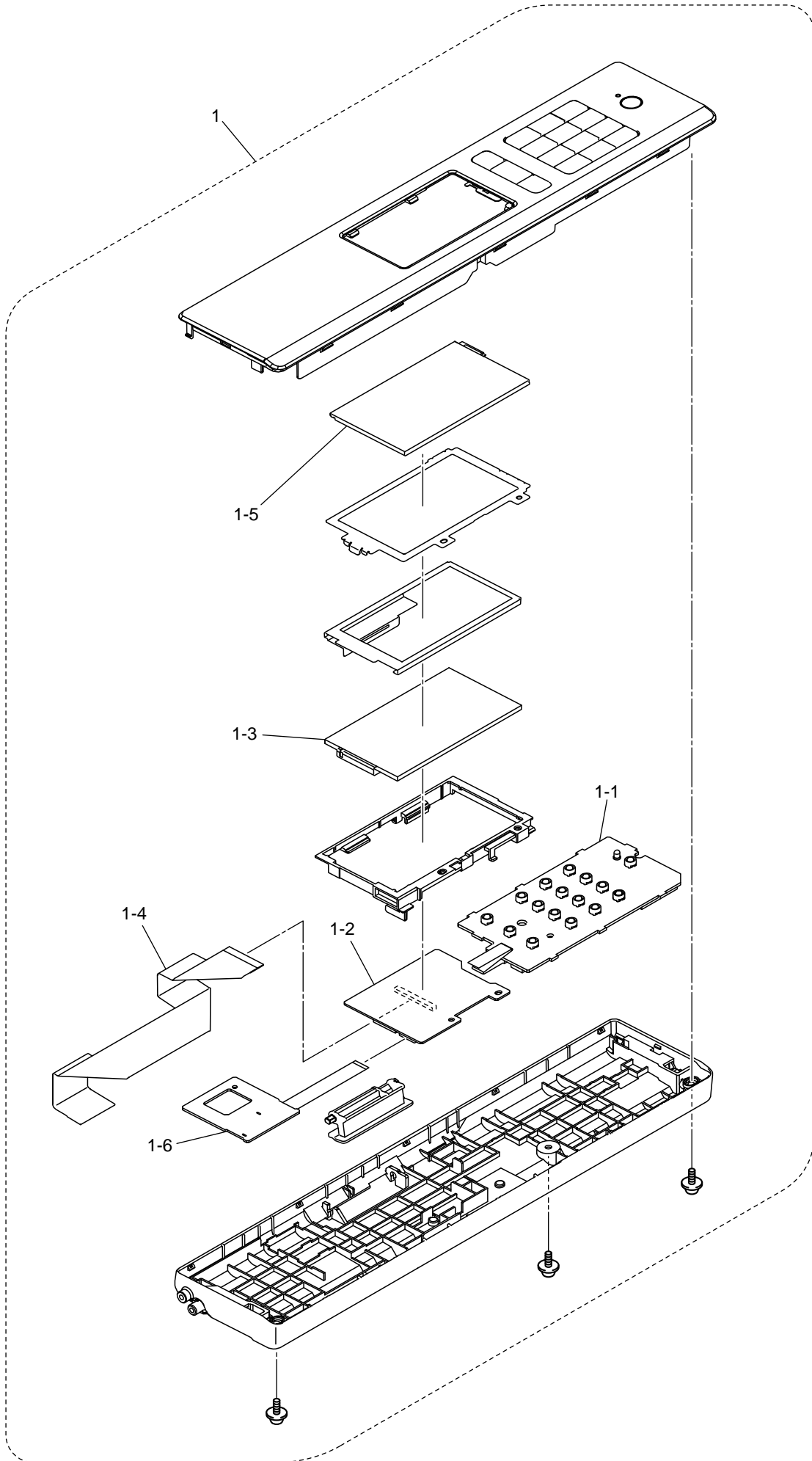
# 8. COVERS & LABELS



8. COVERS & LABELS

REF No.	CODE	Q'TY	DESCRIPTION	MODEL	SPEC	REMARKS
1	D002AZ001	1	INK ABSORBER FELT (FOR INK REFILL ASSY)			
2	D002B0001	1	INK ABSORBER FELT (FOR MAINTENANCE UNIT)			
3	D003B6001	1	INK ABSORBER BOX	MFC-J3530DW/J6530DW/J6535DW		
3	D002X8001	1	INK ABSORBER BOX	MFC-J3930DW/J6730DW/J6930DW/ J6935DW		
4	D003YF001	1	FLUSHING BOX			
5	D002KP001	1	INK CARTRIDGE COVER	MFC-J3530DW/J3930DW/J6530DW/ J6730DW/J6930DW		
5	D002KP002	1	INK CARTRIDGE COVER	MFC-J6535DW/J6935DW		
6	D005XH001	1	FRONT COVER L	MFC-J3530DW/J3930DW/J6530DW/ J6730DW/J6930DW		
6	D004MN002	1	FRONT COVER L	MFC-J6535DW/J6935DW		
7	D00G5T001	1	UPPER COVER SP	MFC-J3530DW/J6530DW		
7	D00G5W001	1	UPPER COVER SP	MFC-J3930DW/J6930DW		
7	D00G5X001	1	UPPER COVER SP	MFC-J6535DW		
7	D00G5V001	1	UPPER COVER SP	MFC-J6730DW		
7	D00G64001	1	UPPER COVER SP	MFC-J6935DW		
8	D002M5001	1	INK CARTRIDGE COVER SENSOR			
9	D002M8001	1	MODEM PCB		EXCEPT FOR OCE	
9	D002M8006	1	MODEM PCB		OCE	
10	LD1969001	1	WIRELESS LAN PCB			
11	LE8842001	1	EXT CAP		EXCEPT FOR GER/UK	
11	UF5745000	1	MJ COVER EXT		GER/UK	
12	LEG124001	1	LAN PORT CAP			
13	LEW468001	1	INKVESTMENT LABEL	MFC-J6535DW/J6935DW	US/CAN	
13	LEX288001	1	INKBENEFIT LABEL	MFC-J3530DW/J3930DW	RUS/CEE	
13	LX3721001	1	INNOBELLA LABEL US	MFC-J6530DW/J6930DW	US	
13	LX3722001	1	INNOBELLA LABEL	MFC-J3530DW/J3930DW/J6530DW/ J6730DW/J6930DW/J6935DW	CAN/GER/UK/CHE/CHN/ TWN/SAF/HK/IDN/THA/ ARG/CHL/BRA/KOR/ FRA/BEL/NLD/OCE/PND/ ITA/IBR/MYS/GUL	

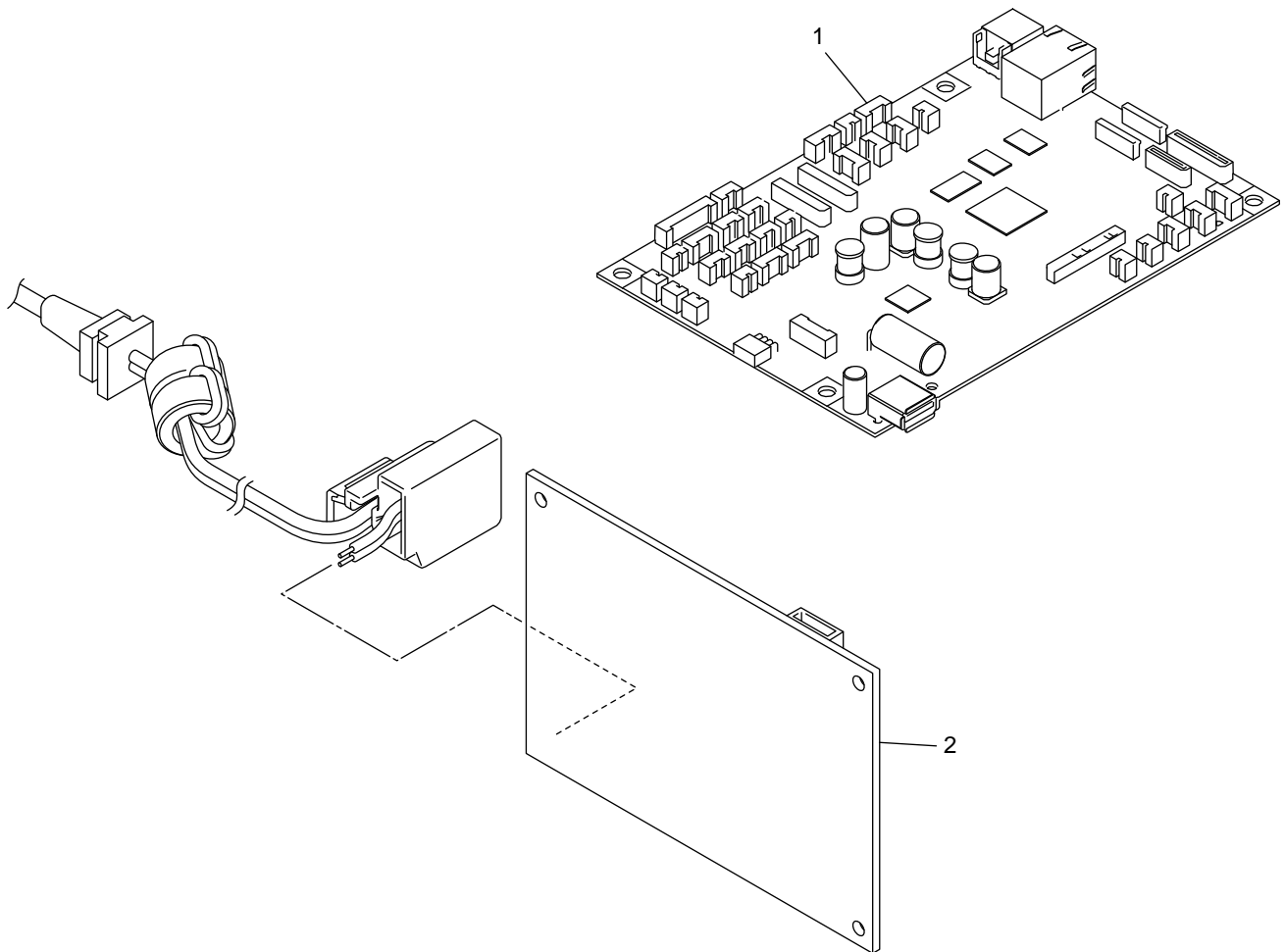
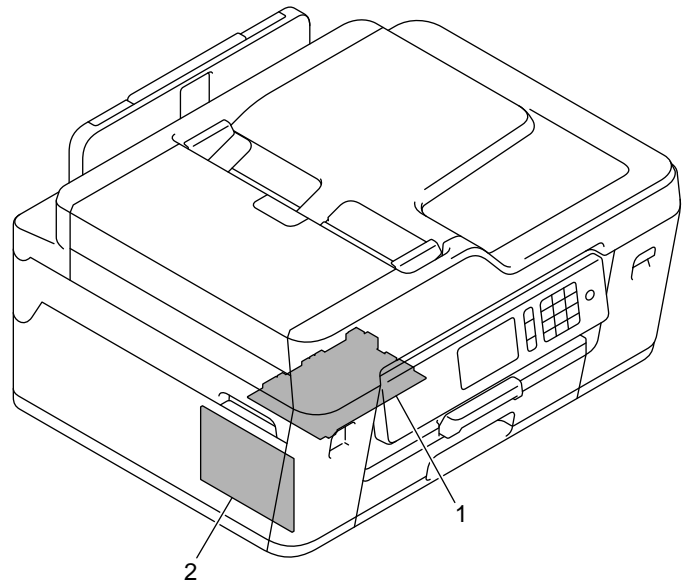
9. PANEL



9. PANEL

REF No.	CODE	Q'TY	DESCRIPTION	MODEL	SPEC	REMARKS
1	D00L00001	1	CONTROL PANEL ASSY	MFC-J3530DW	CHN	
1	D00GFJ001	1	CONTROL PANEL ASSY	MFC-J3530DW	SAF/GUL/KOR/RUS/CEE	
1	D008FV001	1	CONTROL PANEL ASSY	MFC-J3530DW	HK/IDN/MYS	
1	D00L4F001	1	CONTROL PANEL ASSY	MFC-J3930DW	CHN	
1	D00GH7001	1	CONTROL PANEL ASSY	MFC-J3930DW	TWN/SAF/GUL/KOR/ RUS/CEE THA/MYS	
1	D008FK001	1	CONTROL PANEL ASSY	MFC-J3930DW	US/CAN	
1	D002Y3001	1	CONTROL PANEL ASSY	MFC-J6530DW	GER/UK/CHE/FRA/BEL/ NLD/PND/ITA/IBR	
1	D004ZU001	1	CONTROL PANEL ASSY	MFC-J6530DW	OCE	
1	D00H08001	1	CONTROL PANEL ASSY	MFC-J6530DW	US/CAN	
1	D008PG001	1	CONTROL PANEL ASSY	MFC-J6535DW	ARG	
1	D00JHG001	1	CONTROL PANEL ASSY	MFC-J6730DW	CHL	
1	D00HLY001	1	CONTROL PANEL ASSY	MFC-J6730DW	OCE	
1	D008FR001	1	CONTROL PANEL ASSY	MFC-J6730DW	US/CAN	
1	D002F3001	1	CONTROL PANEL ASSY	MFC-J6930DW	GER/UK/CHE/FRA/BEL/ NLD/PND/ITA/IBR	
1	D008FG001	1	CONTROL PANEL ASSY	MFC-J6930DW	OCE	
1	D00GGJ001	1	CONTROL PANEL ASSY	MFC-J6935DW	US/BRA	
1	D0051D001	1	CONTROL PANEL ASSY	MFC-J6935DW	GER/UK/CHE/FRA/BEL/ NLD/PND/ITA/IBR	
1	D0053P001	1	CONTROL PANEL ASSY	MFC-J6935DW	OCE	
1	D00K04001	1	CONTROL PANEL ASSY	MFC-J6935DW		
1-1	D002F4001	1	PANEL PCB			
1-2	D002LP001	1	LCD PCB	MFC-J6535DW		
1-2	D003DB001	1	LCD PCB	MFC-J3530DW/J6530DW/J6730DW		
1-2	D002LP002	1	LCD PCB	MFC-J3930DW/J6930DW/J6935DW		
1-3	D003CR001	1	LCD	MFC-J3530DW/J6530DW/J6730DW		
1-3	D002LR001	1	LCD	MFC-J3930DW/J6535DW/J6930DW/ J6935DW		
1-4	D002LS001	1	PANEL FLAT CABLE			
1-5	D005HR001	1	TOUCH PANEL	MFC-J3530DW/J6530DW		
1-5	D003D9001	1	TOUCH PANEL	MFC-J3930DW/J6535DW/J6930DW/ J6935DW		
1-5	D003DD001	1	TOUCH PANEL	MFC-J6730DW		
1-6	D0000T003	1	NFC PCB	MFC-J3930DW/J6930DW/J6935DW		

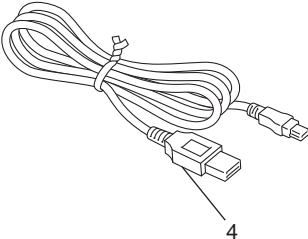
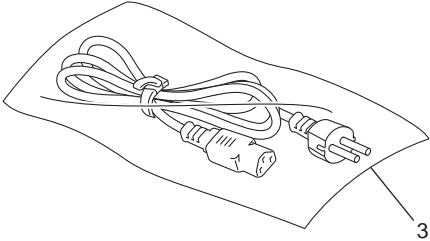
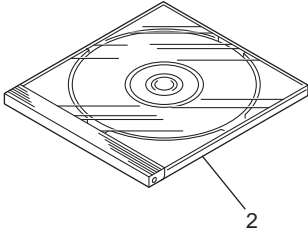
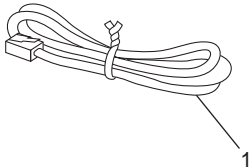
10. PCB



## 10. PCB

REF No.	CODE	Q'TY	DESCRIPTION	MODEL	SPEC	REMARKS
1	D00MHY020	1	MAIN PCB SP (PRESET 74 CODE:0220)	MFC-J3530DW	CHN	
1	D00HTH040	1	MAIN PCB SP (PRESET 74 CODE:0240)	MFC-J3530DW	SAF/HK/IDN/GUL/KOR/ RUS/MYS/CEE	
1	D00MHZ020	1	MAIN PCB SP (PRESET 74 CODE:0420)	MFC-J3930DW	CHN	
1	D00HTK040	1	MAIN PCB SP (PRESET 74 CODE:0440)	MFC-J3930DW	TWN/SAF/THA/GUL/KOR/ RUS/MYS	
1	D00HTH001	1	MAIN PCB SP (PRESET 74 CODE:0001)	MFC-J6530DW	US/CAN	
1	D00HTH004	1	MAIN PCB SP (PRESET 74 CODE:0004)	MFC-J6530DW	GER/UK/CHE/FRA/BEL/ NLD/PND/ITA/IBR	
1	D00HTH056	1	MAIN PCB SP (PRESET 74 CODE:0056)	MFC-J6530DW	OCE	
1	D00HTL001	1	MAIN PCB SP (PRESET 74 CODE:0501)	MFC-J6535DW	US/CAN	
1	D00HTJ036	1	MAIN PCB SP (PRESET 74 CODE:0136)	MFC-J6730DW	ARG/CHL	
1	D00HTJ056	1	MAIN PCB SP (PRESET 74 CODE:0156)	MFC-J6730DW	OCE	
1	D00HTK001	1	MAIN PCB SP (PRESET 74 CODE:0001)	MFC-J6930DW	US/CAN	
1	D00HTK004	1	MAIN PCB SP (PRESET 74 CODE:0004)	MFC-J6930DW	GER/UK/CHE/FRA/BEL/ NLD/PND/ITA/IBR	
1	D00HTK056	1	MAIN PCB SP (PRESET 74 CODE:0056)	MFC-J6930DW	OCE	
1	D00HTM001	1	MAIN PCB SP (PRESET 74 CODE:0101)	MFC-J6935DW	US/BRA	
1	D00HTM004	1	MAIN PCB SP (PRESET 74 CODE:0104)	MFC-J6935DW	GER/UK/CHE/FRA/BEL/ NLD/PND/ITA/IBR	
1	D00HTM056	1	MAIN PCB SP (PRESET 74 CODE:0156)	MFC-J6935DW	OCE	
2	D002BP001	1	POWER SUPPLY PCB ASSY		US	
2	D00JS6001	1	POWER SUPPLY PCB ASSY		CAN	
2	D003K7001	1	POWER SUPPLY PCB ASSY		GER/UK/CHE/SAF/HK/IDN/ THA/ARG/CHL/GUL/KOR/ RUS/FRA/BEL/NLD/OCE/ PND/ITA/IBR/MYS/CEE	
2	D00GFF001	1	POWER SUPPLY PCB ASSY		CHN	
2	D00GFB001	1	POWER SUPPLY PCB ASSY		TWN	
2	D00GFD001	1	POWER SUPPLY PCB ASSY		BRA	

11. ACCESSORIES





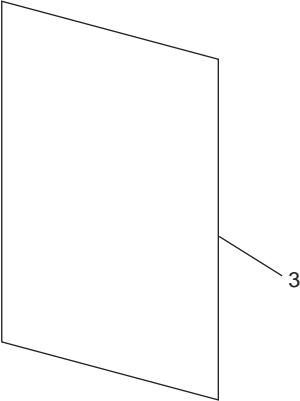
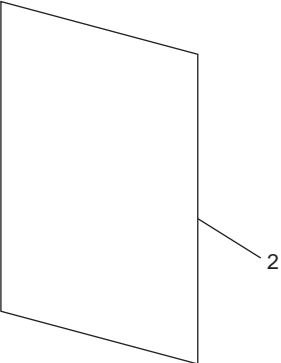
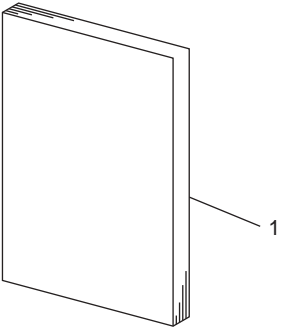
11. ACCESSORIES

REF No.	CODE	Q'TY	DESCRIPTION	MODEL	SPEC	REMARKS
1	LG3077001	1	TELEPHONE LINE CORD CSA		US/ CAN/ UK/ CHN/ TWN/ SAF/ IDN/ ARG/ CHL/ GUL/ BRA/ KOR/ RUS/ BEL/ NLD/ ITA/ IBR/ MYS/ CEE/ GER UK	
1	UG3625001	1	TELEPHONE LINE CORD GER		FRA/ BEL/ NLD	
1	UG3626001	1	TELEPHONE LINE CORD UK6P		ITA/ IBR	
1	UG3627001	1	TELEPHONE LINE CORD FRA		CHE	
1	LT2144001	1	TELEPHONE LINE CORD ITA		PND	
1	LG7202001	1	TELEPHONE LINE CORD SWI		HK/ OCE	
1	LG5827001	1	TELEPHONE LINE CORD RJ45	MFC-J3530DW/ J6530DW/ J6930DW/ J6935DW		
1	UG3290001	1	TELEPHONE LINE CORD NZ			
1	LT3317001	1	TELEPHONE LINE CORD CSA2		OCE	
2	D004XU001	1	CD-ROM		EXCEPT FOR CHN	
2	D008F5001	1	CD-ROM		CHN	
3	LT2509001	1	AC CORD ASSY EUR		GER/ IDN/ THA/ GUL/ RUS/ FRA/ NLD/ ITA/ IBR/ CEE/ BEL	
3	LT2544001	1	AC CORD ASSY UK		UK/ HK/ GUL/ MYS	
3	LT2637001	1	AC CORD ASSY SEV		CHE	
3	LT2691001	1	AC CORD ASSY CHILE		CHL	
3	LT3643001	1	AC CORD ASSY PERU		CHL/ MYS	
3	LT2639001	1	AC CORD ASSY SAI		OCE	
3	LT3387001	1	AC CORD ASSY PAN-NOR		PND	
3	LT3516001	1	AC CORD ASSY SAF		SAF	
3	LT2688001	1	AC CORD ASSY IRAM		ARG	
3	LT2731001	1	AC CORD ASSY KOR		KOR	
3	LT2757001	1	AC CORD ASSY CCC		CHN	
4	LT3290001	1	USB CABLE		CHN/ TWN/ SAF/ HK/ IDN/ THA/ ARG/ GUL/ KOR/ MYS/ CHL	
(5)	LG5828001	1	TELEPHONE PLUG DEN		PND	
(5)	LG5830001	1	TELEPHONE PLUG SWE		PND	
(5)	LG5829001	1	TELEPHONE PLUG FIN		PND	
(5)	LT3927001	1	TELEPHONE PLUG ARL2		OCE	
(5)	UG3468000	1	TELEPHONE PLUG HK		HK	
(6)	D0025K001	1	INITIAL STARTER SETUP CARTRIDGE LC3017BK	MFC-J6530DW/ J6730DW/ J6930DW	US/ CAN/ ARG/ CHL	ADD
(6)	D004Y1001	1	INITIAL STARTER SETUP CARTRIDGE LC3029BK	MFC-J6535DW/ J6935DW	US/ CAN/ BRA	ADD
(6)	D002T2001	1	INITIAL STARTER SETUP CARTRIDGE LC3217BK	MFC-J6530DW/ J6930DW	GER/ UK/ CHE/ FRA/ BEL/ NLD/ PND/ ITA/ IBR	ADD
(6)	D00J5T001	1	INITIAL STARTER SETUP CARTRIDGE LC3219XLBK	MFC-J6935DW	GER/ UK/ CHE/ FRA/ BEL/ NLD/ PND/ ITA/ IBR	ADD
(6)	D008P8001	1	INITIAL STARTER SETUP CARTRIDGE LC3317BK	MFC-J6530DW/ J6730DW/ J6930DW	OCE	ADD
(6)	D00962001	1	INITIAL STARTER SETUP CARTRIDGE LC3329XLBK	MFC-J6935DW	OCE	ADD
(6)	D008EN001	1	INITIAL STARTER SETUP CARTRIDGE LC3617BK		HK/ IDN/ KOR/ MYS/ TWN/ THA	ADD
(6)	D00GBV001	1	INITIAL STARTER SETUP CARTRIDGE LC3617BK CEE		RUS/ CEE	ADD
(6)	D0096J001	1	INITIAL STARTER SETUP CARTRIDGE LC3717BK		SAF/ GUL	ADD
(7)	D0025L001	1	INITIAL STARTER SETUP CARTRIDGE LC3017C	MFC-J6530DW/ J6730DW/ J6930DW	US/ CAN/ ARG/ CHL	ADD
(7)	D004Y2001	1	INITIAL STARTER SETUP CARTRIDGE LC3029C	MFC-J6535DW/ J6935DW	US/ CAN/ BRA	ADD
(7)	D002T3001	1	INITIAL STARTER SETUP CARTRIDGE LC3217C	MFC-J6530DW/ J6930DW	GER/ UK/ CHE/ FRA/ BEL/ NLD/ PND/ ITA/ IBR	ADD
(7)	D00J5U001	1	INITIAL STARTER SETUP CARTRIDGE LC3219XLC	MFC-J6935DW	GER/ UK/ CHE/ FRA/ BEL/ NLD/ PND/ ITA/ IBR	ADD
(7)	D008P9001	1	INITIAL STARTER SETUP CARTRIDGE LC3317C	MFC-J6530DW/ J6730DW/ J6930DW	OCE	ADD
(7)	D00963001	1	INITIAL STARTER SETUP CARTRIDGE LC3329XLC	MFC-J6935DW	OCE	ADD
(7)	D008EP001	1	INITIAL STARTER SETUP CARTRIDGE LC3617C		HK/ IDN/ KOR/ MYS/ TWN/ THA	ADD
(7)	D00GBW001	1	INITIAL STARTER SETUP CARTRIDGE LC3617C CEE		RUS/ CEE	ADD
(7)	D0096K001	1	INITIAL STARTER SETUP CARTRIDGE LC3717C		SAF/ GUL	ADD
(8)	D0025M001	1	INITIAL STARTER SETUP CARTRIDGE LC3017M	MFC-J6530DW/ J6730DW/ J6930DW	US/ CAN/ ARG/ CHL	ADD
(8)	D004Y3001	1	INITIAL STARTER SETUP CARTRIDGE LC3029M	MFC-J6535DW/ J6935DW	US/ CAN/ BRA	ADD
(8)	D002T4001	1	INITIAL STARTER SETUP CARTRIDGE LC3217M	MFC-J6530DW/ J6930DW	GER/ UK/ CHE/ FRA/ BEL/ NLD/ PND/ ITA/ IBR	ADD

11. ACCESSORIES

REF No.	CODE	Q'TY	DESCRIPTION	MODEL	SPEC	REMARKS
(8)	D00J5V001	1	INITIAL STARTER SETUP CARTRIDGE LC3219XLM	MFC-J6935DW	GER/ UK/ CHE/ FRA/ BEL/ NLD/ PND/ ITA/ IBR	ADD
(8)	D008PA001	1	INITIAL STARTER SETUP CARTRIDGE LC3317M	MFC-J6530DW/ J6730DW/ J6930DW	OCE	ADD
(8)	D00964001	1	INITIAL STARTER SETUP CARTRIDGE LC3329XLM	MFC-J6935DW	OCE	ADD
(8)	D008ER001	1	INITIAL STARTER SETUP CARTRIDGE LC3617M		HK/ IDN/ KOR/ MYS/ TWN/ THA	ADD
(8)	D00GBX001	1	INITIAL STARTER SETUP CARTRIDGE LC3617M CEE		RUS/ CEE	ADD
(8)	D0096L001	1	INITIAL STARTER SETUP CARTRIDGE LC3717M		SAF/ GUL	ADD
(9)	D0025N001	1	INITIAL STARTER SETUP CARTRIDGE LC3017Y	MFC-J6530DW/ J6730DW/ J6930DW	US/ CAN/ ARG/ CHL	ADD
(9)	D004Y4001	1	INITIAL STARTER SETUP CARTRIDGE LC3029Y	MFC-J6535DW/ J6935DW	US/ CAN/ BRA	ADD
(9)	D002T5001	1	INITIAL STARTER SETUP CARTRIDGE LC3217Y	MFC-J6530DW/ J6930DW	GER/ UK/ CHE/ FRA/ BEL/ NLD/ PND/ ITA/ IBR	ADD
(9)	D00J5W001	1	INITIAL STARTER SETUP CARTRIDGE LC3219XLY	MFC-J6935DW	GER/ UK/ CHE/ FRA/ BEL/ NLD/ PND/ ITA/ IBR	ADD
(9)	D008PB001	1	INITIAL STARTER SETUP CARTRIDGE LC3317Y	MFC-J6530DW/ J6730DW/ J6930DW	OCE	ADD
(9)	D00965001	1	INITIAL STARTER SETUP CARTRIDGE LC3329XLY	MFC-J6935DW	OCE	ADD
(9)	D008ES001	1	INITIAL STARTER SETUP CARTRIDGE LC3617Y		HK/ IDN/ KOR/ MYS/ TWN/ THA	ADD
(9)	D00GBY001	1	INITIAL STARTER SETUP CARTRIDGE LC3617Y CEE		RUS/ CEE	ADD
(9)	D0096M001	1	INITIAL STARTER SETUP CARTRIDGE LC3717Y		SAF/ GUL	ADD

12. PRINTED MATERIALS



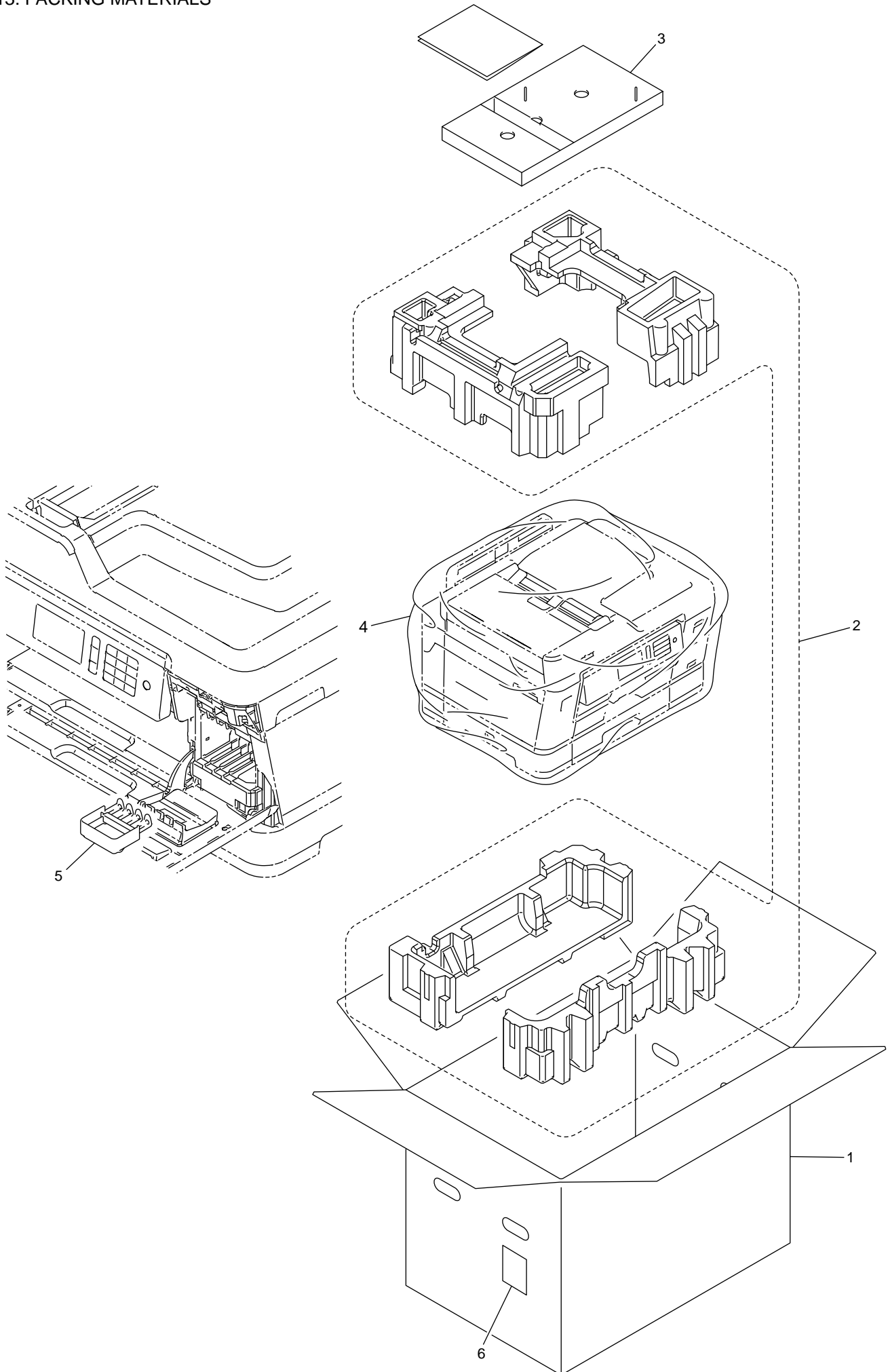
## 12. PRINTED MATERIALS

REF No.	CODE	QTY	DESCRIPTION	MODEL	SPEC	REMARKS
1	D00E0V001	1	USER'S GUIDE (ENGLISH)	MFC-J6530DW	US/CAN	
1	D009BX001	1	USER'S GUIDE (ENGLISH)	MFC-J6535DW/J6935DW	US/CAN	
1	D00E0J001	1	USER'S GUIDE (ENGLISH)	MFC-J6930DW	US/CAN	
1	D00HR4001	1	USER'S GUIDE (FRENCH)	MFC-J6530DW	CAN	
1	D00DR8001	1	USER'S GUIDE (FRENCH)	MFC-J6535DW	CAN	
1	D00GBM001	1	USER'S GUIDE (FRENCH)	MFC-J6930DW	CAN	
1	D00DNX001	1	USER'S GUIDE (GERMAN)	MFC-J6530DW	GER/CHE	
1	D00DKW001	1	USER'S GUIDE (GERMAN)	MFC-J6930DW	GER/CHE	
1	D009CH001	1	USER'S GUIDE (GERMAN)	MFC-J6935DW	GER/CHE	
1	D00DNM001	1	USER'S GUIDE (ENGLISH)	MFC-J6530DW	UK	
1	D00DJS001	1	USER'S GUIDE (ENGLISH)	MFC-J6930DW	UK	
1	D00JBZ001	1	USER'S GUIDE (ENGLISH)	MFC-J6935DW	UK	
1	D00DR7001	1	USER'S GUIDE (FRENCH)	MFC-J6530DW	CHE/FRA/BEL/NLD	
1	D00DLP001	1	USER'S GUIDE (FRENCH)	MFC-J6930DW	CHE/FRA/BEL/NLD	
1	D00JC3001	1	USER'S GUIDE (FRENCH)	MFC-J6935DW	CHE/FRA/BEL/NLD	
1	D00L3M001	1	USER'S GUIDE (CHINESE)	MFC-J3530DW	CHN	
1	D00L4J001	1	USER'S GUIDE (CHINESE)	MFC-J3930DW	CHN	
1	D00JU8001	1	USER'S GUIDE (CHINESE)	MFC-J3930DW	TWN	
1	D00GZ7001	1	USER'S GUIDE (ENGLISH)	MFC-J3530DW/J6530DW/J6730DW	SAF/HK/IDN/ GUL/OCE/MYS	
1	D00GGE001	1	USER'S GUIDE (ENGLISH)	MFC-J3930DW/J6930DW	SAF/THA/GUL/ OCE/MYS	
1	D00KFS001	1	USER'S GUIDE (CHINESE)	MFC-J3530DW	HK	
1	D00HDH001	1	USER'S GUIDE (THAI)	MFC-J3530DW	IDN	
1	D00HDJ001	1	USER'S GUIDE (INDONESIAN)	MFC-J3530DW	IDN	
1	D00HF6001	1	USER'S GUIDE (THAI)	MFC-J3930DW	THA	
1	D00HMB001	1	USER'S GUIDE (SPANISH)	MFC-J6730DW	ARG/CHL	
1	D00J3R001	1	USER'S GUIDE (PORTUGUESE)	MFC-J6935DW	BRA	
1	D00K3L001	1	USER'S GUIDE (KOREAN)	MFC-J3930DW	KOR	
1	D00KFZ001	1	USER'S GUIDE (KOREAN)	MFC-J3530DW	KOR	
1	D00JDT001	1	USER'S GUIDE (RUSSIAN)	MFC-J3530DW	RUS	
1	D00JEN001	1	USER'S GUIDE (RUSSIAN)	MFC-J3930DW	RUS	
1	D00DRA001	1	USER'S GUIDE (DUTCH)	MFC-J6530DW	FRA/BEL/NLD	
1	D00DLS001	1	USER'S GUIDE (DUTCH)	MFC-J6930DW	FRA/BEL/NLD	
1	D00JC6001	1	USER'S GUIDE (DUTCH)	MFC-J6935DW	FRA/BEL/NLD	
1	D00K0U001	1	USER'S GUIDE (ENGLISH)	MFC-J6935DW	OCE	
1	D00FJ9001	1	USER'S GUIDE	MFC-J6530DW	PND	
1	D00FKA001	1	USER'S GUIDE	MFC-J6930DW	PND	
1	D00JZT001	1	USER'S GUIDE	MFC-J6935DW	PND	
1	D00DRM001	1	USER'S GUIDE (ITALIAN)	MFC-J6530DW	ITA/IBR	
1	D00DLY001	1	USER'S GUIDE (ITALIAN)	MFC-J6930DW	ITA/IBR	
1	D00JCG001	1	USER'S GUIDE (ITALIAN)	MFC-J6935DW	ITA/IBR	
1	D00DRT001	1	USER'S GUIDE (SPANISH/PORTUGUESE)	MFC-J6530DW	ITA/IBR	
1	D00DM0001	1	USER'S GUIDE (SPANISH/PORTUGUESE)	MFC-J6930DW	ITA/IBR	
1	D00JCF001	1	USER'S GUIDE (SPANISH/PORTUGUESE)	MFC-J6935DW	ITA/IBR	
1	D00J26001	1	USER'S GUIDE (TURKISH)	MFC-J3930DW	GUL	
1	D00GFV001	1	USER'S GUIDE (ENGLISH/CZECH/HUNGARIAN/POLISH)	MFC-J3530DW	CEE	
1	D00GFX001	1	USER'S GUIDE (BULGARIAN/ROMANIAN/SLOVAK)	MFC-J3530DW	CEE	
1	D00GH9001	1	USER'S GUIDE (ENGLISH/CZECH/HUNGARIAN/POLISH)	MFC-J3930DW	CEE	
1	D00GHA001	1	USER'S GUIDE (BULGARIAN/ROMANIAN/SLOVAK)	MFC-J3930DW	CEE	
2	D009PB001	1	QUICK SETUP GUIDE (ENGLISH)	MFC-J6530DW	US/CAN	
2	D009C0001	1	QUICK SETUP GUIDE (ENGLISH)	MFC-J6535DW/J6935DW	US/CAN	
2	D00E0H001	1	QUICK SETUP GUIDE (ENGLISH)	MFC-J6930DW	US/CAN	
2	D00HPY001	1	QUICK SETUP GUIDE (FRENCH)	MFC-J6530DW	CAN	
2	D00DRF001	1	QUICK SETUP GUIDE (FRENCH)	MFC-J6535DW	CAN	
2	D00GBR001	1	QUICK SETUP GUIDE (FRENCH)	MFC-J6930DW	CAN	
2	D00DNW001	1	QUICK SETUP GUIDE (GERMAN)	MFC-J6530DW	GER/CHE	
2	D00DKX001	1	QUICK SETUP GUIDE (GERMAN)	MFC-J6930DW/J6935DW	GER/CHE	
2	D00DNN001	1	QUICK SETUP GUIDE (ENGLISH)	MFC-J3530DW/J6530DW	UK/CEE	
2	D00DJN001	1	QUICK SETUP GUIDE (ENGLISH)	MFC-J3930DW/J6930DW/J6935DW	UK/CEE	
2	D00DR6001	1	QUICK SETUP GUIDE (FRENCH)	MFC-J6530DW	CHE/FRA/BEL/NLD	
2	D00DLR001	1	QUICK SETUP GUIDE (FRENCH)	MFC-J6930DW/J6935DW	CHE/FRA/BEL/NLD	
2	D00DRS001	1	QUICK SETUP GUIDE (ITALIAN)	MFC-J6530DW	CHE/ITA/IBR	
2	D00DLZ001	1	QUICK SETUP GUIDE (ITALIAN)	MFC-J6930DW/J6935DW	CHE/ITA/IBR	
2	D00L3P001	1	QUICK SETUP GUIDE (CHINESE)	MFC-J3530DW	CHN	
2	D00L4K001	1	QUICK SETUP GUIDE (CHINESE)	MFC-J3930DW	CHN	
2	D00JU7001	1	QUICK SETUP GUIDE (CHINESE)	MFC-J3930DW	TWN	
2	D00GZ8001	1	QUICK SETUP GUIDE (ENGLISH)	MFC-J3530DW/J6530DW/J6730DW	SAF/HK/IDN/ OCE/GUL/MYS	
2	D00GGG001	1	QUICK SETUP GUIDE (ENGLISH)	MFC-J3930DW/J6930DW/J6935DW	SAF/THA/GUL/ OCE/MYS	
2	D00KFT001	1	QUICK SETUP GUIDE (CHINESE)	MFC-J3530DW	HK	
2	D00HDK001	1	QUICK SETUP GUIDE (THAI)	MFC-J3530DW	IDN	

12. PRINTED MATERIALS

REF No.	CODE	Q'TY	DESCRIPTION	MODEL	SPEC	REMARKS
2	D00HDL001	1	QUICK SETUP GUIDE (INDONESIAN)	MFC-J3530DW	IDN	
2	D00HF7001	1	QUICK SETUP GUIDE (THAI)	MFC-J3930DW	THA	
2	D00HMA001	1	QUICK SETUP GUIDE (SPANISH)	MFC-J6730DW	ARG/CHL	
2	D00JF9001	1	QUICK SETUP GUIDE (ARABIC)	MFC-J3530DW	GUL	
2	D00J3T001	1	QUICK SETUP GUIDE (PORTUGUESE)	MFC-J6935DW	BRA	
2	D00K3K001	1	QUICK SETUP GUIDE (KOREAN)	MFC-J3930DW	KOR	
2	D00KG1001	1	QUICK SETUP GUIDE (KOREAN)	MFC-J3530DW	KOR	
2	D00JDZ001	1	QUICK SETUP GUIDE (RUSSIAN)	MFC-J3530DW	RUS	
2	D00JE0001	1	QUICK SETUP GUIDE (KAZAKH/BELARUSSIAN)	MFC-J3530DW	RUS	
2	D00JEX001	1	QUICK SETUP GUIDE (RUSSIAN)	MFC-J3930DW	RUS	
2	D00JEY001	1	QUICK SETUP GUIDE (KAZAKH/BELARUSSIAN)	MFC-J3930DW	RUS	
2	D00DRC001	1	QUICK SETUP GUIDE (DUTCH)	MFC-J6530DW	FRA/BEL/NLD	
2	D00DLU001	1	QUICK SETUP GUIDE (DUTCH)	MFC-J6930DW/J6935DW	FRA/BEL/NLD	
2	D00FJA001	1	QUICK SETUP GUIDE (DANISH)	MFC-J6530DW	PND	
2	D00FKD001	1	QUICK SETUP GUIDE (DANISH)	MFC-J6930DW/J6935DW	PND	
2	D00FJB001	1	QUICK SETUP GUIDE (NORWEGIAN)	MFC-J6530DW	PND	
2	D00FKM001	1	QUICK SETUP GUIDE (NORWEGIAN)	MFC-J6930DW/J6935DW	PND	
2	D00FJC001	1	QUICK SETUP GUIDE (SWEDISH)	MFC-J6530DW	PND	
2	D00FKN001	1	QUICK SETUP GUIDE (SWEDISH)	MFC-J6930DW/J6935DW	PND	
2	D00FJD001	1	QUICK SETUP GUIDE (FINNISH)	MFC-J6530DW	PND	
2	D00FKP001	1	QUICK SETUP GUIDE (FINNISH)	MFC-J6930DW/J6935DW	PND	
2	D00DRP001	1	QUICK SETUP GUIDE (SPANISH)	MFC-J6530DW	ITA/IBR	
2	D00DRR001	1	QUICK SETUP GUIDE (PORTUGUESE)	MFC-J6530DW	ITA/IBR	
2	D00DM1001	1	QUICK SETUP GUIDE (SPANISH)	MFC-J6930DW/J6935DW	ITA/IBR	
2	D00DME001	1	QUICK SETUP GUIDE (PORTUGUESE)	MFC-J6930DW/J6935DW	ITA/IBR	
2	D00J2E001	1	QUICK SETUP GUIDE (TURKISH)	MFC-J3930DW	GUL	
2	D00J2G001	1	QUICK SETUP GUIDE (ARABIC)	MFC-J3930DW	GUL	
2	D00GG1001	1	QUICK SETUP GUIDE (ROMANIAN/SLOVAK)	MFC-J3530DW	CEE	
2	D00GHD001	1	QUICK SETUP GUIDE (ROMANIAN/SLOVAK)	MFC-J3930DW	CEE	
2	D00GFZ001	1	QUICK SETUP GUIDE (CZECH/HUNGARIAN)	MFC-J3530DW	CEE	
2	D00GHB001	1	QUICK SETUP GUIDE (CZECH/HUNGARIAN)	MFC-J3930DW	CEE	
2	D00GG0001	1	QUICK SETUP GUIDE (POLISH/BULGARIAN)	MFC-J3530DW	CEE	
2	D00GHC001	1	QUICK SETUP GUIDE (POLISH/BULGARIAN)	MFC-J3930DW	CEE	
3	LET814001	1	JAM CLEAR SHEET PAD		US/CAN/ARG/CHL/ BRA	
3	LET815001	1	JAM CLEAR SHEET PAD		GER/UK/CHE/RUS/ FRA/BEL/NLD/PND/ ITA/IBR/CEE	
3	LET816001	1	JAM CLEAR SHEET PAD		CHN/TWN/SAF/HK/ IDN/THA/GUL/KOR/ OCE/MYS	

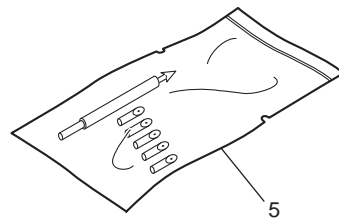
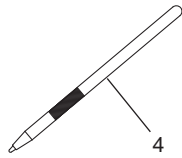
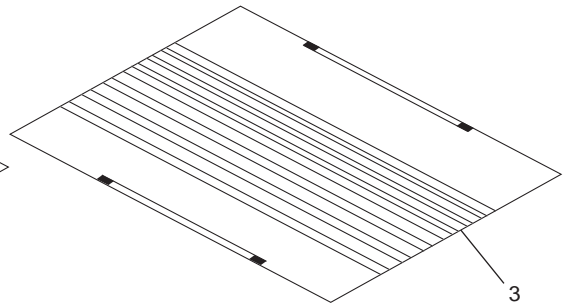
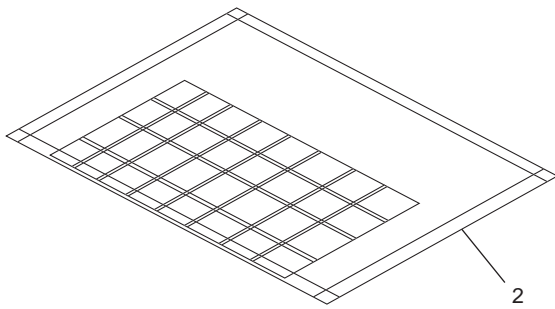
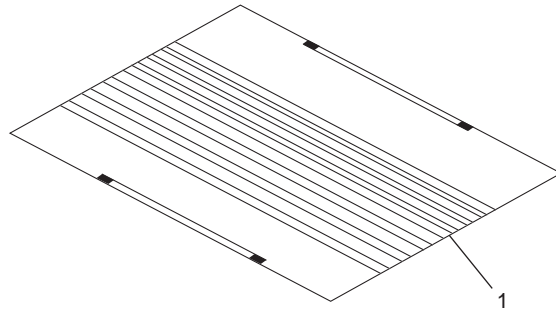
13. PACKING MATERIALS



13. PACKING MATERIALS

REF No.	CODE	Q'TY	DESCRIPTION	MODEL	SPEC	REMARKS
1	D00L44001	1	CARTON BROTHER	MFC-J3530DW	CHN	
1	D00HDV001	1	CARTON BROTHER	MFC-J3530DW	SAF/HK/IDN/GUL/KOR/MYS	
1	D00GGB001	1	CARTON BROTHER	MFC-J3530DW	RUS/CEE	
1	D00L4C001	1	CARTON BROTHER	MFC-J3930DW	CHN	
1	D00HEZ001	1	CARTON BROTHER	MFC-J3930DW	TWN/SAF/THA/GUL/KOR/MYS	
1	D00GHJ001	1	CARTON BROTHER	MFC-J3930DW	RUS/CEE	
1	D00725001	1	CARTON BROTHER	MFC-J6530DW	US	
1	D00HRA001	1	CARTON BROTHER	MFC-J6530DW	CAN	
1	D00DNP001	1	CARTON BROTHER	MFC-J6530DW	GER/UK/CHE/FRA/BEL/NLD/ PND/ITA/IBR	
1	D00H0A001	1	CARTON BROTHER	MFC-J6530DW	OCE	
1	D0096X001	1	CARTON BROTHER	MFC-J6535DW	US	
1	D00DRL001	1	CARTON BROTHER	MFC-J6535DW	CAN	
1	D00HME001	1	CARTON BROTHER	MFC-J6730DW	ARG/CHL	
1	D00GZC001	1	CARTON BROTHER	MFC-J6730DW	OCE	
1	D002K4001	1	CARTON BROTHER	MFC-J6930DW	US	
1	D00GBS001	1	CARTON BROTHER	MFC-J6930DW	CAN	
1	D00DJT001	1	CARTON BROTHER	MFC-J6930DW	GER/UK/CHE/FRA/BEL/NLD/ PND/ITA/IBR	
1	D00GGH001	1	CARTON BROTHER	MFC-J6930DW	OCE	
1	D00EKN001	1	CARTON BROTHER	MFC-J6935DW	US	
1	D00JAZ001	1	CARTON BROTHER	MFC-J6935DW	GER/UK/CHE/FRA/BEL/NLD/ PND/ITA/IBR	
1	D00J3V001	1	CARTON BROTHER	MFC-J6935DW	BRA	
1	D00K0V001	1	CARTON BROTHER	MFC-J6935DW	OCE	
2	D004U0001	1	PACKING PAD ASSY	MFC-J3530DW/J6530DW/J6535DW		
2	D002K8001	1	PACKING PAD ASSY	MFC-J3930DW/J6730DW/J6930DW/ J6935DW		
3	D002KD001	1	ACCESSORIES SHEET			
4	D00AX9001	1	BAG 933X1135H			
5	D00G5R001	1	PROTECTIVE PART SP			
6	D00L45001	1	CHINA ENERGY LABEL	MFC-J3530DW	CHN	
6	D00L4M001	1	CHINA ENERGY LABEL	MFC-J3930DW	CHN	

14. OTHERS

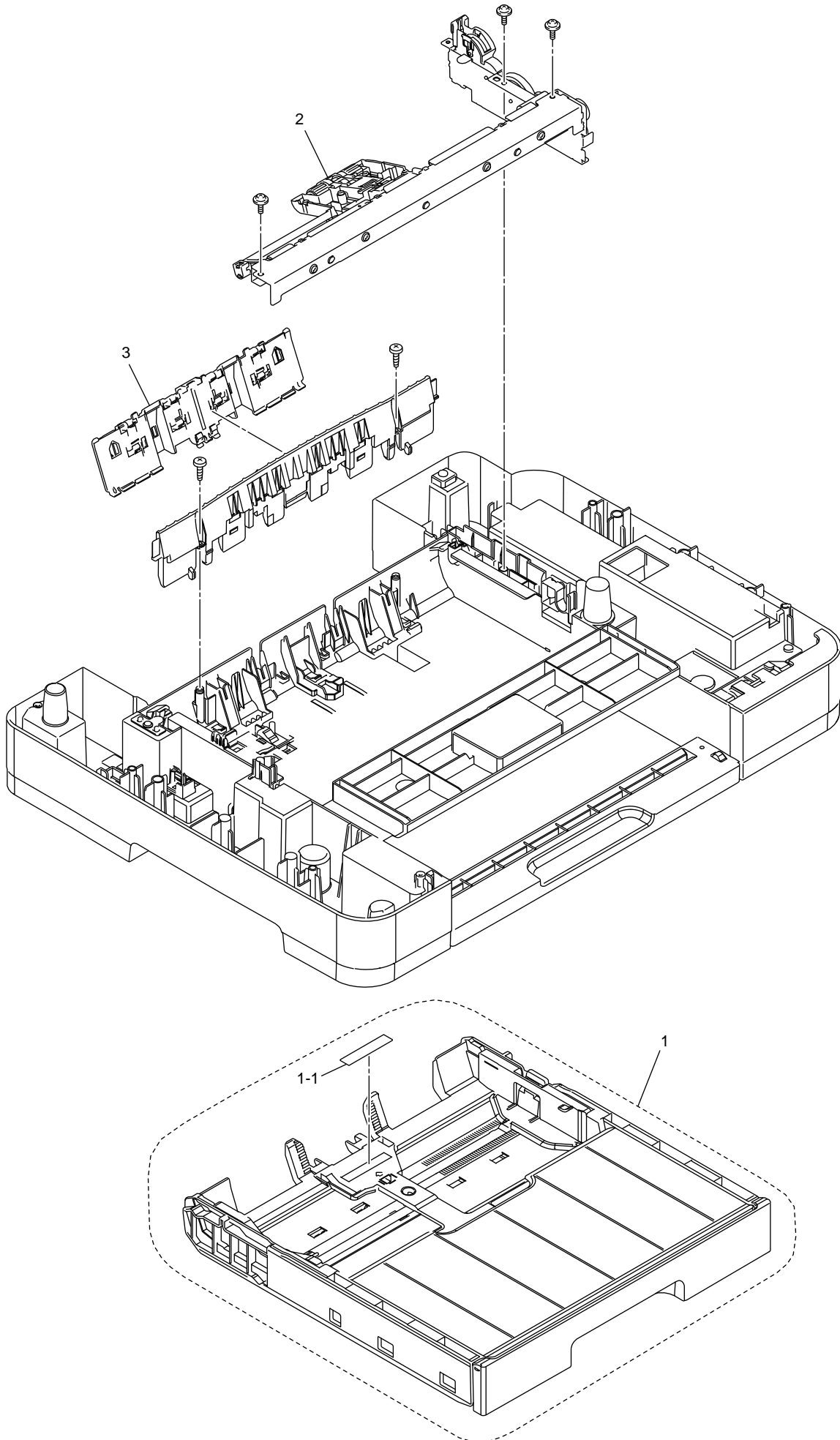




14. OTHERS

REF No.	CODE	Q'TY	DESCRIPTION	MODEL	SPEC	REMARKS
1	UF8263001	1	TEST CHART-027			
2	UF9258001	1	COLOR TEST CHART CTC-001			
3	UF4600001	1	CONTRAST CHART TC-023			
4	XA9940051	1	TOUCH PEN			
5	ZA0310001	1	HEAD CLEANER STICK ASSY			

15. LOWER TRAY



15. LOWER TRAY

REF No.	CODE	Q'TY	DESCRIPTION	MODEL	SPEC	REMARKS
1	D002JU001	1	PAPER TRAY ASSY #2	MFC-J3930DW/J6730DW/J6930DW		
1	D002JU002	1	PAPER TRAY ASSY #2	MFC-J6935DW		
1-1	LED275001	1	T2 BASE PAD	MFC-J3930DW/J6730DW/J6930DW/ J6935DW		
2	D0049E001	1	LT FRAME ASSY	MFC-J3930DW/J6730DW/J6930DW		
2	D0052Y001	1	LT FRAME ASSY	MFC-J6935DW		
3	LET495001	1	T2 BANK ASSY	MFC-J3930DW/J6730DW/J6930DW/ J6935DW		