

\$2.00
2018/2019 EDITION



1955-'57
Thunderbirds
RESTORATION PARTS
AND ACCESSORIES



WELCOME TO LARRY'S THUNDERBIRD & MUSTANG PARTS



Ordering

(U.S.) 800 854-0393

951-270-3223

(24 Hr. FAX) 951-270-3224

Web Site

www.larrystbird.com

e-mail: info@larrystbird.com

Our Address

1180 California Ave. #B
Corona, California 92881

Store Hours:

Monday - Friday: 7am to 5pm



After More Than 45 Years, We Are Still Recognized as The Leader in the Industry!

We'd like to thank you for requesting our latest Parts & Accessories Catalog for '55-'57 Thunderbirds. We think you'll find this latest edition to be better than ever, with many new parts added to help your restoration project move forward. We continually strive to offer enthusiasts the finest selection of Thunderbird parts and accessories available so that each restoration project is an enjoyable experience. Because of your continued patronage, we are able to offer great prices on every item we sell. In fact, we have reduced prices on a number of parts, which means greater buying power for you, our valued customer.

The Biggest Selection of Parts! And We're Still Growing!

Whether it's a hard to find part or a standard Thunderbird replacement part, Larry's has what you're looking for. Our inventory of parts is concours-quality, and growing all of the time! Give us a call if you can't find the parts you need. Our knowledgeable parts specialists will be happy to help you find them!

Ordering Is As Easy as a Phone Call Away!

And Now Find Us On the Internet at www.larrystbird.com

We offer a number of different ways for you to place your order. You may send in your order on the form enclosed, call in your order using our Toll-Free lines, FAX an order, or order from our website at www.larrystbird.com. If you need more information via e-mail, contact us at: info@larrystbird.com. Whichever route you choose, we'll process and ship your order as soon as possible.

A Guarantee Goes Along with Everything We Sell!

Our goal is to make sure each customer is 100% satisfied with every purchase from Larry's Thunderbird & Mustang Parts! If you are not happy with your purchase, for any reason, let us know! We'll be happy to either refund, credit, or exchange the amount. Please take a moment to refer to the Ordering Information page in the center of this catalog for complete details on returns, damaged parts, or any other shipping questions.

Speedy & Efficient Shipping

Every order we receive gets special attention from the time it comes in to the moment it leaves our warehouse. Need special shipping arrangements? We offer Fed-Ex One Day, Two Day & Three Day Service when requested, as well as regular Fed-Ex Ground Service. Count on our efficient shipping department to get your order to you on time!

Owner: Victor Miceli • 1956 Thunderbird





What's **New** for 1955-57 Thunderbirds!

NEW **Snail Horn**
Page 11

NEW **Water Pump Spacer**
Page 41

NEW **Custom Auto Sounds Radio**
Page 116

NEW **Kick Repair Panel**
Page 118

NEW **Vintage Ford Beverage Cooler**
Page 122

We Also Sell Used Parts.



Thunderbird Customers Please Note: Throughout the catalog you will notice a number of parts that are underlined. This designates the part as being obsolete and is limited in quantities. If you are interested in purchasing that particular part, we advise you to call and check on its availability. A number of these parts are in demand so it's often wise to place your order as soon as possible.

About Our Pricing: At Larry's we strive to maintain the lowest prices possible. However, due to constantly changing market conditions, we are not always able to maintain prices listed in this catalog. We reserve the right to change prices without prior notice. Thank you for your understanding.

Table of Contents

Upholstery & Related trim	2
Wheel & Wheel Covers.....	13
Spare Wheel	15
Brakes	16
Suspension.....	21
Steering	24
Rear Axle & Drive Train.....	28
Exhaust System	29
Engine Compartment	32
Transmission	36
Cooling System & Grille.....	39
Fuel & Carburetor System.....	42
Windshield, Windwing & Visor	47
Dash, Console & Underdash Area.....	48
Generator & Alternator.....	54
Battery	55
Starter	57
Ignition & Distributor.....	58
Exterior Lamps.....	60
Turn Signal & Horn	64
Bulb & Fuses	65
Wiring	66
Power Windows & Seats	68
Fenders & Hood Area	69
Instruments & Gauges	71
Windshield Wiper & Washer	73
Mirror.....	75
Bumpers	76
Heating, Ventilation & A/C.....	78
Doors & Windows.....	81
Rear Quarter Panel Area.....	89
Trunk & Rear Body Area.....	90
Hard & Soft Top Parts.....	94
Seat Hardware.....	101
Plugs, Grommets & Bumpers.....	102
Body Weatherstripping.....	103
Body Panels.....	108
Hardware & Attaching Parts.....	110
Emblems.....	114
Radio.....	116
Accessories	119
Literature & Manuals.....	125
Decals	127
Paints & Dyes	128

When You Are Ready For Concours-Quality Upholstery, You Are Ready for Larry's Upholstery!

Our Personal Commitment to Quality, Authenticity and Your Satisfaction are a part of Every Upholstery Item We Supply.

- ✓ Naugahyde Vinyls, which are the same fabrics that were used originally.
- ✓ American-Made Bonded Dacron Polyester Thread. It wears like iron and won't fade, fray or come apart like cheaper threads!
- ✓ All items are Color-Matched to original factory specifications.
- ✓ We use the Best Foam Rubber Available in Seat Inserts, which guarantee a long-lasting wrinkle-free pleat.
- ✓ Heavy Backing for Underside of Seat Inserts.
- ✓ Correct Number of Pleats on Seat Inserts, with Evenly Spaced Stitching for Consistency in Look in Construction.
- ✓ All French Seams are sewn with a Double-Needle Machine to achieve a Straight, Parallel Seam.

The Best Seamstresses in the Business! We take Pride in our work and make sure each upholstery item is The Very Best!

Each Upholstery item that Larry's sends out has Our Guarantee that you will be Completely Satisfied. Period.

The interior of your Thunderbird can sometimes be more difficult to restore and care for than the exterior. For that reason, the interior portion of your restoration project is crucial and will usually need for the most attention.

Because you are paying this much attention to detail you don't have the time to worry about upholstery that doesn't match in color, vinyl that doesn't have the right grain, or stitching that is not straight and uniform. Getting the correct upholstery items the first time around saves heartache, headaches, and money in the long run.

There is an ultimate benefit in restoring your Thunderbird's interior correctly-increased value of your car! A properly restored interior not only looks good but it can make you money too. It adds untold dollars to the resale value of your vehicle.

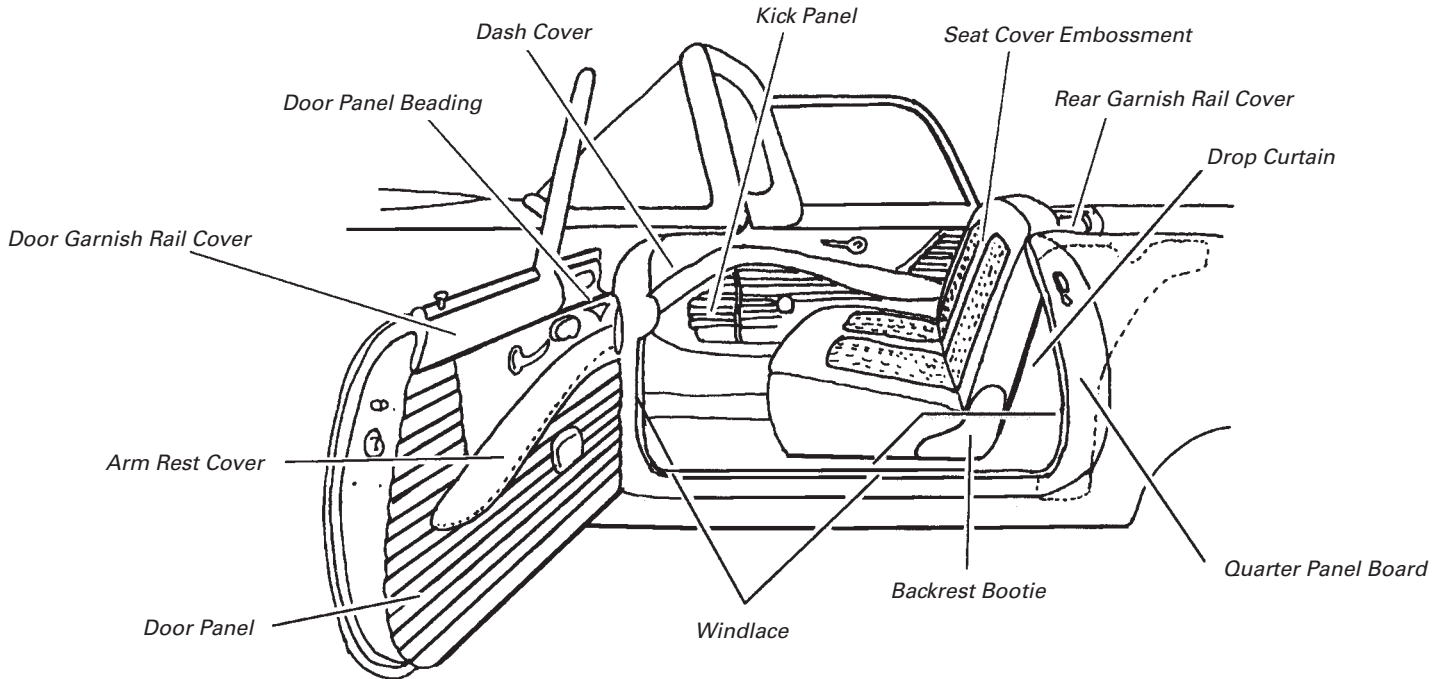
At Larry's we offer only concours-quality upholstery, made from the finest materials available to you.

There really is more to the construction of quality upholstery than meets the eyes, but with features like these and a surefire guarantee going into each piece, you can be assured that your interior will be first-class. Your reward will be your own satisfaction from doing the job right as well as the admiration of everyone who sees your restored Thunderbird.



Dedicated to Excellence

UPHOLSTERY & RELATED TRIM



Larry's Complete Upholstery Kits (TUK)

The most economic way to purchase your upholstery

When you are ready to redo the upholstery in your Thunderbird, it is always best to buy items at the same time to ensure dye lot consistency in vinyls and carpets. Your time is also a valuable commodity these days. Each trip to the phone or store to order more parts means more down time. Wouldn't you rather spend that time working on your car? Try our Complete Upholstery Kit to save time, money and the inevitable forgetting something that I needed syndrome!

Larry's Complete Upholstery Kits Include the Following

- ✓ Seat Covers
- ✓ Backrest Cardboard
- ✓ Backrest Wings
- ✓ Backrest Booties
- ✓ Door Panels
- ✓ Kick Panels
- ✓ Quarter Panel Cardboard
- ✓ Windlace
- ✓ Arm Rest Covers
- ✓ Garnish Rail Covers
- ✓ Door Panel Beading
- ✓ Vinyl Floor Covers
- ✓ Dash Cover ('55 & 56 only)
- ✓ Drop Curtain
- ✓ Carpet with Jute Padding

TUK 55BK	'55	Black & White	Each	918.50
TUK 55GN	'55	Green & White	Each	918.50
TUK 55RD	'55	Red & White	Each	918.50
TUK 55YL	'55	Black & Yellow	Each	984.50
TUK 56BK	'56	Black & White	Each	918.50
TUK 56BKE	'56	Black & White w/Emboss	Each	951.50
TUK 56BS	'56	Buckskin & White	Each	918.50
TUK 56BSE	'56	Buckskin & White w/Emboss	Each	951.50
TUK 56GN	'56	Green & White	Each	913.00
TUK 56GNE	'56	Green & White w/Emboss	Each	935.00
TUK 56PK	'56	Peacock & White	Each	918.50
TUK 56PKE	'56	Peacock & White w/Emboss	Each	946.00
TUK 56RD	'56	Red & White	Each	835.00
TUK 56RDE	'56	Red & White w/Emboss	Each	918.50
TUK 57BK	'57	Black & White	Each	874.50
TUK 57BKE	'57	Black & White w/Emboss	Each	913.00
TUK 57BU	'57	Blue	Each	913.00
TUK 57BUE	'57	Blue w/Emboss	Each	935.00
TUK 57BZ	'57	Bronze	Each	913.00
TUK 57BZE	'57	Bronze w/Emboss	Each	935.00
TUK 57GN	'57	Green	Each	946.00
TUK 57GNE	'57	Green w/Emboss	Each	979.00
TUK 57RD	'57	Red	Each	913.00
TUK 57RDE	'57	Red w/Emboss	Each	935.00
TUK 57WT	'57	White	Each	907.50
TUK 57WTE	'57	White w/Emboss	Each	929.50

Seat Cover Sets (TSC)

All of our seat cover sets include cushion and backrest covers, backrest hinge “booties”, and the “wings” that go between the edge of the backrest and the backrest cardboard. All covers are sewn and constructed in exactness to duplicate the original Thunderbird style in every way possible. We guarantee them to fit properly without any modifications to your car. In fact, we feel these seat covers are better than what originally came in your Thunderbird from the factory! Covers are listed in color combinations as applied to each model year.

TSC 55BK	'55	Black and White	Pair	291.50
TSC 55GN	'55	Green and White	Pair	291.50
TSC 55RD	'55	Red and White	Pair	291.50
TSC 55YL	'55	Yellow and Black	Pair	324.50
TSC 56BK	'56	Black and White	Pair	291.50
TSC 56BKE	'56	Black and White w/Emboss	Pair	324.50
TSC 56BS	'56	Buckskin and White	Pair	291.50
TSC 56BSE	'56	Buckskin and White w/Emboss	Pair	324.50
TSC 56GN	'56	Green and White	Pair	291.50
TSC 56GNE	'56	Green and White w/Emboss	Pair	324.50
TSC 56PK	'56	Peacock and White	Pair	291.50
TSC 56PKE	'56	Peacock and White w/Emboss	Pair	324.50
TSC 56RD	'56	Red and White	Pair	291.50
TSC 56RDE	'56	Red and White w/Emboss	Pair	324.50
TSC 57BK	'57	Black and White	Pair	291.50
TSC 57BKE	'57	Black and White w/Emboss	Pair	324.50
TSC 57BU	'57	Blue	Pair	291.50
TSC 57BUE	'57	Blue w/Emboss	Pair	324.50
TSC 57BZ	'57	Bronze	Pair	291.50
TSC 57BZE	'57	Bronze w/Emboss	Pair	324.50
TSC 57GN	'57	Green	Pair	328.90
TSC 57GNE	'57	Green w/Emboss	Pair	361.90
TSC 57RD	'57	Red	Pair	291.50
TSC 57RDE	'57	Red w/Emboss	Pair	324.50
TSC 57WT	'57	White	Pair	291.50
TSC 57WTE	'57	White w/Emboss	Pair	324.50



1956 Red/White



1956 Crest



1957 'Bird

Leather Seat Cover Sets

Our Leather Seat Cover Sets are hand-crafted from premium grade vat-dyed hides to our exacting standards for fit, finish and color selection. Leather seating will add comfort and increased value to your T-Bird. We recommend purchasing Leather Arm Rest Covers (page 8) and Garnish Rail Covers (page 7) for color match.

TSC 55BKL	'55	Black & White	Pair	1039.50
TSC 55GNL	'55	Green & White	Pair	1039.50
TSC 55RDL	'55	Red & White	Pair	1039.50
TSC 55YLL	'55	Yellow & Black	Pair	1039.50
TSC 56BKL	'56	Black & White	Pair	1039.50
TSC 56BSL	'56	Buckskin & White	Pair	1039.50
TSC 56GNL	'56	Green & White	Pair	1039.50
TSC 56PKL	'56	Peacock & White	Pair	1039.50
TSC 56RDL	'56	Red & White	Pair	1039.50
TSC 57BKL	'57	Black & White	Pair	1039.50
TSC 57BUL	'57	Blue	Pair	1039.50
TSC 57BZL	'57	Bronze	Pair	1039.50
TSC 57GNL	'57	Green	Pair	1039.50
TSC 57RDL	'57	Red	Pair	1039.50
TSC 57WTL	'57	White	Pair	1039.50

Seat Cover Embossment

All 1956 Thunderbirds, as well as early 1957's came from the factory with an embossment in the center of the backrest. The Ford “Crest” was featured on all 1956 models, while early 1957's featured the Thunderbird logo in use during that time period. Ford's method for applying this embossment was a combination of heat and pressure, a technique that has since become antiquated. Embossments tended to wear out prematurely and owners were left with a seat cover full of dimples where the design once was. Ford eventually discontinued embossments early on during the 1957 model year because their technique wasn't really working. Current technology has improved, allowing for embossments to be achieved through a process known as REFE (Radio Frequency Energy). RFE doesn't damage your vinyl and all embossments stay in place like they should. A proper and authentic embossment on your new seat cover (available for vinyl seat covers only) adds a nice extra touch when restoring to exact detail.

UPHOLSTERY & RELATED TRIM

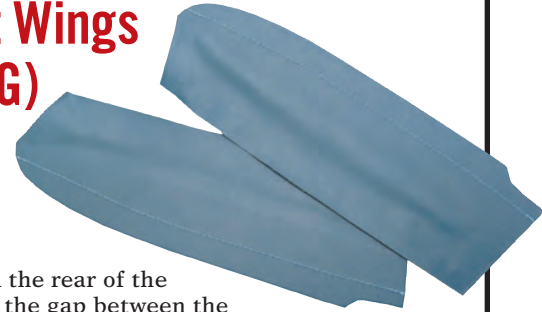
Seat Belt Sets (TSB)



Everyone knows the benefits of wearing seatbelts, both for safety reasons and state law requirements. Why not install an aftermarket set that meets all safety requirements and looks good in your Thunderbird. Our Seatbelt Kit includes belts and hardware for two passengers, and are easy to install in minutes.

TSB 55BK	'55-57	Black.....	Pair	91.75
TSB 55RD	'55 & 57	Red.....	Pair	91.75
TSB 55WT	'55-56	White.....	Pair	91.75
TSB 56BS	'56	Buckskin.....	Pair	91.75
TSB 56GN	'56	Green.....	Pair	91.75
TSB 57BU	'57	Blue.....	Pair	91.75
TSB 57GN	'57	Green.....	Pair	91.75
TSB 57WT	'57	White.....	Pair	91.75

Backrest Wings (TWG)



1957 Blue

The "Wings go on the rear of the Backrest to cover the gap between the Backrest and the Backrest Cardboard on the sides. Note: Backrest Wings Are Included With Seat Cover Sets.

TWG 55BK	'55-56	Black.....	Pair	10.73
TWG 55GN	'55	Green.....	Pair	10.73
TWG 55RD	'55	Red.....	Pair	10.73
TWG 56BS	'56	Buckskin.....	Pair	10.73
TWG 56GN	'56	Green.....	Pair	10.73
TWG 56PK	'56	Peacock.....	Pair	10.73
TWG 56RD	'56	Red.....	Pair	10.73
TWG 57WT	'57	White.....	Pair	10.73
TWG 57BK	'57	Black.....	Pair	10.73
TWG 57BU	'57	Blue.....	Pair	10.73
TWG 57BZ	'57	Bronze.....	Pair	10.73
TWG 57GN	'57	Green.....	Pair	10.73
TWG 57RD	'57	Red.....	Pair	10.73

Seat Foam Sets (TSF)

Is your seat looking tired, saggy, and wrinkled? The key to good looks and superb riding comfort is in your seat foam. Your interior restoration project is incomplete without new foam and it's revitalizing characteristics. New seat foam will enable easier installation and proper fit of new seat covers. Don't purchase a new seat cover set without considering new seat foam.

TSF 55	1955.....	Per Set	269.95
TSF 56	1956.....	Per Set	269.95
TSF 57	1957.....	Per Set	269.95



Backrest Booties (TBT)

Backrest Booties are a custom-fit vinyl cover for the hinges that support your seatback. We cut them to fit snugly without binding between hinge and seat when folding upward, and are color-matched to go with original vinyls. Note: Booties are included with out Seat Cover Sets.

TBT 55BK	'55-56	Black.....	Pair	14.25
TBT 55GN	'55	Green.....	Pair	14.25
TBT 55RD	'55	Red.....	Pair	14.25
TBT 56BS	'56	Buckskin.....	Pair	14.25
TBT 56GN	'56	Green.....	Pair	14.25
TBT 56PK	'56	Peacock.....	Pair	14.25
TBT 56RD	'56	Red.....	Pair	14.25
TBT 57BK	'57	Black.....	Pair	14.25
TBT 57BU	'57	Blue.....	Pair	14.25
TBT 57BZ	'57	Bronze.....	Pair	14.25
TBT 57GN	'57	Green.....	Pair	14.25
TBT 57RD	'57	Red.....	Pair	14.25
TBT 57WT	'57	White.....	Pair	14.25

Upholstery Installation Kit



Our Upholstery Installation Kit allows you to upholster like a professional! Each kit includes: (1) Set Hog Ring Pliers & 250 Hog Rings. Enough to do a complete project on a 1955-57 Thunderbird Interior.

MAC 8	Hog Ring Kit.....	13.77
-------	-------------------	-------

UPHOLSTERY & RELATED TRIM



Backrest Cardboard (TBR)

Now COMPLETELY CORRECT with original-type colored cardboard, edged with CONCOURS-CORRECT EXTRUDED BINDING!

TBR 55BK	'55 & 57	Black.....	Each	43.95
TBR 55GN	'55	Green.....	Each	43.95
TBR 55RD	'55	Red.....	Each	43.95
TBR 56BK	'56	Black.....	Each	43.95
TBR 56BS	'56	Buckskin.....	Each	43.95
TBR 56GN	'56	Green.....	Each	43.95
TBR 56PK	'56	Peacock.....	Each	43.95
TBR 56RD	'56	Red.....	Each	43.95
TBR 57BU	'57	Blue.....	Each	43.95
TBR 57BZ	'57	Bronze.....	Each	43.95
TBR 57GN	'57	Green.....	Each	43.95
TBR 57RD	'57	Red.....	Each	43.95
TBR 57WT	'57	White.....	Each	43.95
THKTBR	Seat Back Panel to Seat (24 Pieces).....			6.49

Tonneau Cover (TTC)

Our Original-Style Tonneau Cover protects your Thunderbird from rain, dust, pollutants and the sun's harmful UV rays. Only the finest in correct grain vinyls and colors, with heavy-duty zipper to give years of lasting use. Snaps are included, but not installed.

TTC 55BK	'55-56	Black.....	Each	197.95
TTC 55GN	'55	Green.....	Each	197.95
TTC 55RD	'55	Red.....	Each	197.95
TTC 55WT	'55	White.....	Each	197.95
TTC 56BS	'56	Buckskin.....	Each	197.95
TTC 56GN	'56	Green.....	Each	197.95
TTC 56PK	'56	Peacock.....	Each	197.95
TTC 56RD	'56	Red.....	Each	197.95
TTC 57BK	'57	Black.....	Each	197.95
TTC 57BU	'57	Blue.....	Each	197.95
TTC 57BZ	'57	Bronze.....	Each	197.95
TTC 57GN	'57	Green.....	Each	197.95
TTC 57RD	'57	Red.....	Each	197.95
TTC 57WT	'57	White.....	Each	197.95

Use 3M Special Purpose Spray Adhesive for Your Upholstery Project

When installing your new upholstery, don't get caught in the middle of the project with the wrong adhesive. We feature adhesives that are manufactured especially for upholstery professionals. Order your supply today before beginning your project. Excellent for many projects around the house as well!

T 19552B	26.50
----------	-------	-------

Drop Curtain (TDR) Original Style & Colors!

We sew our Drop Curtains to look just like the original, with all snaps in proper locations and ready to install without fuss. Drop Curtains cover the rear portion of your Thunderbird interior behind your seatback (Snap studs included).

TDR 55BK	'55-56	Black.....	Each	58.25
TDR 55GN	'55	Green.....	Each	58.25
TDR 55RD	'55	Red.....	Each	58.25
TDR 56BS	'56	Buckskin.....	Each	58.25
TDR 56GN	'56	Green.....	Each	58.25
TDR 56PK	'56	Peacock.....	Each	58.25
TDR 56RD	'56	Red.....	Each	58.25
TDR 57BK*	'57	Black.....	Each	58.25
TDR 57BU*	'57	Blue.....	Each	58.25
TDR 57BZ*	'57	Bronze.....	Each	58.25
TDR 57GN*	'57	Green.....	Each	58.25
TDR 57RD*	'57	Red.....	Each	58.25
TDR 57WT*	'57	White.....	Each	58.25

*Snap Studs Qualify for CTCL Excellence in Authenticity Award!

THKTDR A	Drop Curtain to Floor; '55-56 (6 Pcs.).....	4.17
THKTDR B	Drop Curtain to Floor; '57 (2 Pcs.).....	9.47

Qualifies for CTCL Excellence in Authenticity Award!



UPHOLSTERY & RELATED TRIM

Garnish Rail Cover

These color-matched strips of vinyl, now also available in leather, are used to cover the door garnish rail area and the garnish rail at the deck area behind the seat.

Vinyl Garnish Rail set

TGC 55BK	'55-56	Black.....	Set	19.80
TGC 55GN	'55	Green.....	Set	19.80
TGC 55RD	'55	Red.....	Set	19.80
TGC 56BS	'56	Buckskin.....	Set	19.80
TGC 56GN	'56	Green.....	Set	19.80
TGC 56PK	'56	Peacock.....	Set	19.80
TGC 56RD	'56	Red.....	Set	19.80
TGC 57BK	'57	Black.....	Set	19.80
TGC 57BU	'57	Blue.....	Set	19.80
TGC 57BZ	'57	Bronze.....	Set	19.80
TGC 57GN	'57	Green.....	Set	19.80
TGC 57RD	'57	Red.....	Set	19.80
TGC 57WT	'57	White.....	Set	19.80
THK 20906	Door Garnish Rails to Door.....			Each 2.25
THK 20906A	Door Garnish Rails to Doors; Oversize Threads.....			Each 2.46

Leather Garnish Rail Set

TGC 55BKL	'55-56	Black.....	Set	96.53
TGC 55GNL	'55	Green.....	Set	96.53
TGC 55RDL	'55	Red.....	Set	96.53
TGC 56BSL	'56	Buckskin.....	Set	96.53
TGC 56GNL	'56	Green.....	Set	96.53
TGC 56PKL	'56	Peacock.....	Set	96.53
TGC 56RDL	'56	Red.....	Set	96.53
TGC 57BKL	'57	Black.....	Set	96.53
TGC 57BUL	'57	Blue.....	Set	96.53
TGC 57BZL	'57	Bronze.....	Set	96.53
TGC 57GNL	'57	Green.....	Set	96.53
TGC 57RDL	'57	Red.....	Set	96.53
TGC 57WTL	'57	White.....	Set	96.53
THK 20906	Door Garnish Rails to Door.....			Each 2.25
THK 20906A	Door Garnish Rails to Door; Oversize Threads.....			Each 2.46

Rear Deck Garnish Rail Moulding

Correct moulding to finish detailing the rear deck area

T 40406	Rear Deck Garnish Moulding Joint Cover.....	Each	9.50
T 40406A	Rear Garnish Rail, Fiberglass.....	Each	139.95
T 40408K	Rear Deck Garnish Mouldings.....	Pair	95.46
	THK 40408 Rear Garnish Rail Moulding to Garnish Rail (16 Pcs.).....	Each	5.43

The "Wing Rider"

- Full-Length Design
- Two King-Size Drink Holders
- Large Storage Compartment
- Installs in Seconds..
- Removes in Seconds
- Order Part TWR—\$215.00
- Comes in All Original Colors



Dashboard Plug & Chug

Now in Colors!

Easily installs in your dash using the ashtray bracket to secure in place! All interior matched colors available.
TPC '55-57.....Each 46.41



Quarter Panel Cardboard (TQP)

Our Quarter Panel Cardboard, now handcrafted from CORRECTLY COLORED CARDBOARD instead of vinyl-covered board, fits between the door post and the rear wheelhouse area. A great way to clean up the area behind your seat. Colors Available:

TQP 55BK	'55-56	Black.....	Pair	37.95
TQP 55WT	'55	White.....	Pair	37.95
TQP 55YL	'55	Yellow.....	Pair	37.95
TQP 56BS	'56	Buckskin.....	Pair	37.95
TQP 56GN	'56	Green.....	Pair	37.95
TQP 56PK	'56	Peacock.....	Pair	37.95
TQP 56RD	'56	Red.....	Pair	37.95
TQP 57BK	'57	Black.....	Pair	37.95
TQP 57BU	'57	Blue.....	Pair	37.95
TQP 57BZ	'57	Bronze.....	Pair	37.95
TQP 57GN	'57	Green.....	Pair	37.95
TQP 57RD	'57	Red.....	Pair	37.95
TQP 57WT	'57	White.....	Pair	37.95
THK TQP	Quarter Trim Panels to Body (20 Pcs.-Enough for 2 Sides).....			2.85

Quarter Panel Cardboard Tack Strip (TGC)

T 31262K	Tack Strip, Quarter Panel Cardboard.....	Pair	4.47
----------	--	------	------

Tote Bags 38.50 Each

The highly skilled upholstery Department of Larry's has reinvented the accessory tote bag. We now offer tote bags in the same high quality vinyl that our award winning interiors are made of and all the same colors. They are crafted with the same focus on quality and detail as all of our interior vinyl products are. These bags are a very nice accent to the interior of your car and are great for car shows and every day use.



Part #	Color	'55	'56	'57
TTB 55BK	BK/WT	X	X	
TTB 55GN	GN/WT	X		
TTB 55RD	RD/WT	X		
TTB 55YL	YL/BK	X		
TTB 56BS	BS/WT		X	
TTB 56GN	GN/WT		X	
TTB 56PK	PK/WT		X	
TTB 56RD	RD/WT		X	
TTB 57BK	BK/WT			X
TTB 57BU	BU/BU			X
TTB 57BZ	BZ			X
TTB 57GN	GN/GN			X
TTB 57RD	RD			X
TTB 57WT	WT			X

UPHOLSTERY & RELATED TRIM

Door Panel Sets



Traditionally, door and kick panels suffer from years of use that they endure. Replacing them really is a painless process, and the sight of new-looking panels is wonderful. We die-cut all door and kick panels to ensure exact fit, then cover them in correct color-matched vinyl to duplicate the original. All panels of 1955 T-Birds are covered with either white or yellow vinyl with a one-inch heatseamed channel as original. For 1956, panels are covered in white vinyl only and feature the simulated stitch at one-inch center as original. And let us not forget the '57, whose panels are embossed with the Thunderbird logo and are available in all of the original colors as listed.

TDP 55WT	'55	White.....	Pair	159.50
TDP 55YL	'55	Yellow.....	Pair	181.50
TDP 56WT	'56	White.....	Pair	159.50
TDP 57BU	'57	Blue.....	Pair	181.50
TDP 57BZ	'57	Bronze.....	Pair	181.50
TDP 57GN	'57	Green.....	Pair	181.50
TDP 57RD	'57	Red.....	Pair	181.50
TDP 57WT	'57	White.....	Pair	159.50

Door Panel Attaching

A collection of special hardware kits designed to help you install your new Door Panels properly

THKTDPA	Door Panels to Door; '55-56 (32 pcs. - Enough for 2 sides).....	12.12
THKTDPB	Door Panels to Door; '57 (28 pcs. - Enough for 2 sides).....	11.72
THKTDPC	Door Panels to Door w/o Clips; '55-56 (12 pcs. - Enough for 2 sides).....	2.58
THKTDPD	Door Panels to Door; '57 (Enough for 2 sides).....	2.58
THK 21032	Door Panel Channels to Door.....	1.25

Door Panel Clip

Special clip designed exclusively for attaching 1956-1957 Thunderbird door panels to the door.

TSP 358575	Door Panel Clip, '55-57.....	Each	.38
------------	------------------------------	------	-----

*Note: See above for kits.

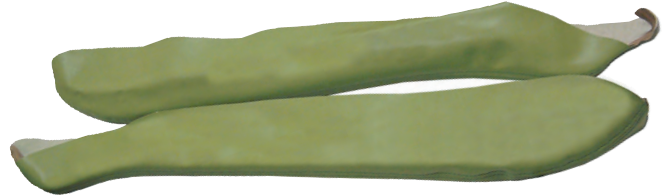
Door Panel Beading

This is the Vinyl-Covered Door Panel Beading that fills in the gap at the front of the Aluminum Door Trim Panel along the top edge.

TDB 55BK	'55-56	Black.....	Pair	12.87
TDB 55GN	'55	Green.....	Pair	12.87
TDB 55RD	'55	Red.....	Pair	12.87
TDB 56BS	'56	Buckskin.....	Pair	12.87
TDB 56GN	'56	Green.....	Pair	12.87
TDB 56PK	'56	Peacock.....	Pair	12.87
TDB 56RD	'56	Red.....	Pair	12.87
TDB 57BK	'57	Black.....	Pair	12.87
TDB 57BU	'57	Blue.....	Pair	12.87
TDB 57BZ	'57	Bronze.....	Pair	12.87
TDB 57GN	'57	Green.....	Pair	12.87
TDB 57RD	'57	Red.....	Pair	12.87
TDB 57WT	'57	White.....	Pair	12.87

Arm Rest Covers (TAR) Now Available in Leather!

*Same colors as vinyl. Only \$99.95 Per Pair!



Arm Rests are probably one of the most abused items on your Thunderbird. Larry's Arm Rest Covers will restore your Little Bird's armrests to like-new appearance, providing the look you want for years to come. These are exact color-matched and sewn as original. None better!

TAR 55BK	'55-56	Black.....	Pair	42.35
TAR 55GN	'55	Green.....	Pair	42.35
TAR 55RD	'55	Red.....	Pair	42.35
TAR 56BS	'56	Buckskin.....	Pair	42.35
TAR 56GN	'56	Green.....	Pair	42.35
TAR 56PK	'56	Peacock.....	Pair	42.35
TAR 56RD	'56	Red.....	Pair	42.35
TAR 57BK	'57	Black.....	Pair	42.35
TAR 57BU	'57	Blue.....	Pair	42.35
TAR 57BZ	'57	Bronze.....	Pair	42.35
TAR 57GN	'57	Green.....	Pair	42.35
TAR 57RD	'57	Red.....	Pair	42.35
TAR 57WT	'57	White.....	Pair	42.35
THK 24140	Arm Rests to Door Panels.....	Each	3.58	

See Page 88 for new fiberglass arm reset bases.

*For Leather, simply add an "L" to end of above part numbers.

Arm Rest Foam Kit

While recovering your Thunderbird's arm rests, you will want our Arm Rest Foam Kit installed for a proper fit of the new Arm Rest Cover

T 24142K	Arm Rest Foam Kit.....	Pair	6.73
----------	------------------------	------	------

Arm Rest Card Boards

T 24143	Arm Rest Card Boards, '55-57.....	Pair	6.33
---------	-----------------------------------	------	------

UPHOLSTERY & RELATED TRIM



Kick Panels
Original Style,
Concours-Quality. Simply
the Best Available!

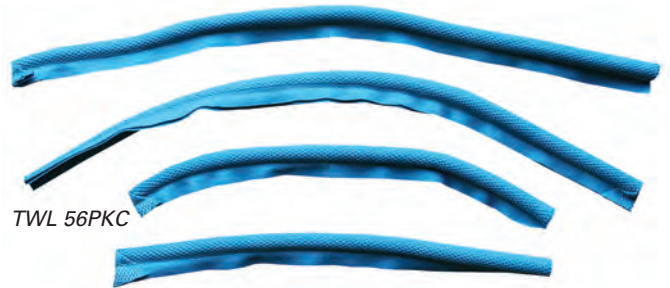


Kick Panels (TKP)

TKP 55WT	'55	White.....	Pair	74.80
TKP 55YL	'55	Yellow.....	Pair	87.95
TKP 56WT	'56	White.....	Pair	74.80
TKP 57BU	'57	Blue.....	Pair	87.95
TKP 57BZ	'57	Bronze.....	Pair	87.95
TKP 57GN	'57	Green.....	Pair	87.95
TKP 57RD	'57	Red.....	Pair	87.95
TKP 57WT	'57	White.....	Pair	74.80

Windlace Sets (TWL)

Original-Style Windlace Sets Include: (4) Pieces to go in front of and in back of door. Ready to install.



Cloth Covered Windlace Sets

TWL 55BKC	'55-56	Black.....	Set	33.00
TWL 55GNC	'55	Green.....	Set	33.00
TWL 55RDC	'55	Red.....	Set	33.00
TWL 56RDC	'56	Red.....	Set	33.00
TWL 56GNC	'56	Green.....	Set	33.00
TWL 56PKC	'56	Peacock.....	Set	33.00



Vinyl Covered Windlace Sets

TWL 55BK	'55-56	Black.....	Set	33.00
TWL 55GN	'55	Green.....	Set	33.00
TWL 55RD	'55	Red.....	Set	33.00
TWL 56BS	'56	Buckskin.....	Set	33.00
TWL 56GN	'56	Green.....	Set	33.00
TWL 56PK	'56	Peacock.....	Set	33.00
TWL 56RD	'56	Red.....	Set	33.00
TWL 57BK	'57	Black.....	Set	33.00
TWL 57BU	'57	Blue.....	Set	33.00
TWL 57BZ	'57	Bronze.....	Set	33.00
TWL 57GN	'57	Green.....	Set	33.00
TWL 57RD	'57	Red.....	Set	33.00
TWL 57WT	'57	White.....	Set	33.00



Give us a call if you can't find the parts you need. Our knowledgeable parts specialists will be happy to help!

Hardware for this Section

TSP 358575	Door Panel Clip, '55-57.....	Each	.38
TSP 470101A	Countersunk Trim Washer #6.....	Each	.28
TSP 470101B	Countersunk Trim Washer #8.....	Each	.28
TSP 470101C	Countersunk Trim Washer #10.....	Each	.28
TSP 470102A	Trim Washer #6.....	Each	.28
TSP 470102B	Trim Washer #8.....	Each	.28
TSP 470102C	Trim Washer #10.....	Each	.28

Larry's Custom Fit Carpet Sets For Your 1955-57 Thunderbird!



1956 Colors

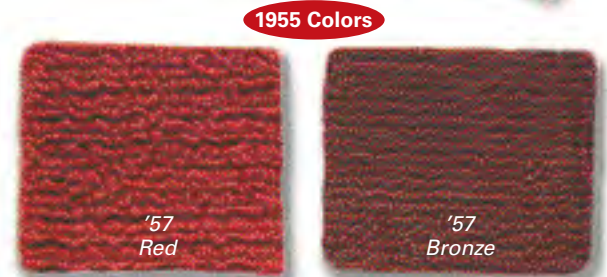


1955 Colors

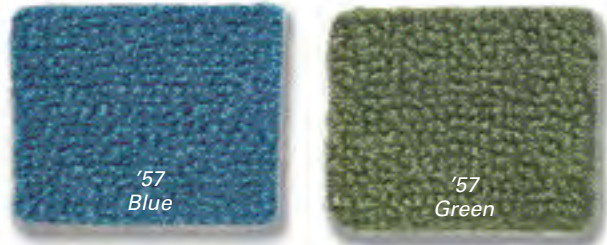
(Black also applies for 57 T-Birds)

You can create a new-looking Thunderbird interior by simply replacing your carpet. An easy installation, and what better way to get rid of those old grease stains and crusty things that seem to build up in the nap. Our carpet

features nylon loop pile with cloth bindings, die-cut to fit properly, and also includes the rubber heel and foot-side rubber pads. We produce our Carpet Kits in correct original factory colors to match existing interior items. Please specify year and color desired when ordering. We recommend a new die-cut jute pad to place under your carpet set for sound deadening, weather insulation, and better carpet fit.



1955 Colors

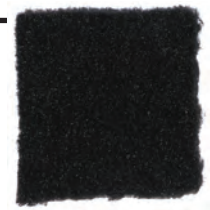


Check Out These Features!

- Correct Original Factory Colors
- Authentic Nylon Loop Pile
- Die-cut for Proper Fit

TCP 55BK	'55	Black.....	Each	117.15
TCP 55BKJ	'55	Black w/Jute Pad.....	Set	126.50
TCP 55GN	'55	Green.....	Each	117.15
TCP 55GNJ	'55	Green w/Jute Pad.....	Set	126.50
TCP 55RD	'55	Red.....	Each	117.15
TCP 55RDJ	'55	Red w/Jute Pad.....	Set	126.50
TCP 55RDS	'55	Red; Made in 1957 Style.....	Each	117.15
TCP 55RDJS	'55	Red; Made in 1957 Style w/Jute Set	Set	126.50
TCP 56BK	'56-57	Black.....	Each	117.15
TCP 56BKJ	'56-57	Black w/Jute Pad.....	Set	126.50
TCP 56BS	'56	Buckskin.....	Each	117.15
TCP 56BSJ	'56	Buckskin w/Jute Pad.....	Set	126.50
TCP 56GN	'56	Green.....	Each	117.15
TCP 56GNJ	'56	Green w/Jute Pad.....	Set	126.50
TCP 56PK	'56	Peacock.....	Each	117.15
TCP 56PKJ	'56	Peacock w/Jute Pad.....	Set	126.50
TCP 56RD	'56	Red.....	Each	117.15
TCP 56RDJ	'56	Red w/Jute Pad.....	Set	126.50
TCP 57BU	'57	Blue.....	Each	117.15
TCP 57BUJ	'57	Blue w/Jute Pad.....	Set	126.50
TCP 57BZ	'57	Bronze.....	Each	117.15
TCP 57BZJ	'57	Bronze w/Jute Pad.....	Set	126.50
TCP 57GN	'57	Green.....	Each	117.15
TCP 57GNJ	'57	Green w/Jute Pad.....	Set	126.50
TCP 57RD	'57	Red.....	Each	117.15
TCP 57RDJ	'57	Red w/Jute Pad.....	Set	126.50

Cut Pile Carpet Black Only



A Nice Upgrade From The Original

TCP U55BK	'55	Carpet Only.....	Each	148.50
TCP U55BKJ	'55	Carpet With Jute Pad.....	Each	164.18
TCP U56BK	'56/57	Carpet Only.....	Each	148.50
TCP U56BKJ	'56/57	Carpet With Jute Pad.....	Each	164.18

Floor Pan Heat Shield Insulates Against The Elements!



Larry's Floor Pan Heat Shield Kit will insulate your entire floor pan area from heat and reduces road noise in the cabin area, without destroying the authentic appearance of your 'Bird. Install the Floor Pan Heat Shield Kit at the same time you are installing new carpets and restoring your Thunderbird's interior compartment area. Easy to install and well worth the investment!

TAC 17	All Years.....	45.00
--------	----------------	-------

UPHOLSTERY & RELATED TRIM

Original-Style Rubber Mats

Keep your Thunderbird's carpet clean with a set of original-style throw mats. These high-grade rubber and are embossed with the Thunderbird logo. Sold in perfect-fit pairs only. Please specify color of mat desired when ordering. These fit all years from '55-'57.



T 13106A	Rubber Throw Mat w/Bird Logo; Black	Pair	71.35
T 13106C	Rubber Throw Mat w/Bird Logo; Red.....	Pair	71.35
T 13106D	Rubber Throw Mat w/Bird Logo; Blue.....	Pair	71.35
T 13106F	Rubber Throw Mat w/Bird Logo; Peacock..	Pair	71.35
T 13106G	Rubber Throw Mat w/Bird Logo; Willow Green	Pair	71.35



Carpet Aftermarket Mats

TCM 55BK	Black, '55/'57	Set	65.95
TCM 55GN	Green, '55	Set	65.95
TCM 55RD	Red, '55	Set	65.95
TCM 56BS	Buckskin, '56	Set	65.95
TCM 56PK	Peacock, '56	Set	65.95
TCM 56RD	Red, '56	Set	65.95
TCM 57BU	Blue, '57	Set	65.95
TCM 57BZ	Bronze, '57	Set	65.95
TCM 57GN	Green, '57	Set	65.95
TCM 57RD	Red, '57	Set	65.95

Mid Carpet (Behind the Seat)

This carpet add on is designed to fit the floor behind the seat to compliment the front floor carpet. This also will match the trunk carpet we make so there will be carpet from front to back. This will give your car an updated look.

TMC 55BK	Black, '55/'57	Each	60.45
TMC 55GN	Green, '55	Each	60.45
TMC 55RD	Red, '55	Each	60.45
TMC 56BS	Buckskin, '56	Each	60.45
TMC 56GN	Green, '56	Each	60.45
TMC 56PK	Peacock, '56	Each	60.45
TMC 56RD	Red, '56	Each	60.45
TMC 57BU	Blue, '57	Each	60.45
TMC 57BZ	Bronze, '57	Each	60.45
TMC 57GN	Green, '57	Each	60.45
TMC 57RD	Red, '57	Each	60.45

Dimmer Switch Hole Cover

Our special die-stamped metal cover for the dimmer switch hole
T 13024C Dimmer Switch Hole Cover Each 38.15

Original-Style Step Plates



When replacing your carpet and other upholstery items, you will want to install new step plates to finish off the job with complete attention to detail. Manufactured to exacting standards for an original appearance. Easy to install, yet is a major item for proper restoration.

T 13208C	Step Plate, RH	Each	36.50
T 13209C	Step Plate, LH	Each	36.50
	THK 13208C Screw, Step Plate to Body.....	Each	3.43

Vinyl Floor Cover (TFC)



Our Vinyl Floor Cover is a color-matched piece of vinyl that covers the floor area between the Seatback and the Drop Curtain. *Most 1956 T-Birds have a small floor cover - 1956 T-Birds that were equipped with a factory tonneau cover came with a large floor cover.

TFC 55BK	'55-'56	Black	Each	9.63
TFC 55GN	'55	Green	Each	9.63
TFC 55RD	'55	Red	Each	9.63
TFC 56BKT*	'56	Black w/Tonneau	Each	19.25
TFC 56BS	'56	Buckskin	Each	9.63
TFC 56BST*	'56	Buckskin w/Tonneau.....	Each	19.25
TFC 56GN	'56	Green	Each	9.63
TFC 56GNT*	'56	Green w/Tonneau	Each	19.25
TFC 56PK	'56	Peacock	Each	9.63
TFC 56PKT*	'56	Peacock w/Tonneau	Each	19.25
TFC 56RD	'56	Red	Each	9.63
TFC 56RDT*	'56	Red w/Tonneau	Each	19.25
TFC 57BK	'57	Black	Each	19.25
TFC 57BU	'57	Blue	Each	19.25
TFC 57BZ	'57	Bronze	Each	19.25
TFC 57GN	'57	Green	Each	19.25
TFC 57RD	'57	Red	Each	19.25
TFC 57WT	'57	White.....	Each	19.25

UPHOLSTERY & RELATED TRIM

Original Type Headliner (THL)



'55-56
White

'57
Off-White

Our headliners are the finest of any on the market! Constructed of Perforated Vinyl, with "Wire-On" Border Strip. Please be sure to specify whether you have (4) or (5) metal bows in your top.

THL 40W	Headliner; 4-Bow, Off-White, '57	Each	54.95
THL 4WT	Headliner; 4-Bow, White, '55-56	Each	54.95
*THL 4PW	Headliner; 4-Bow, Pure White	Each	54.95
THL 50W	Headliner; 5-Bow, Off-White, '57	Each	54.95
THL 5WT	Headliner, 5-Bow, White, '55-56	Each	54.95
*THL 5PW	Headliner, 5-Bow, Pure White	Each	54.95

*Note: Pure White is a Non Stock Color.

Headliner Related Items

Proper installation of your new headliner, as well as a great look and fit, begins with using the right hardware. The items below are recommended for your headliner installation project.

T 51928	Headliner Binding End Cover	Each	2.30
T 51930	Headliner Binding Angled Joint Cover	Each	8.44
T 52104K	Headliner Bow Kit (4 Bow)	Set	41.62
T 52105K	Headliner Bow Kit (5 Bow)	Set	48.90

Original Style Sun Visors

Replace worn out and faded original sun visors with our finest quality Original-Style Sun Visors constructed in original colors, to correct size and made from vinyl that is color-matched to go with our Upholstery Kits and interior items. Please specify year and color when ordering.

T 04104A	1956 White	Pair	165.00
T 04104B	1957 White	Pair	165.00
T 04104C	1957 Red	Pair	165.00
T 04104D	1957 Blue	Pair	165.00
T 04104E	1957 Green	Pair	165.00
T 04104F	1957 Bronze	Pair	165.00



Sun Visor Mounting Hardware

T 04114	Sun Visor Anchor Rod	Each	4.95
T 04132	Chrome Visor Clip, '56-57	Each	22.78
THK 04144	Visor Clip to Header Screw	Each	2.37
T 04144A	Visor Arm & Bracket, '56, RH	Each	47.76
T 04144B	Visor Arm & Bracket, '57, RH	Each	47.28
T 04145A	Visor Arm & Bracket, '56, LH	Each	47.76
T 04145B	Visor Arm & Bracket, '57, LH	Each	47.28



T 04290C

Padded Dash—1957 'Birds

Larry's Padded Dash for '57 Thunderbirds is manufactured to exceptional quality standards, featuring high-grade materials, plus correct grain and correct colors that match original factory specifications! Every Thunderbird Padded Dash by Larry's is handcrafted to fit right onto original factory mounting points.

T 04290C	'57; Blue	450.00
T 04290D	'57; Black	450.00
T 04290E	'57; White	450.00
T 04290F	'57; Red	450.00
T 04290G	'57; Green	450.00
T 04290H	'57; Bronze	450.00
THK 04291	Dash Pad Retaining Strap to Dash	Each 2.06



Dash Covers (TDC)

Enthusiasts who want a top-quality dash cover need to install one of these Original-Style Dash Covers in their vehicle. All dash covers are sewn as original and are ready for concours events.

TDC 55BK	'55/56	Black	Each	50.05
TDC 55GN	'55	Green	Each	50.05
TDC 55RD	'55	Red	Each	50.05
TDC 56BS	'56	Buckskin	Each	50.05
TDC 56GN	'56	Green	Each	50.05
TDC 56PK	'56	Peacock	Each	50.05
TDC 56RD	'56	Red	Each	50.05

Dash Mat (TDM)

Preserve your expensive dash with a Dash Mat for 1957 T-Birds.

TDM 57BK57; Black	Each	46.20
TDM 57BU .57; Blue	Each	46.20

WHEEL & WHEEL COVERS

Wheel Covers & Hub Caps



T 1130A Wheel Cover



T 1130B Wheel Cover



Part T1141
Medallion
sold
separately

T 1130A	Wheel Cover; '55-56	79.95
	(Does Not Include Part T 1141 Red Center Medallion. See Part No. T 1141 Listed Below)	
T1130B	Wheel Cover, '57.....	119.95
T1130C	Simulated Wire Wheel Cover, '55-56.....	99.23
TLT 2	Wire Wheel Cover Install Instructions.....	2.75
T 1130R	Red Button Hub Cap.....	42.75
T 1130W	Hub Cap, Button, White, '56.....	42.75
T 1141	Medallion; '55-56, Red Plastic, to be used with Part T 1130A Wheel Cover listed above. (See Photo Below)	Each 22.50
T 1150	Clip, Wire Wheel Cover, '55-56	Each 3.75
T 1151	Clip Bumper, Wire Wheel Cover, '55-5653



T 1130C Wheel Cover
Simulated Wire



T 1130R or W Hub Cap
Use with Simulated Wire



T 1141
Wheel Center
Medallion



T 1150 Wire Wheel
Cover Clip

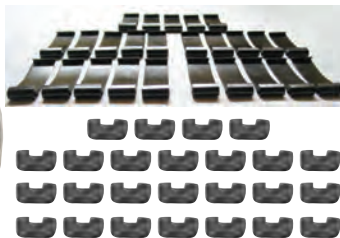


T 1151 Clip Bumper

Simulated Wire Wheel Cover Sets

The Finest Wheel Covers Available for your T-Bird!

Larry's Simulated Wire Wheel Cover Sets feature deep luster chrome for years of durability and shine. Simply set Retainer Clips into place and pop the button-style Covers on. It's as easy as that! Each Wire Wheel Set includes Button Hub Caps & Attaching Clips. For 1955-56 Thunderbirds.



T 1130DK	Set of (4) with 20 Clips Red Center	499.95
T 1130EK	Set of (5) with 25 Clips Red Center	625.95
T 1130FK	Set of (4) with 20 Clips White Center.....	499.95
T 1130GK	Set of (5) with 25 Clips White Center.....	625.95



WHEEL & WHEEL COVERS

Roadster Wire Wheel & Related Parts



T 1015ABK



T 1016BK



T 1017BK



T 1015ABU



T 1016BU



T 1017BU



T 1015AGN



T 1016GN



T 1017GN



T 1015ARD



T 1016RD



T 1017RD

T 1015ABK	Wheel With Spinner Assembly, Black Center, 15", 55/56.....	Each	550.75
T1015ABU	Wheel With Spinner Assembly, Blue Center, 15", 55/56.....	Each	550.75
T1015AGN	Wheel With Spinner Assembly, Black Center, 15", 55/56.....	Each	550.75
T1015ARD	Wheel With Spinner Assembly, Red Center, 15", 55/56.....	Each	550.75
T1015BBK	Wheel With Spinner Assembly, Black Center, 14", 57.....	Each	550.75
T1015BBU	Wheel With Spinner Assembly, Blue Center, 14", 57.....	Each	550.75
T1015BGN	Wheel With Spinner Assembly, Green Center, 14", 57.....	Each	550.75
T1015BRD	Wheel With Spinner Assembly, Red Center, 14", 57.....	Each	550.75
T1016BK	Spinner Assembly, Black Center, 55/57.....	Each	76.45
T1016BU	Spinner Assembly, Blue Center, 55/57.....	Each	76.45
T1016GN	Spinner Assembly, Green Center, 55/57.....	Each	76.45
T1016RD	Spinner Assembly, Red Center, 55/57.....	Each	76.45
T1017BK	Center Only, Black, 55/57.....	Each	30.55
T1017BU	Center Only, Blue, 55/57.....	Each	30.55
T1017GN	Center Only, Green, 55/57.....	Each	30.55
T1017RD	Center Only, Red, 55/57.....	Each	30.55

Note: The wheels must be used with inner tubes.

T 1001	Rear Wheel Bearing Retainer Gasket, '55-57.....	.90
T 1012	Lug Nut, '55-57.....	.73
T 1104	Wheel Hub, 5 Stud, '55-57.....	101.95
T 1107	Wheel Lug, '55-57.....	2.02
T 1131	Hub Grease Cap, '55-57.....	2.65
T 1177	Rear Axle Grease Seal, '55-57.....	5.15
T 1190	Front Wheel Grease Seal, '55-57.....	2.70
T 1193	Front Brake Backing Plate Gasket, '55-57.....	1.00
T 1195	Fr. Spindle Nut to Outer Bearing Washer, '55-57...	8.75
T 1201	Front Wheel Bearing, Inside, '55-57.....	7.23
T 1202	Front Wheel Cup, Inside, '55-57.....	4.11
T 1216	Front Wheel Bearing, Outside, '55-57.....	6.76
T 1217	Front Wheel Bearing Cup, Outside, '55-57.....	4.11
T 1225	Rear Axle Bearing Assembly, '55-57.....	31.16
T 1705A	Tire Valve Stem, '55-56.....	Each .91
T 1705B	Tire Valve Stem, '57.....	Each .91
T 1705C	Shrader Tire Valve Stem Extension, '57.....	Each 13.21
	Qualifies for CTCL Excellence in Authenticity Award!	
T 1706	Shrader Tire Valve Stem Caps, '55-57.....	Set of 5 3.18
	Qualifies for CTCL Excellence in Authenticity Award!	

Hardware for this Section

TSP 87907	Lube Fitting, 1/4", straight.....	Each	.90
TSP 354573	Castle Spindle Nut.....	Each	3.07

Grease Dust Cap Installation Tool

The tool to use when installing grease dust caps.
TAC 15.....11.95



TAC 15

Axle Seal Kit



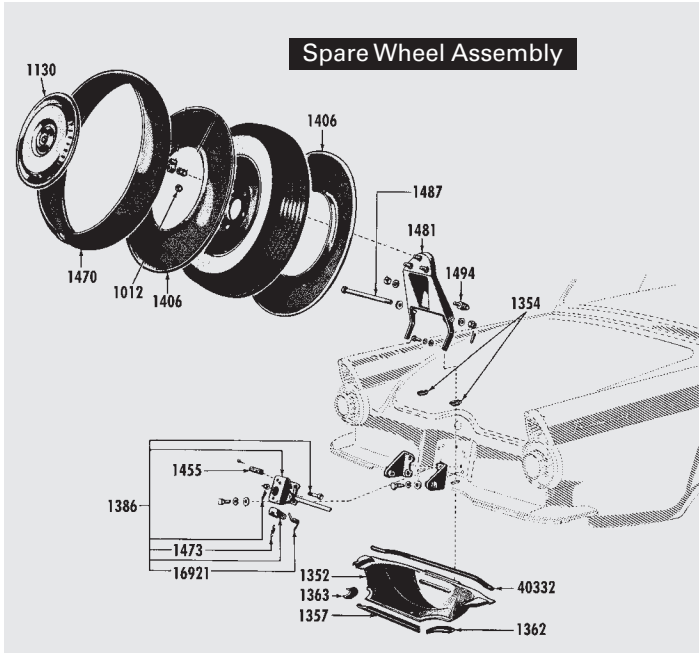
T 1200AK	Axle & Pinion Seal Kit Contains: (2)T 1177, (2)T 1190, (4)T 1001 & (1)T 4676A, '55-56.....	34.22
T 1200BK	Axle & Pinion Seal Kit Contains: (2)T 1177, (2)T 1190, (4)T 1001 & (1)T 4676B, '57.....	49.93

Front Hub Seal & Bearing Kit

Includes, inner & outer bearings, races & seals, does both hubs.

T 1203K	55/57.....	Kit	56.05
---------	------------	-----	-------

SPARE WHEEL



T 1386A	Lever Assembly, Continental Kit; '56 Steel, As Original	149.95
T 1406A	Spare Wheel Tire Cover, Steel, '56	137.70
T 1406B	Spare Wheel Tire Cover, Fiberglass, '56.....	122.35
T 1424	Spare Wheel Mounting Plate; '57.....	35.65
T 1446	Spare Wheel Clamp, Metal; '55	4.39
T 1448A	Spare Wheel Carrier Bolt; '55	9.44
T 1448B	Spare Wheel Carrier Bolt, '57; 6 3/8	20.35
	<i>THK 1424 Spare Tire Hold Down Clevis Pins, Washers and Clips, '57 (6 pcs.)</i>	<i>2.06</i>
T 1455	Spare Wheel Hinge Bumper, '56	5.78
T 1457A	Spare Wheel Nut, Replacement; '55 & '57.....	2.75
T 1457B	Spare Wheel Nut, Original Type; '55 & '57.....	14.23

Spare Tire Cover



T 1470A Retainer Ring

T 1132	Spare Wheel Cover Tool, '56	10.86
T 1352	Spare Wheel Stone Guard,(Less Seals), '56; Fiberglass.....	159.95



T 1352K Seal Set

T 1352K	Spare Wheel Stone Guard Set, '56, Consisting of (1) Each:T 1357,T 1362, T 1363 & T 40332.....	16.95
---------	---	-------

T 1470A	Spare Wheel Cover Retainer Ring, '56. Steel	148.87
T 1470B	Spare Wheel Cover Retainer Ring, '56; Fiberglass.....	128.47
T 1473	Continental Kit Latch Spring; '56.....	8.44
T 1478	Spare Wheel Carrier Bracket Set, '56, Pair.....	152.95
T 1481A	Spare Wheel Carrier, Continental Kit, '56	152.95
	<i>THK 1481 Continental Kit Holder (1481) to Body/Frame '56 (16 pcs.)</i>	<i>5.49</i>
T 1487	Spare Wheel Hinge Bolt Kit, '56; Contains: (1) 1487, (1) 43043-S, (2) 44736-S.....	13.21
T 1494	Continental Kit Dowel Pin w/Washer & Nut, '56	17.09
T 1705A	Tire Valve Stem, '55-56.....	Each .91
T 1705B	Tire Valve Stem, '57.....	Each .91
T 1705C	Shrader Tire Valve Stem Extension,'57	Each 13.21
	<i>Qualifies for CTCL Excellence in Authenticity Award!</i>	
T 1706	Shrader Tire Valve Stem Caps,'55-57,	Set of 5 3.18
	<i>Qualifies for CTCL Excellence in Authenticity Award!</i>	



T 1354K Grommet Set

T 1354K	Spare Wheel Hinge Grommet Set, (2) '56	9.40
---------	--	------

Lug Wrench

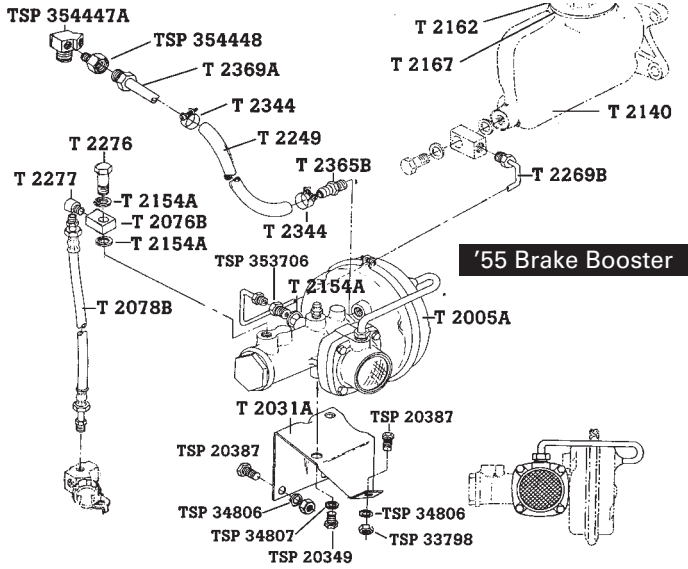


T 17032	Lug Wrench.....	Each 34.63
T 17083	Jack Strap	Each 14.50

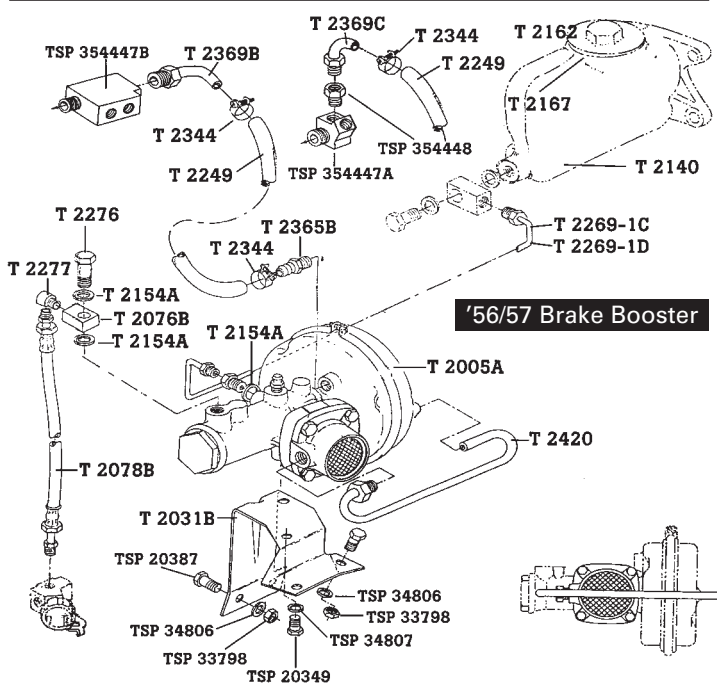


We carry a large inventory of concours-quality parts. Give us a call if you can't find what you need. Our knowledgeable parts specialists will be happy to help!

BRAKES



'55 Brake Booster



'56/'57 Brake Booster

Rebuilt Brake Booster

T 2005A
Power Brake
Booster



T 2005A	Power Brake Booster, New (Less Part No. 2365 Check Valve).....	Call
	THK 2005 Power Brake Booster (4 pcs.).....	1.12
T 2005B	Power Brake Booster, Rebuilt (Less Part No. 2365 Check Valve).....	375.00

Note: Customer must supply core for rebuild. Please drain fluids before returning.

T 1012	Lug Nut, '55-'57	Each	.73
T 1107	Wheel Lug, '55-'57	Each	2.02
T 1125A	Front Brake Drum, '55-'56		132.55
T 1125B	Front Brake Drum, '57		132.55
T 1126A	Rear Brake Drum, '55-'56		132.55
T 1126B	Rear Brake Drum, '57		132.55
THK 1125 Front Brake Drum To Spindle (6 pcs. • Enough for 2 sides)			
			9.00
T 1190	Front Wheel Grease Seal, '55-'57		2.70
T 1193	Front Brake Backing Plate Gasket, '55-'57		1.00
T 1201	Front Wheel Bearing; Inside, '55-'57		7.23
T 1202	Front Wheel Cup; Inside, '55-'57		4.11
T 1216	Front Wheel Bearing; Outside, '55-'57		6.76
T 1217	Front Wheel Bearing Cup; Outside, '55-'57		4.11
T 2004A	Master Cylinder Rebuild Kit.....		27.49
T 2005E	Clip, Holds Part #2005 To Part #9180		2.60

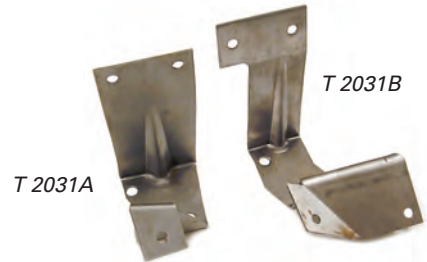
Brake Booster Installation Kit

T 2006K	Brake Booster Installation Kit; All parts necessary to convert to Power Brakes included.		
	* T 2006AK 1955	Call	
	* T 2006BK 1956	Call	
	* T 2006CK 1957	Call	

* Includes Rebuilt Booster * Call for Price and Availability

T 2018A	Front Brake Shoe, '55-'56.....	40.75
T 2018AK	Brake Shoe & Lining Kit; For (4) Wheels; Relined, '55-'56	81.55
T 2018B	Front Brake Shoe, '57.....	38.71
T 2018BK	Brake Shoe & Lining Kit; For (4) Wheels; Relined, '57	77.01
T 2018C	Rear Brake Shoe, '55-'56.....	45.85
T 2018D	Rear Brake Shoe, '57	45.85

Power Brake Booster Bracket



T 2031A	Power Brake Booster Bracket, '55	49.75
T 2031B	Power Brake Booster Bracket, '56-'57	49.75
	THK 2005 Brake Booster Bracket to Apron (12 pcs.)	1.12
	THK 2031 Power Brake Booster to Bracket (4 pcs.)	2.06
T 2035	Brake Shoe Retracting Spring, '55-'57	1.95
T 2042	Brake Shoe Link, '55-'57	4.83
T 2049	Brake Adjusting Screw Spring, '55-'57	3.95

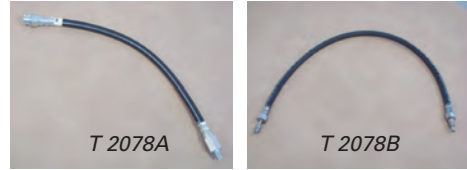
Front Brake Cylinder



T 2061	Front Brake Cylinder, RH, '55-'57	18.87
T 2062	Front Brake Cylinder, LH, '55-'57	18.87
	THK 2061 Wheel Cylinder to Backing Plates (16 pcs. • Enough For 2 Sides).....	3.43
T 2073	Rear Brake Hose Bracket with bolt, '55-'57	13.21
T 2074A	Rear Brake Junction Block, '55-'56	66.25
T 2074B	Rear Brake Junction Block, '57	53.01
T 2075	Brake Connector Block, LH Front; '55-'57	15.87
T 2076B	Master Cylinder Outlet Fitting, Brass, '55-'57	12.68

BRAKES

Brake Booster Hose

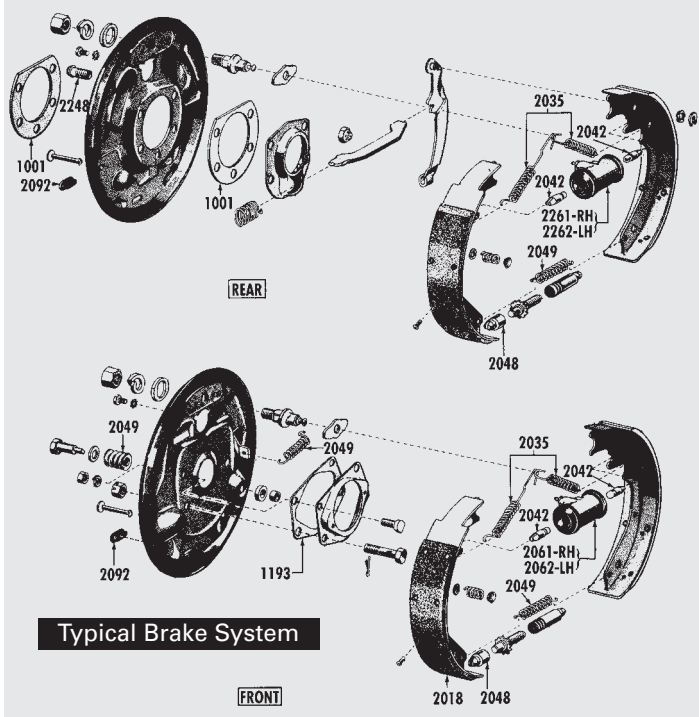


- | | | |
|---------|---|-----------|
| T 2078A | Front Brake Hose, RH or LH, '55-57..... | 15.75 |
| T 2078B | Pwr. Brk. Bstr to Frame Connector Hose, '55-57..... | 32.95 |
| T 2091 | Park Brake Equalizer Lever, '55-57 | Each 4.19 |
| T 2092 | Brake Adjusting Hole Cover, '55-57 | Each .43 |

Brake Shoe Spring Kit



- | | | |
|---------|---|-------|
| T 2095K | Brake Shoe Spring Kit, '55-57
Includes: (2) T 2A094, (8) T 2035,
(4) T 2049 | 34.95 |
|---------|---|-------|



Brake Overhaul Kit

You Don't Have to Be a Race Car Driver to Appreciate Good Brakes!



When it comes to driving safety, you can't compromise on your brake system with inferior components. Larry's Brake Overhaul Kits include components from the industry's finest manufacturers. You can be assured of high quality products that keep you safe and provide outstanding performance.

- | | | |
|----------|---|--------|
| T 2019AK | Brake Overhaul Kit for 1955; Contains:
(1) T 2018AK, (1) 2061, (1) T 2062,
(1) T 2261A, (1) T 2262A, (1) T 2095K
(5) T 2149, (2) T 2078A, (1) T 2282 | 234.55 |
| T 2019BK | Brake Overhaul Kit for 1956; Contains:
(1) T 2018AK, (1) 2061, (1) T 2062,
(1) T 2261B, (1) T 2262B, (1) T 2095K
(5) T 2149, (2) T 2078A, (1) T 2282 | 234.55 |
| T 2019CK | Brake Overhaul Kit for 1957; Contains:
(1) T 2018BK, (1) 2061, (1) T 2062,
(1) T 2261B, (1) T 2262B, (1) T 2095K
(5) T 2149, (2) T 2078A, (1) T 2282 | 234.55 |
| THK 2211 | Backing Plate to Rear Axle
Housing; '55-57 (16 pcs.) | 39.92 |



Big Selection of Parts! Whether it's a hard to find part or a standard Thunderbird replacement part, Larry's has what you're looking for. Our inventory of parts is concours-quality. Give us a call to find the parts you need. Our knowledgeable parts specialists will be happy to help!

BRAKES

T 2106 Park Brake Lever Retainer, '55-57..... Each .66

Disc Brake Conversion Kit

Give your 'Bird more stopping power and increased safety with our Disc Brake Conversion Kit. Includes: Rotors, Calipers, Pads, Brake Lines and special mounting hardware.

T 2123A	Used With no Power Brake Booster, '55.....Kit	1300.50
T 2123B	Used With Power Brake Booster, '55	Kit 1300.50
T 2123C	Used With no Power Brake Booster, '56.....Kit	1300.50
T 2123D	Used With Power Brake Booster, '56	Kit 1300.50
T 2123E	Used With no Power Brake Booster, '57.....Kit	1300.50
T 2123F	Used With Power Brake Booster, '57	Kit 1300.50
T 2124	Rear Disc Kit E-Brake Cables Will Not Work With This Kit, '55-57	Kit 810.90

T 2128A	Brake Cylinder Repair Kit, '55; Rear.....	8.67
T 2128B	Brake Cylinder Repair Kit, '56-57; Rear.....	10.40
T 2129AK	Brake Cylinder Repair Kit, Cups & Seals for all 4 Wheels, '55.....	27.06
T 2129BK	Brake Cylinder Repair Kit, Cups & Seals for all 4 Wheels, '56-57	27.06
T 2137	Master Cylinder Drip Pan, '56-57	24.43
T 2142	Brake Master Cylinder Push Rod Cap, '55-57.....	6.63

Brake Master Cylinder



T 2140A	Master Cylinder, '55-57	101.95
	THK 2140 Master Cylinder to Firewall (8 pcs.)	2.77

T 2143	Master Cylinder Push Rod	20.35
T 2149	Brake Line Gasket, '55-5791
T 2150	Brake Line Block Bolt, LH Front, '55-57.....	6.31
2154A	Brake Fitting Gasket, '55-5797

T 2162	Master Cylinder Filler Cap, '55-57	10.56
T 2162A	Master Cylinder Cap, '55-56 (FOMOCO).....	46.67
T 2162B	Master Cylinder Cap, '57 (BB) Concourse Correct..	42.59
T 2167	Master Cylinder Filler Cap Gasket, '55-5795
T 2180	Master Cylinder, '55-57	4.03
T 2221	Brake Cylinder Repair Kit; Front, '55-57.....	7.37
T 2244A	Brake Line to Frame & Axles Clip.....	Each 2.07
T 2249	Brake Booster Hose, '55-57	4.95
T 2261A	Rear Brake Cylinder, RH, '55.....	21.18
T 2261B	Rear Brake Cylinder, RH, '56-57.....	21.18
T 2262A	Rear Brake Cylinder, LH, '55	21.18
T 2262B	Rear Brake Cylinder, LH, '56-57	21.18
	THK 2061 Wheel Cylinder to Backing Plates (16 pcs. • Enough for 2 sides).....	3.43

Brake Line Kits

These kits include all of the brake lines needed, plus the clips.

T 2269AK	Manual Brakes, '55	Kit 128.01
T 2269AKP	Power Brakes, '55	Kit 128.01
T 2269AKS	Manual Brakes, Stainless Steel, '55.....	Kit 264.18
T 2269AKSP	Power Brakes, Stainless Steel, '55.....	Kit 255.00
T 2269BK	Manual Brakes, '56	Kit 128.01
T 2269BKP	Power Brakes, '56	Kit 128.01
T 2269BKS	Manual Brakes, Stainless Steel, '56.....	Kit 264.18
T 2269BKSP	Power Brakes, Stainless Steel, '56.....	Kit 255.00
T 2269CK	Manual Brakes, '57	Kit 128.01
T 2269CKP	Power Brakes, '57	Kit 128.01
T 2269CKS	Manual Brakes, Stainless Steel, '57.....	Kit 264.18
T 2269CKSP	Power Brakes, Stainless Steel, '57.....	Kit 255.00



High-Quality Replacement Brake Lines

Larry's replacement Brake Lines for '55-57 Thunderbirds are made from high-quality brake line tubing with double-flared ends and steel flared fittings. All lines have original-style steel spring protectors, steel sheathing protectors and looming materials in the proper places. Caution must be used when installing to insure proper seating of the flared ends to avoid leakage.

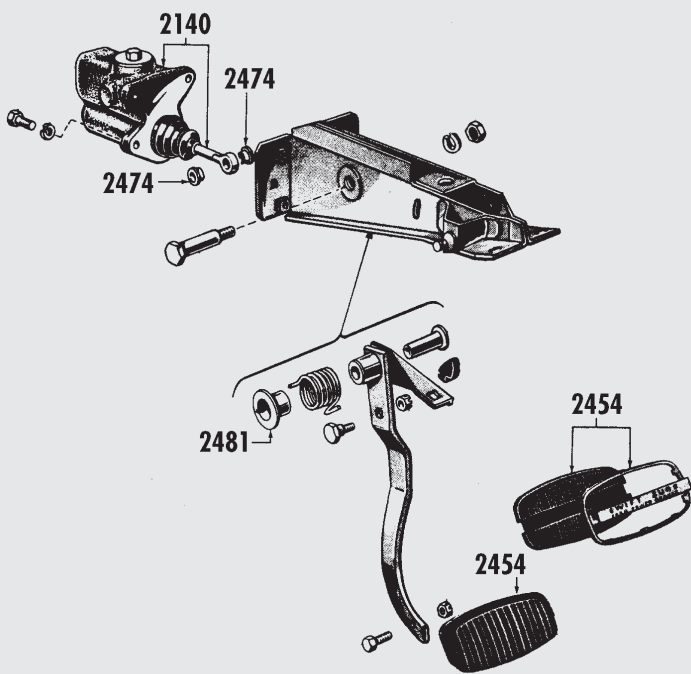
Excellent Quality Lines at Great Prices!

STAINLESS BRAKE LINES				
	55	56	57	Price
T 22691AS	X	X	X	Master Cylinder to Frame Block 23.78
T 22691BS	X			Master Cylinder to Power Brake Booster 17.40
T 22691CS		X		Master Cylinder to Power Brake Booster 17.40
T 22691DS			X	Master Cylinder to Power Brake Booster 17.40
T 22692S	X	X	X	Crossover Under Engine to RH Hose 34.91
T 22693S	X	X	X	Frame Block to LH Hose 20.59
T 22694S	X	X	X	Frame Block to Midpoint 34.91
T 22695AS	X			Midpoint to Rear Hose 47.65
T 22695BS		X		Midpoint to Rear Hose 52.52
T 22695CS			X	Midpoint to Rear Hose 47.65
T 22696AS	X	X		Axel Block to LH Cylinder 29.07
T 22696BS			X	Axel Block to LH Cylinder 23.78
T 22697AS	X	X		Axel Block to RH Cylinder 39.69
T 22697BS			X	Axel Block to RH Cylinder 39.69
THK 2074 Rear Brake Connector to Axle Housing; '55-56 (4 pcs. • Enough For 2 Sides)				1.59

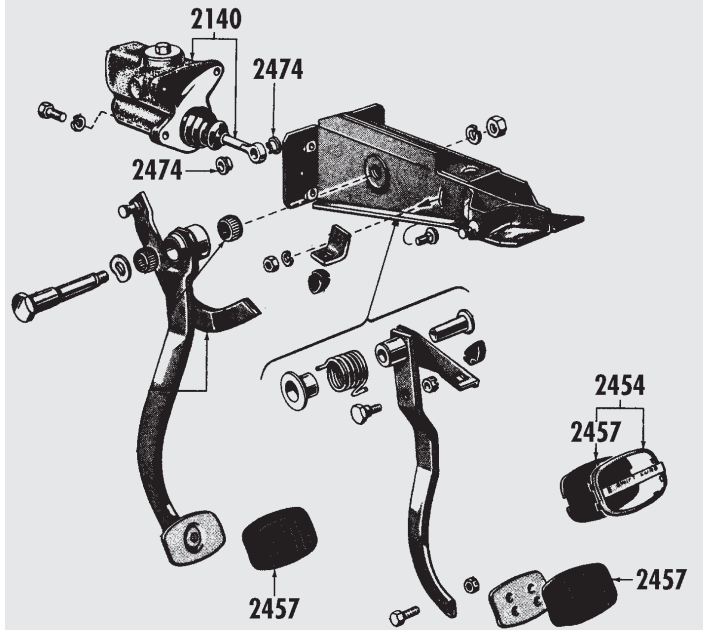
STEEL BRAKE LINES				
	55	56	57	Price
T 22691A	X	X	X	Master Cylinder to Frame Block 16.29
T 22691B	X			Master Cylinder to Power Brake Booster 11.62
T 22691C		X		Master Cylinder to Power Brake Booster 11.62
T 22691D			X	Master Cylinder to Power Brake Booster 11.62
T 22692	X	X	X	Crossover Under Engine to RH Hose 26.95
T 22693	X	X	X	Frame Block to LH Hose 17.95
T 22694	X	X	X	Frame Block to Midpoint 38.95
T 22695A	X			Midpoint to Rear Hose 34.95
T 22695B		X		Midpoint to Rear Hose 34.95
T 22695C			X	Midpoint to Rear Hose 38.46
T 22696A	X	X		Axel Block to LH Cylinder 23.95
T 22696B			X	Axel Block to LH Cylinder 17.50
T 22697A	X	X		Axel Block to RH Cylinder 21.75
T 22697B			X	Axel Block to RH Cylinder 21.75

*Note: Larry's Thunderbird & Mustang Parts, Assumes No Responsibility for Improperly Installed or Altered Brake Lines.

BRAKES



Brake Pedal Assembly-Ford-O Matic



Brake & Clutch Pedal Assembly-Manual Trans.

Rear Brake Hose



T 2282 Rear Brake Hose

T 2276	Brake Fitting Bolt, '55-'57.....	12.19
T 2282	Rear Brake Hose, '55-'57.....	20.75
T 2307K	Brake Booster Repair Kit; (Less Part T 2394 Diaphragm), '55-'57.....	Call
T 2344	Power Brake/Steering Return Line Hose Clamp, '55-'57.....	3.01
T 2365B	Brk. Booster Check Valve, Replacement, '55-'57.....	24.95
T 2369A	Power Brake Booster to Manifold Vacuum Line, Formed Steel With Fitting, '55.....	18.31
T 2369AS	Power Brake Booster to Manifold Vacuum Line, Stainless Steel, With Fitting, '55.....	Each 17.40
T 2369BS	'56.....	Each 17.80
T 2369CS	'57.....	Each 19.25
T 2369B	Vacuum Line, As Above, For '56.....	25.25
T 2369C	Vacuum Line, As Above, For '57..... <i>For Brass Manifold Vacuum Blocks See 354447-S</i>	24.43
T 2386	Brake Booster Air Valve Filter.....	1.99
T 2394	Brake Booster Diaphragm, '55-'57.....	76.65
T 2420	Power Brake Booster Tube Assembly, '56-'57..... Correct Tube For T-Bird. Convert Your Passenger Car Replacement Booster Back to Original.	12.20
T 2421	Brake Booster Air Filter Screen.....	6.25
T 2474	Master Cylinder Push Rod Bushing, Eyelet End; '55-'57, (2 Required).....	Each 11.17
T 2481	Brake Pedal Spring Bushing, '55-'57.....	23.72

Larry's Brake Pedals

A Great Way to Upgrade the Look of Your Thunderbird's Interior Area



T 2454A Brake Pedal Pad

T 2454A Brake Pedal With A/T and Manual Brakes..... 20.91



T 2454B Brake Pedal Pad

THK 2454 Ford-O-Matic Brake Pedal to Pedal Arm (2 pcs.)..... 1.49

T 2454B Brake Pedal, w/Auto Trans. & Power Brakes. An exact reproduction of the "Swift Sure" Pedal without the "Swift Sure" stainless steel band. '55-'57.
See T 2454C for "Swift Sure" band.... 29.95



T 2454C Brake Pedal Pad

T 2454C Brake Pedal Band, "Swift Sure" used with Part T 2454B Pedal, '55-'57..... 14.95

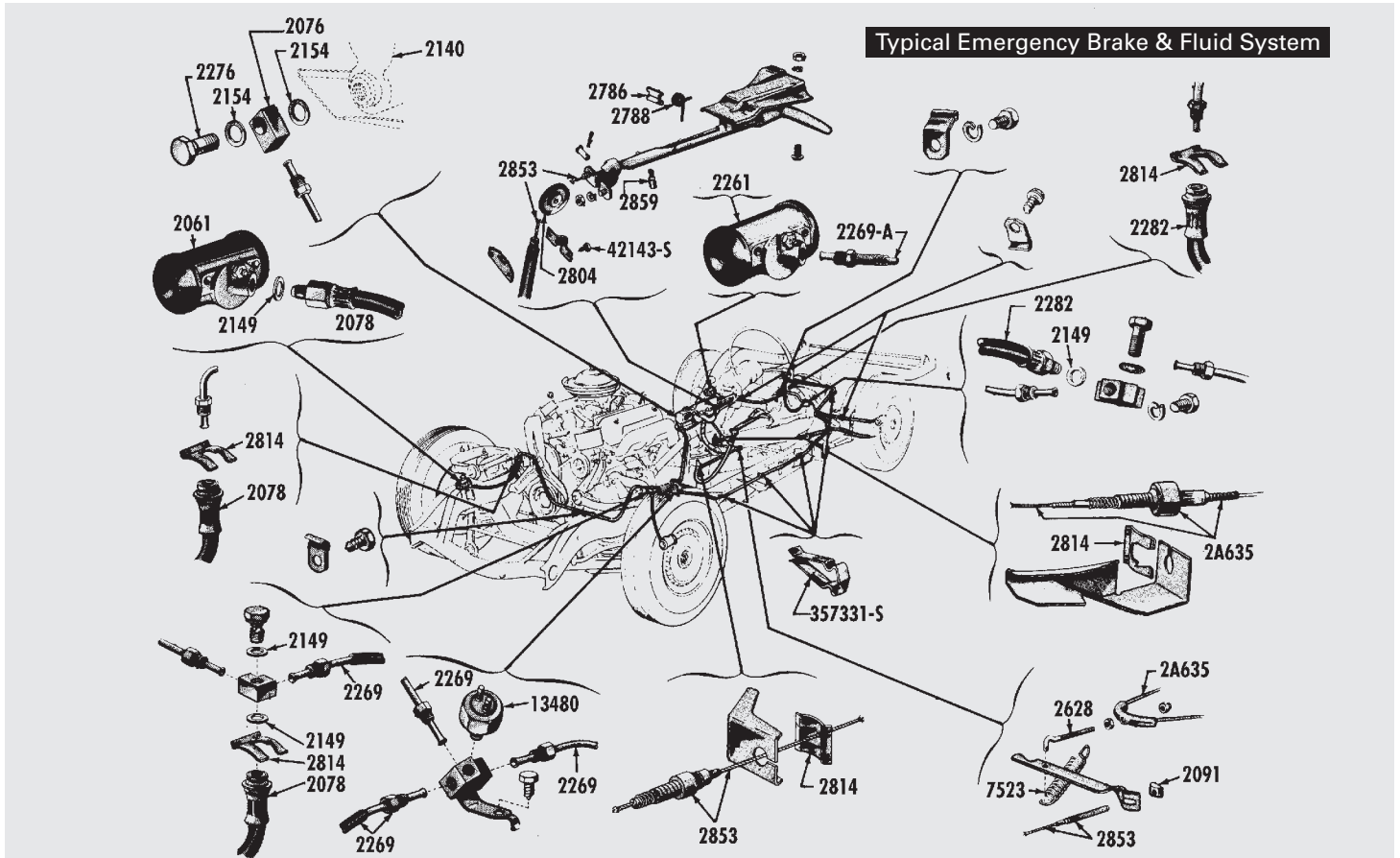


T 2457A Brake & Clutch Pedal Pad

T 2457A Brake & Clutch Pedal Pad, '55-'56..... 11.17

T 2457B Brake & Clutch Pedal Pad, Slip-On Type, Ford Replacement for '55-'56, Orig. '57... 5.95

BRAKES



Typical Emergency Brake & Fluid System

T 2605	Parking Brake Equalizer Lever, '55-57	17.29
T 2628	Parking Brake Equalizer Rod, '55-57	14.85
T 2635A	Cable Assembly; Parking Brake, '55-56	37.23
T 2635B	Cable Assembly; Parking Brake, '57.....	49.93
T 2780AK	Emergency Brake Handle Kit (Includes Handle & Retaining Pin)	50.95
T 2786	Parking Brake Ratchet Bar Pawl, '55-57	8.44
T 2788	Parking Brake Ratchet Pawl, '55-57	3.56
T 2804A	Parking Brake Cable Pulley, '55-57	20.35
T 2804B	Parking Brake Pulley Cover, '55-57	27.03
T 2805	Parking Brake Pulley Cover Clip, '55-57.....	5.75
T 2814A	Parking Brake Cable to Frame Clip, '55-57	1.34
T 2814B	Brake Hose to Frame Clip, '55-57	1.54
T 2853	Front Parking Brake Cable Assembly..... THK 2780 Parking Brake Cable to Firewall (4 pcs.).....	31.78 .93
	THK 2857 Parking Brake Cable to Firewall (2 pcs.).....	.79
T 2857	Prk. Brake Cable to Firewall Clamp, '55-57.....	3.81

T 2858	Parking Brake Cable to Firewall Retainer, '55-57	4.19
T 2859	Parking Brake Lever Pin, '55-57	3.13
T 7523	Clutch and Emergency Brake Retracting Spring.....	4.19
T 9283	Power Brake Line to Fuel Stand Off Clip, 55-57	3.83
T 13480	Stop Lamp Switch	13.96

Bumper, Brake or Clutch Pedal

T 7583	Bumper, Brake or Clutch Pedal, '55-57 2 Required.....	Each 6.07
--------	--	-----------

Hardware for this Section

TSP 351204	Washer, Brake Booster	Each 4.44
TSP 354447A	Vacuum Fitting, Pwr. Brk. Manifold, '55 & '57	Each 35.19
TSP 354447B	Vacuum Fitting, Pwr. Brk. Manifold, Brass, '56.....	Each 35.19
TSP 354446	Junction Block, Front Brake Line.....	Each 70.33
TSP 357331	Brake Line Clip	Each 2.65

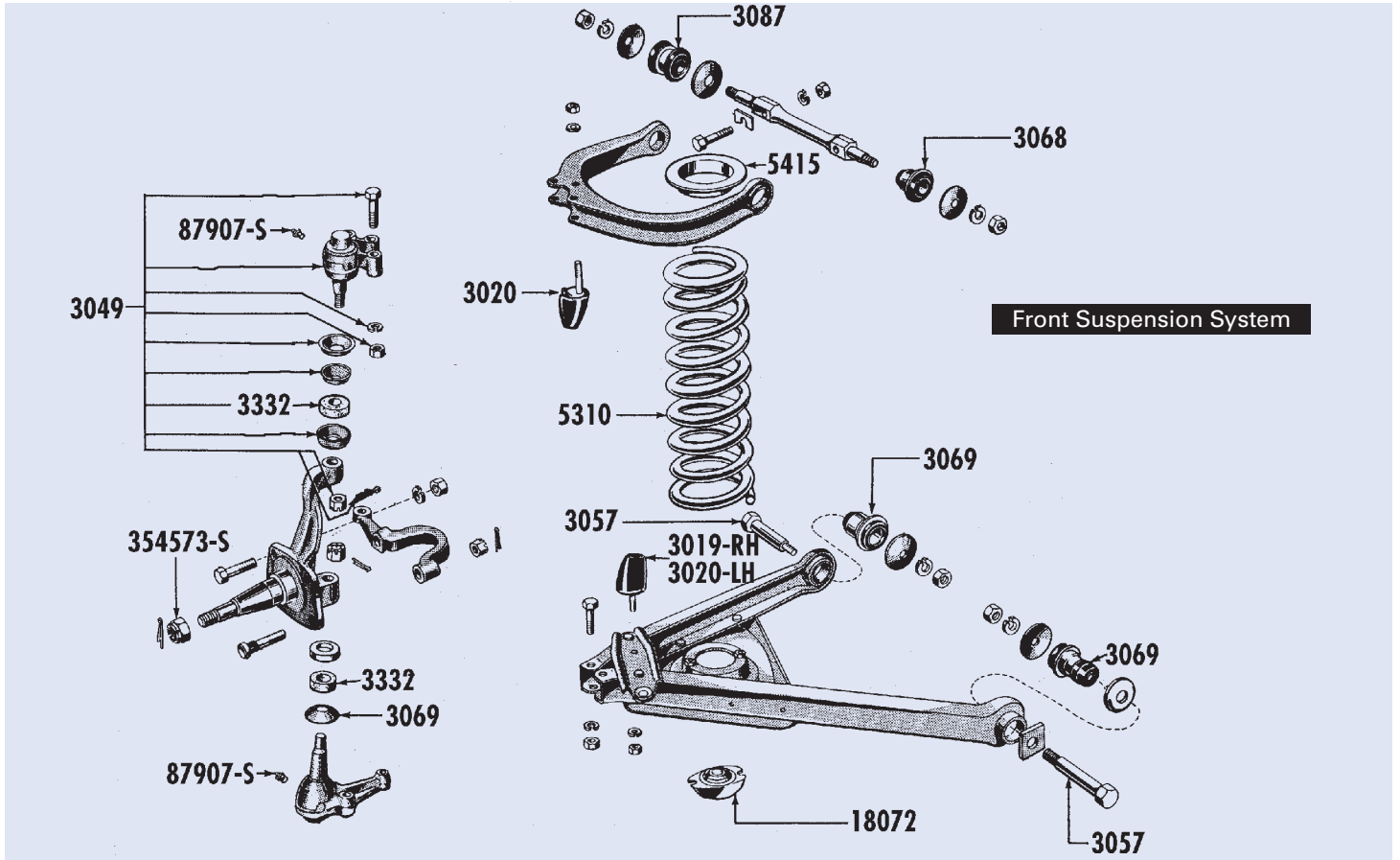


1955-57 Thunderbird Illustrations & Reference Manual

Put your car together the right way!
Get our illustrations Manual for
proper illustrations.
TLT-9..... 10.95

Big Selection of Parts!
Whether it's a hard to find part or a standard
T-Bird replacement part, Larry's has what
you're looking for. Give us a call if you can't
find the parts you need. Our knowledgeable
parts specialists will be happy to help!

SUSPENSION



Front Suspension System

Front Suspension Bumpers & Kit

T 3019	Lower Arm Bumper, RH, '55-77.....	6.10
T 3020A	Lower Arm Bumper, LH, '55-77	6.10
	THK 3078 Lower A-Frame Arms to A-Frame (12 pcs. - Enough for 2 Sides).....	126.95
T 3020B	Upper Arm Bumper, RH or LH, '55-77	6.10
	THK 3082 Upper A-Frame Arms to A-Frame (12 pcs. - Enough for 2 Sides).....	8.24



T 3021K

T 3021K	Front Sus. Bumper Kit, '55-77 (4 Pcs.)	24.40
	THK 3021 A-Frame Arm Bumpers to A-Frame (8 pcs. - Enough for 2 Sides)	1.85

1955-57 Ball Joint Kit



T 3051K

T 3051K	Upper & Lower Ball Joint Kit; Contains: (2)T 3049 & (2) T 3050 & Attaching Parts, '55-57	200.00
	THK 3051 Upper Ball Joints to Upper A-Arms (16 pcs. - For 2 Sides).....	4.64
	THK 3052 Lower Ball Joints to Lower A-Arms (12 pcs. - For 2 Sides).....	7.55

Ball Joint Washer & Felt Kit



T 3048K

T 3048K	Ball Joint Washer & Felt Kit (2)T 3054-K & (2) T 3069-K, '55-57	22.95
T 3049	Upper Ball Joint, '55-'57.....	Each 50.00
T 3050	Lower Ball Joint, '55-57.....	Each 50.00



T 3054K Washer Kit



T 3332
Tie Rod Seal

T 3054K	Upper Ball Joint Washer & Felt Kit, '55-57. Each	8.75
T 3069K	Lower Ball Joint Washer & Felt Kit, '55-57. Each	5.78
T 3332	Tie Rod End & Ball Joint Seal	Each 2.05

Qualifies for CTCI Excellence in Authenticity Award!

Front Suspension Renewal Kit

This kits includes the control arm bushings, bumpers, ball joints and the sway bar insulators and end mounting kits.

T 3000K '55/57..... Kit 279.85

Suspension Arm Bushings & Washers

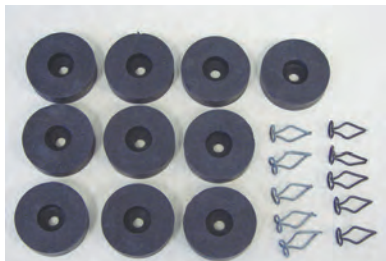
T 3057 Lower Control Arm Mounting Bolt, '55-57..... 29.07
 T 3068 Front Suspension Upper Arm Bushing
 Inner Shaft, Front, '55-57..... 5.65
 T 3069 Frt. Susp. Lower Mntg. Bolt Bushing, '55-57 ... 5.20



T 3073K
Front Suspension
Bushing Kit

T 3073 K Front Suspension Bushing Kit; Contains:
 (2) T 3068, (4) T 3069 & (2) T 3087, '55-57 43.66
 T 3087 Front Suspension Upper Arm Bushing
 Inner Shaft; Rear, '55-57 5.78
 T 3090K Upper Susp. Arm Washer Kit; Zinc Pltd,
 '55-77 6.31
 T 3091K Lower Susp. Arm Washer Kit; Zinc Pltd,
 '55-57..... 6.31

Body to Frame Bumper Kit

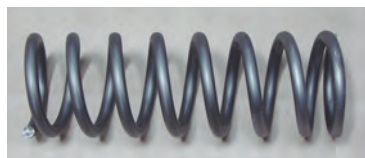


T 5008K Frame to Body Bumper Kit

T 5006 Body Bumper to Frame Clip Each .28
 T 5007 Body to Frame Bumper, \..... Each 1.95
 T 5008K Frame to Body Bumper Kit; Consists Of:
 (10) Insulators & (10) Clips, '55-57..... 19.95

T 5010B Body Adjustment Shim, 1/16" Each 1.02
 T 5010C Body Adjustment Shim, 1/8" Each 1.02

Front Spring & Related Parts



T 5310
Spring

T 5310 Front Coil Spring, '55-57 Each 69.95
 T 5355 Front Coil Spring Spacer, (LH Side), '55-57..... 9.69
 T 5415 Front Coil Spring Insulator, '55-57 4.59



T 18124 Front Shock



T 18198K Shock Kit

Replacement Shock Absorbers

T 18123K Front & Rear Shock Absorber Kit
 Includes Mounting Hardware, '55-57..... 149.95
 T 18124 Front Shock Absorber, HD, '55-57 Each 39.95
 T 18125 Rear Shock Absorber, HD, '55-57 Each 36.95
 T 18124A Front Shock Assembly, Bilstein Gas Shock
 High Performance, '55-57 Each 96.90
 T 18125A Rear Shock Assembly, Bilstein Gas Shock
 High Performance, '55-57 Each 96.90
 T 18198 Mounting Kit, for (1) Shock, '55-57 7.80
 T 18198K Shock Bushing & Washer Mounting Kit,
 For 4 Shocks, '55-57..... 30.12
 THK 18072 Front Shock Lower Mounting Plate
 to Lower A-Frame (8 pcs. - For 2 Sides) 3.11

Sway Bar & Related Parts



T 5482C

T 5482A Front Sway Bar; 7/8;
 Includes all installation hardware, '55-57..... 198.50
 T 5482B Rear Sway Bar; 7/8;
 Includes all installation hardware, '55-57..... 198.50
 T 5482K Front & Rear Sway Bar; 7/8;
 Includes all installation hardware, '55-57..... 398.95
 T 5482C Tuned Sway Bars
 Includes all installation hardware, '55-57..... 469.95

Note: 55/57 T-Bird performance Sway Bar Kit will significantly reduce the roll and sway during any turn or maneuver. These sway bars are produced for Larry's by the leading manufacture in aftermarket sway bars. Our Sway Bar Kit features tuned front and rear hollow bars (to reduce weight and improve performance). All mounting hardware and installation instructions are included. Our sway bars are proudly made in the USA and backed by a 12-month warranty. Add a pair of Front & Rear Bilstein Gas Shocks for a greatly improved suspension package. Part # T 18124 A, T 18125 A



T 5487K Sway Bar Repair Kit



T 5493K Insulator

T 5487K Sway End Repair Kit, Enough Parts
 for (2) Sides of the Front Sway Bar..... 29.95
 T 5493K Front Sway Bar Insulator, '55-57Pair 10.97

Rear Leaf Spring & Related Parts

T 5334A	Rear Leaf Spring Clamp Liner, '55-56	Each	1.87
T 5334B	Rear Leaf Spring Clamp Liner, '57	Each	2.12

High-Quality Leaf Springs



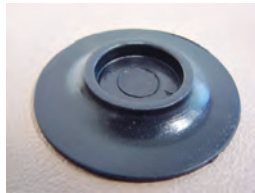
T 5560A



T 5560B

T 5560A	Rear Leaf Spring, '55, Original Style.....	Each	275.35
T 5560B	Rear Leaf Spring, '56-57, Original Style ...	Each	260.10
T 5560C	Rear Leaf Spring, '55, Replacement Type	Each	149.95
T 5560D	Rear Leaf Spring, '56-57, Replacement Type	Each	149.95

Anti-Squeak Insulator



T 5586
Insulator

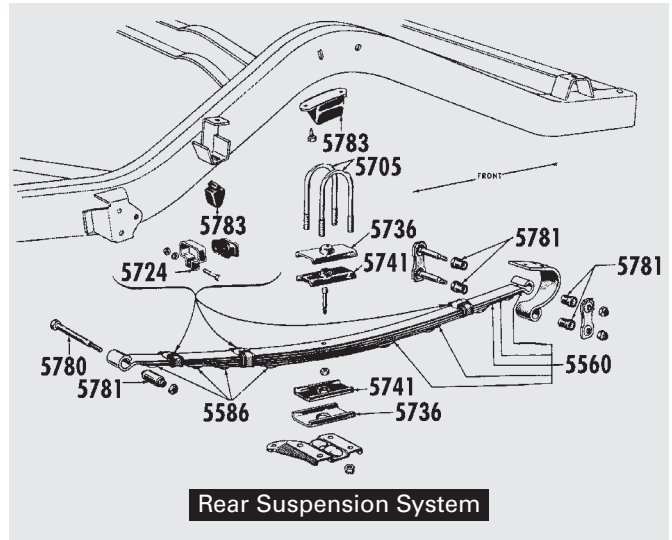
T 5586	Rear Spring Anti-Squeak Insulator, '55-57	1.42	
T 5586B	Leaf Spring Anti-Squeak Pad, '55-57 Cloth.....	Each	5.05
T 5586BK	Leaf Spring Anti-Squeak Pad, '55-57 Cloth.....	Set	59.11
Note: These Pads Are Made of The Original Cloth Type Material			
T 5630	Rear Spring Shackle Kit; Rear; (2) Needed Per Car, '55-57	Each	15.15

Shackle & Bushing Kit



T 5631BK

T 5631AK	Rear Spring Shackle & Bushing Kit, '55	60.13
T 5631BK	Rear Spring Shackle & Bushing Kit, '56-57	64.21



Rear Suspension System

T 5705A	Rear Spring U-Bolt, '55-56	11.17	
T 5705B	Rear Spring U-Bolt, '57.....	10.3 5	
	THK 5705 Rear Spring U-Bolt Nut.....	Each	1.79

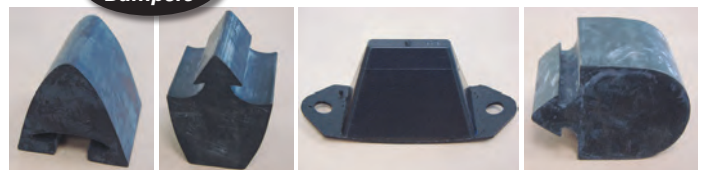
Spring Clamp Kit



T 5724K

T 5724 K	Rear Spring Clamp Kit; (6) Kits Needed Per Car, '55-57	7.38
T 5736	Rear Spring Metal Retainer, Center, '55-57	8.52
T 5741	Rear Spring Mounting Pad, '55-57	3.99
T 5780	Rear Spring Front Hanger Bolt, '55-57.....	9.40
Note: The '55 Type With 3/8 Nut is Replaced With '56-57 Type With 7/16 Nut.		
T 5781A	Rear of Leaf Spring Bushing, '55-57	2.07
T 5781B	Leaf Spring Front Bushing; '55.....	9.27
T 5781C	Front of Leaf Spring Bushing; '56-57	8.75

Rear End Bumpers



T 5783A

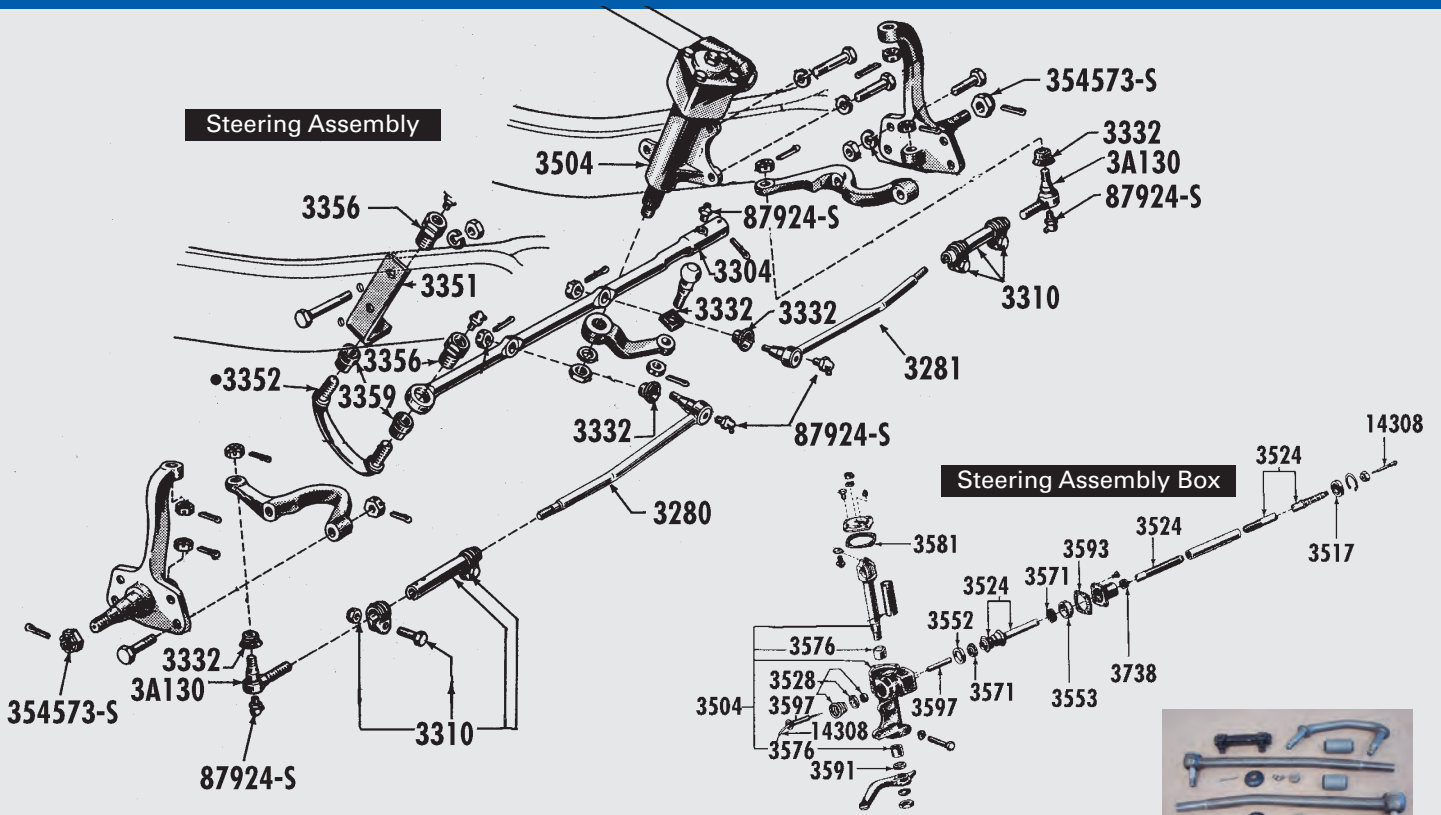
T 5783B

T 5783C

T 5783D

T 5783A	Rear Axle Bumper, '56-57.....	6.10
T 5783B	Rear Spring Bumper, '55-56.....	6.10
T 5783C	Rear Axle Bumper & Plate Assem.....	10.20
T 5783D	Differential Bumper, '57	6.25

STEERING



T 2344	Power Brake/Power Steering Hose Clamp, '55-57..	2.95
T 3006	Power Steering Reservoir Cap & Stick.....	19.95
T 3304	Main Power Steering Center Link, '55-57	226.95

Steering Renewal Kit

These kits include tie rods inner & outer & idler arm with bushings.

T 3001AK	Power Steering, '55/57	Kit	215.17
T 3001BK	Manual Steering, '55/57	Kit	228.95

Tie Rod & Related Parts



T 3130	Outer Tie Rod End, '55-57.....	14.25
T 3280	Inner Tie Rod End, RH, '56-57	49.50
T 3281	Inner Tie Rod End, LH, '56-57	49.50
	<i>THK 3130 Tie Rods & Ends To Drag Link & Spindle Arms (8 pcs. - For 2 Sides).....</i>	<i>4.17</i>
	<i>NOTE: 3280 & 3281 may be used on '55 if used together.</i>	

Tie Rod Adjusting Sleeve



T 3310	Adjusting Sleeve, Tie Rod, '55-57	11.51
T 3332	Tie Rod End & Ball Joint Boot, '55-57.....	2.05
	Qualifies for CTCI Excellence in Authenticity Award!	



Idler Arm Components

T 3351	Mounting Bracket, Power Steering Idler Arm, '55-57	107.05
T 3351S	Crushnut, Power Steering Idler Arm Bracket to Frame, '55-57	8.35
T 3352AK	Idler Arm & Bushing Kit, Power Steering, '55-57	62.99
T 3352BK	Idler Arm & Bushing Kit, Manual Steering, '55-57	73.93
	<i>THK 3351A Idler Arm Bracket to Frame - P/S (9 pcs.).....</i>	<i>3.91</i>
	<i>THK 3351B Idler Arm Bracket to Frame - M/S (7 pcs.).....</i>	<i>3.18</i>
T 3356K	Idler Arm Bushing Kit, Power Steering, '55-57	17.22
	<i>THK 3351C Idler Arm to Bushings, P/S (6 pcs.).....</i>	<i>2.85</i>
T 3357K	Idler Arm Bushing Kit, Standard Steering, '55-57.....	23.02
T 3359K	Idler Arm Seal Kit, Manual Steering, '55-57	3.95

STEERING

Complete Power Steering Kit

This kit includes; Pump, Ram, Valve, Hoses, Center Link and all hardware needed for installation. Replacement type.



T 3500K Complete Power Steering Kit, '55-'57..... 2,647.82

T 3504A	Rebuilt Steering Gearbox; '55 & Early '56.....	555.90
	Core Deposit.....	350.00
T 3504B	Rebuilt Steering Gearbox; Late '56 & '57.....	555.90
	Core Deposit.....	350.00
	THK 3504 Steering Box to Frame (6 pcs.).....	4.64
T 3511	Pwr. St. Pump Mounting Bracket, '55-'57.....	43.46
T 3511A	Steering Column Hub, '55.....	43.81
T 3511B	Steering Column Hub, '56 & '57.....	43.81

Steering Column Grommet

T 3512A	Steering Column to Dash Grommet, '55-'57.....	8.20
T 3512B	Power Steering Pump Mounting Bracket to Water Pump Bolt; 5/8" - 18 x 1-1/8", '55-'57.....	14.33

T 3513A
Steering
Column
Seal

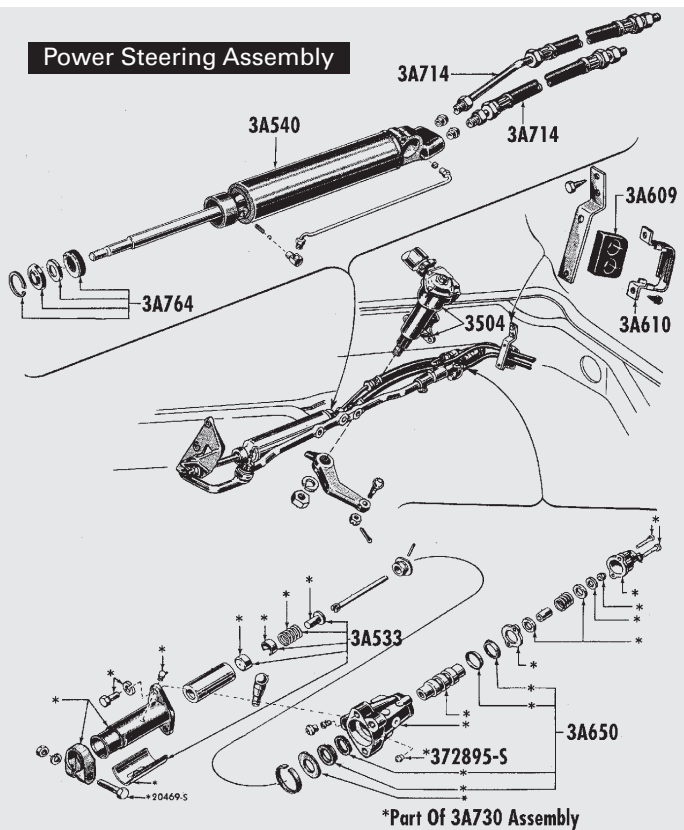


T 3513B
Steering
Column
Seal

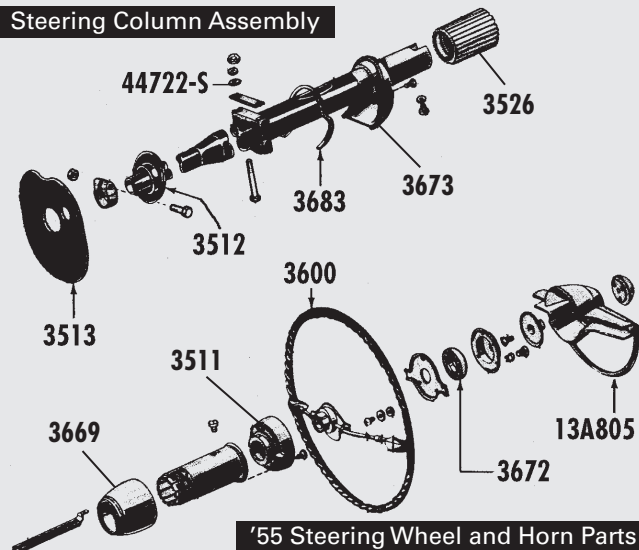


T 3513A	Steering Column Seal; M/T, '55-'57.....	4.75
T 3513B	Steering Column Seal; A/T.....	4.75
	THK 3513 Steering Column Seal to Firewall. (9 pcs.).....	2.65

Power Steering Assembly



Steering Column Assembly



T 3517 Steering Column Bearing Assembly, '55-'57..... 17.17

T 3524A



T 3524A	2-Tooth Type Worm Gear & Lower Shaft; '55 & Early '56.....	300.90
T 3524B	3-Tooth Type Worm Gear & Lower Shaft; Late '56-'57.....	331.50
T 3524C	Worm Gear Shaft Only, '55-'57.....	96.39
T 3524D	Worm Gear Only, '55-'57.....	147.90
T 3526A	Steering Column Adjusting Sleeve, '55.....	Each 56.05
T 3526B	Steering Column Adjusting Sleeve, '56 & '57 Each	56.05
T 3528	Steering Column Seal Kit.....	14.53
T 3533C	Power Steering Ball Stud Repair Kit, '57.....	37.69

Power Steering Ram Cylinder



T 3540A	Power Steering Ram Cylinder '55 To Early '57; Rebuilt.....	270.30
	* Core Deposit.....	350.00
	<i>* Note: For Full Core Refund, Please Drain ALL Fluids Before Returning.</i>	
T 3540B	Power Steering Ram Cylinder '57; (Rebuilt).....	270.30
	* Core Deposit.....	350.00
	<i>* Note: For Full Core Refund, Please Drain ALL Fluids Before Returning.</i>	
T 3540C	W/Outside Tube Ram Cylinder 'Early '55; (Rebuilt).....	270.30
	* Core Deposit.....	350.00
	<i>* Note: For Full Core Refund, Please Drain ALL Fluids Before Returning.</i>	
T 3540D	Power Steering Ram Cylinder '57 New, No Core Deposit Needed.....	377.35
T 3540E	Ram Cylinder '55-'56 & Early '57 (Jan).....	377.35
T 3552	Steering Worm Bearing Cup; Lower, '55-'57.....	9.95
T 3553	Steering Worm Bearing Cup; Upper, '55-'57.....	25.45

STEERING

T 3562	Power Steering Pump Support Bracket, '55-'57.....	49.93
T 3571	Steering Worm Gear Bearing, '55-'57.....	12.48
T 3576A	Sector Shaft Bearing, '55.....	11.48
T 3576B	Sector Shaft Bearing, '56-'57.....	15.25
T 3581	Steering Gear Cover Gasket, '55-'57.....	1.32
T 3582	Power Steering Reservoir Lid.....	26.50
T 3584K	Power Steering Pump Rebuild Kit; Gaskets & Seals, '55-'57.....	21.18

Power Steering Bushing & Washer Set



T 3589K	Power Steering Ram Cylinder Head Mount Bushing & Washer Set, '55-'57.....	8.95
T 3590A	Power Steering Ram Cylinder Bushing Set Rod End, '55-'56 Kit.....	13.74
T 3590B	Power Steering Ram Cylinder Bushing Set Rod End, '57 Kit.....	13.74
T 3591A	Sector Seal; '55 to Early '56.....	8.44
T 3591B	Sector Seal; Late '56 & '57.....	8.05
T 3593A	Steering Gear Housing Cap Gasket; .002" Thickness, '55-'57.....	.79
T 3593C	Steering Gear Housing Cap Gasket; .010" Thickness.....	.79

Original Design Steering Wheels

Original design featuring original materials and workmanship!



T 3600C	T 3600E	T 3600I	
T 3600C	'56/'57	Black, 15".....	375.00
(This wheel is made smaller than the original and includes a non-power steering style horn ring. Does not come with horn spring part # T 13807. See page 64.)			
T 3600D	'56/'57	Black.....	325.00
T 3600E	'56	Peacock.....	325.00
T 3600F	'56	Red.....	325.00
T 3600G	'56	Buckskin.....	325.00
T 3600H	'56	Green.....	325.00
T 3600I	'57	Red.....	325.00
T 3600J	'57	White.....	325.00
T 3600K	'57	Blue.....	325.00
T 3600L	'57	Bronze.....	325.00
T 3600M	'57	Green.....	325.00
T 3600X	'56/'57	Unpainted.....	295.00

T 3609	Power Steering Hose Insulator, '55-'57.....	8.86
T 3610K	Power Steering Hose Insulator Bracket; Lower; (2 Pieces), '55-'57.....	23.30
T 3642	Power St. Pump Reservoir Cover Gasket, '55-'57....	2.37
T 3650AK	P/St. Control Valve Repair Kit; '55 to Early '57.....	15.04
T 3650BK	P/St. Control Valve Repair Kit; late '57 (Seals Only)	9.82

T 3669A	Steering Column Collar, '55.....	Each	45.90
T 3669B	Steering Column Collar, '56 & '57.....	Each	45.90
T 3673	Steering Column To Dash Collar, '55-'57.....	Each	49.93
T 3683A	Steering Column Bracket Insulator, '55, White.....	4.34	
T 3683B	Steering Column Bracket Insulator, '56 & '57 Black.....	Each	5.75

Rebuilt Power Steering Pump

Note: Rebuilt pump does not come with gaskets as shown.

T 3691A	Rebuilt, Less Reservoir Power Steering Pump, '55 To Early '57.....	183.55
	Core Deposit.....	350.00
T 3691B	Rebuilt, Less Reservoir Power Steering Pump, Late '57.....	183.55
	Core Deposit.....	350.00

Finest Quality Replacement Power Steering Hoses



To make sure your car is up to safety standards always check your existing power steering hoses. A leaking hose can cause a rupture or loss of steering at any time, compromising your safety. Our replacement Power Steering Hoses are of the finest quality, manufactured to original standards of safety and fit. Pressure-fit end on high-pressure hoses offer an easy installation and the best in reliability!

T 3713	Power Steering Return Line Hose, '55-'57.....	18.50
T 3714A	Control Valve to Cylinder Hose, '55-'56.....	21.00
T 3714B	Control Valve to Cylinder Hose, '57.....	17.95
T 3717	Control Valve to Cylinder Hose, '55-'57.....	21.00
T 3719A	Power Steering Pressure Line Hose, '55-'57 With Female Fitting On Top End.....	33.45
T 3719B	Power Steering Pressure Line Hose, Late '57 w/Male Type Fitting On Top End.....	33.45
T 3720AK	Power Steering Hose Kit, '55-'56 Contains: 1 Each Of Part: T 3713, T 3714A, T 3717 & T 3719A.....	92.00
T 3720BK	Power Steering Hose Kit, '57 Early Style, Contains: (1) T 3713; (2) T 3714B; (1) T 3719A.....	81.00
T 3720CK	Power Steering Hose Kit, Late '57 Style T3719A w/Male Fitting On Top End.....	81.00

STEERING

T 3728A	Power Steering Control Valve Shield, Ball Stud, '55-56.....	5.05
T 3728B	Power Steering Control Valve Shield, Ball Stud, '57.....	5.05

Power Steering Control Valve



T 3730A	Rebuilt Power Steering Control Valve, '55 to Early '57	193.75
	* Core Deposit.....	350.00
	<i>* Note: For Full Core Refund, Please Drain ALL Fluids Before Returning.</i>	
T 3730B	Rebuilt Power Steering Control Valve, Late '57.....	193.75
	* Core Deposit.....	350.00
	<i>* Note: For Full Core Refund, Please Drain ALL Fluids Before Returning.</i>	
T 3730E	Power Steering Control Valve, '55 to Early '57, NEW	448.75
T 3730F	Power Steering Control Valve, Late '57, NEW	458.95
T 3732	Power Steering Pump Adjusting Bracket	17.99
T 3733	Power Steering Pump Pulley.....	46.87
T 3738	Steering Shaft Seal, '55-57	7.09
T 3764AK	Power Steering Ram Cylinder Seal Kit, '55-56.....	16.93
T 3764BK	Power Steering Ram Cylinder Seal Kit, '57	15.87
T 3764CK	Power Steering Ram Cyl. Seal Kit; Early '55	26.48
T 8620A	Fan or Power Steering Belt..... Each	13.77
T 33538	Power Steering Reservoir Filter	14.95
T 3754A	Control Vave Ball Stud Socket, '55-56..... Each	44.33
T 3754B	Control Vave Ball Stud Socket, '57	20.35

Power Steering Belts

T 8620A	Fan/Power Steering Belt, (Replacement).....	Each	13.77
T 8620E	Power Steering Belt, '55-Early 56, (Exact Repro).....	Each	22.35
T 8620F	Power Steering Belt, '55-57, (Exact Repro).....	Each	22.35
T 8620G	Power Steering Belt, Late '57, (Exact Repro).....	Each	22.35

See page 41 for Fan Belts.

Hardware for this Section

TSP 351789	Power Steering Pressure Fitting Washer.....	2.40
TSP 351791	Power Steering Pressure Hose Fitting '55-57.....	Each 17.99
TSP 351792	Power Steering Connector Bolt	Each 19.25
TSP 358032	M/S Idler Arm Bushing Grease Fitting.....	Each 1.34

*We carry a large inventory of concours-quality parts.
Give us a call if you can't find what you need. Our
knowledgeable parts specialists will be happy to help!*

Join the Club that Celebrates Ownership of 1955-1957 Thunderbirds



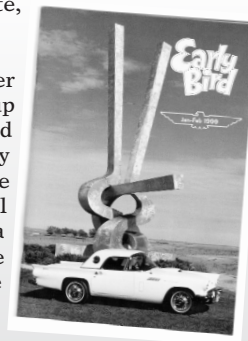
Why a Thunderbird Club?

CTCI was formed to band together owners of this classic automobile—to provide a medium of expression of ideas, technical information, amusing reminiscences, and sources for parts. Lasting friendships have been formed through local chapters, regional conventions and international conventions. In addition, CTCI is recognized and sanctioned by the Ford Motor Company, who extends full cooperation and support.

What Membership Means

Whether your classic Thunderbird serves as everyday transportation, a relaxing plaything or both, you can find valuable help in your restoration and maintenance problems in the TECH TIPS printed in the club publication—The months and contains many interesting features besides the mechanical information mentioned. Articles about members' cars, news of chapter events and activities, all profusely illustrated with photos. The Early Bird also features an advertising service to those wishing to buy, sell, or swap parts or cars. You can review the contents of the current issue on the CTCI website, located at: www.ctci.org.

Tours, meets, rallies, picnics and other outings designed to encourage group participation are regularly conducted by the chapter groups. There probably is a chapter near you. Check on the CTCI website at www.ctci.org or call us at the number shown below for a listing of the nearest chapter. You are cordially invited to attend any of these friendly chapter meetings or events.



Premium Packet

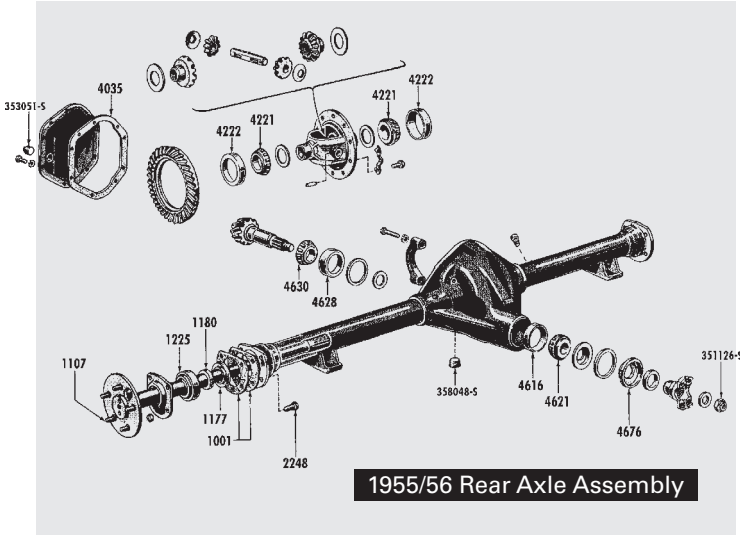
Every new member receives a "New Member Packet" upon payment of the initiation fee and dues. This includes a striking windshield decal, the latest edition of the Early Bird, a membership roster with the club by laws and a beautiful metal grille emblem, plus other general information. Also, many items, such as service and specialty manuals, decals, handbooks, etc., are exclusive to club members and can only be purchased through the club.

Sound Like Fun? Join Us Soon. You'll Be Glad You Did!

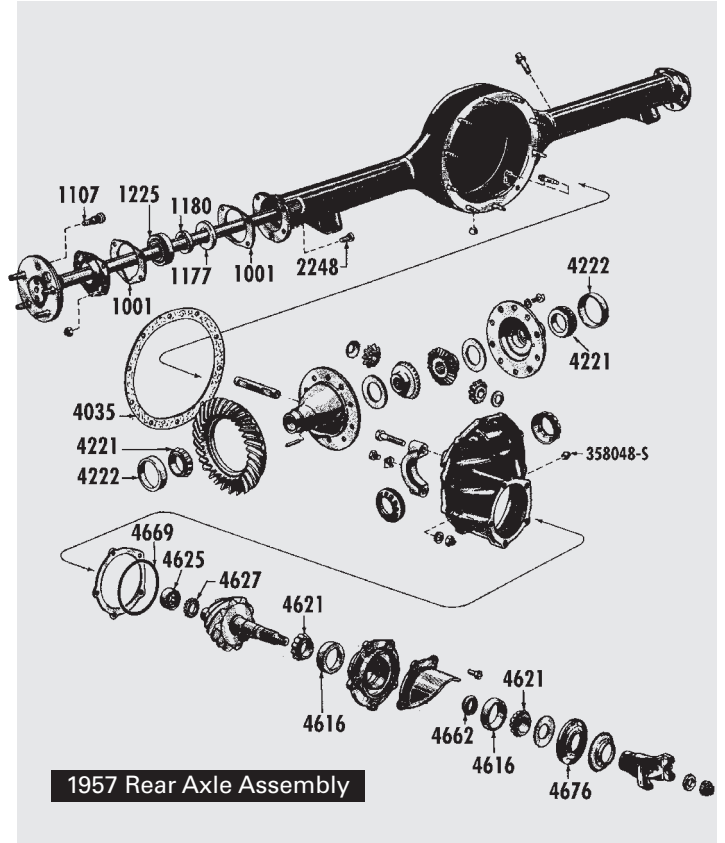
Classic Thunderbird Club International

1308 E. 29th Street • Signal Hill, CA • 90806
(562) 426-2709 • 9:00am to 3:00pm (PST)
Find us on the Web at: www.ctci.org

REAR AXLE & DRIVE TRAIN



1955/56 Rear Axle Assembly



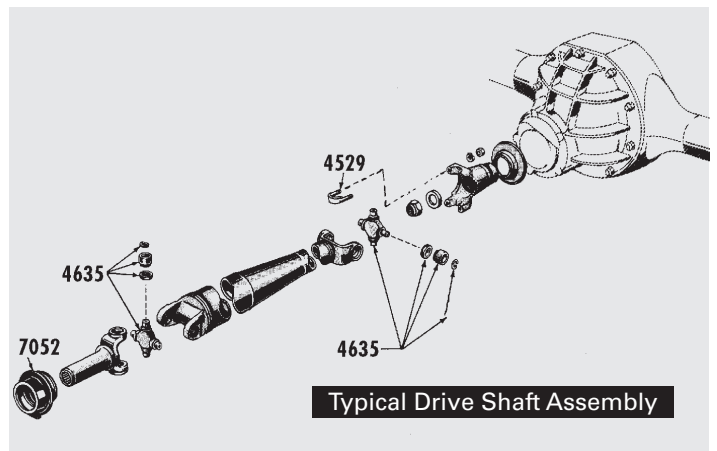
1957 Rear Axle Assembly

T 1001	Rear Wheel Backing Plate Gasket, '55-'5790
T 1177	Rear Axle Grease Seal, '55-'57	5.15
T 1200AK	Rear Axle & Pinion Seal Kit, '55-'56	34.22
T 1200BK	Rear Axle & Pinion Seal Kit, '57	49.93
T 1225	Rear Axle Bearing Assembly, '55-'57	31.16
T 4035A	Rear Axle Differential Gasket, '55-'56	3.68
T 4035B	Rear Axle Differential Gasket, '57	4.35
T 4221	Differential Carrier Bearing, '57	16.95
T 4222	Differential Bearing Cup, '57	9.31
T 4529	Rear Yoke U-Bolt, '56-'57	14.75
T 4616A	Driving Pinion Bearing Cup, '55-'56	7.95
T 4616B	Driving Pinion Bearing Cup, '57	7.23
T 4621A	Driving Pinion Bearing, '55-'56	18.75
T 4621B	Driving Pinion Bearing, '57	10.15
T 4625	Driving Pinion Pilot Bearing Assembly	31.16
T 4627	Driving Pinion Pilot Bearing Retainer	19.75
T 4628	Driving Pinion Bearing Cup, Rear, '55-'56	10.98
T 4630	Driving Pinion Bearing, Rear, '55-'56	20.76

Universal Joint Kit



T 4635A	Universal Joint, Front, '55	14.83
T 4635B	Universal Joint, Rear, '55	26.48
T 4635C	Universal Joint, Front Or Rear, '56-'57	14.95
	<i>THK 4635 Universal Joint U-Bolt Nuts & Lock Washers '56-'57 (4 pcs.)</i>93
T 4662	Driving Pinion Bearing Spacer, '55-'57	7.55
T 4669	Driving Pinion Bearing Retainer "O" Ring, '55-'57 ..	2.50
T 4671	Pinion Oil Seal Gasket, '55-'56	1.06
T 4676A	Pinion Seal, '55-'56	14.25
T 4676B	Pinion Seal, '57	38.61
T 5783A	Rear Axle Bumper, '56-'57	Each 6.10
T 5783B	Rear Spring Bumper, '56-'57	Each 6.10
T 5783C	Rear Axle Bumper, '55	Each 10.20
T 5783D	Differential Bumper, '57	Each 6.25



Typical Drive Shaft Assembly

Spider Gear Kit

These spider gear kits include new shims, side gears, spider gears and shaft.

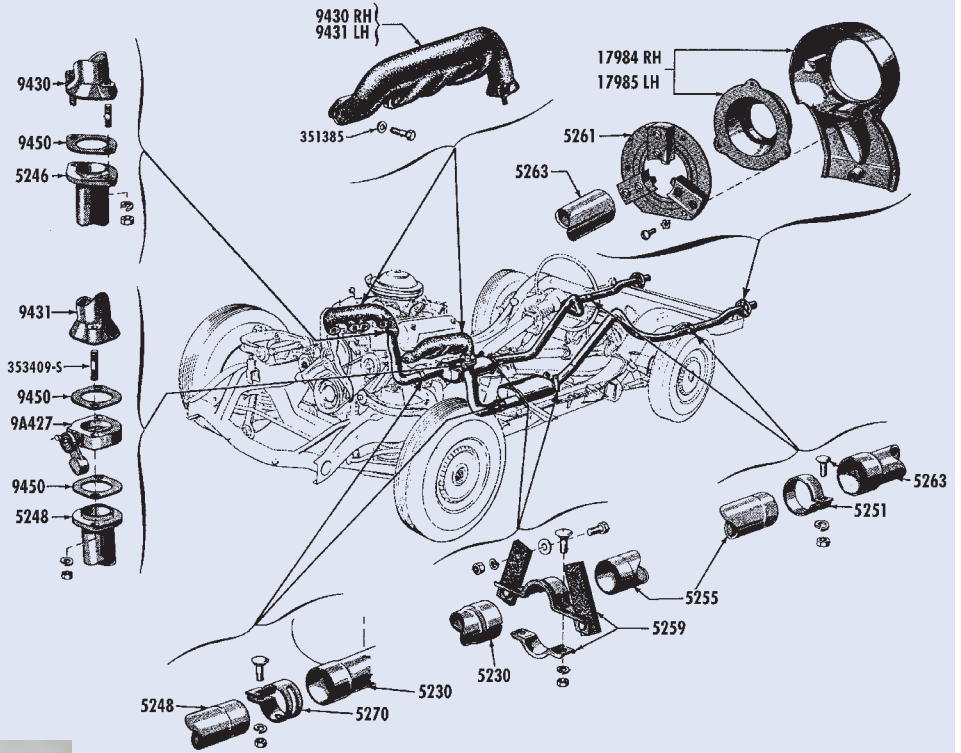
T 4215AK	'55-'56	Kit	295.75
T 4215BK	'57	Kit	295.75

Hardware for this Section

TSP 358048	Differential Drain Plug, '55-'57	Each	5.95
------------	--	------	------

EXHAUST SYSTEM

**Larry's T-Bird
'55-'57 Exhaust Kits &
Components are assembled
from the highest quality parts.
You can be assured that when
you purchase our exhaust
system products, you
are installing the best!**



T 9431

Exhaust Components-All Years

T 9427	Exhaust Heat Riser Valve.....	81.55
T 9428	Exhaust Heat Riser Valve, w/o Flapper	81.55
T 9430	Exhaust Manifold, RH, w/all Eng. Numbers.....	265.15
THK 9430	Exhaust Manifold To Heads.....	8.87
THK 5246	Muffler Inlet Pipes to Exhaust Manifold.....	13.37
T 9431	Exhaust Manifold, LH, w/all Eng. Numbers.....	265.15
T 9432	Exhaust Manifold Gasket Set.....	15.25
T 9435	Exhaust Thermostat Spacer.....	17.60
T 9450	Exhaust Flange Gasket.....	2.14

'55 Exhaust Hanger Kit



Includes All Brackets, Hangers and Attaching Parts to install our Exhaust System on '55 Thunderbirds. Kit Consists Of:

(2) T 5270, (2) T 5259B, (2) T 5261A, (2) 5251A	
(4) T 20387S, (4) T 33798S, (4) T 34806S & (4) T 44722S.	
T 5256AK	84.00

1955 Exhaust System

T 5230	Muffler, RH or LH, '55-'57.....	69.36
T 5230S	Stainless Steel Muffler, RH or LH, '55-'57	295.75
T 5246A	Muffler Inlet Pipe, RH.....	39.27
T 5246AS	Muffler Inlet Pipe, RH Stainless With Stainless Steel Flange.....	112.20
T 5248B	Muffler Inlet Pipe, LH.....	39.27
T 5248BS	Muffler Inlet Pipe, LH Stainless w/ Stainless Steel Flange, '55-'57.....	112.20
T 5251A	Tail Pipe Clamp, Intermediate, '55-'57	5.85
T 5255A5	Front Half Tail Pipe, RH, '55	45.00
T 5255B5	Front Half Tail Pipe, LH, '55.....	45.00
T 5255A5S	Front Half Tail Pipe, RH, Stainless, '55.....	115.26
T 5255B5S	Front Half Tail Pipe, LH, Stainless Steel	115.26
T 5259B	Rear Muffler Hanger Assembly, '55-'57.....	17.81
T 5261A	Rear Tail Pipe to Bumper Guard Hanger Assembly, '55.....	15.24
	THK 5261A Rear Exhaust Hanger (5261 A) to Bumperette '55 (6 pcs. - Enough For 2 Sides)	1.72
T 52635	Rear Half Tail Pipe, RH or LH, '55.....	27.50
T 52635S	Rear Half Tail Pipe, RH or LH; Stainless Steel, '55.....	102.00
T 5270	Front Muffler Clamp, 2" Split-Type, '55-'57	6.95

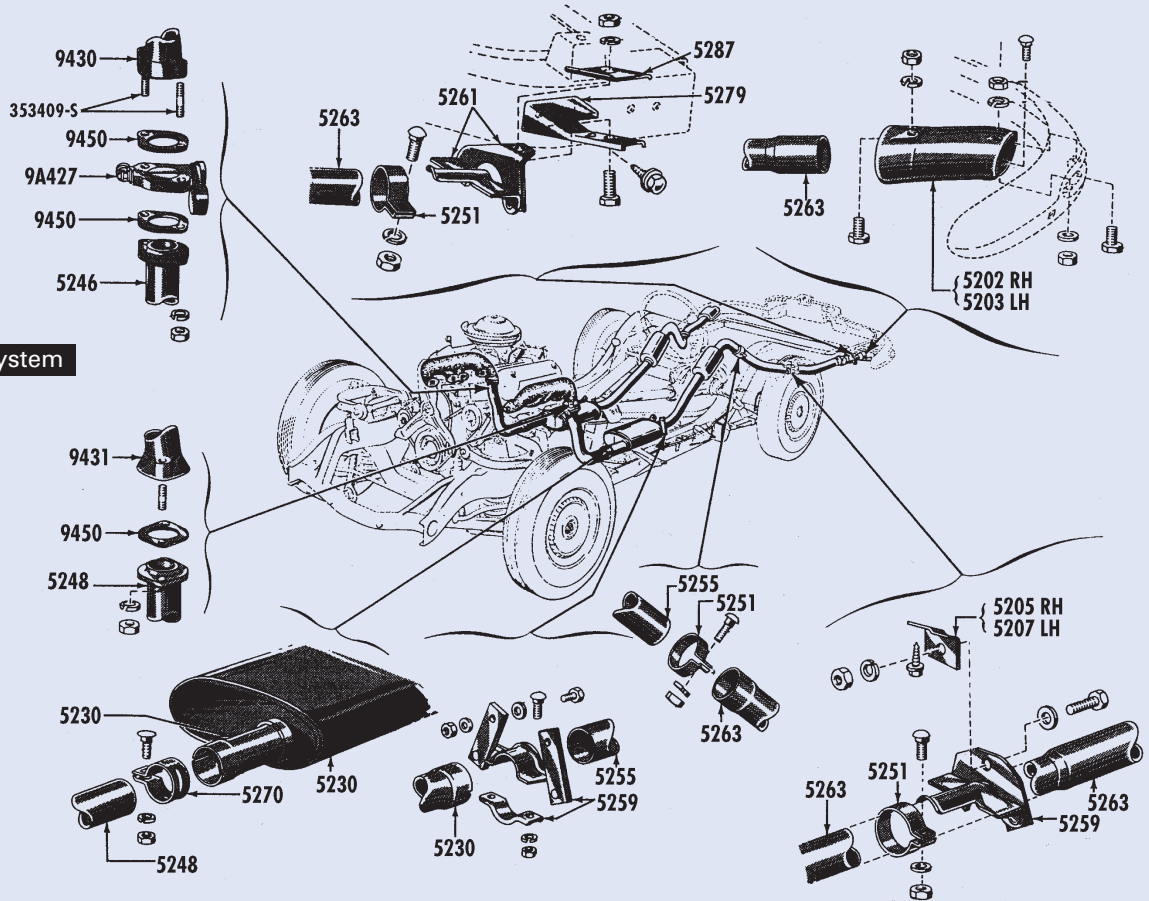
Hardware for this Section

TSP 353409	Manifold Stud, RH.....	Each	3.03
------------	------------------------	------	------

Big Selection of Parts!

Give us a call if you can't find the parts you need.
Our knowledgeable parts specialists will be happy to help!

EXHAUST SYSTEM



'56 Exhaust System

1956 Exhaust System



T 5202A

T 5202A	RH, 1956.....	Each	37.09
T 5203A	LH, 1956.....	Each	37.09
T 5205	Tail Pipe Hanger to Frame Bracket, Intermediate, RH, '56-57		5.20
T 5207	Tail Pipe Hanger to Frame Bracket, Intermediate, LH, '56-57.....		5.20
T 5230	Muffler, RH or LH, '55-57		69.36
T 5230S	Muffler, RH or LH, Stainless Steel, '55-57		295.75
T 5246A	Muffler Inlet Pipe, RH, '55-57.....		39.27
T 5246AS	Muffler Inlet Pipe, RH, Stainless w/Stainless Steel Flange, '55-57.....		112.20
T5248B	Muffler Inlet Pipe, LH, '55-57		39.27
T 5248BS	Muffler Inlet Pipe, LH, Stainless w/Stainless Steel Flange, 55-57.....		112.20
T 5251A	Tail Pipe Clamp, Intermediate, '55-56.....		5.85
T 5255A6	Front HalfTail Pipe, w/o Res., RH, '56		45.00
T 5255B6	Front HalfTail Pipe, w/o Res., LH, '56.....		45.00
T 5255A6S	Front HalfTail Pipe, w/o Resonator, RH, Stainless Steel, '56		115.26
T 5255B6S	Front HalfTail Pipe, w/o Resonator, LH, Stainless Steel, '56		115.26
T 5255A6SR	Front HalfTail Pipe, w/Resonator, RH, Stainless Steel, '56		272.34

1956 Exhaust Hanger Kit

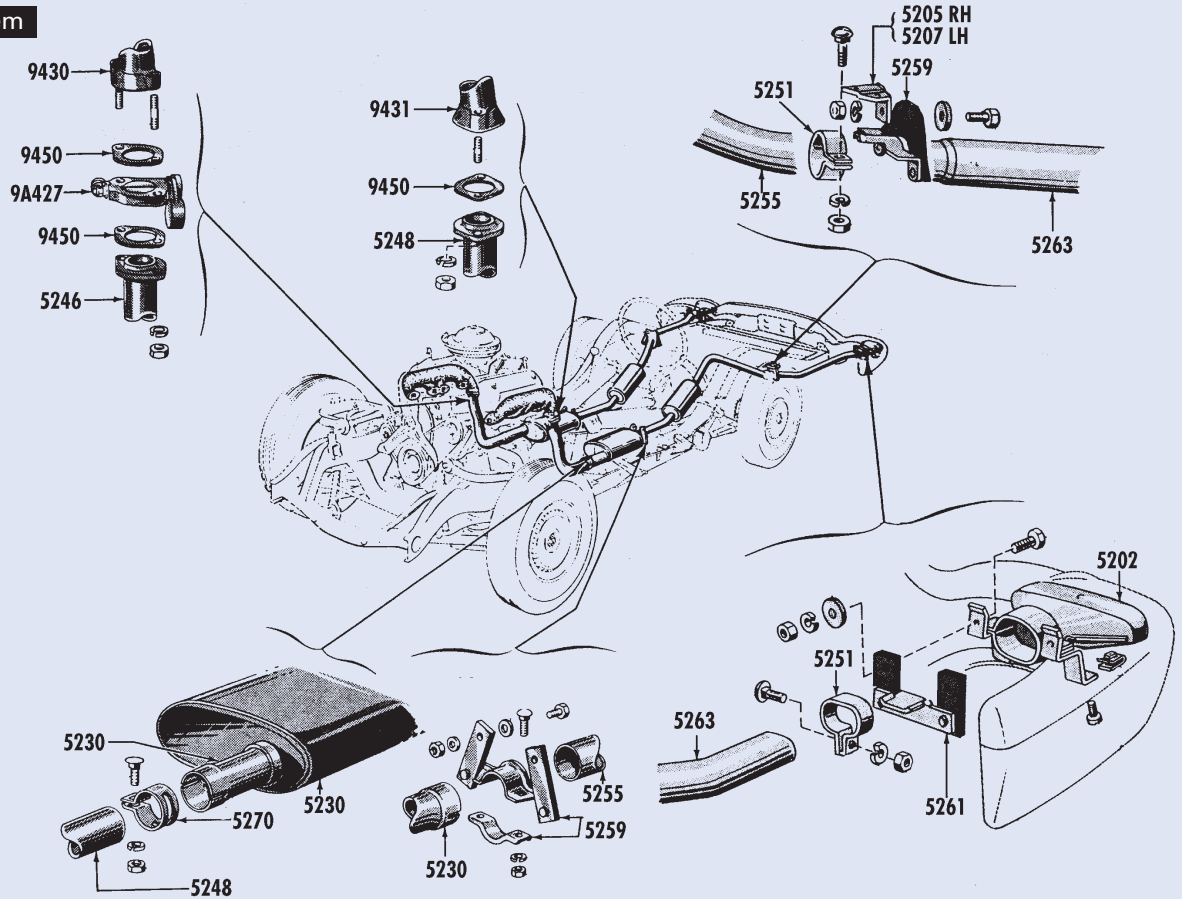


Consists Of: (2) T 5270, (2) T 5259B, (1) T 5205, (1) T 5207, (2) T 5259A, (1) T 5278, (1) T 5279, (2) T 5261C, (2) T 5287, (6) T 5251A, (8) T 2387S, (8) T 337988, (8) 348068, (8) T 44722S, & (8) T 39909S
T 5256BK 160.69

T 5255B6SR	Front HalfTail Pipe, w/Resonator, LH, Stainless Steel, '56		272.34
T 5259A	Tail Pipe Hanger, Intermediate, '56-57.....		10.46
T 5259B	Rear Muffler Hanger Assembly, '55-57		17.81
T 5261C	Rear of Tail Pipe Hanger Assembly, '56		10.46
T 5263A6	Rear HalfTail Pipe, RH, '56		36.50
T 5263B6	Rear HalfTail Pipe, LH, '56		36.50
T 5263A6S	Rear HalfTail Pipe, RH, Stainless, '56		115.26
T 5263B6S	Rear HalfTail Pipe, LH, Stainless, '56.....		115.26
T 5270	Front Muffler Clamp, 2" Split-Type, '55-57		6.95
T 5278	Tail Pipe Hanger Rear Bracket, RH, '56		10.46
T 5279	Tail Pipe Hanger Rear Bracket, LH, '56		10.46
T 5287	RearTail Pipe Hanger Clamping Plate, '56		3.15

EXHAUST SYSTEM

'57 Exhaust System



1957 Exhaust System



T 5202B

T 5202B	Exhaust Deflector, RH or LH, '57.....	34.00
	<i>THK 5202B Exhaust Deflector (5202) to Bumper; '57 (12 pcs. - For 2 Sides)</i>	14.63
T 5205	Tail Pipe Hanger To Frame Bracket Intermediate, RH, '56-57	5.20
T 5207	Tail Pipe Hanger To Frame Bracket Intermediate, LH, '56-57.....	5.20
T 5230	Muffler, RH or LH, '55-57	69.36
T 5230S	Stainless Steel Muffler, RH or LH, '55-57	295.75
T 5246A	Muffler Inlet Pipe, RH, '55-57.....	39.27
T 5246AS	Muffler Inlet Pipe, RH Stainless w/Stainless Steel Flange, '55-57.....	112.20
T 5248B	Muffler Inlet Pipe, LH, '55-57	39.27
T 5248BS	Muffler Inlet Pipe, LH Stainless w/Stainless Steel Flange, '55-57.....	112.20
T 5251B	Tail Pipe Clamp, Intermediate, '57	5.85
T 5251C	Tail Pipe Clamp, Rear, '57	5.85
T 5255A7	Front Half Tail Pipe, w/o Res., RH, '57	45.00
T 5255B7	Front Half Tail Pipe, w/o Res., LH, '57.....	45.00

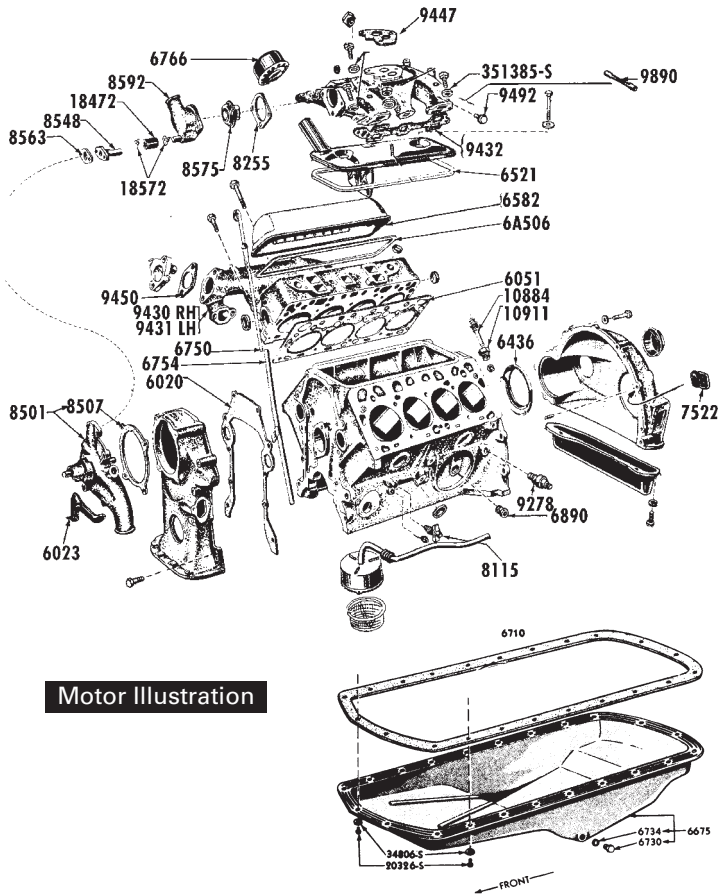
1957 Exhaust Hanger Kit



Kit Consist Of: (2) T 5270, (2) T 5259B, (1) T 5205, (1) T 5207, (2) T 5259A, (2) T 5261B, (2) T 5251B, (2) T 5251C, (10) 20387S, (10) 33798S, (10) 34806S, (10) 44722S & (4) 39909S.
T 5256CK 126.02

T 5255A7S	Front Half Tail Pipe, w/o Resonator, RH, Stainless Steel, '57	115.26
T 5255B7S	Front Half Tail Pipe, w/o Resonator, LH, Stainless Steel, '57	115.26
T 5255A7SR	Front Half Tail Pipe, with Resonator, RH, Stainless Steel, '57	272.34
T 5255B7SR	Front Half Tail Pipe, with Resonator, LH, Stainless Steel, '57	272.34
T 5259A	Tail Pipe Hanger, Intermediate, '56-57.....	10.46
T 5259B	Rear Muffler Hanger, '55-57	17.81
T 5261B	Rear Of Tail Pipe Hanger, '57.....	7.98
T 5263A7	Rear Half Tail Pipe, RH, '57	48.95
T 5263B7	Rear Half Tail Pipe, LH, '57	48.95
T 5263A7S	Rear Half Tail Pipe, RH, Stainless, '57	102.00
T 5263B7S	Rear Half Tail Pipe, LH, Stainless, '57.....	102.00
T 5270	Front Muffler Clamp, 2" Split-Type	6.95

ENGINE COMPARTMENT



Motor Illustration

T 6008	Complete Engine Overhaul Gasket Kit, '55-57	132.55
T 6020	Timing Chain Cover Gasket, '55-57	5.20
T 6021K	Timing Chain Cover Gasket Kit, '55-57 Kit Includes: (1) T 6020 Front Cover Gasket, (1) T 6700 Front Cover Seal, (2) T 8507 Water Pump Gasket, (1) T 8563 Water By-Pass Gasket, (1) Front Part of Oil Pan Gasket	20.11
T 6023	Timing Pointer, '55-57	13.61
T 6026A	Steel Freeze Plug Kit, '55-57	28.51
T 6027	Engine Front Support Spacer, '55-57	4.50
T 6038	Engine Front Mount Insulator, '55-57	28.32
T 6039	Engine Front Lower Insulator, '55-57	6.07
T 6041	Engine Frt. Support Insulator Bolt Nut, '55-57	7.65
T 6051	Head Gasket 292 & 312 Engines, '55-57	17.60

Engine and Transmission Mount Kit



These kits include the engine mounts front & sides plus the rear transmission mount for a full set of mounts.

T 6037AK	'55-56.....	Kit	115.76
T 6037BK	'57.....	Kit	115.10

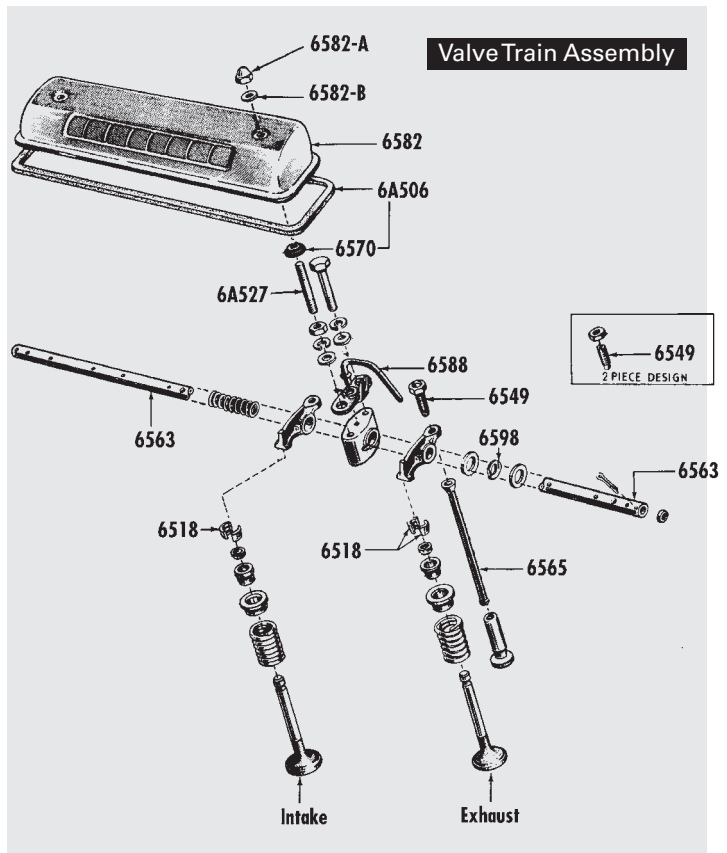
T 6268K	Timing Chain & Gear Kit, '55-57	97.87
---------	---------------------------------------	-------

Crankshaft Harmonic Balancer



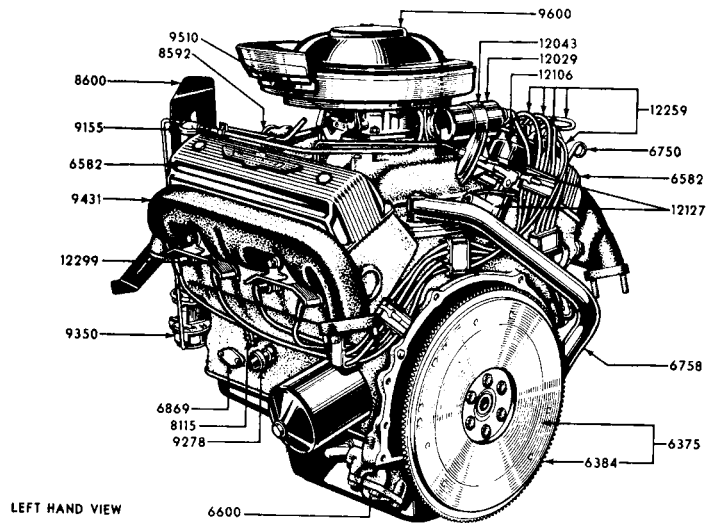
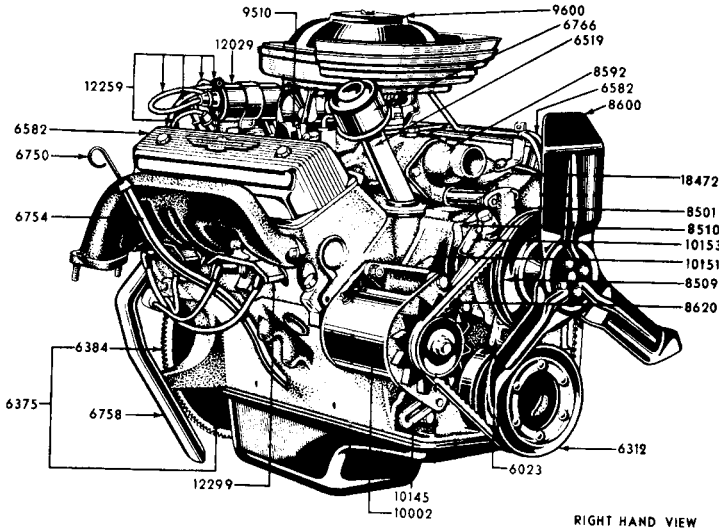
T 6312C
Crankshaft
Harmonic
Balancer

T 6312A	Rebuilt Crankshaft Harmonic Balancer, '55-57.....	311.10
	Core Deposit	250.00
T 6312B	Crankshaft Repair Sleeve Harmonic Balancer, '55-57.....	15.25
T 6312C	Crankshaft Pulley & Damper, '55-57	555.90
T 6321A	Crankshaft Rear Main Bearing Seal Kit, 312 Engine, Moulded From Hi-Temp Silicon	53.017
T 6321B	Crankshaft Rear Main Bearing Seal Kit, '55-57	28.51
T 6335A	292 Engine Retainer, Rear Main Seal Includes Seals.....	147.90
T 6335B	312 Engine Retainer, Rear Main Seal Includes Seals.....	147.90
T 6340	Damper to Crankshaft Bolt, '55-57	2.93
T 6375	FM Transmission Flex Plate Includes Reinforcement Rings.....	53.01
T 6384	Std. & OD Trans. Flywheel Ring Gear, '55-57	54.01
T 6436	Starter to Flywheel Housing Seal; Original Type, '55-57.....	12.56



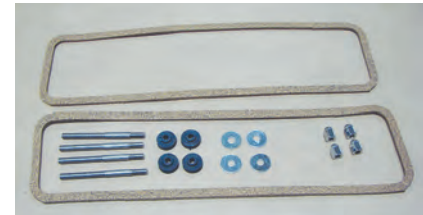
Valve Train Assembly

ENGINE COMPARTMENT

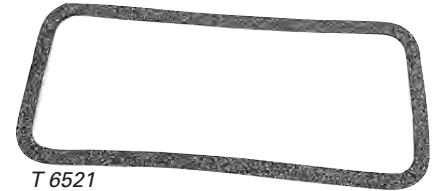


- T 6506AK Valve Cover Gasket & Grommet Set;
Consists Of: (2) T 6506 Gaskets & (4) T 6570A Grommet
To be used with painted Valve Covers, '55-57..... 19.33
- T 6506BK Valve Cover Gasket & Grommet Set;
Consists Of: (2) T 6506 Gaskets & (4) T 6570B Grommet
To be used with Alum. Valve Covers, '55-56..... 15.25
- T 6507K Installation Kit, Aluminum Valve Covers
Consists Of: (2) T 6506, (4) T 6570B
(4) T 6527, (1) T 6582AK
& (1) T 6582BK, '55-57 39.95
- T 6519 Valley Pan, Made for '57 "E" Model;
will work on any 292 - 312 engine 121.89
- T 6521 Valley Pan Gasket, '55-57..... Each 7.95
- T 6527 Rocker Arm, Long-Type Stud, as used
w/Aluminum Valve Covers, '55-57 3.95
- T 6570A Valve Cover Grommet. Used with painted
Valve Covers & Valley Cover, '55-57..... 1.48
- T 6570B Valve Cover Grommet. Used with
Aluminum Valve Covers in conjunction with
Part Number 6582-B Chrome Washer, '55-5789
- T 6582 Aluminum Valve Cover, '55-57 Each 198.00
- T 6582AK Chrome Acorn Nut Set. Used With
Aluminum Valve Covers, '55-57 Set of 4 9.75
- T 6582BK Washer Set. Used With
Aluminum Valve Covers, '55-57 4.75

Valve Cover Installation Kit



Valley Pan Gasket

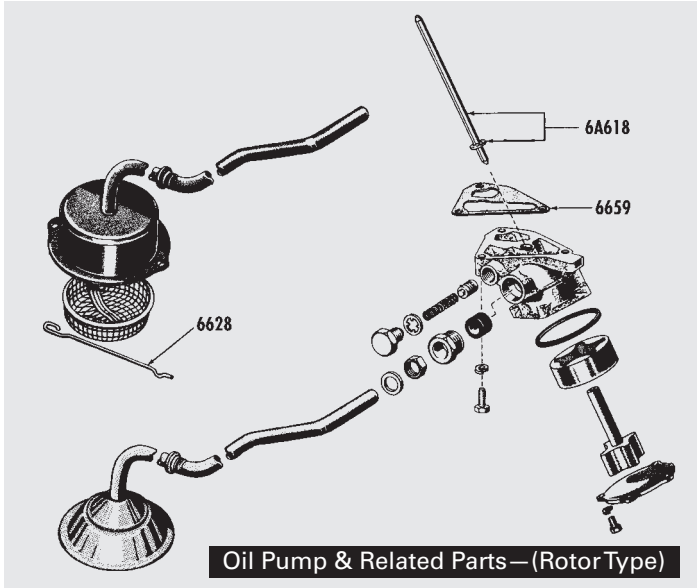


Original-Type Aluminum Valve Cover

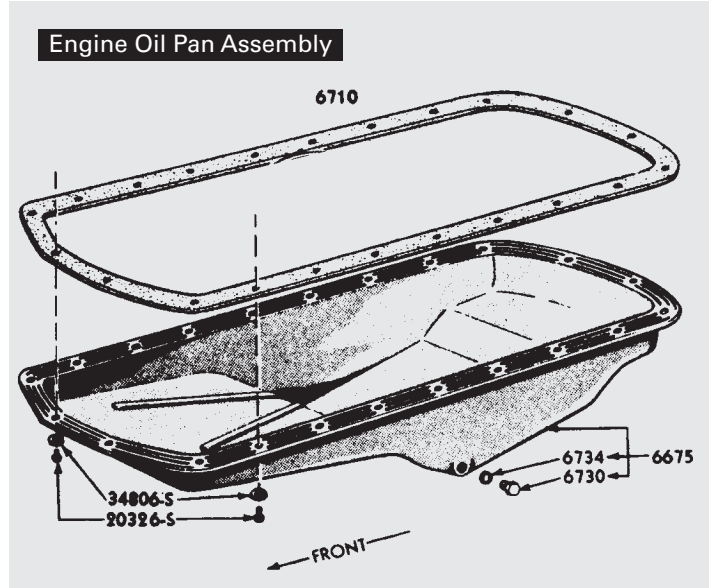


*Be Sure to Ask About
Larry's Gift Certificates!
The Perfect Gift for any
Thunderbird Enthusiast! Ask Your
Salesperson for More Details.*

ENGINE COMPARTMENT



Oil Pump & Related Parts—(Rotor Type)

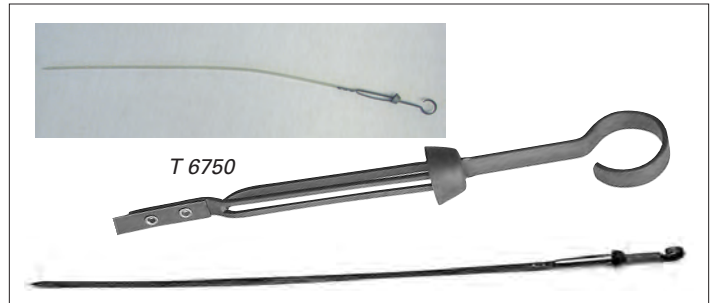


Engine Oil Pan Assembly



T 6600

Engine Oil Dipstick



T 6750

T 6600	Oil Pump, '55-'57	122.35
T 6618	Oil Pump Shaft, '55-'57	18.31
T 6659	Oil Pump Gasket, '55-'57.....	3.95
T 6698	Oil Pan to Pump Seal, '55-'57	6.63
T 6700	Timing Chain Front Cover Gear, '55-'57.....	13.01
T 6710	Oil Pan Gasket, '55-'57	8.75



T 6730A Oil Pan Plug

T 6730A	Oil Pan Plug, '55-'56 w/Original Pan w/Gasket.....	9.95
T 6730B	Oil Pan Drain Plug, '57 w/Gasket.....	6.07
T 6734	Oil Drain Plug Gasket, '55-'56.....	1.68

T 6750	Engine Oil Dipstick, '55-'57	22.39
	<i>Qualifies for CTCL Excellence in Authenticity Award!</i>	
T 6754	Oil Level Indicator Tube, '55-'57.....	27.54
T 6758	Road Draft Tube, '55-'57	47.89
	<i>THK 6758 Downdraft Tube to Engine (2 pcs.).....</i>	<i>1.00</i>
T 6758AK	PCV Adapter Kit, '55-'56.....	52.81
T 6758BK	PCV Adapter Kit, '57	62.17

Engine Breather Caps



T 6766A

T 6766B

T 6766C

T 6766A	Black Breather Cap, '55-'56; Will Fit '57.....	21.40
T 6766B	Chrome Breather Cap, '55-'57	29.75
T 6766C	Oil Breather Cap With Correct Logo.....	29.95
	<i>Used When A Dress Up Kit Was Not Installed. '57</i>	

Engine Paints



Black Enamel*

TPT 1631	For Miscellaneous Parts In Thunderbird Engine Compartments.....	6.90
----------	---	------

Red Enamel*

TPT 2106	For Miscellaneous Parts In Thunderbird Engine Compartments.....	9.13
----------	---	------

*See Page 128 for our policy regarding shipment of paints

T 6872	Cylinder Block Vent Cover Gasket	Each	1.01
	THK 6869 Vent Tube Opening Cover (T 6869) to Block (4 pcs.).....		1.52
T 6927	Overdrive Governor to Housing Seal, '55-'57		1.79
T 6941	Overdrive Governor Cover, '55-'57		6.31

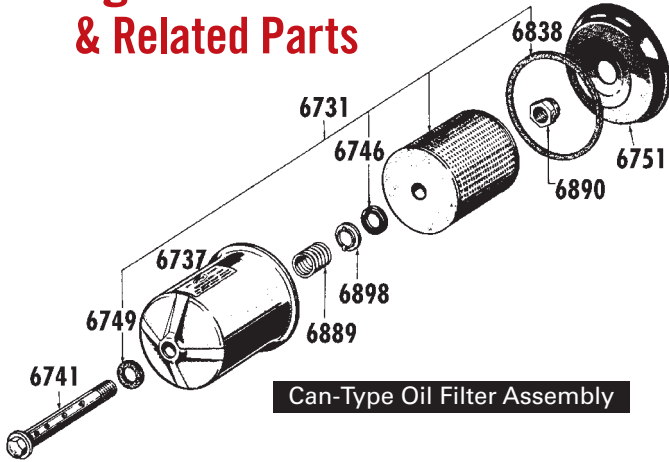
ENGINE COMPARTMENT

Turquoise Touch-up Paint for Aluminum Valve Covers and Dash Emblems

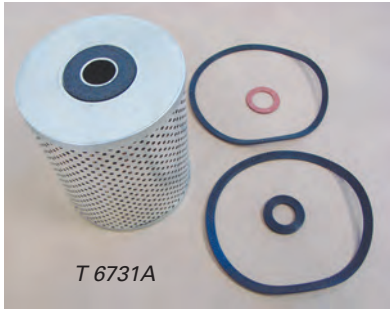
TPTTQ Use as touch-up paint for logo area on Aluminum Valve Covers '55-57 Thunderbirds..... 8.35



Engine Oil Filter & Related Parts



Can-Type Oil Filter Assembly



T 6731A



T 6731B

T 6731A Oil Filter Element, '55-56 "Can" Type..... 12.13
T 6731B Oil Filter, '57 "Spin-On" Type 6.89



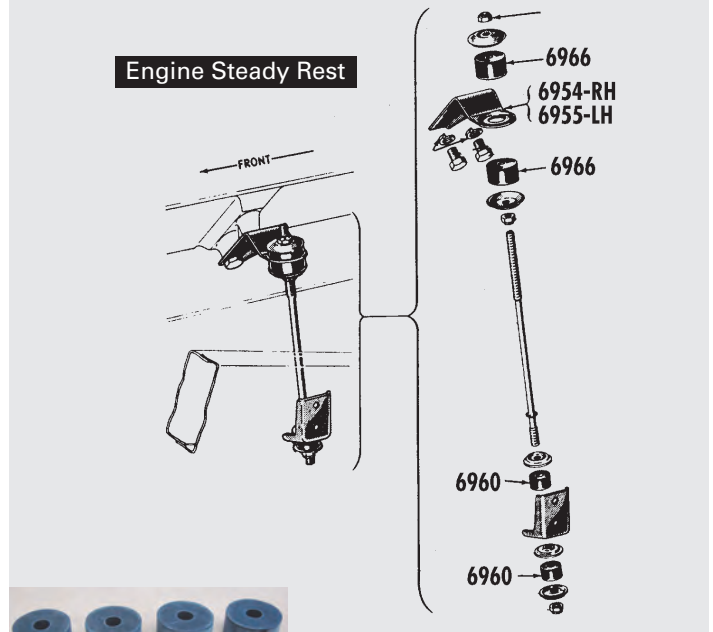
T 6882 Adapter

T 6749 Filter Bolt Gasket, '55-57 2.55
T 6751 Oil Filter Diaphragm, Canister Type, '55-57 8.11
T 6838 Oil Filter Mounting Gasket, '55-56 Each 1.58
T 6882 Adapter Kit, To Convert "Can Type" Oil Filter to "Spin-On" Type, '55-6\56 30.55

Crankcase Vent Block Off Plate

T 6869 '55-57 Each 7.37
T 6872 Block Off Plate Gasket Each 1.01

Engine Steady Rest



T 6966K

Engine Steady Rest Grommets

T 6954 Engine Steady Rest Bracket, RH, '55-57..... 14.79
T 6955 Engine Steady Rest Bracket, LH, '55-57 14.79
THK 6854 Engine Steady Rest Brackets to Block. (8 pcs. — Enough For 2 Sides) 2.85
T 6960K Steady Rest Kit (2 Per Car), '55-57..... Each 16.50
T 6966K Engine Steady Rest Grommet Kit, '55-57 9.95
T 8115 Radiator & Engine Drain Cock, '55-57 Each 4.95
T 9278 Oil Pressure Sender Gauge, '55-57 Each 10.90
T 9433 Intake Manifold to Head Gasket Set, '55-57 New design with exhaust port restriction— Will not burn paint Pair 15.95



T 10884A



T 10884B

T 10884A Temperature Sensor, '55 6V Each 73.49
T 10884B Temperature Sensor, '56 12V Each 73.49
T 10884C Temperature Sender, '57..... Each 13.21

Temperature Gauge & Sender Kit

T 10885AK '55 6 Volt Kit 149.95
T 10885BK '56 12 Volt Kit 149.95
Note: Gauge and Sender Are Like Original

T 10911A Temperature Sender Adapter, '55-56 Each 15.25
T 10911B Temperature Sender Adapter, '57 Each 15.25

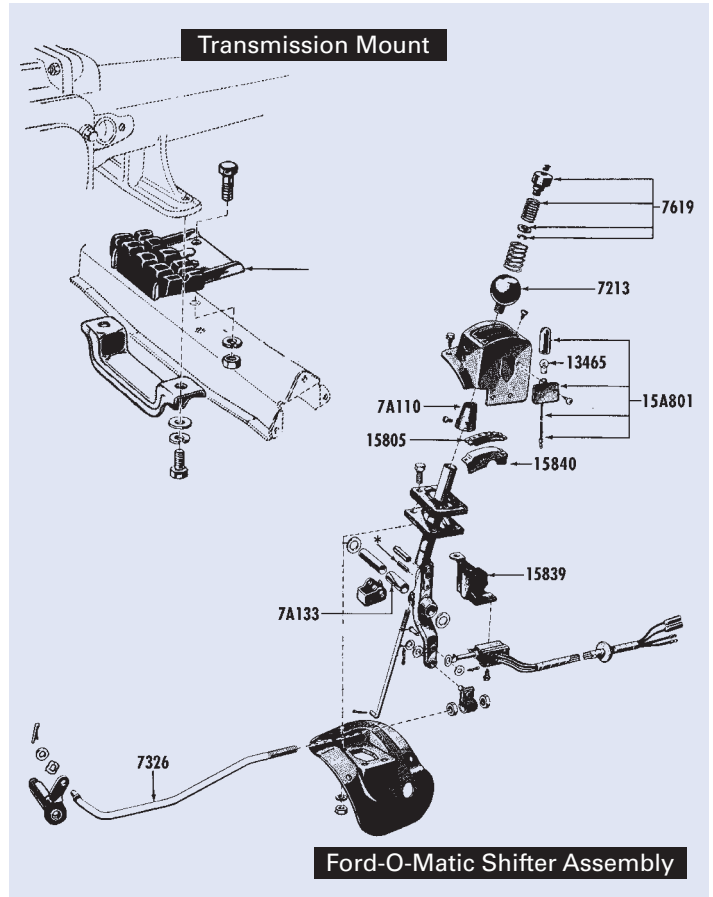
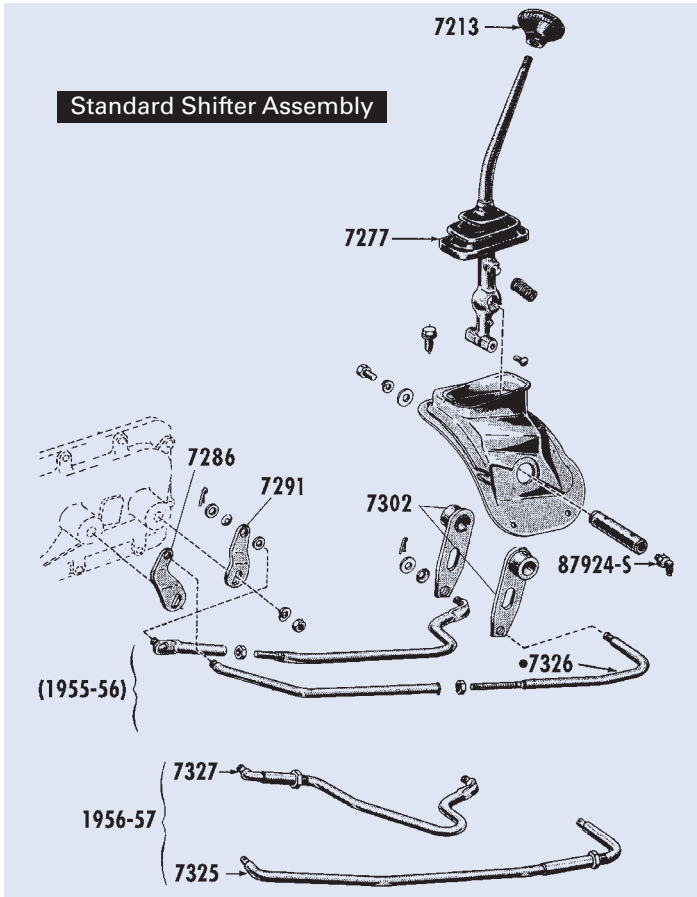
Front Engine Mount Bolt

TSP 21090 Front Engine Mount Bolt Each 5.05

Hardware for this Section

TSP 352999 Wire Clip, Engine Compartment Each 3.32
Qualifies for CTCL Excellence in Authenticity Award!
TSP 353409 Manifold Stud, RH, '55-57 Each 3.03

TRANSMISSION



Transmission Mount



T 6054	Transmission Mount Retaining Bracket, '55-57...Each	36.25
T 6068A	Transmission Mount, '55-56.....	11.35
T 6068B	Transmission Mount, '57.....	10.70
	<i>THK 6068 Rear Transmission Mount to Frame (10 pcs.).....</i>	<i>2.91</i>
	<i>THK 6054B Rear Engine Mount to Frame and Transmission (12 pcs.).....</i>	<i>5.69</i>
T 7001K	Ford-O-Matic Transmission Overhaul Kit Kit includes all paper gasket, rubber O-rings and lipseals metal sealing rings, metal clad seals and friction & steel clutches. '55-57.....	178.50
T 7020	Transmission Dip Stick, '55-57.....	26.48
T 7032AK	Automatic Transmission Cooling Lines Kit; Contains: (1) T 7030 & (1) T 7031, '56-57.....	47.81
T 7032BK	Automatic Transmission Cooling Lines Late '57 w/Expansion Hump.....	47.81

T 7034B	Transmission Extension Housing Bushing, '56-57 O.D.....	23.31
T 7052A	Transmission Extension Housing Oil Seal, '56-57 O.D.....	13.01
T 7052B	Transmission Extension Housing Oil Seal, All, Except '56-57 O.D.....	10.35

FM Transmission Dust Shield

T 7053	'55-57.....	Each	22.39
--------	-------------	------	-------

T 7098	A/T Oil Pan Screen, '55-57.....	36.67
T 7110-S	FM Shifter Pointer Screw.....	.81
T 7288	Shift Side Seal, M/T, '55-57.....	1.22

Automatic Transmission Shift Lever Bushing & Washer Kit



T 7133K	Bushings & Washer Kit, Automatic Transmission Shift Lever '55-57.....	Each	8.95
---------	--	------	------

TRANSMISSION

Automatic Transmission Shifter Rebuild Kit

These kit includes the parts necessary to rebuild your auto shifter assembly. Except for the 12volt light bulb, this kit will work for 1955 also.

T 7100BK 12Volt, '56-57 Kit 131.54

Intake Manifold Bellcrank



T 7185A Bell Crank Intake Manifold, '55, All & '56 M/T 91.75

Transmission Kickdown Rod

T 7187A	Kickdown to Transmission Rod, '55-56	79.54
T 7187B	Kickdown to Transmission Rod, '56-57	79.54
T 7191	Automatic Trans.Gasket, Oil Pan, '55-57	4.95
	<i>THK 7194 Fordomatic Pan to Case</i>	6.09
T 7200	Overdrive Wire Harness, '55-57.....	24.43
T 7213A	Standard Transmission Shift Knob, '55-57	13.77
T 7213B	Automatic Transmission Shift Knob, '55-57	28.51
T 7228	A/T Dipstick Filler Tube, w/Bracket, '55-57	25.42
T 7229	A/T Oil Filter Tube Bracket, '55-57.....	5.83
T 7241	FM Shifter Pivot Pin, '55-57	8.44

Neutral Safety Switch

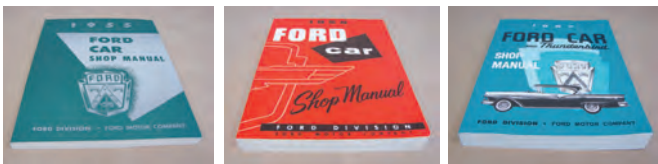


*T 7247 '55-57, Starts Park/Neutral 109.95

**This switch has been made to allow you to start your car in park and neutral. This is a great safety feature with no modification to the car or the electrical system.*

Shop Manual

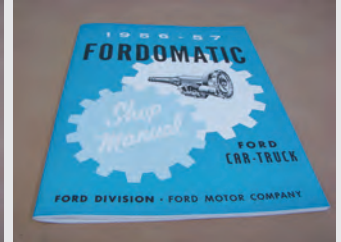
A reprint of the original Shop Manual offered for 1955-57 Thunderbirds



'55	TLT SM55.....	30.55
'56	TLT SM56.....	30.55
'57	TLT SM57.....	30.55

Transmission Manuals

Have a Few extra Gears Left Over from Your Transmission Rebuild Project? Put it together THE RIGHT WAY...



TLT TM55 1955	19.07
TLT TM56 1956-57	19.07

Shift Boot



T 7277 '55-57 Shift Boot, Std Trans.... 19.33

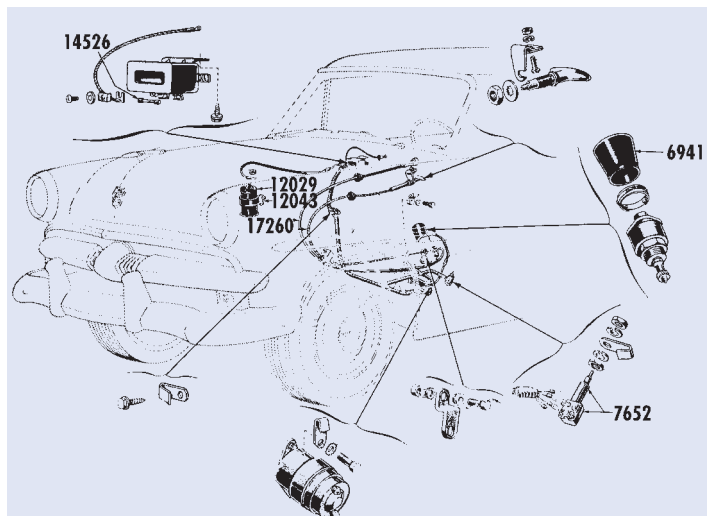
T 7277

T 7248	Input Shaft, Automatic Trans. Oil Seal, '55-57	11.17
T 7269	FM Shifter Lever Pawl, '55-57.....	21.18
T 7295	Parking Pawl Toggle Lever Pin, '55-57.....	16.93

Standard Shifter Lower Lever

T 7302 '55-57..... 42.45

T 7325	Standard Trans. Shift Rod, 2nd/3rd Gear, '55-57	100.47
T 7326	Automatic Transmission Shift Rod, '55-57.....	49.93
T 7327	Transmission Gear Shift Rod, For 1st & Reverse, Std. Transmission, '55-57	100.47



Transmission Overdrive Wiring System — Typical

TRANSMISSION



T 7550



T 7563



T 7619A



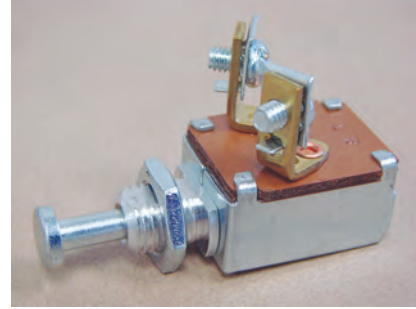
T 7652

T 7489	FM Shifter Release Rod, '55-57	6.31
T 7498	A/T Shifter Side Seal, '55-57	4.06
T 7513	Clutch Release Arm Boot, '55-57	23.30
T 7517	Clutch Release Equalizer Shaft Bushing; 2 Required, '55-57.....	Each 9.13
T 7523	Clutch & Parking Brake Retracing Spring '55-57.....	4.19
T 7527	Clutch Pedal Rod Seal, '55-57	14.79
T 7550	Clutch Disc Assembly; 11" '55-57	76.50
T 7561A	Clutch Release Hub & Bearing, '55-56	30.72
T 7561B	Clutch Release Hub & Bearing, '57	45.54
T 7562	Clutch Release Lever Anti-Rattle Spring, '55-57.....	6.09
T 7563	Rebuilt Pressure Plate Assembly, '55-57	96.90
	Core Deposit.....	100.00
T 7574	Clutch Pedal Assist Spring, '55-57.....	6.31
T 7583	Bumper, Brake or Clutch Pedal, '55-57 2 Required.....	Each 6.07
T 7600	Clutch Pilot Bearing, '55-57.....	13.47
T 7619A	A/T Shift Knob Button Assembly, '55-57.....	21.18
T 7619B	A/T Shift Knob Button Spring, '55-57.....	1.94
T 7650	Overdrive Cable & Housing, '55-57	51.00
T 7652	Overdrive Kickdown Switch, '55-57	48.38
T 7693	Overdrive Solenoid Seal, '55-57.....	7.09
T 7779A	Transmission Control Linkage Splash Shield, '55-56 Air Cooled Automatic Transmission.....	15.71
T 7779B	Transmission Control Linkage Splash Shield, '56-57 Air Cooled Automatic Transmission.....	20.96
T 7915	Converter Hub, '55-56 Air Cooled Only	185.95
T 7916	A/T Converter Impeller Hub to Impeller Gasket, 4/14" O.D., '55-57.....	4.89
T 7963	A/T Transmission Converter Cover to Impeller "O" Ring, '55-57	8.35
T 7980	Water Cooled A/T Bell Housing Lower Cover, '56-57	37.69



T 12128

T 12128	Floor Access Hole Plug, '55-57	11.51
---------	--------------------------------------	-------



T 15520

T 12170	A/T Adjusting Plate Gasket, '55-57	1.50
T 15520	Back-Up Lamp Switch, STD/OD.....	37.95



T 15801



T 15805

T 15540K	Back-Up Switch Bracket & Actuator Kit, Standard Transmission Only, '55-57; Consists Of (1 ea.) 15540 & 15517.....	18.86
T 15801	Shifter Lamp Assembly '55-57	30.55
T 15805	A/T Shift Indicator Lens, 55-57	14.790
T 15840	Shifter Lens Shield, '55-57.....	20.35

Automatic Transmission Lock

To add a little more security on your Thunderbird outings, try using the Automatic Transmission Lock. Installs in seconds.



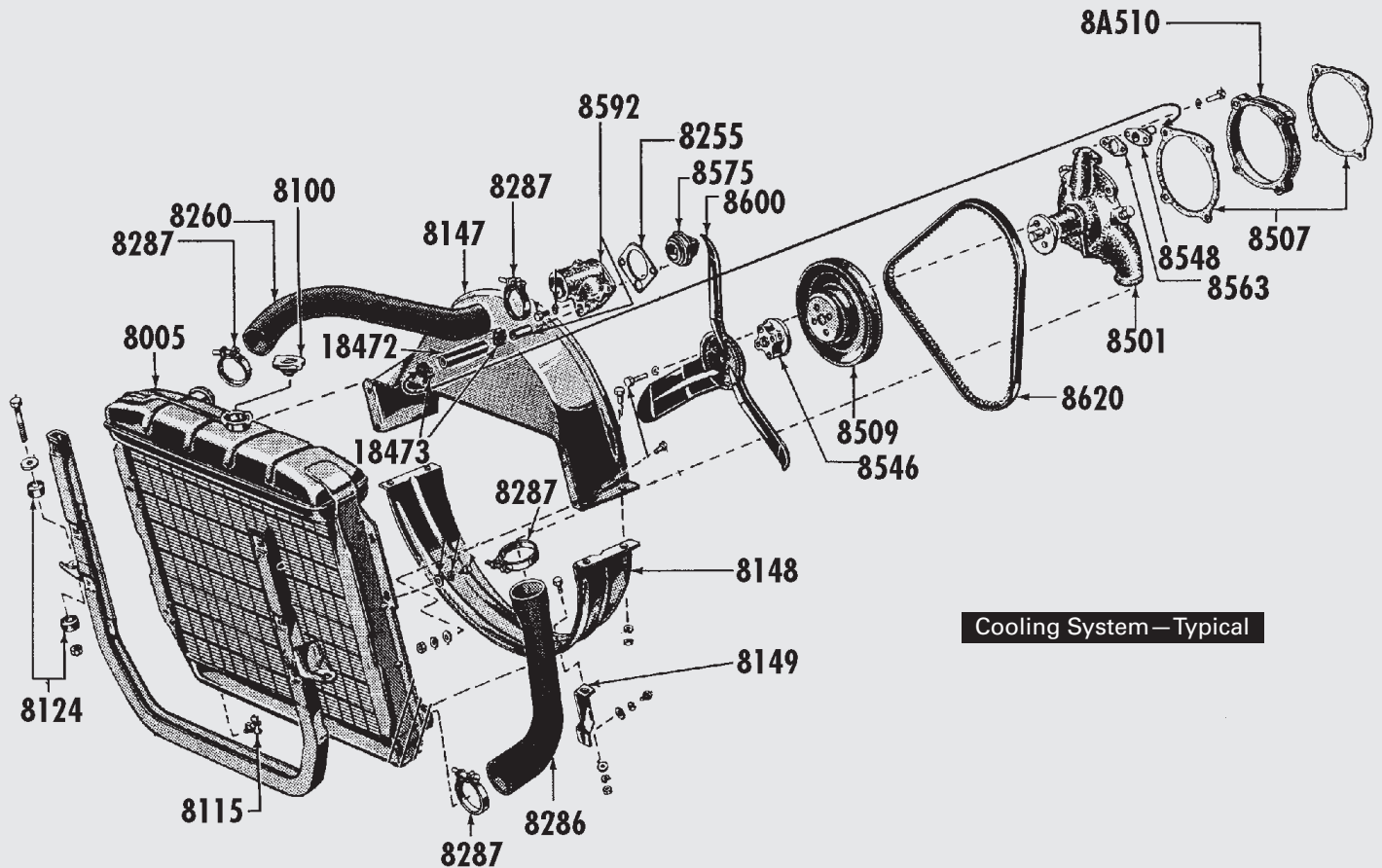
TAC 02	28.05
--------	-------	-------

Hardware for this Section

TSP 359279	Trans. Cooling Line to Radiator Fitting Each.	4.19
TSP 359280	Transmission Cooling Line CLIP.....	Each 9.02

Big Selection of Parts! Whether it's a hard to find part or a standard Thunderbird replacement part, Larry's has what you're looking for. Our inventory of parts is concours-quality. Give us a call if you can't find the parts you need. Our knowledgeable parts specialists will be happy to help!

COOLING SYSTEM & GRILLE



Cooling System—Typical

Standard & Heavy Duty Radiators

**Especially Built
for 1955 - 57
Thunderbirds**



T 8005A



T 8115
Drain Cock

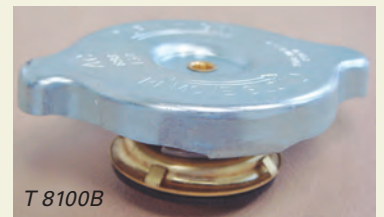
T 8005A	Standard 3-Row Radiator, '55-57 (Good).....	479.35
T 8005B	Standard 4-Row Radiator, '55-57 (Good).....	508.98
T 8005C	High Efficiency 4-Row Radiator, '55-57 (Better)	589.95
T 8005D	Optima 4-Row Radiator, '55-57 (Best).....	675.00
	THK 8005A Radiator to Radiator Frame	
	'55, (12 pcs.).....	3.43
	THK 8005B Radiator to Radiator Frame	
	'56-57, (4 pcs.).....	3.18
T 8006	Radiator Overflow Tube, '55-57	21.93
T 8115	Radiator & Engine Drain Cock, '55-57.....	4.95

Note: Radiator does not come with T 8149A or T 8149C Bracket.
See Page 40.

T 7032AK	Transmission Line Kit, '56-Early 57.....	Each	47.81
T 7032BK	Transmission Line Kit, Late '57	Each	47.81

Concours-Quality Radiator Cap!

**Qualifies for CTCI
Excellence
in Authenticity
Award!**



T 8100B

T 8100A	Radiator Cap	
	'55-57, Replaces factory cap.....	10.35
T 8100B	Radiator Cap - Concours	
	'55-57, Exact Reproduction!	27.80

Qualifies for CTCI Excellence in Authenticity Award!

T 8104A	Radiator Side Deflector (20 Ga. Steel), RH.....	295.75
T 8105A	Radiator Side Deflector (20 Ga. Steel), LH.....	295.75
T 8104B	Radiator Side Deflector, Fiberglass, RH, '55-57	117.30
T 8105B	Radiator Side Deflector, Fiberglass, LH, '55-57.....	117.30
T 8124	Radiator Support Pad, '55-57.....	3.95
T 8147B	Upper Fan Shroud to Radiator Seal, '55-57.....	3.68
T 8147S	Upper Fan Shroud Seal Staple Kit, '55-57.....	.27

COOLING SYSTEM & GRILLE

Fan Shroud Kit



These kits include the upper & lower shroud, seal and hardware needed to install the fan shroud on your T-Birds.

T 8146AK	OEM Style, '55.....	Kit	198.90
T 8146BK	OEM Style, '56-57	Kit	198.90

T 8147A	Fan Shroud, Upper, '55-57.....	101.95
T 8148A	Fan Shroud, Lower, '55-57.....	90.20
T 8149B	Lower Fan Shroud to Radiator Bracket, '55-57	11.04
T 8149C	Bracket, '55-56, w/Std. or ODTrans. and '55/Early '56 air cooled FM Transmission. Solders to Lower Radiator Tank to Attach Part T 8149B.....	6.31
	<i>THK 8147B Upper Fan Shroud to Lower & Lower to Bracket '56-57 (10 pcs.).....</i>	<i>5.37</i>
T 8156	Lower Grille Moulding, '55-56.....	Each 96.39
T 8214	Complete Nose Panel, '56-57	Each 413.82

Front Grille Kits



These kits include the grille, mouldings and hardware needed to install the grille on your T-Bird.

T 8200AK	'55-56.....	Kit	550.75
T 8200BK	'57	Kit	492.61

Nose Panel Nameplate



T 8218	Nose Panel Nameplate, '56-57	Each	17.34
T 8259	Nose Panel Nameplate Retainer, '56-57 ...	Each	31.47
	<i>Qualifies for CTCI Excellence in Authenticity Award!</i>		
	<i>THK 8259 Nameplate (Part T 8259) to front panel w/Pad '56-57 (3 pcs.).....</i>		<i>1.06</i>

Front Grille



T 8200A	Radiator Grille, '55-56.....	349.95
T 8200B	Radiator Grille, '57	349.95
	<i>THK 8200A Grille to body and lower moulding, Lower Moulding to Front Deflector, Front Deflector to Rear Deflector and Front Fenders, Rear Deflector to Side Deflectors, Access Panel to Rear Deflector; with illustrated Instructions;</i>	
	<i>'55-'56. (109 pcs.).....</i>	<i>16.15</i>
	<i>THK 8200B Grille to body and front deflector, front deflector to Ends & Rear Deflector, Rear Deflector to Side Deflectors, Ends to Side Deflectors and Front Fenders, Access Panel To Rear Deflector; with Illustrated Instructions;</i>	
	<i>'57 (101 pcs.)</i>	<i>24.50</i>
	<i>THK 8200C Grille at top to Body, included in THK 8200A & THK 8200B (12p pcs.)</i>	<i>2.85</i>

Radiator Grille Moulding



T 8223	Upper Grille Reinforcement Panel, '55-57.....	132.65
T 8242A	Radiator Grille Moulding, RH, '55-56.....	Each 39.87
T 8242B	Side Grille Moulding, RH, '57	52.48
T 8243A	Radiator Grille moulding, LH, '55-56	Each 39.87
T 8243B	Side Grille Moulding, LH, '57	52.48
	<i>THK 8242 Side Grille Mouldings to Body, '55-57 (12 pcs.—Enough For 2 Sides)</i>	<i>3.11</i>

Radiator Hose



T 8260	Upper Radiator Hose, Moulded Type, '55-57.....	15.85
T 8286	Lower Radiator Hose; This is an exact reproduction of the original hose with the kink in the top for an exact fit	12.95

**Be Sure to Ask About
Larry's Gift Certificates!**
*The Perfect Gift for any
Thunderbird Enthusiast! Ask Your
Salesperson for More Details.*

COOLING SYSTEM & GRILLE

Authentic Hose Clamp Kit

Qualifies for CTCI Excellence in Authenticity Award!



T 8287K Radiator 2 Upper & 2 Lower Hose Clamp Kit, Original-Type Clamps, '55-'57 16.83

A Filter for Your Cooling System!



The Gano Filter® is a full-flow filter designed to be installed in your Thunderbird's upper radiator hose. Once installed, the filter prevents rust scale, rubber from hoses or other foreign particles from entering your radiator. Its clear housing also allows you to monitor coolant levels, turbulence, bubbles or other situations that may be detrimental to your vehicle's operation. And it's easy to install!

T 8288 Gano Filter 1 3/4" 45.85

Water Pump & Related Parts



T 8501A New Water Pump, '55-'57 84.15
 THK 8501A Water Pump to Engine without Power Steering (8 pcs.) 4.24
 THK 8501B Water Pump to Engine with Power Steering (8 pcs.) 4.64
 THK 8501C Water Pump Plug for Cars w/o Power Steering or Heater (1 pc.) 1.52
 T 8502 Water Pump Baffle. Helps prevent overheating. Inserted between Water Pump Spacer and front Timing Case Cover; Stainless Steel, '55-'57..... 20.35
 T 8507 Water Pump & Pump Extension Gasket, 55-'57 1.00



T 8509A



T 8509B



T 8548

T 8509A Water Pump Pulley, Original type, '55-'56 Will work for '57 112.95
 T 8509B Water Pump Pulley, 1" Smaller for, Better Cooling '55-'57 101.95
 T 8510 Water Pump Spacer, '55-'57 **NEW** Each 49.85
 T 8546 Pulley to Fan Spacer, '55-'57 14.23
 T 8548 Water Bypass Tube, '55-'57 9.72
 T 8563 Bypass Tube Gasket, '55-'57 1.00

Thermostat & Related Parts



T 8575A



T 8592

T 8255 Thermostat Housing Gasket, '55-'5790
 T 8575A Water Thermostat, 160°, '55-'57 12.19
 T 8575B Water Thermostat, 180°, '55-'57 10.71
 T 8592 Thermostat Housing, '55-'57 52.95
 THK 8548 Water Outlet Connector (8592) and By-Pass Tube (8548) to Manifold and Water Pump (8 pcs.) 2.37

T 8310A Behind Grille, Fiberglass Deflect Panel, '55-'56 139.95
 T 8310B Behind Grille, Fiberglass Deflect Panel, '57 145.81
 T 8311 Lower Radiator Def. Inspection Plate, '55-'57 6.11

Radiator Grille Moulding



T 8419A Upper Grille Moulding, '55-'56 61.15
 T 8419B Upper Grille Moulding, '57 101.95

Extra Cooling Heavy-Duty Fan

More Airflow to the Radiator keeps Your Car Running Cooler



T 8600B HD Fan

T 8600B Heavy Duty Fan, 6 Blade, '55-'57 59.95
 THK 8600 Fan to Water Pump (8 pcs.) 2.46
 T 8601 Reinforcement for 3-Blade Fan Plate 21.18
 T 8620A Fan or Power Steering Belt, '55-'57 13.77
 T 16241A Grille Upper Moulding Clip, '55-'56 Each 1.28
 T 16241B Grille Upper Moulding Clip, '57 Each 1.36

Fan Belts

T 8620A Fan/Power Steering Belt (Replacement) 13.77
 T 8620B Fan Belt, '55-'56, Use With 3 Blades (Exact Repro) .. 22.39
 T 8620C Fan Belt, '56-'57, Use With 4 Blades (Exact Repro) ... 22.39
 T 8620D Fan Belt, Late '57, Use With 4 Blades (Exact Repro) ... 22.39
 T 8620E Power Steering Belt, '55-'57 (Exact Repro) 22.39
 T 8620F Power Steering Belt, '56-'57 (Exact Repro) 22.39
 T 8620G Power Steering Belt, Late '57 (Exact Repro) 22.39

Electric Fan Kit

Kit includes; Thermostat, Wiring Harness, Switch and Installations Instructions. Fan Mounts in front of Radiator.

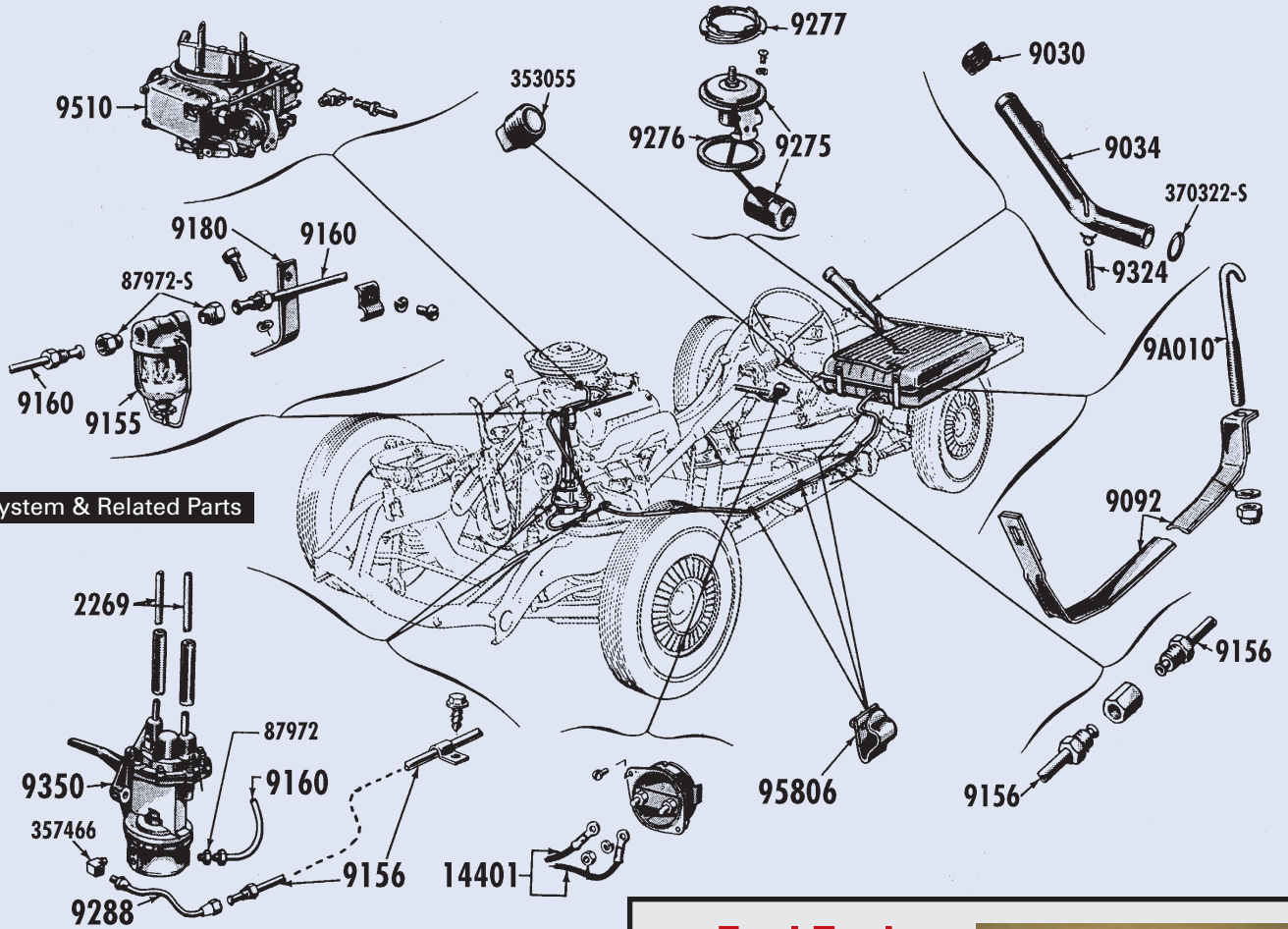


T 8600D Electric Fan Kit, '56-'57, 12V Each 299.00

Hardware for this Section

TSP 359279 Transmission Cooling Line to Rad. Fitting Each 4.19
 TSP 359280 Cooling Line Clip Each 9.02

FUEL & CARBURETOR SYSTEM



Fuel System & Related Parts

Fuel Tanks

Replace Your Rusted Out Tank!



Highest Quality fuel tanks available for your Thunderbird

T 9002A	Fuel Tank, '55	259.95
T 9002B	Fuel Tank, '56	259.95
T 9002C	Fuel Tank, '57	259.95

Fuel Tank Kits

These kits include the gas tank, fuel sender, straps, grommets & gaskets needed to install your new fuel tank.



T 9000AK	'55	Kit	375.84
T 9000BK	'56	Kit	375.06
T 9000CK	'57	Kit	395.08

T 9010A	Fuel Tank Strap Bolt, '55-56	5.65
T 9010B	Fuel Tank Strap Bolt, '57	4.99

Original-Type Gas Caps

Qualifies for CTCI Excellence in Authenticity Award!



T 9030A	Gas Cap, '55 Recessed Type	22.75
T 9030B	Gas Cap, '56 & Early '57	22.75
T 9030C	Gas Cap, Late '57	22.75

FUEL & CARBURETOR SYSTEM



T 9034C

T 9034A	Gas Filler Neck Strap, '57.....	14.23
T 9034B	Gas Neck to Body Bracket, '57.....	12.20
	<i>THK 9034A Gas Neck Strap to Body Bracket (T 9034B), '57 (3 pcs.).....</i>	<i>1.52</i>
	<i>THK 9034B Gas Neck Bracket (T 9034B) to Body '57 (2pcs.).....</i>	<i>.79</i>
T 9034C	Fuel Filler Pipe, '57.....	Each 152.95



T 9080



T 9092A

T 9080	Gas Tank Filler Neck Grommet, '55-56.....	8.93
T 9092A	Gas Tank Strap, '55-56.....	Each 13.95
T 9092B	Gas Tank Strap, '57.....	Each 13.95
T 9092P	Fits Gas Tank and Strap Pad, '55-57.....	Pair 4.03

Fuel Filter Assembly



T 9155
Fuel Filter
Assembly



T 9365 Fuel Filter
Strainer & Gasket

T 9155	Fuel, Replacement Filter Assembly, '55-57.....	Each 27.25
T 9180K	Fuel Filter Bracket Assembly, includes: T 9180, T 9281, 34803S & 27081S.....	6.77
T 9364	Fuel Filter Gasket, '55-57.....	1.58
T 9365	Fuel Filter Strainer & Gasket.....	6.85
T 9364E	" E " Fuel Filter Gasket.....	4.03
T 9365E	" E " Fuel Filter.....	7.09

T 9156A	Fuel Line, '55-57, Formed Steel w/Proper Covering, from Flex Line to Midpoint of Frame,.....	38.82
T 9156B	Fuel Line, Formed Steel with Proper Covering, from Midpoint of Frame to Gas Tank, '55.....	38.82
T 9156C	Fuel Line, Formed Steel with Proper Covering, from Mid point to Frame to Gas Tank, '56.....	38.82
T 9156D	Fuel Line, Formed Steel with Proper Covering, from Mid point to Frame to Gas Tank, '57.....	54.95
T 9156AS	Fuel Line, From Fuel Flex Line to Midpoint, Stainless Steel, '55-57.....	Each 61.15
T 9156BS	Fuel Line, From Fuel Tank to Midpoint, Stainless Steel, '55.....	Each 61.15
T 9156CS	Fuel Line, From Fuel Tank to Midpoint, Stainless Steel, '56.....	Each 61.15
T 9156DS	Fuel Line, From Fuel Tank to Midpoint, Stainless Steel, '57.....	Each 61.15



T 9156E
Vacuum Line Clip

T 9156E	Clips, '55-57, Vacuum Line; Holds the Vacuum Lines together along Intake Manifold.....	Pair 3.10
---------	--	-----------

Fuel Line Kit

These kits include the fuel lines from the gas tank to the fuel pump, both steel lines, mid-point union fittings, fuel pump to flex hose elbow, flex hose and clips.

T 9156AK	OEM Steel, '55.....	Kit 106.75
T 9156AKS	Stainless Steel, '55.....	Kit 149.86
T 9156BK	OEM Steel, '56.....	Kit 106.75
T 9156BKS	Stainless Steel, '56.....	Kit 149.86
T 9156CK	OEM Steel, '57.....	Kit 106.75
T 9156CKS	Stainless Steel, '57.....	Kit 149.86

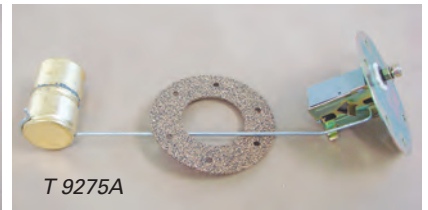
T 9160AK	Fuel & Vacuum Line Kit Contains Both Vacuum Lines, Fuel Pump to Manifold and Fuel Pump to Wiper Vacuum Hose, Fuel Pump to Fuel Filter & Fuel Filter to Carburetor Lines, '55 (4 pcs.).....	46.95
T 9160BK	Fuel & Vacuum Line Kit, As Above, '56.....	46.95
T 9160CK	Fuel & Vacuum Line Kit, As Above, '57 with 4V Carburetor.....	46.95
T 9160DK	Fuel & Vacuum Line Kit, '57 with Dual 4V Carburetors; 4 Fuel Lines & Brass Fitting & Vacuum Lines.....	55.00
T 9160AKS	Fuel & Vacuum Line Set, Stainless, '55.....	Set 48.96
T 9160BKS	Fuel & Vacuum Line Set, Stainless, '56.....	Set 55.00
T 9160CKS	Fuel & Vacuum Line Set, Stainless, '57.....	Set 72.95
T 9160DKS	Fuel & Vacuum Line Set, Stainless, 2-4 Barrel, '57.....	Set 69.95
T 9202A	Fuel Tank Sending Unit Float, '55-56.....	10.56
T 9202B	Fuel Tank Sending Unit Float, '57.....	5.79

Fuel Gauge Sender

T 9275A	Fuel Gauge Sender, '55, 6V.....	57.73
T 9275B	Fuel Gauge Sender, '56, Replacement.....	58.11
T 9275C	Fuel Gauge Sender, '57.....	69.75
	<i>THK 9275A Fuel Sending Unit to Tank '55-56 (6 pcs.)</i>	<i>1.46</i>
T 9276A	Fuel Sender Gasket, '55-56.....	1.58
T 9276B	Fuel Sender Gasket, '57.....	1.68



T 9277



T 9275A

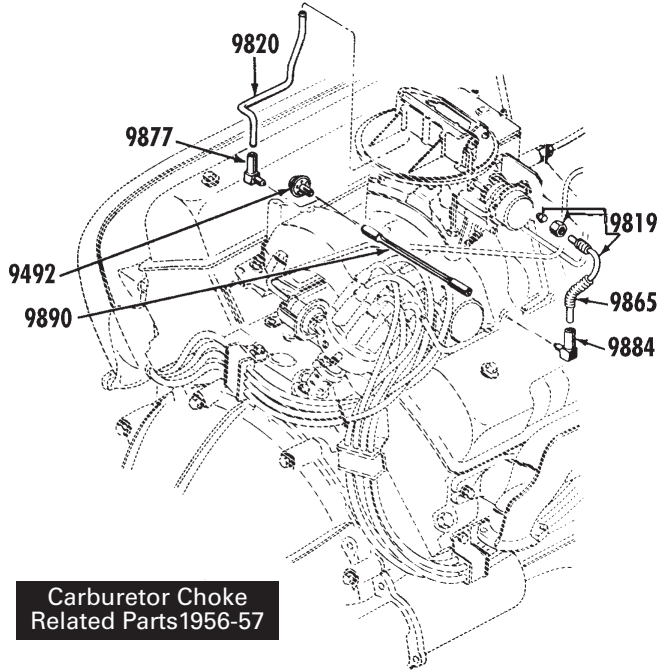
T 9277	Fuel Sender Retaining Ring, '57 Only.....	9.95
T 9280B	Fuel Gauge and Sender Kit, '56 12 Volt Kit Includes Sender, Dash Gauge, Wiring and Instructions.....	148.52
T 9281	Fuel Filter Bracket Clip, '55-57.....	1.73
T 9283	Power Brake Line to Fuel Stand Off Clip, '55-57.....	3.83



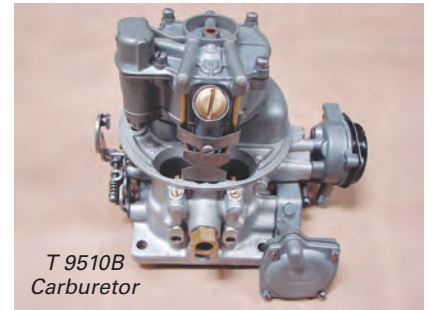
T 9288 Flexible
Fuel Line

T 9288	Flexible Type Fuel Line, '55-57.....	9.13
T 9324K	Gas Tank Vent Hose & Clamp Kit, '57.....	2.15
T 9350	Double-Action Fuel Pump, '55-57.....	101.95
	<i>THK 9350 Fuel Pump to Timing Case Cover (4 pcs.)</i>	<i>1.40</i>
T 9417	Fuel Pump to Engine Block Gasket, '55-57.....	1.00
T 9433	Intake Manifold to Head Gasket Set, '55-57 New design with exhaust port restriction— Will not burn paint.....	Pair 15.95

Carburetor & Related Parts

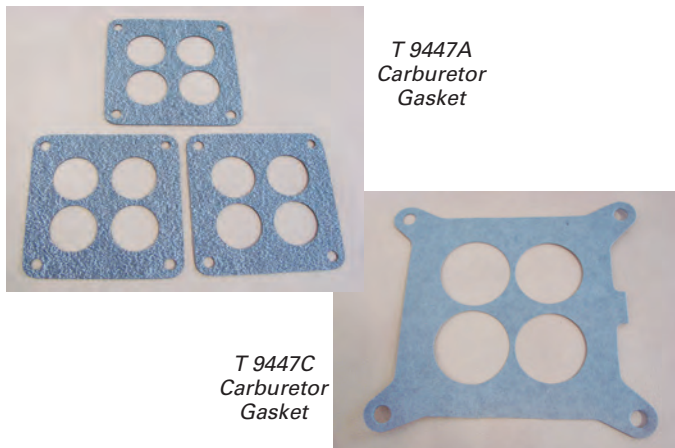


New & Rebuilt Carburetors



T 9510A	Original Rebuilt Carburetor, '55.....	331.50
	Core Deposit.....	250.00
T 9510B	Original Rebuilt Carburetor, '56.....	331.50
	Core Deposit.....	250.00
T 9510C	Original Rebuilt Carburetor, '57.....	331.50
	Core Deposit.....	250.00
T 9510D	Carburetor, '57, New Replacement Carb.;	
	Fuel line must be modified or use new	
	line and fitting Part #T 9520.....	499.00
	THK 9510A Carburetor to Intake, Nuts & Washers	
	'55-56 (8 pcs.)	1.92
	THK 9510B Carburetor to Intake, Nuts & Wahshers	
	'57 (8 pcs.).....	2.25
T 9520	Replacement Carburetor Fuel Line, '57,	
	Includes Fitting.....	21.18

Carburetor Gaskets



T 9447A	Carburetor to Manifold Gasket,	
	Set of 3 Gaskets, '55	4.95
T 9447B	Carburetor to Manifold Gasket, '56	Each 1.89
T 9447C	Carburetor to Manifold Gasket, '57	Each 2.05



T 9492
Choke
Deflector

T 9492	Choke Intake Deflector ("Mushroom"), '57.....	8.35
T 9503A	Secondary Diaphragm, '55-56.....	28.61
T 9503B	Secondary Diaphragm, '57	11.48

Accelerator Pump Rod & Seal

T 9544A, '55	Each	30.55
T 9544B, '56	Each	30.55

T 9550A	Dashpot Bracket, '55-56.....	29.53
T 9550B	Dashpot Bracket, '57	21.18
T 9586A	Carburetor Seal Kit, '55	Each 43.37
T 9586B	Carburetor Seal Kit, '56	Each 43.37
T 9586C	Carburetor Seal Kit, '57	Each 43.37
T 9586D	Carburetor Seal Kit, '57, For Replacement	
	Holley Carburetor (T 9510D)	Each 37.69
T 9589	Carburetor Spacer, '57	45.90
T 9590AK	Carburetor Overhaul Kit, '55.....	71.35
T 9590BK	Carburetor Overhaul Kit, '56.....	78.49
T 9590CK	Carburetor Overhaul Kit, '57 w/4V	56.05
T 9590DK	Carburetor Overhaul Kit, '57 w/2-4V	
	Carburetor & Supercharger	151.93
T 9599	Choke Housing to Carburetor Rod, '55.....	14.25

Carburetor Service Manuals



TLT CM55	Carb. Manual, 1955.....	Each 19.07
TLT CM56	Carb. Manual, 1956.....	Each 19.07
TLT CM57	Carb. Manual, 1957	Each 19.07

Air Cleaner & Related Parts

Complete Air Cleaner Assemblies

1955 & '56



T 9600A

Original
Oil Bath
Style

T 9600A Oil Bath Air Cleaner with Chrome Top, '55-56..... 295.00

1957

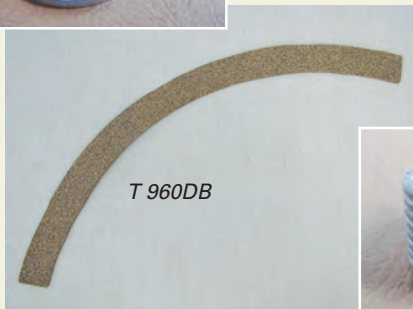


T 9600B

T 9600B Air Cleaner with Polished Stainless Top, '57.... 407.95



T 9600C



T 960DB



T 9600S

T 9600C	Air Cleaner Wing Nut, '57.....	1.85
T 9600D	Air Cleaner to Hood Cork, '55-57.....	4.25
T 9600F	Air Cleaner Wing Nut, '55-56.....	Each 3.32
T 9600S	Air Cleaner Cork Staple Kit, '55-57.....	.51



Air Cleaner Element



T 9601A

T 9601A	Air Cleaner Element, '57	11.73
T 9601B	Air Cleaner Element, '57, 2-4V "E" Model	34.63

Air Cleaner Overhaul Kit



T 9602AK

T 9602AK	Air Cleaner Overhaul Kit; '55-56, Everything You Need; Kit Contains: (1Each) Part No. T 19000 Argent Paint, T 9654, T 9600D & TDF 86 Decal	19.57
T 9602BK	Air Cleaner Overhaul Kit; '57 Contains: (1Each) T 19000 Argent Paint, T 9654, T 9673, T 9600D & TDF 86 Decal	16.60
T 9605A	Air Cleaner Cover, '55-56	117.30
T 9605B	Air Cleaner Cover, '57.....	99.00
T 9654	Air Cleaner to Carburetor Gasket, '55-57	2.25

Air Cleaner to Carburetor Stud



T 9659A

T 9659A	Air Cleaner to Carburetor Stud, '55	10.97
T 9659B	Air Cleaner to Carburetor Stud, '56	11.17

FUEL & CARBURETOR SYSTEM

T 9673	Inside Oil Bath A/C Gasket, '55-56.....	1.92
T 9725	A/T Firewall Bellcrank, '56-57	142.80



T 9726B	E, M/T Bellcrank Arm, '57.....	21.18
T 9726C	E, A/T Bellcrank Arm, '57	17.99
T 9727	Accelerator to Pedal Rod, '55-57	9.69
T 9734	'55-57 Cork Insulation, Gas Pedal Rod. Eliminates "Thunderbird Hotfoot"	1.05
T 9735	Gas Pedal, '55-57	15.95
	THK 9735 Accelerator Pedal to Floorboard And Bracket to Firewall (4 pcs.).....	1.52
T 9736	Throttle Kick-Down Spring, '55-57	4.15
T 9737A	Throttle Return Spring, '55-56 M/T, '55 A/T	4.15

T 9819A	Automatic Choke Tube, Outlet, with Nut and Ferrule, '56	4.18
T 9819B	Automatic Choke Tube, Outlet, with Nut and Ferrule, '57 2V or 4V Carburetor.....	4.18
T 9820A	Automatic Choke, Inlet, '55	10.08
T 9820B	Automatic Choke, Inlet, '56	20.59
T 9825	Rod End Clip, '55-57 at gas pedal rod, '57 at carburetor68
T 9826	Rod End Clip, At engine bell crank, '57.....	.77
T 9848	Choke Cover, '57.....	15.39
T 9848A	Choke Cover, '55-56.....	Each 39.73
T 9853	Choke Housing to Manifold Gasket, '55	1.26
T 9861	Automatic Choke Shield, '56 All, '57 w/2-4V	10.46
T 9864	Choke to Manifold Nut, '55.....	12.68
T 9865A	Choke Tube Insulator, '56	3.95
T 9865B	Choke Tube Insulator, '57, 4V	4.23
T 9865C	Choke Tube Insulator, '57, 2V	4.65
T 9865D	Choke Tube Insulator, '57, 2 - 4V	Pair 6.95
T 9871A	Choke Cover Gasket, '55-56.....	2.09
T 9871B	Choke Cover Gasket, '57.....	2.19
T 9877	Choke Inlet Tube Elbow, '56 & '57 Supercharged & 2 - 4V 312 engine	9.50
T 9884	Choke Outlet Tube Elbow, '56-57.....	9.50
T 9890A	Choke Heat Tube, '55.....	10.61

Choke Heat Tube

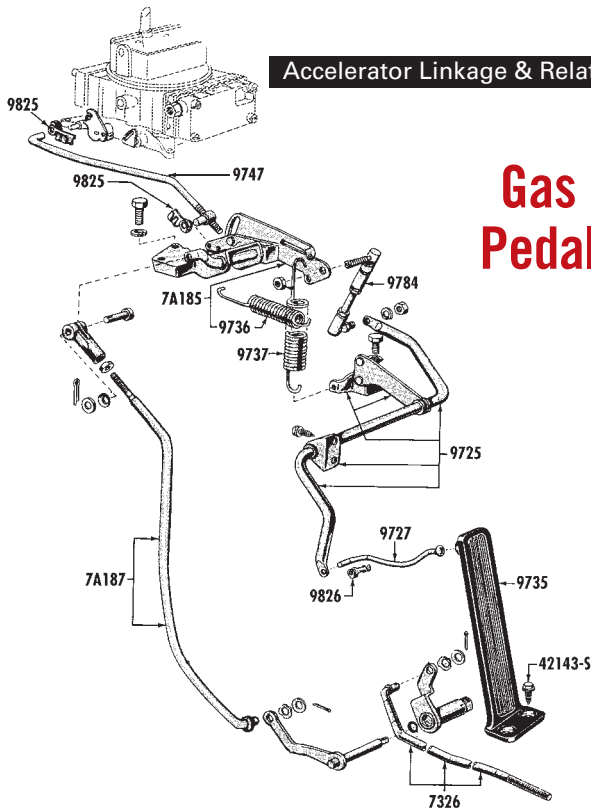


T 9890B	Choke Heat Tube, '56-57	21.18
T 9890C	Choke Heat Tube, '57, 2 - 4V	15.87
T 9938	Carburetor Fuel Inlet Filter Screen, '55-56.....	6.07
T 40628	Fuel Door, '55-56.....	Each 61.20
T 40635A	Fuel Tank Filler Door Hinge, '55-56.....	43.25
T 40635B	Fuel Tank Filler Door Hinge, '57	41.97

Choke Tube Kit

T 9891AK	Choke Tube Kit, '56, 6 pc's OE Steel.....	Set 50.95
T 9891AKS	Choke Tube Kit, '56, 6 pc's Stainless Steel.....	Set 59.11
T 9891BK	Choke Tube Kit, '57, 5 pc's OE Steel.....	Set 35.95
T 9891BKS	Choke Tube Kit, '57, 5 pc's Stainless Steel	Set 38.95

Accelerator Linkage & Related Parts



T 9737B	Throttle Return Spring, '56 AT, '57	5.88
T 9747C	Carb to Bellcrank Accelerator, '56-57	13.61
T 9747D	3-spd. M/T Accelerator Rod, '57	42.84
T 9747E	O.D., M/T Accelerator Rod, '57	84.61
T 9772A	Spring Loaded, FM & O.D. Accelerator, '55.....	89.00
T 9772B	3-spd M/T Accelerator Rod, '55	54.01
T 9784A	Accelerator to Transmission Control Bellcrank, A/T Rod Assembly, '55.....	53.01
T 9784B	A/T Rod Assembly, As Above, '56	53.01
T 9784C	A/T Rod Assembly, As Above, '57	49.93

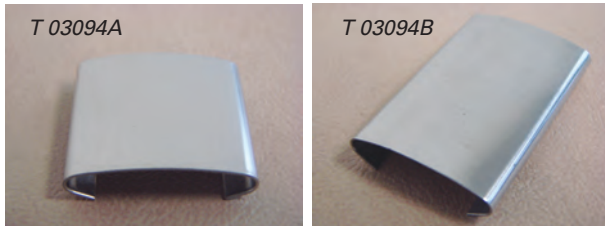
Hardware for this Section

THK 9350	Fuel pump to timing case cover (4 pcs.)....	1.40
THK 9275A	Fuel sending unit to tank, '55-56 (6 pcs.) ...	1.47
TSP 42143	Accelerator Pedal Screw.....	Each .43
TSP 87213	Connects Fuel Line At Mid-Point	Each 3.57
TSP 87972	Fuel Filter Screw.....	Each 3.71
TSP 95806	Fuel Line Clip.....	Each 4.34
TSP 357170AK	Fuel Filler Door Bumper Set, '55-56..	Each 3.62
TSP 357170BK	Fuel Filler Door Bumper Set, '57 (2 pcs.).....	Each 3.62
TSP 357466	Flex Line to Fuel Pump Fitting	Each 3.37
TSP 370322	Fuel Filler Neck to Tank O-Ring.....	Each 1.98

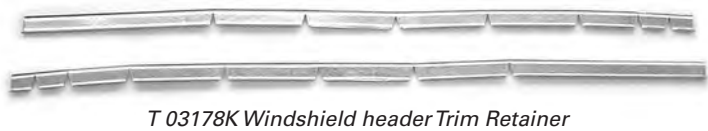
WINDSHIELD, WINDWING & VISORS



- T 02626 Front Body Pillar Weatherstrip, (Screw to Windshield Post) RH..... 19.95
- T 02627 Front Body Pillar Weatherstrip, (Screw to Windshield Post) LH..... 19.95
- THK 02626 Windshield Pillar Weatherstrips (02626 & 02727) To Pillar (8 pcs. —Enough for 2 Sides)..... 1.58*



- T 03094A Windshield Moulding Joint Cover, '55 Each 5.95
- T 03094B Windshield Moulding Joint Cover, '56-57 Each 6.07
- T 03100* Tinted Windshield, '55-57 Each 406.98
- *This item is shipped via truck freight at customer's expense.*
- T 03110 Windshield Weatherstrip, '55-57 Each 59.95
- T 03138 Retainer Clip, '55-57 For Outside Windshield Mouldings, (2 Req.)..... Each 4.85



- T 03178K Windshield Header Trim Retainer, '55-57..... Pair 21.18
- T 03180 Windshield Outside Top Moulding Clip Each 4.19
- T 03227 Wind Wing Glass Tape, '55-57..... Each 2.65



- T 03228C Windwing Assembly, RH w/Clear Glass; Has FoMoCo logo..... 79.95
- T 03228T Windwing Assembly, RH w/Tinted Glass; Has FoMoCo logo..... 81.00
- T 03229C Windwing Assembly, LH w/Clear Glass; Has FoMoCo logo..... 79.95
- T 03229T Windwing Assembly, LH w/Tinted Glass; Has FoMoCo logo..... 81.00

Windwing Kit

These kits include the windwing glass with frames and upper hinges assembled, lower hinges, bushings & screws.

- T 03200AKC Clear Glass, '56-57 Kit 205.93
- T 03200AKT Tinted Glass, '56-57 Kit 208.05



- T 03230 Upper Windwing Hinge, RH..... 19.91
- T 03231 Upper Windwing Hinge, LH..... 19.91
- T 03232 Lower Windwing Hinge, RH..... 20.11
- T 03233 Lower Windwing Hinge, LH..... 20.11
- T 03234 Windwing Hinge Bushing..... 2.05
- T 03234K Windwing Bushing & Screw Kit, '56-57..... 11.51
- THK 03232 Lower Windwing Hinges to Windwing Frames (8 pcs. —For 2 Sides) 4.17*
- T 03238C Clear Windwing Glass with Logo..... 17.99
- T 03238T Tinted Windwing Glass with Logo..... 19.05
- T 03458 Top, Front Locating Pin, '55-57 Each 10.46
- T 03474 Top Pin Locating Receiver, Front..... Each 26.47

Sun Visor & Related Parts



T 04132 Chrome Visor Clip

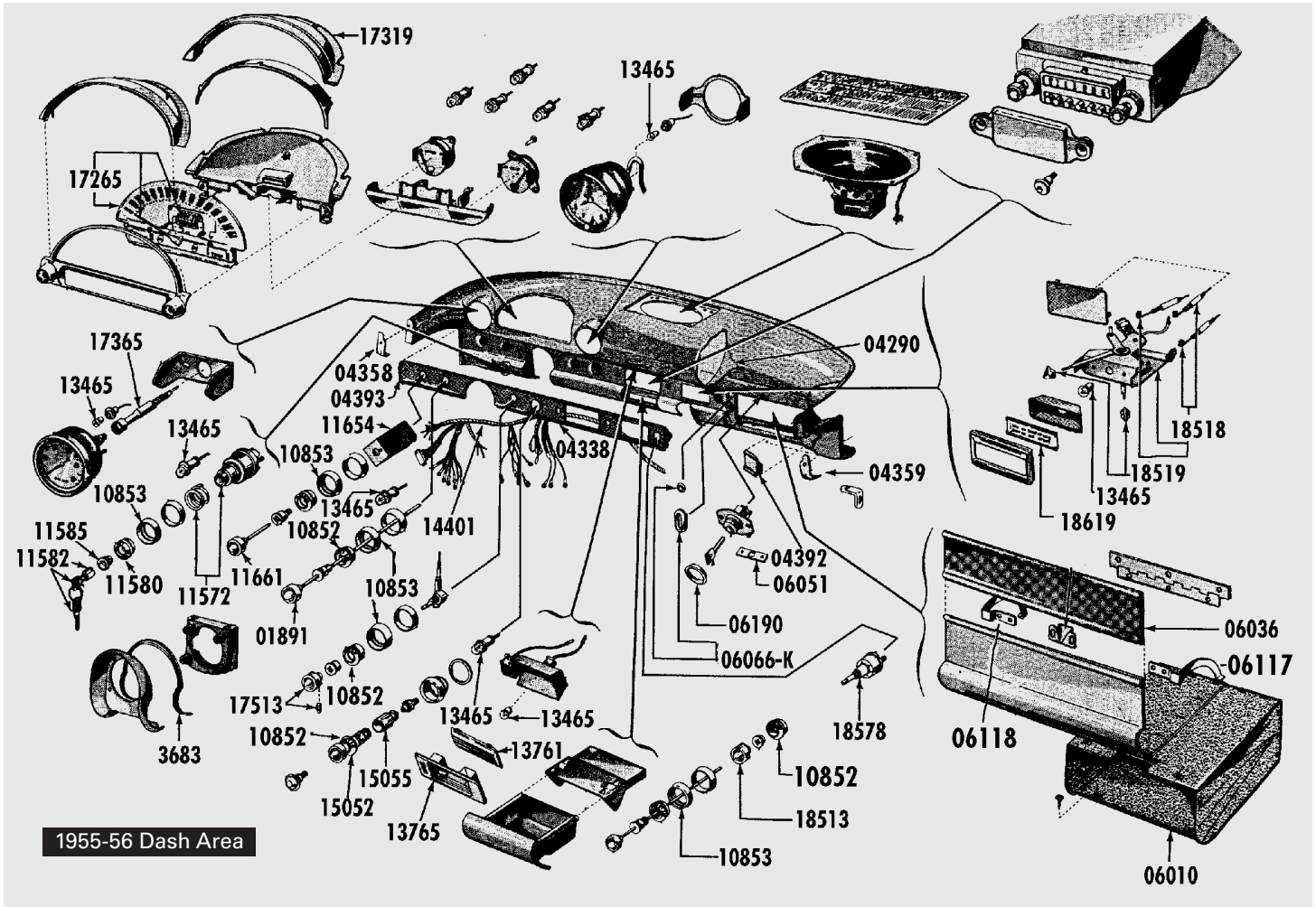


Sun Visors

- T 04104A 1956 White..... Pair 165.00
- T 04104B 1957 White..... Pair 165.00
- T 04104C 1957 Red..... Pair 165.00
- T 04104D 1957 Blue..... Pair 165.00
- T 04104E 1957 Green..... Pair 165.00
- T 04104F 1957 Bronze..... Pair 165.00
- T 04114 Anchor Rod, Visor..... 4.95
- THK 04114 Visor Arm & Retainer to Header (8 pcs. —Enough for 2 Sides)..... 2.37*
- T 04132 Chrome Visor Clip, '56-57 Each 22.78
- T 04144A Visor Arm & Bracket, '56, RH..... Each 47.76
- T 04145A Visor Arm & Bracket, '56, LH..... Each 47.76
- T 04144B Visor Arm & Bracket, '57, RH..... Each 47.28
- T 04145B Visor Arm & Bracket, '57, LH..... Each 47.28
- T 50530 Front Windshield Clamp, '55-57 Each 15.25



DASH, CONSOLE & UNDERDASH AREA



T 1955-57 Thunderbird Illustrations & Reference Manual



Having trouble locating a particular part or finding exactly how your Thunderbird's suspension was set up originally? Your restoration questions can be answered through the use of our 1955-57 Thunderbird Illustrated Parts Manual. It details major systems, utilizing original-style illustrations that include part numbers. If you are involved in the restoration process, you need this manual! TLT9..... 10.95

Dashboard Plug & Chug

Convert your ash tray into a drink holder using factory brackets!
TPC '55-57 Each 46.41

Now in Original Colors—Specify Year and Color



Dash Bezel Removal Tool

Do the job the right way, and save your expensive components from unnecessary damage!



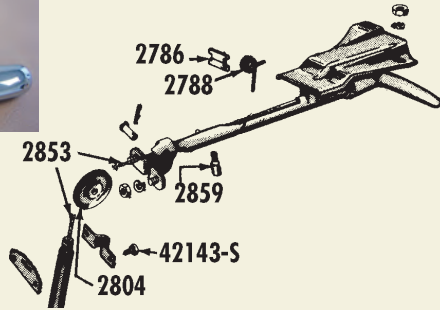
This tool makes removing the bezels of your dash quick and easy!
Order Part TAC 08..... 7.38

DASH, CONSOLE & UNDERDASH AREA

Parking Brake Assembly



T 2780AK



T 2780AK	Emergency Brake Handle Kit (Includes Handle & Retaining Pin)	50.95
T 2786	Parking Brake Ratchet Bar Pawl, '55-57	8.44
T 2788	Parking Brake Ratchet Pawl, '55-57	3.56
T 2804A	Parking Brake Cable Pulley, '55-57	20.35
T 2804B	Parking Brake Pulley Cover, '55-57	27.03
T 2805	Parking Brake Cover Clip, '55-57	5.75
T 2857	Parking Brake Cable to Firewall Clamp, '55-57	3.81
T 2858	Parking Brake Cable to Firewall Retainer, '55-57	4.19
T 2859	Parking Brake Lever, '55-57	3.13

Speedometer Cable

T 01694A	Speedometer & Overdrive Cable Grommet, Standard Transmission, '55-57	6.90
T 01694B	Speedometer Cable, Automatic Transmission, '55-57	6.25

Ventilation System

Ventilation System Register



T 01820

T 01820	Ventilation System Register, '55-57	Each	18.86
T 01890	Vent Control Assembly, RH, '55-57		45.39
T 01891	Vent Control Assembly, LH, '55-57		45.39
T 02104	Front Fender, Steel Vent Box, '56-57	Pair	254.69
T 02128	Side Vent Control Rod, RH, '56-57	Each	7.37
T 02129	Side Vent Control Rod, LH, '56-57	Each	7.37

Firewall Cover & Related Parts



T 01605A	Firewall Cover, '55-57, Quality waterproof board with rubber trim; Die-cut for exact fit; Includes fiberglass insulation/instructions	49.50
T 01605BK	Firewall Cover Fastener Kit, '55-57 Set Of 11	4.15

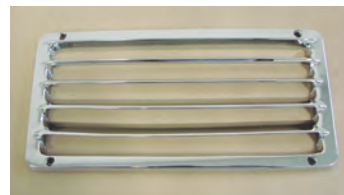
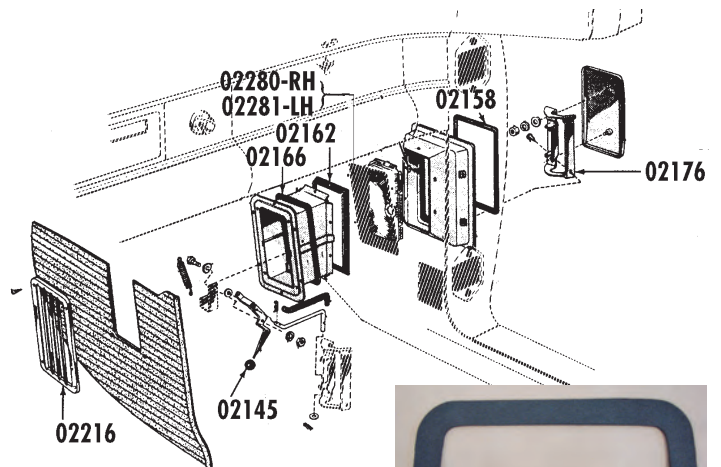
Firewal Grommet Kit



T 01605 CK

T 01605CK	Firewall Grommet set, '55-57, Consists Of: (1 ea) Wire Loom, Hood Cable, Tach Cable, Windshield Washer Hose, Vacuum Hose & RH Vent Cable Grommet, Per Set (6)	10.75
T 01605DK	Firewall Cover Fastener Set, '55-57, Exact Reproduction, (Kit of 12)	Set 39.73

Qualifies for CTCL Excellence in Authenticity Award!



T 02216



T 02162B Seal

T 02145	Vent Lever Knob, '56-57	Each	4.67
T 02154	Side Vent Control Spring, '56-57	Each	7.09
T 02158	Vent Door Seal, '56-57, Moulded		8.95
T 02162B	Vent Door Inner Seal, '56-57	Each	2.05
	THK 02216 Vent Grilles Inside to Body (8 pcs.—Enough for 2 Sides)		2.37
T 02216	Side Vent Grille	Each	29.94

Fuel Guage and Sender Kit

T 9280B	Fuel Guage and Sender Kit, '56 12 Volt Kit Includes Sender, Dash Guage, Wiring and Instructions	148.52
---------	---	--------

DASH, CONSOLE & UNDERDASH AREA



Kick Panels (TKP)



TKP 57BZ

Our Kick Panels are authentic in Every Way! Proper Materials, Grain and Colors mean you get Concours—Quality for your Thunderbird! Be sure to purchase Kick Panel Retainers before starting your restoration project.

TKP 55WT '55	White	Pair	74.80
TKP 55YL '55	Yellow	Pair	87.95
TKP 56WT '56	White	Pair	74.80
TKP 57BU '57	Blue.....	Pair	87.95
TKP 57BZ '57	Bronze	Pair	87.95
TKP 57GN '57	Green.....	Pair	87.95
TKP 57RD '57	Red.....	Pair	87.95
TKP 57WT '57	White	Pair	74.80

Dashes & Dash Covers



T 04290C	Dash, '57, Blue.....	Each	450.00
T 04290D	Dash, '57, Black.....	Each	450.00
T 04290E	Dash, '57, White.....	Each	450.00
T 04290F	Dash, '57, Red.....	Each	450.00
T 04290G	Dash, '57, Green	Each	450.00
T 04290H	Dash, '57, Bronze.....	Each	450.00
	THK 04294 Cowl Braces to Dash & Firewall (22 pcs.).....		3.58
	THK 04295 Dash to Cowl & Door Pillars '57, (18 pcs.).....		4.57
	THK 04454 Speaker Cover to Dash (8 pcs.).....		1.59
	THK 3673 Dash Trim to Dash (4 pcs.)		1.00
T 04291A	Padded Dash Retaining Strap, '57 Set Of 4.....		13.47
	THK 04291 Dash Pad Retainer Straps to Dash, '57 (12 pcs.).....		2.06

Enthusiasts who want a top-quality dash cover need to install one of these Original-Style Dash Covers in their vehicle. All dash covers are sewn as original and are ready for concours events.

TDC 55BK	'55-56	Black.....	Each	50.05
TDC 55GN	'55	Green	Each	50.05
TDC 55RD	'55	Red	Each	50.05
TDC 56BS	'56	Buckskin.....	Each	50.05
TDC 56GN	'56	Green	Each	50.05
TDC 56PK	'56	Peacock	Each	50.05
TDC 56RD	'56	Red	Each	50.05

Dash Mats

Preserve your expensive dash with a Dash Mat for 1957 T-Birds.

TDM 57 BK	57; Black	Each	46.20
TDM 57 BU	57; Blue.....	Each	46.20



Big Selection of Parts!

Whether it's a hard to find part or a standard T-Bird replacement part, Larry's has what you're looking for. Give us a call if you can't find the parts you need. Our knowledgeable parts specialists will be happy to help!

Dash Speaker



While installing your new Dash, be sure to replace your blown out original speaker with our specially manufactured replacement speaker. Everything you need for great sounds again!

TRD SATB24	Dash Speaker, '55-57.....	46.64
------------	---------------------------	-------

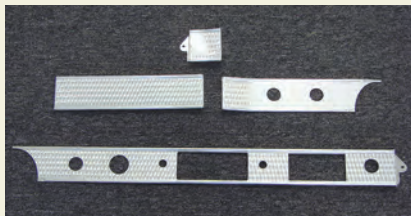
DASH, CONSOLE & UNDERDASH AREA



Original-Style Dash Aluminum Trim Kits

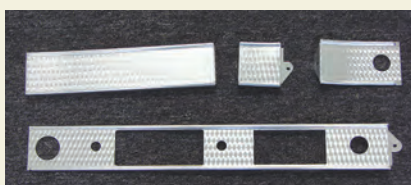
Larry's Dash Aluminum Kits are precision manufactured to fit perfectly in place of your damaged factory original. Purchase complete kit to save money!

1955/56 Trim Kit



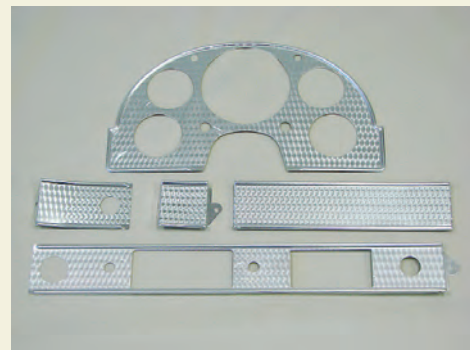
T 04338AK Dash Trim Kit, '55-56 Each 299.42

1957 Trim Kit



T 04338BK Dash Trim Kit, '57, (4 pcs.) 299.42
 THK 04338 Dash Aluminum To Dash (6 pcs.)93

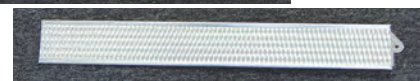
1957 Trim Kit



T 04338CK Dash Trim Kit, '57 (5 pcs.) Each 414.99



T 04338AP



T 04338BP

Individual Dash Trim Pieces

T 04338A	Aluminum, Center Dash Panel, '55-56.....	105.06
T 04338AP	Same As T 04338A, Except THERE ARE NO CUT OUTS, '55-56	105.06
T 04338B	Aluminum, Center Dash Panel, '57	105.06
T 04338BP	Same As T 04338B, Except THERE ARE NO CUT OUTS, '57	105.06
T 04358	Chrome, End Plate, RH Dash Panel, '55-57	16.93
T 04359	Chrome, End Plate, LH Dash Panel, '55-57	16.93
T 04392	Aluminum, RH End Dash Panel, '55-57	52.53
T 04393A	Aluminum, LH End Dash Panel, '55-56.....	52.53
T 04393B	Aluminum, LH End Dash Panel, '57	52.53
T 04438	Aluminum Instrument Cluster Face Plate, '57	115.57
	<i>THK 10987 Instrument Cluster Trim to Dash (4 pcs.)</i>	<i>2.46</i>
T 06036	Glove Box Finish Panel, '55-57	115.57

DASH, CONSOLE & UNDERDASH AREA

Glove Box & Related Parts



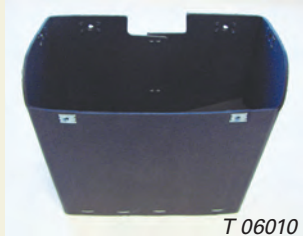
T 04407 Glove Box "V-8" Emblem, '55-56 14.23

Dash Nameplate



T 04460 Thunderbird Dash Nameplate, '55-56 23.30

Glove Box Insert



T 06010



T 06151
Guide
Plate

T 06010 Glove Box; Made with the correct clips & Heavy waterproof board, '55-57..... 17.45
 THK 06010 Glove Box to Dash (6 pcs.)..... 1.12
 THK 06117 Glove Box Arms to Door (4 pcs.).... 1.19
 THK 06151A Glove Box Latch to Door (2 pcs.) . .79
 THK 06050A Glove Box Hinge to Door (6 pcs.) 1.12
 THK 06117 Glove Box Latch to Dash (4 pcs.).... 1.19
 THK 06050B Glove Box Hinge to Dash (6 pcs.) . .93
 THK 06151B Glove Box Latch Plastic Guide to Dash (4 pcs.) 1.12

T 06036 Glove Box Finish Panel, '55-57 115.57
 T 06064 Glove Box Door Catch, '55-57 10.56



T 06066K
Grommet Kit



T 06117
Glove Box Arm



T 06190
Push Button Shield

T 06066K Glove Box Door Grommets & Bumpers Kit, '55-57..... 3.50
 T 06117 Glove Box Door Arm, RH, '55-57 7.00
 T 06118 Glove Box Door Arm, LH, '55-57 7.00
 T 06151 Glove Box Door Latch Guide Plate, '55-57 4.99
 T 06190 Glove Compartment Door Lock Shield Push Button, '55-57..... 8.96

Dash Bezel Kit

This kit includes the six plastic bezels, chrome bezels & rubber seals.



T 10852K '55/'57 Kit 193.75

Dash Bezels & Related Parts

T 10852A



T 10852C



T 10852D



T 10852E



T 10853

T 10852A Dash Bezel Left Air, '55-57..... 17.95
 T 10852B Dash Bezel Lights, '55-57 17.95
 T 10852C Dash Bezel Cigar Lighter (Inner), '55-57 17.95
 T 10852D Dash Bezel Heater Blower (Inner), '55-57 17.95
 T 10852E Dash Bezel Wiper (Inner), '55-57 17.95
 T 10852F Dash Bezel Right Air 17.95
 T 10853 Dash Bezel Knobs, '55-57, Stainless Steel 13.47
 T 10868 Rubber Pad, for use with part #T 10853..... 1.34

Temperature Guage

T 10883A



T 10883A '55; 6 Volt, Original Style Each 81.55
 T 10883B '56; 12 Volt, Original Style Each 81.55

T 10884A Temperature Sensor, '55 6V Each 73.49
 T 10884B Temperature Sensor, '56 12V Each 73.49
 T 10884C Temp. Sender Unit, In Cyl. Head, '57 12V..... 13.21

Temperature Guage & Sender Kit

T 10885AK '55 6 Volt Kit 149.95
 T 10885BK '56 12 Volt Kit 149.95

Note: Guage and Sender Are Like Original

Ignition Switch, Bezel & Related Parts



T 11585



T 11572



T 11582

T 11572 Ignition Switch, '55-57..... 29.95
 T 11580 Ignition Switch Dash Bezel (Inner), '55-57 19.05
 T 11582 Ignition Cylinder & Keys, '55-57 15.75
 T 11585 Ignition Switch Bezel Retaining Nut, '55-57 15.41

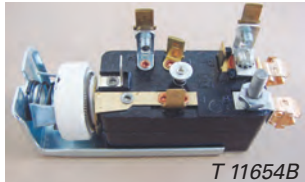
DASH, CONSOLE & UNDERDASH AREA

Ignition & Door Lock Kit



T 22050K Ignition & Door Lock Kit, '55-57..... 76.45

Headlight Switch & Related Parts



T 11650A Headlight Switch Retaining Nut..... 16.93
 T 11650B Headlight Switch Retaining Nut, '57
 Thread portion is lengthened to allow for
 better thread engagement..... 16.93
 T 11654A 6V Headlight Switch, '55..... 45.90
 T 11654B 12V Headlight Switch, '56-57..... 45.90

Headlight Control Knob

T 11661A Headlamp Control w/Shaft, '55-56..... 21.18
 T 11661B Headlamp Control w/Shaft, '57..... 21.18

Map Light & Related Parts



T 13713 Map Light Switch on door post, '55-57..... 7.23
 T 13754 Map Light Switch with Wires, '55-57..... 11.48
 T 13761 Map Light Lens, '55-57..... 5.15
 T 13765 Map Light Housing, '55-57..... 21.18

Heater & Windshield Wiper Switch Nut

T 13753 '55-57 Heater, '55-56 Wiper..... Each 13.74

Map Light Bezel Kit

This kit includes the chrome bezel, light switch, light lens & door switch's.

T 13765AK '55/57..... Kit 50.71

Cigar Lighter Assembly



T 15052A Rebuilt Lighter Knob & Element, 6V, '55..... 56.05
 T 15052B Lighter Assembly w/Socket, 12V, '56-57..... 45.00
 T 15054B Lighter Element, 12V, '56-57..... 9.95
 T 15055A Lighter Socket, '56-67..... 9.50
 T 15056 Lighter Knob & Shaft, '55-57..... 21.18
 T 15059 Cigar Lighter Chrome Bezel, '55-57..... 21.18

Hood Pull Cable Kit

These kits include the hood cable with handle, firewall bracket.

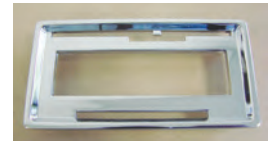
T 16916AK Chrome dash bracket, '55-56..... Kit 67.35
 T 16916BK Black dash bracket, '57..... Kit 63.68

Hood Release Cable & Related Parts

T 16907 Hood Release Cable to Firewall Bracket..... 13.21
 T 16916 Hood Pull Handle Plus Cable, '55-57..... 39.50
 T 16930A Hood Release Cable to Dash Bracket,
 '55-56; Chrome..... 16.83
 T 16930B Hood Release Cable to Dash Bracket
 '57; Black..... 10.56

Window Wiper Switch Nut

T 17512 '57..... Each 13.74



T 18513 Heater Motor Switch Knob, '55-57..... 15.71
 T 18518A Heater Temperature Control Cable, '55-57..... 13.21
 T 18518B RH Vent Control Cable, 39-1/2", '56-57..... 18.95
 T 18519A Heater Control Knob, '55..... 11.73
 T 18519B Heater Control Knob, '55-57..... 11.16
 T 18548 Heat/Defrost Control, 15" Cable, '55-57..... 13.27
 T 18548A Heater Cable Clip, '55/57..... Each 1.87
 T 18549 Heater Control Face to Dash Clip..... 8.82
 T 18550 Heater Face Bezel, '55-57..... 37.09
 T 18556 Defroster Hose, '55-57..... 26.21
 T 18556B Defroster Hose, '55-57 (Short)..... 6.25
 T 18574 Lower Heater Control Lever; (includes 2 rivets)..... 16.76
 T 18575 Upper Heater Control Lever, '55-57..... 16.76
 T 18578 Heater Motor Switch, '55-57..... 27.26
 T 18619 Heater Control Face, '55-57..... 12.75
 T 18810 Radio Shaft Nut, '55-57..... 2.93
 T 18817 Radio or Wiper Knob "D" Shaft Style, '55-57..... Each 15.87
 T 18817A Radio Knob "Split" Shaft Style..... Each 15.87
 T 18830 Radio Knob Bezel, '55-57..... Each 10.56

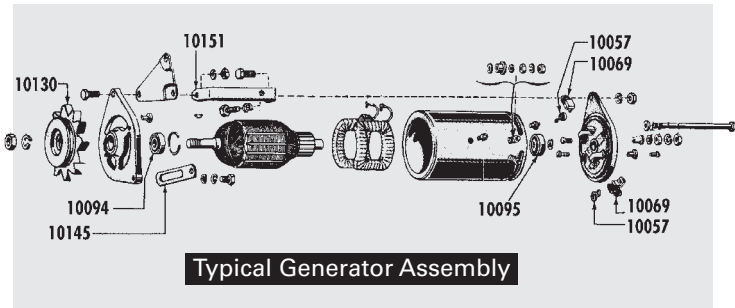
Heater Control Face Renewal Kit

These kits include the chrome bezel, face plate, upper & lower levers and knobs.

T 18549AK '55..... Kit 104.13
 T 18549BK '56-57..... Kit 105.34



GENERATOR & ALTERNATOR



Typical Generator Assembly



T 10145	Generator Belt Adjusting Arm, '55-57	13.92
T 10151	Generator Mounting, Cast Bracket, '55-57	41.97
T 10153	Generator Support Bracket, '55-57	8.94
T 14305	Generator to Voltage Reg. Wire Loom, '57	20.15

Generator Overhaul Kit



T 10001AK

T 10001AK	Generator Overhaul Kit, Consists Of: (1)T 10094, (1)T 10095, (1)T 10069A & (2)T 10057, '55, 6V	34.97
T 10001BK	Generator Overhaul Kit, Consists Of: (1)T 10094, (1)T 10095, (1)T 10069A & (2)T 10057, '56-57, 12V	47.71

Alternator

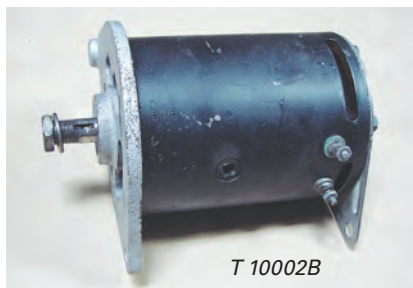


T 10347
Alternator
Mounting Kit

T 10346	'56-67, 12-Volt, Use with Part No. T 10347 listed below	Each	91.29
Core Deposit		Each	75.00
<i>Note: Generator can be used as core return.</i>			
Alternator Mounting Kit			
T 10347	'56-57, Includes all necessary parts to mount the alternator	Kit	98.69

Rebuilt Generators

Our high-quality Rebuilt Generator is an Excellent solution when your original isn't up to proper performance standards. Fully warranted for years of dependable service.



T 10002B

T 10002A	Rebuilt Generator, '55, 6V	163.15
Core Deposit.....		100.00
THK 10002A Generator to Brackets (3) with Stamped Steel End Plate (11 pcs.).....		4.17
T 10002B	Rebuilt Generator, '56-57, 12V.....	163.15
Core Deposit.....		100.00
THK 10002B Generator to Brackets (3) with Cast End Plate (11 pcs.).....		4.17

Alternator Kits

These kits include a NEW (not rebuilt) alternator, and all of the brackets and pulley to change over from a generator.

T 10346AK	6V, 65 amp, '55 only	Kit	203.95
T 10346BK	12V, 65 amp, '56-57.....	Kit	203.95

Voltage Regulators



T 10505B

T 10505A	Voltage Regulator '55, 6 Volt-Replacement Type	69.87
T 10505B	Voltage Regulator '56-57, 12 Volt-Replacement Type.....	70.33
	THK 10505 Voltage Regulator to Apron (3 pcs.).....	.93

T 10057	Generator Brush Spring, '55-57	5.58
T 10069A	Generator Brush Set, '55	9.99
T 10094	Generator End Plate Bearing, '55-57.....	10.56
T 10095	Generator End Bearing, '55-57.....	14.03
T 10130	Generator Pulley, '55-57.....	112.15



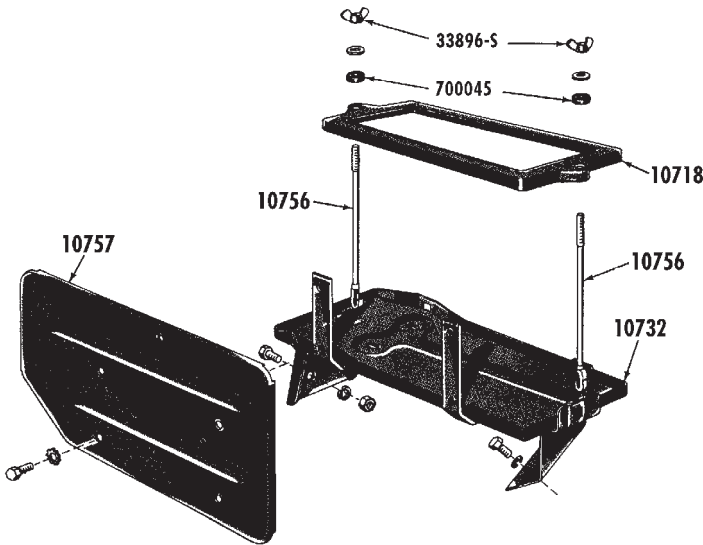
Dedicated to Excellence

BATTERY



Dedicated to Excellence

We carry a large inventory of used parts. Give us a call if you can't find what you need. Our knowledgeable parts specialists will be happy to help!



Battery Box Installation Kit

These kits include the battery tray, side shield, top clamp and all hardware needed to install a battery box in your car.

T 10732AK	Use With 6V Battery, '55	Kit	138.68
T 10732BK	Use With Size 29 Battery, '56-57	Kit	150.07
T 10732CK	Use With Size 32 Battery, '56-57	Kit	173.52

Original-Type Battery Clamps & Hold-Down Kits

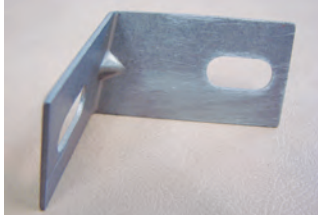
Our Battery Clamps and Battery Hold-Down Kits are manufactured from high-quality materials to withstand the rigors of underhood treatment. Original-type styling keeps your battery area looking correct.

T 10718A	Battery Hold-Down Clamp, '55 w/2N Battery...	13.50
T 10718B	Battery Hold-Down Clamp '56-57 With Group 29 Battery.....	21.18
T 10718C	Battery Hold-Down Clamp, '56-57 With Group 32 Battery (3 hole type, 5-1/2" x 14")....	38.73
T 10719AK	Battery Hold-Down Kit, '56-67; Includes Cast Type Wing Nuts, Metal washers & Rubber Washers	3.10
T 10719BK	Battery Hold-Down Kit, '56-57 With Group 29; Includes Pressed-Type Wing Nuts, Metal Washers & Rubber Washers.....	3.10
T 10719CK	Battery Hold-Down Kit, '56-57 With Group 32; Includes Pressed-Type Wing Nuts, Metal Washers & Rubber Washers.....	4.67
T 10720AK	Battery Hold-Down Kit, '55, Consists Of: (1)T 10718A, (1)T 10719AK & (2)T 10756B	23.50
T 10720BK	Battery Hold-Down Kit, '56-57 w/Group 29 Battery, Consists Of: (1)T 10718B, (1)T 10719BK (1)T 10756A & (1)T 10756B	32.52
T 10720CK	Battery Hold-Down Kit, '56-57 w/Group 32 Battery, Consists Of: (1)T 10718C, (1)T 10719CK & (3)T 10756B.....	52.48



BATTERY

T 10721
Battery
Bracket



T 10721 Battery Tray to Inner Fender Bracket, '55..... 6.83

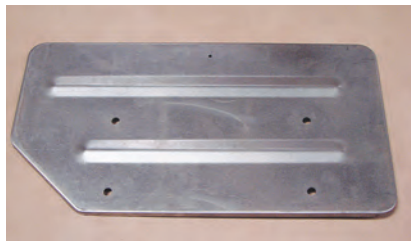


T 10732A
Battery
Tray

Battery Tray

T 10732A Battery Tray, '55..... 71.35
 T 10732B Battery Tray, '56-57 71.35
 THK 10732A Battery Box to Apron & Firewall
 '55 (16 pcs.) 5.17
 THK 10732B Battery Support to Apron &
 Shield To Support, '56-57 (16 pcs.) 5.10
 T 10756A Battery Clamp Bolt, '56-57, Use with
 Group 29 Battery at rear 4.75
 T 10756B Battery Clamp Bolt, '56-57 Using Group 29
 Battery & all Group 32 Batteries..... 4.75

Battery Shield



T 10757B

T 10757A Battery Shield, '55 32.00
 T 10757B Battery Shield, '56-57 40.00



T 14300A

Battery Cable

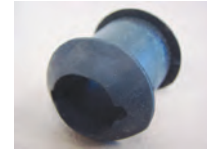
T 14300A Battery to Starter Relay Cable, Black
 Aftermarket; '55, 6V..... 29.53
 T 14300B Battery to Starter Relay Cable, Black
 Aftermarket, '56-57, 12V 29.52
 T 14301A Battery to Ground Cable, Black
 Aftermarket; '55, 6V..... 27.49
 T 14301B Battery to Ground Cable, Black
 Aftermarket, '56, 12V..... 27.18
 T 14301C Battery to Ground Cable, Black
 Aftermarket, '57, 12V 20.35

T 14300BK
Battery
Cable Kit



T 14300BK Battery Cable Set, '56, Battery to Relay &
 Battery to Ground; Original Type,..... Set 59.95
 T 14300CK Battery Cable Set, '57, Battery to Relay &
 Battery to Ground; Original Type..... Set 59.95

Battery Cable Grommet



T 14302A



T 14302B

T 14302A Battery Cable Grommet, '55-56, 3 used..... Each 4.21
 T 14302B Battery Cable Grommet, '57, 3 used..... Each 4.21
 *Note: Refer to Part 14304 For Bracket.

Battery & Starter Cable Bracket & Grommet Kit



T 14304AK



T 14304BK

T 14304AK '55-56..... Kit 28.79
 T 14304BK '57..... Kit 28.79

Battery Cable Brackets



T 14304B



T 14304C



T 14304D



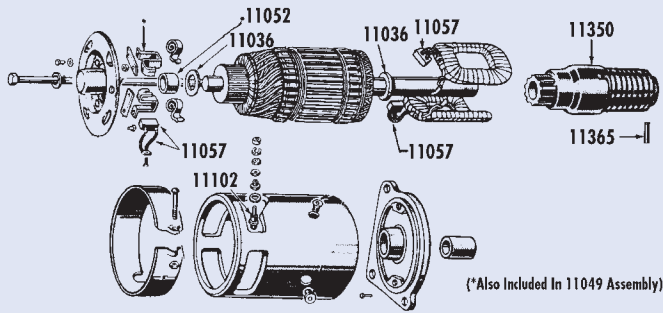
T 14304E

T 14304B Battery Cable Grommet to Firewall
 & Battery Shield Bracket, '55-56..... 5.20
 T 14304C Battery Cable Grommet to Bell Housing
 For Starter Cable Bracket, '55-56..... 5.20
 T 14304D Battery Cable Grommet to Firewall
 & Battery Shield Bracket, '57 5.20
 T 14304E Battery Cable Grommet to Bell Housing
 For Starter Cable Bracket, '57 5.20

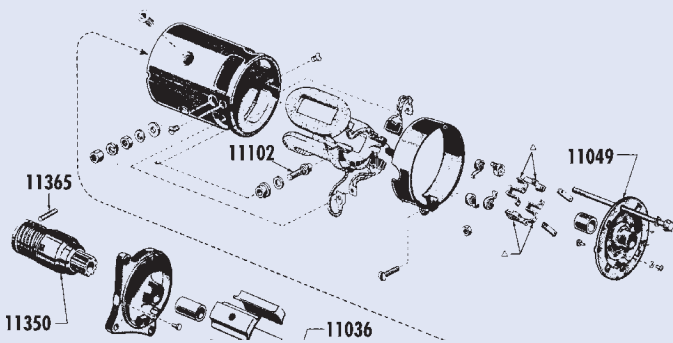
Hardware for this Section

TSP 33896A Wing Nut, Battery Bolt, '55..... Each .68
 TSP 33896B Wing Nut, Battery Bolt, '56-57 Each .68
 TSP 700045 Battery Hold-Down Grommet, '55-57 .. Each .68

STARTER



Typical Battery Hold-Down Assembly



Typical (12v)

Rebuilt Starter

- Highest Quality
- Fully Warranted
- Available in 6V or 12V



Note: Starter Does Not Come With Bendix.

T 11002B

T 6436	Starter/Bell Housing Seal.....	12.56
T 11002A	Rebuilt Starter, '55, 6V.....	173.35
	Core Deposit.....	100.00
T 11002B	Rebuilt Starter, '56-57, 12V.....	173.35
	Core Deposit.....	100.00
	THK 11002 Starter to Bell Housing (6 pcs.).....	1.85

New Starter Motor

T 11002C	New 6V, '55.....	Each	193.75
T 11002D	New 12V, '56-57.....	Each	203.95

T 11036	Starter Armature Thrust Washer, '55-57.....	.65
T 11052	Starter Front Plate Bushing, '55-57.....	2.91
T 11057	Starter Brush Set, '55-57.....	10.46

Starter Overhaul Kit



T 11058K	Starter Overhaul Kit, '55-57, Consists Of: (1)T 11052, (1)T 11135A, (1 Set)T 11057 & (1 Kit)T 11102.....	24.55
----------	--	-------



T 11350

T 11126	Starter Cover Band, Includes Hardware.....	Each	5.30
T 11135A	Starter Rear Plate Bushing, '55-57.....		3.71
T 11350	Bendix Starter, '55-57.....		61.15
T 11365	Starter Drive Pin, '55-57.....		2.07

Larry's Concoors-Quality Starter Solenoid



T 11450C

Qualifies for CTCI Excellence in Authenticity Awards!

Our Concoors-Quality Starter Solenoid (Part T 11450C) Looks & Functions just like the original. Do it Right!

T 11450A	Starter Solenoid, '55, 6V.....	25.45
T 11450B	Starter Solenoid, '56-57, 12V.....	18.50
	THK 11450 Starter Solenoid to Firewall (2 pcs.).....	1.36
T 11450C	Starter Solenoid, '56-57, 12V, Brown Body.....	39.21

Qualifies for CTCI Excellence in Authenticity Awards!

Battery Cable Grommets & Brackets

T 14302A	Battery Cable Grommet, '55-56, 3 used.....	Each	4.21
T 14302B	Battery Cable Grommet, '57, 3 used.....	Each	4.21
	<i>*Note: Refer to Part 14304 For Bracket.</i>		
T 14304B	Battery Cable Grommet to Firewall & Battery Shield Bracket, '55-56.....		5.20
T 14304C	Battery Cable Grommet to Bell Housing For Starter Cable Bracket, '55-56.....		5.20
T 14304D	Battery Cable Grommet to Firewall & Battery Shield Bracket, '57.....		5.20
T 14304E	Battery Cable Grommet to Bell Housing For Starter Cable Bracket, '57.....		5.20
T 14431A	Starter to Starter Solenoid Cable, '55.....		27.95
T 14431B	Starter to Starter Solenoid Cable, '56-67.....		23.95

IGNITION & DISTRIBUTOR



T 11585



T 11572



T 11582

T 11572	Ignition Switch, '55-'57.....	29.95
T 11580	Ignition Switch (Inner) Dash Bezel, '55-'57.....	19.05
T 11582	Ignition Cylinder & Keys, '55-'57.....	15.75
T 11585	Ignition Switch Bezel Retainer Nut, '55-'57.....	15.41

Distributor Tune-Up Kit



T 12000AK



T 12000BK

T 12000AK	Distributor Tune-Up Kit, '55-'56.....	Each	21.00
T 12000BK	Distributor Tune-Up Kit, '57.....	Each	20.90

Improved Power & Fuel Economy!



Increase horsepower and improve fuel economy with Pertronix Ignition System. Fits entirely in the distributor. Delivers twice the voltage to the spark plugs vs. standard ignitions!

T 12000-CK	'55-'56, 12V.....	100.73
T 12000-DK	'57, 12V.....	86.70

Ignition Coil



T 12029B



T 12029C

T 12029A	Coil, '55.....	24.99
T 12029B	Coil, '56 - (Early '57), Replacement.....	25.45
T 12029C	Coil, '57 - (Late), w/yellow top like original.....	35.65
T 12029D	Coil, '56-'57 Chrome Pertronix.....	42.40

T 12043A	Coil Bracket, '55.....	30.55
T 12043B	Ignition Coil Mounting Strap, '55-'57.....	33.43
	THK 12043 Coil bracket to manifold (4pcs.).....	1.19

Original-Type Distributor Cap



T 12106A



T 12106B

T 12106A	Distributor Cap, '55-'56.....	Each	19.95
T 12106B	Distributor Cap, '57.....	Each	16.95

T 12111A	Ignition Cable Mounting 4 holes In-Line Bracket Base, '55-'57.....	Each	4.15
T 12112A	Ignition Cable Mounting Bracket, to be used with Square Type Grommet, '55-'57.....	Each	2.63
T 12112B	Ignition Cable Mounting Bracket, to be used with Grommet with 4 Holes In-Line, '55-'57.....	Each	2.75

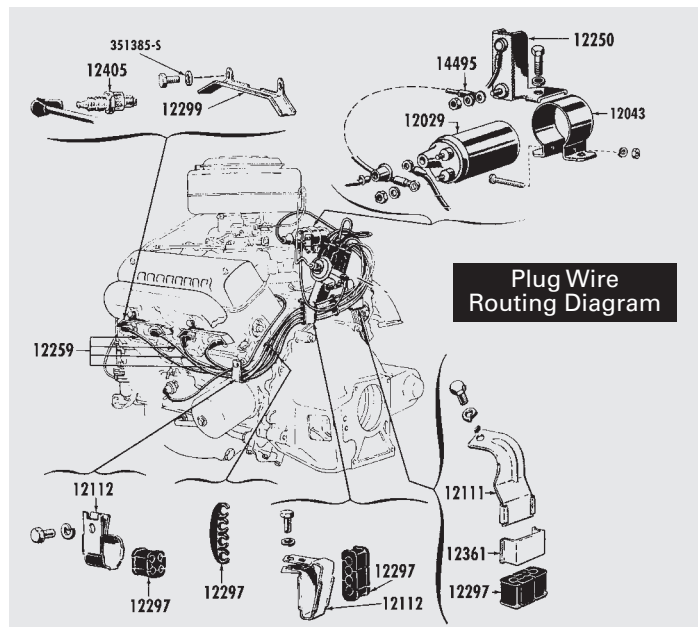
Ignition Wire Grommet Kit



The proper way to keep your ignition wires in place in the engine compartment. Includes brackets & grommets for our Ignition Wires Sets.

Kit Includes: (2) T 12297A, (2) T 12297Bm (2) T 12297C, (2) T 12112A, (1) T 12112B, (1) T 12361, (1) 12111

T 12113K Kit.....	23.32
THK 12113 Ign. Cable Brackets to Engine (8 pcs.).....	2.91



Plug Wire Routing Diagram

T 12127A	Original Rebuilt Distributor, Less Vacuum Advance, '55.....	249.90
	Core Deposit.....	600.00
T 12127B	Original Rebuilt Distributor, Less Vacuum Advance, '56.....	249.90
	Core Deposit.....	600.00
T 12127C	Original Rebuilt Distributor, Less Vacuum Advance, '57.....	249.90
	Core Deposit.....	600.00



IGNITION & DISTRIBUTOR

Distributor Repair Kit



T 12128K Distributor Shaft Bushing Repair Kit, '57;
Kit Consists Of: (1)T 12120, (1)T 12476, (1)TSP 44730-S,
(1)TSP 61489 & (1)TSP 354132..... 25.26

- T 12171A Distributor Point Set, '55-56..... 9.13
 - T 12171B Distributor Point Set, '57..... 7.89
 - T 12200A Distributor Rotor, '55-56..... 7.03
 - T 12200B Distributor Rotor, '57..... 5.56
 - T 12250A Coil Resistor, '56-57, Like Original..... 29.80
- Qualifies for CTCI Excellence in Authenticity Awards!*

Concours-Quality Ignition Wire Set



T 12259

Qualifies for CTCI Excellence in Authenticity Awards!

* Concours-Quality Exact Reproduction Plug Wire Sets. A must for CTCI Concours d'Elegance Competition. Black Covered "Wire Core" Type Wires. "FoMoCo" Oval Logo on Boots. Brown Coil Wire with Correct Part Number. Correctly Shaped Distributor Cap "Boots". Heat Conduit Installed. Numbered Wires for Easy Installation.

- T 12259 Ignition Wire Set,
(Standard Motor Craft Replacement) 39.73
- * T 12259A Ignition Wire Set, Like Original, '55-Early 57..... 71.35
- Qualifies for CTCI Excellence in Authenticity Awards!*
- * T 12259B Ignition Wire Set, Like Original, Late '57 71.35
- Qualifies for CTCI Excellence in Authenticity Awards!*

- T 12260K Grommets, Brackets & Wires Kit for
Ignition (Spark Plug Wires)
Consists Of: (1)T 12113K & (1)T 12259 56.05
- THK 12113 Ign. Cable Brackets to Engine (8 pcs.)... 2.91
- T 12297A Spark Plug Wire Grommet,
4 Holes In Square, '55-57..... Each 1.78
- T 12297B Spark Plug Wire Grommet,
4 Holes In-Line, '55-57..... Each 1.78
- T 12297C Plastic Plug Wire Separator, '55-5753
- T 12298 Coil Wire, '55-57, Brown w/Correct Boots 21.18
- Qualifies for CTCI Excellence in Authenticity Awards!*
- T 12299 Spark Plug Wire Shield, '55-57 4.50
- T 12300A Distributor Condenser, '55-56..... 6.89
- T 12300B Distributor Condenser, '57..... 8.01

Distributor Vacuum Advance

- T 12370AR Original **Rebuilt**, '55..... Each 132.55
- Core Deposit..... Each 100.00
- T 12370BR Original **Rebuilt**, Dual Type '56 Each 183.55
- Core Deposit..... Each 125.00
- T 12370C New (not original) Replacement Each 49.93

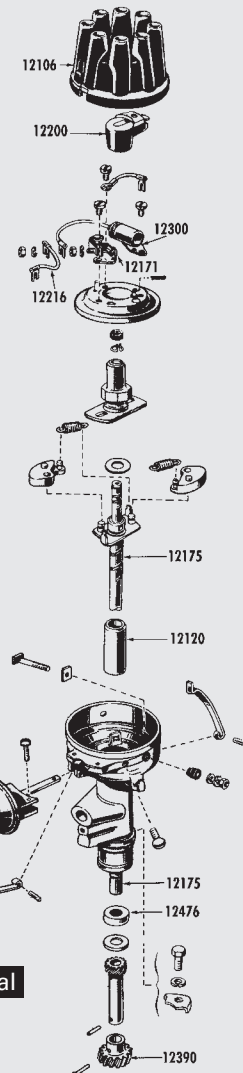
- T 12361 Dist. Plug Wire Bracket Clamp, '55-57 3.25
 - T 12371A Distributor to Carb. Vacuum Line, '55..... 8.44
 - T 12371B Distributor to Carb. Vacuum Line, '56 (2 pcs.)..... 29.53
 - T 12371C Distributor to Carb. Vacuum Line, '57..... 11.98
 - T 12371AS Distributor to Carb. Line, Stainless, '55..... Each 12.68
 - T 12371BS Distributor to Carb. Line, Stainless, '56..... Set 36.72
 - T 12371CS Distributor to Carb. Line, Stainless, '57..... Each 39.95
 - T 12405 Spark Plug, '55-57 4.03
 - T 12476 Distributor Shaft Seal 13.74
- *Note: For Tachometer Parts, See Instrument Panel & Dash Section.*
- T 14302C Coil to Distributor Wire, '56-57 Each 4.05
 - T 14495 Coil to Resistor Wire, '56-57 Each 4.03
 - T 22050K Ignition & Door Lock Kit, '55-57 Each 76.45
 - T 22051K Key Set, '55-57 Pair 4.50



Distributor Service Manual



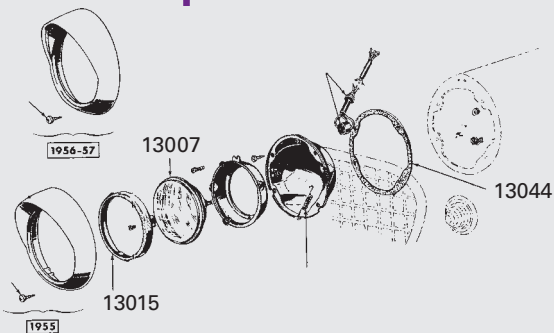
TLT 7 Distributor Manual
'55-57.....Each 8.27



Tach Drive Distributor - Typical

EXTERIOR LIGHTS

Headlamp & Related Parts



T 13007B Headlamp Bulb



T 13015 Headlamp Ret. Ring



T 13024A Dimmer Switch



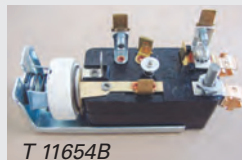
T 13044 Bucket Gasket



T 11654A



T 11661A



T 11654B



T 11661B

T 11650A	Headlight Switch Retaining Nut, '55-56	16.93
T 11650B	Headlight Switch Retaining Nut, '57	16.93
T 11654A	Headlight Switch, '55, 6V	45.90
T 11654B	Headlight Switch, '56-57, 12V	45.90
T 11661A	Headlamp Control Knob, w/Shaft, '55-56	21.18
T 11661B	Headlamp Control Knob, w/Shaft, '57	21.18
T 13007A	Headlamp Bulb, '55, 6V	25.45
T 13007B	Sealed Beam, 12V, FoMoCo Etched	18.11
T 13009	Lower Headlight Door Retaining Clip	7.96
T 13015	Headlamp Retaining Ring	13.21
T 13024A	Dimmer Switch, '55-56	20.15
T 13024B	Dimmer Switch, '57	30.55
	THK 13024 Dimmer Switch Cover to Firewall (4 pcs.)	1.06
	THK 13024A Dimmer Switch To Cover (4 pcs.)	.93
T 13024C	Dimmer Switch Hole Cover, Die-Stamped Metal..	38.15
T 13031	Headlamp Bucket Spring, '55-57	3.66
T 13044	Headlamp Bucket to Fender Gasket, '55-57	3.25
T 13076A	Headlamp Wire, '55	20.70
T 13076B	Headlamp Wire, '56	20.11
T 13076C	Headlamp Wire, RH & LH, '57	Set 45.58

Hardware for this Section

THK 13064	Headlamp Door to Bucket (2 pcs.—Enough for 2 Sides)	1.06
THK 13008	Headlamp Bucket & Door Mounting Kit (22 pcs.—Enough for 2 Sides)	5.03

Lamp Gasket Kits



T 13000AK

Our Lamp Gasket Kits are your most economical way to purchase lamp gaskets for your restoration project. Each Lamp Gasket Kit includes gaskets for the following: Headlamps, Parking Lamps, Tail Lamps, Backup Lamps & License Plate Lamps.

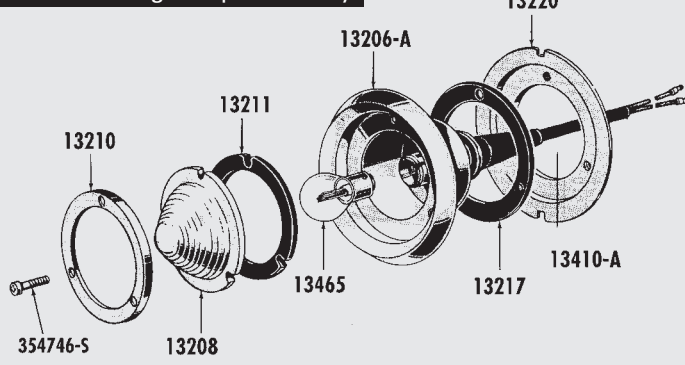
T 13000AK	'55; with Backup Lamps	37.77
T 13000BK	'55; without Backup Lamps	36.72
T 13000CK	'56; without Backup Lamps	37.30
T 13000DK	'57; without Backup Lamps	23.64

Park Lamp Kit

These kits include the body's, lens', gaskets, body pads, bulbs and hardware.

T 13200AK	6V, '55	Kit	147.43
T 13200BK	12V, '56	Kit	146.72
T 13200CK	12V, '57	Kit	168.13

'55/'56 Parking Lamp Assembly

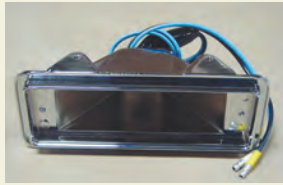


EXTERIOR LIGHTS

Park Lamp & Related Parts



T 13206A
Parklight Body

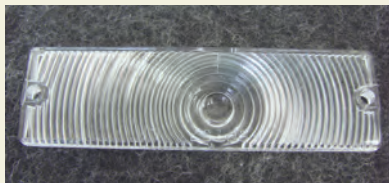


T 13206B
Parklight Body

T 13206A	Parklight Body w/Wire Pigtail, '55-56.....	45.58
T 13206B	Parklight Body w/Wire Pigtail, '57	63.62
	THK 13206B Parking Lamp to Bumpers '57 (12 pcs.—Enough for 2 Sides).....	2.85



T 13208A Lens



T 13209B Lens

T 13208A	Park Light Lens, '55-56, RH or LH.....	8.35
T 13208B	Park Light Lens, '57, RH	11.48
T 13209B	Park Light Lens, '57, LH.....	11.48
	THK 13208A Parking Lamp Lenses to Lamp Body '55-56 (6 pcs.—For 2 Sides).....	2.65
T 13210	Park Light Lens Retaining Ring, '55-56.....	9.90
T 13211A	Park Light Lens Gasket, '55-56.....	1.15
T 13211B	Park Light Lens Gasket, '57	1.68
T 13217A	Park Light Body to Fender Pad, '55-56.....	4.15
T 13217B	Park Light Body to Bumper Pad, '57	2.05



T 13350A
Turn Signal
Flasher

T 13350A	Turn Signal Flasher, '55, 6V	13.01
T 13350B	Turn Signal Flasher, '56-57, 12V.....	6.89

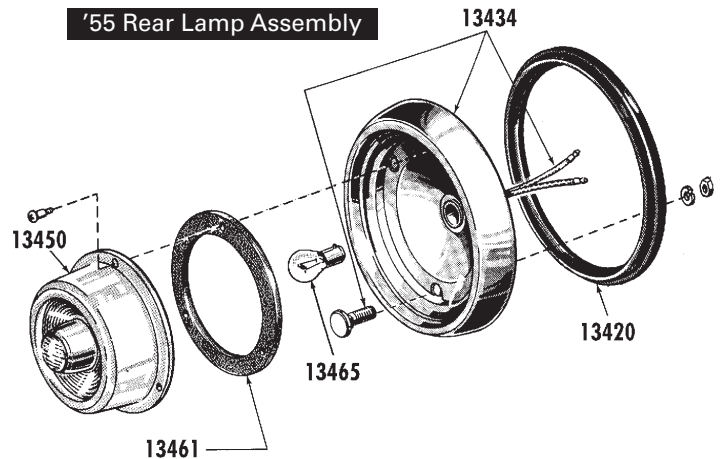


T 13410A
Parklight
Socket



T 13410B
Parklight
Socket

T 13410A	Parklight Socket with Correct Wire, '55.....	20.15
T 13410B	Park Lamp Wire & Socket, '56.....	20.15
T 13410C	Park Lamp Wire & Socket, '57.....	20.15



Rear Lamp & Related Parts

T 13411A	Backup Lamp Bulb Socket, '55-56	12.95
----------	---------------------------------------	-------

Backup Lamp Wire

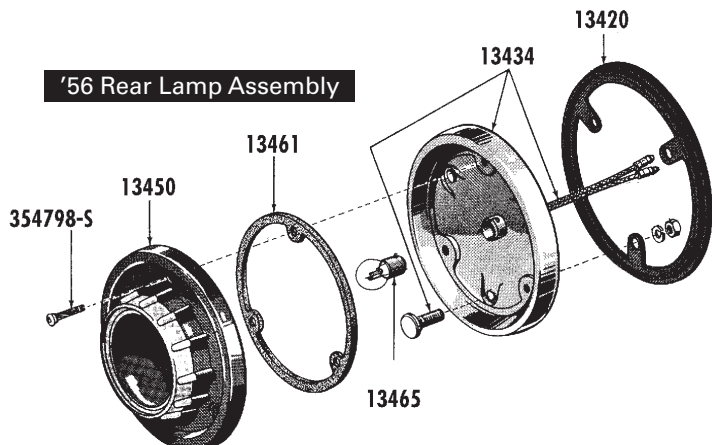


T 13411B

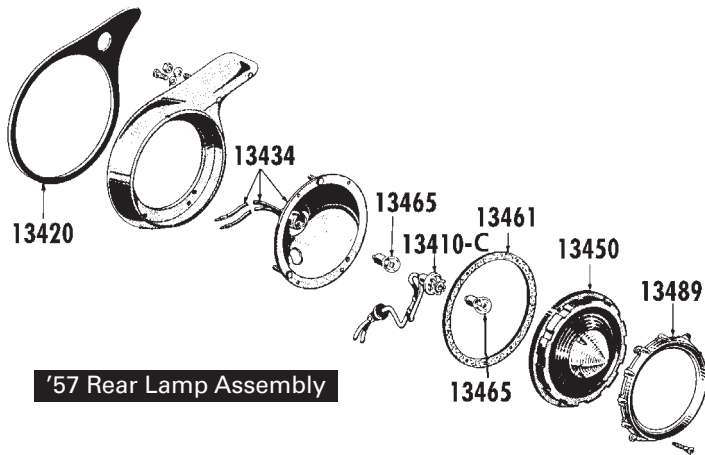


T 13411C

T 13411B	Backup Lamp Pigtail Wire, '55-56.....	4.95
T 13411C	Backup Lamp Pigtail Wire & Socket, '57	15.95



EXTERIOR LIGHTS



'57 Rear Lamp Assembly

Tail Lamp Wire & Socket



T 13413A

T 13413A	Tail Lamp Wire & Socket, '55	Each	10.97
T 13413B	Tail Lamp Wire & Socket, '56	Each	10.97
T 13413C	Tail Lamp Wire & Socket, '57	Each	22.39

T 13420A	Tail Lamp Body Mounting Pad, '55-56	5.20
T 13420B	Tail Lamp Body Mounting Pad, '57	2.89
T 13434A	Tail Light Housing, '55	45.39
T 13434B	Tail Light Housing, '56	40.27
	THK 13206A Rear Lamp Bodies to Quarters '55-56 (6 pcs. — For 2 Sides)	1.12

Tail Lamp Kit



T 13449BK

These kits include the chrome body's (55-56), lens, gaskets, body pads, bulbs and hardware.

T 13449AK	'55	Kit	152.24
T 13449BK	'56	Kit	151.13
T 13449CK	'57 without back up lamps	Kit	108.53
T 13449DK	'57 with back up lamps	Kit	127.06

Hardware for this Section

TSP 32948	Headlamp Door Attaching Screw	Each	.68
TSP 353624	Tail Lamp Lens Screw	Each	1.22
TSP 354690	Backup Lamp Lens Bolt, '55	Each	1.30
TSP 354746	Park Lamp Lens Screw, '55-56	Each	.81
TSP 354798	Tail Lamp Lens Screw, '56	Each	1.01
TSP 354899	Park Lamp & Tail Lamp Lens Screw	Each	1.22
TSP 354973	Backup Lamp Lens Screw, '56	Each	1.05

Original-Style Lamp Lenses



T 13450A



T 13450B



T 13450C



T 13450D

T 13450A	Tail Lamp Lens, '55	18.31
	THK 13450A Rear Lamp Lens Body, '55 (6 pcs—Enough For Both Sides)	7.56
T 13450B	Tail Lamp Lens, '56	22.40
	THK 13450B Rear Lamp to Lamp Body '56 (6 pcs—For 2 Sides)	4.65
	THK 13450C Tail Light Screw kit	10.08
T 13450C	Tail Lamp Lens, '57, w/o Backup Lamps	25.45
	THK 13450C Rear Lamp Lens to Lamp Body, '57 (8 pcs—Enough For Both Sides)	10.08
T 13450D	Tail Lamp Lens, '57, w/Backup Lamps	36.95
	THK 13448 Rear Lamp Housing to Quarter '57 (8 pcs.—For 2 Sides)	2.46
	THK 13450C Rear Lamp Lens to Lamp Body, '57 (8 pcs—Enough For Both Sides)	10.08
T 13461A	Tail Lamp Lens Gasket, '55	2.63
T 13461B	Tail Lamp Lens Gasket, '56	2.63
T 13461C	Tail Lamp Lens Gasket, '57	2.63



T 13480

T 13480	Stop Lamp Switch	13.96
---------	------------------	-------	-------

Tail Lamp Ring Bezels



T 13489A
Tail Lamp Ring



T 13489B
Tail Lamp Ring

T 13489A	Tail Lamp Ring Bezel, w/o Backup Lamps, '57	26.50
T 13489B	Tail Lamp Ring Bezel, with Backup Lamps, '57	25.00

EXTERIOR LIGHTS

License Plate Lamp



T 13412
License
Lamp Wire



T 13423 License Lamp Retainer

T 13412	License Lamp Wire & Socket Assem., '57	15.71
T 13423	License Lamp Lens Retainer, '55-56.....	15.71

Rear License Lamp Assemblies



T 13550BK License
Lamp Assembly



T 13550CK License
Lamp Assembly

T 13550AK	Rear License Lamp Assembly, '55.....	62.99
T 13550BK	Rear License Lamp Assembly, '56.....	62.99
T 13550CK	Rear License Lamp Assembly, '57.....	73.49



T 13560A

Rear License Lamp Body



T 13560B

T 13560A	Rear License Lamp Body, '55-56 Original Two-Bulb Type	34.62
T 13560B	Rear License Lamp Body, '57.....	25.16



T 13564A Lens



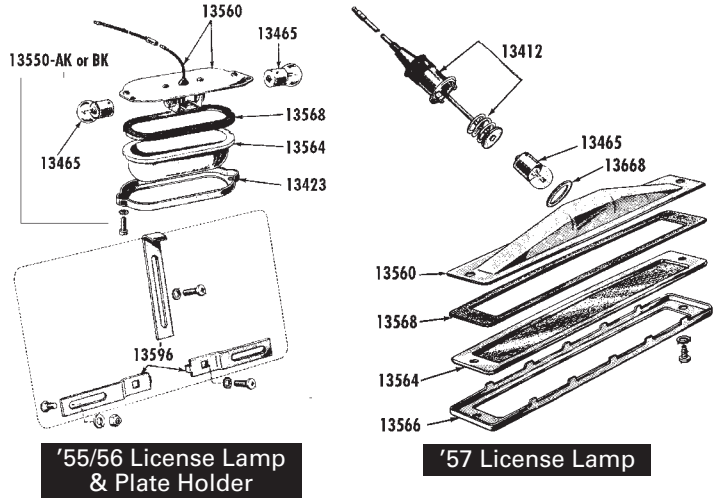
T 13564B Lens

T 13564A	License Lamp Lens, '55-56.....	15.91
T 13564B	License Lamp Lens, '57	15.39
	THK 13564 License Lens '55-57, (2 pcs.)	1.06



T 13566 License Lamp Retainer

T 13566	License Lamp Lens Retainer; Chrome, '57	18.86
T 13568A	License Lamp Lens Gasket, '55-56.....	1.58
T 13568B	License Lamp Lens Gasket, '57	1.58
T 13668	License Plate Lamp Socket Gasket, '5781



'55/56 License Lamp
& Plate Holder

'57 License Lamp

Backup Lamp Housing, Lenses & Gaskets



T 13437
Reflector



T 15510A



T 15510B



T 15515A



T 15515B



T 15514A



T 15514B



T 15533A



T 15533B



T 15533C

T 13437	Backup Lamp Housing Reflector, '56	5.36
T 15510A	Backup Lamp Lens Gasket, '55.....	1.47
T 15510B	Backup Lamp Lens Gasket, '56.....	1.47
T 15514A	Backup Lamp Lens, '55	9.50
	THK 15514A Backup Lamp Lenses to Lamp Body '55 (12 pcs. —For 2 Sides)	7.68
T 15514B	Backup Lamp Lens, '56	9.50
	THK 15514B Backup Lamp Lenses to Lamp Body '56 (4 pcs. —For 2 Sides)	5.29
T 15515A	Backup Lamp Housing, '55	Each 32.95
T 15515B	Backup Lamp Housing, '56	Each 39.87
T 15515C	Block Off Plate, '55 w/o Backup Lamps, Chrome Finish	Each 23.30
T 15520	Backup Lamp Switch, '55-57, Std or OD.....	Each 38.71
T 15525A	Backup Lamp Switch Wire, '55	Each 28.12
T 15525B	Backup Lamp Switch Wire, '56-57	Each 31.78
T 15533A	Backup Lamp Body Pad (w/Backup), '55.....	Each 2.63
T 15533B	Backup Lamp Body Pad (w/o Backup), '55 ...	Each 3.10
T 15533C	Backup Lamp Body Pad, '56	Each 2.05
T 15540K	Backup Switch Bracket & Cam, '55-57	Each 18.86

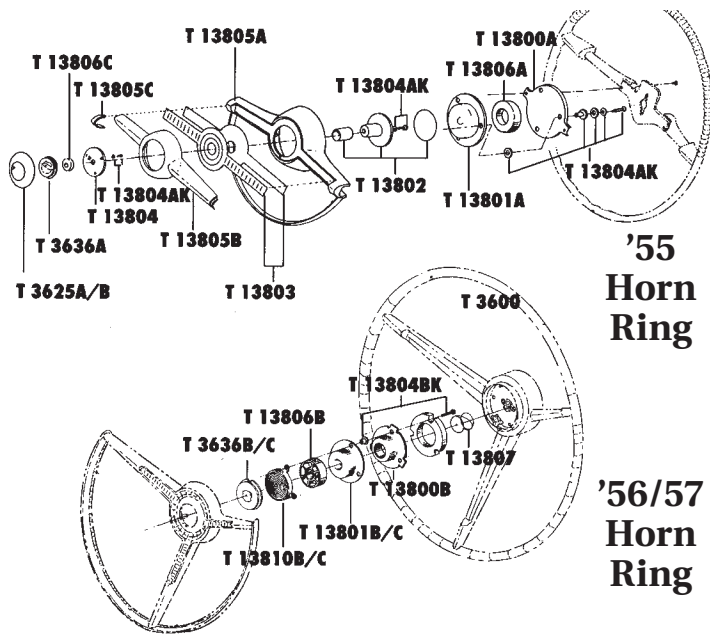
Backup Lamp Kit



T 15500BK

T 15500AK	'55.....	Kit	94.91
T 15500BK	'56.....	Kit	115.53

TURN SIGNAL & HORN



'55 Horn Ring

'56/'57 Horn Ring

Horn Ring Ornaments



T 3636A		
T 3625A	Horn Ring Emblem Retainer, '55, M/S	17.60
T 3625B	Horn Ring Emblem Retainer, '55, P/S	17.60
T 3636A	Horn Ring Plastic Insert Emblem, '55	25.37
T 3636B	Horn Ring Plastic Insert Emblem, '56	29.96
T 3636C	Horn Ring Plastic Insert Emblem, '57	26.50
T 3672	Horn Ring Insulator Pad, '56-57	1.05
T 13304A	Cancelling Plate Assembly, '55.....	45.12
T 13304B	Cancelling Plate Assembly, '56-57	48.28

Turn Signal Lever



T 13305A	Turn Signal Lever, '55	15.71
	May be used for non-show cars on '56-57.	
T 13305B	Turn Signal Lever, '56-57	14.66
T 13309	Turn Signal Switch Plate Pawl.....	7.25
T 13316	Turn Signal Switch Panel Spring.....	3.83
T 13318	Steering Wheel Cancelling Cam, '55-57	10.35

Turn Signal Switch



T 13341A	Turn Signal Switch as Original.....	94.50
T 13343A	Turn Signal Switch to Pawl Spring, For Orig. Switch.....	3.13
T 13343B	Turn Signal Switch to Pawl Spring, For Replacement Switch	3.13

Turn Signal Flasher



T 13350A

T 13350A	Turn Signal Flasher, '55, 6V.....	13.01
T 13350B	Turn Signal Flasher, '56-57, 12V	6.89
T 13799AK	Complete Horn Ring Kit, '55, M/S.....	201.58
T 13799BK	Complete Horn Ring Kit, '55, P/S.....	201.58
T 13800A	Horn Ring Attaching Plate, '55	21.18
T 13800B	Horn Ring Attaching Plate, '56-67	17.09
T 13801A	Horn Ring Contact Plate, '55	21.18
T 13801B	Horn Ring Contact Plate, '56-57	17.09
T 13802	Horn Ring Spacer Plate	
	Chrome Sleeve & Gasket, '55	20.76
T 13803	Horn Ring Ribbed Trim Plate & Gasket, '55.....	31.78
T 13804	Horn Ring Medallion Retaining Plate, Lower, '55	15.87
T 13804AK	Horn Ring Screw & Grommet Kit, '55	10.56
T 13804BK	Horn Ring Screw & Grommet Kit, '56-57	10.56
T 13805A	Horn Ring Casting, '55, Chrome	351.90
T 13805B	Horn Ring Center, '55, Plastic.....	20.96
	Note: Refer to 3636 For Center Medallion.	
T 13805C	Horn Ring Top Plastic Retainer, '55, (2 Required)	Each 25.50
T 13806A	Horn Ring Rubber Insulator, '55	8.44
T 13806B	Horn Ring Rubber Insulator, '56-57	6.63
T 13806C	Horn Ring Rubber Grommet For Medallion, '55 ...	3.13
T 13807	Horn Button Spring, '56-57	3.13
T 13810B	Horn Ring Medallion Background Plate, Silver, '56	16.93
T 13810C	Horn Ring Medallion Background Plate, Black, '57	16.93
T 13830	Horn Mounting Bracket, '55-57, RH.....	5.05
T 13831	Horn Mounting Bracket, '55-57, LH	5.05
THK 13832	Horn Brackets to Body (8 pcs.).....	2.12

Snail Horn

T 13832A	'55, 6 Volt, Hi Pitch Snail Horn	NEW Each 34.95
T 13833A	'55, 6 Volt, Lo Pitch Snail Horn.....	NEW Each 34.95

Horn Set



T 13832K Horn Set, 12 Volt Original Snail Style With large Mouth, '56-57... Pair 65.95

Horn Relay



T 13853B

T 13853A	Horn Relay, '55, 6 Volt	22.39
T 13853B	Horn Relay, '56.....	21.95
T 14308	Horn Wire.....	31.78

BULBS & FUSES

T 13007A Headlamp Bulb, '55, 6 Volt..... 25.45
 T 13007B Sealed Beam, 12 Volt, FoMoCo Etched..... 18.11

**Choose the Correct Circuit Breaker
 for Your Project!**

Fuse Application Chart

Function	Qty Req	'55 6V	'56 12V	'57 12V	Part Number	Price Each
Clock	1	•			T 14526C	.53
	1		•	•	T 14526A	1.39
Heater	1	•			T 14526F	.53
	1		•	•	T 14526D	.53
Instrument Cluster	1	•			T 14526C	.53
	1		•	•	T 14526B	.53
Map Light	1	•			T 14526C	.53
	1		•	•	T 14526B	.53
Overdrive	1	•			T 14526G	.53
	1		•	•	T 14526E	.53
Radio Lamp	1	•			T 14526D	.53
	1		•	•	T 14526B	.53
Head Light	1	•			T 14526C	.53
	1		•	•	T 14526B	.53

T 14526AK Fuse Kit, Complete, for '55 3.75
 T 14526BK Fuse Kit, Complete, for '56-57 4.95

Circuit Breaker Application Chart

Function	Amp	'55	'56	'57	Part Number	Price Each
Power Seat	8				T 14526H	8.62
	15		(2)	(2)	T 14526I	10.15
	20	(2)			T 14526J	10.71
	30	(1)	(1)	(1)	T 14526K	11.17
	40	(1)			T 14526L	11.17
Power Window	8				T 14526H	8.62
	15	(1)	(2)	(2)	T 14526I	10.15
	20	(1)			T 14526J	10.71
	30		(1)	(1)	T 14526K	11.17
	40	(1)			T 14526L	11.17
Dial-O-Matic Seats	8			(1)	T 14526H	8.62
	15				T 14526I	10.15
	20				T 14526J	10.71
	30			(1)	T 14526K	11.71
	40			(1)	T 14526L	11.71

Note: Number in () denotes number required for year / application.

Light Bulb Kits

- T 13465AK Miniature Bulb Kit; Contains Most Small Bulbs Necessary For '55 Thunderbirds. Does Not Include Bulbs For: Gen/Oil Warning: Transmission Shift Selector Dial or Turn Signal Indicator. '55 • Set of 22 Bulbs.....36.20
- T 13465BK Miniature Bulb Kit; Contains All The Small Bulbs Necessary. '56 • Set of 27 Bulbs.....24.94
- T 13465CK Miniature Bulb Kit; Contains All The Small Bulbs Necessary. '57 • Set of 28 Bulbs.....27.54



Led Light Panel

This Modern Led Unit Will Make Your Tail and Brake Lights Really Show Up.
 T 13465Q '56/57; 12 Volt Pair 74.95



Light Bulb Application Chart

Function	Qty Req	'55 6V	'56 12V	'57 12V	Part Number	Price Each
Back-Up Light	2	•			T 13465K	1.83
	2		•		T 13465J	2.02
	2			•	T 13465H	1.83
Dash Knob Bezel	4	•			T 13465C	2.55
	4		•		T 13465D	.91
	6			•	T 13465D	.91
Gen./Oil Warning Light	2	•			N/A	N/A
	2		•	•	T 13465D	.91
Heater Control Panel	1	•			T 13465C	2.55
	1		•	•	T 13465D	.91
High Beam Indicator	1	•			T 13465C	2.55
	1		•	•	T 13465D	.91
Ignition Switch Bezel	1	•			T 13465C	2.55
	1		•	•	T 13465D	.91
Instruments & Gauges	5	•			T 13465C	2.55
	5		•	•	T 13465D	.91

Function	Qty Req	'55 6V	'56 12V	'57 12V	Part Number	Price Each
Map Light	1	•			T 13465E	1.34
	1		•	•	T 13465F	.91
Parking Light	2	•			T 13465L	1.69
	2		•	•	T 13465I	1.34
Radio Dial	1	•			T 13465C	2.55
	1		•	•	T 13465D	.91
Rear Lic. Plate Light	2	•			T 13465E	1.34
	2		•		T 13465F	.91
	1			•	T 13465F	.91
Tail Light	2	•			T 13465L	1.69
	2		•	•	T 13465I	1.34
Trans. Shifter Dial	1	•			N/A	N/A
	1		•	•	T 13465M	1.59
Turn Signal Indicator	2	•			N/A	N/A
	2		•	•	T 13465D	.91

T 7200	Overdrive Wire Harness, '55-57.....	24.43
T 12250A	Coil Resistor, '56-57, Like Original.....	29.50

T 13076A	Headlamp Wire, '55.....	20.70
T 13076B	Headlamp Wire, '56.....	20.11
T 13076C	Headlamp Wire, RH & LH,'57.....	Set 45.58
T 13410A	Parklight Socket With Correct Wire, '55.....	20.15
T 13410B	Park Lamp Wire & Socket, '56.....	20.15
T 13410C	Park Lamp Wire & Socket, '57.....	20.15
T 13411A	Backup Socket, '55-56.....	12.95
T 13411B	Backup Lamp Pigtail Wire, '55-56.....	4.95
T 13411C	Backup Lamp Pigtail Wire & Socket, '57.....	15.95
T 13412	License Lamp Wire & Socket Assembly, '57.....	15.71
T 13413A	Tail Lamp Wire & Socket, '55.....	Each 10.97
T 13413B	Tail Lamp Wire & Socket, '56.....	Each 10.97
T 13413C	Tail Lamp Wire & Socket, '57.....	Each 22.39

Concours-Quality Ignition Wire Set



T 12259

Qualifies for CTCI Excellence in Authenticity Award!

*Concours-Quality Exact Reproduction Plug Wire Sets. A must for CTCI Concours d'Elegance Competition. Black Covered "Wire Core" Type Wires. "FoMoCo" Oval Logo on Boots. Brown Coil Wire with Correct Part Number. Correctly Shaped Distributor Cap "Boots". Heat Conduit Installed. Numbered Wires for Easy Installation.

T 12259	Ignition Wire Set, '55-57, Standard Motor Craft Aftermarket.....	39.73
*T 12259A	Ignition Wire Set, Like Original, '55-Early 57....	71.35
Qualifies for CTCI Excellence in Authenticity Award!		
*T 12259B	Ignition Wire Set, Like Original, Late '57.....	71.35
Qualifies for CTCI Excellence in Authenticity Award!		

Battery Cables & Related Parts



T 14300A
Battery Cable



T 14300BK
Battery Cable Kit

T 14300A	Battery to Starter Relay Black Cable; Aftermarket; '55, 6V.....	29.53
T 14301A	Battery to Ground Black Cable; Aftermarket, '55, 6V.....	27.49
T 14300B	Battery to Starter Relay Black Cable; Aftermarket, '56-57, 12V.....	29.52
T 14301B	Battery to Ground Black Cable; Aftermarket; '56, 12V.....	27.18
T 14301C	Battery to Ground Black Cable; Aftermarket, '57, 12V.....	20.35
T 14300BK	Battery Cable Set; '56, Battery to Relay & Battery to Ground. Original Type.....	Set 59.95
T 14300CK	Battery Cable Set; '57, Battery to Relay & Battery to Ground. Original Type.....	Set 59.95
T 14302C	Coil To Distributor Wire.....	4.05



T 14303B Cable

T 14303A	Firewall to Engine Ground Strap; Exact Reproduction Of Original, '55-56.....	10.25
T 14303B	Firewall to Engine Ground Strap; Exact Reproduction Of Original, '57.....	13.50
	THK 14303 Ground Strap - Engine & Battery to Firewall (5 pcs.).....	1.19

Concours- Quality Coil Wire



Qualifies for CTCI Excellence in Authenticity Award!

T 12298	Coil Wire, '55-57, Brown w/Correct Boots.....	21.18
---------	---	-------

Wire Loom Tag Set



To compliment the hard work and time you have spent detailing your Thunderbird's wiring, you'll want this set of Wire Loom Tags to give the extra attention to detail required to win at car shows and concours events. Each set includes all tags necessary to complete the job the right way.

TDK W57	Complete Wire Loom Tag Set, '57.....	10.56
---------	--------------------------------------	-------

WIRING

T 14305	Generator to Voltage Reg. Wire Loom, '57	20.15
T 14308	Horn Wire	32.78
T 14309A	Heater Switch to Motor Wire Assembly, '55.....	17.51
T 14309B	Heater Switch to Motor Wire Assembly, '56-57.....	17.51
T 14322A	Oil Sending Unit Wire Assembly, '55.....	7.37
T 14322B	Oil Sending Unit Wire Assembly, '56-57.....	7.96
T 14338	Ignition to Heater Switch with Fuse Wire Assembly.....	16.45

T 14448A	Single Junction Block, '55-56	12.68
T 14448B	Double Junction Block, 55-57	17.85
T 14448C	Junction Block Under Dash, '55-57	17.53
	<i>THK 14448A Electrical Junction Blocks to Apron '55-56 (4 pcs. — For 2 Sides)</i>	<i>1.46</i>
	<i>THK 14448B Electrical Junction Blocks to Apron '57 (2 pcs.)</i>	<i>.93</i>
T 14476	Neutral Safety Switch Wire Loom, '55-57.....	28.81
T 14495	Coil To Resister Wire, '56-57	4.03
T 14590	Instrument Panel Ground Wire, '55-56	10.56
T 14608	Cowl Wiring Grommet Retainer, '55-57	27.21
T 14630A	Power Window Wire Harness, RH Door, '55	53.01
T 14630B	Power Window Wire Harness, RH Door, '56	53.01
T 14630C	Power Window Wire Harness, RH Door, '57	53.01
T 14631A	Power Window & Power Seat Wire Harness, LH Door, '55.....	68.93
T 14631B	Power Window Wire Harness, LH Door, '56	53.01
T 14631C	Power Window Wire Harness, LH Door, '57	53.01
T 14631D	Power Window & Power Seat Wire Harness, LH Door, '56.....	69.99
T 14631E	Power Window & Power Seat Wire Harness, LH Door, '57.....	69.99
T 14643A	Power Seat to Under Dash Wire Harness, (3 pcs.), '55	59.37
T 14643B	Power Seat to Under Dash Wire Harness, (3 pcs.), '56-57	59.37

Main Under Dash Wiring Looms

T 14401A	Main Under Dash Wire Assembly; Feeds Into Engine Compartment, '55	377.35
	<i>Qualifies for CTCL Excellence in Authenticity Award!</i>	
T 14401B	Main Under Dash Wire Assembly; Feeds Into Engine Compartment, '56	393.67
	<i>Qualifies for CTCL Excellence in Authenticity Award!</i>	
T 14401C	Main Under Dash Wire Assembly; Feeds Into Engine Compartment, '57	402.90
	<i>Qualifies for CTCL Excellence in Authenticity Award!</i>	
T 14401D	Main Wire Loom Repair Wire Assembly; Firewall to Engine Compartment, '55	99.00
T 14401E	Main Wire Loom Repair Wire Assembly; Firewall to Engine Compartment, '56	132.55
T 14401F	Main Wire Loom Repair Wire Assembly; Firewall to Engine Compartment, '57	152.95

T 14405A	Rear Tail Lamp Wire Loom, '55	69.36
T 14405B	Rear Tail Lamp Wire Loom, '56	81.55
T 14405C	Rear Tail Lamp Wire Loom, '57	86.65
T 14431A	Starter to Starter Solenoid Cable, '55	27.95
T 14431B	Starter to Starter Solenoid Cable, '56-57	23.95
T 14445A	Headlight Wire Loom; Goes Between Headlights, Horns & Voltage Regulator, '55	45.58
T 14445B	Headlight Wire Loom; Goes Between Headlights, Horns & Voltage Regulator, '56	53.01
T 14445C	Horn & Parklight Wire Loom Headlight, '57	23.30

Electrical System Manual



**Make sure Your Wiring is in its Proper Place,
as well as Proper Gauge, Color, etc.!**

TLT 5	Electrical System Manual, '55-57	Each	19.33
-------	--	------	-------

T 14651 Grommet



T 14651	Inner Apron Wiring Hole Grommet.....	3.71
T 14679	Window Safety Relay Wire Harness, Engine Compartment To Under Dash, '56-57	25.42
T 14689A	Power Seat Wire Harness, LH Door Switch to Under Dash, '55-56	28.62
T 14689B	Power Seat Wire Harness, LH Door Switch to Under Dash, '57	30.55
T 14774	Dial-A-Matic Power Feed Wire Loom, '57	50.39
T 15026	Clock Wire With Fuse Holder.....	13.21
T 15525A	Backup Lamp Switch Wire, '55	Each 28.12
T 15525B	Backup Lamp Switch Wire, '56-57	Each 31.78
T 18541	Heater Lamp Wire & Socket, '55-56	12.19
T 18627B	Ignition Switch to Heater Blower Switch Wire, '56-57, with fuse	15.39
T 18806	Radio to Ignition Wire with Fuse Holder.....	18.87
T 18807C	Radio Speaker Wire, '55-57	Each 16.75



TSP 352999



TSP 356628



TSP 356640



TSP 358350

Hardware for this Section

TSP 352999	Engine Compartment Wiring Clip	Each	3.32
	<i>Qualifies for CTCL Excellence in Authenticity Award!</i>		
TSP 356628	Rubber Coated Wiring Clip, 13/32" hole	Each	2.07
TSP 356640	Wiring Clip	Each	1.59
TSP 358350	Rubber Coated for Wiring Clip, 11/32" hole	Each	2.07

POWER WINDOWS & SEATS

Power Window Switch & Housing Kit



T 14500AK

These kits include the chrome housings, switch plates, switch's, gaskets & clips. NOTE: Does not include relays or wiring.

T 14500AK	Female Terminal Switch, '55/'57	Kit	224.77
T 14500BK	Male Terminal Switch, '55/'57	Kit	224.77

Power Seat Switch & Housing Kit



T 14600AK

These kits include the chrome housings, switch, switch's, gasket & clips. NOTE: Does not include relays or wiring.

T 14600AK	Female Terminal Switch, '55/'57	Kit	131.15
T 14600BK	Male Terminal Switch, '55/'57	Kit	128.09

Power Window Switch & Related Parts



T 14512B



T 14523



T 14524



T 14528A



T 14528B



T 14561



T 14616



T 14554

T 14512A	Power Seat Relay, '55, 6V, Replacement Type	37.14
T 14512B	Power Seat Relay, '56-'57, 12V, Replacement Type	42.40
T 14523	Power Window Switch Plate, RH, Single Type	7.30
T 14524	Power Window Switch Plate, LH, Double Type	17.95
T 14528A	Power Window Switch Housing, RH, Single	23.41
T 14528B	Window Regulator Switch Housing, LH, Double Type	30.55
T 14529A	Power Window Switch, '55, Power Seat Switch with Female Terminals, '55-'57	41.97
T 14529B	Window Regulator & Power Seat Switch with Male-Type Terminals, '56 & '57 Window Only	41.97

Seat Motor



T 14547A

T 14547A	Seat Motor (NEW) 6Volt	Call
T 14547B	Seat Motor (NEW) 12Volt	Call
T 14547C	Seat Motor (NEW) Dial-O-Matic 12Volt, '57	Call

Window Motor

T 14553A	Window Motor (NEW) 6Volt	Call
T 14553B	Window Motor (NEW) 12Volt	Call

T 14554	Window Regulator Switch Gasket, RH	3.10
T 14561	Power Seat Switch Gasket	3.95
T 14570	Power Seat & Power Window Switch Clip	2.07
T 14616	Window Regulator Switch Gasket, LH	3.25

Power Window Wiring Harness

T 14630A	Power Window Wire Harness, RH Door, '55	53.01
T 14630B	Power Window Wire Harness, RH Door, '56	53.01
T 14630C	Power Window Wire Harness, RH Door, '57	53.01
T 14631A	Power Window & Power Seat Wire Harness, LH Door, '55	68.93
T 14631B	Power Window Wire Harness, LH Door, '56	53.01
T 14631C	Power Window Wire Harness, LH Door, '57	53.01
T 14631D	Power Window & Power Seat Wire Harness, LH Door, '56	69.99
T 14631E	Power Window & Power Seat Wire Harness, LH Door, '57	69.99
T 14643A	Powerseat To Under Dash Wire Harness, (3 pcs.), '55	59.37
T 14643B	Powerseat To Under Dash Wire Harness, (3 pcs.), '56-'67	59.37
T 14679	Window Safety Relay Wire Harness, Engine Compartment To Under Dash, '56-'57	25.42

Power Seat Switch Housing



T 14685

T 14685	4-Way Power Seat Switch Housing, '55-'57	30.42
T 14689A	LH Door Switch To Under Dash Power Seat Wire Harness, '55-'56	28.12
T 14689B	LH Door Switch To Under Dash Power Seat Wire Harness, '57	30.55
T 14774	Dial-A-Matic Power Feed Wire Loom, '57	50.39



Part 23279 Coupling



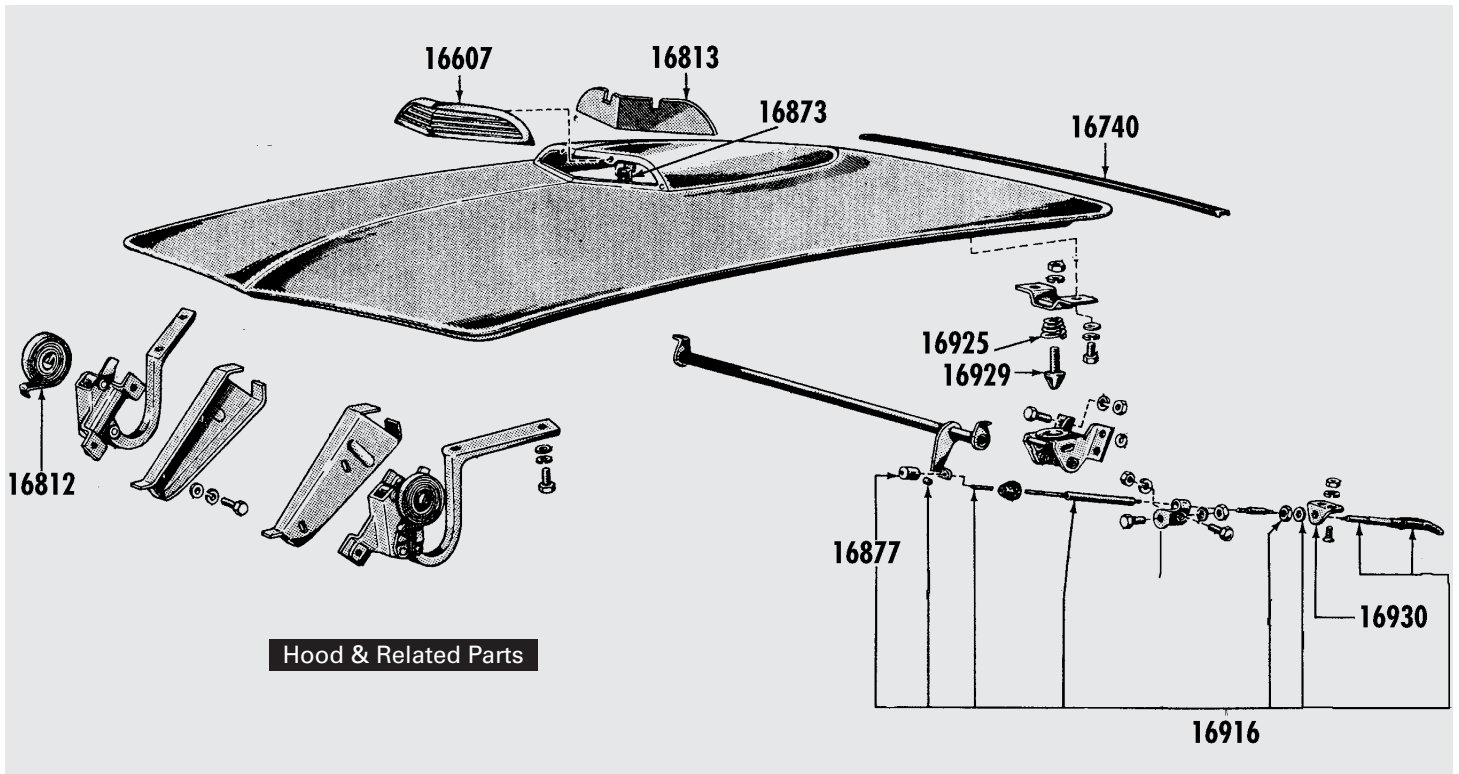
Part 23395K Gear Kit



23440 Coupling

T 23279	Power Seat Coupling	10.46
T 23395K	Power Window Trans. Gear Kit	52.48
T 23440	Power Window Coupling	11.51
T 60477	Power Seat Worm Gear Tube Kit; Includes Plastic Tube, Clamps & Cardboard Spacer	13.16
T 61828	Power Seat Assist Spring	6.31

FENDERS & HOOD AREA



Hood Nameplate & Bezel



T 8218	Nose Panel Nameplate, '56-57	Each	17.34
T 8259	Nose Panel Nameplate Bezel, '56-57	Each	31.47
<i>Qualifies for CTCL Excellence in Authenticity Award!</i>			
T 14651	Inner Apron Wiring Hole Grommet	Each	3.71
T 160051AR	Front Fender At Park Light, RH, '55-56		101.49
T 160051BR	Front Fender At Park Light, RH, '57		96.39
T 160052R	Front Fender Bottom Rear, RH		81.55
T 160053AR	Front Fender Rear, RH, '55		249.90
T 160053BR	Front Fender Rear, RH, '56-57		300.90
T 160061AL	Front Fender At Park Light, LH, '55-56		101.49
T 160061BL	Front Fender At Park Light, LH, '57		96.39
T 160062L	Front Fender Bottom Rear, LH		81.55
T 160063AL	Front Fender Rear, LH, '55		249.90
T 160063BL	Front Fender Rear, LH, '56-57		300.90
T 16050	Fender Apron Shield		21.18
	<i>THK 16050 Apron Shields (16050) To Apron</i>		
	<i>(8 pcs.—Enough For 2 Sides)</i>		2.37

T 16054R	Front Fender Apron Center Repair, RH	96.90
T 16055L	Front Fender Apron Center Repair, LH	96.90



T 16098 Fender Script

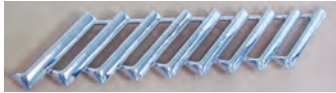
T 16098	Front Fender Thunderbird Script, '57	Each	25.00
	<i>THK 16098 Thunderbird Script to Body, '57</i>		
	<i>(10 pcs.—Enough For 2 Sides)</i>		2.91
T 16102A	Front Fender Splash Shield, RH, '56-57		76.50
T 16102B	Front Fender Splash Shield, RH, '55-57		
	<i>(Bolts To Fender Next To Frame)</i>		13.56
T 16102C	Front Fender Upper Rear Splash Shield, Rubber, '56-57		4.15
T 16103A	Front Fender Splash Shield, LH, '56-57		76.50
T 16103B	Front Fender Splash Shield, LH, '55-57		
	<i>(Bolts To Fender Next To Frame)</i>		13.56
	<i>THK 16102B Lower Splash Shield To Apron</i>		
	<i>(12 pcs.—Enough For 2 Sides)</i>		5.23
	<i>THK 16102A Lower Rear Splash Panels To Apron, Upper Shields And Fenders</i>		
	<i>'56-57 (30 pcs.—Enough For 2 Sides)</i>		8.03



Dedicated to Excellence

FENDERS & HOOD AREA

T 16110K	Front Fender Rear Splash Shield Seal, '56-57, (Set of 2)	4.99
T 16110S	Lower Splash Shield Seal Staple Kit, Both Sides, '55-57.....	.63
T 16112	Front Fender Splash Shield Strap, '56-57.....	2.03
T 16222	Front Fender To Front Inner Panel Brace.....	11.73



T 16228



T 16229



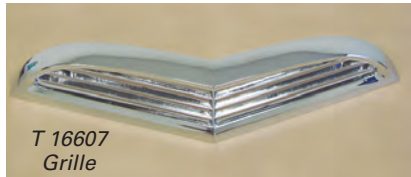
T 16237

Fender Emblems

T 16228	Hash Marks Front Fender Ornament, RH	29.37
T 16229	Hash Marks Front Fender Ornament, LH.....	29.37
	<i>THK 16228 Louver Trim To Front Fenders (16 pcs.—Enough For 2 Sides).....</i>	<i>2.65</i>
T 16230S	Nut, For Attaching T 16228, T 16229, & T 16237.....	Each .31
T 16237	Fender V-8 Emblem, '55	19.75
T 16240	Front Fender Apron Shield Seal	4.25
T 16240S	Fender Apron Shield Seal Staple Kit, Both Sides, '55-57.....	.53
T 16254K	Front Fender Splash Shield Seal, '55-57.....	Set of 2 3.95
T 16254S	Fender Apron to Frame Weatherstrip Staple Kit; Both Sides, '55-5742



Front Hood Grille



T 16607 Grille

T 16607	Front Hood Grille, '55-57.....	74.24
THK 16607	Hood Emblem (T 16607) To Hood, Includes T 16873 Spacers (8 pcs.).....	13.44
T 16613A	Hood Anti-Rattle Pad Set	Set 6.31
T 16700B	Hood Latch Hinge Pin, 2-Piece Design, Need For Installing New # 16921 Spring.....	11.62
	<i>THK 16707 Hood Latch Pin Brackets To Hood (12 pcs.).....</i>	<i>2.18</i>
T 16740AK	Hood Pad, '55 • With Drive Nails	5.50
T 16740BK	Hood Pad, '56-57 • With Drive Nails.....	6.25
	<i>THK 16740 Drive Nails, Hood Pad To Body (7 pcs.).....</i>	<i>2.06</i>



T 16758BK



T 16758CK

Front Hood Bumpers

T 16758BK	Hood Bumpers With Screws, '56.....	Set Of 4 5.20
T 16758CK	Hood Bumpers With Screws, '57.....	Set Of 4 5.20
T 16812	Hood Hinge Spring.....	10.56
T 16813	Hood Block-Off Plate	6.25

Hood Pull Cable Kit

These kits include the hood cable with handle, firewall bracket.

T 16916AK	Chrome dash bracket, '55-56.....	Kit 67.35
T 16916BK	Black dash bracket, '57	Kit 63.68



T 16921 Hood Catch Spring



T 16925 Hood Pop-Up Spring

T 16813K	Hood Block Plate Kit; Contains (1) T 16813, (1) Decal, (4) T 16873 Clips & (4) Nuts.....	13.62
T 16873	Hood Block Off Plate Clip.....	1.58
T 16877	Hood Release Cable Clamp	5.05
T 16907	Hood Release Cable To Firewall Bracket	13.21
T 16916	Hood Catch Control Cable Assembly.....	39.50
T 16921	Hood Catch Trigger Spring.....	3.95
T 16925	Hood Pop-Up Spring; Located On Dowel.....	3.04
T 16929	Hood Lock Dowel.....	17.60
THK 16929	Hood Latch Pins To Hood Brackets (4 pcs.—For 2 Sides)93
T 16930A	Hood Release Cable To Dash Bracket, '55-56; Chrome	16.83
T 16930B	Hood Release Cable To Dash Bracket, '57; Black	10.56



T 25662



T 25666



T 25662	Medallion, Used on Front Grille Panel, Gas Door & Side of Hard Top on '55's. Use on Front Fenders on '56's. (See Page 114-115 for Photo)	18.86
T 25666	Chrome Retainer, For Above Medallion	19.91
	<i>THK 25666 Crest Medallion (T 25666) & Cross Flags (T 42550), (4 pcs.—Enough For 2 Sides).....</i>	<i>1.32</i>



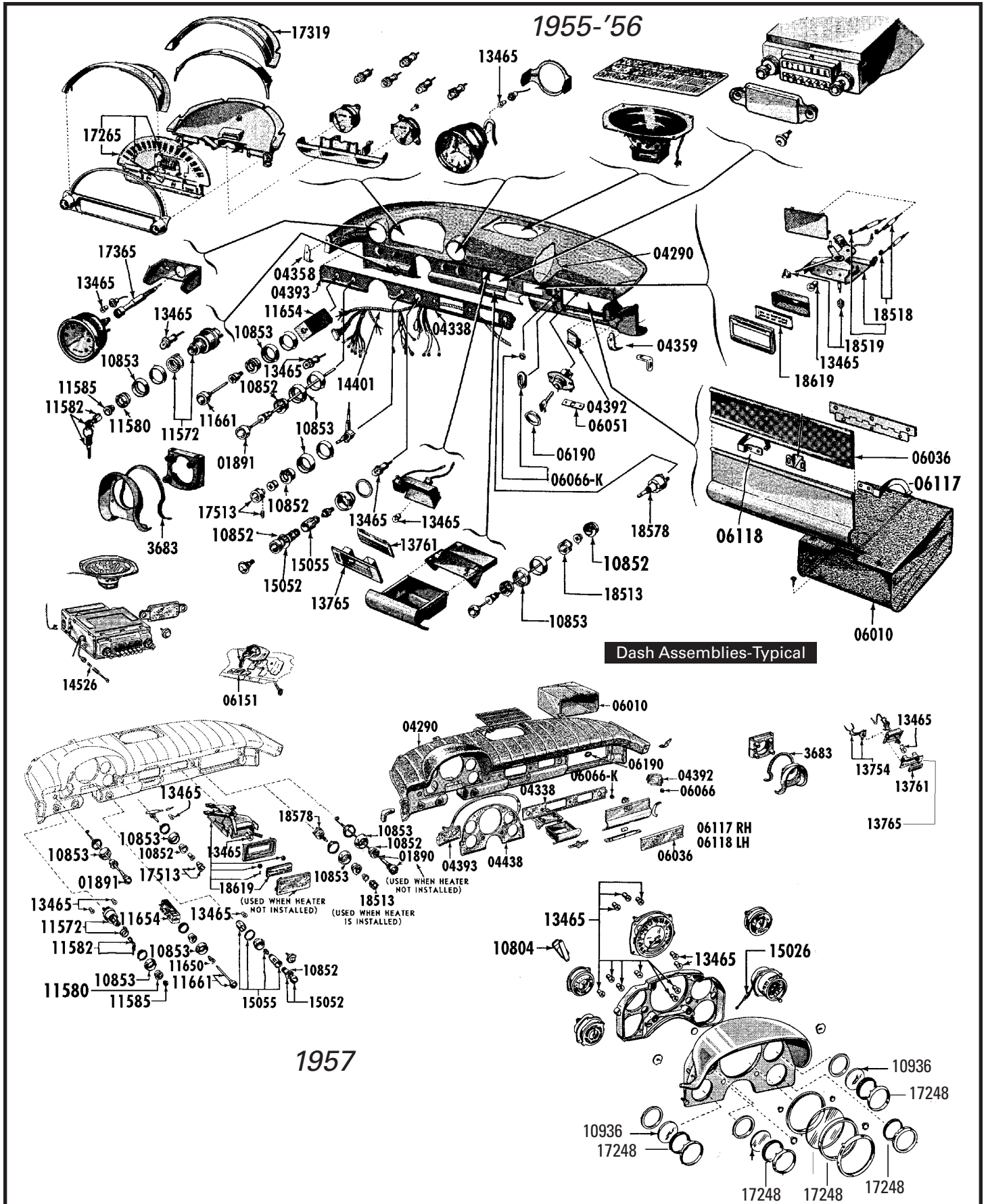
T 42550

T 42550	Cross Flags, '55.....	12.75
	<i>THK 25666 Crest Medallion (T 25666) & Cross Flags (T 42550), (4 pcs.—Enough For 2 Sides).....</i>	<i>1.32</i>

Hardware for this Section

THK DR	Data Plate Rivets, '55-57.....	Pair 4.36
TSP 32948	Headlight Door Attaching Screw.....	Each .68

INSTRUMENTS & GAUGES



INSTRUMENTS & GAUGES

Fuel Sender Assembly



T 9202A	Fuel Sender Float, '55-56	Each	10.56
T 9202B	Fuel Sender Float, '57	Each	5.79
T 9275A	Fuel Sender, '55	Each	57.73
T 9275B	Fuel Sender, '56	Each	58.11
	<i>THK 9275A Fuel Sending Unit to Tank</i>		1.46
T 9275C	Fuel Sender, '57	Each	69.75
T 9278	Oil Pressure Sender Gauge, '55-57	Each	10.69
T 9280B	Fuel Gauge and Sender Kit, '56		
	12 Volt Kit Includes Sender, Dash Gauge, Wiring and Instructions		148.52

Gauge Bezels

T 10876K	Gauge Bezels, Set of 5, '57	81.55
----------	-----------------------------	-------

T 10804	Instrument Cluster Regulator, '57	29.53
---------	-----------------------------------	-------

T 10884A



T 10884B



T 10884A	Temperature Sensor, '55 6V	Each	73.49
T 10884B	Temperature Sensor, '56 12V	Each	73.49
T 10884C	Temp. Sender Unit, In Cyl. Head, '57 12V		13.21

Temperature Gauge & Sender Kit

T 10885AK	'55 6 Volt	Kit	149.95
T 10885BK	'56 12 Volt	Kit	149.95

Note: Gauge and Sender Are Like Original

T 10911A	Temperature Sender Adapter, '55-56	15.25
T 10911B	Temperature Sender Adapter, '57	15.25

Temperature Sender Removal Tool



This is the tool to use when you need to remove your temperature sensor adapter easily and efficiently!

TAC 21A	'55-56; d/8 - 18	15.92
TAC 21B	'57; 1/4 - 18	15.92

Red/Orange Fluorescent Paint For Instrument Needles

TPT RD	5.10
--------	------

Speedometer Lens & Dome



T 17319 Dome

T 17265 Face

T 10936A	Speedometer Glass Lens, '57	3.66
T 10936B	Temp, Oil & Tach Glass Lens, '57	3.22
T 10938B	Instrument Jewel Bezel Set, '57	31.78
T 14450	Tach Cable to Firewall Clip, '55-57	Each 1.59
T 14585B	Instrument Cluster Wire Loom Clip Set, '57	Set 7.65
T 14590	Instrument Panel Ground Wire, '55-57	Each 10.56
T 15026	Clock Wire, w/Fuse Holder, '55-57	Each 13.21
T 17248A	Speedometer Trim Ring Seal, '57	Each 1.12
T 17248B	Small Instrument Trim Ring Seal, '57	Each 1.02
T 17260A	Speedometer Cable, '55 all, '56 A/T & 292 M/T w/o O/D	Each 26.48
T 17260B	Speedometer Cable, '57 with A/T	Each 34.97
T 17260C	Speedometer Cable, '56 w/OD, '57 292 w/OD, '57 312 w/o OD	53.01
T 17265	Speedometer Face, '55-56	Each 45.12

Temperature Gauge

T 10883A



T 10883A	'55; 6 Volt, Original Style	Each	81.55
T 10883B	'56; 12 Volt, Original Style	Each	81.55

T 17279	Speedometer Angle Drive, '55-56, Except '56 O/D	Each	290.70
T 17298	Speedometer O-Ring Seal, '55-57	Each	3.04
T 17310	Instrument Cluster Retaining Clips, '55-56, (Set of 4)	Each	13.27
T 17314B	Turn Signal Indicator Bezel	Each	29.53
T 17315	Turn Signal Jewel Washers, '55-56	Pair	9.50
T 17319	Speedometer Dome, '55-56	Each	28.51
T 17322A	Speedometer Gear, '55-56, 20 teeth	Each	21.18
T 17322B	Speedometer Gear, '57, 19 teeth	Each	21.18

Tachometer & Clock Face



T 17361C



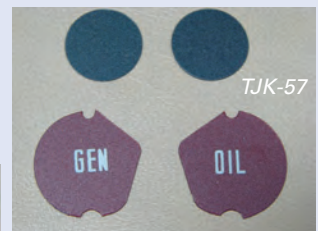
T 17362

T 17361A	Tachometer Needle, '55-56	Each	11.25
T 17361B	Bracket, (on engine) for Tachometer Cable, '55	Each	11.62
T 17361C	Tachometer Face, '55-56	Each	17.50
T 17362	Clock Face, '55-56	Each	17.50
T 17365A	Tachometer Cable, '55	Each	36.36
T 17365B	Tachometer Cable, '56-57	Each	35.65
T 17365C	Tachometer Cable, For Replacement Mallory Distributer	Each	35.65
T 17374	Tachometer Gear, '55-57	Each	38.05
T 17383	Tachometer Cable Housing O-Ring, '55-57	Each	.47
T 18374	Clock Face, '57, has "F" & "S" marks	Each	11.17

Clock Assembly Rebuilt

T 18374A	6V, '55	Each	149.95
T 18374AC	Core Fee	Each	150.00
T 18374B	12V, '56	Each	149.95
T 18374BC	Core Fee	Each	150.00
T 18374C	12V, '57	Each	149.95
T 18374CC	Core Fee	Each	150.00

Instrument Jewel Set



TJK-57

TJK-55

Green Plastic For Directional Signals And Red Plastic For Generator And Oil Lights; Specify Year When Ordering (4 pcs.)

TJK 55	'55-56	5.25
TJK 57	'57	7.35

Hardware for this Section

THK 10987	Instrument Cluster Trim to Dash '57, (7 pcs.)	Each	2.46
-----------	--	------	------

WINDSHIELD WIPER & WASHER

T 9156E	Vacuum Line Clips, '55-57, at intake man.....	Pair	3.10
T 9160AK	Fuel & Vacuum Line Set, '55	Set	46.95
T 9160BK	Fuel & Vacuum Line Set, '56	Set	46.95
T 9160CK	Fuel & Vacuum Line Set, '57	Set	46.95
T 9160DK	Fuel & Vacuum Line Set, '57 2-4V.....	Set	55.00
T 9160AKS	Fuel & Vacuum Line Set, Stainless, '55.....	Set	48.96
T 9160BKS	Fuel & Vacuum Line Set, Stainless, '56.....	Set	58.00
T 9160CKS	Fuel & Vacuum Line Set, Stainless, '57.....	Set	72.95
T 9160DKS	Fuel & Vacuum Line Set, Stainless, 2-4 Barrel, '57	Set	69.95
T 9180K	Fuel Filter Bracket Set, '55-57	Each	6.77

Heater & Window Wiper Switch Nut

T 13753	'55-56.....	Each	13.74
---------	-------------	------	-------

T 17450	Windshield Wiper Retainer Plate & Spring Assembly, '55-57		8.82
---------	--	--	------

Vacuum Wiper Motor Switch

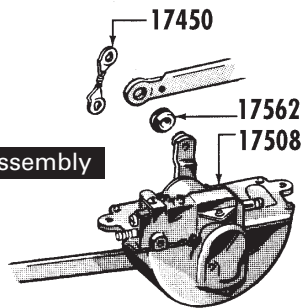
T 17470	Dash to Motor.....	Each	61.15
---------	--------------------	------	-------

Windshield Wiper Arm & Blade Kit

These kits include the chrome bezel, bezel seals & nuts, wiper arms & blades. These components are identical reproductions of the originals and the blades qualify for the CTCI Excellence in Authenticity Award.

T 17500AK	Early '55	Kit	164.91
T 17500BK	Late '55/57.....	Kit	164.91

T 17508U	Rebuilt Vacuum Wiper Assembly		142.75
	Core Deposit		200.00



Typical Vacuum Wiper Assembly

Convert Vacuum Operated Wipers to Electric!

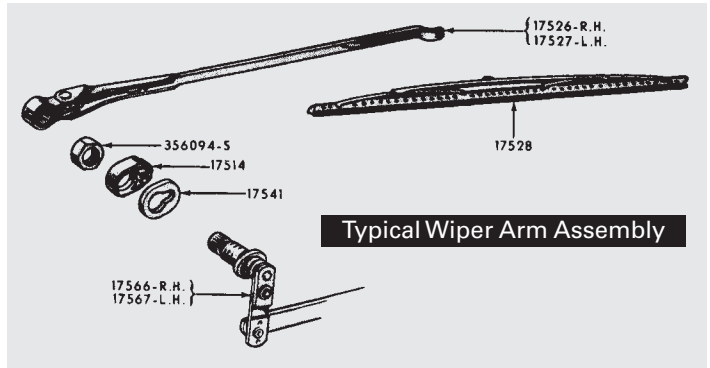
Convert your old vacuum wipers to Electric. This conversion has been designed by a licensed engineer and tested to make sure it works properly. There are no modifications to be made to your car! The whole assembly just bolts on where your old wiper motor mounted. Your old cable type switch is replaced with an electric two-speed switch so that you have two-speed wipers instead of the old one-speed. Again, there are no modifications to be made. Kit comes with complete detailed instructions and schematic diagrams showing you every step.

T 17509K	55/57, For 12 Volt Systems Only.....		319.95
----------	--------------------------------------	--	--------

Wiper Bezel Set



T 17514K	Windshield Wiper Arm Bezel Set		25.42
----------	--------------------------------------	--	-------



Typical Wiper Arm Assembly

Window Wiper Switch Nut

T 17512	'57	Each	13.74
---------	-----------	------	-------

Concours-Quality Wiper Arms & Blades

T 17526B Wiper Arm



T 17526A Wiper Arm



T 17528D Wiper Blade



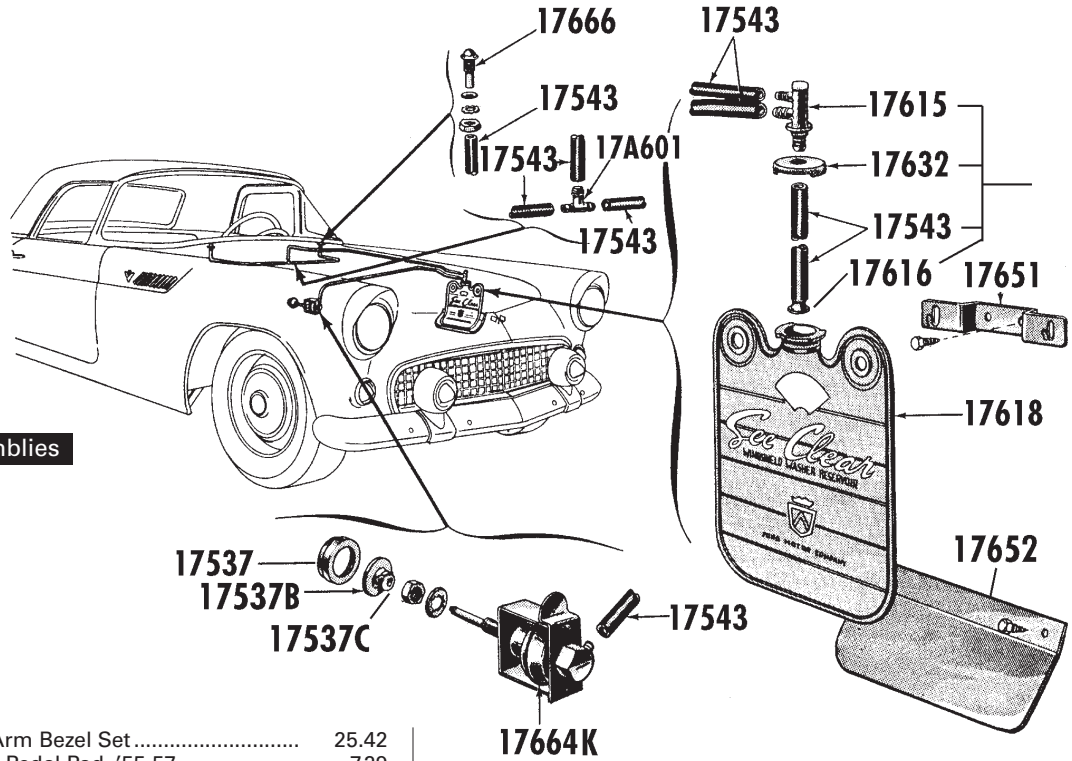
Qualifies for CTCI Excellence in Authenticity Award!

Wiper Arms and Blades are manufactured from the highest quality materials to exacting details to keep your 'Bird looking original!

T 17526A	Windshield Wiper Arm, Early '55, RH, Wrist Connection, Exact Reproduction.....		36.15
T 17526B	Windshield Wiper Arm, Late '55-57, RH, Bayonet Connection, Exact Reproduction		36.15
T 17527A	Windshield Wiper Arm, Early '55, LH, Wrist Connection, Exact Reproduction.....		36.15
T 17527B	Windshield Wiper Arm, Late '55-57, LH, Bayonet Connection, Exact Reproduction		36.15
T 17528A	Rubber Blade only for wiper, '55-57	Each	7.65
T 17528B	Wiper Blade, w/Retainer, Early '55, (for wrist connection)	Each	31.95
	<i>Qualifies for CTCI Excellence in Authenticity Award!</i>		
T 17528C	Wiper Blade, w/Retainer, Late '55-57, (for bayonet connection).....	Each	31.95
	<i>Qualifies for CTCI Excellence in Authenticity Award!</i>		
T 17528D	Wiper Blade, w/Retainer, Late '55-57	Each	24.95
	<i>An Excellent Replacement That Looks Original In Every Way Except "Trico" Is Not Stamped On The Retainer Top.</i>		

WINDSHIELD WIPER & WASHER

Washer Assemblies




T 17514K	Windshield Wiper Arm Bezel Set.....	25.42
T 17537	Windshield Washer Pedal Pad, '55-57	7.29
T 17537B	Windshield Washer Pedal, w/Clip, '55-57	14.80
T 17537C	Clip, To attach Part T 17537B to Pump.....	1.34
T 17541	Windshield Pivot Gasket	1.00
T 17543AK	Washer Hose Kit; '55-57, All the hose you need to do the entire windshield washer system.....	9.95
T 17543BK	Hose Kit, '55-57 - Vacuum Hose for Fuel Pump, Heater Control Valves & Windshield Wiper Motor.....	9.40
T 17543C	Washer Hose, In bag.....	1.00
T 17562	Wiper Arm Link Grommet, '55-57.....	1.25
T 17601	Windshield Wiper Hose Tee, '55-57.....	2.63

Windshield Washer Bag & Nozzle Kit

These kits include the washer bag, spray nozzles, gaskets, bag holder & shield, hoses, bag cap, tee, strainer and hardware.

T 17600AK '55	Kit	90.78
T 17600BK '56	Kit	90.78
T 17600CK '57	Kit	90.78

T 17664D	Inside Washer Pump Diaphragm Spring, '55-57, Stainless73
T 17664K	Windshield Washer Pump Assembly '55-56, Replacement For '57	81.52
T 17665	Windshield Washer Nozzle Gasket.....	.65

	T 17615	Windshield Washer Reservoir to Hoses Tee, '55-57	15.71
	T 17615		

Authentic-Style Washer Reservoirs



T 17618A

T 17616	Washer Hose Filter, In bag.....	5.25
T 17617K	Washer Tee Kit. Includes: Washer Bag Cap, Hose Fitting "F", Hose Inside Bag & Filter Inside Bag.....	25.64
T 17618A	Washer Reservoir, '55	21.18
T 17618B	Washer Reservoir, '56	21.18
T 17618C	Washer Reservoir, '57	21.18
T 17632	Windshield Washer Reservoir Cap, '55-57.....	3.68
T 17651	Reservoir Bracket, '55-57	11.95
	THK 17651 Washer Bag Holder (17651) & Lower Plate to Apron (4 pcs.)	1.32
T 17652	Windshield Washer Bag Plate, '55-57	5.78
	THK 17652 Windshield Washer Bag Bracket & Lower Bag Shield to Inner Fender (4 pcs.)	1.12

Windshield Washer Nozzle



T 17666

T 17666	Washer Nozzle	Pair	24.99
	THK 17666 Windshield Washer Jets to Cowl (4 pcs.—Enough For 2 Sides)		1.06

Wiper Control Knob



T 18817 Knob

T 18817	Radio or Wiper Knob "D" Shaft Style, '55-57	Each	15.87
T 18817A	Radio Knob "Split" Shaft Style	Each	15.87

Hardware for this Section

TSP 356094	Windshield Wiper Transmission Nut....	Each	5.16
------------	---------------------------------------	------	------

MIRROR

Original-Style Outside Rear View Mirrors



No Hole at Front



T 17696A
Mirror
(1-Hole Type)

T 17696B
Mirror
(2-Hole Type)



T 17696A	Outside Mirror, '55, 1-Hole Type	39.95
	THK 17696A Outside Rear View Mirror to Door '55 (2 pcs.).....	.79
T 17696B	Outside Mirror, '56-57, 2-Hole Type.....	39.95
	THK 17696B Outside Rear View Mirror to Door '56-57 (2 pcs.)79

Outside Rear View Mirrors Mounting Gasket, Rubber



T 17724A

T 17724	Outside Rear View Mirror Mounting Gasket (Optional) Coated Paper.....	1.00
*T 17724AEach	8.16

* Note: 55/57 Did not use Mirror Gasket originally.

Original-Style Inside Rear View Mirrors



T 17702
Bracket



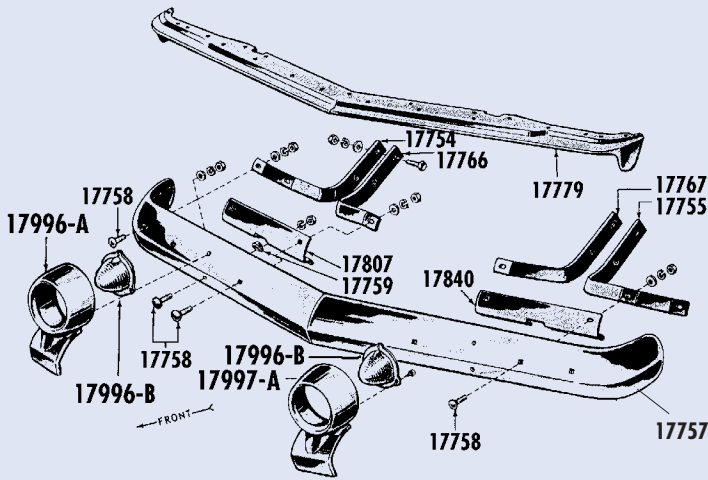
T 17700
Mirror

Deep Lustre Chrome and Attention to Detail Make Our Mirror & Bracket The Finest Available!

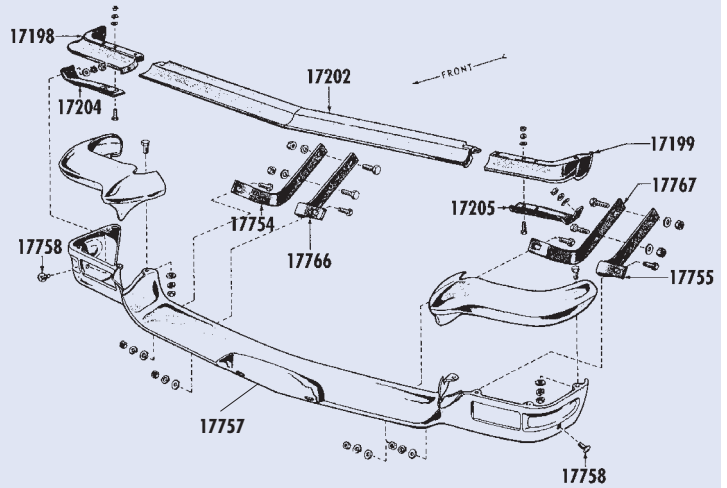
We have gone to great lengths to bring to you a high-quality reproduction of the original mirror found in your Thunderbird. Larry's mirror features deep lustre chrome plating, with easy attachment to interior mirror bracket (sold separately.)

T 17700K	Inside Mirror & Bracket	42.95
	THK 17702 Inside Mirror to Header & Tensioning Screws (3 pcs.)	1.32
T 17700	Inside Mirror Assembly, Less Bracket.....	27.80
T 17702	Inside Mirror Bracket	13.75
	THK 17702 Inside Mirror to Header & Tensioning Screws (3 pcs.)	1.32

BUMPERS



'55/'56 Front Bumper Assembly



'57 Front Bumper Assembly



T 17032 Lug Wrench



T 17083 Jack Strap

T 17032	Lug Wrench, '55-'57	34.63
T 17083	Jack Strap, '55-'56	14.50
T 17198	Front Bumper Stone Deflector, Fiberglass, RH, '57	71.35
T 17199	Front Bumper Stone Deflector, Fiberglass, LH, '57	71.35
T 17200	Front Bumper Bracket Spacer, RH or LH, '57	16.83
T 17202	Front Bumper Stone Deflector, Center, '57	132.65
T 17204	Front Bumper Side Brace Bracket, RH, '57	56.05
T 17205	Front Bumper Side Brace Bracket, LH, '57	56.05
T 17228	Rear Bumper Bracket, Outer, RH, '57	42.95
T 17229	Rear Bumper Bracket, Outer, LH, '57	42.95
T 17668	Rear Bumper to Frame Crossmember Bracket, RH, '56	38.71
T 17669	Rear Bumper to Frame Crossmember Bracket, LH, '56	38.71
T 17674	Rrear Frame Crossmember Bracket, Outer, RH,'56	20.76
T 17675	Rrear Frame Crossmember Bracket, Outer, LH,'56	20.76
T 17736	Licence Plate Front Bracket, '55-'56	19.05
T 17754A	Front Bumper Bracket, Outer, RH, '55-'56	61.15
	THK 17754A Front Bumper Braces to Car, '55-'56 ...	10.86
T 17754B	Front Bumper Bracket, Outer, RH, '57	61.15
	THK 17754B Front Bumper Braces to Car, '57	14.83
T 17755A	Front Bumper Bracket, Outer, LH, '55-'56	61.15
T 17755B	Front Bumper Bracket, Outer, LH, '57	61.15
T 17757A	Front Bumper, '55-'56	945.00
T 17758A	Bumper, Short Type Bolt, '55-'57	1.91
T 17758B	Bumper, Long Type Bolt, Used on Bumper Guards on '55 & '56	1.91

T 17759AK	Bumper Bolt Kit; Contains all of the Bolts, Nuts, Washers, Sleeves & Spacers Necessary for mounting Front & Rear Bumpers, '55	29.95
T 17759BK	Bumper Bolt Kit, As Above, '56	29.95
T 17759CK	Bumper Bolt Kit, As Above, '57	11.85
T 17759DK	Bumper Guard Sleeve & Spacer Kit, '55-'56; ('55 Req. 2 Sets), ('56 Req. 1 Set)	8.25

Bumper Bolt Kits That Qualify For The Excellence in Authenticity Award. These Bumper Bolts are made Exactly Like the Original in Every Way. The 55/56 Kit Includes The Spacer & Sleeves.



T 17759EK

T 17759EK	'55	Kit	101.95
T 17766A	Front Bumper Inner Bracket, RH, '55-'56	46.82	
T 17766B	Front Bumper Inner Bracket, RH, '57	46.82	
T 17767A	Front Bumper Inner Bracket, LH, '55-'56	46.82	
T 17767B	Front Bumper Inner Bracket, LH, '57	46.82	

Front Stone Deflector Hand Laid Fiberglass

T 17779	'55-'56	Each	253.98
---------	---------------	------	--------

T 17787A	Rear Bumper Inner Bracket, RH, '55	45.85
T 17787B	Rear Bumper Inner Bracket, RH, '56	45.85
T 17787BK	Rear Bumper Bracket, '56	Per Set 346.80
T 17787C	Rear Bumper Inner Bracket, RH, '57	45.85
T 17788A	Rear Bumper Inner Bracket, LH, '55	45.85
T 17788B	Rear Bumper Inner Bracket, LH, '56	45.85
T 17788C	Rear Bumper Inner Bracket, LH, '57	45.85
T 17789	Rear Bumper Outer Bracket, RH or LH, '56	45.85
T 17795A	Rear Bumper Outer Bracket, RH, '55	45.85
T 17795B	Rear Bumper Outer Bracket, RH, '56	45.85
T 17795C	Rear Bumper Outer Bracket, RH, '57	45.85

BUMPERS

T 17796A	Rear Bumper Outer Bracket, LH, '55.....	45.85
	THK 17796A (THK 407A)	
T 17796B	Rear Bumper Outer Bracket, LH, '56.....	45.85
	THK 17796B (THK 407B)	
T 17796C	Rear Bumper Outer Bracket, LH, '57.....	45.85
	THK 17796C (THK 407C)	
T 17807	Front Jacking Plate, RH, '55-56.....	38.71
T 17808A	Rear Bumper Stone Deflector, '56.....	3.78
T 17808B	Rear Bumper Stone Deflector, '57.....	11.51
T 17808SA	Staple Kit, '56 • Rear Bumper Stone Deflector.....	.63
T 17808SB	Staple Kit, '57 • Rear Bumper Stone Deflector.....	1.05
T 17840	Front Jacking Plate, LH, '55-56.....	40.52
T 17906A	Rear Bumper, '55.....	912.92
T 17918A	Rear Bumper Jacking Plate, RH, '55.....	40.75
T 17919A	Rear Bumper Jacking Plate, LH, '55.....	40.75
T 17918B	Rear Bumper Jacking Plate, RH or LH, '56.....	40.75
T 17918C	Rear Bumper Jacking Plate, RH, '57.....	40.75
T 17919C	Rear Bumper Jacking Plate, LH, '57.....	40.75
T 17984A	Rear Bumper Guard w/o insert, RH, '55.....	688.50

Rear Bumper Guard With Insert

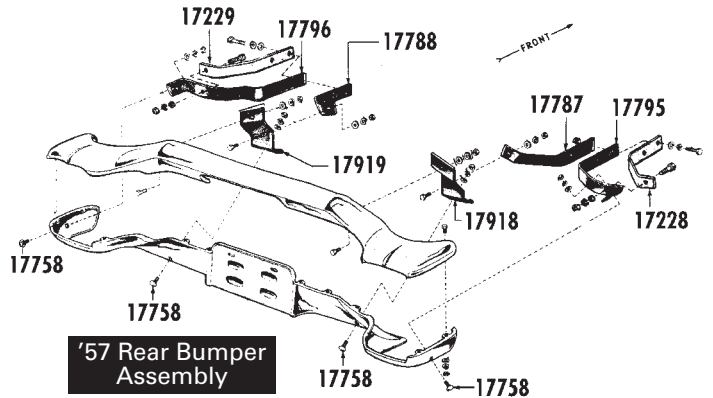


T 17984B



T 17985A

T 17984B	Rear Bumper Guard Insert, Early '55.....	117.30
T 17985A	Rear Bumper Guard, without Insert, '55, LH.....	688.50

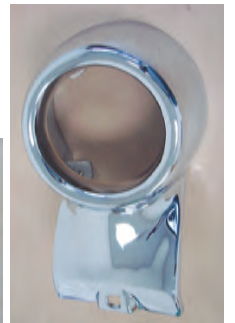


'57 Rear Bumper Assembly

Front Bumper Guard With Insert



T 17996B



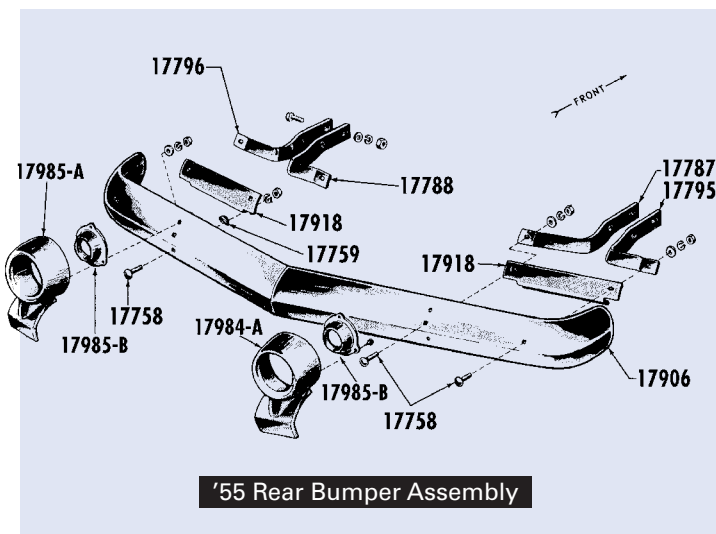
T 17997A

T 17996A	Front Bumper Guard w/o insert, RH, '55-56.....	688.50
T 17996B	Front Bumper Guard Insert, '55-56.....	117.30
	THK 17996A Bumperette Centers to Bumperette '55 (6 pcs.—For 2 Sides).....	3.91
	THK 17996B Bumperette Centers to Bumperette '56 (6 pcs.—For 2 Sides).....	2.12
T 17997A	Front Bumper Guard w/o Insert, '55-56, LH.....	688.50



Dedicated to Excellence

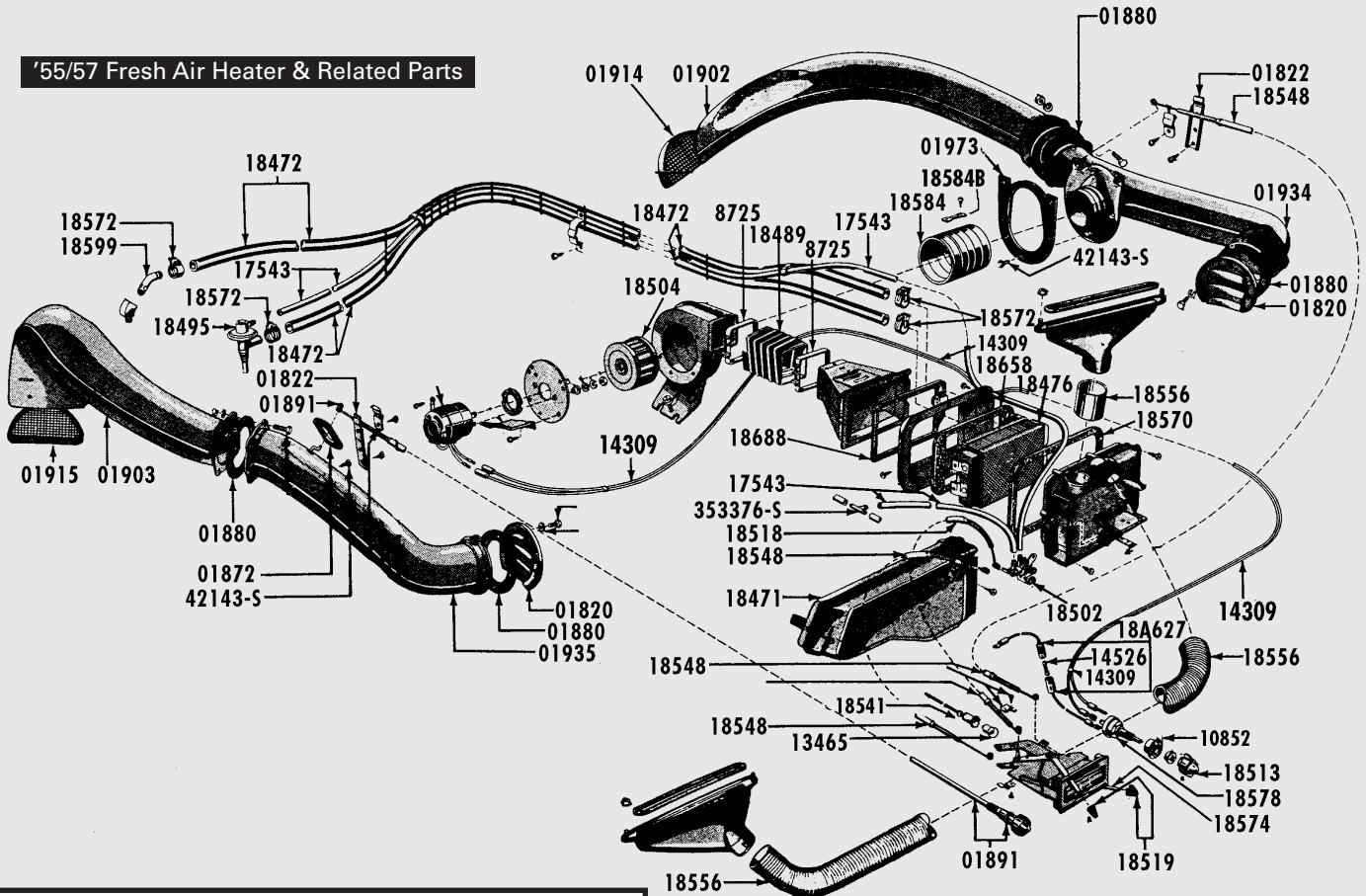
Big Selection of Parts!
 Whether it's a hard to find part or a standard T-Bird replacement part, Larry's has what you're looking for. Our inventory of parts is concours-quality. Give us a call if you can't find the parts you need. Our knowledgeable parts specialists will be happy to help!



'55 Rear Bumper Assembly

VENTILATION, HEATING & AIR CONDITIONING

'55/'57 Fresh Air Heater & Related Parts



Square Heater Duct Clamp



T 8725

T 8725 Square Heater Duct Clamp, '55-57 Each 4.15

Air Duct Gasket Kit



T 01890K Air Duct Gasket Set; '55-57, Consists Of:
(4) T 01880, (1) T 01872 & (1) T 01973 6.83

Ventilation Register

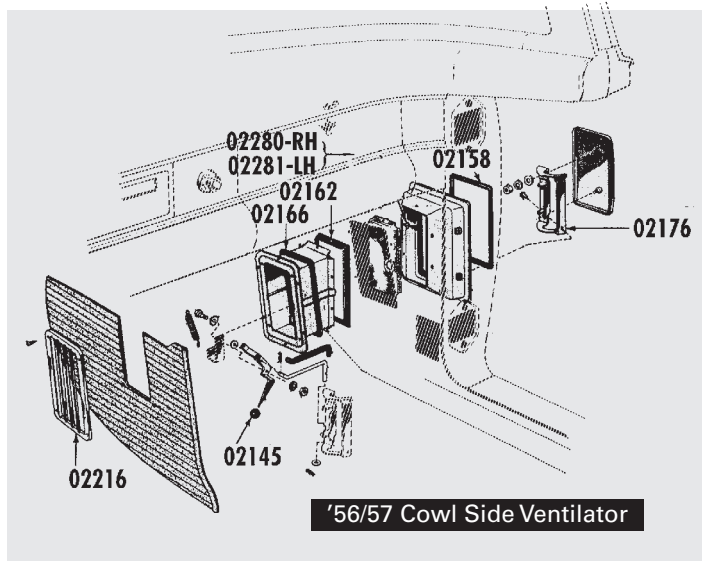


T 01820

T 01820	Ventilation Register, '55-57	Each	18.86
T 01822	Vent Control Cable Bracket w/Clip, '55-57		8.26
	<i>THK 01822 Fresh Air Cable Brackets</i>		
	<i>(01822) to Inner fenders & Clip to Bracket</i>		
	<i>(6 pcs. — Enough For 2 Sides)</i>		1.06
T 01822A	Vent Control Bracket Clip, '55-57 (2 Req.).....	Each	3.71
T 01872	Vent Air Damper Seal, '55-5795
T 01880	Vent Air Valve Gasket, '55-57		1.32
T 01890	Vent Control Assembly, RH, '55-57		45.39
T 01891	Vent Control Assembly, LH, '55-57		45.39

T 01902	Fiberglass Duct Assembly, RH Inlet, '55-57	159.95
T 01903	Fiberglass Duct Assembly, LH Inlet, '55-57	159.95
T 01914	Fiberglass Scoop Assembly, RH, '55-57	109.95
T 01914B	Fresh Air InletScoop, RH, (Metal)	76.45
T 01915B	Fresh Air InletScoop, LH, (Metal)	76.45
T 01915	Fiberglass Scoop Assembly, LH, '55-57	109.95
	<i>THK 01914A Air Deflector Scoops to Body</i>	
	<i>(7 pcs. — Enough For 2 Sides)</i>	1.72
T 01915A	Air Duct Scoop Screen, '55-57	Each 3.83
T 01934	Fiberglass Duct Assembly, RH Outlet, '55-57	198.90
T 01935	Fiberglass Duct Assembly, LH Outlet, '55-57	198.90
	<i>THK 01914 Steel Air Ducts to Scoops & Aprons</i>	
	<i>(63 pcs. — Enough For 2 Sides)</i>	10.06
	<i>THK 01902 Fiberglass Air Ducts to Scoops & Aprons</i>	
	<i>(63 pcs. — Enough For 2 Sides)</i>	10.06
T 01973	Vent Air Duct Gasket, '55-57	1.15

VENTILATION, HEATING & AIR CONDITIONING



'56/'57 Cowl Side Ventilator

Front Fender Vent Box

T 02104 Front Fender Steel Vent Box, '56-57Pair 254.69

Side Vent Control Rod

T 02128 Side Vent Control Rod, RH, '56-57 Each 7.37
 T 02129 Side Vent Control Rod, LH, '56-57 Each 7.37

Vent Lever Knob



T 02145

T 02145 Vent Lever Knob, '56-57 Each 4.67
 T 02154 Side Vent Control Spring, '56-57 Each 7.09
 T 02158 Vent Door Seal, '56-57, Moulded 8.95

Flapper Valve

T 02162A
Valve



Vent Door Seal



T 02162B

T 02162A Air Duct Flapper Valve, RH or LH, '55-57 Each 20.11
 T 02162B Vent Door Inner Seal, '56-57 Each 2.05
 THK 02216 Vent Grilles Inside to Body
 (8 pcs. —Enough For 2 Sides) 2.37

Flapper Valve Rod



T 02162C

T 02162C Flapper Valve Rod, '55-57 13.27

T 02166 Inner Vent Seal at Apron, '56-57 2.00
 THK 02176 Side Vent Hinge to Door/Body, '56-57... 3.71



Vent Door Hinge

T 02176

T 02176 Cowl Side Ventilator Hinge Assembly, '55-57 20.96



T 02216 Grille

T 02216 Cowl Side Ventilator Grille, '56-57 29.94
 THK 02216 Vent Grilles Inside to Body
 (8 pcs. —Enough For 2 Sides) 2.37
 T 02280 Cowl Side Vent Screen, RH, '56-57 6.90
 T 02281 Cowl Side Vent Screen, LH, '56-57 6.90
 T 14309A Heater Switch to Motor Wire, '55 17.51
 T 14309B Heater Switch to Motor Wire, '56-57 17.51
 T 18458 Heater Funnel Insert, '55-57 7.65

Heater & Window Wiper Switch Nut

T 13753 '55-56 Each 13.74

Heater Chamber

New Design!
The Most Durable Ever!



T 18471 Heater Air Chamber, ABS Plastic, '55-57 58.95

T 18472 Heater Hose, '55-57, 5/8"Per Foot 1.58

Heater Hose Clamp Set



T 18473K

T 18473K Heater & Bypass Hoses Clamp Set,
 Includes 6 Clamps, '55-57 4.25

Highest Quality Heater Core



T 18476 Heater Core, '55-57 105.95
 THK 18476 Heater Core to Housing &
 Housing to Firewall (10 pcs.) 1.85

Air Conditioning Kit

Create a More Comfortable & Desirable Driving Environment



The Kit that gives you the cool air that your 'Bird never had! With its period styling and excellent cooling capacity, our Air Conditioning Kit is one of the most popular selling items among 1955-57 Thunderbird enthusiasts. Whether your car is an everyday driver or show only, there's no mistaking the benefits of a comfortable driving environment. Kit Includes: Head Unit, Compressor, Evaporator, Condenser, Dehydrator/Receiver, Hoses, Hardware & Instructions.

Order Part # T 19551K (12 Volt Only)..... 999.55

Heater Box Renewal Kit

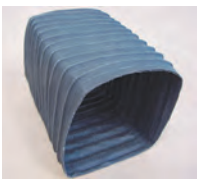
This kit includes the heater core, air chamber, defrost hoses, gasket & hose clamps.

T 18400K '55/57..... Kit 203.49

Heater Hose Clamp

T 18480A	Heater Door Seal, '55-57	2.42
T 18480B	Defroster Flapper Valve Seal, in heater box '55-57	3.68
T 18481	Heater Hose Clamp, '55-57	5.95
	<i>THK 18481A Heater Hose Bracket (T 18481) to Apron (2 pcs.).....</i>	<i>.86</i>

Square Heater Duct



T 18489

Heater Hot Water Valve



T 18495A

T 18489	Square Heater Connecting Duct, '55-57	22.39
T 18495A	Heater Hot Water Valve, Original Type.....	86.65
T 18502	Heater Vacuum Valve, Rebuilt.....	71.35
	Core Charge.....	75.00
T 18504	Heater Squirrel Cage Fan Assembly	42.59

T 18513 Knob



T 18513	Heater Knob, '55-57	15.71
T 18518A	Heater Temperature Control Cable, 18"	13.21
T 18518B	Vent Control Cable, RH, '39-1/2	18.95
T 18519A	Heater Control Knob, '55	11.73
T 18519B	Heater Control Knob, '56-57	11.16
T 18527B	Heater Blower Motor, '56-57.....	173.35
T 18528	Blower Motor Mounting Grommet, '55-57.....	4.15
T 18541	Heater Lamp Wire & Socket, '55-56	12.19
T 18548	Heat/Defrost Control Cable, 15", '55-57	13.27
T 18548A	Heater Cable Clip..... Each	1.87
T 18549	Heater Control Face to Dash Clip	8.82

Heater Control Bezel & Face



T 18550



T 18574



T 18619

T 18550	Heater Control Bezel, '55-57	37.09
T 18556	Defroster Hose, '55-57.....	26.21
T 18556B	Short Defroster Hose, '55-57	6.25
T 18568A	Heater Blower Motor Heat Shield	16.93
T 18568B	Heater Blower Motor Mounting Plate, '55-57	16.93
T 18570K	Gasket Set; '55-57 Consists of Heater to Firewall, Core to Case, and Case to Blower Duct.....	6.90
T 18574	Lower Heater Control Lever (includes 2 rivets)	16.76
T 18575	Upper Heater Control Lever, '55-57	16.76
T 18578	Heater Motor Switch, '55-57	27.26
T 18584A	Round Heater Connecting Duct, '55-57	15.87
T 18584B	Metal Retainer Strap (For T 18584A Duct)	1.87
T 18599	Water Pump to Heater Hose Elbow, '55-57	19.05
T 18619	Heater Control Face, '55-57	12.75
T 18620	Heater Faceplate Backing Plate	Each 5.05
T 18627B	Ignition switch to heater blower switch Wire, '56-57, with fuse.....	15.39
T 18658	Heater Core to Case Gasket, '55-57	2.37
T 18954	Heater Hose Aluminum Band, '55-57.....	2.75

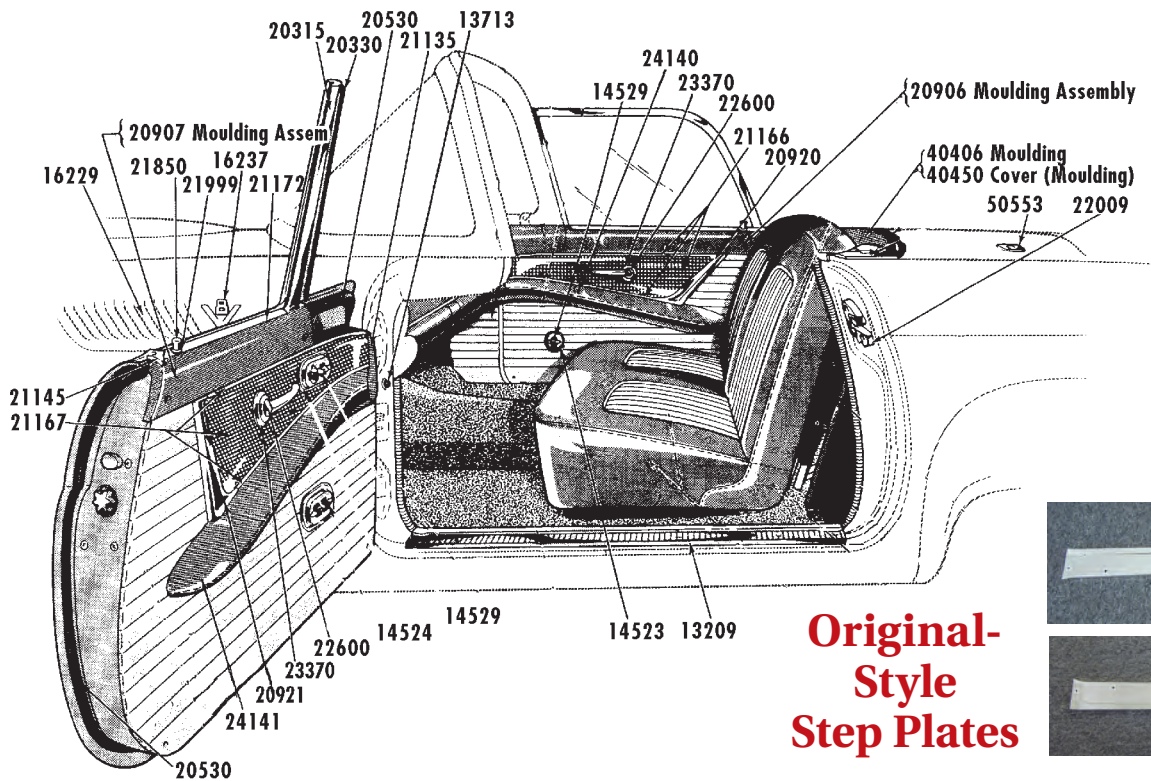
Heater Control Face Renewal Kit



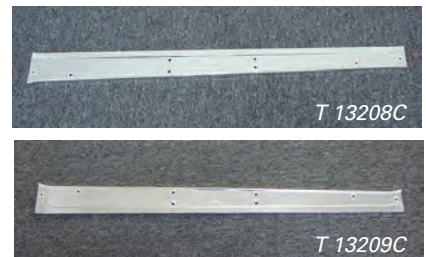
These kits include the chrome bezel, face plate, upper & lower levers and knobs.

T 18549AK	'55..... Kit	104.13
T 18549BK	'56-57..... Kit	105.34

DOORS & WINDOWS



Original-Style Step Plates



When replacing your carpet and other upholstery items, you will want to install new step plates to finish off the job with complete attention to detail. Manufactured to exacting standards for an original appearance. Easy to install. A major item for proper restoration.

T 13208C	Step Plate, RH	Each	36.50
T 13209C	Step Plate, LH	Each	36.50
	<i>THK 13208C Steps plates to Body</i>		
	<i>(16 pcs.—Enough For 2 Sides)</i>		3.43
T 13713	Map Light on Door Post Switch, '55-57		7.23

Window Motor 12Volt

T 14553A	Window Motor 6Volt	Call
T 14553B	Window Motor (NEW) 12Volt	Call

Power Window Switch Power Seat & Related Parts

T 14523	Power Window Switch Plate, RH, Single-Type, '55-57	7.30
T 14524	Power Window Switch Plate, LH, Double-Type, '55-57	17.95
T 14528A	Power Window Switch Housing, RH, Single-Type, '55-57	23.41
T 14528B	Window Regulator Switch Housing, LH, Double Type, '55-57	30.55
T 14529A	Power Window Switch '55 & Power Seat Switch, with Female Terminals, '55-57	41.97
T 14529B	Window Regulator '56-57 & Power Seat Switch, with Male Terminals, '55-57	41.97
T 14554	Window Regulator Switch Gasket, RH, '55-57	3.10
T 14561	Power Seat Switch Gasket, '55-57	3.95
T 14570	Power Seat & Power Window Switch Clip, '55-57	2.07
T 14616	Window Regulator Switch Gasket, LH, '55-57	3.25



T 14523



T 14524



T 14528A



T 14528B

Switch Assembly Gaskets



T 14561



T 14616



T 14554



T 14685

DOORS & WINDOWS

T 20124	Lower Door Skin, Outer; RH	104.00
T 20125	Lower Door Skin, Outer; LH.....	104.00
T 20124B*	Door Bottom Repair Panel, RH, '55-57.....	53.06
T 20125B*	Door Bottom Repair Panel, RH, '55-57.....	53.06
*Panel are supplied with drain holes & weatherstrip retainer.		
T 20125C	Door Weatherstrip Retainer, RH or RH, '55-57.....	23.97

Door Pillar



T 20314A	Door Pillar, RH, '55	190.96
T 20314B	Door Pillar, RH, '56-57	190.96
T 20315A	Door Pillar, LH, '55.....	190.96
T 20315B	Door Pillar, LH, '56-57.....	190.96
THK 20314 Door Pillars to Doors (8 pcs.—Enough For 2 Sides)		2.65

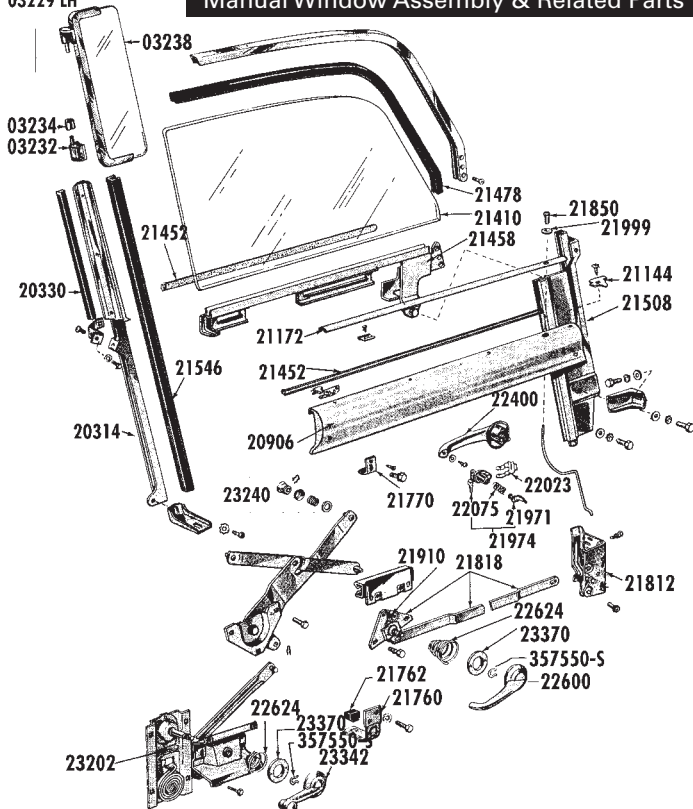
Door Pillar Bracket



T 20320	Upper Door Pillar Bracket, RH, '55-57	14.23
T 20321	Upper Door Pillar Bracket, LH, '55-57	14.23
T 20330	Door Pillar Weatherstrip, RH or LH, '55-57	2.50
T 20518	Hardtop, Over Door Window Weatherstrip, RH, '55 & Early '56.....	102.95
T 20519	Hardtop, Over Door Window Weatherstrip, LH, '55 & Early '56.....	102.95
T 20530	Door Weatherstrip, RH, '55-57	28.50
T 20531	Door Weatherstrip, LH, '55-57	28.50
T 20570	Door At Belt Weatherstrip, RH or LH, '55-57.....	2.97

03228 RH
03229 LH

Manual Window Assembly & Related Parts



Door Weatherstrip Retainer



T 20572	Door Weatherstrip Retainer, Lock Side, RH, '57	13.21
T 20573	Door Weatherstrip Retainer, Lock Side, LH, '57.....	13.21
THK 20125 Door Weatherstrip Spacer to Door '57 (4 pcs.—Enough For 2 Sides)		1.00

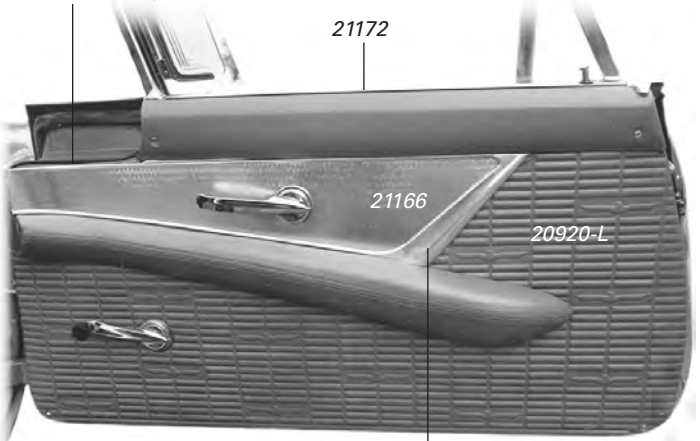
Door Wiring Guide



T 20768	Door Wiring Guide, RH, '55-57	31.75
T 20769	Door Wiring Guide, LH, '55-57.....	31.75

Door Panel & Related Parts

20570 Door at belt
Weatherstrip



T 21166/7 Aluminum Door Panel
& T 209020 L-Moulding

Door Garnish Rail



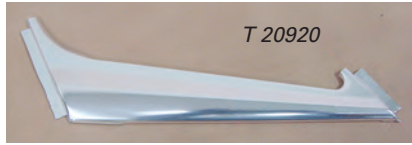
T 20906	Metal Garnish Rail, RH	49.33
T 20907	Metal Garnish Rail, LH.....	49.33
THK 20906 Door Garnish (T 20906/7) to Doors (8 pcs.—Enough For 2 Sides)		2.25
THK 20906A Door Garnish (T 20906/7) to Doors Oversize Threads, (8 pcs.—Enough For 2 Sides)		2.46

Door Garnish Rail Bracket

T 20922	Door Garnish Rail Bracket (2) Required Per Rail.....	Each	15.25
---------	---	------	-------

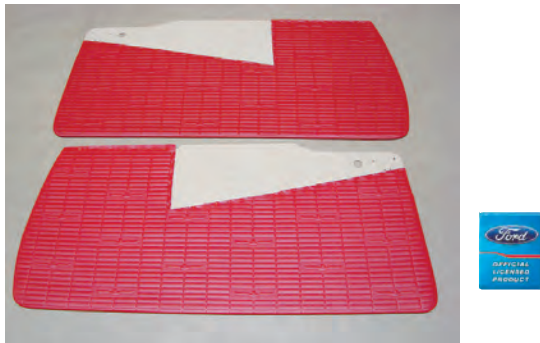
DOORS & WINDOWS

Aluminum Door Panel Moulding



- T 20920 Door Trim L-Moulding, Rear, RH, '55-57 14.95
 T 20921 Door Trim L-Moulding, Rear, LH, '55-57 14.95

Door Panel Sets (TDP)



TDP 57RD

Traditionally, door and kick panels suffer from years of use that they endure. Replacing them really is a painless process, and the sight of new-looking panels is wonderful. We die-cut all door and kick panels to ensure exact fit, then cover them in proper color-matched vinyl to duplicate the original. All panels of 1955 T-Birds are covered with either white or yellow vinyl with a one-inch heat-seamed channel as original. For 1956, panels are covered in white vinyl only and feature the simulated stich at one-inch center as original. And let us not forget the '57, whose panels are embossed with Thunderbird logo and are available in all of the original colors as listed.

TDP 55WT	'55	White.....	Pair	159.50
TDP 55YL	'55	Yellow.....	Pair	181.50
TDP 56WT	'56	White.....	Pair	159.50
TDP 57BU	'57	Blue.....	Pair	181.50
TDP 57BZ	'57	Bronze.....	Pair	181.50
TDP 57GN	'57	Green.....	Pair	181.50
TDP 57RD	'57	Red.....	Pair	181.50
TDP 57WT	'57	White.....	Pair	159.50

Door Panel Attaching Kits

A collection of special hardware kits designed to help you install your new Door Panels properly

THKTDPA	Door Panels to Door; '55-56; (32 pcs.—Enough For 2 Sides).....	12.12
THKTDPB	Door Panels to Door; '57; (20 pcs.—Enough For 2 Sides).....	11.72
THKTDPC	Door Panel Screws; '55-56; (12 pcs.—Enough For 2 Sides).....	2.58
THKTDPD	Door Panel Screws; w/o Clips; '57; 10 pcs.—Enough For 2 Sides).....	2.58
THK 21032	Door Panel Channels to Door.....	1.25

Garnish Rail Cover

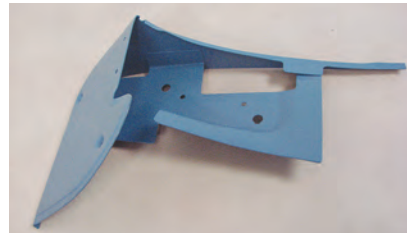


These color-matched strips of vinyl are used to cover the door garnish rail area and the garnish rail at the deck area behind the seat.

TGC 55GN

TGC 55BK	'55-56	Black.....	Pair	19.80
TGC 55GN	'55	Green.....	Pair	19.80
TGC 55RD	'55	Red.....	Pair	19.80
TGC 56BS	'56	Buckskin.....	Pair	19.80
TGC 56GN	'56	Green.....	Pair	19.80
TGC 56PK	'56	Peacock.....	Pair	19.80
TGC 56RD	'56	Red.....	Pair	19.80
TGC 57BK	'57	Black.....	Pair	19.80
TGC 57BU	'57	Blue.....	Pair	19.80
TGC 57BZ	'57	Bronze.....	Pair	19.80
TGC 57GN	'57	Green.....	Pair	19.80
TGC 57RD	'57	Red.....	Pair	19.80
TGC 57WT	'57	White.....	Pair	19.80
THK 20906	Dr Garnish Rails to Doors.....	Each	2.24	
THK 20906A	Dr Garnish to Doors; Oversize Threads.....	Each	2.46	

- T 21032 Lower Door Panel Retainer, '57 14.66
 THK 21032 Door Panel Channels (T 21032)
 to Doors (8 pcs.—Enough For 2 Sides)..... 1.25



T 21134
Door Trim
Spacer

- T 21134 Door Trim Moulding Spacer, RH, '55-57..... 40.75
 T 21135 Door Trim Moulding Spacer, LH, '55-57 40.75
 THK 21134 Door Moulding Spacers
 (T 21134/5) To Door (16 pcs.—Enough For 2 Sides) 3.58

Door Panel Beading (TDB)

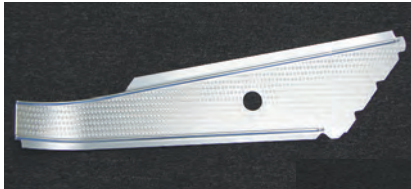
Vinyl-Covered Door Panel Beading fills in the gap at the front of the Aluminum Door Trim Panel along the top edge

TDB 55BK	'55-56	Black.....	Pair	12.87
TDB 55GN	'55	Green.....	Pair	12.87
TDB 55RD	'55	Red.....	Pair	12.87
TDB 56BS	'56	Buckskin.....	Pair	12.87
TDB 56GN	'56	Green.....	Pair	12.87
TDB 56PK	'56	Peacock.....	Pair	12.87
TDB 56RD	'56	Red.....	Pair	12.87
TDB 57BK	'57	Black.....	Pair	12.87
TDB 57BU	'57	Blue.....	Pair	12.87
TDB 57BZ	'57	Bronze.....	Pair	12.87
TDB 57GN	'57	Green.....	Pair	12.87
TDB 57RD	'57	Red.....	Pair	12.87
TDB 57WT	'57	White.....	Pair	12.87

DOORS & WINDOWS



T 21144A	Door Garnish Finish Plate, RH, Early '55 Single-hole type	25.00
T 21144B	Door Garnish Finish Plate, RH, '55-57.....	14.95
T 21145A	Door Garnish Finish Plate, LH, Early '55 Single-hole type	25.00
T 21145B	Door Garnish Finish Plate, LH, '55-57	14.95
THK 21144	Door Garnish Plates (T 21144 & T 21145) to Door (4 pcs.—Enough For 2 Sides)	1.32



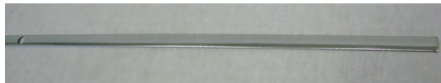
T 21166



T 21167

Aluminum Door Panel Trim

T 21166	Aluminum Door Trim Panel, RH, '55-57	119.00
T 21167	Aluminum Door Trim Panel, LH, '55-57.....	119.00
T 21167C	Aluminum Door Trim Panel, LH, with Hole Cut for Electric Seat Switch, '55-57	125.00



T 21172 Door Garnish Finish Moulding

T 21172	Door Garnish Finish Top Moulding Just like Original with Capped End.....	29.97
THK 21172	Door Garnish Mouldings (T 21172) to Garnish (18 pcs.—Enough For 2 Sides)	4.64
T 21334	Door Panel Washer, Dished Type..... Each	2.30
T 21410A	Lower Door Glass Retainer Strip, '55-57	2.65
T 21410C	Clear Front Door Window Glass, Has "FoMoCo" Logo, '55-57	40.75
T 21410T	Tinted Front Door Window Glass Has "FoMoCo" Logo, '55-57	45.90
T 22224	Stainless Door Glass, MLD RH, '55-57.....	255.00
T 22225	Stainless Door Glass, MLD LH, '55-57	255.00

Original-Type "Cat Whisker" Set (Anti-Rattler)



T 21452AK Cat Whisker Set, Original Type, '55-57 45.00

Door Glass Channel Assembly



T 21458	Lower Door Glass Channel Assembly, RH	89.95
T 21459	Lower Door Glass Channel Assembly, LH.....	89.95
T 21478	Door Glass Retainer Rubber, Between Glass & Stainless Steel Channel, '55-56, Replacement For '57	3.25
T 21508	Door Glass Rear Run "Moleskin" Lining; 30"; Enough to do both doors, '55-57	5.75

Door Glass Run



T 21546 Door Glass Run

T 21546	Front Door Glass Run, '55-57	23.00
THK 21546	Door Glass Runs (21546) to Door Pillar (12pcs.—Enough For 2 Sides)	2.91
TAC 23	Door Glass Run Installation Tool Install your door glass run (part #T 21546) The proper and efficient way!	16.93

Door Window Brackets & Bumpers



T 21760 Bracket



T 21762 Bumper



T 21770 Window Stop

T 21760	Lower Window Stop Bracket, '55-57	16.39
T 21762	Lower Window Stop Bumper, '55-57	2.81
T 21770	Upper Door Window Stop	4.77
THK 21770	Upper Window Stops To Doors (4 pcs.—Enough For 2 Sides)	3.24

Rebuilt Door Latches

Now Available in
Limited Supply!



T 21812AU

T 21812AU	Rebuilt Door Latch, RH, '55	Each	86.70
T 21812BU	Rebuilt Door Latch, RH, '56-57.....	Each	86.70
T 21813AU	Rebuilt Door Latch, LH, '55.....	Each	86.70
T 21813BU	Rebuilt Door Latch, LH, '56-57	Each	86.70
	Core Deposit, Door Latches	Each	75.00

DOORS & WINDOWS

T 21812C Door Latch Spring, '55-57 5.25

Door Latch

T 21812B '56-57, LH 95.00
 T 21813B '56-57, LH 95.00

*These door latch's are new. They will also fit on 1955 T-Birds if the door latch striker is changed to the 1956/57 style.
 Part # T22008 & T22009B.*

Inside Door Handle Linkage Assembly



The key to a smooth operating door

T 21818 Inside Door Handle to Door Latch Linkage, RH, '55-57 48.91
 T 21819 Inside Door Handle to Door Latch Linkage, LH, '55-57 48.91

Door Lock Button



T 21850 Chrome Lock Button, '55-57 6.75
 T 21852 Door Lock Button Rod, w/Rubber Coat, '55-57 11.62



T 21910 Spring



T 21971 Lever

T 21910 Inside Door Handle Remote Spring, '55-57 5.25
 T 21971 Door Lock Cylinder Lever, '55-57 6.07



T 21999 Grommet

T 21999 Door Lock Knob Grommet, '55-57 1.10

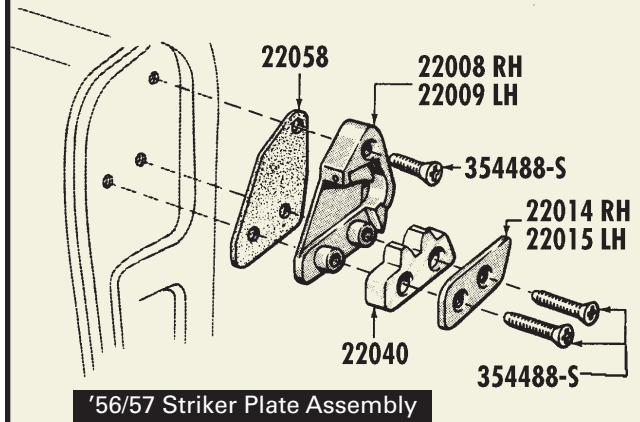
Door Latch Striker Plate Kit

Includes strikers, shims & screws.

T 22008AK '55 Kit 47.47
 T 22008BK '56-57 Kit 83.60



Striker Plate & Related Parts



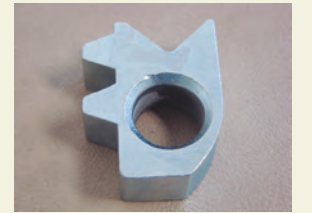
T 22008A Striker Plate



T 22008B Striker Plate



T 22014 Door Plate



T 22040 Insert

T 22008A	Striker Plate, RH, '55	19.95
	TSP 354488 Striker Plate Screw, '55-57 Each	1.28
T 22008B	Striker Plate, RH, '56-57 (Includes T 22040 insert)	20.96
	TSP 354488 Striker Plate Screw, '55-57 Each	1.28
T 22009A	Striker Plate, LH, '55	19.95
	TSP 354488 Striker Plate Screw, '55-57 Each	1.28
T 22009B	Striker Plate, LH, '56-57 (Includes T 22040 insert)	20.96
	TSP 354488 Striker Plate Screw, '55-57 Each	1.28
T 22014	Door Lock Striker Auxiliary Plate, RH, '56-57 ...	15.56
T 22015	Door Lock Striker Auxiliary Plate, LH, '56-57....	15.56
T 22040	Striker Plate Insert, '56-57	12.56
T 22058	Door Striker Plate Adjusting Shim, '55-57.....	1.79

Door Lock Cylinder Retainer



T 22023K

T 22023K Door Lock Cylinder Retainer, RH & LH, Set Of 2 7.88
 T 22075 Door Lock Cylinder Lever Return Spring, '55-57..... .68

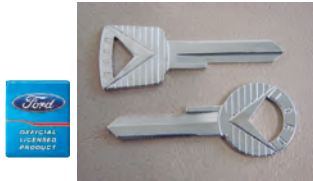
DOORS & WINDOWS

Ignition & Door Lock Kit



T 22050K Ignition & Door Lock Kit, '55-'57
 Contains: (1)T 11582, (1)T 21984,
 (1)T 21985, (2)T 21971, (2)T 22075,
 (1)T 22023K & 2 Keys 76.45

Original-Style Key Blanks



T 22051K Ignition & Trunk Key Set, '55-'57
 Includes (1) Ignition & (1) Trunk Key 4.50

Outside Door Handle Kit

Include the outside door handles,
 pads, buttons & hardware.



T 22401AK '55-'56 Kit 126.27
 T 22401BK '57 Kit 126.27

Inside Door & Window Handle Kit

Includes the inside door & window handles, plates & springs.

T 22600AK 'Manual Windows '55-'56 Kit 114.08
 T 22600BK 'Manual Windows '57 Kit 124.68

Inside Door Handle



T 22600A Handle
 1955-56



T 22600B Handle
 1957

T 22600A Inside Door Handle, '55-'56 26.48
 T 22600B Inside Door Handle, '57 26.48
 T 22624 Door & Window Handle Spring, '55-'57 1.10

Door Handle Removal Tool



T 22601T Door & Window Handle Removal Tool
 A must for proper and safe removal 10.56

Outside Door Handle



Outside Door Handle Button Kits

T 22454AK '55-'56
 Each 39.50

T 22454BK '57
 Each 39.50



T 22454AK



T 22454BK



T 22400K
 Outside Door Handle



T 22428 Pad



T 22448
 Door Handle Pad

T 22400K Outside Door Handle, RH & LH, '55-'57 Set 42.40
 THK 22400 Outside Handle to Door
 (4 pcs. — Enough For 2 Sides) 2.12
 T 22428 Outside Door Handle Pad, Large, '55-'57. Each .95
 T 22448 Outside Door Handle Pad, Small, '55-'57. Each .95
 T 22462 Outside Door Handle Button Spring, '55-'57 Each 1.39
 T 22478 Outside Door Handle Button Seal, '55-'57 1.32

DOORS & WINDOWS

Rebuilt Door Hinge

Reconditioned with new pin; keeps your original hinges on your car. We do this on an exchange basis. Send us your old hinges prepaid and we will recondition them and send them back. If you are in a hurry we can sell you hinges in stock and bill you a core charge until your old ones are received. Your refund will then be sent.



T 22810A	'55.....	Each	76.45
T 22810B	'56-57.....	Each	76.45
	Core Deposit.....	Each	75.00
	THK 22810 Door Hinge to Body & Door (7 pcs.—For 1 Side).....		4.11

Window Regulator & Related Parts



T 23202
Regulator



T 23203
Regulator

T 23202	Window Regulator, RH, '55-57	100.47
T 23203	Window Regulator, LH, '55-57	100.47

Complete Power Window Conversion Kits

T 23208A Set 1250.00
Complete Power Window Kit for 1955-57, 12 volt, T-birds, without power windows & without power seats. Includes: new regulators, motors, relays, wiring, door guards, switches, attaching hardware & instructions with metal rollers.

T 23208B Set 950.00
Complete Power Window Kit for 1956-57 T-birds with existing power windows and power seats. Includes: new regulators, motors & relays; wiring, attaching hardware & instructions with metal rollers.

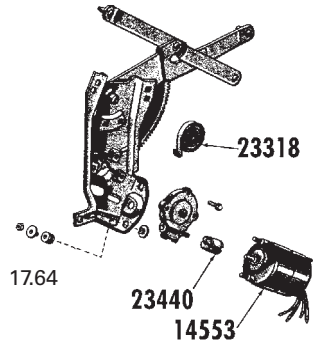
T 23208C Set 1250.00
Complete Power Window Kit for 1956 T-birds with existing power seats and manual windows. Includes: new regulators, motors, relays, wiring, door guards, switches, attaching hardware & instructions with metal rollers.

T 23208D Set 1250.00
Complete Power Window Kit for 1957 T-birds with existing power seats and manual windows. Includes: new regulators, motors, relays, wiring, door guards, switches, attaching hardware & instructions with metal rollers.

T 23208E Set 950.00
New Power Window Kit for 1955 T-birds **with existing power windows that have been converted from 6-volt to 12-volt.** With this kit you will be able to reuse the original existing window harness. This kit uses a gang block terminal which is installed beside the new power window relay. You will need to remove the old 6-volt relay. There are no wires to cut or splice. This is a quick and easy process.

Window Regulator & Related Parts Continued

T 23220	Window Regulator Access Hole Coverplate, '57	17.64
	THK 23220 Door Access Plates to Doors (12 pcs.—Enough For 2 Sides).....	3.18



Manual Window Scissors



T 23234A

T 23234A	55/56 RH.....	Each	127.50
T 23234B	57 RH.....	Each	127.50
T 23235A	55/56 LH	Each	127.50
T 23235B	57 LH	Each	127.50



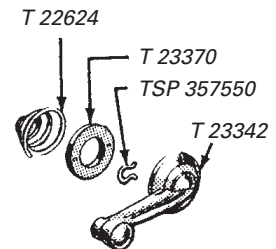
T 23240
Roller



T 23318A
Spring

T 23240	Window Regulator Roller, '55-57	3.52
T 23318A	Manual Window Regulator Spring, 55-57	9.02
T 23318B	Power Window Regulator Spring, 55-57	9.02

Window Regulator Handles Original Styling, Chrome Finish!



T 23342A



T 23342B

T 23342A	Window Regulator Handle, '55-56	26.48
T 23342B	Window Regulator Handle, '57	31.78
T 23370	Door & Window Handle Plastic Plate, '55-57 ..	1.00

Arm Rest Covers



TAR 57GN

Arm Rests are probably one of the most abused items on your Thunderbird. **Larry's Arm Rest Covers** will restore your Littlebird's armrests to like-new appearance, providing the look you want for years to come. These are exact color-matched and sewn as original. None Better!

TAR 55BK	'55-56	Black.....	Pair	42.35
TAR 55GN	'55	Green.....	Pair	42.35
TAR 55RD	'55	Red.....	Pair	42.35
TAR 56BS	'56	Buckskin.....	Pair	42.35
TAR 56GN	'56	Green.....	Pair	42.35
TAR 56PK	'56	Peacock.....	Pair	42.35
TAR 56RD	'56	Red.....	Pair	42.35
TAR 57BK	'57	Black.....	Pair	42.35
TAR 57BU	'57	Blue.....	Pair	42.35
TAR 57BZ	'57	Bronze.....	Pair	42.35
TAR 57GN	'57	Green.....	Pair	42.35
TAR 57RD	'57	Red.....	Pair	42.35
TAR 57WT	'57	White.....	Pair	42.35
THK 24140		Arm Rests to Door Panel Screws.....	Each	3.58

Fiberglass Arm Rest Base



T 24140	Arm Rest Without Cover, RH	79.95
T 24141	Arm Rest Without Cover, LH.....	79.95
THK 24140	Arm Rests to Door Panels (16 pcs.—Enough For 2 Sides)	3.58

Arm Rest Foam Kit

While recovering your Thunderbird's arm rest, you will want our Arm Rest Foam Kit installed for a proper fit of the new Arm Rest cover.

T 24142K	Arm Rests Foam Kit.....	Pair	6.73
----------	-------------------------	------	------

Arm Rest Card Boards

T 24143	Arm Rest Card Boards, '55-57	Pair	6.33
---------	------------------------------------	------	------

T 23395K
Gear Kit



T 23440
Window Coupling



T 23395K	Power Window Trans. Gear Kit, '55-57	52.48	
T 23440	Power Window Coupling, '55-57	Each	11.51
T 23504	Door Arm Check Lever, '55-57	10.56	
T 23505	Door Stop Lever Pin, '55-57	5.20	

Stainless Rear Window Moulding for Hardtops!



T 42430

T 42430	'55-57; RH, Stainless.....	159.95	
T 42430K	'55-57; Rear Window Kit, Stainless Steel (4 pcs.).....	319.90	
T 42450	Back Window Moulding Joint Cover	Each	8.35

Hardware for this Section

TPS 354488	Striker Plate Screw.....	Each	1.28
TSP 357550	Door Handle & Window Crank Retaining Clip42
TSP 358355	Rubber Coated Window & Seat Motor Clip..		2.07
TSP 358575	Door Panel Clip, '55-57	Each	.38



Dedicated to Excellence

Can't Find What You're Looking For?

If you are looking for a certain part and are not able to locate it in this catalog, give us a call, write or contact us via the internet at www.larrytbird.com. It may be that we have what you are looking for but the part was not listed in this catalog at the time of printing. Some parts may no longer be available either New or NOS. We have a large used parts inventory and may have just the part you need. Give us a call for information regarding our used parts inventory.

REAR QUARTER PANEL AREA

Original-Type Gas Cap

Qualifies for CTCL Excellence in Authenticity Award!



T 9030C

T 9030C	Gas Cap, '57.....	22.75
T 9034A	Gas Filler Neck Strap, '57.....	14.23
T 9034B	Gas Neck to Body Bracket, '57.....	12.20
	THK 9034A Gas Neck Strap to Body Bracket (T 9034B), '57 (3 pcs.).....	1.52
	THK 9034B Gas Neck Bracket (T 9034B) to Body, '57 (2 pcs.).....	.79



T 9034C	Fuel Filler Pipe, '57.....	Each	152.95
---------	----------------------------	------	--------

Quarter Panel Drain Plug Kit



T 11136K	Quarter Panel Drain Plug Kit Consists Of: 2 Button Plugs & 2 Drain Plugs, as original.....	5.45
----------	--	------

T 16377B	Fuel Filler Door Spring, '57.....	Each	4.19
----------	-----------------------------------	------	------



T 25622

T 25622	Rear Quarter Panel Thunderbird Script, '55-56.....	26.21	
	THK 25622 Thunderbird Script to Body '55-56 (8 pcs.—Enough For 2 Sides).....	2.37	
T 25648K	Fender Skirt Stone Guards, RH & LH.....	94.50	
T 25650	Stone Guard Bracket, '55-57.....	Each	4.15
T 27840A	Quarter Panel Repair, RH, '55-57.....	249.90	
T 27841A	Quarter Panel Repair, LH, '55-57.....	249.90	
T 27842R	Front Quarter Panel Bottom, RH, '55-57.....	76.50	
T 27843L	Front Quarter Panel Bottom, LH, '55-57.....	76.50	
T 27844R	Rear Quarter Panel Bottom, RH, '55-57.....	122.35	
T 27845L	Rear Quarter Panel Bottom, LH, '55-57.....	122.35	
T 278821R	Wheelhouse Lower Front, RH, '55-57.....	60.13	
T 278831L	Wheelhouse Lower Front, LH, '55-57.....	60.13	
T 278822R	Wheelhouse Top Cap, RH, '55-57.....	57.12	
T 278832L	Wheelhouse Top Cap, LH, '55-57.....	57.12	
T 278823AR	Wheelhouse Extension, RH, '55.....	111.18	
T 278833AL	Wheelhouse Extension, LH, '55.....	111.18	
T 278823BR	Wheelhouse Extension, RH, '56.....	152.95	
T 278833BL	Wheelhouse Extension, LH, '56.....	152.95	

Fender Skirts

High-Quality Skirts to replace your originals



T 27974K	Fender Skirt, Less Mouldings.....	Pair	329.95
----------	-----------------------------------	------	--------

Fender Skirt Lock Kit



TAC 03	Fender Skirt Lock Kit.....	Pair	10.50
--------	----------------------------	------	-------

*Note: Does Not Include Padlocks.



T 29164B



'57 Style

Rear Fender Area

T 278823CR	Wheelhouse Extension, RH, '57.....	111.18	
T 278833CL	Wheelhouse Extension, LH, '57.....	111.18	
T 27974K	Fender Skirt, Less Mouldings.....	Pair	329.95
T 27980K	Fender Skirt Brackets, Set Of Four.....	27.26	
	THK 27980 Skirt Clips to Quarter Panel (8 pcs.—Enough For 2 Sides).....	1.85	
T 27986	Fender Skirt To Quarter Panel Seal.....	Each	7.50
T 27986S	Fender Skirt Seal Staple Kit; Both Sides.....	1.89	
T 29164A	Fender Skirt Moulding, RH '55-56.....	Each	73.49
T 29164B	Fender Skirt Moulding, RH '57.....	Each	73.49
T 29165A	Fender Skirt Moulding, LH '55-56.....	Each	73.49
T 29165B	Fender Skirt Moulding, LH '57.....	Each	73.49
	THK 29164 Skirt Trim (29164-5) to Skirts (18 pcs.—Enough For 2 Sides).....	3.18	
T 40635B	Fuel Tank Filler Door Hinge, '57.....	Each	41.97

Fender Skirt Kit

Includes the fender skirts, stone guards, mouldings, seals, mounting brackets and all hardware.

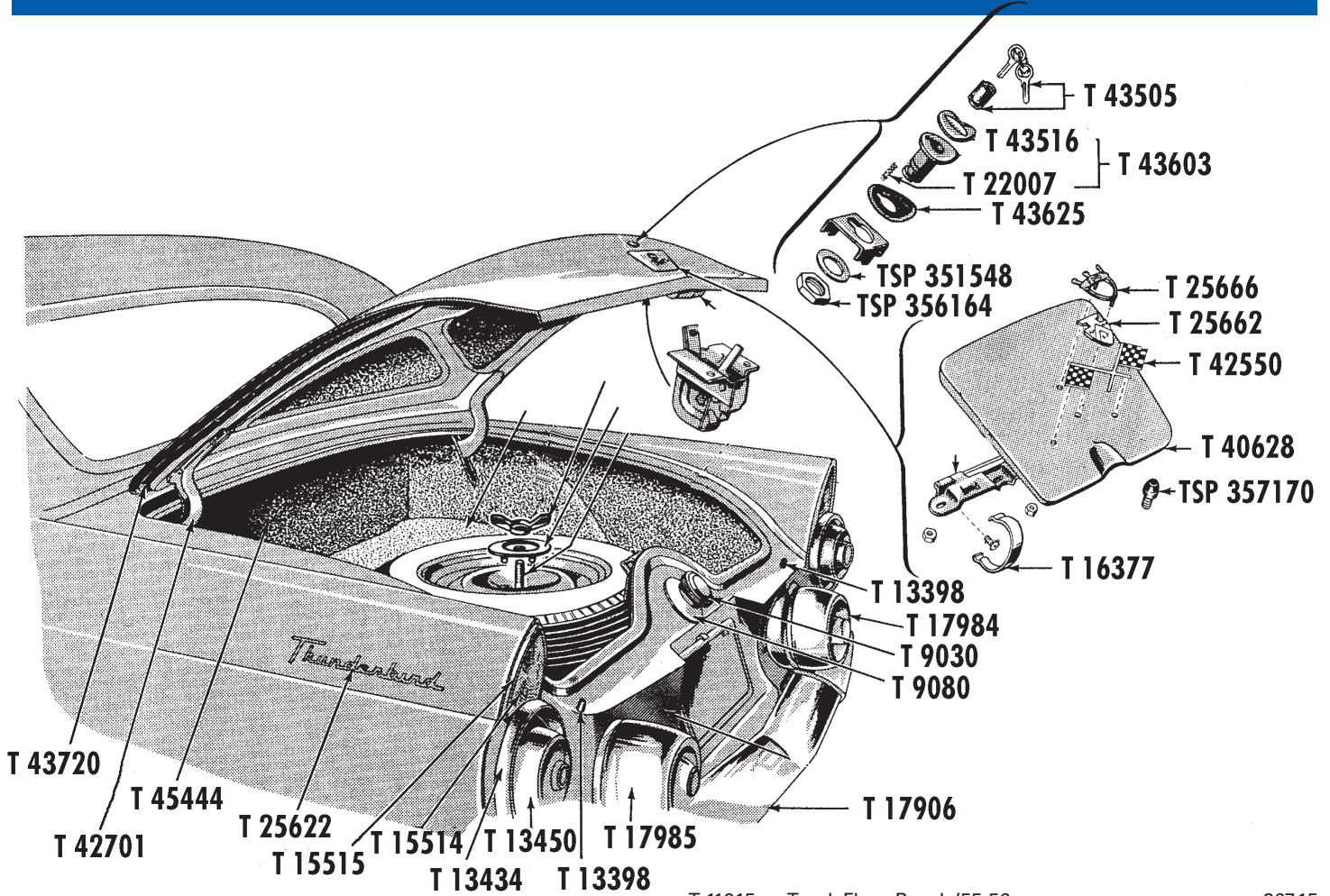


T 27975AK	'55-56.....	Kit	595.00
T 27975BK	'57.....	Kit	595.00

Hardware for this Section

TSP 357170BK	Gas Door Bumpers, '57, Set of 2.....	3.62
TSP 370322	Gas Filler Neck to Tank "O Ring," '57.....	1.98

TRUNK & REAR BODY AREA



T 11215 Trunk Floor Panel, '55-56 367.15

Original Type Gas Cap

Qualifies for CTCI Excellence in Authenticity Award!



T 9030A

T 9030B

T 9030A Gas Cap, '55 Recessed Type 22.75
 T 9030B Gas Cap, '56 & Early '57 22.75

Deck Lid Bumper



T 13398K Bumper Kit

T 13398K Deck Lid Bumper, '55-56 Set Of 2 7.40
 Note: Refer to T 16758AK for '57.

Jack & Lug Wrench



T 17032
Lug Wrench

T 17083
Jack Strap

T 17032 Lug Wrench 34.63
 T 17083 Jack Strap 14.50

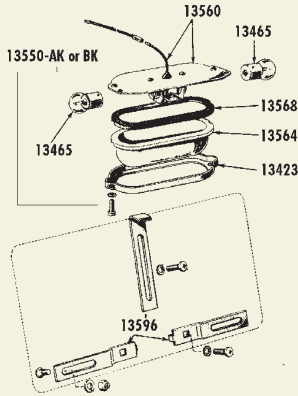
Original-Type Key Blank Set



T 22051K Key Set, '55-57 Pair 4.50

TRUNK & REAR BODY AREA

Rear License Lamp Assembly



T 13550BK License Lamp Assembly



T 13550CK License Lamp Assembly

T 13550AK	Rear License Lamp Assembly, '55.....	62.99
T 13550BK	Rear License Lamp Assembly, '56.....	62.99
T 13550CK	Rear License Lamp Assembly, '57.....	73.49



T 13560A

Rear License Lamp Body



T 13560B

T 13560A	Rear License Lamp Body, '55-56 Original Two-Bulb Type.....	34.62
T 13560B	Rear License Lamp Body, '57.....	25.16

Rear License Lamp Lens



T 13564A Lens



T 13564B Lens

T 13564A	License Lamp Lens, '55-56.....	15.91
T 13564B	License Lamp Lens, '57.....	15.39
	THK 13564 License Lens '55-57, (2 pcs.).....	1.06



T 13566 License Lamp Retainer

T 13566	License Lamp Lens Retainer; Chrome, '57.....	18.86
T 13568A	License Lamp Lens Gasket, '55-56.....	1.58
T 13568B	License Lamp Lens Gasket, '57.....	1.58
T 13596	Rear License Plate Holder, '55.....	11.62
THK 13596	Lic. Plate Holder to Body '55 (6 pcs.).....	1.12

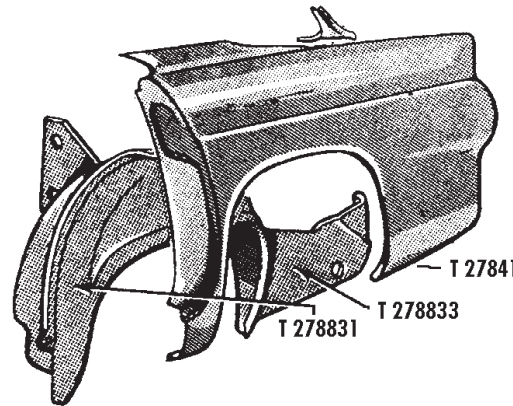
Deck Lid Bumper



T 16758AK

T 16377A	Gas Door Spring, '55-56.....	3.94
T 16758AK	Deck Lid Bumper, '57, (Set Of 2).....	3.10
	Note: Refer to 13398-K For '55-56.	
T 17808A	Rear Bumper Stone Deflector, '56.....	3.78
T 17808B	Rear Bumper Stone Deflector, '57.....	11.51
T 17808SA	Rear Bumper Stone Deflector - Staple Kit, '56; Both Sides.....	.63
T 17808SB	Rear Bumper Stone Deflector - Staple Kit, '57 ...	1.05
T 22007A	Trunk Lock Sleeve Flip Lid Spring, '55-56.....	3.57
T 22007B	Trunk Lock Sleeve Flip Lid Spring, '57.....	2.95
T 25662	Medallion, Used on Front Grille Panel, Gas Door & Side of Hard Top on 1955's; Front Fender of 56'd.....	18.86
T 25666	Chrome Retainer for Part T 25662 Medallion.....	19.91
	THK 25666 Crest Medallion (T 25666) & Cross Flags (T 42550), (4 pcs.—Enough For 2 Sides).....	1.32
T 278800	Trunk Floor Brace, '57.....	96.39

Wheelhouse Area



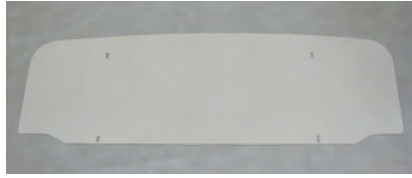
T 278821R	Wheelhouse Lower Front, RH.....	60.13
T 278831L	Wheelhouse Lower Front, LH.....	60.13
T 278822R	Wheelhouse Top Cap, RH.....	57.12
T 278832L	Wheelhouse Top Cap, LH.....	57.12
T 278823AR	Wheelhouse Extension, RH, '55.....	111.18
T 278833AL	Wheelhouse Extension, LH, '55.....	111.18
T 278823BR	Wheelhouse Extension, RH, '56.....	152.95
T 278833BL	Wheelhouse Extension, LH, '56.....	152.95
T 278823CR	Wheelhouse Extension, RH, '57.....	118.18
T 278833CL	Wheelhouse Extension, LH, '57.....	118.18

Fuel Door

T 40628	Fuel Door, '55-56.....	Each	61.20
---------	------------------------	------	-------

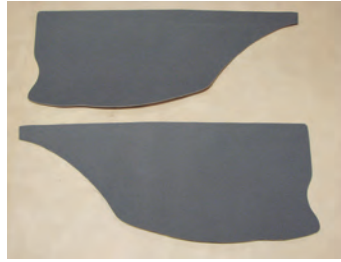
TRUNK & REAR BODY AREA

Trunk Mats, Divider Board & Cardboard Sets

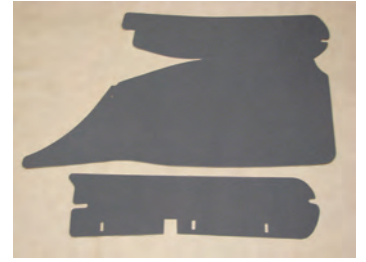


T 45444

- T 45444 Center Trunk Divider Board
 Ready to Paint, '55..... 10.95
 THK 45444 Trunk Divider Board Screws,
 '55 (5 pcs.)..... 1.85



T 45415AK



T 45415BK

- T 45415AK Trunk Side Cardboard Set, RH & LH, '55-56..... 13.75
 T 45415BK Trunk Side Cardboard Set, RH & LH, '57..... 13.75
 THK 45415B Trunk Side Cardboards to Body
 '57 (13 pcs.)..... 2.85



- T 45456E 1955 Burtex Replacement Trunk Mat Each 68.55



- T 45456C 1956 Plaid Burtex Type Trunk Mat Set
 With Hanging Curtain. Used on '56's from the first
 part of July '56 until end of the model year..... 68.55



- T 45456B 1956 Rubber Trunk Mat (Will work on '55)
 Rubber Mat & Hanging Curtain. Used on '56's up until
 about the end of June '56. An Exact Reproduction! 280.50



- T 45456D 1957 Plaid Burtex Type Trunk Mat Set
 (4) Pieces. Includes Floor Mat, (2) Wheel House Covers
 & Hanging Curtain, '57..... 88.17

Trunk Mats

Larry's has designed a new Trunk Mat for the Thunderbird owner that is looking to dress up their car. The mat is made of the same carpet as used in the interior and is made to fit the trunk just like the original mat.

1955	1956	1957
TTM 55BK '55 Black 76.95	TTM 56BK '56 Black 76.95	TTM 57BK '57 Black 87.95
TTM 55GN '55 Green..... 76.95	TTM 56BS '56 Buckskin.. 76.95	TTM 57BU '57 Blue..... 87.95
TTM 55RD '55 Red..... 76.95	TTM 56GN '56 Green..... 76.95	TTM 57BZ '57 Bronze 87.95
	TTM 56PK '56 Peacock... 76.95	TTM 57GN '57 Green..... 87.95
	TTM 56RD '56 Red..... 76.95	TTM 57RD '57 Red..... 87.95

TRUNK & REAR BODY AREA

T 40406	Rear Deck Garnish Moulding Joint Cover.....	Each	9.50
T 40406A	Rear Garnish Rail Fiberglass, '55-'57		139.95
T 40408K	Rear Deck Garnish Mouldings.....	Pair	95.46
	<i>THK 40408 Upper Back Panel Garnish Moulding (T 40408) to Body, (16 pcs.)</i>		<i>5.43</i>

Gas Door Hinge



T 40635A

T 40635A	Gas Door Hinge, '55-'56	43.25
	<i>See Page 89 For '57 Gas Door Hinge T 40635B</i>	



T 42550 Cross Flags

Rear Deck Ornaments



T 42530 Nameplate



T 43500 Ornament



T 42530	Rear Deck Handle Nameplate, '57	14.44
T 42550	Cross Flags, '55.....	12.75
	<i>THK 25666 Cross Flags (4 Pcs.—Enough For front/rear)</i>	<i>1.32</i>
T 43500	Rear Deck Handle Ornament, '57	28.45
	<i>THK 43500 Trunk Handle (43500) To Insert & Deck Lid Without Wedge Washers (5 pcs.).....</i>	<i>3.58</i>



T 42701A Spring

T 42701A	Trunk Hinge Spring, '55-'56	18.19
T 42701B	Trunk Hinge Spring, '57	16.07



T 43226 Release Rod

T 43505
Cylinder
& Keys



T 43226	Trunk Lock Release Rod, '57	3.71
T 43505	Luggage Compartment Cylinder & Keys.....	25.16
T 43516A	Trunk Lock Sleeve Lid; '55-'56	14.83
T 43516B	Trunk Lock Sleeve Lid; '57	15.87
T 43565B	Trunk Lock Spacer; '57	7.96

Tote Bag

Made of the same quality material as our trunk mats, this bag can be used for toting car cleaners or as an overnight bag.

TAC 19	'55-'57, Plaid....	Each	32.95
--------	--------------------	------	-------



Luggage Compartment Lock Cylinder & Pads



T 43603A



T 43625A



T 43625B

T 43603A	Luggage Comp. Lock Cylinder Sleeve, '55-'56.....	39.21
T 43603B	Luggage Comp. Lock Cylinder Sleeve, '57	37.09
	<i>Note: For Nut & Washer See TSP 351548 & TSP 356164 in Hardware Section.</i>	
T 43625A	Trunk Lock Cylinder Pad, '55-'56	3.68
T 43625B	Trunk Lock Cylinder Pad, '57.....	3.68
T 43720	Deck Lid Weatherstrip	19.95

Hardware for this Section

TSP 356164	Nut, Luggage Comp. Lock Cylinder Sleeve	1.75
TSP 357170AK	Bumpers, Gas Door, '55-'56 (Set of 2)	3.62

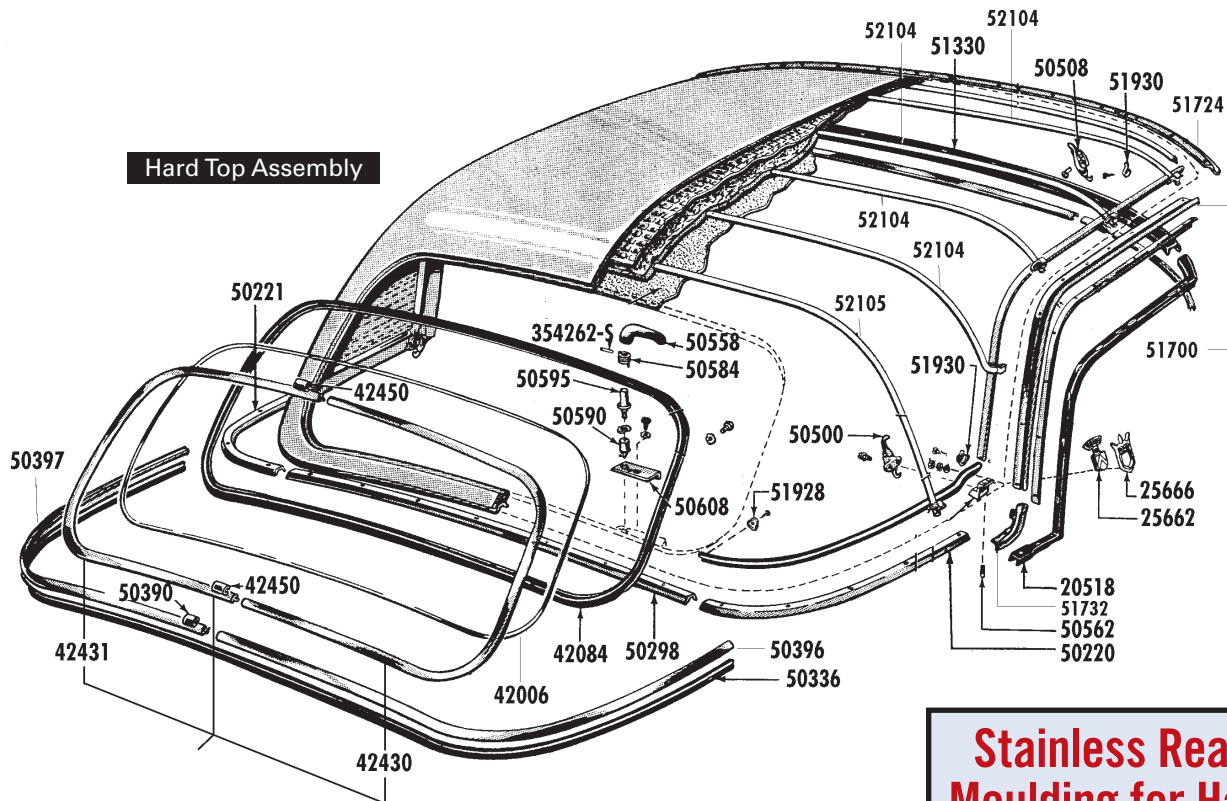


Big Selection of Parts!

Whether it's a hard to find part or a standard T-Bird replacement part, Larry's has what you're looking for. Our inventory of parts is concourse-quality. Give us a call if you can't find the parts you need. Our knowledgeable parts specialists will be happy to help!

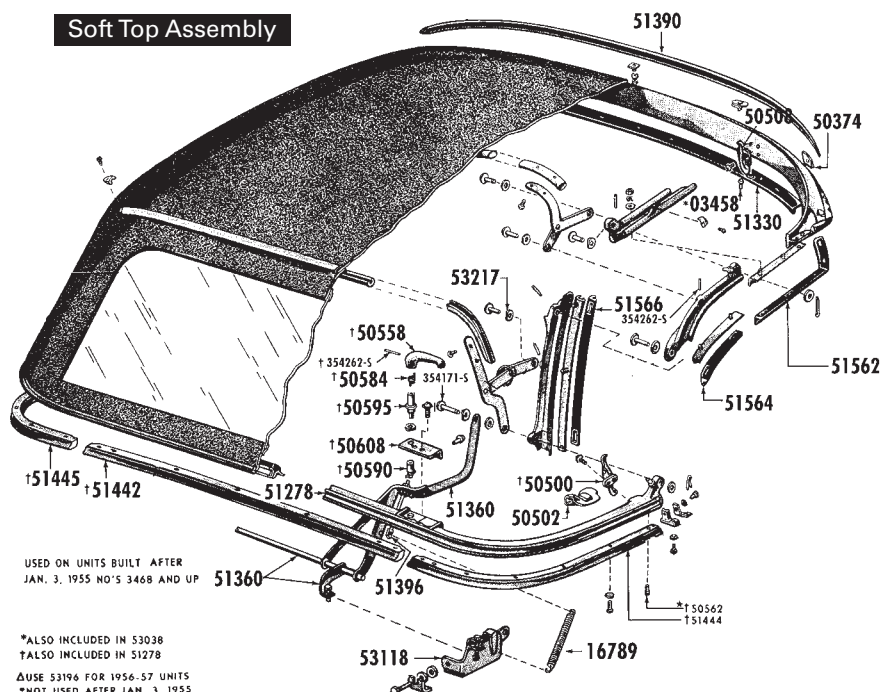
HARD & SOFT TOP PARTS

Hard Top Assembly



See Page 97 For Weatherstrip Kits

Soft Top Assembly



USED ON UNITS BUILT AFTER
JAN. 3, 1955 NO'S 3468 AND UP

*ALSO INCLUDED IN 53038
*ALSO INCLUDED IN 51278

▲USE 53196 FOR 1956-57 UNITS
*NOT USED AFTER JAN. 3, 1955

Stainless Rear Glass Moulding for Hardtops!



T 42430	'55-57; RH, Stainless Steel	159.95
T 42430K	'55-57; Rear Window Kit, Stainless Steel	319.90
T 42450	Joint Cover, Back Window Moulding	8.35
	Each	

Stainless Header Trim for Soft Tops



T 51390*	Stainless Trim, Front of Soft Top, 1- piece, Late '55-57, (will work on early '55)	219.95
THK 51390	Soft Top Front Header Trim to Frame (20 pcs.—Enough For 2 Sides)	18.73

* See Part Numbers T 50374 & T 50375 on Page 95 for Header Trim Retaining Clips.

HARD & SOFT TOP PARTS

T 03458	FrontTop Locating Pin.....	Each	10.46
T 16789A	SoftTop Swing Arm Spring, '55/early '56; 7"		10.95
T 16789B	SoftTop Swing Arm Spring, Late '56-57, 4 3/4"		10.95
T 20518	HardtopWeatherstrip Over Door Window, RH, '55 & Early '56.....		102.95
T 20519	HardtopWeatherstrip Over Door Window, LH, '55 & Early '56		102.95
T 03474	Top Pin Locating Receiver, Front.....	Each	26.47

Side Top Medallion, 1955

T 25662
Medallion



T 25666
Retainer

T 25662	Medallion, Used On Front Grille Panel, Gas Door & Side Of HardTop On '55's. Used On Front Fenders On '56's		18.86
T 25666	Chrome Retainer, ForT 25662..... <i>THK 25666 Crest medallion (25666)</i> <i>(4 pcs. — Enough For 2 Sides)</i>		19.91
T 41745AK	HardTop Tacking Strip Set, '55-57.....		16.76
T 41745BK	SoftTop Tacking Strip Set, '55-57.....		17.81
T 42006A	Clear HardTop Rear Window, '55-57		295.75
T 42006B	Tinted HardTop Rear Window, '55-57		300.90
T 42084	Back Glass Weatherstrip		36.72
T 42450	Back Window Moulding Joint Cover.....		8.35
T 50220	HardTop Weatherstrip, RH, Curved on deck, '55-57		44.07
T 50221	HardTop Weatherstrip, LH, Curved on deck, '55-57		44.07

1957 Side Top Medallion



T 50270
Medallion



T 50292
Retainer

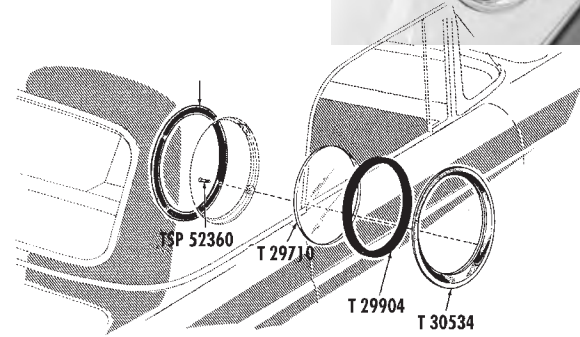
T 50270	Roofside Medallion, '57, Non-Porthole Hardtop.....	23.30
T 50292	Roffside Medallion Retainer, '57, Non-Porthole Hardtop.....	15.87
T 50298	Hardtop Weatherstrip, Rear Deck, Center, '55-57	44.07

T50300K
Frame Hinge
Pin Kit



T 50300K	ConvertibleTop Frame Hinge Pin Kit; Chrome; Replaces Riveted Pin. Set of 6	34.68
T 50336	Weatherstrip, Fits into stainless moulding around bottom of hardtop, '55-57	15.71
T 50374	SoftTop Header Moulding Retaining Clip, RH '55-57	5.46
T 50375	SoftTop Header Moulding Retaining Clip, LH '55-57	5.46

Porthole Installation Kit



T 30000AK

Includes all necessary
parts to install
portholes in a hardtop
without portholes...



T 29004K	Chrome Inside Porthole Rings.....	Pair	46.18
T 29710C	Porthole Clear Glass, w/FoMoCo Script		17.51
T 29710D	PortholeTinted Glass, w/FoMoCo Script.....		18.57
T 29904	Porthole Glass Seal.....		3.42
T 30000AK	Porthole Installation Kit. Includes: Rings Seals, Glass, Spacers. Off-White 4-Bow Headliner Template & Instructions. Clear Glass.....		249.95
T 30000BK	Porthole Installation Kit. As above, with Tinted Glass.....		249.95
T 30000CK	Porthole Installation Kit. As above, with White Headliner & Clear Glass.....		249.95
T 30000DK	Porthole Installation Kit. As above, with White Headliner & Tinted Glass		249.95
T 30000EK	As Above, With Clear Glass & A Pure White Headliner	Each	249.95
T 30000FK	As Above, With Tinted Glass & A Pure White Headliner	Each	249.95
T 30500	Porthole Spacer, '55-57	Pair	112.15
T 30534K	Outside Porthole Rings, Chrome, '55-57.....	Pair	75.00
	<i>THK 30534Porthole Rings to Hardtop</i> <i>(8 pcs. — Enough For 2 Sides)</i>		2.58

HARD & SOFT TOP PARTS

Soft Top Kits

Kit includes: Top frame with cover, swing bar and handles.
Does not include the front stainless moulding, #T 51390.

T 50103A	Black Vinyl '55/57.....	Each	2,995.00
T 50103B	White Vinyl '55/57.....	Each	2,995.00
T 50103C	Black Canvas '55/57.....	Each	3,295.00
T 50103D	Dark Blue Canvas '55/57.....	Each	3,295.00
T 50103E	Dark Green Canvas '55/57.....	Each	3,800.00
T 50103F	Tan Canvas '55/57.....	Each	3,295.00

Note: No Discounts. Actual Freight.

Soft Top Recovering Kits



You are assured of quality and precision fit with our original-type Soft Top Kits. Each Soft Top Kit is manufactured to strict standards for an exact factory-quality fit. You won't find a nicer replacement top anywhere! We Guarantee It!

Original-Type Vinyl Soft Top Kit

TST 56WT	White Vinyl w/Tan Underside, '56-57.....	315.95
----------	--	--------

Non Original-Type Vinyl Soft Top Kit

TST 55WT	White Vinyl w/Black Underside. Includes a "Horseshoe" Zipper Type Plastic Window.....	295.95
----------	---	--------

Original-Type Canvas "StayFast" Soft Top Kits

TST 55BK	Black Canvas w/Black Underside w/Sewn-In Back Window; '55.....	575.00
TST 56BK	Black Canvas w/Black Underside, '56-57.....	575.00
TST 56TN	Tan Canvas w/Tan Underside, '56-57.....	575.00
TST 57BU	Blue Canvas w/Black Underside, '57.....	575.00

Rear Deck Protector

* Special die-cut vinyl film protects the paint on your rear deck from stains left by the hard or soft top weatherstrip

TAC 18A	Clear.....	19.75
---------	------------	-------

***Caution: Should not be left on car for extended periods of time as it may discolor the paint. For short-term use only**

Top Lock Kits

Larry's "outa Sight" Top Lock fits underneath the rear deck area. Design does not permit the top fastener to be rotated with the lock in place. This way the top & the hold-down plate cannot be removed as a unit-a feature not offered by other top locks units. Fits hard tops & soft tops.



TAC 04	'55.....	29.13
TAC 05	'56.....	29.13
TAC 06	'57.....	29.13

Original Type Headliners (THL)



Our Headliners are the finest of any on the market! Constructed of Perforated Vinyl, with "Wire-On" Border Strip. Please be sure to specify whether you have (4) or (5) metal bows in your top. All "port hole" tops have 4-bow and all '57 tops have 4-bow.

THL 40W	Headliner; 4-Bow, Off-White, '57.....	Each	54.95
THL 4WT	Headliner; 4-Bow, White, '55-56.....	Each	54.95
THL 4PW	Headliner; 4-Bow, Pure White.....	Each	54.95
THL 50W	Headliner; 5-Bow, Off-White, '57.....	Each	54.95
THL 5WT	Headliner; 5-Bow, White, '55-56.....	Each	54.95
THL 5PW	Headliner; 5-Bow, Pure White.....	Each	54.95

Note: Pure White is a Non Stock Color.

Tonneau Cover (TTC)

Protect Your 'Bird from the Elements!

Our Original-Style Tonneau Cover protects your Thunderbird from rain, dust, pollutants and the sun's harmful UV rays. Only the finest in correct grain vinyls and colors, with heavy-duty zipper to give yours of lasting use. Snaps are included, but not installed.

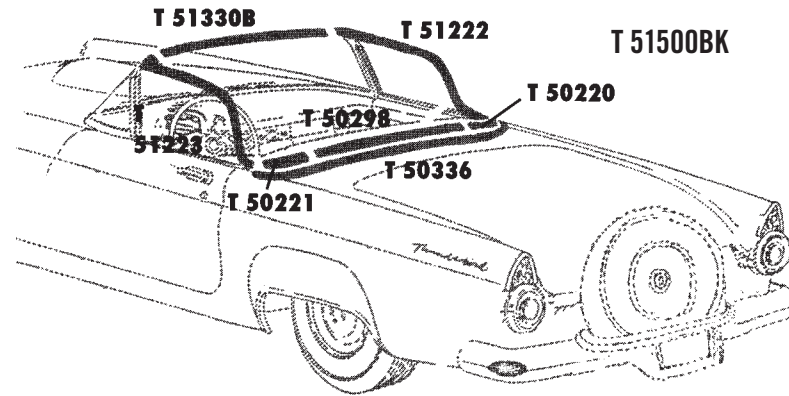
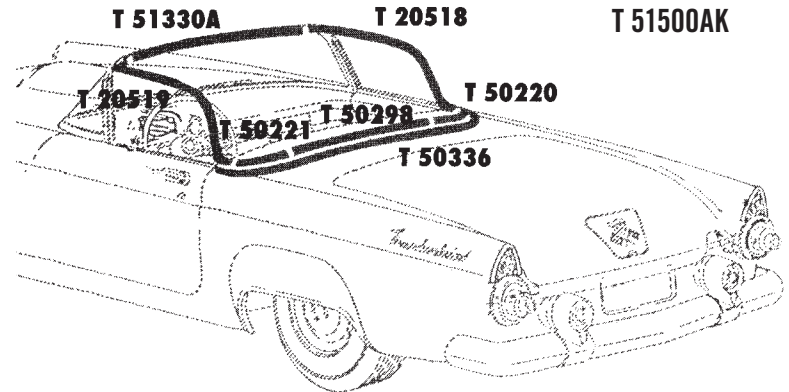
TTC 55BK	'55-56	Black.....	Each	197.95
TTC 55GN	'55	Green.....	Each	197.95
TTC 55RD	'55	Red.....	Each	197.95
TTC 55WT	'55-56	White.....	Each	197.95
TTC 56BS	'56	Buckskin.....	Each	197.95
TTC 56GN	'56	Green.....	Each	197.95
TTC 56PK	'56	Peacock.....	Each	197.95
TTC 56RD	'56	Red.....	Each	197.95
TTC 57BK	'57	Black.....	Each	197.95
TTC 57BU	'57	Blue.....	Each	197.95
TTC 57BZ	'57	Bronze.....	Each	197.95
TTC 57GN	'57	Green.....	Each	197.95
TTC 57RD	'57	Red.....	Each	197.95
TTC 57WT	'57	White.....	Each	197.95

HARD & SOFT TOP PARTS

Hard Top Weatherstrips Sets '55, Early '56 Type Weatherstrips

The '55's & Early '56 Type Have The Weatherstrips Over The Door Glass Entirely Cloth Covered, And They Are "Dog-Legged" Both In Front On The Windshield Header And On The Rear Deck.

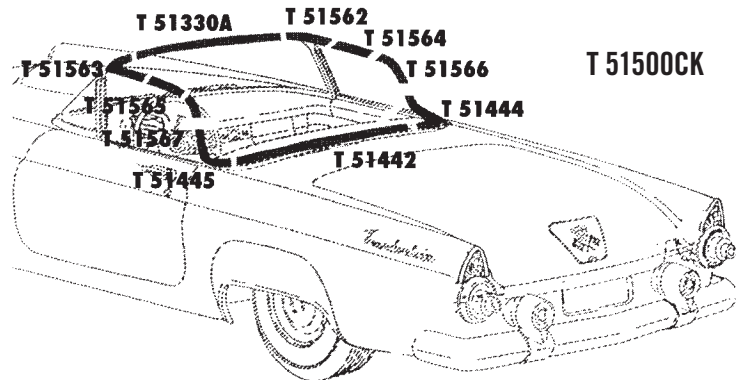
T 51330A	Front Header, 43 1/2" Long, '55.....	92.40
T 20518	Right, Over Door Window.....	102.95
T 20519	Left, Over Door Window.....	102.95
T 50220	Right, Curved On Deck.....	44.07
T 50221	Left, Curved On Deck.....	44.07
T 50298	Center Of Deck.....	44.07
T 50336	Fits Into Stainless Moulding Around Bottom Of Hardtop.....	15.71
T 51500AK	Complete Set, All Of The Above.....	395.00



Late '56-57 Type Weatherstrips

The Late '56-57 TTypes Have The Weatherstrips Over The Door Glass "Dog-legged" Only On The Rear Deck.

T 51330B	Front Header, 54" Long, '56-57.....	92.40
T 51222	Right, Over Door Window.....	103.96
T 51223	Left, Over Door Window.....	103.96
T 50220	Right, Curved On Deck.....	44.07
T 50221	Left, Curved On Deck.....	44.07
T 50298	Center Of Deck.....	44.07
T 50336	Fits Into Stainless Moulding Around Bottom Of Hardtop.....	15.71
T 51500BK	Complete Set, All Of The Above.....	395.00
	<i>THK 51500A Hardtop Weatherstrip To top (47 pcs.).....</i>	<i>8.20</i>



Soft Top Weatherstrip Sets

T 51330A	Front Header, 43-1/2" Long.....	92.40
T 51442	Rear Deck, Center, '55-57.....	48.28
T 51444	Rear Deck, RH.....	48.28
T 51445	Rear Deck, LH.....	48.28
T 51562	Front Side Rail, RH.....	34.62
T 51563	Front Side Rail, LH.....	34.62
T 51564	Center Side Rail, RH.....	34.62
T 51565	Center Side Rail, LH.....	34.62
T 51566	Rear Side Rail, RH.....	34.62
T 51567	Rear Side Rail, LH.....	34.62
T 51500CK	Soft Top Weatherstrip Kit, Complete Set, With Correct 3 Pieces Over Window.....	395.00
TSP 352222	T-Bolt, For Soft Top Weatherstrip Over Side Window.....	1.05
	<i>THK 51500C Soft Top Weatherstrip To Frame (104 pcs.).....</i>	<i>34.62</i>
	<i>THK 51562 T-Bolts For Soft Top Side Rail Weatherstrips (12 pcs. - For 2 Sides).....</i>	<i>12.60</i>

Soft Top Illustration Manual



Install your new soft top the proper way.

TLT 1, 55-57.....	3.42
-------------------	------

HARD & SOFT TOP PARTS

Hard Top Moulding

Larry's Stainless steel Hard Top Moulding Elements Are Manufactured from High Quality Materials To Precise Standards To Fit Your '55-57 Thunderbird. Excellent Quality!

T 50390	Hardtop-Rear Moulding, Joint Cover	7.30
T 50396	Hardtop-Rear Moulding, RH	115.57
T 50397	Hardtop-Rear Moulding, LH	115.57
T 51700	Hardtop-Over Door Moulding, RH, (replacement for very early '55's)	94.55
T 51701	Hardtop-Over Door Moulding LH, (replacement for very early '55's)	94.55
T 51724	Hardtop-Front Header Moulding	115.57
T 51732	Hardtop-Corner Behind Dr. Moulding RH, (did not exist on very early '55's)	42.02
T 51733	Hardtop-Corner Behind Dr. Moulding, LH, (did not exist on very early '55's)	42.02
T 51000K	Hard Top Moulding Set, '55-57	577.83
	<i>THK 50103A Soft Top Frame Kit</i>	
	<i>Hardware Early Style</i>	79.63
	<i>THK 50103B Soft Top Frame Kit</i>	
	<i>Hardware Late Style</i>	99.49

Hard & Soft Top Clamp Kit

These kits include all the clamps, guidepins, levers, springs, handles and all hardware. NOTE: These kits DO NOT include the clamp receptacles on the body of the car.

T 50000AK	Soft Top, '55	Kit	453.90
T 50000BK	Soft Top Early, '56	Kit	453.90
T 50000CK	Soft Top Late, '56	Kit	453.90
T 50000DK	Soft Top, '57	Kit	453.90
T 50000EK	Hard Top, '55	Kit	453.90
T 50000FK	Hard Top Early, '56	Kit	453.90
T 50000GK	Hard Top Late, '56	Kit	453.90
T 50000HK	Hard Top, '57	Kit	453.90

Hard & Soft Top Clamp Receptacle Kit

These kits include all the top clamp receptacles & hardware to hold the top to the car.

T 50501AK	'55	Kit	247.82
T 50501BK	'56	Kit	247.82
T 50501CK	Late '56-57	Kit	247.82

Side Clamp Assembly (Hard or Soft Top)



T 50500A

T 50500B

T 50500A	Side Top Clamp, '55-56 Hard & Soft Top "Finger Pull" Type handle (2 Req.)	Ea.	74.95
T 50500B	Side Top Clamp, '57 Hard & Soft Top, T-Handle Type, "T" type handle (2 Req.)	Ea.	74.95
	<i>THK 50500A Hardtop Side Clamps to Top</i> (4 pcs. — Enough For 2 Sides)		2.37
	<i>THK 50500B Soft Top Side Clamps to Top</i> (4 pcs. — Enough For 2 Sides)		2.37

Note: See Part #T50508E/F for "J" Hook

Front Clamp Assembly (Front of Hard or Soft Tops)



T 50508A

T 50508B

T 50508C

T 50508D

T 50508A	Front Top Clamp, '55-56 Hard Top	74.95
T 50508B	Front Top Clamp, '55-56 Soft Top	74.95
T 50508C	Front Top Clamp, '57 Hard Top	74.95
T 50508D	Front Top Clamp, '57 Soft Top	74.95
	<i>THK 50508A Hardtop Front Clamps to Top</i> (4 pcs. — Enough For 2 Sides)	2.37
	<i>THK 50508B Soft Top Front Clamps to Top</i> (8 pcs. — Enough For 2 Sides)	3.43

"J" Hook Use with Front Clamp



T 50508E

T 50508F

T 50508E	Front Top Clamp J-Hook	16.21
T 50508F	Side Top Clamp J-Hook	16.76

Side Top Latch Plate



T 50502

T 50503

T 50502	Side Top Latch Plate, RH	69.36
T 50503	Side Top Latch Plate, LH	69.36
	<i>THK 50502 Side Hold Down Plates to Body</i> (12 pcs. — Enough For 2 Sides)	2.78

Top Clamp Cup

T 50530	Front Top Clamp Cup Above Windshield	15.25
---------	--	-------



• For Inside Rear View Mirror & Hardware See Page 75.

• See Page 47 for Sun Visors & Related Hardware.

T 17700

HARD & SOFT TOP PARTS

Rear Deck Plate

T 50534K
Deck Plate



T 50534K Rear Deck Plate Gasket, (Set Of 2) 1.95

Rear Top Latch Deck Plate

T 50552B



T 50552A



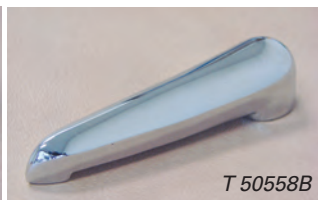
T 50552C

T 50552A Rear Top Latch Deck Plate, '55, RH 44.48
 T 50553A Rear Top Latch Deck Plate, '55, LH 44.48
 T 50552B Rear Top Latch Deck Plate,
 '56 Thru 4/30/56, RH 44.48
 T 50553B Rear Top Latch Deck Plate,
 '56 Thru 4/30/56, LH 44.48
 T 50552C Rear Top Latch Deck Plate,
 '5/1/56 Thru 57, RH 44.48
 T 50553C Rear Top Latch Deck Plate,
 '5/1/56 Thru 57, LH 44.48
 THK 50552 Rear Hold Down Plates
 (10 pcs.— Enough For 2 Sides) 4.04

Rear Deck Latch Lever



T 50558A



T 50558B

T 50558A Rear Clamp Lever, RH, Soft & Hard Top,
 "Dog-Leg" Type, '55-56 39.73
 T 50558B Rear Clamp Lever, RH, Soft & Hard Top,
 "Straight" Type, Late '56-57 39.73
 T 50559A Rear Clamp Lever, LH, Soft & Hard Top,
 "Dog-Leg" Type, '55-56 39.73
 T 50559B Rear Clamp Lever, LH, Soft & Hard Top,
 "Straight" Type, Late '56-57 39.73
 TSP 353925 Roll Pin, Top Rear Clamp Stud,
 '56-57 Each .67
 TSP 354262 Roll Pin, Top Rear Clamp Stud,
 '55 Each .63

T 50562A Side Top Locating Pin, Hard Top 11.51
 T 50562B Side Top Locating Pin, Soft Top 11.62
 T 50584 Top Rear Hold Down Lever Return Spring, RH 4.05
 T 50585 Top Rear Hold Down Lever Return Spring, LH 4.05

Hard / Soft Top Fastener



T 50590A

T 50590B

T 50590C

T 50590A Hard/Soft Top Fastener, '55 13.89
 T 50590B Hard/Soft Top Fastener, '56 Thru
 April 30 Of '56 13.89
 T 50590C Hard/Soft Top Fastener, '56-57
 From May 1, 1956 13.89
 T 50590S Top Fastener Set Screw, '56-5777

Top Rear Clamp Stud



T 50595A



T 50595B

T 50595A Top Rear Clamp Stud, '55-56
 Fits "Dog-Leg" Handle 11.51
 T 50595B Top Rear Clamp Stud, '56-57
 Fits "Straight" Type Handle 11.51

Rear Hold Down Clamp Retaining Plate



T 50608



T 50609

T 50608 Rear Hold Down Clamp Retaining Plate, RH 24.11
 T 50609 Rear Hold Down Clamp Retaining Plate, LH 24.11
 THK 50608A Hardtop Rear Clamp Plates to Top
 (16 pcs.—Enough For 2 Sides) 3.18
 THK 50608B Soft Top Rear Clamp Plates to Top
 (16 pcs.—Enough For 2 Sides) 3.43

HARD & SOFT TOP PARTS

Hard Top Hoist Kit Easy Lift Off & Re-Installation



Our Hard Top Hoist Kit enables you to install and remove your T-Bird hard top with ease. The double-pulley system quickly attaches to your garage rafters. Our complete kit includes heavy-duty nylon sling, pull rope, and tie-down anchor. Instructions included for easy operation.

TAC 07 64.95

T 51276	Soft Top Pads to Frame Plate	Pair	5.25
T 51360	Swingarm Bar, without feet.....		484.50
T 51390	Front of Soft Top Stainless Trim, 1-piece, Late '55-57, (will work on early '55).....		219.95
	<i>THK 51390 Soft Top Front Header Trim to Frame (20 pcs.—Enough For 2 Sides).....</i>		18.73
T 51396	Soft Top Fold Down Bar Eye Bolt.....		2.65
T 51400	Soft Top Wire on Tip, RH, '55-57, O/S		7.91
T 51401	Soft Top Wire on Tip, LH, '55-57, O/S.....		7.91
T 51928	Headliner Binding End Cover, (2 Req.)		2.30
T 51930	Headliner Binding, Angled Joint Cover, (4 Req.) <i>THK 51928 Hardtop Binding Joint Covers to Hardtop (6 pcs.—Enough For 2 Sides)</i>		8.44 1.59
T 52104K	4-Bow Headliner Bowset		41.62
T 52105K	5-Bow Headliner Bowset		48.90

Hard Top Front Bow Guide Clip, Plastic Replacement

T 52182 '55-57 Each 3.12

Soft Top Bracket



T 53118A

T 53038	Soft Top Header Foam, for use with 1-piece stainless		7.37
T 53118A	Soft Top Feet Bracket, Early Type, RH, '55-56		76.50
T 53119A	Soft Top Feet Bracket, Early Type, LH, '55-56		76.50
T 53118B	Soft Top Feet Bracket, Late Type, RH, '55-57		76.50
T 53119B	Soft Top Feet Bracket, Late Type, LH, '55-57		76.50
	<i>THK 53118A Soft Top Swing Bar Feet to Floor Pan (12 pcs.—Enough For 2 Sides).....</i>		1.98
	<i>THK 53118B Swing Bar Feet Halves to Each Other (14 pcs.—Enough For 2 Sides).....</i>		3.64
	<i>THK 53118C Soft Top Swing Arm Feet, including Special Adj. Bolts (30 pcs.—Enough For 2 Sides)...</i>		18.73
T 53118C	Soft Top Foot Adjusting		3.93

Hardware for this Section

TSP 350754	Screw, binding head type for attaching all Hard Top Weatherstrips over door and on rear deck. A quantity of (31) is used	Each	.43
TSP 352222	T-Bolt, For Soft Top W/S Over Side Window .		1.05
TSP 353925	Roll Pin, Top Rear Clamp Stud, '56-57..	Each	.68
TSP 354171	Swing Bar to Frame Pin, '55-57	Each	7.59
TSP 354172	Swing Bar Pin Repair Bushing, '55-57 .	Each	5.25
TSP 354262	Roll Pin, Top Rear Clamp Stud, '55	Each	.63

Supplying Concours-quality upholstery, parts and accessories for over 40 years!



Dedicated to Excellence

Can't Find What You're Looking For?

If you are looking for a certain part and are not able to locate it in this catalog, give us a call, write or contact us via the internet at www.larrytbird.com. It may be that we have what you are looking for but the part was not listed in this catalog at the time of printing. Some parts may no longer be available either New or NOS. We have a large used parts inventory and may have just the part you need. Give us a call for information regarding our used parts inventory.

SEAT HARDWARE



Power Seat Relay



T 14512A



T 14512B

T 14512A	Power Seat Relay '55, 6V, Replacement-type	37.14
T 14512B	Power Seat Relay, '56-57, 12V, Replacement-type	42.40
T 23279	Power Seat Coupling.....	10.46
T 60477	Power Seat Worm Gear Tube Kit; Includes Plastic Tube, Clamp & Cardboard Spacer	13.16
T 61062	Seat-Stop Pad Set..... Pair	9.69
T 61755	Manual Seat Adjusting Handle; Aluminum.....	16.60
T 61828	Power Seat Assist Spring	6.31
T 62190	Manual Seat Release Cable & Housing	10.15
T 62198	Seat Adjusting Lever Shield	8.35
	THK TBR Seat Back Panel to Seat, '55-57.....	6.49
	THK 60440 Power Seat Brackets to Floor (8 pcs.) ...	1.72
	THK 60402 Power Seat Gear Drive Clevis Pins & Clips (8 pcs.)	3.91
	THK 61832 Floor Plug Buttons for Cars w/Power Seats	1.52
TSP 358355	Window & Seat Motor Rubber Coated Clip	2.07

Seatbelt Sets



TSB 55RD

(TSB)

Everyone knows the benefits of wearing seatbelts, both for safety reasons and state law requirements. Why not install an aftermarket set that meets all safety requirements and looks good in your Thunderbird. Our Seatbelt Kit includes belts and hardware for two passengers, and are easy to install in minutes.

TSB 55BK	'55	Black	Pair	91.75
TSB 55RD	'55 & 57	Red.....	Pair	91.75
TSB 55WT	'55-56	White	Pair	91.75
TSB 56BS	'56	Buckskin	Pair	91.75
TSB 56GN	'56	Green.....	Pair	91.75
TSB 57BU	'57	Blue.....	Pair	91.75
TSB 57GN	'57	Green.....	Pair	91.75
TSB 57WT	'57	White	Pair	91.75

Upholstery Installation Kit Makes Your Project "Go As Planned"

Our Upholstery Installation Kit Allows You To Upholster Like A Professional! Kit Includes:
(1) Set Hog Ring Pliers & 250 Hog Rings. Enough To Do A Complete Interior.



MAC 8	Hog Ring Kit	13.77
-------	--------------------	-------



Dedicated to Excellence

RUBBER PLUGS, GROMMETS & BUMPERS

Spare Wheel Hinge Grommet



T 1354K Grommet Set (2), '56 Spare Wheel Hinge..... 9.40

- T 5006 Body Bumper to Frame Clip, '55-57..... Each .28
- T 5007 Body to Frame Bumper, '55-57..... Each 1.95
- T 5008K Frame to Body Bumper Kit; Consists Of:
(10) Insulators & (10) Clips, '55-57 19.95

Gas Tank Filler Neck Grommet



T 9080 Grommet

T 9080 Gas Tank Filler Neck Grommet, '55-56 8.93

Firewall Grommet



T 01605CK Firewall Grommet Set, '55-57
Consisting Of: (1 Each) Wire Loom, Hood Cable,
Tach Cable, W/S Washer Hose, Vacuum Hose
& RH Vent Cable Grommet; Per Set (6)..... 10.75

- T 01694A Speedometer & Overdrive Cable Grommet,
Standard Transmission, '55-57 6.90
- T 01694B Speedometer Cable Grommet, A/T, '55-57 6.25

Glove Box Grommet & Bumper Set



T 06066K

T 06066K Glove Box Grommet & Bumper Set, '55-57 3.50

Quarter Panel Drain Plug Kit



T 11136K Quarter Panel Drain Plug Kit, '55-57
Consists of 2 Button Plugs & 2 Drain Plugs,
as original..... 5.45

Floor & Cowl Rubber Plug Kits

When you are ready to get down to the business of keeping your passenger compartment and cowl area sealed properly, it's time to invest in Larry's Floor & Cowl Plug Kit. Each kit includes all necessary plugs to seal unused holes in your floor pan area. Essential if you want to reduce unwanted pollutants from entering your passenger compartment.



T 11135BK Plug Kit

- T 11135AK '55/56; (Set Of 10)..... 19.50
- T 11135BK '57; (Set Of 11) 17.50

Deck Lid & Hood Bumper Kits



T 16758AK

T 13398K Deck Lid Bumper



T 16758BK Hood Bumper Kit

T 16758CK Hood Bumper Kit

- T 13398K Deck Lid Bumper, '55-56..... Set Of 2 7.40
Note: Refer to T 16758AK for '57.
- T 16758AK Deck Lid Bumper, '57, Set Of 2 3.10
Note: Refer to T 13398K for '55-56.
- T 16758BK Hood Bumpers with Screws, '56,Set Of 4 5.20
- T 16758CK Hood Bumpers with Screws, '57,Set Of 4 5.20

Wiring Hole Grommet

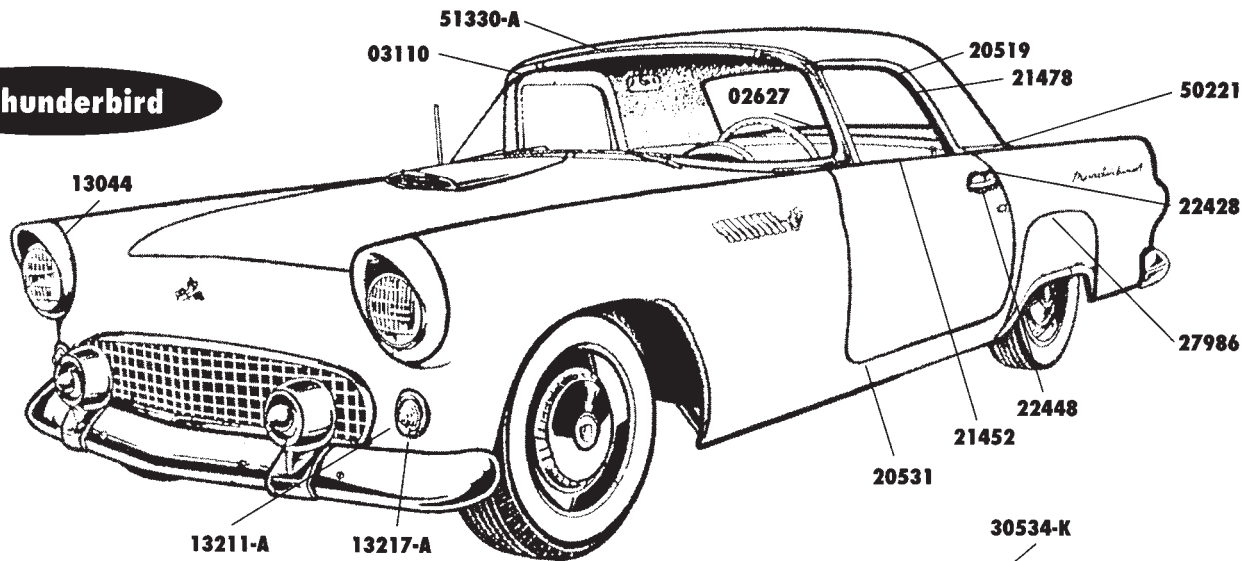


T 14651

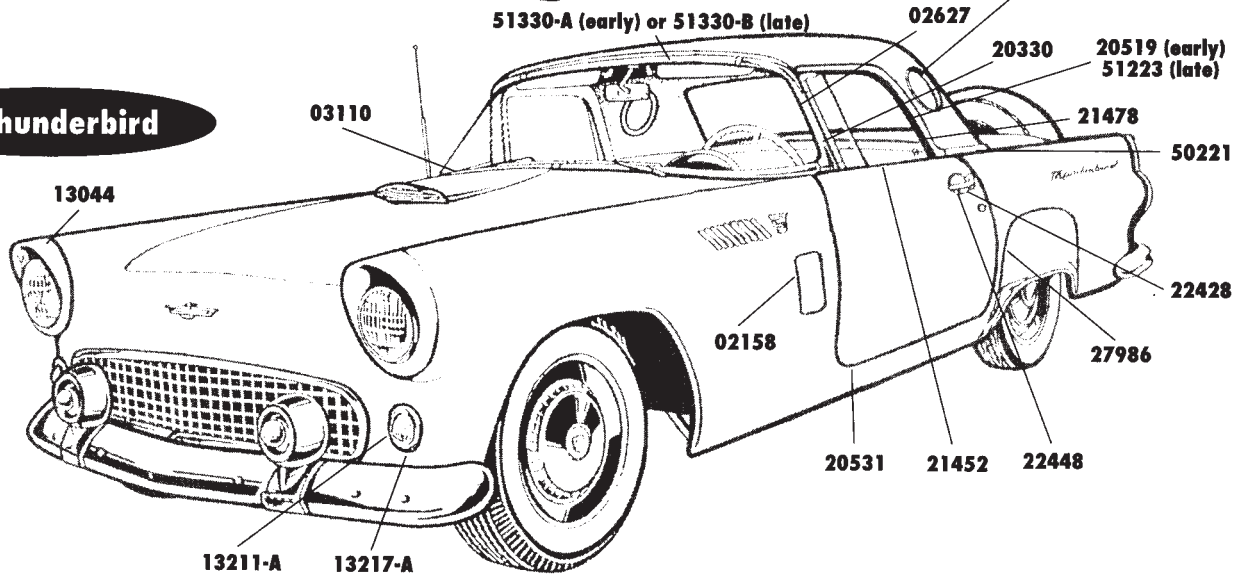
- T 12128 Floor Access Hole Plug, '55-57..... 11.51
- T 14651 Inner Apron Wiring Hole Grommet, '55-57 Each 3.71
- T 18549 Heater Control Fact to Dash Clip, '55-57 8.82
- T 18568A Heater Blower Motor Heat Shield, '55-57 16.93
- T 18912 Antenna Lead-In Seal, '55-57. This part also serves as a plug for the door pillar adjusting screw access hole on the "Dog-Leg" portion of the door..... 3.18
- T 21762 Lower Window Stop Bumper, '55-57..... 2.81
- T 21999 Door Lock Knob Grommet, '55-57 1.10
- TSP 357170AK Gas Door Bumper Set, '55-56 Pair 3.62
- TSP 357170BK Gas Door Bumper Set, '57 Pair 3.62
- TSP 700045 Battery Hold-Down Grommet, '55-57.... Each .68

BODY WEATHERSTRIP

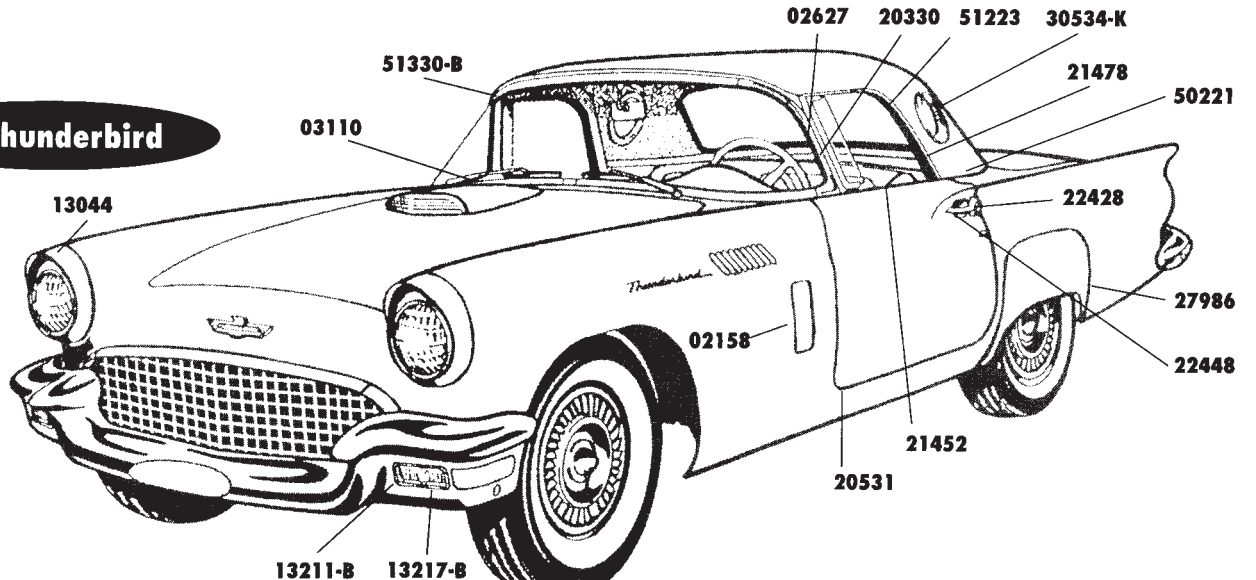
'55 Thunderbird



'56 Thunderbird

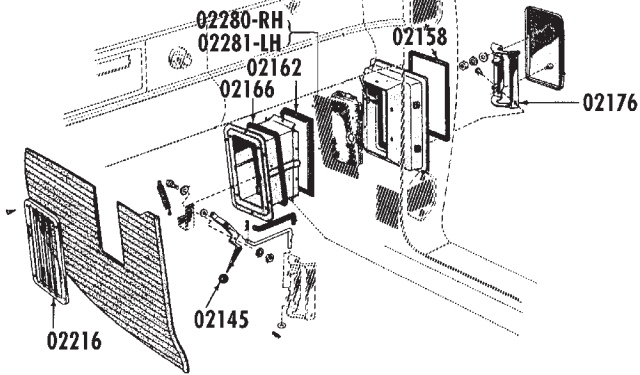


'57 Thunderbird



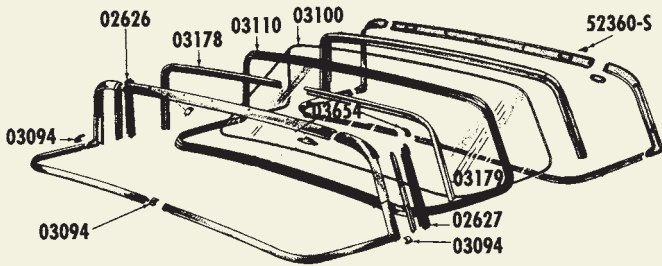
BODY WEATHERSTRIP

Side Vent



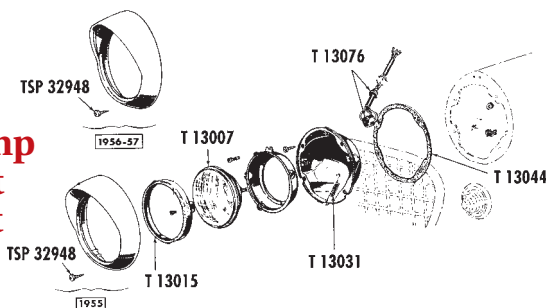
T 02158 Moulded Vent Door Seal, '56-'57,..... 8.95

Windshield Weather



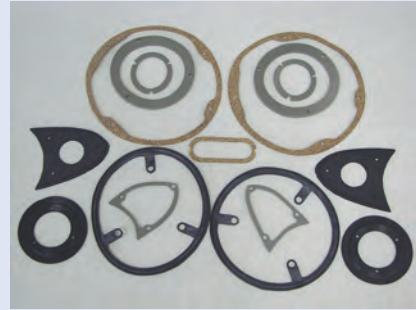
T 02626 Front Body Pillar Weatherstrip, (Screw to Windshield Post) RH..... 19.95
 T 02627 Front Body Pillar Weatherstrip, (Screw to Windshield Post) LH..... 19.95
 THK 02626 Windshield Pillar Weatherstrips (T 02626 & T 02627) to Pillar (8 pcs.—Enough For 2 Sides) 1.58
 T 03110 Windshield Weatherstrip..... 59.95

Headlamp Bucket Gasket



T 13044 Headlamp Bucket to Fender Gasket, '55-'57 3.10

Lamp Gasket Kits



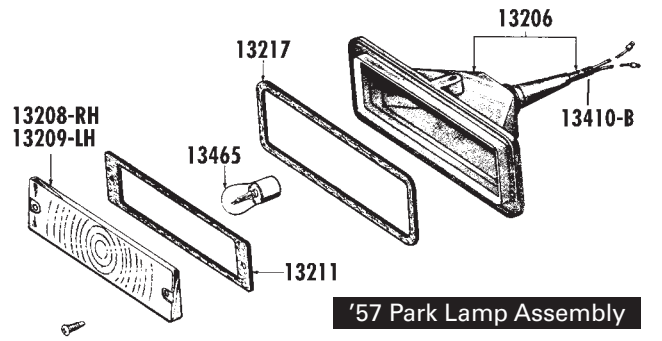
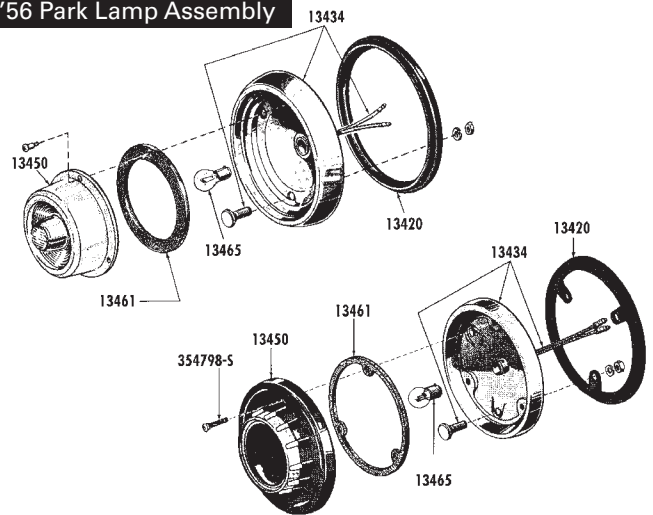
T 13000AK Gasket Kit

Our Lamp Gasket Kits are your most economical way to purchase lamp gaskets for your restoration project. Each Lamp Gasket Kit includes gaskets for the following: Headlamps; Parking Lamps; Tail Lamps; Backup Lamps & License Plate Lamps.

T 13000AK '55; with Backup Lamps 37.77
 T 13000BK '55; without Backup Lamps..... 36.72
 T 13000CK ;56;..... 37.30
 T 13000DK '57 23.64

Park Lamp Weatherstrip

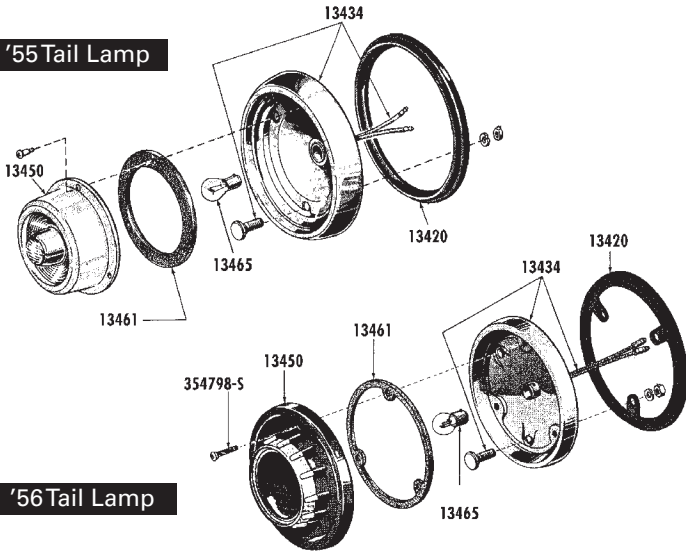
'56 Park Lamp Assembly



T 13211A Parklite Lens Gasket, '55-'56 1.15
 T 13211B Parklite Lens Gasket, '57 1.68
 T 13217A Parklite Body to Fender Pad, '55-'56 4.15
 T 13217B Parklite Body to Fender Pad, '57..... 2.05

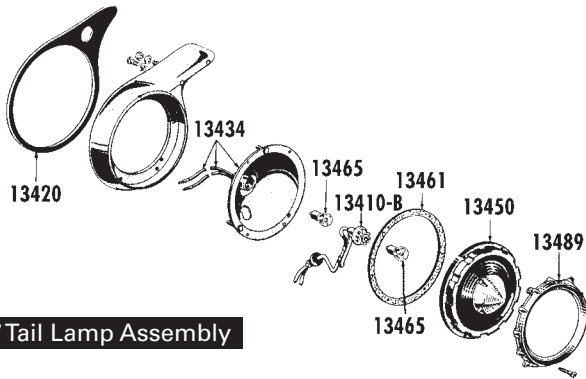
Tail Lamp Weatherstrip

'55 Tail Lamp



'56 Tail Lamp

T 13420A	Tail Lamp Body Mounting Pad, '55-56.....	5.20
T 13420B	Tail Lamp Body Mounting Pad, '57.....	2.89
T 13461A	Tail Lamp Lens Gasket, '55.....	2.63
T 13461B	Tail Lamp Lens Gasket, '56.....	2.63
T 13461C	Tail Lamp Lens Gasket, '57.....	2.63



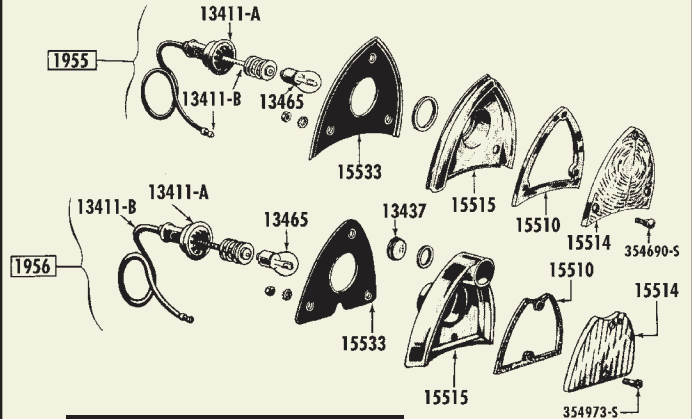
'57 Tail Lamp Assembly

'55/56 License Lamp & Plate Holder

'57 License Lamp

T 13568A	License Lamp Lens Gasket, '55-56.....	1.58
T 13568B	License Lamp Lens Gasket, '57.....	1.58

Backup Lamp Gaskets & Pads



Backup Lamp Assemblies

Backup Lamp Body Gasket



T 15510A



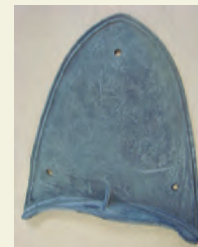
T 15510B

T 15510A	Backup Lamp Lens Gasket, '55.....	1.47
T 15510B	Backup Lamp Lens Gasket, '56.....	1.47

Backup Lamp Body Pad



T 15533A



T 15533B



T 15533C

T 15533A	Backup Lamp Body Pad, '55 Used w/Backup Lamps.....	2.63
T 15533B	Blank Off Plate Pad, '55 Used Without Backup Lamps.....	3.10
T 15533C	Backup Lamp Body, '56 Used with or without Backup Lamps.....	2.05

BODY WEATHERSTRIP

T 16740AK Hood Pad, '55; With Drive Nails	6.25
T 16740BK Hood Pad, '56-57; With Drive Nails	6.25
THK 16740 Hood Pad Drive Nails to Body (7 pcs.)	2.06
T 18919A Antenna Stanchion Mounting Pad, '55-57.....	2.63

Weatherstrip & Trim Adhesive

When you replace the weather-stripping and trim on your Thunderbird, secure it one time! Specially manufactured by 3M to be extremely durable and long-lasting



T 19552A Trim Cement; Yellow Type 2 Oz. Tube	8.93
T 19552B Spray Adhesive, 16.75 Oz. can	26.50
T 19552C Trim Cement; Black 2 Oz. Tube.....	10.97

T 20530 Door Weatherstrip, RH, '55-57	28.50
T 20531 Door Weatherstrip, LH, '55-57	28.50
T 20570 Door At Belt Weatherstrip, RH or LH, '55-57.....	2.97

Door Glass Anti-Rattler Set "Cat Whiskers"



T 21452AK Cat Whisker Set, Original Type.....	45.00
---	-------

Body Rubber Kits Your Best Deal!

Larry's Body Rubber Kits are your most economical way to purchase body Weatherstripping, Pads & Bumpers for your restoration project. Each Rubber Kit item is manufactured from high-quality materials.

T 21000AK '55; Includes: Gas Filler Neck Grommet, Front Body Pillar Weatherstrip, Deck Lid Bumper, Hood Pad, Antenna Mounting Pad, Door Pillar Weatherstrip, Door Weatherstrip, Door at Belt (Front) Weatherstrip, Outside Door Handle Pads, Fender Skirt Seals, Trunk Lock Cylinder Pad, Trunk Lid Weatherstrip, Gas Door Bumpers..... 189.06



T 21000BK '56; Includes: Gas Filler, Neck Grommet, Vent Door Seals, Front Body Pillar Weatherstrip, Deck Lid Bumpers, Hood Pad, Hood Bumpers, Antenna Mounting Pad, Door Pillar Weatherstrip, Door Weatherstrip, Door At Belt (Front) Weatherstrip, Outside Door Handle Pads, Fender Skirt Seals, Trunk Lock Cylinder Pad, Trunk Lid Weatherstrip, Gas Door Bumpers..... 210.07

T 21000CK '57; Includes: Vent Door Seals, Front Body Pillar Weatherstrip, Deck Lid Bumpers, Hood Pad, Hood Bumpers, Antenna Mounting Pad, Door Pillar Weatherstrip, Door Weatherstrip, Door At Belt (Front) Weatherstrip, Outside Door Handle Pads, Fender Skirt Seals, Trunk Lock Cylinder Pad, Trunk Lid Weatherstrip, Gas Door Bumpers..... 199.56



Outside Door Handle Pads



T 22428
Door Handle Pad



T 22448
Door Handle Pad

Trunk Lock Pads



T 43625A



T 43625B

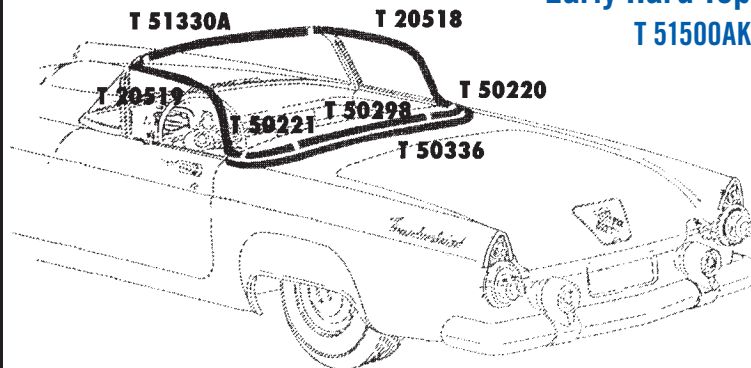
T 22428 Large Outside Door Handle Pad.....	.95
T 22448 Small Outside Door Handle Pad95
T 27986 Fender Skirt To Quarter Panel Seal.....	Each 7.50
T 27986S Fender Skirt Seal Staple Kit; Both Sides.....	1.89
T 42084 Back Glass Weatherstrip	36.72
T 43625A Trunk Lock Cylinder Pad, '55-56	3.68
T 43625B Trunk Lock Cylinder Pad, '57.....	3.68
T 43720 Deck Lid Weatherstrip, '55-57	19.95

BODY WEATHERSTRIP

Hard Top Weatherstrips Sets '55, Early '56 Type Weatherstrips

The '55's & Early 56 Type Have The Weatherstrips Over The Door Glass Entirely Cloth Covered, And They Are "Dog-Legged" Both In Front On The Windshield Header And On The Rear Deck.

T 51330A	Front Header, 43 1/2" Long, '55.....	92.40
T 20518	Right, Over Door Window.....	102.95
T 20519	Left, Over Door Window.....	102.95
T 50220	Right, Curved On Deck.....	44.07
T 50221	Left, Curved On Deck.....	44.07
T 50298	Center Of Deck.....	44.07
T 50336	Fits Into Stainless Moulding Around Bottom Of Hardtop.....	15.71
T 51500AK	Compete Set, All Of The Above.....	395.00
	<i>THK 51500A Hardtop Weatherstrip To top (47 pcs.).....</i>	<i>8.20</i>

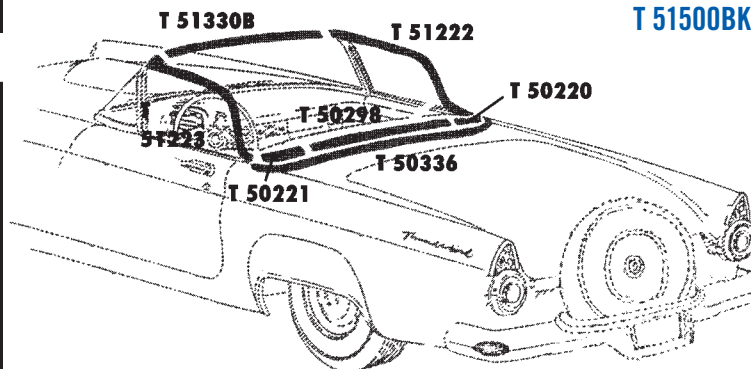


Early Hard Top
T 51500AK

Late '56-57 Type Weatherstrips

The Late '56-57 Types Have The Weatherstrips Over The Door Glass "Dog-legged" Only On The Rear Deck.

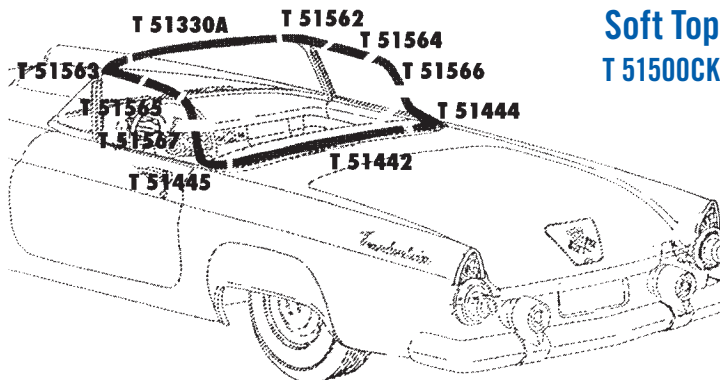
T 51330B	Front Header, 54" Long, '56-57.....	92.40
T 51222	Right, Over Door Window.....	103.96
T 51223	Left, Over Door Window.....	103.96
T 50220	Right, Curved On Deck.....	44.07
T 50221	Left, Curved On Deck.....	44.07
T 50298	Center Of Deck.....	44.07
T 50336	Fits Into Stainless Moulding Around Bottom Of Hardtop.....	15.71
T 51500BK	Compete Set, All Of The Above.....	395.00
	<i>THK 51500A Hardtop Weatherstrip To top (47 pcs.).....</i>	<i>8.20</i>



Late Style Hard Top
T 51500BK

Soft Top Weatherstrip Sets

T 51330A	Front Header, 43-1/2" Long.....	92.40
T 51442	Rear Deck, Center, '55-57.....	48.28
T 51444	Rear Deck, RH.....	48.28
T 51445	Rear Deck, LH.....	48.28
T 51562	Front Side Rail, RH.....	34.62
T 51563	Front Side Rail, LH.....	34.62
T 51564	Center Side Rail, RH.....	34.62
T 51565	Center Side Rail, LH.....	34.62
T 51566	Rear Side Rail, RH.....	34.62
T 51567	Rear Side Rail, LH.....	34.62
T 51500CK	Soft Top Weatherstrip Kit, Complete Set, With Correct 3 Pieces Over Window.....	395.00
TSP 352222	T-Bolt, For Soft Top Weatherstrip Over Side Window.....	1.05
	<i>THK 51500C Soft Top Weatherstrip To Frame (104 pcs.) (IComplete Set).....</i>	<i>34.64</i>
	<i>THK 51562 T-Bolts For Soft Top Side Rail Weatherstrips (12 pcs.—For 2 Sides).....</i>	<i>12.60</i>

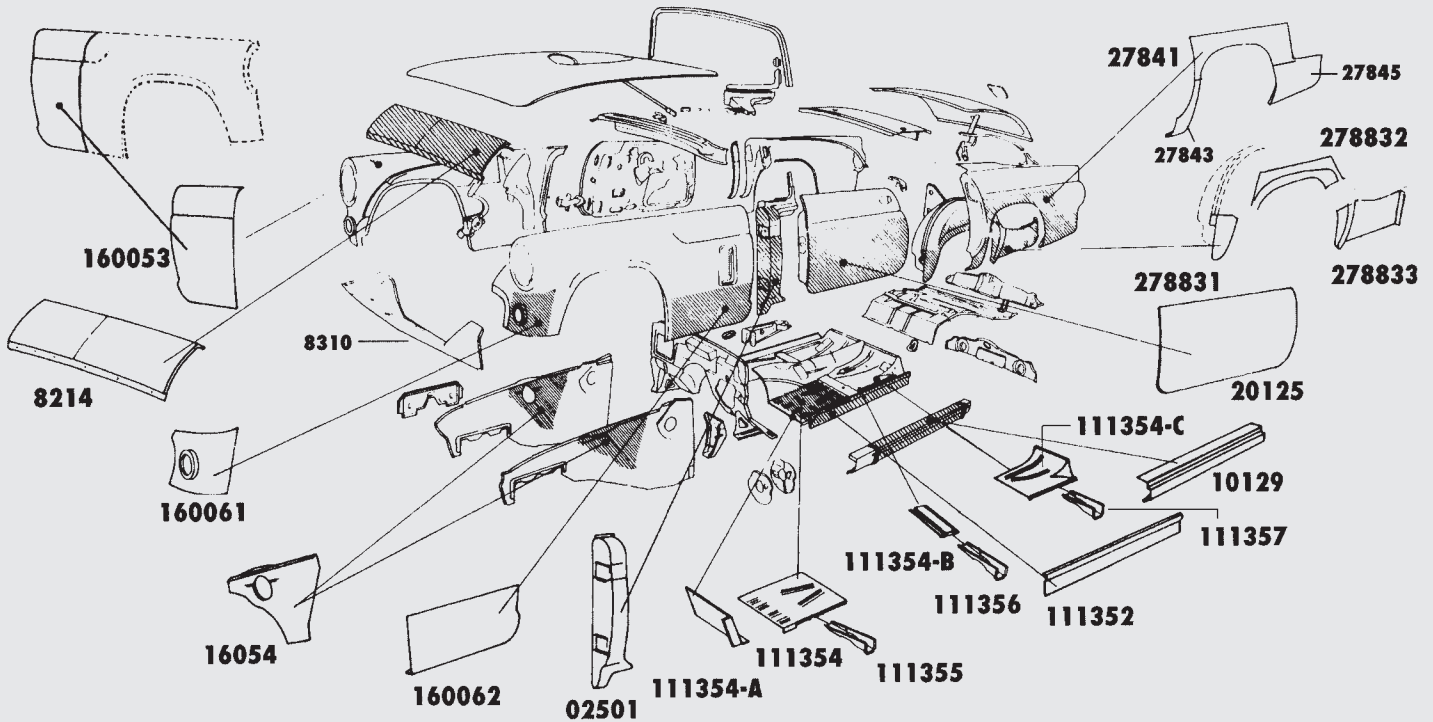


Soft Top
T 51500CK

Big Selection of Parts!

Whether it's a hard to find part or a standard T-Bird replacement part, Larry's has what you're looking for. Our inventory of parts is concourse-quality. Give us a call if you can't find the parts you need. Our knowledgeable parts specialists will be happy to help!

BODY PANELS



T 8104B	Radiator Side Deflector, '55-57, Fiberglass, RH	117.30
T 8105B	Radiator Side Deflector, '55-57, Fiberglass, LH	117.30
T 8214	Complete Nose Panel, '55-57	413.82
T 8223	Upper Grille Reinforcement Panel, '55-57	132.65
T 8310A	Front Deflector Panel, Behind Grille, Fiberglass '55-56.....	139.95
T 8310B	Front Deflector Panel, Behind Grille, Fiberglass '57	145.81
T 02500R	Door Post Repair Panel, RH, '55-57	112.20
T 02501L	Door Post Repair Panel, LH, '55-57	112.20
T 02501	Door Hinge Repair Nut Plate, Original Style.....	42.40
T 10128A	Outside Rocker Panel, Partial, '55-57, 34 1/2", RH.....	76.45
T 10129A	Outside Rocker Panel, Partial, '55-57, 34 1/2", LH.....	76.45
T 11135R	Inner Rocker Panel, '55-57, RH	73.95
T 11136L	Inner Rocker Panel, '55-57, LH.....	73.95
T 20124	Outer Lower Door Skin, RH	104.00
T 20125	Outer Lower Door Skin, LH.....	104.00
T 20124B*	Door Bottom Repair Panel, RH, '55-57	53.06
T 20125B*	Door Bottom Repair Panel, LH, '55-57	53.06
<i>*Panels are supplied with drain holes & weatherstrip retainer.</i>		
T 20125C	Door Weatherstrip Retainer, RH or LH, '55-57	23.97
T 278800	Trunk Floor Brace, '57	96.39

Radiator Side Deflector

T 8104A	Radiator Side Deflector (20 Ga. Steel), RH	295.75
T 8105A	Radiator Side Deflector (20 Ga. Steel), LH	295.75

Kick Repair Panel **NEW**

T 02042AR	'55, Kick Repair Panel with Vent Opening, RH.... Each	125.00
T 02043AL	'55, Kick Repair Panel with Vent Opening, LH.... Each	125.00
T 02042BR	'55-57, Kick Repair Panel with Vent Opening, RH	Each 160.00
T 02043BL	'55-57, Kick Repair Panel with Vent Opening, LH	Each 160.00

Fender Skirts



High-Quality Skirts to replace your originals

T 27974K	Fender Skirt, Less Mouldings.....	Pair	329.95
----------	-----------------------------------	------	--------

Floor Panel Area

T 111353R	Front Floor Section, RH, '55-57	152.95
T 111354L	Front Floor Section, LH, '55-57	152.95
T 111353AR	Sloping Firewall Floor, RH, '55-57	81.55
T 111354AL	Sloping Firewall Floor, LH, '55-57	81.55
T 111353BR	Center Floor Section, RH, '55-57	81.55
T 111354BL	Center Floor Section, LH, '55-57	81.55
T 111353CR	Rear Floor Section, RH, '55-57	116.73
T 111354CL	Rear Floor Section, LH, '55-57	116.73
T 111355	Front Floor Brace, '55-57	50.95
T 111356	Center Floor Brace, '55-57	50.95
T 111357	Rear Floor Brace, '55-57	50.95
T 11215	Trunk Floor Panel, '55-56.....	367.15

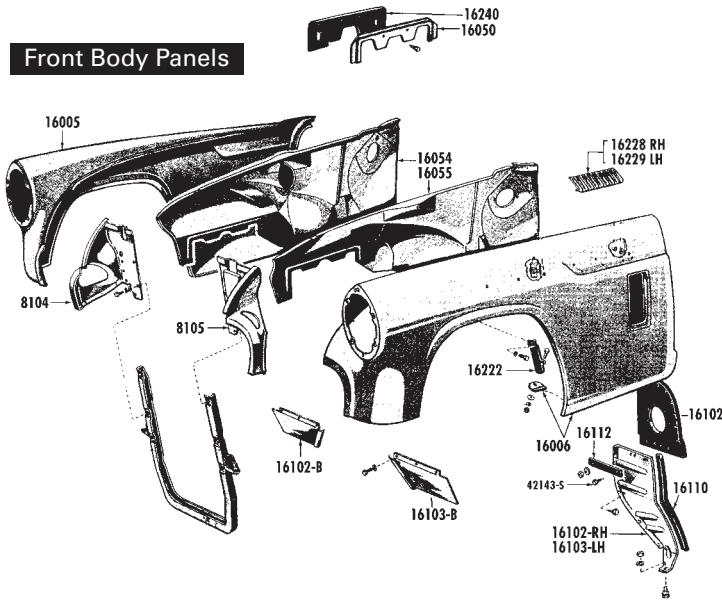
BODY PANELS



Dedicated to Excellence

**Larry's Supplies
Thunderbird Enthusiasts
with the Finest Sheet Metal
& Body Panels Available!**

Front Body Panels



Front Fender Area

T 160051AR	Front Fender At Park Light, RH, '55-56	101.49
T 160051BR	Front Fender At Park Light, RH, '57	96.39
T 160061AL	Front Fender At Park Light, LH, '55-56	101.49
T 160061BL	Front Fender At Park Light, LH, '57	96.39
T 160052R	Front Fender Bottom Rear, RH	81.55
T 160062L	Front Fender Bottom Rear, LH	81.55
T 160053AR	Front Fender Rear, RH, '55	249.90
T 160053BR	Front Fender Rear, RH, '56-57	300.90
T 160063AL	Front Fender Rear, LH, '55	249.90
T 160063BL	Front Fender Rear, LH, '56-57	300.90
T 16050	Fender Apron Shield	21.18
	<i>THK 16050 Apron Shields (16050) to Apron (8 pcs. — Enough For 2 Sides)</i>	2.37
T 16054R	Front Fender Apron Center Repair, RH	96.90
T 16055L	Front Fender Apron Center Repair, LH	96.90

Rear Quarter Panel Area

T 27840A	Quarter Panel Repair, RH	249.90
T 27841A	Quarter Panel Repair, LH	249.90
T 27842R	Front Quarter Panel Bottom, RH	76.50
T 27843L	Front Quarter Panel Bottom, LH	76.50
T 27844R	Rear Quarter Panel Bottom, RH	122.35
T 27845L	Rear Quarter Panel Bottom, LH	122.35
T 278821R	Wheelhouse Lower Front, RH	60.13
T 278831L	Wheelhouse Lower Front, LH	60.13
T 278822R	Wheelhouse Top Cap, RH	57.12
T 278832L	Wheelhouse Top Cap, LH	57.12
T 278823AR	Wheelhouse Extension, RH, '55	111.18
T 278833AL	Wheelhouse Extension, LH, '55	111.18
T 278823BR	Wheelhouse Extension, RH, '56	152.95
T 278833BL	Wheelhouse Extension, LH, '56	152.95
T 278823CR	Wheelhouse Extension, RH, '57	111.18
T 278833CL	Wheelhouse Extension, LH, '57	111.18

Front Stone Deflector Hand Laid Fiberglass

T 17779 '55-56..... Each 253.98

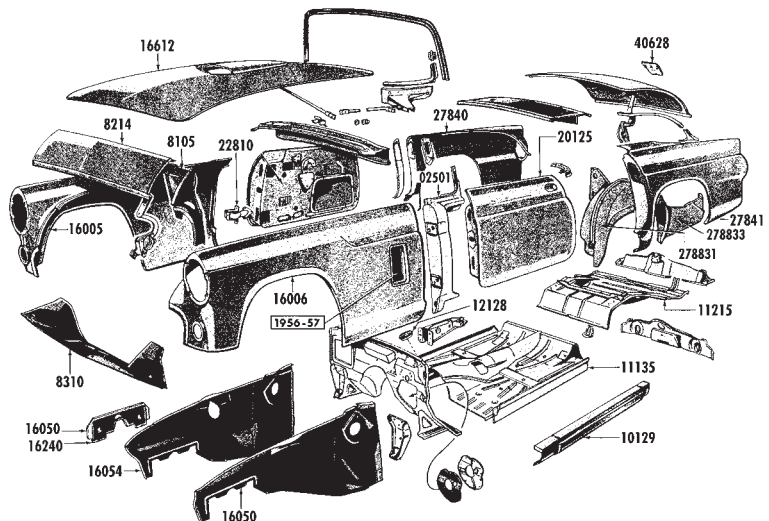
Fender Skirt Kit

These kits include the fender skirts, stone guards, mouldings, seals, mounting brackets and all hardware.

T 27975AK '55-56..... Kit 595.00
T 27975BK '57..... Kit 595.00



Dedicated to Excellence



HARDWARE & ATTACHING PARTS

T 8147S	Upper Fan Shroud Seal Staple Kit, '55-5727	TSP 352999	Engine Comp. Wire Clip, '55-57 <i>Qualifies for CTCL Excellence in Authenticity Award!...</i>	3.32
T 9600S	Air Cleaner Cork Staple Kit51	TSP 353409	Manifold Stud, RH, '55-57	3.03
T 14450	Tach Cable at Firewall Clip	1.56	TSP 353577	Barrel Nut, To retain part T 16098 & T 25622 Thunderbird Script, '55-5733
T 14585B	Instrument Cluster Wire Loom Clip Set, '57 .Set	7.65	TSP 353624	Tail Lamp Lens Screw, '55	1.22
T 16110S	Lwr. Splash Shield Seal Staple Kit; Both Sides, '56-5763	TSP 353925	Top Rear Clamp Stud Roll Pin, '56-5768
T 16230S	Nut for Attaching T 16228, T 16229 & T 16237 '55-5731	TSP 354171	Soft Top Swing Bar To Frame Pin	7.59
T 16240S	Fender Apron Shield Seal Staple Kit; Both Sides	.53	TSP 354172	Soft Top Swing Bar To Frame Pin Repair Bushing	5.25
T 16241A	Radiator Grille Upper Moulding Clip, '55-56	1.28	TSP 354262	Top Rear Clamp Stud Roll Pin, '5563
T 16241B	Radiator Grille Upper Moulding Clip, '57	1.36	TSP 354446	Front Brake Line Junction Block	70.33
T 16254S	Fender Apron to Frame weatherstrip Staple Kit; Both Sides, '55-5742	TSP 354447A	Manifold Vacuum Brass Fitting, Used w/Power Brakes, '55 & '57	35.19
T 16873	Hood Grille Stud Spacer, '55-57	1.58	TSP 354447B	As Above,, '56	35.19
T 17758A	Short Type Bumper Bolt, '55-57	1.91	TSP 354488	Striker Plate Screw, '55-57	1.28
T 17758B	Long Type Bumper Bolt, Used on Bumper Guard on '55 & '56	1.91	TSP 354573	Castle (spindle) Nut, '55-57	3.07
T 17759AK	Bumper Bolt Kit; Contains all of the Bolts, Nuts, Washers, Sleeves & Spacers Necessary for mounting Front & Rear Bumpers, '55	29.95	TSP 354690	Backup Lens Bolt, '55	1.30
T 17759BK	Bumper Bolt Kit, As Above, '56	29.95	TSP 354746	Park Lamp Lens Screw, '55-5681
T 17759CK	Bumper Bolt Kit, As Above, '57	11.85	TSP 354798	Tail Lamp Lens Screw, '56	1.01
T 17759DK	Bumper Guard Sleeve & Spacer Kit '55-56; ('55 Req. 2 Sets), ('56 Req. 1 Set)	8.25	TSP 354899	Park Lamp & Tail Lamp Lens Screw, '57	Each 1.22
T 17759EK	Bumper Bolt Kit, As Above, '55	Kit 101.95	TSP 354973	Backup Light Lens Screw, '56 (Requires 2) Each	1.05
T 17808SA	Rear Bumper Stone Deflector Staple Kit, '56, Both Sides63	TSP 356094	Wiper Transmission Nut, '55-57	5.16
T 17808SB	Rear Bumper Stone Deflector Staple Kit, '57	1.05	TSP 356164	Luggage Comp. Lock Cylinder Sleeve Nut, '55-57	1.75
T 50590S	Top Fastener Set Screw, '55-5775	TSP 356628	Rubber Coated Wiring Clip, 13/32" hole, '55-57.	2.07
T 18810	Radio Shaft Nut, '55-57	2.93	TSP 356640	Wiring, A/T Radiator Shroud Clip, '55-57	1.59
T 27986S	Fender Skirt Seal Staple Kit; Both Sides	1.89	TSP 357000	Body Mounting Bolt J-Nut, '55-57	3.71
TSP 21090	Front Engine Mount Bolt	5.05	TSP 357331	Brake Line Clip, '55-57, (4 Required)	Each 2.65
TSP 32948	Headlight Door Attaching Screw, '55-5768	TSP 357466	Fuel Flex Line to Fuel Pump Elbow Fitting, '55-57	3.37
TSP 33896A	Battery Bolt Win Nut, '5568	TSP 357550	Door Handle & Window Crank Retaining Clip, '55-5742
TSP 33896B	Battery Bolt Wing Nut, '56-5768	TSP 358032	M/S Idler Arm Bushing Grease Fitting, '55-57	1.34
TSP 34370	Nut, Ram Cylinder Rod, Sway Bar End, '55/57 ...	1.15	TSP 358048	Differential Drain Plug, '55-57	5.87
TSP 42143	Accelerator Pedal Screw, '55-5743	TSP 358350	Rubber Coated Wiring Clip, Generator Wires to Shroud, '55-57	Each 2.07
TSP 52360	Chrome Screw, 8 x 3/4, For Port Hole Ring & Step Plates, '55-5733	TSP 358355	Rubber Coated Window & Seat Motor Clip, '55-57	Each 2.07
TSP 52361	Outside Mirror Screw, '55-5733	TSP 359279	Trans Cooling Line to Radiator Fitting, '55-57	Each 4.19
TSP 87213	Connects Fuel Lines At Mid-Point	Each 3.57	TSP 359280	Transmission Cooling Line Clip, '55-57	Each 9.02
TSP 87907	Lube Fitting, 1/4", Straight, '55-5790	TSP 370322	Gas Filler Neck to Tank "O" Ring, '57	Each 1.98
TSP 87972	Fuel Filter Fitting, '55-57	3.71	TSP 393001	Body Mounting SHim, 1/16", '55-57	Each 1.34
TSP 95806	Gas Line Clip, '55-57 (4 Required)	Each 4.34	TSP 470101A	Countersunk Trim Washer, Size #6	Each .28
TSP 350754	Screw, Binding Head Type for attaching all Hard Top Weatherstrips over door and on Rear Deck. '55-57; a quantity of (31) is required43	TSP 470101B	Countersunk Trim Washer, Size #8	Each .28
TSP 351204	End of Brake Booster Washer, '55-57	4.44	TSP 470101C	Countersunk Trim Washer, Size #10	Each .28
TSP 351548	Luggage Comp. Lock Cylinder Sleeve Washer, '55-57	1.00	TSP 470102A	Trim Washer, Size #6	Each .28
TSP 351789	Banjo fitting to power steering pump Seal Washer, '55-57	Each 2.40	TSP 470102B	Trim Washer, Size #8	Each .28
TSP 351791	P/S Pressure Hose Fitting, Female Type at Pump, '55-56 & Early '57	17.99	TSP 470102C	Trim Washer, Size #10	Each .28
TSP 351792	Power Steering Connector Bolt, '55-57	19.25	TSP 700045	Battery Hold Down Groommet, '55-57	Each .68
TSP 352222	T-Bolt, For Soft Top w/s over side window, '55-57	1.05	THK DR	Data Plate Attaching Rivet Set, Set of 2	4.36
			THK SK	Staple Kit, Includes 50 Staples Like Original For Weatherstripping & Seals (THK SK)	2.76



HARDWARE & ATTACHING PARTS

Windshield Kits

THK 17702	Inside mirror to header & tensioning screws, '55-57, (3 pcs.)	1.32
THK 04144	Visor arm & retainer to header, '55-57, '55-57, (8 pcs.—Enough for 2 sides).....	2.37
THK 03626	Windshield garnish mouldings inside to windshield frame '55-57, (does not include THK 101 or THK 102) (24 pcs.—Enough for 2 sides)	5.49
THK 03178	Outside side windshield mouldings (Part T 03136-7) to windshield frame, '55-57, (8 pcs.—Enough for 2 sides)....	2.37
THK 02626	Windshield pillar weatherstrips (Part T 02626 & T 02627) to pillar, '55-57, (8 pcs.—Enough for 2 sides)....	1.58
THK 17666	Windshield washer jets to cowl, '55-57, (8 pcs.—Enough for 2 sides)	1.06

Door Kits

THK TDPA	Door panels to door; '55-56 (32 pcs.—Enough for 2 Sides).	12.12
THK TDPB	Door panels to door; '57 (28 pcs.—Enough for 2 Sides)..	11.72
THK TDPC	Door panels to door w/o clips; '55-56 (12 pcs.—Enough for 2 Sides).....	2.58
THK TDPD	Door panels to door w/o clips; '57, (8 pcs.—Enough for 2 Sides).....	2.58
THK 21032	Door panel channels (21032) to doors, '55-57 (8 pcs.—Enough for 2 Sides).....	1.25
THK 21144	Door garnish plates (Part T 21144 & T 21145) to door, '55-57 (4 pcs.—Enough for 2 Sides).....	1.32
THK 22400	Outside door handles to door, '55-57, (4 pcs.—Enough for 2 Sides).....	2.12
THK 21812	Door lock assembly to door, '55-57, (10 pcs.—Enough for 2 Sides).....	3.97
THK 22454	Outside door handle button assembly to door handle, '55-57 (4 pcs.—Enough for 2 Sides).....	5.29
THK 21172	Door garnish mouldings (Part T 21172) to garnish, '55-57 (18 pcs.—Enough for 2 Sides).....	4.64
THK 21546	Door glass runs (Part T 21546) to door pillar, '55-57 (12 pcs.—Enough for 2 Sides).....	2.91
THK 20314	Door pillars to doors, '55-57, (8 pcs.—Enough for 2 Sides)	2.65
THK 20906	Door garnish (Part T 20906-7) to doors, '55-57 (8 pcs.—Enough for 2 Sides).....	2.25
THK 20906A	Door garnish (Part T 20906-7) to doors - oversize threads, '55-57, (8 pcs.—Enough for 2 Sides)	2.46
THK 21134	Door moulding spacers (21134-5) to door, '55-57, ('16 pcs.—Enough for 2 Sides).....	3.58
THK 20125	Door weatherstrip spacer to door, '57 (4 pcs.—Enough for 2 Sides).....	1.00
THK 24140	Arm rest to door panels, '55-57 (16 pcs.—Enough for 2 Sides)	3.58
THK 22810	Door hinge to body and door, '55-57, (10 pcs.—Enough for 1 Side).....	4.11
THK 21770	Upper window stops to doors, '55-57, (4 pcs.—Enough for 2 Sides).....	3.24
THK 20768	Power window wiring protector to door, '55-57 (2 pcs.—Enough for 2 Sides).....	.79
THK 23220	Door access plates to doors, '55-57, (12 pcs.—Enough for 2 Sides).....	3.18
THK 17696A	Outside rear view mirror to door, '55, (2 pcs.).....	.79
THK 17696B	Outside rear view mirror to door, '56-57, (2 pcs.)79

Seat Kits

THK TBR	Seat back panel to seat, '55-57, (24 pcs.)	6.49
THK 60440	Power seat brackets to floor, '55-57, (8 pcs.)	1.72
THK 60402	Power seat gear drive clevis pins & clips, '55-57, (8 pcs.)	3.91

Other Interiors Kits

THK 02216	Vent grilles inside to body, '55-57, (8 pcs.—Enough for 2 Sides)	2.37
THK 01914A	Air deflector scoops to body, '55-57, (7 pcs.—Enough for 2 Sides).....	1.72
THK 13208C	Steps plates to body, '55-57, (16 pcs.—Enough for 2 Sides)	3.43
THK 01508	Pedal assembly to dash, '55-57, (5 pcs.—Enough for 2 Sides).....	1.98
THK 2455	Brake pedal bracket to dash, firewall & cowl, '55-57, (14 pcs.).....	4.89

THK 6941	Transmission governor cover to floor pan, '55-57, (4 pcs.)	1.19
THK 7110	F/M shifter pointer screw, '55-57, (1 pc.).....	.93
THK 61832	Floor plug buttons for power seat cars, '55-57, (2 pcs.) ...	1.52
THKTQP	Quarter trim panels to body, '55-57, (20 pcs.—Enough for 2 Sides).....	2.85
THK 40408	Upper back panel garnish moulding (Part T 40408-9) to body '55-57, (16 pcs.)	5.43
THK 50552	Rear hold down plates (Part T 50553) to rear deck, '55-57 (10 pcs.—Enough for 2 sides).....	4.04
THK 50502	Side hold down plates to body, '55-57, (12 pcs.—For 2 sides)	2.78
THKTDRA	Drop curtain to floor, '55-56, (6 pcs.)	4.17
THKTDRB	Drop curtain to floor, '57 (2 pcs.)	9.47

Dash & Firewall Kits

THK 9735	Accelerator pedal to floorboard & bracket to firewall, '55-57, (4 pcs.).....	1.52
THK 2454	Ford-O-Matic brake pedal to pedal arm, '55-57, (2 pcs.) ..	1.49
THK 2780	Emergency brake assembly to firewall, '55-57, (4 pcs.)93
THK 2857	Emergency brake cable to firewall, '55-57, (2 pcs.).....	.79
THK 3509	Steering column trim to retainer, '55-57, (4 pcs.).....	1.72
THK 3513	Steering column seal to firewall, '55-57, (9 pcs.)	2.65
THK 10987	Instrument cluster trim (Part T 10987) to dash '57, (7 pcs.)	2.46
THK 04291	Dash pad retainer straps to dash, '57, (12 pcs.)	2.06
THK 04294	Cowl braces to dash & firewall, '55-57, (22 pcs.).....	3.58
THK 04295	Dash to cowl & door pillars, '57, (18 pcs.)	4.57
THK 04454	Speaker cover to dash, '55-57, (8 pcs.)	1.59
THK 18808	Radio shafts to dash, '55-57, (4 pcs.).....	1.59
THK 16930	Hood release cable bracket to dash, '55-57, (6 pcs.).....	1.59
THK 16907	Hood release cable retainer to firewall, '55-57, (6 pcs.)....	1.98
THK 3673	Dash trim to dash, '55-57, (4 pcs.).....	1.00
THK 04810	Ashtray to dash & ashtray door, '55-57, (6 pcs.)	1.12
THK 04338	Dash aluminum to dash, '55-57, (6 pcs.).....	.93
THK 06010	Glove box to dash, '55-57, (6 pcs.)	1.12
THK 06117	Glove box arms to door, '55-57, (4 pcs.)	1.19
THK 06151A	Glove box latch to door, '55-57, (2 pcs.).....	.79
THK 06050A	Glove box hinge to door, '55-57, (6 pcs.).....	1.12
THK 06151C	Glove box latch to dash, '55-57, (4 pcs.)	1.12
THK 06050B	Glove box hinge to dash, '55-57, (6 pcs.).....	.93
THK 06151B	Glove box latch plastic guide to dash, '55-57, (4 pcs.).....	1.12
THK 13024A	Dimmer switch cover to firewall, '55-57, (4 pcs.)93
THK 13024	Dimmer switch to cover, '55-57, (4 pcs.).....	1.06

Hard Top Kits

THK 30534	Porthole rings to hardtop, '55-57, (8 pcs.—Enough for 2 sides)	2.58
THK 51928	Hardtop binding joint covers to hardtop, '55-57, (6 pcs.—Enough for 2 sides)	1.59
THK 51500A	Hardtop weatherstrip to top, '55-57, (47 pcs.).....	8.20
THK 51000	Hardtop edge moulding to top, '55-57, (20 pcs.).....	4.11
THK 41745A	Hardtop tack strip to top, '55-57, (45 pcs.)	8.14
THK 50508A	Hardtop front clamps to top, '55-57, (8 pcs.—Enough for 2 sides)	2.37
THK 50500A	Hardtop side clamps to top, '55-57, (4 pcs.—Enough for 2 sides)	2.37
THK 50608A	Hardtop rear clamp plates to top, '55-57, (8 pcs.—For 2 sides).....	3.18

Soft Top Kits

THK 50103A	Soft Top Frame Kit, '55-57 (Early-style Top), Includes chrome pins, bolts, nuts, washers, acorn nuts & sleeves. Does not include T 50300K (Enough for 2 sides)	79.63
THK 50103B	Soft Top Frame Kit, '55-57 (Late-style Top), Includes chrome pins, bolts, nuts, washers, acorn nuts & sleeves. Does not include T 50300K (Enough for 2 sides)	99.49
THK 51500C	Soft top weatherstrip to frame, '55-57, (104 pcs.)	34.62
THK 51390	Soft top front header trim to frame, '55-57, (20 pcs.)	18.73
THK 51452	Soft top outside wire-on tips to top, '55-57, (4 pcs.—For 2 sides).....	.93

HARDWARE & ATTACHING PARTS

THK 51354	Soft top bows to frame, '55-57, (16 pcs.—Enough for 2 sides)	5.29
THK 51340A	Soft top header center castings to ends, '55-57, (6 pcs.)..	2.25
THK 51340B	Soft top front header end castings to 1st side rails, '55-57 (16 pcs.—Enough for 2 sides)	4.64
THK 50508B	Soft top front clamps to top, '55-57, (8 pcs.—Enough for 2 sides)	3.43
THK 50500B	Soft top side clamps to top, '55-57, (4 pcs.—Enough for 2 sides)	2.37
THK 50608B	Soft top rear clamp plates to top, '55-57, (16 pcs.—For 2 sides)	3.43
THK 51562	T-Bolts, Soft Top Side Rail Weatherstrips, '55-57, (12 pcs.—Enough for 2 Sides).....	12.60
THK 51154	Soft Top webbing plates to Number 2 Bow, '55-57, (4 pcs.—Enough for 2 sides)	1.06
THK 53118A	Soft top swing bar feet to floor pan, '55-57, (12 pcs.—Enough for 2 sides)	1.98
THK 53118B	Swing bar ft. halves to each other, '55-57, (14 pcs.—For 2 sides)	3.64
THK 53118C	Soft top swing arm feet, including special adjusting bolts '55-57, (30 pcs.—Enough for 2 Sides)	18.73
THK 41475B	Soft top rear bow tack strip to frame, '55-57, (90 pcs.).....	8.14

Trunk Kits

THK 45415B	Trunk side cardboards to body, '57 (13 pcs.)	2.85
THK 45444	Trunk divider board screw, '55 (5 pcs.).....	1.85
THK 43200A	Trunk latch assembly to trunk, '55-57 (3 pcs.).....	1.72
THK 43200B	Trunk latch assembly to trunk, '57 (4 pcs.).....	2.18
THK 43252	Trunk latch striker to body, '55-57, (4 pcs.)	1.72
THK 42700A	Trunk lid to hinges, '55-57 (4 pcs.—Enough for 2 sides)..	2.25
THK 42700B	Trunk hinges to body, '55-57, (6 pcs.—Enough for 2 sides)	2.06
THK 1424	Spare tire hold down clevis pins, washers & clips, '57 (6pcs.).....	2.06

Front Body Kits

THK 8200A	Grille to body and lower moulding, lower moulding to front deflector, front deflector to rear deflector and front fenders, rear deflector to side deflectors, access panel to rear deflector; with illustrated instructions, '55-56 (109 pcs.)	16.15
THK 8200B	Grille to body and front deflector, front deflector to ends and rear deflector, rear deflector to side deflectors, ends to side deflectors and front fenders, access panel to rear deflector; with illustrated instructions; '57 (101 pcs.).....	24.50
THK 8200C	Grille at top to body, included THK 200A & THK 200B; '55-57 (12 pcs.).....	2.85
THK 8311	Center rear deflector access panel to deflector, '55-57, included in THK 200A & THK 200B, (3 pcs.).....	.79
THK 8242	Side grille mouldings to body, '55-57, (12 pcs.—Enough for 2 sides)	3.11
THK 8419A	Upper grille mould. to body, '55-56, (18 pcs.).....	5.55
THK 8419B	Upper grille moulding to body, '57, (18 pcs.).....	8.20
THK 13064	Headlamp door to bucket, '55-57, (2 pcs.—Enough for 2 sides)	1.06
THK 8259	Nameplate (Part T 8259) to front panel with pad, '56-57, (3 pcs.).....	1.06

Lamp Kits

THK 13208A	Park lamp lenses to lamp body, '55-56 (6 pcs.—Enough for 2 sides)	2.65
THK 13450A	Tail Light Screw Kit, '55	7.56
THK 13450B	Rear Lamp Lens to lamp body, '56 (6 pcs.—Enough for 2 sides)	5.65
THK 13450C	Tail Light Screw Kit, '57	10.08
THK 15514A	Backup lamp lenses to lamp body, '55 (12 pcs.—Enough for 2 sides)	7.68
THK 15514B	Backup lamp lenses to lamp body, '56 (4 pcs.—Enough for 2 sides)	5.29
THK 13008	Headlamp bucket & headlamp door mounting kit, '55-57, (22 pcs.—Enough for 2 sides)	5.03
THK 13206B	Parking lamp to bumper, '57, (12 pcs.—Enough for 2 sides)	2.85

THK 13206A	Rear lamp body to quarter, '55-56, (6 pcs.—Enough for 2 sides)	1.12
THK 13448	Rear lamp body to quarter, '57, (16 pcs.—Enough for 2 sides)	2.46
THK 13564	License lens, '55-57, (2 pcs.)	1.06

Glass Kits

THK 03232	Lower windwing hinges to windwing frames, '55-57, (8 pcs.—Enough for 2 sides)	4.17
THK 22224	Door glass stainless to channel casting, '55-57, (6 pcs.—Enough for 2 sides)	1.72

Fender Skirt Kits

THK 27980	Skirt clips to quarter panel, '55-57, (8 pcs.—Enough for 2 sides)	1.85
THK 29164	Skirt trim (T 29164-5) to skirts, '55-57, (18 pcs.—Enough for 2 sides)	3.18

Body Sides & Hoods Kits

THK 16228	Louwer trim to front fenders, '55-57, (12 pcs.—Enough for 2 sides)	2.65
THK 25622	Thunderbird scripts to body, '55-56 (16 pcs.—Enough for 2 sides)	2.37
THK 16098	Thunderbird scripts to body, '57, (10 pcs.—Enough for 2 sides)	2.91
THK 25666	Crest medallion (T 25666), '55-56, (4 pcs.—Enough for 2 sides)	1.32
THK 02176	Cowl side vent door (outside) to hinge & hinge to fender, '55-56, (12 pcs.—Enough for 2 sides)	3.71
THK 16798A	Hood hinge to bracket, '55-57, (8 pcs.—Enough for 2 sides)	2.85
THK 16798B	Hood hinge to hinges, '55-57, (12 pcs.—Enough for 2 sides)	2.18
THK 16607	Hood emblem (T 16607) to hood, includes T 16873 spacers '55-57, (8 pcs.)	13.44
THK 16707	Hood latch pin brackets to hood, '55-57, (12 pcs.)	2.18
THK 16929	Hood latch pins to hood brackets, '55-57, (4 pcs.—2 sides)	.93

Rear Body Kits

THK 43500	Trunk handle (43500) to insert & deck lid without wedge washers '55-57, (5 pcs.).....	3.58
THK 40628A	Gas filler lid to hinge and hinge to deck lid, '55-56, (7 pcs.)	1.72
THK 40628B	Gas filler lid to hinge, '57, (3 pcs.)	1.06
THK 1481	Continental kit holder (T 1481) to body/frame, '56, (16 pcs.)	5.49
THK 13596	License plate holder to body, '55, (6 pcs.).....	1.12
THK 9034A	Gas neck strap to body bracket (T 9034B), '57, (3 pcs.)	1.52
THK 9034B	Gas neck bracket (T 9034BR) to body, '57, (2 pcs.).....	.79

Exhaust System Kits

THK 5202A	Exhaust deflectors (5202-3) to bumper, '56 (18 pcs.—Enough for 2 sides)	8.87
THK 5202B	Exhaust deflector (5202) to bumper, '57 (12 pcs.—Enough for 2 sides)	14.63
THK 5261A	Rear exhaust hanger (5261 A) to bumperette, '55 (6 pcs.—Enough for 2 sides)	1.72

Engine & Engine Compartment

THK 6312	Flywheel damper to crankshaft, '55-57, (2 pcs.).....	4.24
THK 16740	Hood pad (drive nails) to body, '55-57, (7 pcs.).....	2.06
THK 16700	Hood locks (T 16700-1) original nuts, '55-57, (8 pcs.—Enough for 2 sides)	2.65
THK 16700A	Washers - between hood locks & firewall, '55-57, (8 pcs.—Enough for 2 sides)	2.91
THK 5246	Muffler inlet pipes to exhaust manifold, with brass nuts '55-57, (12 pcs.—Enough for 2 sides).....	13.37
THK 9430	Exhaust manifolds to heads, '55-57, (28 pcs.—Enough for 2 sides)	8.87
THK 6675A	Oil pan to block, '55-56, (44 pcs.).....	7.21
THK 6675B	Oil pan to block, '57, (44 pcs.).....	7.21
THK 6869	Vent tube opening cover (T 6869) to block, '55-57, (4 pcs.)	1.52
THK 6758	Downdraft tube to engine, '55-57, (2 pcs.).....	1.00
THK 6038	Front engine support insulator to frame, '55-57, (12 pcs.—Enough for 2 sides)	3.91

HARDWARE & ATTACHING PARTS

THK 6068	Rear transmission mount to frame, '55-57, (10 pcs.).....	2.91
THK 6054A	Rear transmission brace to frame, '55-57, (6 pcs.).....	4.24
THK 6854	Engine steady rest brackets to block, '55-57, (8 pcs.—Enough for 2 sides)	2.85
THK 8548	Water outlet connector (8592) & bypass tube (T 8548) to manifold & water pump, '55-57, (8 pcs.)	2.37
THK 11002	Starter to bell housing, '55-57, (6 pcs.)	1.85
THK 12113	Ignition cable brackets to engine, '55-57, (8 pcs.)	2.91
THK 12043	Coil bracket to manifold, '55-57, (4 pcs.).....	1.19
THK 11450	Starter solenoid to firewall, '55-57, (2 pcs.)	1.45
THK 16050	Apron shield (T 16050) to apron, '55-57, (8 pcs.—Enough for 2 sides)	2.37
THK 16102B	Lower splash shield to apron, '55-57, (12 pcs.—Enough for 2 sides)	5.23
THK 10732A	Battery box to apron & firewall, '55, (16 pcs.).....	5.17
THK 10732B	Battery support to apron & shield to support, '55-57, (16 pcs.)	5.10
THK 2140	Master cylinder to firewall, '55-57, (8 pcs.).....	2.91
THK 14303	Ground straps, engine & battery to firewall, '55-57, (5 pc.)	1.19
THK 2031	Brake booster bracket to apron, '55-57, (12 pcs.).....	2.06
THK 2005	Power brake booster to bracket, '55-57, (4 pcs.)	1.12
THK 9510A	Carb. to intake-nuts & washers, '55-56, (8 pcs.)	1.92
THK 9510B	Carb. to intake-nuts & washers, '57, (8 pcs.)	2.25
THK 14448A	Electrical junction blocks to apron, '55-56, (4 pcs.—Enough for 2 sides)	1.46
THK 14448B	Electrical junction block to apron, '57, (2 pcs.).....	.93
THK 10505	Voltage regulator to apron, '55-57, (3 pcs.).....	.93
THK 17651	Washer bag holder (T 17651) & lower plate to apron '55-57, (4 pcs.)	1.32
THK 18481A	Heater hose bracket (T 18481) to apron, '55-57, (2 pcs.)...	.86
THK 17652	Windshield washer bag bracket & lower bag shield to inner fender, '55-57, (4 pcs.).....	1.12
THK 8147A	Upper fan shroud to radiator, '56-57, (8 pcs.).....	4.37
THK 8147B	Upper fan shroud to lower & lower to bracket, '56-57, (10 pcs.)	5.37
THK 8005B	Radiator to radiator frame, '56-57, (4 pcs.)	3.18
THK 16138	Radiator frame to body, '55-57, (18 pcs.)	2.46
THK 8147E	Upper fan shroud to lower, '55, (23 pcs.).....	5.89
THK 8005A	Radiator to radiator frame, '55, (12 pcs.).....	3.43
THK 8147F	Upper fan shroud to radiator, '55, (20 pcs.).....	4.77
THK 8600	Fan to water pump, '55-57, (8 pcs.)	2.46
THK 8501A	Water pump to engine without power steering, '55-57, (8 pcs.)	4.24
THK 8501B	Water pump to engine with power steering, '55-57, (8 pcs.)	4.64
THK 8501C	Water pump plug for cars without power steering or heater '55-57, (1 pcs.)	1.52
THK 10002A	Generator to brackets (3) with stamped steel end plate '55-57, (11 pcs.).....	4.17
THK 10002B	Generator to brackets (3) with cast end plate, '55-57, (11 pcs.).....	4.17
THK 13832	Horn brackets to body, '55-57, (8 pcs.).....	2.12
THK 18527A	Heater blower assembly to apron, '55-57, (3 pcs.).....	1.72
THK 18527B	Heater blower sup. plage to housing, '55-57, (5 pcs.)	1.00
THK 18476	Heater core to housing & housing to firewall, '55-57, (10 pcs.)	1.85
THK 7185	Accelerator bellcrank to intake manifold, '55-57, (4 pcs.)...	1.12
THK 9725	Accelerator steady bracket to engine block, '55-57	1.12
THK 01822	Fresh air cable brackets (081822) to inner fender & clip to bracket, '55-57, (6 pcs.—Enough for 2 sides).....	1.06
THK 6019	Timing case cover to engine; does not include THK 326A or THK 326B, '55-57, (16 pcs.).....	7.88
THK 6519	Valley cover to engine, '55-57, (4 pcs.).....	2.18
THK 9510C	Intake manifold carburetor studs, '55-57, (4 pcs.).....	3.91
THK 9424	Intake manifold to engine, does not include 4 center studs or cupped washers, '55-57, (16 pcs.).....	5.49
THK 9350	Fuel pump to timing case cover, '55-57, (4 pcs.).....	1.40

Under Fender Kits

THK 16102A	Lower rear splash panels to aprons, upper shields & fenders '56-57, (30 pcs.—Enough for 2 sides).....	8.03
------------	--	------

THK 16222	Fender support brackets to aprons & fenders '55-57, (12 pcs.—Enough for 2 sides).....	3.97
THK 02104	Side vent spacer duct to aprons & fenders, '55-57, (18 pcs.—Enough for 2 sides)	2.91
THK 01914	Steel air ducts to scoops/aprons (63 pcs.—Enough for 2 sides)	10.06
THK 01902	Fiberglass air ducts to scoops & aprons, '55-57, (63 pcs.—Enough for 2 sides)	10.06

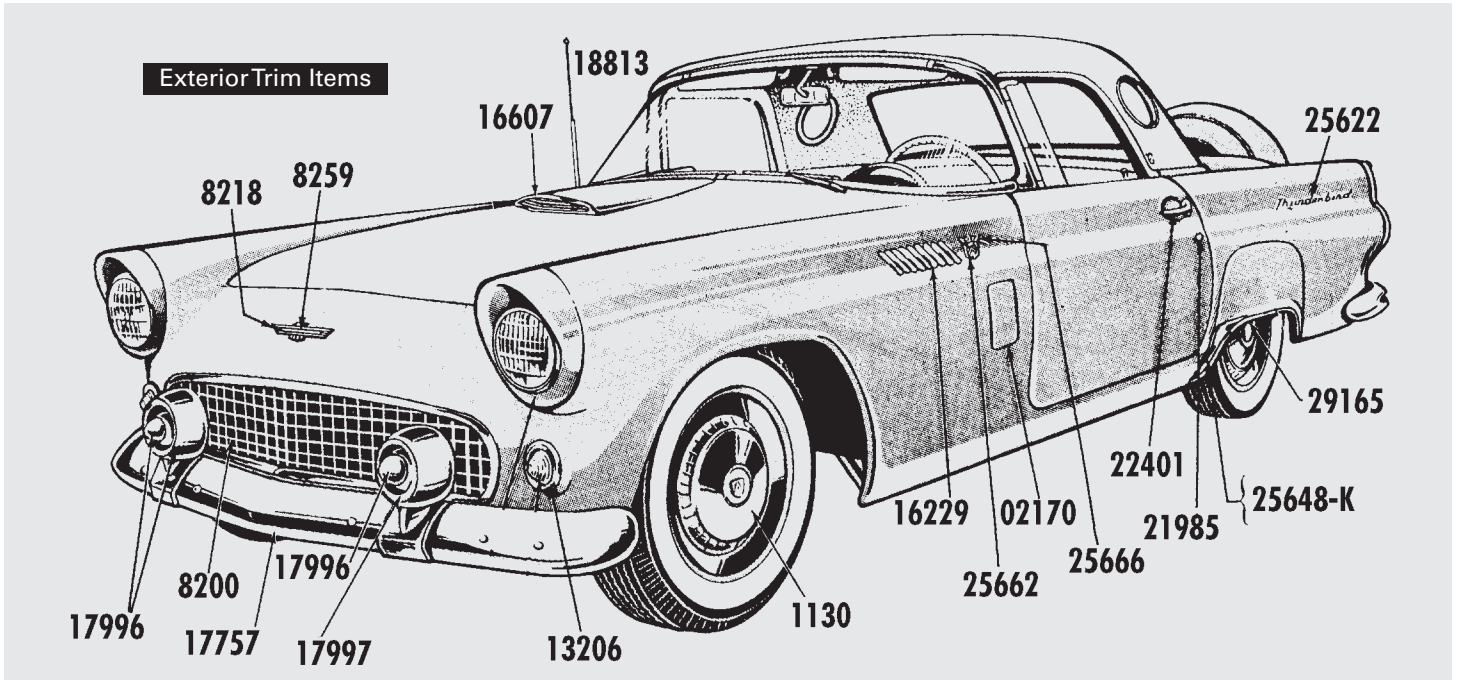
Chassis Kits

THK 400A	Body to Frame, '55	59.78
THK 400B	Body to Frame, '56	66.39
THK 400C	Body to Frame, '57	61.09
THK 5008D	Body Mount J-Nut Set	62.58
THK 3082	Upper A - Frame arms to frame, '55-57, (12 pcs.—Enough for 2 sides)	8.24
THK 3078	Lower A - Frame arms to frame, '55-57, (12 pcs.—Enough for 2 sides)	126.95
THK 3021	A-Frame arm bumpers to A-Frame, '55-57, (8 pcs.—Enough for 2 sides)	1.85
THK 18072	Front shock lower mounting plate to lower A-Frame, '55-57, (8 pcs.—Enough for 2 sides)	3.11
THK 5705	Rear sprint U-Bolt nuts, '55-57, (4 pcs.—Enough for 1 side)	1.79
THK 8223	Radiator support bracket to frame, '55-57, (6 pcs.).....	5.95
THK 17754A	Front bumper braces to frame, '55-56, (12 pcs.—Enough for 2 sides)	10.86
THK 17754B	Frt bumper braces to frame, '57, (48 pcs.—Enough for 2 sides)	14.83
THK 17757	Front upper bumpers to lower bumper, '57, (32 pcs.—Enough for 2 sides)	9.53
THK 17796A	Rear bumper braces to frame, '55, (12 pcs.—Enough for 2 sides)	10.86
THK 17796B	Rear bumper braces to frame, '56, (38 pcs.—Enough for 2 sides)	15.55
THK 17906C	Rear upper bumpers to lower & center to ends '56, (36 pcs.—Enough for 2 sides)	7.55
THK 17796C	Rear bumper braces to frame, '57, (22 pcs.—Enough for 2 sides)	11.91
THK 17906B	Rear upper bumper to lower, '57, (48 pcs.—Enough for 2 sides)	13.37
THK 17996A	Bumperette ctrs. to bumperette, '55 (6 pcs.—Enough for 2 sides)	3.91
THK 17996B	Bumperette ctrs. to bumperette, '56 (6 pcs.—Enough for 2 sides)	2.12
THK 1125	Front brake drum to spindle, '55-57, (6 pcs.—For 2 Sides)	9.00
THK 2074	Rear brake pipe connector to axle housing '55-56, (4 pcs.—Enough for 2 sides)	1.59
THK 2211	Backing plate to rear axle housing, '55-56, (16 pcs.).....	39.92
THK 2061	Wheel cylinders to backing plates, '55-57, (16 pcs.—Enough for 2 sides)	3.43
THK 5486	Stabilizer arm brackets (T 5486) to frame, '55-57, (12 pcs.—Enough for 2 sides)	2.46
THK 3504	Steering box to frame, '55-57, (6 pcs.)	4.64
THK 3351A	Idler arm bracket to frame - P/S, '55-57, (9 pcs.)	3.91
THK 3351B	Idler arm bracket to frame - M/S, '55-57, (7 pcs.).....	3.18
THK 3351C	Idler arm to bushings - P/S, '55-57, (6 pcs.).....	2.85
THK 3051	Upper ball joints to lower A-Arms, '55-57, (12 pcs.—Enough for 2 sides)	4.64
THK 3052	Lower ball joints to lower A-Arms, '55-57, (12 pcs.—For 2 Sides)	7.55
THK 3130	Tie rods & ends to drag link & spindle arms, '55-57, (8 pcs.—Enough for 2 sides)	4.17
THK 9275A	Fuel Sending unit to tank, '55-57, (6 pcs.)	1.47

Transmission & Differential Kits

THK 4020	Rear Axle Housing Cover, '55-56, (20 pcs.)	4.64
THK 4635	Universal Joint U-Bolt Nuts & Lock Washers, '56-57, (4 pcs.)93
THK 7194	Ford-O-Matic Pan to Case, '55-57, (28 pcs.).....	6.09
THK 6054B	Rear Engine Mount to Frame & Transmission, '55-57, (12 pcs.)	5.69
THK 4035	Differential 3rd member to axle housing, '57, (15 pcs.)....	4.17

EMBLEMS



Exterior Emblem Kit

**New Reduced Prices!
Save Money When You
Purchase Complete Emblem Kits!**



Larry's Exterior Emblem Kits are your most economical way to purchase exterior trim emblems for your restoration project. Each Exterior Emblem Kit includes high-quality emblems for applications listed below.

- | | | |
|---|-----|--------|
| T 16099AK '55; Includes Emblems on Fenders, Quarter Panels, Nose Panel Area & Trunk | Kit | 255.24 |
| T 16099BK '56; Includes Emblems on Fenders, Quarter Panels, Nose Panel Area | Kit | 244.54 |
| T 16099CK '57; Includes Emblems on Fenders, Nose Panel & Trunk | Kit | 206.74 |

Wheel Center Medallion



T 1141 Red Plastic Ctr. Wheel Medallion, '55-'56 22.50

Horn Ring Emblems



T 3636A



T 3636B



T 3636C

- | | | |
|---------|--|-------|
| T 3636A | Horn Ring Plastic Insert Emblem, '55 | 25.37 |
| T 3636B | Horn Ring Plastic Insert Emblem, '56 | 26.96 |
| T 3636C | Horn Ring Plastic Insert Emblem, '57 | 26.50 |

Front Upper Panel Nameplate



T 8218 Nameplate



8259 Ornament

- | | | |
|---------|--|-------|
| T 8218 | Front Upper Panel Nameplate, '56-'57 | 17.34 |
| T 04541 | Medallion Pad; Use with T 8218 & T 25662 | .50 |
| T 8259 | Front Upper Panel Chrome Nameplate Retainer, '56-'57 | 31.47 |
| | Qualifies for CTCI Excellence in Authenticity Award!
THK 8259 Nameplate (8259 to Front Panel with Pad (3 pcs.) | 1.06 |

EMBLEMS

Glove Box Emblem



T 04407 Glove Box Emblem, "V-8", '55-56..... 14.23

Dash Nameplate



T 04460 Thunderbird Nameplate, Dash, '55-56 23.30

Front Fender Ornaments



T 16098 Front Fender "Thunderbird" Script, '57..... 25.00
THK 16098 Thunderbird Script to Body '57 (10 pcs.—Enough For 2 Sides) 2.91

T 16228



T 16229

T 16228 Hash Marks Front Fender Ornament, RH 29.37
T 16229 Hash Marks Front Fender Ornament, LH..... 29.37
THK 16228 Lover Trim To Front Fenders (16 pcs.—Enough For 2 Sides) 2.65
T 16230S Nut, for attaching parts T 16228, T 16229 & T 16237 Each .31



T 16237 Emblem



T 16237 Fender V-8 Emblem, '55 19.75

Hood Grille



T 16607 Front Hood Grille..... 74.24
THK 16607 Hood Emblem (T 166074) to Hood, '55-57 Includes T 16873 Spacers (8 psc.)..... 13.44

Rear Quarter Panel Script



T 25622 Thunderbird Script, Rear Qtr. Panel, '55-56..... 26.21
THK 25622 Thunderbird Script to Body '55-56 (8 pcs.—Enough For 2 Sides)..... 2.37



T 25662



T 25666

Rear Deck Nameplate



T 25662 Medallion, Used on Front Grille Panel, Gas Door & side of Hard Top on '55's. Used on Front Fenders on '56's..... 18.86
T 04541 Medallion Pad; Use with T 8218 & T 2566250
T 25666 Chrome Retainer for Part T 25662 Medallion 19.91
THK 25666 Crest Medallion (T 25666) & Cross Flags (T 42550), (4 pcs.—Enough For 2 Sides)..... 1.32

Rear Deck Nameplate



T 42530 Nameplate



T 42530 Rear Deck Handle Nameplate, '57..... 14.44



T 42550 Cross Flags



T 50270 Medallion

T 42550 Cross Flags, '55..... 12.75
THK 25666 Crest Medallion (T 25666) & Cross Flags (T 42550), (4 pcs.—Enough For 2 Sides)..... 1.32
T 43500 Rear Deck Handle Ornament, '57 28.45
THK 25666 Trunk Handle (43500) to Insert & Deck Lid Without Wedge Washers (5 pcs.)..... 1.32
T 50270 Roofside Medallion, '57 Non-Porthole Hardtop..... 23.30
T 50292 Roofside Medallion Retainer, '57 Non-Porthole Hardtop..... 15.87

Hardware for this Section

TSP 353577 Barrel Nut on T 16098 & T 25622, '55-57 Each .33



Dedicated to Excellence

RADIO

100 Watt Car Radio



- USB flash drive
- 4 AM/FM presets
- Manual tuning
- Seek auto tune
- Auto stereo/mono
- Preset scan & auto store
- Front/rear fader
- Volume control
- Separate bass/treble
- Left/right balance
- Auto antenna power lead
- Lcd display w/green back lighting Aux input front and rear for ipod, etc.
- Clock/time frequency

TRD KH1 Chrome Face 100 Watt..... 219.19

100 Watt Car Radio



- USB flash drive
- 4 AM/FM presets
- Manual tuning
- Seek auto tune
- Auto stereo/mono
- Preset scan & auto store
- Front/rear fader
- Volume control
- Separate bass/treble
- Left/right balance
- Auto antenna power lead
- Lcd display w/green back lighting Aux input front and rear for ipod, etc.
- Clock/time frequency

TRD KH3 Chrome Face 200 Watt..... 280.50

Custom Auto Sounds Radio

Custom Auto Sounds USA-630 is designed to provide the best in audio technology wrapped in a classic car stereo look. It will fit your car or truck's stock dash without any modifications required. It has been designed with a bezel containing your cars manufacturer logo as well as large OEM style push-buttons to complement your dash. When it comes to electronics the USA-630 boasts modern features like a USB input for flash drives to play back MP3/WMA song files and a dock for your iPod. When connected to these devices the radio's digital display will show artist, song, album titles and allow song navigation through the radio itself. The USA-630 is compatible with our optional BLUKIT which enables Bluetooth music streaming from your enabled phone as well as hands-free mobile calling through the vehicles speakers and BLUKIT'S built in microphone. With 300 watts peak the radio provides plenty of power but additionally contains four RCA pre-outs for optional amplifiers. It also comes with auxiliary inputs for satellite radio tuners, iPhones and any portable player you may wish to use.

TRD 05 **NEW** 239.95



Specifications

- AM-FM Stereo
- RDS tuner shows station/song/artist on LCD display
- 300 Watts Peak
- USB Port for Flash Drive MP3/WMA Playback
- iPod doc and control (Control your iPod from the buttons on the radio)
- Direct CD1 Control
- Negative LCD Display (Black background with white letters/numbers)
- Alpha Numeric Display for MP3/WMA/iPod files
- Electronic Tuning and Volume Control
- Loudness compensation
- Digital EQ
- 4 way Fader
- Left Right Ballance
- Digital Clock
- 2 Channel RCA Auxiliary Input for Satellite etc. (cable included)
- 16 Pre-sets (12FM-4AM)
- 4 Channel RCA Pre-outs
- Separate Base and Treble
- USA/Euro Tuner
- Power Antenna Lead



Aftermarket Audio / Speaker Components



SATB-24

SATB-24: Great 'no modification' solution and a necessity for 2-channel stereo-our dual top dash upgraded speaker assemblies are mounted on 1/4 inch material, with cloth over speakers and pre-wired to plug into radio! They fit and mount as original did in original front speaker area!

TRD SATB24 46.64
 THK 18808 Radio Speaker to Dash (4 pcs.)..... 1.59

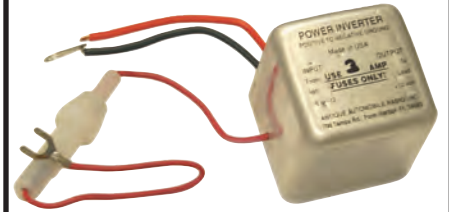


SATB-69P

SATB-69P: Rear panel, designed & engineered for 1955-'57 Thunderbird to fit with no alterations to your car. These panels are made of 1/4" tempered masonite and covered with black carpet, bound on the outer edge. Two 6" x 9" three-way, high quality speakers with metal grills and 'pre-wiring loom' complete this custom Thunderbird speaker assembly. Great sound enhancement!

TRD SATB69P 150.86

6 Volt to 12 Volt Power Converter Allows for Installation of the Latest Audio Technology



Finally a safe way to convert your 6V Thunderbird to 12V to allow for installation of our Stereo Upgrades. Enjoy the sounds of modern technology now in your Thunderbird! Our Power Converter is easy to install, yet the results are outstanding to your ears! 3 Amp.

TRD PC Power Converter 64.45

Big Selection of Parts!

Whether it's a hard to find part or a standard T-Bird replacement part, Larry's has what you're looking for. Our inventory of parts is concourse-quality. Give us a call if you can't find the parts you need. Our knowledgeable parts specialists will be happy to help!



Dedicated to Excellence

Can't Find What You're Looking For?

If you are looking for a certain part and are not able to locate it in this catalog, give us a call, write or contact us via the internet at www.larrytbird.com. It may be that we have what you are looking for but the part was not listed in this catalog at the time of printing. Some parts may no longer be available either New or NOS. We have a large used parts inventory and may have just the part you need. Give us a call for information regarding our used parts inventory.

Original-Style Radio Components



T 18805A Radio Tube Set

- T 18805A Radio Tube Set, Complete Set of Tubes for your Radio, '55 61.15
- T 18805B Radio Tube Set, Complete Set of Tubes for your Radio, '56 71.35
- T 18805C Radio Tube Set, Complete Set of Tubes for your Radio, '57 60.13



T 18813A Antenna

- T 18813A Antenna Assembly, Includes Plastic Stanchion & T 18919A Rubber Mounting Pad..... 54.62



T 18813B Antenna

- T 18813B Antenna Assembly, Rear Deck, '57 89.09



T 18817 Knob

- T 18817 Radio/Wiper Knob "D" Shaft Style 15.87
- T 18817A Radio Knob "Split" Shaft Style..... 15.87
- T 18830 Radio Knob Bezel..... 10.56
- T 18869 Radio Receiver Volume Compensator Wire 30.34
- T 18870A Radio Noise Clip Suppressor, '55..... 3.71
- T 18870B Radio Noise Clip Suppressor, '56..... 3.71



- T 18804B Radio Face Plate Lens, '56-57 23.41



T 18912 Seal

- T 18912 Antenna Lead-In Seal, This part also serves as a plug for the door pillar adjusting screw access hole on the "Dog Leg" portion of the door..... 3.18
- T 18919A Antenna Pad, Stanchion Mounting..... 2.63
- T 18919B Antenna Stanchion, Black Plastic 11.07



Radio Service Manual

A quality reprint showing a schematic breakdown of the internal parts of the radio.

- TLT RM55 '55 4.00
- TLT RM56 '56 4.08
- TLT RM57 '57 6.38

Antenna Removal Tool



- TAC 22 Antenna Removal Tool.. 11.62

Big Selection of Parts!

Whether it's a hard to find part or a standard T-Bird replacement part, Larry's has what you're looking for. Our inventory of parts is concours-quality. Give us a call if you can't find the parts you need. Our knowledgeable parts specialists will be happy to help!

Larry's Logo Hats



MAP H1



MAP H2



MAP H3

MAP H1	Blue	Each	15.25
MAP H2	Black	Each	15.25
MAP H3	White	Each	15.25

Cut Pile Carpet Black Only



A Nice Upgrade
From The
Original Carpet

TCP U55BK '55	
Carpet Only	Each 148.50
TCP U55BKJ '55	
Carpet With Jute Pad.....	Each 164.18
TCP U56BK '56/57	
Carpet Only	Each 148.50
TCP U56BKJ '56/57	
Carpet With Jute Pad.....	Each 164.18

Fender Skirt Lock



An effective Fender Skirt Lock!
Easy to Install. Only one hole to drill
in skirt bracket (Not noticeable!)
Rubber insulated to minimize rattle.
Complete with instructions.

TAC 03	Pair	10.50
* Note: Does Not Include Padlocks.		

Hard Top Hoist Kit



Install & Remove
Your Hard Top with Ease!
Help Save Space Too!

Our Hard Top Hoist Kit enables you to install and remove your T-Bird hard top with ease. The double-pulley system quickly attaches to your garage rafters. Our complete kit includes heavy-duty nylon sling, pulley rope, and tie-down anchor. Instructions included for easy operation.

TAC 07	64.95
--------------	-------

Top Lock



Top Lock fits underneath the rear deck area. The design of this locking device does not permit the top fastener to be rotated with the lock in place. This way the top & the hold-down plate cannot be removed as a unit. Fits hard tops & soft tops.

TAC 04 '55	29.13
TAC 05 '56	29.13
TAC 06 '57	29.13

The "Tag Along"

A Rolling
Storage Rack
for Your
Bird's Hardtop!



For hardtop storage anywhere! "Tag Along" Rolling Storage Rack is precision machined from aircraft-grade aluminum and stainless steel, fitted with 4 smooth rolling, double-wheeled locking casters. Weighs less than 10 lbs. and folds down to fit into the 7" x 7" x 24" travel bag. Unfolds and assembles in less than ninety seconds! full hard top cover included. Perfect for car shows or other events.

TAC 16	210.00
--------------	--------

Hard Top Cover
is Included with
Tag Along



Tag Along
is easily
transported in the
Travel Bag for use at
shows, car events or
around the garage!

Transmission Lock



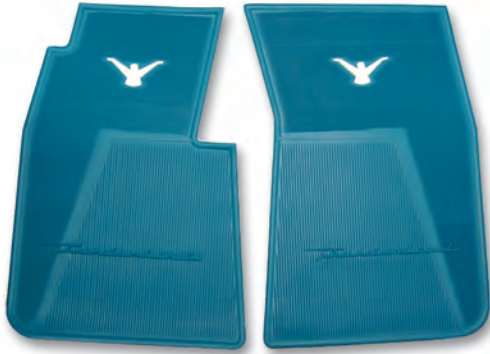
This lock is a great way to keep all automatic transmissions where they should be when security is needed.

TAC 02	28.05
--------------	-------

ACCESSORIES

Keep Carpet Protected with Quality Floor Mats!

Fight grime, and normal wear and tear on your carpets.



Original-Style Mats

Keep your Thunderbird's carpet fresh and clean with a set of original-style thrown mats. These are high-grade mats and are embossed with the Thunderbird logo. We sell them in perfect-fit pairs only. Please specify color of mat desired when ordering. These fit all years from '55-57.

T 13106A	Rubber Throw Mat w/Bird Logo; Black	71.35
T 13106C	Rubber Throw Mat w/Bird Logo; Red	71.35
T 13106D	Rubber Throw Mat w/Bird Logo; Blue.....	71.35
T 13106F	Rubber Throw Mat w/Bird Logo; '56 Peacock ..	71.35
T 13106G	Rubber Throw Mat w/Bird Logo; '57 Willow Green	71.35

Carpet Aftermarket Mats

Made From Original Style Carpet. Correct Colors and Fit.

TCM 55BK	Black, '55/'57	Set	69.95
TCM 55GN	Green, '55	Set	69.95
TCM 55RD	Red, '55	Set	69.95
TCM 56BS	Buckskin, '56.....	Set	69.95
TCM 56PK	Peacock, '56	Set	69.95
TCM 56RD	Red, '56	Set	69.95
TCM 57BU	Blue, '57	Set	69.95
TCM 57BZ	Bronze, '57	Set	69.95
TCM 57GN	Green, '57	Set	69.95
TCM 57RD	Red, '57	Set	69.95

Dash Mat

Preserve your expensive dash with a Dash mat for 1957 T-Birds.

TDM 57BK, 57; Black.....	Each	42.00
TDM 57BU, 57; Blue.....	Each	42.00

Special Trim Adhesives

Use on weatherstripping and other areas of the car

T 19552A	Yellow Cement, 2 oz. tube.....	8.93
T 19552B	Spray Adhesive, 16.75 oz. can	26.50
T 19552C	Black Cement, 2 oz. tube	10.97



T 19552A



T 19552C



T 19552B

The "Wing Rider" Comes in Original Colors

- Full-Length Design
- Two King-Size Drink Holders
- Firm Lid
- Large Storage Compartment!
- Installs in Seconds...
- Remove in Seconds...

Part # TWR 215.00



Emblem Not Included. Use Emblem T 04460. See Page 115



Dashboard "Plug & Chug"

Converts your ash tray into a drink holder utilizing the factory ash tray mounting brackets. A simple way to keep drinks out of the way and insulated on your next road trip.

TPC	'55-57;.....	Each	46.41
-----	--------------	------	-------

Now In Original Colors—Specify Year and Color

Special Tools to Make Your Projects Easier!

Dash Bezel Removal Tool

The tool that makes removal of dash bezels quick and easy! If you want to avoid frustration when restoring your dash area, our Dash Bezel Removal Tool is a must for doing the job right the first time around!



TAC 08 7.38

Temperature Sensor Adapter Removal Tool



This is the tool to use when you need to remove your temperature sensor adapter easily and efficiently.

TAC 21A '55-56, 5/8-18 15.92
TAC 21B '57, 1/4-18 15.92

Door Handle Removal Tool



One simple slip is all it takes to damage the trim on your Thunderbird's door. Our special Door Handle Removal Tool is the way to safely remove your door handle. Add it to your T-Bird tool kit.

T 22601T '55-57 10.56

Ball Joint Tool

TAC 13 Ball Joint Tool..... Each 15.30

Door Glass Run Installation Tool



The proper tool to use when installing door glass runs

(Part # T 21456) on your Thunderbird. Easy to use. Save time and frustration!

TAC 23 '55-57.....16.93

Grease Dust Cap Installation Tool

The tool to use when installing grease dust caps.



TAC 15.....11.95

Antenna Nut Removal Tool

Safely install and remove the chrome nut from your antenna assembly.



TAC 22 Antenna Nut Tool.....11.62

Larry's T-Shirt



100% pure cotton

High quality Fruit of the Loom →
Loftesz T-Shirt, imprinted with our Larry's Thunderbird and Mustang logo. Ash colors only, with blue printing.



← TAPTDM: Medium Each 14.95
TAPTDL: Large Each 14.95
TAPTDX: X-Large Each 14.95
TAPTDXX: XX-Large Each 16.95

Larry's Logo T-Shirt

TAPTCM: Medium..... Each 10.15
TAPTCL: Large Each 10.15
TAPTCX: X-Large Each 10.15
TAPTCXX: XX-Large Each 11.17

TAPTEM: Medium, Long Sleeve Each 16.27
TAPTEL: Large, Long Sleeve Each 16.27
TAPTEX: X-Large, Long Sleeve Each 16.27
TAPTEXX: XX-Large, Long Sleeve Each 17.29

ACCESSORIES

Custom Fit Car Covers



If you want a soft, durable cover for indoor or outdoor use, Larry's Custom Fit Thunderbird Covers will do the job. These water repellent covers 'breathe' away any moisture from your T-Bird to prevent paint damage. Covers are easy to launder and come out looking good as new. Cut to fit your car, front and rear elastic and non-scratch tie-down grommets ensure perfect fit.

For protection indoors, use our Flannel-Lined Cover, which features soft-napped flannel lining for an extra layer of special coverage!
(Note: Flannel Cover is for indoor use only)

TAC 01G Custom Fit Cover 175.00
TAC 01F Custom Fit w/Flannel..... 215.00

Tote Bags 38.50 Each

The highly skilled upholstery Department of Larry's has reinvented the accessory tote bag. We now offer tote bags in the same high quality vinyl that our award winning interiors are made of and all the same colors. They are crafted with the same focus on quality and detail as all of our interior vinyl products are. These bags are a very nice accent to the interior of your car and are great for car shows and every day use.



Part #	Color	'55	'56	'57
TTB 55BK	BK/WT	X	X	
TTB 55GN	GN/WT	X		
TTB 55RD	RD/WT	X		
TTB 55YL	YL/BK	X		
TTB 56BS	BS/WT		X	
TTB 56GN	GN/WT		X	
TTB 56PK	PK/WT		X	
TTB 56RD	RD/WT		X	
TTB 57BK	BK/WT			X
TTB 57BU	BU/BU			X
TTB 57BZ	BZ			X
TTB 57GN	GN/GN			X
TTB 57RD	RD			X
TTB 57WT	WT			X

Black Vinyl Tote Bag

BAC 01F.....Each 26.95



Tote Bag

Made of the same quality material as our trunk mats, this bag can be used for toting car cleaners or as an overnight bag.

TAC 19 '55-57, Plaid.... Each 32.95



Rear Deck Protector

A cost-effective way to save the paint on your rear deck area

"Special Die-Cut Vinyl film protects the paint on your rear deck from stains left by the hard or soft top weatherstrips.

TAC 18A Clear..... 19.75

Vintage Ford Beverage Cooler



TAC 01A Blue with White Details..... **NEW** Each 95.95
TAC 01B Black with White Details..... **NEW** Each 95.95

Products That Offer The Ultimate Show Finish!

Killer Chrome Perfect Polish

If you've ever dealt with tarnished chrome, you know it's ugly and hard to polish. Killer Chrome makes it easy. Chrome, aluminum, stainless and even brass, this stuff is Enthusiast Grade and can do it all. Its non-abrasive chemical formula means you can use it repeatedly to remove surface rust and oxidation with no fear of damage to your chrome or metal, unlike abrasive metal cleaners that can lead to expensive re-plating. It also works twice as fast as other polishes whether you apply it by hand or machine. Safely get rid of tarnish and get a killer mirror finish with Killer Chrome.

TCC 3012.95

Code Red Active Wheel Cleaner

Use Speed Demon on your dusty car and your jaw will drop. It's not magic, but using it is the closest you'll get to being a magician. Spray it on the surface, glass and chrome between wax sessions to keep your car looking brilliant. Dusty car? Doesn't matter. Dust particles are suspended so they never touch the surface, ever. It gives your car a brilliant shine, blocks contaminants and UV rays, has no buildup, no streaks and lasts three times longer than other spray detailers (thanks to high levels of #1 Carnauba wax). Take a deep breath, read that again, and go impress your friends with Speed Demon.

TCC 3212.99

Beyond Black Tire Pro

What goes best with clean shiny wheels? Tires that look brand new. Nothing else helps your ride look its best more than clean wheels and tires, so use Beyond Black tire dressing. It's got a no sling, no gel formula. No thick, glossy look here. Beyond Black puts that straight-off-the-showroom-floor shine on your tires. It even helps extend their life and protect them from UV rays. What could be better? Oh yeah - it lasts for weeks.

TCC 3310.95

Barrier Reef Carnauba Spray Wax

The deepest gloss. The easiest to use. Just two of the reasons that Barrier Reef has become the best-selling wax in the Enthusiast Market. But there's much more. It also provides the longest-lasting paint protection and is hand blended with the world's best Brazilian Carnauba for that deep, wet, reach-in-and-touch-the-paint-gloss. Try Barrier Reef just once and we guarantee you'll never use another wax on your ride.

TCC 3410.95

Barrier Reef Carnauba Paste Wax Kit - applicator and towel

Detailing purists and enthusiasts obsessed with durability, incredible gloss and unparalleled beading ability have exclusively used paste wax for years. But even the most expensive paste waxes have well-earned reputations for being difficult to work with. Barrier Reef has finally changed all that and made the paste wax experience what it was meant to be. Starting with the best Carnauba in the world from the Brazilian rainforests, we added cutting edge advanced polymers and custom-blended the world's best paste wax,

one that improves on Mother Nature herself. It's not only the easiest-to-use paste wax on the planet, but it also creates a mile-deep gloss that looks like a reflecting pool of color.

TCC 3522.95

Black Max Vinyl, Rubber, & Trim Dressing

Got cloudy gray trim, but want the black back? Black Max here to save the day. Vinyl, rubber and plastic will look showroom new in minutes, no matter what color they are. Finally, a dressing that's a cream so it stays on the car, not dripping to the ground. Black Max contains powerful UV blockers to stop or prevent bleaching and cracking from the sun. The finish isn't greasy or glossy, so you get a perfect factory-new look. You don't have to apply this stuff often because it lasts through dozens of washes and even rain.

TCC 3611.95

Top End Convertible Cleaner & Protectant

Ride with your convertible top down in the dead of winter to hide the stiff and dirty material? Or is it new and needs protection? Make it soft and supple with Top End, a cleaner, protectant and conditioner all in one single product. 100% safe on vinyl, canvas or fabric, Top End cleans stains and mildew, repels dirt and dust, protects against UV rays and extends the life of your top. Works great on vinyl/tonneau bed covers too. Use it regularly to prevent the stiffness that many convertibles are plagued with. Use Top End and you'll wish you could keep your top on even in nice weather just to show it off.

TCC 379.95

Black Edge Detailer

When it comes to your car's interior, nothing beats new leather - it's clean, soft and smooth, and it smells amazing. To maintain that original look and feel, you need to be sure to not only remove contaminants and grime, but also condition the leather. Voodoo Blend Leather Cleaner & Conditioner is an all-in-one formula that provides your leather with the best treatment possible. It removes all of the dirt and grime from leather first and, just like our Voodoo Blend Leather Rejuvenator, conditions and rejuvenates.

TCC 3812.95

Black Edge Carnauba Wax

Your car deserves the ultimate edge in lasting shine and protection - Black Edge. Specially formulated to give your dark and black paint the wettest, deepest, rich-in-and-touch-the-paint gloss. No buildup, no chalky residue, just sleek, clean and clear. Make YOUR statement with Black Edge.

TCC 3919.95

Luster Lace Narrow Strips

Luster Lace™ Metal Polishing Strips clean and polish 360 degrees around so you don't miss a spot. Works outstanding on Aluminum, Brass, Bronze, Copper, Magnesium & Stainless Steel. (Note—Not suitable for use on anodized, clear coat or plated surfaces)

Contains: 14 strips (1/2" x 16")
TCC 5012.95



TCC 32



TCC 30



TCC 33



TCC 34



TCC 35



TCC 36



TCC 37



TCC 39



TCC 50



Larry's Illustrations Manual

Larry's '55-57 Illustrated Parts Manual is an in-depth compilation of full-page illustrations that cover all systems in your Thunderbird. This manual is a "must have item" for those who work on their own car, or if you need to have an idea of what your mechanic is doing on your vehicle. Probably one of the best investments you can make when it comes to restoring your Thunderbird properly!

Order Part TLT 9 10.95



Tech Tips Operating and Maintaining Your Thunderbird

This handbook is designed to help the Classic Thunderbird Owner operate and maintain a classic Thunderbird within the parameters of automotive services and products available at the beginning of the 21st Century.

TLT 10 10.15

Authentic Style Owner's Manual



If you are missing the original Owner's Manual that came with your car, our Owner's Manual is an excellent reproduction that looks just like the original. Perfect to include with your presentation materials for concours events or local car shows.

TLT OM55 1955 12.19
 TLT OM56 1956 12.19
 TLT OM57 1957 12.19

Thunderbird "An Illustrated History of the Ford T-Bird"



DETAILED! Over 1000 sharp, new pictures of the Ford Thunderbird, many in full color!

ACCURATE! Low-mile originals or quality restorations used as models!

LARGE SIZE! hard-bound, with colorful wraparound protective dust jacket. Over 300 pages, 1000 illustrations, many in full color!

Written by Ray Miller, noted automotive historian, with photos by Glenn Embree, outstanding automotive photographer! Similar to their earlier works on Antique & Classic Automobiles!

THUNDERBIRD! is not an amateur's photo album. Neither is it a complex engineering notebook. It contains, to be sure, some significant changes, but also the trivia of the model years. Rather, it is what it set out to be, an accurate, authoritative, study of the characteristics that make for a "typical" model year. Future restorers will benefit from its compact, succinct, and definitive presentations. It is a book to be enjoyed by the curious, welcomed by the purist, and relished by the aficionado.

TLT 8 "Thunderbird" Book..... 52.99



LITERATURE & MANUALS

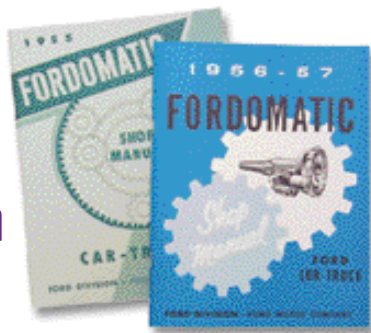
Radio Service Manuals



Larry's Radio Service Manual is quality reprint showing a schematic breakdown of the internal parts of the factory radio.

TLT RM55 1955	4.00
TLT RM56 1956	4.08
TLT RM57 1957	6.38

Transmission Manual



Ford-O-Matic Transmission Manual; '55 TLT TM55	19.07
Ford-O-Matic Transmission Manual; '56/'57 TLT TM56	19.07



TLT 5 Electrical System Manual	TLT 6 Product Service Letters	TLT 7 Distributor Manual	TLT SF57 Specification Manual
---	--	--------------------------------	-------------------------------------

Electrical Systems Manual

TLT 5, '55-'57	19.33
----------------------	-------

Product Services Letters Manual

Product Service Letter Manual. This is a compilation of technical service bulletins from Ford;

TLT 6	21.95
-------------	-------

Distributor Manual

TLT 7, '55-'57	19.07
----------------------	-------

Specification Manual

'55, TLT SF55	24.43
'57, TLT SF57	24.43



Trim and Sealer Manual

TLT 4	19.33
-------------	-------

Supercharger Manual

TLT 3, '57	19.13
------------------	-------

Carburetor Manual

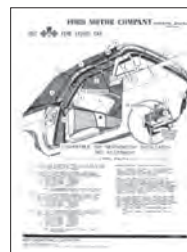
'55, TLT CM55	19.07
'56, Supplement, TLT CM56	19.07
'57, TLT CM57	19.07



Sales Brochures

TLT 11A, 1955 Color, 12 Pages	20.35
TLT 11B, 1956 Color, 16 Pages	20.35
TLT 11C, 1957 Color, 16 Pages	20.35

Wire Wheel Cover Installation Guide & Soft Top Illustration



Wire Wheel Cover Installation; TLT 2, '55-'56	2.75
Soft Top Illustration; TLT 1, '55-'57	3.42

Shop Manuals

A Reprint of the original Shop Manual offered for 1955-57 Thunderbirds



'55	TLT SM55	30.55
'56	TLT SM56	30.55
'57	TLT SM57	30.55

DECALS

SERVICE INSTRUCTIONS
 CLEAN AND REFILL OIL BASE WITH ONE PINT OF NEW OIL EACH TIME CRANKCASE IS DRAINED.
 WASH UPPER FILTER IN KEROSENE AND DRAIN. USE S.A.E. 30 OIL FOR TEMPERATURES ABOVE FREEZING.
 S.A.E. 10 BELOW FREEZING. CLEAN MORE FREQUENTLY UNDER EXTREME DUSTY CONDITIONS.
 PATS. NOS. 248745, 2557236, 2557237 OTHER PATS. PENDING. MADE IN U.S.A.

DF 86

USE GENUINE

REPLACEMENT PARTS
 FOR SERVICE INSTRUCTIONS
 SEE OWNERS MANUAL

DF 83

USE ONLY AUTOMATIC
 TRANSMISSION FLUID
 TYPE "A"
 CHECK TRANSMISSION FLUID LEVEL
 TO FULL MARK ON INDICATOR WITH
 TRANSMISSION AT NORMAL
 OPERATING TEMPERATURE AND
 ENGINE ON SLOW IDLE WITH
 SELECTOR LEVER IN "P" POSITION


DF 81

FAC-12029-A
 12 VOLTS  7113
 USE WITH EXTERNAL RESISTOR


DF 33

ENGINE OIL
 NOT LOWER THAN 22°F S.A.E. 20 - 20W
 DOWN TO MINUS 10°F S.A.E. 10W
 BELOW MINUS 10°F S.A.E. 5W
TIRE PRESSURE
 TIRE SIZE FRONT REAR
 6.70 X 10-1/2 24 24
 ... and when service is needed
 specify Genuine Ford Parts

DF 79

FBY-10000-C
 GENERATOR
 15 V 30A  NEG GRD

DF 69

FBY-10000-B
 GENERATOR
 15 V 30A  NEG GRD

DF 68

REMOVE COVER
 FOR SUMMER
 OPERATION

DF 89

LIFEGUARD
 DESIGN

DF 93

INSTRUCTIONS FOR REMOVING BLOWER & DUCT ASSY


 1. Disconnect the blower wires from harness & ground.
 2. Loosen clamp holding blower & duct to fan motor.
 3. Remove blower & duct assembly.
 4. Clean blower & duct assembly.
 5. Reinstall blower & duct assembly.
 6. Tighten clamp holding blower & duct to fan motor.
 7. Reconnect blower wires to harness & ground.
 8. Test blower & duct assembly.


DF 39

FAR-11001-A
 STARTING MOTOR
 12 VOLTS  MADE IN U.S.A.

DF 131

FOR INSTRUCTIONS FOR
 OPERATION AND CARE
 OF FOLDING TOP, SEE
 OWNERS MANUAL

DF 90


UNLOADING INSTRUCTIONS
 1. See Unloading Manual and use only the Unloading Crane with
 Unloading and Braking System as shown.
 2. Place Jack Stands at Jacking Points (See Unloading Manual).
 3. Use "OFF" position of selector.
 4. Lower Truck to Jack Stands, with Jack Columns in vertical posi-
 tion and wheels in Unloading Position.
 5. When unloading is over, Truck must be lowered to
 normal position.
WHEEL STORAGE
 1. Place Jack Stands over the 20"
 2. Block upper end of Control Knives in the "ON" position.
 3. Support front end of truck from front 20" wheels at 20"
 4. Use proper care of 20" front wheels and load them to
 20" and ground. Use "WHEELS" tag to indicate
 5. Use Wheel Block under Spare Tire.
 6. Wedge Jack from between Spare Tire and Wheel Block

DF 41

OIL  FILTER
 SEE OPERATORS MANUAL
 FOR REPLACEMENT INSTRUCTIONS
 USE GENUINE REPLACEMENT CARTRIDGE

DF 82

Thunderbird 

DF 72

THUNDERBIRD
Special 

DF 71

MAR 23 1956
12 VOLT

DF 236

Complete Decal Set

TDK 55	Complete Set: '55, Consists of One Each: DF 39, DF 40, DF 80, DF 81, DF 82, DF 84, DF 86, DF 89 & DF 90.....	13.95
TDK 56	Complete Set: '56, Consists of One Each: DF 32, DF 33, DF 39, DF 40, DF 68, DF 80, DF 81, DF 82, DF 86, DF 89, DF 90, & DF 131	16.95
TDK 57	Complete Set: '57, Consists of One Each: DF 32, DF 33, DF 39, DF 41, DF 69, DF 79, DF 81, DF 83, DF 89, DF 89, DF 90, & DF 131	13.95

Individual Decals

TDF 29	Service Policy, '56	3.06
*TDF 32	Voltage Regulator Cover, 12 Volt, '56-57, '56-57 Ford	1.50
*TDF 33	Coil Decal, '56-64 Thunderbird.....	1.50
TDF 39	Heater Instructions	1.50
TDF 40	Jacking Instructions, '55-56	1.50
TDF 41	Jacking Instructions, '57.....	1.50
*TDF 68	Generator Decal, '56.....	1.50
*TDF 69	Generator Decal, '57.....	1.50
*TDF 71	Valve Cover Decal, 312 CID.....	Pair 7.50
*TDF 72	Valve Cover Decal, 292 CID.....	Pair 7.50
TDF 76	Owners Manual Maintenance Insert,'55-57.....	3.06
TDF 79	Engine Oil-Tire Pressure, '57	1.50
TDF 80	Engine Oil-Tire Pressure, '55-56.....	1.50
TDF 81	Transmission	1.50
*TDF 82	Oil Filter, Can-Type Filter	2.25
*TDF 83	Air Cleaner, '57	1.50
TDF 84	Voltage Regulator Cover, 6 Volt, '55 Ford	1.50
TDF 86	Air Cleaner, '55-56.....	2.25
TDF 89	Hood Blank Off Plate	1.50
TDF 90	Soft Top	1.50
*TDF 93	Lifeguard Decal, '57	1.65
TDF 117	Battery Warranty Card, '55-57.....	3.52
TDF 120	FoMoCo Antifreeze Tag, '55-63	3.89
TDF 121	Tubeless Tire Instructions Folder, '55-56	3.06
TDF 131	Starter Decal, 56-60 Thunderbird & Ford (exc. 430).....	1.50
TDF 151	Tubeless Tire Owners Manual Insert,'55-56.....	3.05
TDF 152	New Car Delivery Report, '55-56	4.35
TDF 154	Glare Proof Mirror Instructions Tag, '55-56	3.01
TDF 156	Electric Clock Instruction Booklet, '55-56	3.15
TDF 229	Engine Foundry Tag, '55-57	4.95
TDF 235	1955 Paint "OK" Decal Set	11.14
TDF 236	1956 Paint "OK" Decal Set	11.14
TDF 237	1957 Paint "OK" Decal Set	11.14
TDF 275	Transistor Radio Decal, '57-59	3.42
TDF 445	Service Policy, '55	2.45

Patent Plate Decals

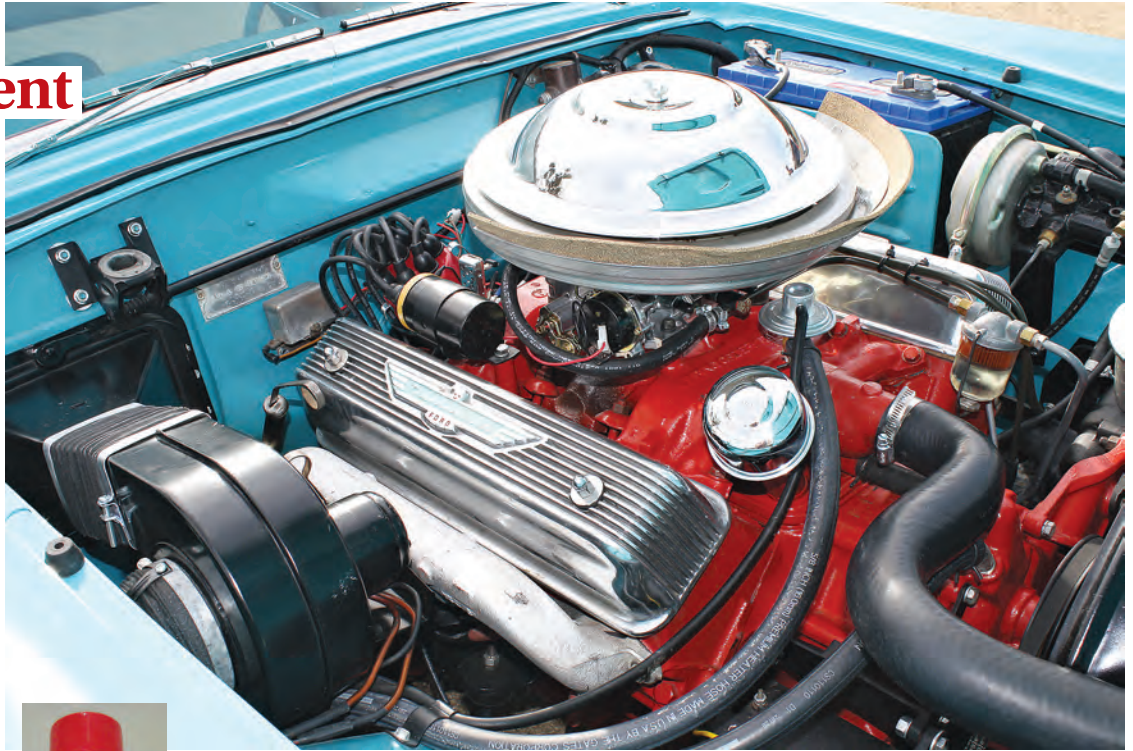
TDF A	For All Years (Except the very late '57s) ...	Each 1.50
TDF B	For very late '57s. Specify type when ordering	Each 1.50
THK DR	Rivets; Data Plate Attaching; Set of Two;	4.36
TDF C	Lifeguard Decal, '56.....	2.65

Wire Loom Tag Set

TDK W57	Wire Loom Tag Set; '57.....	Per Set 10.56
---------	-----------------------------	---------------



Engine Compartment Spray Paints



- Argent*—Silver**
T 19000 For Bottom of Air Cleaner & Power Steering Reservoir..... 9.13
- Black Enamel***
TPT 1631 For Miscellaneous Parts in Thunderbird Engine Compartments..... 6.90
- Red Enamel***
TPT 2106 For Miscellaneous Parts in Thunderbird Engine Compartments..... 9.13

***Unfortunately, We cannot Ship Paints, Dyes, or other Hazardous Materials by Air Delivery or to any Foreign Countries.**

Red/Orange Fluorescent Paint for Instrument Needles

TPT RD..... 5.10

Restore Your Exhaust Manifold with Cast Blast

Rated up to 12000, Cast Blast is a high performance coating suitable for exhaust manifolds or other cast iron parts, restoring them to their original lustre and finish. Cast Blast helps prevent rust, is quick drying and durable.
Part No. TPT CB..... 10.56



Turquoise Touch-up Paint for Aluminum Valve Covers and Dash Emblems

*Your solution for New-Looking
Valve Covers without a Huge Expense!*



TPTTQ Use as much touch-up paint for logo areas on Aluminum Valve Covers and the dash emblem on '55-'57 Thunderbirds 8.35

INDEX

- Accelerator Pedal..... 46
- Accessories..... 119
- Adapter, Oil Filter..... 35
- Air Cleaner..... 45
- Air Conditioning..... 78-80
- Air Ducts..... 78
- Antenna..... 118
- Arm Rest Base..... 88
- Arm Rest Cover..... 8, 88
- Attaching Parts Kits..... 110-113
- Axle Bumpers..... 23, 28

- Backup Lamp Gasket..... 105
- Backup Lamp Lens..... 63
- Backup Lamps..... 63
- Ball Joints..... 21
- Battery Cables..... 66
- Battery Clamp..... 55
- Battery Tray..... 56
- Bellcrank..... 37
- Body Panels..... 108-109
- Body Pillar Weatherstrip..... 104
- Body Rubber Kit..... 106
- Body Weatherstrip..... 103-107
- Bows, Headliner..... 100
- Brake Booster..... 16
- Brake Drums..... 16
- Brake Hoses..... 17
- Brake Lines..... 18
- Brake Pedals..... 19
- Brake Shoes..... 16-17
- Brakes..... 16-20
- Breather Cap..... 34
- Bulbs, Dash..... 65
- Bumper Brackets..... 76-77
- Bumper Guard..... 77

- Cable, Heater..... 80
- Car Care Products..... 124
- Car Cover..... 123
- Carburetor..... 44
- Carburetor Gaskets..... 44
- Carpet..... 10
- Carpet Heat Shield..... 10
- Cat Whisker Set..... 84
- CD Player..... 117
- Cigar Lighter..... 53
- Clock Face..... 72
- Coil..... 58
- Coil Springs..... 22
- Condenser..... 59
- Continental Kit Parts..... 15
- Control Valve..... 27
- Coupling, Power Seat..... 101
- Crank, Window..... 87

- Dash Aluminum..... 51
- Dash Cover..... 12, 50
- Dash Pad..... 12, 50
- Decals..... 126
- Deck Lid Bumper..... 91
- Distributor Cap..... 58
- Distributor Points..... 59
- Door Handle Pads..... 86
- Door Handles..... 86
- Door Hinge..... 87
- Door Latch..... 84
- Door Locks..... 85-86
- Door Moulding..... 83
- Door Panel Trim..... 84
- Door Panels..... 8, 83
- Door Pillar..... 82
- Door Seals..... 82
- Door Skin..... 108
- Doors & Windows..... 81-88
- Drink Caddy..... 121
- Drop Curtain..... 6
- Dyes..... 128

- Emblems..... 114-115
- Emergency Brake..... 49
- Emergency Brake Cables..... 20
- Engine Compartment..... 32-35
- Engine Paint..... 34
- Exhaust Hangers..... 29-31
- Exhaust Manifold..... 29
- Exhaust Systems..... 29-31
- Fan Blade..... 41
- Fan Shroud..... 39-40
- Fender Emblems..... 70
- Fender Ornaments..... 115
- Fender Repair Panels..... 109
- Fender Script..... 69, 115
- Fender Skirt..... 89, 108
- Fender Skirt Seals..... 106
- Firewall Cover..... 49
- Firewall Grommets..... 49, 102
- Flasher..... 64
- Floor & Cowl Plug Kit..... 102
- Floor Cover..... 11
- Floor Mats..... 11, 120
- Floor Pans..... 108
- Front Bumper..... 76
- Fuel & Vacuum Lines..... 73
- Fuel Caps..... 42, 89
- Fuel Filler Door Hinge..... 93
- Fuel Filter..... 43
- Fuel Pump..... 43
- Fuel Sender..... 43, 72
- Fuel System..... 42-46
- Fuses..... 65

- Garnish Rail Cover..... 7, 83
- Garnish Rails..... 82
- Gas Tank..... 42
- Gas Tank Neck Grommet..... 102
- Gas Tank Strap..... 43
- Gaskets, Valve Cover..... 33
- Gear, Speedometer..... 72
- Gear, Tachometer..... 72
- Generator..... 54
- Generator Regulator..... 54
- Glass Run..... 84
- Glove Box..... 52
- Grille..... 40
- Grille Moulding..... 40, 41
- Grommets..... 102
- Ground Strap..... 66

- Handle, Door..... 86
- Hard & Soft Top Parts..... 94-100
- Hard Top Hoist Kit..... 100, 120
- Hard Top Latches..... 98-99
- Hard Top Moulding..... 94, 98
- Hard Top Weatherstrip..... 97, 107
- Hardware..... 110-113
- Harmonic Balancer..... 32
- Headlamp Bucket Gasket..... 104
- Headlamp Wire..... 66
- Headlight Switch..... 53, 60
- Headlights..... 60
- Headliner..... 12, 96
- Heater Parts..... 78-80
- Heater Bezel..... 53, 80
- Heater Control Face..... 53
- Heater Core..... 79
- Heater Ducts..... 80
- Heater Hose Clamps..... 80
- Heater Plenum..... 79
- Heater Valve..... 80
- Hinge, Door..... 87
- Hinge, Vent Door..... 79
- Hood Bumper..... 70, 102
- Hood Cable..... 53, 70
- Hood Grille..... 70, 115
- Hood Hinge Spring..... 70
- Hood Pad..... 70
- Horn Relay..... 64
- Horn Ring..... 64
- Horn Ring Emblems..... 64
- Hose Clamps..... 80

- Idler Arm..... 24
- Ignition Switch..... 52
- Inside Mirror..... 75
- Instruments..... 71

- J Hook..... 98
- Jack Parts..... 15, 76
- Jewel Kit..... 72

- Key Blanks..... 86, 90
- Key Chain..... 119
- Kick Panel Retainers..... 50
- Kick Panels..... 9, 50
- Knob, Vent Lever..... 79

- Lamp Gasket Set..... 60, 104
- Latch, Deck Plate..... 99
- Latch, Hard & Soft Top..... 98-99
- Leaf Springs..... 23
- Lens, License Plate..... 91, 63
- License Plate Lamp..... 63, 91
- Literature..... 124-125
- Lock Cylinder, Door..... 85, 86
- Lock Knob, Door..... 85
- Lug Wrench..... 90

- Manuals..... 125-126
- Map Light..... 53
- Master Cylinder..... 18
- Mirrors..... 75
- Motor Mounts..... 32
- Motor, Heater..... 80
- Moulding, Fender Skirt..... 89
- Moulding, Garnish Rail..... 84
- Moulding, Hard Top..... 94, 98
- Moulding, Rear Window..... 88, 94

- Nose Panel..... 108

- Oil Dipstick..... 34
- Oil Filters..... 35
- Oil Pump..... 34
- Outside Mirror..... 75

- Paints..... 127
- Panels, Door..... 8, 83
- Park Lamp Gasket..... 104
- Park Light Body..... 61
- Parking Light Lens..... 60-61
- Pinion Seal..... 28
- Port Hole Glass..... 95
- Port Hole Kit..... 95
- Power Seat Relay..... 68
- Power Steering..... 25
- Power Steering Hoses..... 26
- Power Steering Pump..... 26
- Power Window..... 68, 81
- Power Window Harness..... 68

- Quarter Panel Cardboard..... 7
- Quarter Panel Repair..... 89
- Quarter Panel Script..... 89

- Radiator..... 39
- Radiator Cap..... 39
- Radiator Hoses..... 40
- Radio Knobs..... 118
- Radio Tubes..... 118
- Radios..... 116-118
- Ram Cylinder..... 25
- Rear Axle..... 28
- Rear Bumper..... 77
- Rear Window Moulding..... 88, 98
- Rocker Panel..... 108
- Rubber Bumpers..... 102
- Rubber Plugs..... 102

- Seat Belts..... 5, 101
- Seat Cover..... 4
- Seat Divider Board..... 92
- Seat Foam..... 5
- Seat Handle..... 101
- Seat Hardware..... 101
- Seat Relay..... 68
- Seat Switch Bezel..... 68, 81
- Sheet Metal..... 108, 109
- Shift Knob..... 37
- Shocks..... 22
- Shop Manual..... 126
- Soft Top Bracket..... 100
- Soft Top Covers..... 96
- Soft Top Latches..... 98-99
- Soft Top Swingarm..... 100
- Soft Top Trim..... 94, 100
- Soft Top Weatherstrip..... 97, 107
- Soft Tops Pins..... 95

- Spare Tire..... 15
- Spark Plug Wires..... 59, 66
- Speakers..... 117
- Speedometer Cable..... 72
- Speedometer Lens..... 72
- Spring, Trunk..... 93
- Starter..... 57
- Starter Solenoid..... 57
- Steering..... 24
- Steering Column..... 25
- Steering Gearbox..... 25
- Steering Wheel..... 26
- Step Plates..... 11, 81
- Stop Light Switch..... 62
- Striker Plates..... 85
- Sun Visor..... 12, 47
- Suspension..... 21-23
- Suspension Bumpers..... 21
- Suspension Bushings..... 22
- Sway Bars..... 22
- Swingarm Bar..... 100
- Switch, Power Seat..... 81
- Switch, Power Window..... 81

- Tachometer Face..... 72
- Tail Lamp Socket..... 66
- Tail Lamp Weatherstrip..... 105
- Tail Lamp Wiring Loom..... 67
- Tail Light Bezels..... 62
- Tail Light Lens..... 61-62
- Temperature Sender..... 72
- Thermostat..... 41
- Tie Rod Ends..... 24
- Tonneau Cover..... 6, 96
- Tools..... 122
- Top Latch Plate..... 98
- Top Lock..... 96
- Transmission..... 36-38
- Transmission Lock..... 38
- Transmission Mount..... 36
- Trunk Cardboard..... 92
- Trunk Lock Cylinder..... 93
- Trunk Lock Sleeve..... 93
- Trunk Mats..... 92
- Trunk Ornament..... 93, 115
- Trunk Weatherstrip..... 106
- Turn Signal Lever..... 64
- Turn Signal Switch..... 64

- Under Dash Wiring Loom..... 67
- Universal Joints..... 28
- Upholstery..... 2-12

- Vacuum Advance..... 59
- Valve Covers..... 33
- Vent Control Assemblies..... 78
- Vent Door Grille..... 79
- Vent Door Seals..... 49, 79
- Ventilation System..... 49
- Vinyl Dyes..... 128

- Washer Bag..... 74
- Washer Pump..... 74
- Water Pump..... 41
- Weatherstrip Adhesive..... 106
- Wheel Bearings..... 14
- Wheel Center Medallion..... 114
- Wheel Covers..... 13
- Wheel Cylinders..... 16
- Wheelhouse..... 91
- Windlace..... 9
- Window gear..... 88
- Window Handle..... 87
- Window Regulator..... 87
- Window Roller..... 87
- Window Stops..... 84
- Window Switch Bezel..... 68, 81
- Windshield Parts..... 47
- Windshield Squirters..... 74
- Windshield Wiper Arm..... 73
- Windshield Wiper Parts..... 73
- Windwing Parts..... 47
- Wiper Knob..... 74
- Wiper Motor, Electric..... 73
- Wiring..... 66-67
- Wiring Hole Grommet..... 102

Larry's THUNDERBIRD
& MUSTANG
PARTS

Dedicated to Excellence

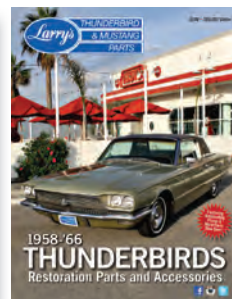
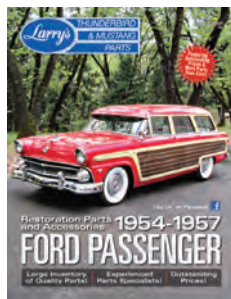


**Supplying
Concours-Quality
Upholstery, Parts
and Accessories
for Over 45 Years!**

Restoration Parts & Accessories



**Order your
FREE
Catalog!**



- ★ 1954-57 Ford Passenger
- ★ 1955-57 Thunderbird
- ★ 1958-66 Thunderbird
- ★ 1965-73 Mustang

**Toll Free Ordering!
(800) 854-0393**

Larry's Thunderbird & Mustang Parts
1180 California Ave #B • Corona, CA 92881
Info: (951) 270-3223 • 24-Hour FAX (951) 270-3224



Find us on the Web at: www.larrystbird.com

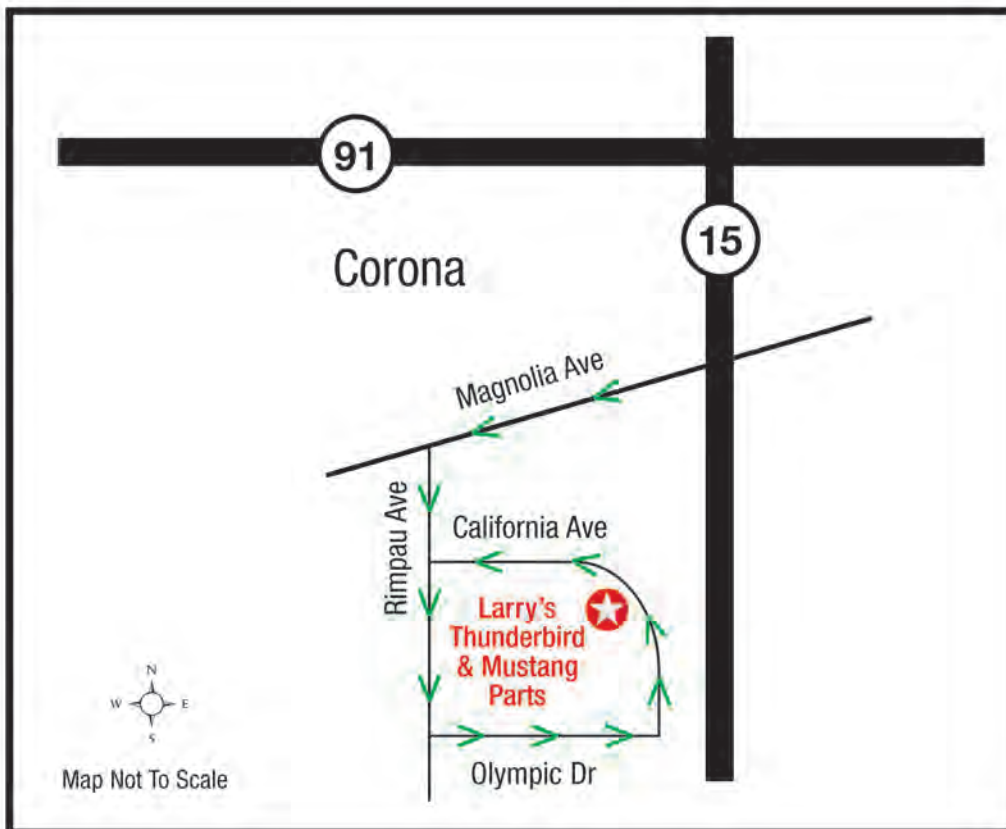


1180 California Ave. #B
Corona, California 92881

Order Toll Free: (800) 854-0393

In California Call (951) 270-3223 • 24-Hour FAX: (951) 270-3224

Contact us via e-mail: info@larrysbird.com



Our Address:

1180 California Ave. #B
Corona, California 92881

Store Hours:

Monday-Friday 7:00am to 5:00pm

Find us on the Web! www.larrysbird.com