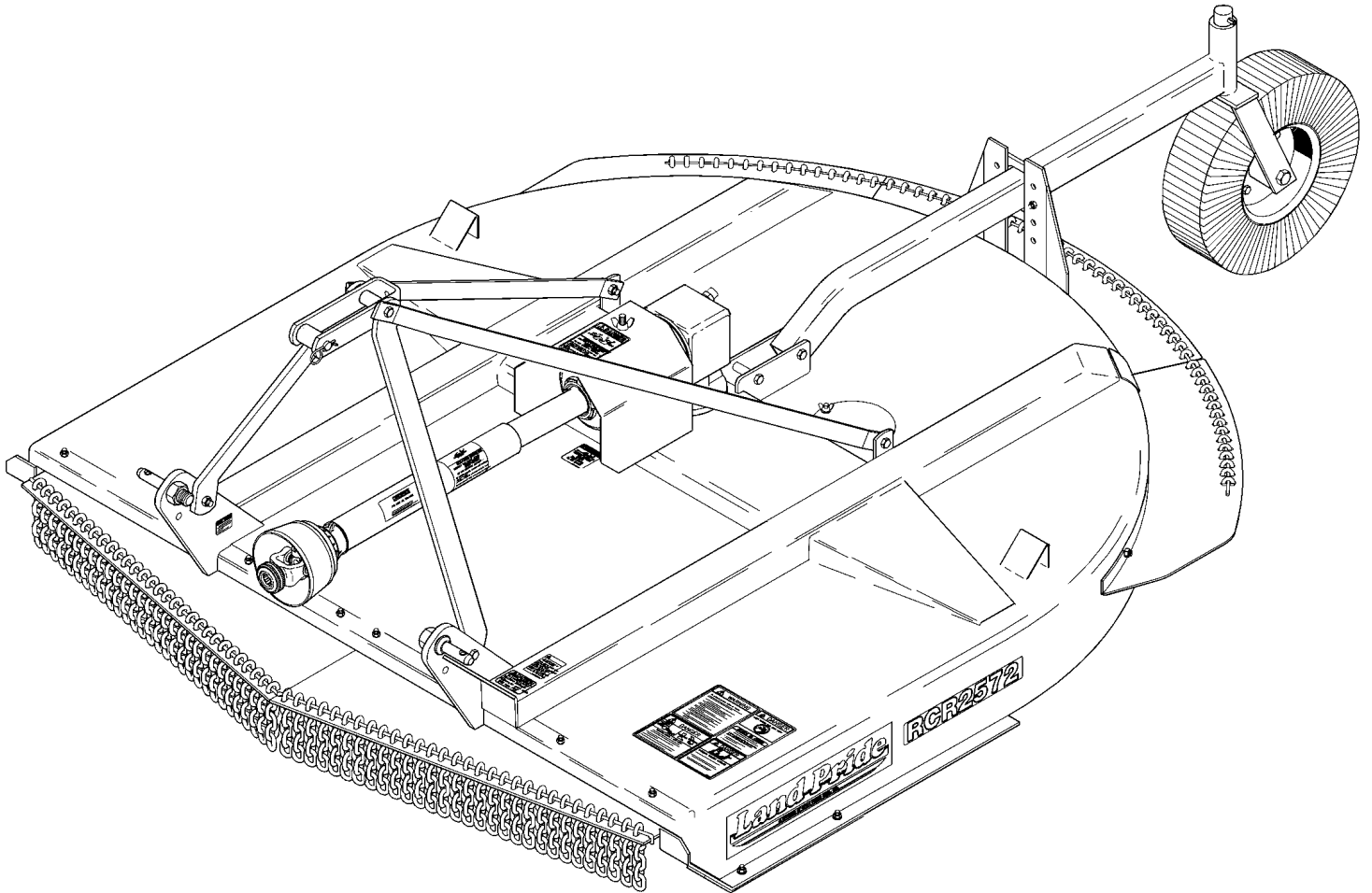


Rotary Cutters

RCR2560, RCR2572, RCR2584 & RCR2684 (S/N 1180233-)



312-459P Parts Manual



Read the Operator's Manual entirely. When you see this symbol, the subsequent instructions and warnings are serious - follow without exception. Your life and the lives of others depend on it!

© Copyright 2023 Printed 04/06/2023

Cover photo may show optional equipment not supplied with standard unit.



Table Of Contents

Section 1: Introduction	2	<i>Driveline (826-892C) Comer</i>	58
<i>Using This Manual</i>	2	<i>Driveline Fixed Shaft (826-151C) EC New Shielding</i>	60
<i>Manual Replacement Information</i>	2	<i>Driveline Fixed Shaft (826-151C) EC Old Shielding</i>	62
<i>Manual Revisions</i>	2	<i>Driveline Jackshaft (826-152C) EC New Shielding</i> ...	64
<i>Touch-up Paint</i>	2	<i>Driveline Jackshaft (826-152C) EC Old Shielding</i>	66
<i>Hardware Legend</i>	3	<i>Driveline Lift Type Cutter (826-150C) EC New Shielding</i> ..	68
<i>Replacement Hardware</i>	3	<i>Driveline Lift Type Cutter (826-150C) EC Old Shielding</i> ..	70
<i>Serial Numbers</i>	3	<i>Driveline Slip Clutch (1466030)</i>	72
<i>Part Number Service Coding</i>	3	Section 5: Gearboxes	74
Section 2: Decks	4	<i>Gearbox (826-035C) ITG</i>	74
<i>Check Chain Kit</i>	4	<i>Gearbox (826-035C) OMNI (Round Housing)</i>	76
<i>Driveline & Bearing Support</i>	6	<i>Gearbox (826-035C) OMNI (Square Housing)</i>	78
<i>Hitch 3-Point Quick S/N 584254-</i>	8	<i>Gearbox (826-038C) OMNI (Square Housing)</i>	80
<i>Hitch 3-Point Quick S/N 584255+</i>	10	<i>Gearbox (826-377C) Comer</i>	82
<i>Hitch A-Frame S/N 584254-</i>	12	Section 6: Hydraulics	84
<i>Hydraulic Lift</i>	14	<i>Hydraulic Cylinder (810-200C) Midway</i>	84
<i>Hydraulic Lift S/N</i>	16	<i>Hydraulic Cylinder (810-200C) Red Lion</i> ..	86
<i>RCR2560 & RCR2572 Deck</i>	18	Section 7: Decals	88
<i>RCR2584 & RCR2684 S/N 1180233- Deck</i>	22	<i>Decals (RCR2560 & RCR2572)</i>	88
<i>Rear Axle</i>	26	<i>Decals (RCR2584 & RCR2684 S/N 1180233-)</i>	90
<i>Tailwheel Dual</i>	28	<i>Land Pride Touch-up Paints</i>	92
<i>Tailwheel Single (RCR2560 & RCR2572)</i> ..	30		
<i>Tailwheel Single (RCR2584 & RCR1684 S/N 1180233-)</i>	32		
<i>Tongue</i>	34		
Section 3: Guards	36		
<i>Front Chain Guard (RCR2560 & RCR2572)</i>	36		
<i>Front Chain Guard (RCR2584 & RCR2684 S/N 1180233-)</i>	38		
<i>Front Rubber Guard (RCR2560 & RCR2572)</i>	40		
<i>Front Rubber Guard (RCR2584 & RCR2684 S/N 1180233-)</i>	42		
<i>Rear Chain Guard (RCR2560 & RCR2572)</i>	44		
<i>Rear Chain Guard (RCR2584 & RCR2684 S/N 1180233-)</i>	46		
Section 4: Drivelines	48		
<i>Driveline (826-146C) EC New Shields</i>	48		
<i>Driveline (826-146C) EC Old Shields</i>	50		
<i>Driveline (826-147C) EC New Shields</i>	52		
<i>Driveline (826-147C) EC Old Shields</i>	54		
<i>Driveline (826-673C) Comer</i>	56		

This Page Intentionally Left Blank

Using This Manual

This manual is divided into sections. The first section contains General Information. The remaining sections divide the machine into segments (i.e. Frames, Drives, Hydraulics, etc.) which illustrate and list all parts. A Parts Number Index is located at the back of the book.

The Land Pride parts in this manual are specially designed for this machine and should be replaced with Land Pride parts only.

The information in this manual is current at time of printing. Some parts may change to assure top performance.

Right-hand and left-hand as used in this manual are determined by facing the direction the machine will travel while in use.

Below is an example of two facing pages from a parts manual. Familiarize yourself with the type of information contained on these pages.

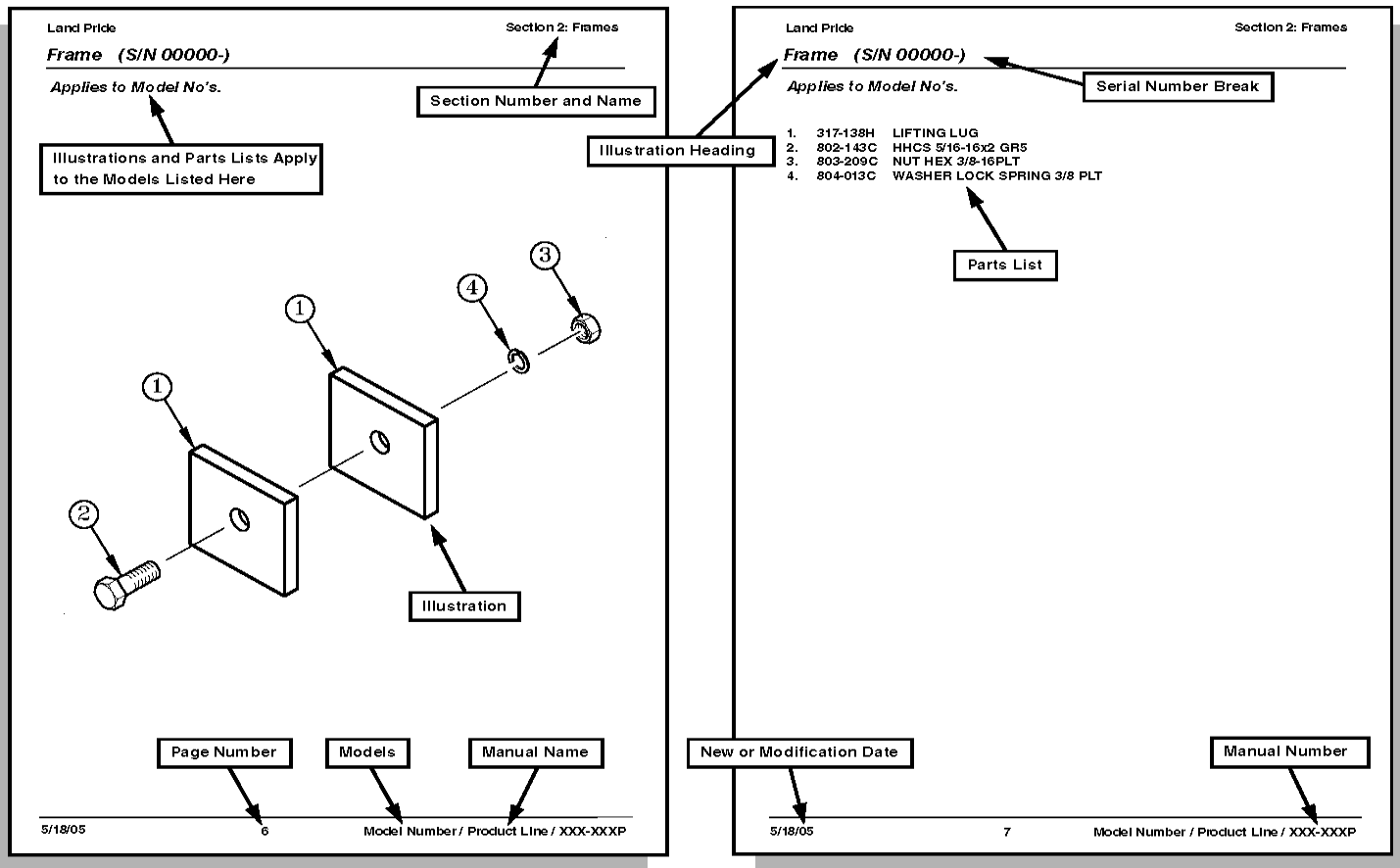
Manual Replacement Information

Replacement manuals are available. Refer to our website at www.landpride.com or e-mail us at lit@landpride.com for additional information. Our website continues to provide the most up-to-date manuals available.

Touch-up Paint

Repaint parts where paint is worn or scratched to prevent rust. Aerosol cans, quart cans, gallon cans and touch-up bottles with brush applicator are available through your local dealer.

Land Pride color descriptions and part numbers are listed on the "Land Pride Touch-up Paints" page in the "Decals" section of this book.



© Copyright 2023. All rights Reserved

Land Pride provides this publication "as is" without warranty of any kind, either expressed or implied. While every precaution has been taken in the preparation of this manual, Land Pride assumes no responsibility for errors or omissions. Neither is any liability assumed for damages resulting from the use of the information contained herein. Land Pride reserves the right to revise and improve its products as it sees fit. This publication describes the state of this product at the time of its publication, and may not reflect the product in the future. The illustrations in this manual are not intended for safe and proper assembly or disassembly of equipment. The illustrations are intended for ordering parts only.

Land Pride is a registered trademark.

All other brands and product names are trademarks or registered trademarks of their respective holders.

Printed in the United States of America.

Hardware Legend

AR	As Required
BLADE	Blade Bolt
C	Cap Screw
CP	Cotter Pin
CPHSSS	Cup Point Hex Socket Set Screw
CPSHSS	Cup Point Square Head Set Screw
CPSQHSS	Cup Point Square Head Set Screw
CRFCHMS3	Cross Recess Flat Countersunk Head Machine Screw
CRPHMS	Cross Recess Pan Head Machine Screw
CRPHTFS	Cross Recess Pan Head Thread Forming
CRRHMS	Cross Recess Round Head Machine Screw
CRTHMS	Cross Recess Truss Head Machine Screw
CSNB	Countersunk Square Neck Bolt
FHMS	Flat Head Machine Screw
FTC	Full Thread Cap Screw
H	Hex Nut
HCLN	Hex Center Lock Nut
HFLCS	Hex Flange Lock Cap Screw
HFS	Hex Flange Screw
HFSLN	Hex Flange Serrated Lock Nut
HFSS	Hex Flange Serrated Screw
HHCS	Hex Head Cap Screw or Metric Bolt
HSBHCS	Hex Socket Button Head Cap Screw
HSFCHCS	Hex Socket Flat Countersunk Head Cap Screw
HSHCS	Hex Socket Head Cap Screw
HSSS	Hex Socket Head Screw
HTLN	Hex Top Lock Nut
HWHCS	Hex Washer Head Cap Screw

HWHMS	Hex Washer Head Machine Screw
HXBHCS	Hex Socket Button Head Cap Screw
J	Hex Jam Nut
JIC	37 Degree Tapered Thread
L	Helical Spring Lock Washer
LUG	Lug Bolt
NFC	National Fine Cap Screw
NPSM	National Pipe Straight Mechanical
NPTF	National Pipe Taper Fuel
P	Wide Plain Washer
PHMS	Pan Head Machine Screw
PLow	Plow Bolt
RHMS	Round Head Machine Screw
RHSNB	Round Head Square Neck Bolt
SCREW LEVELING	Leveling Screw
SCREW THUMB	Thumb Screw
SCREW WELD	Weld Screw
SFCHMS	Slotted Flat Countersunk Head Machine Screw
SFHMS	Slotted Fillister Head Machine Screw
SP	Special
SP SCREW	Special Screw
SQHSS	Square Head Set Screw
SRHMS	Slotted Round Head Machine Screw
SSS	Socket Set Screw
STCS	Self Tapping Cap Screw
STHMS	Slotted Truss Head Machine Screw
WHEEL	Wheel Studs and Hub Long Bolts
WING	Wing Bolt

Replacement Hardware

The **Hardware Legend** above lists hardware abbreviations used in the parts list. All bolts and nuts are Grade 5 unless otherwise noted. The use of improper grades of hardware can result in personal injury, damage to equipment, or loss of property.

Colored Replacement Parts

Land Pride offers replacement parts in factory standard colors and also on select models in Green, Orange, Red and Blue. Because of the variety of colors available, special attention must be given to the part number to prevent ordering the wrong replacement part.

A suffix number corresponding to one of the colors below must be added at the end of Land Pride's part number when ordering a replacement part with that color.

81 **Green** **83** **Red**
82 **Orange** **84** **Blue**

For example, if you are ordering a replacement part with part number 555-555C and the part you need is red, then add the suffix 83 to the end of the number to make the part number read 555-555C83. Parts ordered without a suffix number will be supplied in factory standard colors.

Black Replacement Parts

Some parts are factory standard black and some must be special ordered black. If your part is special ordered black, a second part number with the additional suffix number 85 on the end will be available. In this situation you must order that part with the suffix number for it to be black. Parts that are factory standard black will not have the suffix number.

Part Number Service Coding

Within the parts list some part numbers are coded for revisions and interchangeability. See notations in revision column.

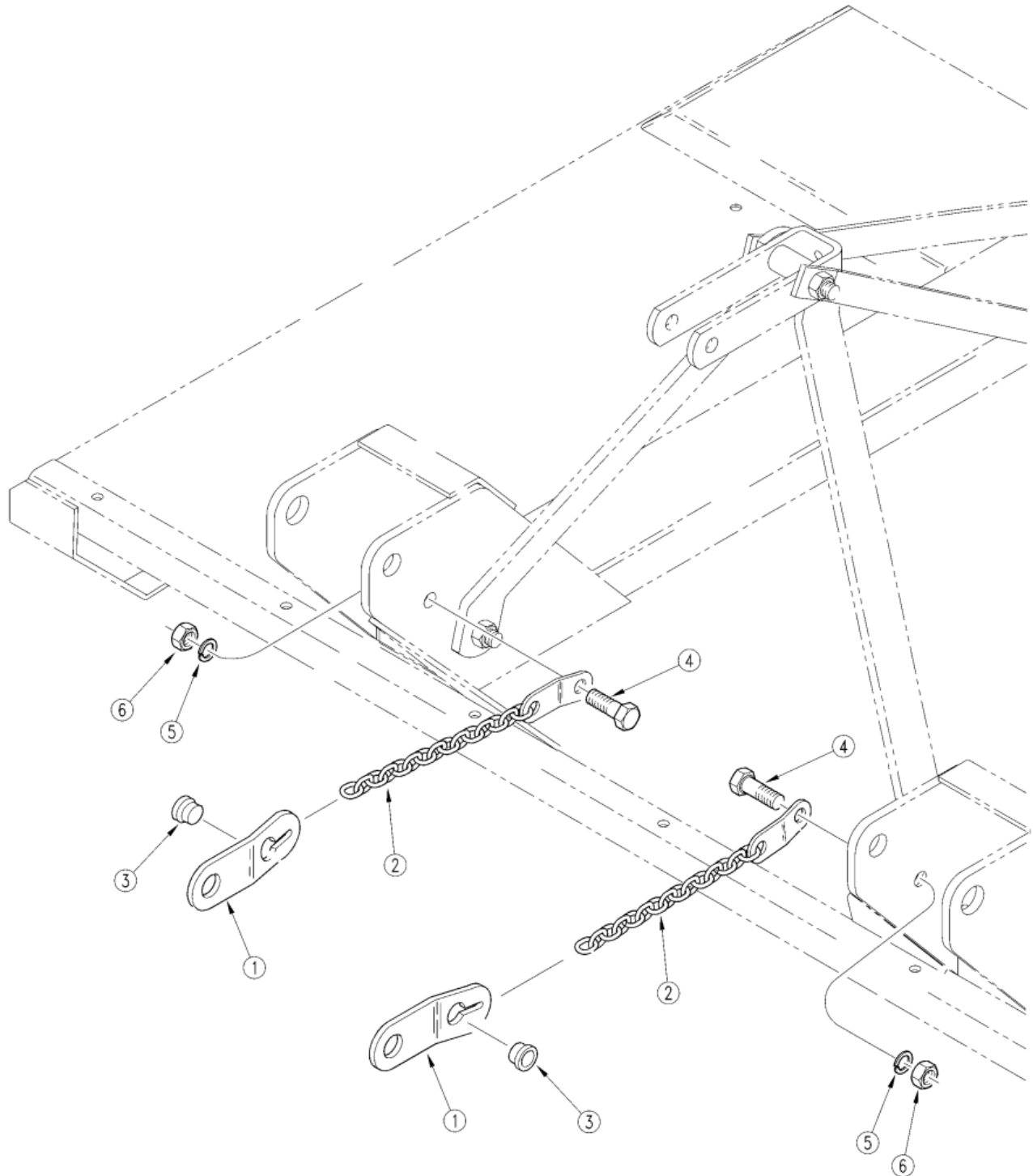
Serial Numbers

Always use the serial and model number when ordering parts. Refer to the Operator's Manual for serial number plate location.

(S/N 20001+)	Includes serial numbers 20001 and above (to the latest number)
(S/N 10001 to 20000)	Includes serial numbers between and including 10001 and 20000
(S/N 10000-)	Includes serial numbers 10000 and below (to the earliest number)

Check Chain Kit

Applies to Models: RCR2684 S/N 1180233-, RCR2560, RCR2572, RCR2584



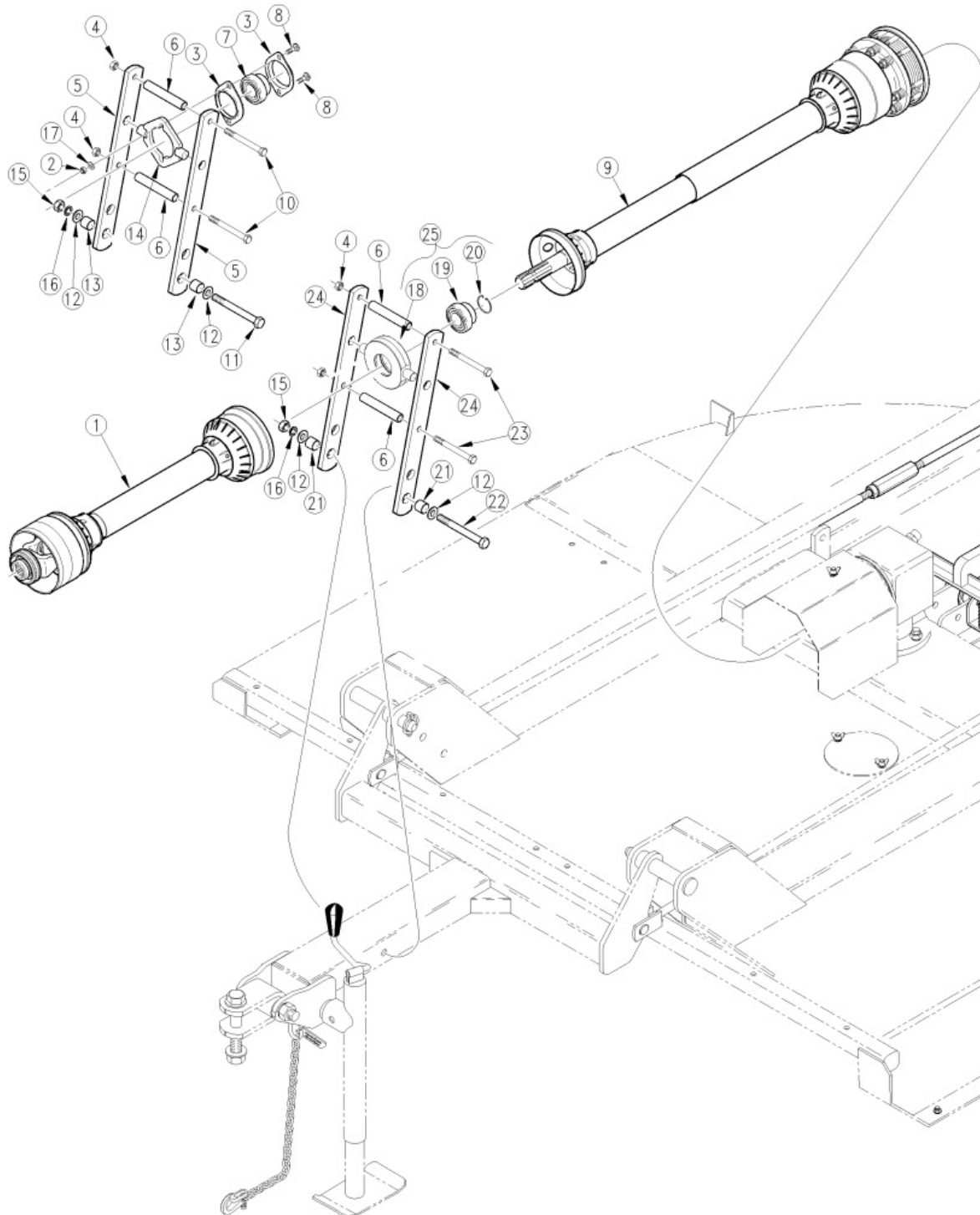
Check Chain Kit

Applies to Models: RCR2684 S/N 1180233-, RCR2560, RCR2572, RCR2584

Ref.	Part No.	Part Description	Comments
	DWG14378	Drawing Image Number	
1	312-136D	CHECK CHAIN MT - TRACTOR	For Use With 1/4" Chain
1	327-397D	CHECK CHAIN MNT-TRACTOR	For Use With 3/8" Chain
2	312-062H	CHECK CHAIN WLDM'T	With 3/8" Chain
3	817-057C	PLUG CAP 1 3/8 X 3/4	For Use With 1/4" Chain
3	837-027C	CAP PLUG, POLY	For Use With 3/8" Chain
4	802-184C	HHCS 3/4-10X1 1/2 GR5	
5	804-023C	WASHER LOCK SPRING 3/4 PLT	
6	803-027C	NUT HEX 3/4-10 PLT	

Driveline & Bearing Support

Applies to Models: RCR2684 S/N 1180233-, RCR2584



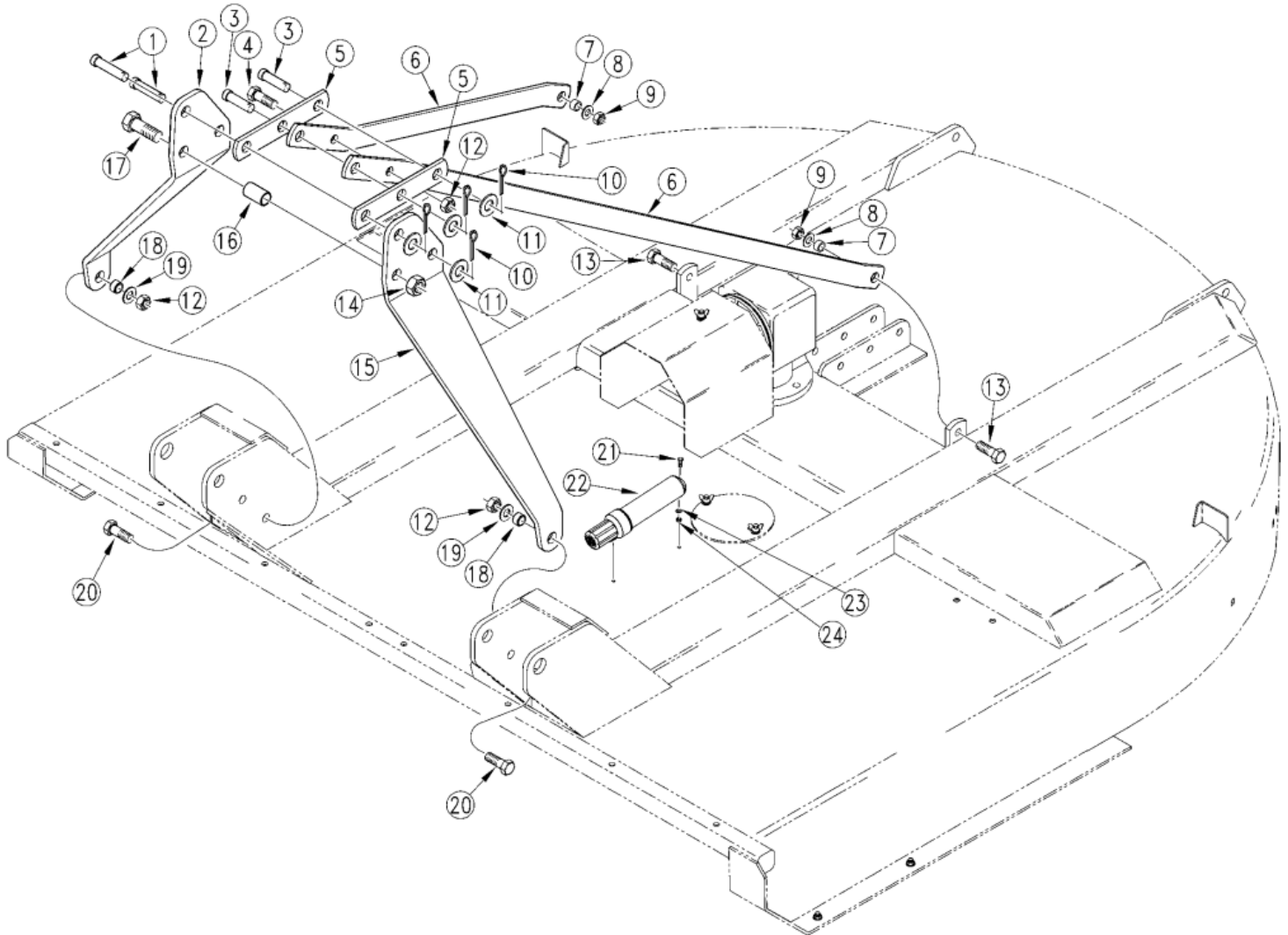
Driveline & Bearing Support

Applies to Models: RCR2684 S/N 1180233-, RCR2584

Ref.	Part No.	Part Description	Comments
	DWG 14040	Drawing Image Number	
1	826-892C	DRVLN C4 20F 1.38-6 QD	S/N 1457366+
1	826-151C	RPBY 826-892C	(Obsolete) S/N 1457365-
2	803-013C	NUT LOCK 3/8-16 PLT	
3	822-099C	FLANGETTE 72 MST PLATED	
4	803-019C	NUT LOCK 1/2-13 PLT	
5	312-714D	SUPPORT TRUNION	
6	312-715D	PIPE 1/2 SCH. 40 X 4 15/16	
7	822-098C	BRG INS 1.37IDX2.83OD LOCK	
8	802-015C	RHSNB 3/8-16X1 GR5	
9	826-152C	DRVLN C4 43 1.38-6 JS CLTCH	
10	802-260C	HHCS 1/2-13X7 GR5	
11	802-146C	HHCS 5/8-11X7 1/2 GR5	
12	804-021C	WASHER FLAT 5/8 SAE PLT	
13	312-716D	TUBE 1 OD X 9/16 LG. X 5/32WL	
14	312-681S	TRUNION ASY	
14	312-422H	RPBY 312-681S	Obsolete
15	803-021C	NUT HEX 5/8-11 PLT	
16	804-022C	WASHER LOCK SPRING 5/8 PLT	
17	804-012C	WASHER FLAT 3/8 SAE PLT	(S/N 292594-)
18	312-999D	CASTING TRUNION MACHINED	(S/N 292595+)
19	822-100C	BRG INS 1.37IDX2.83OD LOCK	(S/N 292595+)
20	800-069C	SNAP RING INT 2.835	(S/N 292595+)
21	326-002D	TUBE 1 OD X 11/16 LG. X 5/32W	(S/N 292595+)
22	802-146C	HHCS 5/8-11X7 1/2 GR5	(S/N 292595+)
23	802-260C	HHCS 1/2-13X7 GR5	(S/N 292595+)
24	312-833D	SUPPORT UPRIGHT TRUNION	(S/N 292595+)
25	312-681S	TRUNION ASY	Includes items 18, 19 & 20

Hitch 3-Point Quick S/N 584254-

Applies to Models: RCR2684 S/N 1180233-, RCR2584



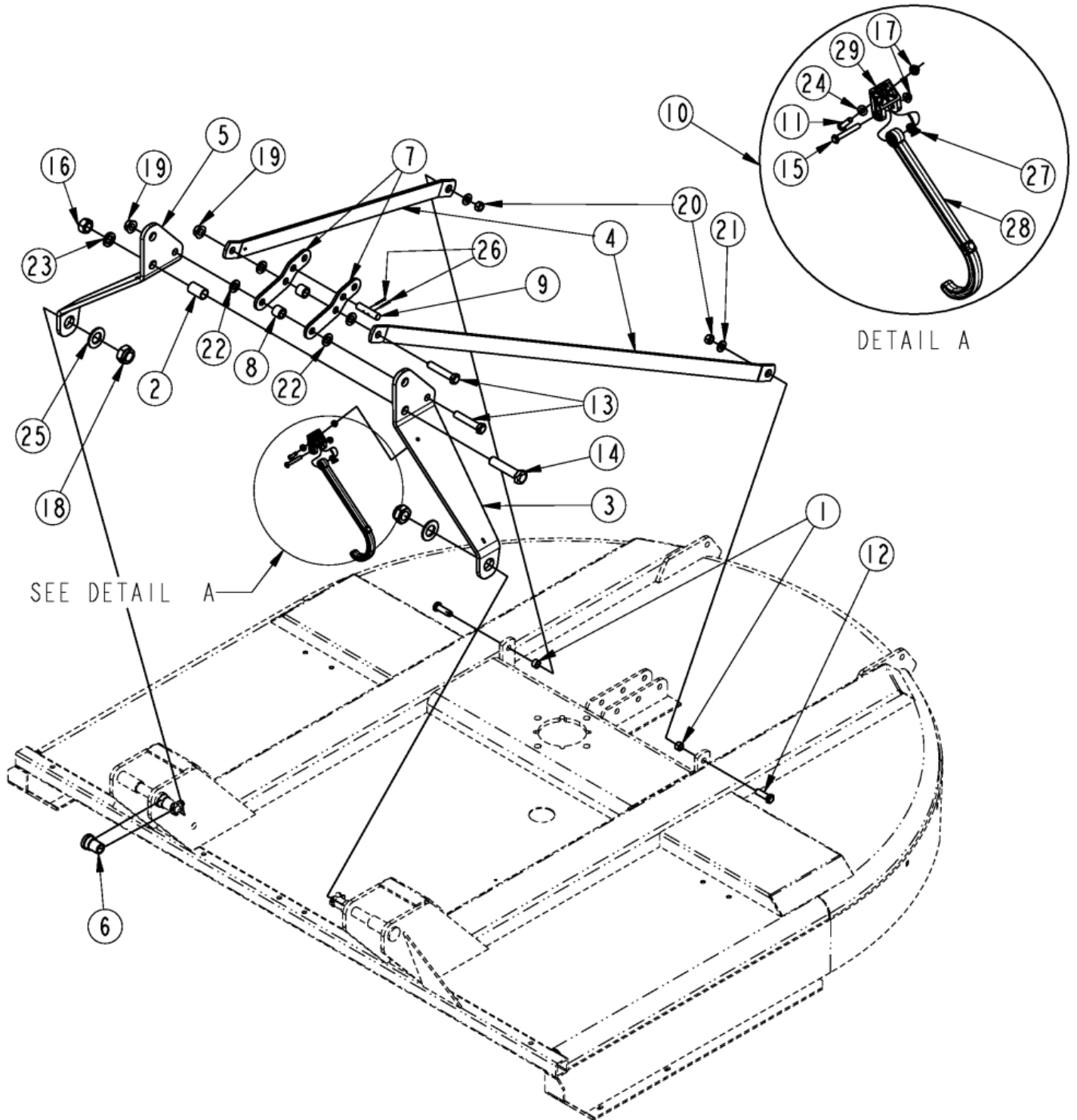
Hitch 3-Point Quick S/N 584254-

Applies to Models: RCR2684 S/N 1180233-, RCR2584

Ref.	Part No.	Part Description	Comments
	DWG16440	Drawing Image Number	
1	805-090C	PIN CLVS 1.0X3.20 USBL	
2	312-813D	A-FRAME HITCH RH.	
3	805-137C	PIN CLVS 1.0X1.70 USBL	
4	802-184C	HHCS 3/4-10X1 1/2 GR5	
5	312-822D	REAR BRACE SHORT	
6	312-829D	REAR BRACE LONG	
7	300-312D	CAT 0 SPACER	
8	804-021C	WASHER FLAT 5/8 SAE PLT	
9	803-271C	NUT HEX TOP LOCK 5/8-11 PLT	
10	805-017C	PIN COTTER 3/16 X 1 3/4 PLT	
11	804-029C	WASHER FLAT 1 SAE	
12	803-026C	NUT LOCK 3/4-10 PLT	
13	802-055C	HHCS 5/8-11X2 GR5	
14	803-168C	NUT HEX TOP LOCK 1-8 PLT	
15	312-814D	A-FRAME HITCH LH.	
16	312-821D	BSHG 1 1/4ODX1 1/32IDX2 1/16LG	
17	802-073C	HHCS 1-8X4 GR5	
18	890-352C	BUSHING 1 OD X 3/4 ID X 5/8 LG	
19	804-025C	WASHER FLAT 3/4 SAE PLT	
20	802-065C	HHCS 3/4-10X2 1/4 GR5	
21	802-005C	HHCS 1/4-20X1 GR5	(S/N 538584+)
22	816-504C	MANUAL STORAGE CONTAINER	(S/N 538584+)
23	804-007C	WASHER FLAT 1/4 SAE PLT	(S/N 538584+)
24	803-255C	NUT HEX NYLOCK 1/4-20	(S/N 538584+)

Hitch 3-Point Quick S/N 584255+

Applies to Models: RCR2684 S/N 1180233-



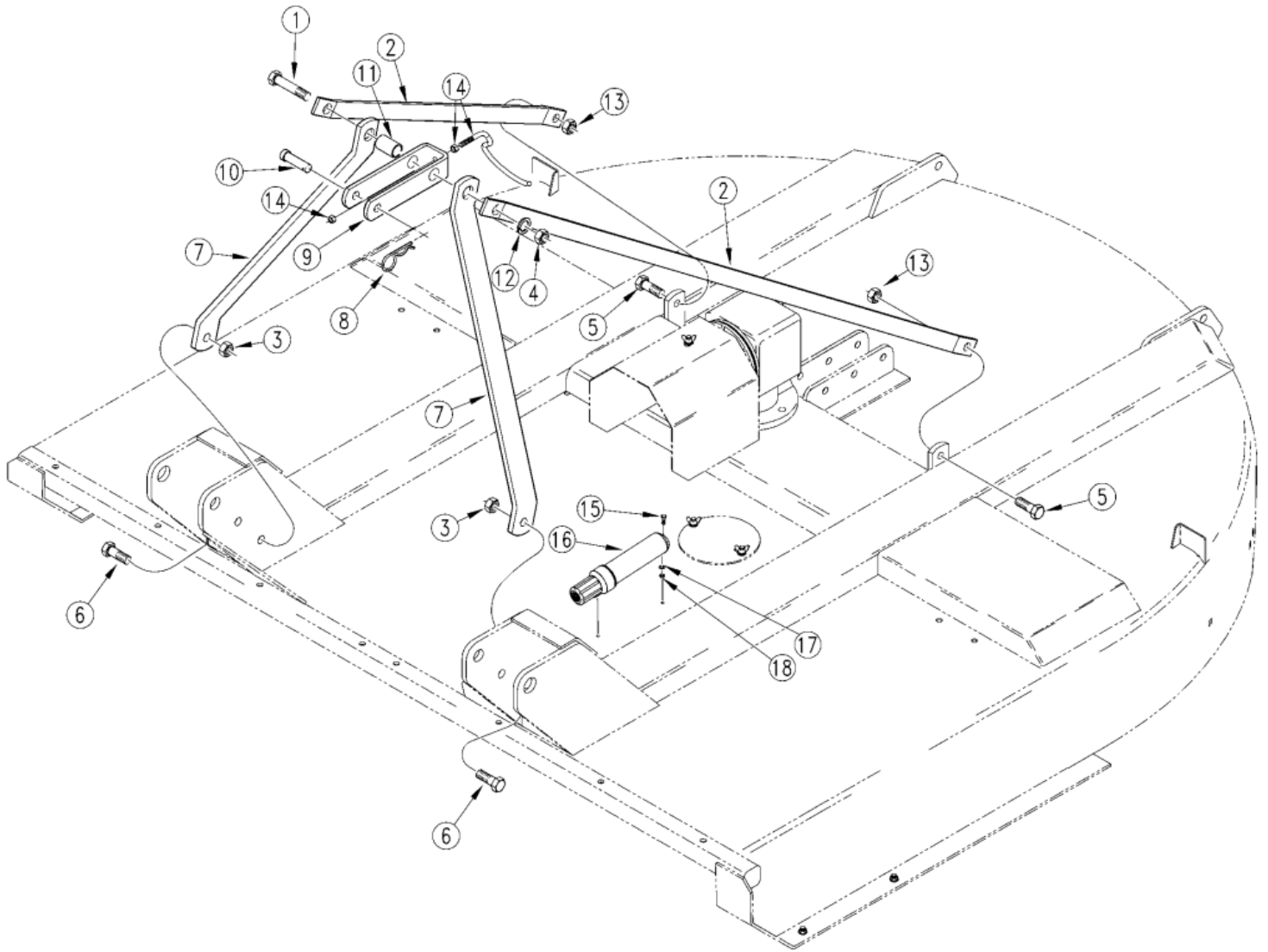
Hitch 3-Point Quick S/N 584255+

Applies to Models: RCR2684 S/N 1180233-

Ref.	Part No.	Part Description	Comments
	DWG26623	Drawing Image Number	
1	300-312D	CAT 0 SPACER	
2	312-821D	BSHG 1 1/4ODX1 1/32IDX2 1/16LG	
3	326-193D	HITCH STRAP LH	
4	326-194D	REAR BRACE	
5	326-196D	HITCH STRAP RH	
6	326-201D	HITCH MOUNT STUB	Welding Required
7	326-206D	REAR BRACE HINGE	
8	326-207D	SPACER 1 1/4ODX13/16IDX1 1/32	
9	326-208D	PIN, STOP	
10	327-143S	DRIVELINE HOLDER W/HARDWARE	S/N 945241+
11	802-010C	HHCS 5/16-18X1 1/4 GR5	S/N 945241+
12	802-055C	HHCS 5/8-11X2 GR5	
13	802-068C	HHCS 3/4-10X4 GR5	
14	802-098C	HHCS 1-8X4 1/2 GR5	
15	802-138C	HHCS 5/16-18X2 1/4 GR5	S/N 945241+
16	803-031C	NUT HEX 1-8 PLT	
17	803-177C	NUT HEX FLG TP LK 5/16-18ZNYCR	S/N 945241+
18	803-180C	NUT HEX 1 1/4-12 PLT TOP LOCK	
19	803-181C	NUT HEX FLANGE LOCK 3/4-10 PLT	
20	803-271C	NUT HEX TOP LOCK 5/8-11 PLT	
21	804-021C	WASHER FLAT 5/8 SAE PLT	
22	804-025C	WASHER FLAT 3/4 SAE PLT	
23	804-027C	WASHER LOCK SPRING 1 PLT	
24	804-036C	WASHER FLAT 5/16 SAE PLT	S/N 945241+
25	804-039C	WASHER FLAT 1 1/4 SAE PLT	
26	805-109C	PIN COTTER 1/8 X 1 1/4 PLT	
27	807-350C	SPRING TORSION DRVLN HLDER	S/N 945241+
28	837-062C	DRIVELINE HOOK	S/N 945241+
29	837-063C	MOUNT DRIVELINE HOOK	S/N 945241+

Hitch A-Frame S/N 584254-

Applies to Models: RCR2684 S/N 1180233-, RCR2584



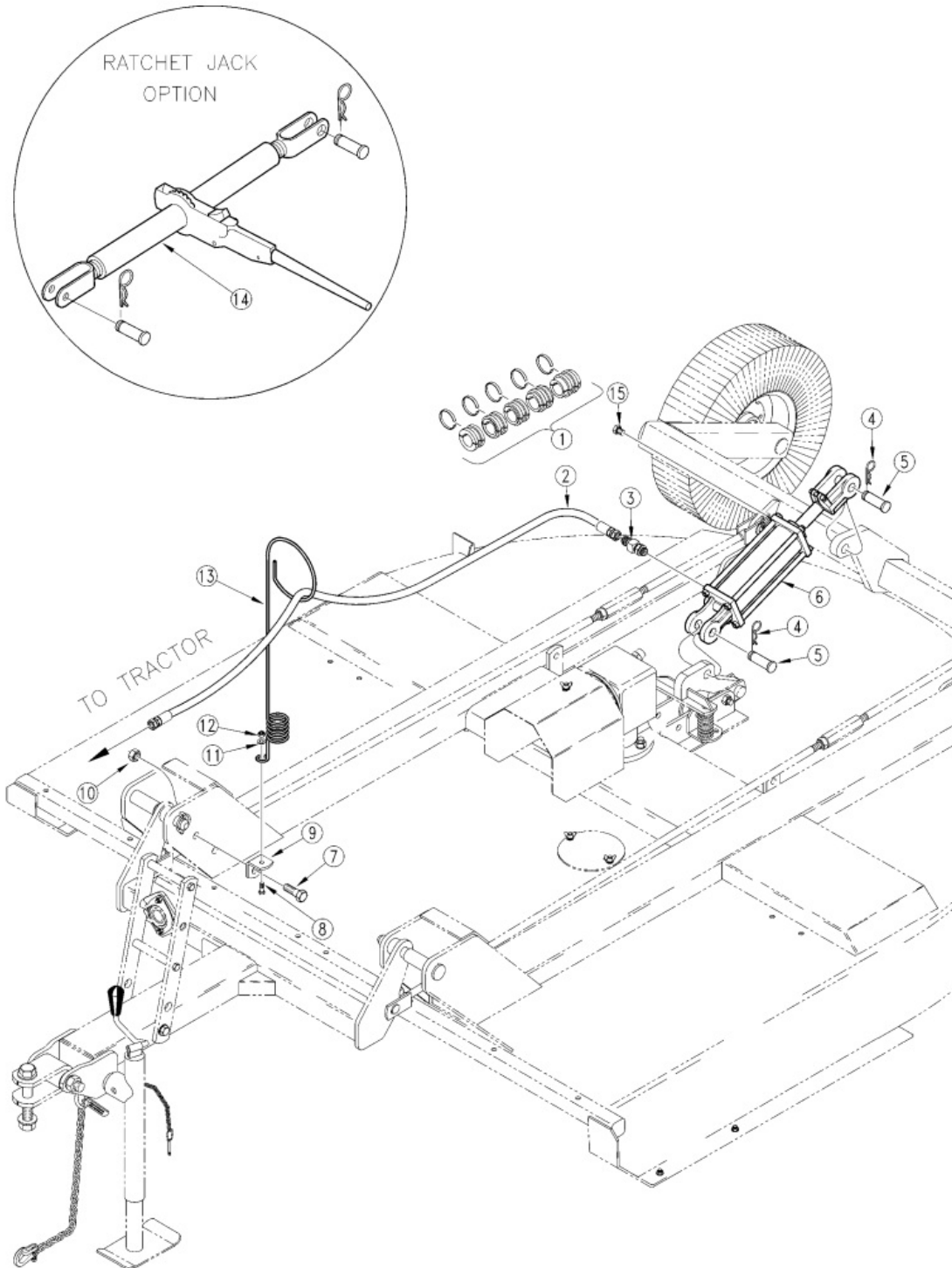
Hitch A-Frame S/N 584254-

Applies to Models: RCR2684 S/N 1180233-, RCR2584

Ref.	Part No.	Part Description	Comments
	DWG14031	Drawing Image Number	
1	802-074C	HHCS 1-8X6 1/2 GR5	
2	312-685D	REAR BRACE	
3	803-026C	NUT LOCK 3/4-10 PLT	
4	803-031C	NUT HEX 1-8 PLT	
5	802-051C	HHCS 5/8-11X1 1/2 GR5	
6	802-064C	HHCS 3/4-10X2 GR5	
7	312-684D	A-FRAME FLAT	
8	805-088C	PIN, HAIR COTTER 3/16 WIRE DIA	
9	312-699D	PIVOTING UPPER HITCH	
10	805-090C	PIN CLVS 1.0X3.20 USBL	
11	312-694D	TUBE 1 5/16 OD X 3 1/8 LG.	
12	804-027C	WASHER LOCK SPRING 1 PLT	
13	803-024C	NUT LOCK 5/8-11 PLT	
14	800-320C	DRIVELINE HOOK HANGER W/HRDWR	(S/N 317416+)
15	802-005C	HHCS 1/4-20X1 GR5	(S/N 538584+)
16	816-504C	MANUAL STORAGE CONTAINER	(S/N 538584+)
17	804-007C	WASHER FLAT 1/4 SAE PLT	(S/N 538584+)
18	803-255C	NUT HEX NYLOCK 1/4-20	(S/N 538584+)

Land Pride
Hydraulic Lift

Applies to Models: RCR2584

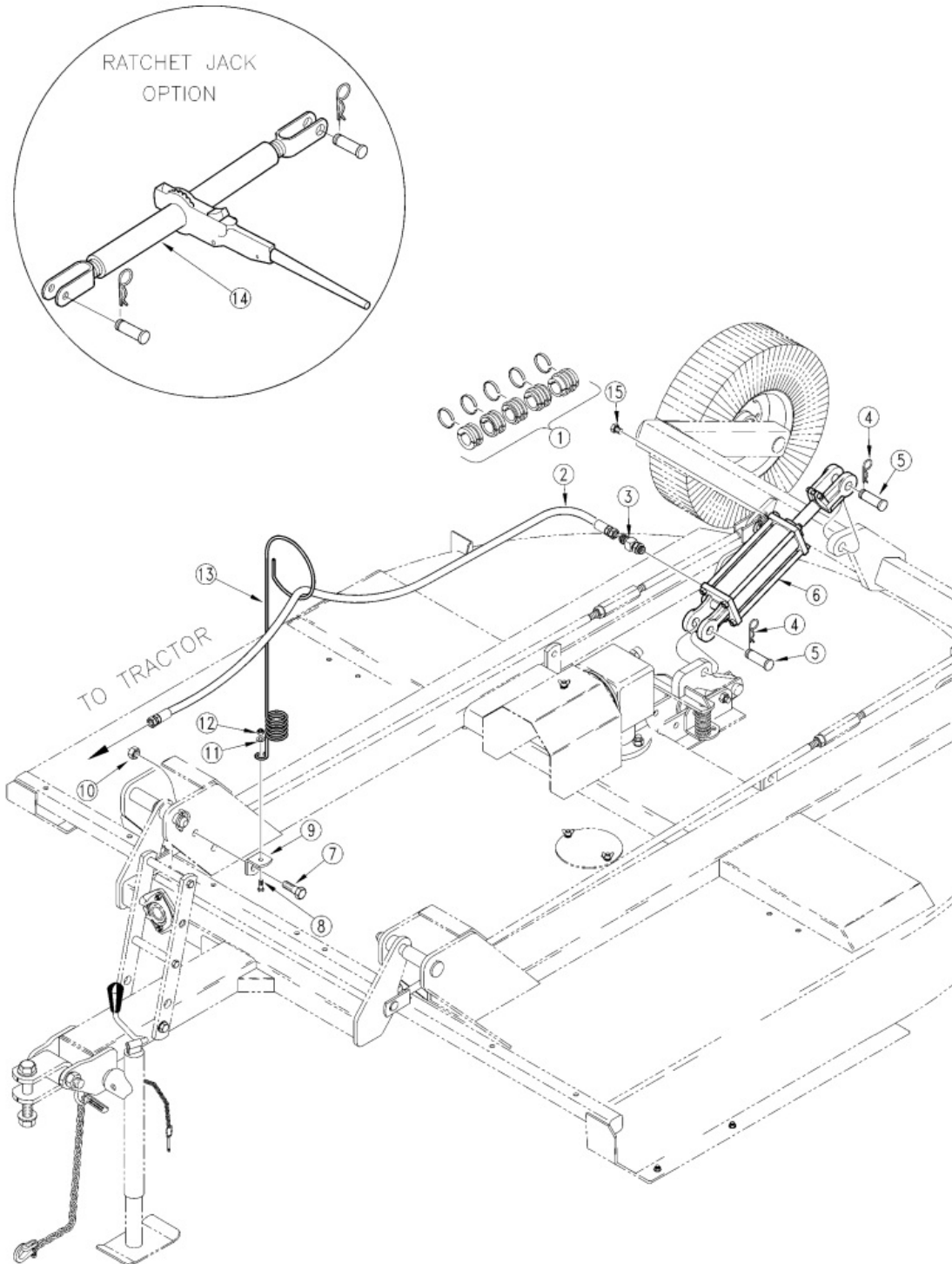


Applies to Models: RCR2584

Ref.	Part No.	Part Description	Comments
	DWG14037	Drawing Image Number	
1	810-818C	STRK CNTRL SPCRS 1.125 TO 1.50	
2	811-542C	HH3/8R1 178 3/4MORB 9/16FJIC	
3	811-170C	AD 9/16MORB 9/16MJIC	
4	805-088C	PIN, HAIR COTTER 3/16 WIRE DIA	
5	805-004C	PIN CLVS 1.0X2.75 USBL	
6	810-200C	CYL 2.5X8X1.12 ROD (TIE)1 PIN	
7	802-184C	HHCS 3/4-10X1 1/2 GR5	
8	802-017C	HHCS 3/8-16X1 GR5	
9	312-729D	HOSE HOLDER BRACKET	
10	803-026C	NUT LOCK 3/4-10 PLT	
11	804-012C	WASHER FLAT 3/8 SAE PLT	
12	803-013C	NUT LOCK 3/8-16 PLT	
13	807-023C	SPRING HOSE LOOP	
14	890-177C	RATCHET JACK - HEAVY DUT	
15	800-117C	VENT PLUG - 9/16-18 PLATED	

Land Pride
Hydraulic Lift S/N

Applies to Models: RCR2684 S/N 1180233-



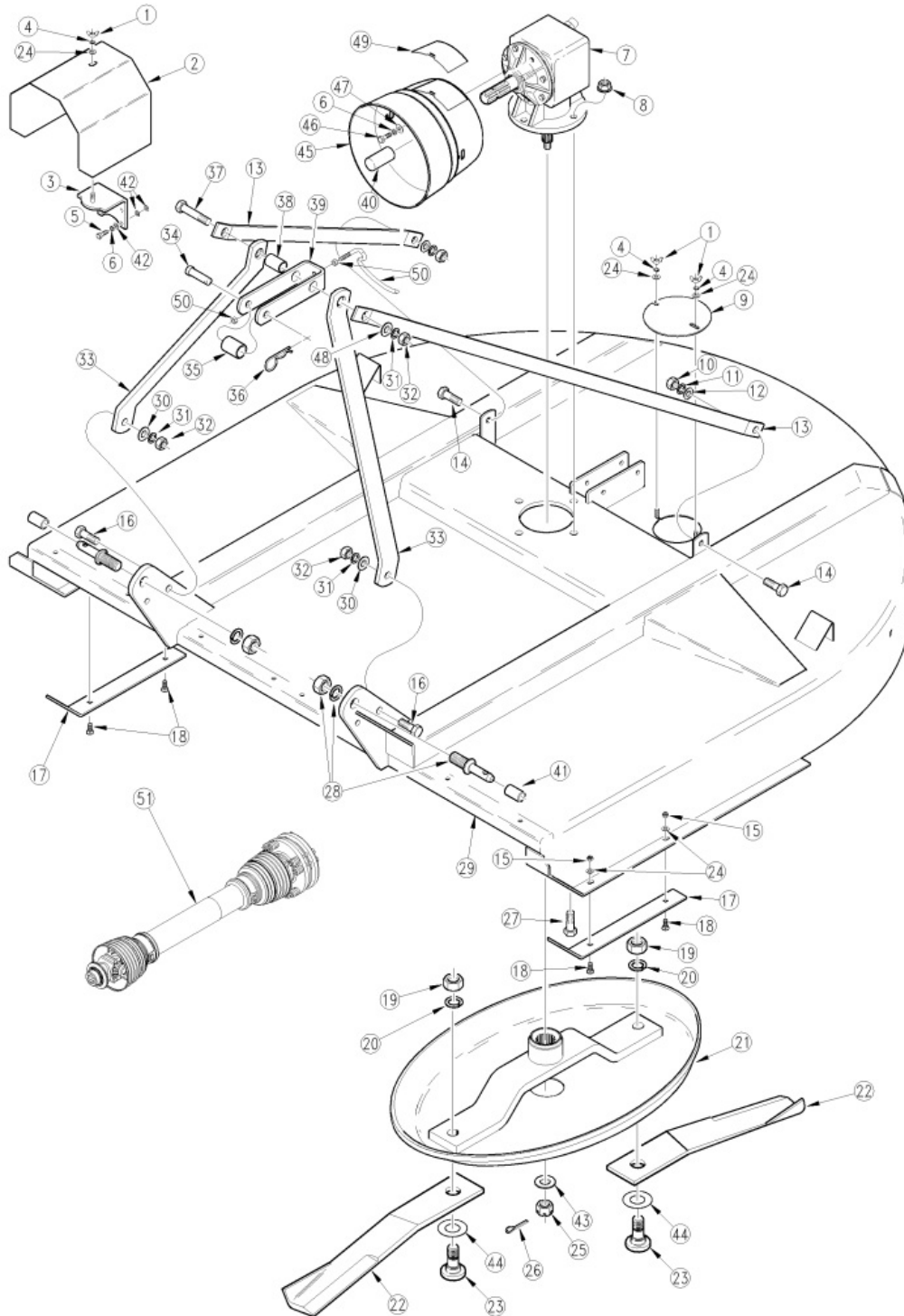
Hydraulic Lift S/N

Applies to Models: RCR2684 S/N 1180233-

Ref.	Part No.	Part Description	Comments
	DWG14037	Drawing Image Number	
1	810-818C	STRK CNTRL SPCRS 1.125 TO 1.50	
2	811-542C	HH3/8R1 178 3/4MORB 9/16FJIC	
3	811-170C	AD 9/16MORB 9/16MJIC	
4	805-088C	PIN, HAIR COTTER 3/16 WIRE DIA	
5	805-004C	PIN CLVS 1.0X2.75 USBL	
6	810-200C	CYL 2.5X8X1.12 ROD (TIE)1 PIN	
7	802-184C	HHCS 3/4-10X1 1/2 GR5	
8	802-017C	HHCS 3/8-16X1 GR5	
9	312-729D	HOSE HOLDER BRACKET	
10	803-026C	NUT LOCK 3/4-10 PLT	
11	804-012C	WASHER FLAT 3/8 SAE PLT	
12	803-013C	NUT LOCK 3/8-16 PLT	
13	807-023C	SPRING HOSE LOOP	
14	890-177C	RATCHET JACK - HEAVY DUT	
15	800-117C	VENT PLUG - 9/16-18 PLATED	

RCR2560 & RCR2572 Deck

Applies to Models: RCR2560, RCR2572



RCR2560 & RCR2572 Deck

Applies to Models: RCR2560, RCR2572

Ref.	Part No.	Part Description	Comments
	DWG 15872	Drawing Image Number	
1	803-231C	NUT WING 3/8-16 PLT	(S/N 232953-)
2	312-399H	SHIELD WELDMENT	(S/N 232953-)
3	312-400H	SHIELD MOUNT BRACKET WELDMENT	(S/N 232953-)
4	804-013C	WASHER LOCK SPRING 3/8 PLT	(S/N 232953-)
5	802-159C	HHCS 5/16-18X1 GR5	(S/N 232953-)
6	804-009C	WASHER LOCK SPRING 5/16 PLT	
7	826-376C	GBOX RC25 1.38-6 1:1.44 STD.	
7	826-035C	RPBY 826-376C	Obsolete
8	803-299C	NUT HEX FLG TOP LK 3/4-10 PLT	
9	312-812D	ACCESS COVER PLATE	RCR2572
9	312-611D	RPBY 312-812D	(Obsolete) RCR2572
9	312-647D	BLADE BOLT ACCESS COVER	RCR2560
10	803-024C	NUT LOCK 5/8-11 PLT	Rev 2; Use up stock
10	803-021C	NUT HEX 5/8-11 PLT	Rev 1; Use up stock
11	804-022C	WASHER LOCK SPRING 5/8 PLT	Replaced by 803-024C Rev 1; Use up stock
12	804-021C	WASHER FLAT 5/8 SAE PLT	Replaced by 803-024C Rev 1; Use up stock
13	312-608D	HITCH STRAP	RCR2572
13	312-646D	HITCH STRAP	RCR2560
14	802-051C	HHCS 5/8-11X1 1/2 GR5	Rev. 2
14	802-053C	HHCS 5/8-11X1 3/4 GR5 FTHD	Rev 1; Use up stock
15	803-013C	NUT LOCK 3/8-16 PLT	
16	802-064C	HHCS 3/4-10X2 GR5	(S/N 286260+)
16	802-212C	HHCS 3/4-10X2 1/2 GR5	(S/N 286259-) Rev 2; Use up stock
16	802-065C	HHCS 3/4-10X2 1/4 GR5	Rev 1; Use up stock
17	312-602D	SKID SHOE	
18	802-466C	PLOW 3/8-16X1 1/4 GR5	
19	803-170C	NUT HEX TOP LOCK 1 1/8-12 PLT	
20	804-147C	WASHER FLAT 1" HARDENED	
21	312-388H	38OVL DSHPN WMT27C/C OMNI2.8OS	RCR2572
21	312-820H	24RND DSHPN WMT 15C/C L-HB-CO	RCR2560
21	312-404H	RPBY 312-820H	(Obsolete) RCR2560
22	820-137C	CUTTER BLADE 1/2X4X25 CCW	Standard (Quantity 2 per cutter)
22	820-193C	CUTTER BLADE 1/2X4X25 LL CCW	Optional Low Lift Blade (Quantity 2 per cutter)
23	802-277C	BLD BLT 1 1/8-12X3.44 W/.25KEY	
24	804-012C	WASHER FLAT 3/8 SAE PLT	
25	803-095C	NUT HEX SLOTTED 1-14	
26	805-017C	PIN COTTER 3/16 X 1 3/4 PLT	
27	802-064C	HHCS 3/4-10X2 GR5	
28	805-163C	PIN HTCH C2 1 1/8-12 THD FRGD	
29	312-386H	RCR2572 DECK WELDMENT	Shown
29	312-402H	RCR2560 DECK WELDMENT	
30	804-025C	WASHER FLAT 3/4 SAE PLT	RPBY 803-026C
31	804-023C	WASHER LOCK SPRING 3/4 PLT	RPBY 803-026C (S/N 286259-)
32	803-026C	NUT LOCK 3/4-10 PLT	(S/N 286260+) Rev. 2
32	803-027C	NUT HEX 3/4-10 PLT	(S/N 286259-) Rev 1; Use up stock
33	312-607D	HITCH BRACE	
34	805-142C	PIN CLVS .75X3.26 USBL	
35	122-076D	PW PIVOT TUBE LONG	
36	805-143C	PIN HAIR COTTER .120 PLT	

RCR2560 & RCR2572 Deck

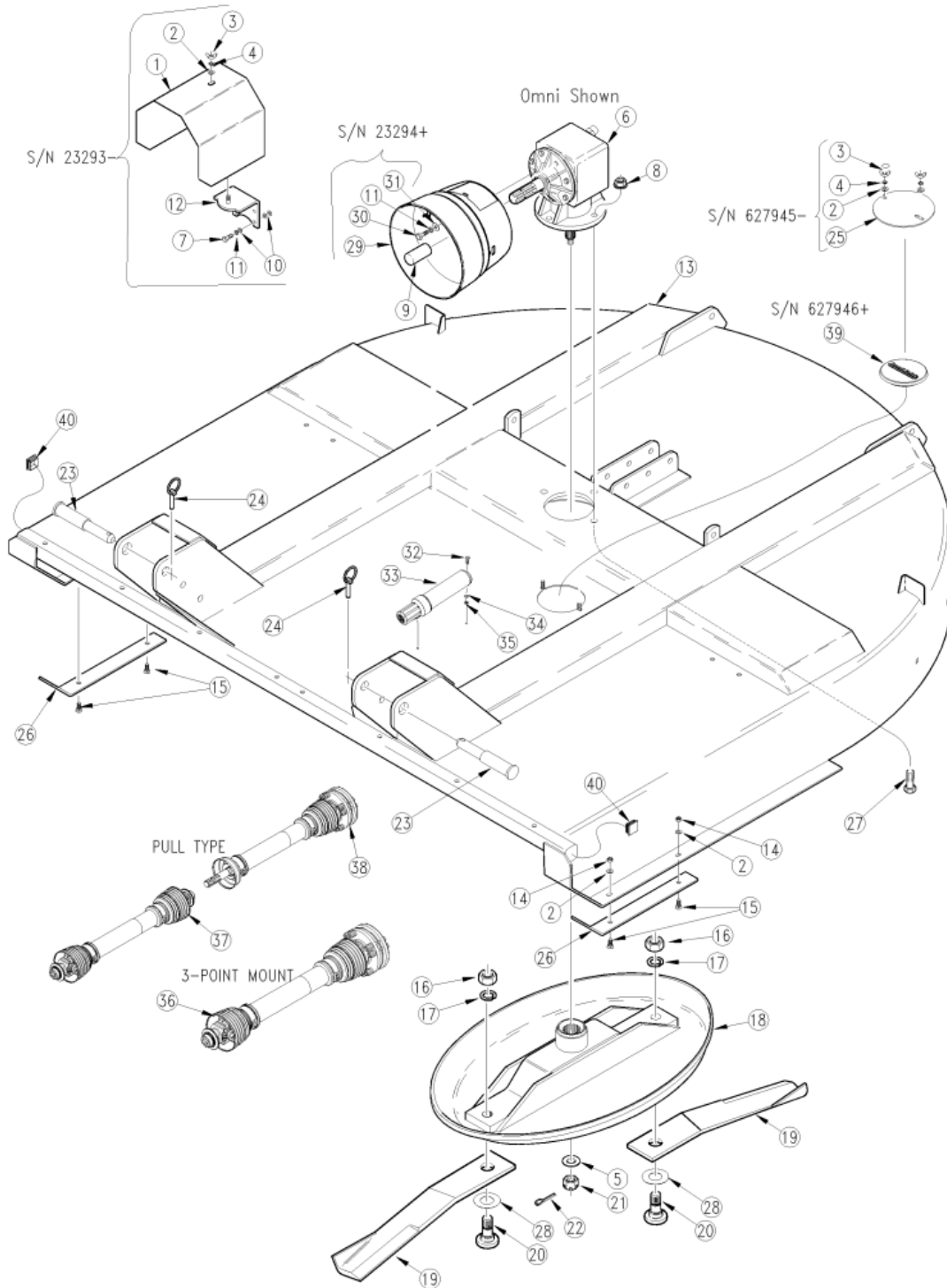
This Page Intentionally Left Blank

RCR2560 & RCR2572 Deck

Ref.	Part No.	Part Description	Comments
37	802-070C	HHCS 3/4-10X6 GR5	
38	312-610D	SPACER TUBE 1 1/8 OD X 3 1/8	
39	312-609D85	PIVOTING UPPER HITCH-BLACK	
40	817-050C	GEARBOX SHAFT PROTECTOR	(S/N 220346-)
41	827-010C	BUSHING 7/8ID X1 1/8OD,1 3/4LG	
42	804-036C	WASHER FLAT 5/16 SAE PLT	(S/N 232954-)
43	804-070C	FLAT WASHER 1 SPECIAL	
44	312-075D	BLADE SPACER 16 GA	As Required
44	312-082D	RPBY 312-808D QTY 2	As Required
44	312-089D	BLADE SPACER 20 GA.	As Required
44	312-808D	BLADE SPACER 24GA	As Required
45	837-101C	LAND PRIDE CONE	
45	826-648C	LARGE SHAFT CONE W ACCESS DOOR	
45	826-222C	RPBY 826-648C	Obsolete (S/N 232954+) Replaced with 837-101C
46	802-007C	HHCS 5/16-18X3/4 GR5	(S/N 232954+)
47	804-010C	WASHER FLAT 5/16 USS PLT	(S/N 232954+)
48	804-025C	WASHER FLAT 3/4 SAE PLT	
49	837-101C	LAND PRIDE CONE	
49	38-11	RPBY 837-101C	(Obsolete) Only for Meccanoplast brand covers on older models
50	800-320C	DRIVELINE HOOK HANGER W/HRDWR	(S/N 317416+)
51	826-672C	DRVLN C4 40 1.38-6 QD CLTCH	
51	826-146C	RPBY 826-672C	Obsolete RCR2572
51	826-147C	DRVLN C4 36 1.38-6 QD CLTCH	RCR2560

RCR2584 & RCR2684 S/N 1180233- Deck

Applies to Models: RCR2684 S/N 1180233-, RCR2584



RCR2584 & RCR2684 S/N 1180233- Deck

Applies to Models: RCR2684 S/N 1180233-, RCR2584

Ref.	Part No.	Part Description	Comments
	DWG 15881	Drawing Image Number	
1	312-399H	SHIELD WELDMENT	(S/N 232953-)
2	804-012C	WASHER FLAT 3/8 SAE PLT	
3	803-231C	NUT WING 3/8-16 PLT	
4	804-013C	WASHER LOCK SPRING 3/8 PLT	
5	804-070C	FLAT WASHER 1 SPECIAL	Used on Omni Gearbox only
5	0.139.7101.00	CO BLANK WASHER	Used on Comer Gearbox only
6	826-377C	GBOX RC25 1.38-6 1:1.21 STD.	Comer Box (SN 381566+) Rev. 1
6	826-038C	RPBY 826-377C	(Obsolete) Omni Box (SN 381565-) Rev. 2
7	802-159C	HHCS 5/16-18X1 GR5	
8	803-299C	NUT HEX FLG TOP LK 3/4-10 PLT	
9	817-050C	GEARBOX SHAFT PROTECTOR	(S/N 220346-)
10	804-036C	WASHER FLAT 5/16 SAE PLT	
11	804-009C	WASHER LOCK SPRING 5/16 PLT	
12	312-400H	SHIELD MOUNT BRACKET WELDMENT	(S/N 232953-)
13	326-114H	RCR2684 DECK	(S/N 584255+)
13	326-114H81	RCR2684 DECK GREEN	GREEN UNIT
13	326-114H82	RCR2684 DECK ORANGE	ORANGE UNIT
13	326-114H86	RCR2684 DECK YELLOW	YELLOW UNIT
13	312-419H	RCR25/2684 DECK WELDMENT	(S/N 584254-)
13	312-419H82	RCR25/2684 DECK WMT ORANGE	ORANGE UNIT
14	803-013C	NUT LOCK 3/8-16 PLT	
15	802-603C	PLOW 3/8-16X1 GR5	
16	803-170C	NUT HEX TOP LOCK 1 1/8-12 PLT	
17	804-147C	WASHER FLAT 1" HARDENED	
18	312-818H	38OV DSHPN WMT 27C/C L-HB-CO	Used with Omni or Comer Box
19	820-138C	CUTTER BLADE 1/2X4X31 CCW	Standard (Quantity 2 per cutter)
19	820-194C	CUTTER BLADE 1/2X4X31 LL CCW	Optional Low Lift Blade (Quantity 2 per cutter)
20	802-277C	BLD BLT 1 1/8-12X3.44 W/.25KEY	
21	803-095C	NUT HEX SLOTTED 1-14	Used on Omni Gearbox only
21	8.2.2.00555	CO NUT, CASTLE M30 X 2	Used on Comer Gearbox only
22	805-017C	PIN COTTER 3/16 X 1 3/4 PLT	
23	326-204D	PIN HITCH CAT. I, II & III	(S/N 584255+)
23	300-236D	HITCH PIN CAT. II & III	(S/N 584254-)
24	805-103C	PIN LINCH 7/16 X 1 3/4	
25	312-812D	ACCESS COVER PLATE	S/N 627945-
25	312-812D	ACCESS COVER PLATE	
25	312-611D	RPBY 312-812D	Obsolete
26	312-602D	SKID SHOE	
27	802-065C	HHCS 3/4-10X2 1/4 GR5	(S/N 558465+)
27	802-064C	HHCS 3/4-10X2 GR5	(S/N 558464-)
28	312-075D	BLADE SPACER 16 GA	As Required S/N 776426-
28	312-082D	RPBY 312-808D QTY 2	As Required S/N 776426-
28	312-089D	BLADE SPACER 20 GA.	As Required S/N 776426-
28	312-808D	BLADE SPACER 24GA	As Required S/N 776426-
29	837-101C	LAND PRIDE CONE	
29	826-648C	LARGE SHAFT CONE W ACCESS DOOR	(S/N 640069+) replaced with 837-101C
29	826-222C	RPBY 826-648C	Obsolete (S/N 640068-)
30	802-007C	HHCS 5/16-18X3/4 GR5	
31	804-010C	WASHER FLAT 5/16 USS PLT	

RCR2584 & RCR2684 S/N 1180233- Deck

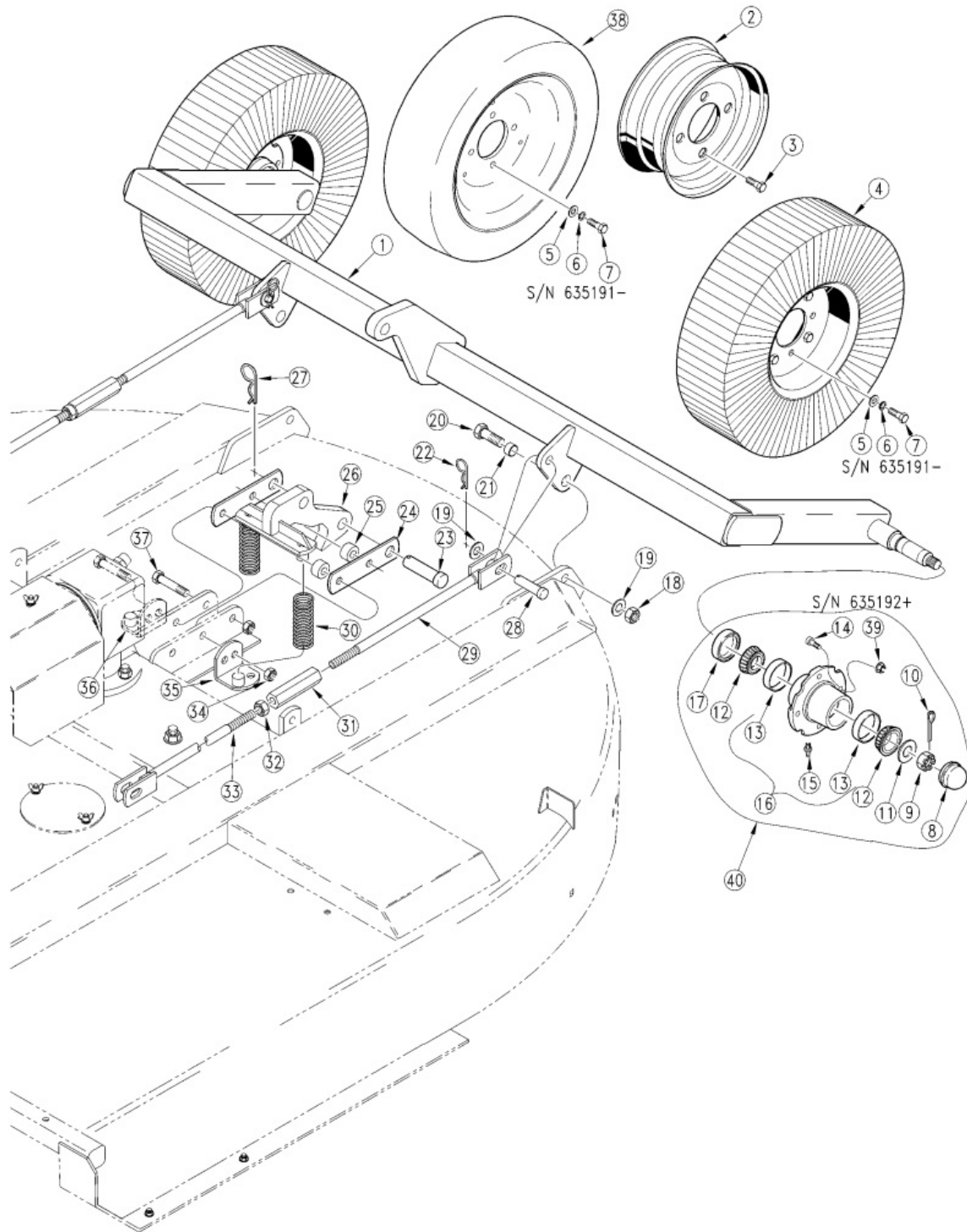
This Page Intentionally Left Blank

RCR2584 & RCR2684 S/N 1180233- Deck

Ref.	Part No.	Part Description	Comments
32	802-224C	HHCS 1/4-20X1 1/4 GR5	Used on RCR2684 S/N 538584+
33	816-504C	MANUAL STORAGE CONTAINER	Used on RCR2684 S/N 538584+
34	804-007C	WASHER FLAT 1/4 SAE PLT	Used on RCR2684 S/N 538584+
35	803-255C	NUT HEX NYLOCK 1/4-20	Used on RCR2684 S/N 538584+
36	826-673C	DRVLN C4 44 1.38-6 QD CLTCH	3-Point Mount S/N 1151155+
36	826-150C	RPBY 826-673C	(Obsolete) 3-Point Mount S/N 1151154-
37	826-892C	DRVLN C4 20F 1.38-6 QD	S/N 1457366+
37	826-151C	RPBY 826-892C	(Obsolete) S/N 1457365- Pull type
38	826-152C	DRVLN C4 43 1.38-6 JS CLTCH	Pull Type
39	840-273C	PLUG LP 3" ID RUBBER	S/N 627946+
40	837-086C	CAP SQ TUBE 2X2X.238-.165	S/N 945241+

Land Pride
Rear Axle

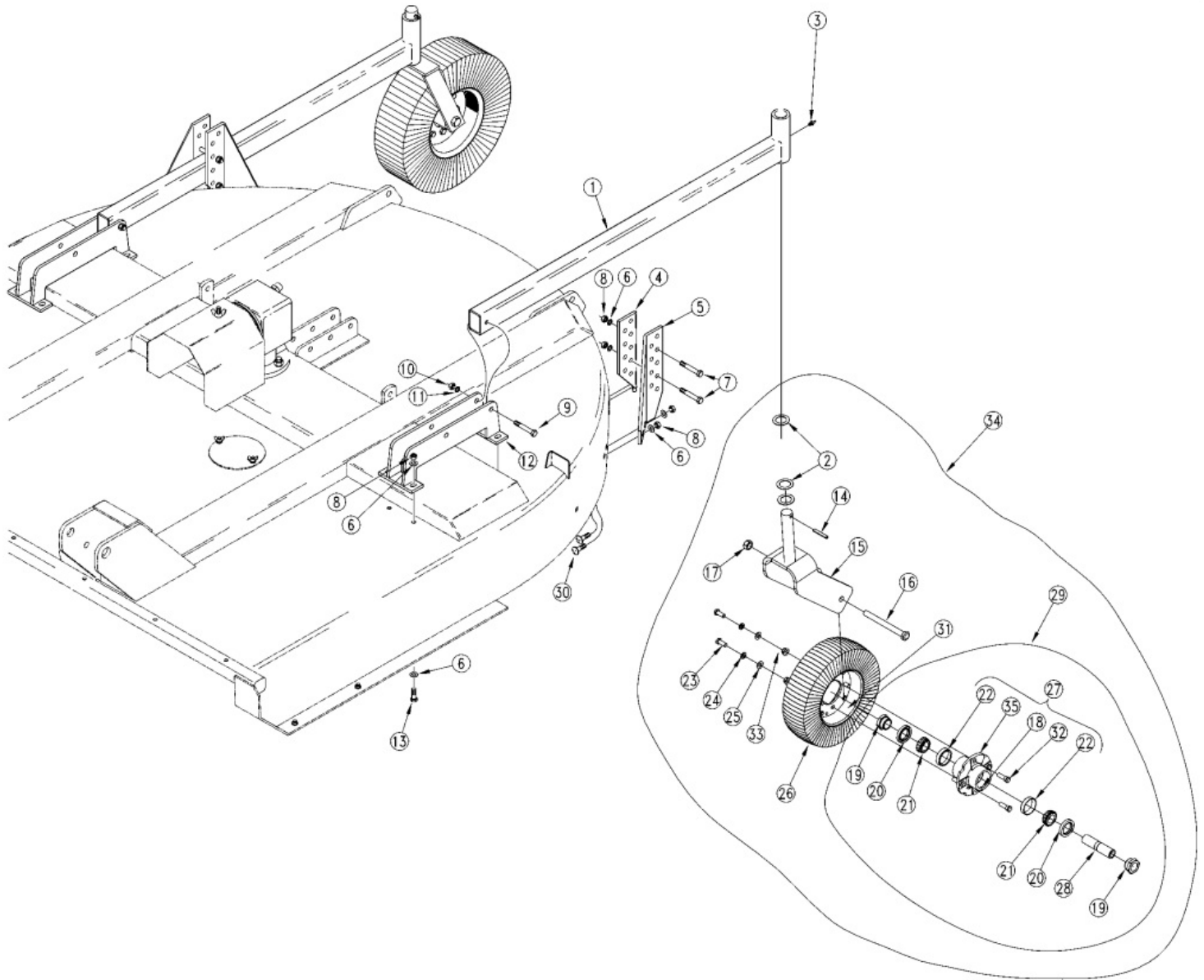
Applies to Models: RCR2684 S/N 1180233-, RCR2584



Applies to Models: RCR2684 S/N 1180233-, RCR2584

Ref.	Part No.	Part Description	Comments
	DWG14034	Drawing Image Number	
1	312-427H	RCR2584 AXLE WELDMENT	
2	814-066C	WHEEL 15 X 5 X 4 BOLT	
3	802-104C	BOLT WHEEL 1/2-20X1 90-DEG	
4	814-059C	TIRE & WHEEL LAM. 6X9X21(TALL)	
5	804-016C	WASHER FLAT 1/2 SAE PLT	
6	804-015C	WASHER LOCK SPRING 1/2 PLT	
7	802-326C	HHCS 1/2-20X1 1/4 GR5	(S/N 336501+) Rev. 2
7	802-240C	HHCS 1/2-20X1 GR5	(S/N 336500-) Rev 1; Use up stock
8	200-001D	HUB GREASE CAP	
9	803-029C	NUT HEX SLOTTED 7/8-14 PLT	
10	805-016C	PIN COTTER 3/16 X 1 1/4 PLT	
11	804-055C	WASHER SPINDLE - 7/8	
12	822-091C	BRG 1.25ID CONE 15123	
13	822-092C	BRG CUP 2.44OD 15245	
14	802-135C	HUB STUD 1/2-20X1 5/8 GR5	Rev 1; Use up stock
15	800-001C	GREASE ZERK STRAIGHT 1/4-28	
16	815-230C	HUB 4 BLT W/CUPS, ZERK & STUDS	S/N 635192+
16	815-093C	RPBY 815-230C	S/N 635191- Rev. 2
16	312-151S	RPBY 815-093C	Rev 1; Use up stock
17	816-098C	SEAL 1 3/8 ID X 2.441 OD X 313	
18	803-026C	NUT LOCK 3/4-10 PLT	
19	804-025C	WASHER FLAT 3/4 SAE PLT	
20	802-065C	HHCS 3/4-10X2 1/4 GR5	
21	312-712D	TUBE 1 OD X 12 GA X 15/16 LG.	
22	805-045C	PIN COTTER 5/32 X 1 1/4 LG	
23	805-187C	PIN CLVS 1.0X2.27 USBL GR5	
24	312-720D	FLAT SPRING SUPPORT	
25	312-735D	TUBE 1.25 OD X .28WL X1.09 LG.	
26	312-424H	LUG SPRING CUSHION WELDMENT	
27	805-088C	PIN, HAIR COTTER 3/16 WIRE DIA	
28	805-083C	PIN CLVS .75X1.50 USBL HT	
29	312-428H	LEVEL ROD SHORT WELDMENT	
30	807-143C	SPRING COMP 1.88OD X .362W	
31	803-237C	NUT HEX COUPLER 3/4-10X5 PLT	
32	803-048C	NUT HEX JAM 3/4-10 PLT	
33	312-429H	LEVEL ROD LONG WELDMENT	
34	803-024C	NUT LOCK 5/8-11 PLT	
35	312-426H	SPRING MOUNT BOTTOM LH. WLDMT.	
36	312-425H	SPRING MOUNT BOTTOM RH. WLDMT.	
37	802-162C	HHCS 5/8-11X3 1/2 GR5	
38	814-086C	TIRE 25.5 X 8.0-14 - MOUNTED	
39	803-308C	NUT HEX FLG/LK 1/2-20 PLT GR G	
40	815-236C	HUB 4 BOLT COMPLETE	

Applies to Models: RCR2684 S/N 1180233-, RCR2584



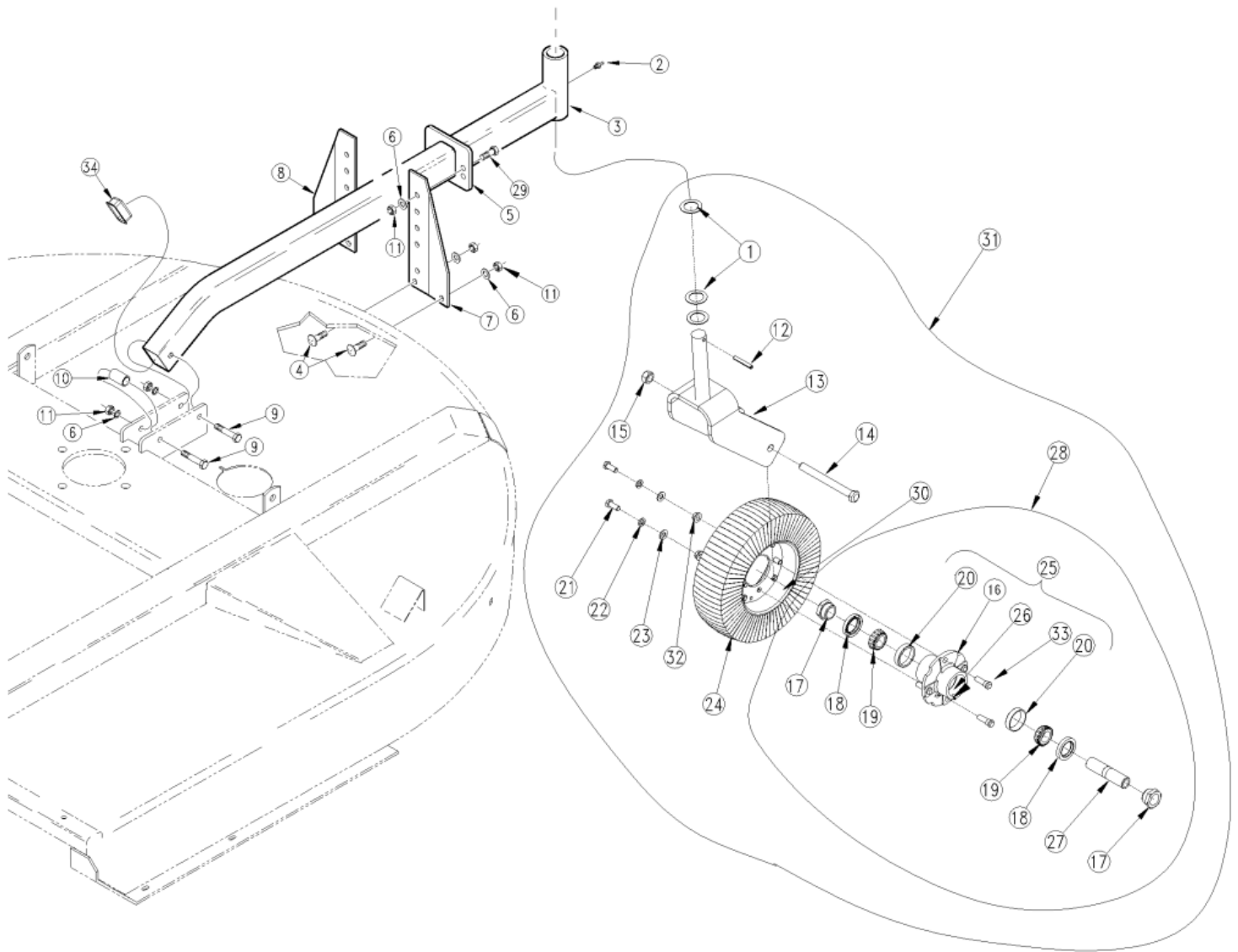
Tailwheel Dual

Applies to Models: RCR2684 S/N 1180233-, RCR2584

Ref.	Part No.	Part Description	Comments
	DWG14033	Drawing Image Number	
1	312-879H	WELDMENT TAILWHEEL BEAM	S/N 534082+ Added 1 1/2" To Overall Length
1	312-431H	RPBY 312-879H	Obsolete
2	804-066C	WASHER MACH 2.25 X 1.50 X 14GA	Rev. 2
2	804-063C	WASHER MACH 2.25 X 1.50 X 10GA	Rev 1; Use up stock
3	800-080C	GREASE ZERK 1/4-28 THD FORMING	
4	312-679D	ADJ. BRKT. INNER LH.	
4	312-678D	ADJ. BRKT. INNER RH.	
5	312-693D	ADJ. BRKT. OUTER LH.	
5	312-692D	ADJ. BRKT. OUTER RH.	
6	804-016C	WASHER FLAT 1/2 SAE PLT	
7	802-041C	HHCS 1/2-13X3 1/2 GR5	
8	803-019C	NUT LOCK 1/2-13 PLT	
9	802-153C	HHCS 5/8-11X3 3/4 GR5	
10	803-024C	NUT LOCK 5/8-11 PLT	
11	804-021C	WASHER FLAT 5/8 SAE PLT	
12	312-432H	TAILWHEEL BRACKET WELDMENT	
13	802-091C	HHCS 1/2-13X1 1/2 GR5	
14	805-255C	PIN ROLL 3/8 X 2 1/2 PLT	(S/N 209101+)
14	805-043C	PIN SPIROL 3/8X2 1/2 PLAIN	(S/N 209100-)
15	890-961C	RC25 TAILWHEEL YOKE, 1.5 SHAFT	Rev. 2
16	842-589C	HHCS 3/4-16X7 1/2 GR5	
17	803-114C	NUT LOCK 3/4-16 NYLOC COLLAR	
18	800-001C	GREASE ZERK STRAIGHT 1/4-28	
19	803-289C	NUT HEX 1 1/4-7(MACHINED)PLAIN	Rev. 2
19	312-124D	RPBY 803-289C	Rev 1; Use up stock
20	816-009C	OIL SEAL DOUBLE LIP	
21	822-091C	BRG 1.25ID CONE 15123	
22	822-092C	BRG CUP 2.44OD 15245	
23	802-326C	HHCS 1/2-20X1 1/4 GR5	Rev. 2
23	802-240C	HHCS 1/2-20X1 GR5	Rev 1; Use up stock
24	804-015C	WASHER LOCK SPRING 1/2 PLT	
25	804-016C	WASHER FLAT 1/2 SAE PLT	
26	814-058C	TIRE & WHEEL LAMINATED 4.0 X 8	
27	815-230C	HUB 4 BLT W/CUPS, ZERK & STUDS	S/N 635192+
27	815-093C	RPBY 815-230C	S/N 635191- Rev. 2
27	312-106D	RPBY 815-093C	Rev 1; Use up stock
28	827-036C	BUSHING TW 1.25ODX.78IDX5 1/4	
28	312-123D	RPBY 827-036C	Rev 1; Use up stock
29	815-092C	HUB & SPINDLE ASSY 4 BOLT	Rev. 2
30	802-106C	RHSNB 1/2-13X1 1/2 GR5	
31	818-681C	DECAL NOTICE - 20 MPH MAX	
32	802-135C	HUB STUD 1/2-20X1 5/8 GR5	
33	803-308C	NUT HEX FLG/LK 1/2-20 PLT GR G	
34	814-161C	LAM 4X8 TR-WL-HUB-YOKE 25 SER.	
35		HUB 4BLT DUCTILE(USE 815-230C)	

Tailwheel Single (RCR2560 & RCR2572)

Applies to Models: RCR2560, RCR2572



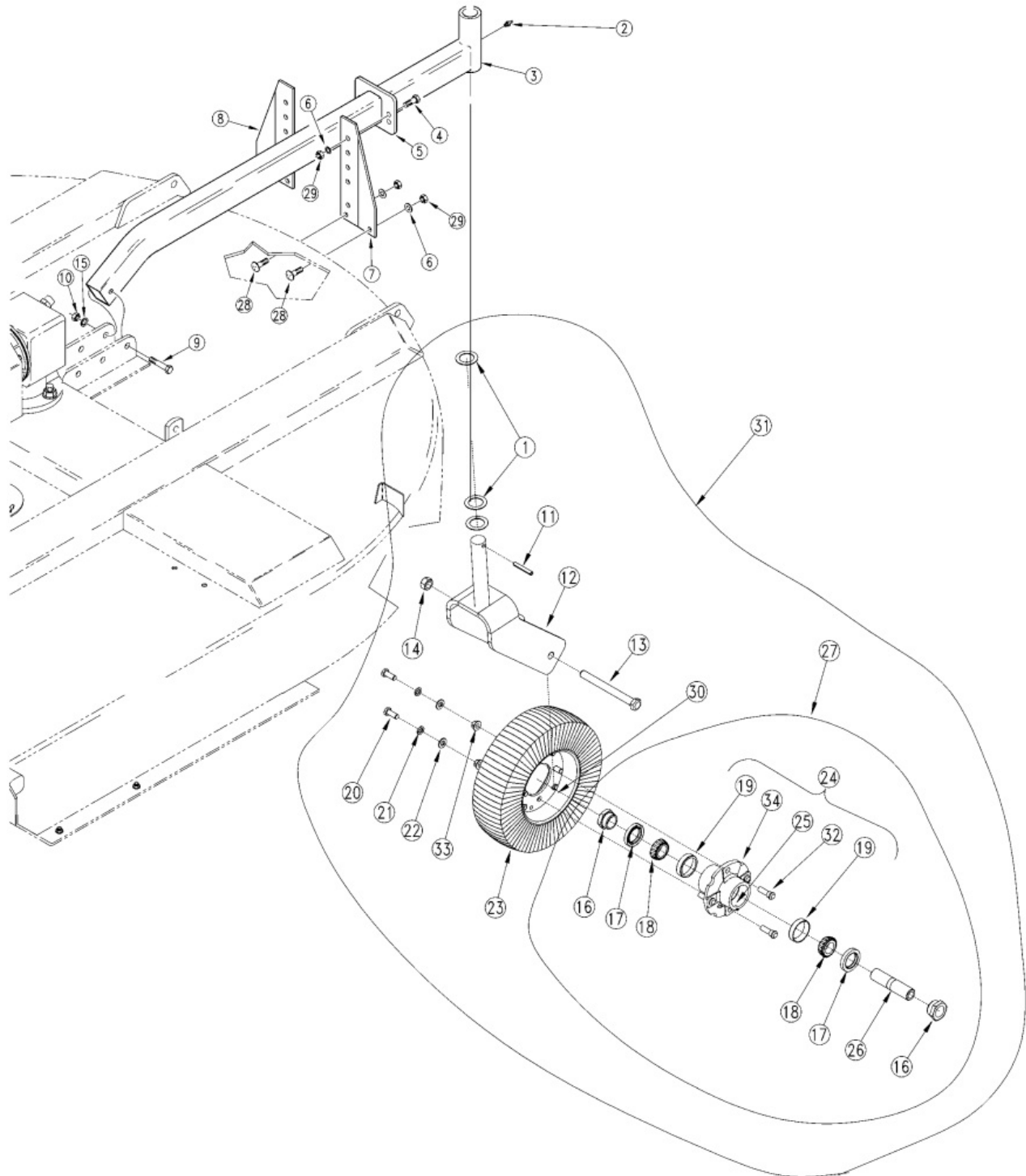
Tailwheel Single (RCR2560 & RCR2572)

Applies to Models: RCR2560, RCR2572

Ref.	Part No.	Part Description	Comments
	DWG 13450	Drawing Image Number	
1	804-066C	WASHER MACH 2.25 X 1.50 X 14GA	Rev. 2
2	800-080C	GREASE ZERK 1/4-28 THD FORMING	
3	312-387H	ARM WELDMENT	RCR2572 (Shown)
3	312-403H	ARM WELDMENT	RCR2560
4	802-106C	RHSNB 1/2-13X1 1/2 GR5	Rev. 2
4	802-214C	RHSNB 1/2-13X1 1/4 GR5	Rev 1; Use up stock
5	312-616D	TAILWHEEL ARM ADJUST PLATE	Went to square holes (S/N 243129+)
6	804-016C	WASHER FLAT 1/2 SAE PLT	
7	312-614D	TAILWHEEL VERT SUPPORT LH	
8	312-615D	TAILWHEEL VERT SUPPORT RH	
9	802-042C	HHCS 1/2-13X3 3/4 GR5	
10	312-629D	SPACER TUBE 3/4 OD X 2 1/32	
11	803-019C	NUT LOCK 1/2-13 PLT	
12	805-255C	PIN ROLL 3/8 X 2 1/2 PLT	(S/N 209101+)
12	805-043C	PIN SPIROL 3/8X2 1/2 PLAIN	(S/N 209100-)
13	890-961C	RC25 TAILWHEEL YOKE, 1.5 SHAFT	Rev. 2
14	842-589C	HHCS 3/4-16X7 1/2 GR5	
15	803-114C	NUT LOCK 3/4-16 NYLOC COLLAR	
16		HUB 4BLT DUCTILE(USE 815-230C)	
17	803-289C	NUT HEX 1 1/4-7(MACHINED)PLAIN	Rev. 2
17	312-124D	RPBY 803-289C	Rev 1; Use up stock
18	816-009C	OIL SEAL DOUBLE LIP	
19	822-091C	BRG 1.25ID CONE 15123	
20	822-092C	BRG CUP 2.44OD 15245	
21	802-326C	HHCS 1/2-20X1 1/4 GR5	(S/N 336501+) Optional Rev. 2
21	802-240C	HHCS 1/2-20X1 GR5	(S/N 336500-) Optional Rev 1; Use up stock
22	804-015C	WASHER LOCK SPRING 1/2 PLT	Optional
23	804-016C	WASHER FLAT 1/2 SAE PLT	Optional
24	814-058C	TIRE & WHEEL LAMINATED 4.0 X 8	
25	815-230C	HUB 4 BLT W/CUPS, ZERK & STUDS	Rev. 2
26	800-001C	GREASE ZERK STRAIGHT 1/4-28	
27	827-036C	BUSHING TW 1.25ODX.78IDX5 1/4	Rev. 2
27	312-123D	RPBY 827-036C	Rev 1; Use up stock
28	815-092C	HUB & SPINDLE ASSY 4 BOLT	Rev. 2
28	312-131K	RPBY 814-162C	Rev 1; Use up stock
29	802-106C	RHSNB 1/2-13X1 1/2 GR5	(S/N 243129+)
29	802-091C	HHCS 1/2-13X1 1/2 GR5	(S/N 243128-) Rev. 2
29	802-034C	HHCS 1/2-13X1 1/4 GR5	Rev 1; Use up stock
30	818-681C	DECAL NOTICE - 20 MPH MAX	
31	814-161C	LAM 4X8 TR-WL-HUB-YOKE 25 SER.	
32	803-308C	NUT HEX FLG/LK 1/2-20 PLT GR G	
33	802-135C	HUB STUD 1/2-20X1 5/8 GR5	

Tailwheel Single (RCR2584 & RCR1684 S/N 1180233-)

Applies to Models: RCR2684 S/N 1180233-, RCR2584

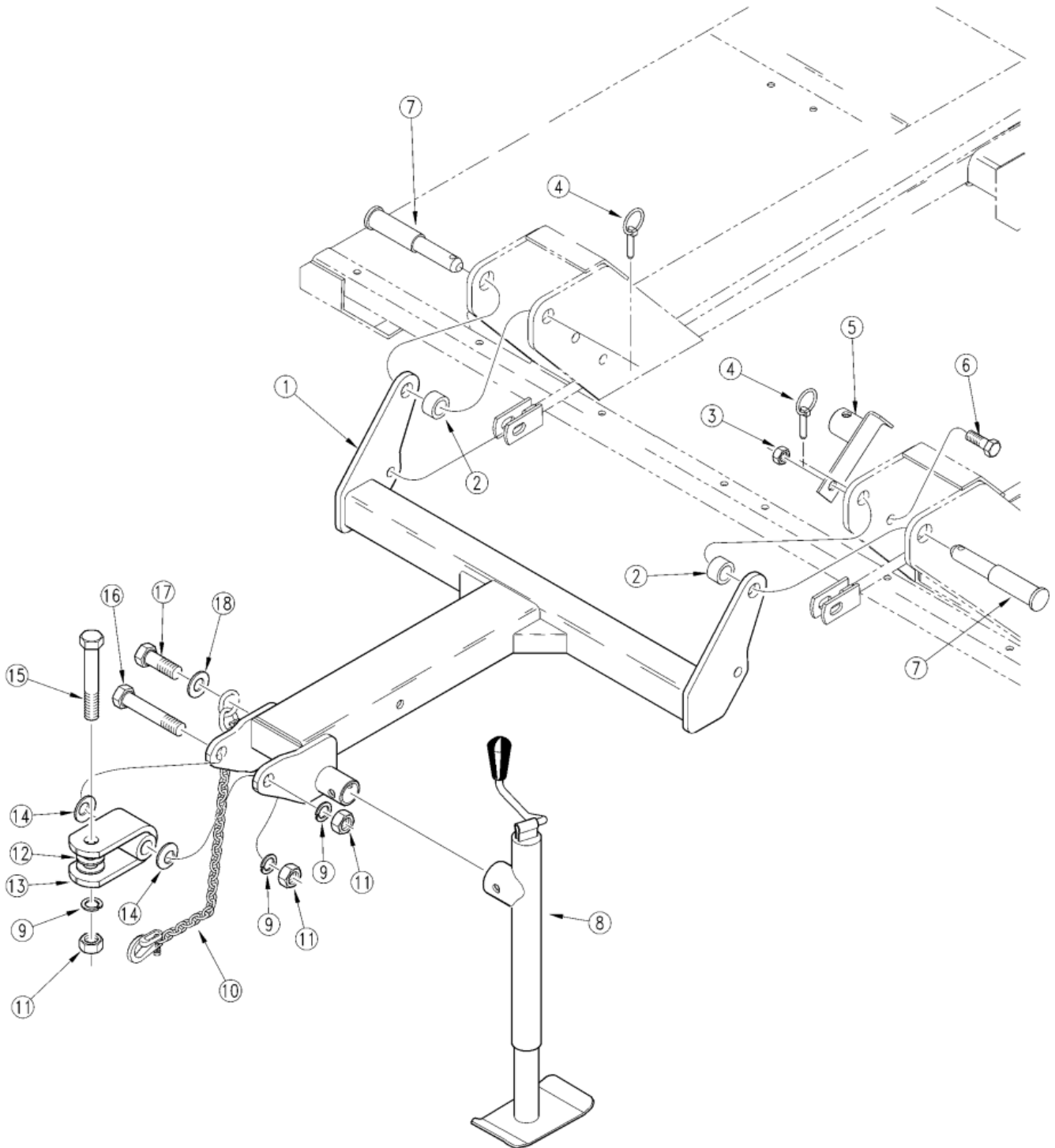


Tailwheel Single (RCR2584 & RCR1684 S/N 1180233-)

Applies to Models: RCR2684 S/N 1180233-, RCR2584

Ref.	Part No.	Part Description	Comments
	DWG14032	Drawing Image Number	
1	804-066C	WASHER MACH 2.25 X 1.50 X 14GA	Rev. 2
1	804-063C	WASHER MACH 2.25 X 1.50 X 10GA	Rev 1; Use up stock
2	800-080C	GREASE ZERK 1/4-28 THD FORMING	
3	312-430H	TAILWHEEL BOOM WELDMENT	
4	802-106C	RHSNB 1/2-13X1 1/2 GR5	(S/N 2433129)
4	802-091C	HHCS 1/2-13X1 1/2 GR5	(S/N 243128-) Rev. 1
5	312-616D	TAILWHEEL ARM ADJUST PLATE	Went to square holes (S/N 243129+)
6	804-016C	WASHER FLAT 1/2 SAE PLT	
7	312-614D	TAILWHEEL VERT SUPPORT LH	
8	312-615D	TAILWHEEL VERT SUPPORT RH	
9	802-153C	HHCS 5/8-11X3 3/4 GR5	
10	803-024C	NUT LOCK 5/8-11 PLT	
11	805-255C	PIN ROLL 3/8 X2 1/2 PLT	(S/N 209101+)
11	805-043C	PIN SPIROL 3/8X2 1/2 PLAIN	(S/N 209100-) Rev. 1
12	890-961C	RC25 TAILWHEEL YOKE, 1.5 SHAFT	
13	842-589C	HHCS 3/4-16X7 1/2 GR5	
14	803-114C	NUT LOCK 3/4-16 NYLOC COLLAR	
15	804-021C	WASHER FLAT 5/8 SAE PLT	
16	803-289C	NUT HEX 1 1/4-7(MACHINED)PLAIN	Rev. 2
16	312-124D	RPBY 803-289C	Rev 1; Use up stock
17	816-009C	OIL SEAL DOUBLE LIP	
18	822-091C	BRG 1.25ID CONE 15123	
19	822-092C	BRG CUP 2.44OD 15245	
20	802-326C	HHCS 1/2-20X1 1/4 GR5	Rev. 2
20	802-240C	HHCS 1/2-20X1 GR5	Rev 1; Use up stock
21	804-015C	WASHER LOCK SPRING 1/2 PLT	
22	804-016C	WASHER FLAT 1/2 SAE PLT	
23	814-058C	TIRE & WHEEL LAMINATED 4.0 X 8	
24	815-230C	HUB 4 BLT W/CUPS, ZERK & STUDS	S/N 635192+ REV 2
24	815-093C	RPBY 815-230C	S/N 635191-
24	312-106D	RPBY 815-093C	Rev 1; Use up stock
25	800-001C	GREASE ZERK STRAIGHT 1/4-28	
26	827-036C	BUSHING TW 1.25ODX.78IDX5 1/4	Rev. 2
26	312-123D	RPBY 827-036C	Rev 1; Use up stock
27	815-092C	HUB & SPINDLE ASSY 4 BOLT	Rev. 2
27	312-131K	RPBY 814-162C	Rev 1; Use up stock
28	802-106C	RHSNB 1/2-13X1 1/2 GR5	
29	803-019C	NUT LOCK 1/2-13 PLT	
30	818-681C	DECAL NOTICE - 20 MPH MAX	
31	814-161C	LAM 4X8 TR-WL-HUB-YOKE 25 SER.	
32	802-135C	HUB STUD 1/2-20X1 5/8 GR5	
33	803-308C	NUT HEX FLG/LK 1/2-20 PLT GR G	
34		HUB 4BLT DUCTILE(USE 815-230C)	

Applies to Models: RCR2684 S/N 1180233-, RCR2584

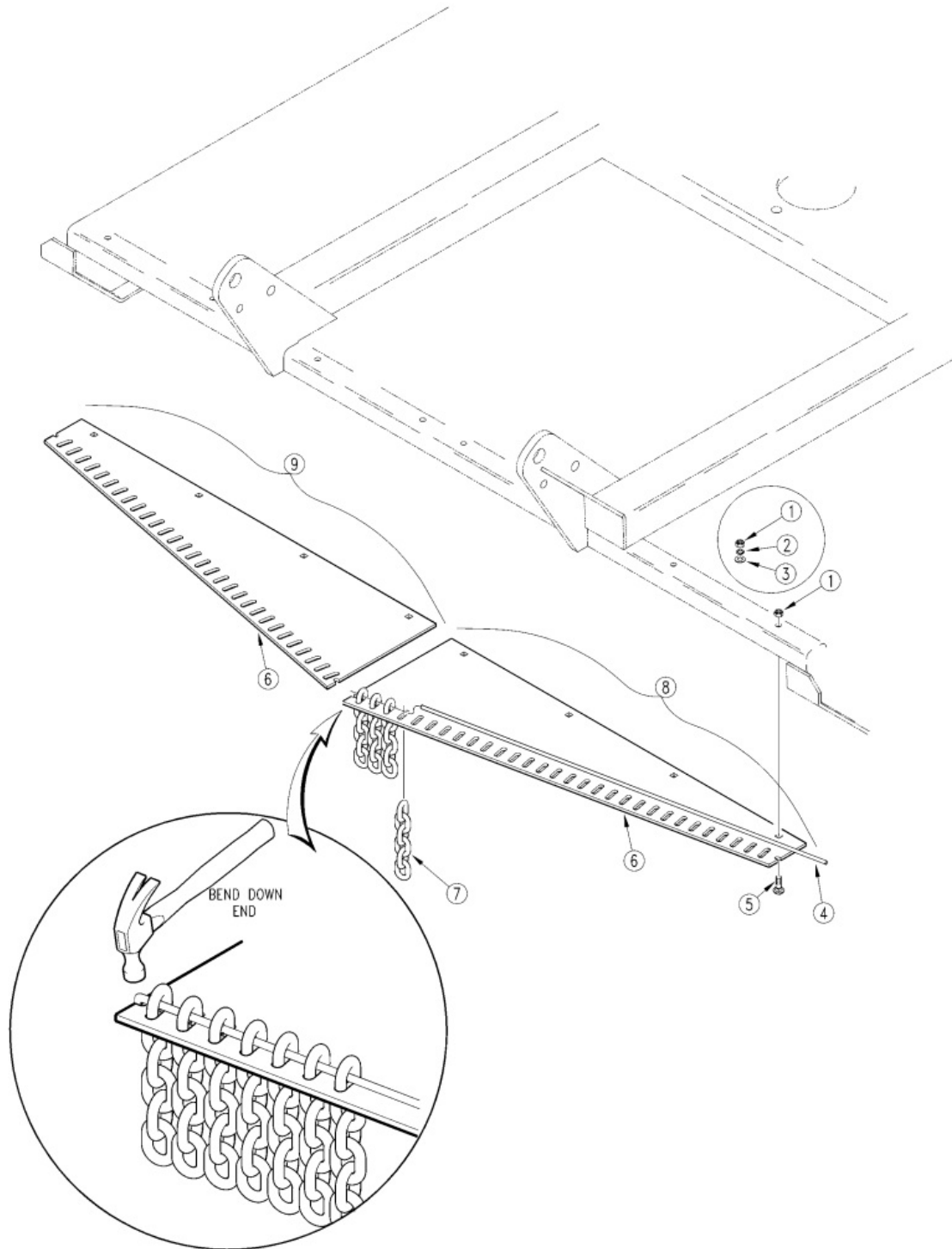


Applies to Models: RCR2684 S/N 1180233-, RCR2584

Ref.	Part No.	Part Description	Comments
	DWG14035	Drawing Image Number	
1	312-420H	TONGUE WELDMENT	
2	312-733D	TUBE 1 5/8 OD X 7/32 WL X1 LG.	
3	803-026C	NUT LOCK 3/4-10 PLT	
4	805-103C	PIN LINCH 7/16 X 1 3/4	
5	312-423H	PARKING JACK SUPPORT	
6	802-392C	HHCS 3/4-10X1 3/4 GR5	
7	300-236D	HITCH PIN CAT. II & III	
8	890-118C	SCREW JACK 2000# 14-24 TOP-WND	
9	804-027C	WASHER LOCK SPRING 1 PLT	
10	891-246C	AG SAFETY CHAIN 6400 LB	S/N 688691+
10	890-182C	SAFETY CHAIN 10000 LB	S/N 688690-
11	803-031C	NUT HEX 1-8 PLT	
12	804-028C	WASHER FLAT 1 USS PLT	
13	312-421H	CLEVIS WELDMENT	
14	804-125C	WASHER BELLEVILLE 1ID	
15	802-098C	HHCS 1-8X4 1/2 GR5	
16	802-074C	HHCS 1-8X6 1/2 GR5	
17	802-096C	HHCS 1-8X2 1/2 GR5	
18	804-029C	WASHER FLAT 1 SAE	

Front Chain Guard (RCR2560 & RCR2572)

Applies to Models: RCR2560, RCR2572



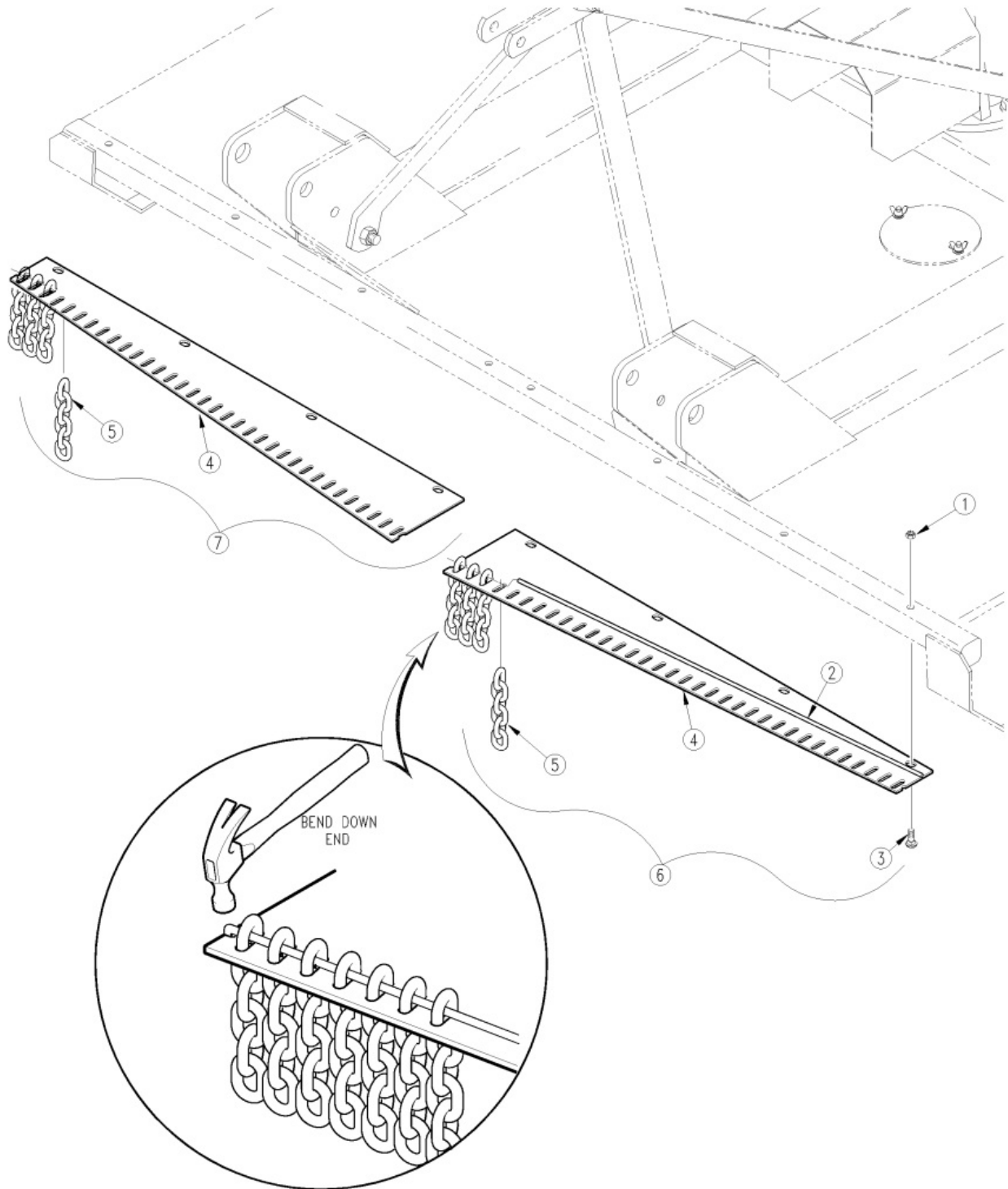
Front Chain Guard (RCR2560 & RCR2572)

Applies to Models: RCR2560, RCR2572

Ref.	Part No.	Part Description	Comments
	DWG13451	Drawing Image Number	
	312-395A	RCR2572 FRONT CHAIN GUARD ASSY	
	312-409A	RCR2560 FRONT CHAIN GUARD ASSY	
1	803-013C	NUT LOCK 3/8-16 PLT	Rev. 2
1	803-014C	NUT HEX 3/8-16 PLT	Rev 1; Use up stock
2	804-013C	WASHER LOCK SPRING 3/8 PLT	Replaced by 803-013C Rev 1; Use up stock
3	804-012C	WASHER FLAT 3/8 SAE PLT	Replaced by 803-013C Rev 1; Use up stock
4	312-624D	ROD 1/4 DIA X 38 1/8 LONG	RCR2572
4	312-655D	ROD 1/4 DIA X 32 3/8 LONG	RCR2560
5	802-468C	RHSNB 3/8-16X2 3/4 GR5 PLT	
6	312-620D	FRONT CHAIN GUARD	RCR2572
6	312-649D	FRONT CHAIN GUARD	RCR2560
7	890-175C	CHAIN 5/16 GR 43 X 6 LINKS PLT	
8	312-643K	RCR2560 LH FRNT CHN GRD SUB	
8	312-639K	RCR2572 LH FRNT CHN GRD SUB	
9	312-683K	RCR2560 RH FRNT CHN GRD SUB	
9	312-684K	RCR2572 RH FRNT CHN GRD SUB	

Front Chain Guard (RCR2584 & RCR2684 S/N 1180233-)

Applies to Models: RCR2684 S/N 1180233-, RCR2584



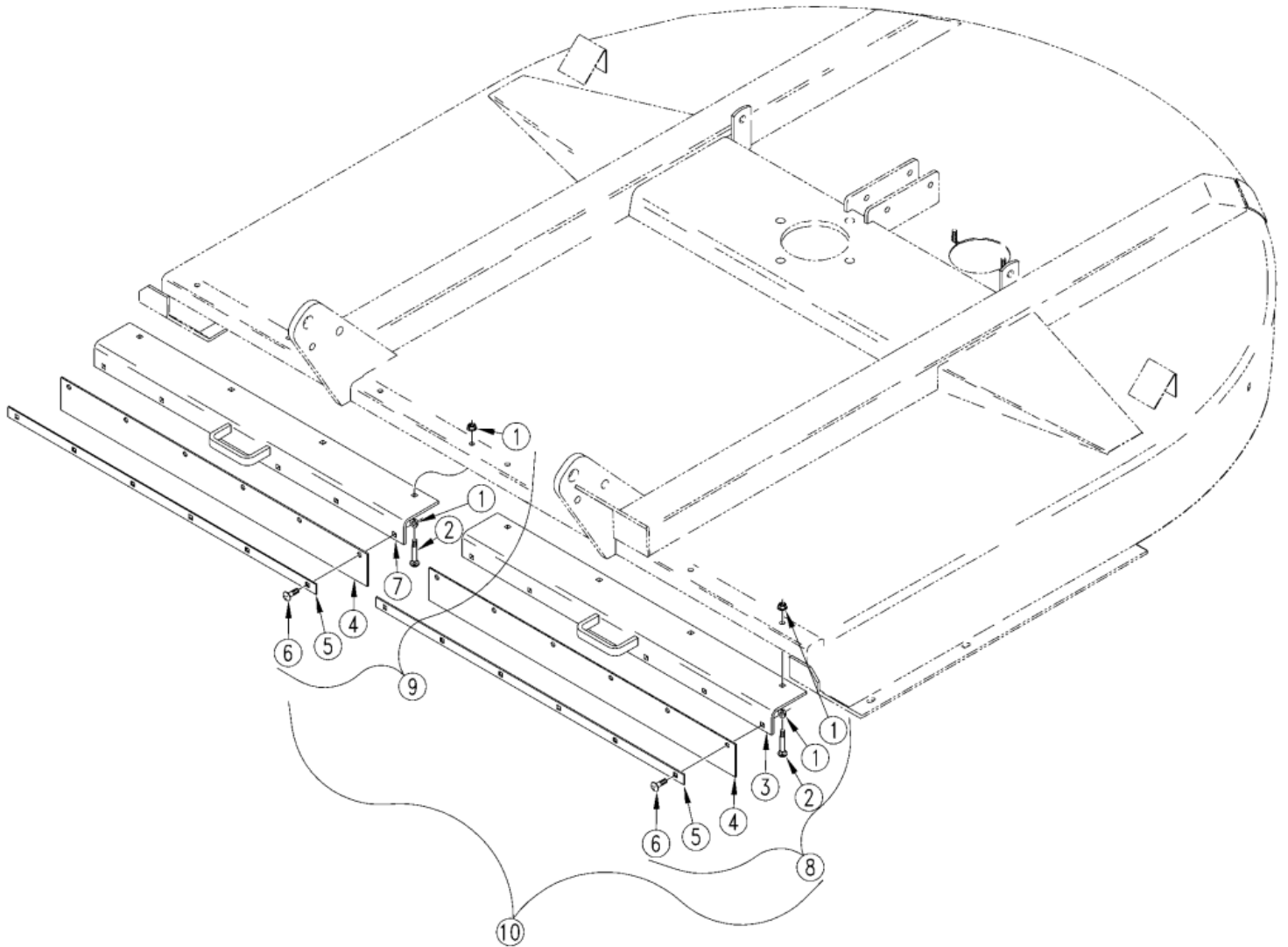
Front Chain Guard (RCR2584 & RCR2684 S/N 1180233-)

Applies to Models: RCR2684 S/N 1180233-, RCR2584

Ref.	Part No.	Part Description	Comments
	DWG14038 312-435A	Drawing Image Number FRONT CHAINGUARD ASSEMBLY *	
1	803-019C	NUT LOCK 1/2-13 PLT	
2	326-548D	ROUND ROD 1/4 X 44 3/4	
2	312-737D	RPBY 326-548D	Obsolete
3	802-440C	RHSNB 1/2-13X2 3/4 GR5	
4	312-680D	RCR2584 FRONT CHAINGUARD	
5	890-393C	CHAIN WELD 5/16 GR 43 X 7-LINK	
6	312-647K	RCR2584 LH FRNT CHN GRD SUB	
7	312-685K	RCR2584 RH FRNT CHN GRD SUB	

Front Rubber Guard (RCR2560 & RCR2572)

Applies to Models: RCR2560, RCR2572



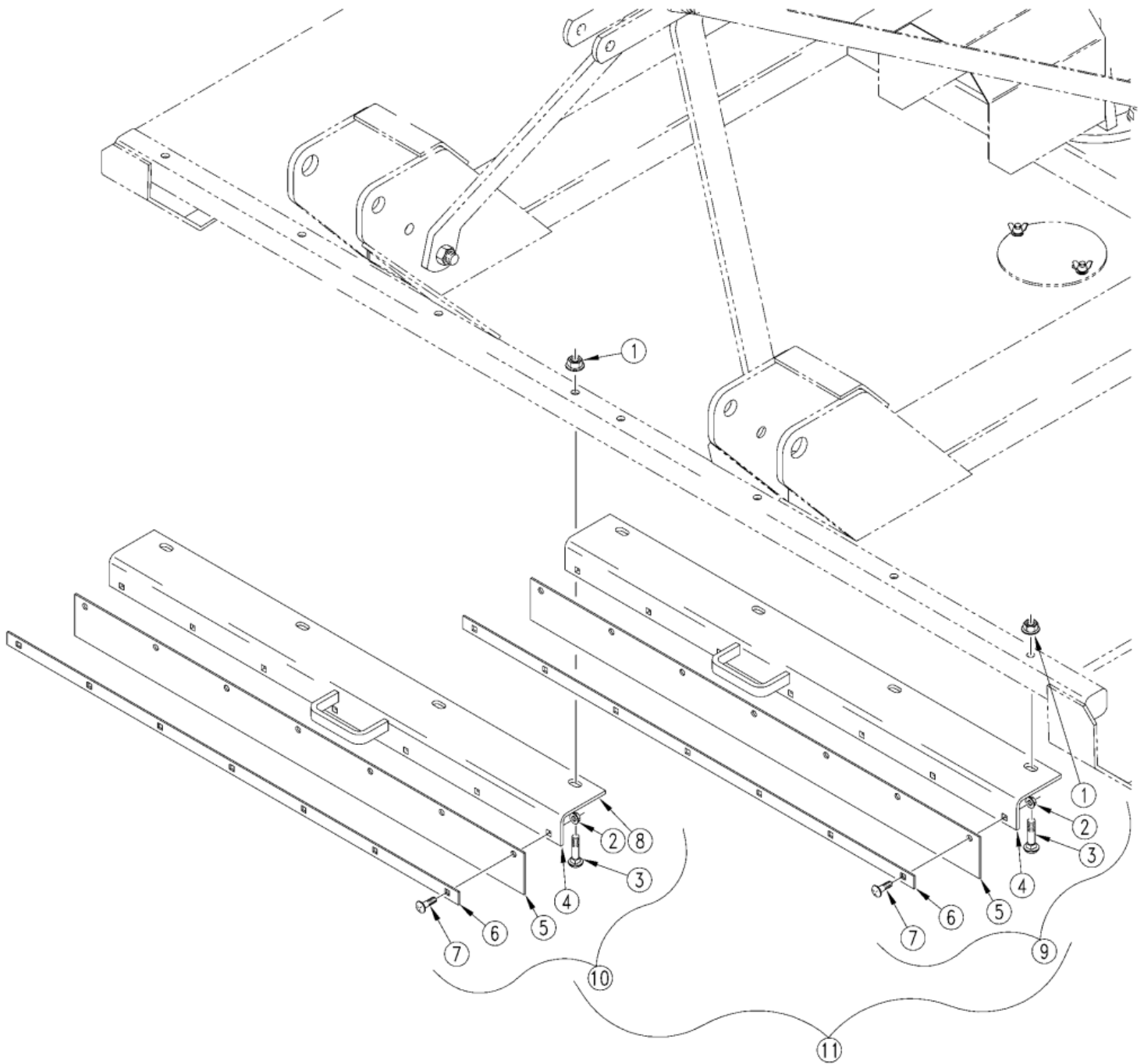
Front Rubber Guard (RCR2560 & RCR2572)

Applies to Models: RCR2560, RCR2572

Ref.	Part No.	Part Description	Comments
	DWG 18178	Drawing Image Number	
1	803-198C	NUT HEX WHIZ 3/8-16 PLT	
2	802-468C	RHSNB 3/8-16X2 3/4 GR5 PLT	
3	312-488H	72" WLDMT. DEF. BRKT.	
3	312-484H	60" WLDMT. DEF. BRKT. LH.	
4	816-263C	72" FRONT RUBBER DEFLECTOR	
4	816-262C	60" FRONT RUBBER DEFLECTOR	
5	312-772D	72" DEFLECTOR SUPPORT FLAT	
5	312-770D	60" DEFLECTOR SUPPORT FLAT	
6	802-155C	RHSNB 3/8-16X1 1/4 GR5	
7	312-488H	72" WLDMT. DEF. BRKT.	
7	312-485H	60" WLDMT. DEF. BRKT. RH.	
8	312-489L	RCR2572 ASSY. DEF. BRKT.	
8	312-486L	RCR2560 ASSY. DEF. BRKT. LH.	
9	312-489L	RCR2572 ASSY. DEF. BRKT.	Obsolete
9	312-487L	RCR2560 ASSY. DEF. BRKT. RH.	
10	312-482A	RCR2572 FRONT RUBBER GUARDS	
10	312-481A	RCR2560 FRONT RUBBER GUARDS	

Front Rubber Guard (RCR2584 & RCR2684 S/N 1180233-)

Applies to Models: RCR2684 S/N 1180233-, RCR2584



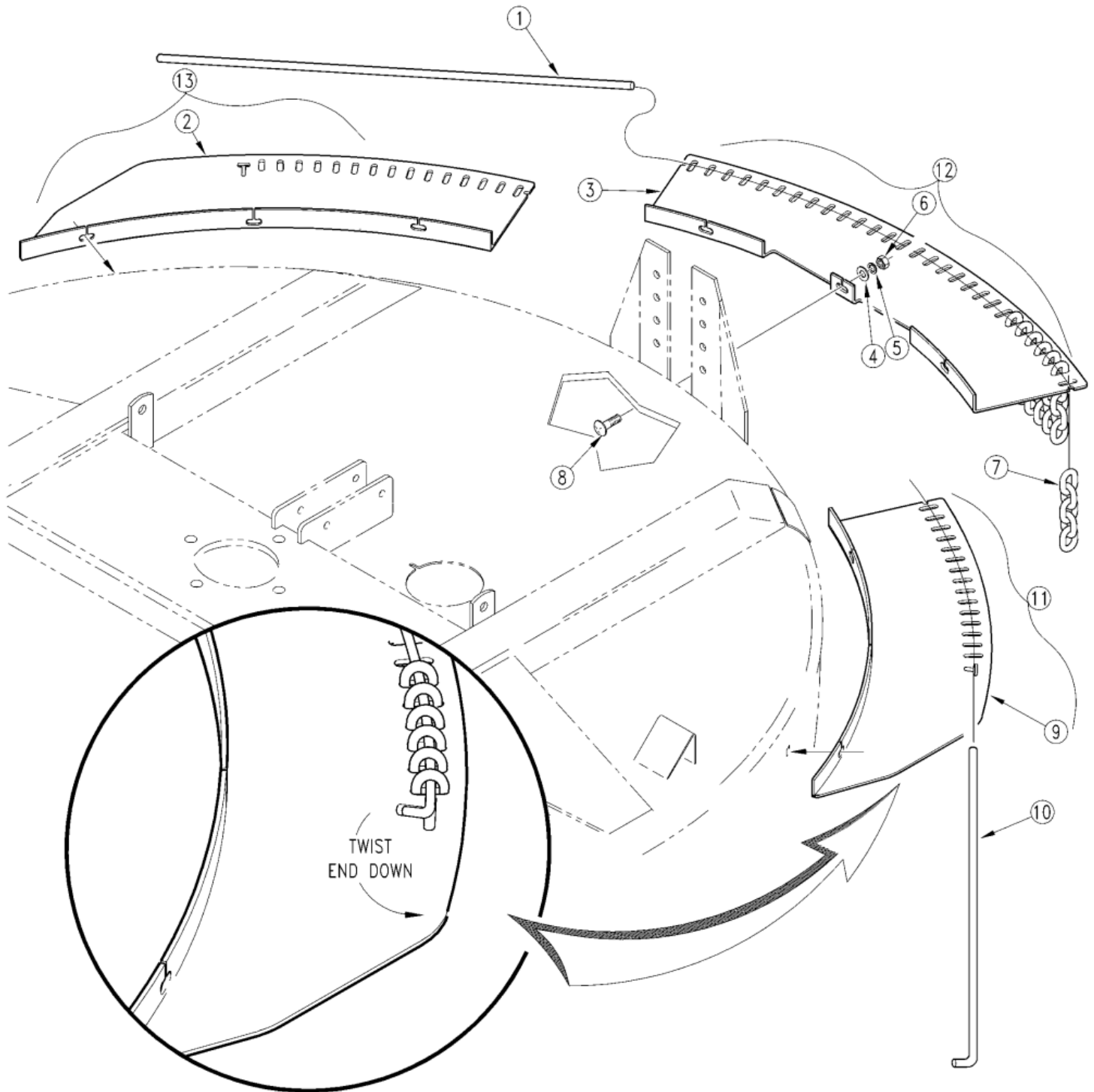
Front Rubber Guard (RCR2584 & RCR2684 S/N 1180233-)

Applies to Models: RCR2684 S/N 1180233-, RCR2584

Ref.	Part No.	Part Description	Comments
	DWG18179	Drawing Image Number	
1	803-037C	NUT HEX WHIZ 1/2-13 PLT GR5	
2	803-198C	NUT HEX WHIZ 3/8-16 PLT	
3	802-440C	RHSNB 1/2-13X2 3/4 GR5	
4	312-490H	84" WLDMT. DEF. BRKT. LH.	
5	816-264C	84" FRONT RUBBER DEFLECTOR	
6	312-774D	84" DEFLECTOR SUPPORT FLAT	
7	802-155C	RHSNB 3/8-16X1 1/4 GR5	
8	312-491H	84" WLDMT. DEF. BRKT. RH.	
9	312-492L	RCR2584 ASSY. DEF. BRKT. LH.	
10	312-493L	RCR2584 ASSY. DEF. BRKT. RH.	
11	312-483A	FRONT RUBBER GUARD ASSEMBLY	

Rear Chain Guard (RCR2560 & RCR2572)

Applies to Models: RCR2560, RCR2572



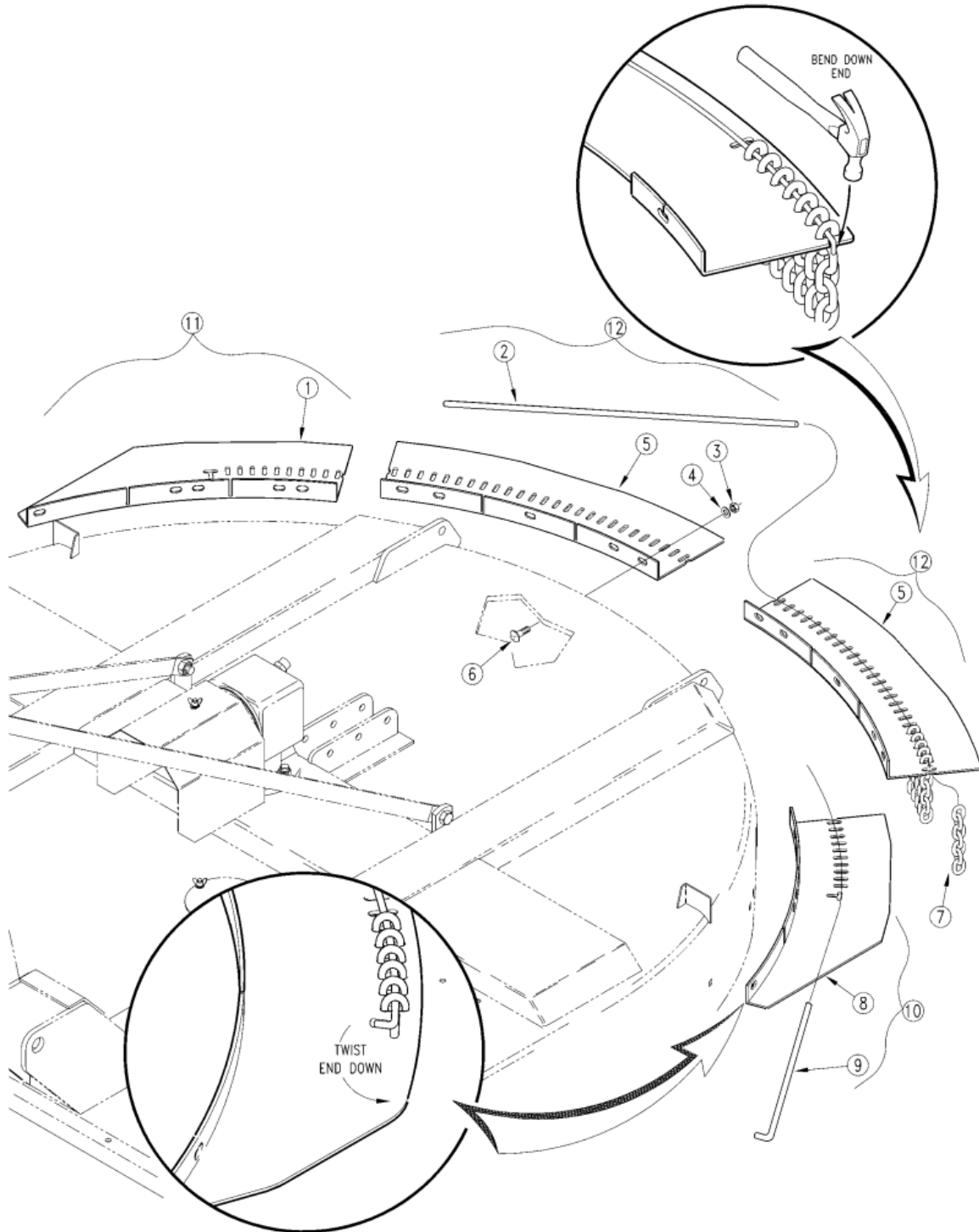
Rear Chain Guard (RCR2560 & RCR2572)

Applies to Models: RCR2560, RCR2572

Ref.	Part No.	Part Description	Comments
	DWG 13452	Drawing Image Number	
	312-396A	RCR25/RCR26 REAR CHAIN GD ASSY	
	312-410A	RCR25/RCR26 REAR CHAIN GD.ASSY *	
1	312-624D	ROD 1/4 DIA X 38 1/8 LONG	RCR2572
1	327-660D	ROUND ROD .25 X 34.27	RCR2560
1	312-653D	RPBY 327-660D	(Obsolete) RCR2560
2	312-622D	RH REAR CHAIN GUARD	RCR2572
2	312-651D	RH REAR CHAIN GUARD	RCR2560
3	312-623D	CTR REAR CHAIN GUARD	RCR2572
3	312-652D	CTR REAR CHAIN GUARD	RCR2560
4	804-016C	WASHER FLAT 1/2 SAE PLT	
5	804-015C	WASHER LOCK SPRING 1/2 PLT	
6	803-020C	NUT HEX 1/2-13 PLT	
7	890-341C	CHAIN WELD 5/16 GR 43 X 5 LINK	
8	802-106C	RHSNB 1/2-13X1 1/2 GR5	Rev. 2
8	802-214C	RHSNB 1/2-13X1 1/4 GR5	Rev 1; Use up stock
9	312-621D	LH REAR CHAIN GUARD	RCR2572
9	312-650D	LH REAR CHAIN GUARD	RCR2560
10	318-142D	ROUND ROD 1/4 X 21	RCR2572
10	312-625D	RPBY 318-142D	(Obsolete) RCR2572
10	318-141D	ROUND ROD 1/4 X 19	RCR2560
10	312-654D	RPBY 318-141D	(Obsolete) RCR2560
11	312-644K	RCR25/RCR26 60"LH.RR.CG.ASSY.	Includes items 4 through 10
11	312-640K	RCR25/26 72" LH RR CHN GRD SUB	
12	312-646K	RCR25/RCR26 60"CTR.RR.CG.ASSY.	Includes items 1 & 3 through 8
12	312-642K	RCR25/26 72"CTR RR CHN GRD SUB	
13	312-645K	RCR25/RCR26 60"RH.RR.CG.ASSY.	Includes items 2, 4 through 8 & 10
13	312-641K	RCR25/26 72" RH RR CHN GRD SUB	

Rear Chain Guard (RCR2584 & RCR2684 S/N 1180233-)

Applies to Models: RCR2684 S/N 1180233-, RCR2584



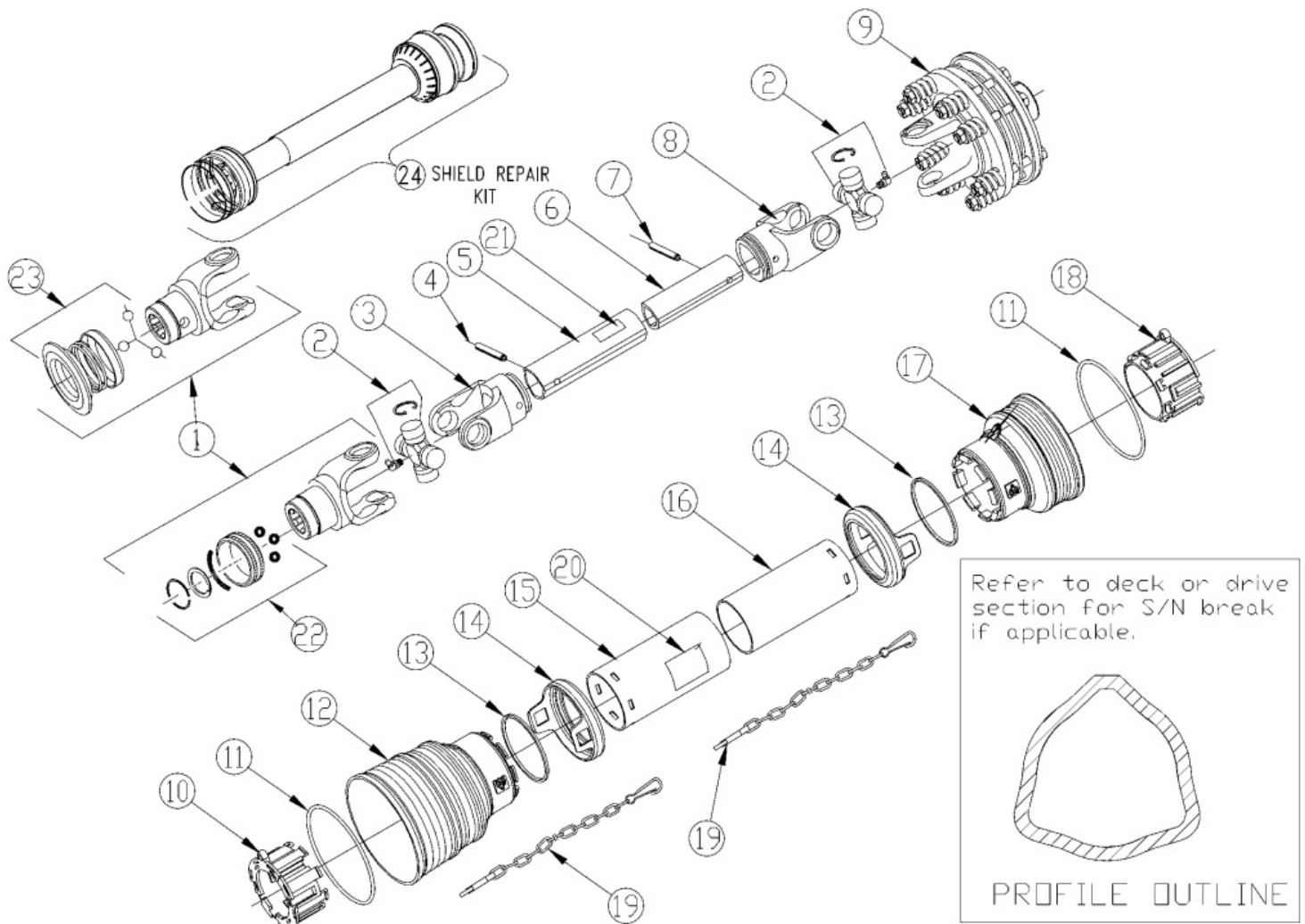
Rear Chain Guard (RCR2584 & RCR2684 S/N 1180233-)

Applies to Models: RCR2684 S/N 1180233-, RCR2584

Ref.	Part No.	Part Description	Comments
	DWG14039 312-436A	Drawing Image Number REAR CHAINGUARD ASSEMBLY *	
1	312-682D	RCR2584 REAR RH. CHAINGUARD	
2	326-099D	ROUND ROD 1/4 X 32	
2	312-736D	RPBY 326-099D	Obsolete
3	803-019C	NUT LOCK 1/2-13 PLT	
4	804-016C	WASHER FLAT 1/2 SAE PLT	
5	312-681D	RCR2584 REAR CEN CHAINGUARD	
6	802-106C	RHSNB 1/2-13X1 1/2 GR5	
7	890-341C	CHAIN WELD 5/16 GR 43 X 5 LINK	
8	312-683D	RCR2584 REAR LH. CHAINGUARD	
9	318-196D	ROUND ROD 1/4 X 12 1/2	
9	312-734D	RPBY 318-196D	Obsolete
10	312-648K	RCR2584 LH REAR CHN GRD SUB	
11	312-649K	RCR2584 RH REAR CHN GRD SUB	
12	312-650K	RCR2584 CTR REAR CHN GRD SUB	

Driveline (826-146C) EC New Shields

Applies to Models: RCR2572



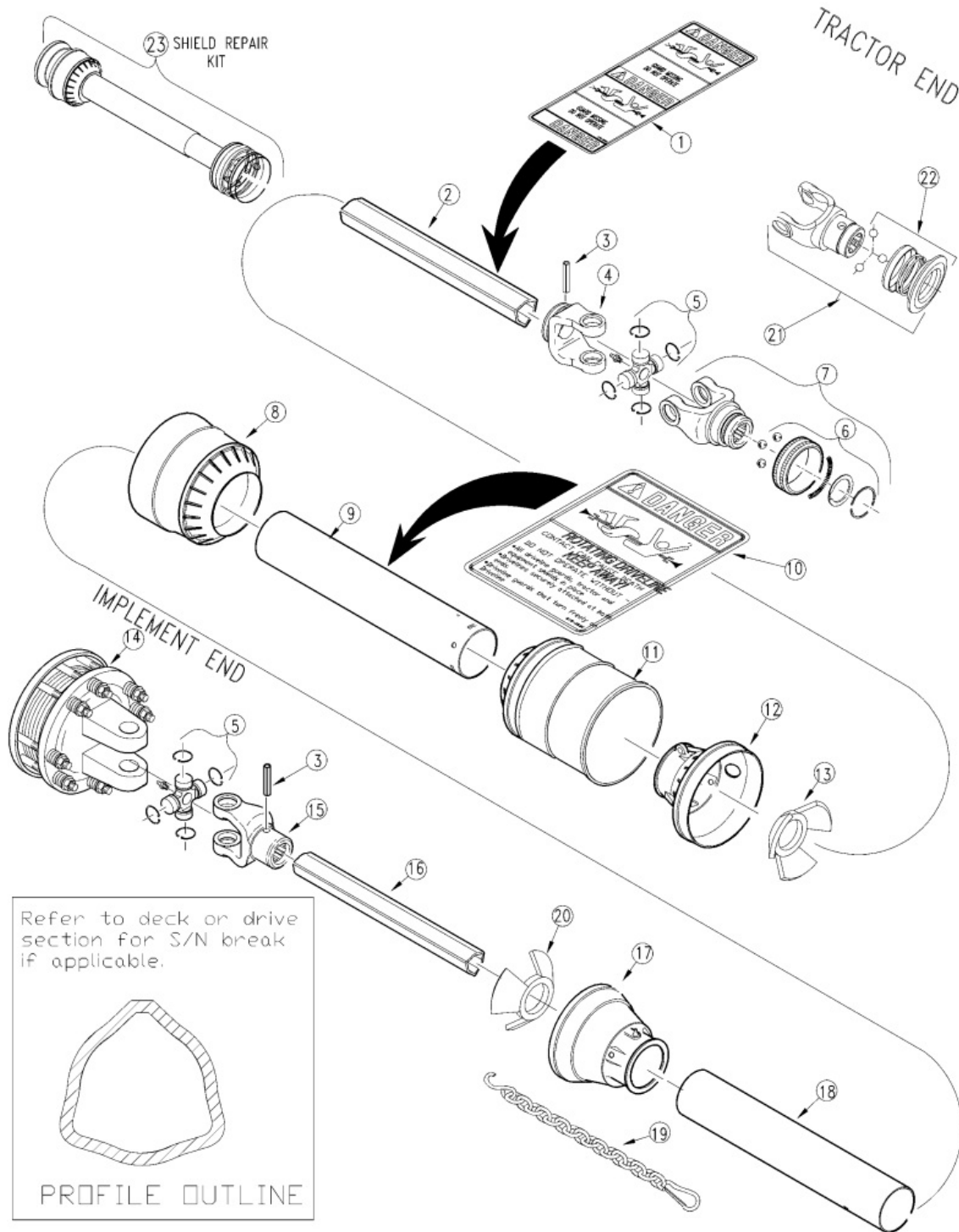
Driveline (826-146C) EC New Shields

Applies to Models: RCR2572

Ref.	Part No.	Part Description	Comments
	DWG 21426 826-146C	Drawing Image Number RPBY 826-672C *	Obsolete
1	1016013	EC YOKE ASSEMBLY	
1	1016012	RPBY 1016013	(Obsolete) Pull Collar
1	1016010	RPBY 1016012	(Obsolete) Twist Collar
2	1006020	EC CROSS ASSEMBLY	
3	1706027	EC OUTER TUBE YOKE	
4	6331080	EC 10X80-DIN-1481 O/TUBE R/PIN	
5	1528084	EC 840MM OUT. STOCK LENGTH TB.	
6	1526084	EC 840MM INNER STOCK TUBE	
7	6331070	EC 10X70 ROLL PIN	
8	1706029	EC INNER TUBE YOKE	
9	1466030	EC TORQUE LIM 4 FRICTION DISK	
10	1786710	EC TUBE BRG (OUTER TUBE)	
11	1215733	EC STIFFENING RING	
12	1885703	EC STANDARD CONE	
13	1215735	EC STOP RING	
14	1885709	EC SAFETY SLEEVE	
15	1876074	EC OUTER TUBE (1876094) 740MM	
16	1877074	EC INNER TUBE (1877094) 740MM	
17	1885702	EC SHORT CONE	
18	1786711	EC TUBE BRG (INNER TUBE)	
19	044321	DRIVELINE SHIELD SAFETY CHAIN	
20	818-552C	DECAL DANGER PTO DRIVELINE	
21	818-540C	DECAL DANGER GUARD MISS PTO	
22	1004220	EC TWIST COLLAR KIT (TRT. END)	
23	1004227	EC PULL COLLAR KIT EVOLUTION	
23	1004225	RPBY 1004227	Obsolete
24	826-574C	SHIELD KIT, 826-146C	

Driveline (826-146C) EC Old Shields

Applies to Models: RCR2572



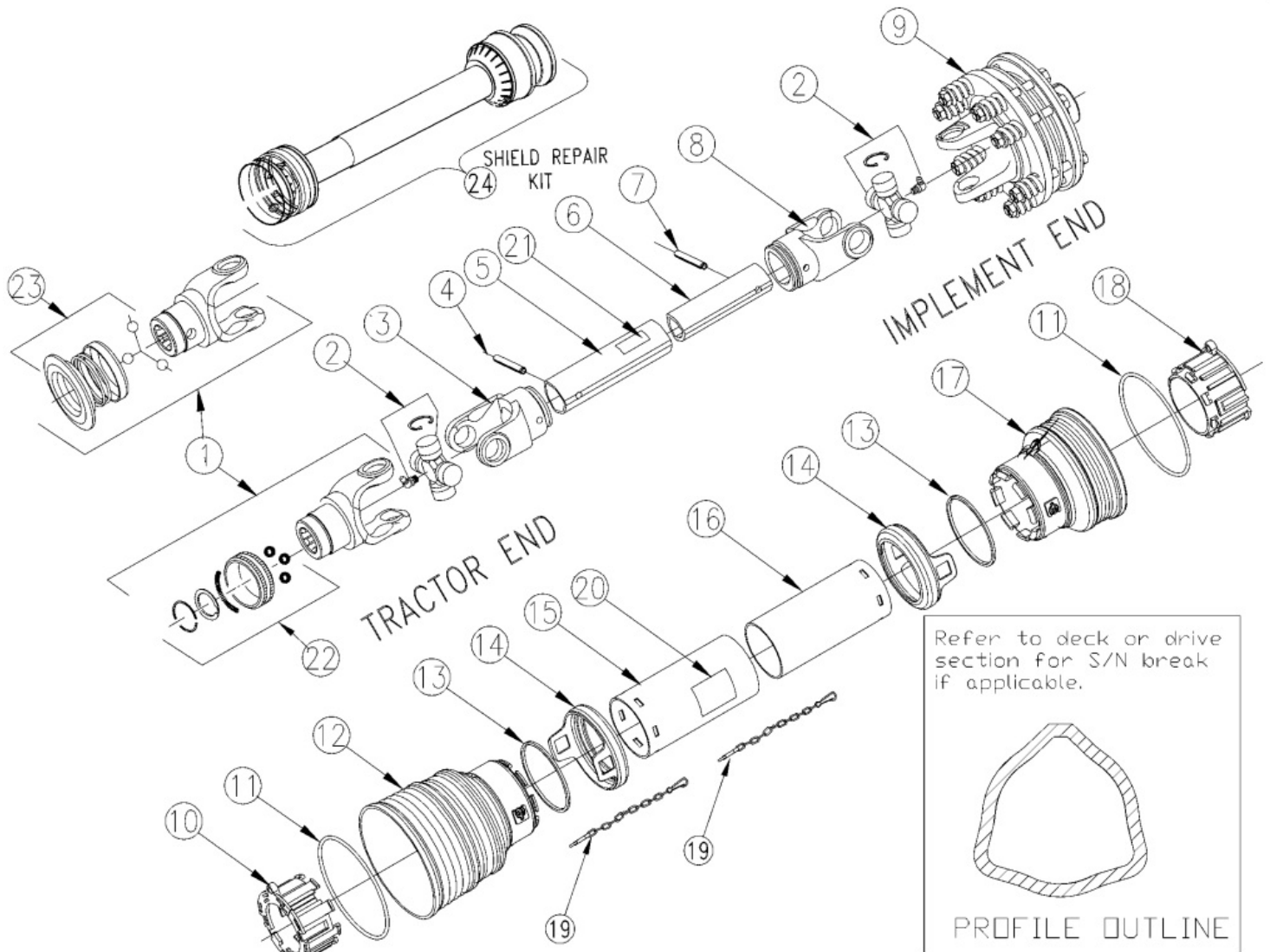
Driveline (826-146C) EC Old Shields

Applies to Models: RCR2572

Ref.	Part No.	Part Description	Comments
	DWG 14367 826-146C	Drawing Image Number RPBY 826-672C *	Obsolete
1	818-540C	DECAL DANGER GUARD MISS PTO	
2	1528084	EC 840MM OUT. STOCK LENGTH TB.	
3	6331080	EC 10X80-DIN-1481 O/TUBE R/PIN	
4	1706027	EC OUTER TUBE YOKE	
5	1006020	EC CROSS ASSEMBLY	
6	1004220	EC TWIST COLLAR KIT (TRT. END)	
7	1016013	EC YOKE ASSEMBLY	
7	1016012	RPBY 1016013	Obsolete
7	1016010	RPBY 1016012	(Obsolete) Rev. 2
7	1706570	RPBY 1016012	(Obsolete) Rev 1; Use up stock
8	1886012	EC SOFT CONE	
9	826-574C	SHIELD KIT, 826-146C	
9	1875076	RPBY 826-574C	Obsolete
10	818-552C	DECAL DANGER PTO DRIVELINE	
11	1886013	EC SOFT CONE	
12	1886010	EC OUTER RIGID CONE(OLD STYLE)	
12	1786010	RPBY 1886010	Obsolete
13	1786710	EC TUBE BRG (OUTER TUBE)	
13	1786009	RPBY 1786710	Obsolete
14	1466030	EC TORQUE LIM 4 FRICTION DISK	
15	1706029	EC INNER TUBE YOKE	
16	1526084	EC 840MM INNER STOCK TUBE	
17	1786011	RPBY 1886011	
18	1874076	EC INNER TUBE (1874113) 760MM	
19	044321	DRIVELINE SHIELD SAFETY CHAIN	
20	1786008	EC TUBE BRG (OLD STYLE)	
21	1016013	EC YOKE ASSEMBLY	
21	1016012	RPBY 1016013	Obsolete
22	1004227	EC PULL COLLAR KIT EVOLUTION	
22	1004225	RPBY 1004227	Obsolete
23	826-574C	SHIELD KIT, 826-146C	

Driveline (826-147C) EC New Shields

Applies to Models: RCR2560



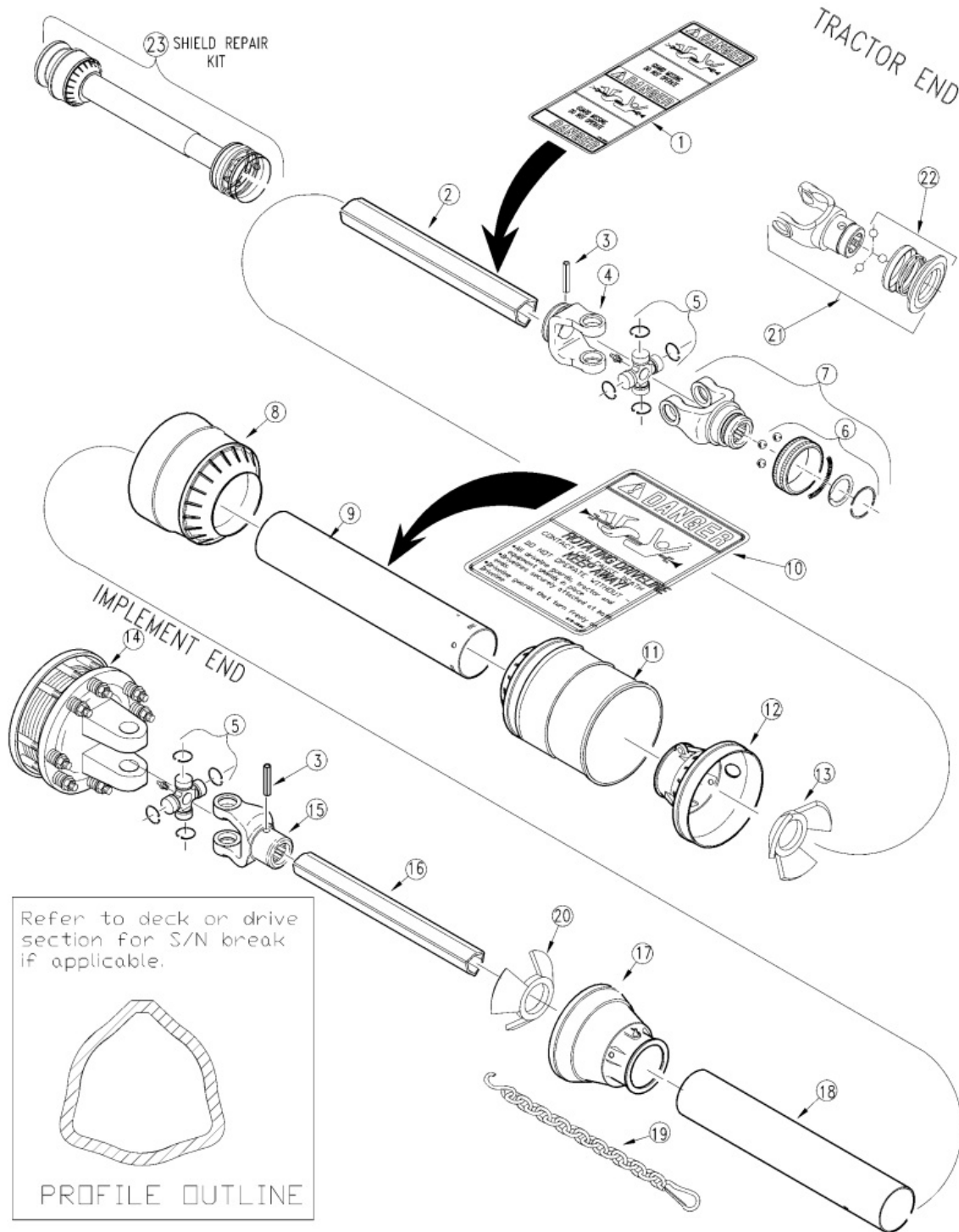
Driveline (826-147C) EC New Shields

Applies to Models: RCR2560

Ref.	Part No.	Part Description	Comments
	DWG21187 826-147C	Drawing Image Number DRVLN C4 36 1.38-6 QD CLTCH *	
1	1016013	EC YOKE ASSEMBLY	
1	1016012	RPBY 1016013	(Obsolete) Pull Collar
1	1016010	RPBY 1016012	(Obsolete) Twist Collar
2	1006020	EC CROSS ASSEMBLY	
3	1706027	EC OUTER TUBE YOKE	
4	6331080	EC 10X80-DIN-1481 O/TUBE R/PIN	
5	1528074	EC OUTER TUBE (1528084) 740MM	
6	1526074	EC INNER TUBE (1526084) 740MM	
7	6331070	EC 10X70 ROLL PIN	
8	1706029	EC INNER TUBE YOKE	
9	1466030	EC TORQUE LIM 4 FRICTION DISK	
10	1786710	EC TUBE BRG (OUTER TUBE)	
11	1215733	EC STIFFENING RING	
12	1885703	EC STANDARD CONE	
13	1215735	EC STOP RING	
14	1885709	EC SAFETY SLEEVE	
15	1876304	EC OUTER TUBE SHIELD	
15	1876064	RPBY 1876304	Obsolete
16	1877304	EC INNER TUBE SHIELD	
16	1877064	RPBY 1877304	Obsolete
17	1885702	EC SHORT CONE	
18	1786711	EC TUBE BRG (INNER TUBE)	
19	044321	DRIVELINE SHIELD SAFETY CHAIN	Rev. 2
19	1006065	RPBY 044321	(Obsolete) Rev 1; Use up stock
20	818-552C	DECAL DANGER PTO DRIVELINE	Rev. 2
20	1140001	RPBY 818-552C	(Obsolete) Rev 1; Use up stock
21	818-540C	DECAL DANGER GUARD MISS PTO	Rev. 2
21	1140003	RPBY 818-540C	(Obsolete) Rev 1; Use up stock
22	1004220	EC TWIST COLLAR KIT (TRT. END)	
23	1004227	EC PULL COLLAR KIT EVOLUTION	
24	826-575C	SHIELD KIT, 826-147C	

Driveline (826-147C) EC Old Shields

Applies to Models: RCR2560



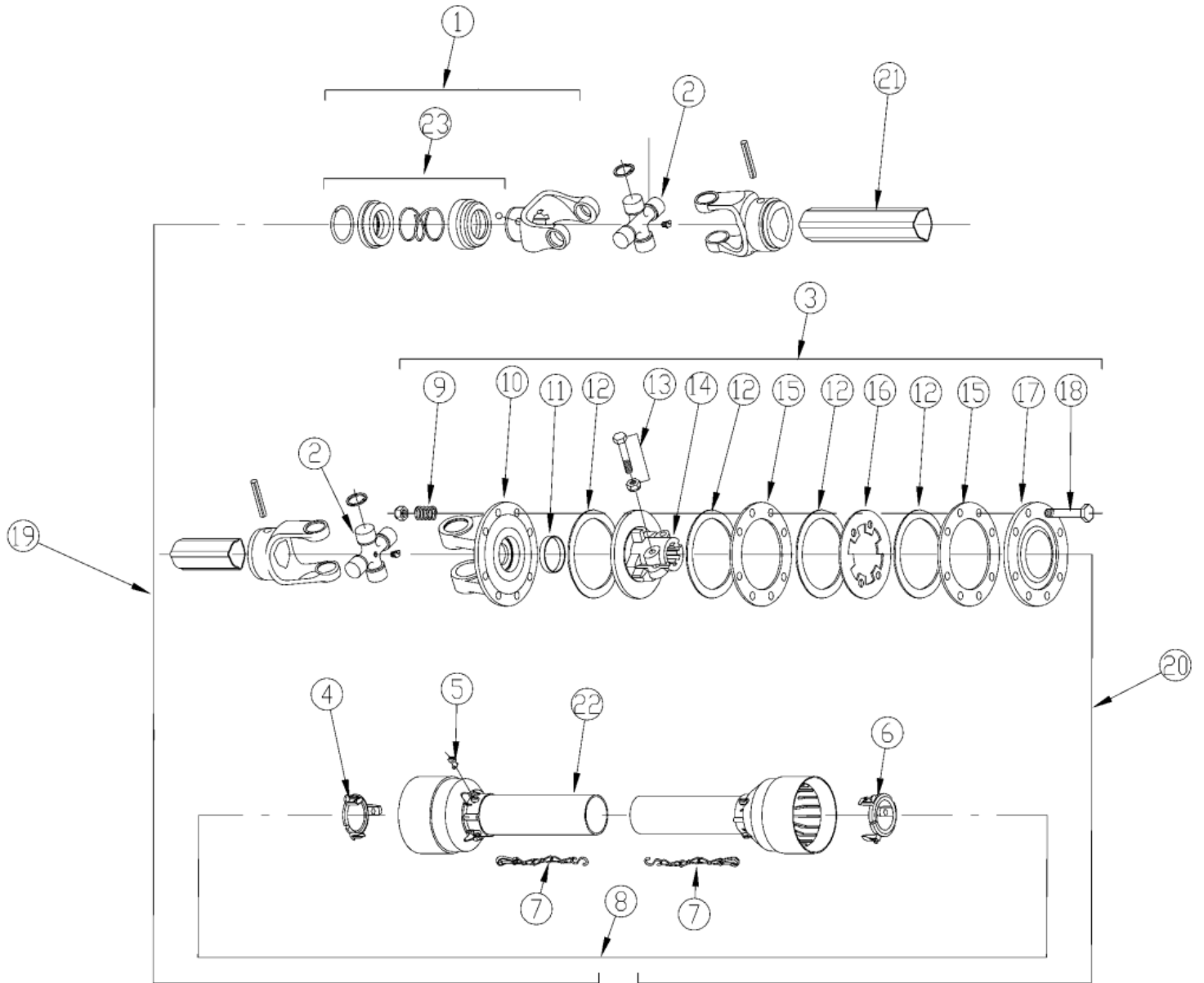
Driveline (826-147C) EC Old Shields

Applies to Models: RCR2560

Ref.	Part No.	Part Description	Comments
	DWG 14367 826-147C	Drawing Image Number DRVLN C4 36 1.38-6 QD CLTCH *	
1	818-540C	DECAL DANGER GUARD MISS PTO	
2	1528074	EC OUTER TUBE (1528084) 740MM	
3	6331080	EC 10X80-DIN-1481 O/TUBE R/PIN	
4	1706027	EC OUTER TUBE YOKE	
5	1006020	EC CROSS ASSEMBLY	
6	1004220	EC TWIST COLLAR KIT (TRT. END)	Rev. 2
7	1016013	EC YOKE ASSEMBLY	
7	1016012	RPBY 1016013	Obsolete
8	1886012	EC SOFT CONE	
9	1875066	EC OUTER STCK LNGTH TUBE 660MM	
10	818-552C	DECAL DANGER PTO DRIVELINE	
11	1886013	EC SOFT CONE	
12	1886010	EC OUTER RIGID CONE(OLD STYLE)	
12	1786010	RPBY 1886010	Obsolete
13	1786710	EC TUBE BRG (OUTER TUBE)	
13	1786009	RPBY 1786710	Obsolete
14	1466030	EC TORQUE LIM 4 FRICTION DISK	
15	1706029	EC INNER TUBE YOKE	
16	1526074	EC INNER TUBE (1526084) 740MM	
17	1786011	RPBY 1886011	
18	1874066	EC 660MM INNER TUBE	
19	044321	DRIVELINE SHIELD SAFETY CHAIN	
20	1786008	EC TUBE BRG (OLD STYLE)	
21	1016013	EC YOKE ASSEMBLY	
21	1016012	RPBY 1016013	Obsolete
22	1004227	EC PULL COLLAR KIT EVOLUTION	
23	826-575C	SHIELD KIT, 826-147C	

Driveline (826-673C) Comer

Applies to Models: RCR2684 S/N 1180233-



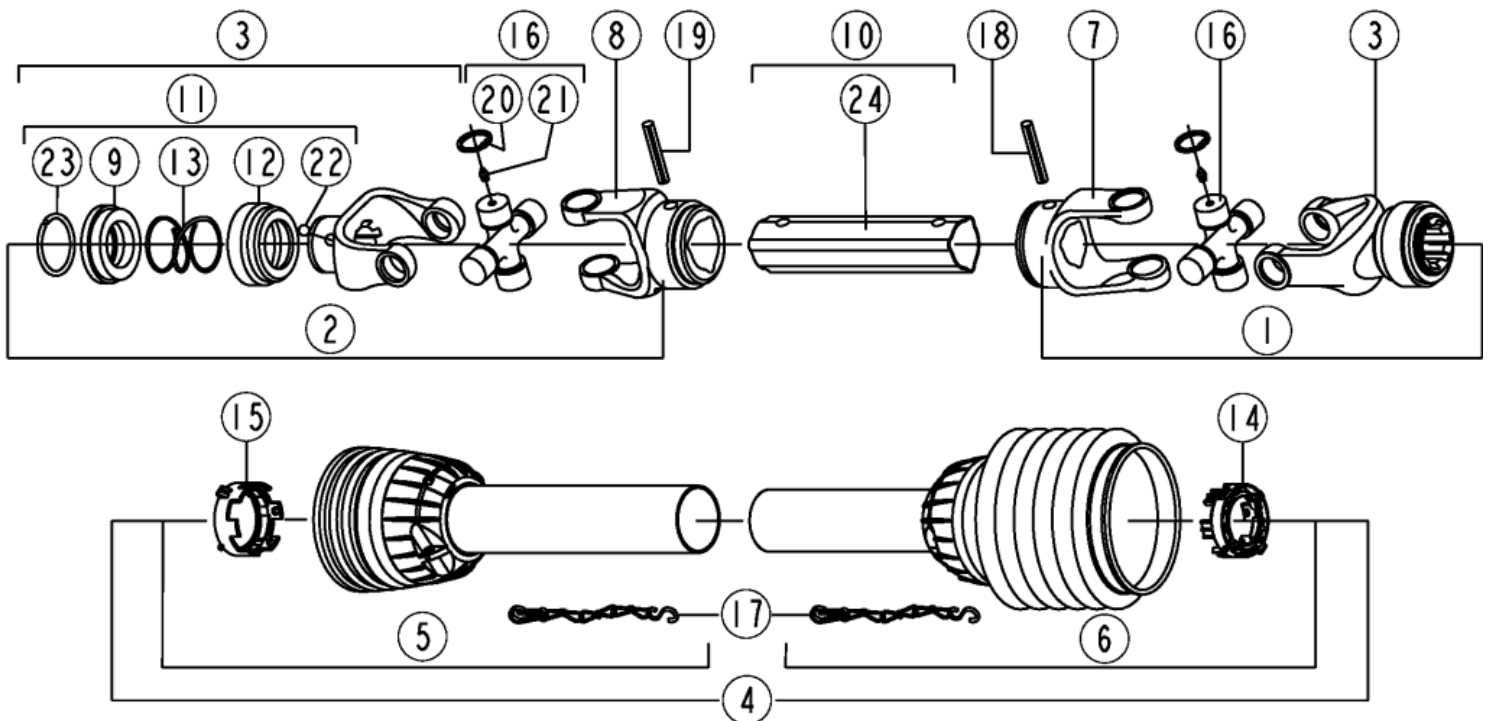
Driveline (826-673C) Comer

Applies to Models: RCR2684 S/N 1180233-

Ref.	Part No.	Part Description	Comments
	DWG 30694 826-673C	Drawing Image Number DRVLN C4 44 1.38-6 QD CLTCH *	
1	141.025.363.1	CO COMPLETE COLLAR YOKE C12	
2	180.015.130	COMER CROSS JOURNAL SET	
3	146.254.015.1	CO DISC CLUTCH F42 (11350 NM)	
4	180.015.288	CO GUARD RETAIN. COLLAR O. T.	
4	8180.015.288	RPBY 180.015.288	Obsolete
5	180.014.240	COMER BOLT	
5	8180.014.240	RPBY 180.014.240	Obsolete
6	180.015.289	CO GUARD RETAIN. COLLAR I. T.	
6	8180.015.289	RPBY 180.015.289	Obsolete
7	044321	DRIVELINE SHIELD SAFETY CHAIN	S/N 928934-
8	142.250.3657521	CO COMPLETE GUARD W/INSTRUCT	
9	180.014.022	COMER SPRING	
10	151.015.038.1	CO FLANGED YOKE	
11	180.019.019	COMER BUSH	
12	180.019.340	COMER LINING RING	
13	165.000.502	COMER NUT & BOLT M12X1.25X65	
14	151.019.011.1	CO CLUTCH SUPPORT F42	
15	180.019.014	COMER INNER PLATE	
16	180.019.115	COMER INTERMEDIATE PLATE	
17	180.019.116.1	COMER PRESSURE PLATE	
18	165.000.548	COMER BOLT WITH NUT M10X100	
19	8123.350.097.11	CO HALF FEMALE SHFT W/GUARD	
20	8123.450.295.11	CO HALF MALE SHAFT W/GUARD	
21	190.000.098	COMER DANGER LABEL OUTER TUBE	
22	190.000.099	COMER DANGER LABEL GUARD OUTER	
23	165.000.628	COMER COLLAR KIT 1 3/8 YOKE	

Driveline (826-892C) Comer

Applies to Models: RCR2684 S/N 1180233-, RCR2584



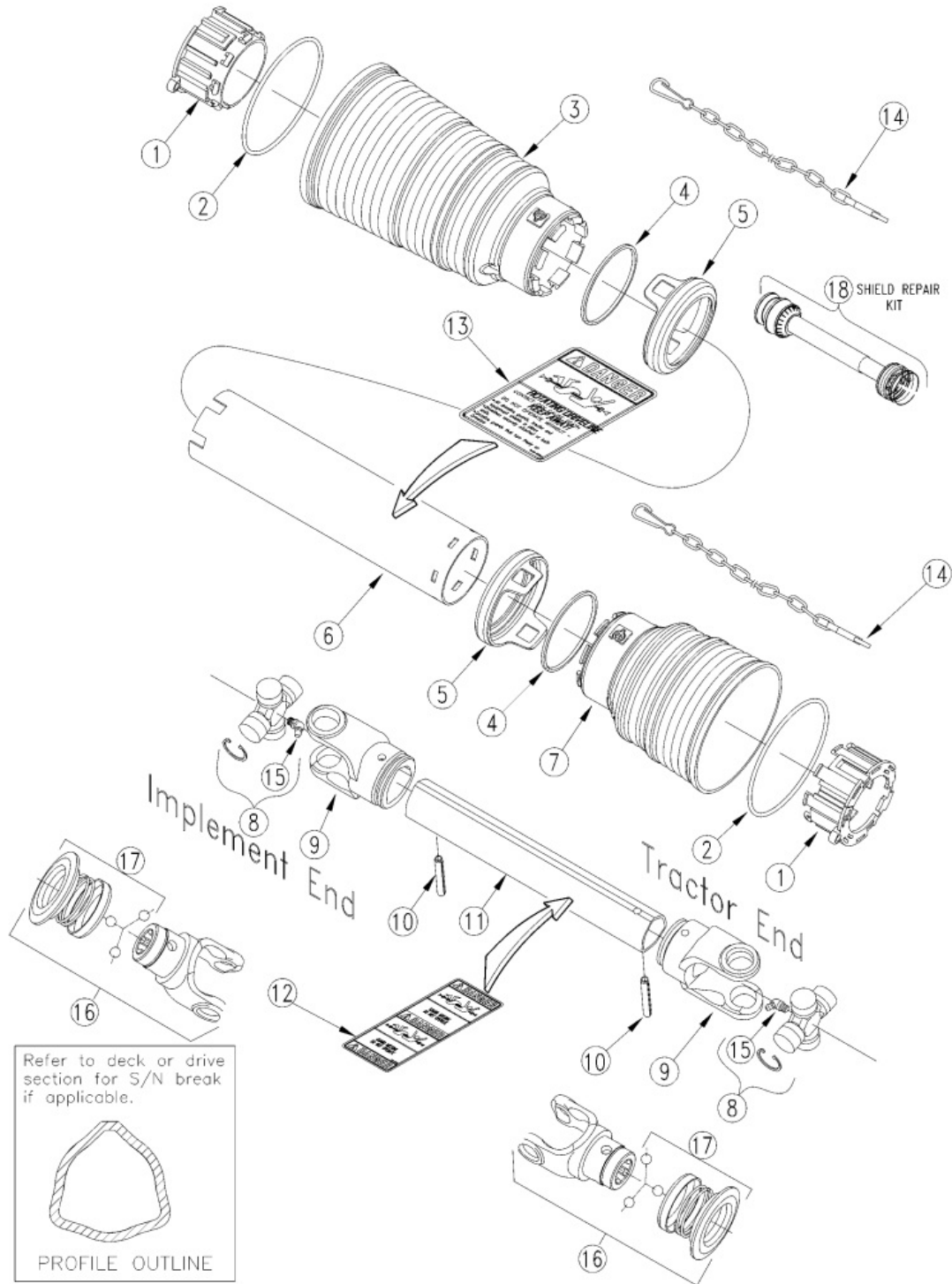
Driveline (826-892C) Comer

Applies to Models: RCR2684 S/N 1180233-, RCR2584

Ref.	Part No.	Part Description	Comments
	DWG 74778 826-892C	Image No. DRVLN C4 20F 1.38-6 QD *	
1	121026110811	U JOINT FOR INNER TUBE COMER	
2	121026116711	U JOINT FOR INNER TUBE SPECIAL	
3	141.026.544.1	CO COMPLETE COLLAR YOKE C12	
4	1423601967641	COMP GUARD W/ INST MAN. COMER	
5	1423662407641	HALF F GUARDING COMER	
6	1423671997641	HALF MALE GUARDING COMER	
7	151.016.029.1	CO INNER YOKE	
8	151.016.252.1	OUT YOKE BROACHED FON IN PROF.	
9	151.016.486	COMER SLIDING SLEEVE COLLER	
10	1531609310710	COMPLETE INNER TUBE COMER	
11	165.000.628	COMER COLLAR KIT 1 3/8 YOKE	
12	180.016.483	COMER FIXED SLEEVE	
13	180.016.487	COMER SPRING	
14	180.016.595	CO GRD RETAIN CLLR FOR INR TB	
15	180.016.596	CO GRD RETAIN CLLR FOR OTR TB	
16	180.016.780	CO CROSS JOURNAL SET	
17	180.016.790	CO SAFTEY CHAINS	
18	190.000.016	COMER ROLL PIN, INNER TUBE	
19	190.000.018	CO ROLL PIN OUTER TUBE	
20	190.000.032	CO CIRCLIP	
21	190.000.047	CO GREASE NIPPLE	
22	190.000.078	COMER BALL 1/2"	
23	190.000.451	COMER OUTER CIRCLIP	
24	190.000.453	DANGER LABEL FOR OUTER TUBE	

Driveline Fixed Shaft (826-151C) EC New Shielding

Applies to Models: RCR2684 S/N 1180233-, RCR2584



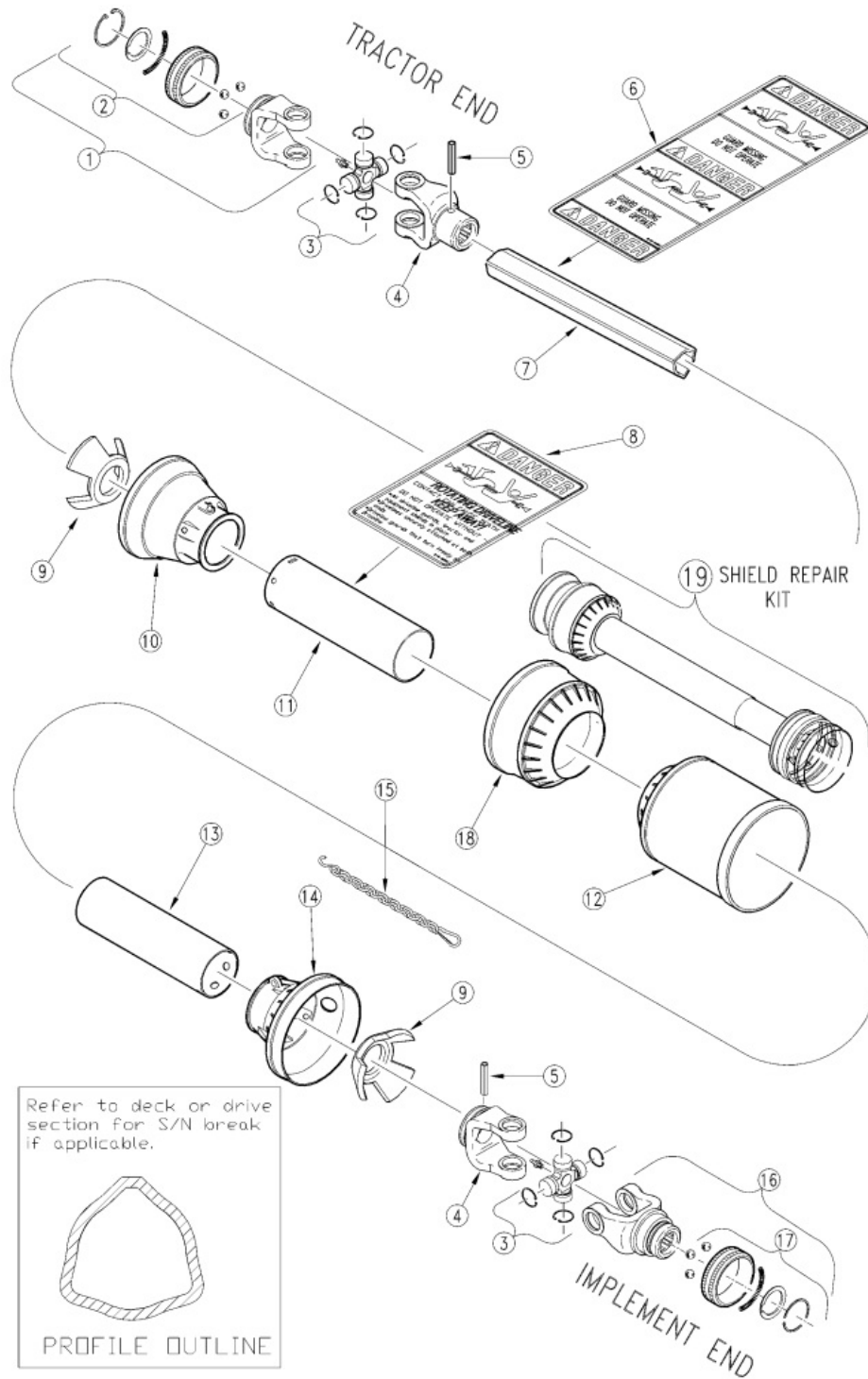
Driveline Fixed Shaft (826-151C) EC New Shielding

Applies to Models: RCR2684 S/N 1180233-, RCR2584

Ref.	Part No.	Part Description	Comments
	DWG 16610 826-151C	Drawing Image Number RPBY 826-892C *	Obsolete
1	1786710	EC TUBE BRG (OUTER TUBE)	
2	1215733	EC STIFFENING RING	
3	1885704	EC LONG CONE	
4	1215735	EC STOP RING	
5	1885709	EC SAFETY SLEEVE	
6	1876030D	EC OUTER TUBE (1876094) 300MM	
7	1885703	EC STANDARD CONE	
8	1006020	EC CROSS ASSEMBLY	
9	1706027	EC OUTER TUBE YOKE	
10	6331080	EC 10X80-DIN-1481 O/TUBE R/PIN	
11	1528040D	EC OUTER TUBE	
12	818-540C	DECAL DANGER GUARD MISS PTO	
13	818-552C	DECAL DANGER PTO DRIVELINE	
14	044321	DRIVELINE SHIELD SAFETY CHAIN	S/N 928934-
15	084099	WS ZERK M8 X 1 X 45 DEG	
15	6560508	RPBY 084099	Obsolete
16	1016013	EC YOKE ASSEMBLY	
16	1016012	RPBY 1016013	Obsolete
17	1004227	EC PULL COLLAR KIT EVOLUTION	
17	1004225	RPBY 1004227	Obsolete
18	826-578C	SHIELD KIT, 826-151C	

Driveline Fixed Shaft (826-151C) EC Old Shielding

Applies to Models: RCR2684 S/N 1180233-, RCR2584



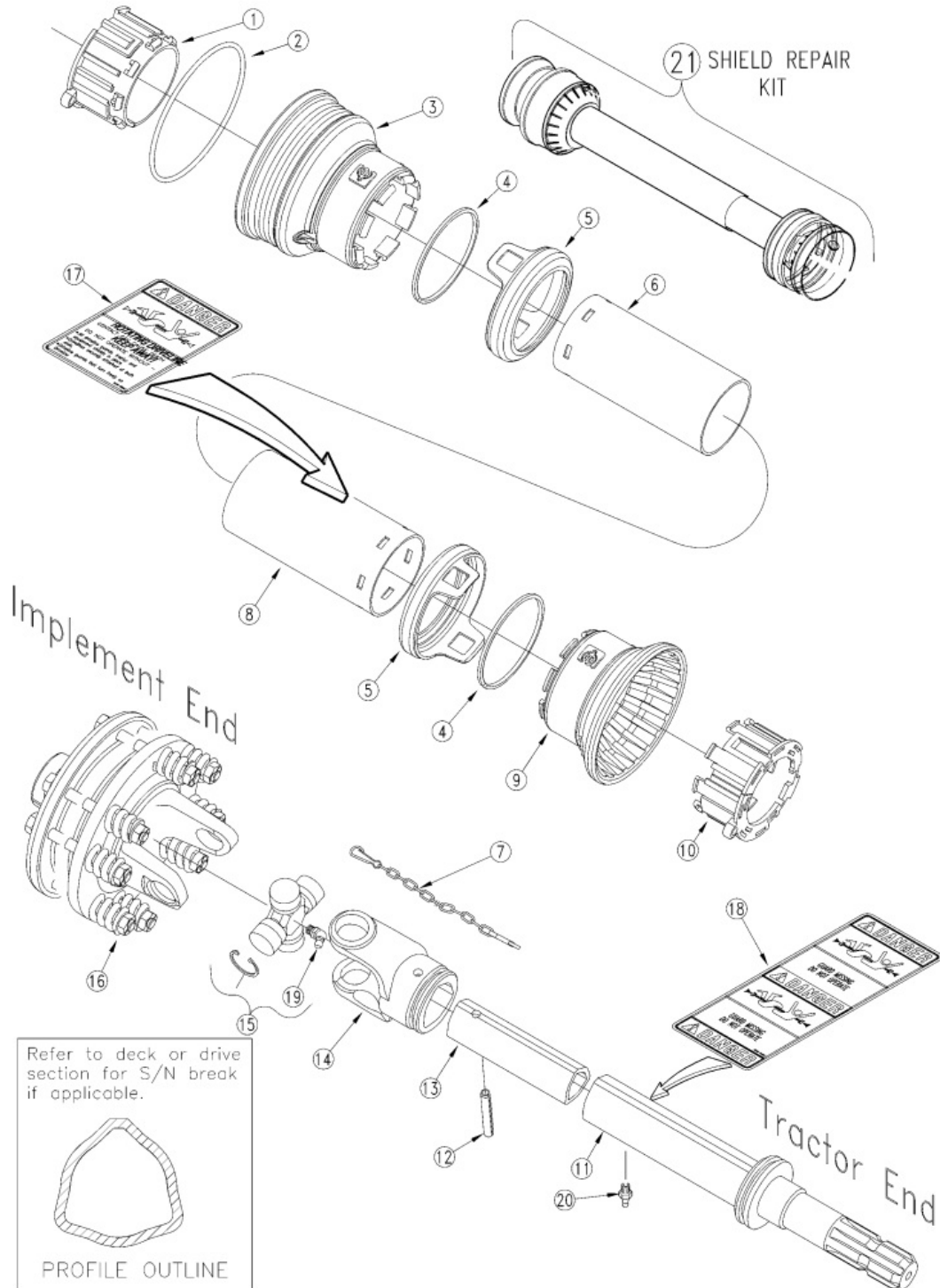
Driveline Fixed Shaft (826-151C) EC Old Shielding

Applies to Models: RCR2684 S/N 1180233-, RCR2584

Ref.	Part No.	Part Description	Comments
	DWG 14368 826-151C	Drawing Image Number RPBY 826-892C *	Obsolete
1	1016013	EC YOKE ASSEMBLY	
1	1016012	RPBY 1016013	Obsolete
1	1016010	RPBY 1016012	(Obsolete) Twist Type
2	1004220	EC TWIST COLLAR KIT (TRT. END)	
2	1004227	EC PULL COLLAR KIT EVOLUTION	
2	1004225	RPBY 1004227	Obsolete
3	1006020	EC CROSS ASSEMBLY	Rev. 2
3	1006017	RPBY 1006020	(Obsolete) Rev 1; Use up stock
4	1706027	EC OUTER TUBE YOKE	
5	6331080	EC 10X80-DIN-1481 O/TUBE R/PIN	
6	818-540C	DECAL DANGER GUARD MISS PTO	
7	1528303	RPBY 1528040D	Rev. 2
7	1528040D	EC OUTER TUBE	
7	1528323	RPBY 1528040D	Obsolete
7	1546040	RPBY 1528323	(Obsolete) Rev 1; Use up stock
8	818-552C	DECAL DANGER PTO DRIVELINE	
9	1786710	EC TUBE BRG (OUTER TUBE)	
9	1786009	RPBY 1786710	Obsolete
10	1886010	EC OUTER RIGID CONE(OLD STYLE)	Rev. 2
10	1786010	RPBY 1886010	(Obsolete) Rev 1; Use up stock
11	1875027	EC OUTER TB(1875066)270MM O.S.	Rev. 2
11	1786028	RPBY 1775027	(Obsolete) Rev 1; Use up stock
12	1886014	EC SOFT LONG CONE (OLD STYLE)	Rev. 2
12	1886013	EC SOFT CONE	Rev 1; Use up stock
13	1874027	EC INNER TB(1874066)270MM O.S.	Rev. 2
13	1776028	RPBY 1874027	(Obsolete) Rev 1; Use up stock
14	1786011	RPBY 1886011	
15	044321	DRIVELINE SHIELD SAFETY CHAIN	S/N 928934-
16	1116010	EC YOKE ASSY 1 3/8-6(IMP. END)	Twist Type
16	1016013	EC YOKE ASSEMBLY	
16	1016012	RPBY 1016013	Obsolete
17	1014013	EC YOKE ASSY (TRACTOR END)	
17	1004224	RPBY 1014013	Obsolete
17	1004227	EC PULL COLLAR KIT EVOLUTION	
17	1004225	RPBY 1004227	Obsolete
18	1886013	EC SOFT CONE	
19	826-578C	SHIELD KIT, 826-151C	

Driveline Jackshaft (826-152C) EC New Shielding

Applies to Models: RCR2684 S/N 1180233-, RCR2584



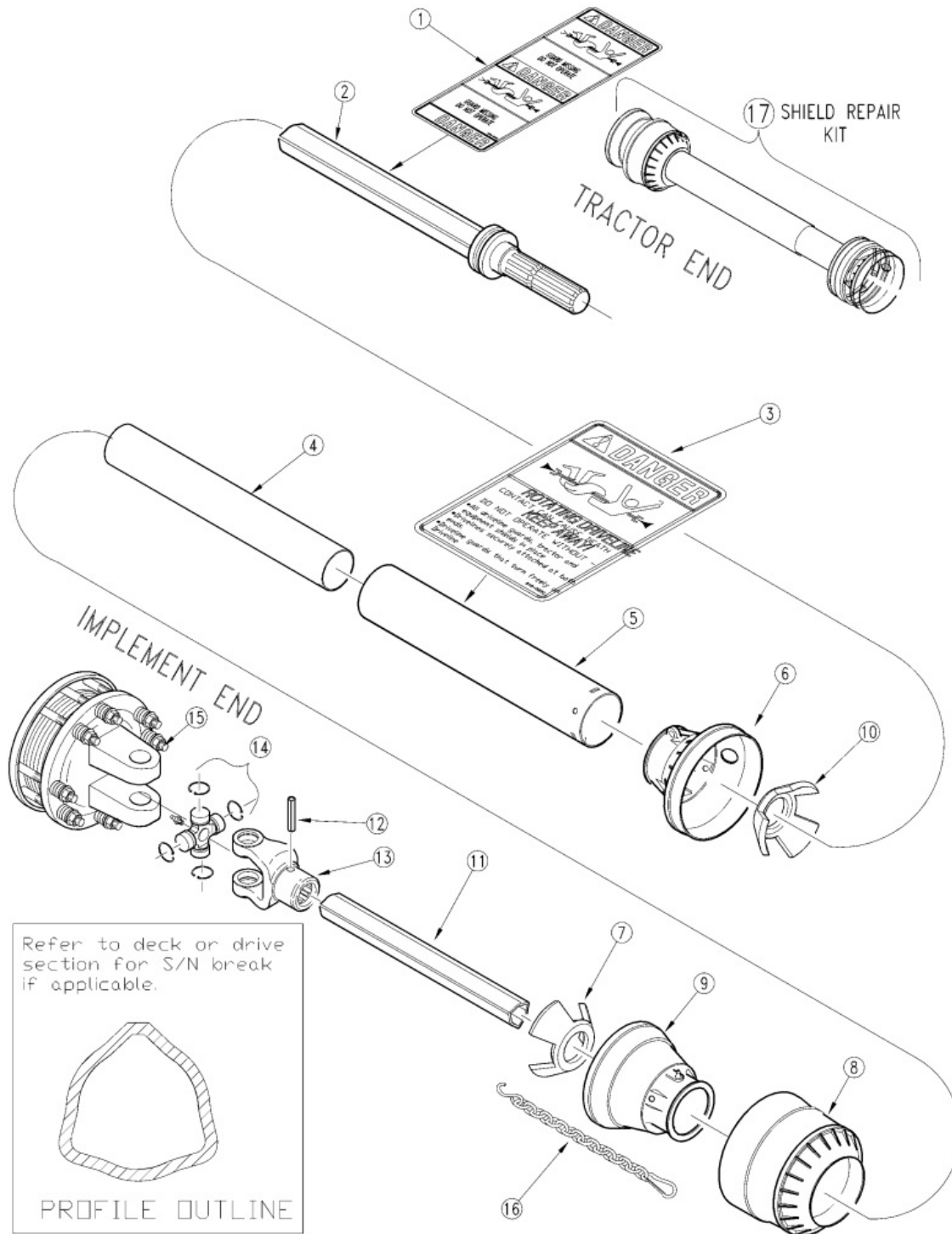
Driveline Jackshaft (826-152C) EC New Shielding

Applies to Models: RCR2684 S/N 1180233-, RCR2584

Ref.	Part No.	Part Description	Comments
	DWG 16173 826-152C	Drawing Image Number DRVLN C4 43 1.38-6 JS CLTCH *	
1	1786711	EC TUBE BRG (INNER TUBE)	
2	1215733	EC STIFFENING RING	
3	1885702	EC SHORT CONE	
4	1215735	EC STOP RING	
5	1885709	EC SAFETY SLEEVE	
6	1877092	EC INNER TUBE (1877094) 920MM	
7	044321	DRIVELINE SHIELD SAFETY CHAIN	S/N 928934-
8	1876092	EC OUTER TUBE (1876094) 920MM	
9	1885705	EC EXTRA SHORT CONE (FOR MX)	
10	1786710	EC TUBE BRG (OUTER TUBE)	
11	1896097N327	EC OUTER TUBE ASSY	
12	6331070	EC 10X70 ROLL PIN	
13	1526098	EC INNER TUBE (1526121) 980MM	
14	1706029	EC INNER TUBE YOKE	
15	1006020	EC CROSS ASSEMBLY	
16	1466030	EC TORQUE LIM 4 FRICTION DISK	
17	818-552C	DECAL DANGER PTO DRIVELINE	
18	818-540C	DECAL DANGER GUARD MISS PTO	
19	084099	WS ZERK M8 X 1 X 45 DEG	
19	6560508	RPBY 084099	Obsolete
20	6561306	EC GREASE ZERK M6X1 EXTRA SHRT	
21	826-579C	SHIELD KIT, 826-152C	

Driveline Jackshaft (826-152C) EC Old Shielding

Applies to Models: RCR2684 S/N 1180233-, RCR2584



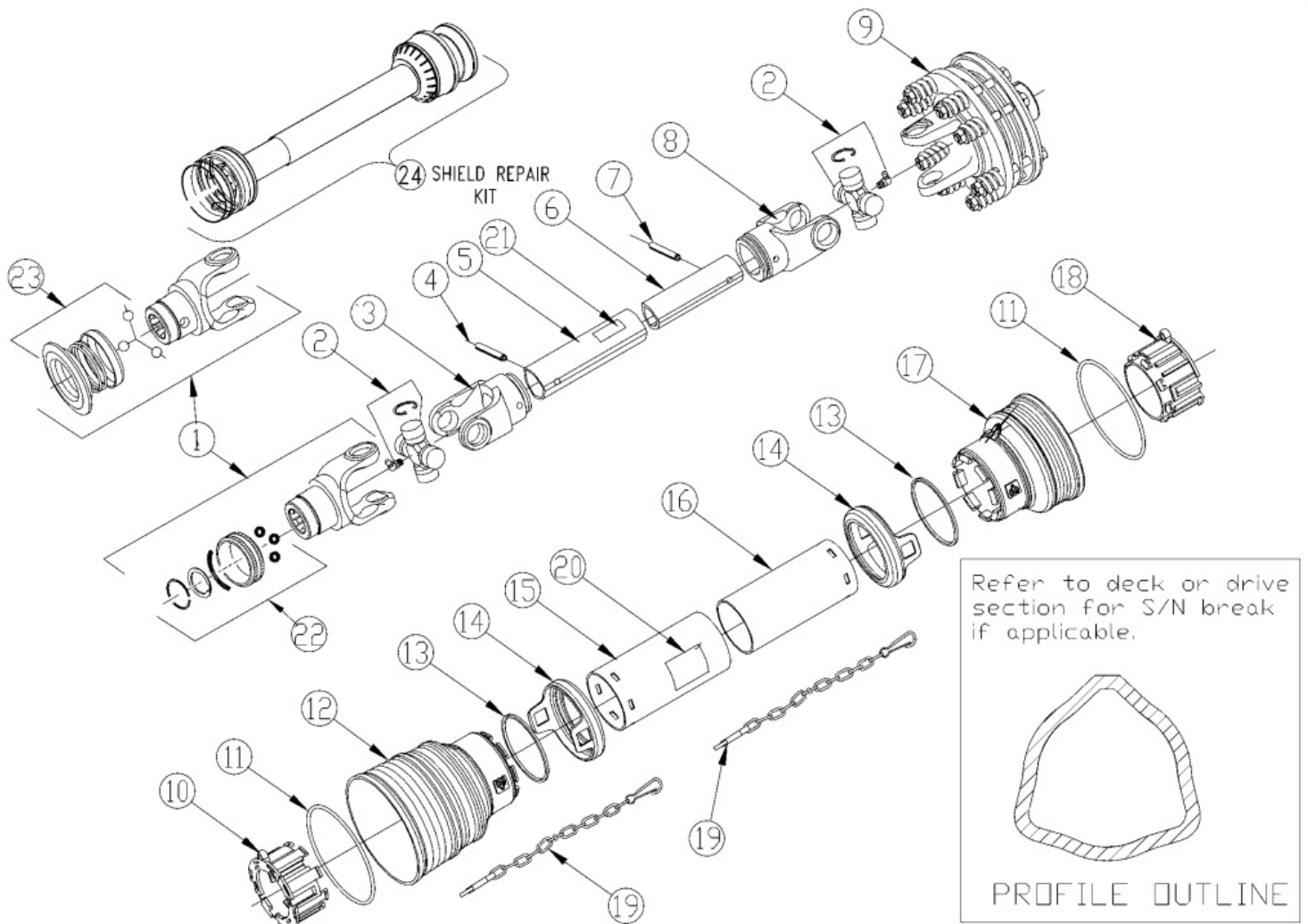
Driveline Jackshaft (826-152C) EC Old Shielding

Applies to Models: RCR2684 S/N 1180233-, RCR2584

Ref.	Part No.	Part Description	Comments
	DWG 14369	Drawing Image Number	
	826-152C	DRVLN C4 43 1.38-6 JS CLTCH	
1	818-540C	DECAL DANGER GUARD MISS PTO	
2	1896099	EC INNER TUBE ASSY	
3	818-552C	DECAL DANGER PTO DRIVELINE	
4	1874094	EC INNER TUBE (1874113) 940MM	
5	826-579C	SHIELD KIT, 826-152C	
5	1875094	RPBY 826-579C	
6	1886321	EC OUTER TUBE RIGID CONE	
7	1786710	EC TUBE BRG (OUTER TUBE)	
7	1786009	RPBY 1786710	
8	1886012	EC SOFT CONE	
9	1886011	EC INNER RIGID CONE(OLD STYLE)	
10	1786008	EC TUBE BRG (OLD STYLE)	
11	1528101	EC OUTER TUBE (1528106) 1010MM	
12	6331080	EC 10X80-DIN-1481 O/TUBE R/PIN	
13	1706027	EC OUTER TUBE YOKE	
14	1006020	EC CROSS ASSEMBLY	
15	1466030	EC TORQUE LIM 4 FRICTION DISK	
16	044321	DRIVELINE SHIELD SAFETY CHAIN	S/N 928934-
17	826-579C	SHIELD KIT, 826-152C	

Driveline Lift Type Cutter (826-150C) EC New Shielding

Applies to Models: RCR2684 S/N 1180233-, RCR2584



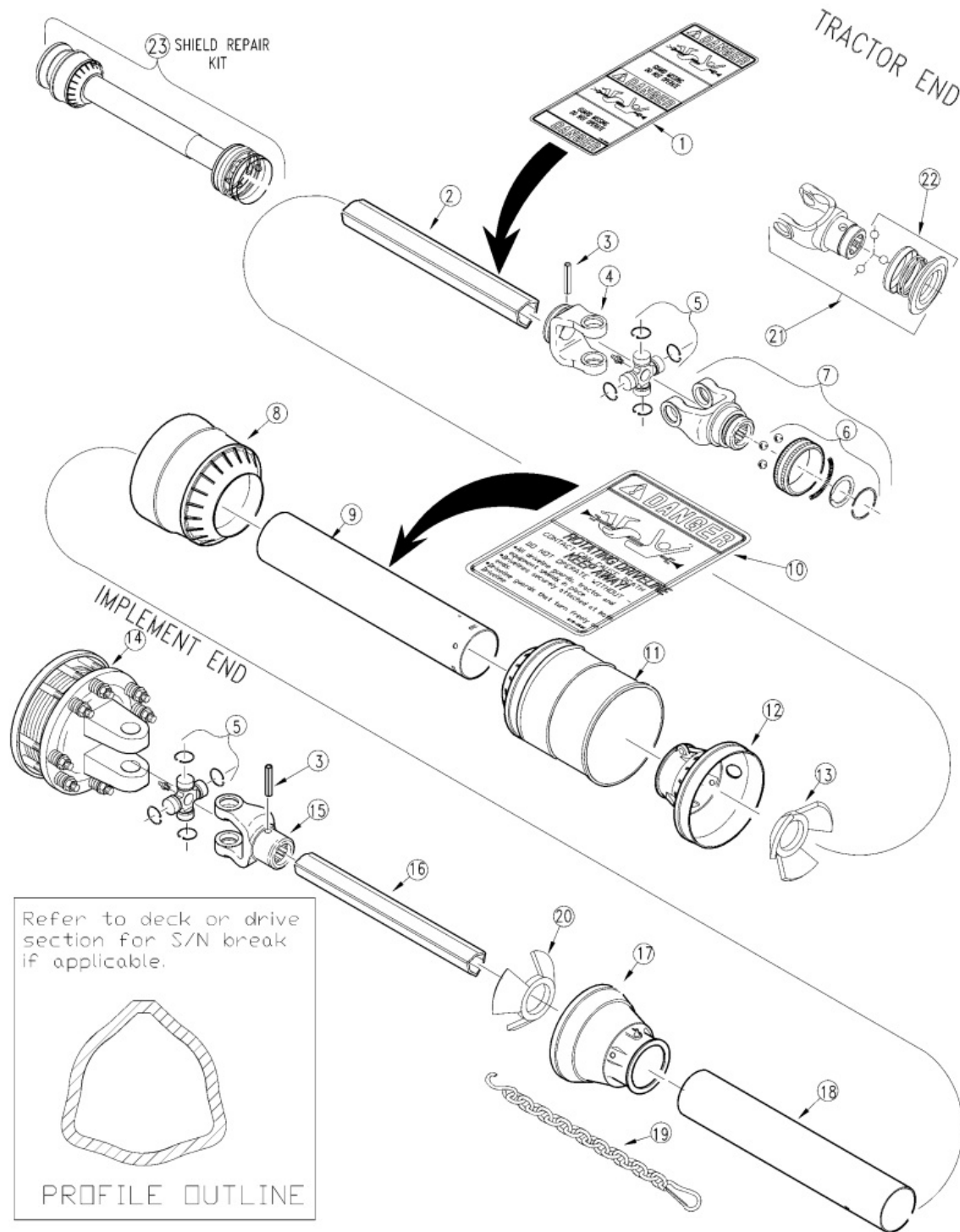
Driveline Lift Type Cutter (826-150C) EC New Shielding

Applies to Models: RCR2684 S/N 1180233-, RCR2584

Ref.	Part No.	Part Description	Comments
	DWG 21426 826-150C	Drawing Image Number RPBY 826-673C *	Obsolete
1	1016013	EC YOKE ASSEMBLY	
1	1016012	RPBY 1016013	(Obsolete) Pull Collar
1	1016010	RPBY 1016012	(Obsolete) Twist Collar
2	1006020	EC CROSS ASSEMBLY	
3	1706027	EC OUTER TUBE YOKE	Rev. 2
4	6331080	EC 10X80-DIN-1481 O/TUBE R/PIN	
5	1528094	EC OUTER TUBE (1528106) 940MM	
6	1526094	EC INNER TUBE (1526121) 940MM	
7	6331070	EC 10X70 ROLL PIN	Rev. 2
8	1706029	EC INNER TUBE YOKE	
9	1466030	EC TORQUE LIM 4 FRICTION DISK	
10	1786710	EC TUBE BRG (OUTER TUBE)	
11	1215733	EC STIFFENING RING	
12	1885703	EC STANDARD CONE	
13	1215735	EC STOP RING	
14	1885709	EC SAFETY SLEEVE	
15	1876084	EC OUTER TUBE (1876094) 840MM	
16	1877084	EC INNER TUBE (1877094) 840MM	
17	1885702	EC SHORT CONE	
18	1786711	EC TUBE BRG (INNER TUBE)	
19	044321	DRIVELINE SHIELD SAFETY CHAIN	S/N 928934-
20	818-552C	DECAL DANGER PTO DRIVELINE	
21	818-540C	DECAL DANGER GUARD MISS PTO	
22	1004220	EC TWIST COLLAR KIT (TRT. END)	
23	1004227	EC PULL COLLAR KIT EVOLUTION	
23	1004225	RPBY 1004227	Obsolete
24	826-576C	SHIELD KIT, 826-150C	

Driveline Lift Type Cutter (826-150C) EC Old Shielding

Applies to Models: RCR2684 S/N 1180233-, RCR2584



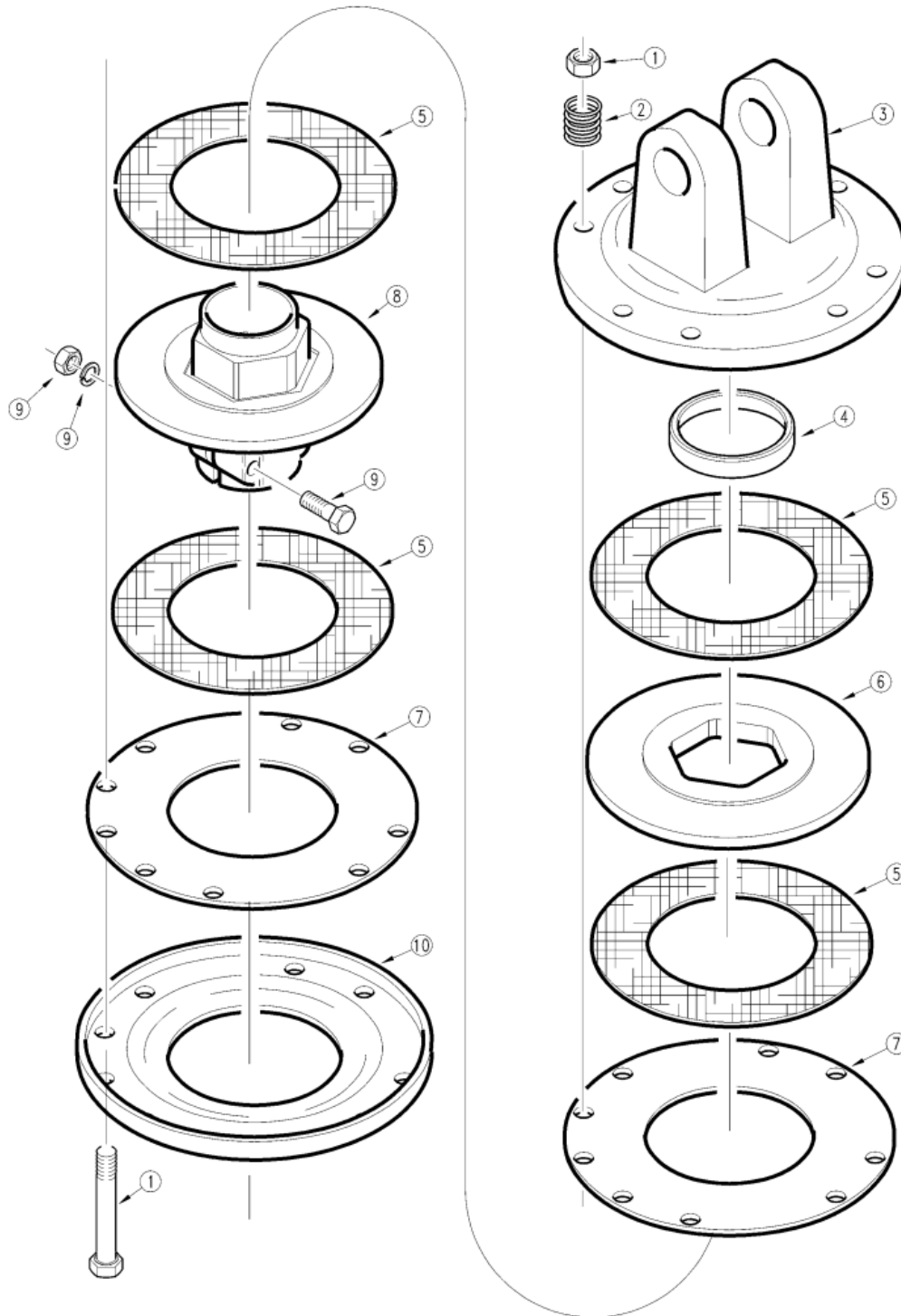
Driveline Lift Type Cutter (826-150C) EC Old Shielding

Applies to Models: RCR2684 S/N 1180233-, RCR2584

Ref.	Part No.	Part Description	Comments
	DWG 14367 826-150C	Drawing Image Number RPBY 826-673C *	Obsolete
1	818-540C	DECAL DANGER GUARD MISS PTO	
2	1528094	EC OUTER TUBE (1528106) 940MM	
3	6331080	EC 10X80-DIN-1481 O/TUBE R/PIN	
4	1706027	EC OUTER TUBE YOKE	
5	1006020	EC CROSS ASSEMBLY	
6	1004220	EC TWIST COLLAR KIT (TRT. END)	
6	1004227	EC PULL COLLAR KIT EVOLUTION	
6	1004225	RPBY 1004227	Obsolete
7	1016013	EC YOKE ASSEMBLY	
7	1016012	RPBY 1016013	Obsolete
7	1016010	RPBY 1016012	(Obsolete) Twist Type
8	1886012	EC SOFT CONE	
9	826-576C	SHIELD KIT, 826-150C	
9	1875086	RPBY 826-576C	Obsolete
10	818-552C	DECAL DANGER PTO DRIVELINE	
11	1886013	EC SOFT CONE	
12	1886010	EC OUTER RIGID CONE(OLD STYLE)	
13	1786710	EC TUBE BRG (OUTER TUBE)	
13	1786009	RPBY 1786710	Obsolete
14	1466030	EC TORQUE LIM 4 FRICTION DISK	
15	1706029	EC INNER TUBE YOKE	
16	1526094	EC INNER TUBE (1526121) 940MM	
17	1886011	EC INNER RIGID CONE(OLD STYLE)	
18	1874086	EC INNER TUBE (1874113) 860MM	
19	044321	DRIVELINE SHIELD SAFETY CHAIN	S/N 928934-
20	1786008	EC TUBE BRG (OLD STYLE)	
21	1016012	RPBY 1016013	
22	1004227	EC PULL COLLAR KIT EVOLUTION	
23	826-576C	SHIELD KIT, 826-150C	

Driveline Slip Clutch (1466030)

Applies to Models: RCR2684 S/N 1180233-, RCR2560, RCR2572, RCR2584



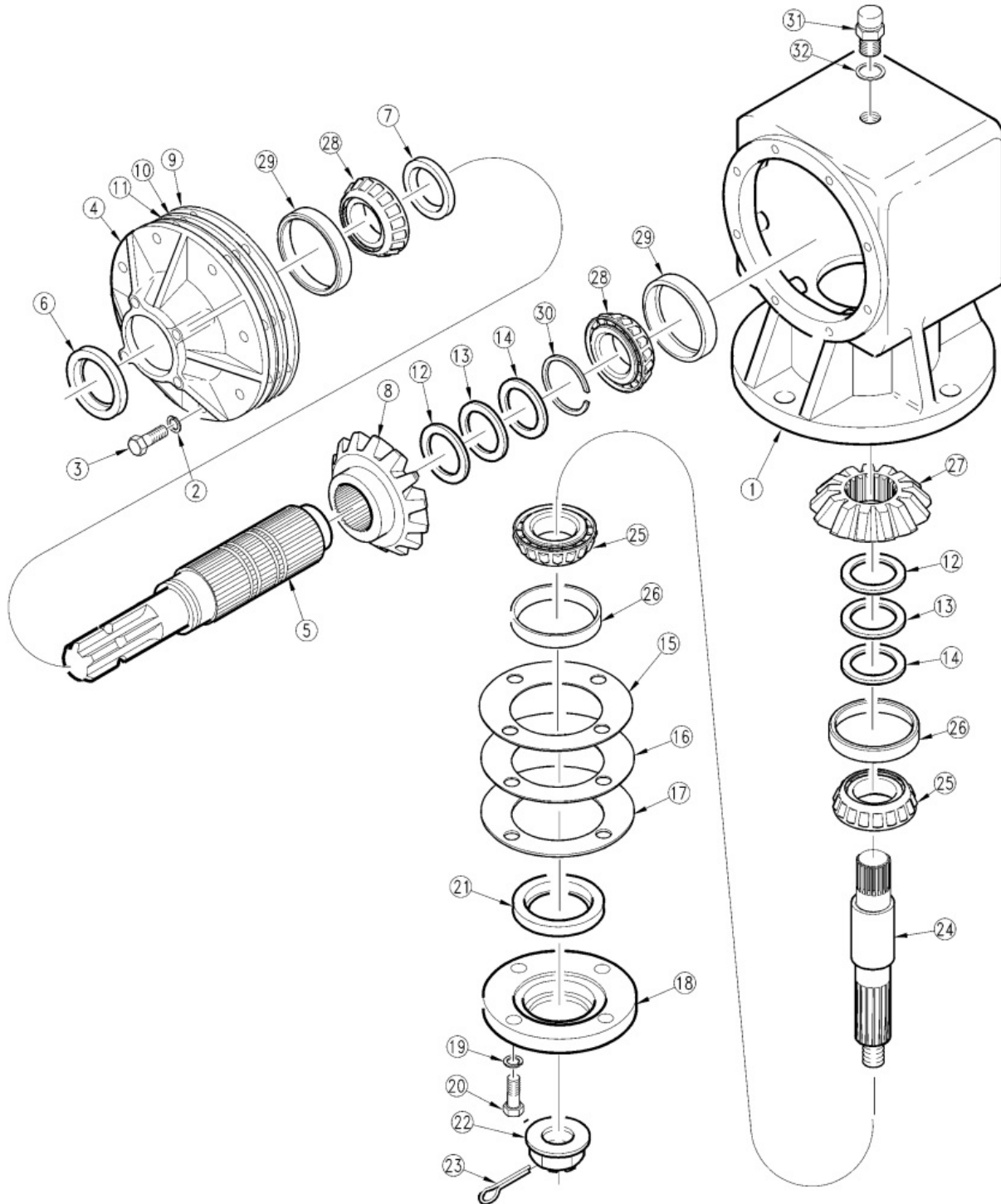
Driveline Slip Clutch (1466030)

Applies to Models: RCR2684 S/N 1180233-, RCR2560, RCR2572, RCR2584

Ref.	Part No.	Part Description	Comments
	DWG13692 1466030	Drawing Image Number EC TORQUE LIM 4 FRICTION DISK *	
1	1421010	RPBY 6691010	
2	330-297A	SV KIT, EC SLIP CLUTCH SPRING	
2	1215012	RPBY 330-297A	Obsolete
3	1706033	EC CLUTCH YOKE W/FLANGE	
4	1705009	EC CLUTCH BUSHING	
5	1808010	EC CLUTCH LINING RING	
6	1708034	EC CLUTCH MIDDLE DISK	
7	1138008	EC INNER DISK	
8	1708018	EC CLUTCH HUB W/FLANGE	
9	1341270	RPBY 6761270	
10	1138007	EC PRESSURE DISK	

Gearbox (826-035C) ITG

Applies to Models: RCR2560, RCR2572



Gearbox (826-035C) ITG

Applies to Models: RCR2560, RCR2572

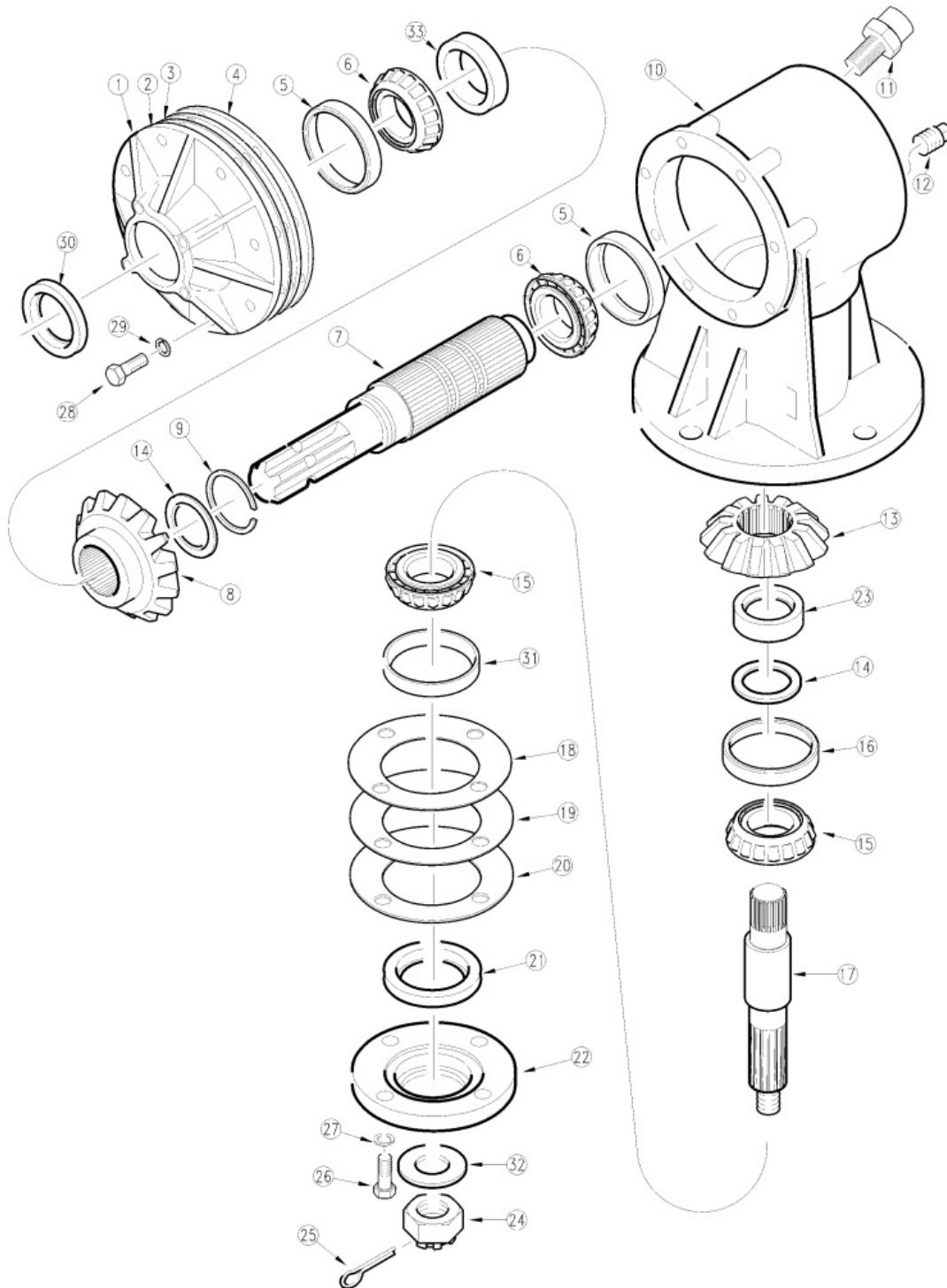
Ref.	Part No.	Part Description	Comments
	DWG 15090 826-035C	Drawing Image Number RPBY 826-376C *	(Obsolete) Complete assembly
1	18-027	ITG HOUSING	
2	804-158C	WASHER SPRING LOCK M10 PLT	
2	07-001	RPBY 804-158C	Obsolete
3	06-017	ITG HEX HEAD CAP SCREW	
4	20-026	ITG INPUT CAP	
5	02-054	ITG INPUT SHAFT	
6	060005	INPUT SEAL, OMNI	
6	05-014	RPBY 060005	Obsolete
7	10-027	ITG SPACER	Obsolete
8	03-060	ITG 19 TOOTH GEAR	
9	08-006	ITG INPUT CAP GASKET 0.10MM	
10	08-007	ITG INPUT CAP GASKET 0.25MM	
11	08-006	ITG INPUT CAP GASKET 0.10MM	
12	17-001	ITG SHIM 0.2	
13	17-002	ITG GEAR ADJUSTING SHIM 0.30	
14	17-003	ITG GEAR ADJUSTING SHIM 0.50	
15	08-001	ITG OUTPUT CAP GASKET 0.10MM	
16	08-002	ITG OUTPUT CAP GASKET 0.25MM	
17	08-003	ITG OUTPUT CAP GASKET 0.45MM	
18	20-025	ITG OUTPUT CAP	
19	07-010	ITG LOCKWASHER	
20	06-018	ITG HEX HEAD CAP SCREW	
21	060004	OMNI OUTPUT SEAL	
21	05-003	RPBY 060004	Obsolete
22	11-008	ITG 1-14 FLANGED HEX NUT	
23	805-017C	PIN COTTER 3/16 X 1 3/4 PLT	
23	12-003	RPBY 805-017C	Obsolete
24	02-053	ITG OUTPUT SHAFT	Obsolete
25	050008	OMNI BRG CONE - 368	
25	04-010	RPBY 050008	Obsolete
26	050015	BRG CUP - 362, OMNI	
26	04-009	RPBY 050015	Obsolete
27	03-061	ITG 13 TOOTH GEAR	
28	050012	OMNI BRG CONE -LM603049	
28	04-007	RPBY 050012	Obsolete
29	050013	OMNI BRG CUP - LM 603014	
29	04-008	RPBY 050013	Obsolete
30	21-001	ITG RETAINING RING	
31	09-011	ITG M18 X 1.5P PLUG VENTED	
32	07-022	ITG SEALING WASHER *	

IMPORTANT NOTE:

When ordering gearbox parts, be sure to have the I.D. tag number off the gearbox and the serial number off of the cutter. This is important in knowing which gearbox your cutter has.

Gearbox (826-035C) OMNI (Round Housing)

Applies to Models: RCR2560, RCR2572



Gearbox (826-035C) OMNI (Round Housing)

Applies to Models: RCR2560, RCR2572

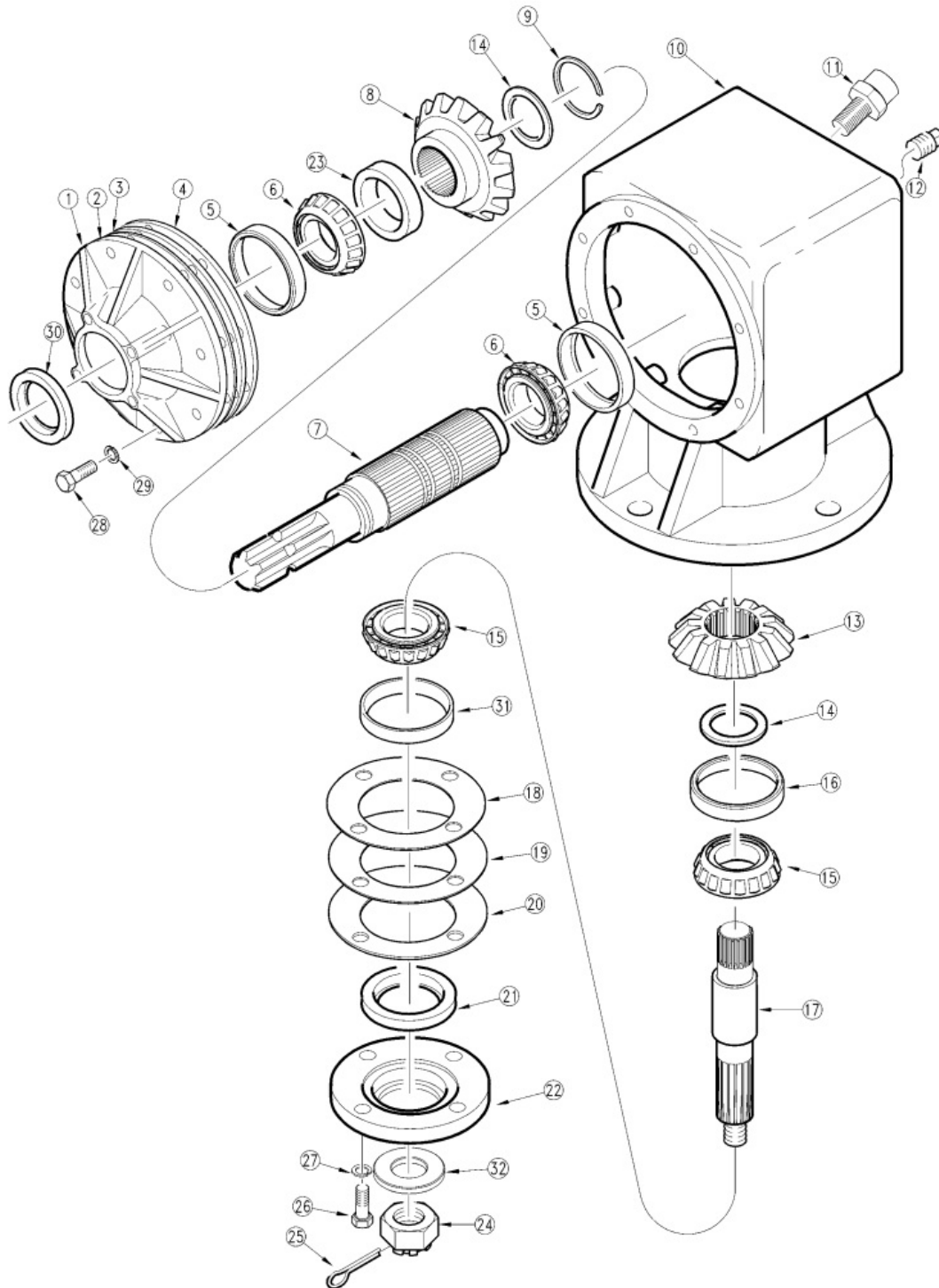
Ref.	Part No.	Part Description	Comments
	DWG 14120 826-035C	Drawing Image Number RPBY 826-376C *	(Obsolete) Complete assembly
1	020162	OMNI INPUT CAP	
2	070142	OMNI GASKET 0.10MM	
3	070141	OMNI GASKET 0.15MM	
4	070140	OMNI GASKET 0.30MM	
5	050013	OMNI BRG CUP - LM 603014	
6	050012	OMNI BRG CONE -LM603049	
7	040135	OMNI INPUT SHAFT 1 3/8-6A SPL	
8	030040	INPUT GEAR - 17 T., OMNI	
9	200003	OMNI RETAINING RING	
10	010112	OMNI HOUSING	
11	826-497C	COMER VENT #8.6.7.00269	
11	8.6.7.00269	RPBY 826-497C	Obsolete
11	140033	RPBY 8.6.7.00269	Obsolete
12	140017	OMNI PLUG PIPE SQ HD1/8-27NPTF	
13	030041	OUTPUT PINION - 14 T., OMNI	
14	090073	OMNI SHIM .010	
15	050008	OMNI BRG CONE - 368	
16	050014	BRG CUP - 362A, OMNI	(S/N 107994+)
16	050015	BRG CUP - 362, OMNI	(S/N 107993-)
17	040112	OUTPUT SHAFT, OMNI	
18	070145	OMNI GASKET 0.10MM	
19	070144	OMNI GASKET 0.15MM	
20	070143	OMNI GASKET 0.30MM	
21	060004	OMNI OUTPUT SEAL	
22	020005	OMNI OUTPUT CAP	
23	090055	SPACER, OMNI 1:1.46 & 1:1.93	
24	803-095C	NUT HEX SLOTTED 1-14	
25	805-017C	PIN COTTER 3/16 X 1 3/4 PLT	
26	802-091C	HHCS 1/2-13X1 1/2 GR5	
27	804-015C	WASHER LOCK SPRING 1/2 PLT	
28	802-079C	HHCS 3/8-16X1 1/4 GR5	
29	804-013C	WASHER LOCK SPRING 3/8 PLT	
30	060005	INPUT SEAL, OMNI	
31	050015	BRG CUP - 362, OMNI	
32	804-070C	FLAT WASHER 1 SPECIAL	
33	090055	SPACER, OMNI 1:1.46 & 1:1.93 *	

IMPORTANT NOTE:

When ordering gearbox parts, be sure to have the I.D. tag number off the gearbox and the serial number off of the cutter. This is important in knowing which gearbox your cutter has.

Gearbox (826-035C) OMNI (Square Housing)

Applies to Models: RCR2572



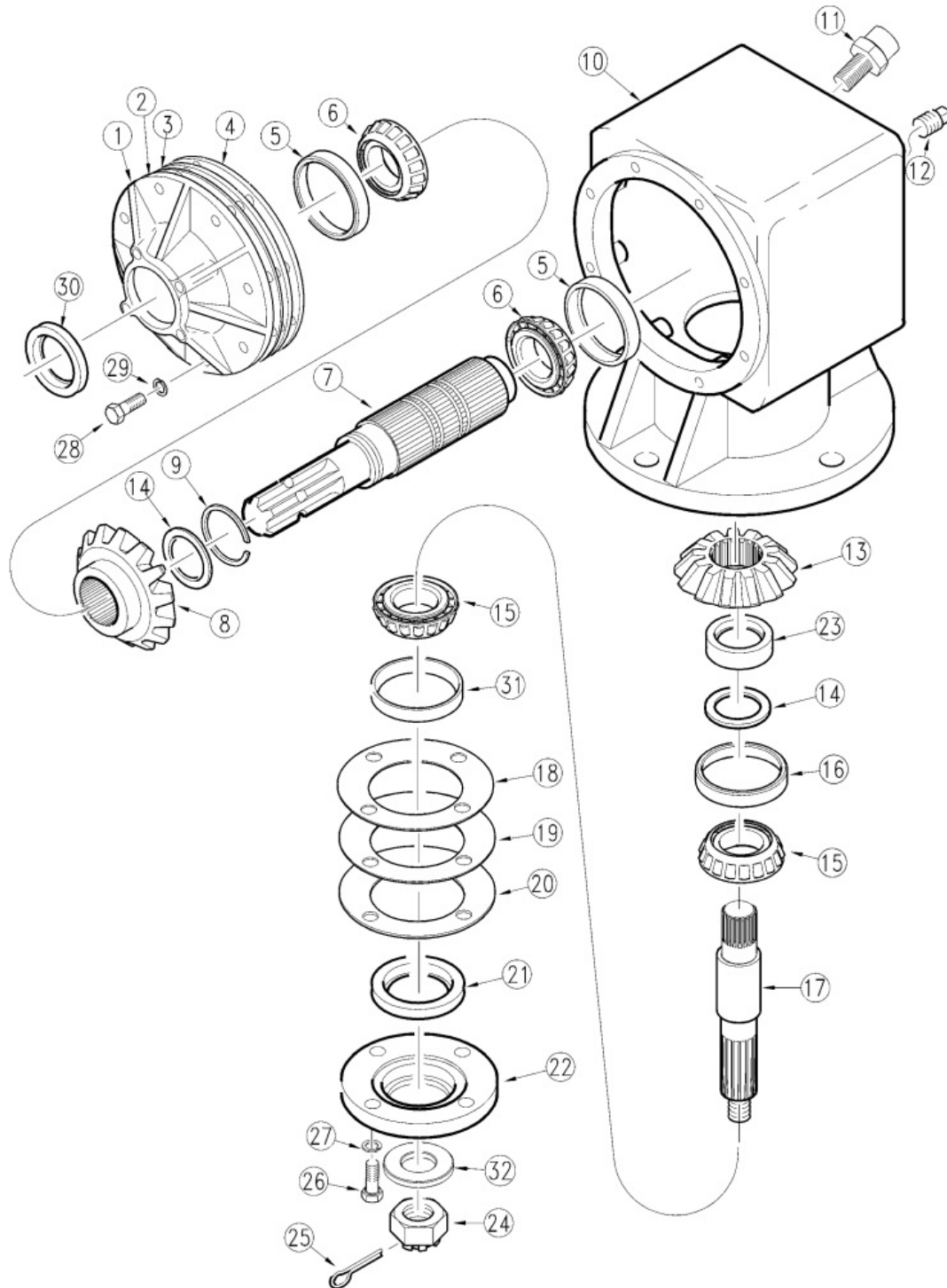
Gearbox (826-035C) OMNI (Square Housing)

Applies to Models: RCR2572

Ref.	Part No.	Part Description	Comments
	DWG 26951 826-035C	Drawing Image Number RPBY 826-376C *	(Obsolete) Complete assembly
1	020162	OMNI INPUT CAP	
1	020006	OMNI INPUT CAP	Obsolete
2	070142	OMNI GASKET 0.10MM	
3	070141	OMNI GASKET 0.15MM	
4	070140	OMNI GASKET 0.30MM	
5	050013	OMNI BRG CUP - LM 603014	
6	050012	OMNI BRG CONE -LM603049	
7	040135	OMNI INPUT SHAFT 1 3/8-6A SPL	
8	030039	INPUT GEAR - 19 T., OMNI	
9	200003	OMNI RETAINING RING	
10	010160	OMNI HOUSING RC71SS	
10	010112	OMNI HOUSING	Obsolete
10	010059	OMNI HOUSING	Obsolete
11	826-497C	COMER VENT #8.6.7.00269	
11	8.6.7.00269	RPBY 826-497C	Obsolete
11	140033	RPBY 8.6.7.00269	Obsolete
12	140017	OMNI PLUG PIPE SQ HD1/8-27NPTF	
13	030038	OUTPUT PINION - 13 T., OMNI	
14	090073	OMNI SHIM .010	
15	050008	OMNI BRG CONE - 368	
16	050014	BRG CUP - 362A, OMNI	(S/N 107994+)
16	050015	BRG CUP - 362, OMNI	(S/N 107993-)
17	040112	OUTPUT SHAFT, OMNI	
18	070145	OMNI GASKET 0.10MM	
19	070144	OMNI GASKET 0.15MM	
20	070143	OMNI GASKET 0.30MM	
21	060004	OMNI OUTPUT SEAL	
22	020005	OMNI OUTPUT CAP	
23	090055	SPACER, OMNI 1:1.46 & 1:1.93	
24	803-095C	NUT HEX SLOTTED 1-14	
25	805-017C	PIN COTTER 3/16 X 1 3/4 PLT	
26	802-091C	HHCS 1/2-13X1 1/2 GR5	
27	804-015C	WASHER LOCK SPRING 1/2 PLT	
28	802-079C	HHCS 3/8-16X1 1/4 GR5	
29	804-013C	WASHER LOCK SPRING 3/8 PLT	
30	060005	INPUT SEAL, OMNI	
31	050015	BRG CUP - 362, OMNI	
32	804-070C	FLAT WASHER 1 SPECIAL	

Gearbox (826-038C) OMNI (Square Housing)

Applies to Models: RCR2684 S/N 1180233-, RCR2584



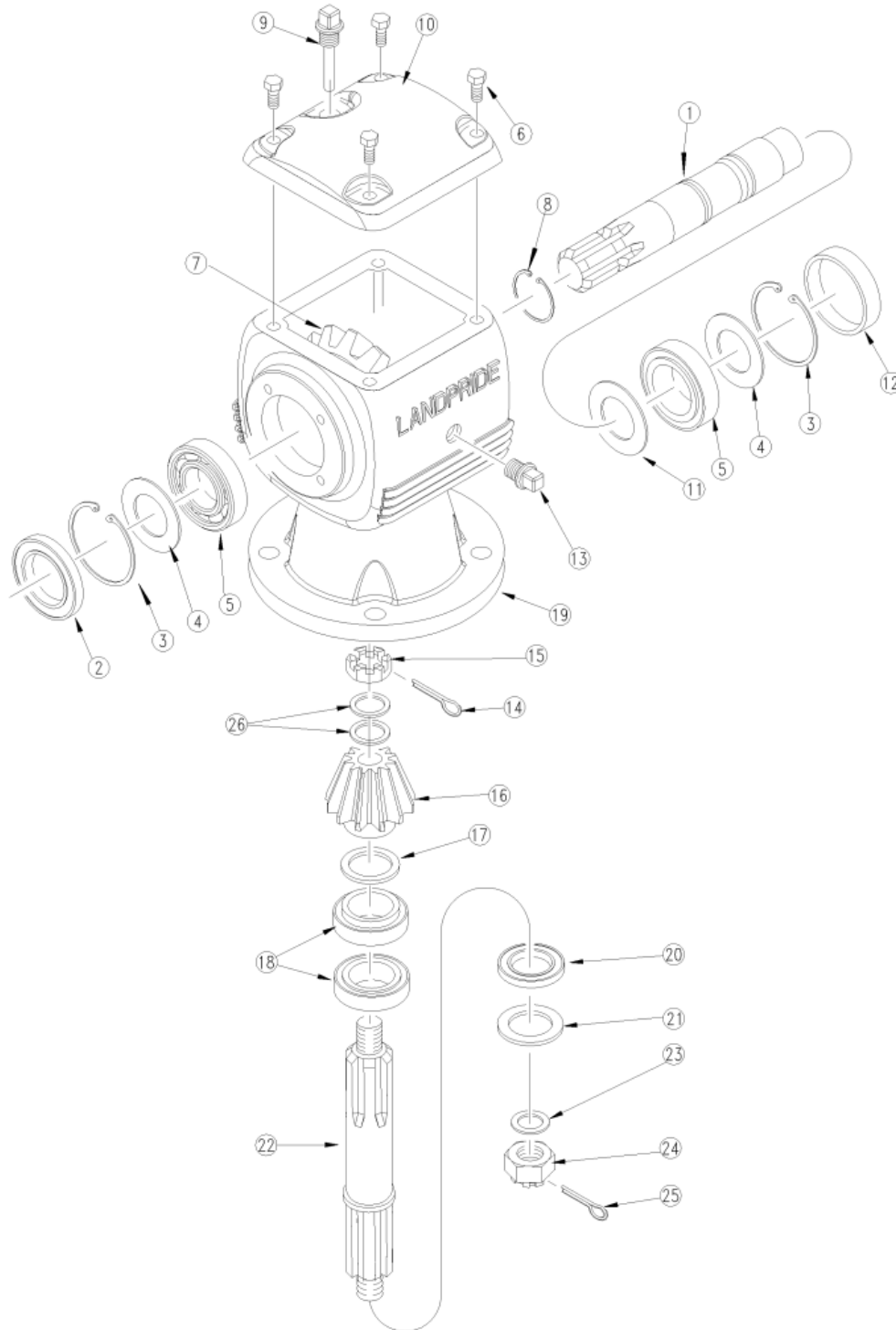
Gearbox (826-038C) OMNI (Square Housing)

Applies to Models: RCR2684 S/N 1180233-, RCR2584

Ref.	Part No.	Part Description	Comments
	DWG 15739 826-038C	Drawing Image Number RPBY 826-377C *	(Obsolete) Complete assembly
1	020162	OMNI INPUT CAP	
2	070142	OMNI GASKET 0.10MM	
3	070141	OMNI GASKET 0.15MM	
4	070140	OMNI GASKET 0.30MM	
5	050013	OMNI BRG CUP - LM 603014	
6	050012	OMNI BRG CONE -LM603049	
7	040135	OMNI INPUT SHAFT 1 3/8-6A SPL	
8	030040	INPUT GEAR - 17 T., OMNI	
9	200003	OMNI RETAINING RING	
10	010160	OMNI HOUSING RC71SS	
11	826-497C	COMER VENT #8.6.7.00269	
11	8.6.7.00269	RPBY 826-497C	Obsolete
11	140033	RPBY 8.6.7.00269	Obsolete
12	140017	OMNI PLUG PIPE SQ HD1/8-27NPTF	
13	030041	OUTPUT PINION - 14 T., OMNI	
14	090073	OMNI SHIM .010	
15	050008	OMNI BRG CONE - 368	
16	050014	BRG CUP - 362A, OMNI	S/N 107994+
16	050015	BRG CUP - 362, OMNI	S/N 107993-
17	040112	OUTPUT SHAFT, OMNI	
18	070145	OMNI GASKET 0.10MM	
19	070144	OMNI GASKET 0.15MM	
20	070143	OMNI GASKET 0.30MM	
21	060004	OMNI OUTPUT SEAL	
22	020005	OMNI OUTPUT CAP	
23	090015	SPACER, OMNI	
24	803-095C	NUT HEX SLOTTED 1-14	
25	805-017C	PIN COTTER 3/16 X 1 3/4 PLT	
26	802-091C	HHCS 1/2-13X1 1/2 GR5	
27	804-015C	WASHER LOCK SPRING 1/2 PLT	
28	802-079C	HHCS 3/8-16X1 1/4 GR5	
29	804-013C	WASHER LOCK SPRING 3/8 PLT	
30	060005	INPUT SEAL, OMNI	
31	050015	BRG CUP - 362, OMNI	
32	804-070C	FLAT WASHER 1 SPECIAL	

Gearbox (826-377C) Comer

Applies to Models: RCR2684 S/N 1180233-, RCR2584



Gearbox (826-377C) Comer

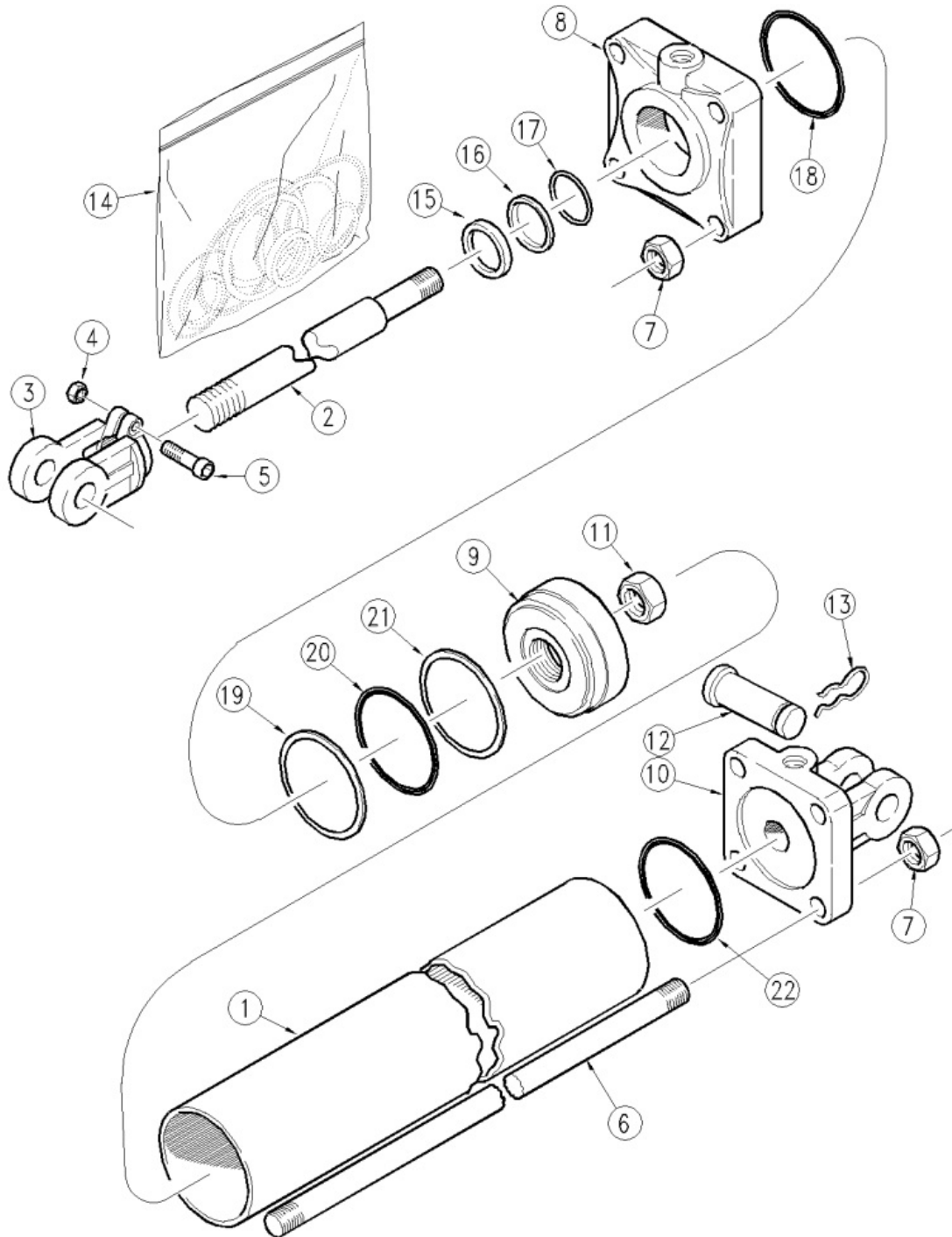
Applies to Models: RCR2684 S/N 1180233-, RCR2584

Ref.	Part No.	Part Description	Comments
	DWG 26957 826-377C	Drawing Image Number GBOX RC25 1.38-6 1:1.21 STD. *	
1	0.210.2000.00	CO INPUT SHAFT 1.38-6	
2	8.7.1.02348	CO DUST LIP (45X85X10)	
2	8.7.3.00331	RPBY 8.7.1.02348	Obsolete
3	8.5.2.00332	CO SNAP RING UNI 7437	
4	A.709.500	COMER SHIM KIT	
4	0.709.7500.00	RPBY A.709.500	Obsolete
5	8.0.9.00143	CO BRG 30209 TAPERED	
6	8.1.1.00501	CO BOLT M10X22 HHB	
7	2.210.5001.00	CO PINION Z18 M6	
7	0.210.6000.00	RPBY 2.210.5001.00	Obsolete
8	8.5.1.00533	CO SNAP RING 50 UNI7435	
9	826-490C	COMER U0.210.7100.00 DIPSTICK	
10	0.210.1300.00	CO COVER	
11	0.252.7525.00	CO SHIM 45.3X2.5	
12	0.121.7101.00	CO CAP	
13	8.6.6.00201	CO PLUG 3/8 (SOLID PLUG)	
14	8.4.7.02265	CO COTTER PIN B 5X60	
15	0.132.7107.00	CO NUT M40X1.5	
16	0.210.5000.00	RPBY 2.210.5001.00	
17	A.712.500	COMER SHIM KIT	
17	0.712.7500.00	RPBY A.712.500	Obsolete
18	822-214C	BRG CUP/CONE SET 30210	Includes bearing and race
18	04-011	RPBY 822-214C	(Obsolete) Includes bearing and race
18	8.0.9.00469	RPBY 04-011	(Obsolete) Includes bearing and race
19	0.210.0300.00	CO CASTING & MACHINE	
20	8.7.1.01107	CO SEAL (50X90X10)	
21	0.139.7100.00	CO SEAL RETAINER	
22	0.210.3000.00	CO OUTPUT SHAFT	
23	0.139.7101.00	CO BLANK WASHER	
24	8.2.2.00555	CO NUT, CASTLE M30 X 2	
25	8.4.7.00146	COTTER PIN B6 X 60	
26	0.285.7510.00	CO SHIM 40.3 X 61.7 X 1 *	

Notes: Oil Type 80-90W Capacity 6.5
Pints

Hydraulic Cylinder (810-200C) Midway

Applies to Models: RCR2684 S/N 1180233-, RCR2584



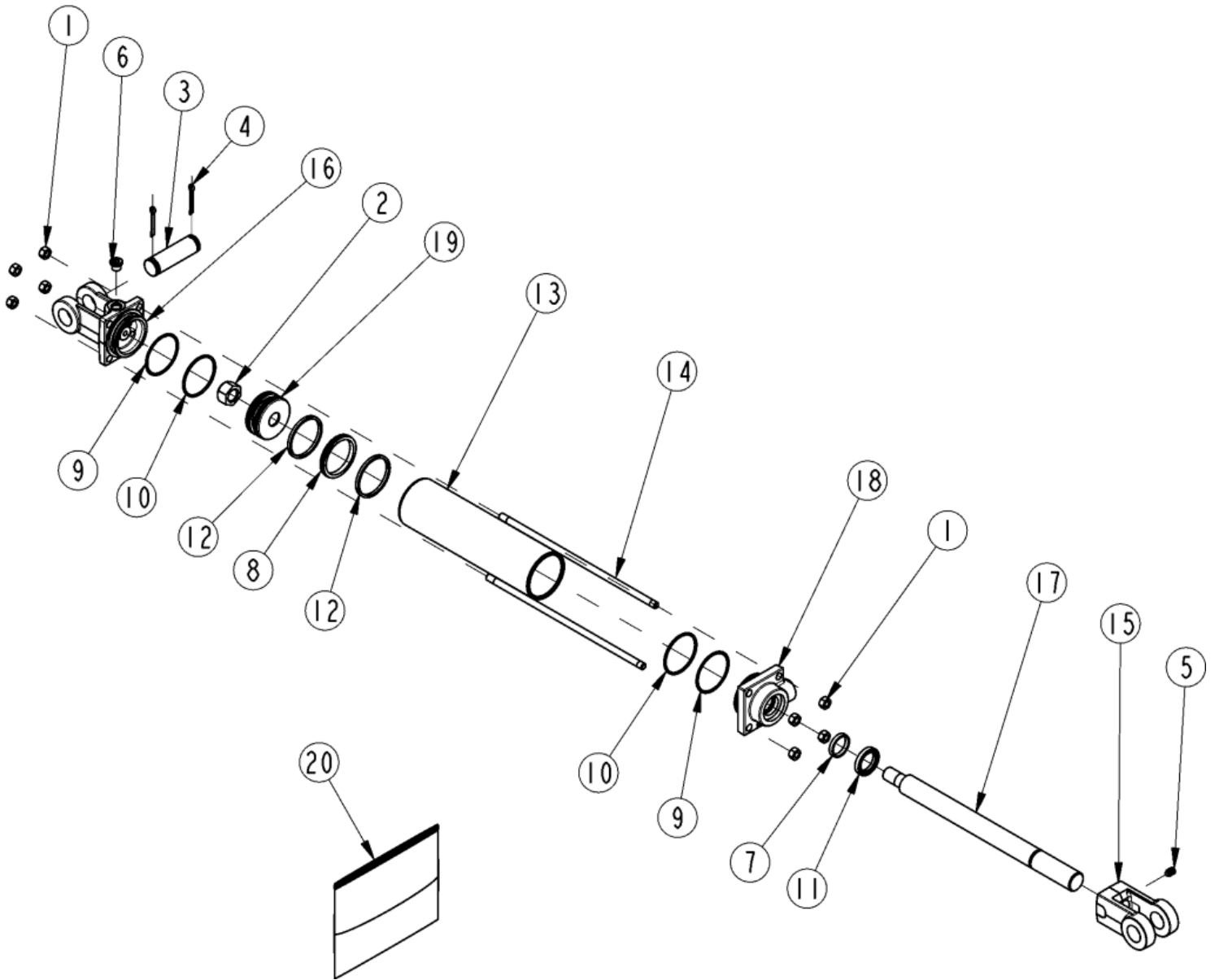
Hydraulic Cylinder (810-200C) Midway

Applies to Models: RCR2684 S/N 1180233-, RCR2584

Ref.	Part No.	Part Description	Comments
	DWG 78253 810-200C	Drawing Image Number CYL 2.5X8X1.12 ROD (TIE)1 PIN *	Complete assembly
1	5M3116	MW TUBE 2-1/2 X 8 X 1-1/8 ROD	
2	2M3316	MW ROD	
3	1M6006-ADI	MIDWAY HARDENED CLEVIS ADI	Obsolete
3	1M6006	RPBY 1M6006-ADI	
4	803-234C	NUT HEX 3/8-16 PLAIN	
4	2A0012	RPBY 803-234C	Obsolete
5	802-023C	HHCS 3/8-16X1 3/4 GR5	
5	2A0006	RPBY 802-023C	Obsolete
6	7M3316	MW TIE ROD	
7	803-234C	NUT HEX 3/8-16 PLAIN	
7	2A0012	RPBY 803-234C	Obsolete
8	3R0310	MW HEAD	
8	3M3310	RPBY 3R0310	Obsolete
9	4M3108	MW PISTON	
9	4M3102	RPBY 4M3108	Obsolete
10	6R0150-ADI	MIDWAY ADI BASE	
10	6R0150	RPBY 6R0150-ADI	Obsolete
10	6M3126	RPBY 6R0150	Obsolete
11	803-114C	NUT LOCK 3/4-16 NYLOC COLLAR	
11	2A0022	RPBY 803-114C	Obsolete
12	805-124C	PIN CLVS 1.0X3.69 USBL GR5	
12	2A0208	RPBY 805-124C	Obsolete
13	2A0132	MW PIN CLIP	
14	810-210C	SEAL KIT MW 2.5 CYL 3A3102	Rev. 2
14	3A3102	RPBY 810-210C	(Obsolete) Rev 1; Use up stock
15	N/A	NOT AVAILABLE	Only available in seal kit item 19
16	N/A	NOT AVAILABLE	Only available in seal kit item 19
17	N/A	NOT AVAILABLE	Only available in seal kit item 19
18	N/A	NOT AVAILABLE	Only available in seal kit item 19
19	N/A	NOT AVAILABLE	Only available in seal kit item 19
20	N/A	NOT AVAILABLE	Only available in seal kit item 19
21	N/A	NOT AVAILABLE	Only available in seal kit item 19
22	N/A	NOT AVAILABLE	Only available in seal kit item 19

Hydraulic Cylinder (810-200C) Red Lion

Applies to Models: RCR2684 S/N 1180233-, RCR2584



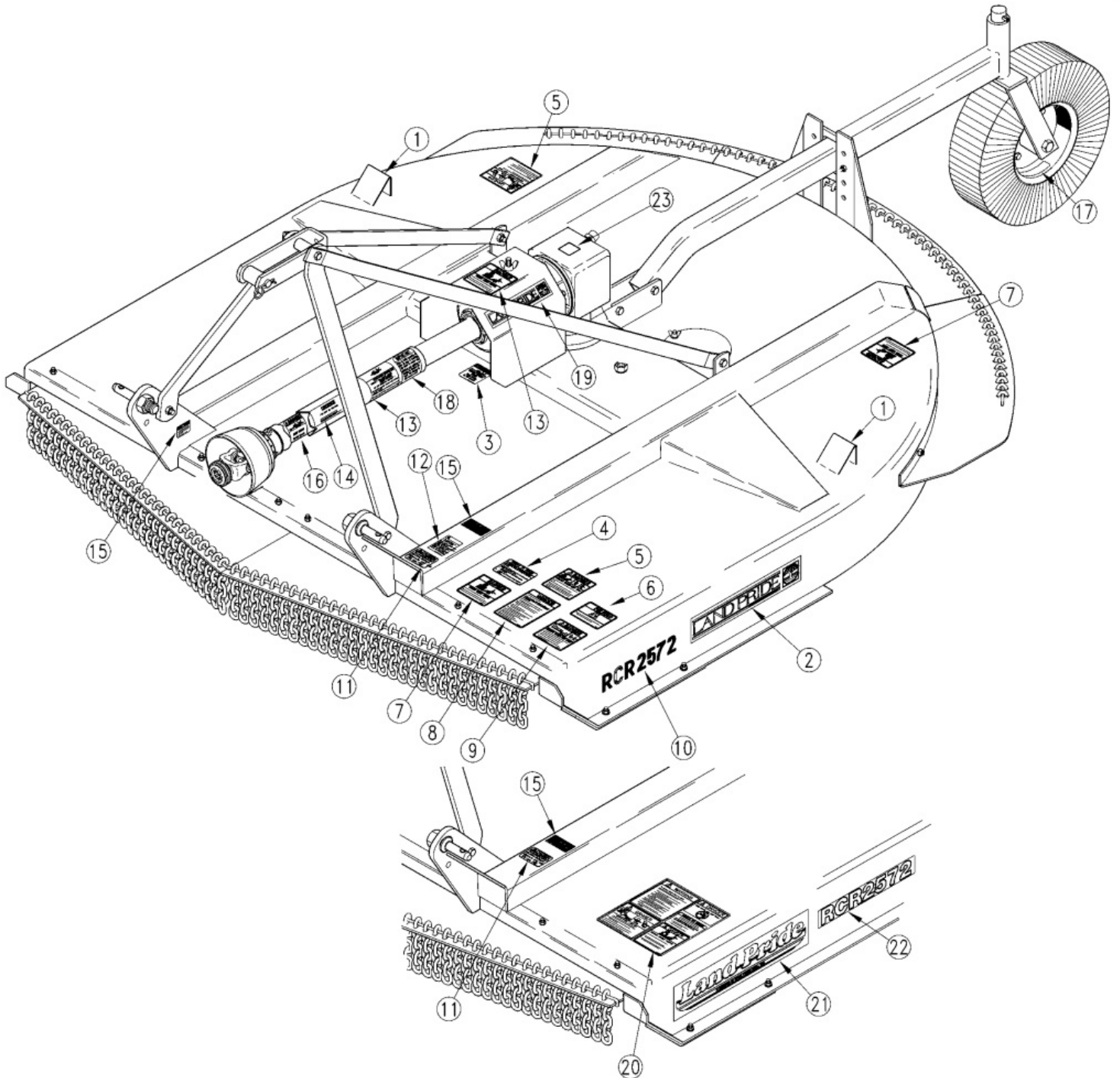
Hydraulic Cylinder (810-200C) Red Lion

Applies to Models: RCR2684 S/N 1180233-, RCR2584

Ref.	Part No.	Part Description	Comments
	DWG 25901	Drawing Image Number	
	810-200C	CYL 2.5X8X1.12 ROD (TIE)1 PIN *	Complete assembly
1	803-014C	NUT HEX 3/8-16 PLT	
2	130556	MON PISTON NUT	
3	134953	LION PIN	
4	135995	MON CLEVIS PIN COTTER	
5	801-023C	SCREW SET SH 3/8-16X3/8 TYPE C	
6	186561	PLUG 9/16-18UNF MORB SOCKET HD	
7		MON ROD SEAL	Only Found in Kit #20
8		MON PISTON SEAL	Only Found in Kit #20
9		MON END CAP BACKUP WASHERS	Only Found in Kit #20
10		MON END CAP O-RING	Only Found in Kit #20
11		LION WIPER SEAL	Only Found in Kit #20
12		MON PISTON WEAR RING	Only Found in Kit #20
13	491668	LION CYL. TUBE 2.5 X 8	
14	492218	LION TIE ROD 3/8, 8 CYL	
15	492650	LION ROD CLEVIS 1 1/8-12UNF	
16	492688	MON CLEVIS CAP 2.5-9/16ORB-1.0	
17	492699	LION ROD 1.125 ASAE 8	
18	494391	MON ROD CP2.50-1.12-9/16ORB-TS	
19	258818	MON PISTON2.50-.750-TSS-ISO-WR	
20	810-886C	MON SEAL KIT 661701	

Decals (RCR2560 & RCR2572)

Applies to Models: RCR2560, RCR2572



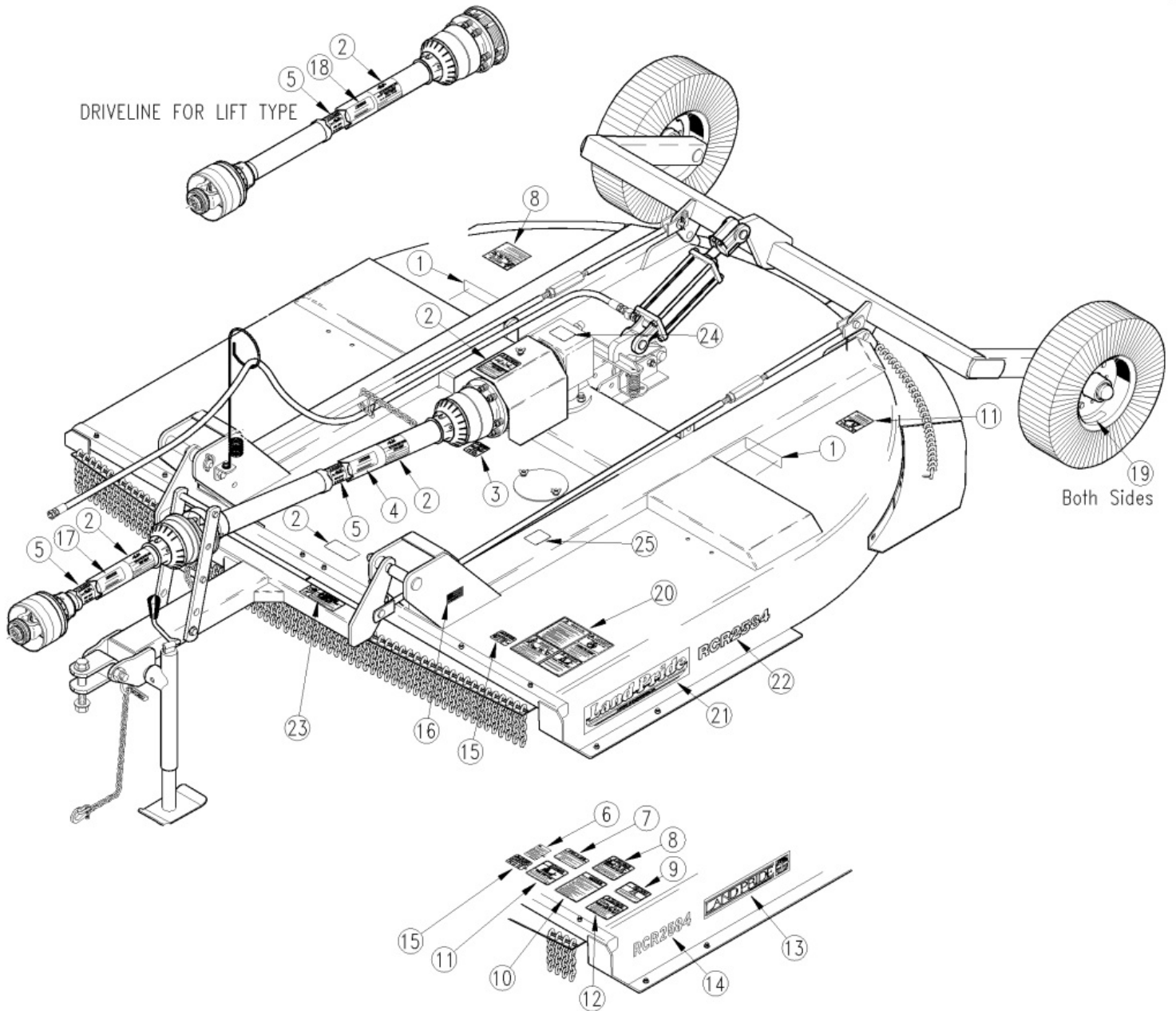
Decals (RCR2560 & RCR2572)

Applies to Models: RCR2560, RCR2572

Ref.	Part No.	Part Description	Comments
	DWG 17560	Drawing Image Number	
	312-413A	RCR25 SERIES SAFETY DECAL PKG	
	312-417A	RCR2572 DECAL PACKAGE	
	312-474A	RCR2560 DECAL PACKAGE	
		*	
1	818-230C	DECAL RED REFLECTOR	
2	848-450C	DECAL LP W/TREE 19" BROWN/GOLD	
2	818-895C	RPBY 848-450C	Obsolete
2	818-162C	RPBY 818-895C	Obsolete (S/N 259099+-)
3	818-187C	DECAL DANGER DRIVELINE SHIELD	Rev 1; Use up stock
4	818-560C	DECAL NOTICE TO OWNER-NO WARRA	Rev. 2
4	818-559C	RPBY 818-560C	Obsolete
5	818-555C	DECAL DANGER ROTATE BLADE	
5	818-564C	RPBY 818-555C	Obsolete
6	818-557C	RPBY 848-512C	
7	818-556C	DECAL DANGER THROWN OBJ CUTTER	
8	818-558C	DECAL WARNING GEN SAFE MOWER	
8	818-554C	RPBY 818-558C	Obsolete
9	818-555C	DECAL DANGER ROTATE BLADE	
10	818-536C	DECAL RCR2572 -BLACK LP	(S/N 259099-)
10	818-563C	DECAL RCR2560-BLACK LP	(S/N 259099-)
11	818-130C	DECAL WARNING 540 RPM	
12	818-161C	DECAL CAUTION GENERAL RC SAFE	
13	818-142C	DECAL DANGER PTO DRIVELINE EN	Rev. 2
13	818-552C	DECAL DANGER PTO DRIVELINE	Rev 1; Use up stock
14	818-538C	DECAL DRIVELINE 826-146C	Obsolete
15			
16	818-540C	DECAL DANGER GUARD MISS PTO	
17	818-681C	DECAL NOTICE - 20 MPH MAX	
18	818-680C	DECAL IMPORTANT - SLIP CLUTCH	(S/N 211783+)
19	818-165C	RPBY 838-036C	
20	818-830C	DECAL SAFETY COMBO SUNWEST	(S/N 225758+)
21	838-965C	DECAL LANDPRIDE 16" BROWN/GOLD	
21	818-903C	RPBY 838-965C	Obsolete (S/N 259100+)
22	818-926C	DECAL RCR2560-BROWN	(S/N 259100+)
22	818-927C	DECAL RCR2572-BROWN	(S/N 259100+)
23	818-862C	DECAL 5 YEAR GEARBOX WARRANTY	

Decals (RCR2584 & RCR2684 S/N 1180233-)

Applies to Models: RCR2684 S/N 1180233-, RCR2584



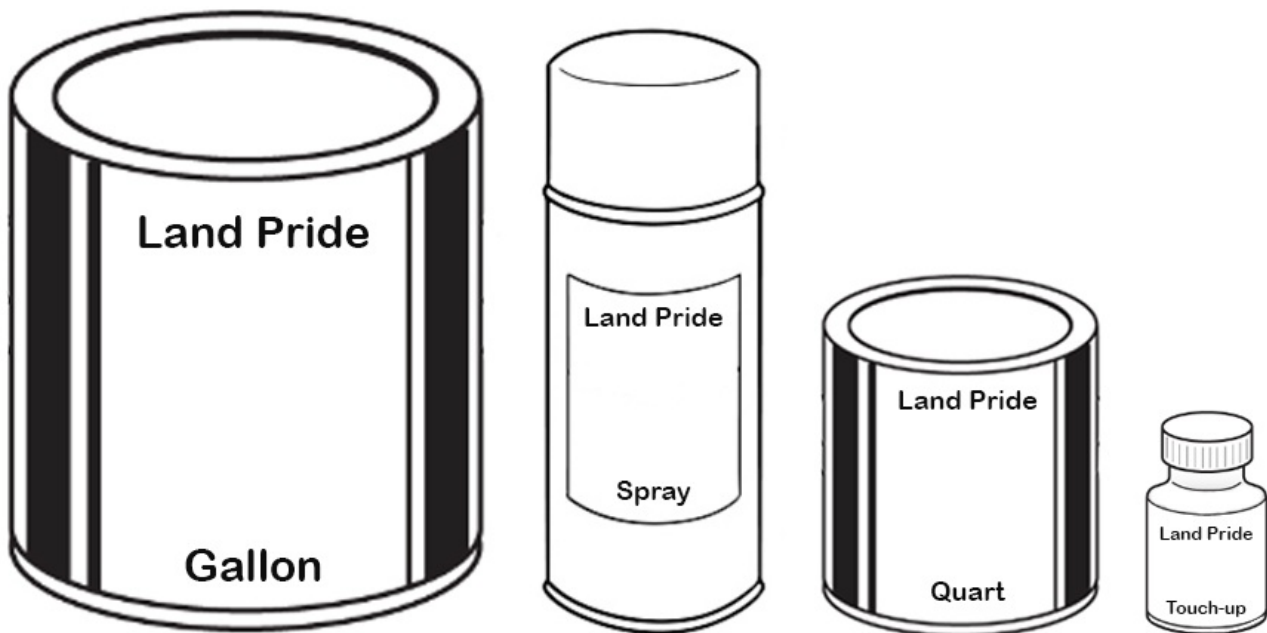
Decals (RCR2584 & RCR2684 S/N 1180233-)

Applies to Models: RCR2684 S/N 1180233-, RCR2584

Ref.	Part No.	Part Description	Comments
	DWG 17559	Drawing Image Number	
	312-476A	RCR2584 DECAL PACKAGE	
	312-878A	RCR2684 DECAL PACKAGE	
		*	
1	838-614C	DECAL REFLECTOR RED 2X9	S/N 813017+
1	818-230C	DECAL RED REFLECTOR	S/N 813016-
2	818-142C	DECAL DANGER PTO DRIVELINE EN	Rev. 2
2	818-552C	DECAL DANGER PTO DRIVELINE	Rev 1; Use up stock
3	818-543C	DECAL DANGER PD GUARD MISS SML	
4	818-612C	DECAL DRIVELINE 826-152C	
5	818-540C	DECAL DANGER GUARD MISS PTO	
6	818-161C	DECAL CAUTION GENERAL RC SAFE	
7	818-560C	DECAL NOTICE TO OWNER-NO WARRA	Rev. 2
7	818-559C	RPBY 818-560C	(Obsolete) Rev 1; Use up stock
8	818-555C	DECAL DANGER ROTATE BLADE	
8	818-564C	RPBY 818-555C	Obsolete
9	818-557C	RPBY 848-512C	
10	818-558C	DECAL WARNING GEN SAFE MOWER	
10	818-554C	RPBY 818-558C	Obsolete
11	818-556C	DECAL DANGER THROWN OBJ CUTTER	
12	818-555C	DECAL DANGER ROTATE BLADE	
13	848-450C	DECAL LP W/TREE 19" BROWN/GOLD	
13	818-895C	RPBY 848-450C	Obsolete
13	818-162C	RPBY 818-895C	Obsolete (S/N 255403-)
14	818-600C	DECAL RCR2584	(S/N 255403-)
15	818-130C	DECAL WARNING 540 RPM	
16			
17	818-611C	DECAL DRIVELINE 826-151C	
18	818-610C	DECAL DRIVELINE 826-150C	
19	818-681C	DECAL NOTICE - 20 MPH MAX	
20	818-830C	DECAL SAFETY COMBO SUNWEST	(S/N 225758+)
21	838-965C	DECAL LANDPRIDE 16" BROWN/GOLD	Orange/Green Units
21	818-903C	RPBY 838-965C	Obsolete (S/N 255404+) Beige/Yellow Units
22	818-928C	DECAL RCR2584-BROWN	(S/N 255404+)
22	838-512C	DECAL RCR2684-GOLD	
22	848-226C	RPBY 838-512C	Obsolete
23	838-094C	DECAL WARNING HYD PRESS LONG	(S/N 264391+)
24	818-862C	DECAL 5 YEAR GEARBOX WARRANTY	3-Point Mount
25	838-517C	DECAL QUICK HITCH SYSTEM	

Land Pride Touch-up Paints

Applies to Models: RCR2684 S/N 1180233-, RCR2560, RCR2572, RCR2584



Land Pride Touch-up Paints

Applies to Models: RCR2684 S/N 1180233-, RCR2560, RCR2572, RCR2584

Ref.	Part No.	Part Description	Comments
	DWG 76585	Image No. *	
		Beige	
	821-011C	PAINT LP BEIGE SPRAY CAN	Beige spray can
	821-011CTU	PAINT LP BEIGE TOUCH-UP 4OZ	Beige touch-up bottle with brush
	821-011CQT	PAINT LP BEIGE QUART	Beige quart can
	821-011CGL	PAINT LP BEIGE GALLON	Beige gallon can
		*	
		Orange	
	821-066C	PAINT ORANGE SPRAY CAN	Orange spray can
	821-066CTU	PAINT ORANGE TOUCH-UP 4OZ	Orange touch-up bottle with brush
	821-066CQT	PAINT ORANGE QUART	Orange quart can
	821-066CGL	PAINT ORANGE GALLON	Orange gallon can
		*	
		Black	
	821-070C	PAINT GP GLOSS BLACK SPRAY CAN	Black spray can
	821-070CTU	PAINT GLOSS BLACK TOUCH-UP 4OZ	Black touch-up bottle with brush
	821-070CQT	PAINT GP GLOSS BLACK QUART	Black quart can
	821-070CGL	PAINT GP GLOSS BLACK GALLON	Black gallon can
		*	
		Red	
	821-054C	PAINT MED. RED SPRAY TRCK/CTR	Red spray can
	821-054CTU	PAINT MED RED TOUCH-UP 4OZ	Red touch-up bottle with brush
	821-054CQT	PAINT MED RED QUART	Red quart can
	821-054CGL	PAINT MED RED GALLON	Red gallon can
		*	
		Green	
	821-058C	PAINT GREEN SPRAY CUTTERS	Green spray can
	821-058CTU	PAINT GREEN TOUCH-UP 4OZ	Green touch-up bottle with brush
	821-058CQT	PAINT GREEN QUART	Green quart can
	821-058CGL	PAINT GREEN GALLON	Green gallon can
		*	
		Blue	
	821-067C	PAINT BLUE SPRAY CAN	Blue spray can
	821-067CTU	PAINT BLUE TOUCH-UP 5OZ	Blue touch-up bottle with brush
	821-067CQT	PAINT BLUE QUART	Blue quart can
	821-067CGL	PAINT BLUE GALLON	Blue gallon can
		*	
		Aluminum/Zinc	
	821-080C	PAINT ALUMINUM/ZINC SPRAY CAN	Aluminum/Zinc spray can
	821-080CTU	PAINT ALUMINUM/ZINC TOUCH UP	Aluminum/Zinc touch-up bottle with brush
	821-080CQT	PAINT ALUMINUM/ZINC QUART	Aluminum/Zinc quart can
	821-080CGL	PAINT ALUMINUM/ZINC GALLON	Aluminum/Zinc gallon can

Part Number Index

Part Number	Page	Part Number	Page	Part Number	Page
0.121.7101.00	83	05-014	75	1016012	49, 51, 53, 55, 61, 63, 69, 71
0.132.7107.00	83	060004	75, 77, 79, 81	1016013	49, 51, 53, 55, 61, 63, 69, 71
0.139.7100.00	83	060005	75, 77, 79, 81	11-008	75
0.139.7101.00	23, 83	06-017	75	1116010	63
0.210.0300.00	83	06-018	75	1138007	73
0.210.1300.00	83	07-001	75	1138008	73
0.210.2000.00	83	07-010	75	1140001	53
0.210.3000.00	83	070140	77, 79, 81	1140003	53
0.210.5000.00	83	070141	77, 79, 81	12-003	75
0.210.6000.00	83	070142	77, 79, 81	121026110811	59
0.252.7525.00	83	070143	77, 79, 81	121026116711	59
0.285.7510.00	83	070144	77, 79, 81	1215012	73
0.709.7500.00	83	070145	77, 79, 81	1215733	49, 53, 61, 65, 69
0.712.7500.00	83	07-022	75	1215735	49, 53, 61, 65, 69
010059	79	08-001	75	122-076D	19
010112	77, 79	08-002	75	130556	87
010160	79, 81	08-003	75	1341270	73
020005	77, 79, 81	08-006	75	134953	87
020006	79	08-007	75	135995	87
020162	77, 79, 81	084099	61, 65	140017	77, 79, 81
02-053	75	090015	81	140033	77, 79, 81
02-054	75	090055	77, 79	141.025.363.1	57
030038	79	090073	77, 79, 81	141.026.544.1	59
030039	79	09-011	75	142.250.3657521	57
030040	77, 81	10-027	75	1421010	73
030041	77, 81	1004220	49, 51, 53, 55, 63, 69, 71	1423601967641	59
03-060	75	1004224	63	1423662407641	59
03-061	75	1004225	49, 51, 61, 63, 69, 71	1423671997641	59
04-007	75	1004227	49, 51, 53, 55, 61, 63, 69, 71	146.254.015.1	57
04-008	75	1006017	63	1466030	49, 51, 53, 55, 65, 67, 69, 71, 73
04-009	75	1006020	49, 51, 53, 55, 61, 63, 65, 67, 69, 71	151.015.038.1	57
04-010	75	1006065	53	151.016.029.1	59
04-011	83	1014013	63	151.016.252.1	59
040112	77, 79, 81	1016010	49, 51, 53, 63, 69, 71	151.016.486	59
040135	77, 79, 81			151.019.011.1	57
044321	49, 51, 53, 55, 57, 61, 63, 65, 67, 69, 71			1526074	53, 55
050008	75, 77, 79, 81			1526084	49, 51
050012	75, 77, 79, 81			1526094	69, 71
050013	75, 77, 79, 81			1526098	65
050014	77, 79, 81			1528040D	61, 63
050015	75, 77, 79, 81				
05-003	75				

Part Number	Page	Part Number	Page	Part Number	Page
1528074	53, 55	180.019.014	57	190.000.098	57
1528084	49, 51	180.019.019	57	190.000.099	57
1528094	69, 71	180.019.115	57	190.000.451	59
1528101	67	180.019.116.1	57	190.000.453	59
1528303	63	180.019.340	57	1M6006	85
1528323	63	18-027	75	1M6006-ADI	85
1531609310710	59	1808010	73	2.210.5001.00	83
1546040	63	186561	87	200-001D	27
165.000.502	57	1874027	63	200003	77, 79, 81
165.000.548	57	1874066	55	20-025	75
165.000.628	57, 59	1874076	51	20-026	75
17-001	75	1874086	71	21-001	75
17-002	75	1874094	67	258818	87
17-003	75	1875027	63	2A0006	85
1705009	73	1875066	55	2A0012	85
1706027	49, 51, 53, 55, 61, 63, 67, 69, 71	1875076	51	2A0022	85
1706029	49, 51, 53, 55, 65, 69, 71	1875086	71	2A0132	85
1706033	73	1875094	67	2A0208	85
1706570	51	1876030D	61	2M3316	85
1708018	73	1876064	53	300-236D	23, 35
1708034	73	1876074	49	300-312D	9, 11
1776028	63	1876084	69	312-062H	5
1786008	51, 55, 67, 71	1876092	65	312-075D	21, 23
1786009	51, 55, 63, 67, 71	1876304	53	312-082D	21, 23
1786010	51, 55, 63	1877064	53	312-089D	21, 23
1786011	51, 55, 63	1877074	49	312-106D	29, 33
1786028	63	1877084	69	312-106D	29, 33
1786710	49, 51, 53, 55, 61, 63, 65, 67, 69, 71	1877092	65	312-123D	29, 31, 33
1786711	49, 53, 65, 69	1877304	53	312-124D	29, 31, 33
180.014.022	57	1885702	49, 53, 65, 69	312-131K	31, 33
180.014.240	57	1885703	49, 53, 61, 69	312-136D	5
180.015.130	57	1885704	61	312-151S	27
180.015.288	57	1885705	65	312-386H	19
180.015.289	57	1885709	49, 53, 61, 65, 69	312-387H	31
180.016.483	59	1886010	51, 55, 63, 71	312-388H	19
180.016.487	59	1886011	67, 71	312-395A	37
180.016.595	59	1886012	51, 55, 67, 71	312-396A	45
180.016.596	59	1886013	51, 55, 63, 71	312-399H	19, 23
180.016.780	59	1886014	63	312-400H	19, 23
180.016.790	59	1886321	67	312-402H	19
		1896097N327	65	312-403H	31
		1896099	67	312-404H	19
		190.000.016	59	312-409A	37
		190.000.018	59	312-410A	45
		190.000.032	59	312-413A	89
		190.000.047	59	312-417A	89
		190.000.078	59	312-419H	23
				312-419H82	23
				312-420H	35
				312-421H	35

Part Number	Page	Part Number	Page	Part Number	Page
312-422H	7	312-646D	19	312-822D	9
312-423H	35	312-646K	45	312-829D	9
312-424H	27	312-647D	19	312-833D	7
312-425H	27	312-647K	39	312-878A	91
312-426H	27	312-648K	47	312-879H	29
312-427H	27	312-649D	37	312-999D	7
312-428H	27	312-649K	47	318-141D	45
312-429H	27	312-650D	45	318-142D	45
312-430H	33	312-650K	47	318-196D	47
312-431H	29	312-651D	45	326-002D	7
312-432H	29	312-652D	45	326-099D	47
312-435A	39	312-653D	45	326-114H	23
312-436A	47	312-654D	45	326-114H81	23
312-474A	89	312-655D	37	326-114H82	23
312-476A	91	312-678D	29	326-114H86	23
312-481A	41	312-679D	29	326-193D	11
312-482A	41	312-680D	39	326-194D	11
312-483A	43	312-681D	47	326-196D	11
312-484H	41	312-681S	7	326-201D	11
312-485H	41	312-682D	47	326-204D	23
312-486L	41	312-683D	47	326-206D	11
312-487L	41	312-683K	37	326-207D	11
312-488H	41	312-684D	13	326-208D	11
312-489L	41	312-684K	37	326-548D	39
312-490H	43	312-685D	13	327-143S	11
312-491H	43	312-685K	39	327-397D	5
312-492L	43	312-692D	29	327-660D	45
312-493L	43	312-693D	29	330-297A	73
312-602D	19, 23	312-694D	13	38-11	21
312-607D	19	312-699D	13	3A3102	85
312-608D	19	312-712D	27	3M3310	85
312-609D85	21	312-714D	7	3R0310	85
312-610D	21	312-715D	7	491668	87
312-611D	19, 23	312-716D	7	492218	87
312-614D	31, 33	312-720D	27	492650	87
312-615D	31, 33	312-729D	15, 17	492688	87
312-616D	31, 33	312-733D	35	492699	87
312-620D	37	312-734D	47	494391	87
312-621D	45	312-735D	27	4M3102	85
312-622D	45	312-736D	47	4M3108	85
312-623D	45	312-737D	39	5M3116	85
312-624D	37, 45	312-770D	41	6331070	49, 53, 65, 69
312-625D	45	312-772D	41	6331080	49, 51, 53, 55, 61, 63, 67, 69, 71
312-629D	31	312-774D	43		
312-639K	37	312-808D	21, 23		
312-640K	45	312-812D	19, 23		
312-641K	45	312-813D	9	6560508	61, 65
312-642K	45	312-814D	9	6561306	65
312-643K	37	312-818H	23	6M3126	85
312-644K	45	312-820H	19	6R0150	85
312-645K	45	312-821D	9, 11	6R0150-ADI	85

Part Number	Page	Part Number	Page	Part Number	Page
7M3316	85	802-135C	27, 29, 31, 33	803-234C	85
8.0.9.00143	83	802-138C	11	803-237C	27
8.0.9.00469	83	802-146C	7	803-255C	9, 13, 25
8.1.1.00501	83	802-153C	29, 33	803-271C	9, 11
8.2.2.00555	23, 83	802-155C	41, 43	803-289C	29, 31, 33
8.4.7.00146	83	802-159C	19, 23	803-299C	19, 23
8.4.7.02265	83	802-162C	27	803-308C	27, 29, 31, 33
8.5.1.00533	83	802-184C	5, 9, 15, 17	804-007C	9, 13, 25
8.5.2.00332	83	802-212C	19	804-009C	19, 23
8.6.6.00201	83	802-214C	31, 45	804-010C	21, 23
8.6.7.00269	77, 79, 81	802-224C	25	804-012C	7, 15, 17, 19, 23, 37
8.7.1.01107	83	802-240C	27, 29, 31, 33	804-013C	19, 23, 37, 77, 79, 81
8.7.1.02348	83	802-260C	7	804-015C	27, 29, 31, 33, 45, 77, 79, 81
8.7.3.00331	83	802-277C	19, 23	804-016C	27, 29, 31, 33, 45, 47
800-001C	27, 29, 31, 33	802-326C	27, 29, 31, 33	804-021C	7, 9, 11, 19, 29, 33
800-069C	7	802-392C	35	804-022C	7, 19
800-080C	29, 31, 33	802-440C	39, 43	804-023C	5, 19
800-117C	15, 17	802-466C	19	804-025C	9, 11, 19, 21, 27
800-320C	13, 21	802-468C	37, 41	804-027C	11, 13, 35
801-023C	87	802-603C	23	804-028C	35
802-005C	9, 13	803-013C	7, 15, 17, 19, 23, 37	804-029C	9, 35
802-007C	21, 23	803-014C	37, 87	804-036C	11, 21, 23
802-010C	11	803-019C	7, 29, 31, 33, 39, 47	804-039C	11
802-015C	7	803-020C	45	804-055C	27
802-017C	15, 17	803-021C	7, 19	804-063C	29, 33
802-023C	85	803-024C	13, 19, 27, 29, 33	804-066C	29, 31, 33
802-034C	31	803-026C	9, 13, 15, 17, 19, 27, 35	804-070C	21, 23, 77, 79, 81
802-041C	29	803-027C	5, 19	804-125C	35
802-042C	31	803-029C	27	804-147C	19, 23
802-051C	13, 19	803-031C	11, 13, 35	804-158C	75
802-053C	19	803-037C	43	805-004C	15, 17
802-055C	9, 11	803-048C	27	805-016C	27
802-064C	13, 19, 23	803-095C	19, 23, 77, 79, 81	805-017C	9, 19, 23, 75, 77, 79, 81
802-065C	9, 19, 23, 27	803-114C	29, 31, 33, 85	805-043C	29, 31, 33
802-068C	11	803-168C	9	805-045C	27
802-070C	21	803-170C	19, 23	805-083C	27
802-073C	9	803-177C	11		
802-074C	13, 35	803-180C	11		
802-079C	77, 79, 81	803-181C	11		
802-091C	29, 31, 33, 77, 79, 81	803-198C	41, 43		
802-096C	35	803-231C	19, 23		
802-098C	11, 35				
802-104C	27				
802-106C	29, 31, 33, 45, 47				

Part Number	Page	Part Number	Page	Part Number	Page
805-088C	13, 15, 17, 27	818-162C	89, 91	821-058C	93
805-090C	9, 13	818-165C	89	821-058CGL	93
805-103C	23, 35	818-187C	89	821-058CQT	93
805-109C	11	818-230C	89, 91	821-058CTU	93
805-124C	85	818-536C	89	821-066C	93
805-137C	9	818-538C	89	821-066CGL	93
805-142C	19	818-540C	49, 51, 53, 55, 61, 63, 65, 67, 69, 71, 89, 91	821-066CQT	93
805-143C	19			821-066CTU	93
805-163C	19			821-067C	93
805-187C	27			821-067CGL	93
805-255C	29, 31, 33	818-543C	91	821-067CQT	93
807-023C	15, 17	818-552C	49, 51, 53, 55, 61, 63, 65, 67, 69, 71, 89, 91	821-067CTU	93
807-143C	27			821-070C	93
807-350C	11			821-070CGL	93
810-200C	15, 17, 85, 87	818-554C	89, 91	821-070CQT	93
810-210C	85	818-555C	89, 91	821-070CTU	93
810-818C	15, 17	818-556C	89, 91	821-080C	93
810-886C	87	818-557C	89, 91	821-080CGL	93
811-170C	15, 17	818-558C	89, 91	821-080CQT	93
811-542C	15, 17	818-559C	89, 91	821-080CTU	93
8123.350.097.11	57	818-560C	89, 91	822-091C	27, 29, 31, 33
8123.450.295.11	57	818-563C	89	822-092C	27, 29, 31, 33
814-058C	29, 31, 33	818-564C	89, 91	822-098C	7
814-059C	27	818-600C	91	822-099C	7
814-066C	27	818-610C	91	822-100C	7
814-086C	27	818-611C	91	822-214C	83
814-161C	29, 31, 33	818-612C	91	826-035C	19, 75, 77, 79
815-092C	29, 31, 33	818-680C	89	826-038C	23, 81
815-093C	27, 29, 33	818-681C	29, 31, 33, 89, 91	826-146C	21, 49, 51
815-230C	27, 29, 31, 33	818-830C	89, 91	826-147C	21, 53, 55
815-236C	27	818-862C	89, 91	826-150C	25, 69, 71
816-009C	29, 31, 33	818-895C	89, 91	826-151C	7, 25, 61, 63
816-098C	27	818-903C	89, 91	826-152C	7, 25, 65, 67
816-262C	41	818-926C	89	826-222C	21, 23
816-263C	41	818-927C	89	826-376C	19
816-264C	43	818-928C	91	826-377C	23, 83
816-504C	9, 13, 25	820-137C	19	826-490C	83
817-050C	21, 23	820-138C	23	826-497C	77, 79, 81
817-057C	5	820-193C	19	826-574C	49, 51
8180.014.240	57	820-194C	23	826-575C	53, 55
8180.015.288	57	821-011C	93	826-576C	69, 71
8180.015.289	57	821-011CGL	93	826-578C	61, 63
818-130C	89, 91	821-011CQT	93	826-579C	65, 67
818-142C	89, 91	821-011CTU	93	826-648C	21, 23
818-161C	89, 91	821-054C	93	826-672C	21
		821-054CGL	93		
		821-054CQT	93		
		821-054CTU	93		

Part Number	Page	Part Number	Page
826-673C	25, 57	DWG 30694	57
826-892C	7, 25, 59	DWG 74778	59
827-010C	21	DWG 76585	93
827-036C	29, 31, 33	DWG 78253	85
837-027C	5	DWG13451	37
837-062C	11	DWG13692	73
837-063C	11	DWG14031	13
837-086C	25	DWG14032	33
837-101C	21, 23	DWG14033	29
838-094C	91	DWG14034	27
838-512C	91	DWG14035	35
838-517C	91	DWG14037	15, 17
838-614C	91	DWG14038	39
838-965C	89, 91	DWG14039	47
840-273C	25	DWG14378	5
842-589C	29, 31, 33	DWG16440	9
848-226C	91	DWG18179	43
848-450C	89, 91	DWG21187	53
890-118C	35	DWG26623	11
890-175C	37	N/A	85
890-177C	15, 17		
890-182C	35		
890-341C	45, 47		
890-352C	9		
890-393C	39		
890-961C	29, 31, 33		
891-246C	35		
A.709.500	83		
A.712.500	83		
DWG 13450	31		
DWG 13452	45		
DWG 14040	7		
DWG 14120	77		
DWG 14367	51, 55, 71		
DWG 14368	63		
DWG 14369	67		
DWG 15090	75		
DWG 15739	81		
DWG 15872	19		
DWG 15881	23		
DWG 16173	65		
DWG 16610	61		
DWG 17559	91		
DWG 17560	89		
DWG 18178	41		
DWG 21426	49, 69		
DWG 25901	87		
DWG 26951	79		
DWG 26957	83		



Great Plains Manufacturing, Inc.
Corporate Office: P.O. Box 5060
Salina, Kansas 67402-5060 USA

www.landpride.com
