



---

# HE H-Series

HIGH EFFICIENCY CONDENSING UNITS

Technical Bulletin: HE\_HSCU\_016\_053123



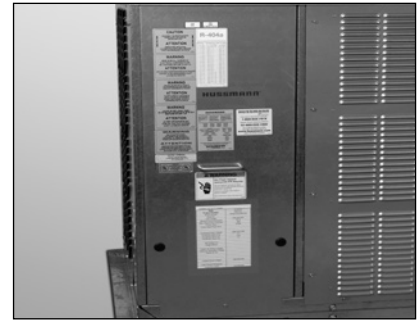
---

Products that provide lasting solutions.

High Efficiency H-Series Condensing Units include updates to improve efficiency to meet new Department of Energy requirements for Walk-In Coolers and Freezers 3000 square feet and smaller. Changes to improve efficiency include reduced condenser fan speed, updated cabinet for improved air flow and serviceability with adjustable head pressure control and ambient temperature fan cycling for best efficiency. AWEF values for units meeting the new DOE regulations are published in this technical bulletin. Some units which do not meet the DOE requirements are available on the High Efficiency platform and are shown with solid black shaded capacity and technical data. These non-DOE units are allowed for application with Display Cases, Process Loads or Walk-In Coolers and Freezers larger than 3000 square feet. Selection of a unit which does meet the DOE requirements is always recommended regardless of application to receive a more efficient unit.

**New store installations** with refrigerated systems for CA beginning 1/1/2022 must not exceed 50 lbs of charge and use a refrigerant below 2,200 GWP. Systems greater than 50 lbs charge require refrigerants below 150 GWP. Existing store compliance for CA requires a reduced weighted average GWP of refrigerants used to less than 1,400 GWP for the fleet by 2030 or a 55% reduction of overall GHGp (charge not relevant).

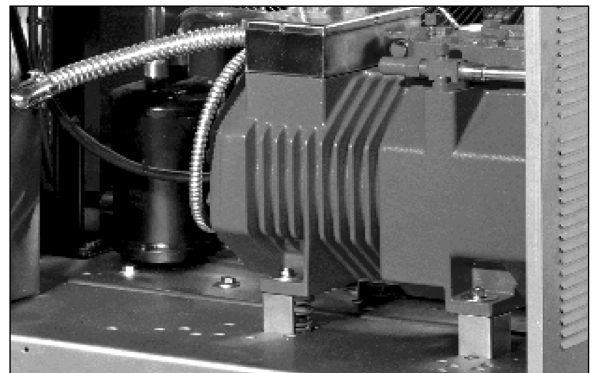
*Improved electrical access and condenser air flow with side mounted electrical panel.*



*Panel with louvers for air flow is replaced by a wire grill for improved air flow and serviceability.*



*A wide range of compressors and refrigerants have been tested and include AWEF numbers to allow application on Walk-In Coolers and Freezers that are 3000 square feet or less in area.*



## HIGH EFFICIENCY H-SERIES CONDENSING UNITS

*Specifications subject to change without notice.*

# High Efficiency H-Series Condensing Units

## Table of Contents

<b>Standard and Optional Features</b>	2	<b>HDSD Copeland Discus Compressors - Low Temp</b>	
<b>Model Key</b>	3	- R-407F Specifications and Performance	30
<b>HDSZ Copeland Scroll Compressors - Low Temp</b>		- R-507A Specifications and Performance	31
- R-407F Specifications and Performance	4	- R-407A Specifications and Performance	32
- R-507A Specifications and Performance	5	- R-449A Specifications and Performance	33
- R-407A Specifications and Performance	6	- R-404A Specifications and Performance	34
- R-449A Specifications and Performance	7	- R-448A Specifications and Performance	35
- R-404A Specifications and Performance	8	<b>HDSD Copeland Discus Compressors - Med Temp</b>	
- R-448A Specifications and Performance	9	- R-407F Specifications and Performance	36
<b>HDSZ Copeland Scroll Compressors - Med Temp</b>		- R-507A Specifications and Performance	37
- R-407F Specifications and Performance	10	- R-407A Specifications and Performance	38
- R-507A Specifications and Performance	12	- R-449A Specifications and Performance	39
- R-407A Specifications and Performance	14	- R-404A Specifications and Performance	40
- R-449A Specifications and Performance	16	- R-448A Specifications and Performance	41
- R-404A Specifications and Performance	18	<b>HDSB Bitzer Ecoline Compressors, Motor 2 - Low Temp</b>	
- R-448A Specifications and Performance	20	- R-407F Specifications and Performance	42
<b>HDSS Copeland Semi-Hermetic Compressors - Low Temp</b>		- R-507A Specifications and Performance	44
- R-507A Specifications and Performance	22	- R-407A Specifications and Performance	46
- R-449A Specifications and Performance	23	- R-449A Specifications and Performance	48
- R-404A Specifications and Performance	24	- R-404A Specifications and Performance	50
- R-448A Specifications and Performance	25	- R-448A Specifications and Performance	52
<b>HDSS Copeland Semi-Hermetic Compressors - Med Temp</b>		<b>HDSB Bitzer Ecoline Compressors, Motor 2 - Med Temp</b>	
- R-407A Specifications and Performance	26	- R-407F Specifications and Performance	54
- R-449A Specifications and Performance	27	- R-507A Specifications and Performance	56
- R-404A Specifications and Performance	28	- R-407A Specifications and Performance	58
- R-448A Specifications and Performance	29	- R-449A Specifications and Performance	60
		- R-404A Specifications and Performance	62
		- R-448A Specifications and Performance	64
		<b>HDSE Bitzer Ecoline Compressors, Motor 1 - Med Temp</b>	
		- R-407F Specifications and Performance	66
		- R-507A Specifications and Performance	68
		- R-407A Specifications and Performance	70
		- R-449A Specifications and Performance	72
		- R-404A Specifications and Performance	74
		- R-448A Specifications and Performance	76
		<b>Receiver Options</b>	78
		<b>Condenser Sizes</b>	78
		<b>MCA / MOPD Calculation</b>	79
		<b>Hurricane-Rated Kits</b>	79
		<b>Consolidated Sound Data</b>	80
		<b>Cabinet Drawings</b>	81
		<b>HE H-Series Capacity Modulation</b>	
		- Digital Compressor Nomenclature	89
		- Electrical Specifications	90



The High Efficiency H-Series Condensing Units are accredited with UL's Energy Efficiency Certification.



The High Efficiency H-Series Condensing Units within NOM-012-ENER-2019 scope are Energy efficiency certified under the NOM-012-ENER-2019 standard for applications in Mexico. Please check each table in the bulletin for details.

# High Efficiency H-Series Condensing Units

## Standard and Optional Features

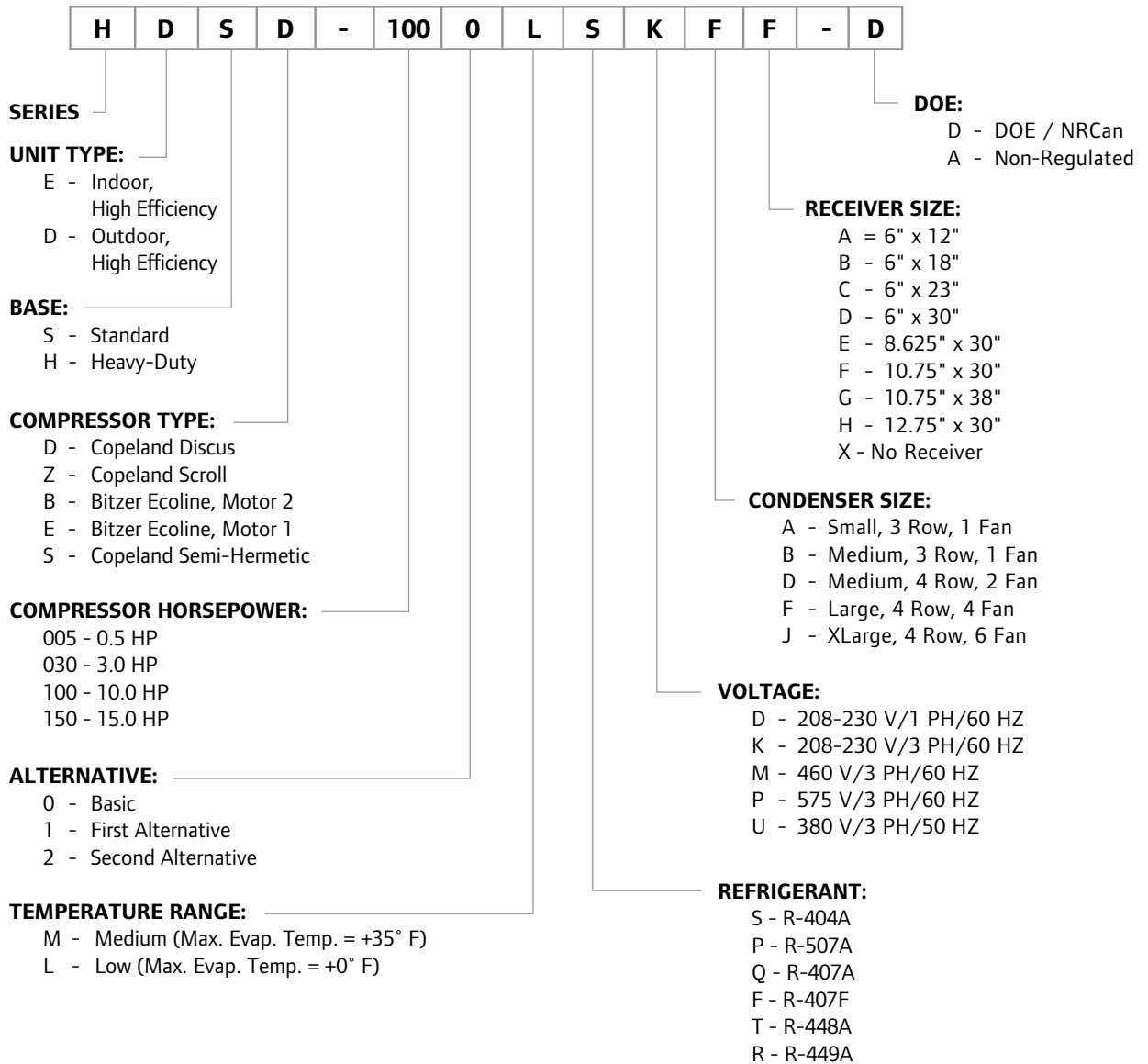
FEATURE	STANDARD	OPTIONAL
Unit Power	208-230/1/60 208-230/3/60 460/3/60	380/3/50 575/3/60
Control Circuit	230/1/60	115/1/60
Main Protection Type	Fused	Circuit Breaker
Main Power Disconnect	None (Power Distribution Block)	Non-Fused (Ship Loose) Fused (Ship Loose)
Condenser Coil	Aluminum Fins on Copper Tubes	Electrofin Coil-Coating
Condenser Fan Motor(s)	PSC (Permanent Split Capacitor Type)	ECM (Under Development)
Condenser Fan Control	Electro-Mechanical Switches (ON/OFF)	Electronic Fan-Cycling (ON/OFF)
Frame/Receiver Type	Standard Base (Vertical Receiver)	Heavy-Duty Base (Horizontal Receiver)
Compressor Mounting	Hard Mounting	Spring Mounts with Vibration Eliminators (Reciprocating Compressors Only)
Receiver	Standard	Larger Sizes Available Heat and Insulation
Pressure Relief	Fusible Plug	Relief Valve
Controls	Electro-Mechanical Pressure Switches	Electronic Controls
Certifications	UL Listed (USA and Canada)	
Shipping	Plastic Shrink Wrap with Skid	Crated
Head Pressure Control	Adjustable (Required for DOE)	
Compressor Oil Control	None	Emerson OMC (Requires Separator) Sporlan Mechanical Float (Requires Separator)
Oil Separator	None	Helical Oil Separator
High Pressure Control	Cartridge Manual Reset	Cartridge Auto Reset Adjustable Manual or Auto Reset
Defrost Method	Time Clock	Electronic Contactors and Fuses for Electric Defrost
Suction Filter	None	Sealed Steel Replaceable Core Brass Replaceable Core
Suction Insulation	None	1/2", 3/4" or 1"
Liquid Drier	Sealed with Sight Glass	Replaceable Core with Sight Glass
Suction Accumulator	None	Accumulator Accumulator with Boil-Out
Hurricane-Rated Kit	No	Yes

Available with either Scroll or Reciprocating compressors. Nominal compressor capacities up to 16 HP.



# High Efficiency H-Series Condensing Units

## Model Key



NOTE: Units are ordered refrigerant specific (i.e. "S" for R-404A) but will include other refrigerants that can also be used on the data plate.

# High Efficiency H-Series Condensing Units

## HDSZ Copeland Scroll Compressors - Low Temp R-407F

### Low Temperature - R-407F Specifications

CONDENSING UNIT MODEL	COMPRESSOR	CONDENSER / UNIT SIZE	OUTDOOR DOE AWEF	208/1/60				208/3/60				460/3/60				LIQ OD IN	SUCTION IN	DEFAULT RECEIVER	INDOOR MODEL	INDOOR DOE AWEF
				COMP RLA	FAN RLA	MCA	MOPD	COMP RLA	FAN RLA	MCA	MOPD	COMP RLA	FAN RLA	MCA	MOPD					
HDSZ-0200LF#A#-D	ZF06K4E	A / Small	3.15	12.2	1.2	19.5	30	8.3	1.2	14.6	20	3.8	0.7	7.0	15	1/2	7/8	B - 18.0 LBS	HESZ-0200LF#A#-A	n/a
HDSZ-0200LF#B#-D	ZF06K4E	B / Medium	3.15	12.2	1.2	19.5	30	8.3	1.2	14.6	20	3.8	0.7	7.0	15	1/2	7/8	C - 23.0 LBS	HESZ-0200LF#B#-D	2.40
HDSZ-0250LF#B#-D	ZF08K4E	B / Medium	3.15	14.7	1.2	22.6	35	8.7	1.2	15.1	20	4.5	0.7	7.8	15	1/2	7/8	C - 23.0 LBS	HESZ-0250LF#B#-A	n/a
HDSZ-0250LF#D#-D	ZF08K4E	D / Medium	3.15	14.7	2.4	23.8	35	8.7	2.1	16.0	20	4.5	1.3	8.4	15	1/2	7/8	E - 57.9 LBS	HESZ-0250LF#D#-A	n/a
HDSZ-0300LF#A#-D	ZF09K4E	A / Small	3.15	12.8	1.2	20.2	30	8.7	1.2	15.1	20	4.5	0.7	7.8	15	1/2	7/8	B - 18.0 LBS	HESZ-0300LF#A#-A	n/a
HDSZ-0300LF#B#-D	ZF09K4E	B / Medium	3.15	12.8	1.2	20.2	30	8.7	1.2	15.1	20	4.5	0.7	7.8	15	1/2	7/8	C - 23.0 LBS	HESZ-0300LF#B#-D	2.40
HDSZ-0350LF#B#-D	ZF11K4E	B / Medium	3.15	16.3	1.2	24.6	40	10.9	1.2	17.8	25	5.8	0.7	9.5	15	1/2	7/8	C - 23.0 LBS	HESZ-0350LF#B#-D	2.40
HDSZ-0350LF#D#-D	ZF11K4E	D / Medium	3.15	16.3	2.4	25.8	40	10.9	2.1	18.7	25	5.8	1.3	10.1	15	1/2	7/8	E - 57.9 LBS	HESZ-0350LF#D#-D	2.40
HDSZ-0400LF#B#-D	ZF13K4E	B / Medium	3.15	22.4	1.2	32.2	50	11.9	1.2	19.1	30	6.4	0.7	10.2	15	1/2	7/8	C - 23.0 LBS	HESZ-0400LF#B#-A	n/a
HDSZ-0400LF#D#-D	ZF13K4E	D / Medium	3.15	22.4	2.4	33.4	50	11.9	2.1	20.0	30	6.4	1.3	10.8	15	1/2	7/8	E - 57.9 LBS	HESZ-0400LF#D#-D	2.40
HDSZ-0500LF#B#-D	ZF15K4E	B / Medium	3.15	24.7	1.2	35.1	50	17.0	1.2	25.5	40	8.0	0.7	12.2	20	1/2	7/8	C - 23.0 LBS	HESZ-0500LF#B#-A	n/a
HDSZ-0500LF#D#-D	ZF15K4E	D / Medium	3.15	24.7	2.4	36.3	60	17.0	2.1	26.4	40	8.0	1.3	12.8	20	1/2	7/8	E - 57.9 LBS	HESZ-0500LF#D#-A	n/a
HDSZ-0600LF#B#-D	ZF18K4E	B / Medium	3.15					19.6	1.2	28.7	45	8.0	0.7	12.2	20	5/8	7/8	C - 23.0 LBS	HESZ-0600LF#B#-A	n/a
HDSZ-0600LF#D#-D	ZF18K4E	D / Medium	3.15					19.6	2.1	29.6	45	8.0	1.3	12.8	20	5/8	7/8	E - 57.9 LBS	HESZ-0600LF#D#-A	n/a
HDSZ-0750LF#D#-A	ZF25K4E	D / Medium	n/a					24.0	2.1	35.1	50	10.6	1.3	16.1	25	5/8	1-3/8	E - 57.9 LBS	HESZ-0750LF#D#-A	n/a
HDSZ-0750LF#F#-D	ZF25K4E	F / Large	3.15					24.0	3.2	36.2	60	10.6	1.9	16.7	25	5/8	1-3/8	F - 88.5 LBS	HESZ-0750LF#F#-A	n/a
HDSZ-1000LF#D#-A	ZF34K5E	D / Medium	n/a					33.3	2.1	46.7	80	16.0	1.3	22.8	35	5/8	1-3/8	E - 57.9 LBS	HESZ-1000LF#D#-A	n/a
HDSZ-1000LF#F#-D	ZF34K5E	F / Large	3.15					33.3	3.2	47.8	80	16.0	1.9	23.4	35	5/8	1-3/8	F - 88.5 LBS	HESZ-1000LF#F#-D	2.40

### Low Temperature - R-407F Performance

95° F AMBIENT TEMPERATURE											
CONDENSING UNIT MODEL	COMPRESSOR	CONDENSER / UNIT SIZE	-40	-35	-30	-25	-20	-15	-10	-5	0
HDSZ-0200LF#A#-D	ZF06K4E	A / Small	3,960	4,560	5,220	5,950	6,730	7,570	8,480	9,440	10,460
HDSZ-0200LF#B#-D	ZF06K4E	B / Medium	4,060	4,690	5,380	6,140	6,970	7,870	8,840	9,880	10,990
HDSZ-0250LF#B#-D	ZF08K4E	B / Medium	4,970	5,730	6,570	7,500	8,500	9,590	10,760	12,010	13,340
HDSZ-0250LF#D#-D	ZF08K4E	D / Medium	5,050	5,830	6,690	7,640	8,680	9,810	11,030	12,350	13,750
HDSZ-0300LF#A#-D	ZF09K4E	A / Small	4,900	5,660	6,490	7,420	8,460	9,640	10,960	12,440	14,090
HDSZ-0300LF#B#-D	ZF09K4E	B / Medium	5,040	5,860	6,760	7,760	8,880	10,140	11,560	13,160	14,960
HDSZ-0350LF#B#-D	ZF11K4E	B / Medium	6,860	7,770	8,910	10,220	11,660	13,160	14,690	16,200	17,640
HDSZ-0350LF#D#-D	ZF11K4E	D / Medium	7,010	7,950	9,120	10,490	11,980	13,570	15,200	16,830	18,410
HDSZ-0400LF#B#-D	ZF13K4E	B / Medium	7,800	8,730	9,900	11,290	12,870	14,610	16,480	18,460	20,520
HDSZ-0400LF#D#-D	ZF13K4E	D / Medium	7,990	8,990	10,240	11,720	13,390	15,230	17,220	19,320	21,510
HDSZ-0500LF#B#-D	ZF15K4E	B / Medium	9,680	10,750	12,090	13,680	15,490	17,490	19,660	21,970	24,420
HDSZ-0500LF#D#-D	ZF15K4E	D / Medium	10,020	11,180	12,620	14,330	16,270	18,430	20,780	23,290	25,960
HDSZ-0600LF#B#-D	ZF18K4E	B / Medium	11,490	12,800	14,410	16,270	18,370	20,660	23,120	25,710	28,420
HDSZ-0600LF#D#-D	ZF18K4E	D / Medium	11,940	13,360	15,100	17,130	19,420	21,930	24,630	27,510	30,520
HDSZ-0750LF#D#-A	ZF25K4E	D / Medium	14,660	16,370	18,460	20,890	23,630	26,630	29,860	33,280	36,860
HDSZ-0750LF#F#-D	ZF25K4E	F / Large	15,350	17,230	19,530	22,220	25,260	28,600	32,230	36,090	40,160
HDSZ-1000LF#D#-A	ZF34K5E	D / Medium	19,150	21,480	24,290	27,530	31,130	35,040	39,220	43,600	48,150
HDSZ-1000LF#F#-D	ZF34K5E	F / Large	20,640	23,320	26,560	30,310	34,520	39,130	44,100	49,370	54,890

105° F AMBIENT TEMPERATURE											
CONDENSING UNIT MODEL	COMPRESSOR	CONDENSER / UNIT SIZE	-40	-35	-30	-25	-20	-15	-10	-5	0
HDSZ-0200LF#A#-D	ZF06K4E	A / Small	3,660	4,220	4,840	5,510	6,230	7,010	7,840	8,720	9,650
HDSZ-0200LF#B#-D	ZF06K4E	B / Medium	3,780	4,370	5,010	5,720	6,500	7,330	8,230	9,200	10,230
HDSZ-0250LF#B#-D	ZF08K4E	B / Medium	4,610	5,330	6,110	6,970	7,910	8,910	9,990	11,150	12,380
HDSZ-0250LF#D#-D	ZF08K4E	D / Medium	4,710	5,440	6,250	7,140	8,110	9,160	10,300	11,520	12,830
HDSZ-0300LF#A#-D	ZF09K4E	A / Small	4,580	5,240	5,980	6,810	7,760	8,850	10,080	11,470	13,030
HDSZ-0300LF#B#-D	ZF09K4E	B / Medium	4,760	5,480	6,300	7,210	8,260	9,450	10,790	12,320	14,050
HDSZ-0350LF#B#-D	ZF11K4E	B / Medium	6,400	7,270	8,350	9,570	10,910	12,290	13,690	15,050	16,330
HDSZ-0350LF#D#-D	ZF11K4E	D / Medium	6,550	7,450	8,560	9,850	11,250	12,720	14,220	15,700	17,120
HDSZ-0400LF#B#-D	ZF13K4E	B / Medium	7,230	8,000	9,040	10,300	11,760	13,380	15,150	17,040	19,010
HDSZ-0400LF#D#-D	ZF13K4E	D / Medium	7,450	8,310	9,420	10,770	12,330	14,070	15,960	17,970	20,090
HDSZ-0500LF#B#-D	ZF15K4E	B / Medium	8,790	9,750	10,970	12,430	14,100	15,970	18,000	20,180	22,490
HDSZ-0500LF#D#-D	ZF15K4E	D / Medium	9,220	10,260	11,590	13,180	15,000	17,030	19,250	21,650	24,190
HDSZ-0600LF#B#-D	ZF18K4E	B / Medium	10,530	11,710	13,180	14,900	16,850	18,990	21,290	n/a	n/a
HDSZ-0600LF#D#-D	ZF18K4E	D / Medium	11,090	12,380	13,990	15,880	18,020	20,380	22,930	25,650	28,500
HDSZ-0750LF#D#-A	ZF25K4E	D / Medium	13,520	15,060	16,980	19,240	21,790	24,600	27,630	30,850	34,230
HDSZ-0750LF#F#-D	ZF25K4E	F / Large	14,350	16,070	18,200	20,720	23,570	26,730	30,160	33,830	37,690
HDSZ-1000LF#D#-A	ZF34K5E	D / Medium	17,150	19,240	21,800	24,780	28,100	n/a	n/a	n/a	n/a
HDSZ-1000LF#F#-D	ZF34K5E	F / Large	18,990	21,450	24,470	27,990	31,960	36,320	41,020	46,020	51,270

NOTE: All temperatures shown reflect the midpoint evaporator temperature. Solid black shading with white font indicates products for non-DOE regulated applications in above Table.

\* Estimated unit shipment weights based on condenser size are as follows: Small - 400 lbs.; Medium - 650 lbs.; Large - 1,250 lbs.; X-Large - 1,575 lbs.

# High Efficiency H-Series Condensing Units

## HDSZ Copeland Scroll Compressors - Low Temp R-507A

### Low Temperature - R-507A Specifications

CONDENSING UNIT MODEL	COMPRESSOR	CONDENSER / UNIT SIZE	OUTDOOR DOE AWEF	208/1/60				208/3/60				460/3/60				LIQ OD IN	SUCTION IN	DEFAULT RECEIVER	INDOOR MODEL	INDOOR DOE AWEF
				COMP RLA	FAN RLA	MCA	MOPD	COMP RLA	FAN RLA	MCA	MOPD	COMP RLA	FAN RLA	MCA	MOPD					
HDSZ-0200LP#A#-A	ZF06K4E	A / Small	n/a	12.2	1.2	19.5	30	8.3	1.2	14.6	20	3.8	0.7	7.0	15	1/2	7/8	B - 16.7 LBS	HESZ-0200LP#A#-A	n/a
HDSZ-0200LP#B#-D	ZF06K4E	B / Medium	3.15	12.2	1.2	19.5	30	8.3	1.2	14.6	20	3.8	0.7	7.0	15	1/2	7/8	C - 21.4 LBS	HESZ-0200LP#B#-D	2.40
HDSZ-0250LP#B#-D	ZF08K4E	B / Medium	3.15	14.7	1.2	22.6	35	8.7	1.2	15.1	20	4.5	0.7	7.8	15	1/2	7/8	C - 21.4 LBS	HESZ-0250LP#B#-D	2.40
HDSZ-0250LP#D#-D	ZF08K4E	D / Medium	3.15	14.7	2.4	23.8	35	8.7	2.1	16.0	20	4.5	1.3	8.4	15	1/2	7/8	E - 53.9 LBS	HESZ-0250LP#D#-D	2.40
HDSZ-0300LP#A#-D	ZF09K4E	A / Small	3.15	12.8	1.2	20.2	30	8.7	1.2	15.1	20	4.5	0.7	7.8	15	1/2	7/8	B - 16.7 LBS	HESZ-0300LP#A#-D	2.40
HDSZ-0300LP#B#-D	ZF09K4E	B / Medium	3.15	12.8	1.2	20.2	30	8.7	1.2	15.1	20	4.5	0.7	7.8	15	1/2	7/8	E - 53.9 LBS	HESZ-0300LP#B#-D	2.40
HDSZ-0350LP#B#-D	ZF11K4E	B / Medium	3.15	16.3	1.2	24.6	40	10.9	1.2	17.8	25	5.8	0.7	9.5	15	1/2	7/8	C - 21.4 LBS	HESZ-0350LP#B#-D	2.40
HDSZ-0350LP#D#-D	ZF11K4E	D / Medium	3.15	16.3	2.4	25.8	40	10.9	2.1	18.7	25	5.8	1.3	10.1	15	1/2	7/8	E - 53.9 LBS	HESZ-0350LP#D#-D	2.40
HDSZ-0400LP#B#-D	ZF13K4E	B / Medium	3.15	22.4	1.2	32.2	50	11.9	1.2	19.1	30	6.4	0.7	10.2	15	1/2	7/8	C - 21.4 LBS	HESZ-0400LP#B#-D	2.40
HDSZ-0400LP#D#-D	ZF13K4E	D / Medium	3.15	22.4	2.4	33.4	50	11.9	2.1	20.0	30	6.4	1.3	10.8	15	1/2	7/8	E - 53.9 LBS	HESZ-0400LP#D#-D	2.40
HDSZ-0500LP#B#-D	ZF15K4E	B / Medium	3.15	24.7	1.2	35.1	50	17.0	1.2	25.5	40	8.0	0.7	12.2	20	1/2	7/8	C - 21.4 LBS	HESZ-0500LP#B#-D	2.40
HDSZ-0500LP#D#-D	ZF15K4E	D / Medium	3.15	24.7	2.4	36.3	60	17.0	2.1	26.4	40	8.0	1.3	12.8	20	1/2	7/8	E - 53.9 LBS	HESZ-0500LP#D#-D	2.40
HDSZ-0600LP#B#-D	ZF18K4E	B / Medium	3.15					19.6	1.2	28.7	45	8.0	0.7	12.2	20	5/8	7/8	C - 21.4 LBS	HESZ-0600LP#B#-D	2.40
HDSZ-0600LP#D#-D	ZF18K4E	D / Medium	3.15					19.6	2.1	29.6	45	8.0	1.3	12.8	20	5/8	7/8	E - 53.9 LBS	HESZ-0600LP#D#-D	2.40
HDSZ-0750LP#D#-D	ZF25K4E	D / Medium	3.15					24.0	2.1	35.1	50	10.6	1.3	16.1	25	5/8	1-3/8	E - 53.9 LBS	HESZ-0750LP#D#-D	2.40
HDSZ-0750LP#F#-D	ZF25K4E	F / Large	3.15					24.0	3.2	36.2	60	10.6	1.9	16.7	25	5/8	1-3/8	F - 82.3 LBS	HESZ-0750LP#F#-D	2.40
HDSZ-1000LP#D#-D	ZF34K5E	D / Medium	3.15					33.3	2.1	46.7	80	16.0	1.3	22.8	35	5/8	1-3/8	E - 53.9 LBS	HESZ-1000LP#D#-A	n/a
HDSZ-1000LP#F#-D	ZF34K5E	F / Large	3.15					33.3	3.2	47.8	80	16.0	1.9	23.4	35	5/8	1-3/8	F - 82.3 LBS	HESZ-1000LP#F#-D	2.40

### Low Temperature - R-507A Performance

			95° F AMBIENT TEMPERATURE								
CONDENSING UNIT MODEL	COMPRESSOR	CONDENSER / UNIT SIZE	-40	-35	-30	-25	-20	-15	-10	-5	0
HDSZ-0200LP#A#-A	ZF06K4E	A / Small	4,580	5,270	5,980	6,730	7,510	8,340	9,210	10,130	11,100
HDSZ-0200LP#B#-D	ZF06K4E	B / Medium	4,750	5,470	6,220	7,010	7,860	8,750	9,710	10,730	11,830
HDSZ-0250LP#B#-D	ZF08K4E	B / Medium	6,060	6,890	7,780	8,740	9,770	10,880	12,070	13,350	14,710
HDSZ-0250LP#D#-D	ZF08K4E	D / Medium	6,190	7,050	7,970	8,970	10,050	11,220	12,490	13,850	15,310
HDSZ-0300LP#A#-D	ZF09K4E	A / Small	6,430	7,290	8,200	9,160	10,160	11,220	12,340	13,510	14,750
HDSZ-0300LP#B#-D	ZF09K4E	B / Medium	6,730	7,660	8,640	9,690	10,820	12,020	13,300	14,670	16,130
HDSZ-0350LP#B#-D	ZF11K4E	B / Medium	8,250	9,360	10,550	11,820	13,170	14,620	16,160	17,790	19,530
HDSZ-0350LP#D#-D	ZF11K4E	D / Medium	8,470	9,630	10,890	12,230	13,680	15,240	16,920	18,720	20,650
HDSZ-0400LP#B#-D	ZF13K4E	B / Medium	8,890	10,170	11,570	13,060	14,670	16,370	18,170	20,060	22,040
HDSZ-0400LP#D#-D	ZF13K4E	D / Medium	9,220	10,570	12,050	13,650	15,380	17,240	19,220	21,330	23,560
HDSZ-0500LP#B#-D	ZF15K4E	B / Medium	11,260	12,710	14,250	15,880	17,600	19,430	21,360	23,380	25,510
HDSZ-0500LP#D#-D	ZF15K4E	D / Medium	11,730	13,290	14,970	16,770	18,700	20,770	22,980	25,340	27,850
HDSZ-0600LP#B#-D	ZF18K4E	B / Medium	13,180	14,920	16,720	18,580	20,520	22,550	24,660	26,850	29,140
HDSZ-0600LP#D#-D	ZF18K4E	D / Medium	13,750	15,630	17,610	19,700	21,900	24,230	26,710	29,330	32,110
HDSZ-0750LP#D#-D	ZF25K4E	D / Medium	16,900	19,170	21,540	24,020	26,630	29,360	32,240	35,270	38,450
HDSZ-0750LP#F#-D	ZF25K4E	F / Large	17,760	20,270	22,910	25,740	28,750	31,990	35,450	39,170	43,170
HDSZ-1000LP#D#-D	ZF34K5E	D / Medium	20,540	23,450	26,440	29,530	32,720	36,020	39,440	42,980	46,640
HDSZ-1000LP#F#-D	ZF34K5E	F / Large	22,090	25,380	28,840	32,500	36,380	40,510	44,890	49,560	54,520

			105° F AMBIENT TEMPERATURE								
CONDENSING UNIT MODEL	COMPRESSOR	CONDENSER / UNIT SIZE	-40	-35	-30	-25	-20	-15	-10	-5	0
HDSZ-0200LP#A#-A	ZF06K4E	A / Small	4,180	4,840	5,500	6,190	6,910	7,650	8,430	9,250	10,120
HDSZ-0200LP#B#-D	ZF06K4E	B / Medium	4,350	5,030	5,730	6,470	7,240	8,060	8,920	9,850	10,840
HDSZ-0250LP#B#-D	ZF08K4E	B / Medium	5,550	6,320	7,140	8,020	8,960	9,960	11,040	12,190	13,410
HDSZ-0250LP#D#-D	ZF08K4E	D / Medium	5,690	6,490	7,350	8,270	9,260	10,330	11,480	12,720	14,050
HDSZ-0300LP#A#-D	ZF09K4E	A / Small	5,850	6,650	7,470	8,330	9,220	10,170	11,160	12,200	13,300
HDSZ-0300LP#B#-D	ZF09K4E	B / Medium	6,190	7,040	7,950	8,900	9,920	11,000	12,160	13,390	14,710
HDSZ-0350LP#B#-D	ZF11K4E	B / Medium	7,590	8,600	9,670	10,810	12,030	13,320	14,690	16,160	17,710
HDSZ-0350LP#D#-D	ZF11K4E	D / Medium	7,830	8,900	10,040	11,270	12,580	13,990	15,510	17,130	18,870
HDSZ-0400LP#B#-D	ZF13K4E	B / Medium	8,110	9,280	10,540	11,890	13,330	14,860	16,460	18,150	19,910
HDSZ-0400LP#D#-D	ZF13K4E	D / Medium	8,400	9,650	11,000	12,470	14,050	15,740	17,540	19,450	21,470
HDSZ-0500LP#B#-D	ZF15K4E	B / Medium	10,240	11,550	12,920	14,360	15,880	17,480	19,160	20,930	22,790
HDSZ-0500LP#D#-D	ZF15K4E	D / Medium	10,760	12,180	13,700	15,310	17,040	18,890	20,860	22,970	25,210
HDSZ-0600LP#B#-D	ZF18K4E	B / Medium	12,130	13,700	15,300	16,950	18,650	20,420	22,260	24,160	26,150
HDSZ-0600LP#D#-D	ZF18K4E	D / Medium	12,740	14,460	16,250	18,120	20,080	22,160	24,360	26,680	29,150
HDSZ-0750LP#D#-D	ZF25K4E	D / Medium	15,610	17,680	19,810	22,010	24,320	26,730	29,270	31,930	34,720
HDSZ-0750LP#F#-D	ZF25K4E	F / Large	16,540	18,830	21,250	23,810	26,530	29,440	32,550	35,900	39,480
HDSZ-1000LP#D#-D	ZF34K5E	D / Medium	18,580	21,220	23,910	26,650	29,460	32,340	35,320	38,380	41,550
HDSZ-1000LP#F#-D	ZF34K5E	F / Large	20,260	23,310	26,490	29,830	33,350	37,070	41,010	45,200	49,650

NOTE: All temperatures shown reflect the midpoint evaporator temperature. Solid black shading with white font indicates products for non-DOE regulated applications in above Table.

\* Estimated unit shipment weights based on condenser size are as follows: Small - 400 lbs.; Medium - 650 lbs.; Large - 1,250 lbs.; X-Large - 1,575 lbs.

# High Efficiency H-Series Condensing Units

## HDSZ Copeland Scroll Compressors - Low Temp R-407A

### Low Temperature - R-407A Specifications

CONDENSING UNIT MODEL	COMPRESSOR	CONDENSER / UNIT SIZE	OUTDOOR DOE AWEF	208/1/60				208/3/60				460/3/60				LIQ OD IN	SUCTION IN	DEFAULT RECEIVER	INDOOR MODEL	INDOOR DOE AWEF
				COMP RLA	FAN RLA	MCA	MOPD	COMP RLA	FAN RLA	MCA	MOPD	COMP RLA	FAN RLA	MCA	MOPD					
HDSZ-0200LQ#A#-D	ZF06K4E	A / Small	3.15	12.2	1.2	19.5	30	8.3	1.2	14.6	20	3.8	0.7	7.0	15	1/2	7/8	B - 18.4 LBS	HESZ-0200LQ#A#-A	n/a
HDSZ-0200LQ#B#-D	ZF06K4E	B / Medium	3.15	12.2	1.2	19.5	30	8.3	1.2	14.6	20	3.8	0.7	7.0	15	1/2	7/8	C - 23.6 LBS	HESZ-0200LQ#B#-D	2.40
HDSZ-0250LQ#B#-D	ZF08K4E	B / Medium	3.15	14.7	1.2	22.6	35	8.7	1.2	15.1	20	4.5	0.7	7.8	15	1/2	7/8	C - 23.6 LBS	HESZ-0250LQ#B#-A	n/a
HDSZ-0250LQ#D#-D	ZF08K4E	D / Medium	3.15	14.7	2.4	23.8	35	8.7	2.1	16.0	20	4.5	1.3	8.4	15	1/2	7/8	E - 59.4 LBS	HESZ-0250LQ#D#-A	n/a
HDSZ-0300LQ#A#-D	ZF09K4E	A / Small	3.15	12.8	1.2	20.2	30	8.7	1.2	15.1	20	4.5	0.7	7.8	15	1/2	7/8	B - 18.4 LBS	HESZ-0300LQ#A#-A	n/a
HDSZ-0300LQ#B#-D	ZF09K4E	B / Medium	3.15	12.8	1.2	20.2	30	8.7	1.2	15.1	20	4.5	0.7	7.8	15	1/2	7/8	C - 23.6 LBS	HESZ-0300LQ#B#-D	2.40
HDSZ-0350LQ#B#-D	ZF11K4E	B / Medium	3.15	16.3	1.2	24.6	40	10.9	1.2	17.8	25	5.8	0.7	9.5	15	1/2	7/8	C - 23.6 LBS	HESZ-0350LQ#B#-A	n/a
HDSZ-0350LQ#D#-D	ZF11K4E	D / Medium	3.15	16.3	2.4	25.8	40	10.9	2.1	18.7	25	5.8	1.3	10.1	15	1/2	7/8	E - 59.4 LBS	HESZ-0350LQ#D#-D	2.40
HDSZ-0400LQ#B#-D	ZF13K4E	B / Medium	3.15	22.4	1.2	32.2	50	11.9	1.2	19.1	30	6.4	0.7	10.2	15	1/2	7/8	C - 23.6 LBS	HESZ-0400LQ#B#-A	n/a
HDSZ-0400LQ#D#-D	ZF13K4E	D / Medium	3.15	22.4	2.4	33.4	50	11.9	2.1	20.0	30	6.4	1.3	10.8	15	1/2	7/8	E - 59.4 LBS	HESZ-0400LQ#D#-A	n/a
HDSZ-0500LQ#B#-D	ZF15K4E	B / Medium	3.15	24.7	1.2	35.1	50	17.0	1.2	25.5	40	8.0	0.7	12.2	20	1/2	7/8	C - 23.6 LBS	HESZ-0500LQ#B#-A	n/a
HDSZ-0500LQ#D#-D	ZF15K4E	D / Medium	3.15	24.7	2.4	36.3	60	17.0	2.1	26.4	40	8.0	1.3	12.8	20	1/2	7/8	E - 59.4 LBS	HESZ-0500LQ#D#-A	n/a
HDSZ-0600LQ#B#-D	ZF18K4E	B / Medium	3.15					19.6	1.2	28.7	45	8.0	0.7	12.2	20	5/8	7/8	C - 23.6 LBS	HESZ-0600LQ#B#-A	n/a
HDSZ-0600LQ#D#-D	ZF18K4E	D / Medium	3.15					19.6	2.1	29.6	45	8.0	1.3	12.8	20	5/8	7/8	E - 59.4 LBS	HESZ-0600LQ#D#-A	n/a
HDSZ-0750LQ#D#-D	ZF25K4E	D / Medium	3.15					24.0	2.1	35.1	50	10.6	1.3	16.1	25	5/8	1-3/8	E - 59.4 LBS	HESZ-0750LQ#D#-A	n/a
HDSZ-0750LQ#F#-D	ZF25K4E	F / Large	3.15					24.0	3.2	36.2	60	10.6	1.9	16.7	25	5/8	1-3/8	F - 90.7 LBS	HESZ-0750LQ#F#-D	2.40
HDSZ-1000LQ#D#-A	ZF34K5E	D / Medium	n/a					33.3	2.1	46.7	80	16.0	1.3	22.8	35	5/8	1-3/8	E - 59.4 LBS	HESZ-1000LQ#D#-A	n/a
HDSZ-1000LQ#F#-D	ZF34K5E	F / Large	3.15					33.3	3.2	47.8	80	16.0	1.9	23.4	35	5/8	1-3/8	F - 90.7 LBS	HESZ-1000LQ#F#-A	n/a

### Low Temperature - R-407A Performance

95° F AMBIENT TEMPERATURE											
CONDENSING UNIT MODEL	COMPRESSOR	CONDENSER / UNIT SIZE	-40	-35	-30	-25	-20	-15	-10	-5	0
HDSZ-0200LQ#A#-D	ZF06K4E	A / Small	3,410	3,970	4,600	5,300	6,090	6,960	7,930	9,000	10,180
HDSZ-0200LQ#B#-D	ZF06K4E	B / Medium	3,490	4,080	4,730	5,470	6,290	7,210	8,230	9,360	10,610
HDSZ-0250LQ#B#-D	ZF08K4E	B / Medium	4,970	5,730	6,570	7,500	8,500	9,590	10,760	12,010	13,340
HDSZ-0250LQ#D#-D	ZF08K4E	D / Medium	5,050	5,830	6,690	7,640	8,680	9,810	11,030	12,350	13,750
HDSZ-0300LQ#A#-D	ZF09K4E	A / Small	4,900	5,660	6,490	7,420	8,460	9,640	10,960	12,440	14,090
HDSZ-0300LQ#B#-D	ZF09K4E	B / Medium	5,040	5,860	6,760	7,760	8,880	10,140	11,560	13,160	14,960
HDSZ-0350LQ#B#-D	ZF11K4E	B / Medium	6,210	7,200	8,290	9,510	10,880	12,430	14,170	16,120	18,310
HDSZ-0350LQ#D#-D	ZF11K4E	D / Medium	6,310	7,340	8,480	9,760	11,190	12,810	14,640	16,690	18,980
HDSZ-0400LQ#B#-D	ZF13K4E	B / Medium	7,790	8,840	10,140	11,650	13,350	15,180	17,110	19,120	21,160
HDSZ-0400LQ#D#-D	ZF13K4E	D / Medium	8,010	9,110	10,480	12,080	13,860	15,800	17,860	20,000	22,180
HDSZ-0500LQ#B#-D	ZF15K4E	B / Medium	9,900	11,060	12,500	14,180	16,070	18,110	20,280	22,540	24,850
HDSZ-0500LQ#D#-D	ZF15K4E	D / Medium	10,220	11,470	13,020	14,830	16,860	19,080	21,430	23,900	26,440
HDSZ-0600LQ#B#-D	ZF18K4E	B / Medium	11,490	12,800	14,410	16,270	18,370	20,660	23,120	25,710	28,420
HDSZ-0600LQ#D#-D	ZF18K4E	D / Medium	11,940	13,360	15,100	17,130	19,420	21,930	24,630	27,510	30,520
HDSZ-0750LQ#D#-D	ZF25K4E	D / Medium	14,710	16,420	18,520	20,970	23,720	26,740	29,980	33,410	37,010
HDSZ-0750LQ#F#-D	ZF25K4E	F / Large	15,370	17,250	19,560	22,250	25,290	28,640	32,270	36,140	40,220
HDSZ-1000LQ#D#-A	ZF34K5E	D / Medium	19,150	21,480	24,290	27,530	31,130	35,040	39,220	43,600	48,150
HDSZ-1000LQ#F#-D	ZF34K5E	F / Large	20,640	23,320	26,560	30,310	34,520	39,130	44,100	49,370	54,890

105° F AMBIENT TEMPERATURE											
CONDENSING UNIT MODEL	COMPRESSOR	CONDENSER / UNIT SIZE	-40	-35	-30	-25	-20	-15	-10	-5	0
HDSZ-0200LQ#A#-D	ZF06K4E	A / Small	3,210	3,720	4,300	4,950	5,680	6,500	7,410	8,430	9,550
HDSZ-0200LQ#B#-D	ZF06K4E	B / Medium	3,280	3,820	4,430	5,120	5,890	6,750	7,720	8,800	9,990
HDSZ-0250LQ#B#-D	ZF08K4E	B / Medium	4,610	5,330	6,110	6,970	7,910	8,910	9,990	11,150	12,380
HDSZ-0250LQ#D#-D	ZF08K4E	D / Medium	4,710	5,440	6,250	7,140	8,110	9,160	10,300	11,520	12,830
HDSZ-0300LQ#A#-D	ZF09K4E	A / Small	4,580	5,240	5,980	6,810	7,760	8,850	10,080	11,470	13,030
HDSZ-0300LQ#B#-D	ZF09K4E	B / Medium	4,760	5,480	6,300	7,210	8,260	9,450	10,790	12,320	14,050
HDSZ-0350LQ#B#-D	ZF11K4E	B / Medium	5,850	6,710	7,690	8,790	10,060	11,500	13,140	14,990	17,070
HDSZ-0350LQ#D#-D	ZF11K4E	D / Medium	5,980	6,900	7,930	9,100	10,440	11,960	13,690	15,660	17,870
HDSZ-0400LQ#B#-D	ZF13K4E	B / Medium	7,290	8,220	9,400	10,800	12,380	14,100	15,910	17,800	19,710
HDSZ-0400LQ#D#-D	ZF13K4E	D / Medium	7,450	8,450	9,710	11,200	12,870	14,700	16,640	18,670	20,730
HDSZ-0500LQ#B#-D	ZF15K4E	B / Medium	9,220	10,240	11,540	13,080	14,820	16,720	18,730	20,840	23,000
HDSZ-0500LQ#D#-D	ZF15K4E	D / Medium	9,540	10,650	12,070	13,740	15,630	17,700	19,900	22,220	24,600
HDSZ-0600LQ#B#-D	ZF18K4E	B / Medium	10,530	11,710	13,180	14,900	16,850	18,990	21,290	n/a	n/a
HDSZ-0600LQ#D#-D	ZF18K4E	D / Medium	11,090	12,380	13,990	15,880	18,020	20,380	22,930	25,650	28,500
HDSZ-0750LQ#D#-D	ZF25K4E	D / Medium	13,580	15,130	17,060	19,330	21,900	24,730	27,780	31,020	34,410
HDSZ-0750LQ#F#-D	ZF25K4E	F / Large	14,370	16,100	18,240	20,750	23,620	26,780	30,220	33,890	37,760
HDSZ-1000LQ#D#-A	ZF34K5E	D / Medium	17,150	19,240	21,800	24,780	28,100	n/a	n/a	n/a	n/a
HDSZ-1000LQ#F#-D	ZF34K5E	F / Large	18,990	21,450	24,470	27,990	31,960	36,320	41,020	46,020	51,270

NOTE: All temperatures shown reflect the midpoint evaporator temperature. Solid black shading with white font indicates products for non-DOE regulated applications in above Table.

\* Estimated unit shipment weights based on condenser size are as follows: Small - 400 lbs.; Medium - 650 lbs.; Large - 1,250 lbs.; X-Large - 1,575 lbs.



# High Efficiency H-Series Condensing Units

## HDSZ Copeland Scroll Compressors - Low Temp R-449A

### Low Temperature - R-449A Specifications

CONDENSING UNIT MODEL	COMPRESSOR	CONDENSER / UNIT SIZE	OUTDOOR DOE AWEF	208/1/60				208/3/60				460/3/60				LIQ OD IN	SUCTION IN	DEFAULT RECEIVER	INDOOR MODEL	INDOOR DOE AWEF
				COMP RLA	FAN RLA	MCA	MOPD	COMP RLA	FAN RLA	MCA	MOPD	COMP RLA	FAN RLA	MCA	MOPD					
HDSZ-0200LR#A#-D	ZF06K4E	A / Small	3.15	12.2	1.2	19.5	30	8.3	1.2	14.6	20	3.8	0.7	7.0	15	1/2	7/8	B - 17.6 LBS	HESZ-0200LR#A#-A	n/a
HDSZ-0200LR#B#-D	ZF06K4E	B / Medium	3.15	12.2	1.2	19.5	30	8.3	1.2	14.6	20	3.8	0.7	7.0	15	1/2	7/8	C - 22.5 LBS	HESZ-0200LR#B#-D	2.40
HDSZ-0250LR#B#-D	ZF08K4E	B / Medium	3.15	14.7	1.2	22.6	35	8.7	1.2	15.1	20	4.5	0.7	7.8	15	1/2	7/8	C - 22.5 LBS	HESZ-0250LR#B#-D	2.40
HDSZ-0250LR#D#-D	ZF08K4E	D / Medium	3.15	14.7	2.4	23.8	35	8.7	2.1	16.0	20	4.5	1.3	8.4	15	1/2	7/8	E - 56.6 LBS	HESZ-0250LR#D#-D	2.40
HDSZ-0300LR#A#-D	ZF09K4E	A / Small	3.15	12.8	1.2	20.2	30	8.7	1.2	15.1	20	4.5	0.7	7.8	15	1/2	7/8	B - 17.6 LBS	HESZ-0300LR#A#-A	n/a
HDSZ-0300LR#B#-D	ZF09K4E	B / Medium	3.15	12.8	1.2	20.2	30	8.7	1.2	15.1	20	4.5	0.7	7.8	15	1/2	7/8	C - 22.5 LBS	HESZ-0300LR#B#-D	2.40
HDSZ-0350LR#B#-D	ZF11K4E	B / Medium	3.15	16.3	1.2	24.6	40	10.9	1.2	17.8	25	5.8	0.7	9.5	15	1/2	7/8	C - 22.5 LBS	HESZ-0350LR#B#-D	2.40
HDSZ-0350LR#D#-D	ZF11K4E	D / Medium	3.15	16.3	2.4	25.8	40	10.9	2.1	18.7	25	5.8	1.3	10.1	15	1/2	7/8	E - 56.6 LBS	HESZ-0350LR#D#-D	2.40
HDSZ-0400LR#B#-D	ZF13K4E	B / Medium	3.15	22.4	1.2	32.2	50	11.9	1.2	19.1	30	6.4	0.7	10.2	15	1/2	7/8	C - 22.5 LBS	HESZ-0400LR#B#-A	n/a
HDSZ-0400LR#D#-D	ZF13K4E	D / Medium	3.15	22.4	2.4	33.4	50	11.9	2.1	20.0	30	6.4	1.3	10.8	15	1/2	7/8	E - 56.6 LBS	HESZ-0400LR#D#-A	n/a
HDSZ-0500LR#B#-D	ZF15K4E	B / Medium	3.15	24.7	1.2	35.1	50	17.0	1.2	25.5	40	8.0	0.7	12.2	20	1/2	7/8	C - 22.5 LBS	HESZ-0500LR#B#-A	n/a
HDSZ-0500LR#D#-D	ZF15K4E	D / Medium	3.15	24.7	2.4	36.3	60	17.0	2.1	26.4	40	8.0	1.3	12.8	20	1/2	7/8	E - 56.6 LBS	HESZ-0500LR#D#-A	n/a
HDSZ-0600LR#B#-D	ZF18K4E	B / Medium	3.15					19.6	1.2	28.7	45	8.0	0.7	12.2	20	5/8	7/8	C - 22.5 LBS	HESZ-0600LR#B#-A	n/a
HDSZ-0600LR#D#-D	ZF18K4E	D / Medium	3.15					19.6	2.1	29.6	45	8.0	1.3	12.8	20	5/8	7/8	E - 56.6 LBS	HESZ-0600LR#D#-A	n/a
HDSZ-0750LR#D#-D	ZF25K4E	D / Medium	3.15					24.0	2.1	35.1	50	10.6	1.3	16.1	25	5/8	1-3/8	E - 56.6 LBS	HESZ-0750LR#D#-A	n/a
HDSZ-0750LR#F#-D	ZF25K4E	F / Large	3.15					24.0	3.2	36.2	60	10.6	1.9	16.7	25	5/8	1-3/8	F - 86.5 LBS	HESZ-0750LR#F#-A	n/a
HDSZ-1000LR#D#-D	ZF34K5E	D / Medium	3.15					33.3	2.1	46.7	80	16.0	1.3	22.8	35	5/8	1-3/8	E - 56.6 LBS	HESZ-1000LR#D#-D	2.40
HDSZ-1000LR#F#-D	ZF34K5E	F / Large	3.15					33.3	3.2	47.8	80	16.0	1.9	23.4	35	5/8	1-3/8	F - 86.5 LBS	HESZ-1000LR#F#-D	2.40

### Low Temperature - R-449A Performance

95° F AMBIENT TEMPERATURE											
CONDENSING UNIT MODEL	COMPRESSOR	CONDENSER / UNIT SIZE	-40	-35	-30	-25	-20	-15	-10	-5	0
HDSZ-0200LR#A#-D	ZF06K4E	A / Small	4,400	4,970	5,620	6,340	7,140	8,010	8,960	9,980	11,060
HDSZ-0200LR#B#-D	ZF06K4E	B / Medium	4,520	5,120	5,810	6,570	7,420	8,360	9,380	10,480	11,670
HDSZ-0250LR#B#-D	ZF08K4E	B / Medium	5,570	6,490	7,400	8,310	9,250	10,230	11,280	12,410	13,630
HDSZ-0250LR#D#-D	ZF08K4E	D / Medium	5,650	6,590	7,510	8,450	9,420	10,450	11,550	12,740	14,040
HDSZ-0300LR#A#-D	ZF09K4E	A / Small	5,890	6,770	7,670	8,600	9,580	10,610	11,700	12,870	14,110
HDSZ-0300LR#B#-D	ZF09K4E	B / Medium	6,070	6,980	7,920	8,910	9,960	11,080	12,290	13,600	15,020
HDSZ-0350LR#B#-D	ZF11K4E	B / Medium	7,470	8,460	9,550	10,750	12,070	13,510	15,060	16,740	18,540
HDSZ-0350LR#D#-D	ZF11K4E	D / Medium	7,620	8,640	9,780	11,050	12,430	13,960	15,610	17,410	19,360
HDSZ-0400LR#B#-D	ZF13K4E	B / Medium	9,000	9,900	11,030	12,360	13,870	15,560	17,390	19,370	21,480
HDSZ-0400LR#D#-D	ZF13K4E	D / Medium	8,790	9,850	11,130	12,630	14,310	16,180	18,220	20,420	22,770
HDSZ-0500LR#B#-D	ZF15K4E	B / Medium	10,270	11,610	13,100	14,760	16,580	18,540	20,640	22,870	25,240
HDSZ-0500LR#D#-D	ZF15K4E	D / Medium	10,510	11,950	13,560	15,370	17,360	19,520	21,870	24,390	27,080
HDSZ-0600LR#B#-D	ZF18K4E	B / Medium	12,690	14,230	15,920	17,760	19,730	21,840	24,080	26,440	28,910
HDSZ-0600LR#D#-D	ZF18K4E	D / Medium	13,040	14,770	16,680	18,770	21,050	23,500	26,140	28,950	31,940
HDSZ-0750LR#D#-D	ZF25K4E	D / Medium	15,990	17,930	20,170	22,690	25,470	28,510	31,790	35,300	39,040
HDSZ-0750LR#F#-D	ZF25K4E	F / Large	16,410	18,650	21,220	24,110	27,330	30,870	34,730	38,890	43,370
HDSZ-1000LR#D#-D	ZF34K5E	D / Medium	19,590	22,480	25,550	28,790	32,230	35,850	39,660	43,660	47,850
HDSZ-1000LR#F#-D	ZF34K5E	F / Large	20,610	23,870	27,370	31,140	35,200	39,560	44,240	49,240	54,590

105° F AMBIENT TEMPERATURE											
CONDENSING UNIT MODEL	COMPRESSOR	CONDENSER / UNIT SIZE	-40	-35	-30	-25	-20	-15	-10	-5	0
HDSZ-0200LR#A#-D	ZF06K4E	A / Small	4,040	4,560	5,150	5,810	6,540	7,340	8,210	9,150	10,150
HDSZ-0200LR#B#-D	ZF06K4E	B / Medium	4,210	4,770	5,400	6,110	6,900	7,760	8,710	9,740	10,850
HDSZ-0250LR#B#-D	ZF08K4E	B / Medium	5,240	6,140	7,010	7,870	8,750	9,660	10,620	11,650	12,770
HDSZ-0250LR#D#-D	ZF08K4E	D / Medium	5,330	6,240	7,130	8,020	8,930	9,890	10,900	11,990	13,180
HDSZ-0300LR#A#-D	ZF09K4E	A / Small	5,440	6,300	7,160	8,050	8,960	9,920	10,920	11,980	13,110
HDSZ-0300LR#B#-D	ZF09K4E	B / Medium	5,700	6,590	7,500	8,440	9,430	10,480	11,600	12,810	14,110
HDSZ-0350LR#B#-D	ZF11K4E	B / Medium	6,990	7,910	8,920	10,030	11,250	12,570	14,000	15,530	17,190
HDSZ-0350LR#D#-D	ZF11K4E	D / Medium	7,160	8,120	9,180	10,360	11,640	13,060	14,590	16,260	18,060
HDSZ-0400LR#B#-D	ZF13K4E	B / Medium	9,870	10,290	10,980	11,930	13,090	14,460	16,000	17,710	19,570
HDSZ-0400LR#D#-D	ZF13K4E	D / Medium	9,420	10,060	10,980	12,140	13,520	15,120	16,900	18,880	21,020
HDSZ-0500LR#B#-D	ZF15K4E	B / Medium	9,820	11,000	12,330	13,810	15,430	17,190	19,080	21,100	n/a
HDSZ-0500LR#D#-D	ZF15K4E	D / Medium	10,020	11,300	12,760	14,380	16,190	18,160	20,300	22,600	25,070
HDSZ-0600LR#B#-D	ZF18K4E	B / Medium	12,230	13,490	14,890	16,430	18,100	n/a	n/a	n/a	n/a
HDSZ-0600LR#D#-D	ZF18K4E	D / Medium	12,540	14,010	15,660	17,490	19,480	21,640	23,980	26,480	29,150
HDSZ-0750LR#D#-D	ZF25K4E	D / Medium	15,640	17,220	19,100	21,260	23,680	26,370	29,300	32,460	n/a
HDSZ-0750LR#F#-D	ZF25K4E	F / Large	15,870	17,770	20,010	22,590	25,480	28,700	32,240	36,090	40,250
HDSZ-1000LR#D#-D	ZF34K5E	D / Medium	18,380	20,940	23,660	26,550	29,600	32,830	n/a	n/a	n/a
HDSZ-1000LR#F#-D	ZF34K5E	F / Large	19,380	22,360	25,570	29,030	32,770	36,800	41,120	45,760	50,730

NOTE: All temperatures shown reflect the midpoint evaporator temperature. Solid black shading with white font indicates products for non-DOE regulated applications in above Table.

\* Estimated unit shipment weights based on condenser size are as follows: Small - 400 lbs.; Medium - 650 lbs.; Large - 1,250 lbs.; X-Large - 1,575 lbs.

# High Efficiency H-Series Condensing Units

## HDSZ Copeland Scroll Compressors - Low Temp R-404A

### Low Temperature - R-404A Specifications

CONDENSING UNIT MODEL	COMPRESSOR	CONDENSER / UNIT SIZE	OUTDOOR DOE AWEF	208/1/60				208/3/60				460/3/60				LIQ OD IN	SUCTION IN	DEFAULT RECEIVER	INDOOR MODEL	INDOOR DOE AWEF
				COMP RLA	FAN RLA	MCA	MOPD	COMP RLA	FAN RLA	MCA	MOPD	COMP RLA	FAN RLA	MCA	MOPD					
HDSZ-0200LS#A#-A	ZF06K4E	A / Small	n/a	12.2	1.2	19.5	30	8.3	1.2	14.6	20	3.8	0.7	7.0	15	1/2	7/8	B - 16.7 LBS	HESZ-0200LS#A#-A	n/a
HDSZ-0200LS#B#-D	ZF06K4E	B / Medium	3.15	12.2	1.2	19.5	30	8.3	1.2	14.6	20	3.8	0.7	7.0	15	1/2	7/8	C - 21.4 LBS	HESZ-0200LS#B#-D	2.40
HDSZ-0250LS#B#-D	ZF08K4E	B / Medium	3.15	14.7	1.2	22.6	35	8.7	1.2	15.1	20	4.5	0.7	7.8	15	1/2	7/8	C - 21.4 LBS	HESZ-0250LS#B#-D	2.40
HDSZ-0250LS#D#-D	ZF08K4E	D / Medium	3.15	14.7	2.4	23.8	35	8.7	2.1	16.0	20	4.5	1.3	8.4	15	1/2	7/8	E - 53.9 LBS	HESZ-0250LS#D#-D	2.40
HDSZ-0300LS#A#-D	ZF09K4E	A / Small	3.15	12.8	1.2	20.2	30	8.7	1.2	15.1	20	4.5	0.7	7.8	15	1/2	7/8	B - 16.7 LBS	HESZ-0300LS#A#-D	2.40
HDSZ-0300LS#B#-D	ZF09K4E	B / Medium	3.15	12.8	1.2	20.2	30	8.7	1.2	15.1	20	4.5	0.7	7.8	15	1/2	7/8	E - 53.9 LBS	HESZ-0300LS#B#-D	2.40
HDSZ-0350LS#B#-D	ZF11K4E	B / Medium	3.15	16.3	1.2	24.6	40	10.9	1.2	17.8	25	5.8	0.7	9.5	15	1/2	7/8	C - 21.4 LBS	HESZ-0350LS#B#-D	2.40
HDSZ-0350LS#D#-D	ZF11K4E	D / Medium	3.15	16.3	2.4	25.8	40	10.9	2.1	18.7	25	5.8	1.3	10.1	15	1/2	7/8	E - 53.9 LBS	HESZ-0350LS#D#-D	2.40
HDSZ-0400LS#B#-D	ZF13K4E	B / Medium	3.15	22.4	1.2	32.2	50	11.9	1.2	19.1	30	6.4	0.7	10.2	15	1/2	7/8	C - 21.4 LBS	HESZ-0400LS#B#-D	2.40
HDSZ-0400LS#D#-D	ZF13K4E	D / Medium	3.15	22.4	2.4	33.4	50	11.9	2.1	20.0	30	6.4	1.3	10.8	15	1/2	7/8	E - 53.9 LBS	HESZ-0400LS#D#-D	2.40
HDSZ-0500LS#B#-D	ZF15K4E	B / Medium	3.15	24.7	1.2	35.1	50	17.0	1.2	25.5	40	8.0	0.7	12.2	20	1/2	7/8	C - 21.4 LBS	HESZ-0500LS#B#-D	2.40
HDSZ-0500LS#D#-D	ZF15K4E	D / Medium	3.15	24.7	2.4	36.3	60	17.0	2.1	26.4	40	8.0	1.3	12.8	20	1/2	7/8	E - 53.9 LBS	HESZ-0500LS#D#-D	2.40
HDSZ-0600LS#B#-D	ZF18K4E	B / Medium	3.15	19.6	1.2	28.7	45	8.0	0.7	12.2	20	5/8	7/8	C - 21.4 LBS	HESZ-0600LS#B#-D	2.40				
HDSZ-0600LS#D#-D	ZF18K4E	D / Medium	3.15	19.6	2.1	29.6	45	8.0	1.3	12.8	20	5/8	7/8	E - 53.9 LBS	HESZ-0600LS#D#-D	2.40				
HDSZ-0750LS#D#-D	ZF25K4E	D / Medium	3.15	24.0	2.1	35.1	50	10.6	1.3	16.1	25	5/8	1-3/8	E - 53.9 LBS	HESZ-0750LS#D#-D	2.40				
HDSZ-0750LS#F#-D	ZF25K4E	F / Large	3.15	24.0	3.2	36.2	60	10.6	1.9	16.7	25	5/8	1-3/8	F - 82.3 LBS	HESZ-0750LS#F#-D	2.40				
HDSZ-1000LS#D#-D	ZF34K5E	D / Medium	3.15	33.3	2.1	46.7	80	16.0	1.3	22.8	35	5/8	1-3/8	E - 53.9 LBS	HESZ-1000LS#D#-D	n/a				
HDSZ-1000LS#F#-D	ZF34K5E	F / Large	3.15	33.3	3.2	47.8	80	16.0	1.9	23.4	35	5/8	1-3/8	F - 82.3 LBS	HESZ-1000LS#F#-D	2.40				

### Low Temperature - R-404A Performance

95° F AMBIENT TEMPERATURE											
CONDENSING UNIT MODEL	COMPRESSOR	CONDENSER / UNIT SIZE	-40	-35	-30	-25	-20	-15	-10	-5	0
HDSZ-0200LS#A#-A	ZF06K4E	A / Small	4,460	5,130	5,820	6,550	7,320	8,120	8,970	9,870	10,820
HDSZ-0200LS#B#-D	ZF06K4E	B / Medium	4,620	5,320	6,050	6,820	7,640	8,510	9,450	10,440	11,510
HDSZ-0250LS#B#-D	ZF08K4E	B / Medium	5,890	6,700	7,570	8,500	9,510	10,590	11,750	12,990	14,320
HDSZ-0250LS#D#-D	ZF08K4E	D / Medium	6,020	6,850	7,750	8,720	9,770	10,910	12,140	13,470	14,900
HDSZ-0300LS#A#-D	ZF09K4E	A / Small	6,260	7,100	7,990	8,920	9,910	10,940	12,040	13,190	14,410
HDSZ-0300LS#B#-D	ZF09K4E	B / Medium	6,540	7,450	8,410	9,430	10,520	11,690	12,950	14,290	15,720
HDSZ-0350LS#B#-D	ZF11K4E	B / Medium	8,030	9,110	10,270	11,500	12,820	14,240	15,740	17,340	19,040
HDSZ-0350LS#D#-D	ZF11K4E	D / Medium	8,230	9,370	10,580	11,900	13,310	14,830	16,470	18,220	20,100
HDSZ-0400LS#B#-D	ZF13K4E	B / Medium	8,650	9,900	11,260	12,720	14,290	15,950	17,710	19,570	21,510
HDSZ-0400LS#D#-D	ZF13K4E	D / Medium	8,970	10,280	11,720	13,280	14,970	16,780	18,710	20,770	22,950
HDSZ-0500LS#B#-D	ZF15K4E	B / Medium	10,960	12,380	13,880	15,480	17,170	18,960	20,850	22,840	24,930
HDSZ-0500LS#D#-D	ZF15K4E	D / Medium	11,410	12,930	14,570	16,320	18,200	20,220	22,380	24,690	27,150
HDSZ-0600LS#B#-D	ZF18K4E	B / Medium	12,830	14,540	16,300	18,120	20,020	22,010	24,080	26,250	28,510
HDSZ-0600LS#D#-D	ZF18K4E	D / Medium	13,370	15,210	17,140	19,170	21,320	23,600	26,030	28,590	31,320
HDSZ-0750LS#D#-D	ZF25K4E	D / Medium	16,420	18,460	20,680	23,090	25,680	28,470	31,450	34,620	37,990
HDSZ-0750LS#F#-D	ZF25K4E	F / Large	17,080	19,360	21,870	24,620	27,610	30,870	34,390	38,180	42,260
HDSZ-1000LS#D#-D	ZF34K5E	D / Medium	20,180	23,040	25,990	29,020	32,160	35,410	38,770	42,260	45,860
HDSZ-1000LS#F#-D	ZF34K5E	F / Large	21,720	24,950	28,360	31,960	35,770	39,830	44,150	48,740	53,630

105° F AMBIENT TEMPERATURE											
CONDENSING UNIT MODEL	COMPRESSOR	CONDENSER / UNIT SIZE	-40	-35	-30	-25	-20	-15	-10	-5	0
HDSZ-0200LS#A#-A	ZF06K4E	A / Small	4,070	4,710	5,360	6,030	6,720	7,450	8,210	9,020	9,860
HDSZ-0200LS#B#-D	ZF06K4E	B / Medium	4,230	4,890	5,580	6,290	7,040	7,840	8,680	9,580	10,550
HDSZ-0250LS#B#-D	ZF08K4E	B / Medium	5,400	6,150	6,950	7,800	8,720	9,700	10,750	11,870	13,070
HDSZ-0250LS#D#-D	ZF08K4E	D / Medium	5,530	6,310	7,140	8,040	9,000	10,040	11,170	12,370	13,670
HDSZ-0300LS#A#-D	ZF09K4E	A / Small	5,700	6,480	7,280	8,120	9,000	9,920	10,890	11,920	13,000
HDSZ-0300LS#B#-D	ZF09K4E	B / Medium	6,020	6,850	7,730	8,670	9,660	10,710	11,840	13,050	14,330
HDSZ-0350LS#B#-D	ZF11K4E	B / Medium	7,380	8,370	9,410	10,530	11,710	12,980	14,320	15,750	17,270
HDSZ-0350LS#D#-D	ZF11K4E	D / Medium	7,620	8,650	9,770	10,960	12,240	13,620	15,090	16,680	18,380
HDSZ-0400LS#B#-D	ZF13K4E	B / Medium	7,890	9,030	10,260	11,580	12,990	14,480	16,060	17,710	19,440
HDSZ-0400LS#D#-D	ZF13K4E	D / Medium	8,170	9,380	10,710	12,130	13,670	15,320	17,080	18,940	20,920
HDSZ-0500LS#B#-D	ZF15K4E	B / Medium	9,980	11,260	12,600	14,010	15,500	17,070	18,730	20,470	22,300
HDSZ-0500LS#D#-D	ZF15K4E	D / Medium	10,470	11,850	13,330	14,910	16,600	18,400	20,330	22,390	24,580
HDSZ-0600LS#B#-D	ZF18K4E	B / Medium	11,820	13,360	14,920	16,540	18,210	19,950	21,750	23,640	25,600
HDSZ-0600LS#D#-D	ZF18K4E	D / Medium	12,400	14,070	15,820	17,640	19,560	21,590	23,750	26,030	28,440
HDSZ-0750LS#D#-D	ZF25K4E	D / Medium	15,470	17,240	19,180	21,300	23,590	26,060	28,720	31,560	34,590
HDSZ-0750LS#F#-D	ZF25K4E	F / Large	16,050	18,070	20,310	22,770	25,480	28,420	31,630	35,100	38,840
HDSZ-1000LS#D#-D	ZF34K5E	D / Medium	18,240	20,850	23,480	26,180	28,940	31,770	34,700	37,710	40,830
HDSZ-1000LS#F#-D	ZF34K5E	F / Large	19,910	22,910	26,040	29,320	32,780	36,440	40,330	44,450	48,830

NOTE: All temperatures shown reflect the midpoint evaporator temperature. Solid black shading with white font indicates products for non-DOE regulated applications in above Table.

\* Estimated unit shipment weights based on condenser size are as follows: Small - 400 lbs.; Medium - 650 lbs.; Large - 1,250 lbs.; X-Large - 1,575 lbs.

# High Efficiency H-Series Condensing Units

## HDSZ Copeland Scroll Compressors - Low Temp R-448A

### Low Temperature - R-448A Specifications

CONDENSING UNIT MODEL	COMPRESSOR	CONDENSER / UNIT SIZE	OUTDOOR DOE AWEF	208/1/60				208/3/60				460/3/60				LIQ OD IN	SUCT OD IN	DEFAULT RECEIVER	INDOOR MODEL	INDOOR DOE AWEF
				COMP RLA	FAN RLA	MCA	MOPD	COMP RLA	FAN RLA	MCA	MOPD	COMP RLA	FAN RLA	MCA	MOPD					
HDSZ-0200LT#A#-D	ZF06K4E	A / Small	3.15	12.2	1.2	19.5	30	8.3	1.2	14.6	20	3.8	0.7	7.0	15	1/2	7/8	B - 17.6 LBS	HESZ-0200LT#A#-A	n/a
HDSZ-0200LT#B#-D	ZF06K4E	B / Medium	3.15	12.2	1.2	19.5	30	8.3	1.2	14.6	20	3.8	0.7	7.0	15	1/2	7/8	C - 22.5 LBS	HESZ-0200LT#B#-D	2.40
HDSZ-0250LT#B#-D	ZF08K4E	B / Medium	3.15	14.7	1.2	22.6	35	8.7	1.2	15.1	20	4.5	0.7	7.8	15	1/2	7/8	C - 22.5 LBS	HESZ-0250LT#B#-D	2.40
HDSZ-0250LT#D#-D	ZF08K4E	D / Medium	3.15	14.7	2.4	23.8	35	8.7	2.1	16.0	20	4.5	1.3	8.4	15	1/2	7/8	E - 56.6 LBS	HESZ-0250LT#D#-D	2.40
HDSZ-0300LT#A#-D	ZF09K4E	A / Small	3.15	12.8	1.2	20.2	30	8.7	1.2	15.1	20	4.5	0.7	7.8	15	1/2	7/8	B - 17.6 LBS	HESZ-0300LT#A#-A	n/a
HDSZ-0300LT#B#-D	ZF09K4E	B / Medium	3.15	12.8	1.2	20.2	30	8.7	1.2	15.1	20	4.5	0.7	7.8	15	1/2	7/8	C - 22.5 LBS	HESZ-0300LT#B#-D	2.40
HDSZ-0350LT#B#-D	ZF11K4E	B / Medium	3.15	16.3	1.2	24.6	40	10.9	1.2	17.8	25	5.8	0.7	9.5	15	1/2	7/8	C - 22.5 LBS	HESZ-0350LT#B#-D	2.40
HDSZ-0350LT#D#-D	ZF11K4E	D / Medium	3.15	16.3	2.4	25.8	40	10.9	2.1	18.7	25	5.8	1.3	10.1	15	1/2	7/8	E - 56.6 LBS	HESZ-0350LT#D#-D	2.40
HDSZ-0400LT#B#-D	ZF13K4E	B / Medium	3.15	22.4	1.2	32.2	50	11.9	1.2	19.1	30	6.4	0.7	10.2	15	1/2	7/8	C - 22.5 LBS	HESZ-0400LT#B#-A	n/a
HDSZ-0400LT#D#-D	ZF13K4E	D / Medium	3.15	22.4	2.4	33.4	50	11.9	2.1	20.0	30	6.4	1.3	10.8	15	1/2	7/8	E - 56.6 LBS	HESZ-0400LT#D#-A	n/a
HDSZ-0500LT#B#-D	ZF15K4E	B / Medium	3.15	24.7	1.2	35.1	50	17.0	1.2	25.5	40	8.0	0.7	12.2	20	1/2	7/8	C - 22.5 LBS	HESZ-0500LT#B#-A	n/a
HDSZ-0500LT#D#-D	ZF15K4E	D / Medium	3.15	24.7	2.4	36.3	60	17.0	2.1	26.4	40	8.0	1.3	12.8	20	1/2	7/8	E - 56.6 LBS	HESZ-0500LT#D#-A	n/a
HDSZ-0600LT#B#-D	ZF18K4E	B / Medium	3.15					19.6	1.2	28.7	45	8.0	0.7	12.2	20	5/8	7/8	C - 22.5 LBS	HESZ-0600LT#B#-A	n/a
HDSZ-0600LT#D#-D	ZF18K4E	D / Medium	3.15					19.6	2.1	29.6	45	8.0	1.3	12.8	20	5/8	7/8	E - 56.6 LBS	HESZ-0600LT#D#-A	n/a
HDSZ-0750LT#D#-D	ZF25K4E	D / Medium	3.15					24.0	2.1	35.1	50	10.6	1.3	16.1	25	5/8	1-3/8	E - 56.6 LBS	HESZ-0750LT#D#-A	n/a
HDSZ-0750LT#F#-D	ZF25K4E	F / Large	3.15					24.0	3.2	36.2	60	10.6	1.9	16.7	25	5/8	1-3/8	F - 86.5 LBS	HESZ-0750LT#F#-D	n/a
HDSZ-1000LT#D#-D	ZF34K5E	D / Medium	3.15					33.3	2.1	46.7	80	16.0	1.3	22.8	35	5/8	1-3/8	E - 56.6 LBS	HESZ-1000LT#D#-D	2.40
HDSZ-1000LT#F#-D	ZF34K5E	F / Large	3.15					33.3	3.2	47.8	80	16.0	1.9	23.4	35	5/8	1-3/8	F - 86.5 LBS	HESZ-1000LT#F#-D	2.40

### Low Temperature - R-448A Performance

95° F AMBIENT TEMPERATURE											
CONDENSING UNIT MODEL	COMPRESSOR	CONDENSER / UNIT SIZE	-40	-35	-30	-25	-20	-15	-10	-5	0
HDSZ-0200LT#A#-D	ZF06K4E	A / Small	4,400	4,970	5,620	6,340	7,140	8,010	8,960	9,980	11,060
HDSZ-0200LT#B#-D	ZF06K4E	B / Medium	4,520	5,120	5,810	6,570	7,420	8,360	9,380	10,480	11,670
HDSZ-0250LT#B#-D	ZF08K4E	B / Medium	5,570	6,490	7,400	8,310	9,250	10,230	11,280	12,410	13,630
HDSZ-0250LT#D#-D	ZF08K4E	D / Medium	5,650	6,590	7,510	8,450	9,420	10,450	11,550	12,740	14,040
HDSZ-0300LT#A#-D	ZF09K4E	A / Small	5,890	6,770	7,670	8,600	9,580	10,610	11,700	12,870	14,110
HDSZ-0300LT#B#-D	ZF09K4E	B / Medium	6,070	6,980	7,920	8,910	9,960	11,080	12,290	13,600	15,020
HDSZ-0350LT#B#-D	ZF11K4E	B / Medium	7,470	8,460	9,550	10,750	12,070	13,510	15,060	16,740	18,540
HDSZ-0350LT#D#-D	ZF11K4E	D / Medium	7,620	8,640	9,780	11,050	12,430	13,960	15,610	17,410	19,360
HDSZ-0400LT#B#-D	ZF13K4E	B / Medium	9,000	9,900	11,030	12,360	13,870	15,560	17,390	19,370	21,480
HDSZ-0400LT#D#-D	ZF13K4E	D / Medium	8,790	9,850	11,130	12,630	14,310	16,180	18,220	20,420	22,770
HDSZ-0500LT#B#-D	ZF15K4E	B / Medium	10,270	11,610	13,100	14,760	16,580	18,540	20,640	22,870	25,240
HDSZ-0500LT#D#-D	ZF15K4E	D / Medium	10,510	11,950	13,560	15,370	17,360	19,520	21,870	24,390	27,080
HDSZ-0600LT#B#-D	ZF18K4E	B / Medium	12,690	14,230	15,920	17,760	19,730	21,840	24,080	26,440	28,910
HDSZ-0600LT#D#-D	ZF18K4E	D / Medium	13,040	14,770	16,680	18,770	21,050	23,500	26,140	28,950	31,940
HDSZ-0750LT#D#-D	ZF25K4E	D / Medium	15,990	17,930	20,170	22,690	25,470	28,510	31,790	35,300	39,040
HDSZ-0750LT#F#-D	ZF25K4E	F / Large	16,410	18,650	21,220	24,110	27,330	30,870	34,730	38,890	43,370
HDSZ-1000LT#D#-D	ZF34K5E	D / Medium	19,590	22,480	25,550	28,790	32,230	35,850	39,660	43,660	47,850
HDSZ-1000LT#F#-D	ZF34K5E	F / Large	20,610	23,870	27,370	31,140	35,200	39,560	44,240	49,240	54,590

105° F AMBIENT TEMPERATURE											
CONDENSING UNIT MODEL	COMPRESSOR	CONDENSER / UNIT SIZE	-40	-35	-30	-25	-20	-15	-10	-5	0
HDSZ-0200LT#A#-D	ZF06K4E	A / Small	4,040	4,560	5,150	5,810	6,540	7,340	8,210	9,150	10,150
HDSZ-0200LT#B#-D	ZF06K4E	B / Medium	4,210	4,770	5,400	6,110	6,900	7,760	8,710	9,740	10,850
HDSZ-0250LT#B#-D	ZF08K4E	B / Medium	5,240	6,140	7,010	7,870	8,750	9,660	10,620	11,650	12,770
HDSZ-0250LT#D#-D	ZF08K4E	D / Medium	5,330	6,240	7,130	8,020	8,930	9,890	10,900	11,990	13,180
HDSZ-0300LT#A#-D	ZF09K4E	A / Small	5,440	6,300	7,160	8,050	8,960	9,920	10,920	11,980	13,110
HDSZ-0300LT#B#-D	ZF09K4E	B / Medium	5,700	6,590	7,500	8,440	9,430	10,480	11,600	12,810	14,110
HDSZ-0350LT#B#-D	ZF11K4E	B / Medium	6,990	7,910	8,920	10,030	11,250	12,570	14,000	15,530	17,190
HDSZ-0350LT#D#-D	ZF11K4E	D / Medium	7,160	8,120	9,180	10,360	11,640	13,060	14,590	16,260	18,060
HDSZ-0400LT#B#-D	ZF13K4E	B / Medium	9,870	10,290	10,980	11,930	13,090	14,460	16,000	17,710	19,570
HDSZ-0400LT#D#-D	ZF13K4E	D / Medium	9,420	10,060	10,980	12,140	13,520	15,120	16,900	18,880	21,020
HDSZ-0500LT#B#-D	ZF15K4E	B / Medium	9,820	11,000	12,330	13,810	15,430	17,190	19,080	21,100	n/a
HDSZ-0500LT#D#-D	ZF15K4E	D / Medium	10,020	11,300	12,760	14,380	16,190	18,160	20,300	22,600	25,070
HDSZ-0600LT#B#-D	ZF18K4E	B / Medium	12,230	13,490	14,890	16,430	18,100	n/a	n/a	n/a	n/a
HDSZ-0600LT#D#-D	ZF18K4E	D / Medium	12,540	14,010	15,660	17,490	19,480	21,640	23,980	26,480	29,150
HDSZ-0750LT#D#-D	ZF25K4E	D / Medium	15,640	17,220	19,100	21,260	23,680	26,370	29,300	32,460	n/a
HDSZ-0750LT#F#-D	ZF25K4E	F / Large	15,870	17,770	20,010	22,590	25,480	28,700	32,240	36,090	40,250
HDSZ-1000LT#D#-D	ZF34K5E	D / Medium	18,380	20,940	23,660	26,550	29,600	32,830	n/a	n/a	n/a
HDSZ-1000LT#F#-D	ZF34K5E	F / Large	19,380	22,360	25,570	29,030	32,770	36,800	41,120	45,760	50,730

NOTE: All temperatures shown reflect the midpoint evaporator temperature. Solid black shading with white font indicates products for non-DOE regulated applications in above Table.

\* Estimated unit shipment weights based on condenser size are as follows: Small - 400 lbs.; Medium - 650 lbs.; Large - 1,250 lbs.; X-Large - 1,575 lbs.

# High Efficiency H-Series Condensing Units

## HDSZ Copeland Scroll Compressors - Med Temp R-407F

### Med Temperature - R-407F Specifications

CONDENSING UNIT MODEL	COMPRESSOR	CONDENSER / UNIT SIZE	OUTDOOR DOE AWEF	208/1/60				208/3/60				460/3/60				LIQ OD IN	SUCT OD IN	DEFAULT RECEIVER	INDOOR MODEL	INDOOR DOE AWEF
				COMP RLA	FAN RLA	MCA	MOPD	COMP RLA	FAN RLA	MCA	MOPD	COMP RLA	FAN RLA	MCA	MOPD					
HDSZ-0080MF#H-A	ZB06KAE	A / Small	n/a	5.4	1.2	11.0	15	4.3	1.2	9.6	15					1/2	7/8	B - 18.0 LBS	HESZ-0080MF#H-A	n/a
HDSZ-0080MF#B-A	ZB06KAE	B / Medium	n/a	5.4	1.2	11.0	15	4.3	1.2	9.6	15					1/2	7/8	C - 23.0 LBS	HESZ-0080MF#B-A	n/a
HDSZ-0100MF#H-A	ZB07KAE	A / Small	n/a	5.6	1.2	11.2	15	4.7	1.2	10.1	15					1/2	7/8	B - 18.0 LBS	HESZ-0100MF#H-A	n/a
HDSZ-0100MF#B-A	ZB07KAE	B / Medium	n/a	5.6	1.2	11.2	15	4.7	1.2	10.1	15					1/2	7/8	C - 23.0 LBS	HESZ-0100MF#B-A	n/a
HDSZ-0120MF#H-A	ZB08KAE	A / Small	n/a	7.2	1.2	13.2	20	4.7	1.2	10.1	15					1/2	7/8	B - 18.0 LBS	HESZ-0120MF#H-A	n/a
HDSZ-0120MF#B-A	ZB08KAE	B / Medium	n/a	7.2	1.2	13.2	20	4.7	1.2	10.1	15					1/2	7/8	C - 23.0 LBS	HESZ-0120MF#B-A	5.61
HDSZ-0200MF#B-D	ZB15KCE	B / Medium	7.6	14.1	1.2	21.8	35	8.0	1.2	14.2	20	4.5	0.7	7.8	15	1/2	7/8	C - 23.0 LBS	HESZ-0200MF#B-D	5.61
HDSZ-0200MF#D-D	ZB15KCE	D / Medium	7.6	14.1	2.4	23.0	35	8.0	2.1	15.1	20	4.5	1.3	8.4	15	1/2	7/8	E - 57.9 LBS	HESZ-0200MF#D-D	5.61
HDSZ-0250MF#B-D	ZB19KCE	B / Medium	7.6					9.0	1.2	15.5	20	4.5	0.7	7.8	15	1/2	7/8	C - 23.0 LBS	HESZ-0250MF#B-D	5.61
HDSZ-0250MF#D-D	ZB19KCE	D / Medium	7.6					9.0	2.1	16.4	25	4.5	1.3	8.4	15	1/2	7/8	E - 57.9 LBS	HESZ-0250MF#D-D	5.61
HDSZ-0300MF#B-D	ZB21KCE	B / Medium	7.6	18.6	1.2	27.5	45	10.9	1.2	17.8	25	5.4	0.7	9.0	15	1/2	7/8	C - 23.0 LBS	HESZ-0300MF#B-D	5.61
HDSZ-0300MF#D-D	ZB21KCE	D / Medium	7.6	18.6	2.4	28.7	45	10.9	2.1	18.7	25	5.4	1.3	9.6	15	1/2	7/8	E - 57.9 LBS	HESZ-0300MF#D-D	5.61
HDSZ-0350MF#B-D	ZB26KCE	B / Medium	7.6	21.2	1.2	30.7	50	11.9	1.2	19.1	30	5.8	0.7	9.5	15	1/2	7/8	C - 23.0 LBS	HESZ-0350MF#B-A	n/a
HDSZ-0350MF#D-D	ZB26KCE	D / Medium	7.6	21.2	2.4	31.9	50	11.9	2.1	20.0	30	5.8	1.3	10.1	15	1/2	7/8	E - 57.9 LBS	HESZ-0350MF#D-D	5.61
HDSZ-0400MF#B-D	ZB30KCE	B / Medium	7.6	24	1.2	34.2	50	14.1	1.2	21.8	35	6.7	0.7	10.6	15	5/8	7/8	C - 23.0 LBS	HESZ-0400MF#B-A	n/a
HDSZ-0400MF#D-D	ZB30KCE	D / Medium	7.6	24	2.4	35.4	50	14.1	2.1	22.7	35	6.7	1.3	11.2	15	5/8	7/8	E - 57.9 LBS	HESZ-0400MF#D-D	5.61
HDSZ-0500MF#B-D	ZB38KCE	D / Medium	7.6	27.9	2.4	40.3	60	19.9	2.1	30.0	45	8.7	1.3	13.7	20	5/8	7/8	F - 88.5 LBS	HESZ-0500MF#B-D	5.61
HDSZ-0500MF#H-D	ZB38KCE	F / Large	7.6	27.9	4.8	42.7	70	19.9	3.2	31.1	50	8.7	1.9	14.3	20	5/8	7/8	F - 88.5 LBS	HESZ-0500MF#H-D	5.61
HDSZ-0600MF#H-D	ZB48KCE	F / Large	7.6					22.8	3.2	34.7	50	12.2	1.9	18.7	30	5/8	7/8	F - 88.5 LBS	HESZ-0600MF#H-D	5.61
HDSZ-0600MF#J-D	ZB48KCE	J / X-Large	7.6					22.8	4.2	35.7	50	12.2	2.5	19.3	30	5/8	7/8	H - 107.6 LBS	HESZ-0600MF#J-D	5.61
HDSZ-0750MF#H-D	ZB58KSE	F / Large	7.6					30.8	3.2	44.7	70	16.0	1.9	23.4	35	5/8	1-3/8	F - 88.5 LBS	HESZ-0750MF#H-D	5.61
HDSZ-0750MF#J-D	ZB58KSE	J / X-Large	7.6					30.8	4.2	45.7	70	16.0	2.5	24.0	40	5/8	1-3/8	H - 107.6 LBS	HESZ-0750MF#J-D	5.61
HDSZ-1000MF#H-D	ZB76KSE	F / Large	7.6					38.6	3.2	54.5	90	18.6	1.9	26.7	45	5/8	1-3/8	F - 88.5 LBS	HESZ-1000MF#H-A	n/a
HDSZ-1000MF#J-D	ZB76KSE	J / X-Large	7.6					38.6	4.2	55.5	90	18.6	2.5	27.3	45	5/8	1-3/8	H - 107.6 LBS	HESZ-1000MF#J-D	5.61
HDSZ-1300MF#H-D	ZB95KSE	J / X-Large	7.6					47.4	4.2	66.5	110	21.8	2.5	31.3	50	7/8	1-3/8	H - 107.6 LBS	HESZ-1300MF#H-A	n/a
HDSZ-1500MF#H-A	ZB114KSE	J / X-Large	n/a					56.5	4.2	77.8	125	24.4	2.5	34.5	50	7/8	1-3/8	H - 107.6 LBS	HESZ-1500MF#H-A	n/a

NOTE: All temperatures shown on pages 10 - 11 reflect the midpoint evaporator temperature. Solid black shading with white font indicates products for non-DOE regulated applications in above Table.

\* Estimated unit shipment weights based on condenser size are as follows: Small - 400 lbs.; Medium - 650 lbs.; Large - 1,250 lbs.; X-Large - 1,575 lbs.



# High Efficiency H-Series Condensing Units

## HDSZ Copeland Scroll Compressors - Med Temp R-407F

### Med Temperature - R-407F Performance

CONDENSING UNIT MODELS	COMPRESSOR	CONDENSER / UNIT SIZE	95° F AMBIENT TEMPERATURE									
			0	5	10	15	20	25	30	35	40	45
HDSZ-0080MF#A#-A	ZB06KAE	A / Small	4,180	4,680	5,250	5,890	6,590	7,350	8,170	9,040	9,970	10,950
HDSZ-0080MF#B#-A	ZB06KAE	B / Medium	4,250	4,780	5,370	6,040	6,770	7,570	8,430	9,360	10,350	11,400
HDSZ-0100MF#A#-A	ZB07KAE	A / Small	5,040	5,720	6,430	7,190	7,990	8,820	9,680	10,570	11,480	12,410
HDSZ-0100MF#B#-A	ZB07KAE	B / Medium	5,180	5,880	6,620	7,400	8,240	9,110	10,030	10,990	11,980	13,000
HDSZ-0120MF#A#-A	ZB08KAE	A / Small	6,020	6,800	7,590	8,420	9,260	10,120	11,000	11,900	12,820	13,750
HDSZ-0120MF#B#-A	ZB08KAE	B / Medium	6,190	7,000	7,840	8,710	9,590	10,510	11,450	12,410	13,400	14,410
HDSZ-0200MF#B#-D	ZB15KCE	B / Medium	10,510	11,800	13,170	14,640	16,220	17,940	19,800	21,830	24,030	26,430
HDSZ-0200MF#D#-D	ZB15KCE	D / Medium	10,830	12,190	13,630	15,180	16,860	18,690	20,690	22,870	25,260	27,860
HDSZ-0250MF#B#-D	ZB19KCE	B / Medium	12,150	13,710	15,370	17,150	19,050	21,060	23,200	25,450	27,830	30,330
HDSZ-0250MF#D#-D	ZB19KCE	D / Medium	12,580	14,220	15,990	17,890	19,930	22,100	24,410	26,870	29,480	32,250
HDSZ-0300MF#B#-D	ZB21KCE	B / Medium	14,910	16,790	18,790	20,920	23,190	25,580	28,100	30,750	33,540	36,460
HDSZ-0300MF#D#-D	ZB21KCE	D / Medium	15,600	17,610	19,780	22,100	24,580	27,220	30,020	33,000	36,140	39,460
HDSZ-0350MF#B#-D	ZB26KCE	B / Medium	16,680	18,670	20,760	22,980	25,350	27,890	30,610	33,550	36,710	40,110
HDSZ-0350MF#D#-D	ZB26KCE	D / Medium	17,580	19,740	22,020	24,460	27,090	29,940	33,010	36,350	39,970	43,890
HDSZ-0400MF#B#-D	ZB30KCE	B / Medium	19,500	21,560	23,690	25,890	28,160	30,490	32,880	35,320	37,820	N/A
HDSZ-0400MF#D#-D	ZB30KCE	D / Medium	21,390	23,750	26,240	28,840	31,560	34,400	37,350	40,420	43,600	46,880
HDSZ-0500MF#D#-D	ZB38KCE	D / Medium	25,820	28,640	31,600	34,710	37,930	41,270	44,720	48,250	51,870	55,550
HDSZ-0500MF#F#-D	ZB38KCE	F / Large	28,760	32,130	35,710	39,500	43,490	47,670	52,040	56,600	61,330	66,220
HDSZ-0600MF#F#-D	ZB48KCE	F / Large	34,660	39,130	43,970	49,150	54,670	60,510	66,660	73,110	79,840	86,830
HDSZ-0600MF#J#-D	ZB48KCE	J / X-Large	35,300	39,900	44,890	50,250	55,980	62,060	68,480	75,240	82,320	89,710
HDSZ-0750MF#F#-D	ZB58K5E	F / Large	40,040	45,300	50,640	56,170	62,000	68,240	74,980	82,300	90,260	98,930
HDSZ-0750MF#J#-D	ZB58K5E	J / X-Large	41,020	46,340	51,790	57,480	63,560	70,130	77,310	85,190	93,850	103,360
HDSZ-1000MF#F#-D	ZB76K5E	F / Large	52,760	59,210	65,750	72,500	79,560	87,010	94,940	103,410	112,450	122,090
HDSZ-1000MF#J#-D	ZB76K5E	J / X-Large	54,190	60,810	67,610	74,720	82,250	90,320	99,020	108,420	118,580	129,540
HDSZ-1300MF#J#-D	ZB95K5E	J / X-Large	61,610	69,870	78,680	88,000	97,770	107,950	118,490	129,360	140,500	151,880
HDSZ-1500MF#J#-A	ZB114K5E	J / X-Large	71,240	80,580	90,620	101,270	112,460	124,090	136,120	148,470	161,100	173,930

CONDENSING UNIT MODELS	COMPRESSOR	CONDENSER / UNIT SIZE	105° F AMBIENT TEMPERATURE									
			0	5	10	15	20	25	30	35	40	45
HDSZ-0080MF#A#-A	ZB06KAE	A / Small	3,900	4,370	4,890	5,480	6,130	6,830	7,590	8,400	9,260	10,170
HDSZ-0080MF#B#-A	ZB06KAE	B / Medium	3,980	4,460	5,010	5,630	6,310	7,050	7,850	8,710	9,630	10,610
HDSZ-0100MF#A#-A	ZB07KAE	A / Small	4,610	5,270	5,970	6,700	7,450	8,240	9,040	9,870	10,710	11,570
HDSZ-0100MF#B#-A	ZB07KAE	B / Medium	4,760	5,440	6,160	6,910	7,700	8,530	9,380	10,270	11,180	12,120
HDSZ-0120MF#A#-A	ZB08KAE	A / Small	5,590	6,310	7,060	7,830	8,620	9,430	10,260	11,100	11,970	12,850
HDSZ-0120MF#B#-A	ZB08KAE	B / Medium	5,750	6,520	7,310	8,130	8,960	9,830	10,720	11,630	12,560	13,520
HDSZ-0200MF#B#-D	ZB15KCE	B / Medium	9,580	10,790	12,070	13,430	14,910	16,510	18,250	20,140	22,210	24,460
HDSZ-0200MF#D#-D	ZB15KCE	D / Medium	9,920	11,190	12,530	13,980	15,550	17,260	19,130	21,180	23,420	25,880
HDSZ-0250MF#B#-D	ZB19KCE	B / Medium	11,070	12,510	14,070	15,720	17,490	19,360	21,350	23,450	25,670	28,010
HDSZ-0250MF#D#-D	ZB19KCE	D / Medium	11,510	13,050	14,700	16,480	18,380	20,420	22,580	24,890	27,340	29,930
HDSZ-0300MF#B#-D	ZB21KCE	B / Medium	13,520	15,270	17,130	19,100	21,200	23,410	25,750	28,220	30,800	n/a
HDSZ-0300MF#D#-D	ZB21KCE	D / Medium	14,240	16,120	18,140	20,310	22,620	25,080	27,700	30,480	33,420	36,530
HDSZ-0350MF#B#-D	ZB26KCE	B / Medium	15,110	16,960	18,900	20,950	23,140	25,490	28,030	N/A	N/A	N/A
HDSZ-0350MF#D#-D	ZB26KCE	D / Medium	16,040	18,050	20,180	22,450	24,900	27,550	30,420	33,540	36,930	40,610
HDSZ-0400MF#B#-D	ZB30KCE	B / Medium	17,060	18,900	20,810	N/A	N/A	N/A	N/A	N/A	N/A	N/A
HDSZ-0400MF#D#-D	ZB30KCE	D / Medium	19,030	21,180	23,430	25,780	28,240	30,790	33,450	36,200	39,060	42,020
HDSZ-0500MF#D#-D	ZB38KCE	D / Medium	22,870	25,360	27,990	30,750	33,640	36,630	39,730	N/A	N/A	N/A
HDSZ-0500MF#F#-D	ZB38KCE	F / Large	25,780	28,830	32,090	35,540	39,190	43,030	47,060	51,260	55,620	60,150
HDSZ-0600MF#F#-D	ZB48KCE	F / Large	31,720	35,870	40,360	45,180	50,320	55,760	61,490	67,490	73,750	80,260
HDSZ-0600MF#J#-D	ZB48KCE	J / X-Large	32,370	36,650	41,300	46,310	51,660	57,350	63,360	69,690	76,310	83,220
HDSZ-0750MF#F#-D	ZB58K5E	F / Large	35,810	41,210	46,520	51,870	57,370	63,120	69,240	75,810	82,920	90,620
HDSZ-0750MF#J#-D	ZB58K5E	J / X-Large	36,990	42,450	47,860	53,370	59,090	65,160	71,680	78,760	86,500	94,980
HDSZ-1000MF#F#-D	ZB76K5E	F / Large	48,480	54,820	61,070	67,360	73,790	80,480	87,500	94,950	n/a	n/a
HDSZ-1000MF#J#-D	ZB76K5E	J / X-Large	50,010	56,520	63,020	69,660	76,540	83,810	91,560	99,880	108,860	118,530
HDSZ-1300MF#J#-D	ZB95K5E	J / X-Large	55,770	63,200	71,220	79,760	88,760	98,180	107,970	118,070	N/A	N/A
HDSZ-1500MF#J#-A	ZB114K5E	J / X-Large	64,490	72,790	81,830	91,530	101,790	N/A	N/A	N/A	N/A	N/A

# High Efficiency H-Series Condensing Units

## HDSZ Copeland Scroll Compressors - Med Temp R-507A

### Med Temperature - R-507A Specifications

CONDENSING UNIT MODEL	COMPRESSOR	CONDENSER / UNIT SIZE	OUTDOOR DOE AWEF	208/1/60				208/3/60				460/3/60				LIQ OD IN	SUCT OD IN	DEFAULT RECEIVER	INDOOR MODEL	INDOOR DOE AWEF
				COMP RLA	FAN RLA	MCA	MOPD	COMP RLA	FAN RLA	MCA	MOPD	COMP RLA	FAN RLA	MCA	MOPD					
HDSZ-0080MP#A-A	ZB06KAE	A / Small	n/a	5.4	1.2	11.0	15	4.3	1.2	9.6	15					1/2	7/8	B - 16.7 LBS	HESZ-0080MP#A-A	n/a
HDSZ-0080MP#B-A	ZB06KAE	B / Medium	n/a	5.4	1.2	11.0	15	4.3	1.2	9.6	15					1/2	7/8	C - 21.4 LBS	HESZ-0080MP#B-A	n/a
HDSZ-0100MP#A-A	ZB07KAE	A / Small	n/a	5.6	1.2	11.2	15	4.7	1.2	10.1	15					1/2	7/8	B - 16.7 LBS	HESZ-0100MP#A-A	n/a
HDSZ-0100MP#B-A	ZB07KAE	B / Medium	n/a	5.6	1.2	11.2	15	4.7	1.2	10.1	15					1/2	7/8	C - 21.4 LBS	HESZ-0100MP#B-D	5.61
HDSZ-0120MP#A-A	ZB08KAE	A / Small	n/a	7.2	1.2	13.2	20	4.7	1.2	10.1	15					1/2	7/8	B - 16.7 LBS	HESZ-0120MP#A-A	n/a
HDSZ-0120MP#B-A	ZB08KAE	B / Medium	n/a	7.2	1.2	13.2	20	4.7	1.2	10.1	15					1/2	7/8	C - 21.4 LBS	HESZ-0120MP#B-D	5.61
HDSZ-0130MP#A-A	ZS09KAE	A / Small	n/a	9	1.2	15.5	20	7.2	1.2	13.2	20	3.4	0.7	6.5	15	1/2	7/8	B - 16.7 LBS	HESZ-0130MP#A-D	5.61
HDSZ-0130MP#B-D	ZS09KAE	B / Medium	7.60	9	1.2	15.5	20	7.2	1.2	13.2	20	3.4	0.7	6.5	15	1/2	7/8	C - 21.4 LBS	HESZ-0130MP#B-D	5.61
HDSZ-0150MP#A-A	ZS11KAE	A / Small	7.60	11.3	1.2	18.3	25	9.3	1.2	15.8	25	3.8	0.7	7.0	15	1/2	7/8	B - 16.7 LBS	HESZ-0150MP#A-A	n/a
HDSZ-0150MP#B-D	ZS11KAE	B / Medium	7.60	11.3	1.2	18.3	25	9.3	1.2	15.8	25	3.8	0.7	7.0	15	1/2	7/8	C - 21.4 LBS	HESZ-0150MP#B-D	5.61
HDSZ-0180MP#A-A	ZS13KAE	A / Small	7.60	10.8	1.2	17.7	25	8.7	1.2	15.1	20	4.3	0.7	7.6	15	1/2	7/8	B - 16.7 LBS	HESZ-0180MP#A-A	n/a
HDSZ-0180MP#B-D	ZS13KAE	B / Medium	7.60	10.8	1.2	17.7	25	8.7	1.2	15.1	20	4.3	0.7	7.6	15	1/2	7/8	C - 21.4 LBS	HESZ-0180MP#B-D	5.61
HDSZ-0200MP#A-A	ZB15KCE	B / Medium	7.60	14.1	1.2	21.8	35	8	1.2	14.2	20	4.5	0.7	7.8	15	1/2	7/8	C - 21.4 LBS	HESZ-0200MP#A-A	n/a
HDSZ-0200MP#B-D	ZB15KCE	D / Medium	7.60	14.1	2.4	23.0	35	8	2.1	15.1	20	4.5	1.3	8.4	15	1/2	7/8	E - 53.9 LBS	HESZ-0200MP#B-D	5.61
HDSZ-0250MP#A-A	ZB19KCE	B / Medium	7.60					9	1.2	15.5	20	4.5	0.7	7.8	15	1/2	7/8	C - 21.4 LBS	HESZ-0250MP#A-A	n/a
HDSZ-0250MP#B-D	ZB19KCE	D / Medium	7.60					9	2.1	16.4	25	4.5	1.3	8.4	15	1/2	7/8	E - 53.9 LBS	HESZ-0250MP#B-D	5.61
HDSZ-0300MP#A-A	ZB21KCE	B / Medium	7.60	18.6	1.2	27.5	45	10.9	1.2	17.8	25	5.4	0.7	9.0	15	1/2	7/8	C - 21.4 LBS	HESZ-0300MP#A-A	n/a
HDSZ-0300MP#B-D	ZB21KCE	D / Medium	7.60	18.6	2.4	28.7	45	10.9	2.1	18.7	25	5.4	1.3	9.6	15	1/2	7/8	E - 53.9 LBS	HESZ-0300MP#B-D	5.61
HDSZ-0350MP#A-A	ZB26KCE	B / Medium	7.60	21.2	1.2	30.7	50	11.9	1.2	19.1	30	5.8	0.7	9.5	15	1/2	7/8	C - 21.4 LBS	HESZ-0350MP#A-A	n/a
HDSZ-0350MP#B-D	ZB26KCE	D / Medium	7.60	21.2	2.4	31.9	50	11.9	2.1	20.0	30	5.8	1.3	10.1	15	1/2	7/8	E - 53.9 LBS	HESZ-0350MP#B-D	5.61
HDSZ-0400MP#A-A	ZB30KCE	B / Medium	7.60	24	1.2	34.2	50	14.1	1.2	21.8	35	6.7	0.7	10.6	15	5/8	7/8	C - 21.4 LBS	HESZ-0400MP#A-A	n/a
HDSZ-0400MP#B-D	ZB30KCE	D / Medium	7.60	24	2.4	35.4	50	14.1	2.1	22.7	35	6.7	1.3	11.2	15	5/8	7/8	E - 53.9 LBS	HESZ-0400MP#B-D	5.61
HDSZ-0500MP#A-A	ZB38KCE	D / Medium	7.60	27.9	2.4	40.3	60	19.9	2.1	30.0	45	8.7	1.3	13.7	20	5/8	7/8	E - 53.9 LBS	HESZ-0500MP#A-A	n/a
HDSZ-0500MP#B-D	ZB38KCE	F / Large	7.60	27.9	4.8	42.7	70	19.9	3.2	31.1	50	8.7	1.9	14.3	20	5/8	7/8	F - 82.3 LBS	HESZ-0500MP#B-D	5.61
HDSZ-0600MP#A-A	ZB48KCE	F / Large	7.60					22.8	3.2	34.7	50	12.2	1.9	18.7	30	5/8	7/8	F - 82.3 LBS	HESZ-0600MP#A-A	n/a
HDSZ-0600MP#B-D	ZB48KCE	I / X-Large	7.60					22.8	4.2	35.7	50	12.2	2.5	19.3	30	5/8	7/8	H - 100.1 LBS	HESZ-0600MP#B-D	5.61
HDSZ-0750MP#A-A	ZB58KSE	F / Large	7.60					30.8	3.2	44.7	70	16	1.9	23.4	35	5/8	1-3/8	F - 82.3 LBS	HESZ-0750MP#A-A	n/a
HDSZ-0750MP#B-D	ZB58KSE	I / X-Large	7.60					30.8	4.2	45.7	70	16	2.5	24.0	40	5/8	1-3/8	H - 100.1 LBS	HESZ-0750MP#B-D	5.61
HDSZ-1000MP#A-A	ZB76KSE	F / Large	7.60					38.6	3.2	54.5	90	18.6	1.9	26.7	45	5/8	1-3/8	F - 82.3 LBS	HESZ-1000MP#A-A	n/a
HDSZ-1000MP#B-D	ZB76KSE	I / X-Large	7.60					38.6	4.2	55.5	90	18.6	2.5	27.3	45	5/8	1-3/8	H - 100.1 LBS	HESZ-1000MP#B-D	5.61
HDSZ-1300MP#A-A	ZB95KSE	I / X-Large	7.60					47.4	4.2	66.5	110	21.8	2.5	31.3	50	7/8	1-3/8	H - 100.1 LBS	HESZ-1300MP#A-A	n/a
HDSZ-1500MP#A-A	ZB114KSE	I / X-Large	7.60					56.5	4.2	77.8	125	24.4	2.5	34.5	50	7/8	1-3/8	H - 100.1 LBS	HESZ-1500MP#A-A	n/a

NOTE: All temperatures shown on pages 12 - 13 reflect the midpoint evaporator temperature. Solid black shading with white font indicates products for non-DOE regulated applications in above Table.

\* Estimated unit shipment weights based on condenser size are as follows: Small - 400 lbs.; Medium - 650 lbs.; Large - 1,250 lbs.; X-Large - 1,575 lbs.

# High Efficiency H-Series Condensing Units

## HDSZ Copeland Scroll Compressors - Med Temp R-507A

### Med Temperature - R-507A Performance

CONDENSING UNIT MODELS	COMPRESSOR	CONDENSER / UNIT SIZE	95° F AMBIENT TEMPERATURE									
			0	5	10	15	20	25	30	35	40	45
HDSZ-0080MP#A#-A	ZB06KAE	A / Small	4,480	5,020	5,620	6,270	6,970	7,720	8,520	9,350	10,220	11,130
HDSZ-0080MP#B#-A	ZB06KAE	B / Medium	4,590	5,150	5,770	6,450	7,200	8,000	8,850	9,760	10,710	11,720
HDSZ-0100MP#A#-A	ZB07KAE	A / Small	5,350	6,020	6,730	7,500	8,330	9,220	10,180	11,210	12,320	13,510
HDSZ-0100MP#B#-A	ZB07KAE	B / Medium	5,490	6,190	6,940	7,760	8,650	9,620	10,680	11,820	13,070	14,420
HDSZ-0120MP#A#-A	ZB08KAE	A / Small	6,280	6,990	7,740	8,550	9,420	10,380	11,440	12,610	13,900	15,320
HDSZ-0120MP#B#-A	ZB08KAE	B / Medium	6,470	7,220	8,020	8,890	9,850	10,900	12,080	13,390	14,850	16,470
HDSZ-0130MP#A#-A	ZS09KAE	A / Small	7,130	7,940	8,790	9,670	10,600	11,610	12,750	13,990	15,350	16,840
HDSZ-0130MP#B#-D	ZS09KAE	B / Medium	7,410	8,270	9,180	10,150	11,170	12,250	13,500	14,880	16,400	18,060
HDSZ-0150MP#A#-D	ZS11KAE	A / Small	8,500	9,400	10,350	11,370	12,480	13,690	15,000	16,430	17,990	19,680
HDSZ-0150MP#B#-D	ZS11KAE	B / Medium	8,860	9,830	10,880	12,010	13,240	14,590	16,080	17,700	19,480	21,420
HDSZ-0180MP#A#-D	ZS13KAE	A / Small	9,530	10,510	11,560	12,680	13,890	15,200	16,630	18,190	19,880	21,720
HDSZ-0180MP#B#-D	ZS13KAE	B / Medium	9,990	11,080	12,240	13,500	14,880	16,380	18,020	19,820	21,790	23,940
HDSZ-0200MP#B#-D	ZB15KCE	B / Medium	11,570	12,820	14,160	15,570	17,080	18,670	20,350	22,110	23,960	25,900
HDSZ-0200MP#D#-D	ZB15KCE	D / Medium	11,960	13,290	14,710	16,230	17,850	19,570	21,400	23,330	25,380	27,530
HDSZ-0250MP#B#-D	ZB19KCE	B / Medium	14,090	15,590	17,180	18,860	20,640	22,510	24,470	26,530	28,680	30,920
HDSZ-0250MP#D#-D	ZB19KCE	D / Medium	14,710	16,320	18,040	19,880	21,830	23,900	26,100	28,410	30,850	33,400
HDSZ-0300MP#B#-D	ZB21KCE	B / Medium	16,430	18,140	19,950	21,860	23,870	25,980	28,190	30,490	32,880	35,360
HDSZ-0300MP#D#-D	ZB21KCE	D / Medium	17,320	19,190	21,190	23,320	25,570	27,960	30,480	33,130	35,910	38,830
HDSZ-0350MP#B#-D	ZB26KCE	B / Medium	18,680	20,590	22,600	24,710	26,930	29,240	31,650	34,150	36,740	39,420
HDSZ-0350MP#D#-D	ZB26KCE	D / Medium	19,900	22,030	24,290	26,700	29,240	31,920	34,740	37,700	40,800	44,030
HDSZ-0400MP#B#-D	ZB30KCE	B / Medium	20,280	22,490	24,790	27,180	29,640	32,180	34,790	37,470	40,210	43,010
HDSZ-0400MP#D#-D	ZB30KCE	D / Medium	21,910	24,410	27,040	29,800	32,690	35,710	38,860	42,140	45,550	49,070
HDSZ-0500MP#D#-D	ZB38KCE	D / Medium	26,120	29,080	32,190	35,460	38,870	42,410	46,060	49,830	53,690	57,630
HDSZ-0500MP#F#-D	ZB38KCE	F / Large	28,660	32,100	35,770	39,670	43,770	48,090	52,600	57,320	62,220	67,310
HDSZ-0600MP#F#-D	ZB48KCE	F / Large	38,630	42,800	47,240	51,950	56,950	62,230	67,800	73,640	79,780	86,190
HDSZ-0600MP#J#-D	ZB48KCE	J / X-Large	39,450	43,780	48,400	53,330	58,570	64,130	70,010	76,220	82,750	89,610
HDSZ-0750MP#F#-D	ZB58K5E	F / Large	43,260	48,250	53,420	58,800	64,440	70,370	76,620	83,220	90,200	97,560
HDSZ-0750MP#J#-D	ZB58K5E	J / X-Large	44,480	49,630	55,000	60,620	66,550	72,830	79,490	86,560	94,080	102,080
HDSZ-1000MP#F#-D	ZB76K5E	F / Large	56,940	62,720	68,770	75,120	81,780	88,780	96,110	103,800	111,850	120,260
HDSZ-1000MP#J#-D	ZB76K5E	J / X-Large	58,680	64,820	71,300	78,140	85,370	93,000	101,060	109,560	118,520	127,930
HDSZ-1300MP#J#-D	ZB95K5E	J / X-Large	68,550	76,190	84,100	92,300	100,800	109,630	118,790	128,300	138,160	148,380
HDSZ-1500MP#J#-D	ZB114K5E	J / X-Large	78,870	87,500	96,460	105,760	115,390	125,350	135,640	146,250	157,180	168,410

CONDENSING UNIT MODELS	COMPRESSOR	CONDENSER / UNIT SIZE	105° F AMBIENT TEMPERATURE									
			0	5	10	15	20	25	30	35	40	45
HDSZ-0080MP#A#-A	ZB06KAE	A / Small	4,100	4,610	5,160	5,760	6,390	7,070	7,790	8,530	9,300	10,100
HDSZ-0080MP#B#-A	ZB06KAE	B / Medium	4,220	4,740	5,320	5,950	6,620	7,350	8,120	8,930	9,780	10,660
HDSZ-0100MP#A#-A	ZB07KAE	A / Small	4,960	5,570	6,220	6,910	7,650	8,440	9,290	10,200	11,180	12,230
HDSZ-0100MP#B#-A	ZB07KAE	B / Medium	5,090	5,740	6,430	7,170	7,970	8,830	9,770	10,800	11,910	13,100
HDSZ-0120MP#A#-A	ZB08KAE	A / Small	5,810	6,460	7,130	7,850	8,630	9,480	10,420	11,470	12,620	13,910
HDSZ-0120MP#B#-A	ZB08KAE	B / Medium	5,990	6,690	7,410	8,190	9,040	9,990	11,040	12,220	13,540	15,010
HDSZ-0130MP#A#-A	ZS09KAE	A / Small	6,570	7,310	8,090	8,900	9,730	10,600	11,650	12,800	14,050	15,430
HDSZ-0130MP#B#-D	ZS09KAE	B / Medium	6,790	7,600	8,440	9,320	10,240	11,250	12,410	13,680	15,090	16,630
HDSZ-0150MP#A#-D	ZS11KAE	A / Small	7,800	8,600	9,460	10,380	11,380	12,480	13,670	14,980	16,420	17,980
HDSZ-0150MP#B#-D	ZS11KAE	B / Medium	8,180	9,060	10,010	11,040	12,160	13,400	14,760	16,250	17,900	19,700
HDSZ-0180MP#A#-D	ZS13KAE	A / Small	8,720	9,650	10,660	11,800	13,020	14,320	15,700	17,180	18,760	20,450
HDSZ-0180MP#B#-D	ZS13KAE	B / Medium	9,210	10,190	11,250	12,400	13,650	15,010	16,520	18,170	19,990	21,980
HDSZ-0200MP#B#-D	ZB15KCE	B / Medium	10,490	11,630	12,840	14,130	15,500	16,950	18,480	20,090	21,780	23,550
HDSZ-0200MP#D#-D	ZB15KCE	D / Medium	10,900	12,110	13,410	14,800	16,280	17,860	19,530	21,300	23,170	25,150
HDSZ-0250MP#B#-D	ZB19KCE	B / Medium	12,720	14,080	15,520	17,050	18,660	20,360	22,140	24,010	25,970	28,010
HDSZ-0250MP#D#-D	ZB19KCE	D / Medium	13,370	14,840	16,410	18,090	19,870	21,760	23,760	25,880	28,100	30,450
HDSZ-0300MP#B#-D	ZB21KCE	B / Medium	14,770	16,320	17,960	19,680	21,500	23,400	25,390	27,470	29,640	31,900
HDSZ-0300MP#D#-D	ZB21KCE	D / Medium	15,700	17,410	19,230	21,170	23,220	25,390	27,690	30,100	32,640	35,310
HDSZ-0350MP#B#-D	ZB26KCE	B / Medium	16,710	18,430	20,240	22,140	24,130	26,210	28,380	30,640	32,980	N/A
HDSZ-0350MP#D#-D	ZB26KCE	D / Medium	18,000	19,930	21,990	24,170	26,480	28,910	31,480	34,170	36,990	39,940
HDSZ-0400MP#B#-D	ZB30KCE	B / Medium	17,940	19,950	22,030	24,180	26,390	28,660	31,000	N/A	N/A	N/A
HDSZ-0400MP#D#-D	ZB30KCE	D / Medium	19,640	21,930	24,330	26,840	29,470	32,210	35,060	38,030	41,100	44,290
HDSZ-0500MP#D#-D	ZB38KCE	D / Medium	23,320	25,950	28,740	31,680	34,750	37,950	41,270	44,690	48,200	51,790
HDSZ-0500MP#F#-D	ZB38KCE	F / Large	25,810	28,950	32,300	35,870	39,650	43,620	47,800	52,160	56,710	61,430
HDSZ-0600MP#F#-D	ZB48KCE	F / Large	35,030	38,820	42,860	47,150	51,700	56,510	61,580	66,910	72,510	78,370
HDSZ-0600MP#J#-D	ZB48KCE	J / X-Large	35,890	39,840	44,060	48,550	53,340	58,410	63,780	69,460	75,440	81,720
HDSZ-0750MP#F#-D	ZB58K5E	F / Large	38,430	43,210	48,110	53,150	58,390	63,850	69,570	75,590	81,930	88,620
HDSZ-0750MP#J#-D	ZB58K5E	J / X-Large	39,780	44,730	49,820	55,100	60,610	66,400	72,510	78,970	85,820	93,100
HDSZ-1000MP#F#-D	ZB76K5E	F / Large	52,120	57,280	62,660	68,310	74,230	80,440	86,970	93,830	101,020	108,550
HDSZ-1000MP#J#-D	ZB76K5E	J / X-Large	53,850	59,370	65,180	71,310	77,780	84,610	91,840	99,470	107,530	116,020
HDSZ-1300MP#J#-D	ZB95K5E	J / X-Large	60,870	68,000	75,300	82,810	90,550	98,550	106,810	115,370	124,230	133,410
HDSZ-1500MP#J#-D	ZB114K5E	J / X-Large	69,730	77,690	85,900	94,380	103,130	112,160	121,460	131,050	N/A	N/A

# High Efficiency H-Series Condensing Units

## HDSZ Copeland Scroll Compressors - Med Temp R-407A

### Med Temperature - R-407A Specifications

CONDENSING UNIT MODEL	COMPRESSOR	CONDENSER / UNIT SIZE	OUTDOOR DOE AWEF	208/1/60				208/3/60				460/3/60				LIQ OD IN	SUCT OD IN	DEFAULT RECEIVER	INDOOR MODEL	INDOOR DOE AWEF
				COMP RLA	FAN RLA	MCA	MOPD	COMP RLA	FAN RLA	MCA	MOPD	COMP RLA	FAN RLA	MCA	MOPD					
HDSZ-0080MQ#A-A	ZB06KAE	A / Small	n/a	5.4	1.2	11.0	15	4.3	1.2	9.6	15					1/2	7/8	B - 18.4 LBS	HESZ-0080MQ#A-A	n/a
HDSZ-0080MQ#B-A	ZB06KAE	B / Medium	n/a	5.4	1.2	11.0	15	4.3	1.2	9.6	15					1/2	7/8	C - 23.6 LBS	HESZ-0080MQ#B-A	n/a
HDSZ-0100MQ#A-A	ZB07KAE	A / Small	n/a	5.6	1.2	11.2	15	4.7	1.2	10.1	15					1/2	7/8	B - 18.4 LBS	HESZ-0100MQ#A-A	n/a
HDSZ-0100MQ#B-A	ZB07KAE	B / Medium	n/a	5.6	1.2	11.2	15	4.7	1.2	10.1	15					1/2	7/8	C - 23.6 LBS	HESZ-0100MQ#B-A	n/a
HDSZ-0120MQ#A-A	ZB08KAE	A / Small	n/a	7.2	1.2	13.2	20	4.7	1.2	10.1	15					1/2	7/8	B - 18.4 LBS	HESZ-0120MQ#A-A	n/a
HDSZ-0120MQ#B-A	ZB08KAE	B / Medium	n/a	7.2	1.2	13.2	20	4.7	1.2	10.1	15					1/2	7/8	C - 23.6 LBS	HESZ-0120MQ#B-A	5.61
HDSZ-0130MQ#A-D	ZS09KAE	A / Small	7.60	9	1.2	15.5	20	7.2	1.2	13.2	20	3.4	0.7	6.5	15	1/2	7/8	B - 18.4 LBS	HESZ-0130MQ#A-D	5.61
HDSZ-0130MQ#B-D	ZS09KAE	B / Medium	7.60	9	1.2	15.5	20	7.2	1.2	13.2	20	3.4	0.7	6.5	15	1/2	7/8	C - 23.6 LBS	HESZ-0130MQ#B-D	5.61
HDSZ-0150MQ#A-D	ZS11KAE	A / Small	7.60	11.3	1.2	18.3	25	9.3	1.2	15.8	25	3.8	0.7	7.0	15	1/2	7/8	B - 18.4 LBS	HESZ-0150MQ#A-D	n/a
HDSZ-0150MQ#B-D	ZS11KAE	B / Medium	7.60	11.3	1.2	18.3	25	9.3	1.2	15.8	25	3.8	0.7	7.0	15	1/2	7/8	C - 23.6 LBS	HESZ-0150MQ#B-D	5.61
HDSZ-0180MQ#A-D	ZS13KAE	A / Small	7.60	10.8	1.2	17.7	25	8.7	1.2	15.1	20	4.3	0.7	7.6	15	1/2	7/8	B - 18.4 LBS	HESZ-0180MQ#A-A	n/a
HDSZ-0180MQ#B-D	ZS13KAE	B / Medium	7.60	10.8	1.2	17.7	25	8.7	1.2	15.1	20	4.3	0.7	7.6	15	1/2	7/8	C - 23.6 LBS	HESZ-0180MQ#B-D	5.61
HDSZ-0200MQ#B-D	ZB15KCE	B / Medium	7.60	14.1	1.2	21.8	35	8	1.2	14.2	20	4.5	0.7	7.8	15	1/2	7/8	C - 23.6 LBS	HESZ-0200MQ#B-D	5.61
HDSZ-0200MQ#D-D	ZB15KCE	D / Medium	7.60	14.1	2.4	23.0	35	8	2.1	15.1	20	4.5	1.3	8.4	15	1/2	7/8	E - 59.4 LBS	HESZ-0200MQ#D-D	5.61
HDSZ-0250MQ#B-D	ZB19KCE	B / Medium	7.60					9	1.2	15.5	20	4.5	0.7	7.8	15	1/2	7/8	C - 23.6 LBS	HESZ-0250MQ#B-D	5.61
HDSZ-0250MQ#D-D	ZB19KCE	D / Medium	7.60					9	2.1	16.4	25	4.5	1.3	8.4	15	1/2	7/8	E - 59.4 LBS	HESZ-0250MQ#D-D	5.61
HDSZ-0300MQ#B-D	ZB21KCE	B / Medium	7.60	18.6	1.2	27.5	45	10.9	1.2	17.8	25	5.4	0.7	9.0	15	1/2	7/8	C - 23.6 LBS	HESZ-0300MQ#B-D	5.61
HDSZ-0300MQ#D-D	ZB21KCE	D / Medium	7.60	18.6	2.4	28.7	45	10.9	2.1	18.7	25	5.4	1.3	9.6	15	1/2	7/8	E - 59.4 LBS	HESZ-0300MQ#D-D	5.61
HDSZ-0350MQ#B-D	ZB26KCE	B / Medium	7.60	21.2	1.2	30.7	50	11.9	1.2	19.1	30	5.8	0.7	9.5	15	1/2	7/8	C - 23.6 LBS	HESZ-0350MQ#B-D	5.61
HDSZ-0350MQ#D-D	ZB26KCE	D / Medium	7.60	21.2	2.4	31.9	50	11.9	2.1	20.0	30	5.8	1.3	10.1	15	1/2	7/8	E - 59.4 LBS	HESZ-0350MQ#D-D	n/a
HDSZ-0400MQ#B-D	ZB30KCE	B / Medium	7.60	24	1.2	34.2	50	14.1	1.2	21.8	35	6.7	0.7	10.6	15	5/8	7/8	C - 23.6 LBS	HESZ-0400MQ#B-A	n/a
HDSZ-0400MQ#D-D	ZB30KCE	D / Medium	7.60	24	2.4	35.4	50	14.1	2.1	22.7	35	6.7	1.3	11.2	15	5/8	7/8	E - 59.4 LBS	HESZ-0400MQ#D-D	5.61
HDSZ-0500MQ#B-D	ZB38KCE	B / Medium	7.60	27.9	2.4	40.3	60	19.9	2.1	30.0	45	8.7	1.3	13.7	20	5/8	7/8	E - 59.4 LBS	HESZ-0500MQ#B-D	5.61
HDSZ-0500MQ#F-D	ZB38KCE	F / Large	7.60	27.9	4.8	42.7	70	19.9	3.2	31.1	50	8.7	1.9	14.3	20	5/8	7/8	F - 90.7 LBS	HESZ-0500MQ#F-D	5.61
HDSZ-0600MQ#B-D	ZB48KCE	F / Large	7.60					22.8	3.2	34.7	50	12.2	1.9	18.7	30	5/8	7/8	F - 90.7 LBS	HESZ-0600MQ#B-D	5.61
HDSZ-0600MQ#H-D	ZB48KCE	J / X-Large	7.60					22.8	4.2	35.7	50	12.2	2.5	19.3	30	5/8	7/8	H - 110.3 LBS	HESZ-0600MQ#H-D	5.61
HDSZ-0750MQ#B-D	ZB58KSE	F / Large	7.60					30.8	3.2	44.7	70	16	1.9	23.4	35	5/8	1-3/8	F - 90.7 LBS	HESZ-0750MQ#B-D	5.61
HDSZ-0750MQ#H-D	ZB58KSE	J / X-Large	7.60					30.8	4.2	45.7	70	16	2.5	24.0	40	5/8	1-3/8	H - 110.3 LBS	HESZ-0750MQ#H-D	5.61
HDSZ-1000MQ#B-D	ZB76KSE	F / Large	7.60					38.6	3.2	54.5	90	18.6	1.9	26.7	45	5/8	1-3/8	F - 90.7 LBS	HESZ-1000MQ#B-D	5.61
HDSZ-1000MQ#H-D	ZB76KSE	J / X-Large	7.60					38.6	4.2	55.5	90	18.6	2.5	27.3	45	5/8	1-3/8	H - 110.3 LBS	HESZ-1000MQ#H-D	5.61
HDSZ-1300MQ#H-D	ZB95KSE	J / X-Large	7.60					47.4	4.2	66.5	110	21.8	2.5	31.3	50	7/8	1-3/8	H - 110.3 LBS	HESZ-1300MQ#H-A	n/a
HDSZ-1500MQ#H-A	ZB114KSE	J / X-Large	n/a					56.5	4.2	77.8	125	24.4	2.5	34.5	50	7/8	1-3/8	H - 110.3 LBS	HESZ-1500MQ#H-A	n/a

NOTE: All temperatures shown on pages 14 - 15 reflect the midpoint evaporator temperature. Solid black shading with white font indicates products for non-DOE regulated applications in above Table.

\* Estimated unit shipment weights based on condenser size are as follows: Small - 400 lbs.; Medium - 650 lbs.; Large - 1,250 lbs.; X-Large - 1,575 lbs.



# High Efficiency H-Series Condensing Units

## HDSZ Copeland Scroll Compressors - Med Temp R-407A

### Med Temperature - R-407A Performance

CONDENSING UNIT MODELS	COMPRESSOR	CONDENSER / UNIT SIZE	95° F AMBIENT TEMPERATURE									
			0	5	10	15	20	25	30	35	40	45
HDSZ-0080MQ#A#-A	ZB06KAE	A / Small	4,180	4,680	5,250	5,890	6,590	7,350	8,170	9,040	9,970	10,950
HDSZ-0080MQ#B#-A	ZB06KAE	B / Medium	4,250	4,780	5,370	6,040	6,770	7,570	8,430	9,360	10,350	11,400
HDSZ-0100MQ#A#-A	ZB07KAE	A / Small	5,040	5,720	6,430	7,190	7,990	8,820	9,680	10,570	11,480	12,410
HDSZ-0100MQ#B#-A	ZB07KAE	B / Medium	5,180	5,880	6,620	7,400	8,240	9,110	10,030	10,990	11,980	13,000
HDSZ-0120MQ#A#-A	ZB08KAE	A / Small	6,020	6,800	7,590	8,420	9,260	10,120	11,000	11,900	12,820	13,750
HDSZ-0120MQ#B#-A	ZB08KAE	B / Medium	6,190	7,000	7,840	8,710	9,590	10,510	11,450	12,410	13,400	14,410
HDSZ-0130MQ#A#-D	ZS09KAE	A / Small	6,910	7,660	8,460	9,320	10,260	11,290	12,400	13,600	14,910	16,320
HDSZ-0130MQ#B#-D	ZS09KAE	B / Medium	7,130	7,910	8,770	9,690	10,700	11,810	13,020	14,340	15,780	17,350
HDSZ-0150MQ#A#-D	ZS11KAE	A / Small	8,130	8,990	9,920	10,920	12,000	13,170	14,440	15,820	17,300	18,900
HDSZ-0150MQ#B#-D	ZS11KAE	B / Medium	8,440	9,360	10,360	11,440	12,630	13,920	15,330	16,860	18,530	20,350
HDSZ-0180MQ#A#-D	ZS13KAE	A / Small	9,150	10,110	11,140	12,240	13,440	14,730	16,120	17,630	19,250	20,990
HDSZ-0180MQ#B#-D	ZS13KAE	B / Medium	9,550	10,590	11,720	12,930	14,260	15,700	17,280	18,990	20,850	22,870
HDSZ-0200MQ#B#-D	ZB15KCE	B / Medium	10,510	11,800	13,170	14,640	16,220	17,940	19,800	21,830	24,030	26,430
HDSZ-0200MQ#D#-D	ZB15KCE	D / Medium	10,830	12,190	13,630	15,180	16,860	18,690	20,690	22,870	25,260	27,860
HDSZ-0250MQ#B#-D	ZB19KCE	B / Medium	12,150	13,710	15,370	17,150	19,050	21,060	23,200	25,450	27,830	30,330
HDSZ-0250MQ#D#-D	ZB19KCE	D / Medium	12,580	14,220	15,990	17,890	19,930	22,100	24,410	26,870	29,480	32,250
HDSZ-0300MQ#B#-D	ZB21KCE	B / Medium	14,910	16,790	18,790	20,920	23,190	25,580	28,100	30,750	33,540	36,460
HDSZ-0300MQ#D#-D	ZB21KCE	D / Medium	15,600	17,610	19,780	22,100	24,580	27,220	30,020	33,000	36,140	39,460
HDSZ-0350MQ#B#-D	ZB26KCE	B / Medium	16,680	18,670	20,760	22,980	25,350	27,890	30,610	33,550	36,710	40,110
HDSZ-0350MQ#D#-D	ZB26KCE	D / Medium	17,580	19,740	22,020	24,460	27,090	29,940	33,010	36,350	39,970	43,890
HDSZ-0400MQ#B#-D	ZB30KCE	B / Medium	19,930	22,340	24,910	27,610	30,450	33,410	36,470	39,630	N/A	N/A
HDSZ-0400MQ#D#-D	ZB30KCE	D / Medium	21,230	23,910	26,800	29,870	33,120	36,560	40,170	43,940	47,880	51,960
HDSZ-0500MQ#D#-D	ZB38KCE	D / Medium	25,380	28,530	31,900	35,490	39,270	43,230	47,370	51,670	56,120	60,700
HDSZ-0500MQ#F#-D	ZB38KCE	F / Large	27,320	30,870	34,700	38,820	43,230	47,910	52,870	58,100	63,590	69,350
HDSZ-0600MQ#F#-D	ZB48KCE	F / Large	34,660	39,130	43,970	49,150	54,670	60,510	66,660	73,110	79,840	86,830
HDSZ-0600MQ#J#-D	ZB48KCE	J / X-Large	35,300	39,900	44,890	50,250	55,980	62,060	68,480	75,240	82,320	89,710
HDSZ-0750MQ#F#-D	ZB58K5E	F / Large	40,040	45,300	50,640	56,170	62,000	68,240	74,980	82,300	90,260	98,930
HDSZ-0750MQ#J#-D	ZB58K5E	J / X-Large	41,020	46,340	51,790	57,480	63,560	70,130	77,310	85,190	93,850	103,360
HDSZ-1000MQ#F#-D	ZB76K5E	F / Large	52,760	59,210	65,750	72,500	79,560	87,010	94,940	103,410	112,450	122,090
HDSZ-1000MQ#J#-D	ZB76K5E	J / X-Large	54,190	60,810	67,610	74,720	82,250	90,320	99,020	108,420	118,580	129,540
HDSZ-1300MQ#J#-D	ZB95K5E	J / X-Large	61,610	69,870	78,680	88,000	97,770	107,950	118,490	129,360	140,500	151,880
HDSZ-1500MQ#J#-A	ZB114K5E	J / X-Large	71,240	80,580	90,620	101,270	112,460	124,090	136,120	148,470	161,100	173,930

CONDENSING UNIT MODELS	COMPRESSOR	CONDENSER / UNIT SIZE	105° F AMBIENT TEMPERATURE									
			0	5	10	15	20	25	30	35	40	45
HDSZ-0080MQ#A#-A	ZB06KAE	A / Small	3,900	4,370	4,890	5,480	6,130	6,830	7,590	8,400	9,260	10,170
HDSZ-0080MQ#B#-A	ZB06KAE	B / Medium	3,980	4,460	5,010	5,630	6,310	7,050	7,850	8,710	9,630	10,610
HDSZ-0100MQ#A#-A	ZB07KAE	A / Small	4,610	5,270	5,970	6,700	7,450	8,240	9,040	9,870	10,710	11,570
HDSZ-0100MQ#B#-A	ZB07KAE	B / Medium	4,760	5,440	6,160	6,910	7,700	8,530	9,380	10,270	11,180	12,120
HDSZ-0120MQ#A#-A	ZB08KAE	A / Small	5,590	6,310	7,060	7,830	8,620	9,430	10,260	11,100	11,970	12,850
HDSZ-0120MQ#B#-A	ZB08KAE	B / Medium	5,750	6,520	7,310	8,130	8,960	9,830	10,720	11,630	12,560	13,520
HDSZ-0130MQ#A#-D	ZS09KAE	A / Small	6,410	7,100	7,840	8,640	9,510	10,450	11,480	12,600	13,820	15,130
HDSZ-0130MQ#B#-D	ZS09KAE	B / Medium	6,630	7,360	8,150	9,010	9,950	10,980	12,110	13,340	14,690	16,160
HDSZ-0150MQ#A#-D	ZS11KAE	A / Small	7,530	8,330	9,180	10,100	11,090	12,180	13,350	14,620	16,000	17,490
HDSZ-0150MQ#B#-D	ZS11KAE	B / Medium	7,840	8,700	9,620	10,630	11,720	12,920	14,230	15,670	17,230	18,930
HDSZ-0180MQ#A#-D	ZS13KAE	A / Small	8,470	9,350	10,290	11,310	12,400	13,590	14,880	16,270	17,770	n/a
HDSZ-0180MQ#B#-D	ZS13KAE	B / Medium	8,870	9,830	10,870	12,000	13,230	14,560	16,030	17,620	19,360	21,240
HDSZ-0200MQ#B#-D	ZB15KCE	B / Medium	9,580	10,790	12,070	13,430	14,910	16,510	18,250	20,140	22,210	24,460
HDSZ-0200MQ#D#-D	ZB15KCE	D / Medium	9,920	11,190	12,530	13,980	15,550	17,260	19,130	21,180	23,420	25,880
HDSZ-0250MQ#B#-D	ZB19KCE	B / Medium	11,070	12,510	14,070	15,720	17,490	19,360	21,350	23,450	25,670	28,010
HDSZ-0250MQ#D#-D	ZB19KCE	D / Medium	11,510	13,050	14,700	16,480	18,380	20,420	22,580	24,890	27,340	29,930
HDSZ-0300MQ#B#-D	ZB21KCE	B / Medium	13,520	15,270	17,130	19,100	21,200	23,410	25,750	28,220	30,800	N/A
HDSZ-0300MQ#D#-D	ZB21KCE	D / Medium	14,240	16,120	18,140	20,310	22,620	25,080	27,700	30,480	33,420	36,530
HDSZ-0350MQ#B#-D	ZB26KCE	B / Medium	15,110	16,960	18,900	20,950	23,140	25,490	28,030	N/A	N/A	n/a
HDSZ-0350MQ#D#-D	ZB26KCE	D / Medium	16,040	18,050	20,180	22,450	24,900	27,550	30,420	33,540	36,930	40,610
HDSZ-0400MQ#B#-D	ZB30KCE	B / Medium	18,120	20,300	22,620	25,070	N/A	N/A	N/A	N/A	N/A	N/A
HDSZ-0400MQ#D#-D	ZB30KCE	D / Medium	19,400	21,870	24,520	27,360	30,370	33,540	36,880	40,370	44,010	47,780
HDSZ-0500MQ#D#-D	ZB38KCE	D / Medium	23,140	26,020	29,110	32,390	35,860	39,500	43,290	N/A	N/A	N/A
HDSZ-0500MQ#F#-D	ZB38KCE	F / Large	25,070	28,380	31,960	35,820	39,940	44,330	48,980	53,890	59,050	64,550
HDSZ-0600MQ#F#-D	ZB48KCE	F / Large	31,720	35,870	40,360	45,180	50,320	55,760	61,490	67,490	73,750	80,260
HDSZ-0600MQ#J#-D	ZB48KCE	J / X-Large	32,370	36,650	41,300	46,310	51,660	57,350	63,360	69,690	76,310	83,220
HDSZ-0750MQ#F#-D	ZB58K5E	F / Large	35,810	41,210	46,520	51,870	57,370	63,120	69,240	75,810	82,920	90,620
HDSZ-0750MQ#J#-D	ZB58K5E	J / X-Large	36,990	42,450	47,860	53,370	59,090	65,160	71,680	78,760	86,500	94,980
HDSZ-1000MQ#F#-D	ZB76K5E	F / Large	48,480	54,820	61,070	67,360	73,790	80,480	87,500	94,950	N/A	N/A
HDSZ-1000MQ#J#-D	ZB76K5E	J / X-Large	50,010	56,520	63,020	69,660	76,540	83,810	91,560	99,880	108,860	118,530
HDSZ-1300MQ#J#-D	ZB95K5E	J / X-Large	55,770	63,200	71,220	79,760	88,760	98,180	107,970	118,070	N/A	N/A
HDSZ-1500MQ#J#-A	ZB114K5E	J / X-Large	64,490	72,790	81,830	91,530	101,790	N/A	N/A	N/A	N/A	N/A

# High Efficiency H-Series Condensing Units

## HDSZ Copeland Scroll Compressors - Med Temp R-449A

### Med Temperature - R-449A Specifications

CONDENSING UNIT MODEL	COMPRESSOR	CONDENSER / UNIT SIZE	OUTDOOR DOE AWEF	208/1/60				208/3/60				460/3/60				LIQ OD IN	SUCT OD IN	DEFAULT RECEIVER	INDOOR MODEL	INDOOR DOE AWEF
				COMP RLA	FAN RLA	MCA	MOPD	COMP RLA	FAN RLA	MCA	MOPD	COMP RLA	FAN RLA	MCA	MOPD					
HDSZ-0080MR#A#-A	ZB06KAE	A / Small	n/a	5.4	1.2	11.0	15	4.3	1.2	9.6	15					1/2	7/8	B - 17.6 LBS	HESZ-0080MR#A#-A	n/a
HDSZ-0080MR#B#-A	ZB06KAE	B / Medium	n/a	5.4	1.2	11.0	15	4.3	1.2	9.6	15					1/2	7/8	C - 22.5 LBS	HESZ-0080MR#B#-A	n/a
HDSZ-0100MR#A#-A	ZB07KAE	A / Small	n/a	5.6	1.2	11.2	15	4.7	1.2	10.1	15					1/2	7/8	B - 17.6 LBS	HESZ-0100MR#A#-A	n/a
HDSZ-0100MR#B#-A	ZB07KAE	B / Medium	n/a	5.6	1.2	11.2	15	4.7	1.2	10.1	15					1/2	7/8	C - 22.5 LBS	HESZ-0100MR#B#-A	n/a
HDSZ-0120MR#A#-A	ZB08KAE	A / Small	n/a	7.2	1.2	13.2	20	4.7	1.2	10.1	15					1/2	7/8	B - 17.6 LBS	HESZ-0120MR#A#-A	n/a
HDSZ-0120MR#B#-A	ZB08KAE	B / Medium	n/a	7.2	1.2	13.2	20	4.7	1.2	10.1	15					1/2	7/8	C - 22.5 LBS	HESZ-0120MR#B#-D	5.61
HDSZ-0130MR#A#-A	ZS09KAE	A / Small	n/a	9	1.2	15.5	20	7.2	1.2	13.2	20	3.4	0.7	6.5	15	1/2	7/8	B - 17.6 LBS	HESZ-0130MR#A#-A	n/a
HDSZ-0130MR#B#-A	ZS09KAE	B / Medium	n/a	9	1.2	15.5	20	7.2	1.2	13.2	20	3.4	0.7	6.5	15	1/2	7/8	C - 22.5 LBS	HESZ-0130MR#B#-D	5.61
HDSZ-0150MR#A#-A	ZS11KAE	A / Small	n/a	11.3	1.2	18.3	25	9.3	1.2	15.8	25	3.8	0.7	7.0	15	1/2	7/8	B - 17.6 LBS	HESZ-0150MR#A#-A	n/a
HDSZ-0150MR#B#-D	ZS11KAE	B / Medium	7.60	11.3	1.2	18.3	25	9.3	1.2	15.8	25	3.8	0.7	7.0	15	1/2	7/8	C - 22.5 LBS	HESZ-0150MR#B#-D	5.61
HDSZ-0180MR#A#-A	ZS13KAE	A / Small	n/a	10.8	1.2	17.7	25	8.7	1.2	15.1	20	4.3	0.7	7.6	15	1/2	7/8	B - 17.6 LBS	HESZ-0180MR#A#-A	n/a
HDSZ-0180MR#B#-D	ZS13KAE	B / Medium	7.60	10.8	1.2	17.7	25	8.7	1.2	15.1	20	4.3	0.7	7.6	15	1/2	7/8	C - 22.5 LBS	HESZ-0180MR#B#-D	5.61
HDSZ-0200MR#B#-D	ZB15KCE	B / Medium	7.60	14.1	1.2	21.8	35	8	1.2	14.2	20	4.5	0.7	7.8	15	1/2	7/8	C - 22.5 LBS	HESZ-0200MR#B#-A	n/a
HDSZ-0200MR#D#-D	ZB15KCE	D / Medium	7.60	14.1	2.4	23.0	35	8	2.1	15.1	20	4.5	1.3	8.4	15	1/2	7/8	E - 56.6 LBS	HESZ-0200MR#D#-D	5.61
HDSZ-0250MR#B#-D	ZB19KCE	B / Medium	7.60					9	1.2	15.5	20	4.5	0.7	7.8	15	1/2	7/8	C - 22.5 LBS	HESZ-0250MR#B#-D	5.61
HDSZ-0250MR#D#-D	ZB19KCE	D / Medium	7.60					9	2.1	16.4	25	4.5	1.3	8.4	15	1/2	7/8	E - 56.6 LBS	HESZ-0250MR#D#-D	5.61
HDSZ-0300MR#B#-D	ZB21KCE	B / Medium	7.60	18.6	1.2	27.5	45	10.9	1.2	17.8	25	5.4	0.7	9.0	15	1/2	7/8	C - 22.5 LBS	HESZ-0300MR#B#-A	n/a
HDSZ-0300MR#D#-D	ZB21KCE	D / Medium	7.60	18.6	2.4	28.7	45	10.9	2.1	18.7	25	5.4	1.3	9.6	15	1/2	7/8	E - 56.6 LBS	HESZ-0300MR#D#-D	5.61
HDSZ-0350MR#B#-D	ZB26KCE	B / Medium	7.60	21.2	1.2	30.7	50	11.9	1.2	19.1	30	5.8	0.7	9.5	15	1/2	7/8	C - 22.5 LBS	HESZ-0350MR#B#-D	5.61
HDSZ-0350MR#D#-D	ZB26KCE	D / Medium	7.60	21.2	2.4	31.9	50	11.9	2.1	20.0	30	5.8	1.3	10.1	15	1/2	7/8	E - 56.6 LBS	HESZ-0350MR#D#-D	5.61
HDSZ-0400MR#B#-D	ZB30KCE	B / Medium	7.60	24	1.2	34.2	50	14.1	1.2	21.8	35	6.7	0.7	10.6	15	5/8	7/8	C - 22.5 LBS	HESZ-0400MR#B#-A	n/a
HDSZ-0400MR#D#-D	ZB30KCE	D / Medium	7.60	24	2.4	35.4	50	14.1	2.1	22.7	35	6.7	1.3	11.2	15	5/8	7/8	E - 56.6 LBS	HESZ-0400MR#D#-D	5.61
HDSZ-0500MR#B#-D	ZB38KCE	B / Medium	7.60	27.9	2.4	40.3	60	19.9	2.1	30.0	45	8.7	1.3	13.7	20	5/8	7/8	E - 56.6 LBS	HESZ-0500MR#B#-A	n/a
HDSZ-0500MR#F#-D	ZB38KCE	F / Large	7.60	27.9	4.8	42.7	70	19.9	3.2	31.1	50	8.7	1.9	14.3	20	5/8	7/8	F - 86.5 LBS	HESZ-0500MR#F#-D	5.61
HDSZ-0600MR#B#-D	ZB48KCE	F / Large	7.60					22.8	3.2	34.7	50	12.2	1.9	18.7	30	5/8	7/8	F - 86.5 LBS	HESZ-0600MR#B#-D	5.61
HDSZ-0600MR#J#-D	ZB48KCE	J / X-Large	7.60					22.8	4.2	35.7	50	12.2	2.5	19.3	30	5/8	7/8	H - 105.2 LBS	HESZ-0600MR#J#-D	5.61
HDSZ-0750MR#B#-D	ZB58KSE	F / Large	7.60					30.8	3.2	44.7	70	16	1.9	23.4	35	5/8	1-3/8	F - 86.5 LBS	HESZ-0750MR#B#-D	5.61
HDSZ-0750MR#J#-D	ZB58KSE	J / X-Large	7.60					30.8	4.2	45.7	70	16	2.5	24.0	40	5/8	1-3/8	H - 105.2 LBS	HESZ-0750MR#J#-D	5.61
HDSZ-1000MR#B#-D	ZB76KSE	F / Large	7.60					38.6	3.2	54.5	90	18.6	1.9	26.7	45	5/8	1-3/8	F - 86.5 LBS	HESZ-1000MR#B#-D	5.61
HDSZ-1000MR#J#-D	ZB76KSE	J / X-Large	7.60					38.6	4.2	55.5	90	18.6	2.5	27.3	45	5/8	1-3/8	H - 105.2 LBS	HESZ-1000MR#J#-D	5.61
HDSZ-1300MR#J#-D	ZB95KSE	J / X-Large	7.60					47.4	4.2	66.5	110	21.8	2.5	31.3	50	7/8	1-3/8	H - 105.2 LBS	HESZ-1300MR#J#-A	n/a
HDSZ-1500MR#J#-D	ZB114KSE	J / X-Large	7.60					56.5	4.2	77.8	125	24.4	2.5	34.5	50	7/8	1-3/8	H - 105.2 LBS	HESZ-1500MR#J#-A	n/a

NOTE: All temperatures shown on pages 16-17 reflect the midpoint evaporator temperature. Solid black shading with white font indicates products for non-DOE regulated applications in above Table.

\* Estimated unit shipment weights based on condenser size are as follows: Small – 400 lbs.; Medium – 650 lbs.; Large – 1,250 lbs.; X-Large – 1,575 lbs.

# High Efficiency H-Series Condensing Units

## HDSZ Copeland Scroll Compressors - Med Temp R-449A

### Med Temperature - R-449A Performance

CONDENSING UNIT MODELS	COMPRESSOR	CONDENSER / UNIT SIZE	95° F AMBIENT TEMPERATURE									
			0	5	10	15	20	25	30	35	40	45
HDSZ-0080MR#A#-A	ZB06KAE	A / Small	4,460	5,010	5,600	6,240	6,920	7,650	8,410	9,220	10,060	10,940
HDSZ-0080MR#B#-A	ZB06KAE	B / Medium	4,560	5,120	5,740	6,410	7,120	7,880	8,690	9,540	10,440	11,380
HDSZ-0100MR#A#-A	ZB07KAE	A / Small	5,250	5,890	6,590	7,350	8,150	9,020	9,920	10,870	11,850	12,870
HDSZ-0100MR#B#-A	ZB07KAE	B / Medium	5,380	6,050	6,780	7,580	8,440	9,350	10,330	11,350	12,430	13,550
HDSZ-0120MR#A#-A	ZB08KAE	A / Small	6,130	6,860	7,660	8,530	9,460	10,440	11,480	12,560	13,680	14,840
HDSZ-0120MR#B#-A	ZB08KAE	B / Medium	6,300	7,070	7,930	8,850	9,860	10,930	12,060	13,260	14,530	15,840
HDSZ-0130MR#A#-A	ZS09KAE	A / Small	6,540	7,240	8,100	8,990	9,970	11,050	12,230	13,510	14,910	16,480
HDSZ-0130MR#B#-A	ZS09KAE	B / Medium	6,670	7,460	8,330	9,280	10,330	11,480	12,750	14,140	15,730	17,500
HDSZ-0150MR#A#-A	ZS11KAE	A / Small	7,780	8,640	9,580	10,620	11,760	13,010	14,370	15,850	17,400	19,210
HDSZ-0150MR#B#-D	ZS11KAE	B / Medium	7,970	8,860	9,920	11,050	12,290	13,650	15,150	16,790	18,630	20,700
HDSZ-0180MR#A#-A	ZS13KAE	A / Small	8,750	9,720	10,760	11,910	13,160	14,520	16,010	17,620	19,280	21,230
HDSZ-0180MR#B#-D	ZS13KAE	B / Medium	9,040	10,080	11,230	12,500	13,890	15,420	17,090	18,920	20,950	23,240
HDSZ-0200MR#B#-D	ZB15KCE	B / Medium	9,980	11,230	12,650	14,220	15,950	17,840	19,870	22,050	24,390	26,870
HDSZ-0200MR#D#-D	ZB15KCE	D / Medium	10,310	11,650	13,170	14,860	16,710	18,730	20,920	23,270	25,790	28,470
HDSZ-0250MR#B#-D	ZB19KCE	B / Medium	12,560	13,960	15,580	17,390	19,390	21,570	23,930	26,460	29,150	32,000
HDSZ-0250MR#D#-D	ZB19KCE	D / Medium	12,980	14,530	16,300	18,280	20,460	22,840	25,400	28,160	31,100	34,220
HDSZ-0300MR#B#-D	ZB21KCE	B / Medium	14,790	16,380	18,210	20,270	22,550	25,030	27,710	30,580	33,640	36,880
HDSZ-0300MR#D#-D	ZB21KCE	D / Medium	15,390	17,190	19,240	21,540	24,080	26,840	29,830	33,040	36,450	40,080
HDSZ-0350MR#B#-D	ZB26KCE	B / Medium	16,910	18,640	20,650	22,920	25,430	28,170	31,120	34,280	37,630	41,180
HDSZ-0350MR#D#-D	ZB26KCE	D / Medium	17,720	19,730	22,050	24,640	27,500	30,620	33,990	37,600	41,460	45,540
HDSZ-0400MR#B#-D	ZB30KCE	B / Medium	19,900	22,310	24,810	27,410	30,120	32,960	35,930	39,030	N/A	N/A
HDSZ-0400MR#D#-D	ZB30KCE	D / Medium	21,260	23,880	26,640	29,550	32,630	35,900	39,370	43,060	46,960	51,100
HDSZ-0500MR#D#-D	ZB38KCE	D / Medium	25,740	28,880	32,170	35,620	39,240	43,060	47,090	51,330	55,810	60,510
HDSZ-0500MR#F#-D	ZB38KCE	F / Large	27,840	31,330	35,040	38,990	43,220	47,750	52,610	57,820	63,410	69,400
HDSZ-0600MR#F#-D	ZB48KCE	F / Large	36,640	41,200	46,010	51,120	56,560	62,350	68,530	75,130	82,160	89,640
HDSZ-0600MR#J#-D	ZB48KCE	J / X-Large	37,370	42,050	47,010	52,300	57,960	64,010	70,500	77,450	84,890	92,850
HDSZ-0750MR#F#-D	ZB58K5E	F / Large	40,990	46,550	52,350	58,430	64,800	71,510	78,580	86,010	93,820	102,000
HDSZ-0750MR#J#-D	ZB58K5E	J / X-Large	41,920	47,540	53,430	59,640	66,230	73,230	80,670	88,590	97,010	105,940
HDSZ-1000MR#F#-D	ZB76K5E	F / Large	53,650	60,480	67,580	74,960	82,640	90,600	98,860	107,380	116,150	125,160
HDSZ-1000MR#J#-D	ZB76K5E	J / X-Large	55,030	62,030	69,380	77,120	85,270	93,840	102,850	112,290	122,160	132,450
HDSZ-1300MR#J#-D	ZB95K5E	J / X-Large	62,290	71,060	80,120	89,610	99,690	110,480	122,080	134,580	148,030	162,480
HDSZ-1500MR#J#-D	ZB114K5E	J / X-Large	71,210	81,390	91,900	102,890	114,480	126,800	139,940	153,980	N/A	N/A

CONDENSING UNIT MODELS	COMPRESSOR	CONDENSER / UNIT SIZE	105° F AMBIENT TEMPERATURE									
			0	5	10	15	20	25	30	35	40	45
HDSZ-0080MR#A#-A	ZB06KAE	A / Small	4,120	4,630	5,190	5,780	6,420	7,100	7,820	8,580	9,370	10,190
HDSZ-0080MR#B#-A	ZB06KAE	B / Medium	4,220	4,750	5,330	5,950	6,620	7,340	8,100	8,900	9,740	10,620
HDSZ-0100MR#A#-A	ZB07KAE	A / Small	4,880	5,480	6,130	6,830	7,570	8,370	9,200	10,080	10,980	11,920
HDSZ-0100MR#B#-A	ZB07KAE	B / Medium	5,010	5,640	6,320	7,060	7,850	8,700	9,600	10,550	11,540	12,580
HDSZ-0120MR#A#-A	ZB08KAE	A / Small	5,710	6,390	7,130	7,920	8,760	9,660	10,590	11,570	12,580	13,620
HDSZ-0120MR#B#-A	ZB08KAE	B / Medium	5,880	6,600	7,380	8,240	9,150	10,130	11,170	12,260	13,400	14,590
HDSZ-0130MR#A#-A	ZS09KAE	A / Small	6,140	6,790	7,520	8,330	9,230	10,210	11,300	12,480	13,780	15,180
HDSZ-0130MR#B#-A	ZS09KAE	B / Medium	6,330	7,040	7,830	8,710	9,690	10,770	11,960	13,280	14,720	16,350
HDSZ-0150MR#A#-A	ZS11KAE	A / Small	7,260	8,010	8,850	9,780	10,800	11,930	13,170	14,520	15,980	17,570
HDSZ-0150MR#B#-D	ZS11KAE	B / Medium	7,530	8,380	9,310	10,340	11,490	12,760	14,160	15,700	17,390	19,280
HDSZ-0180MR#A#-A	ZS13KAE	A / Small	8,120	8,900	9,780	10,870	11,980	13,200	14,540	15,990	n/a	n/a
HDSZ-0180MR#B#-D	ZS13KAE	B / Medium	8,520	9,470	10,510	11,660	12,940	14,350	15,910	17,620	19,430	21,570
HDSZ-0200MR#B#-D	ZB15KCE	B / Medium	9,110	10,170	11,400	12,800	14,370	16,100	17,990	20,030	22,230	24,580
HDSZ-0200MR#D#-D	ZB15KCE	D / Medium	9,420	10,580	11,920	13,440	15,140	17,020	19,070	21,290	23,690	26,260
HDSZ-0250MR#B#-D	ZB19KCE	B / Medium	11,680	12,810	14,190	15,780	17,580	19,580	21,770	24,140	26,680	29,400
HDSZ-0250MR#D#-D	ZB19KCE	D / Medium	12,050	13,350	14,880	16,660	18,650	20,860	23,270	25,890	28,700	31,700
HDSZ-0300MR#B#-D	ZB21KCE	B / Medium	13,780	15,030	16,560	18,350	20,380	22,640	25,100	27,780	N/A	N/A
HDSZ-0300MR#D#-D	ZB21KCE	D / Medium	14,300	15,780	17,550	19,600	21,910	24,460	27,260	30,290	33,540	37,010
HDSZ-0350MR#B#-D	ZB26KCE	B / Medium	15,780	17,100	18,750	20,690	22,900	25,360	N/A	N/A	N/A	N/A
HDSZ-0350MR#D#-D	ZB26KCE	D / Medium	16,470	18,110	20,090	22,380	24,970	27,840	30,970	34,370	38,020	41,920
HDSZ-0400MR#B#-D	ZB30KCE	B / Medium	18,000	20,270	22,610	25,030	N/A	N/A	N/A	N/A	N/A	N/A
HDSZ-0400MR#D#-D	ZB30KCE	D / Medium	19,350	21,840	24,440	27,160	30,030	33,060	36,270	39,670	43,280	N/A
HDSZ-0500MR#D#-D	ZB38KCE	D / Medium	23,360	26,330	29,420	32,630	36,000	39,530	N/A	N/A	N/A	N/A
HDSZ-0500MR#F#-D	ZB38KCE	F / Large	25,470	28,790	32,290	35,990	39,940	44,160	48,680	53,520	58,710	64,270
HDSZ-0600MR#F#-D	ZB48KCE	F / Large	33,440	37,770	42,310	47,090	52,160	57,550	63,280	69,390	75,910	82,840
HDSZ-0600MR#J#-D	ZB48KCE	J / X-Large	34,180	38,630	43,310	48,270	53,550	59,190	65,220	71,670	78,580	85,970
HDSZ-0750MR#F#-D	ZB58K5E	F / Large	36,780	42,450	48,210	54,100	60,160	66,420	72,900	79,630	86,630	93,900
HDSZ-0750MR#J#-D	ZB58K5E	J / X-Large	37,990	43,750	49,640	55,720	62,030	68,620	75,520	82,770	90,390	98,410
HDSZ-1000MR#F#-D	ZB76K5E	F / Large	49,110	55,710	62,430	69,280	76,280	83,430	90,740	N/A	N/A	N/A
HDSZ-1000MR#J#-D	ZB76K5E	J / X-Large	50,810	57,670	64,720	72,000	79,540	87,360	95,480	103,910	112,650	121,700
HDSZ-1300MR#J#-D	ZB95K5E	J / X-Large	53,810	62,550	71,400	80,500	90,010	100,050	110,750	N/A	N/A	N/A
HDSZ-1500MR#J#-D	ZB114K5E	J / X-Large	60,850	70,930	81,150	91,660	102,600	N/A	N/A	N/A	N/A	N/A

# High Efficiency H-Series Condensing Units

## HDSZ Copeland Scroll Compressors - Med Temp R-404A

### Med Temperature - R-404A Specifications

CONDENSING UNIT MODEL	COMPRESSOR	CONDENSER / UNIT SIZE	OUTDOOR DOE AWEF	208/1/60				208/3/60				460/3/60				LIQ OD IN	SUCT OD IN	DEFAULT RECEIVER	INDOOR MODEL	INDOOR DOE AWEF
				COMP RLA	FAN RLA	MCA	MOPD	COMP RLA	FAN RLA	MCA	MOPD	COMP RLA	FAN RLA	MCA	MOPD					
HDSZ-0080MS#A-A	ZB06KAE	A / Small	n/a	5.4	1.2	11.0	15	4.3	1.2	9.6	15					1/2	7/8	B - 16.7 LBS	HESZ-0080MT#A-A	n/a
HDSZ-0080MS#B-A	ZB06KAE	B / Medium	n/a	5.4	1.2	11.0	15	4.3	1.2	9.6	15					1/2	7/8	C - 21.4 LBS	HESZ-0080MT#B-A	n/a
HDSZ-0100MS#A-A	ZB07KAE	A / Small	n/a	5.6	1.2	11.2	15	4.7	1.2	10.1	15					1/2	7/8	B - 16.7 LBS	HESZ-0100MT#A-A	n/a
HDSZ-0100MS#B-D	ZB07KAE	B / Medium	7.60	5.6	1.2	11.2	15	4.7	1.2	10.1	15					1/2	7/8	C - 21.4 LBS	HESZ-0100MT#B-D	5.61
HDSZ-0120MS#A-D	ZB08KAE	A / Small	7.60	7.2	1.2	13.2	20	4.7	1.2	10.1	15					1/2	7/8	B - 16.7 LBS	HESZ-0120MT#A-A	n/a
HDSZ-0120MS#B-D	ZB08KAE	B / Medium	7.60	7.2	1.2	13.2	20	4.7	1.2	10.1	15					1/2	7/8	C - 21.4 LBS	HESZ-0120MT#B-D	5.61
HDSZ-0130MS#A-D	ZS09KAE	A / Small	7.60	9	1.2	15.5	20	7.2	1.2	13.2	20	3.4	0.7	6.5	15	1/2	7/8	B - 16.7 LBS	HESZ-0130MT#A-A	n/a
HDSZ-0130MS#B-D	ZS09KAE	B / Medium	7.60	9	1.2	15.5	20	7.2	1.2	13.2	20	3.4	0.7	6.5	15	1/2	7/8	C - 21.4 LBS	HESZ-0130MT#B-D	5.61
HDSZ-0150MS#A-D	ZS11KAE	A / Small	7.60	11.3	1.2	18.3	25	9.3	1.2	15.8	25	3.8	0.7	7.0	15	1/2	7/8	B - 16.7 LBS	HESZ-0150MT#A-A	n/a
HDSZ-0150MS#B-D	ZS11KAE	B / Medium	7.60	11.3	1.2	18.3	25	9.3	1.2	15.8	25	3.8	0.7	7.0	15	1/2	7/8	C - 21.4 LBS	HESZ-0150MT#B-D	5.61
HDSZ-0180MS#A-D	ZS13KAE	A / Small	7.60	10.8	1.2	17.7	25	8.7	1.2	15.1	20	4.3	0.7	7.6	15	1/2	7/8	B - 16.7 LBS	HESZ-0180MT#A-A	n/a
HDSZ-0180MS#B-D	ZS13KAE	B / Medium	7.60	10.8	1.2	17.7	25	8.7	1.2	15.1	20	4.3	0.7	7.6	15	1/2	7/8	C - 21.4 LBS	HESZ-0180MT#B-D	5.61
HDSZ-0200MS#D-D	ZB15KCE	B / Medium	7.60	14.1	1.2	21.8	35	8	1.2	14.2	20	4.5	0.7	7.8	15	1/2	7/8	E - 53.9 LBS	HESZ-0200MS#D-D	5.61
HDSZ-0200MS#D-D	ZB15KCE	D / Medium	7.60	14.1	2.4	23.0	35	8	2.1	15.1	20	4.5	1.3	8.4	15	1/2	7/8	E - 53.9 LBS	HESZ-0200MS#D-D	5.61
HDSZ-0250MS#B-D	ZB19KCE	B / Medium	7.60					9	1.2	15.5	20	4.5	0.7	7.8	15	1/2	7/8	C - 21.4 LBS	HESZ-0250MS#B-D	5.61
HDSZ-0250MS#D-D	ZB19KCE	D / Medium	7.60					9	2.1	16.4	25	4.5	1.3	8.4	15	1/2	7/8	E - 53.9 LBS	HESZ-0250MS#D-D	5.61
HDSZ-0300MS#B-D	ZB21KCE	B / Medium	7.60	18.6	1.2	27.5	45	10.9	1.2	17.8	25	5.4	0.7	9.0	15	1/2	7/8	C - 21.4 LBS	HESZ-0300MS#B-A	n/a
HDSZ-0300MS#D-D	ZB21KCE	D / Medium	7.60	18.6	2.4	28.7	45	10.9	2.1	18.7	25	5.4	1.3	9.6	15	1/2	7/8	E - 53.9 LBS	HESZ-0300MS#D-D	5.61
HDSZ-0350MS#B-D	ZB26KCE	B / Medium	7.60	21.2	1.2	30.7	50	11.9	1.2	19.1	30	5.8	0.7	9.5	15	1/2	7/8	C - 21.4 LBS	HESZ-0350MS#B-D	5.61
HDSZ-0350MS#D-D	ZB26KCE	D / Medium	7.60	21.2	2.4	31.9	50	11.9	2.1	20.0	30	5.8	1.3	10.1	15	1/2	7/8	E - 53.9 LBS	HESZ-0350MS#D-D	5.61
HDSZ-0400MS#B-D	ZB30KCE	B / Medium	7.60	24	1.2	34.2	50	14.1	1.2	21.8	35	6.7	0.7	10.6	15	5/8	7/8	C - 21.4 LBS	HESZ-0400MS#B-A	n/a
HDSZ-0400MS#D-D	ZB30KCE	D / Medium	7.60	24	2.4	35.4	50	14.1	2.1	22.7	35	6.7	1.3	11.2	15	5/8	7/8	E - 53.9 LBS	HESZ-0400MS#D-D	5.61
HDSZ-0500MS#D-D	ZB38KCE	D / Medium	7.60	27.9	2.4	40.3	60	19.9	2.1	30.0	45	8.7	1.3	13.7	20	5/8	7/8	E - 53.9 LBS	HESZ-0500MS#D-D	n/a
HDSZ-0500MS#F-D	ZB38KCE	F / Large	7.60	27.9	4.8	42.7	70	19.9	3.2	31.1	50	8.7	1.9	14.3	20	5/8	7/8	F - 82.3 LBS	HESZ-0500MS#F-D	5.61
HDSZ-0600MS#F-D	ZB48KCE	F / Large	7.60					22.8	3.2	34.7	50	12.2	1.9	18.7	30	5/8	7/8	F - 82.3 LBS	HESZ-0600MS#F-D	5.61
HDSZ-0600MS#H-D	ZB48KCE	H / X-Large	7.60					22.8	4.2	35.7	50	12.2	2.5	19.3	30	5/8	7/8	H - 100.1 LBS	HESZ-0600MS#H-D	5.61
HDSZ-0750MS#F-D	ZB58KSE	F / Large	7.60					30.8	3.2	44.7	70	16	1.9	23.4	35	5/8	1-3/8	F - 82.3 LBS	HESZ-0750MS#F-D	5.61
HDSZ-0750MS#H-D	ZB58KSE	H / X-Large	7.60					30.8	4.2	45.7	70	16	2.5	24.0	40	5/8	1-3/8	H - 100.1 LBS	HESZ-0750MS#H-D	5.61
HDSZ-1000MS#F-D	ZB76KSE	F / Large	7.60					38.6	3.2	54.5	90	18.6	1.9	26.7	45	5/8	1-3/8	F - 82.3 LBS	HESZ-1000MS#F-D	5.61
HDSZ-1000MS#H-D	ZB76KSE	H / X-Large	7.60					38.6	4.2	55.5	90	18.6	2.5	27.3	45	5/8	1-3/8	H - 100.1 LBS	HESZ-1000MS#H-D	5.61
HDSZ-1300MS#H-D	ZB95KSE	H / X-Large	7.60					47.4	4.2	66.5	110	21.8	2.5	31.3	50	7/8	1-3/8	H - 100.1 LBS	HESZ-1300MS#H-A	n/a
HDSZ-1500MS#H-D	ZB114KSE	H / X-Large	7.60					56.5	4.2	77.8	125	24.4	2.5	34.5	50	7/8	1-3/8	H - 100.1 LBS	HESZ-1500MS#H-A	n/a

NOTE: All temperatures shown on pages 18-19 reflect the midpoint evaporator temperature. Solid black shading with white font indicates products for non-DOE regulated applications in above Table.

\* Estimated unit shipment weights based on condenser size are as follows: Small - 400 lbs.; Medium - 650 lbs.; Large - 1,250 lbs.; X-Large - 1,575 lbs.

# High Efficiency H-Series Condensing Units

## HDSZ Copeland Scroll Compressors - Med Temp R-404A

### Med Temperature - R-404A Performance

			95° F AMBIENT TEMPERATURE									
CONDENSING UNIT MODELS	COMPRESSOR	CONDENSER / UNIT SIZE	0	5	10	15	20	25	30	35	40	45
HDSZ-0080MS#A-A	ZB06KAE	A / Small	4,360	4,880	5,460	6,100	6,780	7,520	8,290	9,100	9,960	10,830
HDSZ-0080MS#B-A	ZB06KAE	B / Medium	4,460	5,000	5,610	6,270	6,990	7,770	8,610	9,490	10,420	11,400
HDSZ-0100MS#A-A	ZB07KAE	A / Small	5,200	5,850	6,550	7,300	8,110	8,980	9,920	10,930	12,010	13,180
HDSZ-0100MS#B-D	ZB07KAE	B / Medium	5,330	6,010	6,750	7,540	8,420	9,360	10,390	11,510	12,720	14,030
HDSZ-0120MS#A-D	ZB08KAE	A / Small	6,110	6,800	7,530	8,320	9,170	10,110	11,150	12,290	13,560	14,950
HDSZ-0120MS#B-D	ZB08KAE	B / Medium	6,290	7,020	7,800	8,650	9,580	10,610	11,750	13,030	14,460	16,040
HDSZ-0130MS#A-D	ZS09KAE	A / Small	6,940	7,730	8,560	9,420	10,330	11,280	12,280	13,330	14,440	15,610
HDSZ-0130MS#B-D	ZS09KAE	B / Medium	7,210	8,050	8,930	9,870	10,870	11,920	13,050	14,260	15,540	16,900
HDSZ-0150MS#A-D	ZS11KAE	A / Small	8,010	8,920	9,860	10,830	11,860	12,920	14,040	15,210	16,440	17,720
HDSZ-0150MS#B-D	ZS11KAE	B / Medium	8,370	9,340	10,360	11,440	12,580	13,780	15,070	16,430	17,880	19,410
HDSZ-0180MS#A-D	ZS13KAE	A / Small	9,280	10,240	11,260	12,360	13,550	14,830	16,240	17,760	19,420	21,230
HDSZ-0180MS#B-D	ZS13KAE	B / Medium	9,720	10,770	11,910	13,140	14,480	15,950	17,550	19,310	21,230	23,330
HDSZ-0200MS#B-D	ZB15KCE	B / Medium	11,260	12,480	13,780	15,170	16,640	18,190	19,830	21,560	23,370	25,270
HDSZ-0200MS#D-D	ZB15KCE	D / Medium	11,630	12,920	14,310	15,790	17,370	19,050	20,830	22,720	24,710	26,810
HDSZ-0250MS#B-D	ZB19KCE	B / Medium	13,730	15,190	16,740	18,390	20,120	21,960	23,880	25,900	28,010	30,210
HDSZ-0250MS#D-D	ZB19KCE	D / Medium	14,310	15,880	17,560	19,350	21,250	23,280	25,420	27,680	30,060	32,560
HDSZ-0300MS#B-D	ZB21KCE	B / Medium	16,020	17,690	19,460	21,330	23,300	25,370	27,530	29,790	32,140	34,580
HDSZ-0300MS#D-D	ZB21KCE	D / Medium	16,850	18,680	20,630	22,710	24,910	27,250	29,710	32,300	35,020	37,870
HDSZ-0350MS#B-D	ZB26KCE	B / Medium	18,220	20,090	22,070	24,140	26,310	28,580	30,950	33,410	35,960	38,600
HDSZ-0350MS#D-D	ZB26KCE	D / Medium	19,380	21,500	23,670	26,010	28,500	31,120	33,880	36,780	39,820	42,990
HDSZ-0400MS#B-D	ZB30KCE	B / Medium	19,800	21,970	24,230	26,570	29,000	31,500	34,070	36,720	39,420	42,190
HDSZ-0400MS#D-D	ZB30KCE	D / Medium	21,350	23,790	26,360	29,060	31,890	34,850	37,940	41,150	44,490	47,960
HDSZ-0500MS#D-D	ZB38KCE	D / Medium	25,480	28,370	31,420	34,630	37,970	41,440	45,030	48,730	52,530	56,410
HDSZ-0500MS#F-D	ZB38KCE	F / Large	27,880	31,240	34,820	38,610	42,610	46,820	51,230	55,830	60,620	65,590
HDSZ-0600MS#F-D	ZB48KCE	F / Large	37,600	41,670	46,000	50,600	55,490	60,650	66,090	71,810	77,810	84,090
HDSZ-0600MS#J#-D	ZB48KCE	J / X-Large	38,380	42,590	47,100	51,910	57,020	62,450	68,190	74,250	80,630	87,340
HDSZ-0750MS#F-D	ZB58K5E	F / Large	43,020	47,980	53,120	58,480	64,090	69,990	76,220	82,790	89,740	97,090
HDSZ-0750MS#J#-D	ZB58K5E	J / X-Large	44,200	49,320	54,650	60,250	66,140	72,380	79,010	86,050	93,540	101,500
HDSZ-1000MS#F#-D	ZB76K5E	F / Large	56,130	61,850	67,830	74,110	80,710	87,640	94,910	102,530	110,520	118,860
HDSZ-1000MS#J#-D	ZB76K5E	J / X-Large	57,810	63,880	70,280	77,030	84,180	91,720	99,700	108,110	116,970	126,300
HDSZ-1300MS#J#-D	ZB95K5E	J / X-Large	68,010	75,590	83,450	91,590	100,050	108,830	117,960	127,440	137,270	147,460
HDSZ-1500MS#J#-D	ZB114K5E	J / X-Large	78,330	86,910	95,820	105,070	114,660	124,580	134,840	145,420	156,320	167,530

			105° F AMBIENT TEMPERATURE									
CONDENSING UNIT MODELS	COMPRESSOR	CONDENSER / UNIT SIZE	0	5	10	15	20	25	30	35	40	45
HDSZ-0080MS#A-A	ZB06KAE	A / Small	3,990	4,480	5,020	5,600	6,230	6,890	7,580	8,310	9,060	9,840
HDSZ-0080MS#B-A	ZB06KAE	B / Medium	4,100	4,610	5,170	5,780	6,440	7,140	7,890	8,680	9,510	10,380
HDSZ-0100MS#A-A	ZB07KAE	A / Small	4,820	5,420	6,050	6,730	7,450	8,220	9,050	9,940	10,900	11,930
HDSZ-0100MS#B-D	ZB07KAE	B / Medium	4,950	5,580	6,250	6,970	7,750	8,590	9,510	10,500	11,580	12,760
HDSZ-0120MS#A-D	ZB08KAE	A / Small	5,650	6,280	6,940	7,640	8,400	9,240	10,160	11,180	12,320	13,570
HDSZ-0120MS#B-D	ZB08KAE	B / Medium	5,830	6,500	7,200	7,960	8,800	9,720	10,750	11,900	13,180	14,620
HDSZ-0130MS#A-D	ZS09KAE	A / Small	6,370	7,120	7,880	8,670	9,480	10,330	11,210	12,140	13,120	14,140
HDSZ-0130MS#B-D	ZS09KAE	B / Medium	6,600	7,390	8,210	9,060	9,960	10,900	11,900	12,970	14,100	15,300
HDSZ-0150MS#A-D	ZS11KAE	A / Small	7,370	8,220	9,090	9,980	10,900	11,850	12,830	13,860	14,930	16,060
HDSZ-0150MS#B-D	ZS11KAE	B / Medium	7,670	8,580	9,520	10,500	11,530	12,610	13,750	14,950	16,220	17,580
HDSZ-0180MS#A-D	ZS13KAE	A / Small	8,490	9,400	10,380	11,380	12,400	13,490	14,770	16,160	17,690	19,350
HDSZ-0180MS#B-D	ZS13KAE	B / Medium	8,960	9,920	10,950	12,070	13,290	14,620	16,090	17,710	19,480	21,430
HDSZ-0200MS#B-D	ZB15KCE	B / Medium	10,210	11,330	12,510	13,770	15,110	16,520	18,020	19,590	21,240	22,980
HDSZ-0200MS#D-D	ZB15KCE	D / Medium	10,600	11,780	13,050	14,400	15,840	17,380	19,010	20,740	22,570	24,500
HDSZ-0250MS#B-D	ZB19KCE	B / Medium	12,400	13,730	15,140	16,630	18,200	19,870	21,610	23,450	25,370	27,370
HDSZ-0250MS#D-D	ZB19KCE	D / Medium	13,010	14,440	15,980	17,610	19,350	21,190	23,150	25,210	27,390	29,680
HDSZ-0300MS#B-D	ZB21KCE	B / Medium	14,410	15,920	17,520	19,210	20,990	22,860	24,820	26,860	29,000	31,210
HDSZ-0300MS#D-D	ZB21KCE	D / Medium	15,290	16,960	18,730	20,620	22,630	24,750	26,990	29,360	31,840	34,500
HDSZ-0350MS#B-D	ZB26KCE	B / Medium	16,320	18,000	19,780	21,640	23,600	25,640	27,780	30,000	32,300	N/A
HDSZ-0350MS#D-D	ZB26KCE	D / Medium	17,530	19,420	21,430	23,560	25,820	28,200	30,710	33,350	36,120	39,010
HDSZ-0400MS#B-D	ZB30KCE	B / Medium	17,540	19,510	21,550	23,660	25,840	28,080	30,380	N/A	N/A	N/A
HDSZ-0400MS#D-D	ZB30KCE	D / Medium	19,150	21,390	23,730	26,190	28,760	31,440	34,240	37,150	40,170	43,310
HDSZ-0500MS#D-D	ZB38KCE	D / Medium	22,750	25,330	28,070	30,950	33,970	37,110	40,370	43,730	47,190	50,730
HDSZ-0500MS#F-D	ZB38KCE	F / Large	25,120	28,170	31,440	34,920	38,610	42,490	46,560	50,830	55,270	59,880
HDSZ-0600MS#F#-D	ZB48KCE	F / Large	34,110	37,810	41,750	45,950	50,390	55,090	60,050	65,270	70,750	76,490
HDSZ-0600MS#J#-D	ZB48KCE	J / X-Large	34,920	38,770	42,880	47,270	51,940	56,890	62,140	67,680	73,520	79,670
HDSZ-0750MS#F#-D	ZB58K5E	F / Large	38,250	43,010	47,880	52,890	58,100	63,540	69,250	75,250	81,570	88,240
HDSZ-0750MS#J#-D	ZB58K5E	J / X-Large	39,560	44,480	49,540	54,780	60,260	66,020	72,100	78,530	85,360	92,610
HDSZ-1000MS#F-D	ZB76K5E	F / Large	51,390	56,500	61,830	67,410	73,280	79,440	85,920	92,720	99,860	107,340
HDSZ-1000MS#J#-D	ZB76K5E	J / X-Large	53,060	58,520	64,260	70,310	76,710	83,470	90,630	98,180	106,160	114,580
HDSZ-1300MS#J#-D	ZB95K5E	J / X-Large	60,480	67,550	74,810	82,280	89,990	97,950	106,190	114,730	123,570	132,730
HDSZ-1500MS#J#-D	ZB114K5E	J / X-Large	69,330	77,240	85,410	93,860	102,580	111,580	120,860	130,430	N/A	N/A



# High Efficiency H-Series Condensing Units

## HDSZ Copeland Scroll Compressors - Med Temp R-448A

### Med Temperature - R-448A Specifications

CONDENSING UNIT MODEL	COMPRESSOR	CONDENSER / UNIT SIZE	OUTDOOR DOE AWEF	208/1/60				208/3/60				460/3/60				LIQ OD IN	SUCT OD IN	DEFAULT RECEIVER	INDOOR MODEL	INDOOR DOE AWEF
				COMP RLA	FAN RLA	MCA	MOPD	COMP RLA	FAN RLA	MCA	MOPD	COMP RLA	FAN RLA	MCA	MOPD					
HDSZ-0080MT#A#-A	ZB06KAE	A / Small	n/a	5.4	1.2	11.0	15	4.3	1.2	9.6	15					1/2	7/8	B - 17.6 LBS	HESZ-0080MT#A#-A	n/a
HDSZ-0080MT#B#-A	ZB06KAE	B / Medium	n/a	5.4	1.2	11.0	15	4.3	1.2	9.6	15					1/2	7/8	C - 22.5 LBS	HESZ-0080MT#B#-A	n/a
HDSZ-0100MT#A#-A	ZB07KAE	A / Small	n/a	5.6	1.2	11.2	15	4.7	1.2	10.1	15					1/2	7/8	B - 17.6 LBS	HESZ-0100MT#A#-A	n/a
HDSZ-0100MT#B#-A	ZB07KAE	B / Medium	n/a	5.6	1.2	11.2	15	4.7	1.2	10.1	15					1/2	7/8	C - 22.5 LBS	HESZ-0100MT#B#-A	n/a
HDSZ-0120MT#A#-A	ZB08KAE	A / Small	n/a	7.2	1.2	13.2	20	4.7	1.2	10.1	15					1/2	7/8	B - 17.6 LBS	HESZ-0120MT#A#-A	n/a
HDSZ-0120MT#B#-A	ZB08KAE	B / Medium	n/a	7.2	1.2	13.2	20	4.7	1.2	10.1	15					1/2	7/8	C - 22.5 LBS	HESZ-0120MT#B#-A	5.61
HDSZ-0130MT#A#-A	ZS09KAE	A / Small	n/a	9	1.2	15.5	20	7.2	1.2	13.2	20	3.4	0.7	6.5	15	1/2	7/8	B - 17.6 LBS	HESZ-0130MT#A#-A	n/a
HDSZ-0130MT#B#-A	ZS09KAE	B / Medium	n/a	9	1.2	15.5	20	7.2	1.2	13.2	20	3.4	0.7	6.5	15	1/2	7/8	C - 22.5 LBS	HESZ-0130MT#B#-A	5.61
HDSZ-0150MT#A#-A	ZS11KAE	A / Small	n/a	11.3	1.2	18.3	25	9.3	1.2	15.8	25	3.8	0.7	7.0	15	1/2	7/8	B - 17.6 LBS	HESZ-0150MT#A#-A	n/a
HDSZ-0150MT#B#-D	ZS11KAE	B / Medium	7.60	11.3	1.2	18.3	25	9.3	1.2	15.8	25	3.8	0.7	7.0	15	1/2	7/8	C - 22.5 LBS	HESZ-0150MT#B#-D	5.61
HDSZ-0180MT#A#-A	ZS13KAE	A / Small	n/a	10.8	1.2	17.7	25	8.7	1.2	15.1	20	4.3	0.7	7.6	15	1/2	7/8	B - 17.6 LBS	HESZ-0180MT#A#-A	n/a
HDSZ-0180MT#B#-D	ZS13KAE	B / Medium	7.60	10.8	1.2	17.7	25	8.7	1.2	15.1	20	4.3	0.7	7.6	15	1/2	7/8	C - 22.5 LBS	HESZ-0180MT#B#-D	5.61
HDSZ-0200MT#B#-D	ZB15KCE	B / Medium	7.60	14.1	1.2	21.8	35	8	1.2	14.2	20	4.5	0.7	7.8	15	1/2	7/8	C - 22.5 LBS	HESZ-0200MT#B#-A	n/a
HDSZ-0200MT#D#-D	ZB15KCE	D / Medium	7.60	14.1	2.4	23.0	35	8	2.1	15.1	20	4.5	1.3	8.4	15	1/2	7/8	E - 56.6 LBS	HESZ-0200MT#D#-D	5.61
HDSZ-0250MT#B#-D	ZB19KCE	B / Medium	7.60					9	1.2	15.5	20	4.5	0.7	7.8	15	1/2	7/8	C - 22.5 LBS	HESZ-0250MT#B#-D	5.61
HDSZ-0300MT#B#-D	ZB21KCE	B / Medium	7.60	18.6	1.2	27.5	45	10.9	1.2	17.8	25	5.4	0.7	9.0	15	1/2	7/8	C - 22.5 LBS	HESZ-0300MT#B#-A	n/a
HDSZ-0300MT#D#-D	ZB21KCE	D / Medium	7.60	18.6	2.4	28.7	45	10.9	2.1	18.7	25	5.4	1.3	9.6	15	1/2	7/8	E - 56.6 LBS	HESZ-0300MT#D#-D	5.61
HDSZ-0350MT#B#-D	ZB26KCE	B / Medium	7.60	21.2	1.2	30.7	50	11.9	1.2	19.1	30	5.8	0.7	9.5	15	1/2	7/8	C - 22.5 LBS	HESZ-0350MT#B#-D	5.61
HDSZ-0350MT#D#-D	ZB26KCE	D / Medium	7.60	21.2	2.4	31.9	50	11.9	2.1	20.0	30	5.8	1.3	10.1	15	1/2	7/8	E - 56.6 LBS	HESZ-0350MT#D#-D	5.61
HDSZ-0400MT#B#-D	ZB30KCE	B / Medium	7.60	24	1.2	34.2	50	14.1	1.2	21.8	35	6.7	0.7	10.6	15	5/8	7/8	C - 22.5 LBS	HESZ-0400MT#B#-A	n/a
HDSZ-0400MT#D#-D	ZB30KCE	D / Medium	7.60	24	2.4	35.4	50	14.1	2.1	22.7	35	6.7	1.3	11.2	15	5/8	7/8	E - 56.6 LBS	HESZ-0400MT#D#-D	5.61
HDSZ-0500MT#D#-D	ZB38KCE	D / Medium	7.60	27.9	2.4	40.3	60	19.9	2.1	30.0	45	8.7	1.3	13.7	20	5/8	7/8	E - 56.6 LBS	HESZ-0500MT#D#-A	n/a
HDSZ-0500MT#F#-D	ZB38KCE	F / Large	7.60	27.9	4.8	42.7	70	19.9	3.2	31.1	50	8.7	1.9	14.3	20	5/8	7/8	F - 86.5 LBS	HESZ-0500MT#F#-D	5.61
HDSZ-0600MT#F#-D	ZB48KCE	F / Large	7.60					22.8	3.2	34.7	50	12.2	1.9	18.7	30	5/8	7/8	F - 86.5 LBS	HESZ-0600MT#F#-D	5.61
HDSZ-0600MT#H#-D	ZB48KCE	H / X-Large	7.60					22.8	4.2	35.7	50	12.2	2.5	19.3	30	5/8	7/8	H - 105.2 LBS	HESZ-0600MT#H#-D	5.61
HDSZ-0750MT#F#-D	ZB58K5E	F / Large	7.60					30.8	3.2	44.7	70	16	1.9	23.4	35	5/8	1-3/8	F - 86.5 LBS	HESZ-0750MT#F#-D	5.61
HDSZ-0750MT#H#-D	ZB58K5E	H / X-Large	7.60					30.8	4.2	45.7	70	16	2.5	24.0	40	5/8	1-3/8	H - 105.2 LBS	HESZ-0750MT#H#-D	5.61
HDSZ-1000MT#F#-D	ZB76K5E	F / Large	7.60					38.6	3.2	54.5	90	18.6	1.9	26.7	45	5/8	1-3/8	F - 86.5 LBS	HESZ-1000MT#F#-D	5.61
HDSZ-1000MT#H#-D	ZB76K5E	H / X-Large	7.60					38.6	4.2	55.5	90	18.6	2.5	27.3	45	5/8	1-3/8	H - 105.2 LBS	HESZ-1000MT#H#-D	5.61
HDSZ-1300MT#H#-D	ZB95K5E	H / X-Large	7.60					47.4	4.2	66.5	110	21.8	2.5	31.3	50	7/8	1-3/8	H - 105.2 LBS	HESZ-1300MT#H#-A	n/a
HDSZ-1500MT#H#-D	ZB114K5E	H / X-Large	7.60					56.5	4.2	77.8	125	24.4	2.5	34.5	50	7/8	1-3/8	H - 105.2 LBS	HESZ-1500MT#H#-A	n/a

NOTE: All temperatures shown on pages 20-21 reflect the midpoint evaporator temperature. Solid black shading with white font indicates products for non-DOE regulated applications in above Table.

\* Estimated unit shipment weights based on condenser size are as follows: Small – 400 lbs.; Medium – 650 lbs.; Large – 1,250 lbs.; X-Large – 1,575 lbs.

# High Efficiency H-Series Condensing Units

## HDSZ Copeland Scroll Compressors - Med Temp R-448A

### Med Temperature - R-448A Performance

CONDENSING UNIT MODELS	COMPRESSOR	CONDENSER / UNIT SIZE	95° F AMBIENT TEMPERATURE									
			0	5	10	15	20	25	30	35	40	45
HDSZ-0080MT#A#-A	ZB06KAE	A / Small	4,460	5,010	5,600	6,240	6,920	7,650	8,410	9,220	10,060	10,940
HDSZ-0080MT#B#-A	ZB06KAE	B / Medium	4,560	5,120	5,740	6,410	7,120	7,880	8,690	9,540	10,440	11,380
HDSZ-0100MT#A#-A	ZB07KAE	A / Small	5,250	5,890	6,590	7,350	8,150	9,020	9,920	10,870	11,850	12,870
HDSZ-0100MT#B#-A	ZB07KAE	B / Medium	5,380	6,050	6,780	7,580	8,440	9,350	10,330	11,350	12,430	13,550
HDSZ-0120MT#A#-A	ZB08KAE	A / Small	6,130	6,860	7,660	8,530	9,460	10,440	11,480	12,560	13,680	14,840
HDSZ-0120MT#B#-A	ZB08KAE	B / Medium	6,300	7,070	7,930	8,850	9,860	10,930	12,060	13,260	14,530	15,840
HDSZ-0130MT#A#-A	ZS09KAE	A / Small	6,540	7,240	8,100	8,990	9,970	11,050	12,230	13,510	14,910	16,480
HDSZ-0130MT#B#-A	ZS09KAE	B / Medium	6,670	7,460	8,330	9,280	10,330	11,480	12,750	14,140	15,730	17,500
HDSZ-0150MT#A#-A	ZS11KAE	A / Small	7,780	8,640	9,580	10,620	11,760	13,010	14,370	15,850	17,400	19,210
HDSZ-0150MT#B#-D	ZS11KAE	B / Medium	7,970	8,860	9,920	11,050	12,290	13,650	15,150	16,790	18,630	20,700
HDSZ-0180MT#A#-A	ZS13KAE	A / Small	8,750	9,720	10,760	11,910	13,160	14,520	16,010	17,620	19,280	21,230
HDSZ-0180MT#B#-D	ZS13KAE	B / Medium	9,040	10,080	11,230	12,500	13,890	15,420	17,090	18,920	20,950	23,240
HDSZ-0200MT#B#-D	ZB15KCE	B / Medium	10,770	12,160	13,640	15,220	16,910	18,700	20,620	22,650	24,800	27,080
HDSZ-0200MT#D#-D	ZB15KCE	D / Medium	11,140	12,600	14,170	15,850	17,650	19,580	21,660	23,880	26,240	28,770
HDSZ-0250MT#B#-D	ZB19KCE	B / Medium	12,420	13,940	15,590	17,350	19,230	21,220	23,320	25,530	27,840	30,260
HDSZ-0300MT#B#-D	ZB21KCE	B / Medium	15,460	17,290	19,250	21,330	23,550	25,900	28,380	31,010	33,770	36,670
HDSZ-0300MT#D#-D	ZB21KCE	D / Medium	16,120	18,090	20,210	22,480	24,920	27,530	30,320	33,290	36,440	39,780
HDSZ-0350MT#B#-D	ZB26KCE	B / Medium	17,050	19,100	21,280	23,600	26,060	28,650	31,390	34,260	37,280	40,420
HDSZ-0350MT#D#-D	ZB26KCE	D / Medium	17,950	20,160	22,540	25,090	27,810	30,700	33,780	37,050	40,500	44,150
HDSZ-0400MT#B#-D	ZB30KCE	B / Medium	19,620	21,970	24,460	27,100	29,880	32,810	35,890	39,110	N/A	N/A
HDSZ-0400MT#D#-D	ZB30KCE	D / Medium	20,870	23,450	26,220	29,180	32,330	35,700	39,270	43,050	47,050	51,260
HDSZ-0500MT#D#-D	ZB38KCE	D / Medium	25,690	28,700	31,870	35,190	38,670	42,320	46,130	50,110	54,250	58,550
HDSZ-0500MT#F#-D	ZB38KCE	F / Large	27,700	31,110	34,760	38,650	42,810	47,250	51,990	57,020	62,380	68,050
HDSZ-0600MT#F#-D	ZB48KCE	F / Large	35,940	40,240	44,830	49,750	55,020	60,680	66,760	73,260	80,210	87,640
HDSZ-0600MT#J#-D	ZB48KCE	J / X-Large	36,560	40,970	45,700	50,790	56,260	62,150	68,500	75,320	82,650	90,500
HDSZ-0750MT#F#-D	ZB58K5E	F / Large	40,990	46,550	52,350	58,430	64,800	71,510	78,580	86,010	93,820	102,000
HDSZ-0750MT#J#-D	ZB58K5E	J / X-Large	41,920	47,540	53,430	59,630	66,230	73,230	80,670	88,590	97,010	105,940
HDSZ-1000MT#F#-D	ZB76K5E	F / Large	53,650	60,480	67,580	74,960	82,640	90,600	98,860	107,380	116,150	125,160
HDSZ-1000MT#J#-D	ZB76K5E	J / X-Large	55,030	62,030	69,380	77,120	85,270	93,840	102,850	112,290	122,160	132,450
HDSZ-1300MT#J#-D	ZB95K5E	J / X-Large	62,290	71,060	80,120	89,610	99,690	110,480	122,080	134,580	148,030	162,480
HDSZ-1500MT#J#-D	ZB114K5E	J / X-Large	71,210	81,390	91,900	102,890	114,480	126,800	139,940	153,980	N/A	N/A

CONDENSING UNIT MODELS	COMPRESSOR	CONDENSER / UNIT SIZE	105° F AMBIENT TEMPERATURE									
			0	5	10	15	20	25	30	35	40	45
HDSZ-0080MT#A#-A	ZB06KAE	A / Small	4,120	4,630	5,190	5,780	6,420	7,100	7,820	8,580	9,370	10,190
HDSZ-0080MT#B#-A	ZB06KAE	B / Medium	4,220	4,750	5,330	5,950	6,620	7,340	8,100	8,900	9,740	10,620
HDSZ-0100MT#A#-A	ZB07KAE	A / Small	4,880	5,480	6,130	6,830	7,570	8,370	9,200	10,080	10,980	11,920
HDSZ-0100MT#B#-A	ZB07KAE	B / Medium	5,010	5,640	6,307	7,060	7,850	8,700	9,600	10,550	11,540	12,580
HDSZ-0120MT#A#-A	ZB08KAE	A / Small	5,710	6,390	7,130	7,920	8,760	9,660	10,590	11,570	12,580	13,620
HDSZ-0120MT#B#-A	ZB08KAE	B / Medium	5,880	6,600	7,380	8,240	9,150	10,130	11,170	12,260	13,400	14,590
HDSZ-0130MT#A#-A	ZS09KAE	A / Small	6,140	6,790	7,520	8,330	9,230	10,210	11,300	12,480	13,780	15,180
HDSZ-0130MT#B#-A	ZS09KAE	B / Medium	6,330	7,040	7,830	8,710	9,690	10,770	11,960	13,280	14,720	16,350
HDSZ-0150MT#A#-A	ZS11KAE	A / Small	7,260	8,010	8,850	9,780	10,800	11,930	13,170	14,520	15,980	17,570
HDSZ-0150MT#B#-D	ZS11KAE	B / Medium	7,530	8,380	9,310	10,340	11,490	12,760	14,160	15,700	17,390	19,280
HDSZ-0180MT#A#-A	ZS13KAE	A / Small	8,120	8,900	9,780	10,870	11,980	13,200	14,540	15,990	N/A	N/A
HDSZ-0180MT#B#-D	ZS13KAE	B / Medium	8,520	9,470	10,510	11,660	12,940	14,350	15,910	17,620	19,430	21,570
HDSZ-0200MT#B#-D	ZB15KCE	B / Medium	9,680	10,970	12,340	13,800	15,350	17,000	18,760	20,620	22,600	24,700
HDSZ-0200MT#D#-D	ZB15KCE	D / Medium	10,110	11,470	12,930	14,490	16,160	17,950	19,870	21,920	24,120	26,460
HDSZ-0250MT#B#-D	ZB19KCE	B / Medium	11,290	12,660	14,140	15,740	17,440	19,260	21,180	23,200	25,320	27,530
HDSZ-0300MT#B#-D	ZB21KCE	B / Medium	14,190	15,870	17,670	19,580	21,610	23,760	26,040	28,450	N/A	N/A
HDSZ-0300MT#D#-D	ZB21KCE	D / Medium	14,880	16,710	18,670	20,770	23,030	25,450	28,030	30,780	33,700	36,800
HDSZ-0350MT#B#-D	ZB26KCE	B / Medium	15,620	17,540	19,570	21,730	24,020	26,430	N/A	N/A	N/A	N/A
HDSZ-0350MT#D#-D	ZB26KCE	D / Medium	16,490	18,570	20,790	23,170	25,700	28,410	31,280	34,330	37,560	40,970
HDSZ-0400MT#B#-D	ZB30KCE	B / Medium	17,840	20,010	22,310	N/A	N/A	N/A	N/A	N/A	N/A	N/A
HDSZ-0400MT#D#-D	ZB30KCE	D / Medium	19,140	21,550	24,120	26,870	29,810	32,940	36,260	39,780	43,510	N/A
HDSZ-0500MT#D#-D	ZB38KCE	D / Medium	23,270	26,030	28,910	31,920	35,070	38,350	41,780	N/A	N/A	N/A
HDSZ-0500MT#F#-D	ZB38KCE	F / Large	25,460	28,640	32,010	35,600	39,420	43,490	47,820	52,430	57,330	62,520
HDSZ-0600MT#F#-D	ZB48KCE	F / Large	33,140	37,190	41,500	46,090	51,010	56,290	61,940	68,000	74,480	81,400
HDSZ-0600MT#J#-D	ZB48KCE	J / X-Large	33,800	37,970	42,410	47,170	52,290	57,790	63,710	70,080	76,920	84,250
HDSZ-0750MT#F#-D	ZB58K5E	F / Large	36,780	42,450	48,210	54,100	60,160	66,420	72,900	79,630	86,630	93,900
HDSZ-0750MT#J#-D	ZB58K5E	J / X-Large	37,990	43,750	49,640	55,720	62,030	68,620	75,520	82,770	90,390	98,410
HDSZ-1000MT#F#-D	ZB76K5E	F / Large	49,110	55,710	62,430	69,280	76,280	83,430	90,740	N/A	N/A	N/A
HDSZ-1000MT#J#-D	ZB76K5E	J / X-Large	50,810	57,670	64,720	72,000	79,540	87,360	95,480	103,910	112,650	121,700
HDSZ-1300MT#J#-D	ZB95K5E	J / X-Large	53,810	62,550	71,400	80,500	90,010	100,050	110,750	N/A	N/A	N/A
HDSZ-1500MT#J#-D	ZB114K5E	J / X-Large	60,850	70,930	81,150	91,660	102,600	N/A	N/A	N/A	N/A	N/A

# High Efficiency H-Series Condensing Units

## HDSS Copeland Semi-Hermetic Compressors - Low Temp R-507A

### Low Temperature - R-507A Specifications

CONDENSING UNIT MODEL	COMPRESSOR	CONDENSER / UNIT SIZE	OUTDOOR DOE AWEF	208/1/60				208/3/60				460/3/60				LIQ OD IN	SUCTION IN	DEFAULT RECEIVER	INDOOR MODEL	INDOOR DOE AWEF
				COMP RLA	FAN RLA	MCA	MOPD	COMP RLA	FAN RLA	MCA	MOPD	COMP RLA	FAN RLA	MCA	MOPD					
HDSS-0050LP##-D	KAN#-006E	A / Small	3.15					2.0	1.2	6.7	15					1/2	7/8	B - 16.7 LBS	HESS-0050LP##-A	n/a
HDSS-0050LP##-A	KAN#-005E	A / Small	3.15	3.1	1.2	8.1	15									1/2	7/8	C - 21.4 LBS	HESS-0050LP##-A	n/a
HDSS-0050LP##-A	KAN#-006E	B / Medium	n/a					2.0	1.2	6.7	15					1/2	7/8	C - 21.4 LBS	HESS-0050LP##-A	n/a
HDSS-0050LP##-A	KAN#-005E	B / Medium	n/a	3.1	1.2	8.1	15									1/2	7/8	C - 21.4 LBS	HESS-0050LP##-A	n/a
* HDSS-0070LP##-D	KAM#-007E	A / Small	3.15	5.1	1.2	10.6	15	2.9	1.2	7.8	15					1/2	7/8	B - 16.7 LBS	HESS-0070LP##-A	n/a
* HDSS-0070LP##-D	KAM#-007E	B / Medium	3.15	5.1	1.2	10.6	15	2.9	1.2	7.8	15					1/2	7/8	C - 21.4 LBS	HESS-0070LP##-A	n/a
* HDSS-0100LP##-D	KAJ#-011E	A / Small	3.15					4.1	1.2	9.3	15	1.8	0.7	4.5	15	1/2	7/8	B - 16.7 LBS	HESS-0100LP##-A	n/a
* HDSS-0100LP##-D	KAJ#-011E	B / Medium	3.15					4.1	1.2	9.3	15	1.8	0.7	4.5	15	1/2	7/8	C - 21.4 LBS	HESS-0100LP##-A	n/a
HDSS-0150LP##-D	KAL#-015E	B / Medium	3.15	8.9	1.2	15.3	20									1/2	7/8	C - 21.4 LBS	HESS-0150LP##-A	n/a
HDSS-0150LP##-D	KAL#-016E	B / Medium	3.15					6.0	1.2	11.7	15	3.1	0.7	6.1	15	1/2	7/8	C - 21.4 LBS	HESS-0150LP##-A	n/a
* HDSS-0200LP##-D	EAV#-021E	A / Small	3.15	13.2	1.2	20.7	30	6.6	1.2	12.5	15	2.9	0.7	5.8	15	1/2	7/8	B - 16.7 LBS	HESS-0200LP##-A	n/a
HDSS-0200LP##-D	EAV#-021E	B / Medium	3.15	13.2	1.2	20.7	30	6.6	1.2	12.5	15	2.9	0.7	5.8	15	1/2	7/8	C - 21.4 LBS	HESS-0200LP##-D	2.40

### Low Temperature - R-507A Performance

Condensing Unit Model	Compressor	Condenser / Unit Size	-40	-35	-30	-25	-20	-15	-10	-5	0
HDSS-0050LP##-D	KAN#-006E	A / Small	820	1070	1350	1670	2020	2410	2840	3300	3800
HDSS-0050LP##-D	KAN#-005E	A / Small	820	1070	1350	1670	2020	2410	2840	3300	3800
HDSS-0050LP##-A	KAN#-006E	B / Medium	840	1090	1380	1710	2070	2480	2920	3400	3920
HDSS-0050LP##-A	KAN#-005E	B / Medium	840	1090	1380	1710	2070	2480	2920	3400	3920
* HDSS-0070LP##-D	KAM#-007E	A / Small	1650	2010	2430	2890	3410	3960	4560	5190	5860
* HDSS-0070LP##-D	KAM#-007E	B / Medium	1690	2070	2500	2980	3520	4100	4730	5410	6130
* HDSS-0100LP##-D	KAJ#-011E	A / Small	2390	2880	3410	3970	4590	5260	5990	6780	7640
* HDSS-0100LP##-D	KAJ#-011E	B / Medium	2460	2970	3530	4130	4780	5500	6290	7160	8110
HDSS-0150LP##-D	KAL#-015E	B / Medium	3500	4350	5190	6060	6960	7920	8960	10080	11300
HDSS-0150LP##-D	KAL#-016E	B / Medium	3500	4350	5190	6060	6960	7920	8960	10080	11300
* HDSS-0200LP##-D	EAV#-021E	A / Small	4030	4850	5820	6910	8100	9380	10730	12120	13540
HDSS-0200LP##-D	EAV#-021E	B / Medium	4250	5150	6210	7420	8760	10220	11780	13420	15130

Condensing Unit Model	Compressor	Condenser / Unit Size	-40	-35	-30	-25	-20	-15	-10	-5	0
HDSS-0050LP##-D	KAN#-006E	A / Small	600	820	1070	1360	1680	2030	2410	2830	3280
HDSS-0050LP##-D	KAN#-005E	A / Small	600	820	1070	1360	1680	2030	2410	2830	3280
HDSS-0050LP##-A	KAN#-006E	B / Medium	610	840	1100	1390	1720	2090	2490	2920	3390
HDSS-0050LP##-A	KAN#-005E	B / Medium	610	840	1100	1390	1720	2090	2490	2920	3390
* HDSS-0070LP##-D	KAM#-007E	A / Small	1340	1680	2060	2490	2960	3460	4000	4570	5170
* HDSS-0070LP##-D	KAM#-007E	B / Medium	1380	1730	2130	2570	3060	3590	4160	4770	5410
* HDSS-0100LP##-D	KAJ#-011E	A / Small	2000	2460	2940	3460	4010	4610	5260	5960	6720
* HDSS-0100LP##-D	KAJ#-011E	B / Medium	2070	2540	3050	3600	4190	4840	5540	6310	7150
HDSS-0150LP##-D	KAL#-015E	B / Medium	2820	3660	4480	5300	6130	7000	7930	8920	10000
HDSS-0150LP##-D	KAL#-016E	B / Medium	2820	3660	4480	5300	6130	7000	7930	8920	10000
* HDSS-0200LP##-D	EAV#-021E	A / Small	3480	4190	5040	6000	7060	8200	9400	10640	11900
HDSS-0200LP##-D	EAV#-021E	B / Medium	3630	4410	5350	6420	7620	8930	10330	11800	13340

NOTE: All temperatures shown reflect the midpoint evaporator temperature. Solid black shading with white font indicates products for non-DOE regulated applications in above Table.

\* Units that are **not** NOM-012 Certified.

\*\* Estimated unit shipment weights based on condenser size are as follows: Small - 400 lbs.; Medium - 650 lbs.; Large - 1,250 lbs.; X-Large - 1,575 lbs.

# High Efficiency H-Series Condensing Units

## HDSS Copeland Semi-Hermetic Compressors - Low Temp R-449A

### Low Temperature - R-449A Specifications

CONDENSING UNIT MODEL	COMPRESSOR	CONDENSER / UNIT SIZE	OUTDOOR DOE AWEF	208/1/60				208/3/60				460/3/60				LIQ OD IN	SUCTION IN	DEFAULT RECEIVER	INDOOR MODEL	INDOOR DOE AWEF
				COMP RLA	FAN RLA	MCA	MOPD	COMP RLA	FAN RLA	MCA	MOPD	COMP RLA	FAN RLA	MCA	MOPD					
HDSS-0050LR#A#-A	KAN#-005E	A / Small	n/a	3.1	1.2	8.1	15								1/2	7/8	B - 17.6 LBS	HESS-0050LR#A#-A	n/a	
HDSS-0050LR#B#-A	KAN#-005E	B / Medium	n/a	3.1	1.2	8.1	15							1/2	7/8	C - 22.5 LBS	HESS-0050LR#B#-A	n/a		
HDSS-0070LR#A#-A	KAM#-007E	A / Small	n/a	5.1	1.2	10.6	15	2.9	1.2	7.8	15			1/2	7/8	B - 17.6 LBS	HESS-0070LR#A#-A	n/a		
HDSS-0070LR#B#-A	KAM#-007E	B / Medium	n/a	5.1	1.2	10.6	15	2.9	1.2	7.8	15			1/2	7/8	C - 22.5 LBS	HESS-0070LR#B#-A	n/a		
HDSS-0100LR#A#-A	KAJ#-011E	A / Small	n/a					4.1	1.2	9.3	15	1.8	0.7	4.5	15	1/2	7/8	B - 17.6 LBS	HESS-0100LR#A#-A	n/a
HDSS-0100LR#B#-A	KAJ#-011E	B / Medium	n/a					4.1	1.2	9.3	15	1.8	0.7	4.5	15	1/2	7/8	C - 22.5 LBS	HESS-0100LR#B#-A	n/a
HDSS-0150LR#A#-A	KAL#-015E	B / Medium	n/a													1/2	7/8	C - 22.5 LBS	HESS-0150LR#A#-A	n/a
HDSS-0150LR#B#-A	KAL#-016E	B / Medium	n/a					6.0	1.2	11.7	15	3.1	0.7	6.1	15	1/2	7/8	C - 22.5 LBS	HESS-0150LR#B#-A	n/a
* HDSS-0200LR#A#-D	EAV#-021E	A / Small	3.15	13.2	1.2	20.7	30	6.6	1.2	12.5	15	2.9	0.7	5.8	15	1/2	7/8	B - 17.6 LBS	HESS-0200LR#A#-D	n/a
HDSS-0200LR#B#-D	EAV#-021E	B / Medium	3.15	13.2	1.2	20.7	30	6.6	1.2	12.5	15	2.9	0.7	5.8	15	1/2	7/8	C - 22.5 LBS	HESS-0200LR#B#-D	2.40
* HDSS-0250LR#B#-D	LAH#-032E	B / Medium	3.15	15.0	1.2	23.0	35	11.5	1.2	18.6	30	5.4	0.7	9.0	15	1/2	1-1/8	C - 22.5 LBS	HESS-0250LR#B#-A	n/a
* HDSS-0250LR#D#-D	LAH#-032E	D / Medium	3.15	15.0	2.1	23.9	35	11.5	2.1	19.5	30	5.4	1.3	9.6	15	1/2	1-1/8	E - 56.6 LBS	HESS-0250LR#D#-A	n/a

### Low Temperature - R-449A Performance

Condensing Unit Model	Compressor	Condenser / Unit Size	-40	-35	-30	-25	-20	-15	-10	-5	0
HDSS-0050LR#A#-A	KAN#-005E	A / Small	540	730	970	1260	1590	1980	2420	2910	3450
HDSS-0050LR#B#-A	KAN#-005E	B / Medium	550	750	990	1290	1640	2040	2490	2990	3560
HDSS-0070LR#A#-A	KAM#-007E	A / Small	930	1200	1540	1960	2430	2980	3590	4260	5000
HDSS-0070LR#B#-A	KAM#-007E	B / Medium	960	1240	1600	2030	2530	3090	3730	4430	5190
HDSS-0100LR#A#-A	KAJ#-011E	A / Small	1350	1680	2110	2620	3220	3900	4690	5560	6540
HDSS-0100LR#B#-A	KAJ#-011E	B / Medium	1390	1750	2200	2740	3380	4110	4930	5850	6880
HDSS-0150LR#B#-A	KAL#-015E	B / Medium	2030	2580	3230	3980	4850	5840	6950	8210	9610
HDSS-0150LR#B#-A	KAL#-016E	B / Medium	2030	2580	3230	3980	4850	5840	6950	8210	9610
* HDSS-0200LR#A#-D	EAV#-021E	A / Small	4270	5130	6110	7200	8370	9600	10880	12180	13500
HDSS-0200LR#B#-D	EAV#-021E	B / Medium	4510	5460	6560	7780	9120	10550	12060	13630	15250
* HDSS-0250LR#B#-D	LAH#-032E	B / Medium	4790	6400	8150	10030	12020	14080	16210	18360	20500
* HDSS-0250LR#D#-D	LAH#-032E	D / Medium	5010	6700	8560	10590	12770	15100	17560	20130	22770

Condensing Unit Model	Compressor	Condenser / Unit Size	-40	-35	-30	-25	-20	-15	-10	-5	0
HDSS-0050LR#A#-A	KAN#-005E	A / Small	360	510	710	960	1260	1620	2030	2490	3010
HDSS-0050LR#B#-A	KAN#-005E	B / Medium	370	520	730	980	1300	1660	2090	2570	3110
HDSS-0070LR#A#-A	KAM#-007E	A / Small	680	880	1160	1520	1960	2470	3060	3720	4450
HDSS-0070LR#B#-A	KAM#-007E	B / Medium	700	910	1210	1580	2040	2570	3180	3860	4620
HDSS-0100LR#A#-A	KAJ#-011E	A / Small	1020	1270	1610	2050	2600	3240	3990	4850	5810
HDSS-0100LR#B#-A	KAJ#-011E	B / Medium	1060	1320	1690	2160	2730	3420	4200	5100	6110
HDSS-0150LR#B#-A	KAL#-015E	B / Medium	1490	1930	2480	3150	3950	4890	5960	7190	8570
HDSS-0150LR#B#-A	KAL#-016E	B / Medium	1490	1930	2480	3150	3950	4890	5960	7190	8570
* HDSS-0200LR#A#-D	EAV#-021E	A / Small	3710	4450	5310	6270	7290	8380	9510	10650	11810
HDSS-0200LR#B#-D	EAV#-021E	B / Medium	3880	4700	5660	6740	7930	9200	10550	11950	13390
* HDSS-0250LR#B#-D	LAH#-032E	B / Medium	3730	5230	6820	8500	10240	12030	13850	15660	17440
* HDSS-0250LR#D#-D	LAH#-032E	D / Medium	3940	5530	7240	9070	11010	13060	15190	17400	19650

NOTE: All temperatures shown reflect the midpoint evaporator temperature. Solid black shading with white font indicates products for non-DOE regulated applications in above Table.

\* Units that are **not** NOM-012 Certified.

\*\* Estimated unit shipment weights based on condenser size are as follows: Small - 400 lbs.; Medium - 650 lbs.; Large - 1,250 lbs.; X-Large - 1,575 lbs.

# High Efficiency H-Series Condensing Units

## HDSS Copeland Semi-Hermetic Compressors - Low Temp R-404A

### Low Temperature - R-404A Specifications

CONDENSING UNIT MODEL	COMPRESSOR	CONDENSER / UNIT SIZE	OUTDOOR DOE AWEF	208/1/60				208/3/60				460/3/60				LIQ OD IN	SUCTION IN	DEFAULT RECEIVER	INDOOR MODEL	INDOOR DOE AWEF
				COMP RLA	FAN RLA	MCA	MOPD	COMP RLA	FAN RLA	MCA	MOPD	COMP RLA	FAN RLA	MCA	MOPD					
HDSS-0050LS#A#-A	KAN#-006E	A / Small	n/a					2.0	1.2	6.7	15					1/2	7/8	B - 16.7 LBS	HESS-0050LS#A#-A	n/a
HDSS-0050LS#A#-A	KAN#-005E	A / Small	n/a	3.1	1.2	8.1	15									1/2	7/8	B - 16.7 LBS	HESS-0050LS#A#-A	n/a
HDSS-0050LS#B#-A	KAN#-006E	B / Medium	n/a					2.0	1.2	6.7	15					1/2	7/8	C - 21.4 LBS	HESS-0050LS#B#-A	n/a
HDSS-0050LS#B#-A	KAN#-005E	B / Medium	n/a	3.1	1.2	8.1	15									1/2	7/8	C - 21.4 LBS	HESS-0050LS#B#-A	n/a
* HDSS-0070LS#A#-D	KAM#-007E	A / Small	3.15	5.1	1.2	10.6	15	2.9	1.2	7.8	15					1/2	7/8	B - 16.7 LBS	HESS-0070LS#A#-A	n/a
* HDSS-0070LS#B#-D	KAM#-007E	B / Medium	3.15	5.1	1.2	10.6	15	2.9	1.2	7.8	15					1/2	7/8	C - 21.4 LBS	HESS-0070LS#B#-A	n/a
* HDSS-0100LS#A#-D	KAJ#-011E	A / Small	3.15					4.1	1.2	9.3	15	1.8	0.7	4.5	15	1/2	7/8	B - 16.7 LBS	HESS-0100LS#A#-A	n/a
* HDSS-0100LS#B#-D	KAJ#-011E	B / Medium	3.15					4.1	1.2	9.3	15	1.8	0.7	4.5	15	1/2	7/8	C - 21.4 LBS	HESS-0100LS#B#-D	2.40
HDSS-0150LS#B#-D	KAL#-015E	B / Medium	3.15	8.9	1.2	15.3	20									1/2	7/8	C - 21.4 LBS	HESS-0150LS#B#-D	2.40
HDSS-0150LS#B#-D	KAL#-016E	B / Medium	3.15					6.0	1.2	11.7	15	3.1	0.7	6.1	15	1/2	7/8	C - 21.4 LBS	HESS-0150LS#B#-D	2.40
* HDSS-0200LS#A#-D	EAV#-021E	A / Small	3.15					6.6	1.2	12.5	15	2.9	0.7	5.8	15	1/2	7/8	B - 16.7 LBS	HESS-0200LS#A#-A	n/a
HDSS-0200LS#B#-D	EAV#-021E	B / Medium	3.15					6.6	1.2	12.5	15	2.9	0.7	5.8	15	1/2	7/8	C - 21.4 LBS	HESS-0200LS#B#-D	2.40
* HESS-0250LS#B#-D	LAH#-032E	B / Medium	3.15	15.0	1.2	23.0	35	11.5	1.2	18.6	30	5.4	0.7	9.0	15	1/2	1-1/8	C - 21.4 LBS	HESS-0250LS#B#-D	2.40
* HESS-0250LS#D#-D	LAH#-032E	D / Medium	3.15	15.0	2.1	23.9	35	11.5	2.1	19.5	30	5.4	1.3	9.6	15	1/2	1-1/8	E - 53.9 LBS	HESS-0250LS#D#-D	2.40

### Low Temperature - R-404A Performance

Condensing Unit Model	Compressor	Condenser / Unit Size	-40	-35	-30	-25	-20	-15	-10	-5	0
HDSS-0050LS#A#-A	KAN#-006E	A / Small	800	1040	1310	1620	1970	2350	2760	3210	3690
HDSS-0050LS#A#-A	KAN#-005E	A / Small	800	1040	1310	1620	1970	2350	2760	3210	3690
HDSS-0050LS#B#-A	KAN#-006E	B / Medium	810	1060	1340	1660	2020	2410	2840	3310	3810
HDSS-0050LS#B#-A	KAN#-005E	B / Medium	810	1060	1340	1660	2020	2410	2840	3310	3810
* HDSS-0070LS#A#-D	KAM#-007E	A / Small	1600	1960	2360	2820	3310	3850	4440	5050	5710
* HDSS-0070LS#B#-D	KAM#-007E	B / Medium	1640	2010	2430	2900	3420	3990	4600	5260	5960
* HDSS-0100LS#A#-D	KAJ#-011E	A / Small	2360	2840	3360	3930	4540	5200	5920	6710	7550
* HDSS-0100LS#B#-D	KAJ#-011E	B / Medium	2430	2940	3480	4070	4720	5430	6210	7070	8010
HDSS-0150LS#B#-D	KAL#-015E	B / Medium	3650	4350	5110	5940	6840	7810	8860	10000	11220
HDSS-0150LS#B#-D	KAL#-016E	B / Medium	3650	4350	5110	5940	6840	7810	8860	10000	11220
* HDSS-0200LS#A#-D	EAV#-021E	A / Small	3930	4730	5670	6740	7900	9160	10470	11840	13230
HDSS-0200LS#B#-D	EAV#-021E	B / Medium	4140	5010	6040	7220	8530	9960	11480	13090	14760
* HDSS-0250LS#B#-D	LAH#-032E	B / Medium	6020	7500	9140	10930	12870	14930	17100	19380	21760
* HDSS-0250LS#D#-D	LAH#-032E	D / Medium	6310	7890	9670	11620	13750	16030	18460	21030	23730

Condensing Unit Model	Compressor	Condenser / Unit Size	-40	-35	-30	-25	-20	-15	-10	-5	0
HDSS-0050LS#A#-A	KAN#-006E	A / Small	580	790	1040	1320	1630	1970	2350	2750	3190
HDSS-0050LS#A#-A	KAN#-005E	A / Small	580	790	1040	1320	1630	1970	2350	2750	3190
HDSS-0050LS#B#-A	KAN#-006E	B / Medium	600	810	1070	1350	1670	2030	2420	2840	3300
HDSS-0050LS#B#-A	KAN#-005E	B / Medium	600	810	1070	1350	1670	2030	2420	2840	3300
* HDSS-0070LS#A#-D	KAM#-007E	A / Small	1300	1630	2010	2420	2880	3370	3890	4450	5040
* HDSS-0070LS#B#-D	KAM#-007E	B / Medium	1340	1680	2070	2500	2970	3490	4040	4640	5260
* HDSS-0100LS#A#-D	KAJ#-011E	A / Small	1970	2430	2910	3420	3970	4560	5200	5900	6650
* HDSS-0100LS#B#-D	KAJ#-011E	B / Medium	2040	2510	3010	3550	4140	4780	5470	6230	7070
HDSS-0150LS#B#-D	KAL#-015E	B / Medium	3130	3770	4470	5220	6050	6940	7910	8950	10080
HDSS-0150LS#B#-D	KAL#-015E	B / Medium	3130	3770	4470	5220	6050	6940	7910	8950	10080
* HDSS-0200LS#A#-D	EAV#-021E	A / Small	3390	4080	4910	5850	6890	8000	9180	10390	11630
HDSS-0200LS#B#-D	EAV#-021E	B / Medium	3530	4290	5200	6250	7420	8700	10070	11510	13010
* HDSS-0250LS#B#-D	LAH#-032E	B / Medium	4820	6130	7600	9220	10980	12860	14850	16950	19140
* HDSS-0250LS#D#-D	LAH#-032E	D / Medium	5100	6510	8100	9870	11800	13890	16120	18490	20990

NOTE: All temperatures shown reflect the midpoint evaporator temperature. Solid black shading with white font indicates products for non-DOE regulated applications in above Table.

\* Units that are **not** NOM-012 Certified.

\*\* Estimated unit shipment weights based on condenser size are as follows: Small - 400 lbs.; Medium - 650 lbs.; Large - 1,250 lbs.; X-Large - 1,575 lbs.



# High Efficiency H-Series Condensing Units

## HDSS Copeland Semi-Hermetic Compressors - Low Temp R-448A

### Low Temperature - R-448A Specifications

CONDENSING UNIT MODEL	COMPRESSOR	CONDENSER / UNIT SIZE	OUTDOOR DOE AWEF	208/1/60				208/3/60				460/3/60				LIQ OD IN	SUCTION IN	DEFAULT RECEIVER	INDOOR MODEL	INDOOR DOE AWEF
				COMP RLA	FAN RLA	MCA	MOPD	COMP RLA	FAN RLA	MCA	MOPD	COMP RLA	FAN RLA	MCA	MOPD					
HDSS-0050LT#A#-A	KAN#-005E	A / Small	n/a	3.1	1.2	8.1	15								1/2	7/8	B - 17.6 LBS	HESS-0050LT#A#-A	n/a	
HDSS-0050LT#B#-A	KAN#-005E	B / Medium	n/a	3.1	1.2	8.1	15							1/2	7/8	C - 22.5 LBS	HESS-0050LT#B#-A	n/a		
* HDSS-0070LT#A#-A	KAM#-007E	A / Small	n/a	5.1	1.2	10.6	15	2.9	1.2	7.8	15			1/2	7/8	B - 17.6 LBS	HESS-0070LT#A#-A	n/a		
* HDSS-0070LT#B#-A	KAM#-007E	B / Medium	n/a	5.1	1.2	10.6	15	2.9	1.2	7.8	15			1/2	7/8	C - 22.5 LBS	HESS-0070LT#B#-A	n/a		
* HDSS-0100LT#A#-A	KAJ#-011E	A / Small	n/a					4.1	1.2	9.3	15	1.8	0.7	4.5	15	1/2	7/8	B - 17.6 LBS	HESS-0100LT#A#-A	n/a
* HDSS-0100LT#B#-A	KAJ#-011E	B / Medium	n/a					4.1	1.2	9.3	15	1.8	0.7	4.5	15	1/2	7/8	C - 22.5 LBS	HESS-0100LT#B#-A	n/a
HDSS-0150LT#B#-A	KAL#-015E	B / Medium	n/a	8.9	1.2	15.3	20							1/2	7/8	C - 22.5 LBS	HESS-0150LT#B#-A	n/a		
HDSS-0150LT#A#-A	KAL#-016E	B / Medium	n/a					6.0	1.2	11.7	15	3.1	0.7	6.1	15	1/2	7/8	C - 22.5 LBS	HESS-0150LT#A#-A	n/a
* HDSS-0200LT#A#-D	EAV#-021E	A / Small	3.15	13.2	1.2	20.7	30	6.6	1.2	12.5	15	2.9	0.7	5.8	15	1/2	7/8	B - 17.6 LBS	HESS-0200LT#A#-A	n/a
HDSS-0200LT#B#-D	EAV#-021E	B / Medium	3.15					6.6	1.2	12.5	15	2.9	0.7	5.8	15	1/2	7/8	C - 22.5 LBS	HESS-0200LT#B#-D	2.40
* HDSS-0250LT#B#-D	LAH#-032E	B / Medium	3.15	15.0	1.2	23.0	35	11.5	1.2	18.6	30	5.4	0.7	9.0	15	1/2	1-1/8	C - 22.5 LBS	HESS-0250LT#B#-A	n/a
* HDSS-0250LT#D#-D	LAH#-032E	D / Medium	3.15	15.0	2.1	23.9	35	11.5	2.1	19.5	30	5.4	1.3	9.6	15	1/2	1-1/8	E - 56.6 LBS	HESS-0250LT#D#-A	n/a

### Low Temperature - R-448A Performance

Condensing Unit Model	Compressor	Condenser / Unit Size	-40	-35	-30	-25	-20	-15	-10	-5	0
HDSS-0050LT#A#-A	KAN#-005E	A / Small	540	730	970	1260	1590	1980	2420	2910	3450
HDSS-0050LT#B#-A	KAN#-005E	B / Medium	550	750	990	1290	1640	2040	2490	2990	3560
* HDSS-0070LT#A#-A	KAM#-007E	A / Small	930	1200	1540	1960	2430	2980	3590	4260	5000
* HDSS-0070LT#B#-A	KAM#-007E	B / Medium	960	1240	1600	2030	2530	3090	3730	4430	5190
* HDSS-0100LT#A#-A	KAJ#-011E	A / Small	1350	1680	2110	2620	3220	3900	4690	5560	6540
* HDSS-0100LT#B#-A	KAJ#-011E	B / Medium	1390	1750	2200	2740	3380	4110	4930	5850	6880
HDSS-0150LT#B#-A	KAL#-015E	B / Medium	2030	2580	3230	3980	4850	5840	6950	8210	9610
HDSS-0150LT#A#-A	KAL#-016E	B / Medium	2030	2580	3230	3980	4850	5840	6950	8210	9610
* HDSS-0200LT#A#-D	EAV#-021E	A / Small	4270	5130	6110	7200	8370	9600	10880	12180	13500
HDSS-0200LT#B#-D	EAV#-021E	B / Medium	4510	5460	6560	7780	9120	10550	12060	13630	15250
* HDSS-0250LT#B#-D	LAH#-032E	B / Medium	4790	6400	8150	10030	12020	14080	16210	18360	20500
* HDSS-0250LT#D#-D	LAH#-032E	D / Medium	5010	6700	8560	10590	12770	15100	17560	20130	22770

Condensing Unit Model	Compressor	Condenser / Unit Size	-40	-35	-30	-25	-20	-15	-10	-5	0
HDSS-0050LT#A#-A	KAN#-005E	A / Small	360	510	710	960	1260	1620	2030	2490	3010
HDSS-0050LT#B#-A	KAN#-005E	B / Medium	370	520	730	980	1300	1660	2090	2570	3110
* HDSS-0070LT#A#-A	KAM#-007E	A / Small	680	880	1160	1520	1960	2470	3060	3720	4450
* HDSS-0070LT#B#-A	KAM#-007E	B / Medium	700	910	1210	1580	2040	2570	3180	3860	4620
* HDSS-0100LT#A#-A	KAJ#-011E	A / Small	1020	1270	1610	2050	2600	3240	3990	4850	5810
* HDSS-0100LT#B#-A	KAJ#-011E	B / Medium	1060	1320	1690	2160	2730	3420	4200	5100	6110
HDSS-0150LT#B#-A	KAL#-015E	B / Medium	1490	1930	2480	3150	3950	4890	5960	7190	8570
HDSS-0150LT#A#-A	KAL#-015E	B / Medium	1490	1930	2480	3150	3950	4890	5960	7190	8570
* HDSS-0200LT#A#-D	EAV#-021E	A / Small	3710	4450	5310	6270	7290	8380	9510	10650	11810
HDSS-0200LT#B#-D	EAV#-021E	B / Medium	3880	4700	5660	6740	7930	9200	10550	11950	13390
* HDSS-0250LT#B#-D	LAH#-032E	B / Medium	3730	5230	6820	8500	10240	12030	13850	15660	17440
* HDSS-0250LT#D#-D	LAH#-032E	D / Medium	3940	5530	7240	9070	11010	13060	15190	17400	19650

NOTE: All temperatures shown reflect the midpoint evaporator temperature. Solid black shading with white font indicates products for non-DOE regulated applications in above Table.

\* Units that are **not** NOM-012 Certified.

\*\* Estimated unit shipment weights based on condenser size are as follows: Small – 400 lbs.; Medium – 650 lbs.; Large – 1,250 lbs.; X-Large – 1,575 lbs.

# High Efficiency H-Series Condensing Units

## HDSS Copeland Semi-Hermetic Compressors - Med Temp R-407A

### Med Temperature - R-407A Specifications

CONDENSING UNIT MODEL	COMPRESSOR	CONDENSER / UNIT SIZE	OUTDOOR DOE AWEF	208/1/60				208/3/60				460/3/60				LIQ OD IN	SUCT OD IN	DEFAULT RECEIVER	INDOOR MODEL	INDOOR DOE AWEF
				COMP RLA	FAN RLA	MCA	MOPD	COMP RLA	FAN RLA	MCA	MOPD	COMP RLA	FAN RLA	MCA	MOPD					
HDSS-0100MQ#B#-A	KAR#-010E	B / Medium	n/a	6.4	1.2	12.2	15	3.8	1.2	9.0	15					1/2	7/8	C - 23.6 LBS	HESS-0100MQ#B#-A	n/a
HDSS-0200MQ#B#-D	KAK#-020E	B / Medium	7.6					5.8	1.2	11.5	15					1/2	7/8	C - 23.6 LBS	HESS-0200MQ#B#-A	n/a

### Med Temperature - R-407A Performance

			95° F AMBIENT TEMPERATURE									
CONDENSING UNIT MODEL	COMPRESSOR	CONDENSER / UNIT SIZE	0	5	10	15	20	25	30	35	40	45
HDSS-0100MQ#B#-A	KARA-010E	B / Medium	5,310	6,080	6,910	7,810	8,790	9,850	11,000	12,230	13,570	14,990
HDSS-0200MQ#B#-D	KAKA-020E	B / Medium	8,680	9,860	11,130	12,510	14,040	15,750	17,660	19,810	22,220	24,910

			105° F AMBIENT TEMPERATURE									
CONDENSING UNIT MODEL	COMPRESSOR	CONDENSER / UNIT SIZE	0	5	10	15	20	25	30	35	40	45
HDSS-0100MQ#B#-A	KARA-010E	B / Medium	4,760	5,470	6,230	7,060	7,960	8,940	9,990	11,130	12,360	13,680
HDSS-0200MQ#B#-D	KAKA-020E	B / Medium	7,760	8,850	10,020	11,290	12,700	14,270	16,050	18,060	20,320	22,850

NOTE: All temperatures shown reflect the midpoint evaporator temperature. Solid black shading with white font indicates products for non-DOE regulated applications in above Table.

\* Estimated unit shipment weights based on condenser size are as follows: Small – 400 lbs.; Medium – 650 lbs.; Large – 1,250 lbs.; X-Large – 1,575 lbs.

# High Efficiency H-Series Condensing Units

## HDSS Copeland Semi-Hermetic Compressors - Med Temp R-449A

### Med Temperature - R-449A Specifications

CONDENSING UNIT MODEL	COMPRESSOR	CONDENSER / UNIT SIZE	OUTDOOR DOE AWEF	208/1/60				208/3/60				460/3/60				LIQ OD IN	SUCTION IN	DEFAULT RECEIVER	INDOOR MODEL	INDOOR DOE AWEF
				COMP RLA	FAN RLA	MCA	MOPD	COMP RLA	FAN RLA	MCA	MOPD	COMP RLA	FAN RLA	MCA	MOPD					
HDSS-0072MR#B#-A	KAN#-007E	B / Medium	n/a	4.9	1.2	10.3	15	2.7	1.2	7.6	15					1/2	5/8	C - 22.5 LBS	HESS-0072MR#B#-A	n/a
HDSS-0100MR#B#-A	KAR#-010E	B / Medium	n/a	6.4	1.2	12.2	15	3.8	1.2	9.0	15					1/2	7/8	C - 22.5 LBS	HESS-0100MR#B#-A	n/a
HDSS-0100MR#B#-A	KAR#-011L	B / Medium	n/a									1.8	0.7	4.5	15	1/2	7/8	C - 22.5 LBS	HESS-0100MR#B#-A	n/a
HDSS-0200MR#B#-D	KAK#-021E	B / Medium	7.60	9.1	1.2	15.6	20									1/2	7/8	C - 22.5 LBS	HESS-0200MR#B#-A	n/a
HDSS-0200MR#B#-D	KAK#-021E	B / Medium	7.60					5.8	1.2	11.5	15					1/2	7/8	C - 22.5 LBS	HESS-0200MR#B#-A	n/a
HDSS-0201MR#B#-A	ERC#-021E	B / Medium	n/a					7.9	1.2	14.1	20					1/2	7/8	C - 22.5 LBS	HESS-0201MR#B#-A	n/a
HDSS-0201MR#B#-A	ERC#-020E	B / Medium	n/a									3.1	0.7	6.1	15	1/2	7/8	C - 22.5 LBS	HESS-0201MR#B#-A	n/a
HDSS-0300MR#D#-A	ERF#-031E	D / Medium	n/a					11.2	2.1	19.1	30	5.2	1.3	9.3	15	1/2	1-1/8	E - 56.6 LBS	HESS-0300MR#D#-A	n/a

### Med Temperature - R-449A Performance

Condensing Unit Model	Compressor	Condenser / Unit Size	0	5	10	15	20	25	30	35	40	45
HDSS-0072MR#B#-A	KAN#-007E	B / Medium	3520	4150	4830	5530	6240	6910	7530	8070	8490	8780
HDSS-0100MR#B#-A	KAR#-010E	B / Medium	5440	6220	7070	7990	8950	9970	11040	12140	13280	14440
HDSS-0100MR#B#-A	KAR#-011L	B / Medium	5440	6220	7070	7990	8950	9970	11040	12140	13280	14440
HDSS-0200MR#B#-D	KAK#-020E	B / Medium	8660	10010	11470	12900	14190	15230	15940	16210	15980	15190
HDSS-0200MR#B#-D	KAK#-021E	B / Medium	8660	10010	11470	12900	14190	15230	15940	16210	15980	15190
HDSS-0201MR#B#-A	ERC#-020E	B / Medium	9740	11300	12960	14680	16430	18200	19960	21720	23480	25250
HDSS-0201MR#B#-A	ERC#-021E	B / Medium	9740	11300	12960	14680	16430	18200	19960	21720	23480	25250
HDSS-0300MR#D#-A	ERF#-031E	D / Medium	14580	16910	19400	21980	24560	27090	29520	31810	33940	35910

Condensing Unit Model	Compressor	Condenser / Unit Size	0	5	10	15	20	25	30	35	40	45
HDSS-0072MR#B#-A	KAN#-007E	B / Medium	3090	3660	4280	4910	5540	6130	6660	7090	7410	7590
HDSS-0100MR#B#-A	KAR#-010E	B / Medium	4890	5610	6400	7240	8120	9050	10020	11030	12060	13120
HDSS-0100MR#B#-A	KAR#-011L	B / Medium	4890	5610	6400	7240	8120	9050	10020	11030	12060	13120
HDSS-0200MR#B#-D	KAK#-020E	B / Medium	7890	9120	10430	11690	12790	13630	14100	14120	13630	12560
HDSS-0200MR#B#-D	KAK#-021E	B / Medium	7890	9120	10430	11690	12790	13630	14100	14120	13630	12560
HDSS-0201MR#B#-A	ERC#-020E	B / Medium	8720	10160	11670	13220	14790	16360	17910	19440	20960	22490
HDSS-0201MR#B#-A	ERC#-021E	B / Medium	8720	10160	11670	13220	14790	16360	17910	19440	20960	22490
HDSS-0300MR#D#-A	ERF#-031E	D / Medium	13180	15350	17640	19980	22290	24510	26600	28530	30290	31890

NOTE: All temperatures shown reflect the midpoint evaporator temperature. Solid black shading with white font indicates products for non-DOE regulated applications in above Table.

\* Estimated unit shipment weights based on condenser size are as follows: Small - 400 lbs.; Medium - 650 lbs.; Large - 1,250 lbs.; X-Large - 1,575 lbs.

# High Efficiency H-Series Condensing Units

## HDSS Copeland Semi-Hermetic Compressors - Med Temp R-404A

### Med Temperature - R-404A Specifications

CONDENSING UNIT MODEL	COMPRESSOR	CONDENSER / UNIT SIZE	OUTDOOR DOE AWEF	208/1/60				208/3/60				460/3/60				LIQ OD IN	SUCT OD IN	DEFAULT RECEIVER	INDOOR MODEL	INDOOR DOE AWEF
				COMP RLA	FAN RLA	MCA	MOPD	COMP RLA	FAN RLA	MCA	MOPD	COMP RLA	FAN RLA	MCA	MOPD					
HDSS-0072MS#B#-A	KAN#-007E	B / Medium	n/a	4.9	1.2	10.3	15	2.7	1.2	7.6	15					1/2	5/8	C - 21.4 LBS	HESS-0072MS#B#-A	n/a
HDSS-0100MS#B#-A	KAR#-010E	B / Medium	n/a	6.4	1.2	12.2	15	3.8	1.2	9.0	15					1/2	7/8	C - 21.4 LBS	HESS-0100MS#B#-A	n/a
HDSS-0200MS#B#-D	KAK#-021E	B / Medium	7.60	9.1	1.2	15.6	20									1/2	7/8	C - 21.4 LBS	HESS-0200MS#B#-A	n/a
HDSS-0200MS#B#-D	KAK#-020E	B / Medium	7.60					5.8	1.2	11.5	15					1/2	7/8	C - 21.4 LBS	HESS-0200MS#B#-A	n/a
HDSS-0201MS#B#-D	ERC#-021E	B / Medium	7.60					7.9	1.2	14.1	20					1/2	7/8	C - 21.4 LBS	HESS-0201MS#B#-A	n/a
HDSS-0201MS#B#-D	ERC#-020E	B / Medium	7.60									3.1	0.7	6.1	15	1/2	7/8	C - 22.5 LBS	HESS-0201MS#B#-A	n/a
HDSS-0300MS#D#-D	ERF#-031E	D / Medium	7.60					11.2	2.1	19.1	30	5.2	1.3	9.3	15	1/2	1-1/8	E - 53.9 LBS	HESS-0300MS#D#-A	n/a

### Med Temperature - R-404A Performance

Condensing Unit Model	Compressor	Condenser / Unit Size	0	5	10	15	20	25	30	35	40	45
HDSS-0072MS#B#-A	KAN#-007E	B / Medium	3720	4290	4910	5580	6300	7070	7890	8750	9660	10610
HDSS-0100MS#B#-A	KAR#-010E	B / Medium	5770	6490	7230	8050	8970	10040	11290	12750	14480	16490
HDSS-0200MS#B#-D	KAK#-020E	B / Medium	9070	10230	11530	12930	14350	15760	17120	18370	19490	20440
HDSS-0200MS#B#-D	KAK#-021E	B / Medium	9070	10230	11530	12930	14350	15760	17120	18370	19490	20440
HDSS-0201MS#B#-D	ERC#-020E	B / Medium	10920	12340	13810	15360	17030	18860	20860	23090	25550	28280
HDSS-0201MS#B#-D	ERC#-021E	B / Medium	10920	12340	13810	15360	17030	18860	20860	23090	25550	28280
HDSS-0300MS#D#-D	ERF#-031E	D / Medium	16370	18420	20600	22940	25440	28130	31010	34100	37400	40910

Condensing Unit Model	Compressor	Condenser / Unit Size	0	5	10	15	20	25	30	35	40	45
HDSS-0072MS#B#-A	KAN#-007E	B / Medium	3200	3720	4280	4890	5540	6240	6980	7760	8580	9440
HDSS-0100MS#B#-A	KAR#-010E	B / Medium	5090	5750	6430	7180	8030	9020	10200	11580	13230	15160
HDSS-0200MS#B#-D	KAK#-020E	B / Medium	8080	9130	10300	11540	12800	14020	15170	16210	17100	17830
HDSS-0200MS#B#-D	KAK#-021E	B / Medium	8080	9130	10300	11540	12800	14020	15170	16210	17100	17830
HDSS-0201MS#B#-D	ERC#-020E	B / Medium	9590	10860	12180	13570	15080	16730	18550	20590	22860	25390
HDSS-0201MS#B#-D	ERC#-021E	B / Medium	9590	10860	12180	13570	15080	16730	18550	20590	22860	25390
HDSS-0300MS#D#-D	ERF#-031E	D / Medium	14500	16370	18350	20470	22730	25150	27740	30520	33500	36680

NOTE: All temperatures shown reflect the midpoint evaporator temperature. Solid black shading with white font indicates products for non-DOE regulated applications in above Table.

\* Estimated unit shipment weights based on condenser size are as follows: Small - 400 lbs.; Medium - 650 lbs.; Large - 1,250 lbs.; X-Large - 1,575 lbs.

# High Efficiency H-Series Condensing Units

## HDSS Copeland Semi-Hermetic Compressors - Med Temp R-448A

### Med Temperature - R-448A Specifications

CONDENSING UNIT MODEL	COMPRESSOR	CONDENSER / UNIT SIZE	OUTDOOR DOE AWEF	208/1/60				208/3/60				460/3/60				LIQ OD IN	SUCTION IN	DEFAULT RECEIVER	INDOOR MODEL	INDOOR DOE AWEF
				COMP RLA	FAN RLA	MCA	MOPD	COMP RLA	FAN RLA	MCA	MOPD	COMP RLA	FAN RLA	MCA	MOPD					
HDSS-0072MT#B#-A	KAN#-007E	B / Medium	n/a	4.9	1.2	10.3	15	2.7	1.2	7.6	15					1/2	5/8	C - 22.5 LBS	HESS-0072MT#B#-A	n/a
HDSS-0100MT#B#-A	KAR#-010E	B / Medium	n/a	6.4	1.2	12.2	15	3.8	1.2	9.0	15					1/2	7/8	C - 22.5 LBS	HESS-0100MT#B#-A	n/a
HDSS-0100MT#B#-A	KAR#-011L	B / Medium	n/a									1.8	0.7	4.5	15	1/2	7/8	C - 22.5 LBS	HESS-0100MR#B#-A	n/a
HDSS-0200MT#B#-D	KAK#-021E	B / Medium	7.60	9.1	1.2	15.6	20									1/2	7/8	C - 22.5 LBS	HESS-0200MT#B#-A	n/a
HDSS-0200MT#B#-D	KAK#-020E	B / Medium	7.60					5.8	1.2	11.5	15					1/2	7/8	C - 22.5 LBS	HESS-0200MT#B#-A	n/a
HDSS-0201MT#B#-A	ERC#-021E	B / Medium	n/a					7.9	1.2	14.1	20					1/2	7/8	C - 22.5 LBS	HESS-0201MT#B#-A	n/a
HDSS-0201MT#B#-A	ERC#-020E	B / Medium	n/a									3.1	0.7	6.1	15	1/2	7/8	C - 22.5 LBS	HESS-0201MT#B#-A	n/a
HDSS-0300MT#D#-A	ERF#-031E	D / Medium	n/a					11.2	2.1	19.1	30	5.2	1.3	9.3	15	1/2	1-1/8	E - 56.6 LBS	HESS-0300MT#D#-A	n/a

### Med Temperature - R-448A Performance

Condensing Unit Model	Compressor	Condenser / Unit Size	0	5	10	15	20	25	30	35	40	45
HDSS-0072MT#B#-A	KANA-007E	B / Medium	3520	4150	4830	5530	6240	6910	7530	8070	8490	8780
HDSS-0100MT#B#-A	KARA-010E	B / Medium	5440	6220	7070	7990	8950	9970	11040	12140	13280	14440
HDSS-0100MT#B#-A	KARA-011L	B / Medium	5440	6220	7070	7990	8950	9970	11040	12140	13280	14440
HDSS-0200MT#B#-D	KAKA-020E	B / Medium	8660	10010	11470	12900	14190	15230	15940	16210	15980	15190
HDSS-0200MT#B#-D	KAKA-021E	B / Medium	8660	10010	11470	12900	14190	15230	15940	16210	15980	15190
HDSS-0201MT#B#-A	ERCA-020E	B / Medium	9740	11300	12960	14680	16430	18200	19960	21720	23480	25250
HDSS-0201MT#B#-A	ERCA-021E	B / Medium	9740	11300	12960	14680	16430	18200	19960	21720	23480	25250
HDSS-0300MT#D#-A	ERFA-031E	D / Medium	14580	16910	19400	21980	24560	27090	29520	31810	33940	35910

Condensing Unit Model	Compressor	Condenser / Unit Size	0	5	10	15	20	25	30	35	40	45
HDSS-0072MT#B#-A	KANA-007E	B / Medium	3090	3660	4280	4910	5540	6130	6660	7090	7410	7590
HDSS-0100MT#B#-A	KARA-010E	B / Medium	4890	5610	6400	7240	8120	9050	10020	11030	12060	13120
HDSS-0100MT#B#-A	KARA-011L	B / Medium	4890	5610	6400	7240	8120	9050	10020	11030	12060	13120
HDSS-0200MT#B#-D	KAKA-020E	B / Medium	7890	9120	10430	11690	12790	13630	14100	14120	13630	12560
HDSS-0200MT#B#-D	KAKA-021E	B / Medium	7890	9120	10430	11690	12790	13630	14100	14120	13630	12560
HDSS-0201MT#B#-A	ERCA-020E	B / Medium	8720	10160	11670	13220	14790	16360	17910	19440	20960	22490
HDSS-0201MT#B#-A	ERCA-021E	B / Medium	8720	10160	11670	13220	14790	16360	17910	19440	20960	22490
HDSS-0300MT#D#-A	ERFA-031E	D / Medium	13180	15350	17640	19980	22290	24510	26600	28530	30290	31890

NOTE: All temperatures shown reflect the midpoint evaporator temperature. Solid black shading with white font indicates products for non-DOE regulated applications in above Table.

\* Estimated unit shipment weights based on condenser size are as follows: Small – 400 lbs.; Medium – 650 lbs.; Large – 1,250 lbs.; X-Large – 1,575 lbs.



# High Efficiency H-Series Condensing Units

## HDSD Copeland Discus Compressors - Low Temp R-407F

### Low Temperature - R-407F Specifications

CONDENSING UNIT MODEL	COMPRESSOR	CONDENSER / UNIT SIZE	OUTDOOR DOE AWEF	208/3/60				460/3/60				LIQ OD IN	SUCTION IN	DEFAULT RECEIVER	INDOOR MODEL	INDOOR DOE AWEF
				COMP RLA	FAN RLA	MCA	MOPD	COMP RLA	FAN RLA	MCA	MOPD					
HDSD-0300LF#B#-D	2DF3F16KE	B / Medium	3.15	14.4	1.2	22.2	35	7.1	0.7	11.1	15	1/2	1-3/8	C - 23.0 LBS	HESD-0300LF#B#-D	2.40
HDSD-0300LF#D#-D	2DF3F16KE	D / Medium	3.15	14.4	2.1	23.1	35	7.1	1.3	11.7	15	1/2	1-3/8	E - 57.9 LBS	HESD-0300LF#D#-D	2.40
HDSD-0400LF#B#-D	2DL3F20KE	B / Medium	3.15	23.6	1.2	33.7	50	9.2	0.7	13.7	20	5/8	1-3/8	C - 23.0 LBS	HESD-0400LF#B#-D	2.40
HDSD-0400LF#D#-D	2DL3F20KE	D / Medium	3.15	23.6	2.1	34.6	50	9.2	1.3	14.3	20	5/8	1-3/8	E - 57.9 LBS	HESD-0400LF#D#-D	2.40
HDSD-0600LF#B#-D	2DB3F25KE	B / Medium	3.15	25.3	1.2	35.8	60	11.9	0.7	17.1	25	5/8	1-3/8	C - 23.0 LBS	HESD-0600LF#B#-D	2.40
HDSD-0600LF#D#-D	2DB3F25KE	D / Medium	3.15	25.3	2.1	36.7	60	11.9	1.3	17.7	25	5/8	1-3/8	E - 57.9 LBS	HESD-0600LF#D#-D	2.40
HDSD-0601LF#B#-D	3DA3F28KE	B / Medium	3.15	24.0	1.2	34.2	50	10.8	0.7	15.7	25	5/8	1-3/8	C - 23.0 LBS	HESD-0601LF#B#-D	2.40
HDSD-0601LF#D#-D	3DA3F28KE	D / Medium	3.15	24.0	2.1	35.1	50	10.8	1.3	16.3	25	5/8	1-3/8	E - 57.9 LBS	HESD-0601LF#D#-D	2.40
HDSD-0750LF#D#-D	3DB3F33KE	D / Medium	3.15	27.6	2.1	39.6	60	14.1	1.3	20.4	30	5/8	1-3/8	E - 57.9 LBS	HESD-0750LF#D#-D	2.40
HDSD-0750LF#F#-D	3DB3F33KE	F / Large	3.15	27.6	3.2	40.7	60	14.1	1.9	21.0	35	5/8	1-3/8	F - 88.5 LBS	HESD-0750LF#F#-D	2.40
HDSD-0900LF#F#-D	3DF3F40KE	F / Large	3.15	33.2	3.2	47.7	80	15.0	1.9	22.2	35	5/8	1-3/8	F - 88.5 LBS	HESD-0900LF#F#-D	2.40
HDSD-0900LF#J#-D	3DF3F40KE	J / X-Large	3.15	33.2	4.2	48.7	80	15.0	2.5	22.8	35	5/8	1-3/8	H - 107.6 LBS	HESD-0900LF#J#-D	2.40
HDSD-1000LF#F#-D	3DS3F46KE	F / Large	3.15	37.2	3.2	52.7	80	16.7	1.9	24.3	40	5/8	1-3/8	F - 88.5 LBS	HESD-1000LF#F#-D	2.40
HDSD-1000LF#J#-D	3DS3F46KE	J / X-Large	3.15	37.2	4.2	53.7	90	16.7	2.5	24.9	40	5/8	1-3/8	H - 107.6 LBS	HESD-1000LF#J#-D	2.40
HDSD-1500LF#J#-D	4DHN63KE	J / X-Large	3.15	47.2	4.2	66.2	110	23.6	2.5	33.5	50	7/8	1-5/8	H - 107.6 LBS	HESD-1500LF#J#-D	2.40
HDSD-2200LF#F#-A	4DJNF76KE	F / Large	n/a	57.7	3.2	78.3	125	28.8	1.9	39.4	60	7/8	2-1/8	H - 88.5 LBS	HESD-2200LF#F#-D	2.40
HDSD-2200LF#J#-A	4DJNF76KE	J / X-Large	n/a	57.7	4.2	79.3	125	28.8	2.5	40.0	60	7/8	2-1/8	H - 107.6 LBS	HESD-2200LF#J#-D	2.40

### Low Temperature - R-407F Performance

CONDENSING UNIT MODEL	COMPRESSOR	CONDENSER / UNIT SIZE	95° F AMBIENT TEMPERATURE								
			-40	-35	-30	-25	-20	-15	-10	-5	0
HDSD-0300LF#B#-D	2DF3F16KE	B / Medium	7,520	9,290	11,110	13,050	15,160	17,490	20,090	22,980	26,200
HDSD-0300LF#D#-D	2DF3F16KE	D / Medium	7,870	9,740	11,700	13,800	16,110	18,700	21,610	24,880	28,580
HDSD-0400LF#B#-D	2DL3F20KE	B / Medium	8,780	10,770	12,950	15,310	17,840	20,530	23,370	26,360	29,470
HDSD-0400LF#D#-D	2DL3F20KE	D / Medium	9,200	11,360	13,740	16,340	19,160	22,190	25,430	28,880	32,540
HDSD-0600LF#B#-D	2DB3F25KE	B / Medium	11,310	13,620	16,020	18,560	21,280	24,210	27,390	30,850	34,610
HDSD-0600LF#D#-D	2DB3F25KE	D / Medium	11,900	14,460	17,150	20,020	23,140	26,540	30,280	34,390	38,920
HDSD-0601LF#B#-D	3DA3F28KE	B / Medium	11,520	14,250	17,060	20,000	23,080	26,330	29,790	33,440	n/a
HDSD-0601LF#D#-D	3DA3F28KE	D / Medium	12,700	15,710	18,840	22,150	25,690	29,510	33,630	38,080	42,890
HDSD-0750LF#D#-D	3DB3F33KE	D / Medium	15,550	19,100	22,680	26,400	30,320	34,530	39,110	44,120	49,620
HDSD-0750LF#F#-D	3DB3F33KE	F / Large	17,500	21,490	25,580	29,860	34,430	39,410	44,870	50,910	57,620
HDSD-0900LF#F#-D	3DF3F40KE	F / Large	19,930	24,640	29,580	34,850	40,530	46,710	53,470	60,870	68,950
HDSD-0900LF#J#-D	3DF3F40KE	J / X-Large	20,470	25,310	30,400	35,850	41,750	48,220	55,320	63,130	71,730
HDSD-1000LF#F#-D	3DS3F46KE	F / Large	21,570	26,670	32,010	37,690	43,810	50,460	57,690	65,590	74,200
HDSD-1000LF#J#-D	3DS3F46KE	J / X-Large	22,230	27,480	33,000	38,900	45,290	52,260	59,900	68,300	77,520
HDSD-1500LF#J#-D	4DHN63KE	J / X-Large	31,930	38,300	45,180	52,540	60,350	68,580	77,220	86,230	95,590
HDSD-2200LF#F#-A	4DJNF76KE	F / Large	39,890	45,110	51,500	58,970	67,430	76,770	86,940	97,850	109,460
HDSD-2200LF#J#-A	4DJNF76KE	J / X-Large	41,230	46,950	53,940	62,120	71,380	81,650	92,860	104,950	117,860

CONDENSING UNIT MODEL	COMPRESSOR	CONDENSER / UNIT SIZE	105° F AMBIENT TEMPERATURE								
			-40	-35	-30	-25	-20	-15	-10	-5	0
HDSD-0300LF#B#-D	2DF3F16KE	B / Medium	6,430	8,100	9,800	11,590	13,530	15,660	18,040	20,700	23,670
HDSD-0300LF#D#-D	2DF3F16KE	D / Medium	6,740	8,500	10,330	12,270	14,400	16,770	19,440	22,450	25,870
HDSD-0400LF#B#-D	2DL3F20KE	B / Medium	7,710	9,480	11,440	13,560	15,850	18,290	20,870	23,570	n/a
HDSD-0400LF#D#-D	2DL3F20KE	D / Medium	8,070	10,010	12,170	14,540	17,120	19,910	22,900	26,090	29,480
HDSD-0600LF#B#-D	2DB3F25KE	B / Medium	10,140	12,150	14,270	16,520	18,950	21,590	n/a	n/a	n/a
HDSD-0600LF#D#-D	2DB3F25KE	D / Medium	10,670	12,930	15,330	17,930	20,770	23,900	27,360	31,180	35,420
HDSD-0601LF#B#-D	3DA3F28KE	B / Medium	9,190	11,840	14,530	17,320	20,230	n/a	n/a	n/a	n/a
HDSD-0601LF#D#-D	3DA3F28KE	D / Medium	10,300	13,220	16,230	19,380	22,730	26,310	30,170	34,340	38,820
HDSD-0750LF#D#-D	3DB3F33KE	D / Medium	12,650	16,090	19,570	23,150	26,940	31,010	35,440	n/a	n/a
HDSD-0750LF#F#-D	3DB3F33KE	F / Large	14,470	18,330	22,260	26,360	30,750	35,510	40,740	46,530	52,970
HDSD-0900LF#F#-D	3DF3F40KE	F / Large	16,320	20,900	25,650	30,670	36,050	41,880	48,220	55,140	62,710
HDSD-0900LF#J#-D	3DF3F40KE	J / X-Large	16,840	21,550	26,450	31,640	37,240	43,330	50,000	57,320	65,380
HDSD-1000LF#F#-D	3DS3F46KE	F / Large	17,620	22,580	27,710	33,130	38,920	45,170	51,960	59,350	67,400
HDSD-1000LF#J#-D	3DS3F46KE	J / X-Large	18,240	23,350	28,670	34,290	40,340	46,910	54,090	61,950	70,580
HDSD-1500LF#J#-D	4DHN63KE	J / X-Large	27,500	33,540	40,000	46,880	54,140	61,770	69,740	78,020	86,600
HDSD-2200LF#F#-A	4DJNF76KE	F / Large	35,440	39,680	45,170	51,770	59,400	67,970	n/a	n/a	n/a
HDSD-2200LF#J#-A	4DJNF76KE	J / X-Large	36,800	41,520	47,570	54,850	63,260	72,720	83,150	94,490	n/a

NOTE: All temperatures shown reflect the midpoint evaporator temperature. Solid black shading with white font indicates products for non-DOE regulated applications in above Table.

\* Estimated unit shipment weights based on condenser size are as follows: Small - 400 lbs.; Medium - 650 lbs.; Large - 1,250 lbs.; X-Large - 1,575 lbs.

# High Efficiency H-Series Condensing Units

## HDSD Copeland Discus Compressors - Low Temp R-507A

### Low Temperature - R-507A Specifications

CONDENSING UNIT MODEL	COMPRESSOR	CONDENSER / UNIT SIZE	OUTDOOR DOE AWEF	208/3/60				460/3/60				LIQ OD IN	SUCTION IN	DEFAULT RECEIVER	INDOOR MODEL	INDOOR DOE AWEF
				COMP RLA	FAN RLA	MCA	MOPD	COMP RLA	FAN RLA	MCA	MOPD					
HDSD-0300LP#B#-D	2DF3F16KE	B / Medium	3.15	14.4	1.2	22.2	35	7.1	0.7	11.1	15	1/2	1-3/8	C - 21.4 LBS	HESD-0300LP#B#-D	2.40
HDSD-0300LP#D#-D	2DF3F16KE	D / Medium	3.15	14.4	2.1	23.1	35	7.1	1.3	11.7	15	1/2	1-3/8	E - 53.9 LBS	HESD-0300LP#D#-D	2.40
HDSD-0400LP#B#-D	2DL3F20KE	B / Medium	3.15	23.6	1.2	33.7	50	9.2	0.7	13.7	20	5/8	1-3/8	C - 21.4 LBS	HESD-0400LP#B#-D	2.40
HDSD-0400LP#D#-D	2DL3F20KE	D / Medium	3.15	23.6	2.1	34.6	50	9.2	1.3	14.3	20	5/8	1-3/8	E - 53.9 LBS	HESD-0400LP#D#-D	2.40
HDSD-0600LP#B#-D	2DB3F25KE	B / Medium	3.15	25.3	1.2	35.8	60	11.9	0.7	17.1	25	5/8	1-3/8	C - 21.4 LBS	HESD-0600LP#B#-D	2.40
HDSD-0600LP#D#-D	2DB3F25KE	D / Medium	3.15	25.3	2.1	36.7	60	11.9	1.3	17.7	25	5/8	1-3/8	E - 53.9 LBS	HESD-0600LP#D#-D	2.40
HDSD-0601LP#B#-D	3DA3F28KE	B / Medium	3.15	24.0	1.2	34.2	50	10.8	0.7	15.7	25	5/8	1-3/8	C - 21.4 LBS	HESD-0601LP#B#-A	n/a
HDSD-0601LP#D#-D	3DA3F28KE	D / Medium	3.15	24.0	2.1	35.1	50	10.8	1.3	16.3	25	5/8	1-3/8	E - 53.9 LBS	HESD-0601LP#D#-D	2.40
HDSD-0750LP#D#-D	3DB3F33KE	D / Medium	3.15	27.6	2.1	39.6	60	14.1	1.3	20.4	30	5/8	1-3/8	E - 53.9 LBS	HESD-0750LP#D#-D	2.40
HDSD-0750LP#F#-D	3DB3F33KE	F / Large	3.15	27.6	3.2	40.7	60	14.1	1.9	21.0	35	5/8	1-3/8	F - 82.3 LBS	HESD-0750LP#F#-D	2.40
HDSD-0900LP#F#-D	3DF3F40KE	F / Large	3.15	33.2	3.2	47.7	80	15.0	1.9	22.2	35	5/8	1-3/8	F - 82.3 LBS	HESD-0900LP#F#-D	2.40
HDSD-0900LP#J#-D	3DF3F40KE	J / X-Large	3.15	33.2	4.2	48.7	80	15.0	2.5	22.8	35	5/8	1-3/8	H - 100.1 LBS	HESD-0900LP#J#-D	2.40
HDSD-1000LP#F#-D	3DS3F46KE	F / Large	3.15	37.2	3.2	52.7	80	16.7	1.9	24.3	40	5/8	1-3/8	F - 82.3 LBS	HESD-1000LP#F#-D	2.40
HDSD-1000LP#J#-D	3DS3F46KE	J / X-Large	3.15	37.2	4.2	53.7	90	16.7	2.5	24.9	40	5/8	1-3/8	H - 100.1 LBS	HESD-1000LP#J#-D	2.40
HDSD-1500LP#J#-D	4DHN63KE	J / X-Large	3.15	47.2	4.2	66.2	110	23.6	2.5	33.5	50	7/8	1-5/8	H - 100.1 LBS	HESD-1500LP#J#-D	2.40
HDSD-2200LP#F#-A	4DJNF76KE	F / Large	n/a	57.7	3.2	78.3	125	28.8	1.9	39.4	60	7/8	2-1/8	F - 82.3 LBS	HESD-2200LP#F#-A	n/a
HDSD-2200LP#J#-D	4DJNF76KE	J / X-Large	3.15	57.7	4.2	79.3	125	28.8	2.5	40.0	60	7/8	2-1/8	H - 100.1 LBS	HESD-2200LP#J#-D	2.40

### Low Temperature - R-507A Performance

95° F AMBIENT TEMPERATURE											
CONDENSING UNIT MODEL	COMPRESSOR	CONDENSER / UNIT SIZE	-40	-35	-30	-25	-20	-15	-10	-5	0
HDSD-0300LP#B#-D	2DF3F16KE	B / Medium	10,050	11,930	13,950	16,100	18,390	20,790	23,300	25,900	28,580
HDSD-0300LP#D#-D	2DF3F16KE	D / Medium	10,690	12,690	14,880	17,250	19,790	22,520	25,430	28,500	31,750
HDSD-0400LP#B#-D	2DL3F20KE	B / Medium	11,700	13,780	15,980	18,310	20,760	23,320	25,990	28,760	31,620
HDSD-0400LP#D#-D	2DL3F20KE	D / Medium	12,450	14,720	17,150	19,760	22,550	25,520	28,670	32,010	35,510
HDSD-0600LP#B#-D	2DB3F25KE	B / Medium	14,050	16,550	19,150	21,840	24,610	27,460	30,340	33,270	36,220
HDSD-0600LP#D#-D	2DB3F25KE	D / Medium	15,030	17,770	20,680	23,760	27,000	30,410	33,970	37,680	41,520
HDSD-0601LP#B#-D	3DA3F28KE	B / Medium	15,910	18,420	21,090	23,890	26,790	29,770	32,800	35,850	n/a
HDSD-0601LP#D#-D	3DA3F28KE	D / Medium	17,330	20,120	23,140	26,380	29,830	33,450	37,240	41,180	45,230
HDSD-0750LP#D#-D	3DB3F33KE	D / Medium	20,040	23,380	26,870	30,520	34,320	38,270	42,360	46,580	50,920
HDSD-0750LP#F#-D	3DB3F33KE	F / Large	21,960	25,670	29,640	33,890	38,460	43,360	48,630	54,270	60,290
HDSD-0900LP#F#-D	3DF3F40KE	F / Large	26,300	30,640	35,350	40,440	45,910	51,770	58,020	64,650	71,650
HDSD-0900LP#J#-D	3DF3F40KE	J / X-Large	26,830	31,290	36,150	41,430	47,150	53,310	59,930	67,000	74,540
HDSD-1000LP#F#-D	3DS3F46KE	F / Large	30,270	35,040	40,140	45,580	51,360	57,470	63,910	70,670	77,740
HDSD-1000LP#J#-D	3DS3F46KE	J / X-Large	30,900	35,820	41,110	46,790	52,870	59,350	66,230	73,510	81,180
HDSD-1500LP#J#-D	4DHN63KE	J / X-Large	38,870	45,990	53,170	60,510	68,120	76,100	84,530	93,510	103,100
HDSD-2200LP#F#-A	4DJNF76KE	F / Large	44,050	51,830	59,660	67,590	75,650	83,880	92,290	100,920	109,780
HDSD-2200LP#J#-D	4DJNF76KE	J / X-Large	46,140	54,360	62,700	71,210	79,930	88,900	98,150	107,720	117,630

105° F AMBIENT TEMPERATURE											
CONDENSING UNIT MODEL	COMPRESSOR	CONDENSER / UNIT SIZE	-40	-35	-30	-25	-20	-15	-10	-5	0
HDSD-0300LP#B#-D	2DF3F16KE	B / Medium	8,400	10,230	12,160	14,190	16,300	18,490	20,760	23,090	25,470
HDSD-0300LP#D#-D	2DF3F16KE	D / Medium	9,010	10,970	13,060	15,280	17,640	20,130	22,760	25,520	28,420
HDSD-0400LP#B#-D	2DL3F20KE	B / Medium	10,070	12,010	14,050	16,180	18,410	20,730	23,130	25,610	28,170
HDSD-0400LP#D#-D	2DL3F20KE	D / Medium	10,770	12,890	15,150	17,550	20,090	22,800	25,650	28,660	31,830
HDSD-0600LP#B#-D	2DB3F25KE	B / Medium	12,350	14,660	17,020	19,460	21,940	24,440	26,980	n/a	n/a
HDSD-0600LP#D#-D	2DB3F25KE	D / Medium	13,210	15,780	18,460	21,280	24,220	27,280	30,460	33,760	37,170
HDSD-0601LP#B#-D	3DA3F28KE	B / Medium	13,500	15,890	18,390	20,990	23,650	26,360	n/a	n/a	n/a
HDSD-0601LP#D#-D	3DA3F28KE	D / Medium	14,980	17,670	20,530	23,550	26,740	30,060	33,500	37,050	40,680
HDSD-0750LP#D#-D	3DB3F33KE	D / Medium	17,480	20,740	24,090	27,530	31,060	34,690	38,400	42,200	n/a
HDSD-0750LP#F#-D	3DB3F33KE	F / Large	19,410	23,030	26,820	30,820	35,060	39,560	44,340	49,430	54,850
HDSD-0900LP#F#-D	3DF3F40KE	F / Large	23,450	27,590	32,020	36,760	41,810	47,180	52,880	58,900	65,240
HDSD-0900LP#J#-D	3DF3F40KE	J / X-Large	23,970	28,220	32,800	37,720	43,010	48,670	54,710	61,150	67,990
HDSD-1000LP#F#-D	3DS3F46KE	F / Large	26,980	31,510	36,290	41,350	46,670	52,260	58,120	64,240	70,610
HDSD-1000LP#J#-D	3DS3F46KE	J / X-Large	27,700	32,380	37,350	42,640	48,250	54,190	60,460	67,070	74,020
HDSD-1500LP#J#-D	4DHN63KE	J / X-Large	33,920	40,690	47,450	54,300	61,370	68,760	76,550	84,830	93,690
HDSD-2200LP#F#-A	4DJNF76KE	F / Large	37,360	44,900	52,450	60,060	67,740	75,550	83,510	n/a	n/a
HDSD-2200LP#J#-D	4DJNF76KE	J / X-Large	39,420	47,380	55,390	63,500	71,740	80,180	88,840	97,780	107,000

NOTE: All temperatures shown reflect the midpoint evaporator temperature. Solid black shading with white font indicates products for non-DOE regulated applications in above Table.

\* Estimated unit shipment weights based on condenser size are as follows: Small - 400 lbs.; Medium - 650 lbs.; Large - 1,250 lbs.; X-Large - 1,575 lbs.

# High Efficiency H-Series Condensing Units

## HDSD Copeland Discus Compressors - Low Temp R-407A

### Low Temperature - R-407A Specifications

CONDENSING UNIT MODEL	COMPRESSOR	CONDENSER / UNIT SIZE	OUTDOOR DOE AWEF	208/3/60				460/3/60				LIQ OD IN	SUCTION IN	DEFAULT RECEIVER	INDOOR MODEL	INDOOR DOE AWEF
				COMP RLA	FAN RLA	MCA	MOPD	COMP RLA	FAN RLA	MCA	MOPD					
HDSD-0300LQ#B#-D	2DF3F16KE	B / Medium	3.15	14.4	1.2	22.2	35	7.1	0.7	11.1	15	1/2	1-3/8	C - 23.6 LBS	HESD-0300LQ#B#-D	2.40
HDSD-0300LQ#D#-D	2DF3F16KE	D / Medium	3.15	14.4	2.1	23.1	35	7.1	1.3	11.7	15	1/2	1-3/8	E - 59.4 LBS	HESD-0300LQ#D#-D	2.40
HDSD-0400LQ#B#-D	2DL3F20KE	B / Medium	3.15	23.6	1.2	33.7	50	9.2	0.7	13.7	20	5/8	1-3/8	C - 23.6 LBS	HESD-0400LQ#B#-D	2.40
HDSD-0400LQ#D#-D	2DL3F20KE	D / Medium	3.15	23.6	2.1	34.6	50	9.2	1.3	14.3	20	5/8	1-3/8	E - 59.4 LBS	HESD-0400LQ#D#-D	2.40
HDSD-0600LQ#B#-D	2DB3F25KE	B / Medium	3.15	25.3	1.2	35.8	60	11.9	0.7	17.1	25	5/8	1-3/8	C - 23.6 LBS	HESD-0600LQ#B#-D	2.40
HDSD-0600LQ#D#-D	2DB3F25KE	D / Medium	3.15	25.3	2.1	36.7	60	11.9	1.3	17.7	25	5/8	1-3/8	E - 59.4 LBS	HESD-0600LQ#D#-D	2.40
HDSD-0601LQ#B#-D	3DA3F28KE	B / Medium	3.15	24.0	1.2	34.2	50	10.8	0.7	15.7	25	5/8	1-3/8	C - 23.6 LBS	HESD-0601LQ#B#-D	2.40
HDSD-0601LQ#D#-D	3DA3F28KE	D / Medium	3.15	24.0	2.1	35.1	50	10.8	1.3	16.3	25	5/8	1-3/8	E - 59.4 LBS	HESD-0601LQ#D#-D	2.40
HDSD-0750LQ#D#-D	3DB3F33KE	D / Medium	3.15	27.6	2.1	39.6	60	14.1	1.3	20.4	30	5/8	1-3/8	E - 59.4 LBS	HESD-0750LQ#D#-D	2.40
HDSD-0750LQ#F#-D	3DB3F33KE	F / Large	3.15	27.6	3.2	40.7	60	14.1	1.9	21.0	35	5/8	1-3/8	F - 90.7 LBS	HESD-0750LQ#F#-D	2.40
HDSD-0900LQ#F#-D	3DF3F40KE	F / Large	3.15	33.2	3.2	47.7	80	15.0	1.9	22.2	35	5/8	1-3/8	F - 90.7 LBS	HESD-0900LQ#F#-D	2.40
HDSD-0900LQ#H#-D	3DF3F40KE	J / X-Large	3.15	33.2	4.2	48.7	80	15.0	2.5	22.8	35	5/8	1-3/8	H - 110.3 LBS	HESD-0900LQ#H#-D	2.40
HDSD-1000LQ#F#-D	3DS3F46KE	F / Large	3.15	37.2	3.2	52.7	80	16.7	1.9	24.3	40	5/8	1-3/8	F - 90.7 LBS	HESD-1000LQ#F#-D	2.40
HDSD-1000LQ#H#-D	3DS3F46KE	J / X-Large	3.15	37.2	4.2	53.7	90	16.7	2.5	24.9	40	5/8	1-3/8	H - 110.3 LBS	HESD-1000LQ#H#-D	2.40
HDSD-1500LQ#H#-D	4DHN63KE	J / X-Large	3.15	47.2	4.2	66.2	110	23.6	2.5	33.5	50	7/8	1-5/8	H - 110.3 LBS	HESD-1500LQ#H#-D	2.40
HDSD-2200LQ#F#-A	4DJNF76KE	F / Large	n/a	57.7	3.2	78.3	125	28.8	1.9	39.4	60	7/8	2-1/8	F - 90.7 LBS	HESD-2200LQ#F#-D	2.40
HDSD-2200LQ#H#-A	4DJNF76KE	J / X-Large	n/a	57.7	4.2	79.3	125	28.8	2.5	40.0	60	7/8	2-1/8	H - 110.3 LBS	HESD-2200LQ#H#-D	2.40

### Low Temperature - R-407A Performance

CONDENSING UNIT MODEL	COMPRESSOR	CONDENSER / UNIT SIZE	95° F AMBIENT TEMPERATURE								
			-40	-35	-30	-25	-20	-15	-10	-5	0
HDSD-0300LQ#B#-D	2DF3F16KE	B / Medium	7,520	9,290	11,110	13,050	15,160	17,490	20,090	22,980	26,200
HDSD-0300LQ#D#-D	2DF3F16KE	D / Medium	7,870	9,740	11,700	13,800	16,110	18,700	21,610	24,880	28,580
HDSD-0400LQ#B#-D	2DL3F20KE	B / Medium	8,780	10,770	12,950	15,310	17,840	20,530	23,370	26,360	29,470
HDSD-0400LQ#D#-D	2DL3F20KE	D / Medium	9,200	11,360	13,740	16,340	19,160	22,190	25,430	28,880	32,540
HDSD-0600LQ#B#-D	2DB3F25KE	B / Medium	11,320	13,630	16,040	18,580	21,310	24,260	27,440	30,880	34,600
HDSD-0600LQ#D#-D	2DB3F25KE	D / Medium	11,910	14,460	17,160	20,040	23,170	26,580	30,310	34,400	38,900
HDSD-0601LQ#B#-D	3DA3F28KE	B / Medium	11,520	14,250	17,060	20,000	23,080	26,330	29,790	33,440	n/a
HDSD-0601LQ#D#-D	3DA3F28KE	D / Medium	12,700	15,710	18,840	22,150	25,690	29,510	33,630	38,080	42,890
HDSD-0750LQ#D#-D	3DB3F33KE	D / Medium	15,550	19,100	22,680	26,400	30,320	34,530	39,110	44,120	49,620
HDSD-0750LQ#F#-D	3DB3F33KE	F / Large	17,500	21,490	25,580	29,860	34,430	39,410	44,870	50,910	57,620
HDSD-0900LQ#F#-D	3DF3F40KE	F / Large	19,930	24,640	29,580	34,850	40,530	46,710	53,470	60,870	68,950
HDSD-0900LQ#H#-D	3DF3F40KE	J / X-Large	20,470	25,310	30,400	35,850	41,750	48,220	55,320	63,130	71,730
HDSD-1000LQ#F#-D	3DS3F46KE	F / Large	21,570	26,670	32,010	37,690	43,810	50,460	57,690	65,590	74,200
HDSD-1000LQ#H#-D	3DS3F46KE	J / X-Large	22,230	27,480	33,000	38,900	45,290	52,260	59,900	68,300	77,520
HDSD-1500LQ#H#-D	4DHN63KE	J / X-Large	31,930	38,300	45,180	52,540	60,350	68,580	77,220	86,230	95,590
HDSD-2200LQ#F#-A	4DJNF76KE	F / Large	39,890	45,110	51,500	58,970	67,430	76,770	86,940	97,850	109,460
HDSD-2200LQ#H#-A	4DJNF76KE	J / X-Large	41,230	46,950	53,940	62,120	71,380	81,650	92,860	104,950	117,860

CONDENSING UNIT MODEL	COMPRESSOR	CONDENSER / UNIT SIZE	105° F AMBIENT TEMPERATURE								
			-40	-35	-30	-25	-20	-15	-10	-5	0
HDSD-0300LQ#B#-D	2DF3F16KE	B / Medium	6,430	8,100	9,800	11,590	13,530	15,660	18,040	20,700	23,670
HDSD-0300LQ#D#-D	2DF3F16KE	D / Medium	6,740	8,500	10,330	12,270	14,400	16,770	19,440	22,450	25,870
HDSD-0400LQ#B#-D	2DL3F20KE	B / Medium	7,710	9,480	11,440	13,560	15,850	18,290	20,870	23,570	n/a
HDSD-0400LQ#D#-D	2DL3F20KE	D / Medium	8,070	10,010	12,170	14,540	17,120	19,910	22,900	26,090	29,480
HDSD-0600LQ#B#-D	2DB3F25KE	B / Medium	10,140	12,150	14,270	16,540	18,980	21,640	n/a	n/a	n/a
HDSD-0600LQ#D#-D	2DB3F25KE	D / Medium	10,670	12,930	15,340	17,950	20,800	23,930	27,390	31,210	35,410
HDSD-0601LQ#B#-D	3DA3F28KE	B / Medium	9,190	11,840	14,530	17,320	20,230	n/a	n/a	n/a	n/a
HDSD-0601LQ#D#-D	3DA3F28KE	D / Medium	10,300	13,220	16,230	19,380	22,730	26,310	30,170	34,340	38,820
HDSD-0750LQ#D#-D	3DB3F33KE	D / Medium	12,650	16,090	19,570	23,150	26,940	31,010	35,440	n/a	n/a
HDSD-0750LQ#F#-D	3DB3F33KE	F / Large	14,470	18,330	22,260	26,360	30,750	35,510	40,740	46,530	52,970
HDSD-0900LQ#F#-D	3DF3F40KE	F / Large	16,320	20,900	25,650	30,670	36,050	41,880	48,220	55,140	62,710
HDSD-0900LQ#H#-D	3DF3F40KE	J / X-Large	16,840	21,550	26,450	31,640	37,240	43,330	50,000	57,320	65,380
HDSD-1000LQ#F#-D	3DS3F46KE	F / Large	17,620	22,580	27,710	33,130	38,920	45,170	51,960	59,350	67,400
HDSD-1000LQ#H#-D	3DS3F46KE	J / X-Large	18,240	23,350	28,670	34,290	40,340	46,910	54,090	61,950	70,580
HDSD-1500LQ#H#-D	4DHN63KE	J / X-Large	27,500	33,540	40,000	46,880	54,140	61,770	69,740	78,020	86,600
HDSD-2200LQ#F#-A	4DJNF76KE	F / Large	35,440	39,680	45,170	51,770	59,400	67,970	n/a	n/a	n/a
HDSD-2200LQ#H#-A	4DJNF76KE	J / X-Large	36,800	41,520	47,570	54,850	63,260	72,720	83,150	94,490	n/a

NOTE: All temperatures shown reflect the midpoint evaporator temperature. Solid black shading with white font indicates products for non-DOE regulated applications in above Table.

\* Estimated unit shipment weights based on condenser size are as follows: Small - 400 lbs.; Medium - 650 lbs.; Large - 1,250 lbs.; X-Large - 1,575 lbs.

# High Efficiency H-Series Condensing Units

## HDSD Copeland Discus Compressors - Low Temp R-449A

### Low Temperature - R-449A Specifications

CONDENSING UNIT MODEL	COMPRESSOR	CONDENSER / UNIT SIZE	OUTDOOR DOE AWEF	208/3/60				460/3/60				LIQ OD IN	SUCTION OD IN	DEFAULT RECEIVER	INDOOR MODEL	INDOOR DOE AWEF
				COMP RLA	FAN RLA	MCA	MOPD	COMP RLA	FAN RLA	MCA	MOPD					
HDSD-0300LR#B#-D	2DF3F16KE	B / Medium	3.15	14.4	1.2	22.2	35	7.1	0.7	11.1	15	1/2	1-3/8	C - 22.5 LBS	HESD-0300LR#B#-D	2.40
HDSD-0300LR#D#-D	2DF3F16KE	D / Medium	3.15	14.4	2.1	23.1	35	7.1	1.3	11.7	15	1/2	1-3/8	E - 56.6 LBS	HESD-0300LR#D#-D	2.40
HDSD-0400LR#B#-D	2DL3F20KE	B / Medium	3.15	23.6	1.2	33.7	50	9.2	0.7	13.7	20	5/8	1-3/8	C - 22.5 LBS	HESD-0400LR#B#-D	2.40
HDSD-0400LR#D#-D	2DL3F20KE	D / Medium	3.15	23.6	2.1	34.6	50	9.2	1.3	14.3	20	5/8	1-3/8	E - 56.6 LBS	HESD-0400LR#D#-D	2.40
HDSD-0600LR#B#-D	2DB3F25KE	B / Medium	3.15	25.3	1.2	35.8	60	11.9	0.7	17.1	25	5/8	1-3/8	C - 22.5 LBS	HESD-0600LR#B#-D	2.40
HDSD-0600LR#D#-D	2DB3F25KE	D / Medium	3.15	25.3	2.1	36.7	60	11.9	1.3	17.7	25	5/8	1-3/8	E - 56.6 LBS	HESD-0600LR#D#-D	2.40
HDSD-0601LR#B#-D	3DA3F28KE	B / Medium	3.15	24.0	1.2	34.2	50	10.8	0.7	15.7	25	5/8	1-3/8	C - 22.5 LBS	HESD-0601LR#B#-D	2.40
HDSD-0601LR#D#-D	3DA3F28KE	D / Medium	3.15	24.0	2.1	35.1	50	10.8	1.3	16.3	25	5/8	1-3/8	E - 56.6 LBS	HESD-0601LR#D#-D	2.40
HDSD-0750LR#B#-D	3DB3F33KE	B / Medium	3.15	27.6	1.2	39.6	60	14.1	1.3	20.4	30	5/8	1-3/8	E - 56.6 LBS	HESD-0750LR#B#-D	2.40
HDSD-0750LR#F#-D	3DB3F33KE	F / Large	3.15	27.6	3.2	40.7	60	14.1	1.9	21.0	35	5/8	1-3/8	F - 86.5 LBS	HESD-0750LR#F#-D	2.40
HDSD-0900LR#B#-D	3DF3F40KE	B / Medium	3.15	33.2	1.2	47.7	80	15.0	1.9	22.2	35	5/8	1-3/8	F - 86.5 LBS	HESD-0900LR#B#-D	2.40
HDSD-0900LR#D#-D	3DF3F40KE	D / Medium	3.15	33.2	2.1	48.7	80	15.0	2.5	22.8	35	5/8	1-3/8	H - 105.2 LBS	HESD-0900LR#D#-D	2.40
HDSD-1000LR#B#-D	3DS3F46KE	B / Medium	3.15	37.2	1.2	52.7	80	16.7	1.9	24.3	40	5/8	1-3/8	F - 86.5 LBS	HESD-1000LR#B#-D	2.40
HDSD-1000LR#D#-D	3DS3F46KE	D / Medium	3.15	37.2	2.1	53.7	90	16.7	2.5	24.9	40	5/8	1-3/8	H - 105.2 LBS	HESD-1000LR#D#-D	2.40
HDSD-1500LR#J#-A	4DHN63KE	J / X-Large	n/a	47.2	4.2	66.2	110	23.6	2.5	33.5	50	7/8	1-5/8	H - 105.2 LBS	HESD-1500LR#J#-A	2.40
HDSD-2200LR#F#-A	4DJNF76KE	F / Large	n/a	57.7	3.2	78.3	125	28.8	1.9	39.4	60	7/8	2-1/8	F - 86.5 LBS	HESD-2200LR#F#-D	2.40
HDSD-2200LR#J#-A	4DJNF76KE	J / X-Large	n/a	57.7	4.2	79.3	125	28.8	2.5	40.0	60	7/8	2-1/8	H - 105.2 LBS	HESD-2200LR#J#-D	2.40

### Low Temperature - R-449A Performance

CONDENSING UNIT MODEL	COMPRESSOR	CONDENSER / UNIT SIZE	95° F AMBIENT TEMPERATURE								
			-40	-35	-30	-25	-20	-15	-10	-5	0
HDSD-0300LR#B#-D	2DF3F16KE	B / Medium	8,250	9,960	11,780	13,760	15,950	18,380	21,100	24,120	27,470
HDSD-0300LR#D#-D	2DF3F16KE	D / Medium	8,670	10,480	12,440	14,600	17,000	19,710	22,760	26,200	30,050
HDSD-0400LR#B#-D	2DL3F20KE	B / Medium	9,640	11,570	13,740	16,150	18,750	21,530	24,460	27,520	30,690
HDSD-0400LR#D#-D	2DL3F20KE	D / Medium	10,140	12,250	14,640	17,300	20,210	23,370	26,740	30,320	34,080
HDSD-0600LR#B#-D	2DB3F25KE	B / Medium	11,730	14,270	16,840	19,510	22,330	25,370	28,650	32,190	n/a
HDSD-0600LR#D#-D	2DB3F25KE	D / Medium	12,520	15,310	18,170	21,180	24,400	27,920	31,780	36,030	40,720
HDSD-0601LR#B#-D	3DA3F28KE	B / Medium	12,860	15,290	17,970	20,900	24,050	27,430	31,010	n/a	n/a
HDSD-0601LR#D#-D	3DA3F28KE	D / Medium	14,260	16,940	19,950	23,280	26,950	30,950	35,270	39,910	44,860
HDSD-0750LR#B#-D	3DB3F33KE	B / Medium	16,890	20,310	23,880	27,670	31,730	36,140	40,950	46,220	51,990
HDSD-0750LR#F#-D	3DB3F33KE	F / Large	19,180	23,050	27,130	31,500	36,240	41,440	47,170	53,510	60,530
HDSD-0900LR#B#-D	3DF3F40KE	B / Medium	21,810	26,420	31,390	36,790	42,680	49,140	56,210	63,920	72,310
HDSD-0900LR#D#-D	3DF3F40KE	D / Medium	22,460	27,190	32,310	37,910	44,040	50,790	58,220	66,380	75,320
HDSD-1000LR#F#-D	3DS3F46KE	F / Large	23,580	28,570	33,930	39,760	46,100	53,040	60,600	68,830	77,760
HDSD-1000LR#J#-D	3DS3F46KE	J / X-Large	24,360	29,500	35,050	41,110	47,740	55,020	63,020	71,780	81,360
HDSD-1500LR#J#-A	4DHN63KE	J / X-Large	33,180	40,350	47,750	55,430	63,440	71,820	80,610	89,840	99,530
HDSD-2200LR#F#-A	4DJNF76KE	F / Large	37,000	45,080	53,240	61,700	70,630	80,210	90,580	101,880	n/a
HDSD-2200LR#J#-A	4DJNF76KE	J / X-Large	39,050	47,600	56,300	65,370	75,020	85,420	96,770	109,210	122,880

CONDENSING UNIT MODEL	COMPRESSOR	CONDENSER / UNIT SIZE	105° F AMBIENT TEMPERATURE								
			-40	-35	-30	-25	-20	-15	-10	-5	0
HDSD-0300LR#B#-D	2DF3F16KE	B / Medium	7,090	8,690	10,380	12,210	14,230	16,460	18,960	21,740	24,830
HDSD-0300LR#D#-D	2DF3F16KE	D / Medium	7,450	9,160	10,980	12,970	15,190	17,680	20,500	23,670	27,240
HDSD-0400LR#B#-D	2DL3F20KE	B / Medium	8,460	10,170	12,120	14,280	16,630	19,140	21,790	n/a	n/a
HDSD-0400LR#D#-D	2DL3F20KE	D / Medium	8,900	10,790	12,950	15,380	18,060	20,960	24,070	27,370	30,850
HDSD-0600LR#B#-D	2DB3F25KE	B / Medium	10,190	12,520	14,870	17,300	19,870	22,630	n/a	n/a	n/a
HDSD-0600LR#D#-D	2DB3F25KE	D / Medium	10,880	13,480	16,120	18,910	21,900	25,160	28,740	32,710	37,080
HDSD-0601LR#B#-D	3DA3F28KE	B / Medium	10,500	12,810	15,350	18,100	21,060	n/a	n/a	n/a	n/a
HDSD-0601LR#D#-D	3DA3F28KE	D / Medium	11,840	14,390	17,240	20,380	23,820	27,570	31,620	35,960	n/a
HDSD-0750LR#B#-D	3DB3F33KE	B / Medium	13,800	17,150	20,620	24,290	28,240	32,520	n/a	n/a	n/a
HDSD-0750LR#F#-D	3DB3F33KE	F / Large	15,920	19,680	23,620	27,830	32,400	37,400	42,920	49,030	55,800
HDSD-0900LR#F#-D	3DF3F40KE	F / Large	17,930	22,420	27,210	32,370	37,970	44,060	50,710	57,960	65,830
HDSD-0900LR#J#-D	3DF3F40KE	J / X-Large	18,540	23,160	28,110	33,460	39,290	45,670	52,670	60,350	68,750
HDSD-1000LR#F#-D	3DS3F46KE	F / Large	19,330	24,190	29,360	34,920	40,940	47,480	54,600	62,320	70,690
HDSD-1000LR#J#-D	3DS3F46KE	J / X-Large	20,070	25,080	30,440	36,230	42,530	49,410	56,940	65,180	74,170
HDSD-1500LR#J#-A	4DHN63KE	J / X-Large	27,750	34,810	41,990	49,340	56,910	64,770	72,940	81,460	90,350
HDSD-2200LR#F#-A	4DJNF76KE	F / Large	30,220	37,980	45,790	53,840	62,310	71,380	n/a	n/a	n/a
HDSD-2200LR#J#-A	4DJNF76KE	J / X-Large	32,130	40,370	48,700	57,350	66,500	76,370	87,120	98,920	n/a

NOTE: All temperatures shown reflect the midpoint evaporator temperature. Solid black shading with white font indicates products for non-DOE regulated applications in above Table.

\* Estimated unit shipment weights based on condenser size are as follows: Small - 400 lbs.; Medium - 650 lbs.; Large - 1,250 lbs.; X-Large - 1,575 lbs.

# High Efficiency H-Series Condensing Units

## HDSD Copeland Discus Compressors - Low Temp R-404A

### Low Temperature - R-404A Specifications

CONDENSING UNIT MODEL	COMPRESSOR	CONDENSER / UNIT SIZE	OUTDOOR DOE AWEF	208/3/60				460/3/60				LIQ OD IN	SUCTION IN	DEFAULT RECEIVER	INDOOR MODEL	INDOOR DOE AWEF
				COMP RLA	FAN RLA	MCA	MOPD	COMP RLA	FAN RLA	MCA	MOPD					
HDSD-0300LS#B#-D	2DF3F16KE	B / Medium	3.15	14.4	1.2	22.2	35	7.1	0.7	11.1	15	1/2	1-3/8	C - 21.4 LBS	HESD-0300LS#B#-D	2.40
HDSD-0300LS#D#-D	2DF3F16KE	D / Medium	3.15	14.4	2.1	23.1	35	7.1	1.3	11.7	15	1/2	1-3/8	E - 53.9 LBS	HESD-0300LS#D#-D	2.40
HDSD-0400LS#B#-D	2DL3F20KE	B / Medium	3.15	23.6	1.2	33.7	50	9.2	0.7	13.7	20	5/8	1-3/8	C - 21.4 LBS	HESD-0400LS#B#-D	2.40
HDSD-0400LS#D#-D	2DL3F20KE	D / Medium	3.15	23.6	2.1	34.6	50	9.2	1.3	14.3	20	5/8	1-3/8	E - 53.9 LBS	HESD-0400LS#D#-D	2.40
HDSD-0600LS#B#-D	2DB3F25KE	B / Medium	3.15	25.3	1.2	35.8	60	11.9	0.7	17.1	25	5/8	1-3/8	C - 21.4 LBS	HESD-0600LS#B#-D	2.40
HDSD-0600LS#D#-D	2DB3F25KE	D / Medium	3.15	25.3	2.1	36.7	60	11.9	1.3	17.7	25	5/8	1-3/8	E - 53.9 LBS	HESD-0600LS#D#-D	2.40
HDSD-0601LS#B#-D	3DA3F28KE	B / Medium	3.15	24.0	1.2	34.2	50	10.8	0.7	15.7	25	5/8	1-3/8	C - 21.4 LBS	HESD-0601LS#B#-D	2.40
HDSD-0601LS#D#-D	3DA3F28KE	D / Medium	3.15	24.0	2.1	35.1	50	10.8	1.3	16.3	25	5/8	1-3/8	E - 53.9 LBS	HESD-0601LS#D#-D	2.40
HDSD-0750LS#D#-D	3DB3F33KE	D / Medium	3.15	27.6	2.1	39.6	60	14.1	1.3	20.4	30	5/8	1-3/8	E - 53.9 LBS	HESD-0750LS#D#-D	2.40
HDSD-0750LS#F#-D	3DB3F33KE	F / Large	3.15	27.6	3.2	40.7	60	14.1	1.9	21.0	35	5/8	1-3/8	F - 82.3 LBS	HESD-0750LS#F#-D	2.40
HDSD-0900LS#F#-D	3DF3F40KE	F / Large	3.15	33.2	3.2	47.7	80	15.0	1.9	22.2	35	5/8	1-3/8	F - 82.3 LBS	HESD-0900LS#F#-D	2.40
HDSD-0900LS#H#-D	3DF3F40KE	J / X-Large	3.15	33.2	4.2	48.7	80	15.0	2.5	22.8	35	5/8	1-3/8	H - 100.1 LBS	HESD-0900LS#H#-D	2.40
HDSD-1000LS#F#-D	3DS3F46KE	F / Large	3.15	37.2	3.2	52.7	80	16.7	1.9	24.3	40	5/8	1-3/8	F - 82.3 LBS	HESD-1000LS#F#-D	2.40
HDSD-1000LS#H#-D	3DS3F46KE	J / X-Large	3.15	37.2	4.2	53.7	90	16.7	2.5	24.9	40	5/8	1-3/8	H - 100.1 LBS	HESD-1000LS#H#-D	2.40
HDSD-1500LS#H#-D	4DHN63KE	J / X-Large	3.15	47.2	4.2	66.2	110	23.6	2.5	33.5	50	7/8	1-5/8	H - 100.1 LBS	HESD-1500LS#H#-D	2.40
HDSD-2200LS#F#-A	4DJNF76KE	F / Large	n/a	57.7	3.2	78.3	125	28.8	1.9	39.4	60	7/8	2-1/8	F - 82.3 LBS	HESD-2200LS#F#-D	2.40
HDSD-2200LS#H#-D	4DJNF76KE	J / X-Large	3.15	57.7	4.2	79.3	125	28.8	2.5	40.0	60	7/8	2-1/8	H - 100.1 LBS	HESD-2200LS#H#-D	2.40

### Low Temperature - R-404A Performance

95° F AMBIENT TEMPERATURE											
CONDENSING UNIT MODEL	COMPRESSOR	CONDENSER / UNIT SIZE	-40	-35	-30	-25	-20	-15	-10	-5	0
HDSD-0300LS#B#-D	2DF3F16KE	B / Medium	9,800	11,630	13,610	15,710	17,950	20,300	22,770	25,320	27,960
HDSD-0300LS#D#-D	2DF3F16KE	D / Medium	10,410	12,360	14,490	16,800	19,290	21,950	24,790	27,810	30,980
HDSD-0400LS#B#-D	2DL3F20KE	B / Medium	11,410	13,440	15,600	17,880	20,270	22,790	25,410	28,140	30,960
HDSD-0400LS#D#-D	2DL3F20KE	D / Medium	12,130	14,340	16,710	19,260	21,980	24,890	27,970	31,240	34,680
HDSD-0600LS#B#-D	2DB3F25KE	B / Medium	13,690	16,120	18,660	21,290	24,010	26,790	29,630	32,500	35,410
HDSD-0600LS#D#-D	2DB3F25KE	D / Medium	14,640	17,310	20,150	23,160	26,340	29,670	33,170	36,810	40,590
HDSD-0601LS#B#-D	3DA3F28KE	B / Medium	15,550	18,000	20,620	23,360	26,220	29,160	32,150	35,170	38,180
HDSD-0601LS#D#-D	3DA3F28KE	D / Medium	16,890	19,610	22,560	25,730	29,100	32,660	36,380	40,240	44,230
HDSD-0750LS#D#-D	3DB3F33KE	D / Medium	19,540	22,800	26,220	29,780	33,500	37,380	41,400	45,560	49,840
HDSD-0750LS#F#-D	3DB3F33KE	F / Large	21,370	24,980	28,840	32,980	37,430	42,220	47,370	52,880	58,770
HDSD-0900LS#F#-D	3DF3F40KE	F / Large	25,600	29,820	34,410	39,370	44,710	50,440	56,550	63,040	69,900
HDSD-0900LS#H#-D	3DF3F40KE	J / X-Large	26,100	30,430	35,170	40,310	45,890	51,900	58,360	65,270	72,640
HDSD-1000LS#F#-D	3DS3F46KE	F / Large	29,460	34,100	39,080	44,390	50,040	56,020	62,320	68,940	75,870
HDSD-1000LS#H#-D	3DS3F46KE	J / X-Large	30,060	34,840	40,000	45,540	51,470	57,790	64,510	71,630	79,140
HDSD-1500LS#H#-D	4DHN63KE	J / X-Large	37,870	44,810	51,820	58,990	66,430	74,230	82,490	91,280	100,680
HDSD-2200LS#F#-A	4DJNF76KE	F / Large	43,000	50,600	58,260	66,030	73,930	81,990	90,250	98,730	107,440
HDSD-2200LS#H#-D	4DJNF76KE	J / X-Large	44,980	53,010	61,160	69,470	78,000	86,780	95,850	105,240	114,970

105° F AMBIENT TEMPERATURE											
CONDENSING UNIT MODEL	COMPRESSOR	CONDENSER / UNIT SIZE	-40	-35	-30	-25	-20	-15	-10	-5	0
HDSD-0300LS#B#-D	2DF3F16KE	B / Medium	8,190	9,980	11,870	13,850	15,920	18,070	20,290	22,580	24,930
HDSD-0300LS#D#-D	2DF3F16KE	D / Medium	8,780	10,690	12,730	14,890	17,190	19,630	22,200	24,900	27,740
HDSD-0400LS#B#-D	2DL3F20KE	B / Medium	9,830	11,720	13,720	15,800	17,990	20,260	22,620	25,070	27,600
HDSD-0400LS#D#-D	2DL3F20KE	D / Medium	10,490	12,550	14,760	17,100	19,590	22,230	25,030	27,980	31,090
HDSD-0600LS#B#-D	2DB3F25KE	B / Medium	12,030	14,280	16,600	18,980	21,400	23,860	26,350	n/a	n/a
HDSD-0600LS#D#-D	2DB3F25KE	D / Medium	12,870	15,370	18,000	20,750	23,620	26,630	29,750	32,990	36,350
HDSD-0601LS#B#-D	3DA3F28KE	B / Medium	13,210	15,550	18,000	20,550	23,170	25,840	n/a	n/a	n/a
HDSD-0601LS#D#-D	3DA3F28KE	D / Medium	14,620	17,230	20,030	22,990	26,110	29,360	32,740	36,230	39,810
HDSD-0750LS#D#-D	3DB3F33KE	D / Medium	17,050	20,240	23,510	26,870	30,330	33,890	37,540	41,280	n/a
HDSD-0750LS#F#-D	3DB3F33KE	F / Large	18,890	22,410	26,100	30,000	34,130	38,520	43,190	48,170	53,470
HDSD-0900LS#F#-D	3DF3F40KE	F / Large	22,820	26,860	31,170	35,790	40,730	45,980	51,550	57,440	63,650
HDSD-0900LS#H#-D	3DF3F40KE	J / X-Large	23,310	27,450	31,910	36,710	41,860	47,380	53,290	59,580	66,270
HDSD-1000LS#F#-D	3DS3F46KE	F / Large	26,280	30,690	35,360	40,290	45,490	50,960	56,690	62,690	68,950
HDSD-1000LS#H#-D	3DS3F46KE	J / X-Large	26,960	31,510	36,360	41,520	46,990	52,790	58,920	65,380	72,180
HDSD-1500LS#H#-D	4DHN63KE	J / X-Large	33,040	39,640	46,230	52,930	59,830	67,050	74,680	82,790	91,470
HDSD-2200LS#F#-A	4DJNF76KE	F / Large	36,500	43,860	51,250	58,690	66,210	73,860	81,660	89,650	n/a
HDSD-2200LS#H#-D	4DJNF76KE	J / X-Large	38,460	46,230	54,050	61,960	70,020	78,280	86,760	95,510	104,560

NOTE: All temperatures shown reflect the midpoint evaporator temperature. Solid black shading with white font indicates products for non-DOE regulated applications in above Table.

\* Estimated unit shipment weights based on condenser size are as follows: Small - 400 lbs.; Medium - 650 lbs.; Large - 1,250 lbs.; X-Large - 1,575 lbs.



# High Efficiency H-Series Condensing Units

## HDSD Copeland Discus Compressors - Low Temp R-448A

### Low Temperature - R-448A Specifications

CONDENSING UNIT MODEL	COMPRESSOR	CONDENSER / UNIT SIZE	OUTDOOR DOE AWEF	208/3/60				460/3/60				LIQ OD IN	SUCTION IN	DEFAULT RECEIVER	INDOOR MODEL	INDOOR DOE AWEF
				COMP RLA	FAN RLA	MCA	MOPD	COMP RLA	FAN RLA	MCA	MOPD					
HDSD-0300LT#B#-D	2DF3F16KE	B / Medium	3.15	14.4	1.2	22.2	35	7.1	0.7	11.1	15	1/2	1-3/8	C - 22.5 LBS	HESD-0300LT#B#-D	2.40
HDSD-0300LT#D#-D	2DF3F16KE	D / Medium	3.15	14.4	2.1	23.1	35	7.1	1.3	11.7	15	1/2	1-3/8	E - 56.6 LBS	HESD-0300LT#D#-D	2.40
HDSD-0400LT#B#-D	2DL3F20KE	B / Medium	3.15	23.6	1.2	33.7	50	9.2	0.7	13.7	20	5/8	1-3/8	C - 22.5 LBS	HESD-0400LT#B#-D	2.40
HDSD-0400LT#D#-D	2DL3F20KE	D / Medium	3.15	23.6	2.1	34.6	50	9.2	1.3	14.3	20	5/8	1-3/8	E - 56.6 LBS	HESD-0400LT#D#-D	2.40
HDSD-0600LT#B#-D	2DB3F25KE	B / Medium	3.15	25.3	1.2	35.8	60	11.9	0.7	17.1	25	5/8	1-3/8	C - 22.5 LBS	HESD-0600LT#B#-D	2.40
HDSD-0600LT#D#-D	2DB3F25KE	D / Medium	3.15	25.3	2.1	36.7	60	11.9	1.3	17.7	25	5/8	1-3/8	E - 56.6 LBS	HESD-0600LT#D#-D	2.40
HDSD-0601LT#B#-D	3DA3F28KE	B / Medium	3.15	24.0	1.2	34.2	50	10.8	0.7	15.7	25	5/8	1-3/8	C - 22.5 LBS	HESD-0601LT#B#-D	2.40
HDSD-0601LT#D#-D	3DA3F28KE	D / Medium	3.15	24.0	2.1	35.1	50	10.8	1.3	16.3	25	5/8	1-3/8	E - 56.6 LBS	HESD-0601LT#D#-D	2.40
HDSD-0750LT#D#-D	3DB3F33KE	D / Medium	3.15	27.6	2.1	39.6	60	14.1	1.3	20.4	30	5/8	1-3/8	E - 56.6 LBS	HESD-0750LT#D#-D	2.40
HDSD-0750LT#F#-D	3DB3F33KE	F / Large	3.15	27.6	3.2	40.7	60	14.1	1.9	21.0	35	5/8	1-3/8	F - 86.5 LBS	HESD-0750LT#F#-D	2.40
HDSD-0900LT#F#-D	3DF3F40KE	F / Large	3.15	33.2	3.2	47.7	80	15.0	1.9	22.2	35	5/8	1-3/8	F - 86.5 LBS	HESD-0900LT#F#-D	2.40
HDSD-0900LT#J#-D	3DF3F40KE	J / X-Large	3.15	33.2	4.2	48.7	80	15.0	2.5	22.8	35	5/8	1-3/8	H - 105.2 LBS	HESD-0900LT#J#-D	2.40
HDSD-1000LT#F#-D	3DS3F46KE	F / Large	3.15	37.2	3.2	52.7	80	16.7	1.9	24.3	40	5/8	1-3/8	F - 86.5 LBS	HESD-1000LT#F#-D	2.40
HDSD-1000LT#J#-D	3DS3F46KE	J / X-Large	3.15	37.2	4.2	53.7	90	16.7	2.5	24.9	40	5/8	1-3/8	H - 105.2 LBS	HESD-1000LT#J#-D	2.40
HDSD-1500LT#J#-A	4DHN63KE	J / X-Large	n/a	47.2	4.2	66.2	110	23.6	2.5	33.5	50	7/8	1-5/8	H - 105.2 LBS	HESD-1500LT#J#-D	2.40
HDSD-2200LT#F#-A	4DJNF76KE	F / Large	n/a	57.7	3.2	78.3	125	28.8	1.9	39.4	60	7/8	2-1/8	F - 86.5 LBS	HESD-2200LT#F#-D	2.40
HDSD-2200LT#J#-A	4DJNF76KE	J / X-Large	n/a	57.7	4.2	79.3	125	28.8	2.5	40.0	60	7/8	2-1/8	H - 105.2 LBS	HESD-2200LT#J#-D	2.40

### Low Temperature - R-448A Performance

CONDENSING UNIT MODEL	COMPRESSOR	CONDENSER / UNIT SIZE	95° F AMBIENT TEMPERATURE								
			-40	-35	-30	-25	-20	-15	-10	-5	0
HDSD-0300LT#B#-D	2DF3F16KE	B / Medium	8,250	9,960	11,780	13,760	15,950	18,380	21,100	24,120	27,470
HDSD-0300LT#D#-D	2DF3F16KE	D / Medium	8,670	10,480	12,440	14,600	17,000	19,710	22,760	26,200	30,050
HDSD-0400LT#B#-D	2DL3F20KE	B / Medium	9,640	11,570	13,740	16,150	18,750	21,530	24,460	27,520	30,690
HDSD-0400LT#D#-D	2DL3F20KE	D / Medium	10,140	12,250	14,640	17,300	20,210	23,370	26,740	30,320	34,080
HDSD-0600LT#B#-D	2DB3F25KE	B / Medium	11,730	14,270	16,840	19,510	22,330	25,370	28,650	32,190	n/a
HDSD-0600LT#D#-D	2DB3F25KE	D / Medium	12,520	15,310	18,170	21,180	24,400	27,920	31,780	36,030	40,720
HDSD-0601LT#B#-D	3DA3F28KE	B / Medium	12,860	15,290	17,970	20,900	24,050	27,430	31,010	n/a	n/a
HDSD-0601LT#D#-D	3DA3F28KE	D / Medium	14,260	16,940	19,950	23,280	26,950	30,950	35,270	39,910	44,860
HDSD-0750LT#D#-D	3DB3F33KE	D / Medium	16,890	20,310	23,880	27,670	31,730	36,140	40,950	46,220	51,990
HDSD-0750LT#F#-D	3DB3F33KE	F / Large	19,180	23,050	27,130	31,500	36,240	41,440	47,170	53,510	60,530
HDSD-0900LT#F#-D	3DF3F40KE	F / Large	21,810	26,420	31,390	36,790	42,680	49,140	56,210	63,920	72,310
HDSD-0900LT#J#-D	3DF3F40KE	J / X-Large	22,460	27,190	32,310	37,910	44,040	50,790	58,220	66,380	75,320
HDSD-1000LT#F#-D	3DS3F46KE	F / Large	23,580	28,570	33,930	39,760	46,100	53,040	60,600	68,830	77,760
HDSD-1000LT#J#-D	3DS3F46KE	J / X-Large	24,360	29,500	35,050	41,110	47,740	55,020	63,020	71,780	81,360
HDSD-1500LT#J#-A	4DHN63KE	J / X-Large	33,180	40,350	47,750	55,430	63,440	71,820	80,610	89,840	99,530
HDSD-2200LT#F#-A	4DJNF76KE	F / Large	37,000	45,080	53,240	61,700	70,630	80,210	90,580	101,880	n/a
HDSD-2200LT#J#-A	4DJNF76KE	J / X-Large	39,050	47,600	56,300	65,370	75,020	85,420	96,770	109,210	122,880

CONDENSING UNIT MODEL	COMPRESSOR	CONDENSER / UNIT SIZE	105° F AMBIENT TEMPERATURE								
			-40	-35	-30	-25	-20	-15	-10	-5	0
HDSD-0300LT#B#-D	2DF3F16KE	B / Medium	7,090	8,690	10,380	12,210	14,230	16,460	18,960	21,740	24,830
HDSD-0300LT#D#-D	2DF3F16KE	D / Medium	7,450	9,160	10,980	12,970	15,190	17,680	20,500	23,670	27,240
HDSD-0400LT#B#-D	2DL3F20KE	B / Medium	8,460	10,170	12,120	14,280	16,630	19,140	21,790	n/a	n/a
HDSD-0400LT#D#-D	2DL3F20KE	D / Medium	8,900	10,790	12,950	15,380	18,060	20,960	24,070	27,370	30,850
HDSD-0600LT#B#-D	2DB3F25KE	B / Medium	10,190	12,520	14,870	17,300	19,870	22,630	n/a	n/a	n/a
HDSD-0600LT#D#-D	2DB3F25KE	D / Medium	10,880	13,480	16,120	18,910	21,900	25,160	28,740	32,710	37,080
HDSD-0601LT#B#-D	3DA3F28KE	B / Medium	10,500	12,810	15,350	18,100	21,060	n/a	n/a	n/a	n/a
HDSD-0601LT#D#-D	3DA3F28KE	D / Medium	11,840	14,390	17,240	20,380	23,820	27,570	31,620	35,960	n/a
HDSD-0750LT#D#-D	3DB3F33KE	D / Medium	13,800	17,150	20,620	24,290	28,240	32,520	n/a	n/a	n/a
HDSD-0750LT#F#-D	3DB3F33KE	F / Large	15,920	19,680	23,620	27,830	32,400	37,400	42,920	49,030	55,800
HDSD-0900LT#F#-D	3DF3F40KE	F / Large	17,930	22,420	27,210	32,370	37,970	44,060	50,710	57,960	65,830
HDSD-0900LT#J#-D	3DF3F40KE	J / X-Large	18,540	23,160	28,110	33,460	39,290	45,670	52,670	60,350	68,750
HDSD-1000LT#F#-D	3DS3F46KE	F / Large	19,330	24,190	29,360	34,920	40,940	47,480	54,600	62,320	70,690
HDSD-1000LT#J#-D	3DS3F46KE	J / X-Large	20,070	25,080	30,440	36,230	42,530	49,410	56,940	65,180	74,170
HDSD-1500LT#J#-A	4DHN63KE	J / X-Large	27,750	34,810	41,990	49,340	56,910	64,770	72,940	81,460	90,350
HDSD-2200LT#F#-A	4DJNF76KE	F / Large	30,220	37,980	45,790	53,840	62,310	71,380	n/a	n/a	n/a
HDSD-2200LT#J#-A	4DJNF76KE	J / X-Large	32,130	40,370	48,700	57,350	66,500	76,370	87,120	98,920	n/a

NOTE: All temperatures shown reflect the midpoint evaporator temperature. Solid black shading with white font indicates products for non-DOE regulated applications in above Table.

\* Estimated unit shipment weights based on condenser size are as follows: Small - 400 lbs.; Medium - 650 lbs.; Large - 1,250 lbs.; X-Large - 1,575 lbs.

# High Efficiency H-Series Condensing Units

## HDSD Copeland Discus Compressors - Med Temp R-407F

### Med Temperature - R-407F Specifications

CONDENSING UNIT MODEL	COMPRESSOR	CONDENSER / UNIT SIZE	OUTDOOR DOE AWEF	208/3/60				460/3/60				LIQ OD IN	SUCTION OD IN	DEFAULT RECEIVER	INDOOR MODEL	INDOOR DOE AWEF
				COMP RLA	FAN RLA	MCA	MOPD	COMP RLA	FAN RLA	MCA	MOPD					
HDSD-0500MF#B#-D	2DC3R53KE	B / Medium	7.60	20.0	1.2	29.2	45	9.4	0.7	14.0	20	1/2	1-3/8	C - 23.0 LBS	HESD-0500MF#B#-A	n/a
HDSD-0500MF#D#-D	2DC3R53KE	D / Medium	7.60	20.0	2.1	30.1	50	9.4	1.3	14.6	20	1/2	1-3/8	E - 57.9 LBS	HESD-0500MF#D#-D	5.61
HDSD-0501MF#D#-D	2DD3R63KE	D / Medium	7.60	20.0	2.1	30.1	50	9.4	1.3	14.6	20	5/8	1-3/8	E - 57.9 LBS	HESD-0501MF#D#-D	5.61
HDSD-0501MF#F#-D	2DD3R63KE	F / Large	7.60	20.0	3.2	31.2	50	9.4	1.9	15.2	20	5/8	1-3/8	F - 88.5 LBS	HESD-0501MF#F#-D	5.61
HDSD-0750MF#F#-D	2DL3R78KE	F / Large	7.60	28.3	3.2	41.6	60	12.4	1.9	18.9	30	5/8	1-3/8	F - 88.5 LBS	HESD-0750MF#F#-D	5.61
HDSD-0750MF#J#-D	2DL3R78KE	J / X-Large	7.60	28.3	4.2	42.6	70	12.4	2.5	19.5	30	5/8	1-3/8	H - 107.6 LBS	HESD-0750MF#J#-D	5.61
HDSD-0751MF#F#-D	2DA3R89KE	F / Large	7.60	28.7	3.2	42.1	70	12.6	1.9	19.2	30	5/8	1-3/8	F - 88.5 LBS	HESD-0751MF#F#-D	5.61
HDSD-0751MF#J#-D	2DA3R89KE	J / X-Large	7.60	28.7	4.2	43.1	70	12.6	2.5	19.8	30	5/8	1-3/8	H - 107.6 LBS	HESD-0751MF#J#-D	5.61
HDSD-0752MF#F#-D	3DA3R10ME	F / Large	7.60	36.8	3.2	52.2	80	17.9	1.9	25.8	40	5/8	1-3/8	F - 88.5 LBS	HESD-0752MF#F#-D	5.61
HDSD-0752MF#J#-D	3DA3R10ME	J / X-Large	7.60	36.8	4.2	53.2	90	17.9	2.5	26.4	40	5/8	1-3/8	H - 107.6 LBS	HESD-0752MF#J#-D	5.61
HDSD-1000MF#F#-D	3DB3R12ME	F / Large	7.60	39.1	3.2	55.1	90	17.9	1.9	25.8	40	7/8	1-3/8	F - 88.5 LBS	HESD-1000MF#F#-D	5.61
HDSD-1000MF#J#-D	3DB3R12ME	J / X-Large	7.60	39.1	4.2	56.1	90	17.9	2.5	26.4	40	7/8	1-3/8	H - 107.6 LBS	HESD-1000MF#J#-D	5.61
HDSD-1200MF#J#-D	3DF3R15ME	J / X-Large	7.60	43.2	4.2	61.2	100	21.2	2.5	30.5	50	7/8	1-3/8	H - 107.6 LBS	HESD-1200MF#J#-D	5.61
HDSD-1500MF#J#-D	3DS3R17ME	J / X-Large	7.60	53.5	4.2	74.1	125	26.0	2.5	36.5	60	7/8	1-5/8	H - 107.6 LBS	HESD-1500MF#J#-D	5.61

### Med Temperature - R-407F Performance

CONDENSING UNIT MODEL	COMPRESSOR	CONDENSER / UNIT SIZE	95° F AMBIENT TEMPERATURE									
			0	5	10	15	20	25	30	35	40	45
HDSD-0500MF#B#-D	2DC3R53KE	B / Medium	21,540	24,090	26,890	29,920	33,180	36,640	40,290	n/a	n/a	n/a
HDSD-0500MF#D#-D	2DC3R53KE	D / Medium	23,040	25,970	29,240	32,810	36,690	40,860	45,320	50,060	55,070	60,330
HDSD-0501MF#D#-D	2DD3R63KE	D / Medium	26,850	30,030	33,570	37,450	41,640	46,140	50,920	55,970	61,270	66,800
HDSD-0501MF#F#-D	2DD3R63KE	F / Large	28,930	32,700	36,940	41,640	46,800	52,410	58,470	64,970	71,910	79,270
HDSD-0750MF#F#-D	2DL3R78KE	F / Large	37,420	42,010	46,940	52,260	58,030	64,280	71,060	78,410	86,370	94,950
HDSD-0750MF#J#-D	2DL3R78KE	J / X-Large	38,110	42,860	47,990	53,560	59,610	66,190	73,370	81,170	89,640	98,820
HDSD-0751MF#F#-D	2DA3R89KE	F / Large	40,510	45,750	51,450	57,620	64,270	71,380	78,970	87,010	95,510	104,460
HDSD-0751MF#J#-D	2DA3R89KE	J / X-Large	41,390	46,840	52,800	59,280	66,290	73,850	81,940	90,580	99,760	109,480
HDSD-0752MF#F#-D	3DA3R10ME	F / Large	46,680	53,000	59,970	67,510	75,530	83,930	92,630	101,540	110,600	119,720
HDSD-0752MF#J#-D	3DA3R10ME	J / X-Large	48,000	54,600	61,930	69,920	78,470	87,490	96,920	106,660	116,640	126,800
HDSD-1000MF#F#-D	3DB3R12ME	F / Large	55,320	62,400	70,160	78,490	87,290	96,450	105,870	115,460	125,130	134,810
HDSD-1000MF#J#-D	3DB3R12ME	J / X-Large	57,140	64,600	72,840	81,760	91,260	101,240	111,610	122,270	133,150	144,160
HDSD-1200MF#J#-D	3DF3R15ME	J / X-Large	64,840	73,270	82,600	92,690	103,360	114,480	125,920	137,520	149,190	160,810
HDSD-1500MF#J#-D	3DS3R17ME	J / X-Large	74,920	84,590	94,930	105,850	117,250	129,020	141,080	153,320	165,660	n/a

CONDENSING UNIT MODEL	COMPRESSOR	CONDENSER / UNIT SIZE	105° F AMBIENT TEMPERATURE									
			0	5	10	15	20	25	30	35	40	45
HDSD-0500MF#B#-D	2DC3R53KE	B / Medium	19,640	21,890	24,400	27,140	n/a	n/a	n/a	n/a	n/a	n/a
HDSD-0500MF#D#-D	2DC3R53KE	D / Medium	20,950	23,570	26,510	29,750	33,290	37,120	41,230	45,600	n/a	n/a
HDSD-0501MF#D#-D	2DD3R63KE	D / Medium	24,720	27,510	30,660	34,140	37,940	42,030	n/a	n/a	n/a	n/a
HDSD-0501MF#F#-D	2DD3R63KE	F / Large	26,530	29,890	33,700	37,960	42,670	47,830	53,420	59,430	65,870	72,730
HDSD-0750MF#F#-D	2DL3R78KE	F / Large	34,530	38,550	43,060	47,930	53,220	58,970	65,230	72,030	79,410	87,390
HDSD-0750MF#J#-D	2DL3R78KE	J / X-Large	35,030	39,380	44,080	49,190	54,750	60,810	67,440	74,660	82,540	91,090
HDSD-0751MF#F#-D	2DA3R89KE	F / Large	36,990	41,820	47,060	52,730	58,820	65,360	72,320	79,710	87,520	95,750
HDSD-0751MF#J#-D	2DA3R89KE	J / X-Large	37,830	42,850	48,340	54,300	60,760	67,700	75,150	83,100	91,560	100,520
HDSD-0752MF#F#-D	3DA3R10ME	F / Large	42,250	48,150	54,640	61,640	69,050	76,780	84,770	92,920	n/a	n/a
HDSD-0752MF#J#-D	3DA3R10ME	J / X-Large	43,470	49,640	56,470	63,870	71,770	80,090	88,740	97,650	106,760	115,990
HDSD-1000MF#F#-D	3DB3R12ME	F / Large	50,060	56,660	63,860	71,560	79,660	88,060	n/a	n/a	n/a	n/a
HDSD-1000MF#J#-D	3DB3R12ME	J / X-Large	51,820	58,790	66,450	74,710	83,470	92,640	102,140	111,870	121,760	n/a
HDSD-1200MF#J#-D	3DF3R15ME	J / X-Large	58,700	66,510	75,140	84,440	94,250	104,450	114,900	n/a	n/a	n/a
HDSD-1500MF#J#-D	3DS3R17ME	J / X-Large	68,390	77,530	87,220	97,360	107,860	118,630	n/a	n/a	n/a	n/a

NOTE: All temperatures shown reflect the midpoint evaporator temperature. Solid black shading with white font indicates products for non-DOE regulated applications in above Table.

\* Estimated unit shipment weights based on condenser size are as follows: Small - 400 lbs.; Medium - 650 lbs.; Large - 1,250 lbs.; X-Large - 1,575 lbs.

# High Efficiency H-Series Condensing Units

## HDSD Copeland Discus Compressors - Med Temp R-507A

### Med Temperature - R-507A Specifications

CONDENSING UNIT MODEL	COMPRESSOR	CONDENSER / UNIT SIZE	OUTDOOR DOE AWEF	208/3/60				460/3/60				LIQ OD IN	SUCTION OD IN	DEFAULT RECEIVER	INDOOR MODEL	INDOOR DOE AWEF
				COMP RLA	FAN RLA	MCA	MOPD	COMP RLA	FAN RLA	MCA	MOPD					
HDSD-0500MP#B#-D	2DC3R53KE	B / Medium	7.60	20.0	1.2	29.2	45	9.4	0.7	14.0	20	1/2	1-3/8	C - 21.4 LBS	HESD-0500MP#B#-A	n/a
HDSD-0500MP#D#-D	2DC3R53KE	D / Medium	7.60	20.0	2.1	30.1	50	9.4	1.3	14.6	20	1/2	1-3/8	E - 53.9 LBS	HESD-0500MP#D#-D	5.61
HDSD-0501MP#D#-D	2DD3R63KE	D / Medium	7.60	20.0	2.1	30.1	50	9.4	1.3	14.6	20	5/8	1-3/8	E - 53.9 LBS	HESD-0501MP#D#-D	5.61
HDSD-0501MP#F#-D	2DD3R63KE	F / Large	7.60	20.0	3.2	31.2	50	9.4	1.9	15.2	20	5/8	1-3/8	F - 82.3 LBS	HESD-0501MP#F#-D	5.61
HDSD-0750MP#F#-D	2DL3R78KE	F / Large	7.60	28.3	3.2	41.6	60	12.4	1.9	18.9	30	5/8	1-3/8	F - 82.3 LBS	HESD-0750MP#F#-D	5.61
HDSD-0750MP#J#-D	2DL3R78KE	J / X-Large	7.60	28.3	4.2	42.6	70	12.4	2.5	19.5	30	5/8	1-3/8	H - 100.1 LBS	HESD-0750MP#J#-D	5.61
HDSD-0751MP#F#-D	2DA3R89KE	F / Large	7.60	28.7	3.2	42.1	70	12.6	1.9	19.2	30	5/8	1-3/8	F - 82.3 LBS	HESD-0751MP#F#-D	5.61
HDSD-0751MP#J#-D	2DA3R89KE	J / X-Large	7.60	28.7	4.2	43.1	70	12.6	2.5	19.8	30	5/8	1-3/8	H - 100.1 LBS	HESD-0751MP#J#-D	5.61
HDSD-0752MP#F#-D	3DA3R10ME	F / Large	7.60	36.8	3.2	52.2	80	17.9	1.9	25.8	40	5/8	1-3/8	F - 82.3 LBS	HESD-0752MP#F#-D	5.61
HDSD-0752MP#J#-D	3DA3R10ME	J / X-Large	7.60	36.8	4.2	53.2	90	17.9	2.5	26.4	40	5/8	1-3/8	H - 100.1 LBS	HESD-0752MP#J#-D	5.61
HDSD-1000MP#F#-D	3DB3R12ME	F / Large	7.60	39.1	3.2	55.1	90	17.9	1.9	25.8	40	7/8	1-3/8	F - 82.3 LBS	HESD-1000MP#F#-D	5.61
HDSD-1000MP#J#-D	3DB3R12ME	J / X-Large	7.60	39.1	4.2	56.1	90	17.9	2.5	26.4	40	7/8	1-3/8	H - 100.1 LBS	HESD-1000MP#J#-D	5.61
HDSD-1200MP#F#-D	3DF3R15ME	J / X-Large	7.60	43.2	4.2	61.2	100	21.2	2.5	30.5	50	7/8	1-3/8	H - 100.1 LBS	HESD-1200MP#F#-D	5.61
HDSD-1500MP#J#-D	3DS3R17ME	J / X-Large	7.60	53.5	4.2	74.1	125	26.0	2.5	36.5	60	7/8	1-5/8	H - 100.1 LBS	HESD-1500MP#J#-A	n/a

### Med Temperature - R-507A Performance

CONDENSING UNIT MODEL	COMPRESSOR	CONDENSER / UNIT SIZE	95° F AMBIENT TEMPERATURE									
			0	5	10	15	20	25	30	35	40	45
HDSD-0500MP#B#-D	2DC3R53KE	B / Medium	22,440	25,010	27,720	30,560	33,490	36,510	39,580	42,710	45,860	n/a
HDSD-0500MP#D#-D	2DC3R53KE	D / Medium	24,300	27,300	30,520	33,940	37,550	41,330	45,260	49,330	53,520	57,820
HDSD-0501MP#D#-D	2DD3R63KE	D / Medium	28,760	32,120	35,730	39,550	43,540	47,670	51,920	56,260	60,660	65,100
HDSD-0501MP#F#-D	2DD3R63KE	F / Large	31,540	35,590	40,010	44,790	49,910	55,350	61,080	67,070	73,320	79,800
HDSD-0750MP#F#-D	2DL3R78KE	F / Large	38,590	43,250	48,290	53,720	59,510	65,650	72,130	78,920	86,010	93,390
HDSD-0750MP#J#-D	2DL3R78KE	J / X-Large	39,430	44,290	49,580	55,290	61,430	67,970	74,920	82,250	89,950	98,020
HDSD-0751MP#F#-D	2DA3R89KE	F / Large	45,060	50,140	55,560	61,330	67,460	73,950	80,790	87,990	95,530	103,410
HDSD-0751MP#J#-D	2DA3R89KE	J / X-Large	46,220	51,540	57,260	63,390	69,950	76,930	84,360	92,220	100,520	109,250
HDSD-0752MP#F#-D	3DA3R10ME	F / Large	51,660	57,450	63,610	70,130	77,000	84,200	91,700	99,490	107,550	115,860
HDSD-0752MP#J#-D	3DA3R10ME	J / X-Large	52,980	59,100	65,670	72,670	80,100	87,950	96,200	104,850	113,860	123,230
HDSD-1000MP#F#-D	3DB3R12ME	F / Large	60,670	67,160	73,950	81,060	88,480	96,220	104,260	112,610	121,250	130,170
HDSD-1000MP#J#-D	3DB3R12ME	J / X-Large	62,700	69,630	76,960	84,690	92,850	101,430	110,440	119,880	129,750	140,030
HDSD-1200MP#F#-D	3DF3R15ME	J / X-Large	75,270	83,270	91,700	100,570	109,850	119,540	129,600	140,020	150,770	161,820
HDSD-1500MP#J#-D	3DS3R17ME	J / X-Large	82,020	90,580	99,570	108,980	118,780	128,960	139,480	150,320	161,440	172,810

CONDENSING UNIT MODEL	COMPRESSOR	CONDENSER / UNIT SIZE	105° F AMBIENT TEMPERATURE									
			0	5	10	15	20	25	30	35	40	45
HDSD-0500MP#B#-D	2DC3R53KE	B / Medium	20,010	22,310	24,730	27,250	29,850	32,530	n/a	n/a	n/a	n/a
HDSD-0500MP#D#-D	2DC3R53KE	D / Medium	21,730	24,410	27,290	30,350	33,570	36,950	40,460	44,090	47,830	51,670
HDSD-0501MP#D#-D	2DD3R63KE	D / Medium	25,840	28,820	32,010	35,390	38,920	42,570	46,320	50,140	n/a	n/a
HDSD-0501MP#F#-D	2DD3R63KE	F / Large	28,430	32,050	36,030	40,320	44,920	49,800	54,950	60,330	65,940	71,760
HDSD-0750MP#F#-D	2DL3R78KE	F / Large	34,910	39,130	43,670	48,550	53,750	59,250	65,050	71,120	77,470	84,070
HDSD-0750MP#J#-D	2DL3R78KE	J / X-Large	35,700	40,100	44,880	50,030	55,550	61,430	67,660	74,240	81,150	88,390
HDSD-0751MP#F#-D	2DA3R89KE	F / Large	40,690	45,310	50,220	55,420	60,910	66,720	72,830	79,250	85,970	92,990
HDSD-0751MP#J#-D	2DA3R89KE	J / X-Large	41,800	46,650	51,840	57,370	63,260	69,520	76,160	83,200	90,620	98,430
HDSD-0752MP#F#-D	3DA3R10ME	F / Large	47,410	52,640	58,170	64,000	70,110	76,500	83,150	90,040	97,170	104,510
HDSD-0752MP#J#-D	3DA3R10ME	J / X-Large	48,690	54,220	60,110	66,370	73,000	79,980	87,310	94,980	102,980	111,290
HDSD-1000MP#F#-D	3DB3R12ME	F / Large	55,160	61,040	67,140	73,490	80,080	86,930	94,040	101,400	109,030	n/a
HDSD-1000MP#J#-D	3DB3R12ME	J / X-Large	57,130	63,420	70,030	76,960	84,240	91,870	99,880	108,260	117,020	126,160
HDSD-1200MP#F#-D	3DF3R15ME	J / X-Large	68,510	75,710	83,260	91,140	99,370	107,920	116,790	125,960	135,420	n/a
HDSD-1500MP#J#-D	3DS3R17ME	J / X-Large	74,600	82,300	90,330	98,680	107,340	116,300	125,550	135,050	n/a	n/a

NOTE: All temperatures shown reflect the midpoint evaporator temperature. Solid black shading with white font indicates products for non-DOE regulated applications in above Table.

\* Estimated unit shipment weights based on condenser size are as follows: Small - 400 lbs.; Medium - 650 lbs.; Large - 1,250 lbs.; X-Large - 1,575 lbs.

# High Efficiency H-Series Condensing Units

## HDSD Copeland Discus Compressors - Med Temp R-407A

### Med Temperature - R-407A Specifications

CONDENSING UNIT MODEL	COMPRESSOR	CONDENSER / UNIT SIZE	OUTDOOR DOE AWEF	208/3/60				460/3/60				LIQ OD IN	SUCTION IN	DEFAULT RECEIVER	INDOOR MODEL	INDOOR DOE AWEF
				COMP RLA	FAN RLA	MCA	MOPD	COMP RLA	FAN RLA	MCA	MOPD					
HDSD-0500MQ#B#-D	2DC3R53KE	B / Medium	7.60	20.0	1.2	29.2	45	9.4	0.7	14.0	20	1/2	1-3/8	C - 23.6 LBS	HESD-0500MQ#B#-A	n/a
HDSD-0500MQ#D#-D	2DC3R53KE	D / Medium	7.60	20.0	2.1	30.1	50	9.4	1.3	14.6	20	1/2	1-3/8	E - 59.4 LBS	HESD-0500MQ#D#-D	5.61
HDSD-0501MQ#D#-D	2DD3R63KE	D / Medium	7.60	20.0	2.1	30.1	50	9.4	1.3	14.6	20	5/8	1-3/8	E - 59.4 LBS	HESD-0501MQ#D#-D	5.61
HDSD-0501MQ#F#-D	2DD3R63KE	F / Large	7.60	20.0	3.2	31.2	50	9.4	1.9	15.2	20	5/8	1-3/8	F - 90.7 LBS	HESD-0501MQ#F#-D	5.61
HDSD-0750MQ#F#-D	2DL3R78KE	F / Large	7.60	28.3	3.2	41.6	60	12.4	1.9	18.9	30	5/8	1-3/8	F - 90.7 LBS	HESD-0750MQ#F#-D	5.61
HDSD-0750MQ#J#-D	2DL3R78KE	J / X-Large	7.60	28.3	4.2	42.6	70	12.4	2.5	19.5	30	5/8	1-3/8	H - 110.3 LBS	HESD-0750MQ#J#-D	5.61
HDSD-0751MQ#F#-D	2DA3R89KE	F / Large	7.60	28.7	3.2	42.1	70	12.6	1.9	19.2	30	5/8	1-3/8	F - 90.7 LBS	HESD-0751MQ#F#-D	5.61
HDSD-0751MQ#J#-D	2DA3R89KE	J / X-Large	7.60	28.7	4.2	43.1	70	12.6	2.5	19.8	30	5/8	1-3/8	H - 110.3 LBS	HESD-0751MQ#J#-D	5.61
HDSD-0752MQ#F#-D	3DA3R10ME	F / Large	7.60	36.8	3.2	52.2	80	17.9	1.9	25.8	40	5/8	1-3/8	F - 90.7 LBS	HESD-0752MQ#F#-D	5.61
HDSD-0752MQ#J#-D	3DA3R10ME	J / X-Large	7.60	36.8	4.2	53.2	90	17.9	2.5	26.4	40	5/8	1-3/8	H - 110.3 LBS	HESD-0752MQ#J#-D	5.61
HDSD-1000MQ#F#-D	3DB3R12ME	F / Large	7.60	39.1	3.2	55.1	90	17.9	1.9	25.8	40	7/8	1-3/8	F - 90.7 LBS	HESD-1000MQ#F#-D	5.61
HDSD-1000MQ#J#-D	3DB3R12ME	J / X-Large	7.60	39.1	4.2	56.1	90	17.9	2.5	26.4	40	7/8	1-3/8	H - 110.3 LBS	HESD-1000MQ#J#-D	5.61
HDSD-1200MQ#J#-D	3DF3R15ME	J / X-Large	7.60	43.2	4.2	61.2	100	21.2	2.5	30.5	50	7/8	1-3/8	H - 110.3 LBS	HESD-1200MQ#J#-D	5.61
HDSD-1500MQ#J#-D	3DS3R17ME	J / X-Large	7.60	53.5	4.2	74.1	125	26.0	2.5	36.5	60	7/8	1-5/8	H - 110.3 LBS	HESD-1500MQ#J#-D	5.61

### Med Temperature - R-407A Performance

			95° F AMBIENT TEMPERATURE									
CONDENSING UNIT MODEL	COMPRESSOR	CONDENSER / UNIT SIZE	0	5	10	15	20	25	30	35	40	45
HDSD-0500MQ#B#-D	2DC3R53KE	B / Medium	21,540	24,090	26,890	29,920	33,180	36,640	40,290	n/a	n/a	n/a
HDSD-0500MQ#D#-D	2DC3R53KE	D / Medium	23,040	25,970	29,240	32,810	36,690	40,860	45,320	50,060	55,070	60,330
HDSD-0501MQ#D#-D	2DD3R63KE	D / Medium	26,830	30,000	33,540	37,400	41,590	46,080	50,850	55,890	61,170	66,690
HDSD-0501MQ#F#-D	2DD3R63KE	F / Large	28,910	32,680	36,910	41,610	46,770	52,380	58,440	64,930	71,860	79,220
HDSD-0750MQ#F#-D	2DL3R78KE	F / Large	37,420	42,010	46,940	52,260	58,030	64,280	71,060	78,410	86,370	94,950
HDSD-0750MQ#J#-D	2DL3R78KE	J / X-Large	38,110	42,860	47,990	53,560	59,610	66,190	73,370	81,170	89,640	98,820
HDSD-0751MQ#F#-D	2DA3R89KE	F / Large	40,510	45,750	51,450	57,620	64,270	71,380	78,970	87,010	95,510	104,460
HDSD-0751MQ#J#-D	2DA3R89KE	J / X-Large	41,390	46,840	52,800	59,280	66,290	73,850	81,940	90,580	99,760	109,480
HDSD-0752MQ#F#-D	3DA3R10ME	F / Large	46,680	53,000	59,970	67,510	75,530	83,930	92,630	101,540	110,600	119,720
HDSD-0752MQ#J#-D	3DA3R10ME	J / X-Large	48,000	54,600	61,930	69,920	78,470	87,490	96,920	106,660	116,640	126,800
HDSD-1000MQ#F#-D	3DB3R12ME	F / Large	55,320	62,400	70,160	78,490	87,290	96,450	105,870	115,460	125,130	134,810
HDSD-1000MQ#J#-D	3DB3R12ME	J / X-Large	57,140	64,600	72,840	81,760	91,260	101,240	111,610	122,270	133,150	144,160
HDSD-1200MQ#J#-D	3DF3R15ME	J / X-Large	64,840	73,270	82,600	92,690	103,360	114,480	125,920	137,520	149,190	160,810
HDSD-1500MQ#J#-D	3DS3R17ME	J / X-Large	74,920	84,590	94,930	105,850	117,250	129,020	141,080	153,320	165,660	n/a

			105° F AMBIENT TEMPERATURE									
CONDENSING UNIT MODEL	COMPRESSOR	CONDENSER / UNIT SIZE	0	5	10	15	20	25	30	35	40	45
HDSD-0500MQ#B#-D	2DC3R53KE	B / Medium	19,640	21,890	24,400	27,140	n/a	n/a	n/a	n/a	n/a	n/a
HDSD-0500MQ#D#-D	2DC3R53KE	D / Medium	20,950	23,570	26,510	29,750	33,290	37,120	41,230	45,600	n/a	n/a
HDSD-0501MQ#D#-D	2DD3R63KE	D / Medium	24,690	27,480	30,620	34,100	37,890	41,970	n/a	n/a	n/a	n/a
HDSD-0501MQ#F#-D	2DD3R63KE	F / Large	26,520	29,870	33,680	37,940	42,650	47,800	53,380	59,390	65,820	72,680
HDSD-0750MQ#F#-D	2DL3R78KE	F / Large	34,350	38,550	43,060	47,930	53,220	58,970	65,230	72,030	79,410	87,390
HDSD-0750MQ#J#-D	2DL3R78KE	J / X-Large	35,030	39,380	44,080	49,190	54,750	60,810	67,440	74,660	82,540	91,090
HDSD-0751MQ#F#-D	2DA3R89KE	F / Large	36,990	41,820	47,060	52,730	58,820	65,360	72,320	79,710	87,520	95,750
HDSD-0751MQ#J#-D	2DA3R89KE	J / X-Large	37,830	42,850	48,340	54,300	60,760	67,700	75,150	83,100	91,560	100,520
HDSD-0752MQ#F#-D	3DA3R10ME	F / Large	42,250	48,150	54,640	61,640	69,050	76,780	84,770	92,920	n/a	n/a
HDSD-0752MQ#J#-D	3DA3R10ME	J / X-Large	43,470	49,640	56,470	63,870	71,770	80,090	88,740	97,650	106,760	115,990
HDSD-1000MQ#F#-D	3DB3R12ME	F / Large	50,060	56,660	63,860	71,560	79,660	88,060	n/a	n/a	n/a	n/a
HDSD-1000MQ#J#-D	3DB3R12ME	J / X-Large	51,820	58,790	66,450	74,710	83,470	92,640	102,140	111,870	121,760	n/a
HDSD-1200MQ#J#-D	3DF3R15ME	J / X-Large	58,700	66,510	75,140	84,440	94,250	104,450	114,900	n/a	n/a	n/a
HDSD-1500MQ#J#-D	3DS3R17ME	J / X-Large	68,390	77,530	87,220	97,360	107,860	118,630	n/a	n/a	n/a	n/a

NOTE: All temperatures shown reflect the midpoint evaporator temperature. Solid black shading with white font indicates products for non-DOE regulated applications in above Table.

\* Estimated unit shipment weights based on condenser size are as follows: Small - 400 lbs.; Medium - 650 lbs.; Large - 1,250 lbs.; X-Large - 1,575 lbs.

# High Efficiency H-Series Condensing Units

## HDSD Copeland Discus Compressors - Med Temp R-449A

### Med Temperature - R-449A Specifications

CONDENSING UNIT MODEL	COMPRESSOR	CONDENSER / UNIT SIZE	OUTDOOR DOE AWEF	208/3/60				460/3/60				LIQ OD IN	SUCTION OD IN	DEFAULT RECEIVER	INDOOR MODEL	INDOOR DOE AWEF
				COMP RLA	FAN RLA	MCA	MOPD	COMP RLA	FAN RLA	MCA	MOPD					
HDSD-0500MR#B#-D	2DC3R53KE	B / Medium	7.60	20.0	1.2	29.2	45	9.4	0.7	14.0	20	1/2	1-3/8	C - 22.5 LBS	HESD-0500MR#B#-A	n/a
HDSD-0500MR#D#-D	2DC3R53KE	D / Medium	7.60	20.0	2.1	30.1	50	9.4	1.3	14.6	20	1/2	1-3/8	E - 56.6 LBS	HESD-0500MR#D#-D	5.61
HDSD-0501MR#D#-D	2DD3R63KE	D / Medium	7.60	20.0	2.1	30.1	50	9.4	1.3	14.6	20	5/8	1-3/8	E - 56.6 LBS	HESD-0501MR#D#-D	5.61
HDSD-0501MR#F#-D	2DD3R63KE	F / Large	7.60	20.0	3.2	31.2	50	9.4	1.9	15.2	20	5/8	1-3/8	F - 86.5 LBS	HESD-0501MR#F#-D	5.61
HDSD-0750MR#F#-D	2DL3R78KE	F / Large	7.60	28.3	3.2	41.6	60	12.4	1.9	18.9	30	5/8	1-3/8	F - 86.5 LBS	HESD-0750MR#F#-D	5.61
HDSD-0750MR#J#-D	2DL3R78KE	J / X-Large	7.60	28.3	4.2	42.6	70	12.4	2.5	19.5	30	5/8	1-3/8	H - 105.2 LBS	HESD-0750MR#J#-D	5.61
HDSD-0751MR#F#-D	2DA3R89KE	F / Large	7.60	28.7	3.2	42.1	70	12.6	1.9	19.2	30	5/8	1-3/8	F - 86.5 LBS	HESD-0751MR#F#-D	5.61
HDSD-0751MR#J#-D	2DA3R89KE	J / X-Large	7.60	28.7	4.2	43.1	70	12.6	2.5	19.8	30	5/8	1-3/8	H - 105.2 LBS	HESD-0751MR#J#-D	5.61
HDSD-0752MR#F#-D	3DA3R10ME	F / Large	7.60	36.8	3.2	52.2	80	17.9	1.9	25.8	40	5/8	1-3/8	F - 86.5 LBS	HESD-0752MR#F#-D	5.61
HDSD-0752MR#J#-D	3DA3R10ME	J / X-Large	7.60	36.8	4.2	53.2	90	17.9	2.5	26.4	40	5/8	1-3/8	H - 105.2 LBS	HESD-0752MR#J#-D	5.61
HDSD-1000MR#F#-D	3DB3R12ME	F / Large	7.60	39.1	3.2	55.1	90	17.9	1.9	25.8	40	7/8	1-3/8	F - 86.5 LBS	HESD-1000MR#F#-D	5.61
HDSD-1000MR#J#-D	3DB3R12ME	J / X-Large	7.60	39.1	4.2	56.1	90	17.9	2.5	26.4	40	7/8	1-3/8	H - 105.2 LBS	HESD-1000MR#J#-D	5.61
HDSD-1200MR#J#-D	3DF3R15ME	J / X-Large	7.60	43.2	4.2	61.2	100	21.2	2.5	30.5	50	7/8	1-3/8	H - 105.2 LBS	HESD-1200MR#J#-D	5.61
HDSD-1500MR#J#-D	3DS3R17ME	J / X-Large	7.60	53.5	4.2	74.1	125	26.0	2.5	36.5	60	7/8	1-5/8	H - 105.2 LBS	HESD-1500MR#J#-D	5.61

### Med Temperature - R-449A Performance

CONDENSING UNIT MODEL	COMPRESSOR	CONDENSER / UNIT SIZE	95° F AMBIENT TEMPERATURE									
			0	5	10	15	20	25	30	35	40	45
HDSD-0500MR#B#-D	2DC3R53KE	B / Medium	22,530	25,160	28,010	31,080	34,330	37,760	n/a	n/a	n/a	n/a
HDSD-0500MR#D#-D	2DC3R53KE	D / Medium	24,150	27,180	30,520	34,150	38,060	42,230	46,640	51,280	56,150	61,220
HDSD-0501MR#D#-D	2DD3R63KE	D / Medium	28,110	31,390	35,000	38,910	43,120	47,580	52,280	57,190	62,290	n/a
HDSD-0501MR#F#-D	2DD3R63KE	F / Large	30,340	34,240	38,580	43,370	48,570	54,190	60,200	66,590	73,360	80,490
HDSD-0750MR#F#-D	2DL3R78KE	F / Large	38,740	43,530	48,650	54,140	60,030	66,360	73,150	80,420	88,200	96,500
HDSD-0750MR#J#-D	2DL3R78KE	J / X-Large	39,450	44,420	49,750	55,490	61,670	68,340	75,530	83,270	91,590	100,510
HDSD-0751MR#F#-D	2DA3R89KE	F / Large	42,540	47,940	53,770	60,030	66,710	73,800	81,290	89,160	97,410	106,010
HDSD-0751MR#J#-D	2DA3R89KE	J / X-Large	43,470	49,090	55,190	61,780	68,840	76,380	84,390	92,860	101,790	111,170
HDSD-0752MR#F#-D	3DA3R10ME	F / Large	50,120	56,730	63,760	71,160	78,890	86,920	95,190	103,680	112,330	121,120
HDSD-0752MR#J#-D	3DA3R10ME	J / X-Large	51,690	58,560	65,920	73,730	81,960	90,570	99,530	108,820	118,380	128,190
HDSD-1000MR#F#-D	3DB3R12ME	F / Large	59,070	66,510	74,340	82,540	91,040	99,800	108,760	117,870	127,100	136,390
HDSD-1000MR#J#-D	3DB3R12ME	J / X-Large	61,270	69,060	77,350	86,090	95,250	104,780	114,650	124,800	135,200	145,800
HDSD-1200MR#J#-D	3DF3R15ME	J / X-Large	69,250	78,040	87,440	97,370	107,720	118,390	129,300	140,360	151,490	162,610
HDSD-1500MR#J#-D	3DS3R17ME	J / X-Large	79,640	89,590	100,000	110,790	121,910	133,280	144,830	156,510	168,250	n/a

CONDENSING UNIT MODEL	COMPRESSOR	CONDENSER / UNIT SIZE	105° F AMBIENT TEMPERATURE									
			0	5	10	15	20	25	30	35	40	45
HDSD-0500MR#B#-D	2DC3R53KE	B / Medium	20,560	22,890	25,440	n/a	n/a	n/a	n/a	n/a	n/a	n/a
HDSD-0500MR#D#-D	2DC3R53KE	D / Medium	21,990	24,710	27,720	31,010	34,570	38,390	42,440	n/a	n/a	n/a
HDSD-0501MR#D#-D	2DD3R63KE	D / Medium	25,900	28,780	31,990	35,510	39,300	43,340	n/a	n/a	n/a	n/a
HDSD-0501MR#F#-D	2DD3R63KE	F / Large	27,890	31,370	35,280	39,630	44,380	49,530	55,070	60,980	67,250	73,870
HDSD-0750MR#F#-D	2DL3R78KE	F / Large	35,620	40,050	44,760	49,800	55,200	61,000	67,230	73,920	81,080	88,740
HDSD-0750MR#J#-D	2DL3R78KE	J / X-Large	36,330	40,920	45,830	51,110	56,790	62,920	69,540	76,670	84,340	92,590
HDSD-0751MR#F#-D	2DA3R89KE	F / Large	38,900	43,880	49,250	55,000	61,130	67,630	74,480	81,690	89,230	97,100
HDSD-0751MR#J#-D	2DA3R89KE	J / X-Large	39,810	45,010	50,640	56,700	63,190	70,120	77,470	85,250	93,450	102,060
HDSD-0752MR#F#-D	3DA3R10ME	F / Large	44,960	51,330	58,030	65,010	72,240	79,690	87,310	95,080	n/a	n/a
HDSD-0752MR#J#-D	3DA3R10ME	J / X-Large	46,520	53,140	60,140	67,500	75,180	83,160	91,420	99,910	108,610	117,500
HDSD-1000MR#F#-D	3DB3R12ME	F / Large	52,860	60,000	67,440	75,150	83,070	91,160	n/a	n/a	n/a	n/a
HDSD-1000MR#J#-D	3DB3R12ME	J / X-Large	55,120	62,610	70,480	78,710	87,250	96,070	105,130	114,390	123,830	n/a
HDSD-1200MR#J#-D	3DF3R15ME	J / X-Large	62,290	70,620	79,470	88,730	98,320	108,150	118,140	n/a	n/a	n/a
HDSD-1500MR#J#-D	3DS3R17ME	J / X-Large	72,690	82,170	91,960	102,010	112,260	n/a	n/a	n/a	n/a	n/a

NOTE: All temperatures shown reflect the midpoint evaporator temperature. Solid black shading with white font indicates products for non-DOE regulated applications in above Table.

\* Estimated unit shipment weights based on condenser size are as follows: Small - 400 lbs.; Medium - 650 lbs.; Large - 1,250 lbs.; X-Large - 1,575 lbs.



# High Efficiency H-Series Condensing Units

## HDSD Copeland Discus Compressors - Med Temp R-404A

### Med Temperature - R-404A Specifications

CONDENSING UNIT MODEL	COMPRESSOR	CONDENSER / UNIT SIZE	OUTDOOR DOE AWEF	208/3/60				460/3/60				LIQ OD IN	SUCT OD IN	DEFAULT RECEIVER	INDOOR MODEL	INDOOR DOE AWEF
				COMP RLA	FAN RLA	MCA	MOPD	COMP RLA	FAN RLA	MCA	MOPD					
HDSD-0500MS#B#-D	2DC3R53KE	B / Medium	7.60	20.0	1.2	29.2	45	9.4	0.7	14.0	20	1/2	1-3/8	C - 21.4 LBS	HESD-0500MS#B#-A	n/a
HDSD-0500MS#D#-D	2DC3R53KE	D / Medium	7.60	20.0	2.1	30.1	50	9.4	1.3	14.6	20	1/2	1-3/8	E - 53.9 LBS	HESD-0500MS#D#-D	5.61
HDSD-0501MS#D#-D	2DD3R63KE	D / Medium	7.60	20.0	2.1	30.1	50	9.4	1.3	14.6	20	5/8	1-3/8	E - 53.9 LBS	HESD-0501MS#D#-D	5.61
HDSD-0501MS#F#-D	2DD3R63KE	F / Large	7.60	20.0	3.2	31.2	50	9.4	1.9	15.2	20	5/8	1-3/8	F - 82.3 LBS	HESD-0501MS#F#-D	5.61
HDSD-0750MS#F#-D	2DL3R78KE	F / Large	7.60	28.3	3.2	41.6	60	12.4	1.9	18.9	30	5/8	1-3/8	F - 82.3 LBS	HESD-0750MS#F#-D	5.61
HDSD-0750MS#J#-D	2DL3R78KE	J / X-Large	7.60	28.3	4.2	42.6	70	12.4	2.5	19.5	30	5/8	1-3/8	H - 100.1 LBS	HESD-0750MS#J#-D	5.61
HDSD-0751MS#F#-D	2DA3R89KE	F / Large	7.60	28.7	3.2	42.1	70	12.6	1.9	19.2	30	5/8	1-3/8	F - 82.3 LBS	HESD-0751MS#F#-D	5.61
HDSD-0751MS#J#-D	2DA3R89KE	J / X-Large	7.60	28.7	4.2	43.1	70	12.6	2.5	19.8	30	5/8	1-3/8	H - 100.1 LBS	HESD-0751MS#J#-D	5.61
HDSD-0752MS#F#-D	3DA3R10ME	F / Large	7.60	36.8	3.2	52.2	80	17.9	1.9	25.8	40	5/8	1-3/8	F - 82.3 LBS	HESD-0752MS#F#-D	5.61
HDSD-0752MS#J#-D	3DA3R10ME	J / X-Large	7.60	36.8	4.2	53.2	90	17.9	2.5	26.4	40	5/8	1-3/8	H - 100.1 LBS	HESD-0752MS#J#-D	5.61
HDSD-1000MS#F#-D	3DB3R12ME	F / Large	7.60	39.1	3.2	55.1	90	17.9	1.9	25.8	40	7/8	1-3/8	F - 82.3 LBS	HESD-1000MS#F#-D	5.61
HDSD-1000MS#J#-D	3DB3R12ME	J / X-Large	7.60	39.1	4.2	56.1	90	17.9	2.5	26.4	40	7/8	1-3/8	H - 100.1 LBS	HESD-1000MS#J#-D	5.61
HDSD-1200MS#J#-D	3DF3R15ME	J / X-Large	7.60	43.2	4.2	61.2	100	21.2	2.5	30.5	50	7/8	1-3/8	H - 100.1 LBS	HESD-1200MS#J#-D	5.61
HDSD-1500MS#J#-D	3DS3R17ME	J / X-Large	7.60	53.5	4.2	74.1	125	26.0	2.5	36.5	60	7/8	1-5/8	H - 100.1 LBS	HESD-1500MS#J#-A	n/a

### Med Temperature - R-404A Performance

CONDENSING UNIT MODEL	COMPRESSOR	CONDENSER / UNIT SIZE	95° F AMBIENT TEMPERATURE									
			0	5	10	15	20	25	30	35	40	45
HDSD-0500MS#B#-D	2DC3R53KE	B / Medium	21,920	24,440	27,110	29,900	32,790	35,770	38,820	41,910	45,040	n/a
HDSD-0500MS#D#-D	2DC3R53KE	D / Medium	23,690	26,620	29,770	33,130	36,670	40,380	44,250	48,260	52,390	56,630
HDSD-0501MS#D#-D	2DD3R63KE	D / Medium	28,050	31,350	34,880	38,630	42,560	46,630	50,820	55,100	59,450	63,850
HDSD-0501MS#F#-D	2DD3R63KE	F / Large	30,690	34,640	38,950	43,620	48,620	53,940	59,540	65,410	71,530	77,870
HDSD-0750MS#F#-D	2DL3R78KE	F / Large	37,560	42,110	47,040	52,340	58,000	64,020	70,360	77,020	83,980	91,230
HDSD-0750MS#J#-D	2DL3R78KE	J / X-Large	38,360	43,100	48,260	53,840	59,830	66,220	73,010	80,180	87,730	95,630
HDSD-0751MS#F#-D	2DA3R89KE	F / Large	43,880	48,840	54,140	59,790	65,790	72,150	78,860	85,930	93,340	101,090
HDSD-0751MS#J#-D	2DA3R89KE	J / X-Large	44,980	50,170	55,760	61,750	68,150	74,990	82,250	89,950	98,090	106,650
HDSD-0752MS#F#-D	3DA3R10ME	F / Large	50,310	55,970	62,000	68,390	75,120	82,190	89,560	97,220	105,160	113,350
HDSD-0752MS#J#-D	3DA3R10ME	J / X-Large	51,570	57,540	63,950	70,800	78,070	85,760	93,850	102,330	111,190	120,400
HDSD-1000MS#F#-D	3DB3R12ME	F / Large	59,140	65,490	72,150	79,130	86,420	94,030	101,950	110,180	118,710	127,530
HDSD-1000MS#J#-D	3DB3R12ME	J / X-Large	61,060	67,840	75,010	82,580	90,570	98,990	107,830	117,110	126,820	136,940
HDSD-1200MS#J#-D	3DF3R15ME	J / X-Large	73,370	81,190	89,460	98,160	107,280	116,800	126,720	136,990	147,610	158,530
HDSD-1500MS#J#-D	3DS3R17ME	J / X-Large	79,980	88,360	97,180	106,420	116,070	126,090	136,470	147,180	158,140	169,440

CONDENSING UNIT MODEL	COMPRESSOR	CONDENSER / UNIT SIZE	105° F AMBIENT TEMPERATURE									
			0	5	10	15	20	25	30	35	40	45
HDSD-0500MS#B#-D	2DC3R53KE	B / Medium	19,550	21,800	24,180	26,660	29,240	31,880	n/a	n/a	n/a	n/a
HDSD-0500MS#D#-D	2DC3R53KE	D / Medium	21,180	23,810	26,630	29,630	32,790	36,110	39,560	43,140	46,820	50,610
HDSD-0501MS#D#-D	2DD3R63KE	D / Medium	25,210	28,130	31,260	34,580	38,050	41,650	45,350	49,130	52,960	n/a
HDSD-0501MS#F#-D	2DD3R63KE	F / Large	27,660	31,200	35,080	39,270	43,760	48,540	53,570	58,840	64,340	70,040
HDSD-0750MS#F#-D	2DL3R78KE	F / Large	33,990	38,100	42,540	47,310	52,390	57,780	63,460	69,420	75,650	82,130
HDSD-0750MS#J#-D	2DL3R78KE	J / X-Large	34,740	39,030	43,690	48,710	54,100	59,850	65,950	72,380	79,150	86,250
HDSD-0751MS#F#-D	2DA3R89KE	F / Large	39,630	44,150	48,950	54,030	59,410	65,100	71,100	77,400	84,010	90,920
HDSD-0751MS#J#-D	2DA3R89KE	J / X-Large	40,680	45,420	50,480	55,880	61,640	67,770	74,270	81,160	88,440	96,110
HDSD-0752MS#F#-D	3DA3R10ME	F / Large	46,180	51,290	56,710	62,410	68,410	74,680	81,210	88,000	95,020	102,260
HDSD-0752MS#J#-D	3DA3R10ME	J / X-Large	47,390	52,790	58,540	64,670	71,150	77,980	85,170	92,700	100,550	108,730
HDSD-1000MS#F#-D	3DB3R12ME	F / Large	53,780	59,530	65,520	71,750	78,230	84,970	91,970	99,240	106,770	n/a
HDSD-1000MS#J#-D	3DB3R12ME	J / X-Large	55,650	61,800	68,260	75,050	82,180	89,680	97,540	105,780	114,400	123,410
HDSD-1200MS#J#-D	3DF3R15ME	J / X-Large	66,790	73,840	81,230	88,970	97,050	105,470	114,220	123,270	132,610	n/a
HDSD-1500MS#J#-D	3DS3R17ME	J / X-Large	72,750	80,300	88,180	96,380	104,910	113,740	122,870	132,260	n/a	n/a

NOTE: All temperatures shown reflect the midpoint evaporator temperature. Solid black shading with white font indicates products for non-DOE regulated applications in above Table.

\* Estimated unit shipment weights based on condenser size are as follows: Small - 400 lbs.; Medium - 650 lbs.; Large - 1,250 lbs.; X-Large - 1,575 lbs.

# High Efficiency H-Series Condensing Units

## HDSD Copeland Discus Compressors - Med Temp R-448A

### Med Temperature - R-448A Specifications

CONDENSING UNIT MODEL	COMPRESSOR	CONDENSER / UNIT SIZE	OUTDOOR DOE AWEF	208/3/60				460/3/60				LIQ OD IN	SUCTION OD IN	DEFAULT RECEIVER	INDOOR MODEL	INDOOR DOE AWEF
				COMP RLA	FAN RLA	MCA	MOPD	COMP RLA	FAN RLA	MCA	MOPD					
HDSD-0500MT#B#-D	2DC3R53KE	B / Medium	7.60	20.0	1.2	29.2	45	9.4	0.7	14.0	20	1/2	1-3/8	C - 22.5 LBS	HESD-0500MT#B#-A	n/a
HDSD-0500MT#D#-D	2DC3R53KE	D / Medium	7.60	20.0	2.1	30.1	50	9.4	1.3	14.6	20	1/2	1-3/8	E - 56.6 LBS	HESD-0500MT#D#-D	5.61
HDSD-0501MT#D#-D	2DD3R63KE	D / Medium	7.60	20.0	2.1	30.1	50	9.4	1.3	14.6	20	5/8	1-3/8	E - 56.6 LBS	HESD-0501MT#D#-D	5.61
HDSD-0501MT#F#-D	2DD3R63KE	F / Large	7.60	20.0	3.2	31.2	50	9.4	1.9	15.2	20	5/8	1-3/8	F - 86.5 LBS	HESD-0501MT#F#-D	5.61
HDSD-0750MT#F#-D	2DL3R78KE	F / Large	7.60	28.3	3.2	41.6	60	12.4	1.9	18.9	30	5/8	1-3/8	F - 86.5 LBS	HESD-0750MT#F#-D	5.61
HDSD-0750MT#J#-D	2DL3R78KE	J / X-Large	7.60	28.3	4.2	42.6	70	12.4	2.5	19.5	30	5/8	1-3/8	H - 105.2 LBS	HESD-0750MT#J#-D	5.61
HDSD-0751MT#F#-D	2DA3R89KE	F / Large	7.60	28.7	3.2	42.1	70	12.6	1.9	19.2	30	5/8	1-3/8	F - 86.5 LBS	HESD-0751MT#F#-D	5.61
HDSD-0751MT#J#-D	2DA3R89KE	J / X-Large	7.60	28.7	4.2	43.1	70	12.6	2.5	19.8	30	5/8	1-3/8	H - 105.2 LBS	HESD-0751MT#J#-D	5.61
HDSD-0752MT#F#-D	3DA3R10ME	F / Large	7.60	36.8	3.2	52.2	80	17.9	1.9	25.8	40	5/8	1-3/8	F - 86.5 LBS	HESD-0752MT#F#-D	5.61
HDSD-0752MT#J#-D	3DA3R10ME	J / X-Large	7.60	36.8	4.2	53.2	90	17.9	2.5	26.4	40	5/8	1-3/8	H - 105.2 LBS	HESD-0752MT#J#-D	5.61
HDSD-1000MT#F#-D	3DB3R12ME	F / Large	7.60	39.1	3.2	55.1	90	17.9	1.9	25.8	40	7/8	1-3/8	F - 86.5 LBS	HESD-1000MT#F#-D	5.61
HDSD-1000MT#J#-D	3DB3R12ME	J / X-Large	7.60	39.1	4.2	56.1	90	17.9	2.5	26.4	40	7/8	1-3/8	H - 105.2 LBS	HESD-1000MT#J#-D	5.61
HDSD-1200MT#J#-D	3DF3R15ME	J / X-Large	7.60	43.2	4.2	61.2	100	21.2	2.5	30.5	50	7/8	1-3/8	H - 105.2 LBS	HESD-1200MT#J#-D	5.61
HDSD-1500MT#J#-D	3DS3R17ME	J / X-Large	7.60	53.5	4.2	74.1	125	26.0	2.5	36.5	60	7/8	1-5/8	H - 105.2 LBS	HESD-1500MT#J#-D	5.61

### Med Temperature - R-448A Performance

CONDENSING UNIT MODEL	COMPRESSOR	CONDENSER / UNIT SIZE	95° F AMBIENT TEMPERATURE									
			0	5	10	15	20	25	30	35	40	45
HDSD-0500MT#B#-D	2DC3R53KE	B / Medium	22,530	25,160	28,010	31,080	34,330	37,760	n/a	n/a	n/a	n/a
HDSD-0500MT#D#-D	2DC3R53KE	D / Medium	24,150	27,180	30,520	34,150	38,060	42,230	46,640	51,280	56,150	61,220
HDSD-0501MT#D#-D	2DD3R63KE	D / Medium	28,110	31,390	35,000	38,910	43,120	47,580	52,280	57,190	62,290	n/a
HDSD-0501MT#F#-D	2DD3R63KE	F / Large	30,340	34,240	38,580	43,370	48,570	54,190	60,200	66,590	73,360	80,490
HDSD-0750MT#F#-D	2DL3R78KE	F / Large	38,740	43,530	48,650	54,140	60,030	66,360	73,150	80,420	88,200	96,500
HDSD-0750MT#J#-D	2DL3R78KE	J / X-Large	39,450	44,420	49,750	55,490	61,670	68,340	75,530	83,270	91,590	100,510
HDSD-0751MT#F#-D	2DA3R89KE	F / Large	42,540	47,940	53,770	60,030	66,710	73,800	81,290	89,160	97,410	106,010
HDSD-0751MT#J#-D	2DA3R89KE	J / X-Large	43,470	49,090	55,190	61,780	68,840	76,380	84,390	92,860	101,790	111,170
HDSD-0752MT#F#-D	3DA3R10ME	F / Large	50,120	56,730	63,760	71,160	78,890	86,920	95,190	103,680	112,330	121,120
HDSD-0752MT#J#-D	3DA3R10ME	J / X-Large	51,690	58,560	65,920	73,730	81,960	90,570	99,530	108,820	118,380	128,190
HDSD-1000MT#F#-D	3DB3R12ME	F / Large	59,070	66,510	74,340	82,540	91,040	99,800	108,760	117,870	127,100	136,390
HDSD-1000MT#J#-D	3DB3R12ME	J / X-Large	61,270	69,060	77,350	86,090	95,250	104,780	114,650	124,800	135,200	145,800
HDSD-1200MT#J#-D	3DF3R15ME	J / X-Large	69,250	78,040	87,440	97,370	107,720	118,390	129,300	140,360	151,490	162,610
HDSD-1500MT#J#-D	3DS3R17ME	J / X-Large	79,640	89,590	100,000	110,790	121,910	133,280	144,830	156,510	168,250	n/a

CONDENSING UNIT MODEL	COMPRESSOR	CONDENSER / UNIT SIZE	105° F AMBIENT TEMPERATURE									
			0	5	10	15	20	25	30	35	40	45
HDSD-0500MT#B#-D	2DC3R53KE	B / Medium	20,560	22,890	25,440	n/a	n/a	n/a	n/a	n/a	n/a	n/a
HDSD-0500MT#D#-D	2DC3R53KE	D / Medium	21,990	24,710	27,720	31,010	34,570	38,390	42,440	n/a	n/a	n/a
HDSD-0501MT#D#-D	2DD3R63KE	D / Medium	25,900	28,780	31,990	35,510	39,300	43,340	n/a	n/a	n/a	n/a
HDSD-0501MT#F#-D	2DD3R63KE	F / Large	27,890	31,370	35,280	39,630	44,380	49,530	55,070	60,980	67,250	73,870
HDSD-0750MT#F#-D	2DL3R78KE	F / Large	35,620	40,050	44,760	49,800	55,200	61,000	67,230	73,920	81,080	88,740
HDSD-0750MT#J#-D	2DL3R78KE	J / X-Large	36,330	40,920	45,830	51,110	56,790	62,920	69,540	76,670	84,340	92,590
HDSD-0751MT#F#-D	2DA3R89KE	F / Large	38,900	43,880	49,250	55,000	61,130	67,630	74,480	81,690	89,230	97,100
HDSD-0751MT#J#-D	2DA3R89KE	J / X-Large	39,810	45,010	50,640	56,700	63,190	70,120	77,470	85,250	93,450	102,060
HDSD-0752MT#F#-D	3DA3R10ME	F / Large	44,960	51,330	58,030	65,010	72,240	79,690	87,310	95,080	n/a	n/a
HDSD-0752MT#J#-D	3DA3R10ME	J / X-Large	46,520	53,140	60,140	67,500	75,180	83,160	91,420	99,910	108,610	117,500
HDSD-1000MT#F#-D	3DB3R12ME	F / Large	52,860	60,000	67,440	75,150	83,070	91,160	n/a	n/a	n/a	n/a
HDSD-1000MT#J#-D	3DB3R12ME	J / X-Large	55,120	62,610	70,480	78,710	87,250	96,070	105,130	114,390	123,830	n/a
HDSD-1200MT#J#-D	3DF3R15ME	J / X-Large	62,290	70,620	79,470	88,730	98,320	108,150	118,140	n/a	n/a	n/a
HDSD-1500MT#J#-D	3DS3R17ME	J / X-Large	72,690	82,170	91,960	102,010	112,260	n/a	n/a	n/a	n/a	n/a

NOTE: All temperatures shown reflect the midpoint evaporator temperature. Solid black shading with white font indicates products for non-DOE regulated applications in above Table.

\* Estimated unit shipment weights based on condenser size are as follows: Small - 400 lbs.; Medium - 650 lbs.; Large - 1,250 lbs.; X-Large - 1,575 lbs.

# High Efficiency H-Series Condensing Units

## HDSB Bitzer Ecoline Compressors, Motor 2 - Low Temp R-407F

### Low Temperature - R-407F Specifications

CONDENSING UNIT MODEL	COMPRESSOR	CONDENSER / UNIT SIZE	OUTDOOR DOE AWEF	208/3/60				460/3/60				LIQ OD IN	SUCTION IN	DEFAULT RECEIVER	INDOOR MODEL	INDOOR DOE AWEF
				COMP RLA	FAN RLA	MCA	MOPD	COMP RLA	FAN RLA	MCA	MOPD					
HDSB-0050LF#A#-D	2KES-05	A / Small	3.15	5.4	1.2	11.0	15	2.6	0.7	5.5	15	1/2	5/8	B - 18.0 LBS	HESB-0050LF#A#-D	2.40
HDSB-0050LF#B#-D	2KES-05	B / Medium	3.15	5.4	1.2	11.0	15	2.6	0.7	5.5	15	1/2	5/8	C - 23.0 LBS	HESB-0050LF#B#-D	2.40
HDSB-0070LF#A#-D	2JES-07	A / Small	3.15	6.7	1.2	12.6	15	3.2	0.7	6.2	15	1/2	5/8	B - 18.0 LBS	HESB-0070LF#A#-D	2.40
HDSB-0070LF#B#-D	2JES-07	B / Medium	3.15	6.7	1.2	12.6	15	3.2	0.7	6.2	15	1/2	5/8	C - 23.0 LBS	HESB-0070LF#B#-D	2.40
HDSB-0100LF#A#-D	2HES-1	A / Small	3.15	7.3	1.2	13.3	20	3.4	0.7	6.5	15	1/2	5/8	B - 18.0 LBS	HESB-0100LF#A#-D	2.40
HDSB-0100LF#B#-D	2HES-1	B / Medium	3.15	7.3	1.2	13.3	20	3.4	0.7	6.5	15	1/2	5/8	C - 23.0 LBS	HESB-0100LF#B#-D	2.40
HDSB-0150LF#A#-D	2FES-2	A / Small	3.15	10.0	1.2	16.7	25	4.6	0.7	8.0	15	1/2	5/8	B - 18.0 LBS	HESB-0150LF#A#-D	2.40
HDSB-0150LF#B#-D	2FES-2	B / Medium	3.15	10.0	1.2	16.7	25	4.6	0.7	8.0	15	1/2	5/8	C - 23.0 LBS	HESB-0150LF#B#-D	2.40
HDSB-0200LF#A#-D	2EES-2	A / Small	3.15	12.0	1.2	19.2	30	5.4	0.7	9.0	15	1/2	7/8	B - 18.0 LBS	HESB-0200LF#A#-D	2.40
HDSB-0200LF#B#-D	2EES-2	B / Medium	3.15	12.0	1.2	19.2	30	5.4	0.7	9.0	15	1/2	7/8	C - 23.0 LBS	HESB-0200LF#B#-D	2.40
HDSB-0220LF#A#-D	2DES-2	A / Small	3.15	13.1	1.2	20.6	30	6.4	0.7	10.2	15	1/2	7/8	B - 18.0 LBS	HESB-0220LF#A#-D	2.40
HDSB-0220LF#B#-D	2DES-2	B / Medium	3.15	13.1	1.2	20.6	30	6.4	0.7	10.2	15	1/2	7/8	C - 23.0 LBS	HESB-0220LF#B#-D	2.40
HDSB-0300LF#A#-D	2CES-3	A / Small	3.15	14.9	1.2	22.8	35	7.0	0.7	11.0	15	5/8	7/8	B - 18.0 LBS	HESB-0300LF#A#-D	2.40
HDSB-0300LF#B#-D	2CES-3	B / Medium	3.15	14.9	1.2	22.8	35	7.0	0.7	11.0	15	5/8	7/8	C - 23.0 LBS	HESB-0300LF#B#-D	2.40
HDSB-0400LF#B#-D	4FES-3	B / Medium	3.15	20.1	1.2	29.3	45	9.0	0.7	13.5	20	5/8	7/8	C - 23.0 LBS	HESB-0400LF#B#-D	2.40
HDSB-0400LF#D#-D	4FES-3	D / Medium	3.15	20.1	2.1	30.2	50	9.0	1.3	14.1	20	5/8	7/8	E - 57.9 LBS	HESB-0400LF#D#-D	2.40
HDSB-0500LF#B#-D	4EES-4	B / Medium	3.15	22.4	1.2	32.2	50	10.3	0.7	15.1	25	5/8	1-1/8	C - 23.0 LBS	HESB-0500LF#B#-D	2.40
HDSB-0500LF#D#-D	4EES-4	D / Medium	3.15	22.4	2.1	33.1	50	10.3	1.3	15.7	25	5/8	1-1/8	E - 57.9 LBS	HESB-0500LF#D#-D	2.40
HDSB-0600LF#B#-D	4DES-5	B / Medium	3.15	23.0	1.2	33.0	50	12.0	0.7	17.2	25	5/8	1-1/8	C - 23.0 LBS	HESB-0600LF#B#-D	2.40
HDSB-0600LF#D#-D	4DES-5	D / Medium	3.15	23.0	2.1	33.9	50	12.0	1.3	17.8	25	5/8	1-1/8	E - 57.9 LBS	HESB-0600LF#D#-D	2.40
HDSB-0650LF#B#-D	4CES-6	B / Medium	3.15	27.9	1.2	39.1	60	15.8	0.7	22.0	35	5/8	1-1/8	C - 23.0 LBS	HESB-0650LF#B#-D	2.40
HDSB-0650LF#D#-D	4CES-6	D / Medium	3.15	27.9	2.1	40.0	60	15.8	1.3	22.6	35	5/8	1-1/8	E - 57.9 LBS	HESB-0650LF#D#-D	2.40
HDSB-0700LF#B#-D	4VES-7	B / Medium	3.15	27.1	1.2	38.1	60	13.6	0.7	19.2	30	5/8	1-1/8	C - 23.0 LBS	HESB-0700LF#B#-D	2.40
HDSB-0700LF#D#-D	4VES-7	D / Medium	3.15	27.1	2.1	39.0	60	13.6	1.3	19.8	30	5/8	1-1/8	E - 57.9 LBS	HESB-0700LF#D#-D	2.40
HDSB-0900LF#B#-D	4TES-9	B / Medium	3.15	31.4	1.2	43.5	70	15.7	0.7	21.8	35	5/8	1-3/8	C - 23.0 LBS	HESB-0900LF#B#-D	2.40
HDSB-0900LF#D#-D	4TES-9	D / Medium	3.15	31.4	2.1	44.4	70	15.7	1.3	22.4	35	5/8	1-3/8	E - 57.9 LBS	HESB-0900LF#D#-D	2.40
HDSB-1000LF#B#-D	4PES-12	B / Medium	3.15	38.6	1.2	52.5	90	19.3	0.7	26.3	45	5/8	1-3/8	C - 23.0 LBS	HESB-1000LF#B#-D	2.40
HDSB-1000LF#D#-D	4PES-12	D / Medium	3.15	38.6	2.1	53.4	90	19.3	1.3	26.9	45	5/8	1-3/8	E - 57.9 LBS	HESB-1000LF#D#-D	2.40
HDSB-1200LF#F#-D	4NES-14	F / Large	3.15	44.3	3.2	61.6	100	22.1	1.9	31.0	50	5/8	1-3/8	F - 88.5 LBS	HESB-1200LF#F#-D	2.40
HDSB-1200LF#H#-D	4NES-14	J / X-Large	3.15	44.3	4.2	62.6	100	22.1	2.5	31.6	50	5/8	1-3/8	H - 107.6 LBS	HESB-1200LF#H#-D	2.40
HDSB-1400LF#F#-D	4JE-15	F / Large	3.15	55.7	3.2	75.8	125	27.9	1.9	38.3	60	7/8	1-5/8	F - 88.5 LBS	HESB-1400LF#F#-D	2.40
HDSB-1400LF#H#-D	4JE-15	J / X-Large	3.15	55.7	4.2	76.8	125	27.9	2.5	38.9	60	7/8	1-5/8	H - 107.6 LBS	HESB-1400LF#H#-D	2.40
HDSB-1600LF#F#-D	4HE-18	F / Large	3.15	60.3	3.2	81.6	125	30.1	1.9	41.0	70	7/8	1-5/8	F - 88.5 LBS	HESB-1600LF#F#-D	2.40
HDSB-1600LF#H#-D	4HE-18	J / X-Large	3.15	60.3	4.2	82.6	125	30.1	2.5	41.6	70	7/8	1-5/8	H - 107.6 LBS	HESB-1600LF#H#-D	2.40

\* Estimated unit shipment weights based on condenser size are as follows: Small - 400 lbs.; Medium - 650 lbs.; Large - 1,250 lbs.; X-Large - 1,575 lbs.

# High Efficiency H-Series Condensing Units

## HDSB Bitzer Ecoline Compressors, Motor 2 - Low Temp R-407F

### Low Temperature - R-407F Performance

CONDENSING UNIT MODEL	COMPRESSOR	CONDENSER / UNIT SIZE	95° F AMBIENT TEMPERATURE								
			-40	-35	-30	-25	-20	-15	-10	-5	0
HDSB-0050LF#A#-D	2KES-05	A / Small	1,330	1,760	2,220	2,730	3,280	3,890	4,560	5,280	6,070
HDSB-0050LF#B#-D	2KES-05	B / Medium	1,360	1,800	2,280	2,800	3,380	4,010	4,710	5,470	6,310
HDSB-0070LF#A#-D	2JES-07	A / Small	2,020	2,580	3,170	3,820	4,520	5,290	6,120	7,020	8,000
HDSB-0070LF#B#-D	2JES-07	B / Medium	2,080	2,650	3,270	3,940	4,680	5,490	6,370	7,340	8,400
HDSB-0100LF#A#-D	2HES-1	A / Small	2,760	3,420	4,130	4,920	5,770	6,700	7,710	8,800	9,980
HDSB-0100LF#B#-D	2HES-1	B / Medium	2,850	3,530	4,280	5,110	6,020	7,010	8,100	9,290	10,580
HDSB-0150LF#A#-D	2FES-2	A / Small	4,190	5,110	6,100	7,180	8,340	9,600	10,950	12,400	13,950
HDSB-0150LF#B#-D	2FES-2	B / Medium	4,370	5,340	6,410	7,580	8,850	10,240	11,760	13,400	15,180
HDSB-0200LF#A#-D	2EES-2	A / Small	4,110	5,160	6,280	7,500	8,820	10,230	11,750	13,370	15,100
HDSB-0200LF#B#-D	2EES-2	B / Medium	4,340	5,460	6,680	8,020	9,480	11,070	12,800	14,670	16,700
HDSB-0220LF#A#-D	2DES-2	A / Small	5,050	6,250	7,530	8,910	10,380	11,960	13,650	15,440	17,330
HDSB-0220LF#B#-D	2DES-2	B / Medium	5,370	6,670	8,080	9,620	11,300	13,120	15,090	17,210	19,500
HDSB-0300LF#A#-D	2CES-3	A / Small	6,510	7,890	9,370	10,940	12,620	14,400	16,270	18,250	20,330
HDSB-0300LF#B#-D	2CES-3	B / Medium	6,980	8,510	10,170	11,980	13,930	16,040	18,310	20,760	23,370
HDSB-0400LF#B#-D	4FES-3	B / Medium	7,390	9,040	10,830	12,760	14,850	17,110	19,540	22,150	24,940
HDSB-0400LF#D#-D	4FES-3	D / Medium	7,700	9,450	11,370	13,460	15,750	18,240	20,950	23,900	27,080
HDSB-0500LF#B#-D	4EES-4	B / Medium	8,900	10,880	13,010	15,300	17,750	20,390	23,200	26,190	29,360
HDSB-0500LF#D#-D	4EES-4	D / Medium	9,360	11,490	13,810	16,340	19,090	22,070	25,300	28,780	32,530
HDSB-0600LF#B#-D	4DES-5	B / Medium	10,050	12,290	14,690	17,260	20,000	22,920	26,020	29,300	32,750
HDSB-0600LF#D#-D	4DES-5	D / Medium	10,670	13,110	15,770	18,640	21,760	25,140	28,780	32,690	36,870
HDSB-0650LF#B#-D	4CES-6	B / Medium	12,790	15,390	18,150	21,070	24,160	27,410	30,830	n/a	n/a
HDSB-0650LF#D#-D	4CES-6	D / Medium	13,700	16,580	19,690	23,050	26,650	30,530	34,680	39,110	43,820
HDSB-0700LF#B#-D	4VES-7	B / Medium	10,270	13,130	16,150	19,310	22,620	26,060	29,610	33,270	n/a
HDSB-0700LF#D#-D	4VES-7	D / Medium	11,250	14,420	17,820	21,440	25,310	29,410	33,760	38,340	43,160
HDSB-0900LF#B#-D	4TES-9	B / Medium	12,760	16,020	19,420	22,950	26,580	30,290	n/a	n/a	n/a
HDSB-0900LF#D#-D	4TES-9	D / Medium	14,180	17,860	21,780	25,920	30,300	34,900	39,730	44,770	50,000
HDSB-1000LF#B#-D	4PES-12	B / Medium	12,430	16,020	19,730	23,560	27,480	31,460	n/a	n/a	n/a
HDSB-1000LF#D#-D	4PES-12	D / Medium	14,050	18,160	22,500	27,080	31,900	36,940	42,200	47,650	53,270
HDSB-1200LF#B#-D	4NES-14	F / Large	20,420	25,890	31,770	38,100	44,890	52,170	59,950	68,240	77,040
HDSB-1200LF#D#-D	4NES-14	J / X-Large	21,020	26,680	32,790	39,410	46,560	54,270	62,580	71,490	81,030
HDSB-1400LF#B#-D	4JE-15	F / Large	23,360	29,580	36,230	43,350	50,960	59,070	67,690	76,830	86,480
HDSB-1400LF#D#-D	4JE-15	J / X-Large	24,090	30,540	37,480	44,960	53,010	61,670	70,940	80,860	91,430
HDSB-1600LF#B#-D	4HE-18	F / Large	28,940	36,030	43,570	51,570	60,060	69,040	78,500	88,450	98,870
HDSB-1600LF#D#-D	4HE-18	J / X-Large	29,940	37,330	45,250	53,730	62,810	72,510	82,830	93,800	105,410

CONDENSING UNIT MODEL	COMPRESSOR	CONDENSER / UNIT SIZE	105° F AMBIENT TEMPERATURE								
			-40	-35	-30	-25	-20	-15	-10	-5	0
HDSB-0050LF#A#-D	2KES-05	A / Small	1,050	1,450	1,880	2,360	2,870	3,430	4,050	4,720	5,450
HDSB-0050LF#B#-D	2KES-05	B / Medium	1,070	1,490	1,930	2,420	2,960	3,540	4,190	4,900	5,670
HDSB-0070LF#A#-D	2JES-07	A / Small	1,690	2,210	2,770	3,370	4,020	4,730	5,500	6,340	7,250
HDSB-0070LF#B#-D	2JES-07	B / Medium	1,740	2,280	2,850	3,480	4,170	4,920	5,740	6,640	7,620
HDSB-0100LF#A#-D	2HES-1	A / Small	2,370	2,980	3,640	4,370	5,160	6,020	6,960	7,970	9,070
HDSB-0100LF#B#-D	2HES-1	B / Medium	2,440	3,080	3,780	4,550	5,390	6,310	7,320	8,430	9,630
HDSB-0150LF#A#-D	2FES-2	A / Small	3,650	4,500	5,430	6,420	7,500	8,660	9,910	11,250	12,680
HDSB-0150LF#B#-D	2FES-2	B / Medium	3,810	4,720	5,710	6,790	7,980	9,260	10,670	12,190	13,840
HDSB-0200LF#A#-D	2EES-2	A / Small	3,420	4,390	5,430	6,560	7,780	9,080	10,480	11,990	13,590
HDSB-0200LF#B#-D	2EES-2	B / Medium	3,620	4,660	5,800	7,040	8,390	9,860	11,460	13,200	15,080
HDSB-0220LF#A#-D	2DES-2	A / Small	4,270	5,380	6,570	7,840	9,200	10,660	12,210	13,860	n/a
HDSB-0220LF#B#-D	2DES-2	B / Medium	4,560	5,770	7,080	8,500	10,050	11,730	13,550	15,520	17,640
HDSB-0300LF#A#-D	2CES-3	A / Small	5,630	6,910	8,280	9,730	11,270	12,900	n/a	n/a	n/a
HDSB-0300LF#B#-D	2CES-3	B / Medium	6,060	7,480	9,020	10,680	12,490	14,430	16,530	18,790	21,210
HDSB-0400LF#B#-D	4FES-3	B / Medium	6,390	7,910	9,560	11,340	13,260	15,340	17,580	19,990	22,570
HDSB-0400LF#D#-D	4FES-3	D / Medium	6,660	8,280	10,050	11,970	14,080	16,380	18,890	21,610	24,560
HDSB-0500LF#B#-D	4EES-4	B / Medium	7,660	9,490	11,450	13,560	15,820	18,240	20,830	23,590	n/a
HDSB-0500LF#D#-D	4EES-4	D / Medium	8,070	10,040	12,180	14,500	17,030	19,780	22,760	25,980	29,440
HDSB-0600LF#B#-D	4DES-5	B / Medium	8,630	10,700	12,910	15,270	17,790	20,470	23,320	n/a	n/a
HDSB-0600LF#D#-D	4DES-5	D / Medium	9,160	11,420	13,860	16,510	19,380	22,490	25,840	29,450	33,330
HDSB-0650LF#B#-D	4CES-6	B / Medium	11,180	13,580	16,130	18,810	21,650	n/a	n/a	n/a	n/a
HDSB-0650LF#D#-D	4CES-6	D / Medium	11,980	14,650	17,520	20,600	23,920	27,490	31,310	35,400	n/a
HDSB-0700LF#B#-D	4VES-7	B / Medium	8,070	10,800	13,650	16,620	19,690	22,880	n/a	n/a	n/a
HDSB-0700LF#D#-D	4VES-7	D / Medium	8,900	11,920	15,120	18,520	22,120	25,930	29,940	34,170	38,600
HDSB-0900LF#B#-D	4TES-9	B / Medium	10,240	13,360	16,570	19,870	n/a	n/a	n/a	n/a	n/a
HDSB-0900LF#D#-D	4TES-9	D / Medium	11,470	14,990	18,690	22,570	26,650	30,920	35,380	n/a	n/a
HDSB-1000LF#B#-D	4PES-12	B / Medium	9,570	12,990	16,500	20,090	n/a	n/a	n/a	n/a	n/a
HDSB-1000LF#D#-D	4PES-12	D / Medium	10,900	14,810	18,910	23,200	27,690	32,360	37,220	n/a	n/a
HDSB-1200LF#B#-D	4NES-14	F / Large	16,520	21,740	27,290	33,220	39,560	46,320	53,520	61,170	69,280
HDSB-1200LF#D#-D	4NES-14	J / X-Large	17,040	22,440	28,210	34,410	41,080	48,250	55,940	64,180	72,990
HDSB-1400LF#B#-D	4JE-15	F / Large	19,570	25,420	31,640	38,260	45,290	52,770	60,710	69,110	77,970
HDSB-1400LF#D#-D	4JE-15	J / X-Large	20,200	26,270	32,760	39,710	47,170	55,170	63,720	72,860	82,600
HDSB-1600LF#B#-D	4HE-18	F / Large	24,760	31,430	38,470	45,900	53,740	62,000	70,690	79,800	n/a
HDSB-1600LF#D#-D	4HE-18	J / X-Large	25,640	32,600	40,000	47,890	56,280	65,220	74,730	84,810	95,470

NOTE: All temperatures shown reflect the midpoint evaporator temperature.

\* Estimated unit shipment weights based on condenser size are as follows: Small - 400 lbs.; Medium - 650 lbs.; Large - 1,250 lbs.; X-Large - 1,575 lbs.

# High Efficiency H-Series Condensing Units

## HDSB Bitzer Ecoline Compressors, Motor 2 - Low Temp R-507A

### Low Temperature - R-507A Specifications

CONDENSING UNIT MODEL	COMPRESSOR	CONDENSER / UNIT SIZE	OUTDOOR DOE AWEF	208/3/60				460/3/60				LIQ OD IN	SUCTION IN	DEFAULT RECEIVER	INDOOR MODEL	INDOOR DOE AWEF
				COMP RLA	FAN RLA	MCA	MOPD	COMP RLA	FAN RLA	MCA	MOPD					
HDSB-0050LP#A#-D	2KES-05	A / Small	3.15	5.4	1.2	11.0	15	2.6	0.7	5.5	15	1/2	5/8	B - 16.7 LBS	HESB-0050LP#A#-A	n/a
HDSB-0050LP#B#-D	2KES-05	B / Medium	3.15	5.4	1.2	11.0	15	2.6	0.7	5.5	15	1/2	5/8	C - 21.4 LBS	HESB-0050LP#B#-A	n/a
HDSB-0070LP#A#-D	2JES-07	A / Small	3.15	6.7	1.2	12.6	15	3.2	0.7	6.2	15	1/2	5/8	B - 16.7 LBS	HESB-0070LP#A#-A	n/a
HDSB-0070LP#B#-D	2JES-07	B / Medium	3.15	6.7	1.2	12.6	15	3.2	0.7	6.2	15	1/2	5/8	C - 21.4 LBS	HESB-0070LP#B#-D	2.40
HDSB-0100LP#A#-D	2HES-1	A / Small	3.15	7.3	1.2	13.3	20	3.4	0.7	6.5	15	1/2	5/8	B - 16.7 LBS	HESB-0100LP#A#-D	2.40
HDSB-0100LP#B#-D	2HES-1	B / Medium	3.15	7.3	1.2	13.3	20	3.4	0.7	6.5	15	1/2	5/8	C - 21.4 LBS	HESB-0100LP#B#-D	2.40
HDSB-0150LP#A#-D	2FES-2	A / Small	3.15	10.0	1.2	16.7	25	4.6	0.7	8.0	15	1/2	5/8	B - 16.7 LBS	HESB-0150LP#A#-D	2.40
HDSB-0150LP#B#-D	2FES-2	B / Medium	3.15	10.0	1.2	16.7	25	4.6	0.7	8.0	15	1/2	5/8	C - 21.4 LBS	HESB-0150LP#B#-D	2.40
HDSB-0200LP#A#-D	2EES-2	A / Small	3.15	12.0	1.2	19.2	30	5.4	0.7	9.0	15	1/2	7/8	B - 16.7 LBS	HESB-0200LP#A#-D	2.40
HDSB-0200LP#B#-D	2EES-2	B / Medium	3.15	12.0	1.2	19.2	30	5.4	0.7	9.0	15	1/2	7/8	C - 21.4 LBS	HESB-0200LP#B#-D	2.40
HDSB-0220LP#A#-D	2DES-2	A / Small	3.15	13.1	1.2	20.6	30	6.4	0.7	10.2	15	1/2	7/8	B - 16.7 LBS	HESB-0220LP#A#-D	2.40
HDSB-0220LP#B#-D	2DES-2	B / Medium	3.15	13.1	1.2	20.6	30	6.4	0.7	10.2	15	1/2	7/8	C - 21.4 LBS	HESB-0220LP#B#-D	2.40
HDSB-0300LP#A#-D	2CES-3	A / Small	3.15	14.9	1.2	22.8	35	7.0	0.7	11.0	15	5/8	7/8	B - 16.7 LBS	HESB-0300LP#A#-D	2.40
HDSB-0300LP#B#-D	2CES-3	B / Medium	3.15	14.9	1.2	22.8	35	7.0	0.7	11.0	15	5/8	7/8	C - 21.4 LBS	HESB-0300LP#B#-D	2.40
HDSB-0400LP#B#-D	4FES-3	B / Medium	3.15	20.1	1.2	29.3	45	9.0	0.7	13.5	20	5/8	7/8	C - 21.4 LBS	HESB-0400LP#B#-D	2.40
HDSB-0400LP#D#-D	4FES-3	D / Medium	3.15	20.1	2.1	30.2	50	9.0	1.3	14.1	20	5/8	7/8	E - 53.9 LBS	HESB-0400LP#D#-D	2.40
HDSB-0500LP#B#-D	4EES-4	B / Medium	3.15	22.4	1.2	32.2	50	10.3	0.7	15.1	25	5/8	1-1/8	C - 21.4 LBS	HESB-0500LP#B#-D	2.40
HDSB-0500LP#D#-D	4EES-4	D / Medium	3.15	22.4	2.1	33.1	50	10.3	1.3	15.7	25	5/8	1-1/8	E - 53.9 LBS	HESB-0500LP#D#-D	2.40
HDSB-0600LP#B#-D	4DES-5	B / Medium	3.15	23.0	1.2	33.0	50	12.0	0.7	17.2	25	5/8	1-1/8	C - 21.4 LBS	HESB-0600LP#B#-D	2.40
HDSB-0600LP#D#-D	4DES-5	D / Medium	3.15	23.0	2.1	33.9	50	12.0	1.3	17.8	25	5/8	1-1/8	E - 53.9 LBS	HESB-0600LP#D#-D	2.40
HDSB-0650LP#B#-D	4CES-6	B / Medium	3.15	27.9	1.2	39.1	60	15.8	0.7	22.0	35	5/8	1-1/8	C - 21.4 LBS	HESB-0650LP#B#-A	n/a
HDSB-0650LP#D#-D	4CES-6	D / Medium	3.15	27.9	2.1	40.0	60	15.8	1.3	22.6	35	5/8	1-1/8	E - 53.9 LBS	HESB-0650LP#D#-D	2.40
HDSB-0700LP#B#-D	4VES-7	B / Medium	3.15	27.1	1.2	38.1	60	13.6	0.7	19.2	30	5/8	1-1/8	C - 21.4 LBS	HESB-0700LP#B#-D	2.40
HDSB-0700LP#D#-D	4VES-7	D / Medium	3.15	27.1	2.1	39.0	60	13.6	1.3	19.8	30	5/8	1-1/8	E - 53.9 LBS	HESB-0700LP#D#-D	2.40
HDSB-0900LP#B#-D	4TES-9	B / Medium	3.15	31.4	1.2	43.5	70	15.7	0.7	21.8	35	5/8	1-3/8	C - 21.4 LBS	HESB-0900LP#B#-A	n/a
HDSB-0900LP#D#-D	4TES-9	D / Medium	3.15	31.4	2.1	44.4	70	15.7	1.3	22.4	35	5/8	1-3/8	E - 53.9 LBS	HESB-0900LP#D#-D	2.40
HDSB-1000LP#B#-D	4PES-12	B / Medium	3.15	38.6	1.2	52.5	90	19.3	0.7	26.3	45	5/8	1-3/8	C - 21.4 LBS	HESB-1000LP#B#-A	n/a
HDSB-1000LP#D#-D	4PES-12	D / Medium	3.15	38.6	2.1	53.4	90	19.3	1.3	26.9	45	5/8	1-3/8	E - 53.9 LBS	HESB-1000LP#D#-D	2.40
HDSB-1200LP#F#-D	4NES-14	F / Large	3.15	44.3	3.2	61.6	100	22.1	1.9	31.0	50	5/8	1-3/8	F - 82.3 LBS	HESB-1200LP#F#-D	2.40
HDSB-1200LP#H#-D	4NES-14	J / X-Large	3.15	44.3	4.2	62.6	100	22.1	2.5	31.6	50	5/8	1-3/8	H - 100.1 LBS	HESB-1200LP#H#-D	2.40
HDSB-1400LP#F#-D	4JE-15	F / Large	3.15	55.7	3.2	75.8	125	27.9	1.9	38.3	60	7/8	1-5/8	F - 82.3 LBS	HESB-1400LP#F#-D	2.40
HDSB-1400LP#H#-D	4JE-15	J / X-Large	3.15	55.7	4.2	76.8	125	27.9	2.5	38.9	60	7/8	1-5/8	H - 100.1 LBS	HESB-1400LP#H#-D	2.40
HDSB-1600LP#F#-D	4HE-18	F / Large	3.15	60.3	3.2	81.6	125	30.1	1.9	41.0	70	7/8	1-5/8	F - 82.3 LBS	HESB-1600LP#F#-D	2.40
HDSB-1600LP#H#-D	4HE-18	J / X-Large	3.15	60.3	4.2	82.6	125	30.1	2.5	41.6	70	7/8	1-5/8	H - 100.1 LBS	HESB-1600LP#H#-D	2.40

NOTE: Solid black shading with white font indicates products for non-DOE regulated applications in above Table.

\* Estimated unit shipment weights based on condenser size are as follows: Small – 400 lbs.; Medium – 650 lbs.; Large – 1,250 lbs.; X-Large – 1,575 lbs.



# High Efficiency H-Series Condensing Units

## HDSB Bitzer Ecoline Compressors, Motor 2 - Low Temp R-507A

### Low Temperature - R-507A Performance

CONDENSING UNIT MODEL	COMPRESSOR	CONDENSER / UNIT SIZE	95° F AMBIENT TEMPERATURE								
			-40	-35	-30	-25	-20	-15	-10	-5	0
HDSB-0050LP#A#-D	2KES-05	A / Small	1,330	1,750	2,190	2,670	3,190	3,750	4,350	5,000	5,690
HDSB-0050LP#B#-D	2KES-05	B / Medium	1,370	1,790	2,250	2,750	3,300	3,880	4,520	5,210	5,960
HDSB-0070LP#A#-D	2JES-07	A / Small	2,130	2,660	3,220	3,830	4,490	5,190	5,950	6,760	7,620
HDSB-0070LP#B#-D	2JES-07	B / Medium	2,200	2,750	3,340	3,980	4,680	5,430	6,240	7,120	8,060
HDSB-0100LP#A#-D	2HES-1	A / Small	2,820	3,450	4,130	4,850	5,630	6,460	7,350	8,300	9,310
HDSB-0100LP#B#-D	2HES-1	B / Medium	2,940	3,600	4,320	5,100	5,940	6,840	7,820	8,870	10,000
HDSB-0150LP#A#-D	2FES-2	A / Small	4,160	5,020	5,940	6,910	7,930	9,020	10,160	11,360	12,610
HDSB-0150LP#B#-D	2FES-2	B / Medium	4,380	5,310	6,310	7,380	8,530	9,760	11,080	12,480	13,980
HDSB-0200LP#A#-D	2EES-2	A / Small	5,290	6,360	7,500	8,690	9,930	11,240	12,600	14,010	15,470
HDSB-0200LP#B#-D	2EES-2	B / Medium	5,610	6,780	8,040	9,380	10,810	12,330	13,940	15,660	17,470
HDSB-0220LP#A#-D	2DES-2	A / Small	6,360	7,580	8,860	10,190	11,570	13,000	14,470	15,980	17,520
HDSB-0220LP#B#-D	2DES-2	B / Medium	6,810	8,170	9,620	11,160	12,780	14,510	16,330	18,250	20,260
HDSB-0300LP#A#-D	2CES-3	A / Small	7,940	9,350	10,800	12,280	13,810	15,360	16,930	18,520	20,130
HDSB-0300LP#B#-D	2CES-3	B / Medium	8,620	10,230	11,920	13,710	15,580	17,550	19,620	21,770	24,020
HDSB-0400LP#B#-D	4FES-3	B / Medium	9,540	11,130	12,810	14,610	16,510	18,530	20,650	22,880	25,210
HDSB-0400LP#D#-D	4FES-3	D / Medium	9,950	11,650	13,490	15,470	17,610	19,910	22,370	25,000	27,800
HDSB-0500LP#B#-D	4EES-4	B / Medium	11,650	13,560	15,580	17,700	19,920	22,240	24,660	27,160	29,740
HDSB-0500LP#D#-D	4EES-4	D / Medium	12,290	14,380	16,630	19,040	21,610	24,360	27,280	30,370	33,630
HDSB-0600LP#B#-D	4DES-5	B / Medium	13,520	15,680	17,930	20,290	22,730	25,270	27,880	30,560	33,310
HDSB-0600LP#D#-D	4DES-5	D / Medium	14,400	16,810	19,390	22,130	25,050	28,140	31,410	34,850	38,470
HDSB-0650LP#B#-D	4CES-6	B / Medium	15,280	17,730	20,280	22,910	25,610	28,390	31,230	34,120	37,050
HDSB-0650LP#D#-D	4CES-6	D / Medium	16,500	19,310	22,290	25,450	28,780	32,300	35,990	39,850	43,890
HDSB-0700LP#B#-D	4VES-7	B / Medium	13,920	16,530	19,230	22,030	24,890	27,820	30,800	33,800	36,800
HDSB-0700LP#D#-D	4VES-7	D / Medium	15,110	18,080	21,240	24,580	28,110	31,820	35,710	39,760	43,960
HDSB-0900LP#B#-D	4TES-9	B / Medium	17,110	19,970	22,890	25,840	28,820	31,780	34,720	n/a	n/a
HDSB-0900LP#D#-D	4TES-9	D / Medium	18,860	22,230	25,770	29,480	33,350	37,370	41,530	45,810	50,200
HDSB-1000LP#B#-D	4PES-12	B / Medium	17,390	20,510	23,660	26,830	29,990	33,100	36,150	n/a	n/a
HDSB-1000LP#D#-D	4PES-12	D / Medium	19,430	23,160	27,050	31,110	35,320	39,660	44,110	48,660	53,280
HDSB-1200LP#F#-D	4NES-14	F / Large	27,380	32,490	37,950	43,800	50,040	56,670	63,710	71,130	78,950
HDSB-1200LP#J#-D	4NES-14	J / X-Large	28,140	33,470	39,220	45,410	52,080	59,240	66,890	75,050	83,710
HDSB-1400LP#F#-D	4JE-15	F / Large	32,470	38,380	44,630	51,220	58,160	65,450	73,090	81,060	89,370
HDSB-1400LP#J#-D	4JE-15	J / X-Large	33,500	39,710	46,320	53,350	60,830	68,760	77,150	86,000	95,310
HDSB-1600LP#F#-D	4HE-18	F / Large	38,700	45,280	52,180	59,400	66,920	74,740	82,850	91,230	99,850
HDSB-1600LP#J#-D	4HE-18	J / X-Large	40,050	47,030	54,420	62,220	70,460	79,120	88,220	97,730	107,660

CONDENSING UNIT MODEL	COMPRESSOR	CONDENSER / UNIT SIZE	105° F AMBIENT TEMPERATURE								
			-40	-35	-30	-25	-20	-15	-10	-5	0
HDSB-0050LP#A#-D	2KES-05	A / Small	1,050	1,430	1,840	2,270	2,740	3,240	3,780	4,360	4,980
HDSB-0050LP#B#-D	2KES-05	B / Medium	1,080	1,470	1,890	2,340	2,830	3,360	3,930	4,550	5,210
HDSB-0070LP#A#-D	2JES-07	A / Small	1,750	2,230	2,760	3,310	3,910	4,540	5,230	5,950	6,730
HDSB-0070LP#B#-D	2JES-07	B / Medium	1,800	2,310	2,860	3,440	4,080	4,760	5,490	6,280	7,130
HDSB-0100LP#A#-D	2HES-1	A / Small	2,310	2,890	3,510	4,170	4,870	5,620	6,430	7,280	8,180
HDSB-0100LP#B#-D	2HES-1	B / Medium	2,410	3,020	3,680	4,380	5,150	5,970	6,850	7,800	8,820
HDSB-0150LP#A#-D	2FES-2	A / Small	3,500	4,300	5,130	6,010	6,930	7,900	8,910	9,970	11,080
HDSB-0150LP#B#-D	2FES-2	B / Medium	3,700	4,550	5,460	6,430	7,460	8,570	9,750	11,000	12,330
HDSB-0200LP#A#-D	2EES-2	A / Small	4,470	5,450	6,480	7,540	8,650	9,810	11,010	12,250	13,540
HDSB-0200LP#B#-D	2EES-2	B / Medium	4,760	5,840	6,980	8,190	9,470	10,830	12,280	13,810	15,430
HDSB-0220LP#A#-D	2DES-2	A / Small	5,420	6,530	7,680	8,860	10,080	11,340	12,630	13,950	15,300
HDSB-0220LP#B#-D	2DES-2	B / Medium	5,830	7,080	8,390	9,770	11,230	12,770	14,390	16,090	17,880
HDSB-0300LP#A#-D	2CES-3	A / Small	6,820	8,090	9,390	10,710	12,040	13,390	14,750	16,130	n/a
HDSB-0300LP#B#-D	2CES-3	B / Medium	7,460	8,920	10,450	12,060	13,730	15,480	17,300	19,210	21,180
HDSB-0400LP#B#-D	4FES-3	B / Medium	8,400	9,840	11,350	12,950	14,630	16,390	18,250	20,190	22,220
HDSB-0400LP#D#-D	4FES-3	D / Medium	8,790	10,350	12,010	13,790	15,690	17,730	19,910	22,230	24,700
HDSB-0500LP#B#-D	4EES-4	B / Medium	10,220	11,950	13,750	15,630	17,590	19,620	21,730	23,900	26,140
HDSB-0500LP#D#-D	4EES-4	D / Medium	10,820	12,730	14,760	16,910	19,210	21,640	24,220	26,950	29,820
HDSB-0600LP#B#-D	4DES-5	B / Medium	11,850	13,790	15,800	17,880	20,020	22,230	24,500	26,820	n/a
HDSB-0600LP#D#-D	4DES-5	D / Medium	12,680	14,870	17,180	19,630	22,220	24,960	27,850	30,890	34,080
HDSB-0650LP#B#-D	4CES-6	B / Medium	13,310	15,510	17,770	20,090	22,460	24,890	n/a	n/a	n/a
HDSB-0650LP#D#-D	4CES-6	D / Medium	14,430	16,960	19,630	22,450	25,420	28,540	31,810	35,240	38,820
HDSB-0700LP#B#-D	4VES-7	B / Medium	11,770	14,130	16,540	19,020	21,560	24,130	26,720	n/a	n/a
HDSB-0700LP#D#-D	4VES-7	D / Medium	12,840	15,540	18,380	21,370	24,520	27,820	31,270	34,860	38,590
HDSB-0900LP#B#-D	4TES-9	B / Medium	14,610	17,170	19,760	22,350	24,930	n/a	n/a	n/a	n/a
HDSB-0900LP#D#-D	4TES-9	D / Medium	16,210	19,250	22,430	25,730	29,150	32,700	36,350	40,090	n/a
HDSB-1000LP#B#-D	4PES-12	B / Medium	14,600	17,400	20,210	22,990	25,730	n/a	n/a	n/a	n/a
HDSB-1000LP#D#-D	4PES-12	D / Medium	16,370	19,740	23,230	26,830	30,550	34,370	38,270	42,250	n/a
HDSB-1200LP#F#-D	4NES-14	F / Large	23,500	28,140	33,060	38,300	43,870	49,770	56,020	62,610	69,540
HDSB-1200LP#J#-D	4NES-14	J / X-Large	24,180	29,030	34,220	39,800	45,770	52,160	59,000	66,270	74,000
HDSB-1400LP#F#-D	4JE-15	F / Large	28,100	33,490	39,150	45,080	51,300	57,820	64,640	71,740	79,140
HDSB-1400LP#J#-D	4JE-15	J / X-Large	29,040	34,710	40,710	47,070	53,800	60,920	68,450	76,380	84,720
HDSB-1600LP#F#-D	4HE-18	F / Large	33,860	39,830	46,040	52,480	59,170	66,100	73,250	80,620	88,190
HDSB-1600LP#J#-D	4HE-18	J / X-Large	35,110	41,460	48,130	55,140	62,500	70,220	78,310	86,760	95,560

NOTE: All temperatures shown reflect the midpoint evaporator temperature.

\* Estimated unit shipment weights based on condenser size are as follows: Small – 400 lbs.; Medium – 650 lbs.; Large – 1,250 lbs.; X-Large – 1,575 lbs.

# High Efficiency H-Series Condensing Units

## HDSB Bitzer Ecoline Compressors, Motor 2 - Low Temp R-407A

### Low Temperature - R-407A Specifications

CONDENSING UNIT MODEL	COMPRESSOR	CONDENSER / UNIT SIZE	OUTDOOR DOE AWEF	208/3/60				460/3/60				LIQ OD IN	SUCTION IN	DEFAULT RECEIVER	INDOOR MODEL	INDOOR DOE AWEF
				COMP RLA	FAN RLA	MCA	MOPD	COMP RLA	FAN RLA	MCA	MOPD					
HDSB-0050LQ#A#-D	2KES-05	A / Small	3.15	5.4	1.2	11.0	15	2.6	0.7	5.5	15	1/2	5/8	B - 18.4 LBS	HESB-0050LQ#A#-A	n/a
HDSB-0050LQ#B#-D	2KES-05	B / Medium	3.15	5.4	1.2	11.0	15	2.6	0.7	5.5	15	1/2	5/8	C - 23.6 LBS	HESB-0050LQ#B#-D	2.40
HDSB-0070LQ#A#-D	2JES-07	A / Small	3.15	6.7	1.2	12.6	15	3.2	0.7	6.2	15	1/2	5/8	B - 18.4 LBS	HESB-0070LQ#A#-D	2.40
HDSB-0070LQ#B#-D	2JES-07	B / Medium	3.15	6.7	1.2	12.6	15	3.2	0.7	6.2	15	1/2	5/8	C - 23.6 LBS	HESB-0070LQ#B#-D	2.40
HDSB-0100LQ#A#-D	2HES-1	A / Small	3.15	7.3	1.2	13.3	20	3.4	0.7	6.5	15	1/2	5/8	B - 18.4 LBS	HESB-0100LQ#A#-D	2.40
HDSB-0100LQ#B#-D	2HES-1	B / Medium	3.15	7.3	1.2	13.3	20	3.4	0.7	6.5	15	1/2	5/8	C - 23.6 LBS	HESB-0100LQ#B#-D	2.40
HDSB-0150LQ#A#-D	2FES-2	A / Small	3.15	10.0	1.2	16.7	25	4.6	0.7	8.0	15	1/2	5/8	B - 18.4 LBS	HESB-0150LQ#A#-D	2.40
HDSB-0150LQ#B#-D	2FES-2	B / Medium	3.15	10.0	1.2	16.7	25	4.6	0.7	8.0	15	1/2	5/8	C - 23.6 LBS	HESB-0150LQ#B#-D	2.40
HDSB-0200LQ#A#-D	2EES-2	A / Small	3.15	12.0	1.2	19.2	30	5.4	0.7	9.0	15	1/2	7/8	B - 18.4 LBS	HESB-0200LQ#A#-D	2.40
HDSB-0200LQ#B#-D	2EES-2	B / Medium	3.15	12.0	1.2	19.2	30	5.4	0.7	9.0	15	1/2	7/8	C - 23.6 LBS	HESB-0200LQ#B#-D	2.40
HDSB-0220LQ#A#-D	2DES-2	A / Small	3.15	13.1	1.2	20.6	30	6.4	0.7	10.2	15	1/2	7/8	B - 18.4 LBS	HESB-0220LQ#A#-D	2.40
HDSB-0220LQ#B#-D	2DES-2	B / Medium	3.15	13.1	1.2	20.6	30	6.4	0.7	10.2	15	1/2	7/8	C - 23.6 LBS	HESB-0220LQ#B#-D	2.40
HDSB-0300LQ#A#-D	2CES-3	A / Small	3.15	14.9	1.2	22.8	35	7.0	0.7	11.0	15	5/8	7/8	B - 18.4 LBS	HESB-0300LQ#A#-D	2.40
HDSB-0300LQ#B#-D	2CES-3	B / Medium	3.15	14.9	1.2	22.8	35	7.0	0.7	11.0	15	5/8	7/8	C - 23.6 LBS	HESB-0300LQ#B#-D	2.40
HDSB-0400LQ#B#-D	4FES-3	B / Medium	3.15	20.1	1.2	29.3	45	9.0	0.7	13.5	20	5/8	7/8	C - 23.6 LBS	HESB-0400LQ#B#-D	2.40
HDSB-0400LQ#D#-D	4FES-3	D / Medium	3.15	20.1	2.1	30.2	50	9.0	1.3	14.1	20	5/8	7/8	E - 59.4 LBS	HESB-0400LQ#D#-D	2.40
HDSB-0500LQ#B#-D	4EES-4	B / Medium	3.15	22.4	1.2	32.2	50	10.3	0.7	15.1	25	5/8	1-1/8	C - 23.6 LBS	HESB-0500LQ#B#-D	2.40
HDSB-0500LQ#D#-D	4EES-4	D / Medium	3.15	22.4	2.1	33.1	50	10.3	1.3	15.7	25	5/8	1-1/8	E - 59.4 LBS	HESB-0500LQ#D#-D	2.40
HDSB-0600LQ#B#-D	4DES-5	B / Medium	3.15	23.0	1.2	33.0	50	12.0	0.7	17.2	25	5/8	1-1/8	C - 23.6 LBS	HESB-0600LQ#B#-D	2.40
HDSB-0600LQ#D#-D	4DES-5	D / Medium	3.15	23.0	2.1	33.9	50	12.0	1.3	17.8	25	5/8	1-1/8	E - 59.4 LBS	HESB-0600LQ#D#-D	2.40
HDSB-0650LQ#B#-D	4CES-6	B / Medium	3.15	27.9	1.2	39.1	60	15.8	0.7	22.0	35	5/8	1-1/8	C - 23.6 LBS	HESB-0650LQ#B#-D	2.40
HDSB-0650LQ#D#-D	4CES-6	D / Medium	3.15	27.9	2.1	40.0	60	15.8	1.3	22.6	35	5/8	1-1/8	E - 59.4 LBS	HESB-0650LQ#D#-D	2.40
HDSB-0700LQ#B#-D	4VES-7	B / Medium	3.15	27.1	1.2	38.1	60	13.6	0.7	19.2	30	5/8	1-1/8	C - 23.6 LBS	HESB-0700LQ#B#-D	2.40
HDSB-0700LQ#D#-D	4VES-7	D / Medium	3.15	27.1	2.1	39.0	60	13.6	1.3	19.8	30	5/8	1-1/8	E - 59.4 LBS	HESB-0700LQ#D#-D	2.40
HDSB-0900LQ#B#-D	4TES-9	B / Medium	3.15	31.4	1.2	43.5	70	15.7	0.7	21.8	35	5/8	1-3/8	C - 23.6 LBS	HESB-0900LQ#B#-D	2.40
HDSB-0900LQ#D#-D	4TES-9	D / Medium	3.15	31.4	2.1	44.4	70	15.7	1.3	22.4	35	5/8	1-3/8	E - 59.4 LBS	HESB-0900LQ#D#-D	2.40
HDSB-1000LQ#B#-D	4PES-12	B / Medium	3.15	38.6	1.2	52.5	90	19.3	0.7	26.3	45	5/8	1-3/8	C - 23.6 LBS	HESB-1000LQ#B#-D	2.40
HDSB-1000LQ#D#-D	4PES-12	D / Medium	3.15	38.6	2.1	53.4	90	19.3	1.3	26.9	45	5/8	1-3/8	E - 59.4 LBS	HESB-1000LQ#D#-D	2.40
HDSB-1200LQ#F#-D	4NES-14	F / Large	3.15	44.3	3.2	61.6	100	22.1	1.9	31.0	50	5/8	1-3/8	F - 90.7 LBS	HESB-1200LQ#F#-D	2.40
HDSB-1200LQ#H#-D	4NES-14	J / X-Large	3.15	44.3	4.2	62.6	100	22.1	2.5	31.6	50	5/8	1-3/8	H - 110.3 LBS	HESB-1200LQ#H#-D	2.40
HDSB-1400LQ#F#-D	4JE-15	F / Large	3.15	55.7	3.2	75.8	125	27.9	1.9	38.3	60	7/8	1-5/8	F - 90.7 LBS	HESB-1400LQ#F#-D	2.40
HDSB-1400LQ#H#-D	4JE-15	J / X-Large	3.15	55.7	4.2	76.8	125	27.9	2.5	38.9	60	7/8	1-5/8	H - 110.3 LBS	HESB-1400LQ#H#-D	2.40
HDSB-1600LQ#F#-D	4HE-18	F / Large	3.15	60.3	3.2	81.6	125	30.1	1.9	41.0	70	7/8	1-5/8	F - 90.7 LBS	HESB-1600LQ#F#-D	2.40
HDSB-1600LQ#H#-D	4HE-18	J / X-Large	3.15	60.3	4.2	82.6	125	30.1	2.5	41.6	70	7/8	1-5/8	H - 110.3 LBS	HESB-1600LQ#H#-D	2.40

\* Estimated unit shipment weights based on condenser size are as follows: Small – 400 lbs.; Medium – 650 lbs.; Large – 1,250 lbs.; X-Large – 1,575 lbs.

# High Efficiency H-Series Condensing Units

## HDSB Bitzer Ecoline Compressors, Motor 2 - Low Temp R-407A

### Low Temperature - R-407A Performance

CONDENSING UNIT MODEL	COMPRESSOR	CONDENSER / UNIT SIZE	95° F AMBIENT TEMPERATURE								
			-40	-35	-30	-25	-20	-15	-10	-5	0
HDSB-0050LQ#A#-D	2KES-05	A / Small	1,210	1,620	2,060	2,540	3,060	3,640	4,270	4,950	5,700
HDSB-0050LQ#B#-D	2KES-05	B / Medium	1,240	1,650	2,110	2,600	3,150	3,750	4,410	5,130	5,920
HDSB-0070LQ#A#-D	2JES-07	A / Small	1,870	2,390	2,960	3,570	4,230	4,960	5,740	6,600	7,520
HDSB-0070LQ#B#-D	2JES-07	B / Medium	1,920	2,460	3,040	3,680	4,380	5,140	5,980	6,890	7,890
HDSB-0100LQ#A#-D	2HES-1	A / Small	2,570	3,190	3,860	4,600	5,410	6,290	7,240	8,280	9,390
HDSB-0100LQ#B#-D	2HES-1	B / Medium	2,640	3,290	4,000	4,780	5,640	6,570	7,600	8,730	9,950
HDSB-0150LQ#A#-D	2FES-2	A / Small	3,910	4,780	5,720	6,740	7,840	9,030	10,310	11,690	13,160
HDSB-0150LQ#B#-D	2FES-2	B / Medium	4,070	5,000	6,000	7,110	8,310	9,630	11,060	12,610	14,300
HDSB-0200LQ#A#-D	2EES-2	A / Small	3,800	4,790	5,850	7,000	8,240	9,580	11,010	12,550	14,190
HDSB-0200LQ#B#-D	2EES-2	B / Medium	4,000	5,060	6,210	7,470	8,840	10,350	11,980	13,750	15,670
HDSB-0220LQ#A#-D	2DES-2	A / Small	4,700	5,830	7,040	8,340	9,740	11,230	12,830	14,530	16,330
HDSB-0220LQ#B#-D	2DES-2	B / Medium	4,980	6,200	7,540	8,990	10,570	12,290	14,150	16,160	18,330
HDSB-0300LQ#A#-D	2CES-3	A / Small	6,080	7,400	8,800	10,290	11,880	13,570	15,350	17,240	19,210
HDSB-0300LQ#B#-D	2CES-3	B / Medium	6,500	7,950	9,530	11,230	13,070	15,070	17,220	19,530	22,010
HDSB-0400LQ#B#-D	4FES-3	B / Medium	7,280	8,860	10,560	12,410	14,400	16,550	18,860	21,340	23,990
HDSB-0400LQ#D#-D	4FES-3	D / Medium	7,570	9,240	11,060	13,060	15,230	17,600	20,180	22,970	25,990
HDSB-0500LQ#B#-D	4EES-4	B / Medium	8,290	10,180	12,200	14,380	16,710	19,210	21,880	24,720	27,740
HDSB-0500LQ#D#-D	4EES-4	D / Medium	8,710	10,730	12,930	15,330	17,930	20,760	23,810	27,110	30,670
HDSB-0600LQ#B#-D	4DES-5	B / Medium	9,370	11,510	13,790	16,230	18,840	21,610	24,560	27,680	30,960
HDSB-0600LQ#D#-D	4DES-5	D / Medium	9,930	12,250	14,760	17,490	20,450	23,640	27,090	30,800	34,770
HDSB-0650LQ#B#-D	4CES-6	B / Medium	11,970	14,450	17,080	19,860	22,800	25,900	29,150	32,560	n/a
HDSB-0650LQ#D#-D	4CES-6	D / Medium	12,800	15,540	18,490	21,670	25,090	28,770	32,700	36,910	41,380
HDSB-0700LQ#B#-D	4VES-7	B / Medium	9,880	12,570	15,390	18,360	21,470	24,730	28,130	31,670	35,330
HDSB-0700LQ#D#-D	4VES-7	D / Medium	10,660	13,630	16,810	20,210	23,850	27,740	31,880	36,290	40,950
HDSB-0900LQ#B#-D	4TES-9	B / Medium	13,110	16,170	19,340	22,620	26,020	29,530	33,130	n/a	n/a
HDSB-0900LQ#D#-D	4TES-9	D / Medium	14,270	17,720	21,370	25,250	29,370	33,720	38,310	43,150	48,220
HDSB-1000LQ#B#-D	4PES-12	B / Medium	12,730	16,090	19,560	23,130	26,800	30,560	n/a	n/a	n/a
HDSB-1000LQ#D#-D	4PES-12	D / Medium	14,080	17,920	21,980	26,270	30,790	35,560	40,560	45,780	51,230
HDSB-1200LQ#F#-D	4NES-14	F / Large	19,970	25,050	30,520	36,420	42,770	49,620	56,980	64,860	73,280
HDSB-1200LQ#H#-D	4NES-14	J / X-Large	20,450	25,700	31,390	37,560	44,260	51,510	59,360	67,820	76,930
HDSB-1400LQ#F#-D	4JE-15	F / Large	20,280	26,310	32,700	39,470	46,660	54,320	62,460	71,110	80,280
HDSB-1400LQ#H#-D	4JE-15	J / X-Large	20,830	27,090	33,760	40,880	48,910	56,650	65,390	74,740	84,720
HDSB-1600LQ#F#-D	4HE-18	F / Large	25,310	32,170	39,390	46,990	55,010	63,490	72,450	81,910	91,890
HDSB-1600LQ#H#-D	4HE-18	J / X-Large	26,070	33,240	40,820	48,870	57,450	66,580	76,310	86,660	97,670

CONDENSING UNIT MODEL	COMPRESSOR	CONDENSER / UNIT SIZE	105° F AMBIENT TEMPERATURE								
			-40	-35	-30	-25	-20	-15	-10	-5	0
HDSB-0050LQ#A#-D	2KES-05	A / Small	940	1,320	1,730	2,180	2,660	3,190	3,770	4,400	5,090
HDSB-0050LQ#B#-D	2KES-05	B / Medium	960	1,350	1,770	2,230	2,740	3,290	3,900	4,560	5,290
HDSB-0070LQ#A#-D	2JES-07	A / Small	1,550	2,040	2,570	3,130	3,750	4,410	5,140	5,920	6,780
HDSB-0070LQ#B#-D	2JES-07	B / Medium	1,590	2,100	2,640	3,240	3,880	4,580	5,350	6,200	7,120
HDSB-0100LQ#A#-D	2HES-1	A / Small	2,190	2,770	3,390	4,070	4,820	5,620	6,500	7,460	8,490
HDSB-0100LQ#B#-D	2HES-1	B / Medium	2,260	2,860	3,520	4,240	5,030	5,890	6,840	7,880	9,020
HDSB-0150LQ#A#-D	2FES-2	A / Small	3,390	4,200	5,070	6,010	7,020	8,110	9,290	10,560	11,910
HDSB-0150LQ#B#-D	2FES-2	B / Medium	3,540	4,400	5,330	6,350	7,450	8,670	9,990	11,420	12,980
HDSB-0200LQ#A#-D	2EES-2	A / Small	3,160	4,070	5,040	6,100	7,240	8,470	9,790	11,200	12,720
HDSB-0200LQ#B#-D	2EES-2	B / Medium	3,330	4,300	5,360	6,520	7,780	9,160	10,670	12,300	14,080
HDSB-0220LQ#A#-D	2DES-2	A / Small	3,970	5,010	6,130	7,320	8,600	9,970	11,440	13,000	14,660
HDSB-0220LQ#B#-D	2DES-2	B / Medium	4,220	5,350	6,570	7,910	9,360	10,940	12,650	14,500	16,500
HDSB-0300LQ#A#-D	2CES-3	A / Small	5,260	6,480	7,770	9,140	10,590	12,130	13,770	n/a	n/a
HDSB-0300LQ#B#-D	2CES-3	B / Medium	5,640	6,970	8,420	9,980	11,680	13,510	15,480	17,610	19,900
HDSB-0400LQ#B#-D	4FES-3	B / Medium	6,340	7,790	9,360	11,050	12,880	14,850	16,970	19,250	21,690
HDSB-0400LQ#D#-D	4FES-3	D / Medium	6,590	8,140	9,810	11,640	13,640	15,810	18,180	20,750	23,540
HDSB-0500LQ#B#-D	4EES-4	B / Medium	7,100	8,840	10,690	12,690	14,820	17,110	19,560	22,170	24,950
HDSB-0500LQ#D#-D	4EES-4	D / Medium	7,470	9,330	11,350	13,540	15,930	18,520	21,330	24,360	27,630
HDSB-0600LQ#B#-D	4DES-5	B / Medium	8,000	9,960	12,060	14,300	16,680	19,220	21,920	24,780	n/a
HDSB-0600LQ#D#-D	4DES-5	D / Medium	8,480	10,610	12,920	15,420	18,130	21,060	24,220	27,630	31,290
HDSB-0650LQ#B#-D	4CES-6	B / Medium	10,420	12,700	15,120	17,670	20,360	23,190	n/a	n/a	n/a
HDSB-0650LQ#D#-D	4CES-6	D / Medium	11,140	13,670	16,380	19,300	22,430	25,800	29,410	33,270	37,380
HDSB-0700LQ#B#-D	4VES-7	B / Medium	8,080	10,560	13,160	15,880	18,730	21,700	n/a	n/a	n/a
HDSB-0700LQ#D#-D	4VES-7	D / Medium	8,730	11,470	14,390	17,510	20,840	24,400	28,200	32,230	36,500
HDSB-0900LQ#B#-D	4TES-9	B / Medium	11,130	13,950	16,860	19,870	22,970	n/a	n/a	n/a	n/a
HDSB-0900LQ#D#-D	4TES-9	D / Medium	12,130	15,310	18,670	22,230	25,990	29,960	34,160	n/a	n/a
HDSB-1000LQ#B#-D	4PES-12	B / Medium	10,410	13,520	16,720	19,990	n/a	n/a	n/a	n/a	n/a
HDSB-1000LQ#D#-D	4PES-12	D / Medium	11,530	15,080	18,810	22,740	26,880	31,230	35,800	n/a	n/a
HDSB-1200LQ#F#-D	4NES-14	F / Large	16,870	21,560	26,590	31,990	37,820	44,090	50,830	58,060	65,800
HDSB-1200LQ#H#-D	4NES-14	J / X-Large	17,290	22,130	27,360	33,020	39,160	45,820	53,020	60,800	69,180
HDSB-1400LQ#F#-D	4JE-15	F / Large	16,960	22,510	28,380	34,590	41,190	48,220	55,710	63,680	72,150
HDSB-1400LQ#H#-D	4JE-15	J / X-Large	17,430	23,190	29,310	35,840	42,830	50,320	58,360	66,980	76,200
HDSB-1600LQ#F#-D	4HE-18	F / Large	21,660	27,990	34,620	41,600	48,960	56,750	64,980	73,690	82,890
HDSB-1600LQ#H#-D	4HE-18	J / X-Large	22,320	28,920	35,890	43,290	51,160	59,550	68,490	78,040	88,200

NOTE: All temperatures shown reflect the midpoint evaporator temperature.

\* Estimated unit shipment weights based on condenser size are as follows: Small – 400 lbs.; Medium – 650 lbs.; Large – 1,250 lbs.; X-Large – 1,575 lbs.

# High Efficiency H-Series Condensing Units

## HDSB Bitzer Ecoline Compressors, Motor 2 - Low Temp R-449A

### Low Temperature - R-449A Specifications

CONDENSING UNIT MODEL	COMPRESSOR	CONDENSER / UNIT SIZE	OUTDOOR DOE AWEF	208/3/60				460/3/60				LIQ OD IN	SUCT OD IN	DEFAULT RECEIVER	INDOOR MODEL	INDOOR DOE AWEF
				COMP RLA	FAN RLA	MCA	MOPD	COMP RLA	FAN RLA	MCA	MOPD					
HDSB-0050LR#A#-D	2KES-05	A / Small	3.15	5.4	1.2	11.0	15	2.6	0.7	5.5	15	1/2	5/8	B - 17.6 LBS	HESB-0050LR#A#-A	n/a
HDSB-0050LR#B#-D	2KES-05	B / Medium	3.15	5.4	1.2	11.0	15	2.6	0.7	5.5	15	1/2	5/8	C - 22.5 LBS	HESB-0050LR#B#-A	n/a
HDSB-0070LR#A#-D	2JES-07	A / Small	3.15	6.7	1.2	12.6	15	3.2	0.7	6.2	15	1/2	5/8	B - 17.6 LBS	HESB-0070LR#A#-A	n/a
HDSB-0070LR#B#-D	2JES-07	B / Medium	3.15	6.7	1.2	12.6	15	3.2	0.7	6.2	15	1/2	5/8	C - 22.5 LBS	HESB-0070LR#B#-D	2.40
HDSB-0100LR#A#-D	2HES-1	A / Small	3.15	7.3	1.2	13.3	20	3.4	0.7	6.5	15	1/2	5/8	B - 17.6 LBS	HESB-0100LR#A#-D	2.40
HDSB-0100LR#B#-D	2HES-1	B / Medium	3.15	7.3	1.2	13.3	20	3.4	0.7	6.5	15	1/2	5/8	C - 22.5 LBS	HESB-0100LR#B#-D	2.40
HDSB-0150LR#A#-D	2FES-2	A / Small	3.15	10.0	1.2	16.7	25	4.6	0.7	8.0	15	1/2	5/8	B - 17.6 LBS	HESB-0150LR#A#-D	2.40
HDSB-0150LR#B#-D	2FES-2	B / Medium	3.15	10.0	1.2	16.7	25	4.6	0.7	8.0	15	1/2	5/8	C - 22.5 LBS	HESB-0150LR#B#-D	2.40
HDSB-0200LR#A#-D	2EES-2	A / Small	3.15	12.0	1.2	19.2	30	5.4	0.7	9.0	15	1/2	7/8	B - 17.6 LBS	HESB-0200LR#A#-D	2.40
HDSB-0200LR#B#-D	2EES-2	B / Medium	3.15	12.0	1.2	19.2	30	5.4	0.7	9.0	15	1/2	7/8	C - 22.5 LBS	HESB-0200LR#B#-D	2.40
HDSB-0220LR#A#-D	2DES-2	A / Small	3.15	13.1	1.2	20.6	30	6.4	0.7	10.2	15	1/2	7/8	B - 17.6 LBS	HESB-0220LR#A#-D	2.40
HDSB-0220LR#B#-D	2DES-2	B / Medium	3.15	13.1	1.2	20.6	30	6.4	0.7	10.2	15	1/2	7/8	C - 22.5 LBS	HESB-0220LR#B#-D	2.40
HDSB-0300LR#A#-D	2CES-3	A / Small	3.15	14.9	1.2	22.8	35	7.0	0.7	11.0	15	5/8	7/8	B - 17.6 LBS	HESB-0300LR#A#-D	2.40
HDSB-0300LR#B#-D	2CES-3	B / Medium	3.15	14.9	1.2	22.8	35	7.0	0.7	11.0	15	5/8	7/8	C - 22.5 LBS	HESB-0300LR#B#-D	2.40
HDSB-0400LR#B#-D	4FES-3	B / Medium	3.15	20.1	1.2	29.3	45	9.0	0.7	13.5	20	5/8	7/8	C - 22.5 LBS	HESB-0400LR#B#-D	2.40
HDSB-0400LR#D#-D	4FES-3	D / Medium	3.15	20.1	2.1	30.2	50	9.0	1.3	14.1	20	5/8	7/8	E - 56.6 LBS	HESB-0400LR#D#-D	2.40
HDSB-0500LR#B#-D	4EES-4	B / Medium	3.15	22.4	1.2	32.2	50	10.3	0.7	15.1	25	5/8	1-1/8	C - 22.5 LBS	HESB-0500LR#B#-D	2.40
HDSB-0500LR#D#-D	4EES-4	D / Medium	3.15	22.4	2.1	33.1	50	10.3	1.3	15.7	25	5/8	1-1/8	E - 56.6 LBS	HESB-0500LR#D#-D	2.40
HDSB-0600LR#B#-D	4DES-5	B / Medium	3.15	23.0	1.2	33.0	50	12.0	0.7	17.2	25	5/8	1-1/8	C - 22.5 LBS	HESB-0600LR#B#-D	2.40
HDSB-0600LR#D#-D	4DES-5	D / Medium	3.15	23.0	2.1	33.9	50	12.0	1.3	17.8	25	5/8	1-1/8	E - 56.6 LBS	HESB-0600LR#D#-D	2.40
HDSB-0650LR#B#-D	4CES-6	B / Medium	3.15	27.9	1.2	39.1	60	15.8	0.7	22.0	35	5/8	1-1/8	C - 22.5 LBS	HESB-0650LR#B#-D	2.40
HDSB-0650LR#D#-D	4CES-6	D / Medium	3.15	27.9	2.1	40.0	60	15.8	1.3	22.6	35	5/8	1-1/8	E - 56.6 LBS	HESB-0650LR#D#-D	2.40
HDSB-0700LR#B#-D	4VES-7	B / Medium	3.15	27.1	1.2	38.1	60	13.6	0.7	19.2	30	5/8	1-1/8	C - 22.5 LBS	HESB-0700LR#B#-D	2.40
HDSB-0700LR#D#-D	4VES-7	D / Medium	3.15	27.1	2.1	39.0	60	13.6	1.3	19.8	30	5/8	1-1/8	E - 56.6 LBS	HESB-0700LR#D#-D	2.40
HDSB-0900LR#B#-D	4TES-9	B / Medium	3.15	31.4	1.2	43.5	70	15.7	0.7	21.8	35	5/8	1-3/8	C - 22.5 LBS	HESB-0900LR#B#-D	2.40
HDSB-0900LR#D#-D	4TES-9	D / Medium	3.15	31.4	2.1	44.4	70	15.7	1.3	22.4	35	5/8	1-3/8	E - 56.6 LBS	HESB-0900LR#D#-D	2.40
HDSB-1000LR#B#-D	4PES-12	B / Medium	3.15	38.6	1.2	52.5	90	19.3	0.7	26.3	45	5/8	1-3/8	C - 22.5 LBS	HESB-1000LR#B#-D	2.40
HDSB-1000LR#D#-D	4PES-12	D / Medium	3.15	38.6	2.1	53.4	90	19.3	1.3	26.9	45	5/8	1-3/8	E - 56.6 LBS	HESB-1000LR#D#-D	2.40
HDSB-1200LR#F#-D	4NES-14	F / Large	3.15	44.3	3.2	61.6	100	22.1	1.9	31.0	50	5/8	1-3/8	F - 86.5 LBS	HESB-1200LR#F#-D	2.40
HDSB-1200LR#J#-D	4NES-14	J / X-Large	3.15	44.3	4.2	62.6	100	22.1	2.5	31.6	50	5/8	1-3/8	H - 105.2 LBS	HESB-1200LR#J#-D	2.40
HDSB-1400LR#F#-D	4JE-15	F / Large	3.15	55.7	3.2	75.8	125	27.9	1.9	38.3	60	7/8	1-5/8	F - 86.5 LBS	HESB-1400LR#F#-D	2.40
HDSB-1400LR#J#-D	4JE-15	J / X-Large	3.15	55.7	4.2	76.8	125	27.9	2.5	38.9	60	7/8	1-5/8	H - 105.2 LBS	HESB-1400LR#J#-D	2.40
HDSB-1600LR#F#-D	4HE-18	F / Large	3.15	60.3	3.2	81.6	125	30.1	1.9	41.0	70	7/8	1-5/8	F - 86.5 LBS	HESB-1600LR#F#-D	2.40
HDSB-1600LR#J#-D	4HE-18	J / X-Large	3.15	60.3	4.2	82.6	125	30.1	2.5	41.6	70	7/8	1-5/8	H - 105.2 LBS	HESB-1600LR#J#-D	2.40

\* Estimated unit shipment weights based on condenser size are as follows: Small - 400 lbs.; Medium - 650 lbs.; Large - 1,250 lbs.; X-Large - 1,575 lbs.

# High Efficiency H-Series Condensing Units

## HDSB Bitzer Ecoline Compressors, Motor 2 - Low Temp R-449A

### Low Temperature - R-449A Performance

CONDENSING UNIT MODEL	COMPRESSOR	CONDENSER / UNIT SIZE	95° F AMBIENT TEMPERATURE								
			-40	-35	-30	-25	-20	-15	-10	-5	0
HDSB-0050LR#A#-D	2KES-05	A / Small	1,050	1,440	1,870	2,340	2,850	3,410	4,020	4,680	5,410
HDSB-0050LR#B#-D	2KES-05	B / Medium	1,070	1,480	1,920	2,400	2,930	3,520	4,160	4,860	5,630
HDSB-0070LR#A#-D	2JES-07	A / Small	1,610	2,120	2,670	3,270	3,920	4,620	5,380	6,210	7,110
HDSB-0070LR#B#-D	2JES-07	B / Medium	1,660	2,190	2,760	3,380	4,060	4,810	5,620	6,510	7,480
HDSB-0100LR#A#-D	2HES-1	A / Small	2,210	2,820	3,480	4,200	4,980	5,840	6,760	7,760	8,840
HDSB-0100LR#B#-D	2HES-1	B / Medium	2,290	2,920	3,620	4,380	5,220	6,130	7,140	8,240	9,430
HDSB-0150LR#A#-D	2FES-2	A / Small	3,310	4,160	5,080	6,080	7,150	8,310	9,540	10,860	12,270
HDSB-0150LR#B#-D	2FES-2	B / Medium	3,480	4,390	5,390	6,470	7,650	8,940	10,340	11,850	13,480
HDSB-0200LR#A#-D	2EES-2	A / Small	4,370	5,390	6,480	7,660	8,920	10,280	11,730	13,290	14,940
HDSB-0200LR#B#-D	2EES-2	B / Medium	4,610	5,700	6,900	8,190	9,610	11,140	12,800	14,610	16,550
HDSB-0220LR#A#-D	2DES-2	A / Small	5,330	6,490	7,730	9,050	10,470	11,980	13,590	15,300	17,100
HDSB-0220LR#B#-D	2DES-2	B / Medium	5,660	6,930	8,310	9,800	11,410	13,170	15,060	17,100	19,290
HDSB-0300LR#A#-D	2CES-3	A / Small	6,780	8,120	9,540	11,060	12,660	14,350	16,130	18,010	19,980
HDSB-0300LR#B#-D	2CES-3	B / Medium	7,280	8,770	10,390	12,130	14,010	16,040	18,220	20,550	23,050
HDSB-0400LR#B#-D	4FES-3	B / Medium	7,730	9,330	11,070	12,940	14,950	17,120	19,450	21,950	24,610
HDSB-0400LR#D#-D	4FES-3	D / Medium	8,060	9,770	11,630	13,660	15,870	18,280	20,890	23,720	26,780
HDSB-0500LR#B#-D	4EES-4	B / Medium	9,310	11,240	13,300	15,500	17,860	20,390	23,070	25,920	28,940
HDSB-0500LR#D#-D	4EES-4	D / Medium	9,800	11,880	14,140	16,590	19,240	22,110	25,220	28,560	32,140
HDSB-0600LR#B#-D	4DES-5	B / Medium	10,530	12,710	15,030	17,500	20,130	22,920	25,870	28,990	32,260
HDSB-0600LR#D#-D	4DES-5	D / Medium	11,190	13,570	16,150	18,940	21,940	25,190	28,680	32,420	36,420
HDSB-0650LR#B#-D	4CES-6	B / Medium	13,270	15,790	18,440	21,230	24,180	27,270	30,500	n/a	n/a
HDSB-0650LR#D#-D	4CES-6	D / Medium	14,240	17,040	20,060	23,290	26,750	30,470	34,430	38,660	43,150
HDSB-0700LR#B#-D	4VES-7	B / Medium	11,580	14,220	17,000	19,930	23,010	26,250	29,620	33,130	n/a
HDSB-0700LR#D#-D	4VES-7	D / Medium	12,520	15,460	18,630	22,030	25,680	29,580	33,750	38,170	42,860
HDSB-0900LR#B#-D	4TES-9	B / Medium	14,650	17,600	20,670	23,860	27,160	30,570	n/a	n/a	n/a
HDSB-0900LR#D#-D	4TES-9	D / Medium	16,000	19,380	22,980	26,810	30,880	35,200	39,760	44,550	49,580
HDSB-1000LR#B#-D	4PES-12	B / Medium	14,620	17,810	21,110	24,500	27,990	31,540	n/a	n/a	n/a
HDSB-1000LR#D#-D	4PES-12	D / Medium	16,180	19,890	23,830	28,010	32,420	37,070	41,960	47,060	52,370
HDSB-1200LR#F#-D	4NES-14	F / Large	23,150	28,170	33,610	39,480	45,830	52,680	60,040	67,940	76,360
HDSB-1200LR#J#-D	4NES-14	J / X-Large	23,740	28,950	34,630	40,810	47,540	54,840	62,750	71,290	80,490
HDSB-1400LR#F#-D	4JE-15	F / Large	27,440	33,380	39,730	46,510	53,740	61,450	69,650	78,350	87,560
HDSB-1400LR#J#-D	4JE-15	J / X-Large	28,260	34,450	41,110	48,260	55,950	64,200	73,050	82,510	92,600
HDSB-1600LR#F#-D	4HE-18	F / Large	33,140	39,830	46,920	54,430	62,370	70,770	79,620	88,930	98,690
HDSB-1600LR#J#-D	4HE-18	J / X-Large	34,230	41,250	48,740	56,750	65,290	74,410	84,120	94,430	105,350

CONDENSING UNIT MODEL	COMPRESSOR	CONDENSER / UNIT SIZE	105° F AMBIENT TEMPERATURE								
			-40	-35	-30	-25	-20	-15	-10	-5	0
HDSB-0050LR#A#-D	2KES-05	A / Small	750	1,120	1,530	1,960	2,430	2,940	3,490	4,100	4,750
HDSB-0050LR#B#-D	2KES-05	B / Medium	770	1,160	1,570	2,020	2,510	3,040	3,620	4,270	4,970
HDSB-0070LR#A#-D	2JES-07	A / Small	1,250	1,730	2,250	2,800	3,400	4,040	4,730	5,490	6,300
HDSB-0070LR#B#-D	2JES-07	B / Medium	1,300	1,800	2,330	2,910	3,530	4,220	4,960	5,770	6,650
HDSB-0100LR#A#-D	2HES-1	A / Small	1,770	2,330	2,940	3,600	4,320	5,100	5,940	6,860	7,840
HDSB-0100LR#B#-D	2HES-1	B / Medium	1,850	2,430	3,080	3,780	4,550	5,390	6,310	7,310	8,400
HDSB-0150LR#A#-D	2FES-2	A / Small	2,650	3,450	4,300	5,210	6,190	7,240	8,370	9,570	10,840
HDSB-0150LR#B#-D	2FES-2	B / Medium	2,830	3,680	4,590	5,590	6,680	7,850	9,130	10,510	12,010
HDSB-0200LR#A#-D	2EES-2	A / Small	3,670	4,610	5,620	6,710	7,870	9,120	10,450	11,880	13,400
HDSB-0200LR#B#-D	2EES-2	B / Medium	3,880	4,900	6,000	7,200	8,500	9,910	11,450	13,110	14,900
HDSB-0220LR#A#-D	2DES-2	A / Small	4,540	5,610	6,750	7,970	9,270	10,660	12,130	13,700	n/a
HDSB-0220LR#B#-D	2DES-2	B / Medium	4,840	6,010	7,280	8,650	10,140	11,750	13,490	15,370	17,400
HDSB-0300LR#A#-D	2CES-3	A / Small	5,880	7,120	8,430	9,820	11,280	12,830	n/a	n/a	n/a
HDSB-0300LR#B#-D	2CES-3	B / Medium	6,340	7,720	9,200	10,800	12,530	14,390	16,390	18,540	20,840
HDSB-0400LR#B#-D	4FES-3	B / Medium	6,700	8,180	9,770	11,480	13,330	15,320	17,450	19,740	22,200
HDSB-0400LR#D#-D	4FES-3	D / Medium	6,990	8,570	10,280	12,140	14,170	16,380	18,780	21,390	24,200
HDSB-0500LR#B#-D	4EES-4	B / Medium	8,050	9,820	11,710	13,730	15,890	18,200	20,660	23,280	n/a
HDSB-0500LR#D#-D	4EES-4	D / Medium	8,480	10,400	12,470	14,710	17,140	19,770	22,620	25,690	29,000
HDSB-0600LR#B#-D	4DES-5	B / Medium	9,080	11,090	13,210	15,470	17,880	20,430	23,130	n/a	n/a
HDSB-0600LR#D#-D	4DES-5	D / Medium	9,650	11,850	14,210	16,760	19,520	22,490	25,690	29,130	32,810
HDSB-0650LR#B#-D	4CES-6	B / Medium	11,620	13,940	16,370	18,930	21,620	n/a	n/a	n/a	n/a
HDSB-0650LR#D#-D	4CES-6	D / Medium	12,470	15,060	17,820	20,780	23,960	27,360	30,990	34,870	n/a
HDSB-0700LR#B#-D	4VES-7	B / Medium	9,640	12,080	14,650	17,340	20,160	n/a	n/a	n/a	n/a
HDSB-0700LR#D#-D	4VES-7	D / Medium	10,450	13,180	16,100	19,230	22,570	26,150	29,970	34,020	n/a
HDSB-0900LR#B#-D	4TES-9	B / Medium	12,460	15,180	18,000	20,910	n/a	n/a	n/a	n/a	n/a
HDSB-0900LR#D#-D	4TES-9	D / Medium	13,650	16,770	20,080	23,590	27,310	31,240	35,390	n/a	n/a
HDSB-1000LR#B#-D	4PES-12	B / Medium	12,140	15,080	18,090	21,180	n/a	n/a	n/a	n/a	n/a
HDSB-1000LR#D#-D	4PES-12	D / Medium	13,440	16,860	20,460	24,270	28,280	32,490	n/a	n/a	n/a
HDSB-1200LR#F#-D	4NES-14	F / Large	19,670	24,310	29,290	34,660	40,450	46,680	53,370	60,550	68,210
HDSB-1200LR#J#-D	4NES-14	J / X-Large	20,190	25,010	30,220	35,880	42,020	48,690	55,900	63,700	72,090
HDSB-1400LR#F#-D	4JE-15	F / Large	23,470	29,020	34,900	41,160	47,830	54,930	62,470	70,470	78,940
HDSB-1400LR#J#-D	4JE-15	J / X-Large	24,210	29,990	36,170	42,780	49,880	57,490	65,640	74,360	83,670
HDSB-1600LR#F#-D	4HE-18	F / Large	28,890	35,100	41,640	48,540	55,810	63,480	71,550	n/a	n/a
HDSB-1600LR#J#-D	4HE-18	J / X-Large	29,880	36,400	43,330	50,700	58,540	66,900	75,780	85,210	95,210

NOTE: All temperatures shown reflect the midpoint evaporator temperature.

\* Estimated unit shipment weights based on condenser size are as follows: Small – 400 lbs.; Medium – 650 lbs.; Large – 1,250 lbs.; X-Large – 1,575 lbs.



# High Efficiency H-Series Condensing Units

## HDSB Bitzer Ecoline Compressors, Motor 2 - Low Temp R-404A

### Low Temperature - R-404A Specifications

CONDENSING UNIT MODEL	COMPRESSOR	CONDENSER / UNIT SIZE	OUTDOOR DOE AWEF	208/3/60				460/3/60				LIQ OD IN	SUCTION IN	DEFAULT RECEIVER	INDOOR MODEL	INDOOR DOE AWEF
				COMP RLA	FAN RLA	MCA	MOPD	COMP RLA	FAN RLA	MCA	MOPD					
HDSB-0050LS#A#-D	2KES-05	A / Small	3.15	5.4	1.2	11.0	15	2.6	0.7	5.5	15	1/2	5/8	B - 16.7 LBS	HESB-0050LS#A#-A	n/a
HDSB-0050LS#B#-D	2KES-05	B / Medium	3.15	5.4	1.2	11.0	15	2.6	0.7	5.5	15	1/2	5/8	C - 21.4 LBS	HESB-0050LS#B#-A	n/a
HDSB-0070LS#A#-D	2JES-07	A / Small	3.15	6.7	1.2	12.6	15	3.2	0.7	6.2	15	1/2	5/8	B - 16.7 LBS	HESB-0070LS#A#-A	n/a
HDSB-0070LS#B#-D	2JES-07	B / Medium	3.15	6.7	1.2	12.6	15	3.2	0.7	6.2	15	1/2	5/8	C - 21.4 LBS	HESB-0070LS#B#-D	2.40
HDSB-0100LS#A#-D	2HES-1	A / Small	3.15	7.3	1.2	13.3	20	3.4	0.7	6.5	15	1/2	5/8	B - 16.7 LBS	HESB-0100LS#A#-D	2.40
HDSB-0100LS#B#-D	2HES-1	B / Medium	3.15	7.3	1.2	13.3	20	3.4	0.7	6.5	15	1/2	5/8	C - 21.4 LBS	HESB-0100LS#B#-D	2.40
HDSB-0150LS#A#-D	2FES-2	A / Small	3.15	10.0	1.2	16.7	25	4.6	0.7	8.0	15	1/2	5/8	B - 16.7 LBS	HESB-0150LS#A#-A	n/a
HDSB-0150LS#B#-D	2FES-2	B / Medium	3.15	10.0	1.2	16.7	25	4.6	0.7	8.0	15	1/2	5/8	C - 21.4 LBS	HESB-0150LS#B#-D	2.40
HDSB-0200LS#A#-D	2EES-2	A / Small	3.15	12.0	1.2	19.2	30	5.4	0.7	9.0	15	1/2	7/8	B - 16.7 LBS	HESB-0200LS#A#-D	2.40
HDSB-0200LS#B#-D	2EES-2	B / Medium	3.15	12.0	1.2	19.2	30	5.4	0.7	9.0	15	1/2	7/8	C - 21.4 LBS	HESB-0200LS#B#-D	2.40
HDSB-0220LS#A#-D	2DES-2	A / Small	3.15	13.1	1.2	20.6	30	6.4	0.7	10.2	15	1/2	7/8	B - 16.7 LBS	HESB-0220LS#A#-D	2.40
HDSB-0220LS#B#-D	2DES-2	B / Medium	3.15	13.1	1.2	20.6	30	6.4	0.7	10.2	15	1/2	7/8	C - 21.4 LBS	HESB-0220LS#B#-D	2.40
HDSB-0300LS#A#-D	2CES-3	A / Small	3.15	14.9	1.2	22.8	35	7.0	0.7	11.0	15	5/8	7/8	B - 16.7 LBS	HESB-0300LS#A#-D	2.40
HDSB-0300LS#B#-D	2CES-3	B / Medium	3.15	14.9	1.2	22.8	35	7.0	0.7	11.0	15	5/8	7/8	C - 21.4 LBS	HESB-0300LS#B#-D	2.40
HDSB-0400LS#B#-D	4FES-3	B / Medium	3.15	20.1	1.2	29.3	45	9.0	0.7	13.5	20	5/8	7/8	C - 21.4 LBS	HESB-0400LS#B#-D	2.40
HDSB-0400LS#D#-D	4FES-3	D / Medium	3.15	20.1	2.1	30.2	50	9.0	1.3	14.1	20	5/8	7/8	E - 53.9 LBS	HESB-0400LS#D#-D	2.40
HDSB-0500LS#B#-D	4EES-4	B / Medium	3.15	22.4	1.2	32.2	50	10.3	0.7	15.1	25	5/8	1-1/8	C - 21.4 LBS	HESB-0500LS#B#-D	2.40
HDSB-0500LS#D#-D	4EES-4	D / Medium	3.15	22.4	2.1	33.1	50	10.3	1.3	15.7	25	5/8	1-1/8	E - 53.9 LBS	HESB-0500LS#D#-D	2.40
HDSB-0600LS#B#-D	4DES-5	B / Medium	3.15	23.0	1.2	33.0	50	12.0	0.7	17.2	25	5/8	1-1/8	C - 21.4 LBS	HESB-0600LS#B#-D	2.40
HDSB-0600LS#D#-D	4DES-5	D / Medium	3.15	23.0	2.1	33.9	50	12.0	1.3	17.8	25	5/8	1-1/8	E - 53.9 LBS	HESB-0600LS#D#-D	2.40
HDSB-0650LS#B#-D	4CES-6	B / Medium	3.15	27.9	1.2	39.1	60	15.8	0.7	22.0	35	5/8	1-1/8	C - 21.4 LBS	HESB-0650LS#B#-A	n/a
HDSB-0650LS#D#-D	4CES-6	D / Medium	3.15	27.9	2.1	40.0	60	15.8	1.3	22.6	35	5/8	1-1/8	E - 53.9 LBS	HESB-0650LS#D#-D	2.40
HDSB-0700LS#B#-D	4VES-7	B / Medium	3.15	27.1	1.2	38.1	60	13.6	0.7	19.2	30	5/8	1-1/8	C - 21.4 LBS	HESB-0700LS#B#-D	2.40
HDSB-0700LS#D#-D	4VES-7	D / Medium	3.15	27.1	2.1	39.0	60	13.6	1.3	19.8	30	5/8	1-1/8	E - 53.9 LBS	HESB-0700LS#D#-D	2.40
HDSB-0900LS#B#-D	4TES-9	B / Medium	3.15	31.4	1.2	43.5	70	15.7	0.7	21.8	35	5/8	1-3/8	C - 21.4 LBS	HESB-0900LS#B#-A	n/a
HDSB-0900LS#D#-D	4TES-9	D / Medium	3.15	31.4	2.1	44.4	70	15.7	1.3	22.4	35	5/8	1-3/8	E - 53.9 LBS	HESB-0900LS#D#-D	2.40
HDSB-1000LS#B#-A	4PES-12	B / Medium	n/a	38.6	1.2	52.5	90	19.3	0.7	26.3	45	5/8	1-3/8	C - 21.4 LBS	HESB-1000LS#B#-A	n/a
HDSB-1000LS#D#-D	4PES-12	D / Medium	3.15	38.6	2.1	53.4	90	19.3	1.3	26.9	45	5/8	1-3/8	E - 53.9 LBS	HESB-1000LS#D#-D	2.40
HDSB-1200LS#F#-D	4NES-14	F / Large	3.15	44.3	3.2	61.6	100	22.1	1.9	31.0	50	5/8	1-3/8	F - 82.3 LBS	HESB-1200LS#F#-D	2.40
HDSB-1200LS#J#-D	4NES-14	J / X-Large	3.15	44.3	4.2	62.6	100	22.1	2.5	31.6	50	5/8	1-3/8	H - 100.1 LBS	HESB-1200LS#J#-D	2.40
HDSB-1400LS#F#-D	4JE-15	F / Large	3.15	55.7	3.2	75.8	125	27.9	1.9	38.3	60	7/8	1-5/8	F - 82.3 LBS	HESB-1400LS#F#-D	2.40
HDSB-1400LS#J#-D	4JE-15	J / X-Large	3.15	55.7	4.2	76.8	125	27.9	2.5	38.9	60	7/8	1-5/8	H - 100.1 LBS	HESB-1400LS#J#-D	2.40
HDSB-1600LS#F#-A	4HE-18	F / Large	n/a	60.3	3.2	81.6	125	30.1	1.9	41.0	70	7/8	1-5/8	F - 82.3 LBS	HESB-1600LS#F#-D	2.40
HDSB-1600LS#J#-D	4HE-18	J / X-Large	3.15	60.3	4.2	82.6	125	30.1	2.5	41.6	70	7/8	1-5/8	H - 100.1 LBS	HESB-1600LS#J#-D	2.40

NOTE: Solid black shading with white font indicates products for non-DOE regulated applications in above Table.

\* Estimated unit shipment weights based on condenser size are as follows: Small - 400 lbs.; Medium - 650 lbs.; Large - 1,250 lbs.; X-Large - 1,575 lbs.

# High Efficiency H-Series Condensing Units

## HDSB Bitzer Ecoline Compressors, Motor 2 - Low Temp R-404A

### Low Temperature - R-404A Performance

CONDENSING UNIT MODEL	COMPRESSOR	CONDENSER / UNIT SIZE	95° F AMBIENT TEMPERATURE								
			-40	-35	-30	-25	-20	-15	-10	-5	0
HDSB-0050LS#A#-D	2KES-05	A / Small	1,230	1,630	2,070	2,540	3,040	3,590	4,190	4,820	5,510
HDSB-0050LS#B#-D	2KES-05	B / Medium	1,270	1,680	2,130	2,610	3,150	3,720	4,350	5,030	5,760
HDSB-0070LS#A#-D	2JES-07	A / Small	1,990	2,510	3,060	3,660	4,300	4,990	5,740	6,540	7,390
HDSB-0070LS#B#-D	2JES-07	B / Medium	2,060	2,590	3,170	3,800	4,480	5,220	6,020	6,880	7,810
HDSB-0100LS#A#-D	2HES-1	A / Small	2,650	3,260	3,930	4,640	5,410	6,230	7,110	8,050	9,040
HDSB-0100LS#B#-D	2HES-1	B / Medium	2,760	3,400	4,110	4,870	5,690	6,580	7,550	8,580	9,700
HDSB-0150LS#A#-D	2FES-2	A / Small	3,910	4,760	5,660	6,620	7,640	8,710	9,850	11,040	12,300
HDSB-0150LS#B#-D	2FES-2	B / Medium	4,120	5,030	6,010	7,060	8,190	9,410	10,710	12,100	13,580
HDSB-0200LS#A#-D	2EES-2	A / Small	4,980	6,040	7,160	8,330	9,570	10,870	12,230	13,640	15,110
HDSB-0200LS#B#-D	2EES-2	B / Medium	5,280	6,430	7,660	8,980	10,390	11,890	13,500	15,200	17,000
HDSB-0220LS#A#-D	2DES-2	A / Small	6,010	7,210	8,480	9,800	11,170	12,600	14,070	15,600	17,160
HDSB-0220LS#B#-D	2DES-2	B / Medium	6,430	7,770	9,190	10,700	12,310	14,020	15,820	17,730	19,750
HDSB-0300LS#A#-D	2CES-3	A / Small	7,520	8,920	10,360	11,840	13,370	14,930	16,530	18,150	19,790
HDSB-0300LS#B#-D	2CES-3	B / Medium	8,160	9,740	11,410	13,170	15,030	16,990	19,050	21,210	23,460
HDSB-0400LS#B#-D	4FES-3	B / Medium	9,080	10,640	12,290	14,060	15,950	17,950	20,070	22,300	24,640
HDSB-0400LS#D#-D	4FES-3	D / Medium	9,470	11,120	12,920	14,870	16,970	19,240	21,680	24,290	27,080
HDSB-0500LS#B#-D	4EES-4	B / Medium	11,090	12,970	14,960	17,060	19,270	21,590	24,010	26,540	29,150
HDSB-0500LS#D#-D	4EES-4	D / Medium	11,690	13,740	15,940	18,310	20,850	23,570	26,460	29,540	32,800
HDSB-0600LS#B#-D	4DES-5	B / Medium	12,880	15,000	17,240	19,580	22,020	24,570	27,210	29,940	32,740
HDSB-0600LS#D#-D	4DES-5	D / Medium	13,700	16,060	18,590	21,300	24,180	27,260	30,510	33,960	37,590
HDSB-0650LS#B#-D	4CES-6	B / Medium	14,540	16,960	19,490	22,120	24,840	27,660	30,550	33,510	36,530
HDSB-0650LS#D#-D	4CES-6	D / Medium	15,680	18,440	21,370	24,490	27,800	31,310	35,000	38,890	42,960
HDSB-0700LS#B#-D	4VES-7	B / Medium	13,160	15,720	18,400	21,190	24,070	27,030	30,050	33,130	36,230
HDSB-0700LS#D#-D	4VES-7	D / Medium	14,270	17,170	20,280	23,580	27,080	30,780	34,670	38,740	42,980
HDSB-0900LS#B#-D	4TES-9	B / Medium	16,240	19,080	21,990	24,970	27,990	31,030	34,070	n/a	n/a
HDSB-0900LS#D#-D	4TES-9	D / Medium	17,870	21,180	24,680	28,360	32,230	36,260	40,450	44,790	49,250
HDSB-1000LS#B#-A	4PES-12	B / Medium	16,440	19,530	22,690	25,880	29,090	32,290	35,470	n/a	n/a
HDSB-1000LS#D#-D	4PES-12	D / Medium	18,350	22,010	25,860	29,890	34,100	38,460	42,960	47,590	52,320
HDSB-1200LS#F#-D	4NES-14	F / Large	25,950	30,930	36,290	42,040	48,210	54,790	61,790	69,200	77,030
HDSB-1200LS#J#-D	4NES-14	J / X-Large	26,650	31,850	37,470	43,560	50,120	57,190	64,770	72,880	81,510
HDSB-1400LS#F#-D	4JE-15	F / Large	30,770	36,570	42,720	49,240	56,130	63,400	71,030	79,040	87,410
HDSB-1400LS#J#-D	4JE-15	J / X-Large	31,730	37,810	44,310	51,240	58,630	66,500	74,840	83,670	92,990
HDSB-1600LS#F#-A	4HE-18	F / Large	36,770	43,250	50,070	57,230	64,730	72,560	80,720	89,180	97,930
HDSB-1600LS#J#-D	4HE-18	J / X-Large	38,040	44,890	52,160	59,870	68,030	76,660	85,740	95,280	105,260

CONDENSING UNIT MODEL	COMPRESSOR	CONDENSER / UNIT SIZE	105° F AMBIENT TEMPERATURE								
			-40	-35	-30	-25	-20	-15	-10	-5	0
HDSB-0050LS#A#-D	2KES-05	A / Small	950	1,320	1,720	2,150	2,610	3,100	3,640	4,210	4,820
HDSB-0050LS#B#-D	2KES-05	B / Medium	980	1,360	1,770	2,210	2,690	3,210	3,780	4,390	5,040
HDSB-0070LS#A#-D	2JES-07	A / Small	1,620	2,090	2,610	3,150	3,740	4,370	5,040	5,760	6,530
HDSB-0070LS#B#-D	2JES-07	B / Medium	1,670	2,170	2,700	3,280	3,900	4,570	5,290	6,070	6,910
HDSB-0100LS#A#-D	2HES-1	A / Small	2,150	2,720	3,330	3,980	4,680	5,420	6,220	7,070	7,970
HDSB-0100LS#B#-D	2HES-1	B / Medium	2,240	2,840	3,490	4,180	4,930	5,740	6,610	7,550	8,560
HDSB-0150LS#A#-D	2FES-2	A / Small	3,280	4,060	4,890	5,760	6,670	7,640	8,650	9,720	10,840
HDSB-0150LS#B#-D	2FES-2	B / Medium	3,470	4,300	5,200	6,150	7,170	8,270	9,430	10,680	12,010
HDSB-0200LS#A#-D	2EES-2	A / Small	4,200	5,170	6,180	7,240	8,350	9,500	10,710	11,970	13,270
HDSB-0200LS#B#-D	2EES-2	B / Medium	4,470	5,520	6,650	7,840	9,110	10,460	11,900	13,430	15,040
HDSB-0220LS#A#-D	2DES-2	A / Small	5,100	6,200	7,340	8,530	9,750	11,020	12,320	13,660	15,040
HDSB-0220LS#B#-D	2DES-2	B / Medium	5,490	6,710	8,010	9,370	10,820	12,350	13,970	15,670	17,470
HDSB-0300LS#A#-D	2CES-3	A / Small	6,450	7,720	9,020	10,340	11,690	13,070	14,460	15,870	n/a
HDSB-0300LS#B#-D	2CES-3	B / Medium	7,050	8,490	10,010	11,600	13,270	15,010	16,850	18,760	20,760
HDSB-0400LS#B#-D	4FES-3	B / Medium	7,990	9,410	10,900	12,490	14,160	15,930	17,790	19,750	21,800
HDSB-0400LS#D#-D	4FES-3	D / Medium	8,360	9,880	11,510	13,260	15,150	17,170	19,330	21,650	24,120
HDSB-0500LS#B#-D	4EES-4	B / Medium	9,720	11,430	13,220	15,100	17,060	19,110	21,240	23,450	25,740
HDSB-0500LS#D#-D	4EES-4	D / Medium	10,280	12,160	14,150	16,290	18,560	20,980	23,560	26,300	29,190
HDSB-0600LS#B#-D	4DES-5	B / Medium	11,300	13,220	15,220	17,300	19,460	21,700	24,020	26,400	n/a
HDSB-0600LS#D#-D	4DES-5	D / Medium	12,060	14,210	16,490	18,920	21,500	24,240	27,140	30,200	33,430
HDSB-0650LS#B#-D	4CES-6	B / Medium	12,670	14,850	17,120	19,460	21,870	24,350	n/a	n/a	n/a
HDSB-0650LS#D#-D	4CES-6	D / Medium	13,700	16,200	18,840	21,640	24,610	27,740	31,040	34,510	38,150
HDSB-0700LS#B#-D	4VES-7	B / Medium	11,090	13,420	15,840	18,330	20,890	23,520	26,190	n/a	n/a
HDSB-0700LS#D#-D	4VES-7	D / Medium	12,090	14,730	17,540	20,510	23,650	26,960	30,440	34,070	37,860
HDSB-0900LS#B#-D	4TES-9	B / Medium	13,860	16,420	19,020	21,660	24,310	n/a	n/a	n/a	n/a
HDSB-0900LS#D#-D	4TES-9	D / Medium	15,340	18,350	21,500	24,790	28,240	31,820	35,530	39,360	n/a
HDSB-1000LS#B#-A	4PES-12	B / Medium	13,760	16,560	19,390	22,230	25,050	n/a	n/a	n/a	n/a
HDSB-1000LS#D#-D	4PES-12	D / Medium	15,410	18,730	22,200	25,800	29,550	33,420	37,400	41,480	n/a
HDSB-1200LS#F#-D	4NES-14	F / Large	22,210	26,750	31,600	36,790	42,310	48,200	54,450	61,070	68,050
HDSB-1200LS#J#-D	4NES-14	J / X-Large	22,840	27,580	32,680	38,180	44,090	50,430	57,230	64,500	72,240
HDSB-1400LS#F#-D	4JE-15	F / Large	26,580	31,890	37,490	43,390	49,600	56,140	63,000	70,180	77,690
HDSB-1400LS#J#-D	4JE-15	J / X-Large	27,440	33,020	38,940	45,230	51,920	59,030	66,550	74,510	82,910
HDSB-1600LS#F#-A	4HE-18	F / Large	32,150	38,060	44,230	50,670	57,390	64,370	71,630	79,140	86,890
HDSB-1600LS#J#-D	4HE-18	J / X-Large	33,310	39,570	46,170	53,130	60,470	68,210	76,340	84,860	93,780

NOTE: All temperatures shown reflect the midpoint evaporator temperature. Solid black shading with white font indicates products for non-DOE regulated applications in above Table.

\* Estimated unit shipment weights based on condenser size are as follows: Small – 400 lbs.; Medium – 650 lbs.; Large – 1,250 lbs.; X-Large – 1,575 lbs.

# High Efficiency H-Series Condensing Units

## HDSB Bitzer Ecoline Compressors, Motor 2 - Low Temp R-448A

### Low Temperature - R-448A Specifications

CONDENSING UNIT MODEL	COMPRESSOR	CONDENSER / UNIT SIZE	OUTDOOR DOE AWEF	208/3/60				460/3/60				LIQ OD IN	SUCTION IN	DEFAULT RECEIVER	INDOOR MODEL	INDOOR DOE AWEF
				COMP RLA	FAN RLA	MCA	MOPD	COMP RLA	FAN RLA	MCA	MOPD					
HDSB-0050LT#A#-D	2KES-05	A / Small	3.15	5.4	1.2	11.0	15	2.6	0.7	5.5	15	1/2	5/8	B - 17.6 LBS	HESB-0050LT#A#-A	n/a
HDSB-0050LT#B#-D	2KES-05	B / Medium	3.15	5.4	1.2	11.0	15	2.6	0.7	5.5	15	1/2	5/8	C - 22.5 LBS	HESB-0050LT#B#-A	n/a
HDSB-0070LT#A#-D	2JES-07	A / Small	3.15	6.7	1.2	12.6	15	3.2	0.7	6.2	15	1/2	5/8	B - 17.6 LBS	HESB-0070LT#A#-A	n/a
HDSB-0070LT#B#-D	2JES-07	B / Medium	3.15	6.7	1.2	12.6	15	3.2	0.7	6.2	15	1/2	5/8	C - 22.5 LBS	HESB-0070LT#B#-D	2.40
HDSB-0100LT#A#-D	2HES-1	A / Small	3.15	7.3	1.2	13.3	20	3.4	0.7	6.5	15	1/2	5/8	B - 17.6 LBS	HESB-0100LT#A#-D	2.40
HDSB-0100LT#B#-D	2HES-1	B / Medium	3.15	7.3	1.2	13.3	20	3.4	0.7	6.5	15	1/2	5/8	C - 22.5 LBS	HESB-0100LT#B#-D	2.40
HDSB-0150LT#A#-D	2FES-2	A / Small	3.15	10.0	1.2	16.7	25	4.6	0.7	8.0	15	1/2	5/8	B - 17.6 LBS	HESB-0150LT#A#-D	2.40
HDSB-0150LT#B#-D	2FES-2	B / Medium	3.15	10.0	1.2	16.7	25	4.6	0.7	8.0	15	1/2	5/8	C - 22.5 LBS	HESB-0150LT#B#-D	2.40
HDSB-0200LT#A#-D	2EES-2	A / Small	3.15	12.0	1.2	19.2	30	5.4	0.7	9.0	15	1/2	7/8	B - 17.6 LBS	HESB-0200LT#A#-D	2.40
HDSB-0200LT#B#-D	2EES-2	B / Medium	3.15	12.0	1.2	19.2	30	5.4	0.7	9.0	15	1/2	7/8	C - 22.5 LBS	HESB-0200LT#B#-D	2.40
HDSB-0220LT#A#-D	2DES-2	A / Small	3.15	13.1	1.2	20.6	30	6.4	0.7	10.2	15	1/2	7/8	B - 17.6 LBS	HESB-0220LT#A#-D	2.40
HDSB-0220LT#B#-D	2DES-2	B / Medium	3.15	13.1	1.2	20.6	30	6.4	0.7	10.2	15	1/2	7/8	C - 22.5 LBS	HESB-0220LT#B#-D	2.40
HDSB-0300LT#A#-D	2CES-3	A / Small	3.15	14.9	1.2	22.8	35	7.0	0.7	11.0	15	5/8	7/8	B - 17.6 LBS	HESB-0300LT#A#-D	2.40
HDSB-0300LT#B#-D	2CES-3	B / Medium	3.15	14.9	1.2	22.8	35	7.0	0.7	11.0	15	5/8	7/8	C - 22.5 LBS	HESB-0300LT#B#-D	2.40
HDSB-0400LT#B#-D	4FES-3	B / Medium	3.15	20.1	1.2	29.3	45	9.0	0.7	13.5	20	5/8	7/8	C - 22.5 LBS	HESB-0400LT#B#-D	2.40
HDSB-0400LT#D#-D	4FES-3	D / Medium	3.15	20.1	2.1	30.2	50	9.0	1.3	14.1	20	5/8	7/8	E - 56.6 LBS	HESB-0400LT#D#-D	2.40
HDSB-0500LT#B#-D	4EES-4	B / Medium	3.15	22.4	1.2	32.2	50	10.3	0.7	15.1	25	5/8	1-1/8	C - 22.5 LBS	HESB-0500LT#B#-D	2.40
HDSB-0500LT#D#-D	4EES-4	D / Medium	3.15	22.4	2.1	33.1	50	10.3	1.3	15.7	25	5/8	1-1/8	E - 56.6 LBS	HESB-0500LT#D#-D	2.40
HDSB-0600LT#B#-D	4DES-5	B / Medium	3.15	23.0	1.2	33.0	50	12.0	0.7	17.2	25	5/8	1-1/8	C - 22.5 LBS	HESB-0600LT#B#-D	2.40
HDSB-0600LT#D#-D	4DES-5	D / Medium	3.15	23.0	2.1	33.9	50	12.0	1.3	17.8	25	5/8	1-1/8	E - 56.6 LBS	HESB-0600LT#D#-D	2.40
HDSB-0650LT#B#-D	4CES-6	B / Medium	3.15	27.9	1.2	39.1	60	15.8	0.7	22.0	35	5/8	1-1/8	C - 22.5 LBS	HESB-0650LT#B#-D	2.40
HDSB-0650LT#D#-D	4CES-6	D / Medium	3.15	27.9	2.1	40.0	60	15.8	1.3	22.6	35	5/8	1-1/8	E - 56.6 LBS	HESB-0650LT#D#-D	2.40
HDSB-0700LT#B#-D	4VES-7	B / Medium	3.15	27.1	1.2	38.1	60	13.6	0.7	19.2	30	5/8	1-1/8	C - 22.5 LBS	HESB-0700LT#B#-D	2.40
HDSB-0700LT#D#-D	4VES-7	D / Medium	3.15	27.1	2.1	39.0	60	13.6	1.3	19.8	30	5/8	1-1/8	E - 56.6 LBS	HESB-0700LT#D#-D	2.40
HDSB-0900LT#B#-D	4TES-9	B / Medium	3.15	31.4	1.2	43.5	70	15.7	0.7	21.8	35	5/8	1-3/8	C - 22.5 LBS	HESB-0900LT#B#-D	2.40
HDSB-0900LT#D#-D	4TES-9	D / Medium	3.15	31.4	2.1	44.4	70	15.7	1.3	22.4	35	5/8	1-3/8	E - 56.6 LBS	HESB-0900LT#D#-D	2.40
HDSB-1000LT#B#-D	4PES-12	B / Medium	3.15	38.6	1.2	52.5	90	19.3	0.7	26.3	45	5/8	1-3/8	C - 22.5 LBS	HESB-1000LT#B#-D	2.40
HDSB-1000LT#D#-D	4PES-12	D / Medium	3.15	38.6	2.1	53.4	90	19.3	1.3	26.9	45	5/8	1-3/8	E - 56.6 LBS	HESB-1000LT#D#-D	2.40
HDSB-1200LT#F#-D	4NES-14	F / Large	3.15	44.3	3.2	61.6	100	22.1	1.9	31.0	50	5/8	1-3/8	F - 86.5 LBS	HESB-1200LT#F#-D	2.40
HDSB-1200LT#J#-D	4NES-14	J / X-Large	3.15	44.3	4.2	62.6	100	22.1	2.5	31.6	50	5/8	1-3/8	H - 105.2 LBS	HESB-1200LT#J#-D	2.40
HDSB-1400LT#F#-D	4JE-15	F / Large	3.15	55.7	3.2	75.8	125	27.9	1.9	38.3	60	7/8	1-5/8	F - 86.5 LBS	HESB-1400LT#F#-D	2.40
HDSB-1400LT#J#-D	4JE-15	J / X-Large	3.15	55.7	4.2	76.8	125	27.9	2.5	38.9	60	7/8	1-5/8	H - 105.2 LBS	HESB-1400LT#J#-D	2.40
HDSB-1600LT#F#-D	4HE-18	F / Large	3.15	60.3	3.2	81.6	125	30.1	1.9	41.0	70	7/8	1-5/8	F - 86.5 LBS	HESB-1600LT#F#-D	2.40
HDSB-1600LT#J#-D	4HE-18	J / X-Large	3.15	60.3	4.2	82.6	125	30.1	2.5	41.6	70	7/8	1-5/8	H - 105.2 LBS	HESB-1600LT#J#-D	2.40

\* Estimated unit shipment weights based on condenser size are as follows: Small - 400 lbs.; Medium - 650 lbs.; Large - 1,250 lbs.; X-Large - 1,575 lbs.

# High Efficiency H-Series Condensing Units

## HDSB Bitzer Ecoline Compressors, Motor 2 - Low Temp R-448A

### Low Temperature - R-448A Performance

CONDENSING UNIT MODEL	COMPRESSOR	CONDENSER / UNIT SIZE	95° F AMBIENT TEMPERATURE								
			-40	-35	-30	-25	-20	-15	-10	-5	0
HDSB-0050LT#A#-D	2KES-05	A / Small	1,040	1,440	1,870	2,340	2,850	3,410	4,030	4,700	5,430
HDSB-0050LT#B#-D	2KES-05	B / Medium	1,070	1,470	1,920	2,400	2,940	3,520	4,170	4,880	5,650
HDSB-0070LT#A#-D	2JES-07	A / Small	1,610	2,120	2,670	3,270	3,920	4,630	5,400	6,230	7,140
HDSB-0070LT#B#-D	2JES-07	B / Medium	1,660	2,190	2,760	3,390	4,070	4,820	5,640	6,540	7,510
HDSB-0100LT#A#-D	2HES-1	A / Small	2,210	2,820	3,480	4,200	4,990	5,850	6,780	7,790	8,880
HDSB-0100LT#B#-D	2HES-1	B / Medium	2,290	2,920	3,620	4,390	5,230	6,150	7,160	8,270	9,470
HDSB-0150LT#A#-D	2FES-2	A / Small	3,300	4,160	5,090	6,090	7,170	8,330	9,580	10,900	12,320
HDSB-0150LT#B#-D	2FES-2	B / Medium	3,480	4,390	5,390	6,480	7,670	8,960	10,370	11,890	13,540
HDSB-0200LT#A#-D	2EES-2	A / Small	4,360	5,390	6,490	7,670	8,950	10,310	11,780	13,340	15,000
HDSB-0200LT#B#-D	2EES-2	B / Medium	4,610	5,710	6,910	8,210	9,630	11,180	12,850	14,670	16,620
HDSB-0220LT#A#-D	2DES-2	A / Small	5,320	6,490	7,740	9,070	10,500	12,020	13,640	15,360	17,180
HDSB-0220LT#B#-D	2DES-2	B / Medium	5,660	6,940	8,320	9,820	11,450	13,210	15,120	17,170	19,380
HDSB-0300LT#A#-D	2CES-3	A / Small	6,780	8,130	9,560	11,080	12,700	14,400	16,200	18,090	20,070
HDSB-0300LT#B#-D	2CES-3	B / Medium	7,280	8,790	10,410	12,160	14,050	16,090	18,290	20,640	23,160
HDSB-0400LT#B#-D	4FES-3	B / Medium	7,730	9,350	11,090	12,970	15,000	17,180	19,530	22,040	24,730
HDSB-0400LT#D#-D	4FES-3	D / Medium	8,060	9,780	11,650	13,700	15,920	18,340	20,970	23,820	26,900
HDSB-0500LT#B#-D	4EES-4	B / Medium	9,310	11,250	13,320	15,540	17,920	20,460	23,160	26,030	29,080
HDSB-0500LT#D#-D	4EES-4	D / Medium	9,800	11,900	14,170	16,630	19,300	22,190	25,310	28,680	32,290
HDSB-0600LT#B#-D	4DES-5	B / Medium	10,540	12,720	15,060	17,540	20,190	22,990	25,970	29,110	32,410
HDSB-0600LT#D#-D	4DES-5	D / Medium	11,190	13,590	16,180	18,980	22,010	25,270	28,790	32,560	36,590
HDSB-0650LT#B#-D	4CES-6	B / Medium	13,290	15,810	18,480	21,290	24,250	27,370	30,630	n/a	n/a
HDSB-0650LT#D#-D	4CES-6	D / Medium	14,250	17,070	20,100	23,350	26,840	30,580	34,570	38,830	43,350
HDSB-0700LT#B#-D	4VES-7	B / Medium	11,570	14,220	17,010	19,960	23,060	26,320	29,720	33,250	n/a
HDSB-0700LT#D#-D	4VES-7	D / Medium	12,510	15,470	18,650	22,070	25,740	29,670	33,860	38,320	43,040
HDSB-0900LT#B#-D	4TES-9	B / Medium	14,650	17,610	20,700	23,910	27,330	30,660	n/a	n/a	n/a
HDSB-0900LT#D#-D	4TES-9	D / Medium	16,000	19,390	23,010	26,870	30,970	35,310	39,900	44,730	49,800
HDSB-1000LT#B#-D	4PES-12	B / Medium	14,600	17,810	21,120	24,530	28,040	31,620	n/a	n/a	n/a
HDSB-1000LT#D#-D	4PES-12	D / Medium	16,160	19,890	23,850	28,050	32,490	37,170	42,090	47,230	52,580
HDSB-1200LT#F#-D	4NES-14	F / Large	23,150	28,200	33,660	39,570	45,960	52,850	60,270	68,210	76,700
HDSB-1200LT#J#-D	4NES-14	J / X-Large	23,740	28,980	34,690	40,900	47,670	55,020	62,980	71,580	80,840
HDSB-1400LT#F#-D	4JE-15	F / Large	27,430	33,420	39,800	46,620	53,900	61,670	69,930	78,690	87,970
HDSB-1400LT#J#-D	4JE-15	J / X-Large	28,260	34,490	41,180	48,380	56,120	64,430	73,340	82,870	93,030
HDSB-1600LT#F#-D	4HE-18	F / Large	33,160	39,890	47,030	54,580	62,580	71,040	79,950	89,330	99,170
HDSB-1600LT#J#-D	4HE-18	J / X-Large	34,260	41,310	48,850	56,900	65,510	74,690	84,470	94,850	105,860

CONDENSING UNIT MODEL	COMPRESSOR	CONDENSER / UNIT SIZE	105° F AMBIENT TEMPERATURE								
			-40	-35	-30	-25	-20	-15	-10	-5	0
HDSB-0050LT#A#-D	2KES-05	A / Small	740	1,120	1,520	1,960	2,430	2,950	3,500	4,110	4,770
HDSB-0050LT#B#-D	2KES-05	B / Medium	770	1,150	1,570	2,020	2,510	3,050	3,640	4,280	4,990
HDSB-0070LT#A#-D	2JES-07	A / Small	1,250	1,730	2,250	2,800	3,400	4,050	4,750	5,510	6,320
HDSB-0070LT#B#-D	2JES-07	B / Medium	1,290	1,790	2,330	2,910	3,540	4,230	4,980	5,790	6,680
HDSB-0100LT#A#-D	2HES-1	A / Small	1,760	2,330	2,940	3,610	4,330	5,110	5,970	6,890	7,880
HDSB-0100LT#B#-D	2HES-1	B / Medium	1,840	2,430	3,080	3,780	4,560	5,400	6,330	7,340	8,440
HDSB-0150LT#A#-D	2FES-2	A / Small	2,640	3,440	4,300	5,220	6,210	7,260	8,400	9,600	10,890
HDSB-0150LT#B#-D	2FES-2	B / Medium	2,820	3,670	4,600	5,600	6,690	7,880	9,170	10,560	12,060
HDSB-0200LT#A#-D	2EES-2	A / Small	3,660	4,610	5,630	6,720	7,890	9,150	10,490	11,930	13,460
HDSB-0200LT#B#-D	2EES-2	B / Medium	3,880	4,900	6,010	7,210	8,520	9,950	11,490	13,170	14,970
HDSB-0220LT#A#-D	2DES-2	A / Small	4,530	5,610	6,760	7,990	9,300	10,690	12,180	13,760	n/a
HDSB-0220LT#B#-D	2DES-2	B / Medium	4,840	6,020	7,290	8,670	10,170	11,790	13,550	15,440	17,480
HDSB-0300LT#A#-D	2CES-3	A / Small	5,890	7,130	8,450	9,840	11,320	12,880	n/a	n/a	n/a
HDSB-0300LT#B#-D	2CES-3	B / Medium	6,340	7,730	9,220	10,830	12,570	14,450	16,460	18,630	20,950
HDSB-0400LT#B#-D	4FES-3	B / Medium	6,700	8,190	9,790	11,510	13,370	15,370	17,520	19,830	22,310
HDSB-0400LT#D#-D	4FES-3	D / Medium	7,000	8,580	10,300	12,180	14,220	16,440	18,860	21,480	24,320
HDSB-0500LT#B#-D	4EES-4	B / Medium	8,050	9,830	11,730	13,770	15,940	18,260	20,740	23,380	n/a
HDSB-0500LT#D#-D	4EES-4	D / Medium	8,480	10,410	12,490	14,750	17,200	19,850	22,720	25,810	29,140
HDSB-0600LT#B#-D	4DES-5	B / Medium	9,080	11,100	13,240	15,510	17,930	20,500	23,220	n/a	n/a
HDSB-0600LT#D#-D	4DES-5	D / Medium	9,650	11,860	14,230	16,800	19,580	22,570	25,790	29,260	32,970
HDSB-0650LT#B#-D	4CES-6	B / Medium	11,630	13,960	16,410	18,980	21,680	n/a	n/a	n/a	n/a
HDSB-0650LT#D#-D	4CES-6	D / Medium	12,490	15,080	17,860	20,840	24,040	27,460	31,120	35,030	n/a
HDSB-0700LT#B#-D	4VES-7	B / Medium	9,620	12,080	14,660	17,360	20,200	n/a	n/a	n/a	n/a
HDSB-0700LT#D#-D	4VES-7	D / Medium	10,430	13,180	16,110	19,260	22,630	26,230	30,070	34,160	n/a
HDSB-0900LT#B#-D	4TES-9	B / Medium	12,450	15,190	18,020	20,950	n/a	n/a	n/a	n/a	n/a
HDSB-0900LT#D#-D	4TES-9	D / Medium	13,640	16,790	20,110	23,640	27,380	31,340	35,520	n/a	n/a
HDSB-1000LT#B#-D	4PES-12	B / Medium	12,120	15,070	18,090	21,200	n/a	n/a	n/a	n/a	n/a
HDSB-1000LT#D#-D	4PES-12	D / Medium	13,420	16,850	20,480	24,300	28,330	32,570	n/a	n/a	n/a
HDSB-1200LT#F#-D	4NES-14	F / Large	19,670	24,330	29,340	34,740	40,560	46,840	53,580	60,800	68,530
HDSB-1200LT#J#-D	4NES-14	J / X-Large	20,180	25,030	30,270	35,970	42,150	48,850	56,120	63,970	72,430
HDSB-1400LT#F#-D	4JE-15	F / Large	23,460	29,040	34,960	41,270	47,980	55,130	62,730	70,790	79,330
HDSB-1400LT#J#-D	4JE-15	J / X-Large	24,200	30,020	36,230	42,890	50,040	57,700	65,920	74,710	84,090
HDSB-1600LT#F#-D	4HE-18	F / Large	28,910	35,160	41,740	48,680	56,000	63,730	71,860	n/a	n/a
HDSB-1600LT#J#-D	4HE-18	J / X-Large	29,900	36,460	43,430	50,850	58,750	67,160	76,120	85,620	95,700

NOTE: All temperatures shown reflect the midpoint evaporator temperature.

\* Estimated unit shipment weights based on condenser size are as follows: Small – 400 lbs.; Medium – 650 lbs.; Large – 1,250 lbs.; X-Large – 1,575 lbs.

# High Efficiency H-Series Condensing Units

## HDSB Bitzer Ecoline Compressors, Motor 2 - Med Temp R-407F

### Med Temperature - R-407F Specifications

CONDENSING UNIT MODEL	COMPRESSOR	CONDENSER / UNIT SIZE	OUTDOOR DOE AWEF	208/3/60				460/3/60				LIQ OD IN	SUCTION IN	DEFAULT RECEIVER	INDOOR MODEL	INDOOR DOE AWEF
				COMP RLA	FAN RLA	MCA	MOPD	COMP RLA	FAN RLA	MCA	MOPD					
HDSB-0050MF#B#-D	2KES-05	B / Medium	7.60	5.4	1.2	11.0	15	2.6	0.7	5.5	15	1/2	5/8	C - 23.0 LBS	HESB-0050MF#B#-D	5.61
HDSB-0070MF#B#-D	2JES-07	B / Medium	7.60	6.7	1.2	12.6	15	3.2	0.7	6.2	15	1/2	5/8	C - 23.0 LBS	HESB-0070MF#B#-D	5.61
HDSB-0070MF#D#-D	2JES-07	D / Medium	7.60	6.7	2.1	13.5	20	3.2	1.3	6.8	15	1/2	5/8	E - 57.9 LBS	HESB-0070MF#D#-D	5.61
HDSB-0100MF#B#-D	2HES-1	B / Medium	7.60	7.3	1.2	13.3	20	3.4	0.7	6.5	15	1/2	5/8	C - 23.0 LBS	HESB-0100MF#B#-D	5.61
HDSB-0100MF#D#-D	2HES-1	D / Medium	7.60	7.3	2.1	14.2	20	3.4	1.3	7.1	15	1/2	5/8	E - 57.9 LBS	HESB-0100MF#D#-D	5.61
HDSB-0150MF#B#-D	2FES-2	B / Medium	7.60	10.0	1.2	16.7	25	4.6	0.7	8.0	15	5/8	5/8	C - 23.0 LBS	HESB-0150MF#B#-A	n/a
HDSB-0150MF#D#-D	2FES-2	D / Medium	7.60	10.0	2.1	17.6	25	4.6	1.3	8.6	15	5/8	5/8	E - 57.9 LBS	HESB-0150MF#D#-D	5.61
HDSB-0200MF#B#-D	2EES-2	B / Medium	7.60	12.0	1.2	19.2	30	5.4	0.7	9.0	15	5/8	7/8	C - 23.0 LBS	HESB-0200MF#B#-D	5.61
HDSB-0200MF#D#-D	2EES-2	D / Medium	7.60	12.0	2.1	20.1	30	5.4	1.3	9.6	15	5/8	7/8	E - 57.9 LBS	HESB-0200MF#D#-D	5.61
HDSB-0220MF#D#-D	2DES-2	D / Medium	7.60	13.1	2.1	21.5	30	6.4	1.3	10.8	15	5/8	7/8	E - 57.9 LBS	HESB-0220MF#D#-D	5.61
HDSB-0220MF#F#-D	2DES-2	F / Large	7.60	13.1	3.2	22.6	35	6.4	1.9	11.4	15	5/8	7/8	F - 88.5 LBS	HESB-0220MF#F#-D	5.61
HDSB-0300MF#D#-D	2CES-3	D / Medium	7.60	14.9	2.1	23.7	35	7.0	1.3	11.6	15	5/8	7/8	E - 57.9 LBS	HESB-0300MF#D#-DA	#N/A
HDSB-0300MF#F#-D	2CES-3	F / Large	7.60	14.9	3.2	24.8	35	7.0	1.9	12.2	15	5/8	7/8	F - 88.5 LBS	HESB-0300MF#F#-D	5.61
HDSB-0400MF#F#-D	4FES-3	F / Large	7.60	20.1	3.2	31.3	50	9.0	1.9	14.7	20	5/8	7/8	F - 88.5 LBS	HESB-0400MF#F#-D	5.61
HDSB-0400MF#J#-D	4FES-3	J / X-Large	7.60	20.1	4.2	32.3	50	9.0	2.5	15.3	20	5/8	7/8	H - 107.6 LBS	HESB-0400MF#J#-D	5.61
HDSB-0500MF#F#-D	4EES-4	F / Large	7.60	22.4	3.2	34.2	50	10.3	1.9	16.3	25	5/8	1-1/8	F - 88.5 LBS	HESB-0500MF#F#-D	5.61
HDSB-0500MF#J#-D	4EES-4	J / X-Large	7.60	22.4	4.2	35.2	50	10.3	2.5	16.9	25	5/8	1-1/8	H - 107.6 LBS	HESB-0500MF#J#-D	5.61
HDSB-0600MF#F#-D	4DES-5	F / Large	7.60	23.0	3.2	35.0	50	12.0	1.9	18.4	30	5/8	1-1/8	F - 88.5 LBS	HESB-0600MF#F#-D	5.61
HDSB-0600MF#J#-D	4DES-5	J / X-Large	7.60	23.0	4.2	36.0	50	12.0	2.5	19.0	30	5/8	1-1/8	H - 107.6 LBS	HESB-0600MF#J#-D	5.61
HDSB-0650MF#F#-D	4CES-6	F / Large	7.60	27.9	3.2	41.1	60	15.8	1.9	23.2	35	5/8	1-1/8	F - 88.5 LBS	HESB-0650MF#F#-D	5.61
HDSB-0650MF#J#-D	4CES-6	J / X-Large	7.60	27.9	4.2	42.1	60	15.8	2.5	23.8	35	5/8	1-1/8	H - 107.6 LBS	HESB-0650MF#J#-D	5.61
HDSB-0700MF#F#-D	4VES-7	F / Large	7.60	27.1	3.2	40.1	60	13.6	1.9	20.4	30	7/8	1-1/8	F - 88.5 LBS	HESB-0700MF#F#-D	5.61
HDSB-0700MF#J#-D	4VES-7	J / X-Large	7.60	27.1	4.2	41.1	60	13.6	2.5	21.0	30	7/8	1-1/8	H - 107.6 LBS	HESB-0700MF#J#-D	5.61
HDSB-0900MF#J#-D	4TES-9	J / X-Large	7.60	31.4	4.2	46.5	70	15.7	2.5	23.6	35	7/8	1-3/8	H - 107.6 LBS	HESB-0900MF#J#-D	5.61
HDSB-1000MF#J#-D	4PES-12	J / X-Large	7.60	38.6	4.2	55.5	90	19.3	2.5	28.1	45	7/8	1-3/8	H - 107.6 LBS	HESB-1000MF#J#-D	5.61
HDSB-1200MF#J#-D	4NES-14	J / X-Large	7.60	44.3	4.2	62.6	100	22.1	2.5	31.6	50	7/8	1-3/8	H - 107.6 LBS	HESB-1200MF#J#-A	n/a
HDSB-1400MF#J#-A	4JE-15	J / X-Large	n/a	55.7	4.2	76.8	125	27.9	2.5	38.9	60	7/8	1-5/8	H - 107.6 LBS	HESB-1400MF#J#-A	n/a

Bitzer HDSB models with Motor 2 compressors are rated for operation up to +32° F suction temperature. Select Bitzer HDSE models with the larger Motor 1 for applications operating above +20° F is recommended for better efficiency and to prevent operation outside the Motor 2 operating envelope.

NOTE: Solid black shading with white font indicates products for non-DOE regulated applications in above Table.

\* Estimated unit shipment weights based on condenser size are as follows: Small – 400 lbs.; Medium – 650 lbs.; Large – 1,250 lbs.; X-Large – 1,575 lbs.



# High Efficiency H-Series Condensing Units

## HDSB Bitzer Ecoline Compressors, Motor 2 - Med Temp R-407F

### Med Temperature - R-407F Performance

CONDENSING UNIT MODEL	COMPRESSOR	CONDENSER / UNIT SIZE	95° F AMBIENT TEMPERATURE						
			0	5	10	15	20	25	30
HDSB-0050MF#B#-D	2KES-05	B / Medium	6,310	7,230	8,220	9,310	10,490	11,760	13,130
HDSB-0070MF#B#-D	2JES-07	B / Medium	8,400	9,550	10,790	12,150	13,610	15,190	16,880
HDSB-0070MF#D#-D	2JES-07	D / Medium	8,610	9,810	11,110	12,540	14,080	15,750	17,550
HDSB-0100MF#B#-D	2HES-1	B / Medium	10,580	11,990	13,510	15,150	16,920	18,820	20,850
HDSB-0100MF#D#-D	2HES-1	D / Medium	10,910	12,390	14,000	15,740	17,630	19,660	21,840
HDSB-0150MF#B#-D	2FES-2	B / Medium	15,180	17,100	19,170	21,380	23,750	26,260	28,930
HDSB-0150MF#D#-D	2FES-2	D / Medium	15,860	17,940	20,180	22,610	25,220	28,010	31,010
HDSB-0200MF#B#-D	2EES-2	B / Medium	16,700	18,880	21,220	23,720	26,390	29,230	32,230
HDSB-0200MF#D#-D	2EES-2	D / Medium	17,610	19,990	22,570	25,350	28,340	31,540	34,950
HDSB-0220MF#D#-D	2DES-2	D / Medium	20,760	23,490	26,440	29,610	33,010	36,640	40,500
HDSB-0220MF#F#-D	2DES-2	F / Large	22,100	25,140	28,440	32,030	35,920	40,100	44,610
HDSB-0300MF#D#-D	2CES-3	D / Medium	25,160	28,350	31,770	35,430	39,340	43,510	47,930
HDSB-0300MF#F#-D	2CES-3	F / Large	27,100	30,720	34,650	38,910	43,510	48,460	53,780
HDSB-0400MF#F#-D	4FES-3	F / Large	29,440	33,400	37,710	42,370	47,410	52,830	58,640
HDSB-0400MF#J#-D	4FES-3	J / X-Large	29,930	34,000	38,440	43,250	48,460	54,090	60,140
HDSB-0500MF#F#-D	4EES-4	F / Large	36,130	40,940	46,160	51,800	57,870	64,380	71,360
HDSB-0500MF#J#-D	4EES-4	J / X-Large	36,880	41,870	47,290	53,160	59,500	66,330	73,670
HDSB-0600MF#F#-D	4DES-5	F / Large	41,690	47,210	53,180	59,620	66,540	73,950	81,860
HDSB-0600MF#J#-D	4DES-5	J / X-Large	42,710	48,470	54,710	61,470	68,750	76,580	84,970
HDSB-0650MF#F#-D	4CES-6	F / Large	50,630	57,080	64,030	71,490	79,480	88,000	97,060
HDSB-0650MF#J#-D	4CES-6	J / X-Large	52,100	58,880	66,210	74,120	82,620	91,730	101,460
HDSB-0700MF#F#-D	4VES-7	F / Large	50,670	57,340	64,470	72,080	80,170	88,730	97,780
HDSB-0700MF#J#-D	4VES-7	J / X-Large	52,320	59,370	66,940	75,070	83,750	93,000	102,830
HDSB-0900MF#J#-D	4TES-9	J / X-Large	62,640	70,750	79,440	88,720	98,590	109,060	120,130
HDSB-1000MF#J#-D	4PES-12	J / X-Large	69,210	78,340	88,080	98,460	109,460	121,100	133,350
HDSB-1200MF#J#-D	4NES-14	J / X-Large	81,030	91,190	102,000	113,440	125,510	138,200	151,500
HDSB-1400MF#J#-A	4JE-15	J / X-Large	91,430	102,660	114,540	127,070	140,240	154,030	168,440

CONDENSING UNIT MODEL	COMPRESSOR	CONDENSER / UNIT SIZE	105° F AMBIENT TEMPERATURE						
			0	5	10	15	20	25	30
HDSB-0050MF#B#-D	2KES-05	B / Medium	5,670	6,530	7,450	8,470	9,560	10,760	12,040
HDSB-0070MF#B#-D	2JES-07	B / Medium	7,620	8,680	9,850	11,110	12,470	13,940	15,530
HDSB-0070MF#D#-D	2JES-07	D / Medium	7,820	8,930	10,150	11,480	12,920	14,480	16,170
HDSB-0100MF#B#-D	2HES-1	B / Medium	9,630	10,950	12,370	13,900	15,560	17,340	19,250
HDSB-0100MF#D#-D	2HES-1	D / Medium	9,950	11,330	12,830	14,470	16,240	18,150	20,200
HDSB-0150MF#B#-D	2FES-2	B / Medium	13,840	15,630	17,550	19,620	21,820	24,180	26,680
HDSB-0150MF#D#-D	2FES-2	D / Medium	14,490	16,420	18,520	20,790	23,230	25,850	28,670
HDSB-0200MF#B#-D	2EES-2	B / Medium	15,080	17,110	19,290	21,620	24,120	26,770	n/a
HDSB-0200MF#D#-D	2EES-2	D / Medium	15,930	18,160	20,560	23,160	25,960	28,960	32,160
HDSB-0220MF#D#-D	2DES-2	D / Medium	18,820	21,370	24,120	27,080	30,250	33,660	37,280
HDSB-0220MF#F#-D	2DES-2	F / Large	20,090	22,920	26,010	29,370	33,020	36,950	41,190
HDSB-0300MF#D#-D	2CES-3	D / Medium	22,900	25,860	29,040	32,460	36,120	40,020	44,160
HDSB-0300MF#F#-D	2CES-3	F / Large	24,730	28,100	31,780	35,760	40,080	44,730	49,740
HDSB-0400MF#F#-D	4FES-3	F / Large	26,770	30,460	34,480	38,840	43,560	48,640	54,120
HDSB-0400MF#J#-D	4FES-3	J / X-Large	27,230	31,020	35,170	39,670	44,560	49,850	55,540
HDSB-0500MF#F#-D	4EES-4	F / Large	32,800	37,280	42,140	47,410	53,090	59,200	65,750
HDSB-0500MF#J#-D	4EES-4	J / X-Large	33,500	38,150	43,200	48,700	54,640	61,050	67,950
HDSB-0600MF#F#-D	4DES-5	F / Large	37,800	42,930	48,500	54,510	60,980	67,930	75,360
HDSB-0600MF#J#-D	4DES-5	J / X-Large	38,750	44,110	49,930	56,250	63,070	70,420	78,310
HDSB-0650MF#F#-D	4CES-6	F / Large	46,090	52,090	58,560	65,520	72,990	80,980	89,480
HDSB-0650MF#J#-D	4CES-6	J / X-Large	47,470	53,780	60,610	68,000	75,960	84,500	93,640
HDSB-0700MF#F#-D	4VES-7	F / Large	45,560	51,720	58,310	65,350	72,830	80,770	89,160
HDSB-0700MF#J#-D	4VES-7	J / X-Large	47,090	53,610	60,620	68,140	76,190	84,770	93,900
HDSB-0900MF#J#-D	4TES-9	J / X-Large	56,590	64,090	72,130	80,710	89,850	99,560	109,830
HDSB-1000MF#J#-D	4PES-12	J / X-Large	62,050	70,480	79,490	89,090	99,280	110,060	121,430
HDSB-1200MF#J#-D	4NES-14	J / X-Large	72,990	82,380	92,360	102,920	114,070	n/a	n/a
HDSB-1400MF#J#-A	4JE-15	J / X-Large	82,600	92,940	103,890	n/a	n/a	n/a	n/a

NOTE: All temperatures shown reflect the midpoint evaporator temperature. Solid black shading with white font indicates products for non-DOE regulated applications in above Table.

\* Estimated unit shipment weights based on condenser size are as follows: Small - 400 lbs.; Medium - 650 lbs.; Large - 1,250 lbs.; X-Large - 1,575 lbs.

# High Efficiency H-Series Condensing Units

## HDSB Bitzer Ecoline Compressors, Motor 2 - Med Temp R-507A

### Med Temperature - R-507A Specifications

CONDENSING UNIT MODEL	COMPRESSOR	CONDENSER / UNIT SIZE	OUTDOOR DOE AWEF	208/3/60				460/3/60				LIQ OD IN	SUCT OD IN	DEFAULT RECEIVER	INDOOR MODEL	INDOOR DOE AWEF
				COMP RLA	FAN RLA	MCA	MOPD	COMP RLA	FAN RLA	MCA	MOPD					
HDSB-0050MP#B#-D	2KES-05	B / Medium	7.60	5.4	1.2	11.0	15	2.6	0.7	5.5	15	1/2	5/8	C - 21.4 LBS	HESB-0050MP#B#-D	5.61
HDSB-0070MP#B#-D	2JES-07	B / Medium	7.60	6.7	1.2	12.6	15	3.2	0.7	6.2	15	1/2	5/8	C - 21.4 LBS	HESB-0070MP#B#-D	5.61
HDSB-0070MP#D#-D	2JES-07	D / Medium	7.60	6.7	2.1	13.5	20	3.2	1.3	6.8	15	1/2	5/8	E - 53.9 LBS	HESB-0070MP#D#-D	5.61
HDSB-0100MP#B#-D	2HES-1	B / Medium	7.60	7.3	1.2	13.3	20	3.4	0.7	6.5	15	1/2	5/8	C - 21.4 LBS	HESB-0100MP#B#-A	n/a
HDSB-0100MP#D#-D	2HES-1	D / Medium	7.60	7.3	2.1	14.2	20	3.4	1.3	7.1	15	1/2	5/8	E - 53.9 LBS	HESB-0100MP#D#-A	n/a
HDSB-0150MP#B#-D	2FES-2	B / Medium	7.60	10.0	1.2	16.7	25	4.6	0.7	8.0	15	5/8	5/8	C - 21.4 LBS	HESB-0150MP#B#-A	n/a
HDSB-0150MP#D#-D	2FES-2	D / Medium	7.60	10.0	2.1	17.6	25	4.6	1.3	8.6	15	5/8	5/8	E - 53.9 LBS	HESB-0150MP#D#-A	n/a
HDSB-0200MP#B#-D	2EES-2	B / Medium	7.60	12.0	1.2	19.2	30	5.4	0.7	9.0	15	5/8	7/8	C - 21.4 LBS	HESB-0200MP#B#-A	n/a
HDSB-0200MP#D#-D	2EES-2	D / Medium	7.60	12.0	2.1	20.1	30	5.4	1.3	9.6	15	5/8	7/8	E - 53.9 LBS	HESB-0200MP#D#-D	5.61
HDSB-0220MP#D#-D	2DES-2	D / Medium	7.60	13.1	2.1	21.5	30	6.4	1.3	10.8	15	5/8	7/8	E - 53.9 LBS	HESB-0220MP#D#-D	5.61
HDSB-0220MP#F#-D	2DES-2	F / Large	7.60	13.1	3.2	22.6	35	6.4	1.9	11.4	15	5/8	7/8	F - 82.3 LBS	HESB-0220MP#F#-D	5.61
HDSB-0300MP#D#-D	2CES-3	D / Medium	7.60	14.9	2.1	23.7	35	7.0	1.3	11.6	15	5/8	7/8	E - 53.9 LBS	HESB-0300MP#D#-A	n/a
HDSB-0300MP#F#-D	2CES-3	F / Large	7.60	14.9	3.2	24.8	35	7.0	1.9	12.2	15	5/8	7/8	F - 82.3 LBS	HESB-0300MP#F#-D	5.61
HDSB-0400MP#F#-D	4FES-3	F / Large	7.60	20.1	3.2	31.3	50	9.0	1.9	14.7	20	5/8	7/8	F - 82.3 LBS	HESB-0400MP#F#-D	5.61
HDSB-0400MP#J#-D	4FES-3	J / X-Large	7.60	20.1	4.2	32.3	50	9.0	2.5	15.3	20	5/8	7/8	H - 100.1 LBS	HESB-0400MP#J#-D	5.61
HDSB-0500MP#F#-D	4EES-4	F / Large	7.60	22.4	3.2	34.2	50	10.3	1.9	16.3	25	5/8	1-1/8	F - 82.3 LBS	HESB-0500MP#F#-D	5.61
HDSB-0500MP#J#-D	4EES-4	J / X-Large	7.60	22.4	4.2	35.2	50	10.3	2.5	16.9	25	5/8	1-1/8	H - 100.1 LBS	HESB-0500MP#J#-D	5.61
HDSB-0600MP#F#-D	4DES-5	F / Large	7.60	23.0	3.2	35.0	50	12.0	1.9	18.4	30	5/8	1-1/8	F - 82.3 LBS	HESB-0600MP#F#-D	5.61
HDSB-0600MP#J#-D	4DES-5	J / X-Large	7.60	23.0	4.2	36.0	50	12.0	2.5	19.0	30	5/8	1-1/8	H - 100.1 LBS	HESB-0600MP#J#-D	5.61
HDSB-0650MP#F#-D	4CES-6	F / Large	7.60	27.9	3.2	41.1	60	15.8	1.9	23.2	35	5/8	1-1/8	F - 82.3 LBS	HESB-0650MP#F#-D	5.61
HDSB-0650MP#J#-D	4CES-6	J / X-Large	7.60	27.9	4.2	42.1	60	15.8	2.5	23.8	35	5/8	1-1/8	H - 100.1 LBS	HESB-0650MP#J#-D	5.61
HDSB-0700MP#F#-D	4VES-7	F / Large	7.60	27.1	3.2	40.1	60	13.6	1.9	20.4	30	7/8	1-1/8	F - 82.3 LBS	HESB-0700MP#F#-D	5.61
HDSB-0700MP#J#-D	4VES-7	J / X-Large	7.60	27.1	4.2	41.1	60	13.6	2.5	21.0	30	7/8	1-1/8	H - 100.1 LBS	HESB-0700MP#J#-D	5.61
HDSB-0900MP#J#-D	4TES-9	J / X-Large	7.60	31.4	4.2	46.5	70	15.7	2.5	23.6	35	7/8	1-3/8	H - 100.1 LBS	HESB-0900MP#J#-D	5.61
HDSB-1000MP#J#-D	4PES-12	J / X-Large	7.60	38.6	4.2	55.5	90	19.3	2.5	28.1	45	7/8	1-3/8	H - 100.1 LBS	HESB-1000MP#J#-D	5.61
HDSB-1200MP#J#-D	4NES-14	J / X-Large	7.60	44.3	4.2	62.6	100	22.1	2.5	31.6	50	7/8	1-3/8	H - 100.1 LBS	HESB-1200MP#J#-A	n/a
HDSB-1400MP#J#-A	4JE-15	J / X-Large	n/a	55.7	4.2	76.8	125	27.9	2.5	38.9	60	7/8	1-5/8	H - 100.1 LBS	HESB-1400MP#J#-A	n/a

Bitzer HDSB models with Motor 2 compressors are rated for operation up to +32° F suction temperature. Select Bitzer HDSE models with the larger Motor 1 for applications operating above +20° F is recommended for better efficiency and to prevent operation outside the Motor 2 operating envelope.

NOTE: Solid black shading with white font indicates products for non-DOE regulated applications in above Table.

\* Estimated unit shipment weights based on condenser size are as follows: Small – 400 lbs.; Medium – 650 lbs.; Large – 1,250 lbs.; X-Large – 1,575 lbs.

# High Efficiency H-Series Condensing Units

## HDSB Bitzer Ecoline Compressors, Motor 2 - Med Temp R-507A

### Med Temperature - R-507A Performance

CONDENSING UNIT MODEL	COMPRESSOR	CONDENSER / UNIT SIZE	95° F AMBIENT TEMPERATURE						
			0	5	10	15	20	25	30
HDSB-0050MP#B#-D	2KES-05	B / Medium	5,960	6,760	7,620	8,540	9,530	10,580	11,690
HDSB-0070MP#B#-D	2JES-07	B / Medium	8,060	9,080	10,160	11,330	12,560	13,880	15,270
HDSB-0070MP#D#-D	2JES-07	D / Medium	8,310	9,380	10,530	11,760	13,080	14,490	16,000
HDSB-0100MP#B#-D	2HES-1	B / Medium	10,000	11,200	12,490	13,860	15,320	16,860	18,490
HDSB-0100MP#D#-D	2HES-1	D / Medium	10,380	11,670	13,050	14,530	16,110	17,790	19,580
HDSB-0150MP#B#-D	2FES-2	B / Medium	13,980	15,560	17,240	19,010	20,880	22,840	24,900
HDSB-0150MP#D#-D	2FES-2	D / Medium	14,760	16,510	18,370	20,360	22,480	24,720	27,090
HDSB-0200MP#B#-D	2EES-2	B / Medium	17,470	19,380	21,400	23,510	25,720	28,020	30,420
HDSB-0200MP#D#-D	2EES-2	D / Medium	18,610	20,770	23,060	25,490	28,060	30,770	33,630
HDSB-0220MP#D#-D	2DES-2	D / Medium	21,840	24,280	26,870	29,600	32,470	35,500	38,670
HDSB-0220MP#F#-D	2DES-2	F / Large	23,530	26,340	29,350	32,560	36,000	39,660	43,550
HDSB-0300MP#D#-D	2CES-3	D / Medium	26,300	29,100	32,040	35,130	38,360	41,740	45,270
HDSB-0300MP#F#-D	2CES-3	F / Large	28,770	32,080	35,630	39,410	43,440	47,720	52,250
HDSB-0400MP#F#-D	4FES-3	F / Large	30,610	34,210	38,080	42,240	46,690	51,440	56,490
HDSB-0400MP#J#-D	4FES-3	J / X-Large	31,180	34,910	38,940	43,280	47,950	52,940	58,260
HDSB-0500MP#F#-D	4EES-4	F / Large	37,960	42,330	47,010	52,010	57,330	62,970	68,950
HDSB-0500MP#J#-D	4EES-4	J / X-Large	38,860	43,430	48,340	53,620	59,250	65,270	71,660
HDSB-0600MP#F#-D	4DES-5	F / Large	44,370	49,370	54,720	60,420	66,470	72,880	79,640
HDSB-0600MP#J#-D	4DES-5	J / X-Large	45,610	50,880	56,550	62,610	69,080	75,950	83,250
HDSB-0650MP#F#-D	4CES-6	F / Large	52,060	57,880	64,080	70,670	77,640	85,010	92,760
HDSB-0650MP#J#-D	4CES-6	J / X-Large	53,820	60,020	66,650	73,730	81,260	89,260	97,720
HDSB-0700MP#F#-D	4VES-7	F / Large	52,740	58,900	65,440	72,370	79,670	87,350	95,400
HDSB-0700MP#J#-D	4VES-7	J / X-Large	54,690	61,280	68,310	75,800	83,760	92,170	101,050
HDSB-0900MP#J#-D	4TES-9	J / X-Large	65,140	72,630	80,600	89,050	97,980	107,400	117,280
HDSB-1000MP#J#-D	4PES-12	J / X-Large	71,910	80,290	89,180	98,580	108,490	118,890	129,790
HDSB-1200MP#J#-D	4NES-14	J / X-Large	83,710	92,880	102,550	112,710	123,350	134,460	146,020
HDSB-1400MP#J#-A	4JE-15	J / X-Large	95,310	105,080	115,290	125,940	137,010	148,470	160,320

CONDENSING UNIT MODEL	COMPRESSOR	CONDENSER / UNIT SIZE	105° F AMBIENT TEMPERATURE						
			0	5	10	15	20	25	30
HDSB-0050MP#B#-D	2KES-05	B / Medium	5,210	5,930	6,700	7,530	8,410	9,350	10,360
HDSB-0070MP#B#-D	2JES-07	B / Medium	7,130	8,040	9,020	10,070	11,180	12,370	13,630
HDSB-0070MP#D#-D	2JES-07	D / Medium	7,350	8,320	9,350	10,460	11,660	12,940	14,300
HDSB-0100MP#B#-D	2HES-1	B / Medium	8,820	9,910	11,070	12,310	13,630	15,030	16,510
HDSB-0100MP#D#-D	2HES-1	D / Medium	9,170	10,330	11,590	12,930	14,360	15,900	17,530
HDSB-0150MP#B#-D	2FES-2	B / Medium	12,330	13,740	15,240	16,820	18,490	20,250	22,090
HDSB-0150MP#D#-D	2FES-2	D / Medium	13,040	14,610	16,280	18,070	19,960	21,980	24,120
HDSB-0200MP#B#-D	2EES-2	B / Medium	15,430	17,130	18,930	20,810	22,780	24,850	27,000
HDSB-0200MP#D#-D	2EES-2	D / Medium	16,510	18,440	20,500	22,690	25,000	27,450	30,030
HDSB-0220MP#D#-D	2DES-2	D / Medium	19,390	21,570	23,890	26,330	28,910	31,630	34,480
HDSB-0220MP#F#-D	2DES-2	F / Large	21,010	23,540	26,260	29,180	32,290	35,620	39,150
HDSB-0300MP#D#-D	2CES-3	D / Medium	23,370	25,860	28,480	31,240	34,130	37,150	40,300
HDSB-0300MP#F#-D	2CES-3	F / Large	25,750	28,740	31,940	35,360	39,010	42,880	47,000
HDSB-0400MP#F#-D	4FES-3	F / Large	27,410	30,630	34,100	37,830	41,820	46,090	50,640
HDSB-0400MP#J#-D	4FES-3	J / X-Large	27,970	31,310	34,930	38,830	43,030	47,530	52,340
HDSB-0500MP#F#-D	4EES-4	F / Large	33,980	37,890	42,090	46,570	51,360	56,450	61,850
HDSB-0500MP#J#-D	4EES-4	J / X-Large	34,840	38,950	43,370	48,120	53,210	58,640	64,430
HDSB-0600MP#F#-D	4DES-5	F / Large	39,710	44,210	49,030	54,160	59,620	65,420	71,540
HDSB-0600MP#J#-D	4DES-5	J / X-Large	40,900	45,660	50,770	56,250	62,110	68,350	74,990
HDSB-0650MP#F#-D	4CES-6	F / Large	46,500	51,760	57,370	63,340	69,680	76,380	83,450
HDSB-0650MP#J#-D	4CES-6	J / X-Large	48,170	53,780	59,800	66,240	73,100	80,400	88,140
HDSB-0700MP#F#-D	4VES-7	F / Large	46,720	52,260	58,160	64,410	71,020	77,980	85,290
HDSB-0700MP#J#-D	4VES-7	J / X-Large	48,510	54,460	60,820	67,600	74,820	82,470	90,550
HDSB-0900MP#J#-D	4TES-9	J / X-Large	57,910	64,650	71,820	79,450	87,520	96,050	105,020
HDSB-1000MP#J#-D	4PES-12	J / X-Large	63,450	70,970	78,960	87,430	96,370	105,780	115,650
HDSB-1200MP#J#-D	4NES-14	J / X-Large	74,000	82,190	90,830	99,920	109,460	119,440	129,840
HDSB-1400MP#J#-A	4JE-15	J / X-Large	84,720	93,470	102,630	112,180	122,120	n/a	n/a

NOTE: All temperatures shown reflect the midpoint evaporator temperature. Solid black shading with white font indicates products for non-DOE regulated applications in above Table.

\* Estimated unit shipment weights based on condenser size are as follows: Small - 400 lbs.; Medium - 650 lbs.; Large - 1,250 lbs.; X-Large - 1,575 lbs.

# High Efficiency H-Series Condensing Units

## HDSB Bitzer Ecoline Compressors, Motor 2 - Med Temp R-407A

### Med Temperature - R-407A Specifications

CONDENSING UNIT MODEL	COMPRESSOR	CONDENSER / UNIT SIZE	OUTDOOR DOE AWEF	208/3/60				460/3/60				LIQ OD IN	SUCTION IN	DEFAULT RECEIVER	INDOOR MODEL	INDOOR DOE AWEF
				COMP RLA	FAN RLA	MCA	MOPD	COMP RLA	FAN RLA	MCA	MOPD					
HDSB-0050MQ#B#-D	2KES-05	B / Medium	7.60	5.4	1.2	11.0	15	2.6	0.7	5.5	15	1/2	5/8	C - 23.6 LBS	HESB-0050MQ#B#-D	5.61
HDSB-0070MQ#B#-D	2JES-07	B / Medium	7.60	6.7	1.2	12.6	15	3.2	0.7	6.2	15	1/2	5/8	C - 23.6 LBS	HESB-0070MQ#B#-D	5.61
HDSB-0070MQ#D#-D	2JES-07	D / Medium	7.60	6.7	2.1	13.5	20	3.2	1.3	6.8	15	1/2	5/8	E - 59.4 LBS	HESB-0070MQ#D#-D	5.61
HDSB-0100MQ#B#-D	2HES-1	B / Medium	7.60	7.3	1.2	13.3	20	3.4	0.7	6.5	15	1/2	5/8	C - 23.6 LBS	HESB-0100MQ#B#-D	5.61
HDSB-0100MQ#D#-D	2HES-1	D / Medium	7.60	7.3	2.1	14.2	20	3.4	1.3	7.1	15	1/2	5/8	E - 59.4 LBS	HESB-0100MQ#D#-D	5.61
HDSB-0150MQ#B#-D	2FES-2	B / Medium	7.60	10.0	1.2	16.7	25	4.6	0.7	8.0	15	5/8	5/8	C - 23.6 LBS	HESB-0150MQ#B#-A	n/a
HDSB-0150MQ#D#-D	2FES-2	D / Medium	7.60	10.0	2.1	17.6	25	4.6	1.3	8.6	15	5/8	5/8	E - 59.4 LBS	HESB-0150MQ#D#-D	5.61
HDSB-0200MQ#B#-D	2EES-2	B / Medium	7.60	12.0	1.2	19.2	30	5.4	0.7	9.0	15	5/8	7/8	C - 23.6 LBS	HESB-0200MQ#B#-D	5.61
HDSB-0200MQ#D#-D	2EES-2	D / Medium	7.60	12.0	2.1	20.1	30	5.4	1.3	9.6	15	5/8	7/8	E - 59.4 LBS	HESB-0200MQ#D#-D	5.61
HDSB-0220MQ#D#-D	2DES-2	D / Medium	7.60	13.1	2.1	21.5	30	6.4	1.3	10.8	15	5/8	7/8	E - 59.4 LBS	HESB-0220MQ#D#-D	5.61
HDSB-0220MQ#F#-D	2DES-2	F / Large	7.60	13.1	3.2	22.6	35	6.4	1.9	11.4	15	5/8	7/8	F - 90.7 LBS	HESB-0220MQ#F#-D	5.61
HDSB-0300MQ#D#-D	2CES-3	D / Medium	7.60	14.9	2.1	23.7	35	7.0	1.3	11.6	15	5/8	7/8	E - 59.4 LBS	HESB-0300MQ#D#-A	n/a
HDSB-0300MQ#F#-D	2CES-3	F / Large	7.60	14.9	3.2	24.8	35	7.0	1.9	12.2	15	5/8	7/8	F - 90.7 LBS	HESB-0300MQ#F#-D	5.61
HDSB-0400MQ#F#-D	4FES-3	F / Large	7.60	20.1	3.2	31.3	50	9.0	1.9	14.7	20	5/8	7/8	F - 90.7 LBS	HESB-0400MQ#F#-D	5.61
HDSB-0400MQ#J#-D	4FES-3	J / X-Large	7.60	20.1	4.2	32.3	50	9.0	2.5	15.3	20	5/8	7/8	H - 110.3 LBS	HESB-0400MQ#J#-D	5.61
HDSB-0500MQ#F#-D	4EES-4	F / Large	7.60	22.4	3.2	34.2	50	10.3	1.9	16.3	25	5/8	1-1/8	F - 90.7 LBS	HESB-0500MQ#F#-D	5.61
HDSB-0500MQ#J#-D	4EES-4	J / X-Large	7.60	22.4	4.2	35.2	50	10.3	2.5	16.9	25	5/8	1-1/8	H - 110.3 LBS	HESB-0500MQ#J#-D	5.61
HDSB-0600MQ#F#-D	4DES-5	F / Large	7.60	23.0	3.2	35.0	50	12.0	1.9	18.4	30	5/8	1-1/8	F - 90.7 LBS	HESB-0600MQ#F#-D	5.61
HDSB-0600MQ#J#-D	4DES-5	J / X-Large	7.60	23.0	4.2	36.0	50	12.0	2.5	19.0	30	5/8	1-1/8	H - 110.3 LBS	HESB-0600MQ#J#-D	5.61
HDSB-0650MQ#F#-D	4CES-6	F / Large	7.60	27.9	3.2	41.1	60	15.8	1.9	23.2	35	5/8	1-1/8	F - 90.7 LBS	HESB-0650MQ#F#-D	5.61
HDSB-0650MQ#J#-D	4CES-6	J / X-Large	7.60	27.9	4.2	42.1	60	15.8	2.5	23.8	35	5/8	1-1/8	H - 110.3 LBS	HESB-0650MQ#J#-D	5.61
HDSB-0700MQ#F#-D	4VES-7	F / Large	7.60	27.1	3.2	40.1	60	13.6	1.9	20.4	30	7/8	1-1/8	F - 90.7 LBS	HESB-0700MQ#F#-D	5.61
HDSB-0700MQ#J#-D	4VES-7	J / X-Large	7.60	27.1	4.2	41.1	60	13.6	2.5	21.0	30	7/8	1-1/8	H - 110.3 LBS	HESB-0700MQ#J#-D	5.61
HDSB-0900MQ#J#-D	4TES-9	J / X-Large	7.60	31.4	4.2	46.5	70	15.7	2.5	23.6	35	7/8	1-3/8	H - 110.3 LBS	HESB-0900MQ#J#-D	5.61
HDSB-1000MQ#J#-D	4PES-12	J / X-Large	7.60	38.6	4.2	55.5	90	19.3	2.5	28.1	45	7/8	1-3/8	H - 110.3 LBS	HESB-1000MQ#J#-D	5.61
HDSB-1200MQ#J#-D	4NES-14	J / X-Large	7.60	44.3	4.2	62.6	100	22.1	2.5	31.6	50	7/8	1-3/8	H - 110.3 LBS	HESB-1200MQ#J#-A	n/a
HDSB-1400MQ#J#-A	4JE-15	J / X-Large	n/a	55.7	4.2	76.8	125	27.9	2.5	38.9	60	7/8	1-5/8	H - 110.3 LBS	HESB-1400MQ#J#-A	n/a

Bitzer HDSB models with Motor 2 compressors are rated for operation up to +32° F suction temperature. Select Bitzer HDSE models with the larger Motor 1 for applications operating above +20° F is recommended for better efficiency and to prevent operation outside the Motor 2 operating envelope.

NOTE: Solid black shading with white font indicates products for non-DOE regulated applications in above Table.

\* Estimated unit shipment weights based on condenser size are as follows: Small – 400 lbs.; Medium – 650 lbs.; Large – 1,250 lbs.; X-Large – 1,575 lbs.

# High Efficiency H-Series Condensing Units

## HDSB Bitzer Ecoline Compressors, Motor 2 - Med Temp R-407A

### Med Temperature - R-407A Performance

CONDENSING UNIT MODEL	COMPRESSOR	CONDENSER / UNIT SIZE	95° F AMBIENT TEMPERATURE						
			0	5	10	15	20	25	30
HDSB-0050MQ#B#-D	2KES-05	B / Medium	5,920	6,780	7,730	8,750	9,870	11,070	12,370
HDSB-0070MQ#B#-D	2JES-07	B / Medium	7,890	8,970	10,160	11,440	12,830	14,320	15,930
HDSB-0070MQ#D#-D	2JES-07	D / Medium	8,080	9,220	10,450	11,800	13,260	14,850	16,560
HDSB-0100MQ#B#-D	2HES-1	B / Medium	9,950	11,280	12,720	14,280	15,960	17,760	19,680
HDSB-0100MQ#D#-D	2HES-1	D / Medium	10,260	11,660	13,180	14,830	16,620	18,550	20,620
HDSB-0150MQ#B#-D	2FES-2	B / Medium	14,300	16,120	18,070	20,170	22,420	24,820	27,360
HDSB-0150MQ#D#-D	2FES-2	D / Medium	14,930	16,890	19,020	21,320	23,790	26,450	29,290
HDSB-0200MQ#B#-D	2EES-2	B / Medium	15,670	17,740	19,960	22,350	24,890	27,600	30,470
HDSB-0200MQ#D#-D	2EES-2	D / Medium	16,520	18,780	21,220	23,870	26,710	29,760	33,010
HDSB-0220MQ#D#-D	2DES-2	D / Medium	19,490	22,080	24,880	27,890	31,120	34,580	38,260
HDSB-0220MQ#F#-D	2DES-2	F / Large	20,740	23,620	26,760	30,160	33,850	37,830	42,120
HDSB-0300MQ#D#-D	2CES-3	D / Medium	23,670	26,680	29,930	33,400	37,120	41,070	45,270
HDSB-0300MQ#F#-D	2CES-3	F / Large	25,480	28,900	32,620	36,660	41,020	45,720	50,770
HDSB-0400MQ#F#-D	4FES-3	F / Large	28,190	31,950	36,030	40,440	45,220	50,350	55,870
HDSB-0400MQ#J#-D	4FES-3	J / X-Large	28,650	32,500	36,710	41,270	46,210	51,540	57,280
HDSB-0500MQ#F#-D	4EES-4	F / Large	33,990	38,550	43,480	48,820	54,560	60,730	67,340
HDSB-0500MQ#J#-D	4EES-4	J / X-Large	34,690	39,400	44,530	50,090	56,090	62,560	69,500
HDSB-0600MQ#F#-D	4DES-5	F / Large	39,220	44,440	50,100	56,190	62,740	69,760	77,250
HDSB-0600MQ#J#-D	4DES-5	J / X-Large	40,170	45,610	51,520	57,910	64,810	72,220	80,160
HDSB-0650MQ#F#-D	4CES-6	F / Large	47,680	53,780	60,360	67,420	74,990	83,060	91,650
HDSB-0650MQ#J#-D	4CES-6	J / X-Large	49,050	55,450	62,390	69,870	77,920	86,550	95,760
HDSB-0700MQ#F#-D	4VES-7	F / Large	47,840	54,280	61,190	68,610	76,530	84,960	93,910
HDSB-0700MQ#J#-D	4VES-7	J / X-Large	49,360	56,140	63,470	71,360	79,820	88,880	98,550
HDSB-0900MQ#J#-D	4TES-9	J / X-Large	59,910	67,720	76,130	85,150	94,800	105,080	116,010
HDSB-1000MQ#J#-D	4PES-12	J / X-Large	65,910	74,690	84,120	94,200	104,950	116,380	128,480
HDSB-1200MQ#J#-D	4NES-14	J / X-Large	76,930	86,700	97,150	108,270	120,080	132,580	145,770
HDSB-1400MQ#J#-A	4JE-15	J / X-Large	84,720	95,370	106,690	118,720	131,440	144,890	159,040

CONDENSING UNIT MODEL	COMPRESSOR	CONDENSER / UNIT SIZE	105° F AMBIENT TEMPERATURE						
			0	5	10	15	20	25	30
HDSB-0050MQ#B#-D	2KES-05	B / Medium	5,290	6,090	6,970	7,920	8,960	10,080	11,290
HDSB-0070MQ#B#-D	2JES-07	B / Medium	7,120	8,120	9,220	10,410	11,700	13,090	14,580
HDSB-0070MQ#D#-D	2JES-07	D / Medium	7,300	8,350	9,500	10,750	12,110	13,590	15,180
HDSB-0100MQ#B#-D	2HES-1	B / Medium	9,020	10,250	11,590	13,040	14,610	16,290	18,100
HDSB-0100MQ#D#-D	2HES-1	D / Medium	9,300	10,600	12,020	13,560	15,230	17,040	18,990
HDSB-0150MQ#B#-D	2FES-2	B / Medium	12,980	14,660	16,480	18,430	20,520	22,750	25,130
HDSB-0150MQ#D#-D	2FES-2	D / Medium	13,570	15,400	17,370	19,510	21,820	24,300	26,960
HDSB-0200MQ#B#-D	2EES-2	B / Medium	14,080	15,990	18,050	20,270	22,640	25,160	27,850
HDSB-0200MQ#D#-D	2EES-2	D / Medium	14,860	16,950	19,230	21,690	24,340	27,190	30,240
HDSB-0220MQ#D#-D	2DES-2	D / Medium	17,580	19,980	22,580	25,380	28,390	31,610	35,060
HDSB-0220MQ#F#-D	2DES-2	F / Large	18,750	21,420	24,340	27,510	30,960	34,680	38,700
HDSB-0300MQ#D#-D	2CES-3	D / Medium	21,440	24,220	27,230	30,460	33,910	37,600	41,530
HDSB-0300MQ#F#-D	2CES-3	F / Large	23,130	26,300	29,760	33,520	37,590	41,990	46,720
HDSB-0400MQ#F#-D	4FES-3	F / Large	25,600	29,080	32,860	36,980	41,430	46,230	51,400
HDSB-0400MQ#J#-D	4FES-3	J / X-Large	26,020	29,600	33,510	37,760	42,370	47,350	52,730
HDSB-0500MQ#F#-D	4EES-4	F / Large	30,710	34,930	39,510	44,470	49,830	55,590	61,770
HDSB-0500MQ#J#-D	4EES-4	J / X-Large	31,360	35,730	40,490	45,660	51,260	57,310	63,810
HDSB-0600MQ#F#-D	4DES-5	F / Large	35,390	40,230	45,470	51,140	57,240	63,790	70,800
HDSB-0600MQ#J#-D	4DES-5	J / X-Large	36,270	41,310	46,800	52,740	59,170	66,100	73,540
HDSB-0650MQ#F#-D	4CES-6	F / Large	43,210	48,860	54,950	61,520	68,560	76,090	84,120
HDSB-0650MQ#J#-D	4CES-6	J / X-Large	44,480	50,420	56,850	63,810	71,310	79,370	87,990
HDSB-0700MQ#F#-D	4VES-7	F / Large	42,830	48,770	55,170	62,040	69,400	77,250	85,600
HDSB-0700MQ#J#-D	4VES-7	J / X-Large	44,230	50,500	57,280	64,600	72,480	80,920	89,950
HDSB-0900MQ#J#-D	4TES-9	J / X-Large	54,040	61,250	69,040	77,400	86,370	95,940	106,140
HDSB-1000MQ#J#-D	4PES-12	J / X-Large	58,990	67,090	75,810	85,150	95,140	105,770	117,060
HDSB-1200MQ#J#-D	4NES-14	J / X-Large	69,180	78,180	87,830	98,120	109,080	n/a	n/a
HDSB-1400MQ#J#-A	4JE-15	J / X-Large	76,200	86,060	96,580	107,770	n/a	n/a	n/a

NOTE: All temperatures shown reflect the midpoint evaporator temperature. Solid black shading with white font indicates products for non-DOE regulated applications in above Table.

\* Estimated unit shipment weights based on condenser size are as follows: Small – 400 lbs.; Medium – 650 lbs.; Large – 1,250 lbs.; X-Large – 1,575 lbs.



# High Efficiency H-Series Condensing Units

## HDSB Bitzer Ecoline Compressors, Motor 2 - Med Temp R-449A

### Med Temperature - R-449A Specifications

CONDENSING UNIT MODEL	COMPRESSOR	CONDENSER / UNIT SIZE	OUTDOOR DOE AWEF	208/3/60				460/3/60				LIQ OD IN	SUCT OD IN	DEFAULT RECEIVER	INDOOR MODEL	INDOOR DOE AWEF
				COMP RLA	FAN RLA	MCA	MOPD	COMP RLA	FAN RLA	MCA	MOPD					
HDSB-0050MR#B#-D	2KES-05	B / Medium	7.60	5.4	1.2	11.0	15	2.6	0.7	5.5	15	1/2	5/8	C - 22.5 LBS	HESB-0050MR#B#-D	5.61
HDSB-0070MR#B#-D	2JES-07	B / Medium	7.60	6.7	1.2	12.6	15	3.2	0.7	6.2	15	1/2	5/8	C - 22.5 LBS	HESB-0070MR#B#-D	5.61
HDSB-0070MR#D#-D	2JES-07	D / Medium	7.60	6.7	2.1	13.5	20	3.2	1.3	6.8	15	1/2	5/8	E - 56.6 LBS	HESB-0070MR#D#-A	n/a
HDSB-0100MR#B#-D	2HES-1	B / Medium	7.60	7.3	1.2	13.3	20	3.4	0.7	6.5	15	1/2	5/8	C - 22.5 LBS	HESB-0100MR#B#-D	5.61
HDSB-0100MR#D#-D	2HES-1	D / Medium	7.60	7.3	2.1	14.2	20	3.4	1.3	7.1	15	1/2	5/8	E - 56.6 LBS	HESB-0100MR#D#-A	n/a
HDSB-0150MR#B#-D	2FES-2	B / Medium	7.60	10.0	1.2	16.7	25	4.6	0.7	8.0	15	5/8	5/8	C - 22.5 LBS	HESB-0150MR#B#-A	n/a
HDSB-0150MR#D#-D	2FES-2	D / Medium	7.60	10.0	2.1	17.6	25	4.6	1.3	8.6	15	5/8	5/8	E - 56.6 LBS	HESB-0150MR#D#-A	n/a
HDSB-0200MR#B#-D	2EES-2	B / Medium	7.60	12.0	1.2	19.2	30	5.4	0.7	9.0	15	5/8	7/8	C - 22.5 LBS	HESB-0200MR#B#-D	5.61
HDSB-0200MR#D#-D	2EES-2	D / Medium	7.60	12.0	2.1	20.1	30	5.4	1.3	9.6	15	5/8	7/8	E - 56.6 LBS	HESB-0200MR#D#-D	5.61
HDSB-0220MR#D#-D	2DES-2	D / Medium	7.60	13.1	2.1	21.5	30	6.4	1.3	10.8	15	5/8	7/8	E - 56.6 LBS	HESB-0220MR#D#-D	5.61
HDSB-0220MR#F#-D	2DES-2	F / Large	7.60	13.1	3.2	22.6	35	6.4	1.9	11.4	15	5/8	7/8	F - 86.5 LBS	HESB-0220MR#F#-D	5.61
HDSB-0300MR#D#-D	2CES-3	D / Medium	7.60	14.9	2.1	23.7	35	7.0	1.3	11.6	15	5/8	7/8	E - 56.6 LBS	HESB-0300MR#D#-DA	#N/A
HDSB-0300MR#F#-D	2CES-3	F / Large	7.60	14.9	3.2	24.8	35	7.0	1.9	12.2	15	5/8	7/8	F - 86.5 LBS	HESB-0300MR#F#-D	5.61
HDSB-0400MR#F#-D	4FES-3	F / Large	7.60	20.1	3.2	31.3	50	9.0	1.9	14.7	20	5/8	7/8	F - 86.5 LBS	HESB-0400MR#F#-D	5.61
HDSB-0400MR#J#-D	4FES-3	J / X-Large	7.60	20.1	4.2	32.3	50	9.0	2.5	15.3	20	5/8	7/8	H - 105.2 LBS	HESB-0400MR#J#-D	5.61
HDSB-0500MR#F#-D	4EES-4	F / Large	7.60	22.4	3.2	34.2	50	10.3	1.9	16.3	25	5/8	1-1/8	F - 86.5 LBS	HESB-0500MR#F#-D	5.61
HDSB-0500MR#J#-D	4EES-4	J / X-Large	7.60	22.4	4.2	35.2	50	10.3	2.5	16.9	25	5/8	1-1/8	H - 105.2 LBS	HESB-0500MR#J#-D	5.61
HDSB-0600MR#F#-D	4DES-5	F / Large	7.60	23.0	3.2	35.0	50	12.0	1.9	18.4	30	5/8	1-1/8	F - 86.5 LBS	HESB-0600MR#F#-D	5.61
HDSB-0600MR#J#-D	4DES-5	J / X-Large	7.60	23.0	4.2	36.0	50	12.0	2.5	19.0	30	5/8	1-1/8	H - 105.2 LBS	HESB-0600MR#J#-D	5.61
HDSB-0650MR#F#-D	4CES-6	F / Large	7.60	27.9	3.2	41.1	60	15.8	1.9	23.2	35	5/8	1-1/8	F - 86.5 LBS	HESB-0650MR#F#-D	5.61
HDSB-0650MR#J#-D	4CES-6	J / X-Large	7.60	27.9	4.2	42.1	60	15.8	2.5	23.8	35	5/8	1-1/8	H - 105.2 LBS	HESB-0650MR#J#-D	5.61
HDSB-0700MR#F#-D	4VES-7	F / Large	7.60	27.1	3.2	40.1	60	13.6	1.9	20.4	30	7/8	1-1/8	F - 86.5 LBS	HESB-0700MR#F#-D	5.61
HDSB-0700MR#J#-D	4VES-7	J / X-Large	7.60	27.1	4.2	41.1	60	13.6	2.5	21.0	30	7/8	1-1/8	H - 105.2 LBS	HESB-0700MR#J#-D	5.61
HDSB-0900MR#J#-D	4TES-9	J / X-Large	7.60	31.4	4.2	46.5	70	15.7	2.5	23.6	35	7/8	1-3/8	H - 105.2 LBS	HESB-0900MR#J#-D	5.61
HDSB-1000MR#J#-D	4PES-12	J / X-Large	7.60	38.6	4.2	55.5	90	19.3	2.5	28.1	45	7/8	1-3/8	H - 105.2 LBS	HESB-1000MR#J#-D	5.61
HDSB-1200MR#J#-D	4NES-14	J / X-Large	7.60	44.3	4.2	62.6	100	22.1	2.5	31.6	50	7/8	1-3/8	H - 105.2 LBS	HESB-1200MR#J#-A	n/a
HDSB-1400MR#J#-A	4JE-15	J / X-Large	n/a	55.7	4.2	76.8	125	27.9	2.5	38.9	60	7/8	1-5/8	H - 105.2 LBS	HESB-1400MR#J#-A	n/a

Bitzer HDSB models with Motor 2 compressors are rated for operation up to +32° F suction temperature. Select Bitzer HDSE models with the larger Motor 1 for applications operating above +20° F is recommended for better efficiency and to prevent operation outside the Motor 2 operating envelope.

NOTE: Solid black shading with white font indicates products for non-DOE regulated applications in above Table.

\* Estimated unit shipment weights based on condenser size are as follows: Small – 400 lbs.; Medium – 650 lbs.; Large – 1,250 lbs.; X-Large – 1,575 lbs.

# High Efficiency H-Series Condensing Units

## HDSB Bitzer Ecoline Compressors, Motor 2 - Med Temp R-449A

### Med Temperature - R-449A Performance

CONDENSING UNIT MODEL	COMPRESSOR	CONDENSER / UNIT SIZE	95° F AMBIENT TEMPERATURE						
			0	5	10	15	20	25	30
HDSB-0050MR#B#-D	2KES-05	B / Medium	5,630	6,470	7,390	8,390	9,470	10,630	11,890
HDSB-0070MR#B#-D	2JES-07	B / Medium	7,480	8,540	9,690	10,930	12,270	13,710	15,260
HDSB-0070MR#D#-D	2JES-07	D / Medium	7,690	8,790	10,000	11,320	12,740	14,280	15,950
HDSB-0100MR#B#-D	2HES-1	B / Medium	9,430	10,720	12,120	13,630	15,250	16,980	18,830
HDSB-0100MR#D#-D	2HES-1	D / Medium	9,750	11,110	12,600	14,210	15,950	17,830	19,840
HDSB-0150MR#B#-D	2FES-2	B / Medium	13,480	15,240	17,120	19,140	21,280	23,560	25,970
HDSB-0150MR#D#-D	2FES-2	D / Medium	14,150	16,060	18,130	20,360	22,750	25,310	28,040
HDSB-0200MR#B#-D	2EES-2	B / Medium	16,550	18,640	20,880	23,270	25,820	28,530	31,390
HDSB-0200MR#D#-D	2EES-2	D / Medium	17,470	19,760	22,230	24,900	27,760	30,820	34,090
HDSB-0220MR#D#-D	2DES-2	D / Medium	20,560	23,180	26,010	29,050	32,300	35,770	39,460
HDSB-0220MR#F#-D	2DES-2	F / Large	21,920	24,850	28,030	31,480	35,210	39,220	43,540
HDSB-0300MR#D#-D	2CES-3	D / Medium	24,870	27,920	31,190	34,690	38,430	42,410	46,620
HDSB-0300MR#F#-D	2CES-3	F / Large	26,840	30,320	34,100	38,190	42,600	47,350	52,440
HDSB-0400MR#F#-D	4FES-3	F / Large	29,170	32,990	37,120	41,600	46,430	51,620	57,200
HDSB-0400MR#J#-D	4FES-3	J / X-Large	29,670	33,590	37,860	42,490	47,490	52,890	58,690
HDSB-0500MR#F#-D	4EES-4	F / Large	35,790	40,420	45,430	50,840	56,650	62,890	69,560
HDSB-0500MR#J#-D	4EES-4	J / X-Large	36,560	41,360	46,570	52,210	58,290	64,840	71,860
HDSB-0600MR#F#-D	4DES-5	F / Large	41,300	46,600	52,330	58,510	65,130	72,220	79,780
HDSB-0600MR#J#-D	4DES-5	J / X-Large	42,340	47,870	53,870	60,360	67,340	74,840	82,870
HDSB-0650MR#F#-D	4CES-6	F / Large	50,050	56,230	62,890	70,030	77,660	85,810	94,460
HDSB-0650MR#J#-D	4CES-6	J / X-Large	51,550	58,050	65,090	72,670	80,810	89,520	98,820
HDSB-0700MR#F#-D	4VES-7	F / Large	50,360	56,910	63,950	71,490	79,550	88,130	97,220
HDSB-0700MR#J#-D	4VES-7	J / X-Large	52,020	58,940	66,420	74,460	83,100	92,330	102,180
HDSB-0900MR#J#-D	4TES-9	J / X-Large	62,330	70,280	78,830	88,000	97,810	108,260	119,360
HDSB-1000MR#J#-D	4PES-12	J / X-Large	68,570	77,480	87,040	97,280	108,200	119,800	132,090
HDSB-1200MR#J#-D	4NES-14	J / X-Large	80,490	90,340	100,870	112,070	123,950	136,500	149,710
HDSB-1400MR#J#-A	4JE-15	J / X-Large	92,600	103,330	114,710	126,750	139,430	152,760	n/a

CONDENSING UNIT MODEL	COMPRESSOR	CONDENSER / UNIT SIZE	105° F AMBIENT TEMPERATURE						
			0	5	10	15	20	25	30
HDSB-0050MR#B#-D	2KES-05	B / Medium	4,970	5,730	6,560	7,470	8,450	9,520	10,670
HDSB-0070MR#B#-D	2JES-07	B / Medium	6,650	7,610	8,660	9,790	11,010	12,320	13,740
HDSB-0070MR#D#-D	2JES-07	D / Medium	6,850	7,860	8,960	10,160	11,460	12,870	14,390
HDSB-0100MR#B#-D	2HES-1	B / Medium	8,400	9,590	10,870	12,260	13,750	15,350	17,060
HDSB-0100MR#D#-D	2HES-1	D / Medium	8,710	9,960	11,330	12,810	14,420	16,150	18,010
HDSB-0150MR#B#-D	2FES-2	B / Medium	12,010	13,620	15,340	17,190	19,150	21,240	23,460
HDSB-0150MR#D#-D	2FES-2	D / Medium	12,650	14,410	16,310	18,350	20,560	22,920	25,440
HDSB-0200MR#B#-D	2EES-2	B / Medium	14,900	16,840	18,910	21,130	23,510	26,030	n/a
HDSB-0200MR#D#-D	2EES-2	D / Medium	15,760	17,890	20,190	22,670	25,330	28,190	31,250
HDSB-0220MR#D#-D	2DES-2	D / Medium	18,590	21,020	23,640	26,460	29,490	32,730	36,180
HDSB-0220MR#F#-D	2DES-2	F / Large	19,870	22,590	25,550	28,760	32,240	36,000	40,050
HDSB-0300MR#D#-D	2CES-3	D / Medium	22,550	25,370	28,400	31,650	35,130	38,840	42,780
HDSB-0300MR#F#-D	2CES-3	F / Large	24,410	27,640	31,150	34,960	39,080	43,530	48,300
HDSB-0400MR#F#-D	4FES-3	F / Large	26,440	29,970	33,820	37,990	42,490	47,350	52,570
HDSB-0400MR#J#-D	4FES-3	J / X-Large	26,900	30,540	34,510	38,820	43,500	48,550	53,990
HDSB-0500MR#F#-D	4EES-4	F / Large	32,390	36,670	41,320	46,350	51,780	57,600	63,850
HDSB-0500MR#J#-D	4EES-4	J / X-Large	33,100	37,550	42,390	47,640	53,320	59,440	66,020
HDSB-0600MR#F#-D	4DES-5	F / Large	37,320	42,230	47,550	53,290	59,470	66,090	73,160
HDSB-0600MR#J#-D	4DES-5	J / X-Large	38,290	43,420	48,990	55,030	61,540	68,560	76,080
HDSB-0650MR#F#-D	4CES-6	F / Large	45,400	51,120	57,290	63,920	71,030	78,630	86,720
HDSB-0650MR#J#-D	4CES-6	J / X-Large	46,790	52,820	59,350	66,400	73,990	82,130	90,840
HDSB-0700MR#F#-D	4VES-7	F / Large	45,230	51,270	57,770	64,760	72,240	80,220	88,700
HDSB-0700MR#J#-D	4VES-7	J / X-Large	46,750	53,140	60,060	67,520	75,540	84,140	93,320
HDSB-0900MR#J#-D	4TES-9	J / X-Large	56,200	63,510	71,400	79,890	88,970	98,680	109,000
HDSB-1000MR#J#-D	4PES-12	J / X-Large	61,230	69,410	78,210	87,650	97,740	108,480	n/a
HDSB-1200MR#J#-D	4NES-14	J / X-Large	72,090	81,100	90,740	101,020	111,930	n/a	n/a
HDSB-1400MR#J#-A	4JE-15	J / X-Large	83,670	93,580	104,100	n/a	n/a	n/a	n/a

NOTE: All temperatures shown reflect the midpoint evaporator temperature. Solid black shading with white font indicates products for non-DOE regulated applications in above Table.

\* Estimated unit shipment weights based on condenser size are as follows: Small – 400 lbs.; Medium – 650 lbs.; Large – 1,250 lbs.; X-Large – 1,575 lbs.

# High Efficiency H-Series Condensing Units

## HDSB Bitzer Ecoline Compressors, Motor 2 - Med Temp R-404A

### Med Temperature - R-404A Specifications

CONDENSING UNIT MODEL	COMPRESSOR	CONDENSER / UNIT SIZE	OUTDOOR DOE AWEF	208/3/60				460/3/60				LIQ OD IN	SUCT OD IN	DEFAULT RECEIVER	INDOOR MODEL	INDOOR DOE AWEF
				COMP RLA	FAN RLA	MCA	MOPD	COMP RLA	FAN RLA	MCA	MOPD					
HDSB-0050MS#B#-D	2KES-05	B / Medium	7.60	5.4	1.2	11.0	15	2.6	0.7	5.5	15	1/2	5/8	C - 21.4 LBS	HESB-0050MS#B#-D	5.61
HDSB-0070MS#B#-D	2JES-07	B / Medium	7.60	6.7	1.2	12.6	15	3.2	0.7	6.2	15	1/2	5/8	C - 21.4 LBS	HESB-0070MS#B#-D	5.61
HDSB-0070MS#D#-D	2JES-07	D / Medium	7.60	6.7	2.1	13.5	20	3.2	1.3	6.8	15	1/2	5/8	E - 53.9 LBS	HESB-0070MS#D#-D	n/a
HDSB-0100MS#B#-D	2HES-1	B / Medium	7.60	7.3	1.2	13.3	20	3.4	0.7	6.5	15	1/2	5/8	C - 21.4 LBS	HESB-0100MS#B#-A	n/a
HDSB-0100MS#D#-D	2HES-1	D / Medium	7.60	7.3	2.1	14.2	20	3.4	1.3	7.1	15	1/2	5/8	E - 53.9 LBS	HESB-0100MS#D#-A	n/a
HDSB-0150MS#B#-D	2FES-2	B / Medium	7.60	10.0	1.2	16.7	25	4.6	0.7	8.0	15	5/8	5/8	C - 21.4 LBS	HESB-0150MS#B#-A	n/a
HDSB-0150MS#D#-D	2FES-2	D / Medium	7.60	10.0	2.1	17.6	25	4.6	1.3	8.6	15	5/8	5/8	E - 53.9 LBS	HESB-0150MS#D#-A	n/a
HDSB-0200MS#B#-D	2EES-2	B / Medium	7.60	12.0	1.2	19.2	30	5.4	0.7	9.0	15	5/8	7/8	C - 21.4 LBS	HESB-0200MS#B#-A	n/a
HDSB-0200MS#D#-D	2EES-2	D / Medium	7.60	12.0	2.1	20.1	30	5.4	1.3	9.6	15	5/8	7/8	E - 53.9 LBS	HESB-0200MS#D#-D	5.61
HDSB-0220MS#D#-D	2DES-2	D / Medium	7.60	13.1	2.1	21.5	30	6.4	1.3	10.8	15	5/8	7/8	E - 53.9 LBS	HESB-0220MS#D#-D	5.61
HDSB-0220MS#F#-D	2DES-2	F / Large	7.60	13.1	3.2	22.6	35	6.4	1.9	11.4	15	5/8	7/8	F - 82.3 LBS	HESB-0220MS#F#-D	5.61
HDSB-0300MS#D#-D	2CES-3	D / Medium	7.60	14.9	2.1	23.7	35	7.0	1.3	11.6	15	5/8	7/8	E - 53.9 LBS	HESB-0300MS#D#-A	n/a
HDSB-0300MS#F#-D	2CES-3	F / Large	7.60	14.9	3.2	24.8	35	7.0	1.9	12.2	15	5/8	7/8	F - 82.3 LBS	HESB-0300MS#F#-D	5.61
HDSB-0400MS#F#-D	4FES-3	F / Large	7.60	20.1	3.2	31.3	50	9.0	1.9	14.7	20	5/8	7/8	F - 82.3 LBS	HESB-0400MS#F#-D	5.61
HDSB-0400MS#J#-D	4FES-3	J / X-Large	7.60	20.1	4.2	32.3	50	9.0	2.5	15.3	20	5/8	7/8	H - 100.1 LBS	HESB-0400MS#J#-D	5.61
HDSB-0500MS#F#-D	4EES-4	F / Large	7.60	22.4	3.2	34.2	50	10.3	1.9	16.3	25	5/8	1-1/8	F - 82.3 LBS	HESB-0500MS#F#-D	5.61
HDSB-0500MS#J#-D	4EES-4	J / X-Large	7.60	22.4	4.2	35.2	50	10.3	2.5	16.9	25	5/8	1-1/8	H - 100.1 LBS	HESB-0500MS#J#-D	5.61
HDSB-0600MS#F#-D	4DES-5	F / Large	7.60	23.0	3.2	35.0	50	12.0	1.9	18.4	30	5/8	1-1/8	F - 82.3 LBS	HESB-0600MS#F#-D	5.61
HDSB-0600MS#J#-D	4DES-5	J / X-Large	7.60	23.0	4.2	36.0	50	12.0	2.5	19.0	30	5/8	1-1/8	H - 100.1 LBS	HESB-0600MS#J#-D	5.61
HDSB-0650MS#F#-D	4CES-6	F / Large	7.60	27.9	3.2	41.1	60	15.8	1.9	23.2	35	5/8	1-1/8	F - 82.3 LBS	HESB-0650MS#F#-D	5.61
HDSB-0650MS#J#-D	4CES-6	J / X-Large	7.60	27.9	4.2	42.1	60	15.8	2.5	23.8	35	5/8	1-1/8	H - 100.1 LBS	HESB-0650MS#J#-D	5.61
HDSB-0700MS#F#-D	4VES-7	F / Large	7.60	27.1	3.2	40.1	60	13.6	1.9	20.4	30	7/8	1-1/8	F - 82.3 LBS	HESB-0700MS#F#-A	n/a
HDSB-0700MS#J#-D	4VES-7	J / X-Large	7.60	27.1	4.2	41.1	60	13.6	2.5	21.0	30	7/8	1-1/8	H - 100.1 LBS	HESB-0700MS#J#-D	5.61
HDSB-0900MS#J#-D	4TES-9	J / X-Large	7.60	31.4	4.2	46.5	70	15.7	2.5	23.6	35	7/8	1-3/8	H - 100.1 LBS	HESB-0900MS#J#-A	n/a
HDSB-1000MS#J#-D	4PES-12	J / X-Large	7.60	38.6	4.2	55.5	90	19.3	2.5	28.1	45	7/8	1-3/8	H - 100.1 LBS	HESB-1000MS#J#-A	n/a
HDSB-1200MS#J#-A	4NES-14	J / X-Large	n/a	44.3	4.2	62.6	100	22.1	2.5	31.6	50	7/8	1-3/8	H - 100.1 LBS	HESB-1200MS#J#-A	n/a
HDSB-1400MS#J#-A	4JE-15	J / X-Large	n/a	55.7	4.2	76.8	125	27.9	2.5	38.9	60	7/8	1-5/8	H - 100.1 LBS	HESB-1400MS#J#-A	n/a

Bitzer HDSB models with Motor 2 compressors are rated for operation up to +32° F suction temperature. Select Bitzer HDSE models with the larger Motor 1 for applications operating above +20° F is recommended for better efficiency and to prevent operation outside the Motor 2 operating envelope.

NOTE: Solid black shading with white font indicates products for non-DOE regulated applications in above Table.

\* Estimated unit shipment weights based on condenser size are as follows: Small – 400 lbs.; Medium – 650 lbs.; Large – 1,250 lbs.; X-Large – 1,575 lbs.

# High Efficiency H-Series Condensing Units

## HDSB Bitzer Ecoline Compressors, Motor 2 - Med Temp R-404A

### Med Temperature - R-404A Performance

CONDENSING UNIT MODEL	COMPRESSOR	CONDENSER / UNIT SIZE	95° F AMBIENT TEMPERATURE						
			0	5	10	15	20	25	30
HDSB-0050MS#B#-D	2KES-05	B / Medium	5,760	6,550	7,400	8,310	9,290	10,330	11,440
HDSB-0070MS#B#-D	2JES-07	B / Medium	7,810	8,810	9,890	11,030	12,260	13,570	14,950
HDSB-0070MS#D#-D	2JES-07	D / Medium	8,040	9,090	10,230	11,440	12,750	14,150	15,640
HDSB-0100MS#B#-D	2HES-1	B / Medium	9,700	10,890	12,170	13,530	14,970	16,510	18,130
HDSB-0100MS#D#-D	2HES-1	D / Medium	10,060	11,330	12,690	14,150	15,720	17,390	19,170
HDSB-0150MS#B#-D	2FES-2	B / Medium	13,580	15,160	16,830	18,600	20,470	22,430	24,490
HDSB-0150MS#D#-D	2FES-2	D / Medium	14,320	16,050	17,900	19,870	21,980	24,210	26,570
HDSB-0200MS#B#-D	2EES-2	B / Medium	17,000	18,910	20,920	23,030	25,250	27,570	29,980
HDSB-0200MS#D#-D	2EES-2	D / Medium	18,070	20,210	22,480	24,900	27,460	30,170	33,020
HDSB-0220MS#D#-D	2DES-2	D / Medium	21,230	23,660	26,230	28,950	31,830	34,850	38,030
HDSB-0220MS#F#-D	2DES-2	F / Large	22,820	25,590	28,560	31,750	35,150	38,780	42,640
HDSB-0300MS#D#-D	2CES-3	D / Medium	25,610	28,390	31,330	34,420	37,670	41,060	44,610
HDSB-0300MS#F#-D	2CES-3	F / Large	27,920	31,200	34,710	38,460	42,450	46,700	51,210
HDSB-0400MS#F#-D	4FES-3	F / Large	29,700	33,260	37,090	41,210	45,630	50,340	55,370
HDSB-0400MS#J#-D	4FES-3	J / X-Large	30,230	33,910	37,900	42,190	46,800	51,750	57,040
HDSB-0500MS#F#-D	4EES-4	F / Large	36,870	41,190	45,830	50,790	56,090	61,720	67,680
HDSB-0500MS#J#-D	4EES-4	J / X-Large	37,700	42,220	47,080	52,310	57,900	63,870	70,230
HDSB-0600MS#F#-D	4DES-5	F / Large	43,120	48,080	53,400	59,070	65,100	71,500	78,260
HDSB-0600MS#J#-D	4DES-5	J / X-Large	44,280	49,500	55,110	61,130	67,560	74,400	81,670
HDSB-0650MS#F#-D	4CES-6	F / Large	50,620	56,410	62,590	69,170	76,140	83,520	91,300
HDSB-0650MS#J#-D	4CES-6	J / X-Large	52,280	58,420	65,010	72,050	79,550	87,530	95,980
HDSB-0700MS#F#-D	4VES-7	F / Large	51,250	57,370	63,890	70,810	78,120	85,820	93,910
HDSB-0700MS#J#-D	4VES-7	J / X-Large	53,080	59,610	66,600	74,050	81,980	90,380	99,260
HDSB-0900MS#J#-D	4TES-9	J / X-Large	63,310	70,750	78,690	87,130	96,060	105,490	115,420
HDSB-1000MS#J#-D	4PES-12	J / X-Large	69,890	78,240	87,110	96,510	106,440	116,890	127,850
HDSB-1200MS#J#-A	4NES-14	J / X-Large	81,510	90,670	100,360	110,560	121,280	132,490	144,190
HDSB-1400MS#J#-A	4JE-15	J / X-Large	92,990	102,790	113,070	123,820	135,010	146,650	158,700

CONDENSING UNIT MODEL	COMPRESSOR	CONDENSER / UNIT SIZE	105° F AMBIENT TEMPERATURE						
			0	5	10	15	20	25	30
HDSB-0050MS#B#-D	2KES-05	B / Medium	5,040	5,750	6,520	7,340	8,210	9,150	10,150
HDSB-0070MS#B#-D	2JES-07	B / Medium	6,910	7,820	8,790	9,830	10,940	12,120	13,380
HDSB-0070MS#D#-D	2JES-07	D / Medium	7,120	8,070	9,100	10,200	11,390	12,650	14,010
HDSB-0100MS#B#-D	2HES-1	B / Medium	8,560	9,650	10,810	12,040	13,360	14,760	16,240
HDSB-0100MS#D#-D	2HES-1	D / Medium	8,890	10,050	11,290	12,620	14,050	15,570	17,200
HDSB-0150MS#B#-D	2FES-2	B / Medium	12,010	13,420	14,920	16,500	18,180	19,940	21,800
HDSB-0150MS#D#-D	2FES-2	D / Medium	12,680	14,230	15,900	17,670	19,570	21,580	23,710
HDSB-0200MS#B#-D	2EES-2	B / Medium	15,040	16,750	18,550	20,450	22,440	24,520	26,700
HDSB-0200MS#D#-D	2EES-2	D / Medium	16,060	17,990	20,040	22,220	24,540	26,990	29,570
HDSB-0220MS#D#-D	2DES-2	D / Medium	18,880	21,070	23,380	25,830	28,420	31,150	34,020
HDSB-0220MS#F#-D	2DES-2	F / Large	20,410	22,920	25,610	28,510	31,600	34,910	38,430
HDSB-0300MS#D#-D	2CES-3	D / Medium	22,810	25,310	27,940	30,710	33,620	36,670	39,860
HDSB-0300MS#F#-D	2CES-3	F / Large	25,040	28,010	31,190	34,590	38,220	42,080	46,190
HDSB-0400MS#F#-D	4FES-3	F / Large	26,660	29,850	33,290	37,000	40,980	45,230	49,770
HDSB-0400MS#J#-D	4FES-3	J / X-Large	27,170	30,480	34,070	37,940	42,110	46,580	51,370
HDSB-0500MS#F#-D	4EES-4	F / Large	33,070	36,960	41,140	45,610	50,390	55,490	60,890
HDSB-0500MS#J#-D	4EES-4	J / X-Large	33,880	37,950	42,340	47,060	52,130	57,550	63,330
HDSB-0600MS#F#-D	4DES-5	F / Large	38,680	43,170	47,970	53,100	58,570	64,390	70,540
HDSB-0600MS#J#-D	4DES-5	J / X-Large	39,790	44,520	49,610	55,070	60,910	67,150	73,790
HDSB-0650MS#F#-D	4CES-6	F / Large	45,330	50,580	56,200	62,190	68,550	75,290	82,420
HDSB-0650MS#J#-D	4CES-6	J / X-Large	46,890	52,480	58,470	64,900	71,770	79,080	86,850
HDSB-0700MS#F#-D	4VES-7	F / Large	45,480	51,020	56,930	63,200	69,850	76,860	84,240
HDSB-0700MS#J#-D	4VES-7	J / X-Large	47,170	53,080	59,420	66,200	73,430	81,100	89,220
HDSB-0900MS#J#-D	4TES-9	J / X-Large	56,400	63,130	70,310	77,960	86,070	94,650	103,700
HDSB-1000MS#J#-D	4PES-12	J / X-Large	61,790	69,310	77,330	85,840	94,840	104,330	114,310
HDSB-1200MS#J#-A	4NES-14	J / X-Large	72,240	80,460	89,170	98,350	108,010	118,130	128,710
HDSB-1400MS#J#-A	4JE-15	J / X-Large	82,910	91,750	101,020	110,730	120,850	n/a	n/a

NOTE: All temperatures shown reflect the midpoint evaporator temperature. Solid black shading with white font indicates products for non-DOE regulated applications in above Table.

\* Estimated unit shipment weights based on condenser size are as follows: Small - 400 lbs.; Medium - 650 lbs.; Large - 1,250 lbs.; X-Large - 1,575 lbs.

# High Efficiency H-Series Condensing Units

## HDSB Bitzer Ecoline Compressors, Motor 2 - Med Temp R-448A

### Med Temperature - R-448A Specifications

CONDENSING UNIT MODEL	COMPRESSOR	CONDENSER / UNIT SIZE	OUTDOOR DOE AWEF	208/3/60				460/3/60				LIQ OD IN	SUCTION IN	DEFAULT RECEIVER	INDOOR MODEL	INDOOR DOE AWEF
				COMP RLA	FAN RLA	MCA	MOPD	COMP RLA	FAN RLA	MCA	MOPD					
HDSB-0050MT#B#-D	2KES-05	B / Medium	7.60	5.4	1.2	11.0	15	2.6	0.7	5.5	15	1/2	5/8	C - 22.5 LBS	HESB-0050MT#B#-D	5.61
HDSB-0070MT#B#-D	2JES-07	B / Medium	7.60	6.7	1.2	12.6	15	3.2	0.7	6.2	15	1/2	5/8	C - 22.5 LBS	HESB-0070MT#B#-D	5.61
HDSB-0070MT#D#-D	2JES-07	D / Medium	7.60	6.7	2.1	13.5	20	3.2	1.3	6.8	15	1/2	5/8	E - 56.6 LBS	HESB-0070MT#D#-A	n/a
HDSB-0100MT#B#-D	2HES-1	B / Medium	7.60	7.3	1.2	13.3	20	3.4	0.7	6.5	15	1/2	5/8	C - 22.5 LBS	HESB-0100MT#B#-D	5.61
HDSB-0100MT#D#-D	2HES-1	D / Medium	7.60	7.3	2.1	14.2	20	3.4	1.3	7.1	15	1/2	5/8	E - 56.6 LBS	HESB-0100MT#D#-A	n/a
HDSB-0150MT#B#-D	2FES-2	B / Medium	7.60	10.0	1.2	16.7	25	4.6	0.7	8.0	15	5/8	5/8	C - 22.5 LBS	HESB-0150MT#B#-A	n/a
HDSB-0150MT#D#-D	2FES-2	D / Medium	7.60	10.0	2.1	17.6	25	4.6	1.3	8.6	15	5/8	5/8	E - 56.6 LBS	HESB-0150MT#D#-A	n/a
HDSB-0200MT#B#-D	2EES-2	B / Medium	7.60	12.0	1.2	19.2	30	5.4	0.7	9.0	15	5/8	7/8	C - 22.5 LBS	HESB-0200MT#B#-D	5.61
HDSB-0200MT#D#-D	2EES-2	D / Medium	7.60	12.0	2.1	20.1	30	5.4	1.3	9.6	15	5/8	7/8	E - 56.6 LBS	HESB-0200MT#D#-D	5.61
HDSB-0220MT#D#-D	2DES-2	D / Medium	7.60	13.1	2.1	21.5	30	6.4	1.3	10.8	15	5/8	7/8	E - 56.6 LBS	HESB-0220MT#D#-D	5.61
HDSB-0220MT#F#-D	2DES-2	F / Large	7.60	13.1	3.2	22.6	35	6.4	1.9	11.4	15	5/8	7/8	F - 86.5 LBS	HESB-0220MT#F#-D	5.61
HDSB-0300MT#D#-D	2CES-3	D / Medium	7.60	14.9	2.1	23.7	35	7.0	1.3	11.6	15	5/8	7/8	E - 56.6 LBS	HESB-0300MT#D#-A	n/a
HDSB-0300MT#F#-D	2CES-3	F / Large	7.60	14.9	3.2	24.8	35	7.0	1.9	12.2	15	5/8	7/8	F - 86.5 LBS	HESB-0300MT#F#-D	5.61
HDSB-0400MT#F#-D	4FES-3	F / Large	7.60	20.1	3.2	31.3	50	9.0	1.9	14.7	20	5/8	7/8	F - 86.5 LBS	HESB-0400MT#F#-D	5.61
HDSB-0400MT#J#-D	4FES-3	J / X-Large	7.60	20.1	4.2	32.3	50	9.0	2.5	15.3	20	5/8	7/8	H - 105.2 LBS	HESB-0400MT#J#-D	5.61
HDSB-0500MT#F#-D	4EES-4	F / Large	7.60	22.4	3.2	34.2	50	10.3	1.9	16.3	25	5/8	1-1/8	F - 86.5 LBS	HESB-0500MT#F#-D	5.61
HDSB-0500MT#J#-D	4EES-4	J / X-Large	7.60	22.4	4.2	35.2	50	10.3	2.5	16.9	25	5/8	1-1/8	H - 105.2 LBS	HESB-0500MT#J#-D	5.61
HDSB-0600MT#F#-D	4DES-5	F / Large	7.60	23.0	3.2	35.0	50	12.0	1.9	18.4	30	5/8	1-1/8	F - 86.5 LBS	HESB-0600MT#F#-D	5.61
HDSB-0600MT#J#-D	4DES-5	J / X-Large	7.60	23.0	4.2	36.0	50	12.0	2.5	19.0	30	5/8	1-1/8	H - 105.2 LBS	HESB-0600MT#J#-D	5.61
HDSB-0650MT#F#-D	4CES-6	F / Large	7.60	27.9	3.2	41.1	60	15.8	1.9	23.2	35	5/8	1-1/8	F - 86.5 LBS	HESB-0650MT#F#-D	5.61
HDSB-0650MT#J#-D	4CES-6	J / X-Large	7.60	27.9	4.2	42.1	60	15.8	2.5	23.8	35	5/8	1-1/8	H - 105.2 LBS	HESB-0650MT#J#-D	5.61
HDSB-0700MT#F#-D	4VES-7	F / Large	7.60	27.1	3.2	40.1	60	13.6	1.9	20.4	30	7/8	1-1/8	F - 86.5 LBS	HESB-0700MT#F#-D	5.61
HDSB-0700MT#J#-D	4VES-7	J / X-Large	7.60	27.1	4.2	41.1	60	13.6	2.5	21.0	30	7/8	1-1/8	H - 105.2 LBS	HESB-0700MT#J#-D	5.61
HDSB-0900MT#J#-D	4TES-9	J / X-Large	7.60	31.4	4.2	46.5	70	15.7	2.5	23.6	35	7/8	1-3/8	H - 105.2 LBS	HESB-0900MT#J#-D	5.61
HDSB-1000MT#J#-D	4PES-12	J / X-Large	7.60	38.6	4.2	55.5	90	19.3	2.5	28.1	45	7/8	1-3/8	H - 105.2 LBS	HESB-1000MT#J#-D	5.61
HDSB-1200MT#J#-D	4NES-14	J / X-Large	7.60	44.3	4.2	62.6	100	22.1	2.5	31.6	50	7/8	1-3/8	H - 105.2 LBS	HESB-1200MT#J#-A	n/a
HDSB-1400MT#J#-A	4JE-15	J / X-Large	n/a	55.7	4.2	76.8	125	27.9	2.5	38.9	60	7/8	1-5/8	H - 105.2 LBS	HESB-1400MT#J#-A	n/a

Bitzer HDSB models with Motor 2 compressors are rated for operation up to +32° F suction temperature. Select Bitzer HDSE models with the larger Motor 1 for applications operating above +20° F is recommended for better efficiency and to prevent operation outside the Motor 2 operating envelope.

NOTE: Solid black shading with white font indicates products for non-DOE regulated applications in above Table.

\* Estimated unit shipment weights based on condenser size are as follows: Small – 400 lbs.; Medium – 650 lbs.; Large – 1,250 lbs.; X-Large – 1,575 lbs.



# High Efficiency H-Series Condensing Units

## HDSB Bitzer Ecoline Compressors, Motor 2 - Med Temp R-448A

### Med Temperature - R-448A Performance

CONDENSING UNIT MODEL	COMPRESSOR	CONDENSER / UNIT SIZE	95° F AMBIENT TEMPERATURE						
			0	5	10	15	20	25	30
HDSB-0050MT#B#-D	2KES-05	B / Medium	5,650	6,500	7,430	8,430	9,520	10,690	11,960
HDSB-0070MT#B#-D	2JES-07	B / Medium	7,510	8,580	9,730	10,980	12,340	13,790	15,350
HDSB-0070MT#D#-D	2JES-07	D / Medium	7,720	8,830	10,050	11,370	12,810	14,360	16,040
HDSB-0100MT#B#-D	2HES-1	B / Medium	9,470	10,770	12,180	13,700	15,330	17,080	18,940
HDSB-0100MT#D#-D	2HES-1	D / Medium	9,790	11,160	12,660	14,280	16,040	17,930	19,950
HDSB-0150MT#B#-D	2FES-2	B / Medium	13,540	15,310	17,210	19,240	21,400	23,700	26,130
HDSB-0150MT#D#-D	2FES-2	D / Medium	14,210	16,140	18,220	20,460	22,870	25,450	28,210
HDSB-0200MT#B#-D	2EES-2	B / Medium	16,620	18,730	20,980	23,400	25,970	28,690	31,580
HDSB-0200MT#D#-D	2EES-2	D / Medium	17,550	19,850	22,340	25,030	27,910	31,000	34,290
HDSB-0220MT#D#-D	2DES-2	D / Medium	20,650	23,300	26,140	29,200	32,480	35,980	39,700
HDSB-0220MT#F#-D	2DES-2	F / Large	22,020	24,970	28,170	31,650	35,400	39,450	43,800
HDSB-0300MT#B#-D	2CES-3	D / Medium	24,980	28,050	31,350	34,880	38,650	42,660	46,910
HDSB-0300MT#F#-D	2CES-3	F / Large	26,970	30,470	34,280	38,390	42,840	47,630	52,760
HDSB-0400MT#F#-D	4FES-3	F / Large	29,310	33,140	37,310	41,820	46,690	51,920	57,540
HDSB-0400MT#J#-D	4FES-3	J / X-Large	29,800	33,750	38,050	42,710	47,750	53,190	59,040
HDSB-0500MT#F#-D	4EES-4	F / Large	35,950	40,610	45,660	51,110	56,970	63,260	69,980
HDSB-0500MT#J#-D	4EES-4	J / X-Large	36,720	41,550	46,800	52,480	58,610	65,210	72,290
HDSB-0600MT#F#-D	4DES-5	F / Large	41,480	46,830	52,600	58,820	65,500	72,640	80,260
HDSB-0600MT#J#-D	4DES-5	J / X-Large	42,530	48,100	54,150	60,680	67,720	75,270	83,370
HDSB-0650MT#F#-D	4CES-6	F / Large	50,280	56,510	63,220	70,410	78,110	86,320	95,040
HDSB-0650MT#J#-D	4CES-6	J / X-Large	51,790	58,340	65,430	73,060	81,260	90,050	99,430
HDSB-0700MT#F#-D	4VES-7	F / Large	50,580	57,170	64,260	71,870	79,990	88,630	97,800
HDSB-0700MT#J#-D	4VES-7	J / X-Large	52,240	59,210	66,740	74,850	83,550	92,860	102,780
HDSB-0900MT#J#-D	4TES-9	J / X-Large	62,610	70,610	79,220	88,470	98,350	108,890	120,080
HDSB-1000MT#J#-D	4PES-12	J / X-Large	68,860	77,830	87,470	97,780	108,790	120,480	132,860
HDSB-1200MT#J#-D	4NES-14	J / X-Large	80,840	90,770	101,380	112,670	124,640	137,290	150,610
HDSB-1400MT#J#-A	4JE-15	J / X-Large	93,030	103,850	115,320	127,450	140,250	153,690	n/a

CONDENSING UNIT MODEL	COMPRESSOR	CONDENSER / UNIT SIZE	105° F AMBIENT TEMPERATURE						
			0	5	10	15	20	25	30
HDSB-0050MT#B#-D	2KES-05	B / Medium	4,990	5,760	6,600	7,510	8,500	9,570	10,730
HDSB-0070MT#B#-D	2JES-07	B / Medium	6,680	7,650	8,700	9,840	11,070	12,400	13,820
HDSB-0070MT#D#-D	2JES-07	D / Medium	6,880	7,890	9,000	10,210	11,520	12,940	14,480
HDSB-0100MT#B#-D	2HES-1	B / Medium	8,440	9,630	10,930	12,320	13,830	15,440	17,160
HDSB-0100MT#D#-D	2HES-1	D / Medium	8,750	10,010	11,390	12,890	14,500	16,250	18,130
HDSB-0150MT#B#-D	2FES-2	B / Medium	12,060	13,680	15,420	17,280	19,270	21,380	23,610
HDSB-0150MT#D#-D	2FES-2	D / Medium	12,710	14,480	16,390	18,460	20,680	23,060	25,610
HDSB-0200MT#B#-D	2EES-2	B / Medium	14,970	16,920	19,020	21,260	23,650	26,190	n/a
HDSB-0200MT#D#-D	2EES-2	D / Medium	15,840	17,980	20,300	22,800	25,480	28,370	31,450
HDSB-0220MT#D#-D	2DES-2	D / Medium	18,680	21,130	23,770	26,620	29,670	32,940	36,420
HDSB-0220MT#F#-D	2DES-2	F / Large	19,970	22,700	25,690	28,930	32,440	36,230	40,310
HDSB-0300MT#D#-D	2CES-3	D / Medium	22,660	25,500	28,560	31,840	35,350	39,090	43,060
HDSB-0300MT#F#-D	2CES-3	F / Large	24,530	27,790	31,330	35,170	39,320	43,800	48,620
HDSB-0400MT#F#-D	4FES-3	F / Large	26,570	30,130	34,010	38,210	42,750	47,650	52,920
HDSB-0400MT#J#-D	4FES-3	J / X-Large	27,040	30,700	34,700	39,050	43,760	48,850	54,340
HDSB-0500MT#F#-D	4EES-4	F / Large	32,550	36,870	41,550	46,620	52,090	57,970	64,270
HDSB-0500MT#J#-D	4EES-4	J / X-Large	33,260	37,750	42,630	47,920	53,640	59,820	66,450
HDSB-0600MT#F#-D	4DES-5	F / Large	37,510	42,460	47,820	53,600	59,830	66,500	73,640
HDSB-0600MT#J#-D	4DES-5	J / X-Large	38,480	43,650	49,260	55,350	61,920	68,990	76,580
HDSB-0650MT#F#-D	4CES-6	F / Large	45,630	51,390	57,610	64,300	71,470	79,140	87,300
HDSB-0650MT#J#-D	4CES-6	J / X-Large	47,030	53,110	59,690	66,790	74,450	82,660	91,440
HDSB-0700MT#F#-D	4VES-7	F / Large	45,430	51,520	58,080	65,130	72,670	80,720	89,270
HDSB-0700MT#J#-D	4VES-7	J / X-Large	46,970	53,410	60,380	67,900	75,990	84,660	93,920
HDSB-0900MT#J#-D	4TES-9	J / X-Large	56,470	63,840	71,800	80,350	89,510	99,300	109,710
HDSB-1000MT#J#-D	4PES-12	J / X-Large	61,510	69,750	78,620	88,140	98,310	109,140	n/a
HDSB-1200MT#J#-D	4NES-14	J / X-Large	72,430	81,510	91,230	101,590	n/a	n/a	n/a
HDSB-1400MT#J#-A	4JE-15	J / X-Large	84,090	94,080	104,690	n/a	n/a	n/a	n/a

NOTE: All temperatures shown reflect the midpoint evaporator temperature. Solid black shading with white font indicates products for non-DOE regulated applications in above Table.

\* Estimated unit shipment weights based on condenser size are as follows: Small – 400 lbs.; Medium – 650 lbs.; Large – 1,250 lbs.; X-Large – 1,575 lbs.

# High Efficiency H-Series Condensing Units

## HDSE Bitzer Ecoline Compressors, Motor 1 - Med Temp R-407F

### Med Temperature - R-407F Specifications

CONDENSING UNIT MODEL	COMPRESSOR	CONDENSER / UNIT SIZE	OUTDOOR DOE AWEF	208/3/60				460/3/60				LIQ OD IN	SUCTION IN	DEFAULT RECEIVER	INDOOR MODEL	INDOOR DOE AWEF
				COMP RLA	FAN RLA	MCA	MOPD	COMP RLA	FAN RLA	MCA	MOPD					
HDSE-0100MF#B#-D	2HES-2	B / Medium	7.6	11.1	1.2	18.1	25	4.5	0.7	7.8	15	1/2	5/8	C - 23.0 LBS	HESE-0100MF#B#-D	5.61
HDSE-0100MF#D#-D	2HES-2	D / Medium	7.6	11.1	2.1	19.0	30	4.5	1.3	8.4	15	1/2	5/8	E - 57.9 LBS	HESE-0100MF#D#-D	5.61
HDSE-0150MF#B#-D	2FES-3	B / Medium	7.6	12.6	1.2	20.0	30	5.7	0.7	9.3	15	5/8	5/8	C - 23.0 LBS	HESE-0150MF#B#-D	5.61
HDSE-0150MF#D#-D	2FES-3	D / Medium	7.6	12.6	2.1	20.9	30	5.7	1.3	9.9	15	5/8	5/8	E - 57.9 LBS	HESE-0150MF#D#-D	5.61
HDSE-0200MF#B#-D	2EES-3	B / Medium	7.6	15.6	1.2	23.7	35	7.3	0.7	11.3	15	5/8	7/8	C - 23.0 LBS	HESE-0200MF#B#-D	5.61
HDSE-0200MF#D#-D	2EES-3	D / Medium	7.6	15.6	2.1	24.6	40	7.3	1.3	11.9	15	5/8	7/8	E - 57.9 LBS	HESE-0200MF#D#-D	5.61
HDSE-0220MF#B#-D	2DES-3	B / Medium	7.6	17.0	1.2	25.5	40	8.1	0.7	12.3	20	5/8	7/8	C - 23.0 LBS	HESE-0220MF#B#-A	n/a
HDSE-0220MF#D#-D	2DES-3	D / Medium	7.6	17.0	2.1	26.4	40	8.1	1.3	12.9	20	5/8	7/8	E - 57.9 LBS	HESE-0220MF#D#-D	5.61
HDSE-0300MF#D#-D	2CES-4	D / Medium	7.6	20.3	2.1	30.5	50	9.1	1.3	14.2	20	5/8	7/8	E - 57.9 LBS	HESE-0300MF#D#-D	5.61
HDSE-0300MF#F#-D	2CES-4	F / Large	7.6	20.3	3.2	31.6	50	9.1	1.9	14.8	20	5/8	7/8	F - 88.5 LBS	HESE-0300MF#F#-D	5.61
HDSE-0400MF#F#-D	4FES-5	F / Large	7.6	27.0	3.2	40.0	60	14.6	1.9	21.7	35	5/8	7/8	F - 88.5 LBS	HESE-0400MF#F#-D	5.61
HDSE-0400MF#J#-D	4FES-5	J / X-Large	7.6	27.0	4.2	41.0	60	14.6	2.5	22.3	35	5/8	7/8	H - 107.6 LBS	HESE-0400MF#J#-D	5.61
HDSE-0500MF#F#-D	4EES-6	F / Large	7.6	31.3	3.2	45.3	70	14.9	1.9	22.0	35	5/8	1-1/8	F - 88.5 LBS	HESE-0500MF#F#-D	5.61
HDSE-0500MF#J#-D	4EES-6	J / X-Large	7.6	31.3	4.2	46.3	70	14.9	2.5	22.6	35	5/8	1-1/8	H - 107.6 LBS	HESE-0500MF#J#-D	5.61
HDSE-0600MF#F#-D	4DES-7	F / Large	7.6	34.5	3.2	49.3	80	17.0	1.9	24.7	40	5/8	1-1/8	F - 88.5 LBS	HESE-0600MF#F#-D	5.61
HDSE-0600MF#J#-D	4DES-7	J / X-Large	7.6	34.5	4.2	50.3	80	17.0	2.5	25.3	40	5/8	1-1/8	H - 107.6 LBS	HESE-0600MF#J#-D	5.61
HDSE-0700MF#F#-D	4VES-10	F / Large	7.6	42.9	3.2	59.8	100	21.4	1.9	30.2	50	7/8	1-1/8	F - 88.5 LBS	HESE-0700MF#F#-D	5.61
HDSE-0700MF#J#-D	4VES-10	J / X-Large	7.6	42.9	4.2	60.8	100	21.4	2.5	30.8	50	7/8	1-1/8	H - 107.6 LBS	HESE-0700MF#J#-D	5.61
HDSE-0900MF#F#-D	4TES-12	F / Large	7.6	47.1	3.2	65.1	110	23.6	1.9	32.9	50	7/8	1-3/8	F - 88.5 LBS	HESE-0900MF#F#-D	5.61
HDSE-0900MF#J#-D	4TES-12	J / X-Large	7.6	47.1	4.2	66.1	110	23.6	2.5	33.5	50	7/8	1-3/8	H - 107.6 LBS	HESE-0900MF#J#-D	5.61
HDSE-1000MF#J#-D	4PES-15	J / X-Large	7.6	54.3	4.2	75.1	125	27.1	2.5	37.9	60	7/8	1-5/8	H - 107.6 LBS	HESE-1000MF#J#-D	5.61
HDSE-1200MF#J#-D	4NES-20	J / X-Large	7.6	64.3	4.2	87.6	150	32.1	2.5	44.1	70	7/8	1-5/8	H - 107.6 LBS	HESE-1200MF#J#-D	5.61
HDSE-1400MF#J#-A	4JE-22	J / X-Large	n/a	68.6	4.2	93.0	150	34.3	2.5	46.9	80	7/8	1-5/8	H - 107.6 LBS	HESE-1400MF#J#-A	n/a

Bitzer HDSE models with Motor 1 are for medium and high temperature applications. Consider Bitzer HDSB models for operating below +20° F suction temperature for smaller electrical connection and more efficient operation.

NOTE: Solid black shading with white font indicates products for non-DOE regulated applications in above Table.

\* Estimated unit shipment weights based on condenser size are as follows: Small – 400 lbs.; Medium – 650 lbs.; Large – 1,250 lbs.; X-Large – 1,575 lbs.

# High Efficiency H-Series Condensing Units

## HDSE Bitzer Ecoline Compressors, Motor 1 - Med Temp R-407F

### Med Temperature - R-407F Performance

CONDENSING UNIT MODEL	COMPRESSOR	CONDENSER / UNIT SIZE	95° F AMBIENT TEMPERATURE									
			0	5	10	15	20	25	30	35	40	45
HDSE-0100MF#B#-D	2HES-2	B / Medium	10,600	12,000	13,510	15,150	16,910	18,810	20,830	23,000	25,300	27,750
HDSE-0100MF#D#-D	2HES-2	D / Medium	10,920	12,400	14,000	15,740	17,630	19,660	21,850	24,210	26,720	29,410
HDSE-0150MF#B#-D	2FES-3	B / Medium	15,210	17,120	19,170	21,380	23,730	26,250	28,920	31,740	34,730	37,870
HDSE-0150MF#D#-D	2FES-3	D / Medium	15,890	17,950	20,190	22,610	25,210	28,010	31,010	34,220	37,630	41,260
HDSE-0200MF#B#-D	2EES-3	B / Medium	16,720	18,880	21,210	23,690	26,340	29,160	32,140	35,290	38,610	42,090
HDSE-0200MF#D#-D	2EES-3	D / Medium	17,620	20,000	22,560	25,330	28,310	31,500	34,920	38,560	42,420	46,520
HDSE-0220MF#B#-D	2DES-3	B / Medium	19,550	21,990	24,590	27,370	30,310	33,420	36,700	40,140	n/a	n/a
HDSE-0220MF#D#-D	2DES-3	D / Medium	20,800	23,510	26,450	29,600	32,990	36,610	40,460	44,560	48,890	53,470
HDSE-0300MF#D#-D	2CES-4	D / Medium	25,210	28,370	31,770	35,400	39,290	43,430	47,820	52,460	57,360	62,510
HDSE-0300MF#F#-D	2CES-4	F / Large	27,140	30,740	34,660	38,910	43,500	48,460	53,790	59,510	65,620	72,140
HDSE-0400MF#F#-D	4FES-5	F / Large	29,480	33,430	37,710	42,370	47,400	52,820	58,650	64,900	71,580	78,690
HDSE-0400MF#J#-D	4FES-5	J / X-Large	29,960	34,020	38,440	43,250	48,460	54,100	60,180	66,710	73,710	81,190
HDSE-0500MF#F#-D	4EES-6	F / Large	36,180	40,970	46,170	51,790	57,840	64,350	71,320	78,770	86,710	95,130
HDSE-0500MF#J#-D	4EES-6	J / X-Large	36,930	41,890	47,300	53,160	59,490	66,330	73,680	81,560	89,980	98,950
HDSE-0600MF#F#-D	4DES-7	F / Large	41,760	47,250	53,190	59,600	66,490	73,880	81,770	90,180	99,110	108,570
HDSE-0600MF#J#-D	4DES-7	J / X-Large	42,780	48,500	54,720	61,460	68,730	76,550	84,950	93,930	103,510	113,690
HDSE-0700MF#F#-D	4VES-10	F / Large	50,910	57,530	64,600	72,120	80,110	88,560	97,470	106,830	116,650	126,910
HDSE-0700MF#J#-D	4VES-10	J / X-Large	52,540	59,530	67,050	75,100	83,700	92,850	102,560	112,840	123,690	135,090
HDSE-0900MF#F#-D	4TES-12	F / Large	60,650	68,170	76,160	84,610	93,520	102,890	112,710	122,970	133,650	n/a
HDSE-0900MF#J#-D	4TES-12	J / X-Large	62,930	70,970	79,570	88,740	98,480	108,800	119,700	131,170	143,220	155,830
HDSE-1000MF#J#-D	4PES-15	J / X-Large	69,490	78,520	88,150	98,370	109,180	120,600	132,600	145,190	158,350	172,060
HDSE-1200MF#J#-D	4NES-20	J / X-Large	81,230	91,300	101,970	113,240	125,100	137,540	150,550	164,120	n/a	n/a
HDSE-1400MF#J#-A	4JE-22	J / X-Large	89,240	100,270	111,900	124,140	136,980	150,390	164,350	n/a	n/a	n/a

CONDENSING UNIT MODEL	COMPRESSOR	CONDENSER / UNIT SIZE	105° F AMBIENT TEMPERATURE									
			0	5	10	15	20	25	30	35	40	45
HDSE-0100MF#B#-D	2HES-2	B / Medium	9,650	10,950	12,360	13,880	15,530	17,290	19,190	21,210	23,370	25,670
HDSE-0100MF#D#-D	2HES-2	D / Medium	9,960	11,330	12,830	14,450	16,210	18,110	20,170	22,370	24,740	27,270
HDSE-0150MF#B#-D	2FES-3	B / Medium	13,870	15,640	17,540	19,580	21,770	24,110	26,590	29,230	n/a	n/a
HDSE-0150MF#D#-D	2FES-3	D / Medium	14,520	16,440	18,510	20,760	23,190	25,800	28,600	31,600	34,800	38,200
HDSE-0200MF#B#-D	2EES-3	B / Medium	15,100	17,100	19,250	21,560	24,020	26,640	29,410	n/a	n/a	n/a
HDSE-0200MF#D#-D	2EES-3	D / Medium	15,960	18,160	20,540	23,110	25,890	28,860	32,050	35,450	39,080	42,920
HDSE-0220MF#B#-D	2DES-3	B / Medium	17,690	19,940	22,340	24,910	27,630	n/a	n/a	n/a	n/a	n/a
HDSE-0220MF#D#-D	2DES-3	D / Medium	18,860	21,380	24,100	27,030	30,180	33,540	37,140	40,970	45,020	n/a
HDSE-0300MF#D#-D	2CES-4	D / Medium	22,940	25,860	29,000	32,370	35,980	39,820	43,910	n/a	n/a	n/a
HDSE-0300MF#F#-D	2CES-4	F / Large	24,780	28,120	31,760	35,720	40,000	44,630	49,620	54,980	60,720	66,860
HDSE-0400MF#F#-D	4FES-5	F / Large	26,820	30,480	34,460	38,780	43,470	48,530	53,990	59,840	66,110	72,810
HDSE-0400MF#J#-D	4FES-5	J / X-Large	27,280	31,040	35,150	39,630	44,490	49,760	55,450	61,570	68,150	75,200
HDSE-0500MF#F#-D	4EES-6	F / Large	32,860	37,290	42,110	47,330	52,960	59,030	65,550	72,520	79,950	87,870
HDSE-0500MF#J#-D	4EES-6	J / X-Large	33,570	38,170	43,180	48,630	54,530	60,910	67,790	75,170	83,080	91,520
HDSE-0600MF#F#-D	4DES-7	F / Large	37,870	42,950	48,450	54,400	60,810	67,690	75,060	82,920	91,290	100,170
HDSE-0600MF#J#-D	4DES-7	J / X-Large	38,830	44,130	49,900	56,160	62,930	70,230	78,080	86,490	95,480	105,050
HDSE-0700MF#F#-D	4VES-10	F / Large	45,820	51,910	58,410	65,310	72,650	80,410	88,600	97,220	n/a	n/a
HDSE-0700MF#J#-D	4VES-10	J / X-Large	47,350	53,790	60,710	68,110	76,020	84,440	93,390	102,870	112,880	123,430
HDSE-0900MF#F#-D	4TES-12	F / Large	54,760	61,670	69,000	76,740	84,900	93,490	n/a	n/a	n/a	n/a
HDSE-0900MF#J#-D	4TES-12	J / X-Large	56,910	64,320	72,220	80,630	89,580	99,060	109,080	119,640	n/a	n/a
HDSE-1000MF#J#-D	4PES-15	J / X-Large	62,360	70,660	79,490	88,870	98,800	109,280	120,310	n/a	n/a	n/a
HDSE-1200MF#J#-D	4NES-20	J / X-Large	73,190	82,440	92,210	102,530	113,400	n/a	n/a	n/a	n/a	n/a
HDSE-1400MF#J#-A	4JE-22	J / X-Large	80,230	90,320	100,960	112,150	n/a	n/a	n/a	n/a	n/a	n/a

NOTE: All temperatures shown reflect the midpoint evaporator temperature. Solid black shading with white font indicates products for non-DOE regulated applications in above Table.

\* Estimated unit shipment weights based on condenser size are as follows: Small - 400 lbs.; Medium - 650 lbs.; Large - 1,250 lbs.; X-Large - 1,575 lbs.

# High Efficiency H-Series Condensing Units

## HDSE Bitzer Ecoline Compressors, Motor 1 - Med Temp R-507A

### Med Temperature - R-507A Specifications

CONDENSING UNIT MODEL	COMPRESSOR	CONDENSER / UNIT SIZE	OUTDOOR DOE AWEF	208/3/60				460/3/60				LIQ OD IN	SUCTION IN	DEFAULT RECEIVER	INDOOR MODEL	INDOOR DOE AWEF
				COMP RLA	FAN RLA	MCA	MOPD	COMP RLA	FAN RLA	MCA	MOPD					
HDSE-0100MP#B#-D	2HES-2	B / Medium	7.6	11.1	1.2	18.1	25	4.5	0.7	7.8	15	1/2	5/8	C - 21.4 LBS	HESE-0100MP#B#-D	5.61
HDSE-0100MP#D#-D	2HES-2	D / Medium	7.6	11.1	2.1	19.0	30	4.5	1.3	8.4	15	1/2	5/8	E - 53.9 LBS	HESE-0100MP#D#-D	5.61
HDSE-0150MP#B#-D	2FES-3	B / Medium	7.6	12.6	1.2	20.0	30	5.7	0.7	9.3	15	5/8	5/8	C - 21.4 LBS	HESE-0150MP#B#-A	n/a
HDSE-0150MP#D#-D	2FES-3	D / Medium	7.6	12.6	2.1	20.9	30	5.7	1.3	9.9	15	5/8	5/8	E - 53.9 LBS	HESE-0150MP#D#-A	n/a
HDSE-0200MP#B#-D	2EES-3	B / Medium	7.6	15.6	1.2	23.7	35	7.3	0.7	11.3	15	5/8	7/8	C - 21.4 LBS	HESE-0200MP#B#-D	5.61
HDSE-0200MP#D#-D	2EES-3	D / Medium	7.6	15.6	2.1	24.6	40	7.3	1.3	11.9	15	5/8	7/8	E - 53.9 LBS	HESE-0200MP#D#-D	5.61
HDSE-0220MP#B#-D	2DES-3	B / Medium	7.6	17.0	1.2	25.5	40	8.1	0.7	12.3	20	5/8	7/8	C - 21.4 LBS	HESE-0220MP#B#-A	n/a
HDSE-0220MP#D#-D	2DES-3	D / Medium	7.6	17.0	2.1	26.4	40	8.1	1.3	12.9	20	5/8	7/8	E - 53.9 LBS	HESE-0220MP#D#-D	5.61
HDSE-0300MP#D#-D	2CES-4	D / Medium	7.6	20.3	2.1	30.5	50	9.1	1.3	14.2	20	5/8	7/8	E - 53.9 LBS	HESE-0300MP#D#-A	n/a
HDSE-0300MP#F#-D	2CES-4	F / Large	7.6	20.3	3.2	31.6	50	9.1	1.9	14.8	20	5/8	7/8	F - 82.3 LBS	HESE-0300MP#F#-D	5.61
HDSE-0400MP#F#-D	4FES-5	F / Large	7.6	27.0	3.2	40.0	60	14.6	1.9	21.7	35	5/8	7/8	F - 82.3 LBS	HESE-0400MP#F#-D	5.61
HDSE-0400MP#J#-D	4FES-5	J / X-Large	7.6	27.0	4.2	41.0	60	14.6	2.5	22.3	35	5/8	7/8	H - 100.1 LBS	HESE-0400MP#J#-D	5.61
HDSE-0500MP#F#-D	4EES-6	F / Large	7.6	31.3	3.2	45.3	70	14.9	1.9	22.0	35	5/8	1-1/8	F - 82.3 LBS	HESE-0500MP#F#-D	5.61
HDSE-0500MP#J#-D	4EES-6	J / X-Large	7.6	31.3	4.2	46.3	70	14.9	2.5	22.6	35	5/8	1-1/8	H - 100.1 LBS	HESE-0500MP#J#-D	5.61
HDSE-0600MP#F#-D	4DES-7	F / Large	7.6	34.5	3.2	49.3	80	17.0	1.9	24.7	40	5/8	1-1/8	F - 82.3 LBS	HESE-0600MP#F#-D	5.61
HDSE-0600MP#J#-D	4DES-7	J / X-Large	7.6	34.5	4.2	50.3	80	17.0	2.5	25.3	40	5/8	1-1/8	H - 100.1 LBS	HESE-0600MP#J#-D	5.61
HDSE-0700MP#F#-D	4VES-10	F / Large	7.6	42.9	3.2	59.8	100	21.4	1.9	30.2	50	7/8	1-1/8	F - 82.3 LBS	HESE-0700MP#F#-D	5.61
HDSE-0700MP#J#-D	4VES-10	J / X-Large	7.6	42.9	4.2	60.8	100	21.4	2.5	30.8	50	7/8	1-1/8	H - 100.1 LBS	HESE-0700MP#J#-D	5.61
HDSE-0900MP#F#-D	4TES-12	F / Large	7.6	47.1	3.2	65.1	110	23.6	1.9	32.9	50	7/8	1-3/8	F - 82.3 LBS	HESE-0900MP#F#-A	n/a
HDSE-0900MP#J#-D	4TES-12	J / X-Large	7.6	47.1	4.2	66.1	110	23.6	2.5	33.5	50	7/8	1-3/8	H - 100.1 LBS	HESE-0900MP#J#-D	5.61
HDSE-1000MP#J#-D	4PES-15	J / X-Large	7.6	54.3	4.2	75.1	125	27.1	2.5	37.9	60	7/8	1-5/8	H - 100.1 LBS	HESE-1000MP#J#-D	5.61
HDSE-1200MP#J#-D	4NES-20	J / X-Large	7.6	64.3	4.2	87.6	150	32.1	2.5	44.1	70	7/8	1-5/8	H - 100.1 LBS	HESE-1200MP#J#-A	n/a
HDSE-1400MP#J#-A	4JE-22	J / X-Large	n/a	68.6	4.2	93.0	150	34.3	2.5	46.9	80	7/8	1-5/8	H - 100.1 LBS	HESE-1400MP#J#-A	n/a

Bitzer HDSE models with Motor 1 are for medium and high temperature applications. Consider Bitzer HDSB models for operating below +20° F suction temperature for smaller electrical connection and more efficient operation.

NOTE: Solid black shading with white font indicates products for non-DOE regulated applications in above Table.

\* Estimated unit shipment weights based on condenser size are as follows: Small – 400 lbs.; Medium – 650 lbs.; Large – 1,250 lbs.; X-Large – 1,575 lbs.

# High Efficiency H-Series Condensing Units

## HDSE Bitzer Ecoline Compressors, Motor 1 - Med Temp R-507A

### Med Temperature - R-507A Performance

CONDENSING UNIT MODEL	COMPRESSOR	CONDENSER / UNIT SIZE	95° F AMBIENT TEMPERATURE									
			0	5	10	15	20	25	30	35	40	45
HDSE-0100MP#B#-D	2HES-2	B / Medium	10,210	11,440	12,760	14,160	15,650	17,220	18,890	20,640	22,480	24,400
HDSE-0100MP#D#-D	2HES-2	D / Medium	10,590	11,910	13,320	14,840	16,450	18,180	20,010	21,950	24,000	26,170
HDSE-0150MP#B#-D	2FES-3	B / Medium	13,970	15,540	17,210	18,970	20,810	22,750	24,760	26,870	29,060	31,320
HDSE-0150MP#D#-D	2FES-3	D / Medium	14,720	16,460	18,320	20,300	22,390	24,620	26,960	29,430	32,020	34,740
HDSE-0200MP#B#-D	2EES-3	B / Medium	17,520	19,430	21,430	23,530	25,720	27,990	30,360	32,810	35,340	37,940
HDSE-0200MP#D#-D	2EES-3	D / Medium	18,650	20,810	23,090	25,510	28,070	30,770	33,610	36,580	39,700	42,940
HDSE-0220MP#B#-D	2DES-3	B / Medium	20,350	22,460	24,650	26,940	29,300	31,740	34,260	36,850	39,500	42,210
HDSE-0220MP#D#-D	2DES-3	D / Medium	21,910	24,350	26,930	29,650	32,510	35,520	38,650	41,930	45,340	48,880
HDSE-0300MP#D#-D	2CES-4	D / Medium	26,390	29,180	32,110	35,180	38,380	41,730	45,200	48,800	52,530	56,380
HDSE-0300MP#F#-D	2CES-4	F / Large	28,830	32,140	35,690	39,470	43,490	47,760	52,280	57,060	62,100	67,390
HDSE-0400MP#F#-D	4FES-5	F / Large	30,670	34,270	38,140	42,290	46,710	51,430	56,430	61,730	67,320	73,200
HDSE-0400MP#J#-D	4FES-5	J / X-Large	31,230	34,960	38,990	43,330	47,970	52,940	58,240	63,860	69,830	76,140
HDSE-0500MP#F#-D	4EES-6	F / Large	37,500	41,860	46,530	51,510	56,800	62,410	68,350	74,600	81,170	88,060
HDSE-0500MP#J#-D	4EES-6	J / X-Large	38,370	42,930	47,840	53,100	58,730	64,720	71,080	77,810	84,930	92,430
HDSE-0600MP#F#-D	4DES-7	F / Large	44,520	49,530	54,870	60,540	66,560	72,920	79,620	86,650	94,020	101,720
HDSE-0600MP#J#-D	4DES-7	J / X-Large	45,740	51,020	56,680	62,730	69,180	76,030	83,290	90,950	99,030	107,520
HDSE-0700MP#F#-D	4VES-10	F / Large	53,050	59,230	65,780	72,720	80,020	87,700	95,730	104,120	112,850	121,920
HDSE-0700MP#J#-D	4VES-10	J / X-Large	54,970	61,580	68,650	76,160	84,140	92,580	101,470	110,820	120,620	130,870
HDSE-0900MP#F#-D	4TES-12	F / Large	62,560	69,460	76,740	84,380	92,380	100,730	109,420	118,430	127,740	137,340
HDSE-0900MP#J#-D	4TES-12	J / X-Large	65,260	72,750	80,720	89,160	98,070	107,440	117,270	127,550	138,270	149,420
HDSE-1000MP#J#-D	4PES-15	J / X-Large	71,730	80,080	88,920	98,250	108,050	118,330	129,060	140,230	151,830	163,840
HDSE-1200MP#J#-D	4NES-20	J / X-Large	84,260	93,400	103,020	113,100	123,630	134,600	145,980	157,740	169,880	182,370
HDSE-1400MP#J#-A	4JE-22	J / X-Large	92,820	102,540	112,650	123,160	134,030	145,250	156,790	168,630	180,730	n/a

CONDENSING UNIT MODEL	COMPRESSOR	CONDENSER / UNIT SIZE	105° F AMBIENT TEMPERATURE									
			0	5	10	15	20	25	30	35	40	45
HDSE-0100MP#B#-D	2HES-2	B / Medium	9,050	10,160	11,350	12,610	13,950	15,370	16,870	18,450	20,120	21,860
HDSE-0100MP#D#-D	2HES-2	D / Medium	9,400	10,590	11,870	13,240	14,700	16,260	17,910	19,680	21,540	23,520
HDSE-0150MP#B#-D	2FES-3	B / Medium	12,350	13,750	15,230	16,780	18,420	20,130	21,920	23,790	25,730	27,750
HDSE-0150MP#D#-D	2FES-3	D / Medium	13,050	14,600	16,260	18,020	19,890	21,870	23,960	26,170	28,490	30,930
HDSE-0200MP#B#-D	2EES-3	B / Medium	15,480	17,170	18,940	20,800	22,730	24,750	26,850	29,020	31,270	33,590
HDSE-0200MP#D#-D	2EES-3	D / Medium	16,570	18,490	20,530	22,690	24,980	27,390	29,930	32,590	35,390	38,310
HDSE-0220MP#B#-D	2DES-3	B / Medium	17,980	19,830	21,760	23,770	25,840	27,990	30,200	32,480	n/a	n/a
HDSE-0220MP#D#-D	2DES-3	D / Medium	19,480	21,650	23,940	26,360	28,900	31,570	34,370	37,290	40,340	43,510
HDSE-0300MP#D#-D	2CES-4	D / Medium	23,480	25,940	28,530	31,250	34,080	37,040	40,120	43,310	46,620	50,050
HDSE-0300MP#F#-D	2CES-4	F / Large	25,840	28,820	32,000	35,390	39,000	42,840	46,910	51,210	55,750	60,540
HDSE-0400MP#F#-D	4FES-5	F / Large	27,530	30,730	34,160	37,840	41,770	45,970	50,420	55,150	60,150	65,420
HDSE-0400MP#J#-D	4FES-5	J / X-Large	28,080	31,400	34,990	38,850	42,990	47,420	52,160	57,200	62,550	68,220
HDSE-0500MP#F#-D	4EES-6	F / Large	33,540	37,420	41,580	46,010	50,730	55,740	61,040	66,630	72,520	78,710
HDSE-0500MP#J#-D	4EES-6	J / X-Large	34,390	38,460	42,850	47,550	52,570	57,940	63,640	69,690	76,100	82,860
HDSE-0600MP#F#-D	4DES-7	F / Large	39,910	44,380	49,140	54,210	59,590	65,280	71,290	77,610	84,240	91,190
HDSE-0600MP#J#-D	4DES-7	J / X-Large	41,090	45,820	50,890	56,320	62,110	68,270	74,800	81,710	89,010	96,700
HDSE-0700MP#F#-D	4VES-10	F / Large	47,020	52,540	58,400	64,600	71,140	78,030	85,250	92,790	100,670	108,850
HDSE-0700MP#J#-D	4VES-10	J / X-Large	48,820	54,750	61,080	67,830	75,000	82,600	90,620	99,080	107,950	117,250
HDSE-0900MP#F#-D	4TES-12	F / Large	55,540	61,670	68,140	74,930	82,050	89,500	97,250	105,300	n/a	n/a
HDSE-0900MP#J#-D	4TES-12	J / X-Large	58,080	64,770	71,890	79,440	87,410	95,820	104,650	113,900	123,560	133,630
HDSE-1000MP#J#-D	4PES-15	J / X-Large	63,380	70,820	78,700	87,030	95,790	104,990	114,610	124,650	135,090	n/a
HDSE-1200MP#J#-D	4NES-20	J / X-Large	74,770	82,880	91,410	100,360	109,710	119,460	129,590	n/a	n/a	n/a
HDSE-1400MP#J#-A	4JE-22	J / X-Large	82,190	90,810	99,790	109,110	118,750	128,710	n/a	n/a	n/a	n/a

NOTE: All temperatures shown reflect the midpoint evaporator temperature. Solid black shading with white font indicates products for non-DOE regulated applications in above Table.

\* Estimated unit shipment weights based on condenser size are as follows: Small - 400 lbs.; Medium - 650 lbs.; Large - 1,250 lbs.; X-Large - 1,575 lbs.



# High Efficiency H-Series Condensing Units

## HDSE Bitzer Ecoline Compressors, Motor 1 - Med Temp R-407A

### Med Temperature - R-407A Specifications

CONDENSING UNIT MODEL	COMPRESSOR	CONDENSER / UNIT SIZE	OUTDOOR DOE AWEF	208/3/60				460/3/60				LIQ OD IN	SUCTION IN	DEFAULT RECEIVER	INDOOR MODEL	INDOOR DOE AWEF
				COMP RLA	FAN RLA	MCA	MOPD	COMP RLA	FAN RLA	MCA	MOPD					
HDSE-0100MQ#B#-D	2HES-2	B / Medium	7.6	11.1	1.2	18.1	25	4.5	0.7	7.8	15	1/2	5/8	C - 22.5 LBS	HESE-0100MQ#B#-D	5.61
HDSE-0100MQ#D#-D	2HES-2	D / Medium	7.6	11.1	2.1	19.0	30	4.5	1.3	8.4	15	1/2	5/8	E - 56.6 LBS	HESE-0100MQ#D#-D	5.61
HDSE-0150MQ#B#-D	2FES-3	B / Medium	7.6	12.6	1.2	20.0	30	5.7	0.7	9.3	15	5/8	5/8	C - 22.5 LBS	HESE-0150MQ#B#-D	5.61
HDSE-0150MQ#D#-D	2FES-3	D / Medium	7.6	12.6	2.1	20.9	30	5.7	1.3	9.9	15	5/8	5/8	E - 56.6 LBS	HESE-0150MQ#D#-D	5.61
HDSE-0200MQ#B#-D	2EES-3	B / Medium	7.6	15.6	1.2	23.7	35	7.3	0.7	11.3	15	5/8	7/8	C - 22.5 LBS	HESE-0200MQ#B#-D	5.61
HDSE-0200MQ#D#-D	2EES-3	D / Medium	7.6	15.6	2.1	24.6	40	7.3	1.3	11.9	15	5/8	7/8	E - 56.6 LBS	HESE-0200MQ#D#-D	5.61
HDSE-0220MQ#B#-D	2DES-3	B / Medium	7.6	17.0	1.2	25.5	40	8.1	0.7	12.3	20	5/8	7/8	C - 22.5 LBS	HESE-0220MQ#B#-A	n/a
HDSE-0220MQ#D#-D	2DES-3	D / Medium	7.6	17.0	2.1	26.4	40	8.1	1.3	12.9	20	5/8	7/8	E - 56.6 LBS	HESE-0220MQ#D#-D	5.61
HDSE-0300MQ#D#-D	2CES-4	D / Medium	7.6	20.3	2.1	30.5	50	9.1	1.3	14.2	20	5/8	7/8	E - 56.6 LBS	HESE-0300MQ#D#-D	5.61
HDSE-0300MQ#F#-D	2CES-4	F / Large	7.6	20.3	3.2	31.6	50	9.1	1.9	14.8	20	5/8	7/8	F - 86.5 LBS	HESE-0300MQ#F#-D	5.61
HDSE-0400MQ#F#-D	4FES-5	F / Large	7.6	27.0	3.2	40.0	60	14.6	1.9	21.7	35	5/8	7/8	F - 86.5 LBS	HESE-0400MQ#F#-D	5.61
HDSE-0400MQ#J#-D	4FES-5	J / X-Large	7.6	27.0	4.2	41.0	60	14.6	2.5	22.3	35	5/8	7/8	H - 105.2 LBS	HESE-0400MQ#J#-D	5.61
HDSE-0500MQ#F#-D	4EES-6	F / Large	7.6	31.3	3.2	45.3	70	14.9	1.9	22.0	35	5/8	1-1/8	F - 86.5 LBS	HESE-0500MQ#F#-D	5.61
HDSE-0500MQ#J#-D	4EES-6	J / X-Large	7.6	31.3	4.2	46.3	70	14.9	2.5	22.6	35	5/8	1-1/8	H - 105.2 LBS	HESE-0500MQ#J#-D	5.61
HDSE-0600MQ#F#-D	4DES-7	F / Large	7.6	34.5	3.2	49.3	80	17.0	1.9	24.7	40	5/8	1-1/8	F - 86.5 LBS	HESE-0600MQ#F#-D	5.61
HDSE-0600MQ#J#-D	4DES-7	J / X-Large	7.6	34.5	4.2	50.3	80	17.0	2.5	25.3	40	5/8	1-1/8	H - 105.2 LBS	HESE-0600MQ#J#-D	5.61
HDSE-0700MQ#F#-D	4VES-10	F / Large	7.6	42.9	3.2	59.8	100	21.4	1.9	30.2	50	7/8	1-1/8	F - 86.5 LBS	HESE-0700MQ#F#-D	5.61
HDSE-0700MQ#J#-D	4VES-10	J / X-Large	7.6	42.9	4.2	60.8	100	21.4	2.5	30.8	50	7/8	1-1/8	H - 105.2 LBS	HESE-0700MQ#J#-D	5.61
HDSE-0900MQ#F#-D	4TES-12	F / Large	7.6	47.1	3.2	65.1	110	23.6	1.9	32.9	50	7/8	1-3/8	F - 86.5 LBS	HESE-0900MQ#F#-D	5.61
HDSE-0900MQ#J#-D	4TES-12	J / X-Large	7.6	47.1	4.2	66.1	110	23.6	2.5	33.5	50	7/8	1-3/8	H - 105.2 LBS	HESE-0900MQ#J#-D	5.61
HDSE-1000MQ#J#-D	4PES-15	J / X-Large	7.6	54.3	4.2	75.1	125	27.1	2.5	37.9	60	7/8	1-5/8	H - 105.2 LBS	HESE-1000MQ#J#-D	5.61
HDSE-1200MQ#J#-D	4NES-20	J / X-Large	7.6	64.3	4.2	87.6	150	32.1	2.5	44.1	70	7/8	1-5/8	H - 105.2 LBS	HESE-1200MQ#J#-D	5.61
HDSE-1400MQ#J#-A	4JE-22	J / X-Large	n/a	68.6	4.2	93.0	150	34.3	2.5	46.9	80	7/8	1-5/8	H - 105.2 LBS	HESE-1400MQ#J#-A	n/a

Bitzer HDSE models with Motor 1 are for medium and high temperature applications. Consider Bitzer HDSB models for operating below +20° F suction temperature for smaller electrical connection and more efficient operation.

NOTE: Solid black shading with white font indicates products for non-DOE regulated applications in above Table.

\* Estimated unit shipment weights based on condenser size are as follows: Small – 400 lbs.; Medium – 650 lbs.; Large – 1,250 lbs.; X-Large – 1,575 lbs.

# High Efficiency H-Series Condensing Units

## HDSE Bitzer Ecoline Compressors, Motor 1 - Med Temp R-407A

### Med Temperature - R-407A Performance

CONDENSING UNIT MODEL	COMPRESSOR	CONDENSER / UNIT SIZE	95° F AMBIENT TEMPERATURE									
			0	5	10	15	20	25	30	35	40	45
HDSE-0100MQ#B#-D	2HES-2	B / Medium	9,970	11,290	12,720	14,280	15,950	17,740	19,670	21,730	23,920	26,250
HDSE-0100MQ#D#-D	2HES-2	D / Medium	10,270	11,660	13,180	14,830	16,620	18,550	20,630	22,860	25,250	27,810
HDSE-0150MQ#B#-D	2FES-3	B / Medium	14,320	16,130	18,080	20,160	22,400	24,790	27,330	30,020	32,860	35,860
HDSE-0150MQ#D#-D	2FES-3	D / Medium	14,950	16,900	19,020	21,310	23,780	26,440	29,290	32,330	35,580	39,030
HDSE-0200MQ#B#-D	2EES-3	B / Medium	15,690	17,740	19,950	22,310	24,840	27,530	30,380	33,390	36,580	39,920
HDSE-0200MQ#D#-D	2EES-3	D / Medium	16,530	18,780	21,220	23,850	26,680	29,720	32,980	36,460	40,160	44,080
HDSE-0220MQ#B#-D	2DES-3	B / Medium	18,370	20,690	23,160	25,790	28,600	31,560	34,690	37,990	41,450	n/a
HDSE-0220MQ#D#-D	2DES-3	D / Medium	19,530	22,110	24,890	27,880	31,100	34,540	38,220	42,120	46,270	50,650
HDSE-0300MQ#D#-D	2CES-4	D / Medium	23,720	26,710	29,920	33,370	37,060	40,980	45,160	49,580	54,240	59,150
HDSE-0300MQ#F#-D	2CES-4	F / Large	25,510	28,920	32,630	36,650	41,010	45,710	50,780	56,210	62,020	68,230
HDSE-0400MQ#F#-D	4FES-5	F / Large	27,730	31,460	35,520	39,920	44,670	49,810	55,330	61,250	67,580	74,320
HDSE-0400MQ#J#-D	4FES-5	J / X-Large	28,180	32,010	36,190	40,740	45,680	51,010	56,760	62,950	69,580	76,670
HDSE-0500MQ#F#-D	4EES-6	F / Large	34,040	38,570	43,480	48,800	54,530	60,700	67,300	74,360	81,880	89,870
HDSE-0500MQ#J#-D	4EES-6	J / X-Large	34,730	39,430	44,530	50,080	56,080	62,550	69,510	76,970	84,950	93,460
HDSE-0600MQ#F#-D	4DES-7	F / Large	39,290	44,480	50,100	56,160	62,690	69,690	77,170	85,140	93,610	102,580
HDSE-0600MQ#J#-D	4DES-7	J / X-Large	40,230	45,640	51,520	57,900	64,780	72,190	80,140	88,650	97,730	107,390
HDSE-0700MQ#F#-D	4VES-10	F / Large	48,050	54,430	61,290	68,640	76,480	84,840	93,710	103,090	112,990	123,400
HDSE-0700MQ#J#-D	4VES-10	J / X-Large	49,540	56,280	63,550	71,380	79,790	88,790	98,400	108,620	119,460	130,930
HDSE-0900MQ#F#-D	4TES-12	F / Large	58,020	65,280	73,040	81,310	90,100	99,400	109,230	119,580	130,430	n/a
HDSE-0900MQ#J#-D	4TES-12	J / X-Large	60,130	67,880	76,200	85,140	94,690	104,870	115,690	127,160	139,270	152,030
HDSE-1000MQ#J#-D	4PES-15	J / X-Large	66,120	74,810	84,120	94,080	104,680	115,960	127,890	140,490	153,750	167,670
HDSE-1200MQ#J#-D	4NES-20	J / X-Large	77,010	86,670	96,990	107,970	119,620	131,940	144,930	158,580	172,890	n/a
HDSE-1400MQ#J#-A	4JE-22	J / X-Large	82,710	93,170	104,260	115,990	128,380	141,420	155,110	169,450	n/a	n/a

CONDENSING UNIT MODEL	COMPRESSOR	CONDENSER / UNIT SIZE	105° F AMBIENT TEMPERATURE									
			0	5	10	15	20	25	30	35	40	45
HDSE-0100MQ#B#-D	2HES-2	B / Medium	9,030	10,260	11,580	13,020	14,570	16,240	18,030	19,950	22,000	24,180
HDSE-0100MQ#D#-D	2HES-2	D / Medium	9,320	10,610	12,020	13,550	15,210	17,010	18,950	21,040	23,280	25,680
HDSE-0150MQ#B#-D	2FES-3	B / Medium	13,000	14,670	16,460	18,390	20,460	22,670	25,020	27,520	30,170	n/a
HDSE-0150MQ#D#-D	2FES-3	D / Medium	13,600	15,400	17,360	19,480	21,770	24,240	26,890	29,730	32,760	35,990
HDSE-0200MQ#B#-D	2EES-3	B / Medium	14,090	15,980	18,010	20,200	22,530	25,020	27,670	n/a	n/a	n/a
HDSE-0200MQ#D#-D	2EES-3	D / Medium	14,880	16,950	19,200	21,640	24,260	27,090	30,120	33,360	36,820	40,490
HDSE-0220MQ#B#-D	2DES-3	B / Medium	16,540	18,660	20,940	23,360	25,950	28,690	n/a	n/a	n/a	n/a
HDSE-0220MQ#D#-D	2DES-3	D / Medium	17,620	19,990	22,560	25,330	28,300	31,490	34,910	38,540	42,410	46,500
HDSE-0300MQ#D#-D	2CES-4	D / Medium	21,480	24,230	27,190	30,370	33,770	37,400	41,270	45,380	n/a	n/a
HDSE-0300MQ#F#-D	2CES-4	F / Large	23,170	26,320	29,740	33,470	37,520	41,890	46,610	51,680	57,110	62,920
HDSE-0400MQ#F#-D	4FES-5	F / Large	25,110	28,550	32,300	36,370	40,780	45,550	50,690	56,210	62,130	68,450
HDSE-0400MQ#J#-D	4FES-5	J / X-Large	25,530	29,070	32,940	37,150	41,730	46,690	52,050	57,830	64,040	70,690
HDSE-0500MQ#F#-D	4EES-6	F / Large	30,770	34,940	39,480	44,390	49,700	55,420	61,560	68,140	75,160	82,640
HDSE-0500MQ#J#-D	4EES-6	J / X-Large	31,420	35,750	40,470	45,590	51,160	57,170	63,650	70,610	78,070	86,050
HDSE-0600MQ#F#-D	4DES-7	F / Large	35,470	40,240	45,420	51,020	57,060	63,550	70,500	77,930	85,830	94,220
HDSE-0600MQ#J#-D	4DES-7	J / X-Large	36,340	41,330	46,760	52,650	59,030	65,910	73,310	81,250	89,730	98,780
HDSE-0700MQ#F#-D	4VES-10	F / Large	43,050	48,910	55,220	61,980	69,220	76,940	85,140	93,840	n/a	n/a
HDSE-0700MQ#J#-D	4VES-10	J / X-Large	44,450	50,640	57,340	64,560	72,320	80,650	89,560	99,050	109,140	119,830
HDSE-0900MQ#F#-D	4TES-12	F / Large	52,290	58,950	66,070	73,660	81,740	90,320	n/a	n/a	n/a	n/a
HDSE-0900MQ#J#-D	4TES-12	J / X-Large	54,280	61,390	69,050	77,270	86,080	95,490	105,500	116,130	n/a	n/a
HDSE-1000MQ#J#-D	4PES-15	J / X-Large	59,200	67,170	75,730	84,880	94,660	105,060	116,090	n/a	n/a	n/a
HDSE-1200MQ#J#-D	4NES-20	J / X-Large	69,220	78,080	87,540	97,620	108,330	n/a	n/a	n/a	n/a	n/a
HDSE-1400MQ#J#-A	4JE-22	J / X-Large	74,000	83,600	93,800	104,610	116,040	n/a	n/a	n/a	n/a	n/a

NOTE: All temperatures shown reflect the midpoint evaporator temperature. Solid black shading with white font indicates products for non-DOE regulated applications in above Table.

\* Estimated unit shipment weights based on condenser size are as follows: Small - 400 lbs.; Medium - 650 lbs.; Large - 1,250 lbs.; X-Large - 1,575 lbs.

# High Efficiency H-Series Condensing Units

## HDSE Bitzer Ecoline Compressors, Motor 1 - Med Temp R-449A

### Med Temperature - R-449A Specifications

CONDENSING UNIT MODEL	COMPRESSOR	CONDENSER / UNIT SIZE	OUTDOOR DOE AWEF	208/3/60				460/3/60				LIQ OD IN	SUCTION IN	DEFAULT RECEIVER	INDOOR MODEL	INDOOR DOE AWEF
				COMP RLA	FAN RLA	MCA	MOPD	COMP RLA	FAN RLA	MCA	MOPD					
HDSE-0100MR#B#-D	2HES-2	B / Medium	7.6	11.1	1.2	18.1	25	4.5	0.7	7.8	15	1/2	5/8	C - 22.5 LBS	HESE-0100MR#B#-D	5.61
HDSE-0100MR#D#-D	2HES-2	D / Medium	7.6	11.1	2.1	19.0	30	4.5	1.3	8.4	15	1/2	5/8	E - 56.6 LBS	HESE-0100MR#D#-D	5.61
HDSE-0150MR#B#-D	2FES-3	B / Medium	7.6	12.6	1.2	20.0	30	5.7	0.7	9.3	15	5/8	5/8	C - 22.5 LBS	HESE-0150MR#B#-A	n/a
HDSE-0150MR#D#-D	2FES-3	D / Medium	7.6	12.6	2.1	20.9	30	5.7	1.3	9.9	15	5/8	5/8	E - 56.6 LBS	HESE-0150MR#D#-D	5.61
HDSE-0200MR#B#-D	2EES-3	B / Medium	7.6	15.6	1.2	23.7	35	7.3	0.7	11.3	15	5/8	7/8	C - 22.5 LBS	HESE-0200MR#B#-D	5.61
HDSE-0200MR#D#-D	2EES-3	D / Medium	7.6	15.6	2.1	24.6	40	7.3	1.3	11.9	15	5/8	7/8	E - 56.6 LBS	HESE-0200MR#D#-D	5.61
HDSE-0220MR#B#-D	2DES-3	B / Medium	7.6	17.0	1.2	25.5	40	8.1	0.7	12.3	20	5/8	7/8	C - 22.5 LBS	HESE-0220MR#B#-A	n/a
HDSE-0220MR#D#-D	2DES-3	D / Medium	7.6	17.0	2.1	26.4	40	8.1	1.3	12.9	20	5/8	7/8	E - 56.6 LBS	HESE-0220MR#D#-D	5.61
HDSE-0300MR#D#-D	2CES-4	D / Medium	7.6	20.3	2.1	30.5	50	9.1	1.3	14.2	20	5/8	7/8	E - 56.6 LBS	HESE-0300MR#D#-D	5.61
HDSE-0300MR#F#-D	2CES-4	F / Large	7.6	20.3	3.2	31.6	50	9.1	1.9	14.8	20	5/8	7/8	F - 86.5 LBS	HESE-0300MR#F#-D	5.61
HDSE-0400MR#F#-D	4FES-5	F / Large	7.6	27.0	3.2	40.0	60	14.6	1.9	21.7	35	5/8	7/8	F - 86.5 LBS	HESE-0400MR#F#-D	5.61
HDSE-0400MR#J#-D	4FES-5	J / X-Large	7.6	27.0	4.2	41.0	60	14.6	2.5	22.3	35	5/8	7/8	H - 105.2 LBS	HESE-0400MR#J#-D	5.61
HDSE-0500MR#F#-D	4EES-6	F / Large	7.6	31.3	3.2	45.3	70	14.9	1.9	22.0	35	5/8	1-1/8	F - 86.5 LBS	HESE-0500MR#F#-D	5.61
HDSE-0500MR#J#-D	4EES-6	J / X-Large	7.6	31.3	4.2	46.3	70	14.9	2.5	22.6	35	5/8	1-1/8	H - 105.2 LBS	HESE-0500MR#J#-D	5.61
HDSE-0600MR#F#-D	4DES-7	F / Large	7.6	34.5	3.2	49.3	80	17.0	1.9	24.7	40	5/8	1-1/8	F - 86.5 LBS	HESE-0600MR#F#-D	5.61
HDSE-0600MR#J#-D	4DES-7	J / X-Large	7.6	34.5	4.2	50.3	80	17.0	2.5	25.3	40	5/8	1-1/8	H - 105.2 LBS	HESE-0600MR#J#-D	5.61
HDSE-0700MR#F#-D	4VES-10	F / Large	7.6	42.9	3.2	59.8	100	21.4	1.9	30.2	50	7/8	1-1/8	F - 86.5 LBS	HESE-0700MR#F#-D	5.61
HDSE-0700MR#J#-D	4VES-10	J / X-Large	7.6	42.9	4.2	60.8	100	21.4	2.5	30.8	50	7/8	1-1/8	H - 105.2 LBS	HESE-0700MR#J#-D	5.61
HDSE-0900MR#F#-D	4TES-12	F / Large	7.6	47.1	3.2	65.1	110	23.6	1.9	32.9	50	7/8	1-3/8	F - 86.5 LBS	HESE-0900MR#F#-D	5.61
HDSE-0900MR#J#-D	4TES-12	J / X-Large	7.6	47.1	4.2	66.1	110	23.6	2.5	33.5	50	7/8	1-3/8	H - 105.2 LBS	HESE-0900MR#J#-D	5.61
HDSE-1000MR#J#-D	4PES-15	J / X-Large	7.6	54.3	4.2	75.1	125	27.1	2.5	37.9	60	7/8	1-5/8	H - 105.2 LBS	HESE-1000MR#J#-D	5.61
HDSE-1200MR#J#-D	4NES-20	J / X-Large	7.6	64.3	4.2	87.6	150	32.1	2.5	44.1	70	7/8	1-5/8	H - 105.2 LBS	HESE-1200MR#J#-D	5.61
HDSE-1400MR#J#-A	4JE-22	J / X-Large	n/a	68.6	4.2	93.0	150	34.3	2.5	46.9	80	7/8	1-5/8	H - 105.2 LBS	HESE-1400MR#J#-A	n/a

Bitzer HDSE models with Motor 1 are for medium and high temperature applications. Consider Bitzer HDSB models for operating below +20° F suction temperature for smaller electrical connection and more efficient operation.

NOTE: Solid black shading with white font indicates products for non-DOE regulated applications in above Table.

\* Estimated unit shipment weights based on condenser size are as follows: Small – 400 lbs.; Medium – 650 lbs.; Large – 1,250 lbs.; X-Large – 1,575 lbs.

# High Efficiency H-Series Condensing Units

## HDSE Bitzer Ecoline Compressors, Motor 1 - Med Temp R-449A

### Med Temperature - R-449A Performance

CONDENSING UNIT MODEL	COMPRESSOR	CONDENSER / UNIT SIZE	95° F AMBIENT TEMPERATURE									
			0	5	10	15	20	25	30	35	40	45
HDSE-0100MR#B#-D	2HES-2	B / Medium	9,440	10,730	12,110	13,610	15,220	16,940	18,780	20,740	22,820	25,020
HDSE-0100MR#D#-D	2HES-2	D / Medium	9,760	11,120	12,600	14,200	15,940	17,810	19,820	21,980	24,280	26,740
HDSE-0150MR#B#-D	2FES-3	B / Medium	13,510	15,250	17,120	19,110	21,240	23,490	25,880	28,400	31,040	33,820
HDSE-0150MR#D#-D	2FES-3	D / Medium	14,170	16,070	18,130	20,340	22,720	25,270	27,990	30,890	33,980	37,240
HDSE-0200MR#B#-D	2EES-3	B / Medium	16,570	18,640	20,860	23,230	25,750	28,430	31,270	34,260	37,410	40,720
HDSE-0200MR#D#-D	2EES-3	D / Medium	17,490	19,760	22,220	24,870	27,720	30,770	34,030	37,500	41,180	45,090
HDSE-0220MR#B#-D	2DES-3	B / Medium	19,340	21,670	24,150	26,780	29,580	32,530	35,640	38,910	n/a	n/a
HDSE-0220MR#D#-D	2DES-3	D / Medium	20,600	23,210	26,010	29,030	32,260	35,710	39,380	43,280	47,410	51,770
HDSE-0300MR#D#-D	2CES-4	D / Medium	24,920	27,940	31,180	34,650	38,350	42,280	46,460	50,870	55,530	60,420
HDSE-0300MR#F#-D	2CES-4	F / Large	26,880	30,340	34,100	38,180	42,580	47,330	52,430	57,890	63,730	69,950
HDSE-0400MR#F#-D	4FES-5	F / Large	29,220	33,010	37,130	41,590	46,400	51,590	57,170	63,140	69,520	76,310
HDSE-0400MR#J#-D	4FES-5	J / X-Large	29,710	33,610	37,860	42,480	47,480	52,880	58,700	64,940	71,640	78,790
HDSE-0500MR#F#-D	4EES-6	F / Large	35,850	40,450	45,430	50,810	56,600	62,820	69,480	76,590	84,160	92,190
HDSE-0500MR#J#-D	4EES-6	J / X-Large	36,610	41,380	46,570	52,190	58,260	64,800	71,830	79,360	87,400	95,970
HDSE-0600MR#F#-D	4DES-7	F / Large	41,370	46,640	52,330	58,460	65,050	72,100	79,630	87,650	96,160	105,160
HDSE-0600MR#J#-D	4DES-7	J / X-Large	42,410	47,910	53,880	60,330	67,290	74,770	82,790	91,370	100,510	110,230
HDSE-0700MR#F#-D	4VES-10	F / Large	50,550	57,050	64,040	71,530	79,540	88,080	97,150	106,750	116,870	127,530
HDSE-0700MR#J#-D	4VES-10	J / X-Large	52,210	59,080	66,520	74,540	83,150	92,380	102,240	112,720	123,850	135,620
HDSE-0900MR#F#-D	4TES-12	F / Large	60,020	67,370	75,240	83,640	92,580	102,050	112,060	122,610	133,680	n/a
HDSE-0900MR#J#-D	4TES-12	J / X-Large	62,330	70,200	78,680	87,790	97,530	107,940	119,000	130,730	143,120	156,180
HDSE-1000MR#J#-D	4PES-15	J / X-Large	68,290	77,090	86,550	96,680	107,490	118,990	131,190	144,080	157,660	171,910
HDSE-1200MR#J#-D	4NES-20	J / X-Large	81,080	90,870	101,340	112,500	124,350	136,900	150,130	164,050	n/a	n/a
HDSE-1400MR#J#-A	4JE-22	J / X-Large	89,390	99,910	111,040	122,780	135,150	148,140	161,730	n/a	n/a	n/a

CONDENSING UNIT MODEL	COMPRESSOR	CONDENSER / UNIT SIZE	105° F AMBIENT TEMPERATURE									
			0	5	10	15	20	25	30	35	40	45
HDSE-0100MR#B#-D	2HES-2	B / Medium	8,420	9,590	10,850	12,220	13,680	15,250	16,930	18,730	20,630	22,660
HDSE-0100MR#D#-D	2HES-2	D / Medium	8,730	9,970	11,320	12,780	14,370	16,080	17,920	19,900	22,020	24,280
HDSE-0150MR#B#-D	2FES-3	B / Medium	12,050	13,630	15,320	17,130	19,060	21,110	23,280	25,570	27,990	n/a
HDSE-0150MR#D#-D	2FES-3	D / Medium	12,690	14,420	16,290	18,300	20,470	22,800	25,290	27,950	30,780	33,780
HDSE-0200MR#B#-D	2EES-3	B / Medium	14,920	16,820	18,860	21,050	23,380	25,850	28,480	n/a	n/a	n/a
HDSE-0200MR#D#-D	2EES-3	D / Medium	15,780	17,880	20,150	22,600	25,240	28,070	31,090	34,320	37,760	41,410
HDSE-0220MR#B#-D	2DES-3	B / Medium	17,430	19,570	21,840	24,270	26,840	n/a	n/a	n/a	n/a	n/a
HDSE-0220MR#D#-D	2DES-3	D / Medium	18,630	21,020	23,610	26,390	29,380	32,570	35,980	39,610	43,450	n/a
HDSE-0300MR#D#-D	2CES-4	D / Medium	22,590	25,360	28,340	31,530	34,950	38,590	42,450	n/a	n/a	n/a
HDSE-0300MR#F#-D	2CES-4	F / Large	24,450	27,650	31,120	34,900	38,980	43,390	48,140	53,240	58,690	64,520
HDSE-0400MR#F#-D	4FES-5	F / Large	26,490	29,980	33,780	37,910	42,370	47,200	52,380	57,950	63,920	70,280
HDSE-0400MR#J#-D	4FES-5	J / X-Large	26,950	30,550	34,480	38,760	43,400	48,420	53,840	59,670	65,940	72,640
HDSE-0500MR#F#-D	4EES-6	F / Large	32,440	36,680	41,270	46,240	51,600	57,370	63,560	70,180	77,240	84,750
HDSE-0500MR#J#-D	4EES-6	J / X-Large	33,160	37,560	42,350	47,550	53,170	59,250	65,790	72,810	80,330	88,350
HDSE-0600MR#F#-D	4DES-7	F / Large	37,390	42,240	47,480	53,140	59,230	65,760	72,760	80,220	88,150	96,570
HDSE-0600MR#J#-D	4DES-7	J / X-Large	38,360	43,430	48,930	54,900	61,350	68,290	75,750	83,750	92,290	101,380
HDSE-0700MR#F#-D	4VES-10	F / Large	45,370	51,320	57,730	64,610	71,980	79,850	88,220	n/a	n/a	n/a
HDSE-0700MR#J#-D	4VES-10	J / X-Large	46,910	53,210	60,040	67,410	75,350	83,870	92,990	102,710	113,050	124,010
HDSE-0900MR#F#-D	4TES-12	F / Large	54,060	60,780	67,980	75,670	83,870	n/a	n/a	n/a	n/a	n/a
HDSE-0900MR#J#-D	4TES-12	J / X-Large	56,210	63,420	71,200	79,560	88,520	98,110	108,330	119,180	n/a	n/a
HDSE-1000MR#J#-D	4PES-15	J / X-Large	61,070	69,120	77,780	87,070	97,000	107,590	n/a	n/a	n/a	n/a
HDSE-1200MR#J#-D	4NES-20	J / X-Large	73,070	82,010	91,580	101,800	112,670	n/a	n/a	n/a	n/a	n/a
HDSE-1400MR#J#-A	4JE-22	J / X-Large	80,210	89,840	100,030	n/a	n/a	n/a	n/a	n/a	n/a	n/a

NOTE: All temperatures shown reflect the midpoint evaporator temperature. Solid black shading with white font indicates products for non-DOE regulated applications in above Table.

\* Estimated unit shipment weights based on condenser size are as follows: Small – 400 lbs.; Medium – 650 lbs.; Large – 1,250 lbs.; X-Large – 1,575 lbs.

# High Efficiency H-Series Condensing Units

## HDSE Bitzer Ecoline Compressors, Motor 1 - Med Temp R-404A

### Med Temperature - R-404A Specifications

CONDENSING UNIT MODEL	COMPRESSOR	CONDENSER / UNIT SIZE	OUTDOOR DOE AWEF	208/3/60				460/3/60				LIQ OD IN	SUCT OD IN	DEFAULT RECEIVER	INDOOR MODEL	INDOOR DOE AWEF
				COMP RLA	FAN RLA	MCA	MOPD	COMP RLA	FAN RLA	MCA	MOPD					
HDSE-0100MS#B#-D	2HES-2	B / Medium	7.6	11.1	1.2	18.1	25	4.5	0.7	7.8	15	1/2	5/8	C - 21.4 LBS	HESE-0100MS#B#-D	5.61
HDSE-0100MS#D#-D	2HES-2	D / Medium	7.6	11.1	2.1	19.0	30	4.5	1.3	8.4	15	1/2	5/8	E - 53.9 LBS	HESE-0100MS#D#-A	n/a
HDSE-0150MS#B#-D	2FES-3	B / Medium	7.6	12.6	1.2	20.0	30	5.7	0.7	9.3	15	5/8	5/8	C - 21.4 LBS	HESE-0150MS#B#-A	n/a
HDSE-0150MS#D#-D	2FES-3	D / Medium	7.6	12.6	2.1	20.9	30	5.7	1.3	9.9	15	5/8	5/8	E - 53.9 LBS	HESE-0150MS#D#-A	n/a
HDSE-0200MS#B#-D	2EES-3	B / Medium	7.6	15.6	1.2	23.7	35	7.3	0.7	11.3	15	5/8	7/8	C - 21.4 LBS	HESE-0200MS#B#-A	n/a
HDSE-0200MS#D#-D	2EES-3	D / Medium	7.6	15.6	2.1	24.6	40	7.3	1.3	11.9	15	5/8	7/8	E - 53.9 LBS	HESE-0200MS#D#-D	5.61
HDSE-0220MS#B#-D	2DES-3	B / Medium	7.6	17.0	1.2	25.5	40	8.1	0.7	12.3	20	5/8	7/8	C - 21.4 LBS	HESE-0220MS#B#-A	n/a
HDSE-0220MS#D#-D	2DES-3	D / Medium	7.6	17.0	2.1	26.4	40	8.1	1.3	12.9	20	5/8	7/8	E - 53.9 LBS	HESE-0220MS#D#-D	5.61
HDSE-0300MS#D#-D	2CES-4	D / Medium	7.6	20.3	2.1	30.5	50	9.1	1.3	14.2	20	5/8	7/8	E - 53.9 LBS	HESE-0300MS#D#-A	n/a
HDSE-0300MS#F#-D	2CES-4	F / Large	7.6	20.3	3.2	31.6	50	9.1	1.9	14.8	20	5/8	7/8	F - 82.3 LBS	HESE-0300MS#F#-D	5.61
HDSE-0400MS#F#-D	4FES-5	F / Large	7.6	27.0	3.2	40.0	60	14.6	1.9	21.7	35	5/8	7/8	F - 82.3 LBS	HESE-0400MS#F#-D	5.61
HDSE-0400MS#J#-D	4FES-5	J / X-Large	7.6	27.0	4.2	41.0	60	14.6	2.5	22.3	35	5/8	7/8	H - 100.1 LBS	HESE-0400MS#J#-D	5.61
HDSE-0500MS#F#-D	4EES-6	F / Large	7.6	31.3	3.2	45.3	70	14.9	1.9	22.0	35	5/8	1-1/8	F - 82.3 LBS	HESE-0500MS#F#-D	5.61
HDSE-0500MS#J#-D	4EES-6	J / X-Large	7.6	31.3	4.2	46.3	70	14.9	2.5	22.6	35	5/8	1-1/8	H - 100.1 LBS	HESE-0500MS#J#-D	5.61
HDSE-0600MS#F#-D	4DES-7	F / Large	7.6	34.5	3.2	49.3	80	17.0	1.9	24.7	40	5/8	1-1/8	F - 82.3 LBS	HESE-0600MS#F#-D	5.61
HDSE-0600MS#J#-D	4DES-7	J / X-Large	7.6	34.5	4.2	50.3	80	17.0	2.5	25.3	40	5/8	1-1/8	H - 100.1 LBS	HESE-0600MS#J#-D	5.61
HDSE-0700MS#F#-D	4VES-10	F / Large	7.6	42.9	3.2	59.8	100	21.4	1.9	30.2	50	7/8	1-1/8	F - 82.3 LBS	HESE-0700MS#F#-D	5.61
HDSE-0700MS#J#-D	4VES-10	J / X-Large	7.6	42.9	4.2	60.8	100	21.4	2.5	30.8	50	7/8	1-1/8	H - 100.1 LBS	HESE-0700MS#J#-D	5.61
HDSE-0900MS#F#-D	4TES-12	F / Large	7.6	47.1	3.2	65.1	110	23.6	1.9	32.9	50	7/8	1-3/8	F - 82.3 LBS	HESE-0900MS#F#-A	n/a
HDSE-0900MS#J#-D	4TES-12	J / X-Large	7.6	47.1	4.2	66.1	110	23.6	2.5	33.5	50	7/8	1-3/8	H - 100.1 LBS	HESE-0900MS#J#-D	5.61
HDSE-1000MS#J#-D	4PES-15	J / X-Large	7.6	54.3	4.2	75.1	125	27.1	2.5	37.9	60	7/8	1-5/8	H - 100.1 LBS	HESE-1000MS#J#-D	5.61
HDSE-1200MS#J#-D	4NES-20	J / X-Large	7.6	64.3	4.2	87.6	150	32.1	2.5	44.1	70	7/8	1-5/8	H - 100.1 LBS	HESE-1200MS#J#-A	n/a
HDSE-1400MS#J#-A	4JE-22	J / X-Large	n/a	68.6	4.2	93.0	150	34.3	2.5	46.9	80	7/8	1-5/8	H - 100.1 LBS	HESE-1400MS#J#-A	n/a

Bitzer HDSE models with Motor 1 are for medium and high temperature applications. Consider Bitzer HDSB models for operating below +20° F suction temperature for smaller electrical connection and more efficient operation.

NOTE: Solid black shading with white font indicates products for non-DOE regulated applications in above Table.

\* Estimated unit shipment weights based on condenser size are as follows: Small – 400 lbs.; Medium – 650 lbs.; Large – 1,250 lbs.; X-Large – 1,575 lbs.



# High Efficiency H-Series Condensing Units

## HDSE Bitzer Ecoline Compressors, Motor 1 - Med Temp R-404A

### Med Temperature - R-404A Performance

CONDENSING UNIT MODEL	COMPRESSOR	CONDENSER / UNIT SIZE	95° F AMBIENT TEMPERATURE									
			0	5	10	15	20	25	30	35	40	45
HDSE-0100MS#B#-D	2HES-2	B / Medium	9,900	11,120	12,420	13,810	15,290	16,860	18,520	20,270	22,110	24,040
HDSE-0100MS#D#-D	2HES-2	D / Medium	10,260	11,560	12,960	14,450	16,050	17,760	19,580	21,510	23,550	25,710
HDSE-0150MS#B#-D	2FES-3	B / Medium	13,560	15,130	16,790	18,540	20,390	22,330	24,350	26,470	28,680	30,970
HDSE-0150MS#D#-D	2FES-3	D / Medium	14,280	16,000	17,840	19,800	21,890	24,100	26,430	28,900	31,490	34,210
HDSE-0200MS#B#-D	2EES-3	B / Medium	17,040	18,940	20,940	23,040	25,240	27,530	29,920	32,400	34,970	37,620
HDSE-0200MS#D#-D	2EES-3	D / Medium	18,100	20,240	22,510	24,920	27,470	30,160	33,000	35,980	39,100	42,370
HDSE-0220MS#B#-D	2DES-3	B / Medium	19,820	21,930	24,130	26,430	28,820	31,290	33,850	36,480	39,190	41,970
HDSE-0220MS#D#-D	2DES-3	D / Medium	21,290	23,710	26,280	28,990	31,850	34,860	38,010	41,300	44,740	48,320
HDSE-0300MS#D#-D	2CES-4	D / Medium	25,680	28,460	31,380	34,460	37,680	41,040	44,540	48,190	51,970	55,880
HDSE-0300MS#F#-D	2CES-4	F / Large	27,970	31,240	34,750	38,500	42,490	46,730	51,230	55,990	61,020	66,310
HDSE-0400MS#F#-D	4FES-5	F / Large	29,750	33,310	37,130	41,240	45,630	50,320	55,300	60,580	66,170	72,050
HDSE-0400MS#J#-D	4FES-5	J / X-Large	30,270	33,950	37,930	42,220	46,820	51,740	57,000	62,600	68,540	74,830
HDSE-0500MS#F#-D	4EES-6	F / Large	36,380	40,700	45,330	50,270	55,540	61,140	67,070	73,320	79,910	86,830
HDSE-0500MS#J#-D	4EES-6	J / X-Large	37,200	41,710	46,560	51,780	57,360	63,310	69,640	76,360	83,470	90,970
HDSE-0600MS#F#-D	4DES-7	F / Large	43,240	48,200	53,510	59,160	65,170	71,520	78,240	85,300	92,720	100,480
HDSE-0600MS#J#-D	4DES-7	J / X-Large	44,380	49,600	55,210	61,220	67,630	74,460	81,700	89,360	97,450	105,960
HDSE-0700MS#F#-D	4VES-10	F / Large	51,500	57,640	64,180	71,110	78,430	86,140	94,240	102,710	111,540	120,740
HDSE-0700MS#J#-D	4VES-10	J / X-Large	53,310	59,860	66,880	74,360	82,310	90,750	99,660	109,040	118,900	129,230
HDSE-0900MS#F#-D	4TES-12	F / Large	60,830	67,720	75,000	82,680	90,740	99,180	107,980	117,130	126,630	136,440
HDSE-0900MS#J#-D	4TES-12	J / X-Large	63,370	70,810	78,750	87,180	96,090	105,500	115,390	125,760	136,600	147,900
HDSE-1000MS#J#-D	4PES-15	J / X-Large	69,650	77,960	86,780	96,120	105,960	116,310	127,140	138,450	150,230	162,450
HDSE-1200MS#J#-D	4NES-20	J / X-Large	81,970	91,110	100,760	110,900	121,530	132,640	144,190	156,190	168,590	181,400
HDSE-1400MS#J#-A	4JE-22	J / X-Large	90,410	100,160	110,340	120,960	131,980	143,400	155,190	167,320	179,760	n/a

CONDENSING UNIT MODEL	COMPRESSOR	CONDENSER / UNIT SIZE	105° F AMBIENT TEMPERATURE									
			0	5	10	15	20	25	30	35	40	45
HDSE-0100MS#B#-D	2HES-2	B / Medium	8,780	9,890	11,070	12,330	13,670	15,090	16,590	18,180	19,850	21,610
HDSE-0100MS#D#-D	2HES-2	D / Medium	9,120	10,290	11,560	12,920	14,370	15,920	17,570	19,330	21,200	23,170
HDSE-0150MS#B#-D	2FES-3	B / Medium	12,020	13,420	14,900	16,460	18,100	19,830	21,630	23,530	25,500	27,550
HDSE-0150MS#D#-D	2FES-3	D / Medium	12,670	14,210	15,860	17,620	19,480	21,460	23,560	25,780	28,110	30,560
HDSE-0200MS#B#-D	2EES-3	B / Medium	15,090	16,780	18,560	20,430	22,390	24,440	26,570	28,780	31,080	33,450
HDSE-0200MS#D#-D	2EES-3	D / Medium	16,100	18,020	20,050	22,210	24,500	26,920	29,480	32,160	34,980	37,930
HDSE-0220MS#B#-D	2DES-3	B / Medium	17,550	19,420	21,370	23,400	25,520	27,710	29,970	32,310	n/a	n/a
HDSE-0220MS#D#-D	2DES-3	D / Medium	18,960	21,120	23,420	25,840	28,400	31,090	33,910	36,870	39,960	43,170
HDSE-0300MS#D#-D	2CES-4	D / Medium	22,900	25,370	27,970	30,710	33,570	36,570	39,690	42,950	46,320	49,820
HDSE-0300MS#F#-D	2CES-4	F / Large	25,110	28,060	31,220	34,600	38,200	42,030	46,090	50,400	54,960	59,760
HDSE-0400MS#F#-D	4FES-5	F / Large	26,750	29,920	33,330	36,990	40,910	45,100	49,560	54,300	59,310	64,610
HDSE-0400MS#J#-D	4FES-5	J / X-Large	27,260	30,550	34,110	37,940	42,060	46,470	51,190	56,220	61,580	67,250
HDSE-0500MS#F#-D	4EES-6	F / Large	32,610	36,470	40,600	45,030	49,750	54,760	60,090	65,710	71,650	77,890
HDSE-0500MS#J#-D	4EES-6	J / X-Large	33,400	37,440	41,790	46,470	51,480	56,830	62,540	68,600	75,020	81,810
HDSE-0600MS#F#-D	4DES-7	F / Large	38,840	43,300	48,060	53,130	58,530	64,250	70,300	76,680	83,400	90,440
HDSE-0600MS#J#-D	4DES-7	J / X-Large	39,940	44,640	49,690	55,100	60,890	67,050	73,600	80,550	87,900	95,640
HDSE-0700MS#F#-D	4VES-10	F / Large	45,740	51,250	57,130	63,360	69,960	76,920	84,230	91,900	99,920	108,280
HDSE-0700MS#J#-D	4VES-10	J / X-Large	47,420	53,320	59,640	66,390	73,580	81,220	89,300	97,830	106,810	116,230
HDSE-0900MS#F#-D	4TES-12	F / Large	54,140	60,300	66,810	73,690	80,910	88,490	96,400	104,650	n/a	n/a
HDSE-0900MS#J#-D	4TES-12	J / X-Large	56,510	63,200	70,330	77,910	85,940	94,430	103,370	112,760	122,590	132,860
HDSE-1000MS#J#-D	4PES-15	J / X-Large	61,660	69,110	77,020	85,410	94,260	103,580	113,360	123,590	134,260	n/a
HDSE-1200MS#J#-D	4NES-20	J / X-Large	72,940	81,100	89,720	98,780	108,300	118,250	128,620	n/a	n/a	n/a
HDSE-1400MS#J#-A	4JE-22	J / X-Large	80,280	89,000	98,110	107,600	117,470	127,690	n/a	n/a	n/a	n/a

NOTE: All temperatures shown reflect the midpoint evaporator temperature. Solid black shading with white font indicates products for non-DOE regulated applications in above Table.

\* Estimated unit shipment weights based on condenser size are as follows: Small - 400 lbs.; Medium - 650 lbs.; Large - 1,250 lbs.; X-Large - 1,575 lbs.

# High Efficiency H-Series Condensing Units

## HDSE Bitzer Ecoline Compressors, Motor 1 - Med Temp R-448A

### Med Temperature - R-448A Specifications

CONDENSING UNIT MODEL	COMPRESSOR	CONDENSER / UNIT SIZE	OUTDOOR DOE AWEF	208/3/60				460/3/60				LIQ OD IN	SUCTION IN	DEFAULT RECEIVER	INDOOR MODEL	INDOOR DOE AWEF
				COMP RLA	FAN RLA	MCA	MOPD	COMP RLA	FAN RLA	MCA	MOPD					
HDSE-0100MT#B#-D	2HES-2	B / Medium	7.6	11.1	1.2	18.1	25	4.5	0.7	7.8	15	1/2	5/8	C - 22.5 LBS	HESE-0100MT#B#-D	5.61
HDSE-0100MT#D#-D	2HES-2	D / Medium	7.6	11.1	2.1	19.0	30	4.5	1.3	8.4	15	1/2	5/8	E - 56.6 LBS	HESE-0100MT#D#-D	5.61
HDSE-0150MT#B#-D	2FES-3	B / Medium	7.6	12.6	1.2	20.0	30	5.7	0.7	9.3	15	5/8	5/8	C - 22.5 LBS	HESE-0150MT#B#-A	n/a
HDSE-0150MT#D#-D	2FES-3	D / Medium	7.6	12.6	2.1	20.9	30	5.7	1.3	9.9	15	5/8	5/8	E - 56.6 LBS	HESE-0150MT#D#-D	5.61
HDSE-0200MT#B#-D	2EES-3	B / Medium	7.6	15.6	1.2	23.7	35	7.3	0.7	11.3	15	5/8	7/8	C - 22.5 LBS	HESE-0200MT#B#-D	5.61
HDSE-0200MT#D#-D	2EES-3	D / Medium	7.6	15.6	2.1	24.6	40	7.3	1.3	11.9	15	5/8	7/8	E - 56.6 LBS	HESE-0200MT#D#-D	5.61
HDSE-0220MT#B#-D	2DES-3	B / Medium	7.6	17.0	1.2	25.5	40	8.1	0.7	12.3	20	5/8	7/8	C - 22.5 LBS	HESE-0220MT#B#-A	n/a
HDSE-0220MT#D#-D	2DES-3	D / Medium	7.6	17.0	2.1	26.4	40	8.1	1.3	12.9	20	5/8	7/8	E - 56.6 LBS	HESE-0220MT#D#-D	5.61
HDSE-0300MT#D#-D	2CES-4	D / Medium	7.6	20.3	2.1	30.5	50	9.1	1.3	14.2	20	5/8	7/8	E - 56.6 LBS	HESE-0300MT#D#-D	5.61
HDSE-0300MT#F#-D	2CES-4	F / Large	7.6	20.3	3.2	31.6	50	9.1	1.9	14.8	20	5/8	7/8	F - 86.5 LBS	HESE-0300MT#F#-D	5.61
HDSE-0400MT#F#-D	4FES-5	F / Large	7.6	27.0	3.2	40.0	60	14.6	1.9	21.7	35	5/8	7/8	F - 86.5 LBS	HESE-0400MT#F#-D	5.61
HDSE-0400MT#J#-D	4FES-5	J / X-Large	7.6	27.0	4.2	41.0	60	14.6	2.5	22.3	35	5/8	7/8	H - 105.2 LBS	HESE-0400MT#J#-D	5.61
HDSE-0500MT#F#-D	4EES-6	F / Large	7.6	31.3	3.2	45.3	70	14.9	1.9	22.0	35	5/8	1-1/8	F - 86.5 LBS	HESE-0500MT#F#-D	5.61
HDSE-0500MT#J#-D	4EES-6	J / X-Large	7.6	31.3	4.2	46.3	70	14.9	2.5	22.6	35	5/8	1-1/8	H - 105.2 LBS	HESE-0500MT#J#-D	5.61
HDSE-0600MT#F#-D	4DES-7	F / Large	7.6	34.5	3.2	49.3	80	17.0	1.9	24.7	40	5/8	1-1/8	F - 86.5 LBS	HESE-0600MT#F#-D	5.61
HDSE-0600MT#J#-D	4DES-7	J / X-Large	7.6	34.5	4.2	50.3	80	17.0	2.5	25.3	40	5/8	1-1/8	H - 105.2 LBS	HESE-0600MT#J#-D	5.61
HDSE-0700MT#F#-D	4VES-10	F / Large	7.6	42.9	3.2	59.8	100	21.4	1.9	30.2	50	7/8	1-1/8	F - 86.5 LBS	HESE-0700MT#F#-D	5.61
HDSE-0700MT#J#-D	4VES-10	J / X-Large	7.6	42.9	4.2	60.8	100	21.4	2.5	30.8	50	7/8	1-1/8	H - 105.2 LBS	HESE-0700MT#J#-D	5.61
HDSE-0900MT#F#-D	4TES-12	F / Large	7.6	47.1	3.2	65.1	110	23.6	1.9	32.9	50	7/8	1-3/8	F - 86.5 LBS	HESE-0900MT#F#-D	5.61
HDSE-0900MT#J#-D	4TES-12	J / X-Large	7.6	47.1	4.2	66.1	110	23.6	2.5	33.5	50	7/8	1-3/8	H - 105.2 LBS	HESE-0900MT#J#-D	5.61
HDSE-1000MT#J#-D	4PES-15	J / X-Large	7.6	54.3	4.2	75.1	125	27.1	2.5	37.9	60	7/8	1-5/8	H - 105.2 LBS	HESE-1000MT#J#-D	5.61
HDSE-1200MT#J#-D	4NES-20	J / X-Large	7.6	64.3	4.2	87.6	150	32.1	2.5	44.1	70	7/8	1-5/8	H - 105.2 LBS	HESE-1200MT#J#-D	5.61
HDSE-1400MT#J#-A	4JE-22	J / X-Large	n/a	68.6	4.2	93.0	150	34.3	2.5	46.9	80	7/8	1-5/8	H - 105.2 LBS	HESE-1400MT#J#-A	n/a

Bitzer HDSE models with Motor 1 are for medium and high temperature applications. Consider Bitzer HDSB models for operating below +20° F suction temperature for smaller electrical connection and more efficient operation.

NOTE: Solid black shading with white font indicates products for non-DOE regulated applications in above Table.

\* Estimated unit shipment weights based on condenser size are as follows: Small – 400 lbs.; Medium – 650 lbs.; Large – 1,250 lbs.; X-Large – 1,575 lbs.

# High Efficiency H-Series Condensing Units

## HDSE Bitzer Ecoline Compressors, Motor 1 - Med Temp R-448A

### Med Temperature - R-448A Performance

CONDENSING UNIT MODEL	COMPRESSOR	CONDENSER / UNIT SIZE	95° F AMBIENT TEMPERATURE									
			0	5	10	15	20	25	30	35	40	45
HDSE-0100MT#B#-D	2HES-2	B / Medium	9,480	10,780	12,170	13,680	15,300	17,040	18,890	20,870	22,960	25,190
HDSE-0100MT#D#-D	2HES-2	D / Medium	9,800	11,170	12,660	14,280	16,020	17,910	19,940	22,110	24,430	26,910
HDSE-0150MT#B#-D	2FES-3	B / Medium	13,570	15,320	17,200	19,210	21,350	23,630	26,030	28,570	31,240	34,040
HDSE-0150MT#D#-D	2FES-3	D / Medium	14,240	16,150	18,220	20,450	22,840	25,410	28,160	31,080	34,190	37,480
HDSE-0200MT#B#-D	2EES-3	B / Medium	16,640	18,730	20,960	23,350	25,900	28,600	31,460	34,480	37,660	40,990
HDSE-0200MT#D#-D	2EES-3	D / Medium	17,570	19,860	22,330	25,000	27,870	30,950	34,230	37,730	41,450	45,390
HDSE-0220MT#B#-D	2DES-3	B / Medium	19,430	21,770	24,270	26,930	29,750	32,720	35,860	39,160	n/a	n/a
HDSE-0220MT#D#-D	2DES-3	D / Medium	20,700	23,320	26,150	29,190	32,440	35,920	39,620	43,560	47,720	52,120
HDSE-0300MT#D#-D	2CES-4	D / Medium	25,030	28,070	31,340	34,840	38,570	42,540	46,750	51,200	55,890	60,830
HDSE-0300MT#F#-D	2CES-4	F / Large	27,000	30,490	34,280	38,380	42,820	47,600	52,740	58,250	64,140	70,410
HDSE-0400MT#F#-D	4FES-5	F / Large	29,350	33,170	37,310	41,810	46,660	51,890	57,510	63,530	69,960	76,810
HDSE-0400MT#J#-D	4FES-5	J / X-Large	29,840	33,770	38,050	42,700	47,740	53,180	59,050	65,340	72,090	79,300
HDSE-0500MT#F#-D	4EES-6	F / Large	36,010	40,640	45,660	51,080	56,920	63,190	69,900	77,070	84,700	92,800
HDSE-0500MT#J#-D	4EES-6	J / X-Large	36,780	41,580	46,800	52,470	58,580	65,180	72,260	79,850	87,960	96,600
HDSE-0600MT#F#-D	4DES-7	F / Large	41,560	46,860	52,600	58,770	65,410	72,520	80,110	88,200	96,780	105,860
HDSE-0600MT#J#-D	4DES-7	J / X-Large	42,600	48,140	54,150	60,650	67,660	75,200	83,290	91,940	101,160	110,960
HDSE-0700MT#F#-D	4VES-10	F / Large	50,770	57,310	64,350	71,900	79,970	88,580	97,720	107,400	117,610	128,350
HDSE-0700MT#J#-D	4VES-10	J / X-Large	52,430	59,350	66,840	74,920	83,600	92,900	102,840	113,410	124,630	136,500
HDSE-0900MT#F#-D	4TES-12	F / Large	60,290	67,690	75,620	84,080	93,090	102,640	112,730	123,360	134,530	n/a
HDSE-0900MT#J#-D	4TES-12	J / X-Large	62,600	70,530	79,070	88,250	98,070	108,560	119,710	131,530	144,030	157,200
HDSE-1000MT#J#-D	4PES-15	J / X-Large	68,570	77,440	86,960	97,170	108,070	119,660	131,950	144,950	158,640	173,010
HDSE-1200MT#J#-D	4NES-20	J / X-Large	81,440	91,310	101,850	113,100	125,040	137,680	151,030	165,060	n/a	n/a
HDSE-1400MT#J#-A	4JE-22	J / X-Large	89,790	100,380	111,600	123,440	135,910	149,000	162,700	n/a	n/a	n/a

CONDENSING UNIT MODEL	COMPRESSOR	CONDENSER / UNIT SIZE	105° F AMBIENT TEMPERATURE									
			0	5	10	15	20	25	30	35	40	45
HDSE-0100MT#B#-D	2HES-2	B / Medium	8,460	9,640	10,910	12,280	13,760	15,350	17,040	18,850	20,770	22,810
HDSE-0100MT#D#-D	2HES-2	D / Medium	8,770	10,020	11,380	12,850	14,450	16,180	18,030	20,030	22,170	24,450
HDSE-0150MT#B#-D	2FES-3	B / Medium	12,100	13,700	15,400	17,230	19,170	21,240	23,430	25,740	28,170	n/a
HDSE-0150MT#D#-D	2FES-3	D / Medium	12,750	14,490	16,370	18,410	20,600	22,940	25,450	28,140	30,990	34,020
HDSE-0200MT#B#-D	2EES-3	B / Medium	14,990	16,910	18,960	21,170	23,520	26,010	n/a	n/a	n/a	n/a
HDSE-0200MT#D#-D	2EES-3	D / Medium	15,860	17,970	20,260	22,730	25,390	28,240	31,300	34,550	38,020	41,700
HDSE-0220MT#B#-D	2DES-3	B / Medium	17,520	19,670	21,960	24,410	27,000	n/a	n/a	n/a	n/a	n/a
HDSE-0220MT#D#-D	2DES-3	D / Medium	18,720	21,130	23,740	26,550	29,560	32,780	36,220	39,870	43,750	n/a
HDSE-0300MT#D#-D	2CES-4	D / Medium	22,700	25,490	28,500	31,720	35,160	38,830	42,730	n/a	n/a	n/a
HDSE-0300MT#F#-D	2CES-4	F / Large	24,570	27,790	31,300	35,100	39,220	43,670	48,450	53,600	59,100	64,980
HDSE-0400MT#F#-D	4FES-5	F / Large	26,620	30,140	33,970	38,130	42,630	47,490	52,730	58,340	64,360	70,780
HDSE-0400MT#J#-D	4FES-5	J / X-Large	27,080	30,710	34,670	38,980	43,660	48,720	54,190	60,070	66,390	73,150
HDSE-0500MT#F#-D	4EES-6	F / Large	32,600	36,870	41,500	46,510	51,910	57,730	63,980	70,650	77,780	85,360
HDSE-0500MT#J#-D	4EES-6	J / X-Large	33,320	37,760	42,580	47,820	53,490	59,620	66,220	73,300	80,890	88,980
HDSE-0600MT#F#-D	4DES-7	F / Large	37,570	42,450	47,740	53,440	59,580	66,180	73,230	80,760	88,760	97,260
HDSE-0600MT#J#-D	4DES-7	J / X-Large	38,550	43,650	49,200	55,210	61,710	68,720	76,250	84,310	92,920	102,100
HDSE-0700MT#F#-D	4VES-10	F / Large	45,580	51,570	58,030	64,960	72,390	80,330	88,780	n/a	n/a	n/a
HDSE-0700MT#J#-D	4VES-10	J / X-Large	47,120	53,480	60,360	67,790	75,790	84,380	93,580	103,390	113,820	124,880
HDSE-0900MT#F#-D	4TES-12	F / Large	54,310	61,080	68,340	76,090	84,360	n/a	n/a	n/a	n/a	n/a
HDSE-0900MT#J#-D	4TES-12	J / X-Large	56,480	63,740	71,580	80,010	89,050	98,720	109,020	119,970	n/a	n/a
HDSE-1000MT#J#-D	4PES-15	J / X-Large	61,340	69,450	78,170	87,530	97,550	108,230	n/a	n/a	n/a	n/a
HDSE-1200MT#J#-D	4NES-20	J / X-Large	73,420	82,430	92,070	102,370	113,330	n/a	n/a	n/a	n/a	n/a
HDSE-1400MT#J#-A	4JE-22	J / X-Large	80,580	90,280	100,560	n/a	n/a	n/a	n/a	n/a	n/a	n/a

NOTE: All temperatures shown reflect the midpoint evaporator temperature. Solid black shading with white font indicates products for non-DOE regulated applications in above Table.

\* Estimated unit shipment weights based on condenser size are as follows: Small - 400 lbs.; Medium - 650 lbs.; Large - 1,250 lbs.; X-Large - 1,575 lbs.

# High Efficiency H-Series Condensing Units

## Receiver Options

### RECEIVER OPTIONS - STANDARD BASE

CABINET/ BASE SIZE	RECEIVER DIA. X HEIGHT (INCHES)			MATCHING CONDENSER
	OPTION 1	OPTION 2	OPTION 3	
SMALL	B = 6 x 18	-	-	A
MEDIUM	C = 6 x 23	D = 6 x 30	E = 8.625 x 30	B
MEDIUM	D = 6 x 30	E = 8.625 x 30	-	C
MEDIUM	E = 8.625 x 30	-	-	D
LARGE	F = 10.75 x 30	H = 12.75 x 30	-	E, F
X-LARGE	H = 12.75 x 30	-	-	J

### RECEIVER OPTIONS - HEAVY-DUTY BASE

CABINET/ BASE SIZE	RECEIVER DIA. X LENGTH (INCHES)				MATCHING CONDENSER
	OPTION 1	OPTION 2	OPTION 3	OPTION 4	
SMALL	B = 6 x 18	C = 6 x 23	D = 6 x 30	E = 8.625 x 30	A
MEDIUM	D = 6 x 30	E = 8.625 x 30	F = 10.75 x 30	G = 10.75 x 38	B, C
MEDIUM	E = 8.625 x 30	F = 10.75 x 30	G = 10.75 x 38	-	D, K*
LARGE	E = 8.625 x 30	F = 10.75 x 30	G = 10.75 x 38	-	E
LARGE	F = 10.75 x 30	G = 10.75 x 38	-	-	F
MODIFIED STACKED LARGE	G = 10.75 x 38	-	-	-	H*
X-LARGE	G = 10.75 x 38	-	-	-	J

\* K and H condensers are only available on indoor units.

F, G, and H receivers shall accept relief valves only.

## Condenser Sizes

CONDENSER LETTER	HEIGHT x LENGTH (INCHES) STANDARD	NUMBER OF FANS
A	20H x 32L - 3 Rows	1
B	37.5H x 36L - 3 Rows	1
D	37.5H x 36L - 4 Rows	2
F	37.5H x 72L - 4 Rows	4
H (Double-Stacked Units)	(2X) 37.5H x 36L - 4 Rows	4
J	50H x 87L - 4 Rows	6

\* The condenser model and number of fans are shown on the following pages.

# High Efficiency H-Series Condensing Units

## MCA / MOPD Calculation

Model HDSD-0750L*K-DE-D		
Compressor RLA		41.3
25% Compressor RLA	+	10.3
Condenser Fans	+	2.1
Control*	+	3.0
Evaporator Fan RLA	+	0.0
Calculated MCA		56.7
Compressor RLA	+	41.3
Calculated MOP		98.0
MOPD**		90

\*Control circuit amps are: 208-230/3/60 3.0A, 460/3/60 1.5A, 575/3/60 1.2A

\*\*Round MOP down to next Standard MOPD Size shown below. The MOPD must be larger than the calculated MCA.

Standard MOPD Sizes : 15, 20, 25, 30, 35, 40, 45, 50, 60, 70, 80, 90, 100, 110, 125, 150, 175, 200, 225, 250

**Alternate Calculation for Electric Defrost:** If 1.25 X defrost amps plus Control Transformer exceeds calculated MCA use this value and round up to next standard breaker size for MOPD. Use the MOPD calculated for defrost if it exceeds what is calculated using the compressor information.

## Hurricane-Rated Kits

CABINET	KIT #
Small	HHOUSESDHW
Medium	HHOUSEMDHW
Large	HHOUSELDHW
X-Large	HHOUSEXDHW

\* State factory installed only.



# High Efficiency H-Series Condensing Units

## Consolidated Sound Data

### COPELAND COMPRESSORS

CONDENSING UNIT MODELS	TEMP GROUP	COMPRESSOR MODEL	CABINET SIZE	CONDENSER SIZE	SOUND (dBA)	
HDSD Discus	Low and Medium	2D, 3D, 4D	Medium	B	80	
			Medium, Large, X-Large	D, F, J	87	
HDSS Semi-Hermetic	Low	KAN#-006E, KAN#-005E, KAM#-007E, KAJ#-011E, KAL#-015E, EAV#-021E	Small, Medium	A, B	81	
		LAH#-032E	Medium	B	80	
	Medium	KAR#-010E, KAK#-020E, KAN#-007E, ERC#-021E	Medium	D	87	
			ERF#-031E	Medium	B	80
HDSZ Scroll	Low	ZF06K4E, ZF08K4E, ZF09K4E	Small	A	81	
			Medium	B	80	
			Medium	D	87	
		Medium	ZF11K4E, ZF13K4E, ZF15K4E, ZF18K4E	Medium	B	81
	Medium			D	87	
	Medium	ZB15KCE, ZB19KCE, ZB21KCE, ZB26KCE, ZB30KCE, ZB38KCE	ZF25K4E, ZF34K5E	Medium, Large	D, F	88
			Medium	B	80	
			Medium, Large	D, F	87	
Large			F	87		
Medium	ZB48KCE, ZB58KCE, ZB76KCE, ZB95K5E, ZB114K5E	X-Large	J	88		

### BITZER ECOLINE COMPRESSORS

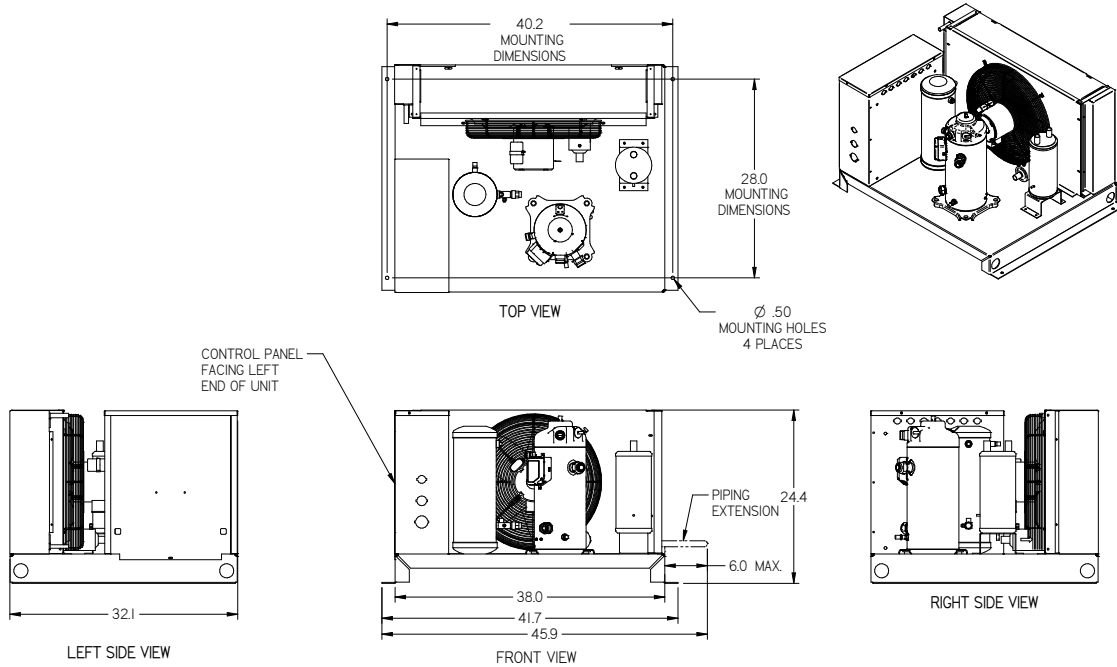
CONDENSING UNIT MODELS	TEMP GROUP	COMPRESSOR MODEL	CABINET SIZE	CONDENSER SIZE	SOUND (dBA)
HDSE Motor 1	Medium	2HES-2, 2FES-3, 2EES-3, 2DES-3, 2CES-4, 4FES-5, 4EES-6, 4DES-7, 4VES-10, 4TES-12, 4PES-15, 4NES-20, 4JE-22	Medium	B	80
			Medium	D	87
			Large	F	87
			X-Large	J	87
HDSB Motor 2	Low	2KES-05, 2JES-07, 2HES-1, 2FES-2, 2EES-2, 2DES-2, 2CES-3	Small	A	81
			Medium	B	80
		Medium	4FES-3, 4EES-4, 4DES-5, 4CES-6, 4VES-7, 4TES-9, 4PES-12	Medium	B
	Medium			D	87
	Medium	4NES-14, 4JE-15, 4HE-18	Large, X-Large	F, J	87
			2KES-05, 2JES-07, 2HES-1, 2FES-2, 2EES-2, 2DES-2, 2CES-3	Medium	B
Medium, Large				D, F	87
Medium	4FES-3, 4EES-4, 4DES-5, 4CES-6, 4VES-7, 4TES-9, 4PES-12, 4NES-14, 4JE-15	Large, X-Large	F, J	87	

Published SOUND data is at 10' and the highest level which is in front of wire grate where air is blowing out of the unit. Sound levels are lower on the condenser inlet and sides of the unit so orientation of the unit should have the wire grate facing away from sound sensitive areas when possible.

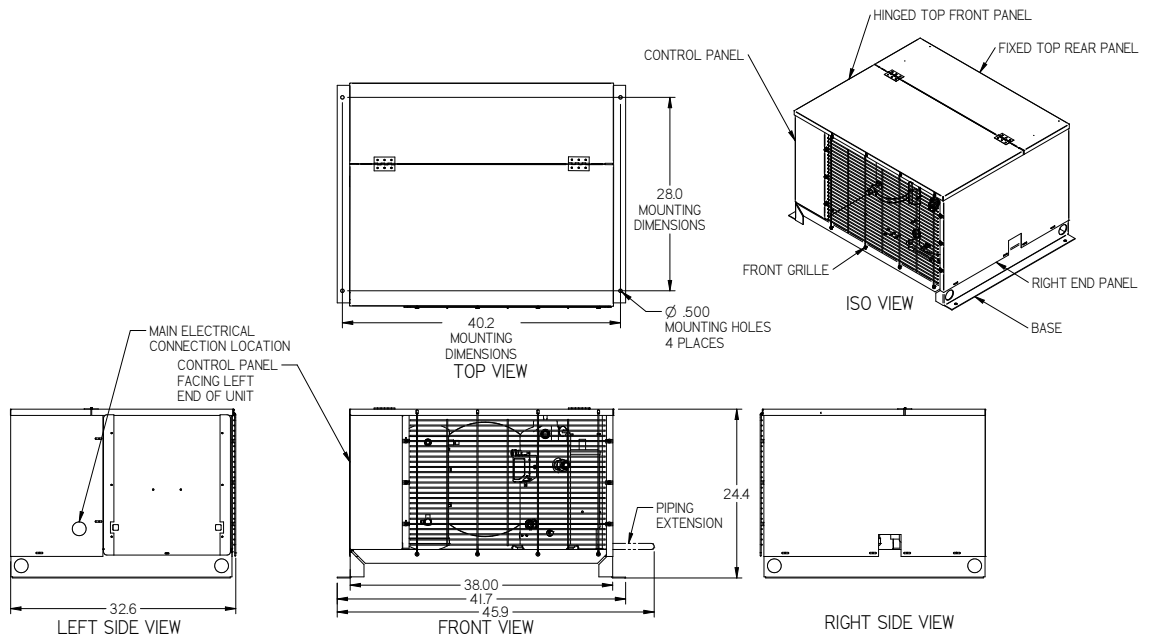
# High Efficiency H-Series Condensing Units

## Cabinet Drawings

### SMALL SIZE INDOOR UNIT - STANDARD BASE



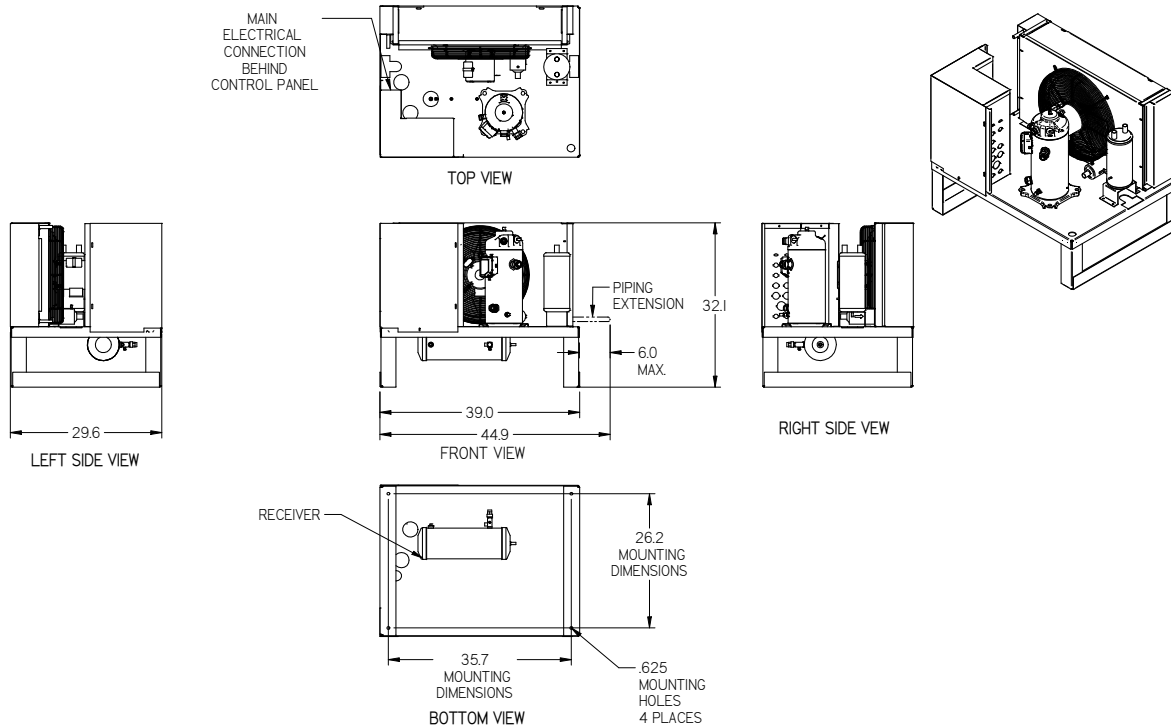
### SMALL SIZE OUTDOOR UNIT - STANDARD BASE



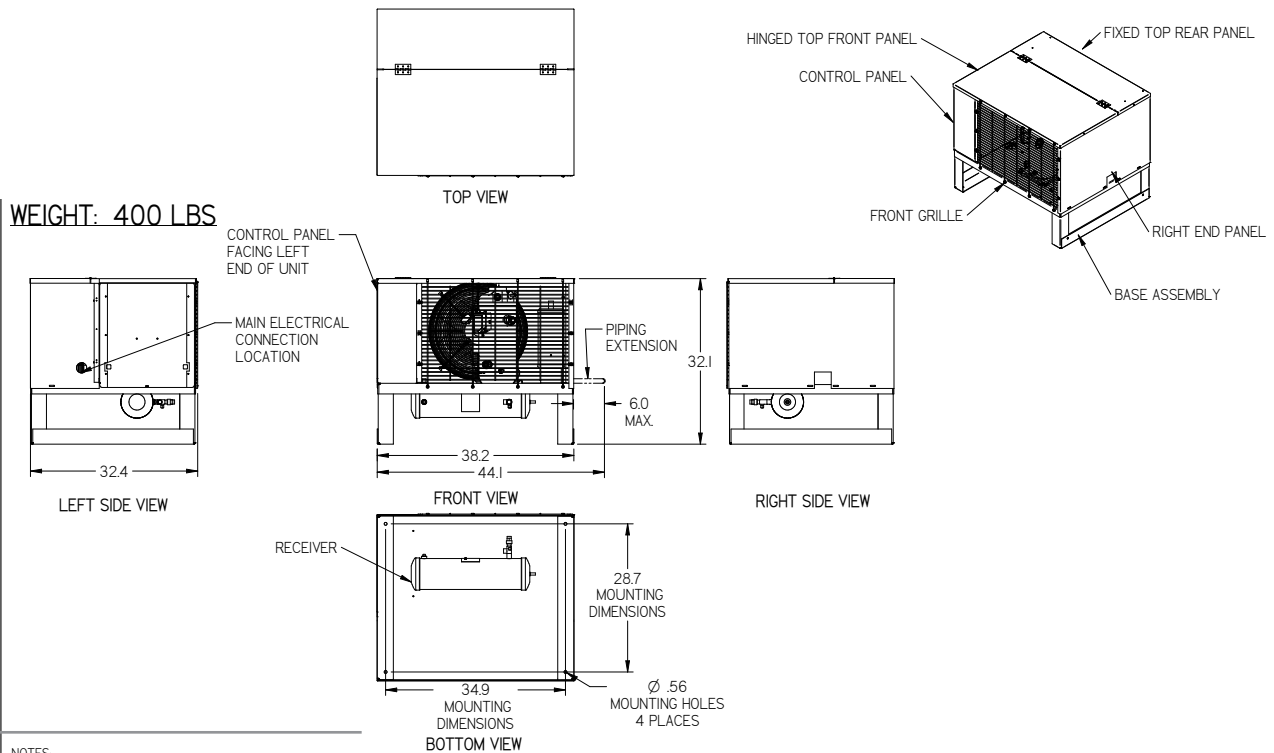
# High Efficiency H-Series Condensing Units

## Cabinet Drawings

### SMALL SIZE INDOOR UNIT - HEAVY-DUTY BASE



### SMALL SIZE OUTDOOR UNIT - HEAVY-DUTY BASE

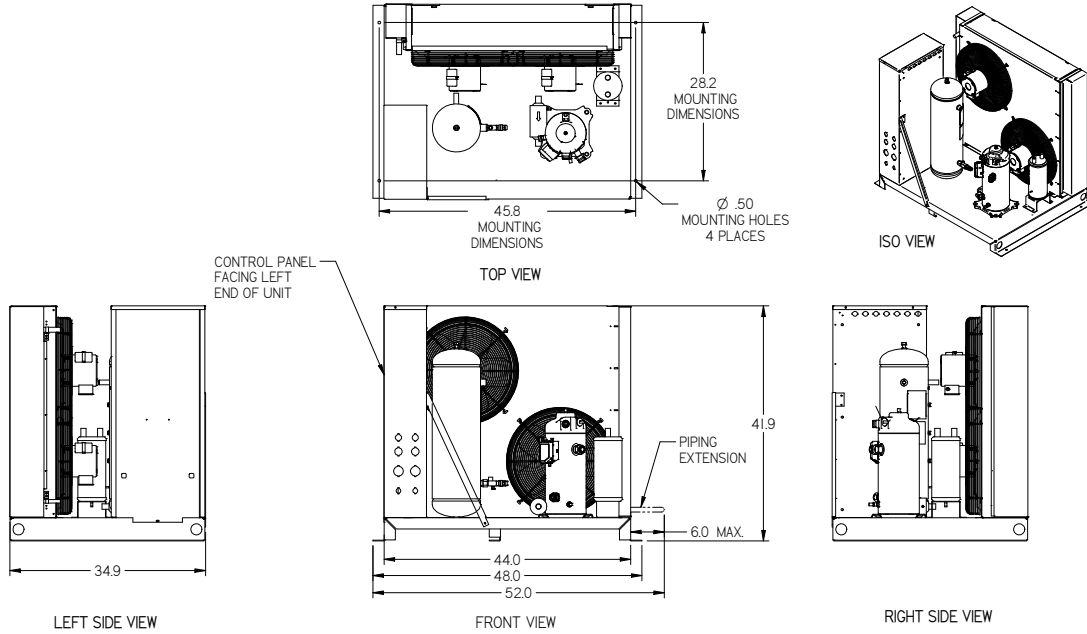


NOTES:

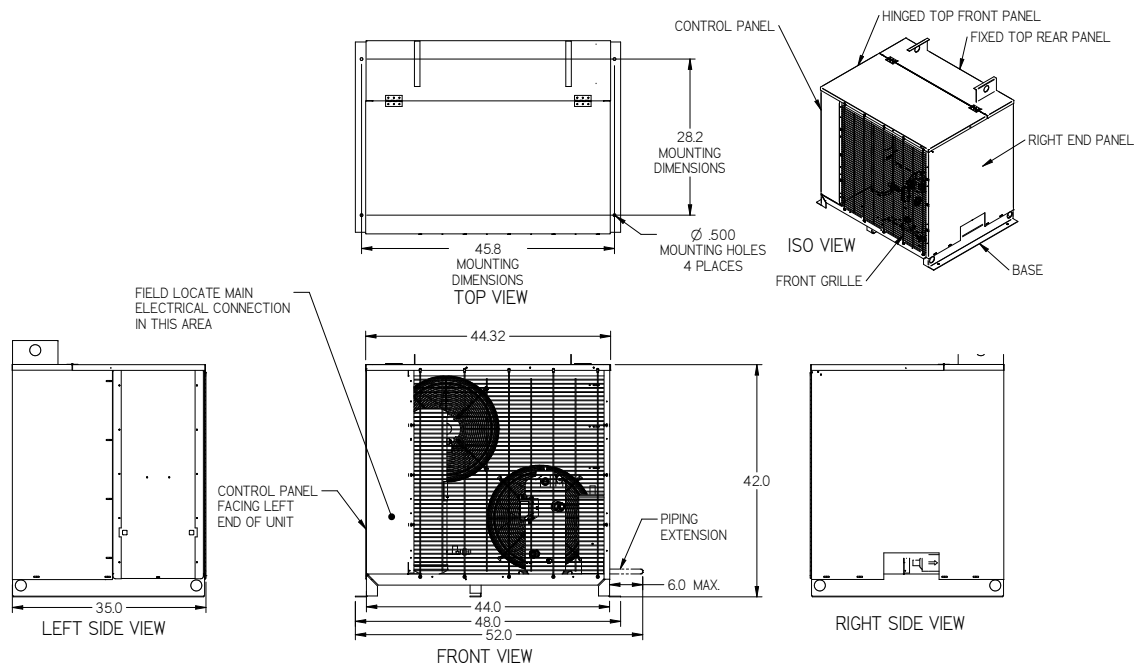
# High Efficiency H-Series Condensing Units

## Cabinet Drawings

### MEDIUM SIZE INDOOR UNIT - STANDARD BASE



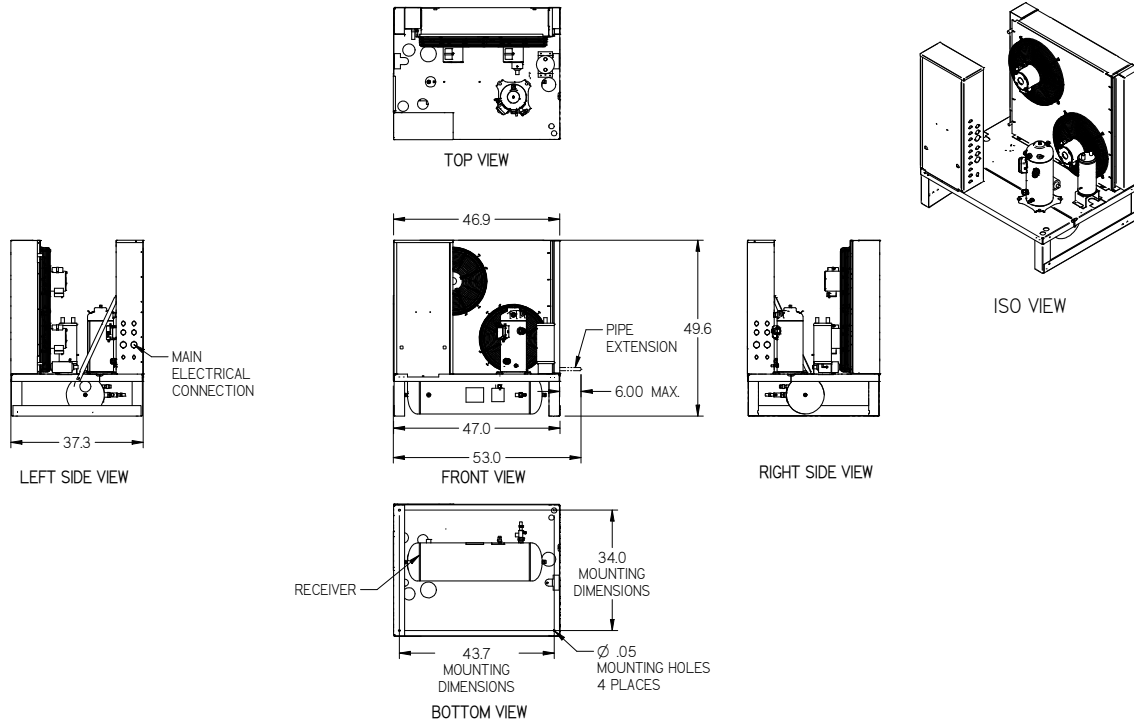
### MEDIUM SIZE OUTDOOR UNIT - STANDARD BASE



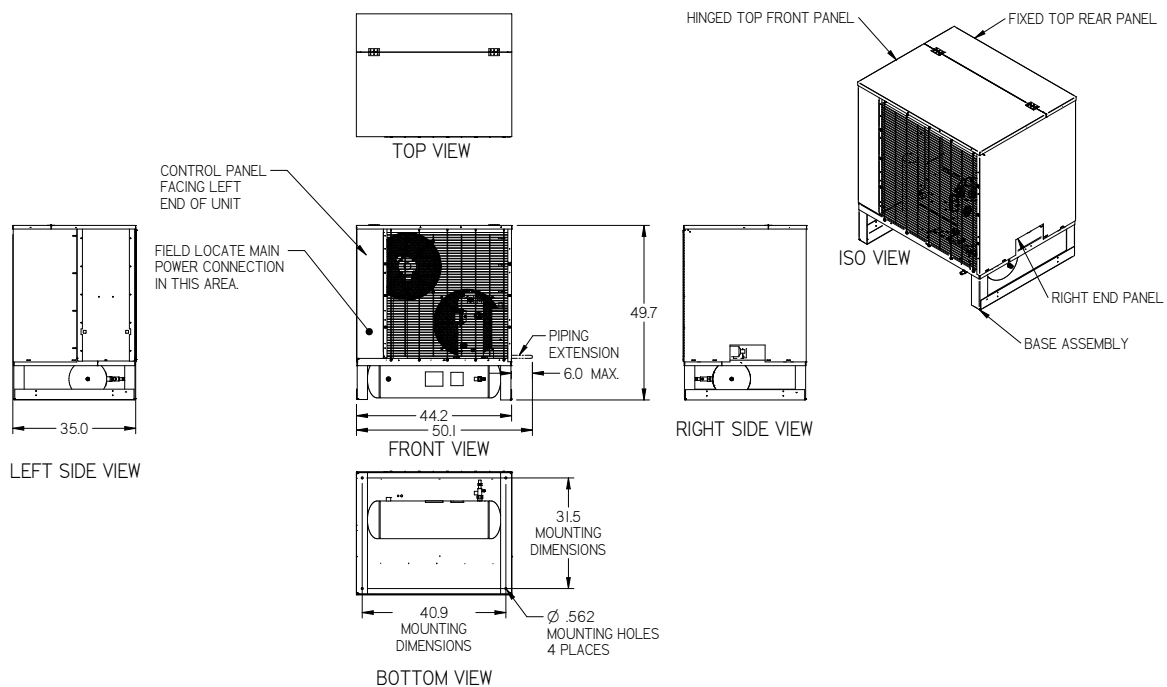
# High Efficiency H-Series Condensing Units

## Cabinet Drawings

### MEDIUM SIZE INDOOR UNIT - HEAVY-DUTY BASE



### MEDIUM SIZE OUTDOOR UNIT - HEAVY-DUTY BASE

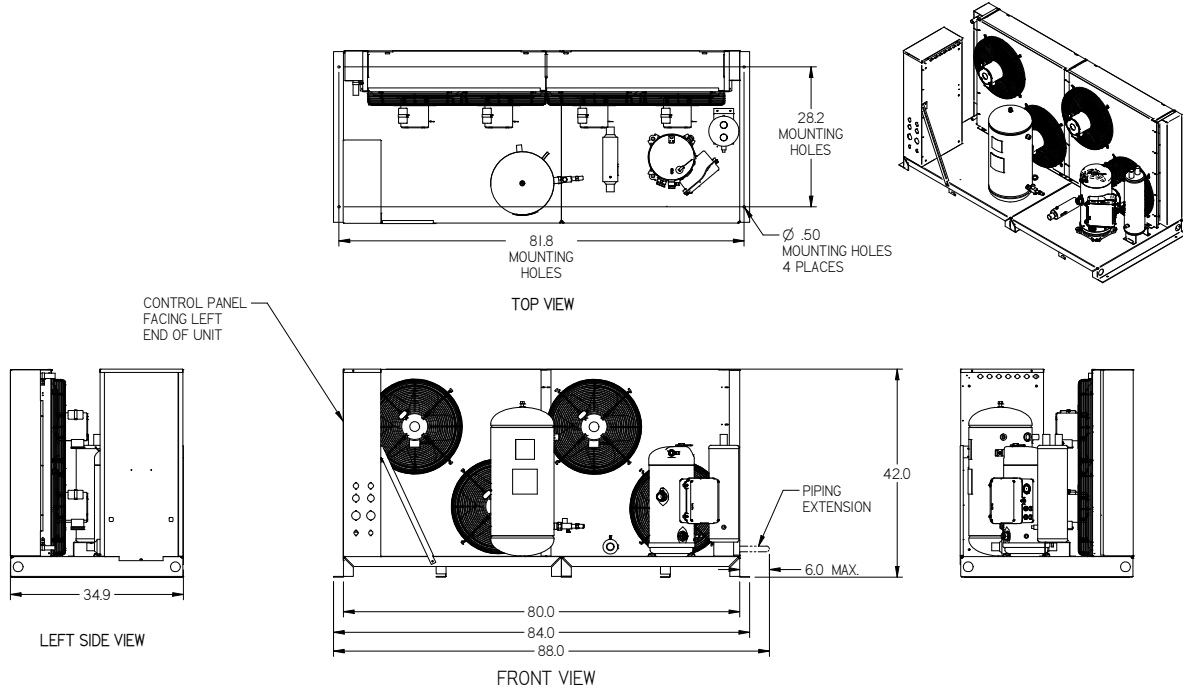




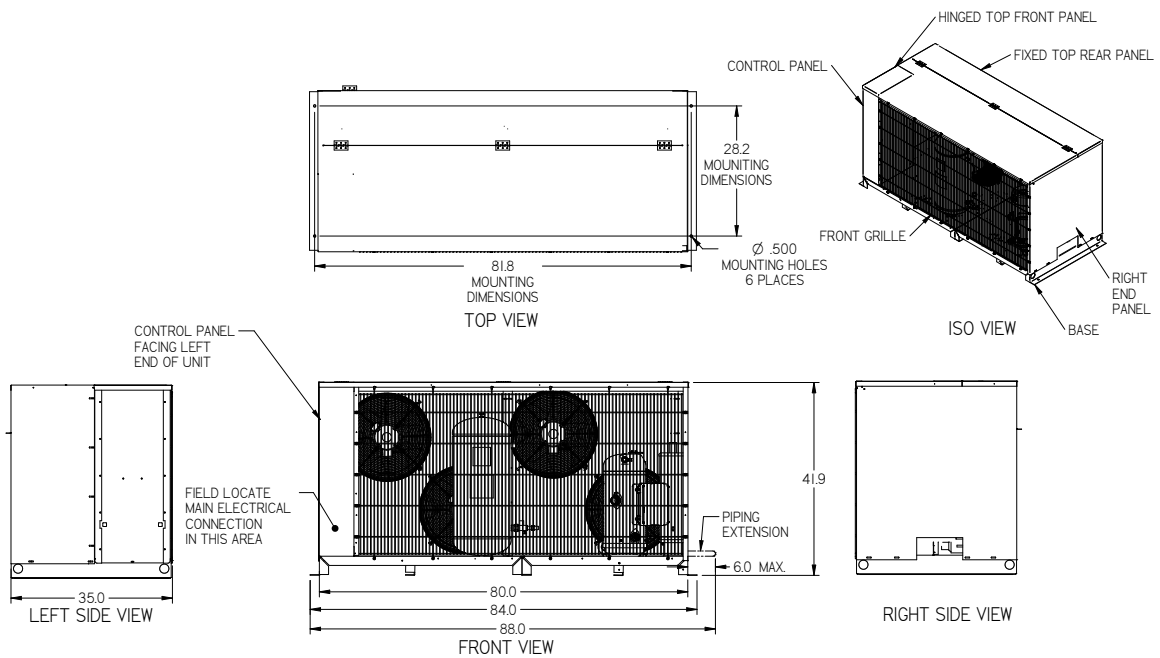
# High Efficiency H-Series Condensing Units

## Cabinet Drawings

### LARGE SIZE INDOOR UNIT - STANDARD BASE



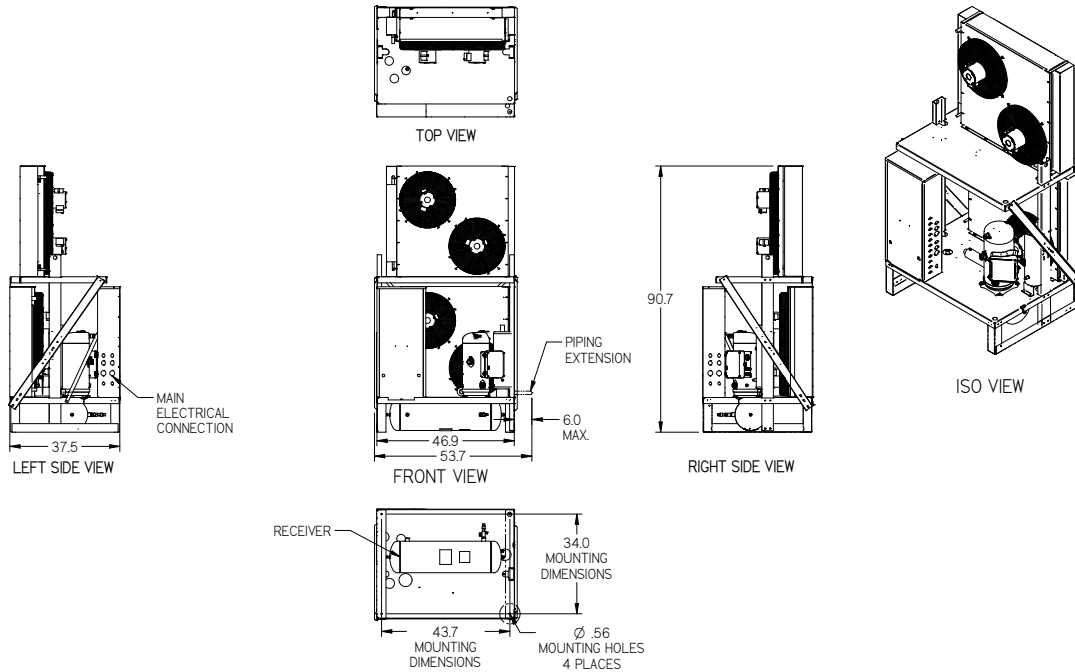
### LARGE SIZE OUTDOOR UNIT - STANDARD BASE



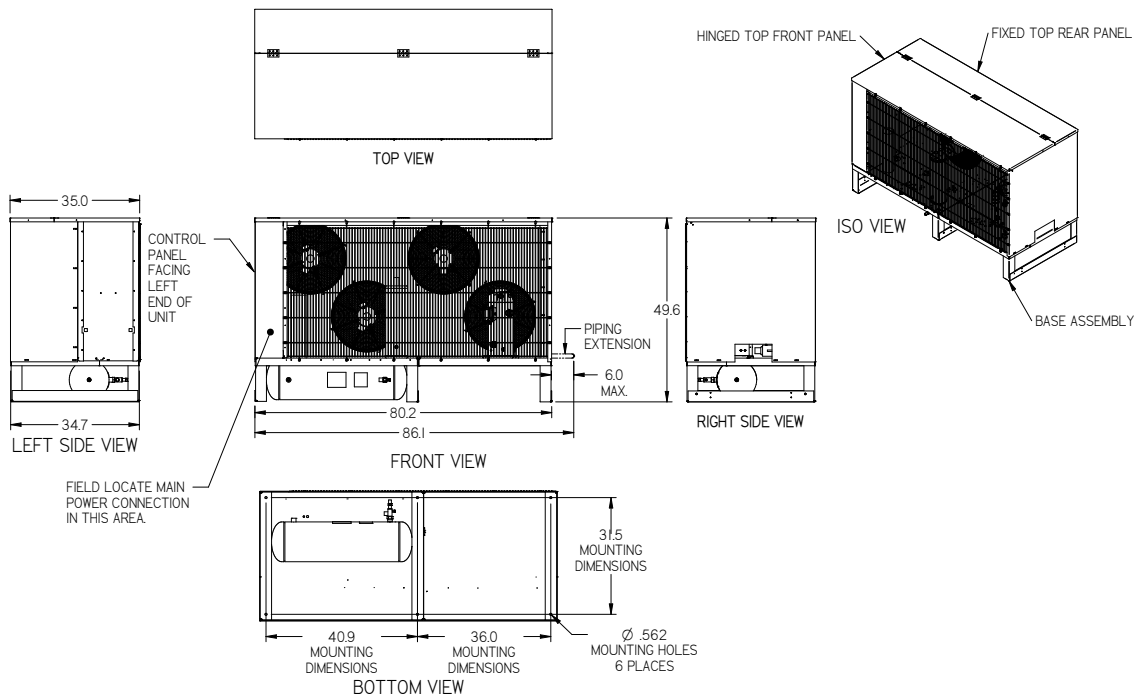
# High Efficiency H-Series Condensing Units

## Cabinet Drawings

### LARGE SIZE INDOOR UNIT - HEAVY-DUTY BASE



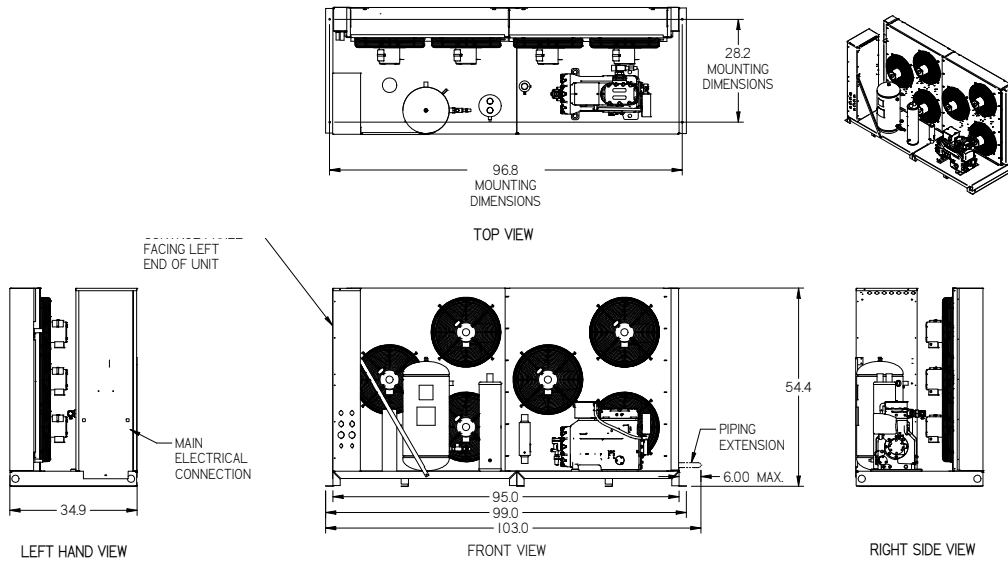
### LARGE SIZE OUTDOOR UNIT - HEAVY-DUTY BASE



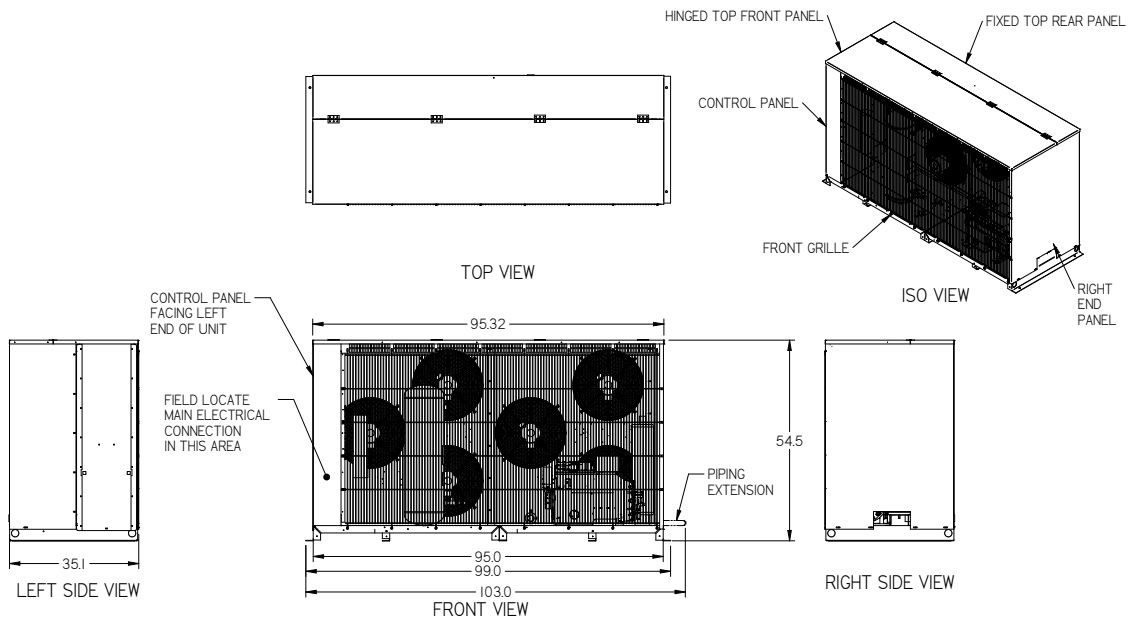
# High Efficiency H-Series Condensing Units

## Cabinet Drawings

### EXTRA LARGE SIZE INDOOR UNIT - STANDARD BASE



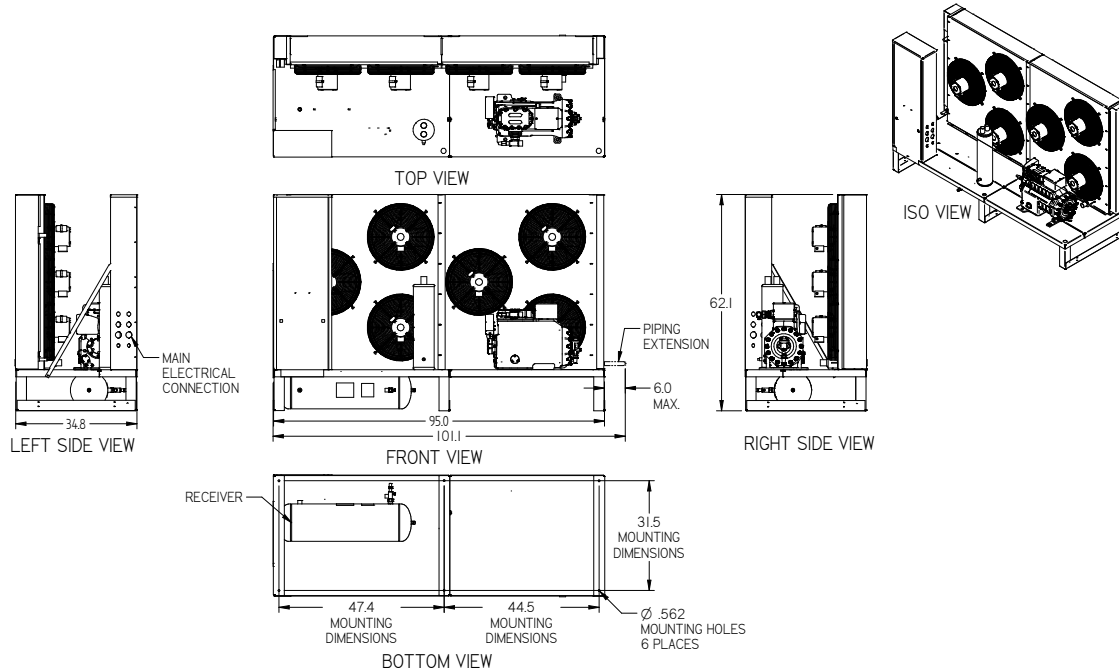
### EXTRA LARGE SIZE OUTDOOR UNIT - STANDARD BASE



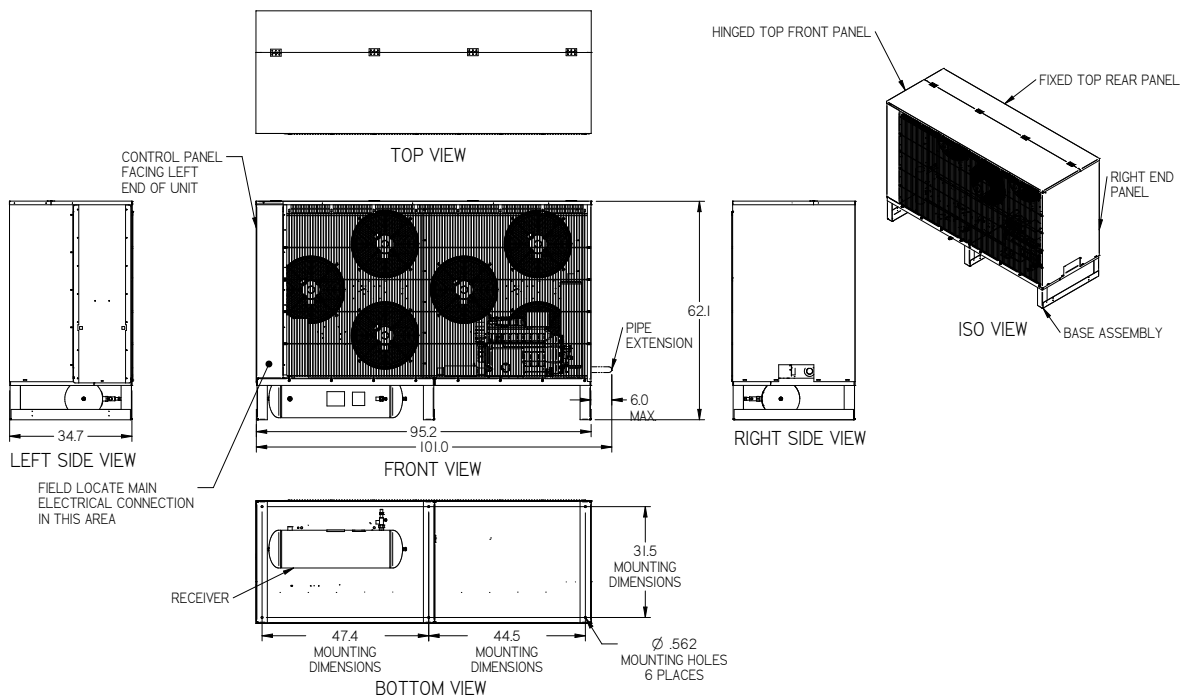
# High Efficiency H-Series Condensing Units

## Cabinet Drawings

### EXTRA LARGE SIZE INDOOR UNIT - HEAVY-DUTY BASE



### EXTRA LARGE SIZE OUTDOOR UNIT - HEAVY-DUTY BASE



# High Efficiency H-Series Capacity Modulation

## Digital Compressor Nomenclature

**H D H R - 030 O L S K C D - D**

**SERIES**

**UNIT TYPE:**

- E - Indoor, High Efficiency
- D - Outdoor, High Efficiency

**BASE:**

- S - Standard
- H - Heavy-Duty

**COMPRESSOR TYPE:**

- R - Bitzer with Digital Modulation - Motor 1
- T - Bitzer with Digital Modulation - Motor 2
- C - Digital Scrolls
- U - Digital Discus

**COMPRESSOR HORSEPOWER:**

- 005 - 0.5 HP
- 030 - 3.0 HP
- 100 - 10.0 HP

**ALTERNATIVE:**

- 0 - Basic
- 1 through 9 - Alternative

**APPLICATION (TEMPERATURE RANGE):**

- M - Medium
- L - Low

**DOE:**

- D - DOE / NRCan Compliant
- A - Non-Regulated Applications

**RECEIVER SIZE:**

- B - 6" x 18"
- C - 6" x 23"
- D - 6" x 30"
- E - 8.625" x 30"
- F - 10.75" x 30"
- G - 10.75" x 38"  
(Horizontal only, HD base only)
- H - 12.75" x 30"  
(Vertical only, Standard base only)
- X - No Receiver

**AIR CONDENSER:**

- A - 20 x 32, 3 Row, 1 Fan
- B - 37.5 x 36, 3 Row, 1 Fan
- C - 37.5 x 36, 3 Row, 2 Fan
- D - 37.5 x 36, 4 Row, 2 Fan
- E - 37.5 x 72, 3 Row, 4 Fan
- F - 37.5 x 72, 34 Row, 4 Fan
- H - (2 x) (D Condenser)
- J - 50 x 87, 4 Row, 6 Fan
- K - 37.5 x 42.5, 6 Row, 4 Fan
- X - None

**VOLTAGE DESIGNATION:**

- K - 208-230 V/3 PH/60 HZ
- M - 460 V/3 PH/60 HZ

**REFRIGERANT:**

- S - R-404A
- P - R-507A
- Q - R-407A
- F - R-407F
- T - R-448A
- R - R-449A



# High Efficiency H-Series Capacity Modulation

## Electrical Specifications

TYPE	UPGRADABLE HE H-SERIES MODEL #	UPGRADE TO	CAPACITY MODULATED HE H-SERIES MODEL #	CAPACITY MODULATED COMPRESSOR MODEL #	208/3				460/3			
					RLA	FLA	MCA	MOPD	RLA	FLA	MCA	MOPD
COPELAND DIGITAL RECIPROCATING COMPRESSOR (DISCUS-U)	HDS0-0601L#BC-D	→	HDSU-0601L#BC-D	3DADF28KL	24.00	2.80	35.80	50.00	10.80	1.60	16.60	25.00
	HDS0-0601L#DE-D	→	HDSU-0601L#DE-D	3DADF28KL	24.00	4.90	37.90	60.00	10.80	2.80	17.80	25.00
	HDS0-0750L#DE-D	→	HDSU-0750L#DE-D	3DBDF33KL	27.60	4.90	42.40	70.00	14.10	2.80	21.93	35.00
	HDS0-0750L#FF-D	→	HDSU-0750L#FF-D	3DBDF33KL	27.60	7.50	45.00	70.00	14.10	4.30	23.43	35.00
	HDS0-0900L#FF-D	→	HDSU-0900L#FF-D	3DFDF40KL	33.20	7.50	52.00	80.00	15.00	4.30	24.55	35.00
	HDS0-0900L#JH-D	→	HDSU-0900L#JH-D	3DFDF40KL	33.20	9.70	54.20	80.00	15.00	5.60	25.85	40.00
	HDS0-1000L#FF-D	→	HDSU-1000L#FF-D	3DSDF46KL	37.20	7.50	57.00	90.00	16.70	4.30	26.68	40.00
	HDS0-1000L#JH-D	→	HDSU-1000L#JH-D	3DSDF46KL	37.20	9.70	59.20	90.00	16.70	5.60	27.98	40.00
	HDS0-1500L#JH-A	→	HDSU-1500L#JH-A	4DHF63KL	47.20	9.70	71.70	110.00	23.60	5.60	36.60	60.00
	HDS0-2200L#FF-A	→	HDSU-2200L#FF-A	4DJXF76KL	57.70	7.50	82.63	125.00	28.80	4.30	41.80	70.00
	HDS0-2200L#JH-A	→	HDSU-2200L#JH-A	4DJXF76KL	57.70	9.70	84.83	125.00	28.80	5.60	43.10	70.00
	HDS0-0752M#FF-D	→	HDSU-0752M#FF-D	3DADR10ML	36.80	7.50	56.50	90.00	17.90	4.30	28.18	45.00
	HDS0-0752M#JH-D	→	HDSU-0752M#JH-D	3DADR10ML	36.80	9.70	58.70	90.00	17.90	5.60	29.48	45.00
	HDS0-1000M#FF-D	→	HDSU-1000M#FF-D	3DBDR12ML	39.10	7.50	59.38	90.00	17.90	4.30	28.18	45.00
	HDS0-1000M#JH-D	→	HDSU-1000M#JH-D	3DBDR12ML	39.10	9.70	61.58	100.00	17.90	5.60	29.48	45.00
HDS0-1200M#JH-D	→	HDSU-1200M#JH-D	3DFDR15ML	43.20	9.70	66.70	100.00	21.20	5.60	33.60	50.00	
HDS0-1500M#JH-D	→	HDSU-1500M#JH-D	3DSDR17ML	53.50	9.70	79.58	125.00	26.00	5.60	39.60	60.00	
Copeland Digital Scroll (Scroll-C)	HDSZ-0300MT#BC-D	→	HDSU-0300MT#BC-D	ZBD21KCE	11.30	2.80	19.93	30.00	6.30	1.60	10.98	15.00
	HDSZ-0300MT#DE-D	→	HDSU-0300MT#DE-D	ZBD21KCE	11.30	4.90	22.03	30.00	6.30	2.80	12.18	15.00
	HDSZ-0400MT#BC-D	→	HDSU-0400MT#BC-D	ZBD30KCE	14.10	2.80	23.43	35.00	6.70	1.60	11.48	15.00
	HDSZ-0400MT#DE-D	→	HDSU-0400MT#DE-D	ZBD30KCE	14.10	4.90	25.53	35.00	6.70	2.80	12.68	15.00
	HDSZ-0500MT#DE-D	→	HDSU-0500MT#DE-D	ZBD38KCE	21.30	4.90	34.53	50.00	10.10	2.80	16.93	25.00
	HDSZ-0500MT#FF-D	→	HDSU-0500MT#FF-D	ZBD38KCE	21.30	7.50	37.13	50.00	10.10	4.30	18.43	25.00
	HDSZ-0601MT#DE-D	→	HDSU-0601MT#DE-D	ZBD45KCE	20.20	4.90	33.15	50.00	9.00	2.80	15.55	20.00
	HDSZ-0601MT#FF-D	→	HDSU-0601MT#FF-D	ZBD45KCE	20.20	7.50	35.75	50.00	9.00	4.30	17.05	25.00
	HDSZ-0751MT#FF-D	→	HDSU-0751MT#FF-D	ZBD57KCE	31.90	7.50	50.38	80.00	13.70	4.30	22.93	35.00
	HDSZ-0751MT#JH-D	→	HDSU-0751MT#JH-D	ZBD57KCE	31.90	9.70	52.58	80.00	13.70	5.60	24.23	35.00
	HDSZ-1000MT#FF-D	→	HDSU-1000MT#FF-D	ZBD76KSE	38.60	7.50	58.75	90.00	18.60	4.30	29.05	45.00
	HDSZ-1000MT#JH-D	→	HDSU-1000MT#JH-D	ZBD76KSE	38.60	9.70	60.95	90.00	18.60	5.60	30.35	45.00
HDSZ-1500MT#JH-D	→	HDSU-1500MT#JH-D	ZBD114KSE	52.60	9.70	78.45	125.00	24.40	5.60	37.60	60.00	
BITZER RECIPROCATING CMRC - R (MOTOR 1)	HDSE-0400M#FF-D	→	HDSR-0400M#FF-D	4FES-5-2DU	27.00	7.50	44.25	70.00	14.60	4.30	24.05	35.00
	HDSE-0400M#JH-D	→	HDSR-0400M#JH-D	4FES-5-2DU	27.00	9.70	46.45	70.00	14.60	5.60	25.35	35.00
	HDSE-0500M#FF-D	→	HDSR-0500M#FF-D	4EES-6-2DU	31.30	7.50	49.63	80.00	14.90	4.30	24.43	35.00
	HDSE-0500M#JH-D	→	HDSR-0500M#JH-D	4EES-6-2DU	31.30	9.70	51.83	80.00	14.90	5.60	25.73	40.00
	HDSE-0600M#FF-D	→	HDSR-0600M#FF-D	4DES-7-2DU	34.50	7.50	53.63	80.00	17.00	4.30	27.05	40.00
	HDSE-0600M#JH-D	→	HDSR-0600M#JH-D	4DES-7-2DU	34.50	9.70	55.83	90.00	17.00	5.60	28.35	45.00
	HDSE-0650M#FF-D	→	HDSR-0650M#FF-D	4CES-9-2DU	38.10	7.50	58.13	90.00	19.00	4.30	29.55	45.00
	HDSE-0650M#JH-D	→	HDSR-0650M#JH-D	4CES-9-2DU	38.10	9.70	60.33	90.00	19.00	5.60	30.85	45.00
	HDSE-0700M#FF-D	→	HDSR-0700M#FF-D	4VES-10-2NU	42.90	7.50	64.13	100.00	21.40	4.30	32.55	50.00
	HDSE-0700M#JH-D	→	HDSR-0700M#JH-D	4VES-10-2NU	42.90	9.70	66.33	100.00	21.40	5.60	33.85	50.00
	HDSE-0900M#FF-D	→	HDSR-0900M#FF-D	4TES-12-2NU	47.10	7.50	69.38	110.00	23.60	4.30	35.30	50.00
HDSE-0900M#JH-D	→	HDSR-0900M#JH-D	4TES-12-2NU	47.10	9.70	71.58	110.00	23.60	5.60	36.60	60.00	
HDSE-1000M#JH-D	→	HDSR-1000M#JH-D	4PES-15-2NU	54.30	9.70	80.58	125.00	27.10	5.60	40.98	60.00	
BITZER RECIPROCATING CMRC - T (MOTOR 2)	HDSB-0400L#BC-D	→	H DST-0400L#BC-D	4FES-3-2DU	20.10	2.80	30.93	50.00	9.00	1.60	14.35	20.00
	HDSB-0400L#DE-D	→	H DST-0400L#DE-D	4FES-3-2DU	20.10	4.90	33.03	50.00	9.00	2.80	15.55	20.00
	HDSB-0500L#BC-D	→	H DST-0500L#BC-D	4EES-4-2DU	22.40	2.80	33.80	50.00	10.30	1.60	15.98	25.00
	HDSB-0500L#DE-D	→	H DST-0500L#DE-D	4EES-4-2DU	22.40	4.90	35.90	50.00	10.30	2.80	17.18	25.00
	HDSB-0600L#BC-D	→	H DST-0600L#BC-D	4DES-5-2DU	23.00	2.80	34.55	50.00	12.00	1.60	18.10	30.00
	HDSB-0600L#DE-D	→	H DST-0600L#DE-D	4DES-5-2DU	23.00	4.90	36.65	50.00	12.00	2.80	19.30	30.00
	HDSB-0650L#DE-D	→	H DST-0650L#DE-D	4CES-6-2DU	27.90	4.90	42.78	70.00	15.80	2.80	24.05	35.00
	HDSB-0700L#BC-D	→	H DST-0700L#BC-D	4VES-7-2NU	27.20	2.80	39.80	60.00	13.60	1.60	20.10	30.00
	HDSB-0700L#DE-D	→	H DST-0700L#DE-D	4VES-7-2NU	27.20	4.90	41.90	60.00	13.60	2.80	21.30	30.00
	HDSB-0900L#BC-D	→	H DST-0900L#BC-D	4TES-9-2NU	31.40	2.80	45.05	70.00	15.70	1.60	22.73	35.00
	HDSB-0900L#DE-D	→	H DST-0900L#DE-D	4TES-9-2NU	31.40	4.90	47.15	70.00	15.70	2.80	23.93	35.00
	HDSB-1000L#DE-D	→	H DST-1000L#DE-D	4PES-12-2NU	43.00	4.90	61.65	100.00	21.50	2.80	31.18	50.00
	HDSB-1200L#FF-D	→	H DST-1200L#FF-D	4NES-14-2NU	44.20	7.50	65.75	100.00	22.20	4.30	33.55	50.00
	HDSB-1200L#JH-D	→	H DST-1200L#JH-D	4NES-14-2NU	44.20	9.70	67.95	110.00	22.20	5.60	34.85	50.00
	HDSB-1400L#FF-D	→	H DST-1400L#FF-D	4JE-15-2NU	55.70	7.50	80.13	125.00	27.90	4.30	40.68	60.00
	HDSB-1400L#JH-D	→	H DST-1400L#JH-D	4JE-15-2NU	55.70	9.70	82.33	125.00	27.90	5.60	41.98	60.00
	HDSB-1600L#FF-D	→	H DST-1600L#FF-D	4HE-18-2NU	60.30	7.50	85.88	125.00	30.20	4.30	43.55	70.00
HDSB-1600L#JH-D	→	H DST-1600L#JH-D	4HE-18-2NU	60.30	9.70	88.08	125.00	30.20	5.60	44.85	70.00	





Use your QR reader to  
reference current document  
version on [www.krack.com](http://www.krack.com).



**Krack, a Hussmann Corporation brand**

For all customers inquiries,  
visit [www.krack.com](http://www.krack.com) or call 800.922.1919.

[www.krack.com](http://www.krack.com)  
[www.hussmann.com](http://www.hussmann.com)