

## microSDHC memory card Flash Storage Media

### 1. Introduction

Industrial temperature microSD cards are designed, manufactured and tested to withstand extreme environmental conditions. Outdoor applications such as Kiosks, Gas Pumps, ATMs, Media Gateways, and Automotive/Marine. Also ideal for Internet of Things (IoT) applications to be used in the latest industrial applications.

The High Capacity microSD memory card is functionally compatible with the SD memory specification but is smaller in dimension. This microSDHC memory card can also be inserted into a microSDHC memory card adapter and used as a standard Secure Digital memory card.

### 2. Part Number(S)

| SDHC Class | UHS | Capacity | Part Number |
|------------|-----|----------|-------------|
| Class 10   | U1  | 8GB      | SDCIT/8GB   |
| Class 10   | U1  | 16GB     | SDCIT/16GB  |
| Class 10   | U1  | 32GB     | SDCIT/32GB  |

### 3. microSDHC Memory Card Features

Table 1: microSDHC Card Features

| Design             | Standard   |                       |
|--------------------|--|-----------------------|
| Contents           | None (OEM Design Available)  | ID, MKB<br>Programmed |
| Security Functions | SD Security Specification Ver.3.00 Compliant (CPRM Based)<br>*CPRM: Contents Protection for Recording Media Specification  |                       |
| Logical Format     | SD Files System Specification Ver.3.00 Compliant<br>(FAT32 Based formatted)  |                       |
| Electrical         | Operating Voltage: 2.7V to 3.6V (Memory Operation) Interfaces:<br>SD Card Interface, (SD : 4 or 1bit)<br>SPI Mode Compatible<br>SD Physical Layer Specification Ver.3.01 Compliant |                       |
| Physical           | L: 15, W: 11 , T: 1.0 (mm), Weight: 0.5g (typ.)<br>microSD Memory Card Specification Ver. 3.00 Compliant<br>(Detailed Dimensions included at: Appendix.)                           |                       |
| Durability         | SD Physical Layer Specification Ver.3.01 Compliant<br>microSD Memory Card Specification Ver. 3.00 Compliant  |                       |
| ROHS               | ROHS Compatible.   |                       |

- Implementing both static and dynamic wear leveling.
- MLC NAND for endurance

## 4. Compatibility

### Compliant Specifications

#### SD Memory Card Specifications

- Compliant with PHYSICAL LAYER SPECIFICATION Ver.3.01. (Part1)
- Compliant with FILE SYSTEM SPECIFICATION Ver.3.00. (Part2)
- Compliant with SECURITY SPECIFICATION Ver.3.00. (Part3)
- microSD Memory Card Specification Ver. 3.00

## 5. Physical Characteristics

### 5.1. Temperature

#### 1) Operation Conditions

Temperature Range:  $T_a = -40^{\circ}\text{C}$  to  $+85^{\circ}\text{C}$

#### 2) Storage Conditions

Temperature Range:  $T_{\text{stg}} = -40^{\circ}\text{C}$  to  $+85^{\circ}\text{C}$

### 5.2. Moisture (Reliability)

#### 1) Operation Conditions

Temperature  $25^{\circ}\text{C}$  / 95% rel. humidity

#### 2) Storage Conditions

Temperature  $40^{\circ}\text{C}$  / 95% rel. humidity / 500h

### 5.3. Application

#### 1) Hot Insertion or Removal

- a. Kingston microSDHC Memory Card can be removed and/or inserted without powering off the host system.

#### 2) Mechanical Write Protect Switch

- a. microSDHC Memory Card has no mechanical write protect switch.

### 5.4 Configuration

Controller: PS8210DF

NAND: Toshiba 15nm MLC 64Gb

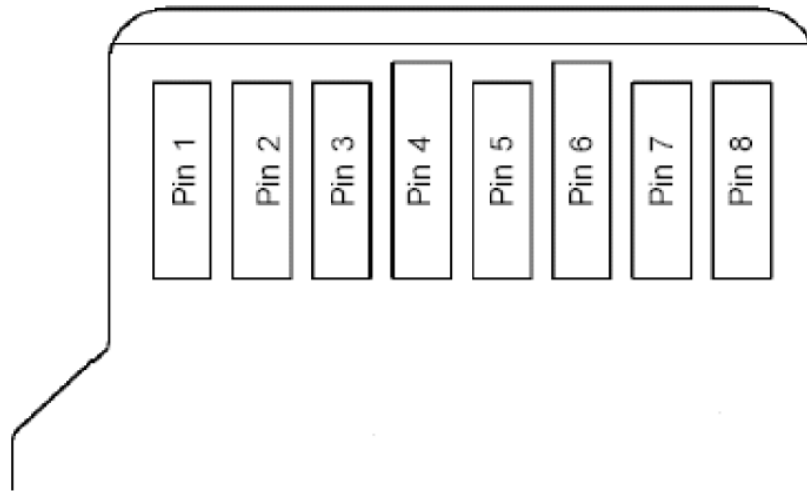
## 6. Electrical Interface Outlines

### 6.1. microSD Card Pin

Table 2 describes the pin assignment of the microSD card.

Fig.1 describes the pin assignment of the microSD card.

Please refer the detail descriptions by SD Card Physical Layer Specification.



**Figure 1: microSD Card Pin Assignment (Back View of microSD Card)**

**Table 3: microSD Card Pin Assignment**

| Pins | SD Mode         |                      |                               | SPI Mode        |         |                        |
|------|-----------------|----------------------|-------------------------------|-----------------|---------|------------------------|
|      | Name            | IO type <sup>1</sup> | Description                   | Name            | IO Type | Description            |
| 1    | DAT2            | I/O /PP              | Data Line[Bit2]               | RSV             |         |                        |
| 2    | CD/<br>DAT3     | I/O/PP               | Card Detect / Data Line[Bit3] | CS              | I       | Chip Select (neg true) |
| 3    | CMD             | PP                   | Command/Response              | DI              | I       | Data In                |
| 4    | V <sub>dd</sub> | S                    | Supply Voltage                | V <sub>dd</sub> | S       | Supply Voltage         |
| 5    | CLK             | I                    | Clock                         | SCLK            | I       | Clock                  |
| 6    | V <sub>SS</sub> | S                    | Supply voltage ground         | V <sub>SS</sub> | S       | Supply voltage ground  |
| 7    | DAT0            | I/O /PP              | Data Line[Bit0]               | DO              | O/PP    | Data Out               |
| 8    | DAT1            | I/O /PP              | Data Line[Bit1]               | RSV             | -       | Reserved (*)           |

1) S: Power Supply, I: Input, O: Output, I/O: Bi-Directional, PP: IO Using Push-Pull Drivers

(\*) These Signals should be pulled up by host side with 10-100K ohm resistance in SPI Mode. Do not use NC pins.

## 6.2. microSD Card Bus Topology

The microSD Memory Card supports two alternative communication protocols: SD and SPI Bus Mode. Host System can choose either one of modes. Same Data of the microSD Card can read and write by both modes.

SD Mode allows the 4-bit high performance data transfer. SPI Mode allows easy and common interface for SPI channel. The disadvantage of this mode is loss of performance, relatively to the SD mode.

### 6.2.1. SD Bus Mode Protocol

The SD bus allows the dynamic configuration of the number of data line from 1 to 4 Bi-directional data signal. After power up by default, the microSD card will use only DAT0. After initialization, host can change the bus width.

Multiplied microSD cards connections are available to the host. Common Vdd, Vss and CLK signal connections are available in the multiple connection. However, Command, Respond and Data lined (DAT0-DAT3) shall be divided for each card from host.

This feature allows easy trade-off between hardware cost and system performance. Communication over the microSD bus is based on command and data bit stream initiated by a start bit and terminated by stop bit.

#### **Command:**

Commands are transferred serially on the CMD line. A command is a token to starts an operation from host to the card.

Commands are sent to a addressed single card(addressed Command) or to all connected cards (Broad cast command).

#### **Response:**

Responses are transferred serially on the CMD line.

A response is a token to answer to a previous received command. Responses are sent from a addressed single card or from all connected cards.

#### **Data:**

Data can be transfer from the card to the host or vice versa.

Data is transferred via the data lines.

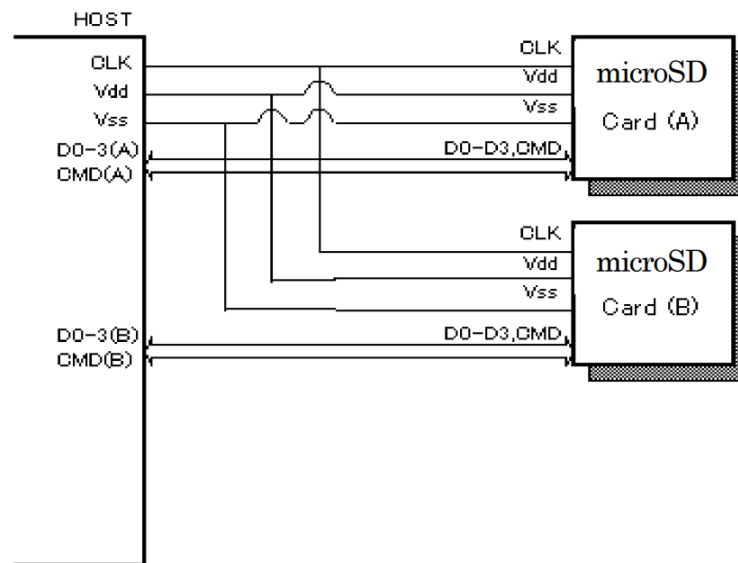


Figure 2: microSD Card(SD Mode) Connection Diagram  
 CLK: Host Card Clock Signal  
 CMD: Bi-Directional Command/ Response Signal  
 DAT0 - DAT3: 4 Bi-Directional Data Signal  
 V<sub>dd</sub>: Power Supply  
 V<sub>ss</sub>: GND

Table 3: SD Mode Command Set  
(+: Implemented, -: Not Implemented)

| CMD Index | Abbreviation             | Implementation | Notes   |
|-----------|--------------------------|----------------|---|
| CMD0      | GO_IDLE_STATE            | +              |   |
| CMD2      | ALL_SEND_CID             | +              |   |
| CMD3      | SEND_RELATIVE_ADDR       | +              |   |
| CMD4      | SET_DSR                  | -              | DSR Register is not implemented               |
| CMD6      | SWITCH_FUNC              | +              |   |
| CMD7      | SELECT/DESELECT_CARD     | +              |   |
| CMD8      | SEND_IF_COND             | +              |   |
| CMD9      | SEND_CSD                 | +              |   |
| CMD10     | SEND_CID                 | +              |   |
| CMD12     | STOP_TRANSMISSION        | +              |   |
| CMD13     | SEND_STATUS              | +              |   |
| CMD15     | GO_INACTIVE_STATE        | +              |   |
| CMD16     | SET_BLOCKLEN             | +              |   |
| CMD17     | READ_SINGLE_BLOCK        | +              |   |
| CMD18     | READ_MULTIPLE_BLOCK      | +              |   |
| CMD24     | WRITE_BLOCK              | +              |   |
| CMD25     | WRITE_MULTIPLE_BLOCK     | +              |   |
| CMD27     | PROGRAM_CSD              | +              |   |
| CMD28     | SET_WRITE_PROT           | -              | Internal Write Protection is not implemented. |
| CMD29     | CLR_WRITE_PROT           | -              | Internal Write Protection is not implemented. |
| CMD30     | SEND_WRITE_PROT          | -              | Internal Write Protection is not implemented. |
| CMD32     | ERASE_WR_BLK_START       | +              |   |
| CMD33     | ERASE_WR_BLK_END         | +              |   |
| CMD38     | ERASE                    | +              |   |
| CMD42     | LOCK_UNLOCK              | +              |   |
| CMD55     | APP_CMD                  | +              |   |
| CMD56     | GEN_CMD                  | -              | This command is not specified                 |
| ACMD6     | SET_BUS_WIDTH            | +              |   |
| ACMD13    | SD_STATUS                | +              |   |
| ACMD22    | SEND_NUM_WR_BLOCKS       | +              |   |
| ACMD23    | SET_WR_BLK_ERASE_COUNT   | +              |   |
| ACMD41    | SD_APP_OP_COND           | +              |   |
| ACMD42    | SET_CLR_CARD_DETECT      | +              |   |
| ACMD51    | SEND_SCR                 | +              |   |
| ACMD18    | SECURE_READ_MULTI_BLOCK  | +              |   |
| ACMD25    | SECURE_WRITE_MULTI_BLOCK | +              |   |
| ACMD26    | SECURE_WRITE_MKB         | +              |   |
| ACMD38    | SECURE_ERASE             | +              |   |
| ACMD43    | GET_MKB                  | +              |   |
| ACMD44    | GET_MID                  | +              |   |
| ACMD45    | SET_CER_RN1              | +              |   |
| ACMD46    | SET_CER_RN2              | +              |   |
| ACMD47    | SET_CER_RES2             | +              |   |
| ACMD48    | SET_CER_RES1             | +              |   |
| ACMD49    | CHANGE_SECURE_AREA       | +              |   |

- CMD28, 29 and CMD30 are Optional Commands.
- CMD4 is not implemented because DSR Register(Optional Register)
- CMD56 is for vendor specific command. Which is not defined in the standard card.

### 6.2.2. SPI Bus Mode Protocol

The SPI bus allows 1 bit Data line by 2-channel (Data In and Out).

The SPI compatible mode allows the MMC Host systems to use SD card with little change.

The SPI bus mode protocol is byte transfers.

All the data tokens are multiples of the bytes (8-bit) and always byte aligned to the CS signal.

The advantage of the SPI mode is reducing the host design in effort.

Especially, MMC host can be modified with little change.

The disadvantage of the SPI mode is the loss of performance versus SD mode.

Caution: Please use SD Card Specification. **DO NOT use MMC Specification.**

For example, initialization is achieved by ACMD41, and be careful to Register. Register definition is different, especially CSD Register.

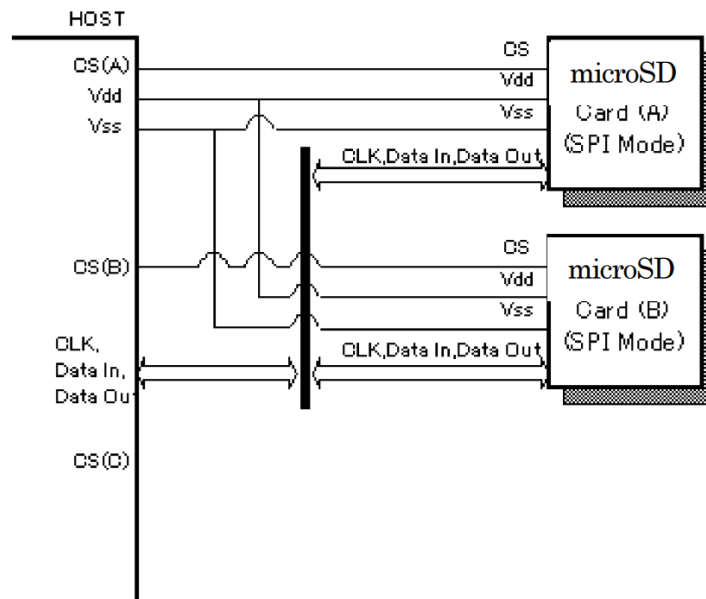


Fig 3: microSD Card (SPI Mode) Connection Diagram

CS: Card Select Signal

CLK: Host Card Clock Signal

Data in: Host to Card Data Line

Data out: Card to Host Data Line

V<sub>dd</sub>: Power Supply

V<sub>ss</sub>: GND

Table.4: SPI Mode Command Set  
(+: Implemented, -: Not Implemented)

| CMD Index | Abbreviation             | Implementation | Notes   |
|-----------|--------------------------|----------------|---|
| CMD0      | GO_IDLE_STATE            | +              |   |
| CMD1      | SEND_OP_CND              | +              | NOTICE: DO NOT USE (SEE Fig.6 and 9.2)        |
| CMD6      | SWITCH_FUNC              | +              |   |
| CMD8      | SEND_IF_COND             | +              |   |
| CMD9      | SEND_CSD                 | +              |   |
| CMD10     | SEND_CID                 | +              |   |
| CMD12     | STOP_TRANSMISSION        | +              |   |
| CMD13     | SEND_STATUS              | +              |   |
| CMD16     | SET_BLOCKLEN             | +              |   |
| CMD17     | READ_SINGLE_BLOCK        | +              |   |
| CMD18     | READ_MULTIPLE_BLOCK      | +              |   |
| CMD24     | WRITE_BLOCK              | +              |   |
| CMD25     | WRITE_MULTIPLE_BLOCK     | +              |   |
| CMD27     | PROGRAM_CSD              | +              |   |
| CMD28     | SET_WRITE_PROT           | -              | Internal Write Protection is not implemented. |
| CMD29     | CLR_WRITE_PROT           | -              | Internal Write Protection is not implemented. |
| CMD30     | SEND_WRITE_PROT          | -              | Internal Write Protection is not implemented. |
| CMD32     | ERASE_WR_BLK_START_ADD   | +              |   |
| CMD33     | ERASE_WR_BLK_END_ADDR    | +              |   |
| CMD38     | ERASE                    | +              |   |
| CMD42     | LOCK_UNLOCK              | +              |   |
| CMD55     | APP_CMD                  | +              |   |
| CMD56     | GEN_CMD                  | -              | This command is not specified                 |
| CMD58     | READ_OCR                 | +              |   |
| CMD59     | CRC_ON_OFF               | +              |   |
| ACMD6     | SET_BUS_WIDTH            | +              |   |
| ACMD13    | SD_STATUS                | +              |   |
| ACMD22    | SEND_NUM_WR_BLOCKS       | +              |   |
| ACMD23    | SET_WR_BLK_ERASE_COUNT   | +              |   |
| ACMD41    | SD_APP_OP_COND           | +              |   |
| ACMD42    | SET_CLR_CARD_DETECT      | +              |   |
| ACMD51    | SEND_SCR                 | +              |   |
| ACMD18    | SECURE_READ_MULTI_BLOCK  | +              |   |
| ACMD25    | SECURE_WRITE_MULTI_BLOCK | +              |   |
| ACMD26    | SECURE_WRITE_MKB         | +              |   |
| ACMD38    | SECURE_ERASE             | +              |   |
| ACMD43    | GET_MKB                  | +              |   |
| ACMD44    | GET_MID                  | +              |   |
| ACMD45    | SET_CER_RN1              | +              |   |
| ACMD46    | SET_CER_RN2              | +              |   |
| ACMD47    | SET_CER_RES2             | +              |   |
| ACMD48    | SET_CER_RES1             | +              |   |
| ACMD49    | CHANGE_SECURE_AREA       | +              |   |

- CMD28, 29 and CMD30 are Optional Commands.
- CMD56 is for vendor specific command. Which is not defined in the standard card.



### 6.3. microSD Card Initialize

Fig.4-1 shows initialization flow chart for UHS-I hosts and Fig.4-2 shows sequence of commands to perform signal voltage switch. Red and yellow boxes are new procedure to initialize UHS-I card.

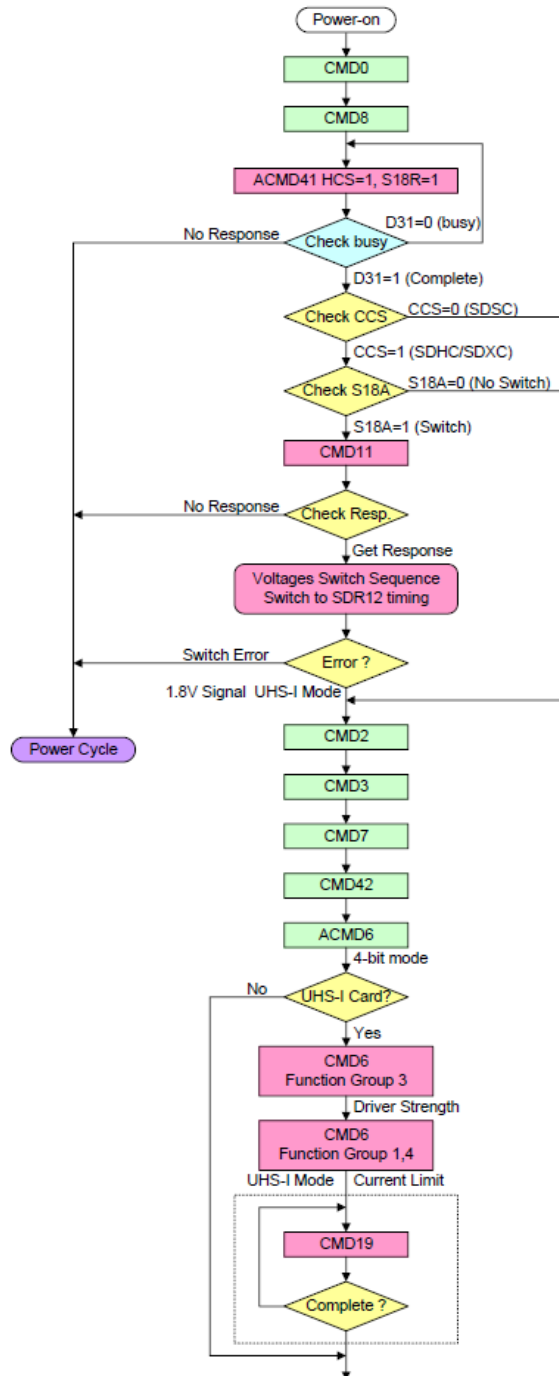


Figure 4-1: UHS-I Host Initialization Flow Diagram

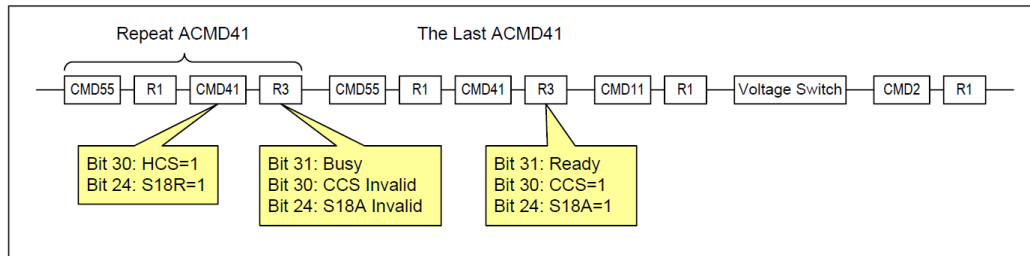


Figure 4-2: ACMD41 Timing Followed by Signal Voltage Switch Sequence

**1) POWER ON : Supply Voltage for initialization.**

Host System applies the Operating Voltage to the card.

Apply more than 74 cycles of Dummy-clock to the microSD card.

**2) Select operation mode (SD mode or SPI mode)**

In case of SPI mode operation, host should drive 1 pin (CD/DAT3) of SD Card I/F to “Low” level. Then, issue CMD0.

In case of SD mode operation, host should drive or detect 1 pin of SD Card I/F (Pull up register of 1 pin is pull up to “High” normally).

Card maintain selected operation mode except re-issue of CMD0 or power on below is SD mode initialization procedure.

**3) Send Interface condition command (CMD8).**

When the card is in Idle state, the host shall issue CMD8 before ACMD41.

In the argument, 'voltage supplied' is set to the host supply voltage and 'check pattern' is set to any 8-bit pattern.

The card that accepted the supplied voltage returns R7 response.

In the response, the card echoes back both the voltage range and check pattern set in the argument.

If the card does not support the host supply voltage, it shall not return response and stays in Idle state.

**4) Send initialization command (ACMD41).**

When signaling level is 3.3V, host repeats to issue ACMD41 with HCS=1 and S18R=1 until the response indicates ready.

The argument (HCS and S18R) of the first ACMD41 is effective but the all following ACMD41 should be issued with the same argument.

If Bit 31 indicates ready, host needs to check CCS and S18A.

The card indicates S18A=0, which means that voltage switch is not allowed and the host needs to use current signaling level.

Table 5: S18R and S18A Combinations

| Current Signaling Level | 18R | S18A | Comment                                  |
|-------------------------|-----|------|--|
| 3.3V                    | 0   | 0    | 1.8V signaling is not requested          |
|                         | 1   | 0    | The card does not support 1.8V signaling |
|                         | 1   | 1    | Start signal voltage switch sequence     |
| 1.8V                    | X   | 0    | Already switched to 1.8V                 |

**5) Send voltage switch command (CMD11).**

S18A=1 means that voltage switch is allowed and host issues CMD11 to invoke voltage switch sequence.

By receiving CMD11, the card returns R1 response and start voltage switch sequence. No response of CMD11 means that S18A was 0 and therefore host should not have sent CMD11.

Completion of voltage switch sequence is checked by high level of DAT[3:0].

Any bit of DAT[3:0] can be checked depends on ability of the host.

The card enters UHS-I mode and card input and output timings are changed (SDR12 in default) when the voltage switch sequence is completed successfully.

**6) Send ALL\_SEND\_CID command (CMD2) and get the Card ID (CID).**

**7) Send SEND\_RELATIVE\_ADDR (CMD3) and get the RCA.**

RCA value is randomly changed by access, not equal zero.

**8) Send SELECT / DESELECT\_CARD command (CMD7) and move to the transfer state.**

When entering tran state, CARD\_IS\_LOCKED status in the R1 response should be checked (it is indicated in the response of CMD7).

If the CARD\_IS\_LOCKED status is set to 1 in the response of CMD7, CMD42 is required before ACMD6 to unlock the card.

( If the card is locked, CMD42 is required to unlock the card. )

If the card is unlocked, CMD42 can be skipped.

**9) Send SET\_BUS\_WIDTH command (ACMD6).**

UHS-I supports only 4-bit mode. Host shall select 4-bit mode by ACMD6.

If the card is locked, host needs to unlock the card by CMD42 in 1-bit mode and then needs to issue ACMD6 to change

4-bit bus mode. Operating in 1-bit mode is not assured.

**10) Set driver strength.**

CMD6 mode 0 is used to query which functions the card supports, and to identify the maximum current consumption of the card under the selected functions.

In case of UHS-I card, appropriate driver strength (default is Type-B buffer) is selected by CMD6 Function Group 3.

**11) Set UHS-I mode current limit.**

UHS-I modes ( Bus Speed Mode ) is selected by CMD6 Function Group 1.

Current Limit is selected by CMD6 Function Group 4.

Maximum access settings:

SDR50 = (CMD6 Function Group 1 = 2-h, CMD6 Function Group 4 = 1-h)

Note:

Function Group 4 is defined as Current Limit switch for SDR50.

The Current Limit does not act on the card in SDR12 and SDR25.

The default value of the Current Limit is 200mA (minimum setting).

Then after selecting one of SDR50 mode by Function Group 1, host needs to change the Current Limit to enable the card to operate in higher performance.

This value is determined by a host power supply capability to the card, heat release method taken by a host and the maximum current of a connector.

**12) Tuning of sampling point**

CMD19 sends a tuning block to the host to determine sampling point.

In SDR50 and SDR104 modes, if tuning of sampling point is required, CMD19 is repeatedly issued until tuning is completed

Then the Host can access the Data between the SD card as a storage device.

## 6.4. microSD Card Electrical Characteristics

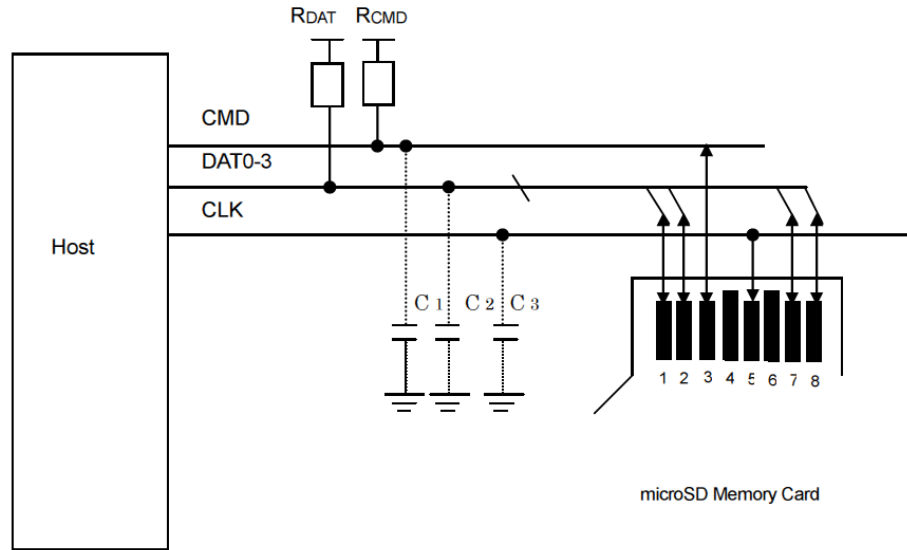


Figure 5: microSD Card Connection Diagram.

### 6.4.1. DC Characteristics

Table 6-1: DC Characteristics (Threshold level for High Voltage Range)

| Item           | Symbol     | Condition | Min.             | Typ.            | Max.            | Unit             | Note               |
|----------------|------------|-----------|------------------|-----------------|-----------------|------------------|--------------------|
| Supply Voltage | $V_{DD}$   | -         | 2.7              | -               | 3.6             | V                |                    |
| Input Voltage  | High Level | $V_{IH}$  | $V_{DD} * 0.625$ | -               | -               | V                |                    |
|                | Low Level  | $V_{IL}$  | -                | -               | $V_{DD} * 0.25$ | V                |                    |
| Output Voltage | High Level | $V_{OH}$  | $I_{OH} = -2mA$  | $V_{DD} * 0.75$ | -               | V                |                    |
|                | Low Level  | $V_{OL}$  | $I_{OL} = 2mA$   | -               | -               | $V_{DD} * 0.125$ | V                  |
| Power Up Time  |            | -         | -                | -               | 250             | ms               | 0V to $V_{DD}$ min |

\*) Peak Current: RMS value over a 10 usec period

Table 6-2: Peak Voltage and Leakage Current

| Parameter                 | Symbol | Min. | Max.           | Unit | Note |
|---------------------------|--------|------|----------------|------|------|
| Peak Voltage on All Lines |        | -0.3 | $V_{DD} + 0.3$ | V    |      |
| All Inputs                |        |      |                |      |      |
| Input Leakage Current     |        | -10  | 10             | uA   |      |
| All Outputs               |        |      |                |      |      |
| Output Leakage Current    |        | -10  | 10             | uA   |      |

Table 6-3: DC Characteristics (Threshold Level for 1.8V Signaling)

| Item              | Symbol     | Min.     | Max.           | Unit | Condition               |
|-------------------|------------|----------|----------------|------|-------------------------|
| Supply Voltage    | $V_{DD}$   | 2.7      | 3.6            | V    |                         |
| Regulator Voltage | $V_{DDIO}$ | 1.7      | 1.95           | V    | Generated from $V_{DD}$ |
| Input Voltage     | High Level | $V_{IH}$ | 1.27           | 2.00 | V                       |
|                   | Low Level  | $V_{IL}$ | $V_{SS} - 0.3$ | 0.58 | V                       |
| Output Voltage    | High Level | $V_{OH}$ | 1.4            | -    | V                       |
|                   | Low Level  | $V_{OL}$ | -              | 0.45 | V                       |

Table 6-4: Input Leakage Current for 1.8V Signaling

| Parameter             | Symbol | Min. | Max. | Unit | Note                         |
|-----------------------|--------|------|------|------|------------------------------|
| Input Leakage Current |        | -2   | 2    | uA   | DAT3 Pull-Up is Disconnected |

Table 6-5: Power Consumption

| Item                       | Symbol             | Condition                            | Min. | Typ. | Max. | Unit | Note   |
|----------------------------|--------------------|--------------------------------------|------|------|------|------|--------|
| Standby Current            | $I_{CCS}$          | 3.0V Clock Stop                      | -    | -    | 950  | uA   | @ 25°C |
| Operation Current(Peak)    | $I_{CCOP1}$<br>*1) | Current Limit=400mA<br>$V_{DD}=3.6V$ | -    | -    | 300  | mA   | @ 25°C |
|                            |                    | Current Limit=200mA<br>$V_{DD}=3.6V$ | -    | -    | 300  |      |        |
|                            |                    | (HS or DS)<br>$V_{DD}=3.6V$          | -    | -    | 300  |      |        |
| Operation Current(Average) | $I_{CCOP2}$<br>*2) | Current Limit=400mA<br>$V_{DD}=3.6V$ | -    | -    | 250  | mA   | @ 25°C |
|                            |                    | Current Limit=200mA<br>$V_{DD}=3.6V$ | -    | -    | 200  |      |        |
|                            |                    | (SDR25 or HS)<br>$V_{DD}=3.6V$       | -    | -    | 200  |      |        |
|                            |                    | (SDR12.5 or DS)<br>$V_{DD}=3.6V$     | -    | -    | 100  |      |        |

\*1) Peak Current: RMS value over a 10usec period

\*2) Average Current: value over 1 sec period.

Table 6-6: Signal Capacitance

$$\text{Total Bus Capacitance} = C_{\text{HOST}} + C_{\text{BUS}} + N \cdot C_{\text{Card}}$$

| Item                                       | Symbol                 | Min. | Max. | Unit  | Note   |
|--|------------------------|------|------|-------|--|
| Pull-Up Resistance                         | $R_{CMD}$<br>$R_{DAT}$ | 10   | 100  | K Ohm |  |
| Total Bus Capacitance for Each Signal Line | $C_L$                  | -    | 40   | pF    | 1 Card<br>$C_{\text{HOST}}+C_{\text{BUS}}$ Shall Not Exceed 30pF |
| Card Capacitance for Each Signal Pin       | $C_{\text{CARD}}$      | -    | 10   | pF    |  |
| Maximum Signal Line Inductance             |                        | -    | 16   | nH    |  |
| Pull-Up Resistance Inside Card(Pin 1)      | $R_{\text{DAT}3}$      | 10   | 90   | K Ohm | May Be Used for Card Detection                                   |
| Capacity Connected to Power Line           | $C_C$                  | -    | 5    | uF    | To Prevent Inrush Current  |

Note: WP pull-up ( $R_{wp}$ ) Value is depend on the Host Interface drive circuit.

### 6.4.2. AC Characteristics (Default)

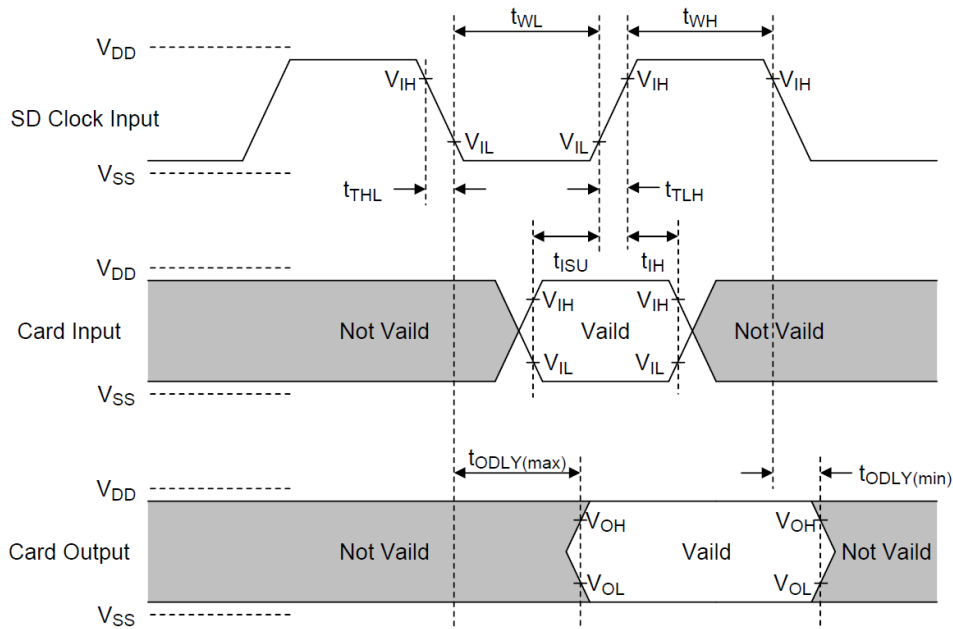


Figure 6-1: AC Timing Diagram (Default)

Table 7-1: AC Characteristics (Default)

| Item                                       | Symbol     | Min.      | Max. | Unit | Note                             |
|--|------------|-----------|------|------|----------------------------------|
| Clock Frequency (In Any State)             | $f_{STP}$  | 0         | 25   | MHz  | $C_{CARD} \leq 10pF$<br>(1 Card) |
| Clock Frequency (Data Transfer Mode)       | $f_{PP}$   | 0         | 25   | MHz  |                                  |
| Clock Frequency (Card Identification Mode) | $f_{OD}$   | 0/100(*1) | 400  | KHz  |                                  |
| Clock Low Time                             | $t_{WL}$   | 10        | -    | ns   |                                  |
| Clock High Time                            | $t_{WH}$   | 10        | -    | ns   |                                  |
| Clock Rise Time                            | $t_{TLH}$  | -         | 10   | ns   |                                  |
| Clock Fall Time                            | $t_{THL}$  | -         | 10   | ns   |                                  |
| Input Set-up Time                          | $t_{ISU}$  | 5         | -    | ns   |                                  |
| Input Hold Time                            | $t_{IH}$   | 5         | -    | ns   |                                  |
| Output Delay Time (Data Transfer Mode)     | $t_{ODLY}$ | 0         | 14   | ns   |                                  |
| Output Delay Time (Identification Mode)    | $t_{ODLY}$ | 0         | 50   | ns   |                                  |

(\*1) 0Hz means to stop the clock. The given minimum frequency range is for cases where continuous clock is required.

### 6.4.3. AC Characteristics (High-Speed)

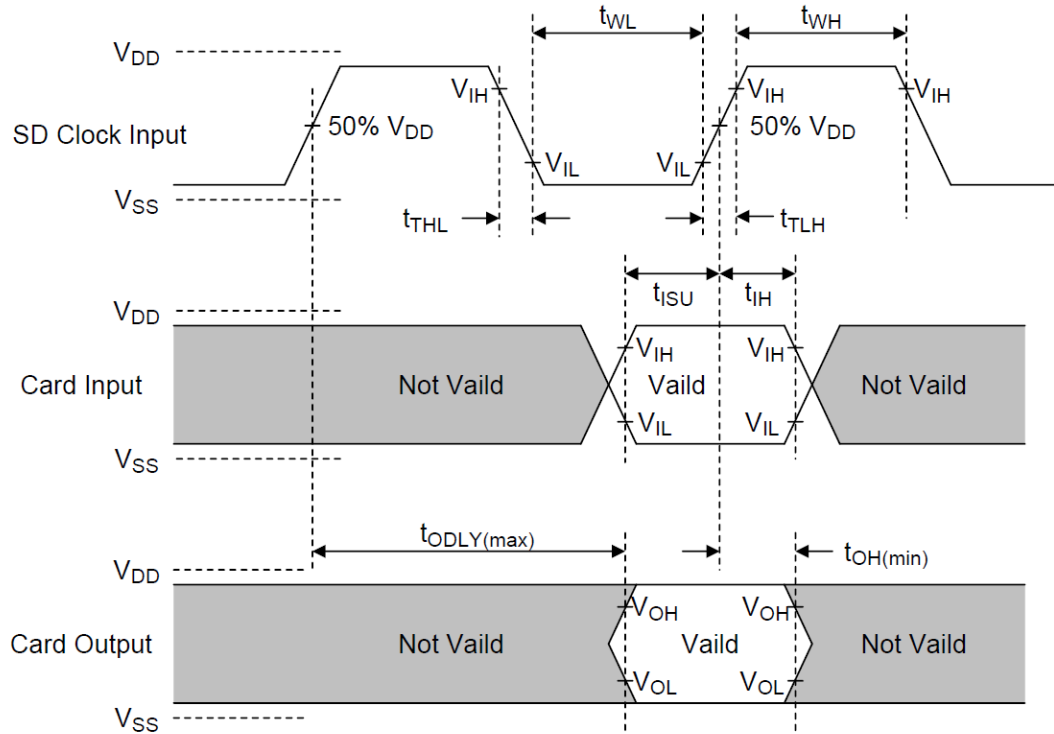


Figure 6-2: AC Timing Diagram (High-Speed)

Table 7-2: AC Characteristics (High-Speed)

| Item                                   | Symbol     | Min. | Max. | Unit | Note                                 |
|--|------------|------|------|------|--------------------------------------|
| Clock Frequency (Data Transfer Mode)   | $f_{PP}$   | 0    | 50   | MHz  | $C_{CARD} \leq 10\text{pF}$ (1 Card) |
| Clock Low Time                         | $t_{WL}$   | 7    | -    | ns   | $C_{CARD} \leq 10\text{pF}$ (1 Card) |
| Clock High Time                        | $t_{WH}$   | 7    | -    | ns   | $C_{CARD} \leq 10\text{pF}$ (1 Card) |
| Clock Rise Time                        | $t_{TLH}$  | -    | 3    | ns   | $C_{CARD} \leq 10\text{pF}$ (1 Card) |
| Clock Fall Time                        | $t_{THL}$  | -    | 3    | ns   | $C_{CARD} \leq 10\text{pF}$ (1 Card) |
| Input Set-up Time                      | $t_{ISU}$  | 6    | -    | ns   | $C_{CARD} \leq 10\text{pF}$ (1 Card) |
| Input Hold Time                        | $t_{IH}$   | 2    | -    | ns   | $C_{CARD} \leq 10\text{pF}$ (1 Card) |
| Output Delay Time (Data Transfer Mode) | $t_{ODLY}$ | -    | 14   | ns   | $C_{CARD} \leq 10\text{pF}$ (1 Card) |
| Output Hold Time                       | $T_{OH}$   | 2.5  | -    | ns   | $C_{CARD} \leq 10\text{pF}$ (1 Card) |
| Total System Capacitance               | $C_L$      | -    | 40   | pF   | $C_{CARD} \leq 10\text{pF}$ (1 Card) |



### 6.4.4 AC Characteristics (SDR12, SDR25, SDR50, and SDR104 Modes)

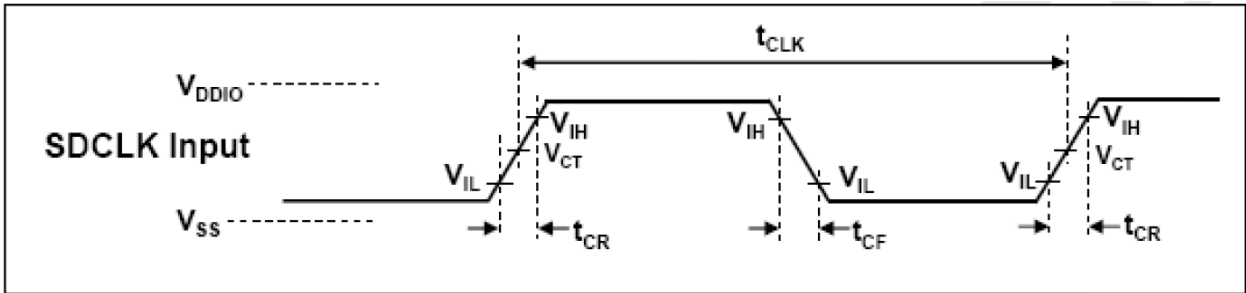


Figure 6-3: AC Timing Diagram (SDR12, SDR25, SDR50, and SDR104 Modes Input)

Table 7-3: AC Characteristics (SDR12, SDR25, SDR50, and SDR104 Modes Input)

| Symbol           | Min. | Max.                | Unit | Remark   |
|------------------|------|---------------------|------|--|
| $t_{CLK}$        | 4.80 | -                   | ns   | 208MHz(Max.), between rising edge, $V_{CT}=0.975V$           |
| $t_{CR}, t_{CF}$ | -    | $0.2 \cdot t_{CLK}$ | ns   | $t_{CR}, t_{CF} < 2.00ns(Max.)$ at 100MHz, $C_{CARD} = 10pF$ |
| Clock Duty       | 30   | 70                  | %    |  |

## 7. Card Internal Information

### 7.1. Security Information

MKB (Media Key Block) and Media ID are Kingston Standard Information. These information are compliance with the CPRM.

Note: The security information is NOT Development information for evaluation. Host System shall be compliance with the CPRM to use the security function.

This information is kept as confidential because of security reasons.

### 7.2. SD Card Registers

The device has six Registers and two Status information: OCR, CID, CSD, RCA, DSR, SCR and Card Status, SD Status same with Card Status. DSR IS NOT SUPPORTED in this card.

There are two types of register groups.

MMC compatible registers: OCR, CID, CSD, RCA, DSR, and SCR SD card Specific: SD Status and Card Status

Table 8: SD card Registers

| Register Name | Bit Width (bit) | Description                   |
|---------------|-----------------|-------------------------------|
| <b>CID</b>    | 128             | Card Identification           |
| <b>RCA</b>    | 16              | Relative Card Address         |
| <b>DSR</b>    | 16              | Driver Stage Register         |
| <b>CSD</b>    | 128             | Card Specific Data            |
| <b>SCR</b>    | 64              | SD Configuration Register     |
| <b>OCR</b>    | 32              | Operation Conditions Register |
| <b>SSR</b>    | 512             | SD Status                     |
| <b>CSR</b>    | 32              | Card Status Register          |

### 7.2.1 OCR Register

This 32-bit register describes operating voltage range and status bit in the power supply.

Table 9: OCR Register Definition

| OCR bit Position | OCR Fields Definition                        |                                   | Response Value |      |      |
|------------------|--|-----------------------------------|----------------|------|------|
|                  |  |                                   | 8GB            | 16GB | 32GB |
| 0-3              | VDD Voltage Window                           | Reserved                          | 0              | 0    | 0    |
| 4-6              |  | Reserved                          | 0              | 0    | 0    |
| 7                |  | Reserved for Low Voltage Range    | 0              | 0    | 0    |
| 8-14             |  | Reserved                          | 0              | 0    | 0    |
| 15               |  | 2.8 ~ 2.7                         | 1              | 1    | 1    |
| 16               |  | 2.9 ~ 2.8                         | 1              | 1    | 1    |
| 17               |  | 3.0 ~ 2.9                         | 1              | 1    | 1    |
| 18               |  | 3.1 ~ 3.0                         | 1              | 1    | 1    |
| 19               |  | 3.2 ~ 3.1                         | 1              | 1    | 1    |
| 20               |  | 3.3 ~ 3.2                         | 1              | 1    | 1    |
| 21               |  | 3.4 ~ 3.3                         | 1              | 1    | 1    |
| 22               |  | 3.5 ~ 3.4                         | 1              | 1    | 1    |
| 23               |  | 3.6 ~ 3.5                         | 1              | 1    | 1    |
| 24 <sup>1</sup>  |  | Switching to 1.8V Accepted (S18A) | 1              | 1    | 1    |
| 25-29            | Reserved                                     | 0                                 | 0              | 0    |      |
| 30               | Card Capacity Status(CCS) <sup>2</sup>       | 1                                 | 1<br>(SDHC)    | 1    |      |
| 31               | Card Power Up Status bit (Busy) <sup>3</sup> | "0" = Busy<br>"1" = Ready         |                |      |      |

(1) bit24: Only UHS-I card supports this bit.

(2) bit30 : This bit is valid only when the card power up status bit is set.

(3) bit31: This bit is set to LOW if the card has not finished the power up routine.

bit 23-4: Describes the SD Card Voltage

bit 31 indicates the card power up status. Value "1" is set after power up and initialization procedure has been completed.

### 7.2.2 CID Register

The CID (Card Identification) register is 128-bit width. It contains the card identification information. The Value of CID Register is vendor specific.

Table 10: CID Register

| Name                  | Field | Width | CID-Slice | Initial Value    |      |      |
|-----------------------|-------|-------|-----------|------------------|------|------|
|                       |       |       |           | 8GB              | 16GB | 32GB |
| Manufacturer ID       | MID   | 8     | [127:120] | 41h              |      |      |
| OEM/Application ID    | OID   | 16    | [119:104] | 3432h            |      |      |
| Product Name          | PNM   | 40    | [103:64]  | SDCIT            |      |      |
| Product Revision      | PRV   | 8     | [63:56]   | 30h              |      |      |
| Product Serial Number | PSN   | 32    | [55:24]   | PSN <sup>A</sup> |      |      |
| Reserved              | --    | 4     | [23:20]   | --               |      |      |
| Manufacturing Date    | MDT   | 12    | [19:8]    | MDT <sup>B</sup> |      |      |
| CRC7 Checksum         | CRC   | 7     | [7:1]     | CRC <sup>C</sup> |      |      |
| Not Used, Always 1    | -     | 1     | [0:0]     | 1                |      |      |

(A), (B): Change at Production for individual SD Card.

(C) Final sum for the CID Register

### 7.2.3 CSD Register

CSD is Card-Specific Data Register provides information on 128bit width.

Table 11: CSD Register

| Name   | Field              | Width | Cell Type          | CSD-Slice | Initial Value |          |          |
|--|--------------------|-------|--------------------|-----------|---------------|----------|----------|
|  |                    |       |                    |           | 8GB           | 16GB     | 32GB     |
| CSD Structure                                    | CSD_STRUCTURE      | 2     | R                  | [127:126] | 0x01          |          |          |
| Reserved   | -                  | 6     | R                  | [125:120] | 0x00          |          |          |
| Data Read Access-Time-1                          | TAAC               | 8     | R                  | [119:112] | 0x0E          |          |          |
| Data Read Access-Time-2 in CLK Cycles (NSAC*100) | NSAC               | 8     | R                  | [111:104] | 0x00          |          |          |
| Max. Data Transfer Rate                          | TRAN_SPEED         | 8     | R                  | [103:96]  | 0x5A          |          |          |
| Card Command Classes                             | CCC                | 12    | R                  | [95:84]   | 0x5B5         |          |          |
| Max. Read Data Block Length                      | READ_BLK_LEN       | 4     | R                  | [83:80]   | 0x09          |          |          |
| Partial Blocks for Read Allowed                  | READ_BLK_PARTIAL   | 1     | R                  | [79:79]   | 0x00          |          |          |
| Write Block Misalignment                         | WRITE_BLK_MISALIGN | 1     | R                  | [78:78]   | 0x00          |          |          |
| Read Block Misalignment                          | READ_BLK_MISALIGN  | 1     | R                  | [77:77]   | 0x00          |          |          |
| DSR Implemented                                  | DSR_IMP            | 1     | R                  | [76:76]   | 0x00          |          |          |
| Reserved   | -                  | 6     | R                  | [75:70]   | 0x00          |          |          |
| Device Size                                      | C_SIZE             | 22    | R                  | [69:48]   | 0x003A4F      | 0x00749F | 0x00E93F |
| Reserved   | -                  | 1     | R                  | [47:47]   | 0x00          |          |          |
| Erase Single Block Enable                        | ERASE_BLK_EN       | 1     | R                  | [46:46]   | 0x01          |          |          |
| Erase Sector Size                                | SECTOR_SIZE        | 7     | R                  | [45:39]   | 0x7F          |          |          |
| Write Protect Group Size                         | WP_GRP_SIZE        | 7     | R                  | [38:32]   | 0x00          |          |          |
| Write Protect Group Enable                       | WP_GRP_ENABLE      | 1     | R                  | [31:31]   | 0x00          |          |          |
| Reserved (Do Not Use)                            | -                  | 2     | R                  | [30:29]   | 0x00          |          |          |
| Write Speed Factor                               | R2W_FACTOR         | 3     | R                  | [28:26]   | 0x02          |          |          |
| Max. Write data Block Length                     | WRITE_BLK_LEN      | 4     | R                  | [25:22]   | 0x09          |          |          |
| Partial Blocks for Write Allowed                 | WRITE_BLK_LEN      | 1     | R                  | [21:21]   | 0x00          |          |          |
| Reserved   | -                  | 5     | R                  | [20:16]   | 0x00          |          |          |
| File Format Group                                | FILE_FORMAT_GRP    | 1     | R                  | [15:15]   | 0x00          |          |          |
| Copy Flag  | COPY               | 1     | R/W <sup>(1)</sup> | [14:14]   | 0x00          |          |          |
| Permanent Write Protection                       | PERM_WRITE_PROTECT | 1     | R/W <sup>(1)</sup> | [13:13]   | 0x00          |          |          |
| Temporary Write Protection                       | TMP_WRITE_PROTECT  | 1     | R/W                | [12:12]   | 0x00          |          |          |
| File Format                                      | FILE_FORMAT        | 2     | R                  | [11:10]   | 0x00          |          |          |
| Reserved   | -                  | 2     | R                  | [9:8]     | 0x00          |          |          |
| CRC  | CRC                | 7     | R/W                | [7:1]     | 0x25          | 0x77     | 0x5A     |
| Not Used, Always "1"                             | -                  | 1     | -                  | [0:0]     | 0x01          |          |          |

Cell Types: R: Read Only, R/W: Readable and Writable, R/W(1): One-time Writable / Readable

Note: Erase of one data block is not allowed in this card. This information is indicated by "ERASE\_BLK\_EN".

Host System should refer this value before one data block size erase.

### 7.2.4 RCA Register

The Writable 16-bit relative card address register carries the card address in SD Card mode.

### 7.2.5 DSR Register

This register is not supported.

### 7.2.6 SCR Register

SCR(SD Card Configuration Register) provides information on SD Memory Card's special features. The size of SCR Register is 64 bit.

Table 12: SCR Register

| Description                     | Field                 | Width | Cell Type | SCR Slice | Value               |      |      |
|---------------------------------|-----------------------|-------|-----------|-----------|---------------------|------|------|
|                                 |                       |       |           |           | 8GB                 | 16GB | 32GB |
| SCR Structure                   | SCR_STRUCTURE         | 4     | R         | [63:60]   | 0x00                |      |      |
| SD Memory Card Spec. Version    | SD_SPEC               | 4     | R         | [59:56]   | 0x02                |      |      |
| Data Status After Erases        | DATA_STAT_AFTER_ERASE | 1     | R         | [55:55]   | 0x00                |      |      |
| CPRM Security Support           | SD_SECURITY           | 3     | R         | [54:52]   | 0x03                |      |      |
| DAT Bus Widths Supported        | SD_BUS_WIDTHS         | 4     | R         | [51:48]   | 0x05                |      |      |
| Spec. Version 3.00 or Higher    | SD_SPEC3              | 1     | R         | [47:47]   | 0x01                |      |      |
| Extended Security Support       | EX_SECURITY           | 4     | R         | [46:43]   | 0x00                |      |      |
| Spec Version 4.00 or Higher     | SD_SPEC4              | 1     | R         | [42:42]   | 0x00                |      |      |
| Reserved                        | -                     | 6     | R         | [41:36]   | 0x00                |      |      |
| Command Support Bits            | CMD_SUPPORT           | 4     | R         | [35:32]   | 0x02                |      |      |
| Reserved for Manufacturer Usage | -                     | 32    | R         | [31:0]    | 0x01 0x00 0x00 0x00 |      |      |

## 7.2.7 Card Status

Table 13: Card Status

| Field                    | Width | SCR Slice | Type  | Value |      |      |
|--------------------------|-------|-----------|-------|-------|------|------|
|                          |       |           |       | 8GB   | 16GB | 32GB |
| OUT_OF_RANGE             | 1     | [31:31]   | E R X | 0     |      |      |
| ADDRESS_ERROR            | 1     | [30:30]   | E R X | 0     |      |      |
| BLOCK_LEN_ERROR          | 1     | [29:29]   | E R X | 0     |      |      |
| ERASE_SEQ_ERROR          | 1     | [28:28]   | E R   | 0     |      |      |
| ERASE_PARAM_ERROR        | 1     | [27:27]   | E R X | 0     |      |      |
| WP_VIOLATION:PROTECTED   | 1     | [26:26]   | E R X | 0     |      |      |
| CARD_IS_LOCKED           | 1     | [25:25]   | S X   | 0     |      |      |
| LOCK_UNLOCK_FAIL         | 1     | [24:24]   | E R X | 0     |      |      |
| COM_ECC_ERROR            | 1     | [23:23]   | E R   | 0     |      |      |
| ILLEGAL_COMMAND          | 1     | [22:22]   | E R   | 0     |      |      |
| CARD_ECC_FAILED          | 1     | [21:21]   | E R X | 0     |      |      |
| CC_ERROR                 | 1     | [20:20]   | E R X | 0     |      |      |
| General or Unknown ERROR | 1     | [19:19]   | E R X | 0     |      |      |
| Reserved                 | 1     | [18:18]   | -     | 0     |      |      |
| Reserved                 | 1     | [17:17]   | -     | 0     |      |      |
| CSD_OVERWRITE            | 1     | [16:16]   | E R X | 0     |      |      |
| WP_ERASE_SKIP:PROTECTED  | 1     | [15:15]   | E R X | 0     |      |      |
| CARD_ECC_DISABLED        | 1     | [14:14]   | S X   | 0     |      |      |
| ERASE_RESET              | 1     | [13:13]   | S R   | 0     |      |      |
| CURRENT_STATE            | 4     | [12:9]    | S X   | 4     |      |      |
| READY_FOR_DATA           | 1     | [8:8]     | S X   | 1     |      |      |
| Reserved                 | 1     | [7:7]     | -     | 0     |      |      |
| FX_EVENT                 | 1     | [6:6]     | S X   | 0     |      |      |
| APP_CMD                  | 1     | [5:5]     | S     | 0     |      |      |
| Reserved                 | 1     | [4:4]     | R     | 0     |      |      |
| AKE_SEQ_ERROR            | 1     | [3:3]     | E R   | 0     |      |      |
| Reserved                 | 1     | [2:2]     | -     | 0     |      |      |
| Reserved                 | 1     | [1:1]     | -     | 0     |      |      |
| Reserved                 | 1     | [0:0]     | -     | 0     |      |      |

E: Error bit , S: Status bit , R: Detected and set for actual command response.

X: Detected and set during command execution.

## Appendix: microSD Card Mechanical Dimensions (Unit : mm)

